

PARTS MANUAL
FOR
HAGIE MODEL 284 HI-TRACTOR
DETAASSELLER OPTION

HAGIE MANUFACTURING COMPANY

BOX 273 CLARION, IOWA 50525 (515) 532-2861

COVERS MACHINE SERIAL NUMBERS: 047849001 thru 047849200

04-94 493146
02-08

SPRAYER IDENTIFICATION

Each Hagie sprayer is identified by means of a frame serial number.

This serial number denotes the model, the year in which it was built, and the number of the sprayer. As for further identification, the engine has a serial number and the planetary hubs have identification plates that describe the type of mount and gear ratio. To insure prompt, efficient service when ordering parts or requesting service repairs from Hagie Manufacturing Company, record the serial and identification numbers in the space provided below.

NOTE: Reference to left hand and right hand used throughout this manual refers to the position when seated in the operator's seat facing forward.

SPRAYER SERIAL NUMBER

ENGINE SERIAL NUMBER

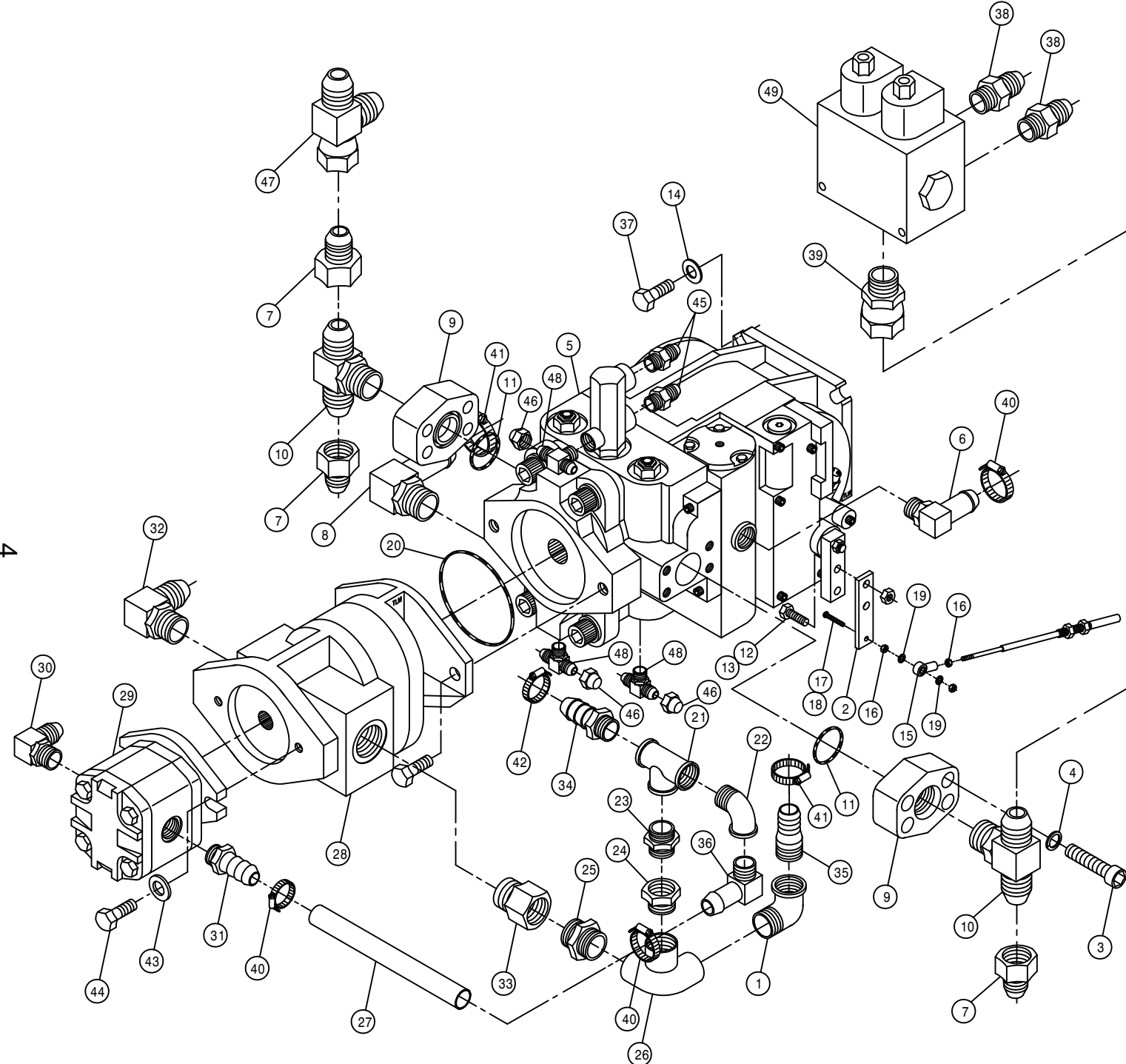
PLANETARY HUB IDENTIFICATION NUMBERS

TABLE OF CONTENTS

HYDRAULIC PUMP ASSEMBLY	4
FLOW DIVIDER AND VFC VALVE.	5
HYDRAULIC TANK.	6
FILTER ASSEMBLY	7
OUTRIGGER ASSEMBLY.	8-9
CUTTER HEAD ASSEMBLY.	10
QUAD HEAD ASSEMBLY.	11
LIFT CYLINDER ASSEMBLY.	12
LS CONTROL ASSEMBLY	13-15
MOTOR CONTROL VALVE ASSEMBLY.	16-17
ELECTRIC VALVE ASSEMBLY	18-19
DEPTH COMMAND	20-21
HYDRAULIC SCHEMATIC	22-37
ELECTRIC SCHEMATIC.	38-42
ABBREVIATIONS	43
INDEX	44

COMBO SUNDSTRAND PUMP ASSEMBLY

DET. QTY PART NO. DESCRIPTION



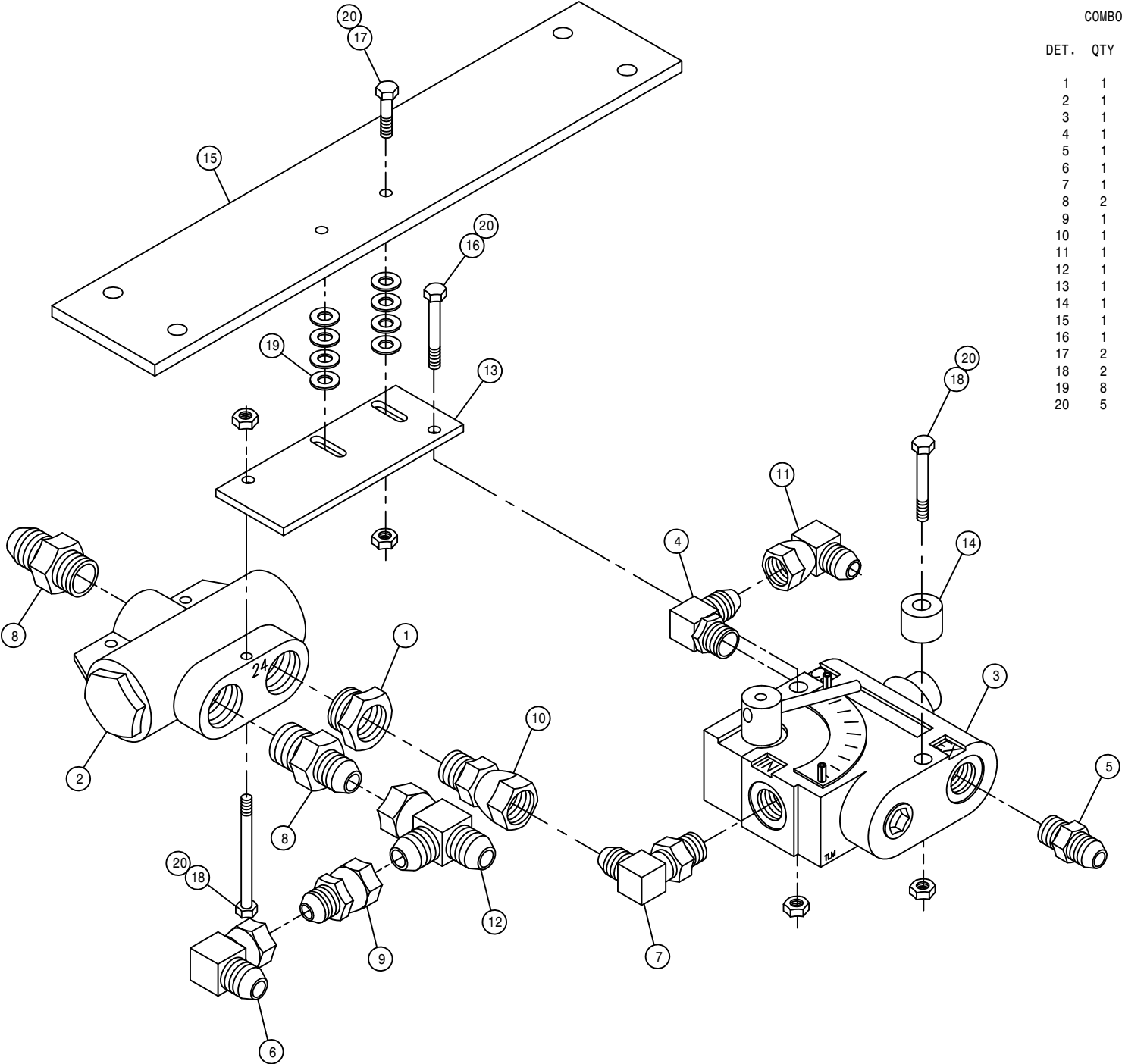
DET.	QTY	PART NO.	DESCRIPTION
1	1	506410	BLK PIPE ST EL 90DEG 1.25NPT
2	1	316160	PUMP CONT LEVER EXT 280 CUMM
3	8	470188	7/16-14 X 1 1/2 SOCHD CAP SCR
4	8	470189	7/16 HC LOCK WASH FOR 618598
5	1	606902	SUND 100CC PUMP,B-MT W/FILT
6	1	618118	3/4 HOSE BARB-90-1 1/16MOR
7	3	618541	1 5/16FJIC-1 1/16MJIC ADPTR
8	1	618626	1 1/4 HOSE BARB-45-1 5/8MOR
9	2	618598	1 IN 4-BOLT FLG X 1 5/16FOR
10	2	618599	1 5/16MOR BRANCH TEE-1 5/16MJ
11	2	870219	BUNA ORING 1 5/16 X 1 9/16
12	2	900003	1/4UNC X 1 HEX BOLT
13	2	914000	1/4UNC HEX STOVER NUT
14	4	920004	1/2 FLAT WASHER SAE
15	1	473921	BALL JOINT NO 10-32 THD
16	2	910027	#10-32 HEX NUT
17	1	903893	10 32 X 1 SLT RD HD MACH SCR
18	1	914027	#10-32 HEX STOVER NUT
19	2	920510	LOCK WASH NO 10
20	1	606870	O-RING FOR 606865 SUND B-MT
21	1	505101	BLK PIPE TEE 1.00NPT
22	1	505200	BLK PIPE ST EL 90DEG 1.00NPT
23	1	505105	1MNPT HEX PIPE NIPPLE STL
24	1	506005	1 1/4 TO 1 RED BUSH BLK MAL
25	1	507026	1 1/4MNPT HEX PIPE NIPPLE STL
26	1	506701	SIDE OUTLET EL 90DEG 1.25NPT
27	1	601311	HOSE, 3/4 X 8 2BR RED
28	1	606894	SUND GEAR PUMP 3.40CI SPLINED
29	1	606891	SUND GEAR PMP .52CI SPLINED
30	1	611128	7/8MJIC-90-7/8MOR LBO
31	1	618075	3/4 HOSE BARB-1 1/16MOR
32	1	618178	1 5/16MJIC-90-1 5/16MOR LBO
33	1	618596	1 5/8MOR-1 1/4FNPT ADPTR
34	1	714560	1NPT X 1 HOSE BARB
35	1	715660	HOSE BARB 1 1/4NPT X 1 1/4
36	1	716000	3/4 HOSE BARB-90-1MNPT
37	2	900265	1/2UNC X 1 1/2 HEX BOLT
38	2	618308	1 1/16MJIC-1 5/16MOR ADPTR
39	1	618588	1 5/16MOR-1 5/16FJIC SWIV
40	3	520055	HOSE CLAMP NO 12 PLATED
41	2	520085	HOSE CLAMP NO 24 PLATED
42	1	520087	HOSE CLAMP NO 20 PLATED
43	2	920002	WASH FLAT 3/8 SAE
44	2	900130	3/8UNC X 1 1/4 HEX BOLT
45	2	618327	3/4MJIC-7/8MOR ADPTR
46	3	618531	9/16FJIC CAP NUT
47	1	618487	1 1/16FJ SW RUN TEE-1 1/16MJ
48	3	618629	9/16MOR BRANCH TEE-9/16MJIC
49	1	610586	POSITRACTION VLV

4

COMBO FLOW DIVIDER AND VFC ASSEMBLY

DET. QTY PART NO. DESCRIPTION

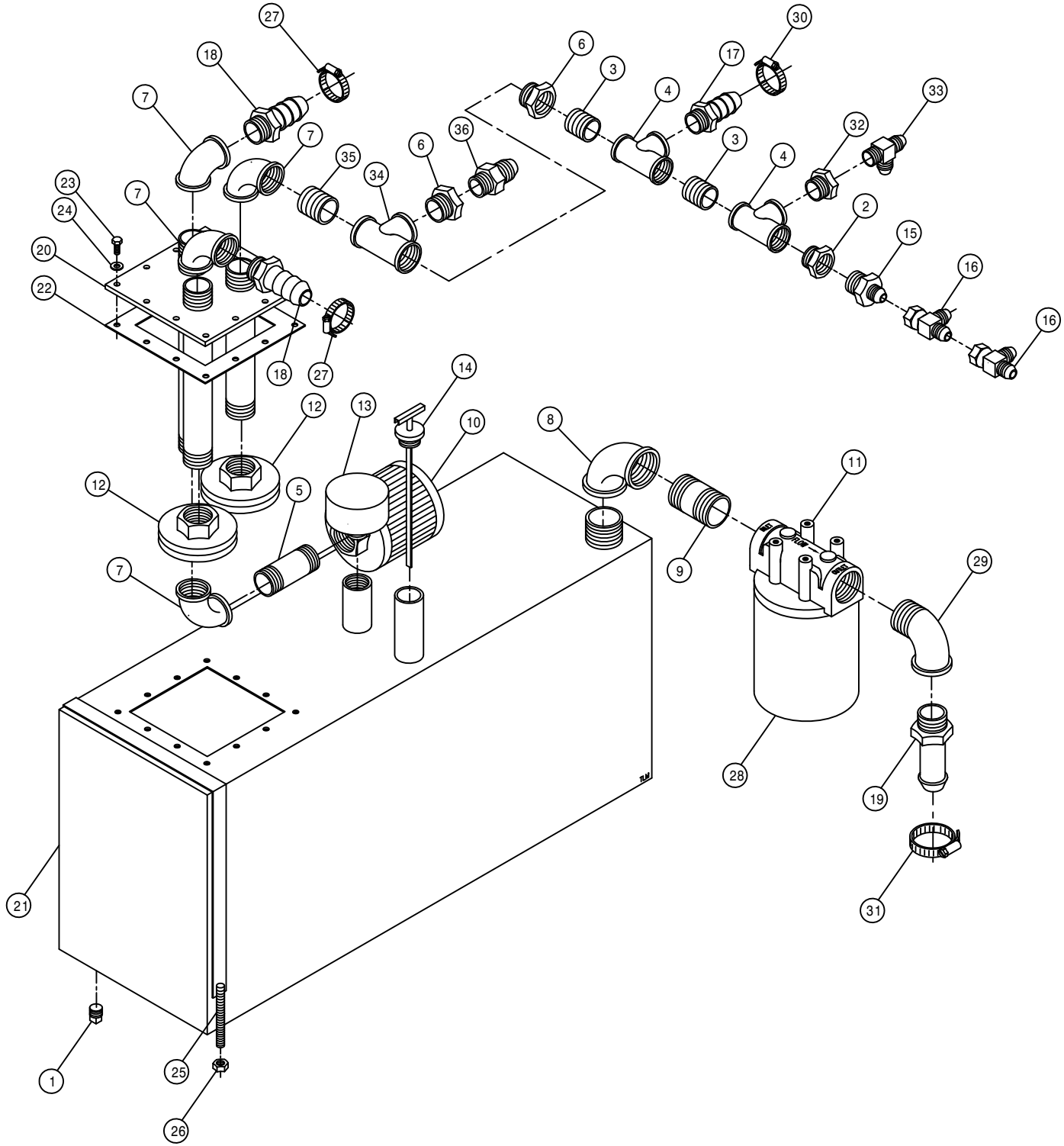
DET.	QTY	PART NO.	DESCRIPTION
1	1	505213	RED BUSH 1 X 3/4 BLK MAL
2	1	606836	FLO DIV BG424 24GPM PRI 1NPT
3	1	607510	FLO CONT FCR51 0-30VARI 7/8OR
4	1	618183	3/4MJIC-90-7/8MOR LBO
5	1	618189	1 1/16MJIC-7/8MOR ADPTR
6	1	618191	1 1/16MJ-90-1 1/16FJ SWIV LBO
7	1	618279	1 1/16MJIC-90-7/8MOR LBO
8	2	618322	1 5/16MJIC-1MNPT ADPTR
9	1	618541	1 5/16FJIC-1 1/16MJIC ADPTR
10	1	618579	1 1/16FJIC SWIV-3/4MNPT
11	1	618609	3/4MJIC-90-3/4FJIC SWIV LBO
12	1	618619	1 5/16FJ SW RUN TEE-15/16MJ
13	1	438452	VFC/BG424 MTG BRKT 280 COMBO
14	1	438453	VFC STOP, 280 COMBO
15	1	341968	TIE PLT 250/280 CUMM
16	1	900008	1/4UNC X 2 1/2 HEX BOLT
17	2	900004	1/4UNC X 1 1/4 HEX BOLT
18	2	900010	1/4UNC X 3" HEX BOLT
19	8	920000	1/4 SAE FLAT WASHER
20	5	914000	1/4UNC HEX STOVER NUT



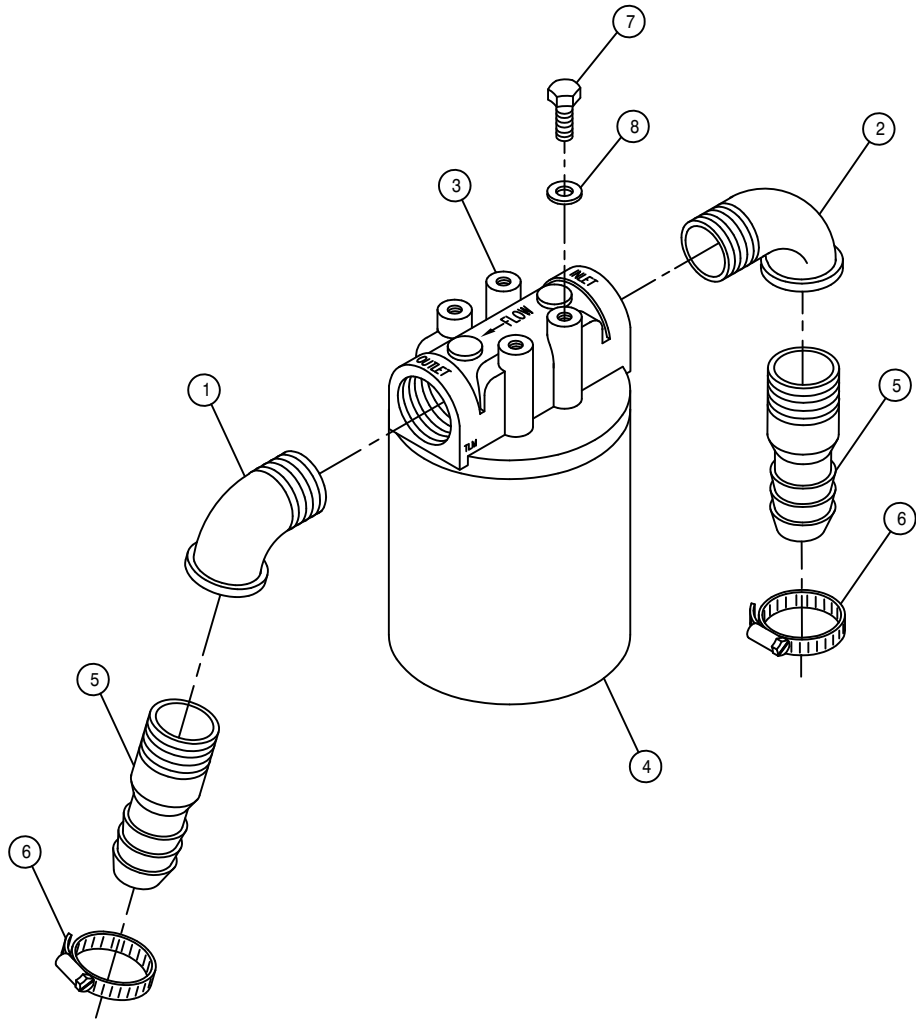
COMBO HYDRAULIC TANK ASSEMBLY

DET. QTY PART NO. DESCRIPTION

DET.	QTY	PART NO.	DESCRIPTION
1	1	501102	1/4 PIPE PLUG
2	1	504210	RED BUSH 3/4 NPT X 1/2 NPT
3	2	504702	CLOSE NIPPLE .75NPT
4	2	504955	BLK PIPE TEE .75NPT
5	1	505203	BLK PIPE NIPPLE 1.00NPT-4.00
6	2	505213	RED BUSH 1 X 3/4 BLK MAL
7	4	505300	BLK PIPE EL 90DEG 1.00NPT
8	1	506303	BLK PIPE EL 90DEG 1.25NPT
9	1	506602	PIPE NIPPLE 1 1/4NPT-2 1/2
10	1	605600	MICHIGAN RESERVOIR FILTER
11	1	605601	GRESEN FILTER 10 MICRON 40GPM
12	2	605603	LINE SUMP DIFFUSER
13	1	611052	FILLER BREATHER 3/4NPT
14	1	614453	DIPSTICK, 8IN
15	1	618018	9/16MJIC-1/2MNPT ADPTR
16	2	618486	9/16FJIC SW RUN TEE-9/16MJIC
17	1	713220	HOSE BARB 3/4 NPT X 3/4
18	2	714560	1NPT X 1 HOSE BARB
19	1	715660	HOSE BARB 1 1/4NPT X 1 1/4
20	1	760090	RECIEVER PLT WLD 8240
21	1	760097	OIL TANK WLD 8240 1982
22	1	763039	HYD MTR MTG PLT GSKT
23	12	900064	5/16UNC X 3/4 HEX BOLT
24	12	920001	5/16 FLAT WASHER SAE PLT
25	2	341360	OIL TANK STRAP WLD 8240 1982
26	4	914004	3/8UNC HEX STOVER NUT
27	2	520087	HOSE CLAMP NO 20 PLATED
28	1	605602	FILT ELEMENT 10MICRON 40GPM
29	1	506410	BLK PIPE ST EL 90DEG 1.25NPT
30	1	520055	HOSE CLAMP NO 12 PLATED
31	1	520085	HOSE CLAMP NO 24 PLATED
32	1	504001	RED BUSH 3/4 X 1/4 BLK MAL
33	1	618520	1/4MNPT RUN TEE-9/16MJIC
34	1	505101	BLK PIPE TEE 1.00NPT
35	1	505201	CLOSE NIPPLE 1.00NPT
36	1	610300	3/4MJIC-3/4MNPT ADPTR



9

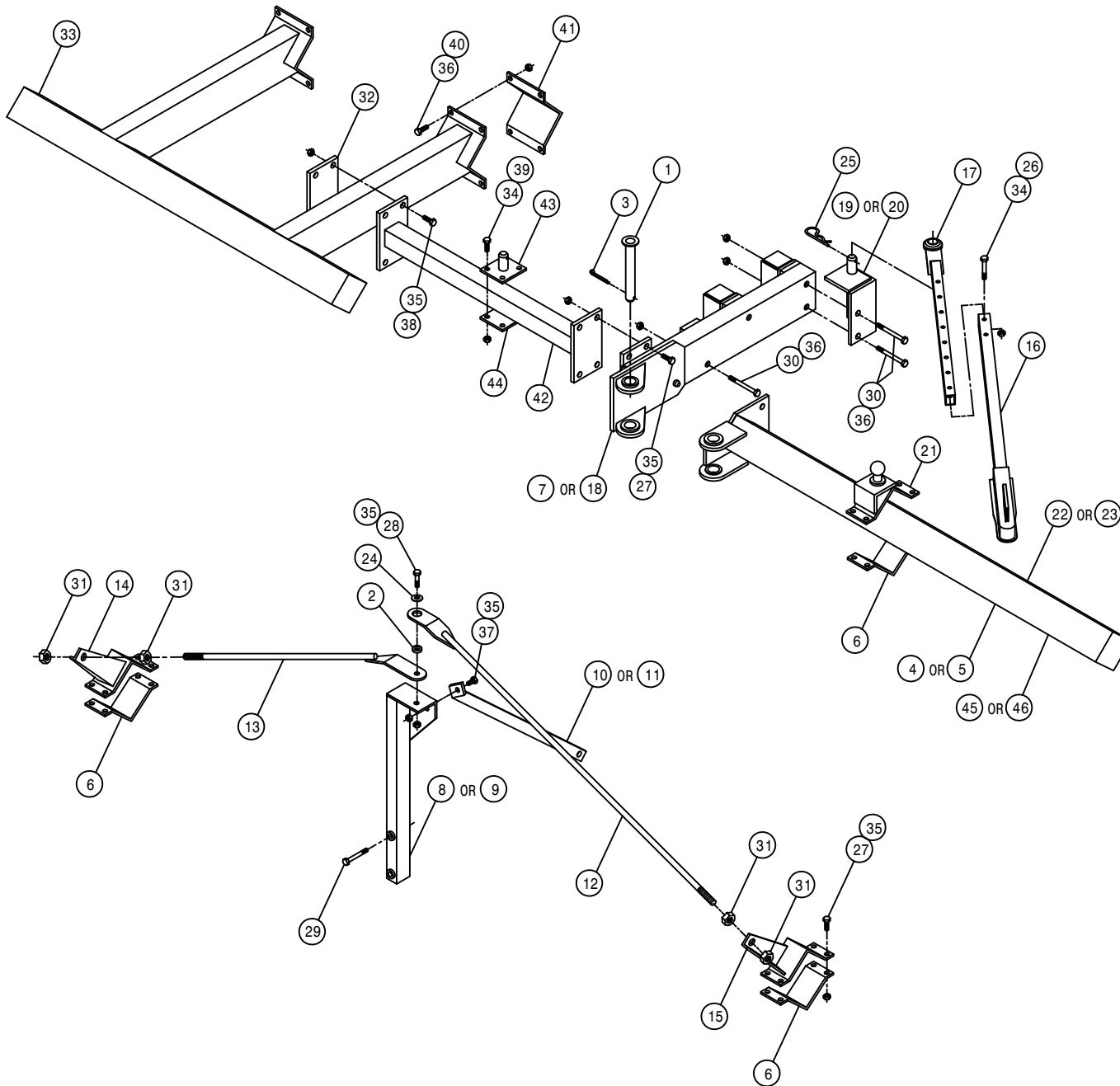


DETASSELER OPTION FILTER ASSEMBLY

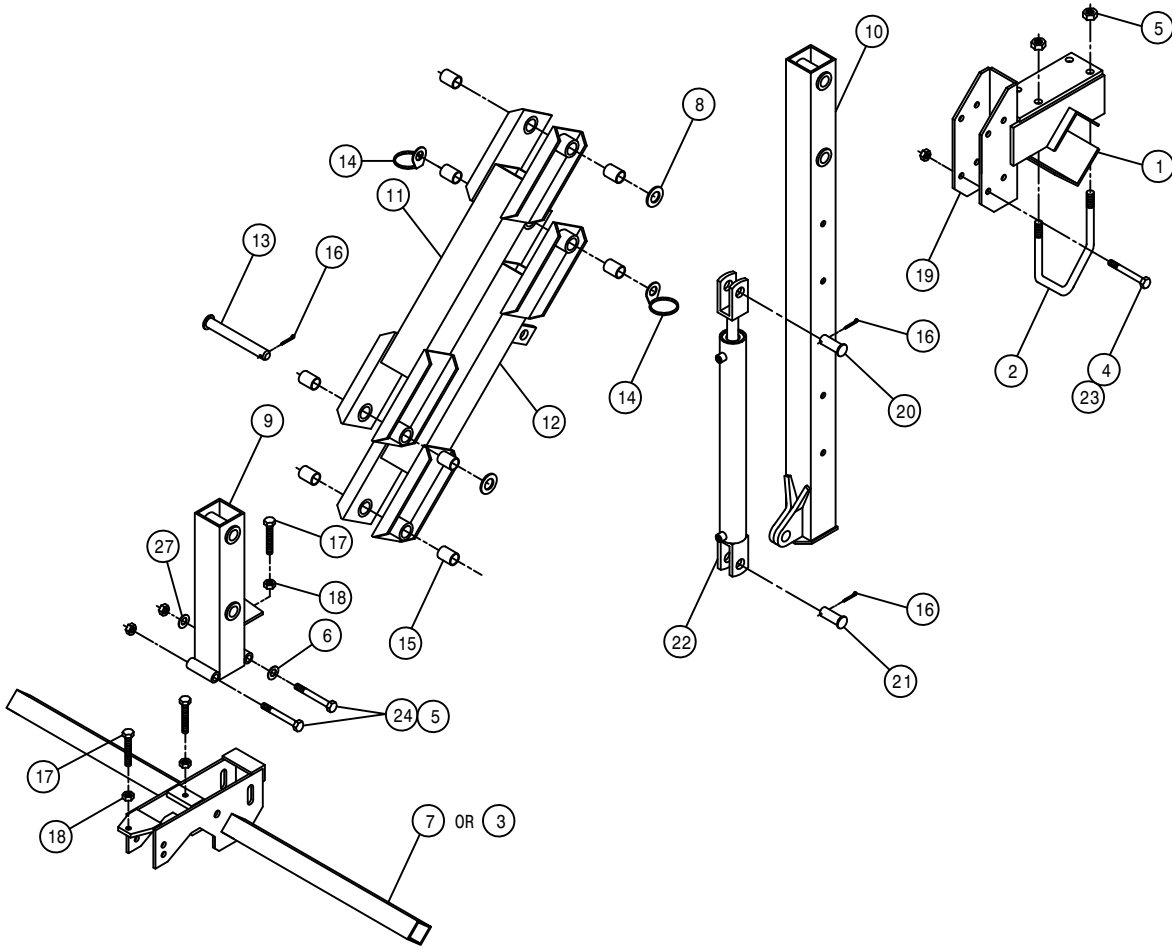
DET. QTY PART NO. DESCRIPTION

1	1	506409	BLK PIPE ST EL 45DEG 1.25NPT
2	1	506410	BLK PIPE ST EL 90DEG 1.25NPT
3	1	605601	GRESEN FILTER 10 MICRON 40GPM
4	1	605602	FILT ELEMENT 10MICRON 40GPM
5	2	715660	HOSE BARB 1 1/4NPT X 1 1/4
6	2	520085	HOSE CLAMP NO 24 PLATED
7	4	900062	5/16UNC X 1/2 HEX BOLT
8	4	920501	LOCK WASH 5/16

COMBO OUTRIGGER ASSEMBLY

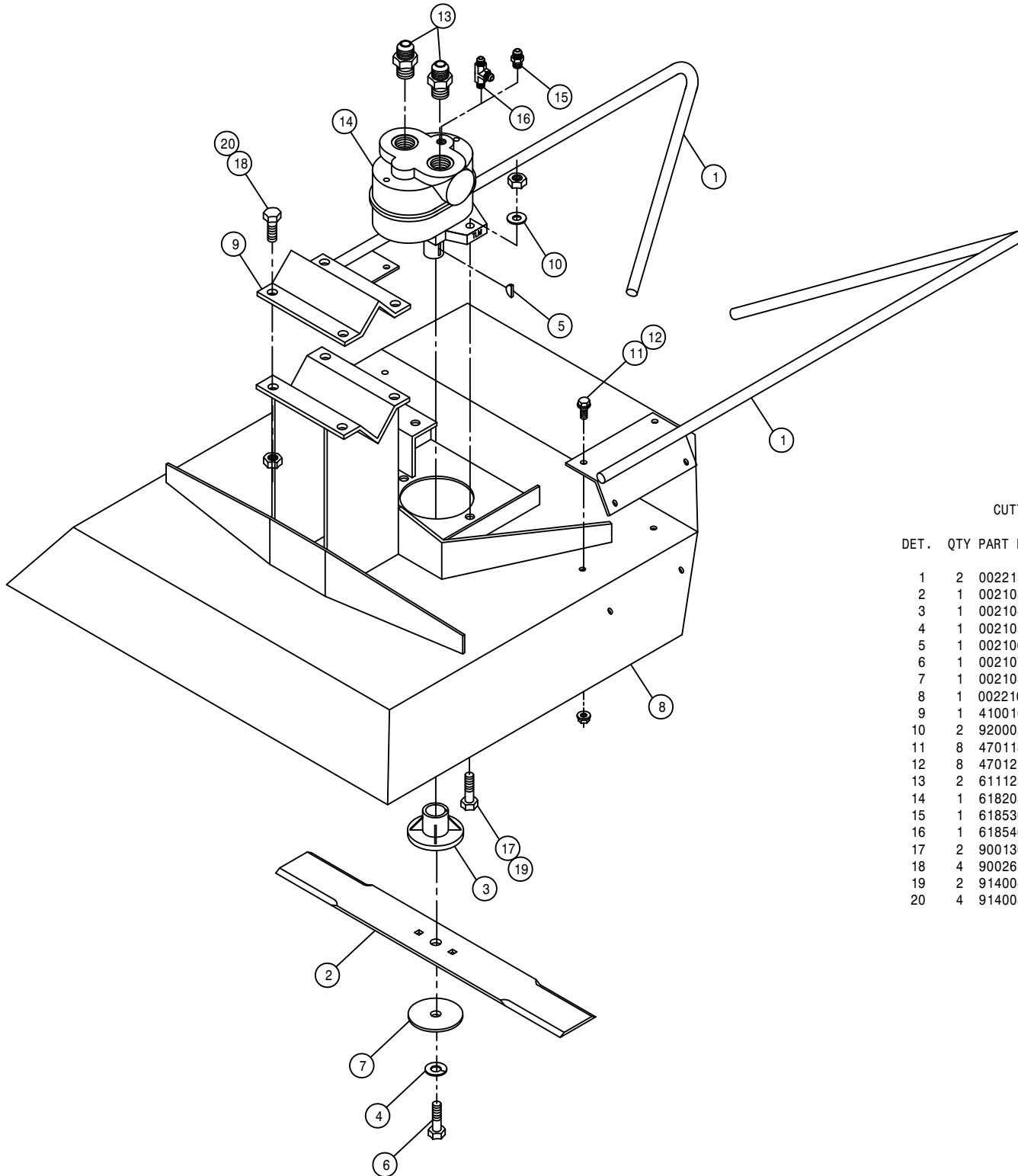


DET.	QTY	PART NO.	DESCRIPTION
	1	438283	OUTRGR PIVOT PIN WLD 8200 86
	2	438320	BUSH 1.00 OD X .531ID X.28LG
	3	470117	COTTER PIN 3/16 1 3/4 SQ CUT
	4	438307	RH 75IN OUTRGR WLD8200-850086
	5	438309	LH 75IN OUTRGR WLD8200-850086
	6	438324	75IN OUTRGR BRACE CLAMP
	7	438430	RH OUTRGR MT WLD 280 COMBO 92
	8	438349	RH OUTRGR SUPP POST WLD200 89
	9	438350	LH OUTRGR SUPP POST WLD200 89
	10	438447	RH OUTRGR SUPP BRACE COMBO 92
	11	438448	LH OUTRGR SUPP BRACE COMBO 92
	12	438357	OUTRGR SUPP ROD WLD 200 89
	13	438359	OUTRGR TIE BAR WLD 200 89
	14	438362	RH OUTRGR CLAMP WLD 200 89
	15	438363	LH OUTRGR CLAMP WLD 200 89
	16	438390	OUTER STABILIZER TUBE WLD 90
	17	438393	INNER STABILIZER TUBE WLD 90
	18	438431	LH OUTRGR MT WLD 280 COMBO 92
	19	438400	RH STABILIZER PIN MT WLD 90
	20	438403	LH STABILIZER PIN MT WLD 90
	21	438405	STABILIZER BALL MT WLD 90
	22	438277	RH 32IN OUTRGR WLD8200-850086
	23	438282	LH 32IN OUTRGR WLD8200-850086
	24	483041	1/2 REGULAR FLAT WASH PLT
	25	611016	HAIR PIN #6
	26	900133	3/8UNC X 2 HEX BOLT
	27	900265	1/2UNC X 1 1/2 HEX BOLT
	28	900266	1/2UNC X 1 3/4 HEX BOLT
	29	900271	1/2UNC X 3 1/4 HEX BOLT
	30	900347	5/8UNC X 6 1/2 HEX BOLT
	31	910012	3/4UNC HEX NUT
	32	438439	OUTRGR MT SUPP PLT 92
	33	438441	CTR TOOL BAR WLD 280 COMBO 92
	34	914004	3/8UNC HEX STOVER NUT
	35	914008	1/2UNC HEX STOVER NUT
	36	914010	5/8UNC HEX STOVER NUT
	37	900264	1/2UNC X 1 1/4 HEX BOLT
	38	900272	1/2UNC X 3 1/2 HEX BOLT
	39	900138	3/8UNC X 3 1/2 HEX BOLT
	40	900334	5/8UNC X 1 3/4 HEX BOLT
	41	438444	CTR TOOL BAR CLMP PLT COMBO92
	42	438445	OUTRGR MT SUPP WLD COMBO 92
	43	438449	STABILIZER PIN MT WLD COMBO92
	44	438451	STABILIZER MT PLATE COMBO 92
	45	438458	RH 101IN OUTRGR WLD 10-12R 92
	46	438459	LH 101IN OUTRGR WLD 10-12R 92



COMBO DETASSLER LIFT ASSEMBLY

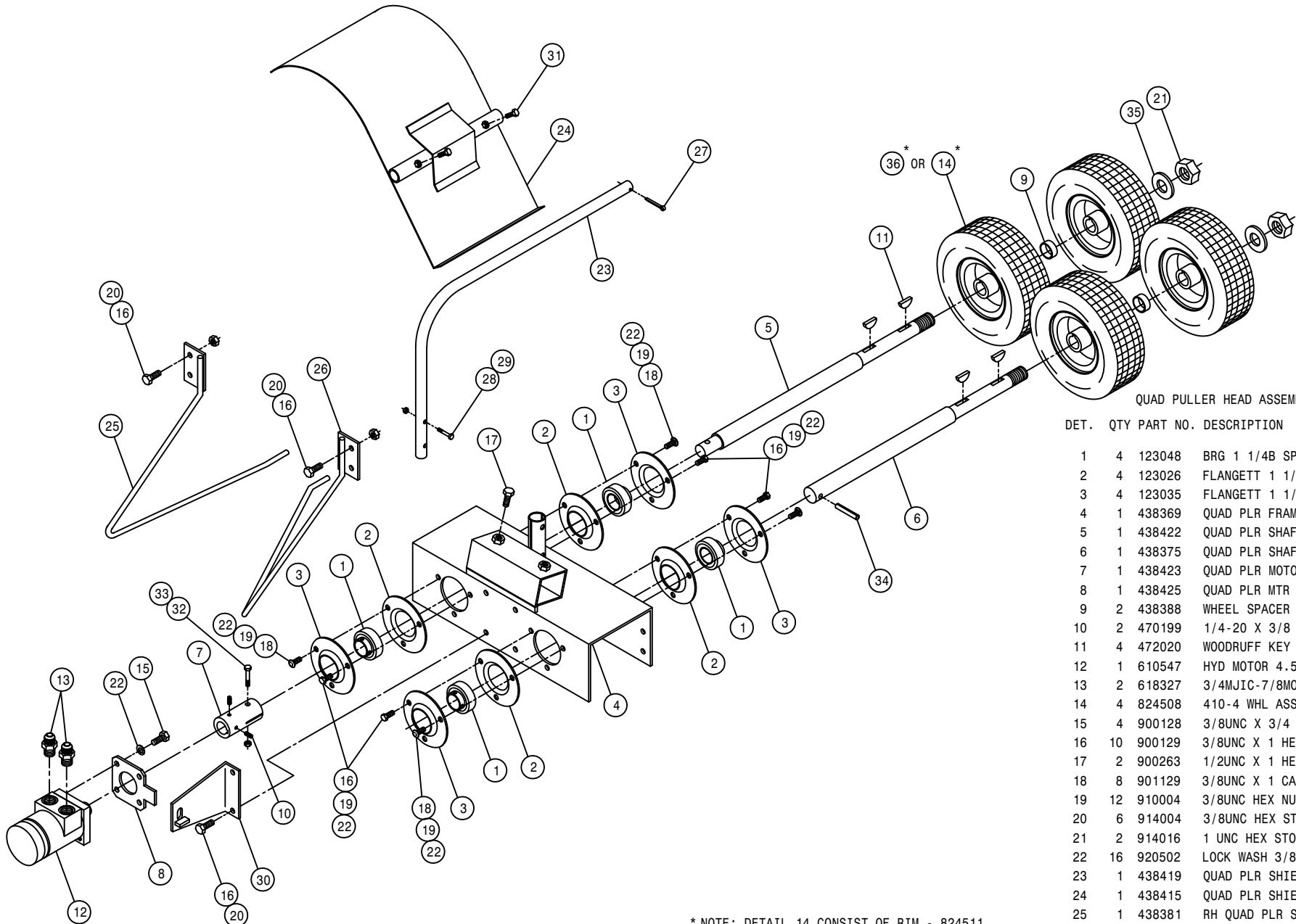
DET.	QTY	PART NO.	DESCRIPTION
1	1	438292	TOOL BAR V-PLT WLD 8200 86
2	2	438293	5/8UNC X 6 1/4 CTR UBOLT TRI
3	1	438478	TOOL BAR WLD 10-12R DETASSLR
4	4	914008	1/2UNC HEX STOVER NUT
5	6	914010	5/8UNC HEX STOVER NUT
6	2	920005	5/8 FLAT WASH SAE
7	1	438194	TOOL BAR WLD DETAS 4-6R 83
8	2	200004	CARRIAGE PIVOT PIN WASHER
9	1	438177	TOOL BAR MT WLD DETAS 83
10	1	438184	HOIST COL WLD DETAS LIFT 83
11	1	438294	UPPER LIFT ARM WLD 8200 86
12	1	438297	LWR LIFT ARM WLD 8200 86
13	4	438300	LIFT ARM PIVOT PIN WLD8200 86
14	2	438302	HOSE SUPPORT RING WLD W/WASHER
15	8	121025	JOURNAL BRG FOR 1IN SHFT1.5LG
16	6	470162	COTTER PIN 3/16 X 1 1/2 SQCUT
17	2	900538	1/2UNC X 3 1/2 HEX BOLT FULL
18	2	910008	1/2UNC HEX NUT
19	1	438367	HOIST COL MT BRKT WLD 200 90
20	1	472012	PICKER PIN 1 X 3 1/4
21	1	472206	PICKER PIN 1 DIA X 2 1/4
22	1	620900	CYL ASSY CC2016 D00 SRG 180
23	4	900275	1/2UNC X 4 1/2 HEX BOLT
24	2	900343	5/8UNC X 4 1/2 HEX BOLT



CUTTER HEAD ASSEMBLY

DET. QTY PART NO. DESCRIPTION

1	2	002215	CUTR STALK GUIDE WLD 8200	85
2	1	002103	CUTR BLADE 18 IN	
3	1	002104	CLUTCH BODY BLADE	
4	1	002105	STEEL LOCK WASH CUTR BLADE	
5	1	002106	WOODRUFF KEY #6 .156 X .625	
6	1	002107	3/8UNF X 1 1/2 HEX BOLT CUTR	
7	1	002108	STEEL WASHER CUTTER BLADE	
8	1	002210	CUTR TOP WLD 8200	85
9	1	410016	RLR HANGER V 473	
10	2	920002	3/8 SAE FLAT WASHER	
11	8	470118	1/4UNC X 3/4 FLANGE HEX BOLT	
12	8	470121	1/4UNC HEX FLANGE LOCK NUT	
13	2	611125	3/4MJIC-3/4MOR ADPTR	
14	1	618203	SUB>610590:BARNES HYD MOTOR	
15	1	618530	9/16MJIC-1/8MNPT ADPTR	
16	1	618546	1/8MNPT RUN TEE-9/16MJIC	
17	2	900130	3/8UNC X 1 1/4 HEX BOLT	
18	4	900265	1/2UNC X 1 1/2 HEX BOLT	
19	2	914004	3/8UNC HEX STOVER NUT	
20	4	914008	1/2UNC HEX STOVER NUT	

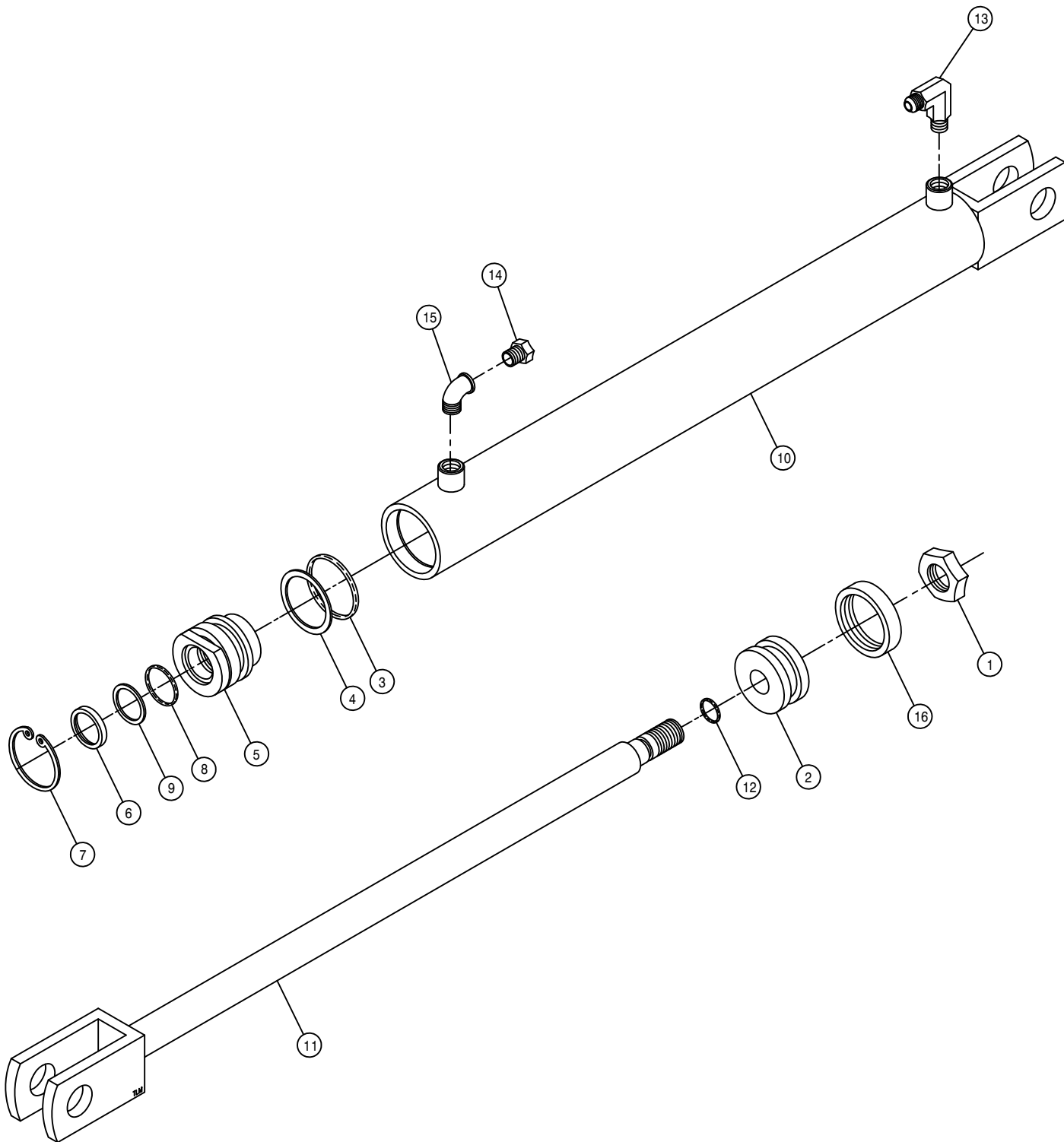


QUAD PULLER HEAD ASSEMBLY

DET.	QTY	PART NO.	DESCRIPTION
1	4	123048	BRG 1 1/4B SPHER RELUB SCRLC
2	4	123026	FLANGETT 1 1/4 RELUBE
3	4	123035	FLANGETT 1 1/4 180 DEG ZERK
4	1	438369	QUAD PLR FRAME WLD 200 90
5	1	438422	QUAD PLR SHAFT LONG 200 91
6	1	438375	QUAD PLR SHAFT SHORT 200 90
7	1	438423	QUAD PLR MOTOR COUPLER 200 91
8	1	438425	QUAD PLR MTR MT 200 91
9	2	438388	WHEEL SPACER QUAD PLR 90
10	2	470199	1/4-20 X 3/8 SQHD CUP SET SCR
11	4	472020	WOODRUFF KEY # 18 1/4 X 1 1/8
12	1	610547	HYD MOTOR 4.5CI 1IN SHFT
13	2	618327	3/4MJIC-7/8MOR ADPTR
14	4	824508	410-4 WHL ASSY, 2P STUD
15	4	900128	3/8UNC X 3/4 HEX BOLT
16	10	900129	3/8UNC X 1 HEX BOLT
17	2	900263	1/2UNC X 1 HEX BOLT
18	8	901129	3/8UNC X 1 CARR BOLT
19	12	910004	3/8UNC HEX NUT
20	6	914004	3/8UNC HEX STOVER NUT
21	2	914016	1 UNC HEX STOVER NUT
22	16	920502	LOCK WASH 3/8
23	1	438419	QUAD PLR SHIELD MT TUBE 91
24	1	438415	QUAD PLR SHIELD WLD 200 91
25	1	438381	RH QUAD PLR STALK GUIDE WLD90
26	1	438384	LH QUAD PLR STALK GUIDE WLD90
27	1	390984	COTTER PIN 1/8 X 1 1/4
28	2	900004	1/4UNC X 1 1/4 HEX BOLT
29	2	914000	1/4UNC HEX STOVER NUT
30	1	438424	QUAD PLR MTR MT PLT WLD
31	2	900064	5/16UNC X 3/4 HEX BOLT
32	1	900830	5/16UNC X 2 HEX BOLT GR8
33	1	914002	5/16UNC HEX STOVER NUT
34	1	473805	ROLL PIN 1/4X1 1/2
35	2	483032	MACH WASH 1ID X 1.50D X.134TH
36	4	824515	410-4 WHL ASSY, 2P SAWTOOTH

* NOTE: DETAIL 14 CONSIST OF RIM - 824511,
 TUBE - 824510, TIRE - 824509,
 HUB - 824512, STUD - 824513
 WHEEL NUT - 824514

DETAIL 36 CONSIST OF RIM - 824511,
 TUBE - 824510, TIRE - 824516,
 HUB - 824512, STUD - 824513
 WHEEL NUT - 824514



COMBO LIFT CYLINDER ASSEMBLY WITH T-TROL

DET. QTY PART NO. DESCRIPTION

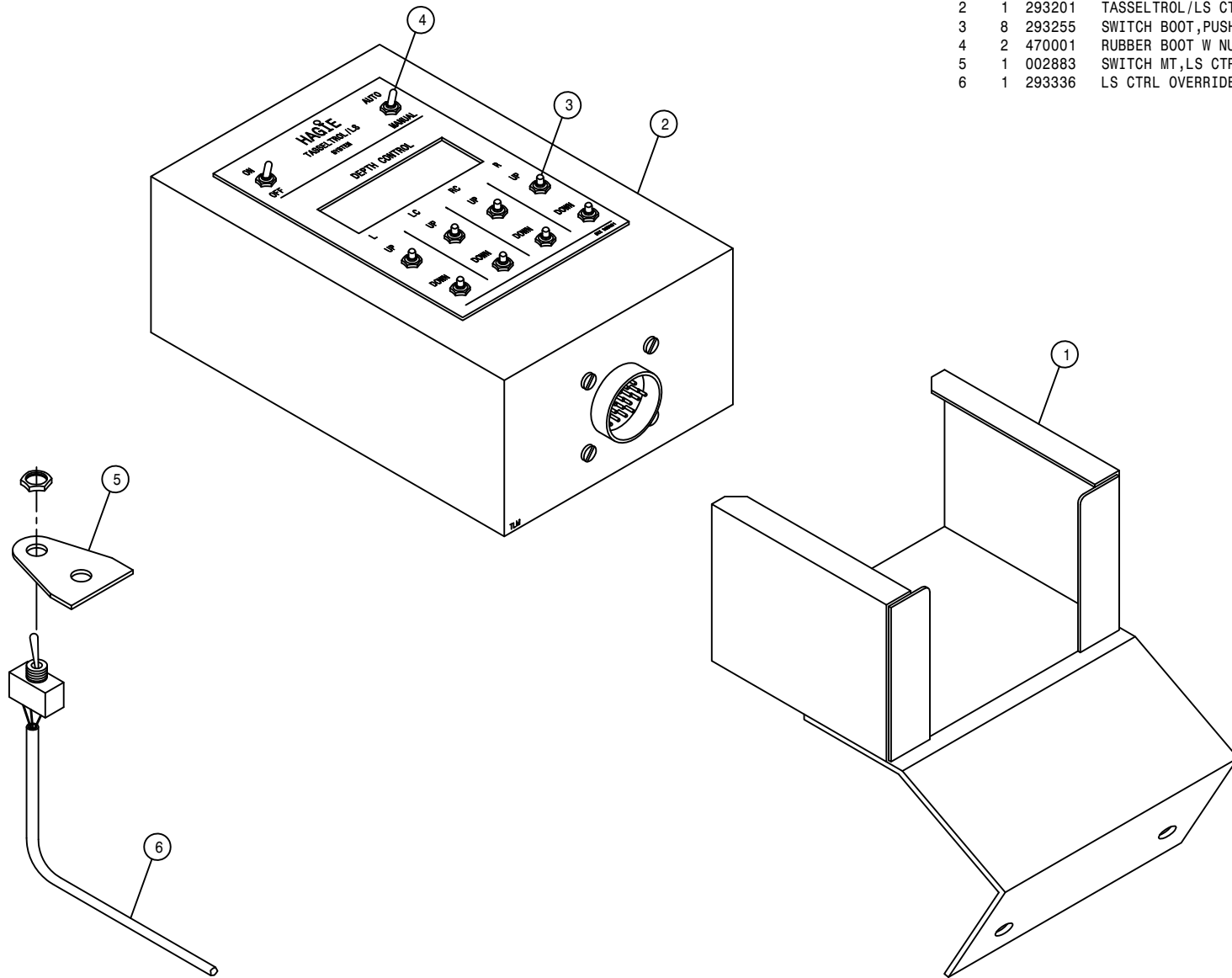
1	1	472297	3/4UNF HEX STOVER NUT THIN
2	1	620081	PISTON 2 X 1 ZAMAC ORING TYPE
3	1	870326	BUNA ORING 1 5/8 X 2
4	1	890326	BACKUP WASH 1 5/8 X 2 LEATH
5	1	620082	GLAND 2 IN X 1 IN ZAMAC
6	1	629003	WIPER 1 X 1 1/4 X 1/8
7	1	629505	SNAP RING 2 IN INTRN
8	1	870214	BUNA ORING 1 X 1 1/4
9	1	890214	BACKUP WASH 1 X 1 1/4 HT2022
10	1	620901	TUBE WLD CC2016 D00 SRG 180
11	1	620905	SHAFT WLD CC2016 D00 SRG180
12	1	870113	BUNA ORING 9/16 X 3/4
13	1	611122	9/16MJIC-90-1/4MNPT LBO
14	1	470114	BREATHER FILTER VENT, 1/4 NPT
15	1	501452	ST EL 90DEG .25NPT, STEEL,PLT
16	1	860326	CROWN SEAL, 2" PISTON, HYD

NOTE: 620900 - LIFT CYLINDER INCLUDES ITEMS 1-12.
620083 - SEAL KIT

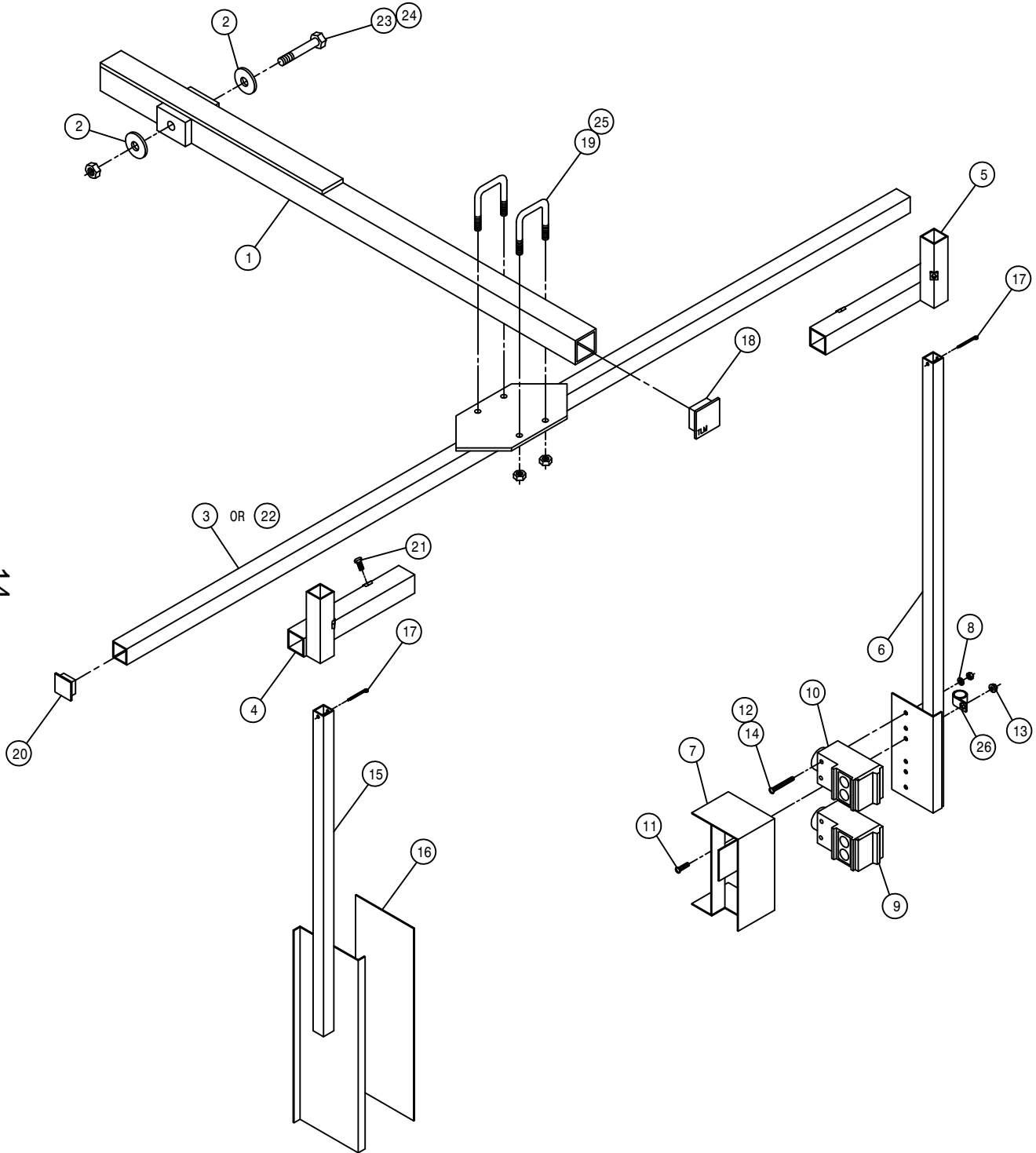
COMBO TASSELTRON/LS BOX CONTROL ASSEMBLY

DET. QTY PART NO. DESCRIPTION

1	1	002869	LS CTRL BOX MT WLD, COMBO 94
2	1	293201	TASSELTRON/LS CTRL BOX ASSY
3	8	293255	SWITCH BOOT,PUSHBUTTON, 1/4-40
4	2	470001	RUBBER BOOT W NUT FOR 298012
5	1	002883	SWITCH MT,LS CTRL OVERRIDE284
6	1	293336	LS CTRL OVERRIDE WIRE ASSY284



14



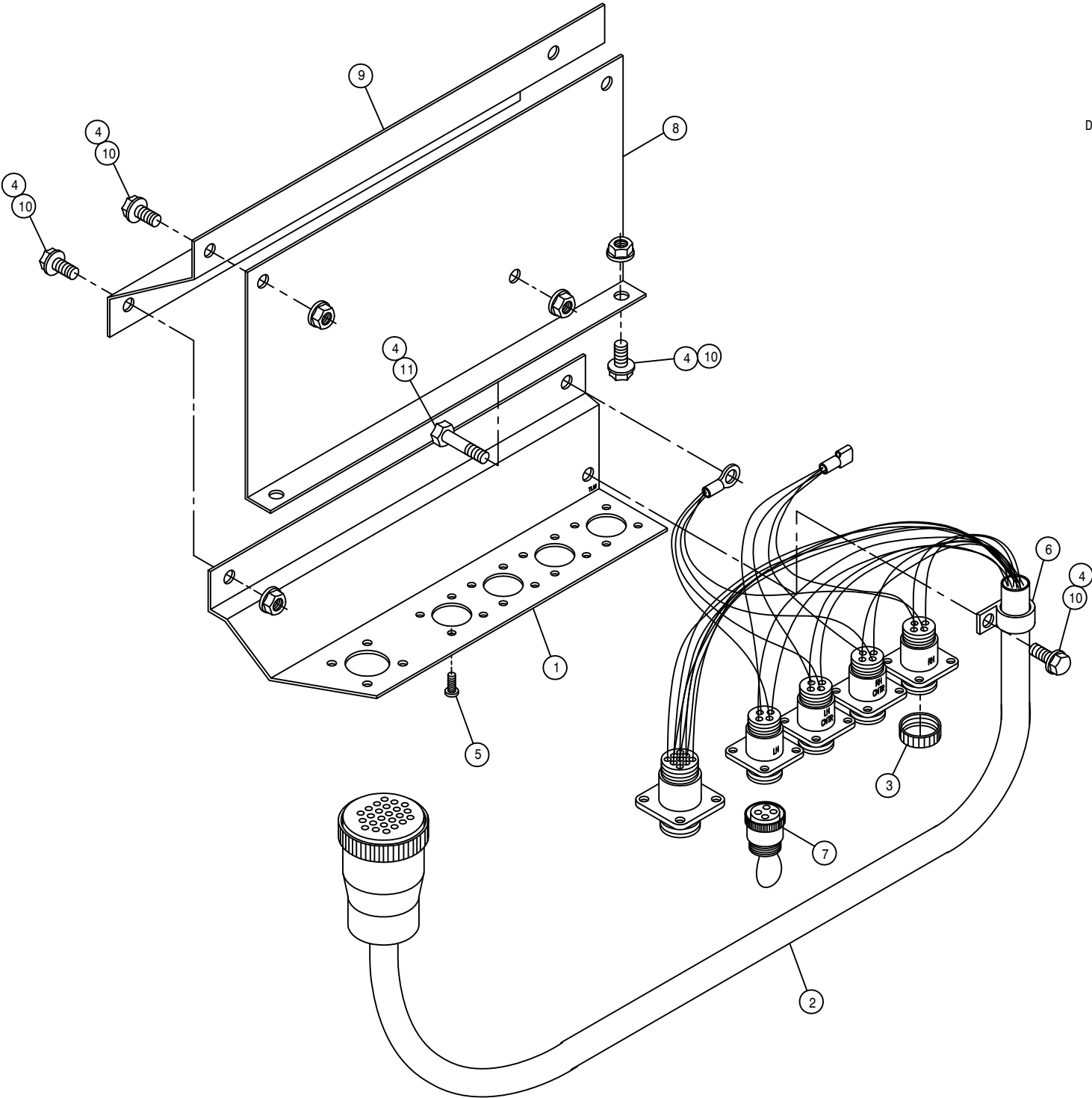
TASSELTROL SENSOR ASSEMBLY

DET.	QTY	PART NO.	DESCRIPTION	
1	1	002813	SENSOR ARM WELD 200 DET	92
2	2	002815	SENSOR ARM WASH, NYL	
3	1	002709	LS CROSTUBE WLD	90
4	1	002712	LS REFLECTOR SLIDE MT WLD	90
5	1	002713	LS SENSOR SLIDE MT WLD	90
6	1	002839	LS 42GRU PHOTOSW SENSR MT WLD	
7	1	002841	LS 42GRU SENSOR SHIELD WLD	
8	4	920510	#10 LOCK WASHER	
9	1	293258	LWR LS 9000 SENSOR ASSY, FEM	
10	1	293259	UPR LS 9000 SENSOR ASSY, MALE	
11	2	903883	10-32 X 1/2 SLT RDHD MACH SCR	
12	4	910027	10-32 HEX NUT	
13	2	470175	10-32 HEX FLANGE LOCK NUT	
14	4	903902	10-32 X 2" SLT RD HD MACH SCR	
15	1	002723	LS REFLECTOR MT WLD	90
16	1	650310	LS REFLECTOR 4 X 12	90
17	2	390984	COTTER PIN 1/8 X 1 1/4	
18	1	473943	FINISH PLUG 1 1/2 SQ	
19	2	473949	5/16UNC-1 9/16ID-1 15/16U-BOLT	
20	2	629727	FINISH PLUG FOR 1 IN X 16 GA	
21	4	900000	1/4UNC X 1/2 HEX BOLT	
22	1	002834	LS CROSTUBE WLD 10-12R	92
23	1	900275	1/2UNC X 4 1/2 HEX BOLT	
24	1	914008	1/2UNC HEX STOVER NUT	
25	4	914002	5/16UNC HEX STOVER NUT	
26	1	520117	CUSH HOSE CLAMP 5/8D X 1/2W	

COMBO T-TROL/LS RECEPTACLE ASSEMBLY

DET.	QTY	PART NO.	DESCRIPTION
1	1	002777	T-TROL/LS RECEPTACLE MT
2	1	293200	MAIN CONTROL WIRE ASSY LS 90
3	4	293046	CAP FOR #11 SHELL RECEPTACLE
4	8	470121	1/4UNC HEX FLANGED LOCK NUT
5	20	473932	SCREW, SELF TAP 6/32 X 3/8PAN
6	1	520118	CUSH HOSE CLAMP 1/2D X 1/2W
7	1	293211	JUMPER PLUG, T-TROL/LS SYS
8	1	002874	LS RECPTCL MT PLT 284COMBO 94
9	1	002875	LS RECEPTCL MT COVR,284 COMBO
10	7	470122	1/4UNC X 1/2 FLANGED HEX BOLT
11	1	900004	1/4UNC X 1 1/4 HEX BOLT

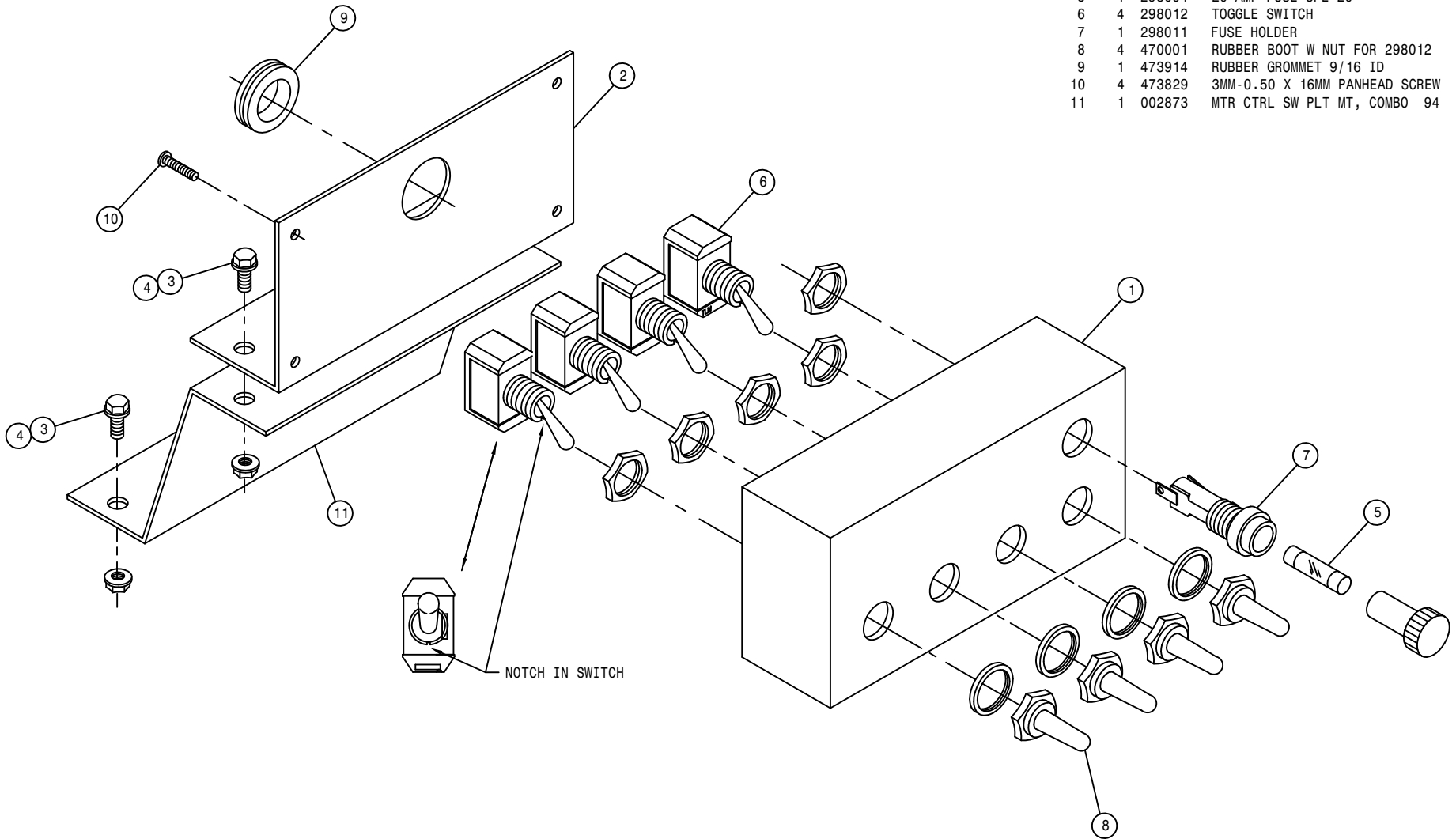
NOTE: DETAIL 7 IS USED (1) WITH 3-LIFT OPTION AND (2) WITH 2-LIFT OPTION.



COMBO MOTOR CONTROL VALVE SWITCH ASSEMBLY

DET. QTY PART NO. DESCRIPTION

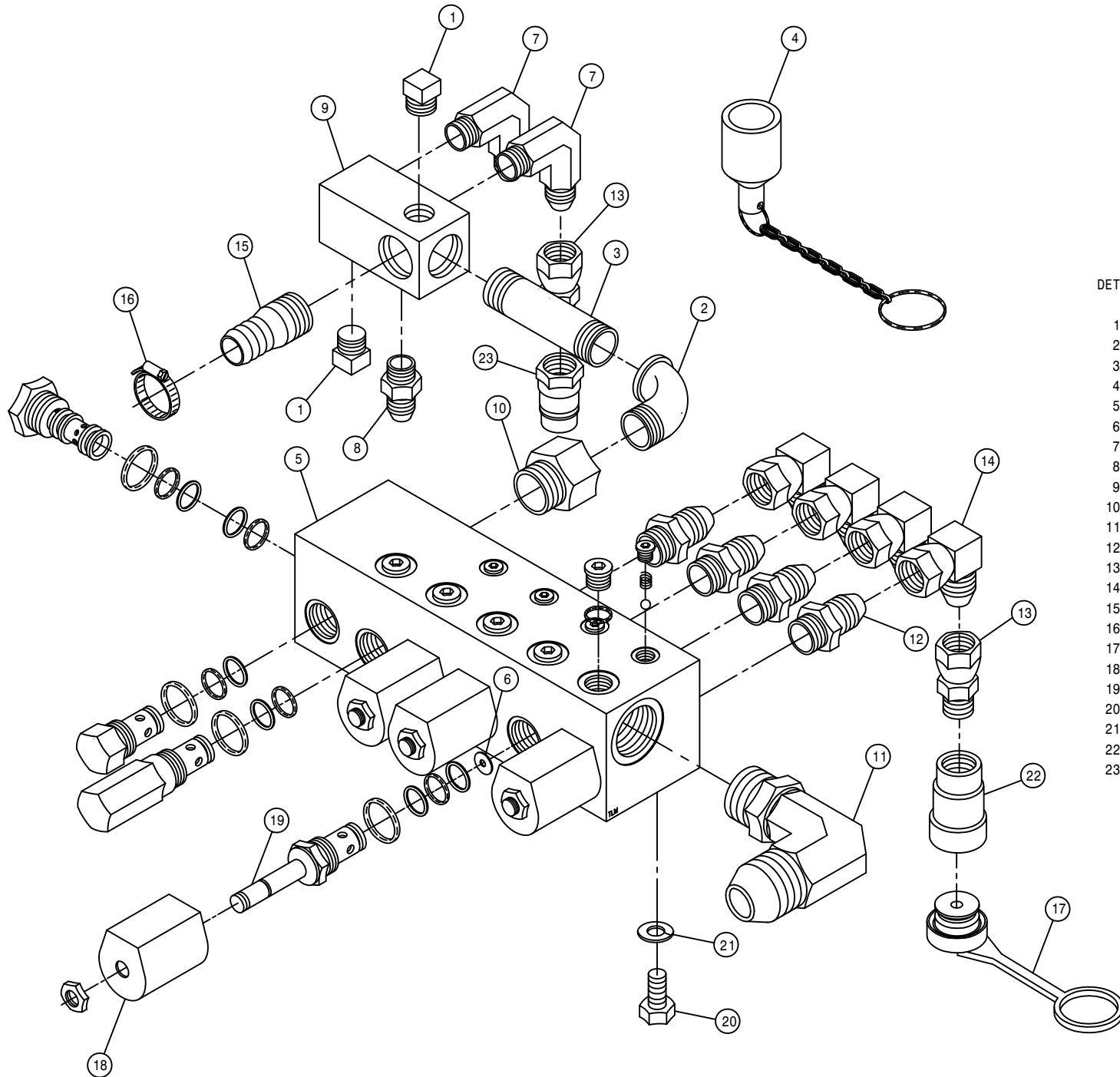
DET.	QTY	PART NO.	DESCRIPTION
1	1	002744	SWITCH BOX, DEPTH CMD
2	1	002745	SWITCH BOX MT, DEPTH CMD
3	4	470121	1/4UNC HEX FLANGE LOCK NUT
4	4	470122	1/4UNC X 1/2 FLANGE HEX BOLT
5	1	298004	20 AMP FUSE SFE 20
6	4	298012	TOGGLE SWITCH
7	1	298011	FUSE HOLDER
8	4	470001	RUBBER BOOT W NUT FOR 298012
9	1	473914	RUBBER GROMMET 9/16 ID
10	4	473829	3MM-0.50 X 16MM PANHEAD SCREW
11	1	002873	MTR CTRL SW PLT MT, COMBO 94

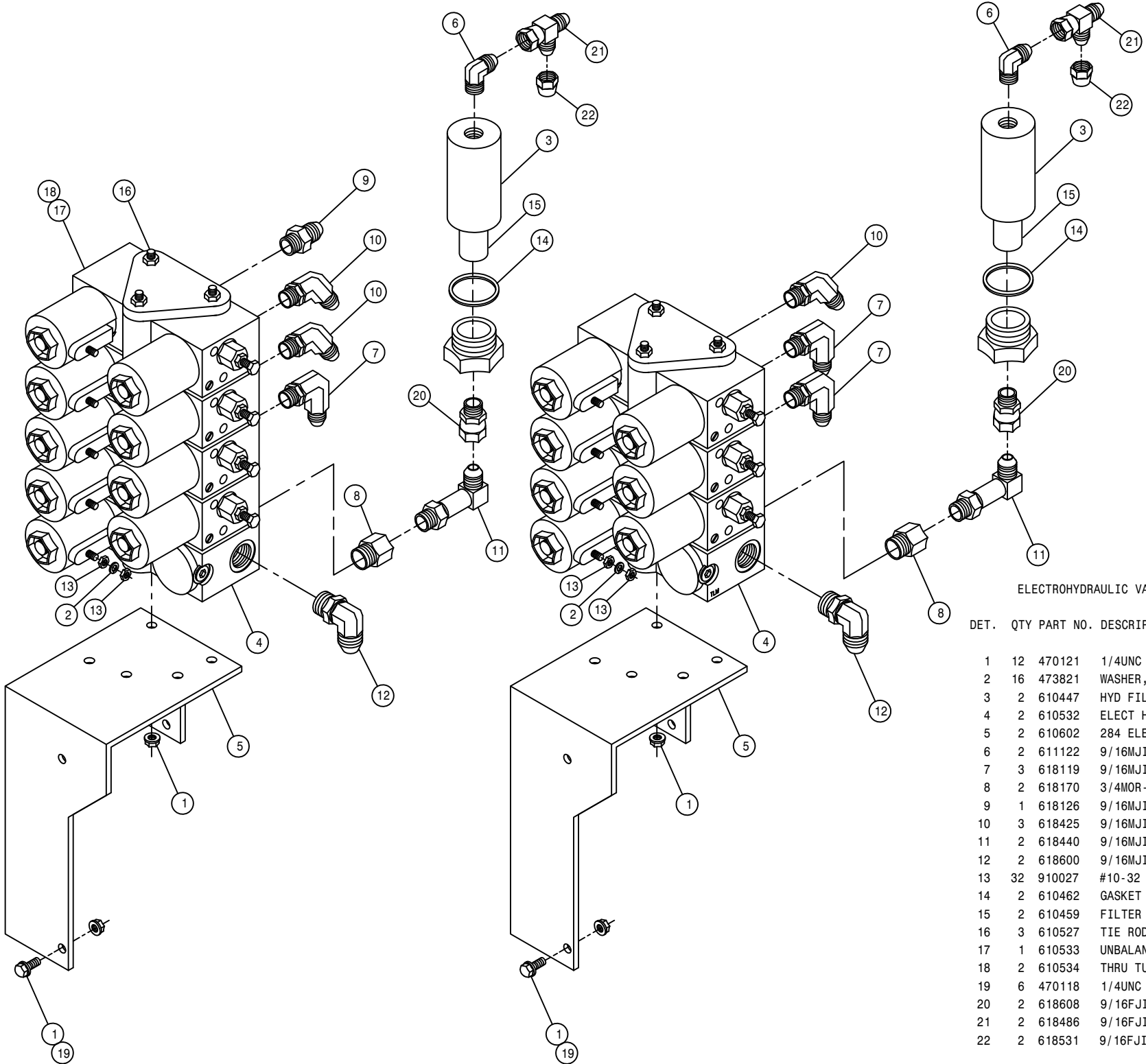


COMBO MOTOR CONTROL VALVE ASSEMBLY

DET. QTY PART NO. DESCRIPTION

1	2	503700	PIPE PLUG .50NPT SQ HD
2	1	505200	BLK PIPE ST EL 90DEG 1.00NPT
3	1	505210	BLK PIPE NIPPLE 1.00NPT-3.00
4	3	618636	RUBBER DUST CAP FOR 618622
5	1	610467	MODULAR MTR CONTROL ELECT VLV
6	4	610478	DISK .182 ORIFICE MOD CTRL
7	2	611145	3/4MJIC-90-1/2MNPT LBO
8	1	611147	3/4MJIC-1/2MNPT ADPTR
9	1	614633	HYD MANIF 8200 86
10	1	618090	1 5/16MOR-1FNPT ADPTR
11	1	618178	1 5/16MJIC-90-1 5/16MOR LBO
12	4	618469	3/4MJIC-1 1/16MOR ADPTR
13	7	618623	3/4FJIC-SWIV-1/2MNPT
14	4	618609	3/4MJIC-90-3/4FJIC SWIV LBO
15	1	714561	1.00NPT-1.25 HOSE BARB
16	1	520085	HOSE CLAMP NO 24 PLATED
17	4	618635	RUBBER DUST PLUG FOR 618621
18	4	610480	SOLENOID COIL FOR610476REPAIR
19	4	610481	SOLENOID VLV FOR 610476REPAIR
20	2	900128	3/8UNC X 3/4 HEX BOLT
21	2	920502	LOCK WASH 3/8
22	4	618621	HYD QUICK CPLR,FEMALE, .50FNPS
23	3	618622	HYD QUICK CPLR, MALE, .50FNPS

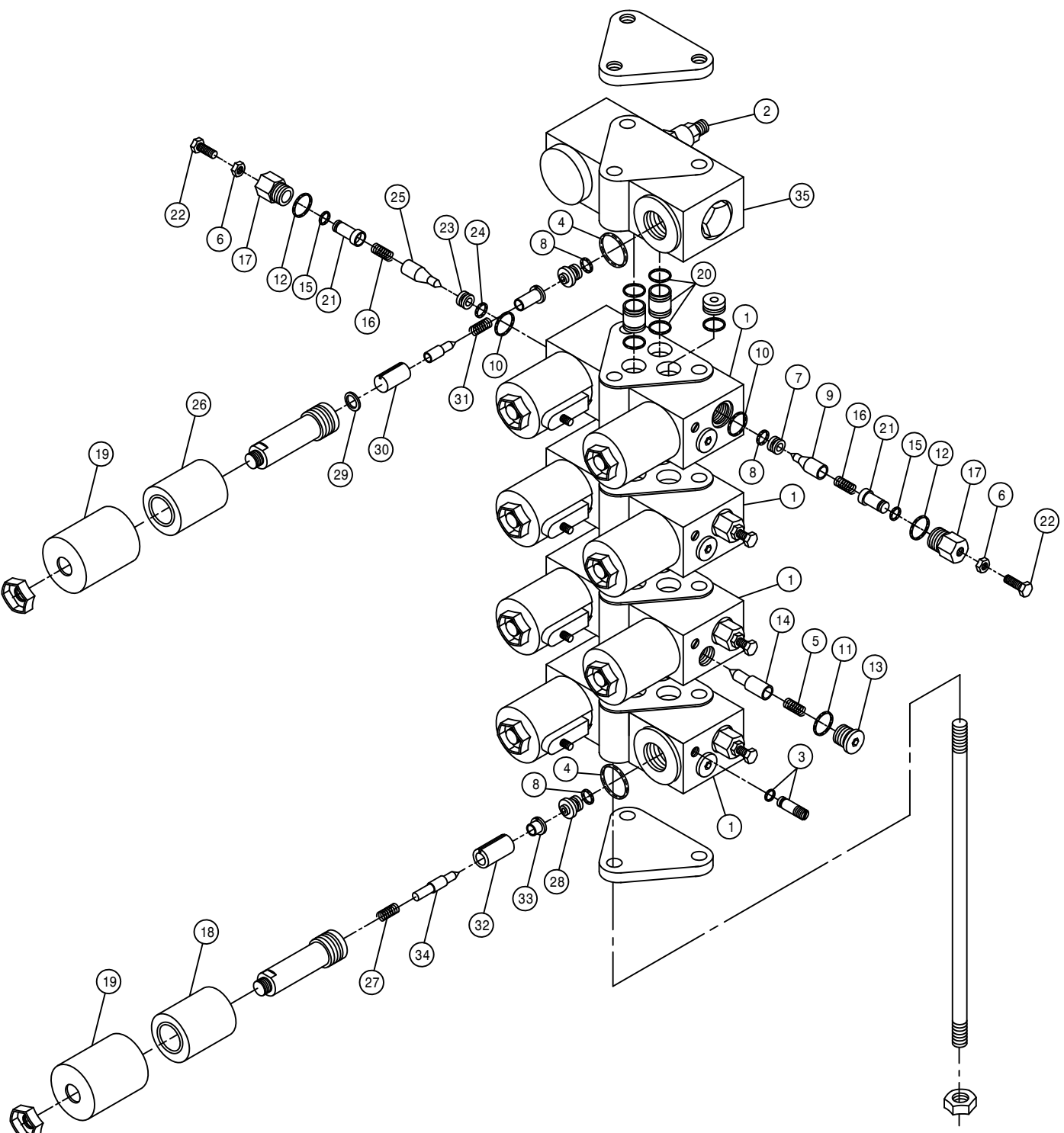




ELECTROHYDRAULIC VALVE ASSEMBLY

DET.	QTY	PART NO.	DESCRIPTION
1	12	470121	1/4UNC HEX FLANGED LOCK NUT
2	16	473821	WASHER, INT TOOTH #10
3	2	610447	HYD FILTER, INLINE 1/4FNPT 90M
4	2	610532	ELECT HYD STACK VLV W/ADJ 89
5	2	610602	284 ELECT VLV MT WLD, LS SYS 94
6	2	611122	9/16MJIC-90-1/4MNPT LBO
7	3	618119	9/16MJIC-90-9/16MOR LBO
8	2	618170	3/4MOR-9/16FOR ADPTR
9	1	618126	9/16MJIC-9/16MOR ADPTR
10	3	618425	9/16MJIC-45-9/16MOR LBO
11	2	618440	9/16MJIC-90-9/16MOR EX LG LBO
12	2	618600	9/16MJIC-90-7/8MOR LBO
13	32	910027	#10-32 HEX NUT
14	2	610462	GASKET FOR 610447 ARROW FILT
15	2	610459	FILTER ELEMENT FOR 610447 90M
16	3	610527	TIE ROD- 4 SECTION ELECT VLV
17	1	610533	UNBALANCED LOAD VALVE 89
18	2	610534	THRU TUBE ASSY ELEC VLV 89
19	6	470118	1/4UNC X 3/4 FLANGED HEX BOLT
20	2	618608	9/16FJIC SWIV-1/4MNPT
21	2	618486	9/16FJIC SW RUN TEE-9/16MJIC
22	2	618531	9/16FJIC CAP NUT

19



ELECTROHYDRAULIC VALVE

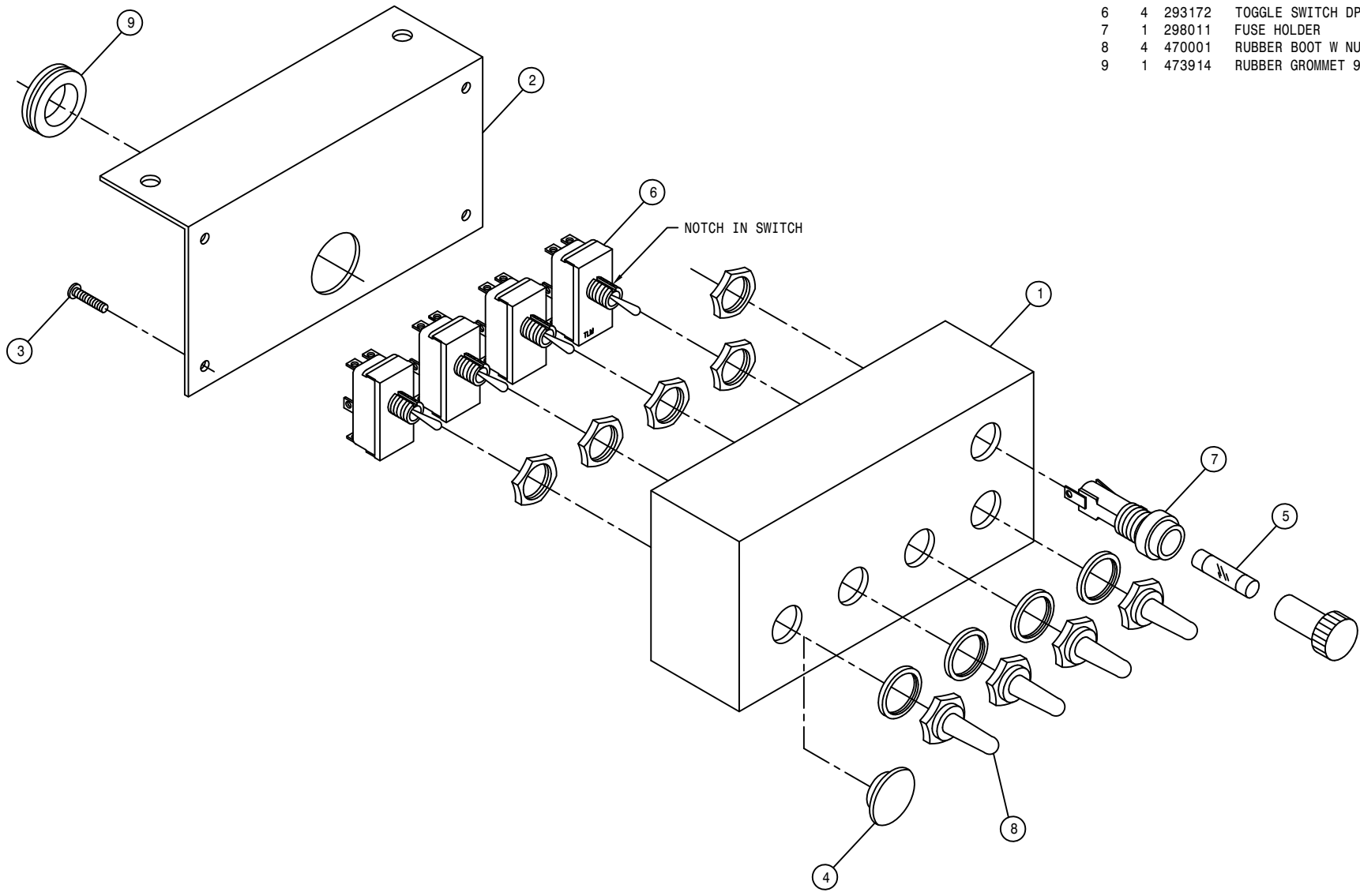
DET.	QTY	PART NO.	DESCRIPTION	
1	4	610533	UNBALANCED LOAD VALVE	89
2	1	610551	R.V. CARTRIDGE FOR 610532	90
3	8	610267	SEAL PLUG ASSY FOR 610257	
4	9	871019	ORING, 13/16 X 15/16 NEO 90D	
5	4	610491	SPRING AM-501-3-035 FOR610485	
6	8	910000	1/4UNC HEX NUT	
7	4	610488	ORIFICE PRESSED IN BLACK	
8	13	871010	ORING 1/4 X 3/8 VITON 90D	
9	4	610129	POPPET,ELECT VALVE,UNBAL LOAD	
10	8	870013	ORING, 7/16 X 9/16 NEO 70D	
11	4	871904	ORING, .351 X .072CS NEO 90D	
12	8	871906	ORING, .468ID X .078CS NEO 90D	
13	4	610130	PLUG, SAE4,ELECT VALVE,UNBAL	
14	4	610489	CHECK VLV POPPET	
15	8	871008	O-RING 3/16 X 5/16 90D	
16	8	610492	SPRING AM-570-3-126 FOR610485	
17	8	610453	VLV CAP	
18	8	610493	COIL FOR 610485	86
19	9	610113	COVER, ELECT VALVE, NON ADJ	
20	8	610534	THRU TUBE ASSY ELEC VLV	89
21	8	610452	ADJ VLV STOP	
22	8	900003	1/4UNC X 1" HEX BOLT	
23	4	610494	ORIFICE FOR 610485	
24	4	871056	O-RING	90D
25	4	610495	POPPET FOR 610485AM-570-3-654	
26	1	610076	COIL, ELECT STACK VALVE	
27	8	610127	SPRING,ELECT VALVE,UNBAL LOAD	
28	8	610108	ORIFICE 040, ELECT VALVE	
29	1	610084	WASHER, ELECT-HYD VALVE	
30	1	610112	ARMATURE, ELECT VALVE	
31	1	610110	SPRING, ELECT VALVE, NON ADJ	
32	8	610126	ARMATURE, ELECT VALVE, UNBAL	
33	8	610133	POLE PIECE,ELECT VALVE, UNBAL	
34	8	610490	POPPET FOR 610485AM-501-3-033	
35	1	610679	UNLOAD RELIEF VALVE	

146019

COMBO DEPTH COMMAND SWITCH ASSEMBLY

DET. QTY PART NO. DESCRIPTION

DET.	QTY	PART NO.	DESCRIPTION
1	1	002744	SWITCH BOX, DEPTH CMD
2	1	002745	SWITCH BOX MT, DEPTH CMD
3	4	473829	3MM-0.50 X 16MM PANHEAD SCREW
4	1	658174	BUMPER PLUG FOR 1/2 HOLE
5	1	291602	FUSE 10 AMP
6	4	293172	TOGGLE SWITCH DPDT W/JUMPERS
7	1	298011	FUSE HOLDER
8	4	470001	RUBBER BOOT W NUT FOR 298012
9	1	473914	RUBBER GROMMET 9/16 ID

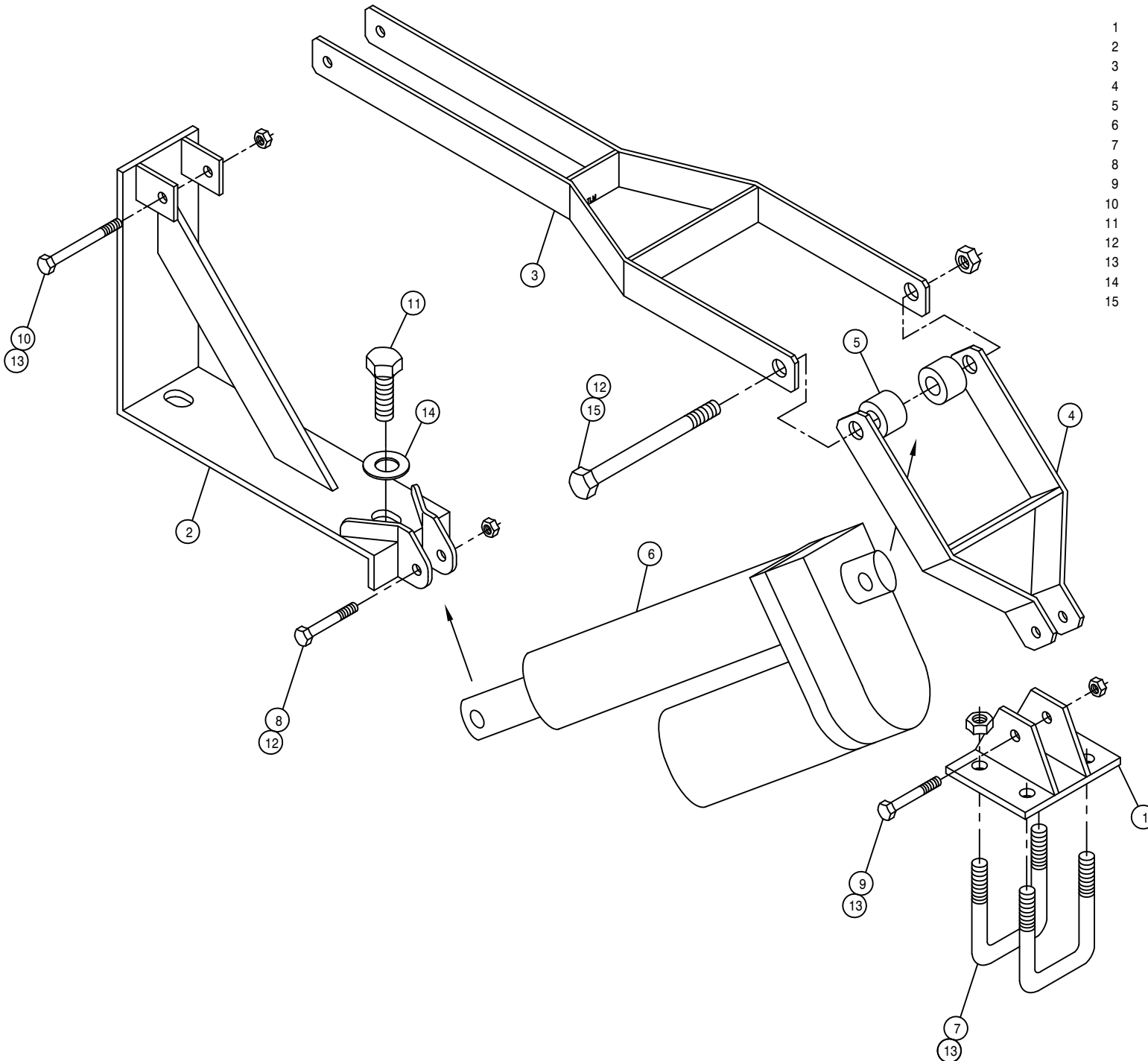


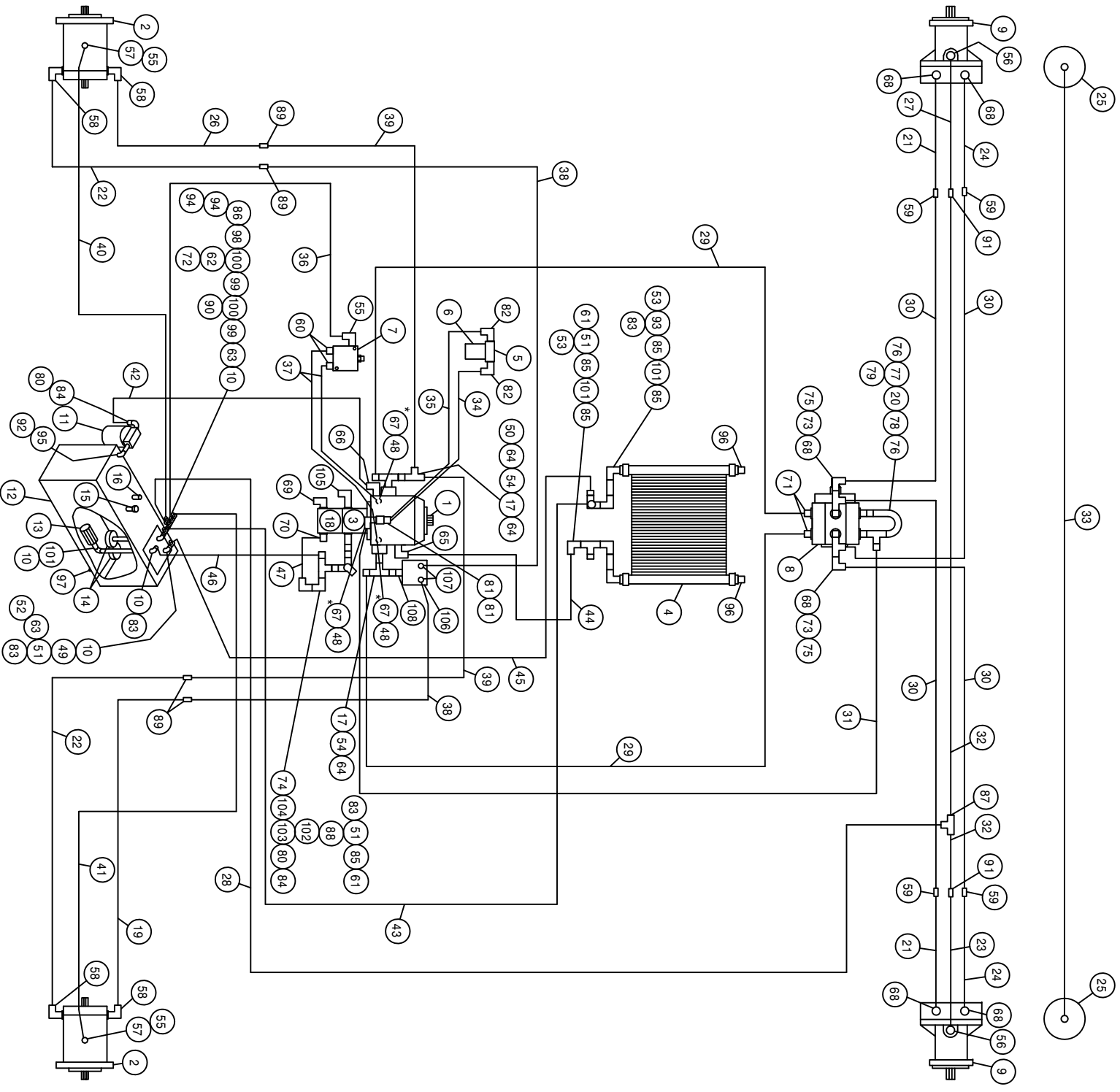
20

DEPTH COMMAND ACTUATOR ASSEMBLY

DET. QTY PART NO. DESCRIPTION

1	1	002849	HD DEPTH CMD ARM MT WLD	94
2	1	002846	HD DEPTH CMD MTG BRKT WLD	94
3	1	002851	HD DEPTH CMD UPR ARM WLD	94
4	1	002855	HD DEPTH CMD LWR ARM WLD	94
5	2	002858	HD DEPTH CMD ARM BUSH	94
6	1	291634	LINEAR ACTUATOR, 12V 4" 250LB	
7	2	473949	5/16UNC-1 9/16ID-1 15/16BOLT	
8	1	900267	1/2UNC X 2 HEX BOLT	
9	1	900069	5/16UNC X 2 HEX BOLT	
10	1	900070	5/16UNC X 2 1/2 BOLT	
11	2	900263	1/2UNC X 1 HEX BOLT	
12	2	914008	1/2UNC HEX STOVER NUT	
13	6	914002	5/16UNC HEX STOVER NUT	
14	2	920004	1/2 FLAT WASHER SAE	
15	1	900275	1/2UNC X 4 1/2 HEX BOLT	

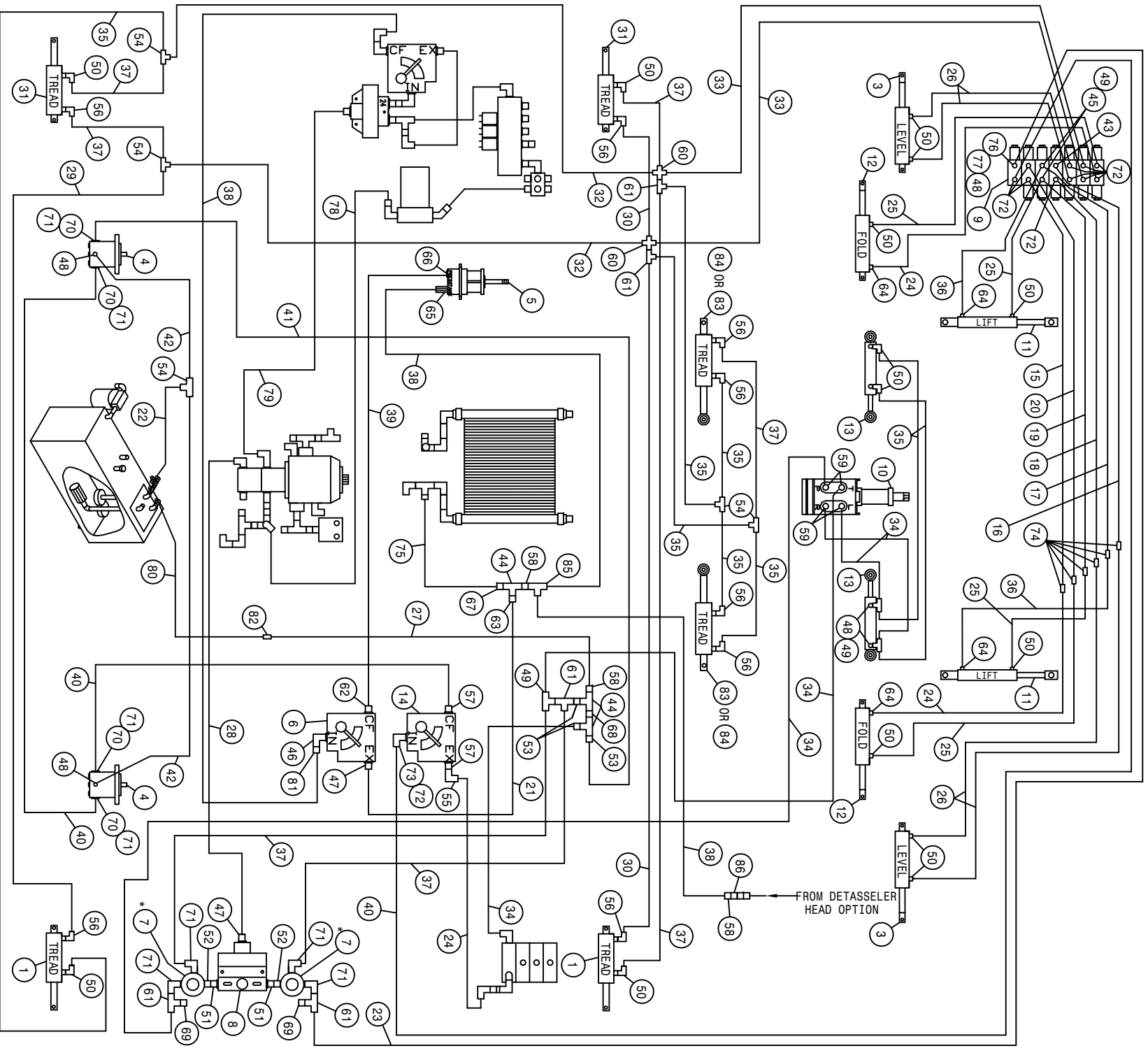




*NOTE:
 REFER TO DETAIL 67 TO CHECK LIMIT SETTING - 4500 PSI
 REFER TO DETAIL 67 TO CHECK CHARGE PRESSURE - 380 PSI

284T COMBO SPRAYER-DETAASSELLER HYD SCHEM 94
REFERENCE DRAWING NO. 498442S1

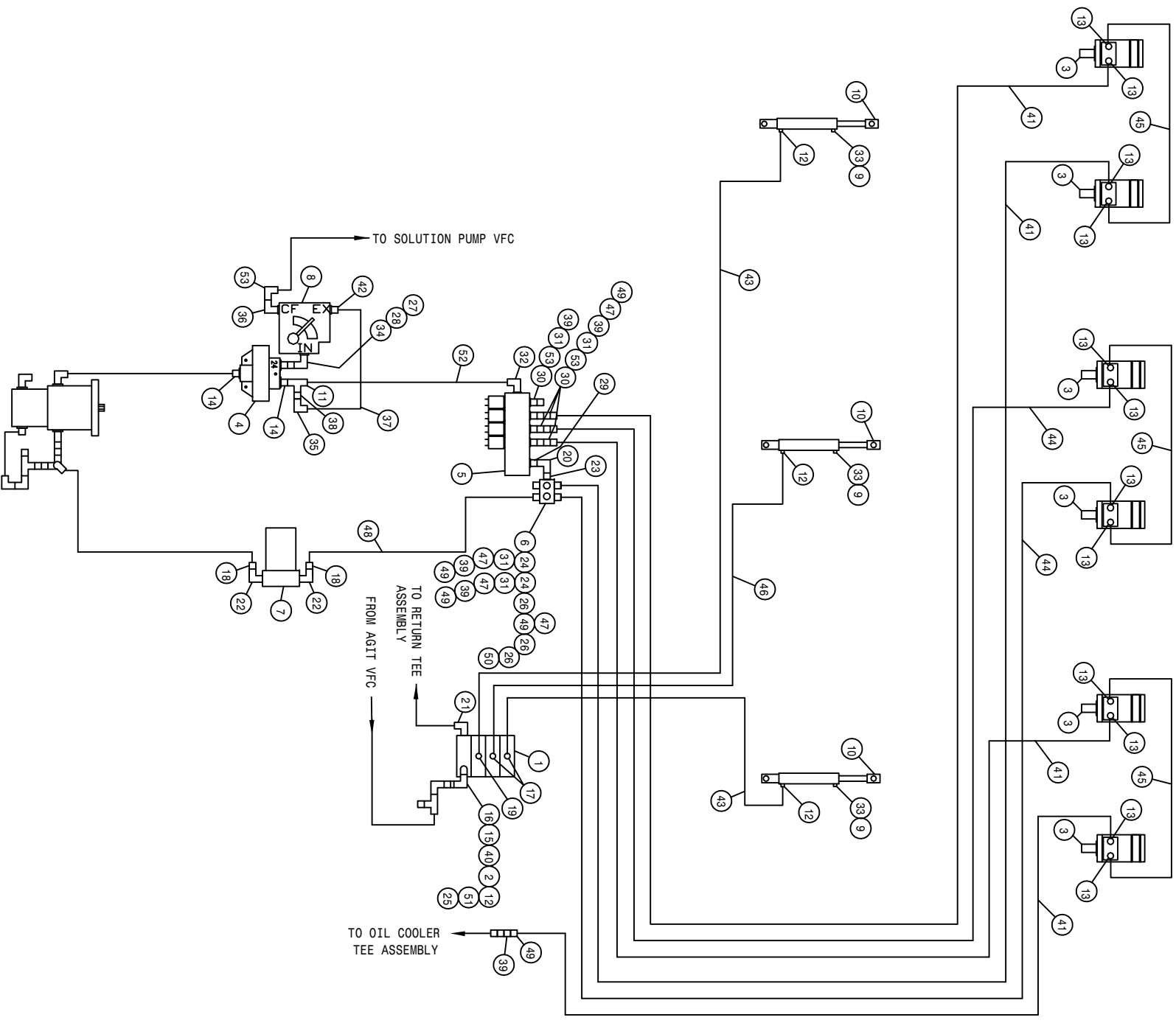
DET.	QTY	PART NO.	DESCRIPTION	DET.	QTY	PART NO.	DESCRIPTION
1	1	606902	SUND 100CC PUMP, B-MT W/FILT	55	3	618119	9/16MJIC-90-9/16MOR LBO
2	2	610557	SUND M35-3102 WHL MTR W/SHFT	56	2	618183	3/4MJIC-90-7/8MOR LBO
3	1	606894	SUND GEAR PUMP 3.40CI SPLINED	57	2	618172	7/8MOR-9/16FOR ADPTR
4	1	618606	OIL COOLER, BLISSFIELD 65027	58	4	618248	1 1/16MJIC-90-1 1/16MOR LBO
5	1	605606	FILTER HEAD, ZINZA HI-PRESS	59	4	618627	7/8MJIC-3/4JIC REDU UNION
6	1	605607	FILTER, 10 MICRON ZINGA, HIPRES	60	2	618126	9/16MJIC-9/16MOR ADPTR
7	1	610580	REMOTE FLUSHING VALVE, SUND	61	2	716000	3/4 HOSE BARB-90-1MNP
8	1	606003	GRESEN SELECTOR VALVE DS-12	62	1	504001	RED BUSH 3/4 X 1/4 BLK MAL
9	2	610571	SUND M35-3002 WHL MTR	63	2	505213	RED BUSH 1 X 3/4 BLK MAL
10	4	505300	BLK PIPE EL 90DEG 1.00NPT	64	3	618541	1 5/16FJIC-1 1/16MJIC ADPTR
11	1	605601	GRESEN FILTER 10 MICRON 40GPM	65	1	618118	3/4 HOSE BARB-90-1 1/16MOR
12	1	760097	OIL TANK WLD 8240 1982	66	1	618626	1 1/4 HOSE BARB-45-1 5/8MOR
13	1	605600	MICHIGAN RESERVOIR FILTER	67	3	618629	9/16MOR BRANCH TEE-9/16MJIC
14	2	605603	LINE SUMP DIFFUSER	68	6	618535	7/8MJIC-90-1 1/16MOR LBO
15	1	611052	FILLER BREATHER 3/4NPT	69	1	611128	7/8MJIC-90-7/8MOR LBO
16	1	614455	DIPSTICK, 8IN	70	1	618075	3/4 HOSE BARB-1 1/16MOR
17	2	618598	1 IN 4-BOLT FLG X 1 5/16FOR	71	2	611127	1 1/16MJIC-1 1/16MOR ADPTR
18	1	606891	SUND GEAR PMP .52CI SPLINED	72	1	618520	1/4MNP RUN TEE-9/16MJIC
19	1	614681	RH REAR LEG HYD TUBE ASSY 280	73	2	618333	7/8FJIC SW RUN TEE-7/8MJIC
20	1	614198	FWD VALVE U-TUBE ASSY	74	1	618596	1 5/8MOR-1 1/4FNPT ADPTR
21	2	615655	FRT LEG INNER HYD TUBE ASY284	75	2	618301	7/8MJIC-90-7/8FJIC SWIV LBO
22	2	614680	REAR LEG HYD TUBE ASSY 280	76	2	618132	1 1/16MOR-7/8FOR ADPTR
23	1	615657	RH FRTLEG OUTR HYDTUBE ASY284	77	1	611126	7/8MJIC-7/8MOR ADPTR
24	2	615656	FRT LEG CNTR HYD TUBE ASSY284	78	1	618130	7/8MOR RUN TEE-7/8MJIC
25	2	620570	HYD CYL LEG LEVEL 2.00 X 12	79	1	618557	7/8FJIC-9/16MJIC ADPTR
26	1	614682	LH REAR LEG HYD TUBE ASSY 280	80	2	506410	BLK PIPE ST EL 90DEG 1.25NPT
27	1	615658	LH FRTLEG OUTR HYDTUBE ASY284	81	2	618327	3/4MJIC-7/8MOR ADPTR
28	1	615619	06C1T-06FJX-06FJX-144	82	2	618474	3/4MJIC-90-1 1/16MOR LBO
29	2	614685	08C2AT-12FJX-12FJX-106	83	4	714560	1NPT X 1 HOSE BARB
30	4	614686	08C2AT-08FJX90-10FJX-70	84	2	715660	HOSE BARB 1 1/4NPT X 1 1/4
31	1	614101	04C1T-06FJX-06FJX-133	85	5	505260	BLK PIPE ST EL 90DEG 1.00NPT
32	2	615444	06C1T-06FJX-08FJX90-60	86	1	618018	9/16MJIC-1/2MNP ADPTR
33	1	615614	FRT LEG CYL JUMPER HOSE280 89	87	1	618019	9/16MJIC UNION TEE
34	1	616034	08C1T-08FJX-08FJX-17	88	1	505105	1MNP HEX PIPE NIPPLE STL
35	1	615633	08C1T-08FJX-08FJX-23	89	4	618191	1 1/16MJ-90-1 1/16FJ SWIV LBO
36	1	616048	04C1T-06FJX-06FJX-35	90	1	713220	HOSE BARB 3/4 NPT X 3/4
37	2	616043	04C1T-06FJX-06FJX-23	91	2	618314	3/4MJIC UNION
38	2	614683	10C2AT-12MJ-12FJX90-60	92	1	506602	PIPE NIPPLE 1 1/4NPT-2 1/2
39	2	614684	10C2AT-12MJ-12FJX90-70	93	1	505098	SIDE OUTLET EL 90DEG 1.00NPT
40	1	614549	06C1T-06FJX-06FJX-140	94	2	618486	9/16FJIC SW RUN TEE-9/16MJIC
41	1	615449	06C1T-06FJX-06FJX-126	95	1	506303	BLK PIPE EL 90DEG 1.25NPT
42	1	601244	HOSE, 1 1/4 X 31 2BR RED	96	2	505102	PIPE PLUG 1.00NPT SQ HD
43	1	601304	HOSE, 3/4 2BR RED X 100 LG	97	1	501102	1/4 PIPE PLUG
44	1	601112	HOSE, 3/4 X 84 2BR RED	98	1	504210	RED BUSH 3/4 NPT X 1/2 NPT
45	1	601255	HOSE, 1.00 2BR RED X 104 LG	99	2	504702	CLOSE NIPPLE .75NPT
46	1	601330	HOSE, 1 X 50 2BR RED	100	2	504955	BLK PIPE TEE .75NPT
47	1	601311	HOSE, 3/4 X 8 2BR RED	101	3	505203	BLK PIPE NIPPLE 1.00NPT-4.00
48	3	618531	9/16FJIC CAP NUT	102	1	506005	1 1/4 TO 1 RED BUSH BLK MAL
49	1	505201	CLOSE NIPPLE 1.00NPT	103	1	506701	SIDE OUTLET EL 90DEG 1.25NPT
50	1	618487	1 1/16FJ SW RUN TEE-1 1/16MJ	104	1	507026	1 1/4MNP HEX PIPE NIPPLE STL
51	3	505101	BLK PIPE TEE 1.00NPT	105	1	618178	1 5/16MJIC-90-1 5/16MOR LBO
52	1	610300	3/4MJIC-3/4MNP ADPTR	106	1	610586	POSITIONACTION VLV
53	2	714331	1 NPT X 3/4 HOSE BARB	107	2	618308	1 1/16MJIC-1 5/16MOR ADPTR
54	2	618599	1 5/16MOR BRANCH TEE-1 5/16MJ	108	1	618588	1 5/16MOR-1 5/16FJIC SWIV



*NOTE:
REFER TO DETAIL 7 RELIEF PRESSURE SETTING - 1850 PSI

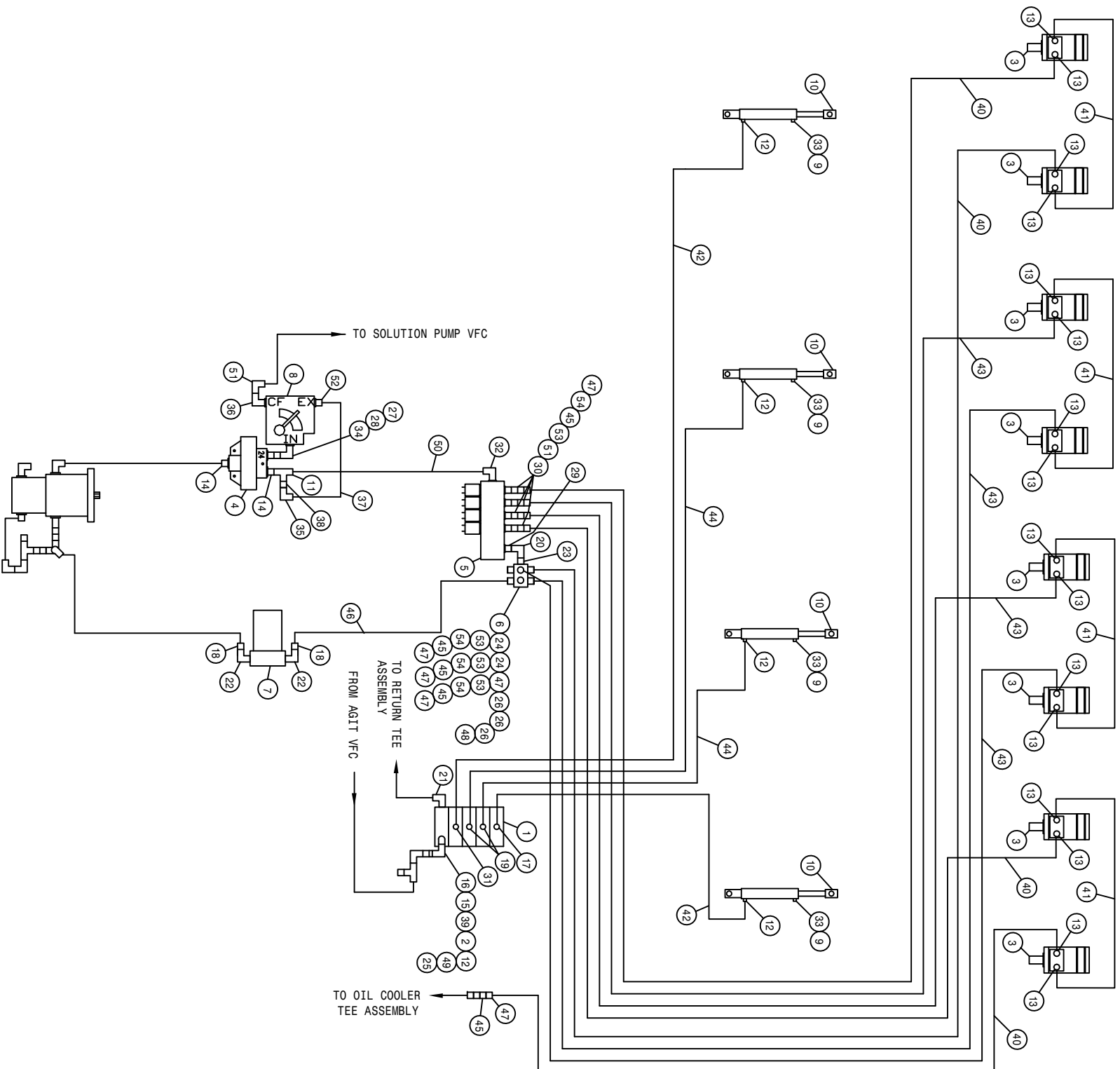
284T COMBO SPRAYER-DETAISELER HYD SCHEM 94
REFERENCE DRAWING NO. 498442S2

DET.	QTY	PART NO.	DESCRIPTION	DET.	QTY	PART NO.	DESCRIPTION
1	2	620120	CYL ASSY, RH LEG, TREAD ADJ	44	3	503820	BLK PIPE TEE .50NPT
2	2	620114	CYL ASSY, STRG, TREAD ADJ	45	2	618126	9/16MJIC-9/16MOR ADPTR
3	2	620531	LEVEL CYL ASSY, 2 X 10	46	1	611128	7/8MJIC-90-7/8MOR LBO
4	2	610510	CESNA GEAR MOTOR 1.48CI	47	2	611126	7/8MJIC-7/8MOR ADPTR
5	1	610319	HYD MTR HYPRO HMI PUMP	48	5	611121	9/16MJIC-1/4MNPT ADPTR
6	1	606818	FLO CONT FCR51 0-16GPM 7/8FOR	49	5	618514	9/16FJ SW BRANCH TEE-9/16MJ
7	2	607512	RELIEF VALVE, RL50, 1850 PSI	50	14	611122	9/16MJIC-90-1/4MNPT LBO
8	1	607504	FLO DIV B50 2-8GPM 7/8 FOR	51	2	618072	7/8MOR-1/2FNPT ADPTR
9	1	610569	6 SECT,5 FUNCIN HYD VLV, EATON	52	2	500000	1/2MNPT HEX PIPE NIPPLE STL
10	1	749150	STRG MTR NON-LOAD REACT 1008	53	3	618018	9/16MJIC-1/2MNPT ADPTR
11	2	620513	LIFT CYL ASSY, 2 X 14	54	5	618019	9/16MJIC UNION TEE
12	2	620052	HYD CYL, 2IN FOLD & LEVEL	55	1	618618	9/16MJIC-90-9/16FJIC SWIV LBO
13	2	620080	STRG CYL ASSY 1.50 X 6.0 1985	56	8	614710	RESTRICTOR ELBOW ASSY .025DIA
14	1	606827	FLO CONT FC51 0-3 VARI 7/8FOR	57	2	618310	9/16MJIC-7/8MOR ADPTR
15	1	615641	FOLD HYD TUBE ASSY, IN 254/284	58	3	611147	3/4MJIC-1/2MNPT ADPTR
16	1	615639	LEVEL HYD TUBE ASSY, UP254/284	59	4	618496	9/16MJIC-45-3/4MOR LBO
17	1	615637	LIFT HYD TUBE ASSY, UP 254/284	60	2	618320	9/16MJIC UNION CROSS
18	1	615640	LEVEL HYD TUBE ASSY, DN254/284	61	5	618486	9/16FJIC SW RUN TEE-9/16MJIC
19	1	615638	LIFT HYD TUBE ASSY, DN 254/284	62	1	618327	3/4MJIC-7/8MOR ADPTR
20	1	615642	FOLD HYD TUBE ASSY, OUT254/284	63	1	618325	7/8MJIC-1/2MNPT ADPTR
21	1	615521	10CIT-10FJX-10FJX-18	64	4	614365	RESTRICTOR ELBOW ASSY .042DIA
22	1	615452	06CIT-06FJX-06FJX-16	65	1	611145	3/4MJIC-90-1/2MNPT LBO
23	1	614159	04CIT-06FJX-06FJX-169	66	1	618241	3/4MJIC-90-3/4MOR LBO
24	3	615442	04CIT-06FJX-06FJX-55	67	1	712440	1/2 NPT X 3/4 HOSE BARB
25	4	616040	04CIT-06FJX-06FJX-67	68	1	503600	CLOSE NIPPLE .50NPT
26	4	616028	04CIT-06FJX-06FJX-47	69	2	618531	9/16FJIC CAP NUT
27	1	616057	08CIT-08FJX-08FJX-88	70	4	618092	1 1/16MOR-1/2FNPT ADPTR
28	1	614664	10CIT-10FJX-10FJX-98	71	8	618107	9/16MJIC-90-1/2MNPT LBO
29	1	616042	04CIT-06FJX-06FJX-13	72	11	618119	9/16MJIC-90-9/16MOR LBO
30	2	616049	04CIT-06FJX-06FJX-26	73	1	618172	7/8MOR-9/16FOR ADPTR
31	2	620121	CYL ASSY, LH LEG, TREAD ADJ	74	6	619010	9/16MJIC UNION
32	2	614308	04CIT-06FJX-06FJX-109	75	1	601332	HOSE, 3/4 X 40 ZBR RED
33	2	611210	04CIT-06FJX-06FJX-156	76	1	618562	9/16MOR-90-1/4MNPT LBO
34	5	611204	04CIT-06FJX-06FJX-78	77	1	610447	HYD FILTER, INLINE 1/4FNPT 90M
35	8	614663	04CIT-06FJX-06FJX-16	78	1	601123	HOSE, 1 1/4 X 33 ZBR RED
36	2	615616	04CIT-06FJX-06FJX-65	79	1	614350	16CZAT-16FJX-16FJX-55
37	8	616026	04CIT-06FJX-06FJX-37	80	1	615385	08CIT-08FJX-08FJX-29
38	3	614382	08CIT-08FJX-08FJX-40	81	1	618523	7/8FJIC-3/4MJIC ADPTR
39	1	614662	08CIT-08FJX-08FJX-72	82	1	618314	3/4MJIC UNION
40	3	614693	06CIT-06FJX-06FJX-168	83	2	620123	CYL ASSY-STRG, 125" TREAD ADJ 94
41	1	614571	06RLA-06FJX-06FJX-126	84	2	620122	CYL ASSY, STRG, 90" TREAD ADJ 94
42	2	611208	04CIT-06FJX-06FJX-98	85	1	618451	3/4FJIC SW RUN TEE-3/4MJIC
43	1	618440	9/16MJIC-90-9/16MOR EX LG LBO	86	1	618622	HYD QUICK CPLR, MALE, .50FNPS



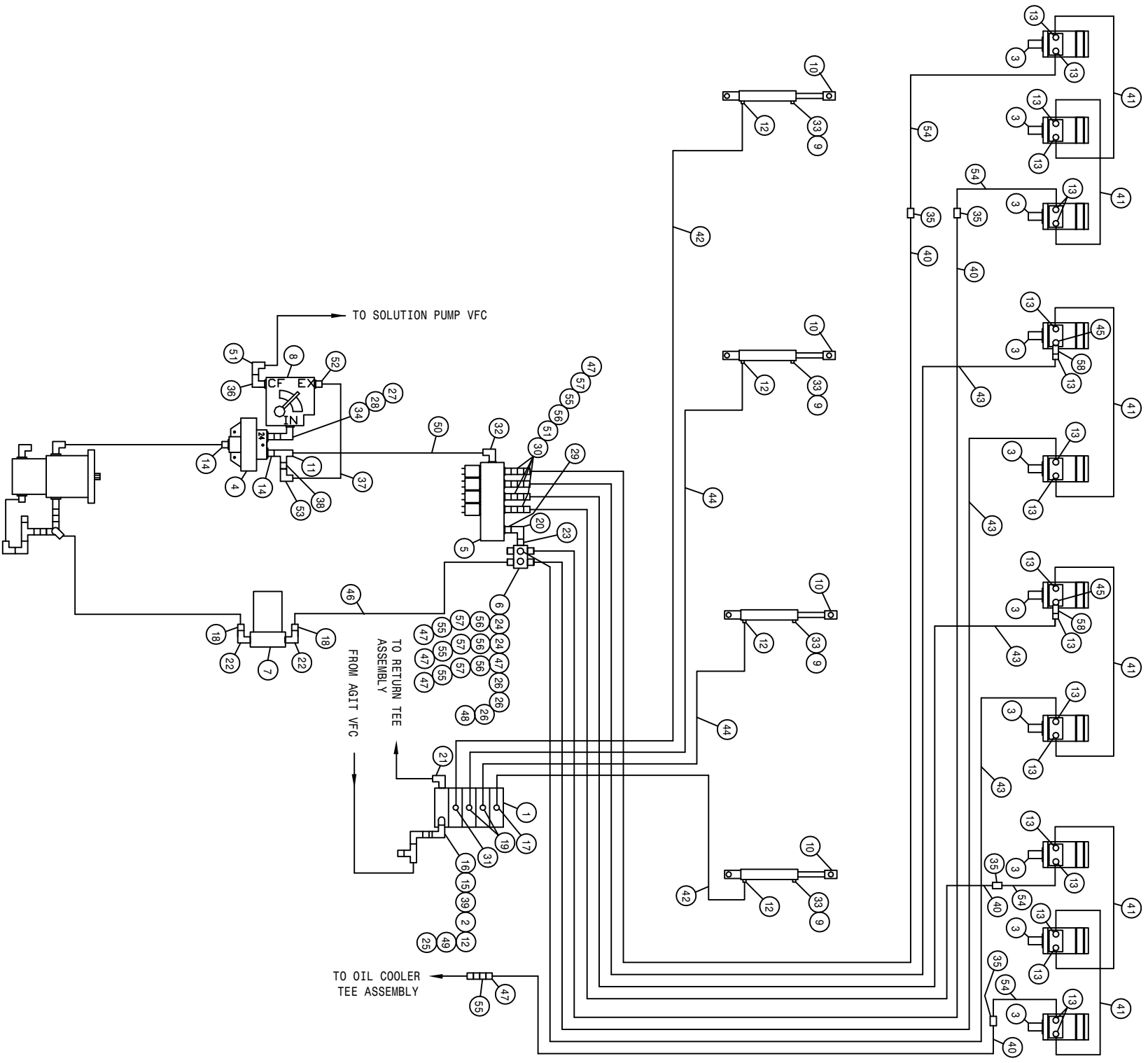
280 COMB 6R QUAD 3L W/T-TROL HYD SCHEM 92
REFERENCE DRAWING NO. 498408

DET.	QTY	PART NO.	DESCRIPTION	DET.	QTY	PART NO.	DESCRIPTION
1	1	610532	ELECT HYD STACK VLV, 3 SECT	28	1	618579	1 1/16FJIC SWIV-3/4MNPT
2	1	610447	HYD FILTER, INLINE 1/4FNPT 90M	29	1	618090	1 5/16MOR-1FNPT ADPTR
3	6	610547	HYD MOTOR 4.5CI 1IN SHFT	30	4	618469	3/4MJIC-1 1/16MOR ADPTR
4	1	606836	FLO DIV BG424 24GPM PRI INPT	31	6	618623	3/4FJIC-SWIV-1/2MNPT
5	1	610467	MODULAR MTR CONTROL ELECT VLV	32	1	618178	1 5/16MJIC-90-1 5/16MOR LBO
6	1	614633	HYD MANIF 8200 86	33	3	501452	ST EL 90DEG .25NPT, STEEL, PLT
*7	1	605601	GRESEN FILTER 10 MICRON 40GPM	34	1	505213	RED BUSH 1 X 3/4 BLK MAL
8	1	607510	FLO CONT FCR51 0-30VARI 7/8OR	35	1	618191	1 1/16MJ-90-1 1/16FJ SWIV LBO
9	3	470114	BREATHER FILTER VENT, 1/4 NPT	36	1	618183	3/4MJIC-90-7/8MOR LBO
10	3	620900	CYL ASSY CC2016 D00 SRG 180	*37	1	610357	12C2AT-12FJX-12FJX-33
11	1	618619	1 5/16FJ SW RUN TEE-15/16MJ	38	1	618541	1 5/16FJIC-1 1/16MJIC ADPTR
12	4	611122	9/16MJIC-90-1/4MNPT LBO	39	7	618621	HYD QUICK CPLR, FEMALE, .50FNPS
13	12	618327	3/4MJIC-7/8MOR ADPTR	40	1	618608	9/16FJIC SWIV-1/4MNPT
14	2	618322	1 5/16MJIC-1MNPT ADPTR	41	4	614690	08CIT-08FJX-08FJX-192
15	1	618440	9/16MJIC-90-9/16MOR EX LG LBO	42	1	618189	1 1/16MJIC-7/8MOR ADPTR
16	1	618170	3/4MOR-9/16FOR ADPTR	43	2	614101	04CIT-06FJX-06FJX-133
17	2	618119	9/16MJIC-90-9/16MOR LBO	44	2	614688	08CIT-08FJX-08FJX-108
*18	2	715660	HOSE BARB 1 1/4NPT X 1 1/4	45	3	616025	08CIT-08FJX-08FJX-50
19	1	618425	9/16MJIC-45-9/16MOR LBO	46	1	614077	04CIT-06FJX-06FJX-88
20	1	505200	BLK PIPE ST EL 90DEG 1.00NPT	47	5	618622	HYD QUICK CPLR, MALE, .50FNPS
21	1	618600	9/16MJIC-90-7/8MOR LBO	*48	1	601378	HOSE, 1 1/4 X 156 1FBR-1SPI
*22	2	506410	BLK PIPE ST EL 90DEG 1.25NPT	49	7	611147	3/4MJIC-1/2MNPT ADPTR
23	1	505210	BLK PIPE NIPPLE 1.00NPT-3.00	50	1	714561	1.00NPT-1.25 HOSE BARB
24	2	611145	3/4MJIC-90-1/2MNPT LBO	51	1	618486	9/16FJIC SW RUN TEE-9/16MJIC
25	1	618531	9/16FJIC CAP NUT	*52	1	614702	HYD TUBE ASSY, 280 COMBO 92
26	3	503700	PIPE PLUG .50NPT SQ HD	53	5	618609	3/4MJIC-90-3/4FJIC SWIV LBO
27	1	618279	1 1/16MJIC-90-7/8MOR LBO				



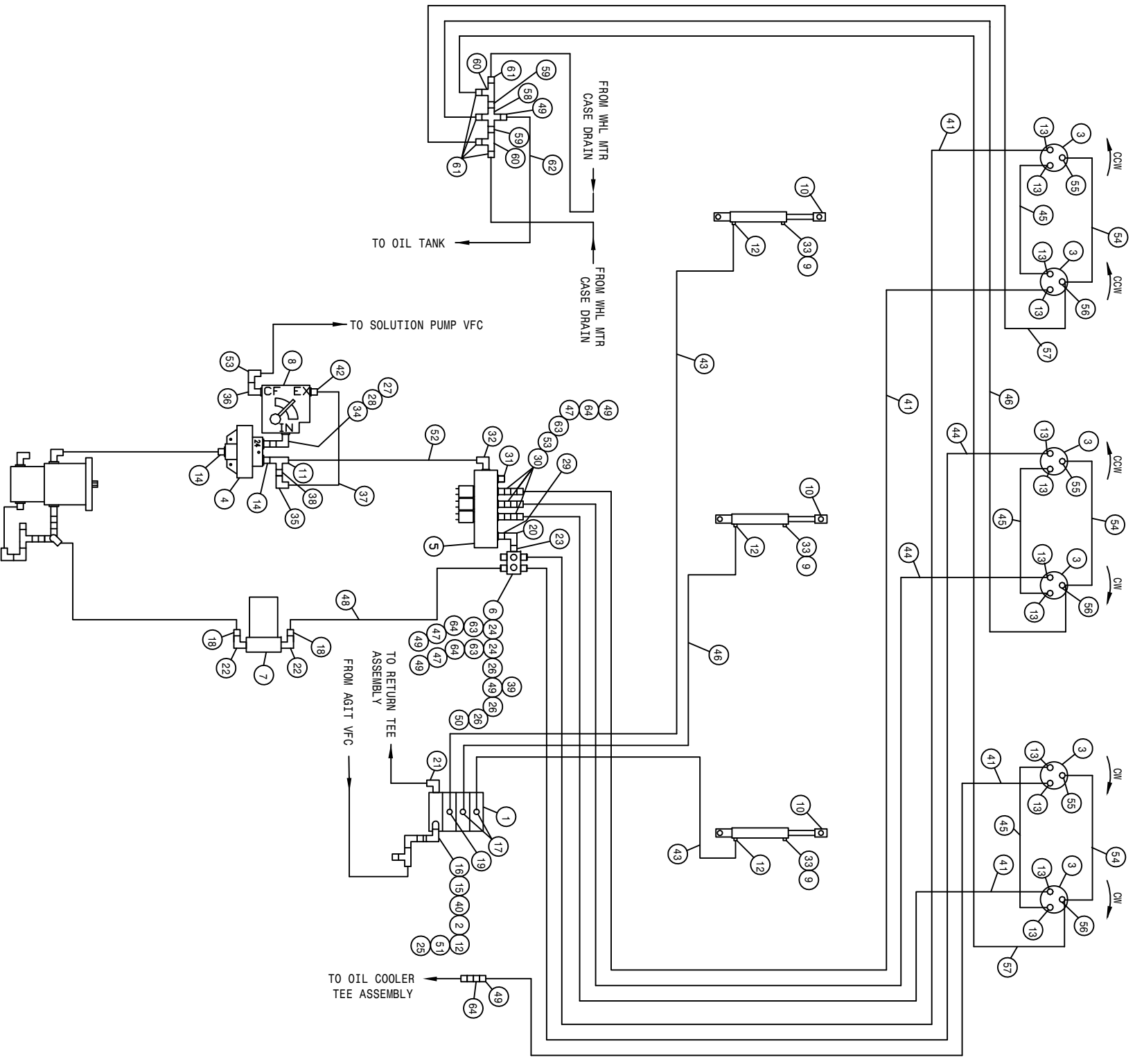
280 COMBO 8R QUAD 4L W/T-TROL HYD SCHEM 92
REFERENCE DRAWING NO. 498409

DET.	QTY	PART NO.	DESCRIPTION	DET.	QTY	PART NO.	DESCRIPTION
1	1	610532	ELECT HYD STACK VLV, 3 SECT	28	1	618579	1 1/16FJIC SWIV-3/4MNPT
2	1	610447	HYD FILTER, INLINE 1/4FNPT 90M	29	1	618090	1 5/16MOR-1FNPT ADPTR
3	8	610547	HYD MOTOR 4.5CI 1IN SHFT	30	4	618469	3/4MJIC-1 1/16MOR ADPTR
4	1	606836	FLO DIV BG424 24GPM PRI 1NPT	31	1	618126	9/16MJIC-9/16MOR ADPTR
5	1	610467	MODULAR MTR CONTROL ELECT VLV	32	1	618178	1 5/16MJIC-90-1 5/16MOR LBO
6	1	614633	HYD MANIF 8200 86	33	4	501452	ST EL 90DEG. 25NPT, STEEL,PLT
* 7	1	605601	GRESEN FILTER 10 MICRON 40GPM	34	1	505213	RED BUSH 1 X 3/4 BLK MAL
8	1	607510	FLO CONT FCR51 0-30VARI 7/8OR	35	1	618191	1 1/16MJ-90-1 1/16FJ SWIV LBO
9	4	470114	BREATHER FILTER VENT, 1/4 NPT	36	1	618183	3/4MJIC-90-7/8MOR LBO
10	4	620900	CYL ASSY CC2016 D00 SRG 180	*37	1	610357	12C2AT-12FJX-12FJX-33
11	1	618619	1 5/16FJ SW RUN TEE-15/16MJ	38	1	618541	1 5/16FJIC-1 1/16MJIC ADPTR
12	5	611122	9/16MJIC-90-1/4MNPT LBO	39	1	618608	9/16FJIC SWIV-1/4MNPT
13	16	618327	3/4MJIC-7/8MOR ADPTR	40	4	614691	08C1T-08FJX-08FJX-220
14	2	618322	1 5/16MJIC-1MNPT ADPTR	41	4	616025	08C1T-08FJX-08FJX-50
15	1	618440	9/16MJIC-90-9/16MOR EX LG LBO	42	2	611246	04C1T-06FJX-06FJX-174
16	1	618170	3/4MOR-9/16FOR ADPTR	43	4	614689	08C1T-08FJX-08FJX-120
17	1	618119	9/16MJIC-90-9/16MOR LBO	44	2	614101	04C1T-06FJX-06FJX-133
*18	1	715660	HOSE BARB 1 1/4NPT X 1 1/4	45	8	618621	HYD QUICK CPLR, FEMALE, .50FNPS
19	2	618425	9/16MJIC-45-9/16MOR LBO	*46	1	601378	HOSE, 1 1/4 X 156 1FBR-1SP1
20	1	505200	BLK PIPE ST EL 90DEG 1.00NPT	47	9	611147	3/4MJIC-1/2MNPT ADPTR
21	1	618600	9/16MJIC-90-7/8MOR LBO	48	1	714561	1.00NPT-1.25 HOSE BARB
*22	2	506410	BLK PIPE ST EL 90DEG 1.25NPT	49	1	618486	9/16FJIC SW RUN TEE-9/16MJIC
23	1	505210	BLK PIPE NIPPLE 1.00NPT-3.00	*50	1	614702	HYD TUBE ASSY, 280 COMBO 92
24	2	611145	3/4MJIC-90-1/2MNPT LBO	51	5	618609	3/4MJIC-90-3/4FJIC SWIV LBO
25	1	618531	9/16FJIC CAP NUT	52	1	618189	1 1/16MJIC-7/8MOR ADPTR
26	3	503700	PIPE PLUG .50NPT SQ HD	53	7	618623	3/4FJIC-SWIV-1/2MNPT
27	1	618279	1 1/16MJIC-90-7/8MOR LBO	54	7	618622	HYD QUICK CPLR, MALE, .50FNPS



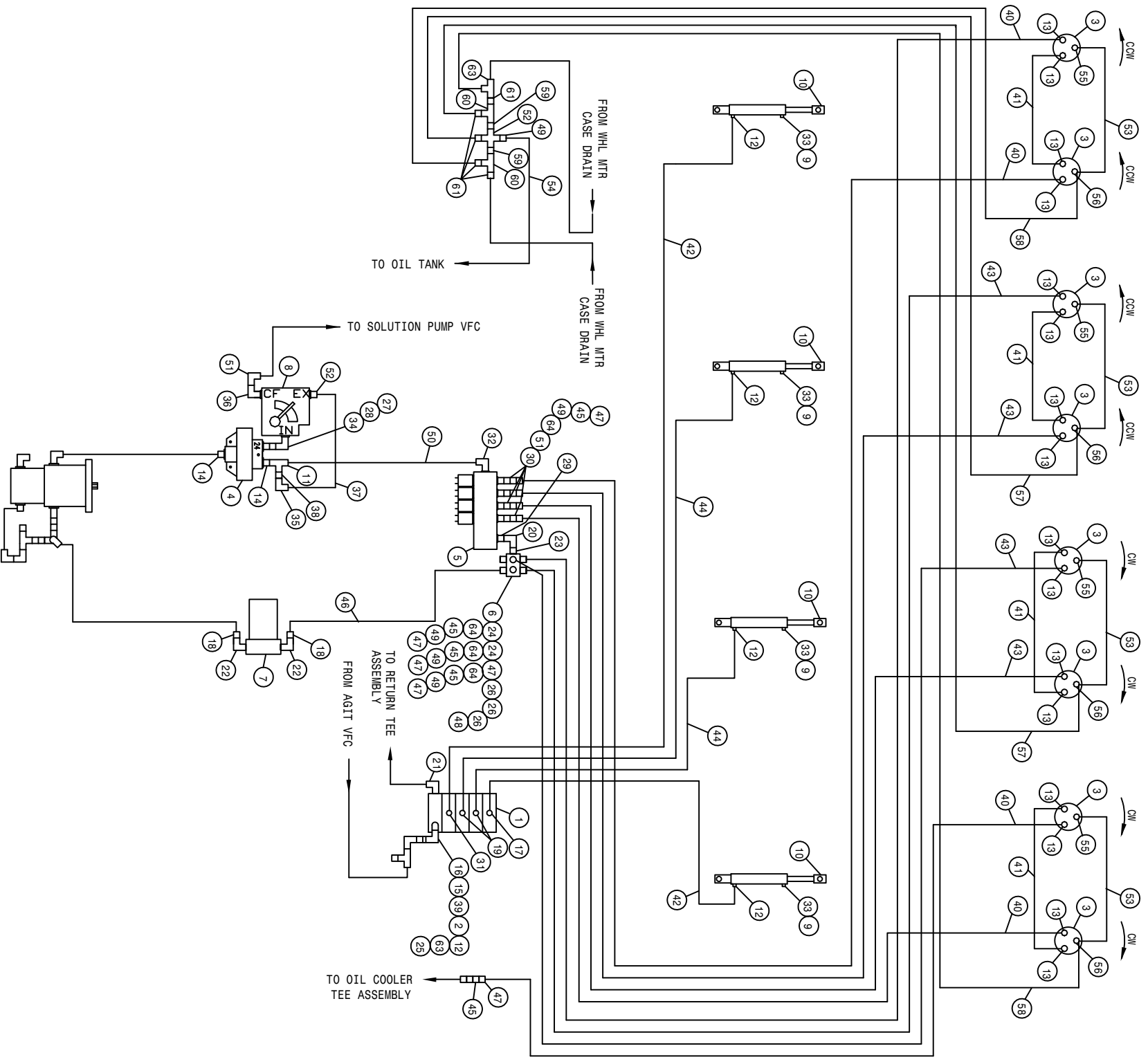
280 COMBO 10R QUAD 4L W/T-TROL HYD SCHEM 93
 REFERENCE DRAWING NO. 498426

DET.	QTY	PART NO.	DESCRIPTION	DET.	QTY	PART NO.	DESCRIPTION
1	1	610532	ELECT HYD STACK VLV, 3 SECT	30	4	618469	3/4MJIC-1 1/16MOR ADPTR
2	1	610447	HYD FILTER, INLINE 1/4FNPT 90M	31	1	618126	9/16MJIC-9/16MOR ADPTR
3	10	610547	HYD MOTOR 4.5CI 1IN SHFT	32	1	618178	1 5/16MJIC-90-1 5/16MOR LBO
4	1	606836	FLO DIV BG424 24GPM PRI INPT	33	4	501452	ST EL 90DEG .25NPT, STEEL,PLT
5	1	610467	MODULAR MTR CONTROL ELECT VLV	34	1	505213	RED BUSH 1 X 3/4 BLK MAL
6	1	614633	HYD MANIF 8200 86	35	4	618314	3/4MJIC UNION
* 7	1	605601	GREENE FILTER 10 MICRON 40GPM	36	1	618183	3/4MJIC-90-7/8MOR LBO
8	1	607510	FLO CONT FGR51 0-30VARI 7/8OR	*37	1	610357	12C2AT-12FJX-12FJX-33
9	4	470114	BREATHER FILTER VENT, 1/4 NPT	38	1	618541	1 5/16FJIC-1 1/16MJIC ADPTR
10	4	620900	CYL ASSY CG2016 DDO SRG 180	39	1	618608	9/16FJIC SWIV-1/4MNPT
11	1	618619	1 5/16FJ SW RUN TEE-15/16MJ	40	4	614691	08C1T-08FJX-08FJX-220
12	5	611122	9/16MJIC-90-1/4MNPT LBO	41	6	616025	08C1T-08FJX-08FJX-50
13	20	618327	3/4MJIC-7/8MOR ADPTR	42	2	611246	04C1T-06FJX-06FJX-174
14	2	618322	1 5/16MJIC-1MNPT ADPTR	43	4	614689	08C1T-08FJX-08FJX-120
15	1	618440	9/16MJIC-90-9/16MOR EX LG LBO	44	2	614101	04C1T-06FJX-06FJX-133
16	1	618170	3/4MOR-9/16FOR ADPTR	45	2	618586	7/8MOR UNION
17	1	618119	9/16MJIC-90-9/16MOR LBO	*46	1	601378	HOSE, 1 1/4 X 156 IFBR-1SPI
*18	2	715660	HOSE BARB 1 1/4NPT X 1 1/4	47	9	611147	3/4MJIC-1/2MNPT ADPTR
19	2	618425	9/16MJIC-45-9/16MOR LBO	48	1	714561	1.00NPT-1.25 HOSE BARB
20	1	505200	BLK PIPE ST EL 90DEG 1.00NPT	49	1	618486	9/16FJIC SW RUN TEE-9/16MJIC
21	1	618600	9/16MJIC-90-7/8MOR LBO	*50	1	614702	HYD TUBE ASSY, 280 COMBO 92
*22	2	506410	BLK PIPE ST EL 90DEG 1.25NPT	51	5	618609	3/4MJIC-90-3/4FJIC SWIV LBO
23	1	505210	BLK PIPE NIPPLE 1.00NPT-3.00	52	1	618189	1 1/16MJIC-7/8MOR ADPTR
24	2	611145	3/4MJIC-90-1/2MNPT LBO	53	1	618191	1 1/16MJ-90-1 1/16FJ SWIV LBO
25	1	618531	9/16FJIC CAP NUT	54	4	615385	08C1T-08FJX-08FJX-29
26	3	503700	PIPE PLUG .50NPT SQ HD	55	8	618621	HYD QUICK CPLR,FEMALE, .50FNPS
27	1	618279	1 1/16MJIC-90-7/8MOR LBO	56	7	618623	3/4FJIC-SWIV-1/2MNPT
28	1	618579	1 1/16FJIC SWIV-3/4MNPT	57	7	618622	HYD QUICK CPLR, MALE, .50FNPS
29	1	618090	1 5/16MOR-1FNPT ADPTR	58	2	607522	FLOW REGULATOR, 8GPM VONBERG



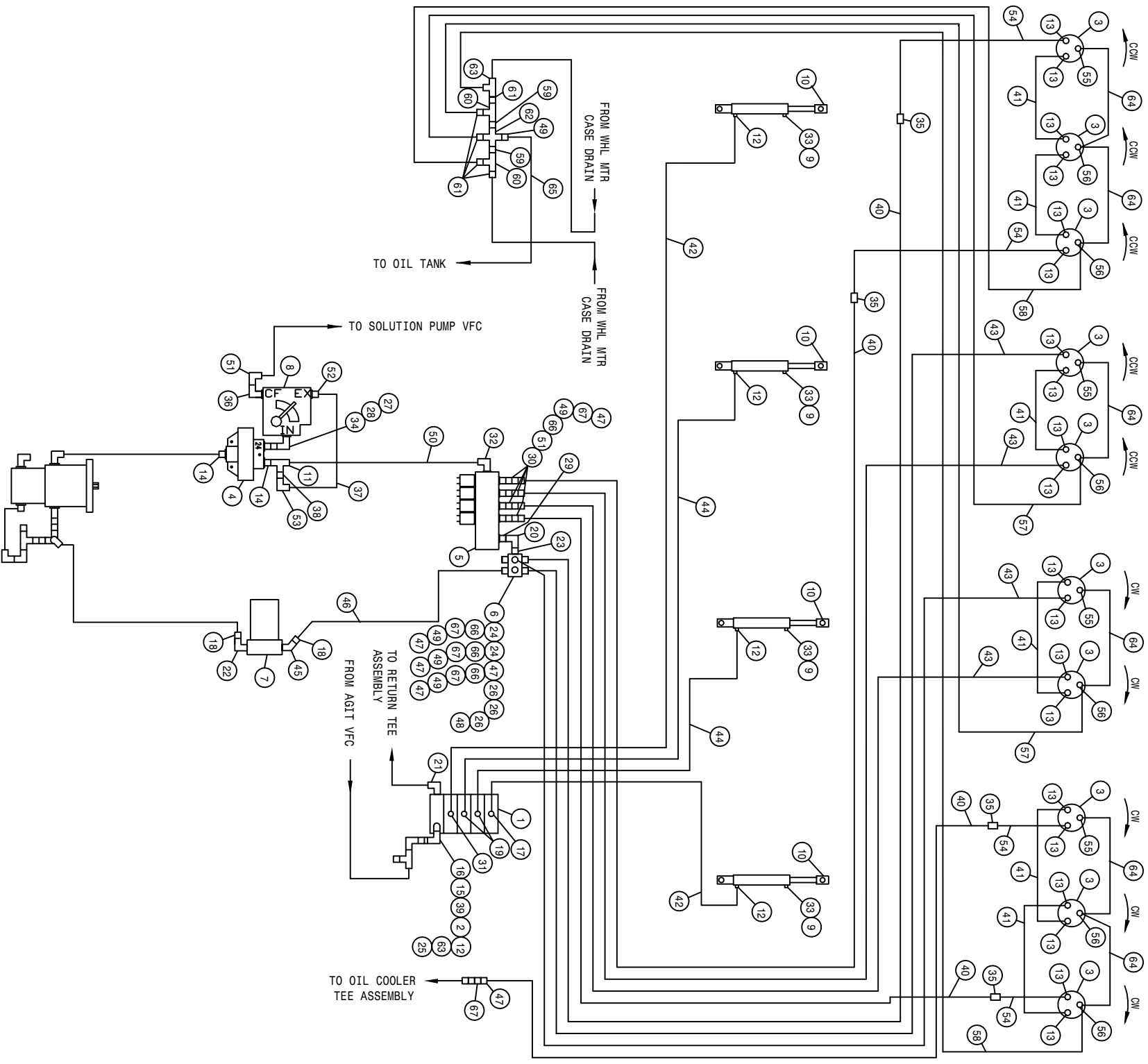
284 COMBO 6R CUTR 3L W/T-TROL HYD SCHEM 94
REFERENCE DRAWING NO. 498444

DET.	QTY	PART NO.	DESCRIPTION	DET.	QTY	PART NO.	DESCRIPTION
1	1	610532	ELECT HYD STACK VLV, 3 SECT	33	3	501452	ST EL 90DEG .25NPT, STEEL,PLT
2	1	610447	HYD FILTER, INLINE 1/4FNPT 90M	34	1	505213	RED BUSH 1 X 3/4 BLK MAL
3	6	610590	BARNES HYD MOTOR	35	1	618191	1 1/16MJD-90-1 1/16FJ SWIV LBO
4	1	606836	FLO DIV BG424 24GPM PRI 1NPT	36	1	618183	3/4MJIC-90-7/8MOR LBO
5	1	610467	MODULAR MTR CONTROL ELECT VLV	*37	1	610357	12C2AT-12FJX-12FJX-33
6	1	614633	HYD MANIF 8200 86	38	1	618541	1 5/16FJIC-1 1/16MJIC ADPTR
*7	1	605601	GRESEN FILTER 10 MICRON 40GPM	39	1	618532	3/4FJIC CAP NUT
8	1	607510	FLO CONT FCR51 0-30VARI 7/8OR	40	1	618608	9/16FJIC SWIV-1/4MNPT
9	3	470114	BREATHER FILTER VENT, 1/4 NPT	41	4	614690	08C1T-08FJX-08FJX-192
10	3	620900	CYL ASSY CC2016 D00 SRG 180	42	2	618189	1 1/16MJIC-7/8MOR ADPTR
11	1	618619	9/16MJIC-90-1/4MNPT LBO	43	2	614101	04C1T-06FJX-06FJX-135
12	4	611122	9/16MJIC-90-1/4MNPT LBO	44	2	614688	08C1T-08FJX-08FJX-108
13	12	611125	3/4MJIC-3/4MOR ADPTR	45	3	614368	08C1T-08FJX-08FJX-60
14	2	618322	1 5/16MJIC-1MNPT ADPTR	46	2	614077	04C1T-06FJX-06FJX-88
15	1	618440	9/16MJIC-90-9/16MOR EX LG LBO	47	5	618621	HYD QUITCK CPLR,FEMALE,.50FNPS
16	1	618170	3/4MOR-9/16FOR ADPTR	*48	1	601378	HOSE, 1 1/4 X 156 1FBR-1SPI
17	2	618119	9/16MJIC-90-9/16MOR LBO	49	8	611147	3/4MJIC-1/2MNPT ADPTR
*18	2	715660	HOSE BARB 1 1/4NPT X 1 1/4	50	1	714561	1.00NPT-1.25 HOSE BARB
19	1	618425	9/16MJIC-45-9/16MOR LBO	51	1	618486	9/16FJIC SW RUN TEE-9/16MJIC
20	1	505200	BLK PIPE ST EL 90DEG 1.00NPT	*52	1	614702	HYD TUBE ASSY, 280 COMBO 92
21	1	618600	9/16MJIC-90-7/8MOR LBO	53	4	618609	3/4MJIC-90-3/4FJIC SWIV LBO
*22	2	506410	BLK PIPE ST EL 90DEG 1.25NPT	54	3	611206	04C1T-06FJX-06FJX-66
23	1	505210	BLK PIPE NIPPLE 1.00NPT-3.00	55	3	618530	9/16MJIC-1/8MNPT ADPTR
24	2	611145	3/4MJIC-90-1/2MNPT LBO	56	3	618546	1/8MNPT RUN TEE-9/16MJIC
25	1	618531	9/16FJIC CAP NUT	57	2	611210	04C1T-06FJX-06FJX-156
26	3	503700	PIPE PLUG .50NPT SQ HD	58	1	503824	BLK PIPE CROSS .50NPT
27	1	618279	1 1/16MJIC-90-7/8MOR LBO	59	2	503600	CLOSE NIPPLE .50NPT
28	1	618579	1 1/16FJIC SWIV-3/4MNPT	60	2	503820	BLK PIPE TEE .50NPT
29	1	618090	1 5/16MOR-1FNPT ADPTR	61	5	618018	9/16MJIC-1/2MNPT ADPTR
30	3	618469	3/4MJIC-1 1/16MOR ADPTR	62	1	614376	08C1T-08FJX-08FJX-177
31	1	610186	1 1/16MOR PLUG	63	5	618623	3/4FJIC-SWIV-1/2MNPT
32	1	618178	1 5/16MJIC-90-1 5/16MOR LBO	64	6	618622	HYD QUITCK CPLR, MALE, .50FNPS



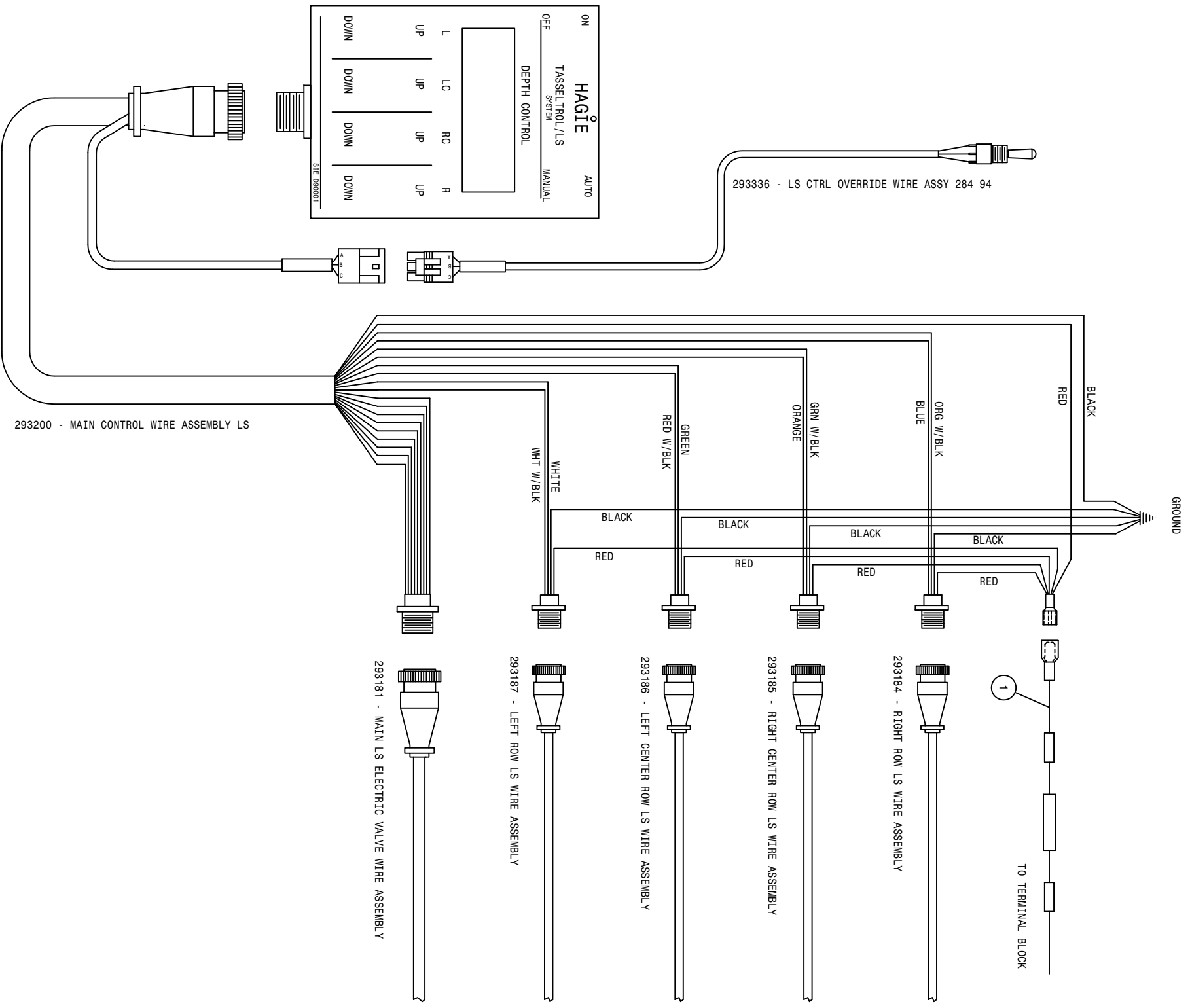
284 COMBO 8R CUTR 4L W/T-TROL HYD SCHEM 94
REFERENCE DRAWING NO. 498445

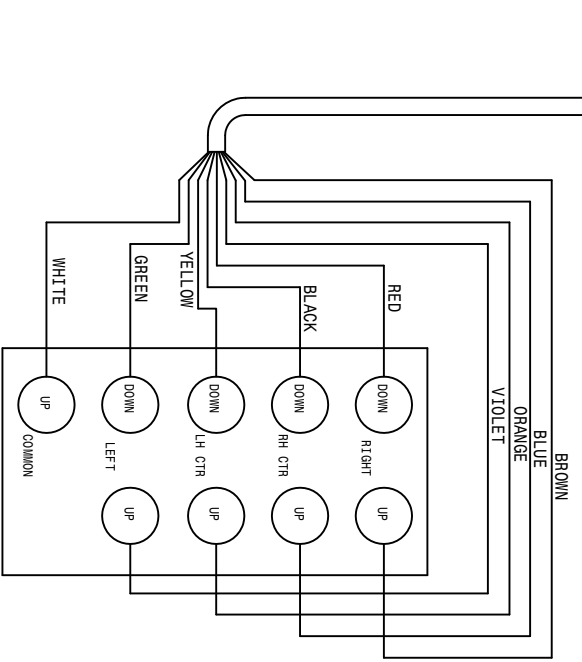
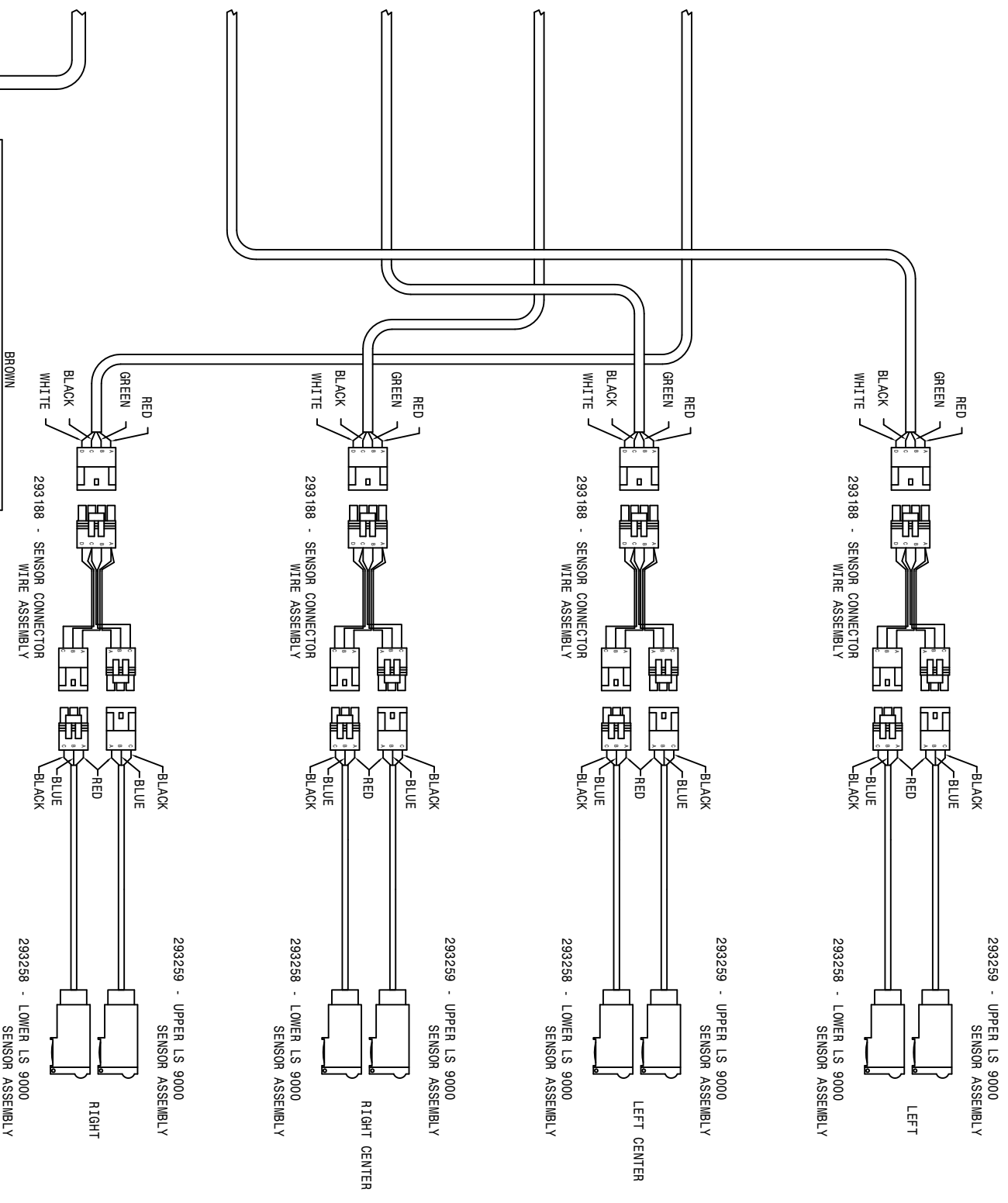
DET.	QTY	PART NO.	DESCRIPTION	DET.	QTY	PART NO.	DESCRIPTION
1	1	610532	ELECT HYD STACK VLV, 3 SECT	33	4	501452	ST EL 90DEG .25NPT, STEEL,PLT
2	1	610447	HYD FILTER, INLINE 1/4FNPT 90M	34	1	505213	RED BUSH 1 X 3/4 BLK MAL
3	8	610590	BARNES HYD MOTOR	35	1	618191	1 1/16MJ-90-1 1/16FJ SWIV LBO
4	1	606836	FLO DIV BG424 24GPM PRI 1NPT	36	1	618183	3/4MJJC-90-7/8MOR LBO
5	1	610467	MODULAR MTR CONTROL ELECT VLV	*37	1	610357	12CZAT-12FJX-12FJX-33
6	1	614633	HYD MANIF 8200 86	38	1	618541	1 5/16FJJC-1 1/16MJJC ADPTR
*7	1	605601	GRESEN FILTER 10 MICRON 40GPM	39	1	618608	9/16FJJC SWIV-1/4MNPT
8	1	607510	FLO CONT FCR51 0-30VARI 7/8OR	40	4	614691	08C1T-08FJX-08FJX-220
9	4	470114	BREATHER FILTER VENT, 1/4 NPT	41	4	614368	08C1T-08FJX-08FJX-60
10	4	620900	CYL ASSY CC2016 DOD SRG 180	42	4	611246	04C1T-06FJX-06FJX-174
11	1	618619	1 5/16FJ SW RUN TEE-15/16MJ	43	4	614689	08C1T-08FJX-08FJX-120
12	5	611122	9/16MJJC-90-1/4MNPT LBO	44	2	614101	04C1T-06FJX-06FJX-133
13	16	611125	3/4MJJC-3/4MOR ADPTR	45	8	618622	HYD QUICK CPLR, MALE, .50FNPS
14	2	618322	1 5/16MJJC-1MNPT ADPTR	*46	1	601378	HOSE, 1 1/4 X 156 IFBR-1SPI
15	1	618440	9/16MJJC-90-9/16MOR EX LG LBO	47	9	611147	3/4MJJC-1/2MNPT ADPTR
16	1	618170	3/4MOR-9/16FOR ADPTR	48	1	714561	1.00NPT-1.25 HOSE BARB
17	1	618119	9/16MJJC-90-9/16MOR LBO	49	7	618621	HYD QUICK CPLR,FEMALE,.50FNPS
*18	2	715660	HOSE BARB 1 1/4NPT X 1 1/4	*50	1	614702	HYD TUBE ASSY, 280 COMBO
19	2	618425	9/16MJJC-45-9/16MOR LBO	51	4	618609	3/4MJJC-90-3/4FJJC SWIV LBO
20	1	505200	BLK PIPE ST EL 90DEG 1.00NPT	52	1	618189	1 1/16MJJC-7/8MOR ADPTR
21	1	618600	9/16MJJC-90-7/8MOR LBO	53	4	611206	04C1T-06FJX-06FJX-66
*22	2	506410	BLK PIPE ST EL 90DEG 1.25NPT	54	1	614376	08C1T-08FJX-08FJX-177
23	1	505210	BLK PIPE NIPPLE 1.00NPT-3.00	55	4	618530	9/16MJJC-1/8MNPT ADPTR
24	2	611145	3/4MJJC-90-1/2MNPT LBO	56	3	618546	1/8MNPT RUN TEE-9/16MJJC
25	1	618531	9/16FJJC CAP NUT	57	2	611212	04C1T-06FJX-06FJX-164
26	3	503700	PIPE PLUG .50NPT SQ HD	58	2	614154	04C1T-06FJX-06FJX-221
27	1	618279	1 1/16MJJC-90-7/8MOR LBO	59	2	503600	CLOSE NIPPLE .50NPT
28	1	618579	1 1/16FJJC SWIV-3/4MNPT	60	2	503820	BLK PIPE TEE .50NPT
29	1	618090	1 5/16MOR-1FNPT ADPTR	61	5	618018	9/16MJJC-1/2MNPT ADPTR
30	4	618469	3/4MJJC-1 1/16MOR ADPTR	62	1	503824	BLK PIPE CROSS .50NPT
31	1	618126	9/16MJJC-9/16MOR ADPTR	63	2	618486	9/16FJJC SW RUN TEE-9/16MJJC
32	1	618178	1 5/16MJJC-90-1 5/16MOR LBO	64	7	618623	3/4FJJC-SWIV-1/2MNPT



284 COMBO 10R CUTR 4L W/T-TROL HYD SCHEM 94
REFERENCE DRAWING NO. 498446

DET.	QTY	PART NO.	DESCRIPTION	DET.	QTY	PART NO.	DESCRIPTION
1	1	610532	ELECT HYD STACK VLV, 3 SECT	34	1	505213	RED BUSH 1 X 3/4 BLK MAL
2	1	610447	HYD FILTER, INLINE 1/4FNPT 90M	35	4	618314	3/4MJC UNION
3	10	610590	BARNES HYD MOTOR	36	1	618183	3/4MJC-90-7/8MOR LBO
4	1	606836	FLO DIV BG424 24GPM PRI INPT	*37	1	610357	12C2AT-12FCJX-12FCJX-33
5	1	610467	MODULAR MTR CONTROL ELECT VLV	38	1	618541	1 5/16FJIC-1 1/16MJC ADPTR
6	1	614633	HYD MANIF 8200 86	39	1	618608	9/16FJIC SWIV-1/4MNPT
* 7	1	605601	GRESN FILTER 10 MICRON 40GPM	40	4	614691	08C1T-08FCJX-08FCJX-220
8	1	607510	FLO CONT FCR51 0-30VARI 7/8OR	41	6	614368	08C1T-08FCJX-08FCJX-60
9	4	470114	BREATHER FILTER VENT, 1/4 NPT	42	2	611246	04C1T-06FCJX-06FCJX-174
10	4	620900	CYL ASSY CC2016 D00 SRG 180	43	4	614689	08C1T-08FCJX-08FCJX-120
11	4	18619	1 5/16FJ SW RUN TEE-15/16MJ	44	2	614101	04C1T-06FCJX-06FCJX-133
12	5	611122	9/16MJC-90-1/4MNPT LBO	45	8	618622	HYD QUICK CPLR, MALE, .50FNPS
13	20	611125	3/4MJC-3/4MOR ADPTR	*46	1	601378	HOSE, 1 1/4 X 156 1FBR-1SPI
14	2	618322	1 5/16MJC-1MNPT ADPTR	47	9	611147	3/4MJC-1/2MNPT ADPTR
15	1	618440	9/16MJC-90-9/16MOR EX LG LBO	48	1	714561	1.00NPT-1.25 HOSE BARB
16	1	618170	3/4MOR-9/16FOR ADPTR	49	7	618621	HYD QUICK CPLR,FEMALE,.50FNPS
17	1	618119	9/16MJC-90-9/16MOR LBO	*50	1	614702	3/4MJC-90-3/4FCJIC SWIV LBO
*18	2	715660	HOSE BARB 1 1/4NPT X 1 1/4	51	5	618609	1 1/16MJ-90-1 1/16FJ SWIV LBO
19	2	618425	9/16MJC-45-9/16MOR LBO	52	1	618189	1 1/16MJC-7/8MOR ADPTR
20	1	505200	BLK PIPE ST EL 90DEG 1.00NPT	53	1	618191	06C1T-08FCJX-08FCJX-28
21	1	618600	9/16MJC-90-7/8MOR LBO	54	4	615624	9/16MJC-1/8MNPT ADPTR
*22	2	506410	BLK PIPE ST EL 90DEG 1.25NPT	55	6	618530	1/8MNPT RUN TEE-9/16MJCIC
23	1	505210	BLK PIPE NIPPLE 1.00NPT-3.00	56	6	618546	04C1T-06FCJX-06FCJX-164
24	2	611145	3/4MJC-90-1/2MNPT LBO	57	2	611212	04C1T-06FCJX-06FCJX-221
25	1	618531	9/16FJIC CAP NUT	58	2	614154	04C1T-06FCJX-06FCJX-221
26	3	503700	PIPE PLUG .50NPT SQ HD	59	2	503600	CLOSE NIPPLE .50NPT
27	1	618279	1 1/16MJC-90-7/8MOR LBO	60	2	503820	BLK PIPE TEE .50NPT
28	1	618579	1 1/16FJIC SWIV-3/4MNPT	61	5	618018	9/16MJC-1/2MNPT ADPTR
29	1	618090	1 5/16MOR-1FNPT ADPTR	62	1	503824	BLK PIPE CROSS .50NPT
30	4	618469	3/4MJC-1 1/16MOR ADPTR	63	2	618486	9/16FJIC SW RUN TEE-9/16MJCIC
31	1	618126	9/16MJC-9/16MOR ADPTR	64	4	611206	04C1T-06FCJX-06FCJX-66
32	1	618178	1 5/16MJC-90-1 5/16MOR LBO	65	1	614376	08C1T-08FCJX-08FCJX-177
33	4	501452	ST EL 90DEG .25NPT, STEEL,PLT	66	7	618623	3/4FJIC-SWIV-1/2MNPT



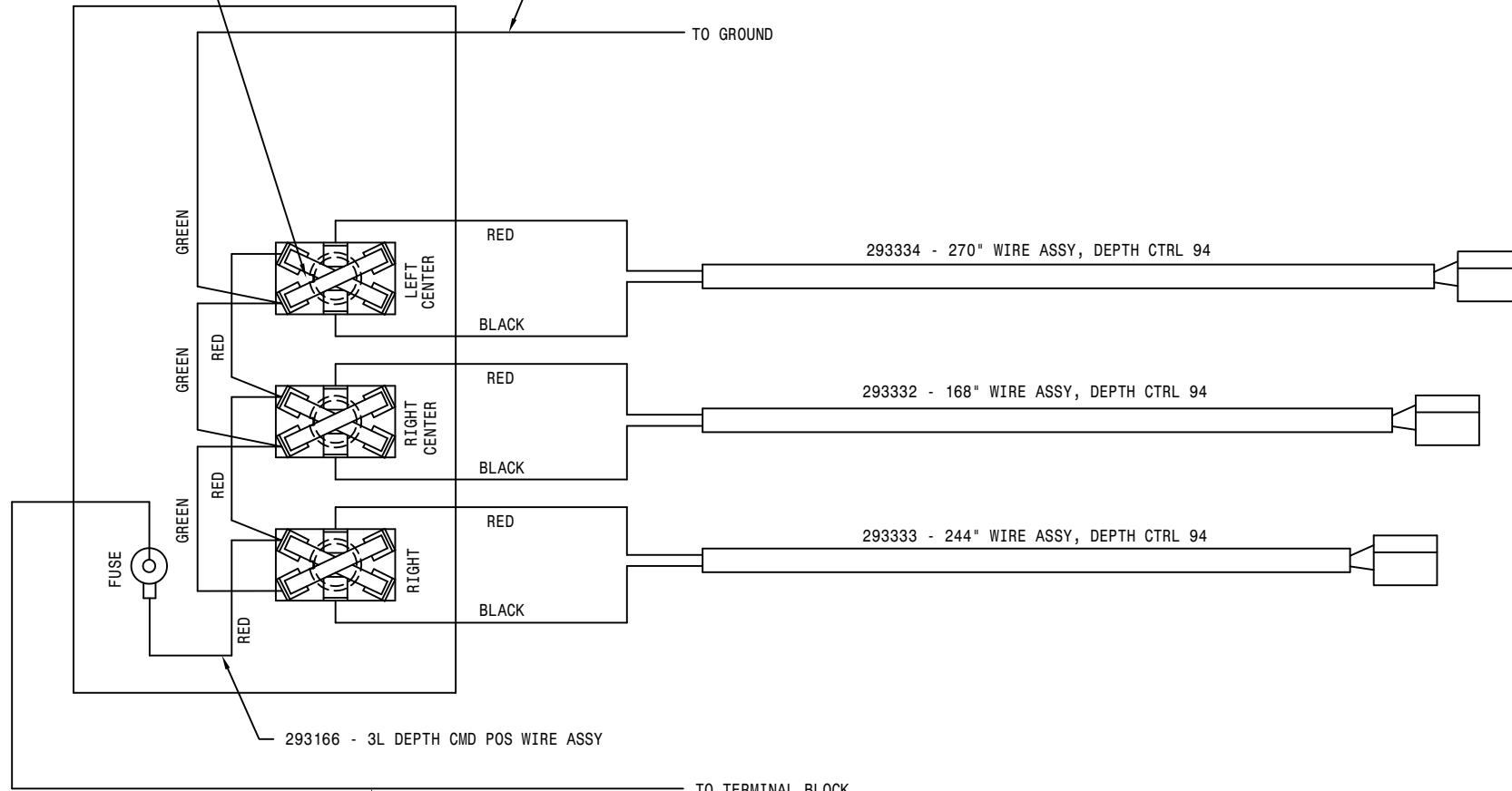


2 1 293337 U.S. PARK WIRE ASSY W/FUSE 284	
DEF REV	DESCRIPTION
	HAGIE MANUFACTURING COMPANY
	CLARION, IOWA 50525
REMOVE ALL SHARP CORNERS & BURRS	
TOLERANCE UNLESS OTHERWISE SPECIFIED	
FRACTION 1/128	DECIMALS .001
ANGLES 1/4°	ANGLES 1/4°
DESCRIPTION	SCALE
TOWERS S1/S WIRE DIA. 284 94	HALF
DESIGNED BY T. WARKER	APPROVED BY
DWG. NO. 30_94	FORMING NUMBER
SHEET OF	498453

NOTE: NOTCH IN SWITCH

293169 - 3L DEPTH CMD NEG WIRE ASSY

TO GROUND



293166 - 3L DEPTH CMD POS WIRE ASSY

TO TERMINAL BLOCK

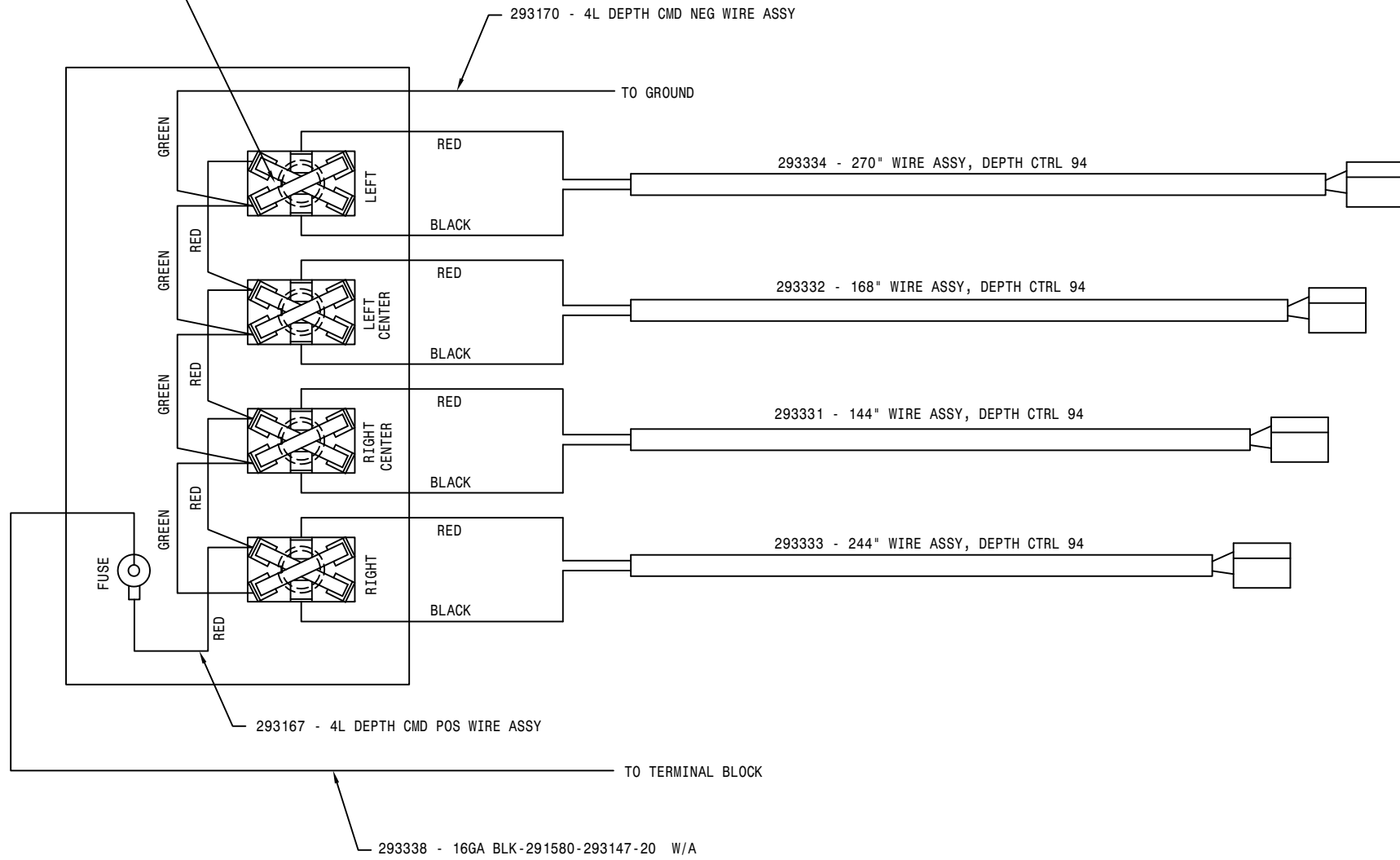
293338 - 16GA BLK-291580-293147-20 W/A

40

DET	REQ	DESCRIPTION
HAGIE HAGIE MANUFACTURING COMPANY <small>CLARION, IOWA 50525</small>		
REMOVE ALL SHARP CORNERS & BURRS		
TOLERANCE UNLESS OTHERWISE SPECIFIED		
FRACTION	DECIMALS	ANGLES
1/32	X.XX X.XXX	°.03 °.005
DESCRIPTION		
WIRE DIAG, 3-LIFT DEPTH CMD 94		
DRAWN BY	SCALE	
T. MARKER	NONE	
CHECKED BY	APPROVED BY	
DATE	DRAWING NUMBER	
03-29-94	498451	
SHEET	OF	

146040

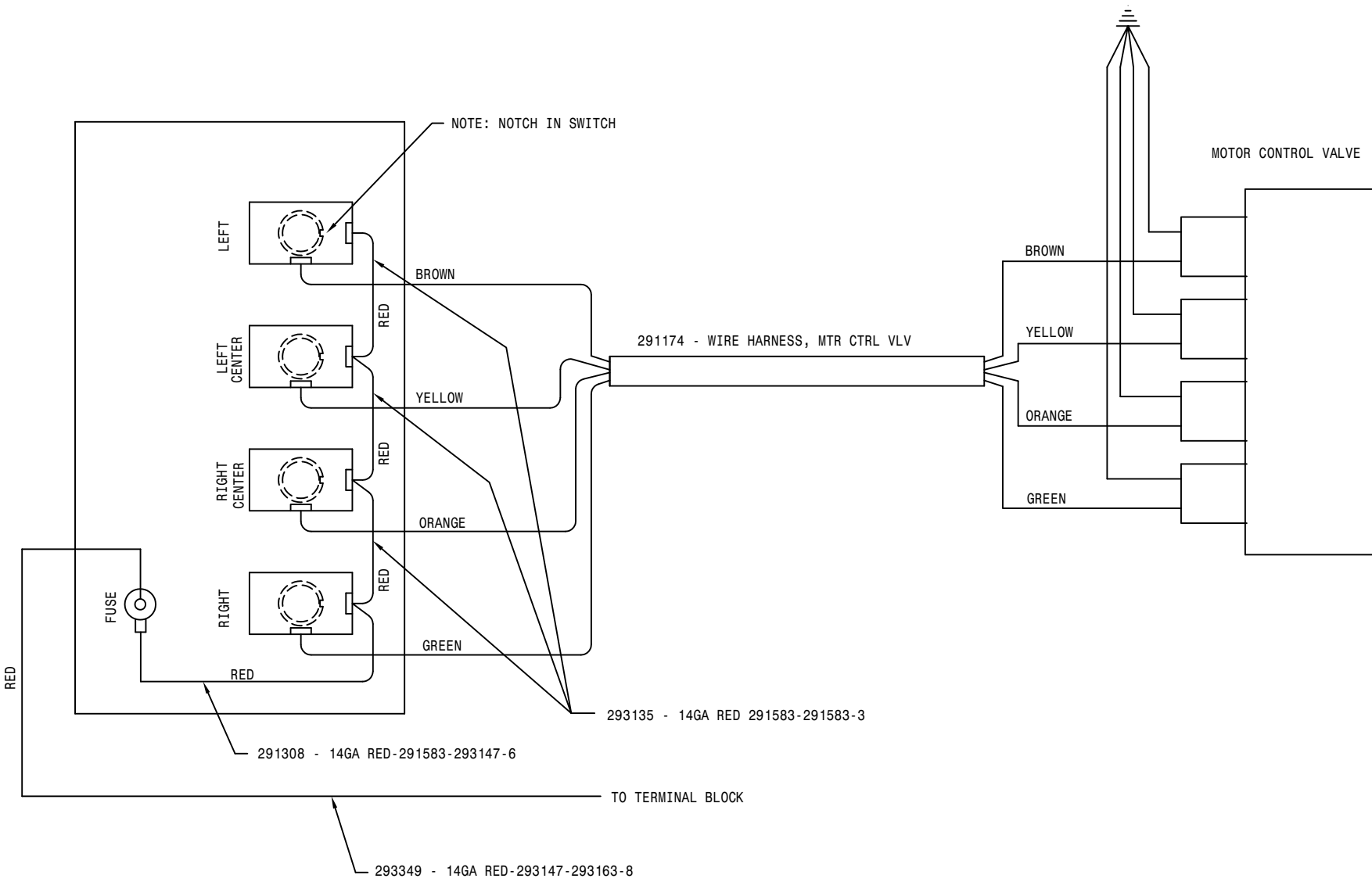
NOTE: NOTCH IN SWITCH



41

DET	REQ	DESCRIPTION		
HAGIE HAGIE MANUFACTURING COMPANY CLARION, IOWA 50525				
REMOVE ALL SHARP CORNERS & BURRS				
TOLERANCE UNLESS OTHERWISE SPECIFIED				
FRACTION	1/32	DECIMALS	X.XX X.XXX	° 03 ° 005
DESCRIPTION				
WIRE DIAG, 4-LIFT DEPTH CMD 94				
DRAWN BY		SCALE		
T. MARKER		NONE		
CHECKED BY		APPROVED BY		
DATE		DRAWING NUMBER		
03-29-94		498452		
SHEET		OF		

146041



DET	REQ	DESCRIPTION	
 HAGIE MANUFACTURING COMPANY CLARION, IOWA 50525			
REMOVE ALL SHARP CORNERS & BURRS			
TOLERANCE UNLESS OTHERWISE SPECIFIED			
FRACTION	1/32	DECIMALS	X.XX ±.03 X.XXX ±.005
DESCRIPTION	WIRE DIAG 284 COMBO MTR CTRL		
DRAWN BY	T. MARKER	SCALE	NONE
CHECKED BY		APPROVED BY	
DATE	01-18-94	DRAWING NUMBER	498443
SHEET	OF		

ABBREVIATIONS

ADPTR - ADAPTER	P/N - PART NUMBER
ASSY - ASSEMBLY	PLT - PLATE
BRKT - BRACKET	QTY - QUANTITY
DET - DETAIL	RED - REDUCER
EL - ELBOW	REF - REFERENCE
EXT - EXTENSION	REST - RESTRICTOR
FLO - FLOW	REQ - REQUIRED
FNPT - FEMALE NATIONAL PIPE THREAD	SHFT - SHAFT
FOR - FEMALE O-RING	STRG - STEERING
FRT - FRONT	ST - STREET
HYD - HYDRAULIC	SWIV - SWIVEL
HYDRO - HYDROSTATIC	UNC - UNIFIED NATIONAL COURSE
LG - LONG	UNF - UNIFIED NATIONAL FINE
LWR - LOWER	V - VOLT
MJIC - MALE J.I.C.	VFC - VARIABLE FLOW CONTROL
MOR - MALE O-RING	W/ - WITH
MT - MOUNT	WHL - WHEEL
MTR - MOTOR	WLD - WELDMENT

INDEX

-A-	ABBREVIATIONS.....	43			
	ACTUATOR.....	21			
	ARM,				
	SENSOR.....	14			
	STABILIZER.....	8			
-B-					
	BEARING,.....	11			
	JOURNAL.....	9			
	BLADE, CUTTER.....	10			
	BOOT, SWITCH.....	13, 16, 20			
	BOX,				
	CONTROL.....	13			
	SWITCH.....	16, 20			
	BRACKET, VFC.....	5			
	BREATHER.....	6			
-C-					
	COIL, VALVE.....	19			
	CONTROL BOX.....	13			
	CYLINDER, LIFT.....	12			
	CUTTER HEAD.....	10			
-D-					
	DEPTH COMMAND.....	21			
	DIAGRAM, WIRING.....	38, 40, 41, 42			
	DIFFUSER, SUMP.....	6			
	DIPSTICK.....	6			
-F-					
	FILTER,.....	6, 7, 18			
	VENT.....	12			
	FLOW DIVIDER.....	5			
	FUSE.....	16, 20			
	HOLDER.....	16, 20			
-G-					
	GUIDE STALK.....	10, 11			
-H-					
	HOLDER, FUSE.....	16			
	HYDRAULIC				
	MANIFOLD.....	17			
	MOTOR.....	10, 11			
	PUMP.....	4			
	SCHEMATIC.....	22			
	JOURNAL BEARING.....	9			
-J-					
	KIT, SEAL.....	12			
-L-					
	LIFT CYLINDER.....	12			
-M-					
	MANIFOLD, HYDRAULIC.....	17			
	MOTOR, HYDRAULIC.....	11			
	MOUNT, RECRPTACLE.....	15			
-O-					
	OIL TANK.....	6			
	OUTRIGGER.....	8			
-P-					
	PIVOT PIN.....	8, 9			
	PLUG.....	20			
	POSITRACTION VALVE.....	4			
	PULLER,				
	QUAD.....	11			
	SHIELD.....	11			
	PUMP, HYDRAULIC.....	4			
-Q-					
	QUAD PULLER.....	11			
-R-					
	RECEPTACLE MT.....	15			
	REFLECTOR.....	14			
	RIM.....	11			
-S-					
	SCHEMATIC, HYDRAULIC.....	22			
	SEAL KIT.....	12			
	SENSOR.....	14			
	ARM.....	14			
	SHAFT, PULLER.....	11			
	SHIELD, PULLER.....	11			
	STABILIZER ARM.....	8			
	STALK VALVE.....	18, 19			
	STALK GUIDE.....	10, 11			

SUMP DIFFUSER.....6
SWITCH
BOX.....16,20
TOGGLE.....16,20

-T-

TANK, OIL.....6
TIE PLATE.....5
TIRE.....11
TOGGLE SWITCH.....16,17
TOOL BAR.....8,9

-V-

VALVE,
MOTOR CONTROL.....17
POSITION.....4
STALK.....18,19
VARIABLE FLOW CONTROL.....5
VENT FILTER.....12

-W-

WIRING DIAGRAM.....38,40,41,42

Notes:



PARTS ORDER FAX

Fax
24 hours
a day
7 days
a week**

Ph. 1 (800) 247-4885 Fx. 1 (515) 532-3553

Photocopy and fax to Hagie Customer Support Department

ORDERED BY/BILL TO:

Name _____
Co. Name _____
Street _____
City, St, Zip _____
Ph. _____ Fx. _____

SHIP TO:

Name _____
Co. Name _____
Street _____
City, St, Zip _____
Ph. _____ Fx. _____

HOW SHIP: UPS Ground Next Day 2 Day 3 Day Other _____

If "HOW SHIP" is left blank, parts will be sent UPS ground service. If part is over 150 pounds, an independent motor freight company will be used.

PAYMENT: Hagie Account #*** _____

C.O.D

American Express Discover Visa Master Card

Signature: _____
name as appears on card: _____
card no. _____ exp. date _____

Year and Model No. _____

Serial No. _____

Item Serial No. (if necessary): _____

Engine (include type) _____

Hydrostatic Pump (s) _____

Torque Hub _____ LF RF LR RR

Wheel Motor _____ LF RF LR RR

HAGIE Part No.	Qty.	Description

Check here if you want phone confirmation of parts order.

* Orders received before 3:00 p.m., CST will be processed the same business day.

Regular business hours are Monday through Friday, 7:00 a.m. through 5:00 p.m..

** If you do not have a Hagie account number, contact the Hagie Customer Support Department and you will be issued one.



PARTS ORDER FAX



Ph. 1 (800) 247-4885 Fx. 1 (515) 532-3553

Photocopy and fax to Hagie Customer Support Department

ORDERED BY/BILL TO:

Name _____
Co. Name _____
Street _____
City, St, Zip _____
Ph. _____ Fx. _____

SHIP TO:

Name _____
Co. Name _____
Street _____
City, St, Zip _____
Ph. _____ Fx. _____

HOW SHIP: UPS Ground Next Day 2 Day 3 Day Other _____

If "HOW SHIP" is left blank, parts will be sent UPS ground service. If part is over 150 pounds, an independent motor freight company will be used.

PAYMENT: Hagie Account #*** _____

C.O.D

American Express Discover Visa Master Card
Signature: _____
name as appears on card: _____
card no. _____ exp. date _____

Year and Model No. _____

Serial No. _____

Item Serial No. (if necessary): _____

Engine (include type) _____

Hydrostatic Pump (s) _____

Torque Hub _____ LF RF LR RR

Wheel Motor _____ LF RF LR RR

HAGIE Part No.	Qty.	Description

Check here if you want phone confirmation of parts order.

* Orders received before 3:00 p.m., CST will be processed the same business day.
Regular business hours are Monday through Friday, 7:00 a.m. through 5:00 p.m..
** If you do not have a Hagie account number, contact the Hagie Customer Support Department and you will be issued one.