

PARTS MANUAL
FOR
HAGIE MODEL 204 DETASSELER

HAGIE MANUFACTURING COMPANY

BOX 273 CLARION, IOWA 50525 (515) 532-2861

COVERS MACHINE SERIAL NUMBERS: 085179001 thru 085179100

07-97 493172
02-08

DETASSELER IDENTIFICATION

Each Hagie detasseler is identified by means of a frame serial number. This serial number denotes the model, the year in which it was built, and the number of the detasseler. As for further identification, the engine has a serial number, the hydrostatic pump has a serial number, the wheel motors have identification tags, and the planetary hubs have identification plates that describe the type of mount and gear ratio. To insure prompt, efficient service when ordering parts or requesting service repairs from Hagie Manufacturing Company, record the serial and identification numbers in the space provided below.

NOTE: Reference to left hand and right hand used throughout this manual refers to the position when seated in the operator's seat facing forward.

DETASSELER SERIAL NUMBER

ENGINE SERIAL NUMBER

PLANETARY HUB IDENTIFICATION NUMBERS

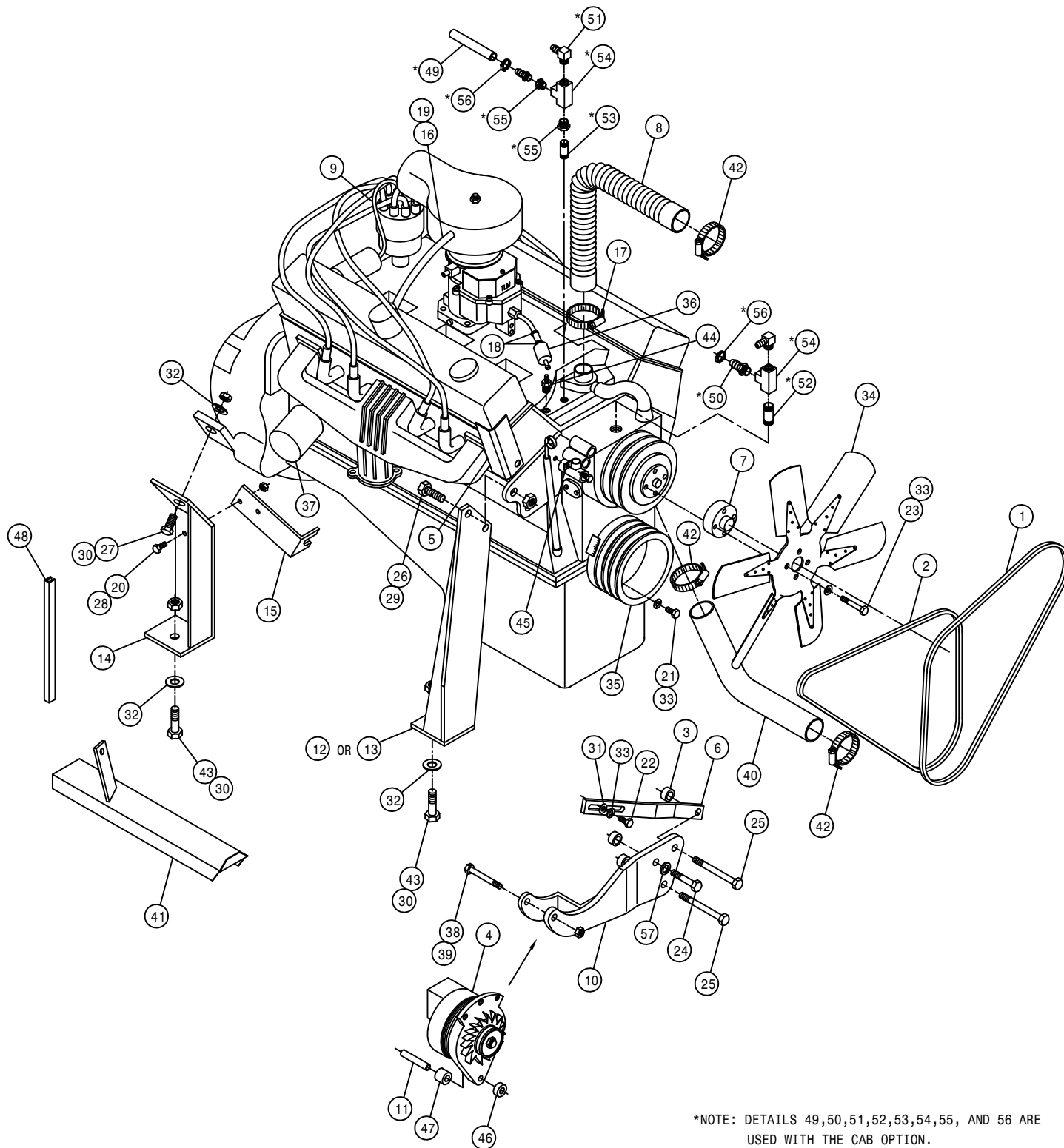
TABLE OF CONTENTS

| | |
|---|---------|
| ENGINE ASSEMBLIES | .4-12 |
| POSITRACTION VALVE | 13-15 |
| HI-PRESS FILTER & LOOP FLUSHING VALVE | 16-17 |
| FLOW DIVIDER | .18 |
| EXHAUST PIPE & AIR CLEANER | 19-23 |
| RADIATOR AND OIL COOLER | .24 |
| BATTERY | .25 |
| LEG ASSEMBLIES | 26-29 |
| TIRE AND STALK GUIDE | 30-31 |
| TIE ROD ASSEMBLY | .32 |
| STEERING CYLINDER ASSEMBLY | .33 |
| FUEL AND OIL TANKS | 34-37 |
| LADDER AND SERVICE PLATFORM | .38 |
| OPERATOR STATION ASSEMBLY | 39-42 |
| INSTRUMENT PANEL ASSEMBLY | .43 |
| CONSOLE ASSEMBLY | 44-47 |
| SHEET METAL | 48-49 |
| MOTOR CONTROL VALVE | .50 |
| RETURN FILTER | .51 |
| OUTRIGGER AND LIFT ASSEMBLY | 52-61 |
| ELECTROHYDRAULIC VALVE | 62-66 |
| LIFT CYLINDER ASSEMBLY | .67 |
| ROLLER AND TIRE PULLER HEAD | 68-69 |
| QUAD AND CUTTER HEAD | 70-71 |
| MALE ROW CHOPPER | 72-75 |
| CONTROL BOX ASSEMBLY | 76-78 |
| LS SENSOR | .79 |
| DEPTH COMMAND | 80-82 |
| CAB OPTION | 83-88 |
| WEIGHT BRACKET OPTION | .89 |
| CANOPY OPTION | .90 |
| WHEEL DRIVE ASSEMBLY | 91-93 |
| DECALS | 94-95 |
| WIRING DIAGRAM | .96-101 |
| ELECTRICAL SCHEMATIC | 102-123 |
| HYDRAULIC SCHEMATIC | 124-169 |
| ABBREVIATIONS | 170 |
| INDEX | 171 |

CHRYSLER ENGINE ASSEMBLY

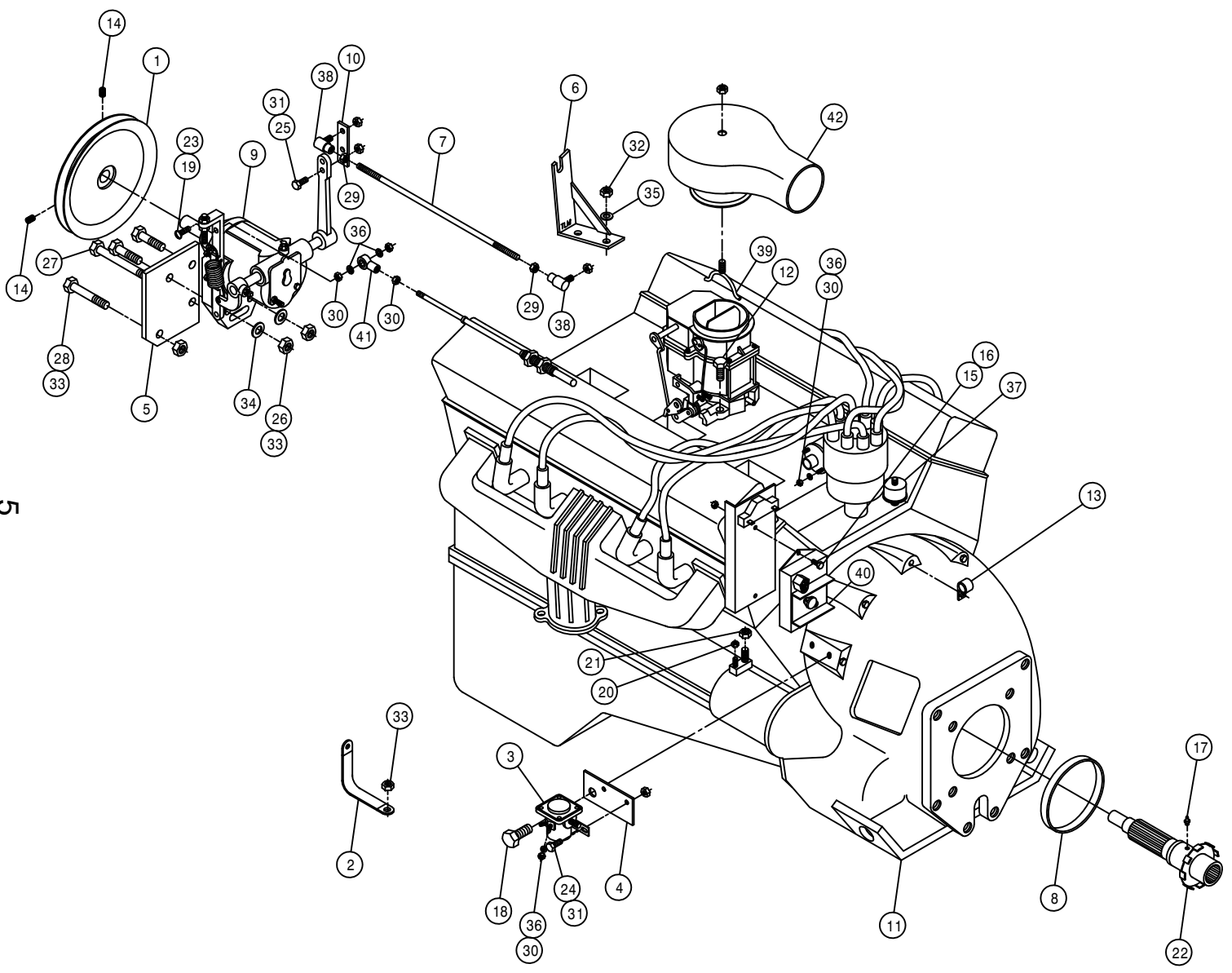
| DET. | QTY | PART NO. | DESCRIPTION |
|------|-----|----------|-------------------------------|
| 1 | 1 | 147000 | BELT GATES 2490 TRUFLEX |
| 2 | 1 | 147001 | BELT GATES 7512 |
| 3 | 3 | 200015 | .75 OD X 11GA WA X .38LG C/L |
| 4 | 1 | 291487 | 72 AMP ALT W/ REGULATOR |
| 5 | 1 | 314303 | EXHAUST MANIF HEAT SHIELD |
| 6 | 1 | 314309 | ALT ADJ ARM |
| 7 | 1 | 314359 | FAN SPACER CHRY 383014 |
| 8 | 1 | 314832 | RADIATOR HOSE 1.75 X 19 |
| 9 | 1 | 314841 | COIL WIRE FOR CHRY 318 |
| 10 | 1 | 314849 | CHRY 72A ALT MT WLD |
| 11 | 1 | 314852 | CHRY 72A ALT MT SLV PRESTO |
| 12 | 1 | 341793 | RH FRT MTR MT WLD 200 318 |
| 13 | 1 | 341794 | LH FRT MTR MT WLD 200 318 |
| 14 | 2 | 341797 | REAR MTR MT WLD 200 318 |
| 15 | 1 | 341815 | HYDST CABLE MT 200 CHRY 318 |
| 16 | 2 | 520070 | HOSE CLAMP NO 8 PLATED |
| 17 | 1 | 520085 | HOSE CLAMP NO 24 PLATED |
| 18 | 2 | 520120 | HOSE CLAMP NO 4 PLATED MINI |
| 19 | 1 | 601151 | HOSE, 5/8 X 12 HEATER |
| 20 | 2 | 900002 | 1/4UNC X 3/4 HEX BOLT |
| 21 | 6 | 900064 | 5/16UNC X 3/4 HEX BOLT |
| 22 | 1 | 900065 | 5/16UNC X 1" HEX BOLT |
| 23 | 4 | 900069 | 5/16UNC X 2" HEX BOLT |
| 24 | 1 | 900132 | 3/8UNC X 1 3/4 HEX BOLT |
| 25 | 2 | 900142 | 3/8UNC X 5" HEX BOLT |
| 26 | 4 | 900198 | 7/16UNC X 1 3/4 HEX BOLT |
| 27 | 2 | 900283 | 1/2UNC X 2 1/4 HEX BOLT |
| 28 | 2 | 914000 | 1/4UNC HEX STOVER NUT |
| 29 | 4 | 914006 | 7/16UNC HEX STOVER NUT |
| 30 | 6 | 914008 | 1/2UNC HEX STOVER NUT |
| 31 | 1 | 920001 | 5/16 SAE FLAT WASHER |
| 32 | 6 | 920004 | 1/2 SAE FLAT WASHER |
| 33 | 11 | 920501 | 5/16 LOCK WASHER |
| 34 | 1 | 316180 | 22 IN DIA 6 BLADE 2.25 PITCH |
| 35 | 1 | 314824 | 3GR CRANK PULLEY CHRY 318 |
| 36 | 1 | 314388 | FUEL LINE W/ FILT CHRY 318 |
| 37 | 1 | 319260 | PH8 FRAM FILT OIL |
| 38 | 1 | 900137 | 3/8UNC X 3 1/4 HEX BOLT |
| 39 | 1 | 914004 | 3/8UNC HEX STOVER NUT |
| 40 | 1 | 314417 | LWR RAD HOSE 8240 82 318 CHRY |
| 41 | 1 | 314428 | CABLE HEAT SHLD WLD CHRY 318 |
| 42 | 3 | 520067 | HOSE CLAMP NO 28 PLATED |
| 43 | 4 | 900265 | 1/2UNC X 1 1/2 HEX BOLT |
| 44 | 1 | 314437 | TEMP SENDR 280D 1/8NPT FOR GA |
| 45 | 1 | 520128 | CUSH HOSE CLAMP 9/16D X 3/4W |
| 46 | 1 | 314853 | CHRY ALT FRONT BUSH PRESTO |
| 47 | 1 | 314854 | CHRY ALT REAR BUSH PRESTO |
| 48 | 2 | 193012 | QUICKEDGE TRIM .135 TO .250 |
| 49 | 1 | 601347 | HOSE, 3/8 X 10" FUEL LINE |
| 50 | 1 | 713341 | 3/8 NPT X 5/8 HOSE BARB, BRS |
| 51 | 1 | 716006 | 5/8 HOSE BARB-90-3/8MNPT, BRS |
| 52 | 1 | 502702 | PIPE NIPPLE,3/8NPT X 2 LG BRS |
| 53 | 1 | 502703 | PIPE NIPPLE,1/4NPT X 2"LG BRS |
| 54 | 2 | 502911 | 3/8FNPT PIPE TEE, BRS |
| 55 | 2 | 505211 | 3/8-1/4NPT REDU BUSH, BRS |
| 56 | 2 | 520055 | HOSE CLAMP NO 12 PLATED |
| 57 | 1 | 920002 | 3/8 SAE FLAT WASHER |

4

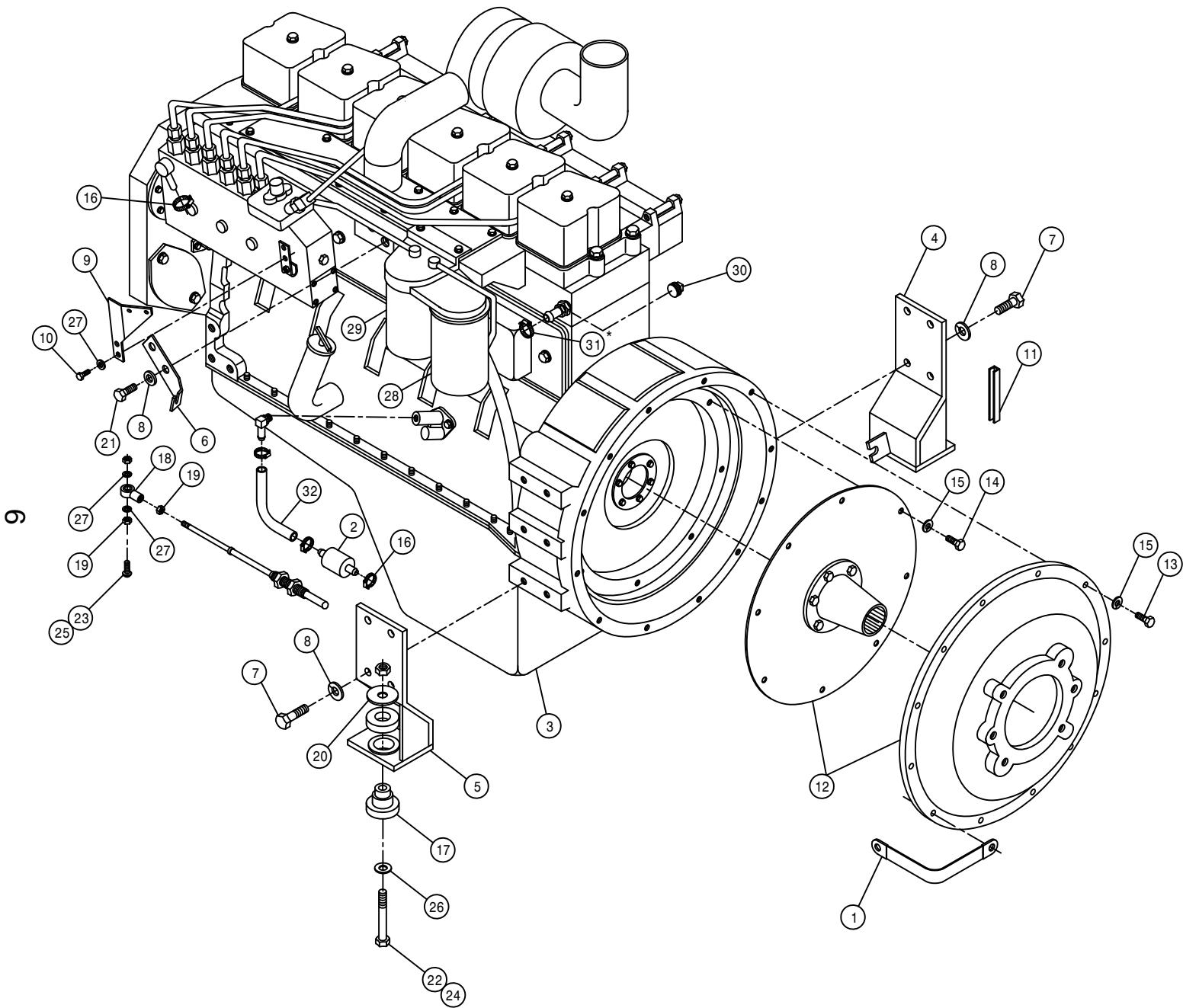


*NOTE: DETAILS 49,50,51,52,53,54,55, AND 56 ARE USED WITH THE CAB OPTION.

5



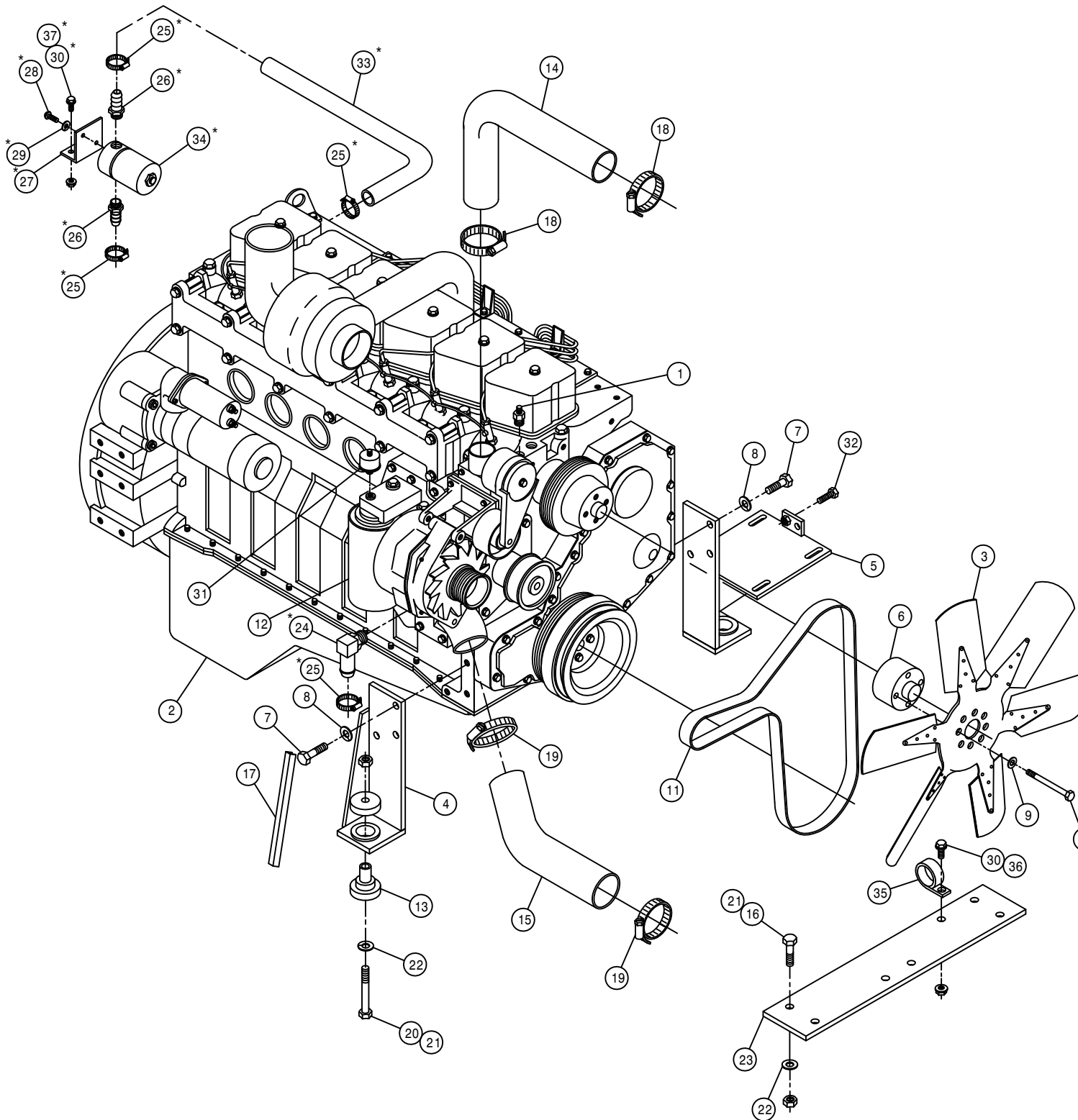
| DET. | QTY | PART NO. | DESCRIPTION |
|------|-----|----------|-------------------------------|
| 1 | 1 | 147030 | 6IN PULLEY A GR 5/8 BORE |
| 2 | 1 | 290109 | GROUND STRAP, 8IN 17/32 HOLES |
| 3 | 1 | 310491 | STARTER SOLENOID FORD 300 ENG |
| 4 | 1 | 311021 | START SOLENOID MT 473 CHRY |
| 5 | 1 | 311044 | GOV MT WLD |
| 6 | 1 | 314918 | THROT CABLE BRKT WLD CHRY 93 |
| 7 | 1 | 314311 | GOV CONTROL ROD |
| 8 | 1 | 314323 | SUND PUMP SPACER RING 647 3/8 |
| 9 | 1 | 314337 | GOV REWORKED 647 |
| 10 | 1 | 314341 | GOV ARMEXTENSION647CHRY |
| 11 | 1 | 314922 | CHRY ENGINE 5.2L 93 |
| 12 | 4 | 900065 | 5/16UNC X 1 HEX BOLT |
| 13 | 1 | 520128 | CUSH HOSE CLAMP 9/16D X 3/4W |
| 14 | 2 | 470054 | SET SCREW 5/16X 1/4 AL HD CUP |
| 15 | 2 | 470121 | 1/4UNC HEX FLANGED LOCK NUT |
| 16 | 2 | 470122 | 1/4UNC X 1/2 FLANGED HEX BOLT |
| 17 | 1 | 471005 | 1/4 28 X 1/2 GREASE ZERK |
| 18 | 1 | 900262 | 1/2UNC X 3/4 HEX BOLT |
| 19 | 1 | 903893 | 10 32 X 1 SLT RD HD MACH SCR |
| 20 | 1 | 473770 | 05MM-.80 HEX NUT |
| 21 | 1 | 473778 | 08MM-1.25 HEX NUT |
| 22 | 1 | 800490 | CHRY 318 OUTPUT SHFT WLD 14T |
| 23 | 1 | 914027 | #10-32 HEX STOVER NUT |
| 24 | 2 | 900000 | 1/4UNC X 1/2 HEX BOLT |
| 25 | 2 | 900002 | 1/4UNC X 3/4 HEX BOLT |
| 26 | 2 | 900131 | 3/8UNC X 1 1/2 HEX BOLT |
| 27 | 1 | 900142 | 3/8UNC X 5 HEX BOLT |
| 28 | 1 | 900170 | 3/8UNC X 2 1/4 HEX BOLT |
| 29 | 2 | 910001 | 1/4UNF HEX NUT |
| 30 | 6 | 910027 | #10-32 HEX NUT |
| 31 | 4 | 914000 | 1/4UNC HEX STOVER NUT |
| 32 | 2 | 914002 | 5/16UNC HEX STOVER NUT |
| 33 | 4 | 914004 | 3/8UNC HEX STOVER NUT |
| 34 | 2 | 920002 | WASH FLAT 3/8 SAE |
| 35 | 2 | 920501 | LOCK WASH 5/16 |
| 36 | 6 | 920510 | LOCK WASH NO 10 |
| 37 | 1 | 291610 | OIL PRESS SENDER, 1/8NPT |
| 38 | 2 | 473918 | BALL JOINT 1/4 28 FEM STUDED |
| 39 | 1 | 314649 | AIRINTK CLAMP FOR 314453 CARB |
| 40 | 1 | 314362 | ELECT IGN MODULATOR 647 |
| 41 | 1 | 473921 | BALL JOINT NO 10-32 THD |
| 42 | 1 | 314500 | AIR HORN, CHRY 5.2L ENG |



DIESEL ENGINE ASSEMBLY

| DET. | QTY | PART NO. | DESCRIPTION |
|------|-----|----------|-------------------------------|
| 1 | 1 | 290107 | ENG TO GROUND STRAP 8 IN |
| 2 | 1 | 316281 | FUEL STRAINER, DIESEL |
| 3 | 1 | 316302 | CUMMINS ENGINE 6B5,9-A 97 |
| 4 | 1 | 316252 | RH REAR ENG MT WLD, CUMM 94 |
| 5 | 1 | 316253 | LH REAR ENG MT WLD, CUMM 94 |
| 6 | 1 | 316303 | THROTTLE CABLE MT,6CYL CUMM97 |
| 7 | 8 | 473775 | 12MM-1.75 X 30MM HEX BOLT |
| 8 | 10 | 473784 | 12MM LOCK WASHER |
| 9 | 1 | 316304 | THROTTLE LEVER EXT,6CYL CUMM9 |
| 10 | 2 | 473826 | 6MM-1.00 X 16MM HEX BOLT |
| 11 | 1 | 193012 | QUICKEDGE TRIM .135 TO .250 |
| 12 | 1 | 800495 | SUND DRIVE ASSY,2.83PILOT 14T |
| 13 | 12 | 473792 | 10MM-1.50 X 30MM HEX BOLT |
| 14 | 8 | 473793 | 10MM-1.50 X 20MM HEX BOLT |
| 15 | 20 | 473798 | 10MM LOCK WASHER |
| 16 | 4 | 520120 | HOSE CLAMP NO 4 PLATED MINI |
| 17 | 2 | 311054 | RUBBER MOUNT SET, CB-2202-4 |
| 18 | 1 | 473921 | BALL JOINT NO 10-32 THD |
| 19 | 2 | 910027 | 10-32 HEX NUT |
| 20 | 2 | 311055 | REBOUND WASHER FOR 311054 |
| 21 | 2 | 473828 | 12MM-1.50 X 20MM HEX BOLT |
| 22 | 2 | 900271 | 1/2UNC X 3 1/4 HEX BOLT |
| 23 | 1 | 903893 | 10-32 X 1" SLT RD HD MACH SCR |
| 24 | 2 | 914008 | 1/2UNC HEX STOVER NUT |
| 25 | 1 | 914027 | 10-32 HEX STOVER NUT |
| 26 | 2 | 920004 | 1/2 SAE FLAT WASHER |
| 27 | 2 | 920510 | #10 LOCK WASHER |
| 28 | 1 | 316208 | FUEL FILTER, PRIMARY CUMM 92 |
| 29 | 1 | 316209 | FUEL FILTER, SECONDARY CUMM92 |
| 30 | 1 | 504900 | PIPE PLUG .75NPT SQ HD |
| 31 | 1 | 520055 | HOSE CLAMP NO 12 PLATED |
| 32 | 1 | 601347 | HOSE, 3/8 X 10" FUEL LINE |

*NOTE: DETAIL 31 AND HOSE BARB ARE USED WITH THE CAB OPTION.



DIESEL ENGINE ASSEMBLY

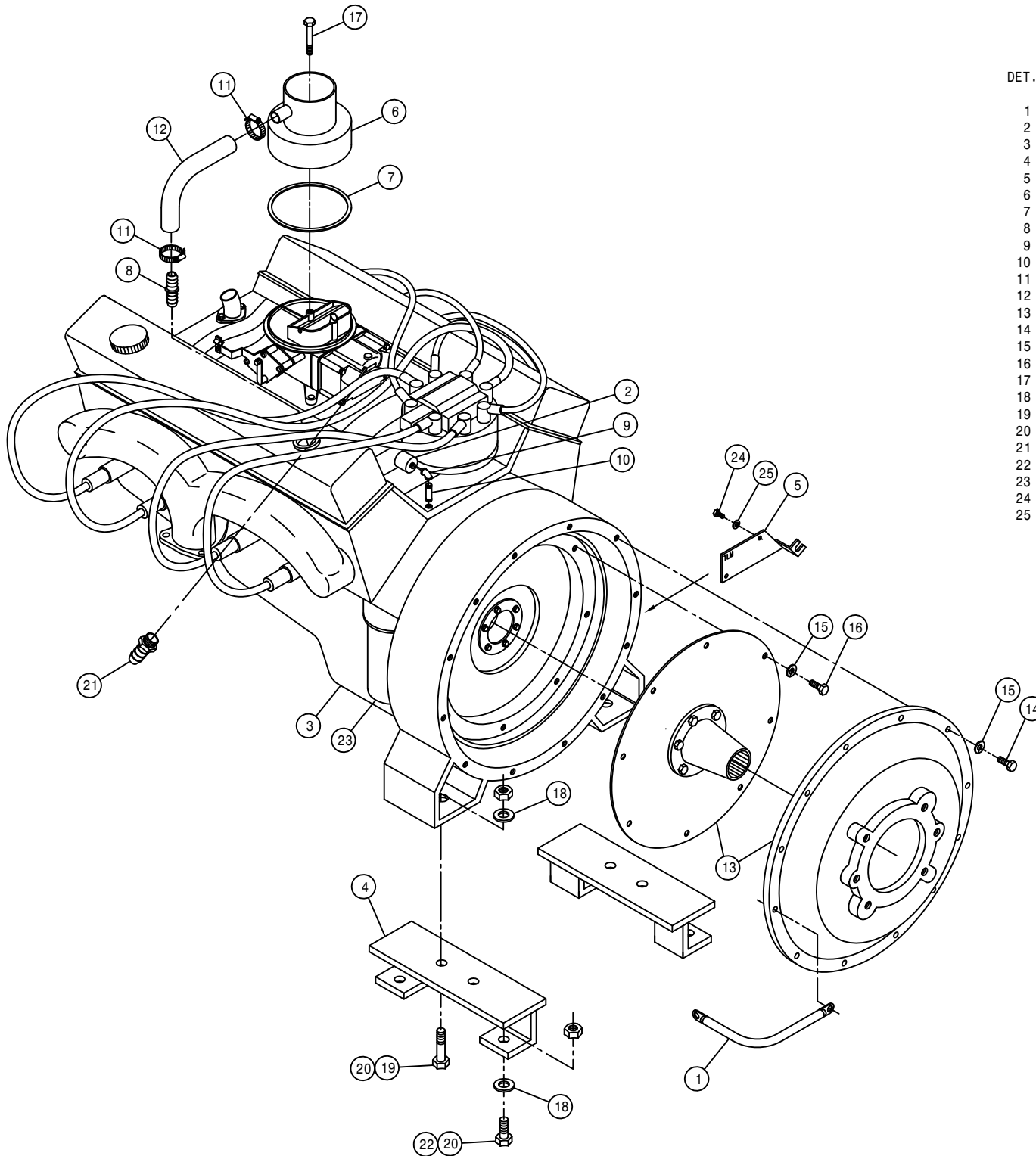
| DET. | QTY | PART NO. | DESCRIPTION |
|------|-----|----------|-------------------------------|
| 1 | 1 | 314836 | TEMP SENDR 280D 1/2NPT FOR GA |
| 2 | 1 | 316302 | CUMMINS ENGINE 6B5,9-A 97 |
| 3 | 1 | 316410 | FAN,22" 6 BLADE 40DEG |
| 4 | 1 | 316250 | RH FRT ENG MT WLD, CUMM 94 |
| 5 | 1 | 316251 | LH FRT ENG MT WLD, CUMM 94 |
| 6 | 1 | 316199 | 22IN FAN SPACER CUMM 92 |
| 7 | 6 | 473775 | 12MM-1.75 X 30MM HEX BOLT |
| 8 | 6 | 473784 | 12MM LOCK WASHER |
| 9 | 4 | 473804 | 8MM LOCK WASHER |
| 10 | 4 | 473822 | 8MM-1.25 X 70MM HEX BOLT |
| 11 | 1 | 316206 | POLY V BELT CUMMINS DIESEL 92 |
| 12 | 1 | 316207 | LUBE FILTER CUMMINS DIESEL 92 |
| 13 | 2 | 311053 | RUBBER MOUNT SET,SSB26-1000-1 |
| 14 | 1 | 314832 | RADIATOR HOSE 1.75 X 19 |
| 15 | 1 | 314886 | RADIATOR HOSE 2 1/4 20717 |
| 16 | 4 | 900265 | 1/2UNC X 1 1/2 HEX BOLT |
| 17 | 1 | 193012 | QUICKEDGE TRIM .135 TO .250 |
| 18 | 2 | 520067 | HOSE CLAMP NO 28 PLATED |
| 19 | 2 | 520099 | HOSE CLAMP NO 40 PLATED |
| 20 | 2 | 900271 | 1/2UNC X 3 1/4 HEX BOLT |
| 21 | 6 | 914008 | 1/2UNC HEX STOVER NUT |
| 22 | 6 | 920004 | 1/2 SAE FLAT WASHER |
| 23 | 1 | 341968 | TIE PLT 250/280 CUMM 92 |
| 24 | 1 | 618573 | 5/8 HOSE BARB-90-1/2MNPT |
| 25 | 4 | 520055 | HOSE CLAMP NO 12 PLATED |
| 26 | 2 | 711013 | 1/4 NPT X 1/2 HOSE BARB, BRS |
| 27 | 1 | 657361 | HEATER SOL VLV MT 94 |
| 28 | 2 | 903710 | 10-32X1/2 PHIL PANHD MACH SCR |
| 29 | 2 | 920510 | #10 LOCK WASHER |
| 30 | 3 | 470121 | 1/4UNC HEX FLANGE LOCK NUT |
| 31 | 1 | 291610 | OIL PRESS SENDER, 1/8NPT |
| 32 | 1 | 900130 | 3/8UNC X 1 1/4 HEX BOLT |
| 33 | 1 | 601348 | HOSE, 5/8 X 36" HEATER |
| 34 | 1 | 657370 | HEATER SOLENOID VLV W/O HBARB |
| 35 | 1 | 520126 | CUSH HOSE CLAMP 2IN X 5/8W |
| 36 | 1 | 470118 | 1/4UNC X 3/4 FLANGE HEX BOLT |
| 37 | 2 | 470122 | 1/4UNC X 1/2 FLANGE HEX BOLT |

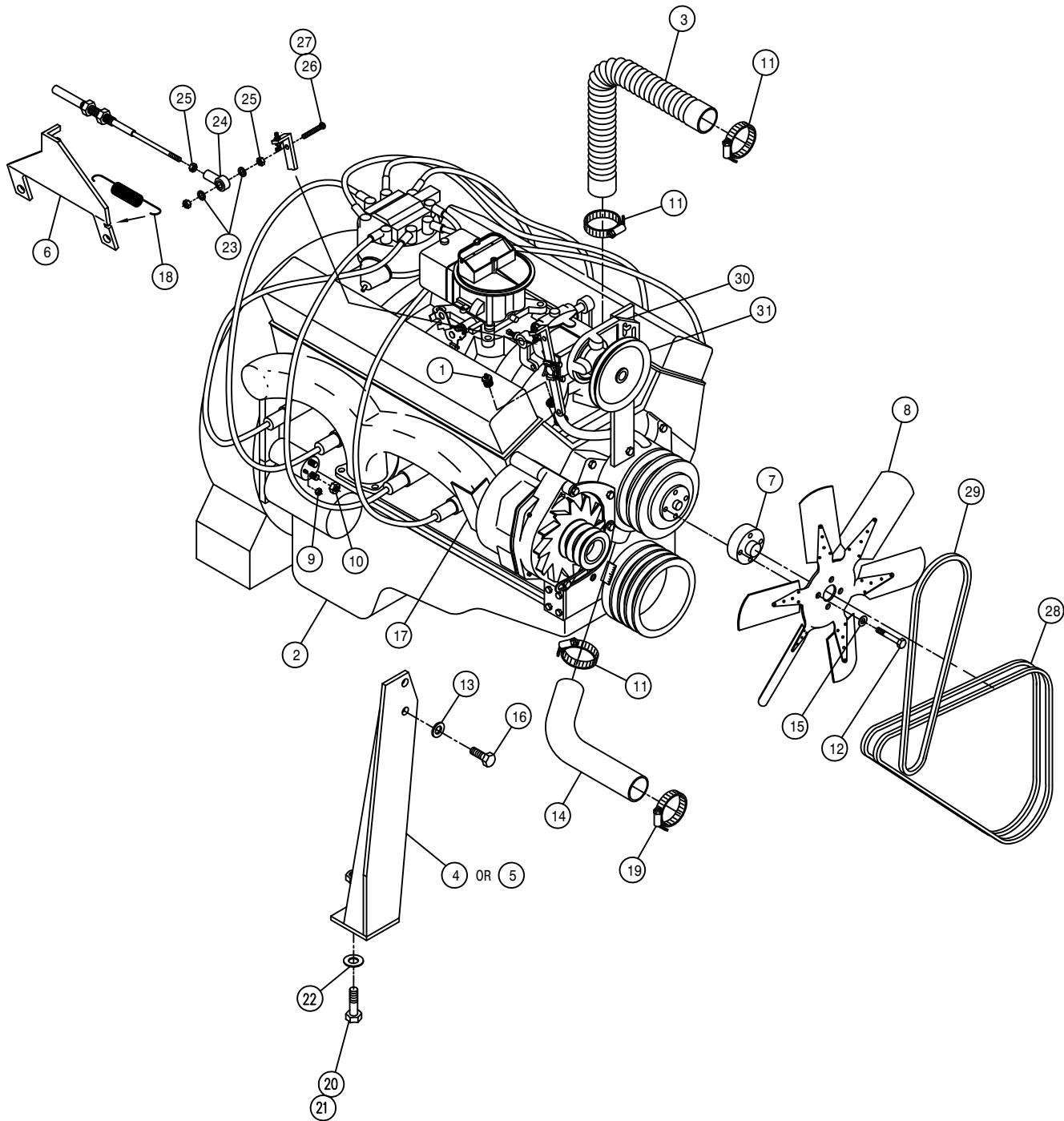
*NOTE: DETAIL 24,25,26,27,28,29,30,33,34, AND 37 ARE USED WITH THE CAB OPTION.

GMC ENGINE ASSEMBLY

DET. QTY PART NO. DESCRIPTION

| | | | | |
|----|----|--------|-------------------------------|----|
| 1 | 1 | 291531 | GROUND CABLE, 15" | |
| 2 | 1 | 291610 | OIL PRESS SENDER, 1/8NPT | |
| 3 | 1 | 314939 | ENGINE, GMC 350 | 96 |
| 4 | 2 | 314949 | REAR MTR MT WLD,204 GMC350 | 96 |
| 5 | 1 | 314952 | HYDST CABLE MT WLD,204 GMC | 96 |
| 6 | 1 | 314963 | CARB INTAKE WLD,204 GMC350 | 96 |
| 7 | 1 | 314969 | CARB INTAKE GASKET, GMC350 | 96 |
| 8 | 1 | 500070 | 3/4-3/4 HOSE BARB, POLY | |
| 9 | 1 | 500201 | BLK PIPE EL 90DEG .125NPT | |
| 10 | 1 | 500520 | BLK PIPE NIPPLE .125NPT-2.00 | |
| 11 | 2 | 520055 | HOSE CLAMP NO 12 PLATED | |
| 12 | 1 | 601379 | HOSE, 3/4 X 16 2BR RED | |
| 13 | 1 | 800495 | SUND DRIVE ASSY,2.83PILOT 14T | |
| 14 | 12 | 900131 | 3/8UNC X 1 1/2 HEX BOLT | |
| 15 | 20 | 920502 | 3/8 LOCK WASHER | |
| 16 | 8 | 900128 | 3/8UNC X 3/4 HEX BOLT | |
| 17 | 1 | 900009 | 1/4UNC X 2 3/4 HEX BOLT | |
| 18 | 6 | 920004 | 1/2 SAE FLAT WASHER | |
| 19 | 2 | 900266 | 1/2UNC X 1 3/4 HEX BOLT | |
| 20 | 6 | 914008 | 1/2UNC HEX STOVER NUT | |
| 21 | 1 | 783305 | 1/2-20IF X 5/16 HOSE BARB,BRS | |
| 22 | 4 | 900265 | 1/2UNC X 1 1/2 HEX BOLT | |
| 23 | 1 | 314981 | OIL FILTER, AC PH-35 | |
| 24 | 2 | 900000 | 1/4UNC X 1/2 HEX BOLT | |
| 25 | 2 | 920500 | 1/4 LOCK WASHER | |





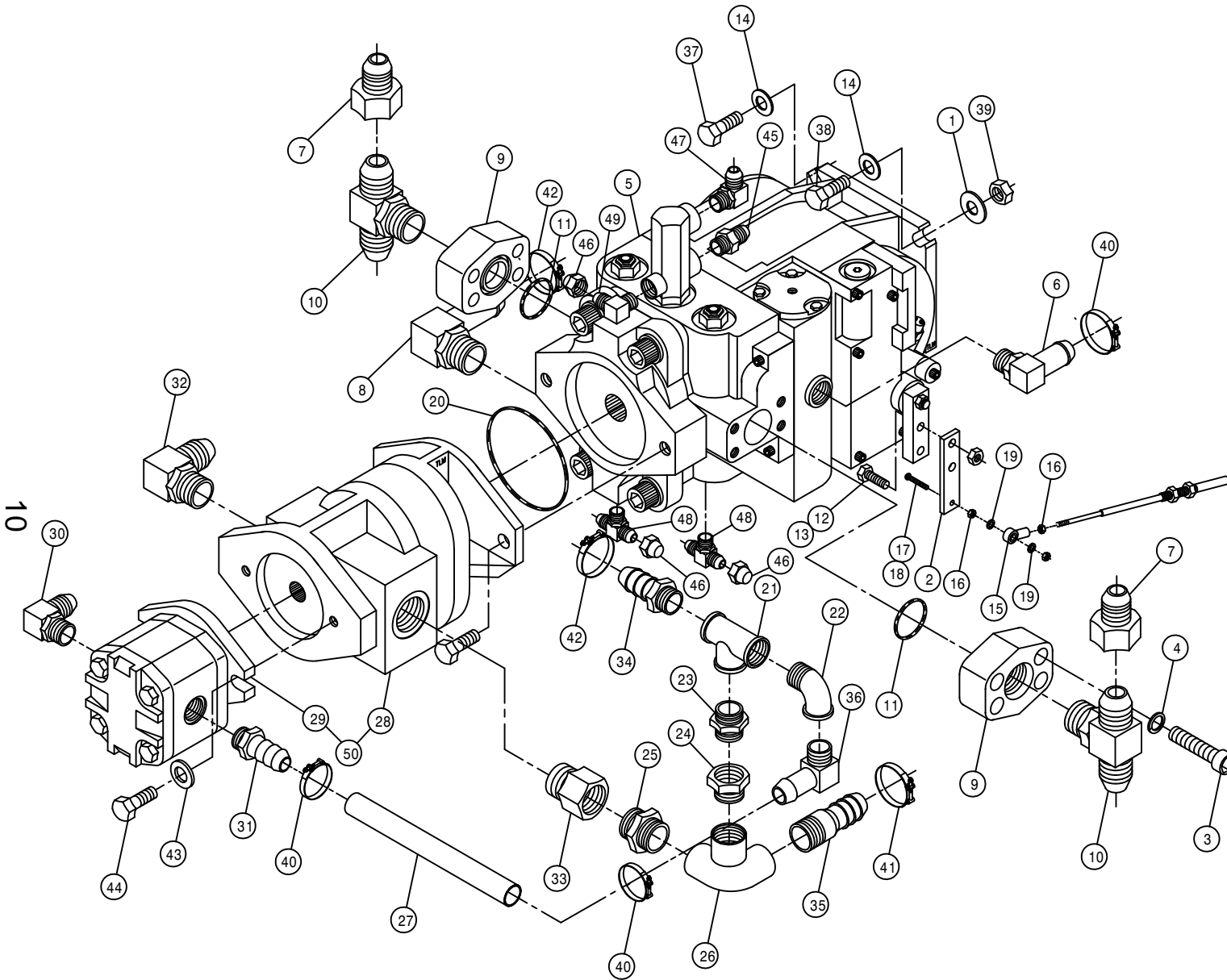
GMC ENGINE ASSEMBLY

DET. QTY PART NO. DESCRIPTION

| | | | |
|----|---|--------|--------------------------------|
| 1 | 1 | 314836 | TEMP SENDR 280D 1/2NPT FOR GA |
| 2 | 1 | 314939 | ENGINE, GMC 350 96 |
| 3 | 1 | 314940 | RADIATOR HOSE, 1.75 |
| 4 | 1 | 314944 | RH FRT MTR MT WLD, 204 GMC 96 |
| 5 | 1 | 314945 | LH FRT MTR MT WLD, 204 GMC 96 |
| 6 | 1 | 314955 | THROTTLE CABLE MT,204 GMC 96 |
| 7 | 1 | 314956 | FAN SPACER, 204 GMC 350 96 |
| 8 | 1 | 316180 | FAN, 22" 6 BLADE 30DEG 2.25PIT |
| 9 | 1 | 473770 | 5MM-.80 HEX NUT |
| 10 | 1 | 473778 | 8MM-1.25 HEX NUT |
| 11 | 3 | 520067 | HOSE CLAMP NO 28 STAINLESS |
| 12 | 4 | 900537 | 5/16UNF X 2 1/2 HEX BOLT |
| 13 | 4 | 920502 | 3/8 LOCK WASHER |
| 14 | 1 | 314975 | LWR RAD HOSE, 204 GMC |
| 15 | 4 | 920501 | 5/16 LOCK WASHER |
| 16 | 4 | 900129 | 3/8UNC X 1" HEX BOLT |
| 17 | 1 | 314974 | ALT HEAT SHIELD, GMC 350 |
| 18 | 1 | 482015 | SPRING, GMC CARB |
| 19 | 1 | 520099 | HOSE CLAMP NO 40 STAINLESS |
| 20 | 2 | 900265 | 1/2UNC X 1 1/2 HEX BOLT |
| 21 | 2 | 914008 | 1/2UNC HEX STOVER NUT |
| 22 | 2 | 920004 | 1/2 SAE FLAT WASHER |
| 23 | 2 | 920510 | #10 LOCK WASHER |
| 24 | 1 | 473921 | BALL JOINT NO 10-32 THD |
| 25 | 2 | 910027 | 10-32 HEX NUT |
| 26 | 1 | 903893 | 10-32 X 1" SLT RD HD MACH SCR |
| 27 | 1 | 914027 | 10-32 HEX STOVER NUT |
| 28 | 2 | 147031 | BELT, GATES 7450 |
| 29 | 1 | 147032 | BELT, GATES 7340 |
| 30 | 1 | 314982 | GOVENOR FOR GMC 350 |
| 31 | 1 | 147034 | 5"OD 5/8" BORE PULLEY FOR GOV |

CHRYSLER PUMP ASSEMBLY

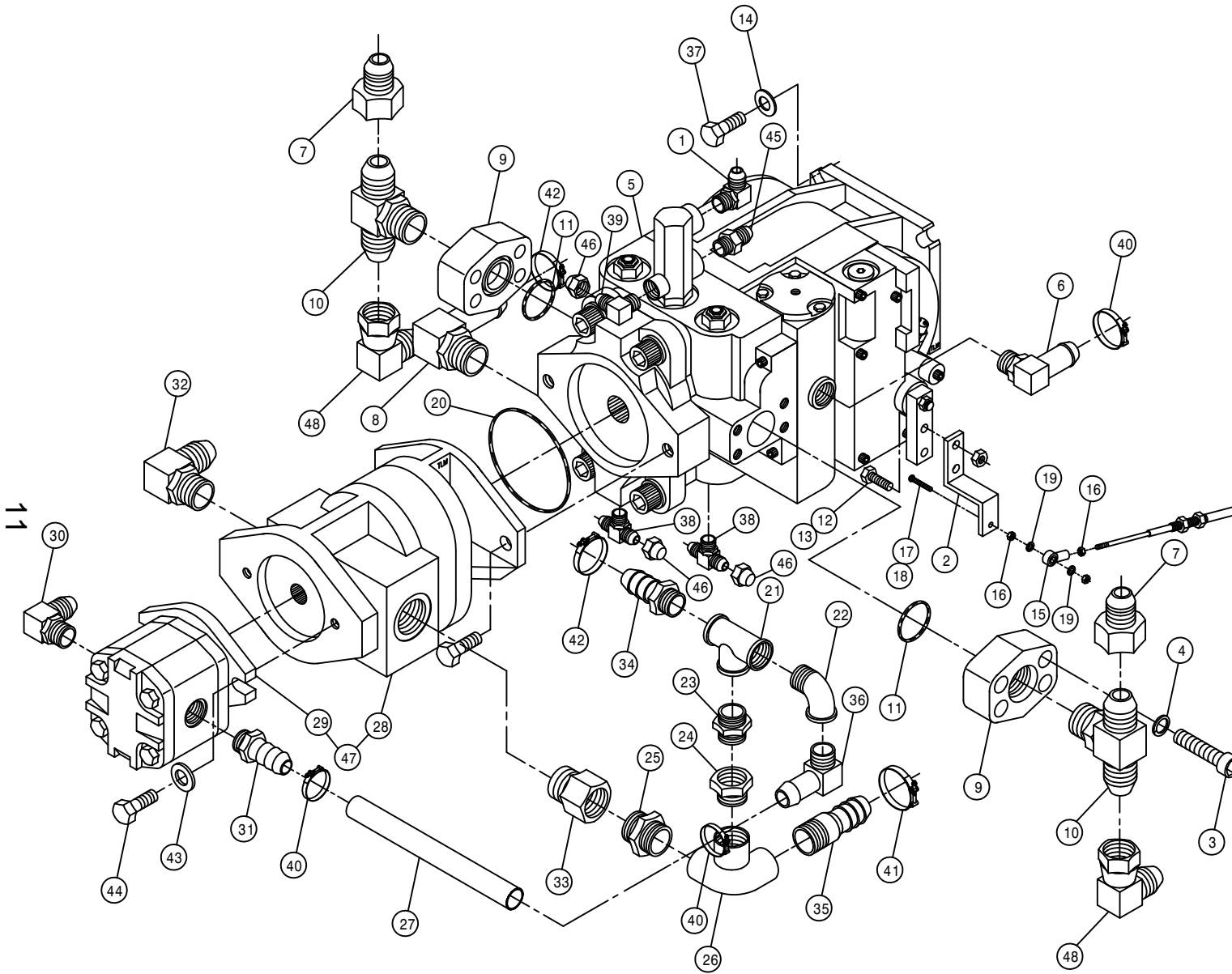
DET. QTY PART NO. DESCRIPTION



| DET. | QTY | PART NO. | DESCRIPTION |
|------|-----|----------|-------------------------------|
| 1 | 2 | 483041 | 1/2 REGULAR FLAT WASHER |
| 2 | 1 | 316160 | PUMP CONT LEVER EXT 280 CUMM |
| 3 | 8 | 470188 | 7/16-14 X 1 1/2 SKTHD CAP SCR |
| 4 | 8 | 470189 | 7/16 HC LOCK WASH FOR 618598 |
| 5 | 1 | 606911 | SUND 75CC PUMP,B-MT W/FILT |
| 6 | 1 | 618118 | 3/4 HOSE BARB-90-1 1/16MOR |
| 7 | 2 | 618541 | 1 5/16FJIC-1 1/16MJIC ADPTR |
| 8 | 1 | 618564 | 1IN HOSE BARB-90-1 5/16MOR |
| 9 | 2 | 618598 | 1" 4-BOLT FLG X 1 5/16 FOR |
| 10 | 2 | 618599 | 1 5/16MOR BRANCH TEE-1 5/16MJ |
| 11 | 2 | 870219 | BUNA ORING 1 5/16 X 1 9/16 |
| 12 | 2 | 900003 | 1/4UNC X 1" HEX BOLT |
| 13 | 2 | 914000 | 1/4UNC HEX STOVER NUT |
| 14 | 4 | 920004 | 1/2 SAE FLAT WASHER |
| 15 | 1 | 473921 | BALL JOINT NO 10-32 THD |
| 16 | 2 | 910027 | 10-32 HEX NUT |
| 17 | 1 | 903893 | 10-32 X 1" SLT RD HD MACH SCR |
| 18 | 1 | 914027 | 10-32 HEX STOVER NUT |
| 19 | 2 | 920510 | #10 LOCK WASHER |
| 20 | 1 | 606870 | O-RING FOR 606865 SUND B-MT |
| 21 | 1 | 505101 | BLK PIPE TEE 1.00NPT |
| 22 | 1 | 505200 | BLK PIPE ST EL 90DEG 1.00NPT |
| 23 | 1 | 505105 | 1MNPT HEX PIPE NIPPLE STL |
| 24 | 1 | 506005 | 1 1/4 TO 1 RED BUSH BLK MAL |
| 25 | 1 | 507026 | 1 1/4MNPT HEX PIPE NIPPLE STL |
| 26 | 1 | 506701 | SIDE OUTLET EL 90DEG 1.25NPT |
| 27 | 1 | 601383 | HOSE, 3/4 X 8 1FBR-1SPI |
| 28 | 1 | 606894 | SUND GEAR PUMP 3.40CI SPLINED |
| 29 | 1 | 606891 | SUND GEAR PMP .52CI SPLINED |
| 30 | 1 | 611128 | 7/8MJIC-90-7/8MOR LBO |
| 31 | 1 | 618075 | 3/4 HOSE BARB-1 1/16MOR |
| 32 | 1 | 618178 | 1 5/16MJIC-90-1 5/16MOR LBO |
| 33 | 1 | 618596 | 1 5/8MOR-1 1/4FNPT ADPTR |
| 34 | 1 | 714560 | 1NPT X 1 HOSE BARB |
| 35 | 1 | 715660 | HOSE BARB 1 1/4NPT X 1 1/4 |
| 36 | 1 | 716000 | 3/4 HOSE BARB-90-1MNPT |
| 37 | 2 | 900266 | 1/2UNC X 1 3/4 HEX BOLT |
| 38 | 2 | 900267 | 1/2UNC X 2" HEX BOLT |
| 39 | 2 | 914008 | 1/2UNC HEX STOVER NUT |
| 40 | 1 | 520137 | .75 T-BOLT HOSE CLAMP |
| 41 | 1 | 520132 | 1.62/1.87 T-BOLT HOSE CLAMP |
| 42 | 2 | 520138 | 1.00 T-BOLT HOSE CLAMP |
| 43 | 2 | 920002 | 3/8 SAE FLAT WASHER |
| 44 | 2 | 900130 | 3/8UNC X 1 1/4 HEX BOLT |
| 45 | 1 | 618327 | 3/4MJIC-7/8MOR ADPTR |
| 46 | 3 | 618531 | 9/16FJIC CAP NUT |
| 47 | 1 | 618183 | 3/4MJIC-90-7/8MOR LBO |
| 48 | 2 | 618629 | 9/16MOR BRANCH TEE-9/16MJIC |
| 49 | 1 | 618119 | 9/16MJIC-90-9/16MOR LBO |
| 50 | 1 | 606942 | TANDEM PUMP 606891 & 606894 |

GMC PUMP ASSEMBLY

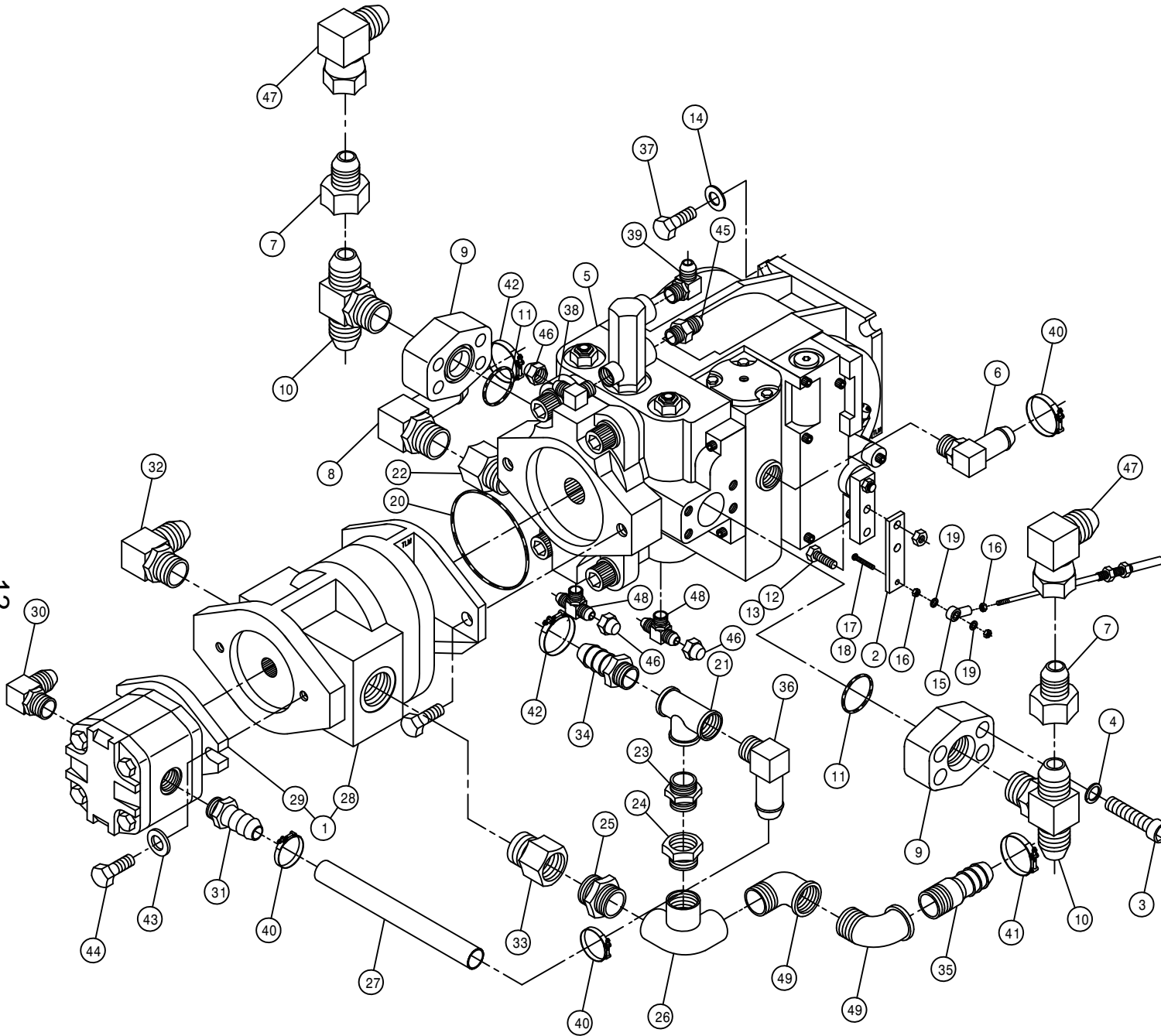
| DET. | QTY | PART NO. | DESCRIPTION |
|------|-----|----------|-------------------------------|
| 1 | 1 | 618183 | 3/4MJIC-90-7/8MOR LBO |
| 2 | 1 | 314957 | PUMP CTRL LEVR EXT,204 GMC 96 |
| 3 | 8 | 470188 | 7/16-14 X 1 1/2 SKTHD CAP SCR |
| 4 | 8 | 470189 | 7/16 HC LOCK WASH FOR 618598 |
| 5 | 1 | 606911 | SUND 75CC PUMP,B-MT W/FILT |
| 6 | 1 | 618118 | 3/4 HOSE BARB-90-1 1/16MOR |
| 7 | 2 | 618541 | 1 5/16FJIC-1 1/16MJIC ADPTR |
| 8 | 1 | 618564 | 1IN HOSE BARB-90-1 5/16MOR |
| 9 | 2 | 618598 | 1" 4-BOLT FLG X 1 5/16 FOR |
| 10 | 2 | 618599 | 1 5/16MOR BRANCH TEE-1 5/16MJ |
| 11 | 2 | 870219 | BUNA ORING 1 5/16 X 1 9/16 |
| 12 | 2 | 900003 | 1/4UNC X 1" HEX BOLT |
| 13 | 2 | 914000 | 1/4UNC HEX STOVER NUT |
| 14 | 4 | 920004 | 1/2 SAE FLAT WASHER |
| 15 | 1 | 473921 | BALL JOINT NO 10-32 THD |
| 16 | 2 | 910027 | 10-32 HEX NUT |
| 17 | 1 | 903893 | 10-32 X 1" SLT RD HD MACH SCR |
| 18 | 1 | 914027 | 10-32 HEX STOVER NUT |
| 19 | 2 | 920510 | #10 LOCK WASHER |
| 20 | 1 | 606870 | O-RING FOR 606865 SUND B-MT |
| 21 | 1 | 505101 | BLK PIPE TEE 1.00NPT |
| 22 | 1 | 505200 | BLK PIPE ST EL 90DEG 1.00NPT |
| 23 | 1 | 505105 | 1MNPT HEX PIPE NIPPLE STL |
| 24 | 1 | 506005 | 1 1/4 TO 1 RED BUSH BLK MAL |
| 25 | 1 | 507026 | 1 1/4MNPT HEX PIPE NIPPLE STL |
| 26 | 1 | 506701 | SIDE OUTLET EL 90DEG 1.25NPT |
| 27 | 1 | 601383 | HOSE, 3/4 X 8 1FBR-1SPI |
| 28 | 1 | 606894 | SUND GEAR PUMP 3.40CI SPLINED |
| 29 | 1 | 606891 | SUND GEAR PMP .52CI SPLINED |
| 30 | 1 | 611128 | 7/8MJIC-90-7/8MOR LBO |
| 31 | 1 | 618075 | 3/4 HOSE BARB-1 1/16MOR |
| 32 | 1 | 618178 | 1 5/16MJIC-90-1 5/16MOR LBO |
| 33 | 1 | 618596 | 1 5/8MOR-1 1/4FNPT ADPTR |
| 34 | 1 | 714560 | 1NPT X 1 HOSE BARB |
| 35 | 1 | 715660 | HOSE BARB 1 1/4NPT X 1 1/4 |
| 36 | 1 | 716000 | 3/4 HOSE BARB-90-1MNPT |
| 37 | 4 | 900265 | 1/2UNC X 1 1/2 HEX BOLT |
| 38 | 2 | 618629 | 9/16MOR BRANCH TEE-9/16MJIC |
| 39 | 1 | 618119 | 9/16MJIC-90-9/16MOR LBO |
| 40 | 3 | 520137 | .75 T-BOLT HOSE CLAMP |
| 41 | 1 | 520132 | 1.62/1.87 T-BOLT HOSE CLAMP |
| 42 | 2 | 520138 | 1.00 T-BOLT HOSE CLAMP |
| 43 | 2 | 920002 | 3/8 SAE FLAT WASHER |
| 44 | 2 | 900130 | 3/8UNC X 1 1/4 HEX BOLT |
| 45 | 1 | 618327 | 3/4MJIC-7/8MOR ADPTR |
| 46 | 3 | 618531 | 9/16FJIC CAP NUT |
| 47 | 1 | 606942 | TANDEM PUMP, 606891 & 606894 |
| 48 | 2 | 618640 | 1 5/16MJ-90-1 5/16FJ SWIV LBO |



CUMMINS PUMP ASSEMBLY

| DET. | QTY | PART NO. | DESCRIPTION |
|------|-----|----------|-------------------------------|
| 1 | 1 | 606937 | TANDEM PUMP 606929 & 606938 |
| 2 | 1 | 316160 | PUMP CONT LEVER EXT 280 CUMM |
| 3 | 8 | 470188 | 7/16-14 X 1 1/2 SKTHD CAP SCR |
| 4 | 8 | 470189 | 7/16 HC LOCK WASH FOR 618598 |
| 5 | 1 | 606902 | SUND 100CC PUMP,B-MT W/FILT |
| 6 | 1 | 618118 | 3/4 HOSE BARB-90-1 1/16MOR |
| 7 | 2 | 618541 | 1 5/16FJIC-1 1/16MJIC ADPTR |
| 8 | 1 | 618638 | 1IN HOSE BARB-45-1 5/16MOR |
| 9 | 2 | 618598 | 1" 4-BOLT FLG X 1 5/16 FOR |
| 10 | 2 | 618599 | 1 5/16MOR BRANCH TEE-1 5/16MJ |
| 11 | 2 | 870219 | BUNA ORING 1 5/16 X 1 9/16 |
| 12 | 2 | 900003 | 1/4UNC X 1" HEX BOLT |
| 13 | 2 | 914000 | 1/4UNC HEX STOVER NUT |
| 14 | 4 | 920004 | 1/2 SAE FLAT WASHER |
| 15 | 1 | 473921 | BALL JOINT NO 10-32 THD |
| 16 | 2 | 910027 | 10-32 HEX NUT |
| 17 | 1 | 903893 | 10-32 X 1" SLT RD HD MACH SCR |
| 18 | 1 | 914027 | 10-32 HEX STOVER NUT |
| 19 | 2 | 920510 | #10 LOCK WASHER |
| 20 | 1 | 606870 | O-RING FOR 606865 SUND B-MT |
| 21 | 1 | 505101 | BLK PIPE TEE 1.00NPT |
| 22 | 1 | 618639 | 1 5/8MOR-1 5/16FOR ADPTR |
| 23 | 1 | 505105 | 1MNPT HEX PIPE NIPPLE STL |
| 24 | 1 | 506005 | 1 1/4 TO 1 RED BUSH BLK MAL |
| 25 | 1 | 507026 | 1 1/4MNPT HEX PIPE NIPPLE STL |
| 26 | 1 | 506701 | SIDE OUTLET EL 90DEG 1.25NPT |
| 27 | 1 | 601399 | HOSE, 3/4 X 13 1FBR-1SPI |
| 28 | 1 | 606938 | SUND GEAR PUMP,4.00CIR SPLNED |
| 29 | 1 | 606929 | SUND GEAR PUMP .66CI, SPLINED |
| 30 | 1 | 611128 | 7/8MJIC-90-7/8MOR LBO |
| 31 | 1 | 618075 | 3/4 HOSE BARB-1 1/16MOR |
| 32 | 1 | 618178 | 1 5/16MJIC-90-1 5/16MOR LBO |
| 33 | 1 | 618596 | 1 5/8MOR-1 1/4FNPT ADPTR |
| 34 | 1 | 714560 | 1NPT X 1 HOSE BARB |
| 35 | 1 | 715660 | HOSE BARB 1 1/4NPT X 1 1/4 |
| 36 | 1 | 716000 | 3/4 HOSE BARB-90-1MNPT |
| 37 | 4 | 900265 | 1/2UNC X 1 1/2 HEX BOLT |
| 38 | 1 | 618119 | 9/16MJIC-90-9/16MOR LBO |
| 39 | 1 | 618183 | 3/4MJIC-90-7/8MOR LBO |
| 40 | 3 | 520137 | .75 T-BOLT HOSE CLAMP |
| 41 | 1 | 520132 | 1.62/1.87 T-BOLT HOSE CLAMP |
| 42 | 2 | 520138 | 1.00 T-BOLT HOSE CLAMP |
| 43 | 2 | 920002 | 3/8 SAE FLAT WASHER |
| 44 | 2 | 900130 | 3/8UNC X 1 1/4 HEX BOLT |
| 45 | 1 | 618327 | 3/4MJIC-7/8MOR ADPTR |
| 46 | 3 | 618531 | 9/16FJIC CAP NUT |
| 47 | 2 | 618191 | 1 1/16MJ-90-1 1/16FJ SWIV LBO |
| 48 | 2 | 618629 | 9/16MOR BRANCH TEE-9/16MJIC |
| 49 | 2 | 506410 | BLK PIPE ST EL 90DEG 1.25NPT |

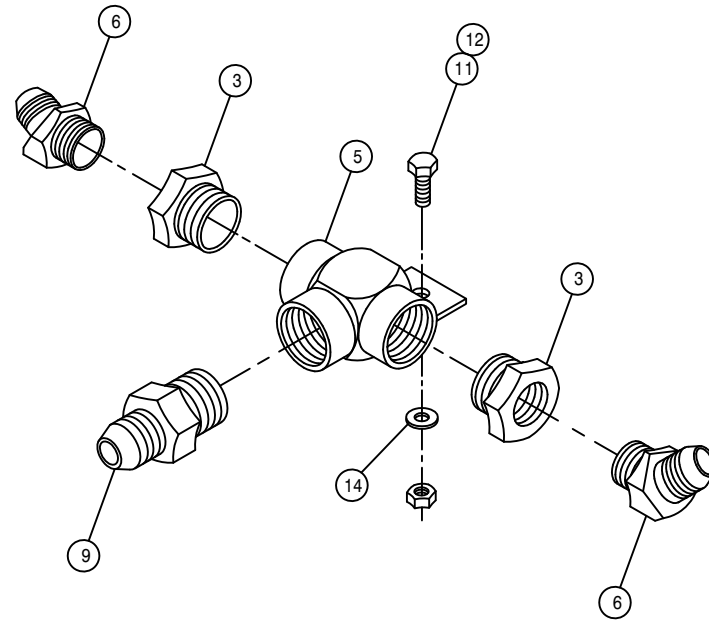
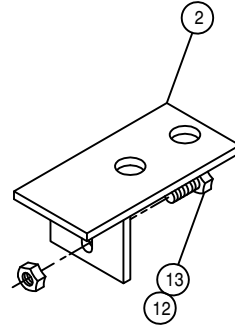
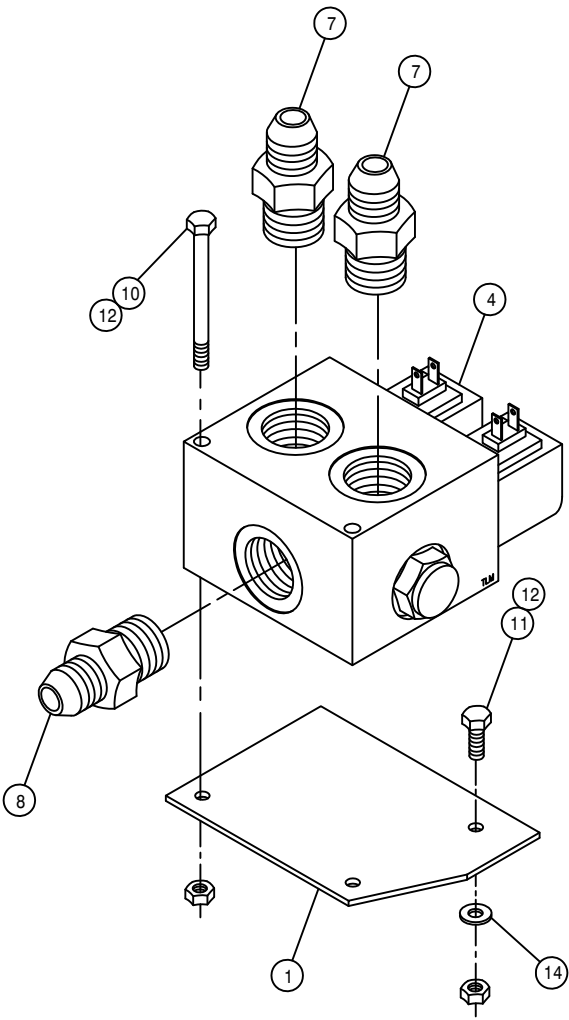
12



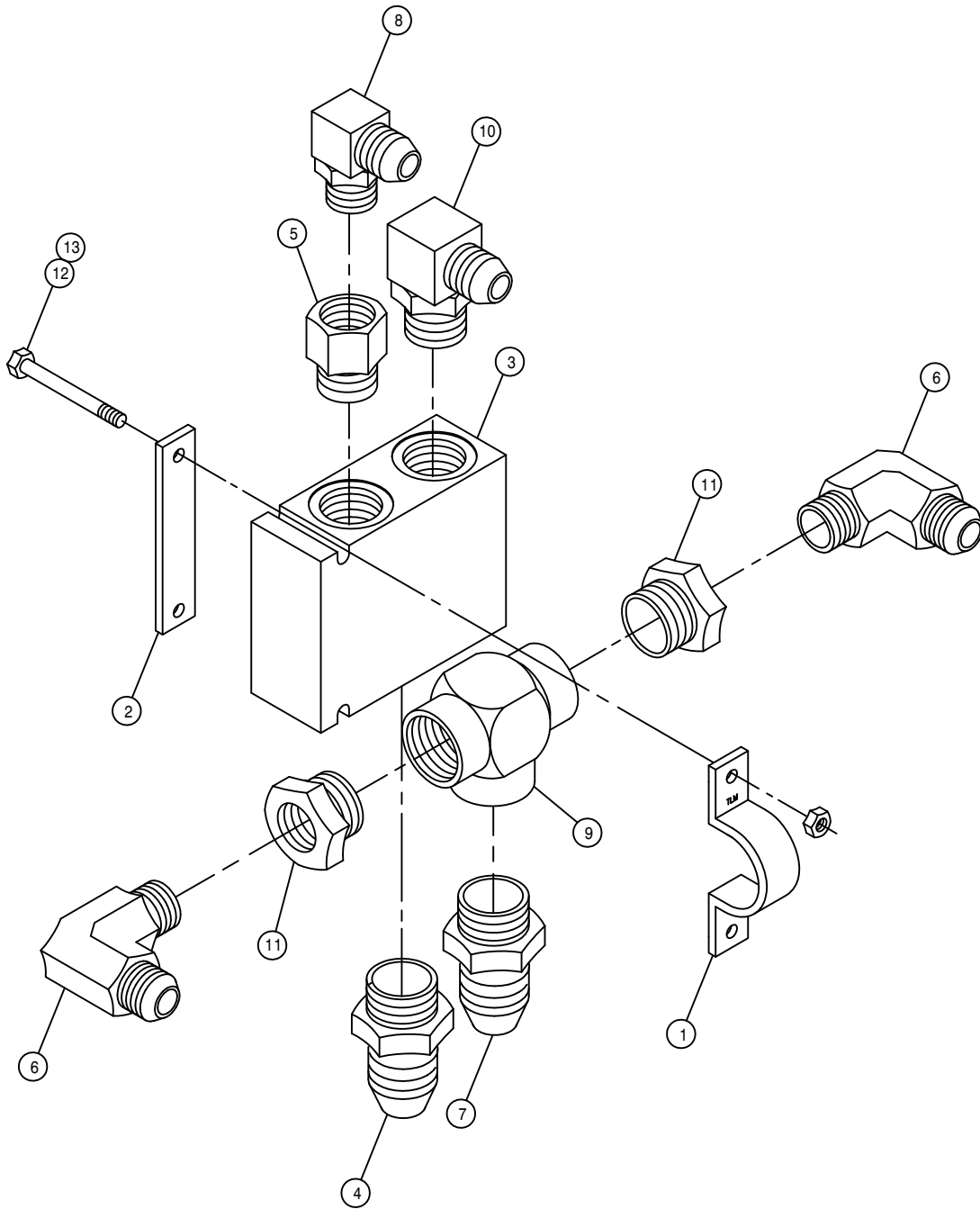
POSITRACTION VALVE ASSEMBLY

DET. QTY PART NO. DESCRIPTION

| DET. | QTY | PART NO. | DESCRIPTION | |
|------|-----|----------|----------------------------|-----|
| 1 | 1 | 341849 | POSITRACTION VALVE MT | 200 |
| 2 | 1 | 341850 | 200 RETURN TEE MT WLD | 89 |
| 3 | 2 | 505213 | RED BUSH 1 X 3/4 BLK MAL | |
| 4 | 1 | 610586 | POSITRACTION VLV | 94 |
| 5 | 1 | 614660 | 1IN STL TEE WLD 280 | 89 |
| 6 | 2 | 618156 | 7/8MJIC-90-3/4MNPT LBO | |
| 7 | 2 | 618601 | 7/8MJIC-1 5/16MOR ADPT | |
| 8 | 1 | 618186 | 1 5/16MJIC-1 5/16MOR ADPTR | |
| 9 | 1 | 618322 | 1 5/16MJIC-1MNPT ADPTR | |
| 10 | 2 | 900012 | 1/4UNC X 3 1/2 HEX BOLT | |
| 11 | 2 | 900002 | 1/4UNC X 3/4 HEX BOLT | |
| 12 | 5 | 914000 | 1/4UNC HEX STOVER NUT | |
| 13 | 1 | 900003 | 1/4UNC X 1 HEX BOLT | |
| 14 | 2 | 920000 | 1/4 FLAT WASH SAE | |



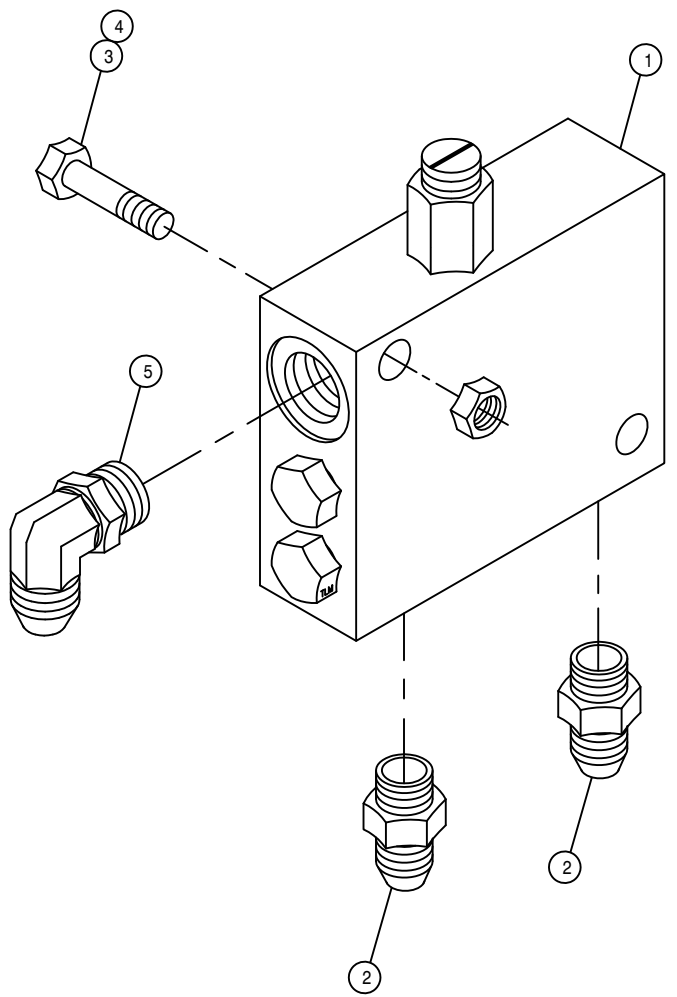
13



GMC POSITRACTION VALVE ASSEMBLY

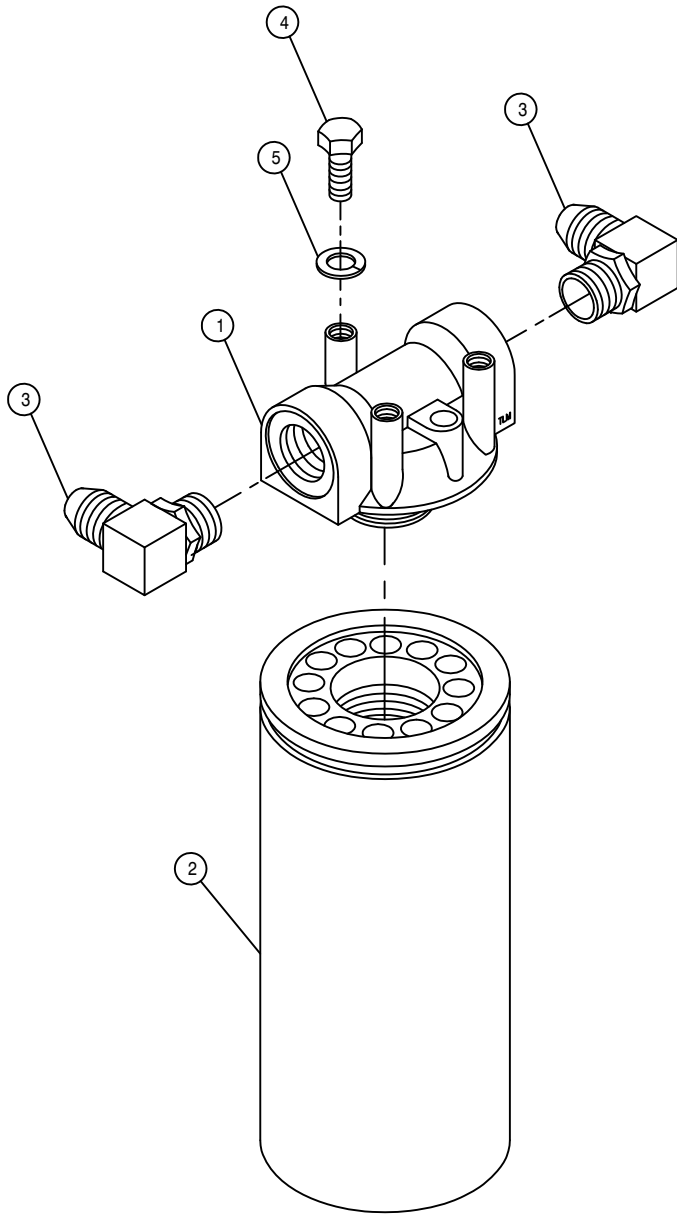
DET. QTY PART NO. DESCRIPTION

| | | | | |
|----|---|--------|-------------------------------|----|
| 1 | 1 | 314842 | TEE CLAMP, TRAC VLV 200 | 89 |
| 2 | 1 | 314843 | TEE KEEPER, TRAC VLV 200 | 89 |
| 3 | 1 | 610468 | POSITRACTION VLV MOD CONT 20G | |
| 4 | 1 | 618308 | 1 1/16MJIC-1 5/16MOR ADPTR | |
| 5 | 1 | 618312 | 1 5/16MOR-1 1/16FOR ADPTR | |
| 6 | 2 | 611124 | 7/8MJIC-90-1/2MNPT LBO | |
| 7 | 1 | 618434 | 1 1/16MJIC-1MNPT ADPTR | |
| 8 | 1 | 618535 | 7/8MJIC-90-1 1/16MOR LBO | |
| 9 | 1 | 618575 | 1FNPT PIPE TEE STL | |
| 10 | 1 | 618589 | 7/8MJIC-90-1 5/16MOR LBO | |
| 11 | 2 | 505005 | RED BUSH 1 TO 1/2 | |
| 12 | 2 | 900011 | 1/4UNC X 3 1/4 HEX BOLT | |
| 13 | 2 | 914000 | 1/4UNC HEX STOVER NUT | |



LOOP FLUSHING VALVE ASSEMBLY

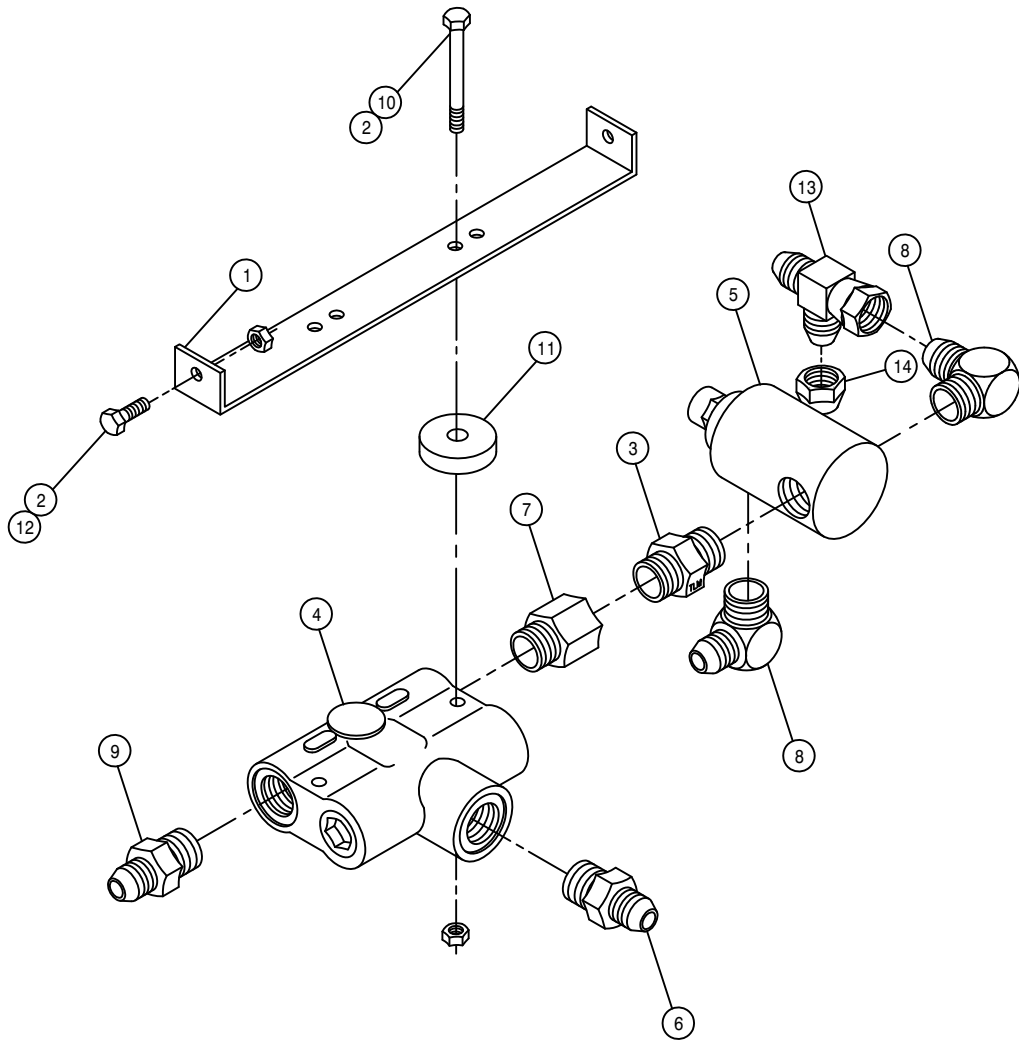
| DET. | QTY | PART NO. | DESCRIPTION |
|------|-----|----------|-----------------------------|
| | 1 | 610580 | REMOTE FLUSHING VALVE, SUND |
| | 2 | 618126 | 9/16MJC-9/16MOR ADPTR |
| | 3 | 900133 | 3/8UNC X 2 HEX BOLT |
| | 4 | 914004 | 3/8UNC HEX STOVER NUT |
| | 5 | 618119 | 9/16MJC-90-9/16MOR LBO |



HI -PRESS FILTER ASSEMBLY

DET. QTY PART NO. DESCRIPTION

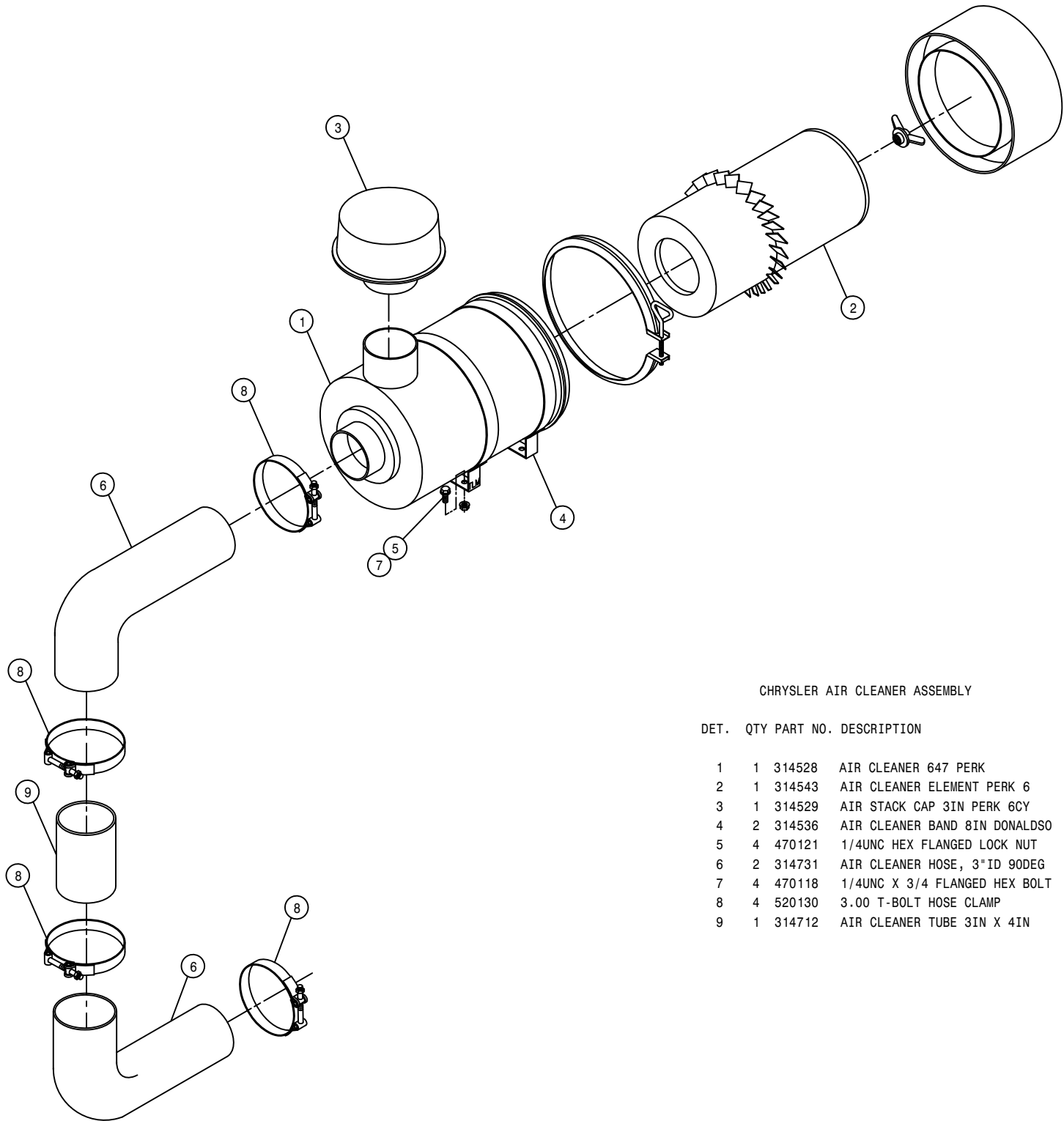
| | | | |
|---|---|--------|---------------------------------|
| 1 | 1 | 605606 | FILTER HEAD, ZINZA HI-PRESS |
| 2 | 1 | 605607 | FILTER, 10 MICRON ZINGA, HIPRES |
| 3 | 2 | 618474 | 3/4MJIC-90-1 1/16MOR LBO |
| 4 | 3 | 900064 | 5/16UNC X 3/4 HEX BOLT |
| 5 | 3 | 920501 | LOCK WASH 5/16 |



FLOW DIVIDER ASSEMBLY

DET. QTY PART NO. DESCRIPTION

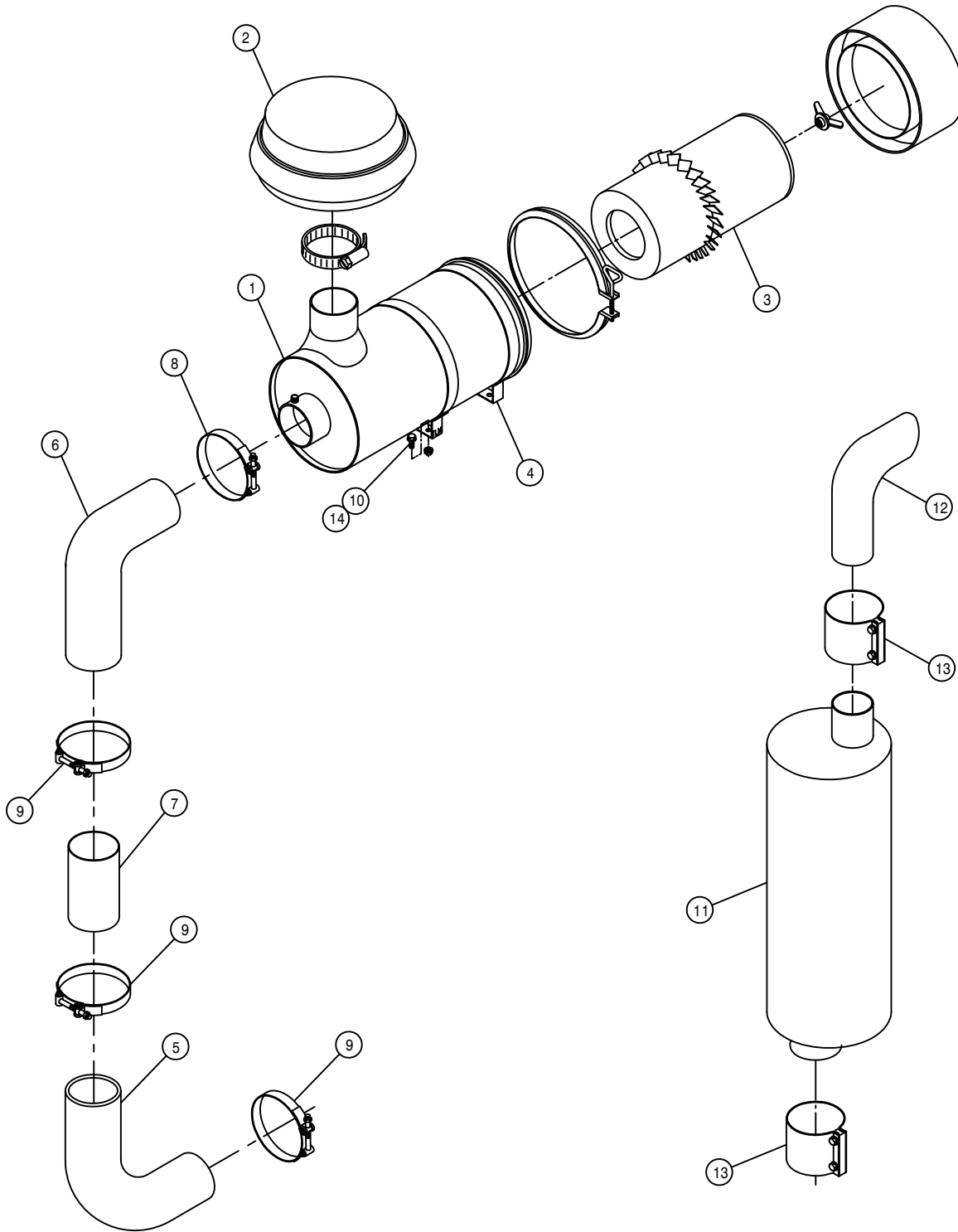
| DET. | QTY | PART NO. | DESCRIPTION | |
|------|-----|----------|-------------------------------|----|
| 1 | 1 | 341774 | FLOW DIVIDER MT 280 | 89 |
| 2 | 4 | 914000 | 1/4UNC HEX STOVER NUT | |
| 3 | 1 | 500000 | 1/2MNPT HEX PIPE NIPPLE STL | |
| 4 | 1 | 607504 | FLO DIV B50 2-8GPM 7/8 FOR | |
| 5 | 1 | 607512 | RELIEF VALVE, RL50, 1850 PSI | |
| 6 | 1 | 611126 | 7/8MJIC-7/8MOR ADPTR | |
| 7 | 1 | 618072 | 7/8MOR-1/2FNPT ADPTR | |
| 8 | 2 | 618107 | 9/16MJIC-90-1/2MNPT LBO | |
| 9 | 1 | 618310 | 9/16MJIC-7/8MOR ADPTR | |
| 10 | 2 | 900008 | 1/4UNC X 2 1/2 HEX BOLT | |
| 11 | 2 | 748500 | RUBER WASH 3/8X1/4IDX1 1/2 OD | |
| 12 | 2 | 900002 | 1/4UNC X 3/4 HEX BOLT | |
| 13 | 1 | 618486 | 9/16FJIC SW RUN TEE-9/16MJIC | |
| 14 | 1 | 618531 | 9/16FJIC CAP NUT | |



CHRYSLER AIR CLEANER ASSEMBLY

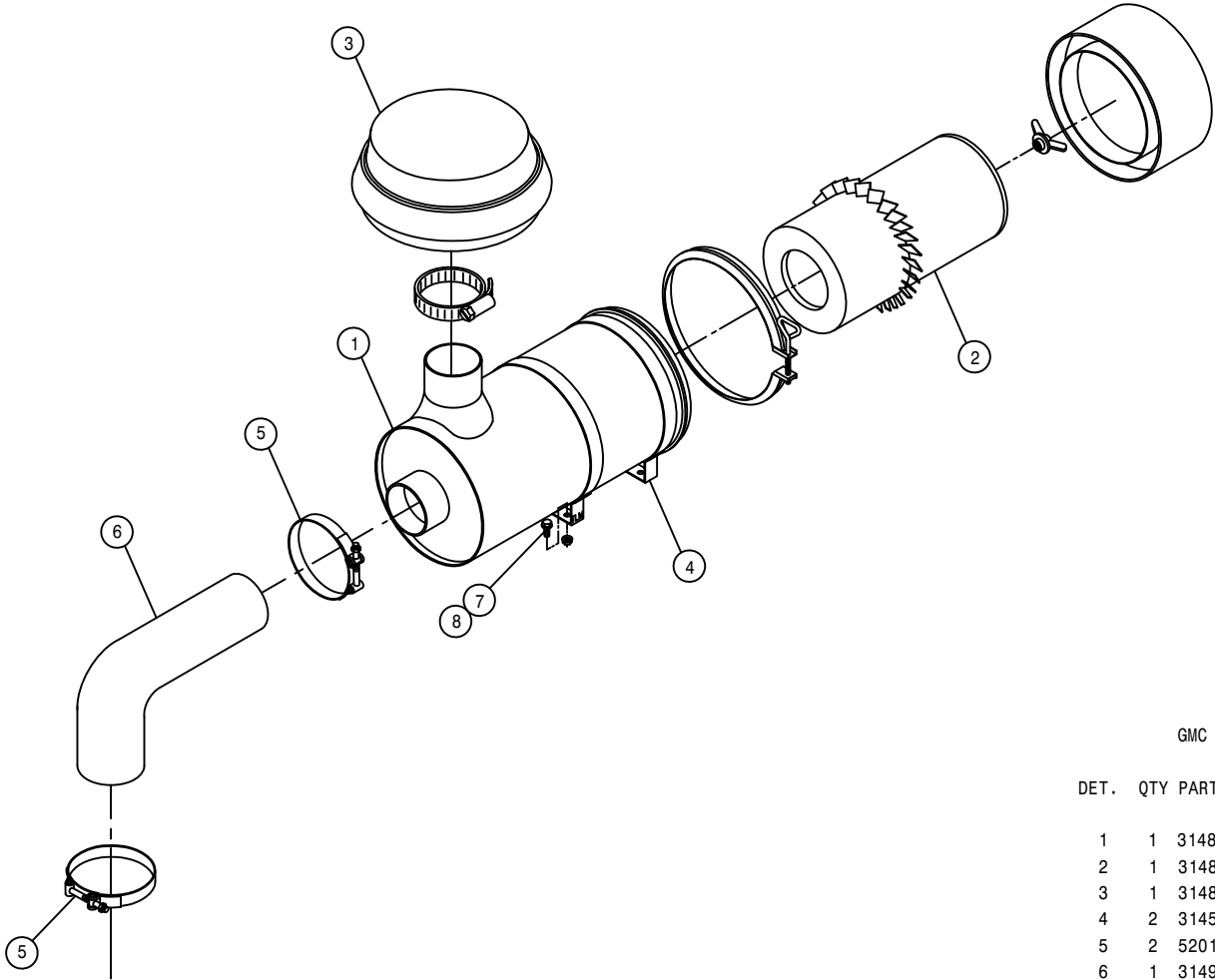
DET. QTY PART NO. DESCRIPTION

| | | | |
|---|---|--------|-------------------------------|
| 1 | 1 | 314528 | AIR CLEANER 647 PERK |
| 2 | 1 | 314543 | AIR CLEANER ELEMENT PERK 6 |
| 3 | 1 | 314529 | AIR STACK CAP 3IN PERK 6CY |
| 4 | 2 | 314536 | AIR CLEANER BAND 8IN DONALDSO |
| 5 | 4 | 470121 | 1/4UNC HEX FLANGED LOCK NUT |
| 6 | 2 | 314731 | AIR CLEANER HOSE, 3"ID 90DEG |
| 7 | 4 | 470118 | 1/4UNC X 3/4 FLANGED HEX BOLT |
| 8 | 4 | 520130 | 3.00 T-BOLT HOSE CLAMP |
| 9 | 1 | 314712 | AIR CLEANER TUBE 3IN X 4IN |



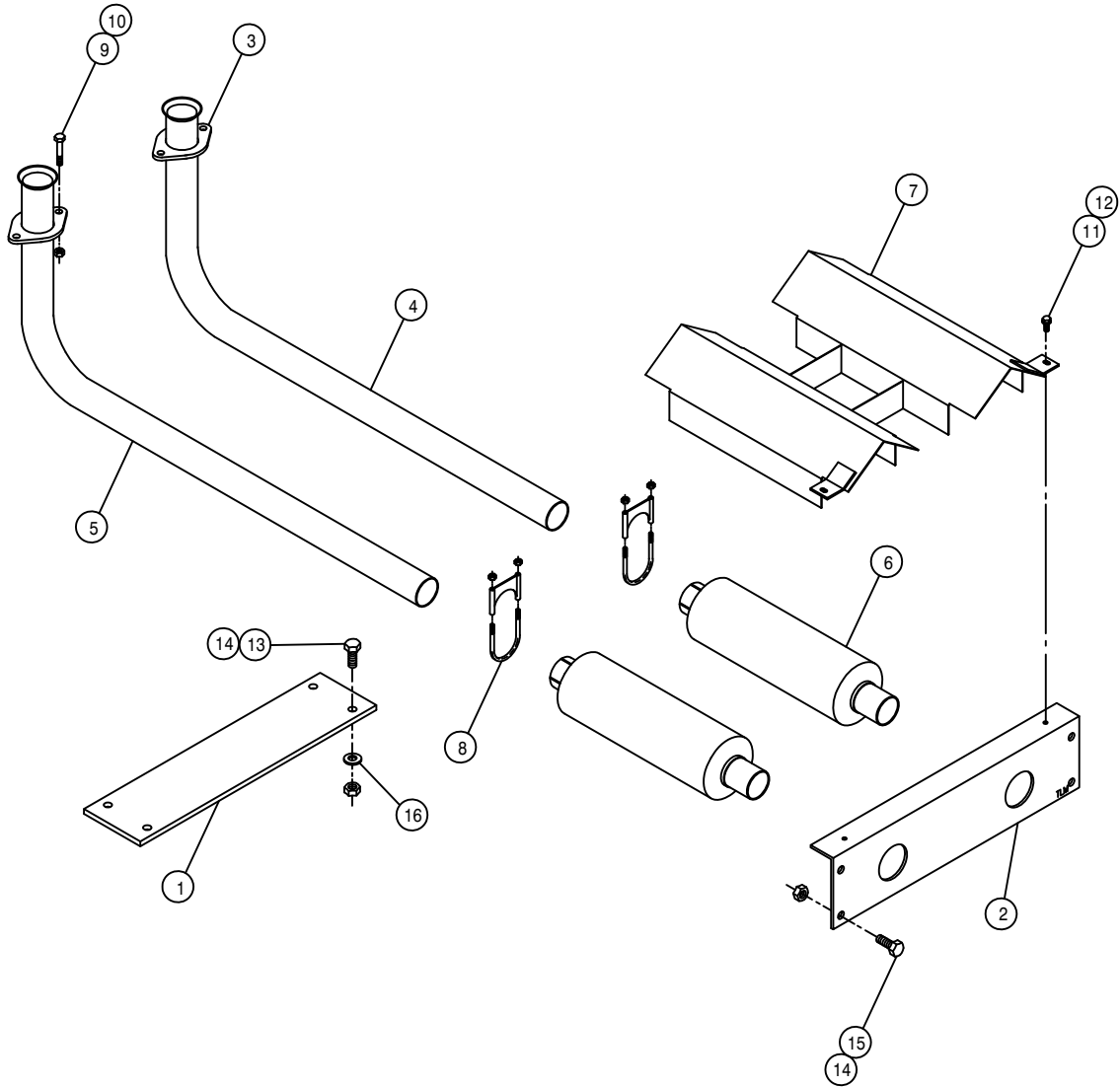
CUMMINS AIR CLEANER AND EXHAUST ASSEMBLY

| DET. | QTY | PART NO. | DESCRIPTION |
|------|-----|----------|---------------------------------|
| 1 | 1 | 314970 | AIR CLEANER, 510 CFM |
| 2 | 1 | 314971 | AIR CLEANER HOOD FOR 314970 |
| 3 | 1 | 314973 | AIR CLEANER ELEMENT FOR314970 |
| 4 | 2 | 314972 | AIR CLEANER MT BAND FOR314970 |
| 5 | 1 | 316309 | 4" 90DEG ELBOW, RUBBER |
| 6 | 1 | 316297 | 5" -4" 90DEG REDU ELBOW, RUBBER |
| 7 | 1 | 316298 | 4" AIR INTAKE TUBE, 284 97 |
| 8 | 1 | 520136 | 5.00 T-BOLT HOSE CLAMP |
| 9 | 3 | 520134 | 4.00 T-BOLT HOSE CLAMP |
| 10 | 4 | 470113 | 5/16UNC HEX FLANGE LOCK NUT |
| 11 | 1 | 316299 | MUFFLER, 3" DONALDSON 97 |
| 12 | 1 | 316300 | 3" EXHAUST STACK 97 |
| 13 | 2 | 470243 | 3" STRAP BAND EXHAUST CLAMP |
| 14 | 4 | 470233 | 5/16UNC X 3/4 FLANGE HEX BOLT |



GMC AIR CLEANER ASSEMBLY

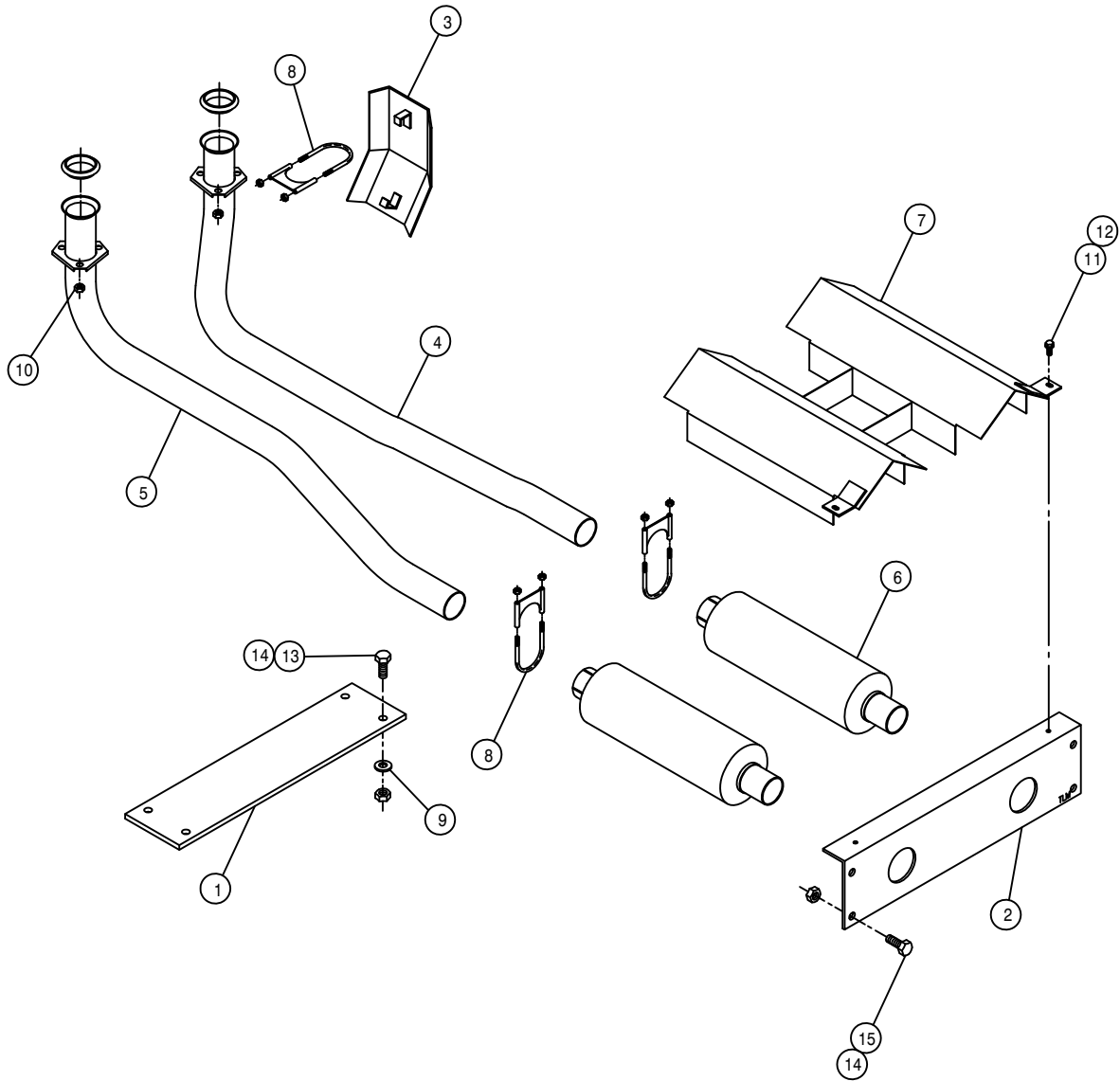
| DET. | QTY | PART NO. | DESCRIPTION |
|------|-----|----------|--------------------------------|
| | 1 | 314897 | AIR CLEANER, 280 CFM |
| | 1 | 314899 | AIR CLEANER ELEMENT FOR314897 |
| | 1 | 314898 | AIR CLEANER HOOD FOR 314897 |
| | 2 | 314536 | AIR CLEANER BAND 8IN DONALDSON |
| | 2 | 520131 | 3.50 T-BOLT HOSE CLAMP |
| | 1 | 314900 | 3.50 90 DEG AIR INTAKE HOSE |
| | 4 | 470121 | 1/4UNC HEX FLANGE LOCK NUT |
| | 4 | 470118 | 1/4UNC X 3/4 FLANGE HEX BOLT |



CHRY EXHAUST PIPE ASSEMBLY

DET. QTY PART NO. DESCRIPTION

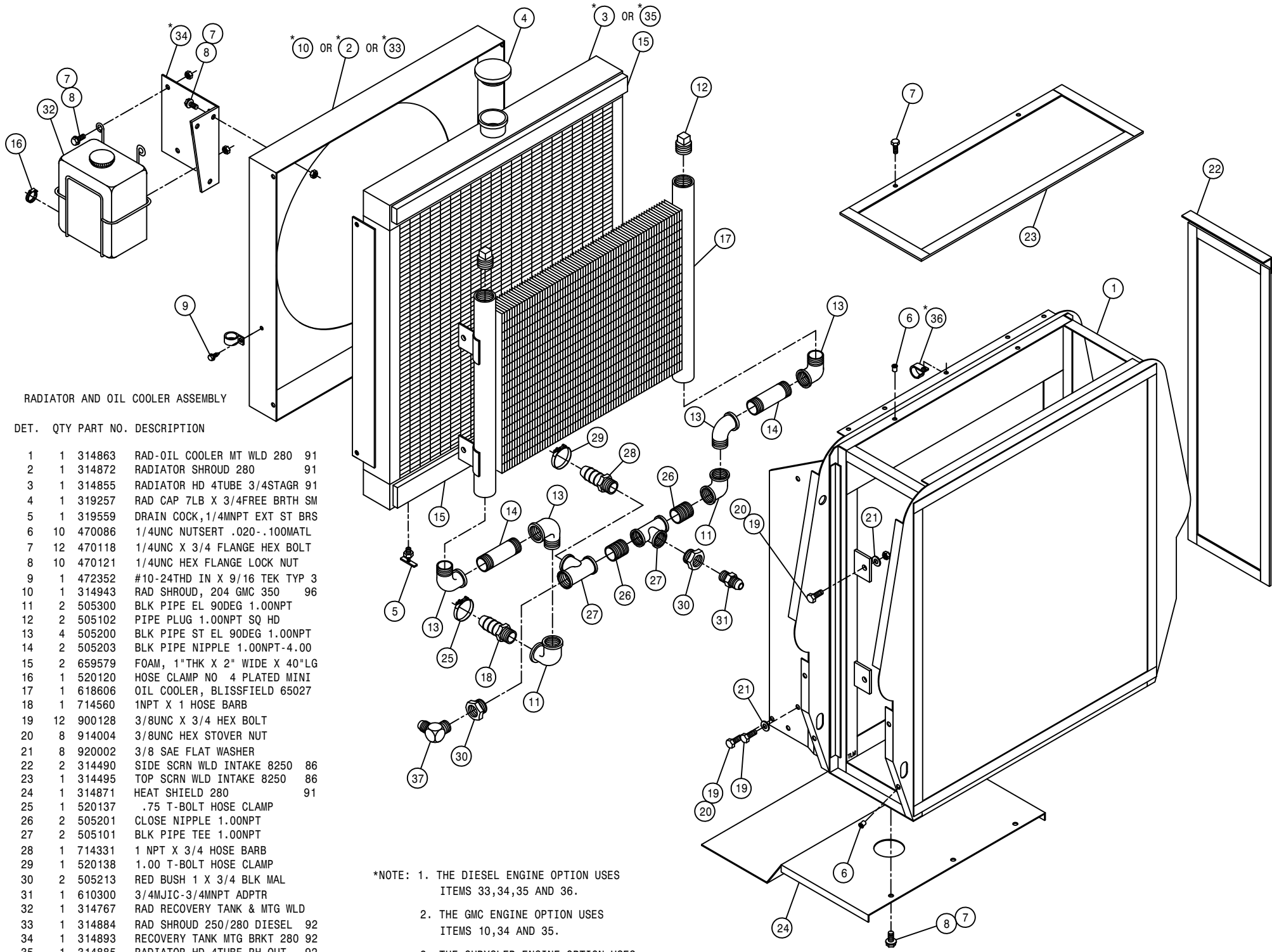
| | | | |
|----|---|--------|-------------------------------|
| 1 | 1 | 361347 | MAINFRAME TIE PLATE 200 318 |
| 2 | 1 | 361346 | MAINFRAME REAR TIE ANGLE 280 |
| 3 | 2 | 314735 | EXHAUST PIPE FLG 8240 318 82 |
| 4 | 1 | 314873 | RH EXHAUST PIPE 200 CHRY 91 |
| 5 | 1 | 314874 | LH EXHAUST PIPE 200 CHRY 91 |
| 6 | 2 | 319287 | MUFFLER CHRY 440 |
| 7 | 1 | 341829 | MUFFLER HEAT SHIELD WLD200 89 |
| 8 | 2 | 319327 | MUFFLER CLAMP 2IN HVY DUTY |
| 9 | 4 | 900170 | 3/8UNC X 2 1/4 HEX BOLT |
| 10 | 4 | 914004 | 3/8UNC HEX STOVER NUT |
| 11 | 3 | 470118 | 1/4UNC X 3/4 FLANGE HEX BOLT |
| 12 | 3 | 470121 | 1/4UNC HEX FLANGE LOCK NUT |
| 13 | 4 | 900265 | 1/2UNC X 1 1/2 HEX BOLT |
| 14 | 8 | 914008 | 1/2UNC HEX STOVER NUT |
| 15 | 4 | 900263 | 1/2UNC X 1" HEX BOLT |
| 16 | 4 | 920004 | 1/2 SAE FLAT WASHER |



GMC EXHAUST PIPE ASSEMBLY

DET. QTY PART NO. DESCRIPTION

| DET. | QTY | PART NO. | DESCRIPTION |
|------|-----|----------|-------------------------------|
| 1 | 1 | 361347 | MAINFRAME TIE PLATE 200 318 |
| 2 | 1 | 361346 | MAINFRAME REAR TIE ANGLE 280 |
| 3 | 2 | 314960 | HEAT SHIELD WLD,204 GMC350 96 |
| 4 | 1 | 314958 | RH EXHAUST PIPE,204 GMC350 96 |
| 5 | 1 | 314959 | LH EXHAUST PIPE,204 GMC350 96 |
| 6 | 2 | 319287 | MUFFLER CHRY 440 |
| 7 | 1 | 341829 | MUFFLER HEAT SHIELD WLD200 89 |
| 8 | 6 | 319327 | MUFFLER CLAMP 2IN HVY DUTY |
| 9 | 4 | 920004 | 1/2 SAE FLAT WASHER |
| 10 | 6 | 914004 | 3/8UNC HEX STOVER NUT |
| 11 | 3 | 470118 | 1/4UNC X 3/4 FLANGE HEX BOLT |
| 12 | 3 | 470121 | 1/4UNC HEX FLANGE LOCK NUT |
| 13 | 4 | 900265 | 1/2UNC X 1 1/2 HEX BOLT |
| 14 | 8 | 914008 | 1/2UNC HEX STOVER NUT |
| 15 | 4 | 900263 | 1/2UNC X 1" HEX BOLT |

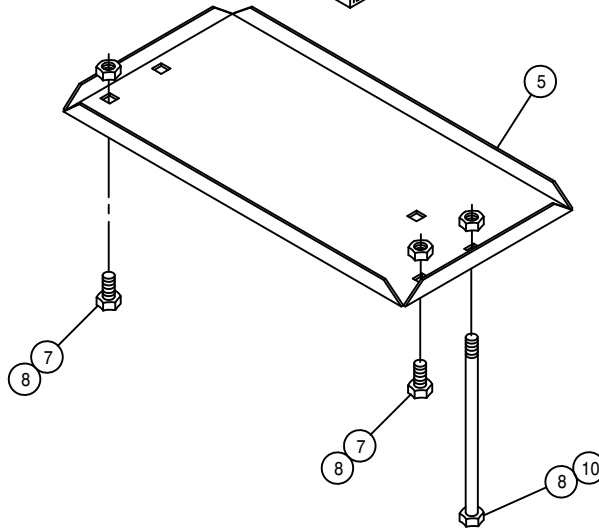
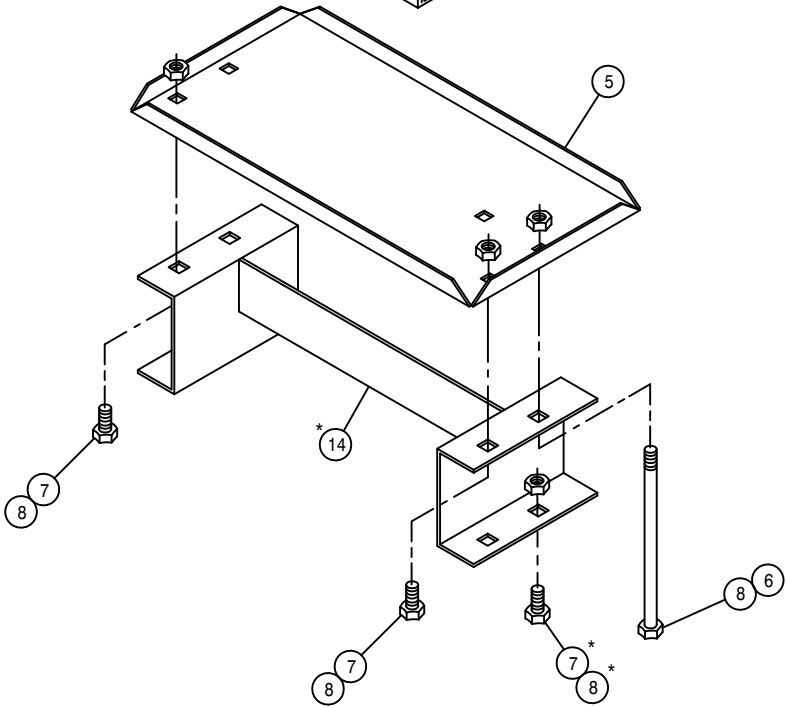
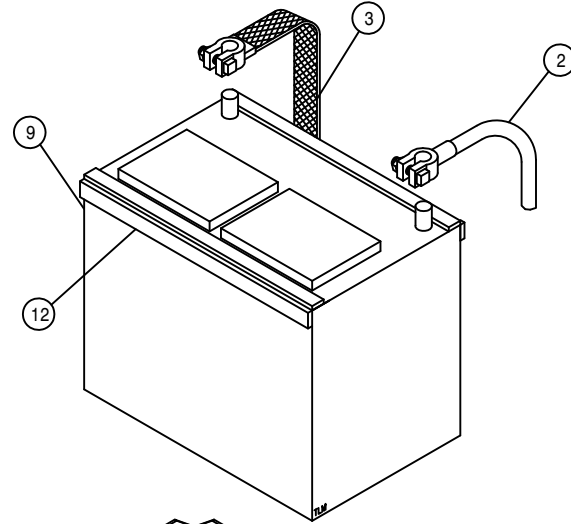
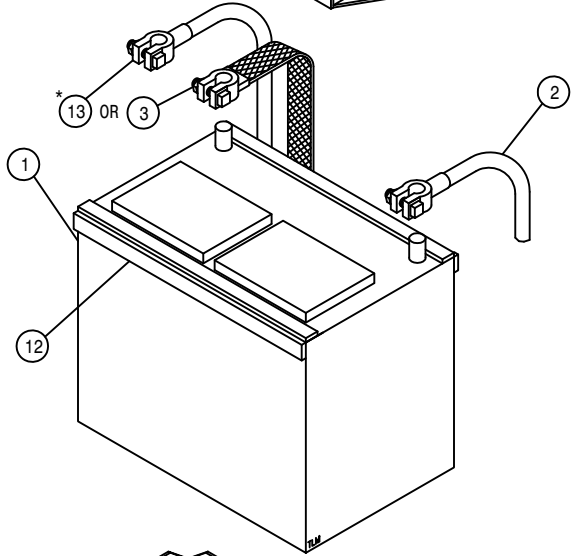
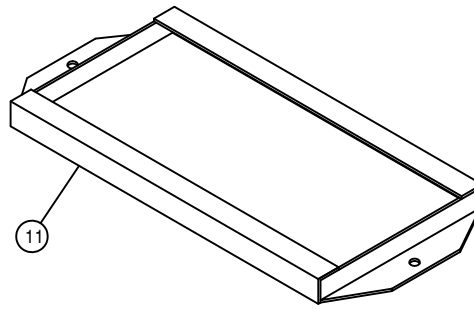
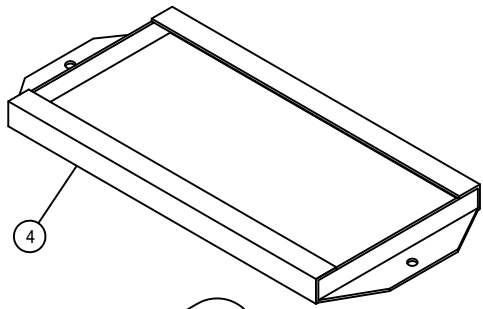


RADIATOR AND OIL COOLER ASSEMBLY

DET. QTY PART NO. DESCRIPTION

| | | | | |
|----|----|--------|--------------------------------|----|
| 1 | 1 | 314863 | RAD-OIL COOLER MT WLD 280 | 91 |
| 2 | 1 | 314872 | RADIATOR SHROUD 280 | 91 |
| 3 | 1 | 314855 | RADIATOR HD 4TUBE 3/4STAGR | 91 |
| 4 | 1 | 319257 | RAD CAP 7LB X 3/4FREE BRTH SM | |
| 5 | 1 | 319559 | DRAIN COCK, 1/4MNPT EXT ST BRS | |
| 6 | 10 | 470086 | 1/4UNC NUTSERT .020-.100MATL | |
| 7 | 12 | 470118 | 1/4UNC X 3/4 FLANGE HEX BOLT | |
| 8 | 10 | 470121 | 1/4UNC HEX FLANGE LOCK NUT | |
| 9 | 1 | 472352 | #10-24THD IN X 9/16 TEK TYP 3 | |
| 10 | 1 | 314943 | RAD SHROUD, 204 GMC 350 | 96 |
| 11 | 2 | 505300 | BLK PIPE EL 90DEG 1.00NPT | |
| 12 | 2 | 505102 | PIPE PLUG 1.00NPT SQ HD | |
| 13 | 4 | 505200 | BLK PIPE ST EL 90DEG 1.00NPT | |
| 14 | 2 | 505203 | BLK PIPE NIPPLE 1.00NPT-4.00 | |
| 15 | 2 | 659579 | FOAM, 1"THK X 2" WIDE X 40"LG | |
| 16 | 1 | 520120 | HOSE CLAMP NO 4 PLATED MINI | |
| 17 | 1 | 618606 | OIL COOLER, BLISSFIELD 65027 | |
| 18 | 1 | 714560 | 1NPT X 1 HOSE BARB | |
| 19 | 12 | 900128 | 3/8UNC X 3/4 HEX BOLT | |
| 20 | 8 | 914004 | 3/8UNC HEX STOVER NUT | |
| 21 | 8 | 920002 | 3/8 SAE FLAT WASHER | |
| 22 | 2 | 314490 | SIDE SCR N WLD INTAKE 8250 | 86 |
| 23 | 1 | 314495 | TOP SCR N WLD INTAKE 8250 | 86 |
| 24 | 1 | 314871 | HEAT SHIELD 280 | 91 |
| 25 | 1 | 520137 | .75 T-BOLT HOSE CLAMP | |
| 26 | 2 | 505201 | CLOSE NIPPLE 1.00NPT | |
| 27 | 2 | 505101 | BLK PIPE TEE 1.00NPT | |
| 28 | 1 | 714331 | 1 NPT X 3/4 HOSE BARB | |
| 29 | 1 | 520138 | 1.00 T-BOLT HOSE CLAMP | |
| 30 | 2 | 505213 | RED BUSH 1 X 3/4 BLK MAL | |
| 31 | 1 | 610300 | 3/4MJIC-3/4MNPT ADPTR | |
| 32 | 1 | 314767 | RAD RECOVERY TANK & MTG WLD | |
| 33 | 1 | 314884 | RAD SHROUD 250/280 DIESEL | 92 |
| 34 | 1 | 314893 | RECOVERY TANK MTG BRKT 280 | 92 |
| 35 | 1 | 314885 | RADIATOR HD 4TUBE RH-OUT | 92 |
| 36 | 1 | 520128 | CUSH HOSE CLAMP 9/16D X 3/4W | |
| 37 | 1 | 610305 | 3/4MJIC-90-3/4MNPT LBO | |

- *NOTE: 1. THE DIESEL ENGINE OPTION USES ITEMS 33, 34, 35 AND 36.
 2. THE GMC ENGINE OPTION USES ITEMS 10, 34 AND 35.
 3. THE CHRYSLER ENGINE OPTION USES ITEMS 2 AND 3.



BATTERY BOX ASSEMBLY

DET. QTY PART NO. DESCRIPTION

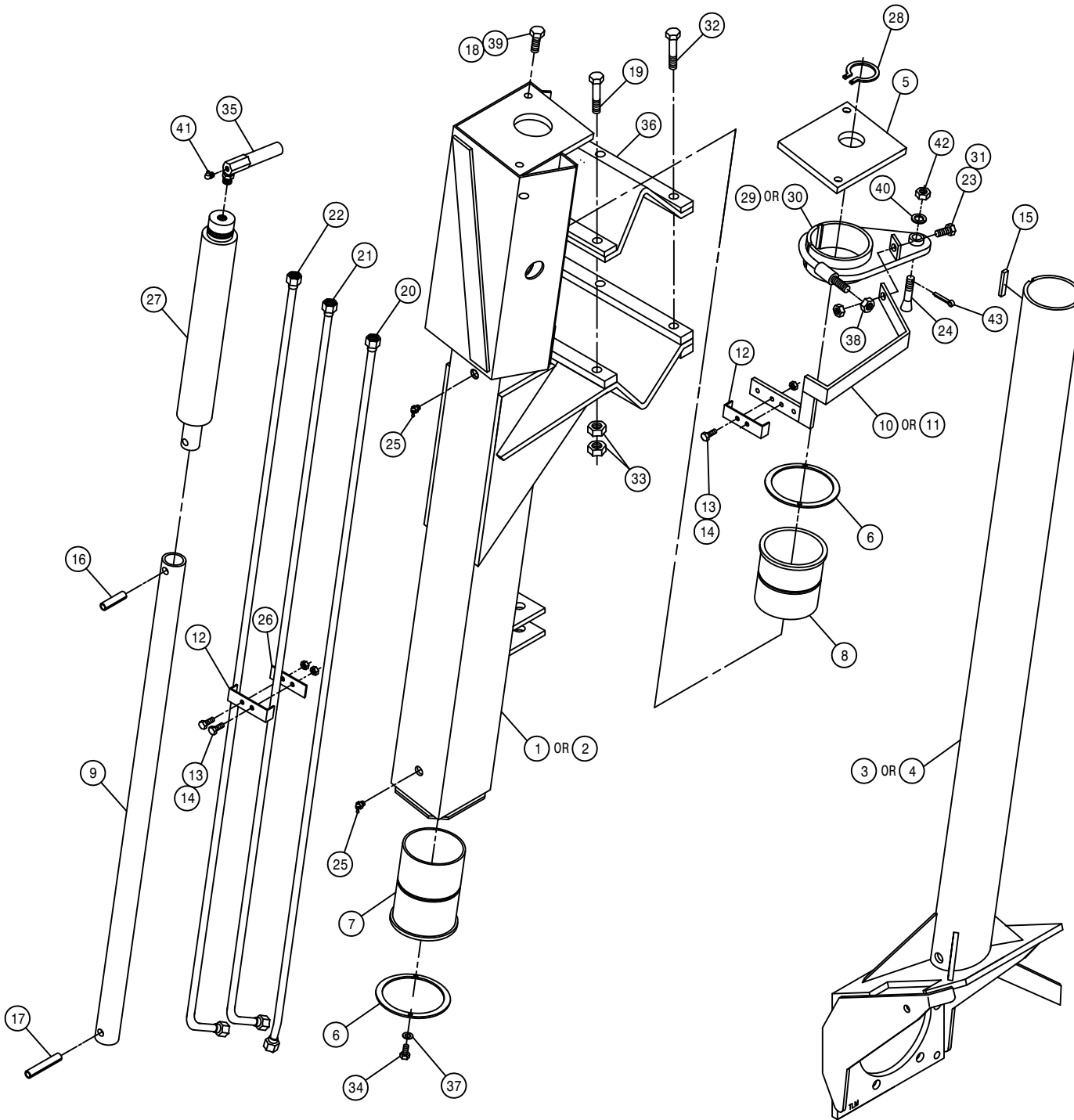
| | | | |
|----|----|--------|----------------------------|
| 1 | 1 | 290013 | BATT 12V 90AH LT WARRANTY |
| 2 | 2 | 291128 | BATTERY CABLE 48 IN |
| 3 | 2 | 290111 | GROUND STRAP |
| 4 | 1 | 290212 | BATT HOLD DOWN WLD CHRY |
| 5 | 2 | 361149 | BATTERY BOX 8300-8400 1981 |
| 6 | 2 | 901149 | 3/8UNC X 8 1/2 CARR BOLT |
| 7 | 9 | 900128 | 3/8UNC X 3/4 HEX BOLT |
| 8 | 13 | 914004 | 3/8UNC HEX STOVER NUT |
| 9 | 1 | 291122 | BATTERY,575 AMP 160 RES |
| 10 | 2 | 901150 | 3/8UNC X 9" CARR BOLT |
| 11 | 1 | 341322 | BATTERY HOLD DOWN WLD 1981 |
| 12 | 8 | 193022 | STICKERTITE 1/4 X 3/4 |
| 13 | 1 | 291530 | BATTERY GROUND CABLE, 23" |
| 14 | 1 | 361417 | BATT BOX SPACER WLD |

NOTE: ITEMS MARKED WITH A (*) ARE USED WITH THE GMC ENGINE OPTION.

FRONT LEG ASSEMBLY

DET. QTY PART NO. DESCRIPTION

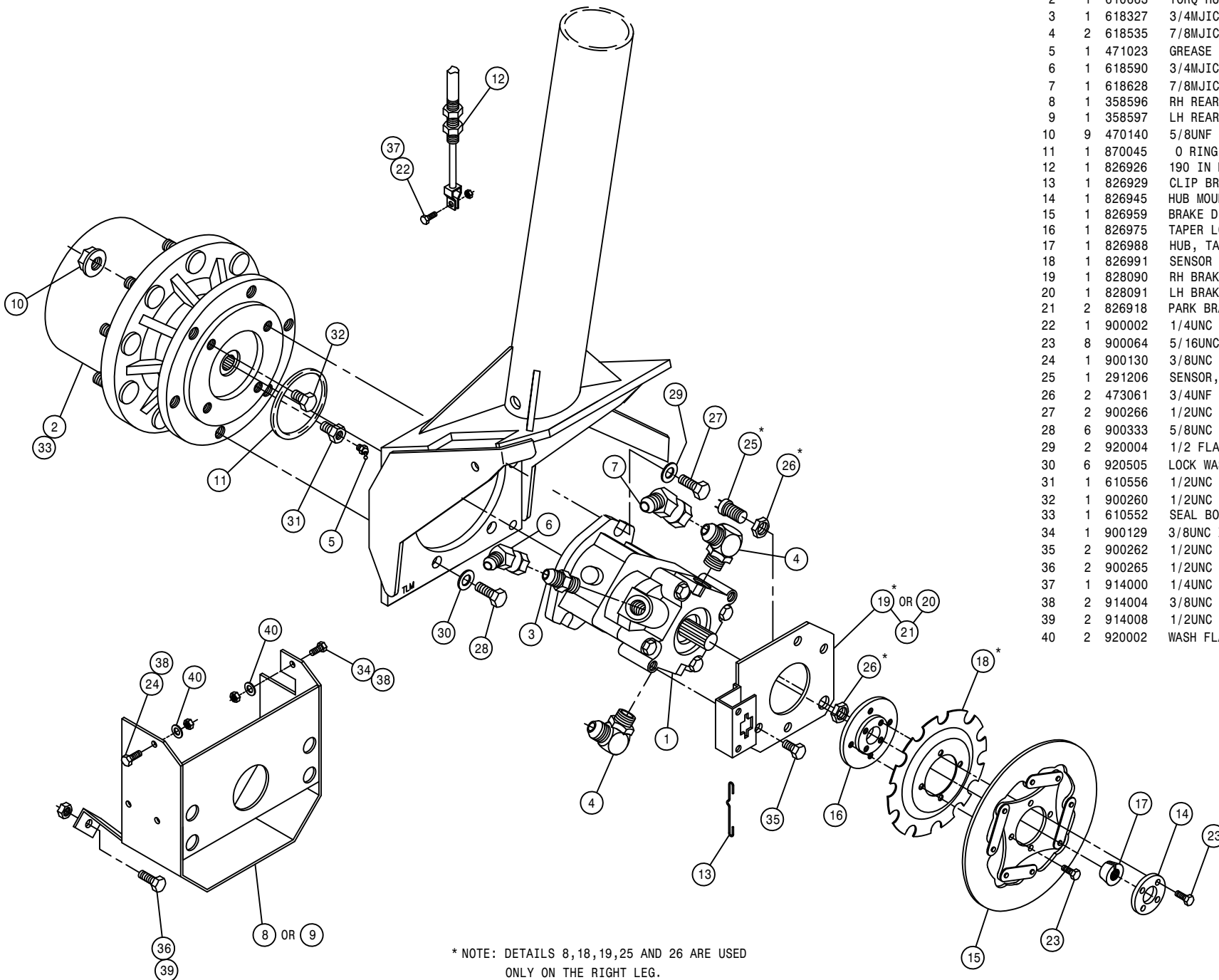
| | | | | |
|----|----|--------|-------------------------------|-----|
| 1 | 1 | 357802 | RH FRT OUTER LEG WLD, 204 | 94 |
| 2 | 1 | 357803 | LH FRT OUTER LEG WLD, 204 | 94 |
| 3 | 1 | 357800 | RH FRT INNER LEG WLD, 204 | 94 |
| 4 | 1 | 357801 | LH FRT INNER LEG WLD, 204 | 94 |
| 5 | 1 | 358562 | LEG CYL MTG PLATE 280 | 89 |
| 6 | 2 | 358563 | FRT LEG BRG KPR 280 | 89 |
| 7 | 1 | 358564 | FRT LEG LWR NYL SLEEVE 280 | 89 |
| 8 | 1 | 358565 | FRT LEG UPR NYL SLEEVE 280 | 89 |
| 9 | 1 | 358566 | LEG CYL SHAFT EXTENSION280 | 89 |
| 10 | 1 | 358707 | RH FRT LEG TUBE BRKT WLD280TA | |
| 11 | 1 | 358708 | LH FRT LEG TUBE BRKT WLD280TA | |
| 12 | 2 | 358739 | FRT LEG HYD TUBE CLMP, 284 | 94 |
| 13 | 4 | 900004 | 1/4UNC X 1 1/4 HEX BOLT | |
| 14 | 4 | 470121 | 1/4UNC HEX FLANGE LOCK NUT | |
| 15 | 1 | 470185 | KEY .25 X .375 X 2.00 LG | |
| 16 | 1 | 473903 | SPIRAL PIN 1/2 X 2 | 640 |
| 17 | 1 | 473904 | SPIRAL PIN 1/2 X 3 | 640 |
| 18 | 2 | 914008 | 1/2UNC HEX STOVER NUT | |
| 19 | 3 | 900836 | 5/8UNF X 3 1/4 HEX BOLT GR8 | |
| 20 | 1 | 615659 | FRT LEG INNER HYD TUBE,204 | 94 |
| 21 | 1 | 615660 | FRT LEG CNTR HYD TUBE,204 | 94 |
| 22 | 1 | 615661 | FRT LEG OUTER HYD TUBE,204 | 94 |
| 23 | 1 | 900129 | 3/8UNC X 1" HEX BOLT | |
| 24 | 1 | 749293 | STRG ARM BOLT, TAPERED | |
| 25 | 2 | 471023 | GREASE ZERK 1/4-28 X 45 | |
| 26 | 1 | 358740 | FRT LEG HYD TUBE KPR, 284 | 94 |
| 27 | 1 | 620570 | HYD CYL LEG LEVEL 2.00 X 12 | |
| 28 | 1 | 629515 | SNAP RING 1 3/4 EXTRN HDUTY | |
| 29 | 1 | 749290 | RH STRG ARM WLD,280 TREAD ADJ | |
| 30 | 1 | 749291 | LH STRG ARM WLD,280 TREAD ADJ | |
| 31 | 1 | 914004 | 3/8UNC HEX STOVER NUT | |
| 32 | 3 | 900837 | 5/8UNC X 3 1/2 HEX BOLT GR8 | |
| 33 | 12 | 914811 | 5/8UNF HEX NUT GR8 | |
| 34 | 4 | 900000 | 1/4UNC X 1/2 HEX BOLT | |
| 35 | 1 | 615614 | FRT LEG CYL JUMPER HOSE280 | 89 |
| 36 | 1 | 358759 | LEG MT V-PLT WLD, 284T | 94 |
| 37 | 4 | 920500 | 1/4 LOCK WASHER | |
| 38 | 1 | 914010 | 5/8UNC HEX STOVER NUT | |
| 39 | 2 | 900265 | 1/2UNC X 1 1/2 HEX BOLT | |
| 40 | 1 | 920505 | 5/8 LOCK WASHER | |
| 41 | 1 | 471027 | GREASE ZERK 1/8NPT 90DEG LP | |
| 42 | 1 | 822040 | 5/8-18UNF SLOTTED HEX NUT | |
| 43 | 1 | 470035 | COTTER PIN 5/32 X 1 1/2 | |



FRONT LEG BRAKE ASSEMBLY

DET. QTY PART NO. DESCRIPTION

| DET. | QTY | PART NO. | DESCRIPTION |
|------|-----|----------|-------------------------------|
| 1 | 1 | 610557 | SUND M35-3102 WHL MTR W/SHFT |
| 2 | 1 | 610663 | TORQ HUB, 24:1 B-MT W1BFFZ |
| 3 | 1 | 618327 | 3/4MJIC-7/8MOR ADPTR |
| 4 | 2 | 618535 | 7/8MJIC-90-1 1/16MOR LBO |
| 5 | 1 | 471023 | GREASE ZERK 1/4-28 X 45 |
| 6 | 1 | 618590 | 3/4MJIC-45-3/4FJIC SWIV LBO |
| 7 | 1 | 618628 | 7/8MJIC-45-7/8FJIC SWIV LBO |
| 8 | 1 | 358596 | RH REAR WHL MTR SHLD WLD 280 |
| 9 | 1 | 358597 | LH REAR WHL MTR SHLD WLD 280 |
| 10 | 9 | 470140 | 5/8UNF HEX SMTH FLANGE NUT PL |
| 11 | 1 | 870045 | O RING 4 1/8 OD X 4 ID |
| 12 | 1 | 826926 | 190 IN BRAKE CABLE |
| 13 | 1 | 826929 | CLIP BRAKE RETAINER |
| 14 | 1 | 826945 | HUB MOUNT, BRAKE |
| 15 | 1 | 826959 | BRAKE DISC SUB ASSY |
| 16 | 1 | 826975 | TAPER LOCK HUB |
| 17 | 1 | 826988 | HUB, TAPER LOCK 13 TEETH |
| 18 | 1 | 826991 | SENSOR DISC, 11N,280 BRAKE 93 |
| 19 | 1 | 828090 | RH BRAKE MT WLD, 204 94 |
| 20 | 1 | 828091 | LH BRAKE MT WLD, 204 94 |
| 21 | 2 | 826918 | PARK BRAKE PAD |
| 22 | 1 | 900002 | 1/4UNC X 3/4 HEX BOLT |
| 23 | 8 | 900064 | 5/16UNC X 3/4 HEX BOLT |
| 24 | 1 | 900130 | 3/8UNC X 1 1/4 HEX BOLT |
| 25 | 1 | 291206 | SENSOR, SPEEDO/TACH W/NUT |
| 26 | 2 | 473061 | 3/4UNF TRUSEAL HEX NUT |
| 27 | 2 | 900266 | 1/2UNC X 1 3/4 HEX BOLT |
| 28 | 6 | 900333 | 5/8UNC X 1 1/2 HEX BOLT |
| 29 | 2 | 920004 | 1/2 FLAT WASHER SAE |
| 30 | 6 | 920505 | LOCK WASHER 5/8 |
| 31 | 1 | 610556 | 1/2UNC X 1/2 ZERK BOLT T-HUB |
| 32 | 1 | 900260 | 1/2UNC X 1/2 HBOLT, GR2 UNPLT |
| 33 | 1 | 610552 | SEAL BOOT FOR W1BFNZ, W2B2FZ |
| 34 | 1 | 900129 | 3/8UNC X 1 HEX BOLT |
| 35 | 2 | 900262 | 1/2UNC X 3/4 HEX BOLT |
| 36 | 2 | 900265 | 1/2UNC X 1 1/2 HEX BOLT |
| 37 | 1 | 914000 | 1/4UNC HEX STOVER NUT |
| 38 | 2 | 914004 | 3/8UNC HEX STOVER NUT |
| 39 | 2 | 914008 | 1/2UNC HEX STOVER NUT |
| 40 | 2 | 920002 | WASH FLAT 3/8 SAE |



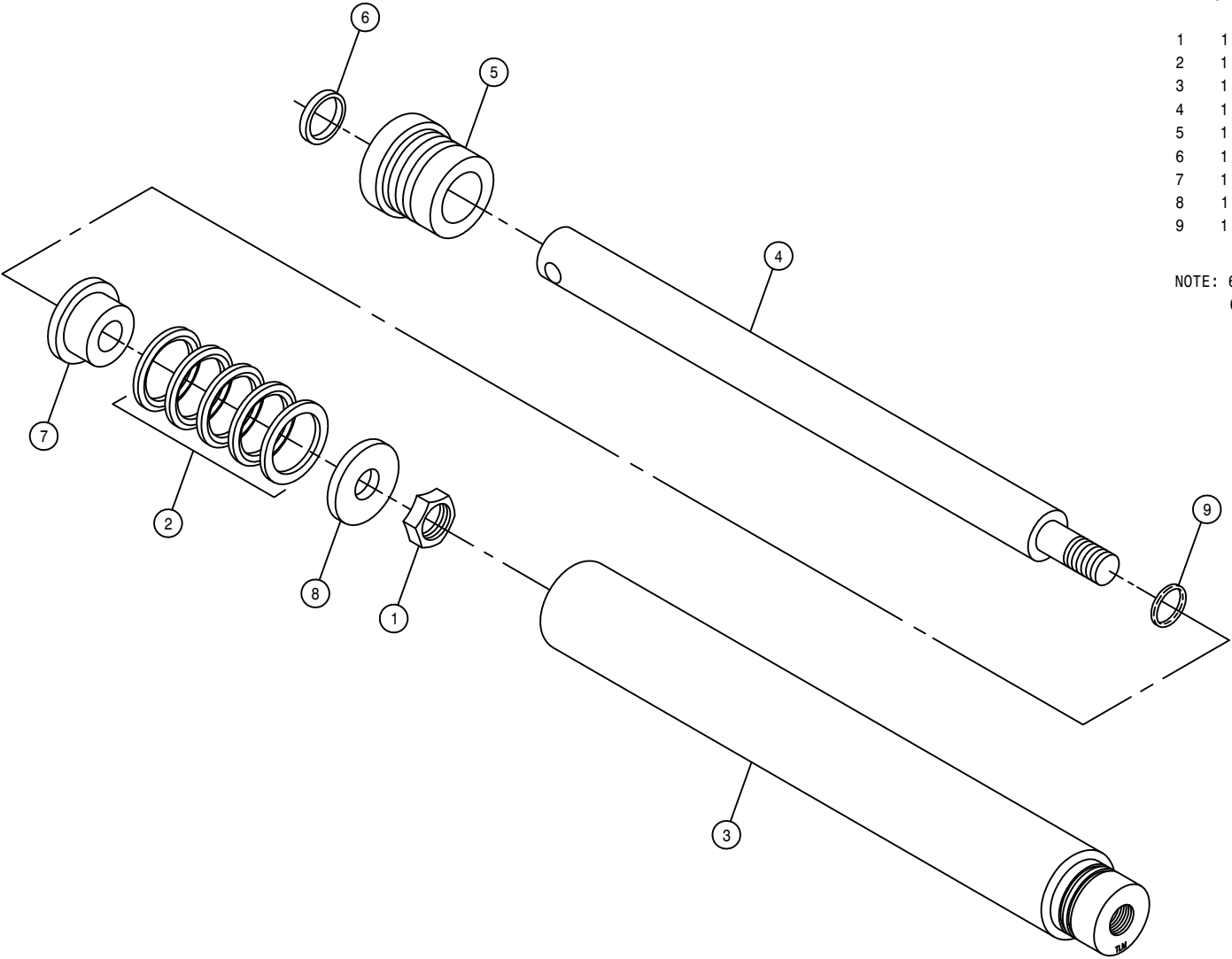
* NOTE: DETAILS 8, 18, 19, 25 AND 26 ARE USED ONLY ON THE RIGHT LEG.

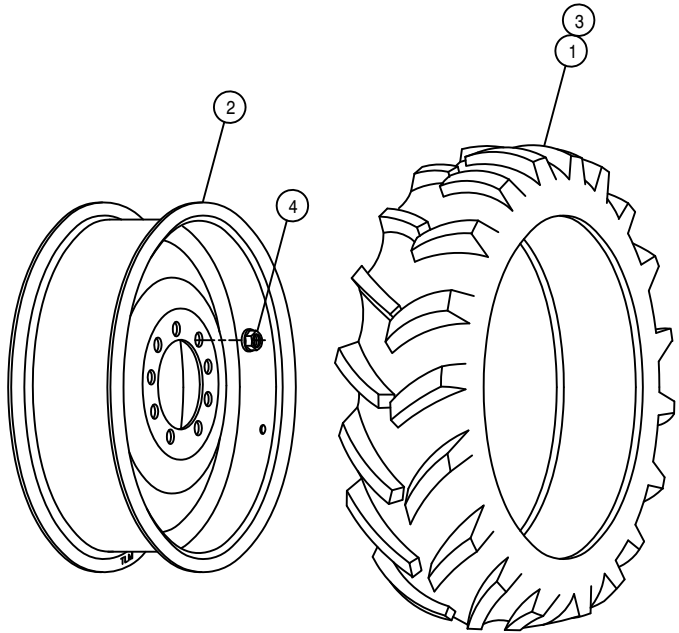
FRONT LEG CYLINDER ASSEMBLY

DET. QTY PART NO. DESCRIPTION

| | | | |
|---|---|--------|-----------------------------|
| 1 | 1 | 472297 | 3/4 UNF STOVER THIN HEX NUT |
| 2 | 1 | 620321 | VEE PACK 1 1/2 X 2 |
| 3 | 1 | 620571 | TUBE WLD |
| 4 | 1 | 620573 | SHAFT 1 1/4 X 17 3/8 |
| 5 | 1 | 620574 | BRG HEAD 2 X 1 1/4 |
| 6 | 1 | 629002 | WIPER 1 1/4 X 1 1/2 X 1/8 |
| 7 | 1 | 620578 | PISTON 2 X 3/4 VPX |
| 8 | 1 | 620579 | RETAINER 2 X 3/4 X 1/4 |
| 9 | 1 | 870018 | NEO ORING 3/4 X 7/8 |

NOTE: 620570 - CYLINDER ASSEMBLY
620575 - SEAL KIT

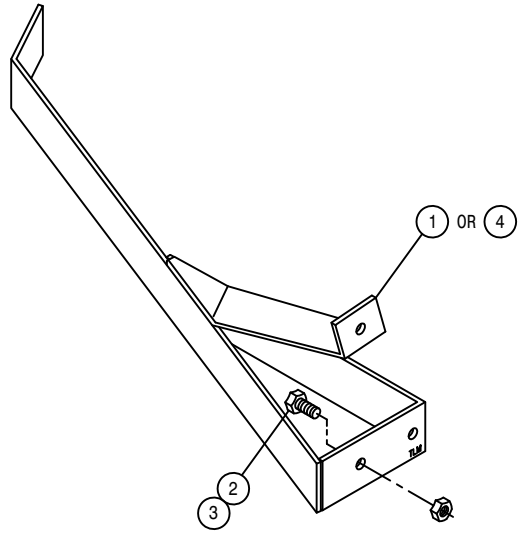




TIRE AND RIM ASSEMBLY

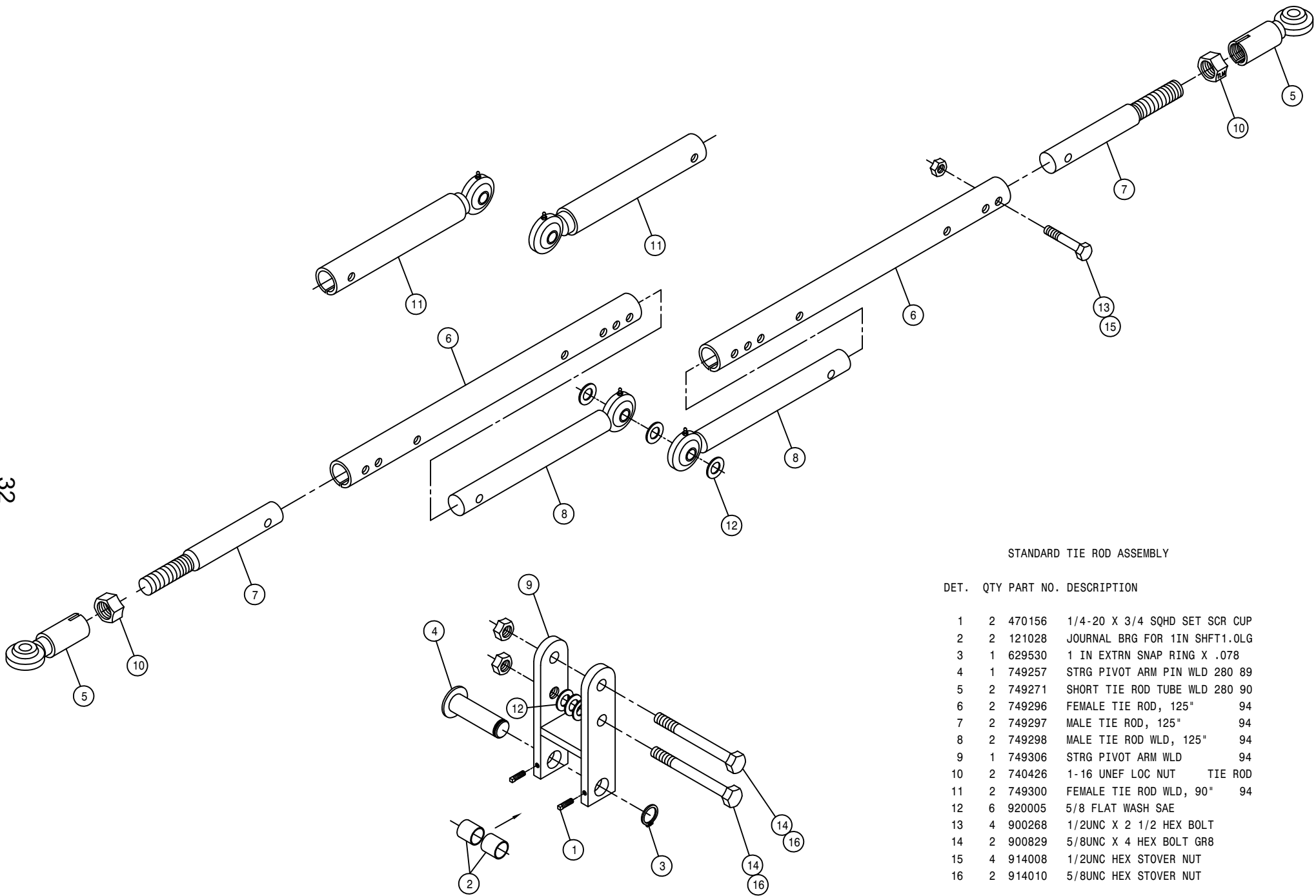
DET. QTY PART NO. DESCRIPTION

| | | | |
|---|---|--------|-------------------------------|
| 1 | 1 | 820001 | 12.4 X 28 4P TIRE, FIRESTONE |
| 2 | 1 | 821040 | RIM WLD, W10 X 28, W1B 204 97 |
| 3 | 1 | 820002 | 12.4 X 28 INNER TUBE |
| 4 | 9 | 470140 | 5/8UNF HEX SMTH FLANGE NUT PL |



CROP GUIDES

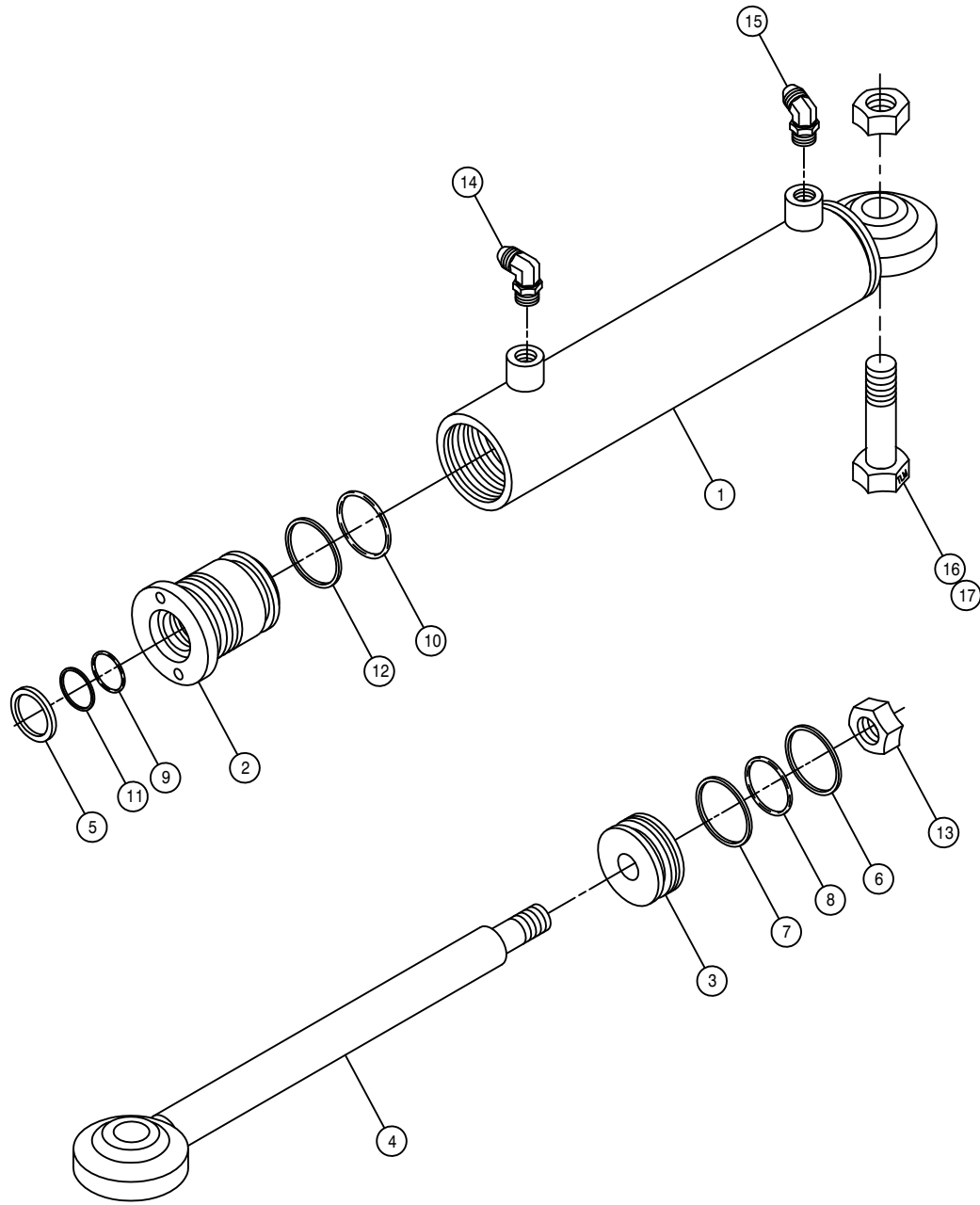
| DET. | QTY | PART NO. | DESCRIPTION |
|------|-----|----------|-------------------------------|
| 1 | 1 | 662217 | RH REAR STALK GUIDE WLD280 89 |
| 2 | 2 | 900129 | 3/8UNC X 1 HEX BOLT |
| 3 | 2 | 914004 | 3/8 UNC STOVER NUT |
| 4 | 1 | 662218 | LH REAR STALK GUIDE WLD280 89 |



STANDARD TIE ROD ASSEMBLY

| DET. | QTY | PART NO. | DESCRIPTION |
|------|-----|----------|-------------------------------|
| 1 | 2 | 470156 | 1/4-20 X 3/4 SQHD SET SCR CUP |
| 2 | 2 | 121028 | JOURNAL BRG FOR 1IN SHFT1.0LG |
| 3 | 1 | 629530 | 1 IN EXTRN SNAP RING X .078 |
| 4 | 1 | 749257 | STRG PIVOT ARM PIN WLD 280 89 |
| 5 | 2 | 749271 | SHORT TIE ROD TUBE WLD 280 90 |
| 6 | 2 | 749296 | FEMALE TIE ROD, 125" 94 |
| 7 | 2 | 749297 | MALE TIE ROD, 125" 94 |
| 8 | 2 | 749298 | MALE TIE ROD WLD, 125" 94 |
| 9 | 1 | 749306 | STRG PIVOT ARM WLD 94 |
| 10 | 2 | 740426 | 1-16 UNEF LOC NUT TIE ROD |
| 11 | 2 | 749300 | FEMALE TIE ROD WLD, 90" 94 |
| 12 | 6 | 920005 | 5/8 FLAT WASH SAE |
| 13 | 4 | 900268 | 1/2UNC X 2 1/2 HEX BOLT |
| 14 | 2 | 900829 | 5/8UNC X 4 HEX BOLT GR8 |
| 15 | 4 | 914008 | 1/2UNC HEX STOVER NUT |
| 16 | 2 | 914010 | 5/8UNC HEX STOVER NUT |

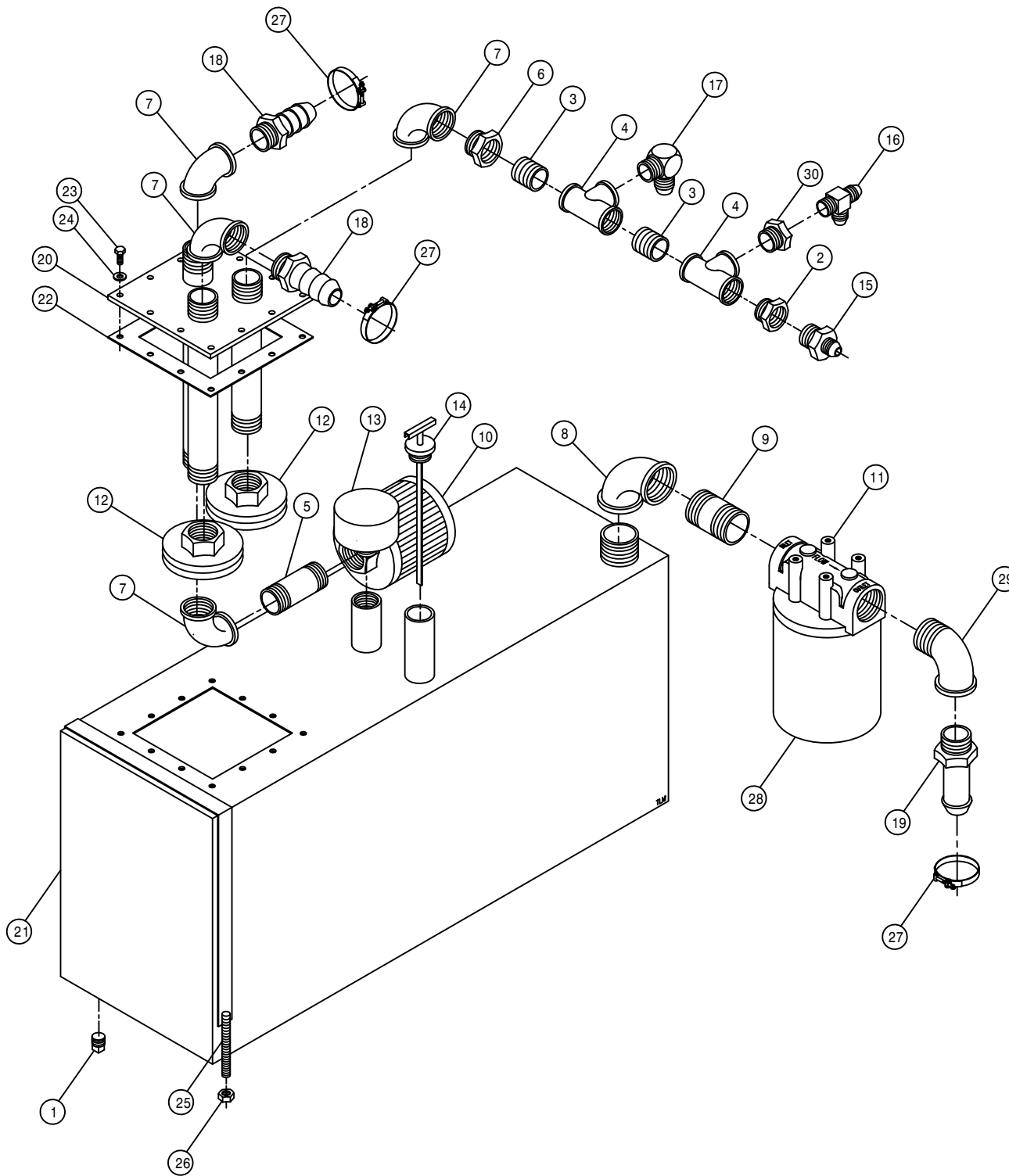
NOTE: DETAIL 11 IS USED WITH NARROW TREAD.



STEERING CYLINDER ASSEMBLY

| DET. | QTY | PART NO. | DESCRIPTION |
|------|-----|----------|--------------------------------|
| | 1 | 620089 | STRG CYL TUBE WLD 1.5 X 6. 85 |
| | 2 | 620109 | GLAND HYD CYL 1.5 X .75 1985 |
| | 3 | 620129 | PISTON HYD CYL 1.5 X .5 1985 |
| | 4 | 620148 | STRG CYL SHAFT WLD |
| | 5 | 629028 | WIPER, 10D X 3/4ID X 1/8 |
| | 6 | 629616 | SEAL, 1704-24 HT20550R POLYHON |
| | 7 | 629618 | WEAR RING, 1.5" HYD CYL |
| | 8 | 870025 | BUNA ORING 1 3/16 X 1 5/16 |
| | 9 | 870210 | BUNA ORING 3/4 X 1 |
| | 10 | 870218 | BUNA ORING 1 1/4 X 1 1/2 |
| | 11 | 890210 | BACKUP WASH 3/4 X1 HT2022 |
| | 12 | 890218 | BACKUP WASH1 1/4X1 1/2 HT2022 |
| | 13 | 914009 | 1/2UNF HEX STOVER NUT |
| | 14 | 611122 | 9/16MJIC-90-1/4MNPT LBO |
| | 15 | 618338 | 9/16MJIC-45-1/4MNPT LBO |
| | 16 | 900336 | 5/8UNC X 2 1/2 HEX BOLT |
| | 17 | 914010 | 5/8UNC HEX STOVER NUT |

NOTE: 1. 620080 - CYLINDER ASSEMBLY
 2. 620998 - SEAL KIT



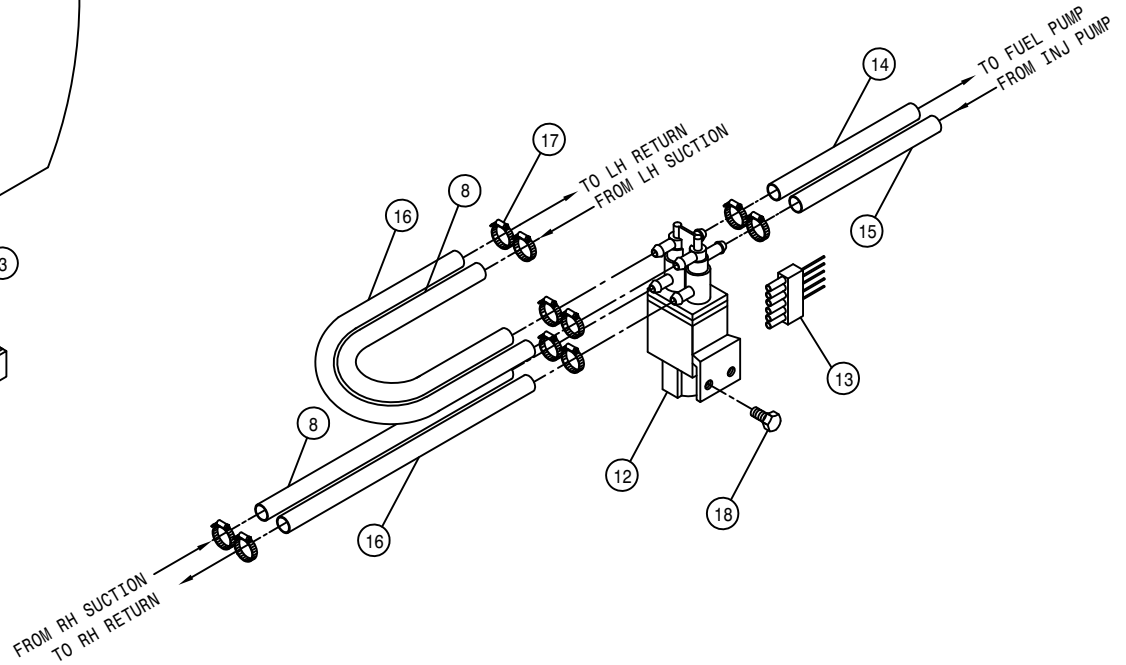
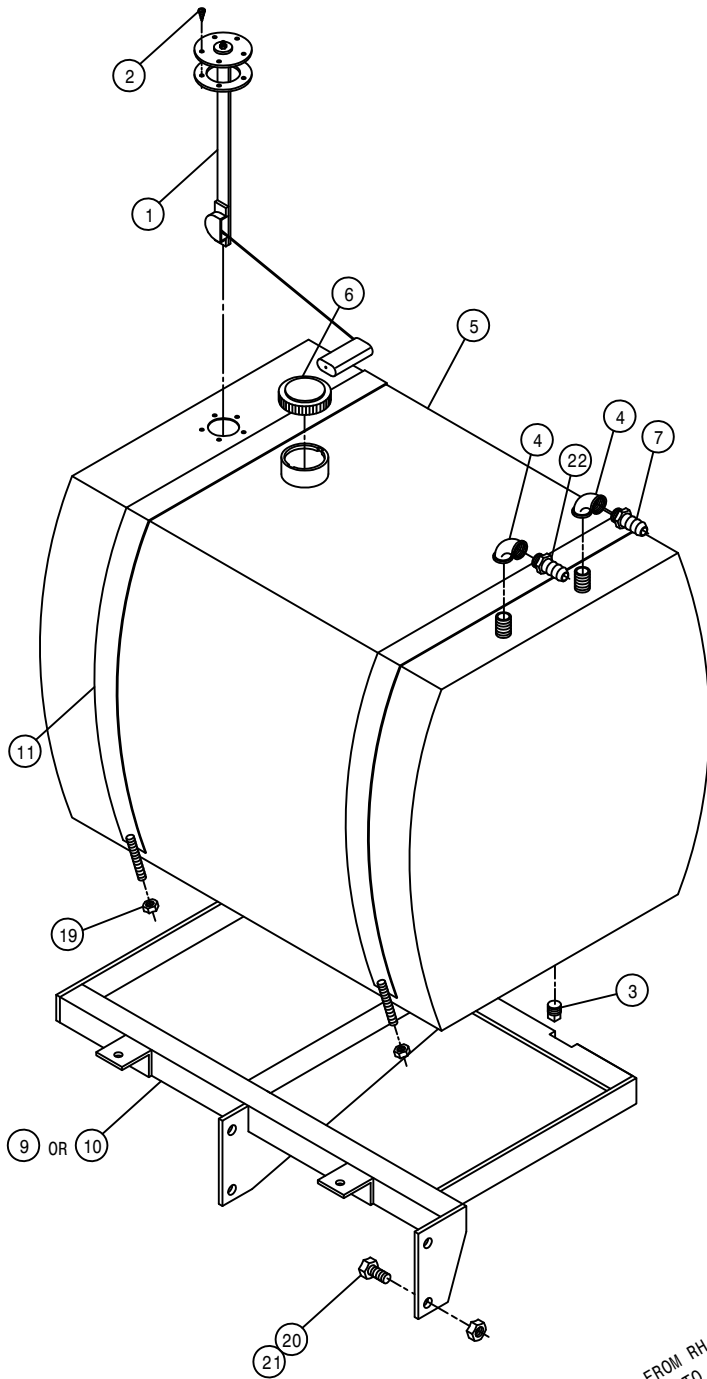
HYDRAULIC TANK ASSEMBLY

| DET. | QTY | PART NO. | DESCRIPTION |
|------|-----|----------|-------------------------------|
| 1 | 1 | 501102 | 1/4 PIPE PLUG |
| 2 | 1 | 504210 | RED BUSH 3/4 NPT X 1/2 NPT |
| 3 | 2 | 504702 | CLOSE NIPPLE .75NPT |
| 4 | 2 | 504955 | BLK PIPE TEE .75NPT |
| 5 | 1 | 505203 | BLK PIPE NIPPLE 1.00NPT-4.00 |
| 6 | 1 | 505213 | RED BUSH 1 X 3/4 BLK MAL |
| 7 | 4 | 505300 | BLK PIPE EL 90DEG 1.00NPT |
| 8 | 1 | 506303 | BLK PIPE EL 90DEG 1.25NPT |
| 9 | 1 | 506602 | PIPE NIPPLE 1 1/4NPT-2 1/2 |
| 10 | 1 | 605600 | MICHIGAN RESERVOIR FILTER |
| 11 | 1 | 605601 | GRESEN FILTER 10 MICRON 40GPM |
| 12 | 2 | 605603 | LINE SUMP DIFFUSER |
| 13 | 1 | 611052 | FILLER BREATHER 3/4NPT |
| 14 | 1 | 614453 | DIPSTICK, 8IN |
| 15 | 1 | 618018 | 9/16MJIC-1/2MNPT ADPTR |
| 16 | 1 | 618520 | 1/4MNPT RUN TEE-9/16MJIC |
| 17 | 1 | 610305 | 3/4MJIC-90-3/4MNPT LBO |
| 18 | 2 | 714560 | 1NPT X 1 HOSE BARB |
| 19 | 1 | 715664 | 1 1/4 NPT X 1 HOSE BARB |
| 20 | 1 | 760090 | RECIEVER PLT WLD 8240 |
| 21 | 1 | 760097 | OIL TANK WLD 8240 1982 |
| 22 | 1 | 763039 | HYD MTR MTG PLT GSKT |
| 23 | 12 | 900064 | 5/16UNC X 3/4 HEX BOLT |
| 24 | 12 | 920001 | 5/16 FLAT WASHER SAE PLT |
| 25 | 2 | 341360 | OIL TANK STRAP WLD 8240 1982 |
| 26 | 4 | 914004 | 3/8UNC HEX STOVER NUT |
| 27 | 3 | 520138 | 1.00 T-BOLT HOSE CLAMP |
| 28 | 1 | 605602 | FILT ELEMENT 10MICRON 40GPM |
| 29 | 1 | 506410 | BLK PIPE ST EL 90DEG 1.25NPT |
| 30 | 1 | 504001 | RED BUSH 3/4 X 1/4 BLK MAL |

DIESEL FUEL TANK ASSEMBLY

DET. QTY PART NO. DESCRIPTION

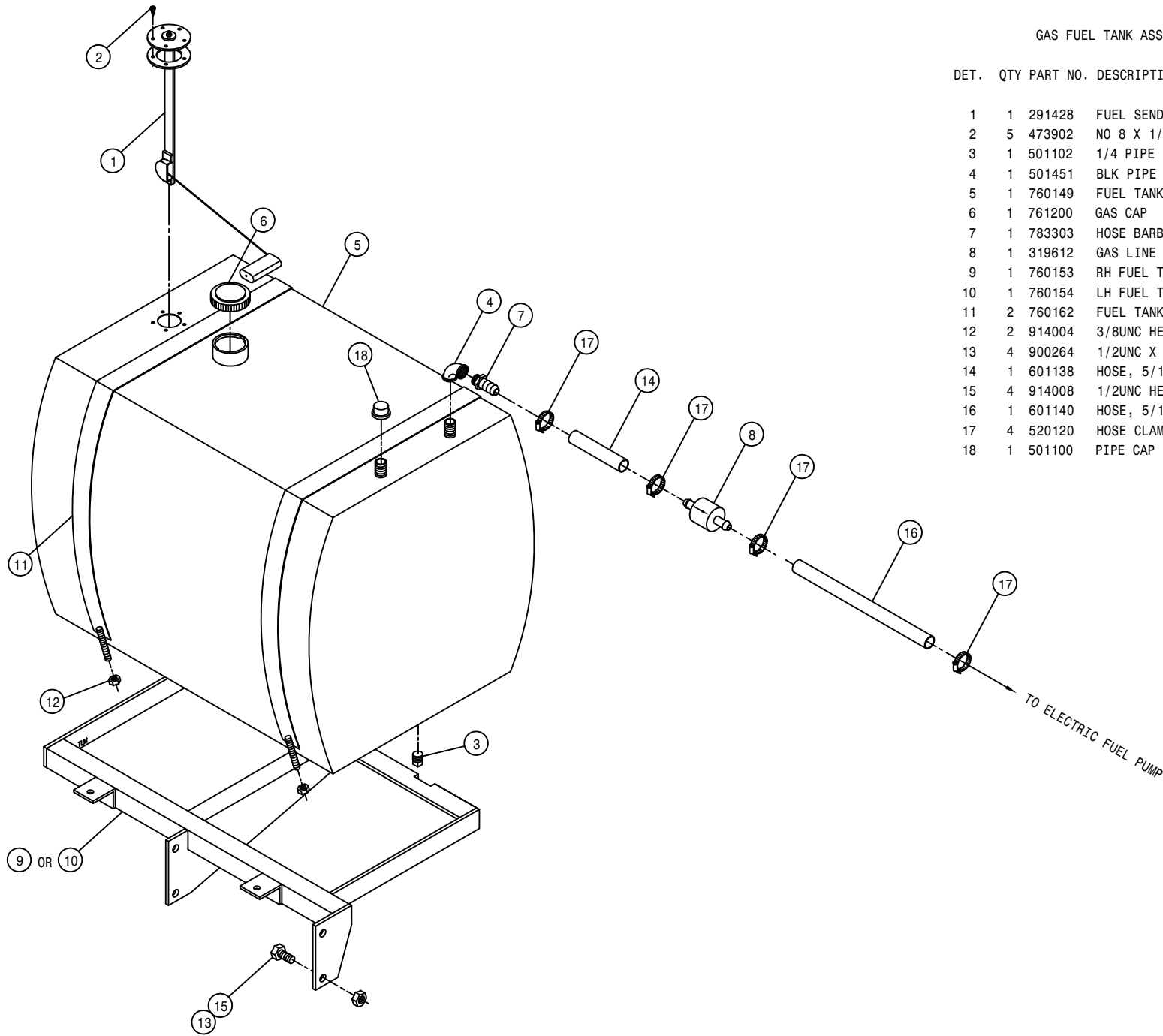
| | | | |
|----|----|--------|-------------------------------|
| 1 | 1 | 291428 | FUEL SENDER 19 IN 470 PINTO |
| 2 | 5 | 473902 | NO 8 X 1/2 PAN HD MET SC 640 |
| 3 | 1 | 501102 | 1/4 PIPE PLUG |
| 4 | 2 | 501451 | BLK PIPE EL 90DEG .25NPT |
| 5 | 1 | 760149 | FUEL TANK WLD 200-280 90 |
| 6 | 1 | 761200 | GAS CAP |
| 7 | 1 | 783303 | HOSE BARB 1/4 NPT X 5/16 HOSE |
| 8 | 2 | 601324 | HOSE, 3/8 X 90IN FUEL LINE |
| 9 | 1 | 760153 | RH FUEL TNK MT WLD 200-280 90 |
| 10 | 1 | 760154 | LH FUEL TNK MT WLD 200-280 90 |
| 11 | 2 | 760162 | FUEL TANK BAND WLD 200-280 90 |
| 12 | 1 | 610529 | FUEL SELECTOR VALVE W/RETURN |
| 13 | 1 | 610530 | 5 WIRE CONNECTOR FOR 610529 |
| 14 | 1 | 601293 | HOSE, 5/16 X 26 FUEL LINE |
| 15 | 1 | 601322 | HOSE, 3/8 X 26IN FUEL LINE |
| 16 | 2 | 601301 | HOSE, 5/16 X 90IN FUEL LINE |
| 17 | 10 | 520120 | HOSE CLAMP NO 4 PLATED MINI |
| 18 | 2 | 900064 | 5/16UNC X 3/4 HEX BOLT |
| 19 | 2 | 914004 | 3/8UNC HEX STOVER NUT |
| 20 | 4 | 900264 | 1/2UNC X 1 1/4 HEX BOLT |
| 21 | 4 | 914008 | 1/2UNC HEX STOVER NUT |
| 22 | 1 | 783304 | HOSE BARB 1/4 NPT X 3/8 HOSE |



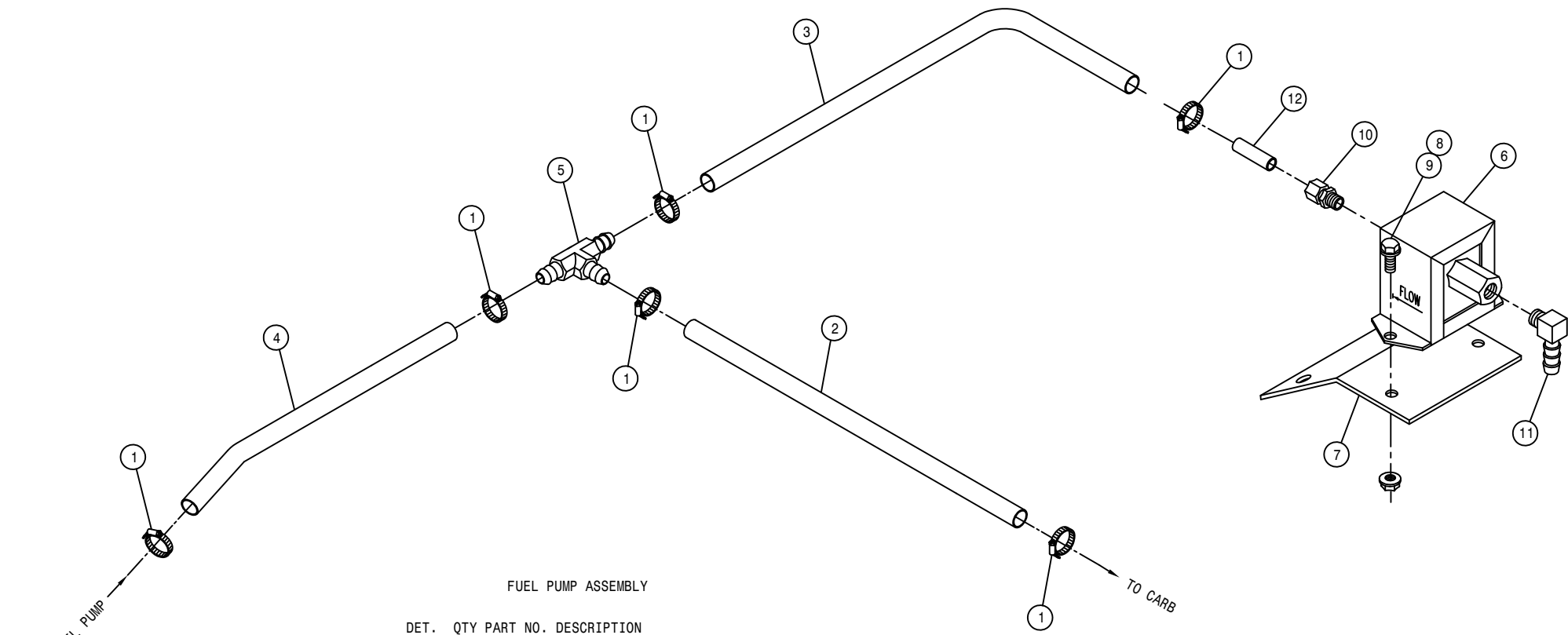
GAS FUEL TANK ASSEMBLY

DET. QTY PART NO. DESCRIPTION

| DET. | QTY | PART NO. | DESCRIPTION |
|------|-----|----------|-------------------------------|
| 1 | 1 | 291428 | FUEL SENDER 19 IN 470 PINTO |
| 2 | 5 | 473902 | NO 8 X 1/2 PAN HD MET SC 640 |
| 3 | 1 | 501102 | 1/4 PIPE PLUG |
| 4 | 1 | 501451 | BLK PIPE EL 90DEG .25NPT |
| 5 | 1 | 760149 | FUEL TANK WLD 200-280 90 |
| 6 | 1 | 761200 | GAS CAP |
| 7 | 1 | 783303 | HOSE BARB 1/4 NPT X 5/16 HOSE |
| 8 | 1 | 319612 | GAS LINE FILT NAPA3012&FRAM |
| 9 | 1 | 760153 | RH FUEL TNK MT WLD 200-280 90 |
| 10 | 1 | 760154 | LH FUEL TNK MT WLD 200-280 90 |
| 11 | 2 | 760162 | FUEL TANK BAND WLD 200-280 90 |
| 12 | 2 | 914004 | 3/8UNC HEX STOVER NUT |
| 13 | 4 | 900264 | 1/2UNC X 1 1/4 HEX BOLT |
| 14 | 1 | 601138 | HOSE, 5/16 X 3 FUEL LINE |
| 15 | 4 | 914008 | 1/2UNC HEX STOVER NUT |
| 16 | 1 | 601140 | HOSE, 5/16 X 22 FUEL LINE |
| 17 | 4 | 520120 | HOSE CLAMP NO 4 PLATED MINI |
| 18 | 1 | 501100 | PIPE CAP .25NPT |

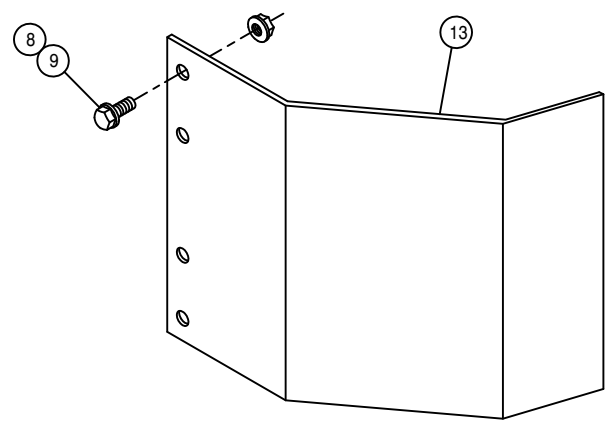


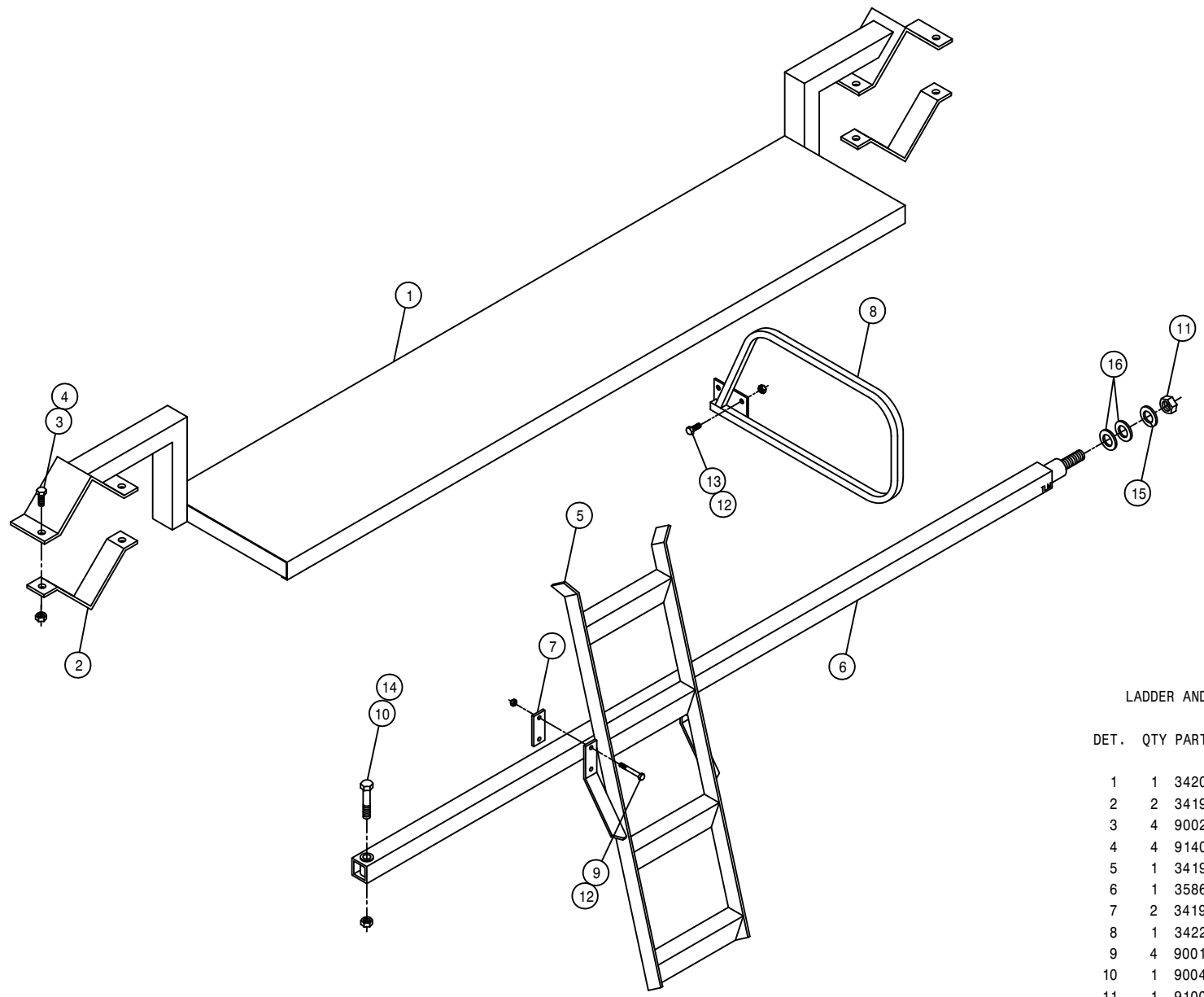
TO ELECTRIC FUEL PUMP



FUEL PUMP ASSEMBLY

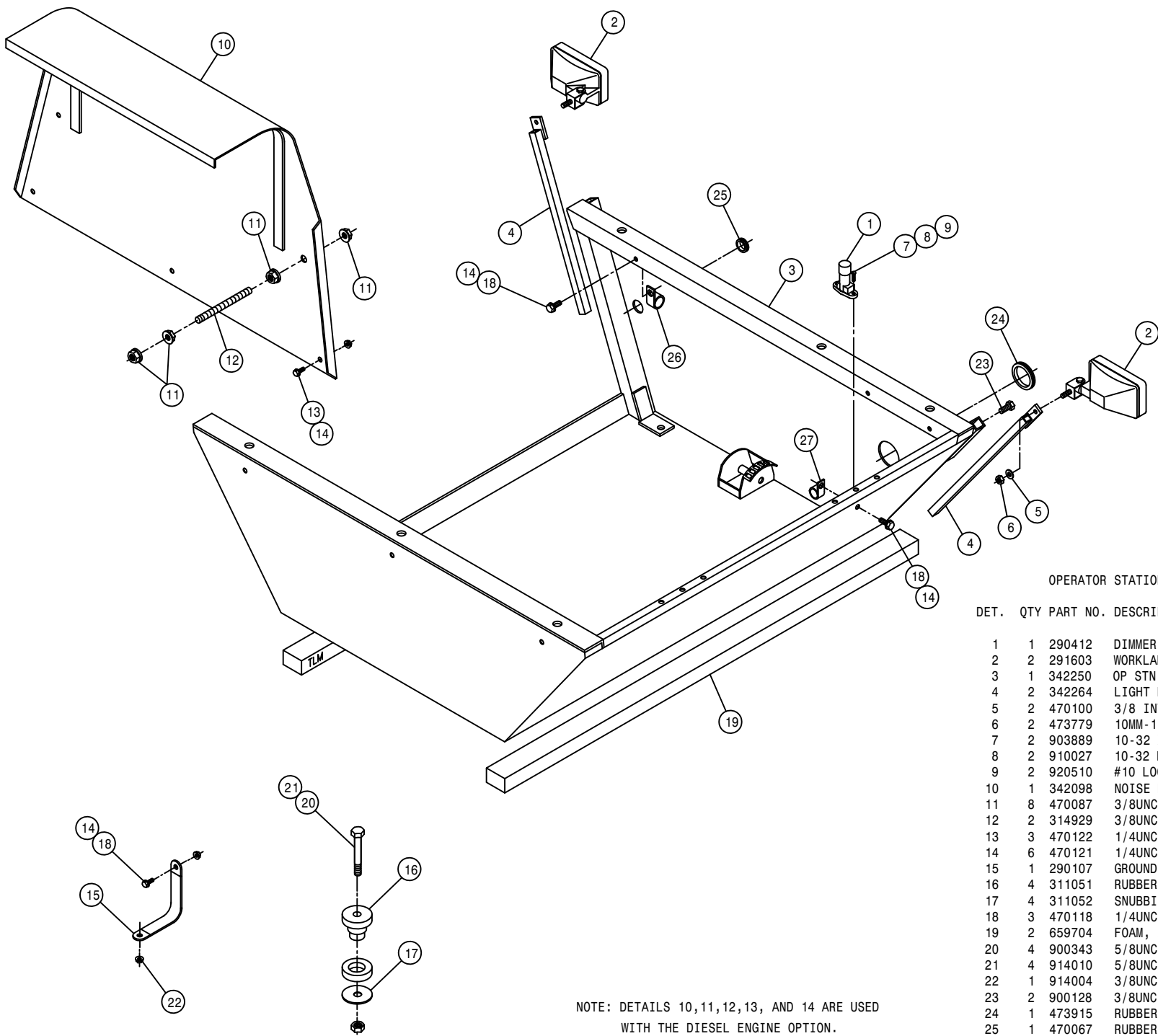
| DET. | QTY | PART NO. | DESCRIPTION |
|------|-----|----------|-------------------------------|
| 1 | 6 | 520120 | HOSE CLAMP NO 4 PLATED MINI |
| 2 | 1 | 601191 | HOSE, 5/16ID X 48 FUEL |
| 3 | 1 | 601215 | HOSE, 5/16 X 72 FUEL LINE |
| 4 | 1 | 601320 | HOSE, 5/16 X 76IN FUEL LINE |
| 5 | 1 | 711011 | 5/16 HOSE BARB TEE, BRASS |
| 6 | 1 | 314882 | ELECTRONIC FUEL PUMP CHRY 91 |
| 7 | 1 | 342015 | FUEL PUMP MT PLT 200 92 |
| 8 | 6 | 470121 | 1/4UNC HEX FLANGED LOCK NUT |
| 9 | 6 | 470122 | 1/4UNC X 1/2 FLANGED HEX BOLT |
| 10 | 1 | 711012 | BALL CHECK CONNECT,1/8NPT BRS |
| 11 | 1 | 711010 | 5/16 HOSE BARB-90-1/8MNPT BRS |
| 12 | 1 | 314527 | FUEL FILT H BARB 647 PERK |
| 13 | 1 | 342016 | FUEL PUMP SHIELD 200 92 |





LADDER AND SERVICE PLATFORM ASSEMBLY

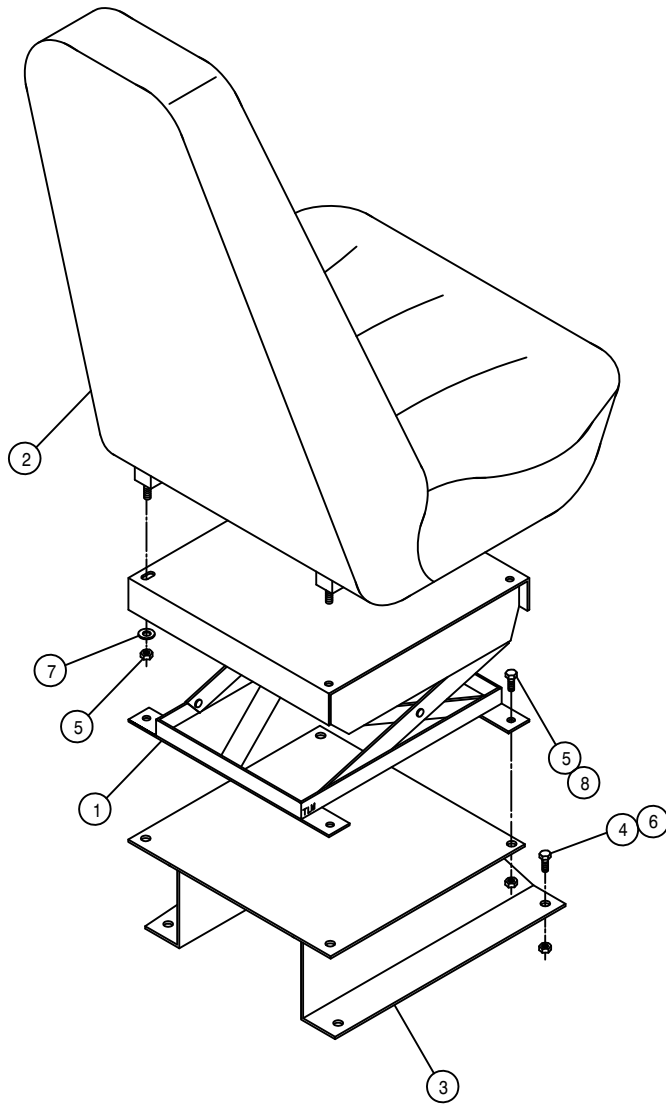
| DET. | QTY | PART NO. | DESCRIPTION | |
|------|-----|----------|---------------------------|----|
| | 1 | 342007 | SERV PLATFORM WLD 200-280 | 92 |
| | 2 | 341900 | SERVICE PLATFORM MT KPR | 90 |
| | 3 | 900265 | 1/2UNC X 1 1/2 HEX BOLT | |
| | 4 | 914008 | 1/2UNC HEX STOVER NUT | |
| | 5 | 341908 | 200 LADDER WLD 200 | 90 |
| | 6 | 358673 | LEG BRACE WLD 200 | 92 |
| | 7 | 341912 | 200 LADDER KEEPER | 90 |
| | 8 | 342267 | HANDRAIL WLD, 204 | 94 |
| | 9 | 900136 | 3/8UNC X 3 HEX BOLT | |
| | 10 | 900410 | 3/4UNC X 4 HEX BOLT | |
| | 11 | 910017 | 1 UNC HEX NUT | |
| | 12 | 914004 | 3/8UNC HEX STOVER NUT | |
| | 13 | 900129 | 3/8UNC X 1 HEX BOLT | |
| | 14 | 914012 | 3/4UNC HEX STOVER NUT | |
| | 15 | 920508 | LOCK WASH 1 IN | |
| | 16 | 920008 | 1 FLATWASHER SAE | |



OPERATOR STATION ASSEMBLY

| DET. | QTY | PART NO. | DESCRIPTION |
|------|-----|----------|--------------------------------|
| 1 | 1 | 290412 | DIMMER SWITCH |
| 2 | 2 | 291603 | WORKLAMP, SIDE MT 12V HALOGEN |
| 3 | 1 | 342250 | OP STN WLD, 204 94 |
| 4 | 2 | 342264 | LIGHT MT WLD, 204 94 |
| 5 | 2 | 470100 | 3/8 INT TOOTH LOCK WASHER |
| 6 | 2 | 473779 | 10MM-1.50 HEX NUT |
| 7 | 2 | 903889 | 10-32 X 3/4 SLT RDHD MACH SCR |
| 8 | 2 | 910027 | 10-32 HEX NUT |
| 9 | 2 | 920510 | #10 LOCK WASHER |
| 10 | 1 | 342098 | NOISE DEFLECTOR SHIELD WLD,204 |
| 11 | 8 | 470087 | 3/8UNC HEX FLANGE LOCK NUT |
| 12 | 2 | 314929 | 3/8UNC X 3.00 STUD BOLT, FULL |
| 13 | 3 | 470122 | 1/4UNC X 1/2 FLANGE HEX BOLT |
| 14 | 6 | 470121 | 1/4UNC HEX FLANGE LOCK NUT |
| 15 | 1 | 290107 | GROUND STRAP 8 IN |
| 16 | 4 | 311051 | RUBBER MOUNT, RB3-350 |
| 17 | 4 | 311052 | SNUBBING WASHER FOR 311051 |
| 18 | 3 | 470118 | 1/4UNC X 3/4 FLANGE HEX BOLT |
| 19 | 2 | 659704 | FOAM, 2"THK X 2" WIDE X 42"LG |
| 20 | 4 | 900343 | 5/8UNC X 4 1/2 HEX BOLT |
| 21 | 4 | 914010 | 5/8UNC HEX STOVER NUT |
| 22 | 1 | 914004 | 3/8UNC HEX STOVER NUT |
| 23 | 2 | 900128 | 3/8UNC X 3/4 HEX BOLT |
| 24 | 1 | 473915 | RUBBER GROMMET 1 1/2 ID |
| 25 | 1 | 470067 | RUBBER GROMMET 1/4 ID |
| 26 | 2 | 520118 | CUSH HOSE CLAMP 1/2D X 1/2W |
| 27 | 1 | 520121 | CUSH HOSE CLAMP 1IN X 3/4W |

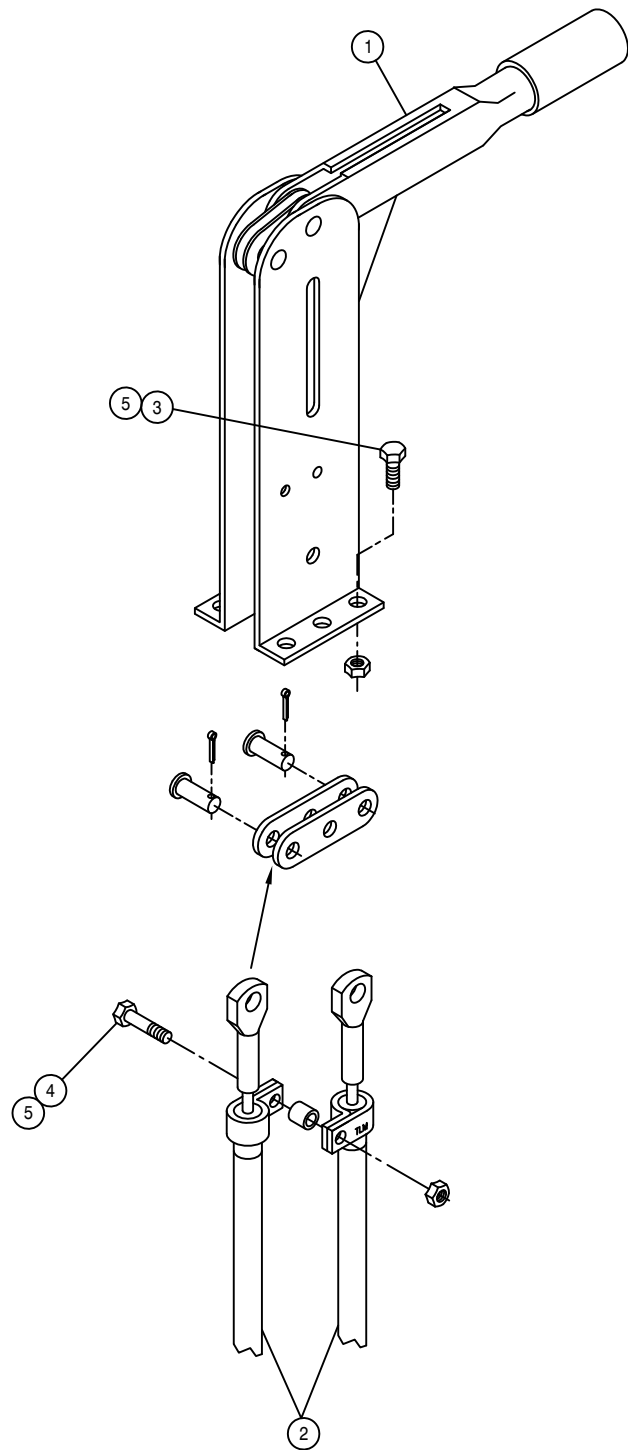
NOTE: DETAILS 10,11,12,13, AND 14 ARE USED WITH THE DIESEL ENGINE OPTION.



SEAT ASSEMBLY

DET. QTY PART NO. DESCRIPTION

| | | | |
|---|---|--------|--------------------------------|
| 1 | 1 | 330015 | SUSPENSION ASSY TRIMLINE SEAT |
| 2 | 1 | 330017 | TRIMLINE SEAT, MID HIGH, VINYL |
| 3 | 1 | 341554 | SEAT MT WLD TRIMLINE SEAT |
| 4 | 4 | 900129 | 3/8UNC X 1 HEX BOLT |
| 5 | 8 | 914002 | 5/16UNC HEX STOVER NUT |
| 6 | 4 | 914004 | 3/8UNC HEX STOVER NUT |
| 7 | 2 | 920001 | 5/16 FLAT WASHER SAE PLT |
| 8 | 4 | 900064 | 5/16UNC X 3/4 HEX BOLT |



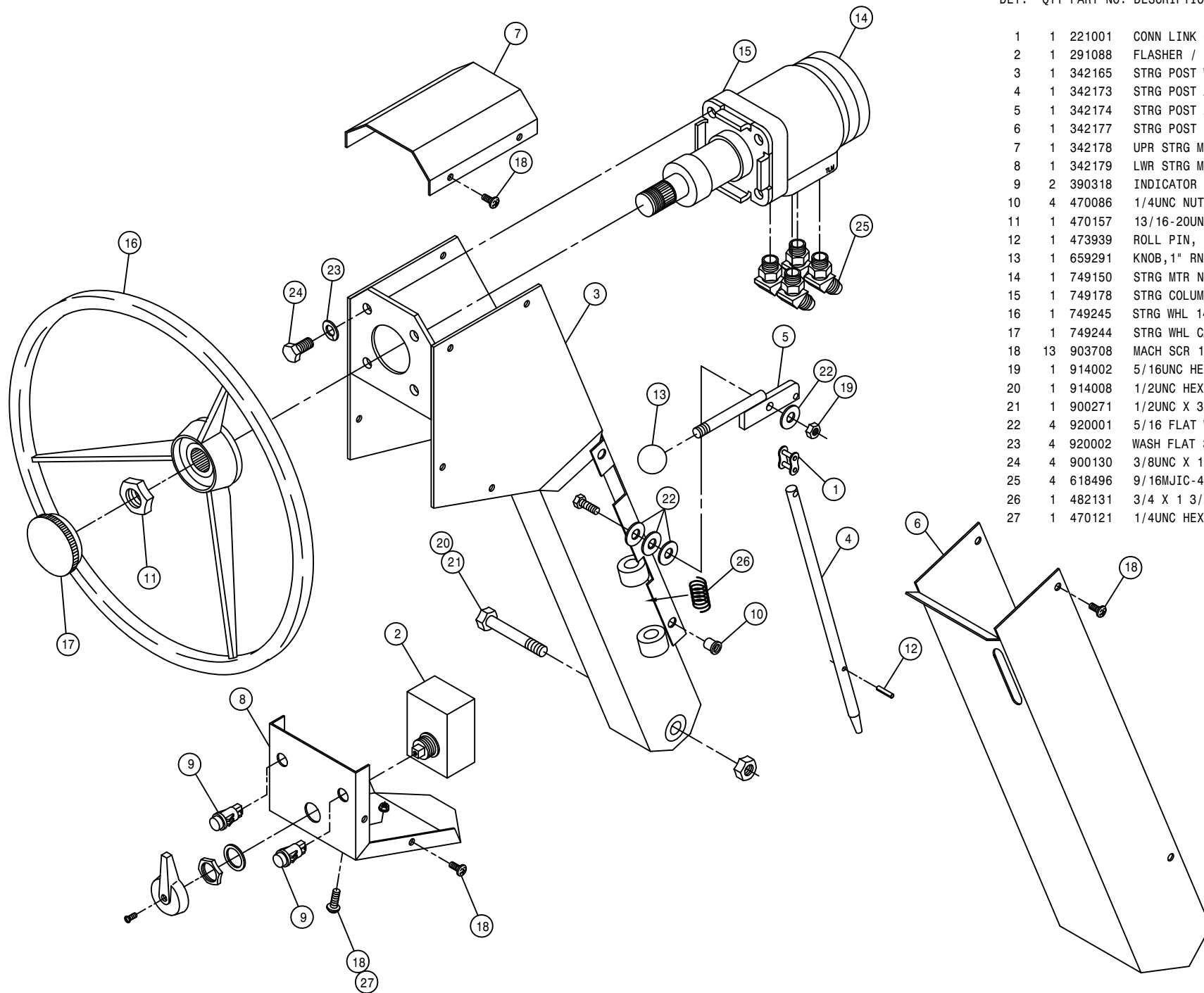
BRAKE LEVER ASSEMBLY

DET. QTY PART NO. DESCRIPTION

| | | | |
|---|---|--------|--------------------------|
| 1 | 1 | 826108 | BRAKE LEVER ASSY |
| 2 | 2 | 826926 | 190 IN BRAKE CABLE |
| 3 | 4 | 900064 | 5/16UNC X 3/4 HEX BOLT |
| 4 | 1 | 900067 | 5/16UNC X 1 1/2 HEX BOLT |
| 5 | 5 | 914002 | 5/16UNC HEX STOVER NUT |

STEERING POST ASSEMBLY

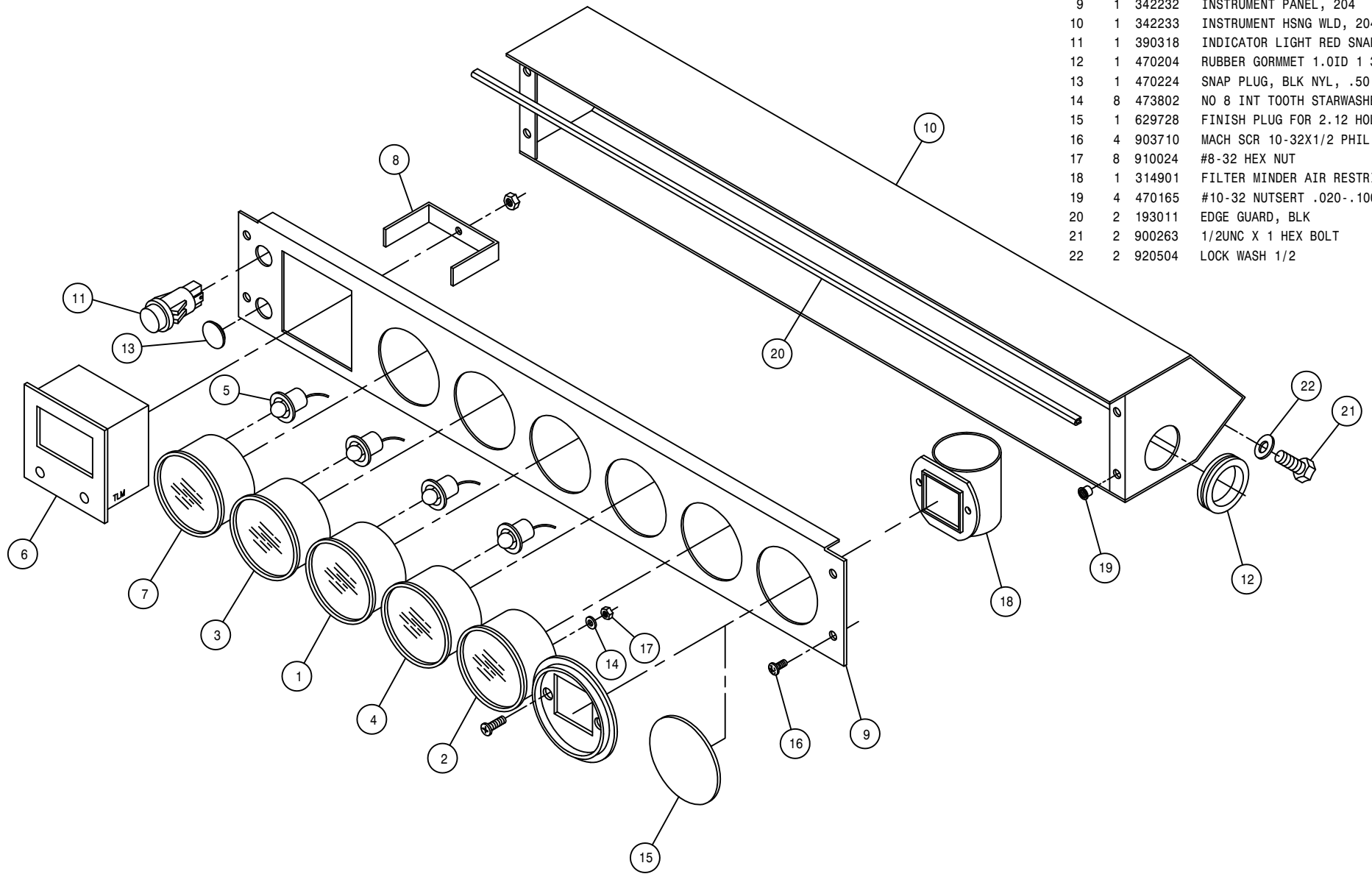
DET. QTY PART NO. DESCRIPTION

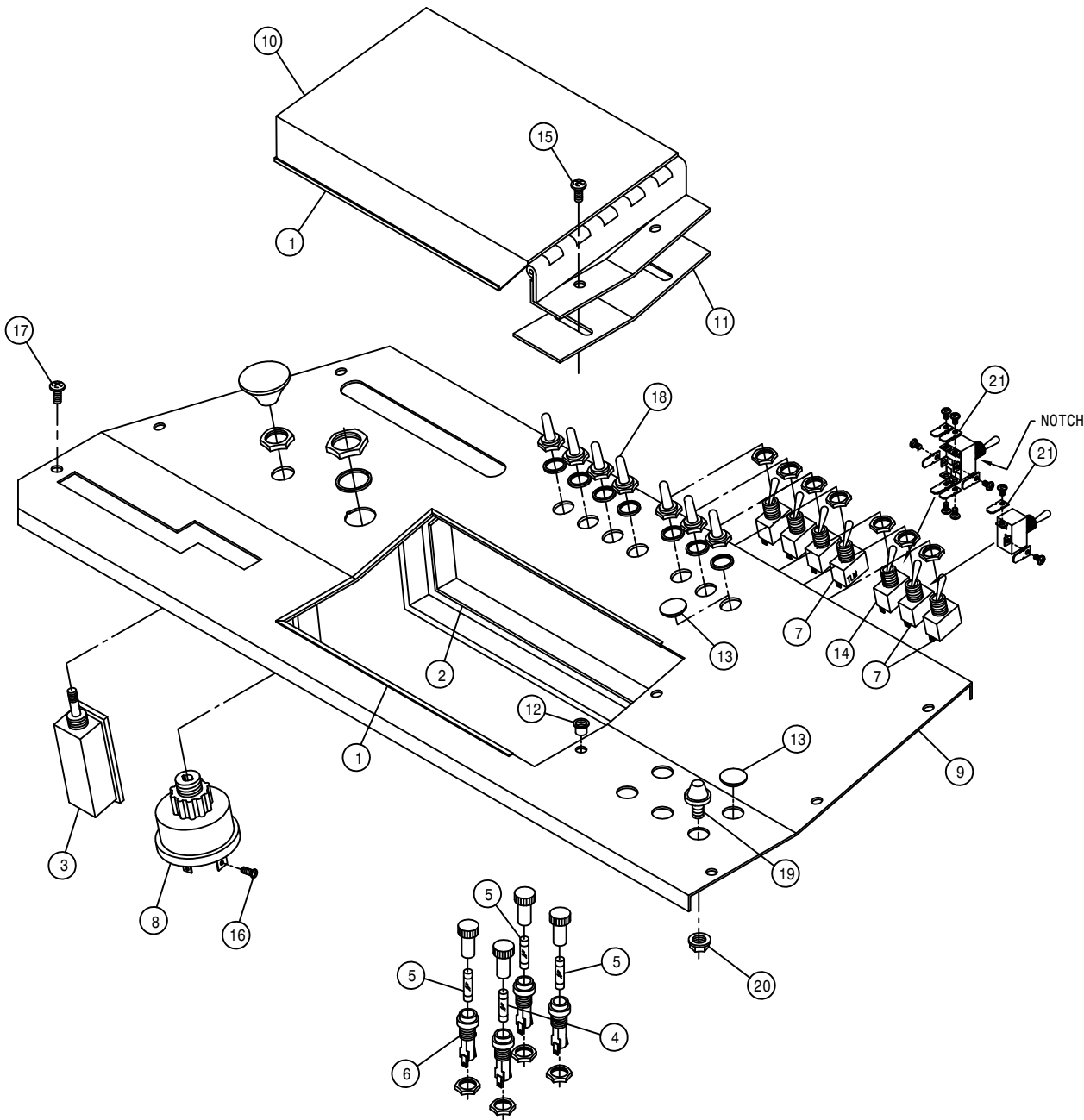


| DET. | QTY | PART NO. | DESCRIPTION |
|------|-----|----------|-------------------------------|
| 1 | 1 | 221001 | CONN LINK CLIP TYPE RC50 |
| 2 | 1 | 291088 | FLASHER / TURN SIGNAL SWITCH |
| 3 | 1 | 342165 | STRG POST WLD, 284 CAB |
| 4 | 1 | 342173 | STRG POST ADJ PIN, 284 CAB |
| 5 | 1 | 342174 | STRG POST ADJ PIN LEVER WLD94 |
| 6 | 1 | 342177 | STRG POST COVER, 284 CAB |
| 7 | 1 | 342178 | UPR STRG MTR HSN COVER |
| 8 | 1 | 342179 | LWR STRG MTR HSN COVER |
| 9 | 2 | 390318 | INDICATOR LIGHT RED SNAP-IN |
| 10 | 4 | 470086 | 1/4UNC NUTSERT .020-.100MATL |
| 11 | 1 | 470157 | 13/16-20UNEF HEX NUT STRG WHL |
| 12 | 1 | 473939 | ROLL PIN, 3/16DIA X 7/8 |
| 13 | 1 | 659291 | KNOB, 1" RND, BLK, 3/8-16 |
| 14 | 1 | 749150 | STRG MTR NON-LOAD REACT 1008 |
| 15 | 1 | 749178 | STRG COLUMN 2.5IN LONG |
| 16 | 1 | 749245 | STRG WHL 14.0 DIA |
| 17 | 1 | 749244 | STRG WHL CAP FOR 749245 |
| 18 | 13 | 903708 | MACH SCR 1/4-20X1/2 PHIL PNHD |
| 19 | 1 | 914002 | 5/16UNC HEX STOVER NUT |
| 20 | 1 | 914008 | 1/2UNC HEX STOVER NUT |
| 21 | 1 | 900271 | 1/2UNC X 3 1/4 HEX BOLT |
| 22 | 4 | 920001 | 5/16 FLAT WASHER SAE PLT |
| 23 | 4 | 920002 | WASH FLAT 3/8 SAE |
| 24 | 4 | 900130 | 3/8UNC X 1 1/4 HEX BOLT |
| 25 | 4 | 618496 | 9/16MJIC-45-3/4MOR LBO |
| 26 | 1 | 482131 | 3/4 X 1 3/4 COMPRSN SPRING |
| 27 | 1 | 470121 | 1/4UNC HEX FLANGED LOCK NUT |

INSTRUMENT PANEL ASSEMBLY

| DET. | QTY | PART NO. | DESCRIPTION |
|------|-----|----------|-------------------------------|
| 1 | 1 | 290401 | FUEL GAUGE FOR 2.125 DIA HOLE |
| 2 | 1 | 291203 | HOUR METER |
| 3 | 1 | 291609 | OIL PRESS GAUGE, 80PSI |
| 4 | 1 | 291611 | VOLTMETER, 8V TO 18V DC |
| 5 | 4 | 291612 | LIGHT KIT FOR 2" GAUGE |
| 6 | 1 | 291641 | DIGITAL MPH/RPM INDICATOR W/P |
| 7 | 1 | 314436 | TEMP GA 100-280 DEG LIGHTED |
| 8 | 1 | 342068 | DIGITAL MPH/RPM IND KEEPER 94 |
| 9 | 1 | 342232 | INSTRUMENT PANEL, 204 94 |
| 10 | 1 | 342233 | INSTRUMENT HSG WLD, 204 94 |
| 11 | 1 | 390318 | INDICATOR LIGHT RED SNAP-IN |
| 12 | 1 | 470204 | RUBBER GORMMET 1.0ID 1 3/8GR |
| 13 | 1 | 470224 | SNAP PLUG, BLK NYL, .50 DIA |
| 14 | 8 | 473802 | NO 8 INT TOOTH STARWASHER |
| 15 | 1 | 629728 | FINISH PLUG FOR 2.12 HOLE |
| 16 | 4 | 903710 | MACH SCR 10-32X1/2 PHIL PANHD |
| 17 | 8 | 910024 | #8-32 HEX NUT |
| 18 | 1 | 314901 | FILTER MINDER AIR RESTRICT GA |
| 19 | 4 | 470165 | #10-32 NUTSERT .020-.100 MATL |
| 20 | 2 | 193011 | EDGE GUARD, BLK |
| 21 | 2 | 900263 | 1/2UNC X 1 HEX BOLT |
| 22 | 2 | 920504 | LOCK WASH 1/2 |





CONSOLE PANEL ASSEMBLY

DET. QTY PART NO. DESCRIPTION

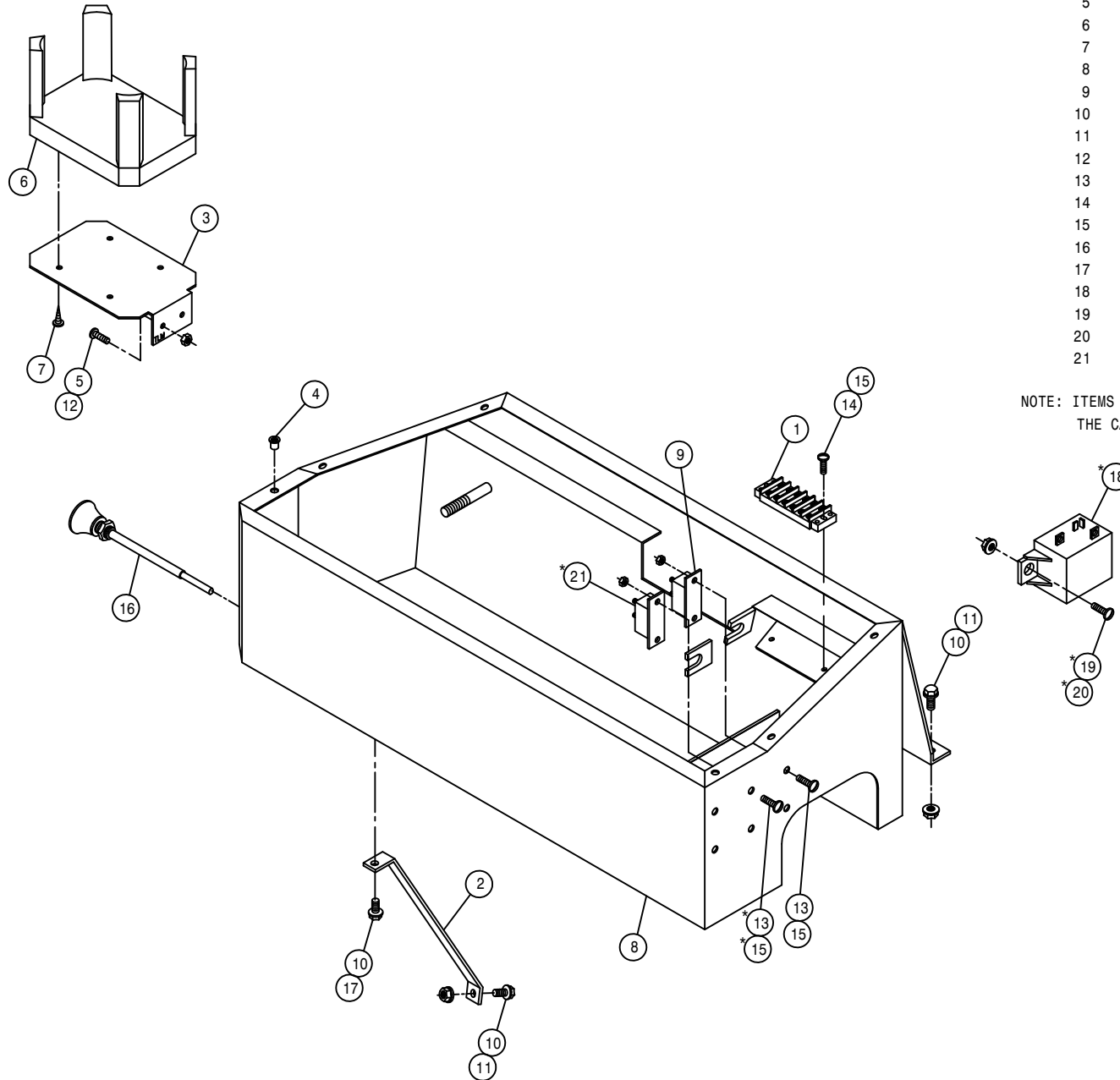
| DET. | QTY | PART NO. | DESCRIPTION |
|------|-----|----------|--------------------------------|
| 1 | 2 | 193011 | EDGE GUARD, BLK |
| 2 | 2 | 193037 | STICKERTITE 1/8 X 3/4 |
| 3 | 1 | 290046 | LIGHT SWITCH TWO POSITION |
| 4 | 1 | 291602 | FUSE 10 AMP |
| 5 | 3 | 298004 | 20 AMP FUSE SFE 20 |
| 6 | 4 | 298011 | FUSE HOLDER |
| 7 | 6 | 298012 | TOGGLE SWITCH |
| 8 | 1 | 321020 | IGN SWITCH 5 POLE |
| 9 | 1 | 342237 | CONSOLE PANEL WLD, 204 |
| 10 | 1 | 342240 | CONTROL BOX COVER WLD, 204 |
| 11 | 1 | 342244 | CONTROL BOX KEEPER, 204 |
| 12 | 2 | 470165 | 10-32 NUTSERT .020-.100 MATL |
| 13 | 2 | 470224 | SNAP PLUG, BLK NYL, .50 DIA |
| 14 | 1 | 610412 | TOGGLE SWITCH FOR FUEL VLV |
| 15 | 2 | 903710 | 10-32X5/8 PHIL PANHD MACH SCR |
| 16 | 1 | 903844 | 8-32 X 1/2 SLT RD HD MACH SCR |
| 17 | 6 | 903708 | 1/4UNC X 1/2 PHIL PNHD MACHSCR |
| 18 | 7 | 470001 | RUBBER BOOT W NUT FOR 298012 |
| 19 | 1 | 470230 | 1/2 RUBBER BUMPER, 1/4-20 STUD |
| 20 | 1 | 470121 | 1/4UNC HEX FLANGE LOCK NUT |
| 21 | 8 | 291644 | .250MALE FASTON-#6 RING ADAPT |

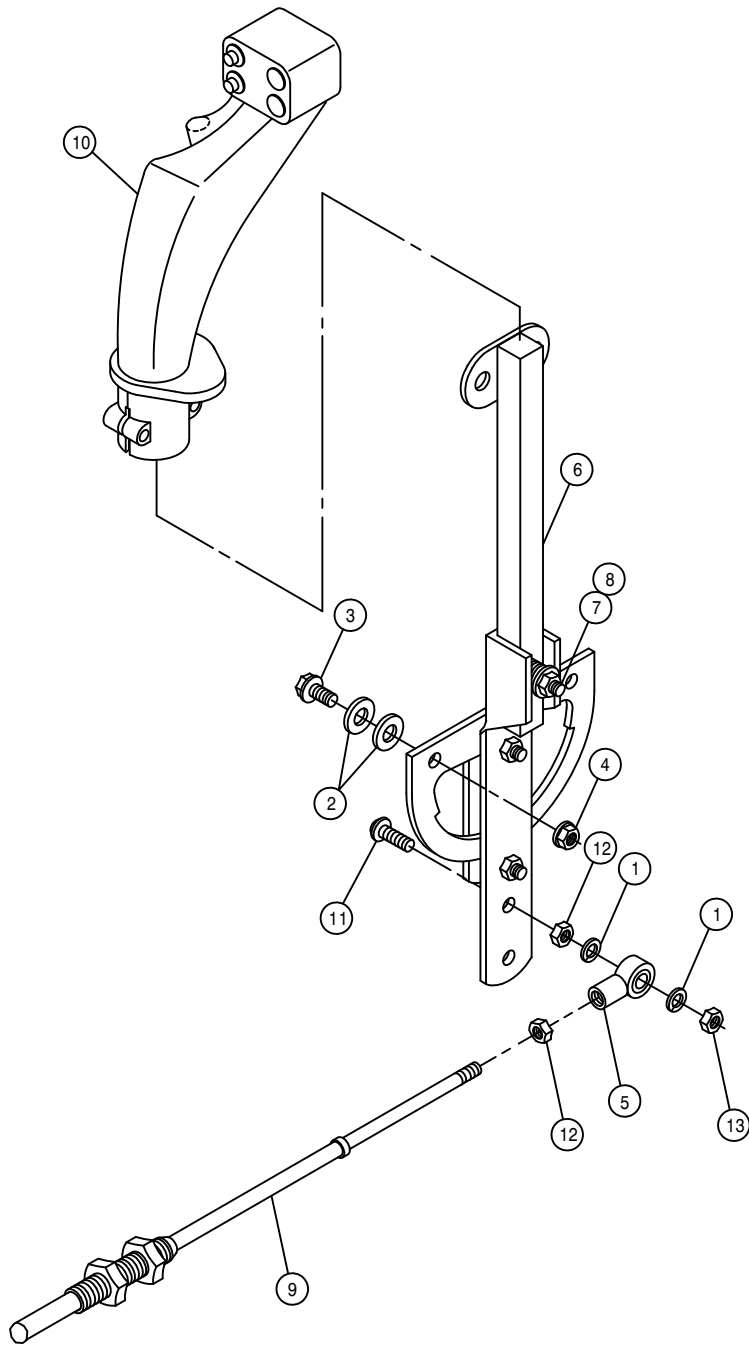
CONSOLE ASSEMBLY

DET. QTY PART NO. DESCRIPTION

| DET. | QTY | PART NO. | DESCRIPTION |
|------|-----|----------|-------------------------------|
| 1 | 1 | 293093 | TERMINAL BLOCK 6 POS - 2 ROW |
| 2 | 1 | 342248 | CONSOLE BRACE, 204 94 |
| 3 | 1 | 342216 | DRINK HOLDER MT BRKT 94 |
| 4 | 6 | 470086 | 1/4UNC NUTSERT .020-.100MATL |
| 5 | 2 | 470175 | 10-32 HEX FLANGE LOCK NUT |
| 6 | 1 | 470214 | SPILLMASTER DRINK HOLDER |
| 7 | 4 | 473902 | NO 8 X 1/2 PAN HD MET SC |
| 8 | 1 | 342245 | CONSOLE WLD, 204 94 |
| 9 | 1 | 291024 | CIRCUIT BREAKER, 40AMP |
| 10 | 4 | 470121 | 1/4UNC HEX FLANGE LOCK NUT |
| 11 | 3 | 470118 | 1/4UNC X 3/4 FLANGE HEX BOLT |
| 12 | 2 | 903710 | 10-32X1/2 PHIL PANHD MACH SCR |
| 13 | 4 | 903812 | 6-32 X 1/2 SLT RD HD MACH SCR |
| 14 | 2 | 903814 | 6-32 X 3/4 SLT RD HD MACH SCR |
| 15 | 6 | 910022 | 6-32 HEX NUT |
| 16 | 1 | 780101 | CHOKE CONTROL CABLE, 144 IN |
| 17 | 1 | 470231 | 1/4UNC X 1" FLANGE HEX BOLT |
| 18 | 1 | 657371 | RELAY, 12 VOLT 75 AMP |
| 19 | 2 | 903883 | 10-32 X 1/2 SLT RDHD MACH SCR |
| 20 | 2 | 470175 | 10-32 HEX FLANGE LOCK NUT |
| 21 | 1 | 291197 | CIRCUIT BREAKER, 30AMP |

NOTE: ITEMS MARKED WITH A (*) ARE USED WITH THE CAB OPTION.





HYDROSTATIC LEVER ASSEMBLY

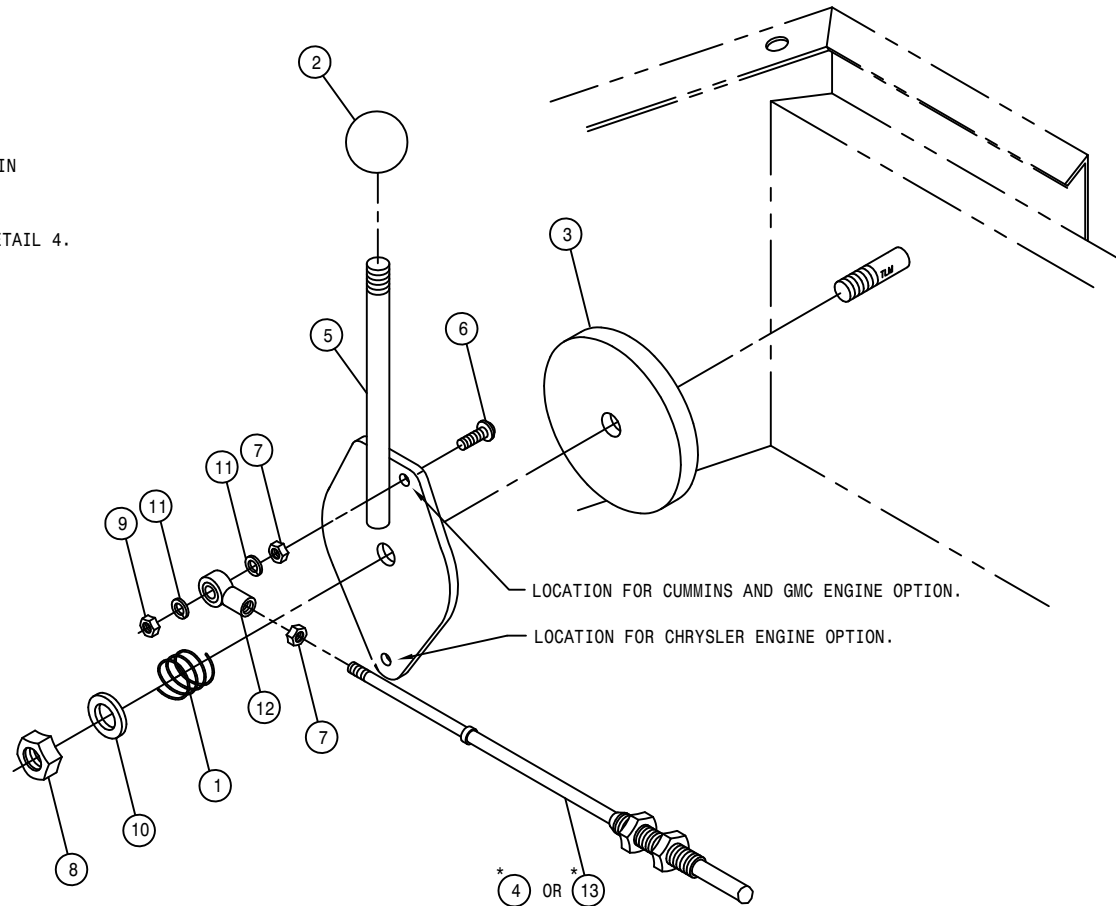
| DET. | QTY | PART NO. | DESCRIPTION |
|------|-----|----------|---------------------------------------|
| | 1 | 2 | 920510 LOCK WASH NO 10 |
| | 2 | 4 | 920000 1/4 FLAT WASH SAE |
| | 3 | 2 | 470118 1/4UNC X 3/4 FLANGED HEX BOLT |
| | 4 | 2 | 470121 1/4UNC HEX FLANGED LOCK NUT |
| | 5 | 1 | 473921 BALL JOINT NO 10-32 THD |
| | 6 | 1 | 606907 HYDST CTRL LEVER, 204-284 94 |
| | 7 | 1 | 900005 1/4UNC X 1 1/2 HEX BOLT |
| | 8 | 1 | 914000 1/4UNC HEX STOVER NUT |
| | 9 | 1 | 785003 CTRL CABLE 10-32 4IN X 112 LG |
| | 10 | 1 | 785077 FASSE EZ-3 CONTROL HANDLE, 204 |
| | 11 | 1 | 903893 10 32 X 1 SLT RD HD MACH SCR |
| | 12 | 2 | 910027 #10-32 HEX NUT |
| | 13 | 1 | 914027 #10-32 HEX STOVER NUT |

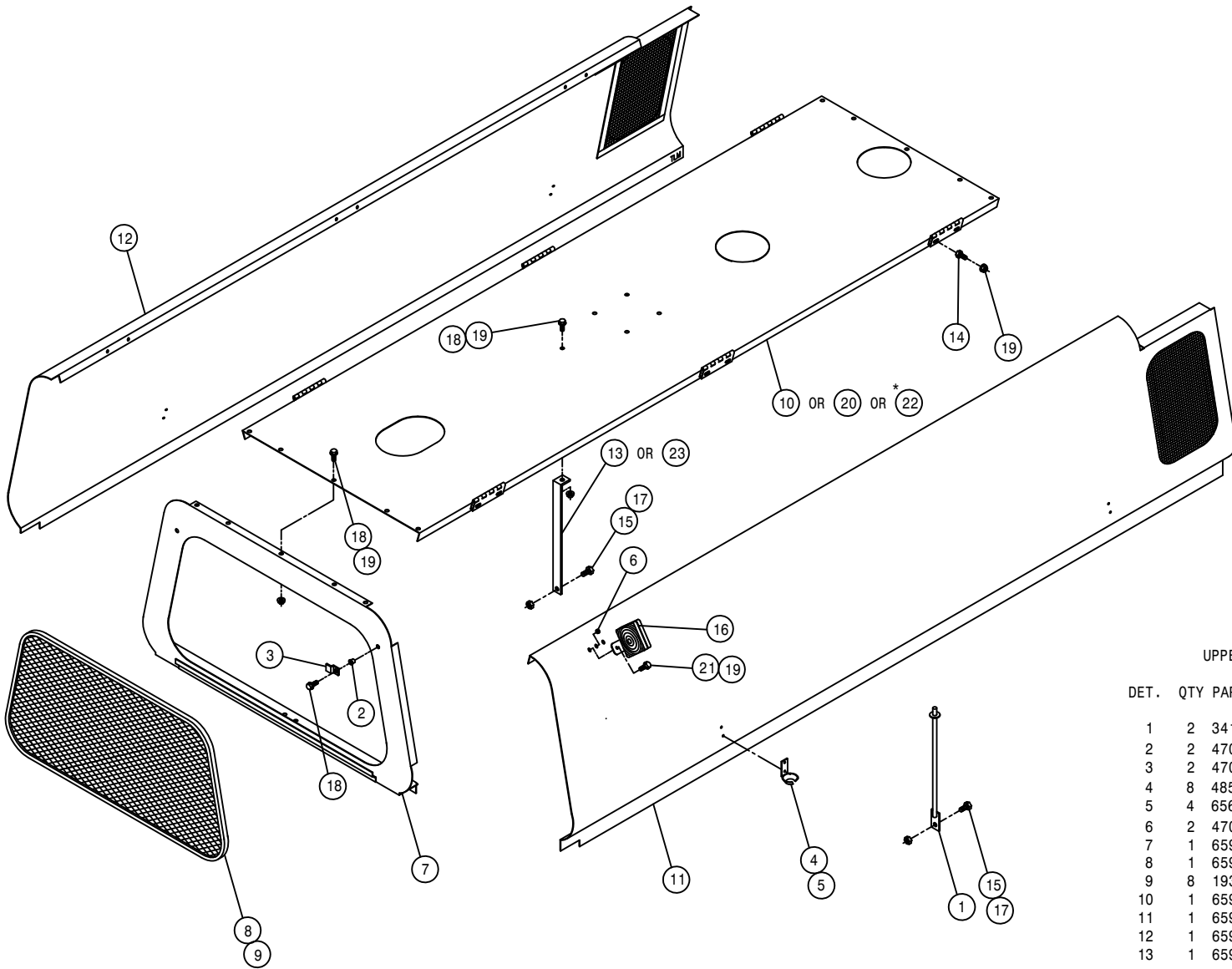
THROTTLE LEVER ASSEMBLY

DET. QTY PART NO. DESCRIPTION

| | | | |
|----|---|--------|---------------------------------|
| 1 | 1 | 499001 | SPRING HYDRO CONTROL |
| 2 | 1 | 785007 | KNOB, 1 3/16" BALL, RED, 3/8-16 |
| 3 | 1 | 785046 | FRICTION DISC 3-333 X .38 |
| 4 | 1 | 785066 | CTRL CABLE 10-32 4IN X 129 IN |
| 5 | 1 | 785067 | THROT LEVER WLD, GAS/DIESEL 94 |
| 6 | 1 | 903893 | 10-32 X 1" SLT RD HD MACH SCR |
| 7 | 2 | 910027 | 10-32 HEX NUT |
| 8 | 1 | 914004 | 3/8UNC HEX STOVER NUT |
| 9 | 1 | 914027 | 10-32 HEX STOVER NUT |
| 10 | 1 | 920002 | 3/8 SAE FLAT WASHER |
| 11 | 2 | 920510 | #10 LOCK WASHER |
| 12 | 1 | 473921 | BALL JOINT NO 10-32 THD |
| 13 | 1 | 785079 | CTRL CABLE 10-32 4IN X 140 IN |

*NOTE: 1. CHRYSLER AND CUMMINS ENGINE OPTION USED DETAIL 4.
 2. GMC ENGINE OPTION USES DETAIL 13.

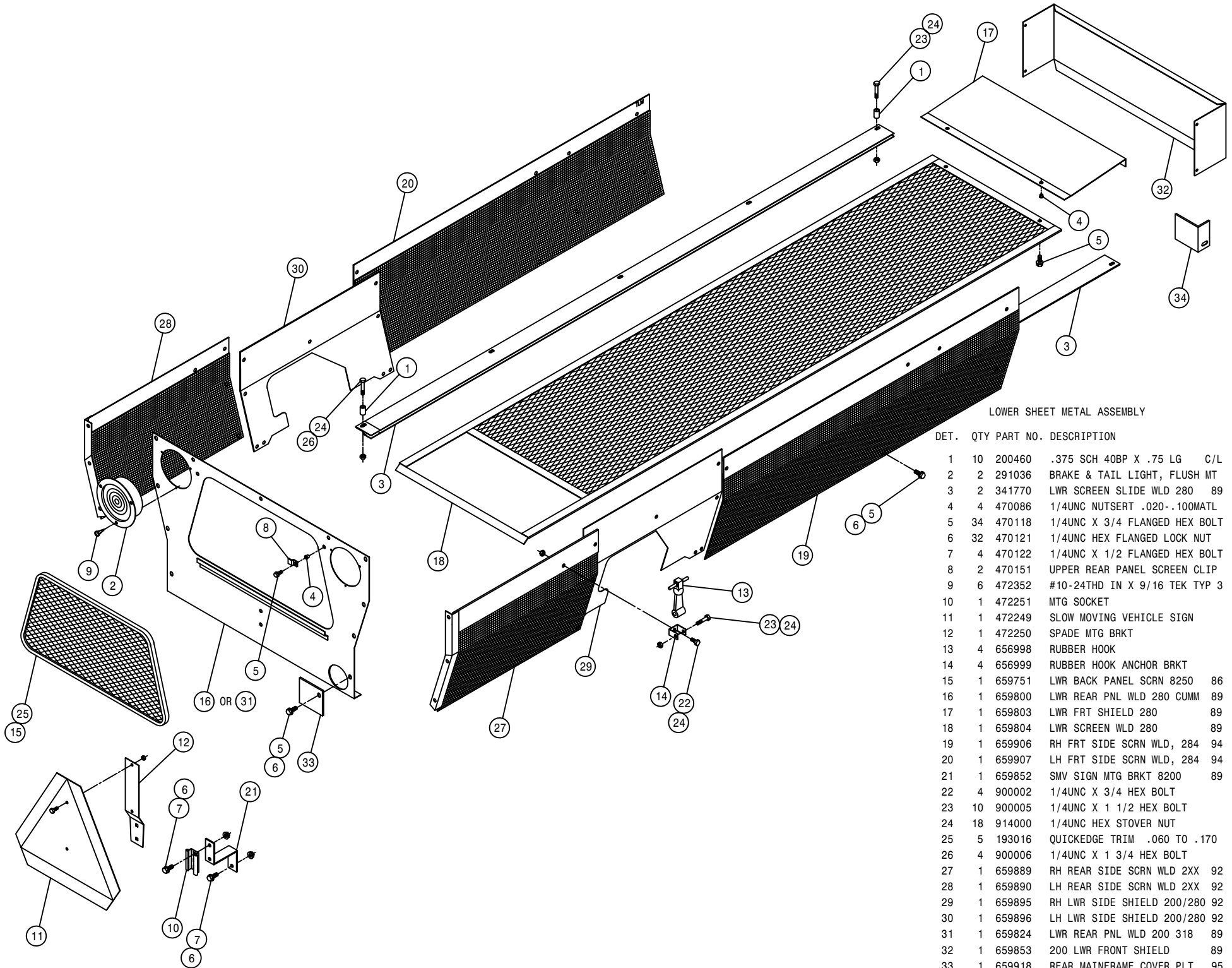




UPPER SHEET METAL ASSEMBLY

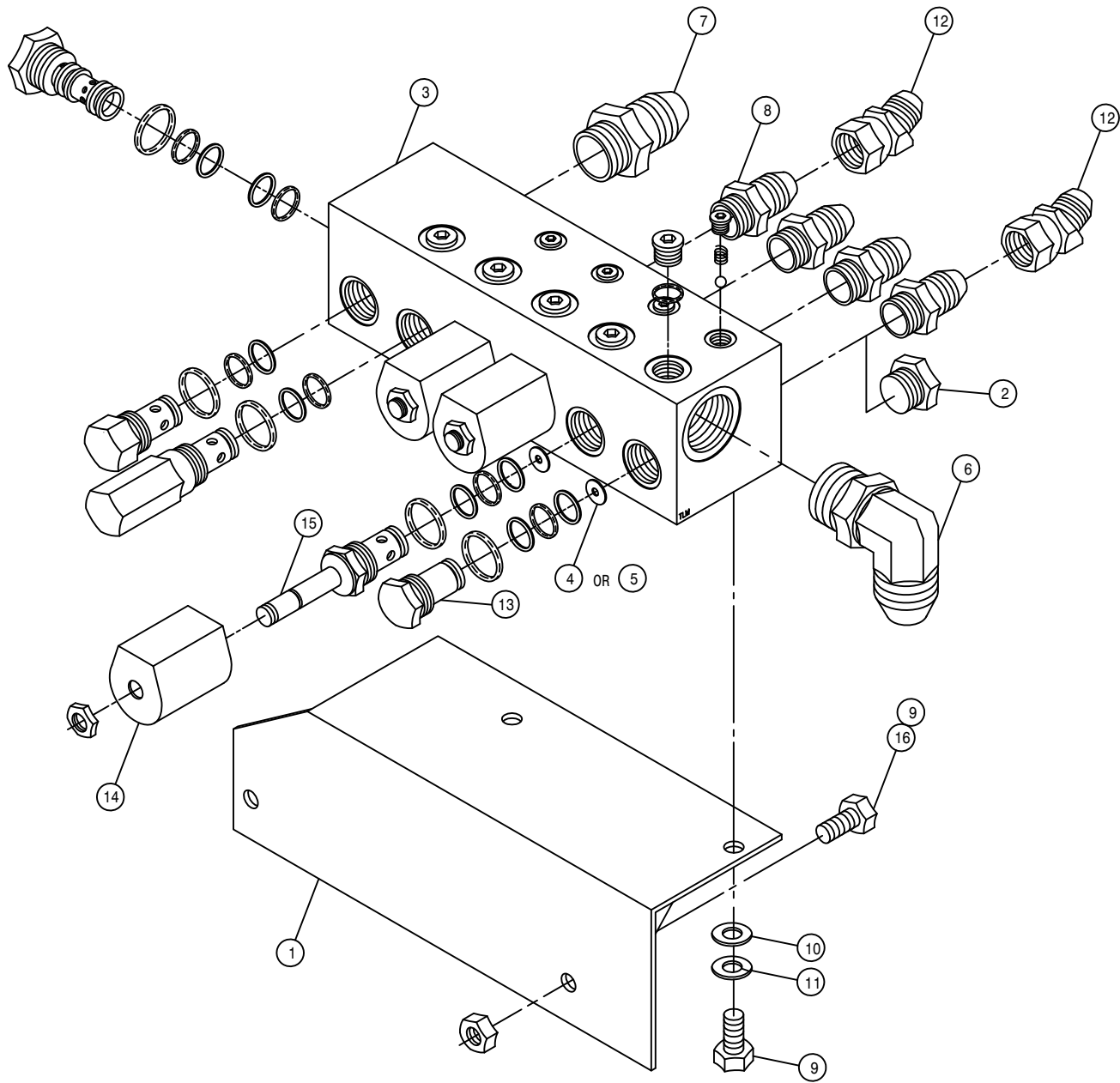
| DET. | QTY | PART NO. | DESCRIPTION |
|------|-----|----------|-------------------------------|
| | 2 | 341356 | ENGINE HOOD PROP WLD 8240 82 |
| | 2 | 470086 | 1/4UNC NUTSERT .020-.100MATL |
| | 2 | 470151 | UPPER REAR PANEL SCREEN CLIP |
| | 4 | 485053 | POP RIVET 3/16 X 3/8 |
| | 4 | 656997 | RUBBER HOOK BRKT 473 |
| | 2 | 470067 | RUBBER GROMMET 1/4 ID |
| | 1 | 659575 | UPPER REAR PANEL WLD 8240 82 |
| | 1 | 659578 | UPPER REAR PANEL SCREEN 8240 |
| | 8 | 193016 | QUICKEDGE TRIM .060 TO .170 |
| | 1 | 659909 | MULLION WLD, 204 CHRY 5.2L 94 |
| | 1 | 659911 | RH ENG HOOD WLD, 204 94 |
| | 1 | 659912 | LH ENG HOOD WLD, 204 94 |
| | 1 | 659835 | MULLION SUPPORT 200 89 |
| | 14 | 900000 | 1/4UNC X 1/2 HEX BOLT |
| | 3 | 900128 | 3/8UNC X 3/4 HEX BOLT |
| | 2 | 291604 | TURN SIGNAL LIGHT,PED MT, YEL |
| | 3 | 914004 | 3/8UNC HEX STOVER NUT |
| | 18 | 470118 | 1/4UNC X 3/4 FLANGE HEX BOLT |
| | 27 | 470121 | 1/4UNC HEX FLANGE LOCK NUT |
| | 1 | 659931 | MULLION WLD, 204 CUMM 97 |
| | 4 | 470122 | 1/4UNC X 1/2 FLANGE HEX BOLT |
| | 1 | 659822 | MULLION WLD 200 CHRY 318 89 |
| | 1 | 659930 | MULLION SUPPORT BRKT, 284 97 |

*NOTE: DETAIL 13 & 22 IS USED WITH THE GMC ENGINE OPTION.



LOWER SHEET METAL ASSEMBLY

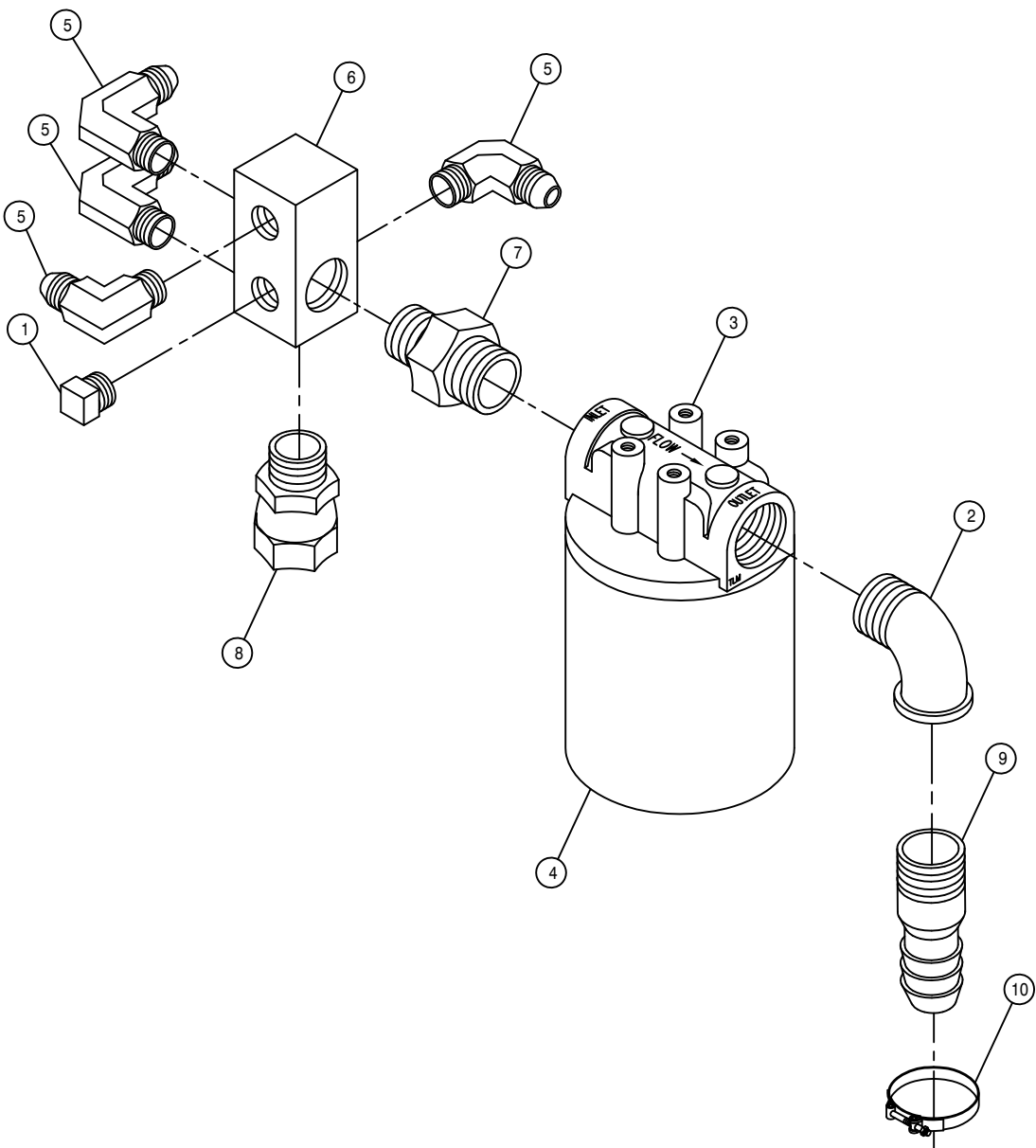
| DET. | QTY | PART NO. | DESCRIPTION | |
|------|-----|----------|-------------------------------|----|
| 1 | 10 | 200460 | .375 SCH 40BP X .75 LG C/L | |
| 2 | 2 | 291036 | BRAKE & TAIL LIGHT, FLUSH MT | |
| 3 | 2 | 341770 | LWR SCREEN SLIDE WLD 280 | 89 |
| 4 | 4 | 470086 | 1/4UNC NUTSERT .020-.100MATL | |
| 5 | 34 | 470118 | 1/4UNC X 3/4 FLANGED HEX BOLT | |
| 6 | 32 | 470121 | 1/4UNC HEX FLANGED LOCK NUT | |
| 7 | 4 | 470122 | 1/4UNC X 1/2 FLANGED HEX BOLT | |
| 8 | 2 | 470151 | UPPER REAR PANEL SCREEN CLIP | |
| 9 | 6 | 472352 | #10-24THD IN X 9/16 TEK TYP 3 | |
| 10 | 1 | 472251 | MTG SOCKET | |
| 11 | 1 | 472249 | SLOW MOVING VEHICLE SIGN | |
| 12 | 1 | 472250 | SPADE MTG BRKT | |
| 13 | 4 | 656998 | RUBBER HOOK | |
| 14 | 4 | 656999 | RUBBER HOOK ANCHOR BRKT | |
| 15 | 1 | 659751 | LWR BACK PANEL SCRNL 8250 | 86 |
| 16 | 1 | 659800 | LWR REAR PNL WLD 280 CUMM | 89 |
| 17 | 1 | 659803 | LWR FRT SHIELD 280 | 89 |
| 18 | 1 | 659804 | LWR SCREEN WLD 280 | 89 |
| 19 | 1 | 659906 | RH FRT SIDE SCRNL WLD, 284 | 94 |
| 20 | 1 | 659907 | LH FRT SIDE SCRNL WLD, 284 | 94 |
| 21 | 1 | 659852 | SMV SIGN MTG BRKT 8200 | 89 |
| 22 | 4 | 900002 | 1/4UNC X 3/4 HEX BOLT | |
| 23 | 10 | 900005 | 1/4UNC X 1 1/2 HEX BOLT | |
| 24 | 18 | 914000 | 1/4UNC HEX STOVER NUT | |
| 25 | 5 | 193016 | QUICKEDGE TRIM .060 TO .170 | |
| 26 | 4 | 900006 | 1/4UNC X 1 3/4 HEX BOLT | |
| 27 | 1 | 659889 | RH REAR SIDE SCRNL WLD 2XX | 92 |
| 28 | 1 | 659890 | LH REAR SIDE SCRNL WLD 2XX | 92 |
| 29 | 1 | 659895 | RH LWR SIDE SHIELD 200/280 | 92 |
| 30 | 1 | 659896 | LH LWR SIDE SHIELD 200/280 | 92 |
| 31 | 1 | 659824 | LWR REAR PNL WLD 200 318 | 89 |
| 32 | 1 | 659853 | 200 LWR FRONT SHIELD | 89 |
| 33 | 1 | 659918 | REAR MAINFRAME COVER PLT | 95 |
| 34 | 1 | 659917 | FRT MAINFRAME COVER PLT | 95 |



MOTOR CONTROL VALVE ASSEMBLY

DET. QTY PART NO. DESCRIPTION

| | | | | |
|----|---|--------|-------------------------------|-----|
| 1 | 1 | 341846 | MTR CTRL VLV MT WLD | 200 |
| 2 | 1 | 610186 | 1 1/16MOR PLUG | |
| 3 | 1 | 610467 | MODULAR MTR CONTROL ELECT VLV | |
| 4 | 4 | 610562 | DISK .199 ORIFICE MOD CTRL | |
| 5 | 4 | 610478 | DISK .182 ORIFICE MOD CTRL | |
| 6 | 1 | 618178 | 1 5/16MJIC-90-1 5/16MOR LBO | |
| 7 | 1 | 618186 | 1 5/16MJIC-1 5/16MOR ADPTR | |
| 8 | 4 | 618469 | 3/4MJIC-1 1/16MOR ADPTR | |
| 9 | 4 | 900128 | 3/8UNC X 3/4 HEX BOLT | |
| 10 | 2 | 920002 | WASH FLAT 3/8 SAE | |
| 11 | 2 | 920502 | LOCK WASH 3/8 | |
| 12 | 2 | 618590 | 3/4MJIC-45-3/4FJIC SWIV LBO | |
| 13 | 1 | 610477 | PLUG-10SERIES 2WAY MOD CTRL | |
| 14 | 4 | 610480 | SOLENOID COIL FOR610476REPAIR | |
| 15 | 4 | 610481 | SOLENOID VLV FOR 610476REPAIR | |
| 16 | 2 | 914004 | 3/8UNC HEX STOVER NUT | |



RETURN MANIFOLD FILTER ASSEMBLY

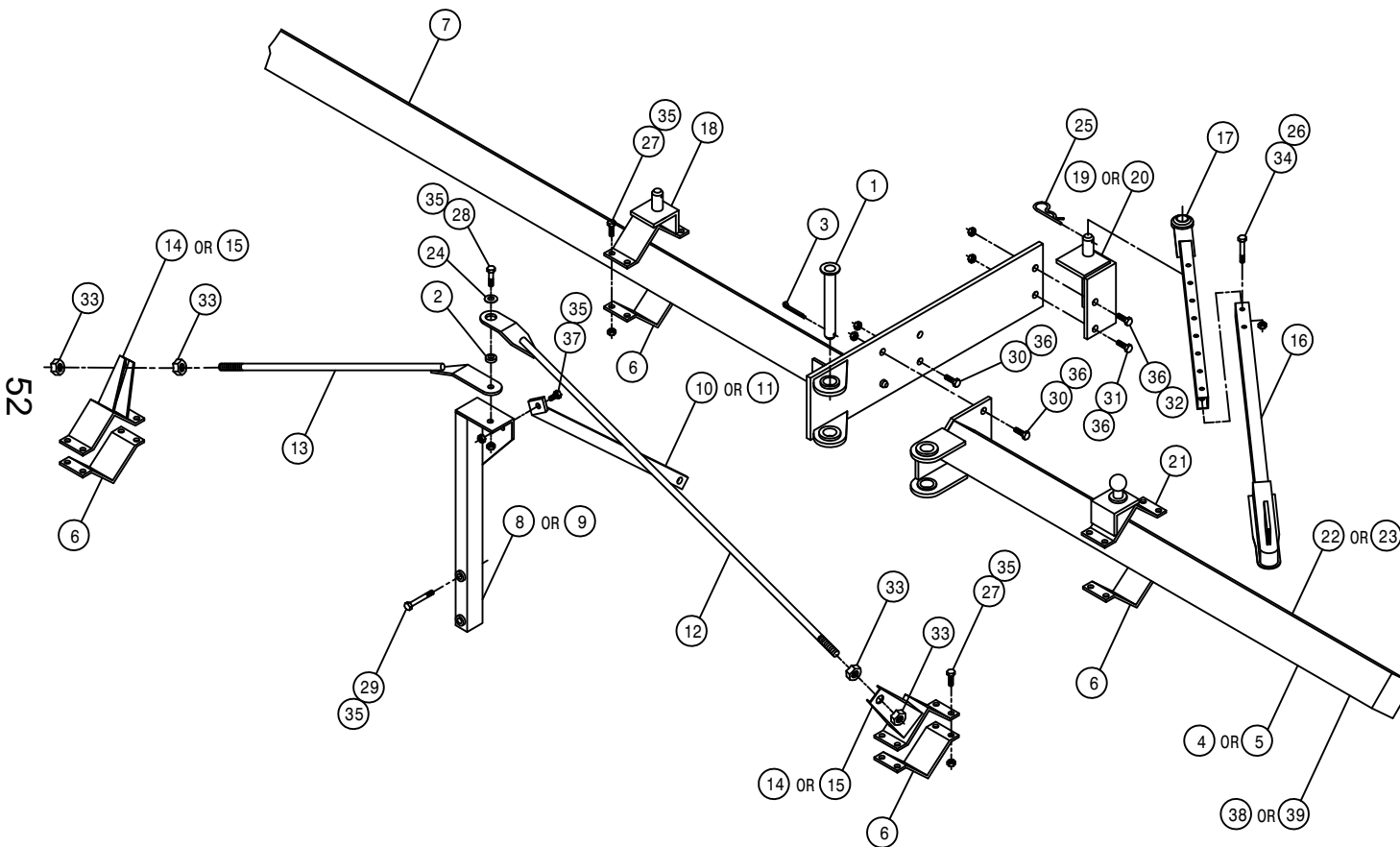
DET. QTY PART NO. DESCRIPTION

| | | | |
|----|---|--------|-------------------------------|
| 1 | 1 | 503700 | PIPE PLUG .50NPT SQ HD |
| 2 | 1 | 506410 | BLK PIPE ST EL 90DEG 1.25NPT |
| 3 | 1 | 605601 | GRESEN FILTER 10 MICRON 40GPM |
| 4 | 1 | 605602 | FILT ELEMENT 10MICRON 40GPM |
| 5 | 4 | 611145 | 3/4MJIC-90-1/2MNPT LBO |
| 6 | 1 | 614633 | HYD MANIF 8200 86 |
| 7 | 1 | 618144 | 1 1/4-1MP HEX PIPE NIPPLE STL |
| 8 | 1 | 618587 | 1 5/16FJIC SWIV-1MNPT |
| 9 | 1 | 715660 | HOSE BARB 1 1/4NPT X 1 1/4 |
| 10 | 1 | 520132 | 1.62/1.87 T-BOLT HOSE CLAMP |

4-6-8 ROW OUTRIGGER ASSEMBLY

DET. QTY PART NO. DESCRIPTION

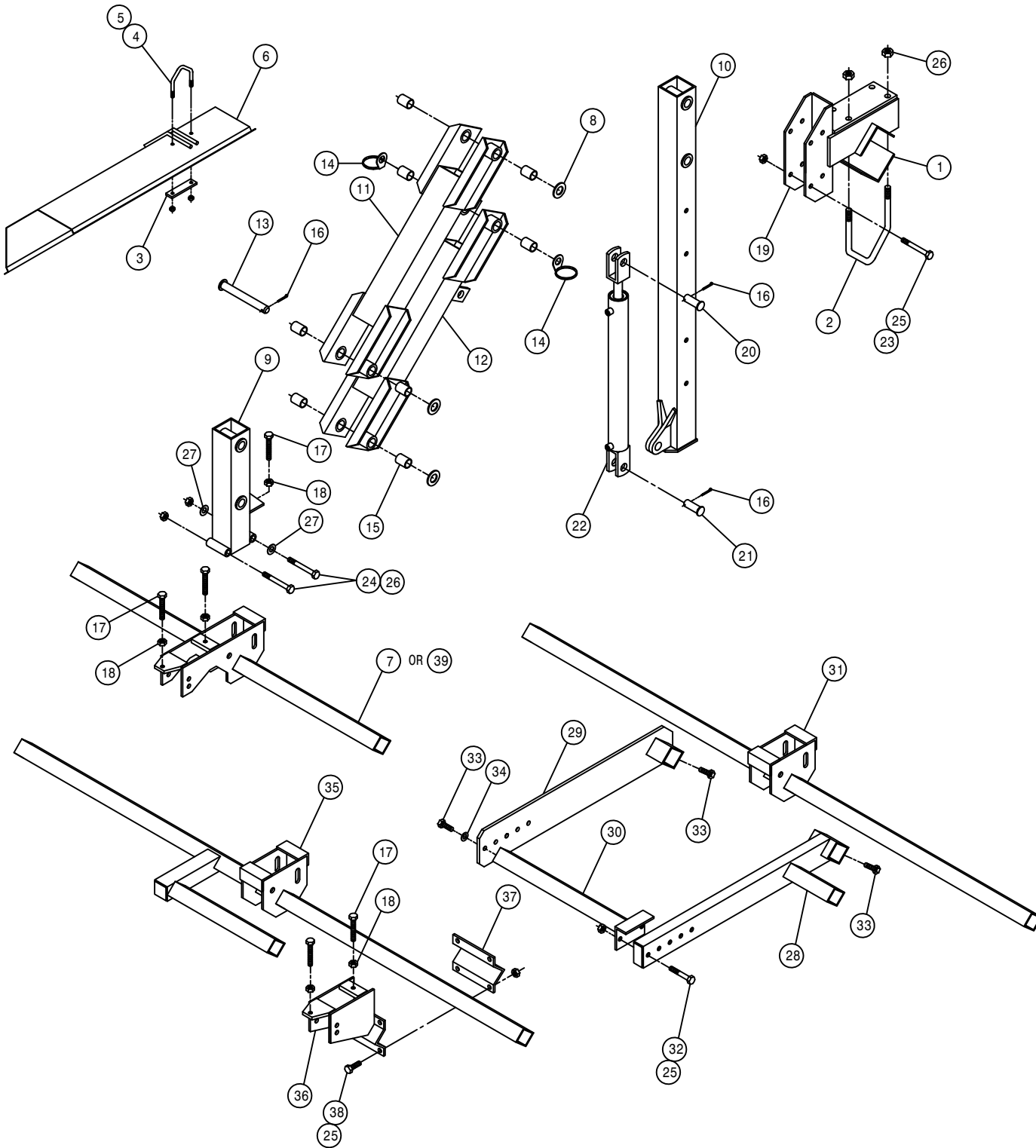
| | | | | |
|----|----|--------|-------------------------------|----|
| 1 | 1 | 438283 | OUTRGR PIVOT PIN WLD 8200 | 86 |
| 2 | 1 | 438320 | BUSH 1.00 OD X .531ID X.28LG | |
| 3 | 1 | 470117 | COTTER PIN 3/16 1 3/4 SQ CUT | |
| 4 | 1 | 438307 | RH 75IN OUTRGR WLD8200-850086 | |
| 5 | 1 | 438309 | LH 75IN OUTRGR WLD8200-850086 | |
| 6 | 4 | 438324 | 75IN OUTRGR BRACE CLAMP | |
| 7 | 1 | 438344 | 200 TOOL BAR WLD | 89 |
| 8 | 1 | 438349 | RH OUTRGR SUPP POST WLD200 | 89 |
| 9 | 1 | 438350 | LH OUTRGR SUPP POST WLD200 | 89 |
| 10 | 1 | 438355 | RH OUTRGR SUPP BRACE 200 | 89 |
| 11 | 1 | 438356 | LH OUTRGR SUPP BRACE 200 | 89 |
| 12 | 1 | 438357 | OUTRGR SUPP ROD WLD 200 | 89 |
| 13 | 1 | 438359 | OUTRGR TIE BAR WLD 200 | 89 |
| 14 | 1 | 438362 | RH OUTRGR CLAMP WLD 200 | 89 |
| 15 | 1 | 438363 | LH OUTRGR CLAMP WLD 200 | 89 |
| 16 | 1 | 438390 | OUTER STABILIZER TUBE WLD | 90 |
| 17 | 1 | 438393 | INNER STABILIZER TUBE WLD | 90 |
| 18 | 1 | 438397 | STABILIZER PIN MT WLD | 90 |
| 19 | 1 | 438400 | RH STABILIZER PIN MT WLD | 90 |
| 20 | 1 | 438403 | LH STABILIZER PIN MT WLD | 90 |
| 21 | 1 | 438405 | STABILIZER BALL MT WLD | 90 |
| 22 | 1 | 438277 | RH 32IN OUTRGR WLD8200-850086 | |
| 23 | 1 | 438282 | LH 32IN OUTRGR WLD8200-850086 | |
| 24 | 1 | 483041 | 1/2 REGULAR FLAT WASH PLT | |
| 25 | 1 | 611016 | HAIR PIN #6 | |
| 26 | 2 | 900133 | 3/8UNC X 2 HEX BOLT | |
| 27 | 16 | 900265 | 1/2UNC X 1 1/2 HEX BOLT | |
| 28 | 1 | 900266 | 1/2UNC X 1 3/4 HEX BOLT | |
| 29 | 2 | 900271 | 1/2UNC X 3 1/4 HEX BOLT | |
| 30 | 3 | 900334 | 5/8UNC X 1 3/4 HEX BOLT | |
| 31 | 1 | 900336 | 5/8UNC X 2 1/2 HEX BOLT | |
| 32 | 1 | 900352 | 5/8UNC X 2 1/4 HEX BOLT | |
| 33 | 4 | 910012 | 3/4UNC HEX NUT | |
| 34 | 2 | 914004 | 3/8UNC HEX STOVER NUT | |
| 35 | 20 | 914008 | 1/2UNC HEX STOVER NUT | |
| 36 | 5 | 914010 | 5/8UNC HEX STOVER NUT | |
| 37 | 1 | 900264 | 1/2UNC X 1 1/4 HEX BOLT | |
| 38 | 1 | 438497 | RH 82" OUTRGR WLD, 204 | 94 |
| 39 | 1 | 438498 | LH 82" OUTRGR WLD, 204 | 94 |



4-6-8 ROW DETASSELER LIFT ASSEMBLY

DET. QTY PART NO. DESCRIPTION

| DET. | QTY | PART NO. | DESCRIPTION | |
|------|-----|----------|--------------------------------|----|
| 1 | 1 | 438292 | TOOL BAR V-PLT WLD 8200 | 86 |
| 2 | 2 | 438293 | 5/8UNC X 6 1/4 CTR UBOLT TRI | |
| 3 | 1 | 410051 | U BOLT CLAMP CENTER DEFLECTOR | |
| 4 | 1 | 410052 | 5/16UNC X 3 CTR UBOLT TRIBEND | |
| 5 | 2 | 914002 | 5/16UNC HEX STOVER NUT | |
| 6 | 1 | 410048 | CENTER DEFLECTOR WLD 473 | |
| 7 | 1 | 438194 | TOOL BAR WLD DETAS 4-6R 83 | |
| 8 | 3 | 920008 | 1" SAE FLAT WASHER, PLATED | |
| 9 | 1 | 438177 | TOOL BAR MT WLD DETAS 83 | |
| 10 | 1 | 438184 | HOIST COL WLD DETAS LIFT 83 | |
| 11 | 1 | 438294 | UPPER LIFT ARM WLD 8200 | 86 |
| 12 | 1 | 438297 | LWR LIFT ARM WLD 8200 | 86 |
| 13 | 4 | 438300 | LIFT ARM PIVOT PIN WLD8200 86 | |
| 14 | 2 | 438302 | HOSE SUPPORT RING WLD W/WASHER | |
| 15 | 8 | 121025 | JOURNAL BRG FOR 1IN SHFT1.5LG | |
| 16 | 6 | 470162 | COTTER PIN 3/16 X 1 1/2 SQCUT | |
| 17 | 5 | 900538 | 1/2UNC X 3 1/2 HEX BOLT FULL | |
| 18 | 5 | 910008 | 1/2UNC HEX NUT | |
| 19 | 1 | 438367 | HOIST COL MT BRKT WLD 200 90 | |
| 20 | 1 | 472012 | PICKER PIN 1 X 3 1/4 | |
| 21 | 1 | 472206 | PICKER PIN 1 DIA X 2 1/4 | |
| 22 | 1 | 620900 | CYL ASSY CC2016 DOO SRG 180 | |
| 23 | 4 | 900275 | 1/2UNC X 4 1/2 HEX BOLT | |
| 24 | 2 | 900343 | 5/8UNC X 4 1/2 HEX BOLT | |
| 25 | 10 | 914008 | 1/2UNC HEX STOVER NUT | |
| 26 | 6 | 914010 | 5/8UNC HEX STOVER NUT | |
| 27 | 2 | 920005 | 5/8 FLAT WASH SAE | |
| 28 | 1 | 438209 | 8R PLR OUTER MT ARM WLD 8200 | |
| 29 | 1 | 438214 | 8R PLR INNER MT ARM WLD 8200 | |
| 30 | 1 | 438216 | 8R PLR MT WLD 8200 83 | |
| 31 | 1 | 438220 | 8R TIRE PLR TOOL BAR WLD 83 | |
| 32 | 2 | 900268 | 1/2UNC X 2 1/2 HEX BOLT | |
| 33 | 3 | 900263 | 1/2UNC X 1 HEX BOLT | |
| 34 | 1 | 920504 | LOCK WASH 1/2 | |
| 35 | 1 | 438201 | TOOL BAR WLD 8R DETAS 83 | |
| 36 | 1 | 438199 | T-TROL MT WLD 8R DETAS 83 | |
| 37 | 1 | 410016 | RLR HANGER V 473 | |
| 38 | 4 | 900265 | 1/2UNC X 1 1/2 HEX BOLT | |
| 39 | 1 | 438500 | TOOL BAR WLD, 54" | 94 |



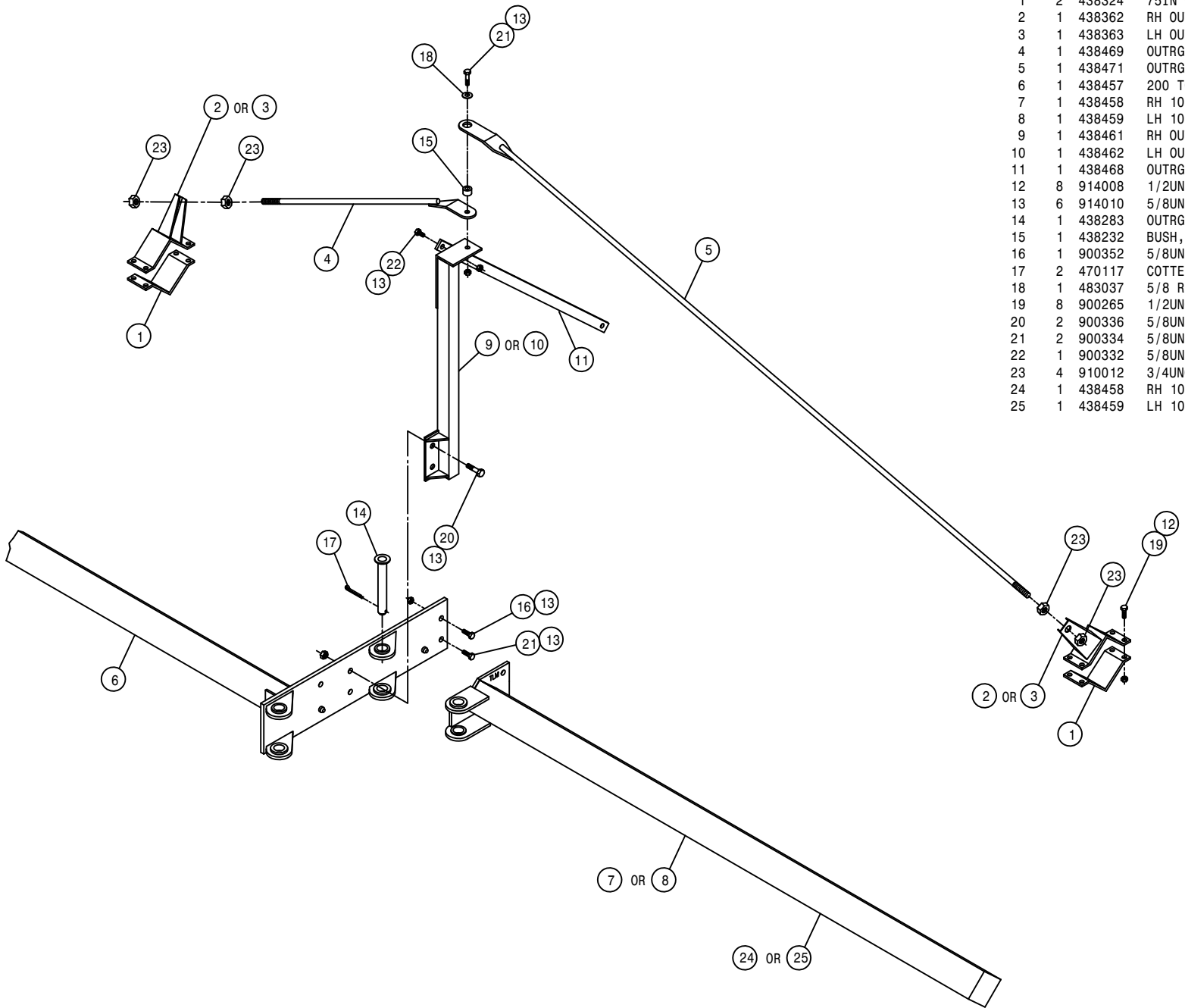
53

172053

10-12 ROW, 4-LIFT OUTRIGGER ASSEMBLY

DET. QTY PART NO. DESCRIPTION

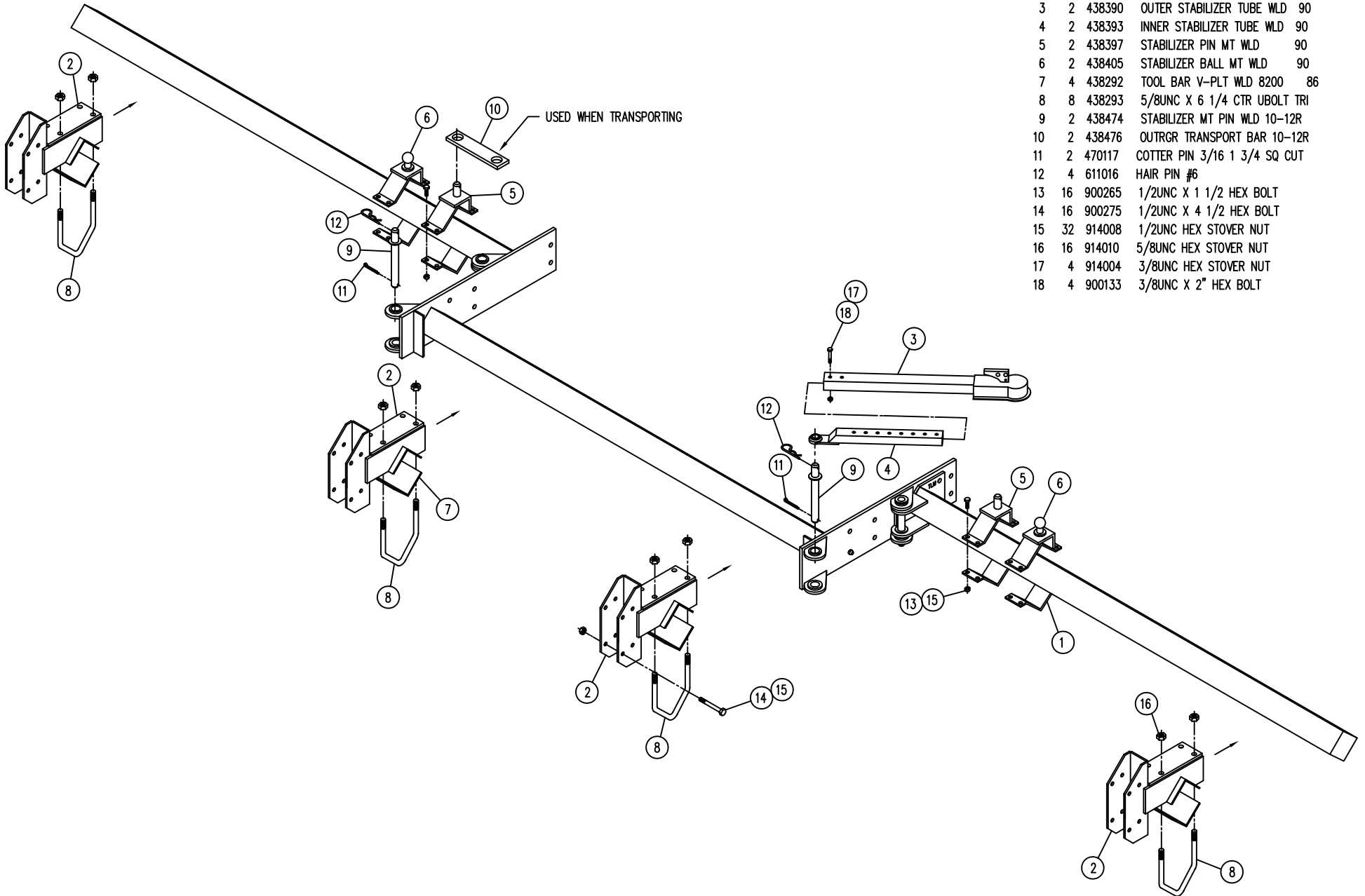
| DET. | QTY | PART NO. | DESCRIPTION |
|------|-----|----------|-------------------------------|
| 1 | 2 | 438324 | 75IN OUTRGR BRACE CLAMP |
| 2 | 1 | 438362 | RH OUTRGR CLAMP WLD 200 89 |
| 3 | 1 | 438363 | LH OUTRGR CLAMP WLD 200 89 |
| 4 | 1 | 438469 | OUTRGR TIE BAR WLD 200 10-12R |
| 5 | 1 | 438471 | OUTRGR SUPP ROD WLD 10-12R |
| 6 | 1 | 438457 | 200 TOOL BAR WLD 10-12R 92 |
| 7 | 1 | 438458 | RH 101IN OUTRGR WLD 10-12R 92 |
| 8 | 1 | 438459 | LH 101IN OUTRGR WLD 10-12R 92 |
| 9 | 1 | 438461 | RH OUTRGR SUPP POST WLD10-12R |
| 10 | 1 | 438462 | LH OUTRGR SUPP POST WLD10-12R |
| 11 | 1 | 438468 | OUTRGR SUPP BRACE 200 10-12R |
| 12 | 8 | 914008 | 1/2UNC HEX STOVER NUT |
| 13 | 6 | 914010 | 5/8UNC HEX STOVER NUT |
| 14 | 1 | 438283 | OUTRGR PIVOT PIN WLD 8200 86 |
| 15 | 1 | 438232 | BUSH, 1.00 OD X .656ID X .28 |
| 16 | 1 | 900352 | 5/8UNC X 2 1/4 HEX BOLT |
| 17 | 2 | 470117 | COTTER PIN 3/16 1 3/4 SQ CUT |
| 18 | 1 | 483037 | 5/8 REGULAR FLAT WASHER |
| 19 | 8 | 900265 | 1/2UNC X 1 1/2 HEX BOLT |
| 20 | 2 | 900336 | 5/8UNC X 2 1/2 HEX BOLT |
| 21 | 2 | 900334 | 5/8UNC X 1 3/4 HEX BOLT |
| 22 | 1 | 900332 | 5/8UNC X 1 1/4 HEX BOLT |
| 23 | 4 | 910012 | 3/4UNC HEX NUT |
| 24 | 1 | 438458 | RH 101IN OUTRGR WLD 10-12R 92 |
| 25 | 1 | 438459 | LH 101IN OUTRGR WLD 10-12R 92 |



10-ROW, 4-LIFT OUTRIGGER ASSEMBLY

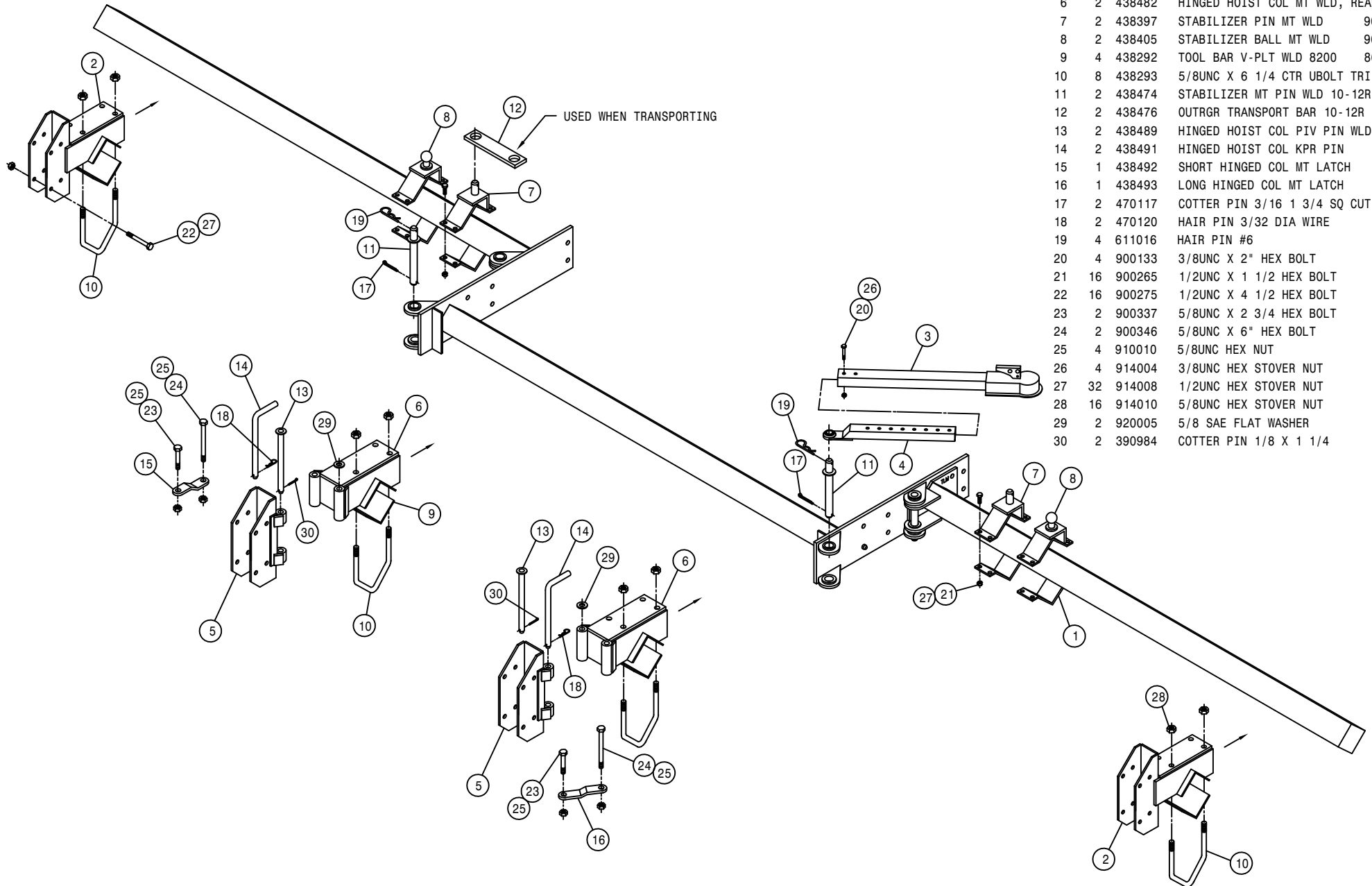
DET. QTY PART NO. DESCRIPTION

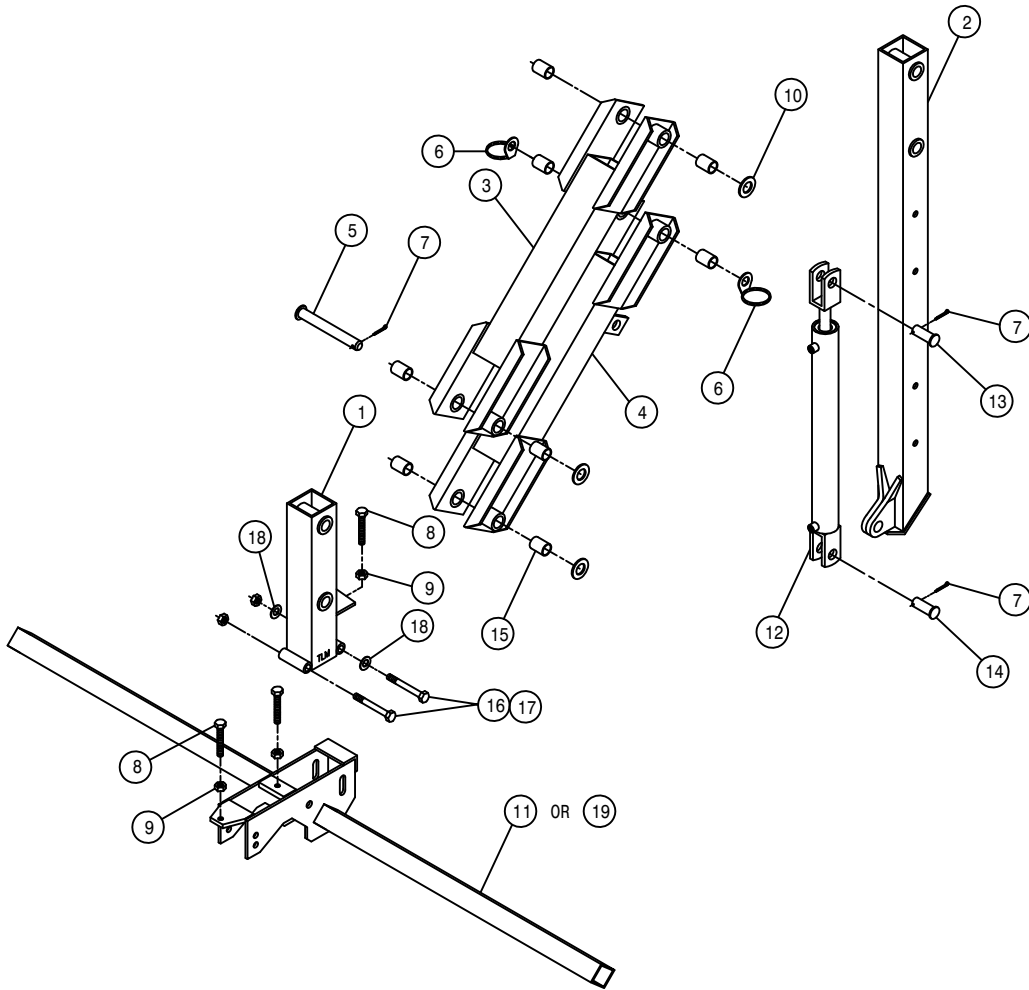
| DET. | QTY | PART NO. | DESCRIPTION |
|------|-----|----------|------------------------------|
| 1 | 4 | 438324 | 75IN OUTRGR BRACE CLAMP |
| 2 | 4 | 438367 | HOIST COL MT BRKT WLD 200 90 |
| 3 | 2 | 438390 | OUTER STABILIZER TUBE WLD 90 |
| 4 | 2 | 438393 | INNER STABILIZER TUBE WLD 90 |
| 5 | 2 | 438397 | STABILIZER PIN MT WLD 90 |
| 6 | 2 | 438405 | STABILIZER BALL MT WLD 90 |
| 7 | 4 | 438292 | TOOL BAR V-PLT WLD 8200 86 |
| 8 | 8 | 438293 | 5/8UNC X 6 1/4 CTR UBOLT TRI |
| 9 | 2 | 438474 | STABILIZER MT PIN WLD 10-12R |
| 10 | 2 | 438476 | OUTRGR TRANSPORT BAR 10-12R |
| 11 | 2 | 470117 | COTTER PIN 3/16 1 3/4 SQ CUT |
| 12 | 4 | 611016 | HAIR PIN #6 |
| 13 | 16 | 900265 | 1/2UNC X 1 1/2 HEX BOLT |
| 14 | 16 | 900275 | 1/2UNC X 4 1/2 HEX BOLT |
| 15 | 32 | 914008 | 1/2UNC HEX STOVER NUT |
| 16 | 16 | 914010 | 5/8UNC HEX STOVER NUT |
| 17 | 4 | 914004 | 3/8UNC HEX STOVER NUT |
| 18 | 4 | 900133 | 3/8UNC X 2" HEX BOLT |



DET. QTY PART NO. DESCRIPTION

| DET. | QTY | PART NO. | DESCRIPTION |
|------|-----|----------|-------------------------------|
| 1 | 4 | 438324 | 75IN OUTGR BRACE CLAMP |
| 2 | 2 | 438367 | HOIST COL MT BRKT WLD 200 90 |
| 3 | 2 | 438390 | OUTER STABILIZER TUBE WLD 90 |
| 4 | 2 | 438393 | INNER STABILIZER TUBE WLD 90 |
| 5 | 2 | 438481 | HINGED HOIST COL MT WLD, FRT |
| 6 | 2 | 438482 | HINGED HOIST COL MT WLD, REAR |
| 7 | 2 | 438397 | STABILIZER PIN MT WLD 90 |
| 8 | 2 | 438405 | STABILIZER BALL MT WLD 90 |
| 9 | 4 | 438292 | TOOL BAR V-PLT WLD 8200 86 |
| 10 | 8 | 438293 | 5/8UNC X 6 1/4 CTR UBOLT TRI |
| 11 | 2 | 438474 | STABILIZER MT PIN WLD 10-12R |
| 12 | 2 | 438476 | OUTGR TRANSPORT BAR 10-12R |
| 13 | 2 | 438489 | HINGED HOIST COL PIV PIN WLD |
| 14 | 2 | 438491 | HINGED HOIST COL KPR PIN |
| 15 | 1 | 438492 | SHORT HINGED COL MT LATCH |
| 16 | 1 | 438493 | LONG HINGED COL MT LATCH |
| 17 | 2 | 470117 | COTTER PIN 3/16 1 3/4 SQ CUT |
| 18 | 2 | 470120 | HAIR PIN 3/32 DIA WIRE |
| 19 | 4 | 611016 | HAIR PIN #6 |
| 20 | 4 | 900133 | 3/8UNC X 2" HEX BOLT |
| 21 | 16 | 900265 | 1/2UNC X 1 1/2 HEX BOLT |
| 22 | 16 | 900275 | 1/2UNC X 4 1/2 HEX BOLT |
| 23 | 2 | 900337 | 5/8UNC X 2 3/4 HEX BOLT |
| 24 | 2 | 900346 | 5/8UNC X 6" HEX BOLT |
| 25 | 4 | 910010 | 5/8UNC HEX NUT |
| 26 | 4 | 914004 | 3/8UNC HEX STOVER NUT |
| 27 | 32 | 914008 | 1/2UNC HEX STOVER NUT |
| 28 | 16 | 914010 | 5/8UNC HEX STOVER NUT |
| 29 | 2 | 920005 | 5/8 SAE FLAT WASHER |
| 30 | 2 | 390984 | COTTER PIN 1/8 X 1 1/4 |





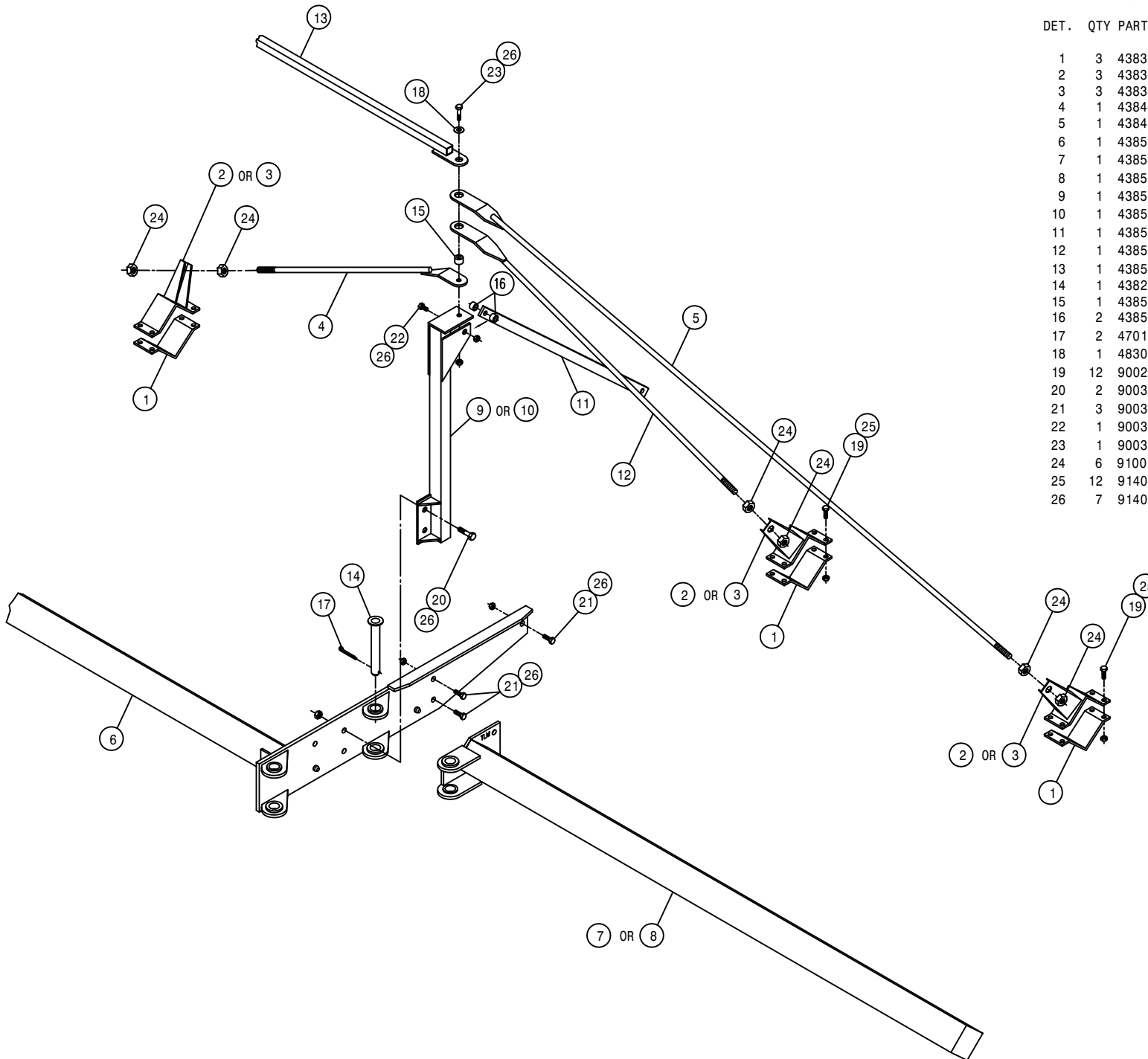
10-12 ROW, 4-LIFT ASSEMBLY

| DET. | QTY | PART NO. | DESCRIPTION |
|------|-----|----------|--------------------------------|
| 1 | 1 | 438177 | TOOL BAR MT WLD DETAS 83 |
| 2 | 1 | 438184 | HOIST COL WLD DETAS LIFT 83 |
| 3 | 1 | 438294 | UPPER LIFT ARM WLD 8200 86 |
| 4 | 1 | 438297 | LWR LIFT ARM WLD 8200 86 |
| 5 | 4 | 438300 | LIFT ARM PIVOT PIN WLD8200 86 |
| 6 | 2 | 438302 | HOSE SUPPORT RING WLD W/WASHER |
| 7 | 6 | 470162 | COTTER PIN 3/16 X 1 1/2 SQ CUT |
| 8 | 2 | 900538 | 1/2UNC X 3 1/2 HEX BOLT FULL |
| 9 | 2 | 910008 | 1/2UNC HEX NUT |
| 10 | 3 | 920008 | 1" SAE FLAT WASHER |
| 11 | 1 | 438194 | TOOL BAR WLD DETAS 4-6R 83 |
| 12 | 1 | 620900 | CYL ASSY CC2016 D00 SRG 180 |
| 13 | 1 | 472012 | CLEVIS PIN, 1.00 X 3.25 PLT |
| 14 | 1 | 472206 | PICKER PIN 1 DIA X 2 1/4 |
| 15 | 8 | 121025 | JOURNAL BRG FOR 1IN SHFT1.5LG |
| 16 | 2 | 900343 | 5/8UNC X 4 1/2 HEX BOLT |
| 17 | 2 | 914010 | 5/8UNC HEX STOVER NUT |
| 18 | 2 | 920005 | 5/8 SAE FLAT WASHER |
| 19 | 1 | 438478 | TOOL BAR WLD 10-12R DETASSLR |

10-12 ROW, 5-6 LIFT OUTRIGGER ASSEMBLY

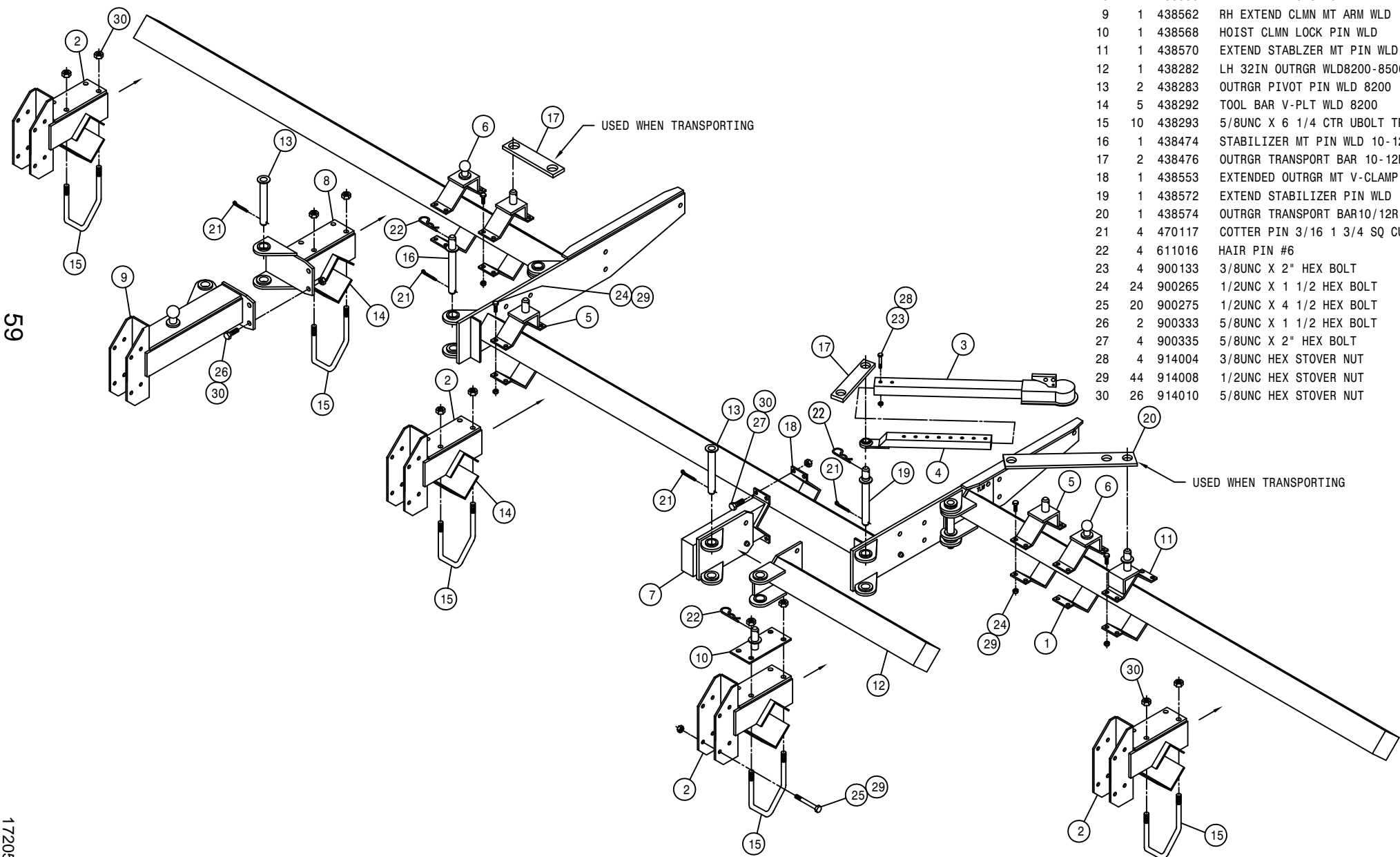
DET. QTY PART NO. DESCRIPTION

| DET. | QTY | PART NO. | DESCRIPTION |
|------|-----|----------|-------------------------------|
| 1 | 3 | 438324 | 75IN OUTRGR BRACE CLAMP |
| 2 | 3 | 438362 | RH OUTRGR CLAMP WLD 200 89 |
| 3 | 3 | 438363 | LH OUTRGR CLAMP WLD 200 89 |
| 4 | 1 | 438469 | OUTRGR TIE BAR WLD 200 10-12R |
| 5 | 1 | 438471 | OUTRGR SUPP ROD WLD 10-12R |
| 6 | 1 | 438530 | 204 TOOL BAR WLD,12R 5/6L 96 |
| 7 | 1 | 438533 | RH 133" OUTRGR WLD, 10/12R 96 |
| 8 | 1 | 438534 | LH 133" OUTRGR WLD, 10/12R 96 |
| 9 | 1 | 438536 | RH OUTRGR SUPP POST WLD10/12R |
| 10 | 1 | 438537 | LH OUTRGR SUPP POST WLD10/12R |
| 11 | 1 | 438543 | OUTRGR SUPP BRACE,10/12R 96 |
| 12 | 1 | 438544 | OUTRGR SUPP ROD WLD 50"10/12R |
| 13 | 1 | 438547 | 204 TIE TUBE WLD, 10/12R 96 |
| 14 | 1 | 438283 | OUTRGR PIVOT PIN WLD 8200 86 |
| 15 | 1 | 438541 | BUSH, 1.00 OD X .656ID X .53 |
| 16 | 2 | 438542 | BUSH, 1.00 OD X .656ID X .81 |
| 17 | 2 | 470117 | COTTER PIN 3/16 1 3/4 SQ CUT |
| 18 | 1 | 483037 | 5/8 REGULAR FLAT WASHER |
| 19 | 12 | 900265 | 1/2UNC X 1 1/2 HEX BOLT |
| 20 | 2 | 900336 | 5/8UNC X 2 1/2 HEX BOLT |
| 21 | 3 | 900334 | 5/8UNC X 1 3/4 HEX BOLT |
| 22 | 1 | 900339 | 5/8UNC X 3 1/4 HEX BOLT |
| 23 | 1 | 900352 | 5/8UNC X 2 1/4 HEX BOLT |
| 24 | 6 | 910012 | 3/4UNC HEX NUT |
| 25 | 12 | 914008 | 1/2UNC HEX STOVER NUT |
| 26 | 7 | 914010 | 5/8UNC HEX STOVER NUT |



DET. QTY PART NO. DESCRIPTION

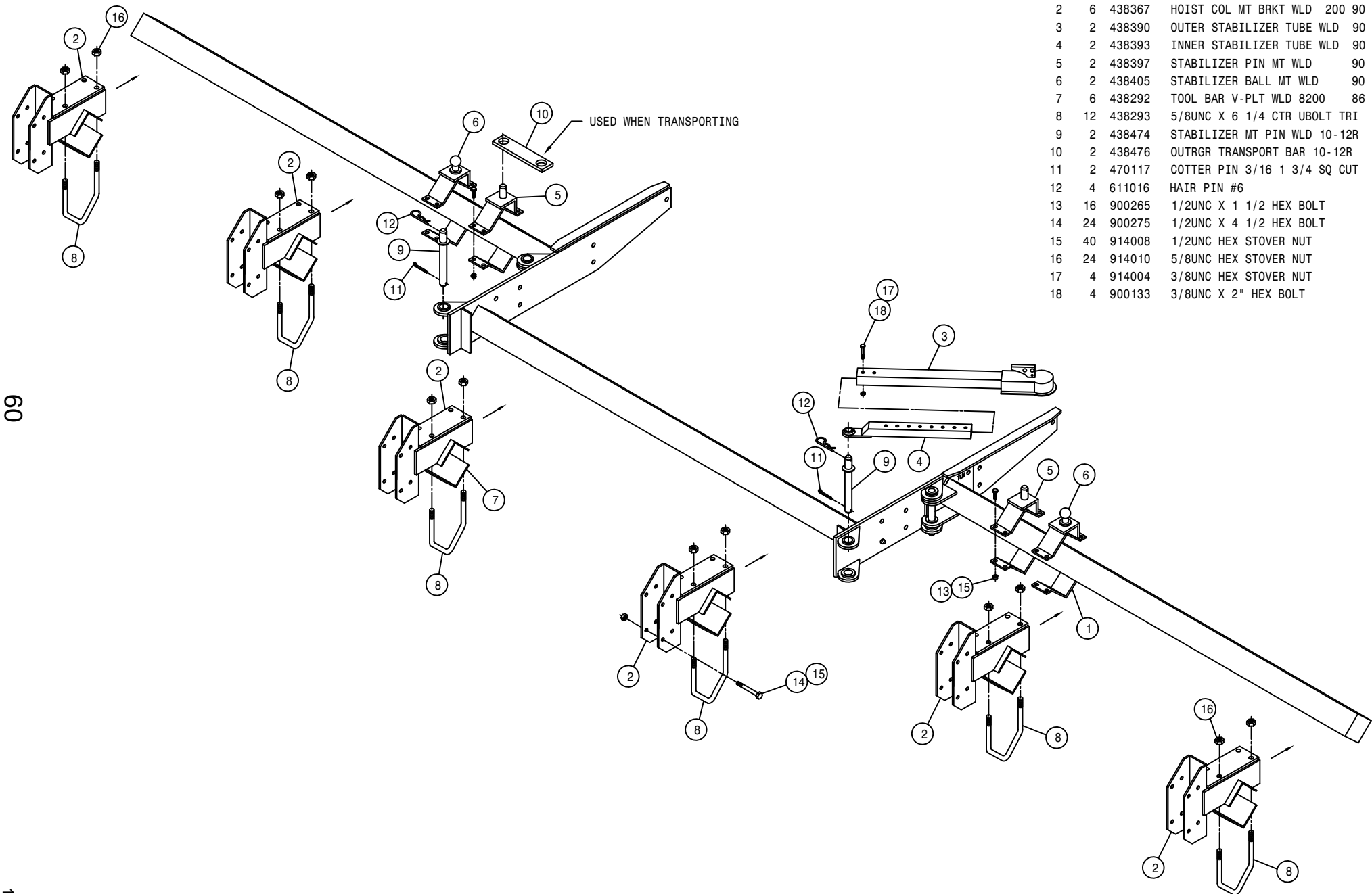
| DET. | QTY | PART NO. | DESCRIPTION |
|------|-----|----------|-------------------------------|
| 1 | 6 | 438324 | 75IN OUTRGR BRACE CLAMP |
| 2 | 4 | 438367 | HOIST COL MT BRKT WLD 200 90 |
| 3 | 2 | 438390 | OUTER STABILIZER TUBE WLD 90 |
| 4 | 2 | 438393 | INNER STABILIZER TUBE WLD 90 |
| 5 | 3 | 438397 | STABILIZER BALL MT WLD 90 |
| 6 | 2 | 438405 | STABILIZER BALL MT WLD 90 |
| 7 | 1 | 438551 | LH EXTENDED OUTRGR MT WLD 96 |
| 8 | 1 | 438555 | RH EXTEND HOIST CLMN MT WLD96 |
| 9 | 1 | 438562 | RH EXTEND CLMN MT ARM WLD 96 |
| 10 | 1 | 438568 | HOIST CLMN LOCK PIN WLD 96 |
| 11 | 1 | 438570 | EXTEND STABLZER MT PIN WLD 96 |
| 12 | 1 | 438282 | LH 32IN OUTRGR WLD8200-850086 |
| 13 | 2 | 438283 | OUTRGR PIVOT PIN WLD 8200 86 |
| 14 | 5 | 438292 | TOOL BAR V-PLT WLD 8200 86 |
| 15 | 10 | 438293 | 5/8UNC X 6 1/4 CTR BOLT TRI |
| 16 | 1 | 438474 | STABILIZER MT PIN WLD 10-12R |
| 17 | 2 | 438476 | OUTRGR TRANSPORT BAR 10-12R |
| 18 | 1 | 438553 | EXTENDED OUTRGR MT V-CLAMP 96 |
| 19 | 1 | 438572 | EXTEND STABILIZER PIN WLD 96 |
| 20 | 1 | 438574 | OUTRGR TRANSPORT BAR10/12R 96 |
| 21 | 4 | 470117 | COTTER PIN 3/16 1 3/4 SQ CUT |
| 22 | 4 | 611016 | HAIR PIN #6 |
| 23 | 4 | 900133 | 3/8UNC X 2" HEX BOLT |
| 24 | 24 | 900265 | 1/2UNC X 1 1/2 HEX BOLT |
| 25 | 20 | 900275 | 1/2UNC X 4 1/2 HEX BOLT |
| 26 | 2 | 900333 | 5/8UNC X 1 1/2 HEX BOLT |
| 27 | 4 | 900335 | 5/8UNC X 2" HEX BOLT |
| 28 | 4 | 914004 | 3/8UNC HEX STOVER NUT |
| 29 | 44 | 914008 | 1/2UNC HEX STOVER NUT |
| 30 | 26 | 914010 | 5/8UNC HEX STOVER NUT |



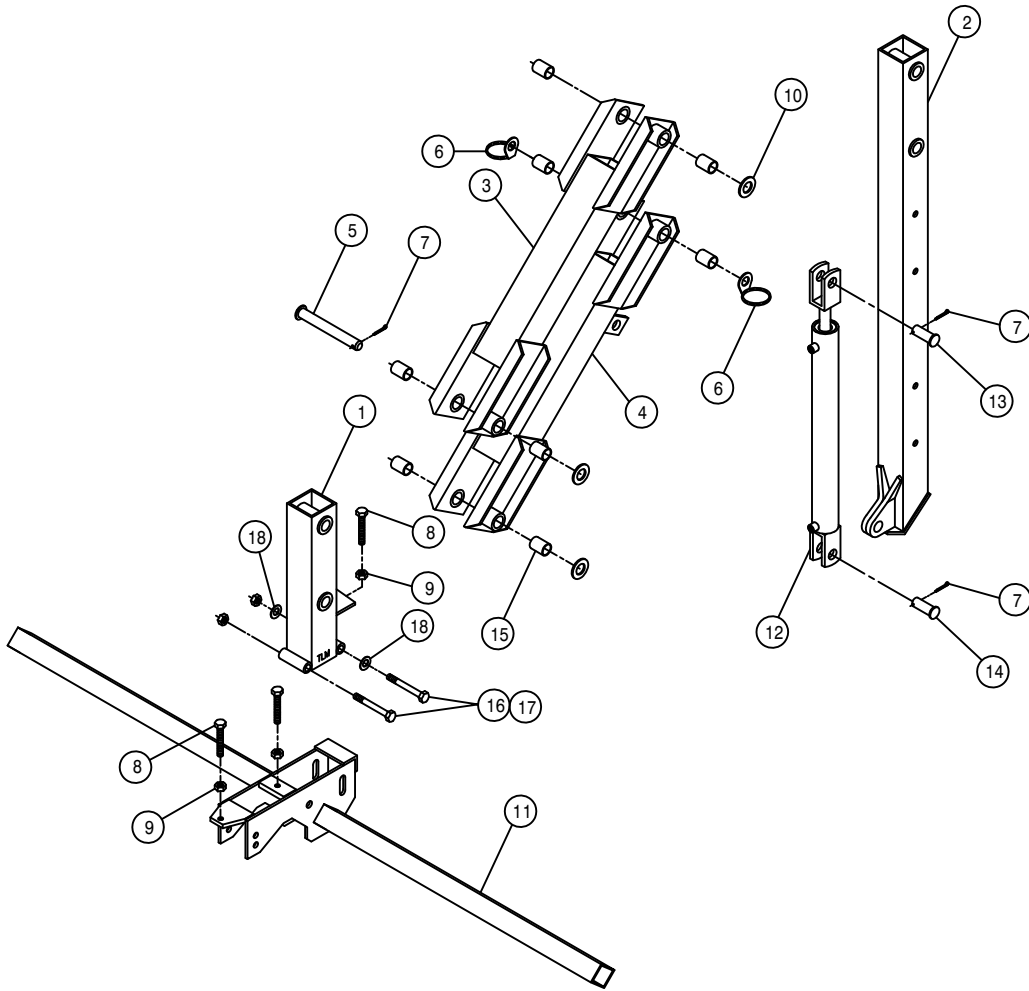
12-ROW, 6-LIFT OUTRIGGER ASSEMBLY

DET. QTY PART NO. DESCRIPTION

| DET. | QTY | PART NO. | DESCRIPTION |
|------|-----|----------|------------------------------|
| 1 | 4 | 438324 | 75IN OUTGR BRACE CLAMP |
| 2 | 6 | 438367 | HOIST COL MT BRKT WLD 200 90 |
| 3 | 2 | 438390 | OUTER STABILIZER TUBE WLD 90 |
| 4 | 2 | 438393 | INNER STABILIZER TUBE WLD 90 |
| 5 | 2 | 438397 | STABILIZER PIN MT WLD 90 |
| 6 | 2 | 438405 | STABILIZER BALL MT WLD 90 |
| 7 | 6 | 438292 | TOOL BAR V-PLT WLD 8200 86 |
| 8 | 12 | 438293 | 5/8UNC X 6 1/4 CTR UBOLT TRI |
| 9 | 2 | 438474 | STABILIZER MT PIN WLD 10-12R |
| 10 | 2 | 438476 | OUTGR TRANSPORT BAR 10-12R |
| 11 | 2 | 470117 | COTTER PIN 3/16 1 3/4 SQ CUT |
| 12 | 4 | 611016 | HAIR PIN #6 |
| 13 | 16 | 900265 | 1/2UNC X 1 1/2 HEX BOLT |
| 14 | 24 | 900275 | 1/2UNC X 4 1/2 HEX BOLT |
| 15 | 40 | 914008 | 1/2UNC HEX STOVER NUT |
| 16 | 24 | 914010 | 5/8UNC HEX STOVER NUT |
| 17 | 4 | 914004 | 3/8UNC HEX STOVER NUT |
| 18 | 4 | 900133 | 3/8UNC X 2" HEX BOLT |



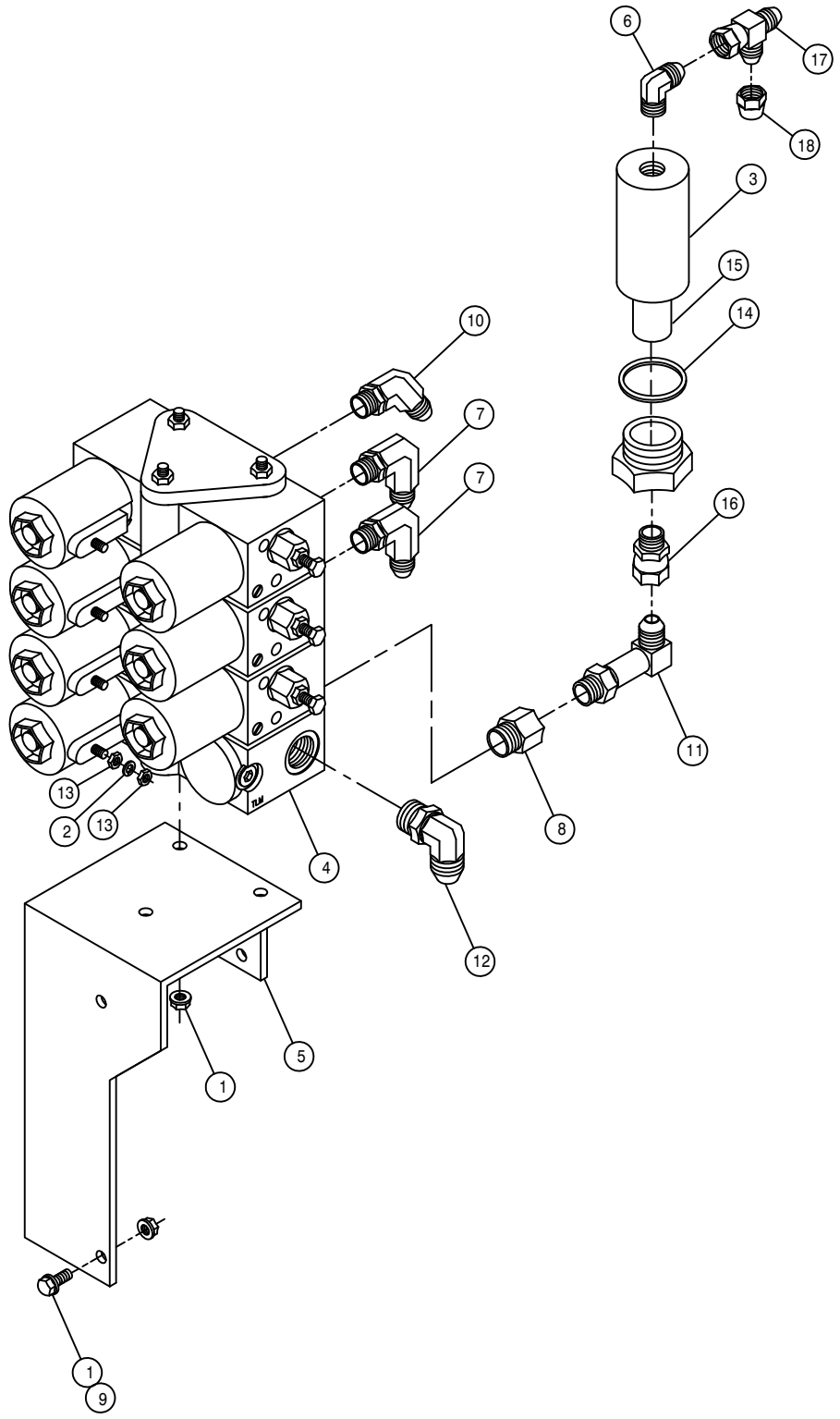
60



10-12 ROW, 5-6 LIFT ASSEMBLY

DET. QTY PART NO. DESCRIPTION

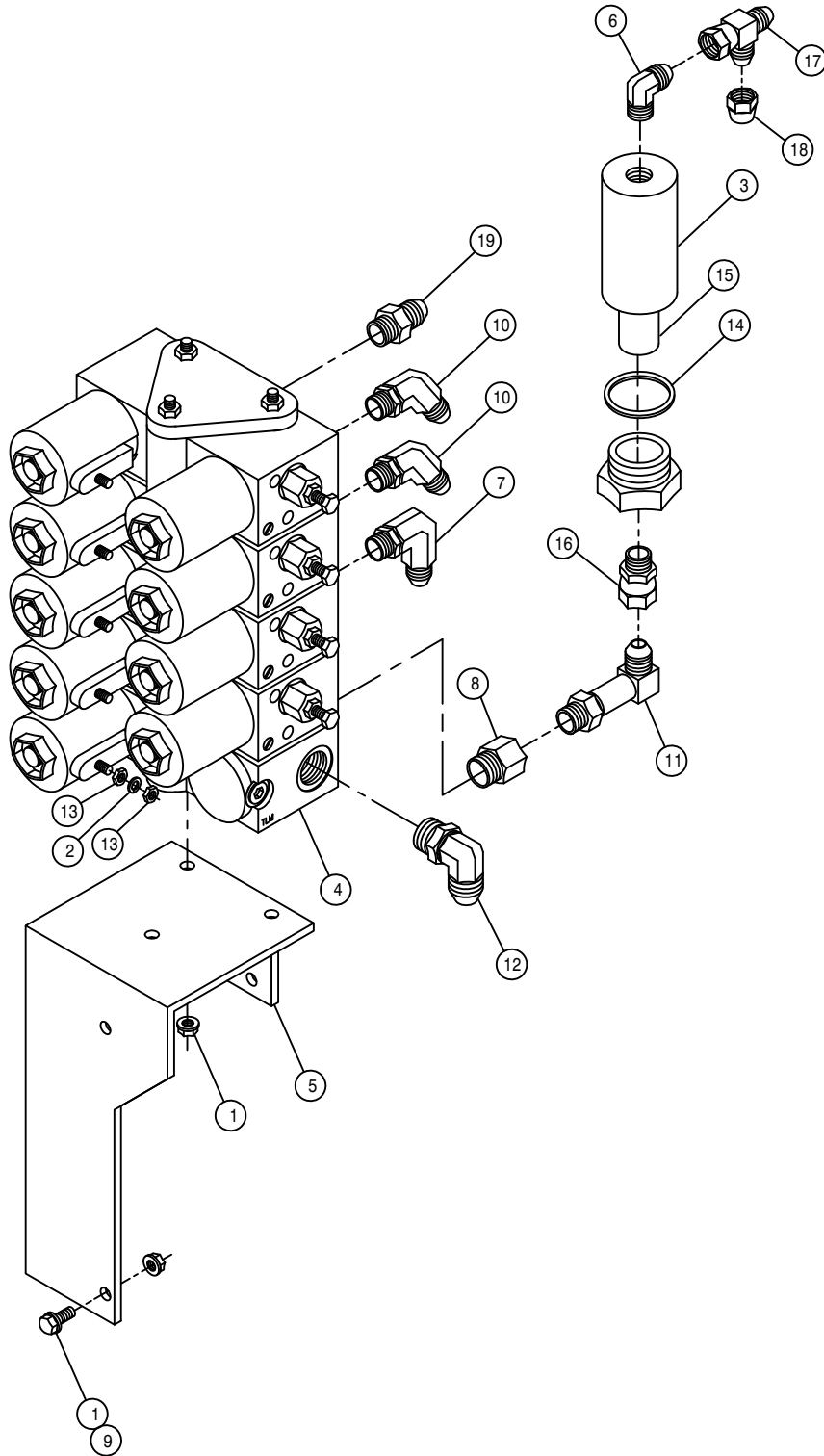
| | | | |
|----|---|--------|--------------------------------|
| 1 | 1 | 438177 | TOOL BAR MT WLD DETAS 83 |
| 2 | 1 | 438184 | HOIST COL WLD DETAS LIFT 83 |
| 3 | 1 | 438294 | UPPER LIFT ARM WLD 8200 86 |
| 4 | 1 | 438297 | LWR LIFT ARM WLD 8200 86 |
| 5 | 4 | 438300 | LIFT ARM PIVOT PIN WLD8200 86 |
| 6 | 2 | 438302 | HOSE SUPPORT RING WLD W/WASHER |
| 7 | 6 | 470162 | COTTER PIN 3/16 X 1 1/2 SQ CUT |
| 8 | 2 | 900538 | 1/2UNC X 3 1/2 HEX BOLT FULL |
| 9 | 2 | 910008 | 1/2UNC HEX NUT |
| 10 | 3 | 920008 | 1" SAE FLAT WASHER |
| 11 | 1 | 438194 | TOOL BAR WLD DETAS 4-6R 83 |
| 12 | 1 | 620900 | CYL ASSY CC2016 D00 SRG 180 |
| 13 | 1 | 472012 | CLEVIS PIN, 1.00 X 3.25 PLT |
| 14 | 1 | 472206 | PICKER PIN 1 DIA X 2 1/4 |
| 15 | 8 | 121025 | JOURNAL BRG FOR 1IN SHFT1.5LG |
| 16 | 2 | 900343 | 5/8UNC X 4 1/2 HEX BOLT |
| 17 | 2 | 914010 | 5/8UNC HEX STOVER NUT |
| 18 | 2 | 920005 | 5/8 SAE FLAT WASHER |



3-SECTION ELECTRIC VALVE ASSEMBLY

DET. QTY PART NO. DESCRIPTION

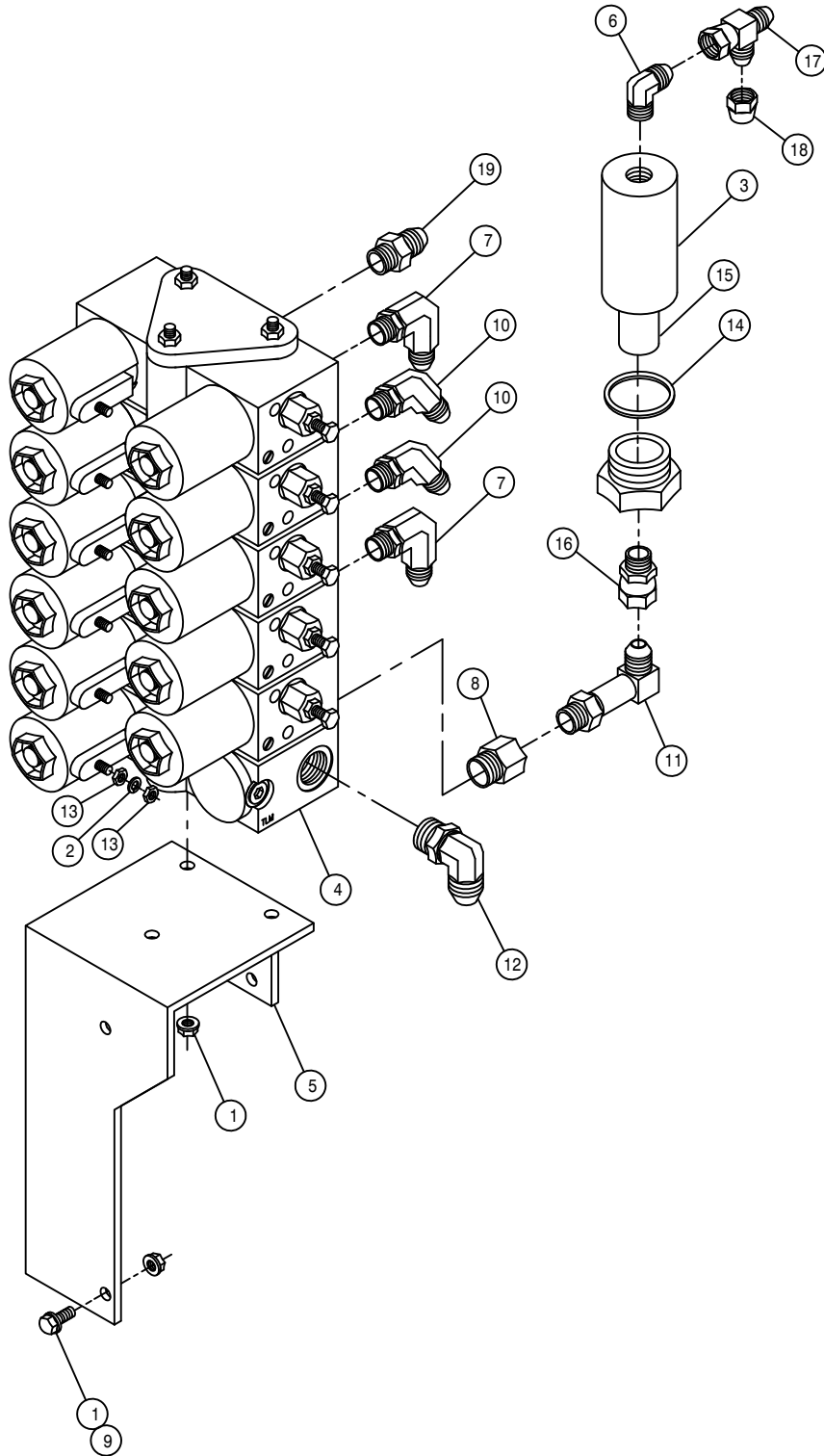
| DET. | QTY | PART NO. | DESCRIPTION |
|------|-----|----------|--------------------------------|
| 1 | 6 | 470121 | 1/4UNC HEX FLANGE LOCK NUT |
| 2 | 7 | 473821 | #10 INT TOOTH WASHER |
| 3 | 1 | 610447 | HYD FILTER, INLINE 1/4FNPT 90M |
| 4 | 1 | 610532 | ELECT HYD STACK VLV, 3 SECT |
| 5 | 1 | 610541 | 200 ELECT T-TROL VLV MT WLD89 |
| 6 | 1 | 611122 | 9/16MJIC-90-1/4MNPT LBO |
| 7 | 2 | 618119 | 9/16MJIC-90-9/16MOR LBO |
| 8 | 1 | 618170 | 3/4MOR-9/16FOR ADPTR |
| 9 | 3 | 470118 | 1/4UNC X 3/4 FLANGE HEX BOLT |
| 10 | 1 | 618425 | 9/16MJIC-45-9/16MOR LBO |
| 11 | 1 | 618440 | 9/16MJIC-90-9/16MOR EX LG LBO |
| 12 | 1 | 618600 | 9/16MJIC-90-7/8MOR LBO |
| 13 | 14 | 910027 | 10-32 HEX NUT |
| 14 | 1 | 610462 | GASKET FOR 610447 ARROW FILT |
| 15 | 1 | 610459 | 90M FILTER & GASKET FOR610447 |
| 16 | 1 | 618608 | 9/16FJIC SWIV-1/4MNPT |
| 17 | 1 | 618486 | 9/16FJIC SW RUN TEE-9/16MJIC |
| 18 | 1 | 618531 | 9/16FJIC CAP NUT |



4-SECTION ELECTRIC VALVE ASSEMBLY

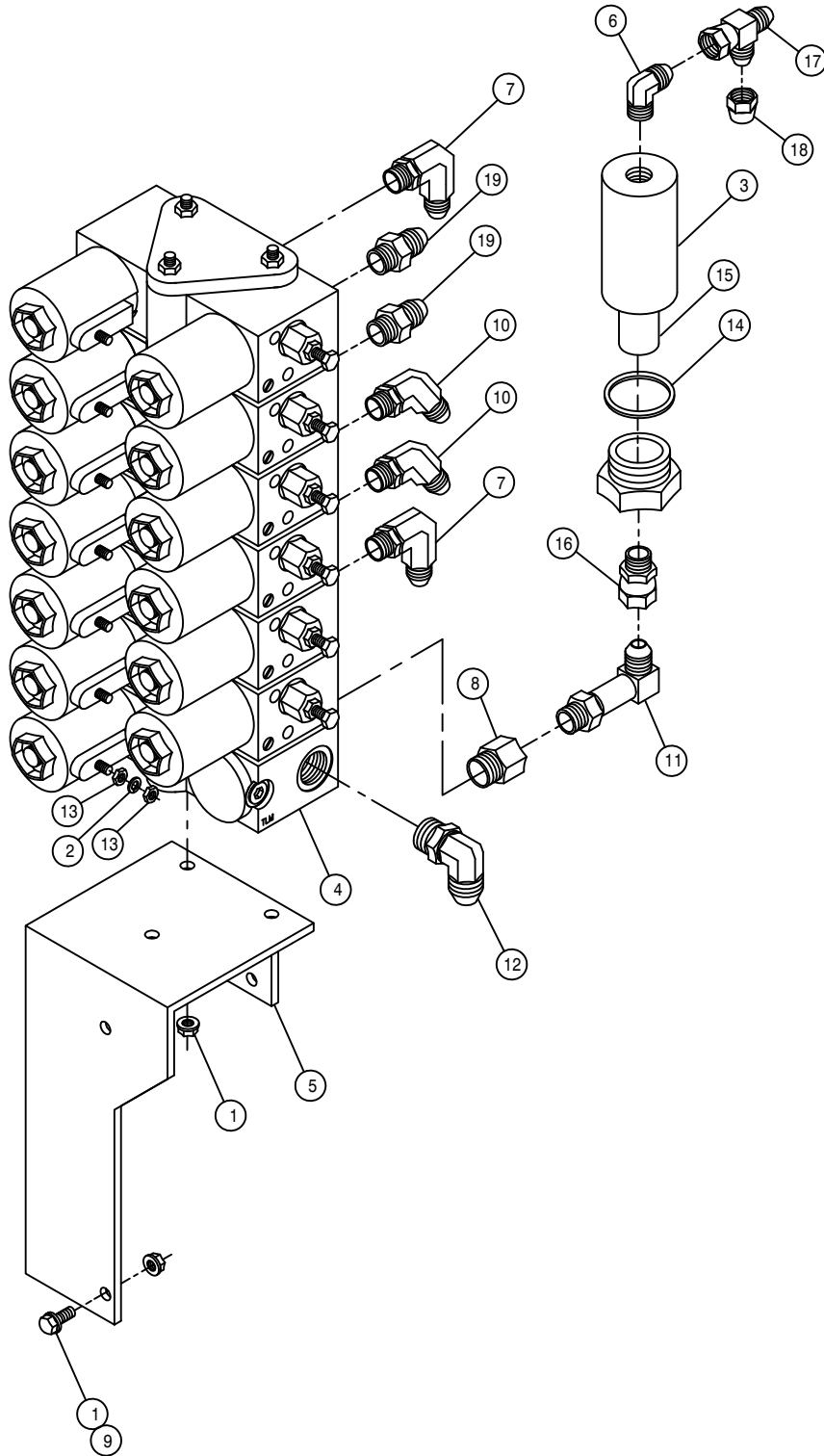
DET. QTY PART NO. DESCRIPTION

| | | | |
|----|----|--------|--------------------------------|
| 1 | 6 | 470121 | 1/4UNC HEX FLANGE LOCK NUT |
| 2 | 9 | 473821 | #10 INT TOOTH WASHER |
| 3 | 1 | 610447 | HYD FILTER, INLINE 1/4FNPT 90M |
| 4 | 1 | 610613 | ELECT HYD STACT VLV, 4 SECT |
| 5 | 1 | 610541 | 200 ELECT T-TROL VLV MT WLD89 |
| 6 | 1 | 611122 | 9/16MJIC-90-1/4MNPT LBO |
| 7 | 1 | 618119 | 9/16MJIC-90-9/16MOR LBO |
| 8 | 1 | 618170 | 3/4MOR-9/16FOR ADPTR |
| 9 | 3 | 470118 | 1/4UNC X 3/4 FLANGE HEX BOLT |
| 10 | 2 | 618425 | 9/16MJIC-45-9/16MOR LBO |
| 11 | 1 | 618440 | 9/16MJIC-90-9/16MOR EX LG LBO |
| 12 | 1 | 618600 | 9/16MJIC-90-7/8MOR LBO |
| 13 | 18 | 910027 | 10-32 HEX NUT |
| 14 | 1 | 610462 | GASKET FOR 610447 ARROW FILT |
| 15 | 1 | 610459 | 90M FILTER & GASKET FOR610447 |
| 16 | 1 | 618608 | 9/16FJIC SWIV-1/4MNPT |
| 17 | 1 | 618486 | 9/16FJIC SW RUN TEE-9/16MJIC |
| 18 | 1 | 618531 | 9/16FJIC CAP NUT |
| 19 | 1 | 618126 | 9/16MJIC-9/16MOR ADPTR |



5-SECTION ELECTRIC VALVE ASSEMBLY

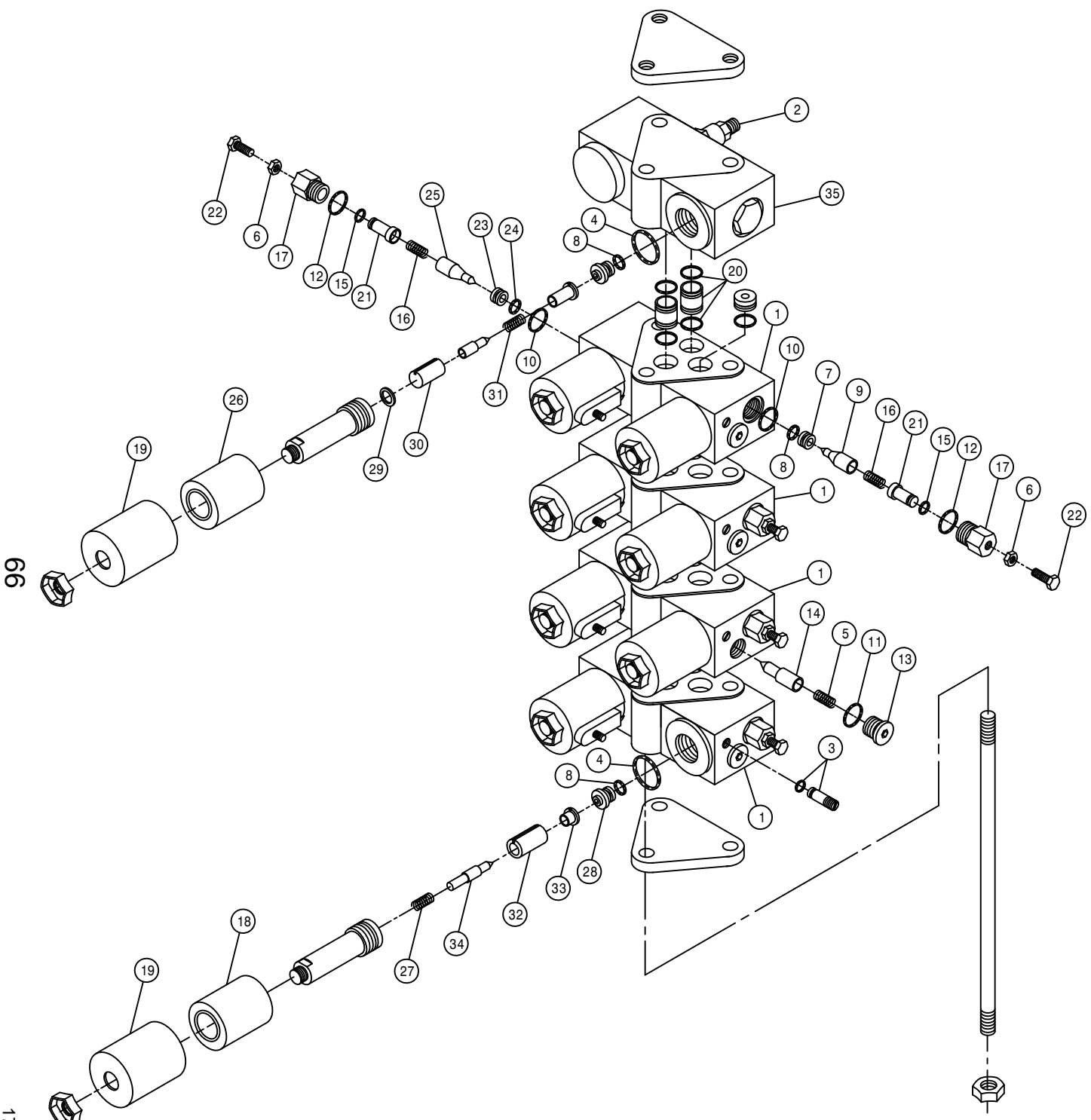
| DET. | QTY | PART NO. | DESCRIPTION |
|------|-----|----------|--------------------------------|
| 1 | 6 | 470121 | 1/4UNC HEX FLANGE LOCK NUT |
| 2 | 11 | 473821 | #10 INT TOOTH WASHER |
| 3 | 1 | 610447 | HYD FILTER, INLINE 1/4FNPT 90M |
| 4 | 1 | 610614 | ELECT HYD STACT VLV, 5 SECT |
| 5 | 1 | 610541 | 200 ELECT T-TROL VLV MT WLD89 |
| 6 | 1 | 611122 | 9/16MJIC-90-1/4MNPT LBO |
| 7 | 2 | 618119 | 9/16MJIC-90-9/16MOR LBO |
| 8 | 1 | 618170 | 3/4MOR-9/16FOR ADPTR |
| 9 | 3 | 470118 | 1/4UNC X 3/4 FLANGE HEX BOLT |
| 10 | 2 | 618425 | 9/16MJIC-45-9/16MOR LBO |
| 11 | 1 | 618440 | 9/16MJIC-90-9/16MOR EX LG LBO |
| 12 | 1 | 618600 | 9/16MJIC-90-7/8MOR LBO |
| 13 | 22 | 910027 | 10-32 HEX NUT |
| 14 | 1 | 610462 | GASKET FOR 610447 ARROW FILT |
| 15 | 1 | 610459 | 90M FILTER & GASKET FOR610447 |
| 16 | 1 | 618608 | 9/16FJIC SWIV-1/4MNPT |
| 17 | 1 | 618486 | 9/16FJIC SW RUN TEE-9/16MJIC |
| 18 | 1 | 618531 | 9/16FJIC CAP NUT |
| 19 | 1 | 618126 | 9/16MJIC-9/16MOR ADPTR |



6-SECTION ELECTRIC VALVE ASSEMBLY

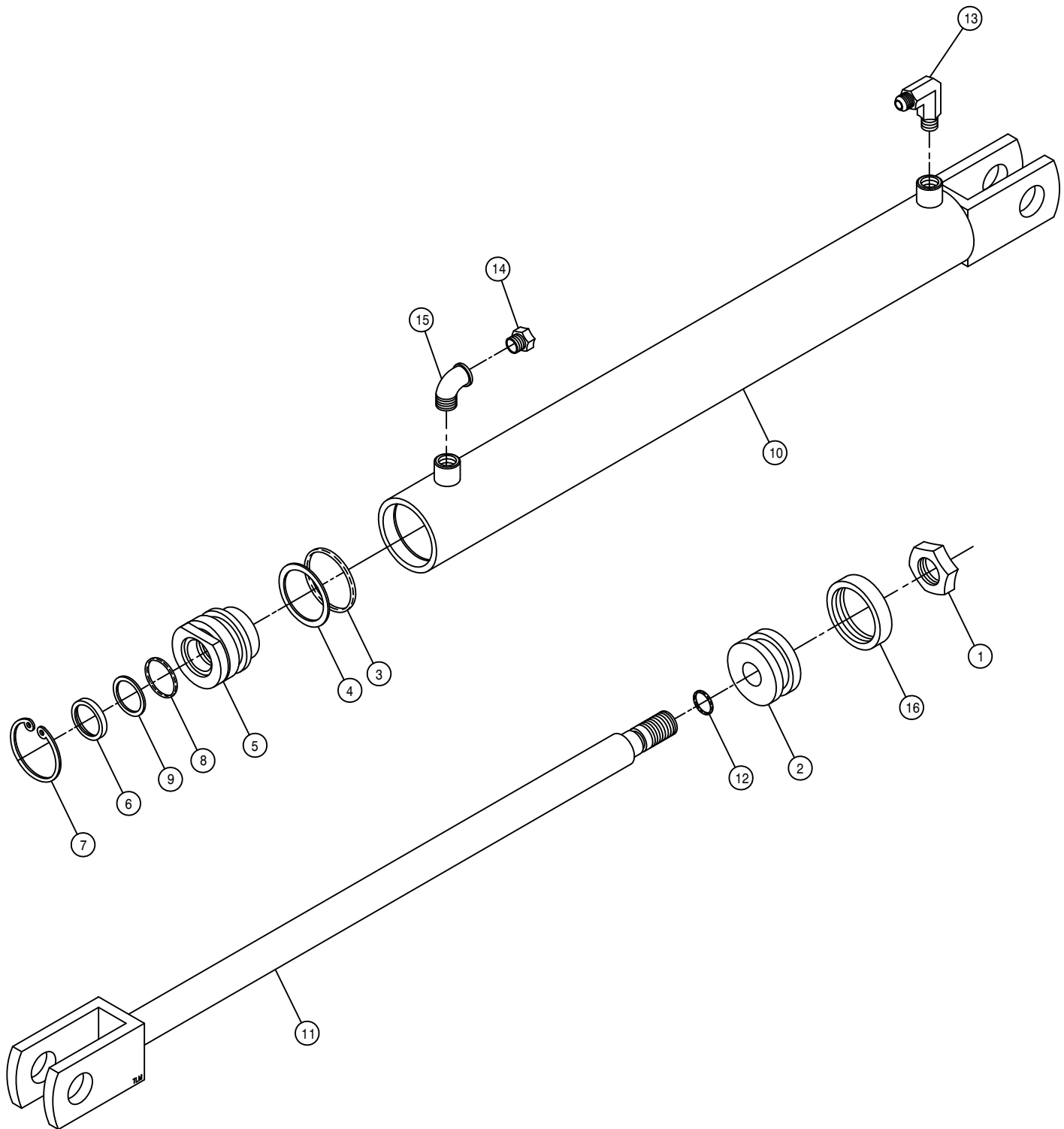
DET. QTY PART NO. DESCRIPTION

| | | | |
|----|----|--------|--------------------------------|
| 1 | 6 | 470121 | 1/4UNC HEX FLANGE LOCK NUT |
| 2 | 13 | 473821 | #10 INT TOOTH WASHER |
| 3 | 1 | 610447 | HYD FILTER, INLINE 1/4FNPT 90M |
| 4 | 1 | 610615 | ELECT HYD STACT VLV, 6 SECT |
| 5 | 1 | 610541 | 200 ELECT T-TROL VLV MT WLD89 |
| 6 | 1 | 611122 | 9/16MJIC-90-1/4MNPT LBO |
| 7 | 2 | 618119 | 9/16MJIC-90-9/16MOR LBO |
| 8 | 1 | 618170 | 3/4MOR-9/16FOR ADPTR |
| 9 | 3 | 470118 | 1/4UNC X 3/4 FLANGE HEX BOLT |
| 10 | 2 | 618425 | 9/16MJIC-45-9/16MOR LBO |
| 11 | 1 | 618440 | 9/16MJIC-90-9/16MOR EX LG LBO |
| 12 | 1 | 618600 | 9/16MJIC-90-7/8MOR LBO |
| 13 | 26 | 910027 | 10-32 HEX NUT |
| 14 | 1 | 610462 | GASKET FOR 610447 ARROW FILT |
| 15 | 1 | 610459 | 90M FILTER & GASKET FOR610447 |
| 16 | 1 | 618608 | 9/16FJIC SWIV-1/4MNPT |
| 17 | 1 | 618486 | 9/16FJIC SW RUN TEE-9/16MJIC |
| 18 | 1 | 618531 | 9/16FJIC CAP NUT |
| 19 | 2 | 618126 | 9/16MJIC-9/16MOR ADPTR |



ELECTROHYDRAULIC VALVE

| DET. | QTY | PART NO. | DESCRIPTION | |
|------|-----|----------|--------------------------------|-----|
| 1 | 4 | 610533 | UNBALANCED LOAD VALVE | 89 |
| 2 | 1 | 610551 | R.V. CARTRIDGE FOR 610532 | 90 |
| 3 | 8 | 610267 | SEAL PLUG ASSY FOR 610257 | |
| 4 | 9 | 871019 | ORING, 13/16 X 15/16 NEO 90D | |
| 5 | 4 | 610491 | SPRING AM-501-3-035 FOR610485 | |
| 6 | 8 | 910000 | 1/4UNC HEX NUT | |
| 7 | 4 | 610488 | ORIFICE PRESSED IN BLACK | |
| 8 | 13 | 871010 | ORING 1/4 X 3/8 VITON 90D | |
| 9 | 4 | 610129 | POPPET,ELECT VALVE,UNBAL LOAD | |
| 10 | 8 | 870013 | ORING, 7/16 X 9/16 NEO 70D | |
| 11 | 4 | 871904 | ORING, .351 X .072CS NEO 90D | |
| 12 | 8 | 871906 | ORING, .468ID X .078CS NEO 90D | |
| 13 | 4 | 610130 | PLUG, SAE4,ELECT VALVE,UNBAL | |
| 14 | 4 | 610489 | CHECK VLV POPPET | |
| 15 | 8 | 871008 | O-RING 3/16 X 5/16 90D | |
| 16 | 8 | 610492 | SPRING AM-570-3-126 FOR610485 | |
| 17 | 8 | 610453 | VLV CAP | |
| 18 | 8 | 610493 | COIL FOR 610485 | 86 |
| 19 | 9 | 610113 | COVER, ELECT VALVE, NON ADJ | |
| 20 | 8 | 610534 | THRU TUBE ASSY ELEC VLV | 89 |
| 21 | 8 | 610452 | ADJ VLV STOP | |
| 22 | 8 | 900003 | 1/4UNC X 1" HEX BOLT | |
| 23 | 4 | 610494 | ORIFICE FOR 610485 | |
| 24 | 4 | 871056 | O-RING | 90D |
| 25 | 4 | 610495 | POPPET FOR 610485AM-570-3-654 | |
| 26 | 1 | 610076 | COIL, ELECT STACK VALVE | |
| 27 | 8 | 610127 | SPRING,ELECT VALVE,UNBAL LOAD | |
| 28 | 8 | 610108 | ORIFICE 040, ELECT VALVE | |
| 29 | 1 | 610084 | WASHER, ELECT-HYD VALVE | |
| 30 | 1 | 610112 | ARMATURE, ELECT VALVE | |
| 31 | 1 | 610110 | SPRING, ELECT VALVE, NON ADJ | |
| 32 | 8 | 610126 | ARMATURE, ELECT VALVE, UNBAL | |
| 33 | 8 | 610133 | POLE PIECE,ELECT VALVE, UNBAL | |
| 34 | 8 | 610490 | POPPET FOR 610485AM-501-3-033 | |
| 35 | 1 | 610679 | UNLOAD RELIEF VALVE | |



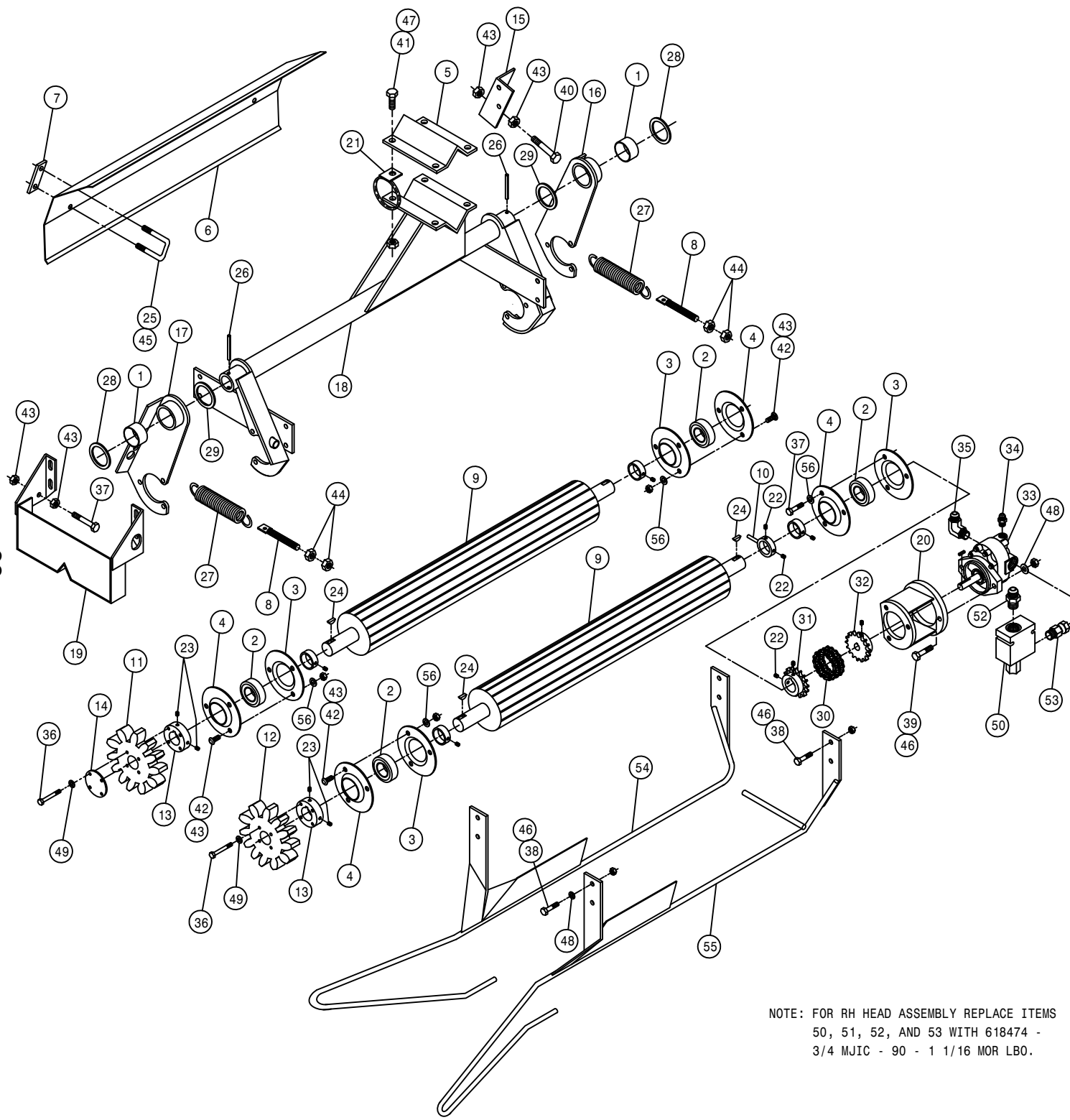
LIFT CYLINDER ASSEMBLY WITH T-TROL

| DET. | QTY | PART NO. | DESCRIPTION |
|------|-----|----------|-------------------------------|
| 1 | 1 | 472297 | 3/4UNF HEX STOVER NUT THIN |
| 2 | 1 | 620081 | PISTON 2 X 1 ZAMAC ORING TYPE |
| 3 | 1 | 870326 | BUNA ORING 1 5/8 X 2 |
| 4 | 1 | 890326 | BACKUP WASH 1 5/8 X 2 LEATH |
| 5 | 1 | 620082 | GLAND 2 IN X 1 IN ZAMAC |
| 6 | 1 | 629003 | WIPER 1 X 1 1/4 X 1/8 |
| 7 | 1 | 629505 | SNAP RING 2 IN INTRN |
| 8 | 1 | 870214 | BUNA ORING 1 X 1 1/4 |
| 9 | 1 | 890214 | BACKUP WASH 1 X 1 1/4 HT2022 |
| 10 | 1 | 620901 | TUBE WLD CC2016 D00 SRG 180 |
| 11 | 1 | 620905 | SHAFT WLD CC2016 D00 SRG180 |
| 12 | 1 | 870113 | BUNA ORING 9/16 X 3/4 |
| 13 | 1 | 611122 | 9/16MJIC-90-1/4MNPT LBO |
| 14 | 1 | 470114 | BREATHER FILTER VENT, 1/4 NPT |
| 15 | 1 | 501452 | ST EL 90DEG .25NPT, STEEL,PLT |
| 16 | 1 | 860326 | CROWN SEAL, 2" PISTON, HYD |

NOTE: 620900 - LIFT CYLINDER INCLUDES ITEMS 1-12.
620083 - SEAL KIT

ROLLER PULLER HEAD ASSEMBLY

DET. QTY PART NO. DESCRIPTION



| | | | |
|----|----|--------|-------------------------------|
| 1 | 2 | 120913 | BUSH HALF 1.8750D X 1LG |
| 2 | 4 | 123024 | BGR 1 1/4 BORE SPHERICL RELUB |
| 3 | 4 | 123026 | FLANGETT 1 1/4 RELUBE |
| 4 | 4 | 123035 | FLANGETT 1 1/4 180 DEG ZERK |
| 5 | 1 | 410016 | RLR HANGER V 473 |
| 6 | 1 | 410028 | RLR TASSLE DEFLECTOR |
| 7 | 2 | 410029 | U BOLT CLAMP 473 |
| 8 | 2 | 410032 | SPRING HOOK BOLT WLD 473 |
| 9 | 2 | 410060 | RUBBER ROLLER, GROOVED 78 |
| 10 | 1 | 410063 | TRASH FINGER WLD 473 1978 |
| 11 | 1 | 410065 | GEAR PLASTIC RLR 473 78 |
| 12 | 1 | 410066 | GEAR, ALUM RLR 473 78 |
| 13 | 2 | 410067 | HUB, RLR GEAR 473 1978 |
| 14 | 1 | 410069 | WASHER, PLASTIC GEAR, ROLLER |
| 15 | 1 | 410078 | STOP RLR REAR |
| 16 | 1 | 410084 | BRG MT WLD, RLR |
| 17 | 1 | 410090 | BRG MT WLD FT |
| 18 | 1 | 410120 | RLR PLR TUBE WLD 83 |
| 19 | 1 | 410145 | RLR SPRKT SHLD WLD |
| 20 | 1 | 410166 | CES MTR MT WLD 8200 RLR 89 |
| 21 | 1 | 438303 | HOSE KPR RING WLD W/TAB |
| 22 | 3 | 470054 | SET SCREW 5/16X 1/4 AL HD CUP |
| 23 | 4 | 470156 | 1/4-20 X 3/4 SQHD SET SCR CUP |
| 24 | 3 | 472000 | 91 WOODRUFF KEY |
| 25 | 2 | 472264 | 5/16UNC-1 3/4ID-2 15/16 UBOLT |
| 26 | 2 | 473945 | ROLL PIN, 1/4DIA X 2 1/2 LONG |
| 27 | 2 | 482006 | SPRING FOR 473 ROLLER4IN LONG |
| 28 | 2 | 483008 | MACH WASH 1 13/16ID 2 3/8OD |
| 29 | 2 | 483009 | MACH WASH 1 13/16ID X 2 3/8OD |
| 30 | 1 | 492084 | CHAIN FOR 492083 4016 |
| 31 | 1 | 492091 | CHAIN CPLR 1 1/4 BORE .25 KWY |
| 32 | 1 | 492092 | CHAIN CPLR 5/8 BORE 5/32 KWY |
| 33 | 1 | 610510 | CESSNA GEAR MOTOR 1.48CI |
| 34 | 1 | 611121 | 9/16MJIC-1/4MNPT ADPTR |
| 35 | 1 | 618474 | 3/4MJIC-90-1 1/16MOR LBO |
| 36 | 8 | 900006 | 1/4UNC X 1 3/4 HEX BOLT |
| 37 | 4 | 900129 | 3/8UNC X 1 HEX BOLT |
| 38 | 8 | 900130 | 3/8UNC X 1 1/4 HEX BOLT |
| 39 | 2 | 900131 | 3/8UNC X 1 1/2 HEX BOLT |
| 40 | 1 | 900134 | 3/8UNC X 2 1/2 HEX BOLT |
| 41 | 4 | 900265 | 1/2UNC X 1 1/2 HEX BOLT |
| 42 | 9 | 901129 | 3/8UNC X 1 CARR BOLT |
| 43 | 13 | 910004 | NUT, HEX, 3/8UNC GRS PLT |
| 44 | 4 | 910008 | 1/2 UNC HEX NUT |
| 45 | 4 | 914002 | 5/16 UNC STOVER NUT |
| 46 | 10 | 914004 | 3/8 UNC STOVER NUT |
| 47 | 4 | 914008 | 1/2 UNC STOVER NUT |
| 48 | 6 | 920002 | WASH FLAT 3/8 SAE |
| 49 | 8 | 920500 | LOCK WASH 1/4 |
| 50 | 1 | 610528 | PRESS COMP FIXED FLO REG 11G |
| 51 | 1 | 618248 | 1 1/16MJIC-90-1 1/16MOR LBO |
| 52 | 1 | 618469 | 3/4MJIC-1 1/16MOR ADPTR |
| 53 | 1 | 618578 | 1 1/16FJIC SWIV-1 1/16MOR |
| 54 | 1 | 410153 | RH STALK GUIDE WLD 8200 RLR86 |
| 55 | 1 | 410155 | LF STALK GUIDE WLD 8200 RLR86 |
| 56 | 12 | 920502 | 3/8 LOCK WASHER |

NOTE: FOR RH HEAD ASSEMBLY REPLACE ITEMS
50, 51, 52, AND 53 WITH 618474 -
3/4 MJIC - 90 - 1 1/16 MOR LBO.

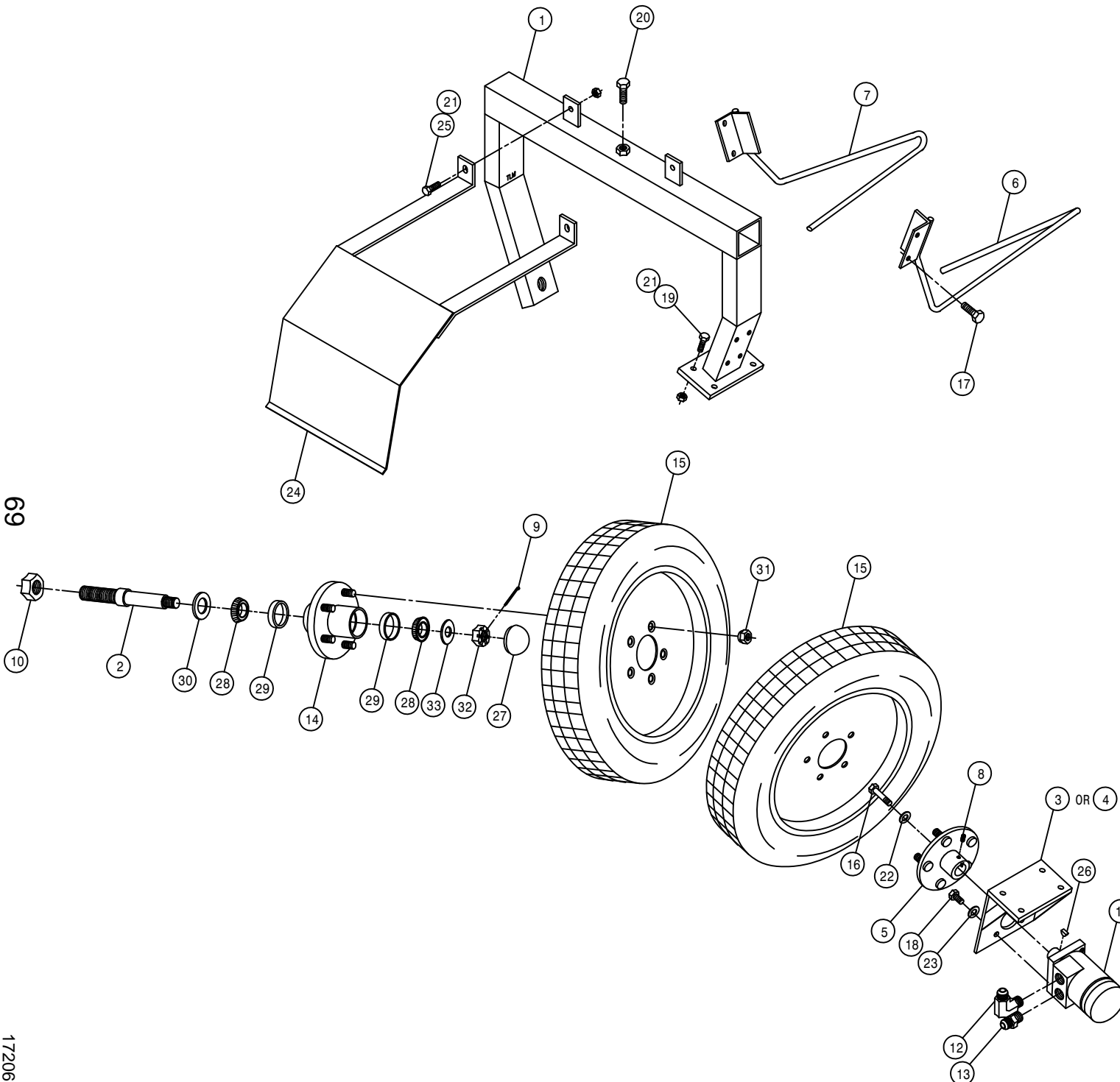
68

172068

TIRE PULLER HEAD ASSEMBLY

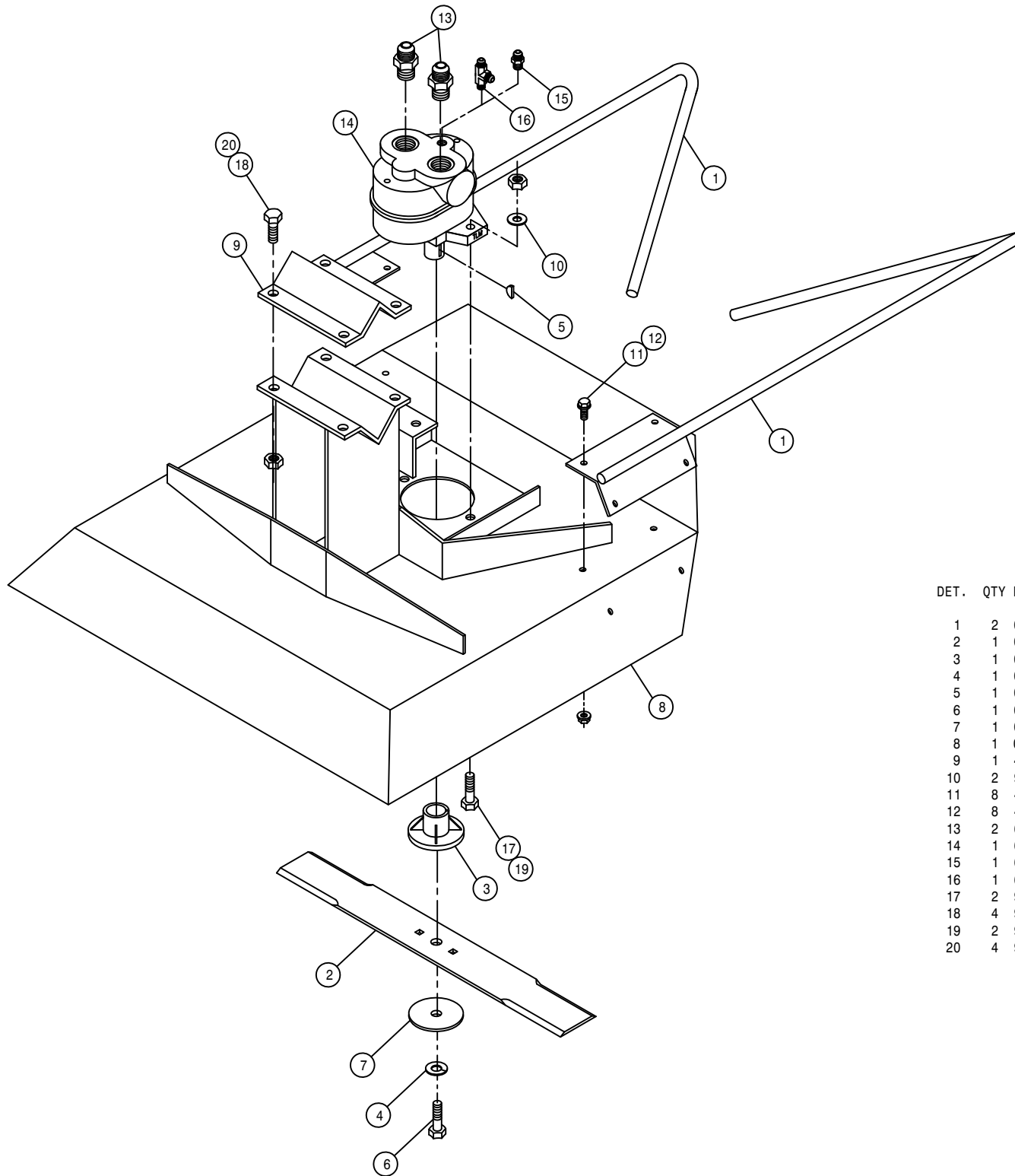
DET. QTY PART NO. DESCRIPTION

| | | | |
|----|----|--------|------------------------------|
| 1 | 1 | 438000 | TIRE PLR WLD 1977 |
| 2 | 1 | 438009 | PLR SPINDLE |
| 3 | 1 | 438010 | HYD MTR HSNG MT WLD R H |
| 4 | 1 | 438014 | HYD MTR HSNG MT WLD LH |
| 5 | 1 | 438015 | HYD HUB WLD PLR |
| 6 | 1 | 438048 | PLR STALK GUIDE WLD |
| 7 | 1 | 438050 | INSIDE STALK GUIDE WLD |
| 8 | 2 | 470053 | 1/4-20X1/4 AL HD SET SC CUP |
| 9 | 1 | 472008 | COTTER PIN 5/32X1LG |
| 10 | 1 | 473060 | 1 IN 14 SAE HEX NUT UNPLATED |
| 11 | 1 | 604005 | ORBIT MOTOR A5E |
| 12 | 1 | 611145 | 3/4MJIC-90-1/2MNPT LBO |
| 13 | 1 | 611147 | 3/4MJIC-1/2MNPT ADPTR |
| 14 | 1 | 824501 | 1 IN TAPER BRG HUB GROUP |
| 15 | 2 | 824503 | WHL W/480X12-B TIRE |
| 16 | 1 | 900006 | 1/4UNC X 1 3/4 HEX BOLT |
| 17 | 4 | 900064 | 5/16UNC X 3/4 HEX BOLT |
| 18 | 4 | 900128 | 3/8UNC X 3/4 HEX BOLT |
| 19 | 4 | 900130 | 3/8UNC X 1 1/4 HEX BOLT |
| 20 | 1 | 900263 | 1/2UNC X 1 HEX BOLT |
| 21 | 6 | 914004 | 3/8 UNC STOVER NUT |
| 22 | 1 | 920500 | LOCK WASH 1/4 |
| 23 | 4 | 920502 | LOCK WASH 3/8 |
| 24 | 1 | 438173 | TIRE PLR SHLD WLD |
| 25 | 2 | 900129 | 3/8UNC X 1 HEX BOLT |
| 26 | 1 | 472022 | NO. 15 WOODRUFF KEY 1/4 X 1 |
| 27 | 1 | 824507 | DUST CAP FOR 824501P01 |
| 28 | 2 | 824504 | BRG FOR 824501P01 |
| 29 | 2 | 824506 | BRG CUP FOR 824501P01 |
| 30 | 1 | 824505 | SEAL FOR 824501P01 |
| 31 | 10 | 824052 | WHEEL STUD NUT 1/2-20X60DEG |
| 32 | 1 | 129003 | SPINDLE NUT |
| 33 | 1 | 920006 | 3/4 FLAT WASH SAE |



69

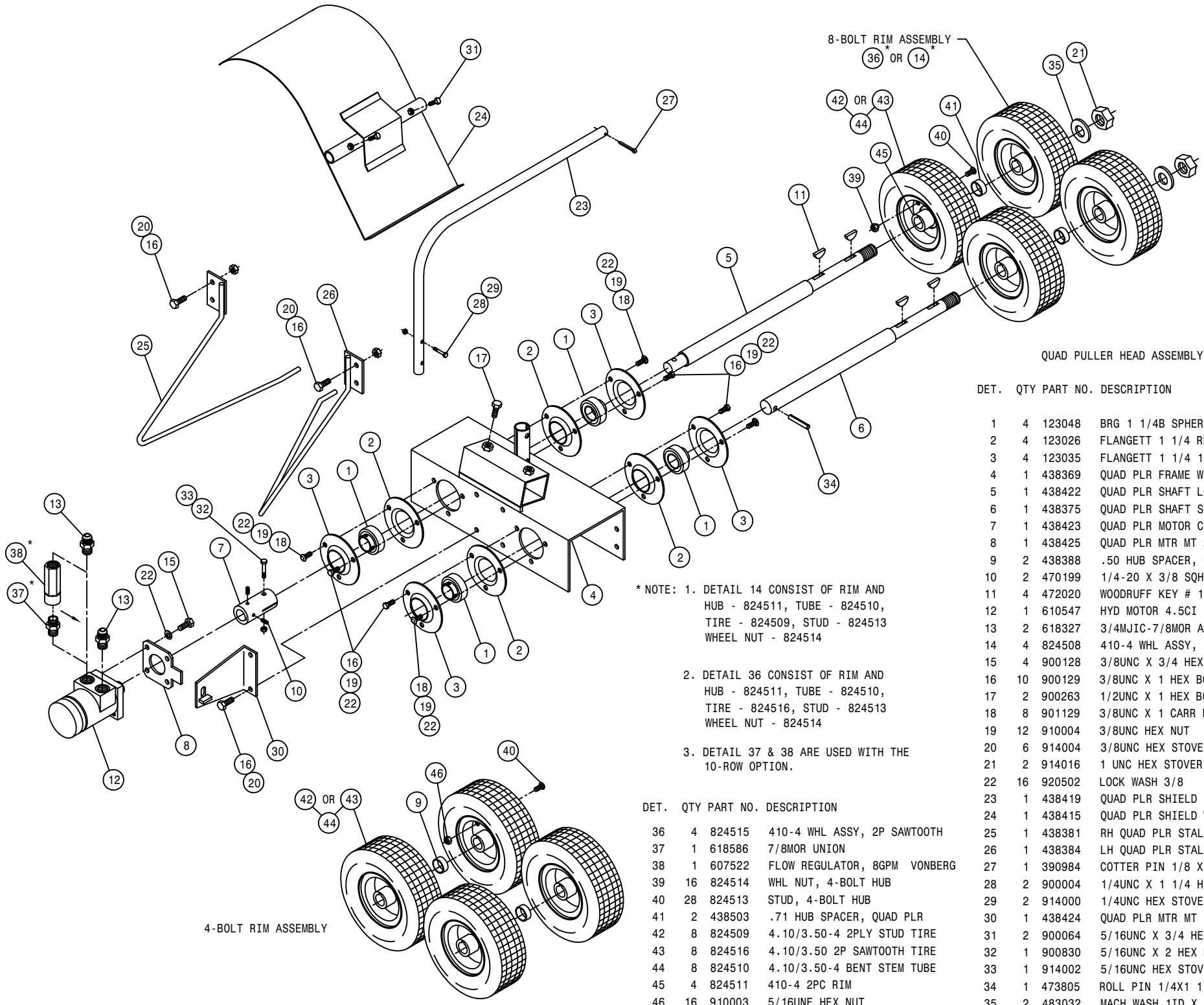
172069



CUTTER HEAD ASSEMBLY

DET. QTY PART NO. DESCRIPTION

| | | | | |
|----|---|--------|------------------------------|----|
| 1 | 2 | 002215 | CUTR STALK GUIDE WLD 8200 | 85 |
| 2 | 1 | 002103 | CUTR BLADE 18 IN | |
| 3 | 1 | 002104 | CLUTCH BODY BLADE | |
| 4 | 1 | 002105 | STEEL LOCK WASH CUTR BLADE | |
| 5 | 1 | 002106 | WOODRUFF KEY #6 .156 X .625 | |
| 6 | 1 | 002107 | 3/8UNF X 1 1/2 HEX BOLT CUTR | |
| 7 | 1 | 002108 | STEEL WASHER CUTTER BLADE | |
| 8 | 1 | 002210 | CUTR TOP WLD 8200 | 85 |
| 9 | 1 | 410016 | RLR HANGER V 473 | |
| 10 | 2 | 920002 | 3/8 SAE FLAT WASHER | |
| 11 | 8 | 470118 | 1/4UNC X 3/4 FLANGE HEX BOLT | |
| 12 | 8 | 470121 | 1/4UNC HEX FLANGE LOCK NUT | |
| 13 | 2 | 611125 | 3/4MJIC-3/4MOR ADPTR | |
| 14 | 1 | 610590 | SUB>610755:BARNES HYD MOTOR | |
| 15 | 1 | 618530 | 9/16MJIC-1/8MNPT ADPTR | |
| 16 | 1 | 618546 | 1/8MNPT RUN TEE-9/16MJIC | |
| 17 | 2 | 900130 | 3/8UNC X 1 1/4 HEX BOLT | |
| 18 | 4 | 900265 | 1/2UNC X 1 1/2 HEX BOLT | |
| 19 | 2 | 914004 | 3/8UNC HEX STOVER NUT | |
| 20 | 4 | 914008 | 1/2UNC HEX STOVER NUT | |



QUAD PULLER HEAD ASSEMBLY

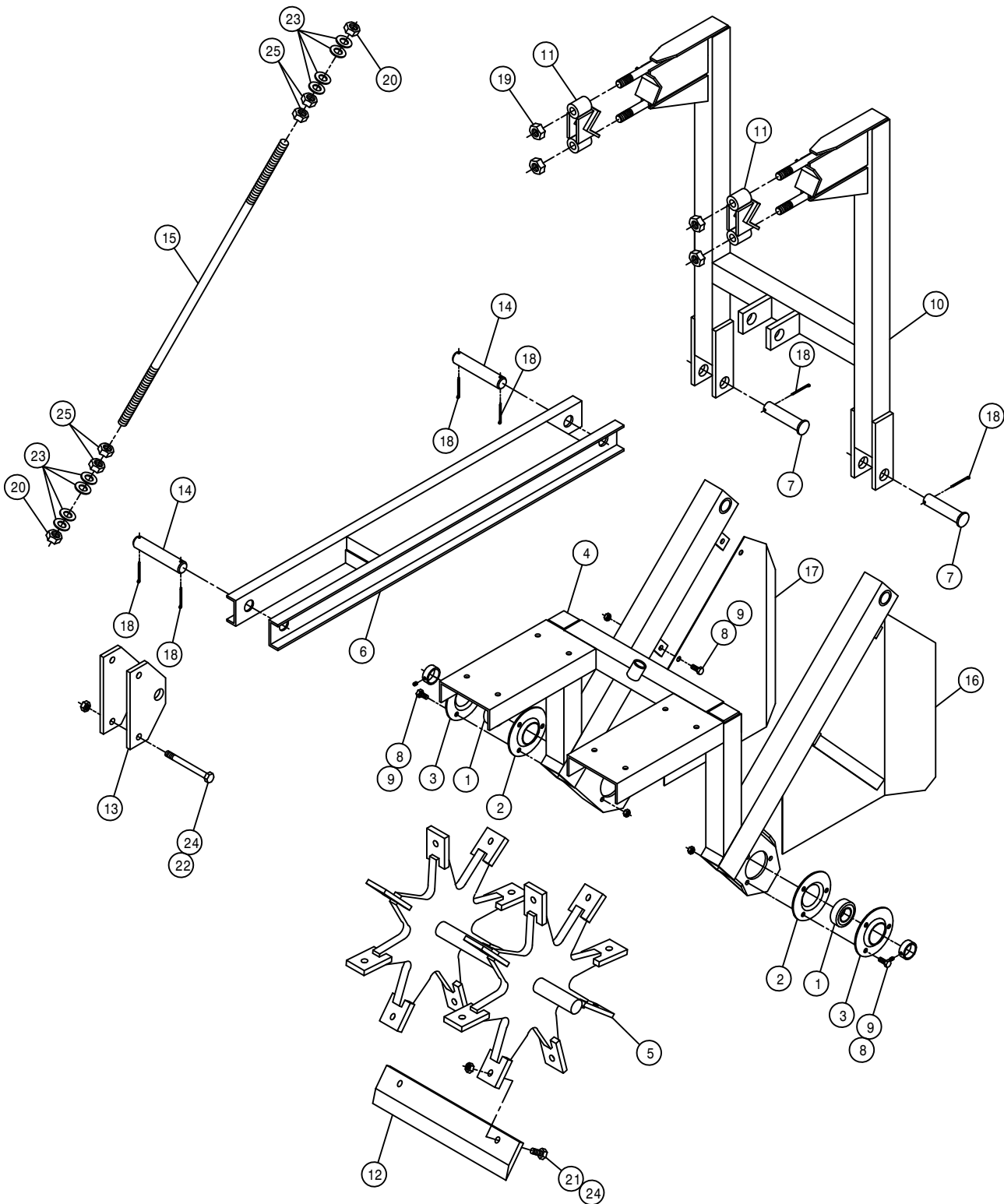
| DET. | QTY | PART NO. | DESCRIPTION |
|------|-----|----------|-------------------------------|
| 1 | 4 | 123048 | BRG 1 1/4B SPHER RELUB SCRLOC |
| 2 | 4 | 123026 | FLANGETT 1 1/4 RELUBE |
| 3 | 4 | 123035 | FLANGETT 1 1/4 180 DEG ZERK |
| 4 | 1 | 438369 | QUAD PLR FRAME WLD 200 90 |
| 5 | 1 | 438422 | QUAD PLR SHAFT LONG 200 91 |
| 6 | 1 | 438375 | QUAD PLR SHAFT SHORT 200 90 |
| 7 | 1 | 438423 | QUAD PLR MOTOR COUPLER 200 91 |
| 8 | 1 | 438425 | QUAD PLR MTR MT 200 91 |
| 9 | 2 | 438388 | .50 HUB SPACER, QUAD PLR |
| 10 | 2 | 470199 | 1/4-20 X 3/8 SQHD CUP SET SCR |
| 11 | 4 | 472020 | WOODRUFF KEY # 18 1/4 X 1 1/8 |
| 12 | 1 | 610547 | HYD MOTOR 4.5CI 1IN SHFT |
| 13 | 2 | 618327 | 3/4MJIC-7/8MOR ADPTR |
| 14 | 4 | 824508 | 410-4 WHL ASSY, 2P STUD |
| 15 | 4 | 900128 | 3/8UNC X 3/4 HEX BOLT |
| 16 | 10 | 900129 | 3/8UNC X 1 HEX BOLT |
| 17 | 2 | 900263 | 1/2UNC X 1 HEX BOLT |
| 18 | 8 | 901129 | 3/8UNC X 1 CARR BOLT |
| 19 | 12 | 910004 | 3/8UNC HEX NUT |
| 20 | 6 | 914004 | 3/8UNC HEX STOVER NUT |
| 21 | 2 | 914016 | 1 UNC HEX STOVER NUT |
| 22 | 16 | 920502 | LOCK WASH 3/8 |
| 23 | 1 | 438419 | QUAD PLR SHIELD MT TUBE 91 |
| 24 | 1 | 438415 | QUAD PLR SHIELD WLD 200 91 |
| 25 | 1 | 438381 | RH QUAD PLR STALK GUIDE WLD90 |
| 26 | 1 | 438384 | LH QUAD PLR STALK GUIDE WLD90 |
| 27 | 1 | 390984 | COTTER PIN 1/8 X 1 1/4 |
| 28 | 2 | 900004 | 1/4UNC X 1 1/4 HEX BOLT |
| 29 | 2 | 914000 | 1/4UNC HEX STOVER NUT |
| 30 | 1 | 438424 | QUAD PLR MTR MT PLT WLD |
| 31 | 2 | 900064 | 5/16UNC X 3/4 HEX BOLT |
| 32 | 1 | 900830 | 5/16UNC X 2 HEX BOLT GR8 |
| 33 | 1 | 914002 | 5/16UNC HEX STOVER NUT |
| 34 | 1 | 473805 | ROLL PIN 1/4X1 1/2 |
| 35 | 2 | 483032 | MACH WASH 1ID X 1.50D X.134TH |
| 36 | 4 | 824515 | 410-4 WHL ASSY, 2P SAWTOOTH |
| 37 | 1 | 618586 | 7/8MOR UNION |
| 38 | 1 | 607522 | FLOW REGULATOR, 8GPM VONBERG |
| 39 | 16 | 824514 | WHL NUT, 4-BOLT HUB |
| 40 | 28 | 824513 | STUD, 4-BOLT HUB |
| 41 | 2 | 438503 | .71 HUB SPACER, QUAD PLR |
| 42 | 8 | 824509 | 4.10/3.50-4 2PLY STUD TIRE |
| 43 | 8 | 824516 | 4.10/3.50 2P SAWTOOTH TIRE |
| 44 | 8 | 824510 | 4.10/3.50-4 BENT STEM TUBE |
| 45 | 4 | 824511 | 410-4 2PC RIM |
| 46 | 16 | 910003 | 5/16UNF HEX NUT |

* NOTE: 1. DETAIL 14 CONSIST OF RIM AND HUB - 824511, TUBE - 824510, TIRE - 824509, STUD - 824513 WHEEL NUT - 824514

2. DETAIL 36 CONSIST OF RIM AND HUB - 824511, TUBE - 824510, TIRE - 824516, STUD - 824513 WHEEL NUT - 824514

3. DETAIL 37 & 38 ARE USED WITH THE 10-ROW OPTION.

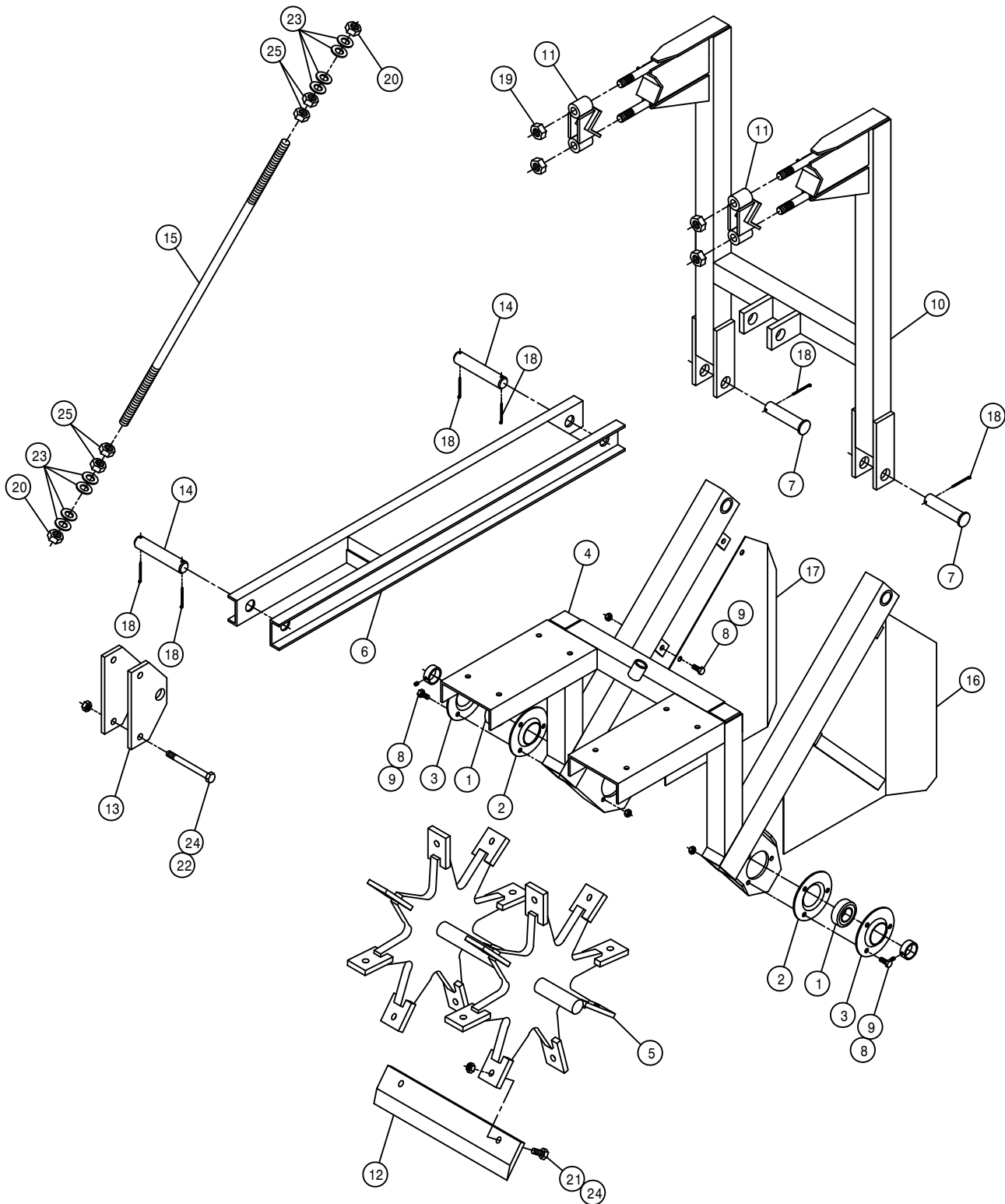
| DET. | QTY | PART NO. | DESCRIPTION |
|------|-----|----------|------------------------------|
| 36 | 4 | 824515 | 410-4 WHL ASSY, 2P SAWTOOTH |
| 37 | 1 | 618586 | 7/8MOR UNION |
| 38 | 1 | 607522 | FLOW REGULATOR, 8GPM VONBERG |
| 39 | 16 | 824514 | WHL NUT, 4-BOLT HUB |
| 40 | 28 | 824513 | STUD, 4-BOLT HUB |
| 41 | 2 | 438503 | .71 HUB SPACER, QUAD PLR |
| 42 | 8 | 824509 | 4.10/3.50-4 2PLY STUD TIRE |
| 43 | 8 | 824516 | 4.10/3.50 2P SAWTOOTH TIRE |
| 44 | 8 | 824510 | 4.10/3.50-4 BENT STEM TUBE |
| 45 | 4 | 824511 | 410-4 2PC RIM |
| 46 | 16 | 910003 | 5/16UNF HEX NUT |



15" MALE ROW CHOPPER ASSEMBLY

DET. QTY PART NO. DESCRIPTION

| | | | |
|----|----|--------|--------------------------------|
| 1 | 2 | 123024 | BGR 1 1/4 BORE SPHERICL RELUB |
| 2 | 2 | 123026 | FLANGETT 1 1/4 |
| 3 | 2 | 123035 | FLANGETT 1 1/4 180 DEG ZERK |
| 4 | 1 | 270814 | LWR FRAME WLD MALE ROW CHOP |
| 5 | 1 | 270860 | BLADE MT WHL WLD, CHOPPER 92 |
| 6 | 1 | 270852 | LWR LIFT ARM WLD MALE CHOP 91 |
| 7 | 2 | 472012 | PICKER PIN 1 X 3 1/4 |
| 8 | 10 | 900129 | 3/8UNC X 1 HEX BOLT |
| 9 | 10 | 914004 | 3/8UNC HEX STOVER NUT |
| 10 | 1 | 270855 | UPR FRAME WLD MALE ROW CHOP91 |
| 11 | 2 | 270833 | TOOL BAR CLAMP WLD MALE CHOP |
| 12 | 8 | 270838 | CHOPPER BLADE 8131 STEEL TREA |
| 13 | 2 | 270842 | LWR LIFT ARM MTG PLT |
| 14 | 2 | 270843 | LIFT ARM PIN MALE ROW CHOPPER |
| 15 | 1 | 270844 | ADJ ROD MALE ROW CHOPPER |
| 16 | 1 | 270845 | RH SHLD WLD MALE ROW CHOPPER |
| 17 | 1 | 270846 | LH SHLD WLD MALE ROW CHOPPER |
| 18 | 6 | 470162 | COTTER PIN 3/16 X 1 1/2 SQ CUT |
| 19 | 4 | 914010 | 5/8UNC HEX STOVER NUT |
| 20 | 2 | 914012 | 3/4UNC HEX STOVER NUT |
| 21 | 16 | 900265 | 1/2UNC X 1 1/2 HEX BOLT |
| 22 | 2 | 900275 | 1/2UNC X 4 1/2 HEX BOLT |
| 23 | 8 | 920006 | 3/4 FLAT WASH SAE |
| 24 | 18 | 914008 | 1/2UNC HEX STOVER NUT |
| 25 | 4 | 910012 | 3/4UNC HEX NUT |



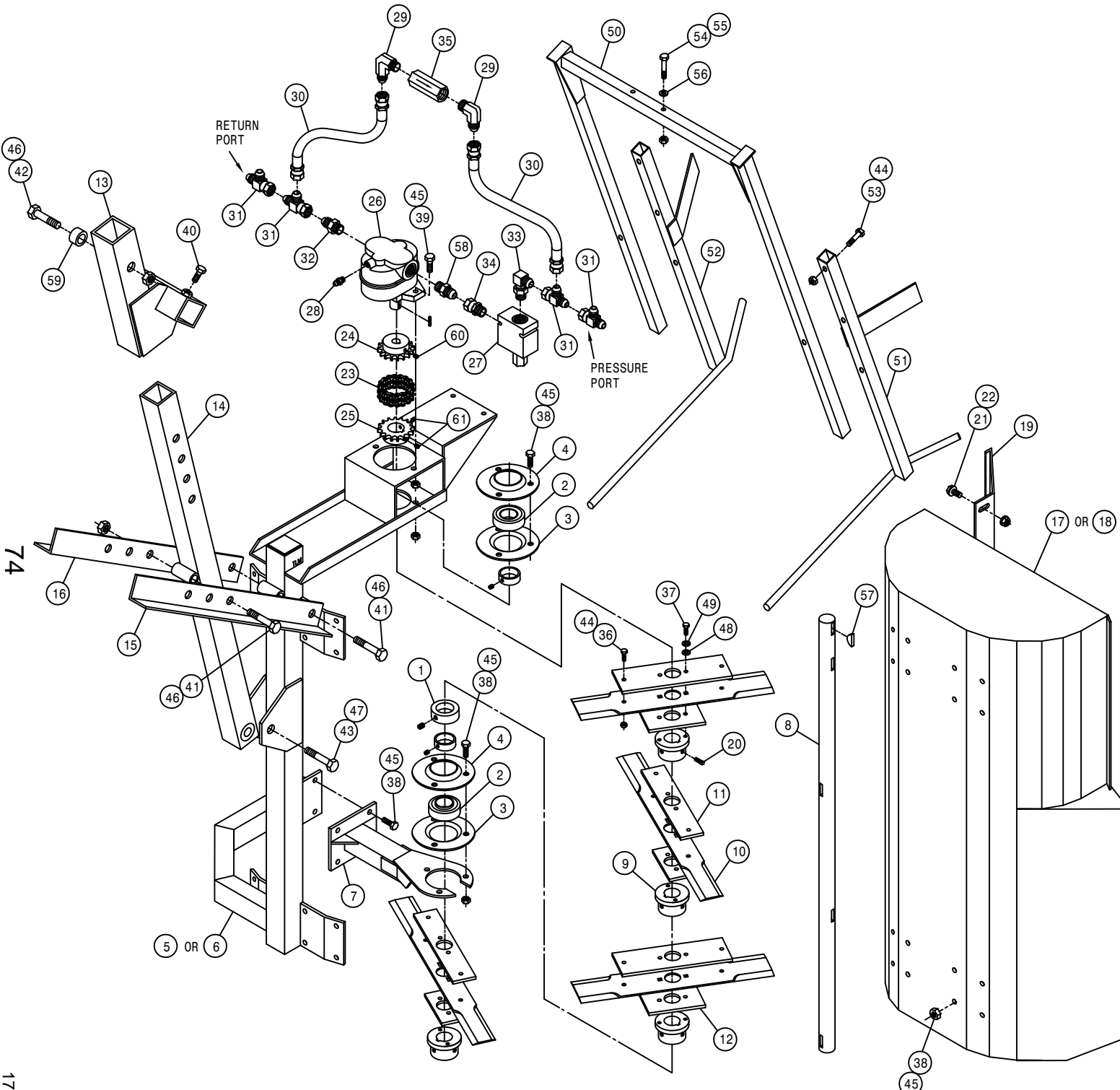
20" MALE ROW CHOPPER ASSEMBLY

DET. QTY PART NO. DESCRIPTION

| | | | |
|----|----|--------|-------------------------------|
| 1 | 2 | 123024 | BGR 1 1/4 BORE SPHERICL RELUB |
| 2 | 2 | 123026 | FLANGETT 1 1/4 |
| 3 | 2 | 123035 | FLANGETT 1 1/4 180 DEG ZERK |
| 4 | 1 | 270872 | LWR FRAME WLD,20"MALE CHOPR95 |
| 5 | 1 | 270874 | BLADE MT WHL WLD,20"CHOPR 95 |
| 6 | 1 | 270852 | LWR LIFT ARM WLD MALE CHOP 91 |
| 7 | 2 | 472012 | PICKER PIN 1 X 3 1/4 |
| 8 | 10 | 900129 | 3/8UNC X 1 HEX BOLT |
| 9 | 10 | 914004 | 3/8UNC HEX STOVER NUT |
| 10 | 1 | 270876 | UPR FRAME WLD,20"MALE CHOPR95 |
| 11 | 2 | 270833 | TOOL BAR CLAMP WLD MALE CHOP |
| 12 | 8 | 270866 | CHOPPER BLADE,MALE ROW,20" 95 |
| 13 | 2 | 270842 | LWR LIFT ARM MTG PLT |
| 14 | 2 | 270843 | LIFT ARM PIN MALE ROW CHOPPER |
| 15 | 1 | 270867 | ADJ ROD WLD,MALE ROW CHOPR 95 |
| 16 | 1 | 270845 | RH SHLD WLD MALE ROW CHOPPER |
| 17 | 1 | 270846 | LH SHLD WLD MALE ROW CHOPPER |
| 18 | 6 | 470162 | COTTER PIN 3/16 X 1 1/2 SQCUT |
| 19 | 4 | 914010 | 5/8UNC HEX STOVER NUT |
| 20 | 2 | 914012 | 3/4UNC HEX STOVER NUT |
| 21 | 16 | 900265 | 1/2UNC X 1 1/2 HEX BOLT |
| 22 | 2 | 900275 | 1/2UNC X 4 1/2 HEX BOLT |
| 23 | 8 | 920006 | 3/4 FLAT WASH SAE |
| 24 | 18 | 914008 | 1/2UNC HEX STOVER NUT |
| 25 | 4 | 910012 | 3/4UNC HEX NUT |

MALE ROW 4-BLADE CUTTER ASSEMBLY

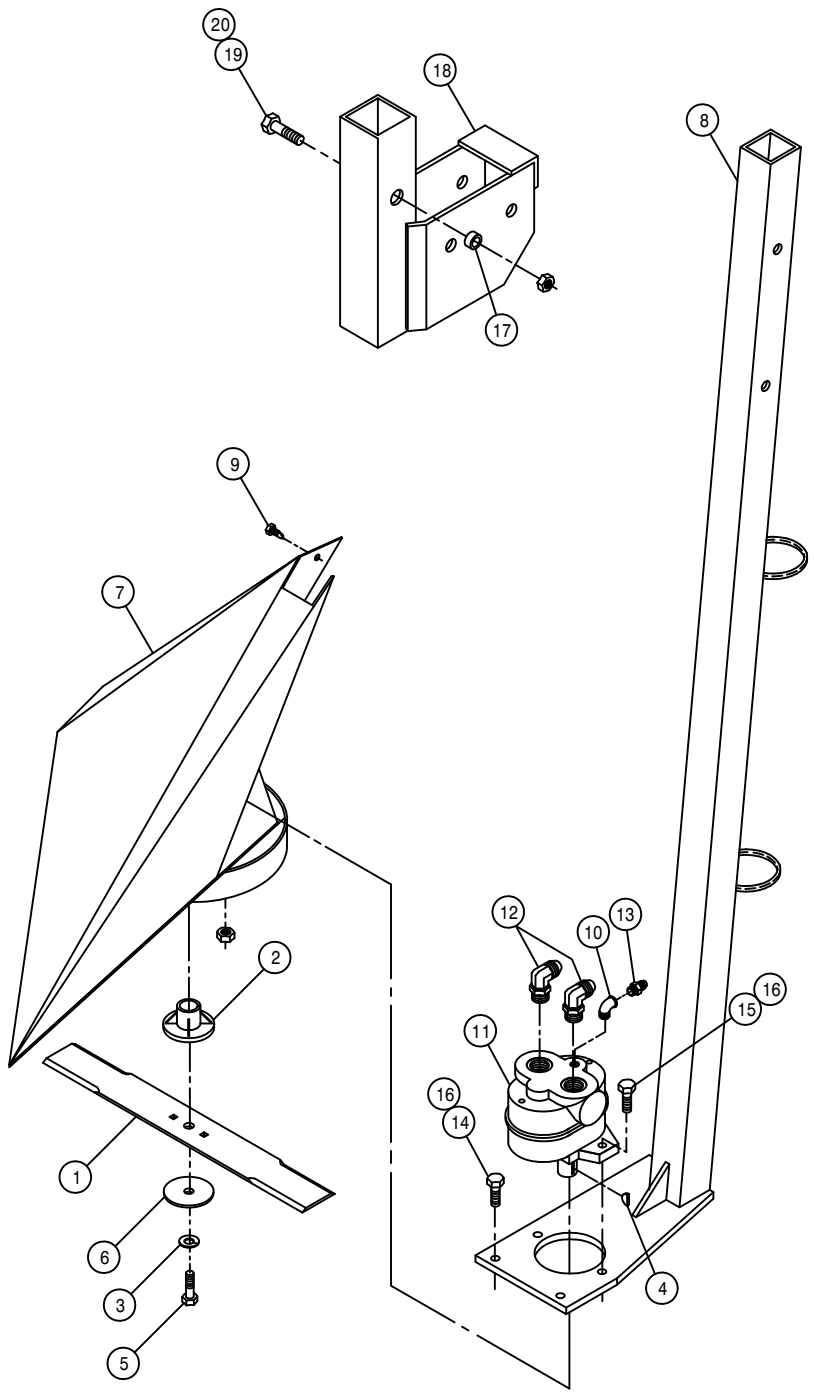
DET. QTY PART NO. DESCRIPTION



| DET. | QTY | PART NO. | DESCRIPTION |
|------|-----|----------|-------------------------------|
| 1 | 1 | 123021 | LOCK COLLAR 1 1/4 DIA |
| 2 | 2 | 123024 | BGR 1 1/4 BORE SPHERICL RELUB |
| 3 | 2 | 123026 | FLANGETT 1 1/4 |
| 4 | 2 | 123035 | FLANGETT 1 1/4 180 DEG ZERK |
| 5 | 1 | 270880 | RH 4-BLADE CUTTER FRAME WLD95 |
| 6 | 1 | 270881 | LH 4-BLADE CUTTER FRAME WLD95 |
| 7 | 1 | 270896 | LWR BRG MT WLD,4-BLD CUTR 95 |
| 8 | 1 | 270902 | BLADE SHAFT,4-BLD CUTR 95 |
| 9 | 4 | 270903 | BLADE MT HUB,4-BLD CUTR 95 |
| 10 | 4 | 270904 | CUTTER BLADE,4-BLD CUTR 95 |
| 11 | 4 | 270905 | UPPER BLADE SUPP,4-BLD CUTR95 |
| 12 | 4 | 270906 | LWR BLADE SUPP,4-BLD CUTR 95 |
| 13 | 1 | 270907 | CUTTER ADPT WLD,4-BLD CUTR 95 |
| 14 | 1 | 270910 | CUTTER MT WLD,4-BLD CUTR 95 |
| 15 | 1 | 270913 | RH ADJ ANG,4-BLD CUTR 95 |
| 16 | 1 | 270914 | LH ADJ ANG,4-BLD CUTR 95 |
| 17 | 1 | 270915 | RH SHIELD WLD,4-BLD CUTR 95 |
| 18 | 1 | 270916 | LH SHIELD WLD,4-BLD CUTR 95 |
| 19 | 1 | 270923 | DEFLECTOR SHLD,4-BLD CUTR 95 |
| 20 | 8 | 470057 | SET SCREW SQ HD 5/16X1/2 LG |
| 21 | 4 | 470121 | 1/4UNC HEX FLANGED LOCK NUT |
| 22 | 4 | 470122 | 1/4UNC X 1/2 FLANGED HEX BOLT |
| 23 | 1 | 492084 | CHAIN FOR 492083 4016 |
| 24 | 1 | 492092 | CHAIN CPLR 5/8 BORE 5/32 KWY |
| 25 | 1 | 492091 | CHAIN CPLR 1 1/4 BORE .25 KWY |
| 26 | 1 | 610510 | CESSNA GEAR MOTOR 1.48CI |
| 27 | 1 | 610597 | PRESS COMP FIXED FLO REG 18G |
| 28 | 1 | 611121 | 9/16MJIC-1/4MNPT ADPTR |
| 29 | 2 | 611145 | 3/4MJIC-90-1/2MNPT LBO |
| 30 | 2 | 615626 | 08C1T-08FJX-08FJX-15 H/A |
| 31 | 4 | 618451 | 3/4FJIC SW RUN TEE-3/4MJIC |
| 32 | 1 | 618469 | 3/4MJIC-1 1/16MOR ADPTR |
| 33 | 1 | 618474 | 3/4MJIC-90-1 1/16MOR LBO |
| 34 | 1 | 618578 | 1 1/16FJIC SWIV-1 1/16MOR |
| 35 | 1 | 690338 | LINE CHECK VALVE HYD .50NPT |
| 36 | 8 | 900002 | 1/4UNC X 3/4 HEX BOLT |
| 37 | 8 | 900004 | 1/4UNC X 1 1/4 HEX BOLT |
| 38 | 26 | 900129 | 3/8UNC X 1 HEX BOLT |
| 39 | 2 | 900130 | 3/8UNC X 1 1/4 HEX BOLT |
| 40 | 2 | 900263 | 1/2UNC X 1 HEX BOLT |
| 41 | 2 | 900270 | 1/2UNC X 3 HEX BOLT |
| 42 | 1 | 900273 | 1/2UNC X 3 3/4 HEX BOLT |
| 43 | 1 | 900408 | 3/4UNC X 3 1/2 HEX BOLT |
| 44 | 10 | 914000 | 1/4UNC HEX STOVER NUT |
| 45 | 28 | 914004 | 3/8UNC HEX STOVER NUT |
| 46 | 3 | 914008 | 1/2UNC HEX STOVER NUT |
| 47 | 1 | 914012 | 3/4UNC HEX STOVER NUT |
| 48 | 8 | 920000 | 1/4 FLAT WASH SAE |
| 49 | 8 | 920500 | LOCK WASH 1/4 |
| 50 | 1 | 270924 | GUIDE MT WLD,4-BLD CUTR 95 |
| 51 | 1 | 270928 | RH STALK GUIDE WLD,4-BLD CUTR |
| 52 | 1 | 270929 | LH STALK GUIDE WLD,4-BLD CUTR |
| 53 | 2 | 900005 | 1/4UNC X 1 1/2 HEX BOLT |
| 54 | 2 | 900069 | 5/16UNC X 2 HEX BOLT |
| 55 | 2 | 914002 | 5/16UNC HEX STOVER NUT |
| 56 | 2 | 920001 | 5/16 FLAT WASHER SAE PLT |
| 57 | 5 | 472020 | WOODRUFF KEY # 18 1/4 X 1 1/8 |
| 58 | 1 | 611127 | 1 1/16MJIC-1 1/16MOR ADPTR |
| 59 | 1 | 200015 | .75 OD X 11GA WA X .38LG C/L |
| 60 | 1 | 470052 | 1/4-20X1/2 AL HD SET SC CUP |
| 61 | 2 | 470060 | 5/16UNC X 3/8 SET SCR |

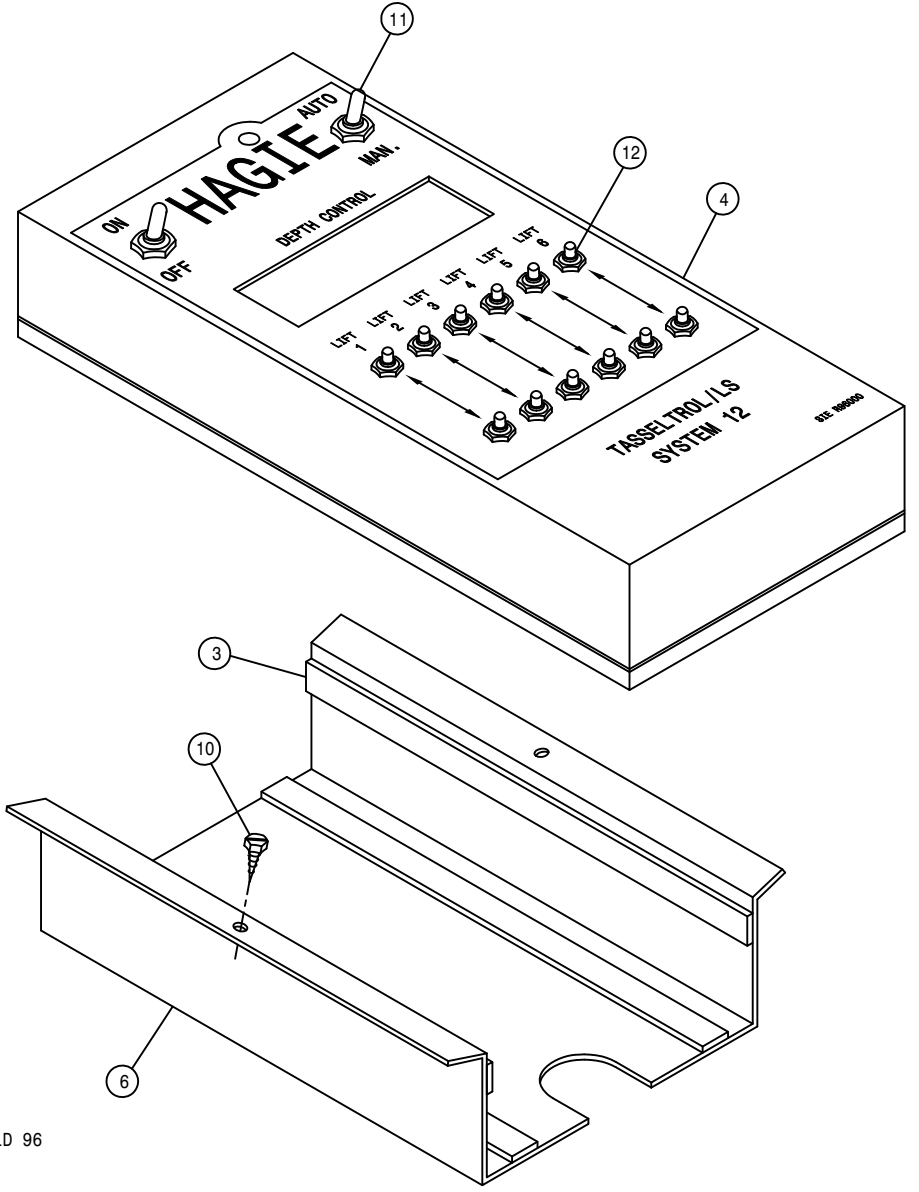
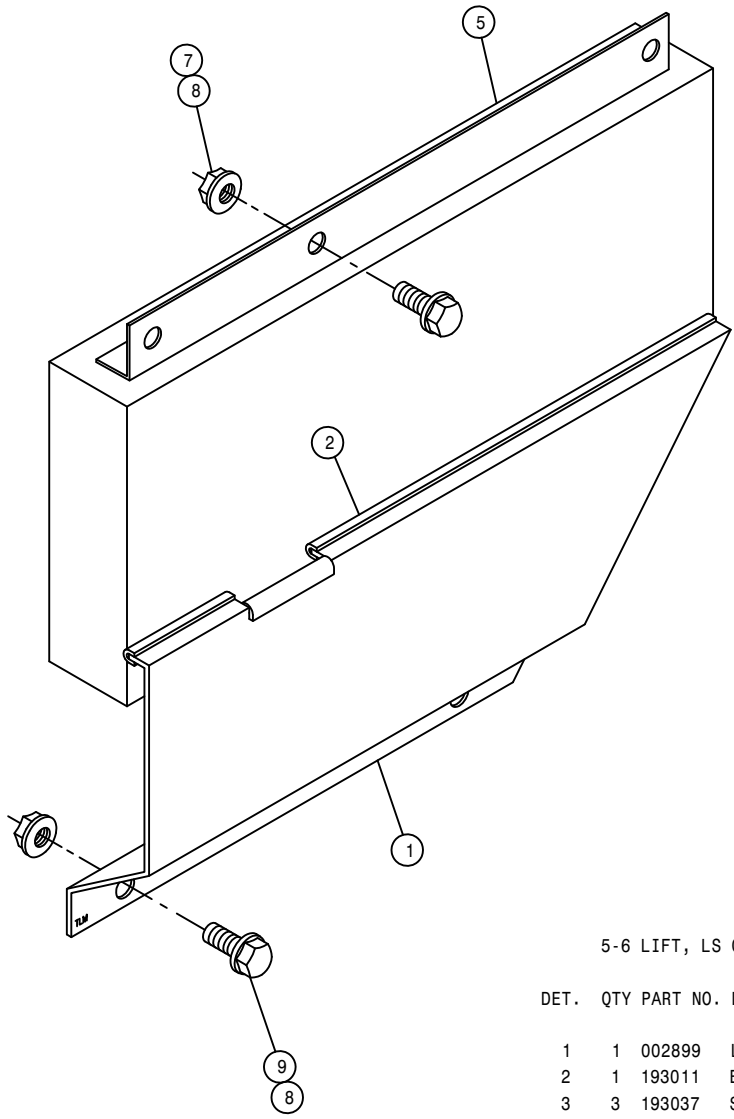
74

172074



MALE CORN CUTTER ASSEMBLY

| DET. | QTY | PART NO. | DESCRIPTION |
|------|-----|----------|------------------------------|
| 1 | 1 | 002103 | CUTR BLADE 18 IN |
| 2 | 1 | 002104 | CLUTCH BODY BLADE |
| 3 | 1 | 002105 | STEEL LOCK WASH CUTR BLADE |
| 4 | 1 | 002106 | WOODRUFF KEY #6 .156 X .625 |
| 5 | 1 | 002107 | 3/8UNF X 1 1/2 HEX BOLT CUTR |
| 6 | 1 | 002108 | STEEL WASHER CUTTER BLADE |
| 7 | 1 | 270800 | MALE CORN CUTR WLD |
| 8 | 1 | 270805 | MALE CORN CUTR DROP TUBE WLD |
| 9 | 1 | 472349 | 1/4 X 3/4 20THD-IN TEK TYPE |
| 10 | 1 | 500900 | BLK PIPE ST EL 90DEG .125NPT |
| 11 | 1 | 610590 | BARNES HYD MOTOR |
| 12 | 2 | 618241 | 3/4MJIC-90-3/4MOR LBO |
| 13 | 1 | 618530 | 9/16MJIC-1/8MNPT ADPTR |
| 14 | 2 | 900129 | 3/8UNC X 1 HEX BOLT |
| 15 | 2 | 900132 | 3/8UNC X 1 3/4 HEX BOLT |
| 16 | 4 | 914004 | 3/8UNC HEX STOVER NUT |
| 17 | 1 | 200015 | .75 OD X 11GA WA X .38LG C/L |
| 18 | 1 | 270809 | MALE CUTR ADPTR BRKT WLD 83 |
| 19 | 1 | 900273 | 1/2UNC X 3 3/4 HEX BOLT |
| 20 | 1 | 914008 | 1/2UNC HEX STOVER NUT |



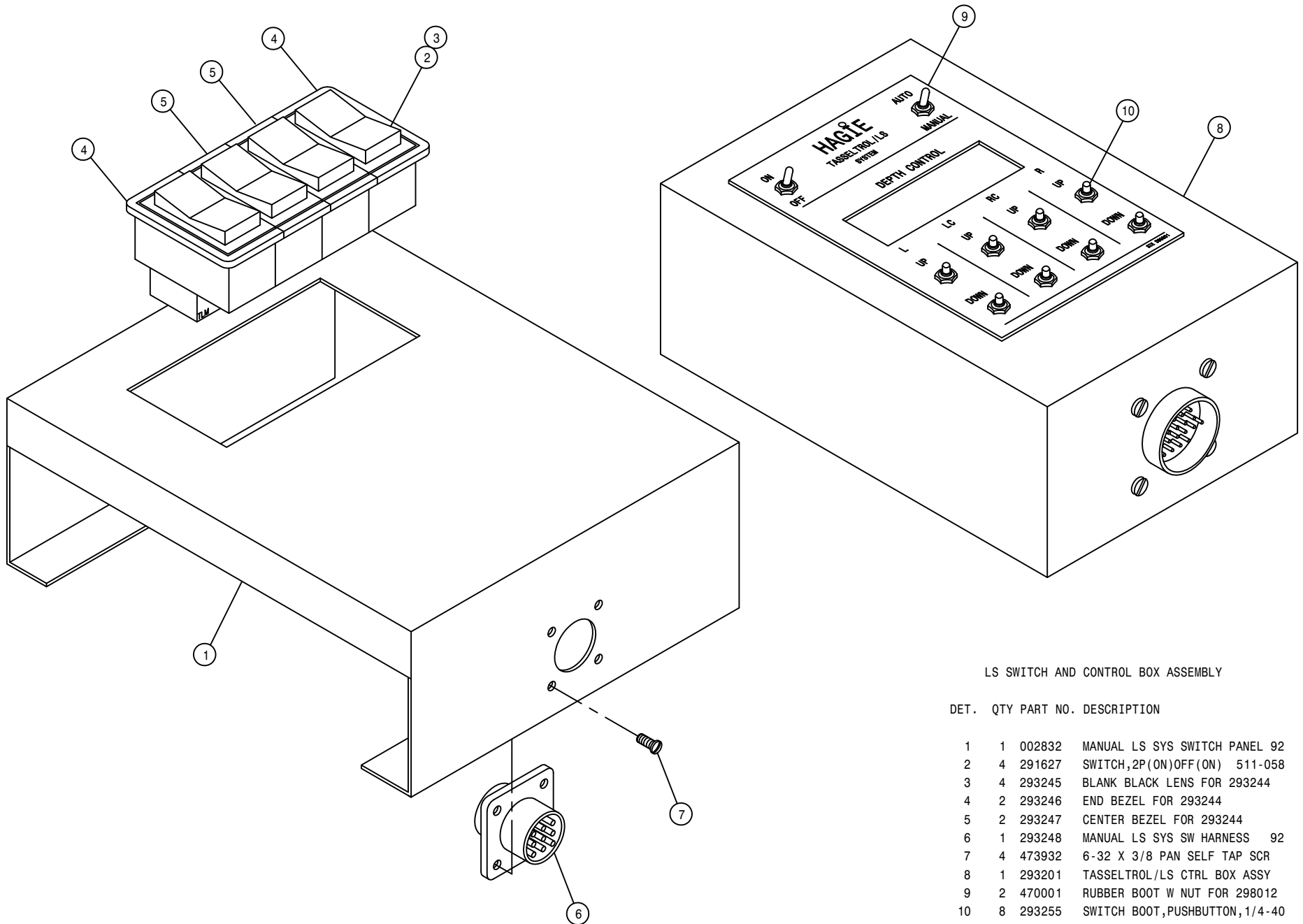
5-6 LIFT, LS CONTROL BOX ASSEMBLY

DET. QTY PART NO. DESCRIPTION

| | | | |
|----|----|--------|---------------------------------|
| 1 | 1 | 002899 | LS CTRL BOX CONNECTOR SHLD 96 |
| 2 | 1 | 193011 | EDGE GUARD, BLK |
| 3 | 3 | 193037 | STICKERTITE 1/8 X 3/4 |
| 4 | 1 | 293373 | LS CTRL 6L DISPLAY BOX ASSY |
| 5 | 1 | 293374 | LS CTRL 6L CABLE BOX ASSY |
| 6 | 1 | 342297 | LS CTRL 6L DISPLAY BOX MT |
| 7 | 2 | 470118 | 1/4UNC X 3/4 FLANGE HEX BOLT |
| 8 | 4 | 470121 | 1/4UNC HEX FLANGE LOCK NUT |
| 9 | 2 | 470122 | 1/4UNC X 1/2 FLANGE HEX BOLT |
| 10 | 2 | 473902 | NO 8 X 1/2 PAN HD MET SC |
| 11 | 2 | 470001 | RUBBER BOOT W NUT FOR 298012 |
| 12 | 12 | 293255 | SWITCH BOOT, PUSHBUTTON, 1/4-40 |

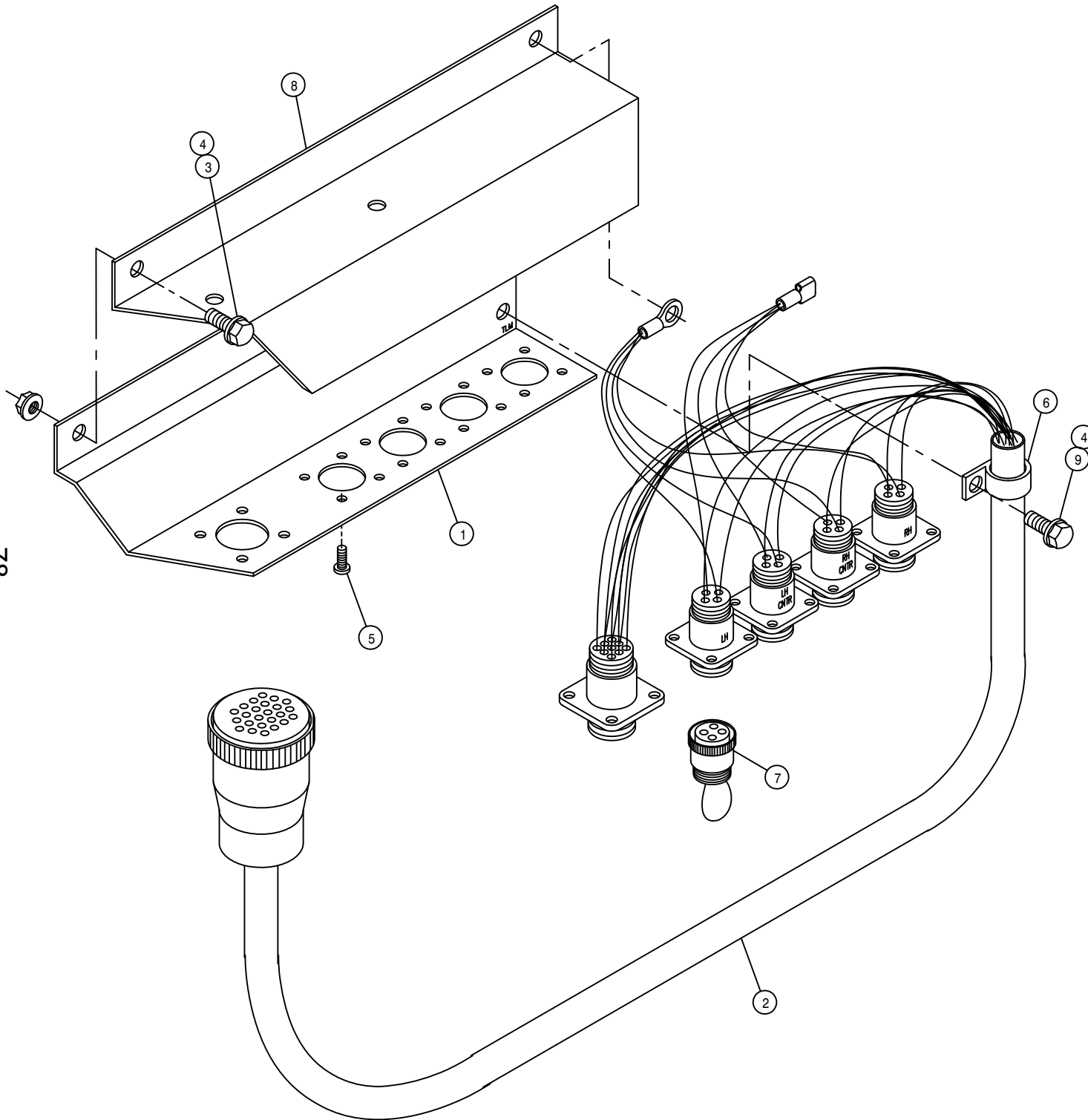
LS MANUAL SWITCH ASSEMBLY

LS CONTROL BOX ASSEMBLY



LS SWITCH AND CONTROL BOX ASSEMBLY

| DET. | QTY | PART NO. | DESCRIPTION |
|------|-----|----------|-------------------------------|
| 1 | 1 | 002832 | MANUAL LS SYS SWITCH PANEL 92 |
| 2 | 4 | 291627 | SWITCH,2P(ON)OFF(ON) 511-058 |
| 3 | 4 | 293245 | BLANK BLACK LENS FOR 293244 |
| 4 | 2 | 293246 | END BEZEL FOR 293244 |
| 5 | 2 | 293247 | CENTER BEZEL FOR 293244 |
| 6 | 1 | 293248 | MANUAL LS SYS SW HARNESS 92 |
| 7 | 4 | 473932 | 6-32 X 3/8 PAN SELF TAP SCR |
| 8 | 1 | 293201 | TASSELTRON/LS CTRL BOX ASSY |
| 9 | 2 | 470001 | RUBBER BOOT W NUT FOR 298012 |
| 10 | 8 | 293255 | SWITCH BOOT,PUSHBUTTON,1/4-40 |



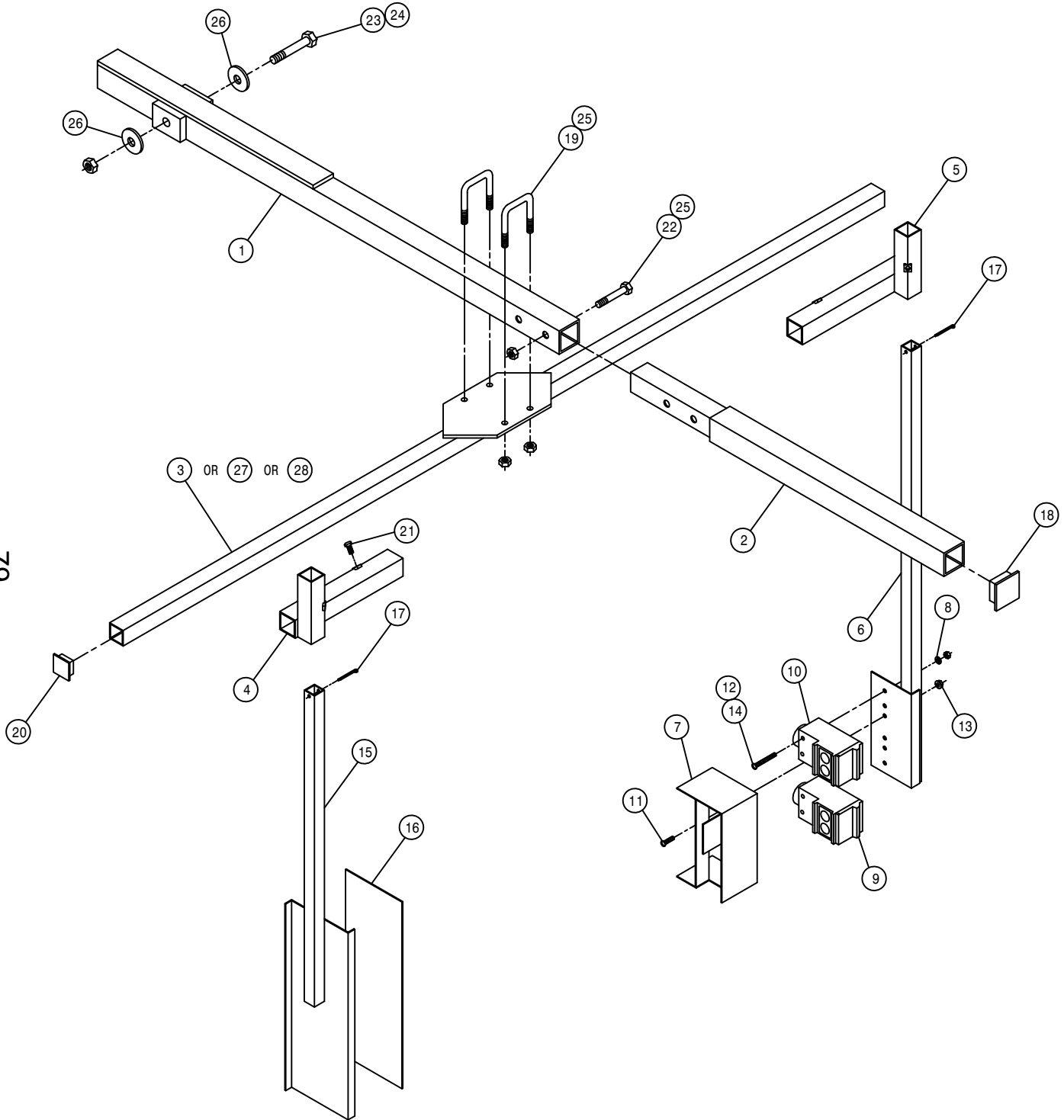
LS RECEPTACLE ASSEMBLY

DET. QTY PART NO. DESCRIPTION

| | | | |
|---|----|--------|-------------------------------|
| 1 | 1 | 002777 | T-TROL/LS RECEPTACLE MT |
| 2 | 1 | 293200 | MAIN CONTROL WIRE ASSY LS 90 |
| 3 | 2 | 470118 | 1/4UNC X 3/4 FLANGED HEX BOLT |
| 4 | 3 | 470121 | 1/4UNC HEX FLANGED LOCK NUT |
| 5 | 20 | 473932 | SCREW, SELF TAP 6/32 X 3/8PAN |
| 6 | 1 | 520118 | CUSH HOSE CLAMP 1/2D X 1/2W |
| 7 | 1 | 293211 | JUMPER PLUG, T-TROL/LS SYS |
| 8 | 1 | 002879 | RECEPTACLE MT COVER, 204 94 |
| 9 | 1 | 470122 | 1/4UNC X 1/2 FLANGED HEX BOLT |

NOTE: DETAIL 7 IS USED (1) WITH 3-LIFT OPTION
AND (2) WITH 2-LIFT OPTION.

79



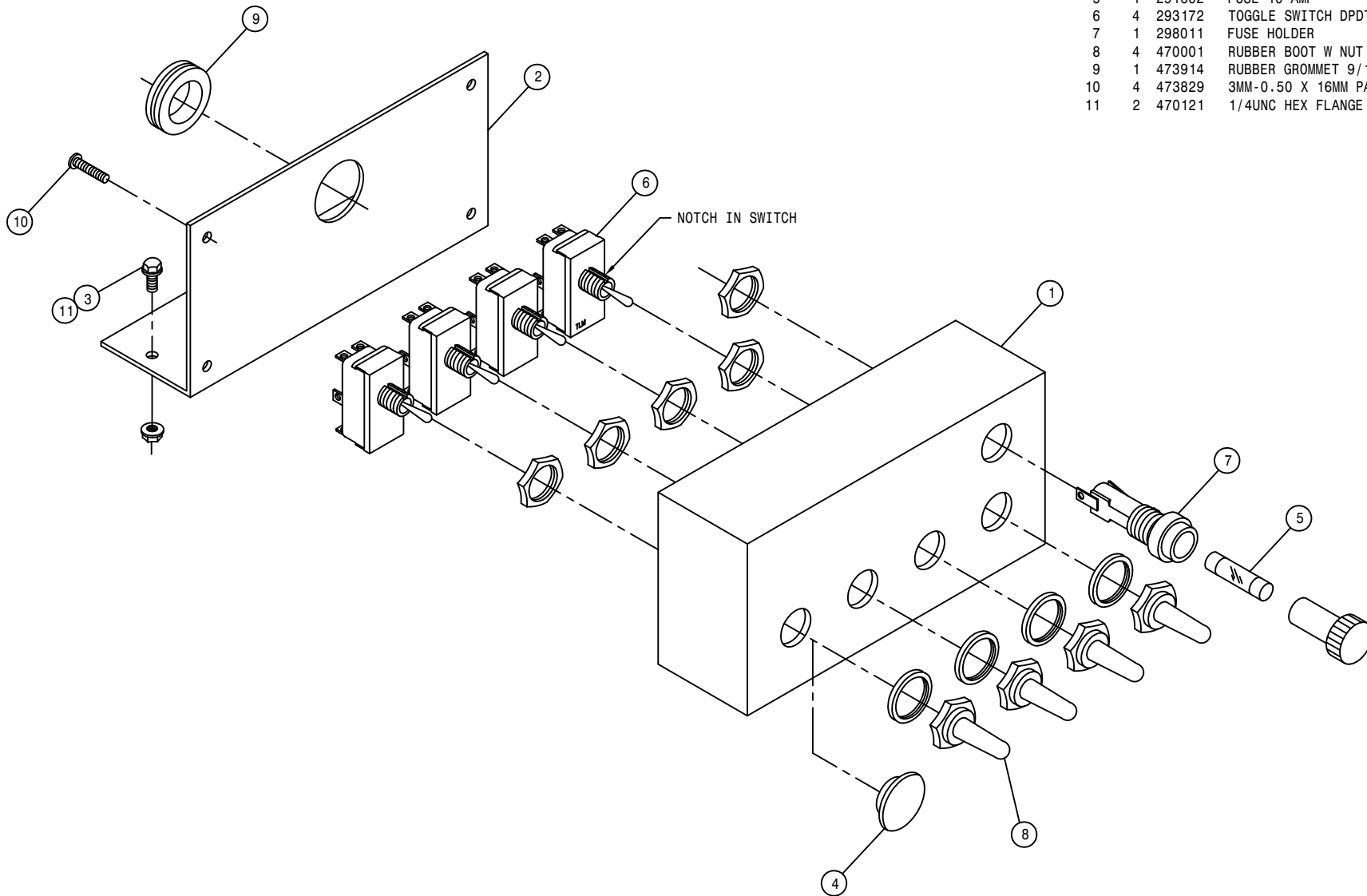
LS SENSOR ASSEMBLY

| DET. | QTY | PART NO. | DESCRIPTION | | |
|------|-----|----------|-------------------------------|---------|----|
| 1 | 1 | 002813 | SENSOR ARM WELD | 200 DET | 92 |
| 2 | 1 | 002684 | SENSOR ARM EXTEN WLD | 200 | 90 |
| 3 | 1 | 002709 | LS CROSSTUBE WLD | | 90 |
| 4 | 1 | 002712 | LS REFLECTOR SLIDE MT WLD | | 90 |
| 5 | 1 | 002713 | LS SENSOR SLIDE MT WLD | | 90 |
| 6 | 1 | 002839 | LS 42GRU PHOTOSW SENSR MT WLD | | |
| 7 | 1 | 002841 | LS 42GRU SENSOR SHIELD WLD | | |
| 8 | 2 | 920510 | LOCK WASH NO 10 | | |
| 9 | 1 | 293258 | LWR LS 9000 SENSOR ASSY, FEM | | |
| 10 | 1 | 293259 | UPR LS 9000 SENSOR ASSY, MALE | | |
| 11 | 2 | 903883 | 10-32 X 1/2 SLTRD HD MACH SCR | | |
| 12 | 2 | 910027 | #10-32 HEX NUT | | |
| 13 | 2 | 470175 | #10-32 HEX FLANGED LOCK NUT | | |
| 14 | 4 | 903902 | 10-32 X 2 SLT RD HD MACH SCR | | |
| 15 | 1 | 002723 | LS REFLECTOR MT WLD | | 90 |
| 16 | 1 | 650310 | LS REFLECTOR 4 X 12 | | 90 |
| 17 | 2 | 390984 | COTTER PIN 1/8 X 1 1/4 | | |
| 18 | 1 | 473943 | FINISH PLUG 1 1/2 SQ | | |
| 19 | 2 | 473949 | 5/16UNC-1 9/16ID-1 15/16UBOLT | | |
| 20 | 2 | 629727 | FINISH PLUG FOR 1 IN X 16 GA | | |
| 21 | 4 | 900000 | 1/4UNC X 1/2 HEX BOLT | | |
| 22 | 2 | 900069 | 5/16UNC X 2 HEX BOLT | | |
| 23 | 1 | 900275 | 1/2UNC X 4 1/2 HEX BOLT | | |
| 24 | 1 | 914008 | 1/2UNC HEX STOVER NUT | | |
| 25 | 6 | 914002 | 5/16UNC HEX STOVER NUT | | |
| 26 | 2 | 002815 | SENSOR ARM WASH, NYL | | |
| 27 | 1 | 002834 | LS CROSSTUBE WLD 10-12R | | 92 |
| 28 | 1 | 002876 | LS CROSSTUBE WLD, 62" | | 94 |

NOTE: DETAIL 2, 22, AND 25 ARE USED WITH THE TIRE PULLER OPTION.

2-3-4 LIFT, DEPTH COMMAND SWITCH ASSEMBLY

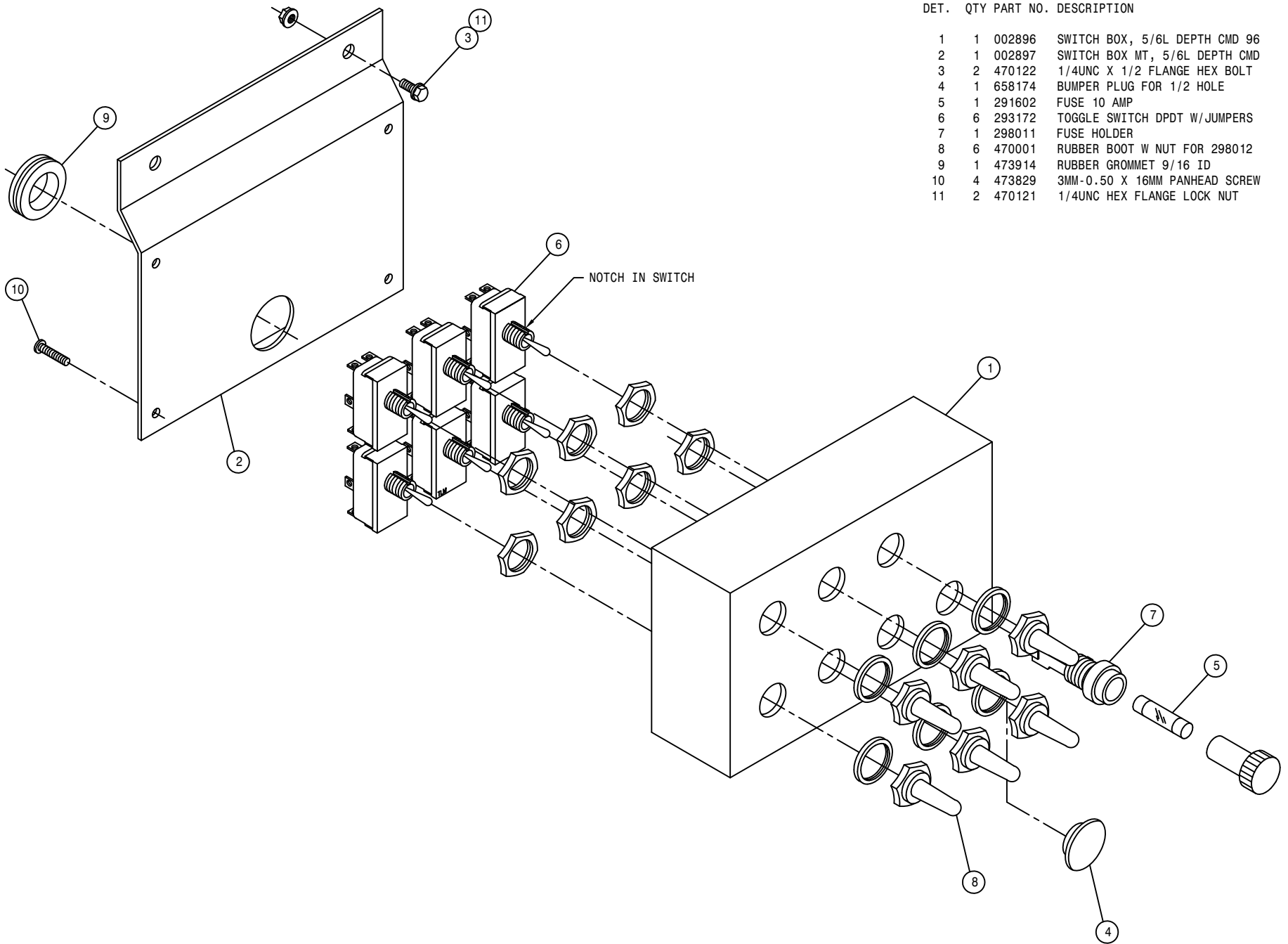
| DET. | QTY | PART NO. | DESCRIPTION |
|------|-----|----------|-------------------------------|
| 1 | 1 | 002744 | SWITCH BOX, DEPTH CMD |
| 2 | 1 | 002745 | SWITCH BOX MT, DEPTH CMD |
| 3 | 2 | 470122 | 1/4UNC X 1/2 FLANGE HEX BOLT |
| 4 | 1 | 658174 | BUMPER PLUG FOR 1/2 HOLE |
| 5 | 1 | 291602 | FUSE 10 AMP |
| 6 | 4 | 293172 | TOGGLE SWITCH DPDT W/JUMPERS |
| 7 | 1 | 298011 | FUSE HOLDER |
| 8 | 4 | 470001 | RUBBER BOOT W NUT FOR 298012 |
| 9 | 1 | 473914 | RUBBER GROMMET 9/16 ID |
| 10 | 4 | 473829 | 3MM-0.50 X 16MM PANHEAD SCREW |
| 11 | 2 | 470121 | 1/4UNC HEX FLANGE LOCK NUT |



5-6 LIFT, DEPTH COMMAND SWITCH ASSEMBLY

DET. QTY PART NO. DESCRIPTION

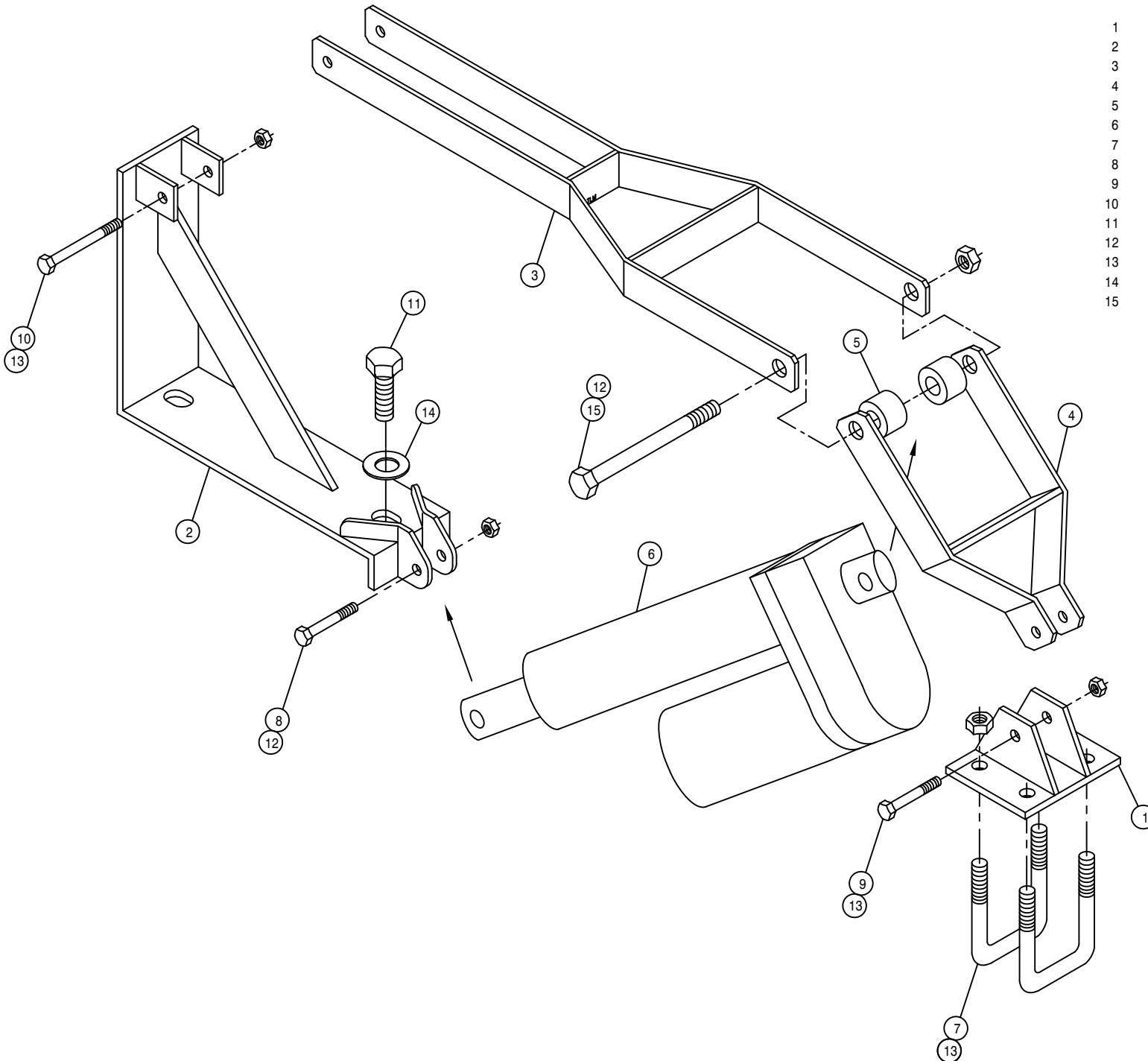
| DET. | QTY | PART NO. | DESCRIPTION |
|------|-----|----------|-------------------------------|
| 1 | 1 | 002896 | SWITCH BOX, 5/6L DEPTH CMD 96 |
| 2 | 1 | 002897 | SWITCH BOX MT, 5/6L DEPTH CMD |
| 3 | 2 | 470122 | 1/4UNC X 1/2 FLANGE HEX BOLT |
| 4 | 1 | 658174 | BUMPER PLUG FOR 1/2 HOLE |
| 5 | 1 | 291602 | FUSE 10 AMP |
| 6 | 6 | 293172 | TOGGLE SWITCH DPDT W/JUMPERS |
| 7 | 1 | 298011 | FUSE HOLDER |
| 8 | 6 | 470001 | RUBBER BOOT W NUT FOR 298012 |
| 9 | 1 | 473914 | RUBBER GROMMET 9/16 ID |
| 10 | 4 | 473829 | 3MM-0.50 X 16MM PANHEAD SCREW |
| 11 | 2 | 470121 | 1/4UNC HEX FLANGE LOCK NUT |



DEPTH COMMAND ACTUATOR ASSEMBLY

DET. QTY PART NO. DESCRIPTION

| | | | | |
|----|---|--------|-------------------------------|----|
| 1 | 1 | 002849 | HD DEPTH CMD ARM MT WLD | 94 |
| 2 | 1 | 002846 | HD DEPTH CMD MTG BRKT WLD | 94 |
| 3 | 1 | 002851 | HD DEPTH CMD UPR ARM WLD | 94 |
| 4 | 1 | 002855 | HD DEPTH CMD LWR ARM WLD | 94 |
| 5 | 2 | 002858 | HD DEPTH CMD ARM BUSH | 94 |
| 6 | 1 | 291634 | LINEAR ACTUATOR, 12V 4" 250LB | |
| 7 | 2 | 473949 | 5/16UNC-1 9/16ID-1 15/16BOLT | |
| 8 | 1 | 900267 | 1/2UNC X 2 HEX BOLT | |
| 9 | 1 | 900069 | 5/16UNC X 2 HEX BOLT | |
| 10 | 1 | 900070 | 5/16UNC X 2 1/2 BOLT | |
| 11 | 2 | 900263 | 1/2UNC X 1 HEX BOLT | |
| 12 | 2 | 914008 | 1/2UNC HEX STOVER NUT | |
| 13 | 6 | 914002 | 5/16UNC HEX STOVER NUT | |
| 14 | 2 | 920004 | 1/2 FLAT WASHER SAE | |
| 15 | 1 | 900275 | 1/2UNC X 4 1/2 HEX BOLT | |

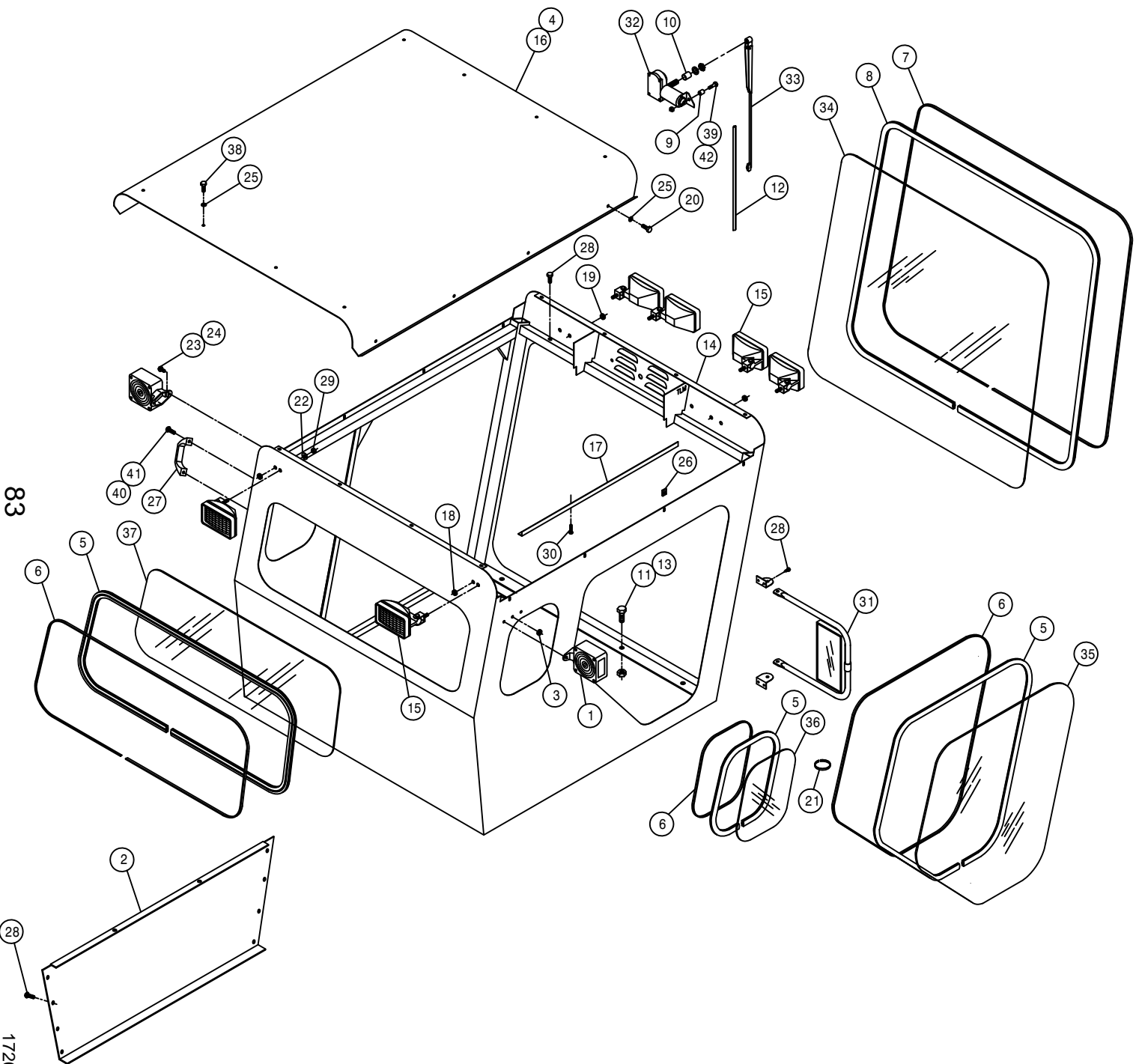


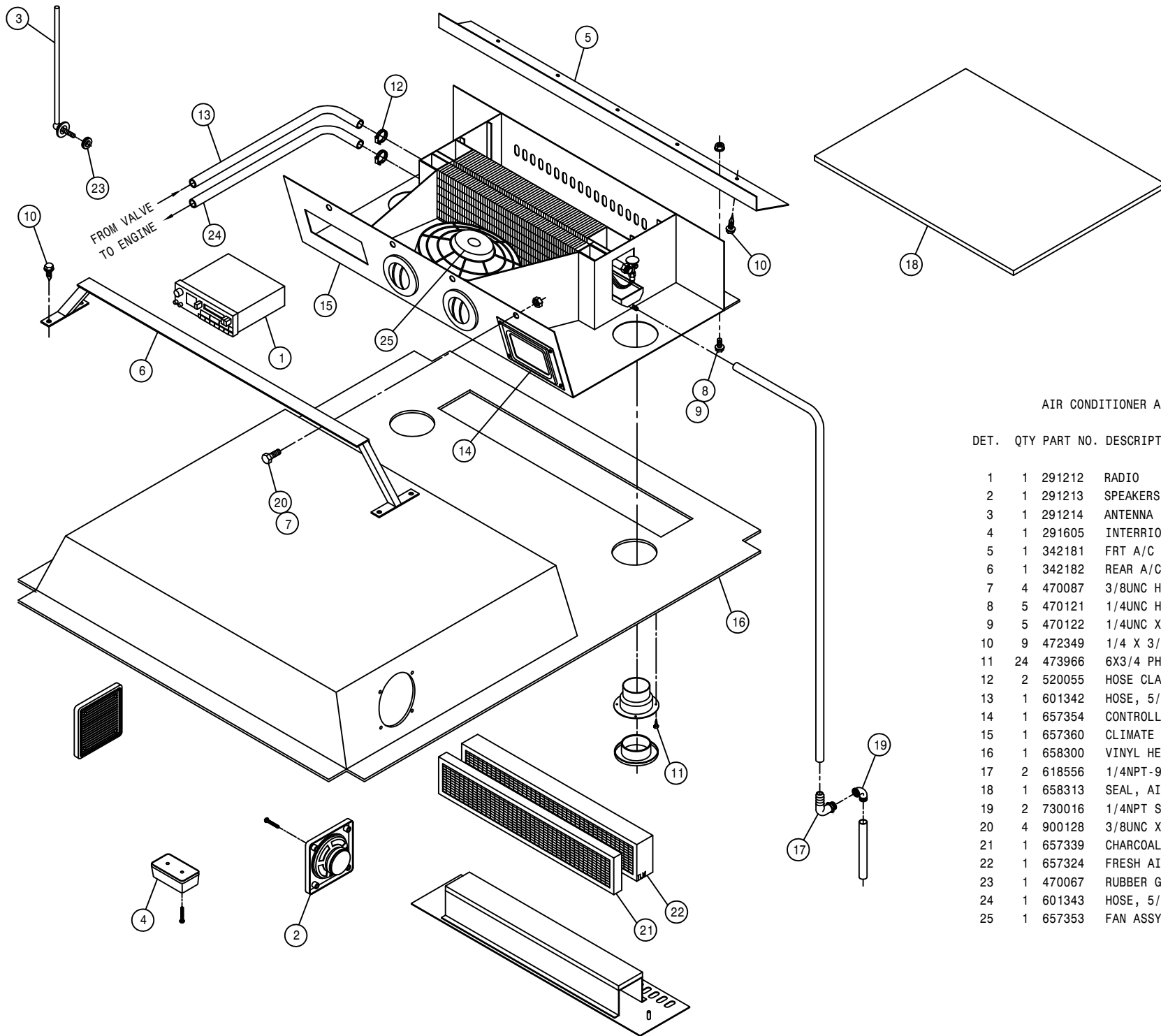
CAB ASSEMBLY

| DET. | QTY | PART NO. | DESCRIPTION |
|------|-----|----------|-------------------------------|
| 1 | 2 | 291604 | TURN SIGNAL LIGHT,PED MT, YEL |
| 2 | 1 | 342295 | LH SIDE PANEL, 204 CAB 95 |
| 3 | 2 | 470226 | RUBBER GROMMET 5/32 ID |
| 4 | 18 | 193037 | STICKERTITE 1/8 X 3/4 |
| 5 | 25 | 193044 | WINDOW WEATHERSTRIP 94 |
| 6 | 25 | 193045 | LOCK STRIP FOR 193044 94 |
| 7 | 13 | 192001 | FILLR STRIP FOR WEATHERSTRIP |
| 8 | 13 | 193018 | 2 P/C SELF SEAL WEATHERSTRIP |
| 9 | 1 | 200019 | .25 SCH 40BP X 1.00 LG C/L |
| 10 | 1 | 202037 | WINDSHIELD WIPER SPACER |
| 11 | 6 | 900264 | 1/2UNC X 1 1/4 HEX BOLT |
| 12 | 1 | 290417 | 18" WIPER BLADE |
| 13 | 6 | 914008 | 1/2UNC HEX STOVER NUT |
| 14 | 1 | 342287 | 204 CAB WELDMT 95 |
| 15 | 6 | 291603 | WORKLAMP, SIDE MT 12V HALOGEN |
| 16 | 1 | 342150 | CAB ROOF WLD, 284 94 |
| 17 | 1 | 342180 | HEADLINER KPR ANGLE,284CAB 94 |
| 18 | 2 | 470067 | RUBBER GROMMET 1/4 ID |
| 19 | 2 | 470070 | RUBBER GROMMET 3/8 ID |
| 20 | 8 | 470118 | 1/4UNC X 3/4 FLANGE HEX BOLT |
| 21 | 1 | 470229 | IDENTIFICATION TIE, 3/4" |
| 22 | 6 | 470100 | 3/8 INT TOOTH LOCK WASHER |
| 23 | 4 | 470121 | 1/4UNC HEX FLANGE LOCK NUT |
| 24 | 4 | 470122 | 1/4UNC X 1/2 FLANGE HEX BOLT |
| 25 | 16 | 470212 | 1/4 BONDED NEO SEALING WASHER |
| 26 | 16 | 470218 | 1/4UNC NUT J-TYPE CAGE CLIP |
| 27 | 1 | 470222 | GRAB HANDLE, BLACK MOULDED |
| 28 | 22 | 472349 | 1/4 X 3/4 20THD-IN TEK TYPE |
| 29 | 6 | 473779 | 10MM-1.50 HEX NUT |
| 30 | 2 | 473910 | 1/4 X 1 1/2 PHIL HD SHT MTL S |
| 31 | 2 | 650524 | OUTSIDE REAR VIEW MIRROR |
| 32 | 1 | 658008 | WINDSHIELD WIPER MOTOR |
| 33 | 1 | 658013 | WIPER ARM |
| 34 | 1 | 658018 | FRONT CAB GLASS, 204 95 |
| 35 | 1 | 658015 | FRONT SIDE CAB/DOOR GLASS 94 |
| 36 | 2 | 658016 | REAR SIDE CAB GLASS 94 |
| 37 | 1 | 658017 | REAR CAB GLASS 94 |
| 38 | 8 | 900002 | 1/4UNC X 3/4 HEX BOLT |
| 39 | 1 | 900005 | 1/4UNC X 1 1/2 HEX BOLT |
| 40 | 2 | 470175 | 10-32 HEX FLANGE LOCK NUT |
| 41 | 2 | 903883 | 10-32 X 1/2 SLT RDHD MACH SCR |
| 42 | 1 | 914000 | 1/4UNC HEX STOVER NUT |

83

172083

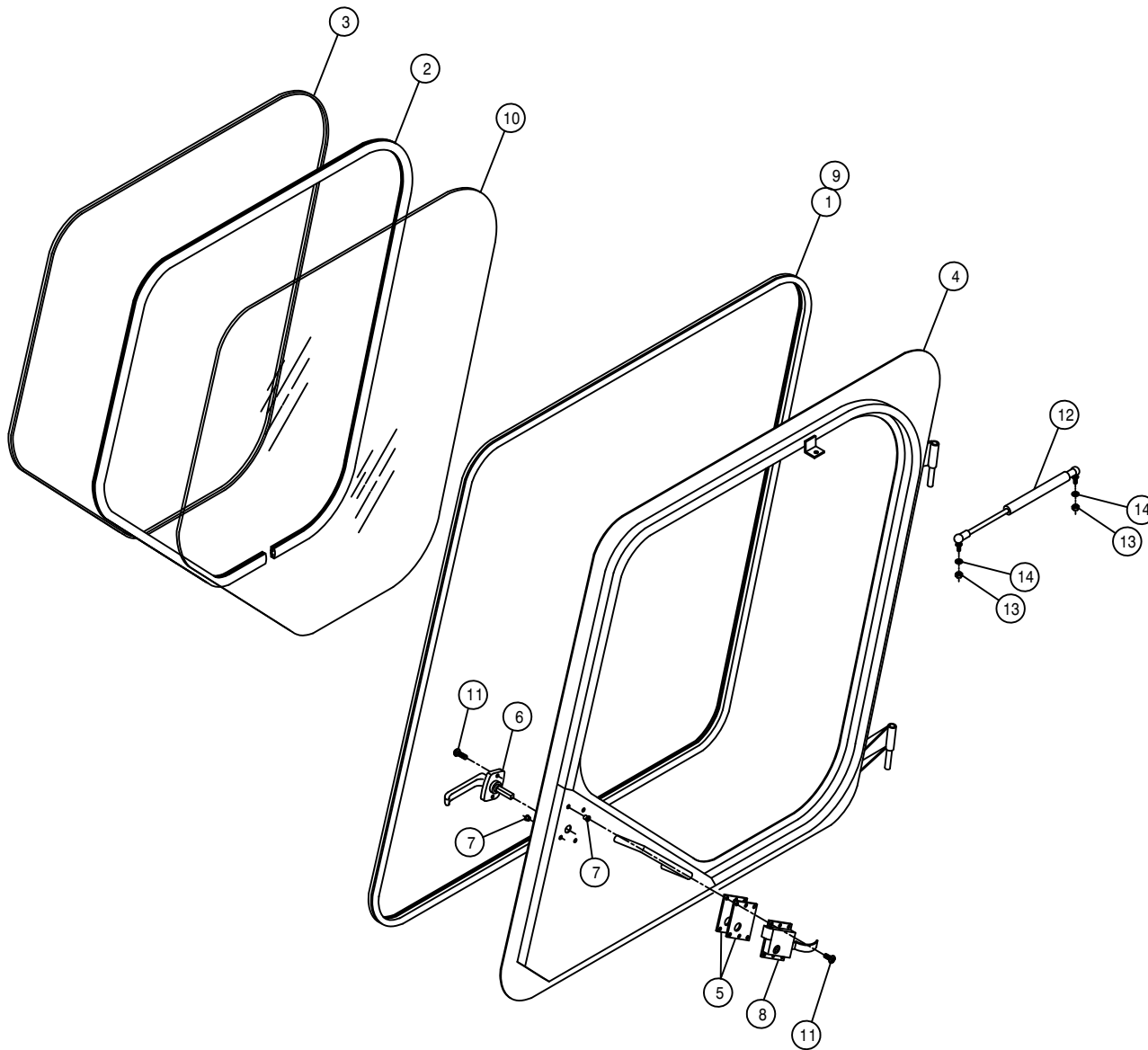




AIR CONDITIONER ASSEMBLY

DET. QTY PART NO. DESCRIPTION

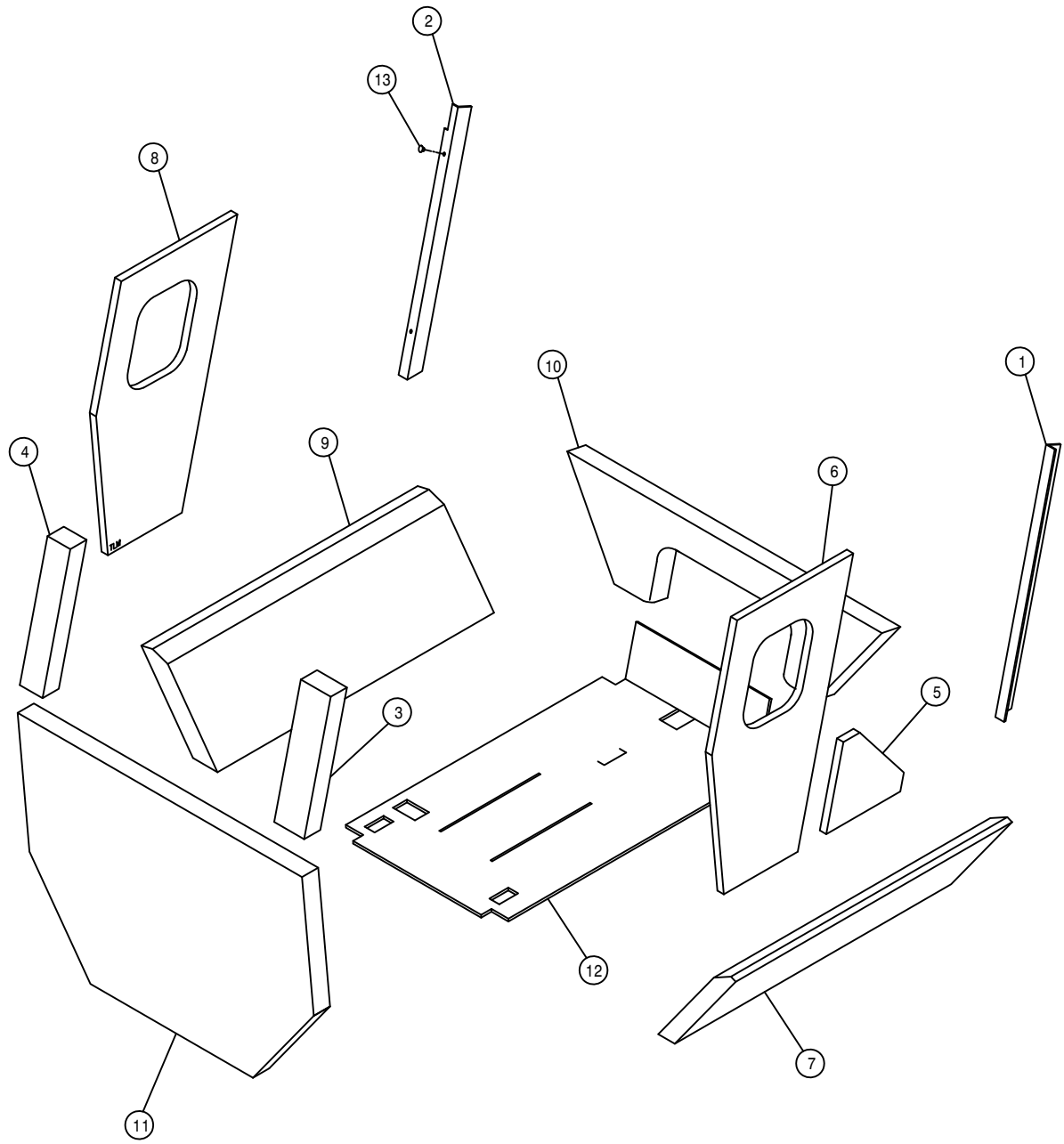
| | | | | |
|----|----|--------|-------------------------------|----|
| 1 | 1 | 291212 | RADIO | 94 |
| 2 | 1 | 291213 | SPEAKERS (PAIR) | 94 |
| 3 | 1 | 291214 | ANTENNA | 94 |
| 4 | 1 | 291605 | INTERIOR LIGHT W/SWITCH | |
| 5 | 1 | 342181 | FRT A/C BLOWER MT ANG, CAB | 94 |
| 6 | 1 | 342182 | REAR A/C BLOWER MT WLD, CAB | 94 |
| 7 | 4 | 470087 | 3/8UNC HEX FLANGE LOCK NUT | |
| 8 | 5 | 470121 | 1/4UNC HEX FLANGE LOCK NUT | |
| 9 | 5 | 470122 | 1/4UNC X 1/2 FLANGE HEX BOLT | |
| 10 | 9 | 472349 | 1/4 X 3/4 20THD-IN TEK TYPE | |
| 11 | 24 | 473966 | 6X3/4 PHIL FLT HD SHT MTL SCR | |
| 12 | 2 | 520055 | HOSE CLAMP NO 12 PLATED | |
| 13 | 1 | 601342 | HOSE, 5/8 X 192 HEATER | |
| 14 | 1 | 657354 | CONTROLLER ASSY, CLIMATE CTRL | |
| 15 | 1 | 657360 | CLIMATE CTRL, A/C & HTR R134A | |
| 16 | 1 | 658300 | VINYL HEAD LINER | 94 |
| 17 | 2 | 618556 | 1/4NPT-90-1/2 HOSE BARB, POLY | |
| 18 | 1 | 658313 | SEAL, AIR CONDITIONER | 94 |
| 19 | 2 | 730016 | 1/4NPT ST EL, 90 DEG POLY | |
| 20 | 4 | 900128 | 3/8UNC X 3/4 HEX BOLT | |
| 21 | 1 | 657339 | CHARCOAL FILTER FOR 657333 | |
| 22 | 1 | 657324 | FRESH AIR FILTER EAGLE | |
| 23 | 1 | 470067 | RUBBER GROMMET 1/4 ID | |
| 24 | 1 | 601343 | HOSE, 5/8 X 216 HEATER | |
| 25 | 1 | 657353 | FAN ASSY, CLIMATE CTRL R134A | |



DOOR ASSEMBLY

DET. QTY PART NO. DESCRIPTION

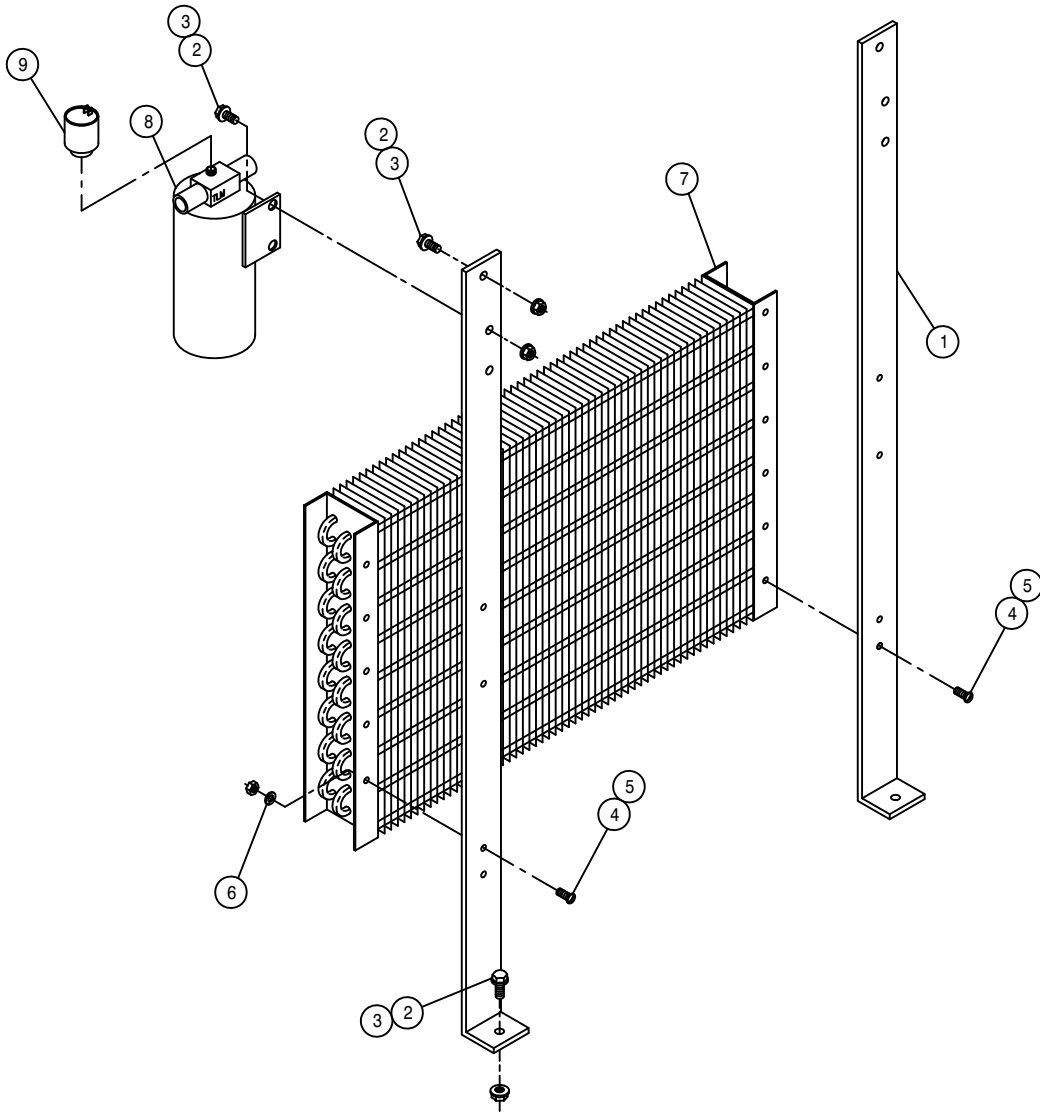
| | | | | |
|----|----|--------|-------------------------------|----|
| 1 | 12 | 193028 | PUSH-ON TRIM SEAL RS-130-FX | |
| 2 | 9 | 193044 | WINDOW WEATHERSTRIP | 94 |
| 3 | 9 | 193045 | LOCK STRIP FOR 193044 | 94 |
| 4 | 1 | 342153 | LH DOOR WLD, 284 CAB | 94 |
| 5 | 2 | 342163 | CAB DOOR LATCH SHIM, .06 | 94 |
| 6 | 1 | 342217 | DOOR HANDLE, 254/284 CAB | 94 |
| 7 | 6 | 470165 | #10-32 NUTSERT .020-.100 MATL | |
| 8 | 1 | 470219 | CAB LOCK, LH #55 | |
| 9 | 2 | 485052 | POP RIVET 1/8 X 3/8 | |
| 10 | 1 | 658015 | FRONT SIDE CAB/DOOR GLASS | 94 |
| 11 | 6 | 903710 | 10-32X1/2 PHIL PANHD MACH SCR | |
| 12 | 1 | 470221 | GAS SPRING, 60LB 3.5 STROKE | |
| 13 | 2 | 910002 | 5/16 UNC HEX NUT | |
| 14 | 2 | 920501 | 5/16 LOCK WASHER | |



CAB FOAM

DET. QTY PART NO. DESCRIPTION

| | | | |
|----|---|--------|-------------------------------|
| 1 | 1 | 658301 | VINYL POST COVER, RH FRONT 94 |
| 2 | 1 | 658302 | VINYL POST COVER, LH FRONT 94 |
| 3 | 1 | 658303 | VINYL POST COVER, RH REAR 94 |
| 4 | 1 | 658304 | VINYL POST COVER, LH REAR 94 |
| 5 | 1 | 658305 | VINYL SIDE PANEL, RH 94 |
| 6 | 1 | 658306 | VINYL SIDE PANEL, RH UPPER 94 |
| 7 | 1 | 658307 | VINYL SIDE PANEL, RH LOWER 94 |
| 8 | 1 | 658308 | VINYL SIDE PANEL, LH UPPER 94 |
| 9 | 1 | 658309 | VINYL SIDE PANEL, LH LOWER 94 |
| 10 | 1 | 658310 | VINYL FRONT COVER PANEL 94 |
| 11 | 1 | 658311 | VINYL REAR COVER PANEL 94 |
| 12 | 1 | 658315 | CAB FLOORMAT 254/284 95 |
| 13 | 2 | 470225 | TRIM CLIP, 11/16 BLK NYL HEAD |

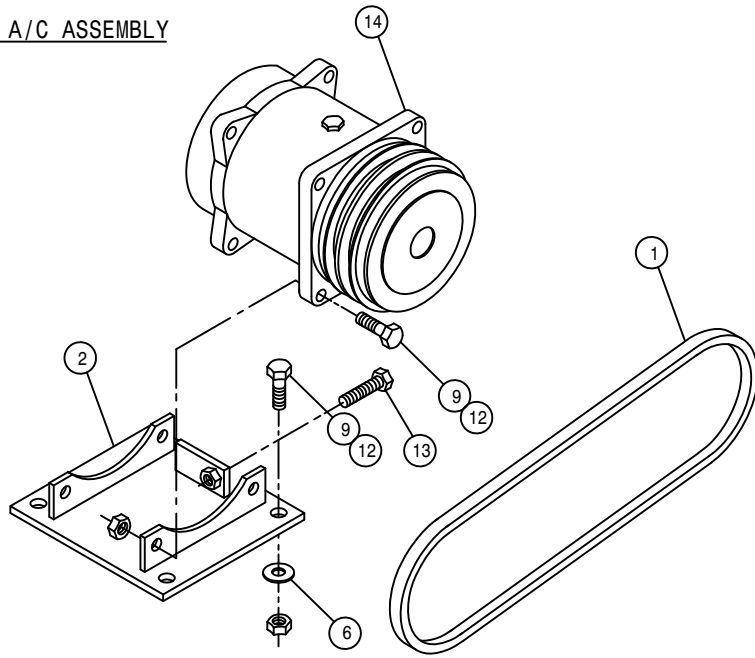


A/C CONDENSER ASSEMBLY

DET. QTY PART NO. DESCRIPTION

| | | | | |
|---|---|--------|-------------------------------|----|
| 1 | 2 | 314869 | CONDENSOR MTG BRKT 280 | 91 |
| 2 | 6 | 470118 | 1/4UNC X 3/4 FLANGE HEX BOLT | |
| 3 | 6 | 470121 | 1/4UNC HEX FLANGE LOCK NUT | |
| 4 | 4 | 903883 | 10-32 X 1/2 SLT RDHD MACH SCR | |
| 5 | 4 | 910027 | 10-32 HEX NUT | |
| 6 | 4 | 920510 | #10 LOCK WASHER | |
| 7 | 1 | 657348 | CONDRS COIL FOR 657309 | |
| 8 | 1 | 657351 | A/C DRIER, O-RING TYPE | |
| 9 | 1 | 657350 | A/C BINARY SWITCH | |

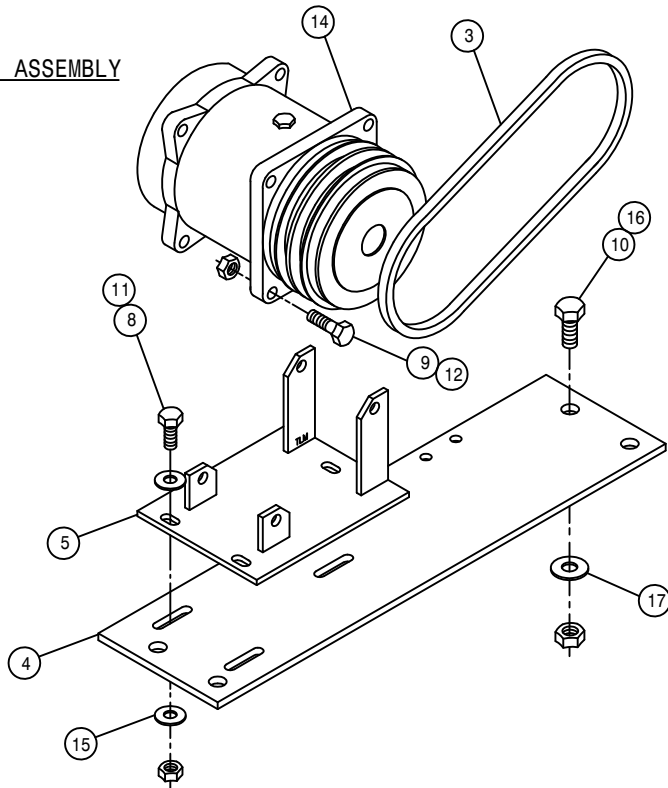
CUMMINS A/C ASSEMBLY



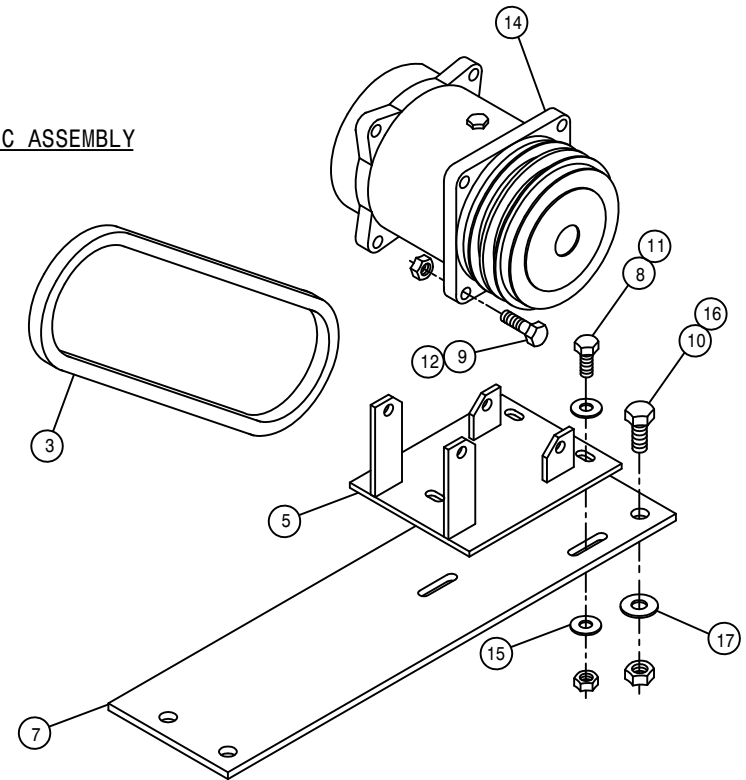
A/C COMPRESSOR PUMP ASSEMBLY

| DET. | QTY | PART NO. | DESCRIPTION |
|------|-----|----------|-------------------------------|
| 1 | 1 | 147044 | BELT 4L400 |
| 2 | 1 | 657344 | A/C COMPRSR MT WLD CUMM 92 |
| 3 | 2 | 147023 | 7365 BELT |
| 4 | 1 | 341955 | A/C COMPSR MTG PLT 250CHRY 91 |
| 5 | 2 | 657341 | A/C COMPSR MT WLD CHRY 250 91 |
| 6 | 4 | 920002 | 3/8 SAE FLAT WASHER |
| 7 | 1 | 342309 | A/C COMPSR MT PLT,204 GMC 96 |
| 8 | 6 | 900065 | 5/16UNC X 1" HEX BOLT |
| 9 | 16 | 900130 | 3/8UNC X 1 1/4 HEX BOLT |
| 10 | 8 | 900264 | 1/2UNC X 1 1/4 HEX BOLT |
| 11 | 6 | 914002 | 5/16UNC HEX STOVER NUT |
| 12 | 16 | 914004 | 3/8UNC HEX STOVER NUT |
| 13 | 1 | 906132 | 3/8UNC X 1 3/4 HEX BOLT FULL |
| 14 | 3 | 657352 | A/C COMPRESSOR, R134A |
| 15 | 12 | 920001 | 5/16 SAE FLAT WASHER |
| 16 | 8 | 914008 | 1/2UNC HEX STOVER NUT |
| 17 | 8 | 920004 | 1/2 SAE FLAT WASHER |

CHRYSLER A/C ASSEMBLY



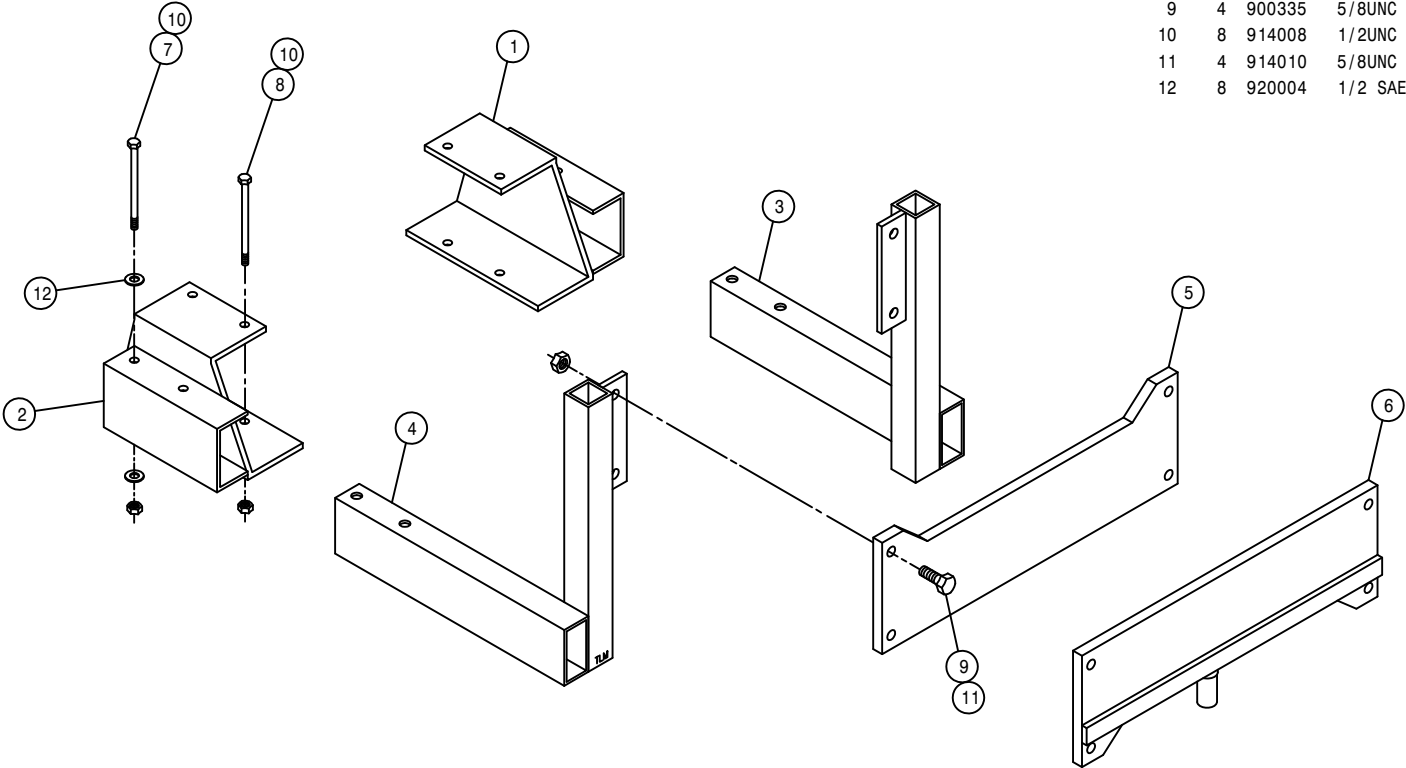
GMC A/C ASSEMBLY

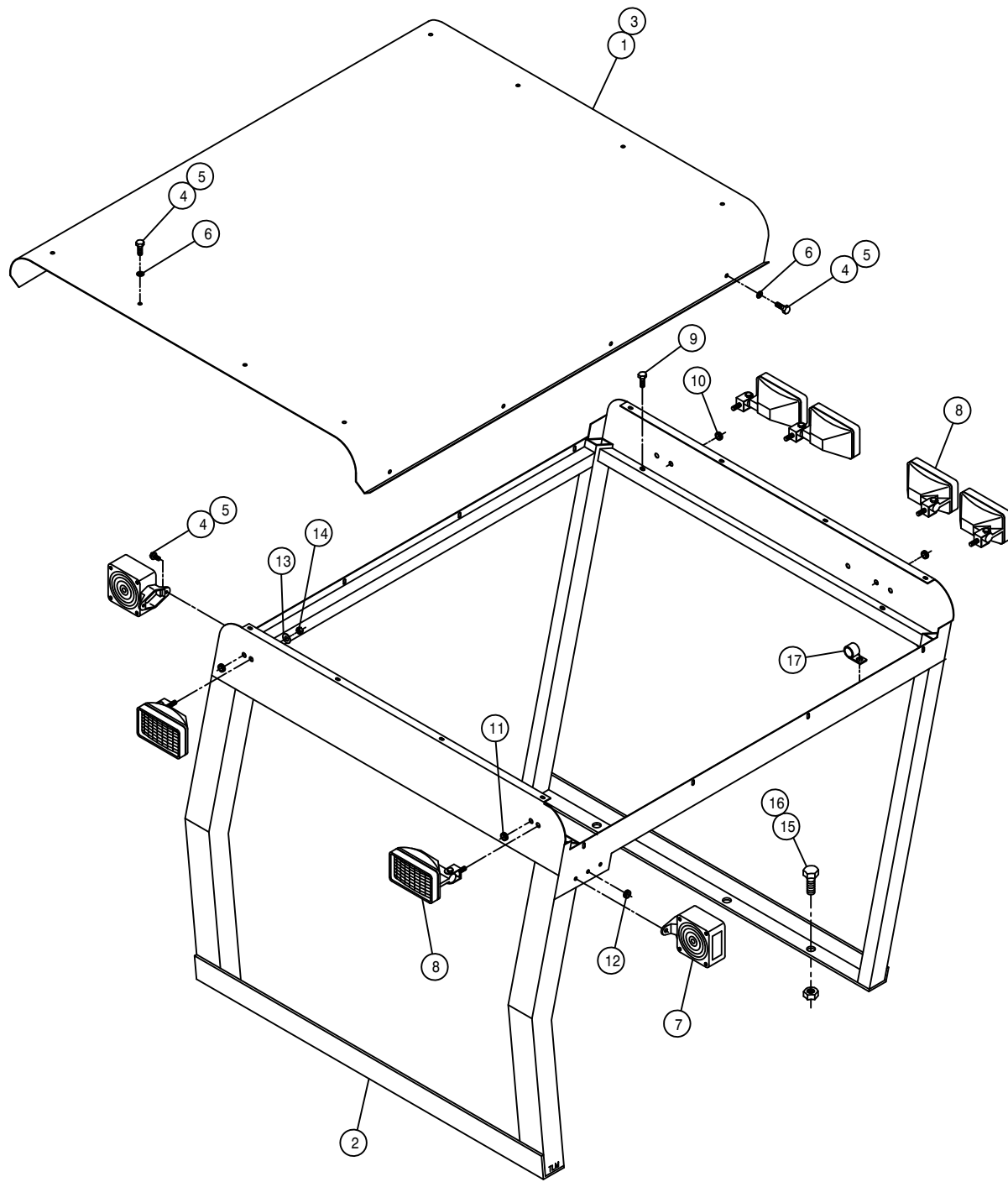


REAR WEIGHT BRACKET ASSEMBLY

DET. QTY PART NO. DESCRIPTION

| | | | | |
|----|---|--------|-------------------------------|----|
| 1 | 1 | 341980 | RH REAR TOOL BAR MT WLD 2XX | |
| 2 | 1 | 341981 | LH REAR TOOL BAR MT WLD 2XX | |
| 3 | 1 | 438575 | RH WEIGHT MT BRKT WLD | 96 |
| 4 | 1 | 438576 | LH WEIGHT MT BRKT WLD | 96 |
| 5 | 1 | 438580 | WEIGHT MT PLATE | 96 |
| 6 | 1 | 438581 | WEIGHT MT PLATE WLD,JD 204 96 | |
| 7 | 4 | 900277 | 1/2UNC X 5 1/2 HEX BOLT | |
| 8 | 4 | 900281 | 1/2UNC X 7 1/2 HEX BOLT | |
| 9 | 4 | 900335 | 5/8UNC X 2" HEX BOLT | |
| 10 | 8 | 914008 | 1/2UNC HEX STOVER NUT | |
| 11 | 4 | 914010 | 5/8UNC HEX STOVER NUT | |
| 12 | 8 | 920004 | 1/2 SAE FLAT WASHER | |



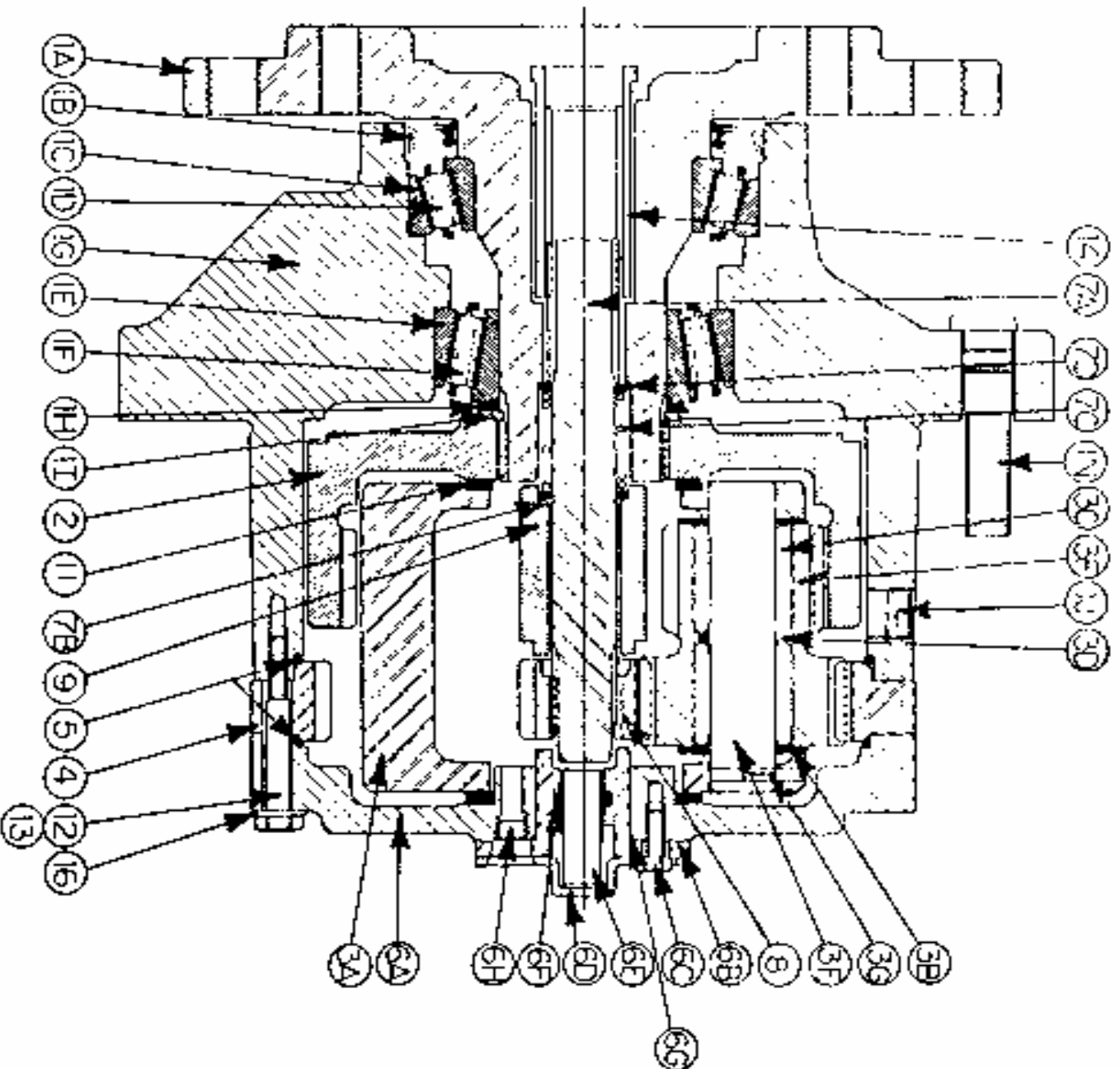


CANOPY ASSEMBLY

DET. QTY PART NO. DESCRIPTION

| | | | | |
|----|----|--------|--------------------------------|----|
| 1 | 1 | 342151 | CAB ROOF, 284 | 94 |
| 2 | 1 | 342270 | CANOPY WLD, 204 | 94 |
| 3 | 1 | 658314 | CANOPY ROOF FOAM, 204 | 94 |
| 4 | 20 | 470122 | 1/4UNC X 1/2 FLANGED HEX BOLT | |
| 5 | 20 | 470121 | 1/4UNC HEX FLANGED LOCK NUT | |
| 6 | 16 | 470212 | 1/4 BONDED NEO SEALING WASH | |
| 7 | 2 | 291604 | TURN SIGNAL LIGHT, PED MT, YEL | |
| 8 | 6 | 291603 | WORKLAMP, SIDE MT 12V HALOGEN | |
| 9 | 4 | 472349 | 1/4 X 3/4 20THD-IN TEK TYPE | |
| 10 | 2 | 470067 | RUBBER GROMMET 1/4 ID | |
| 11 | 2 | 470070 | RUBBER GROMMET 3/8 ID | |
| 12 | 2 | 470226 | RUBBER GROMMET 5/32 ID | |
| 13 | 6 | 470100 | LOCKWASH, .38 INT TOOTH | |
| 14 | 6 | 473779 | 10MM-1.50 HEX NUT | |
| 15 | 6 | 900264 | 1/2UNC X 1 1/4 HEX BOLT | |
| 16 | 6 | 914008 | 1/2UNC HEX STOVER NUT | |
| 17 | 6 | 520117 | CUSH HOSE CLAMP 5/8D X 1/2W | |

CROSS-SECTIONAL VIEW OF W1B TORQUE-HUB®



WHEEL DRIVE ASSEMBLY - 610660
W1BFFZ318

| ITEMS | DESCRIPTION | PART NO. | QTY. |
|-------|--------------------------|----------|------|
| 1 | HUB-SPINDLE SUB-ASSEMBLY | ----- | |
| 1A | SPINDLE | 610518 | 1 |
| 1B | SEAL | 610519 | 1 |
| 1C | BEARING CUP | 610520 | 1 |
| 1D | BEARING CONE | 610521 | 1 |
| 1E | BEARING CUP | 610907 | 1 |
| 1F | BEARING CONE | 610908 | 1 |
| 1G | HUB | 610522 | 1 |
| 1H | SPACER | 610909 | 1 |
| 1I | RETAINER RING | 610910 | 1 |
| 1J | PIPE PLUG | 610147 | 2 |
| 1N | STUD | 824054 | 9 |
| 2 | INTERNAL GEAR | 610148 | 1 |
| 3 | CARRIER ASSEMBLY | 610912 | 1 |
| 4 | RING GEAR | 610929 | 1 |
| 5 | O-RING | 610903 | 2 |
| 6 | COVER ASSEMBLY | 610155 | 1 |
| 6A | COVER | 610149 | 1 |
| 6B | COVER CAP | 610914 | 1 |
| 6C | BOLT | 610150 | 4 |
| 6D | DISCONNECT CAP | 610901 | 1 |
| 6E | DISCONNECT ROD | 610915 | 1 |
| 6F | O-RING | 610916 | 1 |
| 6G | O-RING | 610917 | 1 |
| 6H | PIPE NIPPLE | 610151 | 1 |
| 6I | ID PLATE | 610152 | 1 |
| 7 | INPUT SHAFT ASSEMBLY | 610048 | 1 |
| 7A | INPUT SHAFT | 610046 | 1 |
| 7B | RETAINING RING | 610936 | 1 |
| 7C | SPRING | 610145 | 1 |
| 7D | SPACER | 610153 | 2 |
| 8 | INPUT GEAR | 610919 | 1 |
| 9 | THRUST SPACER | 610920 | 1 |
| 10 | THRUST SPACER | 610921 | 1 |
| 11 | THRUST WASHER | 610922 | 2 |
| 12 | BOLT | 610930 | 12 |
| 13 | SHOULDER BOLT | 610923 | 4 |
| 14 | COUPLING | 610037 | 1 |
| 16 | FLAT WASHER | 610049 | 16 |
| NS | SEAL BOOT | 610552 | 1 |

WHEEL DRIVE ASSEMBLY - 610663
W1BFFZ324

| ITEMS | DESCRIPTION | PART NO. | QTY. |
|-------|--------------------------|----------|------|
| 1 | HUB-SPINDLE SUB-ASSEMBLY | ----- | |
| 1A | SPINDLE | 610518 | 1 |
| 1B | SEAL | 610519 | 1 |
| 1C | BEARING CUP | 610520 | 1 |
| 1D | BEARING CONE | 610521 | 1 |
| 1E | BEARING CUP | 610907 | 1 |
| 1F | BEARING CONE | 610908 | 1 |
| 1G | HUB | 610522 | 1 |
| 1H | SPACER | 610909 | 1 |
| 1I | RETAINER RING | 610910 | 1 |
| 1J | PIPE PLUG | 610147 | 2 |
| 1N | STUD | 824054 | 9 |
| 2 | INTERNAL GEAR | 610148 | 1 |
| 3 | CARRIER ASSEMBLY | 610933 | 1 |
| 4 | RING GEAR | 610937 | 1 |
| 5 | O-RING | 610903 | 2 |
| 6 | COVER ASSEMBLY | 610155 | 1 |
| 6A | COVER | 610149 | 1 |
| 6B | COVER CAP | 610914 | 1 |
| 6C | BOLT | 610150 | 4 |
| 6D | DISCONNECT CAP | 610901 | 1 |
| 6E | DISCONNECT ROD | 610915 | 1 |
| 6F | O-RING | 610916 | 1 |
| 6G | O-RING | 610917 | 1 |
| 6H | PIPE NIPPLE | 610151 | 1 |
| 6I | ID PLATE | 610152 | 1 |
| 7 | INPUT SHAFT ASSEMBLY | 610048 | 1 |
| 7A | INPUT SHAFT | 610046 | 1 |
| 7B | RETAINING RING | 610936 | 1 |
| 7C | SPRING | 610145 | 1 |
| 7D | SPACER | 610153 | 2 |
| 8 | INPUT GEAR | 610919 | 1 |
| 9 | THRUST SPACER | 610920 | 1 |
| 10 | THRUST SPACER | 610921 | 1 |
| 11 | THRUST WASHER | 610922 | 2 |
| 12 | BOLT | 610930 | 12 |
| 13 | SHOULDER BOLT | 610923 | 4 |
| 14 | COUPLING | 610037 | 1 |
| 16 | FLAT WASHER | 610049 | 16 |
| NS | SEAL BOOT | 610552 | 1 |

NOTICE

The following page contains decals for the model 204.

These decals can be obtained from Hagie Mfg. Co. and should be used whenever your machine is repainted or when the decals become worn, weathered, or faded.

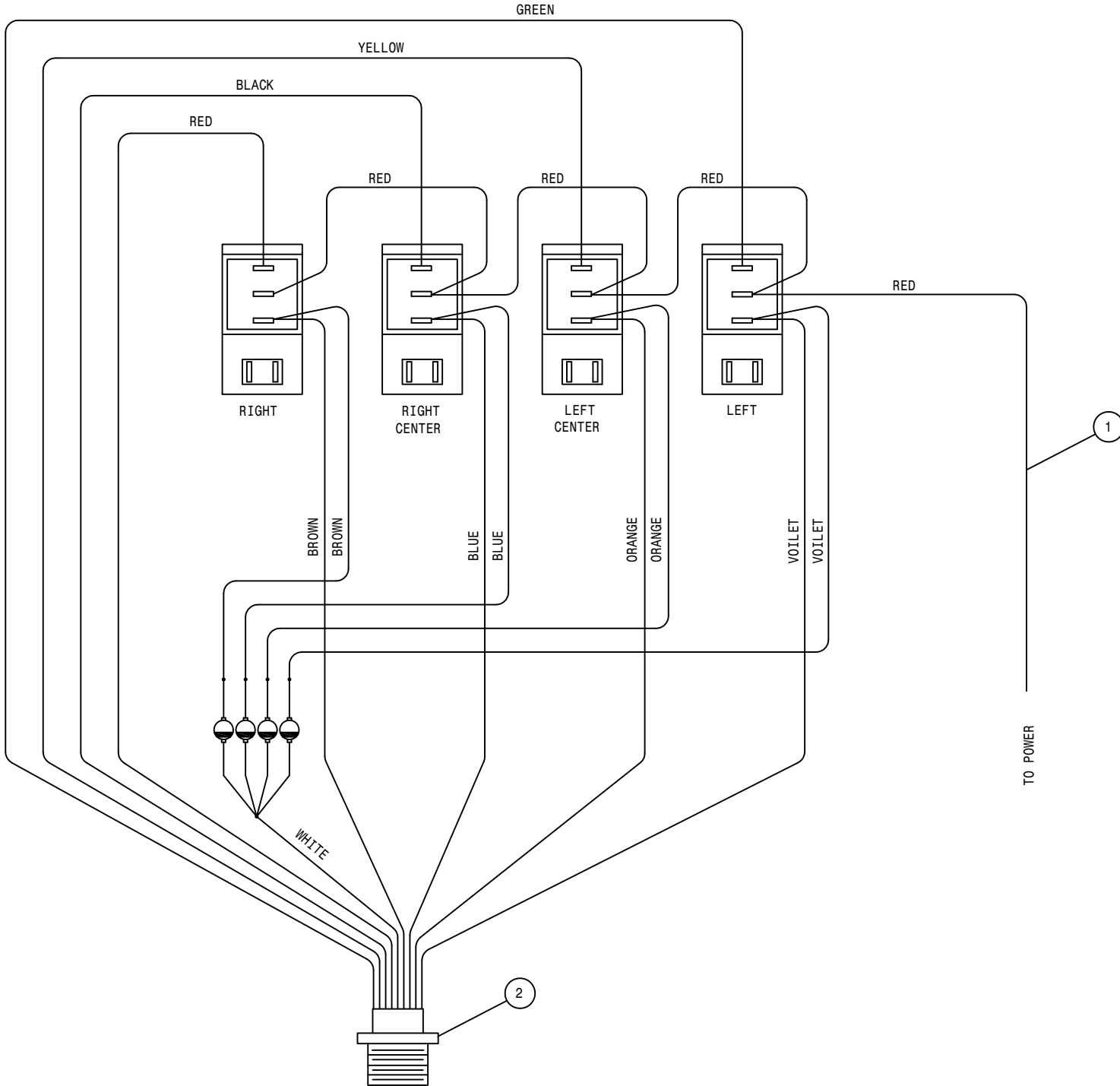
Special attention should be paid to decals involving personal safety. They have been attached for your protection.

KEEP THEM IN PLACE.

Contact: Hagie Manufacturing Co.
Box 273
Clarion, Iowa 50525

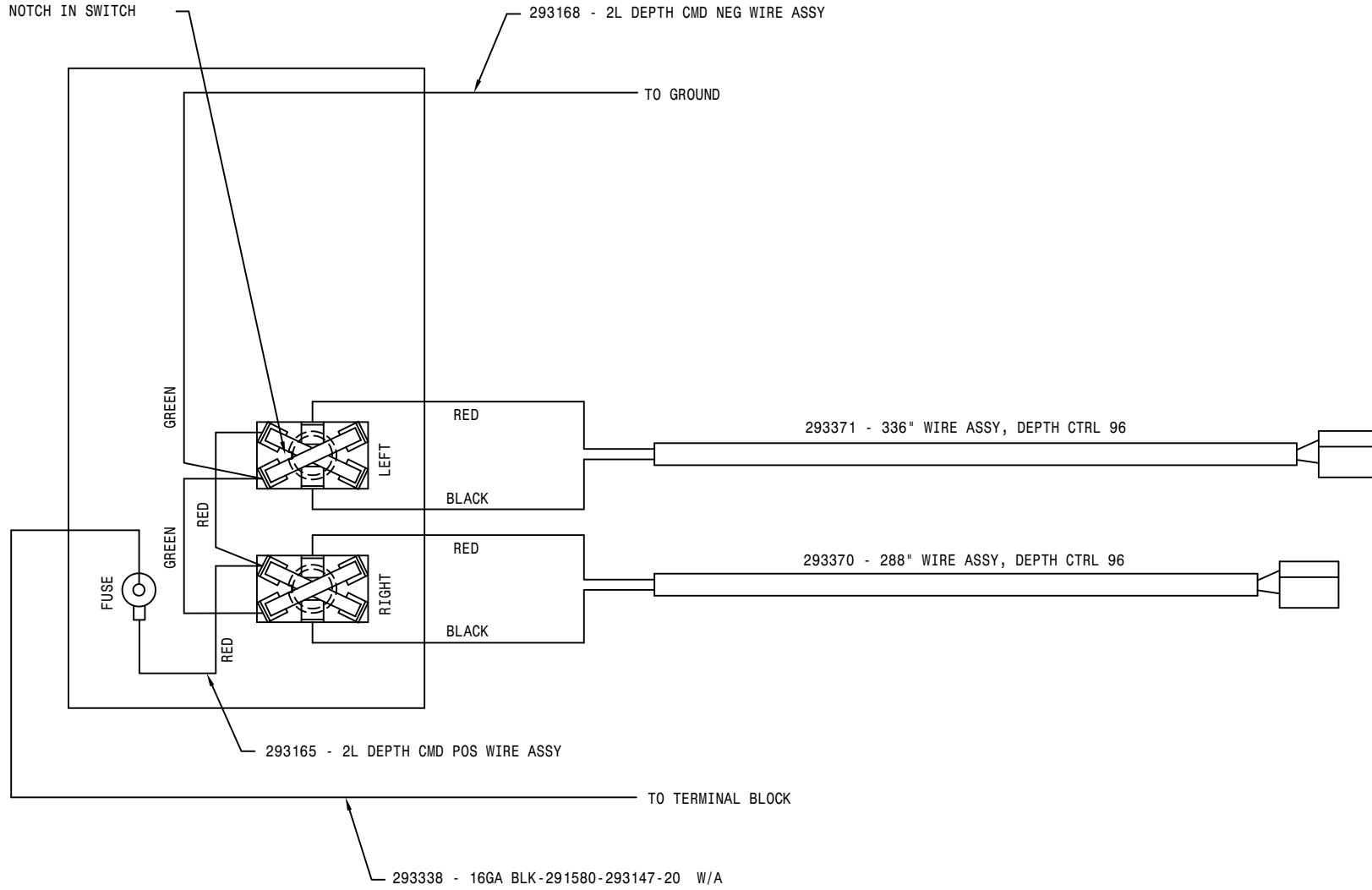
204 DECALS

| QTY. | PART NO. | DESCRIPTION | LOCATION |
|------|----------|------------------------------|---|
| 1 | 650831 | EMERGENCY STOP DECAL | ON CONSOLE SHEET METAL |
| 1 | 650329 | TRACTION VALVE DECAL | ON INSTRUMENT PANEL |
| 2 | 650953 | GASOLINE DECAL | NEAR EACH FUEL TANK NECK |
| 1 | 650814 | PARK BRAKE DECAL | NEAR PARK BRAKE |
| 2 | 650819 | DANGER, CUTTING BLADES | 2-ON EACH CUTTER HEAD |
| 1 | 650847 | NO PASSENGER DECAL | ON FRONT OPERATOR STATION |
| 1 | 650848 | SLIP OR FALL DECAL | NEXT TO STEP ON LEG RAIL |
| 2 | 650849 | ENGINE FUEL DECAL | NEAR EACH FUEL TANK NECK |
| 4 | 650985 | WHEEL BOLT TORQUE DECAL | ON EACH WHEEL RIM |
| 2 | 650851 | SHIELDS DECAL | ON SIDE OF TOP ENGINE COVER |
| 1 | 650852 | READ MANUAL DECAL | ON FRONT OPERATOR STATION |
| 1 | 650981 | COOLING SYSTEM DECAL | NEAR RADIATOR CAP |
| 1 | 650982 | ELECTRICAL DECAL | RIGHT HAND SIDE OF OIL TANK |
| 3 | 650931 | HAGIE DECAL 1 3/4 X 4 | 1 - ON EACH TASSEL DEFLECTOR 1 - ON EACH QUAD PULLER |
| 4 | 650820 | CAUTION MOVING PARTS DECAL | 2 - EACH TASSEL DEFLECTOR 1 - ON EACH QUAD PULLER 1 - ON EACH TIRE PULLER |
| 2 | 650954 | DIESEL DECAL | NEAR EACH FUEL TANK NECK |
| 1 | 650321 | DECAL SET, HAGIE 204 STRIPE | ON EACH ENGINE HOOD |
| 1 | 650319 | DECAL, NOTICE LEG CYL OIL | ON TOP LH FRT LEG |
| 2 | 650308 | LEFT L-CTR R-CTR RIGHT DECAL | 1 - ON CONSOLE COVER 1 - DEPTH COMMAND SWITCH BOX |
| 1 | 650332 | MTR CTRL-FUEL-FLASH DECALL | ON CONSOLE COVER |
| 1 | 650955 | CAUTION SLOW ENG IDL DECAL | ON CONSOLE COVER |
| 1 | 650967 | THROTTLE DECAL | ON CONSOLE COVER |
| 1 | 650968 | HYDRO DRIVE DECAL | ON CONSOLE COVER |
| 1 | 650881 | CHOKE DECAL | ON CONSOLE COVER |
| 1 | 650333 | 10 AMP FUSE DECAL | ON CONSOLE COVER |
| 1 | 650339 | WARNING, HYD OIL INJ DECAL | ON FRONT OPERATOR STATION |
| 1 | 650338 | DEPTH CMD 6-LIFT DECAL | DEPTH COMMAND SWITCH BOX |
| 1 | 650320 | EMERGENCY EXIT DECAL | RIGHT SIDE CAB GALSS |
| 1 | 650882 | WIPER DECAL | ON CONSOLE COVER |



| | | | |
|--|--------------------------|---------------|-----------------------------|
| 2 | 1 | 293248 | MANUAL LS SYS SW HARNESS |
| 1 | 1 | 293249 | MANUAL LS SYS PWR WIRE ASSY |
| DET | REQ | DESCRIPTION | |
| HAGIE HAGIE MANUFACTURING COMPANY CLARION, IOWA 50525 | | | |
| REMOVE ALL SHARP CORNERS & BURRS | | | |
| TOLERANCE UNLESS OTHERWISE SPECIFIED | | | |
| FRACTION | 1/32 | DECIMALS | X.XX 1.03 X.XXX 1.005 |
| ANGLES | 1° | | |
| DESCRIPTION WIRING DIAG. MANUAL LS SYS SW | | | |
| DRAWN BY T. MARKER | | SCALE NONE | |
| CHECKED BY | | APPROVED BY | |
| DATE 05-06-92 | DRAWING NUMBER 498414 | | |
| SHEET | OF | | |

NOTE: NOTCH IN SWITCH



97

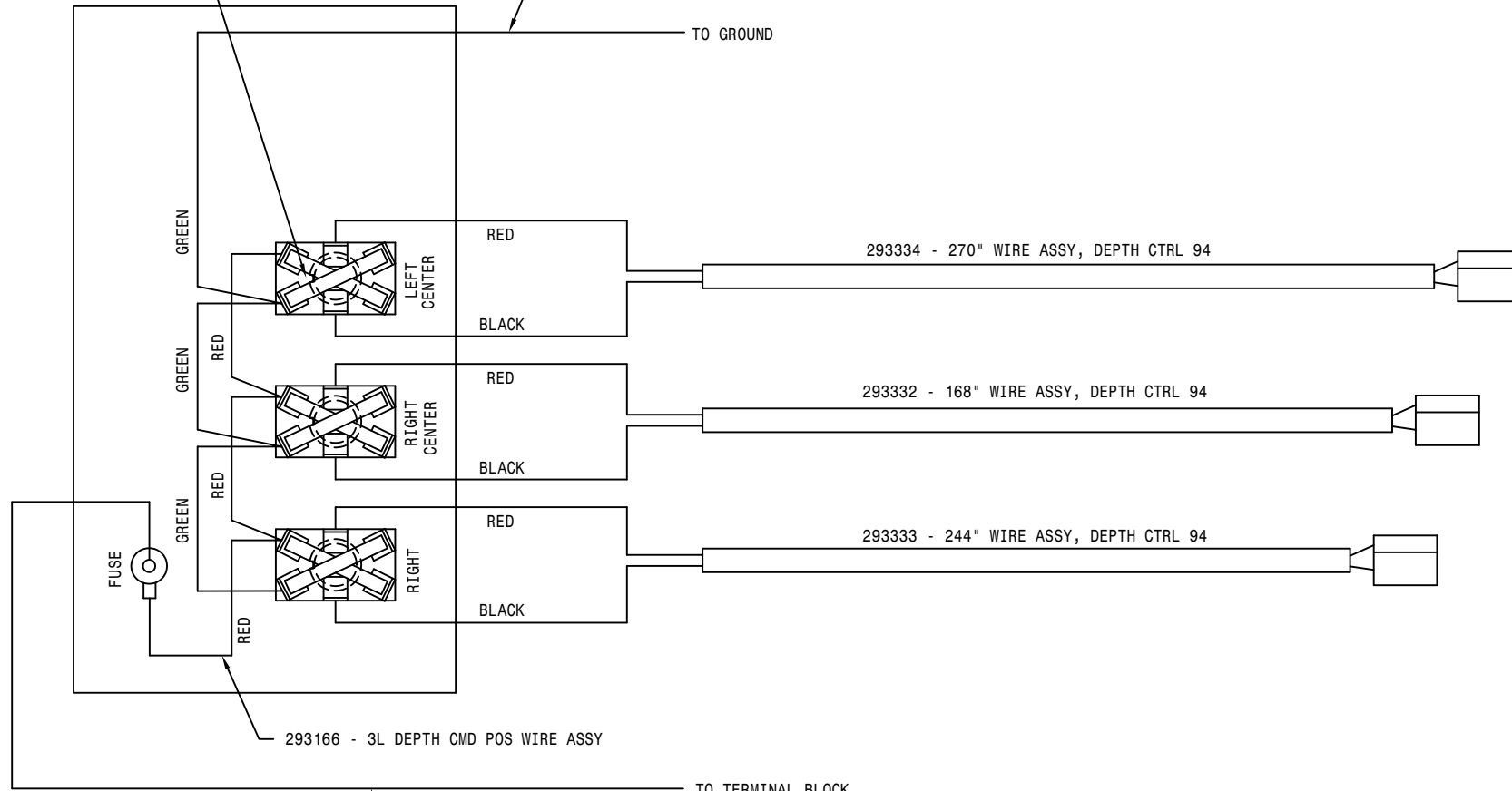
| | | | | |
|---|------|----------------|---------------|--------|
| DET | REQ | DESCRIPTION | | |
| HAGIE MANUFACTURING COMPANY CLARION, IOWA 50525 | | | | |
| REMOVE ALL SHARP CORNERS & BURRS | | | | |
| TOLERANCE UNLESS OTHERWISE SPECIFIED | | | | |
| FRACTION | 1/32 | DECIMALS | X.XX X.XXX | ANGLES |
| | | | °.03 °.005 | !* |
| DESCRIPTION | | | | |
| WIRE DIAG, 2-LIFT DEPTH CMD 94 | | | | |
| DRAWN BY | | SCALE | | |
| T. MARKER | | NONE | | |
| CHECKED BY | | APPROVED BY | | |
| DATE | | DRAWING NUMBER | | |
| 03-29-94 | | 498450 | | |
| SHEET | | OF | | |

172097

NOTE: NOTCH IN SWITCH

293169 - 3L DEPTH CMD NEG WIRE ASSY

TO GROUND



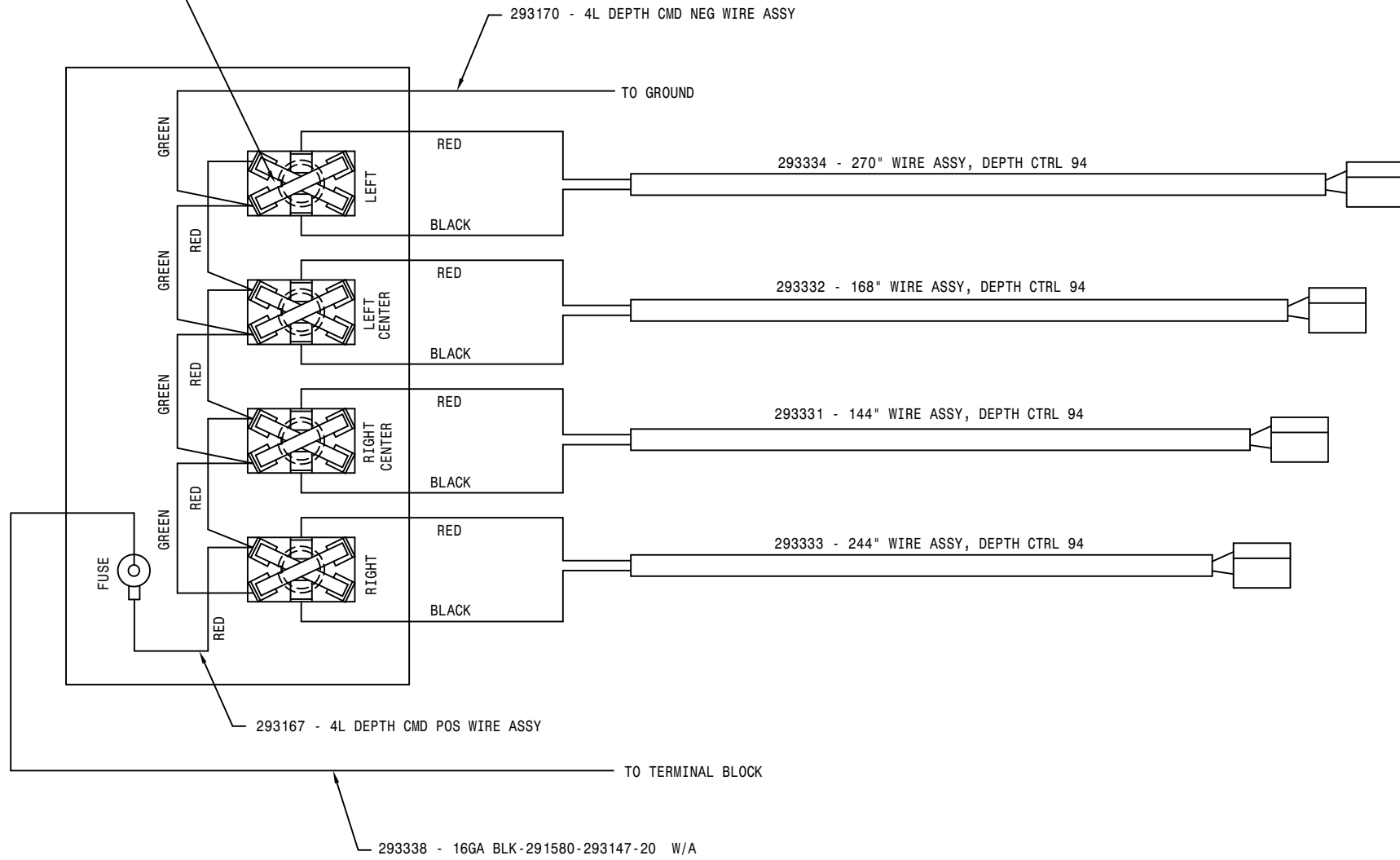
293166 - 3L DEPTH CMD POS WIRE ASSY

TO TERMINAL BLOCK

293338 - 16GA BLK-291580-293147-20 W/A

| DET | REQ | DESCRIPTION |
|--|----------------|-------------|
| HAGIE HAGIE MANUFACTURING COMPANY CLARION, IOWA 50525 | | |
| REMOVE ALL SHARP CORNERS & BURRS | | |
| TOLERANCE UNLESS OTHERWISE SPECIFIED | | |
| FRACTION | DECIMALS | ANGLES |
| 1/32 | .03125 | ± .03 |
| | | ± .005 |
| DESCRIPTION | | |
| WIRE DIAG, 3-LIFT DEPTH CMD 94 | | |
| DRAWN BY | SCALE | |
| T. MARKER | NONE | |
| CHECKED BY | APPROVED BY | |
| DATE | DRAWING NUMBER | |
| 03-29-94 | 498451 | |
| SHEET | OF | |

NOTE: NOTCH IN SWITCH



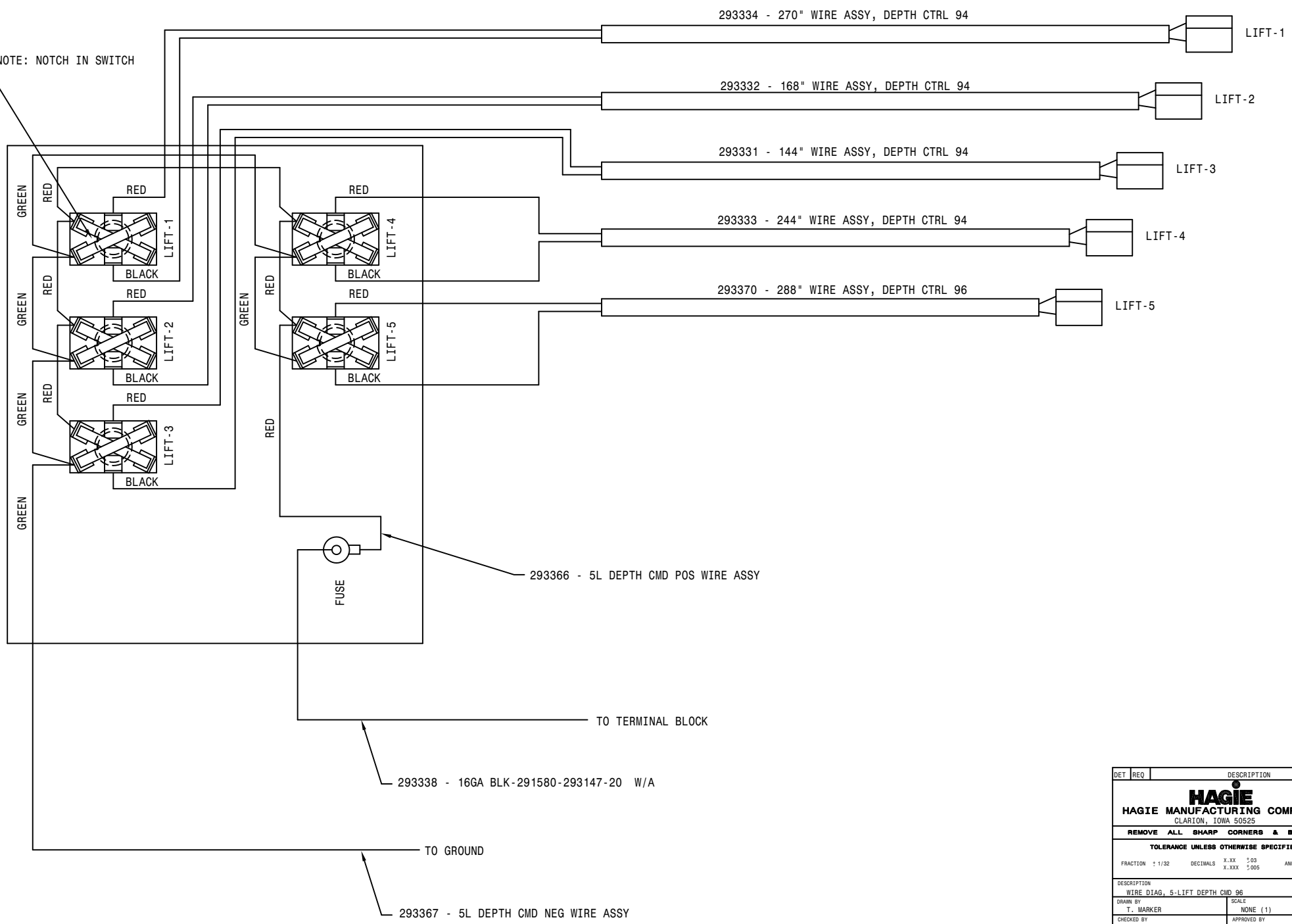
66

| | | | | |
|---|------|----------------|---------------|--------|
| DET | REQ | DESCRIPTION | | |
| HAGIE MANUFACTURING COMPANY CLARION, IOWA 50525 | | | | |
| REMOVE ALL SHARP CORNERS & BURRS | | | | |
| TOLERANCE UNLESS OTHERWISE SPECIFIED | | | | |
| FRACTION | 1/32 | DECIMALS | X.XX X.XXX | ANGLES |
| | | | .03 .005 | 1° |
| DESCRIPTION | | | | |
| WIRE DIAG, 4-LIFT DEPTH CMD 94 | | | | |
| DRAWN BY | | SCALE | | |
| T. MARKER | | NONE | | |
| CHECKED BY | | APPROVED BY | | |
| DATE | | DRAWING NUMBER | | |
| 03-29-94 | | 498452 | | |
| SHEET OF | | | | |

172099

100

NOTE: NOTCH IN SWITCH

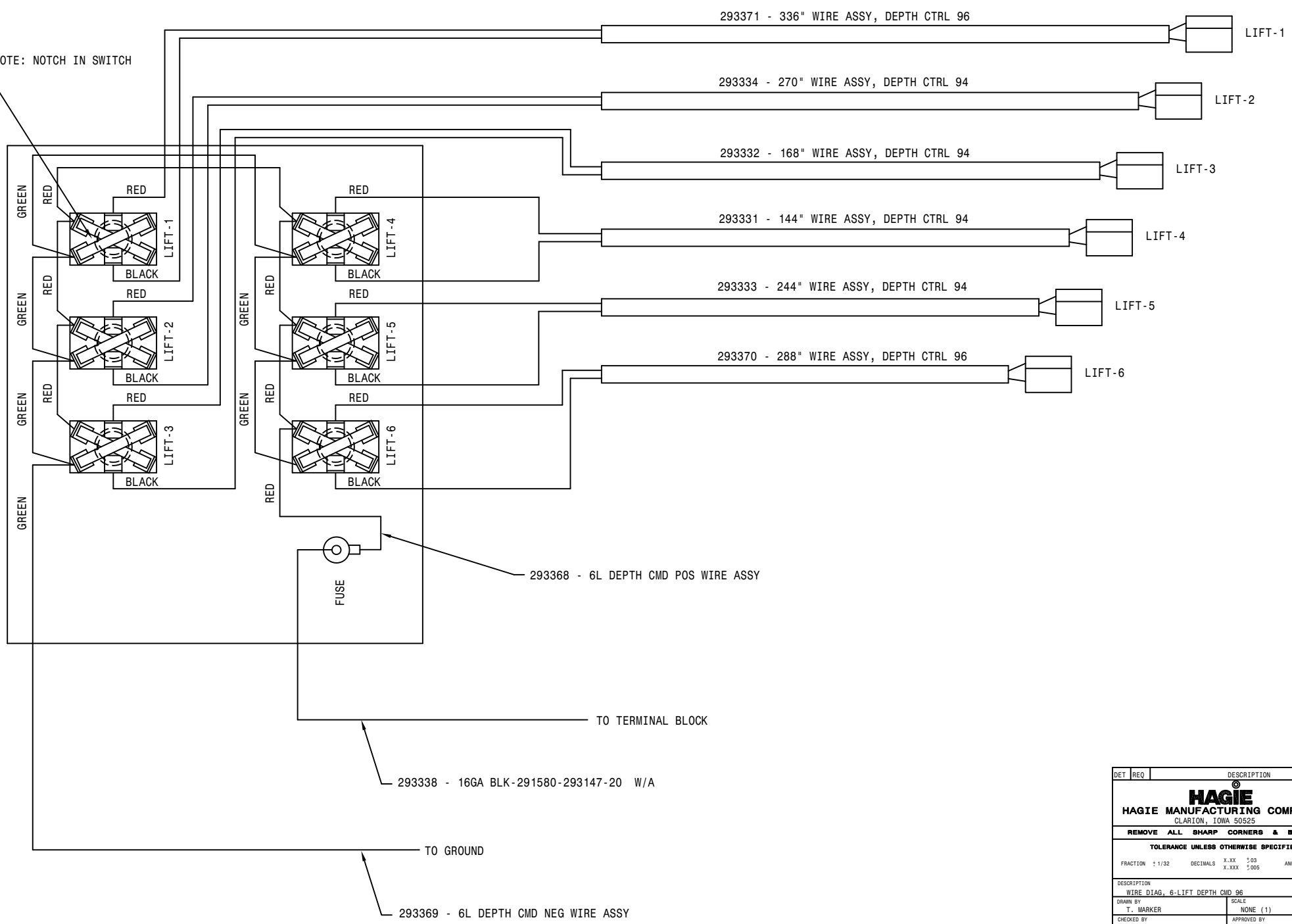


| DET | REQ | DESCRIPTION |
|---|-----------|----------------|
| HAGIE HAGIE MANUFACTURING COMPANY CLARION, IOWA 50525 | | |
| REMOVE ALL SHARP CORNERS & BURRS | | |
| TOLERANCE UNLESS OTHERWISE SPECIFIED | | |
| FRACTION | 1/32 | DECIMALS |
| | | X.XX ±.03 |
| | | X.XXX ±.005 |
| ANGLES | 1° | |
| DESCRIPTION | | |
| WIRE DIAG, 5-LIFT DEPTH CMD 96 | | |
| DRAWN BY | T. MARKER | SCALE |
| | | NONE (1) |
| CHECKED BY | | APPROVED BY |
| DATE | 02-26-96 | DRAWING NUMBER |
| | | 498478 |
| SHEET | OF | |

172100

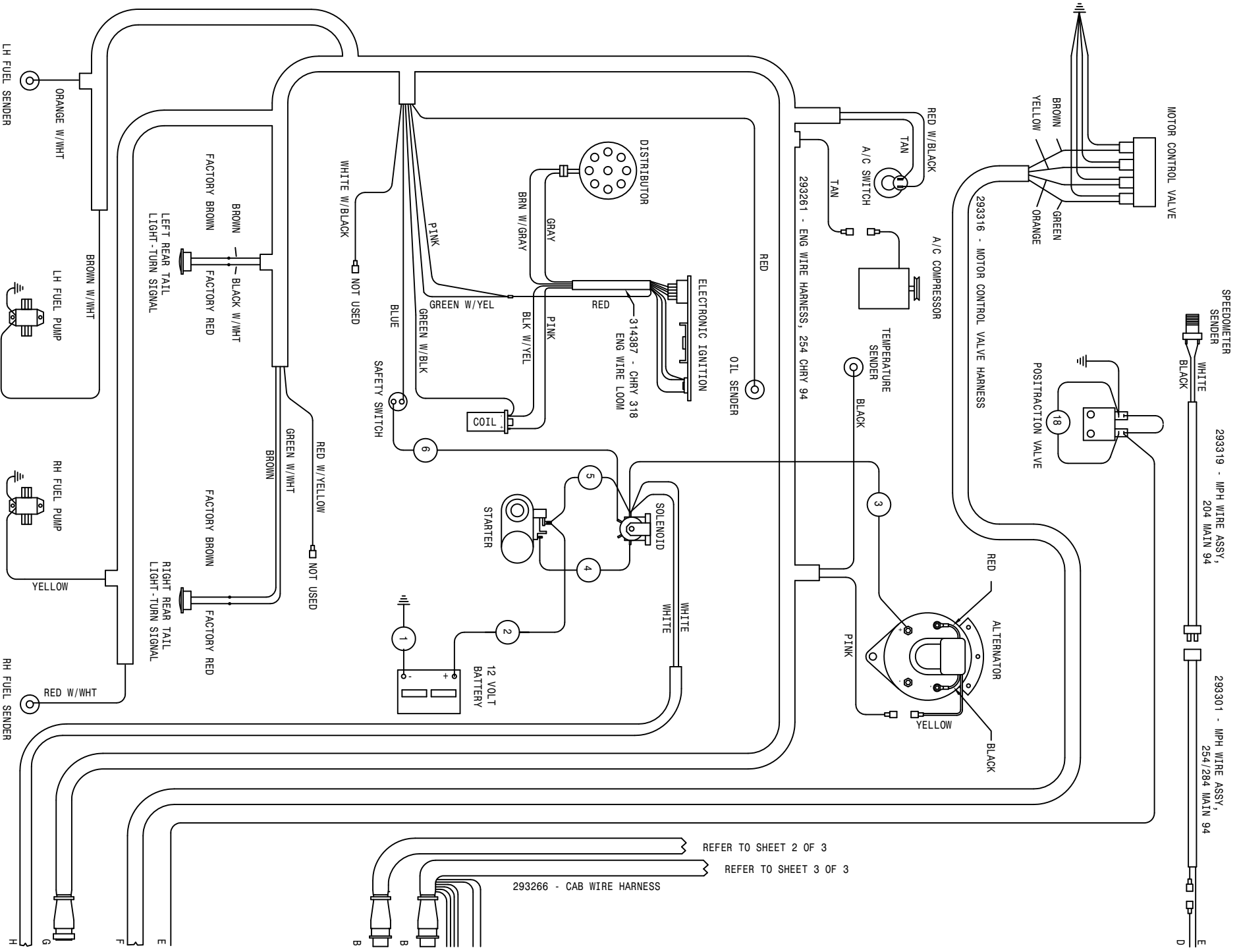
101

NOTE: NOTCH IN SWITCH



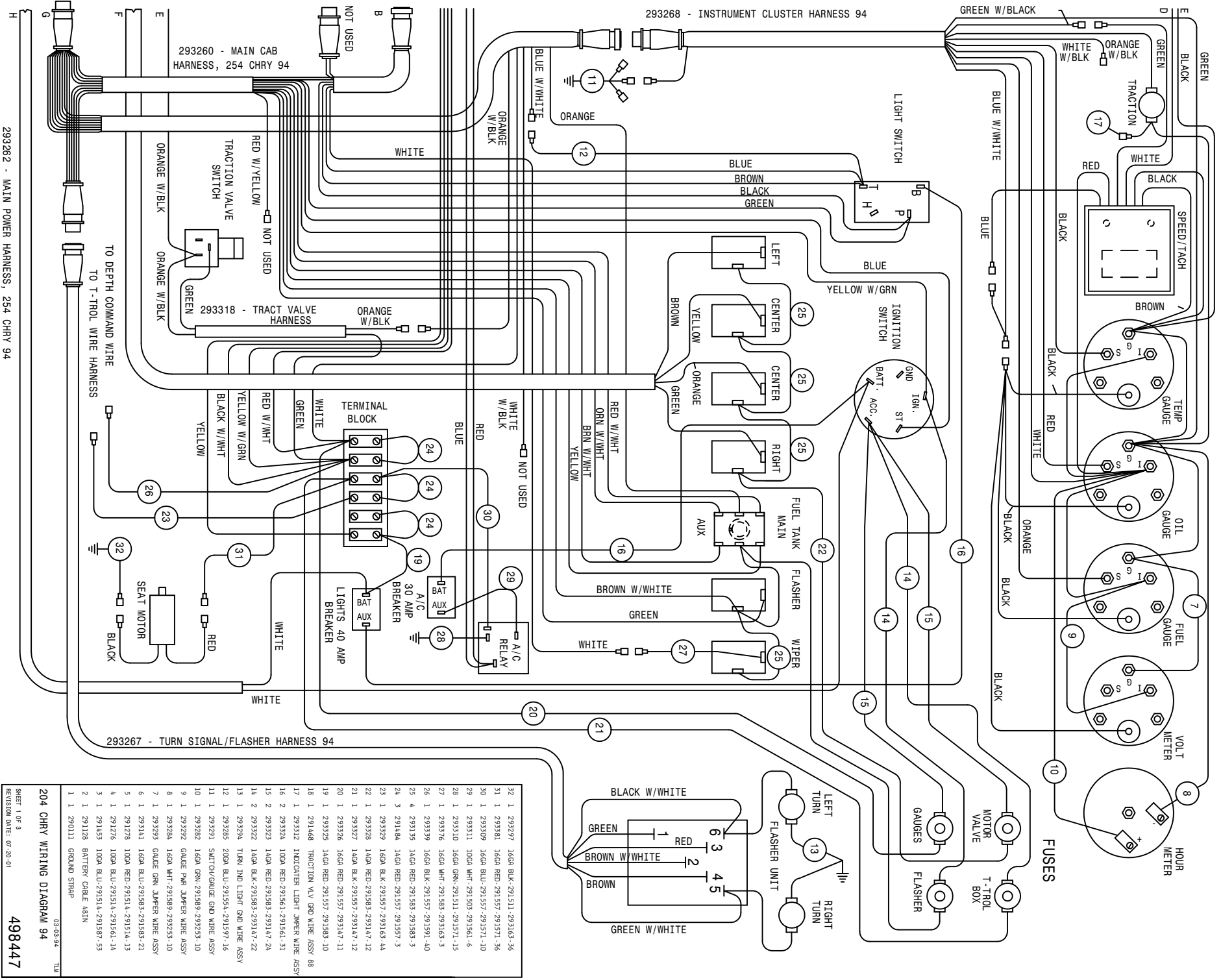
| | | |
|--|----------------|--------------|
| DET | REQ | DESCRIPTION |
| HAGIE HAGIE MANUFACTURING COMPANY CLARION, IOWA 50525 | | |
| REMOVE ALL SHARP CORNERS & BURRS | | |
| TOLERANCE UNLESS OTHERWISE SPECIFIED | | |
| FRACTION | DECIMALS | ANGLES |
| 1/32 | .03 .005 | ° 03 ° 05 |
| DESCRIPTION | | |
| WIRE DIAG, 6-LIFT DEPTH CMD 96 | | |
| DRAWN BY | SCALE | |
| T. MARKER | NONE (1) | |
| CHECKED BY | APPROVED BY | |
| DATE | DRAWING NUMBER | |
| 02-26-96 | 498479 | |
| SHEET | OF | |

172101



REFER TO SHEET 2 OF 3
 REFER TO SHEET 3 OF 3

293266 - CAB WIRE HARNESS



293268 - INSTRUMENT CLUSTER HARNESS 94

293260 - MAIN CAB HARNESS, 254 CHRY 94

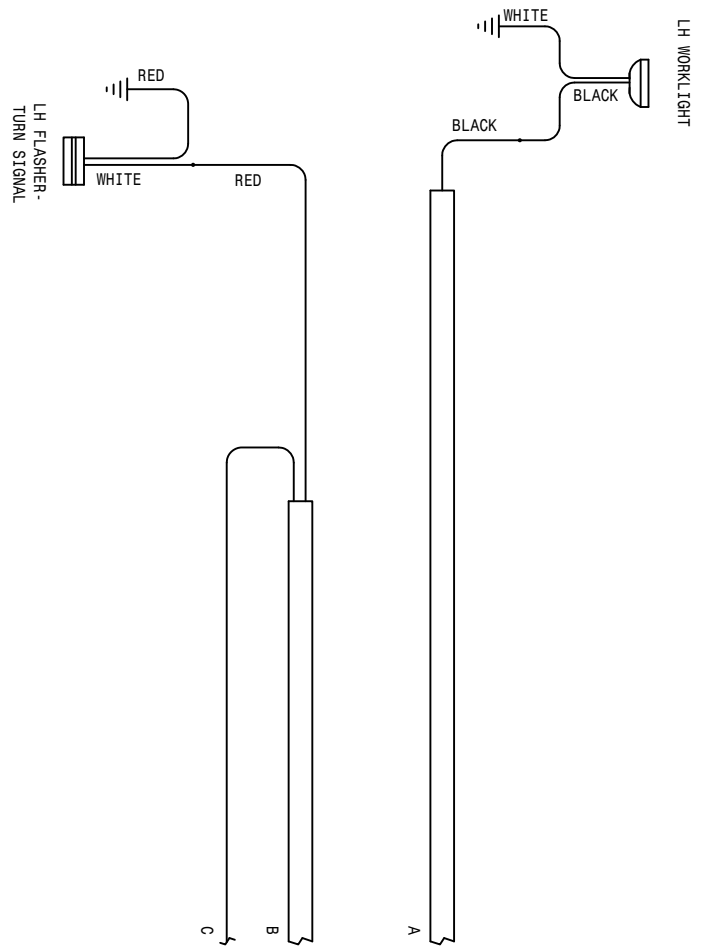
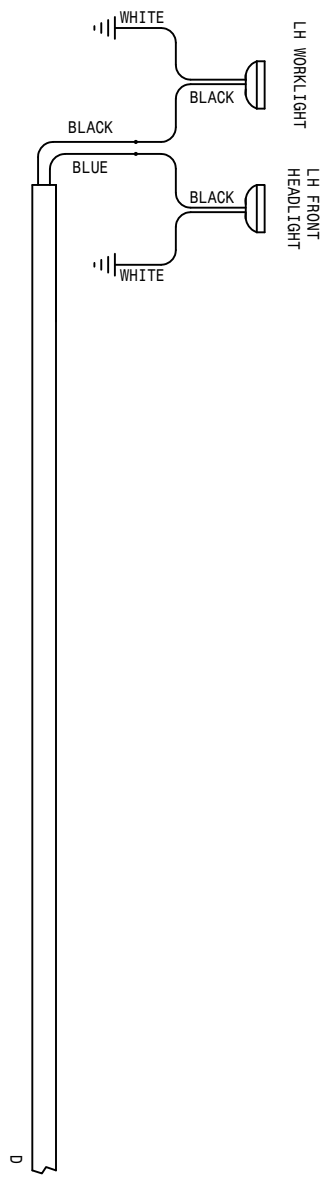
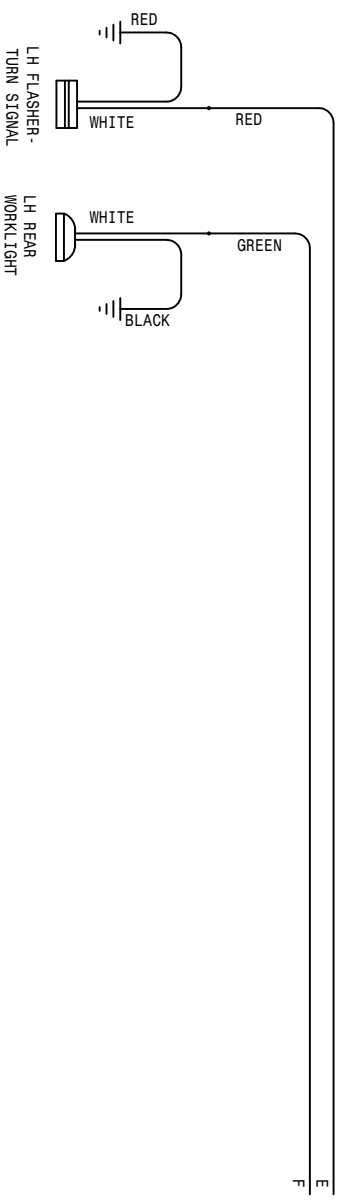
293318 - TRACT VALVE HARNESS

293267 - TURN SIGNAL/FLASHER HARNESS 94

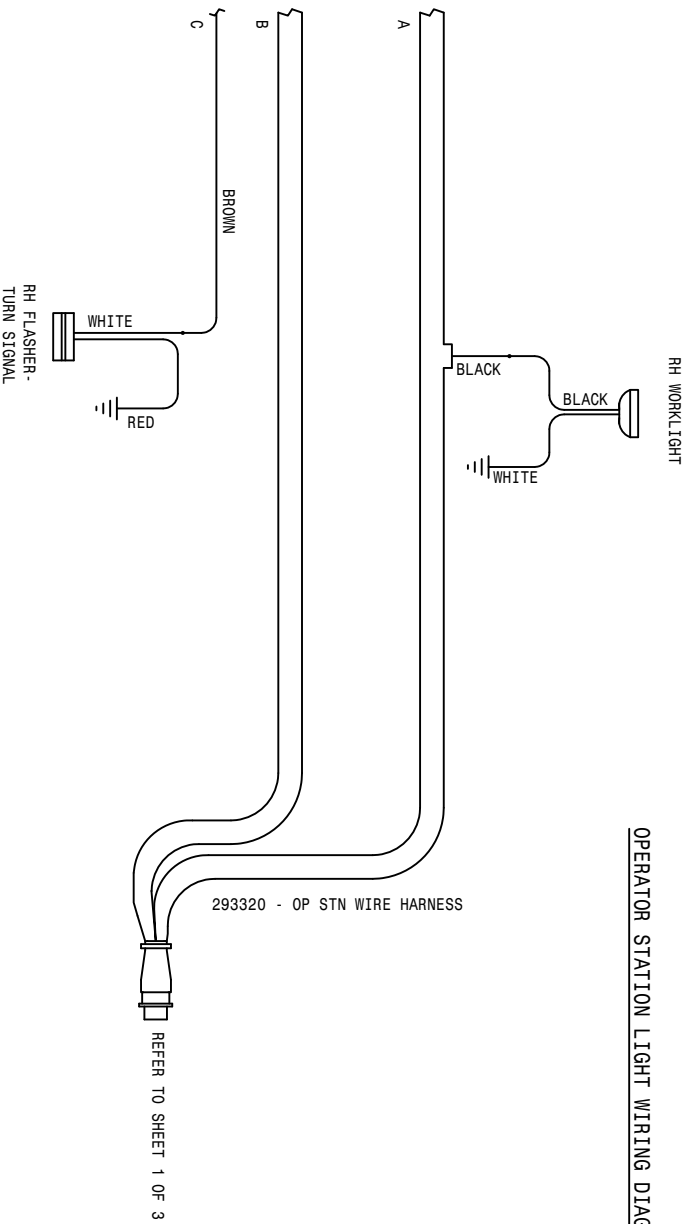
293262 - MAIN POWER HARNESS, 254 CHRY 94

| | | | | | | | | |
|----|---|--------|-----------|-------|--------|--------|------|------|
| 32 | 1 | 293297 | 16GA | BLK | 291511 | 293163 | 36 | |
| 31 | 1 | 293381 | 16GA | RED | 291557 | 291571 | 36 | |
| 30 | 1 | 293309 | 16GA | BLU | 291557 | 291571 | 30 | |
| 29 | 1 | 293211 | 100A | WHT | 291503 | 291561 | 6 | |
| 28 | 1 | 293310 | 16GA | GRN | 291511 | 291571 | 15 | |
| 27 | 1 | 293376 | 16GA | WHT | 291583 | 293163 | 3 | |
| 26 | 1 | 293339 | 16GA | BLK | 291557 | 291591 | 40 | |
| 25 | 4 | 293335 | 16GA | RED | 291583 | 291583 | 3 | |
| 24 | 3 | 291684 | 16GA | RED | 291557 | 291557 | 3 | |
| 23 | 1 | 293329 | 16GA | BLK | 291557 | 293163 | 44 | |
| 22 | 1 | 293328 | 16GA | RED | 291583 | 293163 | 12 | |
| 21 | 1 | 293327 | 16GA | BLK | 291557 | 293163 | 12 | |
| 20 | 1 | 293326 | 16GA | RED | 291557 | 293163 | 11 | |
| 19 | 1 | 293325 | 16GA | RED | 291557 | 291583 | 10 | |
| 18 | 1 | 291648 | TRACTON | VLV | GRD | WIRE | ASSY | 88 |
| 17 | 1 | 293312 | INDICATOR | LIGHT | JUMPER | WIRE | ASSY | 88 |
| 16 | 2 | 293324 | 100A | RED | 291561 | 291561 | 31 | |
| 15 | 2 | 293323 | 16GA | RED | 291583 | 291571 | 24 | |
| 14 | 2 | 293322 | 16GA | BLK | 291583 | 293163 | 22 | |
| 13 | 1 | 293294 | TURN | AND | LIGHT | GRD | WIRE | ASSY |
| 12 | 1 | 293288 | 200A | BLU | 291584 | 291597 | 16 | |
| 11 | 1 | 293291 | SWITCH | OR | SWITCH | OR | WIRE | ASSY |
| 10 | 1 | 293282 | 16GA | GRN | 291589 | 292923 | 10 | |
| 9 | 1 | 293292 | GALDCE | PMR | JUMPER | WIRE | ASSY | |
| 8 | 1 | 293284 | 16GA | WHT | 291589 | 292923 | 10 | |
| 7 | 1 | 293293 | GALDCE | GRN | JUMPER | WIRE | ASSY | |
| 6 | 1 | 293141 | 16GA | BLU | 291583 | 291583 | 21 | |
| 5 | 1 | 291278 | 100A | RED | 291514 | 291514 | 13 | |
| 4 | 1 | 291276 | 100A | BLU | 291514 | 291561 | 14 | |
| 3 | 1 | 291453 | 100A | BLU | 291514 | 291587 | 53 | |
| 2 | 1 | 291128 | BATTERY | CABLE | 481N | | | |
| 1 | 1 | 290111 | GROUND | STRAP | | | | |

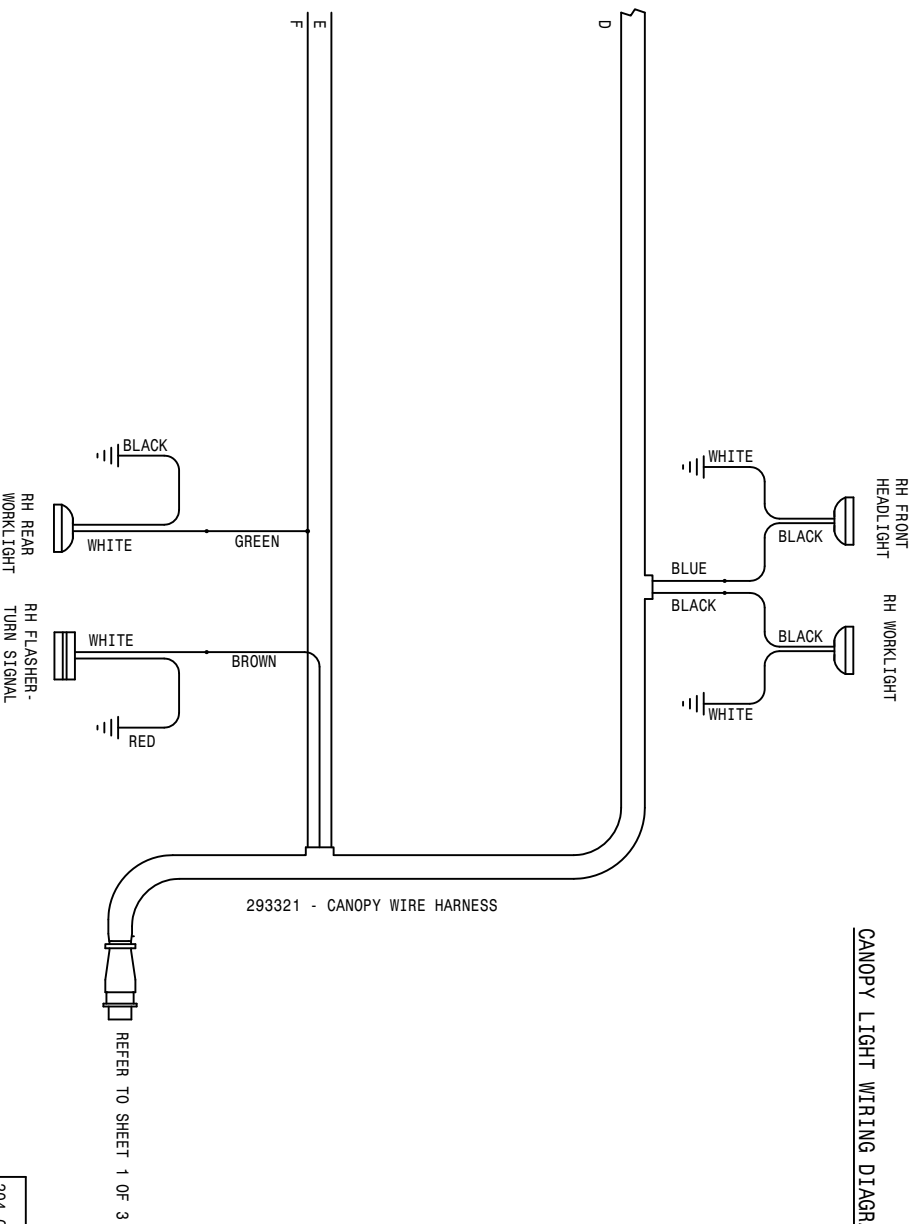
204 CHRY WIRING DIAGRAM 94



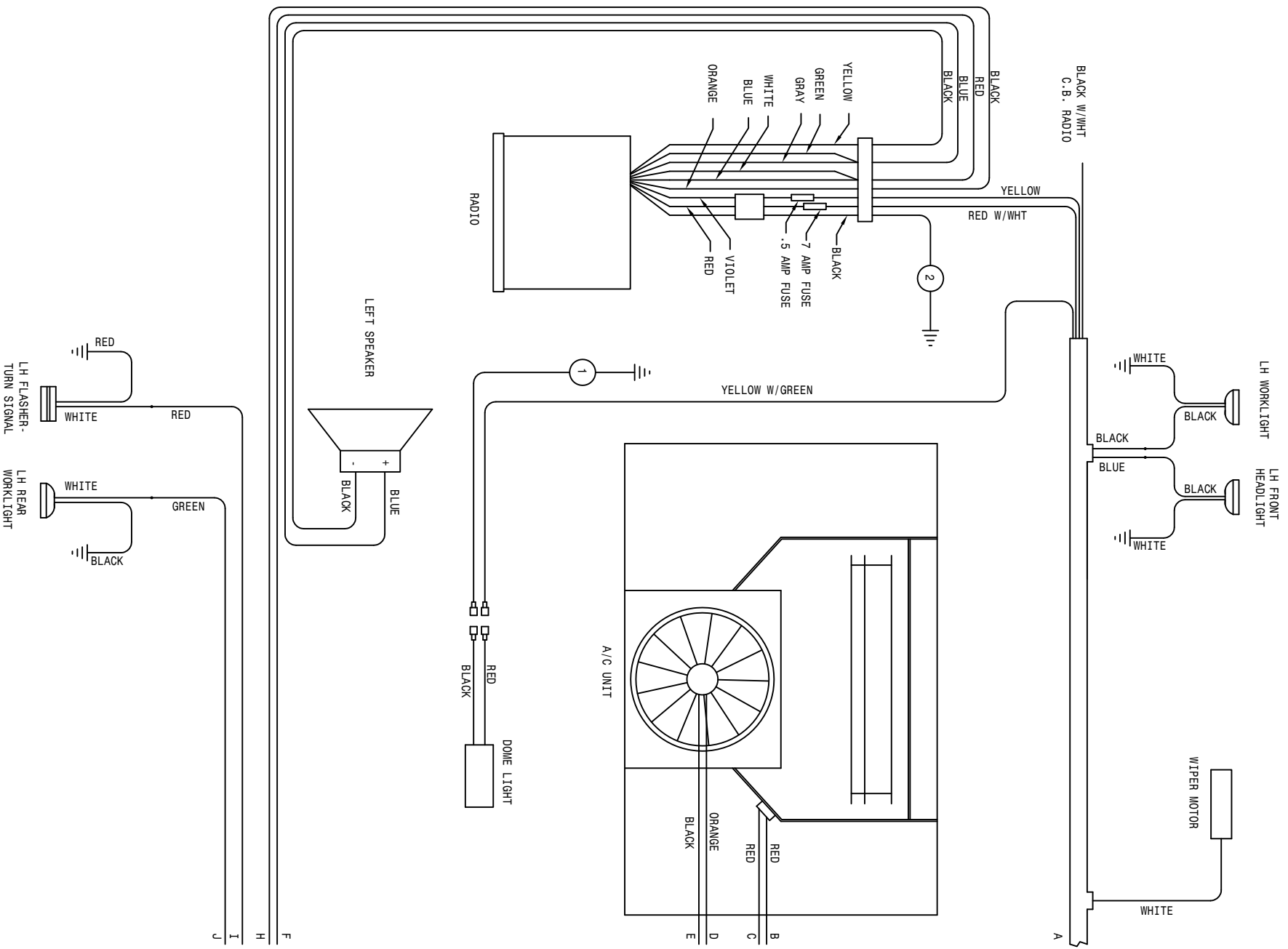
OPERATOR STATION LIGHT WIRING DIAGRAM

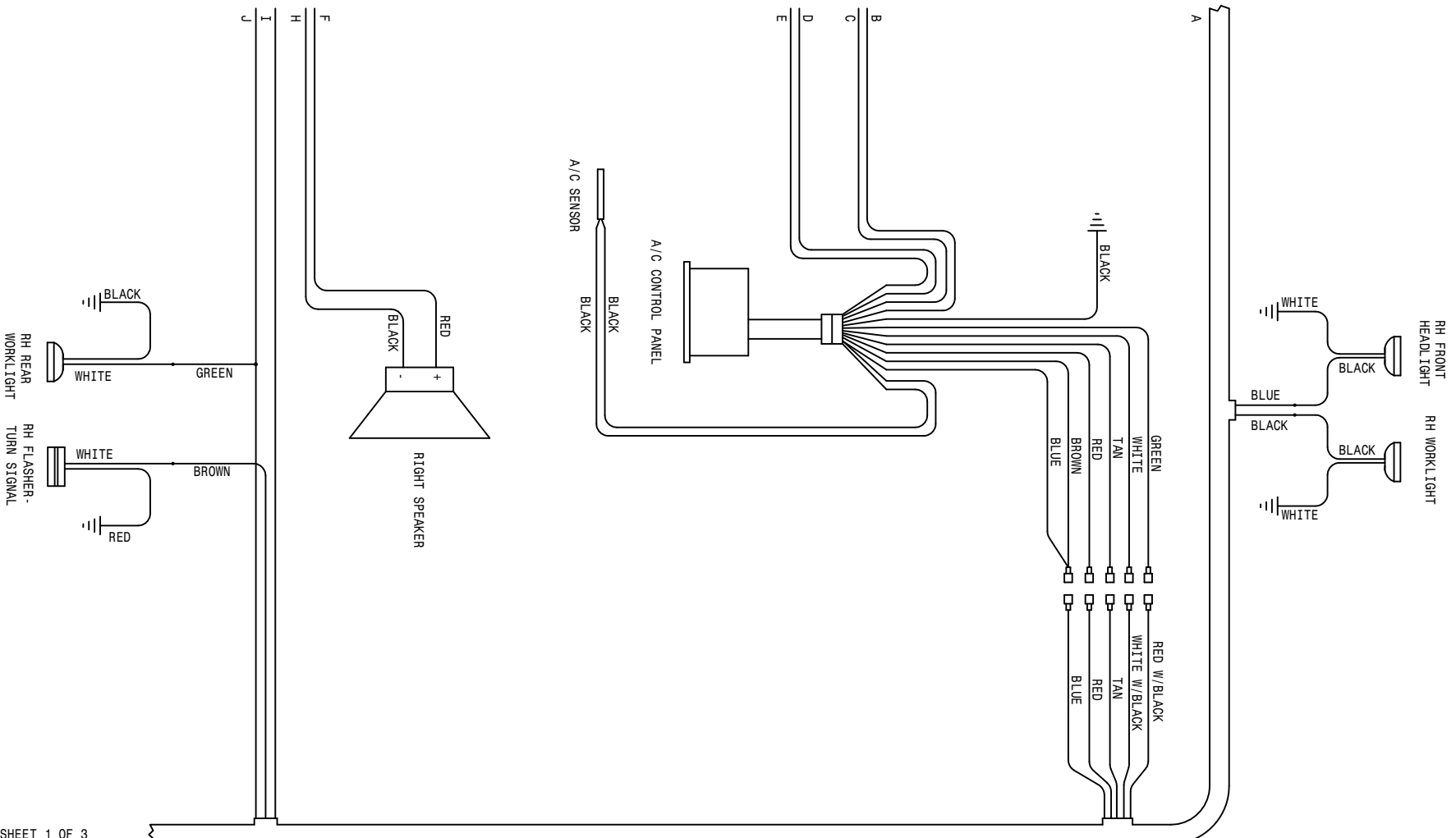


CANOPY LIGHT WIRING DIAGRAM



03-03-94 TUL
 204 CHRY WIRING DIAGRAM 94
 SHEET 2 OF 3
 REVISION DATE: 02-05-96
498447

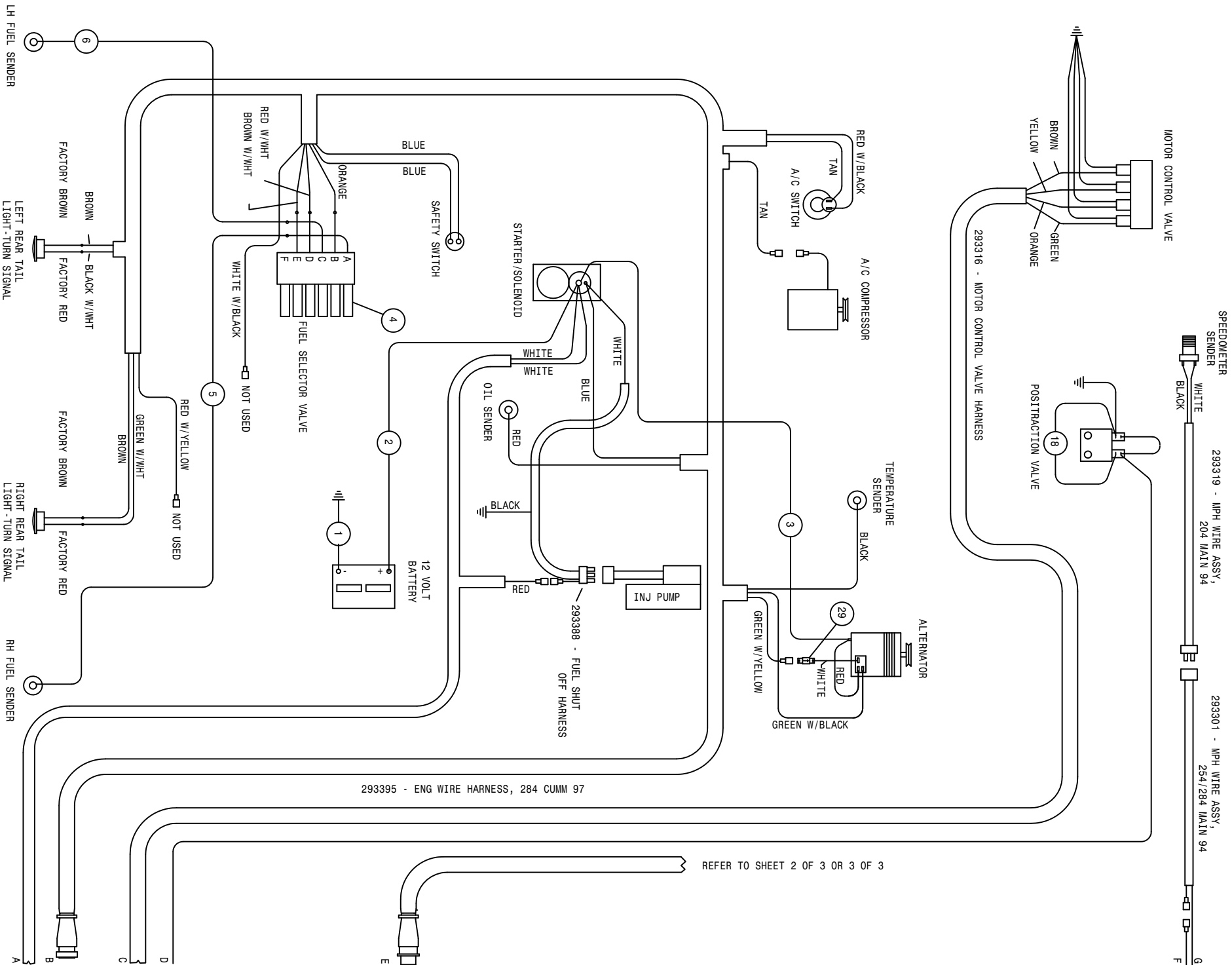




293266 - CAB WIRE HARNESS

REFER TO SHEET 1 OF 3

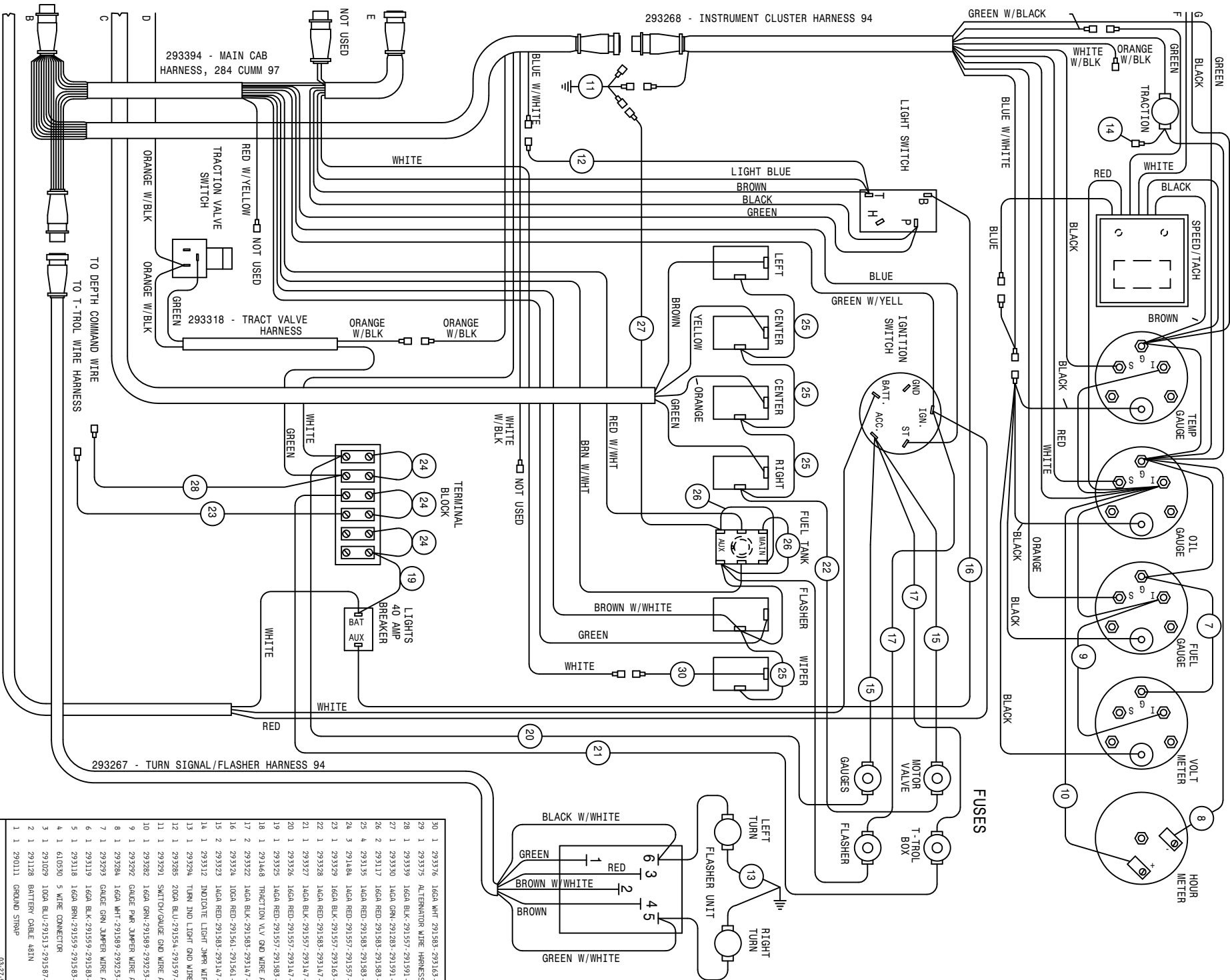
| | | | | |
|------------------------------------|---|--------|------|----------------------|
| 2 | 1 | 293300 | 16GA | BLK-291511-291571-18 |
| 1 | 1 | 293299 | 16GA | BLK-291511-291571-30 |
| 204 CHR'Y WIRING DIAGRAM 94 | | | | |
| SHEET 3 OF 3 | | | | |
| REVISION DATE: 02-01-98 T.U. | | | | |
| 498447 | | | | |



REFER TO SHEET 2 OF 3 OR 3 OF 3

293395 - ENG WIRE HARNESS, 284 CUMM 97

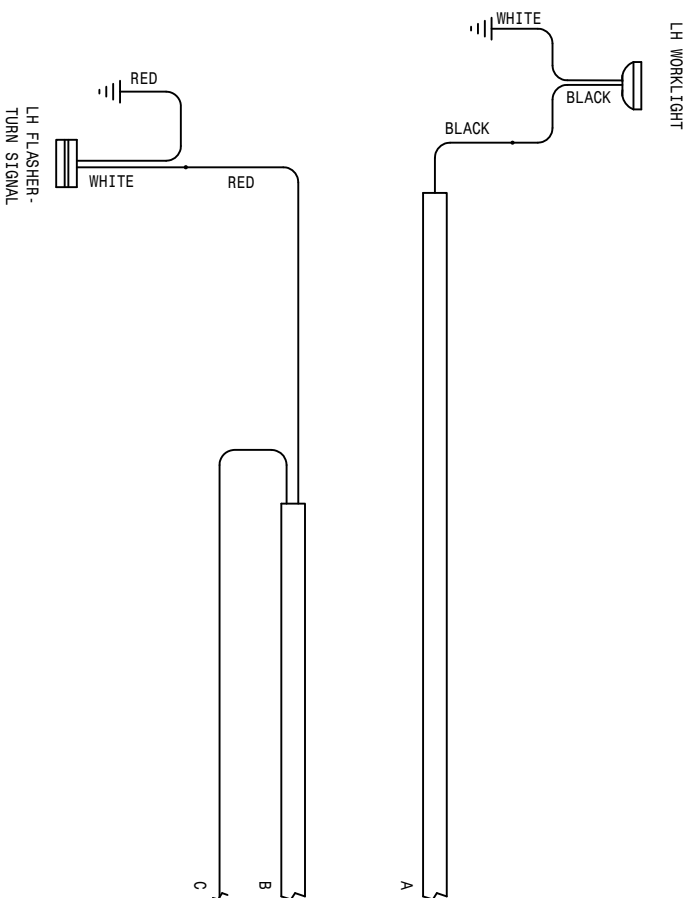
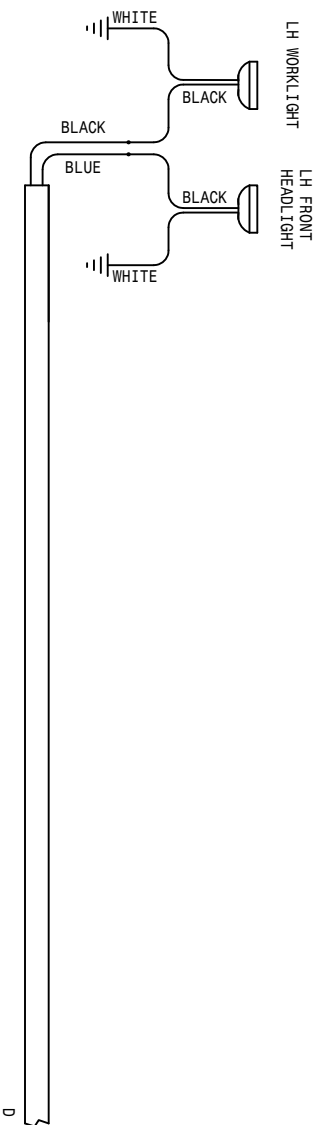
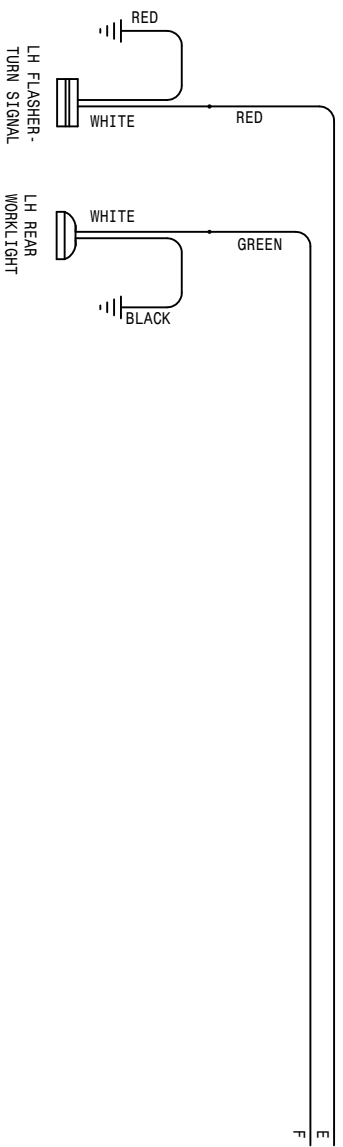
293319 - MPH WIRE ASSY, 204 MAIN 94
 293301 - MPH WIRE ASSY, 254/284 MAIN 94



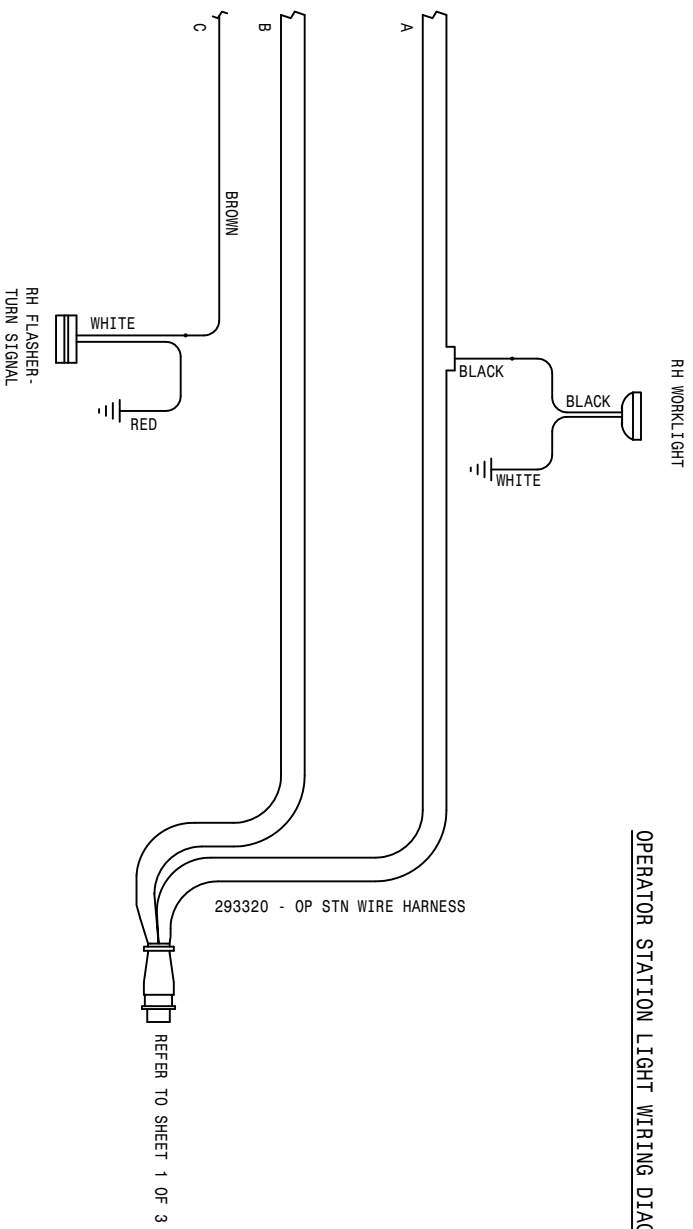
| | | | | |
|----|---|--------|--------------------------------|------------------|
| 30 | 1 | 293376 | 16GA WHT | 291583-29163-3 |
| 29 | 1 | 293375 | ALTERNATOR WIRE HARNESS, DELCO | |
| 28 | 1 | 293399 | 16GA BLK | 291591-40 |
| 27 | 1 | 293390 | 16GA GRN | 291283-291591-20 |
| 26 | 2 | 293117 | 16GA RED | 291583-291583-3 |
| 25 | 4 | 293135 | 16GA RED | 291583-291583-3 |
| 24 | 3 | 291484 | 16GA RED | 291597-291597-3 |
| 23 | 1 | 293329 | 16GA BLK | 291597-29163-44 |
| 22 | 1 | 293328 | 16GA RED | 291583-291583-12 |
| 21 | 1 | 293327 | 16GA BLK | 291597-291597-12 |
| 20 | 1 | 293326 | 16GA RED | 291597-291597-11 |
| 19 | 1 | 293325 | 16GA RED | 291597-291593-10 |
| 18 | 1 | 291468 | TRACTION VLV OMD WIRE ASSY | 88 |
| 17 | 2 | 293324 | 16GA BLK | 291583-291591-22 |
| 16 | 1 | 293324 | 10GA RED | 291561-291561-31 |
| 15 | 2 | 293323 | 16GA RED | 291583-291597-24 |
| 14 | 1 | 293312 | INDICATE LIGHT SWPR WIRE ASSY | |
| 13 | 1 | 293294 | TURN AND LIGHT OMD WIRE ASSY | |
| 12 | 1 | 293285 | 20GA BLU | 291564-291597-16 |
| 11 | 1 | 293291 | SWITCH/GAUGE OMD WIRE ASSY | |
| 10 | 1 | 293282 | 16GA GRN | 291589-29253-10 |
| 9 | 1 | 293292 | GAUGE PWR TAMPER WIRE ASSY | |
| 8 | 1 | 293284 | 16GA WHT | 291589-29253-10 |
| 7 | 1 | 293293 | GAUGE GRN TAMPER WIRE ASSY | |
| 6 | 1 | 293119 | 16GA BLK | 291559-291583-80 |
| 5 | 1 | 293118 | 16GA BRN | 291559-291583-72 |
| 4 | 1 | 610350 | 5 WIRE CONNECTOR | |
| 3 | 1 | 291029 | 10GA BLU | 291513-291587-30 |
| 2 | 1 | 291128 | BATTERY CABLE 48IN | |
| 1 | 1 | 290111 | GROUND STRAP | |

293265 - MAIN POWER HARNESS, 284 CUMM 94

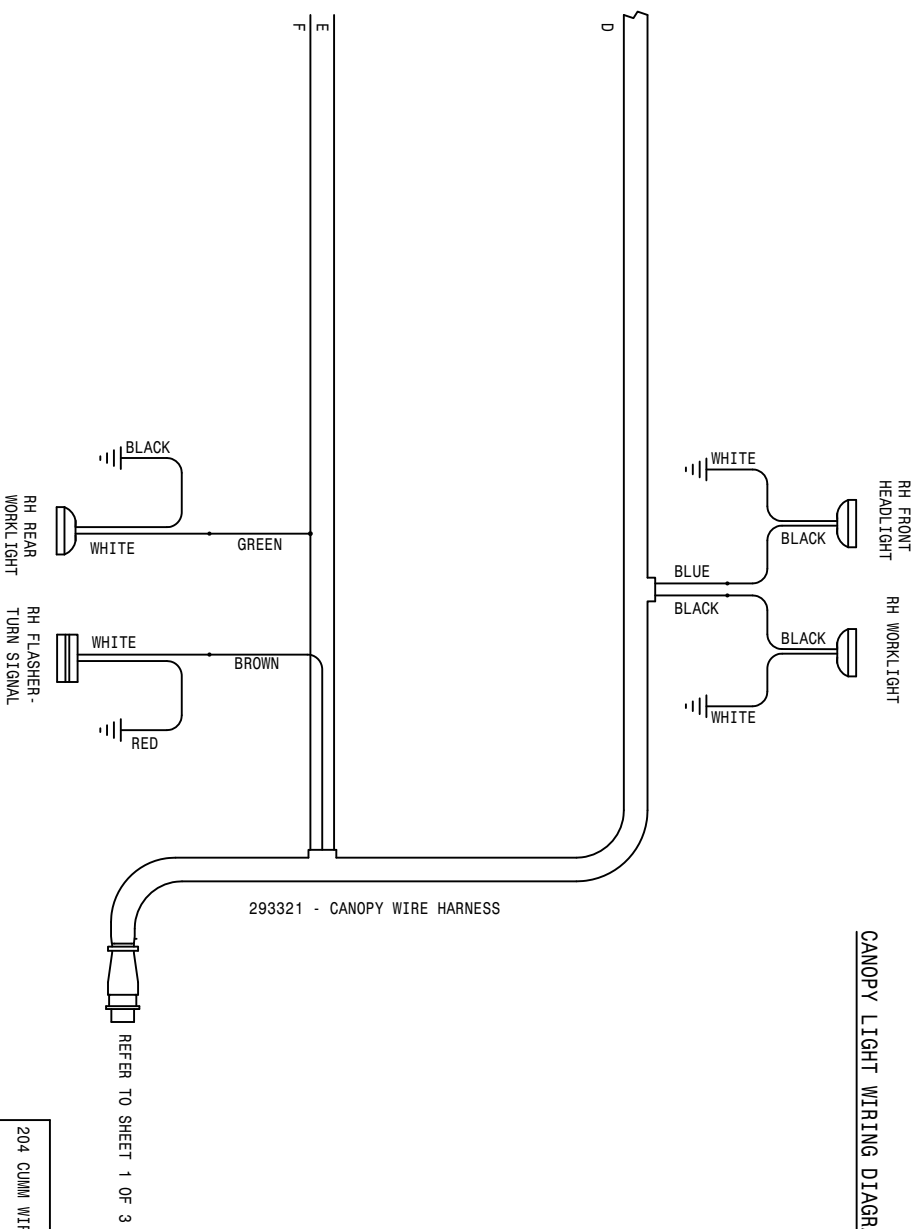
204 CUMM WIRING DIAGRAM 97
 SHEET 1 OF 3
 REVISION DATE: 07-20-01
 498521



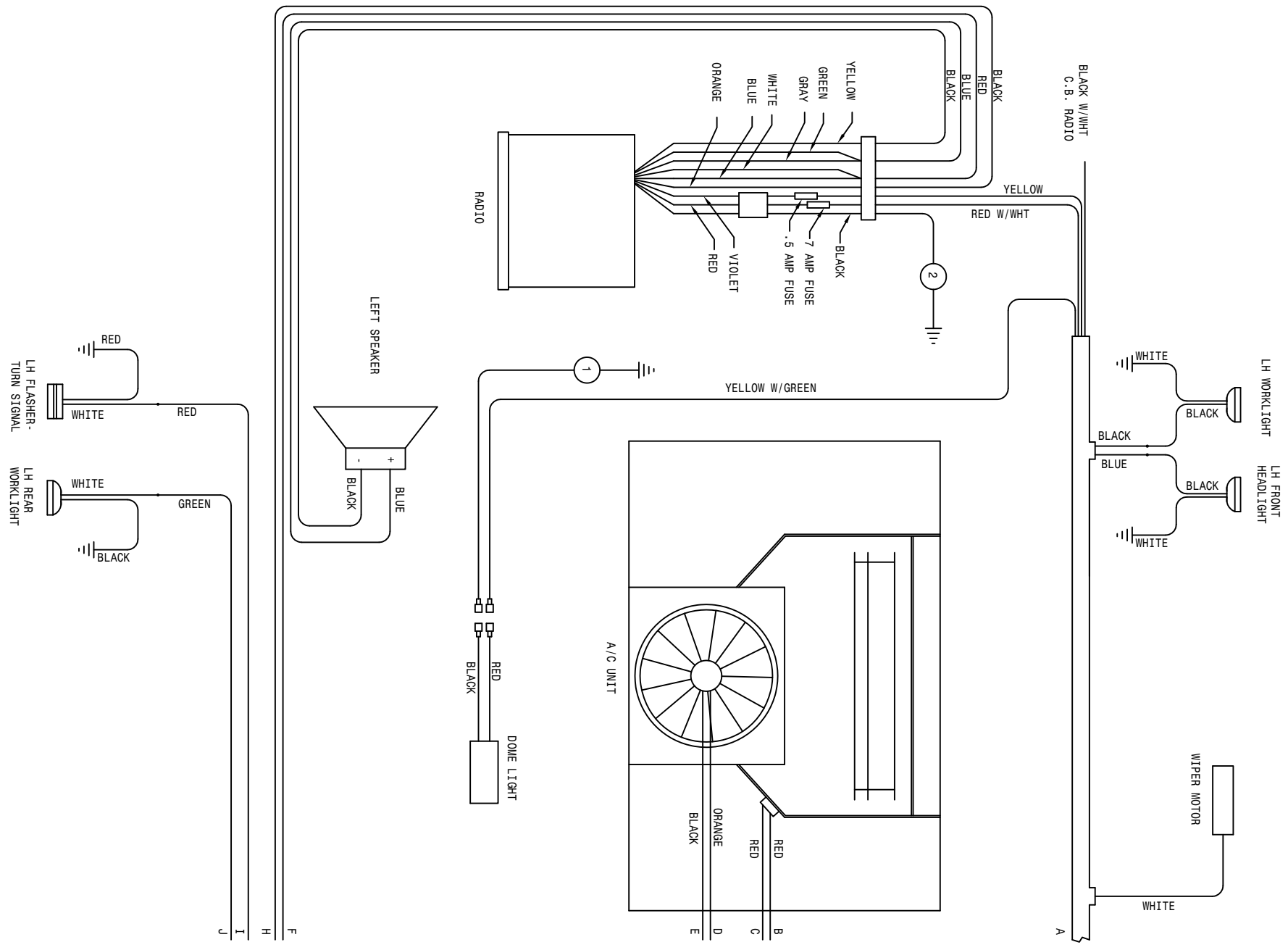
OPERATOR STATION LIGHT WIRING DIAGRAM

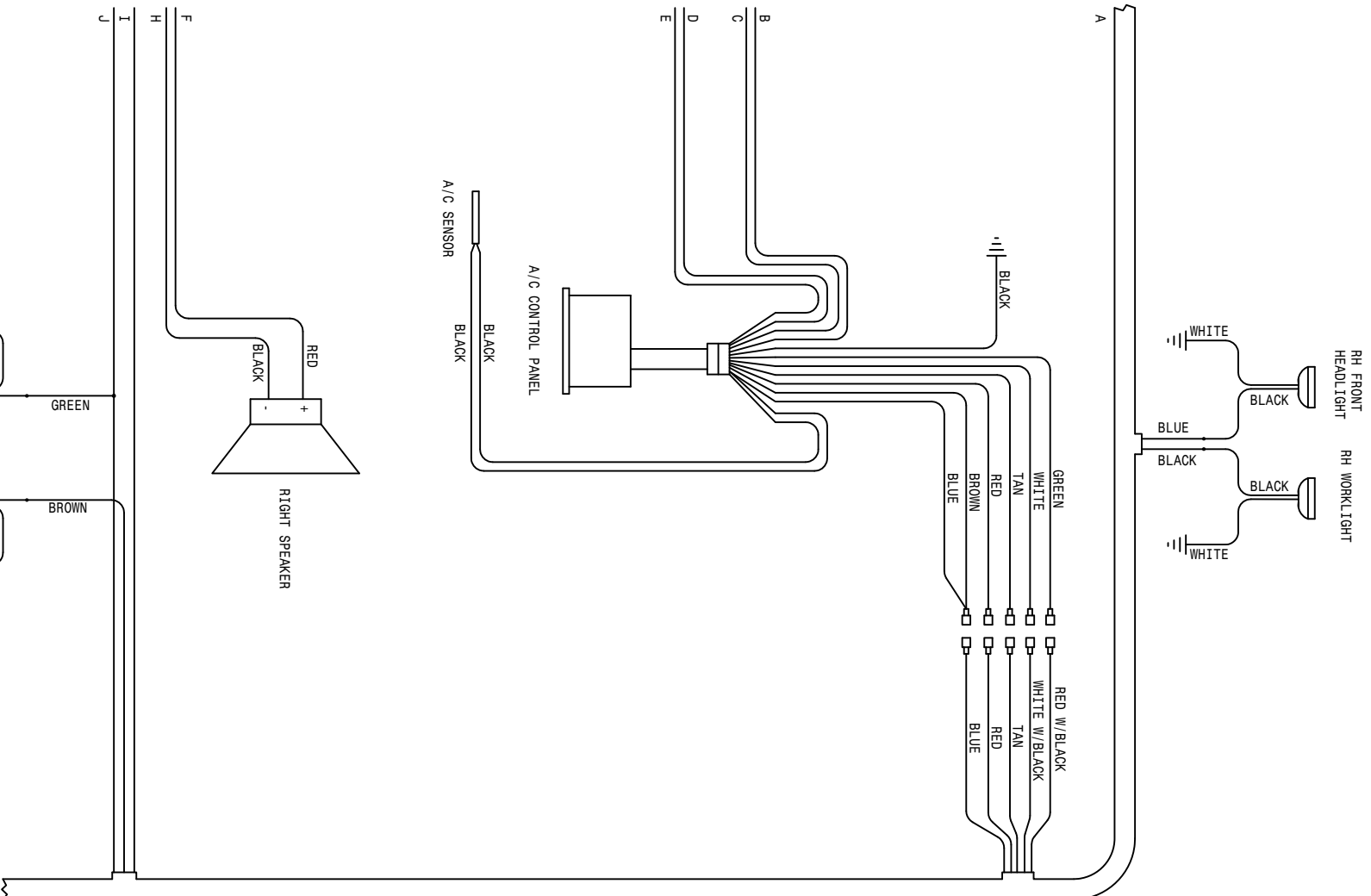


CANOPY LIGHT WIRING DIAGRAM



03-27-97 TLR
 204 CUMM WIRING DIAGRAM 97
 SHEET 2 OF 3
 REVISION DATE: 498521

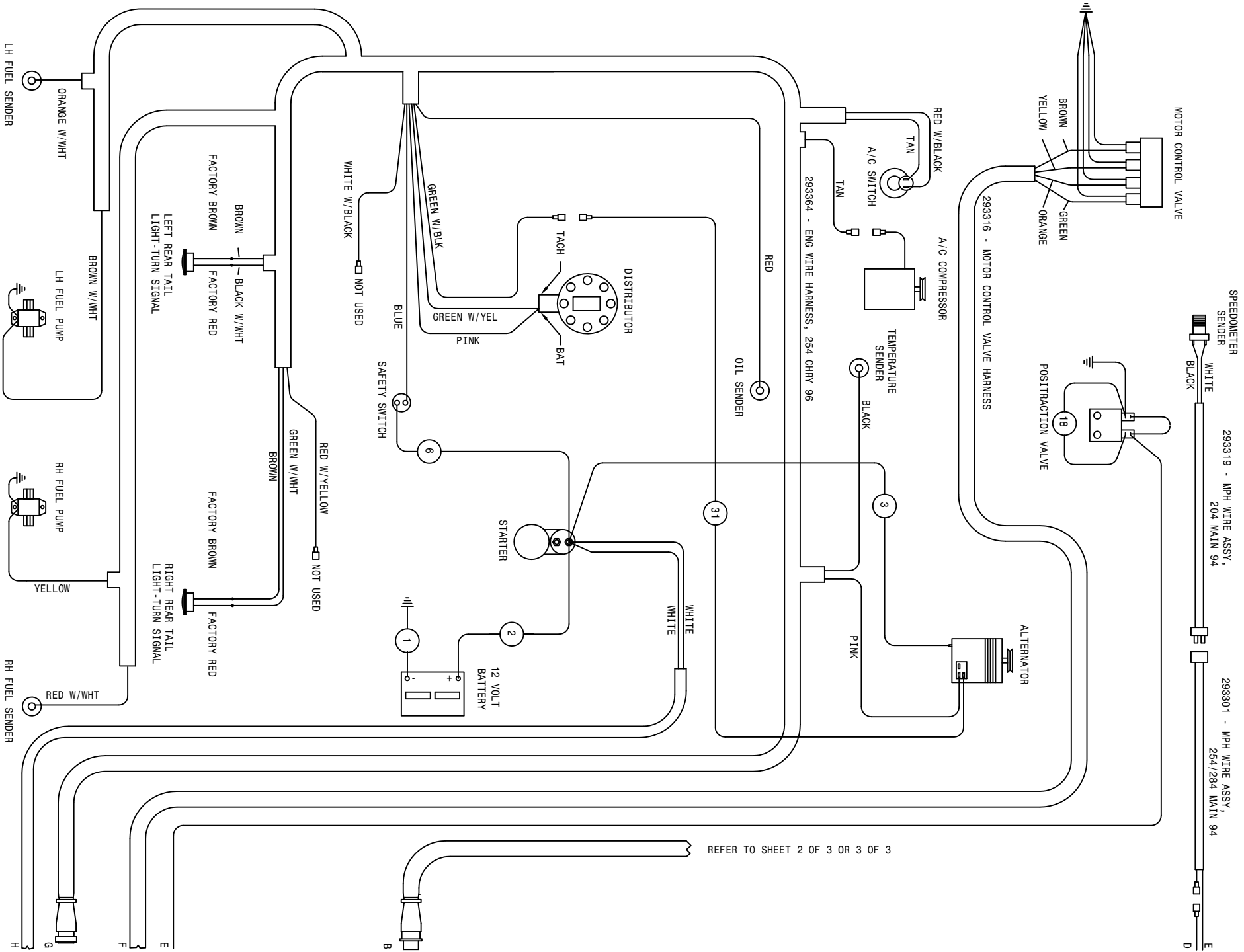




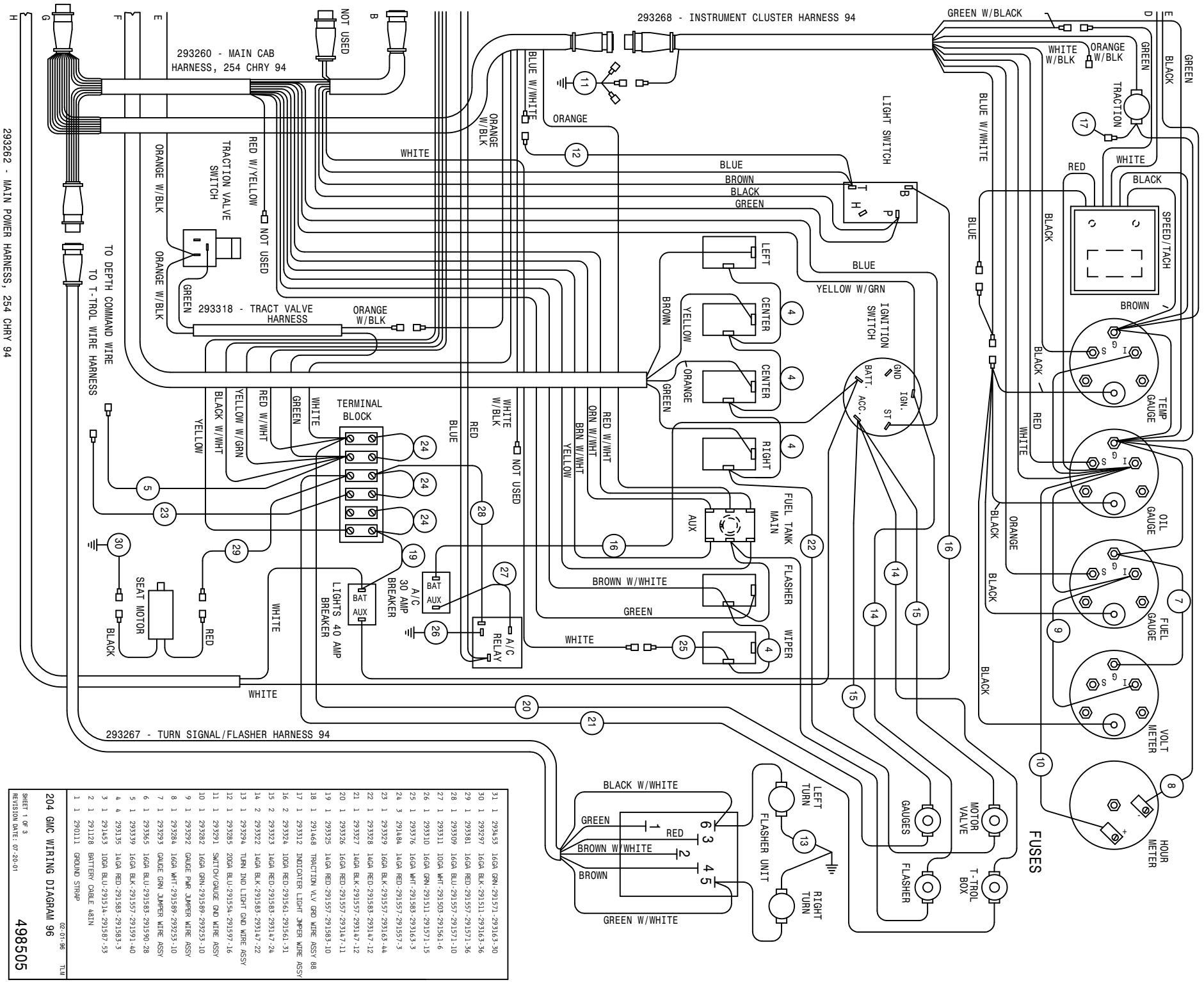
293266 - CAB WIRE HARNESS

REFER TO SHEET 1 OF 3

| | | | |
|----------------------------|---|--------|---------------------------|
| 2 | 1 | 293300 | 16GA BLK-291511-291571-18 |
| 1 | 1 | 293299 | 16GA BLK-291511-291571-30 |
| 08-27-'97 TLM | | | |
| 204 CUMM WIRING DIAGRAM 97 | | | |
| SHEET 3 OF 3 | | | |
| REVISION DATE: | | | |
| 498521 | | | |



REFER TO SHEET 2 OF 3 OR 3 OF 3



| | | | |
|----|---|--------|----------------------------------|
| 31 | 1 | 293455 | 16GA GRN-291571-293163-30 |
| 30 | 1 | 293297 | 16GA BLK-291511-293163-36 |
| 29 | 1 | 293281 | 16GA RED-291557-293151-36 |
| 28 | 1 | 293309 | 16GA BLU-291557-293151-10 |
| 27 | 1 | 293311 | 100A WHT-291503-291561-6 |
| 26 | 1 | 293310 | 16GA GRN-291511-293151-15 |
| 25 | 1 | 293376 | 16GA WHT-291583-293163-3 |
| 24 | 3 | 291848 | 14GA RED-291557-291557-3 |
| 23 | 1 | 293329 | 16GA BLK-291557-293163-44 |
| 22 | 1 | 293282 | 16GA RED-291583-293167-12 |
| 21 | 1 | 293277 | 14GA BLK-291557-293167-12 |
| 20 | 1 | 293326 | 16GA RED-291557-293167-11 |
| 19 | 1 | 293325 | 14GA RED-291583-293167-10 |
| 18 | 1 | 291668 | TRACTON VLV GRN WIRE ASSY 88 |
| 17 | 1 | 293312 | INDICATOR LIGHT JAMPER WIRE ASSY |
| 16 | 2 | 293324 | 100A RED-291561-291561-31 |
| 15 | 2 | 293323 | 14GA RED-291583-293167-24 |
| 14 | 2 | 293322 | 14GA BLK-291583-293167-22 |
| 13 | 1 | 293294 | TURN AND LIGHT GND WIRE ASSY |
| 12 | 1 | 293285 | 200A BLU-291534-291597-16 |
| 11 | 1 | 293291 | SWITCH/GAUGE GND WIRE ASSY |
| 10 | 1 | 293282 | 16GA GRN-291589-293253-10 |
| 9 | 1 | 293292 | GAUGE PWR JAMPER WIRE ASSY |
| 8 | 1 | 293284 | 16GA WHT-291589-293253-10 |
| 7 | 1 | 293293 | GAUGE GRN JAMPER WIRE ASSY |
| 6 | 1 | 293265 | 16GA BLU-291583-291590-28 |
| 5 | 1 | 293339 | 16GA BLK-291557-291591-40 |
| 4 | 4 | 293135 | 14GA RED-291583-291583-3 |
| 3 | 1 | 291453 | 100A BLU-291514-291587-53 |
| 2 | 1 | 291128 | BATTERY CABLE 481N |
| 1 | 1 | 290111 | GROUND STRAP |

204 GMC WIRING DIAGRAM 96
 SHEET 1 OF 3
 REVISION DATE: 07/20/01
 498505
 02-01-96 TLU

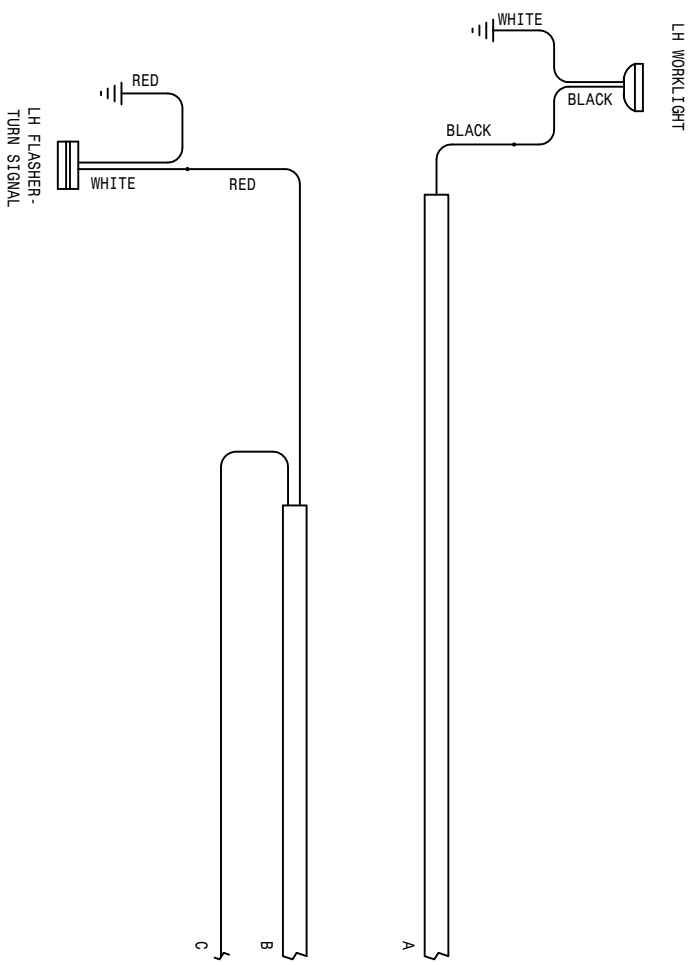
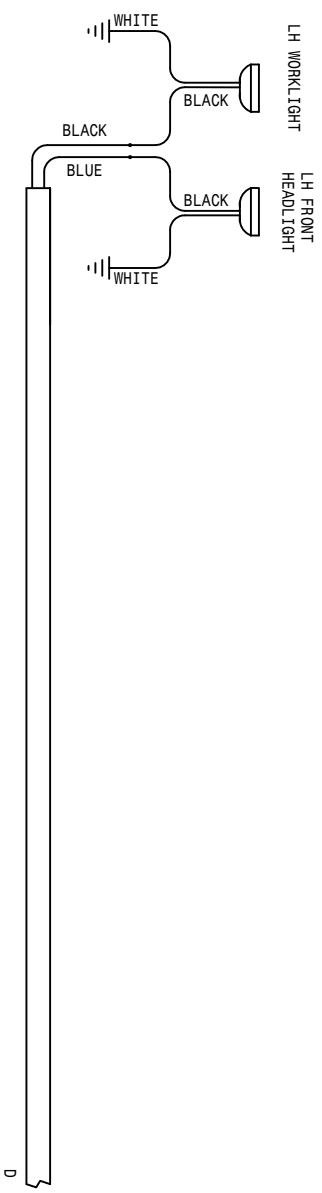
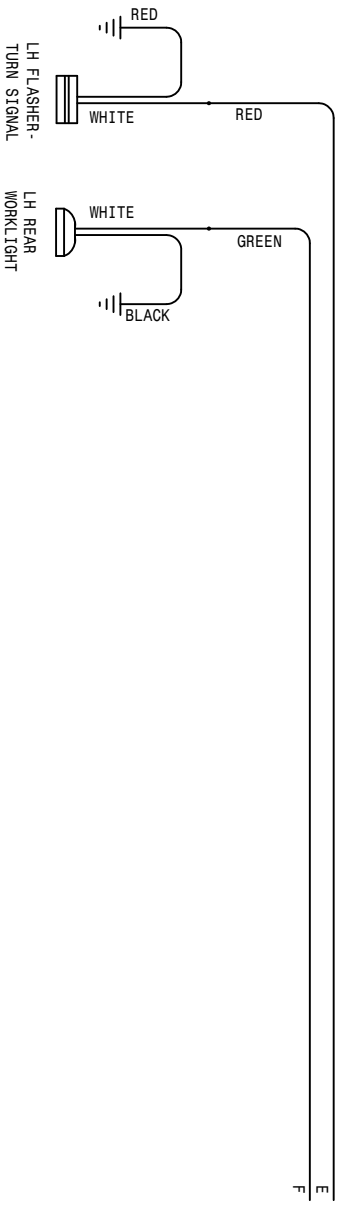
293262 - MAIN POWER HARNESS, 254 CHRY 94

293268 - INSTRUMENT CLUSTER HARNESS 94

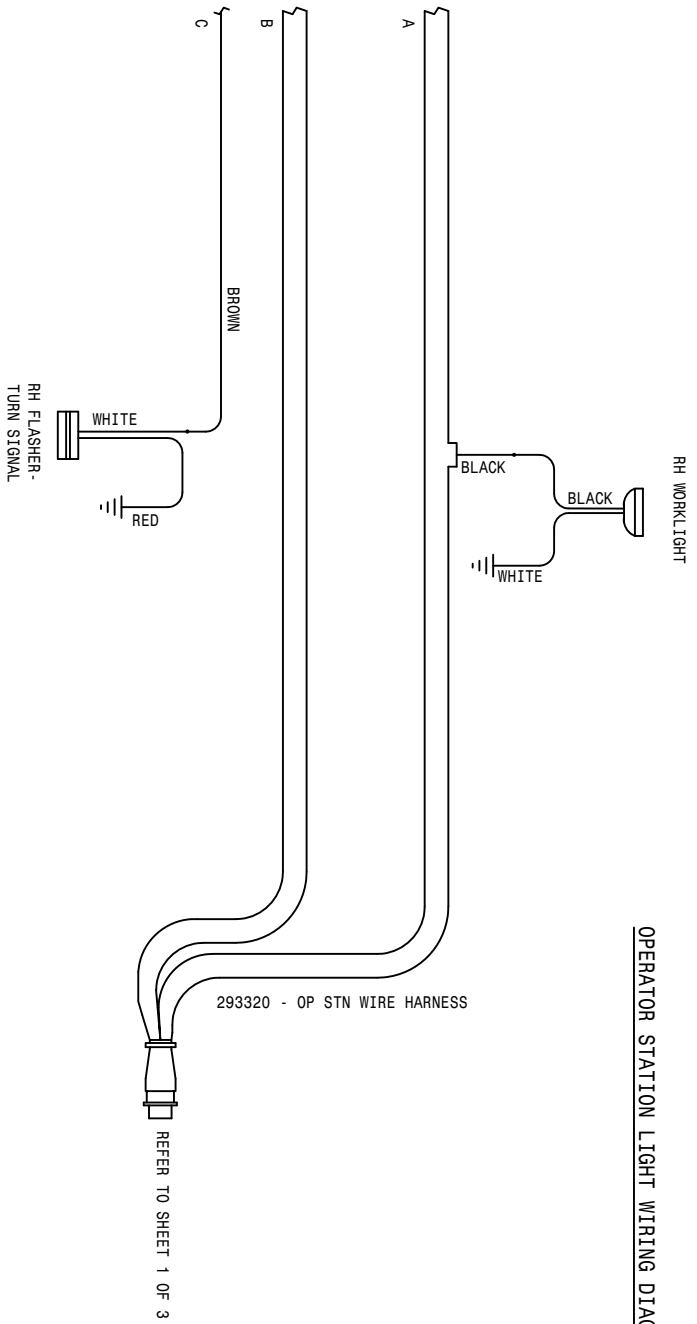
293260 - MAIN CAB HARNESS, 254 CHRY 94

293318 - TRACT VALVE HARNESS

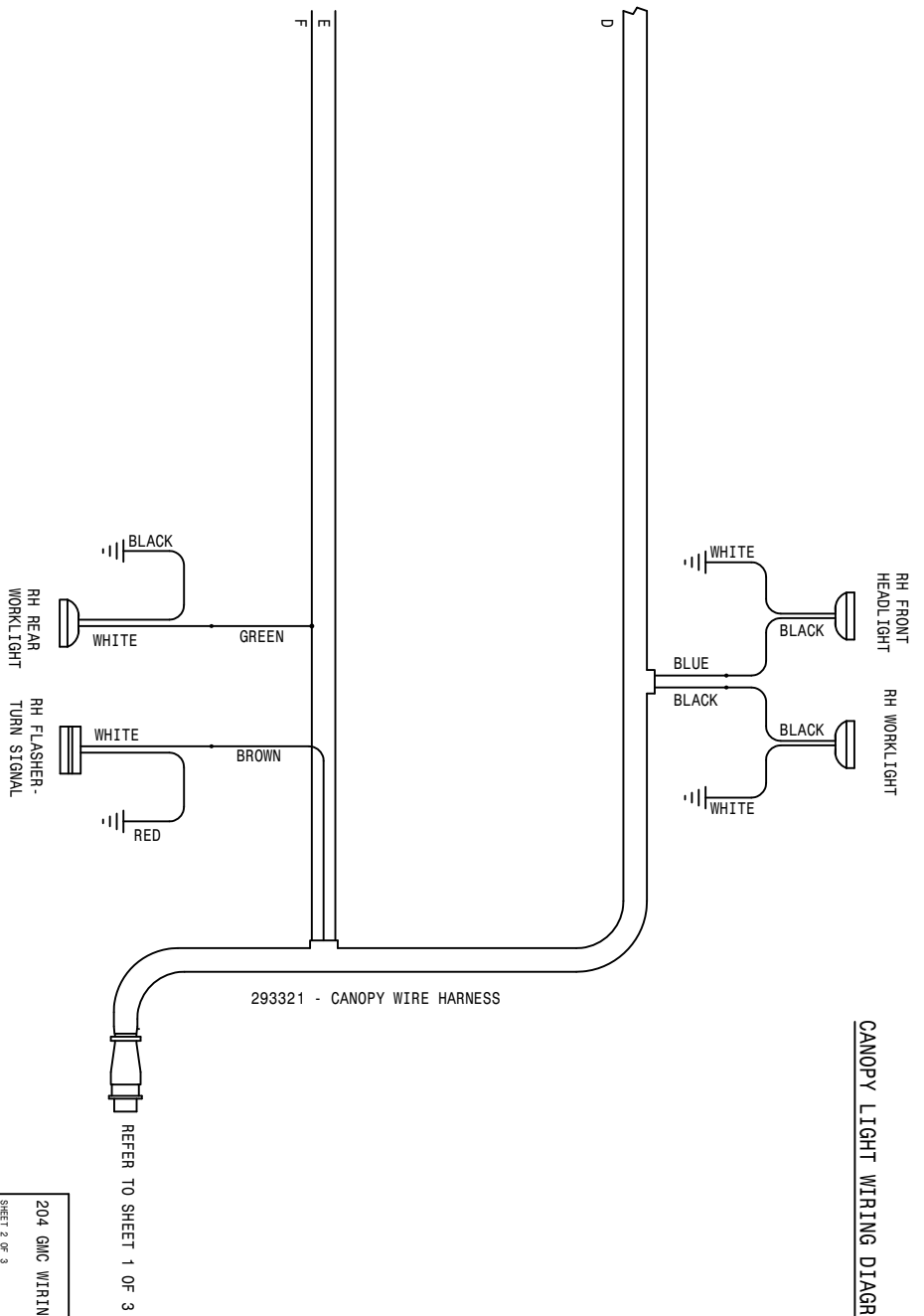
TO DEPTH COMMAND WIRE
 TO T-TROL WIRE HARNESS



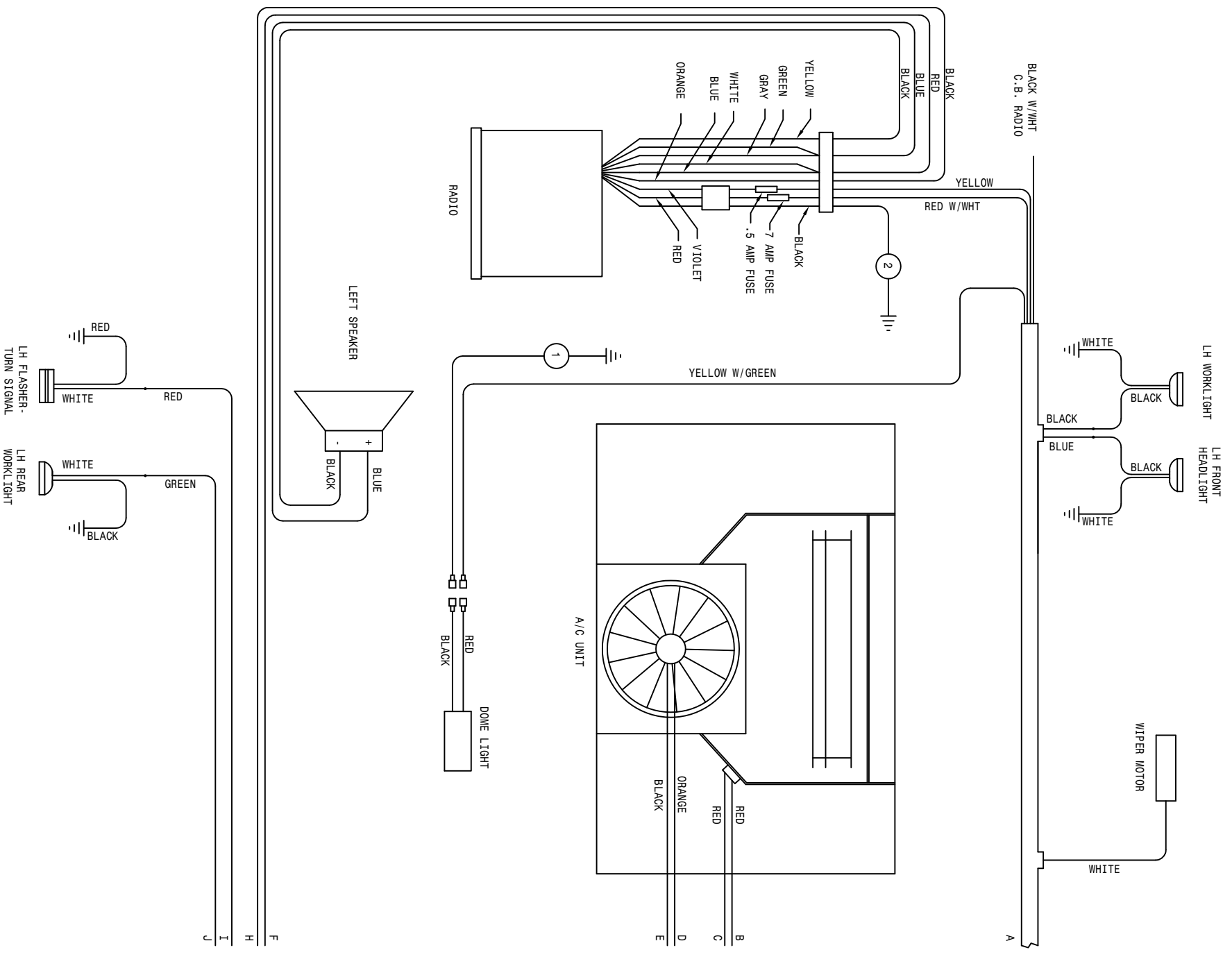
OPERATOR STATION LIGHT WIRING DIAGRAM

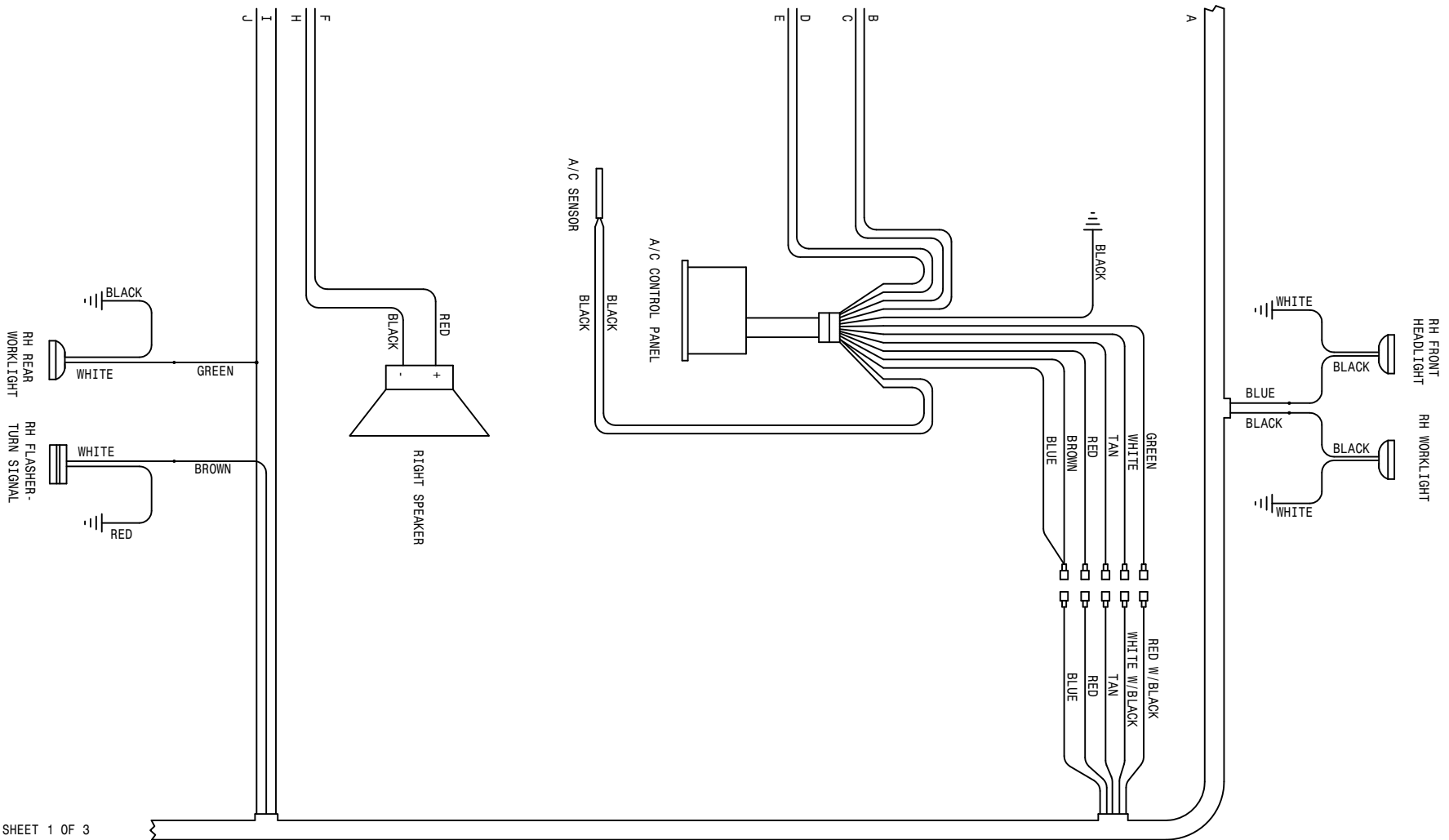


CANOPY LIGHT WIRING DIAGRAM



204 GMC WIRING DIAGRAM 96
 SHEET 2 OF 3
 REVISION DATE: 498505

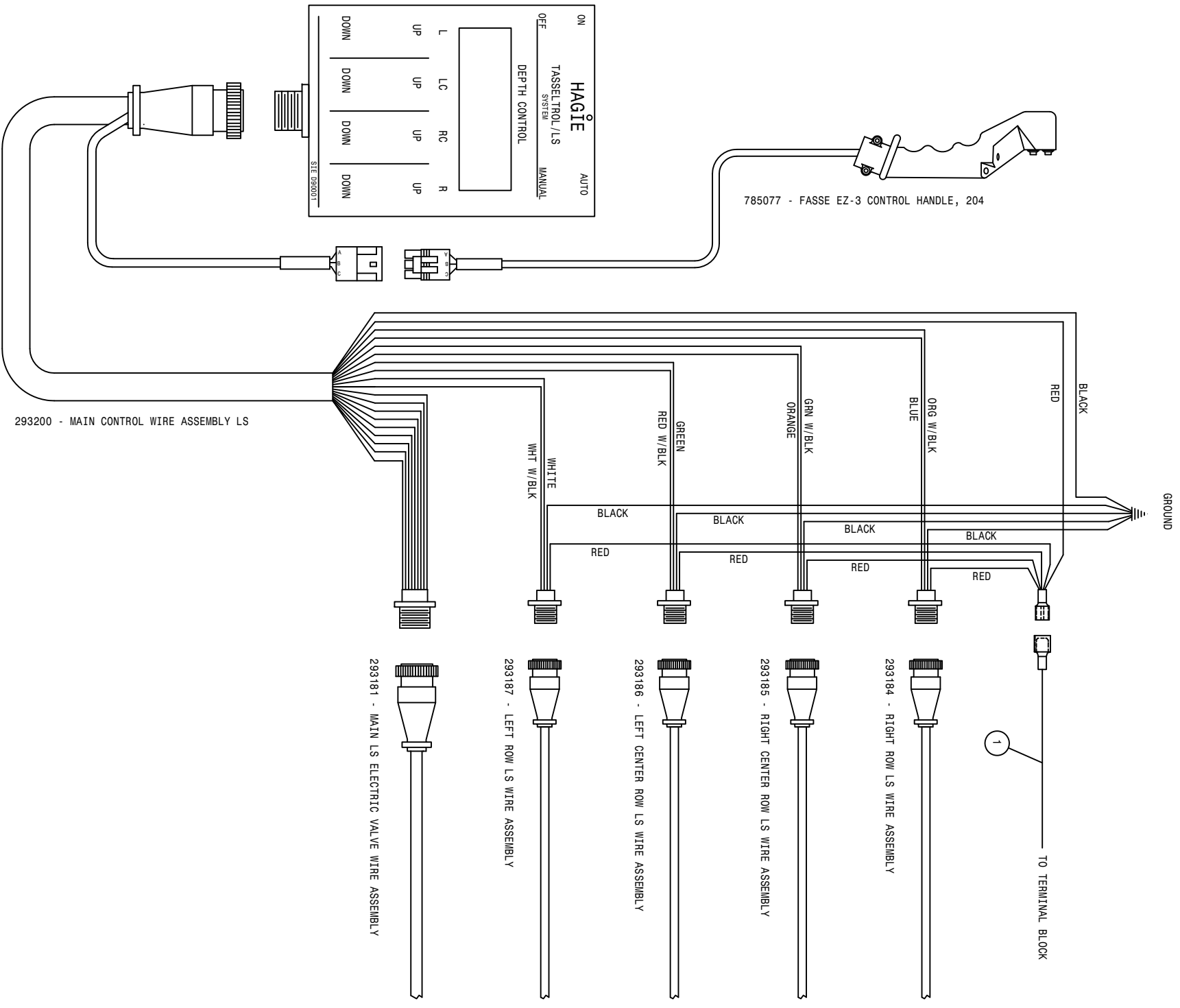


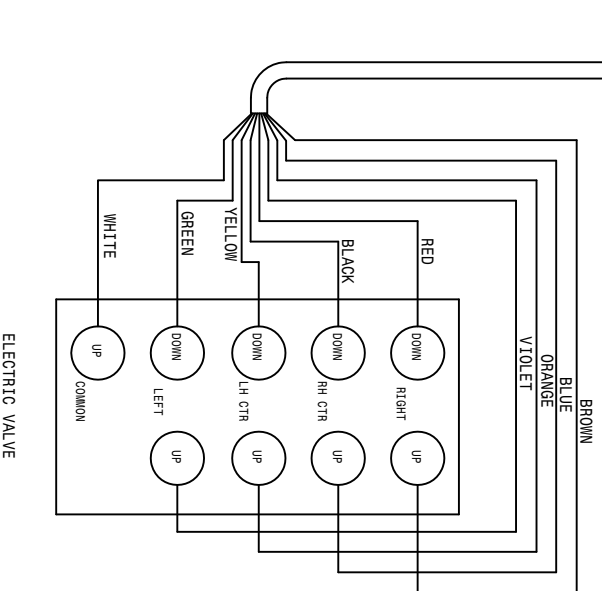
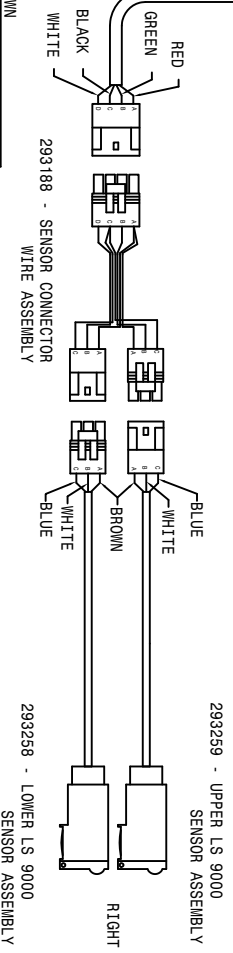
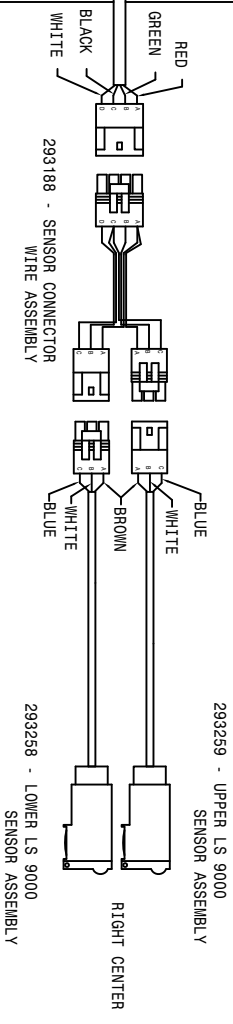
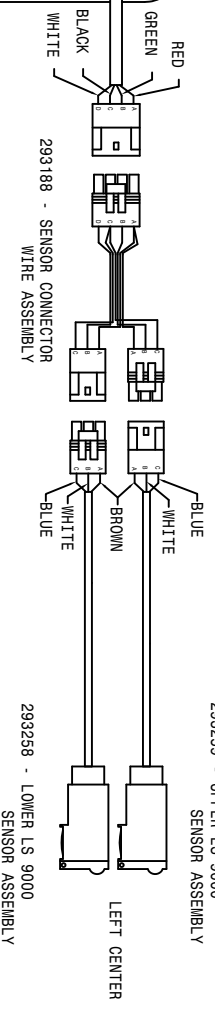
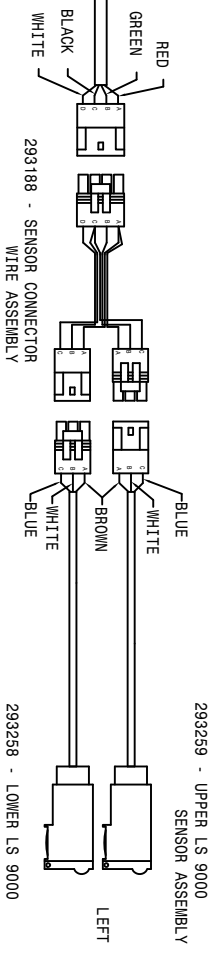


293266 - CAB WIRE HARNESS

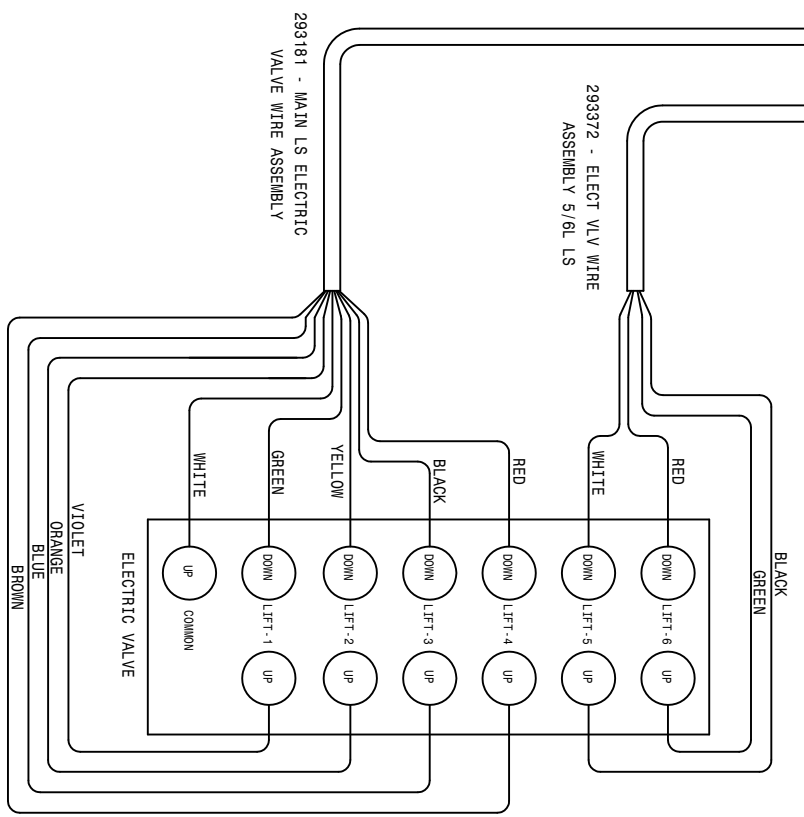
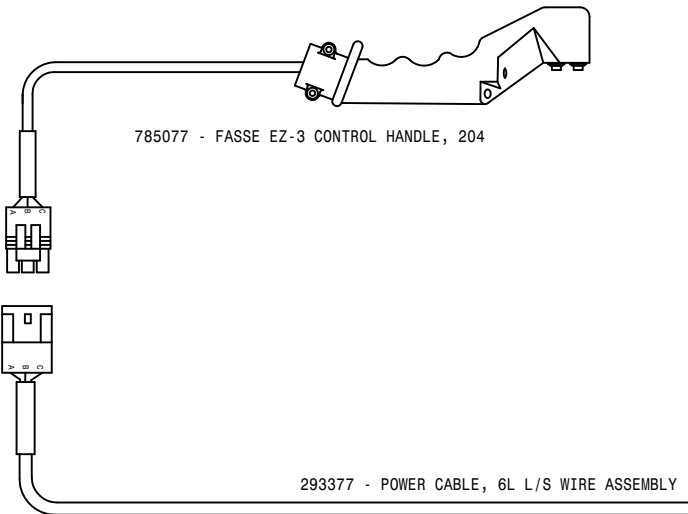
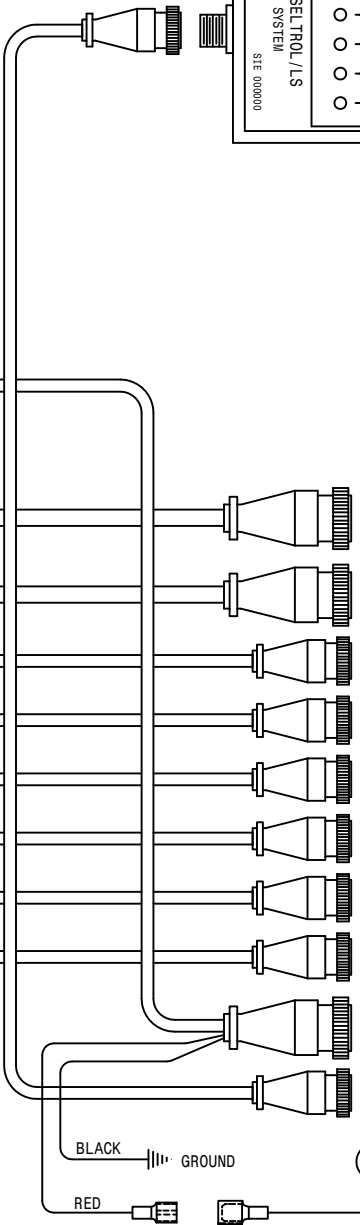
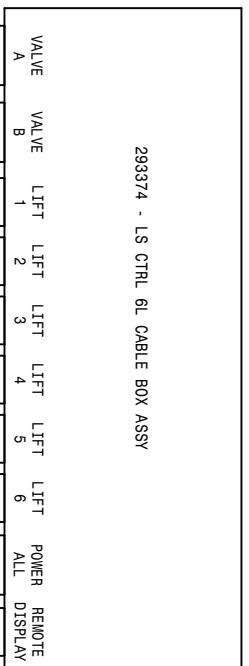
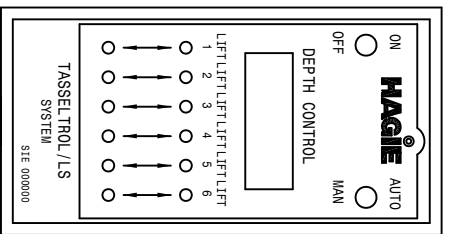
REFER TO SHEET 1 OF 3

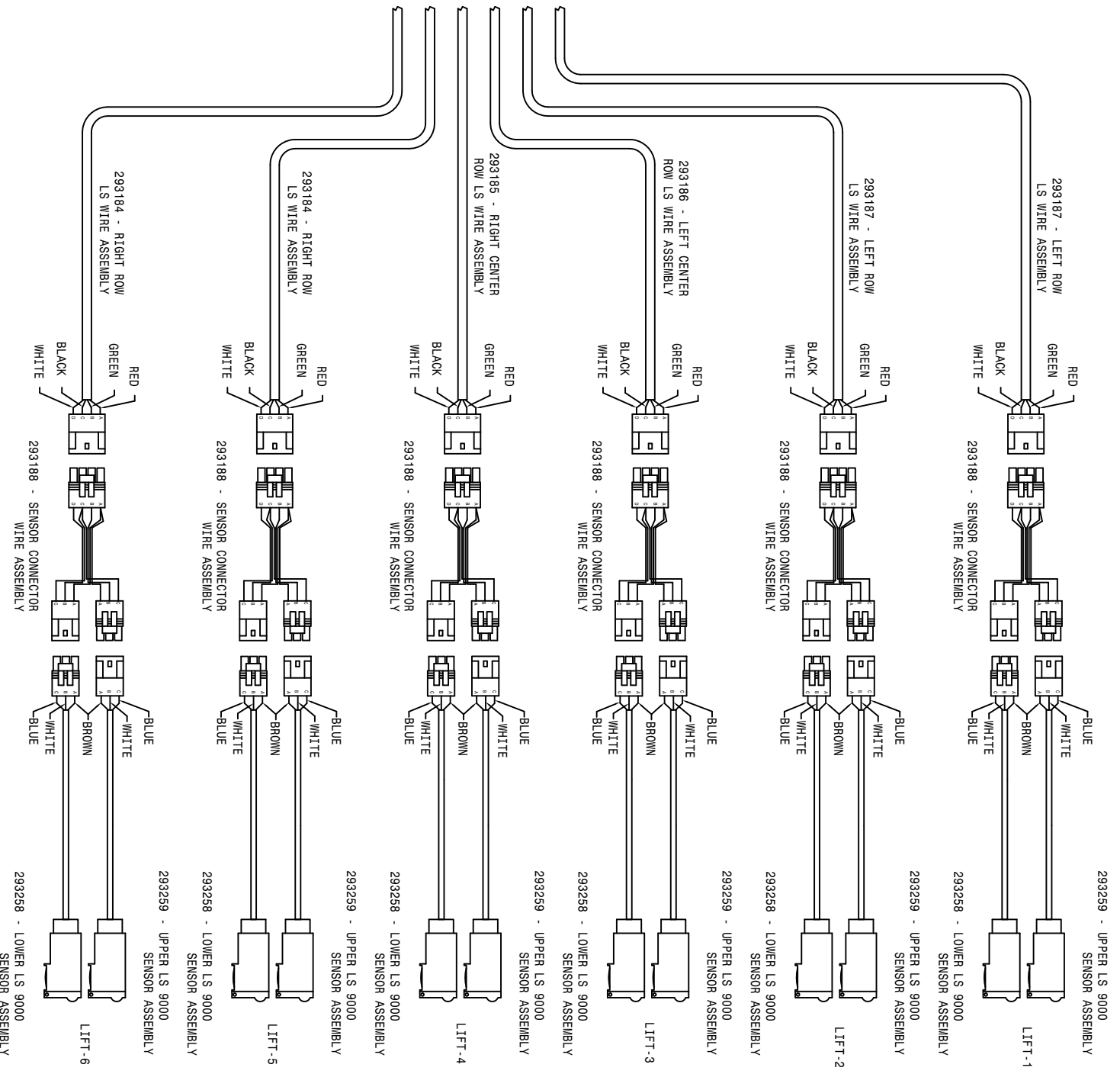
| | | | |
|---------------------------|---|--------|---------------------------|
| 2 | 1 | 293300 | 16GA BLK-291511-291571-18 |
| 1 | 1 | 293299 | 16GA BLK-291511-291571-30 |
| 204 GMC WIRING DIAGRAM 96 | | | |
| 02-01-96 TUM | | | |
| REVISION DATE: | | | |
| SHEET 3 OF 3 | | | |
| 498505 | | | |





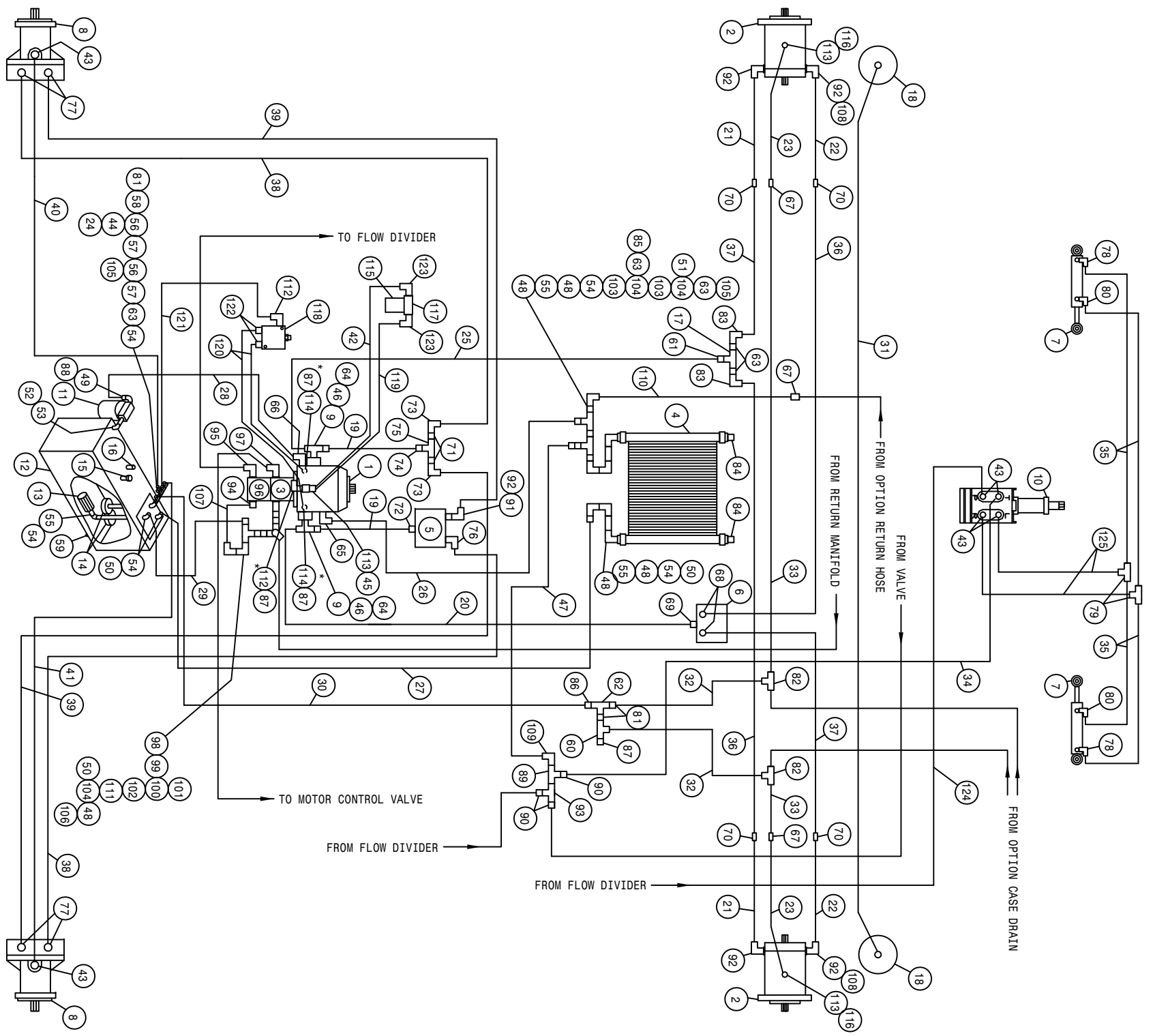
| | | | | | | |
|--------------------------------------|----------|--------|--------------------------|-------------|-----------------|----|
| 1 | 1 | 293229 | 16GA BLK-29157-293163-4A | DESCRIPTION | | |
| DEF | REV | | | DESCRIPTION | | |
| HAGIE MANUFACTURING COMPANY | | | | | | |
| CLARION, IOWA 50325 | | | | | | |
| REMOVE ALL SHARP CORNERS & BURRS | | | | | | |
| TOLERANCE UNLESS OTHERWISE SPECIFIED | | | | | | |
| FRAC TION | 1 | 1/32 | DECIMALS | X.XX 1/8 | ANGLES | 1° |
| UNITS | U.S. SYS | | WIRE DIMS. | 204 94 | | |
| ORDERED BY | DATE | NO. | REV. | OR | ORDERING NUMBER | |
| | 03/20/94 | | | | 498454 | |





| | | | | |
|---|--------------------------|----------------|----------------------------|-------------|
| REV | 1 | 2933229 | 16GA BLK-291-557-293163-44 | DESCRIPTION |
| HAGIE | | | | |
| HAGIE MANUFACTURING COMPANY | | | | |
| CLABETON, IOWA 50525 | | | | |
| REMOVE ALL SHARP CORNERS & BURRS | | | | |
| TOLERANCE UNLESS OTHERWISE SPECIFIED | | | | |
| DESCRIPTION | LS SWS WIRE DIAG, 204 96 | SCALE | | |
| DRAWN BY | L. J. WALKER | DATE | | |
| CHECKED BY | | APPROVED BY | | |
| DATE | 03-01-98 | DRAWING NUMBER | 498509 | |
| SHEET | OF | | | |

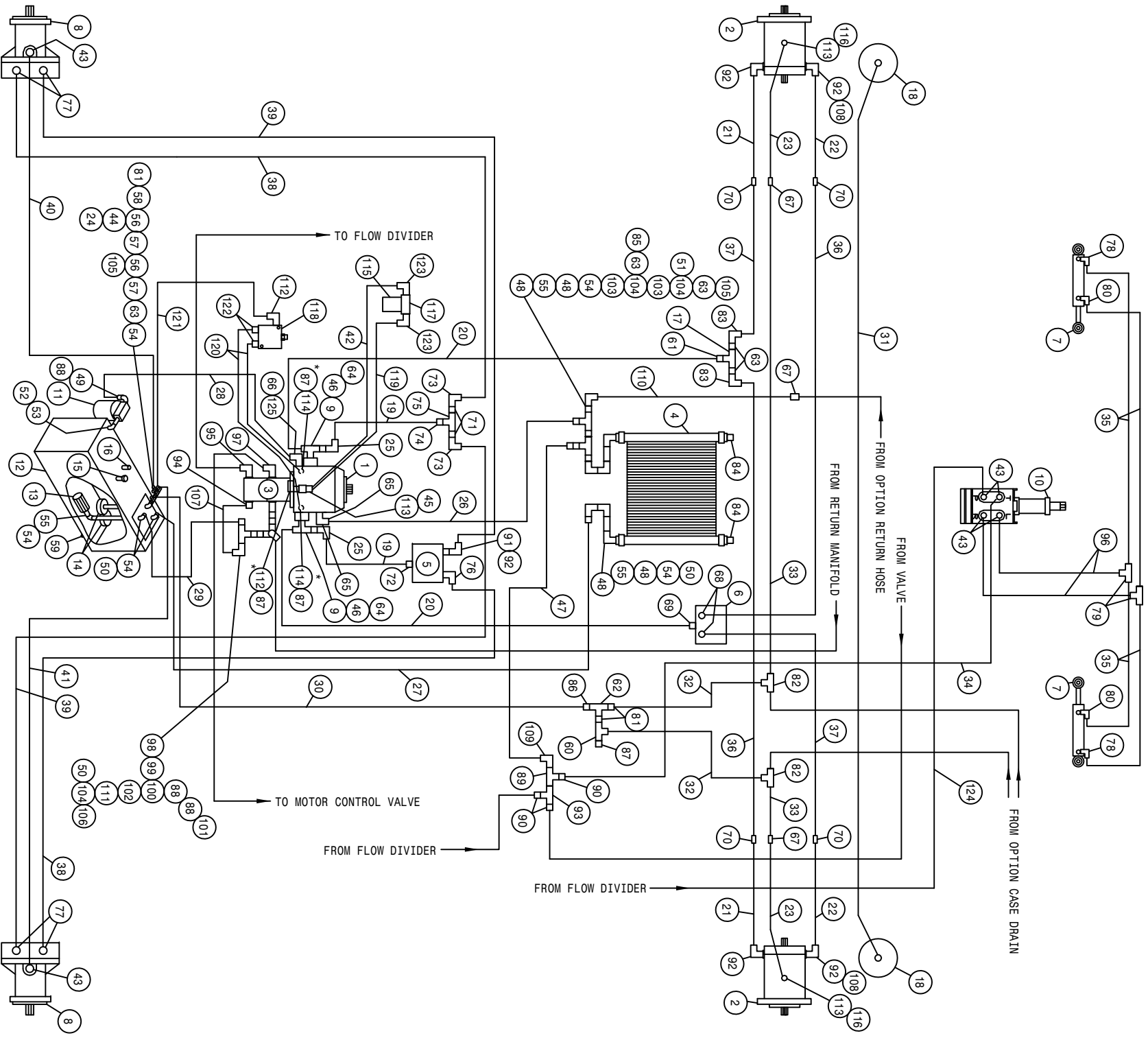
*NOTE:
 REFER TO DETAIL 114 TO CHECK PRESSURE LIMIT
 SETTING - 4500 PSI
 REFER TO DETAIL 112 ON TOP TO CHECK CHARGE
 PRESSURE - 380 PSI



204 BASIC MACHINE CHRY HYD SCHEMATIC 1995
REFERENCE DRAWING NO. 498460

| DET. | QTY | PART NO. | DESCRIPTION | DET. | QTY | PART NO. | DESCRIPTION |
|------|-----|----------|-------------------------------|------|-----|----------|---------------------------------|
| 1 | 1 | 606911 | SUND 75CC PUMP,B-MT W/FILT | 64 | 2 | 618541 | 1 5/16FJIC-1 1/16MJC ADPTR |
| 2 | 2 | 610557 | SUND M35-3102 WHL MTR W/SFHT | 65 | 1 | 618118 | 3/4 HOSE BARB-90-1 1/16MOR |
| 3 | 1 | 606894 | SUND GEAR PUMP 3.40CI SPLINED | 66 | 1 | 618564 | 1IN HOSE BARB-90-1 5/16MOR |
| 4 | 1 | 618606 | OIL COOLER, BLISSFIELD 65027 | 67 | 3 | 618314 | 3/4MJC UNION |
| 5 | 1 | 610468 | POSITRACTION VLV MOD CONT 20G | 68 | 2 | 618601 | 7/8MJC-1 5/16MOR ADPT |
| 6 | 1 | 610586 | POSITRACTION VLV,ALUM,88SP60G | 69 | 1 | 618186 | 1 5/16MJC-1 5/16MOR ADPTR |
| 7 | 2 | 620080 | STRG CYL ASSY 1.50 X 6.0 1985 | 70 | 4 | 618553 | 1 1/16MJC-7/8MJC REDU UNION |
| 8 | 2 | 610567 | SUND M25-3000 WHL MTR 1.5CI | 71 | 2 | 505005 | RED BUSH 1 TO 1/2 |
| 9 | 2 | 618598 | 1" 4-BOLT FLG X 1 5/16 FOR | 72 | 1 | 618308 | 1 1/16MJC-1 5/16MOR ADPTR |
| 10 | 1 | 749150 | STRG MTR NON-LOAD REACT 1008 | 73 | 2 | 611124 | 7/8MJC-90-1/2MNP LBO |
| 11 | 1 | 605601 | GRESEN FILTER 10 MICRON 40GPM | 74 | 1 | 618434 | 1 1/16MJC-1MNP ADPTR |
| 12 | 1 | 760097 | OIL TANK WLD 8240 1982 | 75 | 1 | 618575 | 1FNPT PIPE TEE STL |
| 13 | 1 | 605600 | MICHIGAN RESERVOIR FILTER | 76 | 1 | 618589 | 7/8MJC-90-1 5/16MOR LBO |
| 14 | 2 | 605603 | LINE SUMP DIFUSER | 77 | 4 | 611126 | 7/8MJC-7/8MOR ADPTR |
| 15 | 1 | 611052 | FILLER BREATHER 3/4ANPT | 78 | 2 | 618338 | 9/16MJC-45-1/4MNP LBO |
| 16 | 1 | 614453 | DIPSTICK, 8IN | 79 | 2 | 618019 | 9/16MJC UNION TEE |
| 17 | 1 | 614660 | 1IN STL TEE WLD 280 | 80 | 2 | 611122 | 9/16MJC-90-1/4MNP LBO |
| 18 | 2 | 620570 | HYD CYL LEG LEVEL 2.00 X 12 | 81 | 3 | 618018 | 9/16MJC-1/2MNP ADPTR |
| 19 | 2 | 614672 | HYD TUBE ASSY, SUND PUMP 200 | 82 | 2 | 610193 | 9/16MJC BLKHD BRANCH TEE |
| 20 | 1 | 614697 | HYD TUBE ASSY, RH MAIN 200 91 | 83 | 2 | 618156 | 7/8MJC-90-3/4MNP LBO |
| 21 | 2 | 615659 | FRT LEG INNER HYD TUBE,204 94 | 84 | 2 | 505102 | PIPE PLUG 1.00NPT SQ HD |
| 22 | 2 | 615660 | FRT LEG CNTR HYD TUBE,204 94 | 85 | 1 | 610300 | 3/4MJC-3/4MNP ADPTR |
| 23 | 2 | 615661 | FRT LEG OUTER HYD TUBE,204 94 | 86 | 1 | 611147 | 3/4MJC-1/2MNP ADPTR |
| 24 | 1 | 618520 | 1/4MNP RUN TEE-9/16MJC | 87 | 4 | 618531 | 9/16FJIC CAP NUT |
| 25 | 1 | 614676 | HYD TUBE ASSY, LH MAIN 200 | 88 | 1 | 506410 | BLK PIPE ST EL 90DEG 1.25NPT |
| 26 | 1 | 601395 | HOSE, 3/4 X 64 1FBR-1SPI | 89 | 1 | 618311 | 3/4MJC UNION TEE |
| 27 | 1 | 601396 | HOSE, 1 X 81 1FBR-1SPI | 90 | 3 | 618482 | 3/4FJIC-9/16MJC ADPTR |
| 28 | 1 | 601376 | HOSE, 1 X 29 1FBR-1SPI | 91 | 1 | 618312 | 1 5/16MOR-1 1/16FOR ADPTR |
| 29 | 1 | 601377 | HOSE, 1 X 48 1FBR-1SPI | 92 | 5 | 618535 | 7/8MJC-90-1 1/16MOR LBO |
| 30 | 1 | 614388 | 08C1T-08FJX-08FJX-129 | 93 | 1 | 618451 | 3/4FJIC SW RUN TEE-3/4MJC |
| 31 | 1 | 615614 | FRT LEG CYL JUMPER HOSE280 89 | 94 | 1 | 618075 | 3/4 HOSE BARB-1 1/16MOR |
| 32 | 2 | 614625 | 06C1T-06FJX-06FJX-30 | 95 | 1 | 611128 | 7/8MJC-90-7/8MOR LBO |
| 33 | 2 | 615451 | 06C1T-06FJX-08FJX-58 | 96 | 1 | 606891 | SUND GEAR PMP .52CI SPLINED |
| 34 | 1 | 611204 | 04C1T-06FJX-06FJX-78 | 97 | 1 | 618178 | 1 5/16MJC-90-1 5/16MOR LBO |
| 35 | 4 | 614663 | 04C1T-06FJX-06FJX-16 | 98 | 1 | 618596 | 1 5/8MOR-1 1/4FNPT ADPTR |
| 36 | 2 | 614655 | 08C2AT-10FJX-12FJX90-70 | 99 | 1 | 507026 | 1 1/4MNP HEX PIPE NIPPLE STL |
| 37 | 2 | 614654 | 08C2AT-10FJX-12FJX90-60 | 100 | 1 | 506701 | SIDE OUTLET EL 90DEG 1.25NPT |
| 38 | 2 | 614656 | 08C2AT-10FJX-10FJX-118 | 101 | 1 | 715660 | HOSE BARB 1 1/4NPT X 1 1/4 |
| 39 | 2 | 614657 | 08C2AT-10FJX-10FJX-125 | 102 | 1 | 506005 | 1 1/4 TO 1 RED BUSH BLK MAL |
| 40 | 1 | 614549 | 06C1T-06FJX-06FJX-140 | 103 | 2 | 505201 | CLOSE NIPPLE 1.00NPT |
| 41 | 1 | 615449 | 06C1T-06FJX-06FJX-126 | 104 | 3 | 505101 | BLK PIPE TEE 1.00NPT |
| 42 | 1 | 615633 | 08C1T-08FJX-08FJX-23 | 105 | 2 | 610305 | 3/4MJC-90-3/4MNP LBO |
| 43 | 6 | 618496 | 9/16MJC-45-3/4MOR LBO | 106 | 1 | 716000 | 3/4 HOSE BARB-90-1MNP |
| 44 | 1 | 504001 | RED BUSH 3/4 X 1/4 BLK MAL | 107 | 1 | 601383 | HOSE, 3/4 X 8 1FBR-1SPI |
| 45 | 1 | 618183 | 3/4MJC-90-7/8MOR LBO | 108 | 2 | 618628 | 7/8MJC-45-7/8FJIC SWIV LBO |
| 46 | 2 | 618599 | 1 5/16MOR BRANCH TEE-1 5/16MJ | 109 | 1 | 618609 | 3/4MJC-90-3/4FJIC SWIV LBO |
| 47 | 1 | 615465 | 08C1T-08FJX-08FJX-33 | 110 | 1 | 614662 | 08C1T-08FJX-08FJX-72 |
| 48 | 5 | 505200 | BLK PIPE ST EL 90DEG 1.00NPT | 111 | 1 | 505105 | 1MNP HEX PIPE NIPPLE STL |
| 49 | 1 | 715664 | 1 1/4 NPT X 1 HOSE BARB | 112 | 2 | 618119 | 9/16MJC-90-9/16MOR LBO |
| 50 | 4 | 714560 | 1NPT X 1 HOSE BARB | 113 | 3 | 618327 | 3/4MJC-7/8MOR ADPTR |
| 51 | 1 | 714331 | 1 NPT X 3/4 HOSE BARB | 114 | 2 | 618629 | 9/16MOR BRANCH TEE-9/16MJC |
| 52 | 1 | 506602 | PIPE NIPPLE 1 1/4NPT-2 1/2 | 115 | 1 | 605607 | FILTER, 10 MICRON ZINGA, HIPRES |
| 53 | 1 | 506303 | BLK PIPE EL 90DEG 1.25NPT | 116 | 2 | 618590 | 3/4MJC-45-3/4FJIC SWIV LBO |
| 54 | 6 | 505300 | BLK PIPE EL 90DEG 1.00NPT | 117 | 1 | 605606 | FILTER HEAD, ZINZA HI-PRESS |
| 55 | 3 | 505203 | BLK PIPE NIPPLE 1.00NPT-4.00 | 118 | 1 | 610580 | REMOTE FLUSHING VALVE, SUND |
| 56 | 2 | 504955 | BLK PIPE TEE .75NPT | 119 | 1 | 616034 | 08C1T-08FJX-08FJX-17 |
| 57 | 2 | 504702 | CLOSE NIPPLE .75NPT | 120 | 2 | 616043 | 04C1T-06FJX-06FJX-23 |
| 58 | 1 | 504210 | RED BUSH 3/4 NPT X 1/2 NPT | 121 | 1 | 616048 | 04C1T-06FJX-06FJX-35 |
| 59 | 1 | 501102 | 1/4 PIPE PLUG | 122 | 2 | 618126 | 9/16MJC-9/16MOR ADPTR |
| 60 | 1 | 618486 | 9/16FJIC SW RUN TEE-9/16MJC | 123 | 2 | 618474 | 3/4MJC-90-1 1/16MOR LBO |
| 61 | 1 | 618322 | 1 5/16MJC-1MNP ADPTR | 124 | 1 | 616040 | 04C1T-06FJX-06FJX-67 |
| 62 | 1 | 503820 | BLK PIPE TEE .50NPT | 125 | 2 | 616028 | 04C1T-06FJX-06FJX-47 |
| 63 | 5 | 505213 | RED BUSH 1 X 3/4 BLK MAL | 125 | 2 | 616028 | |

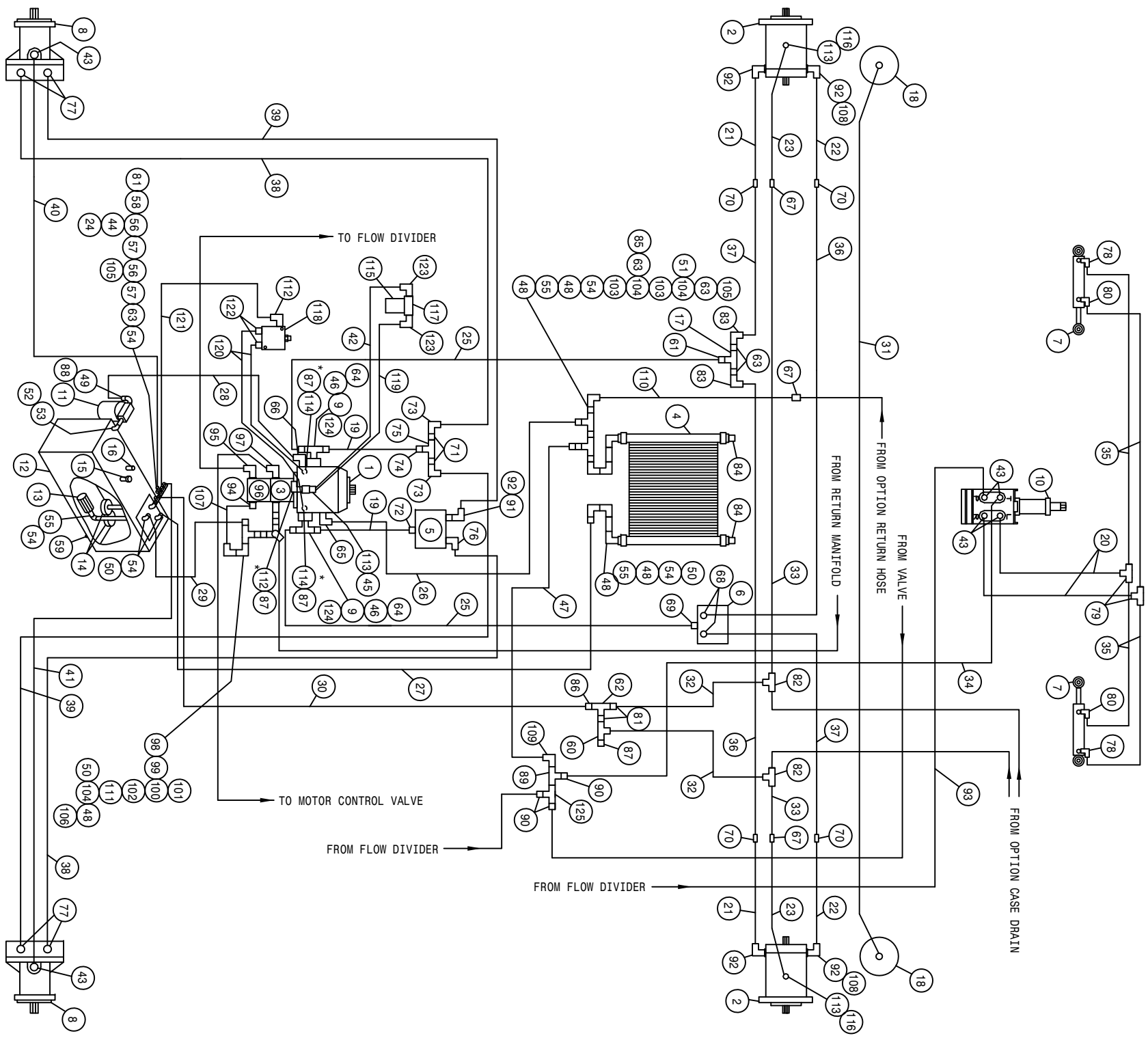
*NOTE:
 REFER TO DETAIL 114 TO CHECK PRESSURE LIMIT
 SETTING - 4500 PSI
 REFER TO DETAIL 112 ON TOP TO CHECK CHANGE
 PRESSURE - 380 PSI



204 BASIC MACHINE CUMM HYD SCHEMATIC 1997
REFERENCE DRAWING NO. 498519

| DET. | QTY | PART NO. | DESCRIPTION | DET. | QTY | PART NO. | DESCRIPTION |
|------|-----|----------|-------------------------------|------|-----|----------|-------------------------------|
| 1 | 1 | 606902 | SUND 100CC PUMP-B-MT W/FILT | 64 | 2 | 618541 | 1 5/16FJIC-1 1/16MJIC ADPTR |
| 2 | 2 | 610557 | SUND M35-3102 WHL MTR W/SHT | 65 | 1 | 618118 | 3/4 HOSE BARB-90-1 1/16MOR |
| 3 | 1 | 606937 | SUND TANDEM PUMP.4.0/.66CIR | 66 | 1 | 618638 | 1IN HOSE BARB-45-1 5/16MOR |
| 4 | 1 | 618606 | OIL COOLER, BLISSFIELD 65027 | 67 | 3 | 618314 | 3/4MJIC UNION |
| 5 | 1 | 610468 | POSITRACTION VLV MOD CONT 20G | 68 | 2 | 618601 | 7/8MJIC-1 5/16MOR ADPT |
| 6 | 1 | 610586 | POSITRACTION VLV,ALUM,88SP60G | 69 | 1 | 618186 | 1 5/16MJIC-1 5/16MOR ADPTR |
| 7 | 2 | 620080 | STRG CYL ASSY 1.50 X 6.0 1985 | 70 | 4 | 618553 | 1 1/16MJIC-7/8MJIC REDU UNION |
| 8 | 2 | 610567 | SUND M25-3000 WHL MTR 1.5CI | 71 | 2 | 505005 | RED BUSH 1 TO 1/2 |
| 9 | 2 | 618598 | 1" 4-BOLT FLG X 1 5/16 FOR | 72 | 1 | 618308 | 1 1/16MJIC-1 5/16MOR ADPTR |
| 10 | 1 | 749150 | STRG MTR NON-LOAD REACT 1008 | 73 | 2 | 611124 | 7/8MJIC-90-1/2MNP LBO |
| 11 | 1 | 605601 | GRESEN FILTER 10 MICRON 40GPM | 74 | 1 | 618434 | 1 1/16MJIC-1MNP ADPTR |
| 12 | 1 | 760097 | OIL TANK WLD 8240 1982 | 75 | 1 | 618575 | 1FNPT PIPE TEE STL |
| 13 | 1 | 605600 | MICHIGAN RESERVOIR FILTER | 76 | 1 | 618589 | 7/8MJIC-90-1 5/16MOR LBO |
| 14 | 2 | 605603 | LINE SUMP DIFFUSER | 77 | 4 | 611126 | 7/8MJIC-7/8MOR ADPTR |
| 15 | 1 | 611052 | FILLER BREATHER 3/4NPT | 78 | 2 | 618338 | 9/16MJIC-45-1/4MNP LBO |
| 16 | 1 | 614453 | DIPSTCK, 81N | 79 | 2 | 618019 | 9/16MJIC UNION TEE |
| 17 | 1 | 614660 | 1IN STL TEE WLD 280 | 80 | 2 | 611122 | 9/16MJIC-90-1/4MNP LBO |
| 18 | 2 | 620570 | HYD CYL LEG LEVEL 2.00 X 12 | 81 | 3 | 618018 | 9/16MJIC-1/2MNP ADPTR |
| 19 | 2 | 614707 | HYD TUBE ASSY,SUND,200 DIESEL | 82 | 2 | 610193 | 9/16MJIC BLKHD BRANCH TEE |
| 20 | 2 | 615634 | 12TWM-16FJX-16FJX-123 H/A | 83 | 2 | 618156 | 7/8MJIC-90-3/4MNP LBO |
| 21 | 2 | 615659 | FRT LEG INNER HYD TUBE,204 94 | 84 | 2 | 505102 | PIPE PLUG 1.00NPT SQ HD |
| 22 | 2 | 615660 | FRT LEG CNTR HYD TUBE,204 94 | 85 | 1 | 610300 | 3/4MJIC-3/4MNP ADPTR |
| 23 | 2 | 615661 | FRT LEG OUTER HYD TUBE,204 94 | 86 | 1 | 611147 | 3/4MJIC-1/2MNP ADPTR |
| 24 | 1 | 618520 | 1/4MNP RUN TEE-9/16MJIC | 87 | 4 | 618531 | 9/16FJIC CAP NUT |
| 25 | 2 | 618191 | 1 1/16MJ-90-1 1/16FJ SWIV LBO | 88 | 3 | 506410 | BLK PIPE ST EL 90DEG 1.25NPT |
| 26 | 1 | 601395 | HOSE, 3/4 X 64 1FBR-1SPI | 89 | 1 | 618311 | 3/4MJIC UNION TEE |
| 27 | 1 | 601396 | HOSE, 1 X 81 1FBR-1SPI | 90 | 3 | 618482 | 3/4FJIC-9/16MJIC ADPTR |
| 28 | 1 | 601376 | HOSE, 1 X 29 1FBR-1SPI | 91 | 1 | 618312 | 1 5/16MOR-1 1/16FOR ADPTR |
| 29 | 1 | 601377 | HOSE, 1 X 48 1FBR-1SPI | 92 | 5 | 618535 | 7/8MJIC-90-1 1/16MOR LBO |
| 30 | 1 | 614388 | 08C1T-08FJX-08FJX-129 H/A | 93 | 1 | 618451 | 3/4FJIC SW RUN TEE-3/4MJIC |
| 31 | 1 | 615614 | FRT LEG CYL JUMPER HOSE280 89 | 94 | 1 | 618075 | 3/4 HOSE BARB-1 1/16MOR |
| 32 | 2 | 614625 | 06C1T-06FJX-06FJX-30 H/A | 95 | 1 | 611128 | 7/8MJIC-90-7/8MOR LBO |
| 33 | 2 | 615451 | 06C1T-06FJX-08FJX-58 H/A | 96 | 2 | 616028 | 04C1T-06FJX-06FJX-47 H/A |
| 34 | 1 | 611204 | 04C1T-06FJX-06FJX-78 H/A | 97 | 1 | 618178 | 1 5/16MJIC-90-1 5/16MOR LBO |
| 35 | 4 | 614663 | 04C1T-06FJX-06FJX-16 H/A | 98 | 1 | 618596 | 1 5/8MOR-1 1/4FNPT ADPTR |
| 36 | 2 | 614655 | 08C2AT-10FJX-12FX90-70 H/A | 99 | 1 | 507026 | 1 1/4MNP HEX PIPE NIPPLE STL |
| 37 | 2 | 614654 | 08C2AT-10FJX-12FX90-60 H/A | 100 | 1 | 506701 | SIDE OUTLET EL 90DEG 1.25NPT |
| 38 | 2 | 614656 | 08C2AT-10FJX-10FJX-118 H/A | 101 | 1 | 715660 | HOSE BARB 1 1/4NPT X 1 1/4 |
| 39 | 2 | 614657 | 08C2AT-10FJX-10FJX-125 H/A | 102 | 1 | 506005 | 1 1/4 TO 1 RED BUSH BLK MAL |
| 40 | 1 | 614549 | 06C1T-06FJX-06FJX-140 H/A | 103 | 2 | 505201 | CLOSE NIPPLE 1.00NPT |
| 41 | 1 | 615449 | 06C1T-06FJX-06FJX-126 H/A | 104 | 3 | 505101 | BLK PIPE TEE 1.00NPT |
| 42 | 1 | 615633 | 08C1T-08FJX-08FJX-23 H/A | 105 | 2 | 610305 | 3/4MJIC-90-3/4MNP LBO |
| 43 | 6 | 618496 | 9/16MJIC-45-3/4MOR LBO | 106 | 1 | 716000 | 3/4 HOSE BARB-90-1MNP |
| 44 | 1 | 504001 | RED BUSH 3/4 X 1/4 BLK MAL | 107 | 1 | 601399 | HOSE, 3/4 X 13 1FBR-1SPI |
| 45 | 1 | 618183 | 3/4MJIC-90-7/8MOR LBO | 108 | 2 | 618628 | 7/8MJIC-45-7/8FJIC SWIV LBO |
| 46 | 2 | 618599 | 1 5/16MOR BRANCH TEE-1 5/16MJ | 109 | 1 | 618609 | 3/4MJIC-90-3/4FJIC SWIV LBO |
| 47 | 1 | 615465 | 08C1T-08FJX-08FJX-33 H/A | 110 | 1 | 614662 | 08C1T-08FJX-08FJX-72 H/A |
| 48 | 4 | 505200 | BLK PIPE ST EL 90DEG 1.00NPT | 111 | 1 | 505105 | 1MNP HEX PIPE NIPPLE STL |
| 49 | 1 | 715664 | 1 1/4 NPT X 1 HOSE BARB | 112 | 2 | 618119 | 9/16MJIC-90-9/16MOR LBO |
| 50 | 4 | 714560 | 1NPT X 1 HOSE BARB | 113 | 3 | 618327 | 3/4MJIC-7/8MOR ADPTR |
| 51 | 1 | 714331 | 1 NPT X 3/4 HOSE BARB | 114 | 2 | 618629 | 9/16MOR BRANCH TEE-9/16MJIC |
| 52 | 1 | 506602 | PIPE NIPPLE 1 1/4NPT-2 1/2 | 115 | 1 | 605607 | FILTER,10 MICRON ZINGA,HIPRES |
| 53 | 1 | 506303 | BLK PIPE EL 90DEG 1.25NPT | 116 | 2 | 618590 | 3/4MJIC-45-3/4FJIC SWIV LBO |
| 54 | 6 | 505300 | BLK PIPE EL 90DEG 1.00NPT | 117 | 1 | 605606 | FILTER HEAD, ZINZA HI-PRESS |
| 55 | 3 | 505203 | BLK PIPE NIPPLE 1.00NPT-4.00 | 118 | 1 | 610580 | REMOTE FLUSHING VALVE, SUND |
| 56 | 2 | 504955 | BLK PIPE TEE .75NPT | 119 | 1 | 616034 | 08C1T-08FJX-08FJX-17 H/A |
| 57 | 2 | 504702 | CLOSE NIPPLE .75NPT | 120 | 2 | 616043 | 04C1T-06FJX-06FJX-23 H/A |
| 58 | 1 | 504210 | RED BUSH 3/4 NPT X 1/2 NPT | 121 | 1 | 616048 | 04C1T-06FJX-06FJX-35 H/A |
| 59 | 1 | 501102 | 1/4 PIPE PLUG | 122 | 2 | 618126 | 9/16MJIC-9/16MOR ADPTR |
| 60 | 2 | 618486 | 9/16FJIC SW RUN TEE-9/16MJIC | 123 | 2 | 618474 | 3/4MJIC-90-1 1/16MOR LBO |
| 61 | 1 | 618322 | 1 5/16MJIC-1MNP ADPTR | 124 | 1 | 616040 | 04C1T-06FJX-06FJX-67 H/A |
| 62 | 1 | 503820 | BLK PIPE TEE .50NPT | 125 | 1 | 618639 | 1 5/8MOR-1 5/16FOR ADPTR |
| 63 | 5 | 505213 | RED BUSH 1 X 3/4 BLK MAL | | | | |

*NOTE:
 REFER TO DETAIL 114 TO CHECK PRESSURE LIMIT
 SETTING - 4500 PSI
 REFER TO DETAIL 112 ON TOP TO CHECK CHARGE
 PRESSURE - 380 PSI

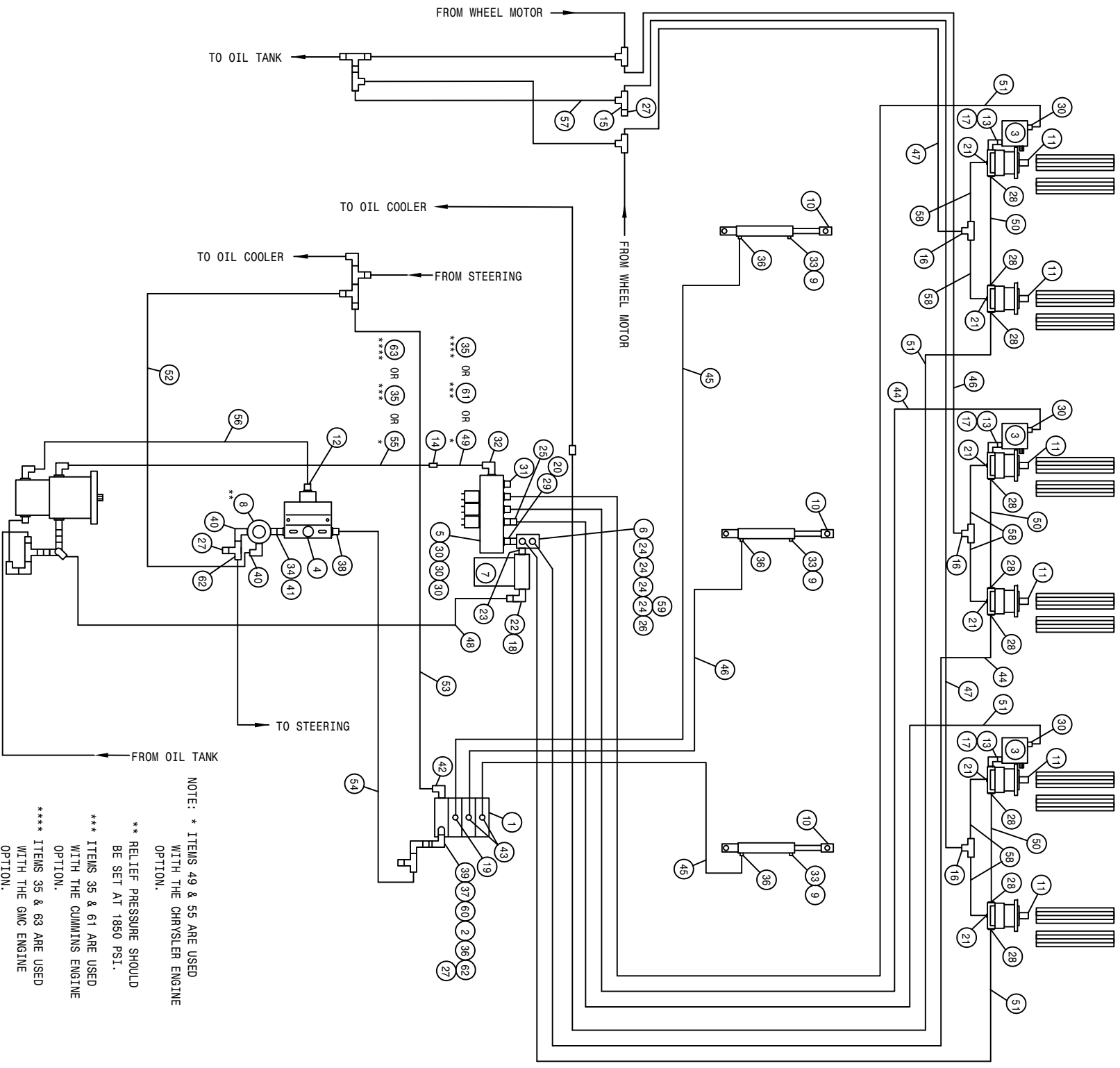


204 BASIC MACHINE GMC HYD SCHEMATIC 1996
REFERENCE DRAWING NO. 498477

| DET. | QTY | PART NO. | DESCRIPTION | DET. | QTY | PART NO. | DESCRIPTION |
|------|-----|----------|--------------------------------|------|-----|----------|---------------------------------|
| 1 | 1 | 606911 | SUND 75CC PUMP,B-MT W/FILT | 64 | 2 | 618541 | 1 5/16FJIC-1 1/16MJC ADPTR |
| 2 | 2 | 610557 | SUND M35-3102 WHL MTR W/SHFT | 65 | 1 | 618118 | 3/4 HOSE BARB-90-1 1/16MOR |
| 3 | 1 | 606894 | SUND GEAR PUMP 3.40CI SPLINED | 66 | 1 | 618564 | 1IN HOSE BARB-90-1 5/16MOR |
| 4 | 1 | 618606 | OIL COOLER, BLISSFIELD 65027 | 67 | 3 | 618314 | 3/4MJC UNION |
| 5 | 1 | 610468 | POSITRACTION VLV MOD CONT 20G | 68 | 2 | 618601 | 7/8MJC-1 5/16MOR ADPT |
| 6 | 1 | 610586 | POSITRACTION VLV,ALUM,88SP60G | 69 | 1 | 618186 | 1 5/16MJC-1 5/16MOR ADPTR |
| 7 | 2 | 620080 | STRG CYL ASSY 1.50 X 6.0 1985 | 70 | 4 | 618553 | 1 1/16MJC-7/8MJC REDU UNION |
| 8 | 2 | 610567 | SUND M25-3000 WHL MTR 1.5CI | 71 | 2 | 505005 | RED BUSH 1 TO 1/2 |
| 9 | 2 | 618598 | 1" 4-BOLT FLG X 1 5/16 FOR | 72 | 1 | 618308 | 1 1/16MJC-1 5/16MOR ADPTR |
| 10 | 1 | 749150 | STRG MTR NON-LOAD REACT 1008 | 73 | 2 | 611124 | 7/8MJC-90-1/2MNP LBO |
| 11 | 1 | 605601 | GRESEN FILTER 10 MICRON 40GPM | 74 | 1 | 618434 | 1 1/16MJC-1MNP ADPTR |
| 12 | 1 | 760097 | OIL TANK WLD 8240 1982 | 75 | 1 | 618575 | 1FNPT PIPE TEE STL |
| 13 | 1 | 605600 | MICHIGAN RESERVOIR FILTER | 76 | 1 | 618589 | 7/8MJC-90-1 5/16MOR LBO |
| 14 | 2 | 605603 | LINE SUMP DIFFUSER | 77 | 4 | 611126 | 7/8MJC-7/8MOR ADPTR |
| 15 | 1 | 611052 | FILLER BREATHER 3/4NPT | 78 | 2 | 618338 | 9/16MJC-45-1/4MNP LBO |
| 16 | 1 | 614453 | DIPSTICK, 81N | 79 | 2 | 618019 | 9/16MJC UNION TEE |
| 17 | 1 | 614660 | 1IN STL TEE WLD 280 | 80 | 2 | 611122 | 9/16MJC-90-1/4MNP LBO |
| 18 | 2 | 620570 | HYD CYL LEG LEVEL 2.00 X 12 | 81 | 3 | 618018 | 9/16MJC-1/2MNP ADPTR |
| 19 | 2 | 614672 | HYD TUBE ASSY, SUND PUMP | 82 | 2 | 610193 | 9/16MJC BLKHD BRANCH TEE |
| 20 | 2 | 616028 | 04C1T-06FJX-06FJX-47 | 83 | 2 | 618156 | 7/8MJC-90-3/4MNP LBO |
| 21 | 2 | 615659 | FRT LEG INNER HYD TUBE,204 94 | 84 | 2 | 505102 | PIPE PLUG 1.00NPT SQ HD |
| 22 | 2 | 615660 | FRT LEG CNTR HYD TUBE,204 94 | 85 | 1 | 610300 | 3/4MJC-3/4MNP ADPTR |
| 23 | 2 | 615661 | FRT LEG OUTER HYD TUBE,204 94 | 86 | 1 | 611147 | 3/4MJC-1/2MNP ADPTR |
| 24 | 1 | 618520 | 1/4MNP RUN TEE-9/16MJC | 87 | 4 | 618531 | 9/16FJIC CAP NUT |
| 25 | 2 | 615687 | 12C2AT-16FJX-16FJX-122 | 88 | 1 | 506410 | BLK PIPE ST EL 90DEG 1.25NPT |
| 26 | 1 | 601395 | HOSE, 3/4 X 64 1FBR-1SPI | 89 | 1 | 618311 | 3/4MJC UNION TEE |
| 27 | 1 | 601396 | HOSE, 1 X 81 1FBR-1SPI | 90 | 3 | 618432 | 3/4FJIC-9/16MJC ADPTR |
| 28 | 1 | 601375 | HOSE, 1 X 24 1FBR-1SPI | 91 | 1 | 618312 | 1 5/16MOR-1 1/16FOR ADPTR |
| 29 | 1 | 601377 | HOSE, 1 X 48 1FBR-1SPI | 92 | 5 | 618535 | 7/8MJC-90-1 1/16MOR LBO |
| 30 | 1 | 614388 | 08C1T-08FJX-08FJX-129 | 93 | 1 | 616040 | 04C1T-06FJX-06FJX-67 |
| 31 | 1 | 615614 | FRT LEG CYL JUMPER HOSE280 89 | 94 | 1 | 618075 | 3/4 HOSE BARB-1 1/16MOR |
| 32 | 2 | 614625 | 06C1T-06FJX-06FJX-30 | 95 | 1 | 611128 | 7/8MJC-90-7/8MOR LBO |
| 33 | 2 | 615451 | 06C1T-06FJX-08FJX-58 | 96 | 1 | 606891 | SUND GEAR PMP .52CI SPLINED |
| 34 | 1 | 611204 | 04C1T-06FJX-06FJX-78 | 97 | 1 | 618178 | 1 5/16MJC-90-1 5/16MOR LBO |
| 35 | 4 | 614663 | 04C1T-06FJX-06FJX-16 | 98 | 1 | 618596 | 1 5/8MOR-1 1/4FNPT ADPTR |
| 36 | 2 | 614655 | 08C2AT-10FJX-12FJX90-70 | 99 | 1 | 507026 | 1 1/4MNP HEX PIPE NIPPLE STL |
| 37 | 2 | 614654 | 08C2AT-10FJX-12FJX90-60 | 100 | 1 | 506701 | SIDE OUTLET EL 90DEG 1.25NPT |
| 38 | 2 | 614656 | 08C2AT-10FJX-10FJX-118 | 101 | 1 | 715660 | HOSE BARB 1 1/4NPT X 1 1/4 |
| 39 | 2 | 614657 | 08C2AT-10FJX-10FJX-125 | 102 | 1 | 506005 | 1 1/4 TO 1 RED BUSH BLK MAL |
| 40 | 1 | 614549 | 06C1T-06FJX-06FJX-140 | 103 | 2 | 505201 | CLOSE NIPPLE 1.00NPT |
| 41 | 1 | 615449 | 06C1T-06FJX-06FJX-126 | 104 | 3 | 505101 | BLK PIPE TEE 1.00NPT |
| 42 | 1 | 615633 | 08C1T-08FJX-08FJX-23 | 105 | 2 | 610305 | 3/4MJC-90-3/4MNP LBO |
| 43 | 6 | 618496 | 9/16MJC-45-3/4MOR LBO | 106 | 1 | 716000 | 3/4 HOSE BARB-90-1MNP |
| 44 | 1 | 504001 | RED BUSH 3/4 X 1/4 BLK MAL | 107 | 1 | 601383 | HOSE, 3/4 X 8 1FBR-1SPI |
| 45 | 1 | 618183 | 3/4MJC-90-7/8MOR LBO | 108 | 2 | 618628 | 7/8MJC-45-7/8FJIC SWIV LBO |
| 46 | 2 | 618599 | 1 5/16MOR BRANCH TEE-1 5/16MJC | 109 | 1 | 618609 | 3/4MJC-90-3/4FJIC SWIV LBO |
| 47 | 1 | 615465 | 08C1T-08FJX-08FJX-33 | 110 | 1 | 614662 | 08C1T-08FJX-08FJX-72 |
| 48 | 5 | 505200 | BLK PIPE ST EL 90DEG 1.00NPT | 111 | 1 | 505105 | 1MNP HEX PIPE NIPPLE STL |
| 49 | 1 | 715664 | 1 1/4 NPT X 1 HOSE BARB | 112 | 2 | 618119 | 9/16MJC-90-9/16MOR LBO |
| 50 | 4 | 714560 | 1NPT X 1 HOSE BARB | 113 | 3 | 618327 | 3/4MJC-7/8MOR ADPTR |
| 51 | 1 | 714331 | 1 NPT X 3/4 HOSE BARB | 114 | 2 | 618629 | 9/16MOR BRANCH TEE-9/16MJC |
| 52 | 1 | 506602 | PIPE NIPPLE 1 1/4NPT-2 1/2 | 115 | 1 | 605607 | FILTER,10 MICRON ZINGA,HIPRES |
| 53 | 1 | 506303 | BLK PIPE EL 90DEG 1.25NPT | 116 | 2 | 618590 | 3/4MJC-45-3/4FJIC SWIV LBO |
| 54 | 6 | 505300 | BLK PIPE EL 90DEG 1.00NPT | 117 | 1 | 605606 | FILTER HEAD, ZINZA HI-PRESS |
| 55 | 3 | 505203 | BLK PIPE NIPPLE 1.00NPT-4.00 | 118 | 1 | 610580 | REMOTE FLUSHING VALVE, SUND |
| 56 | 2 | 504955 | BLK PIPE TEE .75NPT | 119 | 1 | 616034 | 08C1T-08FJX-08FJX-17 |
| 57 | 2 | 504702 | CLOSE NIPPLE .75NPT | 120 | 2 | 616043 | 04C1T-06FJX-06FJX-23 |
| 58 | 1 | 504210 | RED BUSH 3/4 NPT X 1/2 NPT | 121 | 1 | 616048 | 04C1T-06FJX-06FJX-35 |
| 59 | 1 | 501102 | 1/4 PIPE PLUG | 122 | 2 | 618126 | 9/16MJC-9/16MOR ADPTR |
| 60 | 2 | 618486 | 9/16FJIC SW RUN TEE-9/16MJC | 123 | 2 | 618474 | 3/4MJC-90-1 1/16MOR LBO |
| 61 | 1 | 618322 | 1 5/16MJC-1MNP ADPTR | 124 | 2 | 618640 | 1 5/16MJC-90-1 5/16FJ SMTIV LBO |
| 62 | 1 | 503820 | BLK PIPE TEE .50NPT | 125 | 1 | 618451 | 3/4FJIC SW RUN TEE-3/4MJC |
| 63 | 5 | 505213 | RED BUSH 1 X 3/4 BLK MAL | | | | |

200 4R ROLLER 2L W/T-TROL HYD SCHEM 91
REFERENCE DRAWING NO. 498373

| DET. | QTY | PART NO. | DESCRIPTION | DET. | QTY | PART NO. | DESCRIPTION |
|------|-----|----------|--------------------------------|------|-----|----------|-------------------------------|
| 1 | 1 | 610532 | ELECT HYD STACK VLV, 3 SECT | 31 | 2 | 610186 | 1 1/16MOR PLUG |
| 2 | 1 | 610447 | HYD FILTER, INLINE 1/4FNPT 90M | 32 | 1 | 618178 | 1 5/16MJIC-90-1 5/16MOR LBO |
| 3 | 2 | 610528 | PRESS COMP FIXED FLO REG 11G | 33 | 2 | 501452 | ST EL 90DEG .25NPT, STEEL,PLT |
| * 4 | 1 | 607504 | FLO DIV B50 2-8GPM 7/8 FOR | *34 | 1 | 500000 | 1/2MNPT HEX PIPE NIPPLE STL |
| 5 | 1 | 610467 | MODULAR MTR CONTROL ELECT VLV | *35 | 1 | 614703 | HYD TUBE ASSY, 200 MAIN 92 |
| * 6 | 1 | 614633 | HYD MANIF 8200 86 | 36 | 1 | 618170 | 3/4MOR-9/16FOR ADPTR |
| * 7 | 1 | 605601 | GRESEN FILTER 10 MICRON 40GPM | 37 | 1 | 618119 | 9/16MJIC-90-9/16MOR LBO |
| * 8 | 1 | 607512 | RELIEF VALVE, RL50, 1850 PSI | *38 | 1 | 618310 | 9/16MJIC-7/8MOR ADPTR |
| 9 | 2 | 470114 | BREATHER FILTER VENT, 1/4 NPT | 39 | 1 | 618600 | 9/16MJIC-90-7/8MOR LBO |
| 10 | 2 | 620900 | CYL ASSY CC2016 D00 SRG 180 | *40 | 2 | 618107 | 9/16MJIC-90-1/2MNPT LBO |
| 11 | 4 | 610510 | CESSNA GEAR MOTOR 1.48CI | *41 | 1 | 618072 | 7/8MOR-1/2FNPT ADPTR |
| *12 | 1 | 611126 | 7/8MJIC-7/8MOR ADPTR | *42 | 1 | 614627 | 06C1T-06F3X-06F3X-45 |
| 13 | 2 | 618578 | 1 1/16FJIC SMIV-1 1/16MOR | *43 | 1 | 615616 | 04C1T-06F3X-06F3X-65 |
| 14 | 1 | 610185 | 9/16MOR PLUG | *44 | 1 | 614687 | HYD TUBE ASSY SUND AUX 200 90 |
| 15 | 2 | 618019 | 9/16MJIC UNION TEE | *45 | 1 | 614664 | 10C1T-10F3X-10F3X-98 |
| 16 | 4 | 611121 | 9/16MJIC-1/4MNPT ADPTR | 46 | 2 | 614639 | 04C1T-06F3X-06F3X-126 |
| 17 | 2 | 618248 | 1 1/16MJIC-90-1 1/16MOR LBO | 47 | 4 | 616027 | 04C1T-06F3X-06F3X-39 |
| *18 | 1 | 715660 | HOSE BARB 1 1/4NPT X 1 1/4 | 48 | 4 | 614689 | 08C1T-08F3X-08F3X-120 |
| 19 | 1 | 618425 | 9/16MJIC-45-9/16MOR LBO | 49 | 2 | 614101 | 04C1T-06F3X-06F3X-133 |
| *20 | 1 | 618587 | 1 5/16FJIC SMIV-1MNPT | 50 | 2 | 616058 | 08C1T-08F3X-08F3X-80 |
| 21 | 6 | 618474 | 3/4MJIC-90-1 1/16MOR LBO | *51 | 1 | 616042 | 04C1T-06F3X-06F3X-13 |
| *22 | 1 | 506410 | BLK PIPE ST EL 90DEG 1.25NPT | *52 | 1 | 614348 | 16C2AT-16F3X-16F3X-25 |
| *23 | 1 | 618144 | 1 1/4-1MP HEX PIPE NIPPLE STL | *53 | 1 | 601289 | HOSE, 1 1/4 X 144 2BR RED |
| *24 | 1 | 618577 | 1 5/16MJIC UNION | 54 | 1 | 618590 | 3/4MJIC-45-3/4FJIC SMIV LBO |
| *25 | 4 | 611145 | 3/4MJIC-90-1/2MNPT LBO | *55 | 2 | 618532 | 3/4FJIC CAP NUT |
| *26 | 1 | 503700 | PIPE PLUG .50NPT SQ HD | *56 | 3 | 618531 | 9/16FJIC CAP NUT |
| 27 | 3 | 611122 | 9/16MJIC-90-1/4MNPT LBO | 57 | 1 | 618608 | 9/16FJIC SMIV-1/4MNPT |
| 28 | 1 | 618440 | 9/16MJIC-90-9/16MOR EX LG LBO | *58 | 1 | 614350 | 16C2AT-16F3X-16F3X-55 |
| 29 | 1 | 618186 | 1 5/16MJIC-1 5/16MOR ADPTR | *59 | 2 | 618486 | 9/16FJIC SW RUN TEE-9/16MJIC |
| 30 | 4 | 618469 | 3/4MJIC-1 1/16MOR ADPTR | *60 | 1 | 614719 | HYD TUBE ASSY, AUX 204 GMC 96 |



NOTE: * ITEMS 49 & 55 ARE USED WITH THE CHRYSLER ENGINE OPTION.

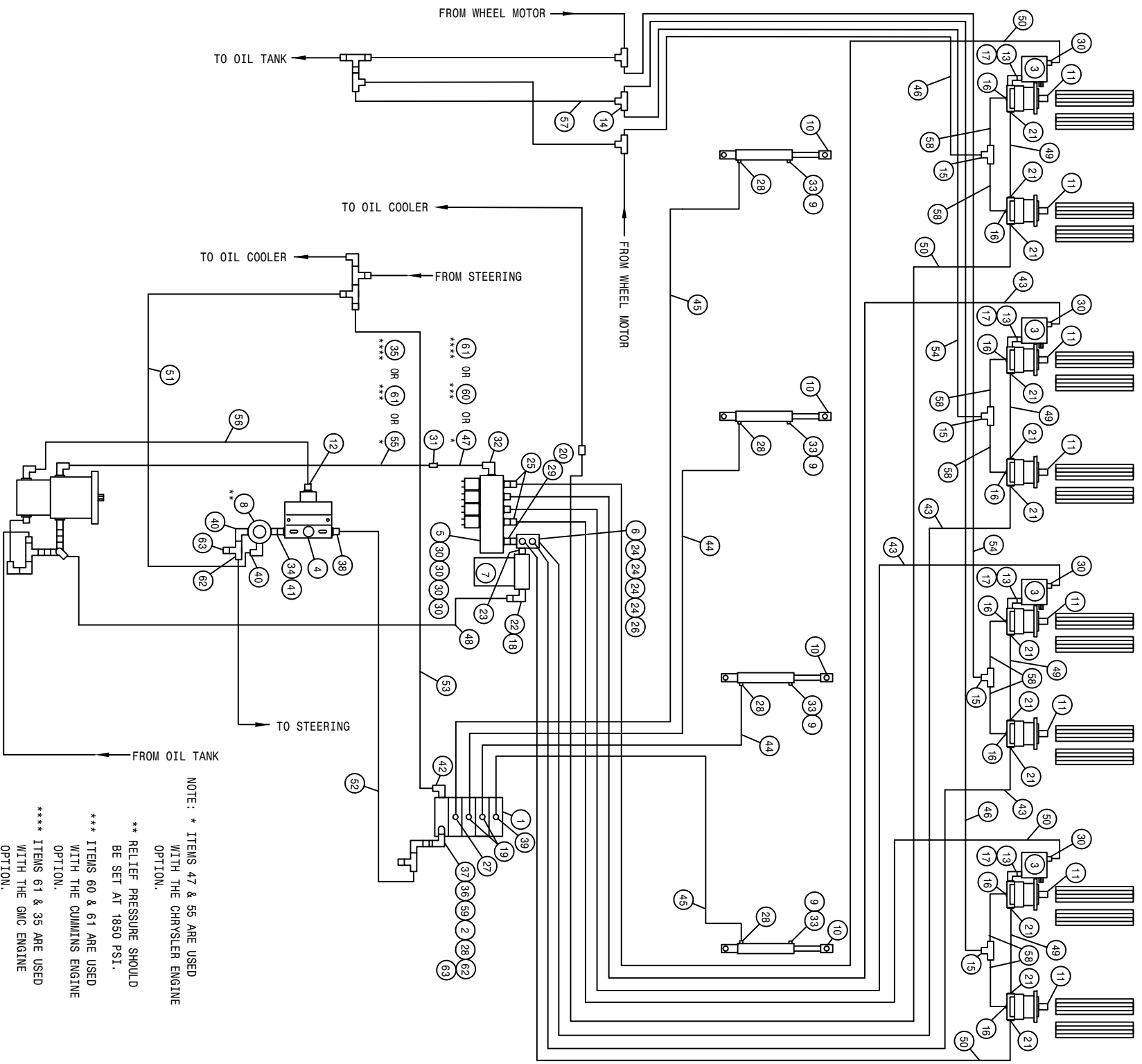
** RELIEF PRESSURE SHOULD BE SET AT 1850 PSI.

*** ITEMS 35 & 61 ARE USED WITH THE CUMMINS ENGINE OPTION.

**** ITEMS 35 & 63 ARE USED WITH THE GMC ENGINE OPTION.

200 6R ROLLER 3L W/T-TROL HYD SCHEM 91
REFERENCE DRAWING NO. 498375

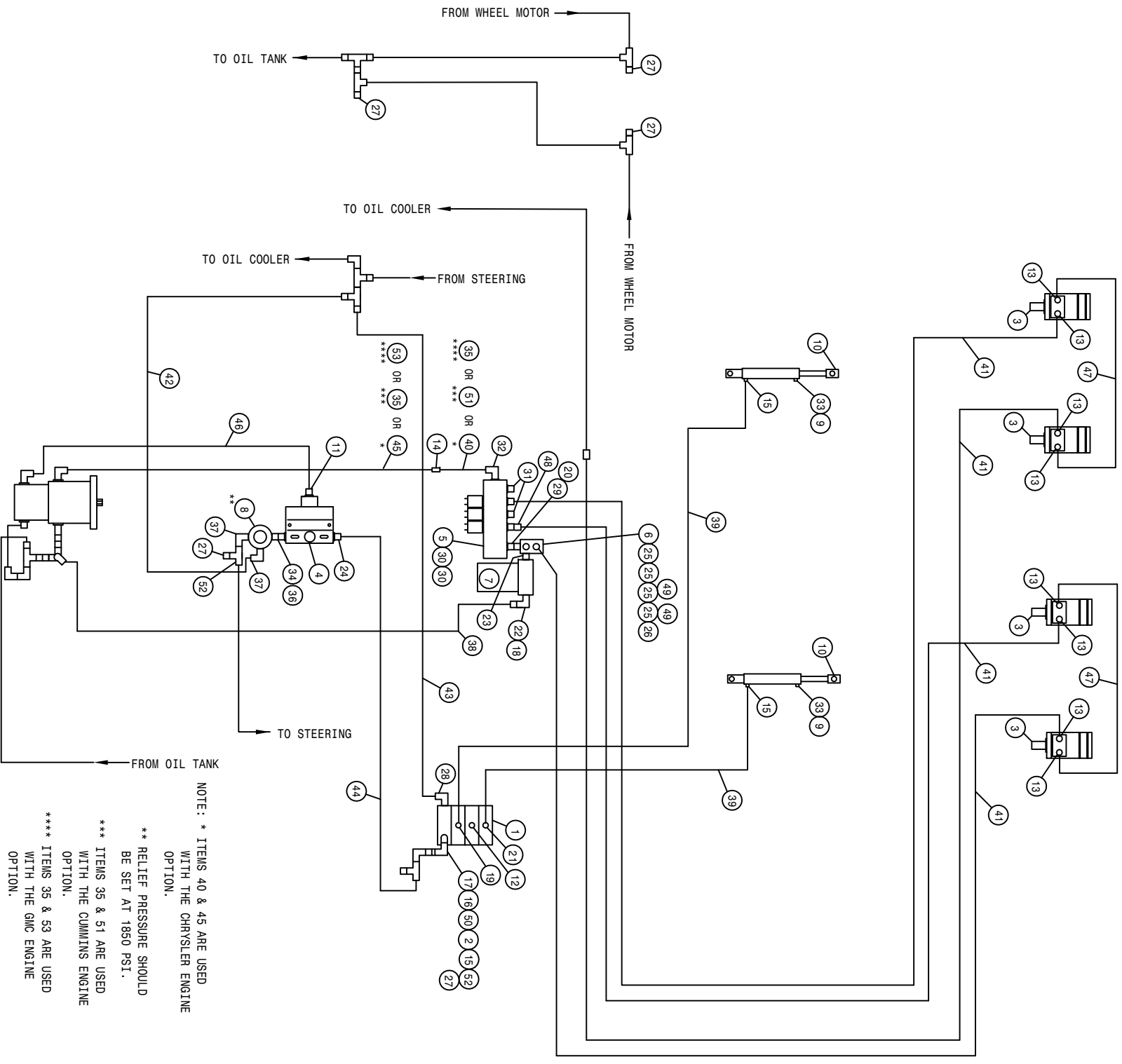
| DET. | QTY | PART NO. | DESCRIPTION | DET. | QTY | PART NO. | DESCRIPTION |
|------|-----|----------|--------------------------------|------|-----|----------|-------------------------------|
| 1 | 1 | 610532 | ELECT HYD STACK VLV, 3 SECT | 33 | 3 | 501452 | ST EL 90DEG .25NPT, STEEL,PLT |
| 2 | 1 | 610447 | HYD FILTER, INLINE 1/4FNPT 90M | *34 | 1 | 500000 | 1/2MNPT HEX PIPE NIPPLE STL |
| 3 | 3 | 610528 | PRESS COMP FIXED FLO REG. 11G | *35 | 1 | 614350 | 16C2AT-16F3X-16F3X-55 |
| *4 | 1 | 607504 | FLO DIV B50 2-8GPM 7/8 FOR | 36 | 4 | 611122 | 9/16MJIC-90-1/4MNPT LBO |
| 5 | 1 | 610467 | MODULAR MTR CONTROL ELECT VLV | 37 | 1 | 618440 | 9/16MJIC-90-9/16MOR EX LG LBO |
| *6 | 1 | 614633 | HYD MANIF 8200 86 | *38 | 1 | 618310 | 9/16MJIC-7/8MOR ADPTR |
| *7 | 1 | 605601 | GRESEN FILTER 10 MICRON 40GPM | 39 | 1 | 618170 | 3/4MOR-9/16FOR ADPTR |
| *8 | 1 | 607512 | RELIEF VALVE, RL50, 1850 PSI | *40 | 2 | 618107 | 9/16MJIC-90-1/2MNPT LBO |
| 9 | 3 | 470114 | BREATHER FILTER VENT, 1/4 NPT | *41 | 1 | 618072 | 7/8MOR-1/2FNPT ADPTR |
| 10 | 3 | 620900 | CYL ASSY CC2016 D00 SRG. 180 | 42 | 1 | 618600 | 9/16MJIC-90-7/8MOR LBO |
| 11 | 6 | 610510 | CESSNA GEAR MOTOR 1.48CI | 43 | 2 | 618119 | 9/16MJIC-90-9/16MOR LBO |
| *12 | 1 | 611126 | 7/8MJIC-7/8MOR ADPTR | 44 | 2 | 614688 | 08C1T-08F3X-08F3X-108 |
| 13 | 3 | 618578 | 1 1/16FJIC SWIV-1 1/16MOR | 45 | 2 | 614101 | 04C1T-06F3X-06F3X-133 |
| *14 | 1 | 618577 | 1 5/16MJIC UNION | 46 | 2 | 614077 | 04C1T-06F3X-06F3X-88 |
| 15 | 1 | 610193 | 9/16MJIC BLKHD BRANCH TEE | 47 | 2 | 611210 | 04C1T-06F3X-06F3X-156 |
| 16 | 3 | 618019 | 9/16MJIC UNION TEE | *48 | 1 | 601289 | HOSE, 1 1/4 X 144 2BR RED |
| 17 | 3 | 618248 | 1 1/16MJIC-90-1 1/16MOR LBO | *49 | 1 | 614348 | 16C2AT-16F3X-16F3X-25 |
| *18 | 1 | 715660 | HOSE BARB 1 1/4NPT X 1 1/4 | 50 | 3 | 616058 | 08C1T-08F3X-08F3X-80 |
| 19 | 1 | 618425 | 9/16MJIC-45-9/16MOR LBO | 51 | 4 | 614690 | 08C1T-08F3X-08F3X-192 |
| *20 | 1 | 618587 | 1 5/16FJIC SWIV-1MNPT | *52 | 1 | 616042 | 04C1T-06F3X-06F3X-13 |
| 21 | 6 | 611121 | 9/16MJIC-1/4MNPT ADPTR | *53 | 1 | 614627 | 06C1T-06F3X-06F3X-45 |
| *22 | 1 | 506410 | BLK PIPE ST EL 90DEG 1.25NPT | *54 | 1 | 615616 | 04C1T-06F3X-06F3X-65 |
| *23 | 1 | 618144 | 1 1/4-1MP HEX PIPE NIPPLE STL | *55 | 1 | 614687 | HYD TUBE ASSY SUND AUX 200 90 |
| *24 | 4 | 611145 | 3/4MJIC-90-1/2MNPT LBO | *56 | 1 | 614664 | 10C1T-10F3X-10F3X-98 |
| 25 | 1 | 618590 | 3/4MJIC-45-3/4FJIC SWIV LBO | 57 | 1 | 616026 | 04C1T-06F3X-06F3X-37 |
| *26 | 1 | 503700 | PIPE PLUG .50NPT SQ HD | 58 | 6 | 616027 | 04C1T-06F3X-06F3X-39 |
| *27 | 3 | 618531 | 9/16FJIC CAP NUT | *59 | 1 | 618532 | 3/4FJIC CAP NUT |
| 28 | 9 | 618474 | 3/4MJIC-90-1 1/16MOR LBO | 60 | 1 | 618608 | 9/16FJIC SWIV-1/4MNPT |
| 29 | 1 | 618186 | 1 5/16MJIC-1 5/16MOR ADPTR | *61 | 1 | 614703 | HYD TUBE ASSY, 200 MAIN |
| 30 | 6 | 618469 | 3/4MJIC-1 1/16MOR ADPTR | *62 | 2 | 618486 | 9/16FJIC SW RUN TEE-9/16MJIC |
| 31 | 1 | 610186 | 1 1/16MOR PLUG | *63 | 1 | 614719 | HYD TUBE ASSY, AUX 204 GMC 96 |
| 32 | 1 | 618178 | 1 5/16MJIC-90-1 5/16MOR LBO | | | | |



NOTE: * ITEMS 47 & 55 ARE USED WITH THE CHRYSLER ENGINE OPTION.
 ** RELIEF PRESSURE SHOULD BE SET AT 1850 PSI.
 *** ITEMS 60 & 61 ARE USED WITH THE CUMMINS ENGINE OPTION.
 **** ITEMS 61 & 35 ARE USED WITH THE GMC ENGINE OPTION.

200 8R ROLLER 4L W/T-TROL HYD SCHEM 91
REFERENCE DRAWING NO. 498376

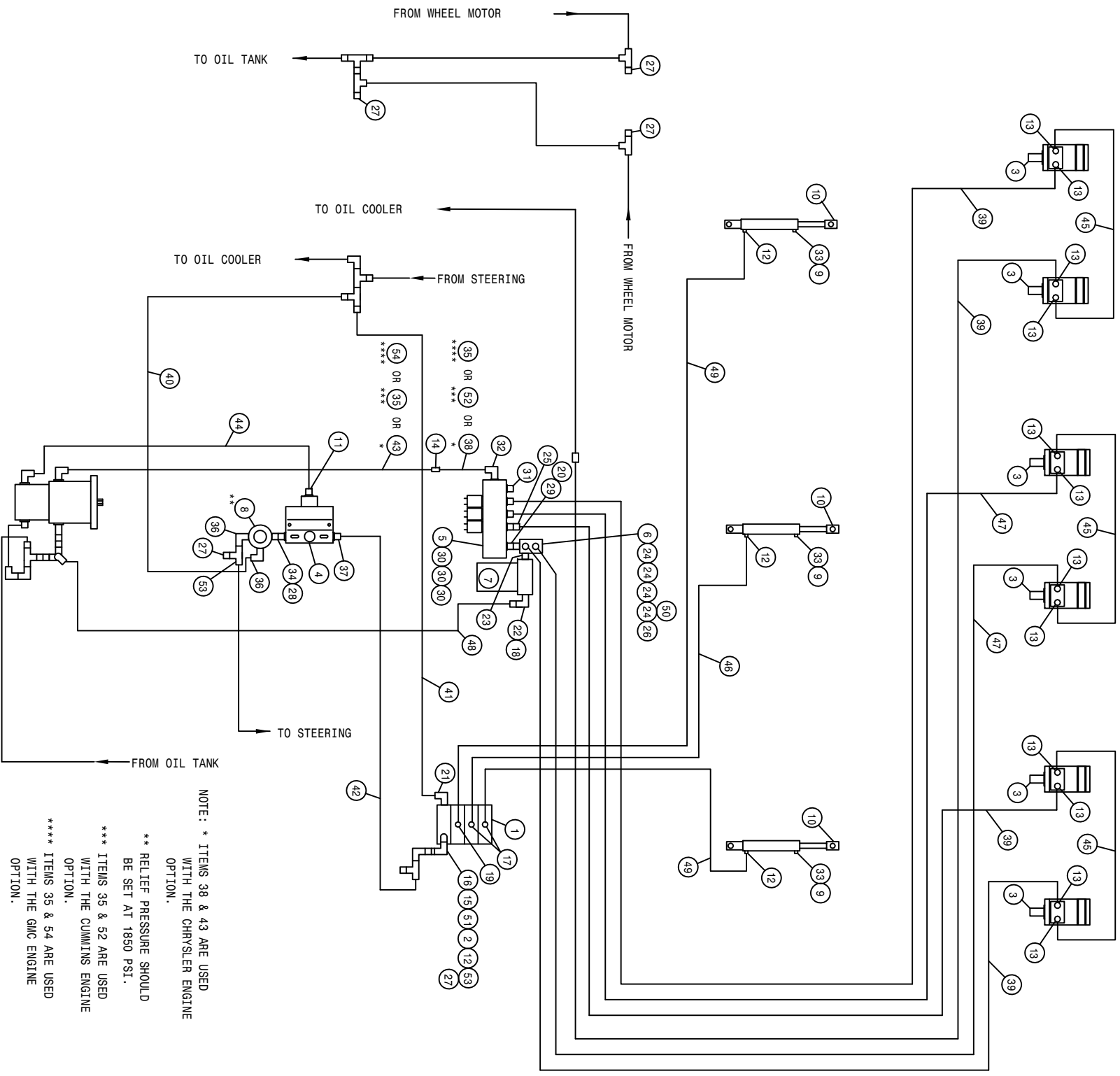
| DET. | QTY | PART NO. | DESCRIPTION | DET. | QTY | PART NO. | DESCRIPTION |
|------|-----|----------|-------------------------------|------|-----|----------|-------------------------------|
| 1 | 1 | 610613 | ELECT HYD STACT VLV, 4 SECT | 33 | 4 | 501452 | ST EL 90DEG .25NPT, STEEL,PLT |
| 2 | 1 | 610447 | HYD FILTER,INLINE 1/4FNPT 90M | *34 | 1 | 500000 | 1/2NPT HEX PIPE NIPPLE STL |
| 3 | 4 | 610528 | PRESS COMP FIXED FLO REG 11G | *35 | 1 | 614719 | HYD TUBE ASSY, AUX 204 GMC 96 |
| * 4 | 1 | 607504 | FLO DIV B50 2-8GPM 7/8 FOR | 36 | 1 | 618440 | 9/16MJIC-90-9/16MOR EX LG LBO |
| 5 | 1 | 610467 | MODULAR MTR CONTROL ELECT VLV | 37 | 1 | 618170 | 3/4MOR-9/16FOR ADPTR |
| * 6 | 1 | 614633 | HYD MANIF 8200 86 | *38 | 1 | 618310 | 9/16MJIC-7/8MOR ADPTR |
| * 7 | 1 | 605601 | GRESN FILTER 10 MICRON 40GPM | 39 | 1 | 618119 | 9/16MJIC-90-9/16MOR LBO |
| * 8 | 1 | 607512 | RELIEF VALVE, RL50, 1850 PSI | *40 | 2 | 618107 | 9/16MJIC-90-1/2NPT LBO |
| 9 | 4 | 470114 | BREATHER FILTER VENT, 1/4 NPT | *41 | 1 | 618072 | 7/8MOR-1/2FNPT ADPTR |
| 10 | 4 | 620900 | CYL ASSY CC2016 D00 SRG 180 | 42 | 1 | 618600 | 9/16MJIC-90-7/8MOR LBO |
| 11 | 8 | 610510 | CESSNA GEAR MOTOR 1.48CI | 43 | 4 | 614689 | 08C1T-08F3X-08F3X-120 |
| *12 | 1 | 611126 | 7/8MJIC-7/8MOR ADPTR | 44 | 2 | 614101 | 04C1T-06F3X-06F3X-133 |
| 13 | 4 | 618578 | 1 1/16FJIC SWIV-1 1/16MOR | 45 | 2 | 611246 | 04C1T-06F3X-06F3X-174 |
| 14 | 1 | 610193 | 9/16MJIC BLKHD BRANCH TEE | 46 | 2 | 611262 | 04C1T-06F3X-06F3X-182 |
| 15 | 4 | 618019 | 9/16MJIC UNION TEE | *47 | 1 | 614348 | 16C2AT-16F3X-16F3X-25 |
| 16 | 8 | 611121 | 9/16MJIC-1/4MNP ADPTR | *48 | 1 | 601289 | HOSE, 1 1/4 X 144 2BR RED |
| 17 | 4 | 618248 | 1 1/16MJIC-90-1 1/16MOR LBO | 49 | 4 | 616058 | 08C1T-08F3X-08F3X-80 |
| *18 | 1 | 715660 | HOSE BARB 1 1/4NPT X 1 1/4 | 50 | 4 | 614691 | 08C1T-08F3X-08F3X-220 |
| 19 | 2 | 618425 | 9/16MJIC-45-9/16MOR LBO | *51 | 1 | 616042 | 04C1T-06F3X-06F3X-13 |
| *20 | 1 | 618587 | 1 5/16FJIC SWIV-1MNP | *52 | 1 | 615616 | 04C1T-06F3X-06F3X-65 |
| 21 | 12 | 618474 | 3/4MJIC-90-1 1/16MOR LBO | *53 | 1 | 614627 | 06C1T-06F3X-06F3X-45 |
| *22 | 1 | 506410 | BLK PIPE ST EL 90DEG 1.25NPT | 54 | 2 | 614639 | 04C1T-06F3X-06F3X-126 |
| *23 | 1 | 618144 | 1 1/4-1MP HEX PIPE NIPPLE STL | *55 | 1 | 614687 | HYD TUBE ASSY SUND AUX 200 90 |
| *24 | 4 | 611145 | 3/4MJIC-90-1/2MNP LBO | *56 | 1 | 614664 | 10C1T-10F3X-10F3X-98 |
| 25 | 2 | 618590 | 3/4MJIC-45-3/4FJIC SWIV LBO | 57 | 1 | 616026 | 04C1T-06F3X-06F3X-37 |
| *26 | 1 | 503700 | PIPE PLUG .50NPT SQ HD | 58 | 8 | 616027 | 04C1T-06F3X-06F3X-39 |
| 27 | 1 | 618126 | 9/16MJIC-9/16MOR ADPTR | 59 | 1 | 618608 | 9/16FJIC SWIV-1/4MNP |
| 28 | 5 | 611122 | 9/16MJIC-90-1/4MNP LBO | *60 | 1 | 614703 | HYD TUBE ASSY, 200 MAIN |
| 29 | 1 | 618186 | 1 5/16MJIC-1 5/16MOR ADPTR | *61 | 1 | 614350 | 16C2AT-16F3X-16F3X-55 |
| 30 | 8 | 618469 | 3/4MJIC-1 1/16MOR ADPTR | *62 | 2 | 618486 | 9/16FJIC SW RUN TEE-9/16MJIC |
| *31 | 1 | 618577 | 1 5/16MJIC UNION | *63 | 2 | 618531 | 9/16FJIC CAP NUT |
| 32 | 1 | 618178 | 1 5/16MJIC-90-1 5/16MOR LBO | | | | |



NOTE: * ITEMS 40 & 45 ARE USED WITH THE CHRYSLER ENGINE OPTION.
 ** RELIEF PRESSURE SHOULD BE SET AT 1850 PSI.
 *** ITEMS 35 & 51 ARE USED WITH THE CUMMINS ENGINE OPTION.
 **** ITEMS 35 & 53 ARE USED WITH THE GMC ENGINE OPTION.

200 4R QUAD 2L W/T-TROL HYD SCHEM 91
REFERENCE DRAWING NO. 498378

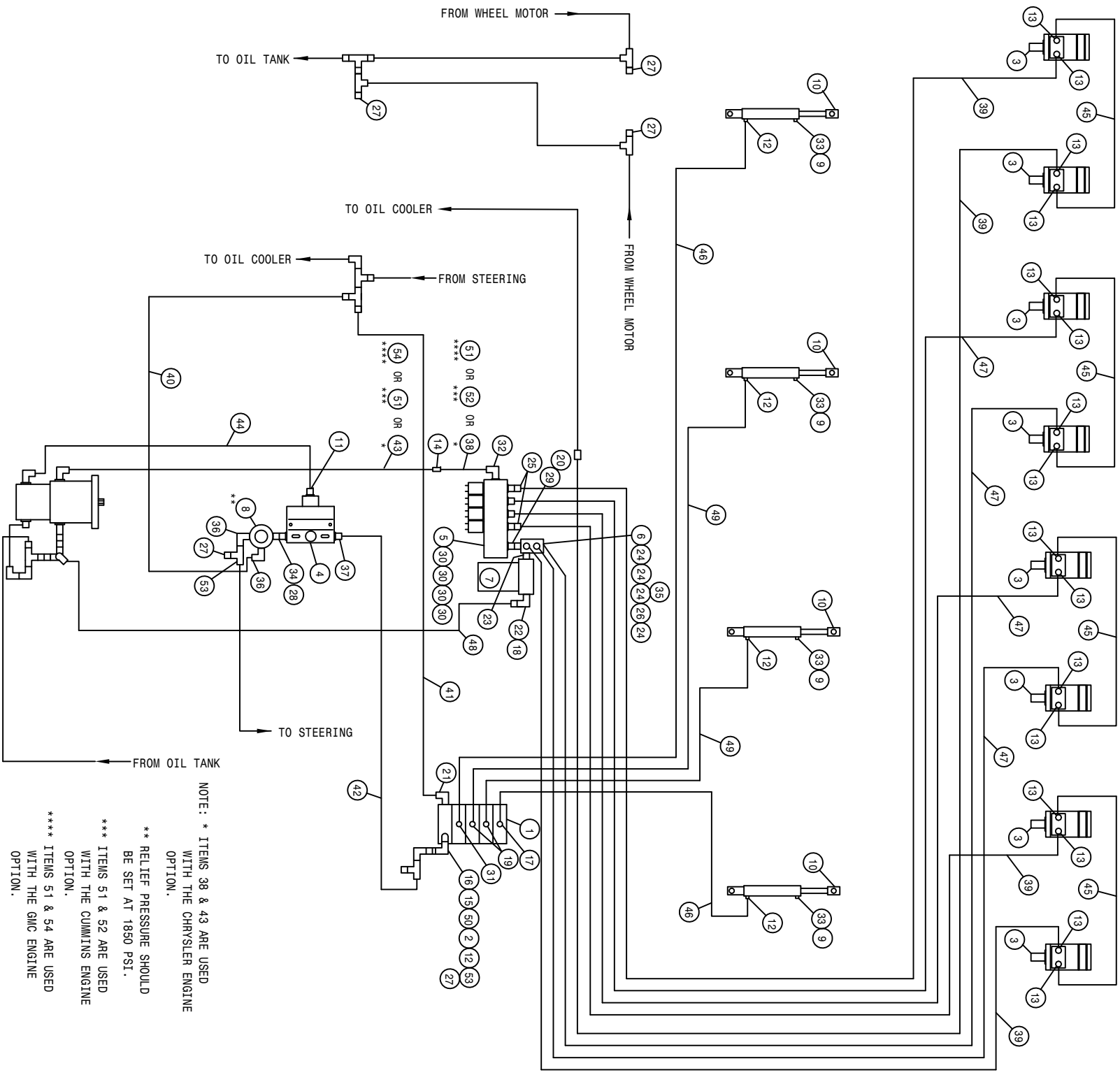
| DET. | QTY | PART NO. | DESCRIPTION | DET. | QTY | PART NO. | DESCRIPTION |
|------|-----|----------|--------------------------------|------|-----|----------|-------------------------------|
| 1 | 1 | 610532 | ELECT HYD STACK VLV, 3 SECT | 28 | 1 | 618600 | 9/16MJIC-90-7/8MOR LBO |
| 2 | 1 | 610447 | HYD FILTER, INLINE 1/4FNPT 90M | 29 | 1 | 618186 | 1 5/16MJIC-1 5/16MOR ADPTR |
| 3 | 4 | 610547 | HYD MOTOR 4.5CI 1IN SHFT | 30 | 2 | 618469 | 3/4MJIC-1 1/16MOR ADPTR |
| 4 | 1 | 607504 | FLO DIV B50 2-8GPM 7/8 FOR | 31 | 2 | 610186 | 1 1/16MOR PLUG |
| 5 | 1 | 610467 | MODULAR MTR CONTROL ELECT VLV | 32 | 1 | 618178 | 1 5/16MJIC-90-1 5/16MOR LBO |
| 6 | 1 | 614633 | HYD MANIF 8200 86 | 33 | 2 | 501452 | ST EL 90DEG .25NPT, STEEL,PLT |
| 7 | 1 | 605601 | GRESN FILTER 10 MICRON 40GPM | *34 | 1 | 500000 | 1/2MNPT HEX PIPE NIPPLE STL |
| 8 | 1 | 607512 | RELIEF VALVE, RL50, 1850 PSI | *35 | 1 | 614350 | 16C2AT-16FJX-16FJX-55 |
| 9 | 2 | 470114 | BREATHER FILTER VENT, 1/4 NPT | *36 | 1 | 618072 | 7/8MOR-1/2FNPT ADPTR |
| 10 | 2 | 620900 | CYL ASSY CC2016 D00 SRG 180 | *37 | 2 | 618107 | 9/16MJIC-90-1/2MNPT LBO |
| *11 | 1 | 611126 | 7/8MJIC-7/8MOR ADPTR | *38 | 1 | 601289 | HOSE, 1 1/4 X 144 2BR RED |
| 12 | 1 | 610185 | 9/16MOR PLUG | 39 | 2 | 614101 | 04C1T-06FJX-06FJX-133 |
| 13 | 8 | 618327 | 3/4MJIC-7/8MOR ADPTR | *40 | 1 | 614348 | 16C2AT-16FJX-16FJX-25 |
| *14 | 1 | 618577 | 1 5/16MJIC UNION | 41 | 4 | 614689 | 08C1T-08FJX-08FJX-120 |
| 15 | 3 | 611122 | 9/16MJIC-90-1/4MNPT LBO | *42 | 1 | 616042 | 04C1T-06FJX-06FJX-13 |
| 16 | 1 | 618440 | 9/16MJIC-90-9/16MOR EX LG LBO | *43 | 1 | 614627 | 06C1T-06FJX-06FJX-45 |
| 17 | 1 | 618170 | 3/4MOR-9/16FOR ADPTR | *44 | 1 | 615616 | 04C1T-06FJX-06FJX-65 |
| *18 | 1 | 715660 | HOSE BARB 1 1/4NPT X 1 1/4 | *45 | 1 | 614687 | HYD TUBE ASSY SUND AUX 200 90 |
| 19 | 1 | 618425 | 9/16MJIC-45-9/16MOR LBO | *46 | 1 | 614664 | 10C1T-10FJX-10FJX-98 |
| *20 | 1 | 618587 | 1 5/16FJIC SMIV-1MNPT | 47 | 2 | 616025 | 08C1T-08FJX-08FJX-50 |
| 21 | 1 | 618119 | 9/16MJIC-90-9/16MOR LBO | 48 | 1 | 618590 | 3/4MJIC-45-3/4FJIC SMIV LBO |
| *22 | 1 | 506410 | BLK PIPE ST EL 90DEG 1.25NPT | *49 | 2 | 618532 | 3/4FJIC CAP NUT |
| *23 | 1 | 618144 | 1 1/4-1MP HEX PIPE NIPPLE STL | 50 | 1 | 618608 | 9/16FJIC SMIV-1/4MNPT |
| *24 | 1 | 618310 | 9/16MJIC-7/8MOR ADPTR | *51 | 1 | 614703 | HYD TUBE ASSY, 200 MAIN |
| *25 | 4 | 611145 | 3/4MJIC-90-1/2MNPT LBO | *52 | 2 | 618486 | 9/16FJIC SW RUN TEE-9/16MJIC |
| *26 | 1 | 503700 | PIPE PLUG .50NPT SQ HD | *53 | 1 | 614719 | HYD TUBE ASSY, AUX 204 GMC 96 |
| *27 | 5 | 618531 | 9/16FJIC CAP NUT | | | | |



NOTE: * ITEMS 38 & 43 ARE USED WITH THE CHRYSLER ENGINE OPTION.
 ** RELIEF PRESSURE SHOULD BE SET AT 1850 PSI.
 *** ITEMS 35 & 52 ARE USED WITH THE CUMMINS ENGINE OPTION.
 **** ITEMS 36 & 54 ARE USED WITH THE GMC ENGINE OPTION.

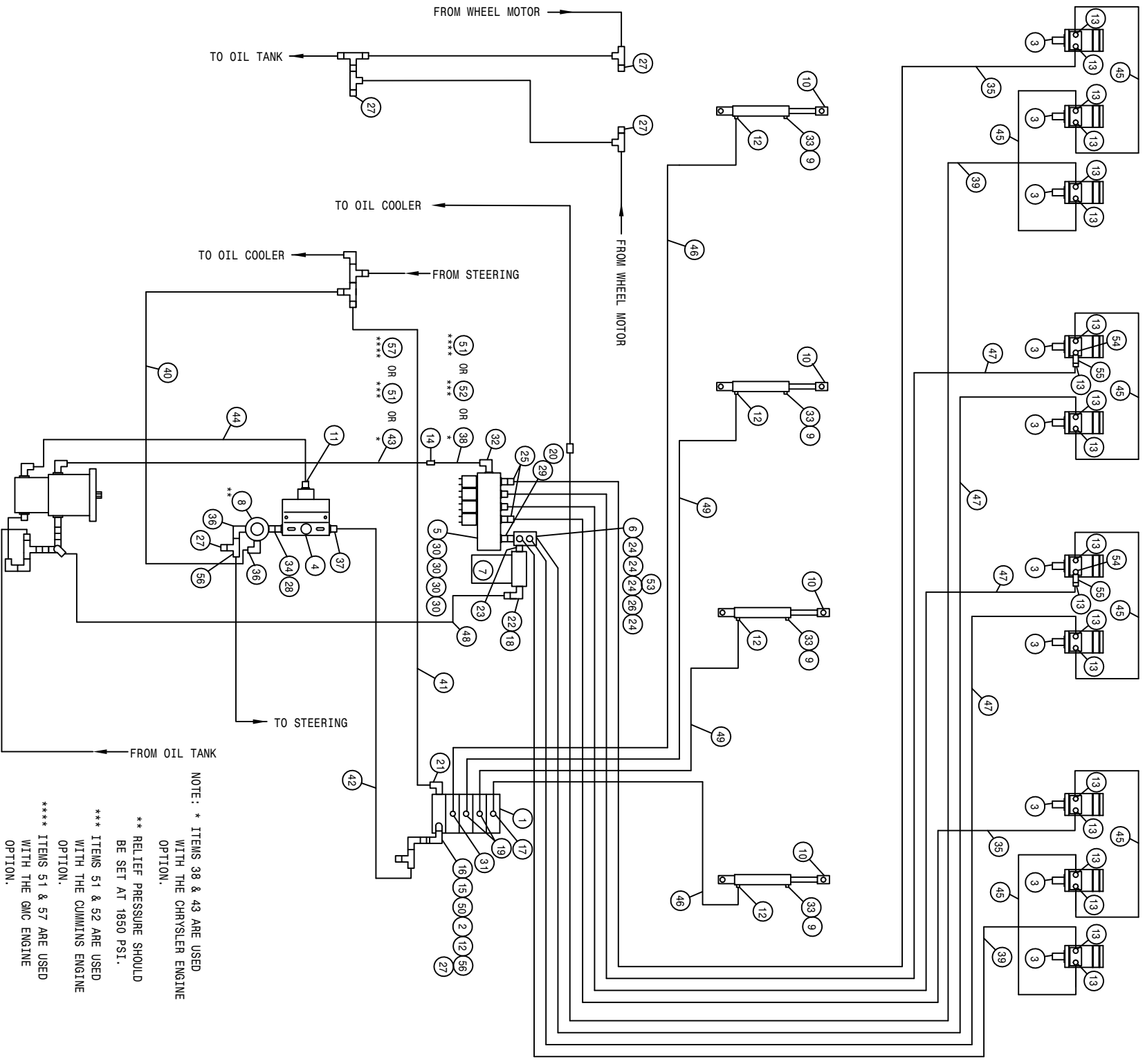
200 6R QUAD 3L W/T-TROL HYD SCHEM 91
REFERENCE DRAWING NO. 498380

| DET. | QTY | PART NO. | DESCRIPTION | DET. | QTY | PART NO. | DESCRIPTION |
|------|-----|----------|--------------------------------|------|-----|----------|-------------------------------|
| 1 | 1 | 610532 | ELECT HYD STACK VLV, 3 SECT | *28 | 1 | 618072 | 7/8MOR-1/2FNPT ADPTR |
| 2 | 1 | 610447 | HYD FILTER, INLINE 1/4FNPT 90M | 29 | 1 | 618186 | 1 5/16MJIC-1 5/16MOR ADPTR |
| 3 | 6 | 610547 | HYD MOTOR 4.5CI 1IN SHFT | 30 | 3 | 618469 | 3/4MJIC-1 1/16MOR ADPTR |
| *4 | 1 | 607504 | FLO DIV B50 2-8GPM 7/8 FOR | 31 | 1 | 610186 | 1 1/16MOR PLUG |
| 5 | 1 | 610467 | MODULAR MTR CONTROL ELECT VLV | 32 | 1 | 618178 | 1 5/16MJIC-90-1 5/16MOR LBO |
| *6 | 1 | 614633 | HYD MANIF 8200 86 | 33 | 3 | 501452 | ST EL 90DEG .25NPT, STEEL,PLT |
| *7 | 1 | 605601 | GRESNE FILTER 10 MICRON 40GPM | *34 | 1 | 500000 | 1/2MNPT HEX PIPE NIPPLE STL |
| *8 | 1 | 607512 | RELIEF VALVE, RL50, 1850 PSI | *35 | 1 | 614350 | 16C2AT-16FJX-16FJX-55 |
| 9 | 3 | 470114 | BREATHER FILTER VENT, 1/4 NPT | *36 | 2 | 618107 | 9/16MJIC-90-1/2MNPT LBO |
| 10 | 3 | 620900 | CYL ASSY CC2016 D00 SRG 180 | *37 | 1 | 618310 | 9/16MJIC-7/8MOR ADPTR |
| *11 | 1 | 611126 | 7/8MJIC-7/8MOR ADPTR | *38 | 1 | 614348 | 16C2AT-16FJX-16FJX-25 |
| 12 | 4 | 611122 | 9/16MJIC-90-1/4MNPT LBO | 39 | 4 | 614690 | 08CIT-08FJX-08FJX-192 |
| 13 | 12 | 618327 | 3/4MJIC-7/8MOR ADPTR | *40 | 1 | 616042 | 04CIT-06FJX-06FJX-13 |
| *14 | 1 | 618577 | 1 5/16MJIC UNION | *41 | 1 | 614627 | 06CIT-06FJX-06FJX-45 |
| 15 | 1 | 618440 | 9/16MJIC-90-9/16MOR EX LG LBO | *42 | 1 | 615616 | 04CIT-06FJX-06FJX-65 |
| 16 | 1 | 618170 | 3/4MOR-9/16FOR ADPTR | *43 | 1 | 614687 | HYD TUBE ASSY SUND AUX 200 90 |
| 17 | 2 | 618119 | 9/16MJIC-90-9/16MOR LBO | *44 | 1 | 614664 | 10CIT-10FJX-10FJX-98 |
| *18 | 1 | 715660 | HOSE BARB 1 1/4NPT X 1 1/4 | 45 | 3 | 616025 | 08CIT-08FJX-08FJX-50 |
| 19 | 1 | 618425 | 9/16MJIC-45-9/16MOR LBO | 46 | 1 | 614077 | 04CIT-06FJX-06FJX-88 |
| *20 | 1 | 618587 | 1 5/16FJIC SWIV-1MNPT | 47 | 2 | 614688 | 08CIT-08FJX-08FJX-108 |
| 21 | 1 | 618600 | 9/16MJIC-90-7/8MOR LBO | *48 | 1 | 601289 | HOSE, 1 1/4 X 144 2BR RED |
| *22 | 1 | 506410 | BLK PIPE ST EL 90DEG 1.25NPT | 49 | 2 | 614101 | 04CIT-06FJX-06FJX-133 |
| *23 | 1 | 618144 | 1 1/4-1MP HEX PIPE NIPPLE STL | *50 | 1 | 618532 | 3/4FJIC CAP NUT |
| *24 | 4 | 611145 | 3/4MJIC-90-1/2MNPT LBO | 51 | 1 | 618608 | 9/16FJIC SWIV-1/4MNPT |
| 25 | 1 | 618590 | 3/4MJIC-45-3/4FJIC SWIV LBO | *52 | 1 | 614703 | HYD TUBE ASSY, 200 MAIN |
| *26 | 1 | 503700 | PIPE PLUG .50NPT SQ HD | *53 | 2 | 618486 | 9/16FJIC SW RUN TEE-9/16MJIC |
| *27 | 5 | 618531 | 9/16FJIC CAP NUT | *54 | 1 | 614719 | HYD TUBE ASSY, AUX 204 GMC 96 |



200 8R QUAD 4L W/T-TROL HYD SCHEM 91
REFERENCE DRAWING NO. 498382

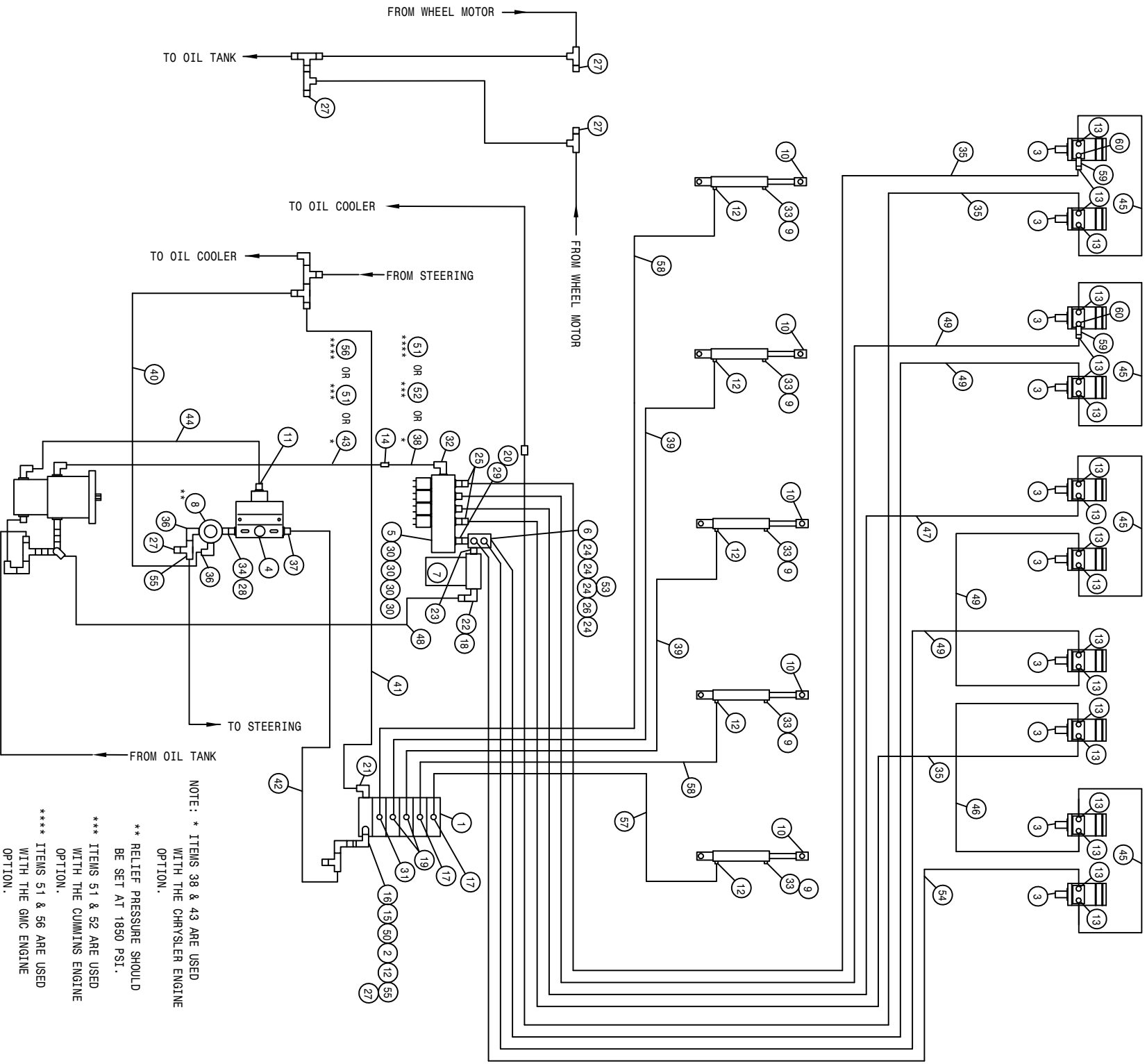
| DET. | QTY | PART NO. | DESCRIPTION | DET. | QTY | PART NO. | DESCRIPTION |
|------|-----|----------|--------------------------------|------|-----|----------|-------------------------------|
| 1 | 1 | 610613 | ELECT HYD STACT VLV, 4 SECT | *28 | 1 | 618072 | 7/8MOR-1/2FNPT ADPTR |
| 2 | 1 | 610447 | HYD FILTER, INLINE 1/4FNPT 90M | 29 | 1 | 618186 | 1 5/16MJIC-1 5/16MOR ADPTR |
| 3 | 8 | 610547 | HYD MOTOR 4.5CI 1IN SHFT | 30 | 4 | 618469 | 3/4MJIC-1 1/16MOR ADPTR |
| *4 | 1 | 607504 | FLO DIV B50 2-8GPM 7/8 FOR | 31 | 1 | 618126 | 9/16MJIC-9/16MOR ADPTR |
| 5 | 1 | 610467 | MODULAR MTR CONTROL ELECT VLV | 32 | 1 | 618178 | 1 5/16MJIC-90-1 5/16MOR LBO |
| *6 | 1 | 614633 | HYD MANIF 8200 86 | 33 | 4 | 501452 | ST EL 90DEG .25NPT, STEEL,PLT |
| *7 | 1 | 605601 | GRESEN FILTER 10 MICRON 40GPM | *34 | 1 | 500000 | 1/2MNPT HEX PIPE NIPPLE STL |
| *8 | 1 | 607512 | RELIEF VALVE, RL50, 1850 PSI | *35 | 1 | 618532 | 3/4FJIC CAP NUT |
| 9 | 4 | 470114 | BREATHER FILTER VENT, 1/4 NPT | *36 | 2 | 618107 | 9/16MJIC-90-1/2MNPT LBO |
| 10 | 4 | 620900 | CYL ASSY CC2016 D00 SRG 180 | *37 | 1 | 618310 | 9/16MJIC-7/8MOR ADPTR |
| *11 | 1 | 611126 | 7/8MJIC-7/8MOR ADPTR | *38 | 1 | 614348 | 16G2AT-16FJX-16FJX-25 |
| 12 | 5 | 611122 | 9/16MJIC-90-1/4MNPT LBO | 39 | 4 | 614691 | 08C1T-08FJX-08FJX-220 |
| 13 | 16 | 618327 | 3/4MJIC-7/8MOR ADPTR | *40 | 1 | 616042 | 04C1T-06FJX-06FJX-13 |
| *14 | 1 | 618577 | 1 5/16MJIC UNION | *41 | 1 | 614627 | 06C1T-06FJX-06FJX-45 |
| 15 | 1 | 618440 | 9/16MJIC-90-9/16MOR EX LG LBO | *42 | 1 | 615616 | 04C1T-06FJX-06FJX-65 |
| 16 | 1 | 618170 | 3/4MOR-9/16FOR ADPTR | 43 | 1 | 614687 | HYD TUBE ASSY SUND AUX 200 90 |
| 17 | 1 | 618119 | 9/16MJIC-90-9/16MOR LBO | *44 | 1 | 614664 | 10C1T-10FJX-10FJX-98 |
| *18 | 1 | 715660 | HOSE BARB 1 1/4NPT X 1 1/4 | 45 | 4 | 616025 | 08C1T-08FJX-08FJX-50 |
| 19 | 2 | 618425 | 9/16MJIC-45-9/16MOR LBO | 46 | 2 | 611246 | 04C1T-06FJX-06FJX-174 |
| *20 | 1 | 618587 | 1 5/16FJIC SWIV-1MNPT | 47 | 4 | 614689 | 08C1T-08FJX-08FJX-120 |
| 21 | 1 | 618600 | 9/16MJIC-90-7/8MOR LBO | *48 | 1 | 601289 | HOSE, 1 1/4 X 144 2BR RED |
| *22 | 1 | 506410 | BLK PIPE ST EL 90DEG 1.25NPT | 49 | 2 | 614101 | 04C1T-06FJX-06FJX-133 |
| *23 | 1 | 618144 | 1 1/4-IMP HEX PIPE NIPPLE STL | 50 | 1 | 618608 | 9/16FJIC SWIV-1/4MNPT |
| *24 | 4 | 611145 | 3/4MJIC-90-1/2MNPT LBO | *51 | 1 | 614350 | 16G2AT-16FJX-16FJX-55 |
| 25 | 2 | 618590 | 3/4MJIC-45-3/4FJIC SWIV LBO | *52 | 1 | 614703 | HYD TUBE ASSY, 200 MAIN |
| *26 | 1 | 503700 | PIPE PLUG .50NPT SQ HD | *53 | 2 | 618486 | 9/16FJIC SW RUN TEE-9/16MJIC |
| *27 | 5 | 618531 | 9/16FJIC CAP NUT | *54 | 1 | 614719 | HYD TUBE ASSY, AUX 204 GMC 96 |



NOTE: * ITEMS 38 & 43 ARE USED WITH THE CHRYSLER ENGINE OPTION.
 ** RELIEF PRESSURE SHOULD BE SET AT 1850 PSI.
 *** ITEMS 51 & 52 ARE USED WITH THE CUMMINS ENGINE OPTION.
 **** ITEMS 51 & 57 ARE USED WITH THE GMC ENGINE OPTION.

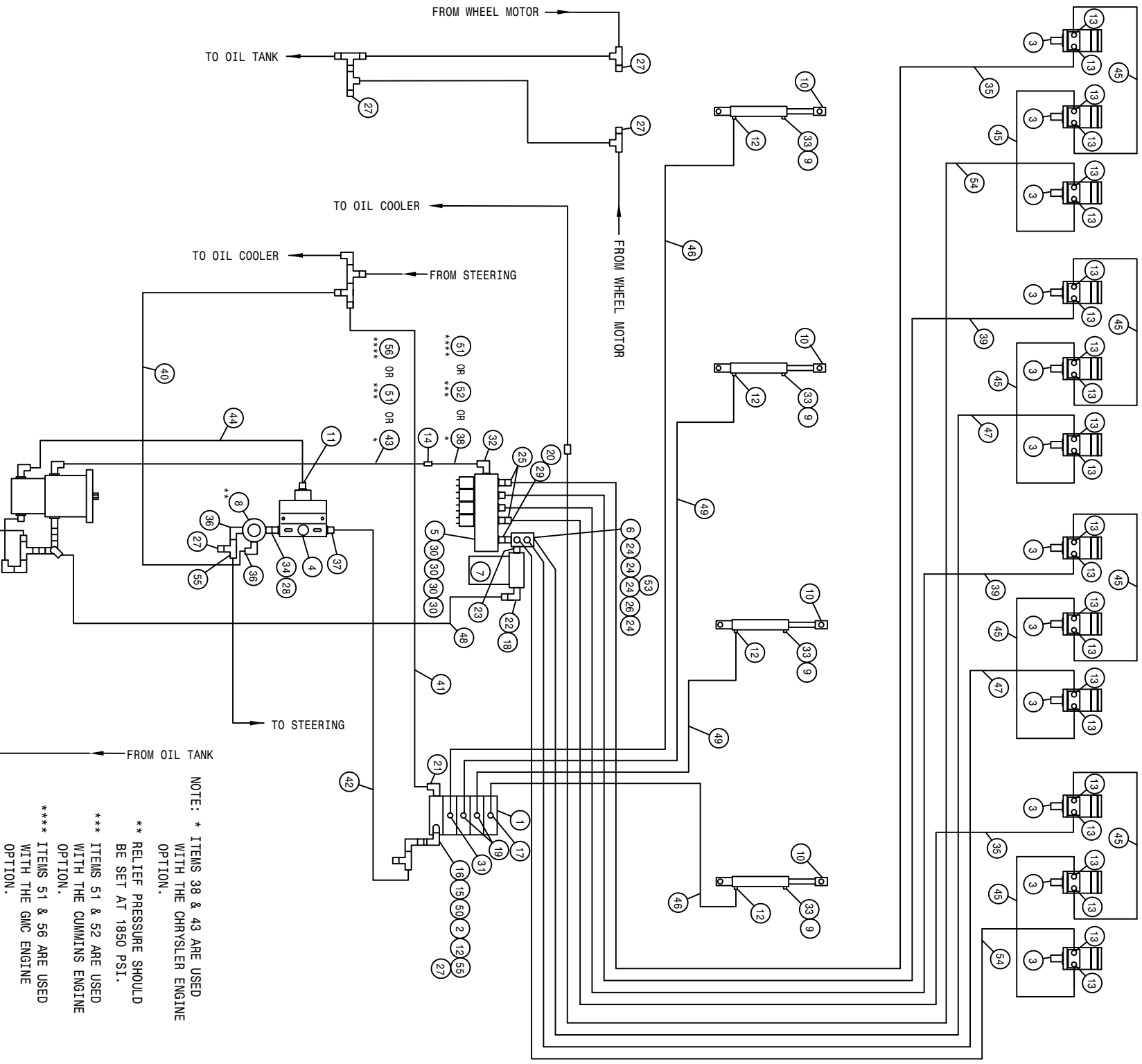
200 10R QUAD 4L W/T-TROL HYD SCHEM 94
REFERENCE DRAWING NO. 498440

| DET. | QTY | PART NO. | DESCRIPTION | DET. | QTY | PART NO. | DESCRIPTION |
|------|-----|----------|--------------------------------|------|-----|----------|-----------------------------------|
| 1 | 1 | 610613 | ELECT HYD STACT VLV, 4 SECT | 30 | 4 | 618469 | 3/4MJIC-1 1/16MOR ADPTR |
| 2 | 1 | 610447 | HYD FILTER, INLINE 1/4FNPT 90M | 31 | 1 | 618126 | 9/16MJIC-9/16MOR ADPTR |
| 3 | 10 | 610547 | HYD MOTOR 4.5CI 1IN SHFT | 32 | 1 | 618178 | 1 5/16MJIC-90-1 5/16MOR LBO |
| *4 | 1 | 607504 | FLO DIV B50 2-8GPM 7/8 FOR | 33 | 4 | 501452 | ST EL 90DEG .25NPT, STEEL, PLT |
| 5 | 1 | 610467 | MODULAR MTR CONTROL ELECT VLV | *34 | 1 | 500000 | 1/2MNPT HEX PIPE NIPPLE STL |
| *6 | 1 | 614633 | HYD MANIF 8200 86 | 35 | 2 | 614384 | 08C1T-08FJX-08FJX-237 H/A |
| *7 | 1 | 605601 | GRESEN FILTER 10 MICRON 40GPM | *36 | 2 | 618107 | 9/16MJIC-90-1/2MNPT LBO |
| *8 | 1 | 607512 | RELIEF VALVE, RL50, 1850 PSI | *37 | 1 | 618310 | 9/16MJIC-7/8MOR ADPTR |
| 9 | 4 | 470114 | BREATHER FILTER VENT, 1/4 NPT | *38 | 1 | 614348 | 16C2AT-16FJX-16FJX-25 H/A |
| 10 | 4 | 620900 | CYL ASSY CC2016 D00 SRG 180 | 39 | 2 | 614387 | 08C1T-08FJX-08FJX-267 H/A |
| *11 | 1 | 611126 | 7/8MJIC-7/8MOR ADPTR | *40 | 1 | 616042 | 04C1T-06FJX-06FJX-13 H/A |
| 12 | 5 | 611122 | 9/16MJIC-90-1/4MNPT LBO | *41 | 1 | 614627 | 06C1T-06FJX-06FJX-45 H/A |
| 13 | 20 | 618327 | 3/4MJIC-7/8MOR ADPTR | *42 | 1 | 615616 | 04C1T-06FJX-06FJX-65 H/A |
| *14 | 1 | 618577 | 1 5/16MJIC UNION | *43 | 1 | 614687 | HYD TUBE ASSY SUND AUX 200 90 H/A |
| 15 | 1 | 618440 | 9/16MJIC-90-9/16MOR EX LG LBO | *44 | 1 | 614664 | 10C1T-10FJX-10FJX-98 H/A |
| 16 | 1 | 618170 | 3/4MOR-9/16FOR ADPTR | 45 | 6 | 616025 | 08C1T-08FJX-08FJX-50 H/A |
| 17 | 1 | 618119 | 9/16MJIC-90-9/16MOR LBO | 46 | 2 | 614098 | 04C1T-06FJX-06FJX-201 H/A |
| *18 | 1 | 715660 | HOSE BARB 1 1/4NPT X 1 1/4 | 47 | 4 | 614689 | 08C1T-08FJX-08FJX-120 H/A |
| 19 | 2 | 618425 | 9/16MJIC-45-9/16MOR LBO | *48 | 1 | 601289 | HOSE, 1 1/4 X 144 2BR RED |
| *20 | 1 | 618587 | 1 5/16FJIC SWIV-1MNPT | 49 | 2 | 611202 | 04C1T-06FJX-06FJX-136 H/A |
| 21 | 1 | 618600 | 9/16MJIC-90-7/8MOR LBO | 50 | 1 | 618608 | 9/16FJIC SWIV-1/4MNPT |
| *22 | 1 | 506410 | BLK PIPE ST EL 90DEG 1.25NPT | *51 | 1 | 614350 | 16C2AT-16FJX-16FJX-55 H/A |
| *23 | 1 | 618144 | 1 1/4-1MP HEX PIPE NIPPLE STL | *52 | 1 | 614703 | HYD TUBE ASSY, 200 MAIN |
| *24 | 4 | 611145 | 3/4MJIC-90-1/2MNPT LBO | *53 | 1 | 618532 | 3/4FJIC CAP NUT 92 |
| 25 | 2 | 618590 | 3/4MJIC-45-3/4FJIC SWIV LBO | 54 | 2 | 618586 | 7/8MOR UNION |
| *26 | 1 | 503700 | PIPE PLUG .50NPT SQ HD | 55 | 2 | 607522 | FLOW REGULATOR, 8GPM VONBERG |
| *27 | 5 | 618531 | 9/16FJIC CAP NUT | *56 | 2 | 618486 | 9/16FJIC SW RUN TEE-9/16MJIC |
| *28 | 1 | 618072 | 7/8MOR-1/2FNPT ADPTR | *57 | 1 | 614719 | HYD TUBE ASSY, AUX 204 GMC 96 |
| 29 | 1 | 618186 | 1 5/16MJIC-1 5/16MOR ADPTR | | | | |



204 10R QUAD 5L W/T-TROL HYD SCHEM 96
REFERENCE DRAWING NO. 498506

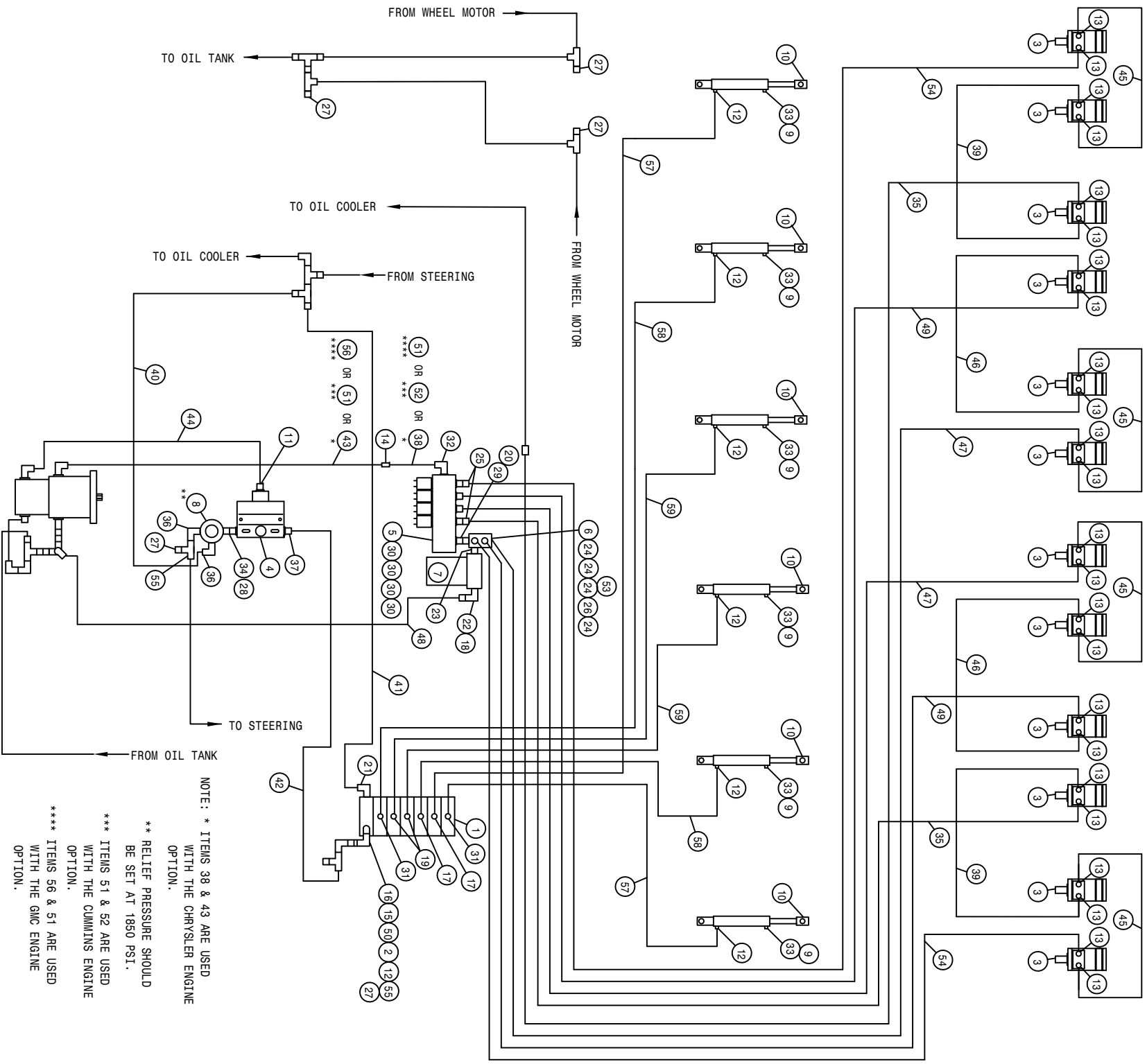
| DET. | QTY | PART NO. | DESCRIPTION | DET. | QTY | PART NO. | DESCRIPTION |
|------|-----|----------|--------------------------------|------|-----|----------|-------------------------------|
| 1 | 1 | 610614 | ELECT HYD STACT VLV, 5 SECT | 31 | 1 | 618126 | 9/16MJIC-9/16MOR ADPTR |
| 2 | 1 | 610447 | HYD FILTER, INLINE 1/4FNPT 90M | 32 | 1 | 618178 | 1 5/16MJIC-90-1 5/16MOR LBO |
| 3 | 10 | 610547 | HYD MOTOR 4.5CI 1IN SHFT | 33 | 5 | 501452 | ST EL 90DEG .25NPT, STEEL,PLT |
| * 4 | 1 | 607504 | FLU DIV B50 2-8GPM 7/8 FOR | *34 | 1 | 500000 | 1/2MNPT HEX PIPE NIPPLE STL |
| 5 | 1 | 610467 | MODULAR MTR CONTROL ELECT VLV | 35 | 3 | 614691 | 08C1T-.08FJX-.08FJX-220 |
| * 6 | 1 | 614633 | HYD MANIF 8200 86 | *36 | 2 | 618107 | 9/16MJIC-90-1/2MNPT LBO |
| * 7 | 1 | 605601 | GRESEN FILTER 10 MICRON 40GPM | *37 | 1 | 618310 | 9/16MJIC-7/8MOR ADPTR |
| * 8 | 1 | 607512 | RELIEF VALVE, RL50, 1850 PSI | *38 | 1 | 614348 | 16C2AT-16FJX-16FJX-25 |
| 9 | 5 | 470114 | BREATHER FILTER VENT, 1/4 NPT | 39 | 2 | 614101 | 04C1T-.06FJX-.06FJX-133 |
| 10 | 5 | 620900 | CYL ASSY CC2016 D00 SRG 180 | *40 | 1 | 616042 | 04C1T-.06FJX-.06FJX-13 |
| *11 | 1 | 611126 | 7/8MJIC-7/8MOR ADPTR | *41 | 1 | 614627 | 06C1T-.06FJX-.06FJX-45 |
| 12 | 6 | 611122 | 9/16MJIC-90-1/4MNPT LBO | *42 | 1 | 615616 | 04C1T-.06FJX-.06FJX-65 |
| 13 | 20 | 618327 | 3/4MJIC-7/8MOR ADPTR | *43 | 1 | 614687 | HYD TUBE ASSY SUND AUX 200 90 |
| *14 | 1 | 618577 | 1 5/16MJIC UNION | *44 | 1 | 614664 | 10C1T-.10FJX-.10FJX-98 |
| 15 | 1 | 618440 | 9/16MJIC-90-9/16MOR EX LG LBO | 45 | 4 | 616025 | 08C1T-.08FJX-.08FJX-50 |
| 16 | 1 | 618170 | 3/4MOR-9/16FOR ADPTR | 46 | 1 | 614384 | 08C1T-.08FJX-.08FJX-237 |
| 17 | 2 | 618119 | 9/16MJIC-90-9/16MOR LBO | 47 | 1 | 614689 | 08C1T-.08FJX-.08FJX-120 |
| *18 | 1 | 715660 | HOSE BARB 1 1/4NPT X 1 1/4 | *48 | 1 | 601289 | HOSE, 1 1/4 X 144 2BR RED |
| 19 | 2 | 618425 | 9/16MJIC-45-9/16MOR LBO | 49 | 4 | 614690 | 08C1T-.08FJX-.08FJX-192 |
| *20 | 1 | 618587 | 1 5/16FJIC SWIV-1MNPT | 50 | 1 | 618608 | 9/16FJIC SWIV-1/4MNPT |
| 21 | 1 | 618600 | 9/16MJIC-90-7/8MOR LBO | *51 | 1 | 614350 | 16C2AT-16FJX-16FJX-55 |
| *22 | 1 | 506410 | BLK PIPE ST EL 90DEG 1.25NPT | *52 | 1 | 614703 | HYD TUBE ASSY, 200 MAIN |
| *23 | 1 | 618144 | 1 1/4-IMP HEX PIPE NIPPLE STL | *53 | 1 | 618532 | 3/4FJIC CAP NUT |
| *24 | 4 | 611145 | 3/4MJIC-90-1/2MNPT LBO | 54 | 1 | 614387 | 08C1T-.08FJX-.08FJX-267 |
| 25 | 2 | 618590 | 3/4MJIC-45-3/4FJIC SWIV LBO | *55 | 2 | 618486 | 9/16FJIC SW RUN TEE-9/16MJIC |
| *26 | 1 | 503700 | PIPE PLUG .50NPT SQ HD | *56 | 1 | 614719 | HYD TUBE ASSY, AUX 204 GMC 96 |
| *27 | 5 | 618531 | 9/16FJIC CAP NUT | 57 | 1 | 614377 | 04C1T-.06FJX-.06FJX-258 |
| *28 | 1 | 618072 | 7/8MOR-1/2FNPT ADPTR | 58 | 2 | 611246 | 04C1T-.06FJX-.06FJX-174 |
| 29 | 1 | 618186 | 1 5/16MJIC-1 5/16MOR ADPTR | 59 | 2 | 607522 | FLOW REGULATOR, 8GPM VONBERG |
| 30 | 4 | 618469 | 3/4MJIC-1 1/16MOR ADPTR | 60 | 2 | 618586 | 7/8MOR UNION |



NOTE: * ITEMS 38 & 43 ARE USED WITH THE CHRYSLER ENGINE OPTION.
 ** RELIEF PRESSURE SHOULD BE SET AT 1850 PSI.
 *** ITEMS 51 & 52 ARE USED WITH THE CUMMINS ENGINE OPTION.
 **** ITEMS 51 & 56 ARE USED WITH THE GMC ENGINE OPTION.

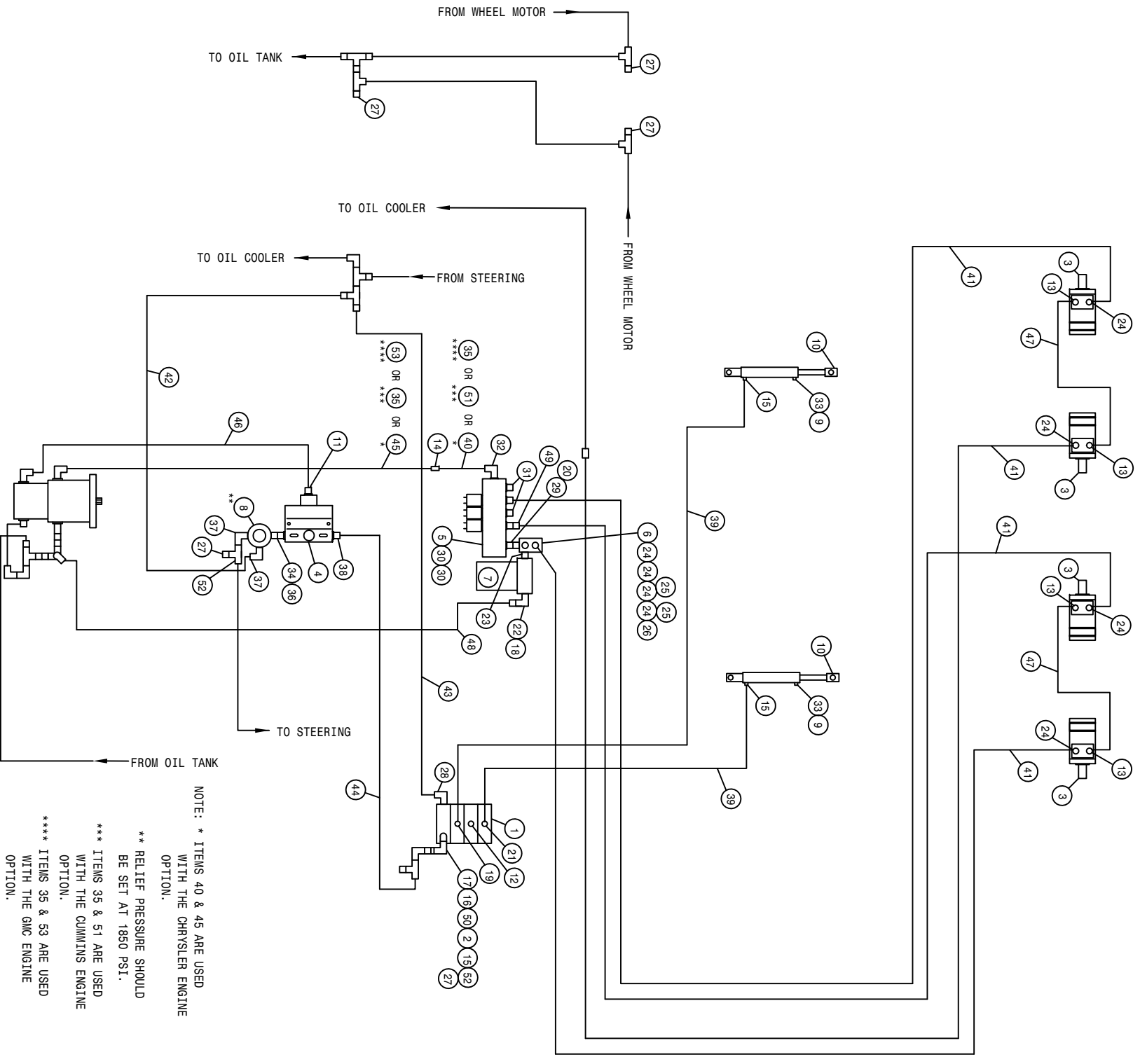
200 12R QUAD 4L W/T-TROL HYD SCHEM 92
REFERENCE DRAWING NO. 498423

| DET. | QTY | PART NO. | DESCRIPTION | DET. | QTY | PART NO. | DESCRIPTION |
|------|-----|----------|--------------------------------|------|-----|----------|-------------------------------|
| 1 | 1 | 610613 | ELECT HYD STACT VLV, 4 SECT | 29 | 1 | 618186 | 1 5/16MJIC-1 5/16MOR ADPTR |
| 2 | 1 | 610447 | HYD FILTER, INLINE 1/4FNPT 90M | 30 | 4 | 618469 | 3/4MJIC-1 1/16MOR ADPTR |
| 3 | 12 | 610547 | HYD MOTOR 4.5CI 1IN SHFT | 31 | 1 | 618126 | 9/16MJIC-9/16MOR ADPTR |
| *4 | 1 | 607504 | FLO DIV B50 2-8GPM 7/8 FOR | 32 | 1 | 618178 | 1 5/16MJIC-90-1 5/16MOR LBO |
| 5 | 1 | 610467 | MODULAR MTR CONTROL ELECT VLV | 33 | 4 | 501452 | ST EL 90DEG .25NPT, STEEL,PLT |
| *6 | 1 | 614633 | HYD MANIF 8200 86 | *34 | 1 | 500000 | 1/2MNPT HEX PIPE NIPPLE STL |
| *7 | 1 | 605601 | GRESN FILTER 10 MICRON 40GPM | 35 | 2 | 614384 | 08C1T-08FJX-08FJX-237 |
| *8 | 1 | 607512 | RELIEF VALVE, RL50, 1850 PSI | *36 | 2 | 618107 | 9/16MJIC-90-1/2MNPT LBO |
| 9 | 4 | 470114 | BREATHER FILTER VENT, 1/4 NPT | *37 | 1 | 618310 | 9/16MJIC-7/8MOR ADPTR |
| 10 | 4 | 620900 | CYL ASSY CC2016 D00 SRG 180 | *38 | 1 | 614348 | 16C2AT-16FJX-16FJX-25 |
| *11 | 1 | 611126 | 7/8MJIC-7/8MOR ADPTR | 39 | 2 | 614375 | 08C1T-08FJX-08FJX-177 |
| 12 | 5 | 611122 | 9/16MJIC-90-1/4MNPT LBO | *40 | 1 | 616042 | 04C1T-06FJX-06FJX-13 |
| 13 | 24 | 618327 | 3/4MJIC-7/8MOR ADPTR | *41 | 1 | 614627 | 06C1T-06FJX-06FJX-45 |
| *14 | 1 | 618577 | 1 5/16MJIC UNION | *42 | 1 | 615616 | 04C1T-06FJX-06FJX-65 |
| 15 | 1 | 618440 | 9/16MJIC-90-9/16MOR EX LG LBO | *43 | 1 | 614687 | HYD TUBE ASSY SUND AUX 200 90 |
| 16 | 1 | 618170 | 3/4MOR-9/16FOR ADPTR | *44 | 1 | 614664 | 10C1T-10FJX-10FJX-98 |
| 17 | 1 | 618119 | 9/16MJIC-90-9/16MOR LBO | 45 | 8 | 616025 | 08C1T-08FJX-08FJX-50 |
| *18 | 1 | 715660 | HOSE BARB 1 1/4NPT X 1 1/4 | 46 | 2 | 614098 | 04C1T-06FJX-06FJX-201 |
| 19 | 2 | 618425 | 9/16MJIC-45-9/16MOR LBO | 47 | 2 | 614378 | 08C1T-08FJX-08FJX-207 |
| *20 | 1 | 618587 | 1 5/16FJIC SWIV-1MNPT | *48 | 1 | 601289 | HOSE, 1 1/4 X 144 2BR RED |
| 21 | 1 | 618600 | 9/16MJIC-90-7/8MOR LBO | 49 | 2 | 611202 | 04C1T-06FJX-06FJX-136 |
| *22 | 1 | 506410 | BLK PIPE ST EL 90DEG 1.25NPT | 50 | 1 | 618608 | 9/16FJIC SWIV-1/4MNPT |
| *23 | 1 | 618144 | 1 1/4-1MP HEX PIPE NIPPLE STL | *51 | 1 | 614350 | 16C2AT-16FJX-16FJX-55 |
| *24 | 4 | 611145 | 3/4MJIC-90-1/2MNPT LBO | *52 | 1 | 614703 | HYD TUBE ASSY, 200 MAIN |
| 25 | 2 | 618590 | 3/4MJIC-45-3/4FJIC SWIV LBO | *53 | 1 | 618532 | 3/4FJIC CAP NUT |
| *26 | 1 | 503700 | PIPE PLUG .50NPT SQ HD | 54 | 2 | 614387 | 08C1T-08FJX-08FJX-267 |
| *27 | 5 | 618531 | 9/16FJIC CAP NUT | *55 | 2 | 618486 | 9/16FJIC SW RUN TEE-9/16MJIC |
| *28 | 1 | 618072 | 7/8MOR-1/2FNPT ADPTR | *56 | 1 | 614719 | HYD TUBE ASSY, AUX 204 GMC 96 |



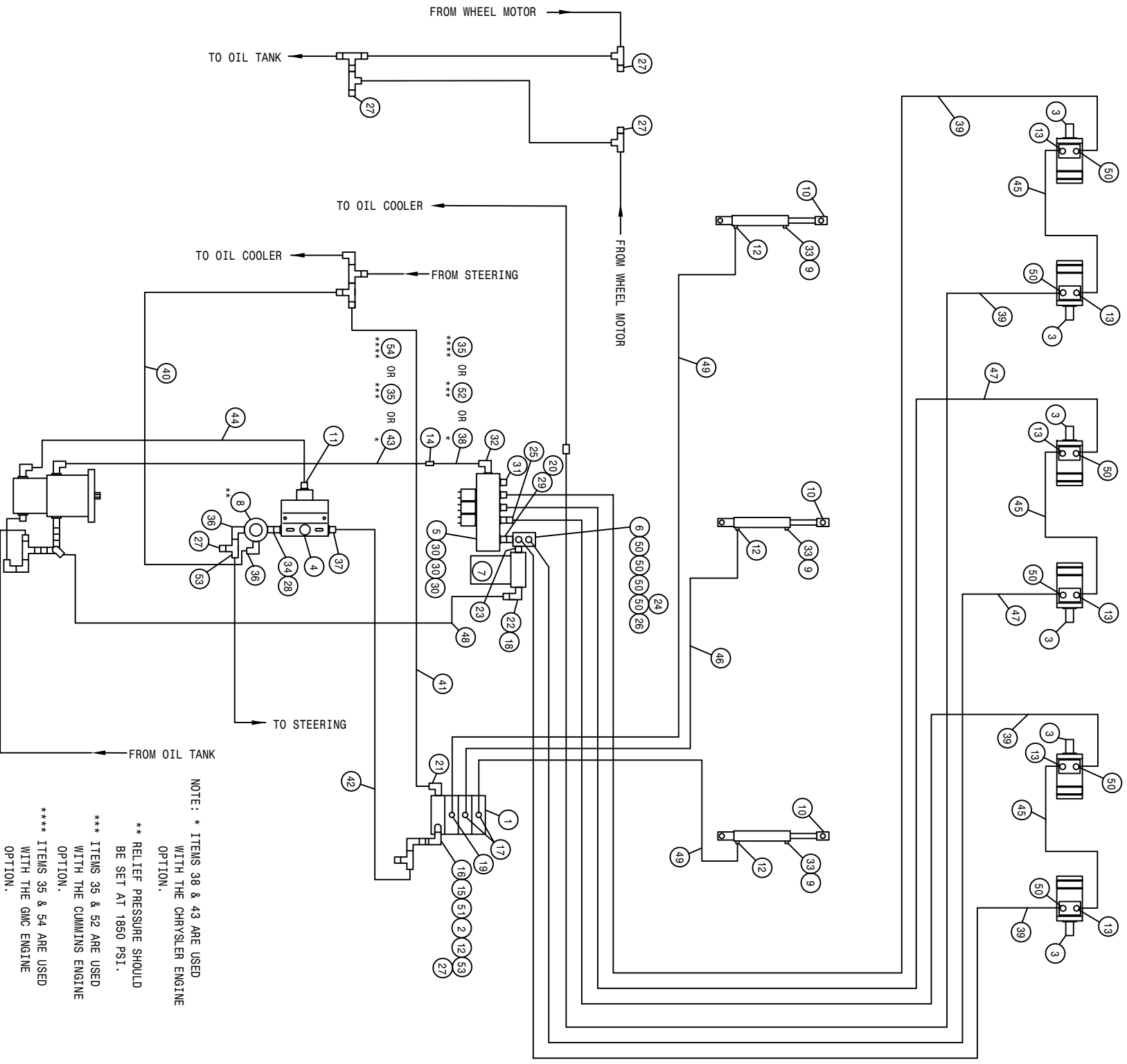
204 12R QUAD 6L W/T-TROL HYD SCHEM 96
REFERENCE DRAWING NO. 498507

| DET. | QTY | PART NO. | DESCRIPTION | DET. | QTY | PART NO. | DESCRIPTION |
|------|-----|----------|--------------------------------|------|-----|----------|-------------------------------|
| 1 | 1 | 610615 | ELECT HYD STACT VLV, 6 SECT | 31 | 2 | 618126 | 9/16MJIC-9/16MOR ADPTR |
| 2 | 1 | 610447 | HYD FILTER, INLINE 1/4FNPT 90M | 32 | 1 | 618178 | 1 5/16MJIC-90-1 5/16MOR LBO |
| 3 | 12 | 610547 | HYD MOTOR 4.5CI 1IN SHFT | 33 | 6 | 501452 | ST EL 90DEG .25NPT, STEEL,PLT |
| *4 | 1 | 607504 | FLO DIV B50 2-8GPM 7/8 FOR | *34 | 1 | 500000 | 1/2MNPT HEX PIPE NIPPLE STL |
| 5 | 1 | 610467 | MODULAR MTR CONTROL ELECT VLV | 35 | 2 | 614378 | 08C1T-08F3X-08F3X-207 |
| *6 | 1 | 614633 | HYD MANIF 8200 86 | *36 | 2 | 618107 | 9/16MJIC-90-1/2MNPT LBO |
| *7 | 1 | 605601 | GRESN FILTER 10 MICRON 40GPM | *37 | 1 | 618310 | 9/16MJIC-7/8MOR ADPTR |
| *8 | 1 | 607512 | RELIEF VALVE, RL50, 1850 PSI | *38 | 1 | 614348 | 16C2AT-16F3X-16F3X-25 |
| 9 | 6 | 470114 | BREATHER FILTER VENT, 1/4 NPT | 39 | 2 | 614690 | 08C1T-08F3X-08F3X-192 |
| 10 | 6 | 620900 | CYL ASSY CC2016 D00 SRG 180 | *40 | 1 | 616042 | 04C1T-06F3X-06F3X-113 |
| *11 | 1 | 611126 | 7/8MJIC-7/8MOR ADPTR | *41 | 1 | 614627 | 06C1T-06F3X-06F3X-45 |
| 12 | 7 | 611122 | 9/16MJIC-90-1/4MNPT LBO | *42 | 1 | 615616 | 04C1T-06F3X-06F3X-65 |
| 13 | 24 | 618327 | 3/4MJIC-7/8MOR ADPTR | 43 | 1 | 614687 | HYD TUBE ASSY SUND AUX 200 90 |
| *14 | 1 | 618577 | 1 5/16MJIC UNION | *44 | 1 | 614664 | 10C1T-10F3X-10F3X-98 |
| 15 | 1 | 618440 | 9/16MJIC-90-9/16MOR EX LG LBO | 45 | 4 | 616025 | 08C1T-08F3X-08F3X-50 |
| 16 | 1 | 618170 | 3/4MOR-9/16FOR ADPTR | 46 | 2 | 614384 | 08C1T-08F3X-08F3X-237 |
| 17 | 2 | 618119 | 9/16MJIC-90-9/16MOR LBO | 47 | 2 | 614689 | 08C1T-08F3X-08F3X-120 |
| *18 | 1 | 715660 | HOSE BARB 1 1/4NPT X 1 1/4 | *48 | 1 | 601289 | HOSE, 1 1/4 X 144 2BR RED |
| 19 | 2 | 618425 | 9/16MJIC-45-9/16MOR LBO | 49 | 2 | 614691 | 08C1T-08F3X-08F3X-220 |
| *20 | 1 | 618587 | 1 5/16FJIC SWIV-1MNPT | 50 | 1 | 618608 | 9/16FJIC SWIV-1/4MNPT |
| 21 | 1 | 618600 | 9/16MJIC-90-7/8MOR LBO | *51 | 1 | 614350 | 16C2AT-16F3X-16F3X-55 |
| *22 | 1 | 506410 | BLK PIPE ST EL 90DEG 1.25NPT | *52 | 1 | 614703 | HYD TUBE ASSY, 200 MAIN |
| *23 | 1 | 618144 | 1 1/4-1MP HEX PIPE NIPPLE STL | *53 | 1 | 618532 | 3/4FJIC CAP NUT |
| *24 | 4 | 611145 | 3/4MJIC-90-1/2MNPT LBO | 54 | 2 | 614387 | 08C1T-08F3X-08F3X-267 |
| 25 | 2 | 618590 | 3/4MJIC-45-3/4FJIC SWIV LBO | *55 | 2 | 618486 | 9/16FJIC Sw RUN TEE-9/16MJIC |
| *26 | 1 | 503700 | PIPE PLUG .50NPT SQ HD | *56 | 1 | 614719 | HYD TUBE ASSY, AUX 204 GMC 96 |
| *27 | 5 | 618531 | 9/16FJIC CAP NUT | 57 | 2 | 614377 | 04C1T-06F3X-06F3X-258 |
| *28 | 1 | 618072 | 7/8MOR-1/2FNPT ADPTR | 58 | 2 | 611246 | 04C1T-06F3X-06F3X-174 |
| 29 | 1 | 618186 | 1 5/16MJIC-1 5/16MOR ADPTR | 59 | 2 | 614101 | 04C1T-06F3X-06F3X-133 |
| 30 | 4 | 618469 | 3/4MJIC-1 1/16MOR ADPTR | | | | H/A |



200 4R PULLER 2L W/T-TROL HYD SCHEM 91
REFERENCE DRAWING NO. 498384

| DET. | QTY | PART NO. | DESCRIPTION | DET. | QTY | PART NO. | DESCRIPTION |
|------|-----|----------|--------------------------------|------|-----|----------|-------------------------------|
| 1 | 1 | 610532 | ELECT HYD STACK VL V, 3 SECT | 28 | 1 | 618600 | 9/16MJIC-90-7/8MOR LBO |
| 2 | 1 | 610447 | HYD FILTER, INLINE 1/4FNPT 90M | 29 | 1 | 618186 | 1 5/16MJIC-1 5/16MOR ADPTR |
| 3 | 4 | 604005 | ORBIT MOTOR ASE | 30 | 2 | 618469 | 3/4MJIC-1 1/16MOR ADPTR |
| * 4 | 1 | 607504 | FLO DIV B50 2-8GPM 7/8 FOR | 31 | 2 | 610186 | 1 1/16MOR PLUG |
| 5 | 1 | 610467 | MODULAR MTR CONTROL ELECT VL V | 32 | 1 | 618178 | 1 5/16MJIC-90-1 5/16MOR LBO |
| * 6 | 1 | 614633 | HYD MANIF 8200 86 | 33 | 2 | 501452 | ST EL 90DEG .25NPT, STEEL,PLT |
| * 7 | 1 | 605601 | GRESEN FILTER 10 MICRON 40GPM | *34 | 1 | 500000 | 1/2MNPTR HEX PIPE NIPPLE STL |
| * 8 | 1 | 607512 | RELIEF VALVE, RL50, 1850 PSI | *35 | 1 | 614350 | 16C2AT-16FJX-16FJX-55 |
| 9 | 2 | 470114 | BREATHER FILTER VENT, 1/4 NPT | *36 | 1 | 618072 | 7/8MOR-1/2FNPT ADPTR |
| 10 | 2 | 620900 | CYL ASSY CC2016 D00 SRG 180 | *37 | 2 | 618107 | 9/16MJIC-90-1/2MNPTR LBO |
| *11 | 1 | 611126 | 7/8MJIC-7/8MOR ADPTR | *38 | 1 | 618310 | 9/16MJIC-7/8MOR ADPTR |
| 12 | 1 | 610185 | 9/16MOR PLUG | 39 | 2 | 614101 | 04C1T-06FJX-06FJX-133 |
| 13 | 4 | 611147 | 3/4MJIC-1/2MNPTR ADPTR | *40 | 1 | 614348 | 16C2AT-16FJX-16FJX-25 |
| *14 | 1 | 618577 | 1 5/16MJIC UNION | 41 | 4 | 614689 | 08C1T-08FJX-08FJX-120 |
| 15 | 3 | 611122 | 9/16MJIC-90-1/4MNPTR LBO | *42 | 1 | 616042 | 04C1T-06FJX-06FJX-13 |
| 16 | 1 | 618440 | 9/16MJIC-90-9/16MOR EX LG LBO | *43 | 1 | 614627 | 06C1T-06FJX-06FJX-45 |
| 17 | 1 | 618170 | 3/4MOR-9/16FOR ADPTR | *44 | 1 | 615616 | 04C1T-06FJX-06FJX-65 |
| *18 | 1 | 715660 | HOSE BARB 1 1/4NPT X 1 1/4 | *45 | 1 | 614687 | HYD TUBE ASSY SUND AUX 200 90 |
| 19 | 1 | 618425 | 9/16MJIC-45-9/16MOR LBO | *46 | 1 | 614664 | 10C1T-10FJX-10FJX-98 |
| *20 | 1 | 618587 | 1 5/16FJIC SWIV-1MNPTR | 47 | 2 | 614382 | 08C1T-08FJX-08FJX-40 |
| 21 | 1 | 618119 | 9/16MJIC-90-9/16MOR LBO | *48 | 1 | 601289 | HOSE, 1 1/4 X 144 2BR RED |
| *22 | 1 | 506410 | BLK PIPE ST EL 90DEG 1.25NPT | 49 | 1 | 618590 | 3/4MJIC-45-3/4FJIC SWIV LBO |
| *23 | 1 | 618144 | 1 1/4-1MP HEX PIPE NIPPLE STL | 50 | 1 | 618608 | 9/16FJIC SWIV-1/4MNPTR |
| *24 | 8 | 611145 | 3/4MJIC-90-1/2MNPTR LBO | *51 | 1 | 614703 | HYD TUBE ASSY, 200 MAIN |
| *25 | 2 | 618532 | 3/4FJIC CAP NUT | *52 | 2 | 618486 | 9/16FJIC SW RUN TEE-9/16MJIC |
| *26 | 1 | 503700 | PIPE PLUG .50NPT SQ HD | *53 | 1 | 614719 | HYD TUBE ASSY, AUX 204 GMC 96 |
| *27 | 5 | 618531 | 9/16FJIC CAP NUT | | | | |



NOTE: * ITEMS 38 & 43 ARE USED WITH THE CHRYSLER ENGINE OPTION.

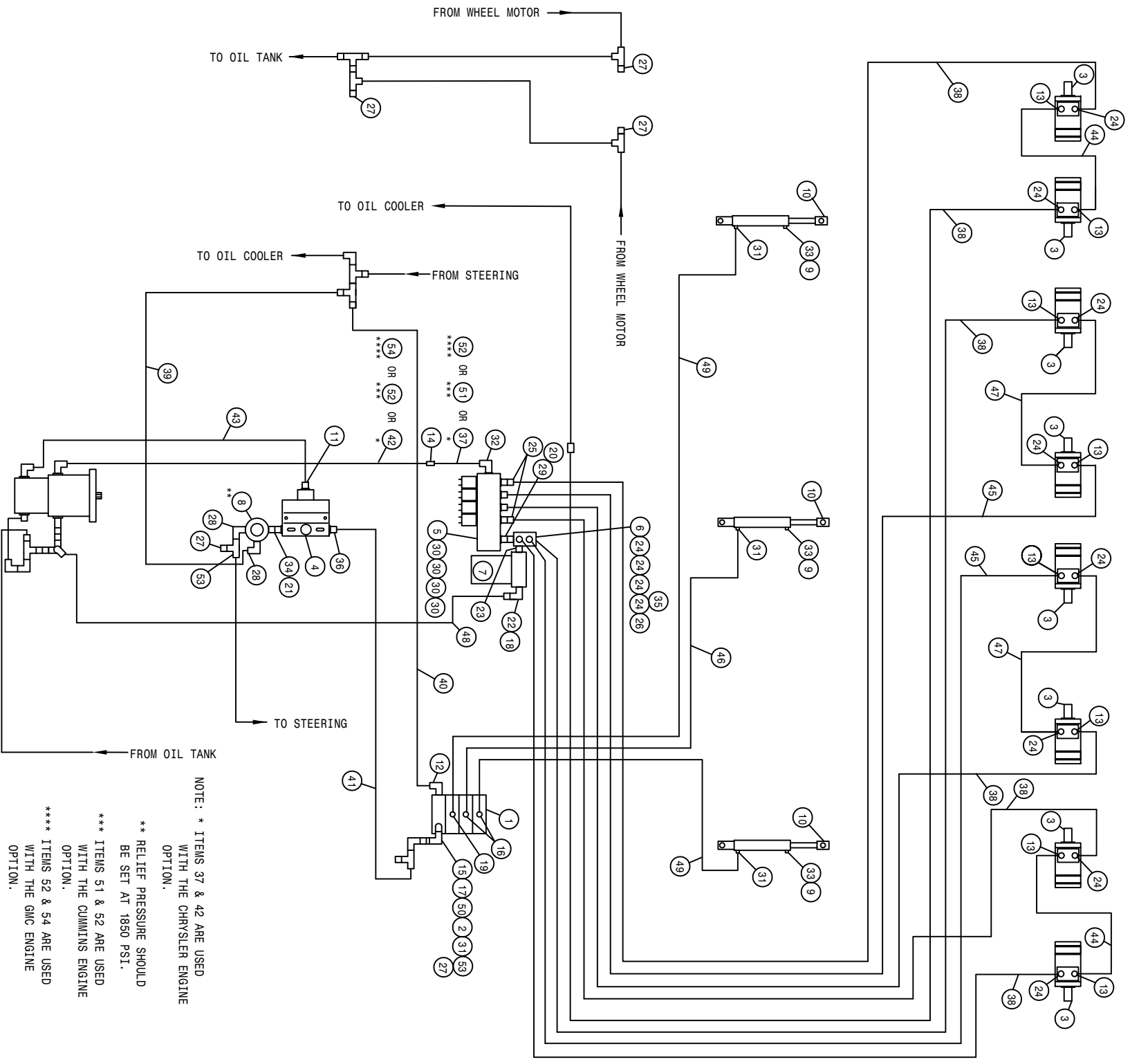
** RELIEF PRESSURE SHOULD BE SET AT 1850 PSI.

*** ITEMS 35 & 52 ARE USED WITH THE CUMMINS ENGINE OPTION.

**** ITEMS 35 & 54 ARE USED WITH THE GMC ENGINE OPTION.

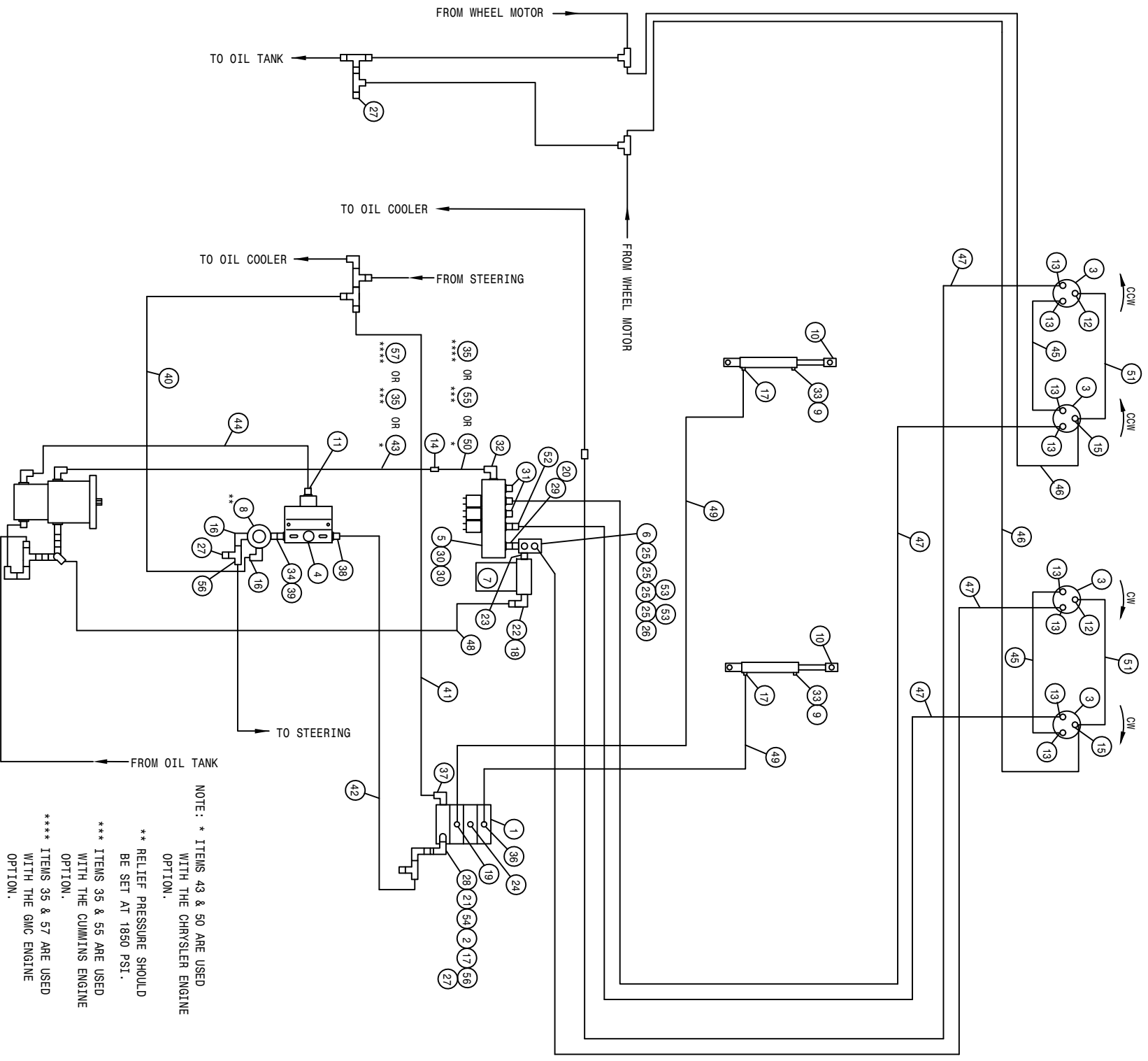
200 6R PULLER 3L W/T-TROL HYD SCHEM 91
REFERENCE DRAWING NO. 498386

| DET. | QTY | PART NO. | DESCRIPTION | DET. | QTY | PART NO. | DESCRIPTION |
|------|-----|----------|--------------------------------|------|-----|----------|--------------------------------|
| 1 | 1 | 610532 | ELECT HYD STACK VLV, 3 SECT | *28 | 1 | 618072 | 7/8MOR-1/2FNPT ADPTR |
| 2 | 1 | 610447 | HYD FILTER, INLINE 1/4FNPT 90M | 29 | 1 | 618186 | 1 5/16MJIC-1 5/16MOR ADPTR |
| 3 | 6 | 604005 | ORBIT MOTOR ASE | 30 | 3 | 618469 | 3/4MJIC-1 1/16MOR ADPTR |
| *4 | 1 | 607504 | FLO DIV B50 2-8GPM 7/8 FOR | 31 | 1 | 610186 | 1 1/16MOR PLUG |
| 5 | 1 | 610467 | MODULAR MTR CONTROL ELECT VLV | 32 | 1 | 618178 | 1 5/16MJIC-90-1 5/16MOR LBO |
| *6 | 1 | 614633 | HYD MANIF 8200 86 | 33 | 3 | 501452 | ST EL 90DEG .25NPT, STEEL, PLT |
| *7 | 1 | 605601 | GRESEN FILTER 10 MICRON 40GPM | *34 | 1 | 500000 | 1/2MNPT HEX PIPE NIPPLE STL |
| *8 | 1 | 607512 | RELIEF VALVE, RL50, 1850 PSI | *35 | 1 | 614350 | 16C2AT-16FJX-16FJX-55 |
| 9 | 3 | 470114 | BREATHER FILTER VENT, 1/4 NPT | *36 | 2 | 618107 | 9/16MJIC-90-1/2MNPT LBO |
| 10 | 3 | 620900 | CVL ASSY CC2016 D00 SRG 180 | *37 | 1 | 618310 | 9/16MJIC-7/8MOR ADPTR |
| *11 | 1 | 611126 | 7/8MJIC-7/8MOR ADPTR | *38 | 1 | 614348 | 16C2AT-16FJX-16FJX-25 |
| 12 | 4 | 611122 | 9/16MJIC-90-1/4MNPT LBO | 39 | 4 | 614690 | 08C1T-08FJX-08FJX-192 |
| 13 | 6 | 611147 | 3/4MJIC-1/2MNPT ADPTR | *40 | 1 | 616042 | 04C1T-06FJX-06FJX-13 |
| *14 | 1 | 618577 | 1 5/16MJIC UNION | *41 | 1 | 614627 | 06C1T-06FJX-06FJX-45 |
| 15 | 1 | 618440 | 9/16MJIC-90-9/16MOR EX LG LBO | *42 | 1 | 615616 | 04C1T-06FJX-06FJX-65 |
| 16 | 1 | 618170 | 3/4MOR-9/16FOR ADPTR | *43 | 1 | 614687 | HYD TUBE ASSY SUND AUX 200 90 |
| 17 | 2 | 618119 | 9/16MJIC-90-9/16MOR LBO | *44 | 1 | 614664 | 10C1T-10FJX-10FJX-98 |
| *18 | 1 | 715660 | HOSE BARB 1 1/4NPT X 1 1/4 | 45 | 3 | 614382 | 08C1T-08FJX-08FJX-40 |
| 19 | 1 | 618425 | 9/16MJIC-45-9/16MOR LBO | 46 | 1 | 614077 | 04C1T-06FJX-06FJX-88 |
| *20 | 1 | 618587 | 1 5/16FJIC SWIV-1MNPT | 47 | 2 | 614688 | 08C1T-08FJX-08FJX-108 |
| 21 | 1 | 618600 | 9/16MJIC-90-7/8MOR LBO | *48 | 1 | 601289 | HOSE, 1 1/4 X 144 2BR RED |
| *22 | 1 | 506410 | BLK PIPE ST EL 90DEG 1.25NPT | 49 | 2 | 614101 | 04C1T-06FJX-06FJX-133 |
| *23 | 1 | 618144 | 1 1/4-1MP HEX PIPE NIPPLE STL | *50 | 10 | 611145 | 3/4MJIC-90-1/2MNPT LBO |
| *24 | 1 | 618532 | 3/4FJIC CAP NUT | 51 | 1 | 618608 | 9/16FJIC SWIV-1/4MNPT |
| 25 | 1 | 618590 | 3/4MJIC-45-3/4FJIC SWIV LBO | *52 | 1 | 614703 | HYD TUBE ASSY, 200 MAIN |
| *26 | 1 | 503700 | PIPE PLUG .50NPT SQ HD | *53 | 2 | 618486 | 9/16FJIC SW RUN TEE-9/16MJIC |
| *27 | 5 | 618531 | 9/16FJIC CAP NUT | *54 | 1 | 614719 | HYD TUBE ASSY, AUX 204 GMC 96 |



200 8R PULLER 3L W/T-TROL HYD SCHEM 91
REFERENCE DRAWING NO. 498388

| DET. | QTY | PART NO. | DESCRIPTION | DET. | QTY | PART NO. | DESCRIPTION |
|------|-----|----------|--------------------------------|------|-----|----------|--------------------------------|
| 1 | 1 | 610532 | ELECT HYD STACK VLV, 3 SECT | *28 | 2 | 618107 | 9/16MJIC-90-1/2MNPT LBO |
| 2 | 1 | 610447 | HYD FILTER, INLINE 1/4FNPT 90M | 29 | 1 | 618186 | 1 5/16MJIC-1 5/16MOR ADPTR |
| 3 | 8 | 604005 | ORBIT MOTOR ASE | 30 | 4 | 618469 | 3/4MJIC-1 1/16MOR ADPTR |
| *4 | 1 | 607504 | FLO DIV B50 2-8GPM 7/8 FOR | 31 | 4 | 611122 | 9/16MJIC-90-1/4MNPT LBO |
| 5 | 1 | 610467 | MODULAR MTR CONTROL ELECT VLV | 32 | 1 | 618178 | 1 5/16MJIC-90-1 5/16MOR LBO |
| *6 | 1 | 616433 | HYD MANIF 8200 86 | 33 | 3 | 501452 | ST EL 90DEG .25NPT, STEEL, PLT |
| *7 | 1 | 605601 | GRESEN FILTER 10 MICRON 40GPM | *34 | 1 | 500000 | 1/2MNPT HEX PIPE NIPPLE STL |
| *8 | 1 | 607512 | RELIEF VALVE, RL50, 1850 PSI | *35 | 1 | 618532 | 3/4FJIC CAP NUT |
| 9 | 3 | 470114 | BREATHER FILTER VENT, 1/4 NPT | *36 | 1 | 618310 | 9/16MJIC-7/8MOR ADPTR |
| 10 | 3 | 620900 | CYL ASSY CC2016 D00 SRG 180 | *37 | 1 | 614348 | 16C2AT-16FJX-16FJX-25 |
| *11 | 1 | 611126 | 7/8MJIC-7/8MOR ADPTR | 38 | 6 | 614691 | 08C1T-08FJX-08FJX-220 |
| 12 | 1 | 618600 | 9/16MJIC-90-7/8MOR LBO | *39 | 1 | 616042 | 04C1T-06FJX-06FJX-13 |
| 13 | 8 | 611147 | 3/4MJIC-1/2MNPT ADPTR | *40 | 1 | 614627 | 06C1T-06FJX-06FJX-45 |
| *14 | 1 | 618577 | 1 5/16MJIC UNION | *41 | 1 | 615616 | 04C1T-06FJX-06FJX-65 |
| 15 | 1 | 618170 | 3/4MOR-9/16FOR ADPTR | *42 | 1 | 614687 | HYD TUBE ASSY SUND AUX 200 90 |
| 16 | 2 | 618119 | 9/16MJIC-90-9/16MOR LBO | *43 | 1 | 614664 | 10C1T-10FJX-10FJX-98 |
| 17 | 1 | 618440 | 9/16MJIC-90-9/16MOR EX LG LBO | 44 | 2 | 614382 | 08C1T-08FJX-08FJX-40 |
| *18 | 1 | 715660 | HOSE BARB 1 1/4NPT X 1 1/4 | 45 | 2 | 614688 | 08C1T-08FJX-08FJX-108 |
| 19 | 1 | 618425 | 9/16MJIC-45-9/16MOR LBO | 46 | 1 | 614077 | 04C1T-06FJX-06FJX-88 |
| *20 | 1 | 618587 | 1 5/16FJIC SWIV-1MNPT | 47 | 2 | 614384 | 08C1T-08FJX-08FJX-237 |
| *21 | 1 | 618072 | 7/8MOR-1/2FNPT ADPTR | *48 | 1 | 601289 | HOSE, 1 1/4 X 144 2BR RED |
| *22 | 1 | 506410 | BLK PIPE ST EL 90DEG 1.25NPT | 49 | 2 | 611246 | 04C1T-06FJX-06FJX-174 |
| *23 | 1 | 618144 | 1 1/4-IMP HEX PIPE NIPPLE STL | 50 | 1 | 618608 | 9/16FJIC SWIV-1/4MNPT |
| *24 | 12 | 611145 | 3/4MJIC-90-1/2MNPT LBO | *51 | 1 | 614703 | HYD TUBE ASSY, 200 MAIN |
| 25 | 2 | 618590 | 3/4MJIC-45-3/4FJIC SWIV LBO | *52 | 1 | 614350 | 16C2AT-16FJX-16FJX-55 |
| *26 | 1 | 503700 | PIPE PLUG .50NPT SQ HD | *53 | 2 | 618486 | 9/16FJIC SW RUN TEE-9/16MJIC |
| *27 | 5 | 618531 | 9/16FJIC CAP NUT | *54 | 1 | 614719 | HYD TUBE ASSY, AUX 204 GMC 96 |



NOTE : * ITEMS 43 & 50 ARE USED WITH THE CHRYSLER ENGINE OPTION.

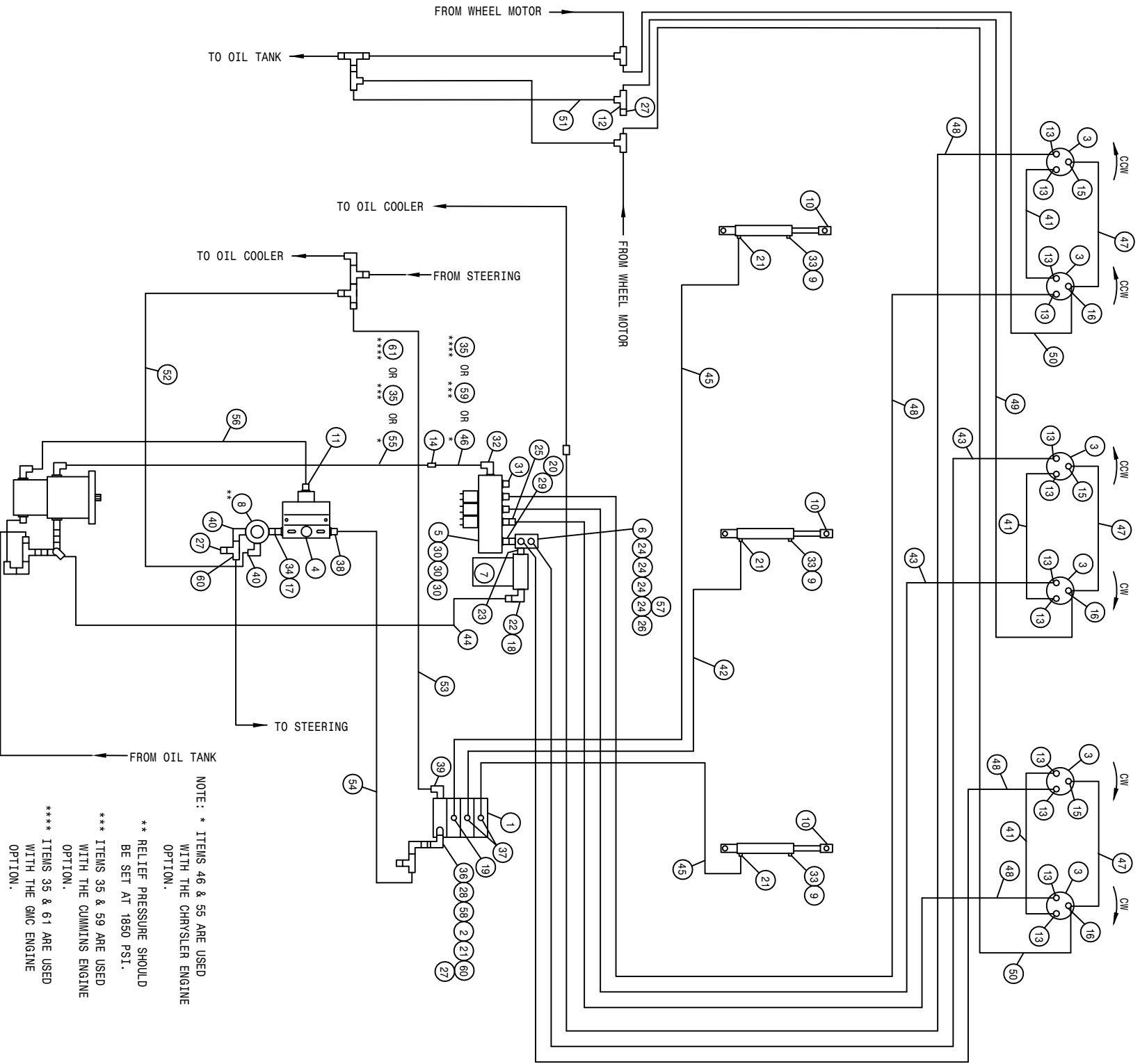
** RELIEF PRESSURE SHOULD BE SET AT 1850 PSI.

*** ITEMS 35 & 55 ARE USED WITH THE CUMMINS ENGINE OPTION.

**** ITEMS 35 & 57 ARE USED WITH THE GMC ENGINE OPTION.

200 4R CUTTER 2L W/T-TROL HYD SCHEM 91
REFERENCE DRAWING NO. 498390

| DET. | QTY | PART NO. | DESCRIPTION | DET. | QTY | PART NO. | DESCRIPTION |
|------|-----|----------|--------------------------------|------|-----|----------|-------------------------------|
| 1 | 1 | 610532 | ELECT HYD STACK VLV, 3 SECT | 30 | 2 | 618469 | 3/4MJIC-1 1/16MOR ADPTR |
| 2 | 1 | 610447 | HYD FILTER, INLINE 1/4FNPT 90M | 31 | 2 | 610186 | 1 1/16MOR PLUG |
| 3 | 4 | 610590 | BARNES HYD MOTOR | 32 | 1 | 618178 | 1 5/16MJIC-90-1 5/16MOR LBO |
| *4 | 1 | 607504 | FLO DIV B50 2-8GPM 7/8 FOR | 33 | 2 | 501452 | ST EL 90DEG .25NPT, STEEL,PLT |
| 5 | 1 | 610467 | MODULAR MTR CONTROL ELECT VLV | *34 | 1 | 500000 | 1/2MNPT HEX PIPE NIPPLE STL |
| *6 | 1 | 614633 | HYD MANIF 8200 86 | *35 | 1 | 614350 | 16C2AT-16FJX-16FJX-55 H/A |
| *7 | 1 | 605601 | GRESEN FILTER 10 MICRON 40GPM | 36 | 1 | 618119 | 9/16MJIC-90-9/16MOR LBO |
| *8 | 1 | 607512 | RELIEF VALVE, RL50, 1850 PSI | 37 | 1 | 618600 | 9/16MJIC-90-7/8MOR LBO |
| 9 | 2 | 470114 | BREATHER FILTER VENT, 1/4 NPT | *38 | 1 | 618310 | 9/16MJIC-7/8MOR ADPTR |
| 10 | 2 | 620900 | CYL ASSY CC2016 D00 SRG 180 | *39 | 1 | 618072 | 7/8MOR-1/2FNPT ADPTR |
| *11 | 1 | 611126 | 7/8MJIC-7/8MOR ADPTR | *40 | 1 | 616042 | 04C1T-06FJX-06FJX-13 H/A |
| 12 | 2 | 618530 | 9/16MJIC-1/8MNPT ADPTR | *41 | 1 | 614627 | 06C1T-06FJX-06FJX-45 H/A |
| 13 | 8 | 611125 | 3/4MJIC-3/4MOR ADPTR | *42 | 1 | 615616 | 04C1T-06FJX-06FJX-65 H/A |
| *14 | 1 | 618577 | 1 5/16MJIC UNION | *43 | 1 | 614687 | HYD TUBE ASSY SUND AUX 200 90 |
| 15 | 2 | 618546 | 1/8MNPT RUN TEE-9/16MJIC | *44 | 1 | 614664 | 10C1T-10FJX-10FJX-98 H/A |
| *16 | 2 | 618107 | 9/16MJIC-90-1/2MNPT LBO | 45 | 2 | 614368 | 08C1T-08FJX-08FJX-60 H/A |
| 17 | 3 | 611122 | 9/16MJIC-90-1/4MNPT LBO | 46 | 2 | 614639 | 04C1T-06FJX-06FJX-126 H/A |
| *18 | 1 | 715660 | HOSE BARB 1 1/4NPT X 1 1/4 | 47 | 4 | 614689 | 08C1T-08FJX-08FJX-120 H/A |
| 19 | 1 | 618425 | 9/16MJIC-45-9/16MOR LBO | *48 | 1 | 601289 | HOSE, 1 1/4 X 144 2BR RED |
| *20 | 1 | 618587 | 1 5/16FJIC SWIV-1MNPT | 49 | 2 | 614101 | 04C1T-06FJX-06FJX-133 H/A |
| 21 | 1 | 618440 | 9/16MJIC-90-9/16MOR EX LG LBO | *50 | 1 | 614348 | 16C2AT-16FJX-16FJX-25 H/A |
| *22 | 1 | 506410 | BLK PIPE ST EL 90DEG 1.25NPT | 51 | 2 | 611206 | 04C1T-06FJX-06FJX-66 H/A |
| *23 | 1 | 618144 | 1 1/4-1MP HEX PIPE NIPPLE STL | 52 | 1 | 618590 | 3/4MJIC-45-3/4FJIC SWIV LBO |
| 24 | 1 | 610185 | 9/16MOR PLUG | *53 | 2 | 618532 | 3/4FJIC CAP NUT |
| *25 | 4 | 611145 | 3/4MJIC-90-1/2MNPT LBO | 54 | 1 | 618608 | 9/16FJIC SWIV-1/4MNPT |
| *26 | 1 | 503700 | PIPE PLUG .50NPT SQ HD | *55 | 1 | 614703 | HYD TUBE ASSY, 200 MATN 92 |
| *27 | 3 | 618531 | 9/16FJIC CAP NUT | *56 | 2 | 618486 | 9/16FJIC SW RUN TEE-9/16MJIC |
| 28 | 1 | 618170 | 3/4MOR-9/16FOR ADPTR | *57 | 1 | 614719 | HYD TUBE ASSY, AUX 204 GMC 96 |
| 29 | 1 | 618186 | 1 5/16MJIC-1 5/16MOR ADPTR | | | | |



NOTE: * ITEMS 46 & 55 ARE USED WITH THE CHRYSLER ENGINE OPTION.
 ** RELIEF PRESSURE SHOULD BE SET AT 1850 PSI.
 *** ITEMS 35 & 59 ARE USED WITH THE CUMMINS ENGINE OPTION.
 **** ITEMS 35 & 61 ARE USED WITH THE GMC ENGINE OPTION.

200 6R CUTTER 3L W/T-TROL HYD SCHEM 91
REFERENCE DRAWING NO. 498392

| DET. | QTY | PART NO. | DESCRIPTION | DET. | QTY | PART NO. | DESCRIPTION |
|------|-----|----------|--------------------------------|------|-----|----------|-------------------------------|
| 1 | 1 | 610532 | ELECT HYD STACK VLV, 3 SECT | 32 | 1 | 618178 | 1 5/16MJIC-90-1 5/16MOR LBO |
| 2 | 1 | 610447 | HYD FILTER, INLINE 1/4FNPT 90M | 33 | 3 | 501452 | ST EL 90DEG .25NPT, STEEL,PLT |
| 3 | 6 | 610590 | BARNES HYD MOTOR | *34 | 1 | 500000 | 1/2MNPT HEX PIPE NIPPLE STL |
| *4 | 1 | 607504 | FLO DIV B50 2-8GPM 7/8 FOR | *35 | 1 | 614350 | 16C2AT-16FJX-16FJX-55 |
| 5 | 1 | 610467 | MODULAR MTR CONTROL ELECT VLV | 36 | 1 | 618170 | 3/4MOR-9/16FOR ADPTR |
| *6 | 1 | 614633 | HYD MANIF 8200 86 | 37 | 2 | 618119 | 9/16MJIC-90-9/16MOR LBO |
| *7 | 1 | 605601 | GRESEN FILTER 10 MICRON 40GPM | *38 | 1 | 618310 | 9/16MJIC-7/8MOR ADPTR |
| *8 | 1 | 607512 | RELIEF VALVE, RL50, 1850 PSI | 39 | 1 | 618600 | 9/16MJIC-90-7/8MOR LBO |
| 9 | 3 | 470114 | BREATHER FILTER VENT, 1/4 NPT | *40 | 2 | 618107 | 9/16MJIC-90-1/2MNPT LBO |
| 10 | 3 | 620900 | CYL ASSY CC2016 D00 SRG 180 | 41 | 3 | 614368 | 08C1T-08FJX-08FJX-60 |
| *11 | 1 | 611126 | 7/8MJIC-7/8MOR ADPTR | 42 | 1 | 614077 | 04C1T-06FJX-06FJX-88 |
| 12 | 1 | 610193 | 9/16MJIC BLKHD BRANCH TEE | 43 | 2 | 614688 | 08C1T-08FJX-08FJX-108 |
| 13 | 12 | 611125 | 3/4MJIC-3/4MOR ADPTR | *44 | 1 | 601289 | HOSE, 1 1/4 X 144 2BR RED |
| *14 | 1 | 618577 | 1 5/16MJIC UNION | 45 | 2 | 614101 | 04C1T-06FJX-06FJX-133 |
| 15 | 3 | 618530 | 9/16MJIC-1/8MNPT ADPTR | *46 | 1 | 614348 | 16C2AT-16FJX-16FJX-25 |
| 16 | 3 | 618546 | 1/8MNPT RUN TEE-9/16MJIC | 47 | 3 | 611206 | 04C1T-06FJX-06FJX-66 |
| *17 | 1 | 618072 | 7/8MOR-1/2FNPT ADPTR | 48 | 4 | 614690 | 08C1T-08FJX-08FJX-192 |
| *18 | 1 | 715660 | HOSE BARB 1 1/4NPT X 1 1/4 | 49 | 1 | 614152 | 04C1T-06FJX-06FJX-114 |
| 19 | 1 | 618425 | 9/16MJIC-45-9/16MOR LBO | 50 | 2 | 611210 | 04C1T-06FJX-06FJX-156 |
| *20 | 1 | 618587 | 1 5/16FJIC SWIV-1MNPT | 51 | 1 | 616026 | 04C1T-06FJX-06FJX-37 |
| 21 | 4 | 611122 | 9/16MJIC-90-1/4MNPT LBO | *52 | 1 | 616042 | 04C1T-06FJX-06FJX-13 |
| *22 | 1 | 506410 | BLK PIPE ST EL 90DEG 1.25NPT | *53 | 1 | 614627 | 06C1T-06FJX-06FJX-45 |
| *23 | 1 | 618144 | 1 1/4-1MP HEX PIPE NIPPLE STL | *54 | 1 | 615616 | 04C1T-06FJX-06FJX-65 |
| *24 | 4 | 611145 | 3/4MJIC-90-1/2MNPT LBO | *55 | 1 | 614687 | HYD TUBE ASSY SUND AUX 200 90 |
| 25 | 1 | 618590 | 3/4MJIC-45-3/4FJIC SWIV LBO | *56 | 1 | 614664 | 10C1T-10FJX-10FJX-98 |
| *26 | 1 | 503700 | PIPE PLUG .50NPT SQ HD | *57 | 1 | 618532 | 3/4FJIC CAP NUT |
| *27 | 3 | 618531 | 9/16FJIC CAP NUT | 58 | 1 | 618608 | 9/16FJIC SWIV-1/4MNPT |
| 28 | 1 | 618440 | 9/16MJIC-90-9/16MOR EX LG LBO | *59 | 1 | 614703 | HYD TUBE ASSY, 200 MAIN |
| 29 | 1 | 618186 | 1 5/16MJIC-1 5/16MOR ADPTR | *60 | 2 | 618486 | 9/16FJIC SW RUN TEE-9/16MJIC |
| 30 | 3 | 618469 | 3/4MJIC-1 1/16MOR ADPTR | *61 | 1 | 614719 | HYD TUBE ASSY, AUX 204 GMC 96 |
| 31 | 1 | 610186 | 1 1/16MOR PLUG | | | | |

200 8R CUTTER 3L W/T-TROL HYD SCHEM 91
REFERENCE DRAWING NO. 498394

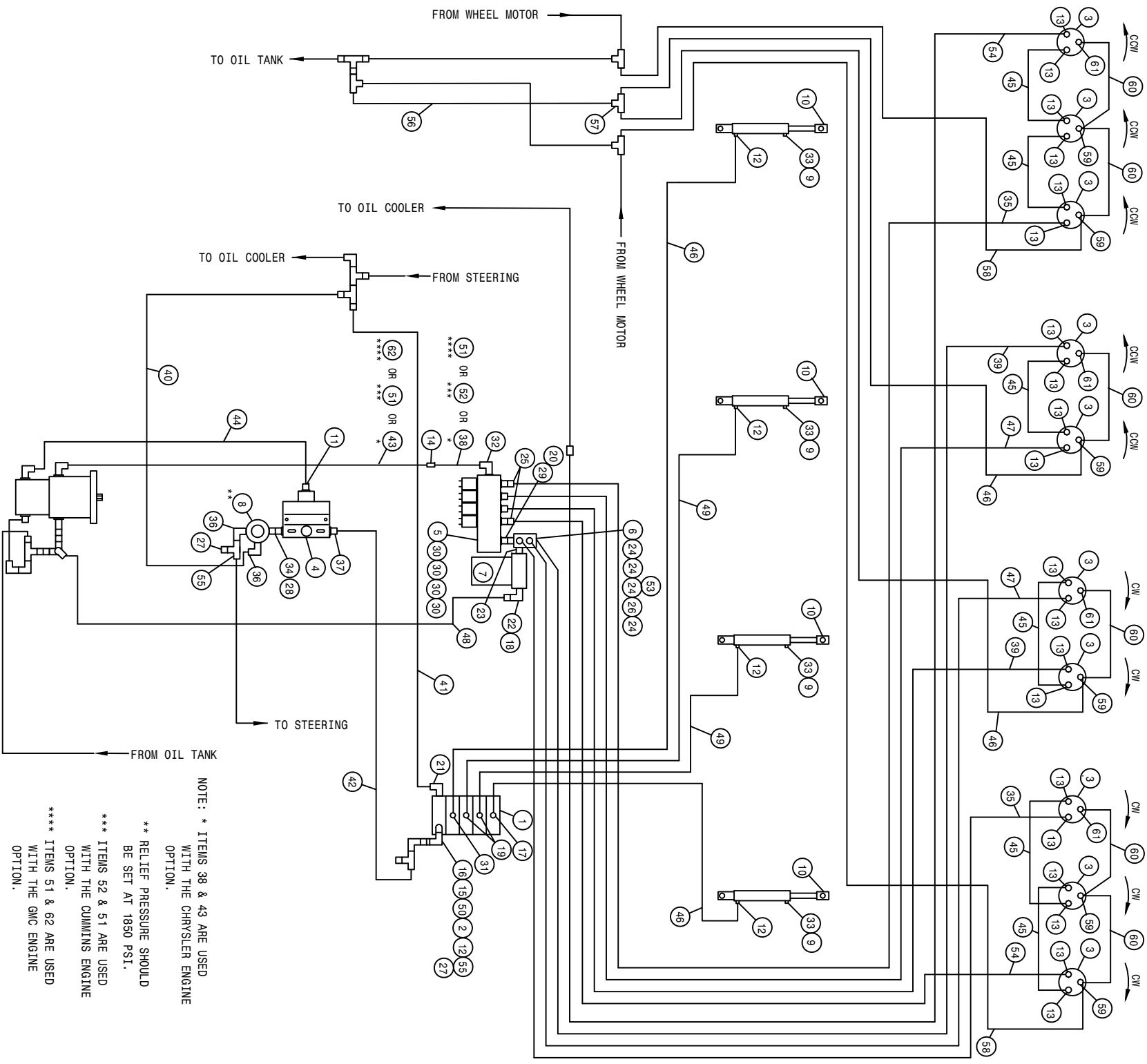
| DET. | QTY | PART NO. | DESCRIPTION | DET. | QTY | PART NO. | DESCRIPTION |
|------|-----|----------|--------------------------------|------|-----|----------|-------------------------------|
| 1 | 1 | 610532 | ELECT HYD STACK VLV, 3 SECT | 33 | 3 | 501452 | ST EL 90DEG .25NPT, STEEL,PLT |
| 2 | 1 | 610447 | HYD FILTER, INLINE 1/4FNPT 90M | *34 | 1 | 500000 | 1/2MNPT HEX PIPE NIPPLE STL |
| 3 | 8 | 610590 | BARNES HYD MOTOR | *35 | 1 | 618532 | 3/4FJIC CAP NUT |
| *4 | 1 | 607504 | FLO DIV B50 2-8GPM 7/8 FOR | 36 | 1 | 618170 | 3/4MOR-9/16FOR ADPTR |
| 5 | 1 | 610467 | MODULAR MTR CONTROL ELECT VLV | 37 | 2 | 618119 | 9/16MJIC-90-9/16MOR LBO |
| *6 | 1 | 614633 | HYD MANIF 8200 86 | *38 | 1 | 618310 | 9/16MJIC-7/8MOR ADPTR |
| *7 | 1 | 605601 | GRESEN FILTER 10 MICRON 40GPM | 39 | 1 | 618600 | 9/16MJIC-90-7/8MOR LBO |
| *8 | 1 | 607512 | RELIEF VALVE, RL50, 1850 PSI | *40 | 2 | 618107 | 9/16MJIC-90-1/2MNPT LBO |
| 9 | 3 | 470114 | BREATHER FILTER VENT, 1/4 NPT | 41 | 2 | 614688 | 08CJT-08FJX-08FJX-108 |
| 10 | 3 | 620900 | CYL ASSY CC2016 D00 SRG 180 | *42 | 1 | 601289 | HOSE, 1 1/4 X 144 2BR RED |
| 11 | 4 | 618530 | 9/16MJIC-1/8MNPT ADPTR | 43 | 2 | 611246 | 04CJT-06FJX-06FJX-174 |
| *12 | 1 | 611126 | 7/8MJIC-7/8MOR ADPTR | *44 | 1 | 614348 | 16C2AT-16FJX-16FJX-25 |
| 13 | 16 | 611125 | 3/4MJIC-3/4MOR ADPTR | 45 | 2 | 611206 | 04CJT-06FJX-06FJX-66 |
| *14 | 1 | 618577 | 1 5/16MJIC UNION | 46 | 6 | 614691 | 08CJT-08FJX-08FJX-220 |
| 15 | 4 | 618546 | 1/8MNPT RUN TEE-9/16MJIC | 47 | 1 | 614152 | 04CJT-06FJX-06FJX-114 |
| *16 | 1 | 618072 | 7/8MOR-1/2FNPT ADPTR | 48 | 3 | 614154 | 04CJT-06FJX-06FJX-221 |
| 17 | 1 | 610193 | 9/16MJIC BLKHD BRANCH TEE | 49 | 1 | 616026 | 04CJT-06FJX-06FJX-37 |
| *18 | 1 | 715660 | HOSE BARB 1 1/4NPT X 1 1/4 | 50 | 4 | 614101 | 04CJT-06FJX-06FJX-133 |
| 19 | 1 | 618425 | 9/16MJIC-45-9/16MOR LBO | 51 | 4 | 614425 | 08CJT-08FJX-08FJX-132 |
| *20 | 1 | 618587 | 1 5/16FJIC SWIV-1MNPT | *52 | 1 | 616042 | 04CJT-06FJX-06FJX-13 |
| 21 | 4 | 611122 | 9/16MJIC-90-1/4MNPT LBO | *53 | 1 | 614627 | 06CJT-06FJX-06FJX-45 |
| *22 | 1 | 506410 | BLK PIPE ST EL 90DEG 1.25NPT | *54 | 1 | 615616 | 04CJT-06FJX-06FJX-65 |
| *23 | 1 | 618144 | 1 1/4-1MP HEX PIPE NIPPLE STL | *55 | 1 | 614687 | HYD TUBE ASSY SUND AUX 200 90 |
| *24 | 4 | 611145 | 3/4MJIC-90-1/2MNPT LBO | *56 | 1 | 614664 | 10CJT-10FJX-10FJX-98 |
| 25 | 2 | 618590 | 3/4MJIC-45-3/4FJIC SWIV LBO | 57 | 2 | 614368 | 08CJT-08FJX-08FJX-60 |
| *26 | 1 | 503700 | PIPE PLUG .50NPT SQ HD | 58 | 1 | 614077 | 04CJT-06FJX-06FJX-88 |
| 27 | 2 | 618314 | 3/4MJIC UNION | 59 | 1 | 618608 | 9/16FJIC SWIV-1/4MNPT |
| 28 | 1 | 618440 | 9/16MJIC-90-9/16MOR EX LG LBO | *60 | 1 | 614703 | HYD TUBE ASSY, 200 MAIN |
| 29 | 1 | 618186 | 1 5/16MJIC-1 5/16MOR ADPTR | *61 | 1 | 614350 | 16C2AT-16FJX-16FJX-55 |
| 30 | 4 | 618469 | 3/4MJIC-1 1/16MOR ADPTR | *62 | 2 | 618486 | 9/16FJIC SW RUN TEE-9/16MJIC |
| 31 | 2 | 619010 | 9/16MJIC UNION | *63 | 2 | 618531 | 9/16FJIC CAP NUT |
| 32 | 1 | 618178 | 1 5/16MJIC-90-1 5/16MOR LBO | *64 | 1 | 614719 | HYD TUBE ASSY, AUX 204 GMC 96 |

200 8R CUTTER 4L W/T-TROL HYD SCHEM 91
REFERENCE DRAWING NO. 498396

| DET. | QTY | PART NO. | DESCRIPTION | DET. | QTY | PART NO. | DESCRIPTION |
|------|-----|----------|--------------------------------|------|-----|----------|--------------------------------|
| 1 | 1 | 610613 | ELECT HYD STACT VLV, 4 SECT | 32 | 1 | 618178 | 1 5/16MJIC-90-1 5/16MOR LBO |
| 2 | 1 | 610447 | HYD FILTER, INLINE 1/4FNPT 90M | 33 | 4 | 501452 | ST EL 90DEG .25NPT, STEEL, PLT |
| 3 | 8 | 610590 | BARNES HYD MOTOR | *34 | 1 | 500000 | 1/2MNPT HEX PIPE NIPPLE STL |
| *4 | 1 | 607504 | FLO DIV B50 2-8GPM 7/8 FOR | *35 | 1 | 618532 | 3/4FJIC CAP NUT |
| 5 | 1 | 610467 | MODULAR MTR CONTROL ELECT VLV | 36 | 1 | 618170 | 3/4MOR-9/16FOR ADPTR |
| *6 | 1 | 614635 | HYD MANIF 8200 86 | 37 | 1 | 618119 | 9/16MJIC-90-9/16MOR LBO |
| *7 | 1 | 605601 | GRESEN FILTER 10 MICRON 40GPM | *38 | 1 | 618310 | 9/16MJIC-7/8MOR ADPTR |
| *8 | 1 | 607512 | RELIEF VALVE, RL50, 1850 PSI | 39 | 1 | 618600 | 9/16MJIC-90-7/8MOR LBO |
| 9 | 4 | 470114 | BREATHER FILTER VENT, 1/4 NPT | *40 | 1 | 614664 | 10C1T-10FJX-10FJX-98 |
| 10 | 4 | 620900 | CYL ASSY CC2016 D00 SRG 180 | 41 | 4 | 614368 | 08C1T-08FJX-08FJX-60 |
| *11 | 1 | 611126 | 7/8MJIC-7/8MOR ADPTR | 42 | 2 | 614101 | 04C1T-06FJX-06FJX-133 |
| 12 | 1 | 610193 | 9/16MJIC BLKHD BRANCH TEE | 43 | 4 | 614689 | 08C1T-08FJX-08FJX-120 |
| 13 | 16 | 611125 | 3/4MJIC-3/4MOR ADPTR | *44 | 1 | 601289 | HOSE, 1 1/4 X 144 2BR RED |
| *14 | 1 | 618577 | 1 5/16MJIC UNION | 45 | 2 | 611246 | 04C1T-06FJX-06FJX-174 |
| 15 | 4 | 618530 | 9/16MJIC-1/8MNPT ADPTR | *46 | 1 | 614348 | 16C2AT-16FJX-16FJX-25 |
| 16 | 4 | 618546 | 1/8MNPT RUN TEE-9/16MJIC | 47 | 4 | 611206 | 04C1T-06FJX-06FJX-66 |
| *17 | 1 | 618072 | 7/8MOR-1/2FNPT ADPTR | 48 | 4 | 614691 | 08C1T-08FJX-08FJX-220 |
| *18 | 1 | 715660 | HOSE BARB 1 1/4NPT X 1 1/4 | 49 | 2 | 611212 | 04C1T-06FJX-06FJX-164 |
| 19 | 1 | 618126 | 9/16MJIC-9/16MOR ADPTR | 50 | 2 | 614154 | 04C1T-06FJX-06FJX-221 |
| *20 | 1 | 618587 | 1 5/16FJIC SWIV-1MNPT | 51 | 1 | 616026 | 04C1T-06FJX-06FJX-37 |
| 21 | 5 | 611122 | 9/16MJIC-90-1/4MNPT LBO | *52 | 1 | 616042 | 04C1T-06FJX-06FJX-13 |
| *22 | 1 | 506410 | BLK PIPE ST EL 90DEG 1.25NPT | *53 | 1 | 614627 | 06C1T-06FJX-06FJX-45 |
| *23 | 1 | 618144 | 1 1/4-1MP HEX PIPE NIPPLE STL | *54 | 1 | 615616 | 04C1T-06FJX-06FJX-65 |
| *24 | 4 | 611145 | 3/4MJIC-90-1/2MNPT LBO | *55 | 1 | 614687 | HYD TUBE ASSY SUND AUX 200 90 |
| 25 | 2 | 618590 | 3/4MJIC-45-3/4FJIC SWIV LBO | 56 | 1 | 618608 | 9/16FJIC SWIV-1/4MNPT |
| *26 | 1 | 503700 | PIPE PLUG .50NPT SQ HD | *57 | 1 | 614703 | HYD TUBE ASSY, 200 MAIN |
| 27 | 2 | 618425 | 9/16MJIC-45-9/16MOR LBO | *58 | 1 | 614350 | 16C2AT-16FJX-16FJX-55 |
| 28 | 1 | 618440 | 9/16MJIC-90-9/16MOR EX LG LBO | *59 | 2 | 618486 | 9/16FJIC SW RUN TEE-9/16MJIC |
| 29 | 1 | 618186 | 1 5/16MJIC-1 5/16MOR ADPTR | *60 | 2 | 618531 | 9/16FJIC CAP NUT |
| 30 | 4 | 618469 | 3/4MJIC-1 1/16MOR ADPTR | *61 | 1 | 614719 | HYD TUBE ASSY, AUX 204 GMC 96 |
| *31 | 2 | 618107 | 9/16MJIC-90-1/2MNPT LBO | | | | |

204 12R CUTR 4L W/T-TROL HYD SCHEM 95
REFERENCE DRAWING NO. 498476

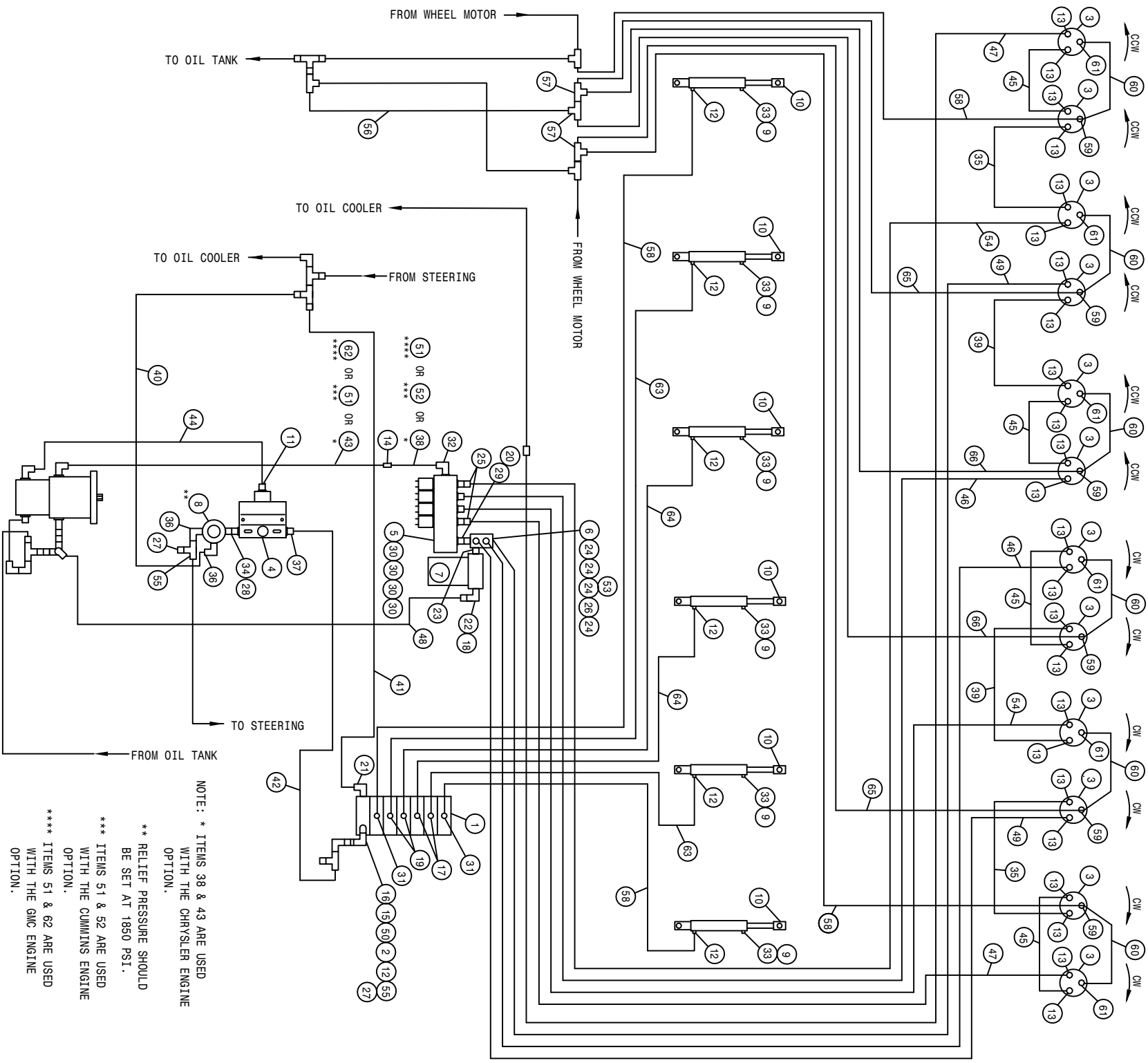
| DET. | QTY | PART NO. | DESCRIPTION | DET. | QTY | PART NO. | DESCRIPTION |
|------|-----|----------|--------------------------------|------|-----|----------|--------------------------------|
| 1 | 1 | 610613 | ELECT HYD STACT VLV, 4 SECT | 32 | 1 | 618178 | 1 5/16MJIC-90-1 5/16MOR LBO |
| 2 | 1 | 610447 | HYD FILTER, INLINE 1/4FNPT 90M | 33 | 4 | 501452 | ST EL 90DEG .25NPT, STEEL, PLT |
| 3 | 12 | 610590 | BARNES HYD MOTOR | *34 | 1 | 500000 | 1/2NMP HEX PIPE NIPPLE STL |
| *4 | 1 | 607504 | FLO DIV B50 2-8GPM 7/8 FOR | 35 | 2 | 614384 | 08C1T-08FJX-08FJX-237 H/A |
| 5 | 1 | 610467 | MODULAR MTR CONTROL ELECT VLV | *36 | 2 | 618107 | 9/16MJIC-90-1/2MNP LBO |
| *6 | 1 | 614633 | HYD MANIF 8200 86 | *37 | 1 | 618310 | 9/16MJIC-7/8MOR ADPTR |
| *7 | 1 | 605601 | GRESEN FILTER 10 MICRON 40GPM | *38 | 1 | 614348 | 16C2AT-16FJX-16FJX-25 H/A |
| *8 | 1 | 607512 | RELIEF VALVE, RL50, 1850 PSI | 39 | 2 | 614375 | 08C1T-08FJX-08FJX-177 H/A |
| 9 | 4 | 470114 | BREATHER FILTER VENT, 1/4 NPT | *40 | 1 | 616042 | 04C1T-06FJX-06FJX-13 H/A |
| 10 | 4 | 620900 | CYL ASSY CC2016 D00 SRG 180 | *41 | 1 | 614627 | 06C1T-06FJX-06FJX-45 H/A |
| *11 | 1 | 611126 | 7/8MJIC-7/8MOR ADPTR | *42 | 1 | 615616 | 04C1T-06FJX-06FJX-65 H/A |
| 12 | 5 | 611122 | 9/16MJIC-90-1/4MNP LBO | *43 | 1 | 614687 | HYD TUBE ASSY SUND AUX 200 90 |
| 13 | 24 | 611125 | 3/4MJIC-3/4MOR ADPTR | *44 | 1 | 614664 | 10C1T-10FJX-10FJX-98 H/A |
| *14 | 1 | 618577 | 1 5/16MJIC UNION | 45 | 8 | 614368 | 08C1T-08FJX-08FJX-60 H/A |
| 15 | 1 | 618440 | 9/16MJIC-90-9/16MOR EX LG LBO | 46 | 4 | 614098 | 04C1T-06FJX-06FJX-201 H/A |
| 16 | 1 | 618170 | 3/4MOR-9/16FOR ADPTR | 47 | 2 | 614378 | 08C1T-08FJX-08FJX-207 H/A |
| 17 | 1 | 618119 | 9/16MJIC-90-9/16MOR LBO | *48 | 1 | 601289 | HOSE, 1 1/4 X 144 ZBR RED |
| *18 | 1 | 715660 | HOSE BARB 1 1/4NPT X 1 1/4 | 49 | 2 | 611202 | 04C1T-06FJX-06FJX-136 H/A |
| 19 | 2 | 618425 | 9/16MJIC-45-9/16MOR LBO | 50 | 1 | 618608 | 9/16FJIC SWIV-1/4MNP |
| *20 | 1 | 618587 | 1 5/16FJIC SWIV-1MNP | *51 | 1 | 614350 | 16C2AT-16FJX-16FJX-55 H/A |
| 21 | 1 | 618600 | 9/16MJIC-90-7/8MOR LBO | *52 | 1 | 614703 | HYD TUBE ASSY, 200 MAIN 92 |
| *22 | 1 | 506410 | BLK PIPE ST EL 90DEG 1.25NPT | *53 | 1 | 618532 | 3/4FJIC CAP NUT |
| *23 | 1 | 618144 | 1 1/4-1MP HEX PIPE NIPPLE STL | 54 | 2 | 618486 | 08C1T-08FJX-08FJX-267 H/A |
| *24 | 4 | 611145 | 3/4MJIC-90-1/2MNP LBO | *55 | 2 | 618486 | 9/16FJIC SW RUN TEE-9/16MJIC |
| 25 | 2 | 618590 | 3/4MJIC-45-3/4FJIC SWIV LBO | 56 | 1 | 616026 | 04C1T-06FJX-06FJX-37 H/A |
| *26 | 1 | 503700 | PIPE PLUG .50NPT SQ HD | 57 | 1 | 610193 | 9/16MJIC BLKHD BRANCH TEE |
| *27 | 2 | 618531 | 9/16FJIC CAP NUT | 58 | 2 | 614554 | 04C1T-06FJX-06FJX-240 H/A |
| *28 | 1 | 618072 | 7/8MOR-1/2FNPT ADPTR | 59 | 8 | 618546 | 1/8MNP RUN TEE-9/16MJIC |
| 29 | 1 | 618186 | 1 5/16MJIC-1 5/16MOR ADPTR | 60 | 8 | 611206 | 04C1T-06FJX-06FJX-66 H/A |
| 30 | 4 | 618469 | 3/4MJIC-1 1/16MOR ADPTR | 61 | 4 | 618530 | 9/16MJIC-1/8MNP ADPTR |
| 31 | 1 | 618126 | 9/16MJIC-9/16MOR ADPTR | *62 | 1 | 614719 | HYD TUBE ASSY, AUX 204 GMC 96 |



NOTE: * ITEMS 38 & 43 ARE USED WITH THE CHRYSLER ENGINE OPTION.
 ** RELIEF PRESSURE SHOULD BE SET AT 1850 PSI.
 *** ITEMS 52 & 51 ARE USED WITH THE CUMMINS ENGINE OPTION.
 **** ITEMS 51 & 62 ARE USED WITH THE GMC ENGINE OPTION.

204 10R CUTR 4L W/T-TROL HYD SCHEM 95
REFERENCE DRAWING NO. 498518

| DET. | QTY | PART NO. | DESCRIPTION | DET. | QTY | PART NO. | DESCRIPTION |
|------|-----|----------|--------------------------------|------|-----|----------|-------------------------------|
| 1 | 1 | 610613 | ELECT HYD STACT VLV, 4 SECT | 32 | 1 | 618178 | 1 5/16MJIC-90-1 5/16MOR LBO |
| 2 | 1 | 610447 | HYD FILTER, INLINE 1/4FNPT 90M | 33 | 4 | 501452 | ST EL 90DEG .25NPT, STEEL,PLT |
| 3 | 10 | 610590 | BARNES HYD MOTOR | *34 | 1 | 500000 | 1/2MNPT HEX PIPE NIPPLE STL |
| *4 | 1 | 607504 | FLO DIV B50 2-8GPM 7/8 FOR | 35 | 2 | 614384 | 08CIT-08FJX-08FJX-237 |
| 5 | 1 | 610467 | MODULAR MTR CONTROL ELECT VLV | *36 | 2 | 618107 | 9/16MJIC-90-1/2MNPT LBO |
| *6 | 1 | 614633 | HYD MANIF 8200 86 | *37 | 1 | 618310 | 9/16MJIC-7/8MOR ADPTR |
| *7 | 1 | 605601 | GRESEN FILTER 10 MICRON 40GPM | *38 | 1 | 614348 | 16C2AT-16FJX-16FJX-25 |
| *8 | 1 | 607512 | RELIEF VALVE, RLSO, 1850 PSI | 39 | 2 | 614375 | 08CIT-08FJX-08FJX-177 |
| 9 | 4 | 470114 | BREATHER FILTER VENT, 1/4 NPT | *40 | 1 | 616042 | 04CIT-06FJX-06FJX-13 |
| 10 | 4 | 620900 | CYL ASSY CC2016 D00 SRG 180 | *41 | 1 | 614627 | 06CIT-06FJX-06FJX-45 |
| *11 | 1 | 611126 | 7/8MJIC-7/8MOR ADPTR | *42 | 1 | 615616 | 04CIT-06FJX-06FJX-65 |
| 12 | 5 | 611122 | 9/16MJIC-90-1/4MNPT LBO | *43 | 1 | 614687 | HYD TUBE ASSY SUND AUX 200 90 |
| 13 | 20 | 611125 | 3/4MJIC-3/4MOR ADPTR | *44 | 1 | 614664 | 10CIT-10FJX-10FJX-98 |
| *14 | 1 | 618577 | 1 5/16MJIC UNION | 45 | 6 | 614368 | 08CIT-08FJX-08FJX-60 |
| 15 | 1 | 618440 | 9/16MJIC-90-9/16MOR EX LG LBO | 46 | 4 | 614098 | 04CIT-06FJX-06FJX-201 |
| 16 | 1 | 618170 | 3/4MOR-9/16FOR ADPTR | 47 | 2 | 614378 | 08CIT-08FJX-08FJX-207 |
| 17 | 1 | 618119 | 9/16MJIC-90-9/16MOR LBO | *48 | 1 | 601289 | HOSE, 1 1/4 X 144 2BR RED |
| *18 | 1 | 715660 | HOSE BARB 1 1/4NPT X 1 1/4 | 49 | 2 | 611202 | 04CIT-06FJX-06FJX-136 |
| 19 | 2 | 618425 | 9/16MJIC-45-9/16MOR LBO | 50 | 1 | 618608 | 9/16FJIC SWIV-1/4MNPT |
| *20 | 1 | 618587 | 1 5/16FJIC SWIV-1MNPT | *51 | 1 | 614350 | 16C2AT-16FJX-16FJX-55 |
| 21 | 1 | 618600 | 9/16MJIC-90-7/8MOR LBO | *52 | 1 | 614703 | HYD TUBE ASSY, 200 MAIN |
| *22 | 1 | 506410 | BLK PIPE ST EL 90DEG 1.25NPT | *53 | 1 | 618532 | 3/4FJIC CAP NUT |
| *23 | 1 | 618144 | 1 1/4-1MP HEX PIPE NIPPLE STL | 54 | 2 | 614387 | 08CIT-08FJX-08FJX-267 |
| *24 | 4 | 611145 | 3/4MJIC-90-1/2MNPT LBO | *55 | 2 | 618486 | 9/16FJIC SW RUN TEE-9/16MJIC |
| 25 | 2 | 618590 | 3/4MJIC-45-3/4FJIC SWIV LBO | 56 | 1 | 616026 | 04CIT-06FJX-06FJX-37 |
| *26 | 1 | 503700 | PIPE PLUG .50NPT SQ HD | 57 | 1 | 610193 | 9/16MJIC BLKHD BRANCH TEE |
| *27 | 2 | 618531 | 9/16FJIC CAP NUT | 58 | 2 | 614554 | 04CIT-06FJX-06FJX-240 |
| *28 | 1 | 618072 | 7/8MOR-1/2FNPT ADPTR | 59 | 6 | 618546 | 1/8MNPT RUN TEE-9/16MJIC |
| 29 | 1 | 618186 | 1 5/16MJIC-1 5/16MOR ADPTR | 60 | 6 | 611206 | 04CIT-06FJX-06FJX-66 |
| 30 | 4 | 618469 | 3/4MJIC-1 1/16MOR ADPTR | 61 | 4 | 618530 | 9/16MJIC-1/8MNPT ADPTR |
| 31 | 1 | 618126 | 9/16MJIC-9/16MOR ADPTR | *62 | 1 | 614719 | HYD TUBE ASSY, AUX 204 GMC 96 |



204 12R CUTR 6L W/T-TROL HYD SCHEM 96
REFERENCE DRAWING NO. 498508

| DET. | QTY | PART NO. | DESCRIPTION | DET. | QTY | PART NO. | DESCRIPTION |
|------|-----|----------|--------------------------------|------|-----|----------|-------------------------------|
| 1 | 1 | 610615 | ELECT HYD STACT VLV, 6 SECT | *34 | 1 | 500000 | 1/2MNPT HEX PIPE NIPPLE STL |
| 2 | 1 | 610447 | HYD FILTER, INLINE 1/4FNPT 90M | 35 | 2 | 614690 | 08C1T-08FJX-08FJX-192 |
| 3 | 12 | 610590 | BARNES HYD MOTOR | *36 | 2 | 618107 | 9/16MJIC-90-1/2MNPT LBO |
| *4 | 1 | 607504 | FLO DIV B50 2-8GPM 7/8 FOR | *37 | 1 | 618310 | 9/16MJIC-7/8MOR ADPTR |
| 5 | 1 | 610467 | MODULAR MTR CONTROL ELECT VLV | *38 | 1 | 614348 | 16C2AT-16FJX-16FJX-25 |
| *6 | 1 | 614633 | HYD MANIF 8200 86 | 39 | 2 | 614384 | 08C1T-08FJX-08FJX-237 |
| *7 | 1 | 605601 | GRESEN FILTER 10 MICRON 40GPM | *40 | 1 | 616042 | 04C1T-06FJX-06FJX-13 |
| *8 | 1 | 607512 | RELIEF VALVE, RL50, 1850 PSI | *41 | 1 | 614627 | 06C1T-06FJX-06FJX-45 |
| 9 | 6 | 470114 | BREATHER FILTER VENT, 1/4 NPT | *42 | 1 | 615616 | 04C1T-06FJX-06FJX-65 |
| 10 | 6 | 620900 | CYL ASSY CC2016 D00 SRG 180 | *43 | 1 | 614687 | HYD TUBE ASSY SUND AUX 200 90 |
| *11 | 1 | 611126 | 7/8MJIC-7/8MOR ADPTR | *44 | 1 | 614664 | 10C1T-10FJX-10FJX-98 |
| 12 | 7 | 611122 | 9/16MJIC-90-1/4MNPT LBO | 45 | 4 | 614368 | 08C1T-08FJX-08FJX-60 |
| 13 | 24 | 611125 | 3/4MJIC-3/4MOR ADPTR | 46 | 2 | 614689 | 08C1T-08FJX-08FJX-120 |
| *14 | 1 | 618577 | 1 5/16MJIC UNION | 47 | 2 | 614387 | 08C1T-08FJX-08FJX-267 |
| 15 | 1 | 618440 | 9/16MJIC-90-9/16MOR EX LG LBO | *48 | 1 | 601289 | HOSE, 1 1/4 X 144 2BR RED |
| 16 | 1 | 618170 | 3/4MOR-9/16FOR ADPTR | 49 | 2 | 614691 | 08C1T-08FJX-08FJX-220 |
| 17 | 2 | 618119 | 9/16MJIC-90-9/16MOR LBO | 50 | 1 | 618608 | 9/16FJIC SWITV-1/4MNPT |
| *18 | 1 | 715660 | HOSE BARB 1 1/4NPT X 1 1/4 | *51 | 1 | 614350 | 16C2AT-16FJX-16FJX-55 |
| 19 | 2 | 618425 | 9/16MJIC-45-9/16MOR LBO | *52 | 1 | 614703 | HYD TUBE ASSY, 200 MAIN |
| *20 | 1 | 618587 | 1 5/16FJIC SWITV-1MNPT | *53 | 1 | 618532 | 3/4FJIC CAP NUT |
| 21 | 1 | 618600 | 9/16MJIC-90-7/8MOR LBO | 54 | 2 | 614378 | 08C1T-08FJX-08FJX-207 |
| *22 | 1 | 506410 | BLK PIPE ST EL 90DEG 1.25NPT | *55 | 2 | 618486 | 9/16FJIC SW RUN TEE-9/16MJIC |
| *23 | 1 | 618144 | 1 1/4-1MP HEX PIPE NIPPLE STL | 56 | 1 | 616026 | 04C1T-06FJX-06FJX-37 |
| *24 | 4 | 611145 | 3/4MJIC-90-1/2MNPT LBO | 57 | 3 | 610193 | 9/16MJIC BLKHD BRANCH TEE |
| 25 | 2 | 618590 | 3/4MJIC-45-3/4FJIC SWIV LBO | 58 | 4 | 614377 | 04C1T-06FJX-06FJX-258 |
| *26 | 1 | 503700 | PIPE PLUG .50NPT SQ HD | 59 | 6 | 618546 | 1/8MNPT RUN TEE-9/16MJIC |
| 27 | 2 | 618531 | 9/16FJIC CAP NUT | 60 | 6 | 611206 | 04C1T-06FJX-06FJX-66 |
| *28 | 1 | 618072 | 7/8MOR-1/2FNPT ADPTR | 61 | 6 | 618530 | 9/16MJIC-1/8MNPT ADPTR |
| 29 | 1 | 618186 | 1 5/16MJIC-1 5/16MOR ADPTR | *62 | 1 | 614719 | HYD TUBE ASSY, AUX 204 GMC 96 |
| 30 | 4 | 618469 | 3/4MJIC-1 1/16MOR ADPTR | 63 | 2 | 611246 | 04C1T-06FJX-06FJX-174 |
| 31 | 2 | 618126 | 9/16MJIC-9/16MOR ADPTR | 64 | 2 | 614101 | 04C1T-06FJX-06FJX-133 |
| 32 | 1 | 618178 | 1 5/16MJIC-90-1 5/16MOR LBO | 65 | 2 | 614100 | 04C1T-06FJX-06FJX-211 |
| 33 | 6 | 501452 | ST EL 90DEG .25NPT, STEEL,PLT | 66 | 2 | 614076 | 04C1T-06FJX-06FJX-119 |

ABBREVIATIONS

| | |
|------------------------------------|-------------------------------|
| A/C - AIR CONDITIONER | MT - MOUNT |
| ADPTR - ADAPTER | MTR - MOTOR |
| AGI - AGITATOR | P/N - PART NUMBER |
| ALT - ALTERNATOR | PLT - PLATE |
| ASSY - ASSEMBLY | QTY - QUANTITY |
| BRKT - BRACKET | RED - REDUCER |
| DET - DETAIL | REF - REFERENCE |
| DISPL - DISPLACEMENT | REST - RESTRICTOR |
| EL - ELBOW | REQ - REQUIRED |
| EXT - EXTENSION | SHFT - SHAFT |
| FLO - FLOW | SOL - SOLUTION |
| FNPT - FEMALE NATIONAL PIPE THREAD | STRG - STEERING |
| FOR - FEMALE O-RING | ST - STREET |
| FRT - FRONT | SWIV - SWIVEL |
| HYD - HYDRAULIC | UNC - UNIFIED NATIONAL COURSE |
| HYDRO - HYDROSTATIC | UNF - UNIFIED NATIONAL FINE |
| LG - LONG | V - VOLT |
| LWR - LOWER | W/ - WITH |
| MJIC - MALE J.I.C. | WHL - WHEEL |
| MOR - MALE O-RING | WLD - WELDMENT |

-A-

ABBREVIATIONS.....170

ACTUATOR,
 EXTENSION.....82

AIR CLEANER.....19,20,21

BAND.....19,20,21

CAP.....19,20,21

CLAMP.....19,20,21

FILTER.....19,20,21

HOSE.....19,20,21

AIR INTAKE SCREEN.....24

ALTERNATOR.....4

ARM.....4

ARM,
 SENSOR.....79

STEERING.....26

-B-

BAND, AIR CLEANER.....19,20,21

BATTERY.....25

BOX.....25

CABLE.....25

HOLD DOWN.....25

BELT.....4,7,9

BLADE,
 CHOPPER.....72,73,74,75

CUTTER.....70,72,73,74,75

FAN.....4,7,9

BLOCK, TERMINAL.....45

BOX,
 CONTROL.....76,77

MANUAL SWITCH.....77

BRACKET, THROTTLE.....5,9

BRAKE
 CABLE.....27

DISC.....27

LEVER.....41

MOUNT.....27

PAD.....27

BREATHER.....34

-C-

CAB.....83

CABLE,
 BRAKE.....27

CHOKE.....45

HYDROSTATIC.....47

THROTTLE.....47

CANOPY.....90

CAP,
 AIR CLEANER.....19,20,21

FUEL.....35,36

RADIATOR.....24

STEERING.....42

CHAIN COUPLER.....68

CHOKE CABLE.....45

CHOPPER,
 BLADE.....72,73,74,75

MALE ROW.....72,73,74,75

CIRCUIT BREAKER.....45

CLAMP,
 MUFFLER.....20,22,23

TEE.....14

COIL.....4

CONSOLE.....45

PANEL.....44

CONTROL BOX.....76

COVER.....42

COVER, RECEPTACLE.....78

CUTTER
 BLADE.....70

HEAD.....70

CYLINDER
 LEG.....29

LIFT.....67

STEERING.....33

-D-

DECALS.....94,95

DEFLECTOR.....53

DEPTH COMMAND.....80,82

DIAGRAM, WIRING...96,97,98,99,100

DIFFUSER, SUMP.....34

DIPSTICK.....34

DISC,
 BRAKE.....27

SENSOR.....27

DRAIN COCK, RADIATOR.....24

DRINK HOLDER.....45

DRIVE ASSEMBLY.....6,8

-E-

ELECTRIC VALVE.....62,63,64,65

ENGINE,
 CHRYSLER.....4,5

CUMMINS.....6,7

GMC.....8,9

HOOD.....48

HOOD PROP.....48

EXHAUST PIPE.....20,22,23

-F-

FAN BLADE.....4,7,9

FAN SPACER.....4,7,9

FILTER
 FUEL.....4,6,36
 OIL.....4,7,9,17,34,51
 FLASHER
 LIGHT.....48,83,90
 SWITCH.....42
 FLOW DIVIDER.....18
 FLOW REGULATOR.....68,71
 FLUSHING VALVE.....16
 FOAM.....24,39,83,90
 FRONT LEG.....25
 FUEL
 CAP.....35,36
 GAUGE.....43
 PUMP.....37
 SELECTOR VALVE.....35
 SENDER.....35,36
 TANK.....35,36
 FUSE.....44,80,81
 HOLDER.....44,80,81

-G-

GAUGE,
 FUEL.....43
 OIL PRESSURE.....43
 TEMPERATURE.....43
 GEAR MOTOR.....68
 GEAR PUMP.....10,11
 GOVERNOR.....5
 MOUNT.....5
 GROUND STRAP.....5,6,8

-H-

HANDRAIL.....38
 HEAD,
 CUTTER.....70
 PULLER.....69,71
 ROLLER PULLER.....68
 HEADLIGHT.....83,90
 HEAT SHIELD.....4,9,22,23
 HOLD DOWN, BATTERY.....25
 HOLDER, DRINK.....45
 HOSE,
 AIR CLEANER.....19,20,21
 RADIATOR.....4,7,9
 HOUR METER.....43
 HYDRAULIC
 MOTOR.....68,69,70,71,74,75
 SCHEMATIC.....124
 HYDROSTATIC
 CABLE MOUNT.....4,8
 LEVER.....46

-I-

IGNITION MODULATOR.....5

INDICATOR
 LIGHT.....42,43
 MPH/RPM.....43
 INNER TUBE.....30
 INSTRUMENT PANEL.....43

-K-

KIT, LIGHT.....43
 KNOB.....42

-L-

LADDER.....38
 LEG
 CYLINDER.....29
 FRONT.....26
 REAR.....28
 SHIM.....25
 SLEEVE, NYLON.....25
 LEVER,
 BRAKE.....41
 HYDROSTATIC.....46
 THROTTLE.....47
 LIFTARM.....43,57
 LIFT CYLINDER.....67
 LIGHT,
 FLASHER.....48,83,90
 KIT.....43
 SWITCH.....44
 LS CROSSTUBE.....79
 LS SENSOR.....79

-M-

MALE ROW CHOPPER.....72,73,74,75
 MANIFOLD, HYDRAULIC.....51
 MANUAL SWITCH.....77
 MOTOR,
 CONTROL VALVE.....50
 MOUNT.....4,6,7,8,9
 STEERING.....42
 MOUNT,
 BRAKE.....26
 GOVERNOR.....4
 HYDROSTATIC CABLE.....4,8
 RADIATOR.....24
 RECEPTACLE.....78
 RUBBER.....6,39
 MPH/RPM INDICATOR.....43
 MUFFLER.....20,22,23
 CLAMP.....20,22,23
 HEAT SHIELD.....22,23
 MULLION.....48

-N-

NOISE DEFLECTOR SHIELD.....39

-0-

OIL
COOLER.....24
FILTER.....4,8
PRESSURE GAUGE.....43
PRESSURE SENDER.....5,6,8
TANK.....32
OPERATOR STATION.....39
OUTPUT SHAFT.....5
OUTRIGGER.....52,54,58

-P-

PAD, BRAKE.....27
PANEL, INSTRUMENT.....43
PHOTO SENSOR.....79
PIPE, EXHAUST.....20,22,23
PIVOT PIN.....52,54,58
PIVOT, STEERING.....32
PLATFORM, SERVICE.....38
POSITRACCTION VALVE.....13,14,15
PROP ENGINE HOOD.....48
PULLER
HEAD.....69,71
SHIELD.....69,71
PUMP,
FUEL.....37
GEAR.....10,11,12
SUNDSTRAND.....10,11,12

-R-

RADIATOR.....24
HOSE.....4,7,9
MOUNT.....24
SHROUD.....24
REAR LEG.....28
RECEPTACLE
COVER.....78
MOUNT.....78
RECOVERY TANK.....24
REGULATOR, FLOW.....68,71
RELIEF VALVE.....18
RIM.....30
ROLLER, PULLER HEAD.....68
ROOF, CANOPY.....90
RUBBER.....83,90
BOOT.....44
HOOK.....48
MOUNT.....6,7,39

-S-

SCHEMATIC,
HYDRAULIC.....124
WIRING.....102
SCREEN, AIR INTAKE.....24

SEAT.....40

SELECTOR VALVE FUEL.....35
SENDER,
FUEL.....35,36

OIL PRESSURE.....5,6
TEMPERTURE.....4,7,9
SENSOR,
ARM.....79

DISC.....27
MPH.....27
SERVICE PLATFORM.....38
SHAFT, OUTPUT.....5
SHEET METAL.....48,49
SHIELD,
FUEL.....37

HEAT.....4,9,24
NOISE DEFLECTOR.....39
PULLER.....69,71
WHEEL MOTOR.....27
SHIM, LEG.....26,28
SHROUD, RADIATOR.....24
SMV SIGN.....49
SOLENOID, STARTER.....5
SPACER,
FAN.....4,7

SUNDSTRAND RING.....5
STABILIZER TUBE.....52,54,58
STALK GUIDE.....29,68,70,71
STARTER.....5
STEERING,
ARM.....26

CYLINDER.....33
MOTOR.....42
PIVOT.....30
POST.....42
WHEEL.....42
STRAP, GROUND.....5,6,8
SUNDSTRAND PUMP.....10,11,12
SUPPORT POST.....52,54,58
SWITCH.....39
BOX.....80,81
FLASHER.....42
LIGHT.....44
TOGGLE.....80,81,44

-T-

TAILLIGHT.....49
TANK,
FUEL.....35,36
OIL.....34
TEE CLAMP.....14,15
TEMPERTURE
GAUGE.....43
SENDER.....4,7,9
TERMINAL BLOCK.....45
THROTTLE
CABLE BRACKET.....5,6,9

| | |
|--------------------|-------------|
| LEVER..... | 47 |
| TIE ANGLE..... | 22,23 |
| TIE BAR..... | 52,54,58 |
| TIE PLATE..... | 22,23 |
| TIE ROD..... | 32 |
| TIRE..... | 30 |
| PULLER..... | 68,71 |
| TOGGLE SWITCH..... | 44 |
| TOOLBAR..... | 52,53,54,58 |
| TORQUE HUB..... | 27,28,91,92 |
| TUBE, | |
| AIR CLEANER..... | 19,20,21 |
| INNER..... | 30 |

-V-

| | |
|--------------------------|-------------|
| VALVE, | |
| ELECTRIC..... | 62,63,64,65 |
| FLUSHING..... | 16 |
| MOTOR CONTROL VALVE..... | 50 |
| POSITRACTION..... | 13,14,15 |
| VOL TMETER..... | 43 |

-W-

| | |
|-----------------|-----------------|
| WHEELMOTOR..... | 27,28 |
| SHIELD..... | 27 |
| WIRING, | |
| DIAGRAM..... | 96,97,98,99,100 |
| SCHEMATIC..... | 102 |

