

PARTS MANUAL
FOR
HAGIE MODEL 204 HI-TRACTOR
SPRAYER OPTION

HAGIE MANUFACTURING COMPANY

BOX 273 CLARION, IOWA 50525 (515) 532-2861

COVERS MACHINE SERIAL NUMBERS: 037499001 thru 037499100

11-98 493200
02-08

DETASSELER IDENTIFICATION

Each Hagie detasseler is identified by means of a frame serial number. This serial number denotes the model, the year in which it was built, and the number of the detasseler. As for further identification, the engine has a serial number, the hydrostatic pump has a serial number, the wheel motors have identification tags, and the planetary hubs have identification plates that describe the type of mount and gear ratio. To insure prompt, efficient service when ordering parts or requesting service repairs from Hagie Manufacturing Company, record the serial and identification numbers in the space provided below.

NOTE: Reference to left hand and right hand used throughout this manual refers to the position when seated in the operator's seat facing forward.

DETASSELER SERIAL NUMBER

ENGINE SERIAL NUMBER

PLANETARY HUB IDENTIFICATION NUMBERS

TABLE OF CONTENTS

FRONT LEG ASSEMBLY. 4-7

REAR LEG ASSEMBLY 8-9

RADIATOR AND OIL COOLER ASSEMBLY.10

SOLUTION VFC LEVER ASSEMBLY11

VARIABLE FLOW CONTROL ASSEMBLY.12

LADDER ASSEMBLY 13-14

SOLUTION CONTROL BOX ASSEMBLY15

SOLUTION SOLENOID VALVE ASSEMBLY.16

SOLUTION PUMP ASSEMBLY.17

SOLUTION TANK ASSEMBLY. 18-19

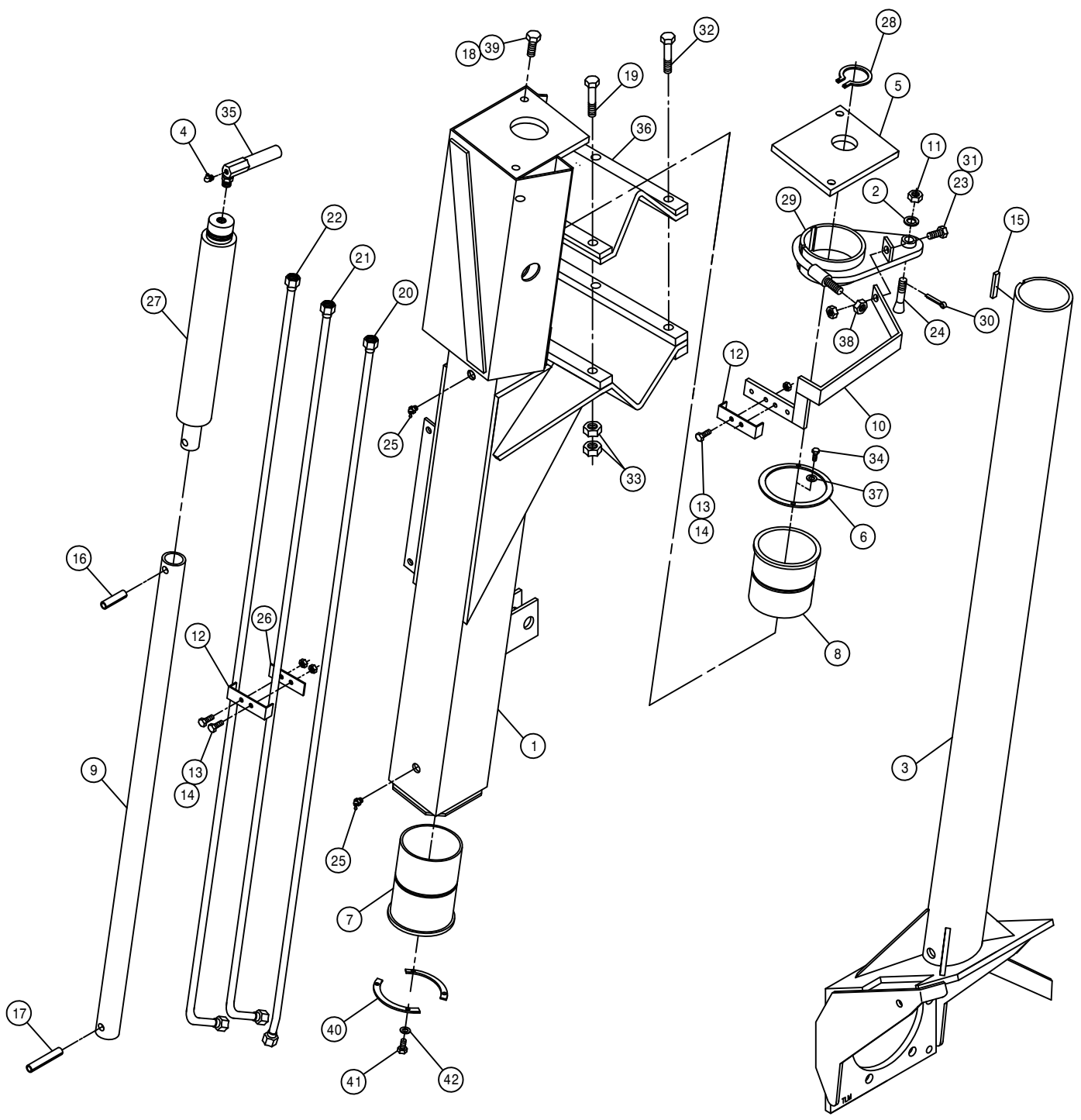
TANK SHIELD20

55" DROP NOZZLE ASSEMBLY.21

HYDRAULIC SCHEMATIC 22-27

WIRING DIAGRAM.28

4



COMBO RIGHT FRONT LEG ASSEMBLY

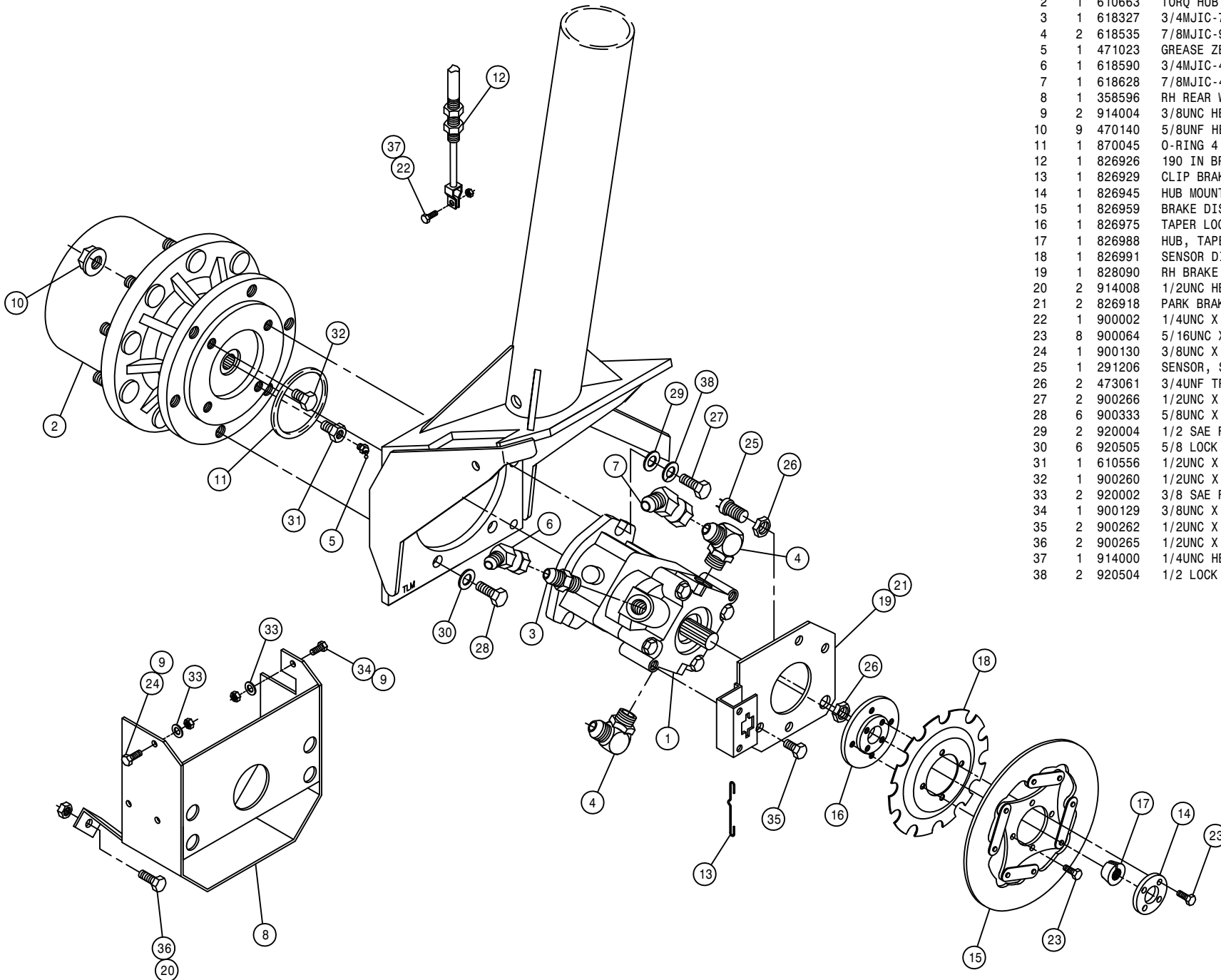
DET.	QTY	PART NO.	DESCRIPTION
1	1	357826	RH FRT OUTER LEG WLD204COMB099
2	1	920505	5/8 LOCK WASHER
3	1	357800	RH FRT INNER LEG WLD, 204 94
4	1	471027	GREASE ZERK 1/8NPT 90DEG LP
5	1	358562	LEG CYL MTG PLATE 280 89
6	1	358563	FRT LEG BRG KPR 280 89
7	1	358564	FRT LEG LWR NYL SLEEVE 280 89
8	1	358565	FRT LEG UPR NYL SLEEVE 280 89
9	1	358566	LEG CYL SHAFT EXTENSION280 89
10	1	358707	RH FRT LEG TUBE BRKT WLD280TA
11	1	822040	5/8-18UNF SLOTTED HEX NUT
12	2	358739	FRT LEG HYD TUBE CLMP, 284 94
13	4	900004	1/4UNC X 1 1/4 HEX BOLT
14	4	470121	1/4UNC HEX FLANGE LOCK NUT
15	1	470185	KEY .25 X .375 X 2.00 LG
16	1	473903	SPIRAL PIN 1/2 X 2 640
17	1	473904	SPIRAL PIN 1/2 X 3 640
18	2	914008	1/2UNC HEX STOVER NUT
19	3	900836	5/8UNF X 3 1/4 HEX BOLT GR8
20	1	615659	FRT LEG INNER HYD TUBE,204 94
21	1	615660	FRT LEG CNTR HYD TUBE,204 94
22	1	615661	FRT LEG OUTER HYD TUBE,204 94
23	1	900129	3/8UNC X 1" HEX BOLT
24	1	749293	STRG ARM BOLT, TAPERED
25	2	471023	GREASE ZERK 1/4-28 X 45
26	1	358740	FRT LEG HYD TUBE KPR, 284 94
27	1	620805	LEG LEVEL CYL ASSY,2.00 X 12.0
28	1	629515	SNAP RING 1 3/4 EXTRN HDUTY
29	1	749290	RH STRG ARM WLD,280 TREAD ADJ
30	1	470035	COTTER PIN 5/32 X 1 1/2
31	1	914004	3/8UNC HEX STOVER NUT
32	3	900837	5/8UNF X 3 1/2 HEX BOLT GR8
33	12	914811	5/8UNF HEX NUT GR8
34	2	900000	1/4UNC X 1/2 HEX BOLT
35	1	615614	FRT LEG CYL JUMPER HOSE280 89
36	1	358759	LEG MT V-PLT WLD, 284T 94
37	2	920500	1/4 LOCK WASHER
38	1	914010	5/8UNC HEX STOVER NUT
39	2	900265	1/2UNC X 1 1/2 HEX BOLT
40	2	358927	LWR BRG KPR, LEG 98
41	4	900064	5/16UNC X 3/4 HEX BOLT
42	4	920501	5/16 LOCK WASHER

200004

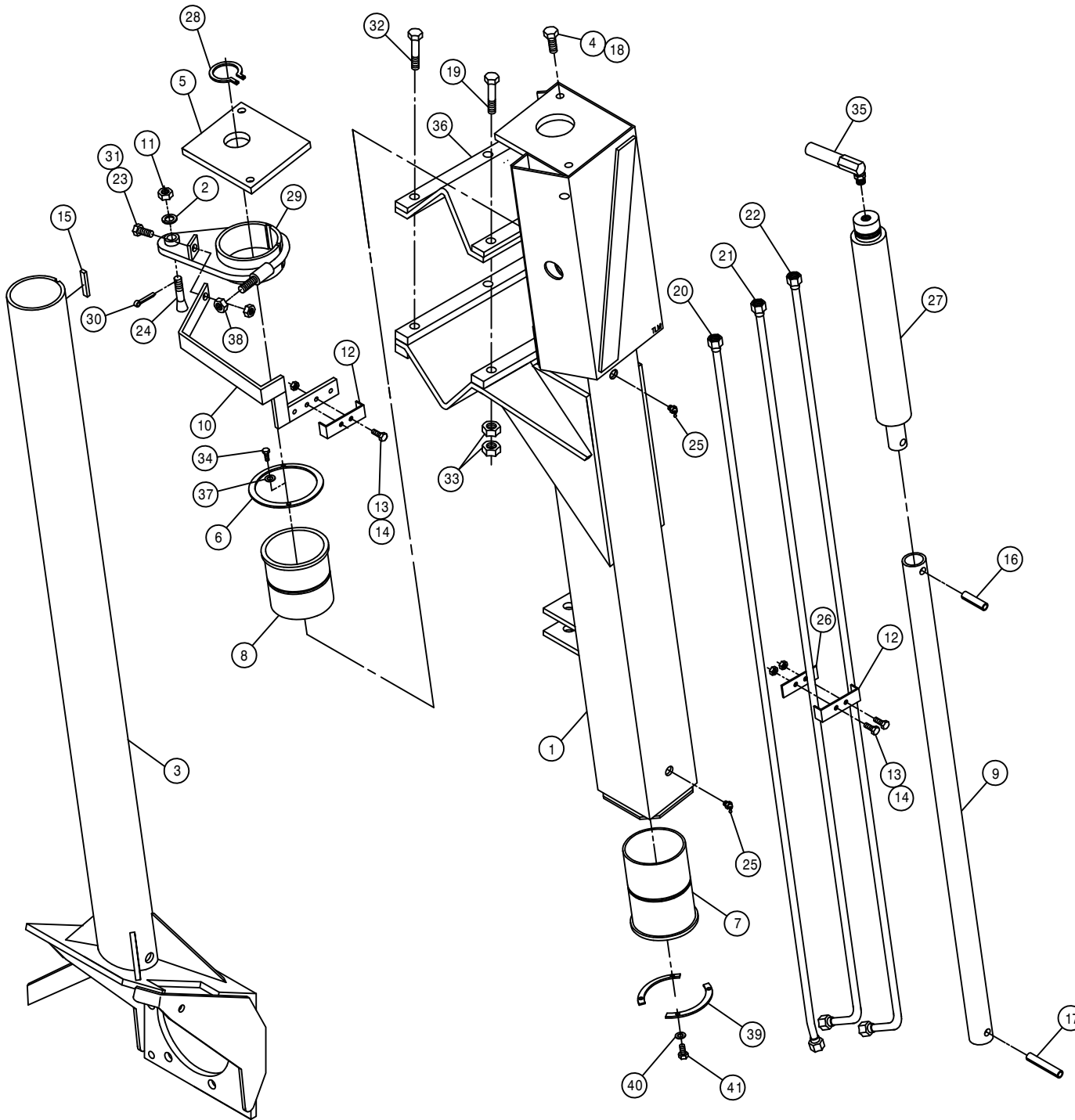
COMBO RIGHT FRONT LEG BRAKE ASSEMBLY

DET. QTY PART NO. DESCRIPTION

DET.	QTY	PART NO.	DESCRIPTION
1	1	610557	SUND M35-3102 WHL MTR W/SHFT
2	1	610663	TORQ HUB, 24:1 B-MT W1BFFZ
3	1	618327	3/4MJIC-7/8MOR ADPTR
4	2	618535	7/8MJIC-90-1 1/16MOR LBO
5	1	471023	GREASE ZERK 1/4-28 X 45
6	1	618590	3/4MJIC-45-3/4FJIC SWIV LBO
7	1	618628	7/8MJIC-45-7/8FJIC SWIV LBO
8	1	358596	RH REAR WHL MTR SHLD WLD 280
9	2	914004	3/8UNC HEX STOVER NUT
10	9	470140	5/8UNF HEX SMTH FLANGE NUT PLT
11	1	870045	O-RING 4 1/8 OD X 4 ID
12	1	826926	190 IN BRAKE CABLE
13	1	826929	CLIP BRAKE RETAINER
14	1	826945	HUB MOUNT, BRAKE
15	1	826959	BRAKE DISC SUB ASSY
16	1	826975	TAPER LOCK HUB
17	1	826988	HUB, TAPER LOCK 13 TEETH
18	1	826991	SENSOR DISC, 11N,280 BRAKE 93
19	1	828090	RH BRAKE MT WLD, 204 94
20	2	914008	1/2UNC HEX STOVER NUT
21	2	826918	PARK BRAKE PAD
22	1	900002	1/4UNC X 3/4 HEX BOLT
23	8	900064	5/16UNC X 3/4 HEX BOLT
24	1	900130	3/8UNC X 1 1/4 HEX BOLT
25	1	291206	SENSOR, SPEEDO/TACH W/NUT
26	2	473061	3/4UNF TRUSEAL HEX NUT
27	2	900266	1/2UNC X 1 3/4 HEX BOLT
28	6	900333	5/8UNC X 1 1/2 HEX BOLT
29	2	920004	1/2 SAE FLAT WASHER
30	6	920505	5/8 LOCK WASHER
31	1	610556	1/2UNC X 1/2 ZERK BOLT T-HUB
32	1	900260	1/2UNC X 1/2 H BOLT GR2 UNPLT
33	2	920002	3/8 SAE FLAT WASHER
34	1	900129	3/8UNC X 1" HEX BOLT
35	2	900262	1/2UNC X 3/4 HEX BOLT
36	2	900265	1/2UNC X 1 1/2 HEX BOLT
37	1	914000	1/4UNC HEX STOVER NUT
38	2	920504	1/2 LOCK WASHER



5



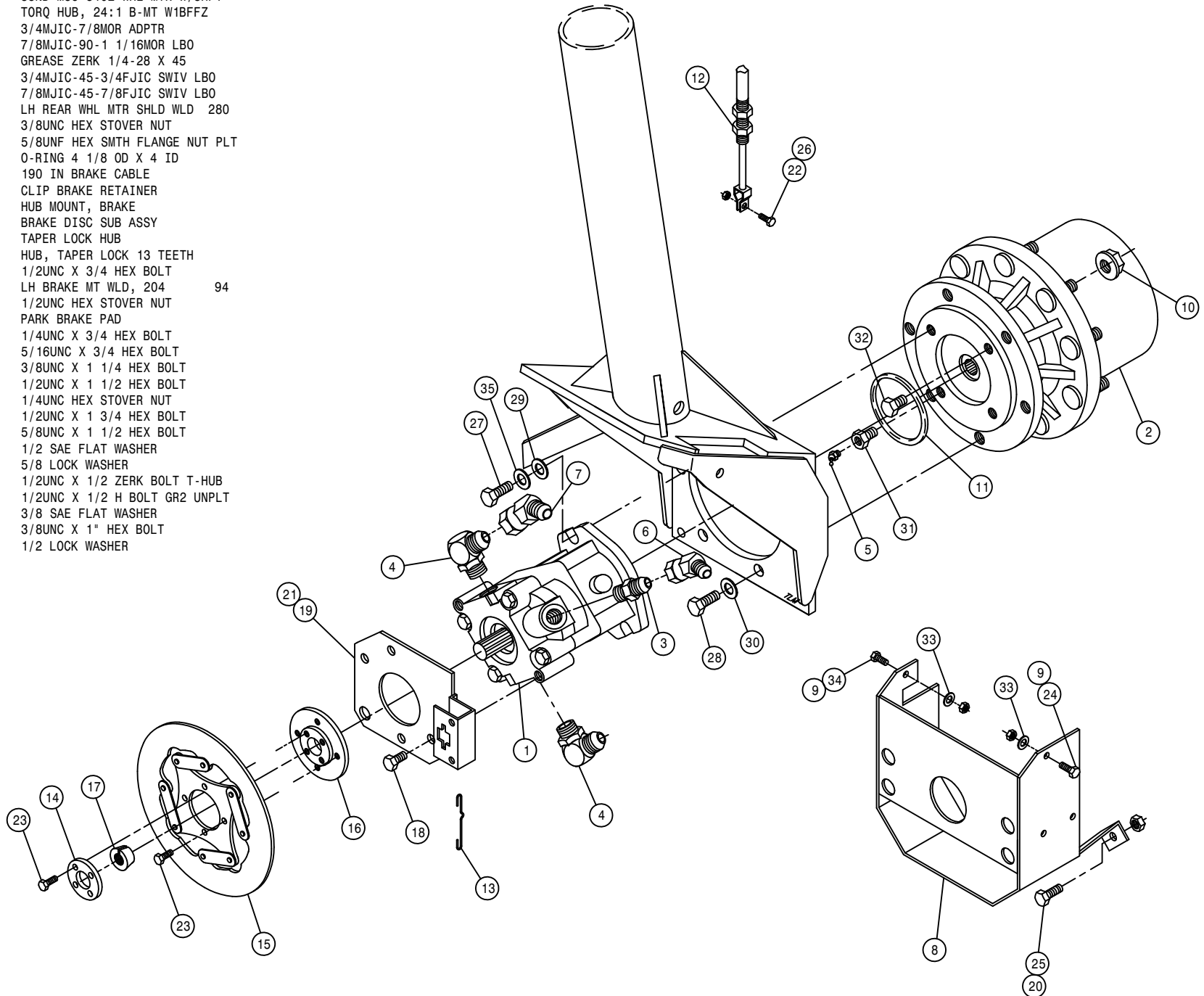
COMBO LEFT FRONT LEG ASSEMBLY

DET.	QTY	PART NO.	DESCRIPTION
	1	357827	LH FRT OUTER LEG WLD204COMBO99
	2	920505	5/8 LOCK WASHER
	3	357801	LH FRT INNER LEG WLD, 204 94
	4	900265	1/2UNC X 1 1/2 HEX BOLT
	5	358562	LEG CYL MTG PLATE 280 89
	6	358563	FRT LEG BRG KPR 280 89
	7	358564	FRT LEG LWR NYL SLEEVE 280 89
	8	358565	FRT LEG UPR NYL SLEEVE 280 89
	9	358566	LEG CYL SHAFT EXTENSION280 89
	10	358708	LH FRT LEG TUBE BRKT WLD280TA
	11	822040	5/8-18UNF SLOTTED HEX NUT
	12	358739	FRT LEG HYD TUBE CLMP, 284 94
	13	900004	1/4UNC X 1 1/4 HEX BOLT
	14	470121	1/4UNC HEX FLANGE LOCK NUT
	15	470185	KEY .25 X .375 X 2.00 LG
	16	473903	SPIRAL PIN 1/2 X 2 640
	17	473904	SPIRAL PIN 1/2 X 3 640
	18	914008	1/2UNC HEX STOVER NUT
	19	900836	5/8UNF X 3 1/4 HEX BOLT GR8
	20	615659	FRT LEG INNER HYD TUBE,204 94
	21	615660	FRT LEG CNTR HYD TUBE,204 94
	22	615661	FRT LEG OUTER HYD TUBE,204 94
	23	900129	3/8UNC X 1" HEX BOLT
	24	749293	STRG ARM BOLT, TAPERED
	25	471023	GREASE ZERK 1/4-28 X 45
	26	358740	FRT LEG HYD TUBE KPR, 284 94
	27	620805	LEG LEVEL CYL ASSY,2.00 X 12.0
	28	629515	SNAP RING 1 3/4 EXTRN HDUTY
	29	749291	LH STRG ARM WLD,280 TREAD ADJ
	30	470035	COTTER PIN 5/32 X 1 1/2
	31	914004	3/8UNC HEX STOVER NUT
	32	900837	5/8UNF X 3 1/2 HEX BOLT GR8
	33	914811	5/8UNF HEX NUT GR8
	34	900000	1/4UNC X 1/2 HEX BOLT
	35	615614	FRT LEG CYL JUMPER HOSE280 89
	36	358759	LEG MT V-PLT WLD, 284T 94
	37	920500	1/4 LOCK WASHER
	38	914010	5/8UNC HEX STOVER NUT
	39	358927	LWR BRG KPR, LEG 98
	40	920501	5/16 LOCK WASHER
	41	900064	5/16UNC X 3/4 HEX BOLT

COMBO LEFT FRONT LEG BRAKE ASSEMBLY

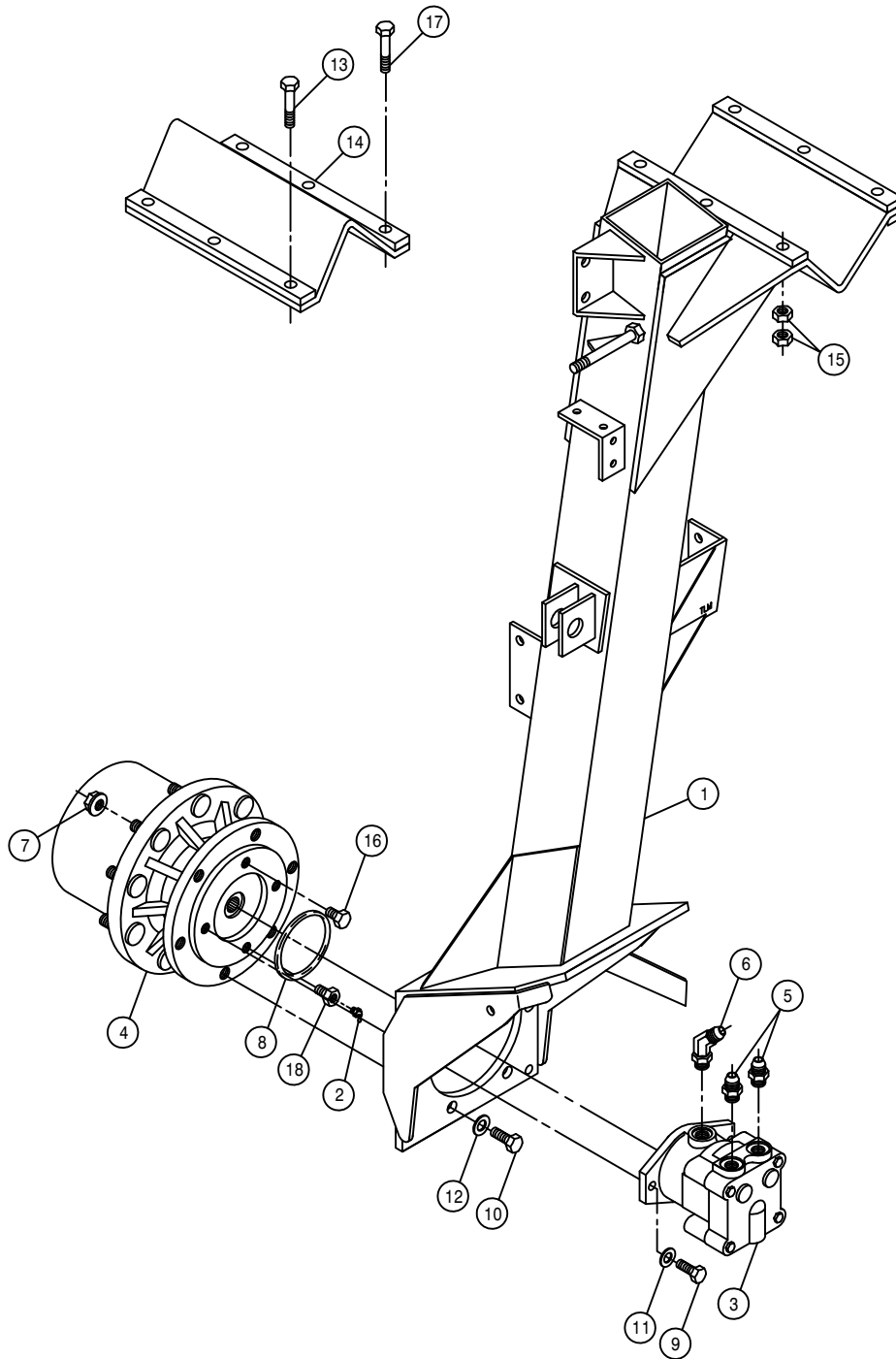
DET. QTY PART NO. DESCRIPTION

1	1	610557	SUND M35-3102 WHL MTR W/SHFT	
2	1	610663	TORQ HUB, 24:1 B-MT W1BFFZ	
3	1	618327	3/4MJIC-7/8MOR ADPTR	
4	2	618535	7/8MJIC-90-1 1/16MOR LBO	
5	1	471023	GREASE ZERK 1/4-28 X 45	
6	1	618590	3/4MJIC-45-3/4FJIC SWIV LBO	
7	1	618628	7/8MJIC-45-7/8FJIC SWIV LBO	
8	1	358597	LH REAR WHL MTR SHLD WLD 280	
9	2	914004	3/8UNC HEX STOVER NUT	
10	9	470140	5/8UNF HEX SMTH FLANGE NUT PLT	
11	1	870045	O-RING 4 1/8 OD X 4 ID	
12	1	826926	190 IN BRAKE CABLE	
13	1	826929	CLIP BRAKE RETAINER	
14	1	826945	HUB MOUNT, BRAKE	
15	1	826959	BRAKE DISC SUB ASSY	
16	1	826975	TAPER LOCK HUB	
17	1	826988	HUB, TAPER LOCK 13 TEETH	
18	2	900262	1/2UNC X 3/4 HEX BOLT	
19	1	828091	LH BRAKE MT WLD, 204	94
20	2	914008	1/2UNC HEX STOVER NUT	
21	2	826918	PARK BRAKE PAD	
22	1	900002	1/4UNC X 3/4 HEX BOLT	
23	8	900064	5/16UNC X 3/4 HEX BOLT	
24	1	900130	3/8UNC X 1 1/4 HEX BOLT	
25	2	900265	1/2UNC X 1 1/2 HEX BOLT	
26	1	914000	1/4UNC HEX STOVER NUT	
27	2	900266	1/2UNC X 1 3/4 HEX BOLT	
28	6	900333	5/8UNC X 1 1/2 HEX BOLT	
29	2	920004	1/2 SAE FLAT WASHER	
30	6	920505	5/8 LOCK WASHER	
31	1	610556	1/2UNC X 1/2 ZERK BOLT T-HUB	
32	1	900260	1/2UNC X 1/2 H BOLT GR2 UNPLT	
33	2	920002	3/8 SAE FLAT WASHER	
34	1	900129	3/8UNC X 1" HEX BOLT	
35	2	920504	1/2 LOCK WASHER	



7

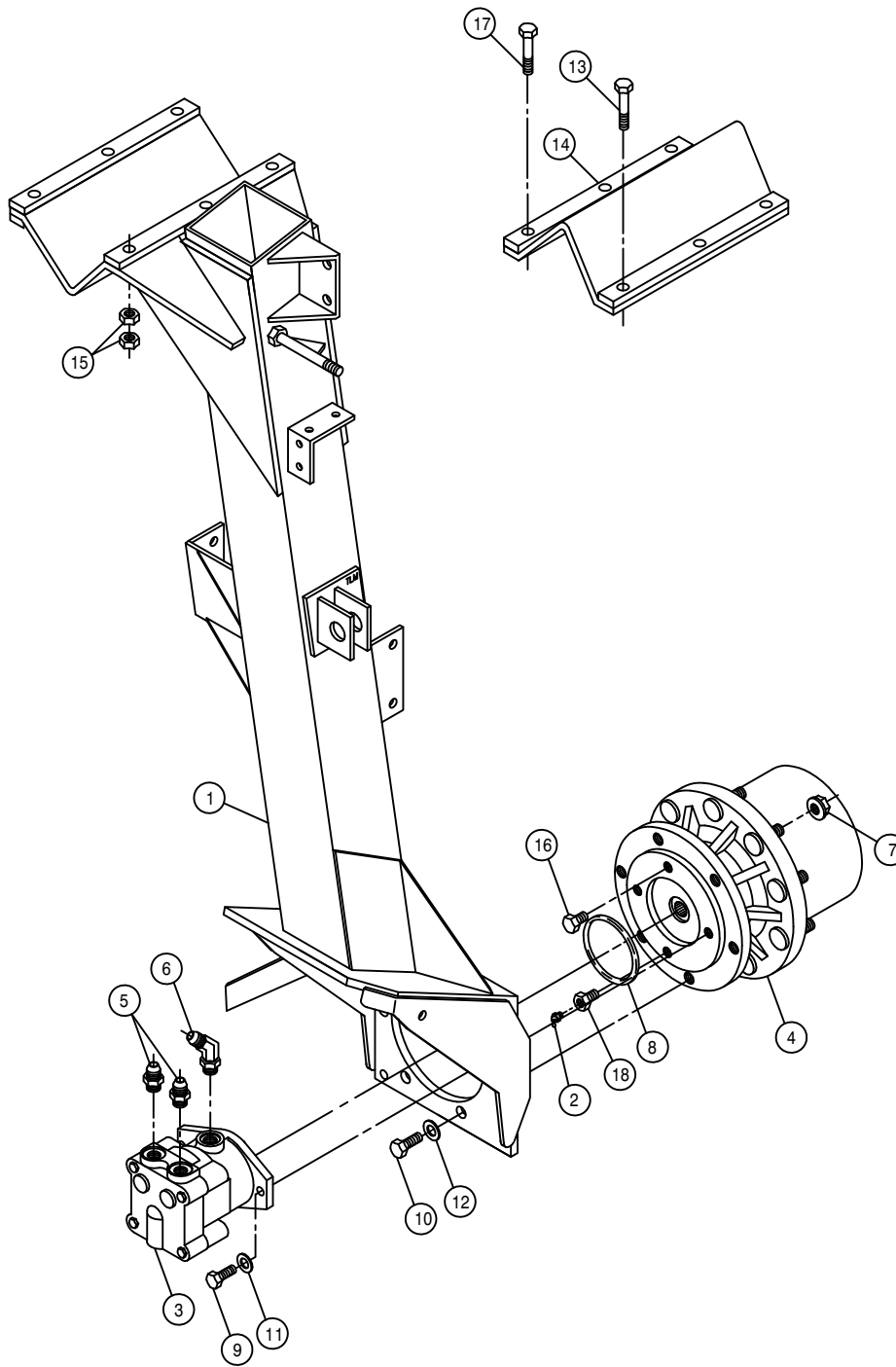
200007



COMBO RIGHT REAR LEG ASSEMBLY

DET. QTY PART NO. DESCRIPTION

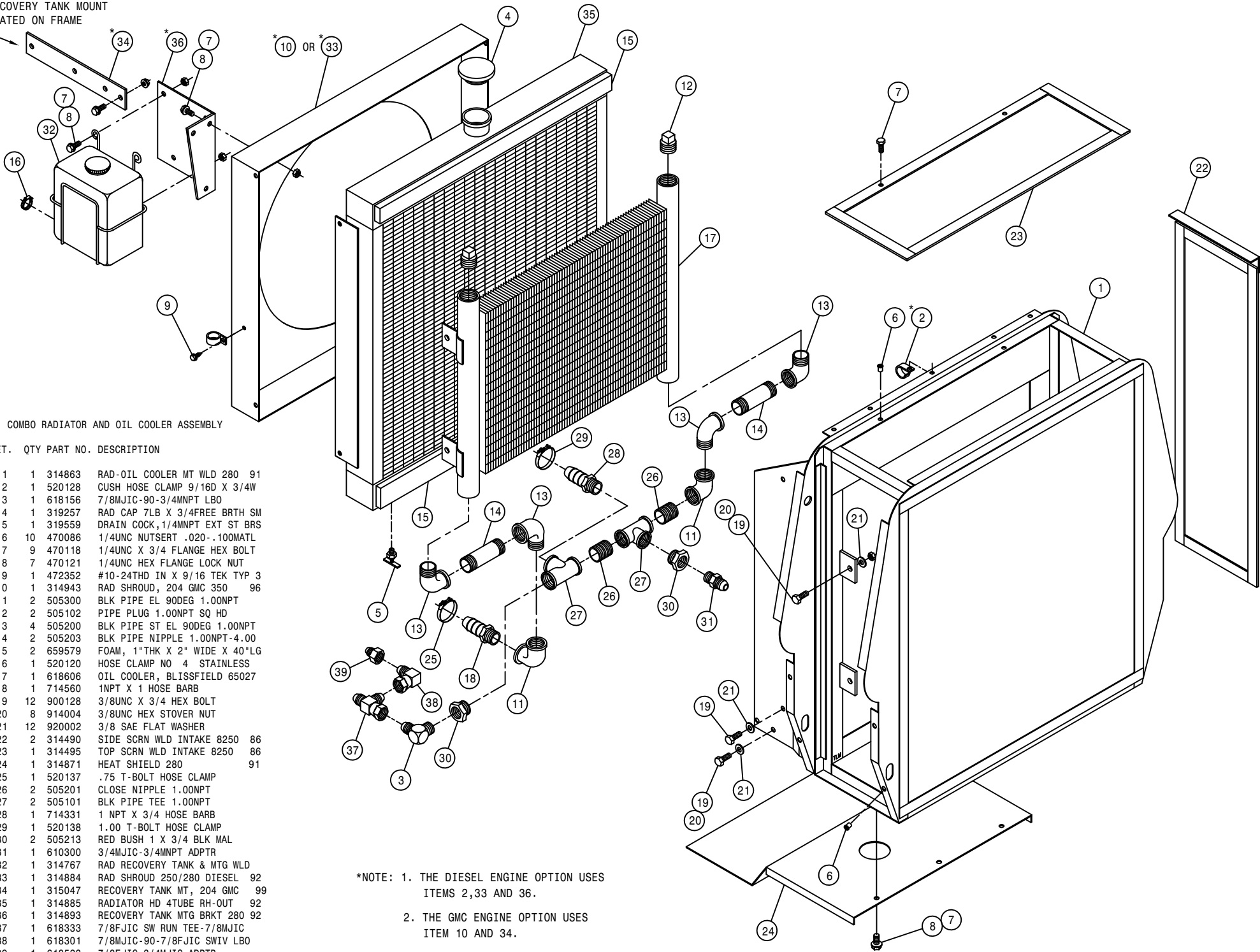
1	1	357813	RH REAR LEG WLD,204 COMBO
2	1	471023	GREASE ZERK 1/4-28 X 45
3	1	610567	SUND M25-3000 WHL MTR 1.5CI
4	1	610660	TORQ HUB, 18:1 B-MT W1BFFZ
5	2	611126	7/8MJIC-7/8MOR ADPTR
6	1	618496	9/16MJIC-45-3/4MOR LBO
7	9	470140	5/8UNF HEX SMTH FLANGE NUT PLT
8	1	870045	O-RING 4 1/8 OD X 4 ID
9	2	900266	1/2UNC X 1 3/4 HEX BOLT
10	6	900333	5/8UNC X 1 1/2 HEX BOLT
11	2	920504	1/2 LOCK WASHER
12	6	920505	5/8 LOCK WASHER
13	3	900836	5/8UNF X 3 1/4 HEX BOLT GR8
14	1	358759	LEG MT V-PLT WLD, 284T 94
15	12	914811	5/8UNF HEX NUT GR8
16	1	900260	1/2UNC X 1/2 H BOLT GR2 UNPLT
17	3	900837	5/8UNF X 3 1/2 HEX BOLT GR8
18	1	610556	1/2UNC X 1/2 ZERK BOLT T-HUB



COMBO LEFT REAR LEG ASSEMBLY

DET.	QTY	PART NO.	DESCRIPTION
	1	357814	LH REAR LEG WLD,204 COMBO
	2	471023	GREASE ZERK 1/4-28 X 45
	3	610567	SUND M25-3000 WHL MTR 1.5CI
	4	610660	TORQ HUB, 18:1 B-MT W1BFFZ
	5	611126	7/8MJIC-7/8MOR ADPTR
	6	618496	9/16MJIC-45-3/4MOR LBO
	7	470140	5/8UNF HEX SMTH FLANGE NUT PLT
	8	870045	O-RING 4 1/8 OD X 4 ID
	9	900266	1/2UNC X 1 3/4 HEX BOLT
	10	900333	5/8UNC X 1 1/2 HEX BOLT
	11	920504	1/2 LOCK WASHER
	12	920505	5/8 LOCK WASHER
	13	900836	5/8UNF X 3 1/4 HEX BOLT GR8
	14	358759	LEG MT V-PLT WLD, 284T 94
	15	914811	5/8UNF HEX NUT GR8
	16	900260	1/2UNC X 1/2 H BOLT GR2 UNPLT
	17	900837	5/8UNF X 3 1/2 HEX BOLT GR8
	18	610556	1/2UNC X 1/2 ZERK BOLT T-HUB

GMC RECOVERY TANK MOUNT
IS LOCATED ON FRAME
ARCH



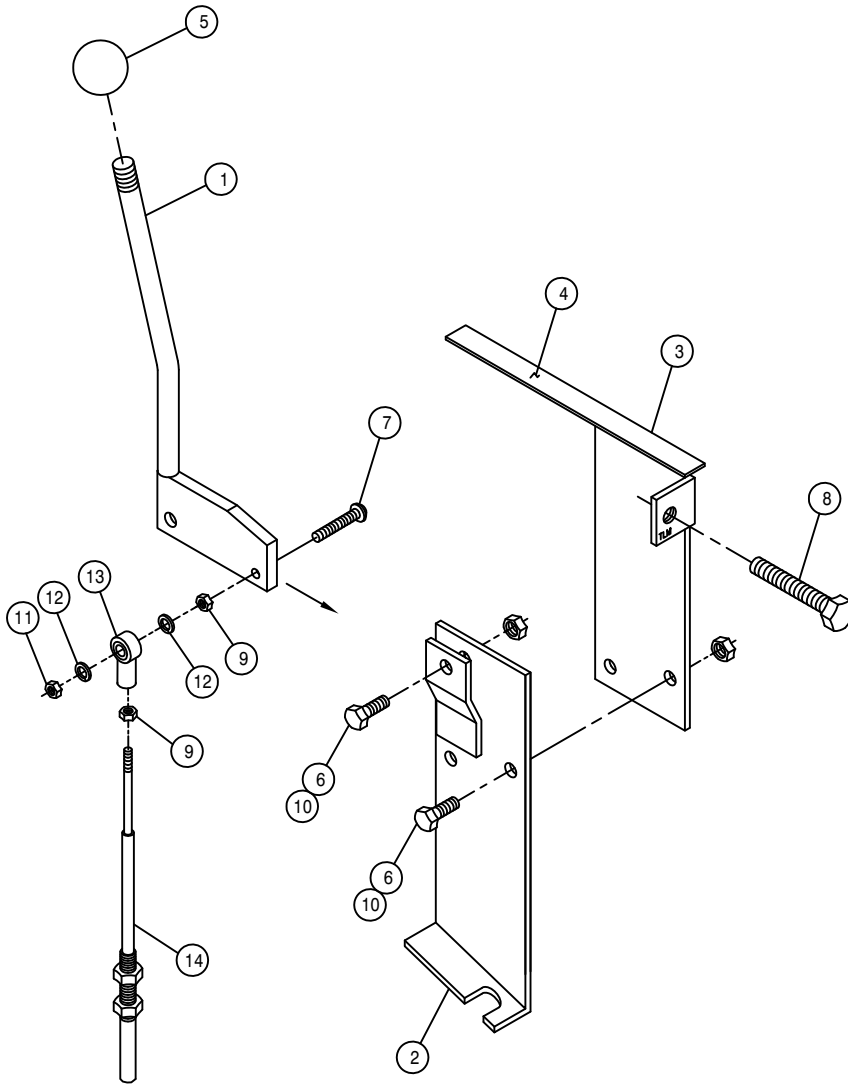
COMBO RADIATOR AND OIL COOLER ASSEMBLY

DET. QTY PART NO. DESCRIPTION

1	1	314863	RAD-OIL COOLER MT WLD 280 91
2	1	520128	CUSH HOSE CLAMP 9/16D X 3/4W
3	1	618156	7/8MJIC-90-3/4MNPT LBO
4	1	319257	RAD CAP 7LB X 3/4FREE BRTH SM
5	1	319559	DRAIN COCK,1/4MNPT EXT ST BRS
6	10	470086	1/4UNC NUTSERT .020-.100MATL
7	9	470118	1/4UNC X 3/4 FLANGE HEX BOLT
8	7	470121	1/4UNC HEX FLANGE LOCK NUT
9	1	472352	#10-24THD IN X 9/16 TEK TYP 3
10	1	314943	RAD SHROUD, 204 GMC 350 96
11	2	505300	BLK PIPE EL 90DEG 1.00NPT
12	2	505102	PIPE PLUG 1.00NPT SQ HD
13	4	505200	BLK PIPE ST EL 90DEG 1.00NPT
14	2	505203	BLK PIPE NIPPLE 1.00NPT-4.00
15	2	659579	FOAM, 1"THK X 2" WIDE X 40"LG
16	1	520120	HOSE CLAMP NO 4 STAINLESS
17	1	618606	OIL COOLER, BLISSFIELD 65027
18	1	714560	1NPT X 1 HOSE BARB
19	12	900128	3/8UNC X 3/4 HEX BOLT
20	8	914004	3/8UNC HEX STOVER NUT
21	12	920002	3/8 SAE FLAT WASHER
22	2	314490	SIDE SCR N WLD INTAKE 8250 86
23	1	314495	TOP SCR N WLD INTAKE 8250 86
24	1	314871	HEAT SHIELD 280 91
25	1	520137	.75 T-BOLT HOSE CLAMP
26	2	505201	CLOSE NIPPLE 1.00NPT
27	2	505101	BLK PIPE TEE 1.00NPT
28	1	714331	1 NPT X 3/4 HOSE BARB
29	1	520138	1.00 T-BOLT HOSE CLAMP
30	2	505213	RED BUSH 1 X 3/4 BLK MAL
31	1	610300	3/4MJIC-3/4MNPT ADPTR
32	1	314767	RAD RECOVERY TANK & MTG WLD
33	1	314884	RAD SHROUD 250/280 DIESEL 92
34	1	315047	RECOVERY TANK MT, 204 GMC 99
35	1	314885	RADIATOR HD 4TUBE RH-OUT 92
36	1	314893	RECOVERY TANK MTG BRKT 280 92
37	1	618333	7/8FJIC SW RUN TEE-7/8MJIC
38	1	618301	7/8MJIC-90-7/8FJIC SWIV LBO
39	1	618523	7/8FJIC-3/4MJIC ADPTR

*NOTE: 1. THE DIESEL ENGINE OPTION USES
ITEMS 2,33 AND 36.

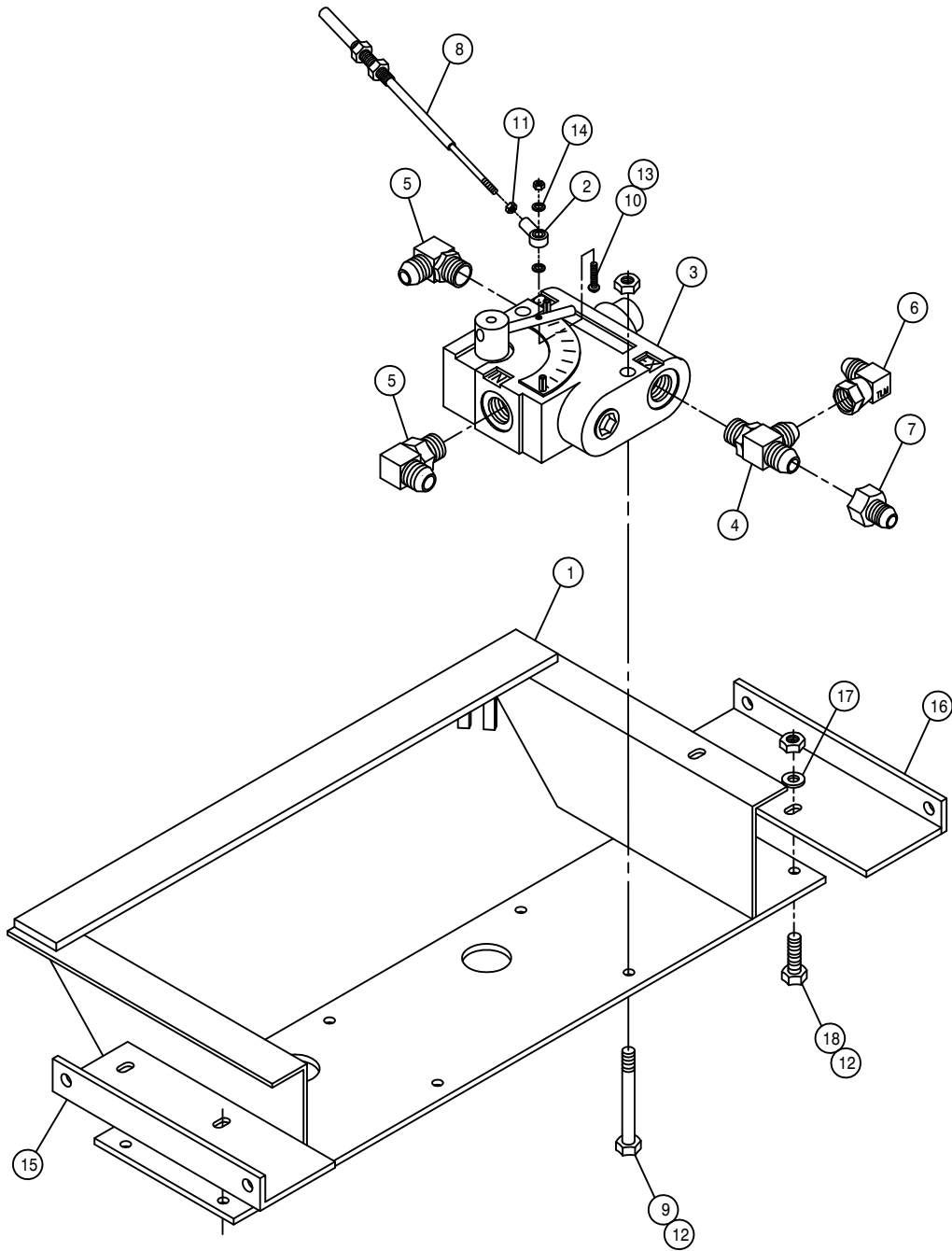
2. THE GMC ENGINE OPTION USES
ITEM 10 AND 34.



SOLUTION VFC LEVER ASSEMBLY

DET. QTY PART NO. DESCRIPTION

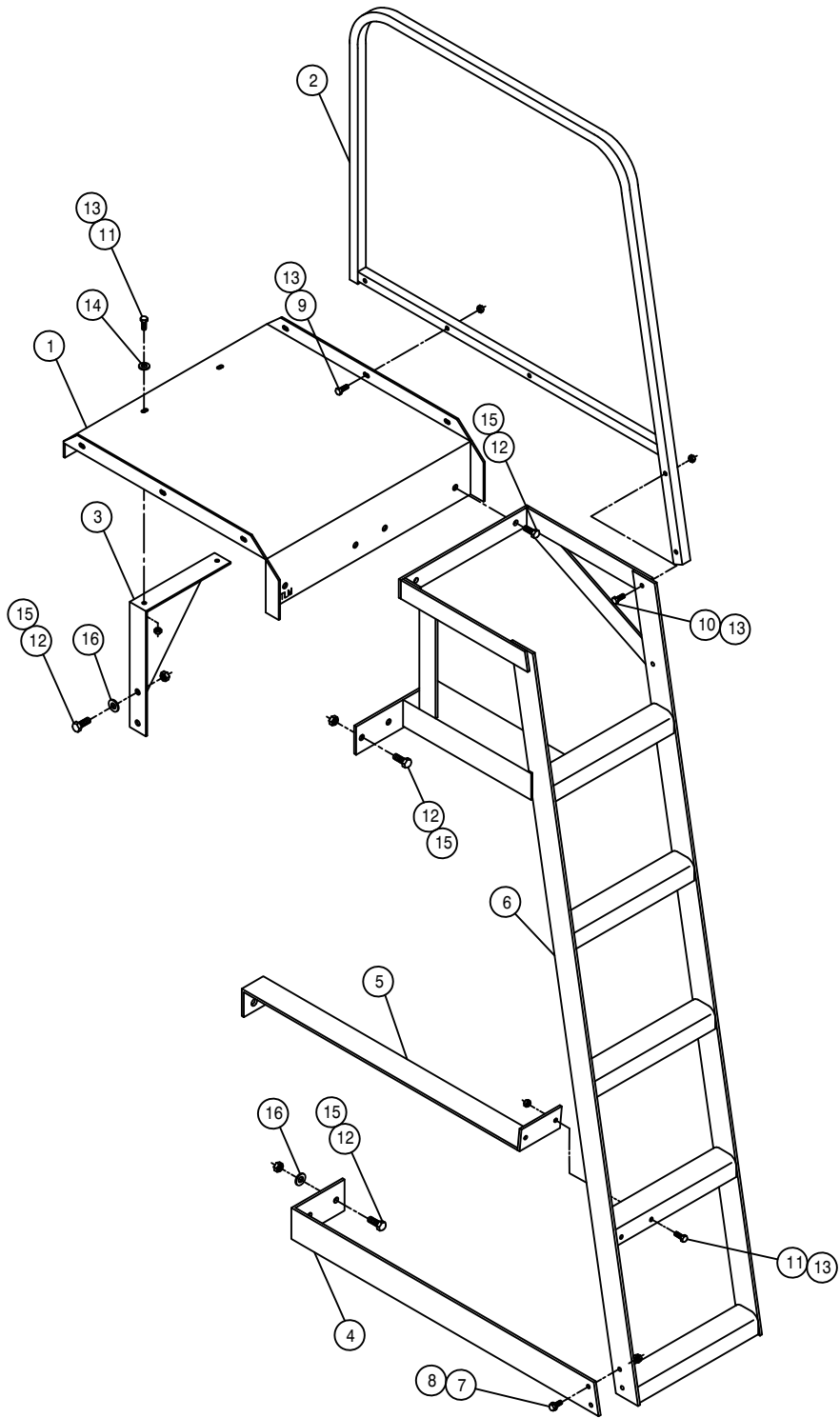
1	1	342317	SOLU VFC LEVER WLD, 204 COMBO
2	1	342320	VFC LEVER MT WLD, 204 COMBO
3	1	342322	VFC LEVER STOP WLD,204 COMBO
4	1	650969	DECAL SPRAY PRESS HIGH OFF
5	1	785007	KNOB,1 3/16" BALL,RED,3/8-16
6	3	900003	1/4UNC X 1" HEX BOLT
7	1	903893	10-32 X 1" SLT RD HD MACH SCR
8	1	906072	5/16UNC X 3" HEX BOLT FULL
9	2	910027	10-32 HEX NUT
10	3	914000	1/4UNC HEX STOVER NUT
11	1	914027	10-32 HEX STOVER NUT
12	2	920510	#10 LOCK WASHER
13	1	473921	BALL JOINT NO 10-32 THD
14	1	785033	CTRL CABLE 10-32 3IN X 72 LG



VARIABLE FLOW CONTROL ASSEMBLY

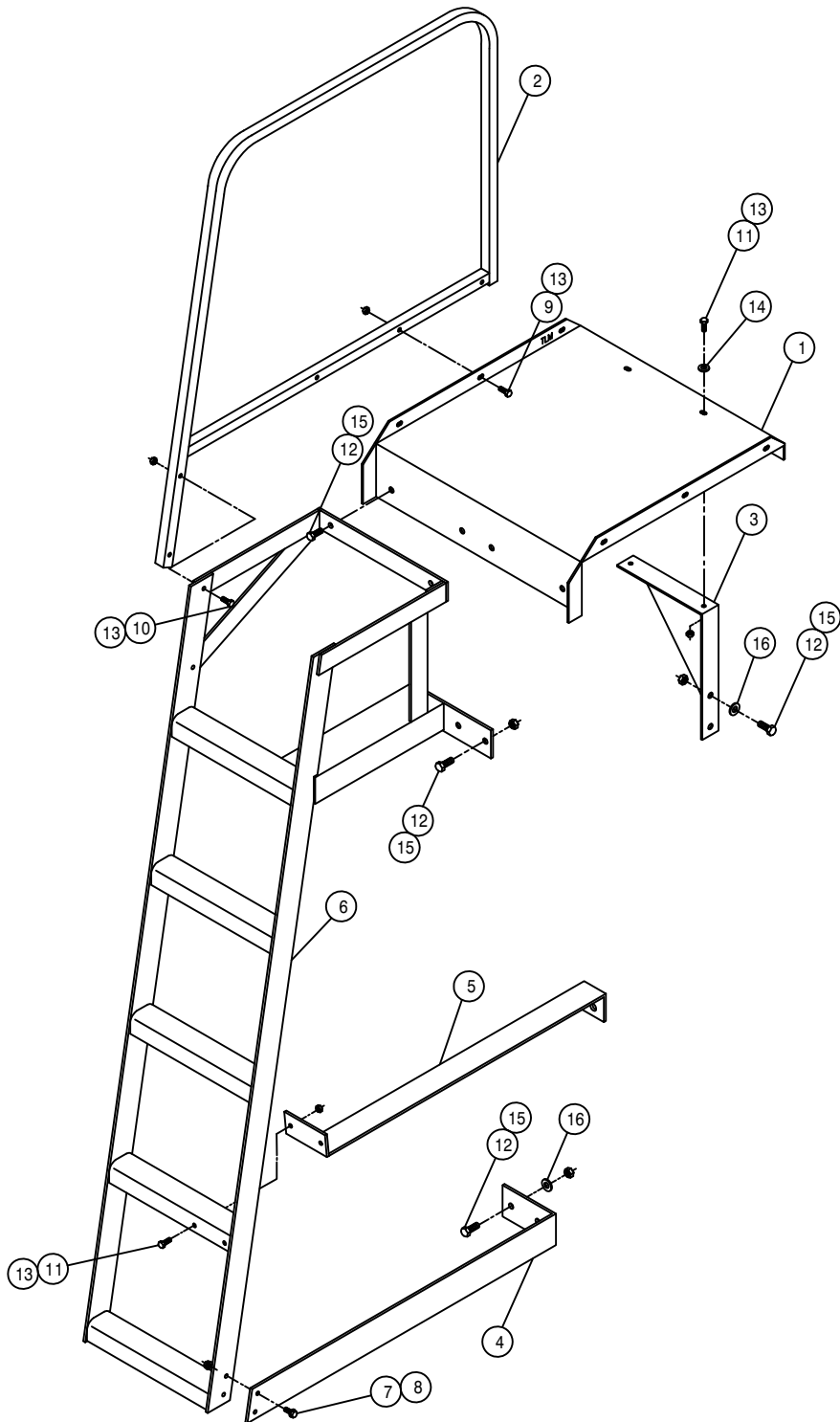
DET. QTY PART NO. DESCRIPTION

1	1	342209	SOLU VFC MT WLD	94
2	1	473921	BALL JOINT NO 10-32 THD	
3	1	606818	FLO CONT FCR51 0-16GPM 7/8FOR	
4	1	618130	7/8MOR RUN TEE-7/8MJIC	
5	2	618183	3/4MJIC-90-7/8MOR LBO	
6	1	618301	7/8MJIC-90-7/8FJIC SWIV LBO	
7	1	618523	7/8FJIC-3/4MJIC ADPTR	
8	1	785033	CTRL CABLE 10-32 3IN X 72 LG	
9	2	900008	1/4UNC X 2 1/2 HEX BOLT	
10	1	903893	10-32 X 1" SLT RD HD MACH SCR	
11	1	910027	10-32 HEX NUT	
12	6	914000	1/4UNC HEX STOVER NUT	
13	1	914027	10-32 HEX STOVER NUT	
14	2	920510	#10 LOCK WASHER	
15	1	342326	LH FLO DIV MT BRKT,204 COMBO	
16	1	342325	RH FLO DIV MT BRKT,204 COMBO	
17	4	920000	1/4 SAE FLAT WASHER	
18	4	900003	1/4UNC X 1" HEX BOLT	



RIGHT LADDER ASSEMBLY

DET.	QTY	PART NO.	DESCRIPTION	
1	1	341775	LADDER PLATFORM 280	89
2	1	341776	LADDER HANDRAIL WLD 280	89
3	1	341999	RH LADDER MT PLATE, 280	89
4	1	341893	RH LWR LADDER STALK DEFLEC280	
5	1	342000	RH LADDER BRACE WELD 280	92
6	1	342222	RH LADDER WLD, 284T	94
7	2	470121	1/4UNC HEX FLANGE LOCK NUT	
8	2	470118	1/4UNC X 3/4 FLANGE HEX BOLT	
9	3	900004	1/4UNC X 1 1/4 HEX BOLT	
10	2	900005	1/4UNC X 1 1/2 HEX BOLT	
11	4	900002	1/4UNC X 3/4 HEX BOLT	
12	8	900129	3/8UNC X 1" HEX BOLT	
13	9	914000	1/4UNC HEX STOVER NUT	
14	2	920000	1/4 SAE FLAT WASHER	
15	8	914004	3/8UNC HEX STOVER NUT	
16	4	920002	3/8 SAE FLAT WASHER	



LEFT LADDER ASSEMBLY

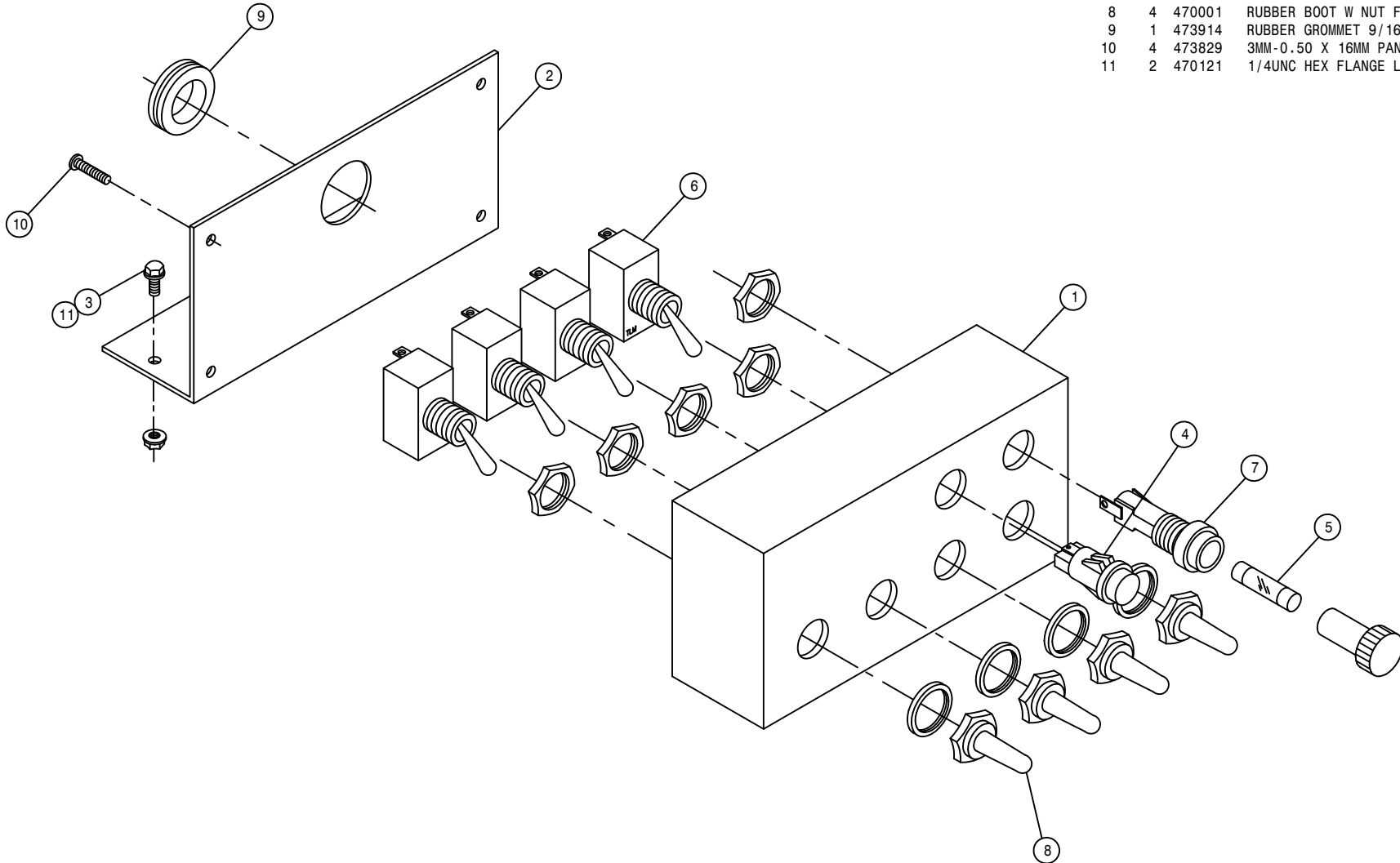
DET. QTY PART NO. DESCRIPTION

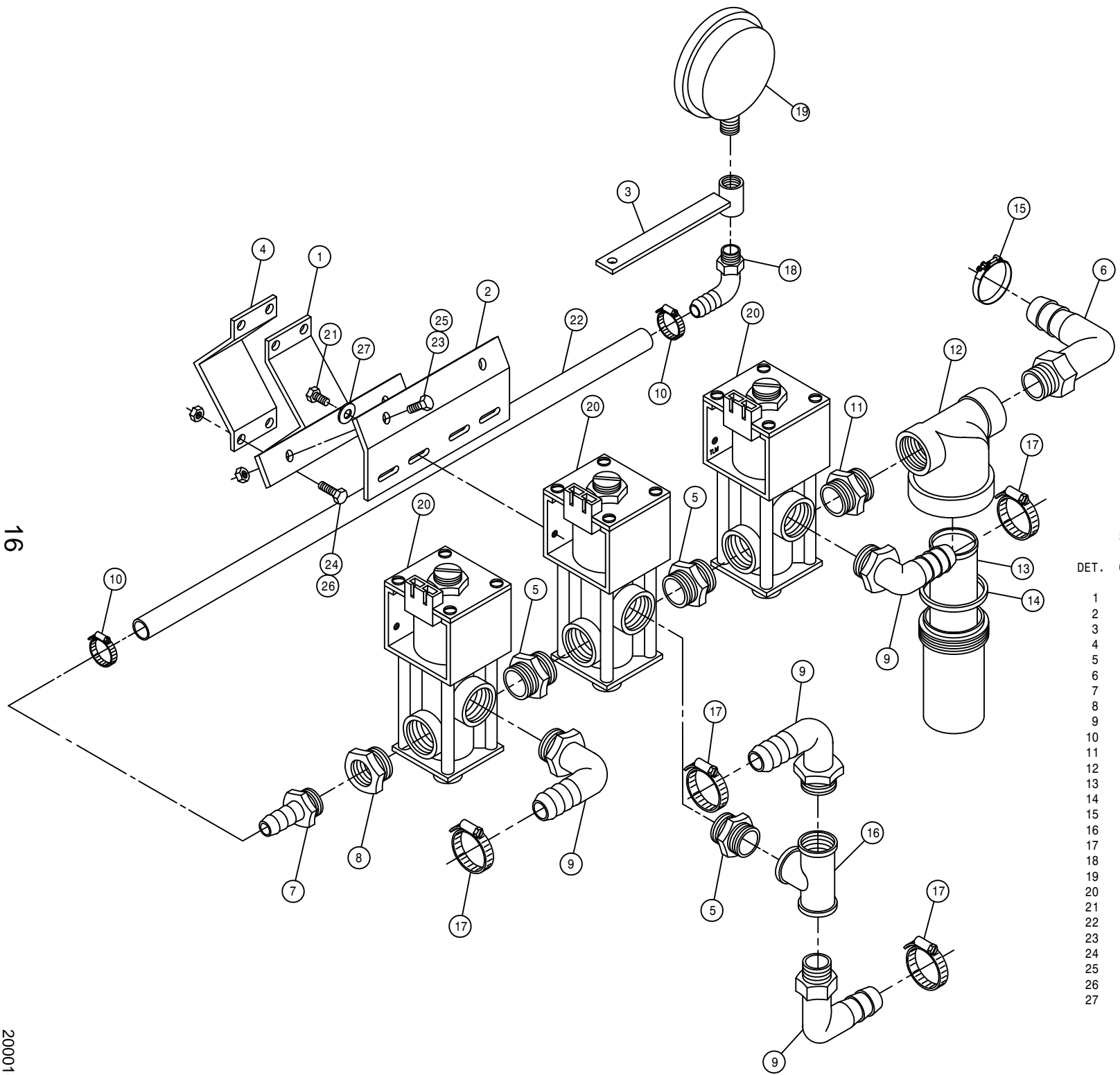
1	1	341775	LADDER PLATFORM 280	89
2	1	341776	LADDER HANDRAIL WLD 280	89
3	1	341779	LH LADDER MT PLATE, 280	89
4	1	341894	LH LWR LADDER STALK DEFLEC280	
5	1	342001	LH LADDER BRACE WELD 280	92
6	1	342223	LH LADDER WLD, 284T	94
7	2	470121	1/4UNC HEX FLANGE LOCK NUT	
8	2	470118	1/4UNC X 3/4 FLANGE HEX BOLT	
9	3	900004	1/4UNC X 1 1/4 HEX BOLT	
10	2	900005	1/4UNC X 1 1/2 HEX BOLT	
11	4	900002	1/4UNC X 3/4 HEX BOLT	
12	8	900129	3/8UNC X 1" HEX BOLT	
13	9	914000	1/4UNC HEX STOVER NUT	
14	2	920000	1/4 SAE FLAT WASHER	
15	8	914004	3/8UNC HEX STOVER NUT	
16	4	920002	3/8 SAE FLAT WASHER	

SOLUTION BOX ASSEMBLY

DET. QTY PART NO. DESCRIPTION

DET.	QTY	PART NO.	DESCRIPTION
1	1	690602	SWITCH BOX, SOLU, 204 COMBO 96
2	1	002745	SWITCH BOX MT, DEPTH CMD
3	2	470122	1/4UNC X 1/2 FLANGE HEX BOLT
4	1	390318	INDICATOR LIGHT, RED
5	1	291602	FUSE 10 AMP
6	4	291608	TOGGLE SWITCH, ON-OFF, UNLIT
7	1	298011	FUSE HOLDER
8	4	470001	RUBBER BOOT W NUT FOR 298012
9	1	473914	RUBBER GROMMET 9/16 ID
10	4	473829	3MM-0.50 X 16MM PANHEAD SCREW
11	2	470121	1/4UNC HEX FLANGE LOCK NUT





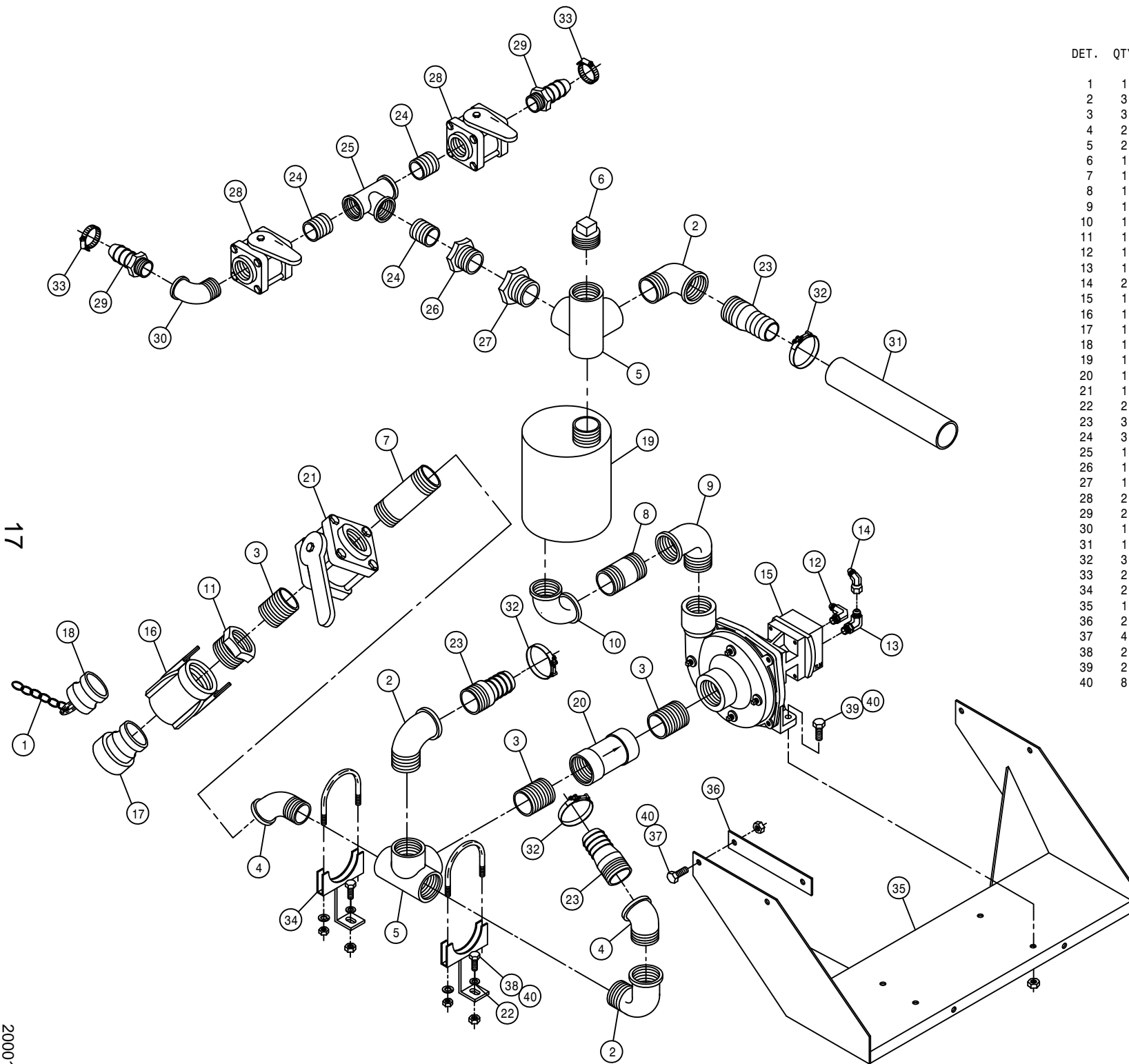
SOLUTION SOLENOID VALVE ASSEMBLY

DET.	QTY	PART NO.	DESCRIPTION
1	1	164282	SOLU VLV MT BRKT WLD,204COMBO
2	1	164284	SOLU VLV MT PLT, 204 COMBO
3	1	164285	PRESS GAUGE MT WLD,204 COMBO
4	1	438324	75IN OUTGR BRACE CLAMP
5	3	500013	1"NPT HEX PIPE NIPPLE, POLY
6	1	500066	1 1/2NPT-90-1 1/2 H BARB POLY
7	1	500019	3/4NPT-1/2HOSE BARB, POLY
8	1	505214	1"-3/4"NPT REDU BUSH, POLY
9	4	500067	1 NPT-90-3/4 HOSE BARB, POLY
10	2	520080	HOSE CLAMP NO 10 STAINLESS
11	1	500048	1 1/2X1"NPT REDU NIPPLE, POLY
12	1	690474	1 1/2 LINE STRAINER50M 150PSI
13	1	690475	50 MESH SCREEN FOR 690474
14	1	690476	STRAINER GASKET FOR 690474
15	1	520132	1.62/1.87 T-BOLT HOSE CLAMP
16	1	500075	1" NPT PIPE TEE, POLY
17	4	520090	HOSE CLAMP NO 16 STAINLESS
18	1	618556	1/4NPT-90-1/2 HOSE BARB,POLY
19	1	690359	PRESSURE GA GLYCERI 100 PSI
20	3	690469	SOLUTION VALVE, AA145H VITON
21	4	900000	1/4UNC X 1/2 HEX BOLT
22	1	601259	HOSE, 1/2 X 30 1BR EPDM
23	2	900128	3/8UNC X 3/4 HEX BOLT
24	4	900265	1/2UNC X 1 1/2 HEX BOLT
25	2	914004	3/8UNC HEX STOVER NUT
26	4	914008	1/2UNC HEX STOVER NUT
27	4	920000	1/4 SAE FLAT WASHER

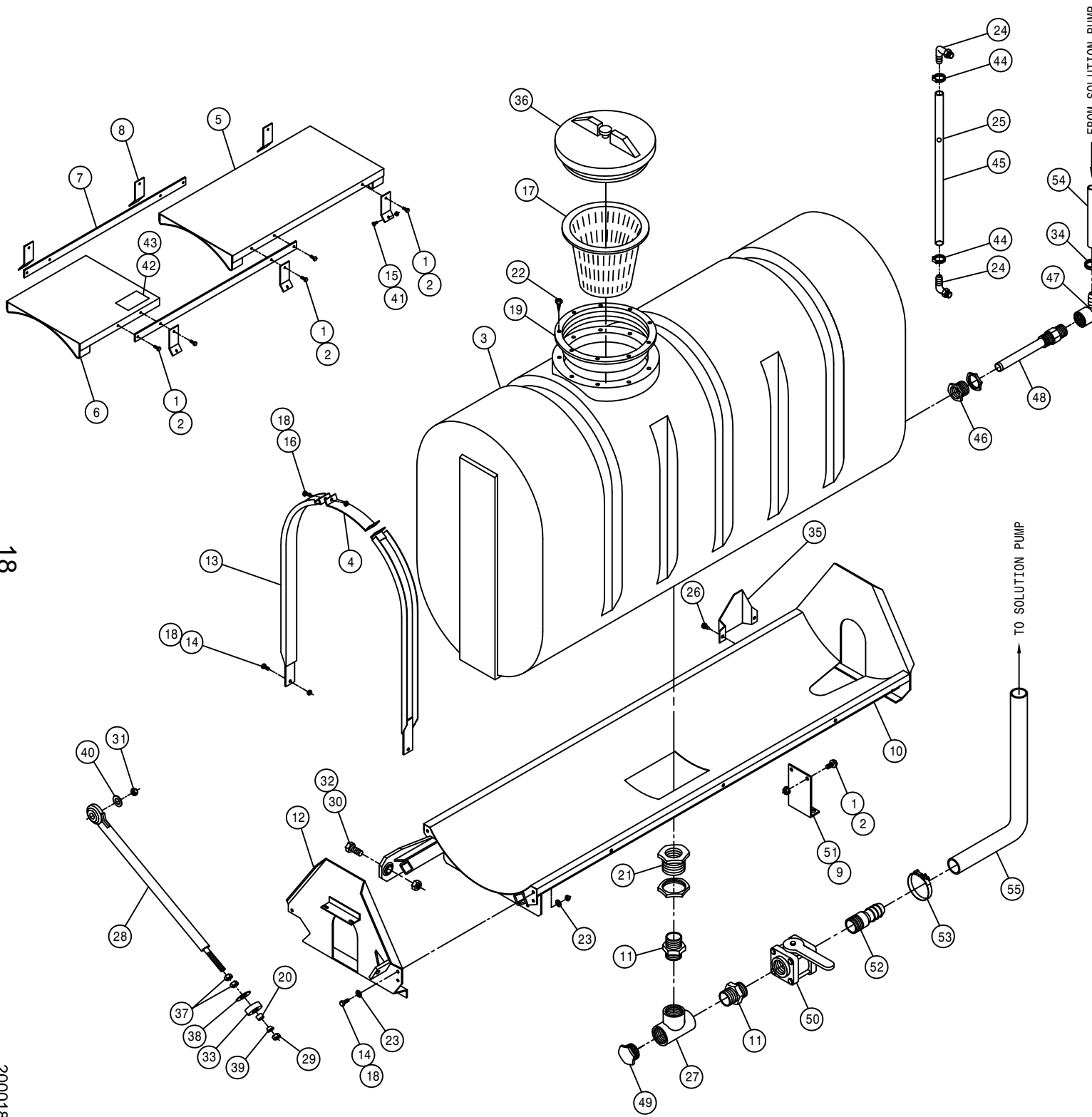
SOLUTION PUMP ASSEMBLY

DET. QTY PART NO. DESCRIPTION

DET.	QTY	PART NO.	DESCRIPTION
1	1	160986	CHAIN, 12.00 LONG
2	3	507018	BLK PIPE ST EL 90DEG 1.50NPT
3	3	507019	CLOSE NIPPLE 1.50NPT
4	2	507024	BLK PIPE ST EL 45DEG 1.50NPT
5	2	507253	BLK PIPE SIDE OUTLET TEE 1.50
6	1	507400	PIPE PLUG 1.50NPT SQ HD
7	1	507007	BLK PIPE NIPPLE 1.50NPT-4.00
8	1	506603	BLK PIPE NIPPLE 1.25NPT-3.00
9	1	506410	BLK PIPE ST EL 90DEG 1.25NPT
10	1	506303	BLK PIPE EL 90DEG 1.25NPT
11	1	507717	RED BUSH 2 X 1 1/2
12	1	611145	3/4MJIC-90-1/2MNPT LBO
13	1	618241	3/4MJIC-90-3/4MOR LBO
14	2	618590	3/4MJIC-45-3/4FJIC SWIV LBO
15	1	690249	HYPRO OPEN CENTER PUMP
16	1	690390	2.00 FEMALE NPT COUPLER
17	1	690391	2.00 FEMALE NPT ADPTR
18	1	690392	ADPTR PLG FOR 2.00 NPT COUPLR
19	1	690433	PRIMER TANK WLD, SOLU PUMP
20	1	690437	1 1/2 CHECK VLV, SPRING LOAD
21	1	696110	BALL VALVE 1 1/2FNPT POLY
22	2	920002	3/8 SAE FLAT WASHER
23	3	716003	1 1/2 X 1 1/2 HOSE BARB
24	3	503600	CLOSE NIPPLE .50NPT
25	1	503820	BLK PIPE TEE .50NPT
26	1	505005	RED BUSH 1 TO 1/2
27	1	507010	RED BUSH 1 1/2 TO 1 BLK MAL
28	2	696082	BALL VALVE 1/2FNPT POLY
29	2	714340	1/2 NPT X 1/2 HOSE BARB
30	1	503400	BLK PIPE ST EL 90DEG .50NPT
31	1	601203	HOSE, 1 1/2 X 8 2BR BLK EPDM
32	3	520132	1.62/1.87 T-BOLT HOSE CLAMP
33	2	520070	HOSE CLAMP NO 8 STAINLESS
34	2	690589	SOLU PUMP SUPP WLD, 204 COMBO
35	1	690591	PUMP BASE WLD, 204 COMBO
36	2	361424	SOLU PUMP MT BRKT,204 COMBO
37	4	900131	3/8UNC X 1 1/2 HEX BOLT
38	2	900129	3/8UNC X 1" HEX BOLT
39	2	900130	3/8UNC X 1 1/4 HEX BOLT
40	8	914004	3/8UNC HEX STOVER NUT

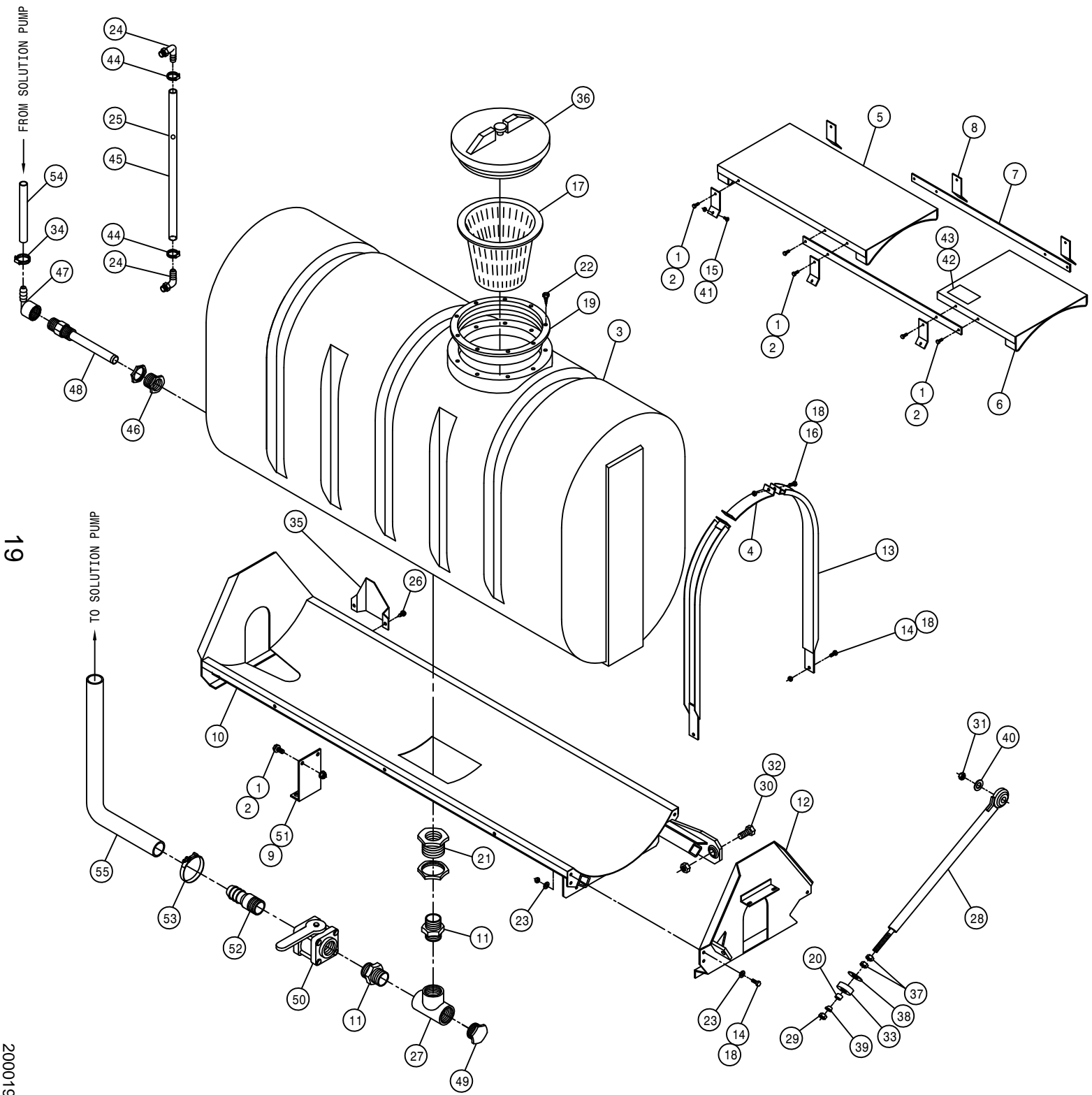


17



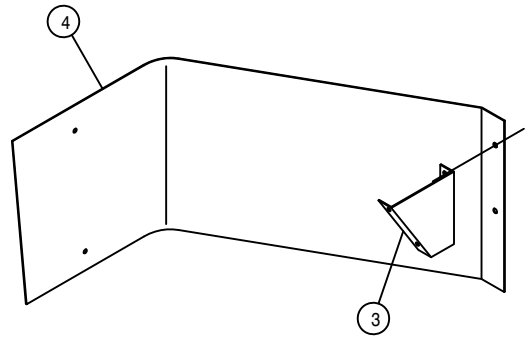
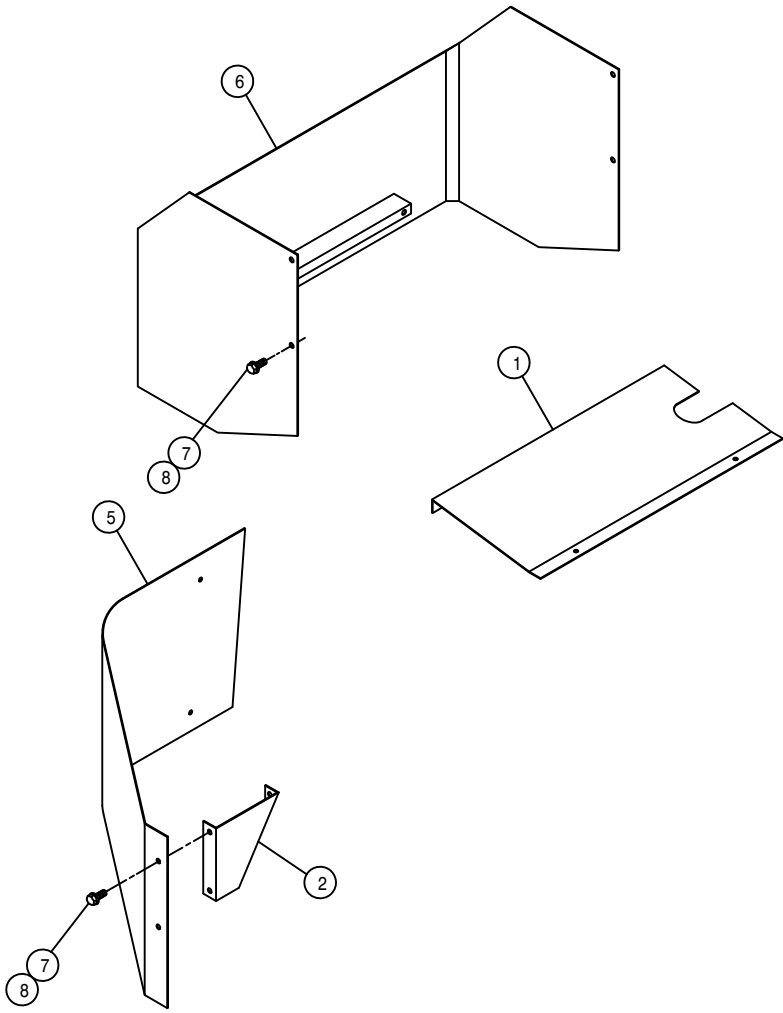
RIGHT POLY SOLUTION TANK ASSEMBLY

DET.	QTY	PART NO.	DESCRIPTION
1	12	470118	1/4UNC X 3/4 FLANGE HEX BOLT
2	12	470121	1/4UNC HEX FLANGE LOCK NUT
3	1	763439	250 GAL GRAY POLY SOLU TANK 94
4	3	763260	TOP STRAP 250 POLY TANK
5	1	763261	FRT CATWALK WLD 250 POLY 8250
6	1	763264	REAR CATWALK WLD 250 POLY8250
7	2	763266	CATWALK MTG STRAP 250POLY8250
8	6	763267	CATWALK MTG TAB 250 POLY 8250
9	1	470154	CABLE TIE, 11.75" BLK PLASTIC
10	1	763366	RH POLY TANK CRADLE WLD250 91
11	2	500028	1 1/2NPT PIPE NIPPLE, POLY
12	1	763381	RH REAR CRADLE PLT WLD 250 91
13	6	763390	POLY TANK BAND WLD 250 91
14	12	900129	3/8UNC X 1" HEX BOLT
15	6	901064	5/16UNC X 3/4 CARR BOLT
16	6	906136	3/8UNC X 3" HEX BOLT FULLTHRD
17	1	763431	8" STRAINER BASKET, SOLU TANK
18	18	914004	3/8UNC HEX STOVER NUT
19	1	763409	10" THD'D RING FOR TANK LID
20	1	763468	TANK CRADLE SUPP BUSH,254 94
21	1	618604	1.50 PLASTIC FTG ASSY-POLYTNK
22	8	763410	S.S. SCREW FOR CAP RING
23	9	920002	3/8 SAE FLAT WASHER
24	2	618556	1/4NPT-90-1/2 HOSE BARB, POLY
25	1	763446	RED POLYPROPYLENE BALL 25/64"
26	2	472349	1/4 X 3/4 20THD-IN TEK TYPE
27	1	500030	1 1/2"NPT PIPE TEE, POLY
28	1	763471	TANK CRADLE SUPP WLD,204COMBO
29	1	914012	3/4UNC HEX STOVER NUT
30	2	900534	1" UNC X 3" HEX BOLT
31	1	914010	5/8UNC HEX STOVER NUT
32	2	914016	1" UNC HEX STOVER NUT
33	1	470101	WASHER,2-1.03-.63 BLK NEO 65D
34	1	520070	HOSE CLAMP NO 8 STAINLESS
35	1	763451	RH SIGHT GAGE SHLD,POLY254 94
36	1	763408	LID, THD'D W/VENT, POLY TANK
37	2	472334	3/4UNC HEX JAM NUT
38	1	483014	WASH,2"OD X 3/4 ID X 1/4 THK
39	1	763467	TANK CRADLE SUPP SWIVEL254 94
40	1	920005	5/8 SAE FLAT WASHER
41	6	914002	5/16UNC HEX STOVER NUT
42	1	342050	DECAL PLATE
43	4	472352	#10-24THD IN X 9/16 TEK TYP 3
44	2	520069	HOSE CLAMP NO 6 STAINLESS
45	1	601145	HOSE, 1/2 X 41 CLEAR VINYL
46	1	618549	.75 PLASTIC FTG ASSY POLY TNK
47	1	500025	3/4 FNPT-90-1/2 HOSE BARB NYL
48	1	760066	JET AGITATOR
49	1	500031	1 1/2NPT PIPE PLUG, POLY
50	1	696110	BALL VALVE 1 1/2FNPT POLY
51	1	763363	SOLU HOSE SUPPORT 280 POLY 91
52	1	500032	1 1/2NPT X 1 1/2 H BARB, POLY
53	1	520132	1.62/1.87 T-BOLT HOSE CLAMP
54	1	601315	HOSE, 1/2 X 96 1BR BLK EPDM
55	1	601397	HOSE, 1 1/2 X 120 2BR BLK EPDM



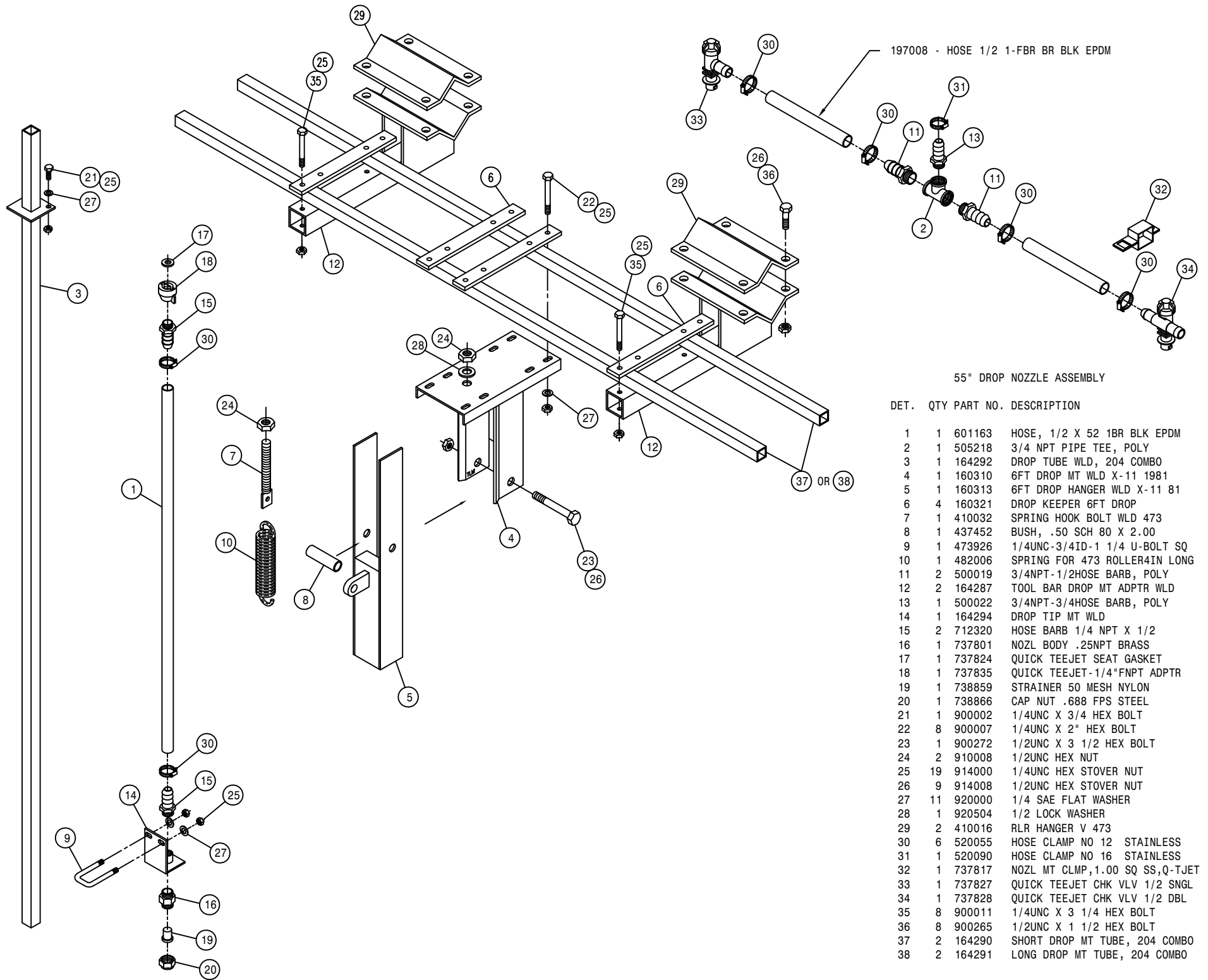
LEFT POLY SOLUTION TANK ASSEMBLY

DET.	QTY	PART NO.	DESCRIPTION
1	12	470118	1/4UNC X 3/4 FLANGE HEX BOLT
2	12	470121	1/4UNC HEX FLANGE LOCK NUT
3	1	763439	250 GAL GRAY POLY SOLU TANK 94
4	3	763260	TOP STRAP 250 POLY TANK
5	1	763261	FRT CATWALK WLD 250 POLY 8250
6	1	763264	REAR CATWALK WLD 250 POLY8250
7	2	763266	CATWALK MTG STRAP 250POLY8250
8	6	763267	CATWALK MTG TAB 250 POLY 8250
9	1	470154	CABLE TIE, 11.75" BLK PLASTIC
10	1	763367	LH POLY TANK CRADLE WLD250 91
11	2	500028	1 1/2NPT PIPE NIPPLE, POLY
12	1	763382	LH REAR CRADLE PLT WLD 250 91
13	6	763390	POLY TANK BAND WLD 250 91
14	12	900129	3/8UNC X 1" HEX BOLT
15	6	901064	5/16UNC X 3/4 CARR BOLT
16	6	906136	3/8UNC X 3" HEX BOLT FULLTHRD
17	1	763431	8" STRAINER BASKET, SOLU TANK
18	18	914004	3/8UNC HEX STOVER NUT
19	1	763409	10" THD'D RING FOR TANK LID
20	1	763468	TANK CRADLE SUPP BUSH,254 94
21	1	618604	1.50 PLASTIC FTG ASSY-POLYTANK
22	8	763410	S.S. SCREW FOR CAP RING
23	9	920002	3/8 SAE FLAT WASHER
24	2	618556	1/4NPT-90-1/2 HOSE BARB,POLY
25	1	763446	RED POLYPROPYLENE BALL 25/64"
26	2	472349	1/4 X 3/4 20THD-IN TEK TYPE
27	1	500030	1 1/2"NPT PIPE TEE, POLY
28	1	763471	TANK CRADLE SUPP WLD,204COMBO
29	1	914012	3/4UNC HEX STOVER NUT
30	2	900534	1" UNC X 3" HEX BOLT
31	1	914010	5/8UNC HEX STOVER NUT
32	2	914016	1" UNC HEX STOVER NUT
33	1	470101	WASHER,2-1.03-.63 BLK NEO 65D
34	1	520070	HOSE CLAMP NO 8 STAINLESS
35	1	763452	LH SIGHT GAGE SHLD,POLY254 94
36	1	763408	LID, THD'D W/VENT, POLY TANK
37	2	472334	3/4UNC HEX JAM NUT
38	1	483014	WASH,2"OD X 3/4 ID X 1/4 THK
39	1	763467	TANK CRADLE SUPP SWIVEL254 94
40	1	920005	5/8 SAE FLAT WASHER
41	6	914002	5/16UNC HEX STOVER NUT
42	1	342050	DECAL PLATE
43	4	472352	#10-24THD IN X 9/16 TEK TYP 3
44	2	520069	HOSE CLAMP NO 6 STAINLESS
45	1	601145	HOSE, 1/2 X 41 CLEAR VINYL
46	1	618549	.75 PLASTIC FTG ASSY POLY TNK
47	1	500025	3/4 FNPT-90-1/2 HOSE BARB NYL
48	1	760066	JET AGITATOR
49	1	500031	1 1/2NPT PIPE PLUG, POLY
50	1	696110	BALL VALVE 1 1/2FNPT POLY
51	1	763363	SOLU HOSE SUPPORT 280 POLY 91
52	1	500032	1 1/2NPT X 1 1/2 H BARB, POLY
53	1	520132	1.62/1.87 T-BOLT HOSE CLAMP
54	1	601315	HOSE, 1/2 X 96 1BR BLK EPDM
55	1	601398	HOSE, 1 1/2 X 140 2BR BLK EPDM



TANK SHIELDS

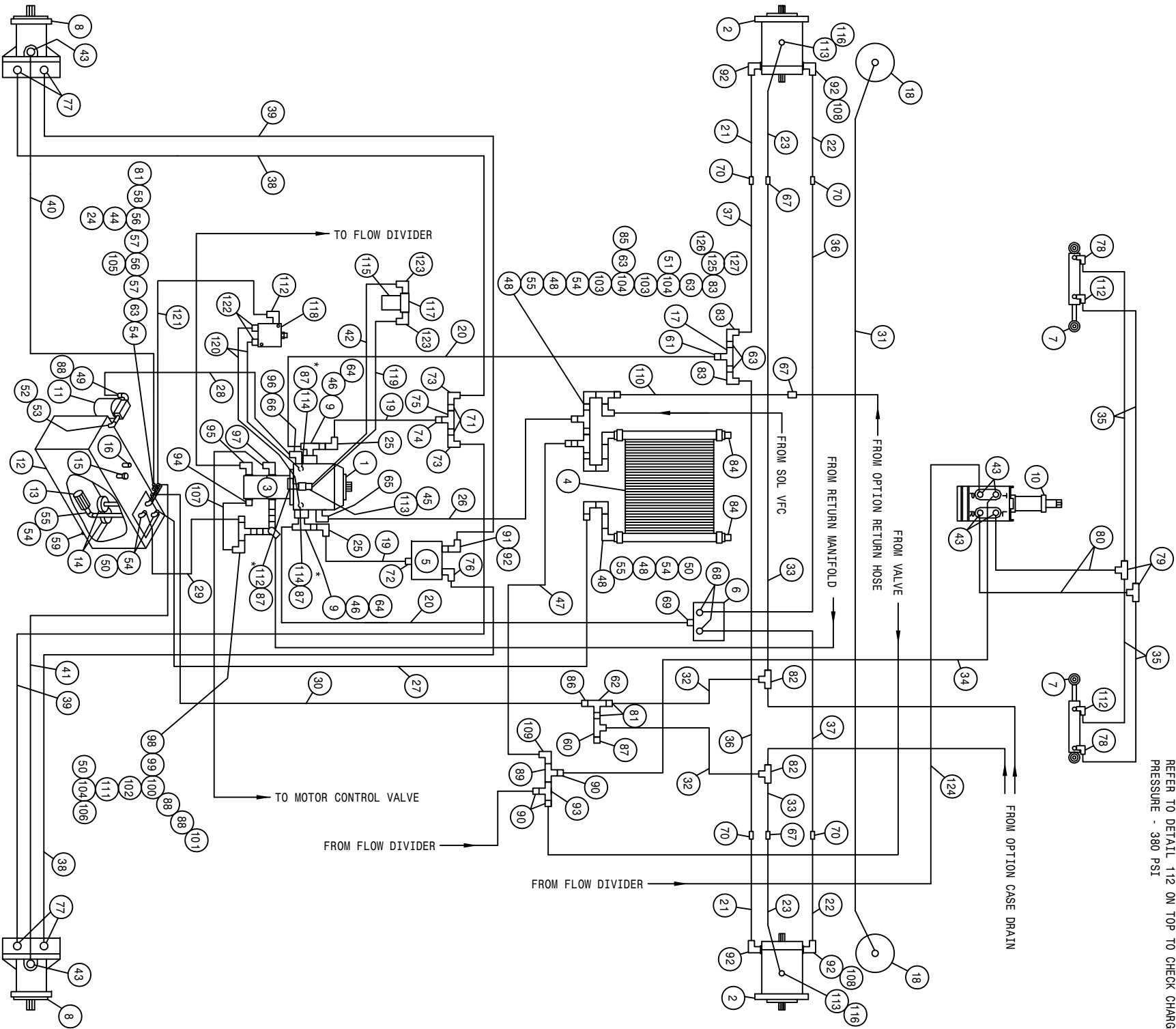
DET.	QTY	PART NO.	DESCRIPTION
	1	659908	LWR FRT SHIELD, 284 COMBO 94
	1	659520	U-CHAN 16GA X 30IN X 1.00 LIP
	1	659921	LH TANK SHLD MT BRKT,204COMBO
	1	659922	RH TANK SHIELD, 204 COMBO
	1	659923	LH TANK SHIELD, 204 COMBO
	1	659924	FRT SHIELD WLD, 204 COMBO
	18	470118	1/4UNC X 3/4 FLANGE HEX BOLT
	18	470121	1/4UNC HEX FLANGE LOCK NUT



197008 - HOSE 1/2 1-FBR BR BLK EPDM

55° DROP NOZZLE ASSEMBLY

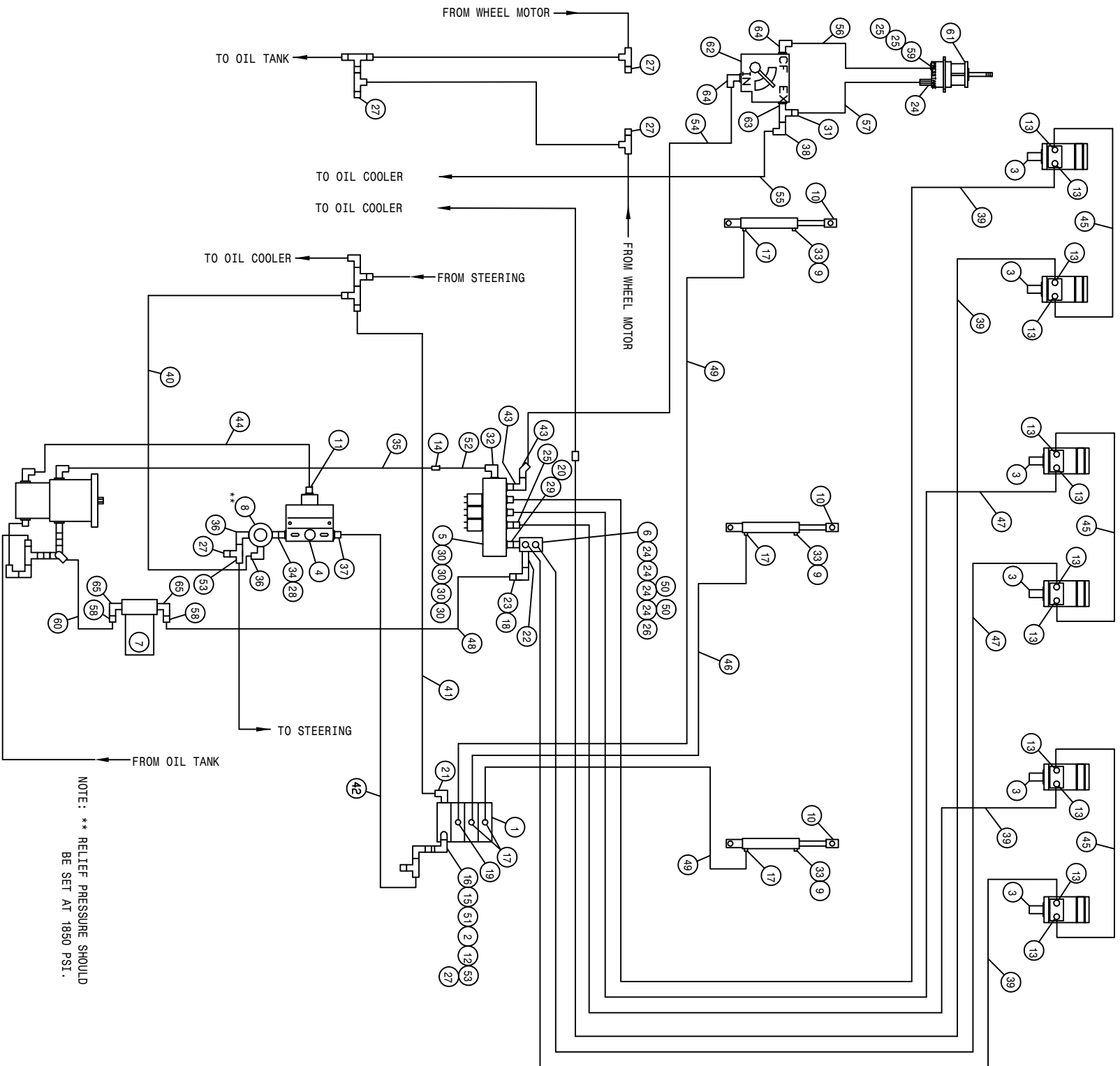
DET.	QTY	PART NO.	DESCRIPTION
1	1	601163	HOSE, 1/2 X 52 1BR BLK EPDM
2	1	505218	3/4 NPT PIPE TEE, POLY
3	1	164292	DROP TUBE WLD, 204 COMBO
4	1	160310	6FT DROP MT WLD X-11 1981
5	1	160313	6FT DROP HANGER WLD X-11 81
6	4	160321	DROP KEEPER 6FT DROP
7	1	410032	SPRING HOOK BOLT WLD 473
8	1	437452	BUSH, .50 SCH 80 X 2.00
9	1	473926	1/4UNC-3/4ID-1 1/4 U-BOLT SQ
10	1	482006	SPRING FOR 473 ROLLER4IN LONG
11	2	500019	3/4NPT-1/2HOSE BARB, POLY
12	2	164287	TOOL BAR DROP MT ADPTR WLD
13	1	500022	3/4NPT-3/4HOSE BARB, POLY
14	1	164294	DROP TIP MT WLD
15	2	712320	HOSE BARB 1/4 NPT X 1/2
16	1	737801	NOZL BODY .25NPT BRASS
17	1	737824	QUICK TEEJET SEAT GASKET
18	1	737835	QUICK TEEJET-1/4"FNPT ADPTR
19	1	738859	STRAINER 50 MESH NYLON
20	1	738866	CAP NUT .688 FPS STEEL
21	1	900002	1/4UNC X 3/4 HEX BOLT
22	8	900007	1/4UNC X 2" HEX BOLT
23	1	900272	1/2UNC X 3 1/2 HEX BOLT
24	2	910008	1/2UNC HEX NUT
25	19	914000	1/4UNC HEX STOVER NUT
26	9	914008	1/2UNC HEX STOVER NUT
27	11	920000	1/4 SAE FLAT WASHER
28	1	920504	1/2 LOCK WASHER
29	2	410016	RLR HANGER V 473
30	6	520055	HOSE CLAMP NO 12 STAINLESS
31	1	520090	HOSE CLAMP NO 16 STAINLESS
32	1	737817	NOZL MT CLMP,1.00 SQ SS,Q-TJET
33	1	737827	QUICK TEEJET CHK VLV 1/2 SNGL
34	1	737828	QUICK TEEJET CHK VLV 1/2 DBL
35	8	900011	1/4UNC X 3 1/4 HEX BOLT
36	8	900265	1/2UNC X 1 1/2 HEX BOLT
37	2	164290	SHORT DROP MT TUBE, 204 COMBO
38	2	164291	LONG DROP MT TUBE, 204 COMBO



*NOTE:
 REFER TO DETAIL 114 TO CHECK PRESSURE LIMIT
 SETTING - 4500 PSI
 REFER TO DETAIL 112 ON TOP TO CHECK CHARGE
 PRESSURE - 380 PSI

204 COMBO BASIC MACHINE CUMM HYD SCHEM 97
REFERENCE DRAWING NO. 498520

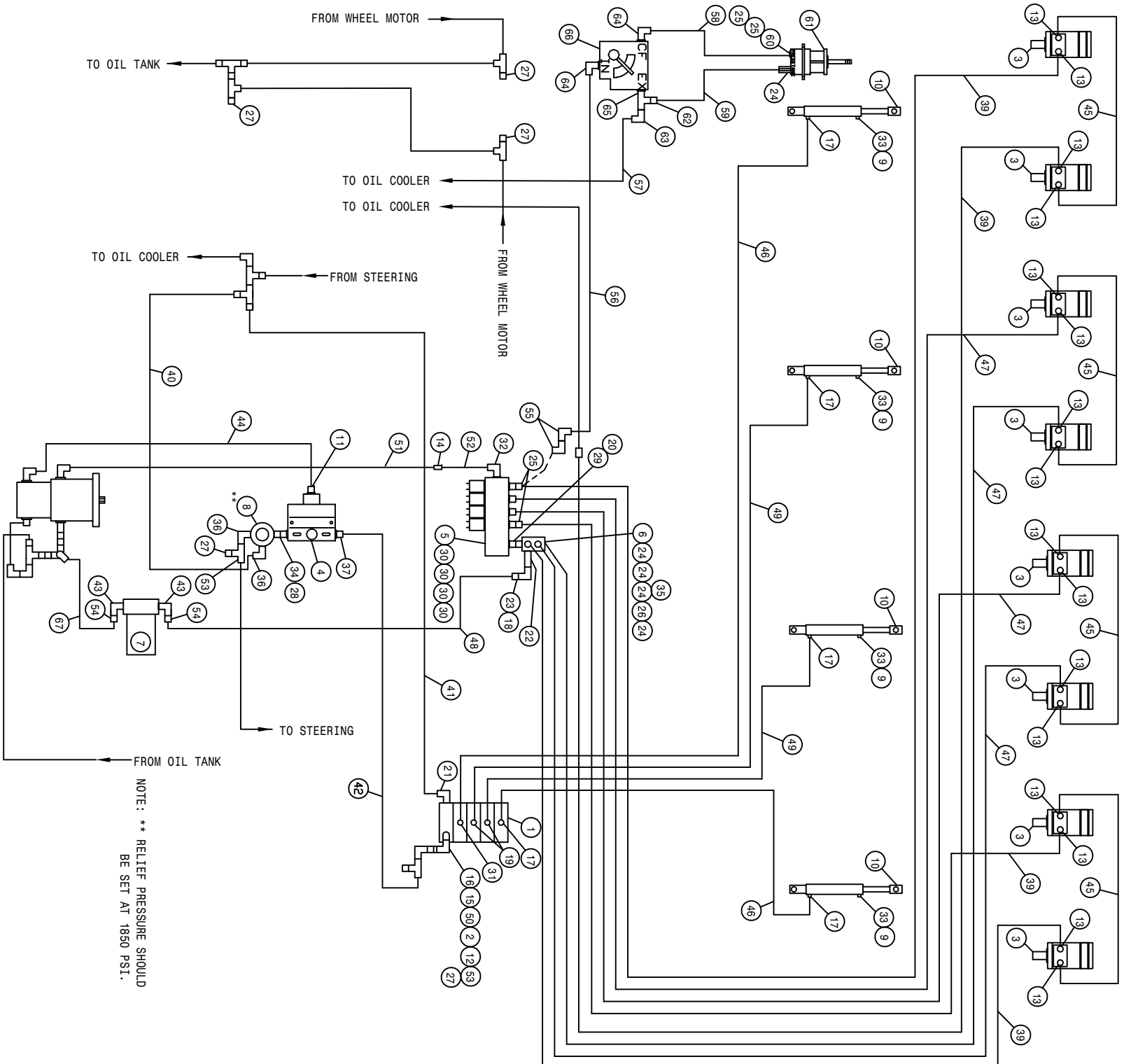
DET.	QTY	PART NO.	DESCRIPTION	DET.	QTY	PART NO.	DESCRIPTION
1	1	606902	SUND 100CC PUMP-B-MT W/FILT	65	1	618118	3/4 HOSE BARB-90-1 1/16MOR
2	2	610557	SUND M35-3102 WHL MTR W/SHT	66	1	618638	1IN HOSE BARB-45-1 5/16MOR
3	1	606937	TANDEM PUMP, 606929 & 606938	67	3	618314	3/4MJC UNION
4	1	618660	OIL COOLER, BLISSFIELD 65027	68	2	618601	7/8MJC-1 5/16MOR ADPT
5	1	610468	POSITRACTION VLV MOD CONT 20G	69	1	618186	1 5/16MJC-1 5/16MOR ADPTR
6	1	610586	POSITRACTION VLV, ALUM, 88SP60G	70	4	618553	1 1/16MJC-7/8MJC REDU UNION
7	2	620800	STRG CYL ASSY, 1.50 X 5.75	71	2	505005	RED BUSH 1 TO 1/2
8	2	610567	SUND M25-3000 WHL MTR 1.5CI	72	1	618308	1 1/16MJC-1 5/16MOR ADPTR
9	2	618598	1" 4-BOLT FLG X 1 5/16 FOR	73	2	611124	7/8MJC-90-1/2MNP LBO
10	1	749150	STRG MTR NON-LOAD REACT 1008	74	1	618434	1 1/16MJC-1MNP ADPTR
11	1	605601	GRESEN FILTER 10 MICRON 40GPM	75	1	618575	1 1/16MJC-90-1 5/16MOR LBO
12	1	760097	OIL TANK WLD 8240 1982	76	1	618589	7/8MJC-7/8MOR ADPTR
13	1	605600	MICHIGAN RESERVOIR FILTER	77	4	611126	9/16MJC-45-9/16MOR LBO
14	2	605603	LINE SUMP DIFFUSER	78	2	618425	9/16MJC-45-9/16MOR LBO
15	1	611052	FILLER BREATHER 3/4NPT	79	2	618019	9/16MJC UNION TEE
16	1	614453	DIPSTICK, 8IN	80	2	616028	04C1T-06FJX-06FJX-47
17	1	614660	1IN STL TEE WLD 280	81	3	618018	9/16MJC-1/2MNP ADPTR
18	2	620805	LEG LEVEL CYL ASSY, 2.00 X 12.0	82	2	610193	9/16MJC BLKHD BRANCH TEE
19	2	614707	HYD TUBE ASSY,SUND,200 DIESEL	83	3	618156	7/8MJC-90-3/4MNP LBO
20	2	615634	12TWM-16FJX-16FJX-123	84	2	505102	PIPE PLUG 1.00NPT SQ HD
21	2	615659	FRT LEG INNER HYD TUBE,204 94	85	1	610300	3/4MJC-3/4MNP ADPTR
22	2	615660	FRT LEG CNTR HYD TUBE,204 94	86	1	611147	3/4MJC-1/2MNP ADPTR
23	2	615661	FRT LEG OUTER HYD TUBE,204 94	87	4	618531	9/16FJIC CAP NUT
24	1	618520	1/4MNP RUN TEE-9/16MJC	88	3	506410	BLK PIPE ST EL 90DEG 1.25NPT
25	2	618191	1 1/16MJ-90-1 1/16FJ SWIV LBO	89	1	618311	3/4MJC UNION TEE
26	1	601395	HOSE, 3/4 X 64 1FBR-1SPI	90	3	618482	3/4FJIC-9/16MJC ADPTR
27	1	601396	HOSE, 1 X 81 1FBR-1SPI	91	1	618312	1 5/16MOR-1 1/16FOR ADPTR
28	1	601376	HOSE, 1 X 29 1FBR-1SPI	92	5	618535	7/8MJC-90-1 1/16MOR LBO
29	1	601377	HOSE, 1 X 48 1FBR-1SPI	93	1	618451	3/4FJIC SW RUN TEE-3/4MJC
30	1	614388	08C1T-08FJX-08FJX-129	94	1	618075	3/4 HOSE BARB-1 1/16MOR
31	1	615614	FRT LEG CYL JUMPER HOSE280	95	1	611128	7/8MJC-90-7/8MOR LBO
32	2	614625	06C1T-06FJX-06FJX-30	96	1	618639	1 5/8MOR-1 5/16FOR ADPTR
33	2	615451	06C1T-06FJX-08FJX-58	97	1	618178	1 5/16MJC-90-1 5/16MOR LBO
34	1	611204	04C1T-06FJX-06FJX-78	98	1	618596	1 5/8MOR-1 1/4FNPT ADPTR
35	4	614663	04C1T-06FJX-06FJX-16	99	1	507026	1 1/4MNP HEX PIPE NIPPLE STL
36	2	614655	08C2AT-10FJX-12FJX90-70	100	1	506701	SIDE OUTLET EL 90DEG 1.25NPT
37	2	614654	08C2AT-10FJX-12FJX90-60	101	1	715660	HOSE BARB 1 1/4NPT X 1 1/4
38	2	614656	08C2AT-10FJX-10FJX-118	102	1	506005	1 1/4 TO 1 RED BUSH BLK MAL
39	2	614657	08C2AT-10FJX-10FJX-125	103	2	505201	CLOSE NIPPLE 1.00NPT
40	1	615449	06C1T-06FJX-06FJX-140	104	3	505101	BLK PIPE TEE 1.00NPT
41	1	615449	06C1T-06FJX-06FJX-126	105	1	610305	3/4MJC-90-3/4MNP LBO
42	1	615633	08C1T-08FJX-08FJX-23	106	1	716000	3/4 HOSE BARB-90-1MNP
43	6	618496	9/16MJC-45-3/4MOR LBO	107	1	601399	HOSE, 3/4 X 13 1FBR-1SPI
44	1	504001	RED BUSH 3/4 X 1/4 BLK MAL	108	2	618628	7/8MJC-45-7/8FJIC SWIV LBO
45	1	618183	3/4MJC-90-7/8MOR LBO	109	1	618609	3/4MJC-90-3/4FJIC SWIV LBO
46	2	618599	1 5/16MOR BRANCH TEE-1 5/16MJ	110	1	614662	08C1T-08FJX-08FJX-72
47	1	615465	08C1T-08FJX-08FJX-33	111	1	505105	1MNP HEX PIPE NIPPLE STL
48	4	505200	BLK PIPE ST EL 90DEG 1.00NPT	112	4	618119	9/16MJC-90-9/16MOR LBO
49	1	715664	1 1/4 NPT X 1 HOSE BARB	113	3	618327	3/4MJC-7/8MOR ADPTR
50	4	714560	1NPT X 1 HOSE BARB	114	2	618629	9/16MOR BRANCH TEE-9/16MJC
51	1	714331	1 NPT X 3/4 HOSE BARB	115	1	605607	FILTER, 10 MICRON ZINGA,HIPRES
52	1	506602	PIPE NIPPLE 1 1/4NPT-2 1/2	116	2	618590	3/4MJC-45-3/4FJIC SWIV LBO
53	1	506300	BLK PIPE EL 90DEG 1.25NPT	117	1	605606	FILTER HEAD, ZINZA HI-PRESS
54	6	505300	BLK PIPE EL 90DEG 1.00NPT	118	1	610580	REMOTE FLUSHING VALVE, SUND
55	3	505203	BLK PIPE NIPPLE 1.00NPT-4.00	119	1	616034	08C1T-08FJX-08FJX-17
56	2	504955	BLK PIPE TEE .75NPT	120	2	616043	04C1T-06FJX-06FJX-23
57	2	504702	CLOSE NIPPLE .75NPT	121	1	616048	04C1T-06FJX-06FJX-35
58	1	504210	RED BUSH 3/4 NPT X 1/2 NPT	122	2	618126	9/16MJC-9/16MOR ADPTR
59	1	501102	1/4 PIPE PLUG	123	2	618474	3/4MJC-90-1 1/16MOR LBO
60	1	618486	9/16FJIC SW RUN TEE-9/16MJC	124	1	616040	04C1T-06FJX-06FJX-67
61	1	618322	1 5/16MJC-1MNP ADPTR	125	1	618333	7/8FJIC SW RUN TEE-7/8MJC
62	1	503820	BLK PIPE TEE .50NPT	126	1	618523	7/8FJIC-3/4MJC ADPTR
63	5	505213	RED BUSH 1 X 3/4 BLK MAL	127	1	618301	7/8MJC-90-7/8FJIC SWIV LBO
64	2	618541	1 5/16FJIC-1 1/16MJC ADPTR				



NOTE: ** RELIEF PRESSURE SHOULD BE SET AT 1850 PSI.

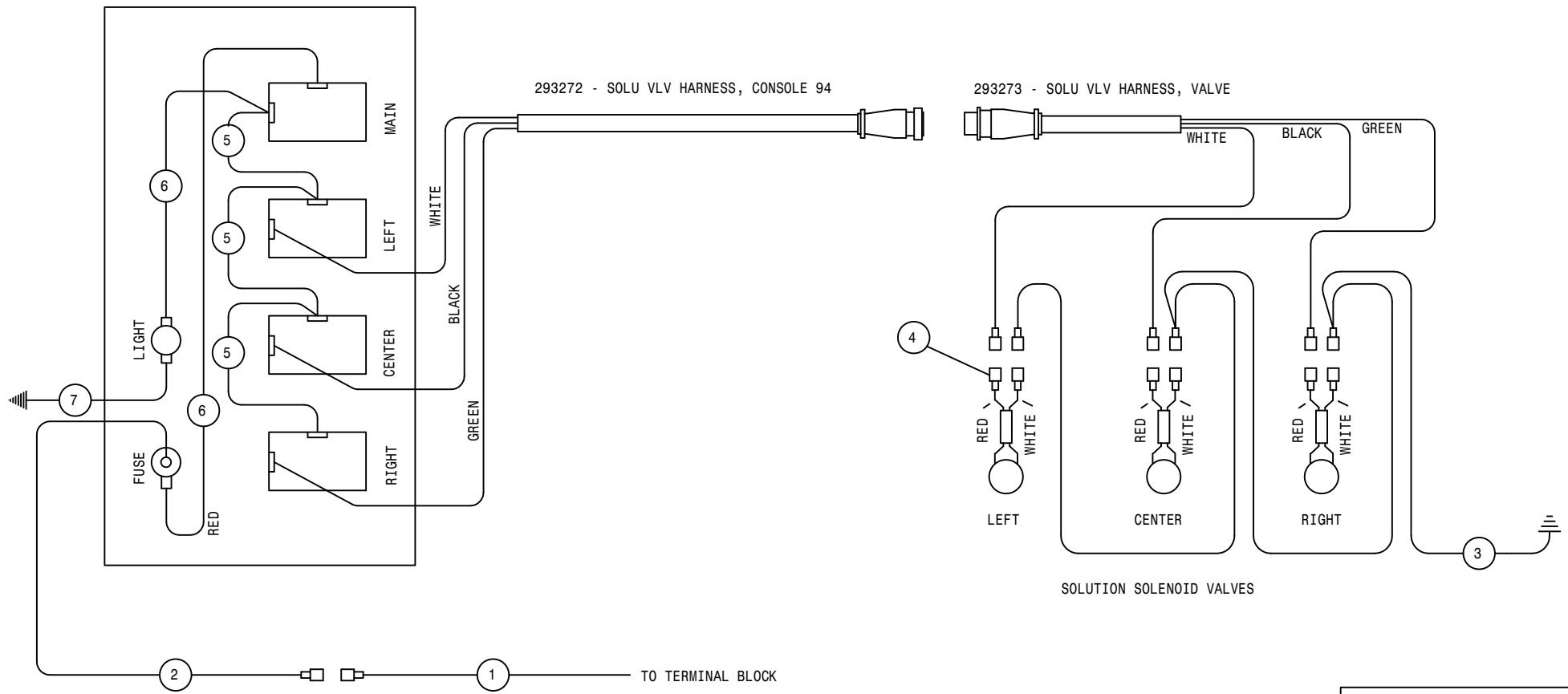
204 COMBO 6R QUAD 3L W/T-TROL HYD SCHEM 94
REFERENCE DRAWING NO. 498470

DET.	QTY	PART NO.	DESCRIPTION	DET.	QTY	PART NO.	DESCRIPTION
1	1	610532	ELECT HYD STACK VLV, 3 SECT	*34	1	500000	1/2MNPT HEX PIPE NIPPLE STL
2	1	610447	HYD FILTER, INLINE 1/4FNPT 90M	*35	1	614350	16C2AT-16FJX-16FJX-55
3	6	610547	HYD MOTOR 4.5CI 1IN SHFT	*36	2	618107	9/16MJIC-90-1/2MNPT LBO
*4	1	607504	FLO DIV B50 2-8GPM 7/8 FOR	*37	1	618310	9/16MJIC-7/8MOR ADPTR
5	1	610467	MODULAR MTR CONTROL ELECT VLV	38	1	618301	7/8MJIC-90-7/8FJIC SWIV LBO
*6	1	614633	HYD MANIF 8200 86	39	4	614690	08C1T-08FJX-08FJX-192
*7	1	605601	GRESN FILTER 10 MICRON 40GPM	*40	1	616042	04C1T-06FJX-06FJX-13
*8	1	607512	RELIEF VALVE, RL50, 1850 PSI	*41	1	614627	06C1T-06FJX-06FJX-45
9	3	470114	BREATHER FILTER VENT, 1/4 NPT	*42	1	615616	04C1T-06FJX-06FJX-65
10	3	620810	LIFT CYL ASSY, DETASSELER	*43	2	618609	3/4MJIC-90-3/4FJIC SWIV LBO
*11	1	611126	7/8MJIC-7/8MOR ADPTR	*44	1	614664	10C1T-10FJX-10FJX-98
12	1	611122	9/16MJIC-90-1/4MNPT LBO	45	3	616025	08C1T-08FJX-08FJX-50
13	12	618327	3/4MJIC-7/8MOR ADPTR	46	1	614077	04C1T-06FJX-06FJX-88
*14	1	618577	1 5/16MJIC UNION	47	2	614688	08C1T-08FJX-08FJX-108
15	1	618440	9/16MJIC-90-9/16MOR EX LG LBO	*48	1	601378	HOSE, 1 1/4 X 156 IFBR-1SPI
16	1	618170	3/4MOR-9/16FOR ADPTR	49	2	614101	04C1T-06FJX-06FJX-133
17	5	618119	9/16MJIC-90-9/16MOR LBO	*50	2	618532	3/4FJIC CAP NUT
*18	1	714561	1.00NPT-1.25 HOSE BARB	51	1	618608	9/16FJIC SWIV-1/4MNPT
19	1	618425	9/16MJIC-45-9/16MOR LBO	*52	1	614703	HYD TUBE ASSY, 200 MAIN
*20	1	618587	1 5/16FJIC SWIV-1MNPT	*53	2	618486	9/16FJIC SW RUN TEE-9/16MJIC
21	1	618600	9/16MJIC-90-7/8MOR LBO	*54	1	616034	08C1T-08FJX-08FJX-17
*22	1	505209	BLK PIPE NIPPLE 1.00NPT-6.00	*55	1	615628	10C2AT-10FJX-10FJX-72
*23	1	505300	BLK PIPE EL 90DEG 1.00NPT	*56	1	615465	08C1T-08FJX-08FJX-33
*24	5	611145	3/4MJIC-90-1/2MNPT LBO	*57	1	615633	08C1T-08FJX-08FJX-23
25	3	618590	3/4MJIC-45-3/4FJIC SWIV LBO	*58	2	715660	HOSE BARB 1 1/4NPT X 1 1/4
*26	1	503700	PIPE PLUG .50NPT SQ HD	*59	1	618241	3/4MJIC-90-3/4MOR LBO
*27	5	618531	9/16FJIC CAP NUT	*60	1	601437	HOSE, 1 1/4 X 40 IFBR-1SPI
*28	1	618072	7/8MOR-1/2FNPT ADPTR	*61	1	610319	HYD MTR 10GPM (HYPRO HMI PUMP)
29	1	618186	1 5/16MJIC-1 5/16MOR ADPTR	*62	1	606818	FLO CONT FCR51 0-16GPM 7/8FOR
30	4	618469	3/4MJIC-1 1/16MOR ADPTR	*63	1	618130	7/8MOR RUN TEE-7/8MJIC
*31	1	618523	7/8FJIC-3/4MJIC ADPTR	*64	2	618183	3/4MJIC-90-7/8MOR LBO
32	1	618178	1 5/16MJIC-90-1 5/16MOR LBO	*65	2	506410	BLK PIPE ST EL 90DEG 1.25NPT
33	3	618116	9/16MOR-90-1/4FNPT LBO				



204 COMBO 8R QUAD 4L W/T-TROL HYD SCHEM 96
REFERENCE DRAWING NO. 498511

DET.	QTY	PART NO.	DESCRIPTION	DET.	QTY	PART NO.	DESCRIPTION
1	1	610532	ELECT HYD STACK VLV, 3 SECT	*35	1	618532	3/4FJIC CAP NUT
2	1	610447	HYD FILTER, INLINE 1/4FNPT 90M	*36	2	618107	9/16MJIC-90-1/2MNP LBO
3	8	610547	HYD MOTOR 4.5CI 1IN SHFT	*37	1	618310	9/16MJIC-7/8MOR ADPTR
*4	1	607504	FLO DIV B50 2-8GPM 7/8 FOR	*38	1	614348	16C2AT-16FJX-16FJX-25
5	1	610467	MODULAR MTR CONTROL ELECT VLV	39	4	614691	08C1T-08FJX-08FJX-220
*6	1	614633	HYD MANIF 8200 86	*40	1	616042	04C1T-06FJX-06FJX-13
*7	1	605601	GRESEN FILTER 10 MICRON 40GPM	*41	1	614627	06C1T-06FJX-06FJX-45
*8	1	607512	RELIEF VALVE, RL50, 1850 PSI	*42	1	615616	04C1T-06FJX-06FJX-65
9	4	470114	BREATHER FILTER VENT, 1/4 NPT	43	2	506410	BLK PIPE ST EL 90DEG 1.25NPT
10	4	620810	LIFT CYL ASSY, DETASSELER	*44	1	614664	10C1T-10FJX-10FJX-98
*11	1	611126	7/8MJIC-7/8MOR ADPTR	45	4	616025	08C1T-08FJX-08FJX-50
12	1	611122	9/16MJIC-90-1/4MNP LBO	46	2	611246	04C1T-06FJX-06FJX-174
13	16	618327	3/4MJIC-7/8MOR ADPTR	47	4	614689	08C1T-08FJX-08FJX-120
*14	1	618577	1 5/16MJIC UNION	*48	1	601378	HOSE, 1 1/4 X 156 IFBR-1SPI
15	1	618440	9/16MJIC-90-9/16MOR EX LG LBO	49	2	614101	04C1T-06FJX-06FJX-133
16	1	618170	3/4MOR-9/16FOR ADPTR	50	1	618608	9/16FJIC SWIV-1/4MNP
17	5	618119	9/16MJIC-90-9/16MOR LBO	*51	1	614350	16C2AT-16FJX-16FJX-55
*18	1	714561	1.00NPT-1.25 HOSE BARB	*52	1	614703	HYD TUBE ASSY, 200 MAIN
19	2	618425	9/16MJIC-45-9/16MOR LBO	*53	2	618486	9/16FJIC SW RUN TEE-9/16MJIC
*20	1	618587	1 5/16FJIC SWIV-1MNP	54	2	715660	HOSE BARB 1 1/4NPT X 1 1/4
21	1	618600	9/16MJIC-90-7/8MOR LBO	*55	2	618609	3/4MJIC-90-3/4FJIC SWIV LBO
*22	1	505209	BLK PIPE NIPPLE 1.00NPT-6.00	*56	1	616034	08C1T-08FJX-08FJX-17
*23	1	505300	BLK PIPE EL 90DEG 1.00NPT	*57	1	615628	10C2AT-10FJX-10FJX-72
*24	5	611145	3/4MJIC-90-1/2MNP LBO	*58	1	615465	08C1T-08FJX-08FJX-33
25	4	618590	3/4MJIC-45-3/4FJIC SWIV LBO	*59	1	615633	08C1T-08FJX-08FJX-23
*26	1	503700	PIPE PLUG .50NPT SQ HD	*60	1	618241	3/4MJIC-90-3/4MOR LBO
*27	5	618531	9/16FJIC CAP NUT	*61	1	610319	HYD MTR 10GPM (HYPRO HM1 PUMP)
*28	1	618072	7/8MOR-1/2FNPT ADPTR	*62	1	618523	7/8FJIC-3/4MJIC ADPTR
29	1	618186	1 5/16MJIC-1 5/16MOR ADPTR	*63	1	618301	7/8MJIC-90-7/8FJIC SWIV LBO
30	4	618469	3/4MJIC-1 1/16MOR ADPTR	*64	2	618183	3/4MJIC-90-7/8MOR LBO
31	1	618126	9/16MJIC-9/16MOR ADPTR	*65	1	618130	7/8MOR RUN TEE-7/8MJIC
32	1	618178	1 5/16MJIC-90-1 5/16MOR LBO	*66	1	606818	FLO CONT FOR51 0-16GPM 7/8FOR
33	4	618116	9/16MOR-90-1/4FNPT LBO	*67	1	601437	HOSE, 1 1/4 X 40 IFBR-1SPI
*34	1	500000	1/2MNP HEX PIPE NIPPLE STL				



7	1	291471	16GA BLK-291583-291598-6
6	2	293343	16GA RED-291583-293147-7
5	3	293135	14GA RED-291583-291583-3
4	3	293317	DIODE SHUNT CABLE ASSY
3	1	293254	SOLU SOL GND WIRE ASSY
2	1	293338	16GA BLK-291580-293147-20
1	1	293339	16GA BLK-291557-291591-40
DET		REQ	
DESCRIPTION			
HAGIE			
HAGIE MANUFACTURING COMPANY			
CLARION, IOWA 50525			
REMOVE ALL SHARP CORNERS & BURRS			
TOLERANCE UNLESS OTHERWISE SPECIFIED			
FRACTION	± 1/32	DECIMALS	X.XX ±.03 X.XXX ±.005
ANGLES	± °		
DESCRIPTION			
WIRE DIAG, 204 COMBO SOLU VLV			
DRAWN BY	SCALE		
T. MARKER	NONE (1)		
CHECKED BY	APPROVED BY		
DATE	DRAWING NUMBER		
10-26-94	498472		
SHEET	OF		



PARTS ORDER FAX

Fax
24 hours
a day
7 days
a week**

Ph. 1 (800) 247-4885 Fx. 1 (515) 532-3553

Photocopy and fax to Hagie Customer Support Department

ORDERED BY/BILL TO:

Name _____
Co. Name _____
Street _____
City, St, Zip _____
Ph. _____ Fx. _____

SHIP TO:

Name _____
Co. Name _____
Street _____
City, St, Zip _____
Ph. _____ Fx. _____

HOW SHIP: UPS Ground Next Day 2 Day 3 Day Other _____

If "HOW SHIP" is left blank, parts will be sent UPS ground service. If part is over 150 pounds, an independent motor freight company will be used.

PAYMENT: Hagie Account #*** _____

C.O.D

American Express Discover Visa Master Card
Signature: _____
name as appears on card: _____
card no. _____ exp. date _____

Year and Model No. _____
Serial No. _____

Item Serial No. (if necessary): _____

Engine (include type) _____
Hydrostatic Pump (s) _____
Torque Hub _____ LF RF LR RR
Wheel Motor _____ LF RF LR RR

HAGIE Part No.	Qty.	Description

Check here if you want phone confirmation of parts order.

* Orders received before 3:00 p.m., CST will be processed the same business day.
Regular business hours are Monday through Friday, 7:00 a.m. through 5:00 p.m..
** If you do not have a Hagie account number, contact the Hagie Customer Support Department and you will be issued one.



PARTS ORDER FAX

Fax
24 hours
a day
7 days
a week**

Ph. 1 (800) 247-4885 Fx. 1 (515) 532-3553

Photocopy and fax to Hagie Customer Support Department

ORDERED BY/BILL TO:

Name _____
Co. Name _____
Street _____
City, St, Zip _____
Ph. _____ Fx. _____

SHIP TO:

Name _____
Co. Name _____
Street _____
City, St, Zip _____
Ph. _____ Fx. _____

HOW SHIP: UPS Ground Next Day 2 Day 3 Day Other _____

If "HOW SHIP" is left blank, parts will be sent UPS ground service. If part is over 150 pounds, an independent motor freight company will be used.

PAYMENT: Hagie Account #*** _____

C.O.D

American Express Discover Visa Master Card

Signature: _____
name as appears on card: _____
card no. _____ exp. date _____

Year and Model No. _____

Serial No. _____

Item Serial No. (if necessary): _____

Engine (include type) _____

Hydrostatic Pump (s) _____

Torque Hub _____ LF RF LR RR

Wheel Motor _____ LF RF LR RR

HAGIE Part No.	Qty.	Description

Check here if you want phone confirmation of parts order.

* Orders received before 3:00 p.m., CST will be processed the same business day.

Regular business hours are Monday through Friday, 7:00 a.m. through 5:00 p.m..

** If you do not have a Hagie account number, contact the Hagie Customer Support Department and you will be issued one.