

PARTS MANUAL
FOR
HAGIE MODEL 204 DETASSELER

HAGIE MANUFACTURING COMPANY

BOX 273 CLARION, IOWA 50525 (515) 532-2861

COVERS MACHINE SERIAL NUMBERS: U1000220001 thru U1000220100

05-02 493234
02-08

DETASSELER IDENTIFICATION

Each Hagie detasseler is identified by means of a frame serial number. This serial number denotes the model, the year in which it was built, and the number of the detasseler. As for further identification, the engine has a serial number, the hydrostatic pump has a serial number, the wheel motors have identification tags, and the planetary hubs have identification plates that describe the type of mount and gear ratio. To insure prompt, efficient service when ordering parts or requesting service repairs from Hagie Manufacturing Company, record the serial and identification numbers in the space provided below.

NOTE: Reference to left hand and right hand used throughout this manual refers to the position when seated in the operator's seat facing forward.

DETASSELER SERIAL NUMBER

ENGINE SERIAL NUMBER

PLANETARY HUB IDENTIFICATION NUMBERS

TABLE OF CONTENTS

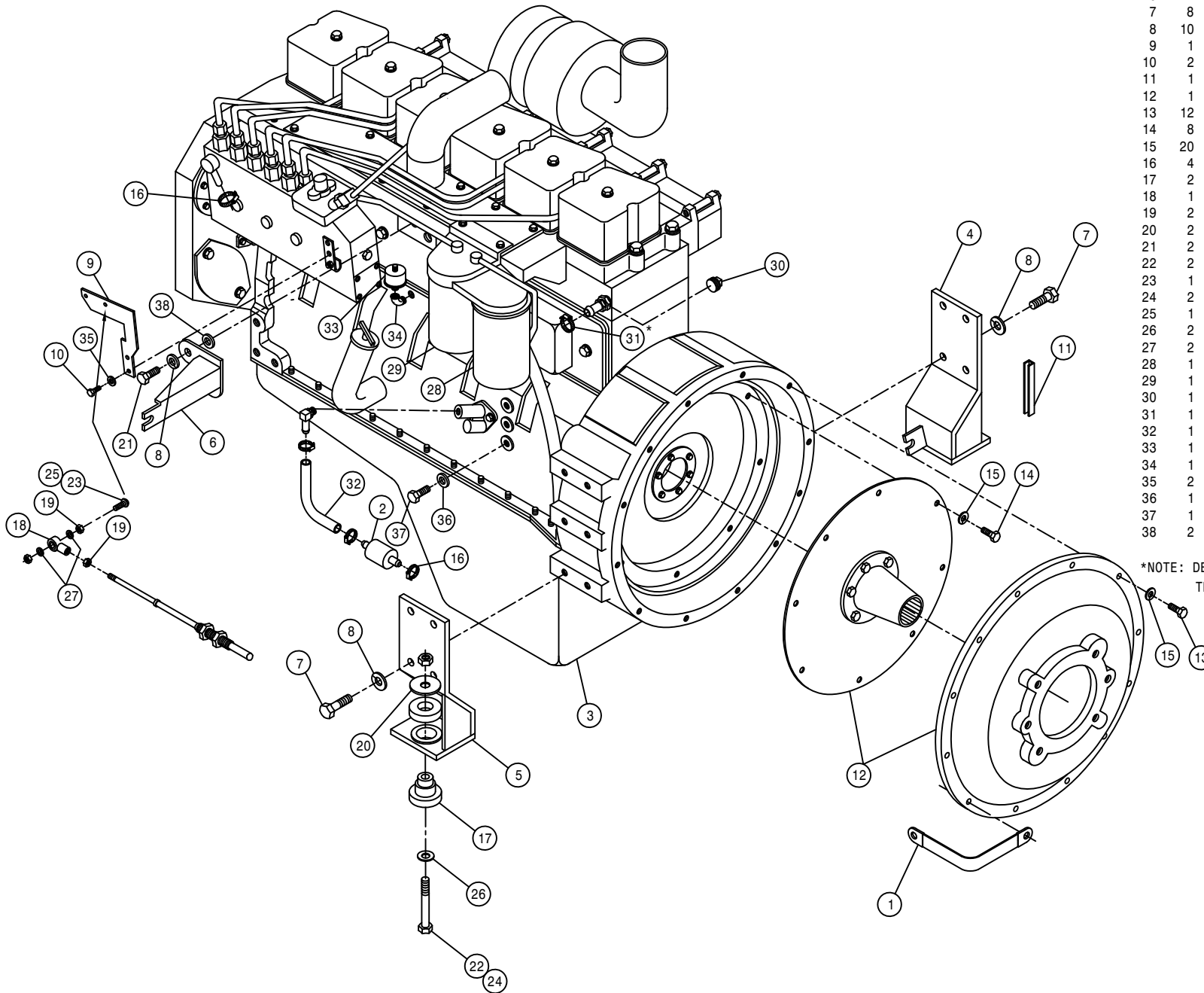
ENGINE ASSEMBLIES	4-9
POSITRACTION VALVE.	10-11
HI-PRESS FILTER & LOOP FLUSHING VALVE	12-13
FLOW DIVIDER.	14-15
EXHAUST PIPE & AIR CLEANER.	16-18
RADIATOR AND OIL COOLER	19
LEG ASSEMBLIES.	20-30
TIRE AND STALK GUIDE.	31-32
BRAKE SOLENOID ASSEMBLY33
TIE ROD ASSEMBLY.34
STEERING CYLINDER ASSEMBLY.35
FUEL AND OIL TANKS.	36-39
LADDER AND SERVICE PLATFORM	40-41
BATTERY42
OPERATOR STATION ASSEMBLY	43-46
INSTRUMENT PANEL ASSEMBLY47
CONSOLE ASSEMBLY.	48-51
SHEET METAL	52-53
MOTOR CONTROL VALVE54
RETURN FILTER	55-56
ELECTROHYDRAULIC VALVE.	57-60
OUTRIGGER AND LIFT ASSEMBLY	61-71
LIFT CYLINDER ASSEMBLY.72
QUAD AND CUTTER HEAD.	73-75
CUTTER CASE DRAIN FITTING ASSEMBLY.76
MALE ROW CHOPPER.	77-80
CONTROL BOX ASSEMBLY.	81-83
LS SENSOR.84
DEPTH COMMAND	85-87
CAB OPTION.	88-93
CANOPY OPTION	94-95
WEIGHT BRACKET OPTION96
OUTRIGGER HYDRAULIC FOLD OPTION	97-99
WHEEL DRIVE ASSEMBLY.	100-103
DECALS.	104-105
WIRING DIAGRAM.	106-109
ELECTRICAL SCHEMATIC.	110-125
HYDRAULIC SCHEMATIC	126-155
ABBREVIATIONS	156
INDEX	157

DIESEL ENGINE ASSEMBLY

DET. QTY PART NO. DESCRIPTION

1	1	290107	GROUND CABLE, 8" X 4GA .406LUGS
2	1	316281	FUEL STRAINER, IN-LINE, DIESEL
3	1	316302	CUMM ENG, 6B5.9A 152@2500
4	1	316252	RH REAR ENG MT WLD, CUMM 94
5	1	316253	LH REAR ENG MT WLD, CUMM 94
6	1	316517	THROTTLE CABLE MT WLD, CUMM 02
7	8	473775	12MM-1.75 X 30MM HEX BOLT
8	10	473784	12MM LOCK WASHER
9	1	316516	THROTTLE CABLE LEVER, CUMM 02
10	2	473826	6MM-1.00 X 16MM HEX BOLT
11	1	193012	QUICKEDGE TRIM .135 TO .250
12	1	800495	SUND DRIVE ASSY, 2.83PILOT 14T
13	12	473792	10MM-1.50 X 30MM HEX BOLT
14	8	473793	10MM-1.50 X 20MM HEX BOLT
15	20	473798	10MM LOCK WASHER
16	4	520120	HOSE CLAMP NO 4 STAINLESS
17	2	311054	RUBBER MOUNT SET, CB-2202-4
18	1	473921	BALL JOINT NO 10-32 THD
19	2	910027	10-32 HEX NUT
20	2	311055	REBOUND WASHER FOR 311054
21	2	473828	12MM-1.50 X 20MM HEX BOLT
22	2	900271	1/2UNC X 3 1/4 HEX BOLT
23	1	903893	10-32 X 1" SLT RD HD MACH SCR
24	2	914008	1/2UNC HEX STOVER NUT
25	1	914027	10-32 HEX STOVER NUT
26	2	920004	1/2 SAE FLAT WASHER
27	2	920510	#10 LOCK WASHER
28	1	316208	FUEL FILTER, PRIMARY CUMM 92
29	1	316209	FUEL FILTER, SECONDARY CUMM92
30	1	504900	PIPE PLUG .75NPT SQ HD
31	1	520055	HOSE CLAMP NO 12 STAINLESS
32	1	601347	HOSE, 3/8 X 10 FUEL LINE
33	1	291674	OIL PRESS SENDER, 125PSI, 1/8NPT
34	1	500900	BLK PIPE ST EL 90DEG .125NPT
35	2	920500	1/4 LOCK WASHER
36	1	473804	8MM LOCK WASHER
37	1	473827	8MM-1.25 X 20MM HEX BOLT
38	2	920004	1/2 SAE FLAT WASHER

*NOTE: DETAIL 31 AND HOSE BARB ARE USED WITH THE CAB OPTION.

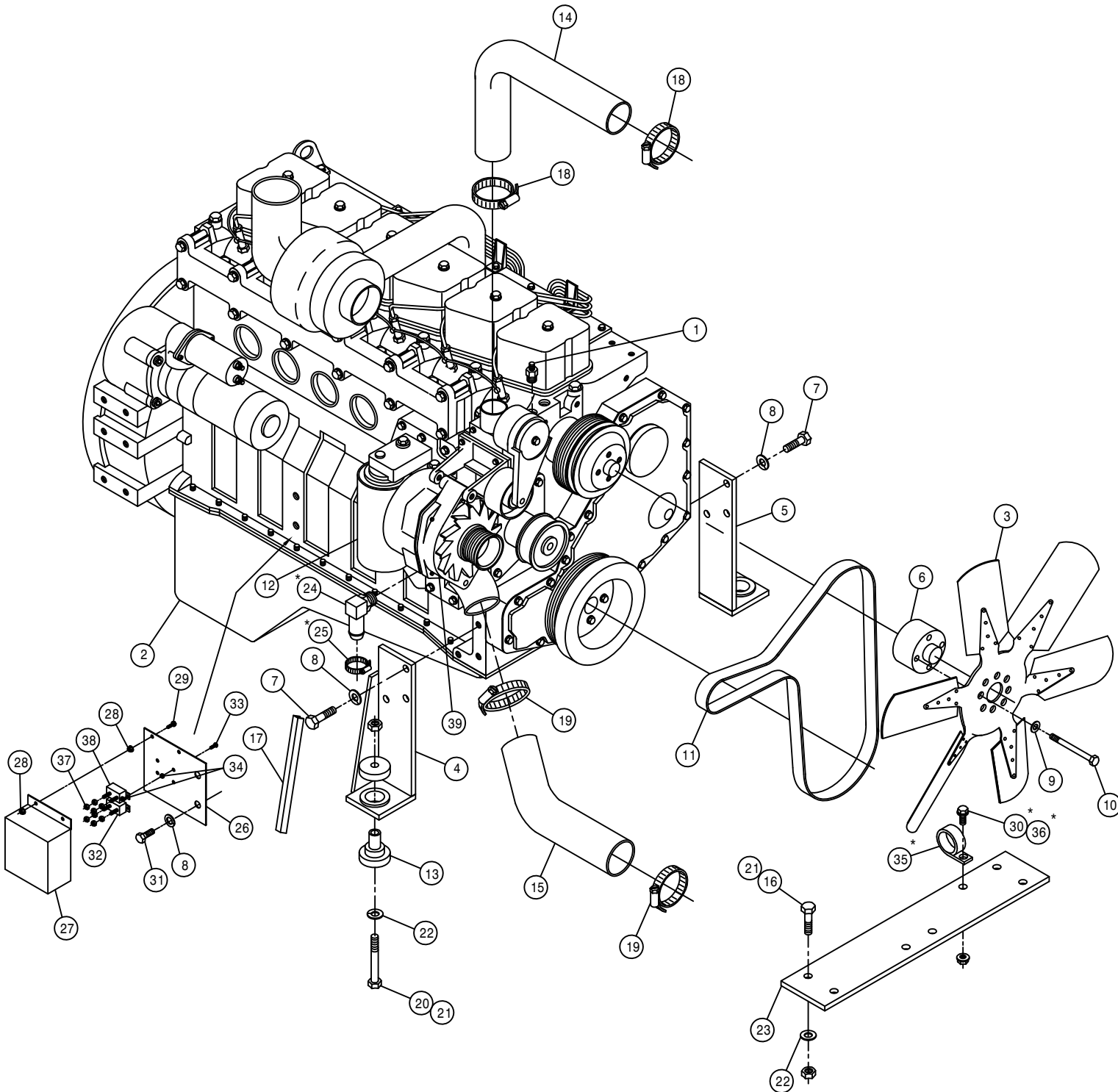


DIESEL ENGINE ASSEMBLY

DET.	QTY	PART NO.	DESCRIPTION
1	1	314836	TEMP SENDR 280D 1/2NPT FOR GA
2	1	316302	CUMM ENG,6B5.9A 152@2500
3	1	316410	FAN, 22" 6 BLADE 40DEG
4	1	316250	RH FRT ENG MT WLD, CUMM 94
5	1	316313	LH FRT ENG MT WLD, 284 CUMM 98
6	1	316199	22IN FAN SPACER CUMM 92
7	6	473775	12MM-1.75 X 30MM HEX BOLT
8	8	473784	12MM LOCK WASHER
9	4	473804	8MM LOCK WASHER
10	4	473822	8MM-1.25 X 70MM HEX BOLT
11	1	316206	POLY V BELT CUMMINS DIESEL 92
12	1	316207	LUBE FILTER CUMMINS DIESEL 92
13	2	311053	RUBBER MOUNT SET,SSB26-1000-1
14	1	314832	RADIATOR HOSE 1.75 X 19
15	1	314886	RADIATOR HOSE 2 1/4 20717
16	4	900265	1/2UNC X 1 1/2 HEX BOLT
17	1	193012	QUICKEDGE TRIM .135 TO .250
18	2	520067	HOSE CLAMP NO 28 STAINLESS
19	2	520099	HOSE CLAMP NO 40 STAINLESS
20	2	900271	1/2UNC X 3 1/4 HEX BOLT
21	6	914008	1/2UNC HEX STOVER NUT
22	6	920004	1/2 SAE FLAT WASHER
23	1	341968	TIE PLT 250/280 CUMM 92
24	1	618573	5/8 HOSE BARB-90-1/2MNPT
25	1	520055	HOSE CLAMP NO 12 STAINLESS
26	1	316339	BREAKER MTG PLT, 2100 98
27	1	316340	BREAKER COVER, 2100 98
28	4	470175	10-32 HEX FLANGE LOCK NUT
29	2	470216	10-32 X 3/4 FLANGE HEX BOLT
30	1	470121	1/4UNC HEX FLANGE LOCK NUT
31	2	473783	12MM-1.75 X 25MM HEX BOLT
32	1	291197	CIRCUIT BREAKER,30AMP,INLINEMT
33	4	903812	6-32 X 1/2 SLT RD HD MACH SCR
34	8	910022	6-32 HEX NUT
35	1	520126	CUSH HOSE CLAMP 2IN X 5/8W
36	1	470118	1/4UNC X 3/4 FLANGE HEX BOLT
37	4	910027	10-32 HEX NUT
38	1	291556	CIRCUIT BREAKER,50AMP,INLINEMT
39	1	316367	DELCO ALTERNATOR,130 AMP 22SI

*NOTE: DETAIL 24,25,30,35,AND 36 ARE USED WITH THE CAB OPTION.

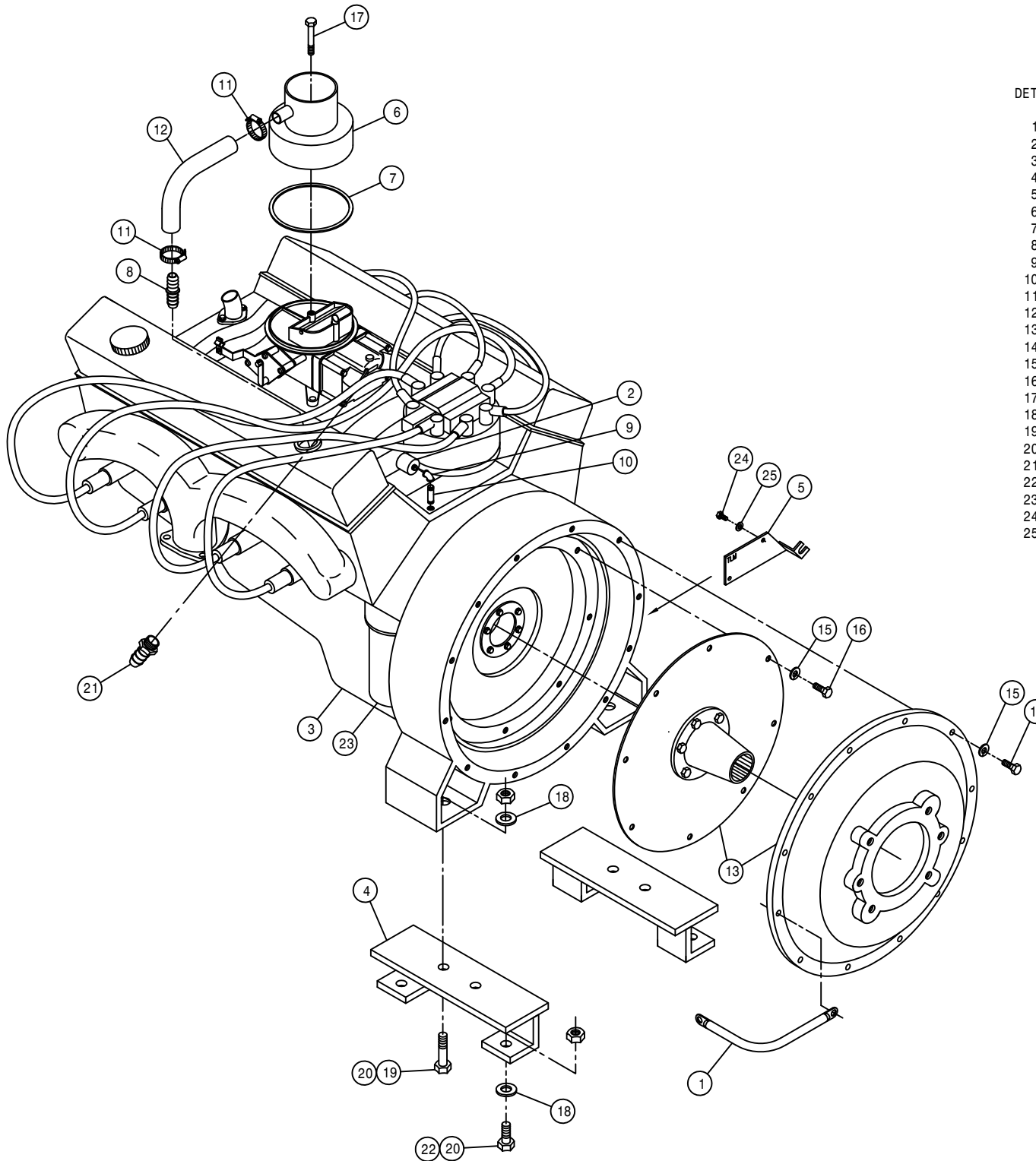
5

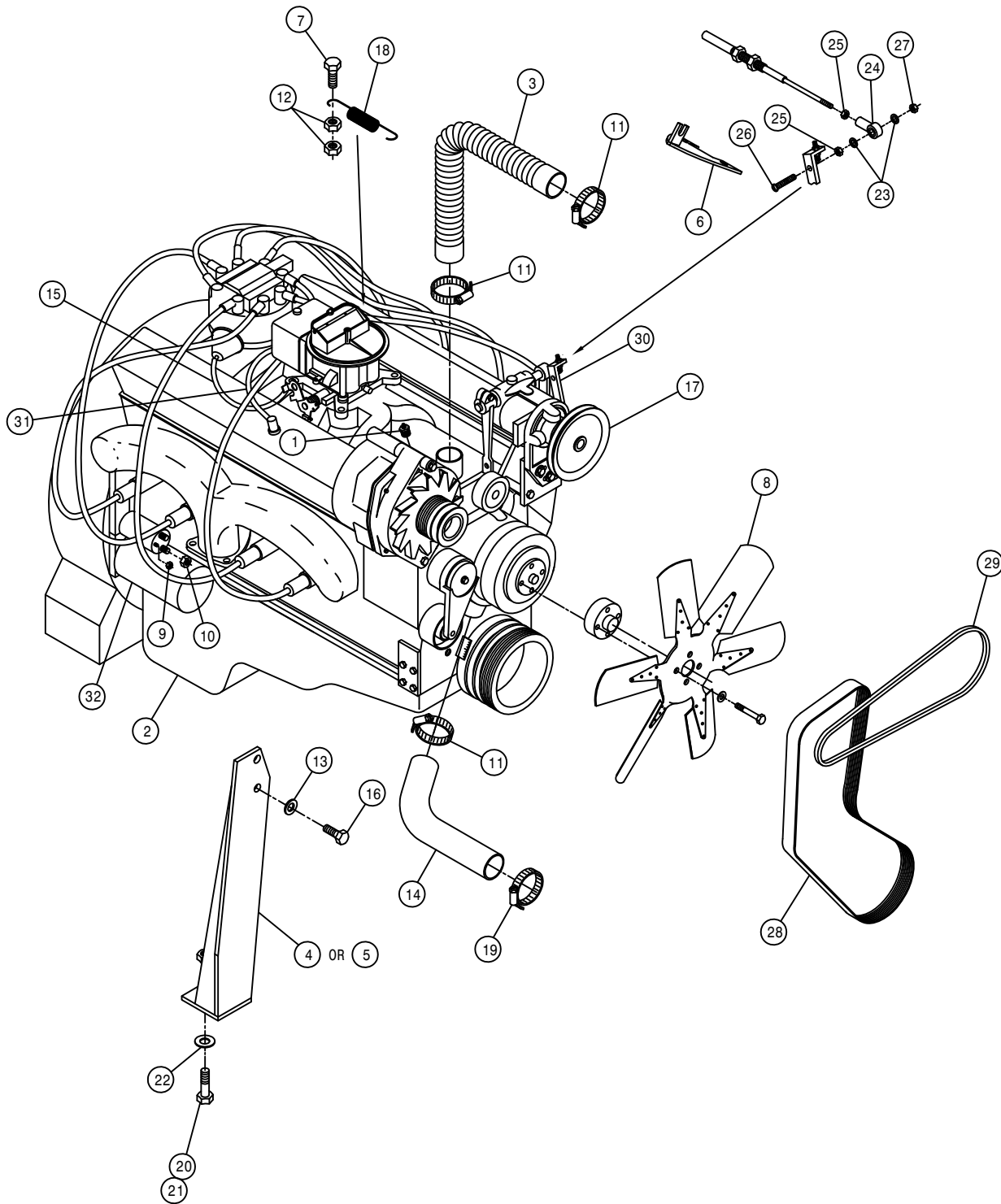


GMC ENGINE ASSEMBLY

DET. QTY PART NO. DESCRIPTION

DET.	QTY	PART NO.	DESCRIPTION
1	1	291531	GROUND CABLE, 15"
2	1	291610	OIL PRESS SENDER, 80PSI, 1/8NPT
3	1	315041	ENGINE, 350 GEN-1E 5.7L 98
4	2	314949	REAR MTR MT WLD, 204 GMC350 96
5	1	314952	HYDST CABLE MT WLD, 204 GMC 96
6	1	314963	CARB INTAKE WLD, 204 GMC350 96
7	1	314969	CARB INTAKE GASKET, GMC350 96
8	1	500070	3/4-3/4 HOSE BARB, POLY
9	1	500201	BLK PIPE EL 90DEG .125NPT
10	1	500520	BLK PIPE NIPPLE .125NPT-2.00
11	2	520055	HOSE CLAMP NO 12 STAINLESS
12	1	601379	HOSE, 3/4 X 16 2BR RED
13	1	800495	SUND DRIVE ASSY, 2.83PILOT 14T
14	12	900131	3/8UNC X 1 1/2 HEX BOLT
15	20	920502	3/8 LOCK WASHER
16	8	900128	3/8UNC X 3/4 HEX BOLT
17	1	900009	1/4UNC X 2 3/4 HEX BOLT
18	6	920004	1/2 SAE FLAT WASHER
19	2	900266	1/2UNC X 1 3/4 HEX BOLT
20	6	914008	1/2UNC HEX STOVER NUT
21	1	783305	1/2-20IF X 5/16 HOSE BARB, BRS
22	4	900265	1/2UNC X 1 1/2 HEX BOLT
23	1	314981	OIL FILTER, AC PH-35
24	2	900000	1/4UNC X 1/2 HEX BOLT
25	2	920500	1/4 LOCK WASHER





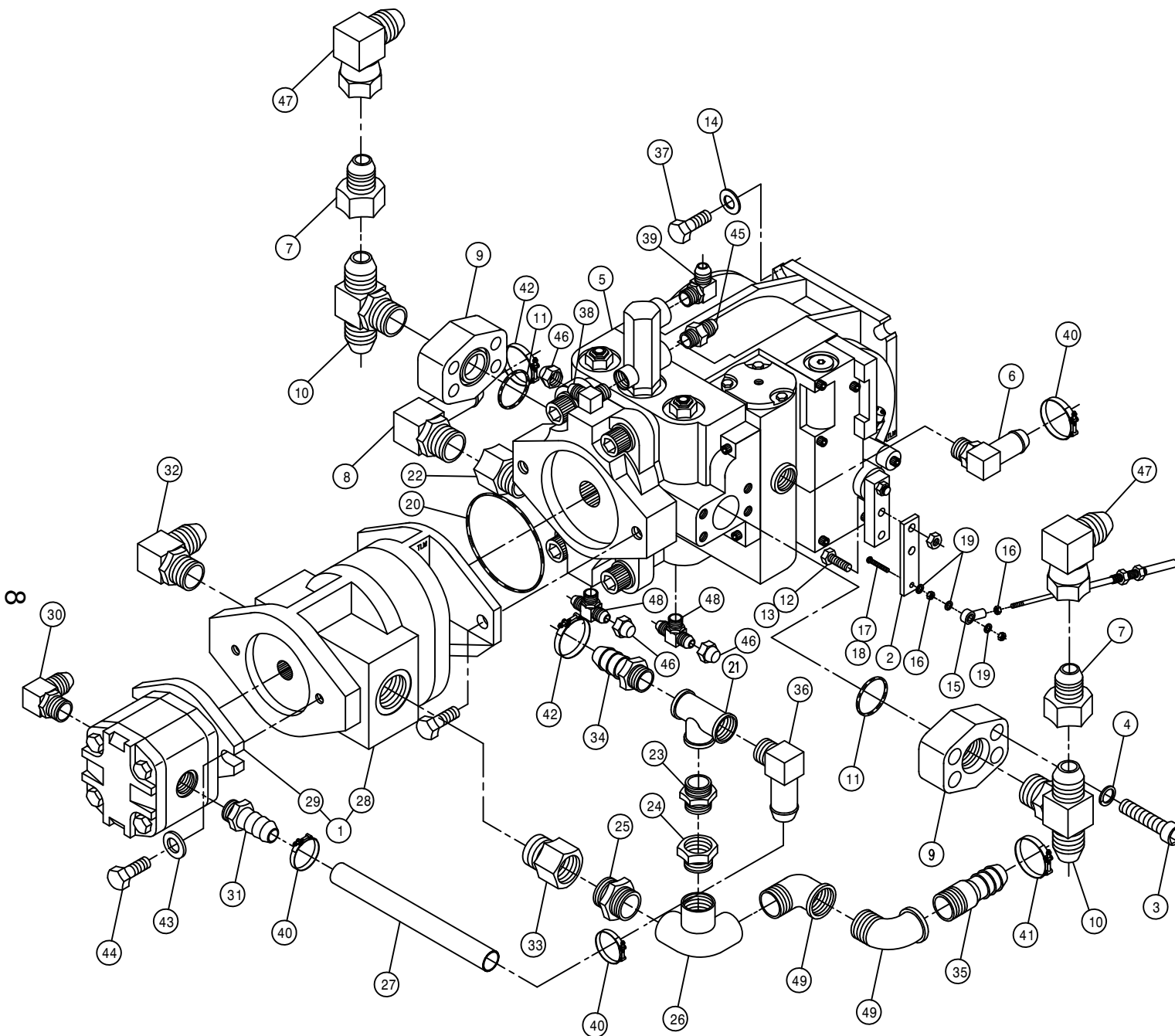
GMC ENGINE ASSEMBLY

DET. QTY PART NO. DESCRIPTION

1	1	314836	TEMP SENDR 280D 1/2NPT FOR GA
2	1	315041	ENGINE,350 GEN-1E 5.7L 98
3	1	314940	RADIATOR HOSE, 1.75
4	1	314944	RH FRT MTR MT WLD, 204 GMC 96
5	1	314945	LH FRT MTR MT WLD, 204 GMC 96
6	1	315042	THROT CABLE MT WLD,204 GMC 99
7	1	900065	5/16UNC X 1" HEX BOLT
8	1	315050	FAN, 99
9	1	473770	5MM-.80 HEX NUT
10	1	473778	8MM-1.25 HEX NUT
11	3	520067	HOSE CLAMP NO 28 STAINLESS
12	2	910002	5/16UNC HEX NUT
13	4	920502	3/8 LOCK WASHER
14	1	314975	LWR RAD HOSE, 204 GMC
15	1	601405	HOSE, 5/32 X 16 VACUUM
16	4	900129	3/8UNC X 1" HEX BOLT
17	1	147034	5"OD 5/8"BORE PULLEY FOR GOV
18	1	482015	SPRING, GMC CARB
19	1	520099	HOSE CLAMP NO 40 STAINLESS
20	2	900265	1/2UNC X 1 1/2 HEX BOLT
21	2	914008	1/2UNC HEX STOVER NUT
22	2	920004	1/2 SAE FLAT WASHER
23	2	920510	#10 LOCK WASHER
24	1	473921	BALL JOINT NO 10-32 THD
25	2	910027	10-32 HEX NUT
26	1	903893	10-32 X 1" SLT RD HD MACH SCR
27	1	914027	10-32 HEX STOVER NUT
28	1	315049	SERPENTINE FAN BELT,350 GMPT
29	1	315048	BELT,GOVERNOR,350 GMPT 5.7 ENG
30	1	315045	GOVERNOR W/PULLEY FOR GM350 99
31	1	601527	HOSE, 3/8 X 16 FUEL LINE
32	1	315051	STARTER, GMC 350 315041

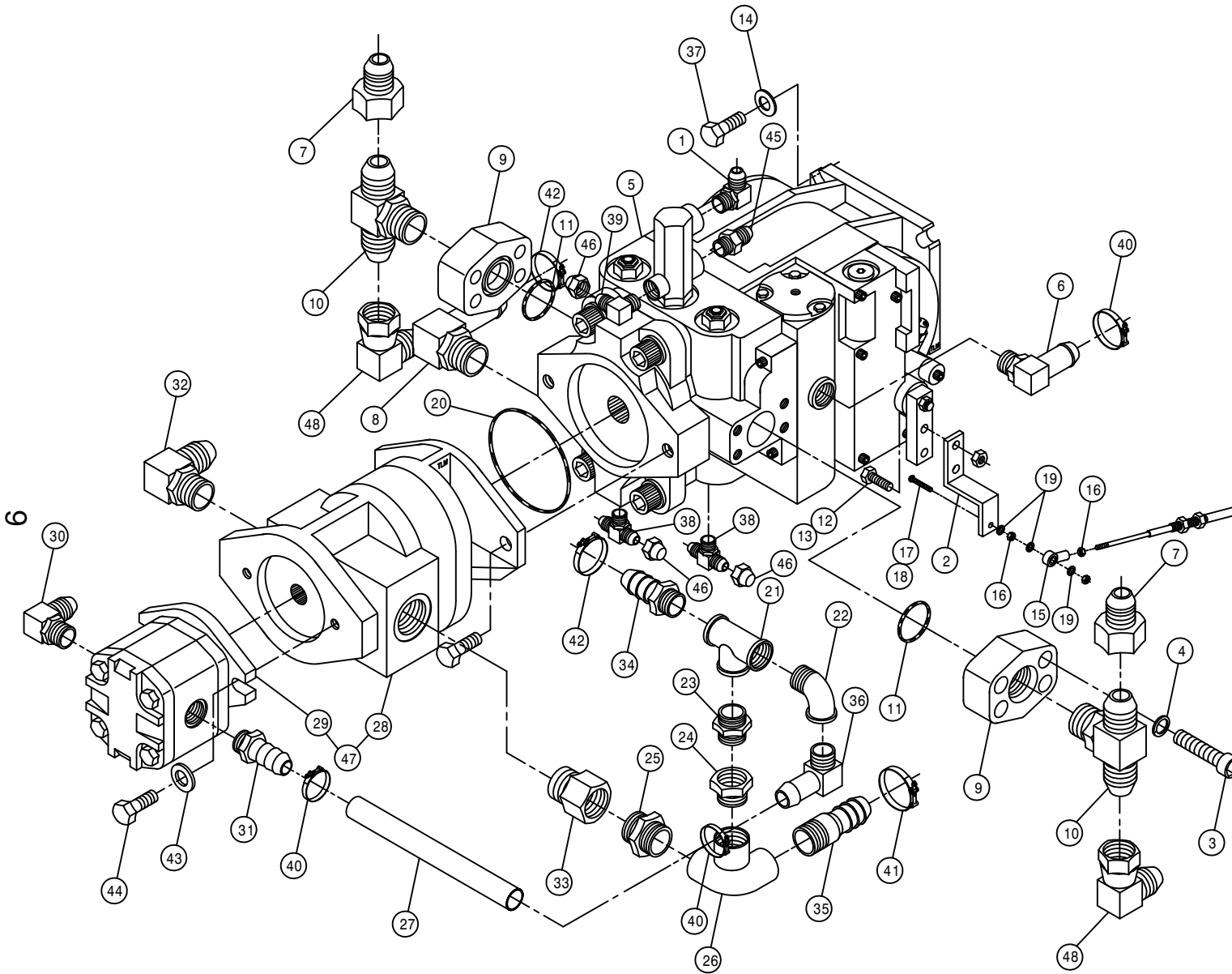
CUMMINS PUMP ASSEMBLY

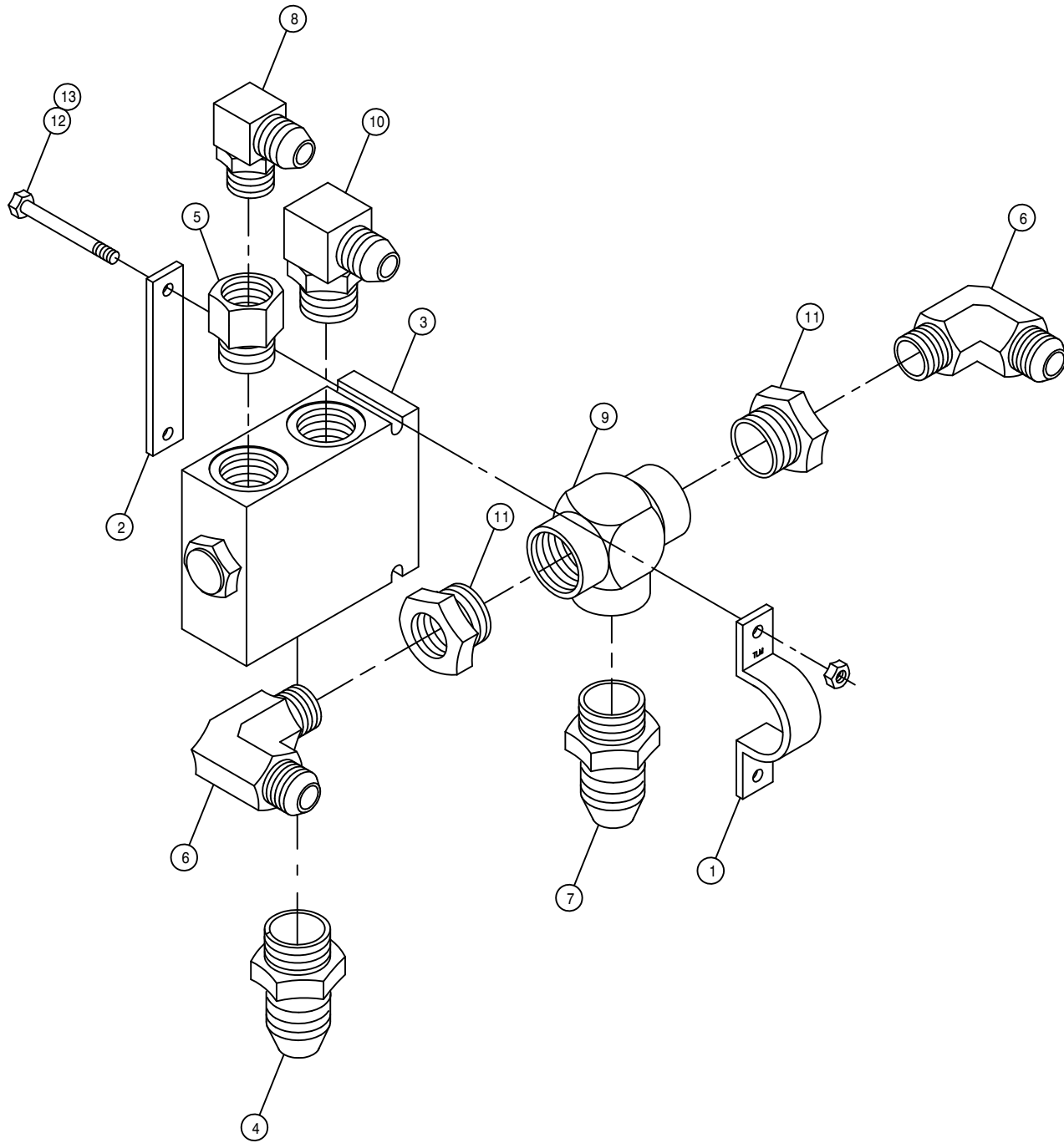
DET.	QTY	PART NO.	DESCRIPTION
1	1	606937	TANDEM PUMP, 606929 & 606938
2	1	316160	PUMP CONT LEVER EXT 280 CUMM
3	8	470188	7/16-14 X 1 1/2 SKTHD CAP SCR
4	8	470189	7/16 HC LOCK WASH FOR 618598
5	1	606902	SUND 100CC PUMP,B-MT W/FILT
6	1	618118	3/4 HOSE BARB-90-1 1/16MOR
7	2	618541	1 5/16FJIC-1 1/16MJIC ADPTR
8	1	618638	1IN HOSE BARB-45-1 5/16MOR
9	2	618598	1" 4-BOLT FLG X 1 5/16 FOR
10	2	618599	1 5/16MOR BRANCH TEE-1 5/16MJ
11	2	870219	BUNA ORING 1 5/16 X 1 9/16
12	2	900003	1/4UNC X 1" HEX BOLT
13	2	914000	1/4UNC HEX STOVER NUT
14	4	920004	1/2 SAE FLAT WASHER
15	1	473921	BALL JOINT NO 10-32 THD
16	2	910027	10-32 HEX NUT
17	1	903893	10-32 X 1" SLT RD HD MACH SCR
18	1	914027	10-32 HEX STOVER NUT
19	3	920510	#10 LOCK WASHER
20	1	606870	0-RING FOR 606865 SUND B-MT
21	1	505101	BLK PIPE TEE 1.00NPT
22	1	618639	1 5/8MOR-1 5/16FOR ADPTR
23	1	505105	1MNPT HEX PIPE NIPPLE STL
24	1	506005	1 1/4 TO 1 RED BUSH BLK MAL
25	1	507026	1 1/4MNPT HEX PIPE NIPPLE STL
26	1	506701	SIDE OUTLET EL 90DEG 1.25NPT
27	1	601399	HOSE, 3/4 X 13 1FBR-1SPI
28	1	606938	SUND GEAR PUMP,4.00CIR SPLNED
29	1	606929	SUND GEAR PUMP .66CI, SPLINED
30	1	611128	7/8MJIC-90-7/8MOR LBO
31	1	618075	3/4 HOSE BARB-1 1/16MOR
32	1	618178	1 5/16MJIC-90-1 5/16MOR LBO
33	1	618596	1 5/8MOR-1 1/4FNPT ADPTR
34	1	714560	1NPT X 1 HOSE BARB
35	1	715660	HOSE BARB 1 1/4NPT X 1 1/4
36	1	716000	3/4 HOSE BARB-90-1MNPT
37	4	900265	1/2UNC X 1 1/2 HEX BOLT
38	1	618119	9/16MJIC-90-9/16MOR LBO
39	1	618183	3/4MJIC-90-7/8MOR LBO
40	3	520137	1.12/1.25 T-BOLT HOSE CLAMP
41	1	520132	1.62/1.87 T-BOLT HOSE CLAMP SS
42	2	520138	1.38/1.56 T-BOLT HOSE CLAMP
43	2	920002	3/8 SAE FLAT WASHER
44	2	900130	3/8UNC X 1 1/4 HEX BOLT
45	1	618327	3/4MJIC-7/8MOR ADPTR
46	3	618531	9/16FJIC CAP NUT
47	2	618191	1 1/16MJ-90-1 1/16FJ SWIV LBO
48	2	618629	9/16MOR BRANCH TEE-9/16MJIC
49	2	506410	BLK PIPE ST EL 90DEG 1.25NPT



GMC PUMP ASSEMBLY

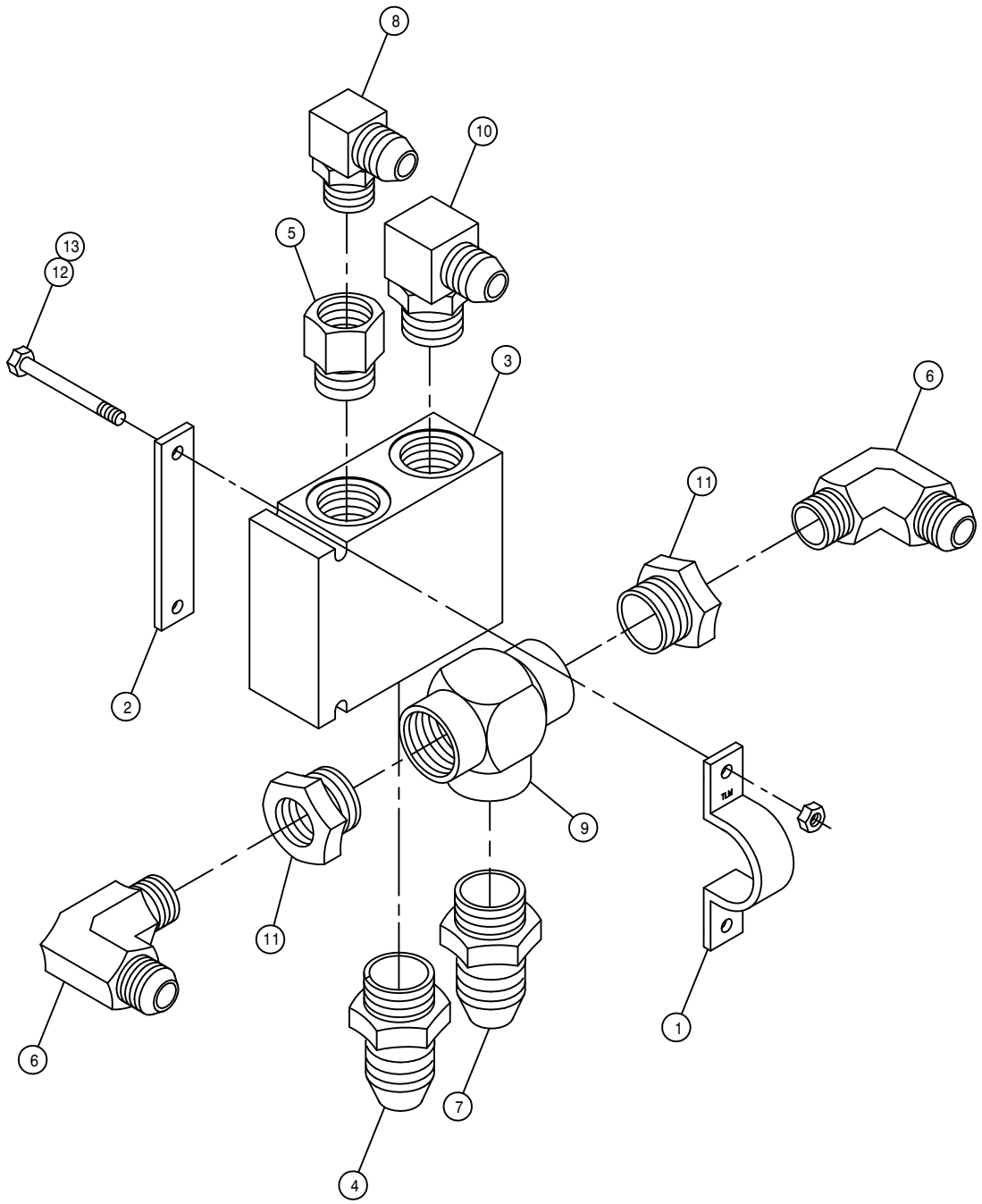
DET.	QTY	PART NO.	DESCRIPTION
1	1	618183	3/4MJIC-90-7/8MOR LBO
2	1	314957	PUMP CTRL LEVR EXT,204 GMC 96
3	8	470188	7/16-14 X 1 1/2 SKTHD CAP SCR
4	8	470189	7/16 HC LOCK WASH FOR 618598
5	1	606911	SUND 75CG PUMP,B-MT W/FILT
6	1	618118	3/4 HOSE BARB-90-1 1/16MOR
7	2	618541	1 5/16FJIC-1 1/16MJIC ADPTR
8	1	618564	1IN HOSE BARB-90-1 5/16MOR
9	2	618598	1" 4-BOLT FLG X 1 5/16 FOR
10	2	618599	1 5/16MOR BRANCH TEE-1 5/16MJ
11	2	870219	BUNA ORING 1 5/16 X 1 9/16
12	2	900003	1/4UNC X 1" HEX BOLT
13	2	914000	1/4UNC HEX STOVER NUT
14	4	920004	1/2 SAE FLAT WASHER
15	1	473921	BALL JOINT NO 10-32 THD
16	2	910027	10-32 HEX NUT
17	1	903893	10-32 X 1" SLT RD HD MACH SCR
18	1	914027	10-32 HEX STOVER NUT
19	3	920510	#10 LOCK WASHER
20	1	606870	O-RING FOR 606865 SUND B-MT
21	1	505101	BLK PIPE TEE 1.00NPT
22	1	505200	BLK PIPE ST EL 90DEG 1.00NPT
23	1	505105	1MNPT HEX PIPE NIPPLE STL
24	1	506005	1 1/4 TO 1 RED BUSH BLK MAL
25	1	507026	1 1/4MNPT HEX PIPE NIPPLE STL
26	1	506701	SIDE OUTLET EL 90DEG 1.25NPT
27	1	601383	HOSE, 3/4 X 8 1FBR-1SPI
28	1	606894	SUND GEAR PUMP 3.40CI SPLINED
29	1	606891	SUND GEAR PMP .52CI SPLINED
30	1	611128	7/8MJIC-90-7/8MOR LBO
31	1	618075	3/4 HOSE BARB-1 1/16MOR
32	1	618178	1 5/16MJIC-90-1 5/16MOR LBO
33	1	618596	1 5/8MOR-1 1/4FNPT ADPTR
34	1	714560	1NPT X 1 HOSE BARB
35	1	715660	HOSE BARB 1 1/4NPT X 1 1/4
36	1	716000	3/4 HOSE BARB-90-1MNPT
37	4	900265	1/2UNC X 1 1/2 HEX BOLT
38	2	618629	9/16MOR BRANCH TEE-9/16MJIC
39	1	618119	9/16MJIC-90-9/16MOR LBO
40	3	520137	1.12/1.25 T-BOLT HOSE CLAMP
41	1	520132	1.62/1.87 T-BOLT HOSE CLAMP SS
42	2	520138	1.38/1.56 T-BOLT HOSE CLAMP
43	2	920002	3/8 SAE FLAT WASHER
44	2	900130	3/8UNC X 1 1/4 HEX BOLT
45	1	618327	3/4MJIC-7/8MOR ADPTR
46	3	618531	9/16FJIC CAP NUT
47	1	606942	TANDEM PUMP, 606891 & 606894
48	2	618640	1 5/16MJ-90-1 5/16FJ SWIV LBO





CUMMINS POSITRACTION VALVE ASSEMBLY

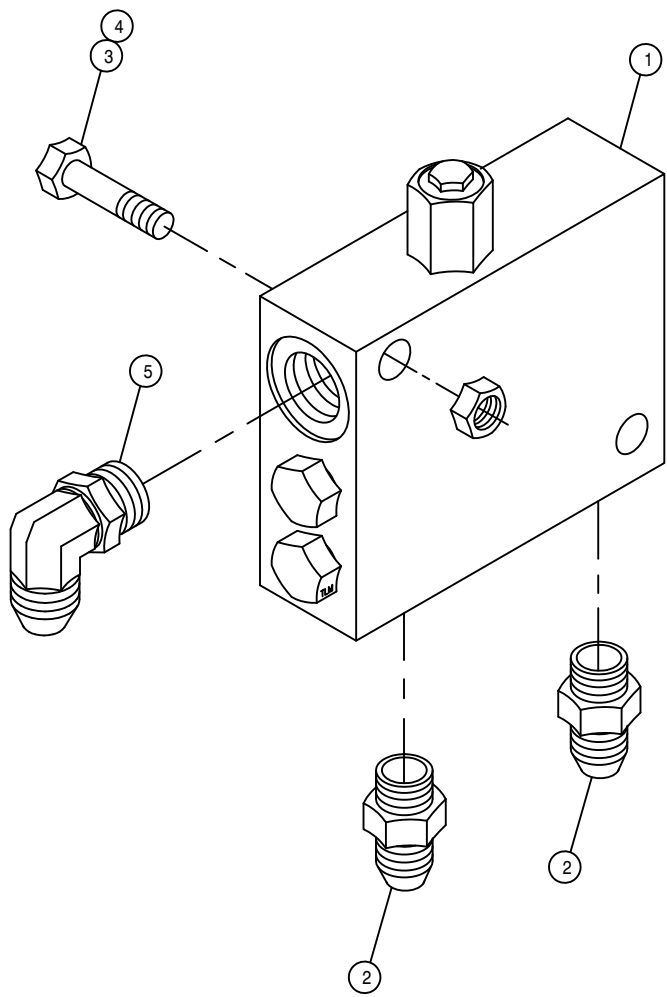
DET.	QTY	PART NO.	DESCRIPTION	
	1	314842	TEE CLAMP, TRAC VLV 200	89
	1	314843	TEE KEEPER, TRAC VLV 200	89
	1	610468	POSITRACTION VLV MOD CONT 20G	
	1	618308	1 1/16MJC-1 5/16MOR ADPTR	
	1	618312	1 5/16MOR-1 1/16FOR ADPTR	
	2	611124	7/8MJC-90-1/2MNPT LBO	
	1	618434	1 1/16MJC-1MNPT ADPTR	
	1	618535	7/8MJC-90-1 1/16MOR LBO	
	1	618575	1FNPT PIPE TEE STL	
	10	618589	7/8MJC-90-1 5/16MOR LBO	
	11	2 505005	RED BUSH 1 TO 1/2	
	12	2 900011	1/4UNC X 3 1/4 HEX BOLT	
	13	2 914000	1/4UNC HEX STOVER NUT	



GMC POSITRACTION VALVE ASSEMBLY

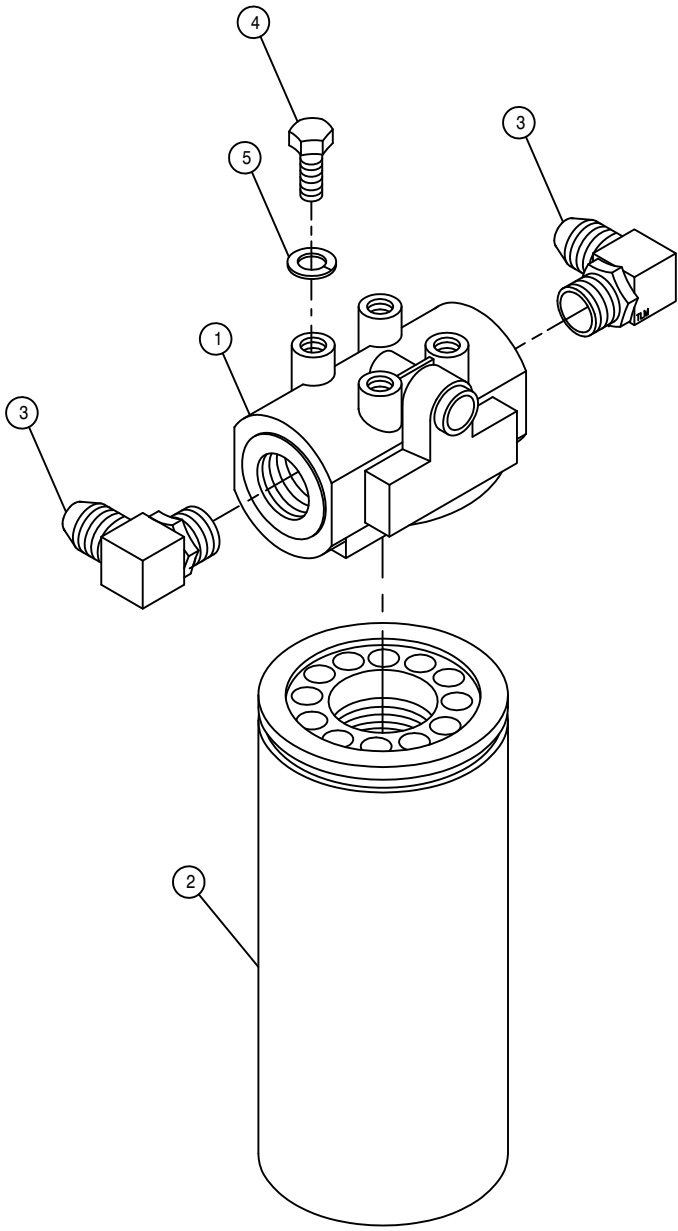
DET. QTY PART NO. DESCRIPTION

1	1	314842	TEE CLAMP, TRAC VLV 200	89
2	1	314843	TEE KEEPER, TRAC VLV 200	89
3	1	610468	POSITRACTION VLV MOD CONT 20G	
4	1	618308	1 1/16MJIC-1 5/16MOR ADPTR	
5	1	618312	1 5/16MOR-1 1/16FOR ADPTR	
6	2	611124	7/8MJIC-90-1/2MNPT LBO	
7	1	618434	1 1/16MJIC-1MNPT ADPTR	
8	1	618535	7/8MJIC-90-1 1/16MOR LBO	
9	1	618575	1FNPT PIPE TEE STL	
10	1	618589	7/8MJIC-90-1 5/16MOR LBO	
11	2	505005	RED BUSH 1 TO 1/2	
12	2	900011	1/4UNC X 3 1/4 HEX BOLT	
13	2	914000	1/4UNC HEX STOVER NUT	



LOOP FLUSHING VALVE ASSEMBLY

DET.	QTY	PART NO.	DESCRIPTION
1	1	610580	REMOTE FLUSHING VALVE, SUND
2	2	618126	9/16MJIC-9/16MOR ADPTR
3	2	900133	3/8UNC X 2" HEX BOLT
4	2	914004	3/8UNC HEX STOVER NUT
5	1	618119	9/16MJIC-90-9/16MOR LBO



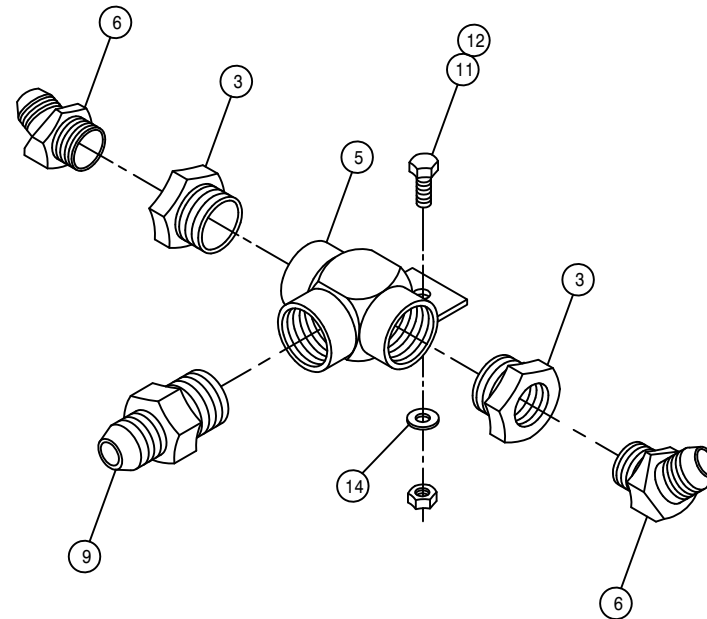
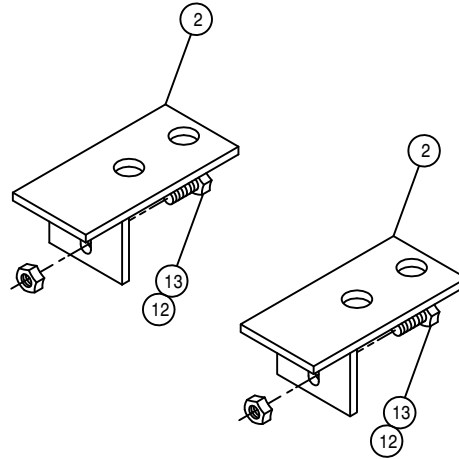
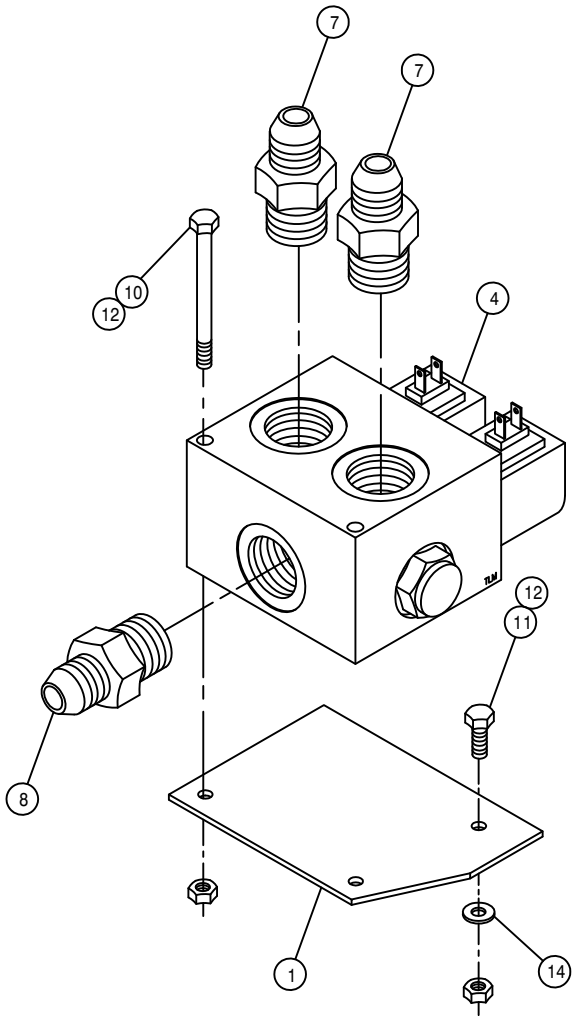
HI-PRESS FILTER ASSEMBLY

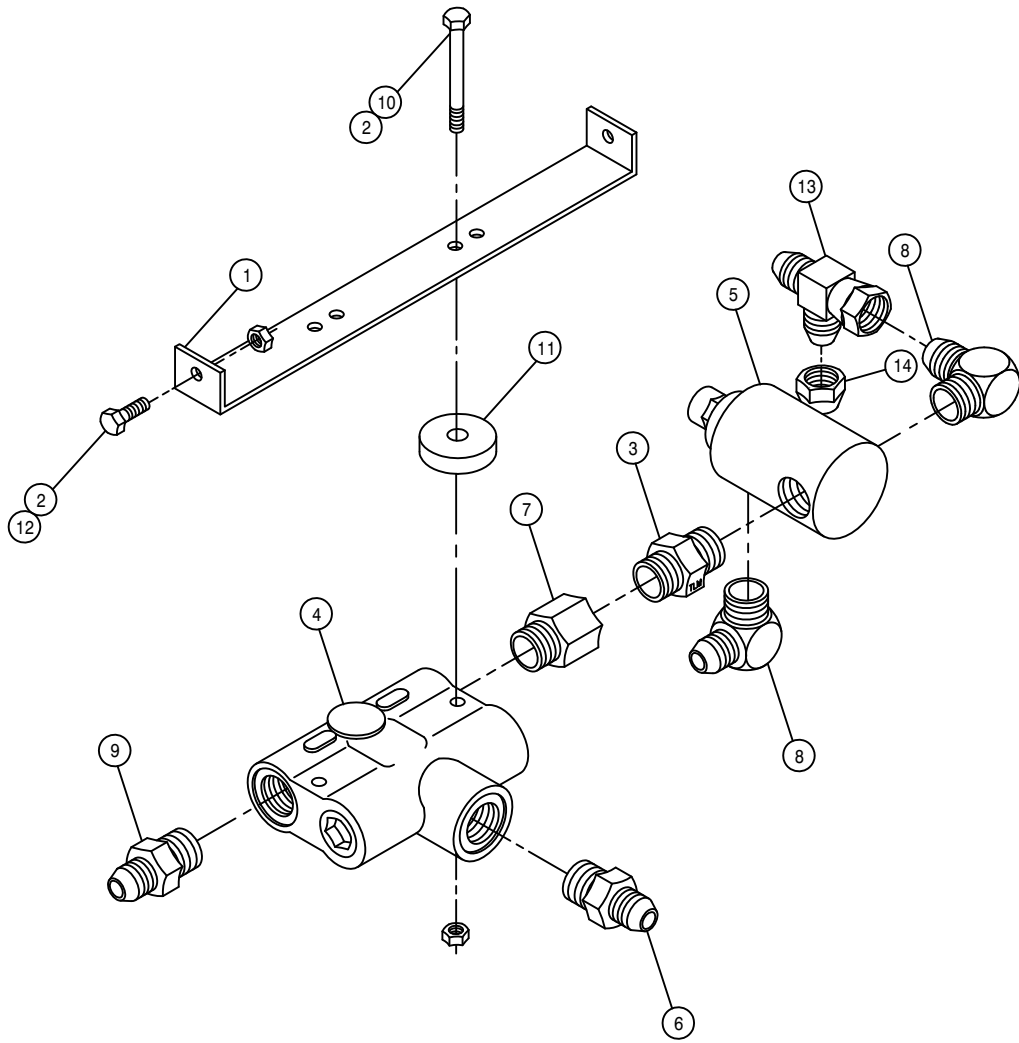
DET.	QTY	PART NO.	DESCRIPTION
	1	605608	HYD FILTER HEAD, DONALDSON
	1	605609	HYD FILTER ELEMENT, DONALDSON
	2	618474	3/4MJIC-90-1 1/16MOR LBO
	4	900128	3/8UNC X 3/4 HEX BOLT
	4	920502	3/8 LOCK WASHER

POSITRACTION VALVE ASSEMBLY

DET. QTY PART NO. DESCRIPTION

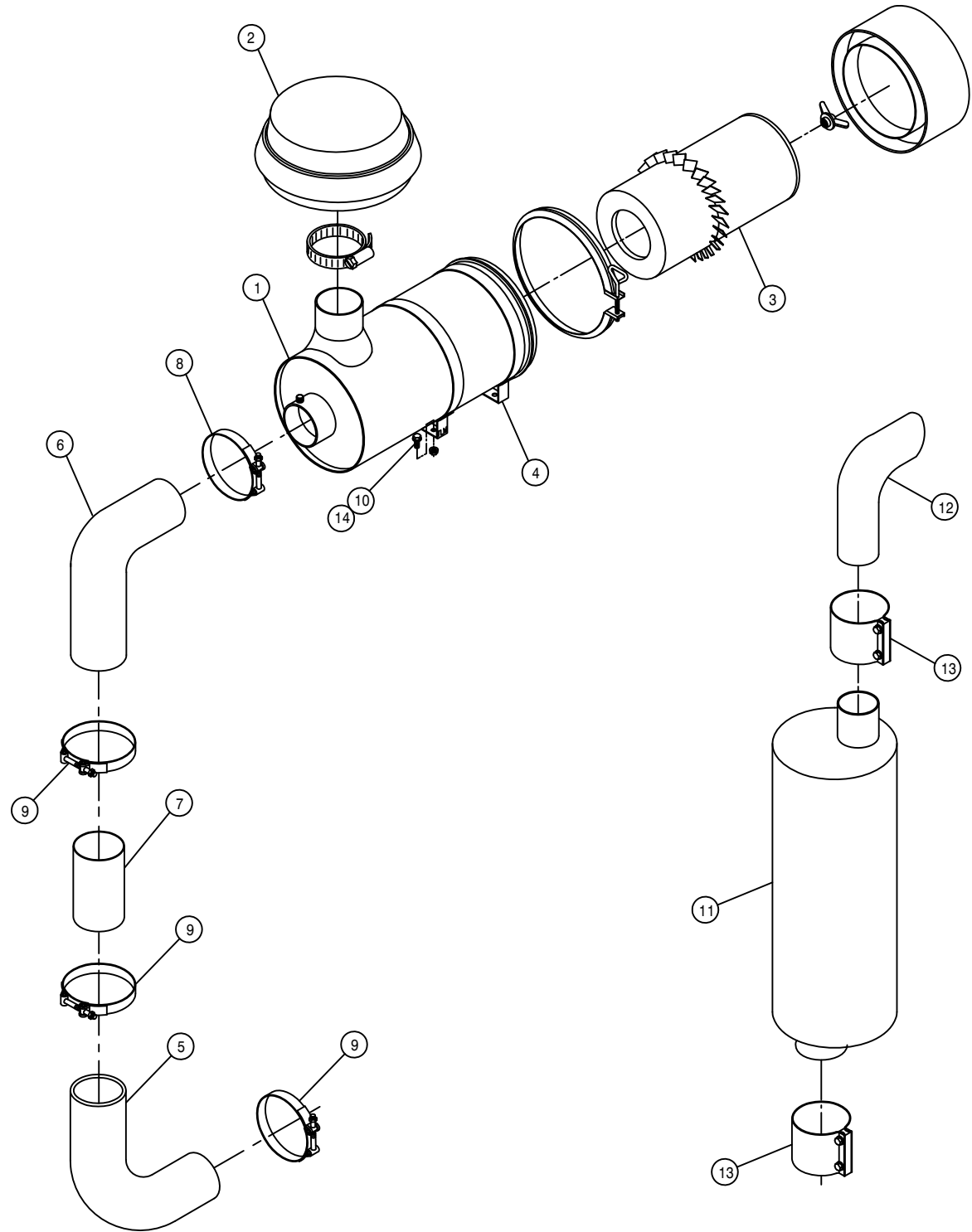
DET.	QTY	PART NO.	DESCRIPTION	
1	1	341849	POSITRACTION VALVE MT	200
2	2	341850	200 RETURN TEE MT WLD	89
3	2	505213	RED BUSH 1 X 3/4 BLK MAL	
4	1	610586	POSITRACTION VLV,ALUM,88SP60G	
5	1	614660	1IN STL TEE WLD 280	89
6	2	618156	7/8MJIC-90-3/4MNPT LBO	
7	2	618601	7/8MJIC-1 5/16MOR ADPT	
8	1	618186	1 5/16MJIC-1 5/16MOR ADPTR	
9	1	618322	1 5/16MJIC-1MNPT ADPTR	
10	2	900012	1/4UNC X 3 1/2 HEX BOLT	
11	2	900002	1/4UNC X 3/4 HEX BOLT	
12	6	914000	1/4UNC HEX STOVER NUT	
13	2	900003	1/4UNC X 1" HEX BOLT	
14	2	920000	1/4 SAE FLAT WASHER	





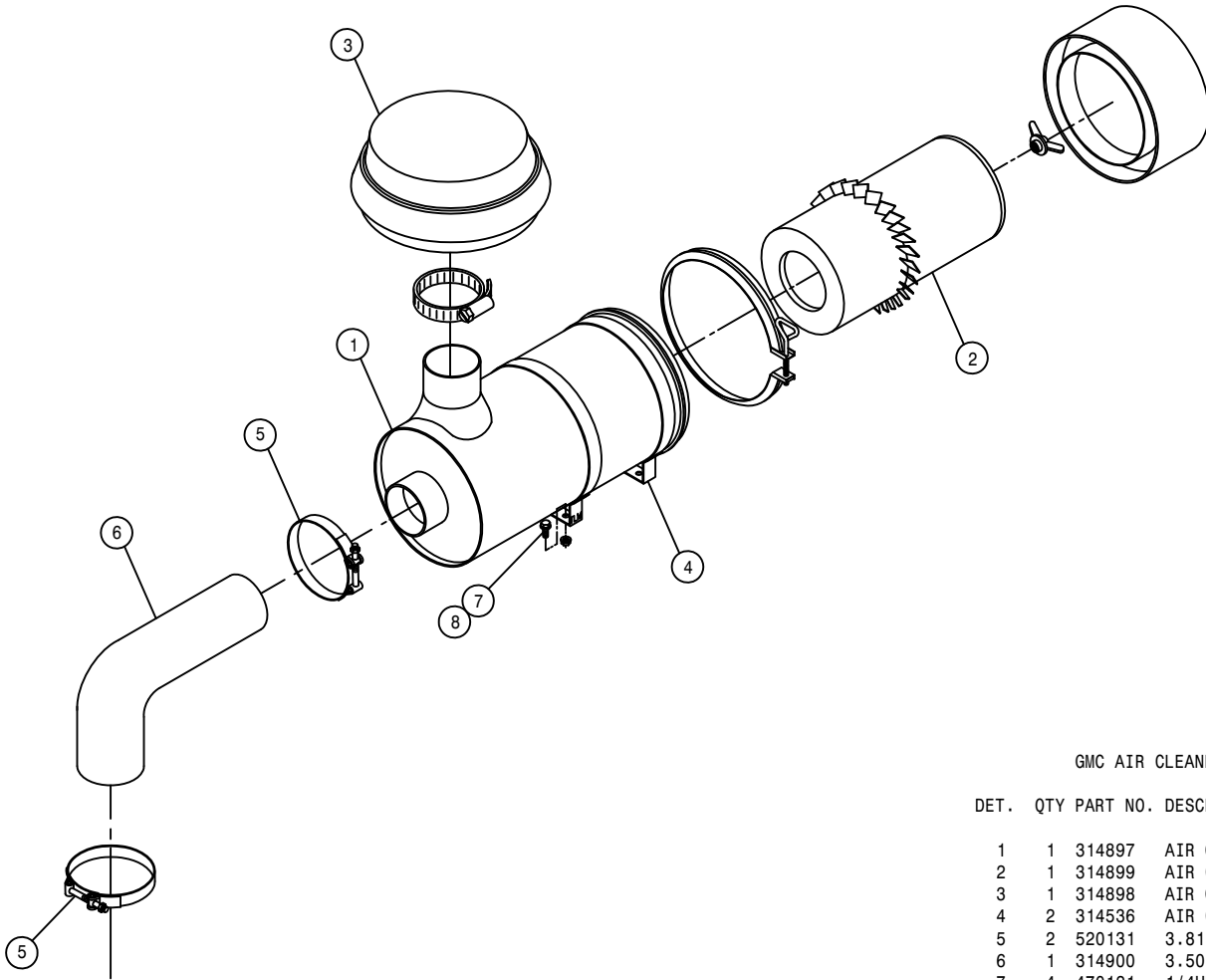
FLOW DIVIDER ASSEMBLY

DET.	QTY	PART NO.	DESCRIPTION	
				89
1	1	341774	FLOW DIVIDER MT 280	
2	4	914000	1/4UNC HEX STOVER NUT	
3	1	500000	1/2MNPT HEX PIPE NIPPLE STL	
4	1	607504	FLO DIV B50 2-8GPM 7/8 FOR	
5	1	607512	RELIEF VALVE, RL50, 1850 PSI	
6	1	611126	7/8MJIC-7/8MOR ADPTR	
7	1	618072	7/8MOR-1/2FNPT ADPTR	
8	2	618107	9/16MJIC-90-1/2MNPT LBO	
9	1	618310	9/16MJIC-7/8MOR ADPTR	
10	2	900008	1/4UNC X 2 1/2 HEX BOLT	
11	2	748500	RUBER WASH 3/8X1/4IDX1 1/2 OD	
12	2	900002	1/4UNC X 3/4 HEX BOLT	
13	1	618486	9/16FJIC SW RUN TEE-9/16MJIC	
14	1	618531	9/16FJIC CAP NUT	



CUMMINS AIR CLEANER AND EXHAUST ASSEMBLY

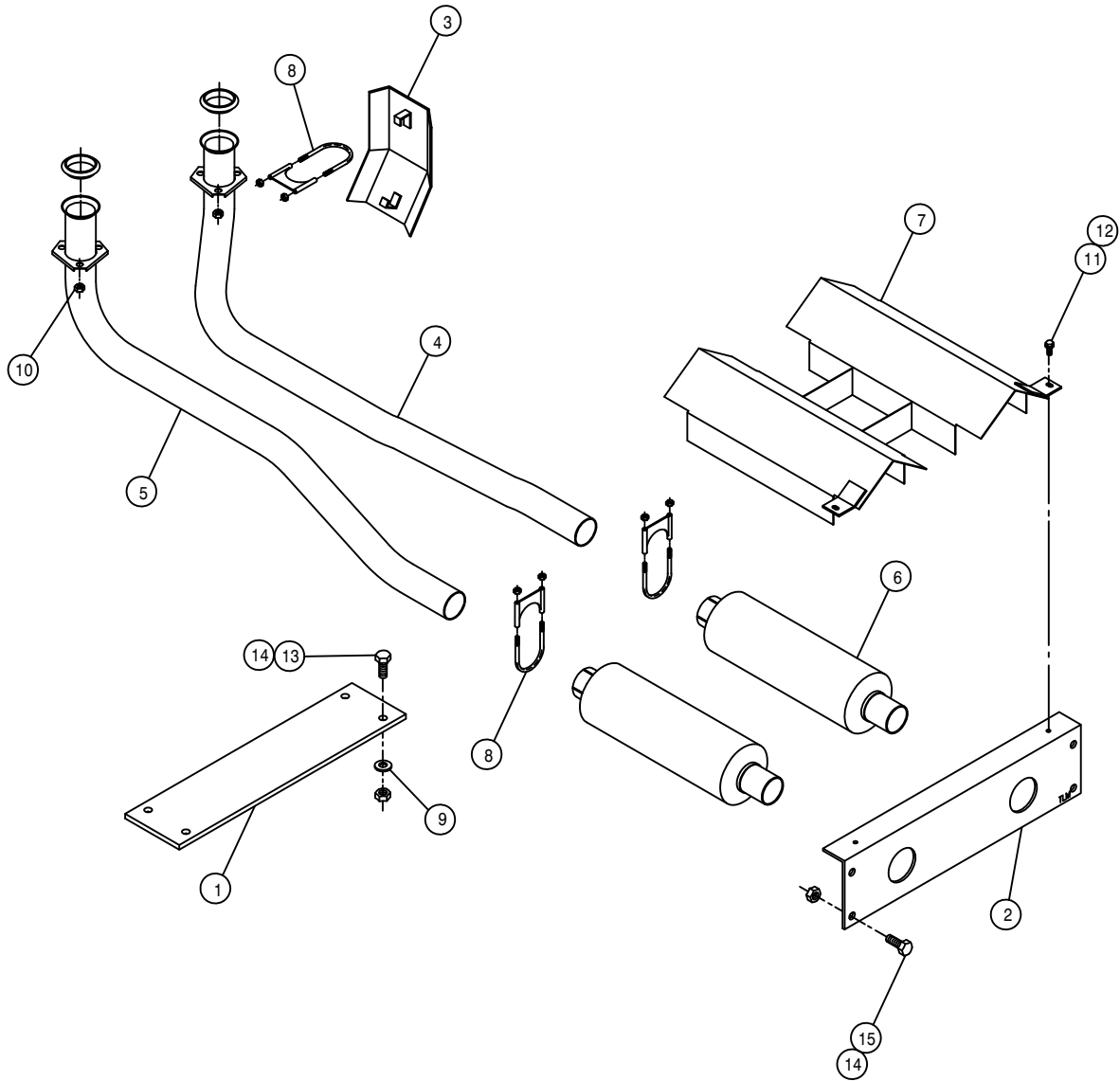
DET.	QTY	PART NO.	DESCRIPTION
1	1	314970	AIR CLEANER, 510 CFM
2	1	314971	AIR CLEANER HOOD FOR 314970
3	1	314973	AIR CLEANER ELEMENT FOR314970
4	2	314972	AIR CLEANER MT BAND FOR314970
5	1	316309	4" 90DEG ELBOW, RUBBER
6	1	316297	5" -4" 90DEG REDU ELBOW, RUBBER
7	1	316298	4" X 11.50" AIR INTAKE TUBE, 97
8	1	520136	5.31/5.59 T-BOLT HOSE CLAMP SS
9	3	520134	4.31/4.59 T-BOLT HOSE CLAMP SS
10	4	470113	5/16UNC HEX FLANGE LOCK NUT
11	1	316299	MUFFLER, 3" DONALDSON 97
12	1	316300	3" EXHAUST STACK 97
13	2	470243	3" STRAP BAND EXHAUST CLAMP
14	4	470233	5/16UNC X 3/4 FLANGE HEX BOLT



GMC AIR CLEANER ASSEMBLY

DET. QTY PART NO. DESCRIPTION

1	1	314897	AIR CLEANER, 280 CFM
2	1	314899	AIR CLEANER ELEMENT FOR314897
3	1	314898	AIR CLEANER HOOD FOR 314897
4	2	314536	AIR CLEANER BAND 8IN DONALDSON
5	2	520131	3.81/4.09 T-BOLT HOSE CLAMP SS
6	1	314900	3.50 90 DEG AIR INTAKE HOSE
7	4	470121	1/4UNC HEX FLANGE LOCK NUT
8	4	470118	1/4UNC X 3/4 FLANGE HEX BOLT

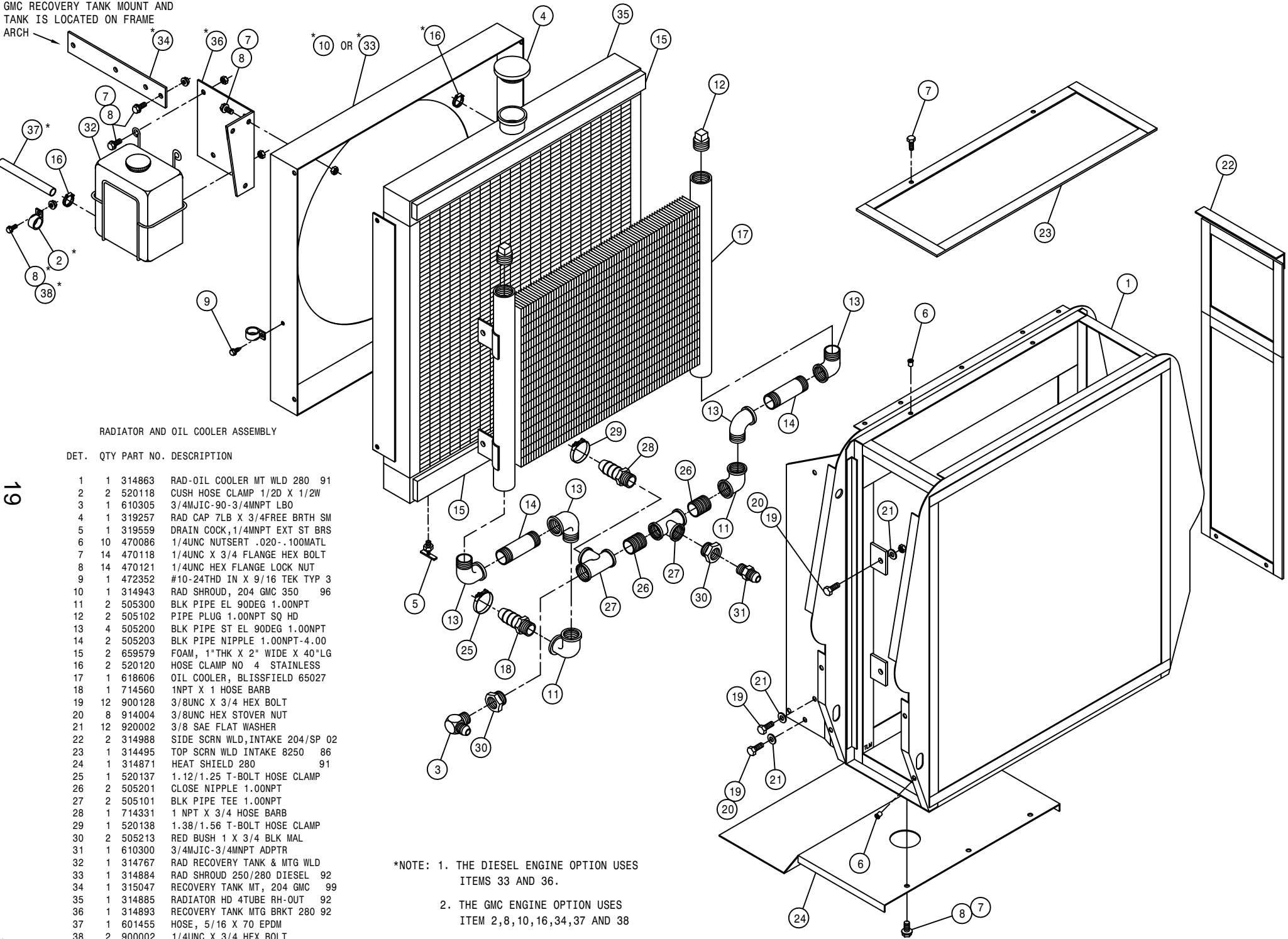


GMC EXHAUST PIPE ASSEMBLY

DET. QTY PART NO. DESCRIPTION

1	1	361347	MAINFRAME TIE PLATE 200 318
2	1	361346	MAINFRAME REAR TIE ANGLE 280
3	2	314960	HEAT SHIELD WLD,204 GMC350 96
4	1	314958	RH EXHAUST PIPE,204 GMC350 96
5	1	314959	LH EXHAUST PIPE,204 GMC350 96
6	2	319287	MUFFLER CHRY 440
7	1	341829	MUFFLER HEAT SHIELD WLD200 89
8	6	319327	MUFFLER CLAMP 2IN HVY DUTY
9	4	920004	1/2 SAE FLAT WASHER
10	6	914004	3/8UNC HEX STOVER NUT
11	3	470118	1/4UNC X 3/4 FLANGE HEX BOLT
12	3	470121	1/4UNC HEX FLANGE LOCK NUT
13	4	900265	1/2UNC X 1 1/2 HEX BOLT
14	8	914008	1/2UNC HEX STOVER NUT
15	4	900263	1/2UNC X 1" HEX BOLT

GMC RECOVERY TANK MOUNT AND TANK IS LOCATED ON FRAME ARCH

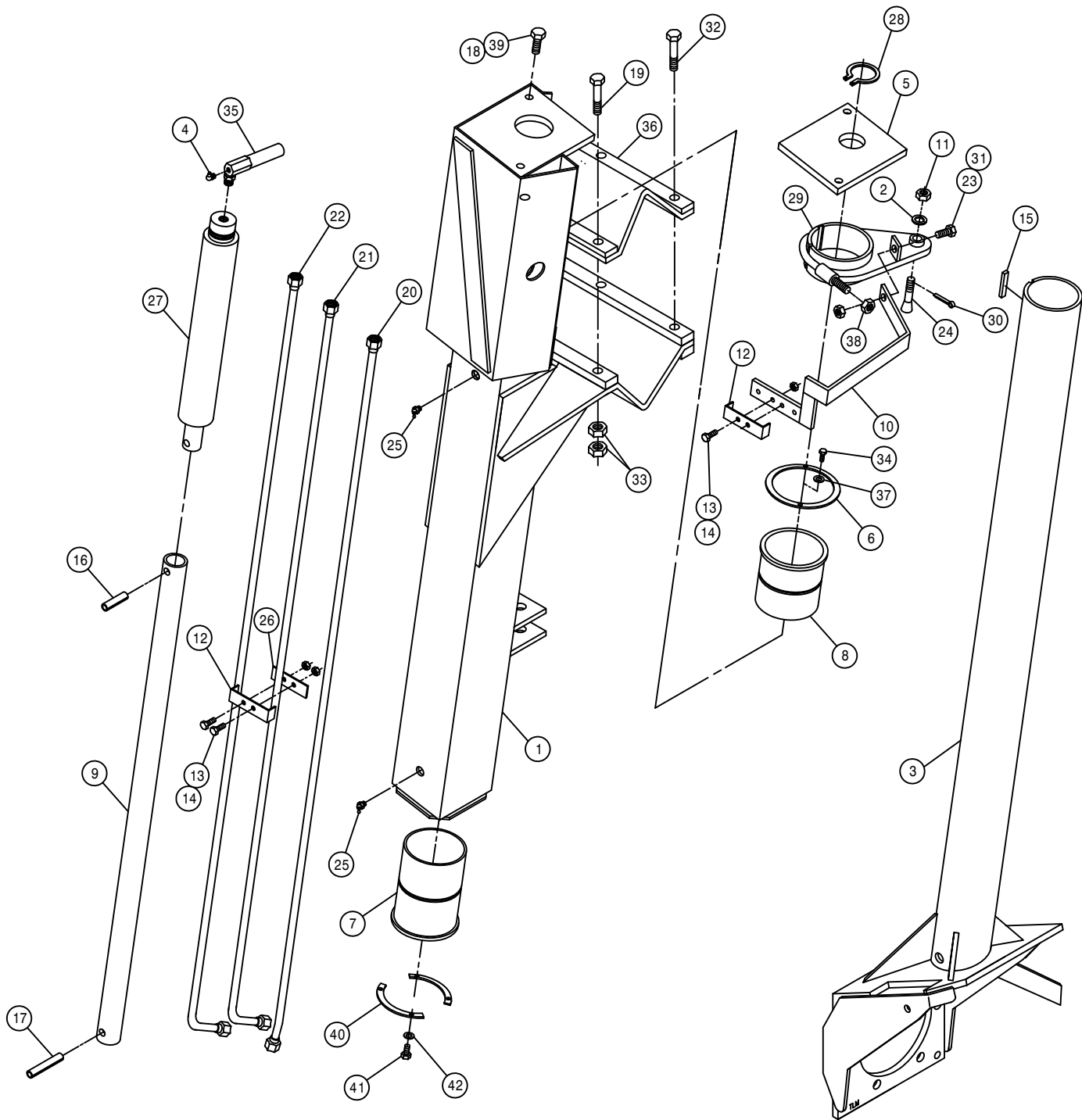


RADIATOR AND OIL COOLER ASSEMBLY

DET.	QTY	PART NO.	DESCRIPTION
1	1	314863	RAD-OIL COOLER MT WLD 280 91
2	2	520118	CUSH HOSE CLAMP 1/2D X 1/2W
3	1	610305	3/4MJIC-90-3/4MNPT LBO
4	1	319257	RAD CAP 7LB X 3/4FREE BRTH SM
5	1	319559	DRAIN COCK,1/4MNPT EXT ST BRS
6	10	470086	1/4UNC NUTSERT .020-.100MATL
7	14	470118	1/4UNC X 3/4 FLANGE HEX BOLT
8	14	470121	1/4UNC HEX FLANGE LOCK NUT
9	1	472352	#10-24THD IN X 9/16 TEK TYP 3
10	1	314943	RAD SHROUD, 204 GMC 350 96
11	2	505300	BLK PIPE EL 90DEG 1.00NPT
12	2	505102	PIPE PLUG 1.00NPT SQ HD
13	4	505200	BLK PIPE ST EL 90DEG 1.00NPT
14	2	505203	BLK PIPE NIPPLE 1.00NPT-4.00
15	2	659579	FOAM, 1"THK X 2" WIDE X 40"LG
16	2	520120	HOSE CLAMP NO 4 STAINLESS
17	1	618606	OIL COOLER, BLISSFIELD 65027
18	1	714560	1NPT X 1 HOSE BARB
19	12	900128	3/8UNC X 3/4 HEX BOLT
20	8	914004	3/8UNC HEX STOVER NUT
21	12	920002	3/8 SAE FLAT WASHER
22	2	314988	SIDE SCR N WLD,INTAKE 204/SP 02
23	1	314495	TOP SCR N WLD INTAKE 8250 86
24	1	314871	HEAT SHIELD 280 91
25	1	520137	1.12/1.25 T-BOLT HOSE CLAMP
26	2	505201	CLOSE NIPPLE 1.00NPT
27	2	505101	BLK PIPE TEE 1.00NPT
28	1	714331	1 NPT X 3/4 HOSE BARB
29	1	520138	1.38/1.56 T-BOLT HOSE CLAMP
30	2	505213	RED BUSH 1 X 3/4 BLK MAL
31	1	610300	3/4MJIC-3/4MNPT ADPTR
32	1	314767	RAD RECOVERY TANK & MTG WLD
33	1	314884	RAD SHROUD 250/280 DIESEL 92
34	1	315047	RECOVERY TANK MT, 204 GMC 99
35	1	314885	RADIATOR HD 4TUBE RH-OUT 92
36	1	314893	RECOVERY TANK MTG BRKT 280 92
37	1	601455	HOSE, 5/16 X 70 EPDM
38	2	900002	1/4UNC X 3/4 HEX BOLT

*NOTE: 1. THE DIESEL ENGINE OPTION USES ITEMS 33 AND 36.
2. THE GMC ENGINE OPTION USES ITEM 2,8,10,16,34,37 AND 38

20



RIGHT FRONT LEG ASSEMBLY W/W1BF HUB

DET.	QTY	PART NO.	DESCRIPTION
1	1	357836	RH FRT OUTER LEG WLD,204/204I
2	1	920505	5/8 LOCK WASHER
3	1	357800	RH FRT INNER LEG WLD, 204 94
4	1	471027	GREASE ZERK 1/8NPT 90DEG LP
5	1	358562	LEG CYL MTG PLATE 280 89
6	1	358563	FRT LEG BRG KPR 280 89
7	1	358564	FRT LEG LWR NYL SLEEVE 280 89
8	1	358565	FRT LEG UPR NYL SLEEVE 280 89
9	1	358566	LEG CYL SHAFT EXTENSION280 89
10	1	358707	RH FRT LEG TUBE BRKT WLD280TA
11	1	822040	5/8-18UNF SLOTTED HEX NUT
12	2	358739	FRT LEG HYD TUBE CLMP, 284 94
13	4	900004	1/4UNC X 1 1/4 HEX BOLT
14	4	470121	1/4UNC HEX FLANGE LOCK NUT
15	1	470185	KEY .25 X .375 X 2.00 LG
16	1	473903	SPIRAL PIN 1/2 X 2 640
17	1	473904	SPIRAL PIN 1/2 X 3 640
18	2	914008	1/2UNC HEX STOVER NUT
19	3	900836	5/8UNF X 3 1/4 HEX BOLT GR8
20	1	615659	FRT LEG INNER HYD TUBE,204 94
21	1	615660	FRT LEG CNTR HYD TUBE,204 94
22	1	615661	FRT LEG OUTER HYD TUBE,204 94
23	1	900129	3/8UNC X 1" HEX BOLT
24	1	749293	STRG ARM BOLT, TAPERED
25	2	471023	GREASE ZERK 1/4-28 X 45
26	1	358740	FRT LEG HYD TUBE KPR, 284 94
27	1	620805	LEG LEVEL CYL ASSY,2.00 X 12.0
28	1	629515	SNAP RING 1 3/4 EXTRN HDUTY
29	1	749290	RH STRG ARM WLD,280 TREAD ADJ
30	1	470035	COTTER PIN 5/32 X 1 1/2
31	1	914004	3/8UNC HEX STOVER NUT
32	3	900837	5/8UNF X 3 1/2 HEX BOLT GR8
33	12	914811	5/8UNF HEX NUT GR8
34	2	900000	1/4UNC X 1/2 HEX BOLT
35	1	615614	FRT LEG CYL JUMPER HOSE280 89
36	1	358759	LEG MT V-PLT WLD, 284T 94
37	2	920500	1/4 LOCK WASHER
38	1	914010	5/8UNC HEX STOVER NUT
39	2	900265	1/2UNC X 1 1/2 HEX BOLT
40	2	358927	LWR BRG KPR, LEG 98
41	4	900064	5/16UNC X 3/4 HEX BOLT
42	4	920501	5/16 LOCK WASHER

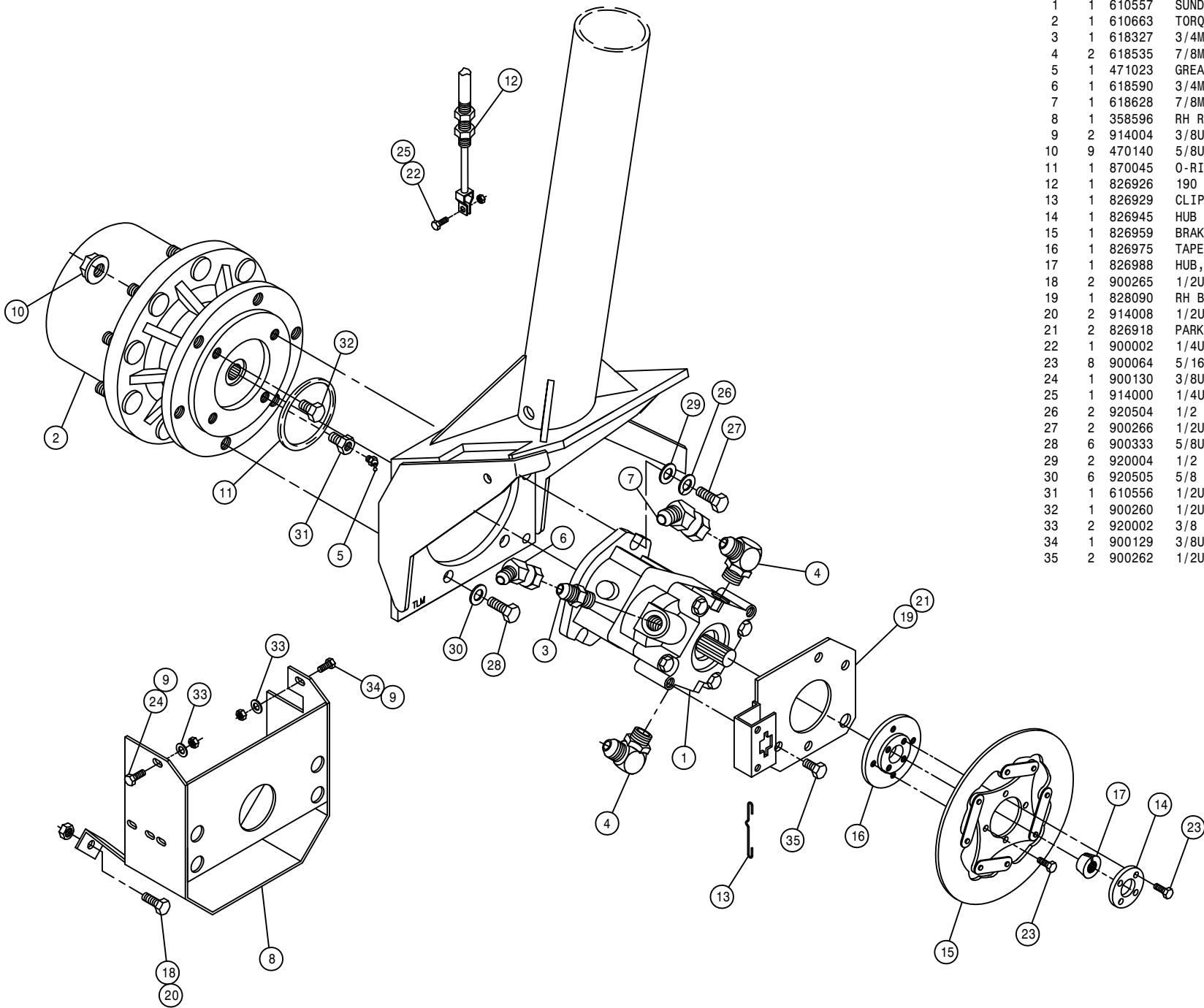
234020

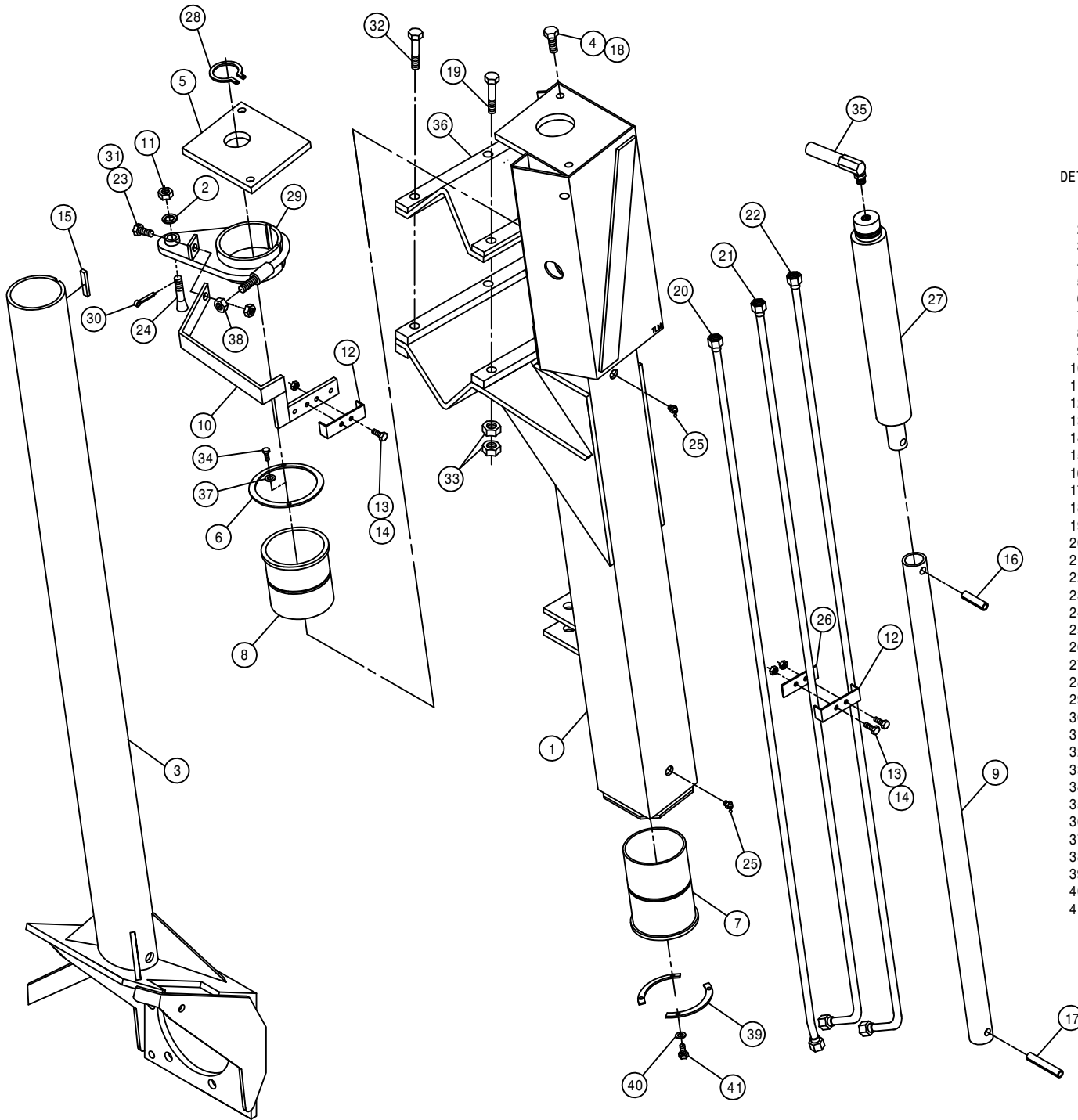
RIGHT FRONT LEG ASSEMBLY W/W1BF HUB

DET. QTY PART NO. DESCRIPTION

DET.	QTY	PART NO.	DESCRIPTION
1	1	610557	SUND M35-3102 WHL MTR W/SHFT
2	1	610663	TORQ HUB, 24:1 B-MT W1BFFZ
3	1	618327	3/4MJIC-7/8MOR ADPTR
4	2	618535	7/8MJIC-90-1 1/16MOR LBO
5	1	471023	GREASE ZERK 1/4-28 X 45
6	1	618590	3/4MJIC-45-3/4FJIC SWIV LBO
7	1	618628	7/8MJIC-45-7/8FJIC SWIV LBO
8	1	358596	RH REAR WHL MTR SHLD WLD 280
9	2	914004	3/8UNC HEX STOVER NUT
10	9	470140	5/8UNF HEX SMTH FLANGE NUT PLT
11	1	870045	O-RING 4 1/8 OD X 4 ID
12	1	826926	190 IN BRAKE CABLE
13	1	826929	CLIP BRAKE RETAINER
14	1	826945	HUB MOUNT, BRAKE
15	1	826959	BRAKE DISC SUB ASSY
16	1	826975	TAPER LOCK HUB
17	1	826988	HUB, TAPER LOCK 13 TEETH
18	2	900265	1/2UNC X 1 1/2 HEX BOLT
19	1	828090	RH BRAKE MT WLD, 204
20	2	914008	1/2UNC HEX STOVER NUT
21	2	826918	PARK BRAKE PAD
22	1	900002	1/4UNC X 3/4 HEX BOLT
23	8	900064	5/16UNC X 3/4 HEX BOLT
24	1	900130	3/8UNC X 1 1/4 HEX BOLT
25	1	914000	1/4UNC HEX STOVER NUT
26	2	920504	1/2 LOCK WASHER
27	2	900266	1/2UNC X 1 3/4 HEX BOLT
28	6	900333	5/8UNC X 1 1/2 HEX BOLT
29	2	920004	1/2 SAE FLAT WASHER
30	6	920505	5/8 LOCK WASHER
31	1	610556	1/2UNC X 1/2 ZERK BOLT T-HUB
32	1	900260	1/2UNC X 1/2 H BOLT GR2 UNPLT
33	2	920002	3/8 SAE FLAT WASHER
34	1	900129	3/8UNC X 1" HEX BOLT
35	2	900262	1/2UNC X 3/4 HEX BOLT

94





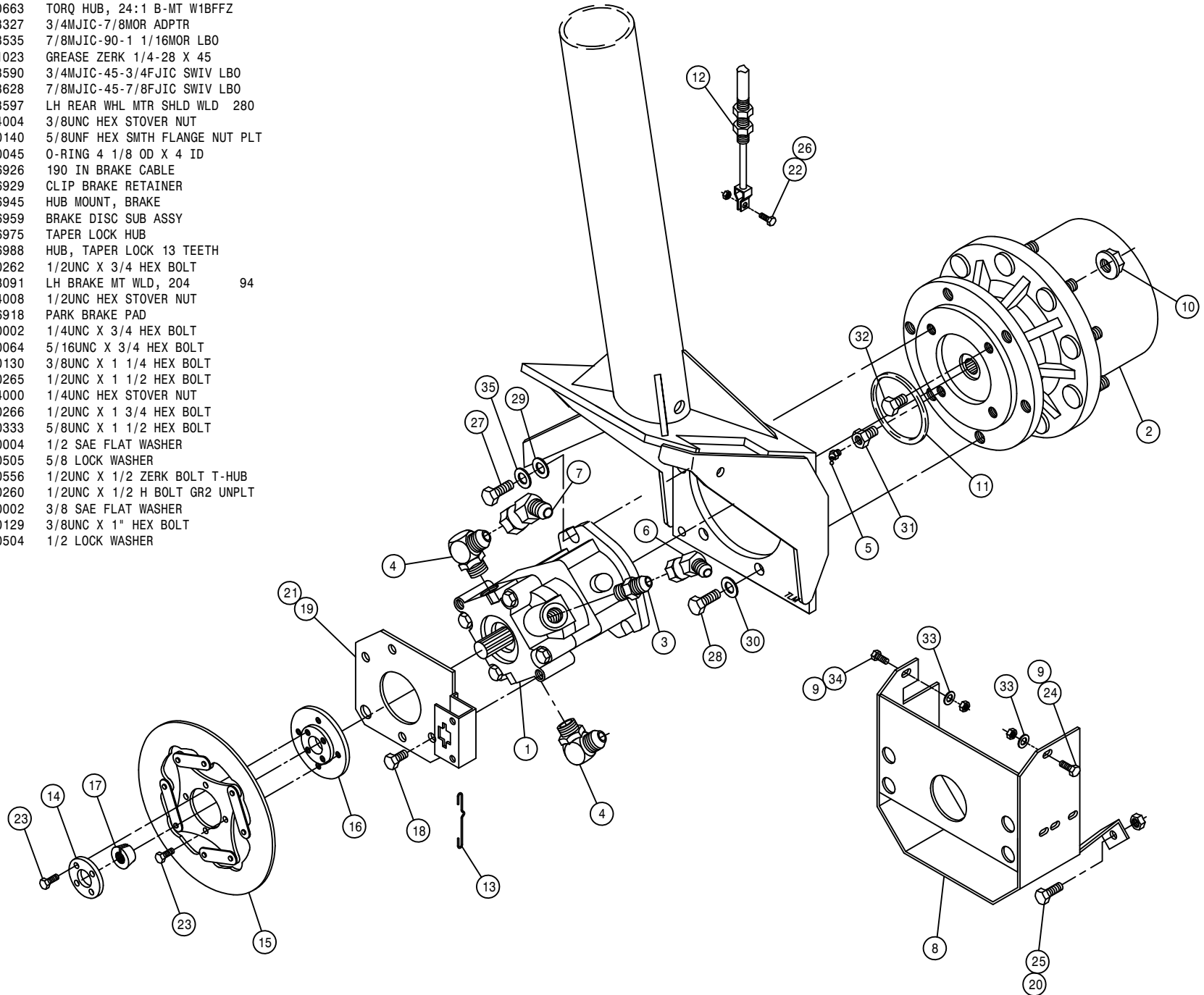
LEFT FRONT LEG ASSEMBLY W/W1BF HUB

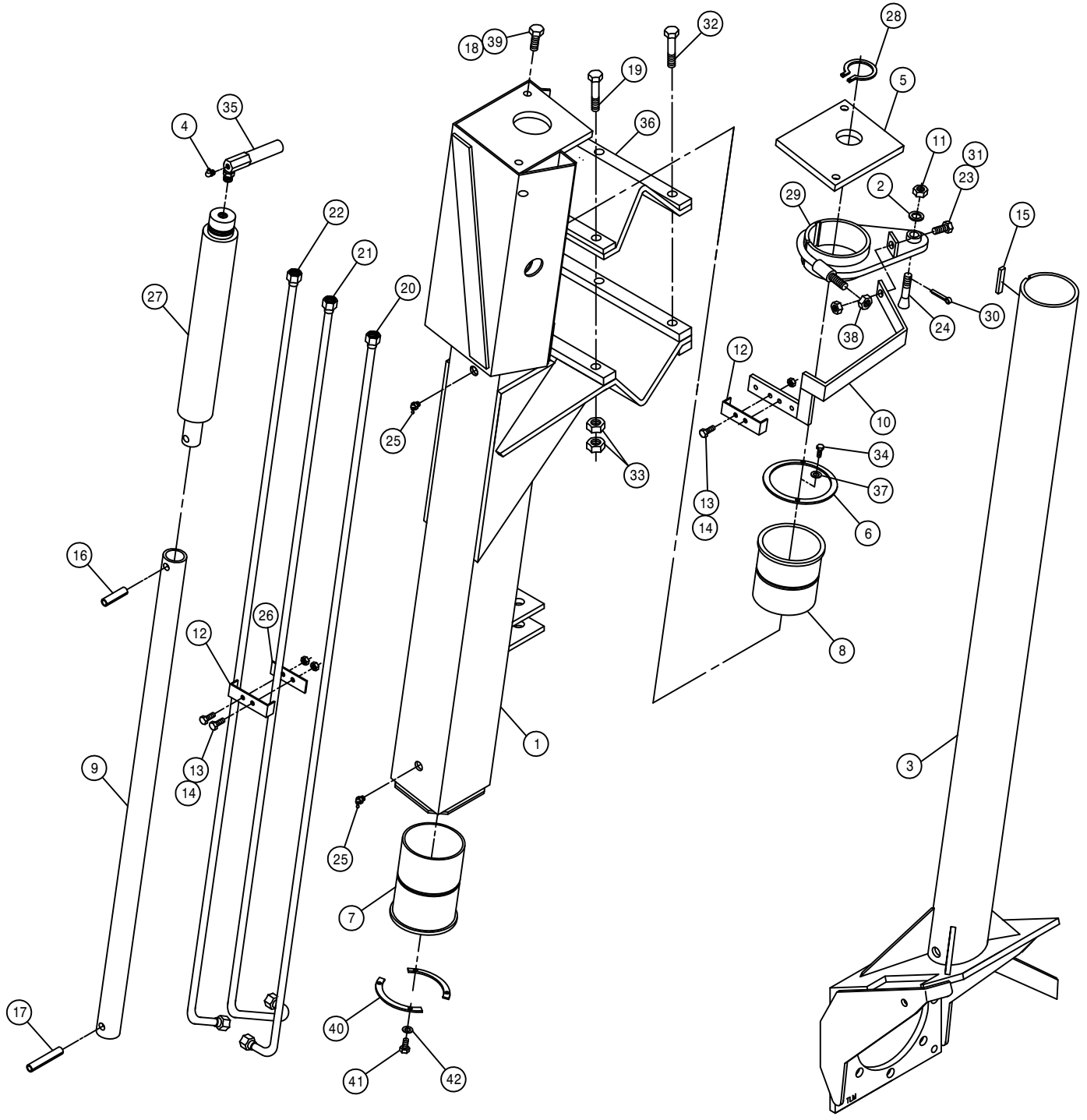
DET.	QTY	PART NO.	DESCRIPTION
	1	357837	LH FRT OUTER LEG WLD,204/204I
	2	920505	5/8 LOCK WASHER
	3	357801	LH FRT INNER LEG WLD, 204 94
	4	2 900265	1/2UNC X 1 1/2 HEX BOLT
	5	358562	LEG CYL MTG PLATE 280 89
	6	358563	FRT LEG BRG KPR 280 89
	7	358564	FRT LEG LWR NYL SLEEVE 280 89
	8	358565	FRT LEG UPR NYL SLEEVE 280 89
	9	358566	LEG CYL SHAFT EXTENSION280 89
	10	358708	LH FRT LEG TUBE BRKT WLD280TA
	11	822040	5/8-18UNF SLOTTED HEX NUT
	12	2 358739	FRT LEG HYD TUBE CLMP, 284 94
	13	4 900004	1/4UNC X 1 1/4 HEX BOLT
	14	4 470121	1/4UNC HEX FLANGE LOCK NUT
	15	470185	KEY .25 X .375 X 2.00 LG
	16	473903	SPIRAL PIN 1/2 X 2 640
	17	473904	SPIRAL PIN 1/2 X 3 640
	18	2 914008	1/2UNC HEX STOVER NUT
	19	3 900836	5/8UNF X 3 1/4 HEX BOLT GR8
	20	615659	FRT LEG INNER HYD TUBE,204 94
	21	615660	FRT LEG CNTR HYD TUBE,204 94
	22	615661	FRT LEG OUTER HYD TUBE,204 94
	23	1 900129	3/8UNC X 1" HEX BOLT
	24	1 749293	STRG ARM BOLT, TAPERED
	25	2 471023	GREASE ZERK 1/4-28 X 45
	26	1 358740	FRT LEG HYD TUBE KPR, 284 94
	27	1 620805	LEG LEVEL CYL ASSY,2.00 X 12.0
	28	1 629515	SNAP RING 1 3/4 EXTRN HDUTY
	29	1 749291	LH STRG ARM WLD,280 TREAD ADJ
	30	1 470035	COTTER PIN 5/32 X 1 1/2
	31	1 914004	3/8UNC HEX STOVER NUT
	32	3 900837	5/8UNF X 3 1/2 HEX BOLT GR8
	33	12 914811	5/8UNF HEX NUT GR8
	34	2 900000	1/4UNC X 1/2 HEX BOLT
	35	1 615614	FRT LEG CYL JUMPER HOSE280 89
	36	1 358759	LEG MT V-PLT WLD, 284T 94
	37	2 920500	1/4 LOCK WASHER
	38	1 914010	5/8UNC HEX STOVER NUT
	39	2 358927	LWR BRG KPR, LEG 98
	40	4 920501	5/16 LOCK WASHER
	41	4 900064	5/16UNC X 3/4 HEX BOLT

LEFT FRONT LEG ASSEMBLY W/W1BF HUB

DET. QTY PART NO. DESCRIPTION

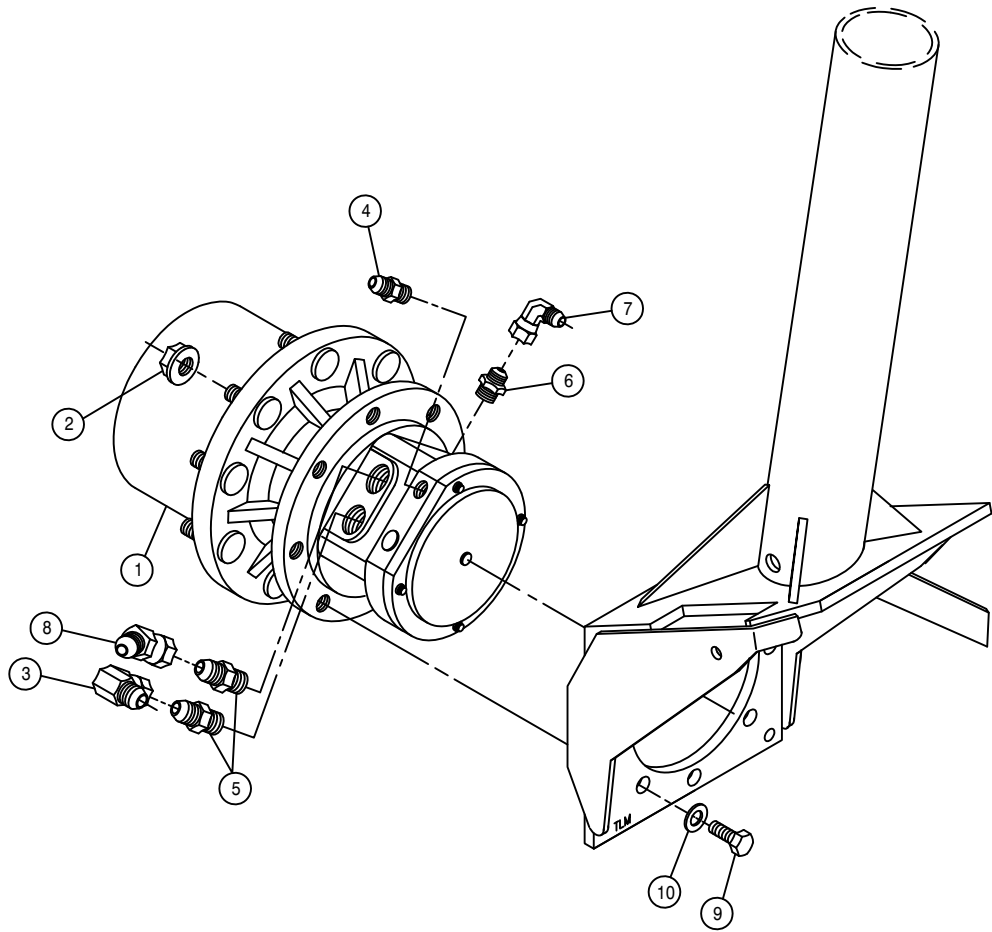
1	1	610557	SUND M35-3102 WHL MTR W/SHFT	
2	1	610663	TORQ HUB, 24:1 B-MT W1BFFZ	
3	1	618327	3/4MJIC-7/8MOR ADPTR	
4	2	618535	7/8MJIC-90-1 1/16MOR LBO	
5	1	471023	GREASE ZERK 1/4-28 X 45	
6	1	618590	3/4MJIC-45-3/4FJIC SWIV LBO	
7	1	618628	7/8MJIC-45-7/8FJIC SWIV LBO	
8	1	358597	LH REAR WHL MTR SHLD WLD 280	
9	2	914004	3/8UNC HEX STOVER NUT	
10	9	470140	5/8UNF HEX SMTH FLANGE NUT PLT	
11	1	870045	O-RING 4 1/8 OD X 4 ID	
12	1	826926	190 IN BRAKE CABLE	
13	1	826929	CLIP BRAKE RETAINER	
14	1	826945	HUB MOUNT, BRAKE	
15	1	826959	BRAKE DISC SUB ASSY	
16	1	826975	TAPER LOCK HUB	
17	1	826988	HUB, TAPER LOCK 13 TEETH	
18	2	900262	1/2UNC X 3/4 HEX BOLT	
19	1	828091	LH BRAKE MT WLD, 204	94
20	2	914008	1/2UNC HEX STOVER NUT	
21	2	826918	PARK BRAKE PAD	
22	1	900002	1/4UNC X 3/4 HEX BOLT	
23	8	900064	5/16UNC X 3/4 HEX BOLT	
24	1	900130	3/8UNC X 1 1/4 HEX BOLT	
25	2	900265	1/2UNC X 1 1/2 HEX BOLT	
26	1	914000	1/4UNC HEX STOVER NUT	
27	2	900266	1/2UNC X 1 3/4 HEX BOLT	
28	6	900333	5/8UNC X 1 1/2 HEX BOLT	
29	2	920004	1/2 SAE FLAT WASHER	
30	6	920505	5/8 LOCK WASHER	
31	1	610556	1/2UNC X 1/2 ZERK BOLT T-HUB	
32	1	900260	1/2UNC X 1/2 H BOLT GR2 UNPLT	
33	2	920002	3/8 SAE FLAT WASHER	
34	1	900129	3/8UNC X 1" HEX BOLT	
35	2	920504	1/2 LOCK WASHER	





RIGHT FRONT LEG ASSEMBLY W/W1M1 HUB

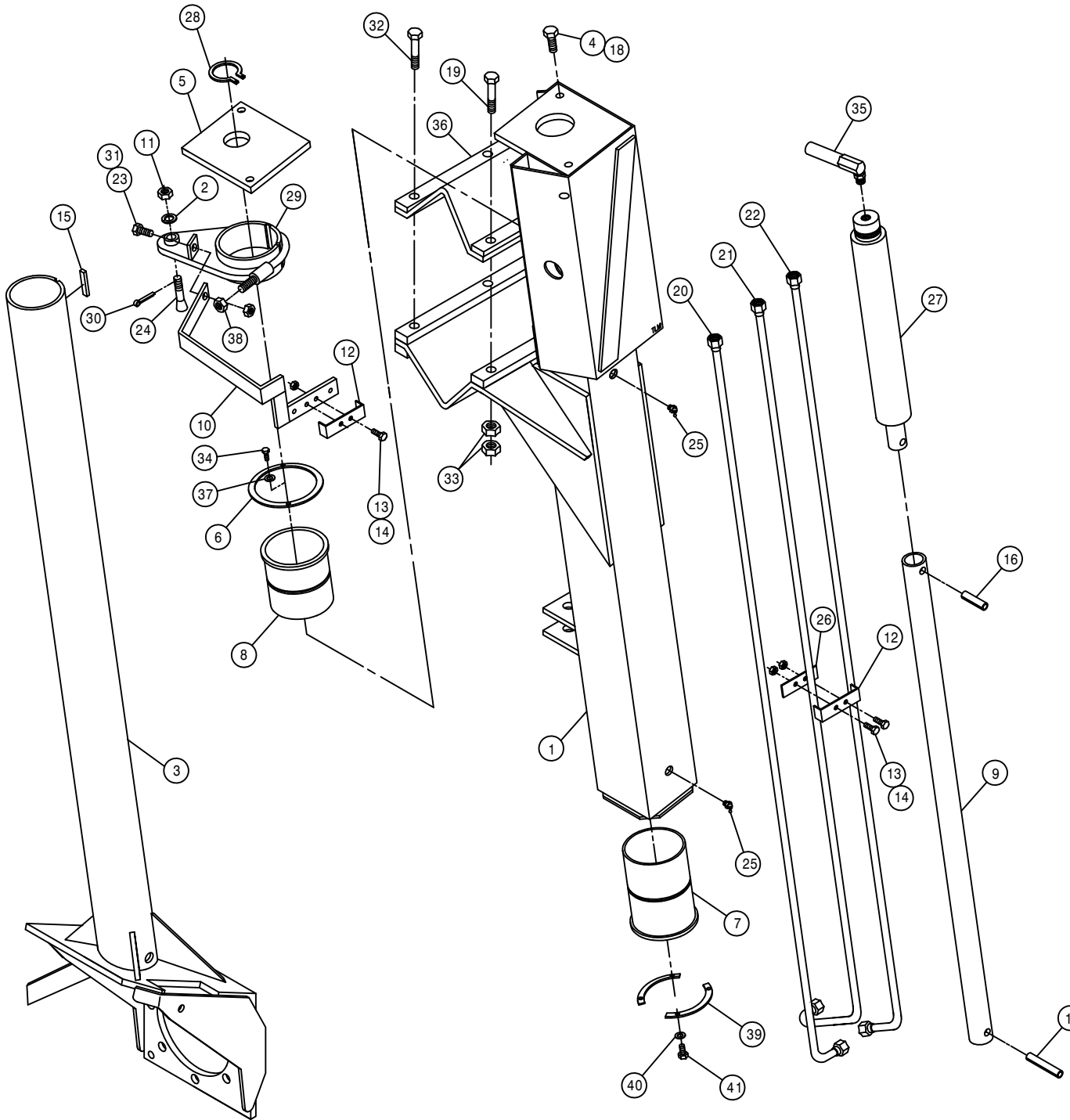
DET.	QTY	PART NO.	DESCRIPTION
1	1	357836	RH FRT OUTER LEG WLD,204/204I
2	1	920505	5/8 LOCK WASHER
3	1	357832	RH FRT INNER LEG WLD,204I 2000
4	1	471027	GREASE ZERK 1/8NPT 90DEG LP
5	1	358562	LEG CYL MTG PLATE 280 89
6	1	358563	FRT LEG BRG KPR 280 89
7	1	358564	FRT LEG LWR NYL SLEEVE 280 89
8	1	358565	FRT LEG UPR NYL SLEEVE 280 89
9	1	358566	LEG CYL SHAFT EXTENSION280 89
10	1	358707	RH FRT LEG TUBE BRKT WLD280TA
11	1	822040	5/8-18UNF SLOTTED HEX NUT
12	2	358739	FRT LEG HYD TUBE CLMP, 284 94
13	4	900004	1/4UNC X 1 1/4 HEX BOLT
14	4	470121	1/4UNC HEX FLANGE LOCK NUT
15	1	470185	KEY .25 X .375 X 2.00 LG
16	1	473903	SPIRAL PIN 1/2 X 2 640
17	1	473904	SPIRAL PIN 1/2 X 3 640
18	2	914008	1/2UNC HEX STOVER NUT
19	3	900836	5/8UNF X 3 1/4 HEX BOLT GR8
20	1	615750	FRT LEG CNTR HYD TUBE,204 W1M1
21	1	615748	RH FRT INNER HYD TUBE,204 W1M1
22	1	615751	FRT LEG OUTR HYD TUBE,204 W1M1
23	1	900129	3/8UNC X 1" HEX BOLT
24	1	749293	STRG ARM BOLT, TAPERED
25	2	471023	GREASE ZERK 1/4-28 X 45
26	1	358740	FRT LEG HYD TUBE KPR, 284 94
27	1	620805	LEG LEVEL CYL ASSY,2.00 X 12.0
28	1	629515	SNAP RING 1 3/4 EXTRN HDUTY
29	1	749290	RH STRG ARM WLD,280 TREAD ADJ
30	1	470035	COTTER PIN 5/32 X 1 1/2
31	1	914004	3/8UNC HEX STOVER NUT
32	3	900837	5/8UNF X 3 1/2 HEX BOLT GR8
33	12	914811	5/8UNF HEX NUT GR8
34	2	900000	1/4UNC X 1/2 HEX BOLT
35	1	615614	FRT LEG CYL JUMPER HOSE280 89
36	1	358759	LEG MT V-PLT WLD, 284T 94
37	2	920500	1/4 LOCK WASHER
38	1	914010	5/8UNC HEX STOVER NUT
39	2	900265	1/2UNC X 1 1/2 HEX BOLT
40	2	358927	LWR BRG KPR, LEG 98
41	4	900064	5/16UNC X 3/4 HEX BOLT
42	4	920501	5/16 LOCK WASHER



RIGHT FRONT LEG ASSEMBLY W/W1M1 HUB

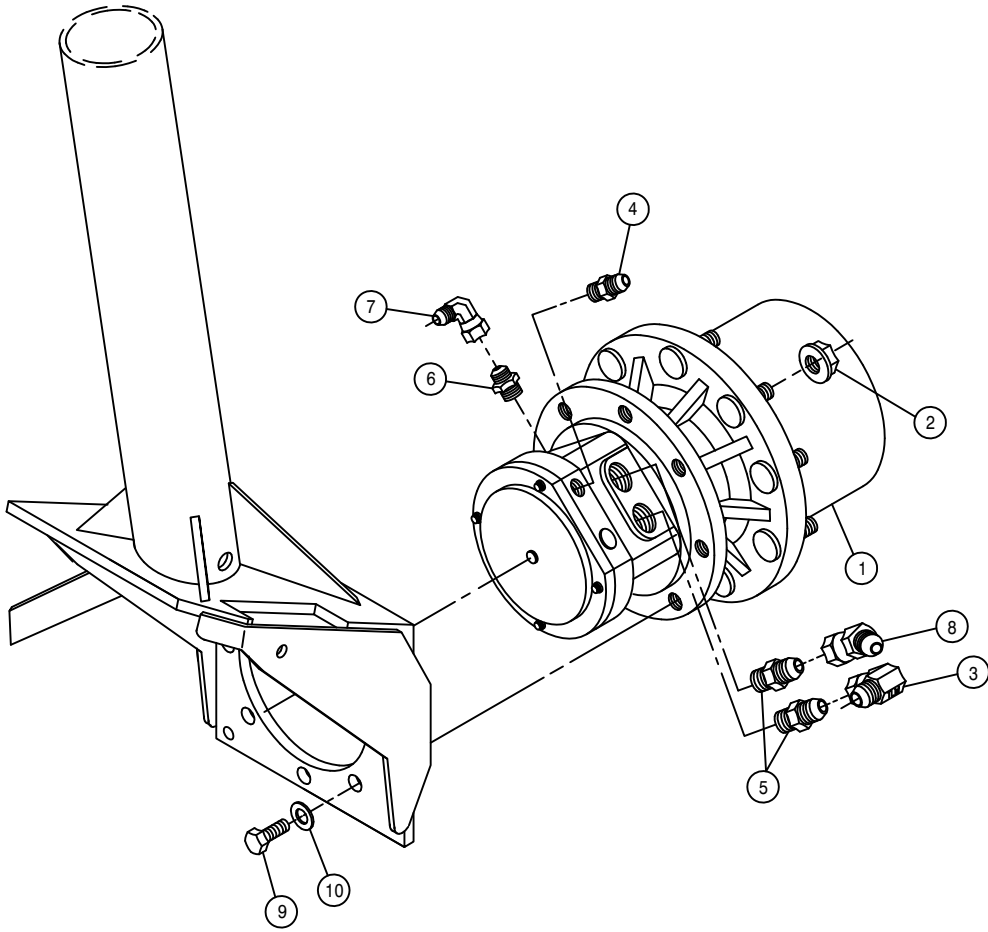
DET. QTY PART NO. DESCRIPTION

1	1	610717	TORQ HUB,24:1 W1M1 INTEGRATED
2	9	470140	5/8UNF HEX SMTH FLANGE NUT PLT
3	1	618301	7/8MJIC-90-7/8FJIC SWIV LBO
4	1	618304	9/16MJIC-7/16MOR ADPTR
5	2	618309	7/8MJIC-1 1/16MOR ADPTR
6	1	618327	3/4MJIC-7/8MOR ADPTR
7	1	618609	3/4MJIC-90-3/4FJIC SWIV LBO
8	1	618628	7/8MJIC-45-7/8FJIC SWIV LBO
9	8	900333	5/8UNC X 1 1/2 HEX BOLT
10	8	920505	5/8 LOCK WASHER



LEFT FRONT LEG ASSEMBLY W/W1M1

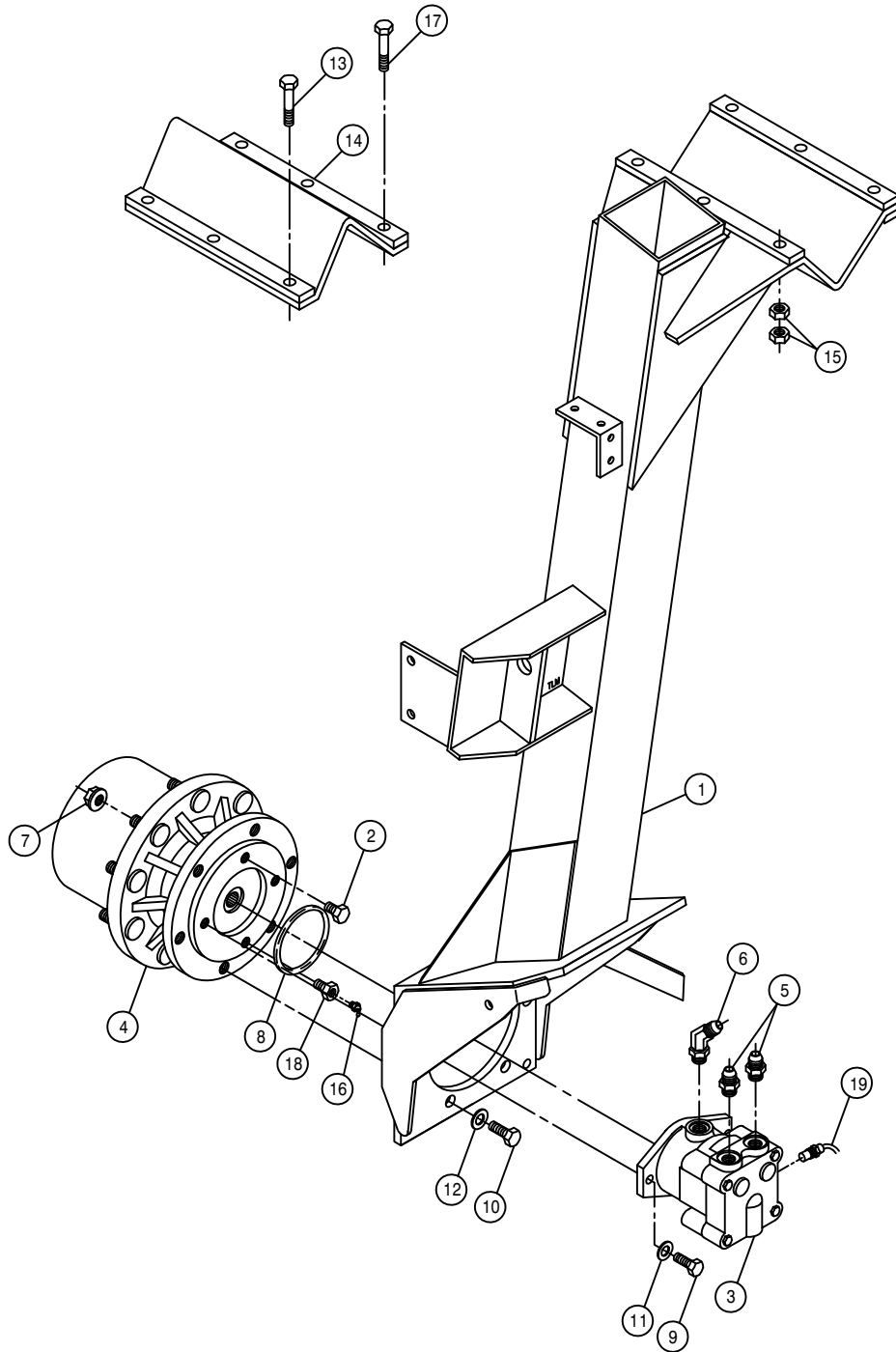
DET.	QTY	PART NO.	DESCRIPTION
	1	357837	LH FRT OUTER LEG WLD,204/204I
	2	920505	5/8 LOCK WASHER
	3	357833	LH FRT INNER LEG WLD,204I 2000
	4	900265	1/2UNC X 1 1/2 HEX BOLT
	5	358562	LEG CYL MTG PLATE 280 89
	6	358563	FRT LEG BRG KPR 280 89
	7	358564	FRT LEG LWR NYL SLEEVE 280 89
	8	358565	FRT LEG UPR NYL SLEEVE 280 89
	9	358566	LEG CYL SHAFT EXTENSION280 89
	10	358708	LH FRT LEG TUBE BRKT WLD280TA
	11	822040	5/8-18UNF SLOTTED HEX NUT
	12	358739	FRT LEG HYD TUBE CLMP, 284 94
	13	900004	1/4UNC X 1 1/4 HEX BOLT
	14	470121	1/4UNC HEX FLANGE LOCK NUT
	15	470185	KEY .25 X .375 X 2.00 LG
	16	473903	SPIRAL PIN 1/2 X 2 640
	17	473904	SPIRAL PIN 1/2 X 3 640
	18	914008	1/2UNC HEX STOVER NUT
	19	900836	5/8UNF X 3 1/4 HEX BOLT GR8
	20	615750	FRT LEG CNTR HYD TUBE,204 W1M1
	21	615749	LH FRT INNER HYD TUBE,204 W1M1
	22	615751	FRT LEG OUTR HYD TUBE,204 W1M1
	23	900129	3/8UNC X 1" HEX BOLT
	24	749293	STRG ARM BOLT, TAPERED
	25	471023	GREASE ZERK 1/4-28 X 45
	26	358740	FRT LEG HYD TUBE KPR, 284 94
	27	620805	LEG LEVEL CYL ASSY,2.00 X 12.0
	28	629515	SNAP RING 1 3/4 EXTRN HDUTY
	29	749291	LH STRG ARM WLD,280 TREAD ADJ
	30	470035	COTTER PIN 5/32 X 1 1/2
	31	914004	3/8UNC HEX STOVER NUT
	32	900837	5/8UNF X 3 1/2 HEX BOLT GR8
	33	914811	5/8UNF HEX NUT GR8
	34	900000	1/4UNC X 1/2 HEX BOLT
	35	615614	FRT LEG CYL JUMPER HOSE280 89
	36	358759	LEG MT V-PLT WLD, 284T 94
	37	920500	1/4 LOCK WASHER
	38	914010	5/8UNC HEX STOVER NUT
	39	358927	LWR BRG KPR, LEG 98
	40	920501	5/16 LOCK WASHER
	41	900064	5/16UNC X 3/4 HEX BOLT



LEFT FRONT LEG ASSEMBLY W/W1M1 HUB

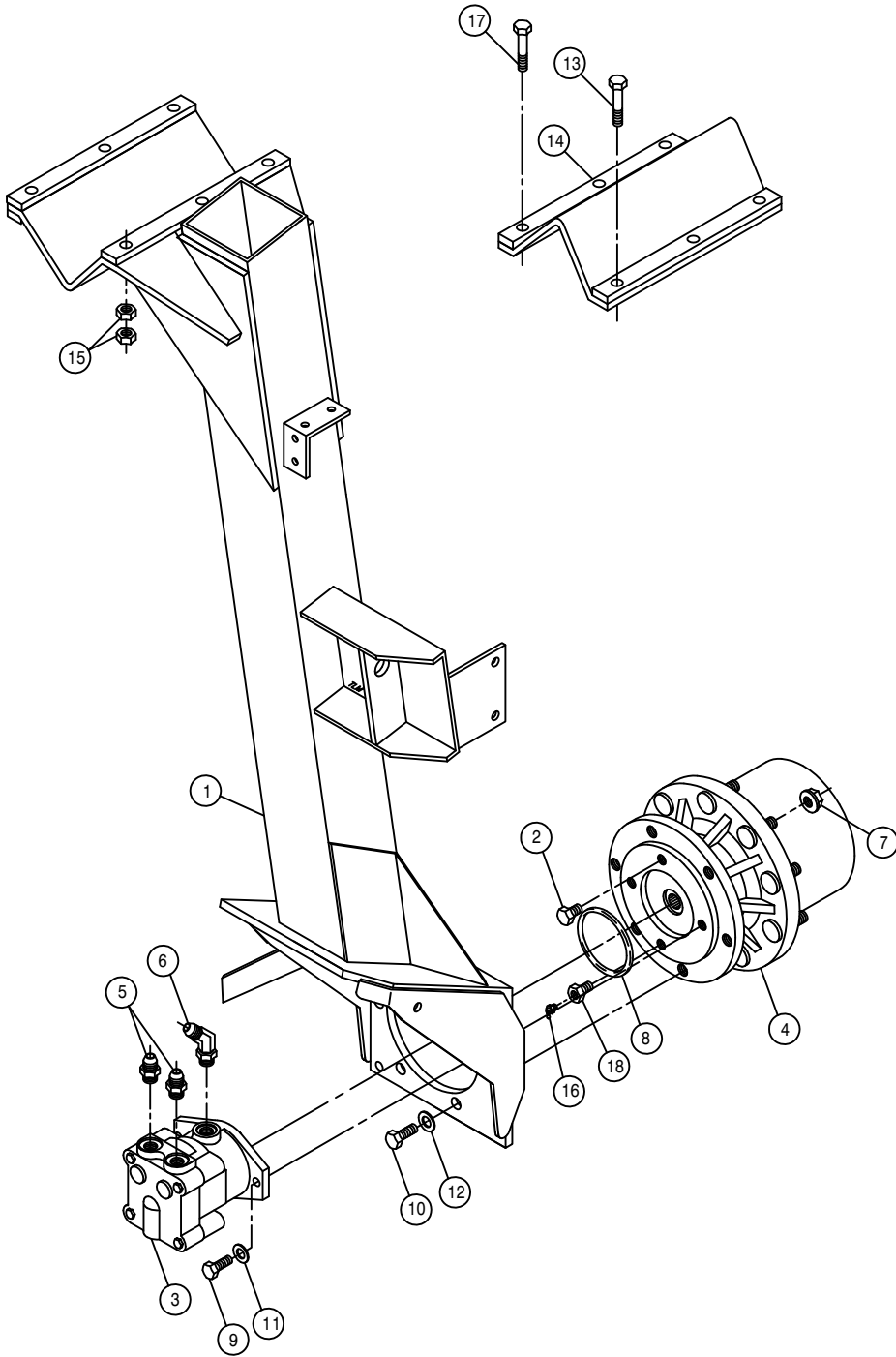
DET. QTY PART NO. DESCRIPTION

1	1	610717	TORQ HUB,24:1 W1M1 INTEGRATED
2	9	470140	5/8UNF HEX SMTH FLANGE NUT PLT
3	1	618301	7/8MJIC-90-7/8FJIC SWIV LBO
4	1	618304	9/16MJIC-7/16MOR ADPTR
5	2	618309	7/8MJIC-1 1/16MOR ADPTR
6	1	618327	3/4MJIC-7/8MOR ADPTR
7	1	618609	3/4MJIC-90-3/4FJIC SWIV LBO
8	1	618628	7/8MJIC-45-7/8FJIC SWIV LBO
9	8	900333	5/8UNC X 1 1/2 HEX BOLT
10	8	920505	5/8 LOCK WASHER



RIGHT REAR LEG ASSEMBLY

DET.	QTY	PART NO.	DESCRIPTION
	1	357838	RH REAR LEG WLD, 204/204I 2000
	1	900260	1/2UNC X 1/2 H BOLT GR2 UNPLT
	1	610721	SUND M25-3000 WHL MTR W/SENSOR
	1	610660	TORQ HUB, 18:1 B-MT W1BFFZ
	2	611126	7/8MJIC-7/8MOR ADPTR
	1	618496	9/16MJIC-45-3/4MOR LBO
	9	470140	5/8UNF HEX SMTH FLANGE NUT PLT
	1	870045	O-RING 4 1/8 OD X 4 ID
	2	900265	1/2UNC X 1 1/2 HEX BOLT
	6	900333	5/8UNC X 1 1/2 HEX BOLT
	2	920504	1/2 LOCK WASHER
	6	920505	5/8 LOCK WASHER
	3	900836	5/8UNF X 3 1/4 HEX BOLT GR8
	1	358759	LEG MT V-PLT WLD, 284T 94
	12	914811	5/8UNF HEX NUT GR8
	1	471023	GREASE ZERK 1/4-28 X 45
	3	900837	5/8UNF X 3 1/2 HEX BOLT GR8
	1	610556	1/2UNC X 1/2 ZERK BOLT T-HUB
	1	610625	SENSOR, WHL MOTOR 610621/610671



LEFT REAR LEG ASSEMBLY

DET. QTY PART NO. DESCRIPTION

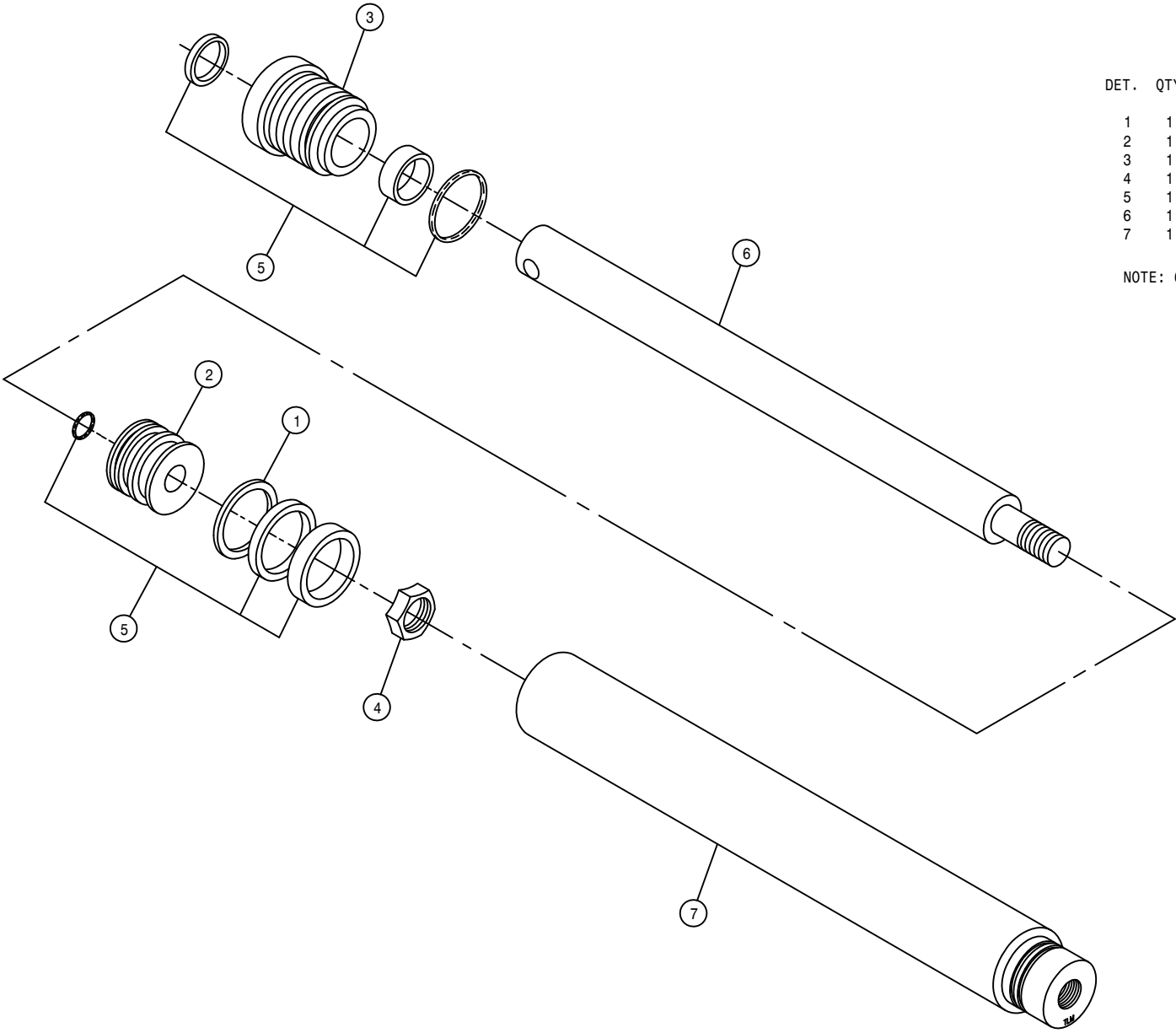
DET.	QTY	PART NO.	DESCRIPTION
1	1	357839	LH REAR LEG WLD, 204/204I 2000
2	1	900260	1/2UNC X 1/2 H BOLT GR2 UNPLT
3	1	610567	SUND M25-3000 WHL MTR 1.5CI
4	1	610660	TORQ HUB, 18:1 B-MT W1BFFZ
5	2	611126	7/8MJIC-7/8MOR ADPTR
6	1	618496	9/16MJIC-45-3/4MOR LBO
7	9	470140	5/8UNF HEX SMTH FLANGE NUT PLT
8	1	870045	O-RING 4 1/8 OD X 4 ID
9	2	900265	1/2UNC X 1 1/2 HEX BOLT
10	6	900333	5/8UNC X 1 1/2 HEX BOLT
11	2	920504	1/2 LOCK WASHER
12	6	920505	5/8 LOCK WASHER
13	3	900836	5/8UNF X 3 1/4 HEX BOLT GR8
14	1	358759	LEG MT V-PLT WLD, 284T 94
15	12	914811	5/8UNF HEX NUT GR8
16	1	471023	GREASE ZERK 1/4-28 X 45
17	3	900837	5/8UNF X 3 1/2 HEX BOLT GR8
18	1	610556	1/2UNC X 1/2 ZERK BOLT T-HUB

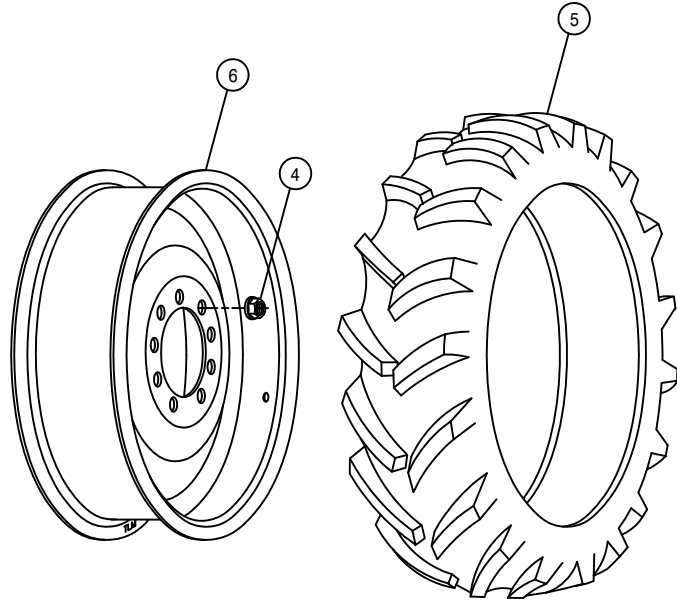
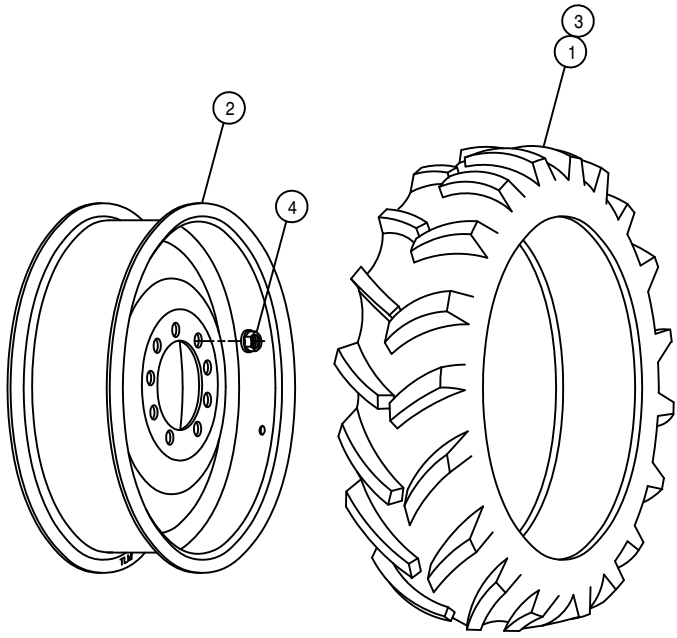
FRONT LEG CYLINDER ASSEMBLY

DET. QTY PART NO. DESCRIPTION

1	1	620753	STEEL PISTON RING,R-2.00-01
2	1	620754	PISTON, P-2.00-120
3	1	620756	HEAD, H-2.00-349
4	1	620757	NUT, N-0.75-02
5	1	620779	REPAIR KIT,HYD CYL,RK-2.00-801
6	1	620808	SHAFT,HYD LEG LEV CYL 620805
7	1	620809	BARREL,HYD LEG LEV CYL 620805

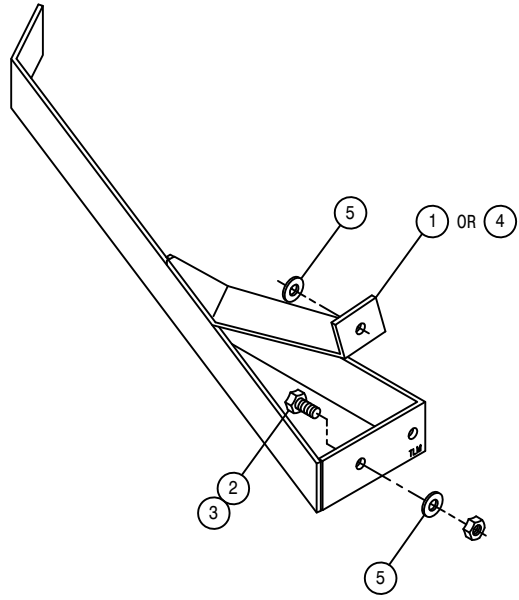
NOTE: 620805 - CYLINDER ASSEMBLY INCLUDES ITEMS 1-7





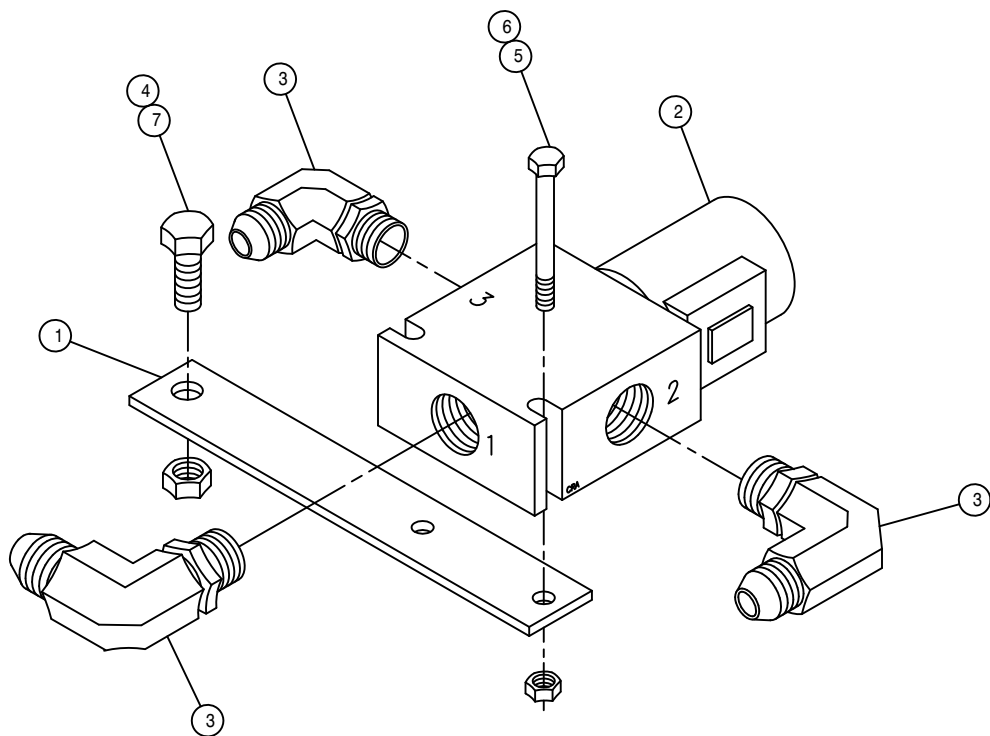
TIRE RIM ASSEMBLY

DET.	QTY	PART NO.	DESCRIPTION
	1	820001	12.4 X 28 4P TIRE, FIRESTONE
	1	821040	RIM WLD, W10 X 28, W1B 204 97
	1	820002	12.4 X 28 RADIAL INNER TUBE
	18	470140	5/8UNF HEX SMTH FLANGE NUT PLT
	1	820063	11.2-38 TL GOODYEAR TIRE
	1	821050	RIM WLD, W10 X 38, W1M1 204



CROP GUIDE

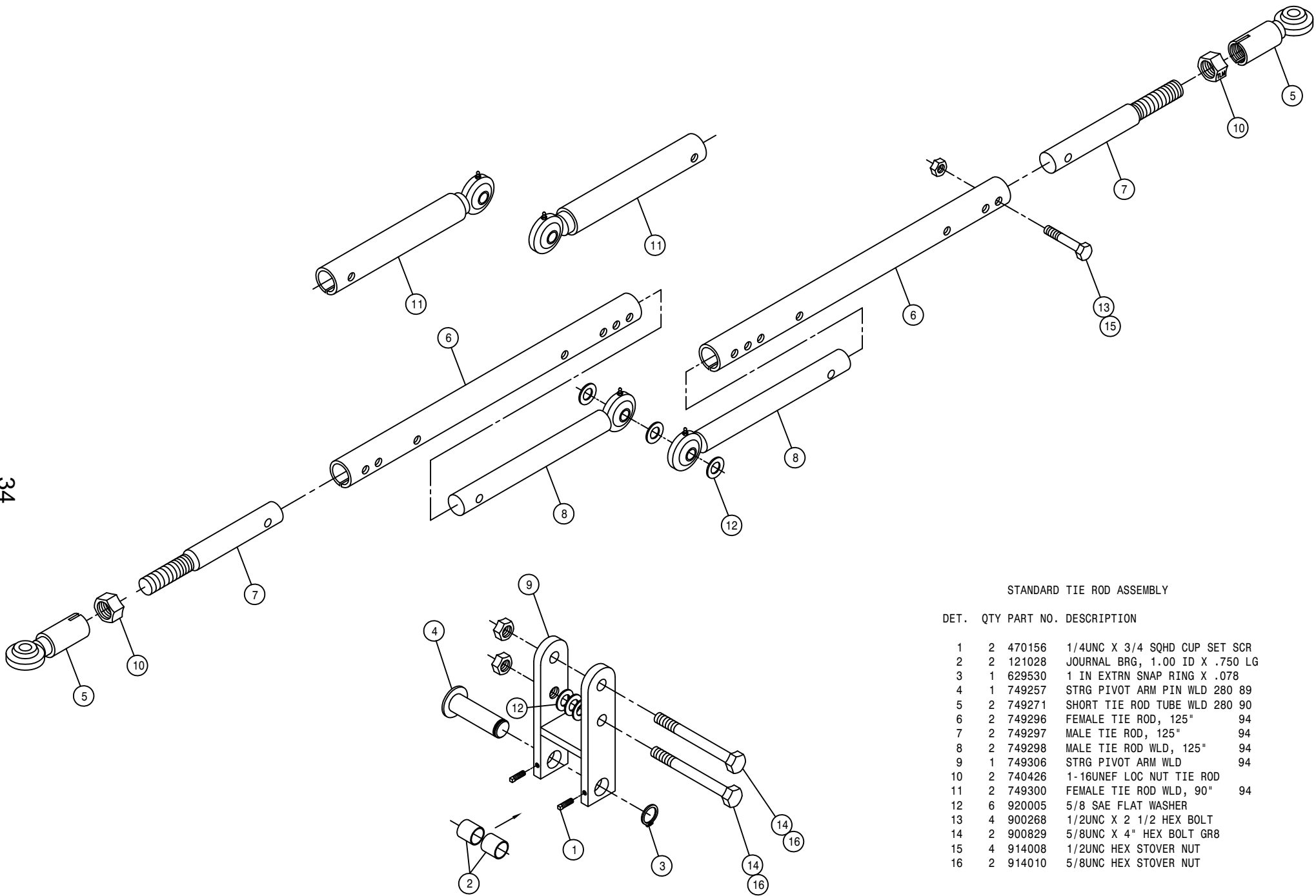
DET.	QTY	PART NO.	DESCRIPTION
1	1	662217	RH REAR STALK GUIDE WLD280 89
2	2	900129	3/8UNC X 1" HEX BOLT
3	2	914004	3/8UNC HEX STOVER NUT
4	1	662218	LH REAR STALK GUIDE WLD280 89
5	3	920002	3/8 SAE FLAT WASHER



BRAKE SOLENOID ASSEMBLY

DET. QTY PART NO. DESCRIPTION

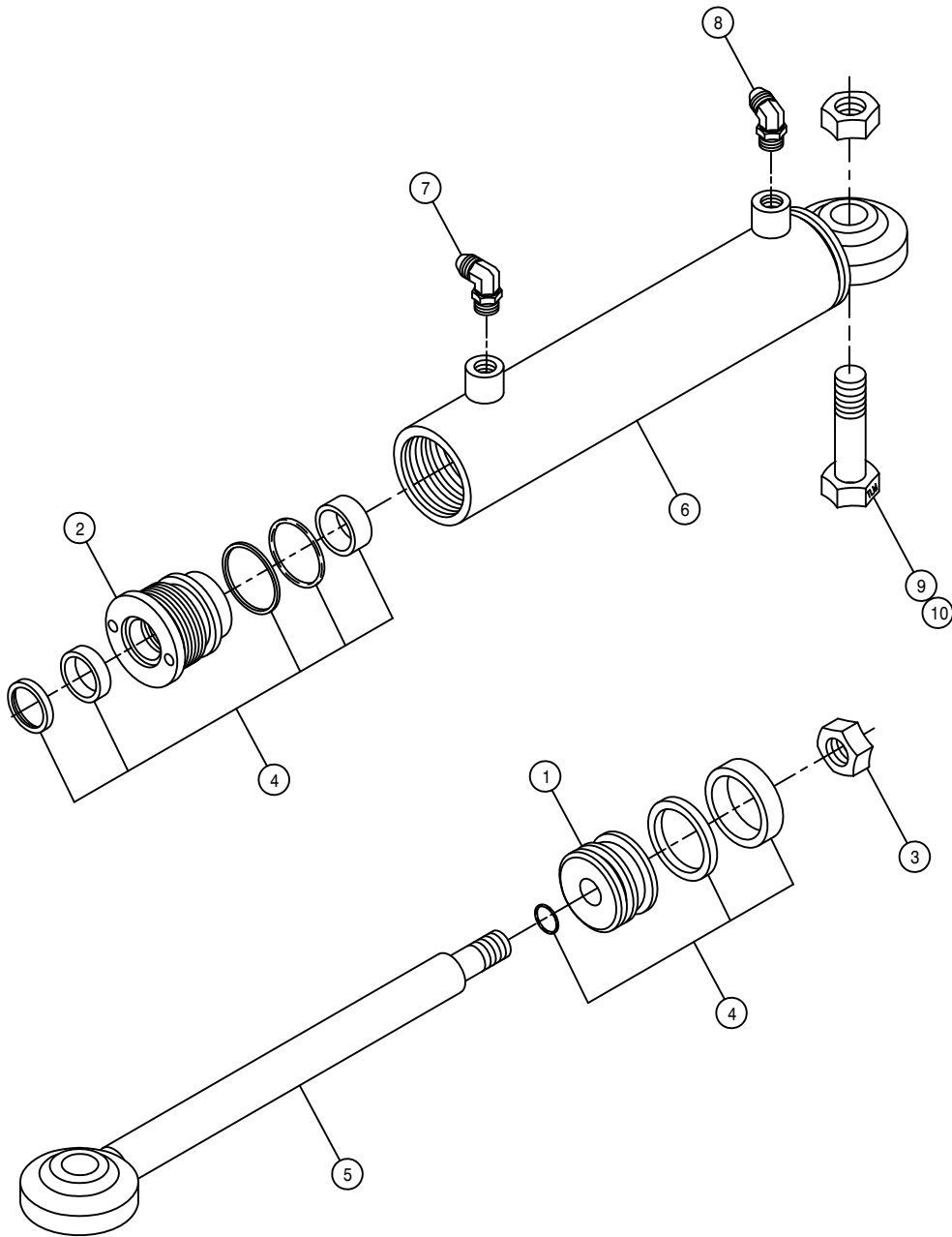
DET.	QTY	PART NO.	DESCRIPTION
1	1	342332	PARK BRAKE SOL VLV MT 97
2	1	610318	HYD SOLE VLV, 2P-3W, 9/16FOR, 12V
3	3	618119	9/16MJIC-90-9/16MOR LBO
4	1	914004	3/8UNC HEX STOVER NUT
5	2	900006	1/4UNC X 1 3/4 HEX BOLT
6	2	914000	1/4UNC HEX STOVER NUT
7	1	900129	3/8UNC X 1" HEX BOLT



STANDARD TIE ROD ASSEMBLY

DET.	QTY	PART NO.	DESCRIPTION
1	2	470156	1/4UNC X 3/4 SQHD CUP SET SCR
2	2	121028	JOURNAL BRG, 1.00 ID X .750 LG
3	1	629530	1 IN EXTRN SNAP RING X .078
4	1	749257	STRG PIVOT ARM PIN WLD 280 89
5	2	749271	SHORT TIE ROD TUBE WLD 280 90
6	2	749296	FEMALE TIE ROD, 125" 94
7	2	749297	MALE TIE ROD, 125" 94
8	2	749298	MALE TIE ROD WLD, 125" 94
9	1	749306	STRG PIVOT ARM WLD 94
10	2	740426	1-16UNEF LOC NUT TIE ROD
11	2	749300	FEMALE TIE ROD WLD, 90" 94
12	6	920005	5/8 SAE FLAT WASHER
13	4	900268	1/2UNC X 2 1/2 HEX BOLT
14	2	900829	5/8UNC X 4" HEX BOLT GR8
15	4	914008	1/2UNC HEX STOVER NUT
16	2	914010	5/8UNC HEX STOVER NUT

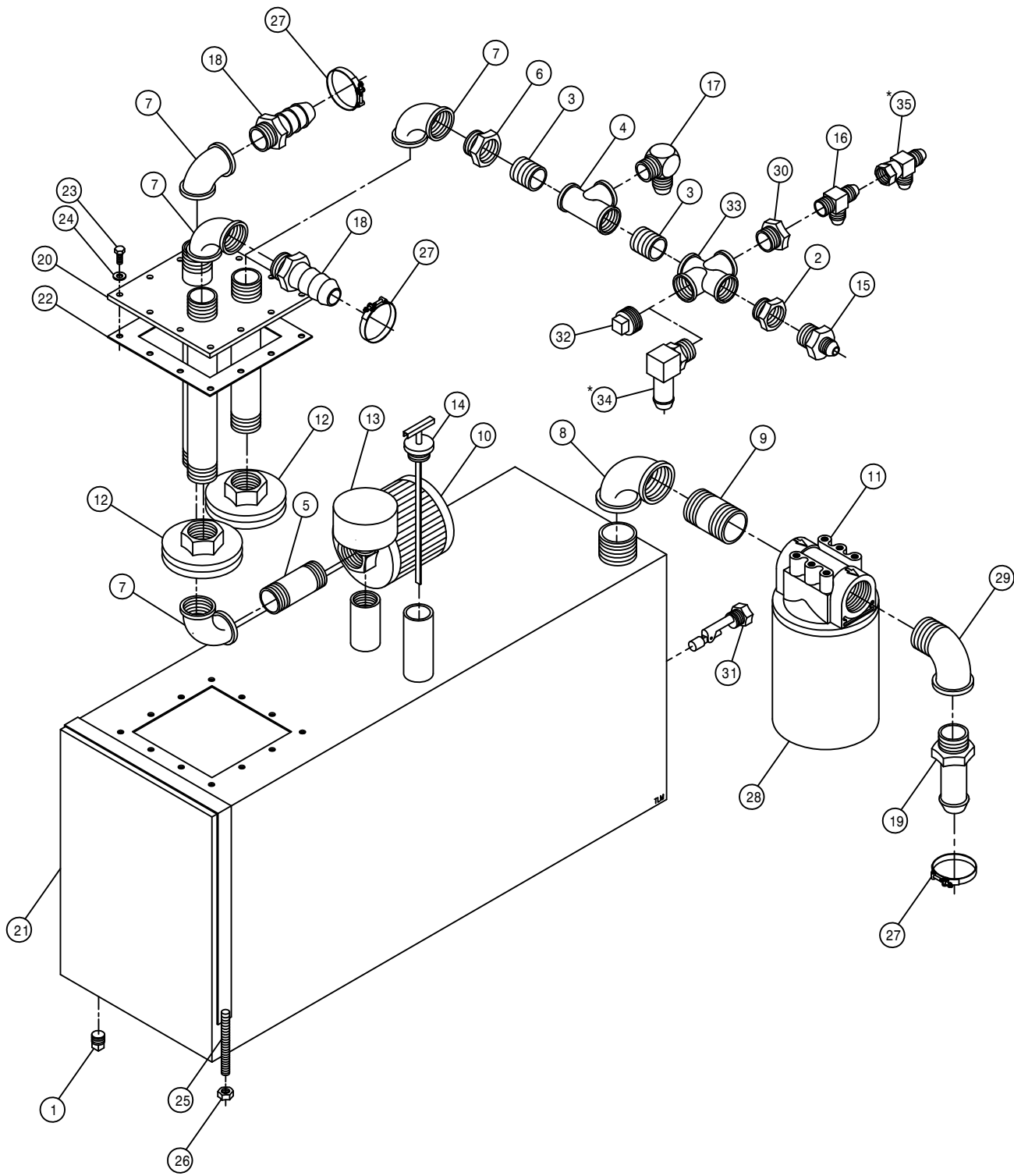
NOTE: DETAIL 11 IS USED WITH NARROW TREAD.



STEERING CYLINDER ASSEMBLY

DET.	QTY	PART NO.	DESCRIPTION
	1	620750	PISTON, P-1.50-021
	1	620751	HEAD, H-1.50-330
	1	620752	NUT, N-0.50-01
	1	620777	REPAIR KIT, HYD CYL, RK-1.50-800
	1	620803	SHAFT WLD, STRG CYL 620800
	1	620804	BARREL WLD, STRG CYL 620800
	1	618119	9/16MJIC-90-9/16MOR LBO
	1	618425	9/16MJIC-45-9/16MOR LBO
	1	900336	5/8UNC X 2 1/2 HEX BOLT
	1	914010	5/8UNC HEX STOVER NUT

NOTE: 620800 - CYLINDER ASSEMBLY INCLUDES ITEMS 1-6
 621001 - CYLINDER ASSEMBLY WITH FITTINGS



HYDRAULIC TANK ASSEMBLY

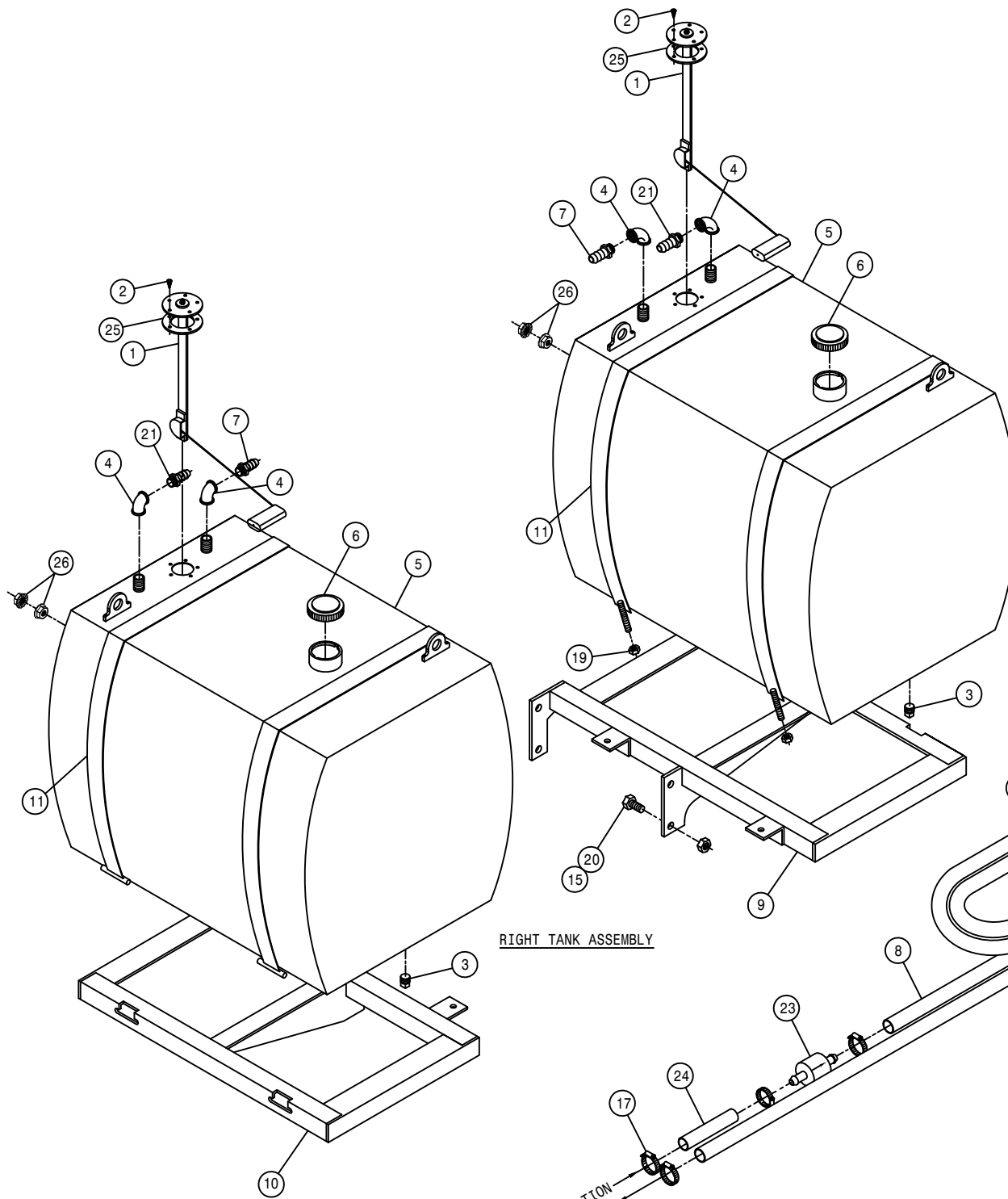
DET.	QTY	PART NO.	DESCRIPTION
1	1	470308	1/2MNPT DRAIN PLUG,AL HD,MAG
2	1	504210	RED BUSH 3/4 NPT X 1/2 NPT
3	2	504702	CLOSE NIPPLE .75NPT
4	1	504955	BLK PIPE TEE .75NPT
5	1	505203	BLK PIPE NIPPLE 1.00NPT-4.00
6	1	505213	RED BUSH 1 X 3/4 BLK MAL
7	4	505300	BLK PIPE EL 90DEG 1.00NPT
8	1	506303	BLK PIPE EL 90DEG 1.25NPT
9	1	506602	PIPE NIPPLE 1 1/4NPT-2 1/2
10	1	605600	MICHIGAN RESERVOIR FILTER
11	1	605601	PARKER FILTER ASSY,10M,1.25NPT
12	2	605603	LINE SUMP DIFFUSER
13	1	611052	FILLER BREATHER 3/4NPT
14	1	614453	DIPSTICK, 8IN
15	1	618018	9/16MJIC-1/2MNPT ADPTR
16	1	618520	1/4MNPT RUN TEE-9/16MJIC
17	1	610305	3/4MJIC-90-3/4MNPT LBO
18	2	714560	1NPT X 1 HOSE BARB
19	1	715664	1 1/4 NPT X 1 HOSE BARB
20	1	760090	RECEIVER PLT WLD 8240
21	1	760264	HYD TANK WLD,204/254/284 2002
22	1	763039	HYD MTR MTG PLT GSKT
23	12	900064	5/16UNC X 3/4 HEX BOLT
24	12	920001	5/16 SAE FLAT WASHER
25	2	341360	OIL TANK STRAP WLD 8240 1982
26	4	914004	3/8UNC HEX STOVER NUT
27	3	520138	1.38/1.56 T-BOLT HOSE CLAMP
28	1	605602	PARKER FILTER ELEMENT,10MICRON
29	1	506410	BLK PIPE ST EL 90DEG 1.25NPT
30	1	504001	RED BUSH 3/4 X 1/4 BLK MAL
31	1	470350	LIQUID LEVEL SWITCH,1/2MNPT 02
32	1	504900	PIPE PLUG .75NPT SQ HD
33	1	504400	BLK PIPE CROSS .75NPT
34	1	618135	3/4 HOSE BARB-90-3/4MNPT
35	1	618486	9/16FJIC SW RUN TEE-9/16MJIC

*NOTE: DETAIL 34 IS USED WITH THE CUTTER OPTION.
 DETAIL 35 IS USED WITH THE HYDRAULIC BRAKE.

FUEL TANK ASSEMBLY

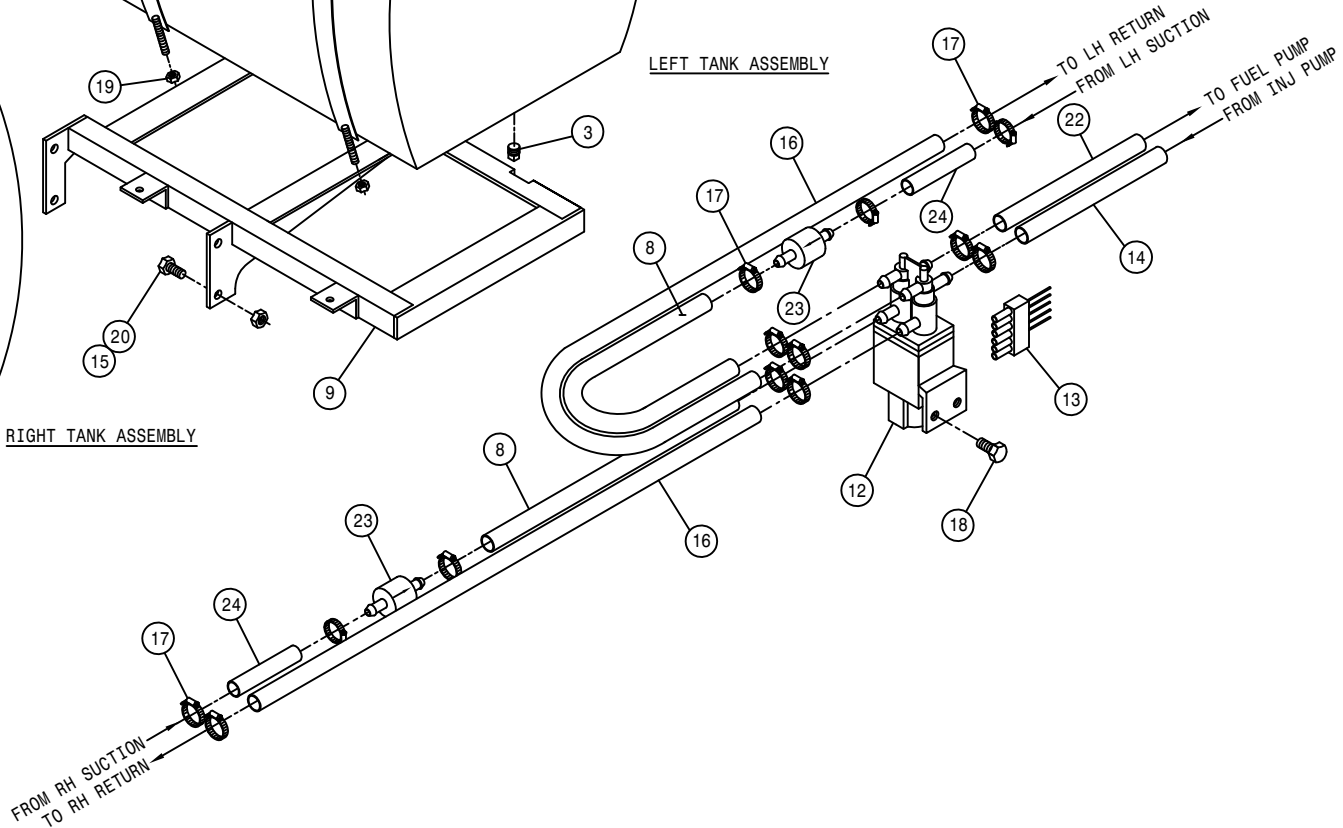
DET. QTY PART NO. DESCRIPTION

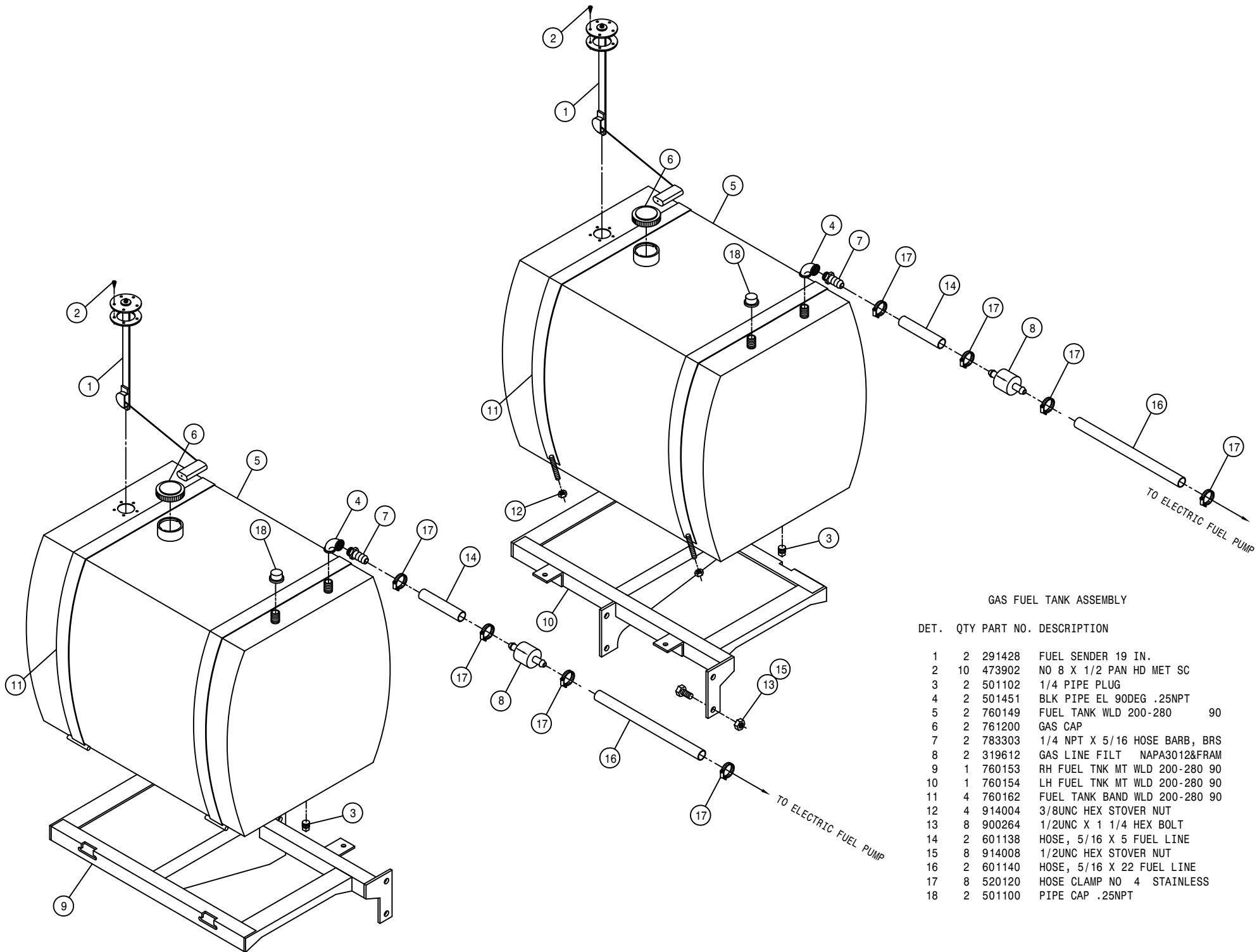
1	2	291428	FUEL SENDER 19 IN.
2	10	473902	NO 8 X 1/2 PAN HD MET SC
3	2	501102	1/4 PIPE PLUG
4	4	501451	BLK PIPE EL 90DEG .25NPT
5	2	760149	FUEL TANK WLD 200-280 90
6	2	761200	GAS CAP
7	2	783303	1/4 NPT X 5/16 HOSE BARB, BRS
8	2	601324	HOSE, 3/8 X 90 FUEL LINE
9	1	760153	RH FUEL TNK MT WLD 200-280 90
10	1	760154	LH FUEL TNK MT WLD 200-280 90
11	4	760162	FUEL TANK BAND WLD 200-280 90
12	1	610529	FUEL SELECTOR VALVE W/RETURN
13	1	610530	5 WIRE CONNECTOR FOR 610529
14	1	601421	HOSE, 5/16 X 50 FUEL LINE
15	8	914008	1/2UNC HEX STOVER NUT
16	2	601301	HOSE, 5/16 X 90 FUEL LINE
17	14	520120	HOSE CLAMP NO 4 STAINLESS
18	2	900064	5/16UNC X 3/4 HEX BOLT
19	4	914004	3/8UNC HEX STOVER NUT
20	8	900264	1/2UNC X 1 1/4 HEX BOLT
21	2	783304	1/4 NPT X 3/8 HOSE BARB, BRS
22	1	601322	HOSE, 3/8 X 26 FUEL LINE
23	2	316281	FUEL STRAINER, IN-LINE, DIESEL
24	2	601393	HOSE, 3/8 X 3 FUEL LINE
25	2	291464	GSKT FUEL SENDER, FOR 291428
26	4	470121	1/4UNC HEX FLANGE LOCK NUT



LEFT TANK ASSEMBLY

RIGHT TANK ASSEMBLY





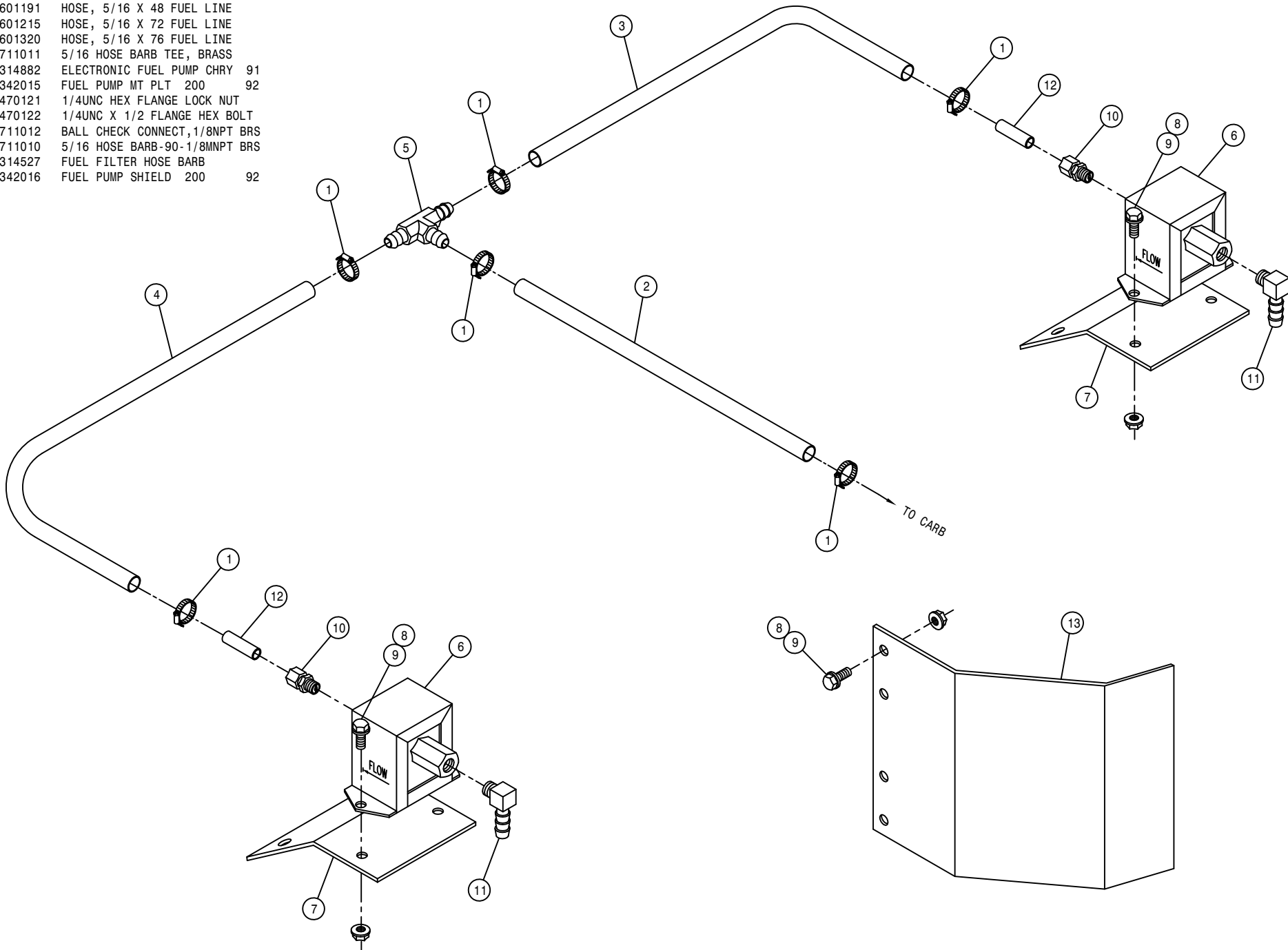
GAS FUEL TANK ASSEMBLY

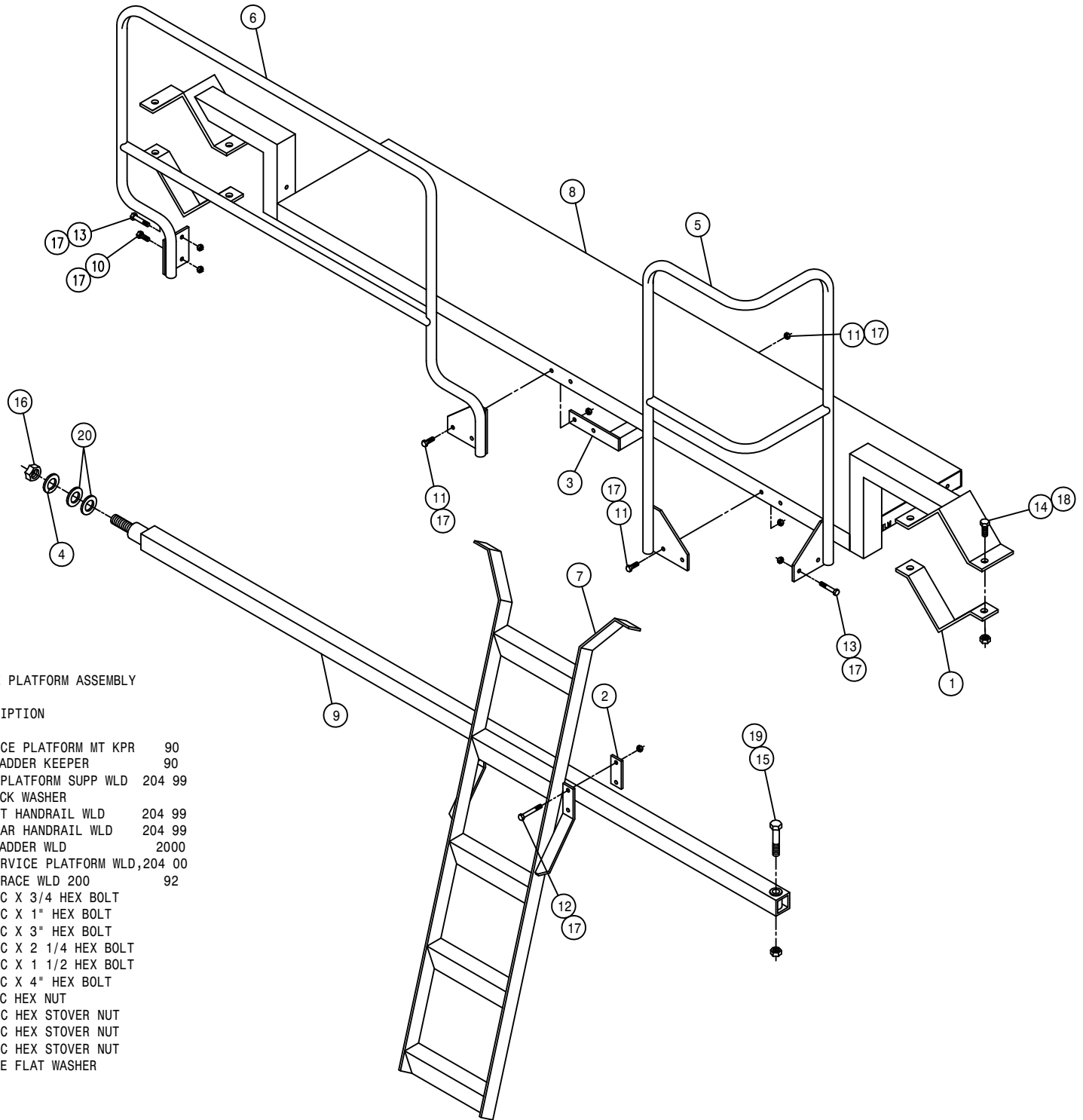
DET.	QTY	PART NO.	DESCRIPTION	
1	2	291428	FUEL SENDER 19 IN.	
2	10	473902	NO 8 X 1/2 PAN HD MET SC	
3	2	501102	1/4 PIPE PLUG	
4	2	501451	BLK PIPE EL 90DEG .25NPT	
5	2	760149	FUEL TANK WLD 200-280	90
6	2	761200	GAS CAP	
7	2	783303	1/4 NPT X 5/16 HOSE BARB, BRS	
8	2	319612	GAS LINE FILT NAPA3012&FRAM	
9	1	760153	RH FUEL TNK MT WLD 200-280	90
10	1	760154	LH FUEL TNK MT WLD 200-280	90
11	4	760162	FUEL TANK BAND WLD 200-280	90
12	4	914004	3/8UNC HEX STOVER NUT	
13	8	900264	1/2UNC X 1 1/4 HEX BOLT	
14	2	601138	HOSE, 5/16 X 5 FUEL LINE	
15	8	914008	1/2UNC HEX STOVER NUT	
16	2	601140	HOSE, 5/16 X 22 FUEL LINE	
17	8	520120	HOSE CLAMP NO 4 STAINLESS	
18	2	501100	PIPE CAP .25NPT	

FUEL PUMP ASSEMBLY

DET. QTY PART NO. DESCRIPTION

1	6	520120	HOSE CLAMP NO 4 STAINLESS
2	1	601191	HOSE, 5/16 X 48 FUEL LINE
3	1	601215	HOSE, 5/16 X 72 FUEL LINE
4	1	601320	HOSE, 5/16 X 76 FUEL LINE
5	1	711011	5/16 HOSE BARB TEE, BRASS
6	2	314882	ELECTRONIC FUEL PUMP CHR Y 91
7	2	342015	FUEL PUMP MT PLT 200 92
8	12	470121	1/4UNC HEX FLANGE LOCK NUT
9	12	470122	1/4UNC X 1/2 FLANGE HEX BOLT
10	2	711012	BALL CHECK CONNECT,1/8NPT BRS
11	2	711010	5/16 HOSE BARB-90-1/8MNPT BRS
12	2	314527	FUEL FILTER HOSE BARB
13	2	342016	FUEL PUMP SHIELD 200 92

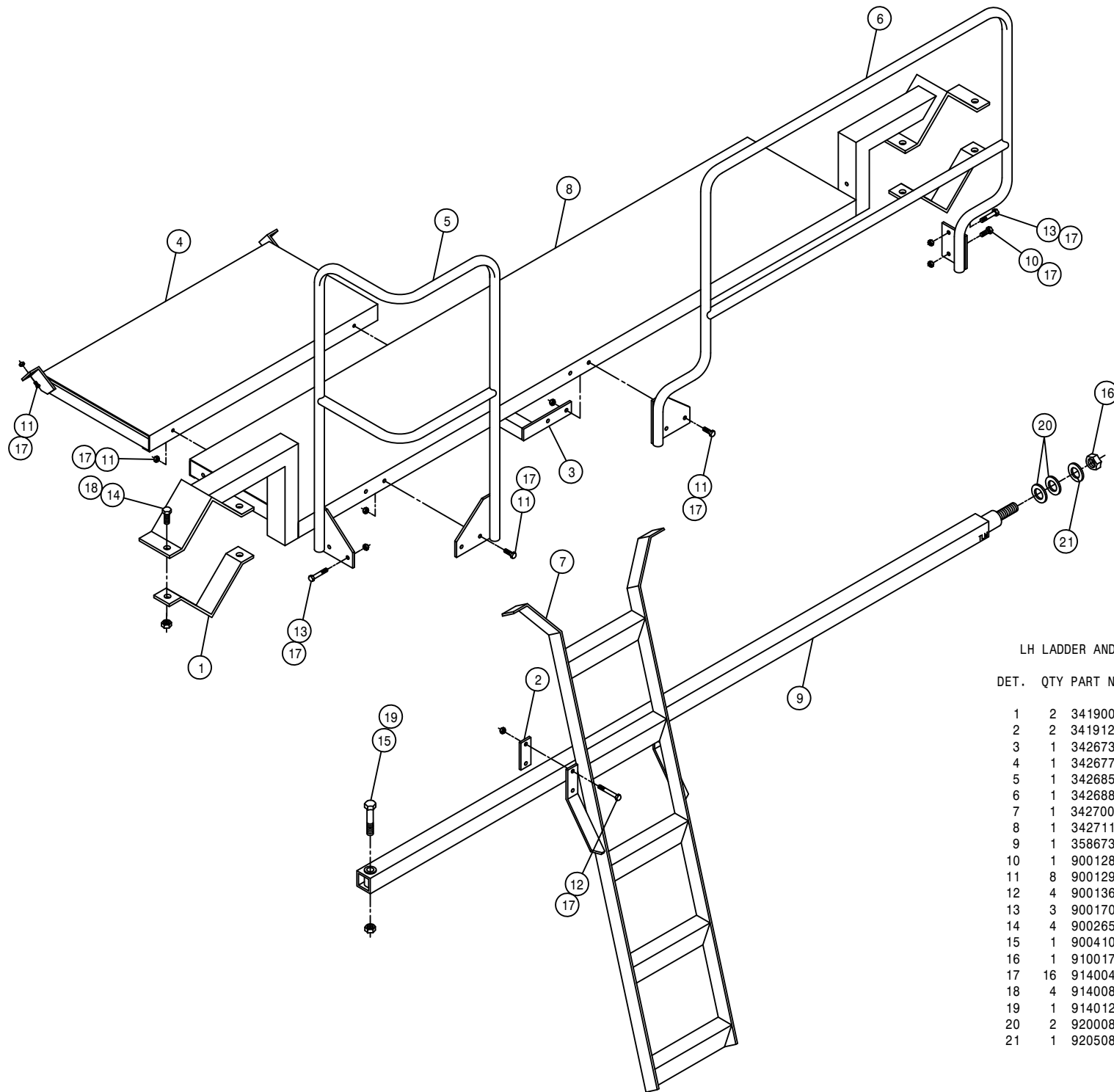




RH LADDER AND SERVICE PLATFORM ASSEMBLY

DET. QTY PART NO. DESCRIPTION

1	2	341900	SERVICE PLATFORM MT KPR	90
2	2	341912	200 LADDER KEEPER	90
3	1	342673	SERV PLATFORM SUPP WLD	204 99
4	1	920508	1" LOCK WASHER	
5	1	342681	RH FRT HANDRAIL WLD	204 99
6	1	342687	RH REAR HANDRAIL WLD	204 99
7	1	342700	204 LADDER WLD	2000
8	1	342710	RH SERVICE PLATFORM WLD,204 00	
9	1	358673	LEG BRACE WLD 200	92
10	1	900128	3/8UNC X 3/4 HEX BOLT	
11	5	900129	3/8UNC X 1" HEX BOLT	
12	4	900136	3/8UNC X 3" HEX BOLT	
13	3	900170	3/8UNC X 2 1/4 HEX BOLT	
14	4	900265	1/2UNC X 1 1/2 HEX BOLT	
15	1	900410	3/4UNC X 4" HEX BOLT	
16	1	910017	1" UNC HEX NUT	
17	13	914004	3/8UNC HEX STOVER NUT	
18	4	914008	1/2UNC HEX STOVER NUT	
19	1	914012	3/4UNC HEX STOVER NUT	
20	2	920008	1" SAE FLAT WASHER	

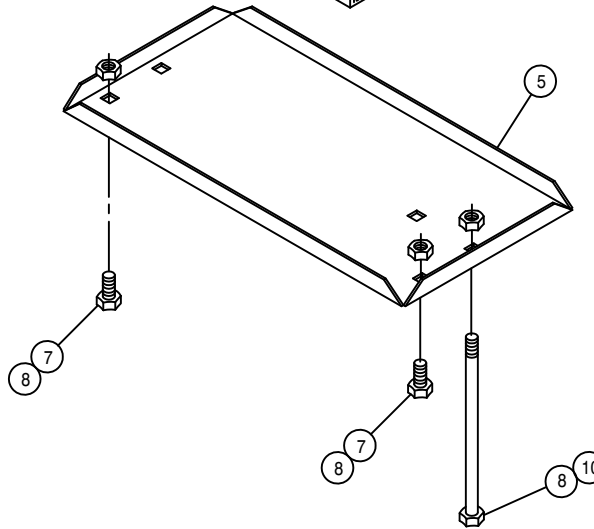
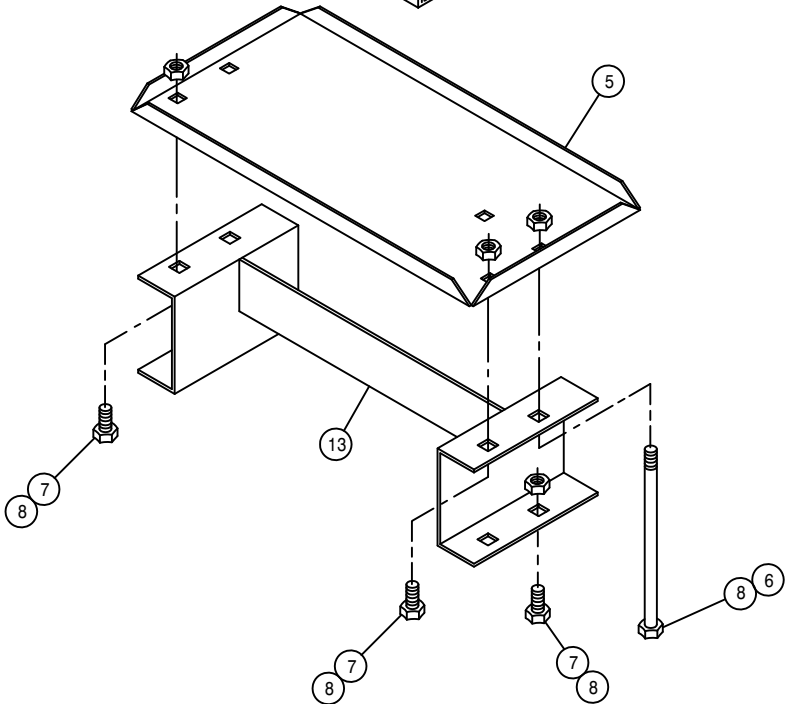
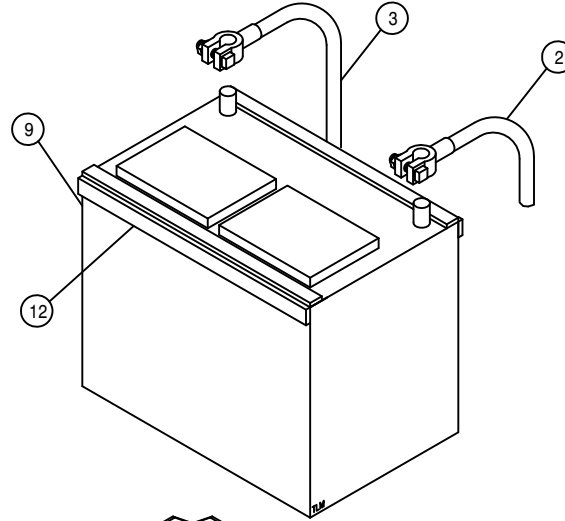
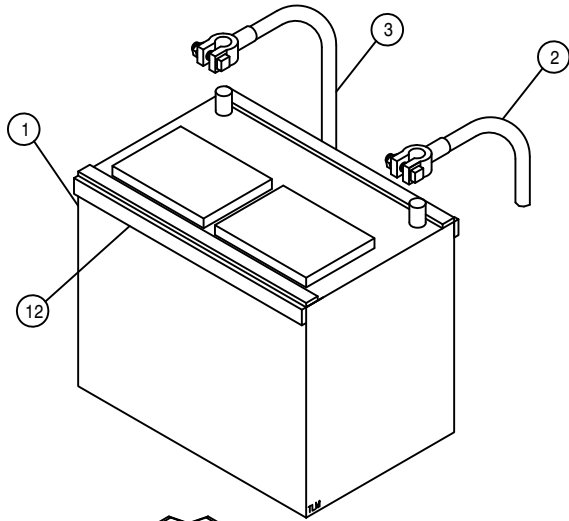
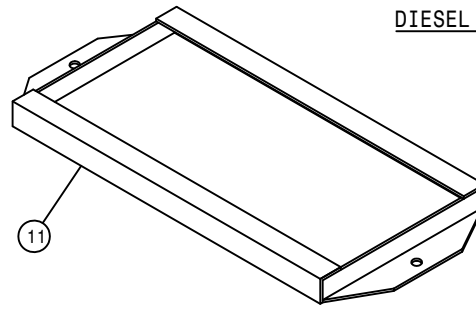
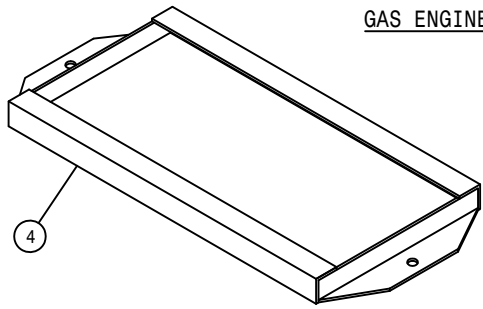


LH LADDER AND SERVICE PLATFORM ASSEMBLY

DET.	QTY	PART NO.	DESCRIPTION	
1	2	341900	SERVICE PLATFORM MT KPR	90
2	2	341912	200 LADDER KEEPER	90
3	1	342673	SERV PLATFORM SUPP WLD	204 99
4	1	342677	SERV PLATFORM STEP WLD	204 99
5	1	342685	LH FRT HANDRAIL WLD	204 99
6	1	342688	LH REAR HANDRAIL WLD	204 99
7	1	342700	204 LADDER WLD	2000
8	1	342711	LH SERVICE PLATFORM WLD,	204 99
9	1	358673	LEG BRACE WLD 200	92
10	1	900128	3/8UNC X 3/4 HEX BOLT	
11	8	900129	3/8UNC X 1" HEX BOLT	
12	4	900136	3/8UNC X 3" HEX BOLT	
13	3	900170	3/8UNC X 2 1/4 HEX BOLT	
14	4	900265	1/2UNC X 1 1/2 HEX BOLT	
15	1	900410	3/4UNC X 4" HEX BOLT	
16	1	910017	1" UNC HEX NUT	
17	16	914004	3/8UNC HEX STOVER NUT	
18	4	914008	1/2UNC HEX STOVER NUT	
19	1	914012	3/4UNC HEX STOVER NUT	
20	2	920008	1" SAE FLAT WASHER	
21	1	920508	1" LOCK WASHER	

GAS ENGINE

DIESEL ENGINE

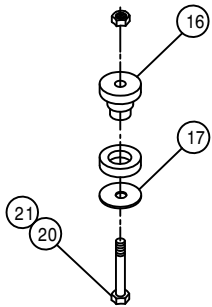
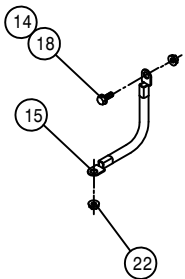
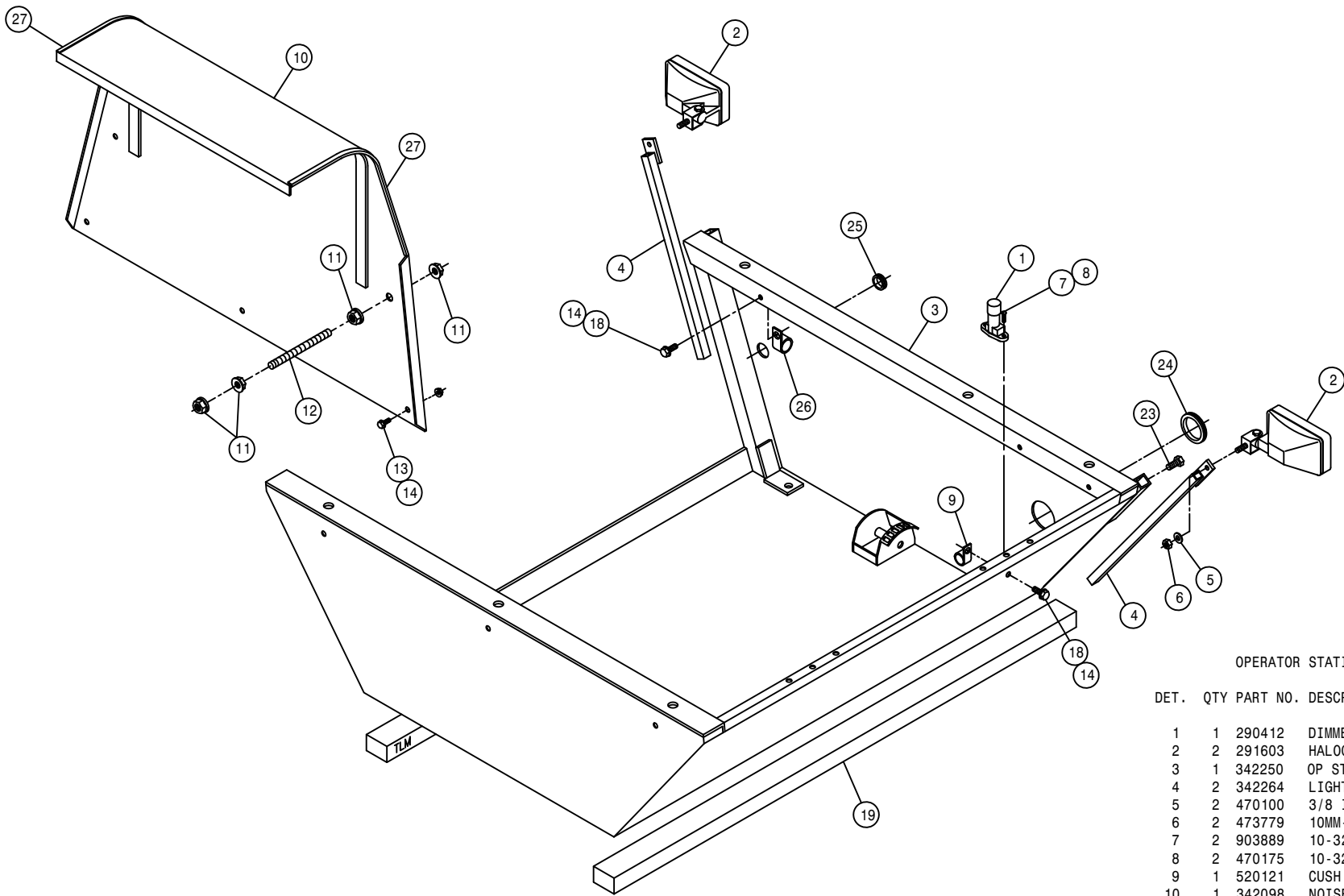


BATTERY BOX ASSEMBLY

DET. QTY PART NO. DESCRIPTION

1	1	290013	BATT 12V 90AH LT WARRANTY
2	2	291128	BATTERY CABLE 48 IN
3	2	291530	BATTERY GROUND CABLE, 23"
4	1	290212	BATT HOLD DOWN WLD CHRY
5	2	361149	BATTERY BOX 8300-8400 1981
6	2	901149	3/8UNC X 8 1/2 CARR BOLT
7	9	900128	3/8UNC X 3/4 HEX BOLT
8	13	914004	3/8UNC HEX STOVER NUT
9	1	291122	BATTERY, 12V 950CCA, SAE POST
10	2	901150	3/8UNC X 9" CARR BOLT
11	1	341322	BATTERY HOLD DOWN WLD 1981
12	8	193022	STICKERTITE 1/4 X 3/4
13	1	361417	BATT BOX SPACER WLD

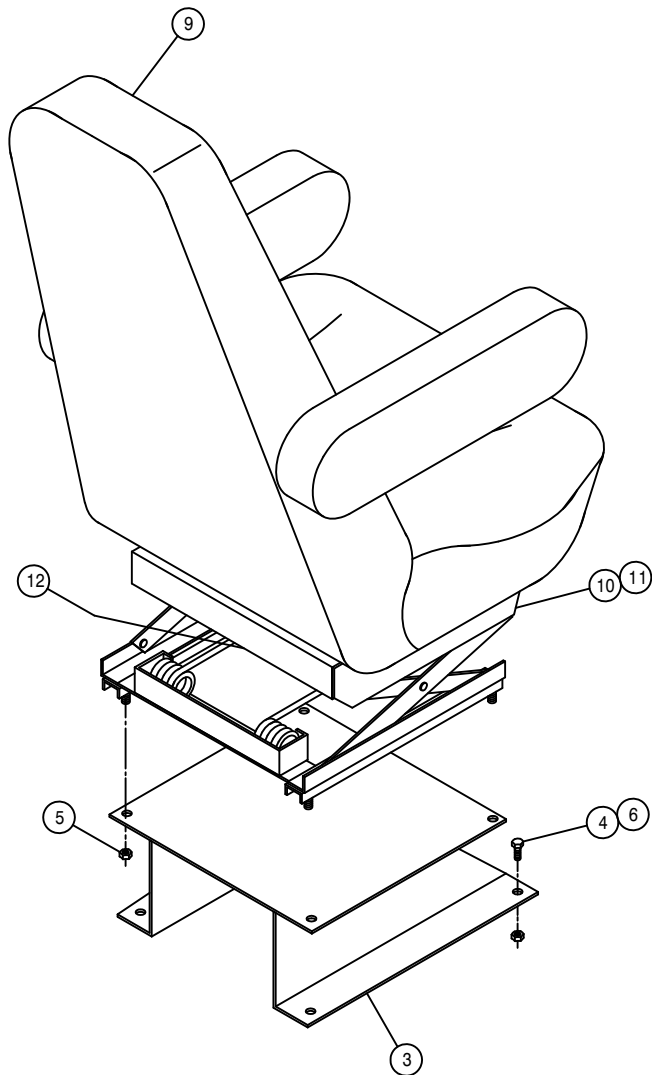
94



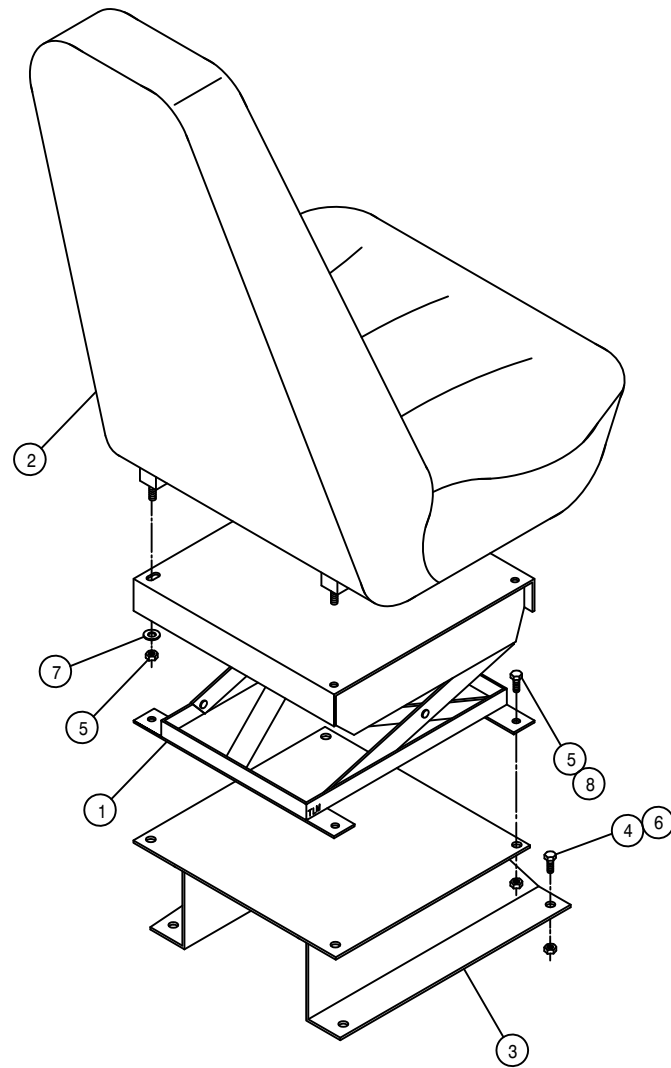
OPERATOR STATION ASSEMBLY

DET.	QTY	PART NO.	DESCRIPTION
1	1	290412	DIMMER SWITCH
2	2	291603	HALOGEN WORKLAMP, SIDE MT 12V
3	1	342250	OP STN WLD, 204 94
4	2	342264	LIGHT MT WLD, 204 94
5	2	470100	3/8 INT TOOTH LOCK WASHER
6	2	473779	10MM-1.50 HEX NUT
7	2	903889	10-32 X 3/4 SLT RDHD MACH SCR
8	2	470175	10-32 HEX FLANGE LOCK NUT
9	1	520121	CUSH HOSE CLAMP 1IN X 3/4W
10	1	342098	NOISE DEFLECTOR WELDMT 204
11	8	470087	3/8UNC HEX FLANGE LOCK NUT
12	2	314929	3/8UNC X 3.00 STUD BOLT, FULL
13	3	470122	1/4UNC X 1/2 FLANGE HEX BOLT
14	6	470121	1/4UNC HEX FLANGE LOCK NUT
15	1	290107	GROUND CABLE, 8" X 4GA .406LUGS
16	4	311051	RUBBER MOUNT, RB3-350
17	4	311052	SNUBBING WASHER FOR 311051
18	3	470118	1/4UNC X 3/4 FLANGE HEX BOLT
19	2	659704	FOAM, 2" THK X 2" WIDE X 42" LG
20	4	900342	5/8UNC X 4" HEX BOLT
21	4	914010	5/8UNC HEX STOVER NUT
22	1	914004	3/8UNC HEX STOVER NUT
23	2	900128	3/8UNC X 3/4 HEX BOLT
24	1	473915	GROMMET, 1.500ID .062GW 1.750GD
25	1	470067	GROMMET, .250ID .125GW .375GD
26	2	520118	CUSH HOSE CLAMP 1/2D X 1/2W
27	2	193011	EDGE GUARD, BLK

NOTE: DETAILS 10, 11, 12, 13, AND 14 ARE USED WITH THE DIESEL ENGINE OPTION.



SEAT ASSEMBLY W/CAB

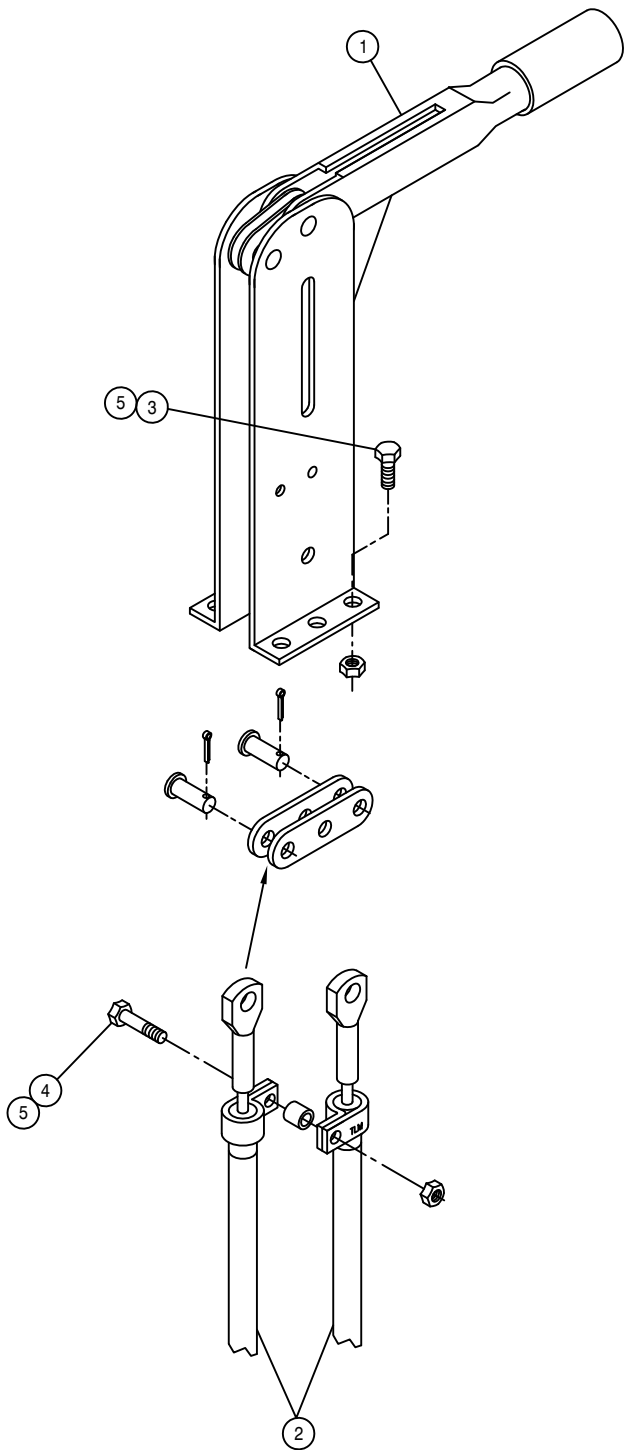


SEAT ASSEMBLY W/O CAB

SEAT ASSEMBLY

DET. QTY PART NO. DESCRIPTION

1	1	330015	SUSPENSION ASSY TRIMLINE SEAT
2	1	330017	TRIMLINE SEAT, MID HIGH,VINYL
3	2	341554	SEAT MT WLD TRIMLINE SEAT
4	8	900129	3/8UNC X 1" HEX BOLT
5	12	914002	5/16UNC HEX STOVER NUT
6	8	914004	3/8UNC HEX STOVER NUT
7	2	920001	5/16 SAE FLAT WASHER
8	4	900064	5/16UNC X 3/4 HEX BOLT
9	1	330022	SEAT,MAGNUM-100 AIR SUSPEND95
10	1	330024	HEIGHT ADJ LATCH, SEAT 330022
11	1	330025	ADJ LATCH SPRING, SEAT 330022
12	1	330023	AIR BAG PKG, SEAT 330022



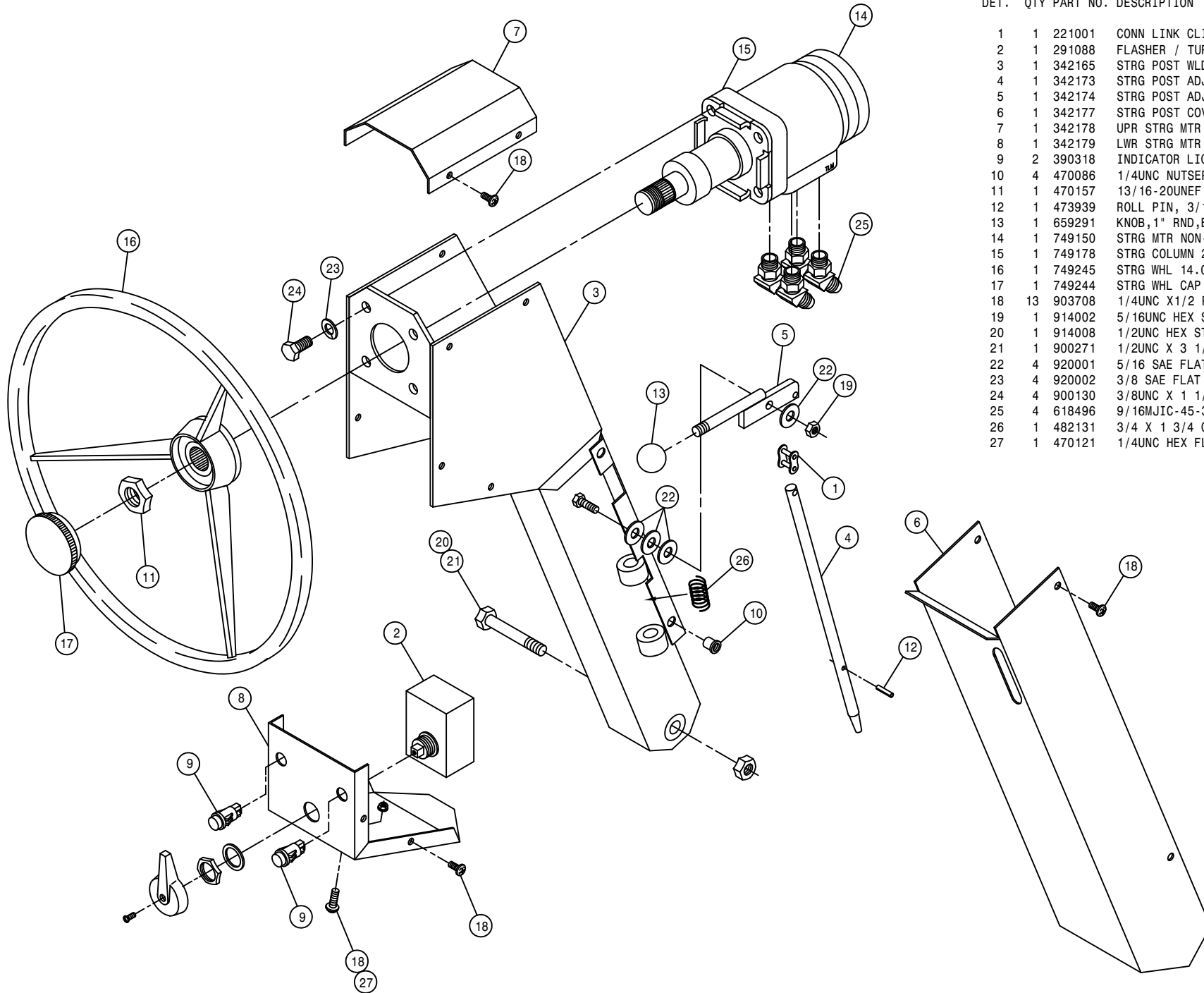
BRAKE LEVER ASSEMBLY

DET.	QTY	PART NO.	DESCRIPTION
1	1	826108	BRAKE LEVER ASSY
2	2	826926	190 IN BRAKE CABLE
3	4	900064	5/16UNC X 3/4 HEX BOLT
4	1	900067	5/16UNC X 1 1/2 HEX BOLT
5	5	914002	5/16UNC HEX STOVER NUT

STEERING POST ASSEMBLY

DET. QTY PART NO. DESCRIPTION

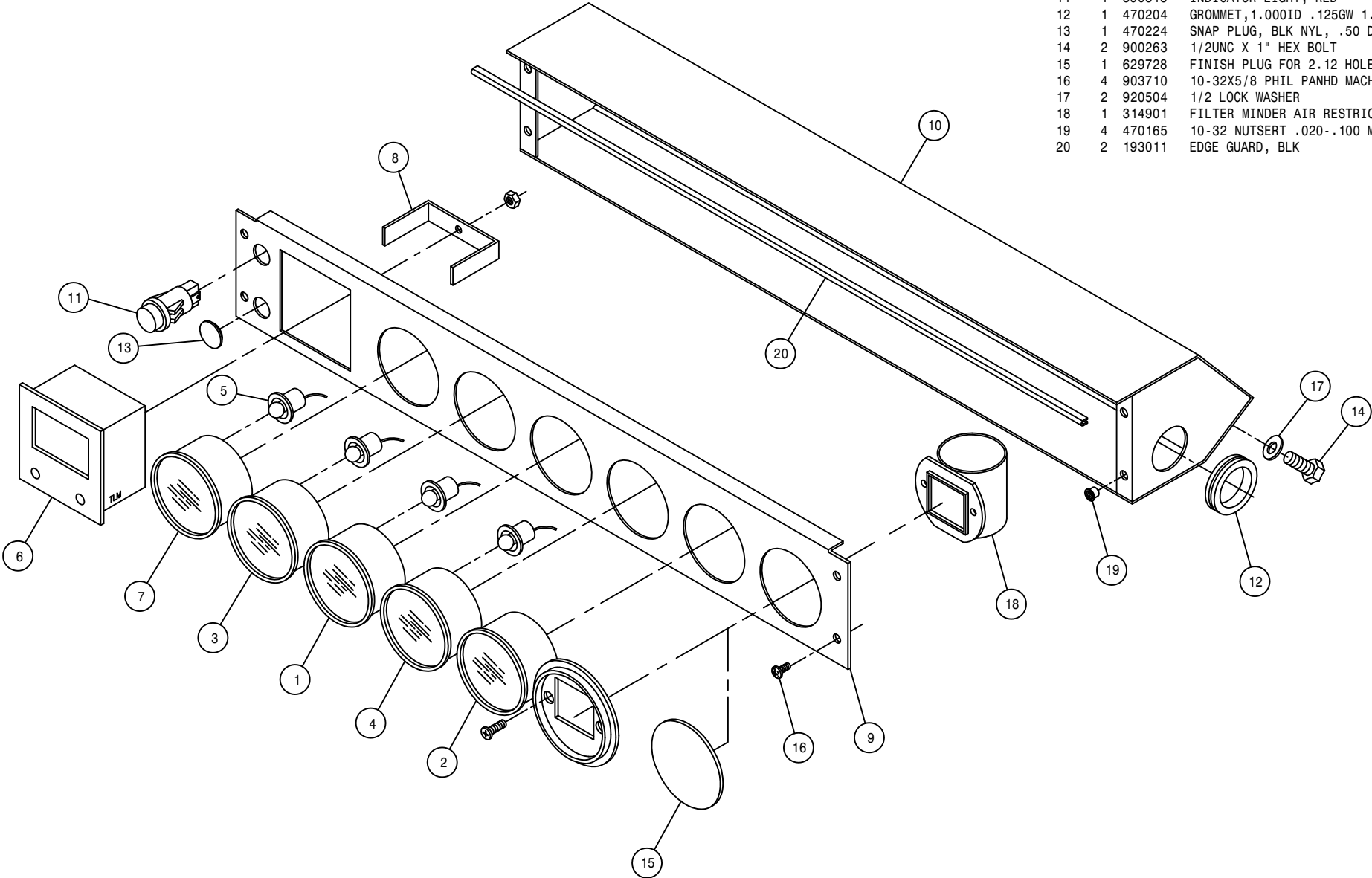
1	1	221001	CONN LINK CLIP TYPE RC50
2	1	291088	FLASHER / TURN SIGNAL SWITCH
3	1	342165	STRG POST WLD, 284 CAB 94
4	1	342173	STRG POST ADJ PIN, 284 CAB 94
5	1	342174	STRG POST ADJ PIN LEVER WLD94
6	1	342177	STRG POST COVER, 284 CAB 94
7	1	342178	UPR STRG MTR HSNG COVER 94
8	1	342179	LWR STRG MTR HSNG COVER 94
9	2	390318	INDICATOR LIGHT, RED
10	4	470086	1/4UNC NUTSERT .020-.100MATL
11	1	470157	13/16-20UNEF HEX NUT STRG WHL
12	1	473939	ROLL PIN, 3/16DIA X 7/8
13	1	659291	KNOB,1" RND,BLK, 3/8-16
14	1	749150	STRG MTR NON-LOAD REACT 1008
15	1	749178	STRG COLUMN 2.5IN LONG
16	1	749245	STRG WHL 14.0 DIA
17	1	749244	STRG WHL CAP FOR 749245
18	13	903708	1/4UNC X1/2 PHIL PNHD MACHSCR
19	1	914002	5/16UNC HEX STOVER NUT
20	1	914008	1/2UNC HEX STOVER NUT
21	1	900271	1/2UNC X 3 1/4 HEX BOLT
22	4	920001	5/16 SAE FLAT WASHER
23	4	920002	3/8 SAE FLAT WASHER
24	4	900130	3/8UNC X 1 1/4 HEX BOLT
25	4	618496	9/16MJIC-45-3/4MOR LBO
26	1	482131	3/4 X 1 3/4 COMPRSN SPRING
27	1	470121	1/4UNC HEX FLANGE LOCK NUT

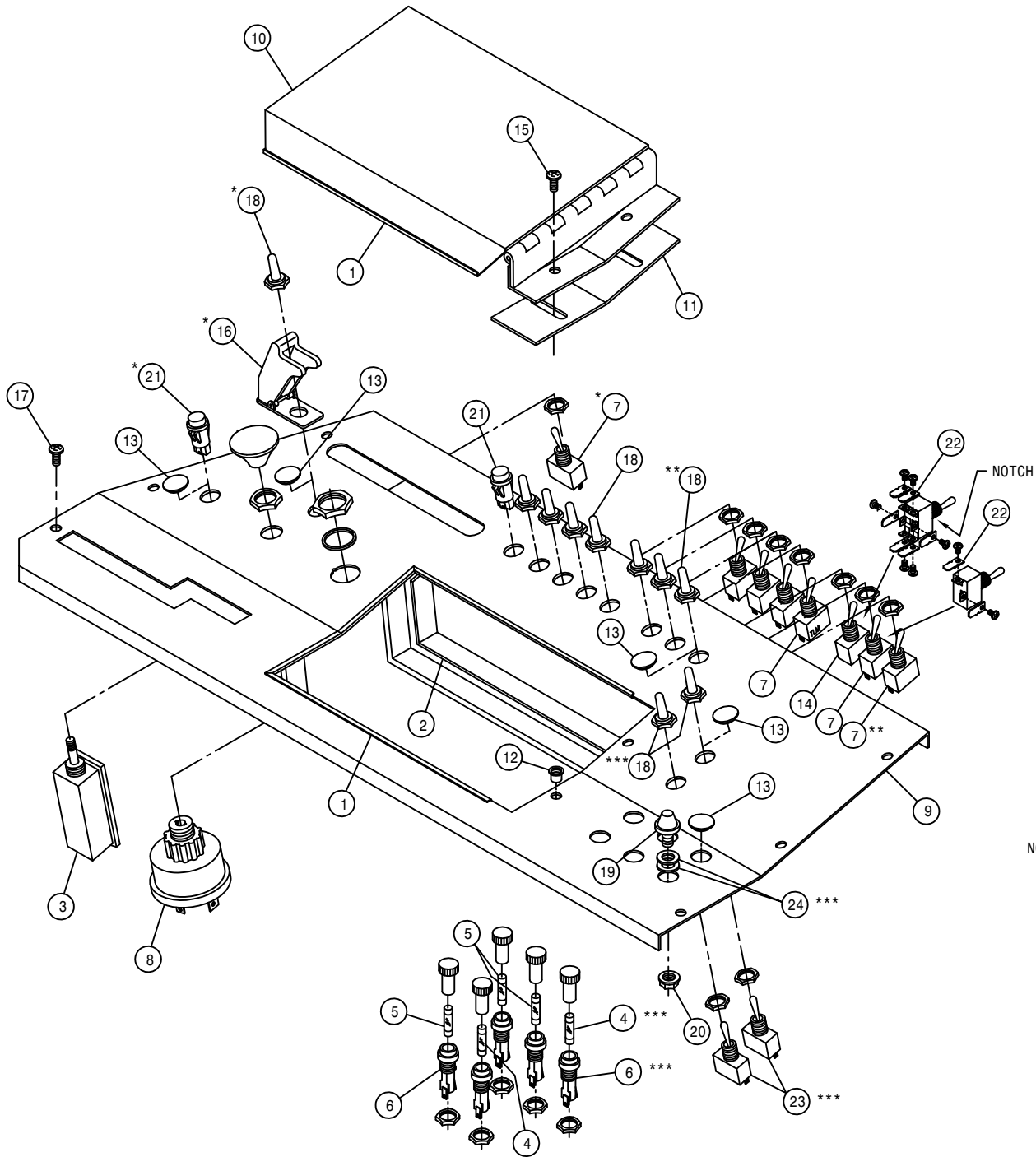


INSTRUMENT PANEL ASSEMBLY

DET. QTY PART NO. DESCRIPTION

1	1	290401	FUEL GAUGE FOR 2.125 DIA HOLE
2	1	291203	HOUR METER, 12/24VDC BLACK BEZ
3	1	291609	OIL PRESS GAUGE, 80PSI
4	1	291611	VOLTMETER, 8V TO 18V DC
5	4	291612	LIGHT KIT FOR 2" GAUGE
6	1	291641	DIGITAL MPH/RPM INDICATOR W/P
7	1	314436	TEMP GA 100-280 DEG LIGHTED
8	1	342068	DIGITAL MPH/RPM IND KEEPER 94
9	1	342232	INSTRUMENT PANEL, 204 94
10	1	342233	INSTRUMENT HSNQ WLD, 204 94
11	1	390318	INDICATOR LIGHT, RED
12	1	470204	GROMMET, 1.000ID .125GW 1.375GD
13	1	470224	SNAP PLUG, BLK NYL, .50 DIA
14	2	900263	1/2UNC X 1" HEX BOLT
15	1	629728	FINISH PLUG FOR 2.12 HOLE
16	4	903710	10-32X5/8 PHIL PANHD MACH SCR
17	2	920504	1/2 LOCK WASHER
18	1	314901	FILTER MINDER AIR RESTRICT GA
19	4	470165	10-32 NUTSERT .020-.100 MATL
20	2	193011	EDGE GUARD, BLK





CONSOLE PANEL ASSEMBLY

DET.	QTY	PART NO.	DESCRIPTION
1	2	193011	EDGE GUARD, BLK
2	2	193037	STICKERTITE 1/8 X 3/4
3	1	290046	LIGHT SWITCH TWO POSITION
4	2	291602	FUSE 10 AMP
5	3	298004	20 AMP FUSE SFE 20
6	5	298011	FUSE HOLDER
7	7	298012	TOGGLE SWITCH
8	1	321020	IGN SWITCH, SEALED 5 POLE
9	1	342237	CONSOLE PANEL WLD, 204 94
10	1	342240	CONTROL BOX COVER WLD, 204 94
11	1	342244	CONTROL BOX KEEPER, 204 94
12	2	470165	10-32 NUTSERT .020-.100 MATL
13	6	470224	SNAP PLUG, BLK NYL, .50 DIA
14	1	610412	TOGGLE SWITCH FOR FUEL VLV
15	2	903710	10-32X5/8 PHIL PANHD MACH SCR
16	1	291655	AIRCRAFT TOGGLE SWITCH GUARD
17	6	903708	1/4UNC X1/2 PHIL PNHD MACHSCR
18	10	470001	RUBBER BOOT W NUT FOR 298012
19	1	470230	1/2 RUBBER BUMPER, 1/4-20 STUD
20	1	470121	1/4UNC HEX FLANGE LOCK NUT
21	2	390318	INDICATOR LIGHT, RED
22	8	291644	.250MALE FASTON-#6 RING ADAPT
23	2	293038	TOGGLE SWITCH DPDT 15 AMP
24	2	920002	3/8 SAE FLAT WASHER

NOTE: ITEMS WITH (*) ARE USED WITH THE ELECTRIC BRAKE.

ITEMS WITH (**) ARE USED WITH THE WINDSHIELD WIPER IN THE CAB OPTION.

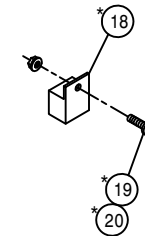
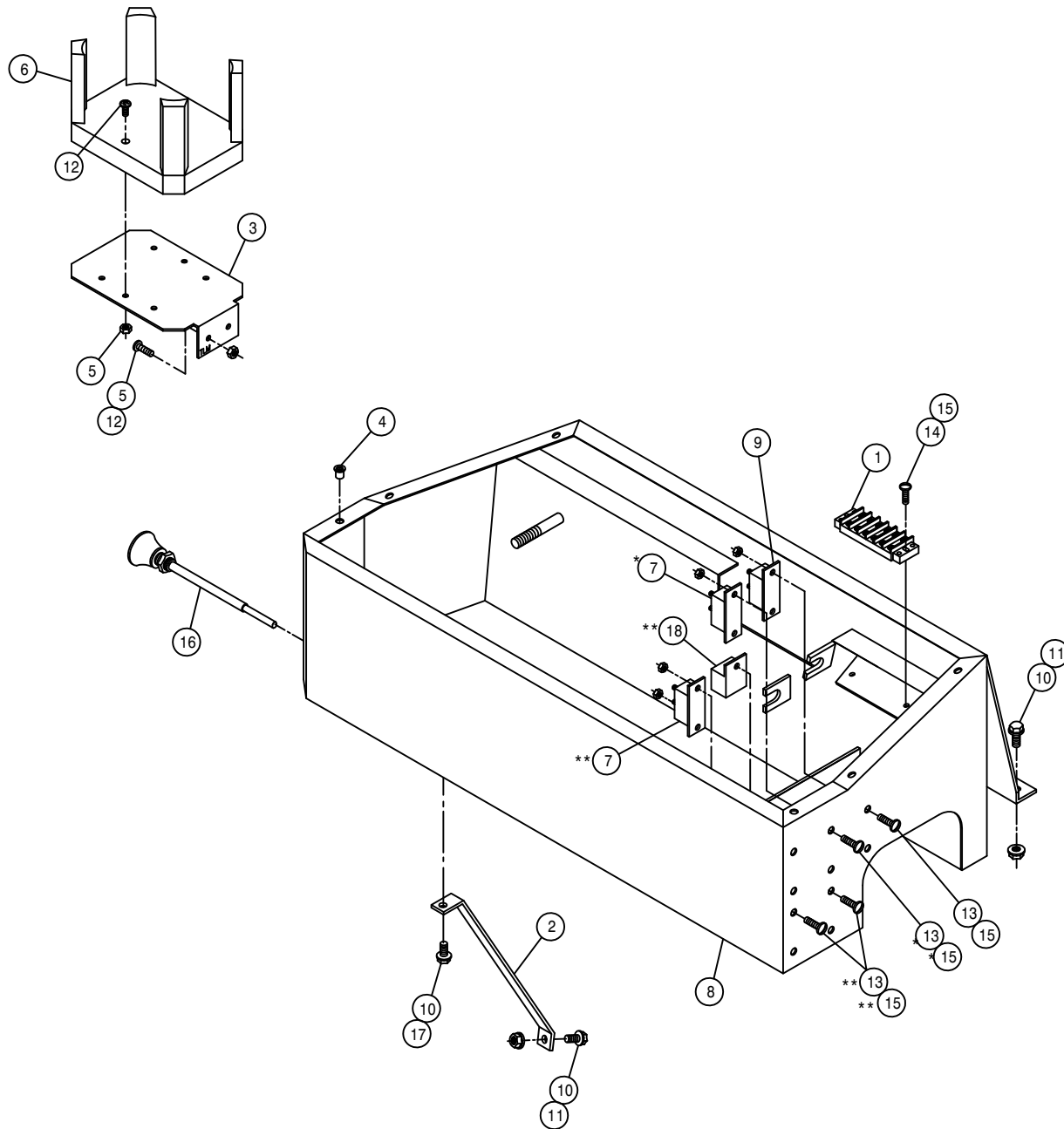
ITEMS WITH (***) ARE USED WITH THE OUTRIGGER FOLD OPTION.

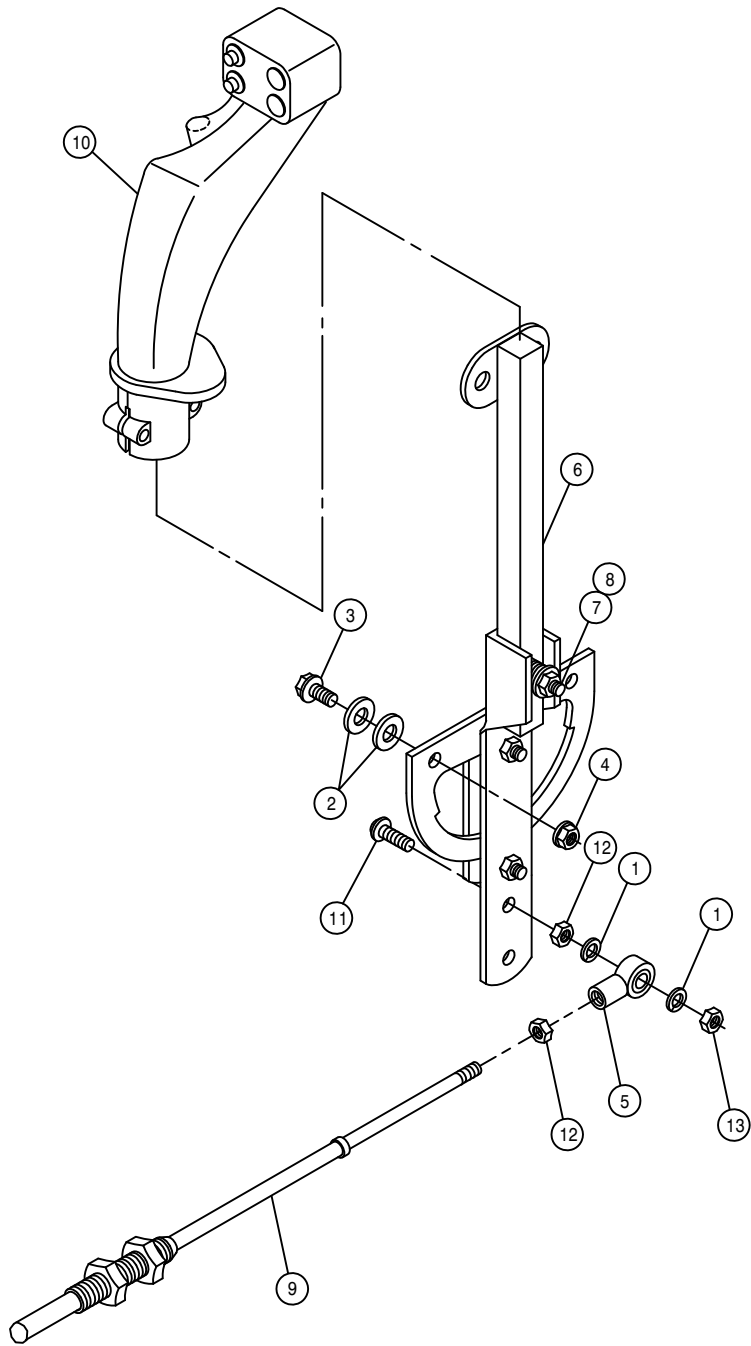
CONSOLE ASSEMBLY

DET. QTY PART NO. DESCRIPTION

1	1	293093	TERMINAL BLOCK 6 POS - 2 ROW
2	1	342248	CONSOLE BRACE, 204 94
3	1	342216	DRINK HOLDER MT BRKT 94
4	6	470086	1/4UNC NUTSERT .020- .100MATL
5	4	470175	10-32 HEX FLANGE LOCK NUT
6	1	470214	SPILLMASTER DRINK HOLDER
7	2	291197	CIRCUIT BREAKER,30AMP,INLINEMT
8	1	342245	CONSOLE WLD, 204 94
9	1	291024	CIRCUIT BREAKER,40AMP,INLINEMT
10	4	470121	1/4UNC HEX FLANGE LOCK NUT
11	3	470118	1/4UNC X 3/4 FLANGE HEX BOLT
12	4	903710	10-32X5/8 PHIL PANHD MACH SCR
13	7	903812	6-32 X 1/2 SLT RD HD MACH SCR
14	2	903814	6-32 X 3/4 SLT RD HD MACH SCR
15	9	910022	6-32 HEX NUT
16	1	780101	CHOKE CONTROL CABLE, 144 IN
17	1	470231	1/4UNC X 1" FLANGE HEX BOLT
18	2	291640	RELAY, 12V 20/30AMP BOSCH
19	1	903844	8-32 X 1/2 SLT RD HD MACH SCR
20	1	910024	8-32 HEX NUT

NOTE: 1. ITEMS MARKED WITH A (*) ARE USED WITH THE CAB OPTION.
 2. ITEMS MARKED WITH A (**) ARE USED WITH THE DIESEL ENGINE OPTION.





HYDROSTATIC LEVER ASSEMBLY

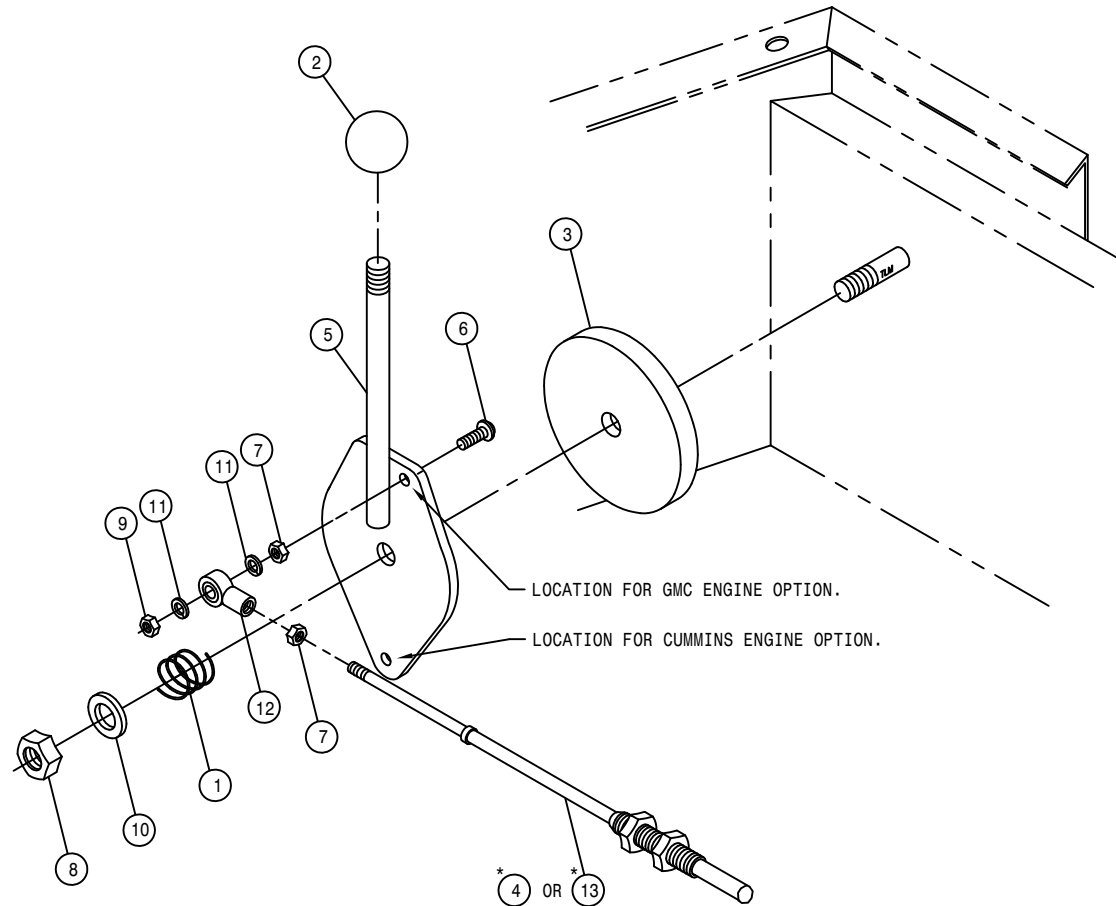
DET.	QTY	PART NO.	DESCRIPTION
	1	2	920510 #10 LOCK WASHER
	2	4	920000 1/4 SAE FLAT WASHER
	3	2	470118 1/4UNC X 3/4 FLANGE HEX BOLT
	4	2	470121 1/4UNC HEX FLANGE LOCK NUT
	5	1	473921 BALL JOINT NO 10-32 THD
	6	1	606907 HYDST CTRL LEVER ASSY 204-284
	7	1	900005 1/4UNC X 1 1/2 HEX BOLT
	8	1	914000 1/4UNC HEX STOVER NUT
	9	1	785003 CTRL CABLE 10-32 4IN X 112 LG
	10	1	785077 FASSE EZ-3 CONTROL HANDLE,204
	11	1	903893 10-32 X 1" SLT RD HD MACH SCR
	12	2	910027 10-32 HEX NUT
	13	1	914027 10-32 HEX STOVER NUT

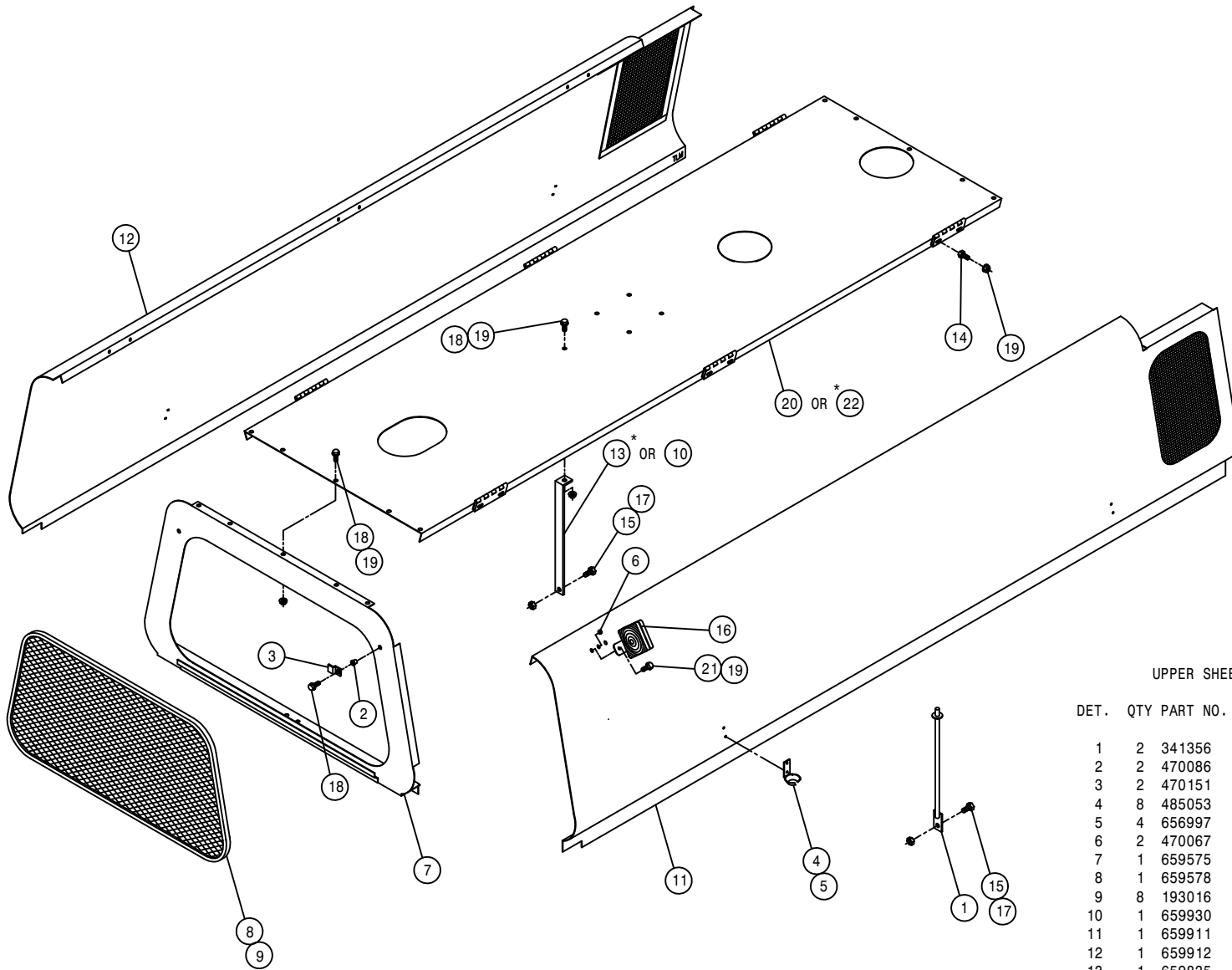
THROTTLE LEVER ASSEMBLY

DET. QTY PART NO. DESCRIPTION

1	1	499001	SPRING HYDRO CONTROL
2	1	785007	KNOB, 1 3/16" BALL, RED, 3/8-16
3	1	785046	FRICTION DISC 3-333 X .38
4	1	785066	CTRL CABLE 10-32 4IN X 129 IN
5	1	785067	THROT LEVER WLD, GAS/DIESEL 94
6	1	903893	10-32 X 1" SLT RD HD MACH SCR
7	2	910027	10-32 HEX NUT
8	1	914004	3/8UNC HEX STOVER NUT
9	1	914027	10-32 HEX STOVER NUT
10	1	920002	3/8 SAE FLAT WASHER
11	2	920510	#10 LOCK WASHER
12	1	473921	BALL JOINT NO 10-32 THD
13	1	785079	CTRL CABLE 10-32 4IN X 140 IN

*NOTE: 1. CUMMINS ENGINE OPTION USED DETAIL 4.
2. GMC ENGINE OPTION USES DETAIL 13.

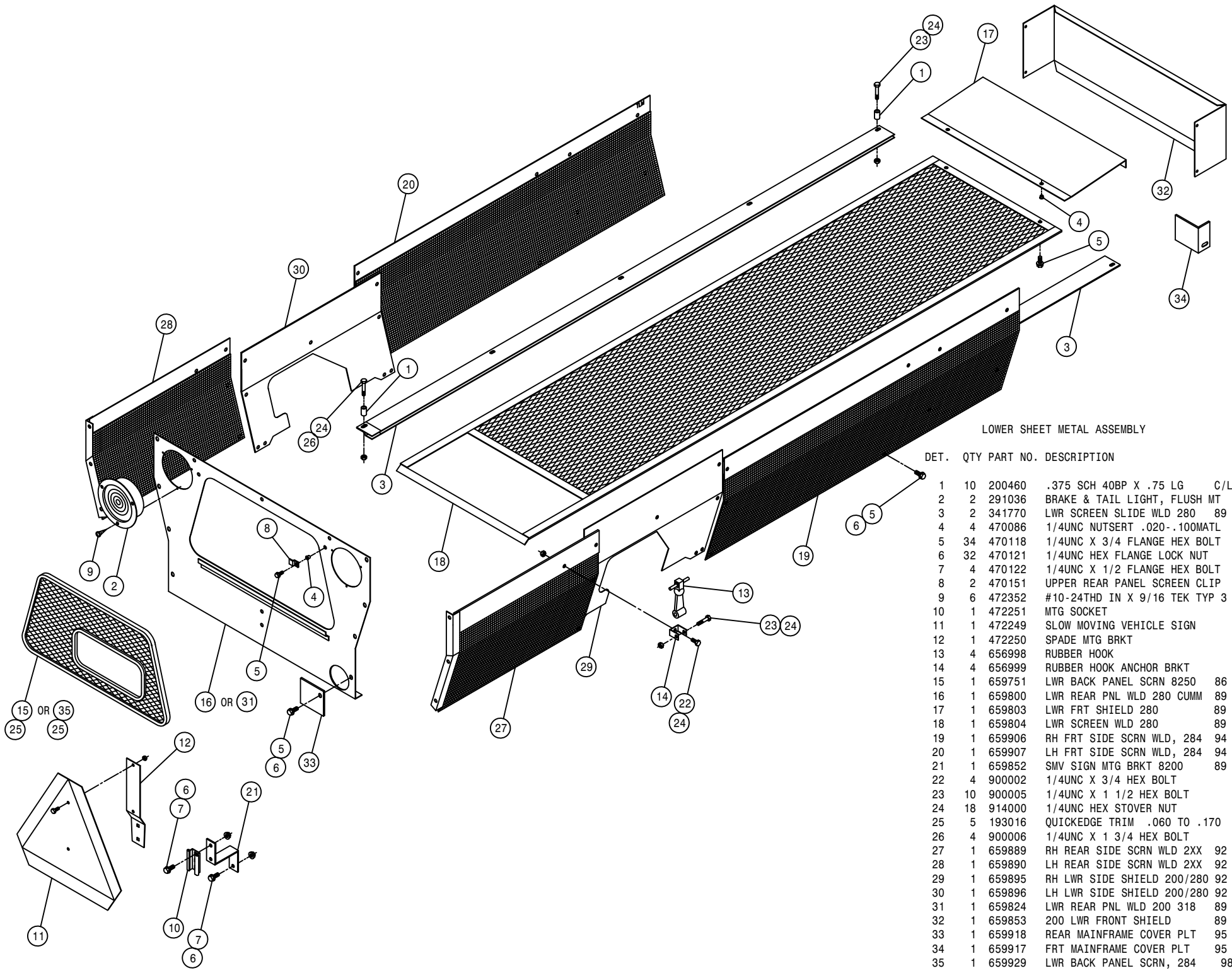




UPPER SHEET METAL ASSEMBLY

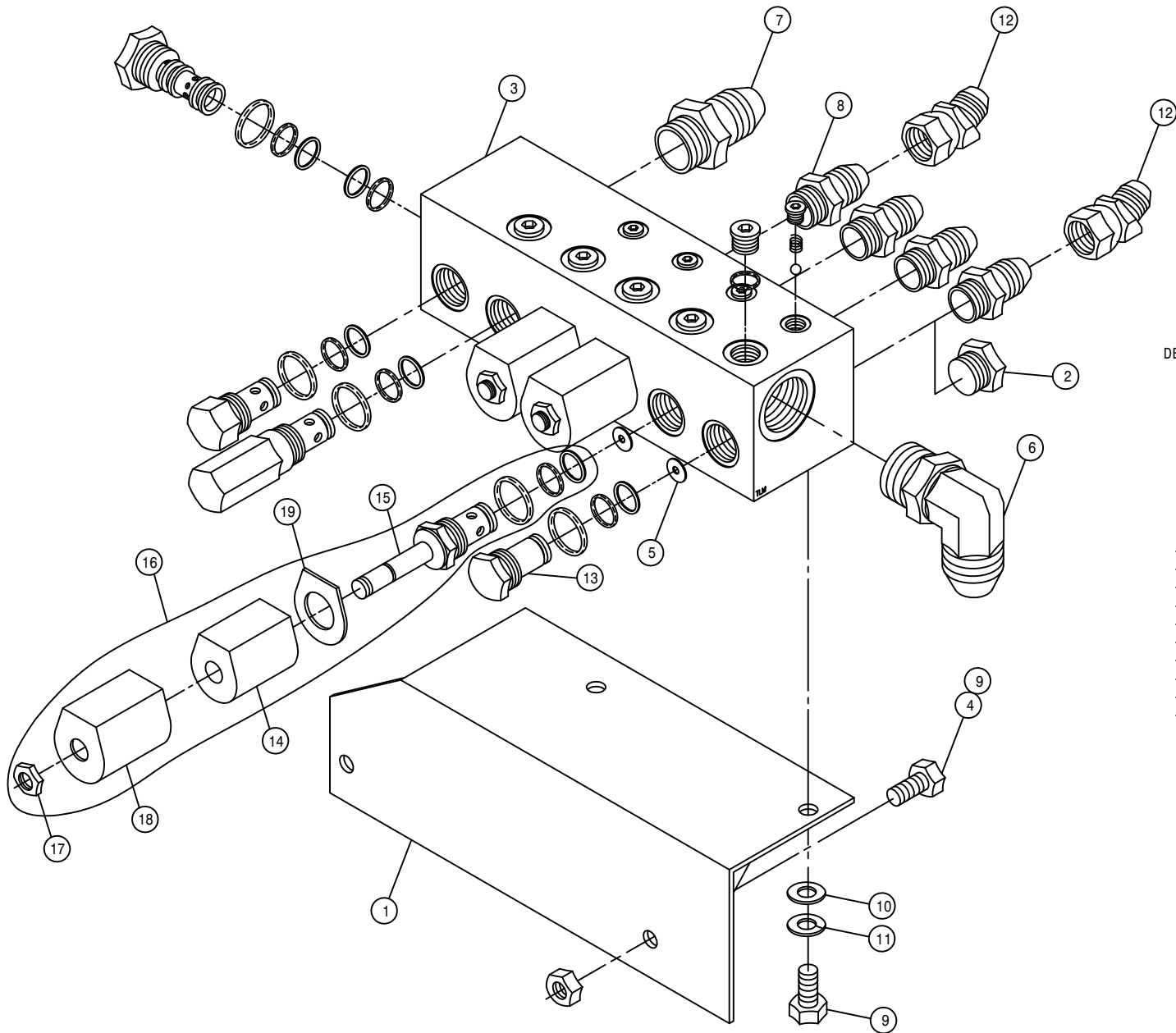
DET.	QTY	PART NO.	DESCRIPTION
	2	341356	ENGINE HOOD PROP WLD 8240 82
	2	470086	1/4UNC NUTSERT .020-.100MATL
	2	470151	UPPER REAR PANEL SCREEN CLIP
	8	485053	POP RIVET 3/16 X 3/8
	4	656997	RUBBER HOOK BRKT
	2	470067	GROMMET, .250ID .125GW .375GD
	1	659575	UPPER REAR PANEL WLD 8240 82
	1	659578	UPPER REAR PANEL SCREEN 8240
	8	193016	QUICKEDGE TRIM .060 TO .170
	1	659930	MULLION SUPPORT BRKT, 284 97
	1	659911	RH ENG HOOD WLD, 204 94
	1	659912	LH ENG HOOD WLD, 204 94
	1	659835	MULLION SUPPORT 200 89
	12	900000	1/4UNC X 1/2 HEX BOLT
	3	900128	3/8UNC X 3/4 HEX BOLT
	2	291604	TURN SIGNAL LIGHT, PED MT, YEL
	3	914004	3/8UNC HEX STOVER NUT
	13	470118	1/4UNC X 3/4 FLANGE HEX BOLT
	27	470121	1/4UNC HEX FLANGE LOCK NUT
	1	659931	MULLION WLD, 204 CUMM 97
	4	470122	1/4UNC X 1/2 FLANGE HEX BOLT
	1	659822	MULLION WLD, 200 GAS ENG 89

*NOTE: DETAIL 13 & 22 IS USED WITH THE GMC ENGINE OPTION.



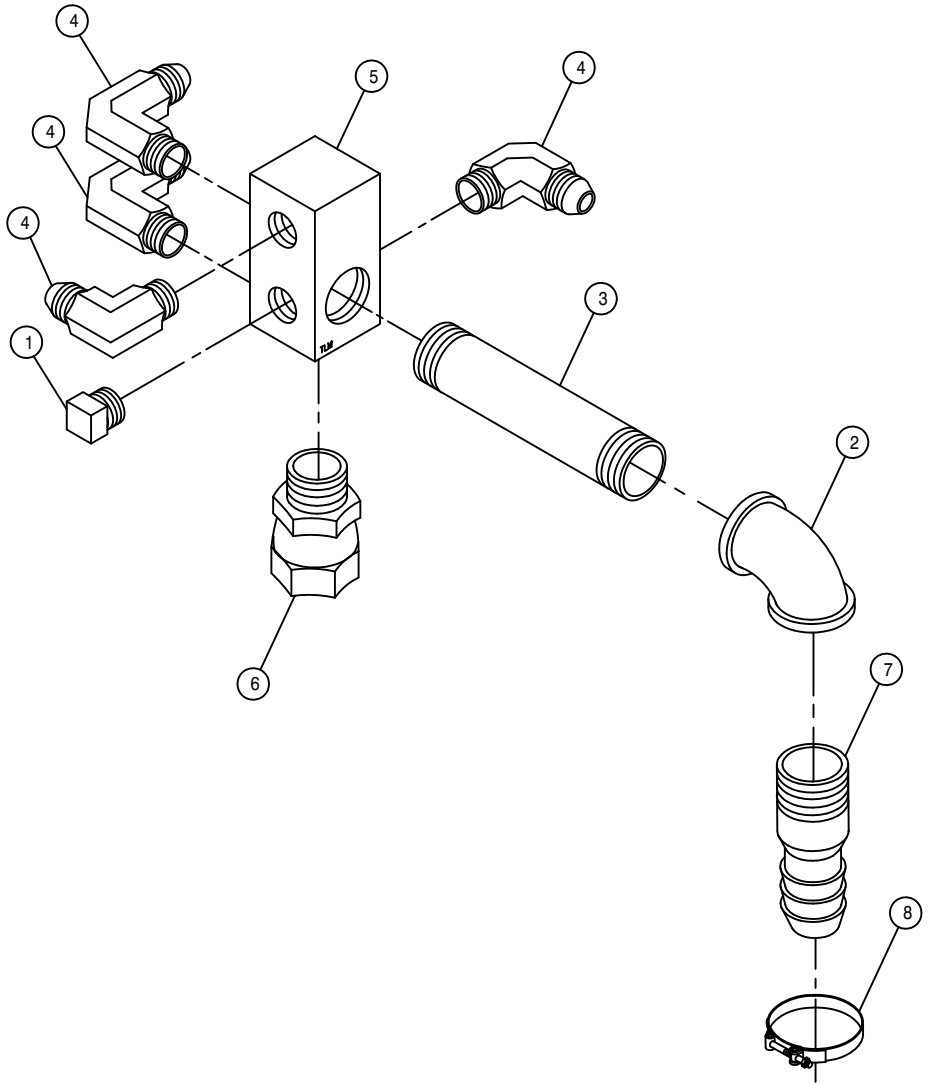
LOWER SHEET METAL ASSEMBLY

DET.	QTY	PART NO.	DESCRIPTION	
1	10	200460	.375 SCH 40BP X .75 LG	C/L
2	2	291036	BRAKE & TAIL LIGHT, FLUSH MT	
3	2	341770	LWR SCREEN SLIDE WLD 280	89
4	4	470086	1/4UNC NUTSERT .020-.100MATL	
5	34	470118	1/4UNC X 3/4 FLANGE HEX BOLT	
6	32	470121	1/4UNC HEX FLANGE LOCK NUT	
7	4	470122	1/4UNC X 1/2 FLANGE HEX BOLT	
8	2	470151	UPPER REAR PANEL SCREEN CLIP	
9	6	472352	#10-24THD IN X 9/16 TEK TYP 3	
10	1	472251	MTG SOCKET	
11	1	472249	SLOW MOVING VEHICLE SIGN	
12	1	472250	SPADE MTG BRKT	
13	4	656998	RUBBER HOOK	
14	4	656999	RUBBER HOOK ANCHOR BRKT	
15	1	659751	LWR BACK PANEL SCR N 8250	86
16	1	659800	LWR REAR PNL WLD 280 CUMM	89
17	1	659803	LWR FRT SHIELD 280	89
18	1	659804	LWR SCREEN WLD 280	89
19	1	659906	RH FRT SIDE SCR N WLD, 284	94
20	1	659907	LH FRT SIDE SCR N WLD, 284	94
21	1	659852	SMV SIGN MTG BRKT 8200	89
22	4	900002	1/4UNC X 3/4 HEX BOLT	
23	10	900005	1/4UNC X 1 1/2 HEX BOLT	
24	18	914000	1/4UNC HEX STOVER NUT	
25	5	193016	QUICKEDGE TRIM .060 TO .170	
26	4	900006	1/4UNC X 1 3/4 HEX BOLT	
27	1	659889	RH REAR SIDE SCR N WLD 2XX	92
28	1	659890	LH REAR SIDE SCR N WLD 2XX	92
29	1	659895	RH LWR SIDE SHIELD 200/280	92
30	1	659896	LH LWR SIDE SHIELD 200/280	92
31	1	659824	LWR REAR PNL WLD 200 318	89
32	1	659853	200 LWR FRONT SHIELD	89
33	1	659918	REAR MAINFRAME COVER PLT	95
34	1	659917	FRT MAINFRAME COVER PLT	95
35	1	659929	LWR BACK PANEL SCR N, 284	98



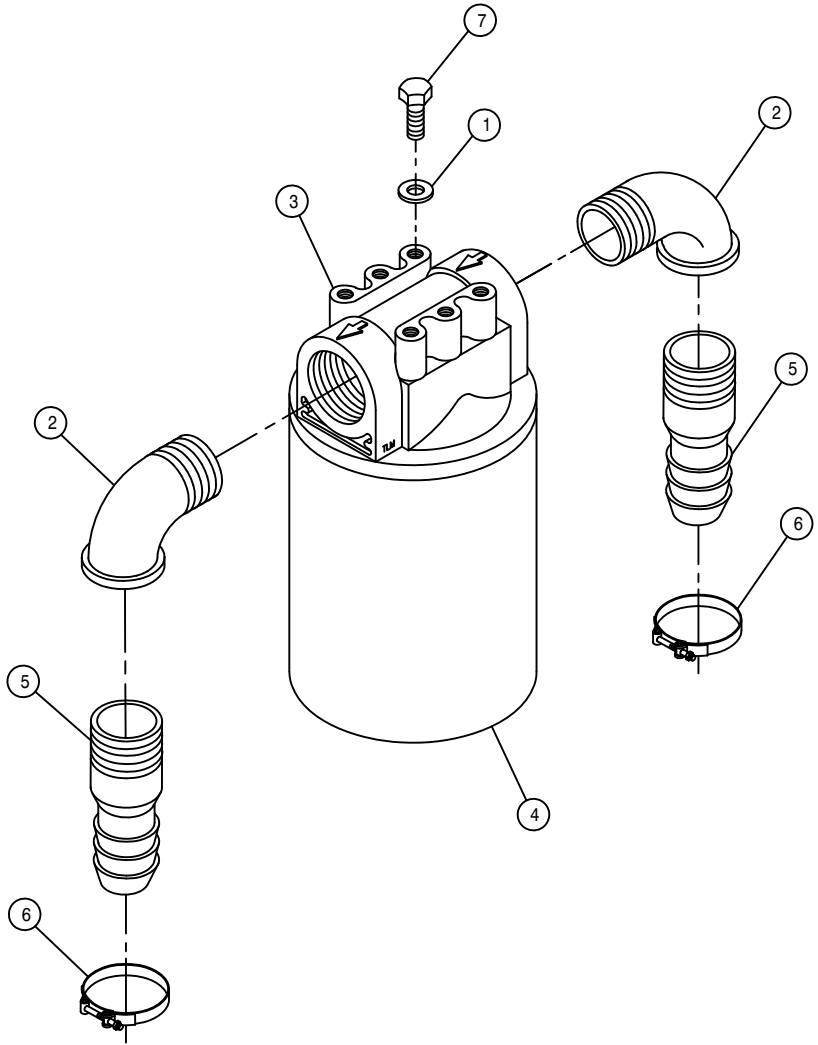
MOTOR CONTROL VALVE ASSEMBLY

DET.	QTY	PART NO.	DESCRIPTION	
	1	341846	MTR CTRL VLV MT WLD	200
	2	610186	1 1/16MOR PLUG	
	3	610467	MODULAR MTR CONTROL ELECT VLV	
	4	914004	3/8UNC HEX STOVER NUT	
	5	610478	DISK .182 ORIFICE MOD CTRL	
	6	618178	1 5/16MJIC-90-1 5/16MOR LBO	
	7	618186	1 5/16MJIC-1 5/16MOR ADPTR	
	8	618469	3/4MJIC-1 1/16MOR ADPTR	
	9	900128	3/8UNC X 3/4 HEX BOLT	
	10	920002	3/8 SAE FLAT WASHER	
	11	920502	3/8 LOCK WASHER	
	12	618590	3/4MJIC-45-3/4FJIC SWIV LBO	
	13	610477	PLUG-10SERIES 2WAY MOD CTRL	
	14	610480	SOLENOID COIL FOR610467/610476	
	15	610481	SOLENOID VLV FOR 610467/610476	
	16	610476	SOLENOID VLV W/COIL MOD CTRL	
	17	610725	NUT FOR 610480	
	18	610511	COIL COVER FOR 610480	
	19	610724	BACKING PLATE FOR 610480	



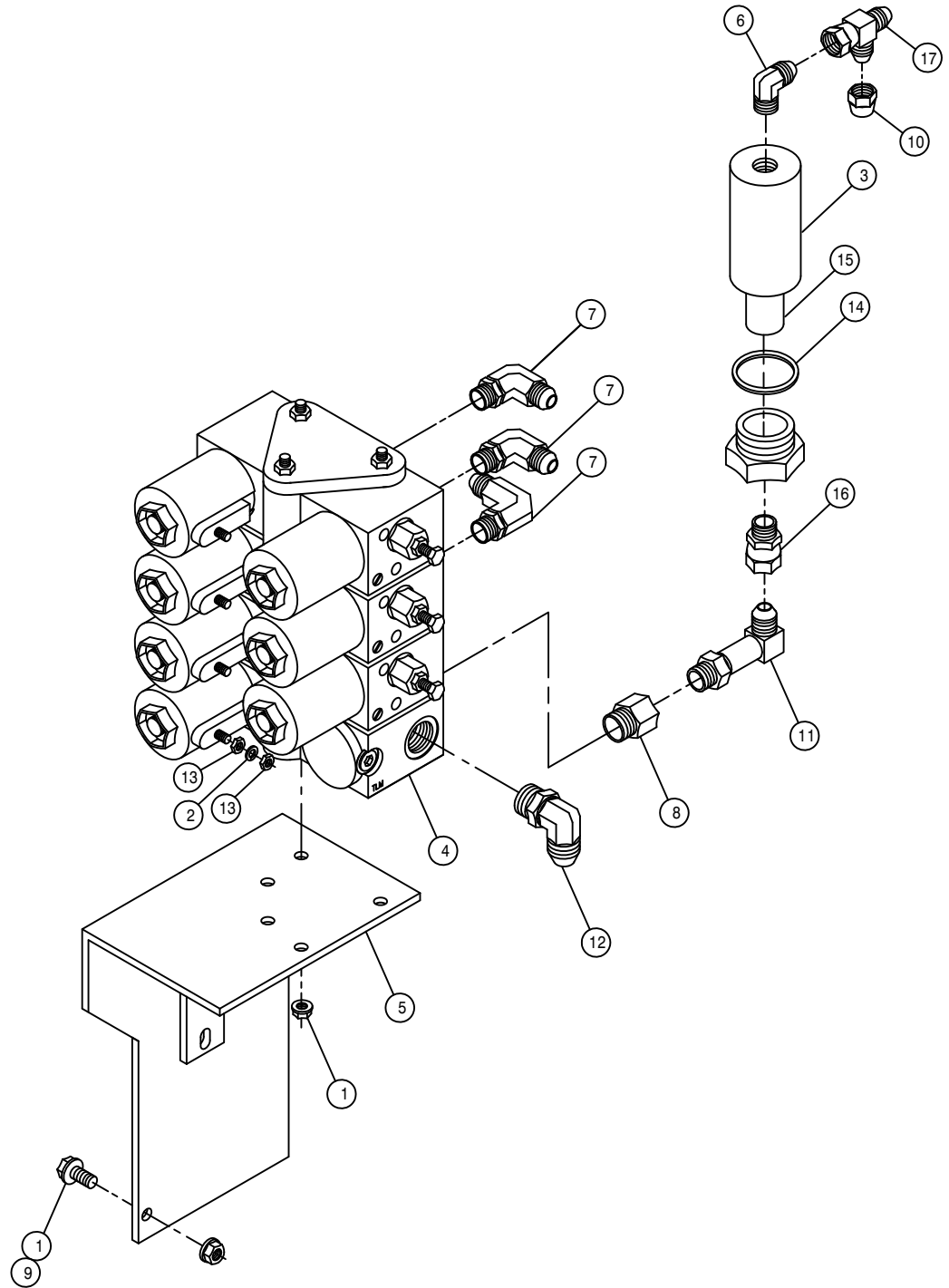
RETURN MANIFOLD FILTER ASSEMBLY

DET.	QTY	PART NO.	DESCRIPTION
1	1	503700	PIPE PLUG .50NPT SQ HD
2	1	505300	BLK PIPE EL 90DEG 1.00NPT
3	1	505209	BLK PIPE NIPPLE 1.00NPT-6.00
4	4	611145	3/4MJIC-90-1/2MNPT LBO
5	1	614633	HYD MANIF 8200 86
6	1	618587	1 5/16FJIC SWIV-1MNPT
7	1	714561	1.00NPT-1.25 HOSE BARB
8	1	520132	1.62/1.87 T-BOLT HOSE CLAMP SS



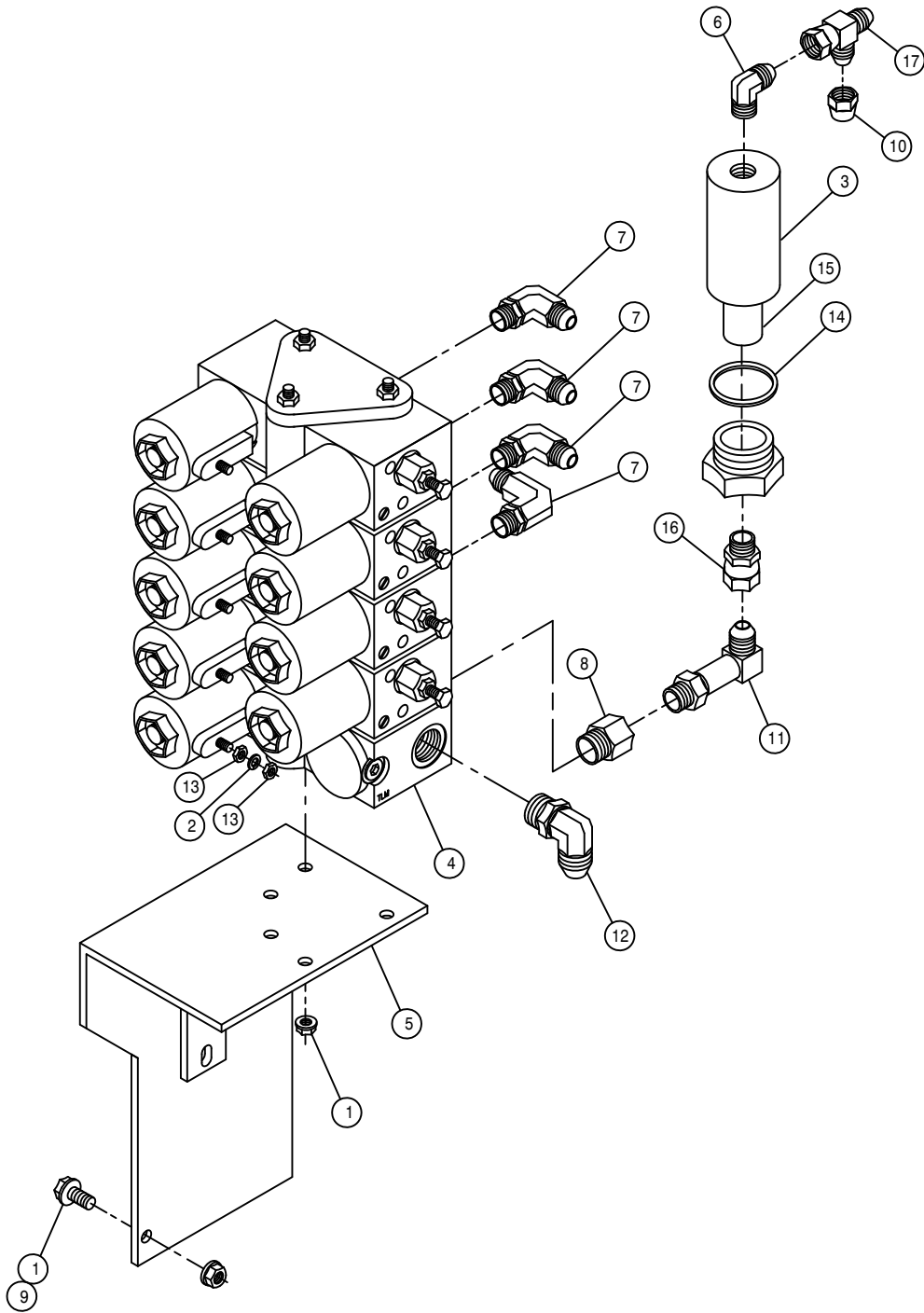
DETASSELER FILTER ASSEMBLY

DET.	QTY	PART NO.	DESCRIPTION
1	4	920501	5/16 LOCK WASHER
2	2	506410	BLK PIPE ST EL 90DEG 1.25NPT
3	1	605601	PARKER FILTER ASSY, 10M, 1.25NPT
4	1	605602	PARKER FILTER ELEMENT, 10MICRON
5	2	715660	HOSE BARB 1 1/4NPT X 1 1/4
6	2	520132	1.62/1.87 T-BOLT HOSE CLAMP SS
7	4	900062	5/16UNC X 1/2 HEX BOLT



3-LIFT ELECTRIC VALVE ASSEMBLY

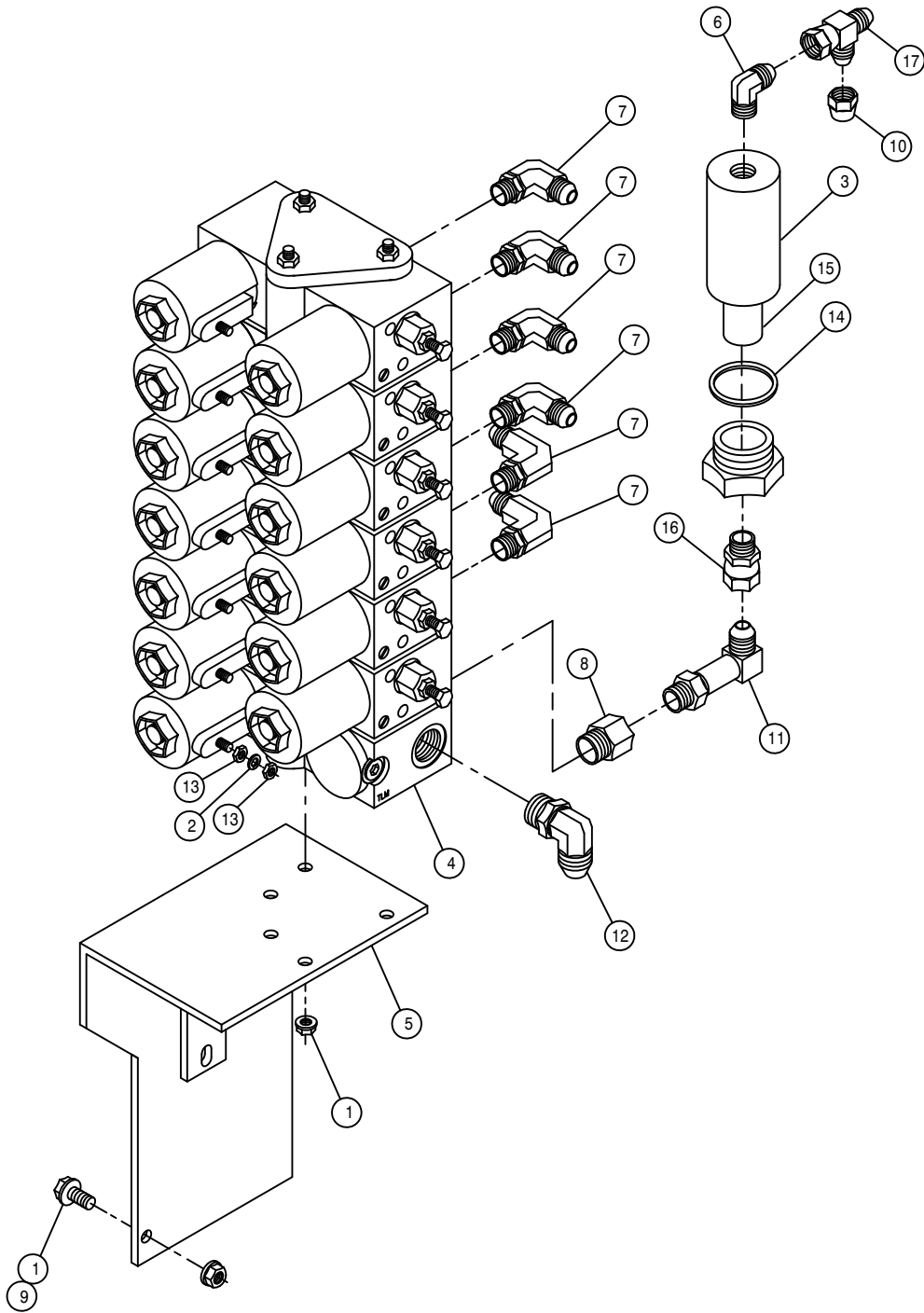
DET.	QTY	PART NO.	DESCRIPTION
	1	6 470121	1/4UNC HEX FLANGE LOCK NUT
	2	7 473821	#10 INT TOOTH WASHER
	3	1 610447	HYD FILTER, INLINE 1/4FNPT 90M
	4	1 610532	ELECT HYD STACK VLV, 3 SECT
	5	1 610602	ELECT VLV MT WLD, LS SYS204/284
	6	1 611122	9/16MJIC-90-1/4MNPT LBO
	7	3 618119	9/16MJIC-90-9/16MOR LBO
	8	1 618170	3/4MOR-9/16FOR ADPTR
	9	3 470118	1/4UNC X 3/4 FLANGE HEX BOLT
	10	1 618531	9/16FJIC CAP NUT
	11	1 618440	9/16MJIC-90-9/16MOR EX LG LBO
	12	1 618600	9/16MJIC-90-7/8MOR LBO
	13	14 910027	10-32 HEX NUT
	14	1 610462	GASKET FOR 610447 ARROW FILT
	15	1 610459	90M FILTER & GASKET FOR610447
	16	1 618608	9/16FJIC SWIV-1/4MNPT
	17	1 618486	9/16FJIC SW RUN TEE-9/16MJIC



4-LIFT ELECTRIC VALVE ASSEMBLY

DET. QTY PART NO. DESCRIPTION

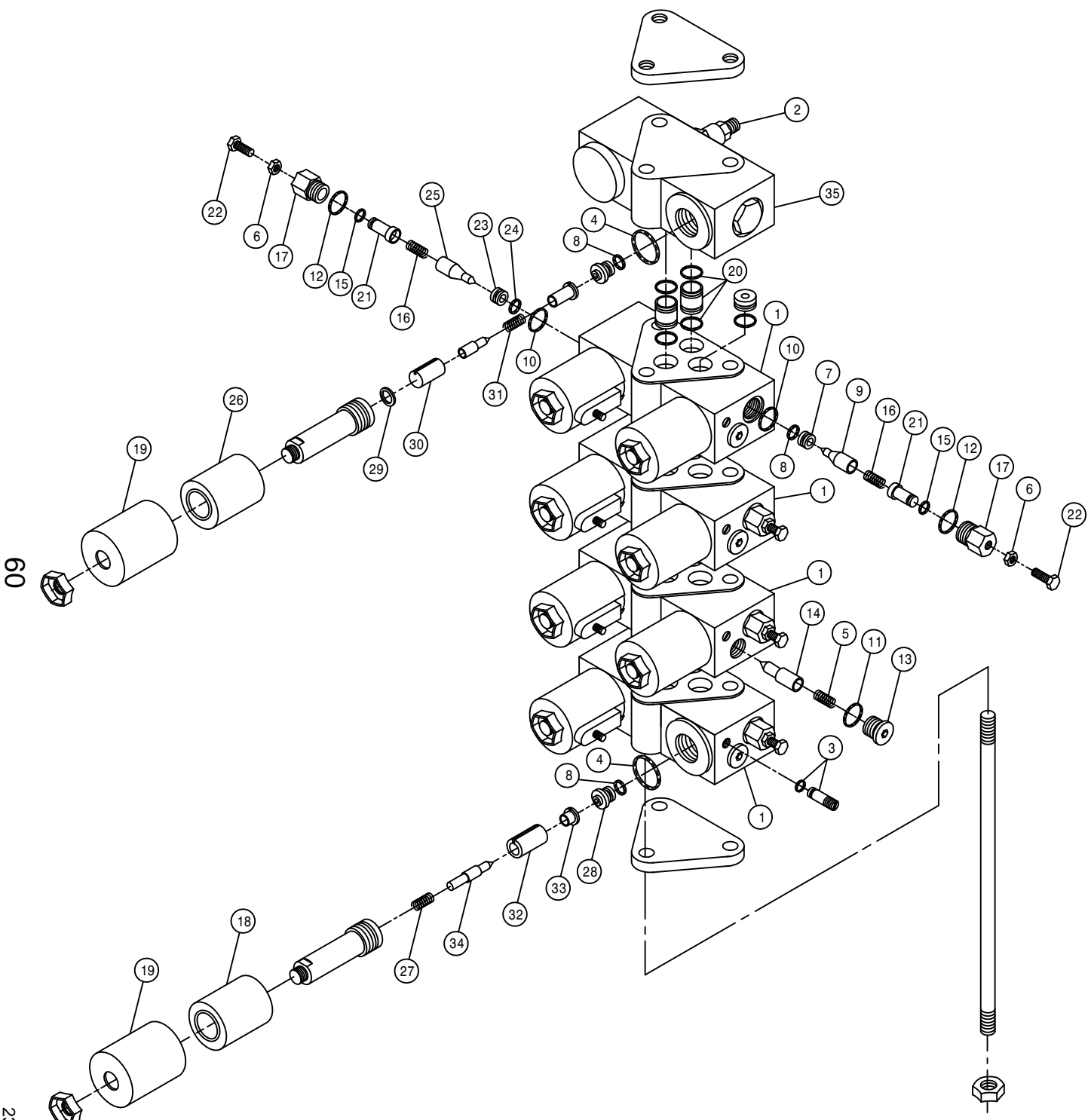
1	6	470121	1/4UNC HEX FLANGE LOCK NUT
2	9	473821	#10 INT TOOTH WASHER
3	1	610447	HYD FILTER, INLINE 1/4FNPT 90M
4	1	610613	ELECT HYD STACT VLV, 4 SECT
5	1	610602	ELECT VLV MT WLD, LS SYS204/284
6	1	611122	9/16MJIC-90-1/4MNPT LBO
7	4	618119	9/16MJIC-90-9/16MOR LBO
8	1	618170	3/4MOR-9/16FOR ADPTR
9	3	470118	1/4UNC X 3/4 FLANGE HEX BOLT
10	1	618531	9/16FJIC CAP NUT
11	1	618440	9/16MJIC-90-9/16MOR EX LG LBO
12	1	618600	9/16MJIC-90-7/8MOR LBO
13	18	910027	10-32 HEX NUT
14	1	610462	GASKET FOR 610447 ARROW FILT
15	1	610459	90M FILTER & GASKET FOR610447
16	1	618608	9/16FJIC SWIV-1/4MNPT
17	1	618486	9/16FJIC SW RUN TEE-9/16MJIC



6-LIFT ELECTRIC VALVE ASSEMBLY

DET. QTY PART NO. DESCRIPTION

1	6	470121	1/4UNC HEX FLANGE LOCK NUT
2	13	473821	#10 INT TOOTH WASHER
3	1	610447	HYD FILTER, INLINE 1/4FNPT 90M
4	1	610615	ELECT HYD STACT VLV, 6 SECT
5	1	610602	ELECT VLV MT WLD, LS SYS204/284
6	1	611122	9/16MJIC-90-1/4MNPT LBO
7	6	618119	9/16MJIC-90-9/16MOR LBO
8	1	618170	3/4MOR-9/16FOR ADPTR
9	3	470118	1/4UNC X 3/4 FLANGE HEX BOLT
10	1	618531	9/16FJIC CAP NUT
11	1	618440	9/16MJIC-90-9/16MOR EX LG LBO
12	1	618600	9/16MJIC-90-7/8MOR LBO
13	26	910027	10-32 HEX NUT
14	1	610462	GASKET FOR 610447 ARROW FILT
15	1	610459	90M FILTER & GASKET FOR610447
16	1	618608	9/16FJIC SWIV-1/4MNPT
17	1	618486	9/16FJIC SW RUN TEE-9/16MJIC

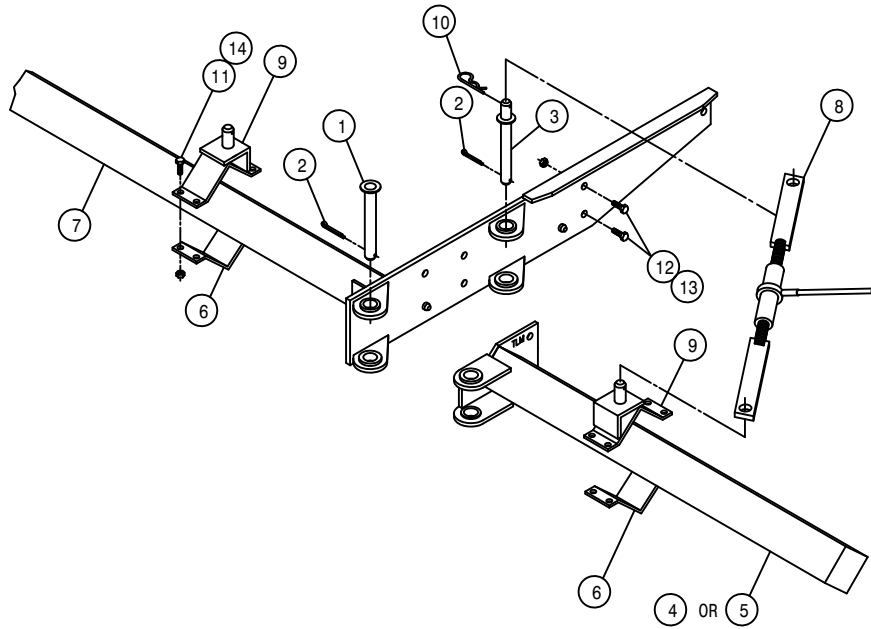


ELECTROHYDRAULIC VALVE

DET.	QTY	PART NO.	DESCRIPTION	
1	4	610533	UNBALANCED LOAD VALVE	89
2	1	610551	R.V. CARTRIDGE FOR 610532	90
3	8	610267	SEAL PLUG ASSY FOR 610257	
4	9	871019	ORING, 13/16 X 15/16 NEO 90D	
5	4	610491	SPRING AM-501-3-035 FOR610485	
6	8	910000	1/4UNC HEX NUT	
7	4	610488	ORIFICE PRESSED IN BLACK	
8	13	871010	ORING 1/4 X 3/8 VITON 90D	
9	4	610129	POPPET,ELECT VALVE,UNBAL LOAD	
10	8	870013	ORING, 7/16 X 9/16 NEO 70D	
11	4	871904	ORING, .351 X .072CS NEO 90D	
12	8	871906	ORING, .468ID X .078CS NEO 90D	
13	4	610130	PLUG, SAE4,ELECT VALVE,UNBAL	
14	4	610489	CHECK VLV POPPET	
15	8	871008	O-RING 3/16 X 5/16 90D	
16	8	610492	SPRING AM-570-3-126 FOR610485	
17	8	610453	VLV CAP	
18	8	610493	COIL FOR 610485	86
19	9	610113	COVER, ELECT VALVE, NON ADJ	
20	8	610534	THRU TUBE ASSY ELEC VLV	89
21	8	610452	ADJ VLV STOP	
22	8	900003	1/4UNC X 1" HEX BOLT	
23	4	610494	ORIFICE FOR 610485	
24	4	871056	O-RING	90D
25	4	610495	POPPET FOR 610485AM-570-3-654	
26	1	610076	COIL, ELECT STACK VALVE	
27	8	610127	SPRING,ELECT VALVE,UNBAL LOAD	
28	8	610108	ORIFICE 040, ELECT VALVE	
29	1	610084	WASHER, ELECT-HYD VALVE	
30	1	610112	ARMATURE, ELECT VALVE	
31	1	610110	SPRING, ELECT VALVE, NON ADJ	
32	8	610126	ARMATURE, ELECT VALVE, UNBAL	
33	8	610133	POLE PIECE,ELECT VALVE, UNBAL	
34	8	610490	POPPET FOR 610485AM-501-3-033	
35	1	610679	UNLOAD RELIEF VALVE	

60

234060

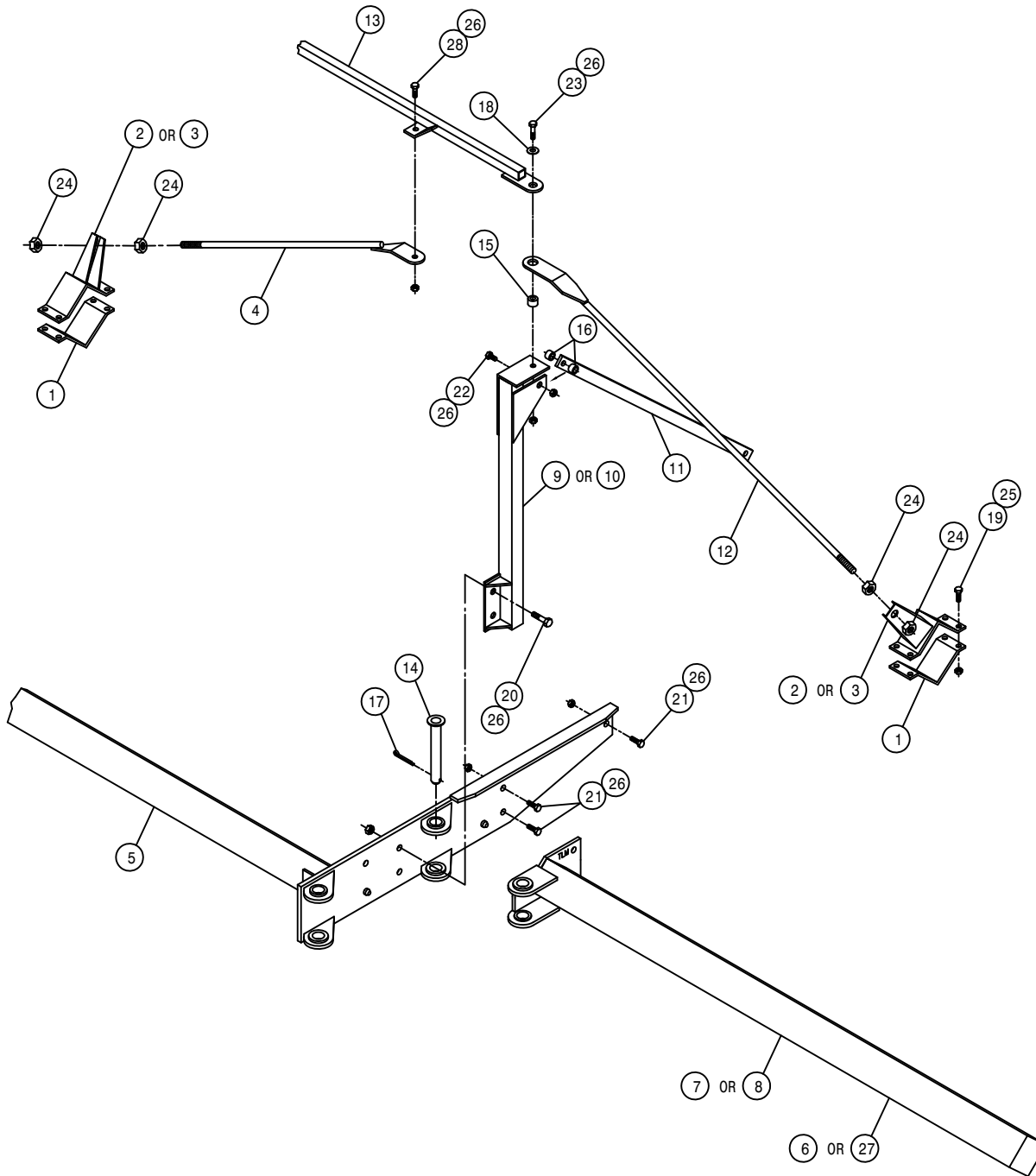


6-ROW OUTRIGGER ASSEMBLY

DET. QTY PART NO. DESCRIPTION

1	2	438283	OUTRGR PIVOT PIN WLD 8200	86
2	4	470117	COTTER PIN 3/16 1 3/4 SQ CUT	
3	2	438474	STABILIZER MT PIN WLD 10-12R	
4	1	438277	RH 32IN OUTRGR WLD8200-850086	
5	1	438282	LH 32IN OUTRGR WLD8200-850086	
6	4	438324	75IN OUTRGR BRACE CLAMP	
7	1	438530	204 TOOL BAR WLD,12R 5/6L	96
8	2	438657	RATCHET JACK WLD	
9	4	438397	STABILIZER PIN MT WLD	90
10	4	611016	HAIR PIN #6	
11	16	900265	1/2UNC X 1 1/2 HEX BOLT	
12	8	900334	5/8UNC X 1 3/4 HEX BOLT	
13	8	914010	5/8UNC HEX STOVER NUT	
14	16	914008	1/2UNC HEX STOVER NUT	

QUANTITY LISTED IS FOR ONE MACHINE.



8-ROW, 3-4 LIFT OUTRIGGER ASSEMBLY

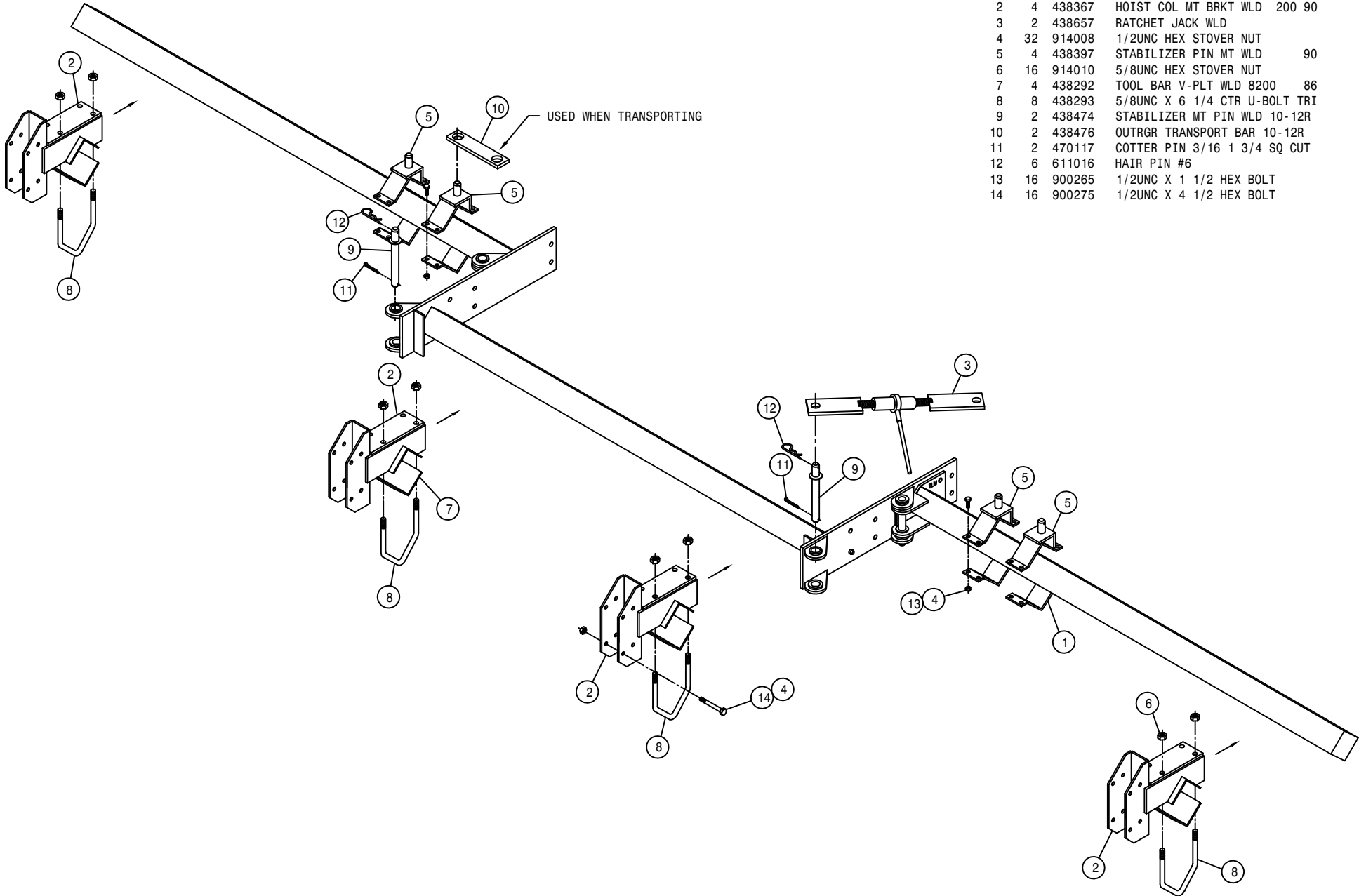
DET.	QTY	PART NO.	DESCRIPTION		
	1	4	438324	75IN OUTRGR BRACE CLAMP	
	2	2	438362	RH OUTRGR CLAMP WLD 200	89
	3	2	438363	LH OUTRGR CLAMP WLD 200	89
	4	2	438469	OUTRGR TIE BAR WLD 200 10-12R	
	5	1	438530	204 TOOL BAR WLD, 12R 5/6L	96
	6	1	438497	RH 82" OUTRGR WLD, 204	94
	7	1	438307	RH 75IN OUTRGR WLD8200-850086	
	8	1	438309	LH 75IN OUTRGR WLD8200-850086	
	9	1	438536	RH OUTRGR SUPP POST WLD10/12R	
	10	1	438537	LH OUTRGR SUPP POST WLD10/12R	
	11	2	438543	OUTRGR SUPP BRACE, 10/12R	96
	12	2	438676	OUTRGR SUPP ROD WLD 72" 8R	01
	13	1	438672	204 TIE TUBE WLD	2001
	14	2	438283	OUTRGR PIVOT PIN WLD 8200	86
	15	2	438232	BUSH, 1.00 OD X .656ID X .28	
	16	4	438542	BUSH, 1.00 OD X .656ID X .78	
	17	2	470117	COTTER PIN 3/16 1 3/4 SQ CUT	
	18	2	483037	5/8 REGULAR FLAT WASHER	
	19	16	900265	1/2UNC X 1 1/2 HEX BOLT	
	20	4	900336	5/8UNC X 2 1/2 HEX BOLT	
	21	6	900334	5/8UNC X 1 3/4 HEX BOLT	
	22	2	900339	5/8UNC X 3 1/4 HEX BOLT	
	23	2	900352	5/8UNC X 2 1/4 HEX BOLT	
	24	8	910012	3/4UNC HEX NUT	
	25	16	914008	1/2UNC HEX STOVER NUT	
	26	16	914010	5/8UNC HEX STOVER NUT	
	27	1	438498	LH 82" OUTRGR WLD, 204	94
	28	2	900333	5/8UNC X 1 1/2 HEX BOLT	

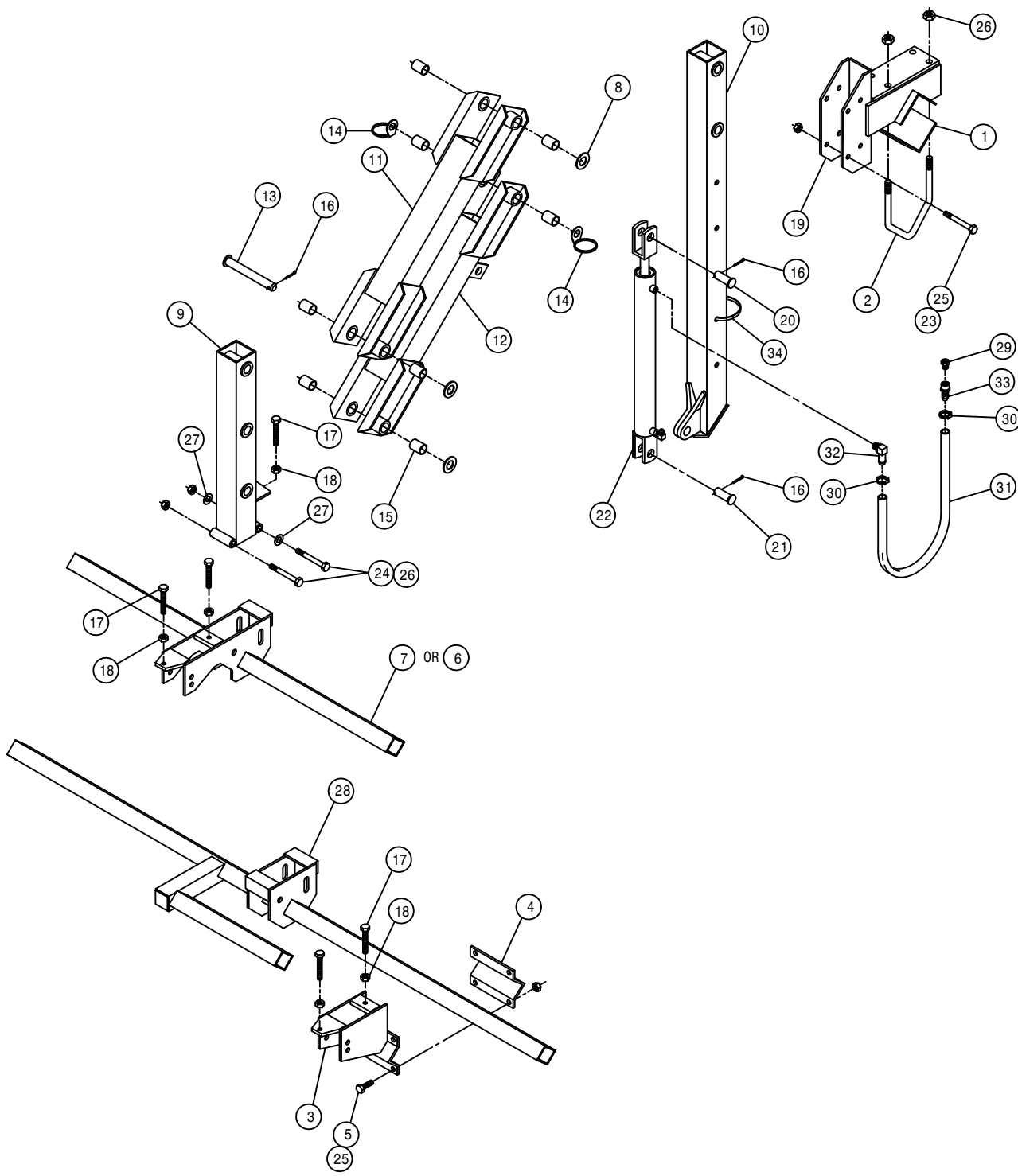
QUANTITY LISTED IS FOR ONE MACHINE.

8-ROW, 3-4 LIFT OUTRIGGER ASSEMBLY

DET. QTY PART NO. DESCRIPTION

DET.	QTY	PART NO.	DESCRIPTION
1	4	438324	75IN OUTRGR BRACE CLAMP
2	4	438367	HOIST COL MT BRKT WLD 200 90
3	2	438657	RATCHET JACK WLD
4	32	914008	1/2UNC HEX STOVER NUT
5	4	438397	STABILIZER PIN MT WLD 90
6	16	914010	5/8UNC HEX STOVER NUT
7	4	438292	TOOL BAR V-PLT WLD 8200 86
8	8	438293	5/8UNC X 6 1/4 CTR U-BOLT TRI
9	2	438474	STABILIZER MT PIN WLD 10-12R
10	2	438476	OUTRGR TRANSPORT BAR 10-12R
11	2	470117	COTTER PIN 3/16 1 3/4 SQ CUT
12	6	611016	HAIR PIN #6
13	16	900265	1/2UNC X 1 1/2 HEX BOLT
14	16	900275	1/2UNC X 4 1/2 HEX BOLT





6-8 ROW DETASSLER LIFT ASSEMBLY

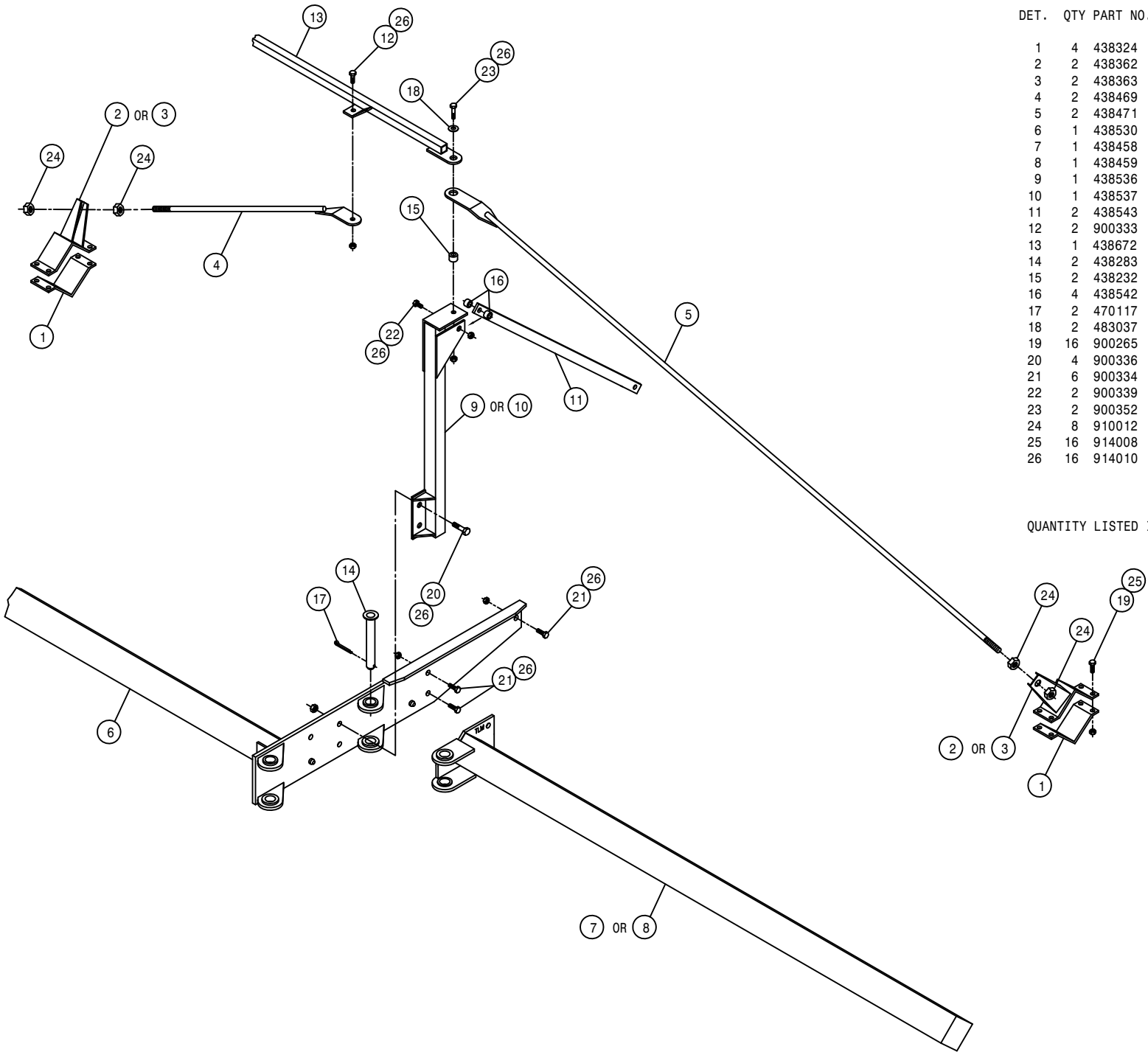
DET.	QTY	PART NO.	DESCRIPTION	
1	1	438292	TOOL BAR V-PLT WLD 8200	86
2	2	438293	5/8UNC X 6 1/4 CTR U-BOLT TRI	
3	1	438199	T-TROL MT WLD 8R DETAS	83
4	1	410016	RLR HANGER V 473	
5	4	900265	1/2UNC X 1 1/2 HEX BOLT	
6	1	438500	TOOL BAR WLD, 54"	94
7	1	438194	TOOL BAR WLD DETAS 4-6R 83	
8	3	920008	1" SAE FLAT WASHER	
9	1	438245	TOOL BAR MT WLD, 2-POS DETAS	
10	1	438184	HOIST COL WLD DETAS LIFT 83	
11	1	438294	UPPER LIFT ARM WLD 8200	86
12	1	438297	LWR LIFT ARM WLD 8200	86
13	4	438300	LIFT ARM PIVOT PIN WLD8200	86
14	2	438302	HOSE SUPPORT RING WLD	
15	8	121025	JOURNAL BRG, 1.00 ID X 1.50 LG	
16	6	470162	COTTER PIN 3/16 X 1 1/2 SQCUT	
17	5	900538	1/2UNC X 3 1/2 HEX BOLT FULL	
18	5	910008	1/2UNC HEX NUT	
19	1	438367	HOIST COL MT BRKT WLD 200 90	
20	1	472012	CLEVIS PIN, 1.00 X 3.25 PLT	
21	1	472206	PICKER PIN 1 DIA X 2 1/4	
22	1	620810	LIFT CYL ASSY, DETASSELER	
23	4	900275	1/2UNC X 4 1/2 HEX BOLT	
24	2	900343	5/8UNC X 4 1/2 HEX BOLT	
25	8	914008	1/2UNC HEX STOVER NUT	
26	6	914010	5/8UNC HEX STOVER NUT	
27	2	920005	5/8 SAE FLAT WASHER	
28	1	438201	TOOL BAR WLD 8R DETAS 83	
29	1	470114	BREATHER FILTER VENT, 1/4 NPT	
30	2	520120	HOSE CLAMP NO 4 STAINLESS	
31	1	601420	HOSE, 3/8 X 48 CLEAR VINYL	
32	1	618343	3/8 HOSE BARB-90-9/16MOR	
33	1	783306	1/4 FNPT X 3/8 HOSE BARB, BRS	
34	1	470000	CABLE TIE, 21" BLACK PLASTIC	

10-12 ROW, 4-LIFT OUTRIGGER ASSEMBLY

DET. QTY PART NO. DESCRIPTION

DET.	QTY	PART NO.	DESCRIPTION
1	4	438324	75IN OUTRGR BRACE CLAMP
2	2	438362	RH OUTRGR CLAMP WLD 200 89
3	2	438363	LH OUTRGR CLAMP WLD 200 89
4	2	438469	OUTRGR TIE BAR WLD 200 10-12R
5	2	438471	OUTRGR SUPP ROD WLD 10-12R
6	1	438530	204 TOOL BAR WLD,12R 5/6L 96
7	1	438458	RH 101IN OUTRGR WLD 10-12R 92
8	1	438459	LH 101IN OUTRGR WLD 10-12R 92
9	1	438536	RH OUTRGR SUPP POST WLD10/12R
10	1	438537	LH OUTRGR SUPP POST WLD10/12R
11	2	438543	OUTRGR SUPP BRACE,10/12R 96
12	2	900333	5/8UNC X 1 1/2 HEX BOLT
13	1	438672	204 TIE TUBE WLD 2001
14	2	438283	OUTRGR PIVOT PIN WLD 8200 86
15	2	438232	BUSH, 1.00 OD X .656ID X .28
16	4	438542	BUSH, 1.00 OD X .656ID X .78
17	2	470117	COTTER PIN 3/16 1 3/4 SQ CUT
18	2	483037	5/8 REGULAR FLAT WASHER
19	16	900265	1/2UNC X 1 1/2 HEX BOLT
20	4	900336	5/8UNC X 2 1/2 HEX BOLT
21	6	900334	5/8UNC X 1 3/4 HEX BOLT
22	2	900339	5/8UNC X 3 1/4 HEX BOLT
23	2	900352	5/8UNC X 2 1/4 HEX BOLT
24	8	910012	3/4UNC HEX NUT
25	16	914008	1/2UNC HEX STOVER NUT
26	16	914010	5/8UNC HEX STOVER NUT

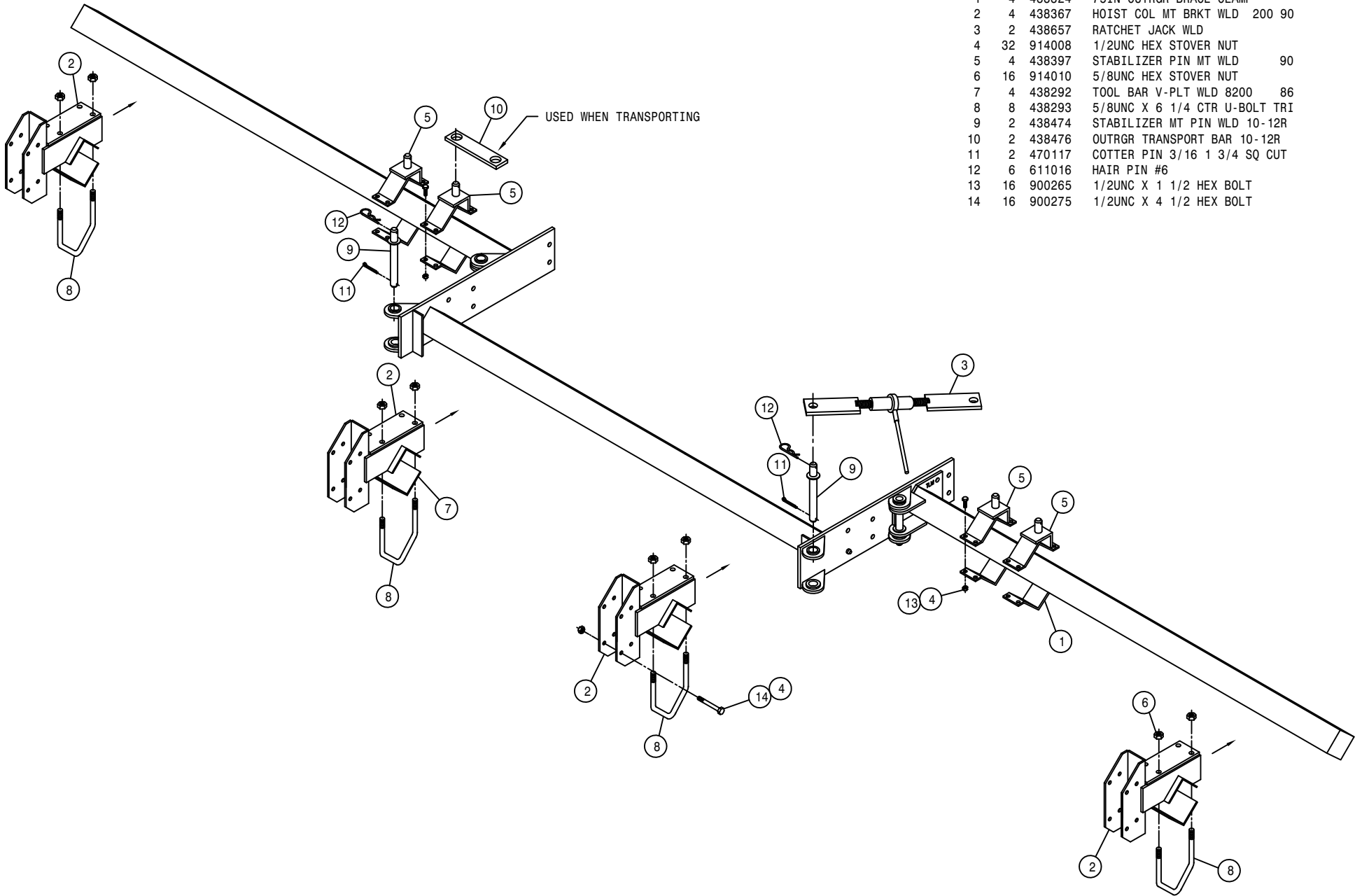
QUANTITY LISTED IS FOR ONE MACHINE.



10-ROW, 4-LIFT OUTRIGGER ASSEMBLY

DET. QTY PART NO. DESCRIPTION

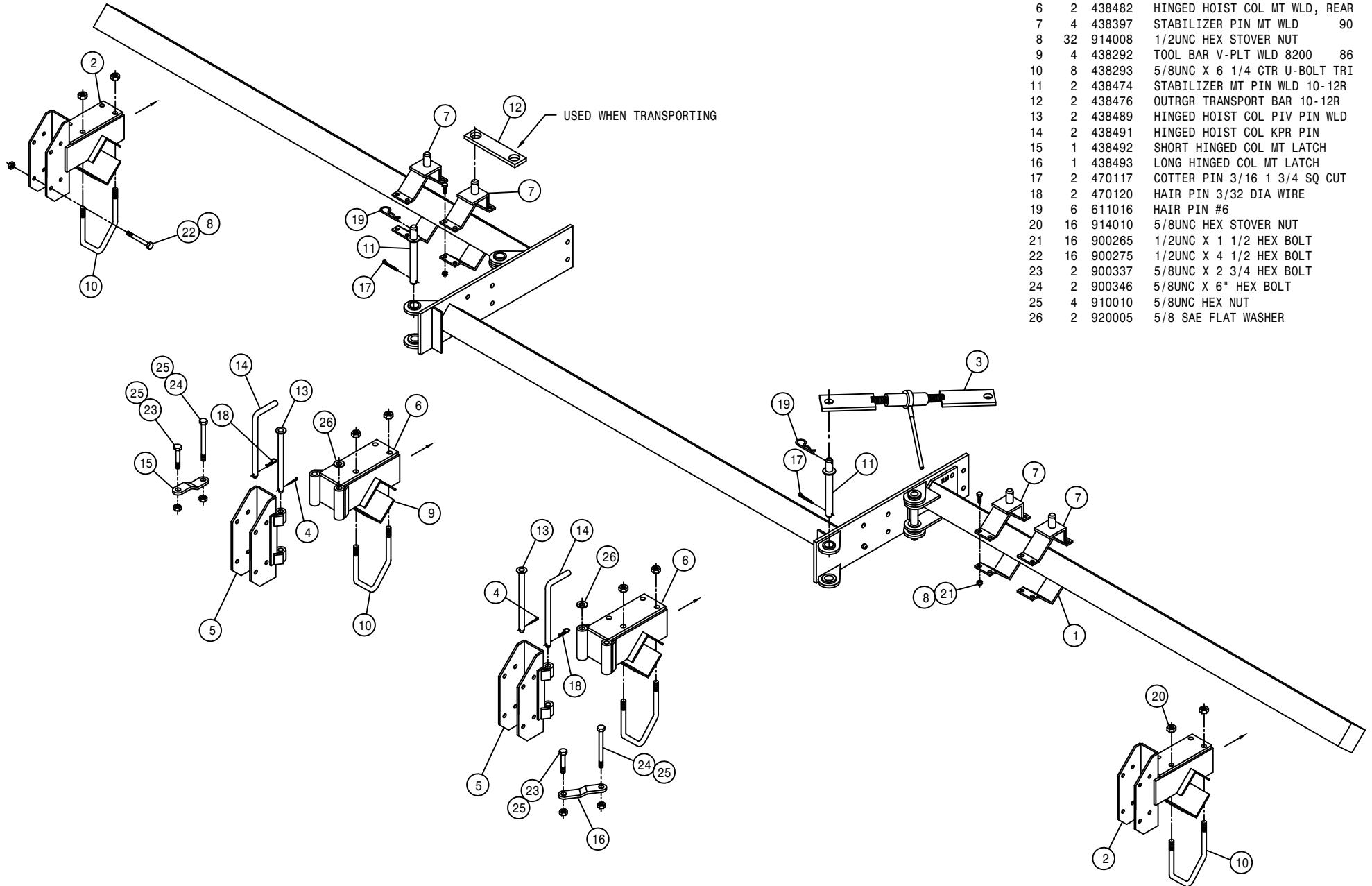
DET.	QTY	PART NO.	DESCRIPTION
1	4	438324	75IN OUTRGR BRACE CLAMP
2	4	438367	HOIST COL MT BRKT WLD 200 90
3	2	438657	RATCHET JACK WLD
4	32	914008	1/2UNC HEX STOVER NUT
5	4	438397	STABILIZER PIN MT WLD 90
6	16	914010	5/8UNC HEX STOVER NUT
7	4	438292	TOOL BAR V-PLT WLD 8200 86
8	8	438293	5/8UNC X 6 1/4 CTR U-BOLT TRI
9	2	438474	STABILIZER MT PIN WLD 10-12R
10	2	438476	OUTRGR TRANSPORT BAR 10-12R
11	2	470117	COTTER PIN 3/16 1 3/4 SQ CUT
12	6	611016	HAIR PIN #6
13	16	900265	1/2UNC X 1 1/2 HEX BOLT
14	16	900275	1/2UNC X 4 1/2 HEX BOLT

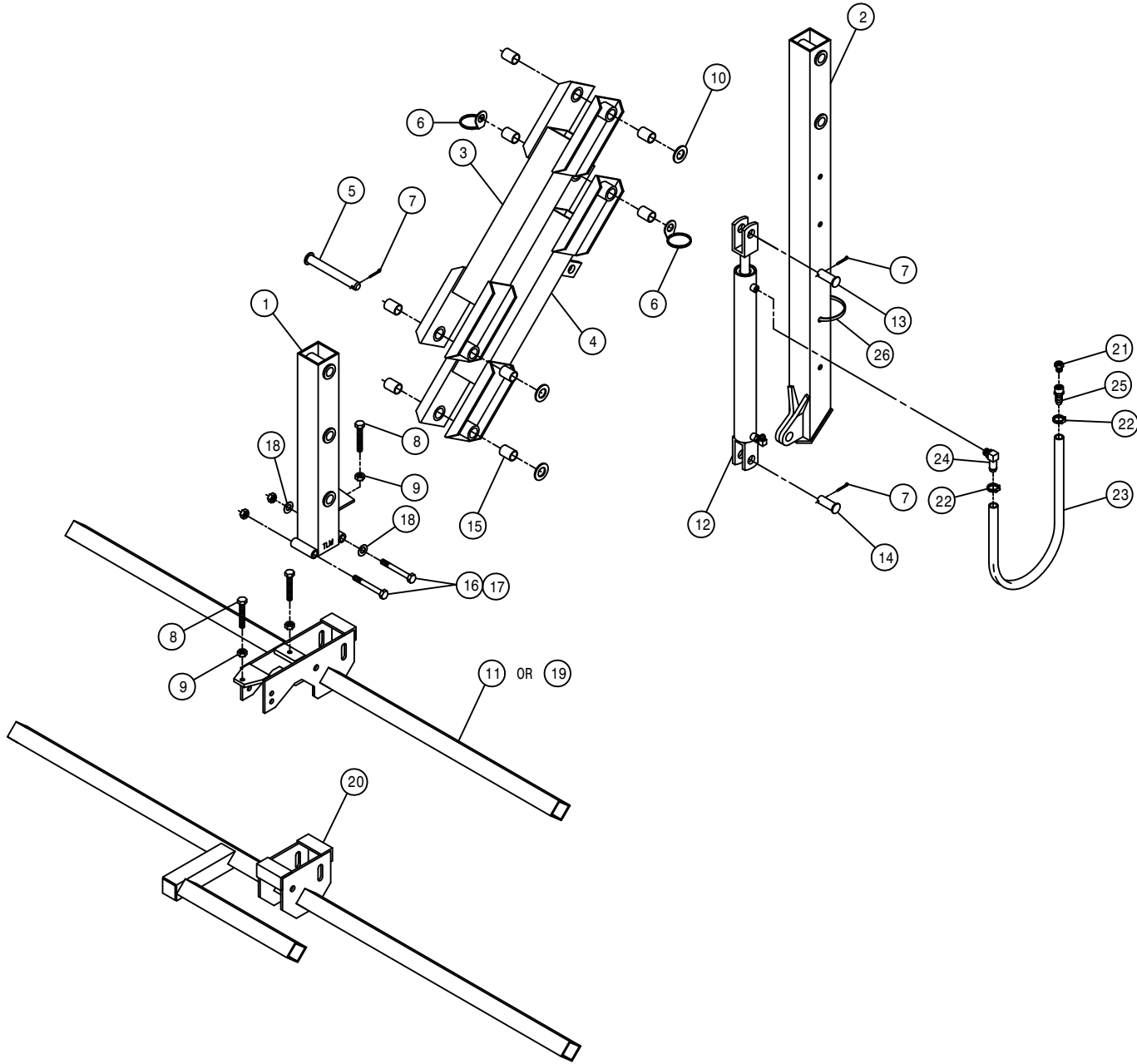


12-ROW, 4-LIFT OUTRIGGER ASSEMBLY

DET. QTY PART NO. DESCRIPTION

DET.	QTY	PART NO.	DESCRIPTION
1	4	438324	75IN OUTGR BRACE CLAMP
2	2	438367	HOIST COL MT BRKT WLD 200 90
3	2	438657	RATCHET JACK WLD
4	2	390984	COTTER PIN 1/8 X 1 1/4
5	2	438481	HINGED HOIST COL MT WLD, FRT
6	2	438482	HINGED HOIST COL MT WLD, REAR
7	4	438397	STABILIZER PIN MT WLD 90
8	32	914008	1/2UNC HEX STOVER NUT
9	4	438292	TOOL BAR V-PLT WLD 8200 86
10	8	438293	5/8UNC X 6 1/4 CTR U-BOLT TRI
11	2	438474	STABILIZER MT PIN WLD 10-12R
12	2	438476	OUTGR TRANSPORT BAR 10-12R
13	2	438489	HINGED HOIST COL PIV PIN WLD
14	2	438491	HINGED HOIST COL KPR PIN
15	1	438492	SHORT HINGED COL MT LATCH
16	1	438493	LONG HINGED COL MT LATCH
17	2	470117	COTTER PIN 3/16 1 3/4 SQ CUT
18	2	470120	HAIR PIN 3/32 DIA WIRE
19	6	611016	HAIR PIN #6
20	16	914010	5/8UNC HEX STOVER NUT
21	16	900265	1/2UNC X 1 1/2 HEX BOLT
22	16	900275	1/2UNC X 4 1/2 HEX BOLT
23	2	900337	5/8UNC X 2 3/4 HEX BOLT
24	2	900346	5/8UNC X 6" HEX BOLT
25	4	910010	5/8UNC HEX NUT
26	2	920005	5/8 SAE FLAT WASHER





10-12 ROW, 4-LIFT ASSEMBLY

DET. QTY PART NO. DESCRIPTION

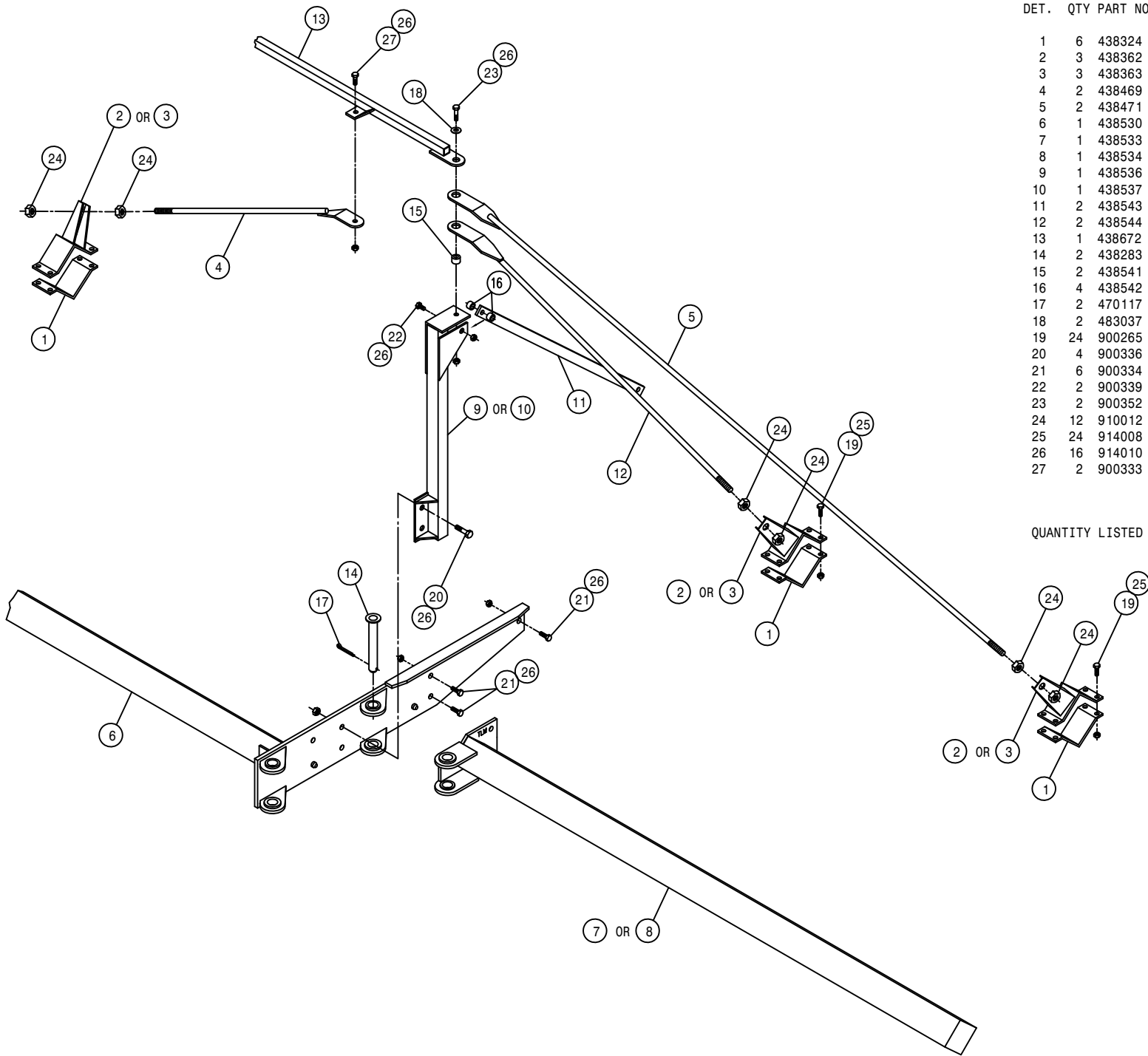
DET.	QTY	PART NO.	DESCRIPTION
1	1	438245	TOOL BAR MT WLD,2-POS DETAS
2	1	438184	HOIST COL WLD DETAS LIFT 83
3	1	438294	UPPER LIFT ARM WLD 8200 86
4	1	438297	LWR LIFT ARM WLD 8200 86
5	4	438300	LIFT ARM PIVOT PIN WLD8200 86
6	2	438302	HOSE SUPPORT RING WLD
7	6	470162	COTTER PIN 3/16 X 1 1/2 SOCUT
8	3	900538	1/2UNC X 3 1/2 HEX BOLT FULL
9	3	910008	1/2UNC HEX NUT
10	3	920008	1" SAE FLAT WASHER
11	1	438194	TOOL BAR WLD DETAS 4-6R 83
12	1	620810	LIFT CYL ASSY, DETASSELER
13	1	472012	CLEVIS PIN, 1.00 X 3.25 PLT
14	1	472206	PICKER PIN 1 DIA X 2 1/4
15	8	121025	JOURNAL BRG, 1.00 ID X 1.50 LG
16	2	900343	5/8UNC X 4 1/2 HEX BOLT
17	2	914010	5/8UNC HEX STOVER NUT
18	2	920005	5/8 SAE FLAT WASHER
19	1	438478	TOOL BAR WLD 10-12R DETASSLR
20	1	438201	TOOL BAR WLD 8R DETAS 83
21	1	470114	BREATHER FILTER VENT, 1/4 NPT
22	2	520120	HOSE CLAMP NO 4 STAINLESS
23	1	601420	HOSE, 3/8 X 48 CLEAR VINYL
24	1	618343	3/8 HOSE BARB-90-9/16MOR
25	1	783306	1/4 FNPT X 3/8 HOSE BARB, BRS
26	1	470000	CABLE TIE, 21" BLACK PLASTIC

12 ROW, 6-LIFT OUTRIGGER ASSEMBLY

DET. QTY PART NO. DESCRIPTION

DET.	QTY	PART NO.	DESCRIPTION
1	6	438324	75IN OUTRGR BRACE CLAMP
2	3	438362	RH OUTRGR CLAMP WLD 200 89
3	3	438363	LH OUTRGR CLAMP WLD 200 89
4	2	438469	OUTRGR TIE BAR WLD 200 10-12R
5	2	438471	OUTRGR SUPP ROD WLD 10-12R
6	1	438530	204 TOOL BAR WLD,12R 5/6L 96
7	1	438533	RH 133" OUTRGR WLD, 10/12R 96
8	1	438534	LH 133" OUTRGR WLD, 10/12R 96
9	1	438536	RH OUTRGR SUPP POST WLD10/12R
10	1	438537	LH OUTRGR SUPP POST WLD10/12R
11	2	438543	OUTRGR SUPP BRACE,10/12R 96
12	2	438544	OUTRGR SUPP ROD WLD 50"10/12R
13	1	438672	204 TIE TUBE WLD 2001
14	2	438283	OUTRGR PIVOT PIN WLD 8200 86
15	2	438541	BUSH, 1.00 OD X .656ID X .53
16	4	438542	BUSH, 1.00 OD X .656ID X .78
17	2	470117	COTTER PIN 3/16 1 3/4 SQ CUT
18	2	483037	5/8 REGULAR FLAT WASHER
19	24	900265	1/2UNC X 1 1/2 HEX BOLT
20	4	900336	5/8UNC X 2 1/2 HEX BOLT
21	6	900334	5/8UNC X 1 3/4 HEX BOLT
22	2	900339	5/8UNC X 3 1/4 HEX BOLT
23	2	900352	5/8UNC X 2 1/4 HEX BOLT
24	12	910012	3/4UNC HEX NUT
25	24	914008	1/2UNC HEX STOVER NUT
26	16	914010	5/8UNC HEX STOVER NUT
27	2	900333	5/8UNC X 1 1/2 HEX BOLT

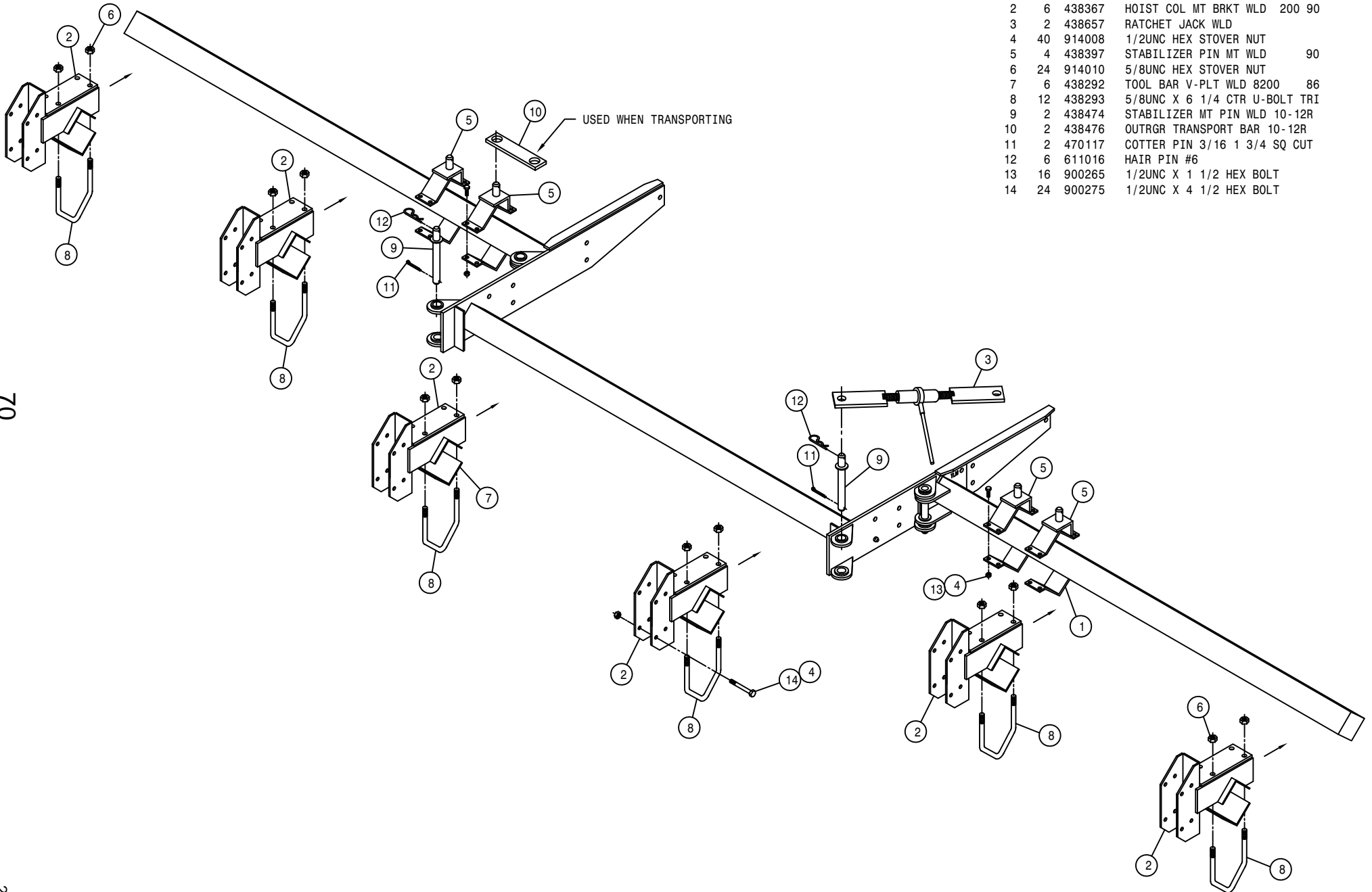
QUANTITY LISTED IS FOR ONE MACHINE.

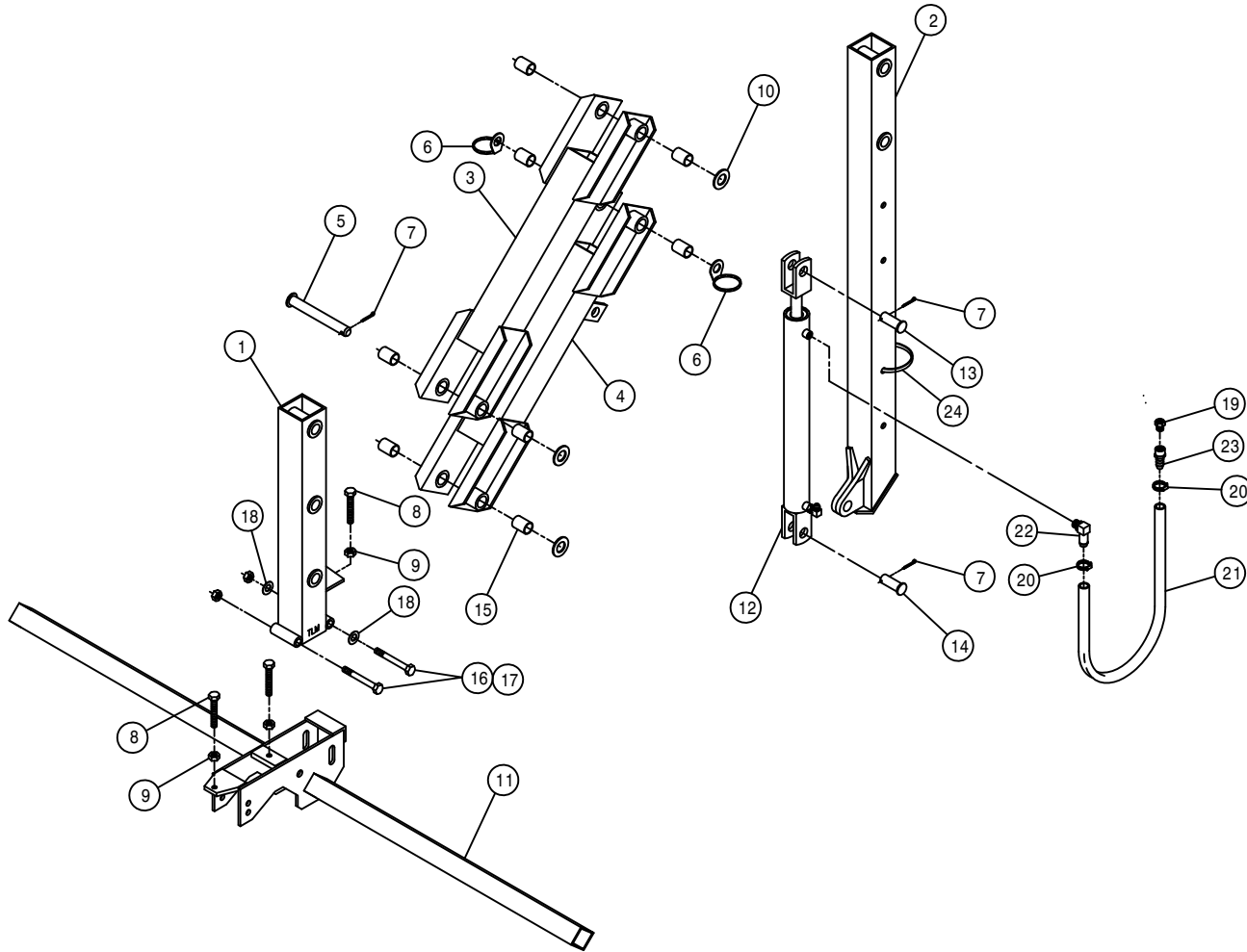


12-ROW, 6-LIFT OUTRIGGER ASSEMBLY

DET. QTY PART NO. DESCRIPTION

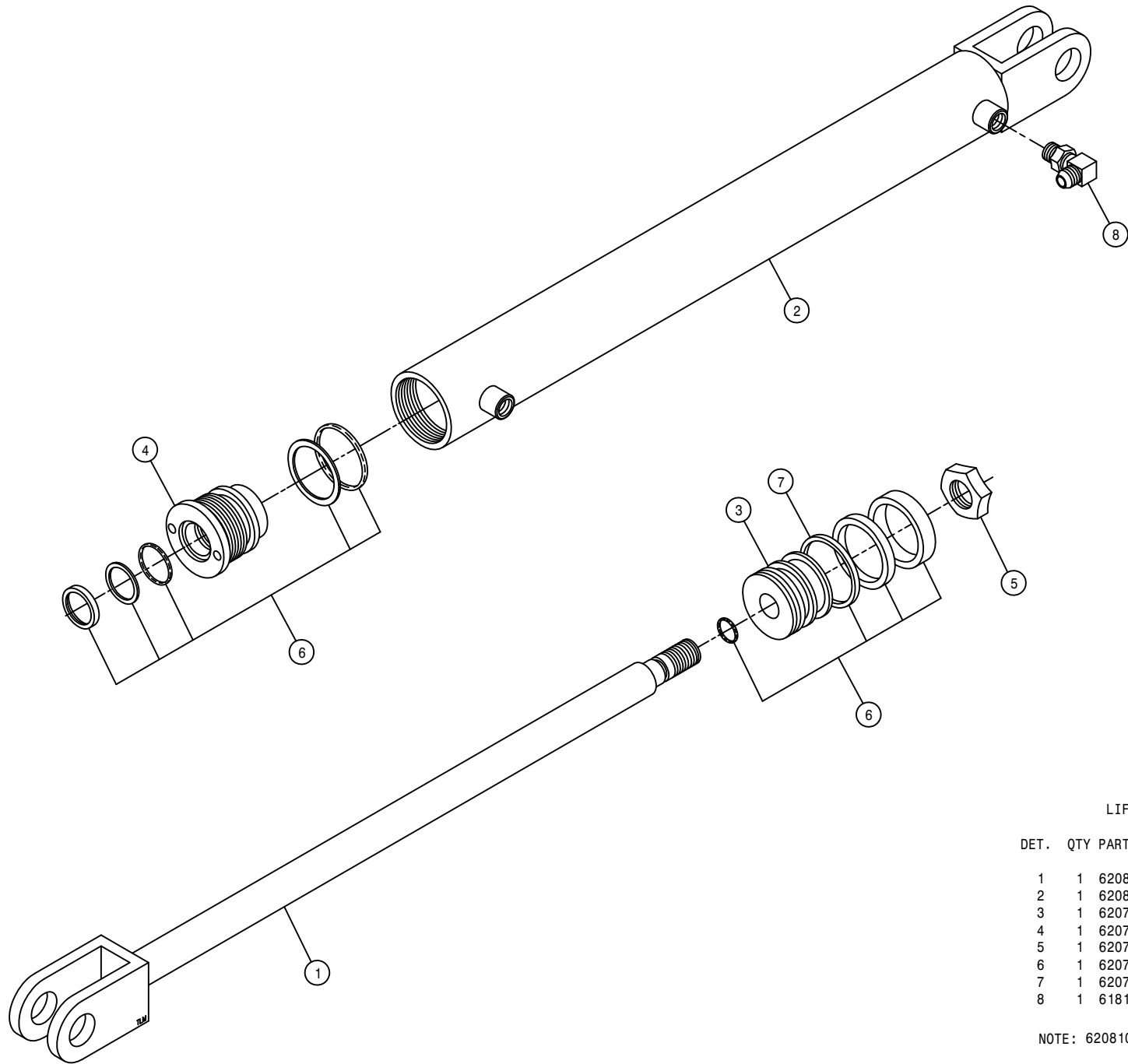
DET.	QTY	PART NO.	DESCRIPTION
1	4	438324	75IN OUTGR BRACE CLAMP
2	6	438367	HOIST COL MT BRKT WLD 200 90
3	2	438657	RATCHET JACK WLD
4	40	914008	1/2UNC HEX STOVER NUT
5	4	438397	STABILIZER PIN MT WLD 90
6	24	914010	5/8UNC HEX STOVER NUT
7	6	438292	TOOL BAR V-PLT WLD 8200 86
8	12	438293	5/8UNC X 6 1/4 CTR U-BOLT TRI
9	2	438474	STABILIZER MT PIN WLD 10-12R
10	2	438476	OUTGR TRANSPORT BAR 10-12R
11	2	470117	COTTER PIN 3/16 1 3/4 SQ CUT
12	6	611016	HAIR PIN #6
13	16	900265	1/2UNC X 1 1/2 HEX BOLT
14	24	900275	1/2UNC X 4 1/2 HEX BOLT





12 ROW, 6-LIFT ASSEMBLY

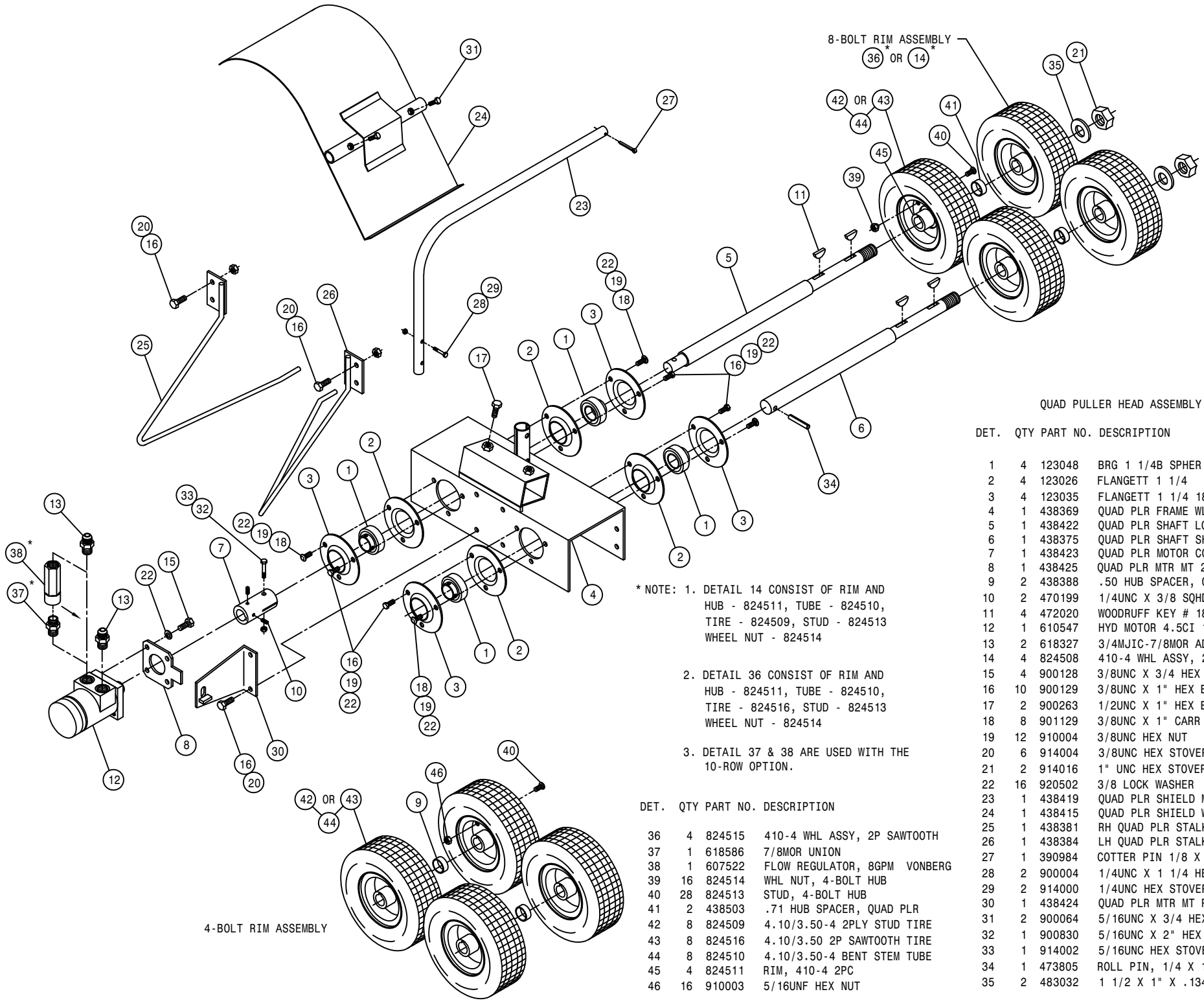
DET.	QTY	PART NO.	DESCRIPTION
1	1	438245	TOOL BAR MT WLD,2-POS DETAS
2	1	438184	HOIST COL WLD DETAS LIFT 83
3	1	438294	UPPER LIFT ARM WLD 8200 86
4	1	438297	LWR LIFT ARM WLD 8200 86
5	4	438300	LIFT ARM PIVOT PIN WLD8200 86
6	2	438302	HOSE SUPPORT RING WLD
7	6	470162	COTTER PIN 3/16 X 1 1/2 SOCUT
8	3	900538	1/2UNC X 3 1/2 HEX BOLT FULL
9	3	910008	1/2UNC HEX NUT
10	3	920008	1" SAE FLAT WASHER
11	1	438194	TOOL BAR WLD DETAS 4-6R 83
12	1	620810	LIFT CYL ASSY, DETASSELER
13	1	472012	CLEVIS PIN, 1.00 X 3.25 PLT
14	1	472206	PICKER PIN 1 DIA X 2 1/4
15	8	121025	JOURNAL BRG, 1.00 ID X 1.50 LG
16	2	900343	5/8UNC X 4 1/2 HEX BOLT
17	2	914010	5/8UNC HEX STOVER NUT
18	2	920005	5/8 SAE FLAT WASHER
19	1	470114	BREATHER FILTER VENT, 1/4 NPT
20	2	520120	HOSE CLAMP NO 4 STAINLESS
21	1	601420	HOSE, 3/8 X 48 CLEAR VINYL
22	1	618343	3/8 HOSE BARB-90-9/16MOR
23	1	783306	1/4 FNPT X 3/8 HOSE BARB, BRS
24	1	470000	CABLE TIE, 21" BLACK PLASTIC



LIFT CYLINDER ASSEMBLY

DET.	QTY	PART NO.	DESCRIPTION
1	1	620813	SHAFT, LIFT CYL, DETASS 620810
2	1	620814	BARREL, LIFT CYL, DETASS 620810
3	1	620754	PISTON, P-2.00-120
4	1	620758	HEAD, H-2.00-345
5	1	620757	NUT, N-0.75-02
6	1	620778	REPAIR KIT, HYD CYL, RK-2.00-800
7	1	620753	STEEL PISTON RING, R-2.00-01
8	1	618119	9/16MJIC-90-9/16MOR LBO

NOTE: 620810 - LIFT CYLINDER INCLUDES ITEMS 1-7.



QUAD PULLER HEAD ASSEMBLY

DET.	QTY	PART NO.	DESCRIPTION
1	4	123048	BRG 1 1/4B SPHER RELUB SCRLOC
2	4	123026	FLANGETT 1 1/4
3	4	123035	FLANGETT 1 1/4 180 DEG ZERK
4	1	438369	QUAD PLR FRAME WLD 200 90
5	1	438422	QUAD PLR SHAFT LONG 200 91
6	1	438375	QUAD PLR SHAFT SHORT 200 90
7	1	438423	QUAD PLR MOTOR COUPLER 200 91
8	1	438425	QUAD PLR MTR MT 200 91
9	2	438388	.50 HUB SPACER, QUAD PLR
10	2	470199	1/4UNC X 3/8 SQHD CUP SET SCR
11	4	472020	WOODRUFF KEY # 18 1/4 X 1 1/8
12	1	610547	HYD MOTOR 4.5CI 1IN SHFT
13	2	618327	3/4MJIC-7/8MOR ADPTR
14	4	824508	410-4 WHL ASSY, 2P STUD
15	4	900128	3/8UNC X 3/4 HEX BOLT
16	10	900129	3/8UNC X 1" HEX BOLT
17	2	900263	1/2UNC X 1" HEX BOLT
18	8	901129	3/8UNC X 1" CARR BOLT
19	12	910004	3/8UNC HEX NUT
20	6	914004	3/8UNC HEX STOVER NUT
21	2	914016	1" UNC HEX STOVER NUT
22	16	920502	3/8 LOCK WASHER
23	1	438419	QUAD PLR SHIELD MT TUBE 91
24	1	438415	QUAD PLR SHIELD WLD 200 91
25	1	438381	RH QUAD PLR STALK GUIDE WLD90
26	1	438384	LH QUAD PLR STALK GUIDE WLD90
27	1	390984	COTTER PIN 1/8 X 1 1/4
28	2	900004	1/4UNC X 1 1/4 HEX BOLT
29	2	914000	1/4UNC HEX STOVER NUT
30	1	438424	QUAD PLR MTR MT PLT WLD
31	2	900064	5/16UNC X 3/4 HEX BOLT
32	1	900830	5/16UNC X 2" HEX BOLT GR8
33	1	914002	5/16UNC HEX STOVER NUT
34	1	473805	ROLL PIN, 1/4 X 1 1/2
35	2	483032	1 1/2 X 1" X .134TH MACH WASH

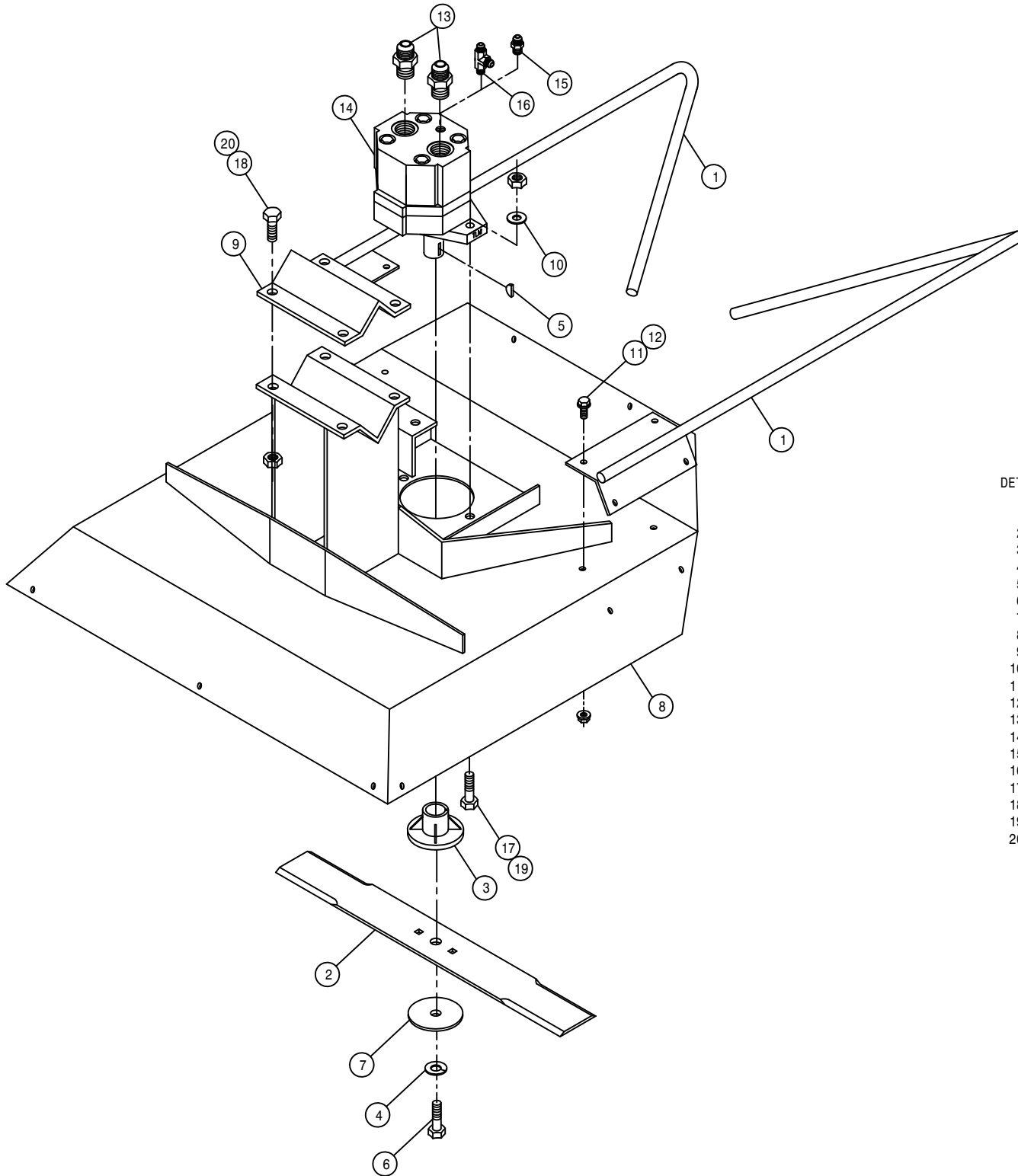
* NOTE: 1. DETAIL 14 CONSIST OF RIM AND HUB - 824511, TUBE - 824510, TIRE - 824509, STUD - 824513 WHEEL NUT - 824514

2. DETAIL 36 CONSIST OF RIM AND HUB - 824511, TUBE - 824510, TIRE - 824516, STUD - 824513 WHEEL NUT - 824514

3. DETAIL 37 & 38 ARE USED WITH THE 10-ROW OPTION.

DET.	QTY	PART NO.	DESCRIPTION
36	4	824515	410-4 WHL ASSY, 2P SAWTOOTH
37	1	618586	7/8MOR UNION
38	1	607522	FLOW REGULATOR, 8GPM VONBERG
39	16	824514	WHL NUT, 4-BOLT HUB
40	28	824513	STUD, 4-BOLT HUB
41	2	438503	.71 HUB SPACER, QUAD PLR
42	8	824509	4.10/3.50-4 2PLY STUD TIRE
43	8	824516	4.10/3.50 2P SAWTOOTH TIRE
44	8	824510	4.10/3.50-4 BENT STEM TUBE
45	4	824511	RIM, 410-4 2PC
46	16	910003	5/16UNF HEX NUT

4-BOLT RIM ASSEMBLY



CUTTER HEAD ASSEMBLY

DET. QTY PART NO. DESCRIPTION

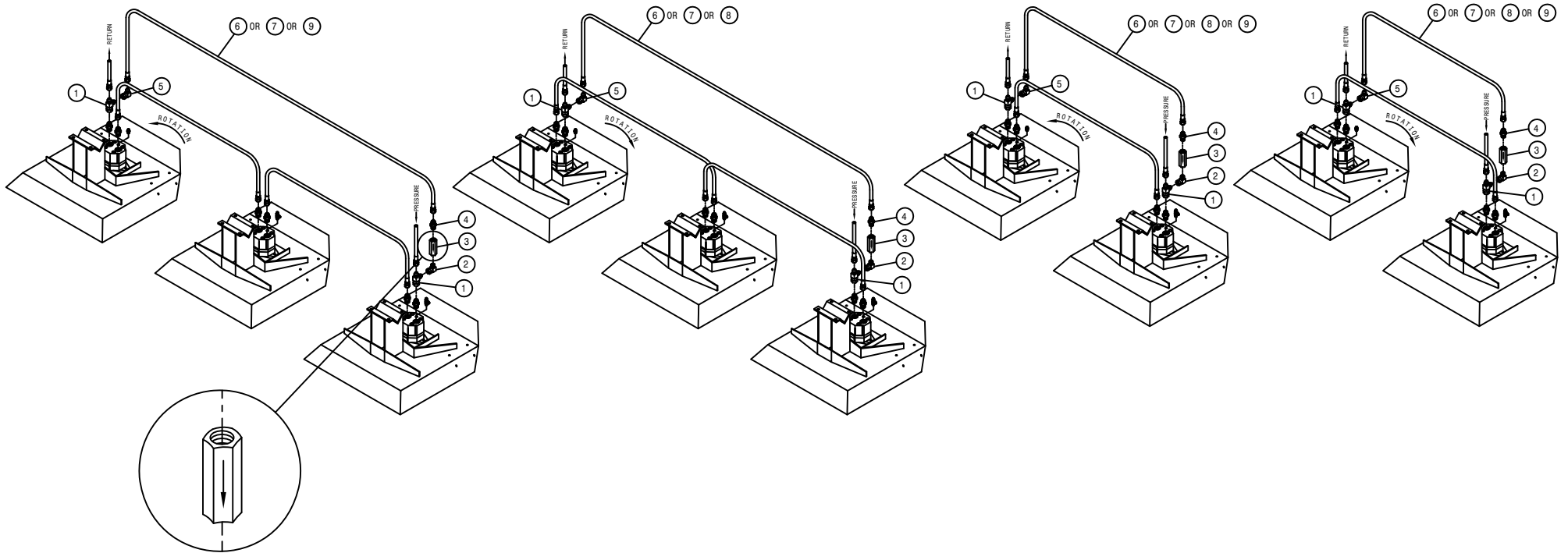
1	2	002215	CUTR STALK GUIDE WLD 8200	85
2	1	002103	CUTR BLADE 18 IN	
3	1	002104	CLUTCH BODY BLADE	
4	1	002105	3/8 LOCK WASHER ZINC PLT	
5	1	002106	WOODRUFF KEY #6 .156 X .625	
6	1	002107	3/8UNF X 1 1/2 HEX BOLT CUTR	
7	1	002108	STEEL WASHER CUTTER BLADE	
8	1	002210	CUTR TOP WLD 8200	85
9	1	410016	RLR HANGER V 473	
10	2	920002	3/8 SAE FLAT WASHER	
11	8	470118	1/4UNC X 3/4 FLANGE HEX BOLT	
12	8	470121	1/4UNC HEX FLANGE LOCK NUT	
13	2	611125	3/4MJIC-3/4MOR ADPTR	
14	1	610755	BARNES HYD MOTOR, D-SERIES	01
15	1	618530	9/16MJIC-1/8MNPT ADPTR	
16	1	618546	1/8MNPT RUN TEE-9/16MJIC	
17	2	900130	3/8UNC X 1 1/4 HEX BOLT	
18	4	900265	1/2UNC X 1 1/2 HEX BOLT	
19	2	914004	3/8UNC HEX STOVER NUT	
20	4	914008	1/2UNC HEX STOVER NUT	

LEFT SIDE OF OPERATOR

RIGHT SIDE OF OPERATOR

LEFT SIDE OF OPERATOR

RIGHT SIDE OF OPERATOR

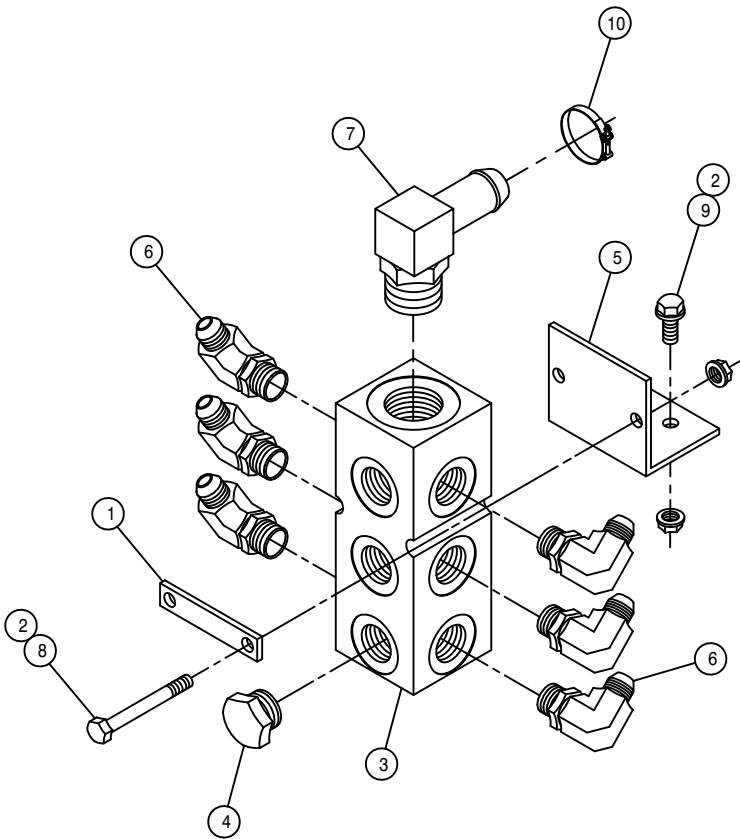


CUTTER CHECK VALVE HYDRAULIC SCHEMATIC

DET. QTY PART NO. DESCRIPTION

1	2	618451	3/4FJIC SW RUN TEE-3/4MJIC	
2	1	618620	3/4FJX-90-1/2MNPT ADPTR	
3	1	690338	LINE CHECK VALVE HYD .50NPT	
4	1	611147	3/4MJIC-1/2MNPT ADPTR	
5	1	618609	3/4MJIC-90-3/4FJIC SWIV LBO	
6	1	614375	08C1T-08FJX-08FJX-177	H/A
7	1	616057	08C1T-08FJX-08FJX-88	H/A
8	1	614368	08C1T-08FJX-08FJX-60	H/A
9	1	614384	08C1T-08FJX-08FJX-237	H/A

NOTE: LISTING IS FOR ONE GROUP OF CUTTER HEADS.



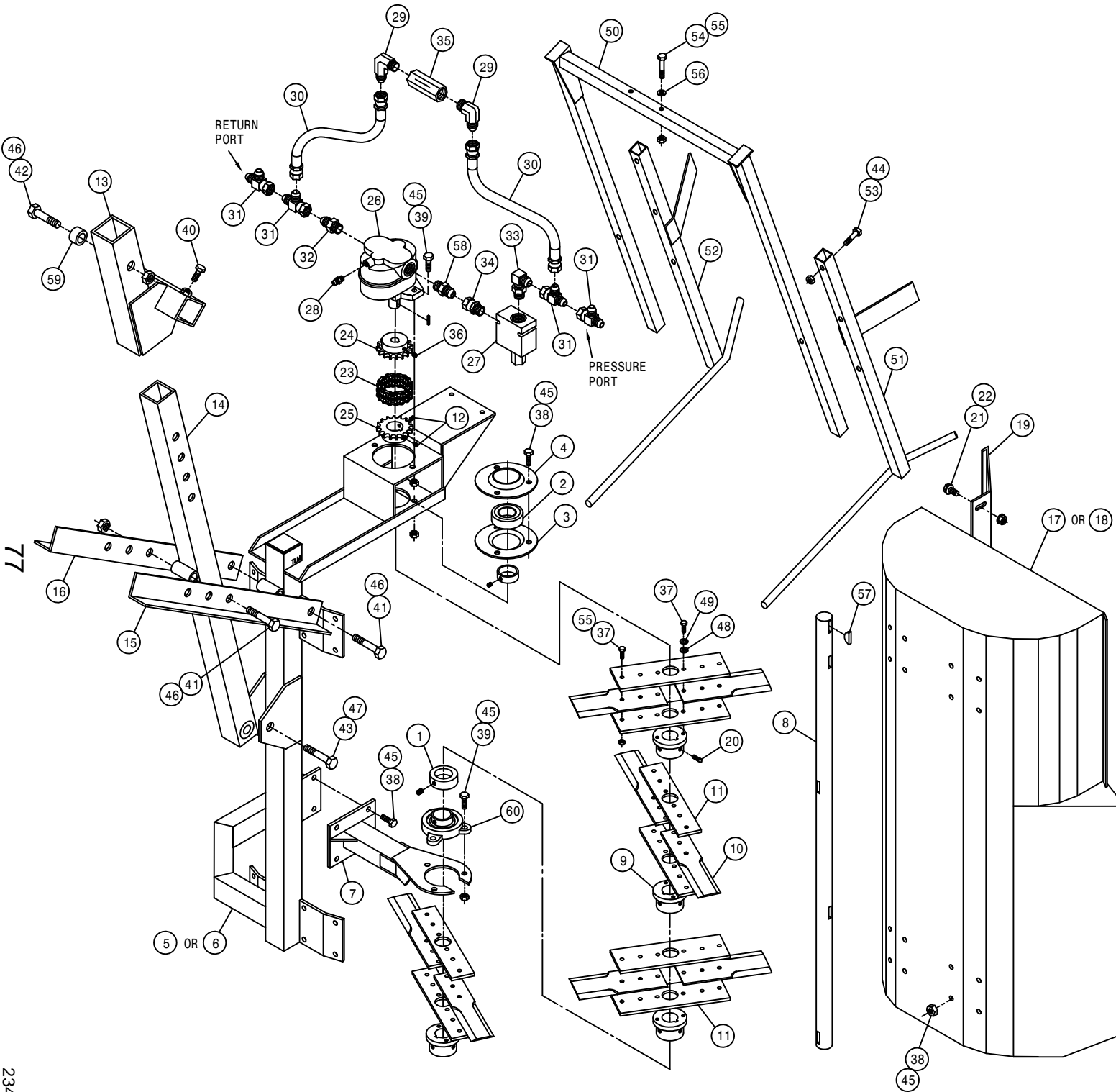
CUTTER CASE DRAIN MANIFOLD ASSEMBLY

DET. QTY PART NO. DESCRIPTION

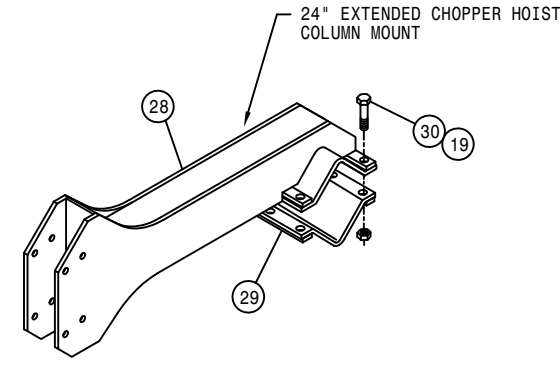
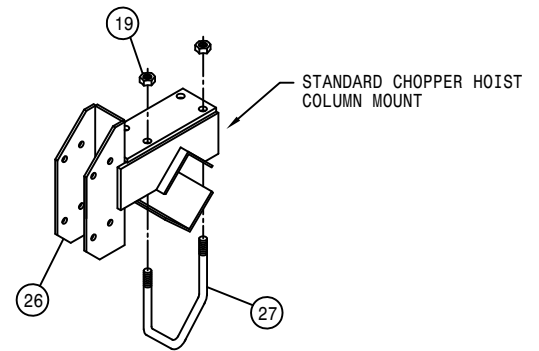
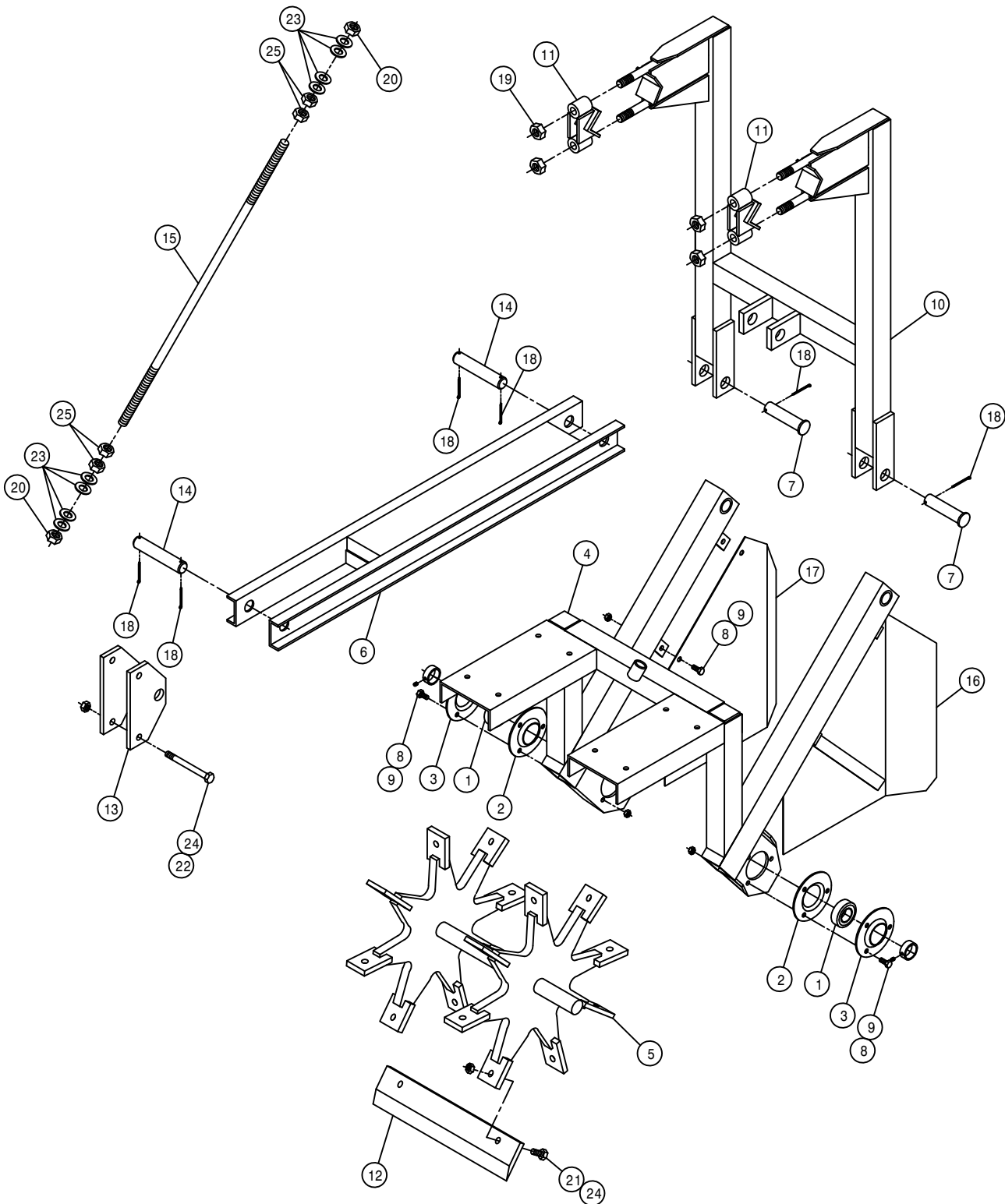
1	1	438729	CUTTER RETURN MANIF MT KEEPER
2	4	470121	1/4UNC HEX FLANGE LOCK NUT
3	1	606021	HYD RETURN MANIF,3/4FOR,9-PORT
4	3	611159	3/4MOR PLUG
5	1	615755	204 CASE DRAIN MANIFOLD MT 02
6	6	618115	9/16MJIC-90-3/4MOR LBO
7	1	618118	3/4 HOSE BARB-90-1 1/16MOR
8	2	900008	1/4UNC X 2 1/2 HEX BOLT
9	2	470118	1/4UNC X 3/4 FLANGE HEX BOLT
10	1	520137	1.12/1.25 T-BOLT HOSE CLAMP

MALE ROW 4-BLADE CUTTER ASSEMBLY

DET. QTY PART NO. DESCRIPTION

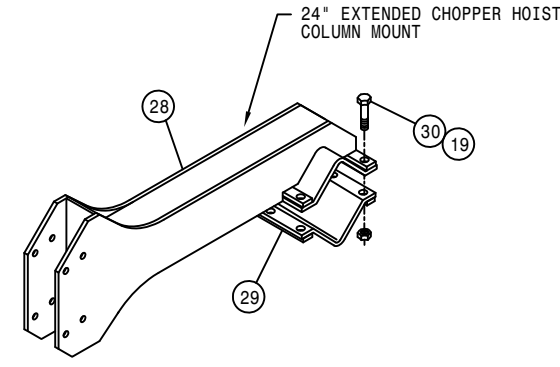
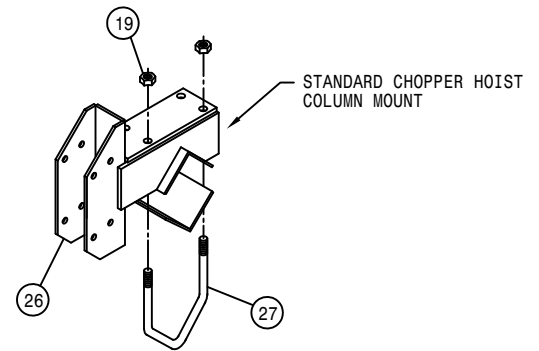
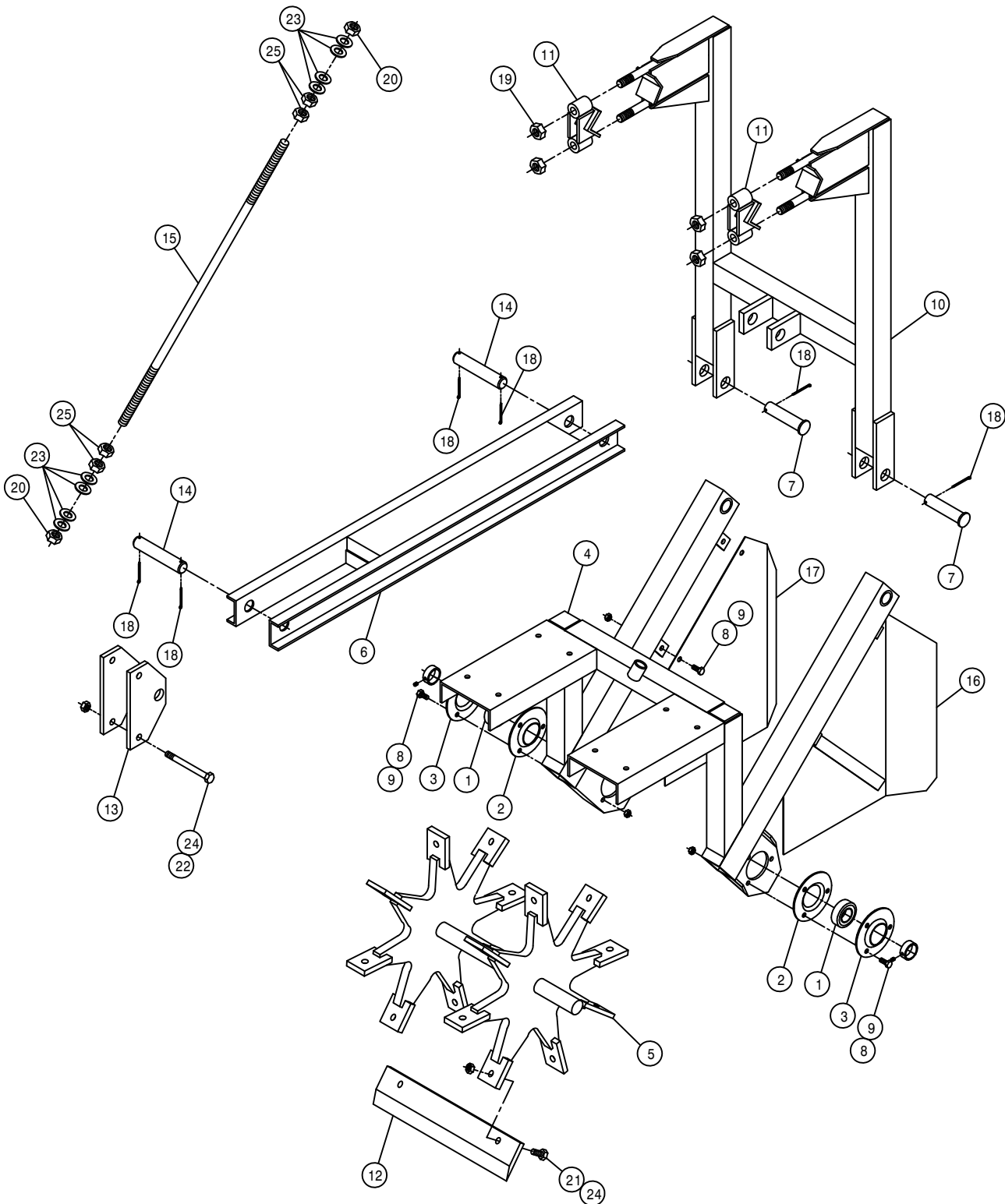


DET.	QTY	PART NO.	DESCRIPTION
1	1	474020	1 1/4 SHAFT SET COLLAR
2	1	123024	BGR 1 1/4 BORE SPHERICL RELUB
3	1	123026	FLANGETT 1 1/4
4	1	123035	FLANGETT 1 1/4 180 DEG ZERK
5	1	270880	RH 4-BLADE CUTTER FRAME WLD95
6	1	270881	LH 4-BLADE CUTTER FRAME WLD95
7	1	270896	LWR BRG MT WLD,4-BLD CUTR 95
8	1	270902	BLADE SHAFT,4-BLD CUTR 95
9	4	270903	BLADE MT HUB,4-BLD CUTR 95
10	8	270904	CUTTER BLADE,4-BLD CUTR 95
11	8	270905	UPPER BLADE SUPP,4-BLD CUTR95
12	2	470060	5/16UNC X 3/8 SET SCR
13	1	270907	CUTTER ADPT WLD,4-BLD CUTR 95
14	1	270910	CUTTER MT WLD,4-BLD CUTR 95
15	1	270913	RH ADJ ANG,4-BLD CUTR 95
16	1	270914	LH ADJ ANG,4-BLD CUTR 95
17	1	270915	RH SHIELD WLD,4-BLD CUTR 95
18	1	270916	LH SHIELD WLD,4-BLD CUTR 95
19	1	270923	DEFLECTOR SHLD,4-BLD CUTR 95
20	8	470057	5/16 X 1/2 LG SQ HD SET SCR
21	4	470121	1/4UNC HEX FLANGE LOCK NUT
22	4	470122	1/4UNC X 1/2 FLANGE HEX BOLT
23	1	492084	CHAIN FOR 4016 CHAIN COUPLER
24	1	492092	CHAIN CPLR 5/8 BORE 5/32 KWY
25	1	492091	CHAIN CPLR 1 1/4 BORE .25 KWY
26	1	610510	CESSNA GEAR MOTOR 1.48CI
27	1	610597	PRESS COMP FIXED FLO REG 18G
28	1	611121	9/16MJIC-1/4MNPT ADPTR
29	2	611145	3/4MJIC-90-1/2MNPT LBO
30	2	615626	08C1T-08FJX-08FJX-15
31	4	618451	3/4FJIC SW RUN TEE-3/4MJIC
32	1	618469	3/4MJIC-1 1/16MOR ADPTR
33	1	618474	3/4MJIC-90-1 1/16MOR LBO
34	1	618578	1 1/16FJIC SWIV-1 1/16MOR
35	1	690338	LINE CHECK VALVE HYD .50NPT
36	1	470052	1/4-20X1/2 AL HD SET SC CUP
37	24	900066	5/16UNC X 1 1/4 HEX BOLT
38	23	900129	3/8UNC X 1" HEX BOLT
39	5	900130	3/8UNC X 1 1/4 HEX BOLT
40	2	900263	1/2UNC X 1" HEX BOLT
41	2	900270	1/2UNC X 3" HEX BOLT
42	1	900273	1/2UNC X 3 3/4 HEX BOLT
43	1	900408	3/4UNC X 3 1/2 HEX BOLT
44	2	914000	1/4UNC HEX STOVER NUT
45	28	914004	3/8UNC HEX STOVER NUT
46	3	914008	1/2UNC HEX STOVER NUT
47	1	914012	3/4UNC HEX STOVER NUT
48	8	920001	5/16 SAE FLAT WASHER
49	8	920501	5/16 LOCK WASHER
50	1	270924	GUIDE MT WLD,4-BLD CUTR 95
51	1	270928	RH STALK GUIDE WLD,4-BLD CUTR
52	1	270929	LH STALK GUIDE WLD,4-BLD CUTR
53	2	900005	1/4UNC X 1 1/2 HEX BOLT
54	2	900069	5/16UNC X 2" HEX BOLT
55	18	914002	5/16UNC HEX STOVER NUT
56	2	920001	5/16 SAE FLAT WASHER
57	5	472020	WOODRUFF KEY # 18 1/4 X 1 1/8
58	1	611127	1 1/16MJIC-1 1/16MOR ADPTR
59	1	200015	.75 OD X 11GA WA X .38LG C/L
60	1	123050	1.25 PILLOW BLOCK BEARING,FLG



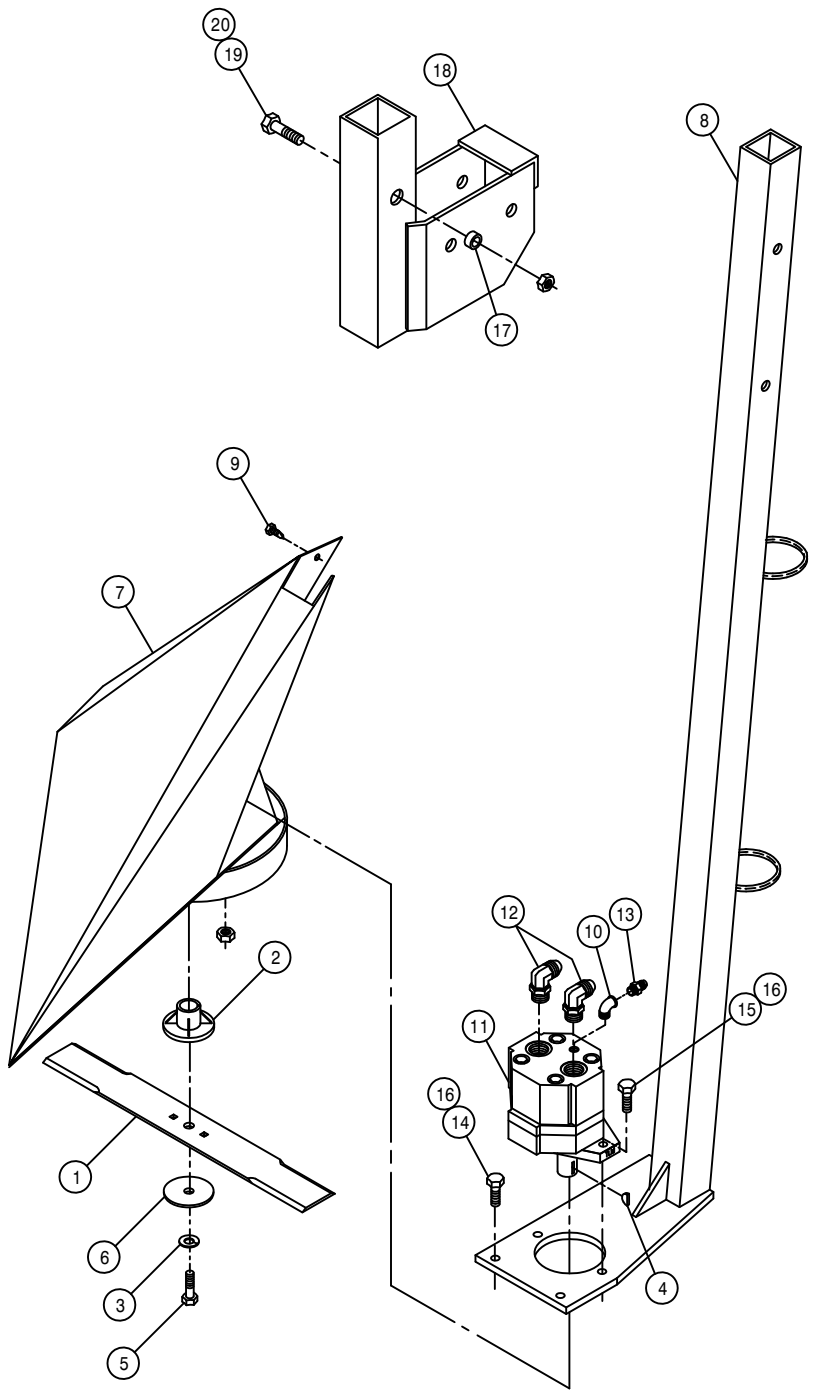
15" MALE ROW CHOPPER ASSEMBLY

DET.	QTY	PART NO.	DESCRIPTION
1	2	123024	BGR 1 1/4 BORE SPHERICL RELUB
2	2	123026	FLANGETT 1 1/4
3	2	123035	FLANGETT 1 1/4 180 DEG ZERK
4	1	270814	LWR FRAME WLD MALE ROW CHOP
5	1	270860	BLADE MT WHL WLD, CHOPPER 92
6	1	270852	LWR LIFT ARM WLD MALE CHOP 91
7	2	472012	CLEVIS PIN, 1.00 X 3.25 PLT
8	10	900129	3/8UNC X 1" HEX BOLT
9	10	914004	3/8UNC HEX STOVER NUT
10	1	270855	UPR FRAME WLD MALE ROW CHOP91
11	2	270833	TOOL BAR CLAMP WLD MALE CHOP
12	8	270838	CHOPPER BLADE 8131 STEEL TREA
13	2	270842	LWR LIFT ARM MTG PLT
14	2	270843	LIFT ARM PIN MALE ROW CHOPPER
15	1	270844	ADJ ROD MALE ROW CHOPPER
16	1	270845	RH SHLD WLD MALE ROW CHOPPER
17	1	270846	LH SHLD WLD MALE ROW CHOPPER
18	6	470162	COTTER PIN 3/16 X 1 1/2 SQCUT
19	14	914010	5/8UNC HEX STOVER NUT
20	2	914012	3/4UNC HEX STOVER NUT
21	16	900265	1/2UNC X 1 1/2 HEX BOLT
22	2	900275	1/2UNC X 4 1/2 HEX BOLT
23	8	920006	3/4 SAE FLAT WASHER
24	18	914008	1/2UNC HEX STOVER NUT
25	4	910012	3/4UNC HEX NUT
26	1	438367	HOIST COL MT BRKT WLD 200 90
27	2	438293	5/8UNC X 6 1/4 CTR U-BOLT TRI
28	1	438665	24" HOIST COL MT BRKT WLD
29	1	438671	24" HOIST COL MT V-PLT KPR WLD
30	6	900337	5/8UNC X 2 3/4 HEX BOLT



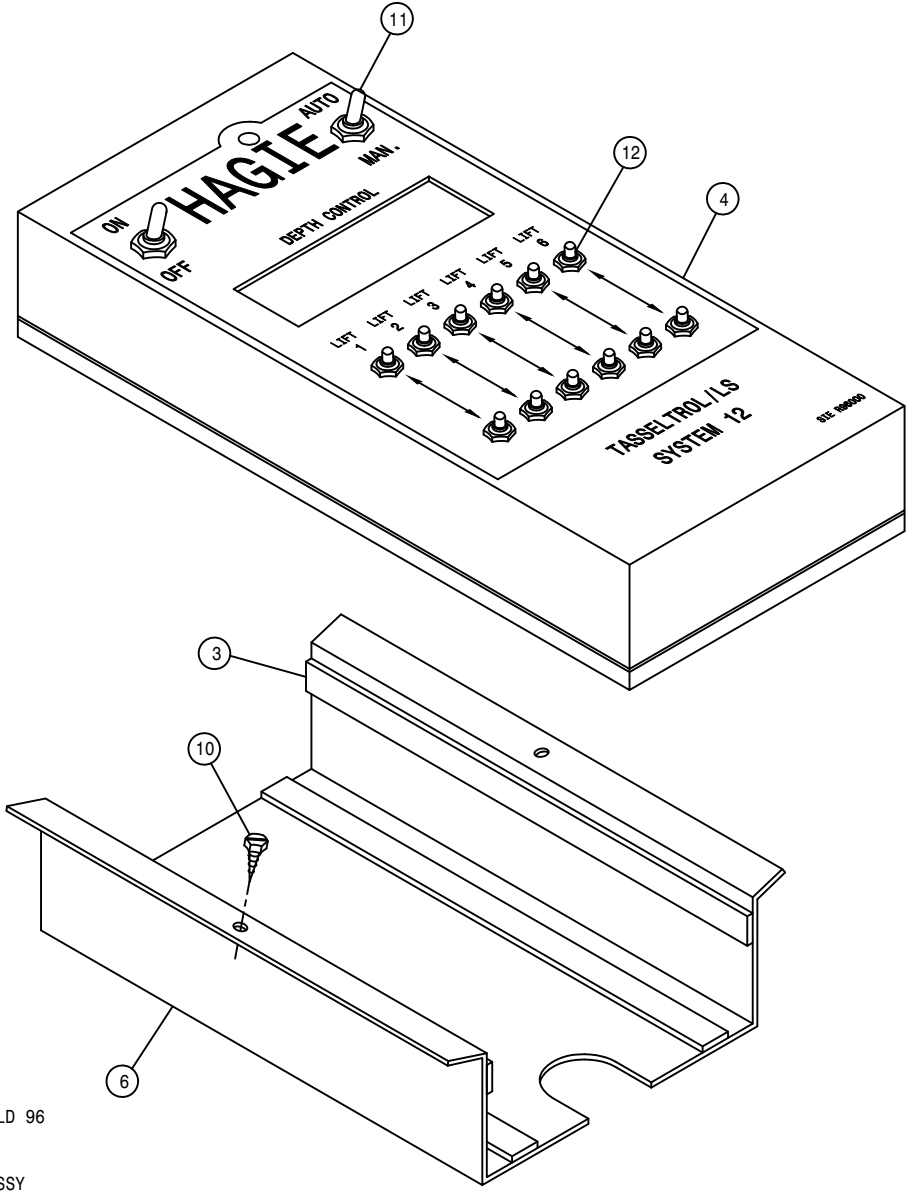
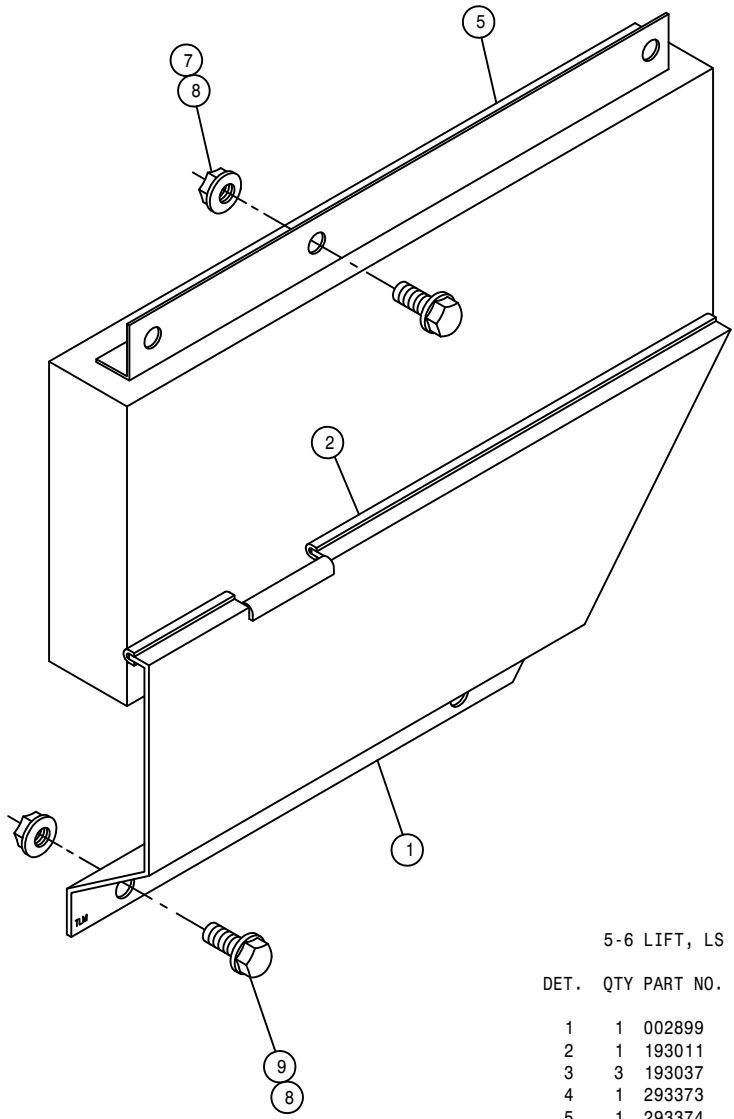
20" MALE ROW CHOPPER ASSEMBLY

DET.	QTY	PART NO.	DESCRIPTION
1	2	123024	BGR 1 1/4 BORE SPHERICL RELUB
2	2	123026	FLANGETT 1 1/4
3	2	123035	FLANGETT 1 1/4 180 DEG ZERK
4	1	270872	LWR FRAME WLD,20"MALE CHOPR95
5	1	270874	BLADE MT WHL WLD,20"CHOPR 95
6	1	270852	LWR LIFT ARM WLD MALE CHOP 91
7	2	472012	CLEVIS PIN, 1.00 X 3.25 PLT
8	10	900129	3/8UNC X 1" HEX BOLT
9	10	914004	3/8UNC HEX STOVER NUT
10	1	270876	UPR FRAME WLD,20"MALE CHOPR95
11	2	270833	TOOL BAR CLAMP WLD MALE CHOP
12	8	270866	CHOPPER BLADE,MALE ROW,20" 95
13	2	270842	LWR LIFT ARM MTG PLT
14	2	270843	LIFT ARM PIN MALE ROW CHOPPER
15	1	270867	ADJ ROD WLD,MALE ROW CHOPR 95
16	1	270845	RH SHLD WLD MALE ROW CHOPPER
17	1	270846	LH SHLD WLD MALE ROW CHOPPER
18	6	470162	COTTER PIN 3/16 X 1 1/2 SQCUT
19	14	914010	5/8UNC HEX STOVER NUT
20	2	914012	3/4UNC HEX STOVER NUT
21	16	900265	1/2UNC X 1 1/2 HEX BOLT
22	2	900275	1/2UNC X 4 1/2 HEX BOLT
23	8	920006	3/4 SAE FLAT WASHER
24	18	914008	1/2UNC HEX STOVER NUT
25	4	910012	3/4UNC HEX NUT
26	1	438367	HOIST COL MT BRKT WLD 200 90
27	2	438293	5/8UNC X 6 1/4 CTR U-BOLT TRI
28	1	438665	24" HOIST COL MT BRKT WLD
29	1	438671	24" HOIST COL MT V-PLT KPR WLD
30	6	900337	5/8UNC X 2 3/4 HEX BOLT



MALE CORN CUTTER ASSEMBLY

DET.	QTY	PART NO.	DESCRIPTION
1	1	002103	CUTR BLADE 18 IN
2	1	002104	CLUTCH BODY BLADE
3	1	002105	STEEL LOCK WASH CUTR BLADE
4	1	002106	WOODRUFF KEY #6 .156 X .625
5	1	002107	3/8UNC X 1 1/2 HEX BOLT CUTR
6	1	002108	STEEL WASHER CUTTER BLADE
7	1	270800	MALE CORN CUTR WLD
8	1	270805	MALE CORN CUTR DROP TUBE WLD
9	1	472349	1/4 X 3/4 20THD-IN TEK TYPE
10	1	500900	BLK PIPE ST EL 90DEG .125NPT
11	1	610755	BARNES HYD MOTOR, D-SERIES 01
12	2	618241	3/4MJIC-90-3/4MOR LBO
13	1	618530	9/16MJIC-1/8MNPT ADPTR
14	2	900129	3/8UNC X 1" HEX BOLT
15	2	900132	3/8UNC X 1 3/4 HEX BOLT
16	4	914004	3/8UNC HEX STOVER NUT
17	1	200015	.75 OD X 11GA WA X .38LG C/L
18	1	270809	MALE CUTR ADPTR BRKT WLD 83
19	1	900273	1/2UNC X 3 3/4 HEX BOLT
20	1	914008	1/2UNC HEX STOVER NUT

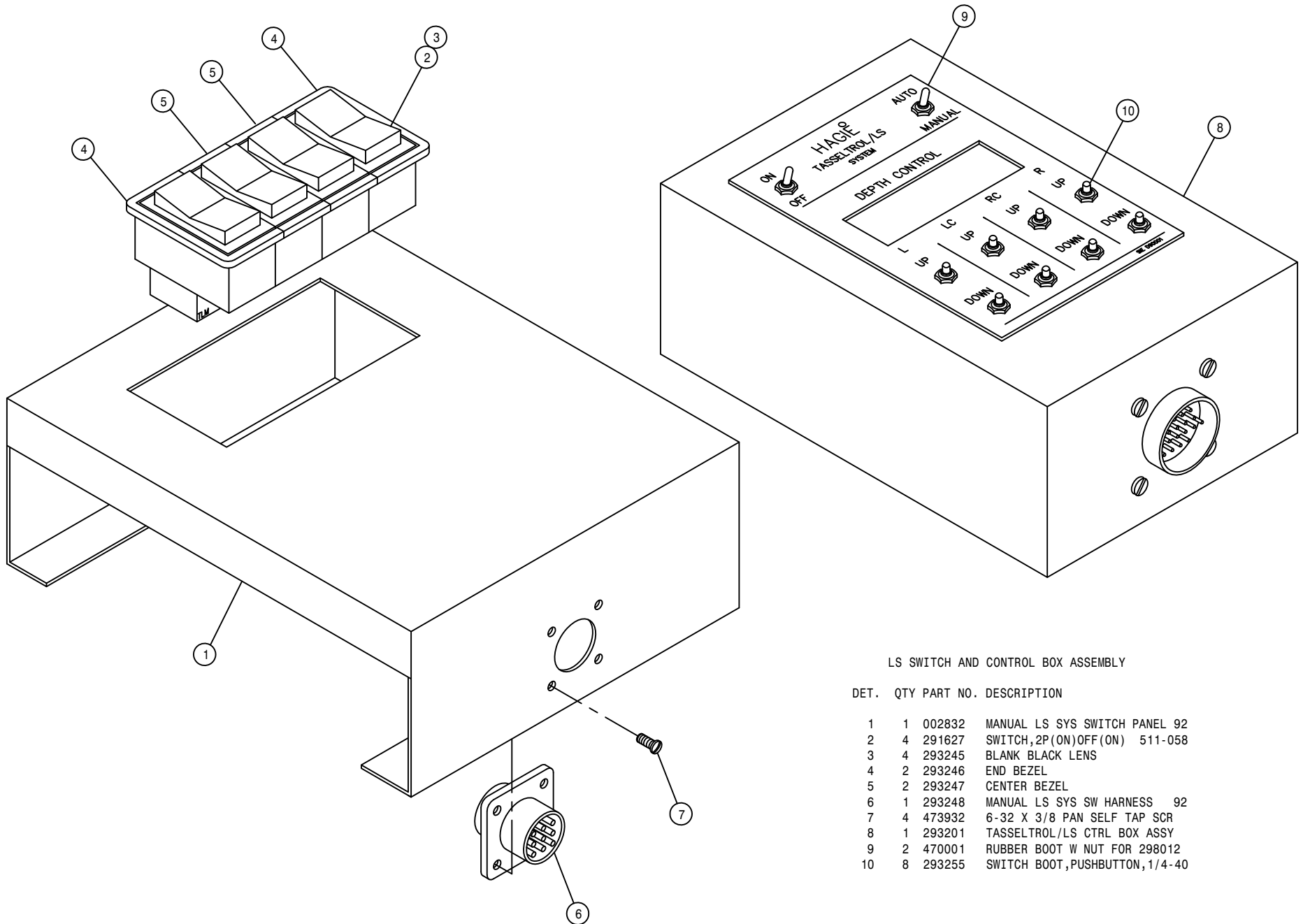


5-6 LIFT, LS CONTROL BOX ASSEMBLY

DET.	QTY	PART NO.	DESCRIPTION
	1	002899	LS CTRL BOX CONNECTOR SHLD 96
	1	193011	EDGE GUARD, BLK
	3	193037	STICKERTITE 1/8 X 3/4
	1	293373	LS CTRL 6L DISPLAY BOX ASSY
	1	293374	LS CTRL 6L CABLE BOX ASSY
	1	342297	LS CTRL 6L DISPLAY BOX MT
	2	470118	1/4UNC X 3/4 FLANGE HEX BOLT
	4	470121	1/4UNC HEX FLANGE LOCK NUT
	2	470122	1/4UNC X 1/2 FLANGE HEX BOLT
	2	473902	NO 8 X 1/2 PAN HD MET SC
	2	470001	RUBBER BOOT W NUT FOR 298012
	12	293255	SWITCH BOOT, PUSHBUTTON, 1/4-40

LS MANUAL SWITCH ASSEMBLY

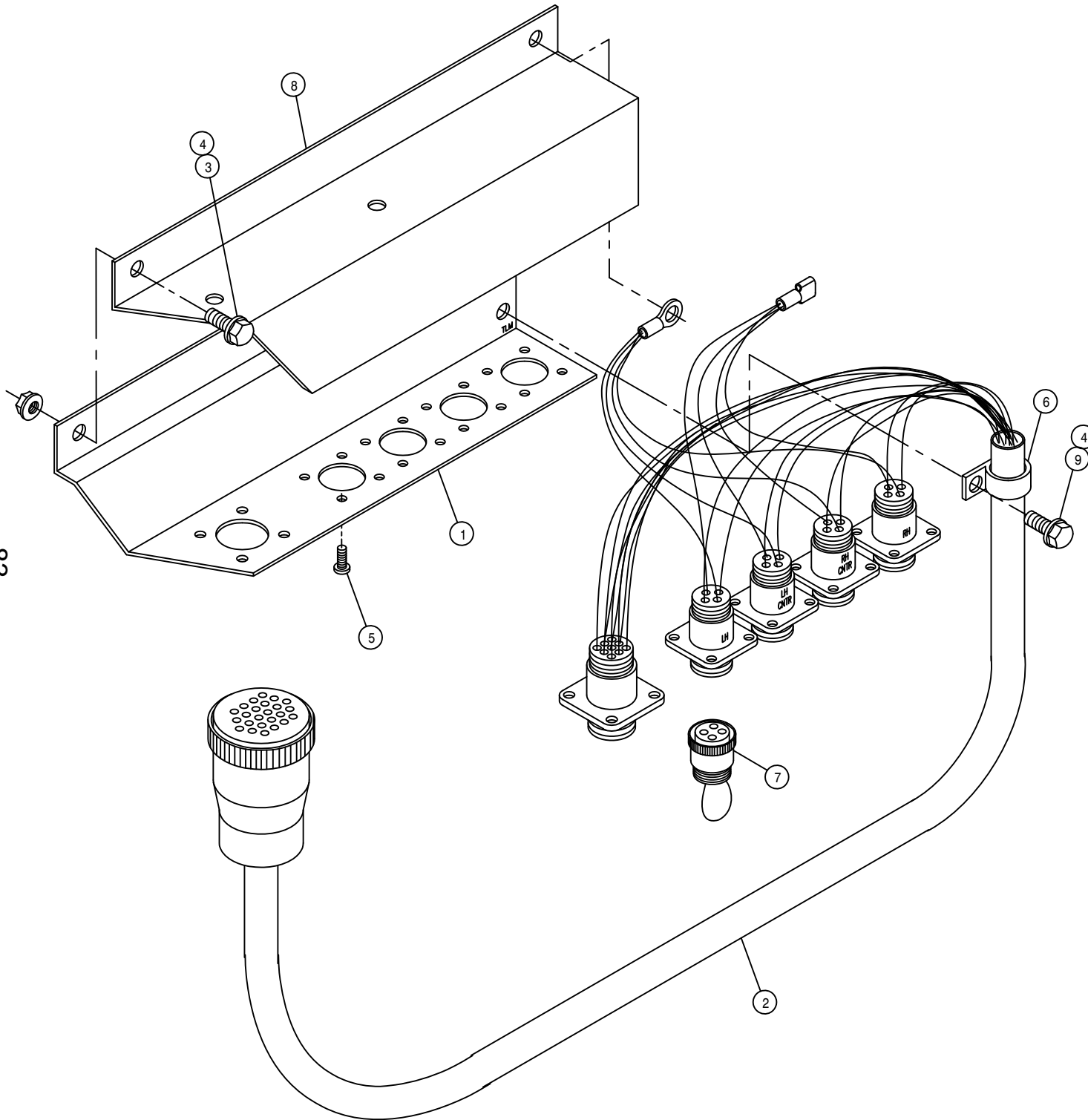
LS CONTROL BOX ASSEMBLY



LS SWITCH AND CONTROL BOX ASSEMBLY

DET. QTY PART NO. DESCRIPTION

1	1	002832	MANUAL LS SYS SWITCH PANEL 92
2	4	291627	SWITCH,2P(ON)OFF(ON) 511-058
3	4	293245	BLANK BLACK LENS
4	2	293246	END BEZEL
5	2	293247	CENTER BEZEL
6	1	293248	MANUAL LS SYS SW HARNESS 92
7	4	473932	6-32 X 3/8 PAN SELF TAP SCR
8	1	293201	TASSELTROL/LS CTRL BOX ASSY
9	2	470001	RUBBER BOOT W NUT FOR 298012
10	8	293255	SWITCH BOOT,PUSHBUTTON,1/4-40

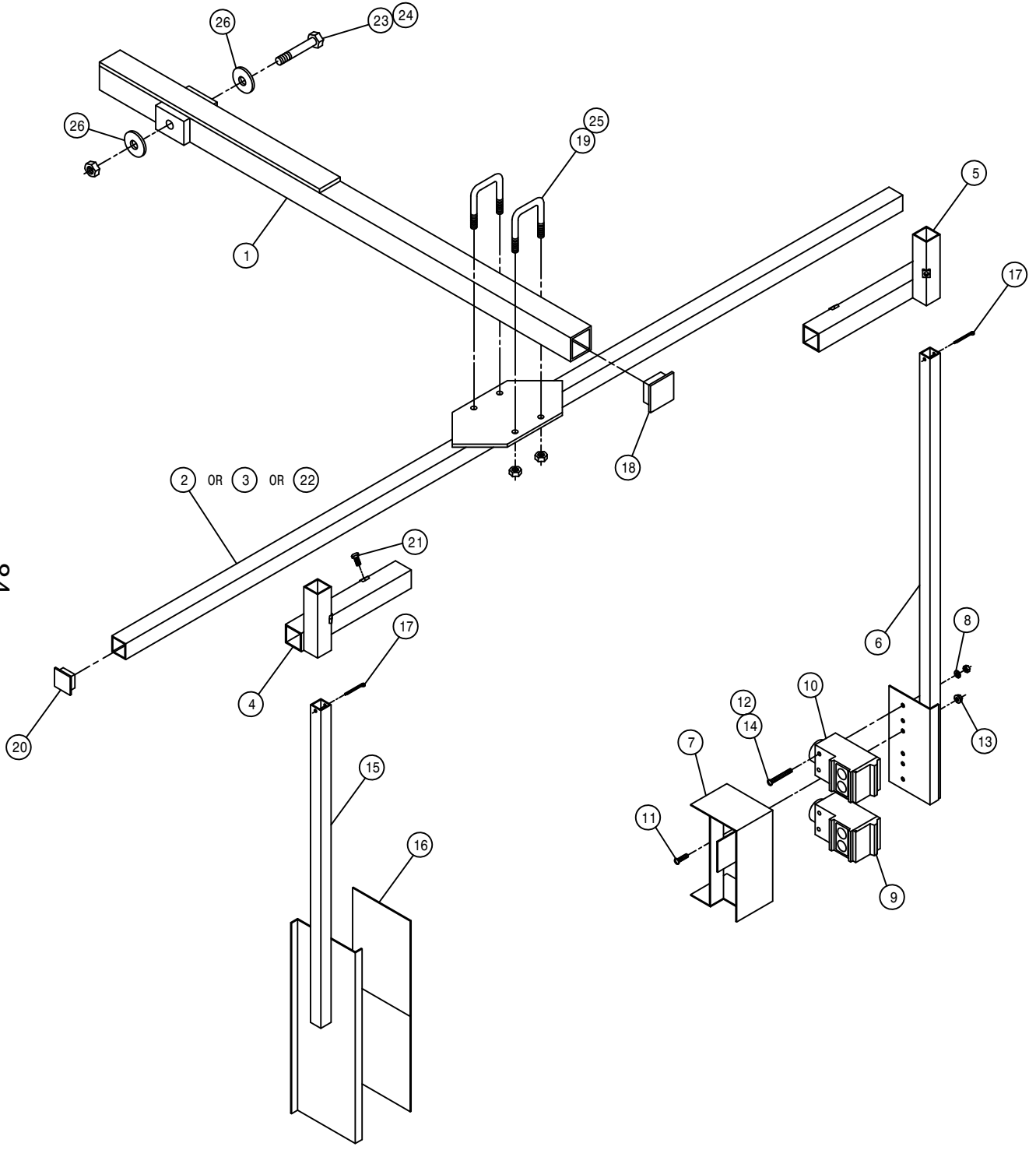


LS RECEPTACLE ASSEMBLY

DET.	QTY	PART NO.	DESCRIPTION
1	1	002777	T-TROL/LS RECEPTACLE MT
2	1	293200	MAIN CONTROL WIRE ASSY LS 90
3	2	470118	1/4UNC X 3/4 FLANGE HEX BOLT
4	3	470121	1/4UNC HEX FLANGE LOCK NUT
5	20	473932	6-32 X 3/8 PAN SELF TAP SCR
6	1	520118	CUSH HOSE CLAMP 1/2D X 1/2W
7	1	293211	JUMPER PLUG, T-TROL/LS SYS
8	1	002879	RECEPTACLE MT COVER, 204 94
9	1	470122	1/4UNC X 1/2 FLANGE HEX BOLT

NOTE: DETAIL 7 IS USED (1) WITH 3-LIFT OPTION AND (2) WITH 2-LIFT OPTION.

84



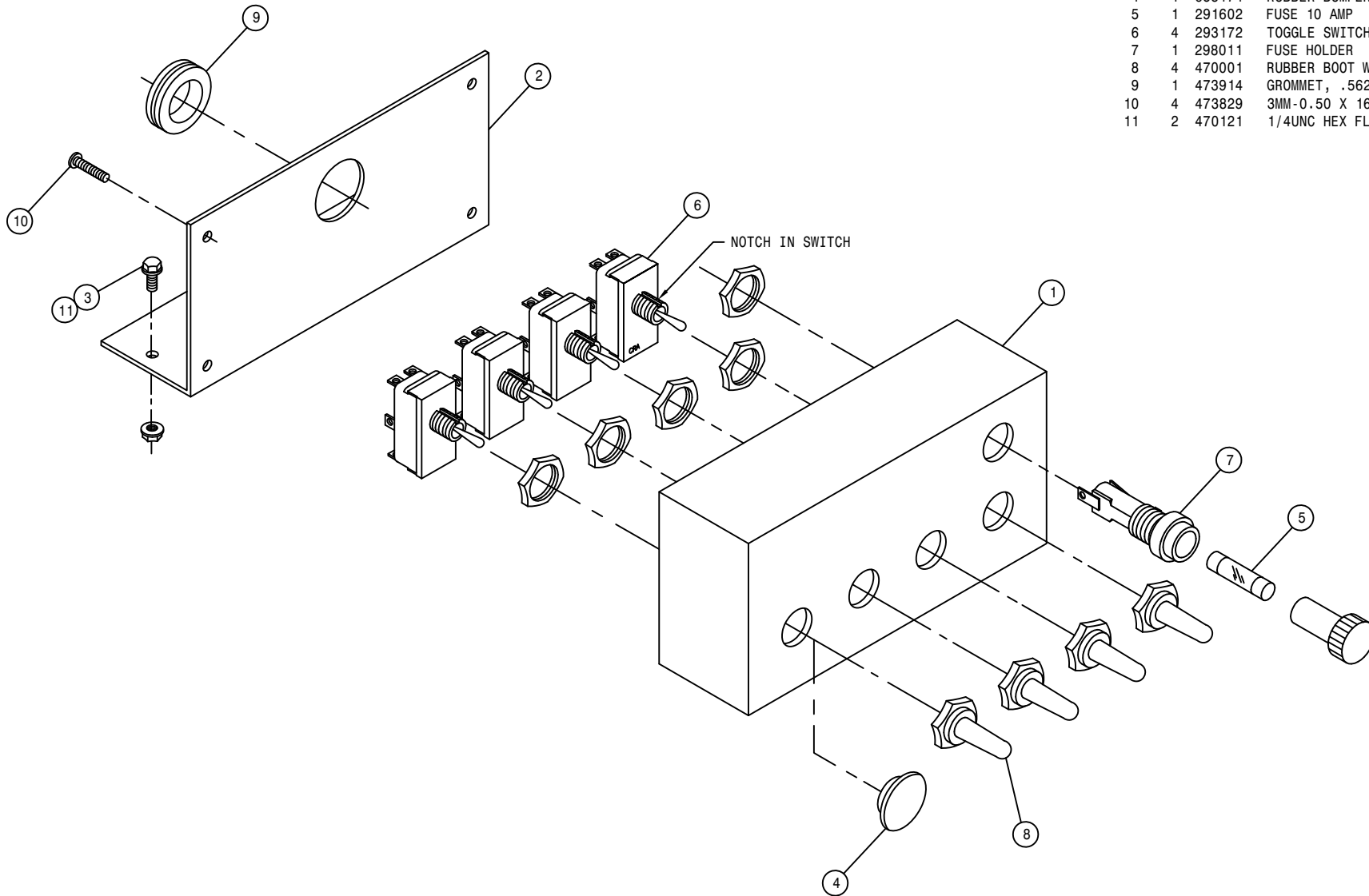
LS SENSOR ASSEMBLY

DET.	QTY	PART NO.	DESCRIPTION
1	1	002813	SENSOR ARM WELD 200 DET 92
2	1	002834	LS CROSSTUBE WLD 10-12R 92
3	1	002709	LS CROSSTUBE WLD 90
4	1	002712	LS REFLECTOR SLIDE MT WLD 90
5	1	002713	LS SENSOR SLIDE MT WLD 90
6	1	002839	LS 42GRU PHOTOSW SENSR MT WLD
7	1	002841	LS 42GRU SENSOR SHIELD WLD
8	2	920510	#10 LOCK WASHER
9	1	293258	LWR LS 9000 SENSOR ASSY, FEM
10	1	293259	UPR LS 9000 SENSOR ASSY, MALE
11	2	903883	10-32 X 1/2 SLT RDHD MACH SCR
12	2	910027	10-32 HEX NUT
13	2	470175	10-32 HEX FLANGE LOCK NUT
14	4	903902	10-32 X 2" SLT RD HD MACH SCR
15	1	002723	LS REFLECTOR MT WLD 90
16	2	650298	REFLEXITE ACRYLIC RECT 4" X 6"
17	2	390984	COTTER PIN 1/8 X 1 1/4
18	1	473943	FINISH PLUG 1 1/2 SQ
19	2	473949	5/16UNC-1 9/16ID-1 15/16U-BOLT
20	2	629727	FINISH PLUG FOR 1 IN X 16 GA
21	4	900000	1/4UNC X 1/2 HEX BOLT
22	1	002876	LS CROSSTUBE WLD, 62" 94
23	1	900275	1/2UNC X 4 1/2 HEX BOLT
24	1	914008	1/2UNC HEX STOVER NUT
25	4	914002	5/16UNC HEX STOVER NUT
26	2	002815	SENSOR ARM WASH, NYL

2-3-4 LIFT, DEPTH COMMAND SWITCH ASSEMBLY

DET. QTY PART NO. DESCRIPTION

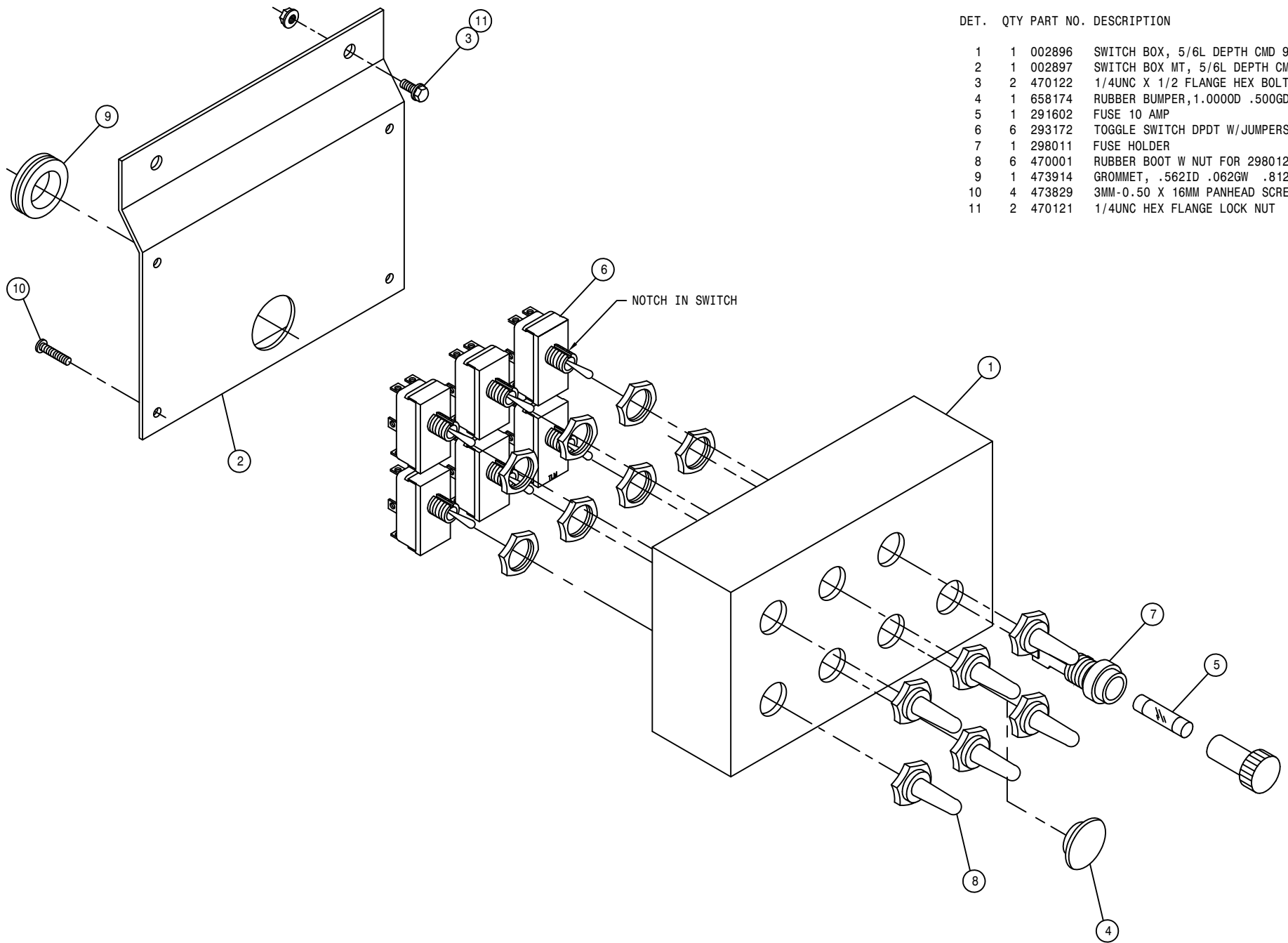
DET.	QTY	PART NO.	DESCRIPTION
1	1	002744	SWITCH BOX, DEPTH CMD
2	1	002745	SWITCH BOX MT, DEPTH CMD
3	2	470122	1/4UNC X 1/2 FLANGE HEX BOLT
4	1	658174	RUBBER BUMPER, 1.0000D .500GD
5	1	291602	FUSE 10 AMP
6	4	293172	TOGGLE SWITCH DPDT W/JUMPERS
7	1	298011	FUSE HOLDER
8	4	470001	RUBBER BOOT W NUT FOR 298012
9	1	473914	GROMMET, .562ID .062GW .812GD
10	4	473829	3MM-0.50 X 16MM PANHEAD SCREW
11	2	470121	1/4UNC HEX FLANGE LOCK NUT



5-6 LIFT, DEPTH COMMAND SWITCH ASSEMBLY

DET. QTY PART NO. DESCRIPTION

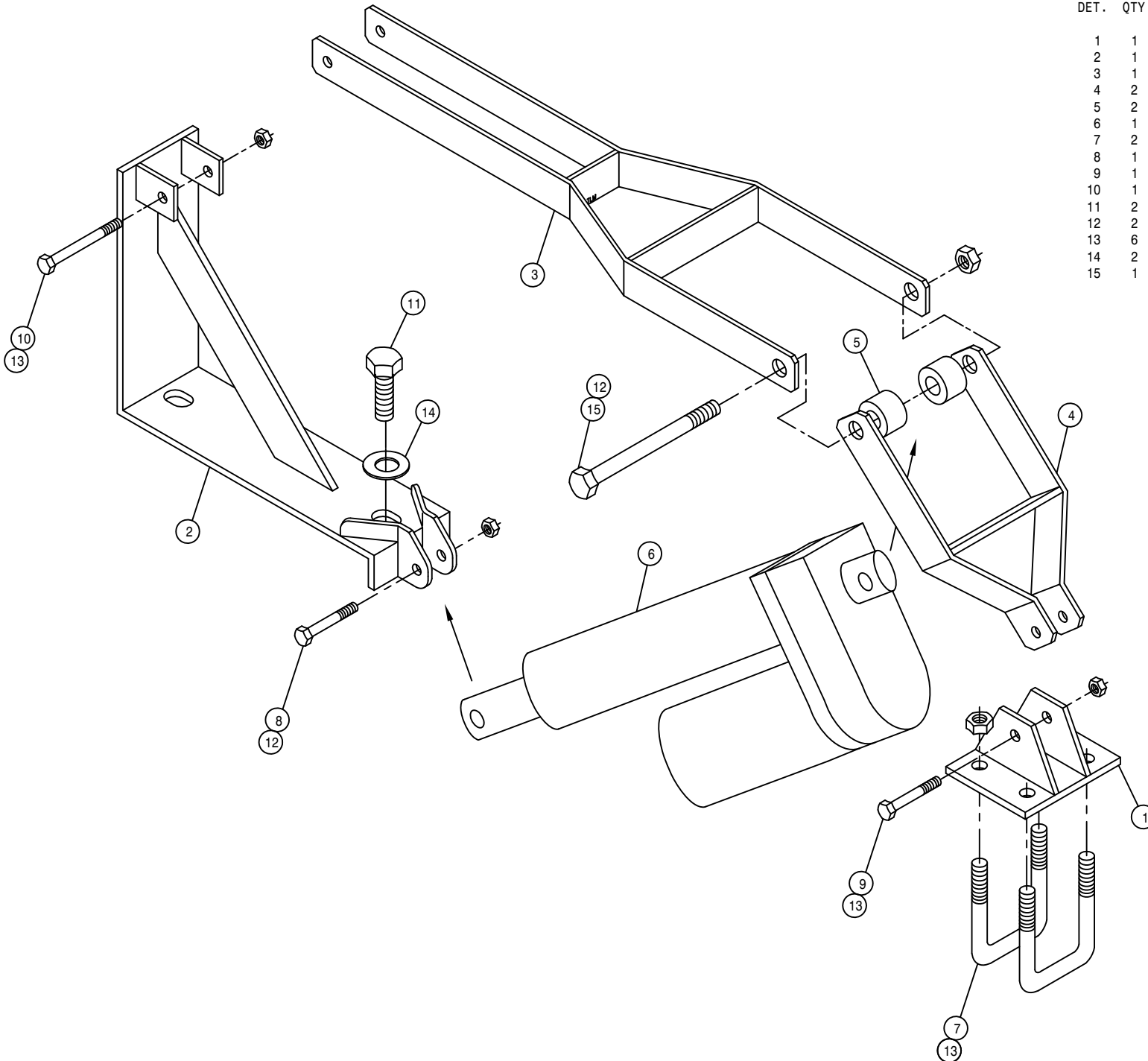
DET.	QTY	PART NO.	DESCRIPTION
1	1	002896	SWITCH BOX, 5/6L DEPTH CMD 96
2	1	002897	SWITCH BOX MT, 5/6L DEPTH CMD
3	2	470122	1/4UNC X 1/2 FLANGE HEX BOLT
4	1	658174	RUBBER BUMPER, 1.0000D .500GD
5	1	291602	FUSE 10 AMP
6	6	293172	TOGGLE SWITCH DPDT W/JUMPERS
7	1	298011	FUSE HOLDER
8	6	470001	RUBBER BOOT W NUT FOR 298012
9	1	473914	GROMMET, .562ID .062GW .812GD
10	4	473829	3MM-0.50 X 16MM PANHEAD SCREW
11	2	470121	1/4UNC HEX FLANGE LOCK NUT

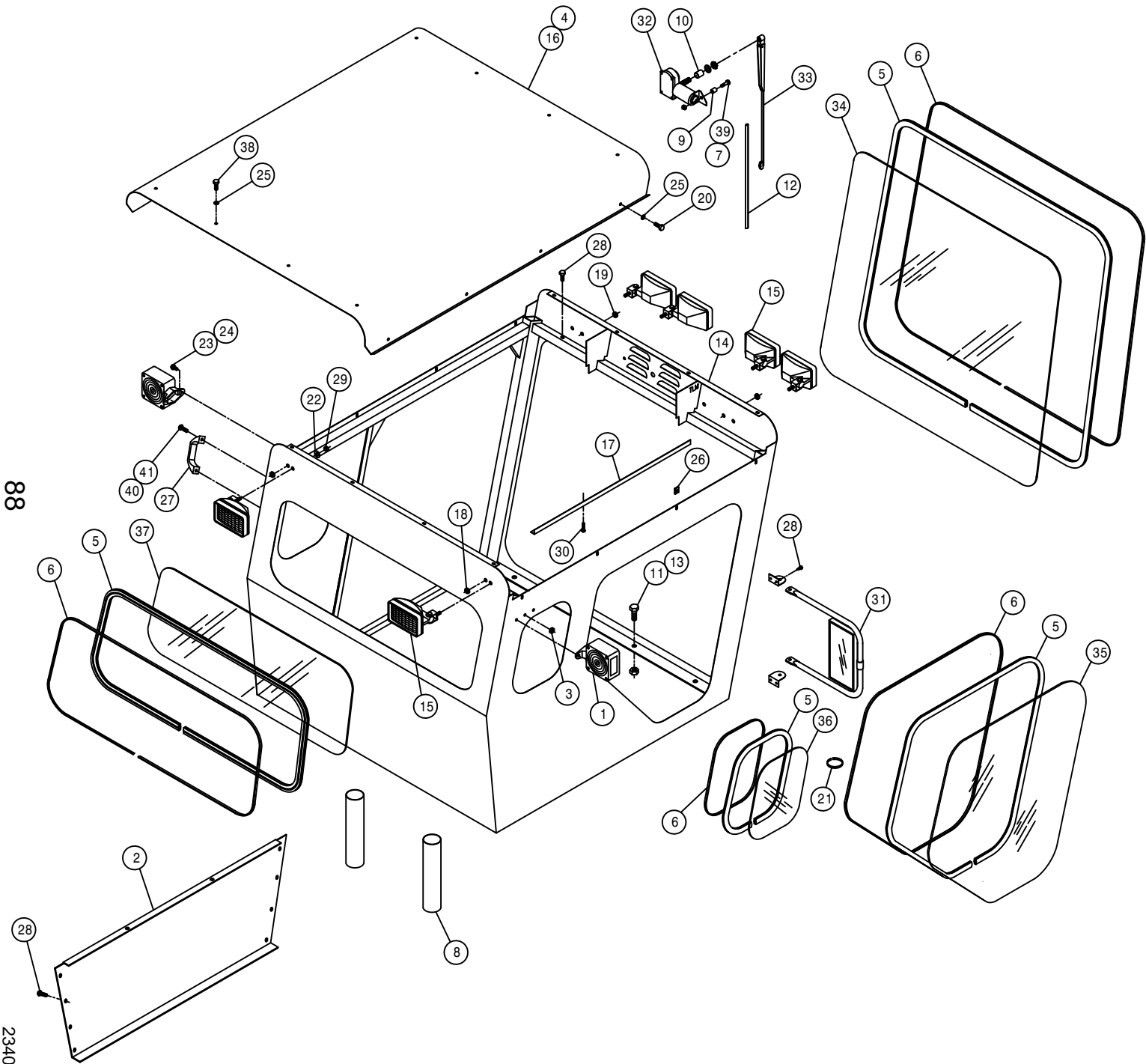


DEPTH COMMAND ACTUATOR ASSEMBLY

DET. QTY PART NO. DESCRIPTION

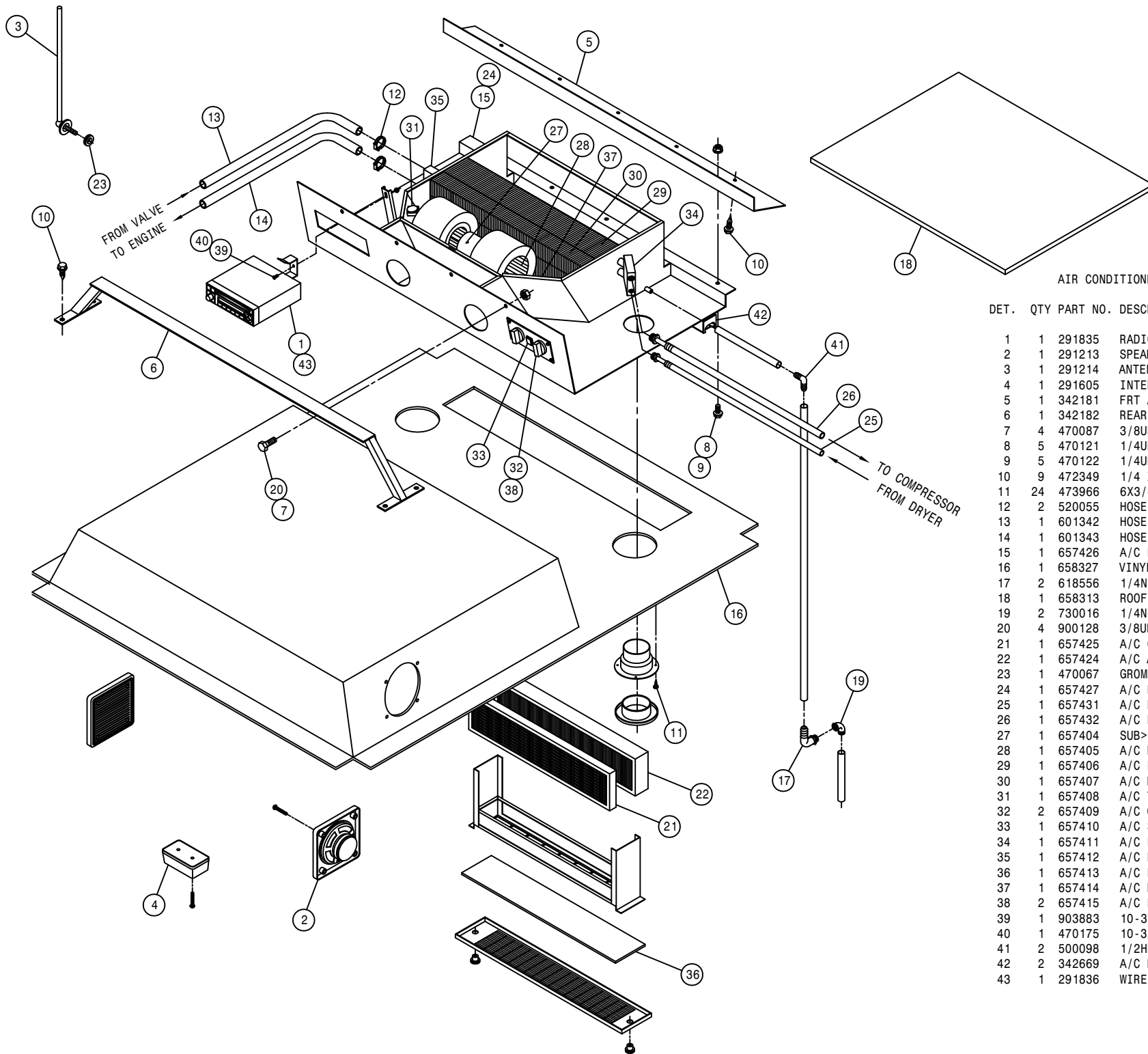
DET.	QTY	PART NO.	DESCRIPTION	
1	1	002849	HD DEPTH CMD ARM MT WLD	94
2	1	002846	HD DEPTH CMD MTG BRKT WLD	94
3	1	002851	HD DEPTH CMD UPR ARM WLD	94
4	2	002855	HD DEPTH CMD LWR ARM WLD	94
5	2	002858	HD DEPTH CMD ARM BUSH	94
6	1	291634	LINEAR ACTUATOR, ELECTRAK 2	
7	2	473949	5/16UNC-1 9/16ID-1 15/16U-BOLT	
8	1	900267	1/2UNC X 2" HEX BOLT	
9	1	900069	5/16UNC X 2" HEX BOLT	
10	1	900070	5/16UNC X 2 1/2 BOLT	
11	2	900263	1/2UNC X 1" HEX BOLT	
12	2	914008	1/2UNC HEX STOVER NUT	
13	6	914002	5/16UNC HEX STOVER NUT	
14	2	920004	1/2 SAE FLAT WASHER	
15	1	900275	1/2UNC X 4 1/2 HEX BOLT	





CAB ASSEMBLY

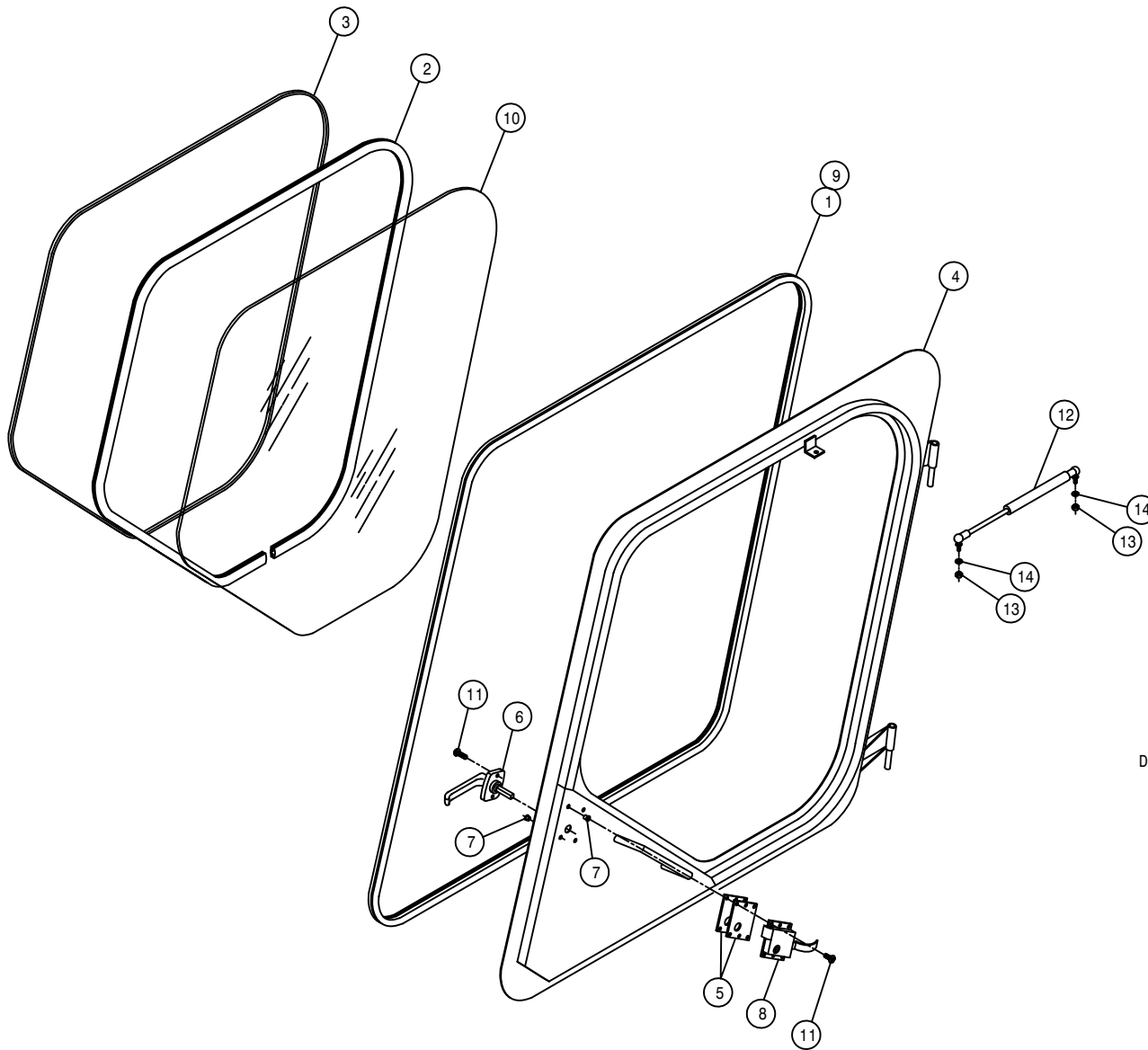
DET.	QTY	PART NO.	DESCRIPTION
1	2	291604	TURN SIGNAL LIGHT,PED MT, YEL
2	1	342295	LH SIDE PANEL, 204 CAB 95
3	2	470226	GROMMET, .156ID .062GW .250GD
4	18	193037	STICKERTITE 1/8 X 3/4
5	42	193044	WINDOW WEATHERSTRIP 94
6	42	193045	LOCK STRIP FOR 193044 94
7	1	914000	1/4UNC HEX STOVER NUT
8	2	342333	NYL HOSE SLEEVE,2.64ID X 12.00
9	1	200019	.25 SCH 40BP X 1.00 LG C/L
10	1	202037	WINDSHIELD WIPER SPACER
11	6	900264	1/2UNC X 1 1/4 HEX BOLT
12	1	290417	18" WIPER BLADE
13	6	914008	1/2UNC HEX STOVER NUT
14	1	342287	204 CAB WELDMT 95
15	6	291603	HALOGEN WORKLAMP,SIDE MT 12V
16	1	342150	CAB ROOF WLD, 284 94
17	1	342180	HEADLINER KPR ANGLE,284CAB 94
18	2	470067	GROMMET, .250ID .125GW .375GD
19	2	470070	GROMMET, .375ID .062GW .500GD
20	8	470118	1/4UNC X 3/4 FLANGE HEX BOLT
21	1	470229	IDENTIFICATION TIE, WHITE
22	6	470100	3/8 INT TOOTH LOCK WASHER
23	4	470121	1/4UNC HEX FLANGE LOCK NUT
24	4	470122	1/4UNC X 1/2 FLANGE HEX BOLT
25	16	470212	1/4 X 5/8 BONDED SEALING WASH
26	16	470218	1/4UNC NUT J-TYPE CAGE CLIP
27	1	470222	GRAB HANDLE, BLACK MOULDED
28	22	472349	1/4 X 3/4 20THD-IN TEK TYPE
29	6	473779	10MM-1.50 HEX NUT
30	2	473910	1/4 X 1 1/2 PHIL HD SHT MTL S
31	2	650524	OUTSIDE REAR VIEW MIRROR
32	1	658008	WINDSHIELD WIPER MOTOR
33	1	658013	WIPER ARM
34	1	658018	FRONT CAB GLASS, 204 95
35	1	658015	FRONT SIDE CAB/DOOR GLASS 94
36	2	658016	REAR SIDE CAB GLASS 94
37	1	658017	REAR CAB GLASS 94
38	8	900002	1/4UNC X 3/4 HEX BOLT
39	1	900005	1/4UNC X 1 1/2 HEX BOLT
40	2	470175	10-32 HEX FLANGE LOCK NUT
41	2	903883	10-32 X 1/2 SLT RDHD MACH SCR



AIR CONDITIONER ASSEMBLY

DET. QTY PART NO. DESCRIPTION

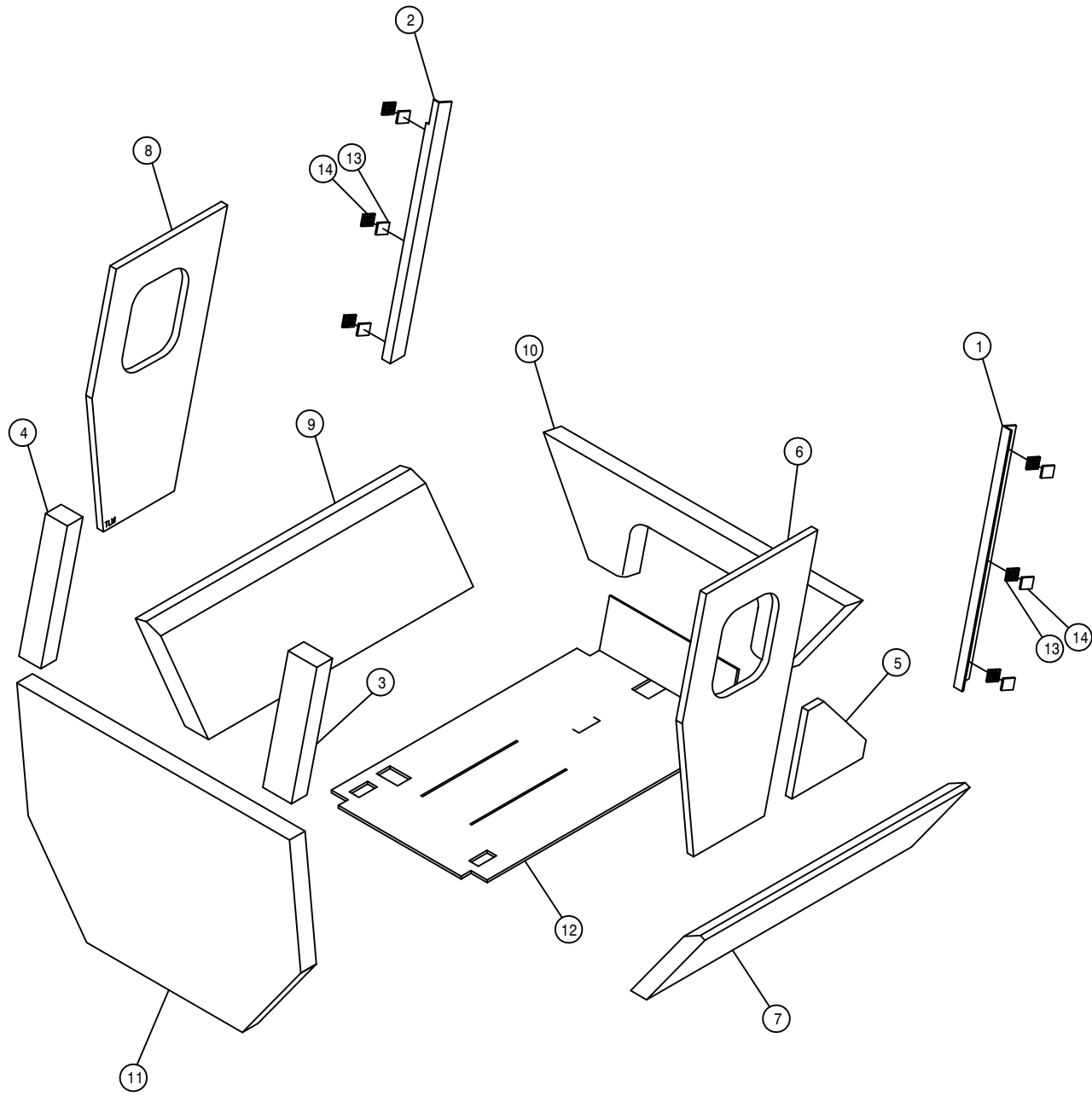
1	1	291835	RADIO, AM/FM/CD/WB CRC-5320
2	1	291213	SPEAKERS (PAIR)
3	1	291214	ANTENNA
4	1	291605	INTERIOR LIGHT W/SWITCH
5	1	342181	FRT A/C BLOWER MT ANG, CAB 94
6	1	342182	REAR A/C BLOWER MT WLD, CAB 94
7	4	470087	3/8UNC HEX FLANGE LOCK NUT
8	5	470121	1/4UNC HEX FLANGE LOCK NUT
9	5	470122	1/4UNC X 1/2 FLANGE HEX BOLT
10	9	472349	1/4 X 3/4 20THD-IN TEK TYPE
11	24	473966	6X3/4 PHIL FLT HD SHT MTL SCR
12	2	520055	HOSE CLAMP NO 12 STAINLESS
13	1	601342	HOSE, 5/8 X 192 HEATER
14	1	601343	HOSE, 5/8 X 216 HEATER
15	1	657426	A/C EVAPORATOR/HEATER, 284
16	1	658327	VINYL HEAD LINER 99
17	2	618556	1/4NPT-90-1/2 HOSE BARB, POLY
18	1	658313	ROOF SEAL, AIR COND 204, 254, 284
19	2	730016	1/4NPT ST EL, 90 DEG POLY
20	4	900128	3/8UNC X 3/4 HEX BOLT
21	1	657425	A/C CHARCOAL AIR FILTER
22	1	657424	A/C AIR FILTER
23	1	470067	GROMMET, .250ID .125GW .375GD
24	1	657427	A/C HOSE KIT, EVAP 284, 99
25	1	657431	A/C HOSE ASSY, 5/16 X 173
26	1	657432	A/C HOSE ASSY, 1/2 X 190.
27	1	657404	SUB>657448:A/C BLOWER MTR, MCC
28	1	657405	A/C BLOWER WHEEL W/CLIP
29	1	657406	A/C EVAPORATOR COIL
30	1	657407	A/C HEATER COIL
31	1	657408	A/C THERMOSTAT
32	2	657409	A/C CONTROL KNOB
33	1	657410	A/C SWITCH, PUSH ON-OFF
34	1	657411	A/C EXPANSION VALVE
35	1	657412	A/C HEATER VALVE, 4-WAY MTRIZED
36	1	657413	A/C FILTER, RECIRCULATION
37	1	657414	A/C BLOWER DRIVE ASSY
38	2	657415	A/C POTENTIOMETER ASSY
39	1	903883	10-32 X 1/2 SLT RDHD MACH SCR
40	1	470175	10-32 HEX FLANGE LOCK NUT
41	2	500098	1/2HB-90-1/2 HOSE BARB, POLY
42	2	342669	A/C DRAIN HOSE KEEPER
43	1	291836	WIRE HARNESS FOR 291835 RADIO



DOOR ASSEMBLY

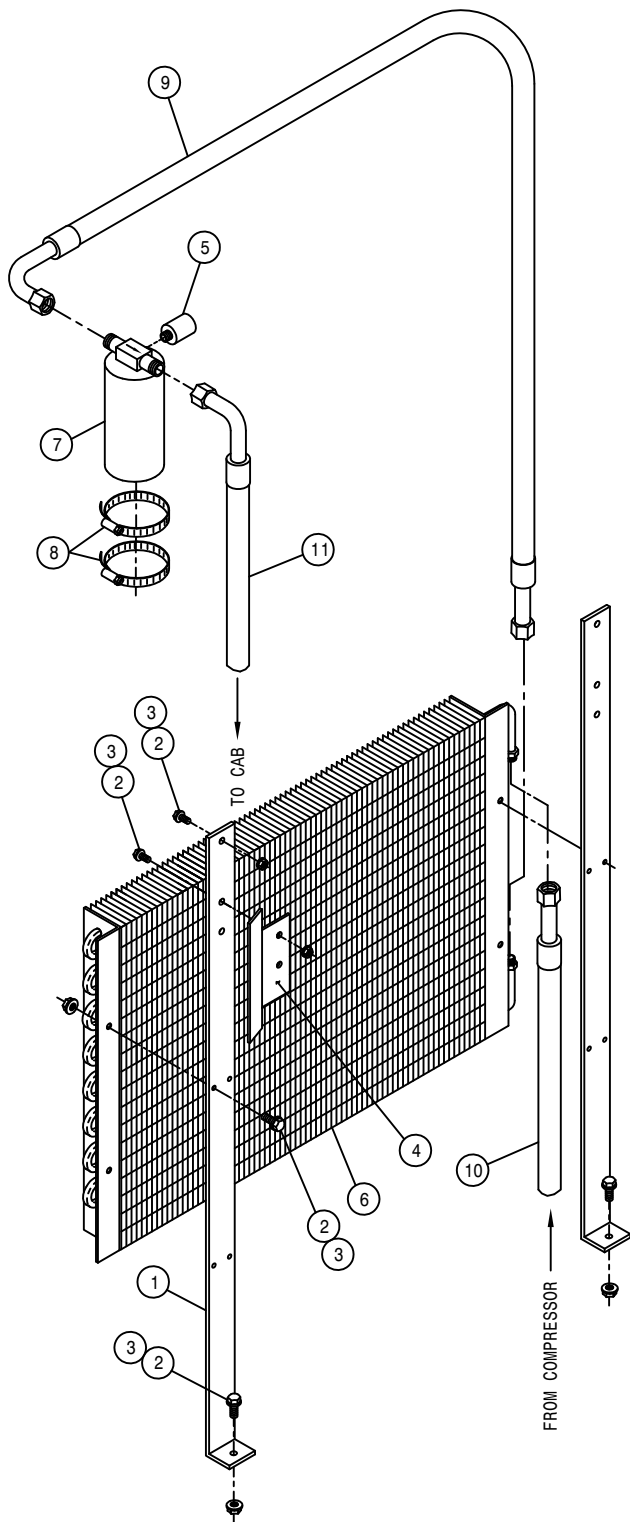
DET. QTY PART NO. DESCRIPTION

1	12	193028	PUSH-ON TRIM SEAL RS-130-FX
2	9	193044	WINDOW WEATHERSTRIP 94
3	9	193045	LOCK STRIP FOR 193044 94
4	1	342153	LH DOOR WLD, 284 CAB 94
5	2	342163	CAB DOOR LATCH SHIM, .06 94
6	1	342217	DOOR HANDLE, 254/284 CAB 94
7	6	470165	10-32 NUTSERT .020-.100 MATL
8	1	470219	CAB LOCK, LH #55
9	2	485052	POP RIVET 1/8 X 3/8
10	1	658015	FRONT SIDE CAB/DOOR GLASS 94
11	6	903710	10-32X5/8 PHIL PANHD MACH SCR
12	1	470221	GAS SPRING, 60LB 3.5 STROKE
13	2	910002	5/16UNC HEX NUT
14	2	920501	5/16 LOCK WASHER



CAB FOAM

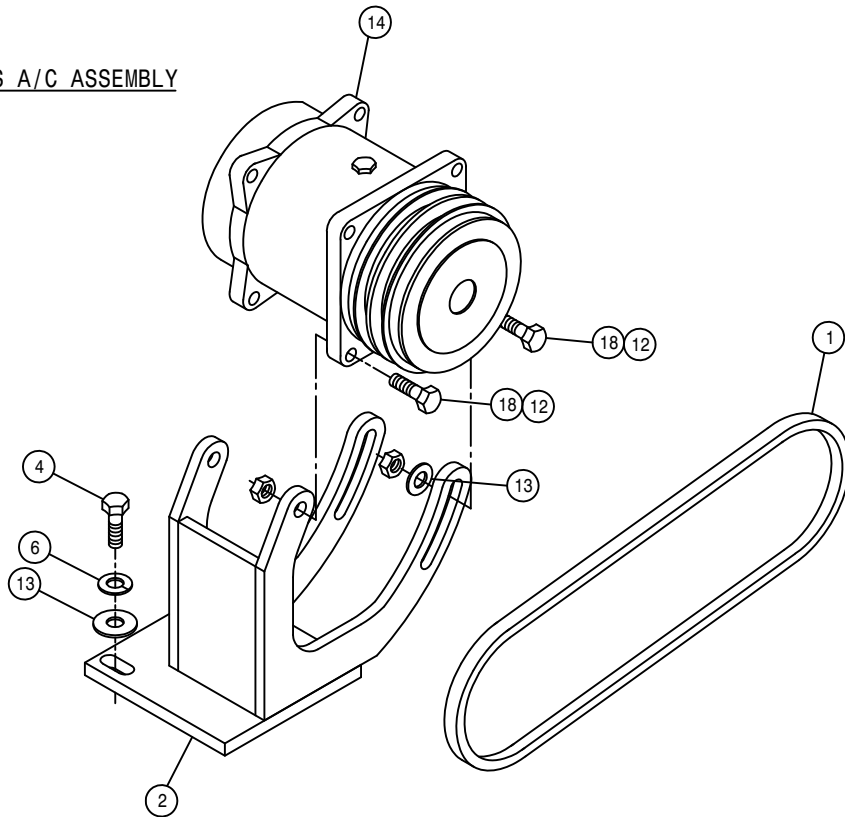
DET.	QTY	PART NO.	DESCRIPTION	
1	1	658301	VINYL POST COVER, RH FRONT	94
2	1	658302	VINYL POST COVER, LH FRONT	94
3	1	658303	VINYL POST COVER, RH REAR	94
4	1	658304	VINYL POST COVER, LH REAR	94
5	1	658305	VINYL SIDE PANEL, RH	94
6	1	658306	VINYL SIDE PANEL, RH UPPER	94
7	1	658307	VINYL SIDE PANEL, RH LOWER	94
8	1	658308	VINYL SIDE PANEL, LH UPPER	94
9	1	658309	VINYL SIDE PANEL, LH LOWER	94
10	1	658310	VINYL FRONT COVER PANEL	94
11	1	658311	VINYL REAR COVER PANEL	94
12	1	658315	CAB FLOORMAT 254/284	95
13	6	471101	DUAL LOCK, 1.00 X 1.00	SJ3542
14	6	471100	DUAL LOCK, 1.00 X 1.00	SJ3541



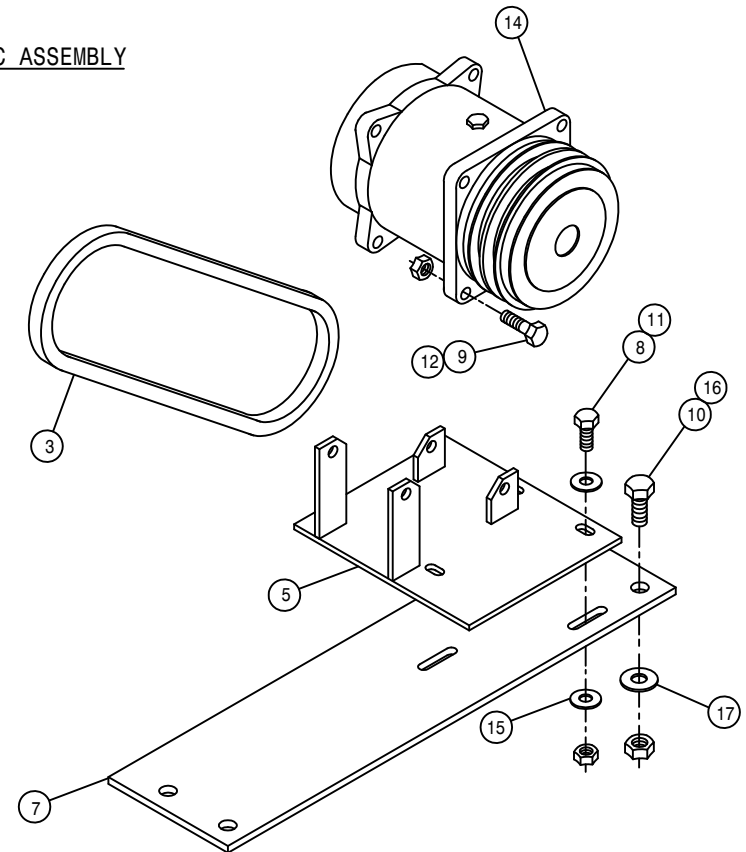
A/C CONDENSOR ASSEMBLY

DET.	QTY	PART NO.	DESCRIPTION	
	2	315036	CONDENSER MTG BRKT	99
	10	470118	1/4UNC X 3/4 FLANGE HEX BOLT	
	3	470121	1/4UNC HEX FLANGE LOCK NUT	
	4	315038	A/C DRIER MT, 204-254-284	99
	5	657422	A/C BINARY SWITCH	
	6	657423	A/C CONDENSER COIL 21-0324	
	7	657421	A/C RECEIVER/DRIER	
	8	520052	HOSE CLAMP NO 52 STAINLESS	
	9	657429	A/C HOSE ASSY, 5/16 X 44	
	10	657430	A/C HOSE ASSY, 13/32 X 80	
	11	657431	A/C HOSE ASSY, 5/16 X 173	

CUMMINS A/C ASSEMBLY

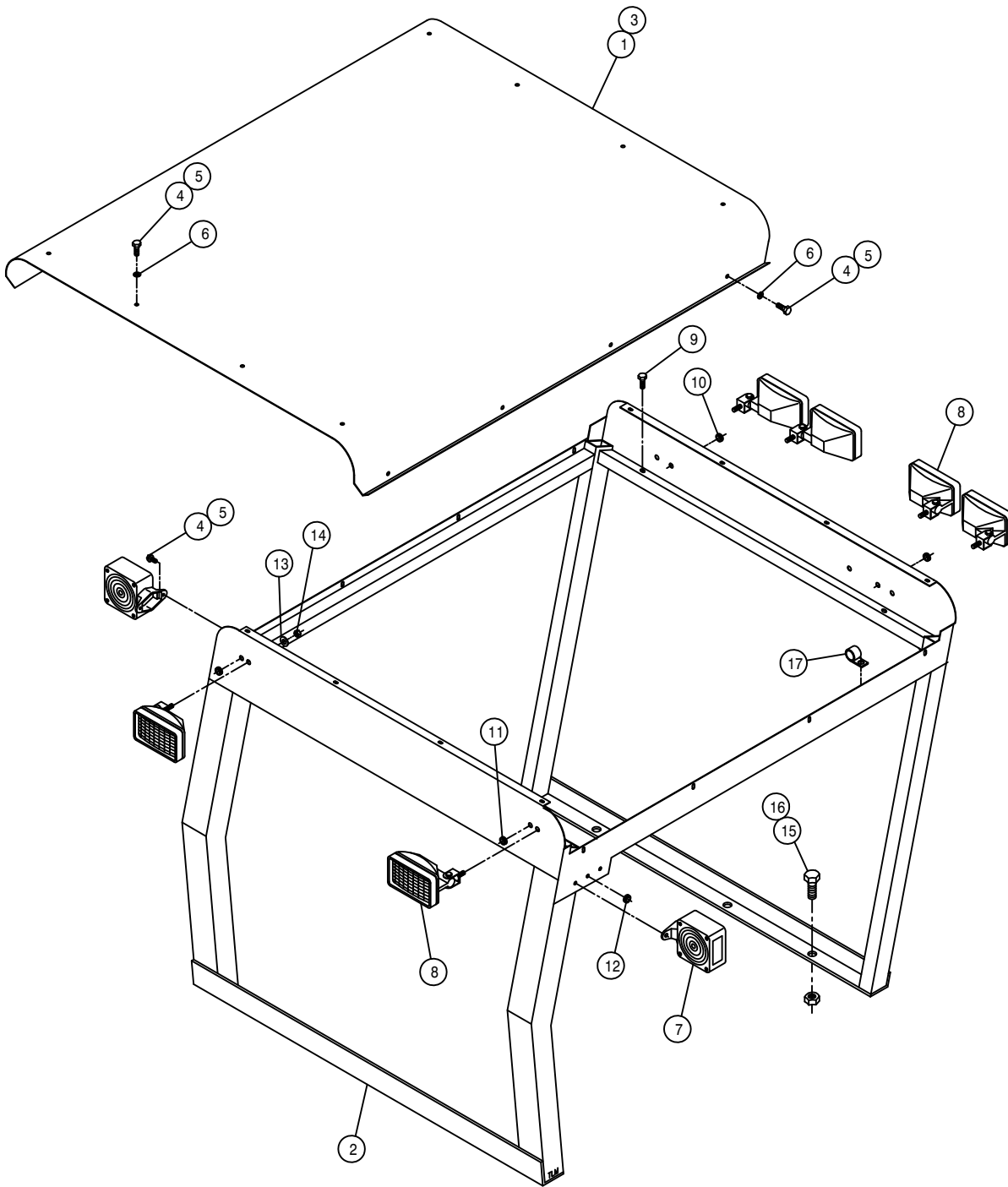


GMC A/C ASSEMBLY



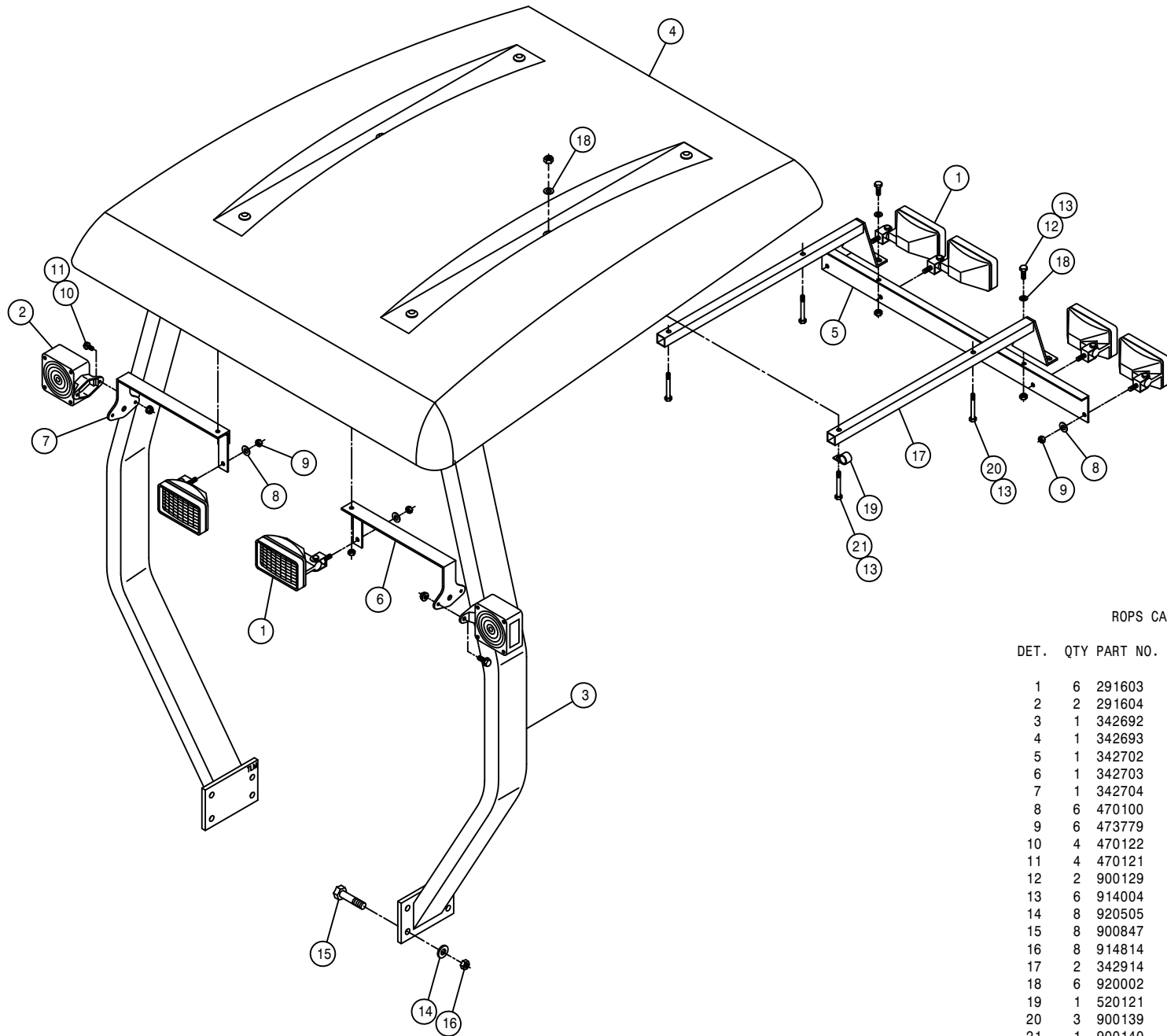
A/C COMPRESSOR PUMP ASSEMBLY

DET.	QTY	PART NO.	DESCRIPTION	
	1	147050	9455XL BELT, GATES	
	1	316314	A/C COMPRSR MT WLD, 284	98
	1	147023	7365 BELT	
	3	473792	10MM-1.50 X 30MM HEX BOLT	
	1	657383	A/C COMPRSR MT WLD, 204	GMC 99
	3	473798	10MM LOCK WASHER	
	1	342309	A/C COMPRSR MT PLT, 204	GMC 96
	3	900065	5/16UNC X 1" HEX BOLT	
	4	900130	3/8UNC X 1 1/4 HEX BOLT	
	4	900264	1/2UNC X 1 1/4 HEX BOLT	
	3	914002	5/16UNC HEX STOVER NUT	
	8	914004	3/8UNC HEX STOVER NUT	
	5	483043	3/8 REGULAR FLAT WASHER	
	2	657403	A/C COMPRSR, 180D PORTS	TM15/12
	6	920001	5/16 SAE FLAT WASHER	
	4	914008	1/2UNC HEX STOVER NUT	
	4	920004	1/2 SAE FLAT WASHER	
	4	900131	3/8UNC X 1 1/2 HEX BOLT	



CANOPY ASSEMBLY

DET.	QTY	PART NO.	DESCRIPTION	
	1	342151	CAB ROOF, 284	94
	1	342270	CANOPY WLD, 204	94
	1	658314	CANOPY ROOF FOAM, 204	94
	20	470122	1/4UNC X 1/2 FLANGE HEX BOLT	
	20	470121	1/4UNC HEX FLANGE LOCK NUT	
	16	470212	1/4 X 5/8 BONDED SEALING WASH	
	2	291604	TURN SIGNAL LIGHT, PED MT, YEL	
	6	291603	HALOGEN WORKLAMP, SIDE MT 12V	
	4	472349	1/4 X 3/4 20THD-IN TEK TYPE	
	2	470067	GROMMET, .250ID .125GW .375GD	
	2	470070	GROMMET, .375ID .062GW .500GD	
	2	470226	GROMMET, .156ID .062GW .250GD	
	6	470100	3/8 INT TOOTH LOCK WASHER	
	6	473779	10MM-1.50 HEX NUT	
	6	900264	1/2UNC X 1 1/4 HEX BOLT	
	6	914008	1/2UNC HEX STOVER NUT	
	6	520117	CUSH HOSE CLAMP 5/8D X 1/2W	



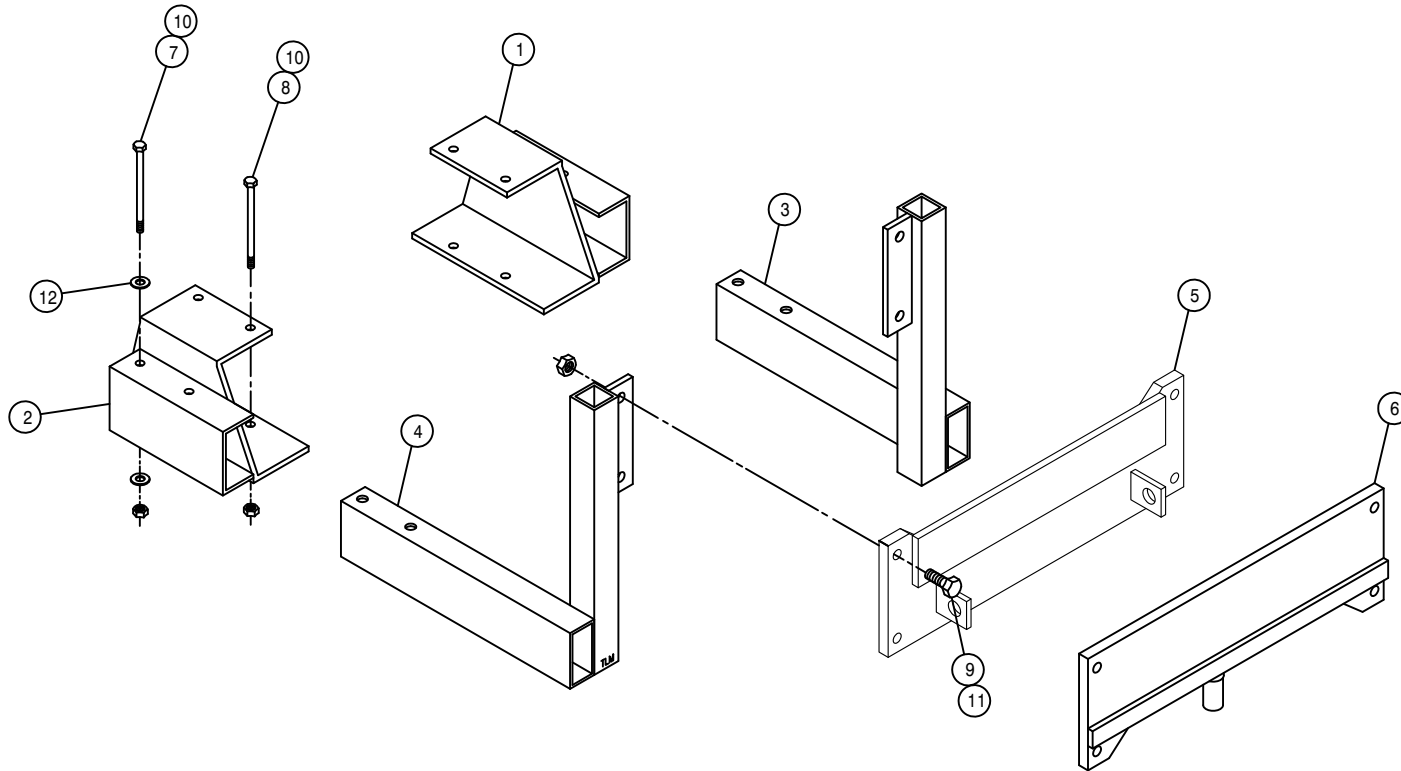
ROPS CANOPY ASSEMBLY

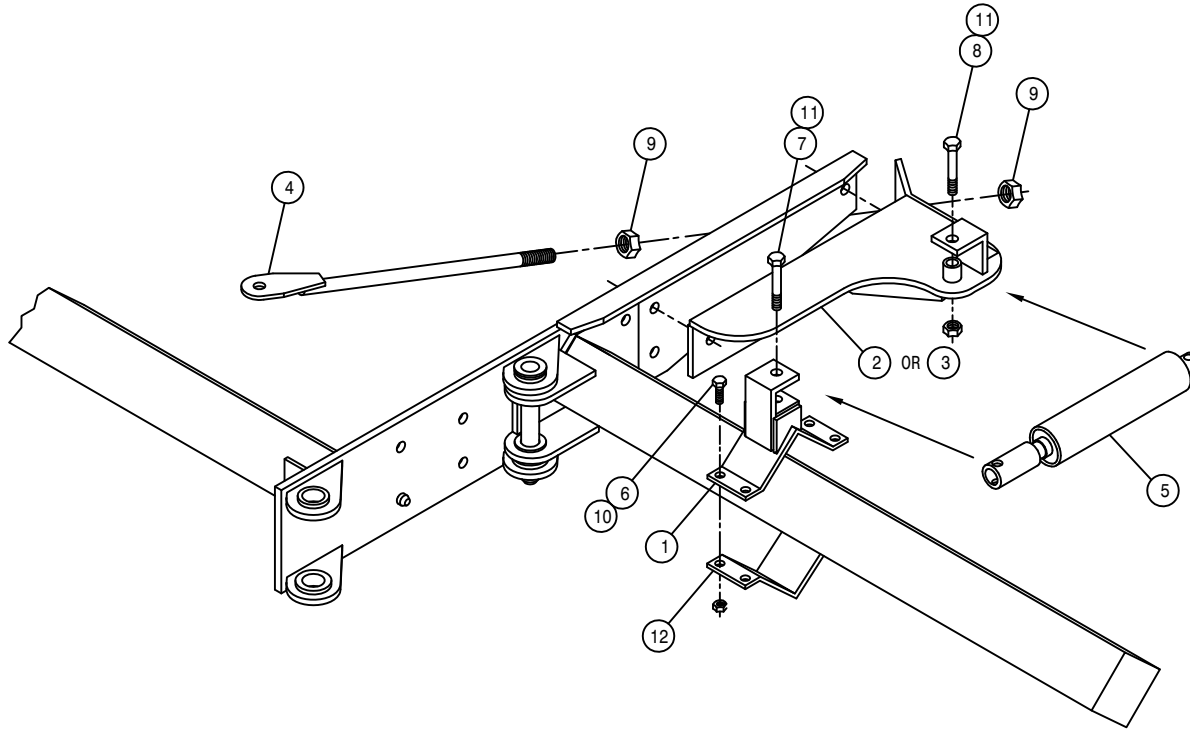
DET. QTY PART NO. DESCRIPTION

DET.	QTY	PART NO.	DESCRIPTION
1	6	291603	HALOGEN WORKLAMP, SIDE MT 12V
2	2	291604	TURN SIGNAL LIGHT, PED MT, YEL
3	1	342692	204 ROPS
4	1	342693	CANOPY FOR 204 ROPS (342692)
5	1	342702	HEADLIGHT MT, 204 ROPS 2000
6	1	342703	RH FLASHER MT WLD, 204ROPS 2000
7	1	342704	LH FLASHER MT WLD, 204ROPS 2000
8	6	470100	3/8 INT TOOTH LOCK WASHER
9	6	473779	10MM-1.50 HEX NUT
10	4	470122	1/4UNC X 1/2 FLANGE HEX BOLT
11	4	470121	1/4UNC HEX FLANGE LOCK NUT
12	2	900129	3/8UNC X 1" HEX BOLT
13	6	914004	3/8UNC HEX STOVER NUT
14	8	920505	5/8 LOCK WASHER
15	8	900847	5/8UNC X 4 1/2 HEX BOLT GR8
16	8	914814	5/8UNC HEX NUT GR8
17	2	342914	LIGHT SUPPORT WLD, ROPS
18	6	920002	3/8 SAE FLAT WASHER
19	1	520121	CUSH HOSE CLAMP 1IN X 3/4W
20	3	900139	3/8UNC X 3 3/4 HEX BOLT
21	1	900140	3/8UNC X 4" HEX BOLT

REAR WEIGHT BRACKET ASSEMBLY

DET.	QTY	PART NO.	DESCRIPTION
1	1	341980	RH REAR TOOL BAR MT WLD 2XX
2	1	341981	LH REAR TOOL BAR MT WLD 2XX
3	1	438575	RH WEIGHT MT BRKT WLD 96
4	1	438576	LH WEIGHT MT BRKT WLD 96
5	1	438660	IH 173MAG WEIGHT ADPT PLT WLD
6	1	438581	WEIGHT MT PLATE WLD,JD 204 96
7	4	900277	1/2UNC X 5 1/2 HEX BOLT
8	4	900281	1/2UNC X 7 1/2 HEX BOLT
9	4	900335	5/8UNC X 2" HEX BOLT
10	8	914008	1/2UNC HEX STOVER NUT
11	4	914010	5/8UNC HEX STOVER NUT
12	8	920004	1/2 SAE FLAT WASHER



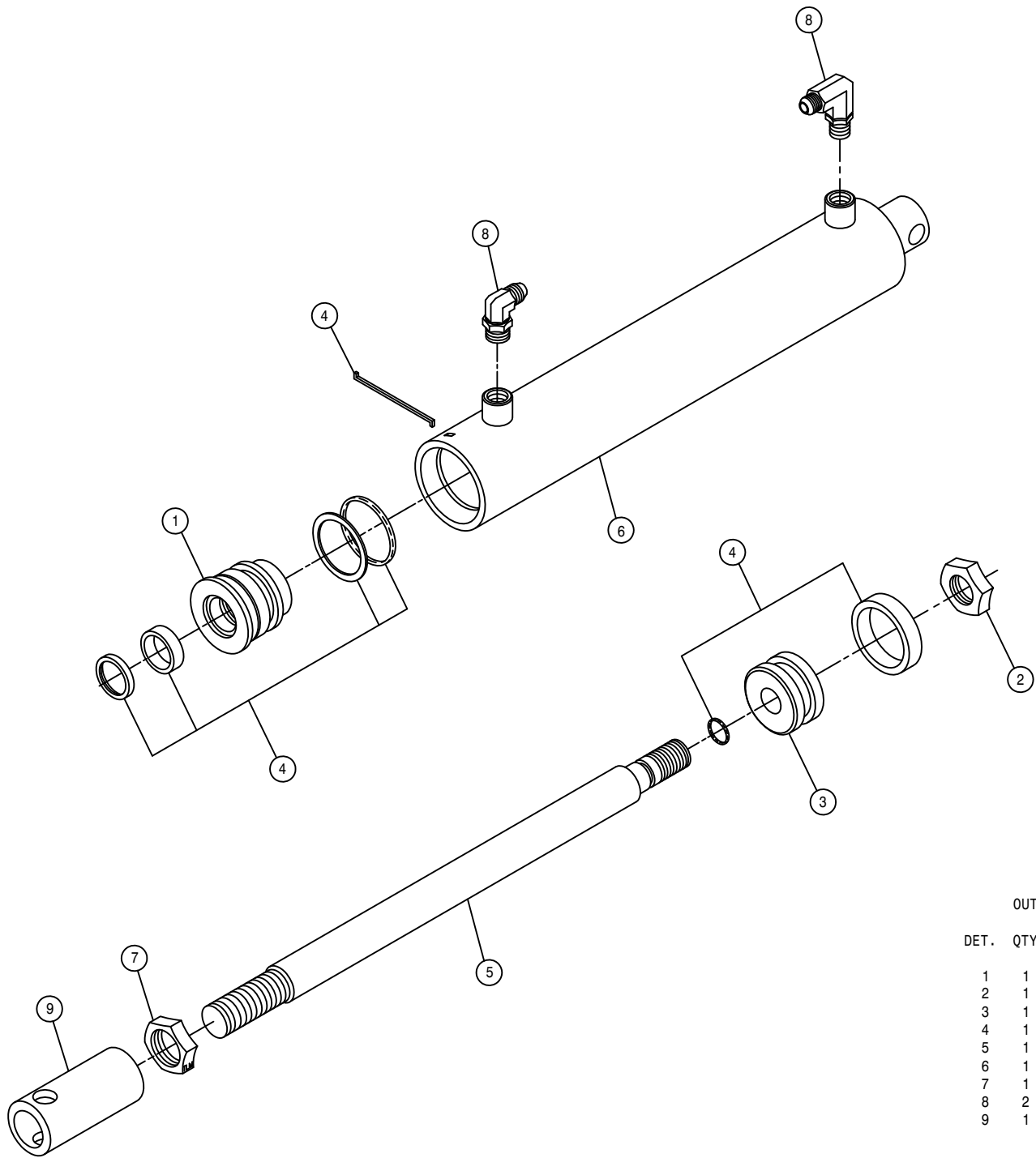


OUTRIGGER HYDRAULIC FOLD ASSEMBLY

DET. QTY PART NO. DESCRIPTION

1	2	438747	OUTRGR CYL MT WLD, 204/SP
2	1	438735	RH FOLD CYL MT WLD, 204/SP
3	1	438736	LH FOLD CYL MT WLD, 204/SP
4	2	438745	FOLD CYL MT SUPP ROD WLD204/SP
5	2	621014	OUTRGR FOLD CYL ASSY,2100COMBO
6	8	900265	1/2UNC X 1 1/2 HEX BOLT
7	2	900338	5/8UNC X 3" HEX BOLT
8	2	900341	5/8UNC X 3 3/4 HEX BOLT
9	4	910012	3/4UNC HEX NUT
10	8	914008	1/2UNC HEX STOVER NUT
11	4	914010	5/8UNC HEX STOVER NUT
12	1	438324	75IN OUTRGR BRACE CLAMP

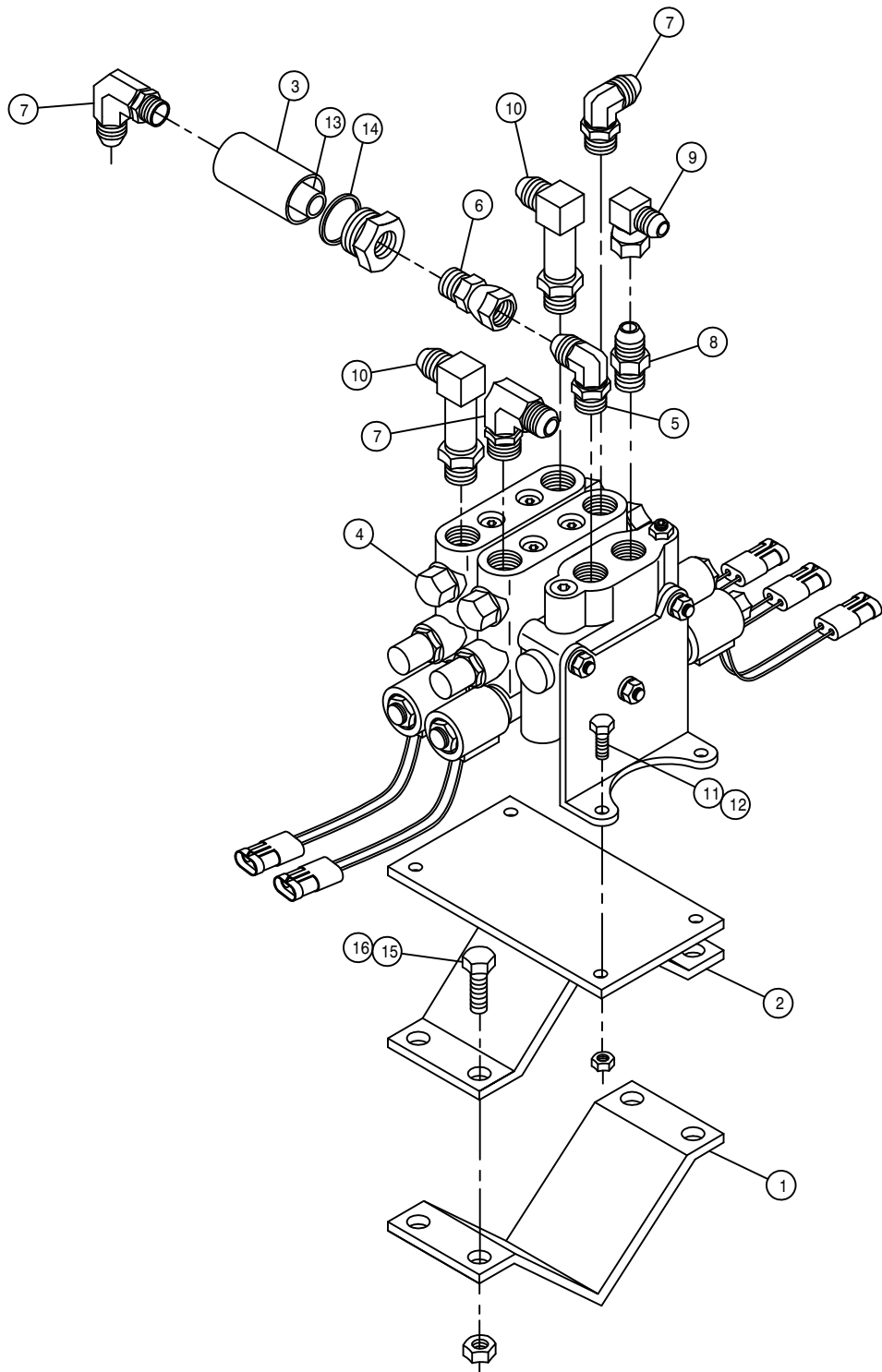
QUANTITY LISTED IS FOR ONE MACHINE.



OUTRIGGER FOLD CYLINDER ASSEMBLY

DET.	QTY	PART NO.	DESCRIPTION
	1	620744	HEAD, H-2.00-033
	1	620759	NUT, N-0.75-01
	1	620760	PISTON, P-2.00-008
	1	620780	REPAIR KIT, HYD CYL, RK-2.00-806
	1	620848	SHAFT, BOOM FOLD CYL 620845
	1	620849	BARREL, BOOM FOLD CYL 620845
	1	472322	7/8UNF HEX JAM NUT
	2	614747	.025 ELBOW ASSY, 9/16MOR 90D
	1	620653	FOLD CYL ADJ SLEEVE 97

NOTE: 1. 620845 - OUTRIGGER FOLD CYLINDER ASSEMBLY 1-6
 2. 621014 - OUTRIGGER FOLD CYLINDER ASSEMBLY WITH FITTINGS

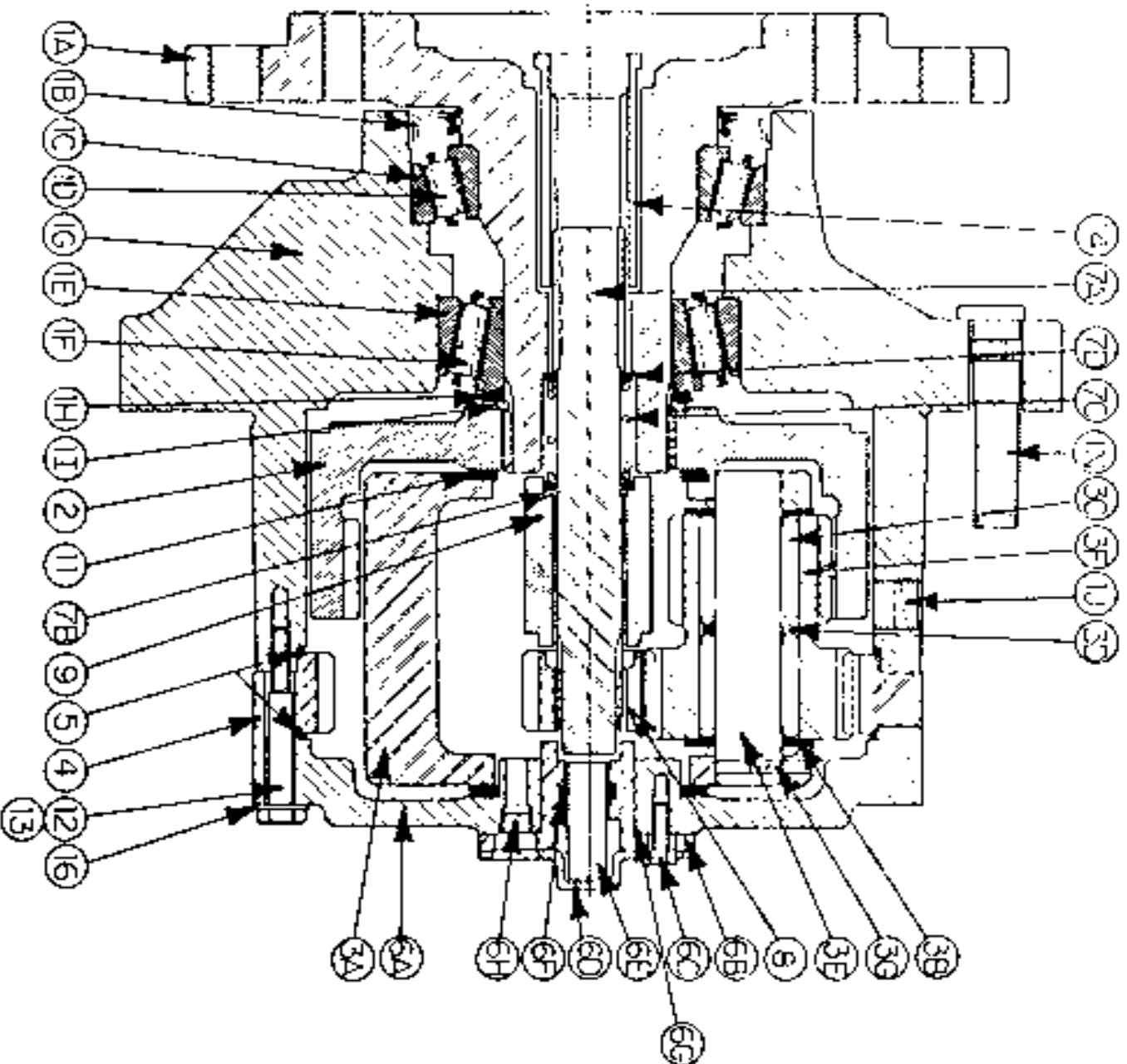


OUTRIGGER FOLD VALVE ASSEMBLY

DET. QTY PART NO. DESCRIPTION

1	1	438324	75IN OUTGR BRACE CLAMP
2	1	438724	OUTGR FOLD VLV MT WLD2100/STS
3	1	605610	HYD FILTER, INLINE 90M 3/4FOR
4	1	606090	BRAND HYD VALVE, 2-SECT SER 36
5	1	618183	3/4MJIC-90-7/8MOR LBO
6	1	618669	3/4FJIC SWIV-3/4MOR ADPTR
7	3	618115	9/16MJIC-90-3/4MOR LBO
8	1	618310	9/16MJIC-7/8MOR ADPTR
9	1	618618	9/16MJIC-90-9/16FJIC SWIV LBO
10	2	618709	9/16MJIC-90-3/4MOR EX LG LBO
11	4	900065	5/16UNC X 1" HEX BOLT
12	4	914002	5/16UNC HEX STOVER NUT
13	1	610459	90M FILTER & GASKET FOR610447
14	1	610462	GASKET FOR 610447 ARROW FILT
15	4	900265	1/2UNC X 1 1/2 HEX BOLT
16	4	914008	1/2UNC HEX STOVER NUT

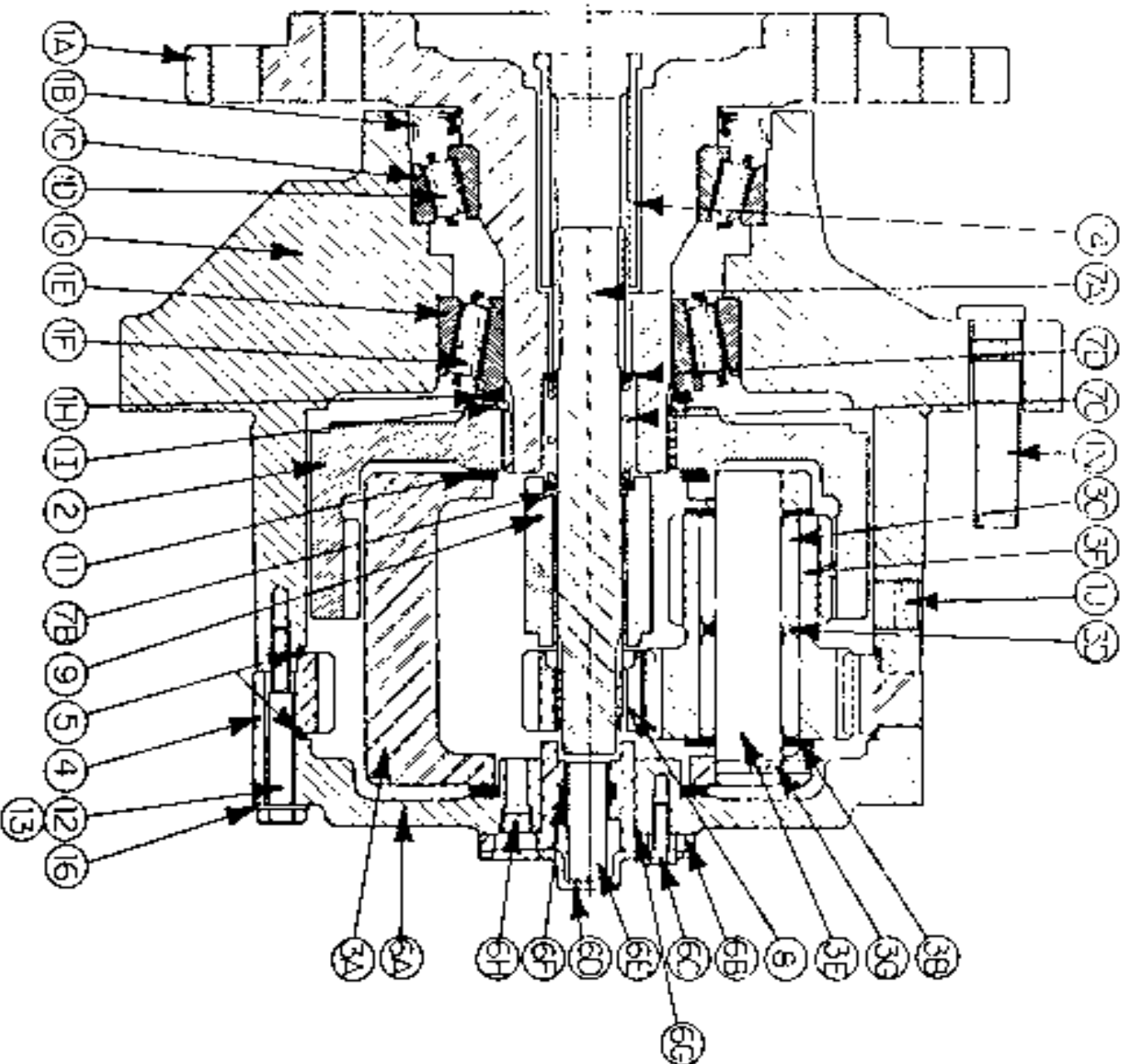
CROSS-SECTIONAL VIEW OF W1B TORQUE-HUB®



WHEEL DRIVE ASSEMBLY - 610660
W1BFFZ318

ITEMS	DESCRIPTION	PART NO.	QTY.
1	HUB-SPINDLE SUB-ASSEMBLY	-----	
1A	SPINDLE	610518	1
1B	SEAL	610519	1
1C	BEARING CUP	610520	1
1D	BEARING CONE	610521	1
1E	BEARING CUP	610907	1
1F	BEARING CONE	610908	1
1G	HUB	610522	1
1H	SPACER	610909	1
1I	RETAINER RING	610910	1
1J	PIPE PLUG	610147	2
1N	STUD	824054	9
2	INTERNAL GEAR	610148	1
3	CARRIER ASSEMBLY	610912	1
4	RING GEAR	610929	1
5	O-RING	610903	2
6	COVER ASSEMBLY	610155	1
6A	COVER	610149	1
6B	COVER CAP	610914	1
6C	BOLT	610150	4
6D	DISCONNECT CAP	610901	1
6E	DISCONNECT ROD	610915	1
6F	O-RING	610916	1
6G	O-RING	610917	1
6H	PIPE NIPPLE	610151	1
6I	ID PLATE	610152	1
7	INPUT SHAFT ASSEMBLY	610048	1
7A	INPUT SHAFT	610046	1
7B	RETAINING RING	610936	1
7C	SPRING	610145	1
7D	SPACER	610153	2
8	INPUT GEAR	610919	1
9	THRUST SPACER	610920	1
10	THRUST SPACER	610921	1
11	THRUST WASHER	610922	2
12	BOLT	610930	12
13	SHOULDER BOLT	610923	4
14	COUPLING	610037	1
16	FLAT WASHER	610049	16
NS	SEAL BOOT	610552	1

CROSS-SECTIONAL VIEW OF W1B TORQUE-HUB®



WHEEL DRIVE ASSEMBLY - 610663
 W1BFFZ324

ITEMS	DESCRIPTION	PART NO.	QTY.
1	HUB-SPINDLE SUB-ASSEMBLY	-----	
1A	SPINDLE	610518	1
1B	SEAL	610519	1
1C	BEARING CUP	610520	1
1D	BEARING CONE	610521	1
1E	BEARING CUP	610907	1
1F	BEARING CONE	610908	1
1G	HUB	610522	1
1H	SPACER	610909	1
1I	RETAINER RING	610910	1
1J	PIPE PLUG	610147	2
1N	STUD	824054	9
2	INTERNAL GEAR	610148	1
3	CARRIER ASSEMBLY	610933	1
4	RING GEAR	610937	1
5	O-RING	610903	2
6	COVER ASSEMBLY	610155	1
6A	COVER	610149	1
6B	COVER CAP	610914	1
6C	BOLT	610150	4
6D	DISCONNECT CAP	610901	1
6E	DISCONNECT ROD	610915	1
6F	O-RING	610916	1
6G	O-RING	610917	1
6H	PIPE NIPPLE	610151	1
6I	ID PLATE	610152	1
7	INPUT SHAFT ASSEMBLY	610048	1
7A	INPUT SHAFT	610046	1
7B	RETAINING RING	610936	1
7C	SPRING	610145	1
7D	SPACER	610153	2
8	INPUT GEAR	610919	1
9	THRUST SPACER	610920	1
10	THRUST SPACER	610921	1
11	THRUST WASHER	610922	2
12	BOLT	610930	12
13	SHOULDER BOLT	610923	4
14	COUPLING	610037	1
16	FLAT WASHER	610049	16
NS	SEAL BOOT	610552	1

NOTICE

The following page contains decals for the model 204.

These decals can be obtained from Hagie Mfg. Co. and should be used whenever your machine is repainted or when the decals become worn, weathered, or faded.

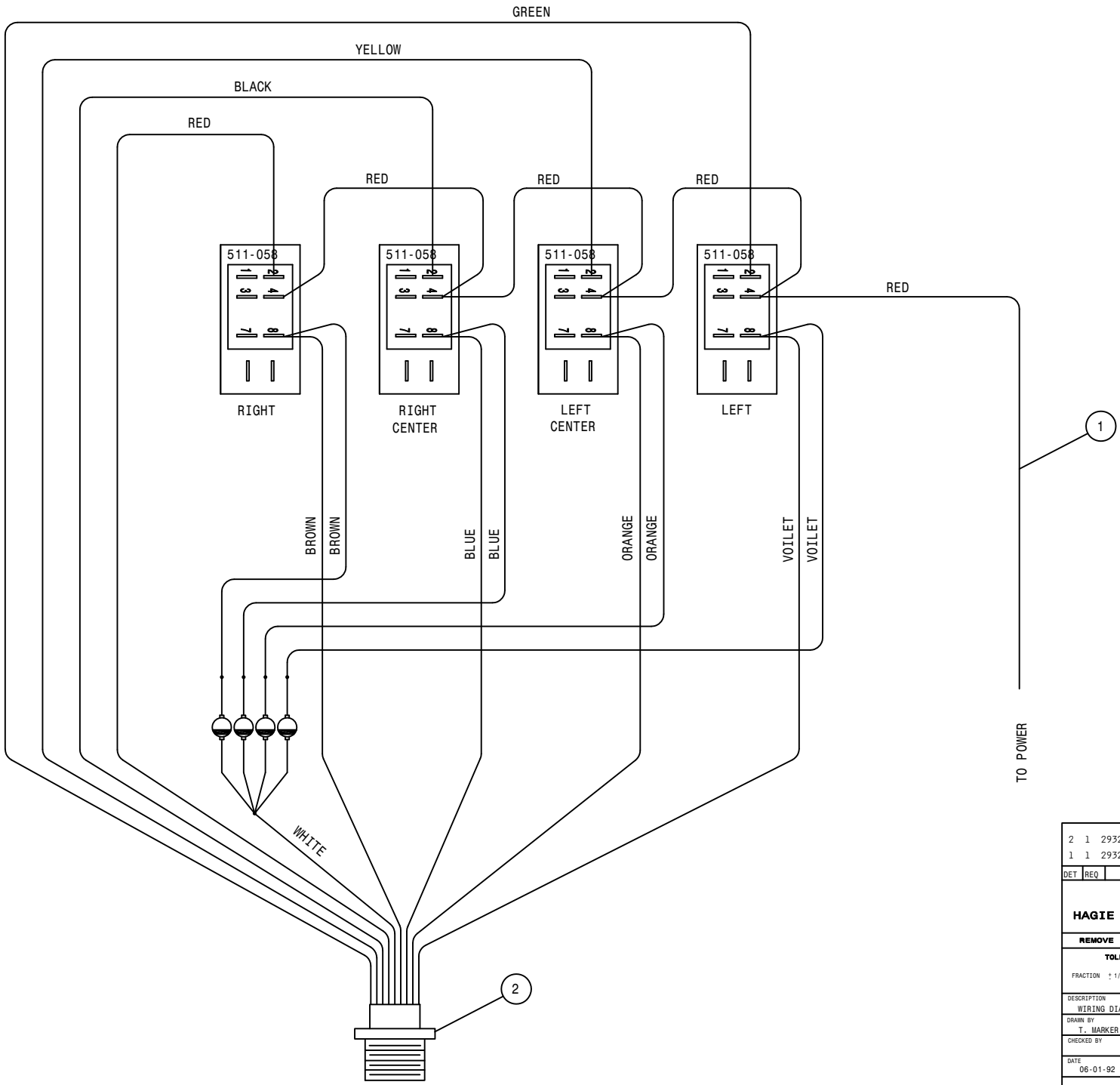
Special attention should be paid to decals involving personal safety. They have been attached for your protection.

KEEP THEM IN PLACE.

**Contact: Hagie Manufacturing Co.
Box 273
Clarion, Iowa 50525**

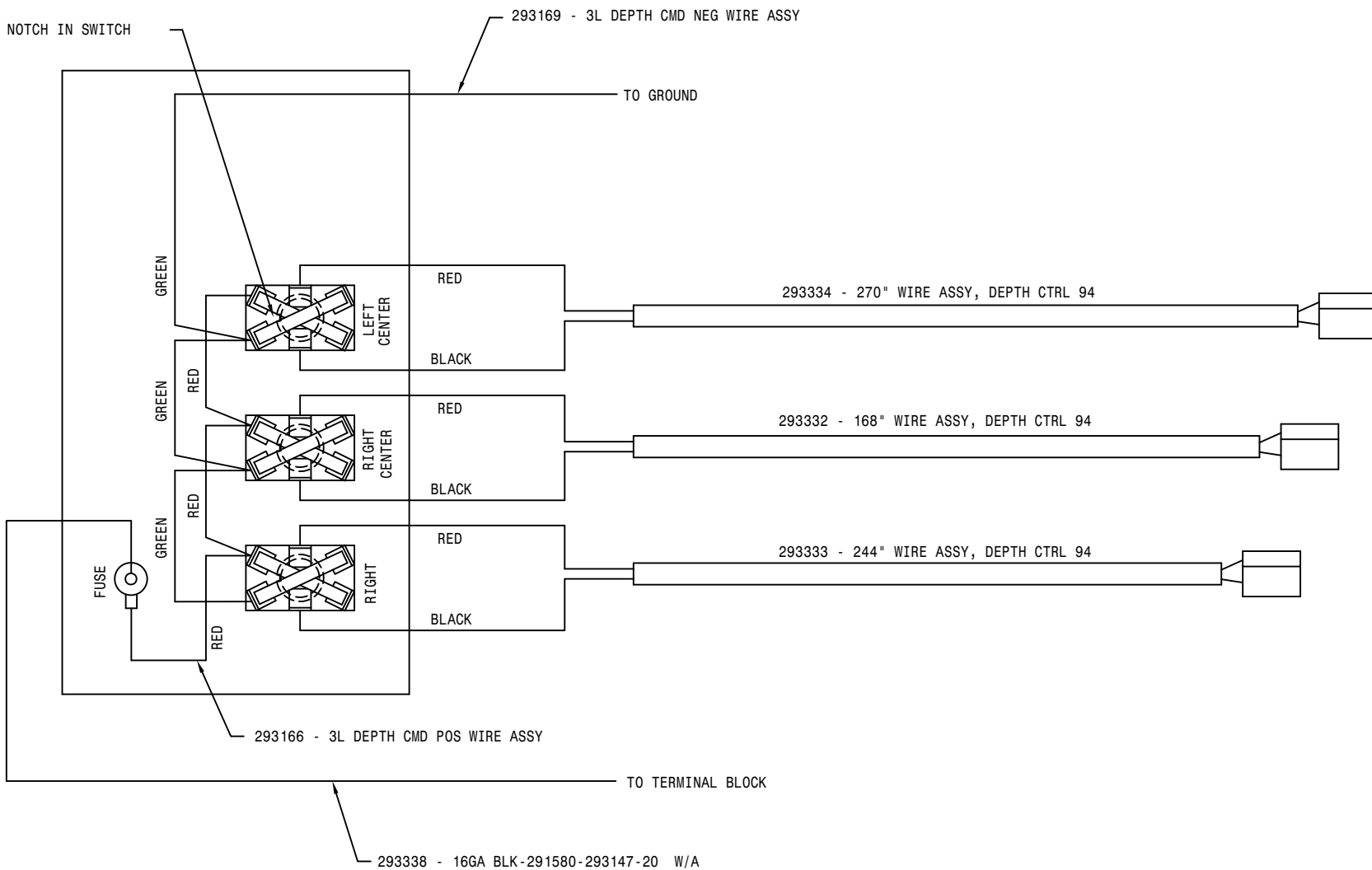
204 DECALS

QTY.	PART NO.	DESCRIPTION	LOCATION
1	650831	EMERGENCY STOP DECAL	ON CONSOLE SHEET METAL
1	650329	TRACTION VALVE DECAL	ON INSTRUMENT PANEL
2	650953	GASOLINE DECAL	NEAR EACH FUEL TANK NECK
1	650814	PARK BRAKE DECAL	NEAR PARK BRAKE
2	650819	DANGER, CUTTING BLADES	2-ON EACH CUTTER HEAD
1	650847	NO PASSENGER DECAL	ON FRONT OPERATOR STATION
2	650848	SLIP OR FALL DECAL	NEXT TO STEP ON EACH LEG RAIL
2	650849	ENGINE FUEL DECAL	NEAR EACH FUEL TANK NECK
4	650985	WHEEL BOLT TORQUE DECAL	ON EACH WHEEL RIM
2	650851	SHIELDS DECAL	ON SIDE OF TOP ENGINE COVER
1	650852	READ MANUAL DECAL	ON FRONT OPERATOR STATION
1	650981	COOLING SYSTEM DECAL	NEAR RADIATOR CAP
1	650982	ELECTRICAL DECAL	RIGHT HAND SIDE OF OIL TANK
3	650931	HAGIE DECAL 1 3/4 X 4	1 - ON EACH TASSEL DEFLECTOR 1 - ON EACH QUAD PULLER
4	650820	CAUTION MOVING PARTS DECAL	2 - EACH TASSEL DEFLECTOR 1 - ON EACH QUAD PULLER 1 - ON EACH TIRE PULLER
2	650954	DIESEL DECAL	NEAR EACH FUEL TANK NECK
1	650321	DECAL SET, HAGIE 204 STRIPE	ON EACH ENGINE HOOD
1	650319	DECAL, NOTICE LEG CYL OIL	ON TOP LH FRT LEG
1	650308	LEFT L-CTR R-CTR RIGHT DECAL	DEPTH COMMAND SWITCH BOX
1	650340	PARK BRAKE DECAL	ON CONSOLE COVER
1	650368	CONSOLE COVER DECAL	ON CONSOLE COVER
1	650881	CHOKE DECAL	ON CONSOLE COVER
1	650339	WARNING, HYD OIL INJ DECAL	ON FRONT OPERATOR STATION
1	650338	DEPTH CMD 6-LIFT DECAL	DEPTH COMMAND SWITCH BOX
1	650320	EMERGENCY EXIT DECAL	RIGHT SIDE CAB GALSS
1	650367	AIR FILTER INSTRUCTION DECAL	ON ENGINE AIR FILTER END CAP
1	650347	NOTICE-R134A CHARGE DECAL	NEXT TO A/C COMPRESSOR
1	650303	CUTTER ROTATION DECAL	ON FRONT OPERATOR STATION



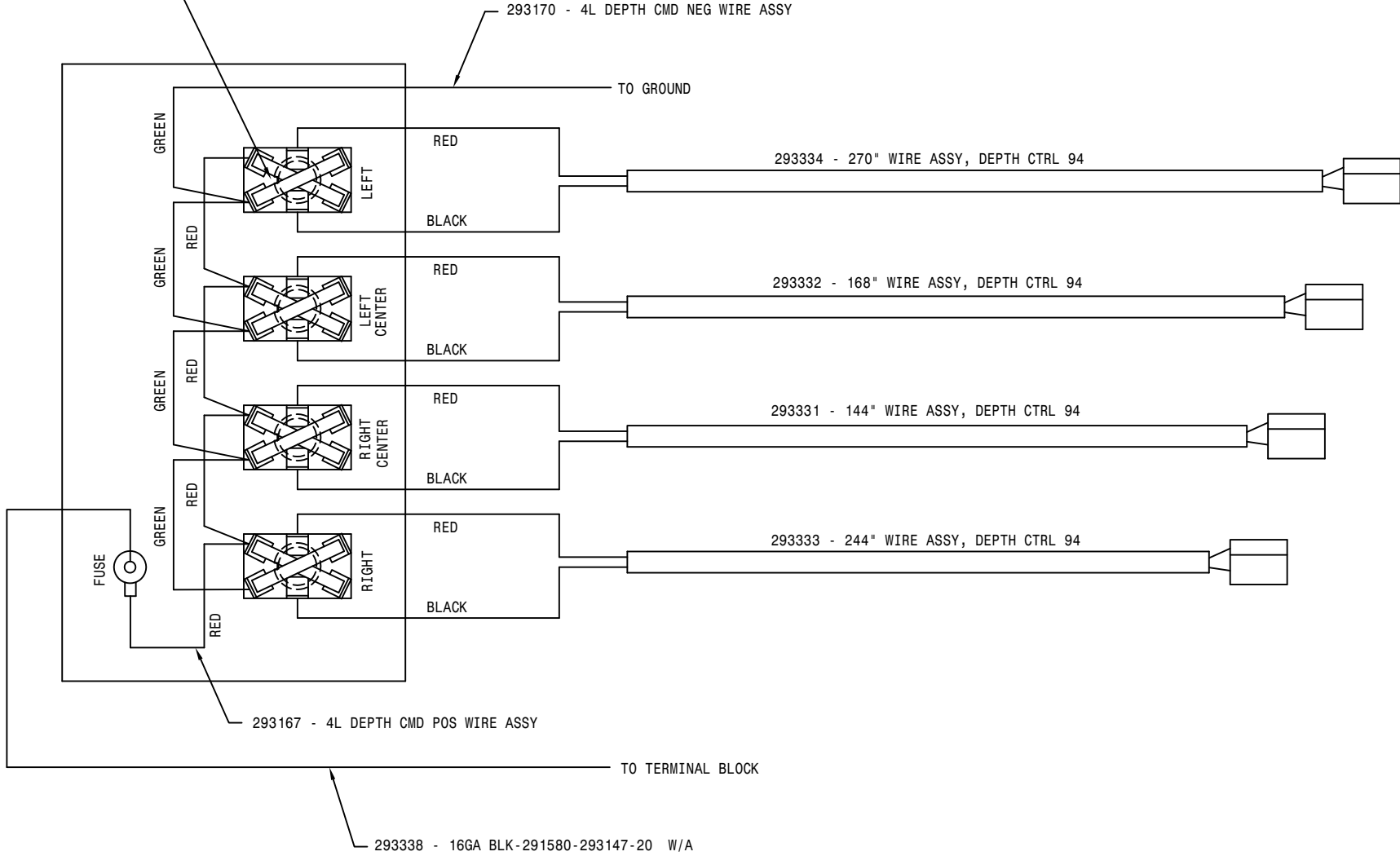
2	1	293248	MANUAL LS SYS SW HARNESS
1	1	293249	MANUAL LS SYS PWR WIRE ASSY
DET	REQ	DESCRIPTION	
HAGIE			
HAGIE MANUFACTURING COMPANY			
CLARION, IOWA 50525			
REMOVE ALL SHARP CORNERS & BURRS			
TOLERANCE UNLESS OTHERWISE SPECIFIED			
FRACTION	1/32	DECIMALS	X.XX 1/32 X.XXX 1/64
ANGLES	1°		
DESCRIPTION			
WIRING DIAG. MANUAL LS SYS SW			
DRAWN BY		SCALE	
T. MARKER		NONE (1)	
CHECKED BY		APPROVED BY	
DATE	DRAWING NUMBER		
06-01-92	498414		
SHEET	OF		

NOTE: NOTCH IN SWITCH

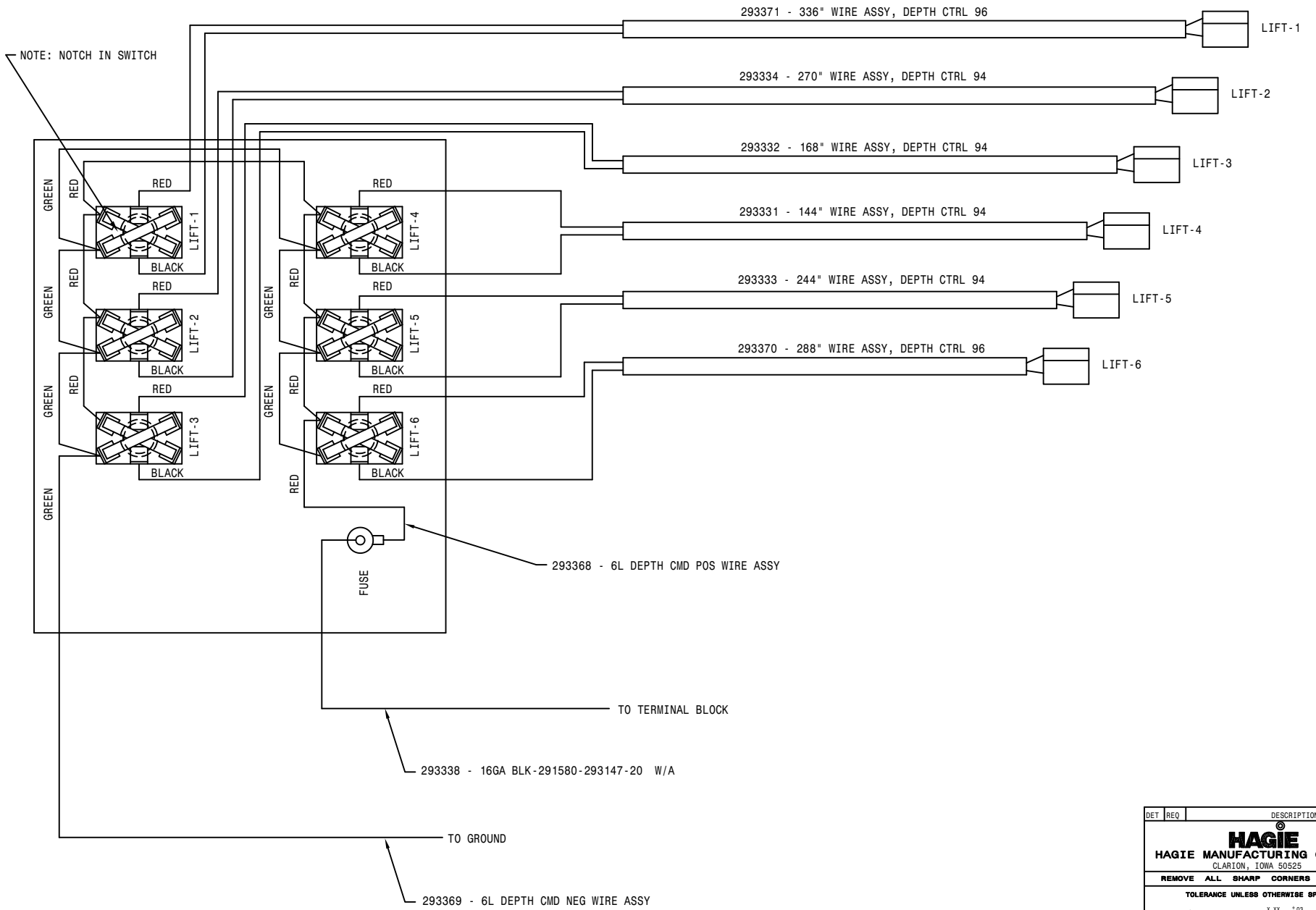


DET	REQ	DESCRIPTION			
 HAGIE MANUFACTURING COMPANY CLARION, IOWA 50525					
REMOVE ALL SHARP CORNERS & BURRS					
TOLERANCE UNLESS OTHERWISE SPECIFIED					
FRACTION	± 1/32	DECIMALS	X.XX ±.03 X.XXX ±.005	ANGLES	± *
DESCRIPTION					
WIRE DIAG, 3-LIFT DEPTH CMD 94					
DRAWN BY		SCALE			
T. MARKER		NONE			
CHECKED BY		APPROVED BY			
DATE		DRAWING NUMBER			
03-29-94		498451			
SHEET OF					

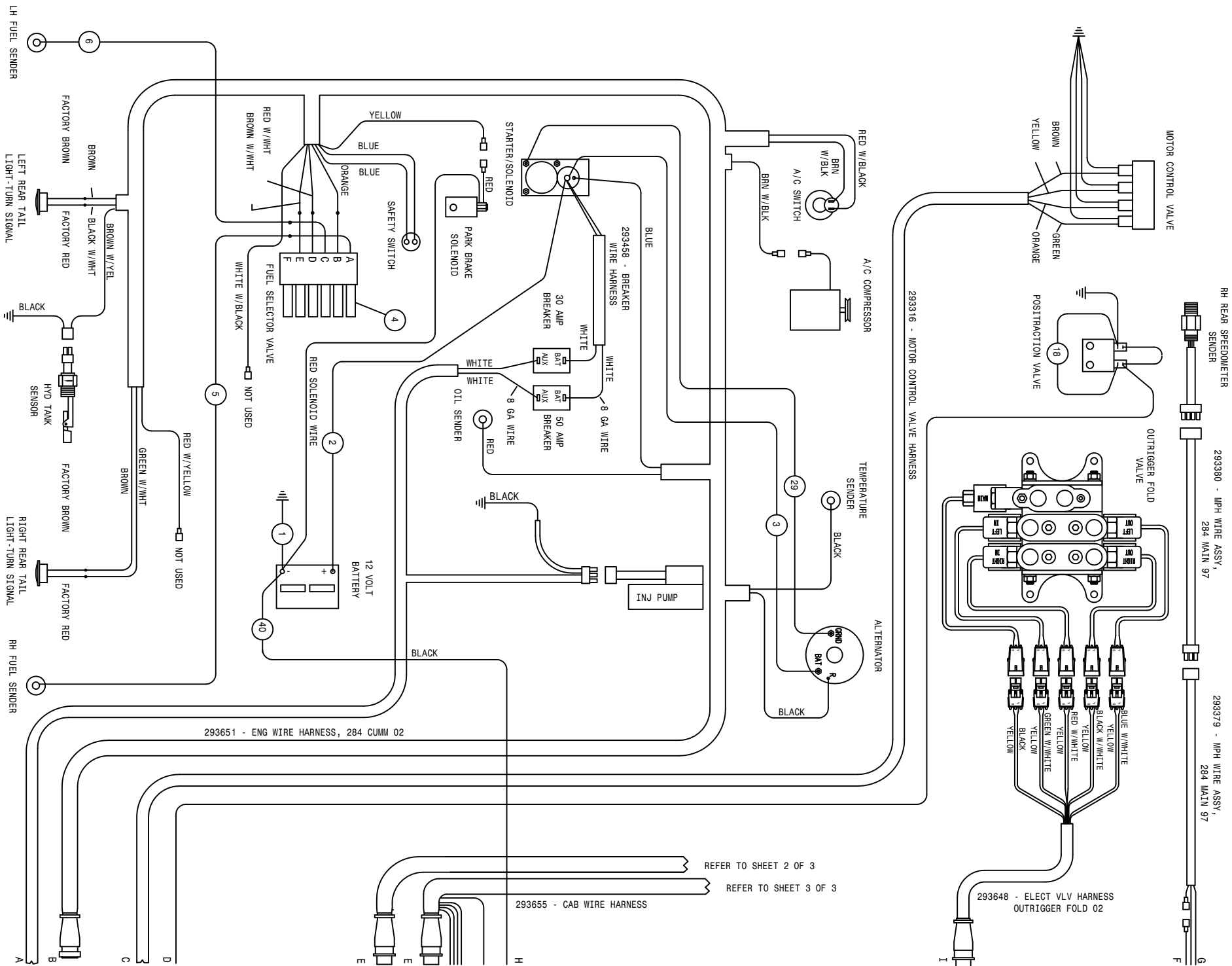
NOTE: NOTCH IN SWITCH

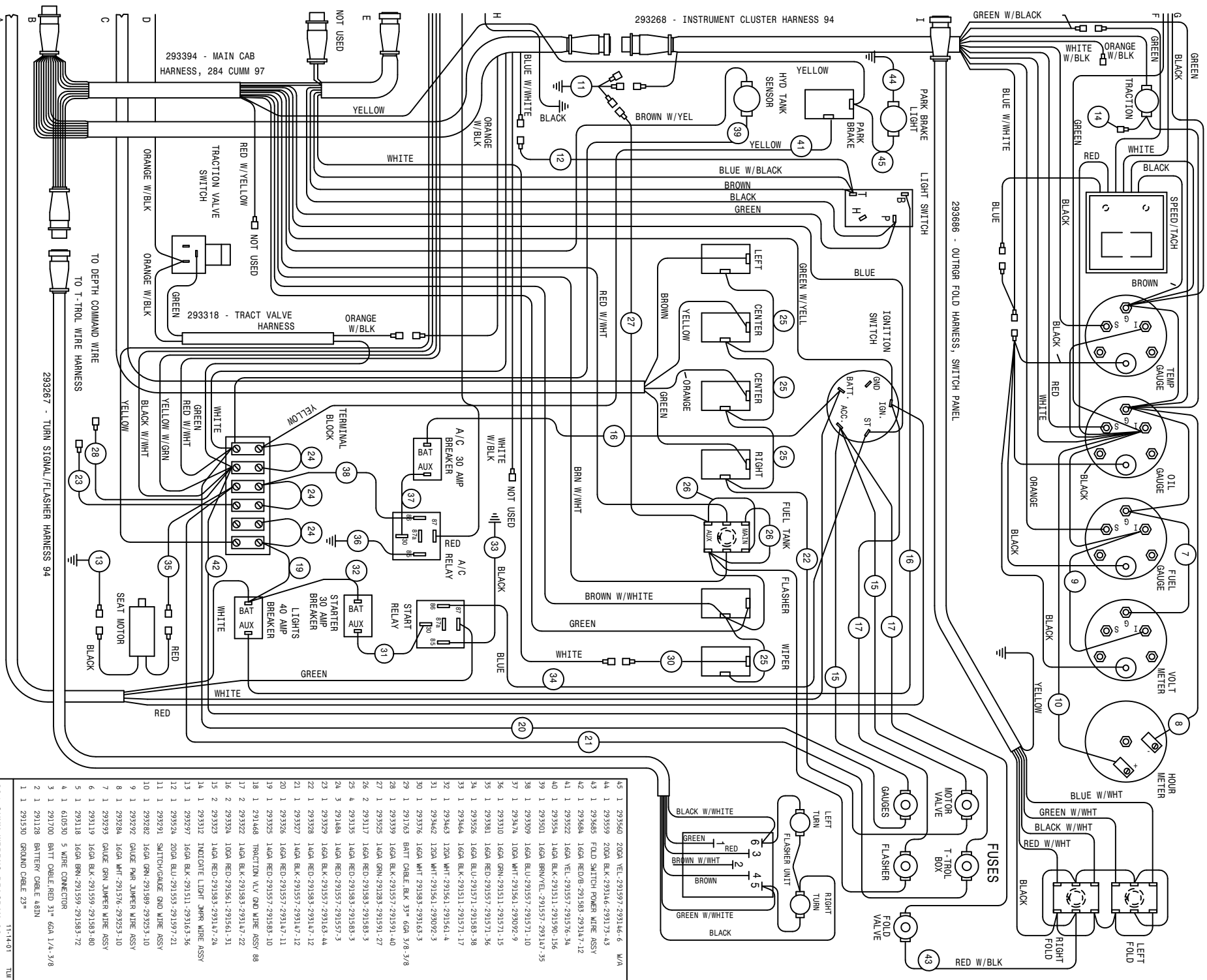


DET	REQ	DESCRIPTION		
HAGIE HAGIE MANUFACTURING COMPANY CLARION, IOWA 50525				
REMOVE ALL SHARP CORNERS & BURRS TOLERANCE UNLESS OTHERWISE SPECIFIED				
FRACTION	1/32	DECIMALS	X.XX X.XXX	ANGLES ° 03 ° 005
DESCRIPTION				
WIRE DIAG, 4-LIFT DEPTH CMD 94				
DRAWN BY		SCALE		
T. MARKER		NONE		
CHECKED BY		APPROVED BY		
DATE		DRAWING NUMBER		
03-29-94		498452		
SHEET OF				



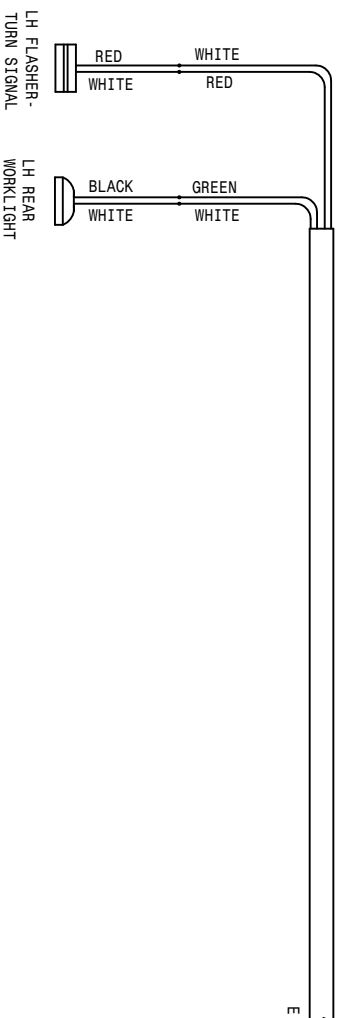
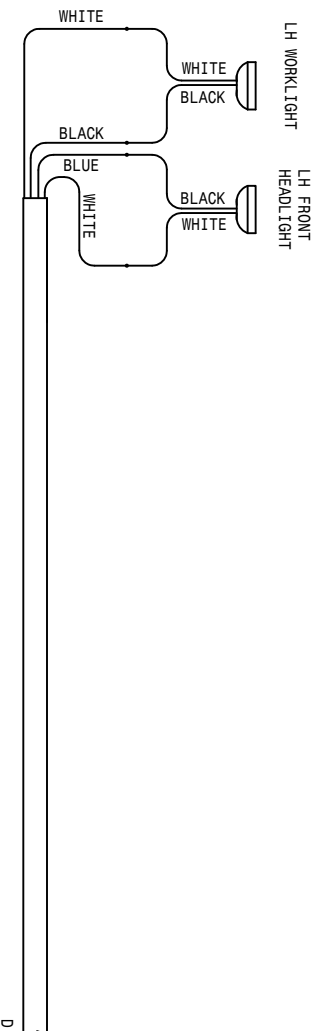
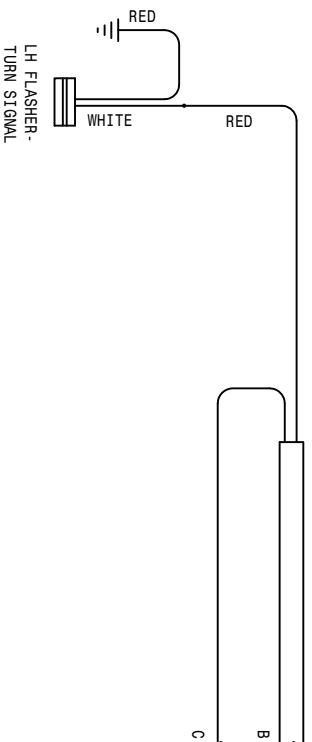
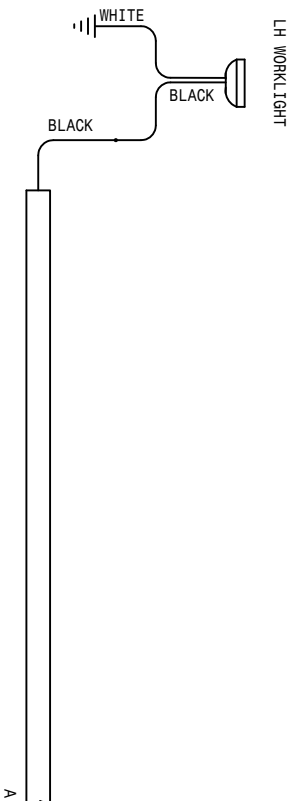
DET	REQ	DESCRIPTION
HAGIE HAGIE MANUFACTURING COMPANY CLARION, IOWA 50525		
REMOVE ALL SHARP CORNERS & BURRS		
TOLERANCE UNLESS OTHERWISE SPECIFIED		
FRACTION	1/32	DECIMALS
		X.XX ±.03
		X.XXX ±.005
ANGLES	1°	
DESCRIPTION		
WIRE DIAG, 6-LIFT DEPTH CMD 96		
DRAWN BY	T. MARKER	SCALE
CHECKED BY		NONE (1)
DATE	02-26-96	DRAWING NUMBER
SHEET	OF	498479



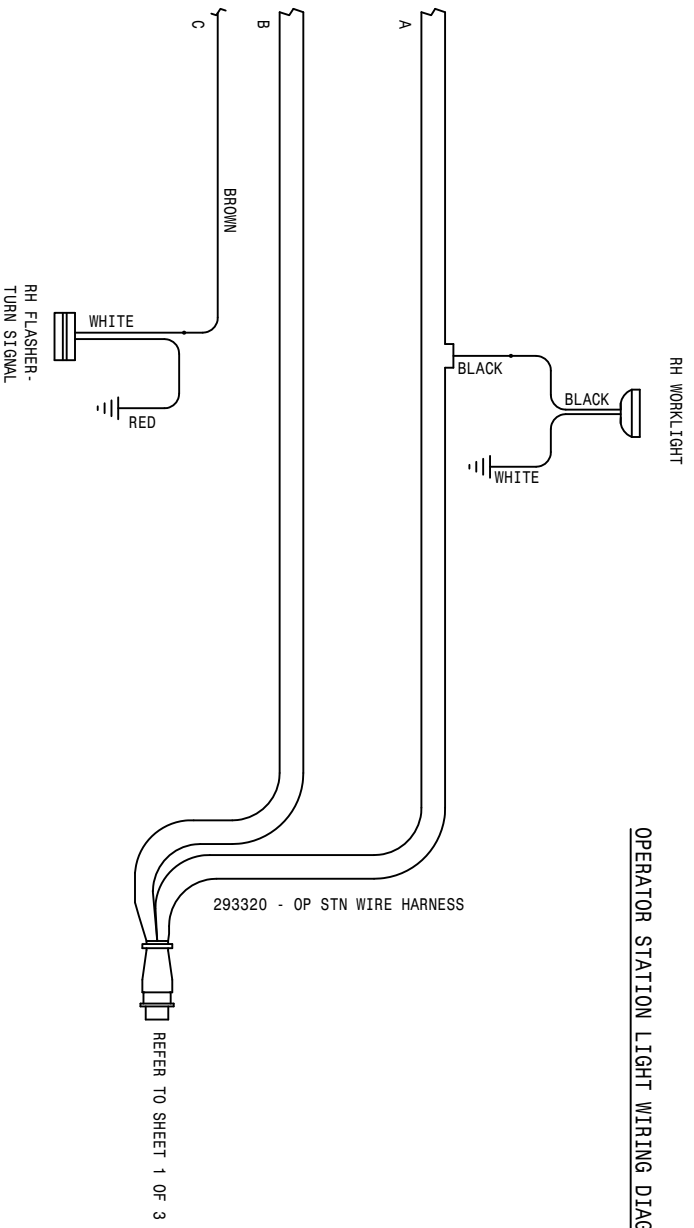


43	1	293560	20GA. VEL.-291597-293146-6	W/A
44	1	293559	20GA. BLK.-293146-293173-43	
45	1	293465	FOLD SWITCH POWER WIRE ASSY	
42	1	293464	16GA. RED/B.-291583-293147-12	
41	1	293522	16GA. VEL.-291557-291576-34	
40	1	293554	16GA. BLK.-291531-291590-136	
39	1	293501	16GA. BRN/VEL.-291557-293147-35	
38	1	293309	16GA. BLU.-291557-291571-10	
37	1	293474	10GA. WHT.-291561-293092-9	
36	1	293310	16GA. GRN.-291511-291571-15	
35	1	293381	16GA. RED.-291557-291571-36	
34	1	293559	16GA. BLU.-291557-291583-38	
33	1	293464	16GA. BLK.-291531-291571-17	
32	1	293463	12GA. WHT.-291561-291561-4	
31	1	293462	12GA. WHT.-291561-293092-3	
30	1	293376	16GA. WHT.-291583-293163-3	
29	1	291763	BATT. CABLE, BLK. 33' 6GA. 3/8-3/8	
28	1	293359	16GA. GRN.-291583-291591-40	
27	1	293555	16GA. GRN.-291583-291591-27	
26	2	293117	16GA. RED.-291583-291583-3	
25	4	293355	16GA. RED.-291583-291583-3	
24	3	293484	16GA. RED.-291557-291557-3	
23	1	293359	16GA. BLK.-291557-293163-44	
22	1	293358	16GA. RED.-291583-293147-12	
21	1	293357	16GA. BLK.-291557-293147-12	
20	1	293356	16GA. RED.-291557-293147-11	
19	1	293325	16GA. RED.-291557-291583-10	
18	1	291468	TRACTON. VLV. GND WIRE ASSY 88	
17	2	293324	16GA. BLK.-291561-291561-31	
16	2	293324	16GA. RED.-291561-291561-31	
15	2	293325	16GA. RED.-291583-293147-24	
14	1	293312	INDICATE LIGHT 3MR WIRE ASSY	
13	1	293297	16GA. BLK.-291511-293163-36	
12	1	293296	20GA. BLU.-291557-291597-21	
11	1	293291	SMITH/GAUGE GND WIRE ASSY	
10	1	293282	16GA. GRN.-291589-293253-10	
9	1	293292	GAUGE FMR JUMPER WIRE ASSY	
8	1	293284	16GA. WHT.-291576-29253-10	
7	1	293293	GAUGE GRN. JUMPER WIRE ASSY	
6	1	293119	16GA. BLK.-291559-291583-80	
5	1	293118	16GA. BRN.-291583-291583-72	
4	1	610530	5 WIRE CONNECTOR	
3	1	291700	BATT. CABLE, RED 31' 6GA. 1/4-3/8	
2	1	291128	BATTERY CABLE 48IN	
1	1	291530	GROUND CABLE 23"	

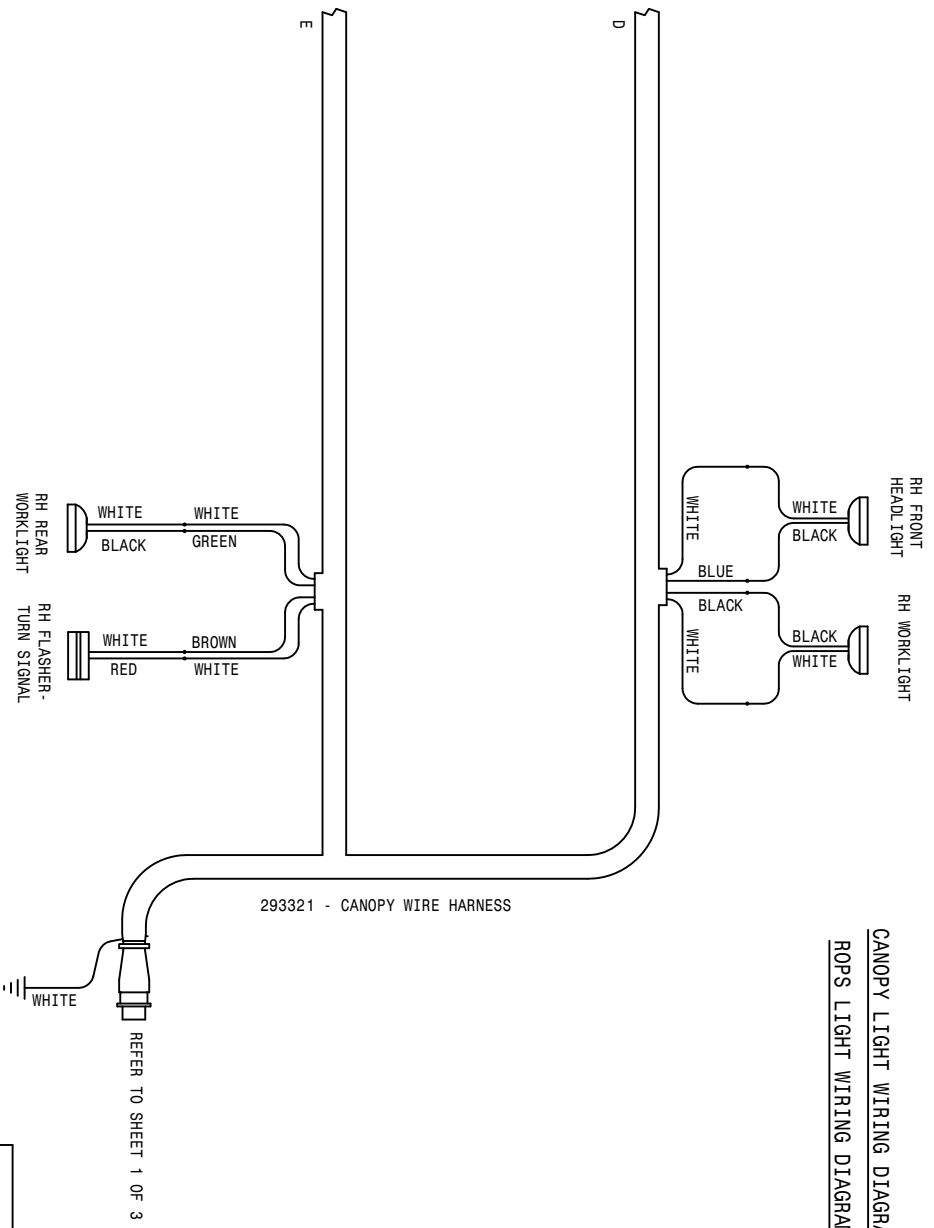
204 CUMM WIRING DIAGRAM 02
 SHEET 1 OF 3
 REVISION DATE: 06-19-02
 498680
 11-14-01 TUL



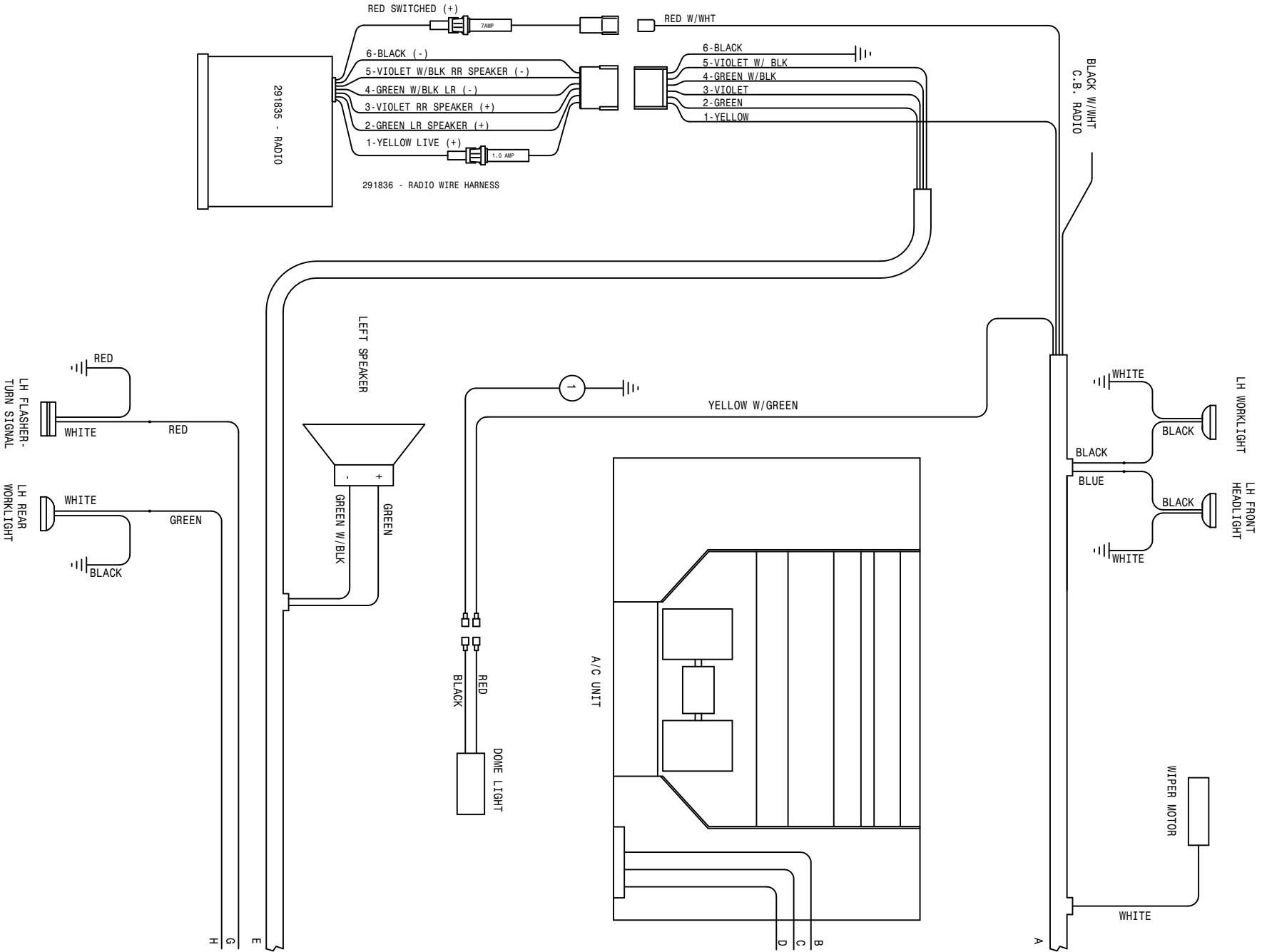
OPERATOR STATION LIGHT WIRING DIAGRAM

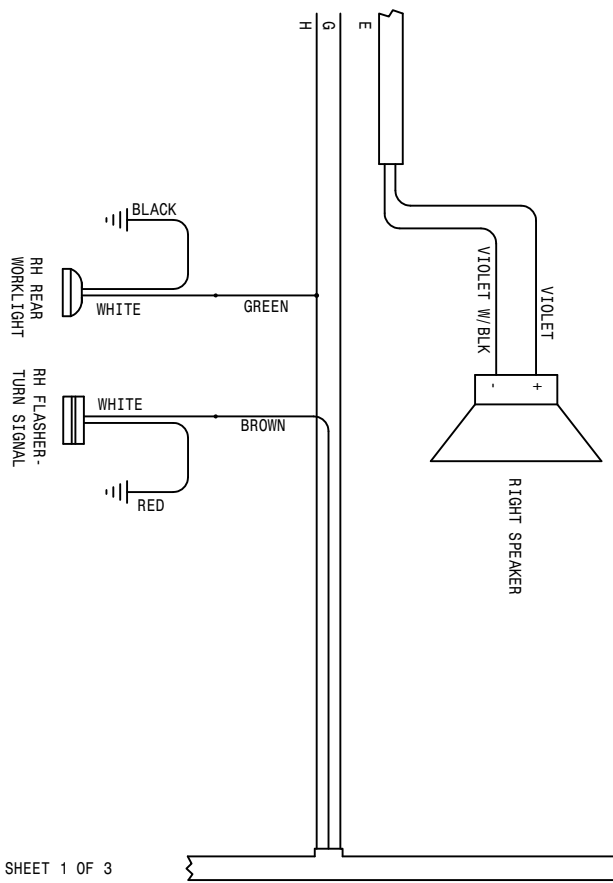
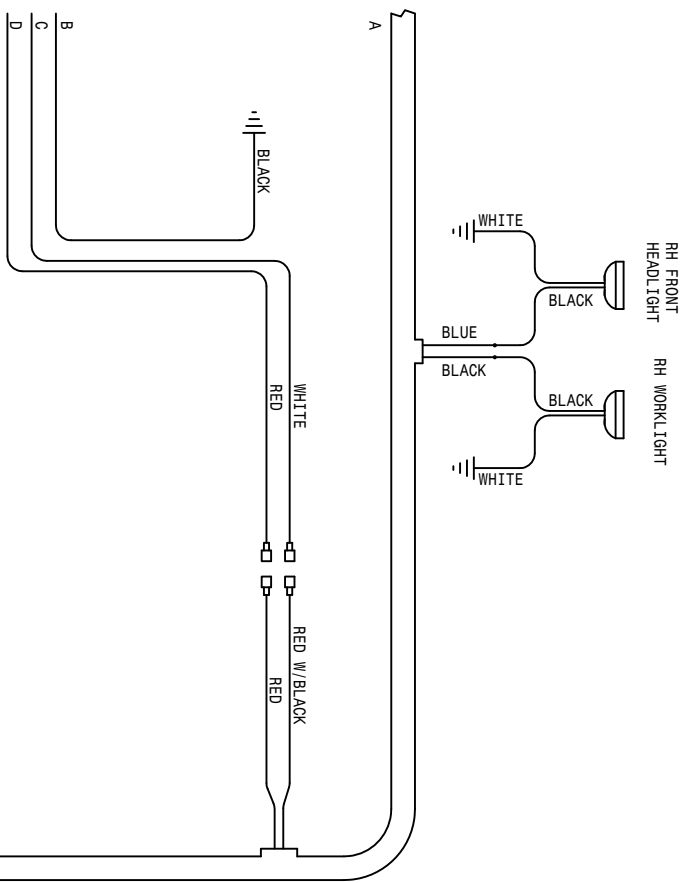


CANOPY LIGHT WIRING DIAGRAM
ROPS LIGHT WIRING DIAGRAM



11-14-01 TUL
204 CUMM WIRING DIAGRAM 02
SHEET 2 OF 3
2041
REVISION DATE: 498680

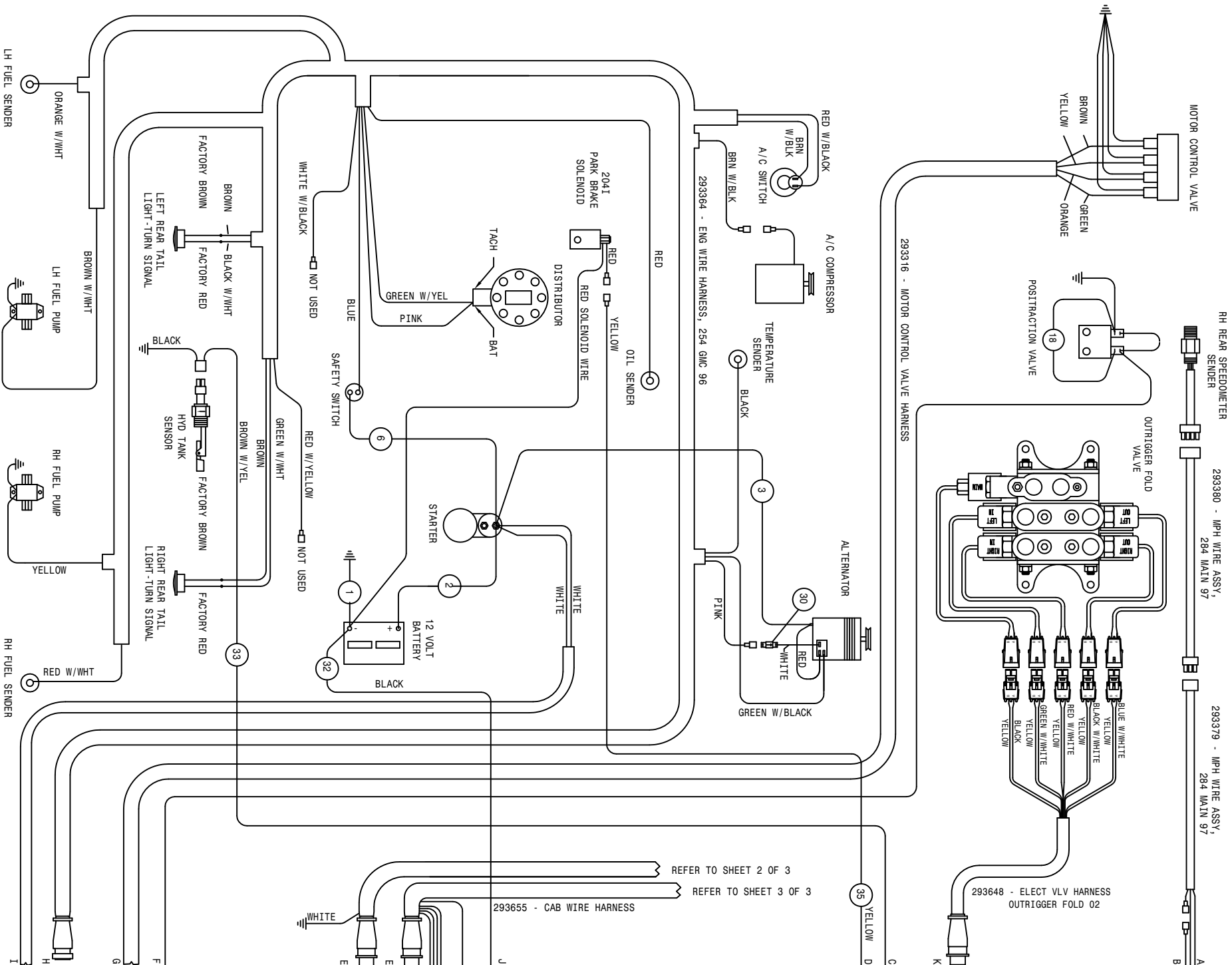




293655 - CAB WIRE HARNESS

REFER TO SHEET 1 OF 3

1	1	293299	16GA	BLK-291511-291571-30	11-14-01	TJM
204 CUMM WIRING DIAGRAM 02						
2041						
SHEET 3 OF 3						
REVISION DATE:						
						498680



MOTOR CONTROL VALVE

RH REAR SPEEDOMETER SENDER

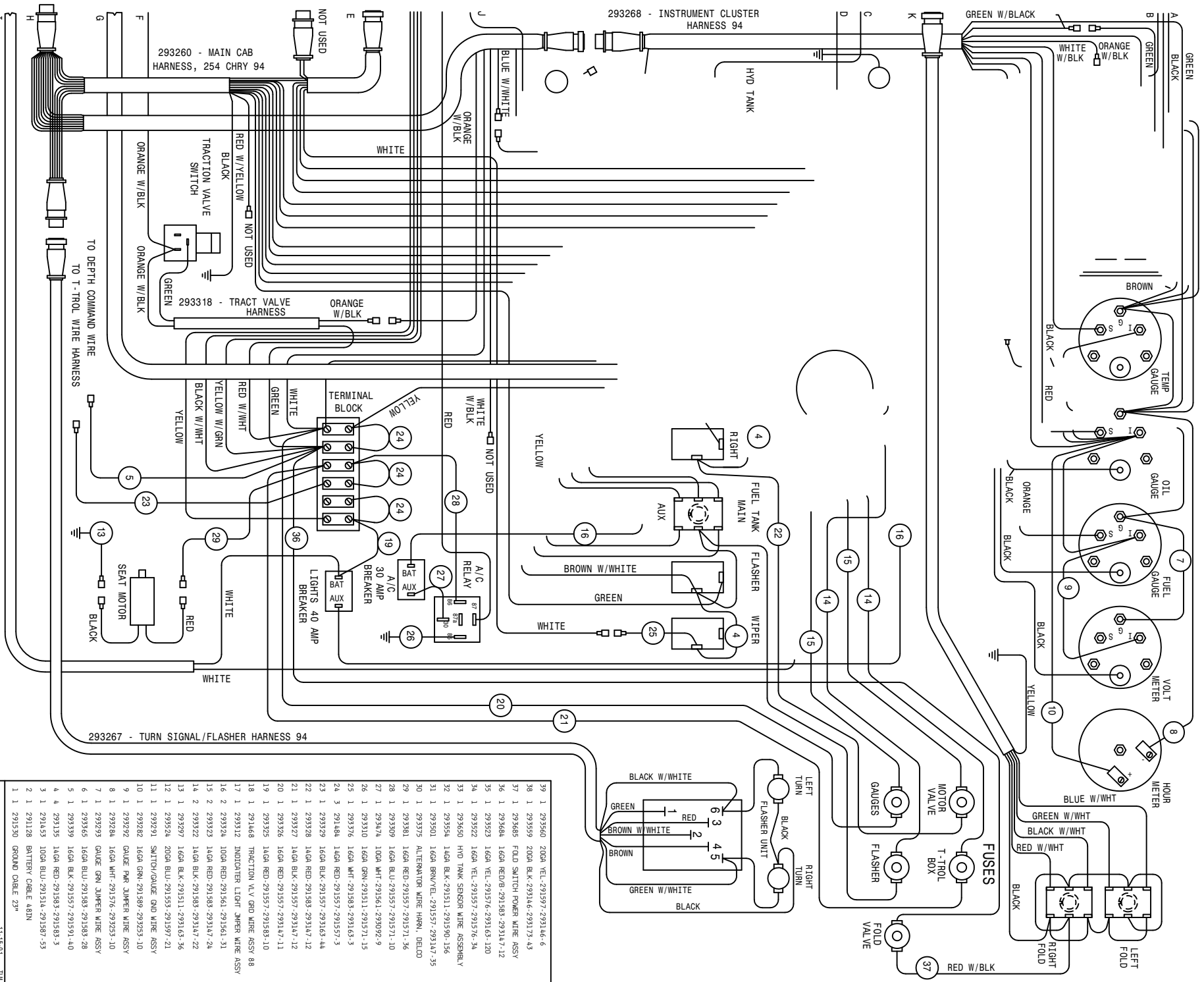
293380 - MPH WIRE ASSY, 284 MAIN 97

293379 - MPH WIRE ASSY, 284 MAIN 97

293648 - ELECT VLV HARNESS OUTRIGGER FOLD 02

REFER TO SHEET 2 OF 3
REFER TO SHEET 3 OF 3

293655 - CAB WIRE HARNESS



293262 - MAIN POWER HARNESS, 254 CHRY 94

293267 - TURN SIGNAL/FLASHER HARNESS 94

293260 - MAIN CAB HARNESS, 254 CHRY 94

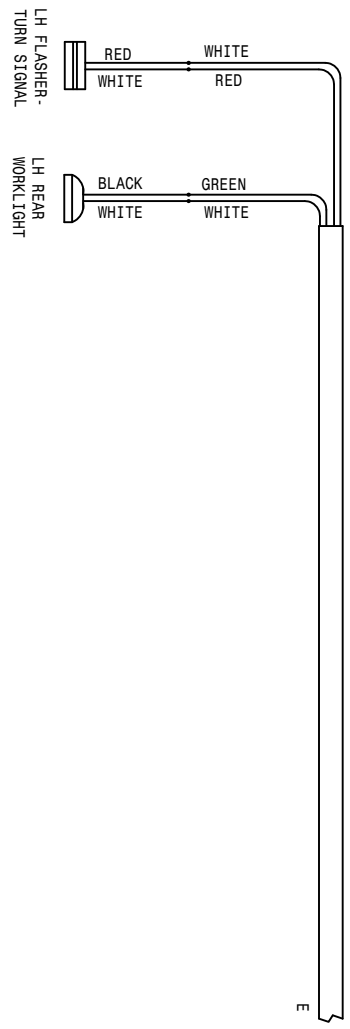
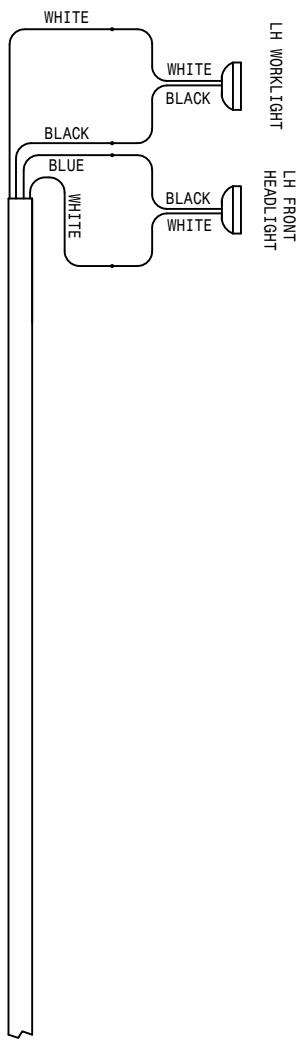
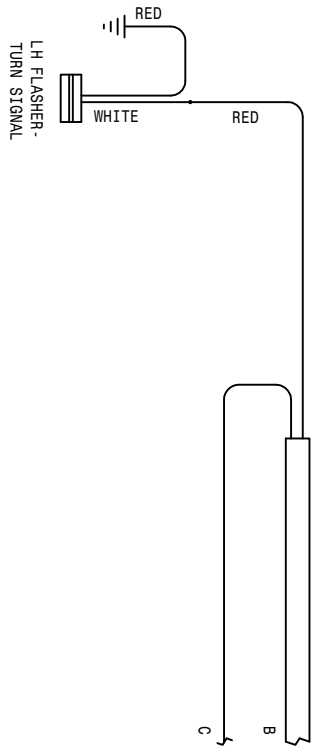
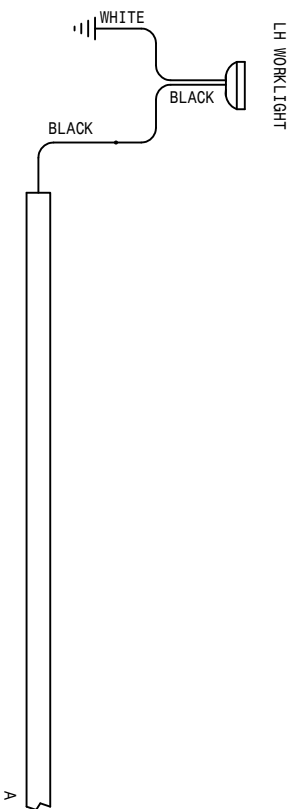
293268 - INSTRUMENT CLUSTER HARNESS 94

293318 - TRACT VALVE HARNESS

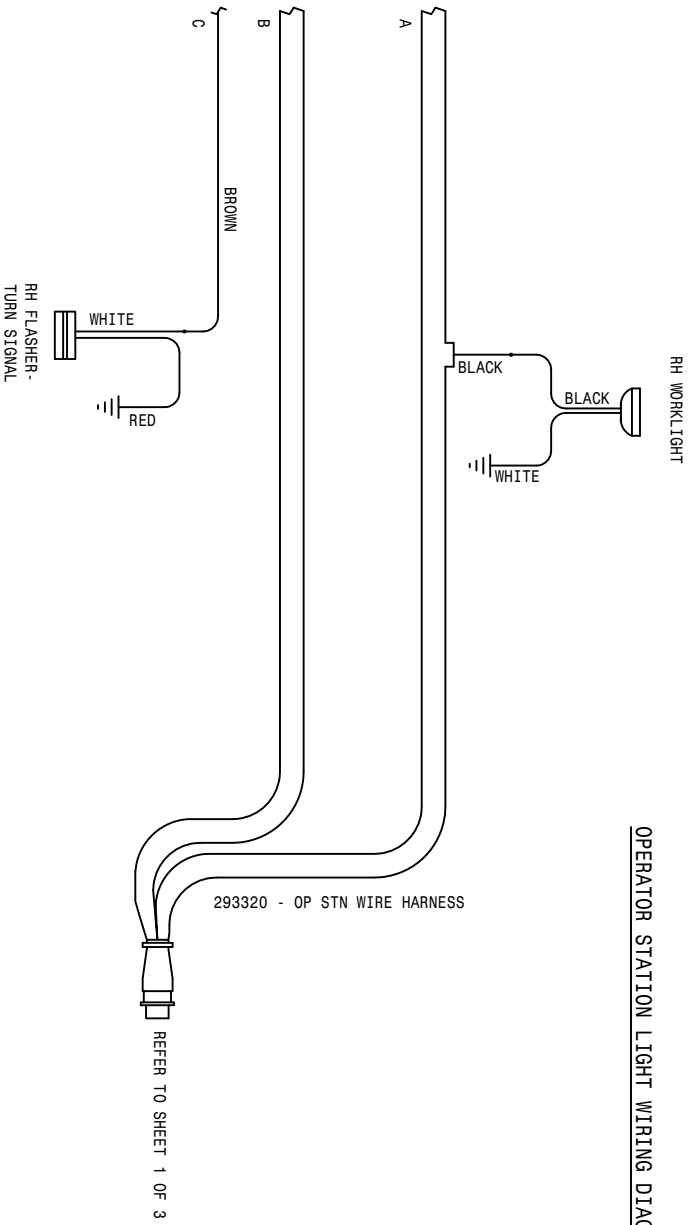
39	1	293560	200A	VEL.-291597-293146-6
38	1	293559	200A	BLK.-293146-293173-43
37	1	293685	FOLD	SWITCH FOLDER WIRE ASSY
36	1	293684	16GA	RED./291583-293147-12
35	1	293523	16GA	VEL.-291576-293163-120
34	1	293522	16GA	VEL.-291577-293157-34
33	1	293650	HID	TANK SENSOR WIRE ASSEMBLY
31	1	293501	16GA	BRN/VEL.-291557-293147-35
30	1	293375	ALTERNATOR	WIRE HARNA., DELCO
29	1	293381	16GA	RED.-291557-291571-36
28	1	293309	16GA	BLU.-291557-291571-10
27	1	293374	100A	WHT.-291561-29302-9
26	1	293310	16GA	GRN.-291511-291571-15
25	1	293376	16GA	WHT.-291583-293163-3
24	3	291484	16GA	RED.-291557-291557-3
23	1	293329	16GA	BLK.-291557-293163-44
22	1	293328	16GA	RED.-291583-293147-12
21	1	293327	16GA	BLK.-291557-293147-12
20	1	293326	16GA	RED.-291557-293147-11
19	1	293325	16GA	RED.-291557-291583-10
18	1	293468	TRACTON	VL.V. GRD WIRE ASSY 88
17	1	293312	INDICATOR	LIGHT JMWPR WIRE ASSY
16	2	293324	100A	RED.-291561-291561-31
15	2	293323	16GA	RED.-291583-293147-24
14	2	293322	16GA	BLK.-291583-293147-22
13	1	293297	16GA	BLK.-291511-293163-36
12	1	293254	200A	BLU.-291553-291597-21
11	1	293291	SMITH/GAUGE	QND WIRE ASSY
10	1	293282	16GA	GRN.-291589-293253-10
9	1	293292	GAUGE	PWR JMWPR WIRE ASSY
8	1	293284	16GA	WHT.-291576-29253-10
7	1	293293	GAUGE	GRN JMWPR WIRE ASSY
6	1	293465	16GA	BLU.-291583-291583-28
5	1	293339	16GA	BLK.-291557-291591-40
4	4	293135	16GA	RED.-291583-291583-3
3	1	293453	100A	BLU.-291514-291587-53
2	1	291128	BATTERY	CABLE 483N
1	1	291530	GROUND	CABLE 23"

204 GMC WIRING DIAGRAM 02

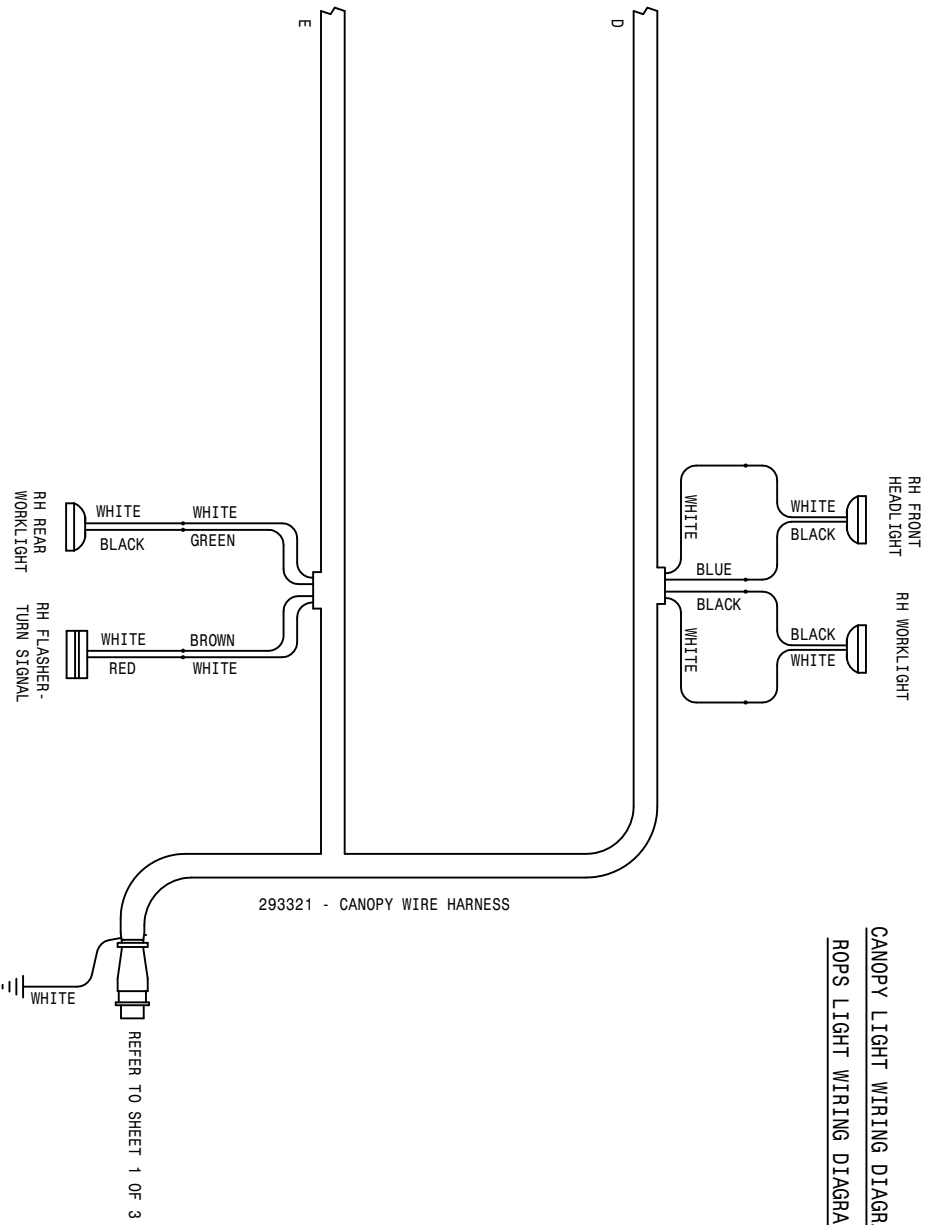
SHEET 1 OF 3
REVISION DATE: 05-18-02
498687



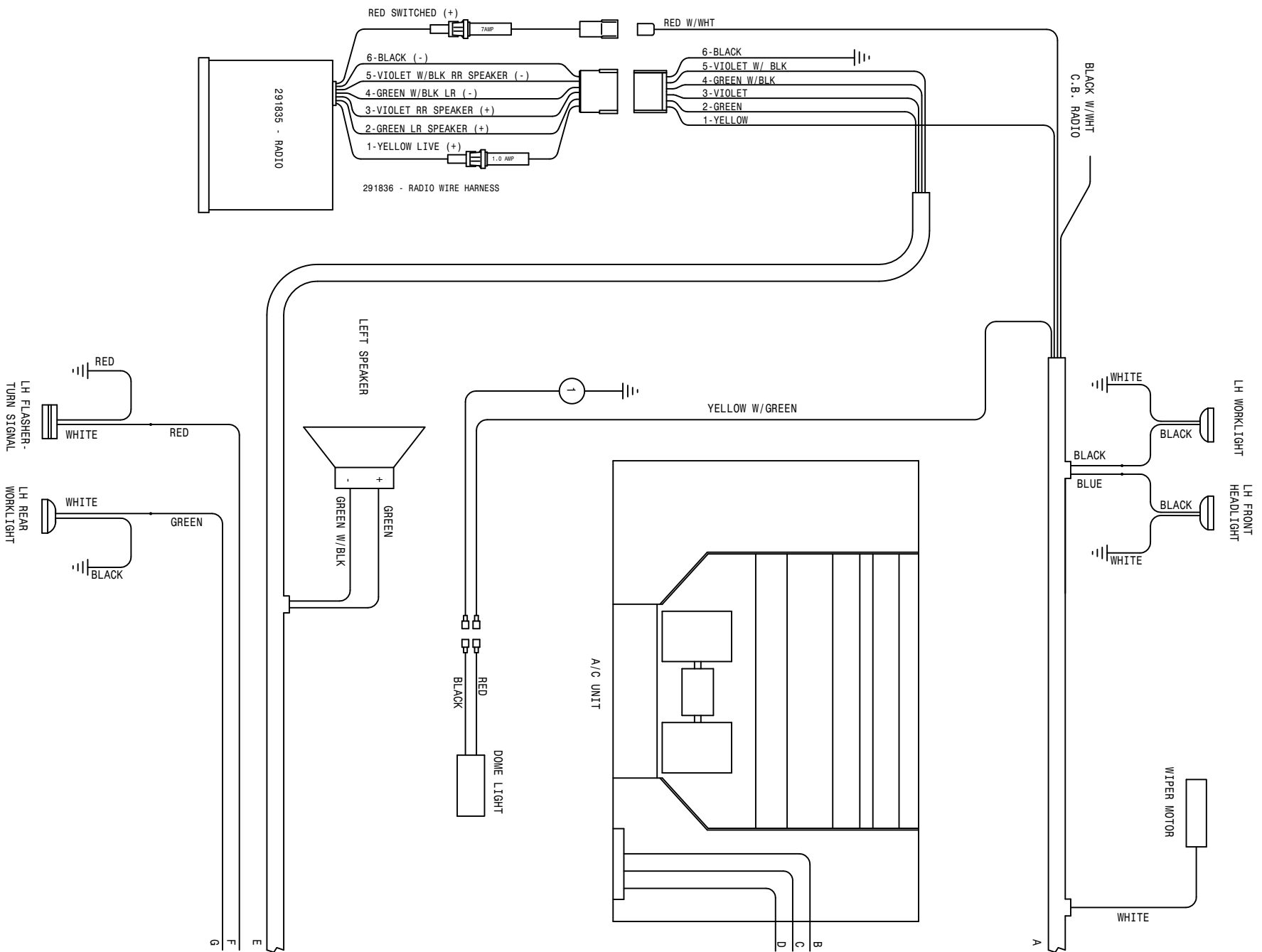
OPERATOR STATION LIGHT WIRING DIAGRAM

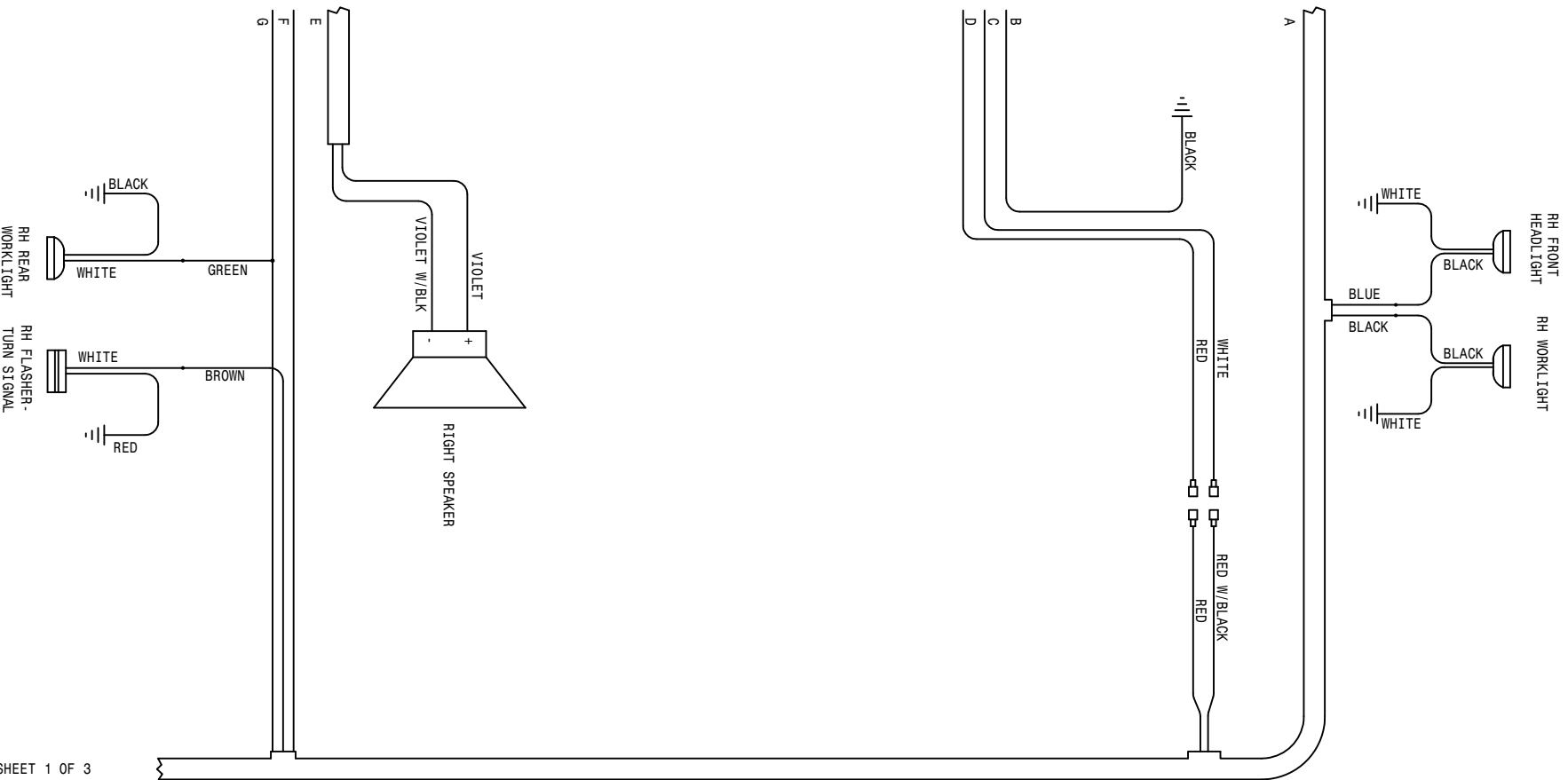


CANOPY LIGHT WIRING DIAGRAM
ROPS LIGHT WIRING DIAGRAM



11-15-01 TUL
 204 GMC WIRING DIAGRAM 02
 2041
 SHEET 2 OF 3
 REVISION DATE: 498687

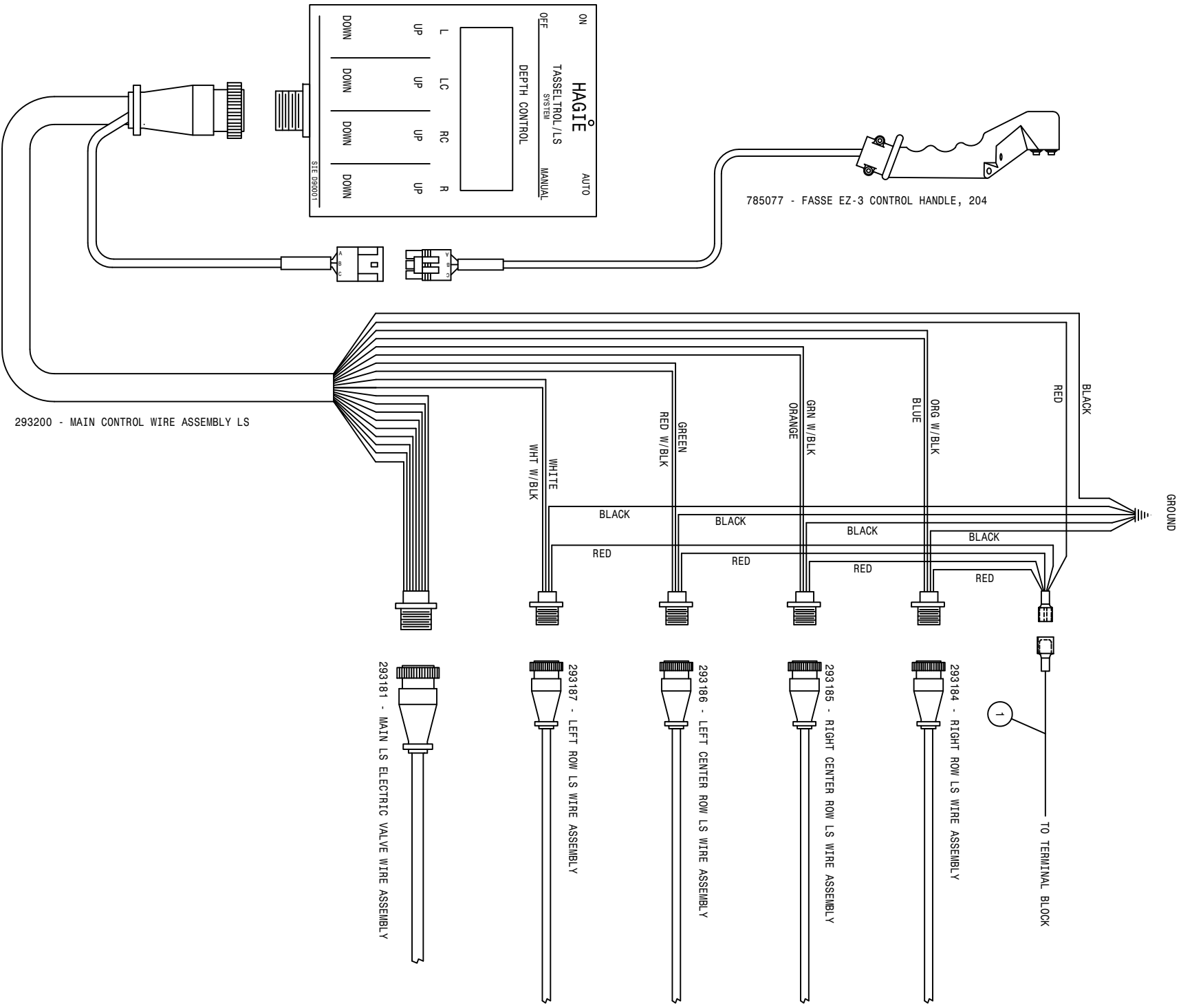


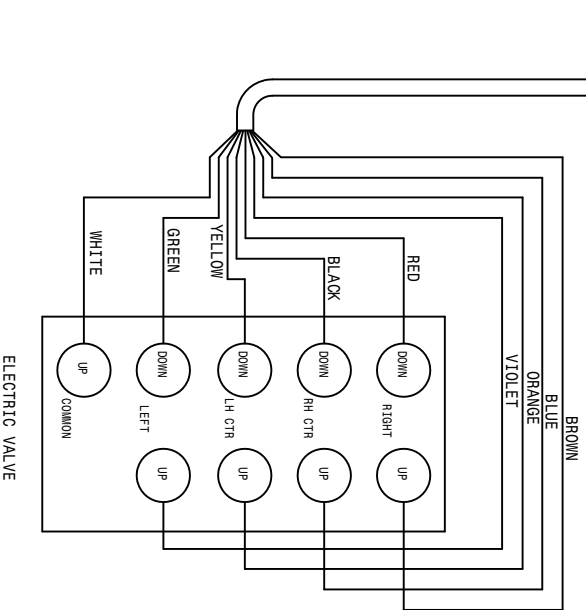
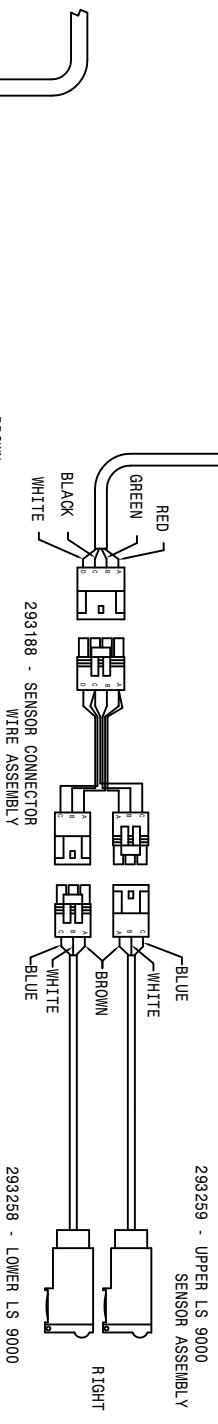
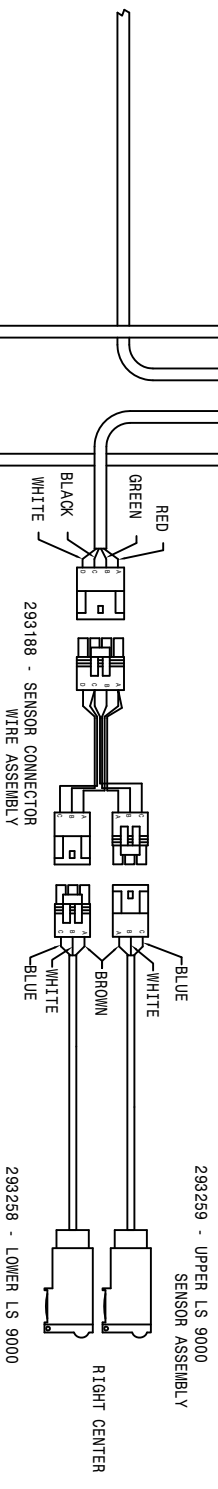
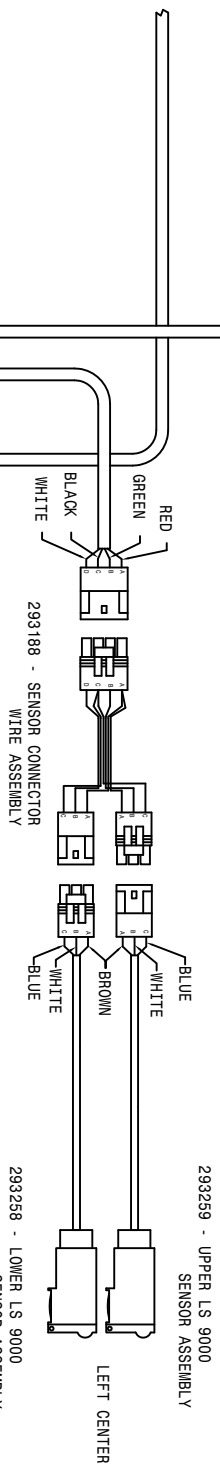
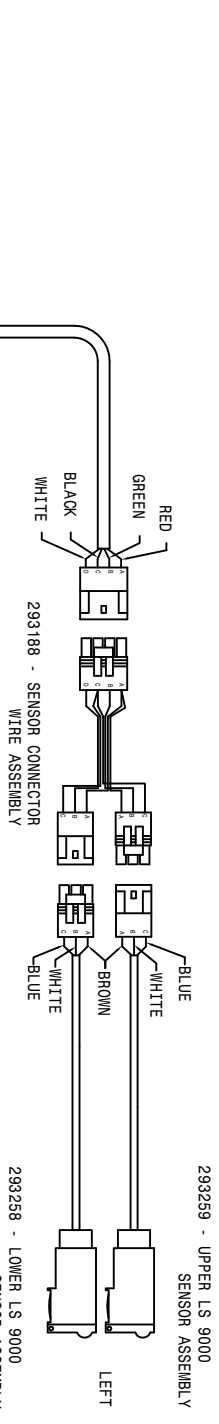


293655 - CAB WIRE HARNESS

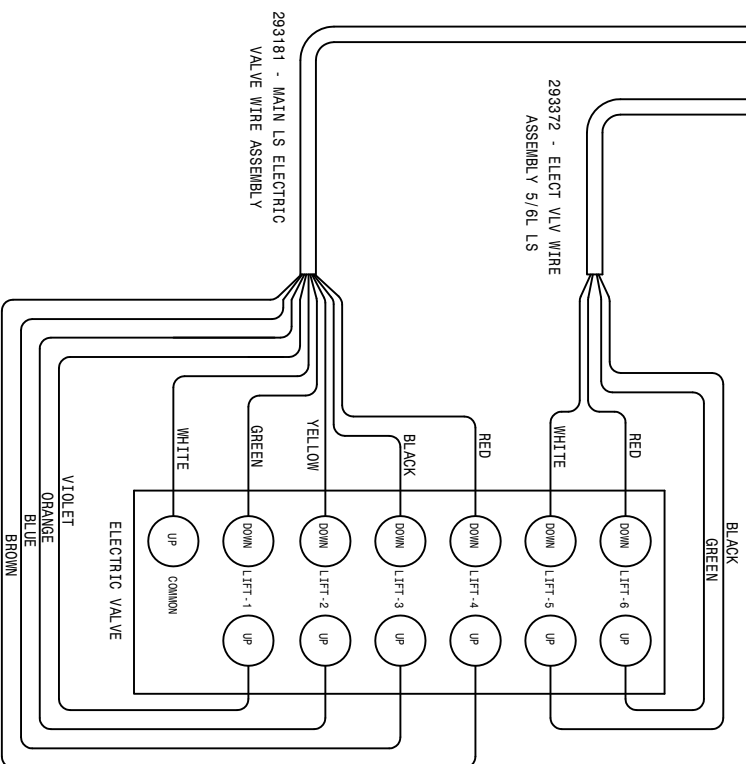
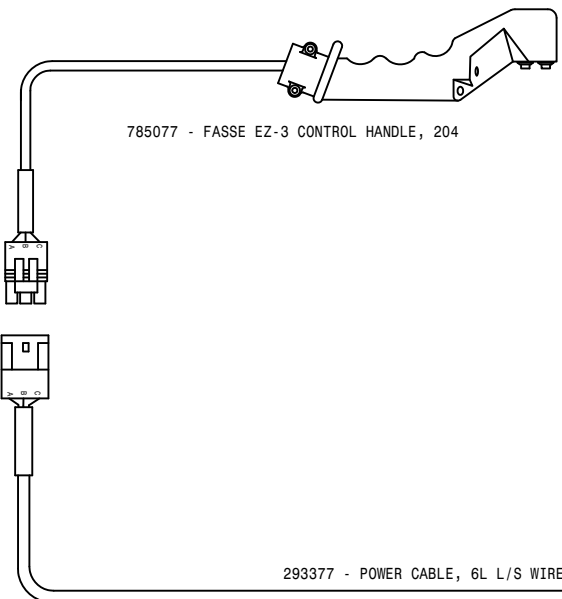
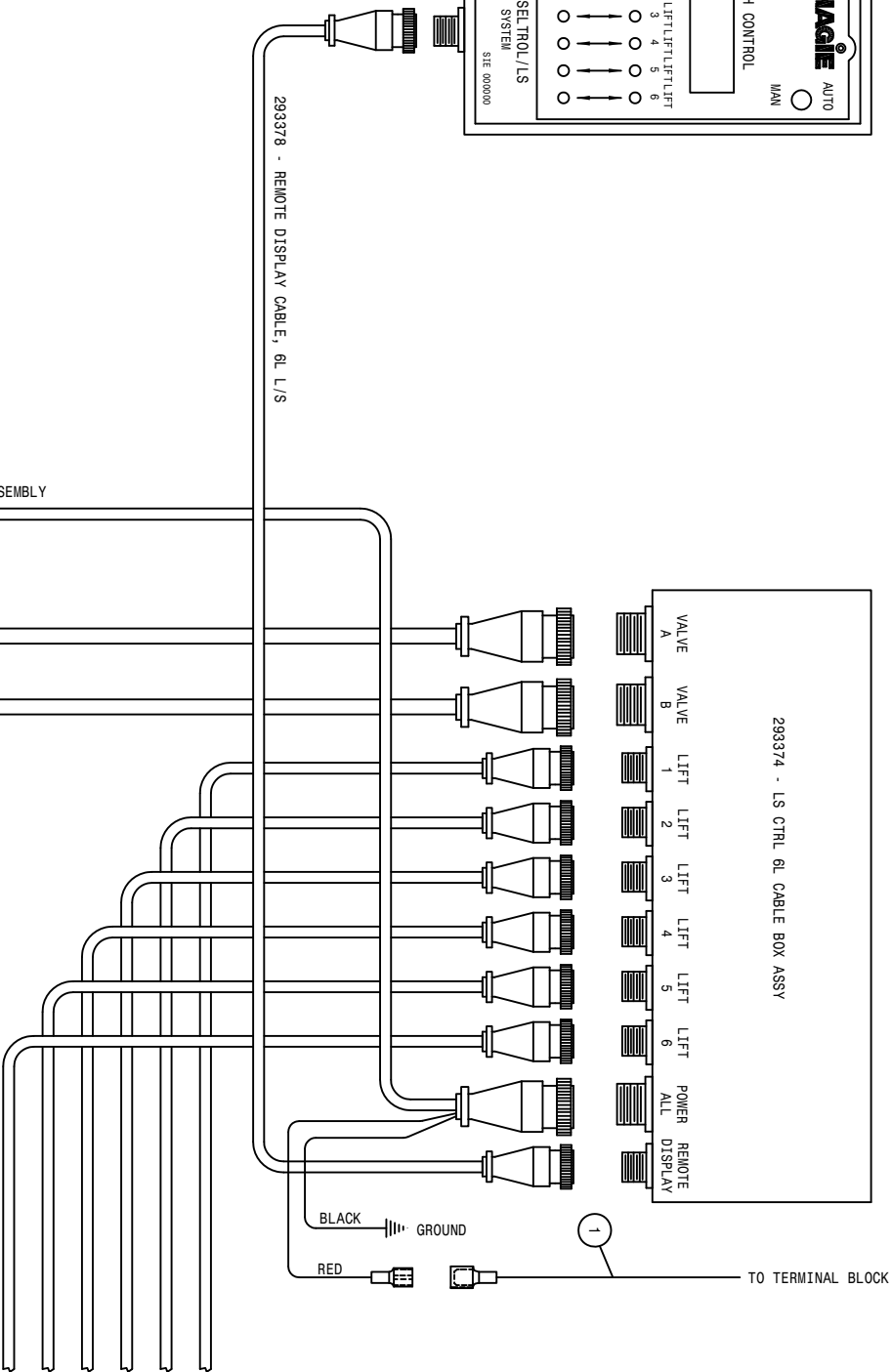
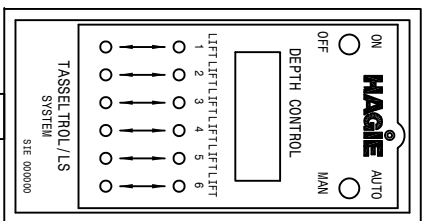
REFER TO SHEET 1 OF 3

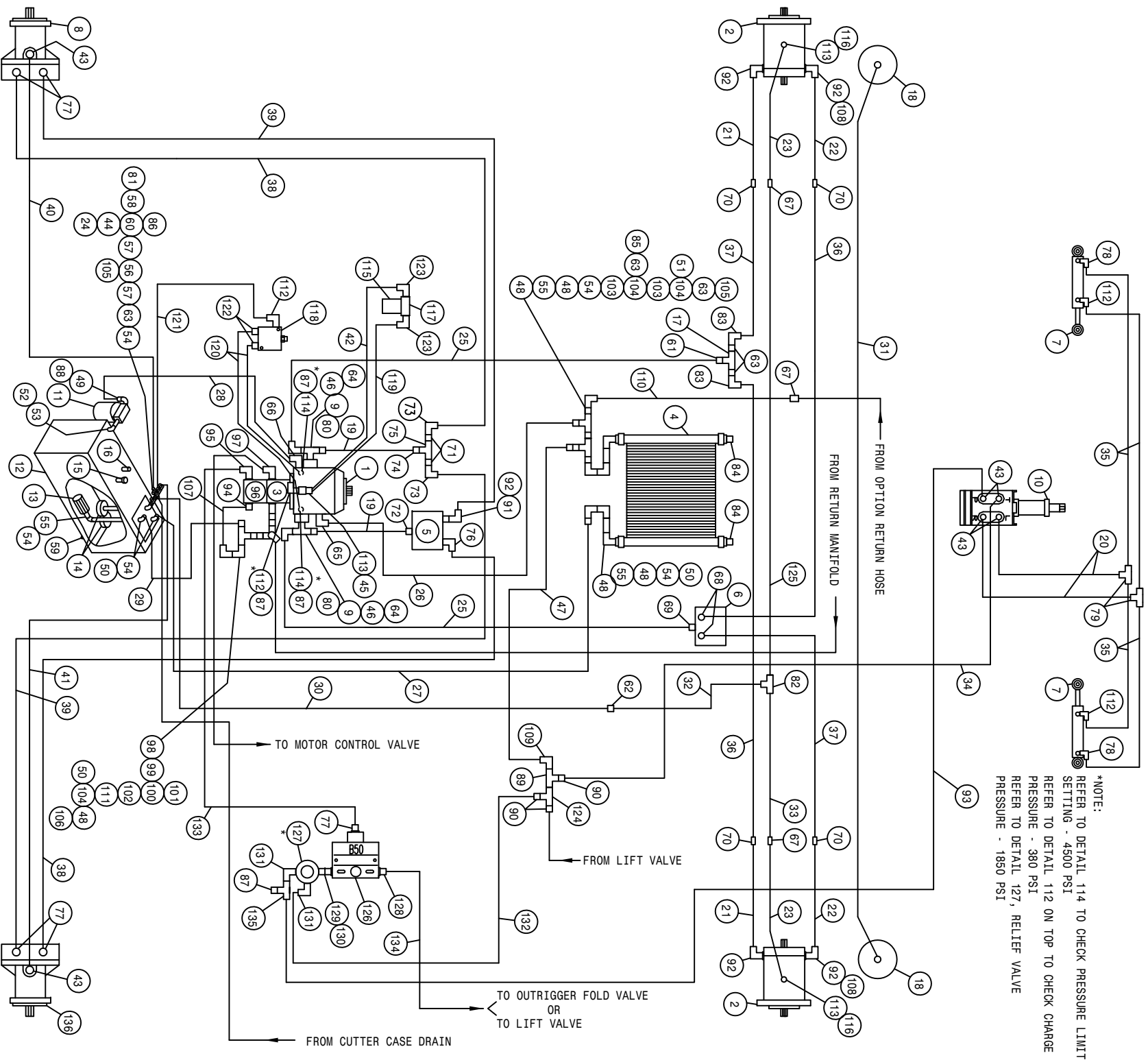
1	1	293299	16GA BLK-291511-291571-30	11-15-01	TJM
204 GMC WIRING DIAGRAM 02					
SHEET 3 OF 3					
REVISION DATE:					
498687					





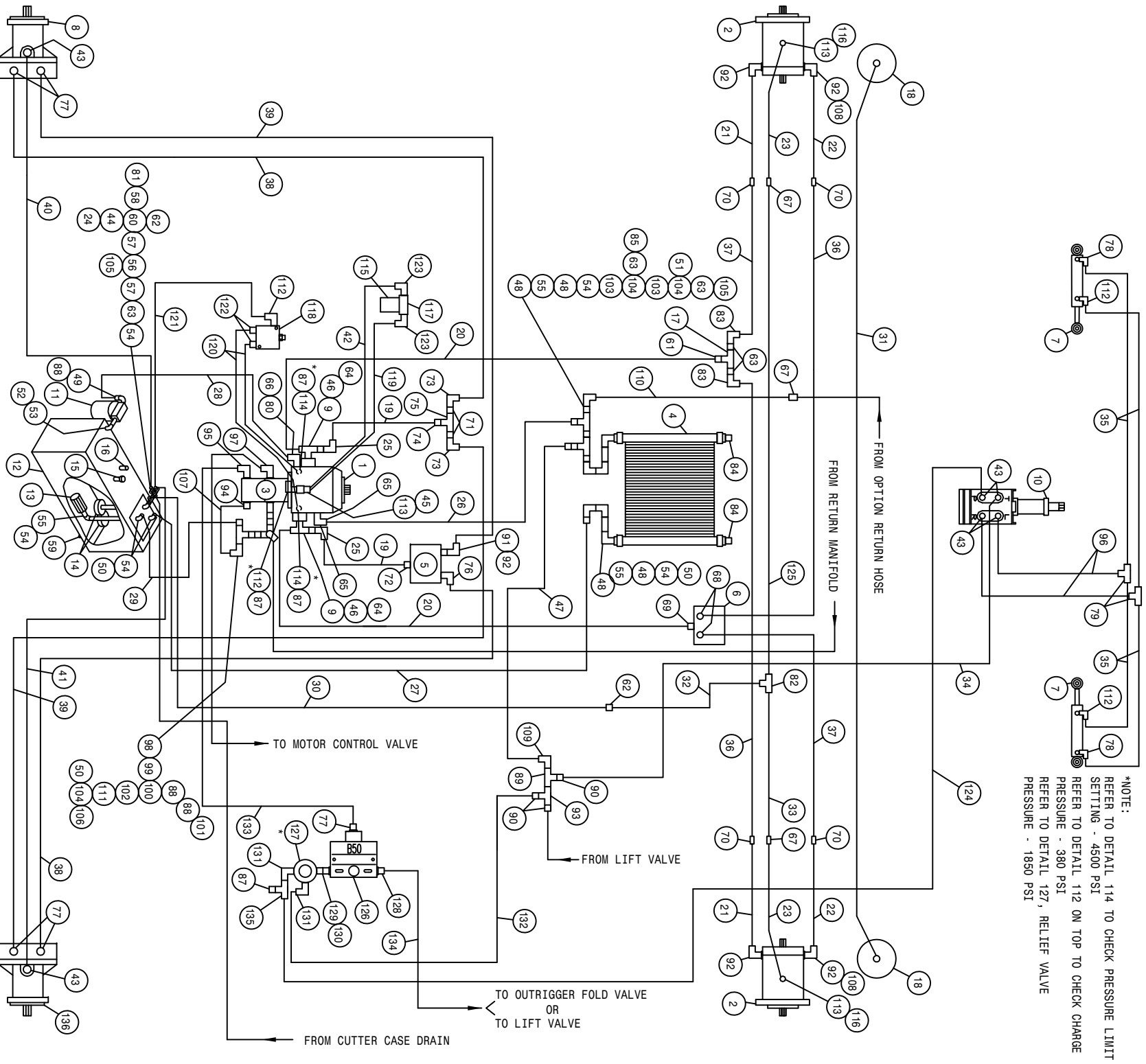
1	1	293259	16GA BLK-29157-293163-4A	DESCRIPTION
DEF	REV			
HAGIE				
HAGIE MANUFACTURING COMPANY				
CLARION, IOWA 50525				
REMOVE ALL SHARP CORNERS & BURRS				
TOLERANCE UNLESS OTHERWISE SPECIFIED				
FRACTION : 1/32		DECIMALS : X.XX 1/8		ANGLES : °
UNITS : IN		UNITS : MM		
DESIGNED BY		DRAWN BY		DATE
CHECKED BY		APPROVED BY		NO. 30, 94
DRAWING NUMBER		PART NUMBER		QUANTITY
498454				
SHEET		OF		





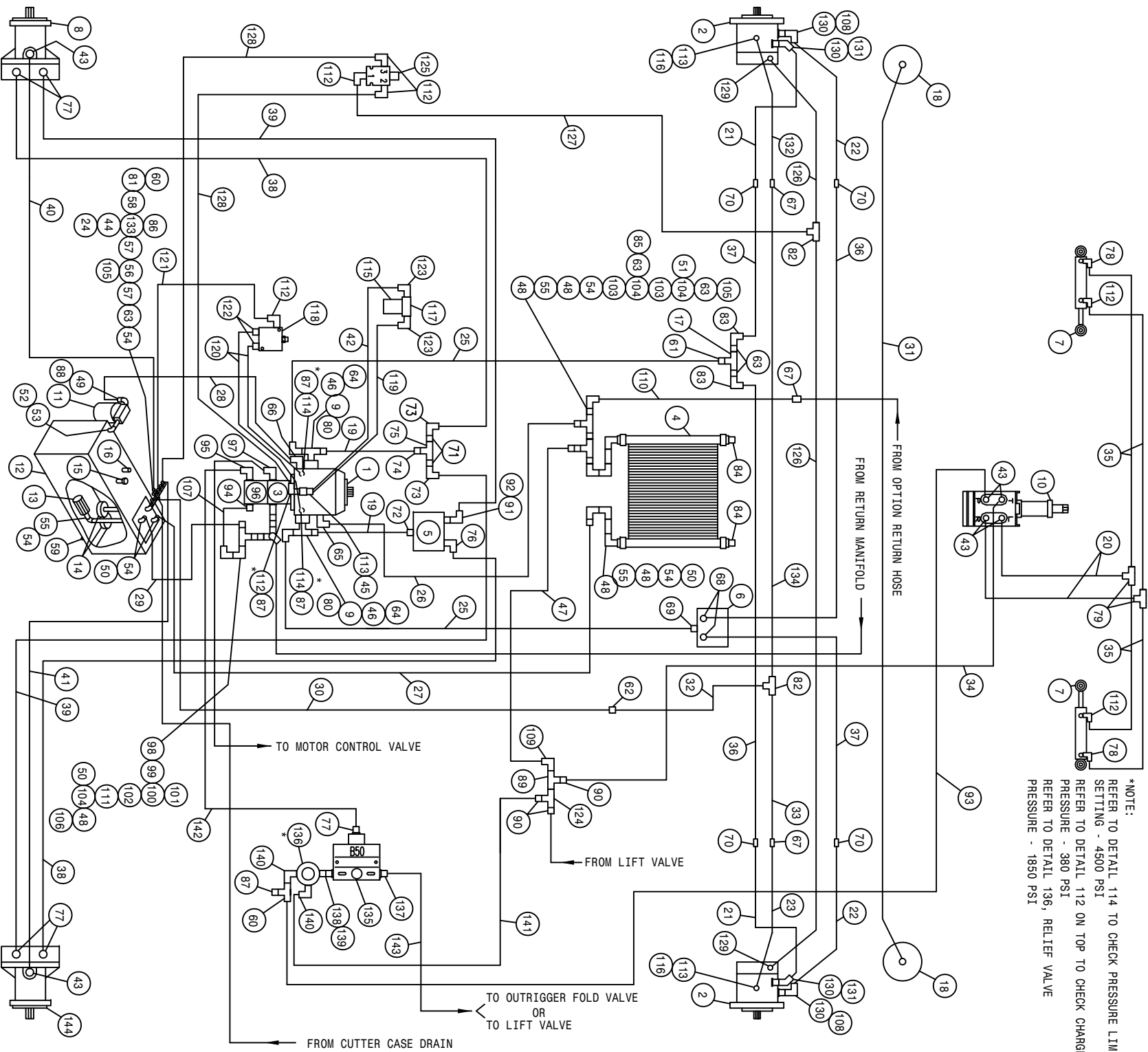
204 BASIC MACHINE GMC HYD SCHEMATIC 2002
 REFERENCE DRAWING NO. 498689

DET.	QTY	PART NO.	DESCRIPTION	DET.	QTY	PART NO.	DESCRIPTION
1	1	606911	SUND 75CC PUMP,B-MT W/FILT	69	1	618186	1 5/16MJC-1 5/16MOR ADPTR
2	1	610557	SUND M35-3102 WHL MTR W/SHT	70	4	618553	1 1/16MJC-7/8MJC REDU UNION
3	1	606894	SUND GEAR PUMP 3.40CI SPLINED	71	2	505005	RED BUSH 1 TO 1/2
4	1	618606	OIL COOLER, BLISSFIELD 65027	72	1	618308	1 1/16MJC-1 5/16MOR ADPTR
5	1	610468	POSTTRACTION VLV MOD CONT 20G	73	2	611124	7/8MJC-.90-1/2MPT LBO
6	1	610586	POSTTRACTION VLV,ALUM,.88SP60G	74	1	618434	1 1/16MJC-1MPT ADPTR
7	2	620800	STRG CYL ASSY, 2XX	75	1	618575	1FNPT PIPE TEE STL
8	1	610567	SUND M25-3000 WHL MTR 1.5CI	76	1	618589	7/8MJC-.90-1 5/16MOR LBO
9	2	618598	1" 4-BOLT FLG X 1 5/16 FOR	77	5	611126	7/8MJC-.7/8MOR ADPTR
10	1	749150	STRG MTR NON-LOAD REACT 1008	78	2	618425	9/16MJC-45-.9/16MOR LBO
11	1	605601	PARKER FILTER ASSY,10M,1.25NPT	79	2	618019	9/16MJC UNION TEE
12	1	760097	OIL TANK WLD 8240 1982	80	2	618640	1 5/16M-.90-1 5/16FJ SWIV LBO
13	1	605600	TANK FILTER, 100 MESH,1"FNPT	81	1	618018	9/16MJC-1/2MPT ADPTR
14	2	605603	LINE SUMP DIFFUSER	82	1	610193	9/16MJC BLKHD BRANCH TEE
15	1	611052	FILLER BREATHER 3/4NPT	83	2	618156	7/8MJC-.90-3/4MPT LBO
16	1	614453	DIPSTICK, 8IN	84	2	505102	PIPE PLUG 1.00NPT SQ HD
17	1	614660	1IN STL TEE WLD 280	85	1	610300	3/4MJC-3/4MPT ADPTR
18	2	620805	LEG LEVEL CYL ASSY,2.00 X 12.0	86	1	618135	3/4 HOSE BARB-90-3/4MPT
19	2	614672	HYD TUBE ASSY, SUND PUMP	87	4	618531	3/4 HOSE BARB-90-3/4MPT
20	2	616028	04C1T-.06FJX-.06FJX-47	88	1	506410	BLK PIPE ST EL 90DEG 1.25NPT
21	2	615659	FRT LEG INNER HYD TUBE,204 94	89	1	618311	3/4MJC UNION TEE
22	2	615660	FRT LEG CNTR HYD TUBE,204 94	90	3	618482	3/4FJIC-.9/16MJC ADPTR
23	2	615661	FRT LEG OUTER HYD TUBE,204 94	91	1	618312	1 5/16MOR-1 1/16FOR ADPTR
24	1	618520	1/4MNP RTN TEE-9/16MJC	92	5	618535	7/8MJC-.90-1 1/16MOR LBO
25	2	615687	12TMM-16FJX-16FJX-122	93	1	616040	04C1T-.06FJX-.06FJX-67
26	1	601395	HOSE, 3/4 X 64 1FBR-1SP1	94	1	618075	3/4 HOSE BARB-1 1/16MOR
27	1	601396	HOSE, 1 X 81 1FBR-1SP1	95	1	611128	7/8MJC-.90-7/8MOR LBO
28	1	601375	HOSE, 1 X 24 1FBR-1SP1	96	1	606891	SUND GEAR PMP .52CI SPLINED
29	1	601377	HOSE, 1 X 48 1FBR-1SP1	97	1	618178	1 5/16MJC-.90-1 5/16MOR LBO
30	1	614388	08C1T-.08FJX-.08FJX-129	98	1	618596	1 5/8MOR-1 1/4FNPT ADPTR
31	1	615614	FRT LEG CYL JUMPER HOSE280	99	1	507026	1 1/4MNP RTN TEE 1.00NPT
32	1	614625	06C1T-.06FJX-.06FJX-30	100	1	506701	1 1/4MNP RTN TEE 1.00NPT
33	1	615451	06C1T-.06FJX-.08FJX-58	101	1	715660	SIDE OUTLET EL 90DEG 1.25NPT
34	1	611204	04C1T-.06FJX-.06FJX-78	102	1	506005	HOSE BARB 1 1/4NPT X 1 1/4
35	4	614663	04C1T-.06FJX-.06FJX-16	103	2	505201	1 1/4 TO 1 RED BUSH BLK MAL
36	2	614655	08C2AT-10FJX-12FJX90-70	104	3	505101	BLK PIPE TEE 1.00NPT
37	2	614654	08C2AT-10FJX-12FJX90-60	105	2	610305	3/4MJC-.90-3/4MPT LBO
38	2	614656	08C2AT-10FJX-10FJX-118	106	1	716000	3/4 HOSE BARB-90-1MPT
39	2	614657	08C2AT-10FJX-10FJX-125	107	1	601383	HOSE, 3/4 X 8 1FBR-1SP1
40	1	614549	06C1T-.06FJX-.06FJX-140	108	2	618628	7/8MJC-.45-7/8FJIC SWIV LBO
41	1	615449	06C1T-.06FJX-.06FJX-126	109	1	618609	3/4MJC-.90-3/4FJIC SWIV LBO
42	1	615633	08C1T-.08FJX-.08FJX-23	110	1	614662	08C1T-.08FJX-.08FJX-72
43	6	618496	9/16MJC-45-3/4MOR LBO	111	1	505105	1MNP RTN TEE 1.00NPT
44	1	504001	RED BUSH 3/4 X 1/4 BLK MAL	112	4	618119	9/16MJC-.90-9/16MOR LBO
45	1	618183	3/4MJC-.90-7/8MOR LBO	113	3	618327	3/4MJC-7/8MOR ADPTR
46	2	618599	1 5/16MOR BRANCH TEE-1 5/16M	114	2	618629	9/16MOR BRANCH TEE-9/16MJC
47	1	615465	08C1T-.08FJX-.08FJX-33	115	1	605609	HYD FILTER ELEMENT, DONALDSON
48	5	505200	BLK PIPE ST EL 90DEG 1.00NPT	116	2	618590	3/4MJC-.45-3/4FJIC SWIV LBO
49	1	715664	1 1/4 NPT X 1 HOSE BARB	117	1	605608	HYD FILTER HEAD, DONALDSON
50	4	714560	1NPT X 1 HOSE BARB	118	1	610580	REMOTE FLUSHING VALVE, SUND
51	1	714531	1 NPT X 3/4 HOSE BARB	119	1	616034	08C1T-.08FJX-.08FJX-17
52	1	506602	PIPE NIPPLE 1 1/4NPT-2 1/2	120	2	616043	04C1T-.06FJX-.06FJX-23
53	1	506303	BLK PIPE EL 90DEG 1.25NPT	121	2	616048	04C1T-.06FJX-.06FJX-35
54	6	505300	BLK PIPE EL 90DEG 1.00NPT	122	2	618126	9/16MJC-.9/16MOR ADPTR
55	3	505203	BLK PIPE NIPPLE 1.00NPT-4.00	123	2	618474	3/4MJC-.90-1 1/16MOR LBO
56	1	504955	BLK PIPE TEE .75NPT	124	1	618451	3/4FJIC SW RUN TEE-3/4MJC
57	2	504702	CLOSE NIPPLE .75NPT	125	1	616024	06C1T-.06FJX-.08FJX-70
58	1	504210	RED BUSH 3/4 NPT X 1/2 NPT	126	1	607504	FLO DIV B50 2-8GPM 7/8 FOR
59	1	501102	1/4 PIPE PLUG	127	1	607512	RELIEF VALVE, RLS0, 1850 PSI
60	1	504400	BLK PIPE CROSS .75NPT	128	1	618310	9/16MJC-.7/8MOR ADPTR
61	1	618322	1 5/16MJC-1MNP ADPTR	129	1	500000	1/2MNP RTN TEE 1.00NPT
62	1	618551	3/4MJC-.9/16MJC REDU UNION	130	1	618072	7/8MOR-1/2FNPT ADPTR
63	5	505213	RED BUSH 1 X 3/4 BLK MAL	131	2	618107	9/16MJC-.90-1/2MPT LBO
64	2	618541	1 5/16FJIC-1 1/16MJC ADPTR	132	1	616042	04C1T-.06FJX-.06FJX-13
65	1	618118	3/4 HOSE BARB-90-1 1/16MOR	133	1	614664	10C1T-10FJX-10FJX-98
66	1	618564	1IN HOSE BARB-90-1 5/16MOR	134	1	615616	04C1T-.06FJX-.06FJX-65
67	3	618314	3/4MJC UNION	135	1	618486	9/16FJIC SW RUN TEE-9/16MJC
68	2	618601	7/8MJC-1 5/16MOR ADPT	136	1	610721	SUND M25-3000 WHL MTR W/SENSOR



*NOTE:
 REFER TO DETAIL 114 TO CHECK PRESSURE LIMIT
 SETTING - 4500 PSI
 REFER TO DETAIL 112 ON TOP TO CHECK CHARGE
 PRESSURE - 380 PSI
 REFER TO DETAIL 127, RELIEF VALVE
 PRESSURE - 1850 PSI

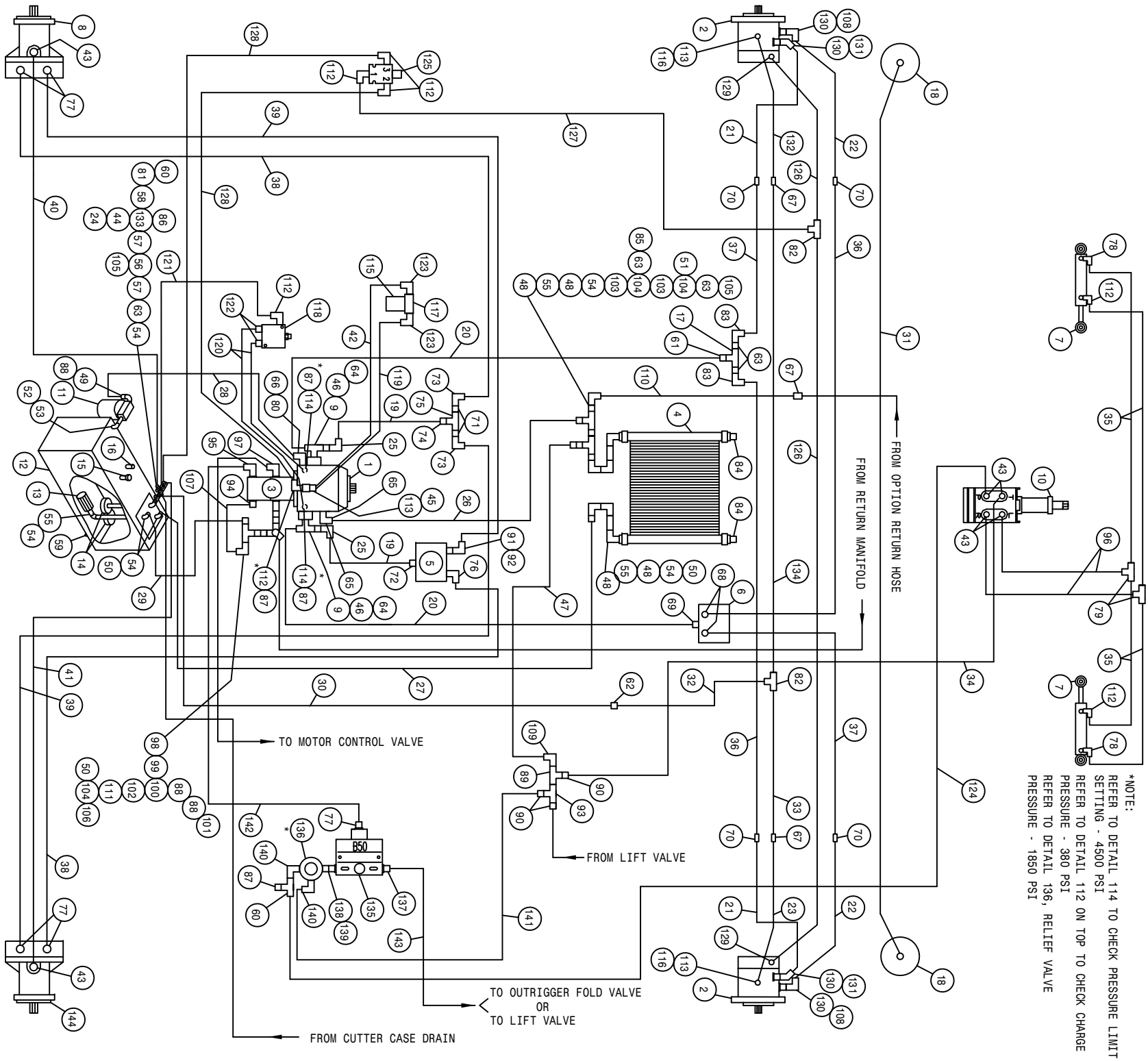
DET.	QTY	PART NO.	DESCRIPTION	DET.	QTY	PART NO.	DESCRIPTION
1	1	606902	SUND 100CC PUMP,B-MT W/FILT	69	1	618186	1 5/16MJIC-1 5/16MOR ADPTR
2	2	610557	SUND M35-3102 WHL MTR W/SHFT	70	4	618553	1 1/16MJIC-7/8MJIC REDU UNION
3	1	606937	TANDEM PUMP, 606929 & 606938	71	2	505005	RED BUSH 1 TO 1/2
4	1	618606	OIL COOLER, BLISSFIELD 65027	72	1	618308	1 1/16MJIC-1 5/16MOR ADPTR
5	1	610468	POSITRACTION VLV MOD CONT 20G	73	2	611124	7/8MJIC-90-1/2MPT LBO
6	1	610586	POSITRACTION VLV,ALUM,885P60G	74	1	618434	1 1/16MJIC-1MPT ADPTR
7	2	620800	STRG CYL ASSY, 2XX	75	1	618575	1FNPT PIPE TEE STL
8	1	610567	SUND M25-3000 WHL MTR 1.5CI	76	1	618589	7/8MJIC-90-1 5/16MOR LBO
9	2	618598	1" 4-BOLT FLG X 1 5/16 FOR	77	5	611126	7/8MJIC-7/8MOR ADPTR
10	1	749150	STRG MTR NON-LOAD REACT 1008	78	2	618425	9/16MJIC-45-9/16MOR LBO
11	1	605601	PARKER FILTER ASSY,10M,1.25NPT	79	2	618019	9/16MJIC UNION TEE
12	1	760097	OIL TANK WLD 8240 1982	80	1	618639	1 5/8MOR-1 5/16FOR ADPTR
13	1	605600	TANK FILTER, 100 MESH,1"FNPT	81	1	618018	9/16MJIC-1/2MPT ADPTR
14	2	605603	FILLER SUMP DIFFUSER	82	1	610193	9/16MJIC BLKHD BRANCH TEE
15	1	611052	FILLER BREATHER 3/4MPT	83	2	618156	7/8MJIC-90-3/4MPT LBO
16	1	614453	DIPSTICK, 8IN	84	2	505102	PIPE PLUG 1.00NPT SQ HD
17	1	614660	1IN STL TEE WLD 280	85	1	610300	3/4MJIC-3/4MPT ADPTR
18	2	620805	LEG LEVEL CYL ASSY,2.00 X 12.0	86	1	618135	3/4 HOSE BARB-90-3/4MPT
19	2	614707	HYD TUBE ASSY,SUND,200 DIESEL	87	4	618531	9/16FJIC GAP NUT
20	2	615634	12TMM-16FJX-16FJX-123	H/A	3	506410	BLK PIPE ST EL 90DEG 1.25NPT
21	2	615659	FRT LEG INNER HYD TUBE,204 94	88	3	618311	3/4MJIC UNION TEE
22	2	615660	FRT LEG CNTR HYD TUBE,204 94	89	3	618482	3/4FJIC-9/16MJIC ADPTR
23	2	615661	FRT LEG OUTER HYD TUBE,204 94	90	3	618312	1 5/16MOR-1 1/16FOR ADPTR
24	1	618520	1/4MPT RUN TEE-9/16MJIC	91	1	618535	7/8MJIC-90-1 1/16MOR LBO
25	2	618191	1 1/16MJ-90-1 1/16FJ SWIV LBO	92	5	618535	3/4FJIC SW RUN TEE-3/4MJIC
26	1	601395	HOSE, 3/4 X 64 1FBR-1SP1	93	1	618451	3/4 HOSE BARB-1 1/16MOR
27	1	601396	HOSE, 1 X 81 1FBR-1SP1	94	1	618075	7/8MJIC-90-7/8MOR LBO
28	1	601376	HOSE, 1 X 29 1FBR-1SP1	95	1	611128	04C1T-06FJX-06FJX-47
29	1	601377	HOSE, 1 X 48 1FBR-1SP1	96	2	616028	1 5/16MJIC-90-1 5/16MOR LBO
30	1	614388	08C1T-08FJX-08FJX-129	97	1	618178	1 5/8MOR-1 1/4FNPT ADPTR
31	1	615614	FRT LEG CYL JUMPER HOSE280	98	1	618596	1 1/4MPT HEX PIPE NIPPLE STL
32	1	614625	06C1T-06FJX-06FJX-30	99	1	507026	SIDE OUTLET EL 90DEG 1.25NPT
33	1	615451	06C1T-06FJX-08FJX-58	H/A	1	715660	HOSE BARB 1 1/4NPT X 1 1/4
34	1	611204	04C1T-06FJX-06FJX-78	H/A	101	618500	1 1/4 TO 1 RED BUSH BLK MAL
35	4	614663	08C2AT-10FJX-12FJX90-70	H/A	102	505201	CLOSE NIPPLE 1.00NPT
36	2	614655	08C2AT-10FJX-12FJX90-60	H/A	103	505101	BLK PIPE TEE 1.00NPT
37	2	614654	08C2AT-10FJX-10FJX-118	H/A	104	610305	3/4MJIC-90-3/4MPT LBO
38	2	614656	08C2AT-10FJX-10FJX-125	H/A	2	610305	3/4MJIC-90-3/4MPT LBO
39	2	614657	06C1T-06FJX-06FJX-140	H/A	3	505101	BLK PIPE TEE 1.00NPT
40	1	614549	06C1T-06FJX-06FJX-126	H/A	4	618119	9/16MJIC-90-9/16MOR LBO
41	1	615449	08C1T-08FJX-08FJX-23	H/A	1	614662	7/8MJIC-45-7/8FJIC SWIV LBO
42	1	615633	08C1T-08FJX-06FJX-126	H/A	1	618609	3/4MJIC-90-3/4FJIC SWIV LBO
43	6	618496	9/16MJIC-45-3/4MOR LBO	H/A	1	505105	08C1T-08FJX-08FJX-72
44	1	504001	RED BUSH 3/4 X 1/4 BLK MAL	111	1	505105	1MPT HEX PIPE NIPPLE STL
45	1	618183	3/4MJIC-90-7/8MOR LBO	112	4	618119	9/16MJIC-90-9/16MOR LBO
46	2	618599	1 5/16MOR BRANCH TEE-1 5/16MJ	113	3	618327	3/4MJIC-7/8MOR ADPTR
47	1	615465	08C1T-08FJX-08FJX-33	114	2	618629	HYD FILTER ELEMENT, DONALDSON
48	4	505200	BLK PIPE ST EL 90DEG 1.00NPT	115	2	618590	3/4MJIC-45-3/4FJIC SWIV LBO
49	1	715664	1 1/4 NPT X 1 HOSE BARB	116	2	618590	HYD FILTER HEAD, DONALDSON
50	4	714560	1NPT X 1 HOSE BARB	117	1	605608	REMOTE FLUSHING VALVE, SUND
51	1	714331	1 NPT X 3/4 HOSE BARB	118	1	610580	
52	1	506602	PIPE NIPPLE 1 1/4NPT-2 1/2	119	1	616034	08C1T-08FJX-08FJX-17
53	1	506303	BLK PIPE EL 90DEG 1.25NPT	120	2	616034	08C1T-08FJX-08FJX-17
54	6	505300	BLK PIPE EL 90DEG 1.00NPT	121	1	616048	04C1T-06FJX-06FJX-35
55	3	505203	BLK PIPE NIPPLE 1.00NPT-4.00	122	2	618126	9/16MJIC-9/16MOR ADPTR
56	2	504955	BLK PIPE TEE .75NPT	123	2	618474	3/4MJIC-90-1 1/16MOR LBO
57	2	504702	CLOSE NIPPLE .75NPT	124	1	616024	04C1T-06FJX-06FJX-67
58	1	504210	RED BUSH 3/4 NPT X 1/2 NPT	125	1	616024	06C1T-06FJX-08FJX-70
59	1	501102	1/4 PIPE PLUG	126	1	607504	FLO DIV B50 2-8GPM 7/8 FOR
60	1	504400	BLK PIPE CROSS .75NPT	127	1	607512	RELIEF VALVE, RL50, 1850 PSI
61	1	618322	1 5/16MJIC-1MPT ADPTR	128	1	618310	9/16MJIC-7/8MOR ADPTR
62	1	618551	3/4MJIC-9/16MJIC REDU UNION	129	1	500000	1/2MPT HEX PIPE NIPPLE STL
63	5	505213	RED BUSH 1 X 3/4 BLK MAL	130	1	618072	7/8MOR-1/2FNPT ADPTR
64	2	618541	1 5/16FJIC-1 1/16MJIC ADPTR	131	2	618107	9/16MJIC-90-1/2MPT LBO
65	1	618118	3/4 HOSE BARB-90-1 1/16MOR	132	1	616042	04C1T-06FJX-06FJX-13
66	1	618638	1IN HOSE BARB-45-1 5/16MOR	133	1	614664	10C1T-10FJX-10FJX-98
67	3	618314	3/4MJIC UNION	134	1	615616	04C1T-06FJX-06FJX-65
68	2	618601	7/8MJIC-1 5/16MOR ADPT	135	1	618486	9/16FJIC SW RUN TEE-9/16MJIC
				136	1	610721	SUND M25-3000 WHL MTR W/SENSOR



*NOTE:
 REFER TO DETAIL 114 TO CHECK PRESSURE LIMIT
 SETTING - 4500 PSI
 REFER TO DETAIL 112 ON TOP TO CHECK CHANGE
 PRESSURE - 380 PSI
 REFER TO DETAIL 136, RELIEF VALVE
 PRESSURE - 1850 PSI

2041 BASIC MACHINE GMC HYD SCHEMATIC 2002
REFERENCE DRAWING NO. 498691

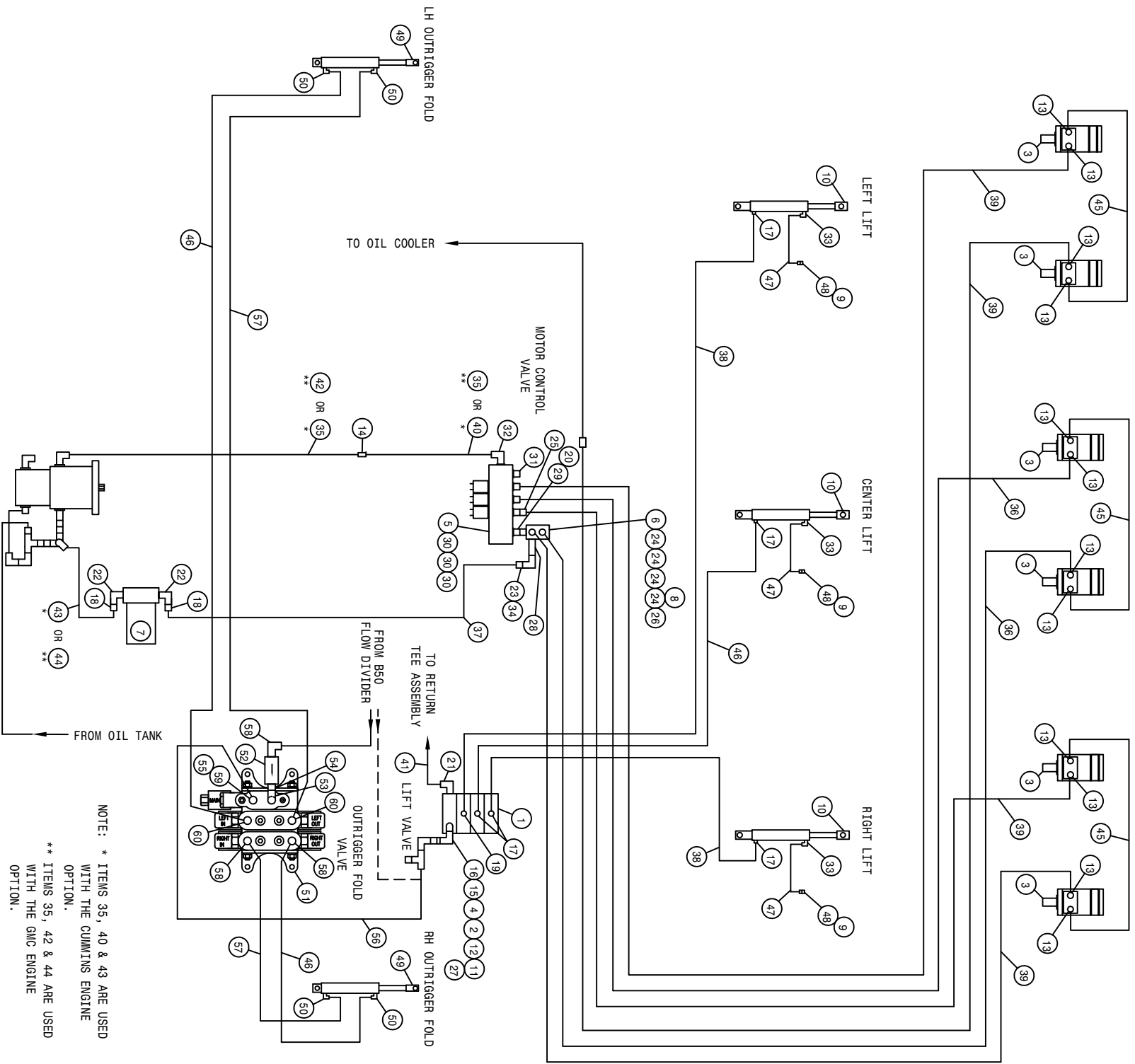
DET.	QTY	PART NO.	DESCRIPTION	DET.	QTY	PART NO.	DESCRIPTION
1	1	606911	SUND 75CC PUMP, B-MT W/FILT	73	2	611124	7/8MJC-90-1/2MPT LBO
2	2	610717	TORQ HUB, 24-1 W/MT INTEGRATED	74	1	618434	1/16MJC-1MPT ADPTR
3	1	606894	SUND GEAR PUMP 3.40CI SPLINED	75	1	618575	FNPT PIPE TEE STL
4	1	618606	OIL COOLER, BLISSFIELD 65027	76	1	618589	7/8MJC-90-1/5/16MOR LBO
5	1	610468	POSITRACTION VLV MOD CONT 20G	77	5	611126	7/8MJC-7/8MOR ADPTR
6	1	610586	POSITRACTION VLV,ALUM,88SP60G	78	2	618425	9/16MJC-45-9/16MOR LBO
7	2	620800	STRG CYL ASSY, 2XX	79	2	618019	9/16MJC UNION TEE
8	1	610567	SUND M25-3000 WHL MTR 1.5CI	80	2	618640	1/5/16M-90-1/5/16FU SWIV LBO
9	2	618598	1" 4-BOLT FLG X 1/5/16 FOR	81	1	618018	9/16MJC-1/2MPT ADPTR
10	1	749150	STRG MTR NON-LOAD REACT 1008	82	2	610193	9/16MJC BLKH BRANCH TEE
11	1	605601	PARKER FILTER ASSY, 10M, 1.25MPT	83	2	618156	7/8MJC-90-3/4MPT LBO
12	1	760097	OIL TANK W/LD 8240 1982	84	2	505102	PIPE PLUG 1.00NPT SO HD
13	1	605600	TANK FILTER, 100 MESH, 1"FNPT	85	1	610300	3/4MJC-3/4MPT ADPTR
14	2	605603	LINE SUMP DIFFUSER	86	1	618135	3/4 HOSE BARB-90-3/4MPT
15	1	611052	FILLER BREATHER 3/4ANPT	87	4	618531	9/16FJIC CAP NUT
16	1	614463	DIPSTICK, 8IN	88	1	506410	BLK PIPE ST EL 90DEG 1.25NPT
17	1	614660	1IN STL TEE W/LD 280	89	1	618311	3/4MJC UNION TEE
18	2	620805	LEG LEVEL CYL ASSY,2.00 X 12.0	90	3	618482	3/4FJIC-9/16MJC ADPTR
19	2	614672	HYD TUBE ASSY, SUND PUMP	91	1	618312	1/5/16MOR-1/1/16FOR ADPTR
20	2	616028	04C1T-06FJX-06FJX-47	H/A	92	618535	7/8MJC-90-1/1/16MOR LBO
21	2	615751	FRT LEG O/UR HYD TUBE, 204 W/1M1	93	1	616040	04C1T-06FJX-06FJX-67
22	2	615750	FRT LEG CNTR HYD TUBE, 204 W/1M1	94	1	618075	3/4 HOSE BARB-1/1/16MOR
23	1	615748	RH FRT INNER HYD TUBE, 204 W/1M1	95	1	611128	7/8MJC-90-7/8MOR LBO
24	1	618520	1/4MPT RUN TEE-9/16MJC	96	1	606891	SUND GEAR PMP .52CI SPLINED
25	2	615687	12TWM-16FJX-16FJX-122	H/A	97	618178	1/5/16MJC-90-1/5/16MOR LBO
26	1	601395	HOSE, 3/4 X 64 'FBR-1SP1	98	1	618596	1/5/8MOR-1/1/4FNPT ADPTR
27	1	601396	HOSE, 1 X 81 'FBR-1SP1	99	1	507026	1/1/4MPT HEX PIPE NIPPLE STL
28	1	601375	HOSE, 1 X 24 'FBR-1SPI	100	1	506701	SIDE OUTLET EL 90DEG 1.25NPT
29	1	601377	HOSE, 1 X 48 'FBR-1SPI	101	1	715660	HOSE BARB 1/4ANPT X 1/1/4
30	1	614388	08C1T-08FJX-08FJX-129	H/A	102	506005	1/4 TO 1 RED BUSH BLK MAL
31	1	615614	FRT LEG CYL JUMPER HOSE280	89	103	505201	CLOSE NIPPLE 1.00NPT
32	1	614625	06C1T-06FJX-06FJX-30	H/A	104	505101	BLK PIPE TEE 1.00NPT
33	1	615451	06C1T-06FJX-08FJX-58	H/A	105	610305	3/4MJC-90-3/4MPT LBO
34	1	611204	04C1T-06FJX-06FJX-78	H/A	106	716000	3/4 HOSE BARB-90-1MPT
35	4	614663	04C1T-06FJX-06FJX-16	H/A	107	6101383	HOSE, 3/4 X 8 'FBR-1SPI
36	2	614655	08C2AT-10FJX-12FXJ90-70	H/A	108	618301	7/8MJC-90-7/8FJIC SWIV LBO
37	2	614654	08C2AT-10FJX-12FXJ90-60	H/A	109	618609	3/4MJC-90-3/4FJIC SWIV LBO
38	2	614656	08C2AT-10FJX-10FJX-118	H/A	110	614662	08C1T-08FJX-08FJX-72
39	2	614657	08C2AT-10FJX-10FJX-125	H/A	111	505105	1MPT HEX PIPE NIPPLE STL
40	1	614549	06C1T-06FJX-06FJX-140	H/A	112	618119	9/16MJC-90-9/16MOR LBO
41	1	615449	06C1T-06FJX-06FJX-126	H/A	113	618327	3/4MJC-7/8MOR ADPTR
42	1	615633	08C1T-08FJX-08FJX-23	H/A	114	618629	HYD FILTER ELEMENT, DONALDSON
43	6	618496	9/16MJC-45-3/4MOR LBO	115	1	605609	HYD FILTER HEAD, DONALDSON
44	1	504001	RED BUSH 3/4 X 1/4 BLK MAL	116	2	618609	3/4MJC-90-3/4FJIC SWIV LBO
45	1	618183	3/4MJC-90-7/8MOR LBO	117	1	605608	REMOTE FLUSHING VALVE, SUND
46	2	618599	1/5/16MOR BRANCH TEE-1/5/16M	118	1	610580	9/16MOR BRANCH TEE-9/16MJC
47	1	615465	08C1T-08FJX-08FJX-33	H/A	119	616034	08C1T-08FJX-08FJX-17
48	5	505200	BLK PIPE ST EL 90DEG 1.00NPT	120	2	616048	04C1T-06FJX-06FJX-23
49	1	715664	1/1/4 NPT X 1 HOSE BARB	121	1	616048	04C1T-06FJX-06FJX-35
50	4	714560	1NPT X 1 HOSE BARB	122	2	618126	9/16MJC-9/16MOR ADPTR
51	1	714331	1 NPT X 3/4 HOSE BARB	123	2	618474	3/4MJC-90-1/1/16MOR LBO
52	1	506602	PIPE NIPPLE 1/1/4NPT-2 1/2	124	1	618451	HOSE, 1 X 254 1BR BLK EPDM
53	1	506303	BLK PIPE EL 90DEG 1.25NPT	125	1	601318	04C1T-06FJX-06FJX-133
54	6	505300	BLK PIPE EL 90DEG 1.00NPT	126	2	614101	04C1T-06FJX-06FJX-174
55	3	505203	BLK PIPE NIPPLE 1.00NPT-4.00	127	1	611246	04C1T-06FJX-06FJX-32
56	1	504955	BLK PIPE TEE .75NPT	128	2	616056	9/16MJC-7/16MOR ADPTR
57	2	504702	CLOSE NIPPLE .75NPT	129	2	618304	7/8MJC-1/1/16MOR ADPTR
58	1	504210	RED BUSH 3/4 NPT X 1/2 NPT	130	4	618309	7/8MJC-45-7/8FJIC SWIV LBO
59	1	501102	1/4 PIPE PLUG	131	2	618628	LH FRT INNER HYD TUBE, 204 W/1M1
60	2	618486	9/16FJIC SW RUN TEE-9/16MJC	132	1	615749	BLK PIPE CROSS .75NPT
61	1	618322	1/5/16MJC-1MPT ADPTR	133	1	504400	06C1T-06FJX-08FJX-70
62	1	618551	3/4MJC-9/16MJC REDU UNION	134	1	616024	FLO DIV B50 2-8GPM 7/8 FOR
63	5	505213	RED BUSH 1 X 3/4 BLK MAL	135	1	607504	RELIEF VALVE, RLS50, 1850 PSI
64	2	618541	1/5/16FJIC-1/1/16MJC ADPTR	136	1	607512	9/16MJC-7/8MOR ADPTR
65	1	618118	3/4 HOSE BARB-90-1/1/16MOR	137	1	618310	1/2MPT HEX PIPE NIPPLE STL
66	1	618564	1IN HOSE BARB-90-1/5/16MOR	138	1	500000	7/8MOR-1/2FNPT ADPTR
67	3	618314	3/4MJC UNION	139	1	618072	9/16MJC-90-1/2MPT LBO
68	2	618601	7/8MJC-1/5/16MOR ADPT	140	2	618107	04C1T-06FJX-06FJX-13
69	1	618186	1/5/16MJC-1/5/16MOR ADPTR	141	1	616042	10C1T-10FJX-10FJX-98
70	4	618553	1/1/16MJC-7/8MJC REDU UNION	142	1	614664	04C1T-06FJX-06FJX-65
71	2	505005	RED BUSH 1 TO 1/2	143	1	615616	H/A
72	1	618308	1/1/16MJC-1/5/16MOR ADPTR	144	1	610721	SUND M25-3000 WHL MTR W/SENSOR



*NOTE:
 REFER TO DETAIL 114 TO CHECK PRESSURE LIMIT
 SETTING - 4500 PSI
 REFER TO DETAIL 112 ON TOP TO CHECK CHARGE
 PRESSURE - 380 PSI
 REFER TO DETAIL 136, RELIEF VALVE
 PRESSURE - 1850 PSI

2041 BASIC MACHINE CUMM HYD SCHEMATIC 2002
 REFERENCE DRAWING NO. 498692

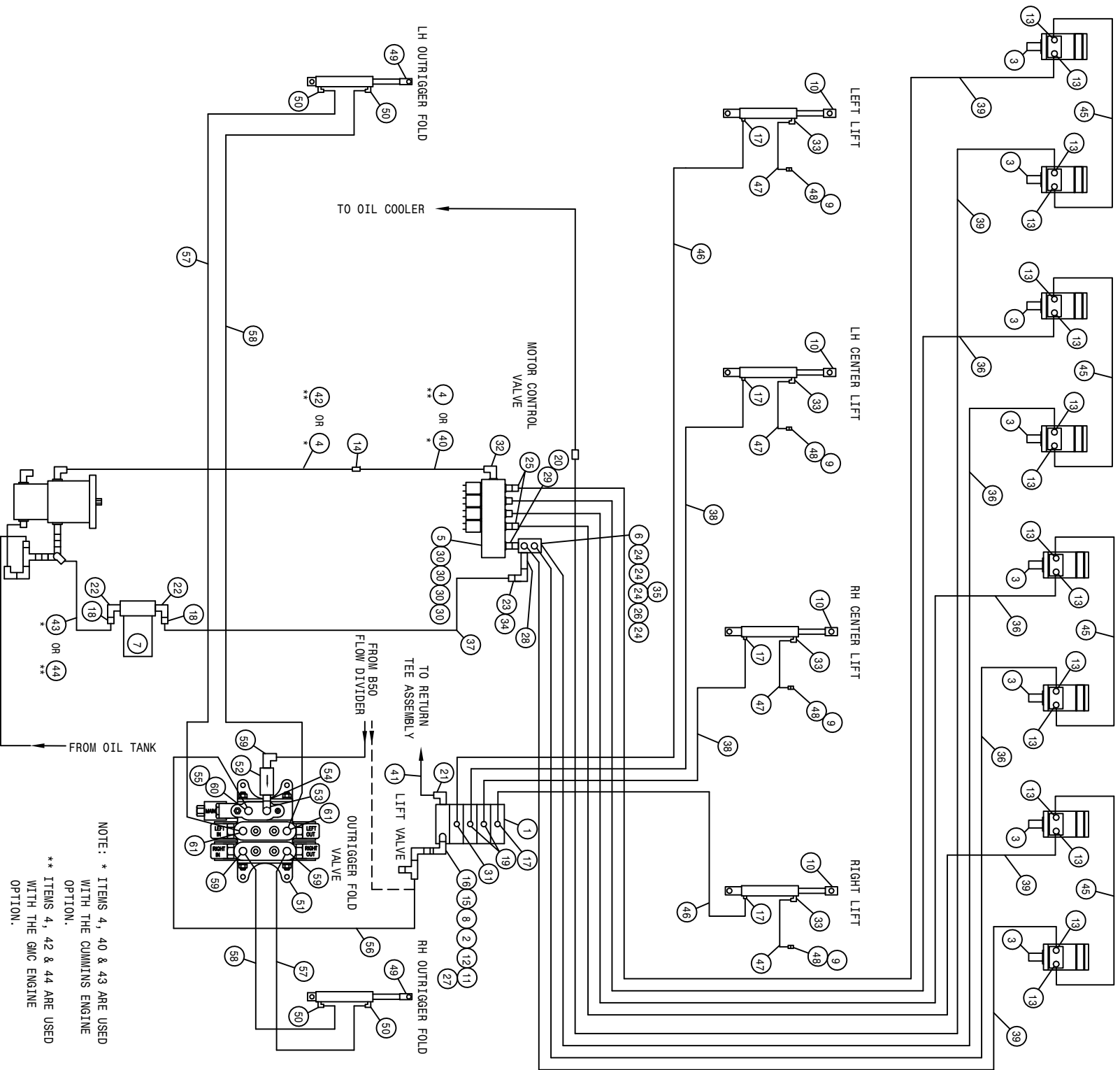
DET.	QTY	PART NO.	DESCRIPTION	DET.	QTY	PART NO.	DESCRIPTION
1	1	606902	SUND 100CC PUMP-B-MT W/FILTR	73	2	611124	7/8MJIC-90-1/2NPT LBO
2	2	610717	TORQ HUB,24:1 W/M1 INTEGRATED	74	1	618434	1/16MJIC-1NPT ADPTR
3	1	606937	TANDEM PUMP, 606929 & 606938	75	1	618575	1NPT PIPE TEE STL
4	1	618606	OIL COOLER, BLISSFIELD 65027	76	1	618589	7/8MJIC-90-1/5/16MOR LBO
5	1	610468	POSTIRACTION VLV MOD CONT 20G	77	5	611126	7/8MJIC-7/8MOR ADPTR
6	1	610586	POSTIRACTION VLV,ALUM,88SP60G	78	2	618425	9/16MJIC-45-9/16MOR LBO
7	2	620800	STRG CYL ASSY, 2XX	79	2	618019	9/16MJIC UNION TEE
8	1	610567	SUND M25-3000 WHL MTR 1.5CI	80	1	618639	1/5/8MOR-1/5/16FOR ADPTR
9	2	618598	1" 4-BOLT FLG X 1/5/16 FOR	81	1	618018	9/16MJIC-1/2NPT ADPTR
10	1	749150	STRG MTR NON-LOAD REACT 1008	82	2	610193	9/16MJIC BLKHD BRANCH TEE
11	1	605601	PARKER FILTER ASSY, 10M, 1.25NPT	83	2	618156	7/8MJIC-90-3/4NPT LBO
12	1	760097	OIL TANK WLD 8240 1982	84	2	505102	PIPE PLUG 1.00NPT SQ HD
13	1	605600	TANK FILTER, 100 MESH, 1"FNPT	85	1	610300	3/4MJIC-3/4NPT ADPTR
14	2	605603	LINE SUMP DIFUSER	86	1	618135	3/4 HOSE BARB-90-3/4NPT
15	1	611052	FILLER BREATHER 3/4NPT	87	4	618531	9/16FJIC CAP NUT
16	1	614453	DIPSTICK, 81N	88	3	506410	BLK PIPE ST EL 90DEG 1.25NPT
17	1	614660	1IN STL TEE WLD 280	89	1	618311	3/4MJIC UNION TEE
18	2	620805	LEG LEVEL CYL ASSY 2.00 X 12.0	90	3	618482	3/4FJIC-9/16MJIC ADPTR
19	2	614707	HYD TUBE ASSY, SUND, 200 DIESEL	91	1	618312	1/5/16MOR-1/16FOR ADPTR
20	2	615634	12TWM-16FJX-16FJX-123	92	1	618535	7/8MJIC-90-1/16MOR LBO
21	2	615751	FRT LEG OUTR HYD TUBE, 204 W/M1	93	1	618451	3/4FJIC SW RUN TEE-3/4MJIC
22	2	615750	FRT LEG CNTR HYD TUBE, 204 W/M1	94	1	618075	3/4 HOSE BARB-1/1/16MOR
23	1	615748	RH FRT INNER HYD TUBE, 204 W/M1	95	1	611128	7/8MJIC-90-7/8MOR LBO
24	1	618520	1/4NMPRT RUN TEE-9/16MJIC	96	2	616028	04C1T-06FJX-06FJX-47
25	2	618191	1/16MJIC-90-1/16FJ SWIV LBO	97	1	618178	1/5/16MJIC-90-1/5/16MOR LBO
26	1	601395	HOSE, 3/4 X 64 1FBR-1SPI	98	1	618596	1/5/8MOR-1/1/4FNPT ADPTR
27	1	601396	HOSE, 1 X 81 1FBR-1SPI	99	1	507026	1/4NMPRT HEX PIPE NIPPLE STL
28	1	601376	HOSE, 1 X 29 1FBR-1SPI	100	1	506701	SIDE OUTLET EL 90DEG 1.25NPT
29	1	601377	HOSE, 1 X 48 1FBR-1SPI	101	1	715660	HOSE BARB 1/1/4NPT X 1/1/4
30	1	614388	08C1T-08FJX-08FJX-129	102	1	506005	1/4 TO 1 RED BUSH BLK MAL
31	1	615614	FRT LEG CYL JUMPER HOSE280	103	2	505201	CLOSE NIPPLE 1.00NPT
32	1	614625	06C1T-06FJX-06FJX-30	104	3	505101	BLK PIPE TEE 1.00NPT
33	1	615451	06C1T-06FJX-08FJX-58	105	2	610305	3/4MJIC-90-3/4NPT LBO
34	1	611204	04C1T-06FJX-06FJX-78	106	1	716000	3/4 HOSE BARB-90-1NMPRT
35	4	614663	08C2AT-10FJX-06FJX-16	107	1	601399	HOSE, 3/4 X 13 1FBR-1SPI
36	2	614655	08C2AT-10FJX-12FJX90-70	108	2	618301	7/8MJIC-90-7/8FJIC SWIV LBO
37	2	614654	08C2AT-10FJX-12FJX90-60	109	1	618609	3/4MJIC-90-3/4FJIC SWIV LBO
38	2	614656	08C2AT-10FJX-10FJX-118	110	1	614662	08C1T-08FJX-08FJX-72
39	2	614657	08C2AT-10FJX-10FJX-125	111	1	505105	1NMPRT HEX PIPE NIPPLE STL
40	1	614549	06C1T-06FJX-06FJX-140	112	7	618119	9/16MJIC-90-9/16MOR LBO
41	1	615449	06C1T-06FJX-06FJX-126	113	2	618327	3/4MJIC-7/8MOR ADPTR
42	1	615633	08C1T-08FJX-08FJX-23	114	3	618629	9/16MOR BRANCH TEE-9/16MJIC
43	6	618496	9/16MJIC-45-3/74MOR LBO	115	1	605609	HYD FILTER ELEMENT, DONALDSON
44	1	504001	RED BUSH 3/4 X 1/4 BLK MAL	116	2	618109	9/16MJIC-3/4MOR ADPTR
45	1	618183	3/4MJIC-90-7/8MOR LBO	117	1	605608	HYD FILTER HEAD, DONALDSON
46	2	618599	1/5/16MOR BRANCH TEE-1/5/16MJ	118	1	610580	REMOTE FLUSHING VALVE, SUND
47	1	615465	08C1T-08FJX-08FJX-33	119	1	616034	08C1T-08FJX-08FJX-17
48	4	505200	BLK PIPE ST EL 90DEG 1.00NPT	120	2	616043	04C1T-06FJX-06FJX-23
49	1	715664	1/4 NPT X 1 HOSE BARB	121	1	616048	04C1T-06FJX-06FJX-35
50	4	714560	1NPT X 1 HOSE BARB	122	2	618126	9/16MJIC-9/16MOR ADPTR
51	1	714331	1 NPT X 3/4 HOSE BARB	123	2	618474	3/4MJIC-90-1/16MOR LBO
52	1	506602	PIPE NIPPLE 1/1/4NPT-2 1/2	124	1	616040	04C1T-06FJX-06FJX-67
53	1	506303	BLK PIPE EL 90DEG 1.25NPT	125	1	610318	HYD SOLE VLV, 2P-3W, 9/16FOR, 12V
54	6	505300	BLK PIPE EL 90DEG 1.00NPT	126	2	614101	04C1T-06FJX-06FJX-133
55	3	505203	BLK PIPE NIPPLE 1.00NPT-4.00	127	1	611246	04C1T-06FJX-06FJX-174
56	1	504955	BLK PIPE TEE, 75NPT	128	2	616056	04C1T-06FJX-06FJX-32
57	2	504702	CLOSE NIPPLE .75NPT	129	2	618304	9/16MJIC-7/16MOR ADPTR
58	1	504210	RED BUSH 3/4 NPT X 1/2 NPT	130	4	618309	7/8MJIC-1/16MOR ADPTR
59	1	501102	1/4 PIPE PLUG	131	2	618628	7/8MJIC-45-7/8FJIC SWIV LBO
60	2	618486	9/16FJIC SW RUN TEE-9/16MJIC	132	1	615749	LH FRT INNER HYD TUBE, 204 W/M1
61	1	618322	1/5/16MJIC-1NPT ADPTR	133	1	504400	BLK PIPE CROSS .75NPT
62	1	618551	3/4MJIC-9/16MJIC REDU UNION	134	1	616024	06C1T-06FJX-08FJX-70
63	5	505213	RED BUSH 1 X 3/4 BLK MAL	135	1	607504	FLO DIV B50 2-8GPM 7/8 FOR
64	2	618541	1/5/16FJIC-1/16MJIC ADPTR	136	1	607510	RELIEF VALVE, R150, 1850 PSI
65	1	618118	3/4 HOSE BARB-90-1/16MOR	137	1	618310	9/16MJIC-7/8MOR ADPTR
66	1	618638	1IN HOSE BARB-45-1/5/16MOR	138	1	500000	1/2NMPRT HEX PIPE NIPPLE STL
67	3	618314	3/4MJIC UNION	139	2	618072	7/8MOR-1/2FNPT ADPTR
68	2	618601	7/8MJIC-1/5/16MOR ADPT	140	2	618107	9/16MJIC-90-1/2NPT LBO
69	1	618186	1/5/16MJIC-1/5/16MOR ADPTR	141	1	616042	04C1T-06FJX-06FJX-13
70	4	618553	1/16MJIC-7/8MJIC REDU UNION	142	1	614664	10C1T-10FJX-10FJX-98
71	2	505005	RED BUSH 1 TO 1/2	143	1	615616	04C1T-06FJX-06FJX-65
72	1	618308	1/16MJIC-1/5/16MOR ADPTR	144	1	610721	SUND M25-3000 WHL MTR W/SENSOR



NOTE: * ITEMS 35, 40 & 43 ARE USED WITH THE CUMMINS ENGINE OPTION.
 ** ITEMS 35, 42 & 44 ARE USED WITH THE GMC ENGINE OPTION.

204 6R QUAD 3L LS HYD SCHEM 2002
REFERENCE DRAWING NO. 498694

DET.	QTY	PART NO.	DESCRIPTION	DET.	QTY	PART NO.	DESCRIPTION
1	1	610532	ELECT HYD STACK VLV, 3 SECT	31	1	610186	1 1/16MOR PLUG
2	1	610447	HYD FILTER, INLINE 1/4FNPT 90M	32	1	618178	1 5/16MJIC-90-1 5/16MOR LBO
3	6	610547	HYD MOTOR 4.5CI 1IN SHFT	33	3	618343	3/8 HOSE BARB-90-9/16MOR
4	1	618608	9/16FJIC SWIV-1/4MNPT	*34	1	714561	1.00NPT-1.25 HOSE BARB
5	1	610467	MODULAR MTR CONTROL ELECT VLV	35	1	614350	16C2AT-16FJX-16FJX-55
*6	1	614633	HYD MANIF 8200 86	36	2	614688	08C1T-08FJX-08FJX-108
*7	1	605601	PARKER FILTER ASSY, 10M, 1.25NPT	*37	1	601378	HOSE, 1 1/4 X 156 1FBR-1SPI
*8	1	618532	3/4FJIC CAP NUT	38	2	614101	04C1T-06FJX-06FJX-133
9	3	470114	BREATHER FILTER VENT, 1/4 NPT	39	4	614690	08C1T-08FJX-08FJX-192
10	3	620810	LIFT CYL ASSY, DETASSELER	40	1	614703	HYD TUBE ASSY, 200 MAIN
*11	1	618486	9/16FJIC SW RUN TEE-9/16MJIC	*41	1	614627	06C1T-06FJX-06FJX-45
12	1	611122	9/16MJIC-90-1/4MNPT LBO	42	1	614719	HYD TUBE ASSY, AUX 204 GMC 96
13	12	618327	3/4MJIC-7/8MOR ADPTR	43	1	601437	HOSE, 1 1/4 X 40 1FBR-1SPI
*14	1	618577	1 5/16MJIC UNION	44	1	601440	HOSE, 1 1/4 X 25 1FBR-1SPI
15	1	618440	9/16MJIC-90-9/16MOR EX LG LBO	45	3	616025	08C1T-08FJX-08FJX-50
16	1	618170	3/4MOR-9/16FOR ADPTR	46	3	614077	04C1T-06FJX-06FJX-88
17	5	618119	9/16MJIC-90-9/16MOR LBO	47	3	601420	HOSE, 3/8 X 48 CLEAR VINYL
*18	2	715660	HOSE BARB 1 1/4NPT X 1 1/4	48	3	783306	1/4 FNPT X 3/8 HOSE BARB, BRS
19	1	618425	9/16MJIC-45-9/16MOR LBO	49	2	620845	BOOM HINGE FOLD CYL ASSY
*20	1	618587	1 5/16FJIC SWIV-1MNPT	50	4	614747	.025 ELBOW ASSY, 9/16MOR 90D
21	1	618600	9/16MJIC-90-7/8MOR LBO	51	1	606090	BRAND HYD VALVE, 2-SECT SER 36
*22	2	506410	BLK PIPE ST EL 90DEG 1.25NPT	52	1	605610	HYD FILTER, INLINE 90M 3/4FOR
*23	1	505300	BLK PIPE EL 90DEG 1.00NPT	53	1	618183	3/4MJIC-90-7/8MOR LBO
*24	4	611145	3/4MJIC-90-1/2MNPT LBO	54	1	618669	3/4FJIC SWIV-3/4MOR ADPTR
25	1	618590	3/4MJIC-45-3/4FJIC SWIV LBO	55	1	618618	9/16MJIC-90-9/16FJIC SWIV LBO
*26	1	503700	PIPE PLUG .50NPT SQ HD	56	1	615621	06C1T-06FJX-06FJX-24
*27	1	618531	9/16FJIC CAP NUT	57	2	615727	04C1T-06FJX-06FJX-75
*28	1	505209	BLK PIPE NIPPLE 1.00NPT-6.00	58	3	618115	9/16MJIC-90-3/4MOR LBO
29	1	618186	1 5/16MJIC-1 5/16MOR ADPTR	59	1	618310	9/16MJIC-7/8MOR ADPTR
30	3	618469	3/4MJIC-1 1/16MOR ADPTR	60	2	618709	9/16MJIC-90-3/4MOR EX LG LBO



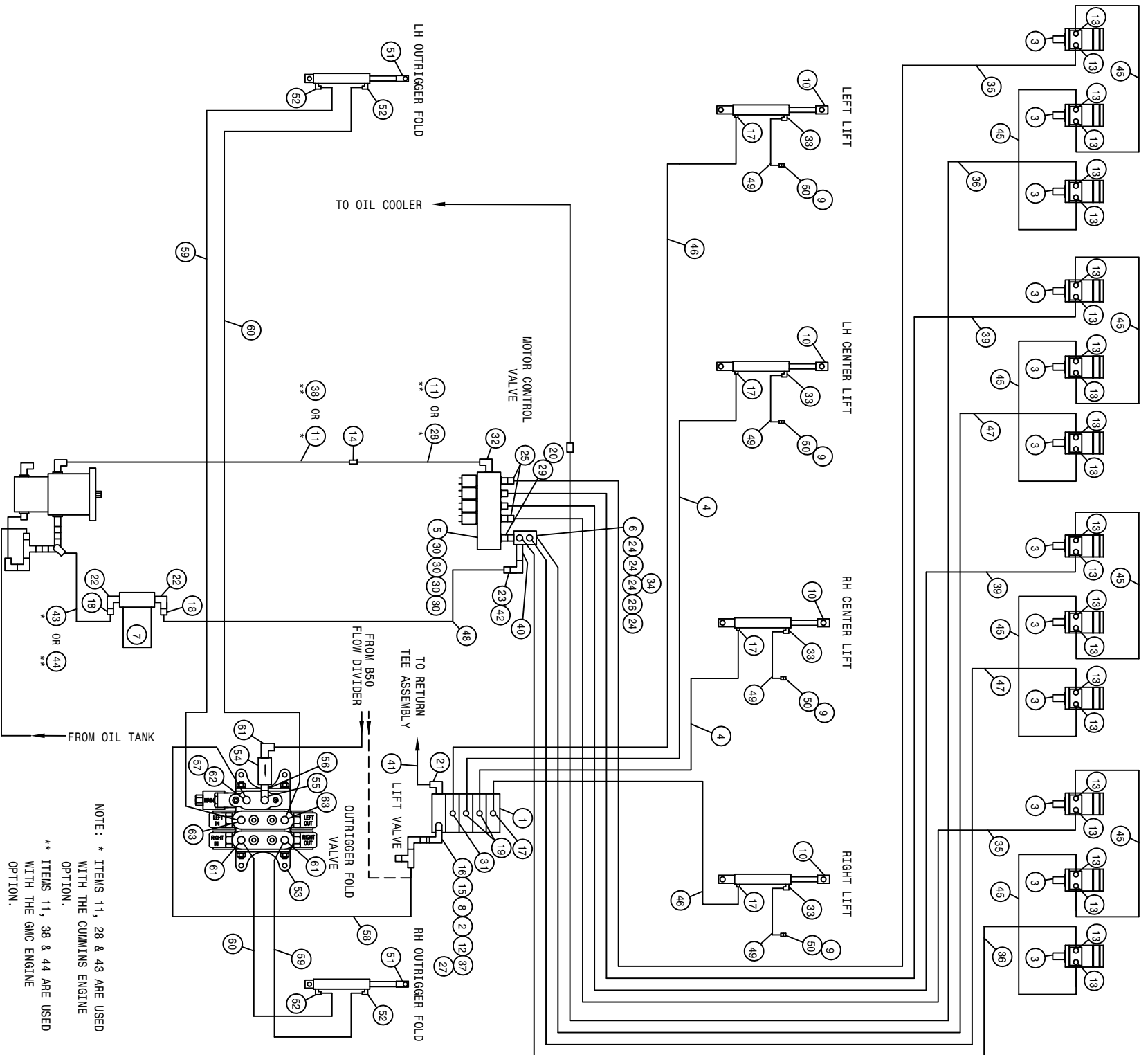
NOTE: * ITEMS 4, 40 & 43 ARE USED WITH THE CUMMINS ENGINE OPTION.
 ** ITEMS 4, 42 & 44 ARE USED WITH THE GMC ENGINE OPTION.

204 8R QUAD 4L LS HYD SCHEM 2002
REFERENCE DRAWING NO. 498695

DET.	QTY	PART NO.	DESCRIPTION	DET.	QTY	PART NO.	DESCRIPTION
1	1	610613	ELECT HYD STACT VLV, 4 SECT	32	1	618178	1 5/16MJIC-90-1 5/16MOR LBO
2	1	610447	HYD FILTER, INLINE 1/4FNPT 90M	33	4	618343	3/8 HOSE BARB-90-9/16MOR
3	8	610547	HYD MOTOR 4.5CI 1IN SHFT	*34	1	714561	1.00NPT-1.25 HOSE BARB
4	1	614350	16C2AT-16FJX-16FJX-55 H/A	*35	1	618532	3/4FJIC CAP NUT
5	1	610467	MODULAR MTR CONTROL ELECT VLV	36	4	614689	08C1T-08FJX-08FJX-120
*6	1	614633	HYD MANIF 8200 86	*37	1	601378	HOSE, 1 1/4 X 156 1FBR-1SPI
*7	1	605601	PARKER FILTER ASSY, 10M, 1.25NPT	38	2	614101	04C1T-06FJX-06FJX-133
8	1	618608	9/16FJIC SWIV-1/4MNPT	39	4	614691	08C1T-08FJX-08FJX-220
9	4	470114	BREATHER FILTER VENT, 1/4 NPT	40	1	614703	HYD TUBE ASSY, 200 MAIN
10	4	620810	LIFT CYL ASSY, DETASSELER	*41	1	614627	06C1T-06FJX-06FJX-45
11	1	618486	9/16FJIC SW RUN TEE-9/16MJIC	42	1	614719	HYD TUBE ASSY, AUX 204 GMC 96
12	1	611122	9/16MJIC-90-1/4MNPT LBO	43	1	601437	HOSE, 1 1/4 X 40 1FBR-1SPI
13	16	618327	3/4MJIC-7/8MOR ADPTR	44	1	601440	HOSE, 1 1/4 X 25 1FBR-1SPI
*14	1	618577	1 5/16MJIC UNION	45	4	616025	08C1T-08FJX-08FJX-50
15	1	618440	9/16MJIC-90-9/16MOR EX LG LBO	46	2	611246	04C1T-06FJX-06FJX-174
16	1	618170	3/4MOR-9/16FOR ADPTR	47	4	601420	HOSE, 3/8 X 48 CLEAR VINYL
17	5	618119	9/16MJIC-90-9/16MOR LBO	48	4	783306	1/4 FNPT X 3/8 HOSE BARB, BRS
*18	2	715660	HOSE BARB 1 1/4NPT X 1 1/4	49	2	620845	BOOM HINGE FOLD CYL ASSY
19	2	618425	9/16MJIC-45-9/16MOR LBO	50	4	614747	.025 ELBOW ASSY, 9/16MOR 90D
*20	1	618587	1 5/16FJIC SWIV-1MNPT	51	1	606090	BRAND HYD VALVE, 2-SECT SER 36
21	1	618600	9/16MJIC-90-7/8MOR LBO	52	1	605610	HYD FILTER, INLINE 90M 3/4FOR
*22	2	506410	BLK PIPE ST EL 90DEG 1.25NPT	53	1	618183	3/4MJIC-90-7/8MOR LBO
*23	1	505300	BLK PIPE EL 90DEG 1.00NPT	54	1	618669	3/4FJIC SWIV-3/4MOR ADPTR
*24	4	611145	3/4MJIC-90-1/2MNPT LBO	55	1	618618	9/16MJIC-90-9/16FJIC SWIV LBO
25	2	618590	3/4MJIC-45-3/4FJIC SWIV LBO	56	1	615621	06C1T-06FJX-06FJX-24
*26	1	503700	PIPE PLUG .50NPT SQ HD	57	2	614077	04C1T-06FJX-06FJX-88
27	1	618531	9/16FJIC CAP NUT	58	2	615727	04C1T-06FJX-06FJX-75
*28	1	505209	BLK PIPE NIPPLE 1.00NPT-6.00	59	3	618115	9/16MJIC-90-3/4MOR LBO
29	1	618186	1 5/16MJIC-1 5/16MOR ADPTR	60	1	618310	9/16MJIC-7/8MOR ADPTR
30	4	618469	3/4MJIC-1 1/16MOR ADPTR	61	2	618709	9/16MJIC-90-3/4MOR EX LG LBO
31	1	618126	9/16MJIC-9/16MOR ADPTR				

204 10R QUAD 4L LS HYD SCHEM 2002
REFERENCE DRAWING NO. 498696

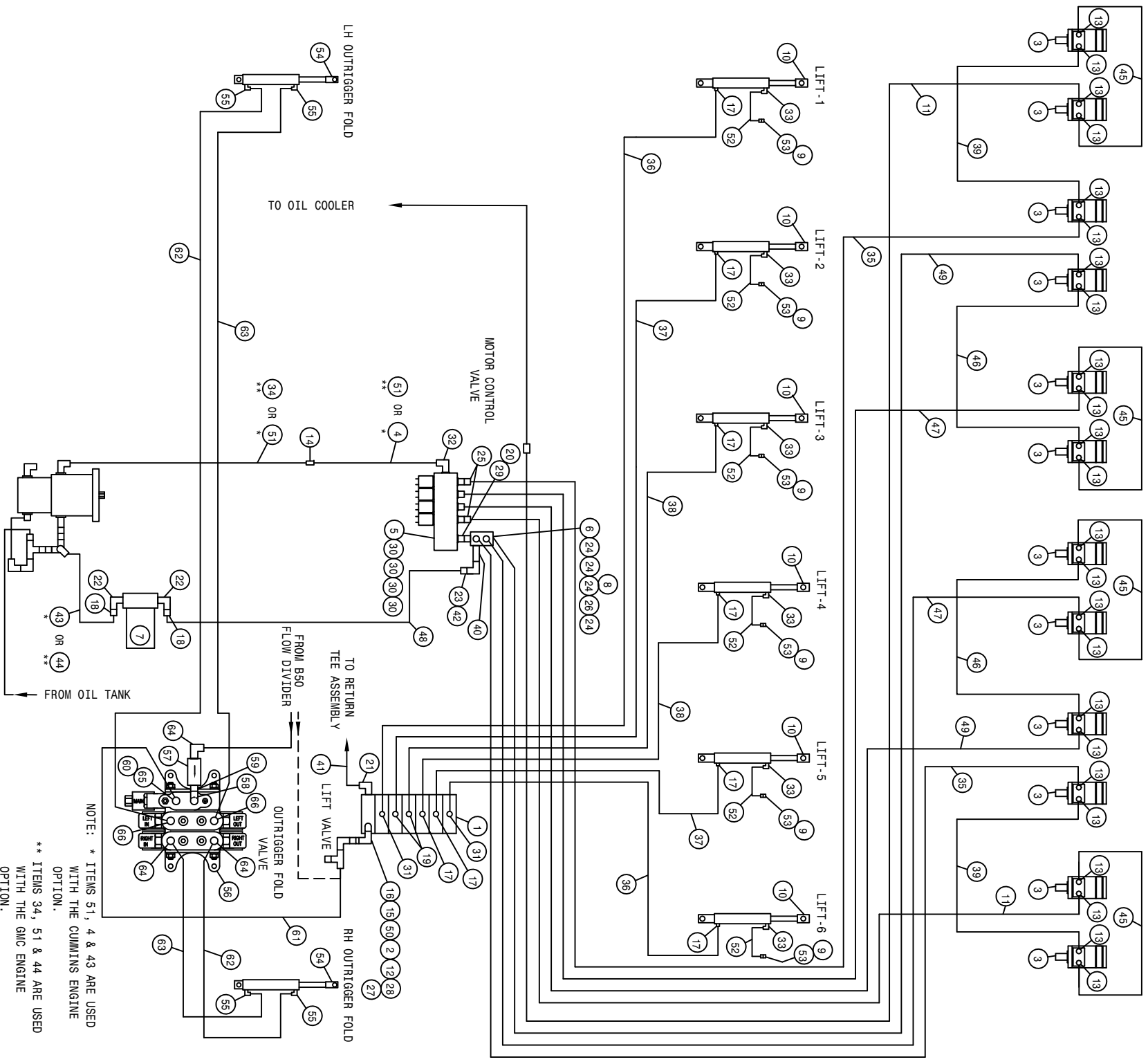
DET.	QTY	PART NO.	DESCRIPTION	DET.	QTY	PART NO.	DESCRIPTION
1	1	610613	ELECT HYD STACT VLV, 4 SECT	33	4	618343	3/8 HOSE BARB-90-9/16MOR
2	1	610447	HYD FILTER, INLINE 1/4FNPT 90M	34	2	618586	7/8MOR UNION
3	10	610547	HYD MOTOR 4.5CI 1IN SHFT	35	2	614384	08C1T-08FJX-08FJX-237
4	1	618608	9/16FJIC SWIV-1/4MNPT	36	2	607522	FLOW REGULATOR, 8GPM VONBERG
5	1	610467	MODULAR MTR CONTROL ELECT VLV	37	1	618486	9/16FJIC SW RUN TEE-9/16MJIC
* 6	1	614633	HYD MANIF 8200 86	38	1	614719	HYD TUBE ASSY, AUX 204 GMC 96
* 7	1	605601	PARKER FILTER ASSY, 10M, 1.25NPT	39	2	614387	08C1T-08FJX-08FJX-267
8	1	614350	16C2AT-16FJX-16FJX-55	*40	1	505209	BLK PIPE NIPPLE 1.00NPT-6.00
9	4	470114	BREATHER FILTER VENT, 1/4 NPT	*41	1	614627	06C1T-06FJX-06FJX-45
10	4	620810	LIFT CYL ASSY, DETASSELER	*42	1	714561	1.00NPT-1.25 HOSE BARB
11	1	614703	HYD TUBE ASSY, 200 MAIN	43	1	601437	HOSE, 1 1/4 X 40 1FBR-1SPI
12	1	611122	9/16MJIC-90-1/4MNPT LBO	44	1	601440	HOSE, 1 1/4 X 25 1FBR-1SPI
13	20	618327	3/4MJIC-7/8MOR ADPTR	45	6	616025	08C1T-08FJX-08FJX-50
*14	1	618577	1 5/16MJIC UNION	46	2	614098	04C1T-06FJX-06FJX-201
15	1	618440	9/16MJIC-90-9/16MOR EX LG LBO	47	4	614689	08C1T-08FJX-08FJX-120
16	1	618170	3/4MOR-9/16FOR ADPTR	*48	1	601378	HOSE, 1 1/4 X 156 1FBR-1SPI
17	5	618119	9/16MJIC-90-9/16MOR LBO	49	2	611202	04C1T-06FJX-06FJX-136
*18	2	715660	HOSE BARB 1 1/4NPT X 1 1/4	50	4	601420	HOSE, 3/8 X 48 CLEAR VINYL
19	2	618425	9/16MJIC-45-9/16MOR LBO	51	4	783306	1/4 FNPT X 3/8 HOSE BARB, BRS
*20	1	618587	1 5/16FJIC SWIV-1MNPT	52	2	620845	BOOM HINGE FOLD CYL ASSY
21	1	618600	9/16MJIC-90-7/8MOR LBO	53	4	614747	.025 ELBOW ASSY, 9/16MOR 90D
*22	2	506410	BLK PIPE ST EL 90DEG 1.25NPT	54	1	606090	BRAND HYD VALVE, 2-SECT SER 36
*23	1	505300	BLK PIPE EL 90DEG 1.00NPT	55	1	605610	HYD FILTER, INLINE 90M 3/4FOR
*24	4	611145	3/4MJIC-90-1/2MNPT LBO	56	1	618183	3/4MJIC-90-7/8MOR LBO
25	2	618590	3/4MJIC-45-3/4FJIC SWIV LBO	57	1	618669	3/4FJIC SWIV-3/4MOR ADPTR
*26	1	503700	PIPE PLUG .50NPT SQ HD	58	1	618618	9/16MJIC-90-9/16FJIC SWIV LBO
27	1	618531	9/16FJIC CAP NUT	59	1	615621	06C1T-06FJX-06FJX-24
*28	1	618532	3/4FJIC CAP NUT	60	2	614077	04C1T-06FJX-06FJX-88
29	1	618186	1 5/16MJIC-1 5/16MOR ADPTR	61	2	615727	04C1T-06FJX-06FJX-75
30	4	618469	3/4MJIC-1 1/16MOR ADPTR	62	3	618115	9/16MJIC-90-3/4MOR LBO
31	1	618126	9/16MJIC-9/16MOR ADPTR	63	1	618310	9/16MJIC-7/8MOR ADPTR
32	1	618178	1 5/16MJIC-90-1 5/16MOR LBO	64	2	618709	9/16MJIC-90-3/4MOR EX LG LBO



NOTE: * ITEMS 11, 28 & 43 ARE USED WITH THE CUMMINS ENGINE OPTION.
 ** ITEMS 11, 38 & 44 ARE USED WITH THE GMC ENGINE OPTION.

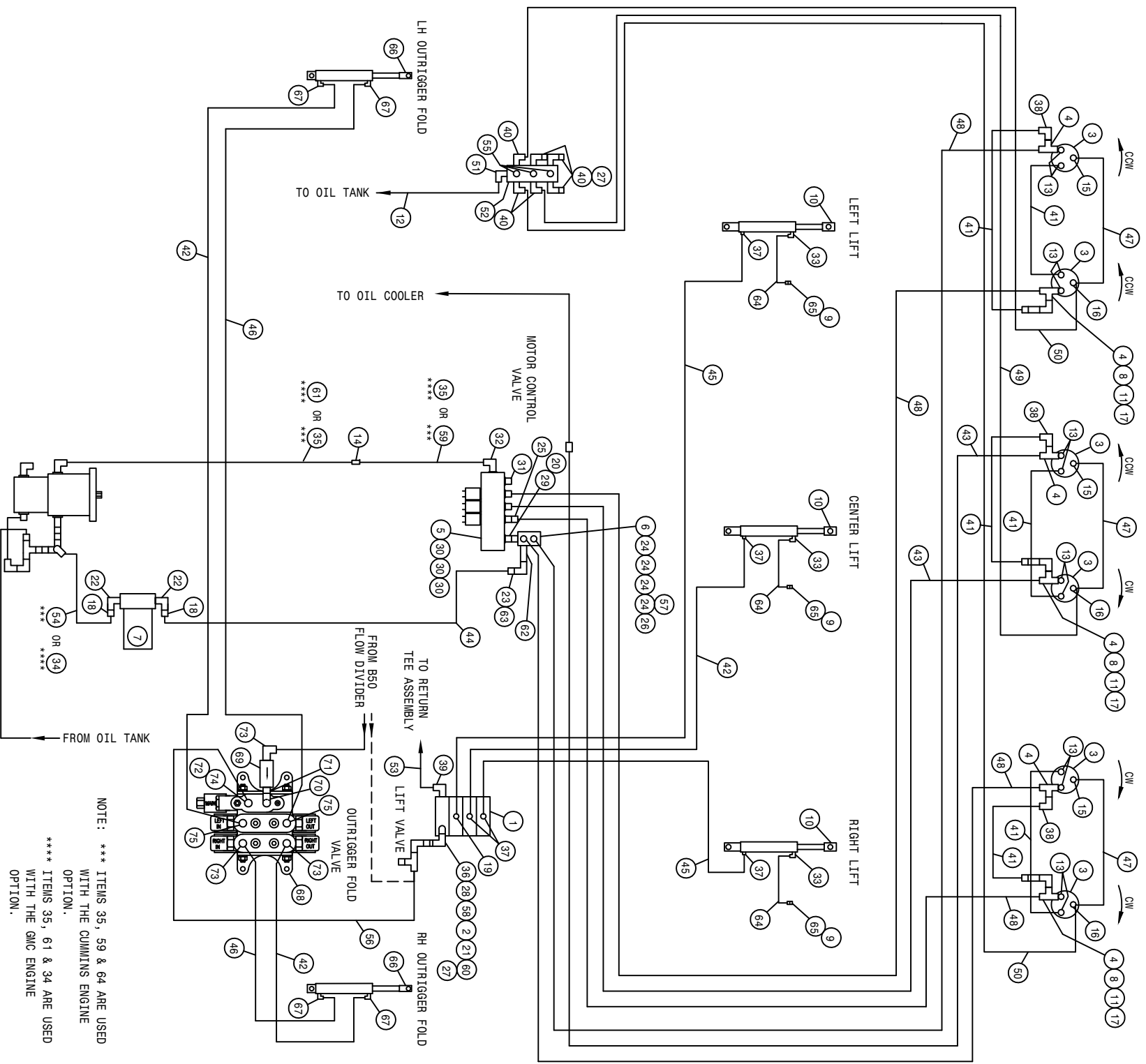
204 12R QUAD 4L LS HYD SCHEM 2002
REFERENCE DRAWING NO. 498697

DET.	QTY	PART NO.	DESCRIPTION	DET.	QTY	PART NO.	DESCRIPTION
1	1	610613	ELECT HYD STACT VLV, 4 SECT	33	4	618343	3/8 HOSE BARB-90-9/16MOR
2	1	610447	HYD FILTER, INLINE 1/4FNPT 90M	*34	1	618532	3/4FJIC CAP NUT
3	12	610547	HYD MOTOR 4.SCI 1IN SHFT	35	2	614384	08C1T-.08FJX-.08FJX-237
4	2	611202	04C1T-.06FJX-.06FJX-136 H/A	36	2	614387	08C1T-.08FJX-.08FJX-267
5	1	610467	MODULAR MTR CONTROL ELECT VLV	37	1	618486	9/16FJIC SW RUN TEE-9/16MJIC
*6	1	614633	HYD MANIF 8200 86	38	1	614719	HYD TUBE ASSY, AUX 204 GMC 96
*7	1	605601	PARKER FILTER ASSY, 10M, 1.25NPT	39	2	614375	08C1T-.08FJX-.08FJX-177
8	1	618608	9/16FJIC SWIV-1/4MNP	*40	1	505209	BLK PIPE NIPPLE 1.00NPT-6.00
9	4	470114	BREATHER FILTER VENT, 1/4 NPT	*41	1	614627	06C1T-.06FJX-.06FJX-45
10	4	620810	LIFT CYL ASSY, DETASSELER	*42	1	714561	1.00NPT-1.25 HOSE BARB
11	1	614350	16C2AT-16FJX-16FJX-55 H/A	43	1	601437	HOSE, 1 1/4 X 40 1FBR-1SPI
12	1	611122	9/16MJIC-90-1/4MNP LBO	44	1	601440	HOSE, 1 1/4 X 25 1FBR-1SPI
13	24	618327	3/4MJIC-7/8MOR ADPTR	45	8	616025	08C1T-.08FJX-.08FJX-50
*14	1	618577	1 5/16MJIC UNION	46	2	614098	04C1T-.06FJX-.06FJX-201
15	1	618440	9/16MJIC-90-9/16MOR EX LG LBO	47	2	614378	08C1T-.08FJX-.08FJX-207
16	1	618170	3/4MOR-9/16FOR ADPTR	*48	1	601378	HOSE, 1 1/4 X 156 1FBR-1SPI
17	5	618119	9/16MJIC-90-9/16MOR LBO	49	4	601420	HOSE, 3/8 X 48 CLEAR VINYL
*18	2	715660	HOSE BARB 1 1/4NPT X 1 1/4	50	4	783306	1/4 FNPT X 3/8 HOSE BARB, BRS
19	2	618425	9/16MJIC-45-9/16MOR LBO	51	2	620845	BOOM HINGE FOLD CYL ASSY
*20	1	618587	1 5/16FJIC SWIV-1MNP	52	4	614747	.025 ELBOW ASSY, 9/16MOR 90D
21	1	618600	9/16MJIC-90-7/8MOR LBO	53	1	606090	BRAND HYD VALVE, 2-SECT SER 36
*22	2	506410	BLK PIPE ST EL 90DEG 1.25NPT	54	1	605610	HYD FILTER, INLINE 90M 3/4FOR
*23	1	505300	BLK PIPE EL 90DEG 1.00NPT	55	1	618183	3/4MJIC-90-7/8MOR LBO
*24	4	611145	3/4MJIC-90-1/2MNP LBO	56	1	618669	3/4FJIC SWIV-3/4MOR ADPTR
25	2	618590	3/4MJIC-45-3/4FJIC SWIV LBO	57	1	618618	9/16MJIC-90-9/16FJIC SWIV LBO
*26	1	503700	PIPE PLUG .50NPT SQ HD	58	1	615621	06C1T-.06FJX-.06FJX-24
27	1	618531	9/16FJIC CAP NUT	59	2	614077	04C1T-.06FJX-.06FJX-88
28	1	614703	HYD TUBE ASSY, 200 MAIN 92	60	2	615727	04C1T-.06FJX-.06FJX-75
29	1	618186	1 5/16MJIC-1 5/16MOR ADPTR	61	3	618115	9/16MJIC-90-3/4MOR LBO
30	4	618469	3/4MJIC-1 1/16MOR ADPTR	62	1	618310	9/16MJIC-7/8MOR ADPTR
31	1	618126	9/16MJIC-9/16MOR ADPTR	63	2	618709	9/16MJIC-90-3/4MOR EX LG LBO
32	1	618178	1 5/16MJIC-90-1 5/16MOR LBO				



204 12R QUAD 6L LS HYD SCHEM 2002
REFERENCE DRAWING NO. 498698

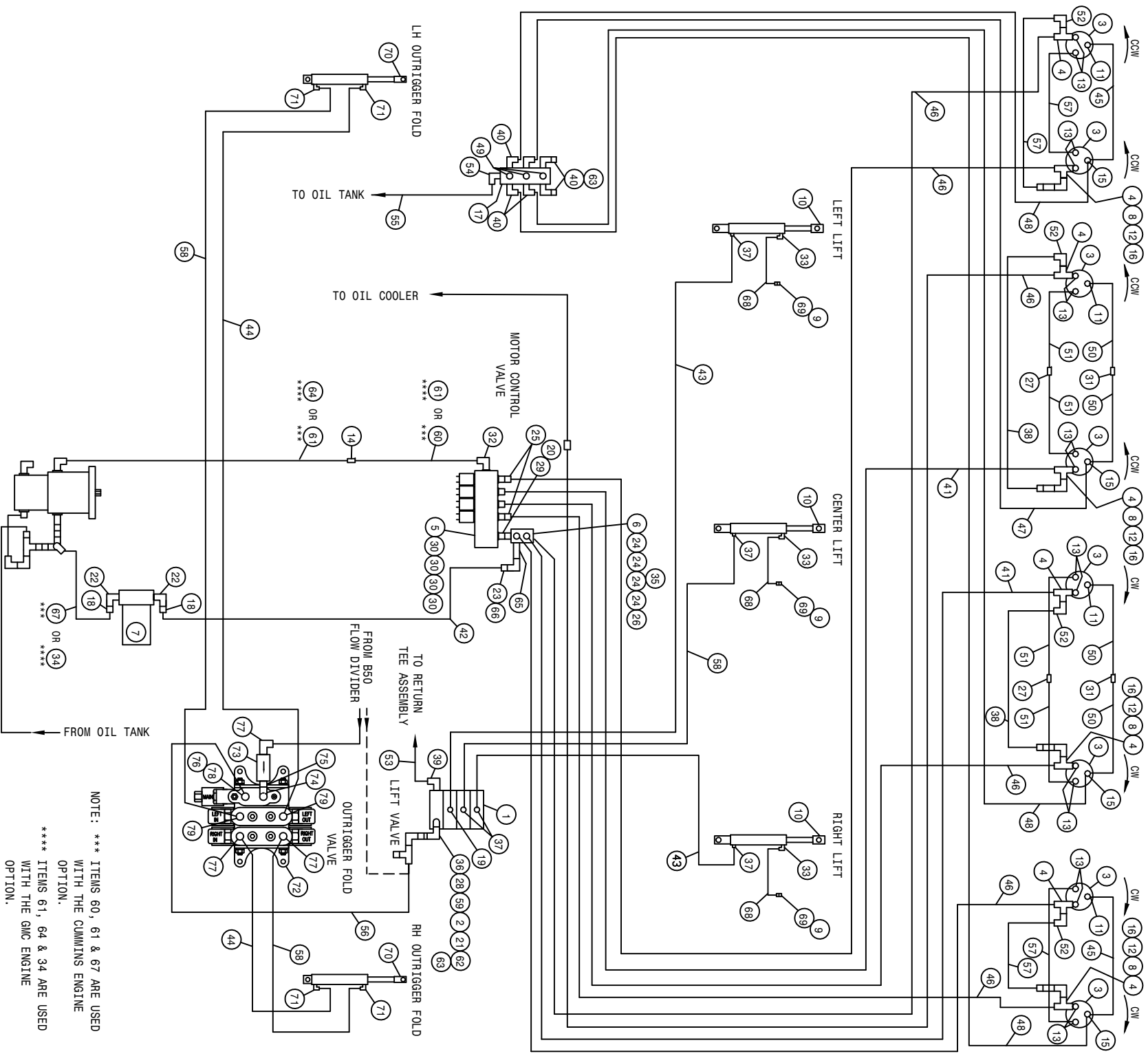
DET.	QTY	PART NO.	DESCRIPTION	DET.	QTY	PART NO.	DESCRIPTION
1	1	610615	ELECT HYD STACT VLV, 6 SECT	34	1	614719	HYD TUBE ASSY, AUX 204 GMC 96
2	1	610447	HYD FILTER, INLINE 1/4FNPT 90M	35	2	614378	08C1T-.08FJX-.08FJX-207
3	12	610547	HYD MOTOR 4.5CI 1IN SHFT	36	2	614377	04C1T-.06FJX-.06FJX-258
* 4	1	614703	HYD TUBE ASSY, 200 MAIN 92	37	2	611246	04C1T-.06FJX-.06FJX-174
5	1	610467	MODULAR MTR CONTROL ELECT VLV	38	2	614101	04C1T-.06FJX-.06FJX-133
* 6	1	614633	HYD MANIF 8200 86	39	2	614690	08C1T-.08FJX-.08FJX-192
* 7	1	605601	PARKER FILTER ASSY, 10M, 1.25NPT	*40	1	505209	BLK PIPE NIPPLE 1.00NPT-6.00
* 8	1	618532	3/4FJIC CAP NUT	*41	1	614627	06C1T-.06FJX-.06FJX-45
9	6	470114	BREATHER FILTER VENT, 1/4 NPT	*42	1	714561	1.00NPT-1.25 HOSE BARB
10	6	620810	LIFT CYL ASSY, DETASSELER	43	1	601437	HOSE, 1 1/4 X 40 1FBR-1SPI
11	2	614387	08C1T-.08FJX-.08FJX-267	44	1	601440	HOSE, 1 1/4 X 25 1FBR-1SPI
12	1	611112	HYD TUBE 3/8 X 035 X 56 3/8	45	4	616025	08C1T-.08FJX-.08FJX-50
13	24	618327	3/4MJIC-7/8MOR ADPTR	46	2	614384	08C1T-.08FJX-.08FJX-237
*14	1	618577	1 5/16MJIC UNION	47	2	614689	08C1T-.08FJX-.08FJX-120
15	1	618440	9/16MJIC-90-9/16MOR EX LG LBO	*48	1	601378	HOSE, 1 1/4 X 156 1FBR-1SPI
16	1	618170	3/4MOR-9/16FOR ADPTR	49	2	614691	08C1T-.08FJX-.08FJX-220
17	8	618119	9/16MJIC-90-9/16MOR LBO	50	1	618608	9/16FJIC SWIV-1/4MNPT
*18	2	715660	HOSE BARB 1 1/4NPT X 1 1/4	51	1	614350	16C2AT-16FJX-16FJX-55
19	2	618425	9/16MJIC-45-9/16MOR LBO	52	6	601420	HOSE, 3/8 X 48 CLEAR VINYL
*20	1	618587	1 5/16FJIC SWIV-1MNPT	53	6	783306	1/4 FNPT X 3/8 HOSE BARB, BRS
21	1	618600	9/16MJIC-90-7/8MOR LBO	54	2	620845	BOOM HNGE FOLD CYL ASSY
*22	2	506410	BLK PIPE ST EL 90DEG 1.25NPT	55	4	614747	.025 ELBOW ASSY, 9/16MOR 90D
*23	1	505300	BLK PIPE EL 90DEG 1.00NPT	56	1	606090	BRAND HYD VALVE, 2-SECT SER 36
*24	4	611145	3/4MJIC-90-1/2MNPT LBO	57	1	605610	HYD FILTER, INLINE 90M 3/4FOR
25	2	618590	3/4MJIC-45-3/4FJIC SWIV LBO	58	1	618183	3/4MJIC-90-7/8MOR LBO
*26	1	503700	PIPE PLUG .50NPT SQ HD	59	1	618669	3/4FJIC SWIV-3/4MOR ADPTR
27	1	618531	9/16FJIC CAP NUT	60	1	618618	9/16MJIC-90-9/16FJIC SWIV LBO
28	1	618486	9/16FJIC SW RUN TEE-9/16MJIC	61	1	615621	06C1T-.06FJX-.06FJX-24
29	1	618186	1 5/16MJIC-1 5/16MOR ADPTR	62	2	614077	04C1T-.06FJX-.06FJX-88
30	4	618469	3/4MJIC-1 1/16MOR ADPTR	63	2	615727	04C1T-.06FJX-.06FJX-75
31	2	618126	9/16MJIC-9/16MOR ADPTR	64	3	618115	9/16MJIC-90-3/4MOR LBO
32	1	618178	1 5/16MJIC-90-1 5/16MOR LBO	65	1	618310	9/16MJIC-7/8MOR ADPTR
33	6	618343	3/8 HOSE BARB-90-9/16MOR	66	2	618709	9/16MJIC-90-3/4MOR EX LG LBO



NOTE: *** ITEMS 35, 59 & 64 ARE USED WITH THE CUMMINS ENGINE OPTION.
 **** ITEMS 35, 61 & 34 ARE USED WITH THE GMC ENGINE OPTION.

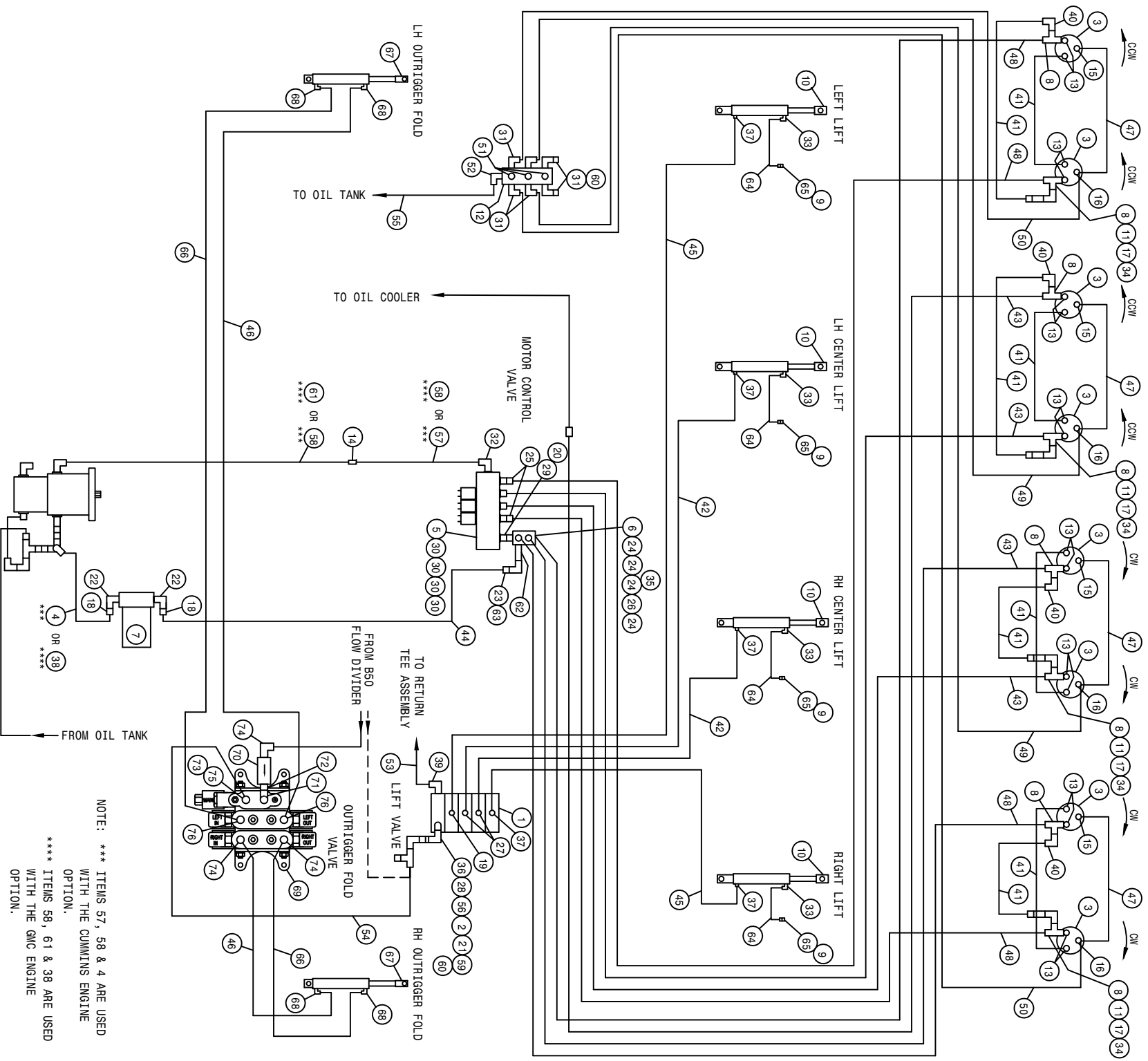
204 6R CUTTER 3L LS HYD SCHEM 2002
REFERENCE DRAWING NO. 498699

DET.	QTY	PART NO.	DESCRIPTION	DET.	QTY	PART NO.	DESCRIPTION
1	1	610532	ELECT HYD STACK VLV, 3 SECT	39	1	618600	9/16MJIC-90-7/8MOR LBO
2	1	610447	HYD FILTER, INLINE 1/4FNPT 90M	40	6	618115	9/16MJIC-90-3/4MOR LBO
3	6	610755	BARNES HYD MOTOR, D-SERIES 01	41	6	614368	08C1T-08FJX-08FJX-60
4	6	618451	3/4FJIC SW RUN TEE-3/4MJIC	42	3	614077	04C1T-06FJX-06FJX-88
5	1	610467	MODULAR MTR CONTROL ELECT VLV	43	2	614688	08C1T-08FJX-08FJX-108
*6	1	614633	HYD MANIF 8200 86	*44	1	601378	HOSE, 1 1/4 X 156 IFBR-1SPI
*7	1	605601	PARKER FILTER ASSY, 10M, 1.25NPT	45	2	614101	04C1T-06FJX-06FJX-133
8	3	618620	3/4FJX-90-1/2MNPT ADPTR	46	2	615727	04C1T-06FJX-06FJX-75
9	3	470114	BREATHER FILTER VENT, 1/4 NPT	47	3	611206	04C1T-06FJX-06FJX-66
10	3	620810	LIFT CYL ASSY, DETASSELER	48	4	614690	08C1T-08FJX-08FJX-192
11	3	690338	LINE CHECK VALVE HYD .50NPT	49	1	614152	04C1T-06FJX-06FJX-114
12	1	601555	HOSE, 3/4 X 150 IFBR-1SPI	50	2	611210	04C1T-06FJX-06FJX-156
13	12	611125	3/4MJIC-3/4MOR ADPTR	51	1	618118	3/4 HOSE BARB-90-1 1/16MOR
*14	1	618577	1 5/16MJIC UNION	52	1	606021	HYD RETURN MANIF, 3/4FOR, 9-PORT
15	3	618530	9/16MJIC-1/8MNPT ADPTR	*53	1	614627	06C1T-06FJX-06FJX-45
16	3	618546	1/8MNPT RUN TEE-9/16MJIC	54	1	601437	HOSE, 1 1/4 X 40 IFBR-1SPI
17	3	611147	3/4MJIC-1/2MNPT ADPTR	55	3	611159	3/4MOR PLUG
*18	2	715660	HOSE BARB 1 1/4NPT X 1 1/4	56	1	615621	06C1T-06FJX-06FJX-24
19	1	618425	9/16MJIC-45-9/16MOR LBO	*57	1	618532	3/4FJIC CAP NUT
*20	1	618587	1 5/16FJIC SWIV-1MNPT	58	1	618608	9/16FJIC SWIV-1/4MNPT
21	1	611122	9/16MJIC-90-1/4MNPT LBO	59	1	614703	HYD TUBE ASSY, 200 MAIN 92
*22	2	506410	BLK PIPE ST EL 90DEG 1.25NPT	60	1	618486	9/16FJIC SW RUN TEE-9/16MJIC
*23	1	505300	BLK PIPE EL 90DEG 1.00NPT	61	1	614719	HYD TUBE ASSY, AUX 204 GMC 96
*24	4	611145	3/4MJIC-90-1/2MNPT LBO	*62	1	505209	BLK PIPE NIPPLE 1.00NPT-6.00
25	1	618590	3/4MJIC-45-3/4FJIC SWIV LBO	*63	1	714561	1.00NPT-1.25 HOSE BARB
*26	1	503700	PIPE PLUG, .50NPT SQ HD	64	3	601420	HOSE, 3/8 X 48 CLEAR VINYL
27	4	618531	9/16FJIC CAP NUT	65	3	783306	1/4 FNPT X 3/8 HOSE BARB, BRS
28	1	618440	9/16MJIC-90-9/16MOR EX LG LBO	66	2	620845	BOOM HINGE FOLD CYL ASSY
29	1	618186	1 5/16MJIC-1 5/16MOR ADPTR	67	4	614747	.025 ELBOW ASSY, 9/16MOR 90D
30	3	618469	3/4MJIC-1 1/16MOR ADPTR	68	1	606090	BRAND HYD VALVE, 2-SECT SER 36
31	1	610186	1 1/16MOR PLUG	69	1	605610	HYD FILTER, INLINE 90M 3/4FOR
32	1	618178	1 5/16MJIC-90-1 5/16MOR LBO	70	1	618183	3/4MJIC-90-7/8MOR LBO
33	3	618343	3/8 HOSE BARB-90-9/16MOR	71	1	618669	3/4FJIC SWIV-3/4MOR ADPTR
34	1	601440	HOSE, 1 1/4 X 25 IFBR-1SPI	72	1	618618	9/16MJIC-90-9/16FJIC SWIV LBO
35	1	614350	16C2AT-16FJX-16FJX-55	73	3	618115	9/16MJIC-90-3/4MOR LBO
36	1	618170	3/4MOR-9/16FOR ADPTR	74	1	618310	9/16MJIC-7/8MOR ADPTR
37	5	618119	9/16MJIC-90-9/16MOR LBO	75	2	618709	9/16MJIC-90-3/4MOR EX LG LBO
38	3	618609	3/4MJIC-90-3/4FJIC SWIV LBO				



204 8R CUTTER 3L LS HYD SCHEM 2002
REFERENCE DRAWING NO. 498700

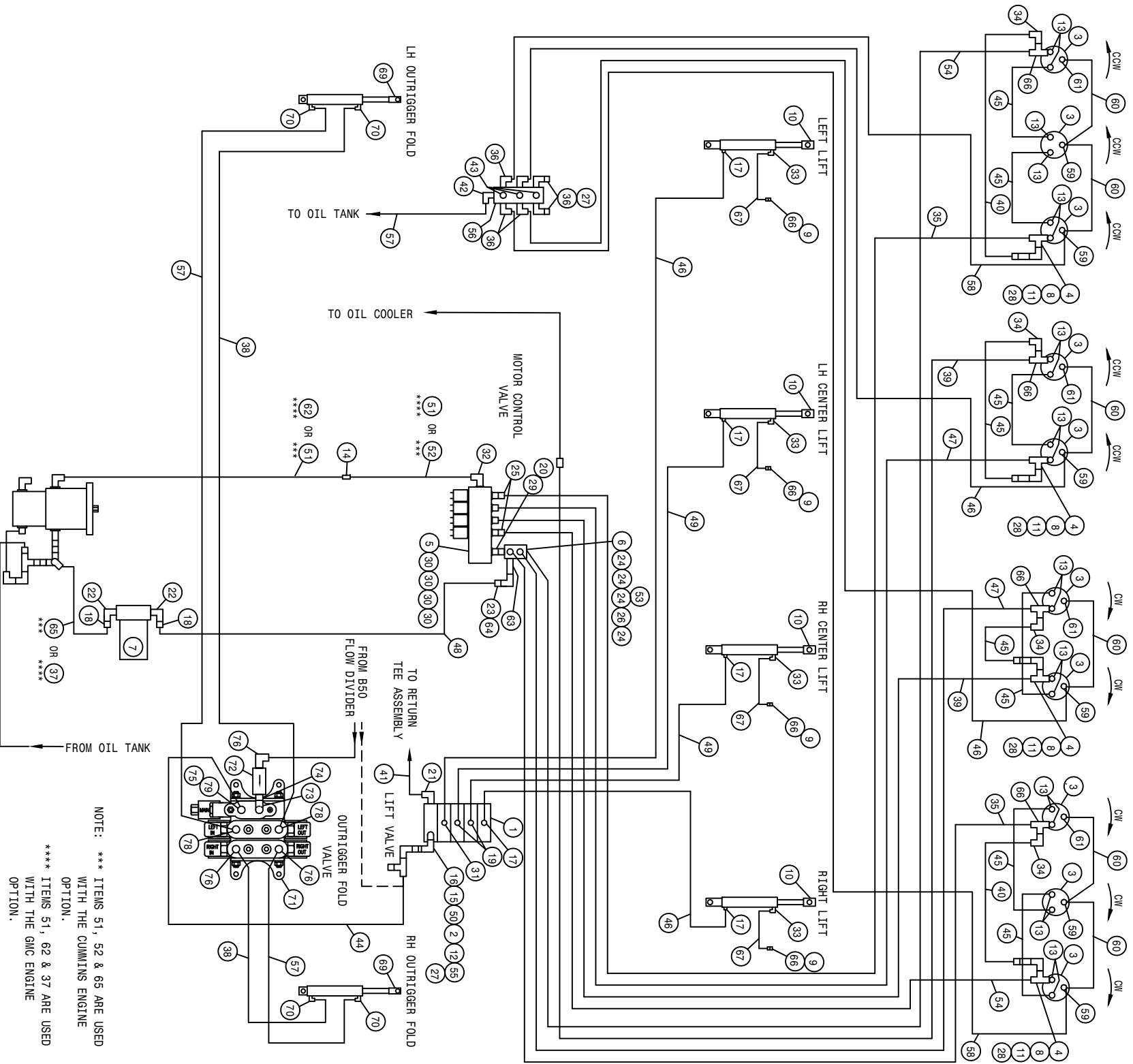
DET.	QTY	PART NO.	DESCRIPTION	DET.	QTY	PART NO.	DESCRIPTION
1	1	610532	ELECT HYD STACK VLV, 3 SECT	41	2	614688	08C1T-.08FJX-.08FJX-.108
2	1	610447	HYD FILTER, INLINE 1/4FNPT 90M	*42	1	601378	HOSE, 1 1/4 X 156 1FBR-1SPI
3	8	610755	BARNES HYD MOTOR, D-SERIES 01	43	2	611246	04C1T-.06FJX-.06FJX-.174
4	8	618451	3/4FJIC SW RUN TEE-3/4MJIC	44	2	615727	04C1T-.06FJX-.06FJX-.75
5	1	610467	MODULAR MTR CONTROL ELECT VLV	45	2	611206	04C1T-.06FJX-.06FJX-.66
*6	1	614633	HYD MANIF 8200 86	46	6	614691	08C1T-.08FJX-.08FJX-.220
*7	1	605601	PARKER FILTER ASSY,10M,1.25NPT	47	1	614152	04C1T-.06FJX-.06FJX-.114
8	4	618620	3/4FJIC-90-1/2MNPT ADPTR	48	3	614154	04C1T-.06FJX-.06FJX-.221
9	3	470114	BREATHER FILTER VENT, 1/4 NPT	49	3	611159	3/4MOR PLUG
10	3	620810	LIFT CYL ASSY, DETASSELER	50	4	614101	04C1T-.06FJX-.06FJX-.133
11	4	618530	9/16MJIC-1/8MNPT ADPTR	51	4	614425	08C1T-.08FJX-.08FJX-.132
12	4	690338	LINE CHECK VALVE HYD .50NPT	52	4	618609	3/4MJIC-90-3/4FJIC SWIV LBO
13	16	611125	3/4MJIC-3/4MOR ADPTR	*53	1	614627	06C1T-.06FJX-.06FJX-.45
*14	1	618577	1 5/16MJIC UNION	54	1	618118	3/4 HOSE BARB-90-1 1/16MOR
15	4	618546	1/8MNPT RUN TEE-9/16MJIC	55	1	601551	HOSE, 3/4 X 150 1FBR-1SPI
16	4	611147	3/4MJIC-1/2MNPT ADPTR	56	1	615621	06C1T-.06FJX-.06FJX-.24
17	1	606021	HYD RETURN MANIF, 3/4FOR, 9-PORT	57	4	614368	08C1T-.08FJX-.08FJX-.60
*18	2	715660	HOSE BARB 1 1/4NPT X 1 1/4	58	3	614077	04C1T-.06FJX-.06FJX-.88
19	1	618425	9/16MJIC-45-9/16MOR LBO	59	1	618608	9/16FJIC SWIV-1/4MNPT
*20	1	618587	1 5/16FJIC SWIV-1MNPT	60	1	614703	HYD TUBE ASSY, 200 MAIN
21	1	611122	9/16MJIC-90-1/4MNPT LBO	61	1	614350	16C2AT-16FJX-16FJX-.55
*22	2	506410	BLK PIPE ST EL 90DEG 1.25NPT	62	1	618486	9/16FJIC SW RUN TEE-9/16MJIC
*23	1	505300	BLK PIPE EL 90DEG 1.00NPT	63	3	618531	9/16FJIC CAP NUT
*24	4	611145	3/4MJIC-90-1/2MNPT LBO	64	1	614719	HYD TUBE ASSY, AUX 204 GMC 96
25	2	618590	3/4MJIC-45-3/4FJIC SWIV LBO	*65	1	505209	BLK PIPE NIPPLE 1.00NPT-6.00
*26	1	503700	PIPE PLUG .50NPT SQ HD	*66	1	714561	1.00NPT-1.25 HOSE BARB
27	2	618314	3/4MJIC UNION	67	1	601437	HOSE, 1 1/4 X 40 1FBR-1SPI
28	1	618440	9/16MJIC-90-9/16MOR EX LG LBO	68	3	601420	HOSE, 3/8 X 48 CLEAR VINYL
29	1	618186	1 5/16MJIC-1 5/16MOR ADPTR	69	3	783306	1/4 FNPT X 3/8 HOSE BARB, BRS
30	4	618469	3/4MJIC-1 1/16MOR ADPTR	70	2	620845	BOOM HINGE FOLD CYL ASSY
31	2	619010	9/16MJIC UNION	71	4	614747	.025 ELBOW ASSY, 9/16MOR 90D
32	1	618178	1 5/16MJIC-90-1 5/16MOR LBO	72	1	606090	BRAND HYD VALVE, 2-SECT SER 36
33	3	618343	3/8 HOSE BARB-90-9/16MOR	73	1	605610	HYD FILTER, INLINE 90M 3/4FOR
34	1	601440	HOSE, 1 1/4 X 25 1FBR-1SPI	74	1	618183	3/4MJIC-90-7/8MOR LBO
*35	1	618532	3/4FJIC CAP NUT	75	1	618669	3/4FJIC SWIV-3/4MOR ADPTR
36	1	618170	3/4MOR-9/16FOR ADPTR	76	1	618618	9/16MJIC-90-9/16FJIC SWIV LBO
37	5	618119	9/16MJIC-90-9/16MOR LBO	77	3	618115	9/16MJIC-90-3/4MOR LBO
38	2	614384	08C1T-.08FJX-.08FJX-.237	78	1	618310	9/16MJIC-7/8MOR ADPTR
39	1	618600	9/16MJIC-90-7/8MOR LBO	79	1	618709	9/16MJIC-90-3/4MOR EX LG LBO
40	6	618115	9/16MJIC-90-3/4MOR LBO		2		



NOTE: *** ITEMS 57, 58 & 4 ARE USED WITH THE CUMMINS ENGINE OPTION.
 **** ITEMS 58, 61 & 38 ARE USED WITH THE GMC ENGINE OPTION.

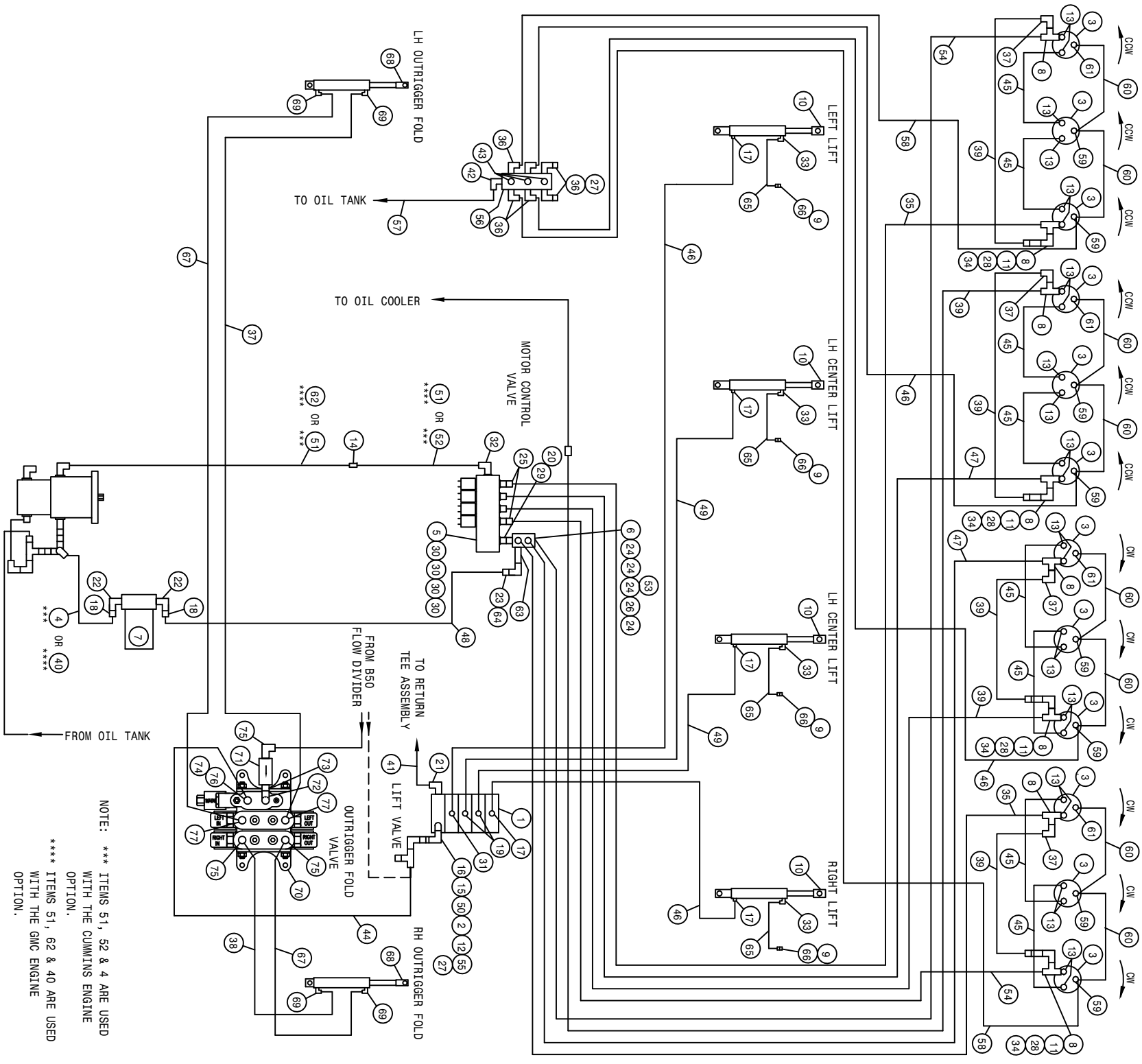
204 BR CUTTER 4L LS HYD SCHEM 2002
REFERENCE DRAWING NO. 498701

DET.	QTY	PART NO.	DESCRIPTION	DET.	QTY	PART NO.	DESCRIPTION
1	1	610613	ELECT HYD STACT VLV, 4 SECT	39	1	618600	9/16MJIC-90-7/8MOR LBO
2	1	610447	HYD FILTER, INLINE 1/4FNPT 90M	40	4	618609	3/4MJIC-90-3/4FJIC SWIV LBO
3	8	610755	BARNES HYD MOTOR, D-SERIES 01	41	8	614368	08C1T-08FJX-08FJX-60
4	1	601437	HOSE, 1 1/4 X 40 1FBR-1SPI	42	2	614101	04C1T-06FJX-06FJX-133
5	1	610467	MODULAR MFR CONTROL ELECT VLV	43	4	614689	08C1T-08FJX-08FJX-120
*6	1	614633	HYD MANIF 8200 86	*44	1	601378	HOSE, 1 1/4 X 156 1FBR-1SPI
*7	1	605601	PARKER FILTER ASSY, 10M, 1.25NPT	45	2	611246	04C1T-06FJX-06FJX-174
8	8	618451	3/4FJIC SW RUN TEE-3/4MJIC	46	2	615727	04C1T-06FJX-06FJX-75
9	4	470114	BREATHER FILTER VENT, 1/4 NPT	47	4	611206	04C1T-06FJX-06FJX-66
10	4	620810	LIFT CYL ASSY, DETASSELER	48	4	614691	08C1T-08FJX-08FJX-220
11	4	618620	3/4FJX-90-1/2MNPT ADPTR	49	2	611212	04C1T-06FJX-06FJX-164
12	1	606021	HYD RETURN MANIF, 3/4FOR, 9-PORT	50	2	614154	04C1T-06FJX-06FJX-221
13	16	611125	3/4MJIC-3/4MOR ADPTR	51	3	611159	3/4MOR PLUG
*14	1	618577	1 5/16MJIC UNION	52	1	618118	3/4 HOSE BARB-90-1 1/16MOR
15	4	618530	9/16MJIC-1/8MNPT ADPTR	*53	1	614627	06C1T-06FJX-06FJX-45
16	4	618546	1/8MNPT RUN TEE-9/16MJIC	54	1	615621	06C1T-06FJX-06FJX-24
17	4	690338	LINE CHECK VALVE HYD .50NPT	55	1	601555	HOSE, 3/4 X 150 1FBR-1SPI
*18	2	715660	HOSE BARB 1 1/4NPT X 1 1/4	56	1	618608	9/16FJIC SWIV-1/4MNPT
19	1	618126	9/16MJIC-9/16MOR ADPTR	57	1	614703	HYD TUBE ASSY, 200 MAIN
*20	1	618587	1 5/16FJIC SWIV-1MNPT	58	1	614350	16C2AT-16FJX-16FJX-55
21	1	611122	9/16MJIC-90-1/4MNPT LBO	59	1	618486	9/16FJIC SW RUN TEE-9/16MJIC
*22	2	506410	BLK PIPE ST EL 90DEG 1.25NPT	60	3	618531	9/16FJIC CAP NUT
*23	1	505300	BLK PIPE EL 90DEG 1.00NPT	61	1	614719	HYD TUBE ASSY, AUX 204 GMC 96
*24	4	611145	3/4MJIC-90-1/2MNPT LBO	*62	1	505209	BLK PIPE NIPPLE 1.00NPT-6.00
25	2	618590	3/4MJIC-45-3/4FJIC SWIV LBO	*63	1	714561	1.00NPT-1.25 HOSE BARB
*26	1	503700	PIPE PLUG .50NPT SQ HD	64	4	601420	HOSE, 3/8 X 48 CLEAR VINYL
27	2	618425	9/16MJIC-45-9/16MOR LBO	65	4	783506	1/4 FNPT X 3/8 HOSE BARB, BRS
28	1	618440	9/16MJIC-90-9/16MOR EX LG LBO	66	2	614077	04C1T-06FJX-06FJX-88
29	1	618186	1 5/16MJIC-1 5/16MOR ADPTR	67	2	620845	BOOM HINGE FOLD CYL ASSY
30	4	618469	3/4MJIC-1 1/16MOR ADPTR	68	4	614747	.025 ELBOW ASSY, 9/16MOR 90D
31	6	618115	9/16MJIC-90-3/4MOR LBO	69	1	606090	BRAND HYD VALVE, 2-SECT SER 36
32	1	618178	1 5/16MJIC-90-1 5/16MOR LBO	70	1	605610	HYD FILTER, INLINE 90M 3/4FOR
33	4	618343	3/8 HOSE BARB-90-9/16MOR	71	1	618183	3/4MJIC-90-7/8MOR LBO
34	4	611147	3/4MJIC-1/2MNPT ADPTR	72	1	618669	3/4FJIC SWIV-3/4MOR ADPTR
*35	1	618532	3/4FJIC CAP NUT	73	1	618618	9/16MJIC-90-9/16FJIC SWIV LBO
36	1	618170	3/4MOR-9/16FOR ADPTR	74	3	618115	9/16MJIC-90-3/4MOR LBO
37	5	618119	9/16MJIC-90-9/16MOR LBO	75	1	618310	9/16MJIC-7/8MOR ADPTR
38	1	601440	HOSE, 1 1/4 X 25 1FBR-1SPI	76	2	618709	9/16MJIC-90-3/4MOR EX LG LBO



204 10R CUTR 4L LS HYD SCHEM 2002
REFERENCE DRAWING NO. 498702

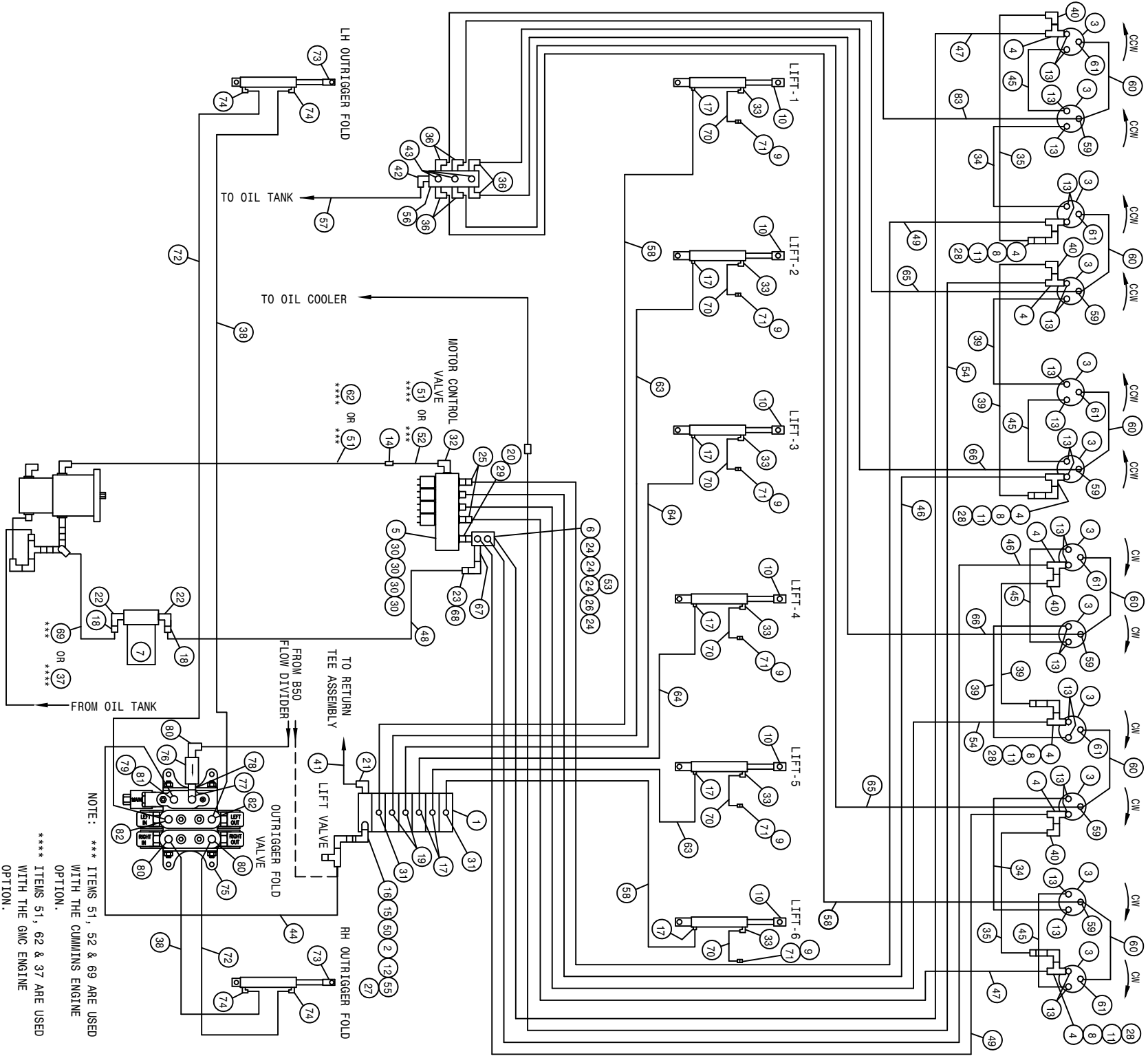
DET.	QTY	PART NO.	DESCRIPTION	DET.	QTY	PART NO.	DESCRIPTION
1	1	610613	ELECT HYD STACT VLV, 4 SECT	40	2	616057	08C1T-08FJX-08FJX-88
2	1	610447	HYD FILTER, INLINE 1/4FNPT 90M	*41	1	614627	06C1T-06FJX-06FJX-45
3	10	610755	BARNES HYD MOTOR, D-SERIES 01	42	1	618118	3/4 HOSE BARB-90-1 1/16MOR
4	8	618451	3/4FJIC SW RUN TEE-3/4MJIC	*43	3	611159	3/4MOR PLUG
5	1	614067	MODULAR MTR CONTROL ELECT VLV	44	1	615621	06C1T-06FJX-06FJX-24
*6	1	614633	HYD MANIF 8200 86	45	8	614368	08C1T-08FJX-08FJX-60
*7	1	605601	PARKER FILTER ASSY,10M,1.25NPT	46	4	614098	04C1T-06FJX-06FJX-201
8	4	618620	3/4FJX-90-1/2MNPT ADPTR	47	2	614378	08C1T-08FJX-08FJX-207
9	4	470114	BREATHER FILTER VENT, 1/4 NPT	*48	1	601378	HOSE, 1 1/4 X 156 1FBR-1SPI
10	4	620810	LIFT CYL ASSY, DETASSELER	49	2	611202	04C1T-06FJX-06FJX-136
11	4	690338	LINE CHECK VALVE HYD .50NPT	50	1	618608	9/16FJIC SWIV-1/4MNPT
12	1	611122	9/16MJIC-90-1/4MNPT LBO	51	1	614350	16C2AT-16FJX-16FJX-55
13	20	611125	3/4MJIC-3/4MOR ADPTR	52	1	614703	HYD TUBE ASSY, 200 MAIN
*14	1	618577	1 5/16MJIC UNION	*53	1	618532	3/4FJIC CAP NUT
15	1	618440	9/16MJIC-90-9/16MOR EX LG LBO	54	2	614387	08C1T-08FJX-08FJX-267
16	1	618170	3/4MOR-9/16FOR ADPTR	55	1	618486	9/16FJIC SW RUN TEE-9/16MJIC
17	5	618119	9/16MJIC-90-9/16MOR LBO	56	1	606021	HYD RETURN MANIF, 3/4FOR, 9-PORT
*18	2	715660	HOSE BARB 1 1/4NPT X 1 1/4	57	1	601555	HOSE, 3/4 X 150 1FBR-1SPI
19	2	618425	9/16MJIC-45-9/16MOR LBO	58	2	614554	04C1T-06FJX-06FJX-240
*20	1	618587	1 5/16FJIC SWIV-1MNPT	59	6	618546	1/8MNPT RUN TEE-9/16MJIC
21	1	618600	9/16MJIC-90-7/8MOR LBO	60	6	611206	04C1T-06FJX-06FJX-66
*22	2	506410	BLK PIPE ST EL 90DEG 1.25NPT	61	4	618530	9/16MJIC-1/8MNPT ADPTR
*23	4	505300	BLK PIPE EL 90DEG 1.00NPT	62	1	614719	HYD TUBE ASSY, AUX 204 GMC 96
*24	4	611145	3/4MJIC-90-1/2MNPT LBO	*63	1	505209	BLK PIPE NIPPLE 1.00NPT-6.00
25	2	618590	3/4MJIC-45-3/4FJIC SWIV LBO	*64	1	714561	1.00NPT-1.25 HOSE BARB
*26	1	503700	PIPE PLUG .50NPT SQ HD	65	1	601437	HOSE, 1 1/4 X 40 1FBR-1SPI
27	3	618531	9/16FJIC CAP NUT	66	4	783306	1/4 FNPT X 3/8 HOSE BARB, BRS
28	4	611147	3/4MJIC-1/2MNPT ADPTR	67	4	601420	HOSE, 3/8 X 48 CLEAR VINYL
29	1	618186	1 5/16MJIC-1 5/16MOR ADPTR	68	2	614077	04C1T-06FJX-06FJX-88
30	4	618469	3/4MJIC-1 1/16MOR ADPTR	69	2	620845	BOOM HINGE FOLD CYL ASSY
31	1	618126	9/16MJIC-9/16MOR ADPTR	70	4	614747	.025 ELBOW ASSY, 9/16MOR 90D
32	1	618178	1 5/16MJIC-90-1 5/16MOR LBO	71	1	606090	BRAND HYD VALVE, 2-SECT SER 36
33	4	618343	3/8 HOSE BARB-90-9/16MOR	72	1	605610	HYD FILTER, INLINE 90M 3/4FOR
34	4	618609	3/4MJIC-90-3/4FJIC SWIV LBO	73	1	618183	3/4MJIC-90-7/8MOR LBO
35	2	614384	08C1T-08FJX-08FJX-237	74	1	618669	3/4FJIC SWIV-3/4MOR ADPTR
36	6	618115	9/16MJIC-90-3/4MOR LBO	75	1	618618	9/16MJIC-90-9/16FJIC SWIV LBO
37	1	601440	HOSE, 1 1/4 X 25 1FBR-1SPI	76	3	618115	9/16MJIC-90-3/4MOR LBO
38	2	615727	04C1T-06FJX-06FJX-75	77	1	618310	9/16MJIC-7/8MOR ADPTR
39	2	614375	08C1T-08FJX-08FJX-177	78	2	618709	9/16MJIC-90-3/4MOR EX LG LBO



NOTE: *** ITEMS 51, 52 & 4 ARE USED WITH THE CUMMINS ENGINE OPTION.
 **** ITEMS 51, 62 & 40 ARE USED WITH THE GMC ENGINE OPTION.

204 12R CUTR 4L LS HYD SCHEM 2002
REFERENCE DRAWING NO. 498703

DET.	QTY	PART NO.	DESCRIPTION	DET.	QTY	PART NO.	DESCRIPTION
1	1	610613	ELECT HYD STACT VLV, 4 SECT	40	4	601440	HOSE, 1 1/4 X 25 1FBR-1SPI
2	1	610447	HYD FILTER,INLINE 1/4FNPT 90M	*41	1	614627	06CJT-06FJX-06FJX-45
3	12	610755	BARNES HYD MOTOR, D-SERIES 01	42	1	618118	3/4 HOSE BARB-90-1 1/16MOR
4	1	601437	HOSE, 1 1/4 X 40 1FBR-1SPI	43	3	611159	3/4MOR PLUG
5	1	610467	MODULAR MTR CONTROL ELECT VLV	44	1	615621	06CJT-06FJX-06FJX-24
*6	1	614633	HYD MANIF 8200 86	45	8	614368	08CJT-08FJX-08FJX-60
*7	1	605601	PARKER FILTER ASSY, 10M,1.25NPT	46	4	614098	04CJT-06FJX-06FJX-201
8	8	618451	3/4FJIC SW RUN TEE-3/4MJIC	47	2	614378	08CJT-08FJX-08FJX-207
9	4	470114	BREATHER FILTER VENT, 1/4 NPT	*48	1	601378	HOSE, 1 1/4 X 156 1FBR-1SPI
10	4	620810	LIFT CYL ASSY, DETASSELER	49	2	611202	04CJT-06FJX-06FJX-136
11	4	618620	3/4FJX-90-1/2MNPT ADPTR	50	1	618608	9/16FJIC SWIV-1/4MNPT
12	1	611122	9/16MJIC-90-1/4MNPT LBO	51	1	614350	16C2AT-16FJX-16FJX-55
13	24	611125	3/4MJIC-3/4MOR ADPTR	52	1	614703	HYD TUBE ASSY, 200 MAIN
*14	1	618577	1 5/16MJIC UNION	*53	1	618532	3/4FJIC CAP NUT
15	1	618440	9/16MJIC-90-9/16MOR EX LG LBO	54	2	614387	08CJT-08FJX-08FJX-267
16	1	618170	3/4MOR-9/16FOR ADPTR	55	1	618486	9/16FJIC SW RUN TEE-9/16MJIC
17	5	618119	9/16MJIC-90-9/16MOR LBO	56	1	606021	HYD RETURN MANIF,3/4FOR,9-PORT
*18	2	715660	HOSE BARB 1 1/4NPT X 1 1/4	57	1	601555	HOSE, 3/4 X 150 1FBR-1SPI
19	2	618425	9/16MJIC-45-9/16MOR LBO	58	2	614554	04CJT-06FJX-06FJX-240
*20	1	618587	1 5/16FJIC SWIV-1MNPT	59	8	618546	1/8MNPT RUN TEE-9/16MJIC
21	1	618600	9/16MJIC-90-7/8MOR LBO	60	8	611206	04CJT-06FJX-06FJX-66
*22	1	506410	BLK PIPE ST EL 90DEG 1.25NPT	61	4	618530	9/16MJIC-1/8MNPT ADPTR
*23	1	505300	BLK PIPE EL 90DEG 1.00NPT	62	1	614719	HYD TUBE ASSY, AUX 204 GMC 96
*24	4	611145	3/4MJIC-90-1/2MNPT LBO	*63	1	505209	BLK PIPE NIPPLE 1.00NPT-6.00
25	2	618590	3/4MJIC-45-3/4FJIC SWIV LBO	*64	1	714561	1.00NPT-1.25 HOSE BARB
*26	1	503700	PIPE PLUG .50NPT SQ HD	65	4	601420	HOSE, 3/8 X 48 CLEAR VINYL
27	3	618531	9/16FJIC CAP NUT	66	4	783306	1/4 FNPT X 3/8 HOSE BARB, BRS
28	4	690338	LINE CHECK VALVE HYD .50NPT	67	2	614077	04CJT-06FJX-06FJX-88
29	1	618186	1 5/16MJIC-1 5/16MOR ADPTR	68	2	620845	BOOM HINGE FOLD CYL ASSY
30	4	618469	3/4MJIC-1 1/16MOR ADPTR	69	4	614747	.025 ELBOW ASSY,9/16MOR 90D
31	1	618126	9/16MJIC-9/16MOR ADPTR	70	1	606090	BRAND HYD VALVE, 2-SECT SER 36
32	1	618178	1 5/16MJIC-90-1 5/16MOR LBO	71	1	605610	HYD FILTER, INLINE 90M 3/4FOR
33	4	618343	3/8 HOSE BARB-90-9/16MOR	72	1	618183	3/4MJIC-90-7/8MOR LBO
34	4	611147	3/4MJIC-1/2MNPT ADPTR	73	1	618669	3/4FJIC SWIV-3/4MOR ADPTR
35	2	614384	08CJT-08FJX-08FJX-237	H/A	1	618618	9/16MJIC-90-9/16FJIC SWIV LBO
36	6	618115	9/16MJIC-90-3/4MOR LBO	75	3	618115	9/16MJIC-90-3/4MOR LBO
37	4	618609	3/4MJIC-90-3/4FJIC SWIV LBO	76	1	618310	9/16MJIC-7/8MOR ADPTR
*38	2	615727	04CJT-06FJX-06FJX-75	H/A	2	618709	9/16MJIC-90-3/4MOR EX LG LBO
39	6	614375	08CJT-08FJX-08FJX-177	H/A			



NOTE: *** ITEMS 51, 52 & 69 ARE USED WITH THE CUMMINS ENGINE OPTION.
 **** ITEMS 51, 62 & 37 ARE USED WITH THE GMC ENGINE OPTION.

204 12R CUTR 6L LS HYD SCHEM 2002
REFERENCE DRAWING NO. 498704

DET.	QTY	PART NO.	DESCRIPTION	DET.	QTY	PART NO.	DESCRIPTION
1	1	610615	ELECT HYD STACT VLV, 6 SECT	43	3	611159	3/4MOR PLUG
2	1	610447	HYD FILTER, INLINE 1/4FNPT 90M	44	1	615621	06C1T-06FJX-06FJX-24
3	12	610755	BARNES HYD MOTOR, D-SERIES 01	45	4	614368	08C1T-08FJX-08FJX-60
4	8	618451	3/4FJIC SW RUN TEE-3/4MJIC	46	2	614689	08C1T-08FJX-08FJX-120
5	1	610467	MODULAR MTR CONTROL ELECT VLV	47	2	614387	08C1T-08FJX-08FJX-267
*6	1	614633	HYD MANIF 8200 86	*48	1	601378	HOSE, 1 1/4 X 156 1FBR-1SPI
*7	1	605601	PARKER FILTER ASSY, 10M, 1.25NPT	49	2	614691	08C1T-08FJX-08FJX-220
8	4	618620	3/4FJX-90-1/2MNPT ADPTR	50	1	618608	9/16FJIC SWIV-1/4MNPT
9	6	470114	BREATHER FILTER VENT, 1/4 NPT	51	1	614350	16C2AT-16FJX-16FJX-55
10	6	620810	LIFT CYL ASSY, DETASSELER	99	1	614703	HYD TUBE ASSY, 200 MAIN
11	4	690338	LINE CHECK VALVE HYD .50NPT	*53	1	618532	3/4FJIC CAP NUT
12	1	611122	9/16MJIC-90-1/4MNPT LBO	54	2	614378	08C1T-08FJX-08FJX-207
13	24	611125	3/4MJIC-3/4MOR ADPTR	55	1	618486	9/16FJIC SW RUN TEE-9/16MJIC
*14	1	618577	1 5/16MJIC UNION	56	1	606021	HOSE, 3/4 X 150 1FBR-1SPI
15	1	618440	9/16MJIC-90-9/16MOR EX LG LBO	57	1	601555	HOSE, 3/4 X 150 1FBR-1SPI
16	1	618170	3/4MOR-9/16FOR ADPTR	58	3	614377	04C1T-06FJX-06FJX-258
17	8	618119	9/16MJIC-90-9/16MOR LBO	59	6	618546	1/8MNPT RUN TEE-9/16MJIC
*18	2	715660	HOSE BARB 1 1/4NPT X 1 1/4	60	6	611206	04C1T-06FJX-06FJX-66
19	2	618425	9/16MJIC-45-9/16MOR LBO	61	6	618530	9/16MJIC-1/8MNPT ADPTR
*20	1	618587	1 5/16FJIC SWIV-1MNPT	62	1	614719	HYD TUBE ASSY, AUX 204 GMC 96
21	1	618600	9/16MJIC-90-7/8MOR LBO	63	2	611246	04C1T-06FJX-06FJX-174
*22	2	506410	BLK PIPE ST EL 90DEG 1.25NPT	64	2	614101	04C1T-06FJX-06FJX-133
*23	1	505300	BLK PIPE EL 90DEG 1.00NPT	65	2	614100	04C1T-06FJX-06FJX-211
*24	4	611145	3/4MJIC-90-1/2MNPT LBO	66	2	614076	04C1T-06FJX-06FJX-119
25	2	618590	3/4MJIC-45-3/4FJIC SWIV LBO	*67	1	505209	BLK PIPE NIPPLE 1.00NPT-6.00
*26	1	503700	PIPE PLUG .50NPT SQ HD	68	1	714561	1.00NPT-1.25 HOSE BARB
27	1	618531	9/16FJIC CAP NUT	69	1	601437	HOSE, 1 1/4 X 40 1FBR-1SPI
28	4	611147	3/4MJIC-1/2MNPT ADPTR	70	6	601420	HOSE, 3/8 X 48 CLEAR VINYL
29	1	618186	1 5/16MJIC-1 5/16MOR ADPTR	71	6	783306	1/4 FNPT X 3/8 HOSE BARB, BRS
30	4	618469	3/4MJIC-1 1/16MOR ADPTR	72	2	614077	04C1T-06FJX-06FJX-88
31	2	618126	9/16MJIC-9/16MOR ADPTR	73	2	620845	BOOM HINGE FOLD CYL ASSY
32	1	618178	1 5/16MJIC-90-1 5/16MOR LBO	74	4	614747	.025 ELBOW ASSY, 9/16MOR 90D
33	6	618343	3/8 HOSE BARB-90-9/16MOR	75	1	606090	BRAND HYD VALVE, 2-SECT SER 36
34	2	614375	08C1T-08FJX-08FJX-177	H/A	1	605610	HYD FILTER, INLINE 90M 3/4FOR
35	2	614690	08C1T-08FJX-08FJX-192	H/A	1	618183	3/4MJIC-90-7/8MOR LBO
36	6	618115	9/16MJIC-90-3/4MOR LBO	78	1	618669	3/4FJIC SWIV-3/4MOR ADPTR
37	1	601440	HOSE, 1 1/4 X 25 1FBR-1SPI	79	1	618618	9/16MJIC-90-9/16FJIC SWIV LBO
38	2	615727	04C1T-06FJX-06FJX-75	H/A	3	618115	9/16MJIC-90-3/4MOR LBO
39	4	614384	08C1T-08FJX-08FJX-237	H/A	1	618310	9/16MJIC-7/8MOR ADPTR
40	4	618609	3/4MJIC-90-3/4FJIC SWIV LBO	81	1	618709	9/16MJIC-90-3/4MOR EX LG LBO
*41	1	614627	06C1T-06FJX-06FJX-45	H/A	2	616249	04C1T-06FJX-06FJX-273
42	1	618118	3/4 HOSE BARB-90-1 1/16MOR	83	1		H/A

ABBREVIATIONS

A/C - AIR CONDITIONER	MT - MOUNT
ADPTR - ADAPTER	MTR - MOTOR
AGI - AGITATOR	P/N - PART NUMBER
ALT - ALTERNATOR	PLT - PLATE
ASSY - ASSEMBLY	QTY - QUANTITY
BRKT - BRACKET	RED - REDUCER
DET - DETAIL	REF - REFERENCE
DISPL - DISPLACEMENT	REST - RESTRICTOR
EL - ELBOW	REQ - REQUIRED
EXT - EXTENSION	SHFT - SHAFT
FLO - FLOW	SOL - SOLUTION
FNPPT - FEMALE NATIONAL PIPE THREAD	STRG - STEERING
FOR - FEMALE O-RING	ST - STREET
FRT - FRONT	SWIV - SWIVEL
HYD - HYDRAULIC	UNC - UNIFIED NATIONAL COURSE
HYDRO - HYDROSTATIC	UNF - UNIFIED NATIONAL FINE
LG - LONG	V - VOLT
LWR - LOWER	W/ - WITH
MJIC - MALE J.I.C.	WHL - WHEEL
MOR - MALE O-RING	WLD - WELDMENT

-A-

ABBREVIATIONS.....156
 ACTUATOR,
 EXTENSION.....87
 LINEAR.....87
 AIR CLEANER.....16, 17
 BAND.....16, 17
 CAP.....16, 17
 CLAMP.....16, 17
 FILTER.....16, 17
 HOSE.....16, 17
 AIR INTAKE SCREEN.....19
 ARM,
 SENSOR.....84
 STEERING.....20, 22, 24, 26

-B-

BAND, AIR CLEANER.....16, 17
 BATTERY.....42
 BOX.....42
 CABLE.....42
 HOLD DOWN.....42
 BELT.....5, 7
 BLADE,
 CHOPPER.....77, 78, 79, 80
 CUTTER.....74, 77, 78, 79, 80
 FAN.....5, 7
 BLOCK, TERMINAL.....49
 BOX,
 CONTROL.....81, 82
 MANUAL SWITCH.....82
 BRACKET, THROTTLE.....7
 BRAKE
 CABLE.....21, 23
 DISC.....21, 23
 LEVER.....45
 MOUNT.....21, 23
 PAD.....21, 23
 SOLENOID.....33
 BREATHER.....36

-C-

CAB.....88
 CABLE,
 BRAKE.....21, 23
 CHOKE.....49
 HYDROSTATIC.....51
 THROTTLE.....51
 CANOPY.....94, 95
 CAP,
 AIR CLEANER.....16, 17

FUEL.....37, 38
 RADIATOR.....19
 STEERING.....46
 CHOKE CABLE.....49
 CHOPPER,
 BLADE.....77, 78, 79, 80
 MALE ROW.....77, 78, 79, 80

CIRCUIT BREAKER.....49
 CLAMP,
 MUFFLER.....16, 18
 TEE.....10
 CONSOLE.....49
 PANEL.....48
 CONTROL BOX.....85, 86
 COVER.....46
 COVER, RECEPTACLE.....83
 CUTTER
 BLADE.....74
 CASE DRAIN.....76
 HEAD.....74
 CYLINDER
 FOLD.....97, 98
 LEG.....30
 LIFT.....72
 STEERING.....35

-D-

DECALS.....104, 105
 DEPTH COMMAND.....85, 87
 DIAGRAM, WIRING...106, 107, 108, 109
 DIFFUSER, SWMP.....36
 DIPSTICK.....36
 DISC,
 BRAKE.....21, 23
 SENSOR.....21, 23
 DRAIN COCK, RADIATOR.....19
 DRINK HOLDER.....49
 DRIVE ASSEMBLY.....4, 6

-E-

ELECTRIC VALVE.....57, 58, 59
 ENGINE,
 CUMMINS.....4, 5
 GMC.....6, 7
 HOOD.....52
 HOOD PROP.....52
 EXHAUST PIPE.....16, 18

-F-

FAN BLADE.....5, 7
 FAN SPACER.....5, 7

FILTER
 FUEL.....4,38
 OIL.....5,7,13,36,56
 FLASHER
 LIGHT.....52,88,94
 SWITCH.....46
 FLOW DIVIDER.....15
 FLOW REGULATOR.....73
 FLUSHING VALVE.....12
 FOAM.....19,43,88,94
 FOLD CYLINDER.....97,98
 FOLD VALVE.....99
 FRONT LEG.....20,22,24,26
 FUEL
 CAP.....37,38
 GAUGE.....47
 PUMP.....39
 SELECTOR VALVE.....37
 SENDER.....37,38
 TANK.....37,38
 FUSE.....48,85,86
 HOLDER.....48,85,86

-G-

GAUGE,
 FUEL.....47
 OIL PRESSURE.....47
 TEMPERATURE.....47
 GEAR PUMP.....8,9
 GROUND STRAP.....4,6

-H-

HANDRAIL.....40,41
 HEAD,
 CUTTER.....74
 PULLER.....73
 HEADLIGHT.....88,94
 HEAT SHIELD.....7,18
 HOLD DOWN, BATTERY.....42
 HOLDER, DRINK.....49
 HOSE,
 AIR CLEANER.....16,17
 RADIATOR.....5,7
 HOUR METER.....47
 HYDRAULIC
 MOTOR.....73,74,80
 SCHEMATIC.....126
 HYDROSTATIC
 CABLE MOUNT.....6
 LEVER.....50

-I-

INDICATOR
 LIGHT.....46,47

MPH/RPM.....47
 INNER TUBE.....31
 INSTRUMENT PANEL.....47

-K-

KIT, LIGHT.....47
 KNOB.....46

-L-

LADDER.....40,41
 LEG
 CYLINDER.....30
 FRONT.....20,22,24,26
 REAR.....28,29
 SHIM.....20,22,24,26
 SLEEVE, NYLON.....20,22,24,26
 LEVER,
 BRAKE.....45
 HYDROSTATIC.....50
 THROTTLE.....51
 LIFTARM.....68
 LIFT CYLINDER.....72
 LIGHT,
 FLASHER.....52,88,94
 KIT.....47
 SWITCH.....48
 LS CROSS TUBE.....84
 LS SENSOR.....84

-M-

MALE ROW CHOPPER.....77,78,79,80
 MANIFOLD, HYDRAULIC.....55
 MANUAL SWITCH.....82
 MOTOR,
 CONTROL VALVE.....54
 MOUNT.....4,5,6,7
 STEERING.....46
 MOUNT,
 BRAKE.....20,22
 HYDROSTATIC CABLE.....6
 RADIATOR.....19
 RECEPTACLE.....83
 RUBBER.....4,43
 MPH/RPM INDICATOR.....47
 MUFFLER.....16,18
 CLAMP.....16,18
 HEAT SHIELD.....18
 MULLION.....52

-N-

NOISE DEFLECTOR SHIELD.....43

-0-

OIL
COOLER..... 19
FILTER..... 6,56
PRESSURE GAUGE..... 47
PRESSURE SENDER..... 4,6
TANK..... 36
OPERATOR STATION..... 43
OUTRIGGER..... 61, 65,69
FOLD..... 84

-P-

PAD, BRAKE..... 21,23
PANEL, INSTRUMENT..... 47
PHOTO SENSOR..... 84
PIPE, EXHAUST..... 16,18
PIVOT PIN..... 61,65,69
PIVOT, STEERING..... 34
PLATFORM, SERVICE..... 40,41
POSITION VALVE..... 10,11,14
PROP ENGINE HOOD..... 52
PULLER
HEAD..... 73
SHIELD..... 73
PUMP,
FUEL..... 39
GEAR..... 8,9
SUNDSTRAND..... 8,9

-R-

RADIATOR..... 19
HOSE..... 5,7
MOUNT..... 19
SHROUD..... 19
REAR LEG..... 27,28
RECEPTACLE
COVER..... 83
MOUNT..... 83
RECOVERY TANK..... 19
REGULATOR, FLOW..... 73
RELIEF VALVE..... 15
RIM..... 31
ROOF, CANOPY..... 94
RUBBER..... 88,94
BOOT..... 48
HOOK..... 52
MOUNT..... 4,5,43

-S-

SCHEMATIC,
HYDRAULIC..... 126
WIRING..... 110
SCREEN, AIR INTAKE..... 19

SEAT..... 44
SELECTOR VALVE FUEL..... 37
SENDER,
FUEL..... 37,38
OIL PRESSURE..... 4
TEMPERATURE..... 5,7
SENSOR,
ARM..... 84
DISC..... 21,23
MPH..... 21,23,28
SERVICE PLATFORM..... 40,41
SHEET METAL..... 52,53
SHIELD,
FUEL..... 39
HEAT..... 7,19
NOISE DEFLECTOR..... 43
PULLER..... 73
WHEEL MOTOR..... 21,23,25,27
SHIM, LEG..... 20,22,25,27,28,29
SHROUD, RADIATOR..... 19
SNV SIGN..... 53
SPACER,
FAN..... 5
STABILIZER TUBE..... 52,62,65,69
STALK GUIDE..... 28,73,74
STEERING,
ARM..... 20,22,24,26
CYLINDER..... 35
MOTOR..... 46
PIVOT..... 34
POST..... 46
WHEEL..... 46
STRAP, GROUND..... 4,6
SUNDSTRAND PUMP..... 8,9
SUPPORT POST..... 61,65,69
SWITCH..... 43
BOX..... 85,86
FLASHER..... 46
LIGHT..... 48
TOGGLE..... 48,85,86

-T-

TAILLIGHT..... 53
TANK,
FUEL..... 37,38
OIL..... 36
TEE CLAMP..... 10,11
TEMPERATURE
GAUGE..... 47
SENDER..... 5,7
TERMINAL BLOCK..... 49
THRITTLE
CABLE BRACKET..... 4,7

LEVER.....	51
TIE ANGLE.....	18
TIE BAR.....	61, 65, 69
TIE PLATE.....	18
TIE ROD.....	34
TIRE.....	31
PULLER.....	73
TOGGLE SWITCH.....	48
TOOLBAR.....	61, 62, 65, 69
TORQUE HUB. 21, 23, 25, 27, 28, 101, 103 TUBE,	
AIR CLEANER.....	16, 17
INNER.....	31

-V-

VALVE,	
ELECTRIC.....	57, 58, 59
FLUSHING.....	12
FOLD.....	99
MOTOR CONTROL VALVE.....	54
POSITRACTION.....	10, 11, 14
VOLTMETER.....	47

-W-

WHEELMOTOR.....	21, 23, 25, 27, 28, 29
SHIELD.....	21, 23
WIRING,	
DIAGRAM.....	106, 107, 108, 109
SCHEMATIC.....	110

