

PARTS MANUAL
FOR
HAGIE MODEL 204 DETASSELER

HAGIE MANUFACTURING COMPANY

BOX 273 CLARION, IOWA 50525 (515) 532-2861

COVERS MACHINE SERIAL NUMBERS: U1000440001 thru U1000440100

05-04 493290
02-08

DETASSELER IDENTIFICATION

Each Hagie detasseler is identified by means of a frame serial number. This serial number denotes the model, the year in which it was built, and the number of the detasseler. As for further identification, the engine has a serial number, the hydrostatic pump has a serial number, the wheel motors have identification tags, and the planetary hubs have identification plates that describe the type of mount and gear ratio. To insure prompt, efficient service when ordering parts or requesting service repairs from Hagie Manufacturing Company, record the serial and identification numbers in the space provided below.

NOTE: Reference to left hand and right hand used throughout this manual refers to the position when seated in the operator's seat facing forward.

DETASSELER SERIAL NUMBER

ENGINE SERIAL NUMBER

PLANETARY HUB IDENTIFICATION NUMBERS

TABLE OF CONTENTS

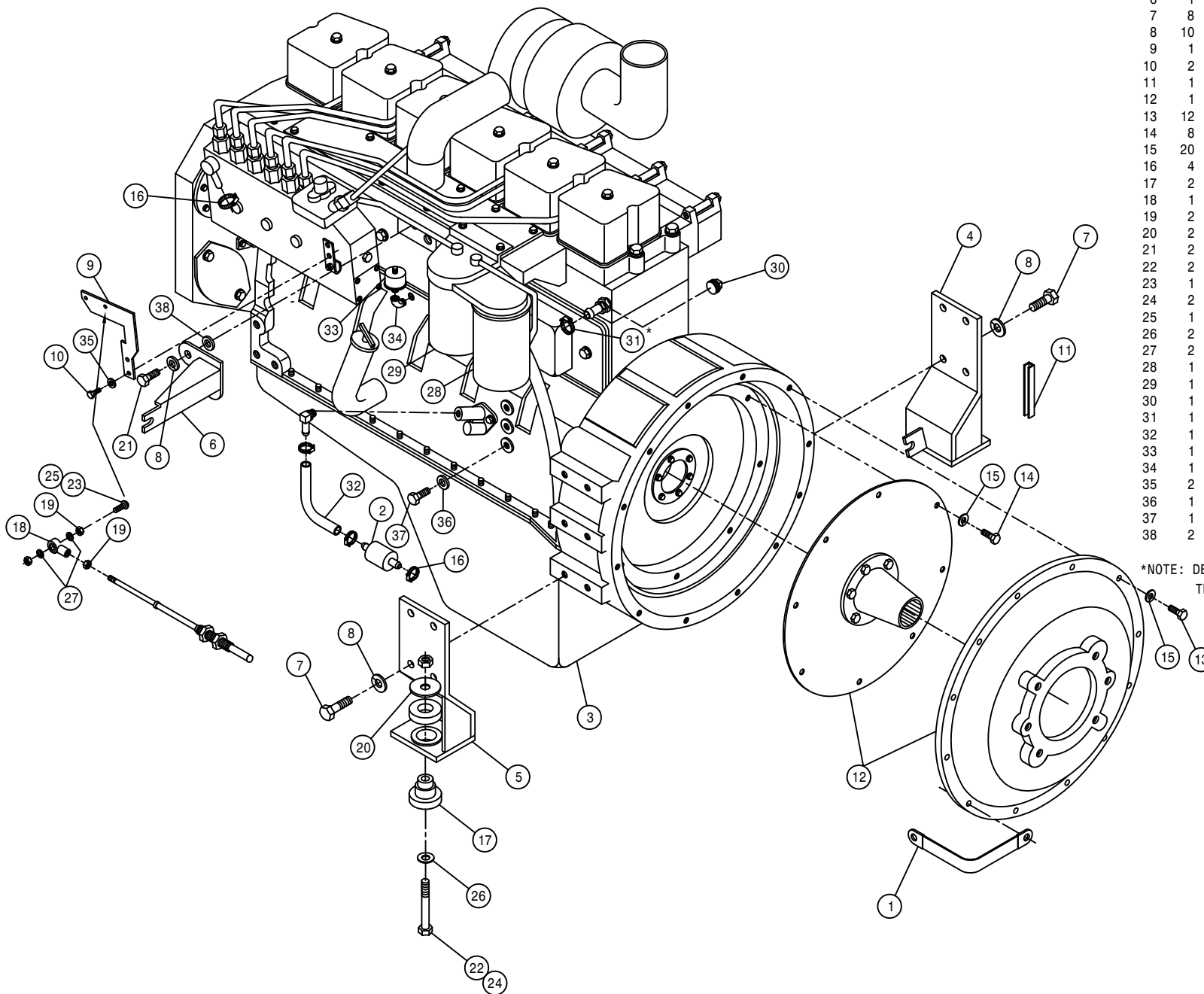
ENGINE ASSEMBLIES	4-9
POSITRACTION VALVE	10-11
HI-PRESS FILTER & LOOP FLUSHING VALVE	12-13
FLOW DIVIDER	14-15
EXHAUST PIPE & AIR CLEANER.	16-18
RADIATOR AND OIL COOLER	19
LEG ASSEMBLIES.	20-29
TIRE AND STALK GUIDE.	30-31
BRAKE SOLENOID ASSEMBLY	32
TIE ROD ASSEMBLY.	33
STEERING CYLINDER ASSEMBLY.	34
FUEL AND OIL TANKS.	35-38
BATTERY	39
LADDER AND SERVICE PLATFORM	40-43
OPERATOR STATION ASSEMBLY	44-47
INSTRUMENT PANEL ASSEMBLY	48
CONSOLE ASSEMBLY.	49-52
SHEET METAL	53-54
MOTOR CONTROL VALVE	55
RETURN FILTER	56-57
ELECTROHYDRAULIC VALVE.	58-61
OUTRIGGER AND LIFT ASSEMBLY	62-74
QUAD AND CUTTER HEAD.	75-78
CUTTER CASE DRAIN FITTING ASSEMBLY.	79
MALE ROW CHOPPER.	80-83
CONTROL BOX ASSEMBLY.	84-86
LS SENSOR.	87
DEPTH COMMAND	88-90
CAB OPTION.	91-96
CANOPY OPTION	97-98
WEIGHT BRACKET OPTION	99
OUTRIGGER HYDRAULIC FOLD OPTION	100-101
DECALS.	102-103
WIRING DIAGRAM.	104-107
ELECTRICAL SCHEMATIC.	108-123
HYDRAULIC SCHEMATIC	124-157
ABBREVIATIONS	158
INDEX	159

DIESEL ENGINE ASSEMBLY

DET. QTY PART NO. DESCRIPTION

1	1	290107	GROUND CABLE,8" X 4GA .406LUGS
2	1	316281	FUEL STRAINER, IN-LINE, DIESEL
3	1	316302	CUMM ENG,6B5.9A 152@2500
4	1	316252	RH REAR ENG MT WLD, CUMM 94
5	1	316253	LH REAR ENG MT WLD, CUMM 94
6	1	316517	THROTTLE CABLE MT WLD, CUMM 02
7	8	473775	12MM-1.75 X 30MM HEX BOLT
8	10	473784	12MM LOCK WASHER
9	1	316516	THROTTLE CABLE LEVER, CUMM 02
10	2	473826	6MM-1.00 X 16MM HEX BOLT
11	1	193012	QUICKEDGE TRIM .135 TO .250
12	1	800495	SUND DRIVE ASSY,2.83PILOT 14T
13	12	473792	10MM-1.50 X 30MM HEX BOLT
14	8	473793	10MM-1.50 X 20MM HEX BOLT
15	20	473798	10MM LOCK WASHER
16	4	520120	HOSE CLAMP NO 4 STAINLESS
17	2	311054	RUBBER MOUNT SET, CB-2202-4
18	1	473921	BALL JOINT NO 10-32 THD
19	2	910027	10-32 HEX NUT
20	2	311055	REBOUND WASHER FOR 311054
21	2	473828	12MM-1.50 X 20MM HEX BOLT
22	2	900271	1/2UNC X 3 1/4 HEX BOLT
23	1	903893	10-32 X 1" SLT RD HD MACH SCR
24	2	914008	1/2UNC HEX STOVER NUT
25	1	914027	10-32 HEX STOVER NUT
26	2	920004	1/2 SAE FLAT WASHER
27	2	920510	#10 LOCK WASHER
28	1	316208	FUEL FILTER, PRIMARY CUMM 92
29	1	316209	FUEL FILTER, SECONDARY CUMM92
30	1	504900	PIPE PLUG .75NPT SQ HD
31	1	520055	HOSE CLAMP NO 12 STAINLESS
32	1	601347	HOSE, 3/8 X 10 FUEL LINE
33	1	291674	OIL PRESS SENDER,125PSI,1/8NPT
34	1	500900	BLK PIPE ST EL 90DEG .125NPT
35	2	473768	6MM LOCK WASHER
36	1	473804	8MM LOCK WASHER
37	1	473827	8MM-1.25 X 20MM HEX BOLT
38	2	920004	1/2 SAE FLAT WASHER

*NOTE: DETAIL 31 AND HOSE BARB ARE USED WITH THE CAB OPTION.



4

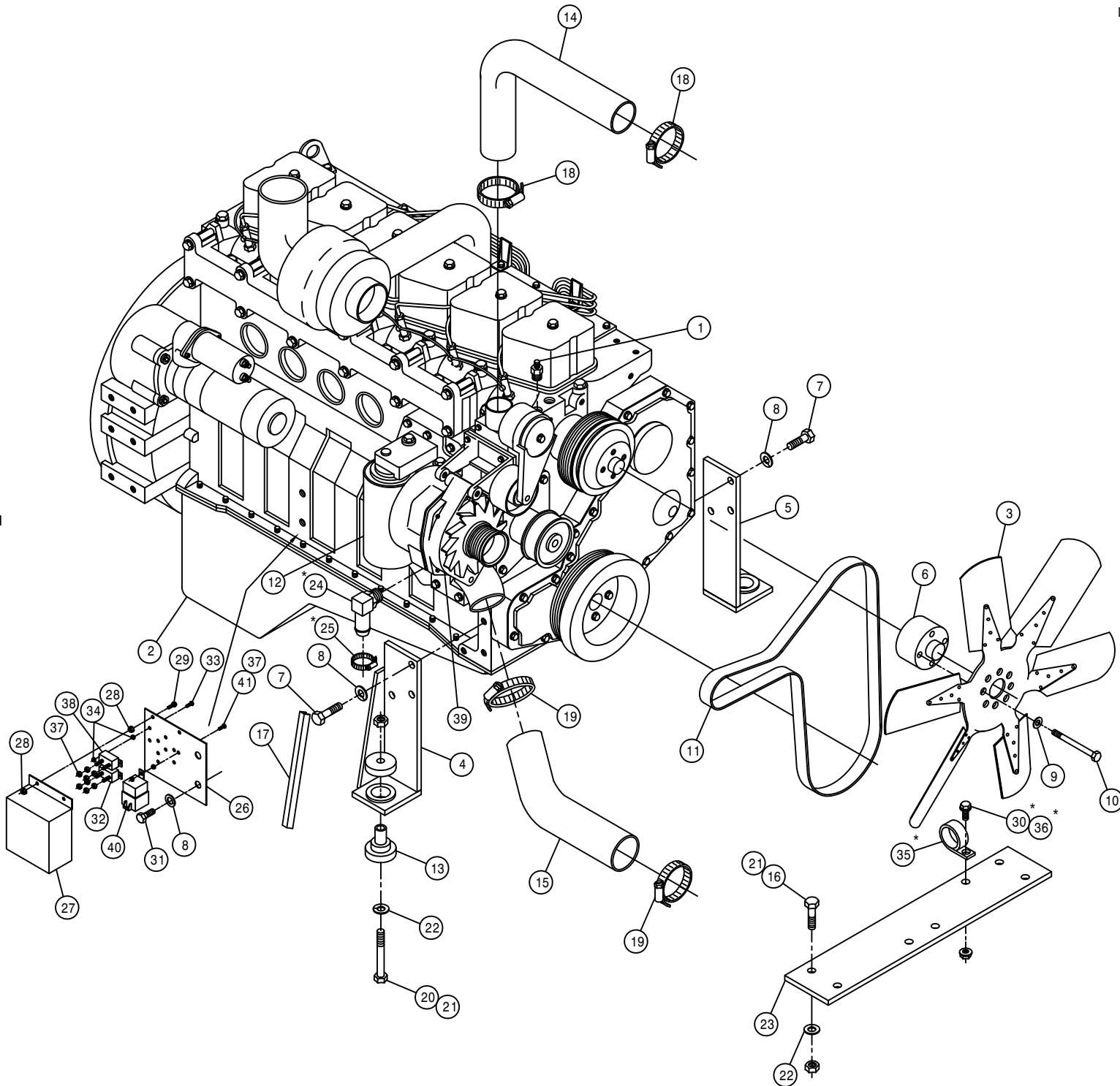
290004

DIESEL ENGINE ASSEMBLY

DET. QTY PART NO. DESCRIPTION

DET.	QTY	PART NO.	DESCRIPTION
1	1	314836	TEMP SENDR 280D 1/2NPT FOR GA
2	1	316302	CUMM ENG,6B5.9A 152@2500
3	1	316410	FAN, 22" 6 BLADE 40DEG
4	1	316250	RH FRT ENG MT WLD, CUMM 94
5	1	316313	LH FRT ENG MT WLD, 284 CUMM 98
6	1	316199	22IN FAN SPACER CUMM 92
7	6	473775	12MM-1.75 X 30MM HEX BOLT
8	8	473784	12MM LOCK WASHER
9	4	473804	8MM LOCK WASHER
10	4	473822	8MM-1.25 X 70MM HEX BOLT
11	1	316206	POLY V BELT CUMMINS DIESEL 92
12	1	316207	LUBE FILTER CUMMINS DIESEL 92
13	2	311053	RUBBER MOUNT SET,SSB26-1000-1
14	1	314832	RADIATOR HOSE 1.75 X 19(52423)
15	1	314886	RADIATOR HOSE 2 1/4 20717
16	4	900265	1/2UNC X 1 1/2 HEX BOLT
17	1	193012	QUICKEDGE TRIM .135 TO .250
18	2	520067	HOSE CLAMP NO 28 STAINLESS
19	2	520099	HOSE CLAMP NO 40 STAINLESS
20	2	900271	1/2UNC X 3 1/4 HEX BOLT
21	6	914008	1/2UNC HEX STOVER NUT
22	6	920004	1/2 SAE FLAT WASHER
23	1	341968	TIE PLT 250/280 CUMM 92
24	1	618573	5/8 HOSE BARB-90-1/2MNPT
25	1	520055	HOSE CLAMP NO 12 STAINLESS
26	1	316339	BREAKER MTG PLT, 2100 98
27	1	316340	BREAKER COVER, 2100 98
28	4	470175	10-32 HEX FLANGE LOCK NUT
29	2	470216	10-32 X 3/4 FLANGE HEX BOLT
30	1	470121	1/4UNC HEX FLANGE LOCK NUT
31	2	473783	12MM-1.75 X 25MM HEX BOLT
32	1	291197	CIRCUIT BREAKER,30AMP,INLINEMT
33	4	903812	6-32 X 1/2 SLT RD HD MACH SCR
34	8	910022	6-32 HEX NUT
35	1	520126	CUSH HOSE CLAMP 2IN X 5/8W
36	1	470118	1/4UNC X 3/4 FLANGE HEX BOLT
37	6	910027	10-32 HEX NUT
38	1	291556	CIRCUIT BREAKER,50AMP,INLINEMT
39	1	316367	DELCO ALTERNATOR,130 AMP 22SI
40	1	291852	RELAY, 40 AMP, VF4 SERIES
41	1	903883	10-32 X 1/2 SLT RDHD MACH SCR

*NOTE: DETAIL 24,25,30,35,AND 36 ARE USED WITH THE CAB OPTION.

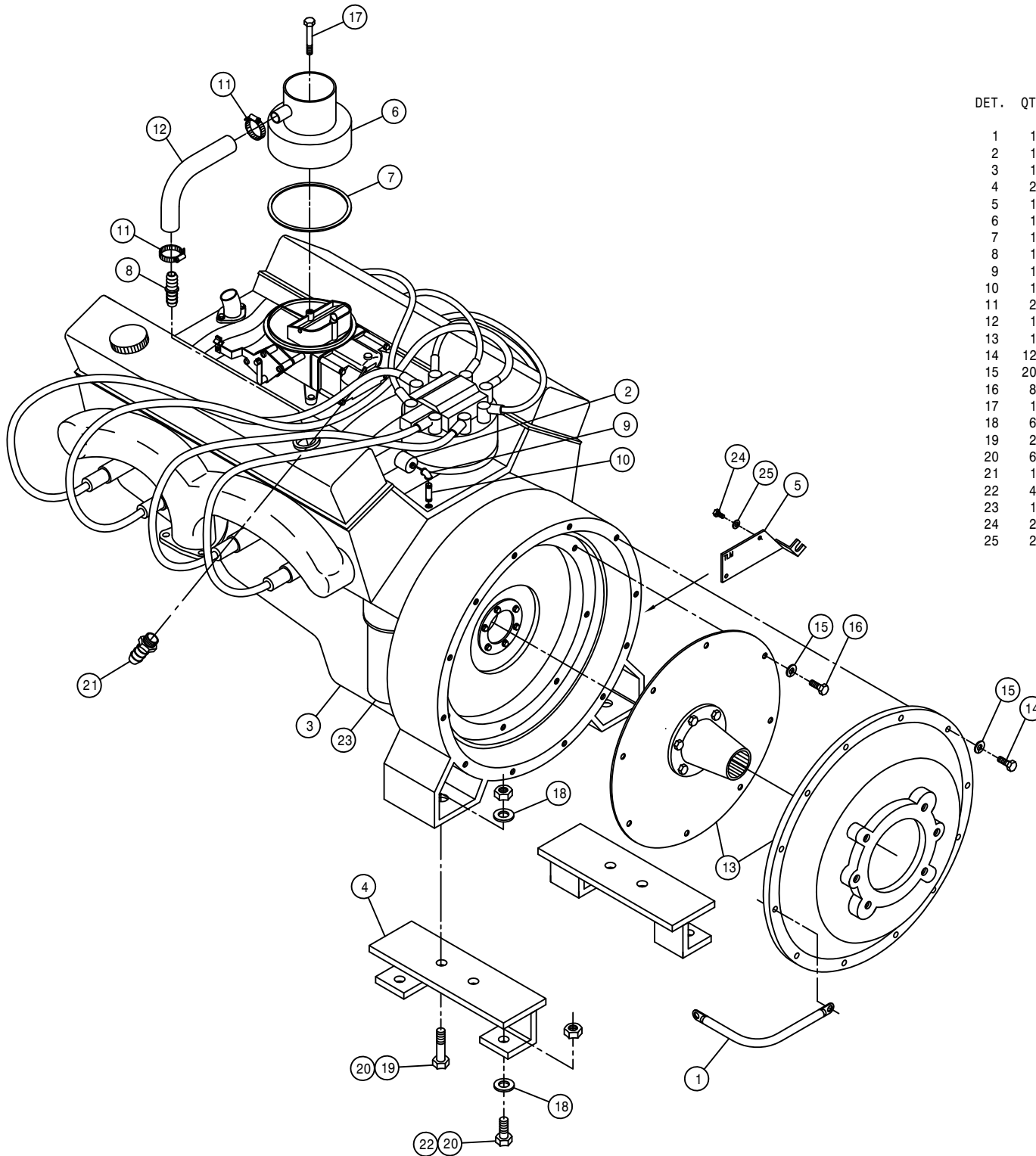


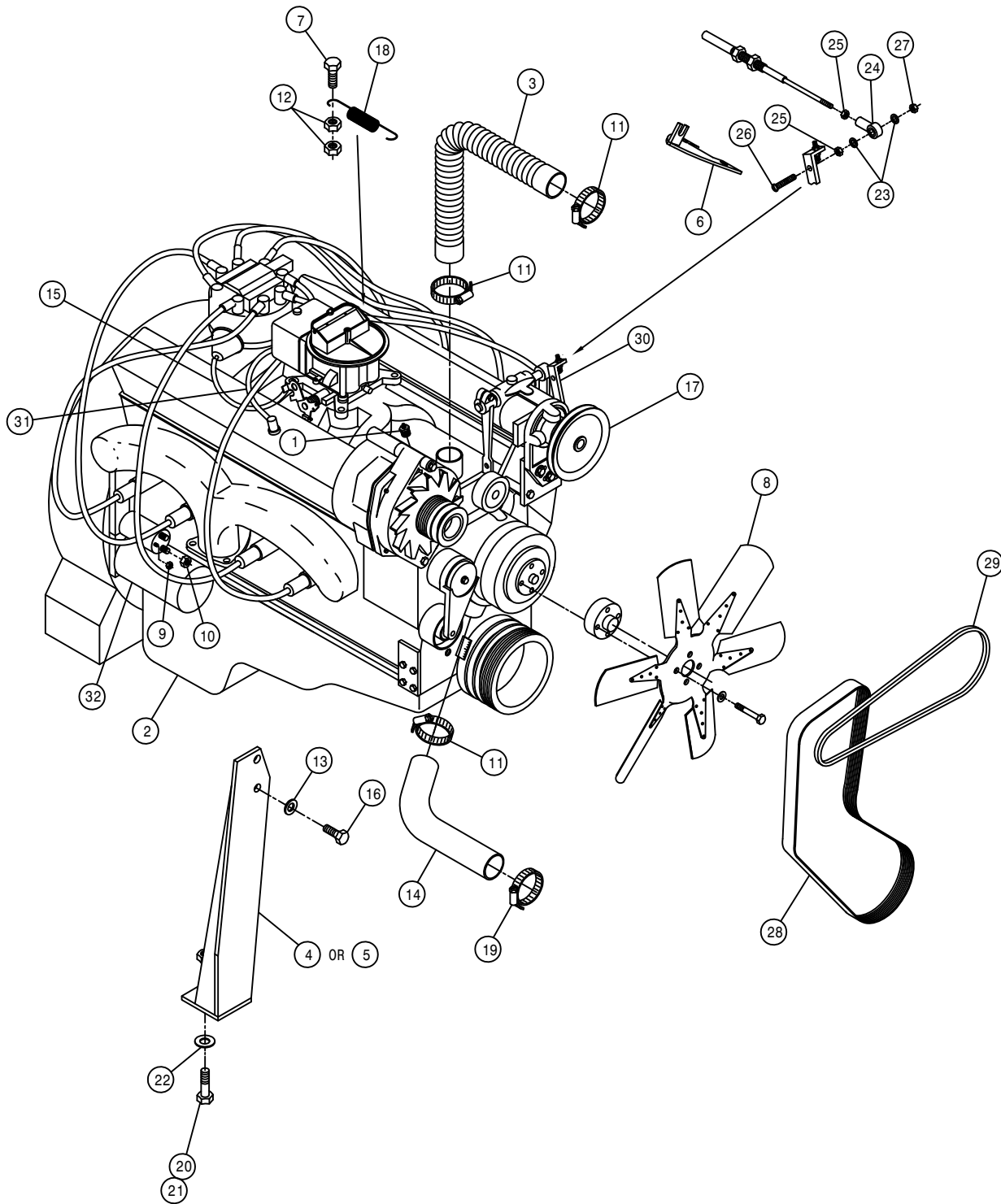
5

GMC ENGINE ASSEMBLY

DET. QTY PART NO. DESCRIPTION

DET.	QTY	PART NO.	DESCRIPTION
1	1	291531	GROUND CABLE, 15"
2	1	291610	OIL PRESS SENDER, 80PSI, 1/8NPT
3	1	315041	ENGINE, 350 GEN-1E 5.7L 98
4	2	314949	REAR MTR MT WLD, 204 GMC350 96
5	1	314952	HYDST CABLE MT WLD, 204 GMC 96
6	1	314963	CARB INTAKE WLD, 204 GMC350 96
7	1	314969	CARB INTAKE GASKET, GMC350 96
8	1	500070	3/4-3/4 HOSE BARB, POLY
9	1	500201	BLK PIPE EL 90DEG .125NPT
10	1	500520	BLK PIPE NIPPLE .125NPT-2.00
11	2	520055	HOSE CLAMP NO 12 STAINLESS
12	1	601379	HOSE, 3/4 X 16 2BR BLK EPDM
13	1	800495	SUND DRIVE ASSY, 2.83PILOT 14T
14	12	900131	3/8UNC X 1 1/2 HEX BOLT
15	20	920502	3/8 LOCK WASHER
16	8	900128	3/8UNC X 3/4 HEX BOLT
17	1	900009	1/4UNC X 2 3/4 HEX BOLT
18	6	920004	1/2 SAE FLAT WASHER
19	2	900266	1/2UNC X 1 3/4 HEX BOLT
20	6	914008	1/2UNC HEX STOVER NUT
21	1	783305	1/2-20IF X 5/16 HOSE BARB, BRS
22	4	900265	1/2UNC X 1 1/2 HEX BOLT
23	1	314981	OIL FILTER, AC PH-35
24	2	900000	1/4UNC X 1/2 HEX BOLT
25	2	920500	1/4 LOCK WASHER





GMC ENGINE ASSEMBLY

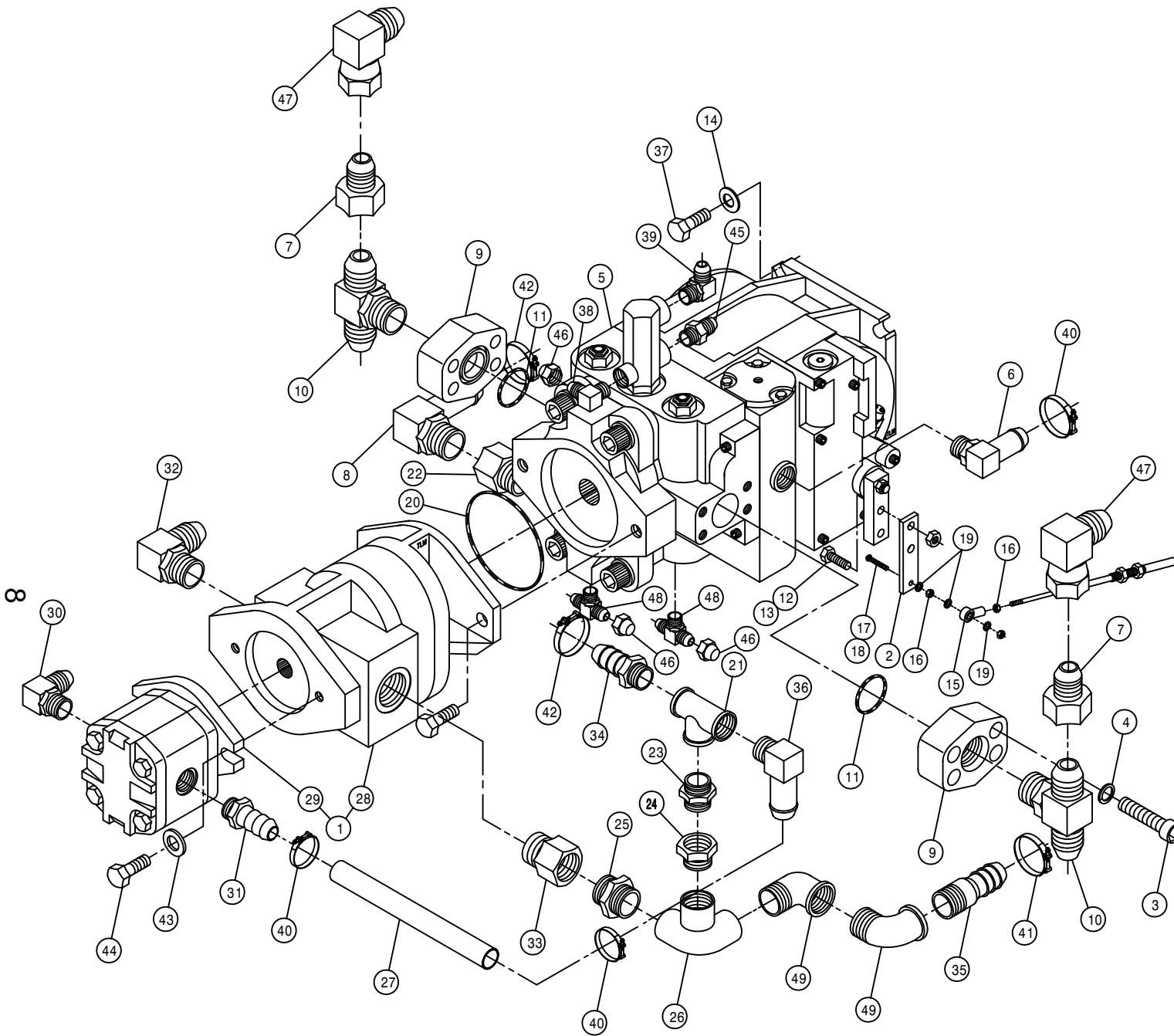
DET.	QTY	PART NO.	DESCRIPTION
1	1	314836	TEMP SENDR 280D 1/2NPT FOR GA
2	1	315041	ENGINE,350 GEN-1E 5.7L 98
3	1	314940	RADIATOR HOSE, 1.75
4	1	314944	RH FRT MTR MT WLD, 204 GMC 96
5	1	314945	LH FRT MTR MT WLD, 204 GMC 96
6	1	315042	THROT CABLE MT WLD,204 GMC 99
7	1	900065	5/16UNC X 1" HEX BOLT
8	1	315050	FAN, 99
9	1	473770	5MM-.80 HEX NUT
10	1	473778	8MM-1.25 HEX NUT
11	3	520067	HOSE CLAMP NO 28 STAINLESS
12	2	910002	5/16UNC HEX NUT
13	4	920502	3/8 LOCK WASHER
14	1	314975	LWR RAD HOSE, 204 GMC
15	1	601405	HOSE, 5/32 X 16 VACUUM
16	4	900129	3/8UNC X 1" HEX BOLT
17	1	147034	5"OD 5/8"BORE PULLEY FOR GOV
18	1	482015	SPRING, GMC CARB
19	1	520099	HOSE CLAMP NO 40 STAINLESS
20	2	900265	1/2UNC X 1 1/2 HEX BOLT
21	2	914008	1/2UNC HEX STOVER NUT
22	2	920004	1/2 SAE FLAT WASHER
23	2	920510	#10 LOCK WASHER
24	1	473921	BALL JOINT NO 10-32 THD
25	2	910027	10-32 HEX NUT
26	1	903893	10-32 X 1" SLT RD HD MACH SCR
27	1	914027	10-32 HEX STOVER NUT
28	1	315049	SERPENTINE FAN BELT,350 GMPT
29	1	315048	BELT,GOVERNOR,350 GMPT 5.7 ENG
30	1	315045	GOVERNOR W/PULLEY FOR GM350 99
31	1	601527	HOSE, 3/8 X 16 FUEL LINE
32	1	315051	STARTER, GMC 350 315041

7

290007

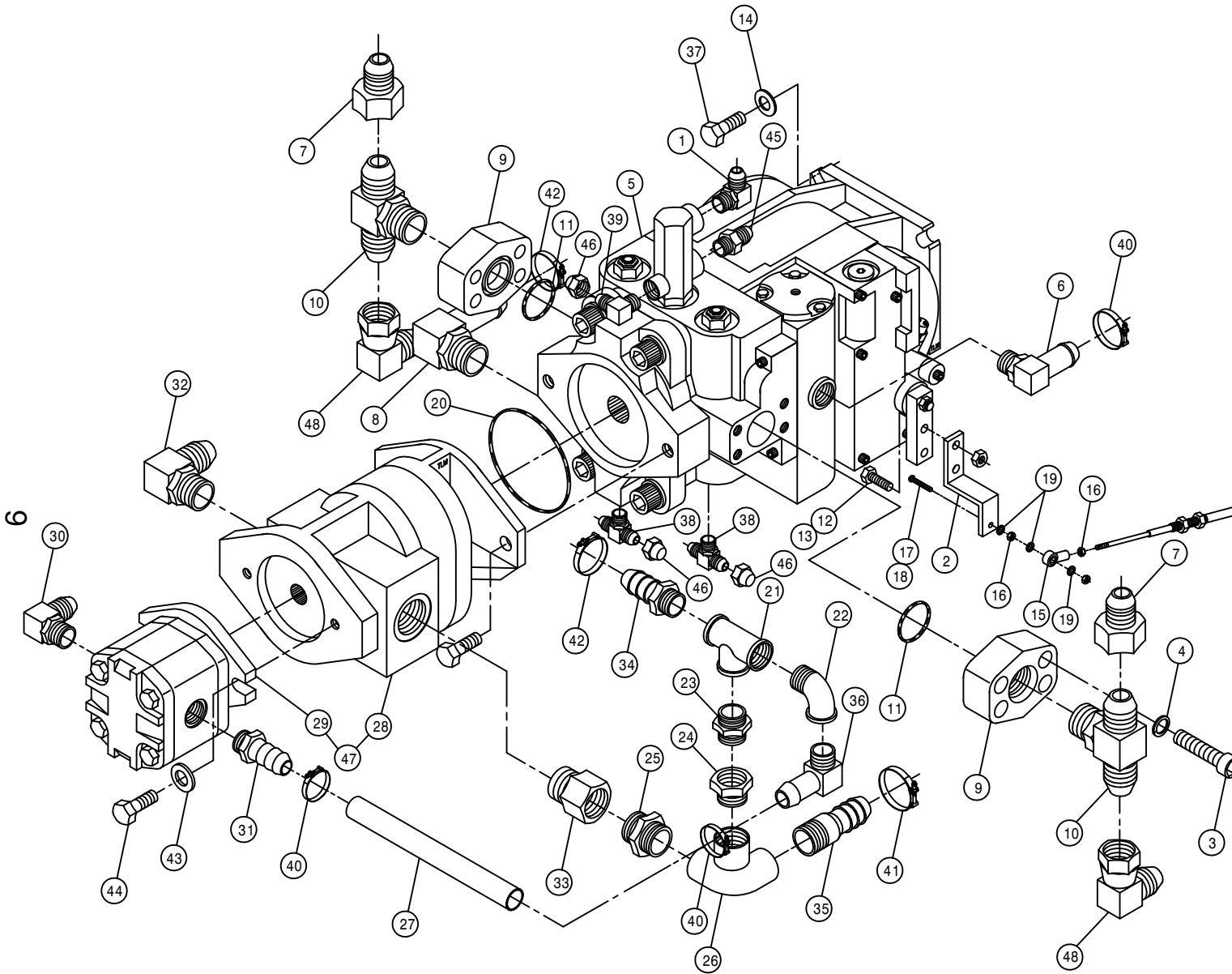
CUMMINS PUMP ASSEMBLY

DET.	QTY	PART NO.	DESCRIPTION
1	1	606937	TANDEM PUMP, 606929 & 606938
2	1	316160	PUMP CONT LEVER EXT 280 CUMM
3	8	470188	7/16-14 X 1 3/4 SKTHD CAP SCR
4	8	470189	7/16 HC LOCK WASH FOR 618598
5	1	606902	SUND 100CC PUMP,B-MT W/FILT
6	1	618118	3/4 HOSE BARB-90-1 1/16MOR
7	2	618541	1 5/16FJIC-1 1/16MJIC ADPTR
8	1	618638	1IN HOSE BARB-45-1 5/16MOR
9	2	618598	1" 4-BOLT FLG X 1 5/16 FOR
10	2	618599	1 5/16MOR BRANCH TEE-1 5/16MJ
11	2	870219	BUNA ORING 1 5/16 X 1 9/16
12	2	900003	1/4UNC X 1" HEX BOLT
13	2	914000	1/4UNC HEX STOVER NUT
14	4	920004	1/2 SAE FLAT WASHER
15	1	473921	BALL JOINT NO 10-32 THD
16	2	910027	10-32 HEX NUT
17	1	903893	10-32 X 1" SLT RD HD MACH SCR
18	1	914027	10-32 HEX STOVER NUT
19	3	920510	#10 LOCK WASHER
20	1	606870	O-RING FOR 606865 SUND B-MT
21	1	505101	BLK PIPE TEE 1.00NPT
22	1	618639	1 5/8MOR-1 5/16FOR ADPTR
23	1	505105	1MNPT HEX PIPE NIPPLE STL
24	1	506005	1 1/4 TO 1 RED BUSH BLK MAL
25	1	507026	1 1/4MNPT HEX PIPE NIPPLE STL
26	1	506701	SIDE OUTLET EL 90DEG 1.25NPT
27	1	601399	HOSE, 3/4 X 13 1FBR-15PI
28	1	606938	SUND GEAR PUMP,4.00CIR SPLINED
29	1	606929	SUND GEAR PUMP .66CI, SPLINED
30	1	611128	7/8MJIC-90-7/8MOR LBO
31	1	618075	3/4 HOSE BARB-1 1/16MOR
32	1	618178	1 5/16MJIC-90-1 5/16MOR LBO
33	1	618596	1 5/8MOR-1 1/4FNPT ADPTR
34	1	714560	1NPT X 1 HOSE BARB
35	1	715660	HOSE BARB 1 1/4NPT X 1 1/4
36	1	716000	3/4 HOSE BARB-90-1MNPT
37	4	900265	1/2UNC X 1 1/2 HEX BOLT
38	1	618119	9/16MJIC-90-9/16MOR LBO
39	1	618183	3/4MJIC-90-7/8MOR LBO
40	3	520137	1.12/1.25 T-BOLT HOSE CLAMP
41	1	520132	1.62/1.87 T-BOLT HOSE CLAMP SS
42	2	520138	1.38/1.56 T-BOLT HOSE CLAMP
43	2	920002	3/8 SAE FLAT WASHER
44	2	900130	3/8UNC X 1 1/4 HEX BOLT
45	1	618327	3/4MJIC-7/8MOR ADPTR
46	3	618531	9/16FJIC CAP NUT
47	2	618191	1 1/16MJ-90-1 1/16FJ SWIV LBO
48	2	618629	9/16MOR BRANCH TEE-9/16MJIC
49	2	506410	BLK PIPE ST EL 90DEG 1.25NPT

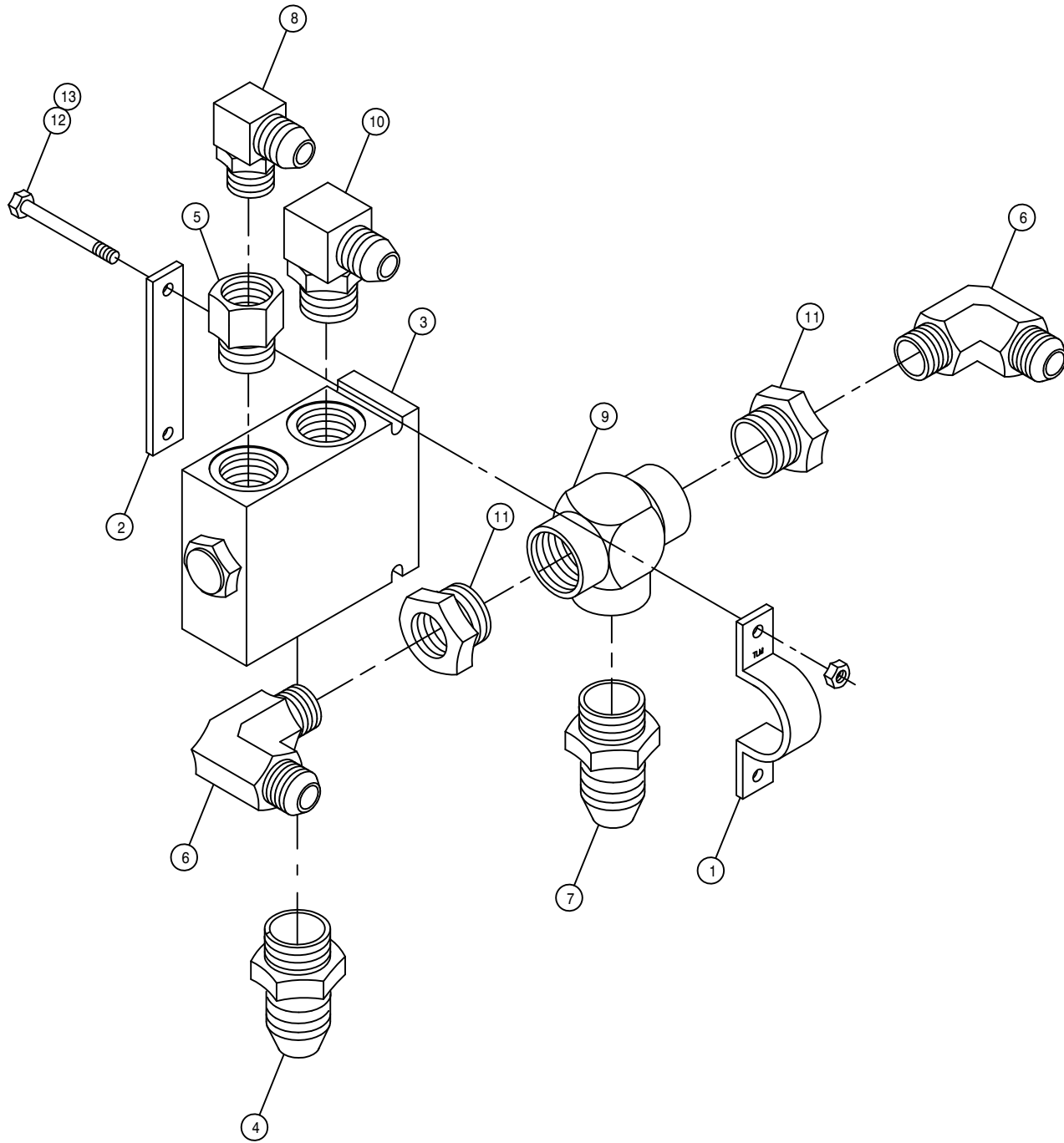


GMC PUMP ASSEMBLY

DET. QTY PART NO. DESCRIPTION

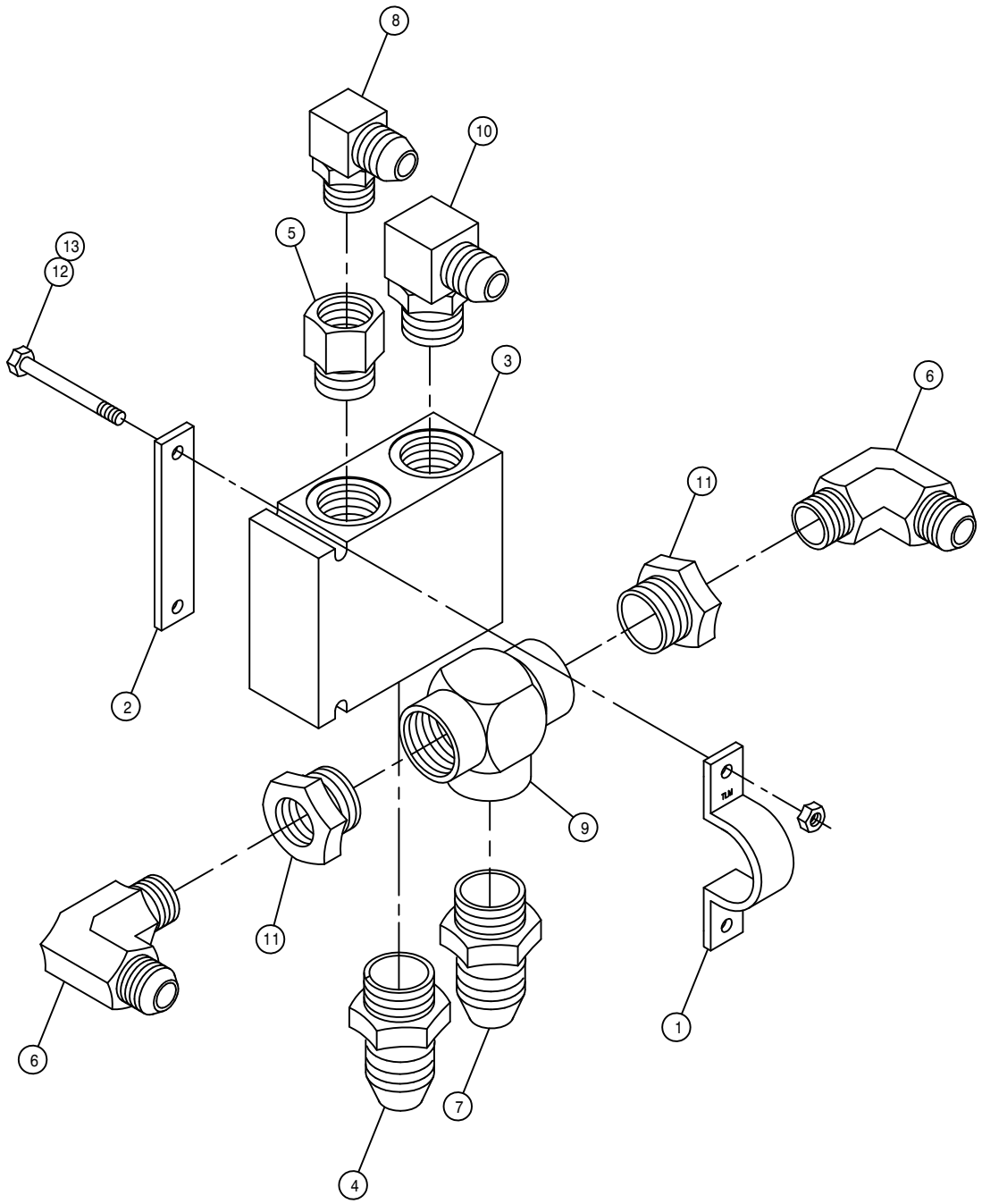


DET.	QTY	PART NO.	DESCRIPTION
1	1	618183	3/4MJIC-90-7/8MOR LBO
2	1	314957	PUMP CTRL LEVR EXT,204 GMC 96
3	8	470188	7/16-14 X 1 3/4 SKTHD CAP SCR
4	8	470189	7/16 HC LOCK WASH FOR 618598
5	1	606911	SUND 75CC PUMP,B-MT W/FILT
6	1	618118	3/4 HOSE BARB-90-1 1/16MOR
7	2	618541	1 5/16FJIC-1 1/16MJIC ADPTR
8	1	618564	1IN HOSE BARB-90-1 5/16MOR
9	2	618598	1" 4-BOLT FLG X 1 5/16 FOR
10	2	618599	1 5/16MOR BRANCH TEE-1 5/16MJ
11	2	870219	BUNA ORING 1 5/16 X 1 9/16
12	2	900003	1/4UNC X 1" HEX BOLT
13	2	914000	1/4UNC HEX STOVER NUT
14	4	920004	1/2 SAE FLAT WASHER
15	1	473921	BALL JOINT NO 10-32 THD
16	2	910027	10-32 HEX NUT
17	1	903893	10-32 X 1" SLT RD HD MACH SCR
18	1	914027	10-32 HEX STOVER NUT
19	3	920510	#10 LOCK WASHER
20	1	606870	O-RING FOR 606865 SUND B-MT
21	1	505101	BLK PIPE TEE 1.00NPT
22	1	505200	BLK PIPE ST EL 90DEG 1.00NPT
23	1	505105	1MNPT HEX PIPE NIPPLE STL
24	1	506005	1 1/4 TO 1 RED BUSH BLK MAL
25	1	507026	1 1/4MNPT HEX PIPE NIPPLE STL
26	1	506701	SIDE OUTLET EL 90DEG 1.25NPT
27	1	601383	HOSE, 3/4 X 8 1FBR-1SPI
28	1	606894	SUND GEAR PUMP 3.40CI SPLINED
29	1	606891	SUND GEAR PMP .52CI SPLINED
30	1	611128	7/8MJIC-90-7/8MOR LBO
31	1	618075	3/4 HOSE BARB-1 1/16MOR
32	1	618178	1 5/16MJIC-90-1 5/16MOR LBO
33	1	618596	1 5/8MOR-1 1/4FNPT ADPTR
34	1	714560	1NPT X 1 HOSE BARB
35	1	715660	HOSE BARB 1 1/4NPT X 1 1/4
36	1	716000	3/4 HOSE BARB-90-1MNPT
37	4	900265	1/2UNC X 1 1/2 HEX BOLT
38	2	618629	9/16MOR BRANCH TEE-9/16MJIC
39	1	618119	9/16MJIC-90-9/16MOR LBO
40	3	520137	1.12/1.25 T-BOLT HOSE CLAMP
41	1	520132	1.62/1.87 T-BOLT HOSE CLAMP SS
42	2	520138	1.38/1.56 T-BOLT HOSE CLAMP
43	2	920002	3/8 SAE FLAT WASHER
44	2	900130	3/8UNC X 1 1/4 HEX BOLT
45	1	618327	3/4MJIC-7/8MOR ADPTR
46	3	618531	9/16FJIC CAP NUT
47	1	606942	TANDEM PUMP, 606891 & 606894
48	2	618640	1 5/16MJ-90-1 5/16FJ SWIV LBO



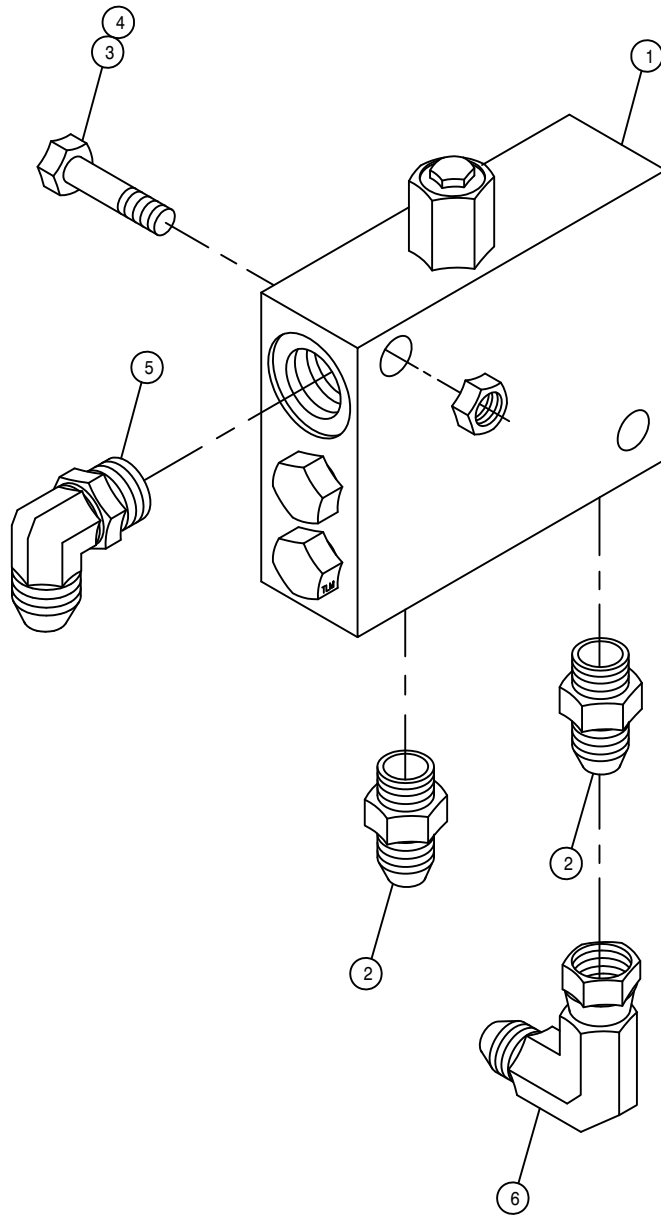
CUMMINS POSITRACTION VALVE ASSEMBLY

DET.	QTY	PART NO.	DESCRIPTION	
1	1	314842	TEE CLAMP, TRAC VLV 200	89
2	1	314843	TEE KEEPER, TRAC VLV 200	89
3	1	610585	POSITRACTION VLV,44SPL	28G
4	1	618308	1 1/16MJIC-1 5/16MOR ADPTR	
5	1	618312	1 5/16MOR-1 1/16FOR ADPTR	
6	2	611124	7/8MJIC-90-1/2MNPT LBO	
7	1	618434	1 1/16MJIC-1MNPT ADPTR	
8	1	618535	7/8MJIC-90-1 1/16MOR LBO	
9	1	618575	1FNPT PIPE TEE STL	
10	1	618589	7/8MJIC-90-1 5/16MOR LBO	
11	2	505005	RED BUSH 1 TO 1/2	
12	2	900011	1/4UNC X 3 1/4 HEX BOLT	
13	2	914000	1/4UNC HEX STOVER NUT	



GMC POSITRACTION VALVE ASSEMBLY

DET.	QTY	PART NO.	DESCRIPTION	
1	1	314842	TEE CLAMP, TRAC VLV 200	89
2	1	314843	TEE KEEPER, TRAC VLV 200	89
3	1	610585	POSITRACTION VLV,44SPL	28G
4	1	618308	1 1/16MJIC-1 5/16MOR ADPTR	
5	1	618312	1 5/16MOR-1 1/16FOR ADPTR	
6	2	611124	7/8MJIC-90-1/2MNPT LBO	
7	1	618434	1 1/16MJIC-1MNPT ADPTR	
8	1	618535	7/8MJIC-90-1 1/16MOR LBO	
9	1	618575	1FNPT PIPE TEE STL	
10	1	618589	7/8MJIC-90-1 5/16MOR LBO	
11	2	505005	RED BUSH 1 TO 1/2	
12	2	900011	1/4UNC X 3 1/4 HEX BOLT	
13	2	914000	1/4UNC HEX STOVER NUT	

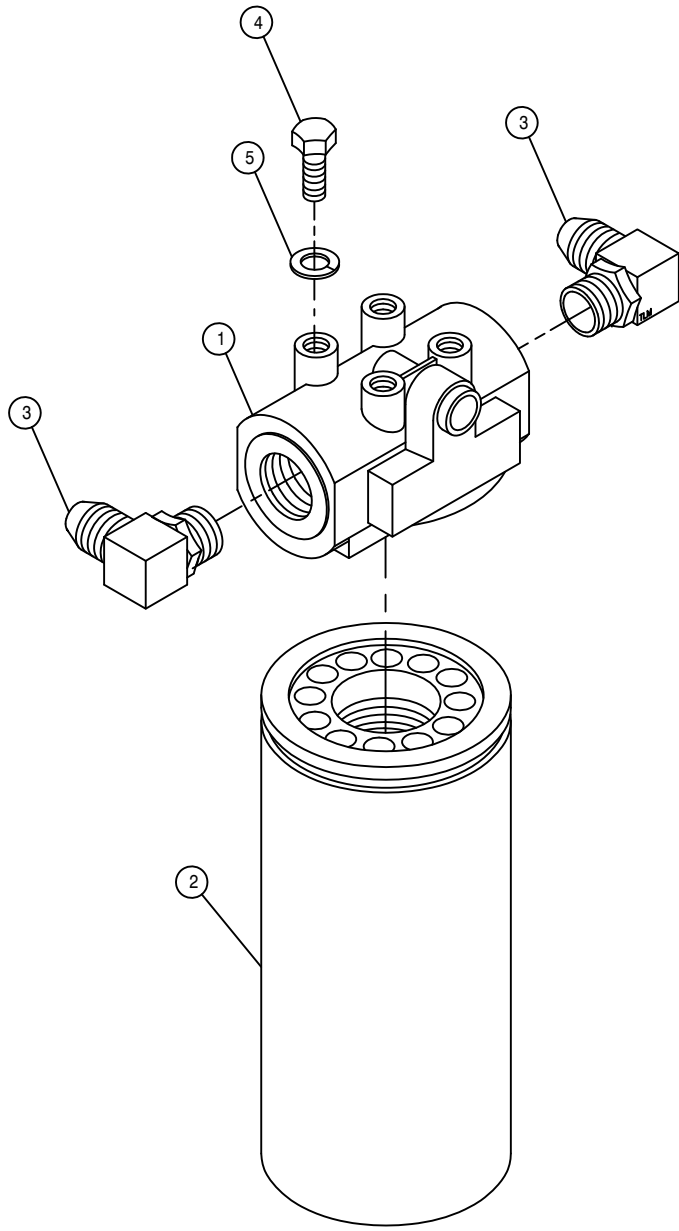


LOOP FLUSHING VALVE ASSEMBLY

DET. QTY PART NO. DESCRIPTION

1	1	610580	REMOTE FLUSHING VALVE, SUND
2	2	618126	9/16MJIC-9/16MOR ADPTR
3	2	900133	3/8UNC X 2" HEX BOLT
4	2	914004	3/8UNC HEX STOVER NUT
5	1	618119	9/16MJIC-90-9/16MOR LBO
6	1	618618	9/16MJIC-90-9/16FJIC SWIV LBO

NOTE: DETAIL 6 IS USED WITH THE GAS OPTION.



HI-PRESS FILTER ASSEMBLY

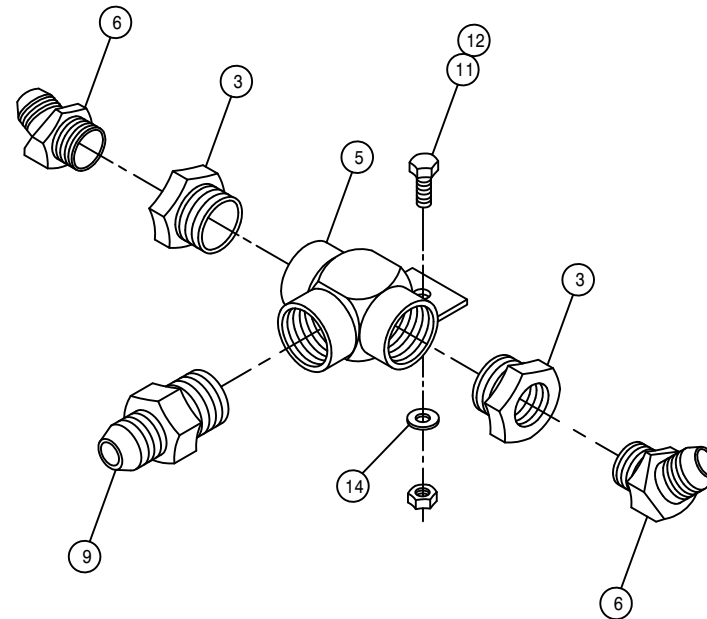
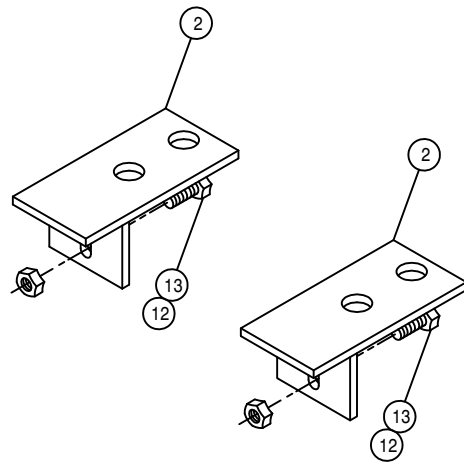
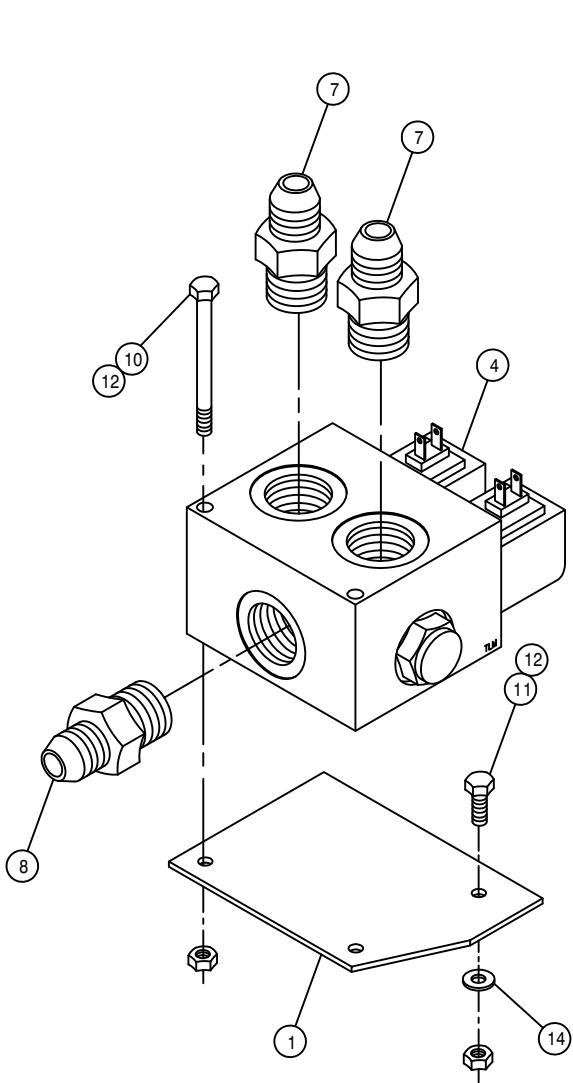
DET. QTY PART NO. DESCRIPTION

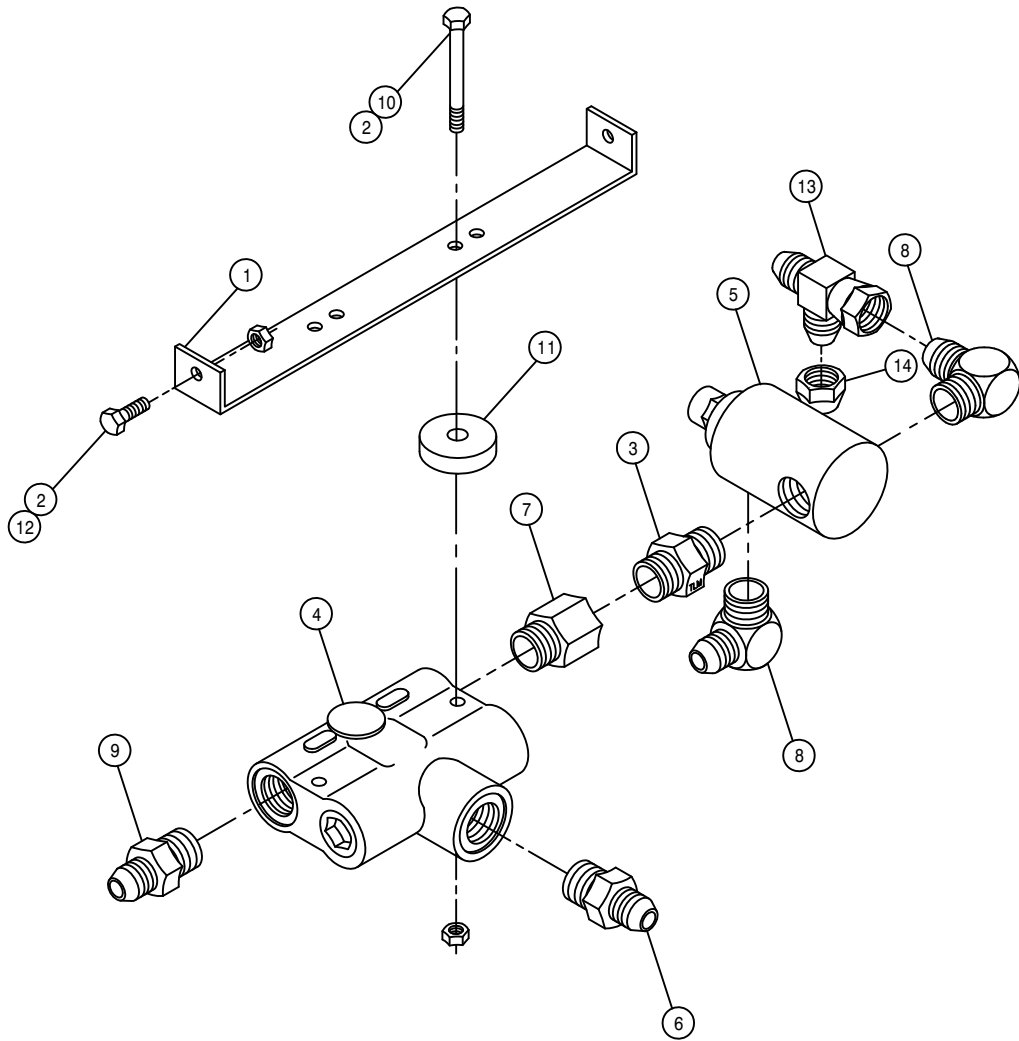
1	1	605608	HYD FILTER HEAD, DONALDSON
2	1	605609	HYD FILTER ELEMENT, DONALDSON
3	2	618474	3/4MJIC-90-1 1/16MOR LBO
4	4	900128	3/8UNC X 3/4 HEX BOLT
5	4	920502	3/8 LOCK WASHER

POSITRACTION VALVE ASSEMBLY

DET. QTY PART NO. DESCRIPTION

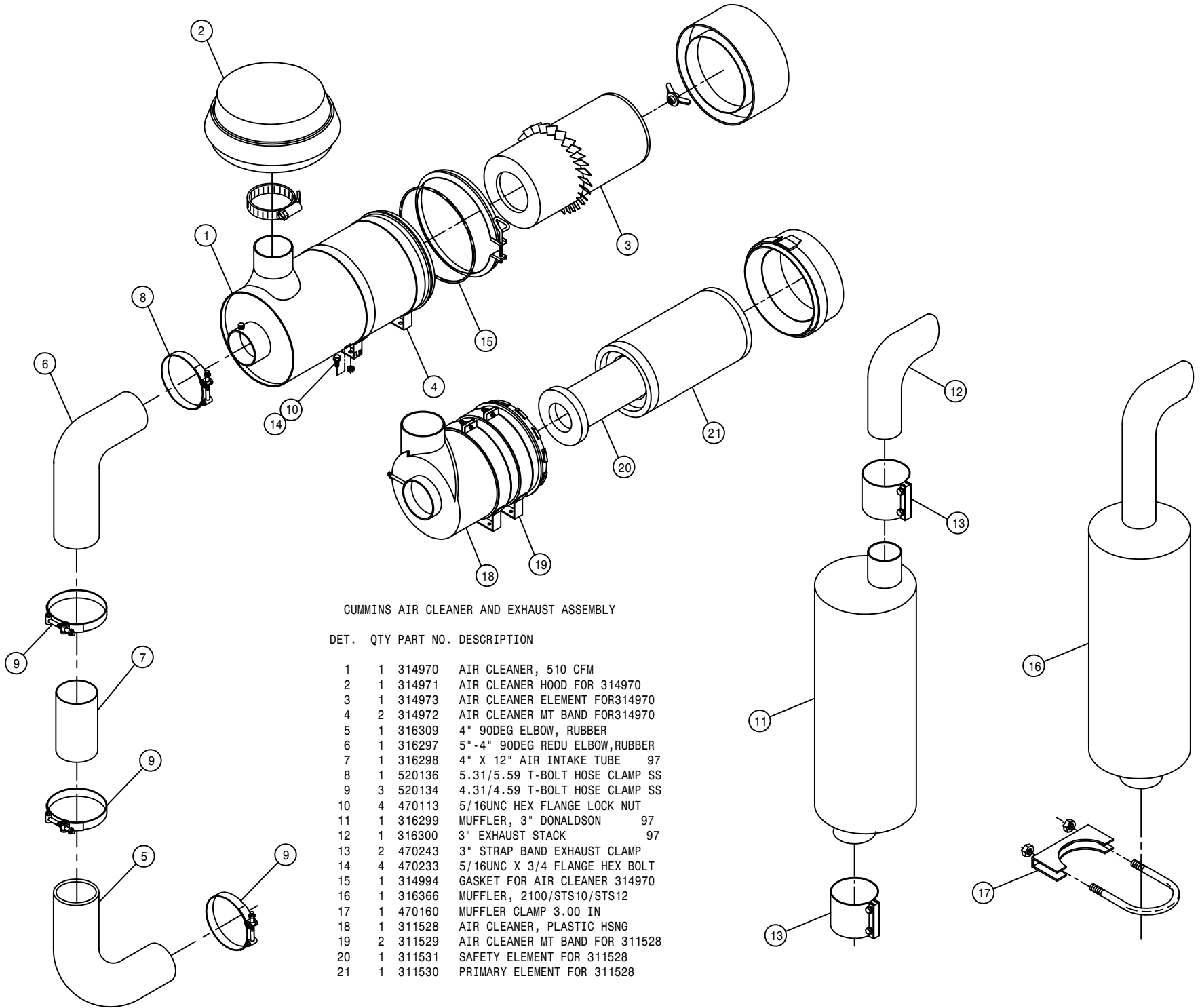
DET.	QTY	PART NO.	DESCRIPTION	
1	1	341849	POSITRACTION VALVE MT	200
2	2	341850	200 RETURN TEE MT WLD	89
3	2	505213	RED BUSH 1 X 3/4 BLK MAL	
4	1	610586	POSITRACTION VLV,ALUM,88SP60G	
5	1	614660	1IN STL TEE WLD 280	89
6	2	618156	7/8MJIC-90-3/4MNPT LBO	
7	2	618601	7/8MJIC-1 5/16MOR ADPT	
8	1	618186	1 5/16MJIC-1 5/16MOR ADPTR	
9	1	618322	1 5/16MJIC-1MNPT ADPTR	
10	2	900012	1/4UNC X 3 1/2 HEX BOLT	
11	2	900002	1/4UNC X 3/4 HEX BOLT	
12	6	914000	1/4UNC HEX STOVER NUT	
13	2	900003	1/4UNC X 1" HEX BOLT	
14	2	920000	1/4 SAE FLAT WASHER	





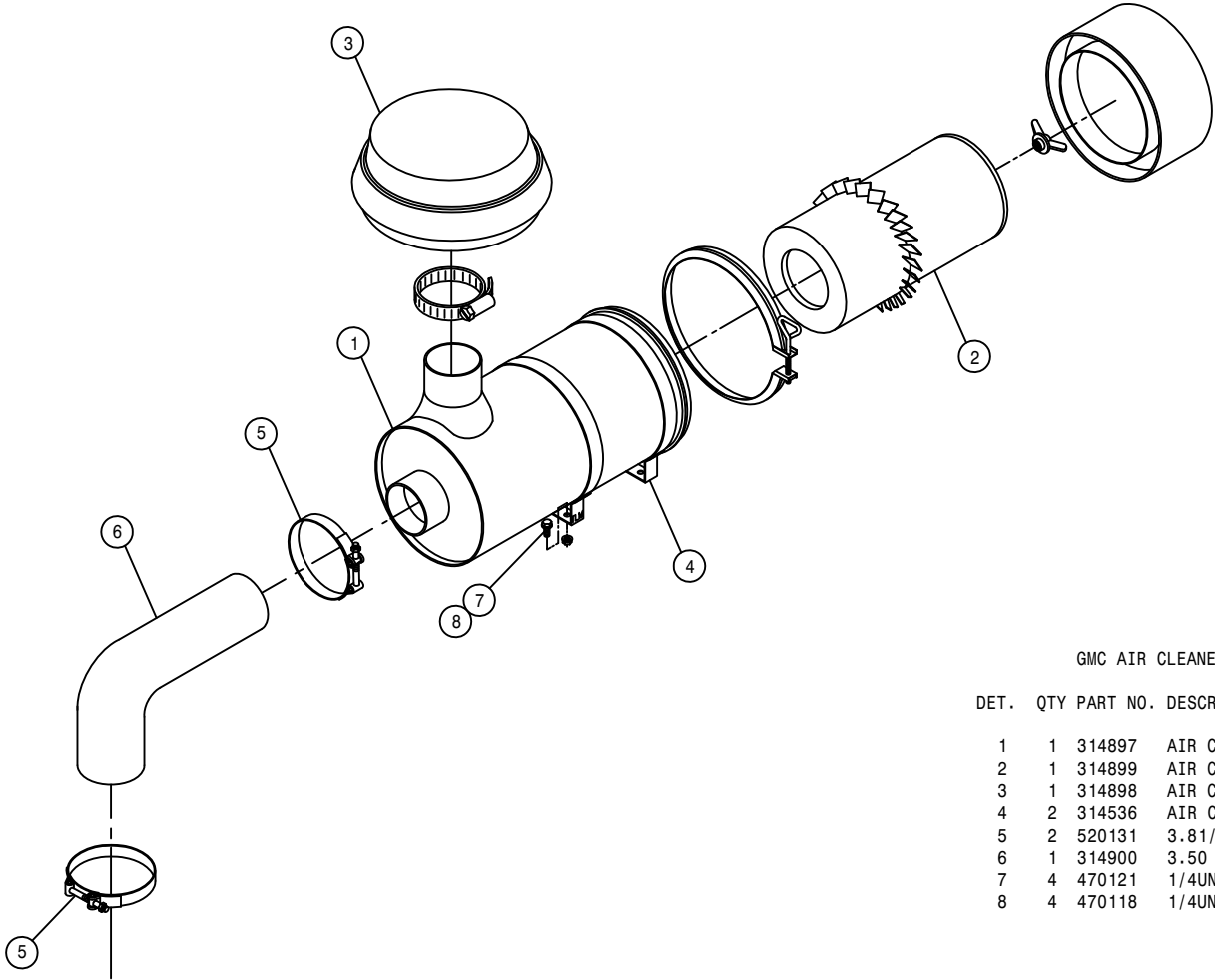
FLOW DIVIDER ASSEMBLY

DET.	QTY	PART NO.	DESCRIPTION	
1	1	341774	FLOW DIVIDER MT 280	89
2	4	914000	1/4UNC HEX STOVER NUT	
3	1	500000	1/2MNPT HEX PIPE NIPPLE STL	
4	1	607504	FLO DIV B50 2-8GPM 7/8 FOR	
5	1	607512	RELIEF VALVE, RL50, 1850 PSI	
6	1	611126	7/8MJIC-7/8MOR ADPTR	
7	1	618072	7/8MOR-1/2FNPT ADPTR	
8	2	618107	9/16MJIC-90-1/2MNPT LBO	
9	1	618310	9/16MJIC-7/8MOR ADPTR	
10	2	900008	1/4UNC X 2 1/2 HEX BOLT	
11	2	748500	RUBER WASH 3/8X1/4IDX1 1/2 OD	
12	2	900002	1/4UNC X 3/4 HEX BOLT	
13	1	618486	9/16FJIC SW RUN TEE-9/16MJIC	
14	1	618531	9/16FJIC CAP NUT	



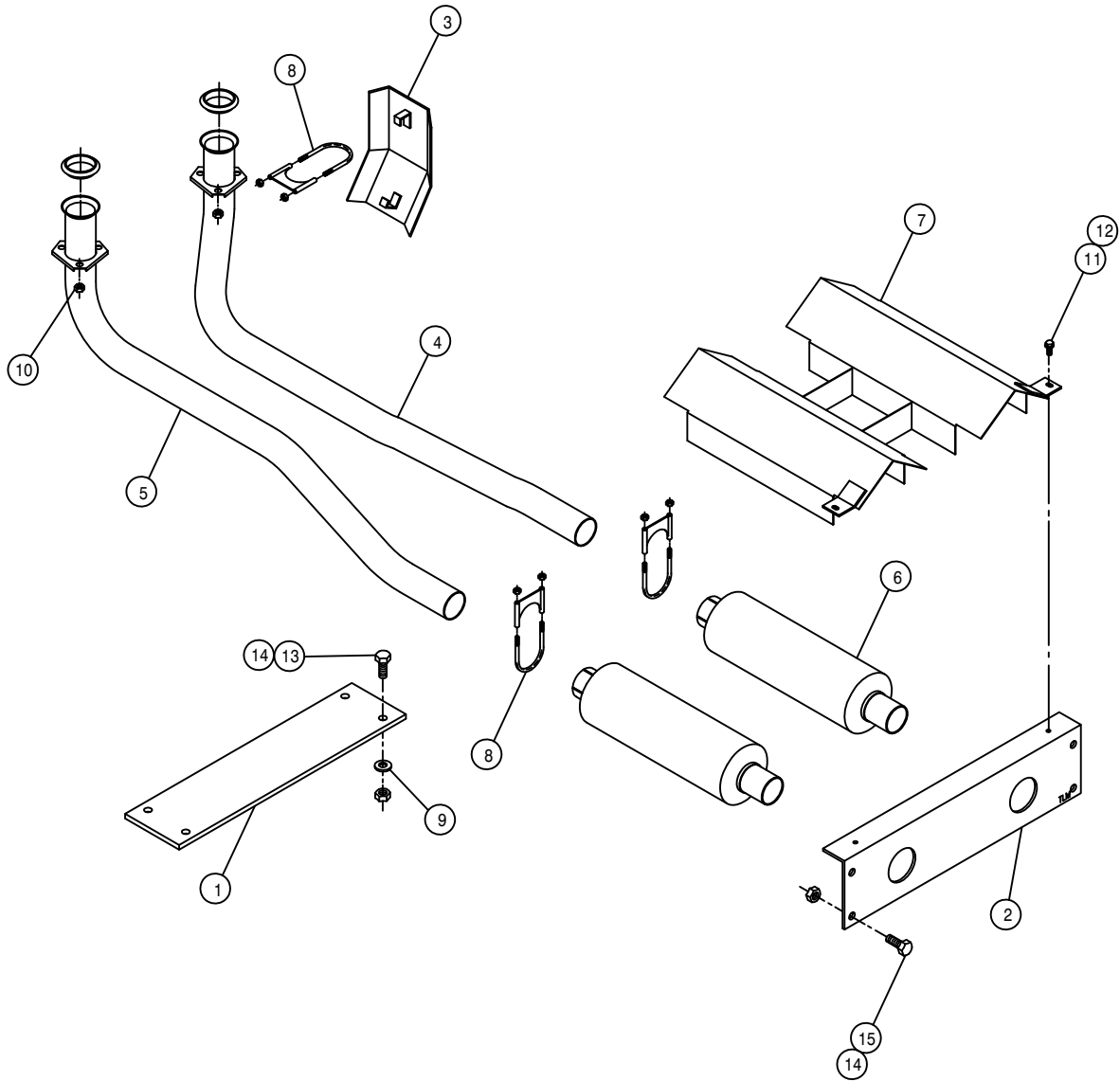
CUMMINS AIR CLEANER AND EXHAUST ASSEMBLY

DET.	QTY	PART NO.	DESCRIPTION
	1	314970	AIR CLEANER, 510 CFM
	2	314971	AIR CLEANER HOOD FOR 314970
	3	314973	AIR CLEANER ELEMENT FOR314970
	4	314972	AIR CLEANER MT BAND FOR314970
	5	316309	4" 90DEG ELBOW, RUBBER
	6	316297	5"-4" 90DEG REDU ELBOW, RUBBER
	7	316298	4" X 12" AIR INTAKE TUBE 97
	8	520136	5.31/5.59 T-BOLT HOSE CLAMP SS
	9	520134	4.31/4.59 T-BOLT HOSE CLAMP SS
	10	470113	5/16UNC HEX FLANGE LOCK NUT
	11	316299	MUFFLER, 3" DONALDSON 97
	12	316300	3" EXHAUST STACK 97
	13	470243	3" STRAP BAND EXHAUST CLAMP
	14	470233	5/16UNC X 3/4 FLANGE HEX BOLT
	15	314994	GASKET FOR AIR CLEANER 314970
	16	316366	MUFFLER, 2100/STS10/STS12
	17	470160	MUFFLER CLAMP 3.00 IN
	18	311528	AIR CLEANER, PLASTIC HSNQ
	19	311529	AIR CLEANER MT BAND FOR 311528
	20	311531	SAFETY ELEMENT FOR 311528
	21	311530	PRIMARY ELEMENT FOR 311528



GMC AIR CLEANER ASSEMBLY

DET.	QTY	PART NO.	DESCRIPTION
1	1	314897	AIR CLEANER, 280 CFM
2	1	314899	AIR CLEANER ELEMENT FOR314897
3	1	314898	AIR CLEANER HOOD FOR 314897
4	2	314536	AIR CLEANER BAND 8IN DONALDSON
5	2	520131	3.81/4.09 T-BOLT HOSE CLAMP SS
6	1	314900	3.50 90 DEG AIR INTAKE HOSE
7	4	470121	1/4UNC HEX FLANGE LOCK NUT
8	4	470118	1/4UNC X 3/4 FLANGE HEX BOLT

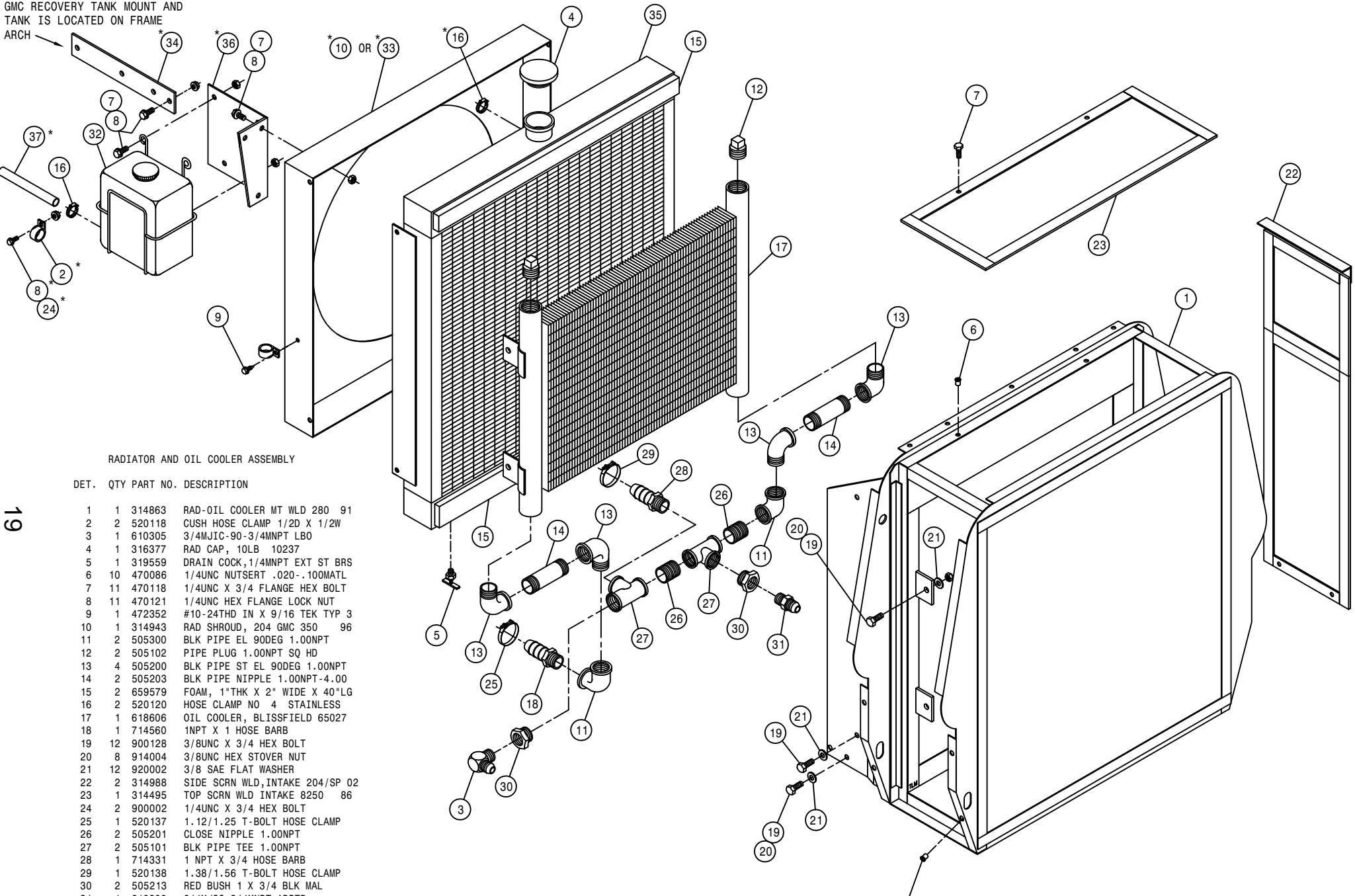


GMC EXHAUST PIPE ASSEMBLY

DET. QTY PART NO. DESCRIPTION

DET.	QTY	PART NO.	DESCRIPTION
1	1	361347	MAINFRAME TIE PLATE 200 318
2	1	361346	MAINFRAME REAR TIE ANGLE 280
3	2	314960	HEAT SHIELD WLD,204 GMC350 96
4	1	314958	RH EXHAUST PIPE,204 GMC350 96
5	1	314959	LH EXHAUST PIPE,204 GMC350 96
6	2	319287	MUFFLER CHRY 440
7	1	341829	MUFFLER HEAT SHIELD WLD200 89
8	6	319327	MUFFLER CLAMP 2IN HVY DUTY
9	4	920004	1/2 SAE FLAT WASHER
10	6	914004	3/8UNC HEX STOVER NUT
11	3	470118	1/4UNC X 3/4 FLANGE HEX BOLT
12	3	470121	1/4UNC HEX FLANGE LOCK NUT
13	4	900265	1/2UNC X 1 1/2 HEX BOLT
14	8	914008	1/2UNC HEX STOVER NUT
15	4	900263	1/2UNC X 1" HEX BOLT

GMC RECOVERY TANK MOUNT AND TANK IS LOCATED ON FRAME ARCH

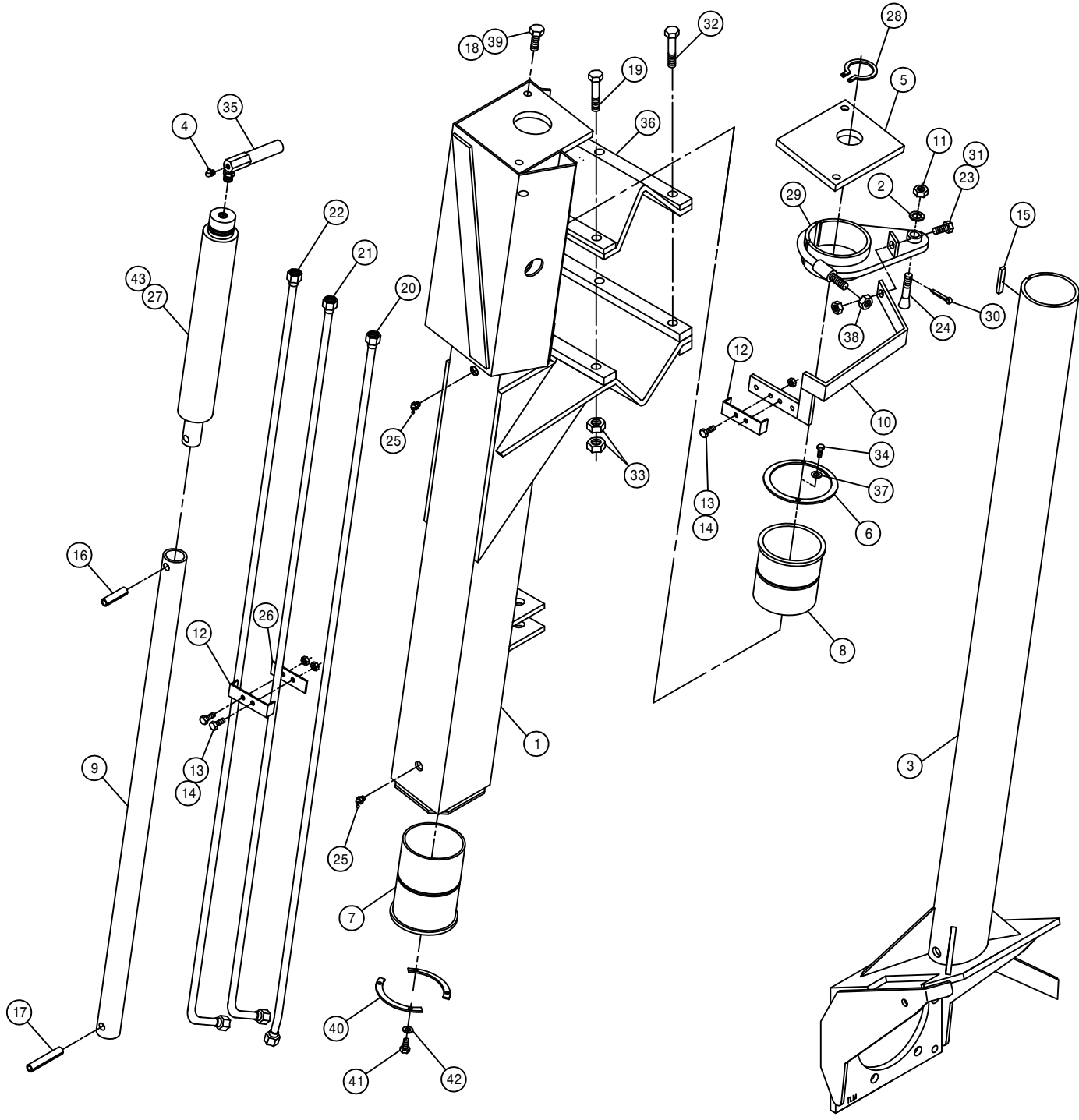


RADIATOR AND OIL COOLER ASSEMBLY

DET.	QTY	PART NO.	DESCRIPTION
1	1	314863	RAD-OIL COOLER MT WLD 280 91
2	2	520118	CUSH HOSE CLAMP 1/2D X 1/2W
3	1	610305	3/4MJIC-90-3/4MNPT LBO
4	1	316377	RAD CAP, 10LB 10237
5	1	319559	DRAIN COCK, 1/4MNPT EXT ST BRS
6	10	470086	1/4UNC NUTSERT .020-.100MATL
7	11	470118	1/4UNC X 3/4 FLANGE HEX BOLT
8	11	470121	1/4UNC HEX FLANGE LOCK NUT
9	1	472352	#10-24THD IN X 9/16 TEK TYP 3
10	1	314943	RAD SHROUD, 204 GMC 350 96
11	2	505300	BLK PIPE EL 90DEG 1.00NPT
12	2	505102	PIPE PLUG 1.00NPT SQ HD
13	4	505200	BLK PIPE ST EL 90DEG 1.00NPT
14	2	505203	BLK PIPE NIPPLE 1.00NPT-4.00
15	2	659579	FOAM, 1"THK X 2" WIDE X 40"LG
16	2	520120	HOSE CLAMP NO 4 STAINLESS
17	1	618606	OIL COOLER, BLISSFIELD 65027
18	1	714560	1NPT X 1 HOSE BARB
19	12	900128	3/8UNC X 3/4 HEX BOLT
20	8	914004	3/8UNC HEX STOVER NUT
21	12	920002	3/8 SAE FLAT WASHER
22	2	314988	SIDE SCR N WLD, INTAKE 204/SP 02
23	1	314495	TOP SCR N WLD INTAKE 8250 86
24	2	900002	1/4UNC X 3/4 HEX BOLT
25	1	520137	1.12/1.25 T-BOLT HOSE CLAMP
26	2	505201	CLOSE NIPPLE 1.00NPT
27	2	505101	BLK PIPE TEE 1.00NPT
28	1	714331	1 NPT X 3/4 HOSE BARB
29	1	520138	1.38/1.56 T-BOLT HOSE CLAMP
30	2	505213	RED BUSH 1 X 3/4 BLK MAL
31	1	610300	3/4MJIC-3/4MNPT ADPTR
32	1	314767	RAD RECOVERY TANK & MTG WLD
33	1	314884	RAD SHROUD 250/280 DIESEL 92
34	1	315047	RECOVERY TANK MT, 204 GMC 99
35	1	314885	RADIATOR HD 4TUBE RH-OUT 92
36	1	314893	RECOVERY TANK MTG BRKT 280 92
37	1	601455	HOSE, 5/16 X 70 EPDM

*NOTE: 1. THE DIESEL ENGINE OPTION USES ITEMS 33 AND 36.
 2. THE GMC ENGINE OPTION USES ITEM 2,8,10,16,24,34 AND 37

20



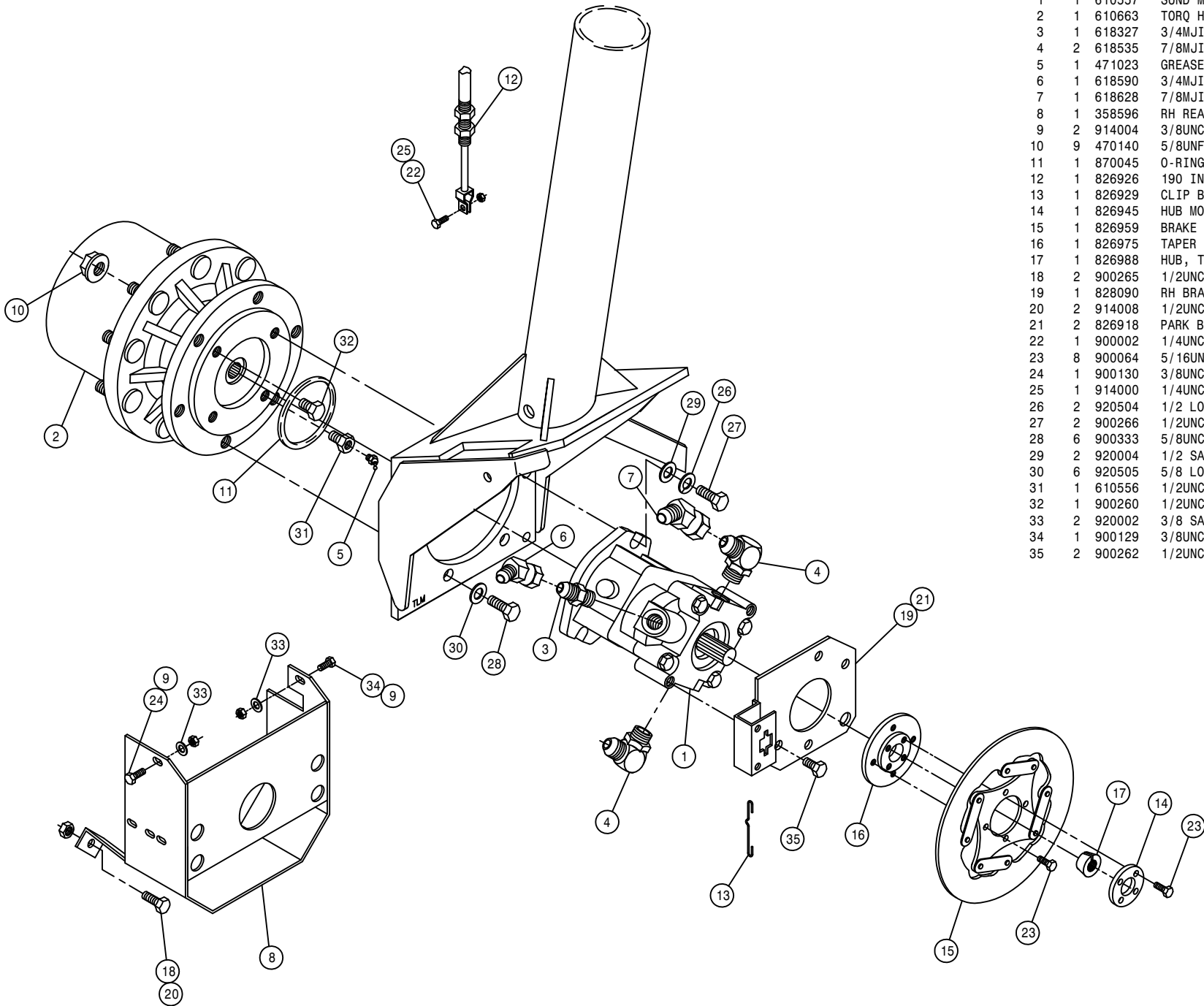
RIGHT FRONT LEG ASSEMBLY W/W1B1F HUB

DET.	QTY	PART NO.	DESCRIPTION
	1	357836	RH FRT OUTER LEG WLD,204/204I
	1	920505	5/8 LOCK WASHER
	1	357800	RH FRT INNER LEG WLD, 204 94
	1	471027	GREASE ZERK 1/8NPT 90DEG LP
	1	358562	LEG CYL MTG PLATE 280 89
	1	358563	FRT LEG BRG KPR 280 89
	1	358564	FRT LEG LWR NYL SLEEVE 280 89
	1	358565	FRT LEG UPR NYL SLEEVE 280 89
	1	358566	LEG CYL SHAFT EXTENSION280 89
	1	358707	RH FRT LEG TUBE BRKT, 204/284
	1	822040	5/8-18UNF SLOTTED HEX NUT
	2	358739	FRT LEG HYD TUBE CLMP, 284 94
	4	900004	1/4UNC X 1 1/4 HEX BOLT
	4	470121	1/4UNC HEX FLANGE LOCK NUT
	1	470185	KEY .25 X .375 X 2.00 LG
	1	473903	SPIRAL PIN 1/2 X 2 640
	1	473904	SPIRAL PIN 1/2 X 3 640
	2	914008	1/2UNC HEX STOVER NUT
	3	900836	5/8UNF X 3 1/4 HEX BOLT GR8
	1	615659	FRT LEG INNER HYD TUBE,204 94
	1	615660	FRT LEG CNTR HYD TUBE,204 94
	1	615661	FRT LEG OUTER HYD TUBE,204 94
	1	900129	3/8UNC X 1" HEX BOLT
	1	749293	STRG ARM BOLT, TAPERED
	2	471023	GREASE ZERK 1/4-28 X 45
	1	358740	FRT LEG HYD TUBE KPR, 284 94
	1	621502	LEG LEVEL CYL ASSY,2.00 X 12.0
	1	629515	SNAP RING 1 3/4 EXTRN HDUTY
	1	749290	RH STRG ARM WLD,280 TREAD ADJ
	1	470035	COTTER PIN 5/32 X 1 1/2
	1	914004	3/8UNC HEX STOVER NUT
	3	900837	5/8UNF X 3 1/2 HEX BOLT GR8
	12	914811	5/8UNF HEX NUT GR8
	1	900000	1/4UNC X 1/2 HEX BOLT
	1	615614	FRT LEG CYL JUMPER HOSE280 89
	1	358759	LEG MT V-PLT WLD, 284T 94
	2	920500	1/4 LOCK WASHER
	1	914010	5/8UNC HEX STOVER NUT
	2	900265	1/2UNC X 1 1/2 HEX BOLT
	2	358927	LWR BRG KPR, LEG 98
	4	900064	5/16UNC X 3/4 HEX BOLT
	4	920501	5/16 LOCK WASHER
	1	621503	REPAIR KIT, HYD CYL 621502

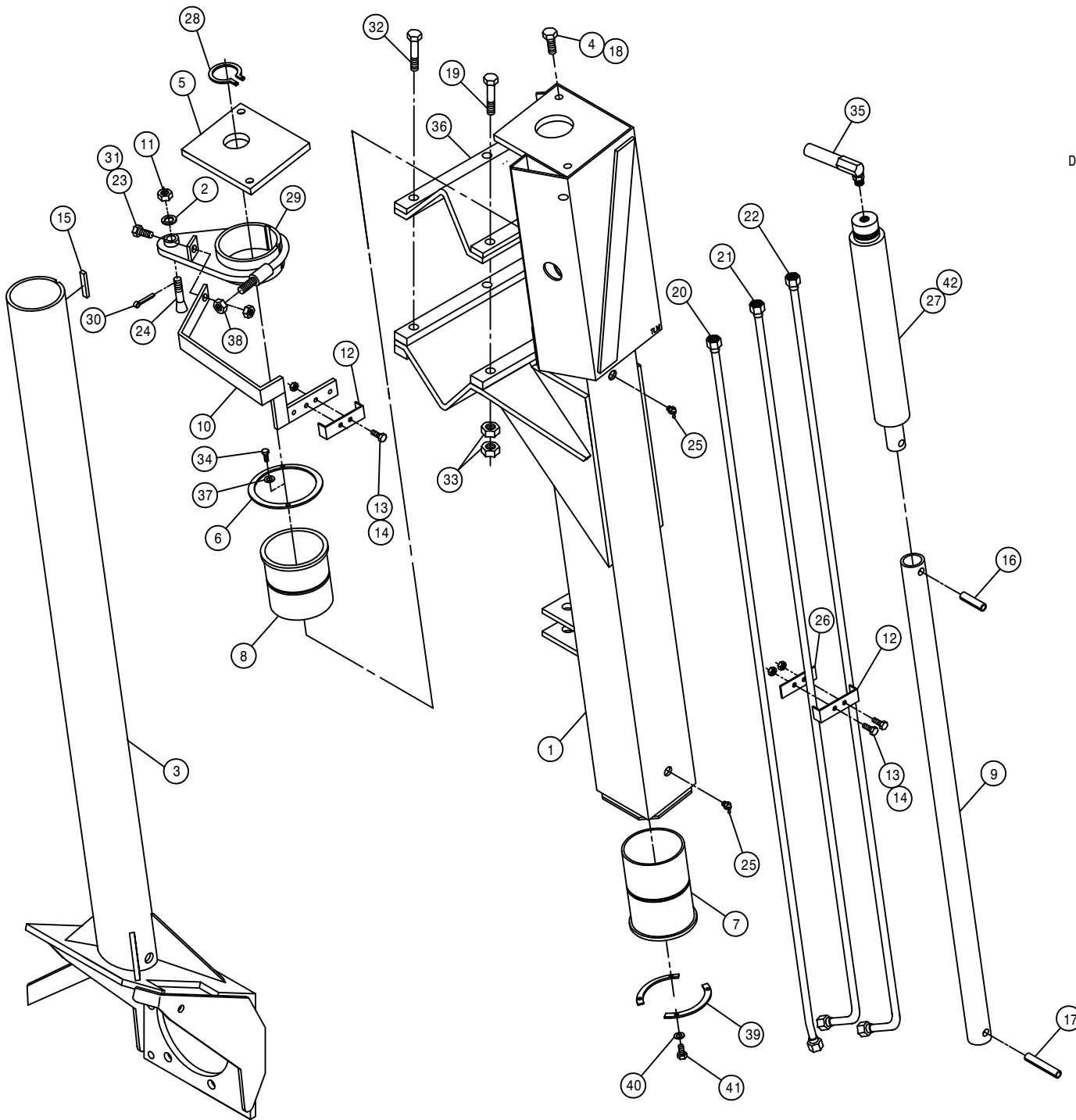
290020

RIGHT FRONT LEG ASSEMBLY W/W1BF HUB

DET.	QTY	PART NO.	DESCRIPTION
1	1	610557	SUND M35-3102 WHL MTR W/SHFT
2	1	610663	TORQ HUB, 24:1 B-MT W1BFFZ
3	1	618327	3/4MJIC-7/8MOR ADPTR
4	2	618535	7/8MJIC-90-1 1/16MOR LBO
5	1	471023	GREASE ZERK 1/4-28 X 45
6	1	618590	3/4MJIC-45-3/4FJIC SWIV LBO
7	1	618628	7/8MJIC-45-7/8FJIC SWIV LBO
8	1	358596	RH REAR WHL MTR SHLD WLD 280
9	2	914004	3/8UNC HEX STOVER NUT
10	9	470140	5/8UNF HEX SMTH FLANGE NUT PLT
11	1	870045	O-RING 4 1/8 OD X 4 ID
12	1	826926	190 IN BRAKE CABLE
13	1	826929	CLIP BRAKE RETAINER
14	1	826945	HUB MOUNT, BRAKE
15	1	826959	BRAKE DISC SUB ASSY
16	1	826975	TAPER LOCK HUB
17	1	826988	HUB, TAPER LOCK 13 TEETH
18	2	900265	1/2UNC X 1 1/2 HEX BOLT
19	1	828090	RH BRAKE MT WLD, 204
20	2	914008	1/2UNC HEX STOVER NUT
21	2	826918	PARK BRAKE PAD
22	1	900002	1/4UNC X 3/4 HEX BOLT
23	8	900064	5/16UNC X 3/4 HEX BOLT
24	1	900130	3/8UNC X 1 1/4 HEX BOLT
25	1	914000	1/4UNC HEX STOVER NUT
26	2	920504	1/2 LOCK WASHER
27	2	900266	1/2UNC X 1 3/4 HEX BOLT
28	6	900333	5/8UNC X 1 1/2 HEX BOLT
29	2	920004	1/2 SAE FLAT WASHER
30	6	920505	5/8 LOCK WASHER
31	1	610556	1/2UNC X 1/2 ZERK BOLT T-HUB
32	1	900260	1/2UNC X 1/2 H BOLT GR2 UNPLT
33	2	920002	3/8 SAE FLAT WASHER
34	1	900129	3/8UNC X 1" HEX BOLT
35	2	900262	1/2UNC X 3/4 HEX BOLT



94



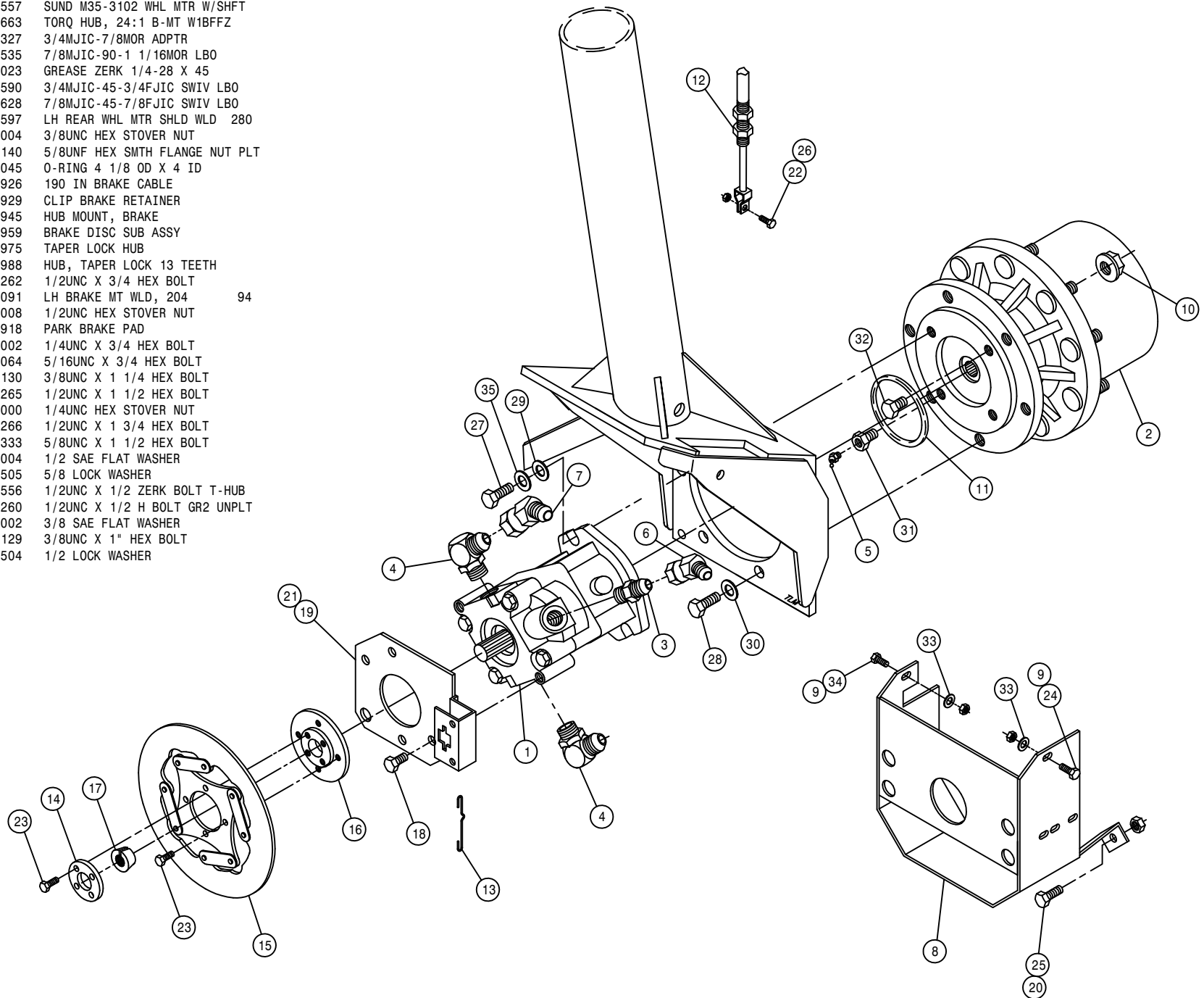
LEFT FRONT ASSEMBLY W/W1BF HUB

DET.	QTY	PART NO.	DESCRIPTION
1	1	357837	LH FRT OUTER LEG WLD, 204/204I
2	1	920505	5/8 LOCK WASHER
3	1	357801	LH FRT INNER LEG WLD, 204 94
4	2	900265	1/2UNC X 1 1/2 HEX BOLT
5	1	358562	LEG CYL MTG PLATE 280 89
6	1	358563	FRT LEG BRG KPR 280 89
7	1	358564	FRT LEG LWR NYL SLEEVE 280 89
8	1	358565	FRT LEG UPR NYL SLEEVE 280 89
9	1	358566	LEG CYL SHAFT EXTENSION 280 89
10	1	358708	LH FRT LEG TUBE BRKT, 204/284
11	1	822040	5/8-18UNF SLOTTED HEX NUT
12	2	358739	FRT LEG HYD TUBE CLMP, 284 94
13	4	900004	1/4UNC X 1 1/4 HEX BOLT
14	4	470121	1/4UNC HEX FLANGE LOCK NUT
15	1	470185	KEY .25 X .375 X 2.00 LG
16	1	473903	SPIRAL PIN 1/2 X 2 640
17	1	473904	SPIRAL PIN 1/2 X 3 640
18	2	914008	1/2UNC HEX STOVER NUT
19	3	900836	5/8UNF X 3 1/4 HEX BOLT GR8
20	1	615659	FRT LEG INNER HYD TUBE, 204 94
21	1	615660	FRT LEG CNTR HYD TUBE, 204 94
22	1	615661	FRT LEG OUTER HYD TUBE, 204 94
23	1	900129	3/8UNC X 1" HEX BOLT
24	1	749293	STRG ARM BOLT, TAPERED
25	2	471023	GREASE ZERK 1/4-28 X 45
26	1	358740	FRT LEG HYD TUBE KPR, 284 94
27	1	621502	LEG LEVEL CYL ASSY, 2.00 X 12.0
28	1	629515	SNAP RING 1 3/4 EXTRN HDUTY
29	1	749291	LH STRG ARM WLD, 280 TREAD ADJ
30	1	470035	COTTER PIN 5/32 X 1 1/2
31	1	914004	3/8UNC HEX STOVER NUT
32	3	900837	5/8UNF X 3 1/2 HEX BOLT GR8
33	12	914811	5/8UNF HEX NUT GR8
34	2	900000	1/4UNC X 1/2 HEX BOLT
35	1	615614	FRT LEG CYL JUMPER HOSE 280 89
36	1	358759	LEG MT V-PLT WLD, 284T 94
37	2	920500	1/4 LOCK WASHER
38	1	914010	5/8UNC HEX STOVER NUT
39	2	358927	LWR BRG KPR, LEG 98
40	4	920501	5/16 LOCK WASHER
41	4	900064	5/16UNC X 3/4 HEX BOLT
42	1	621503	REPAIR KIT, HYD CYL 621502

LEFT FRONT LEG ASSEMBLY W/W1BF HUB

DET. QTY PART NO. DESCRIPTION

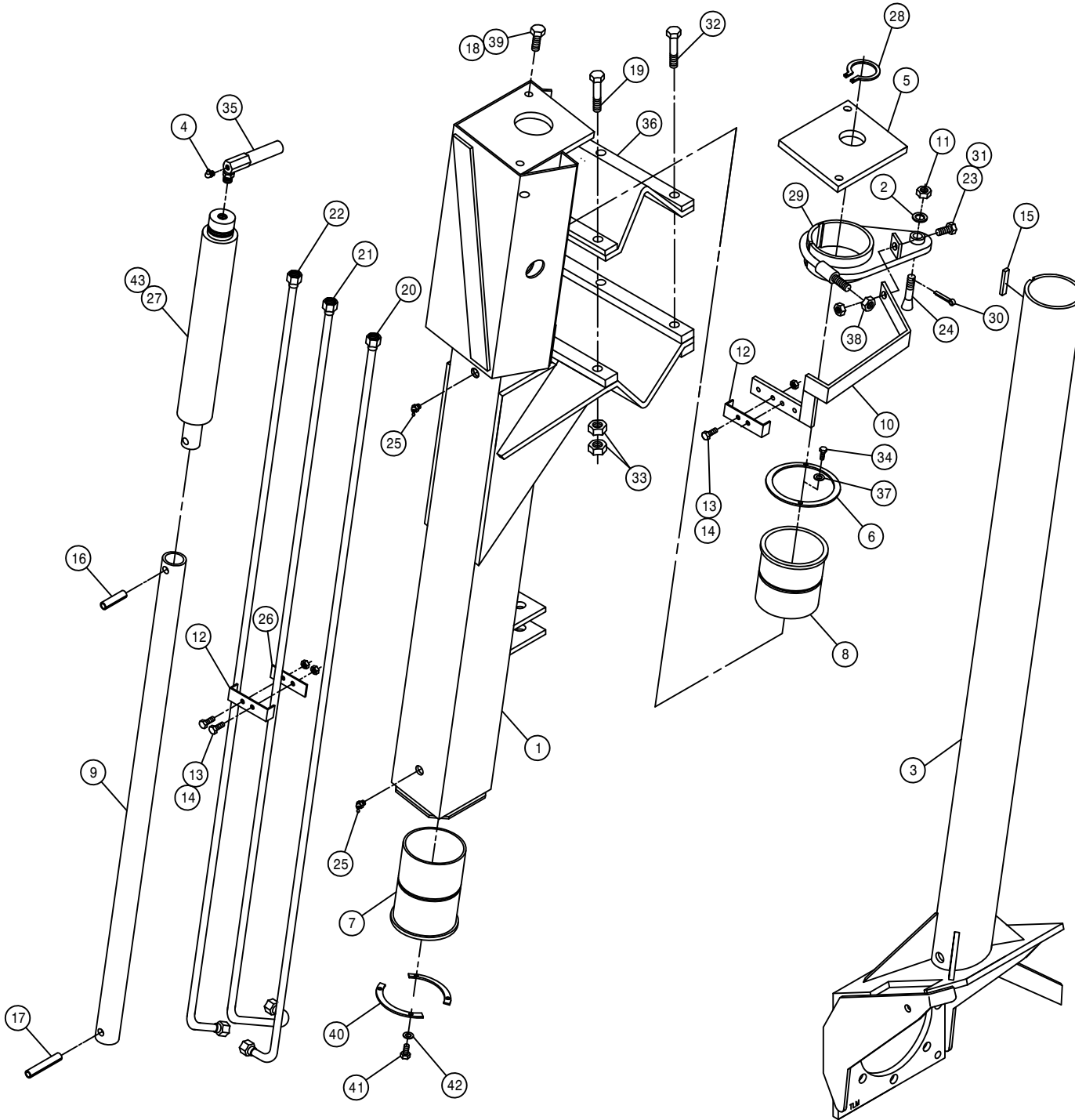
1	1	610557	SUND M35-3102 WHL MTR W/SHFT
2	1	610663	TORQ HUB, 24:1 B-MT W1BFFZ
3	1	618327	3/4MJIC-7/8MOR ADPTR
4	2	618535	7/8MJIC-90-1 1/16MOR LBO
5	1	471023	GREASE ZERK 1/4-28 X 45
6	1	618590	3/4MJIC-45-3/4FJIC SWIV LBO
7	1	618628	7/8MJIC-45-7/8FJIC SWIV LBO
8	1	358597	LH REAR WHL MTR SHLD WLD 280
9	2	914004	3/8UNC HEX STOVER NUT
10	9	470140	5/8UNF HEX SMTH FLANGE NUT PLT
11	1	870045	O-RING 4 1/8 OD X 4 ID
12	1	826926	190 IN BRAKE CABLE
13	1	826929	CLIP BRAKE RETAINER
14	1	826945	HUB MOUNT, BRAKE
15	1	826959	BRAKE DISC SUB ASSY
16	1	826975	TAPER LOCK HUB
17	1	826988	HUB, TAPER LOCK 13 TEETH
18	2	900262	1/2UNC X 3/4 HEX BOLT
19	1	828091	LH BRAKE MT WLD, 204
20	2	914008	1/2UNC HEX STOVER NUT
21	2	826918	PARK BRAKE PAD
22	1	900002	1/4UNC X 3/4 HEX BOLT
23	8	900064	5/16UNC X 3/4 HEX BOLT
24	1	900130	3/8UNC X 1 1/4 HEX BOLT
25	2	900265	1/2UNC X 1 1/2 HEX BOLT
26	1	914000	1/4UNC HEX STOVER NUT
27	2	900266	1/2UNC X 1 3/4 HEX BOLT
28	6	900333	5/8UNC X 1 1/2 HEX BOLT
29	2	920004	1/2 SAE FLAT WASHER
30	6	920505	5/8 LOCK WASHER
31	1	610556	1/2UNC X 1/2 ZERK BOLT T-HUB
32	1	900260	1/2UNC X 1/2 H BOLT GR2 UNPLT
33	2	920002	3/8 SAE FLAT WASHER
34	1	900129	3/8UNC X 1" HEX BOLT
35	2	920504	1/2 LOCK WASHER

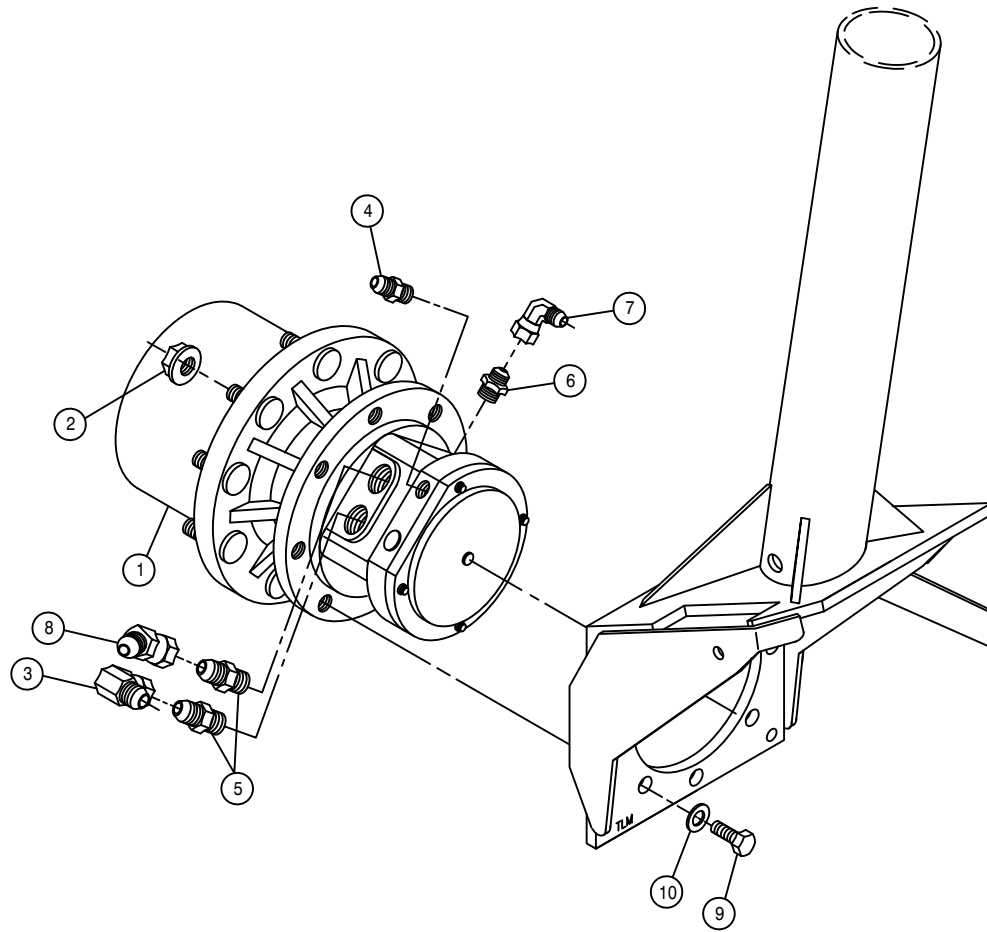


RIGHT FRONT LEG ASSEMBLY W/W1M1 HUB

DET. QTY PART NO. DESCRIPTION

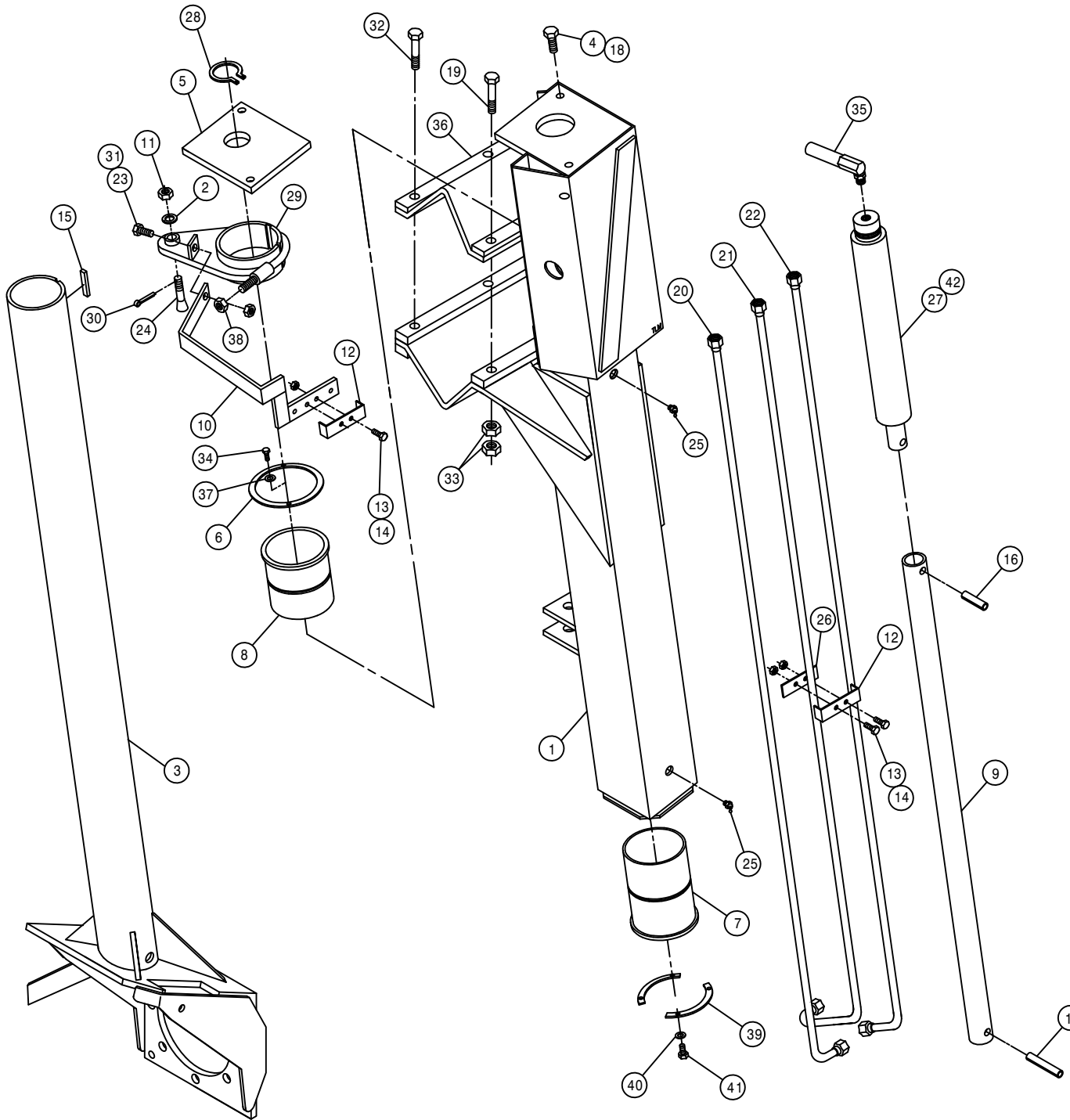
1	1	357836	RH FRT OUTER LEG WLD,204/204I
2	1	920505	5/8 LOCK WASHER
3	1	357832	RH FRT INNER LEG WLD,204I 2000
4	1	471027	GREASE ZERK 1/8NPT 90DEG LP
5	1	358562	LEG CYL MTG PLATE 280 89
6	1	358563	FRT LEG BRG KPR 280 89
7	1	358564	FRT LEG LWR NYL SLEEVE 280 89
8	1	358565	FRT LEG UPR NYL SLEEVE 280 89
9	1	358566	LEG CYL SHAFT EXTENSION280 89
10	1	358707	RH FRT LEG TUBE BRKT, 204/284
11	1	822040	5/8-18UNF SLOTTED HEX NUT
12	2	358739	FRT LEG HYD TUBE CLMP, 284 94
13	4	900004	1/4UNC X 1 1/4 HEX BOLT
14	4	470121	1/4UNC HEX FLANGE LOCK NUT
15	1	470185	KEY .25 X .375 X 2.00 LG
16	1	473903	SPIRAL PIN 1/2 X 2 640
17	1	473904	SPIRAL PIN 1/2 X 3 640
18	2	914008	1/2UNC HEX STOVER NUT
19	3	900836	5/8UNF X 3 1/4 HEX BOLT GR8
20	1	615750	FRT LEG CNTR HYD TUBE,204 W1M1
21	1	615748	RH FRT INNER HYD TUBE,204 W1M1
22	1	615751	FRT LEG OUTR HYD TUBE,204 W1M1
23	1	900129	3/8UNC X 1" HEX BOLT
24	1	749293	STRG ARM BOLT, TAPERED
25	2	471023	GREASE ZERK 1/4-28 X 45
26	1	358740	FRT LEG HYD TUBE KPR, 284 94
27	1	621502	LEG LEVEL CYL ASSY,2.00 X 12.0
28	1	629515	SNAP RING 1 3/4 EXTRN HDUTY
29	1	749290	RH STRG ARM WLD,280 TREAD ADJ
30	1	470035	COTTER PIN 5/32 X 1 1/2
31	1	914004	3/8UNC HEX STOVER NUT
32	3	900837	5/8UNF X 3 1/2 HEX BOLT GR8
33	12	914811	5/8UNF HEX NUT GR8
34	2	900000	1/4UNC X 1/2 HEX BOLT
35	1	615614	FRT LEG CYL JUMPER HOSE280 89
36	1	358759	LEG MT V-PLT WLD, 284T 94
37	2	920500	1/4 LOCK WASHER
38	1	914010	5/8UNC HEX STOVER NUT
39	2	900265	1/2UNC X 1 1/2 HEX BOLT
40	2	358927	LWR BRG KPR, LEG 98
41	4	900064	5/16UNC X 3/4 HEX BOLT
42	4	920501	5/16 LOCK WASHER
43	1	621503	REPAIR KIT, HYD CYL 621502





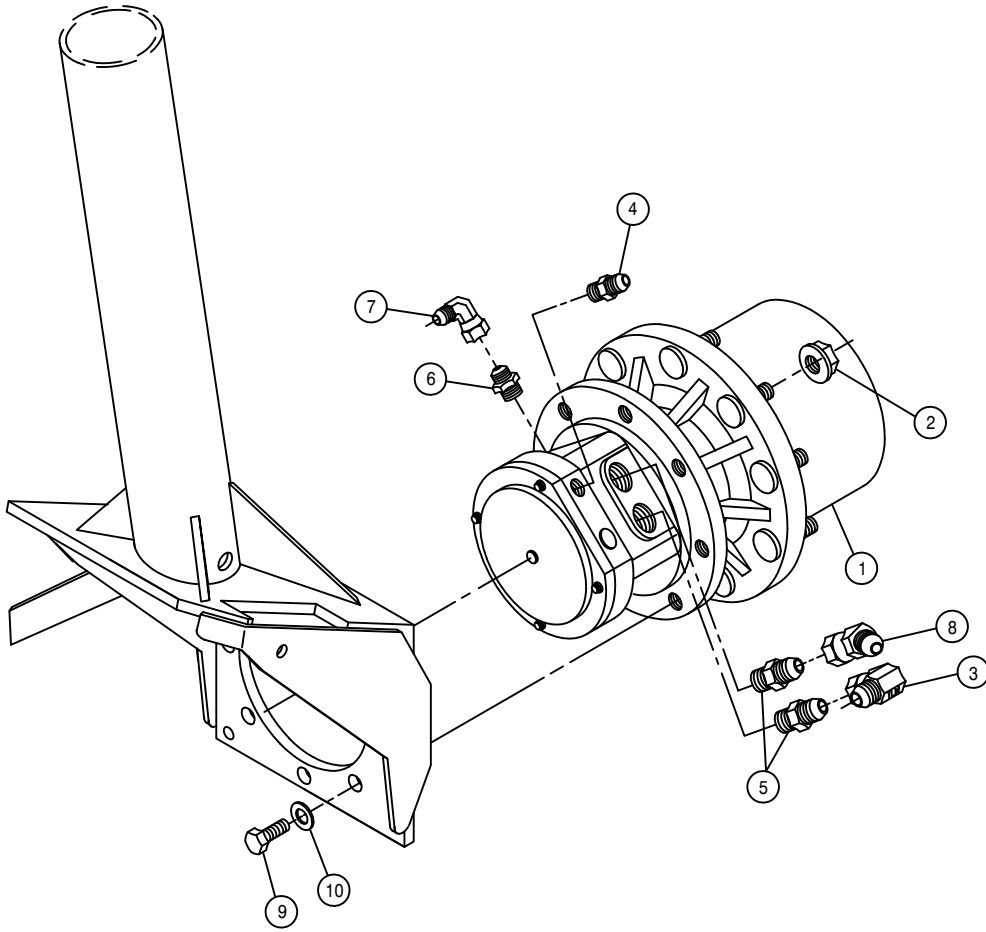
RIGHT FRONT LEG ASSEMBLY W/W1M1 HUB

DET.	QTY	PART NO.	DESCRIPTION
1	1	610717	TORQ HUB,24:1 W1M1 INTEGRATED
2	9	470140	5/8UNF HEX SMTH FLANGE NUT PLT
3	1	618301	7/8MJIC-90-7/8FJIC SWIV LBO
4	1	618304	9/16MJIC-7/16MOR ADPTR
5	2	618309	7/8MJIC-1 1/16MOR ADPTR
6	1	618327	3/4MJIC-7/8MOR ADPTR
7	1	618609	3/4MJIC-90-3/4FJIC SWIV LBO
8	1	618628	7/8MJIC-45-7/8FJIC SWIV LBO
9	8	900333	5/8UNC X 1 1/2 HEX BOLT
10	8	920505	5/8 LOCK WASHER



LEFT FRONT LEG ASSEMBLY W/W1M1 HUB

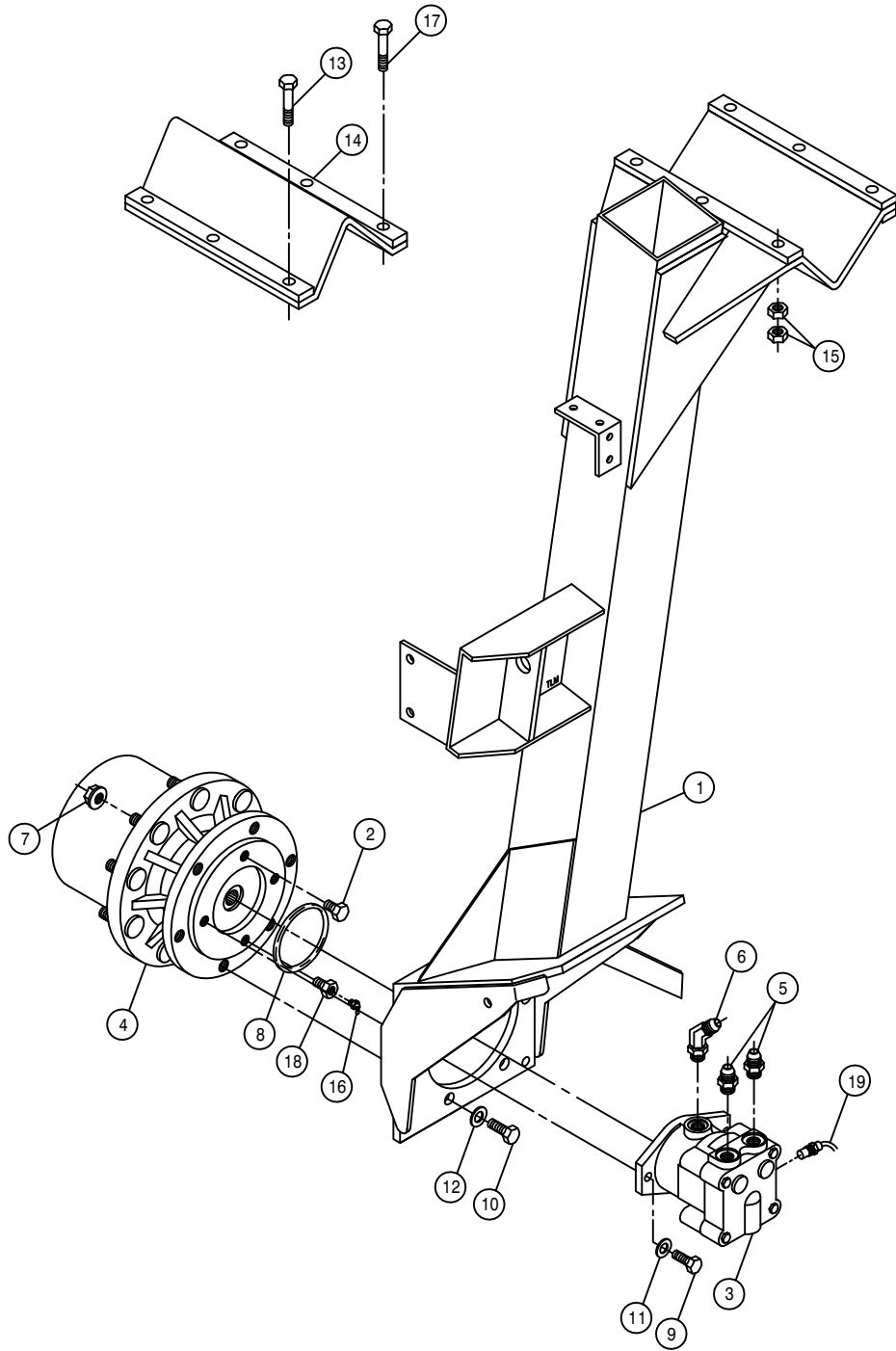
DET.	QTY	PART NO.	DESCRIPTION
	1	357837	LH FRT OUTER LEG WLD,204/204I
	2	920505	5/8 LOCK WASHER
	3	357833	LH FRT INNER LEG WLD,204I 2000
	4	900265	1/2UNC X 1 1/2 HEX BOLT
	5	358562	LEG CYL MTG PLATE 280 89
	6	358563	FRT LEG BRG KPR 280 89
	7	358564	FRT LEG LWR NYL SLEEVE 280 89
	8	358565	FRT LEG UPR NYL SLEEVE 280 89
	9	358566	LEG CYL SHAFT EXTENSION280 89
	10	358708	LH FRT LEG TUBE BRKT, 204/284
	11	822040	5/8-18UNF SLOTTED HEX NUT
	12	358739	FRT LEG HYD TUBE CLMP, 284 94
	13	900004	1/4UNC X 1 1/4 HEX BOLT
	14	470121	1/4UNC HEX FLANGE LOCK NUT
	15	470185	KEY .25 X .375 X 2.00 LG
	16	473903	SPIRAL PIN 1/2 X 2 640
	17	473904	SPIRAL PIN 1/2 X 3 640
	18	2 914008	1/2UNC HEX STOVER NUT
	19	3 900836	5/8UNF X 3 1/4 HEX BOLT GR8
	20	1 615750	FRT LEG CNTR HYD TUBE,204 W1M1
	21	1 615749	LH FRT INNER HYD TUBE,204 W1M1
	22	1 615751	FRT LEG OUTR HYD TUBE,204 W1M1
	23	1 900129	3/8UNC X 1" HEX BOLT
	24	1 749293	STRG ARM BOLT, TAPERED
	25	2 471023	GREASE ZERK 1/4-28 X 45
	26	1 358740	FRT LEG HYD TUBE KPR, 284 94
	27	1 621502	LEG LEVEL CYL ASSY,2.00 X 12.0
	28	1 629515	SNAP RING 1 3/4 EXTRN HDUTY
	29	1 749291	LH STRG ARM WLD,280 TREAD ADJ
	30	1 470035	COTTER PIN 5/32 X 1 1/2
	31	1 914004	3/8UNC HEX STOVER NUT
	32	3 900837	5/8UNF X 3 1/2 HEX BOLT GR8
	33	12 914811	5/8UNF HEX NUT GR8
	34	2 900000	1/4UNC X 1/2 HEX BOLT
	35	1 615614	FRT LEG CYL JUMPER HOSE280 89
	36	1 358759	LEG MT V-PLT WLD, 284T 94
	37	2 920500	1/4 LOCK WASHER
	38	1 914010	5/8UNC HEX STOVER NUT
	39	2 358927	LWR BRG KPR, LEG 98
	40	4 920501	5/16 LOCK WASHER
	41	4 900064	5/16UNC X 3/4 HEX BOLT
	42	1 621503	REPAIR KIT, HYD CYL 621502



LEFT FRONT LEG ASSEMBLY W/W1M1 HUB

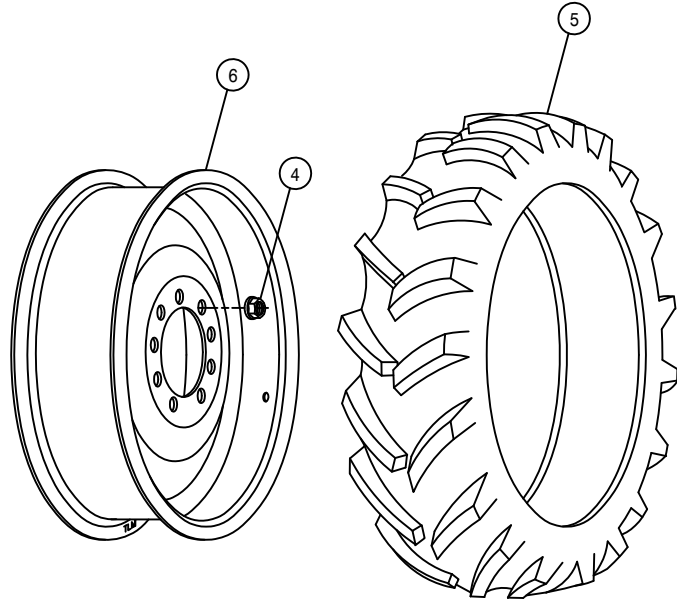
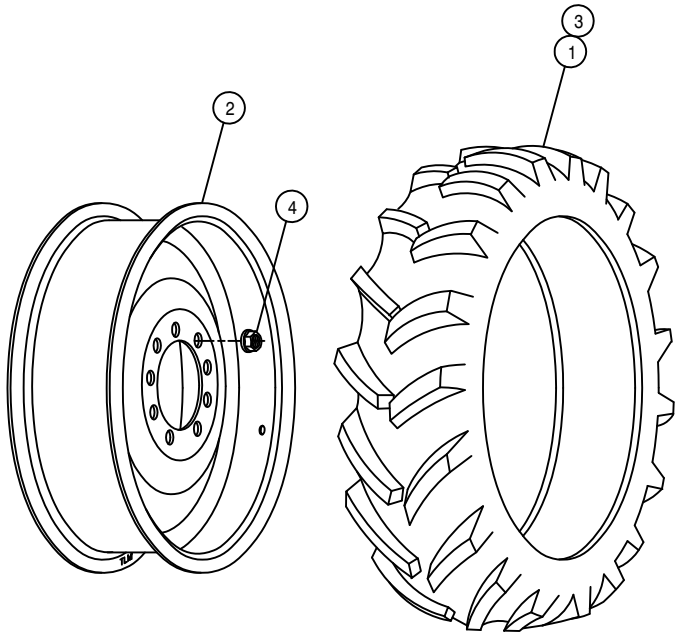
DET. QTY PART NO. DESCRIPTION

1	1	610717	TORQ HUB,24:1 W1M1 INTEGRATED
2	9	470140	5/8UNF HEX SMTH FLANGE NUT PLT
3	1	618301	7/8MJIC-90-7/8FJIC SWIV LBO
4	1	618304	9/16MJIC-7/16MOR ADPTR
5	2	618309	7/8MJIC-1 1/16MOR ADPTR
6	1	618327	3/4MJIC-7/8MOR ADPTR
7	1	618609	3/4MJIC-90-3/4FJIC SWIV LBO
8	1	618628	7/8MJIC-45-7/8FJIC SWIV LBO
9	8	900333	5/8UNC X 1 1/2 HEX BOLT
10	8	920505	5/8 LOCK WASHER



RIGHT REAR LEG ASSEMBLY

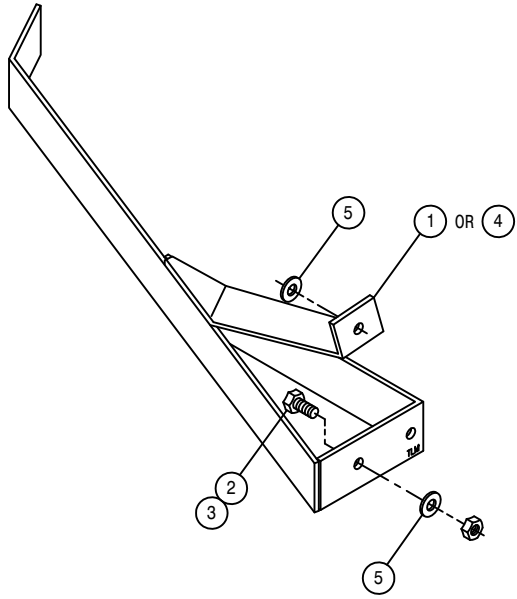
DET.	QTY	PART NO.	DESCRIPTION
1	1	357838	RH REAR LEG WLD, 204/204I 2000
2	1	900260	1/2UNC X 1/2 H BOLT GR2 UNPLT
3	1	610721	SUND M25-3000 WHL MTR W/SENSOR
4	1	610660	TORQ HUB, 18:1 B-MT W1BFFZ
5	2	611126	7/8MJIC-7/8MOR ADPTR
6	1	618496	9/16MJIC-45-3/4MOR LBO
7	9	470140	5/8UNF HEX SMTH FLANGE NUT PLT
8	1	870045	O-RING 4 1/8 OD X 4 ID
9	2	900265	1/2UNC X 1 1/2 HEX BOLT
10	6	900333	5/8UNC X 1 1/2 HEX BOLT
11	2	920504	1/2 LOCK WASHER
12	6	920505	5/8 LOCK WASHER
13	3	900836	5/8UNF X 3 1/4 HEX BOLT GR8
14	1	358759	LEG MT V-PLT WLD, 284T 94
15	12	914811	5/8UNF HEX NUT GR8
16	1	471023	GREASE ZERK 1/4-28 X 45
17	3	900837	5/8UNF X 3 1/2 HEX BOLT GR8
18	1	610556	1/2UNC X 1/2 ZERK BOLT T-HUB
19	1	610625	SENSOR, WHL MOTOR 610621/610671



TIRE RIM ASSEMBLY

DET. QTY PART NO. DESCRIPTION

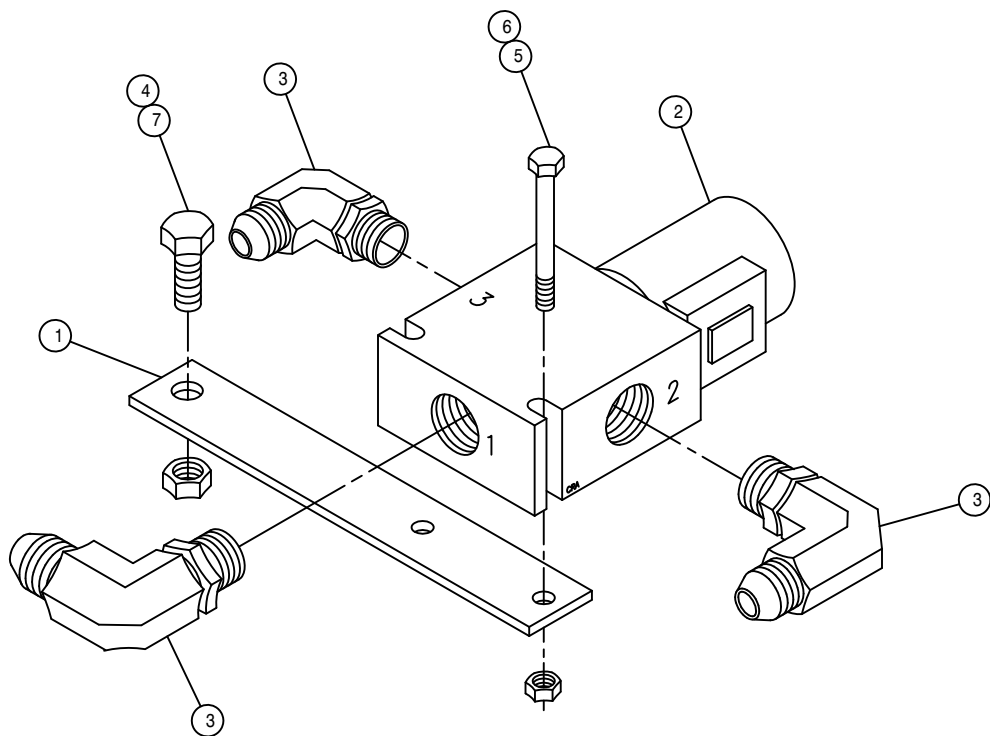
1	1	820001	12.4 X 28 4P TIRE, FIRESTONE
2	1	821040	RIM WLD, W10 X 28, W1B 204 97
3	1	820002	12.4 X 28 RADIAL INNER TUBE
4	18	470140	5/8UNF HEX SMTH FLANGE NUT PLT
5	1	820063	11.2-38 TL GOODYEAR TIRE
6	1	821050	RIM WLD, W10 X 38, W1M1 204



CROP GUIDE

DET. QTY PART NO. DESCRIPTION

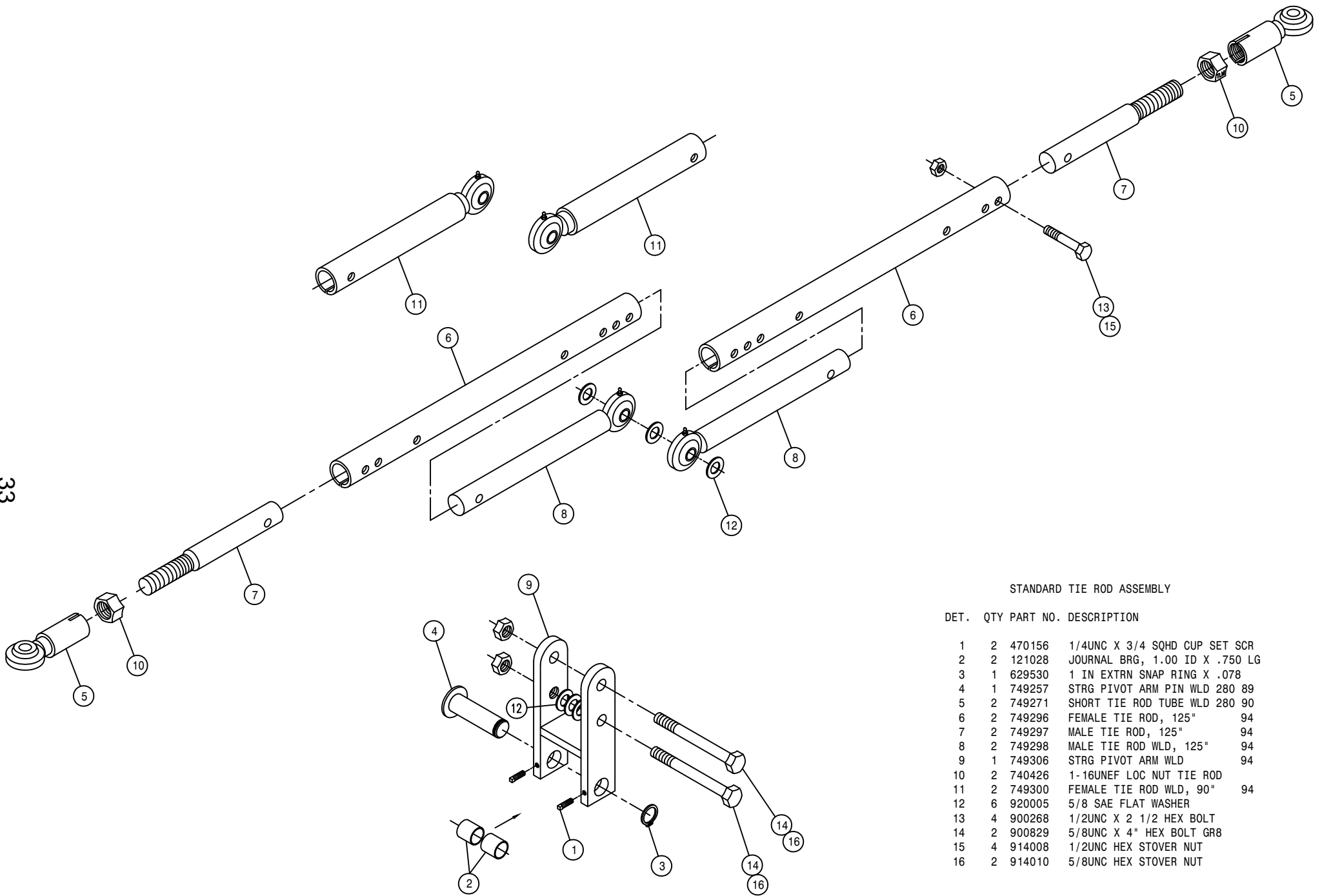
1	1	662217	RH REAR STALK GUIDE WLD280 89
2	2	900129	3/8UNC X 1" HEX BOLT
3	2	914004	3/8UNC HEX STOVER NUT
4	1	662218	LH REAR STALK GUIDE WLD280 89
5	3	920002	3/8 SAE FLAT WASHER



BRAKE SOLENOID ASSEMBLY

DET. QTY PART NO. DESCRIPTION

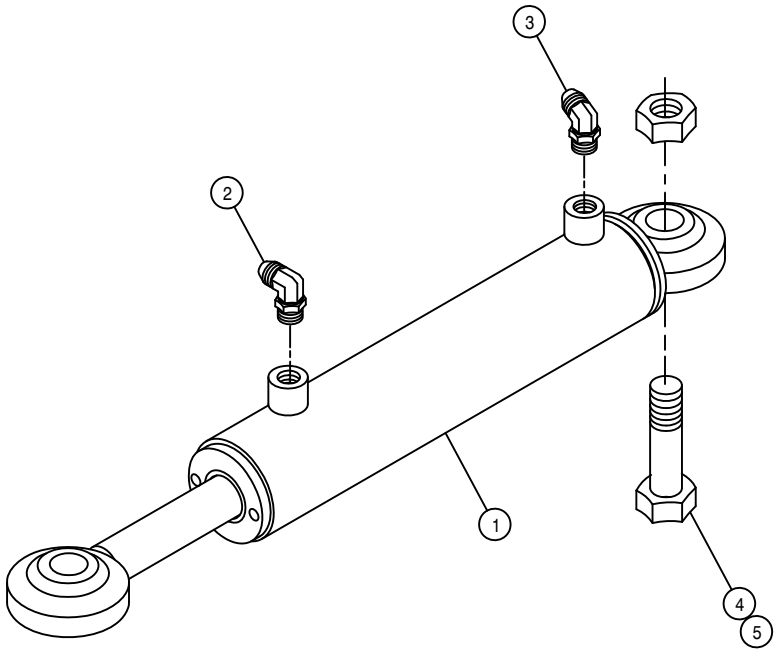
1	1	342332	PARK BRAKE SOL VLV MT	97
2	1	610318	HYD SOLE VLV,2P-3W,9/16FOR,12V	
3	3	618119	9/16MJIC-90-9/16MOR LBO	
4	1	914004	3/8UNC HEX STOVER NUT	
5	2	900006	1/4UNC X 1 3/4 HEX BOLT	
6	2	914000	1/4UNC HEX STOVER NUT	
7	1	900129	3/8UNC X 1" HEX BOLT	



STANDARD TIE ROD ASSEMBLY

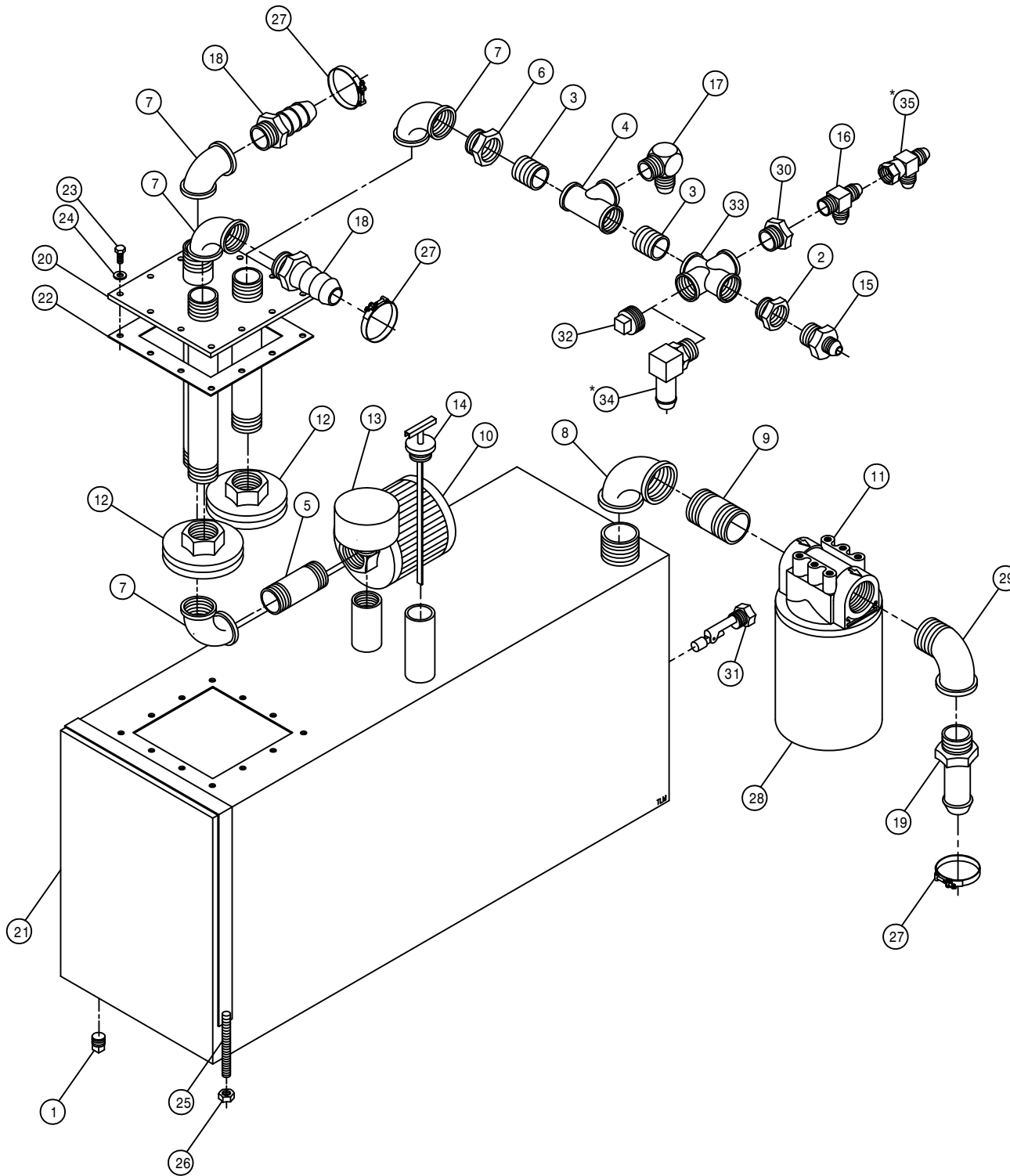
DET.	QTY	PART NO.	DESCRIPTION
1	2	470156	1/4UNC X 3/4 SQHD CUP SET SCR
2	2	121028	JOURNAL BRG, 1.00 ID X .750 LG
3	1	629530	1 IN EXTRN SNAP RING X .078
4	1	749257	STRG PIVOT ARM PIN WLD 280 89
5	2	749271	SHORT TIE ROD TUBE WLD 280 90
6	2	749296	FEMALE TIE ROD, 125" 94
7	2	749297	MALE TIE ROD, 125" 94
8	2	749298	MALE TIE ROD WLD, 125" 94
9	1	749306	STRG PIVOT ARM WLD 94
10	2	740426	1-16UNEF LOC NUT TIE ROD
11	2	749300	FEMALE TIE ROD WLD, 90" 94
12	6	920005	5/8 SAE FLAT WASHER
13	4	900268	1/2UNC X 2 1/2 HEX BOLT
14	2	900829	5/8UNC X 4" HEX BOLT GR8
15	4	914008	1/2UNC HEX STOVER NUT
16	2	914010	5/8UNC HEX STOVER NUT

NOTE: DETAIL 11 IS USED WITH NARROW TREAD.



STEERING CYLINDER ASSEMBLY

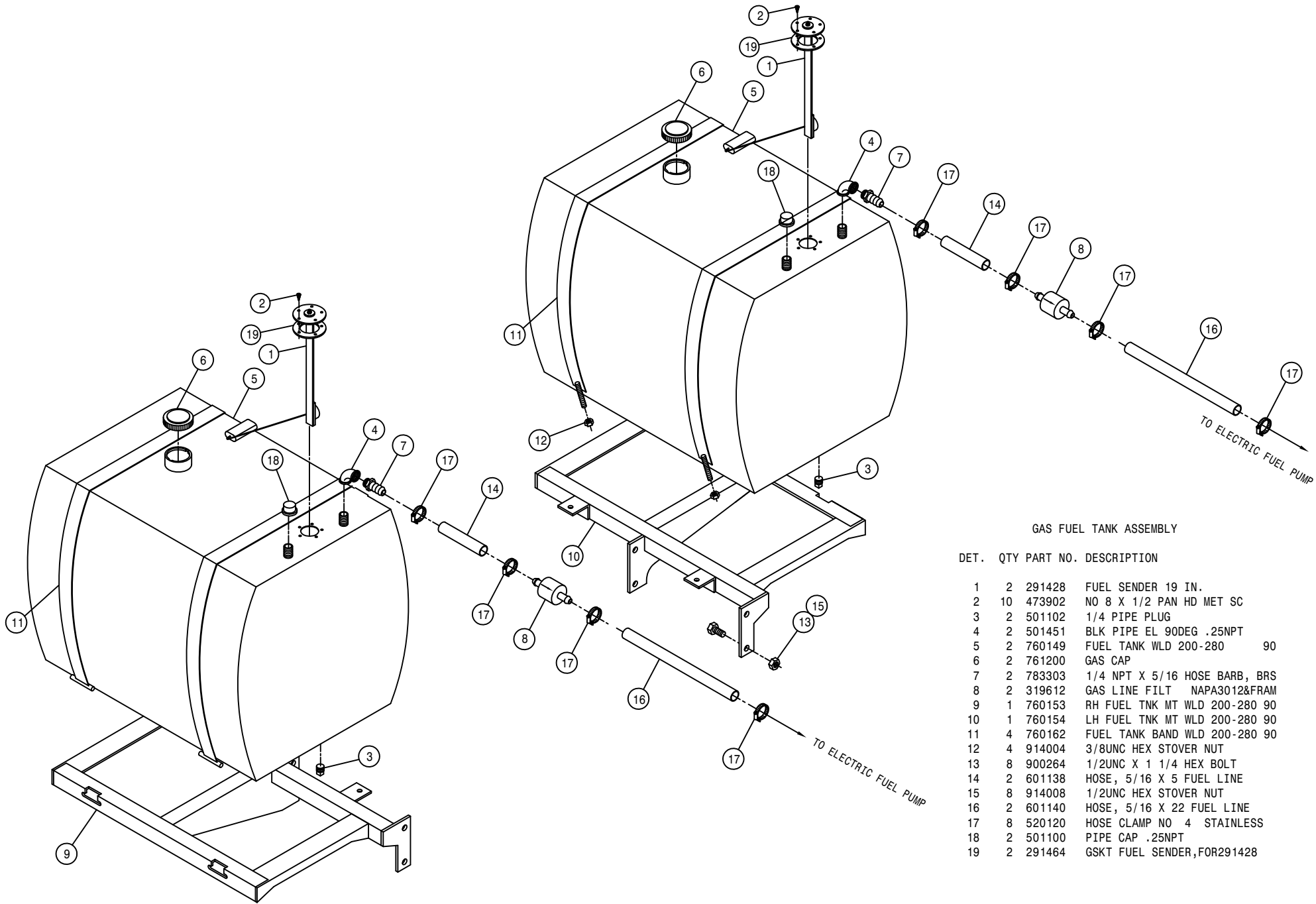
DET.	QTY	PART NO.	DESCRIPTION
1	1	621500	STRG CYL ASSY, 2XX
2	1	618119	9/16MJIC-90-9/16MOR LBO
3	1	618425	9/16MJIC-45-9/16MOR LBO
4	1	900336	5/8UNC X 2 1/2 HEX BOLT
5	1	914010	5/8UNC HEX STOVER NUT
NS	1	621501	REPAIR KIT, HYD CYL 621500



HYDRAULIC TANK ASSEMBLY

DET.	QTY	PART NO.	DESCRIPTION
1	1	470308	1/2MNPT DRAIN PLUG,AL HD,MAG
2	1	504210	RED BUSH 3/4 NPT X 1/2 NPT
3	2	504702	CLOSE NIPPLE .75NPT
4	1	504955	BLK PIPE TEE .75NPT
5	1	505203	BLK PIPE NIPPLE 1.00NPT-4.00
6	1	505213	RED BUSH 1 X 3/4 BLK MAL
7	4	505300	BLK PIPE EL 90DEG 1.00NPT
8	1	506303	BLK PIPE EL 90DEG 1.25NPT
9	1	506602	PIPE NIPPLE 1 1/4NPT-2 1/2
10	1	605600	TANK FILTER, 100 MESH,1"FNPT
11	1	605601	PARKER FILTER ASSY,10M,1.25NPT
12	2	605603	LINE SUMP DIFFUSER
13	1	611052	FILLER BREATHER 3/4NPT
14	1	614453	DIPSTICK, 8IN
15	1	618018	9/16MJIC-1/2MNPT ADPTR
16	1	618520	1/4MNPT RUN TEE-9/16MJIC
17	1	610305	3/4MJIC-90-3/4MNPT LBO
18	2	714560	1NPT X 1 HOSE BARB
19	1	715664	1 1/4 NPT X 1 HOSE BARB
20	1	760090	RECEIVER PLT WLD 8240
21	1	760264	HYD TANK WLD,204/254/284 2002
22	1	763039	HYD MTR MTG PLT GSKT
23	12	900064	5/16UNC X 3/4 HEX BOLT
24	12	920001	5/16 SAE FLAT WASHER
25	2	341360	OIL TANK STRAP WLD 8240 1982
26	4	914004	3/8UNC HEX STOVER NUT
27	3	520138	1.38/1.56 T-BOLT HOSE CLAMP
28	1	605602	PARKER FILTER ELEMENT,10MICRON
29	1	506410	BLK PIPE ST EL 90DEG 1.25NPT
30	1	504001	RED BUSH 3/4 X 1/4 BLK MAL
31	1	470350	LIQUID LEVEL SWITCH ASSY,1/2NP
32	1	504900	PIPE PLUG .75NPT SQ HD
33	1	504400	BLK PIPE CROSS .75NPT
34	1	618135	3/4 HOSE BARB-90-3/4MNPT
35	1	618486	9/16FJIC SW RUN TEE-9/16MJIC

*NOTE: DETAIL 34 IS USED WITH THE CUTTER OPTION.
 DETAIL 35 IS USED WITH THE HYDRAULIC BRAKE.



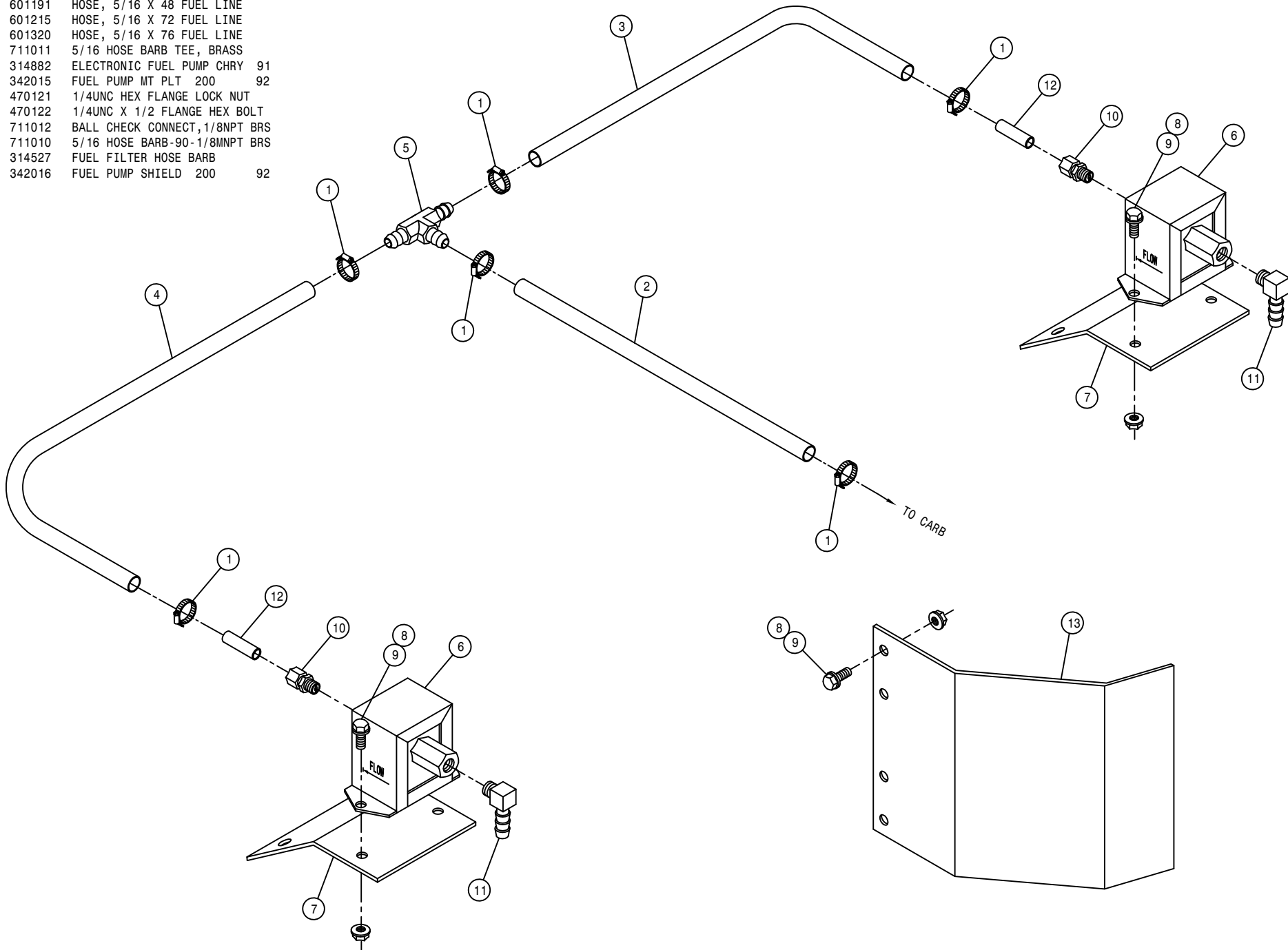
GAS FUEL TANK ASSEMBLY

DET.	QTY	PART NO.	DESCRIPTION
1	2	291428	FUEL SENDER 19 IN.
2	10	473902	NO 8 X 1/2 PAN HD MET SC
3	2	501102	1/4 PIPE PLUG
4	2	501451	BLK PIPE EL 90DEG .25NPT
5	2	760149	FUEL TANK WLD 200-280
6	2	761200	GAS CAP
7	2	783303	1/4 NPT X 5/16 HOSE BARB, BRS
8	2	319612	GAS LINE FILT NAPA3012&FRAM
9	1	760153	RH FUEL TNK MT WLD 200-280 90
10	1	760154	LH FUEL TNK MT WLD 200-280 90
11	4	760162	FUEL TANK BAND WLD 200-280 90
12	4	914004	3/8UNC HEX STOVER NUT
13	8	900264	1/2UNC X 1 1/4 HEX BOLT
14	2	601138	HOSE, 5/16 X 5 FUEL LINE
15	8	914008	1/2UNC HEX STOVER NUT
16	2	601140	HOSE, 5/16 X 22 FUEL LINE
17	8	520120	HOSE CLAMP NO 4 STAINLESS
18	2	501100	PIPE CAP .25NPT
19	2	291464	GSKT FUEL SENDER, FOR291428

FUEL PUMP ASSEMBLY

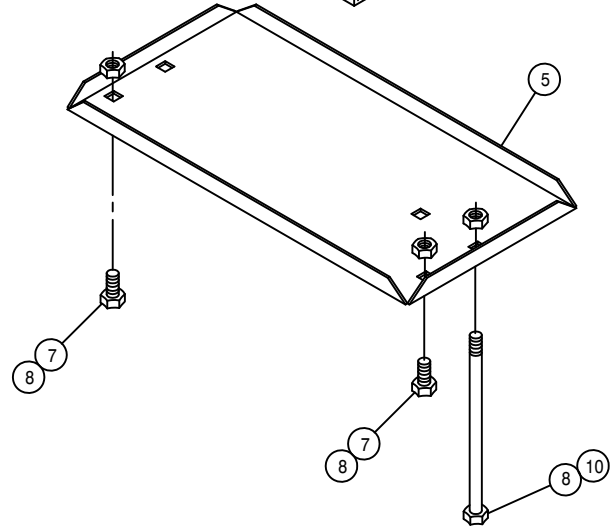
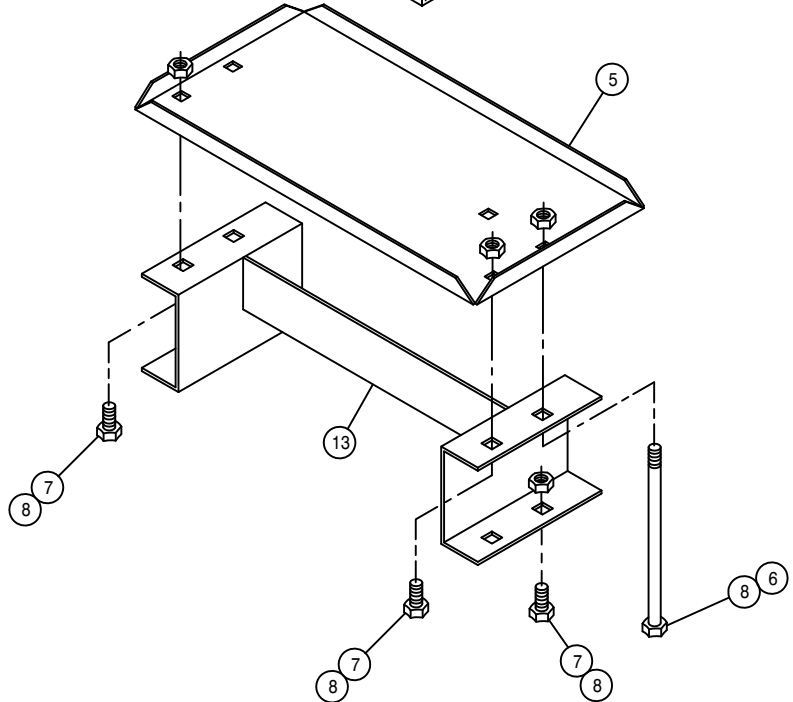
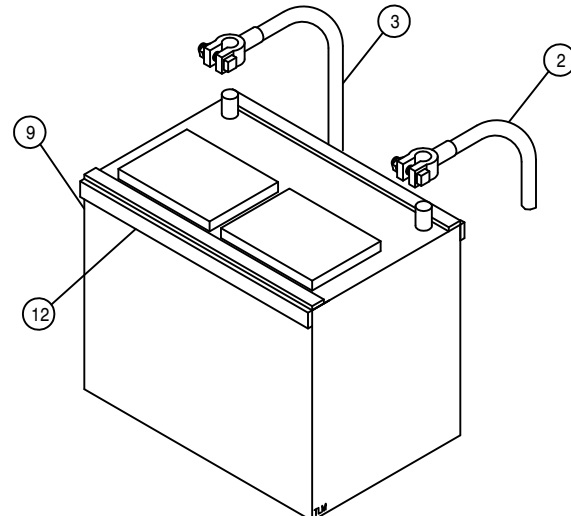
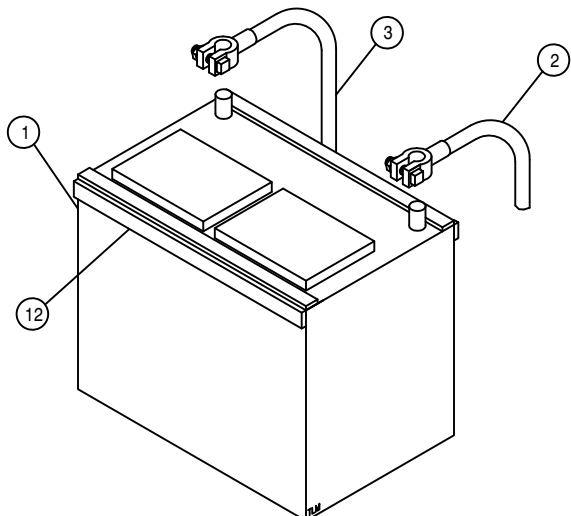
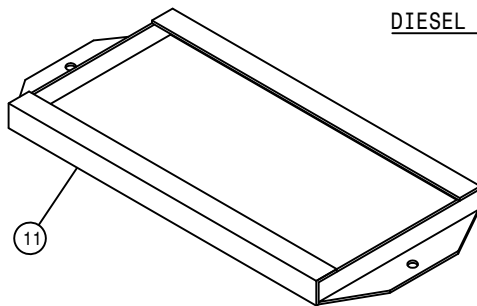
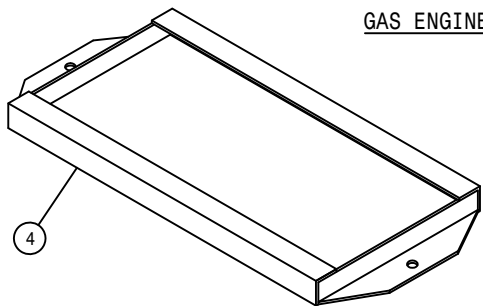
DET. QTY PART NO. DESCRIPTION

1	6	520120	HOSE CLAMP NO 4 STAINLESS
2	1	601191	HOSE, 5/16 X 48 FUEL LINE
3	1	601215	HOSE, 5/16 X 72 FUEL LINE
4	1	601320	HOSE, 5/16 X 76 FUEL LINE
5	1	711011	5/16 HOSE BARB TEE, BRASS
6	2	314882	ELECTRONIC FUEL PUMP CHRY 91
7	2	342015	FUEL PUMP MT PLT 200 92
8	12	470121	1/4UNC HEX FLANGE LOCK NUT
9	12	470122	1/4UNC X 1/2 FLANGE HEX BOLT
10	2	711012	BALL CHECK CONNECT, 1/8NPT BRS
11	2	711010	5/16 HOSE BARB-90-1/8MNPT BRS
12	2	314527	FUEL FILTER HOSE BARB
13	2	342016	FUEL PUMP SHIELD 200 92



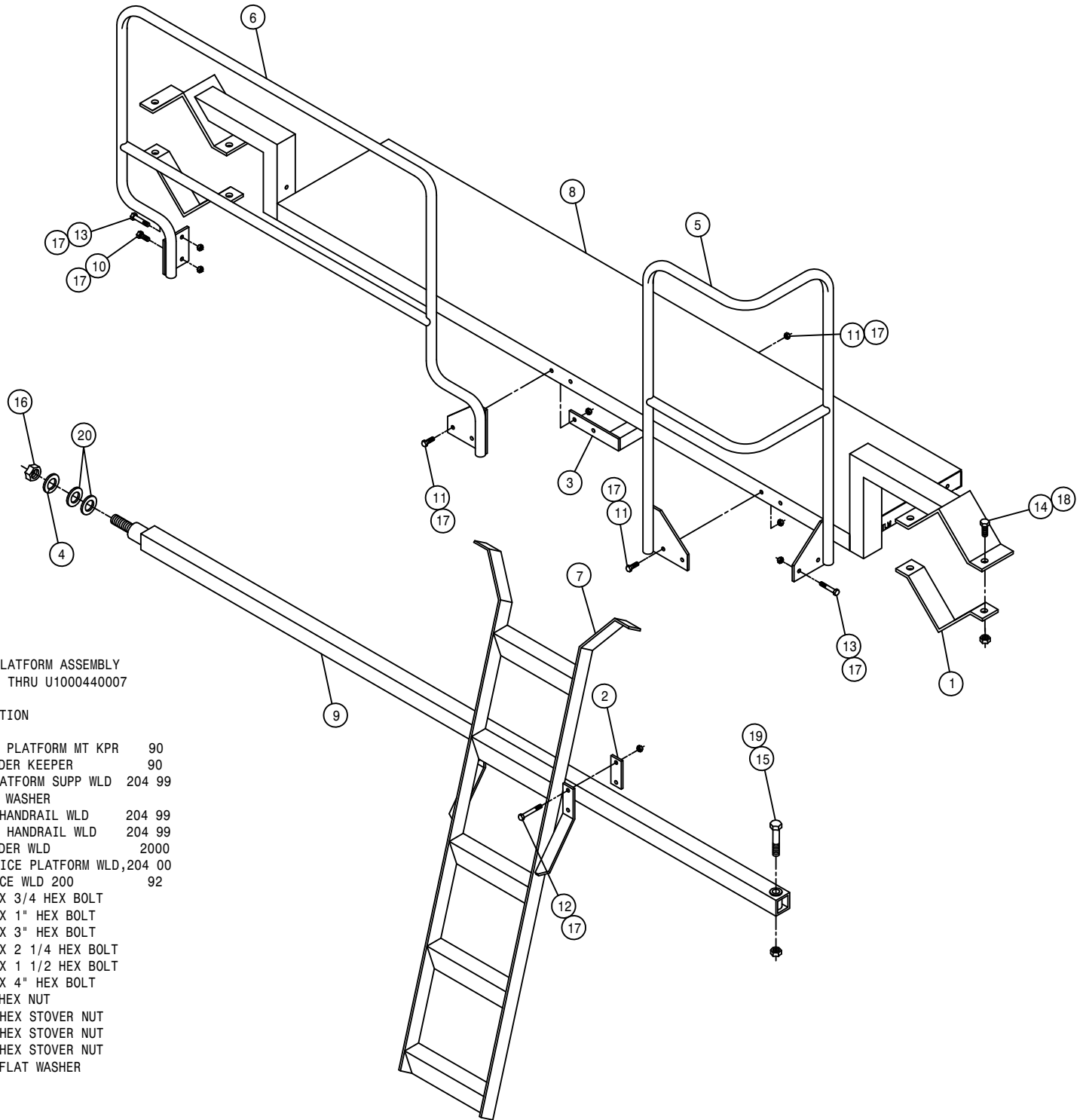
GAS ENGINE

DIESEL ENGINE



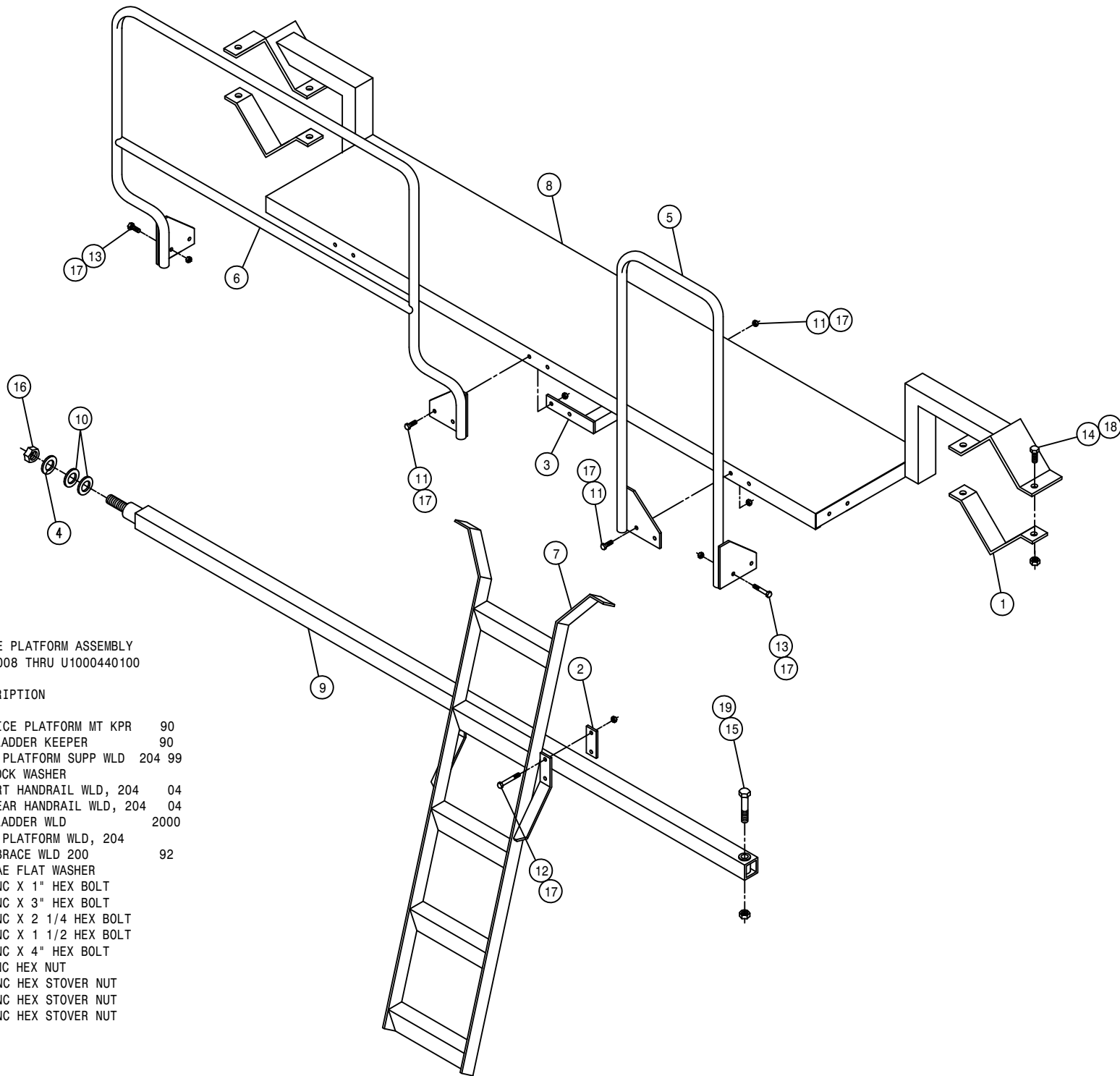
BATTERY BOX ASSEMBLY

DET.	QTY	PART NO.	DESCRIPTION
	1	290013	BATT 12V 90AH LT WARRANTY
	2	291128	BATTERY CABLE 48 IN
	2	291530	BATTERY GROUND CABLE, 23"
	1	290212	BATT HOLD DOWN WLD CHRY
	2	361149	BATTERY BOX 8300-8400 1981
	2	901149	3/8UNC X 8 1/2 CARR BOLT
	9	900128	3/8UNC X 3/4 HEX BOLT
	13	914004	3/8UNC HEX STOVER NUT
	1	291122	BATTERY,12V 950CCA, SAE POST
	2	901150	3/8UNC X 9" CARR BOLT
	1	341322	BATTERY HOLD DOWN WLD 1981
	8	193022	STICKERTITE 1/4 X 3/4
	1	361417	BATT BOX SPACER WLD



RH LADDER AND SERVICE PLATFORM ASSEMBLY
 SERIAL NO. U1000440001 THRU U1000440007

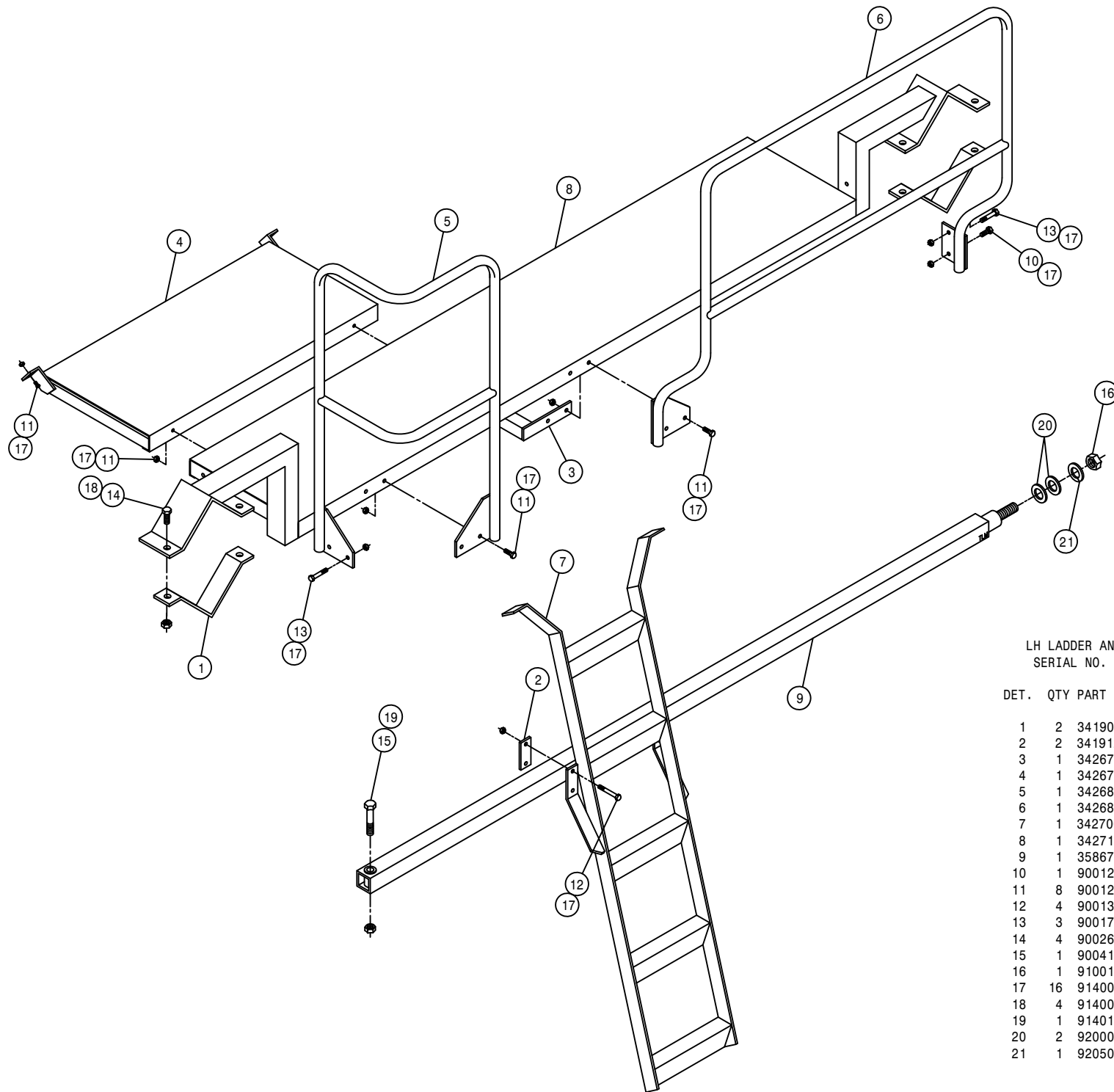
DET.	QTY	PART NO.	DESCRIPTION	
1	2	341900	SERVICE PLATFORM MT KPR	90
2	2	341912	200 LADDER KEEPER	90
3	1	342673	SERV PLATFORM SUPP WLD	204 99
4	1	920508	1" LOCK WASHER	
5	1	342681	RH FRT HANDRAIL WLD	204 99
6	1	342687	RH REAR HANDRAIL WLD	204 99
7	1	342700	204 LADDER WLD	2000
8	1	342710	RH SERVICE PLATFORM WLD	204 00
9	1	358673	LEG BRACE WLD 200	92
10	1	900128	3/8UNC X 3/4 HEX BOLT	
11	5	900129	3/8UNC X 1" HEX BOLT	
12	4	900136	3/8UNC X 3" HEX BOLT	
13	3	900170	3/8UNC X 2 1/4 HEX BOLT	
14	4	900265	1/2UNC X 1 1/2 HEX BOLT	
15	1	900410	3/4UNC X 4" HEX BOLT	
16	1	910017	1" UNC HEX NUT	
17	13	914004	3/8UNC HEX STOVER NUT	
18	4	914008	1/2UNC HEX STOVER NUT	
19	1	914012	3/4UNC HEX STOVER NUT	
20	2	920008	1" SAE FLAT WASHER	



RH LADDER AND SERVICE PLATFORM ASSEMBLY
 SERIAL NO. U1000440008 THRU U1000440100

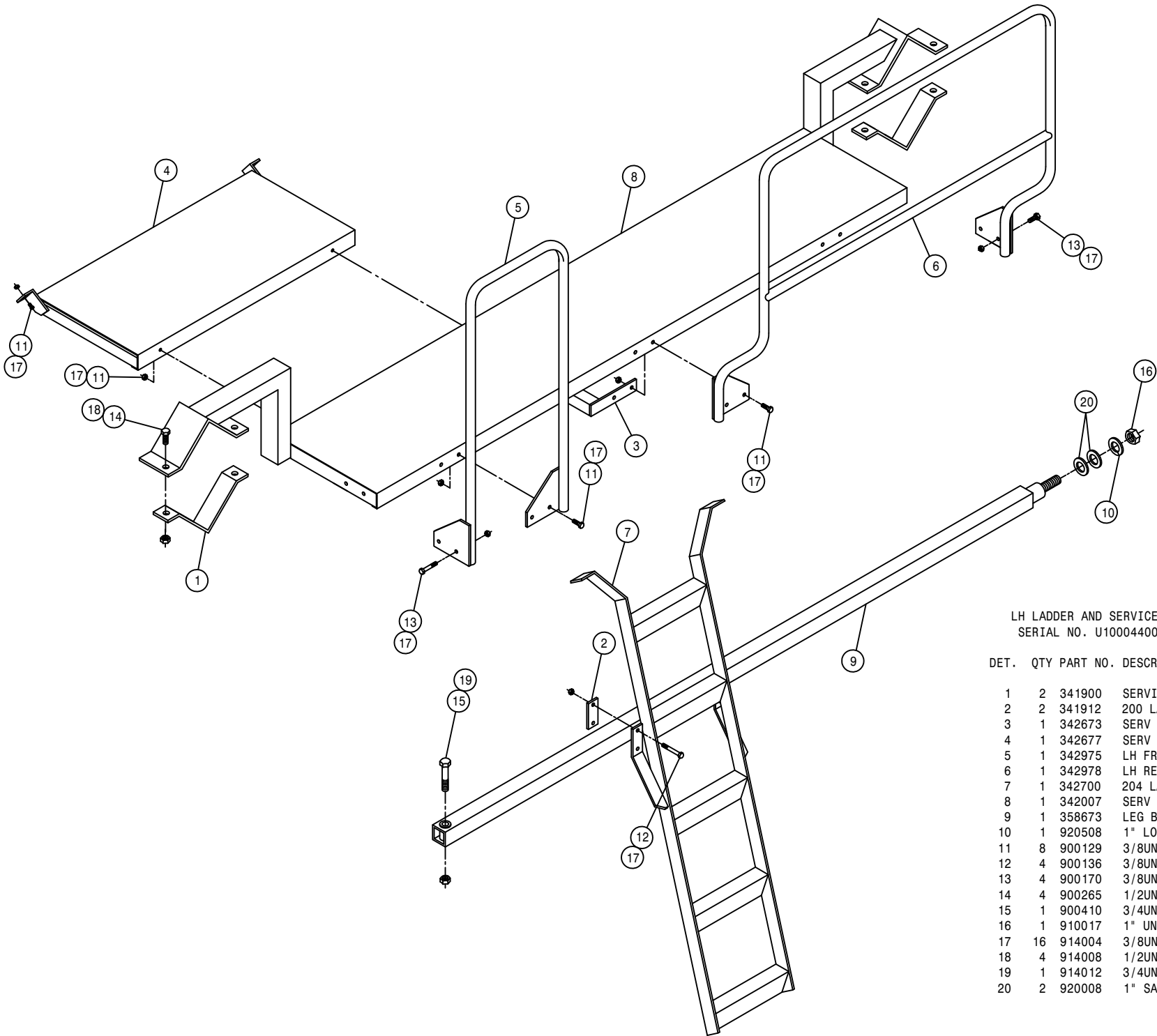
DET. QTY PART NO. DESCRIPTION

1	2	341900	SERVICE PLATFORM MT KPR	90
2	2	341912	200 LADDER KEEPER	90
3	1	342673	SERV PLATFORM SUPP WLD	204 99
4	1	920508	1" LOCK WASHER	
5	1	342974	RH FRT HANDRAIL WLD, 204	04
6	1	342977	RH REAR HANDRAIL WLD, 204	04
7	1	342700	204 LADDER WLD	2000
8	1	342007	SERV PLATFORM WLD, 204	
9	1	358673	LEG BRACE WLD 200	92
10	2	920008	1" SAE FLAT WASHER	
11	5	900129	3/8UNC X 1" HEX BOLT	
12	4	900136	3/8UNC X 3" HEX BOLT	
13	4	900170	3/8UNC X 2 1/4 HEX BOLT	
14	4	900265	1/2UNC X 1 1/2 HEX BOLT	
15	1	900410	3/4UNC X 4" HEX BOLT	
16	1	910017	1" UNC HEX NUT	
17	13	914004	3/8UNC HEX STOVER NUT	
18	4	914008	1/2UNC HEX STOVER NUT	
19	1	914012	3/4UNC HEX STOVER NUT	



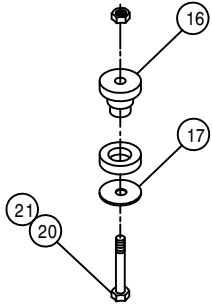
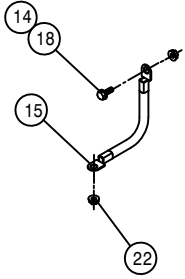
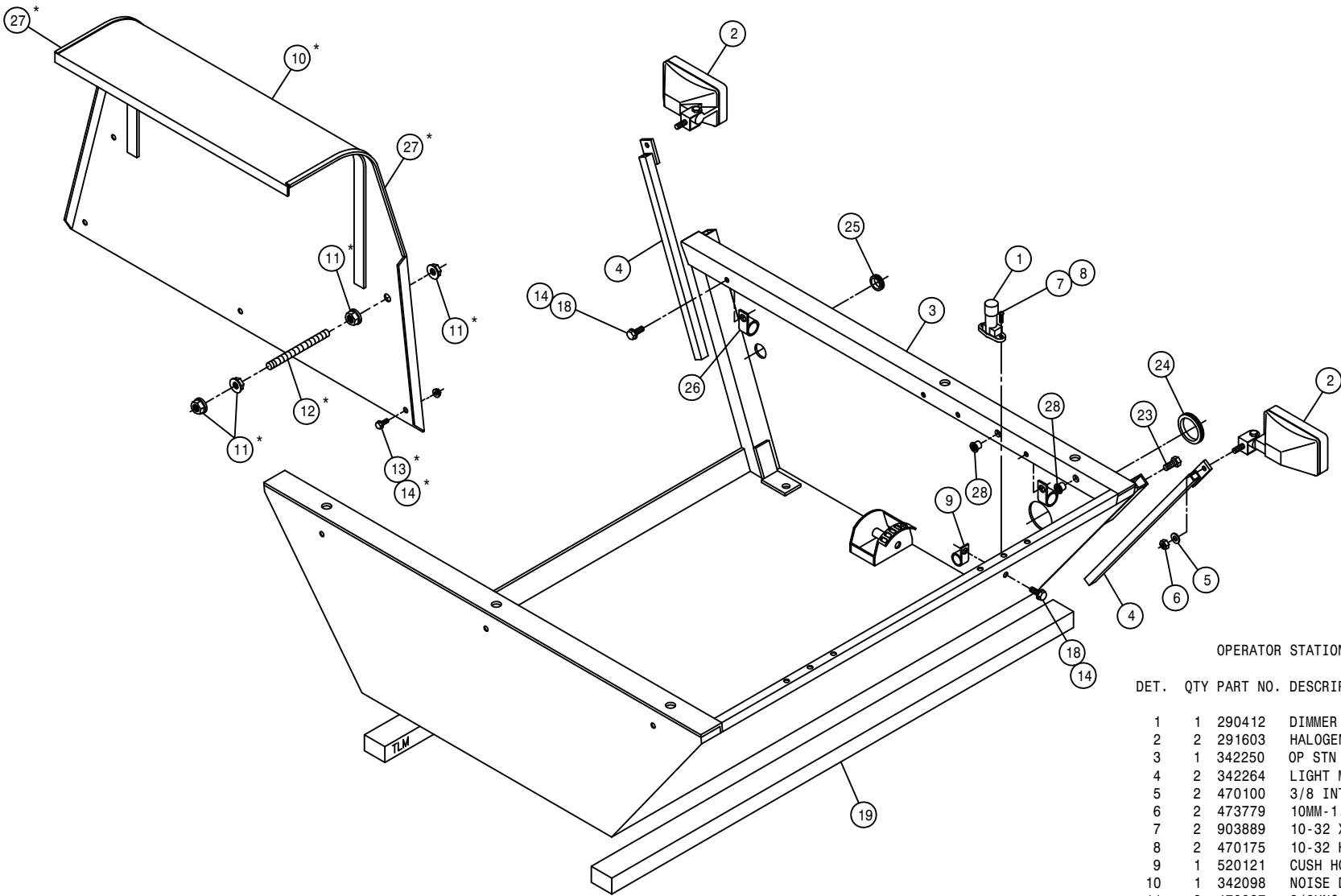
LH LADDER AND SERVICE PLATFORM ASSEMBLY
 SERIAL NO. U1000440001 THRU U1000440007

DET.	QTY	PART NO.	DESCRIPTION	
1	2	341900	SERVICE PLATFORM MT KPR	90
2	2	341912	200 LADDER KEEPER	90
3	1	342673	SERV PLATFORM SUPP WLD	204 99
4	1	342677	SERV PLATFORM STEP WLD	204 99
5	1	342685	LH FRT HANDRAIL WLD	204 99
6	1	342688	LH REAR HANDRAIL WLD	204 99
7	1	342700	204 LADDER WLD	2000
8	1	342711	LH SERVICE PLATFORM WLD,	204 00
9	1	358673	LEG BRACE WLD 200	92
10	1	900128	3/8UNC X 3/4 HEX BOLT	
11	8	900129	3/8UNC X 1" HEX BOLT	
12	4	900136	3/8UNC X 3" HEX BOLT	
13	3	900170	3/8UNC X 2 1/4 HEX BOLT	
14	4	900265	1/2UNC X 1 1/2 HEX BOLT	
15	1	900410	3/4UNC X 4" HEX BOLT	
16	1	910017	1" UNC HEX NUT	
17	16	914004	3/8UNC HEX STOVER NUT	
18	4	914008	1/2UNC HEX STOVER NUT	
19	1	914012	3/4UNC HEX STOVER NUT	
20	2	920008	1" SAE FLAT WASHER	
21	1	920508	1" LOCK WASHER	



LH LADDER AND SERVICE PLATFORM ASSEMBLY
 SERIAL NO. U100044008 THRU U1000440100

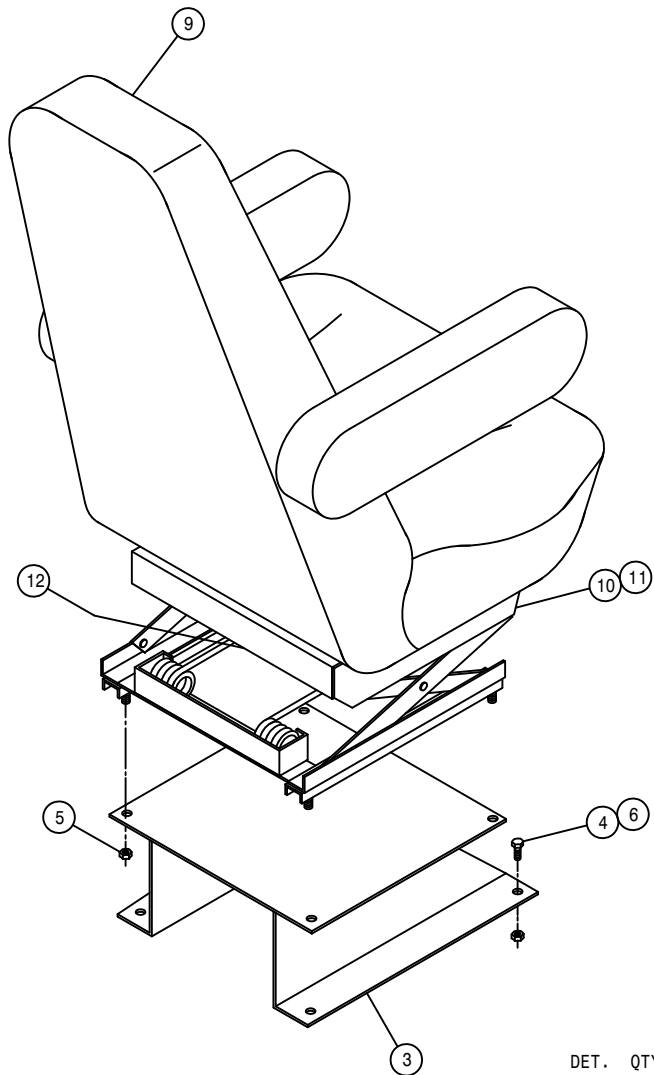
DET.	QTY	PART NO.	DESCRIPTION	
1	2	341900	SERVICE PLATFORM MT KPR	90
2	2	341912	200 LADDER KEEPER	90
3	1	342673	SERV PLATFORM SUPP WLD	204 99
4	1	342677	SERV PLATFORM STEP WLD	204 99
5	1	342975	LH FRT HANDRAIL WLD, 204	04
6	1	342978	LH REAR HANDRAIL WLD, 204	04
7	1	342700	204 LADDER WLD	2000
8	1	342007	SERV PLATFORM WLD, 204	
9	1	358673	LEG BRACE WLD 200	92
10	1	920508	1" LOCK WASHER	
11	8	900129	3/8UNC X 1" HEX BOLT	
12	4	900136	3/8UNC X 3" HEX BOLT	
13	4	900170	3/8UNC X 2 1/4 HEX BOLT	
14	4	900265	1/2UNC X 1 1/2 HEX BOLT	
15	1	900410	3/4UNC X 4" HEX BOLT	
16	1	910017	1" UNC HEX NUT	
17	16	914004	3/8UNC HEX STOVER NUT	
18	4	914008	1/2UNC HEX STOVER NUT	
19	1	914012	3/4UNC HEX STOVER NUT	
20	2	920008	1" SAE FLAT WASHER	



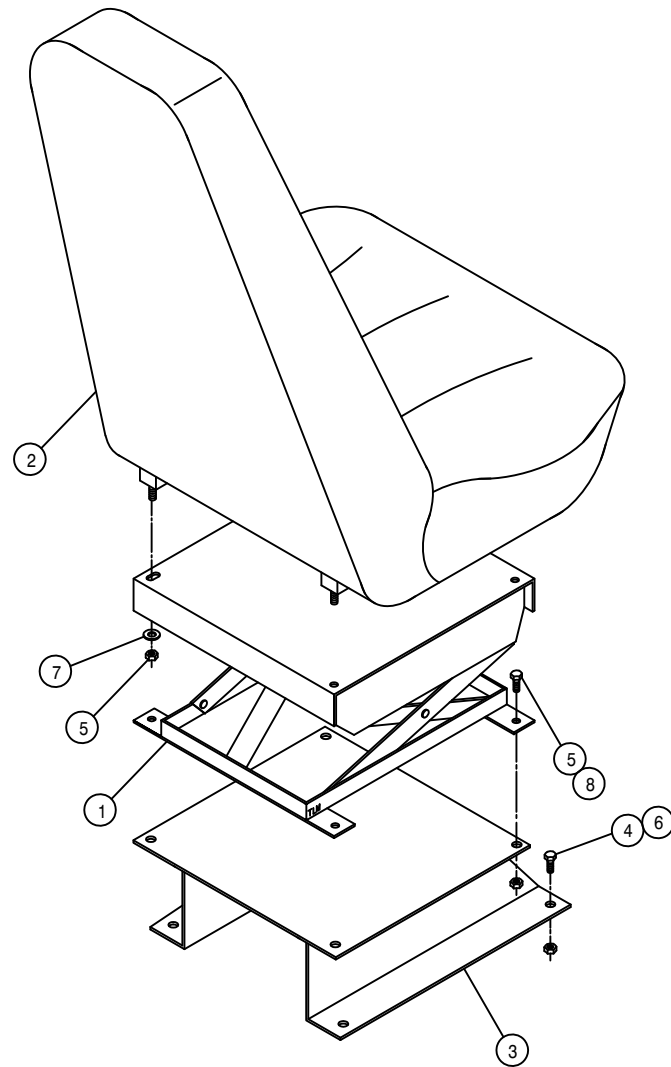
OPERATOR STATION ASSEMBLY

DET.	QTY	PART NO.	DESCRIPTION
1	1	290412	DIMMER SWITCH
2	2	291603	HALOGEN WORKLAMP, SIDE MT 12V
3	1	342250	OP STN WLD, 204 94
4	2	342264	LIGHT MT WLD, 204 94
5	2	470100	3/8 INT TOOTH LOCK WASHER
6	2	473779	10MM-1.50 HEX NUT
7	2	903889	10-32 X 3/4 SLT RDHD MACH SCR
8	2	470175	10-32 HEX FLANGE LOCK NUT
9	1	520121	CUSH HOSE CLAMP 1IN X 3/4W
10	1	342098	NOISE DEFLECTOR WELDMT 204
11	8	470087	3/8UNC HEX FLANGE LOCK NUT
12	2	314929	3/8UNC X 3.00 STUD BOLT, FULL
13	3	470122	1/4UNC X 1/2 FLANGE HEX BOLT
14	6	470121	1/4UNC HEX FLANGE LOCK NUT
15	1	290107	GROUND CABLE, 8" X 4GA .406LUGS
16	4	311051	RUBBER MOUNT, RB3-350
17	4	311052	SNUBBING WASHER FOR 311051
18	3	470118	1/4UNC X 3/4 FLANGE HEX BOLT
19	2	659704	FOAM, 2"THK X 2" WIDE X 42"LG
20	4	900342	5/8UNC X 4" HEX BOLT
21	4	914010	5/8UNC HEX STOVER NUT
22	1	914004	3/8UNC HEX STOVER NUT
23	2	900128	3/8UNC X 3/4 HEX BOLT
24	1	473915	GROMMET, 1.500ID .062GW 1.750GD
25	1	470067	GROMMET, .250ID .125GW .375GD
26	2	520118	CUSH HOSE CLAMP 1/2D X 1/2W
27	2	193011	EDGE GUARD, BLK
28	2	470380	1/4-20 NUTSERT .027-.165 STL

*NOTE: DETAILS 10, 11, 12, 13, AND 14 ARE USED WITH THE DIESEL ENGINE OPTION.



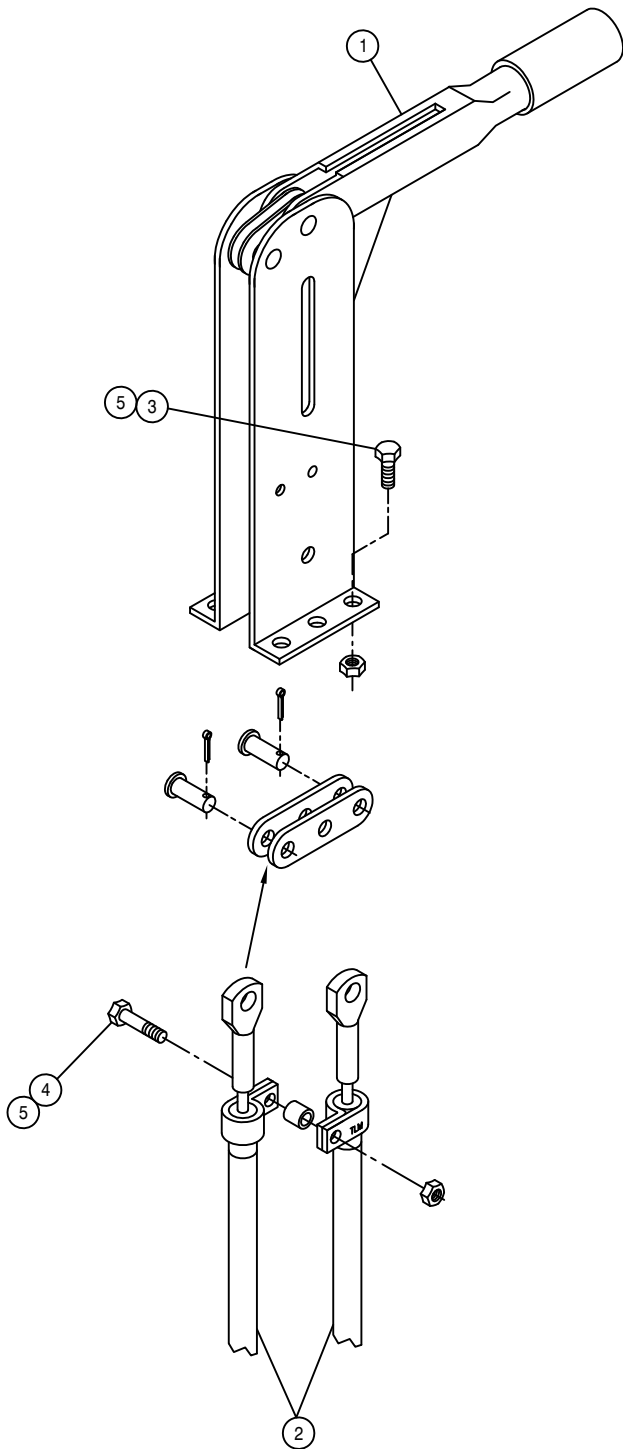
SEAT ASSEMBLY W/CAB



SEAT ASSEMBLY W/O CAB

SEAT ASSEMBLY

DET.	QTY	PART NO.	DESCRIPTION
1	1	330015	SUSPENSION ASSY TRIMLINE SEAT
2	1	330017	TRIMLINE SEAT, MID HIGH,VINYL
3	2	341554	SEAT MT WLD TRIMLINE SEAT
4	8	900129	3/8UNC X 1" HEX BOLT
5	12	914002	5/16UNC HEX STOVER NUT
6	8	914004	3/8UNC HEX STOVER NUT
7	2	920001	5/16 SAE FLAT WASHER
8	4	900064	5/16UNC X 3/4 HEX BOLT
9	1	330022	SEAT,MAGNUM-100 AIR SUSPEND95
10	1	330024	HEIGHT ADJ LATCH, SEAT 330022
11	1	330025	ADJ LATCH SPRING, SEAT 330022
12	1	330023	AIR BAG PKG, SEAT 330022

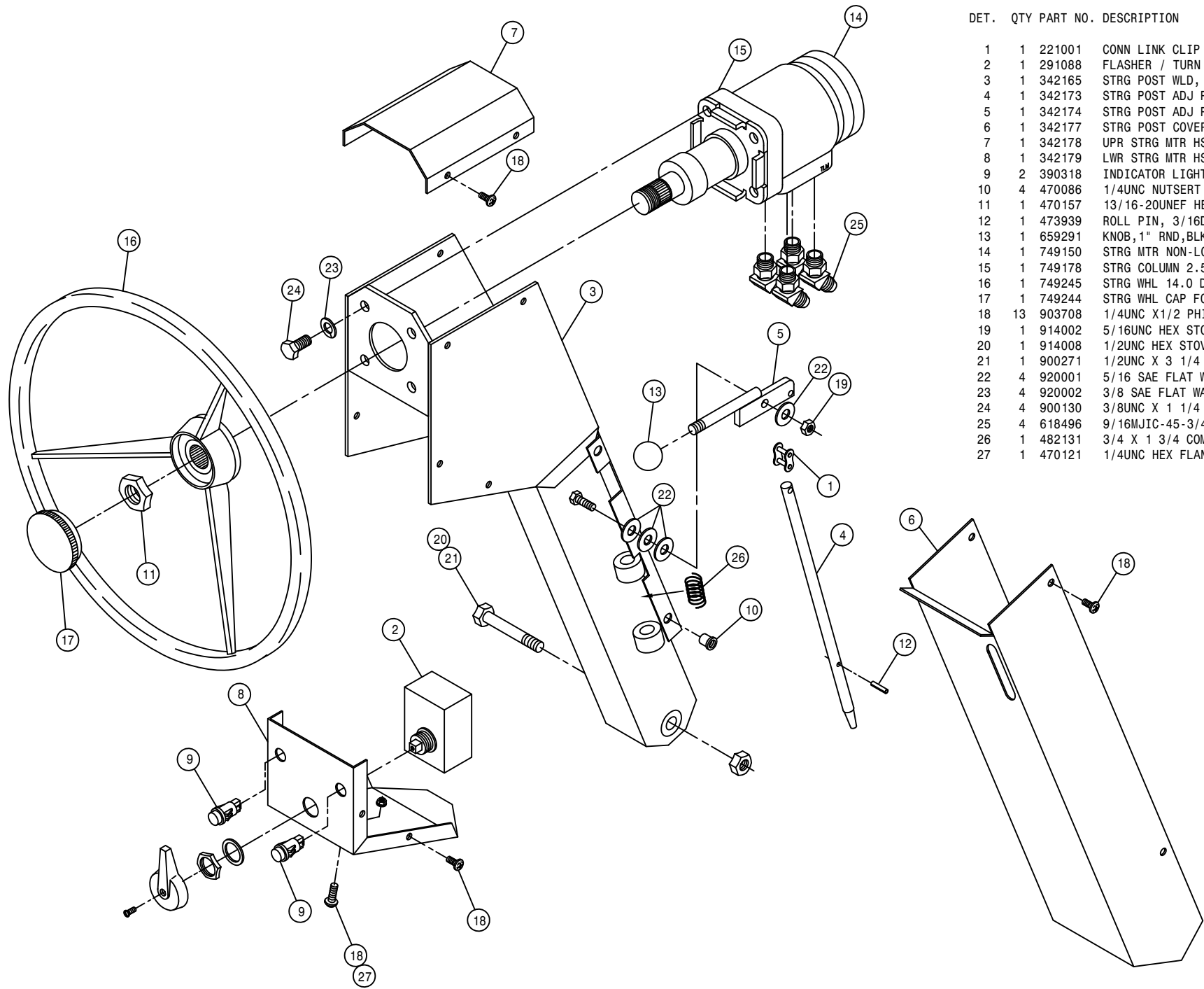


BRAKE LEVER ASSEMBLY

DET. QTY PART NO. DESCRIPTION

1	1	826108	BRAKE LEVER ASSY
2	2	826926	190 IN BRAKE CABLE
3	4	900064	5/16UNC X 3/4 HEX BOLT
4	1	900067	5/16UNC X 1 1/2 HEX BOLT
5	5	914002	5/16UNC HEX STOVER NUT

STEERING POST ASSEMBLY

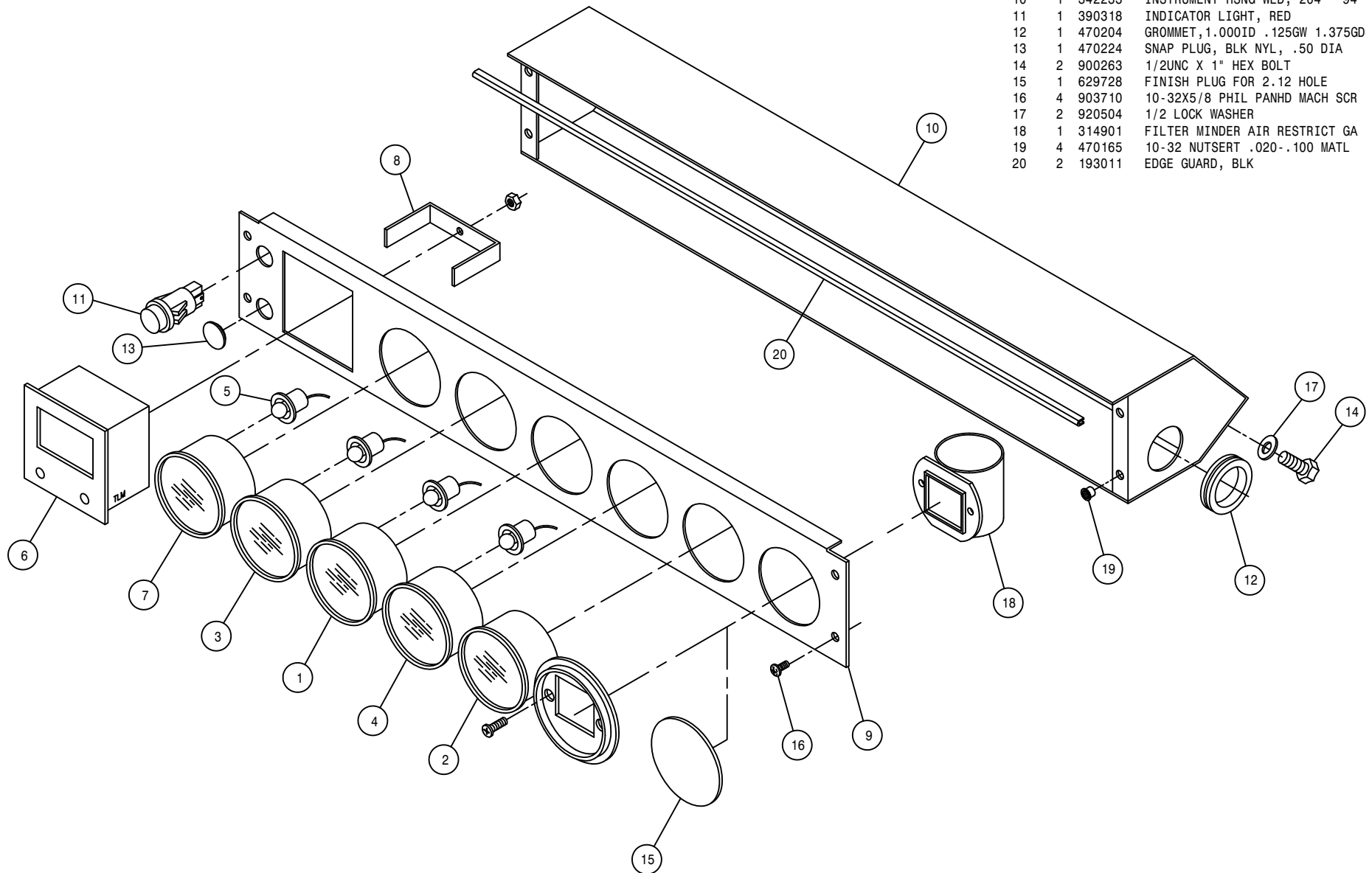


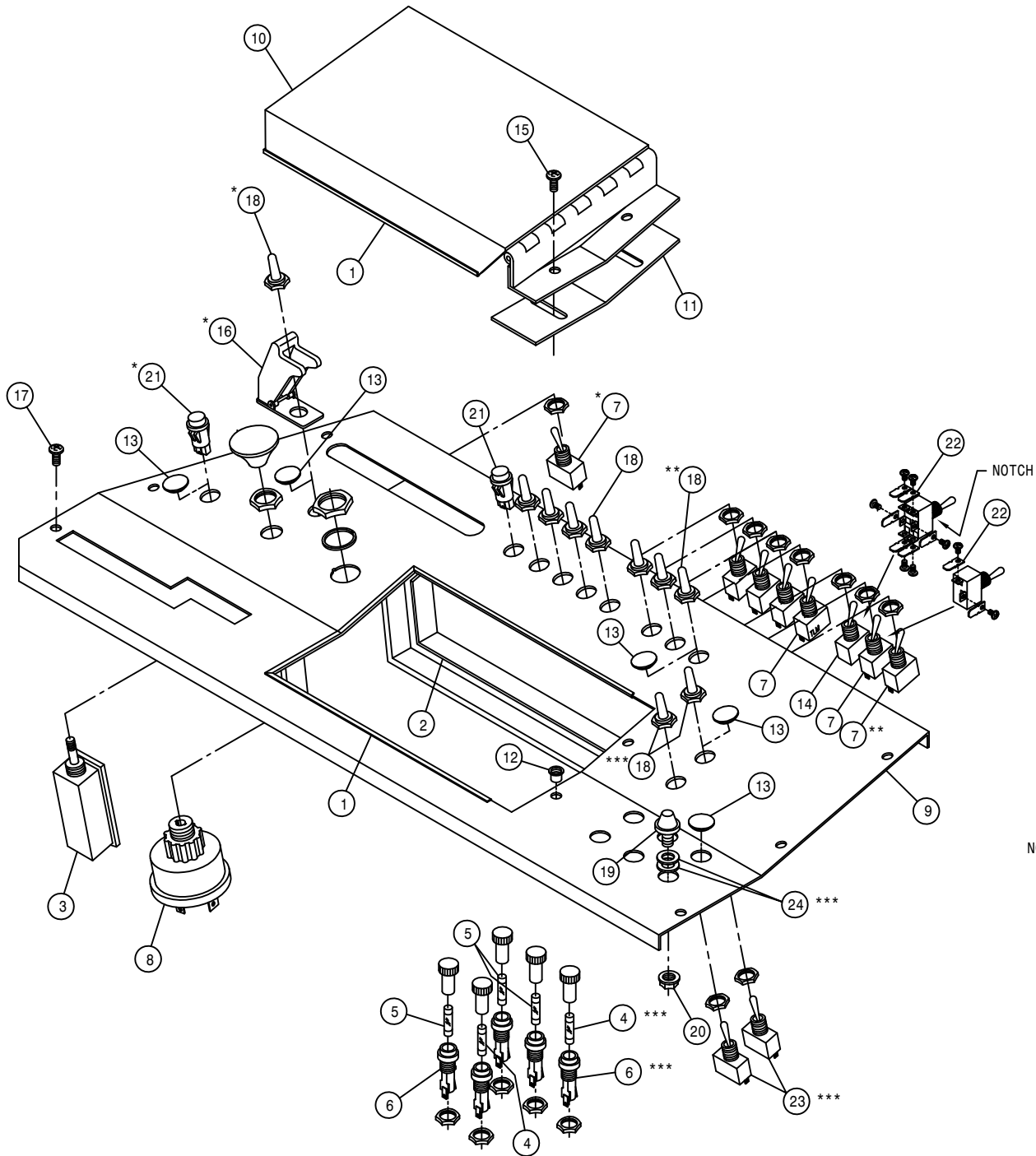
DET.	QTY	PART NO.	DESCRIPTION
1	1	221001	CONN LINK CLIP TYPE RC50
2	1	291088	FLASHER / TURN SIGNAL SWITCH
3	1	342165	STRG POST WLD, 284 CAB 94
4	1	342173	STRG POST ADJ PIN, 284 CAB 94
5	1	342174	STRG POST ADJ PIN LEVER WLD94
6	1	342177	STRG POST COVER, 284 CAB 94
7	1	342178	UPR STRG MTR HSNG COVER 94
8	1	342179	LWR STRG MTR HSNG COVER 94
9	2	390318	INDICATOR LIGHT, RED
10	4	470086	1/4UNC NUTSERT .020-.100MATL
11	1	470157	13/16-20UNEF HEX NUT STRG WHL
12	1	473939	ROLL PIN, 3/16DIA X 7/8
13	1	659291	KNOB, 1" RND, BLK, 3/8- 16
14	1	749150	STRG MTR NON-LOAD REACT 1008
15	1	749178	STRG COLUMN 2.5IN LONG
16	1	749245	STRG WHL 14.0 DIA
17	1	749244	STRG WHL CAP FOR 749245
18	13	903708	1/4UNC X1/2 PHIL PNHD MACHSCR
19	1	914002	5/16UNC HEX STOVER NUT
20	1	914008	1/2UNC HEX STOVER NUT
21	1	900271	1/2UNC X 3 1/4 HEX BOLT
22	4	920001	5/16 SAE FLAT WASHER
23	4	920002	3/8 SAE FLAT WASHER
24	4	900130	3/8UNC X 1 1/4 HEX BOLT
25	4	618496	9/16MJIC-45-3/4MOR LBO
26	1	482131	3/4 X 1 3/4 COMPRSN SPRING
27	1	470121	1/4UNC HEX FLANGE LOCK NUT

INSTRUMENT PANEL ASSEMBLY

DET. QTY PART NO. DESCRIPTION

DET.	QTY	PART NO.	DESCRIPTION
1	1	290401	FUEL GAUGE FOR 2.125 DIA HOLE
2	1	291203	HOUR METER, 12/24VDC BLACK BEZ
3	1	291609	OIL PRESS GAUGE, 80PSI
4	1	291611	VOLTMETER, 8V TO 18V DC
5	4	291612	LIGHT KIT FOR 2" GAUGE
6	1	291641	DIGITAL MPH/RPM INDICATOR W/P
7	1	314436	TEMP GA 100-280 DEG LIGHTED
8	1	342068	DIGITAL MPH/RPM IND KEEPER 94
9	1	342232	INSTRUMENT PANEL, 204 94
10	1	342233	INSTRUMENT HSNL WLD, 204 94
11	1	390318	INDICATOR LIGHT, RED
12	1	470204	GROMMET, 1.000ID .125GW 1.375GD
13	1	470224	SNAP PLUG, BLK NYL, .50 DIA
14	2	900263	1/2UNC X 1" HEX BOLT
15	1	629728	FINISH PLUG FOR 2.12 HOLE
16	4	903710	10-32X5/8 PHIL PANHD MACH SCR
17	2	920504	1/2 LOCK WASHER
18	1	314901	FILTER MINDER AIR RESTRICT GA
19	4	470165	10-32 NUTSERT .020-.100 MATL
20	2	193011	EDGE GUARD, BLK





CONSOLE PANEL ASSEMBLY

DET. QTY PART NO. DESCRIPTION

1	2	193011	EDGE GUARD, BLK
2	2	193037	STICKERTITE 1/8 X 3/4
3	1	290046	LIGHT SWITCH TWO POSITION
4	2	291602	FUSE 10 AMP
5	3	298004	20 AMP FUSE SFE 20
6	5	298011	FUSE HOLDER
7	7	298012	TOGGLE SWITCH, ON-OFF, SPST, 15A
8	1	321020	IGN SWITCH, SEALED, 4 TERMINAL
9	1	342237	CONSOLE PANEL WLD, 204 94
10	1	342240	CONTROL BOX COVER WLD, 204 94
11	1	342244	CONTROL BOX KEEPER, 204 94
12	2	470165	10-32 NUTSERT .020-.100 MATL
13	6	470224	SNAP PLUG, BLK NYL, .50 DIA
14	1	610412	TOGGLE SWITCH FOR FUEL VLV
15	2	903710	10-32X5/8 PHIL PANHD MACH SCR
16	1	291655	AIRCRAFT TOGGLE SWITCH GUARD
17	6	903708	1/4UNC X1/2 PHIL PNHD MACHSCR
18	10	470001	RUBBER BOOT W NUT FOR 298012
19	1	470230	1/2 RUBBER BUMPER, 1/4-20 STUD
20	1	470121	1/4UNC HEX FLANGE LOCK NUT
21	2	390318	INDICATOR LIGHT, RED
22	8	291644	.250MALE FASTON-#6 RING ADAPT
23	2	293038	TOGGLE SWITCH DPDT 15 AMP
24	2	920002	3/8 SAE FLAT WASHER

NOTE: ITEMS WITH (*) ARE USED WITH THE ELECTRIC BRAKE.

ITEMS WITH (**) ARE USED WITH THE WINDSHIELD WIPER IN THE CAB OPTION.

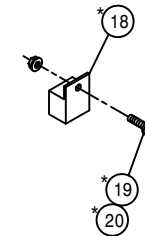
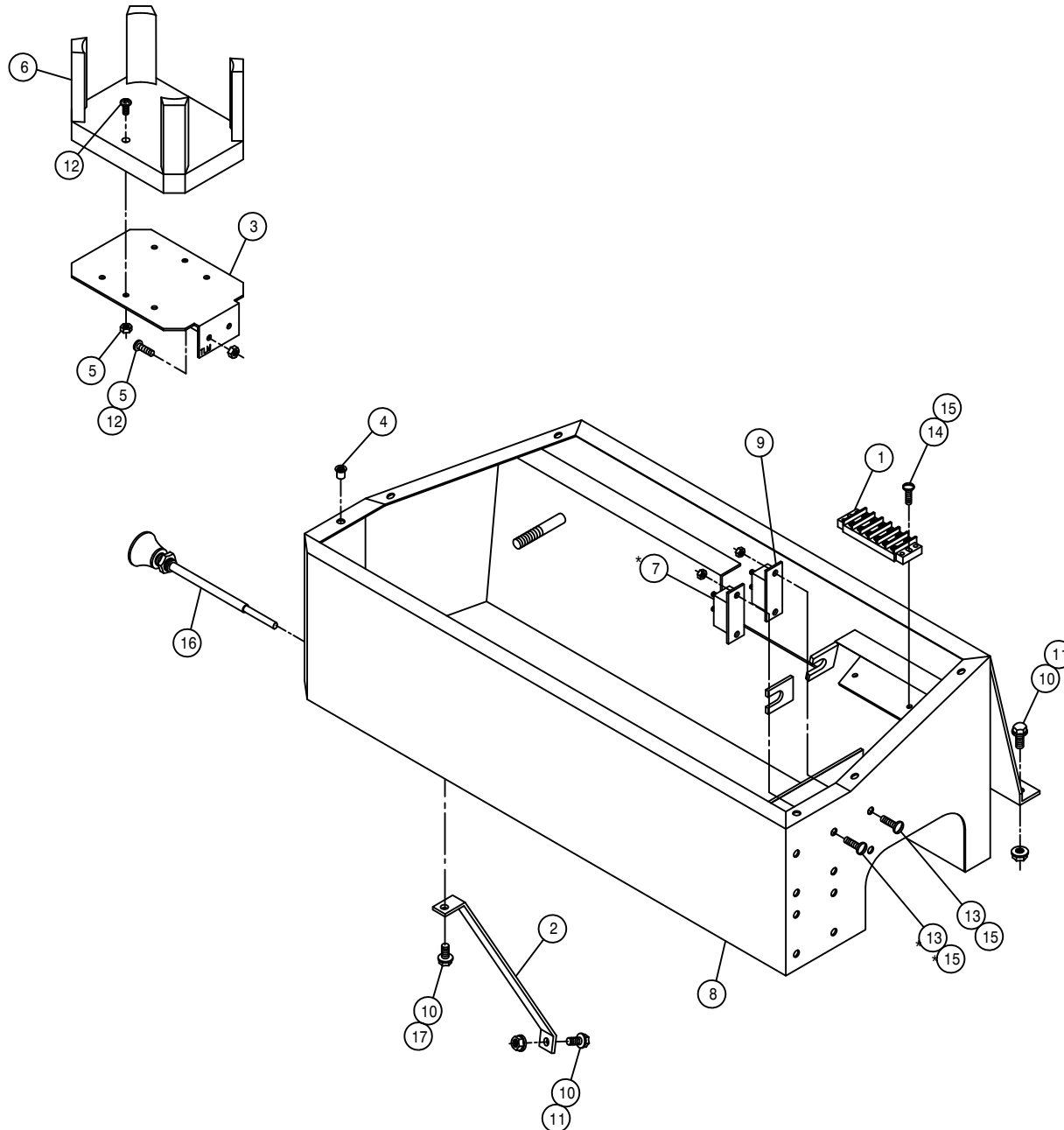
ITEMS WITH (***) ARE USED WITH THE OUTRIGGER FOLD OPTION.

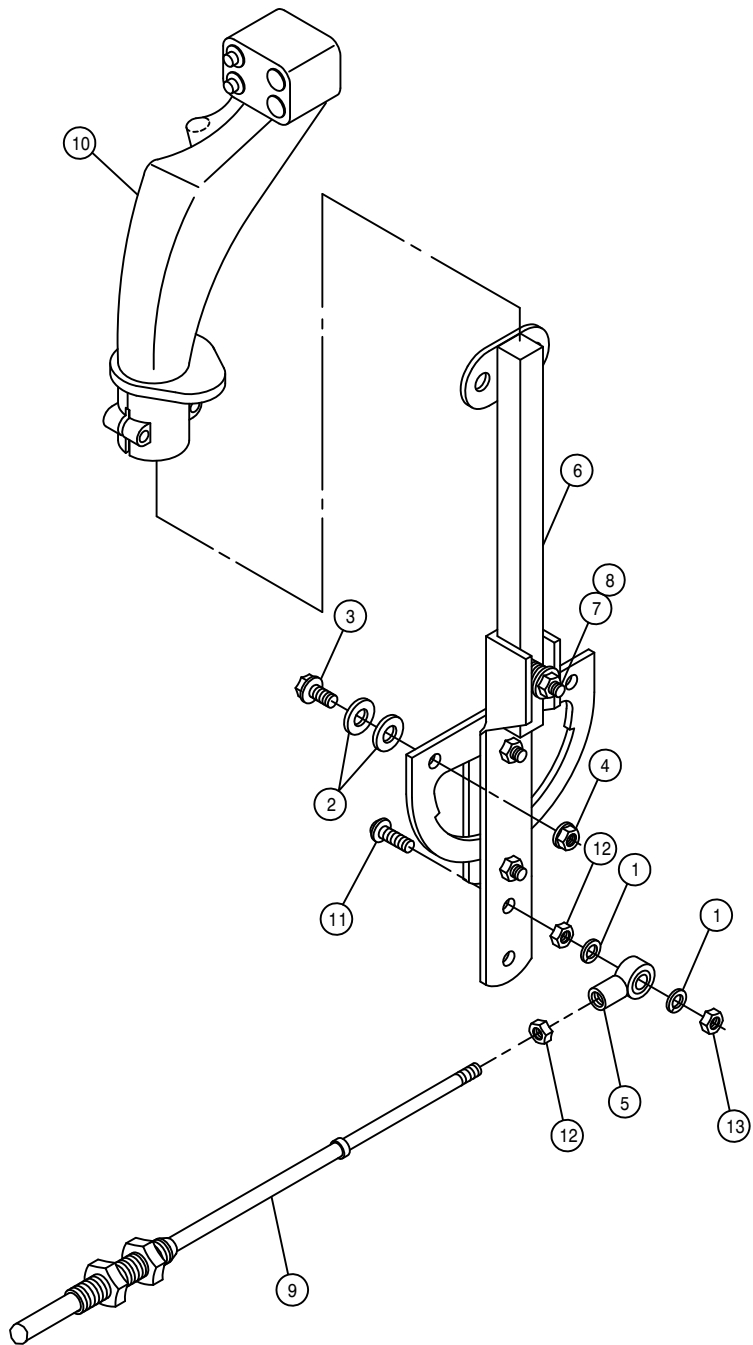
CONSOLE ASSEMBLY

DET. QTY PART NO. DESCRIPTION

1	1	293093	TERMINAL BLOCK 6 POS - 2 ROW
2	1	342248	CONSOLE BRACE, 204
3	1	342216	DRINK HOLDER MT BRKT
4	6	470086	1/4UNC NUTSERT .020-.100MATL
5	4	470175	10-32 HEX FLANGE LOCK NUT
6	1	470214	SPILLMASTER DRINK HOLDER
7	1	291197	CIRCUIT BREAKER,30AMP,INLINEMT
8	1	342245	CONSOLE WLD, 204
9	1	291024	CIRCUIT BREAKER,40AMP,INLINEMT
10	4	470121	1/4UNC HEX FLANGE LOCK NUT
11	3	470118	1/4UNC X 3/4 FLANGE HEX BOLT
12	4	903710	10-32X5/8 PHIL PANHD MACH SCR
13	4	903812	6-32 X 1/2 SLT RD HD MACH SCR
14	2	903814	6-32 X 3/4 SLT RD HD MACH SCR
15	6	910022	6-32 HEX NUT
16	1	780101	CHOKE CONTROL CABLE, 144 IN
17	1	470231	1/4UNC X 1" FLANGE HEX BOLT
18	1	291640	RELAY, 12V 20/30AMP BOSCH
19	1	903844	8-32 X 1/2 SLT RD HD MACH SCR
20	1	910024	8-32 HEX NUT

NOTE: ITEMS MARKED WITH A (*) ARE USED WITH THE CAB OPTION.





HYDROSTATIC LEVER ASSEMBLY

DET. QTY PART NO. DESCRIPTION

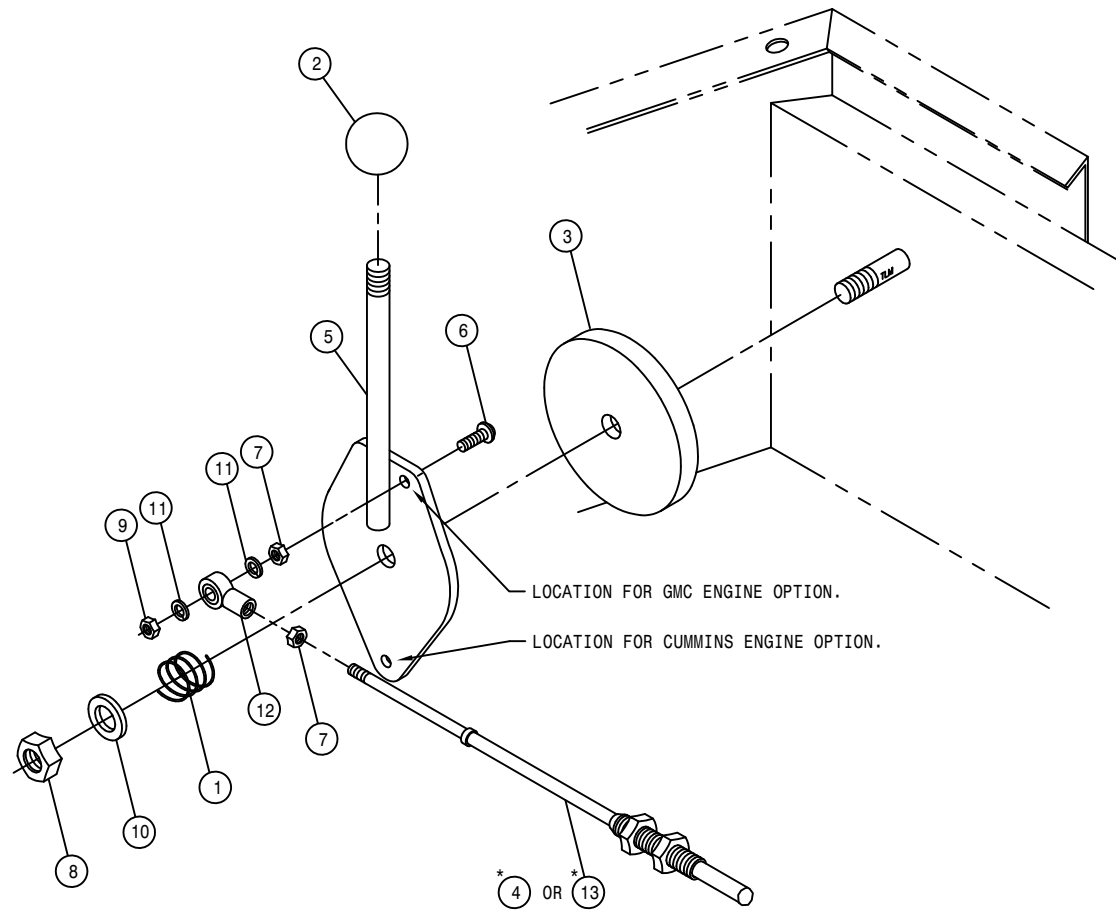
1	2	920510	#10 LOCK WASHER
2	4	920000	1/4 SAE FLAT WASHER
3	2	470118	1/4UNC X 3/4 FLANGE HEX BOLT
4	2	470121	1/4UNC HEX FLANGE LOCK NUT
5	1	473921	BALL JOINT NO 10-32 THD
6	1	606907	HYDST CTRL LEVER ASSY 204-284
7	1	900005	1/4UNC X 1 1/2 HEX BOLT
8	1	914000	1/4UNC HEX STOVER NUT
9	1	785003	CTRL CABLE 10-32 4IN X 112 LG
10	1	785077	FASSE EZ-3 CONTROL HANDLE,204
11	1	903893	10-32 X 1" SLT RD HD MACH SCR
12	2	910027	10-32 HEX NUT
13	1	914027	10-32 HEX STOVER NUT

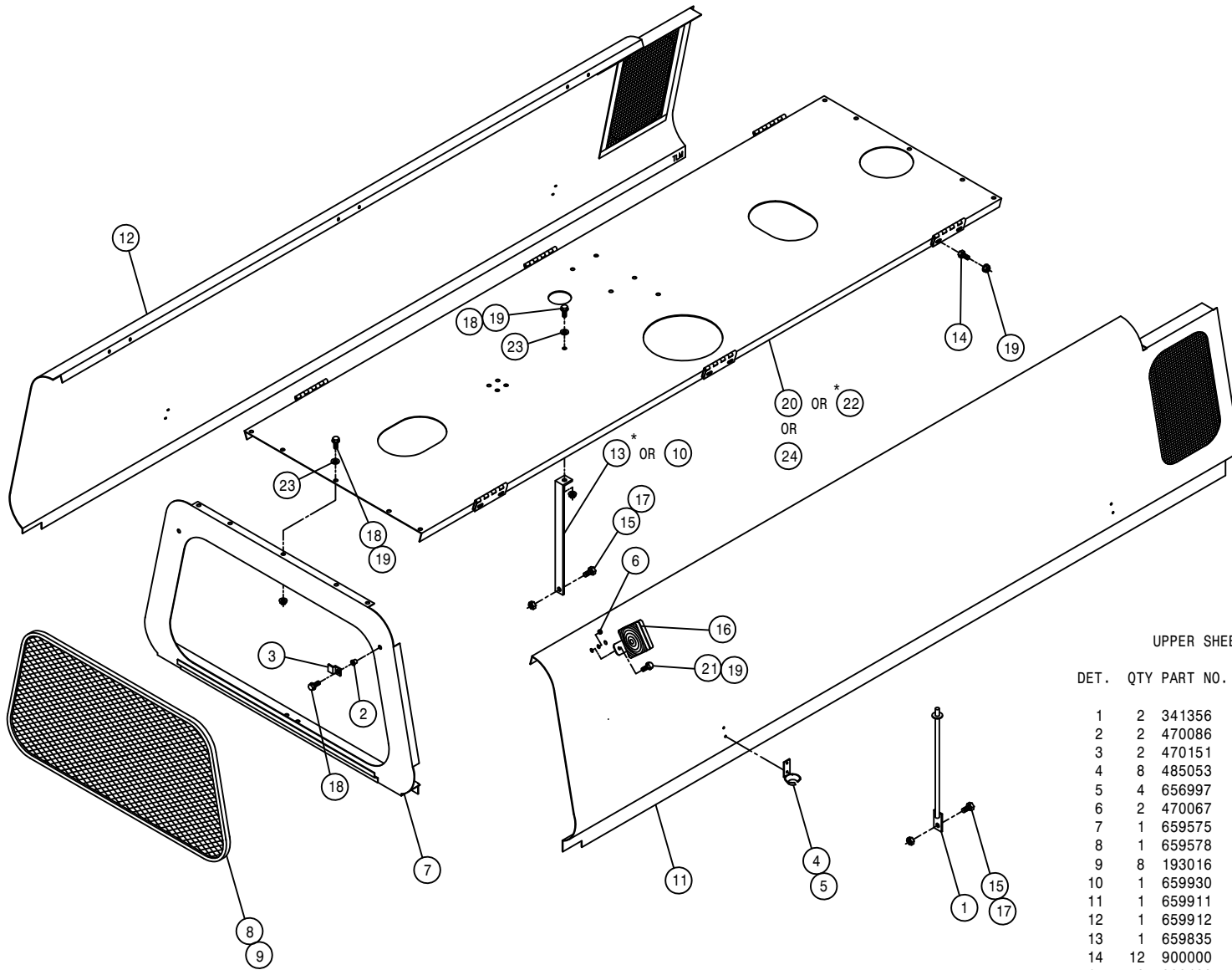
THROTTLE LEVER ASSEMBLY

DET. QTY PART NO. DESCRIPTION

1	1	499001	SPRING HYDRO CONTROL
2	1	785007	KNOB, 1 3/16" BALL, RED, 3/8-16
3	1	785046	FRICTION DISC 3-333 X .38
4	1	785066	CTRL CABLE 10-32 4IN X 129 IN
5	1	785067	THROT LEVER WLD, GAS/DIESEL 94
6	1	903893	10-32 X 1" SLT RD HD MACH SCR
7	2	910027	10-32 HEX NUT
8	1	914004	3/8UNC HEX STOVER NUT
9	1	914027	10-32 HEX STOVER NUT
10	1	920002	3/8 SAE FLAT WASHER
11	2	920510	#10 LOCK WASHER
12	1	473921	BALL JOINT NO 10-32 THD
13	1	785079	CTRL CABLE 10-32 4IN X 140 IN

*NOTE: 1. CUMMINS ENGINE OPTION USED DETAIL 4.
2. GMC ENGINE OPTION USES DETAIL 13.

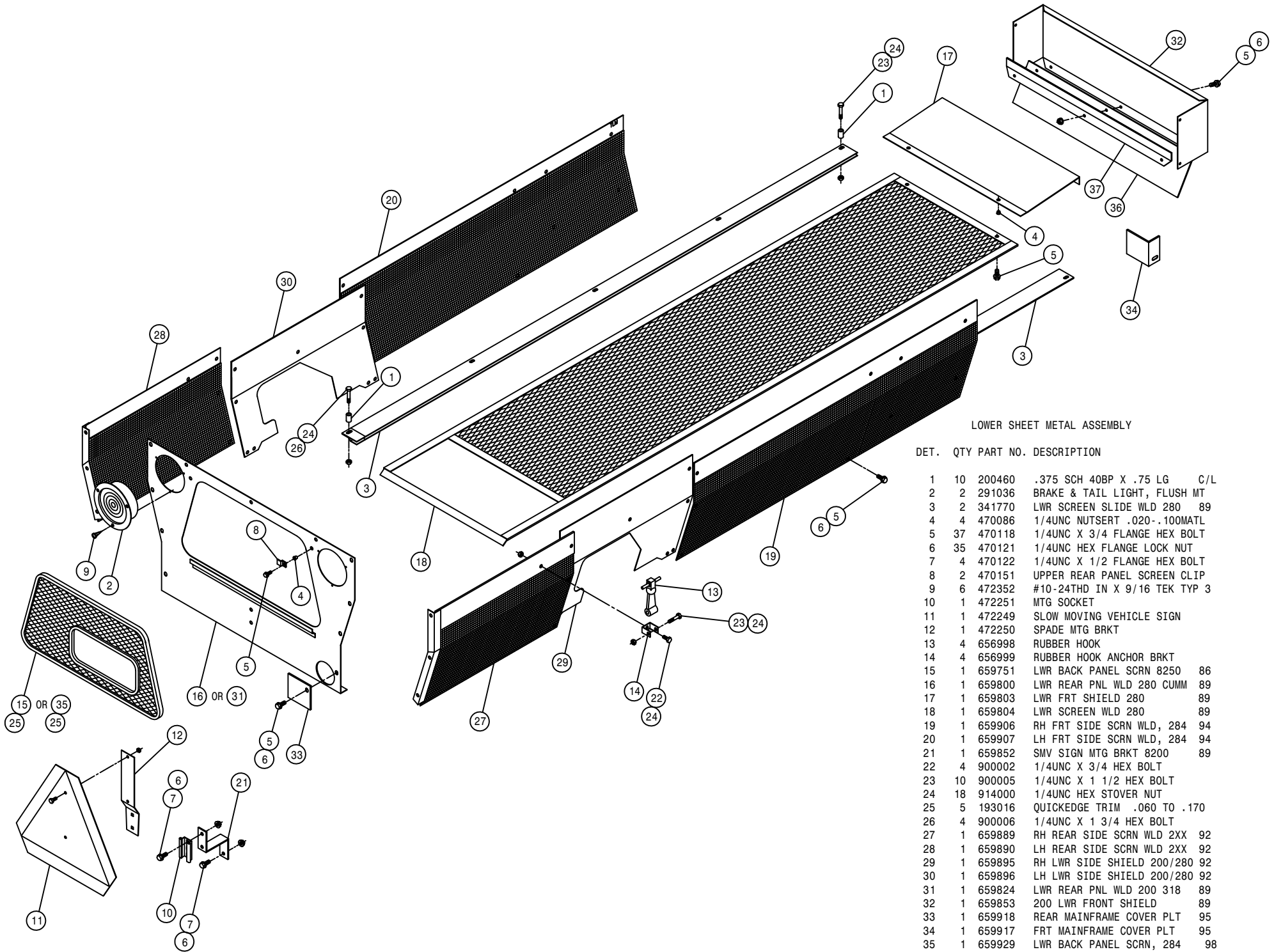




UPPER SHEET METAL ASSEMBLY

DET.	QTY	PART NO.	DESCRIPTION
	1	2	341356 ENGINE HOOD PROP WLD 8240 82
	2	2	470086 1/4UNC NUTSERT .020-.100MATL
	3	2	470151 UPPER REAR PANEL SCREEN CLIP
	4	8	485053 POP RIVET 3/16 X 3/8
	5	4	656997 RUBBER HOOK BRKT
	6	2	470067 GROMMET, .25OID .125GW .375GD
	7	1	659575 UPPER REAR PANEL WLD 8240 82
	8	1	659578 UPPER REAR PANEL SCREEN 8240
	9	8	193016 QUICKEDGE TRIM .060 TO .170
	10	1	659930 MULLION SUPPORT BRKT, 284 97
	11	1	659911 RH ENG HOOD WLD, 204 94
	12	1	659912 LH ENG HOOD WLD, 204 94
	13	1	659835 MULLION SUPPORT 200 89
	14	12	900000 1/4UNC X 1/2 HEX BOLT
	15	3	900128 3/8UNC X 3/4 HEX BOLT
	16	2	291604 TURN SIGNAL LIGHT, PED MT, YEL
	17	3	914004 3/8UNC HEX STOVER NUT
	18	13	470118 1/4UNC X 3/4 FLANGE HEX BOLT
	19	27	470121 1/4UNC HEX FLANGE LOCK NUT
	20	1	659931 MULLION WLD, 204 CUMM 97
	21	4	470122 1/4UNC X 1/2 FLANGE HEX BOLT
	22	1	659822 MULLION WLD, 200 GAS ENG 89
	23	11	470212 1/4 BONDED SEALING WASH, SS
	24	1	660234 MULLION WLD, 204/284 CUMM 04

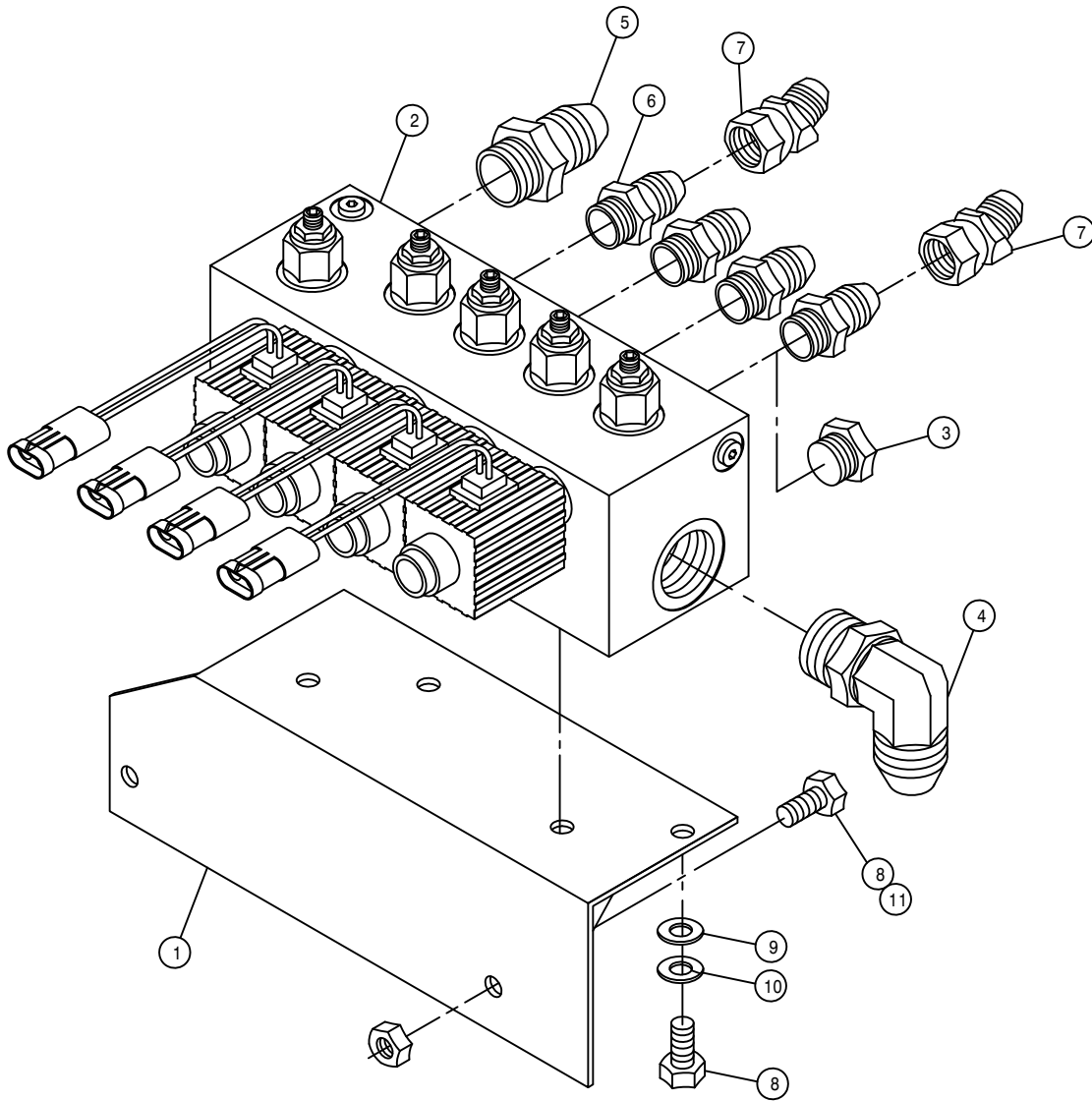
*NOTE: DETAIL 13 & 22 IS USED WITH THE GMC ENGINE OPTION.



LOWER SHEET METAL ASSEMBLY

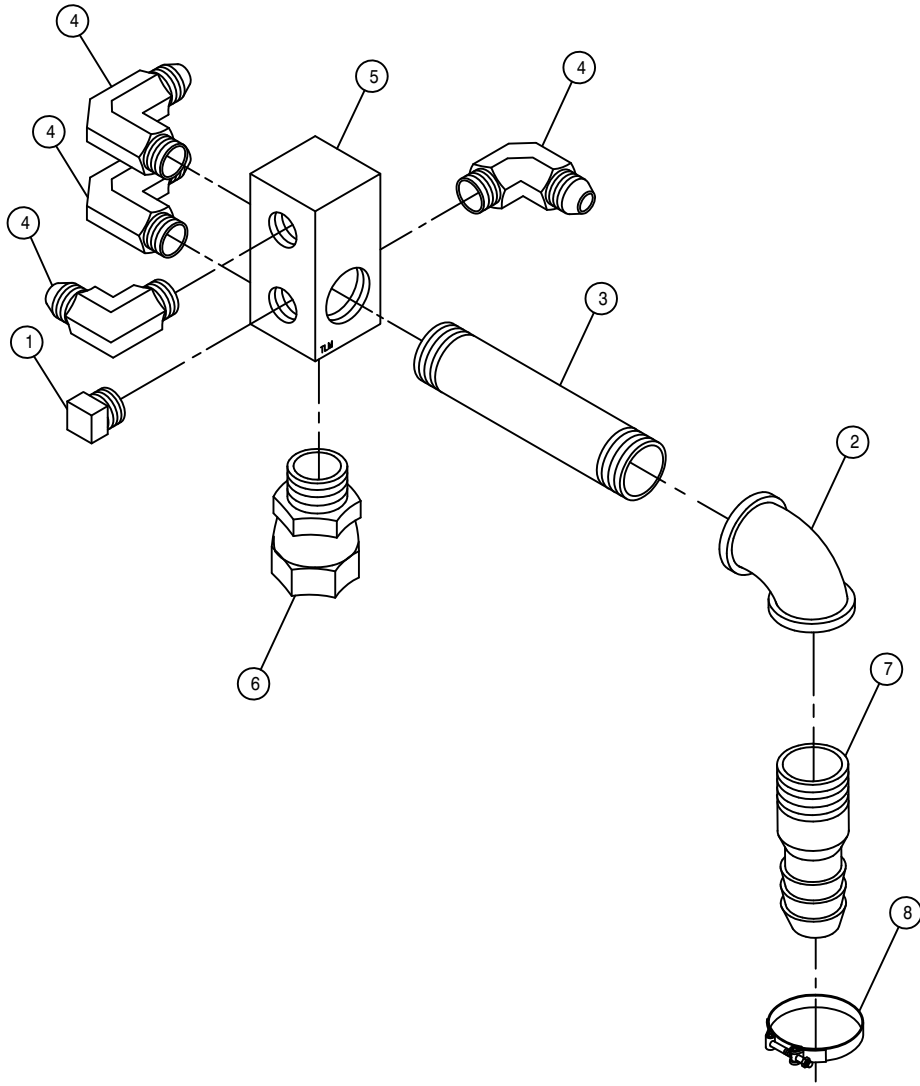
DET. QTY PART NO. DESCRIPTION

DET.	QTY	PART NO.	DESCRIPTION
1	10	200460	.375 SCH 40BP X .75 LG C/L
2	2	291036	BRAKE & TAIL LIGHT, FLUSH MT
3	2	341770	LWR SCREEN SLIDE WLD 280 89
4	4	470086	1/4UNC NUTSERT .020-.100MATL
5	37	470118	1/4UNC X 3/4 FLANGE HEX BOLT
6	35	470121	1/4UNC HEX FLANGE LOCK NUT
7	4	470122	1/4UNC X 1/2 FLANGE HEX BOLT
8	2	470151	UPPER REAR PANEL SCREEN CLIP
9	6	472352	#10-24THD IN X 9/16 TEK TYP 3
10	1	472251	MTG SOCKET
11	1	472249	SLOW MOVING VEHICLE SIGN
12	1	472250	SPADE MTG BRKT
13	4	656998	RUBBER HOOK
14	4	656999	RUBBER HOOK ANCHOR BRKT
15	1	659751	LWR BACK PANEL SCR N 8250 86
16	1	659800	LWR REAR PNL WLD 280 CUMM 89
17	1	659803	LWR FRT SHIELD 280 89
18	1	659804	LWR SCREEN WLD 280 89
19	1	659906	RH FRT SIDE SCR N WLD, 284 94
20	1	659907	LH FRT SIDE SCR N WLD, 284 94
21	1	659852	SMV SIGN MTG BRKT 8200 89
22	4	900002	1/4UNC X 3/4 HEX BOLT
23	10	900005	1/4UNC X 1 1/2 HEX BOLT
24	18	914000	1/4UNC HEX STOVER NUT
25	5	193016	QUICKEDGE TRIM .060 TO .170
26	4	900006	1/4UNC X 1 3/4 HEX BOLT
27	1	659889	RH REAR SIDE SCR N WLD 2XX 92
28	1	659890	LH REAR SIDE SCR N WLD 2XX 92
29	1	659895	RH LWR SIDE SHIELD 200/280 92
30	1	659896	LH LWR SIDE SHIELD 200/280 92
31	1	659824	LWR REAR PNL WLD 200 318 89
32	1	659853	200 LWR FRONT SHIELD 89
33	1	659918	REAR MAINFRAME COVER PLT 95
34	1	659917	FRT MAINFRAME COVER PLT 95
35	1	659929	LWR BACK PANEL SCR N, 284 98
36	1	002229	REAR CUTTER TOP EXTEN FLAP
37	1	002230	REAR CUTTER TOP EXTEN FLAP KPR



MOTOR CONTROL VALVE ASSEMBLY

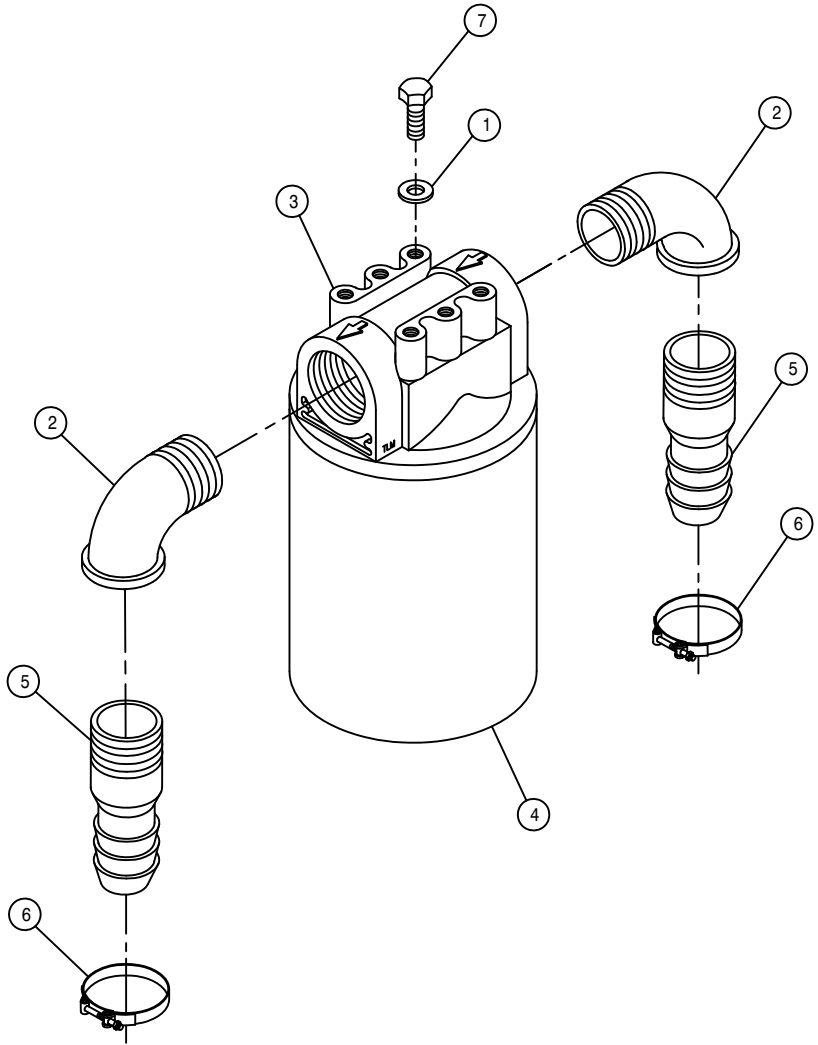
DET.	QTY	PART NO.	DESCRIPTION	
				200
1	1	341846	MTR CTRL VLV MT WLD	
2	1	606034	MTR CONTROL ELECT VLV	
3	1	610186	1 1/16MOR PLUG	
4	1	618178	1 5/16MJIC-90-1 5/16MOR LBO	
5	1	618186	1 5/16MJIC-1 5/16MOR ADPTR	
6	4	618469	3/4MJIC-1 1/16MOR ADPTR	
7	2	618590	3/4MJIC-45-3/4FJIC SWIV LBO	
8	4	900128	3/8UNC X 3/4 HEX BOLT	
9	2	920002	3/8 SAE FLAT WASHER	
10	2	920502	3/8 LOCK WASHER	
11	2	914004	3/8UNC HEX STOVER NUT	



RETURN MANIFOLD FILTER ASSEMBLY

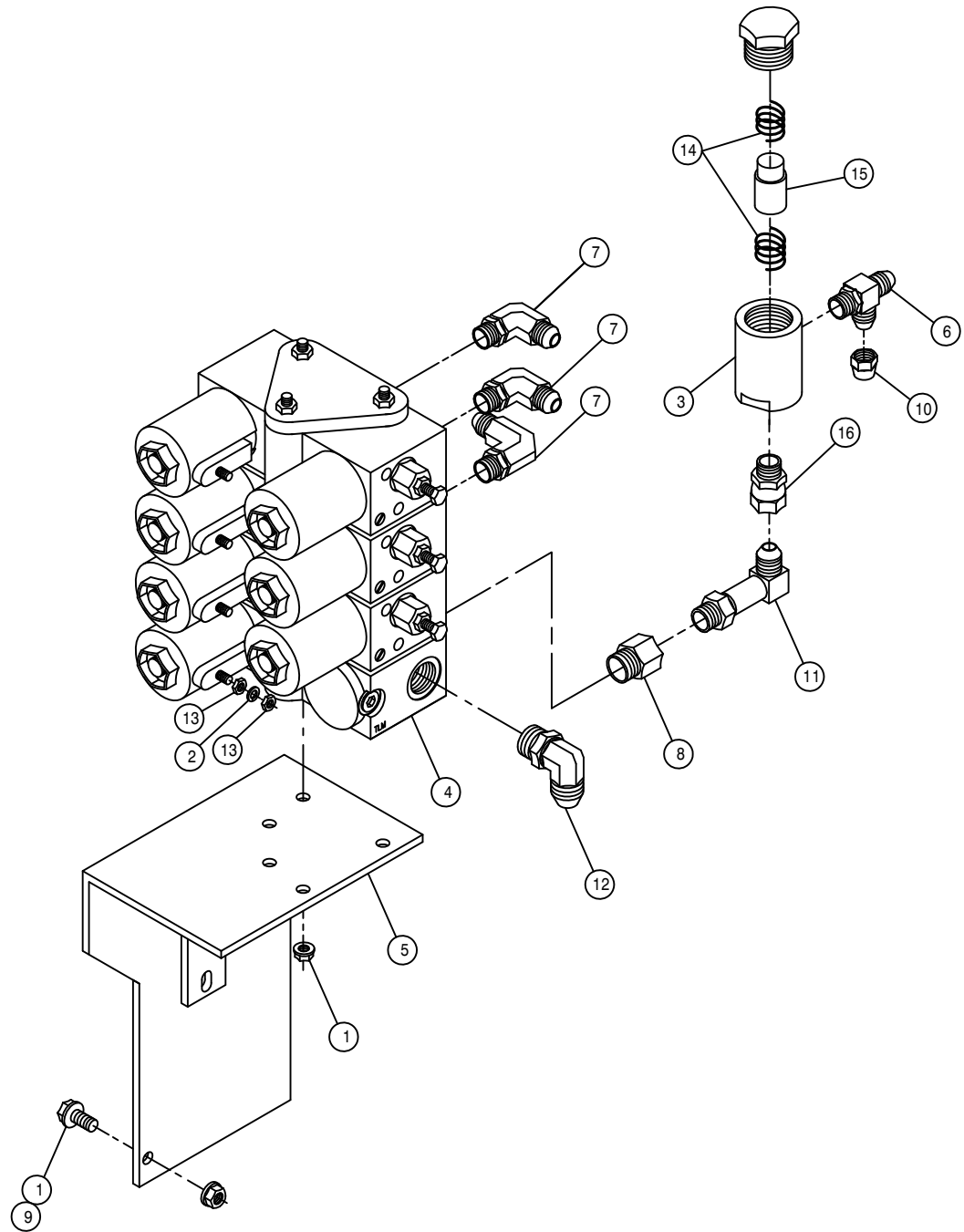
DET. QTY PART NO. DESCRIPTION

1	1	503700	PIPE PLUG .50NPT SQ HD
2	1	505300	BLK PIPE EL 90DEG 1.00NPT
3	1	505209	BLK PIPE NIPPLE 1.00NPT-6.00
4	4	611145	3/4MJIC-90-1/2MNPT LBO
5	1	614633	HYD MANIF 8200 86
6	1	618587	1 5/16FJIC SWIV-1MNPT
7	1	714561	1.00NPT-1.25 HOSE BARB
8	1	520132	1.62/1.87 T-BOLT HOSE CLAMP SS



DETASSELER FILTER ASSEMBLY

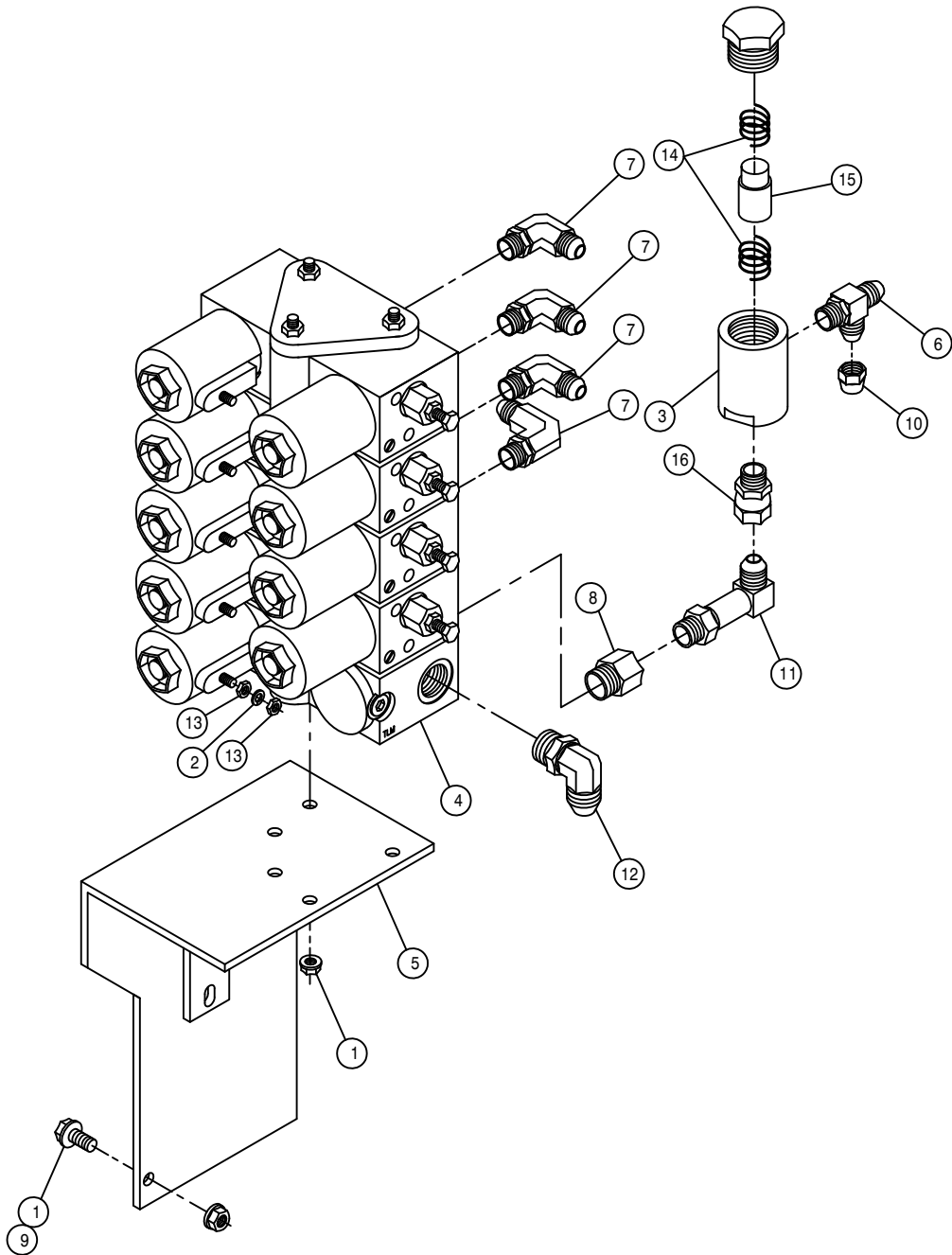
DET.	QTY	PART NO.	DESCRIPTION
1	4	920501	5/16 LOCK WASHER
2	2	506410	BLK PIPE ST EL 90DEG 1.25NPT
3	1	605601	PARKER FILTER ASSY,10M,1.25NPT
4	1	605602	PARKER FILTER ELEMENT,10MICRON
5	2	715660	HOSE BARB 1 1/4NPT X 1 1/4
6	2	520132	1.62/1.87 T-BOLT HOSE CLAMP SS
7	4	900062	5/16UNC X 1/2 HEX BOLT



3-LIFT ELECTRIC VALVE ASSEMBLY

DET. QTY PART NO. DESCRIPTION

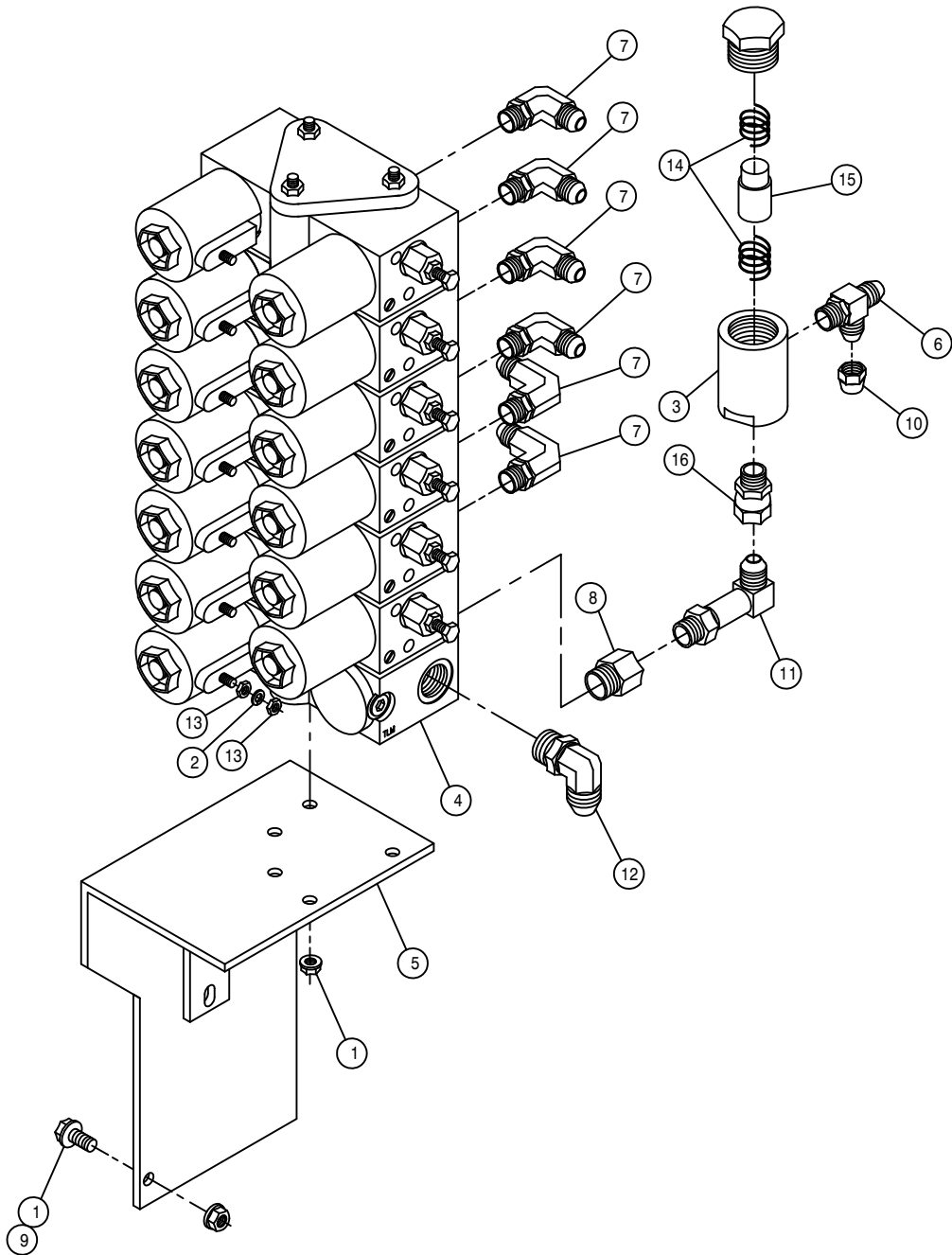
1	6	470121	1/4UNC HEX FLANGE LOCK NUT
2	7	473821	#10 INT TOOTH WASHER
3	1	605615	HYD FILTER, INLINE 25M 9/16FOR
4	1	610532	ELECT HYD STACK VLV, 3 SECT
5	1	610602	ELECT VLV MT WLD, LS SYS204/284
6	1	618444	9/16MOR RUN TEE-9/16MJIC
7	3	618119	9/16MJIC-90-9/16MOR LBO
8	1	618170	3/4MOR-9/16FOR ADPTR
9	3	470118	1/4UNC X 3/4 FLANGE HEX BOLT
10	1	618531	9/16FJIC CAP NUT
11	1	618440	9/16MJIC-90-9/16MOR EX LG LBO
12	1	618600	9/16MJIC-90-7/8MOR LBO
13	14	910027	10-32 HEX NUT
14	1	605617	SPRING KIT, HYD FILTER 605615
15	1	605616	ELEMENT, 25M HYD FILTER 605615
16	1	618668	9/16FJIC SWIV-9/16MOR ADPTR



4-LIFT ELECTRIC VALVE ASSEMBLY

DET. QTY PART NO. DESCRIPTION

DET.	QTY	PART NO.	DESCRIPTION
1	6	470121	1/4UNC HEX FLANGE LOCK NUT
2	9	473821	#10 INT TOOTH WASHER
3	1	605615	HYD FILTER, INLINE 25M 9/16FOR
4	1	610613	ELECT HYD STACT VLV, 4 SECT
5	1	610602	ELECT VLV MT WLD, LS SYS204/284
6	1	618444	9/16MOR RUN TEE-9/16MJIC
7	4	618119	9/16MJIC-90-9/16MOR LBO
8	1	618170	3/4MOR-9/16FOR ADPTR
9	3	470118	1/4UNC X 3/4 FLANGE HEX BOLT
10	1	618531	9/16FJIC CAP NUT
11	1	618440	9/16MJIC-90-9/16MOR EX LG LBO
12	1	618600	9/16MJIC-90-7/8MOR LBO
13	18	910027	10-32 HEX NUT
14	1	605617	SPRING KIT, HYD FILTER 605615
15	1	605616	ELEMENT, 25M HYD FILTER 605615
16	1	618668	9/16FJIC SWIV-9/16MOR ADPTR



6-LIFT ELECTRIC VALVE ASSEMBLY

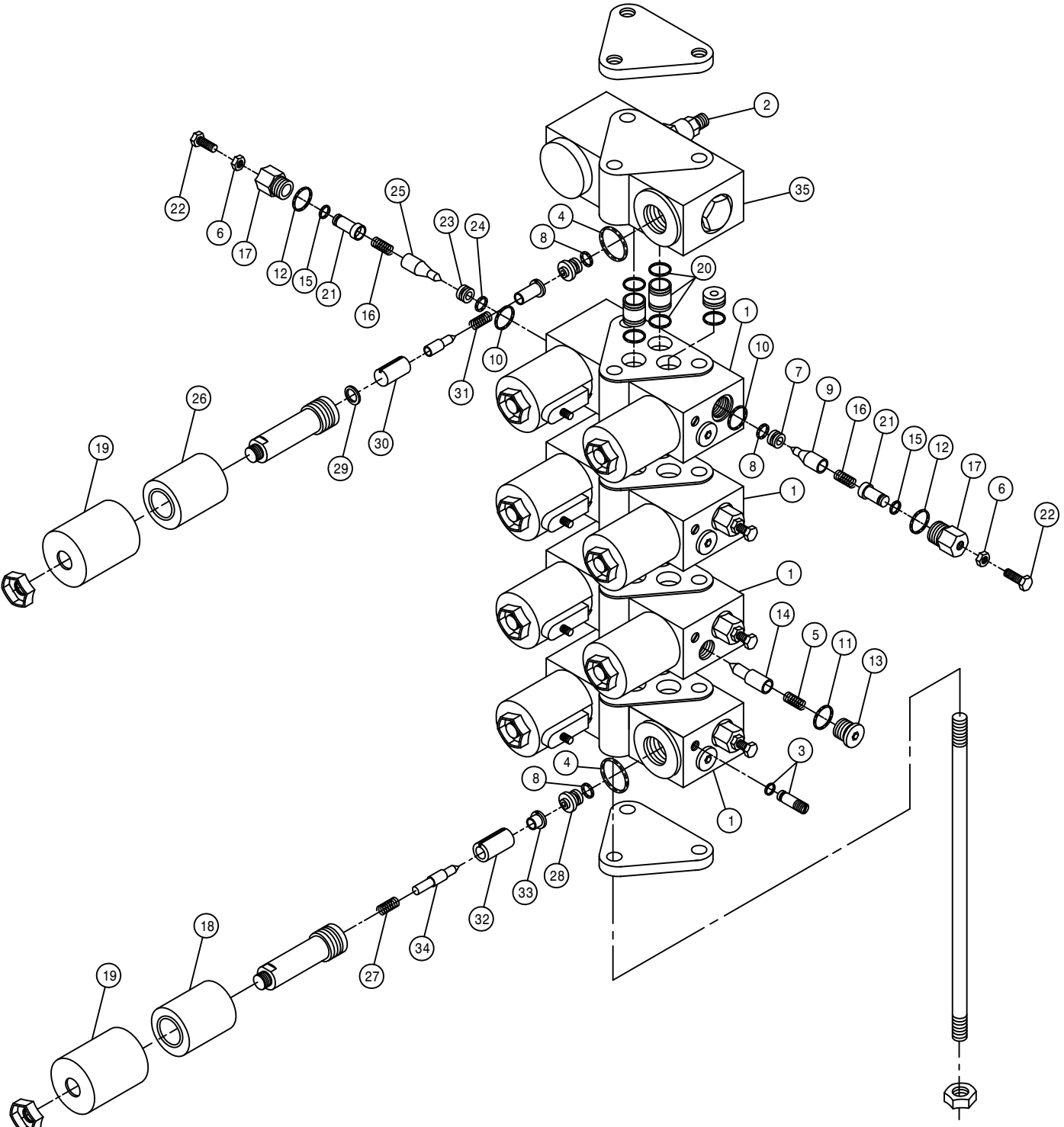
DET.	QTY	PART NO.	DESCRIPTION
	1	6 470121	1/4UNC HEX FLANGE LOCK NUT
	2	13 473821	#10 INT TOOTH WASHER
	3	1 605615	HYD FILTER, INLINE 25M 9/16FOR
	4	1 610615	ELECT HYD STACT VLV, 6 SECT
	5	1 610602	ELECT VLV MT WLD, LS SYS204/284
	6	1 618444	9/16MOR RUN TEE-9/16MJIC
	7	6 618119	9/16MJIC-90-9/16MOR LBO
	8	1 618170	3/4MOR-9/16FOR ADPTR
	9	3 470118	1/4UNC X 3/4 FLANGE HEX BOLT
	10	1 618531	9/16FJIC CAP NUT
	11	1 618440	9/16MJIC-90-9/16MOR EX LG LBO
	12	1 618600	9/16MJIC-90-7/8MOR LBO
	13	26 910027	10-32 HEX NUT
	14	1 605617	SPRING KIT, HYD FILTER 605615
	15	1 605616	ELEMENT, 25M HYD FILTER 605615
	16	1 618668	9/16FJIC SWIV-9/16MOR ADPTR

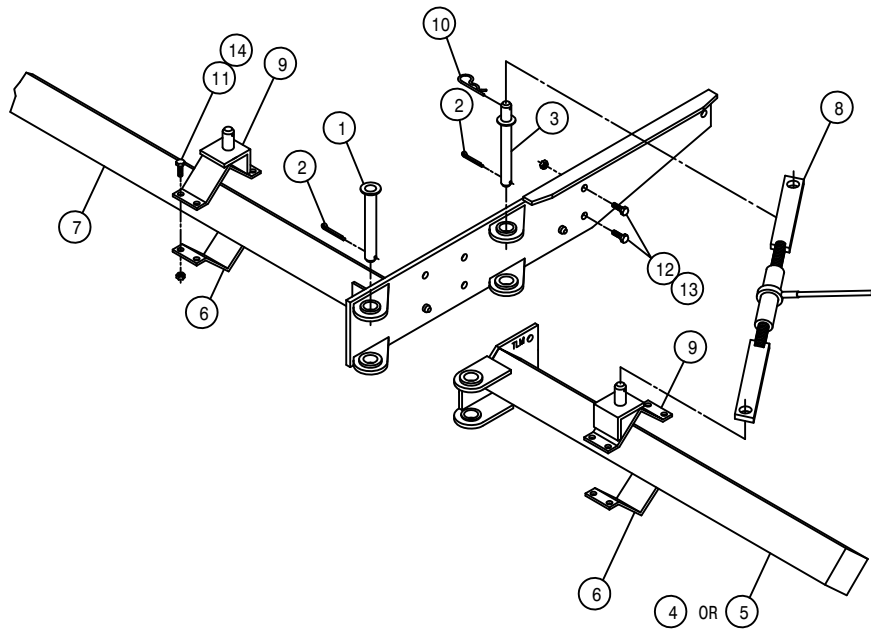
ELECTROHYDRAULIC VALVE

DET.	QTY	PART NO.	DESCRIPTION	
1	4	610533	UNBALANCED LOAD VALVE	89
2	1	610551	R.V. CARTRIDGE FOR 610532	90
3	8	610267	SEAL PLUG ASSY FOR 610257	
4	9	871019	ORING, 13/16 X 15/16 NEO 90D	
5	4	610491	SPRING AM-501-3-035 FOR610485	
6	8	910000	1/4UNC HEX NUT	
7	4	610488	ORIFICE PRESSED IN BLACK	
8	13	871010	ORING 1/4 X 3/8 VITON 90D	
9	4	610129	OBS>:POPPET,ELE VLV,UNBAL LOAD	
10	8	870013	ORING, 7/16 X 9/16 NEO 70D	
11	4	871904	ORING, .351 X .072CS NEO 90D	
12	8	871906	ORING, .468ID X .078CS NEO 90D	
13	4	610130	PLUG, SAE4,ELECT VALVE,UNBAL	
14	4	610489	OBS>:CHECK VLV POPPET	
15	8	871008	O-RING 3/16 X 5/16 90D	
16	8	610492	SPRING AM-570-3-126 FOR610485	
17	8	610453	VLV CAP	
18	8	610493	COIL FOR 610485	86
19	9	610113	COVER, ELECT VALVE, NON ADJ	
20	8	610534	THRU TUBE ASSY ELEC VLV	89
21	8	610452	ADJ VLV STOP	
22	8	900003	1/4UNC X 1" HEX BOLT	
23	4	610494	ORIFICE FOR 610485	
24	4	871056	O-RING	90D
25	4	610495	POPPET FOR 610485AM-570-3-654	
26	1	610076	COIL, ELECT STACK VALVE	
27	8	610127	SPRING,ELECT VALVE,UNBAL LOAD	
28	8	610108	ORIFICE 040, ELECT VALVE	
29	1	610084	WASHER, ELECT-HYD VALVE	
30	1	610112	ARMATURE, ELECT VALVE	
31	1	610110	SPRING, ELECT VALVE, NON ADJ	
32	8	610126	ARMATURE, ELECT VALVE, UNBAL	
33	8	610133	POLE PIECE,ELECT VALVE, UNBAL	
34	8	610490	POPPET FOR 610485AM-501-3-033	
35	1	610679	UNLOAD RELIEF VALVE	

61

290061



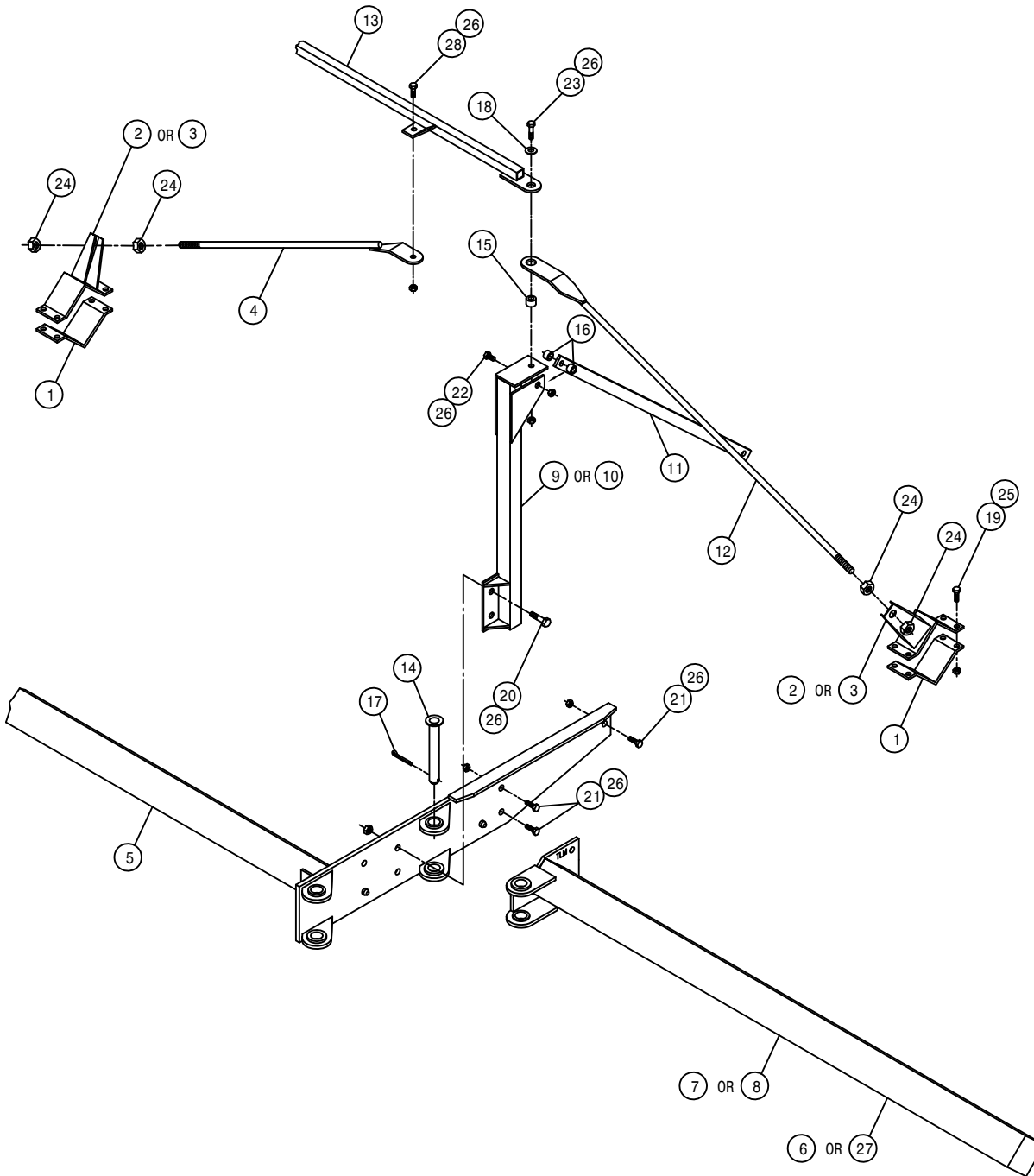


6-RW OUTRIGGER ASSEMBLY

DET. QTY PART NO. DESCRIPTION

1	2	438283	OUTRGR PIVOT PIN WLD 8200	86
2	4	470117	COTTER PIN 3/16 1 3/4 SQ CUT	
3	2	438474	STABILIZER MT PIN WLD 10-12R	
4	1	438277	RH 32IN OUTRGR WLD8200-850086	
5	1	438282	LH 32IN OUTRGR WLD8200-850086	
6	4	438324	75IN OUTRGR BRACE CLAMP	
7	1	438530	204 TOOL BAR WLD,12R 5/6L	96
8	2	438657	RATCHET JACK WLD	
9	4	438397	STABILIZER PIN MT WLD	90
10	4	611016	HAIR PIN #6	
11	16	900265	1/2UNC X 1 1/2 HEX BOLT	
12	8	900334	5/8UNC X 1 3/4 HEX BOLT	
13	8	914010	5/8UNC HEX STOVER NUT	
14	16	914008	1/2UNC HEX STOVER NUT	

QUANTITY LISTED IS FOR ONE MACHINE.



8-ROW, 3-4 LIFT OUTRIGGER ASSEMBLY

DET. QTY PART NO. DESCRIPTION

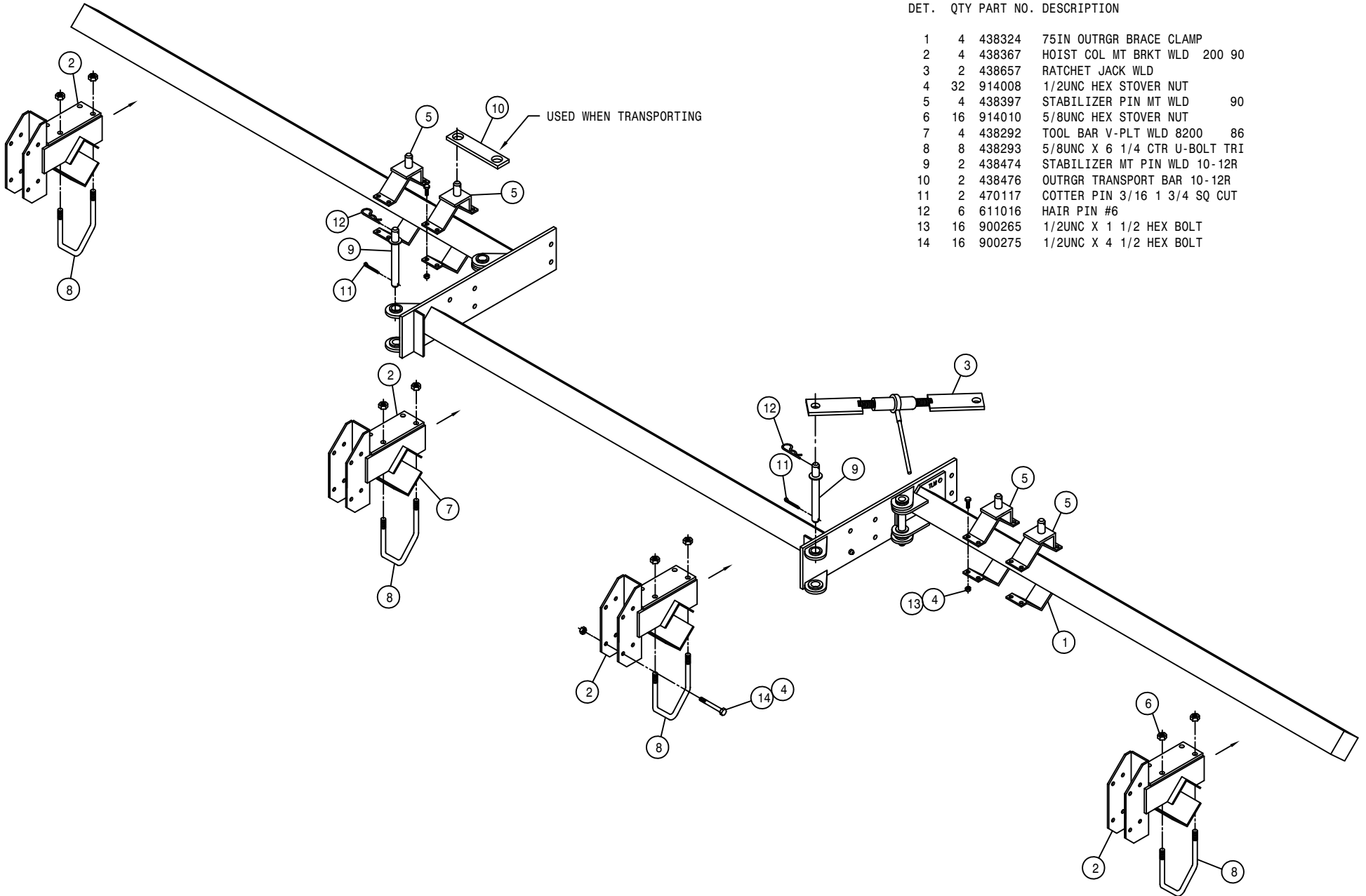
1	4	438324	75IN OUTRGR BRACE CLAMP	
2	2	438362	RH OUTRGR CLAMP WLD 200	89
3	2	438363	LH OUTRGR CLAMP WLD 200	89
4	2	438469	OUTRGR TIE BAR WLD 200 10-12R	
5	1	438530	204 TOOL BAR WLD,12R 5/6L	96
6	1	438497	RH 82" OUTRGR WLD, 204	94
7	1	438307	RH 75IN OUTRGR WLD8200-850086	
8	1	438309	LH 75IN OUTRGR WLD8200-850086	
9	1	438536	RH OUTRGR SUPP POST WLD10/12R	
10	1	438537	LH OUTRGR SUPP POST WLD10/12R	
11	2	438543	OUTRGR SUPP BRACE,10/12R	96
12	2	438676	OUTRGR SUPP ROD WLD 72" 8R	01
13	1	438672	204 TIE TUBE WLD	2001
14	2	438283	OUTRGR PIVOT PIN WLD 8200	86
15	2	438232	BUSH, 1.00 OD X .656ID X .28	
16	4	438542	BUSH, 1.00 OD X .656ID X .78	
17	2	470117	COTTER PIN 3/16 1 3/4 SQ CUT	
18	2	483037	5/8 REGULAR FLAT WASHER	
19	16	900265	1/2UNC X 1 1/2 HEX BOLT	
20	4	900336	5/8UNC X 2 1/2 HEX BOLT	
21	6	900334	5/8UNC X 1 3/4 HEX BOLT	
22	2	900339	5/8UNC X 3 1/4 HEX BOLT	
23	2	900352	5/8UNC X 2 1/4 HEX BOLT	
24	8	910012	3/4UNC HEX NUT	
25	16	914008	1/2UNC HEX STOVER NUT	
26	16	914010	5/8UNC HEX STOVER NUT	
27	1	438498	LH 82" OUTRGR WLD, 204	94
28	2	900333	5/8UNC X 1 1/2 HEX BOLT	

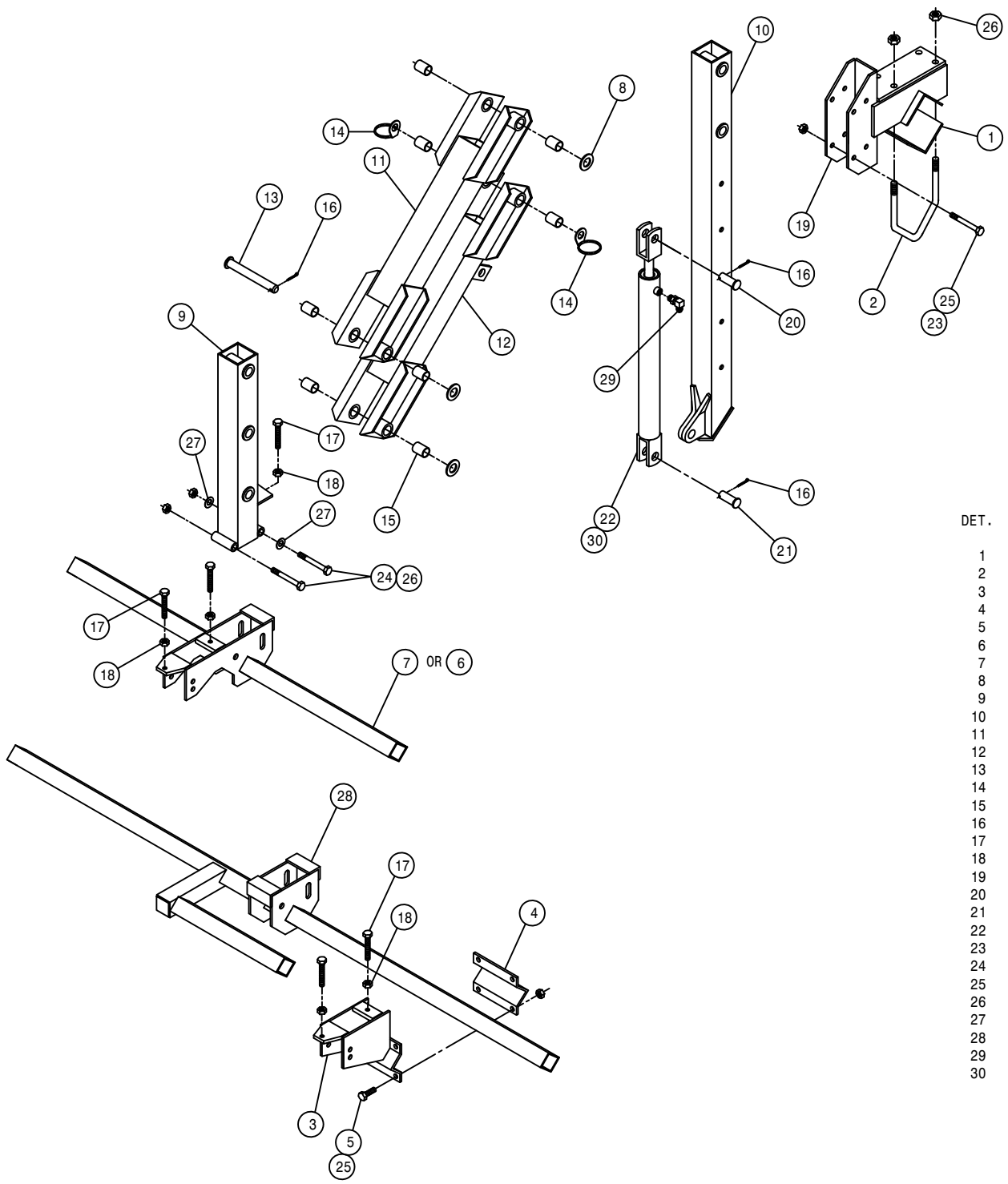
QUANTITY LISTED IS FOR ONE MACHINE.

8-ROW, 3-4 LIFT OUTRIGGER ASSEMBLY

DET. QTY PART NO. DESCRIPTION

DET.	QTY	PART NO.	DESCRIPTION
1	4	438324	75IN OUTRGR BRACE CLAMP
2	4	438367	HOIST COL MT BRKT WLD 200 90
3	2	438657	RATCHET JACK WLD
4	32	914008	1/2UNC HEX STOVER NUT
5	4	438397	STABILIZER PIN MT WLD 90
6	16	914010	5/8UNC HEX STOVER NUT
7	4	438292	TOOL BAR V-PLT WLD 8200 86
8	8	438293	5/8UNC X 6 1/4 CTR U-BOLT TRI
9	2	438474	STABILIZER MT PIN WLD 10-12R
10	2	438476	OUTRGR TRANSPORT BAR 10-12R
11	2	470117	COTTER PIN 3/16 1 3/4 SQ CUT
12	6	611016	HAIR PIN #6
13	16	900265	1/2UNC X 1 1/2 HEX BOLT
14	16	900275	1/2UNC X 4 1/2 HEX BOLT





6-8 ROW DETASSLER LIFT ASSEMBLY

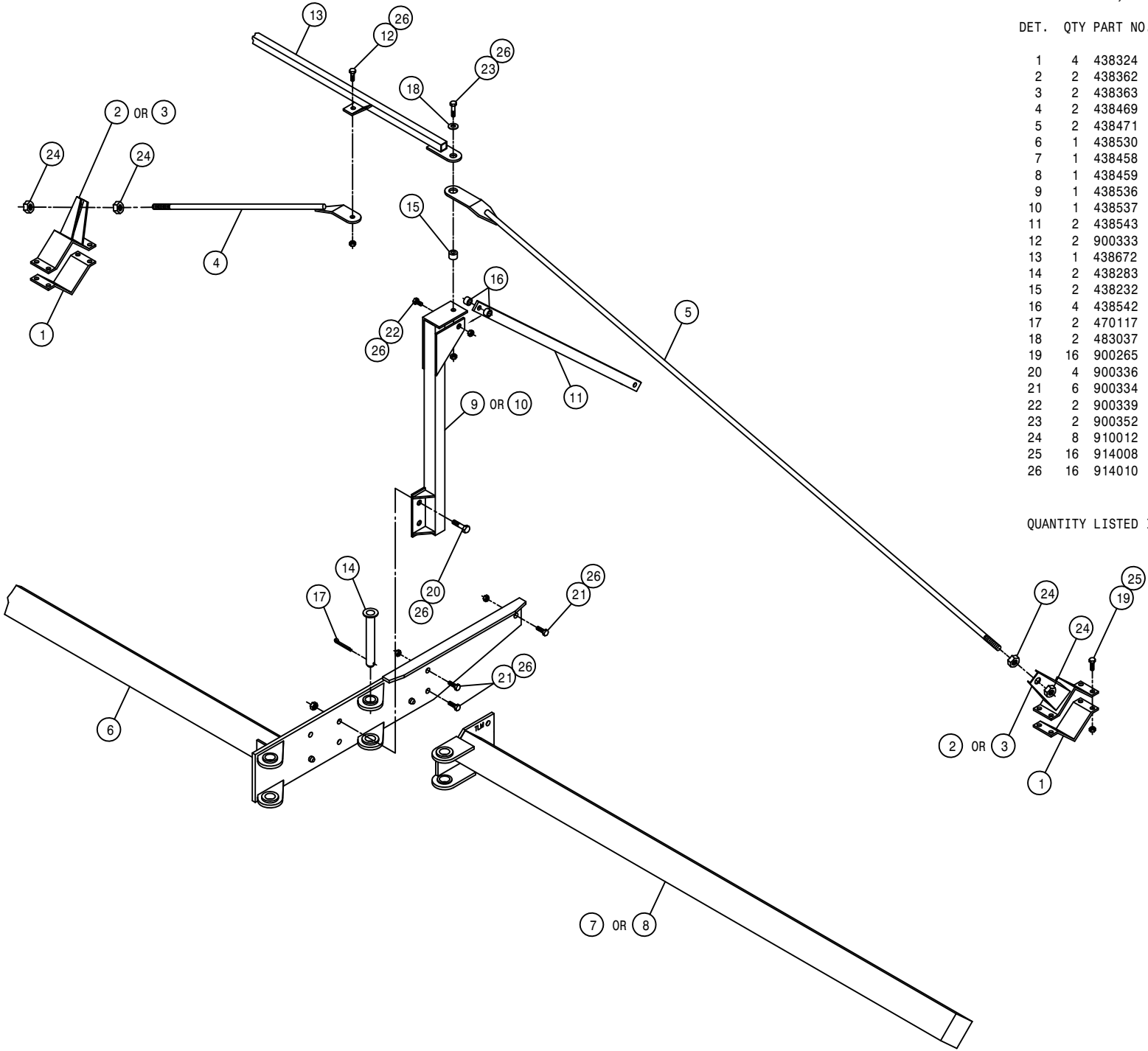
DET.	QTY	PART NO.	DESCRIPTION	
1	1	438292	TOOL BAR V-PLT WLD 8200	86
2	2	438293	5/8UNC X 6 1/4 CTR U-BOLT TRI	
3	1	438199	T-TROL MT WLD 8R DETAS	83
4	1	410016	RLR HANGER V 473	
5	4	900265	1/2UNC X 1 1/2 HEX BOLT	
6	1	438500	TOOL BAR WLD, 54"	94
7	1	438194	TOOL BAR WLD DETAS 4-6R 83	
8	3	920008	1" SAE FLAT WASHER	
9	1	438245	TOOL BAR MT WLD,2-POS DETAS	
10	1	438184	HOIST COL WLD DETAS LIFT 83	
11	1	438294	UPPER LIFT ARM WLD 8200	86
12	1	438297	LWR LIFT ARM WLD 8200	86
13	4	438300	LIFT ARM PIVOT PIN WLD8200	86
14	2	438302	HOSE SUPPORT RING WLD	
15	8	121025	JOURNAL BRG, 1.00 ID X 1.50 LG	
16	6	470162	COTTER PIN 3/16 X 1 1/2 SQ CUT	
17	5	900538	1/2UNC X 3 1/2 HEX BOLT FULL	
18	5	910008	1/2UNC HEX NUT	
19	1	438367	HOIST COL MT BRKT WLD 200 90	
20	1	472012	CLEVIS PIN, 1.00 X 3.25 PLT	
21	1	472206	PICKER PIN 1 DIA X 2 1/4	
22	1	621506	LIFT CYL ASSY 1W,DETASSELER	
23	4	900275	1/2UNC X 4 1/2 HEX BOLT	
24	2	900343	5/8UNC X 4 1/2 HEX BOLT	
25	8	914008	1/2UNC HEX STOVER NUT	
26	6	914010	5/8UNC HEX STOVER NUT	
27	2	920005	5/8 SAE FLAT WASHER	
28	1	438201	TOOL BAR WLD 8R DETAS 83	
29	1	618119	9/16MJIC-90-9/16MOR LBO	
30	1	621507	REPAIR KIT, HYD CYL 621506	

10-12 ROW, 4-LIFT OUTRIGGER ASSEMBLY

DET. QTY PART NO. DESCRIPTION

DET.	QTY	PART NO.	DESCRIPTION
1	4	438324	75IN OUTGR BRACE CLAMP
2	2	438362	RH OUTGR CLAMP WLD 200 89
3	2	438363	LH OUTGR CLAMP WLD 200 89
4	2	438469	OUTGR TIE BAR WLD 200 10-12R
5	2	438471	OUTGR SUPP ROD WLD 10-12R
6	1	438530	204 TOOL BAR WLD,12R 5/6L 96
7	1	438458	RH 101IN OUTGR WLD 10-12R 92
8	1	438459	LH 101IN OUTGR WLD 10-12R 92
9	1	438536	RH OUTGR SUPP POST WLD10/12R
10	1	438537	LH OUTGR SUPP POST WLD10/12R
11	2	438543	OUTGR SUPP BRACE,10/12R 96
12	2	900333	5/8UNC X 1 1/2 HEX BOLT
13	1	438672	204 TIE TUBE WLD 2001
14	2	438283	OUTGR PIVOT PIN WLD 8200 86
15	2	438232	BUSH, 1.00 OD X .656ID X .28
16	4	438542	BUSH, 1.00 OD X .656ID X .78
17	2	470117	COTTER PIN 3/16 1 3/4 SQ CUT
18	2	483037	5/8 REGULAR FLAT WASHER
19	16	900265	1/2UNC X 1 1/2 HEX BOLT
20	4	900336	5/8UNC X 2 1/2 HEX BOLT
21	6	900334	5/8UNC X 1 3/4 HEX BOLT
22	2	900339	5/8UNC X 3 1/4 HEX BOLT
23	2	900352	5/8UNC X 2 1/4 HEX BOLT
24	8	910012	3/4UNC HEX NUT
25	16	914008	1/2UNC HEX STOVER NUT
26	16	914010	5/8UNC HEX STOVER NUT

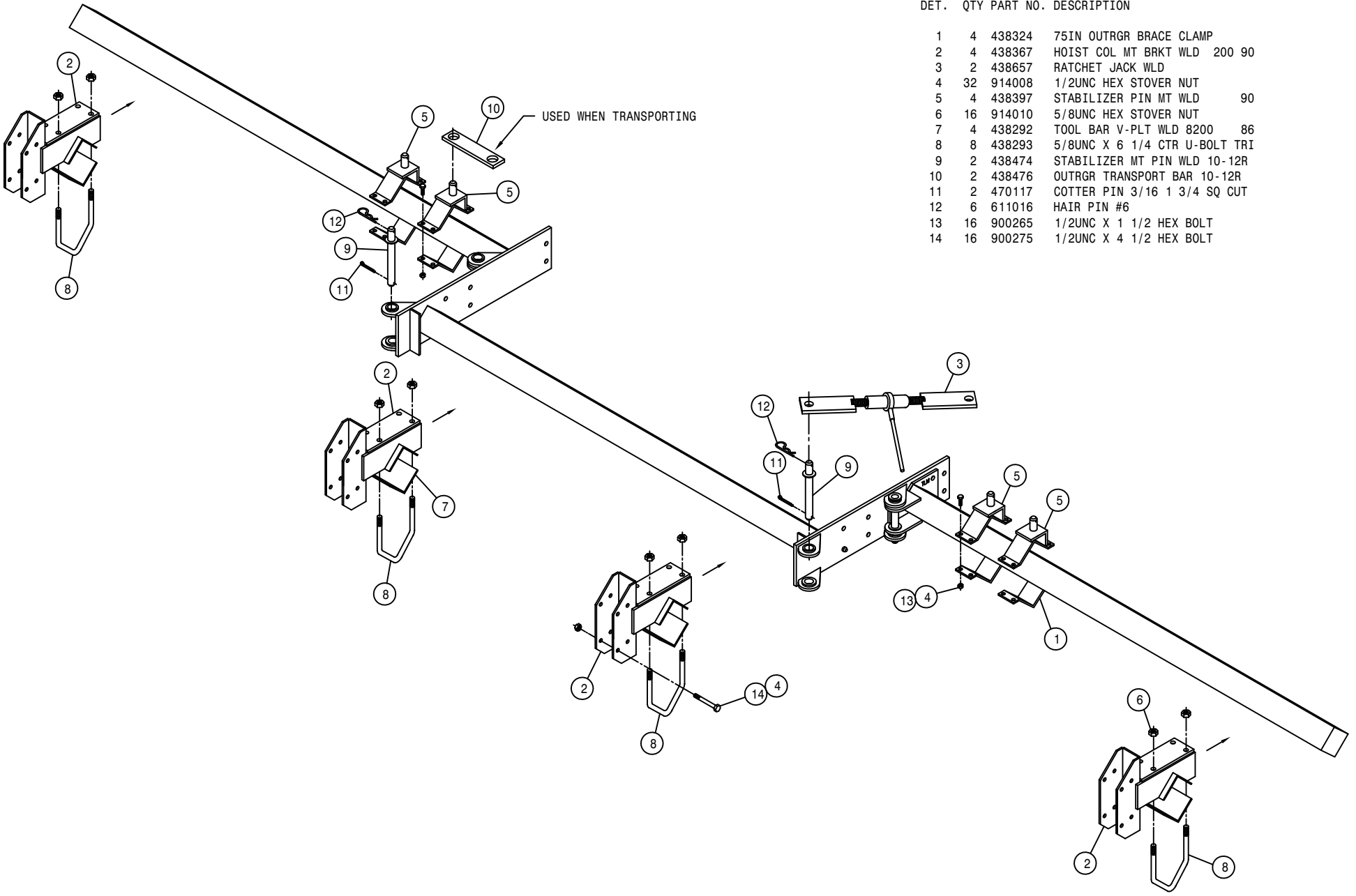
QUANTITY LISTED IS FOR ONE MACHINE.



10-ROW, 4-LIFT OUTRIGGER ASSEMBLY

DET. QTY PART NO. DESCRIPTION

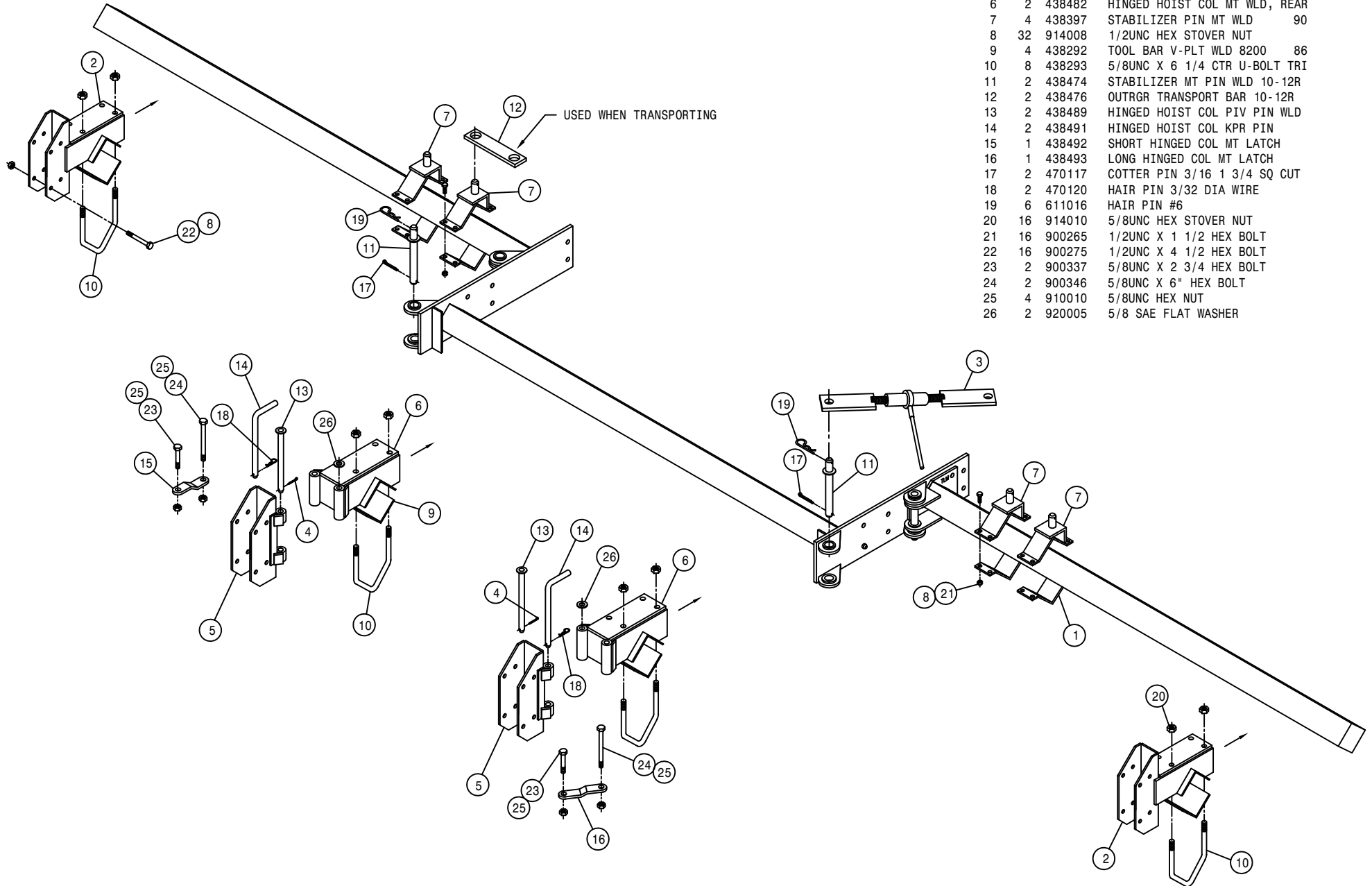
DET.	QTY	PART NO.	DESCRIPTION
1	4	438324	75IN OUTGR BRACE CLAMP
2	4	438367	HOIST COL MT BRKT WLD 200 90
3	2	438657	RATCHET JACK WLD
4	32	914008	1/2UNC HEX STOVER NUT
5	4	438397	STABILIZER PIN MT WLD 90
6	16	914010	5/8UNC HEX STOVER NUT
7	4	438292	TOOL BAR V-PLT WLD 8200 86
8	8	438293	5/8UNC X 6 1/4 CTR U-BOLT TRI
9	2	438474	STABILIZER MT PIN WLD 10-12R
10	2	438476	OUTGR TRANSPORT BAR 10-12R
11	2	470117	COTTER PIN 3/16 1 3/4 SQ CUT
12	6	611016	HAIR PIN #6
13	16	900265	1/2UNC X 1 1/2 HEX BOLT
14	16	900275	1/2UNC X 4 1/2 HEX BOLT

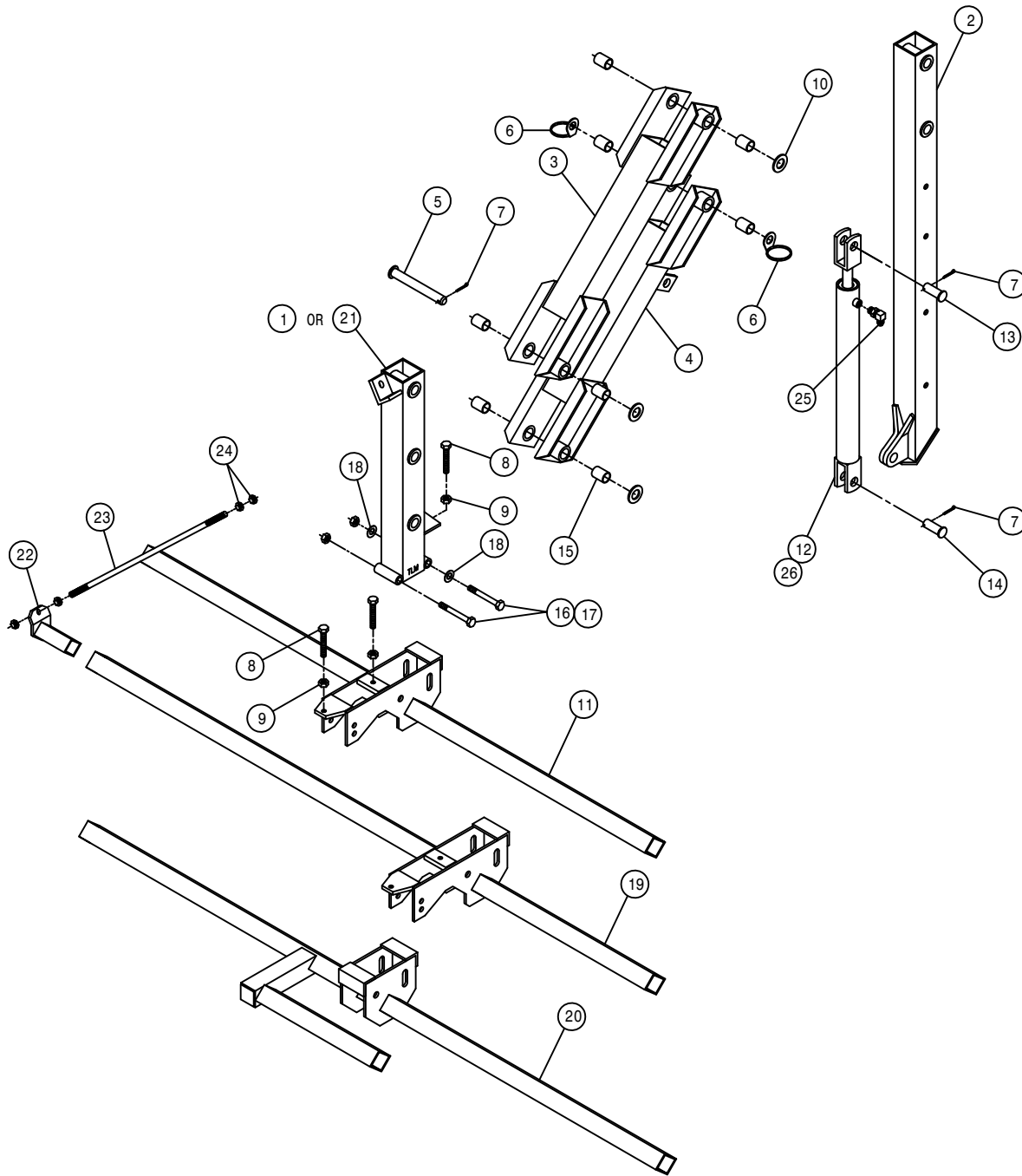


12-ROW, 4-LIFT OUTRIGGER ASSEMBLY

DET. QTY PART NO. DESCRIPTION

DET.	QTY	PART NO.	DESCRIPTION
1	4	438324	75IN OUTRGR BRACE CLAMP
2	2	438367	HOIST COL MT BRKT WLD 200 90
3	2	438657	RATCHET JACK WLD
4	2	390984	COTTER PIN 1/8 X 1 1/4
5	2	438481	HINGED HOIST COL MT WLD, FRT
6	2	438482	HINGED HOIST COL MT WLD, REAR
7	4	438397	STABILIZER PIN MT WLD 90
8	32	914008	1/2UNC HEX STOVER NUT
9	4	438292	TOOL BAR V-PLT WLD 8200 86
10	8	438293	5/8UNC X 6 1/4 CTR U-BOLT TRI
11	2	438474	STABILIZER MT PIN WLD 10-12R
12	2	438476	OUTRGR TRANSPORT BAR 10-12R
13	2	438489	HINGED HOIST COL PIV PIN WLD
14	2	438491	HINGED HOIST COL KPR PIN
15	1	438492	SHORT HINGED COL MT LATCH
16	1	438493	LONG HINGED COL MT LATCH
17	2	470117	COTTER PIN 3/16 1 3/4 SQ CUT
18	2	470120	HAIR PIN 3/32 DIA WIRE
19	6	611016	HAIR PIN #6
20	16	914010	5/8UNC HEX STOVER NUT
21	16	900265	1/2UNC X 1 1/2 HEX BOLT
22	16	900275	1/2UNC X 4 1/2 HEX BOLT
23	2	900337	5/8UNC X 2 3/4 HEX BOLT
24	2	900346	5/8UNC X 6" HEX BOLT
25	4	910010	5/8UNC HEX NUT
26	2	920005	5/8 SAE FLAT WASHER





10-12 ROW, 4-LIFT ASSEMBLY

DET. QTY PART NO. DESCRIPTION

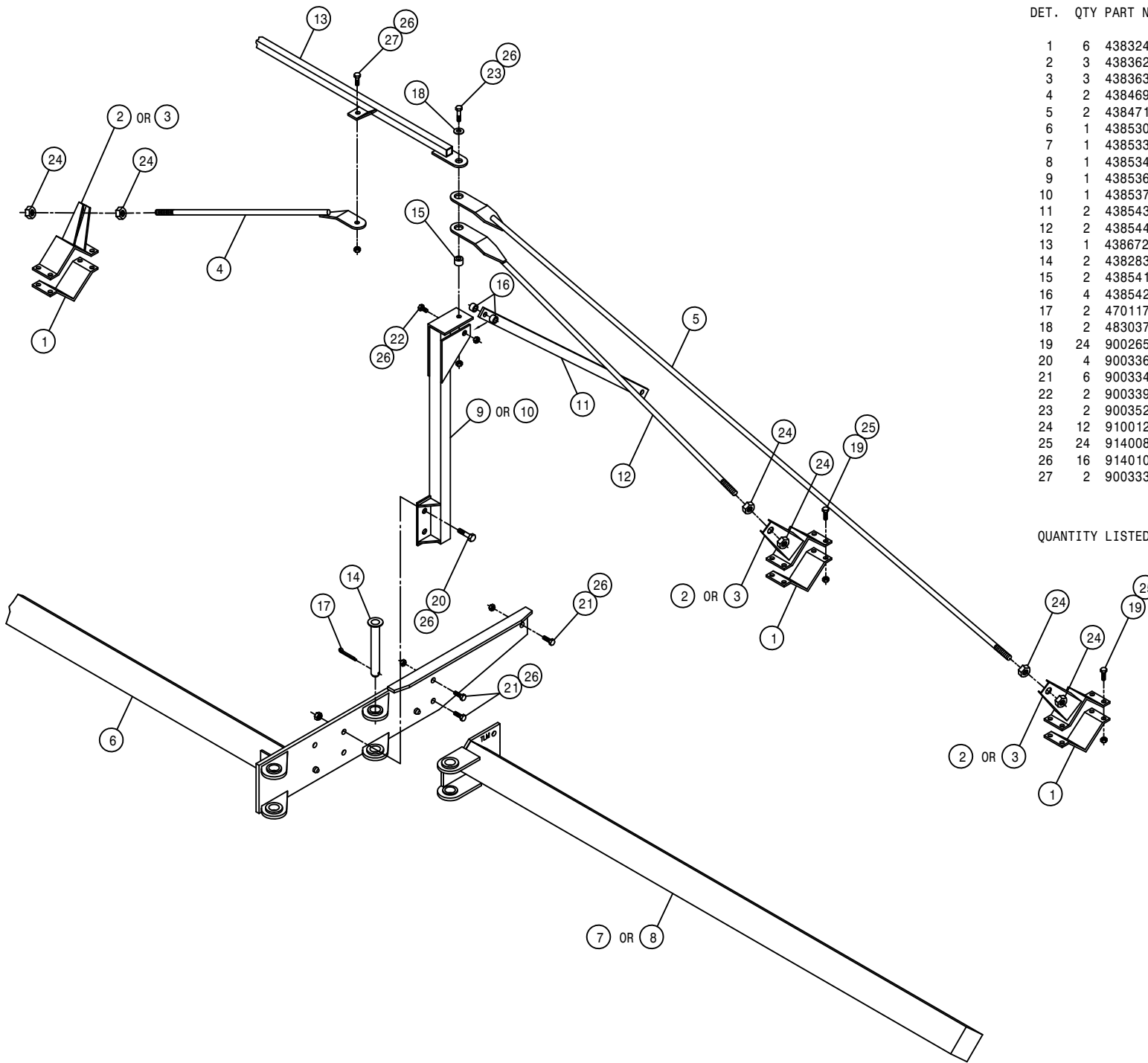
1	1	438245	TOOL BAR MT WLD,2-POS DETAS
2	1	438184	HOIST COL WLD DETAS LIFT 83
3	1	438294	UPPER LIFT ARM WLD 8200 86
4	1	438297	LWR LIFT ARM WLD 8200 86
5	4	438300	LIFT ARM PIVOT PIN WLD8200 86
6	2	438302	HOSE SUPPORT RING WLD
7	6	470162	COTTER PIN 3/16 X 1 1/2 SQ CUT
8	3	900538	1/2UNC X 3 1/2 HEX BOLT FULL
9	3	910008	1/2UNC HEX NUT
10	3	920008	1" SAE FLAT WASHER
11	1	438194	TOOL BAR WLD DETAS 4-6R 83
12	1	621506	LIFT CYL ASSY 1W,DETASSELER
13	1	472012	CLEVIS PIN, 1.00 X 3.25 PLT
14	1	472206	PICKER PIN 1 DIA X 2 1/4
15	8	121025	JOURNAL BRG, 1.00 ID X 1.50 LG
16	2	900343	5/8UNC X 4 1/2 HEX BOLT
17	2	914010	5/8UNC HEX STOVER NUT
18	2	920005	5/8 SAE FLAT WASHER
19	1	438750	TOOL BAR WLD 10-12R 3-HD DET
20	1	438201	TOOL BAR WLD 8R DETAS 83
21	1	438749	TOOL BAR MT WLD,2-POS W/SUPP
22	1	438226	TOOL BAR SUPP WLD
23	1	438231	TOOL BAR SUPP ROD
24	4	910008	1/2UNC HEX NUT
25	1	618119	9/16MJIC-90-9/16MOR LBO
26	1	621507	REPAIR KIT, HYD CYL 621506

12-ROW, 6-LIFT OUTRIGGER ASSEMBLY

DET. QTY PART NO. DESCRIPTION

DET.	QTY	PART NO.	DESCRIPTION
1	6	438324	75IN OUTRGR BRACE CLAMP
2	3	438362	RH OUTRGR CLAMP WLD 200 89
3	3	438363	LH OUTRGR CLAMP WLD 200 89
4	2	438469	OUTRGR TIE BAR WLD 200 10-12R
5	2	438471	OUTRGR SUPP ROD WLD 10-12R
6	1	438530	204 TOOL BAR WLD,12R 5/6L 96
7	1	438533	RH 133" OUTRGR WLD, 10/12R 96
8	1	438534	LH 133" OUTRGR WLD, 10/12R 96
9	1	438536	RH OUTRGR SUPP POST WLD10/12R
10	1	438537	LH OUTRGR SUPP POST WLD10/12R
11	2	438543	OUTRGR SUPP BRACE,10/12R 96
12	2	438544	OUTRGR SUPP ROD WLD 50"10/12R
13	1	438672	204 TIE TUBE WLD 2001
14	2	438283	OUTRGR PIVOT PIN WLD 8200 86
15	2	438541	BUSH, 1.00 OD X .656ID X .53
16	4	438542	BUSH, 1.00 OD X .656ID X .78
17	2	470117	COTTER PIN 3/16 1 3/4 SQ CUT
18	2	483037	5/8 REGULAR FLAT WASHER
19	24	900265	1/2UNC X 1 1/2 HEX BOLT
20	4	900336	5/8UNC X 2 1/2 HEX BOLT
21	6	900334	5/8UNC X 1 3/4 HEX BOLT
22	2	900339	5/8UNC X 3 1/4 HEX BOLT
23	2	900352	5/8UNC X 2 1/4 HEX BOLT
24	12	910012	3/4UNC HEX NUT
25	24	914008	1/2UNC HEX STOVER NUT
26	16	914010	5/8UNC HEX STOVER NUT
27	2	900333	5/8UNC X 1 1/2 HEX BOLT

QUANTITY LISTED IS FOR ONE MACHINE.

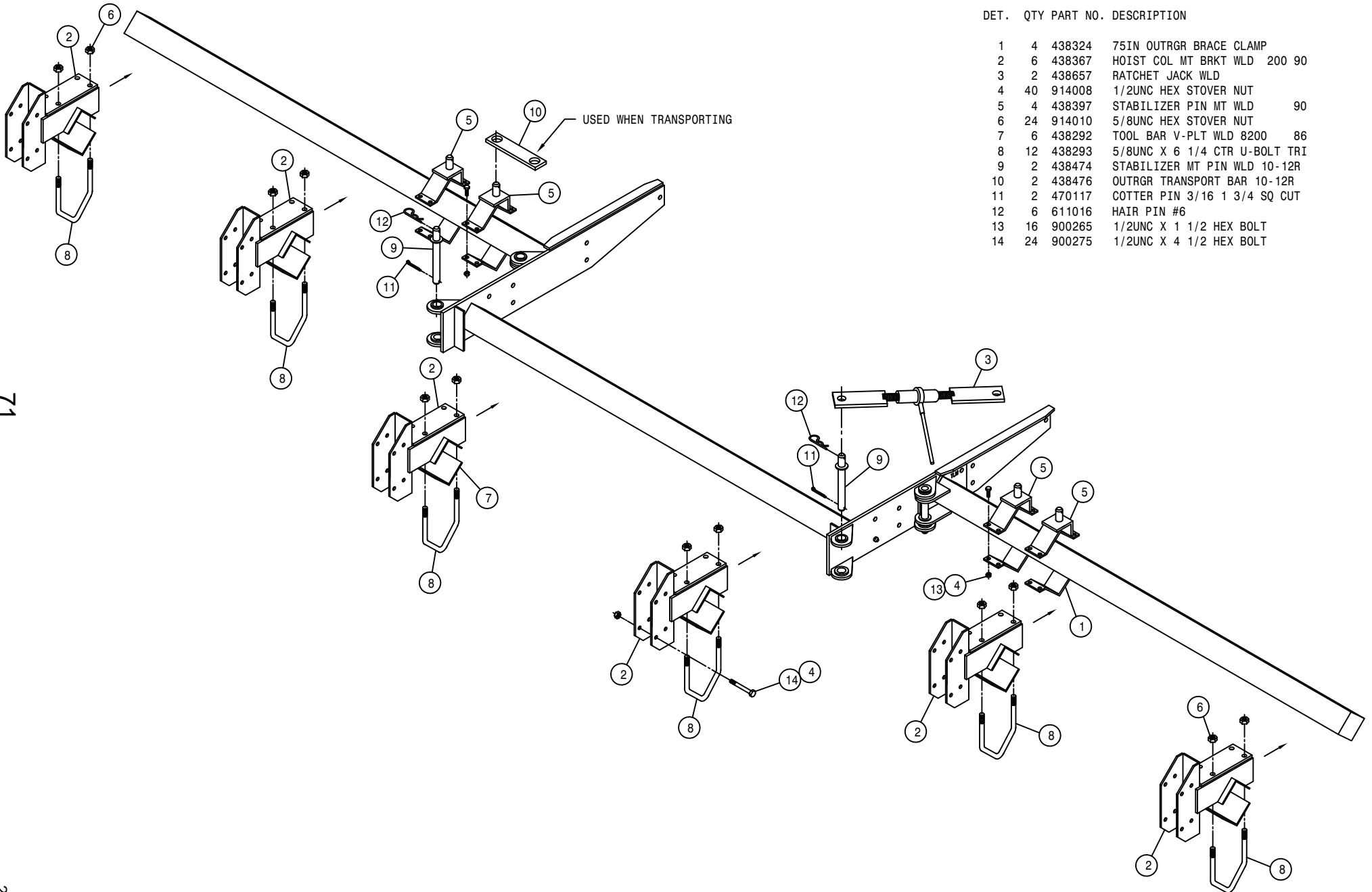


70

12-ROW, 6-LIFT OUTRIGGER ASSEMBLY

DET. QTY PART NO. DESCRIPTION

DET.	QTY	PART NO.	DESCRIPTION
1	4	438324	75IN OUTGR BRACE CLAMP
2	6	438367	HOIST COL MT BRKT WLD 200 90
3	2	438657	RATCHET JACK WLD
4	40	914008	1/2UNC HEX STOVER NUT
5	4	438397	STABILIZER PIN MT WLD 90
6	24	914010	5/8UNC HEX STOVER NUT
7	6	438292	TOOL BAR V-PLT WLD 8200 86
8	12	438293	5/8UNC X 6 1/4 CTR U-BOLT TRI
9	2	438474	STABILIZER MT PIN WLD 10-12R
10	2	438476	OUTGR TRANSPORT BAR 10-12R
11	2	470117	COTTER PIN 3/16 1 3/4 SQ CUT
12	6	611016	HAIR PIN #6
13	16	900265	1/2UNC X 1 1/2 HEX BOLT
14	24	900275	1/2UNC X 4 1/2 HEX BOLT

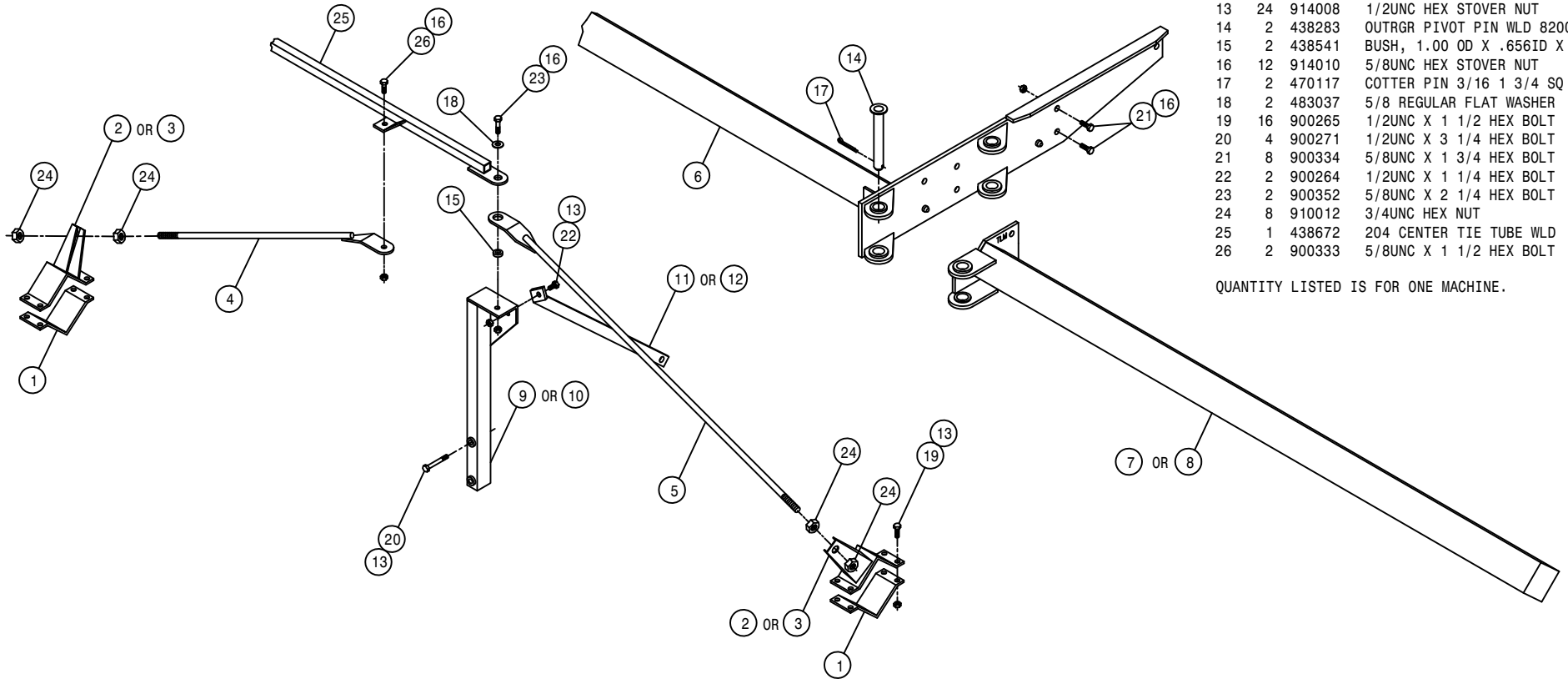


12-ROW, 6-LIFT, 52CM SPACING OUTRIGGER ASSEMBLY

DET. QTY PART NO. DESCRIPTION

DET.	QTY	PART NO.	DESCRIPTION
1	4	438324	75IN OUTRGR BRACE CLAMP
2	2	438362	RH OUTRGR CLAMP WLD 200 89
3	2	438363	LH OUTRGR CLAMP WLD 200 89
4	2	439176	OUTRGR TIE BAR WLD 204 52CM
5	2	439175	OUTRGR SUPP ROD WLD 204 52CM
6	1	438530	204 TOOL BAR WLD,12R 5/6L 96
7	1	438497	RH 82" OUTRGR WLD, 204 94
8	1	438498	LH 82" OUTRGR WLD, 204 94
9	1	439173	RH OUTRGR SUPP POST WLD 52CM
10	1	439174	LH OUTRGR SUPP POST WLD 52CM
11	1	438355	RH OUTRGR SUPP BRACE 200 89
12	1	438356	LH OUTRGR SUPP BRACE 200 89
13	24	914008	1/2UNC HEX STOVER NUT
14	2	438283	OUTRGR PIVOT PIN WLD 8200 86
15	2	438541	BUSH, 1.00 OD X .656ID X .53
16	12	914010	5/8UNC HEX STOVER NUT
17	2	470117	COTTER PIN 3/16 1 3/4 SQ CUT
18	2	483037	5/8 REGULAR FLAT WASHER
19	16	900265	1/2UNC X 1 1/2 HEX BOLT
20	4	900271	1/2UNC X 3 1/4 HEX BOLT
21	8	900334	5/8UNC X 1 3/4 HEX BOLT
22	2	900264	1/2UNC X 1 1/4 HEX BOLT
23	2	900352	5/8UNC X 2 1/4 HEX BOLT
24	8	910012	3/4UNC HEX NUT
25	1	438672	204 CENTER TIE TUBE WLD 2001
26	2	900333	5/8UNC X 1 1/2 HEX BOLT

QUANTITY LISTED IS FOR ONE MACHINE.



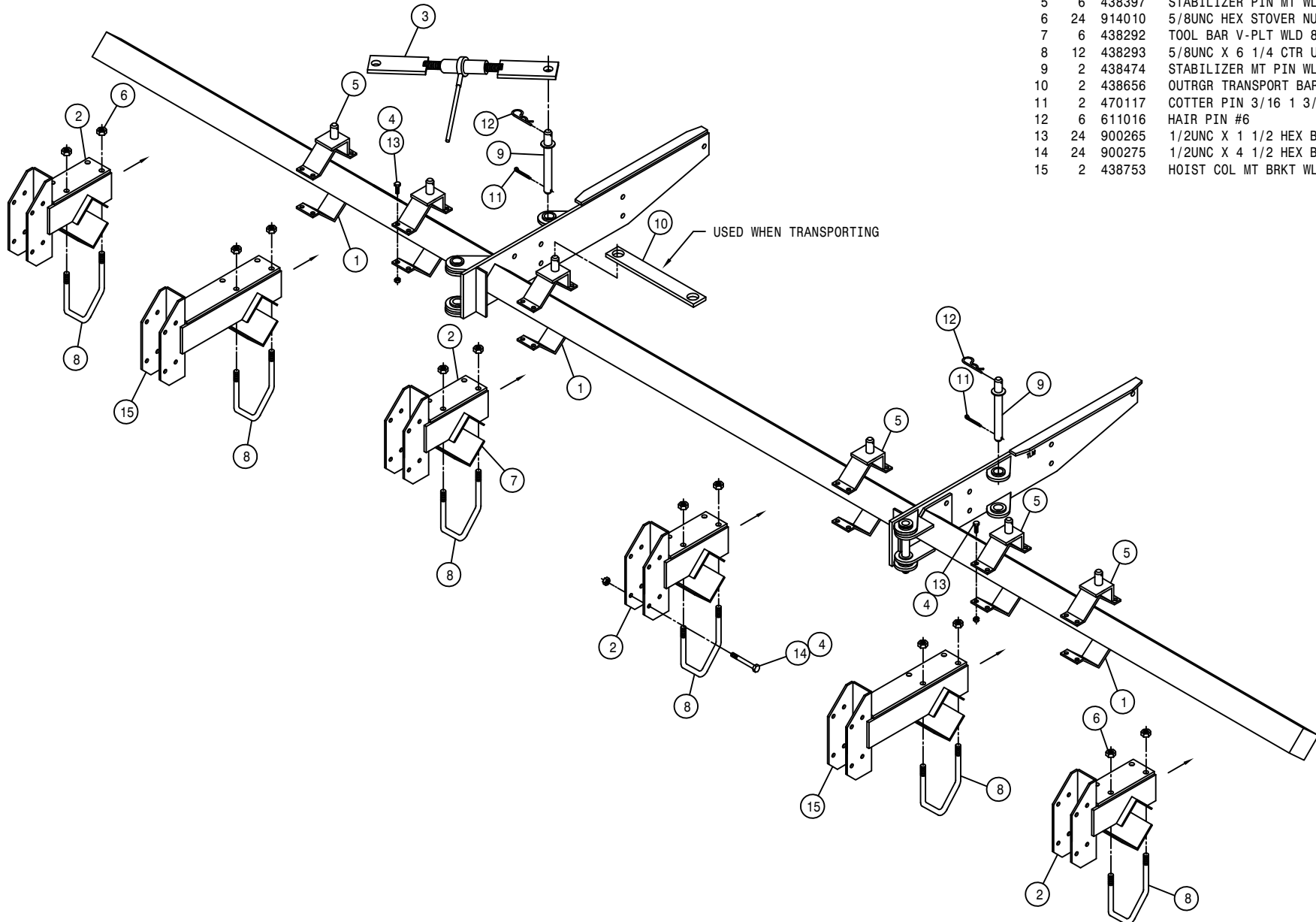
72

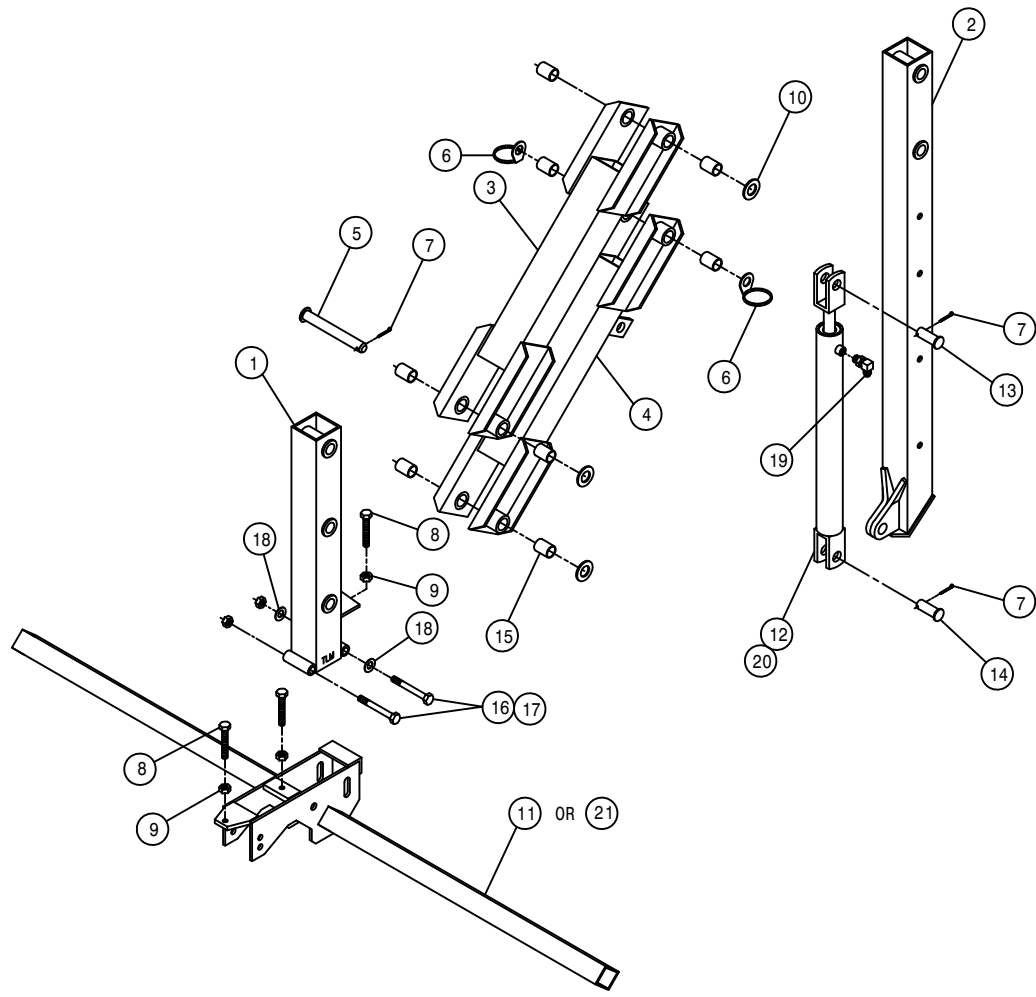
290072

12-ROW,6-LIFT, 52CM SPACING OUTRIGGER ASSEMBLY

DET. QTY PART NO. DESCRIPTION

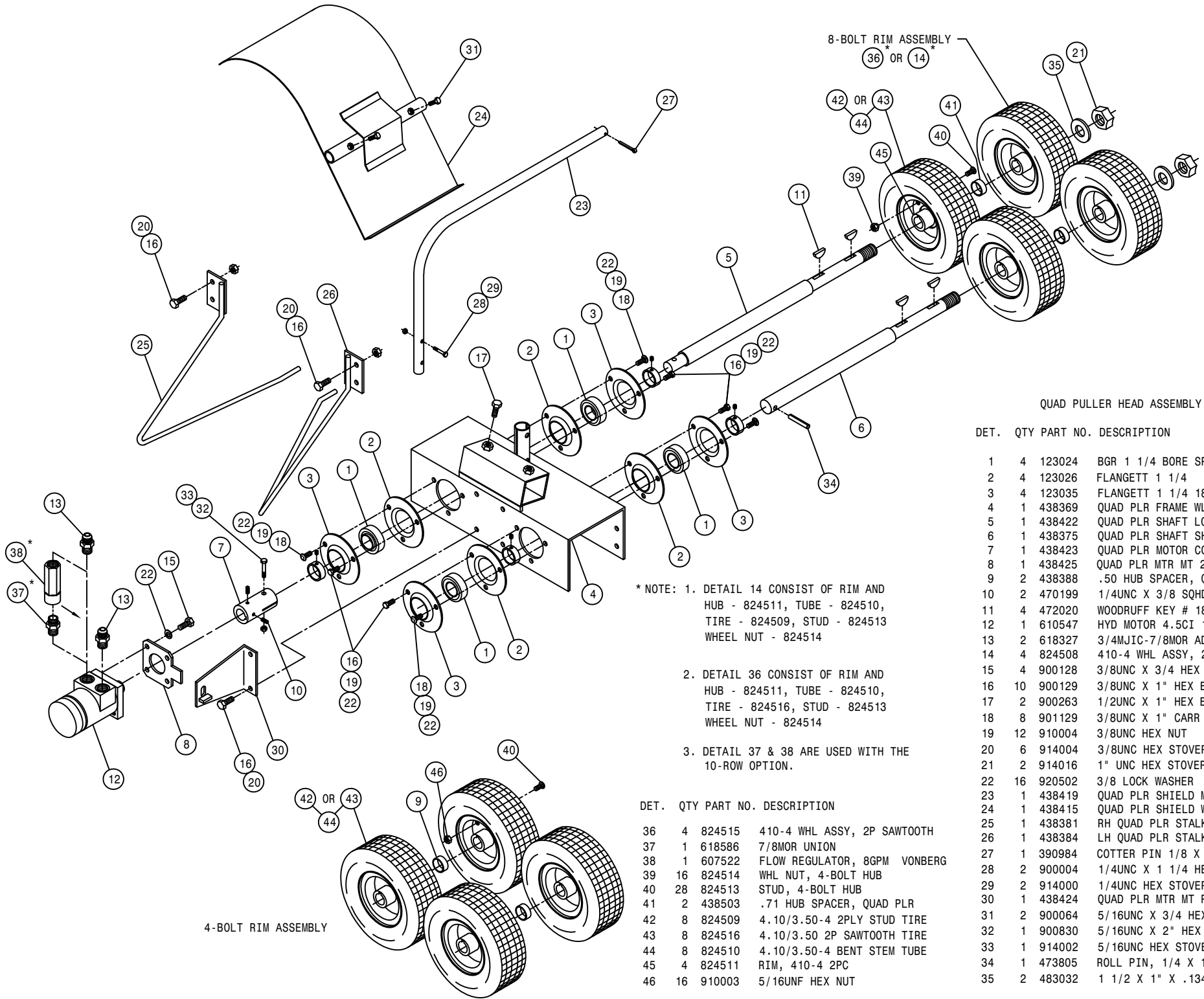
DET.	QTY	PART NO.	DESCRIPTION
1	6	438324	75IN OUTGR BRACE CLAMP
2	4	438367	HOIST COL MT BRKT WLD 200 90
3	2	438657	RATCHET JACK WLD
4	48	914008	1/2UNC HEX STOVER NUT
5	6	438397	STABILIZER PIN MT WLD 90
6	24	914010	5/8UNC HEX STOVER NUT
7	6	438292	TOOL BAR V-PLT WLD 8200 86
8	12	438293	5/8UNC X 6 1/4 CTR U-BOLT TRI
9	2	438474	STABILIZER MT PIN WLD 10-12R
10	2	438656	OUTGR TRANSPORT BAR,2100COMBO
11	2	470117	COTTER PIN 3/16 1 3/4 SQ CUT
12	6	611016	HAIR PIN #6
13	24	900265	1/2UNC X 1 1/2 HEX BOLT
14	24	900275	1/2UNC X 4 1/2 HEX BOLT
15	2	438753	HOIST COL MT BRKT WLD, 20" ROW





12-ROW, 6-LIFT ASSEMBLY

DET.	QTY	PART NO.	DESCRIPTION
1	1	438245	TOOL BAR MT WLD,2-POS DETAS
2	1	438184	HOIST COL WLD DETAS LIFT 83
3	1	438294	UPPER LIFT ARM WLD 8200 86
4	1	438297	LWR LIFT ARM WLD 8200 86
5	4	438300	LIFT ARM PIVOT PIN WLD8200 86
6	2	438302	HOSE SUPPORT RING WLD
7	6	470162	COTTER PIN 3/16 X 1 1/2 SQ CUT
8	3	900538	1/2UNC X 3 1/2 HEX BOLT FULL
9	3	910008	1/2UNC HEX NUT
10	3	920008	1" SAE FLAT WASHER
11	1	438194	TOOL BAR WLD DETAS 4-6R 83
12	1	621506	LIFT CYL ASSY 1W,DETASSELER
13	1	472012	CLEVIS PIN, 1.00 X 3.25 PLT
14	1	472206	PICKER PIN 1 DIA X 2 1/4
15	8	121025	JOURNAL BRG, 1.00 ID X 1.50 LG
16	2	900343	5/8UNC X 4 1/2 HEX BOLT
17	2	914010	5/8UNC HEX STOVER NUT
18	2	920005	5/8 SAE FLAT WASHER
19	1	618119	9/16MJIC-90-9/16MOR LBO
20	1	621507	REPAIR KIT, HYD CYL 621506
21	1	439178	HEAD TOOL BAR WLD, 204 52CM



QUAD PULLER HEAD ASSEMBLY

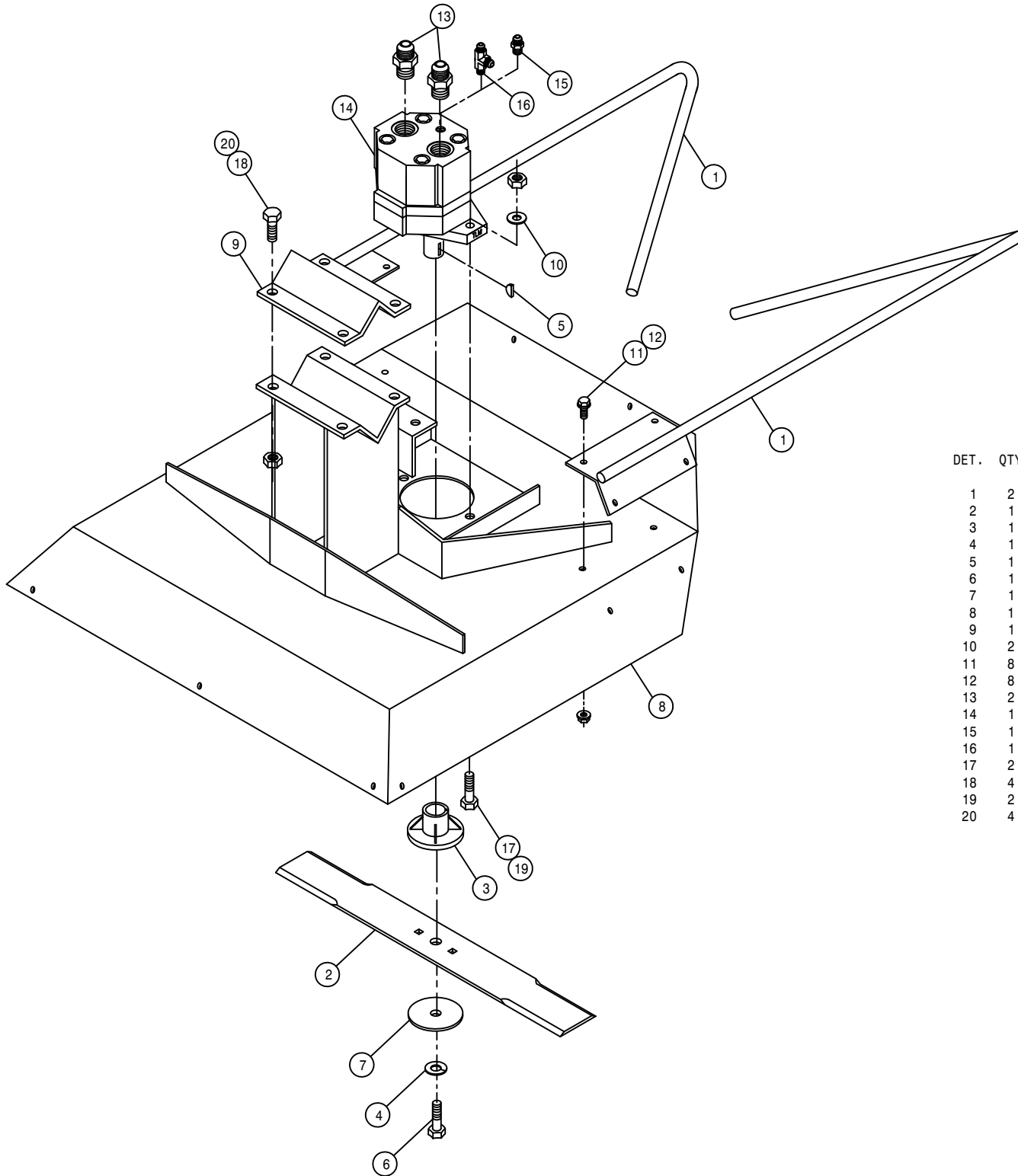
DET.	QTY	PART NO.	DESCRIPTION
1	4	123024	BGR 1 1/4 BORE SPHERICL RELUB
2	4	123026	FLANGETT 1 1/4
3	4	123035	FLANGETT 1 1/4 180 DEG ZERK
4	1	438369	QUAD PLR FRAME WLD 200 90
5	1	438422	QUAD PLR SHAFT LONG 200 91
6	1	438375	QUAD PLR SHAFT SHORT 200 90
7	1	438423	QUAD PLR MOTOR COUPLER 200 91
8	1	438425	QUAD PLR MTR MT 200 91
9	2	438388	.50 HUB SPACER, QUAD PLR
10	2	470199	1/4UNC X 3/8 SQHD CUP SET SCR
11	4	472020	WOODRUFF KEY # 18 1/4 X 1 1/8
12	1	610547	HYD MOTOR 4.5CI 1IN SHFT
13	2	618327	3/4MJIC-7/8MOR ADPTR
14	4	824508	410-4 WHL ASSY, 2P STUD
15	4	900128	3/8UNC X 3/4 HEX BOLT
16	10	900129	3/8UNC X 1" HEX BOLT
17	2	900263	1/2UNC X 1" HEX BOLT
18	8	901129	3/8UNC X 1" CARR BOLT
19	12	910004	3/8UNC HEX NUT
20	6	914004	3/8UNC HEX STOVER NUT
21	2	914016	1" UNC HEX STOVER NUT
22	16	920502	3/8 LOCK WASHER
23	1	438419	QUAD PLR SHIELD MT TUBE 91
24	1	438415	QUAD PLR SHIELD WLD 200 91
25	1	438381	RH QUAD PLR STALK GUIDE WLD90
26	1	438384	LH QUAD PLR STALK GUIDE WLD90
27	1	390984	COTTER PIN 1/8 X 1 1/4
28	2	900004	1/4UNC X 1 1/4 HEX BOLT
29	2	914000	1/4UNC HEX STOVER NUT
30	1	438424	QUAD PLR MTR MT PLT WLD
31	2	900064	5/16UNC X 3/4 HEX BOLT
32	1	900830	5/16UNC X 2" HEX BOLT GR8
33	1	914002	5/16UNC HEX STOVER NUT
34	1	473805	ROLL PIN, 1/4 X 1 1/2
35	2	483032	1 1/2 X 1" X .134TH MACH WASH
36	4	824515	410-4 WHL ASSY, 2P SAWTOOTH
37	1	618586	7/8MOR UNION
38	1	607522	FLOW REGULATOR, 8GPM VONBERG
39	16	824514	WHL NUT, 4-BOLT HUB
40	28	824513	STUD, 4-BOLT HUB
41	2	438503	.71 HUB SPACER, QUAD PLR
42	8	824509	4.10/3.50-4 2PLY STUD TIRE
43	8	824516	4.10/3.50 2P SAWTOOTH TIRE
44	8	824510	4.10/3.50-4 BENT STEM TUBE
45	4	824511	RIM, 410-4 2PC
46	16	910003	5/16UNF HEX NUT

* NOTE: 1. DETAIL 14 CONSIST OF RIM AND HUB - 824511, TUBE - 824510, TIRE - 824509, STUD - 824513 WHEEL NUT - 824514

2. DETAIL 36 CONSIST OF RIM AND HUB - 824511, TUBE - 824510, TIRE - 824516, STUD - 824513 WHEEL NUT - 824514

3. DETAIL 37 & 38 ARE USED WITH THE 10-ROW OPTION.

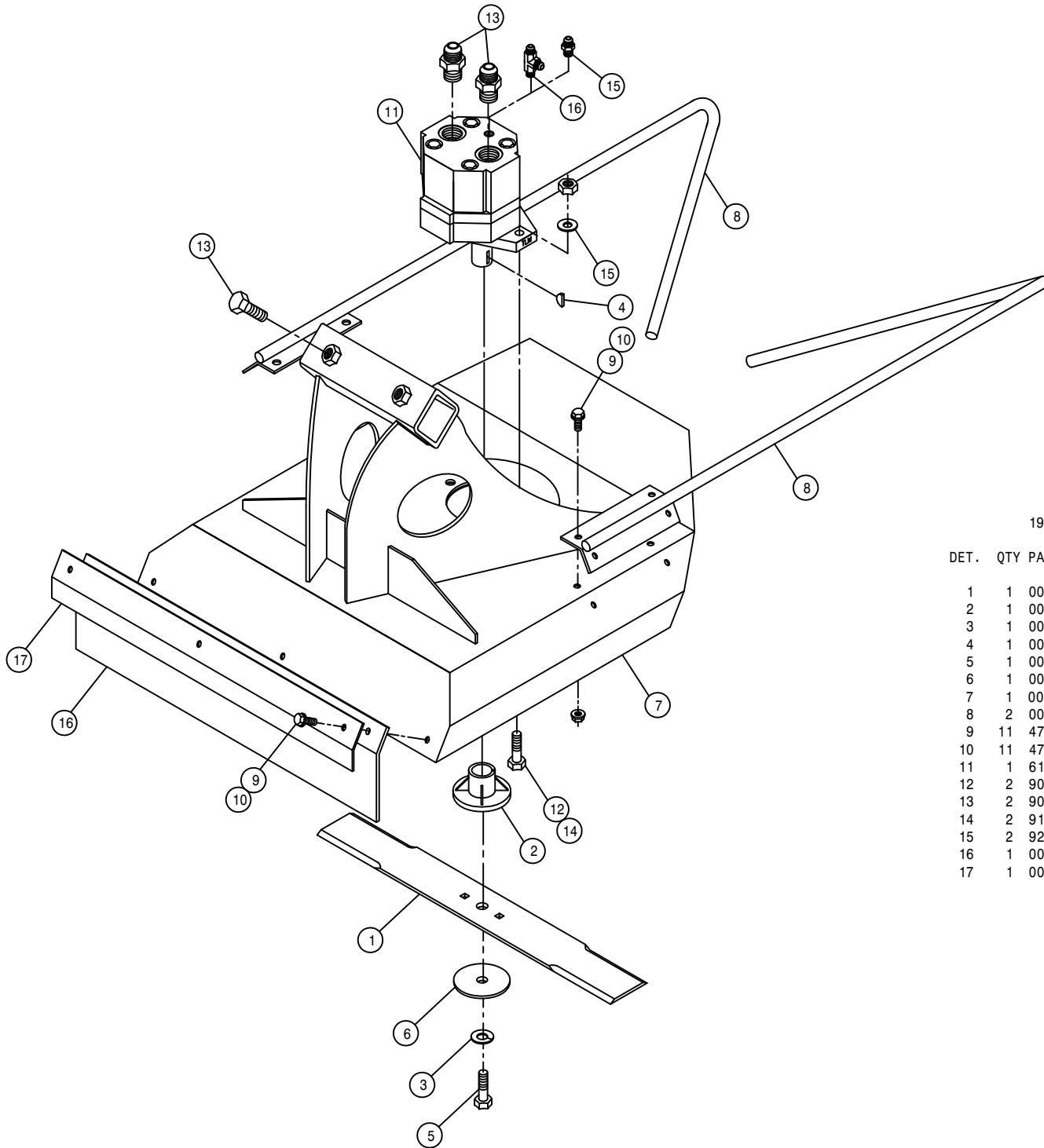
4-BOLT RIM ASSEMBLY



CUTTER HEAD ASSEMBLY

DET. QTY PART NO. DESCRIPTION

1	2	002215	CUTR STALK GUIDE WLD 8200	85
2	1	002103	CUTR BLADE 18 IN	
3	1	002104	CLUTCH BODY BLADE	
4	1	002105	3/8 LOCK WASHER ZINC PLT	
5	1	002106	WOODRUFF KEY #6 .156 X .625	
6	1	002107	3/8UNF X 1 1/2 HEX BOLT CUTR	
7	1	002108	STEEL WASHER CUTTER BLADE	
8	1	002210	CUTR TOP WLD 8200	85
9	1	410016	RLR HANGER V 473	
10	2	920002	3/8 SAE FLAT WASHER	
11	8	470118	1/4UNC X 3/4 FLANGE HEX BOLT	
12	8	470121	1/4UNC HEX FLANGE LOCK NUT	
13	2	611125	3/4MJIC-3/4MOR ADPTR	
14	1	610755	BARNES HYD MOTOR, D-SERIES	01
15	1	618530	9/16MJIC-1/8MNPT ADPTR	
16	1	618546	1/8MNPT RUN TEE-9/16MJIC	
17	2	900130	3/8UNC X 1 1/4 HEX BOLT	
18	4	900265	1/2UNC X 1 1/2 HEX BOLT	
19	2	914004	3/8UNC HEX STOVER NUT	
20	4	914008	1/2UNC HEX STOVER NUT	



19" CUTTER HEAD ASSEMBLY

DET. QTY PART NO. DESCRIPTION

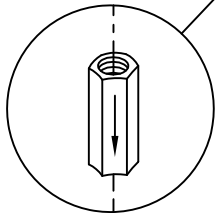
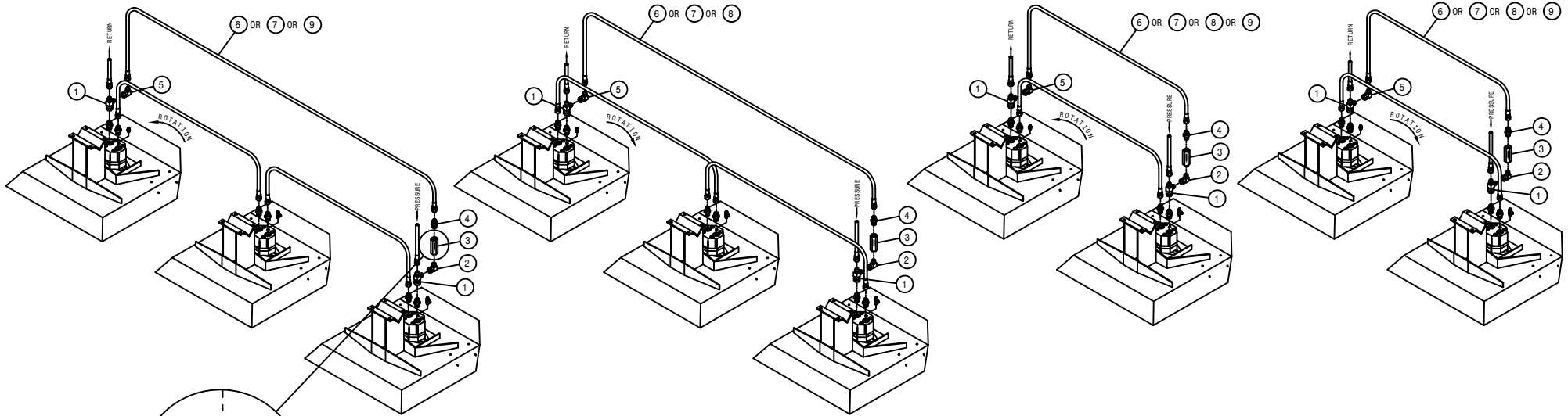
1	1	002103	CUTR BLADE 18 IN
2	1	002104	CLUTCH BODY BLADE
3	1	002105	3/8 LOCK WASHER ZINC PLT
4	1	002106	WOODRUFF KEY #6 .156 X .625
5	1	002107	3/8UNF X 1 1/2 HEX BOLT CUTR
6	1	002108	STEEL WASHER CUTTER BLADE
7	1	002251	19" CUTTER DECK WLD 04
8	2	002258	19" CUTR STALK GUIDE WLD 04
9	11	470118	1/4UNC X 3/4 FLANGE HEX BOLT
10	11	470121	1/4UNC HEX FLANGE LOCK NUT
11	1	610755	BARNES HYD MOTOR, D-SERIES 01
12	2	900130	3/8UNC X 1 1/4 HEX BOLT
13	2	900265	1/2UNC X 1 1/2 HEX BOLT
14	2	914004	3/8UNC HEX STOVER NUT
15	2	920002	3/8 SAE FLAT WASHER
16	1	002256	19" REAR CUTR DECK EXT FLAP 04
17	1	002257	19" REAR CUTR DECK FLAP KPR 04

LEFT SIDE OF OPERATOR

RIGHT SIDE OF OPERATOR

LEFT SIDE OF OPERATOR

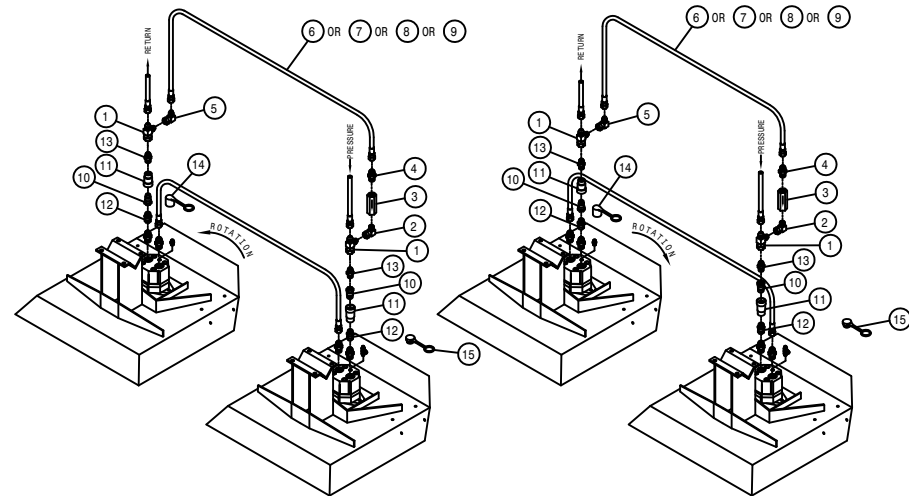
RIGHT SIDE OF OPERATOR



CUTTER HEADS WITH QUICK ATTACK

LEFT SIDE OF OPERATOR

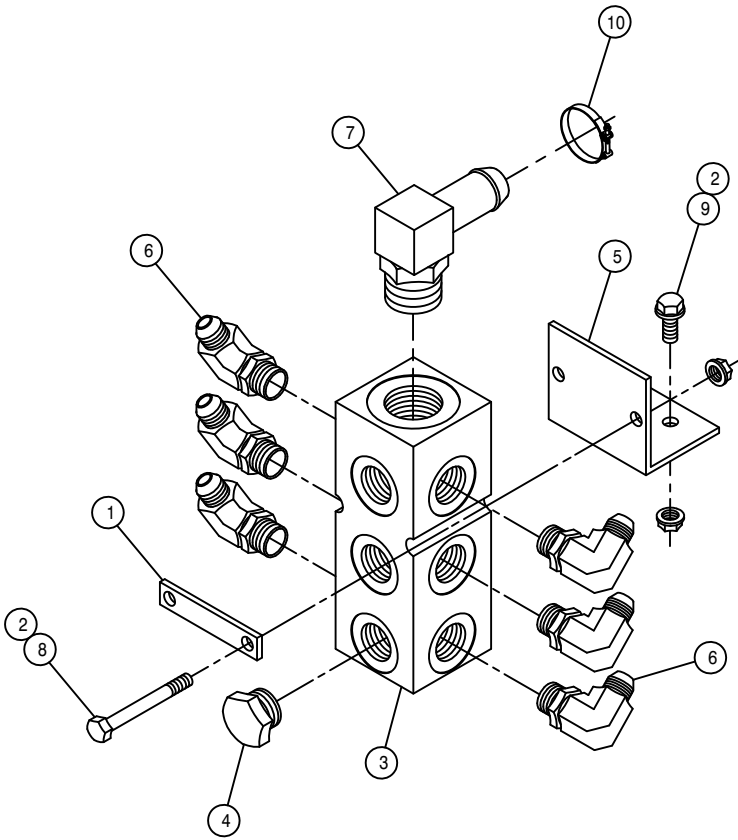
RIGHT SIDE OF OPERATOR



CUTTER CHECK VALVE HYDRAULIC SCHEMATIC

DET.	QTY	PART NO.	DESCRIPTION
1	2	618451	3/4FJIC SW RUN TEE-3/4MJIC
2	1	618620	3/4FJX-90-1/2MNPT ADPTR
3	1	690338	LINE CHECK VALVE HYD .50NPT
4	1	611147	3/4MJIC-1/2MNPT ADPTR
5	1	618609	3/4MJIC-90-3/4FJIC SWIV LBO
6	1	614375	08C1T-08FJX-08FJX-177 H/A
7	1	616057	08C1T-08FJX-08FJX-88 H/A
8	1	614368	08C1T-08FJX-08FJX-60 H/A
9	1	614384	08C1T-08FJX-08FJX-237 H/A
10	2	618622	HYD QUICK CPLR, MALE, .50FNPS
11	2	618621	HYD QUICK CPLR, FEMALE, .50FNPS
12	2	618623	3/4FJIC-SWIV-1/2MNPT
13	2	611147	3/4MJIC-1/2MNPT ADPTR
14	1	618636	RUBBER DUST CAP, 618622/697
15	1	618635	RUBBER DUST PLUG, 618621/696

NOTE: LISTING IS FOR ONE GROUP OF CUTTER HEADS.



CUTTER CASE DRAIN MANIFOLD ASSEMBLY

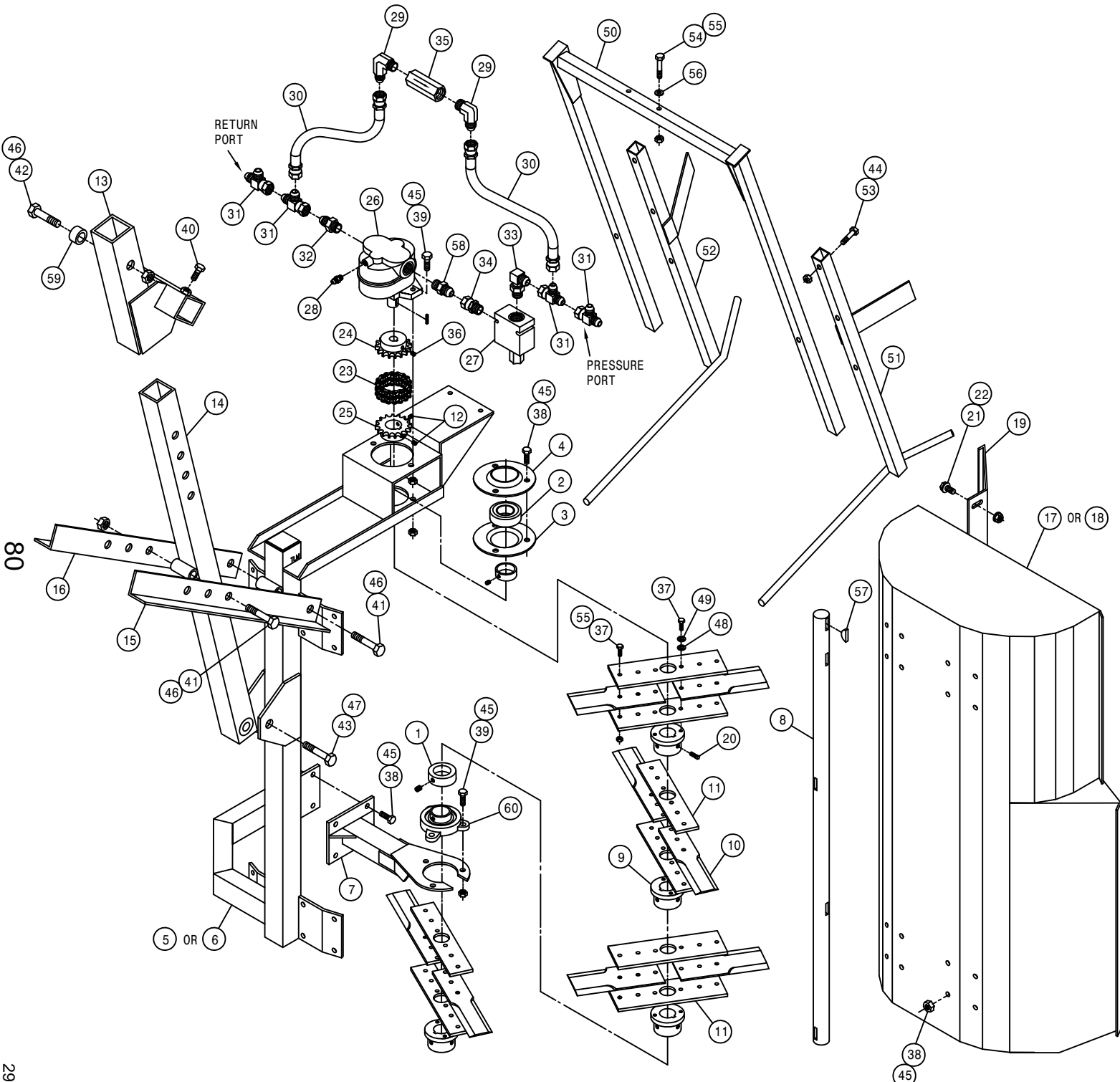
DET. QTY PART NO. DESCRIPTION

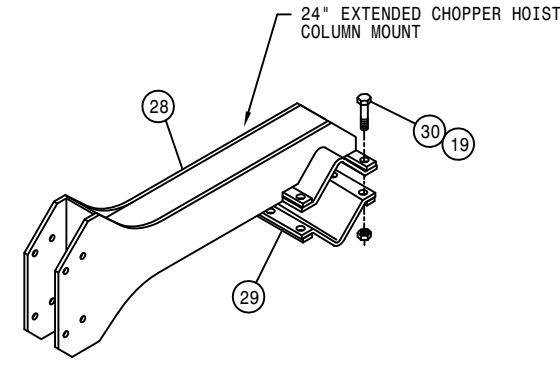
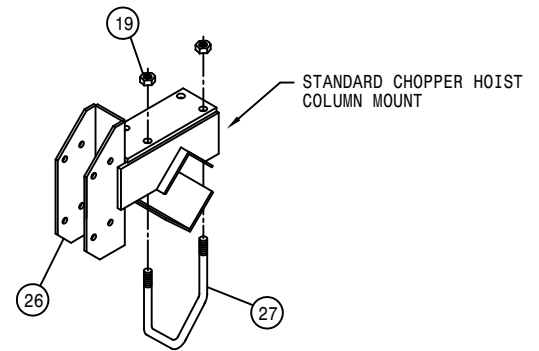
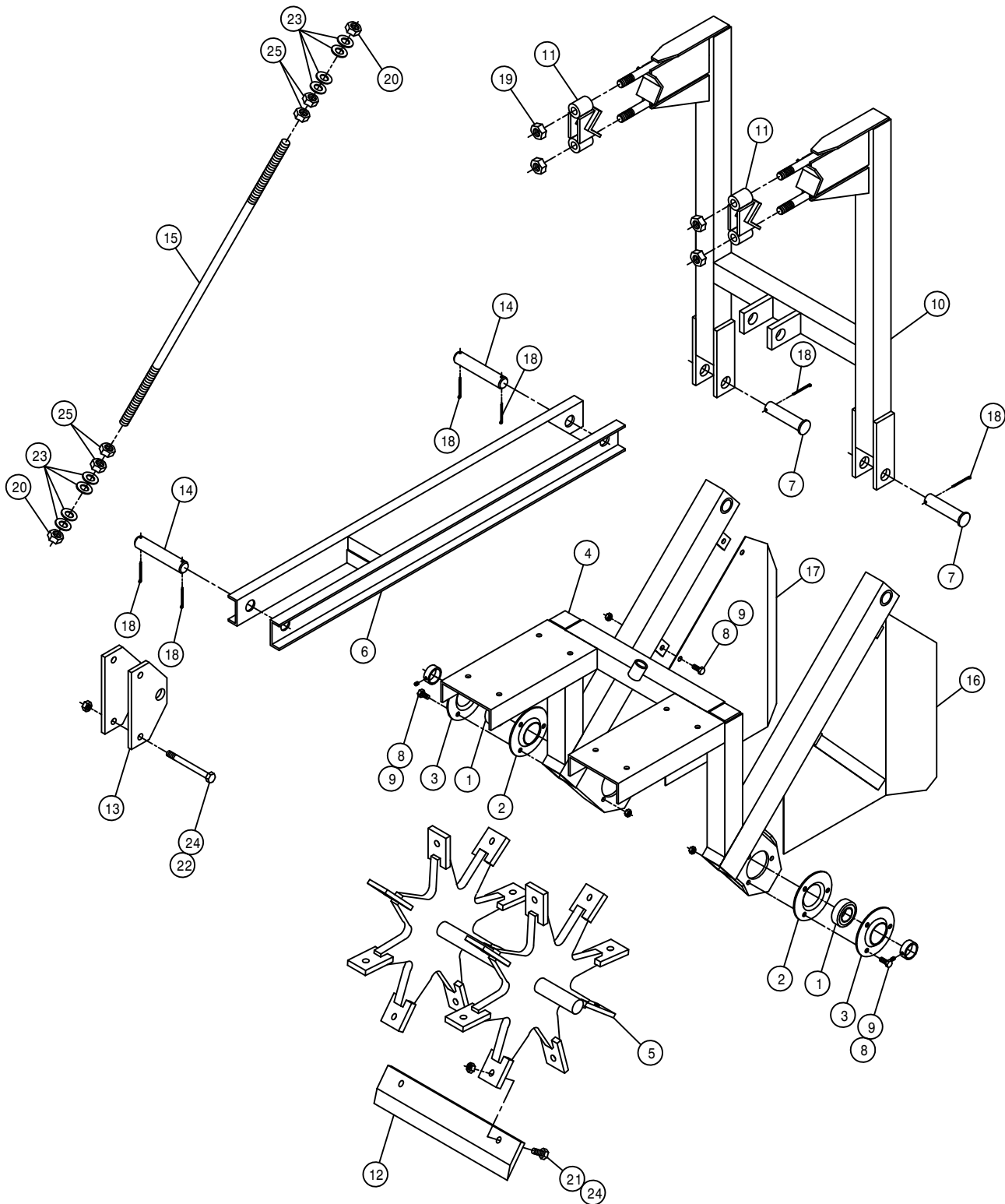
1	1	438729	CUTTER RETURN MANIF MT KEEPER
2	4	470121	1/4UNC HEX FLANGE LOCK NUT
3	1	606021	HYD RETURN MANIF,3/4FOR,9-PORT
4	3	611159	3/4MOR PLUG
5	1	615755	204 CASE DRAIN MANIFOLD MT 02
6	6	618115	9/16MJIC-90-3/4MOR LBO
7	1	618118	3/4 HOSE BARB-90-1 1/16MOR
8	2	900008	1/4UNC X 2 1/2 HEX BOLT
9	2	470118	1/4UNC X 3/4 FLANGE HEX BOLT
10	1	520137	1.12/1.25 T-BOLT HOSE CLAMP

MALE ROW 4-BLADE CUTTER ASSEMBLY

DET. QTY PART NO. DESCRIPTION

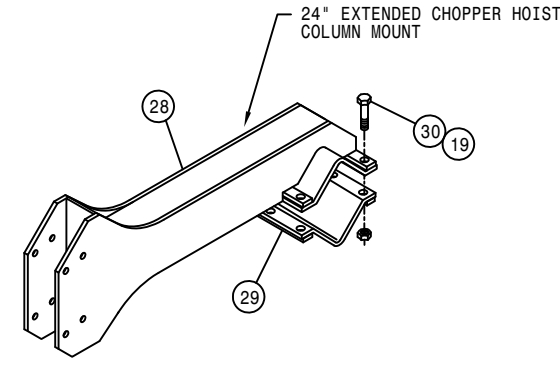
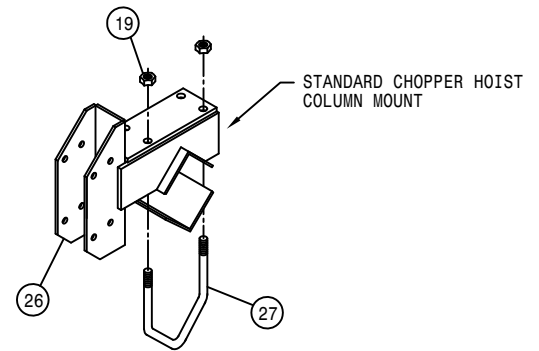
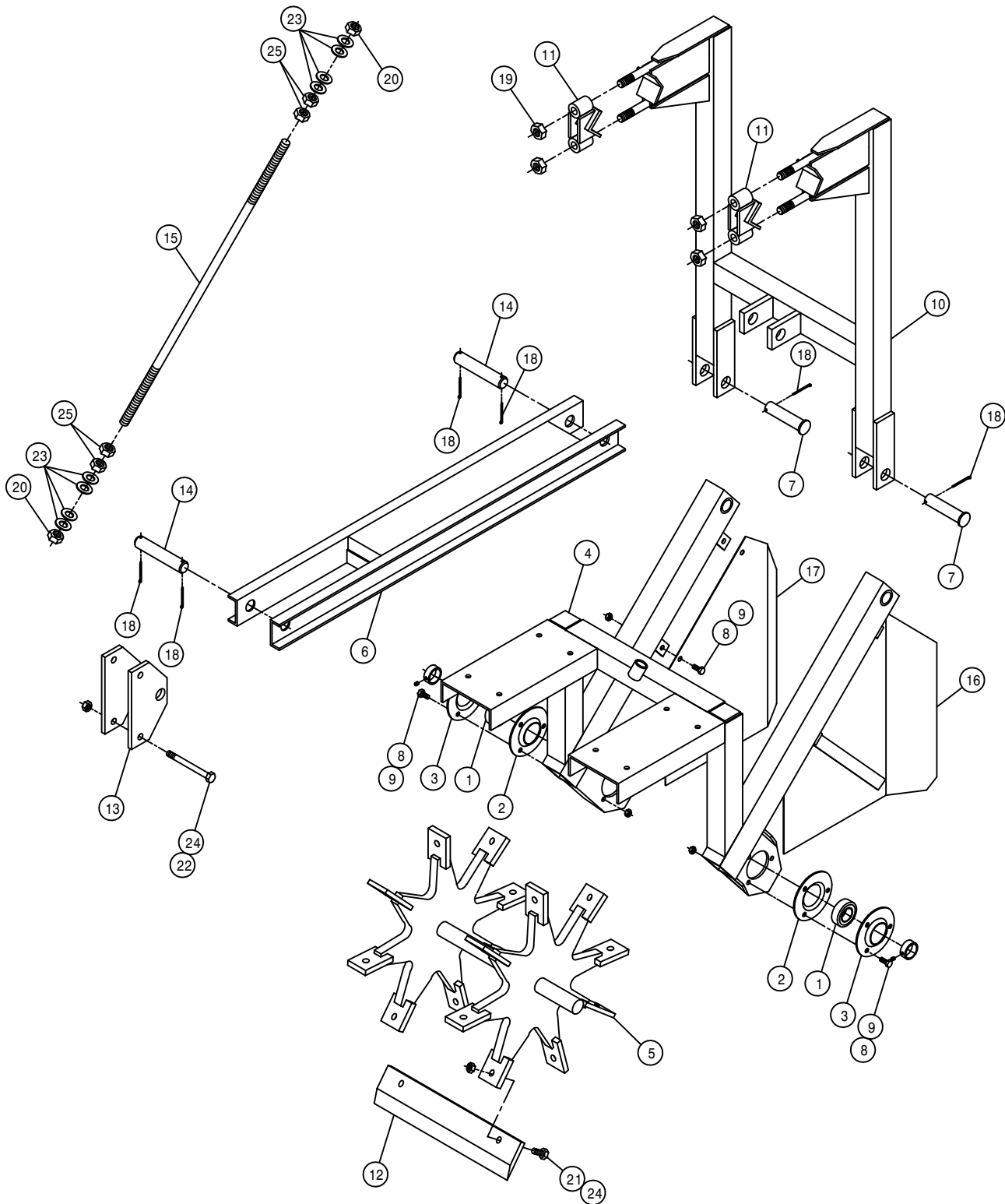
1	1	474020	1 1/4 SHAFT SET COLLAR
2	1	123024	BGR 1 1/4 BORE SPHERICL RELUB
3	1	123026	FLANGETT 1 1/4
4	1	123035	FLANGETT 1 1/4 180 DEG ZERK
5	1	270880	RH 4-BLADE CUTTER FRAME WLD95
6	1	270881	LH 4-BLADE CUTTER FRAME WLD95
7	1	270896	LWR BRG MT WLD,4-BLD CUTR 95
8	1	270902	BLADE SHAFT,4-BLD CUTR 95
9	4	270903	BLADE MT HUB,4-BLD CUTR 95
10	8	270904	CUTTER BLADE,4-BLD CUTR 95
11	8	270905	UPPER BLADE SUPP,4-BLD CUTR95
12	2	470060	5/16UNC X 3/8 SET SCR
13	1	270907	CUTTER ADPT WLD,4-BLD CUTR 95
14	1	270910	CUTTER MT WLD,4-BLD CUTR 95
15	1	270913	RH ADJ ANG,4-BLD CUTR 95
16	1	270914	LH ADJ ANG,4-BLD CUTR 95
17	1	270915	RH SHIELD WLD,4-BLD CUTR 95
18	1	270916	LH SHIELD WLD,4-BLD CUTR 95
19	1	270923	DEFLECTOR SHLD,4-BLD CUTR 95
20	8	470057	5/16 X 1/2 LG SQ HD SET SCR
21	4	470121	1/4UNC HEX FLANGE LOCK NUT
22	4	470122	1/4UNC X 1/2 FLANGE HEX BOLT
23	1	492084	CHAIN FOR 4016 CHAIN COUPLER
24	1	492092	CHAIN CPLR 5/8 BORE 5/32 KWY
25	1	492091	CHAIN CPLR 1 1/4 BORE .25 KWY
26	1	610510	CESSNA GEAR MOTOR 1.48CI
27	1	610597	PRESS COMP FIXED FLO REG 18G
28	1	611121	9/16MJIC-1/4MNPT ADPTR
29	2	611145	3/4MJIC-90-1/2MNPT LBO
30	2	615626	08C1T-08FJX-08FJX-15
31	4	618451	3/4FJIC SW RUN TEE-3/4MJIC
32	1	618469	3/4MJIC-1 1/16MOR ADPTR
33	1	618474	3/4MJIC-90-1 1/16MOR LBO
34	1	618578	1 1/16FJIC SWIV-1 1/16MOR
35	1	690338	LINE CHECK VALVE HYD .50NPT
36	1	470052	1/4-20X1/2 AL HD SET SC CUP
37	24	900066	5/16UNC X 1 1/4 HEX BOLT
38	23	900129	3/8UNC X 1" HEX BOLT
39	5	900130	3/8UNC X 1 1/4 HEX BOLT
40	2	900263	1/2UNC X 1" HEX BOLT
41	2	900270	1/2UNC X 3" HEX BOLT
42	1	900273	1/2UNC X 3 3/4 HEX BOLT
43	1	900408	3/4UNC X 3 1/2 HEX BOLT
44	2	914000	1/4UNC HEX STOVER NUT
45	28	914004	3/8UNC HEX STOVER NUT
46	3	914008	1/2UNC HEX STOVER NUT
47	1	914012	3/4UNC HEX STOVER NUT
48	8	920001	5/16 SAE FLAT WASHER
49	8	920501	5/16 LOCK WASHER
50	1	270924	GUIDE MT WLD,4-BLD CUTR 95
51	1	270928	RH STALK GUIDE WLD,4-BLD CUTR
52	1	270929	LH STALK GUIDE WLD,4-BLD CUTR
53	2	900005	1/4UNC X 1 1/2 HEX BOLT
54	2	900069	5/16UNC X 2" HEX BOLT
55	18	914002	5/16UNC HEX STOVER NUT
56	2	920001	5/16 SAE FLAT WASHER
57	5	472020	WOODRUFF KEY # 18 1/4 X 1 1/8
58	1	611127	1 1/16MJIC-1 1/16MOR ADPTR
59	1	200015	.75 OD X 11GA WA X .38LG C/L
60	1	123050	1.25 PILLOW BLOCK BEARING,FLG





15" MALE ROW CHOPPER ASSEMBLY

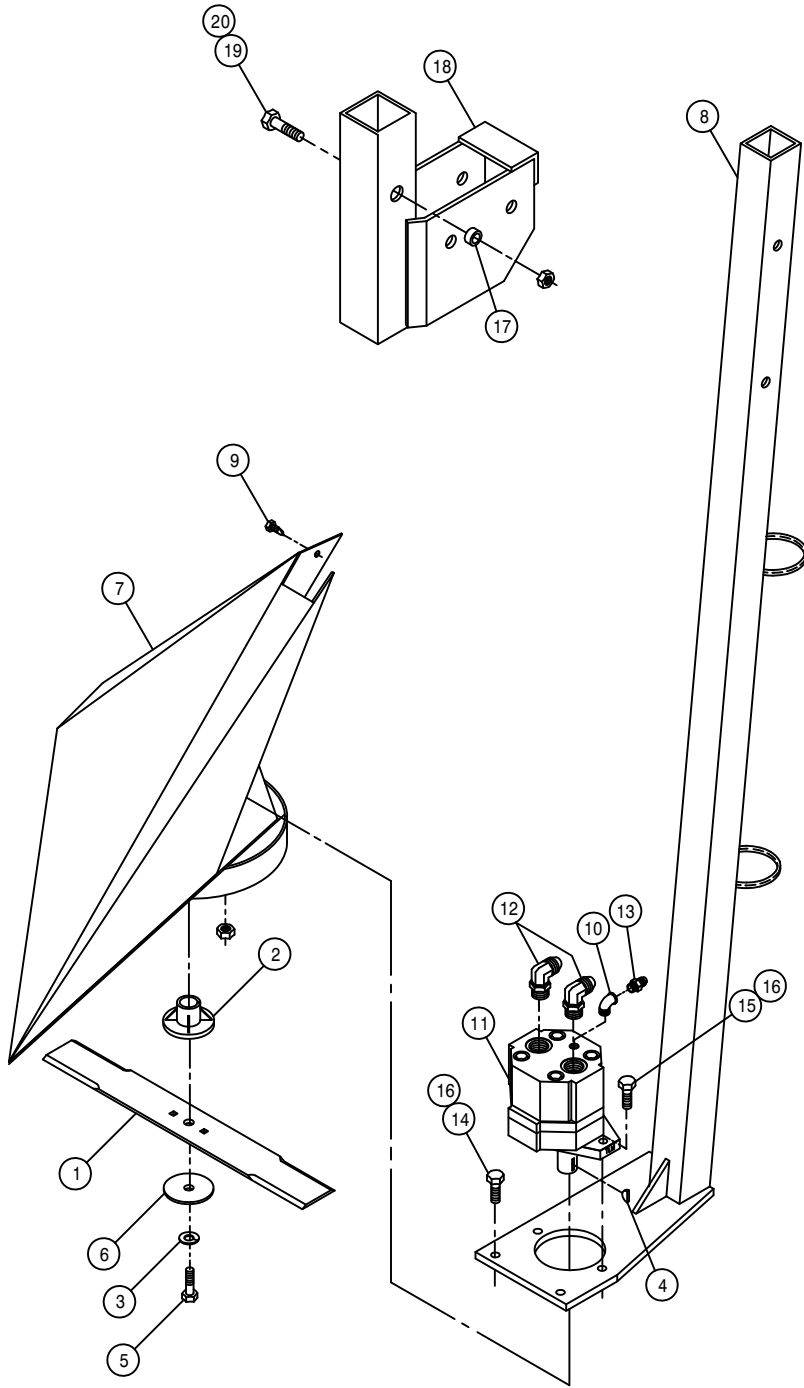
DET.	QTY	PART NO.	DESCRIPTION
	1	2	123024 BGR 1 1/4 BORE SPHERICL RELUB
	2	2	123026 FLANGETT 1 1/4
	3	2	123035 FLANGETT 1 1/4 180 DEG ZERK
	4	1	270814 LWR FRAME WLD MALE ROW CHOP
	5	1	270860 BLADE MT WHL WLD, CHOPPER 92
	6	1	270852 LWR LIFT ARM WLD MALE CHOP 91
	7	2	472012 CLEVIS PIN, 1.00 X 3.25 PLT
	8	10	900129 3/8UNC X 1" HEX BOLT
	9	10	914004 3/8UNC HEX STOVER NUT
	10	1	270855 UPR FRAME WLD MALE ROW CHOP91
	11	2	270833 TOOL BAR CLAMP WLD MALE CHOP
	12	8	270838 CHOPPER BLADE 8131 STEEL TREA
	13	2	270842 LWR LIFT ARM MTG PLT
	14	2	270843 LIFT ARM PIN MALE ROW CHOPPER
	15	1	270844 ADJ ROD MALE ROW CHOPPER
	16	1	270845 RH SHLD WLD MALE ROW CHOPPER
	17	1	270846 LH SHLD WLD MALE ROW CHOPPER
	18	6	470162 COTTER PIN 3/16 X 1 1/2 SQCUT
	19	14	914010 5/8UNC HEX STOVER NUT
	20	2	914012 3/4UNC HEX STOVER NUT
	21	16	900265 1/2UNC X 1 1/2 HEX BOLT
	22	2	900275 1/2UNC X 4 1/2 HEX BOLT
	23	8	920006 3/4 SAE FLAT WASHER
	24	18	914008 1/2UNC HEX STOVER NUT
	25	4	910012 3/4UNC HEX NUT
	26	1	438367 HOIST COL MT BRKT WLD 200 90
	27	2	438293 5/8UNC X 6 1/4 CTR U-BOLT TRI
	28	1	438665 24" HOIST COL MT BRKT WLD
	29	1	438671 24" HOIST COL MT V-PLT KPR WLD
	30	6	900337 5/8UNC X 2 3/4 HEX BOLT



20" MALE ROW CHOPPER ASSEMBLY

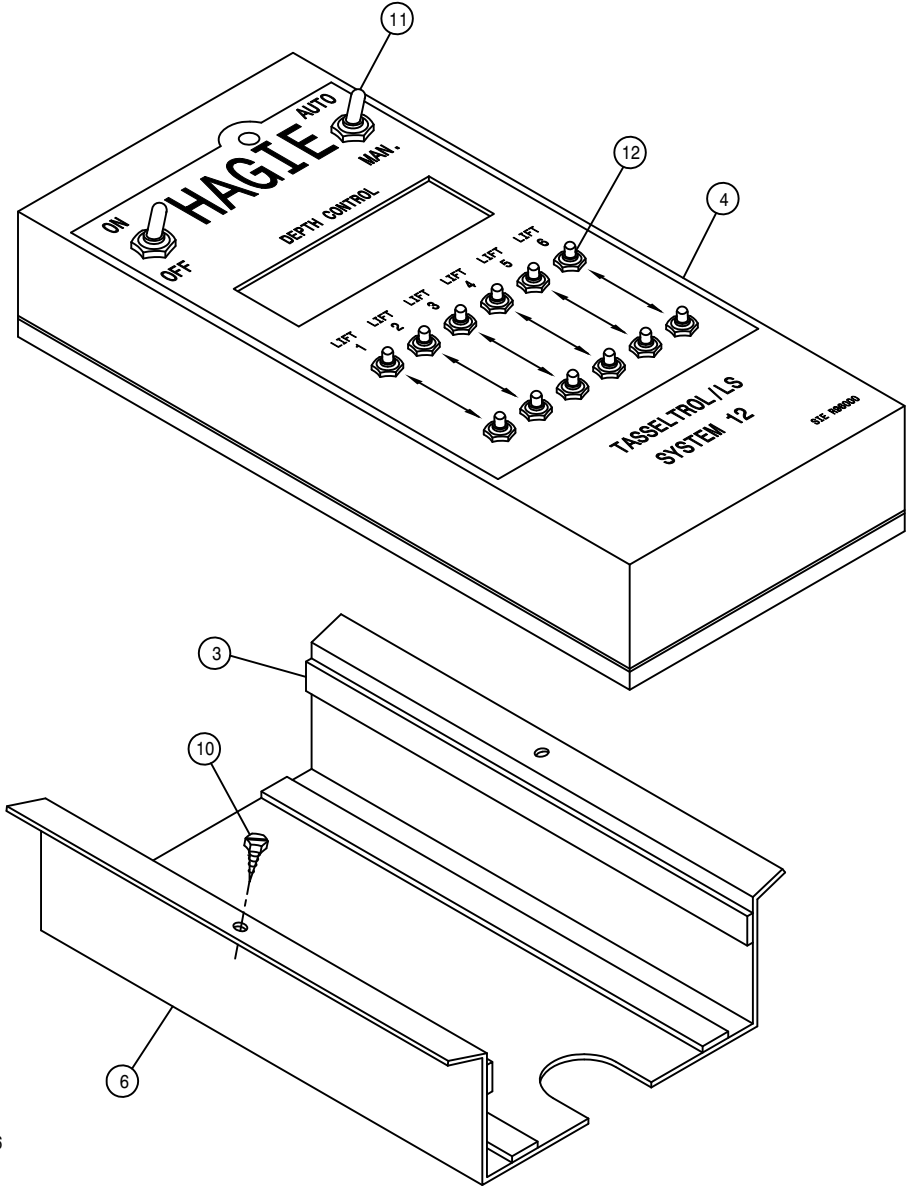
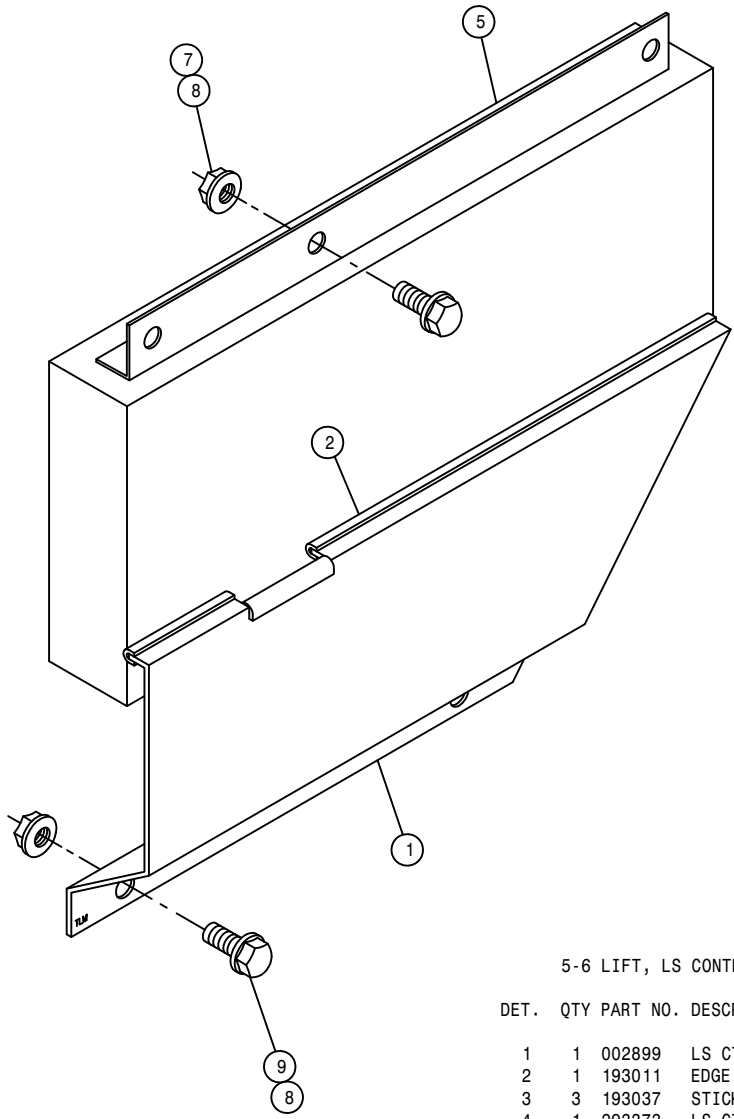
DET. QTY PART NO. DESCRIPTION

1	2	123024	BGR 1 1/4 BORE SPHERICL RELUB
2	2	123026	FLANGETT 1 1/4
3	2	123035	FLANGETT 1 1/4 180 DEG ZERK
4	1	270872	LWR FRAME WLD,20"MALE CHOPR95
5	1	270874	BLADE MT WHL WLD,20"CHOPR 95
6	1	270852	LWR LIFT ARM WLD MALE CHOP 91
7	2	472012	CLEVIS PIN, 1.00 X 3.25 PLT
8	10	900129	3/8UNC X 1" HEX BOLT
9	10	914004	3/8UNC HEX STOVER NUT
10	1	270876	UPR FRAME WLD,20"MALE CHOPR95
11	2	270833	TOOL BAR CLAMP WLD MALE CHOP
12	8	270866	CHOPPER BLADE,MALE ROW,20" 95
13	2	270842	LWR LIFT ARM MTG PLT
14	2	270843	LIFT ARM PIN MALE ROW CHOPPER
15	1	270867	ADJ ROD WLD,MALE ROW CHOPR 95
16	1	270845	RH SHLD WLD MALE ROW CHOPPER
17	1	270846	LH SHLD WLD MALE ROW CHOPPER
18	6	470162	COTTER PIN 3/16 X 1 1/2 SQCUT
19	14	914010	5/8UNC HEX STOVER NUT
20	2	914012	3/4UNC HEX STOVER NUT
21	16	900265	1/2UNC X 1 1/2 HEX BOLT
22	2	900275	1/2UNC X 4 1/2 HEX BOLT
23	8	920006	3/4 SAE FLAT WASHER
24	18	914008	1/2UNC HEX STOVER NUT
25	4	910012	3/4UNC HEX NUT
26	1	438367	HOIST COL MT BRKT WLD 200 90
27	2	438293	5/8UNC X 6 1/4 CTR U-BOLT TRI
28	1	438665	24" HOIST COL MT BRKT WLD
29	1	438671	24" HOIST COL MT V-PLT KPR WLD
30	6	900337	5/8UNC X 2 3/4 HEX BOLT



MALE CORN CUTTER ASSEMBLY

DET.	QTY	PART NO.	DESCRIPTION
	1	002103	CUTR BLADE 18 IN
	1	002104	CLUTCH BODY BLADE
	3	002105	3/8 LOCK WASHER ZINC PLT
	4	002106	WOODRUFF KEY #6 .156 X .625
	5	002107	3/8UNC X 1 1/2 HEX BOLT CUTR
	6	002108	STEEL WASHER CUTTER BLADE
	7	270800	MALE CORN CUTR WLD
	8	270805	MALE CORN CUTR DROP TUBE WLD
	9	472349	1/4 X 3/4 20THD-IN TEK TYPE
	10	500900	BLK PIPE ST EL 90DEG .125NPT
	11	610755	BARNES HYD MOTOR, D-SERIES 01
	12	618241	3/4MJC-90-3/4MOR LBO
	13	618530	9/16MJC-1/8MNP ADPTR
	14	900129	3/8UNC X 1" HEX BOLT
	15	900132	3/8UNC X 1 3/4 HEX BOLT
	16	914004	3/8UNC HEX STOVER NUT
	17	200015	.75 OD X 11GA WA X .38LG C/L
	18	270809	MALE CUTR ADPTR BRKT WLD 83
	19	900273	1/2UNC X 3 3/4 HEX BOLT
	20	914008	1/2UNC HEX STOVER NUT

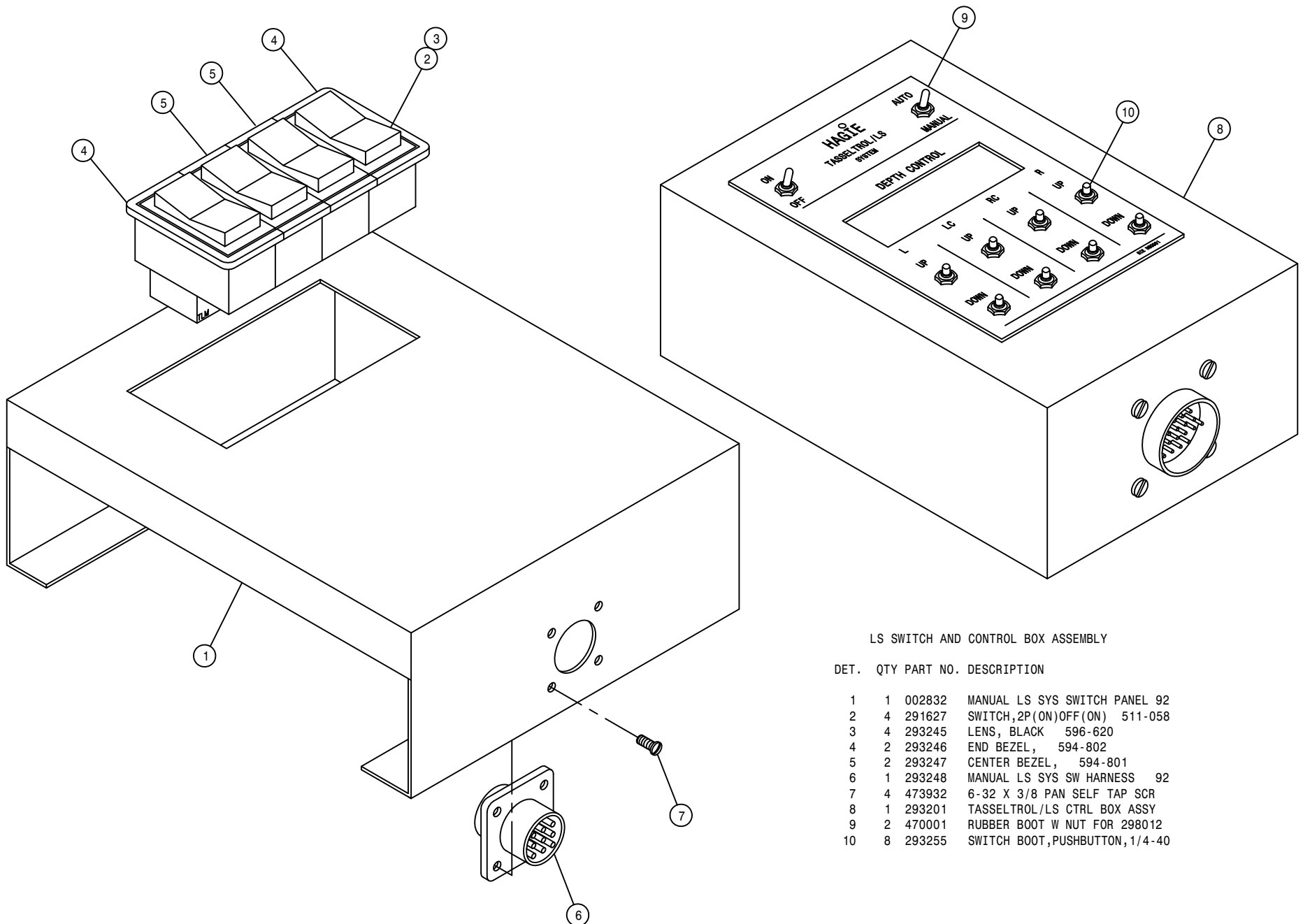


5-6 LIFT, LS CONTROL BOX ASSEMBLY

DET.	QTY	PART NO.	DESCRIPTION
	1	002899	LS CTRL BOX CONNECTOR SHLD 96
	1	193011	EDGE GUARD, BLK
	3	193037	STICKERTITE 1/8 X 3/4
	4	293373	LS CTRL 6L DISPLAY BOX ASSY
	5	293374	LS CTRL 6L CABLE BOX ASSY
	6	342297	LS CTRL 6L DISPLAY BOX MT
	7	470118	1/4UNC X 3/4 FLANGE HEX BOLT
	8	470121	1/4UNC HEX FLANGE LOCK NUT
	9	470122	1/4UNC X 1/2 FLANGE HEX BOLT
	10	473902	NO 8 X 1/2 PAN HD MET SC
	11	470001	RUBBER BOOT W NUT FOR 298012
	12	293255	SWITCH BOOT,PUSHBUTTON,1/4-40

LS MANUAL SWITCH ASSEMBLY

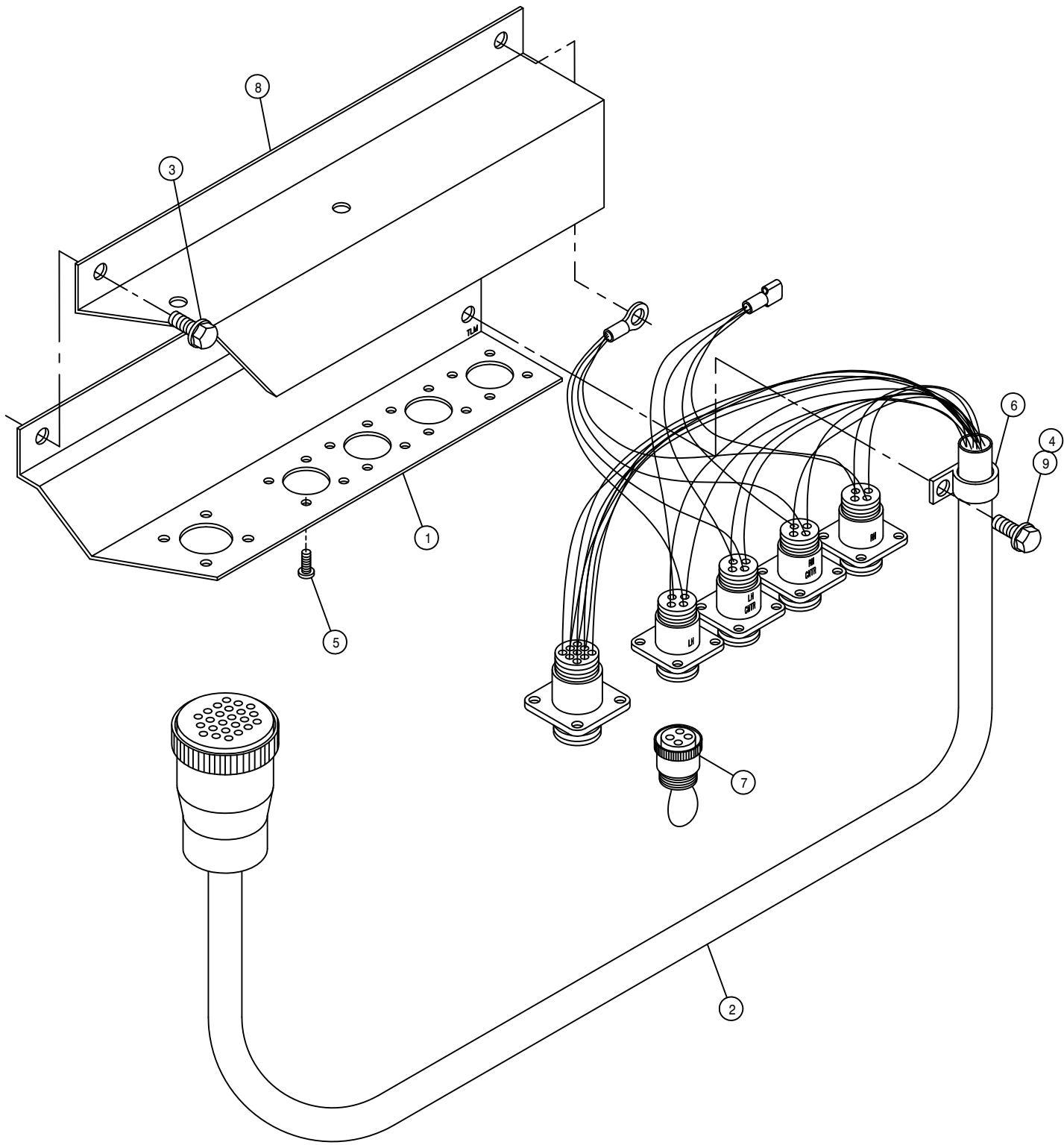
LS CONTROL BOX ASSEMBLY



LS SWITCH AND CONTROL BOX ASSEMBLY

DET. QTY PART NO. DESCRIPTION

1	1	002832	MANUAL LS SYS SWITCH PANEL 92
2	4	291627	SWITCH, 2P(OH)OFF(OH) 511-058
3	4	293245	LENS, BLACK 596-620
4	2	293246	END BEZEL, 594-802
5	2	293247	CENTER BEZEL, 594-801
6	1	293248	MANUAL LS SYS SW HARNESS 92
7	4	473932	6-32 X 3/8 PAN SELF TAP SCR
8	1	293201	TASSELTROL/LS CTRL BOX ASSY
9	2	470001	RUBBER BOOT W NUT FOR 298012
10	8	293255	SWITCH BOOT, PUSHBUTTON, 1/4-40

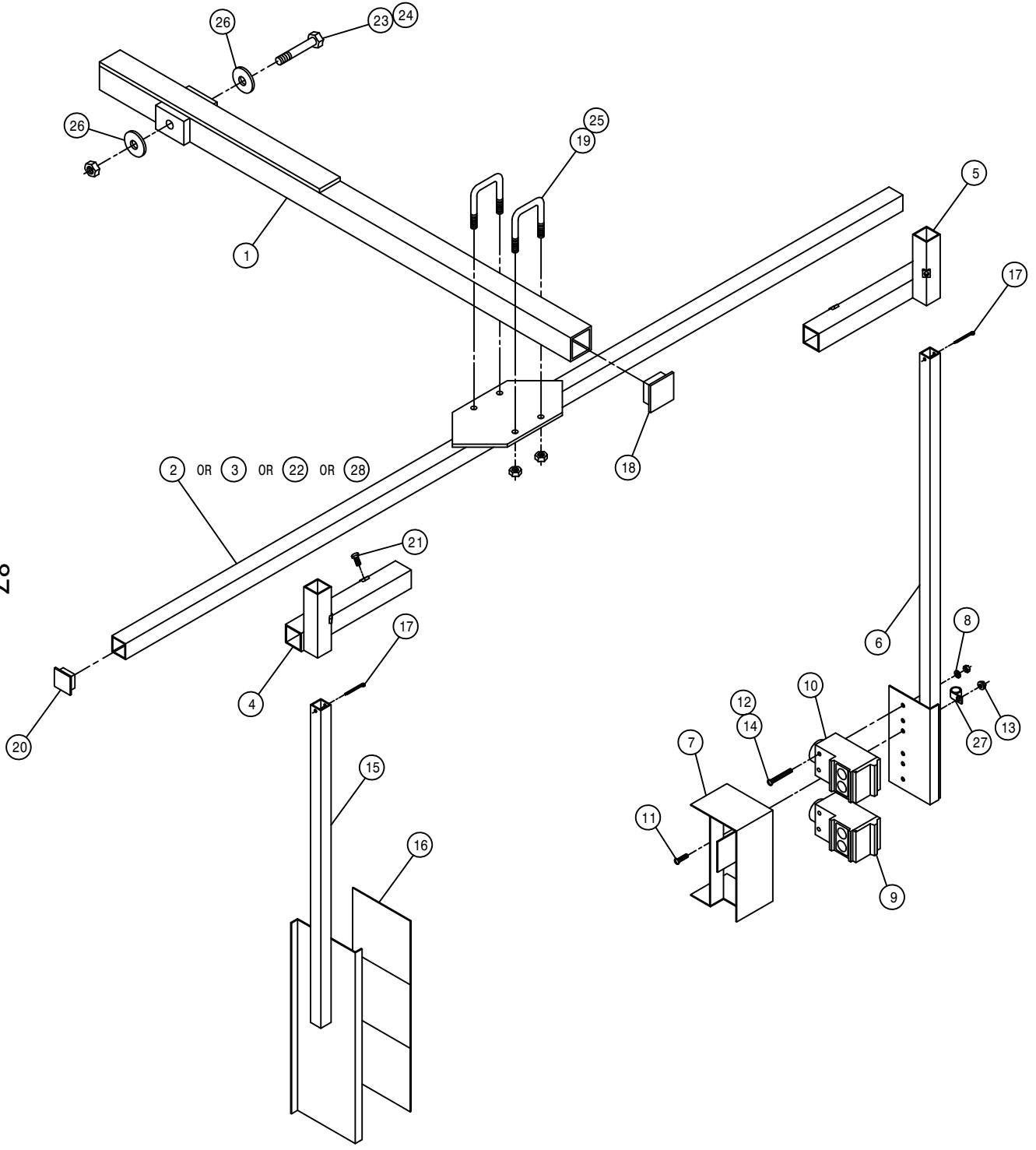


LS RECEPTACLE ASSEMBLY

DET.	QTY	PART NO.	DESCRIPTION
1	1	002777	T-TROL/LS RECEPTACLE MT
2	1	293200	MAIN CONTROL WIRE ASSY LS 90
3	2	470118	1/4UNC X 3/4 FLANGE HEX BOLT
4	1	470121	1/4UNC HEX FLANGE LOCK NUT
5	20	473932	6-32 X 3/8 PAN SELF TAP SCR
6	1	520118	CUSH HOSE CLAMP 1/2D X 1/2W
7	1	293211	JUMPER PLUG, T-TROL/LS SYS
8	1	002879	RECEPTACLE MT COVER, 204 94
9	1	470122	1/4UNC X 1/2 FLANGE HEX BOLT

NOTE: DETAIL 7 IS USED (1) WITH 3-LIFT OPTION AND (2) WITH 2-LIFT OPTION.

87



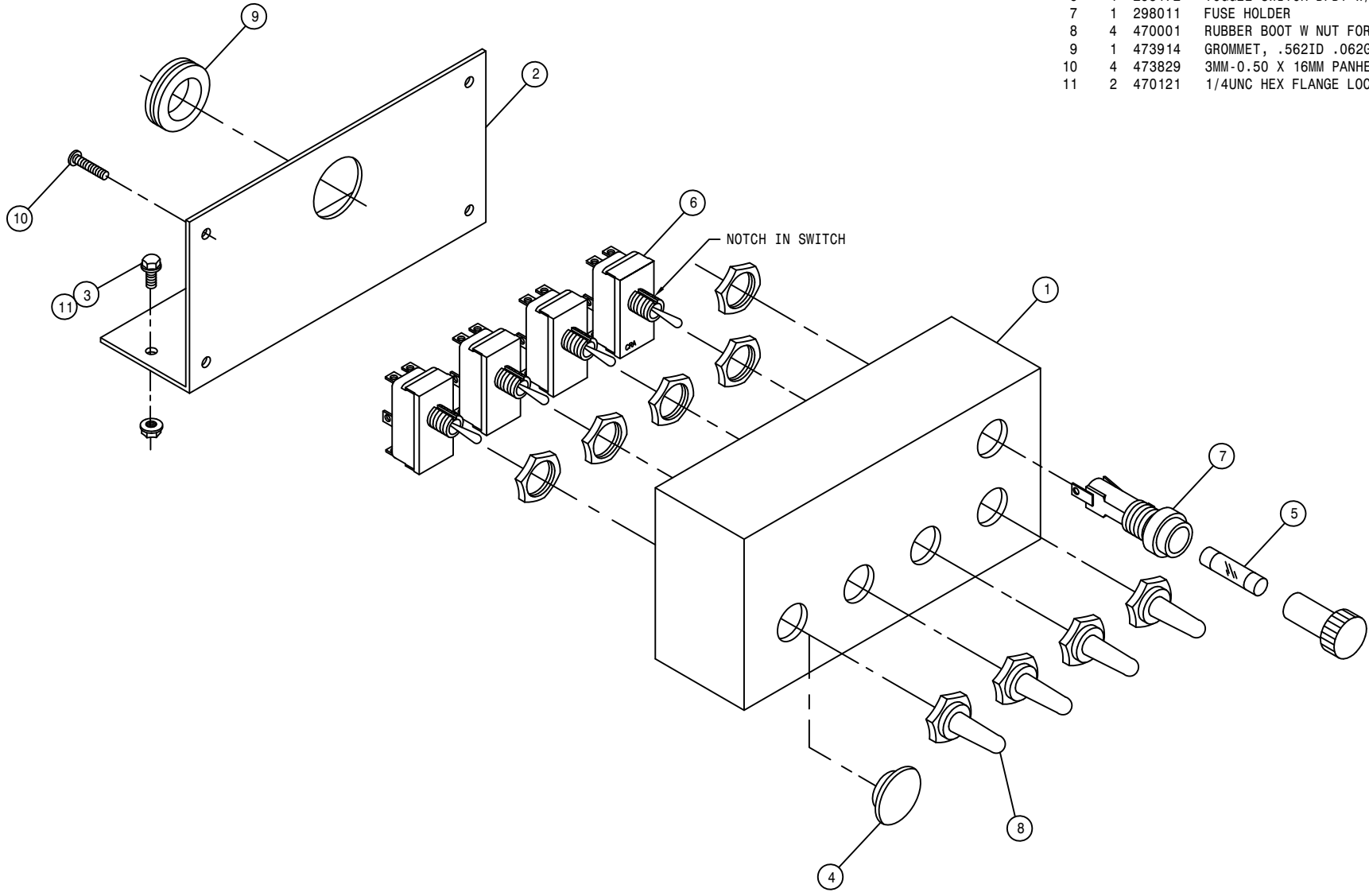
LS SENSOR ASSEMBLY

DET.	QTY	PART NO.	DESCRIPTION	
1	1	002813	SENSOR ARM WELD 200 DET	92
2	1	002834	LS CROSSTUBE WLD 10-12R	92
3	1	002709	LS CROSSTUBE WLD	90
4	1	002712	LS REFLECTOR SLIDE MT WLD	90
5	1	002713	LS SENSOR SLIDE MT WLD	90
6	1	002839	LS 42GRU PHOTOSW SENSR MT WLD	
7	1	002841	LS 42GRU SENSOR SHIELD WLD	
8	2	920510	#10 LOCK WASHER	
9	1	293258	LWR LS 9000 SENSOR ASSY, FEM	
10	1	293259	UPR LS 9000 SENSOR ASSY, MALE	
11	2	903883	10-32 X 1/2 SLT RDHD MACH SCR	
12	2	910027	10-32 HEX NUT	
13	2	470175	10-32 HEX FLANGE LOCK NUT	
14	4	903902	10-32 X 2" SLT RD HD MACH SCR	
15	1	002723	LS REFLECTOR MT WLD	90
16	3	650297	REFLECTIVE TAPE,4 X 4, RTC4-4P	
17	2	390984	COTTER PIN 1/8 X 1 1/4	
18	1	473943	FINISH PLUG 1 1/2 SQ	
19	2	473949	5/16UNC-1 9/16ID-1 15/16U-BOLT	
20	2	629727	FINISH PLUG FOR 1" SQ X 16 GA	
21	4	900000	1/4UNC X 1/2 HEX BOLT	
22	1	002876	LS CROSSTUBE WLD, 62"	94
23	1	900275	1/2UNC X 4 1/2 HEX BOLT	
24	1	914008	1/2UNC HEX STOVER NUT	
25	4	914002	5/16UNC HEX STOVER NUT	
26	2	002815	SENSOR ARM WASH, NYL	
27	1	520117	CUSH HOSE CLAMP 5/8D X 1/2W	
28	1	003047	LS CROSSTUBE WLD, 52CM	04

2-3-4 LIFT, DEPTH COMMAND SWITCH ASSEMBLY

DET. QTY PART NO. DESCRIPTION

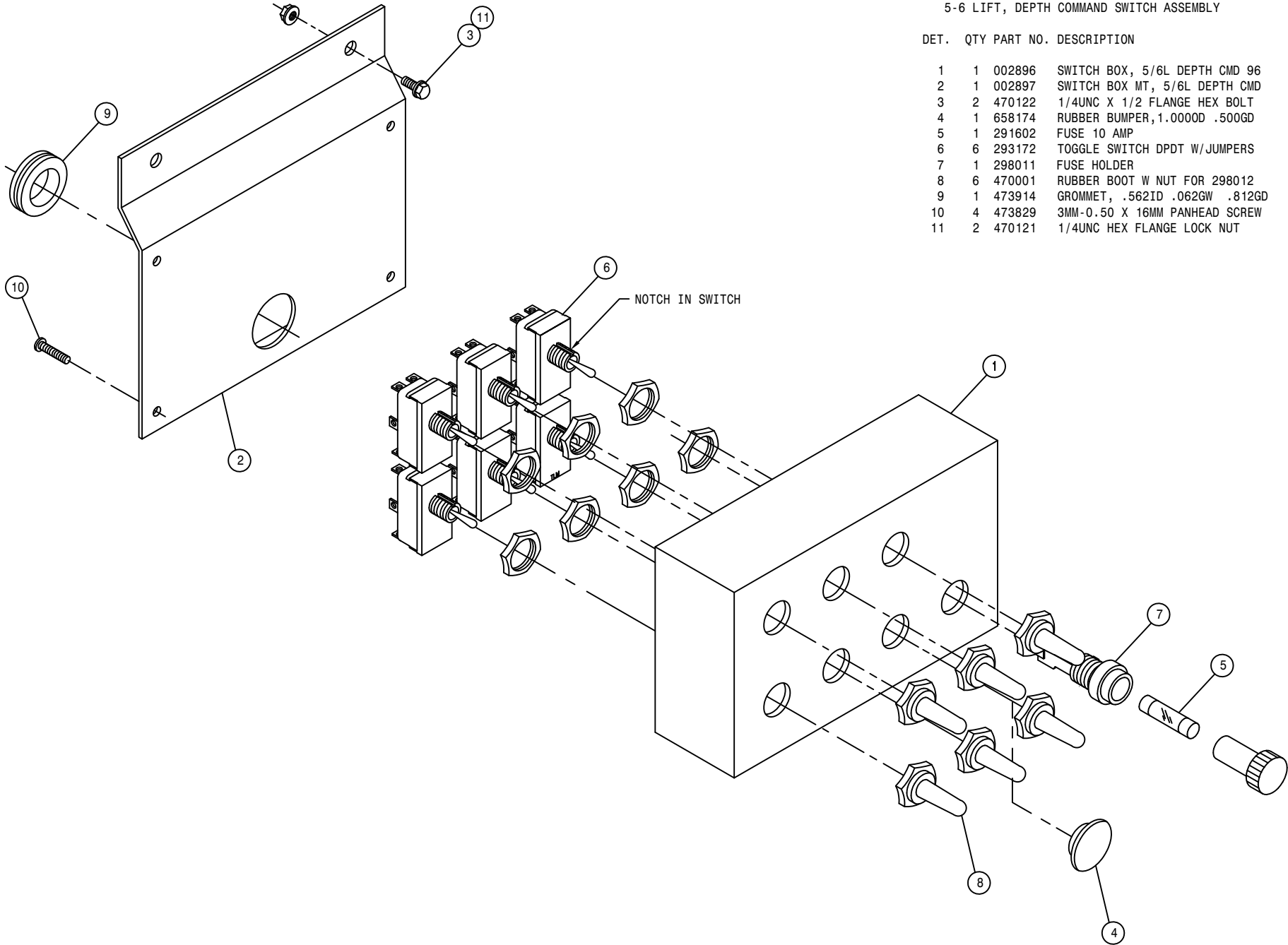
DET.	QTY	PART NO.	DESCRIPTION
1	1	002744	SWITCH BOX, DEPTH CMD
2	1	002745	SWITCH BOX MT, DEPTH CMD
3	2	470122	1/4UNC X 1/2 FLANGE HEX BOLT
4	1	658174	RUBBER BUMPER, 1.0000D .500GD
5	1	291602	FUSE 10 AMP
6	4	293172	TOGGLE SWITCH DPDT W/JUMPERS
7	1	298011	FUSE HOLDER
8	4	470001	RUBBER BOOT W NUT FOR 298012
9	1	473914	GROMMET, .562ID .062GW .812GD
10	4	473829	3MM-0.50 X 16MM PANHEAD SCREW
11	2	470121	1/4UNC HEX FLANGE LOCK NUT



5-6 LIFT, DEPTH COMMAND SWITCH ASSEMBLY

DET. QTY PART NO. DESCRIPTION

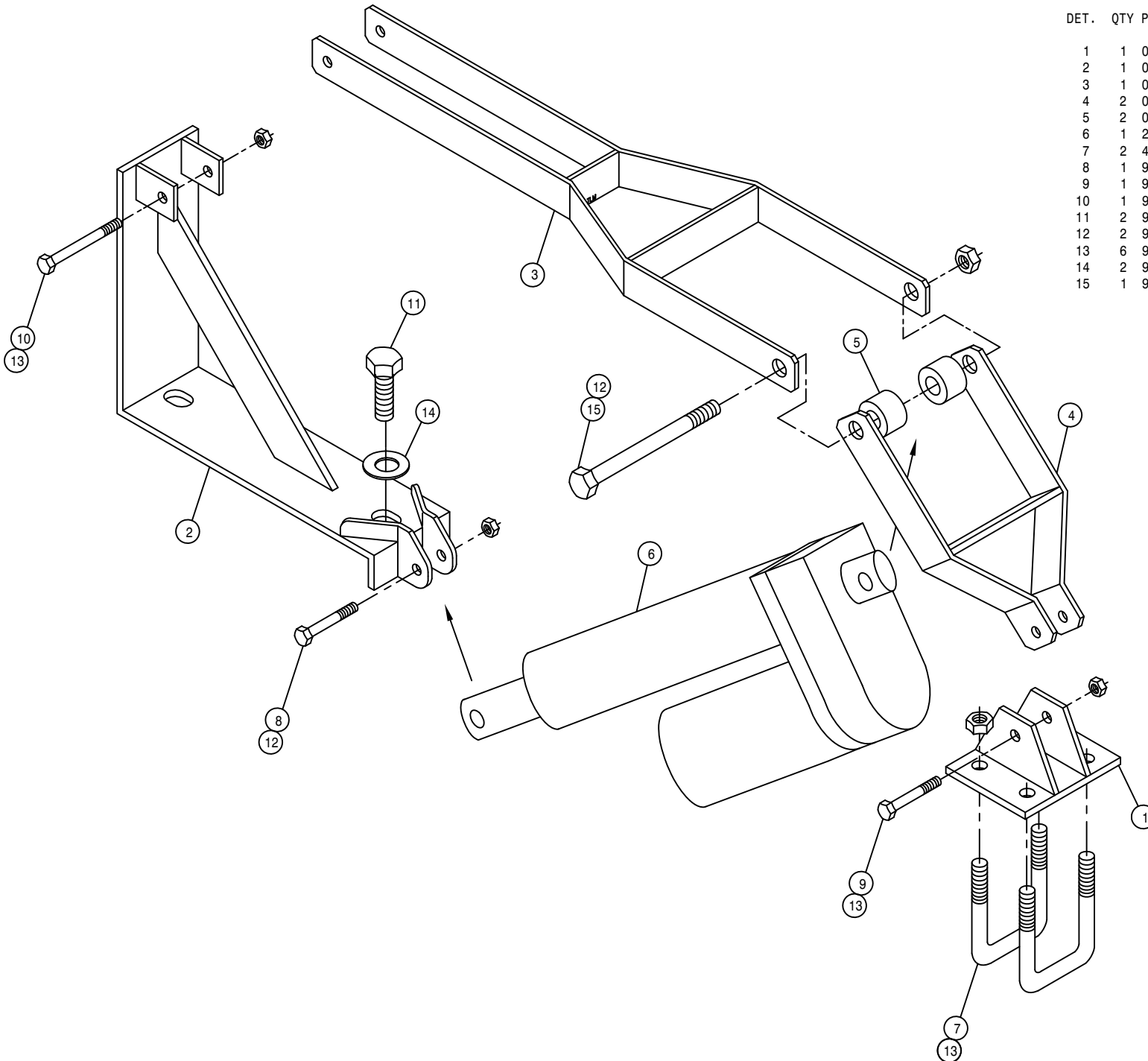
DET.	QTY	PART NO.	DESCRIPTION
1	1	002896	SWITCH BOX, 5/6L DEPTH CMD 96
2	1	002897	SWITCH BOX MT, 5/6L DEPTH CMD
3	2	470122	1/4UNC X 1/2 FLANGE HEX BOLT
4	1	658174	RUBBER BUMPER, 1.0000D .500GD
5	1	291602	FUSE 10 AMP
6	6	293172	TOGGLE SWITCH DPDT W/JUMPERS
7	1	298011	FUSE HOLDER
8	6	470001	RUBBER BOOT W NUT FOR 298012
9	1	473914	GROMMET, .562ID .062GW .812GD
10	4	473829	3MM-0.50 X 16MM PANHEAD SCREW
11	2	470121	1/4UNC HEX FLANGE LOCK NUT



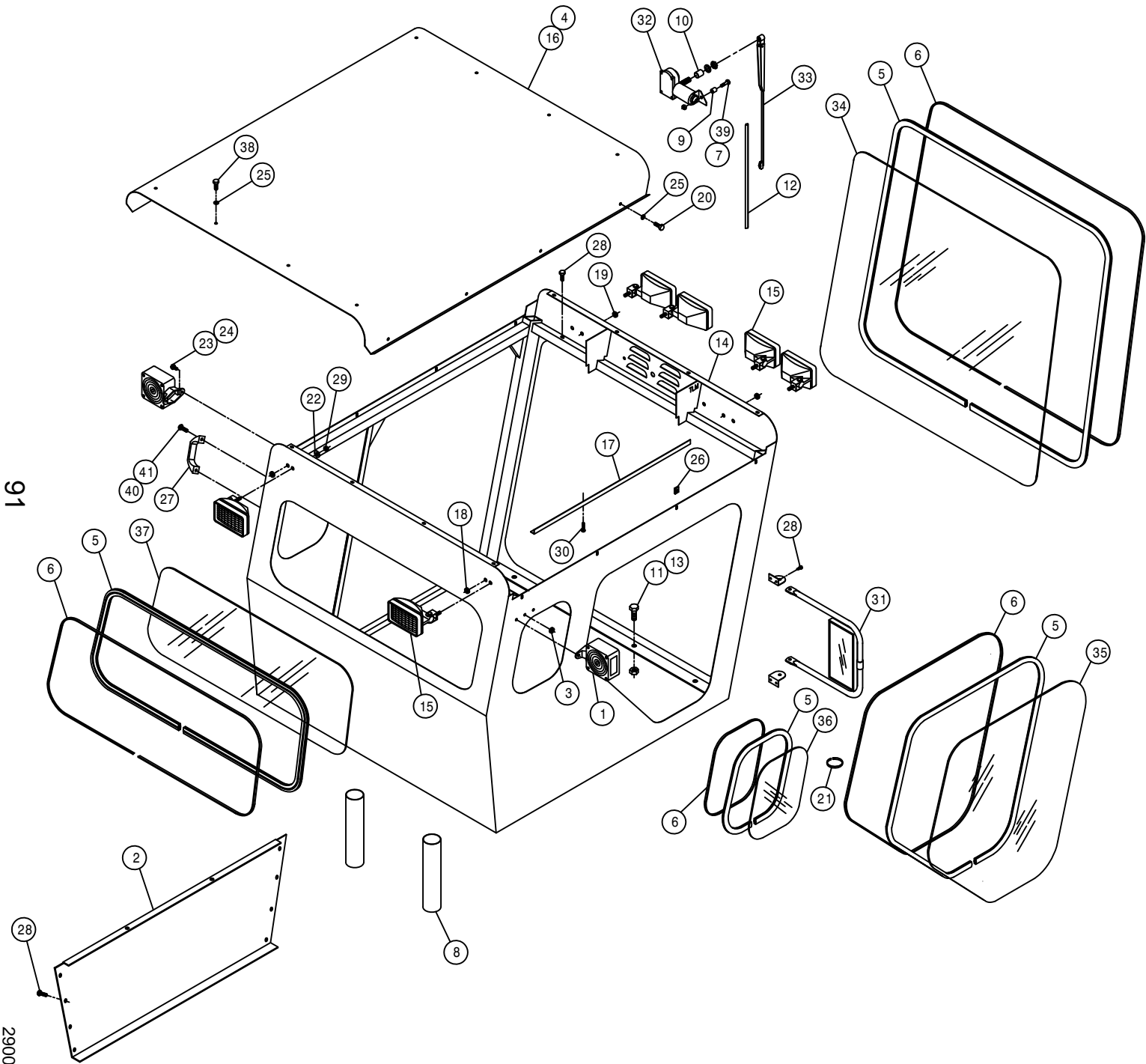
DEPTH COMMAND ACTUATOR ASSEMBLY

DET. QTY PART NO. DESCRIPTION

1	1	002849	HD DEPTH CMD ARM MT WLD	94
2	1	002846	HD DEPTH CMD MTG BRKT WLD	94
3	1	002851	HD DEPTH CMD UPR ARM WLD	94
4	2	002855	HD DEPTH CMD LWR ARM WLD	94
5	2	002858	HD DEPTH CMD ARM BUSH	94
6	1	291634	LINEAR ACTUATOR, KODIAK K2	
7	2	473949	5/16UNC-1 9/16ID-1 15/16U-BOLT	
8	1	900267	1/2UNC X 2" HEX BOLT	
9	1	900069	5/16UNC X 2" HEX BOLT	
10	1	900070	5/16UNC X 2 1/2 BOLT	
11	2	900263	1/2UNC X 1" HEX BOLT	
12	2	914008	1/2UNC HEX STOVER NUT	
13	6	914002	5/16UNC HEX STOVER NUT	
14	2	920004	1/2 SAE FLAT WASHER	
15	1	900275	1/2UNC X 4 1/2 HEX BOLT	



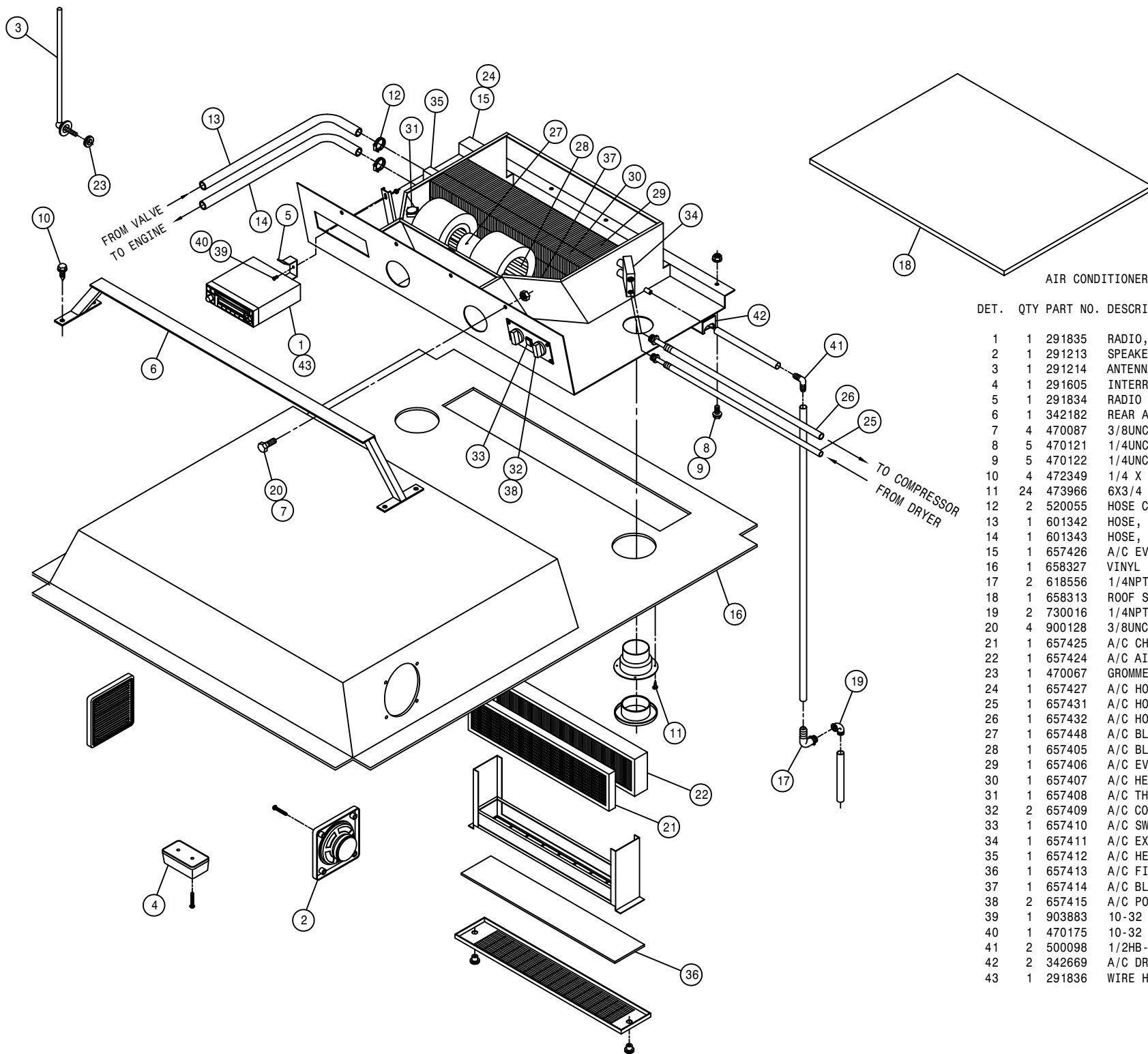
91



CAB ASSEMBLY

DET.	QTY	PART NO.	DESCRIPTION
1	2	291604	TURN SIGNAL LIGHT,PED MT, YEL
2	1	342295	LH SIDE PANEL, 204 CAB 95
3	2	470226	GROMMET, .156ID .062GW .250GD
4	18	193037	STICKERTITE 1/8 X 3/4
5	42	193044	WINDOW WEATHERSTRIP
6	42	193045	LOCK STRIP FOR 193044
7	1	914000	1/4UNC HEX STOVER NUT
8	2	342333	NYL HOSE SLEEVE,2.64ID X 12.00
9	1	200019	.25 SCH 40BP X 1.00 LG C/L
10	1	202037	WINDSHIELD WIPER SPACER
11	6	900264	1/2UNC X 1 1/4 HEX BOLT
12	1	290417	18" WIPER BLADE
13	6	914008	1/2UNC HEX STOVER NUT
14	1	342287	204 CAB WELDMT 95
15	6	291603	HALOGEN WORKLAMP, SIDE MT 12V
16	1	342150	CAB ROOF WLD, 284 94
17	1	342180	HEADLINER KPR ANGLE,284CAB 94
18	2	470067	GROMMET, .250ID .125GW .375GD
19	2	470070	GROMMET, .375ID .062GW .500GD
20	8	470118	1/4UNC X 3/4 FLANGE HEX BOLT
21	1	470229	IDENTIFICATION TIE, WHITE
22	6	470100	3/8 INT TOOTH LOCK WASHER
23	4	470121	1/4UNC HEX FLANGE LOCK NUT
24	4	470122	1/4UNC X 1/2 FLANGE HEX BOLT
25	16	470212	1/4 BONDED SEALING WASH, SS
26	16	470218	1/4UNC NUT J-TYPE CAGE CLIP
27	1	470222	GRAB HANDLE, BLACK MOULDED
28	22	472349	1/4 X 3/4 20THD-IN TEK TYPE
29	6	473779	10MM-1.50 HEX NUT
30	2	473910	1/4 X 1 1/2 PHIL HD SHT MTL S
31	2	650524	OUTSIDE MIRROR W/MTG BRKT
32	1	658008	WINDSHIELD WIPER MOTOR
33	1	658013	WIPER ARM
34	1	658018	FRONT CAB GLASS, 204 95
35	1	658015	FRONT SIDE CAB/DOOR GLASS 94
36	2	658016	REAR SIDE CAB GLASS 94
37	1	658017	REAR CAB GLASS 94
38	8	900002	1/4UNC X 3/4 HEX BOLT
39	1	900005	1/4UNC X 1 1/2 HEX BOLT
40	2	470175	10-32 HEX FLANGE LOCK NUT
41	2	903883	10-32 X 1/2 SLT RDHD MACH SCR

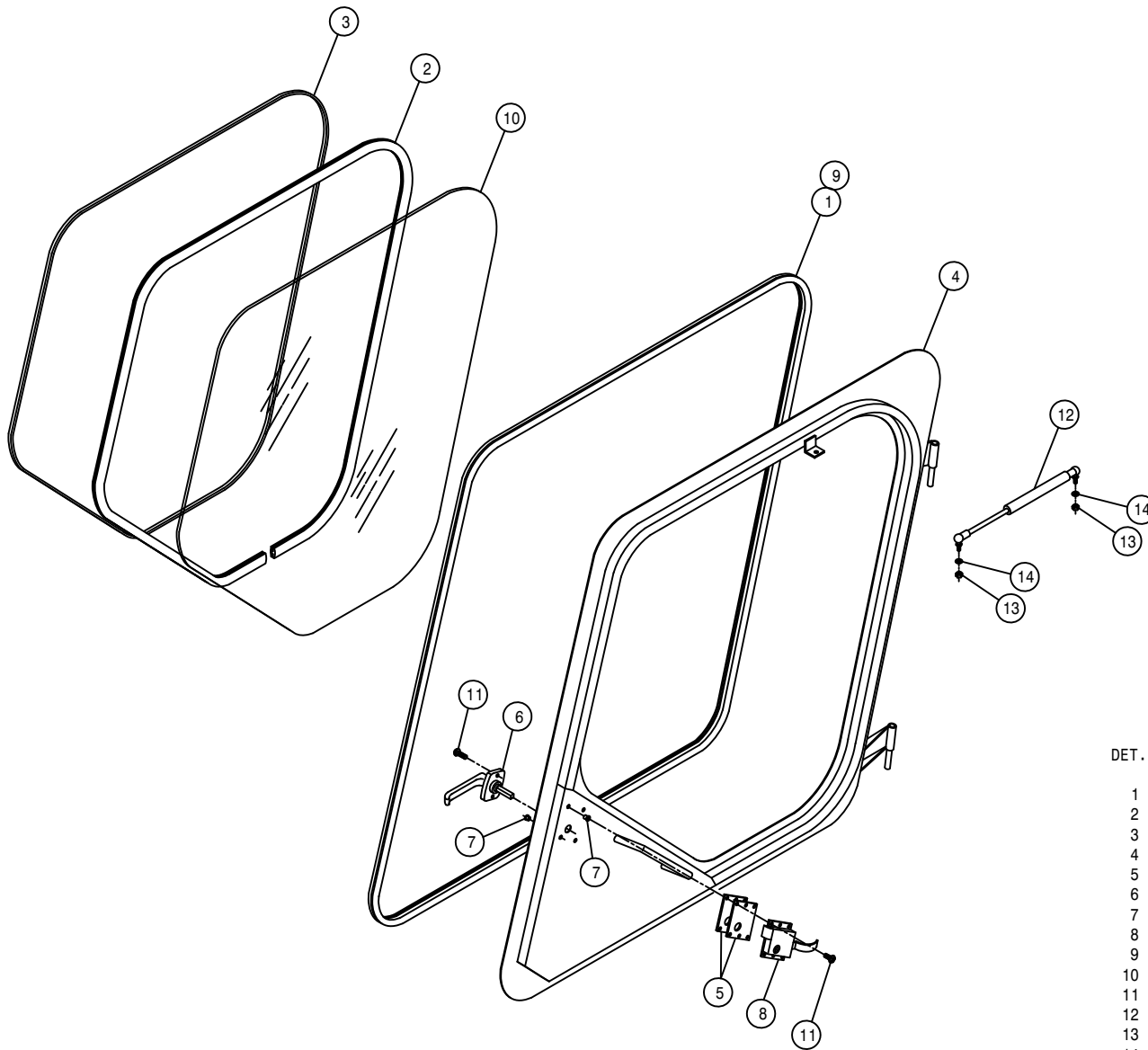
290091



AIR CONDITIONER ASSEMBLY

DET. QTY PART NO. DESCRIPTION

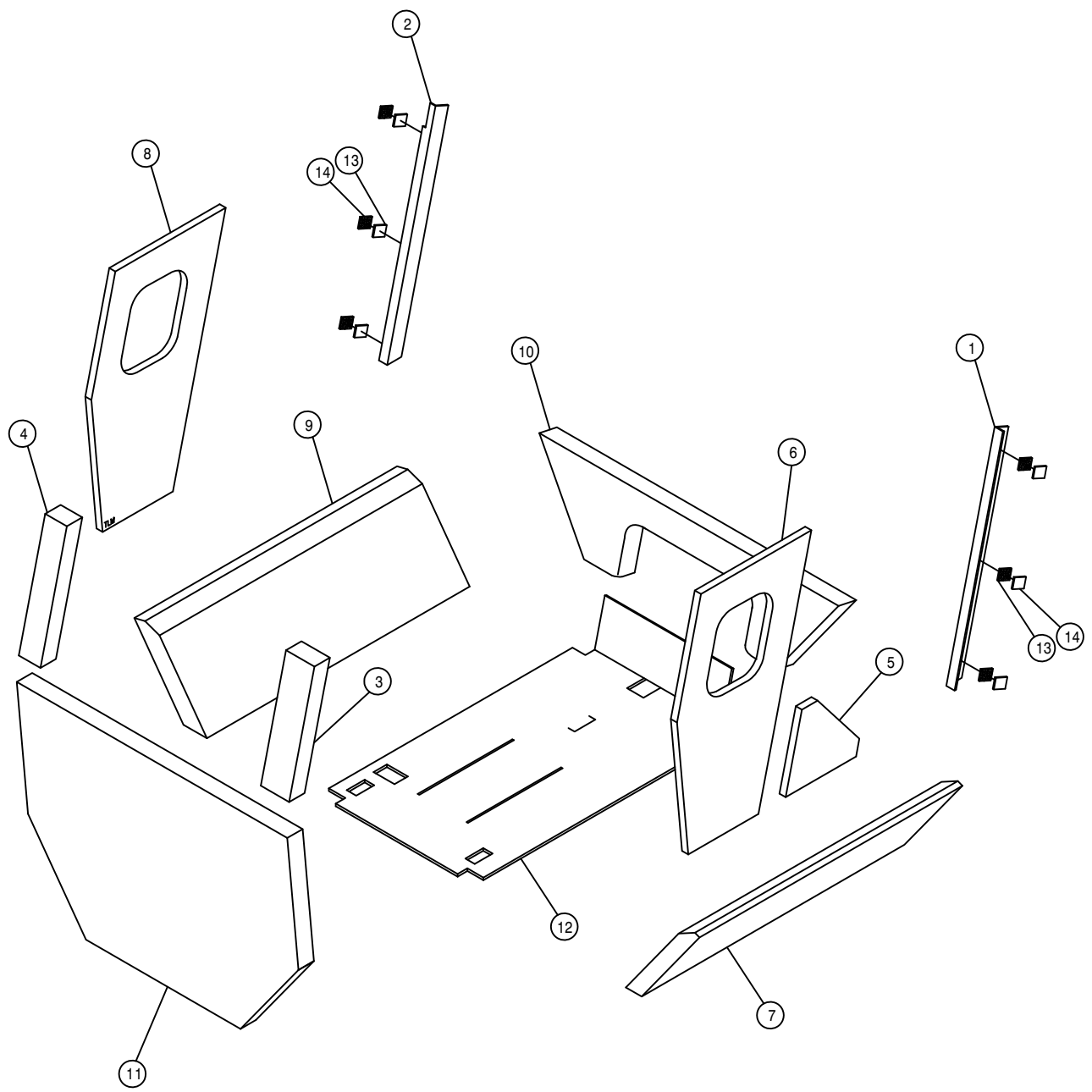
1	1	291835	RADIO, AM/FM/CD/WB CRC-5320
2	1	291213	SPEAKERS (PAIR)
3	1	291214	ANTENNA
4	1	291605	INTERIOR LIGHT W/SWITCH
5	1	291834	RADIO SUPPORT BRKT
6	1	342182	REAR A/C BLOWER MT WLD,CAB 94
7	4	470087	3/8UNC HEX FLANGE LOCK NUT
8	5	470121	1/4UNC HEX FLANGE LOCK NUT
9	5	470122	1/4UNC X 1/2 FLANGE HEX BOLT
10	4	472349	1/4 X 3/4 20THD-IN TEK TYPE
11	24	473966	6X3/4 PHIL FLT HD SHT MTL SCR
12	2	520055	HOSE CLAMP NO 12 STAINLESS
13	1	601342	HOSE, 5/8 X 192 HEATER
14	1	601343	HOSE, 5/8 X 216 HEATER
15	1	657426	A/C EVAPORATOR/HEATER, 284
16	1	658327	VINYL HEAD LINER 99
17	2	618556	1/4NPT-90-1/2 HOSE BARB,POLY
18	1	658313	ROOF SEAL,AIR COND 204,254,284
19	2	730016	1/4NPT ST EL, 90 DEG POLY
20	4	900128	3/8UNC X 3/4 HEX BOLT
21	1	657425	A/C CHARCOAL AIR FILTER
22	1	657424	A/C AIR FILTER
23	1	470067	GROMMET, .250ID .125GW .3756D
24	1	657427	A/C HOSE KIT, EVAP 284, 99
25	1	657431	A/C HOSE ASSY, 5/16 X 173
26	1	657432	A/C HOSE ASSY, 1/2 X 190.
27	1	657448	A/C BLOWER ASSY, 12V KENWAY
28	1	657405	A/C BLOWER WHEEL W/CLIP
29	1	657406	A/C EVAPORATOR COIL
30	1	657407	A/C HEATER COIL
31	1	657408	A/C THERMOSTAT
32	2	657409	A/C CONTROL KNOB
33	1	657410	A/C SWITCH, PUSH ON-OFF
34	1	657411	A/C EXPANSION VALVE
35	1	657412	A/C HEATER VALVE,4-WAY MTRIZED
36	1	657413	A/C FILTER, RECIRCULATION
37	1	657414	A/C BLOWER DRIVE ASSY
38	2	657415	A/C POTENTIOMETER ASSY
39	1	903883	10-32 X 1/2 SLT RDHD MACH SCR
40	1	470175	10-32 HEX FLANGE LOCK NUT
41	2	500098	1/2HB-90-1/2 HOSE BARB, POLY
42	2	342669	A/C DRAIN HOSE KEEPER
43	1	291836	WIRE HARNESS FOR 291835 RADIO



DOOR ASSEMBLY

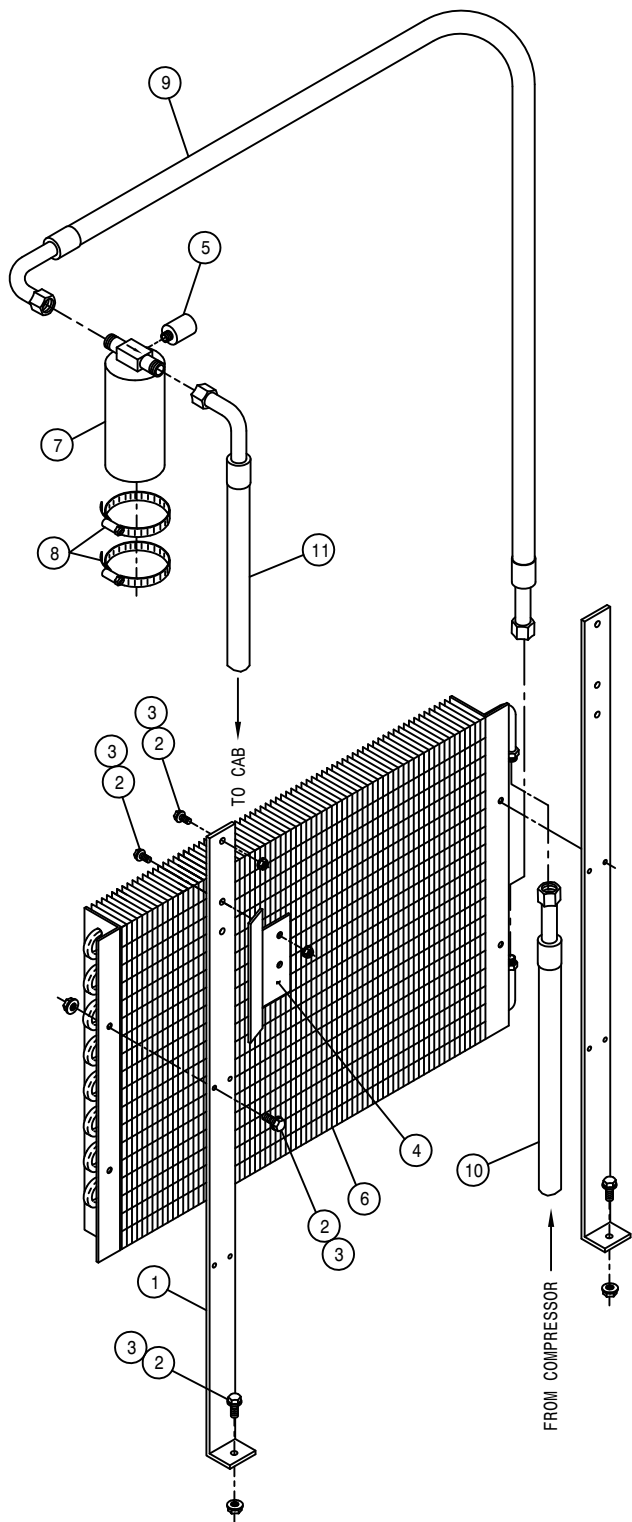
DET. QTY PART NO. DESCRIPTION

1	12	193028	PUSH-ON TRIM SEAL RS-130-FX	
2	9	193044	WINDOW WEATHERSTRIP	
3	9	193045	LOCK STRIP FOR 193044	
4	1	342153	LH DOOR WLD, 284 CAB	94
5	2	342163	CAB DOOR LATCH SHIM, .06	94
6	1	342217	DOOR HANDLE, 254/284 CAB	94
7	6	470165	10-32 NUTSERT .020-.100 MATL	
8	1	470219	CAB LOCK, LH #55	
9	2	485052	POP RIVET 1/8 X 3/8	
10	1	658015	FRONT SIDE CAB/DOOR GLASS	94
11	6	903710	10-32X5/8 PHIL PANHD MACH SCR	
12	1	470221	GAS SPRING, 60LB 3.5 STROKE	
13	2	910002	5/16UNC HEX NUT	
14	2	920501	5/16 LOCK WASHER	



CAB FOAM

DET.	QTY	PART NO.	DESCRIPTION
1	1	658301	VINYL POST COVER, RH FRONT 94
2	1	658302	VINYL POST COVER, LH FRONT 94
3	1	658303	VINYL POST COVER, RH REAR 94
4	1	658304	VINYL POST COVER, LH REAR 94
5	1	658305	VINYL SIDE PANEL, RH 94
6	1	658306	VINYL SIDE PANEL, RH UPPER 94
7	1	658307	VINYL SIDE PANEL, RH LOWER 94
8	1	658308	VINYL SIDE PANEL, LH UPPER 94
9	1	658309	VINYL SIDE PANEL, LH LOWER 94
10	1	658310	VINYL FRONT COVER PANEL 94
11	1	658311	VINYL REAR COVER PANEL 94
12	1	658315	CAB FLOORMAT 254/284 95
13	6	471101	DUAL LOCK, 1.00 X 1.00 SJ3542
14	6	471100	DUAL LOCK, 1.00 X 1.00 SJ3541

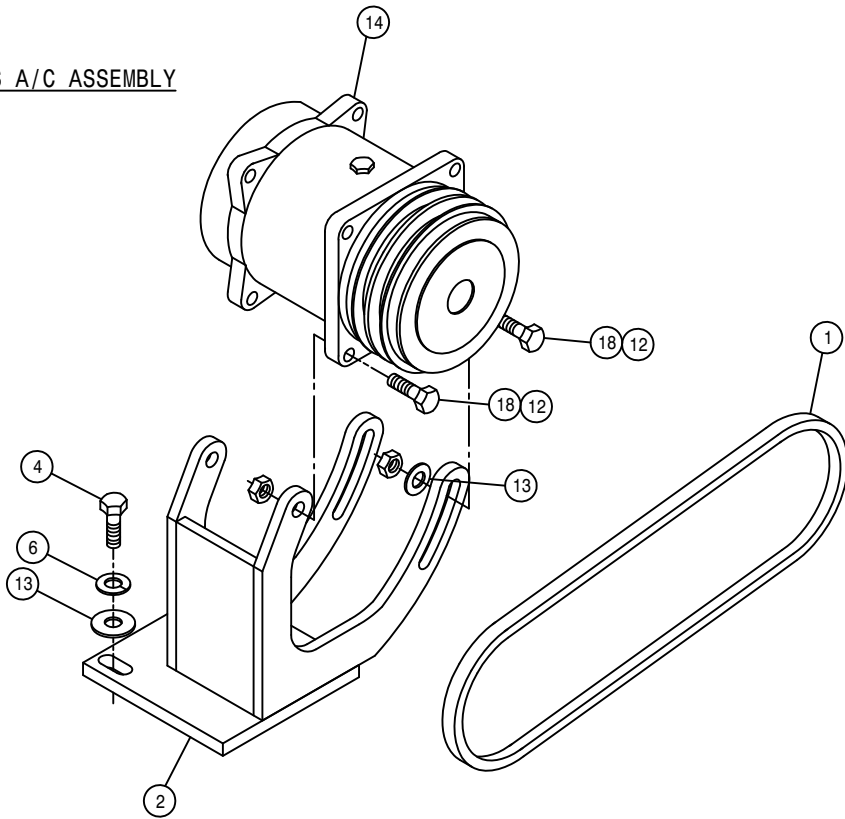


A/C CONDENSOR ASSEMBLY

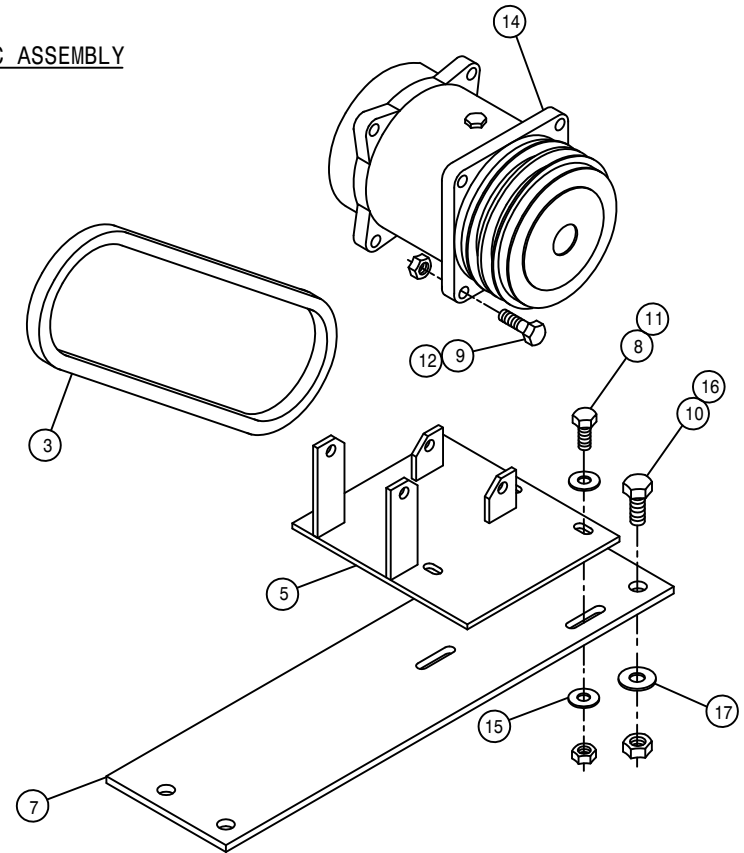
DET. QTY PART NO. DESCRIPTION

1	2	315036	CONDENSER MTG BRKT	99
2	10	470118	1/4UNC X 3/4 FLANGE HEX BOLT	
3	10	470121	1/4UNC HEX FLANGE LOCK NUT	
4	1	315038	A/C DRIER MT,204-254-284	99
5	1	657422	A/C BINARY SWITCH	
6	1	657423	A/C CONDENSER COIL 21-0324	
7	1	657421	A/C RECEIVER/DRIER	
8	2	520052	HOSE CLAMP NO 52 STAINLESS	
9	1	657429	A/C HOSE ASSY, 5/16 X 44	
10	1	657430	A/C HOSE ASSY, 13/32 X 80	
11	1	657431	A/C HOSE ASSY, 5/16 X 173	

CUMMINS A/C ASSEMBLY



GMC A/C ASSEMBLY



A/C COMPRESSOR PUMP ASSEMBLY

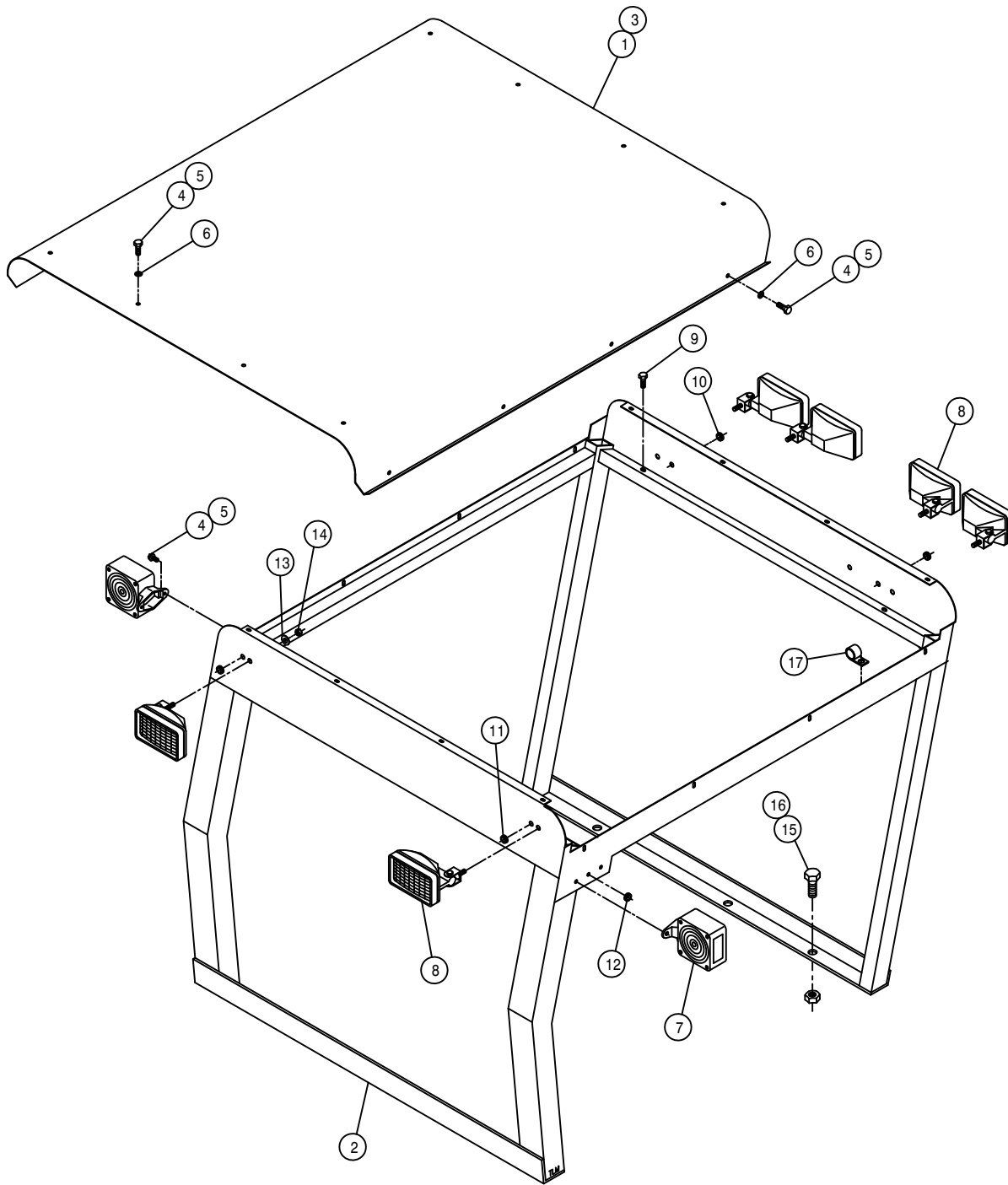
DET. QTY PART NO. DESCRIPTION

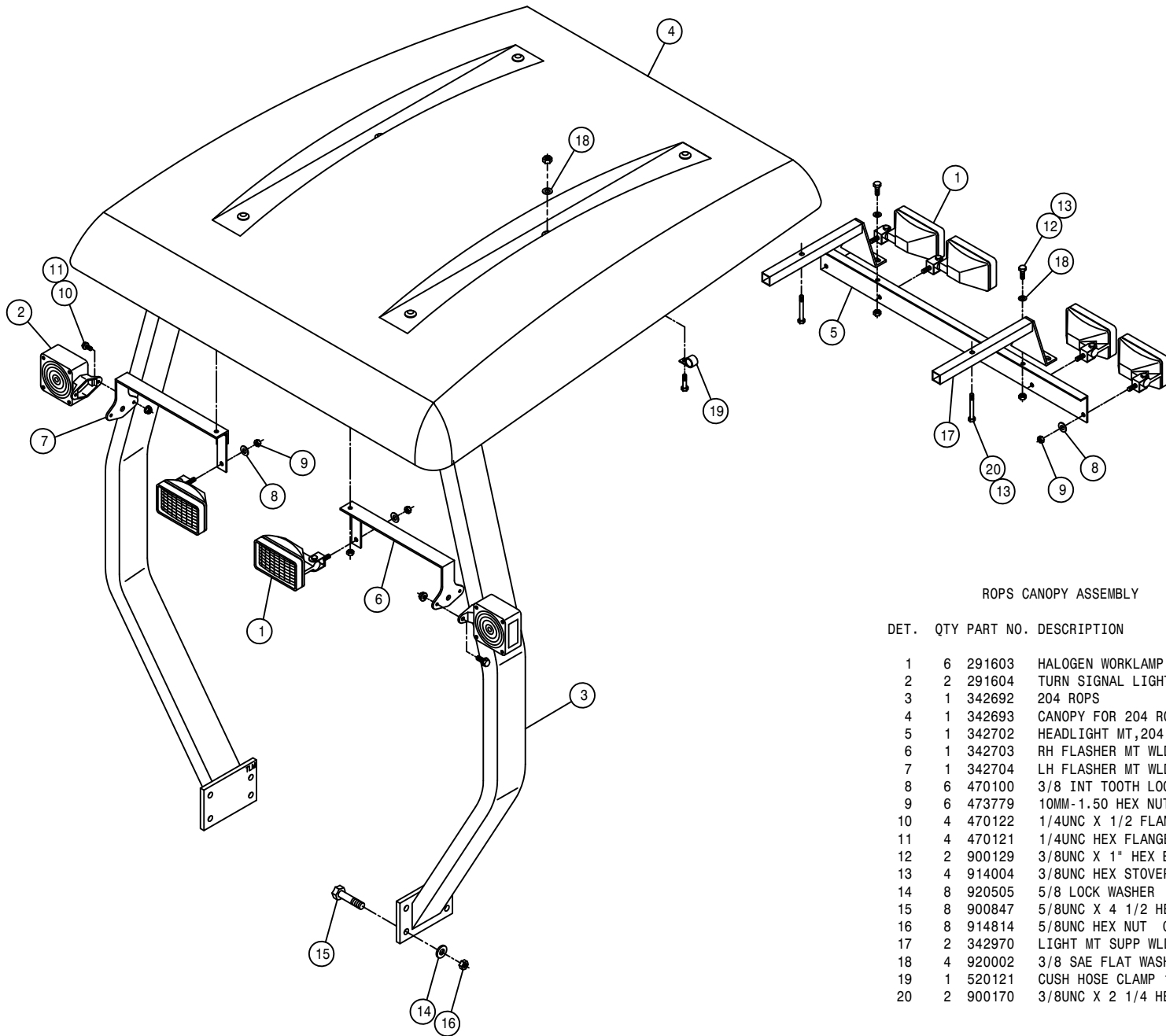
1	1	147050	9455XL BELT, GATES	
2	1	316314	A/C COMPRSR MT WLD, 284	98
3	1	147023	7365 BELT	
4	3	473792	10MM-1.50 X 30MM HEX BOLT	
5	1	657383	A/C COMPRSR MT WLD, 204 GMC	99
6	3	473798	10MM LOCK WASHER	
7	1	342309	A/C COMPRSR MT PLT, 204 GMC	96
8	3	900065	5/16UNC X 1" HEX BOLT	
9	4	900130	3/8UNC X 1 1/4 HEX BOLT	
10	4	900264	1/2UNC X 1 1/4 HEX BOLT	
11	3	914002	5/16UNC HEX STOVER NUT	
12	8	914004	3/8UNC HEX STOVER NUT	
13	5	483043	3/8 REGULAR FLAT WASHER	
14	2	657403	A/C COMPRSR, 180D PORTS	TM15/12
15	6	920001	5/16 SAE FLAT WASHER	
16	4	914008	1/2UNC HEX STOVER NUT	
17	4	920004	1/2 SAE FLAT WASHER	
18	4	900131	3/8UNC X 1 1/2 HEX BOLT	

CANOPY ASSEMBLY

DET. QTY PART NO. DESCRIPTION

1	1	342151	CAB ROOF, 284	94
2	1	342270	CANOPY WLD, 204	94
3	1	658314	CANOPY ROOF FOAM, 204	94
4	20	470122	1/4UNC X 1/2 FLANGE HEX BOLT	
5	20	470121	1/4UNC HEX FLANGE LOCK NUT	
6	16	470212	1/4 BONDED SEALING WASH, SS	
7	2	291604	TURN SIGNAL LIGHT,PED MT, YEL	
8	6	291603	HALOGEN WORKLAMP,SIDE MT 12V	
9	4	472349	1/4 X 3/4 20THD-IN TEK TYPE	
10	2	470067	GROMMET, .250ID .125GW .375GD	
11	2	470070	GROMMET, .375ID .062GW .500GD	
12	2	470226	GROMMET, .156ID .062GW .250GD	
13	6	470100	3/8 INT TOOTH LOCK WASHER	
14	6	473779	10MM-1.50 HEX NUT	
15	6	900264	1/2UNC X 1 1/4 HEX BOLT	
16	6	914008	1/2UNC HEX STOVER NUT	
17	6	520117	CUSH HOSE CLAMP 5/8D X 1/2W	





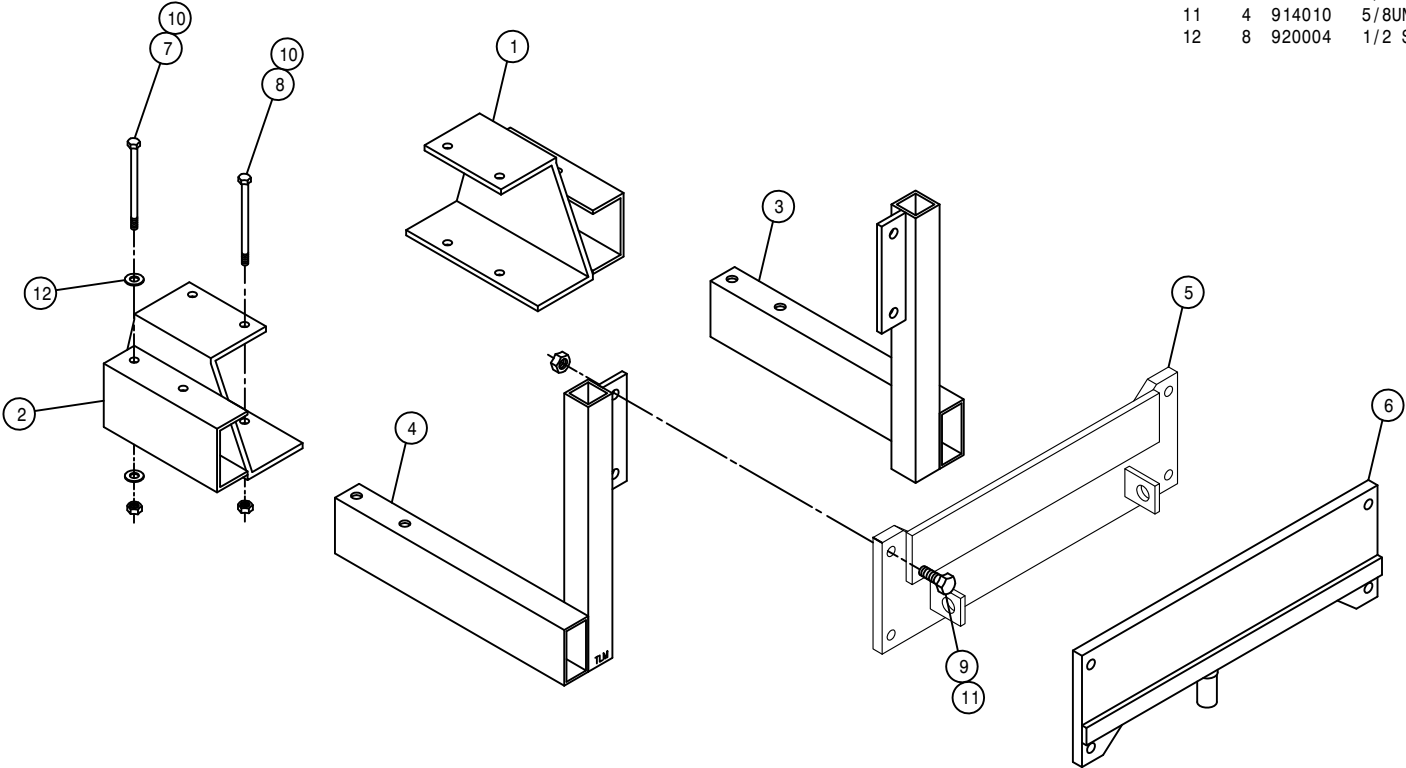
ROPS CANOPY ASSEMBLY

DET.	QTY	PART NO.	DESCRIPTION
1	6	291603	HALOGEN WORKLAMP, SIDE MT 12V
2	2	291604	TURN SIGNAL LIGHT, PED MT, YEL
3	1	342692	204 ROPS
4	1	342693	CANOPY FOR 204 ROPS (342692)
5	1	342702	HEADLIGHT MT, 204 ROPS 2000
6	1	342703	RH FLASHER MT WLD, 204ROPS 2000
7	1	342704	LH FLASHER MT WLD, 204ROPS 2000
8	6	470100	3/8 INT TOOTH LOCK WASHER
9	6	473779	10MM-1.50 HEX NUT
10	4	470122	1/4UNC X 1/2 FLANGE HEX BOLT
11	4	470121	1/4UNC HEX FLANGE LOCK NUT
12	2	900129	3/8UNC X 1" HEX BOLT
13	4	914004	3/8UNC HEX STOVER NUT
14	8	920505	5/8 LOCK WASHER
15	8	900847	5/8UNC X 4 1/2 HEX BOLT GR8
16	8	914814	5/8UNC HEX NUT GR8
17	2	342970	LIGHT MT SUPP WLD, 204 ROPS 04
18	4	920002	3/8 SAE FLAT WASHER
19	1	520121	CUSH HOSE CLAMP 1IN X 3/4W
20	2	900170	3/8UNC X 2 1/4 HEX BOLT

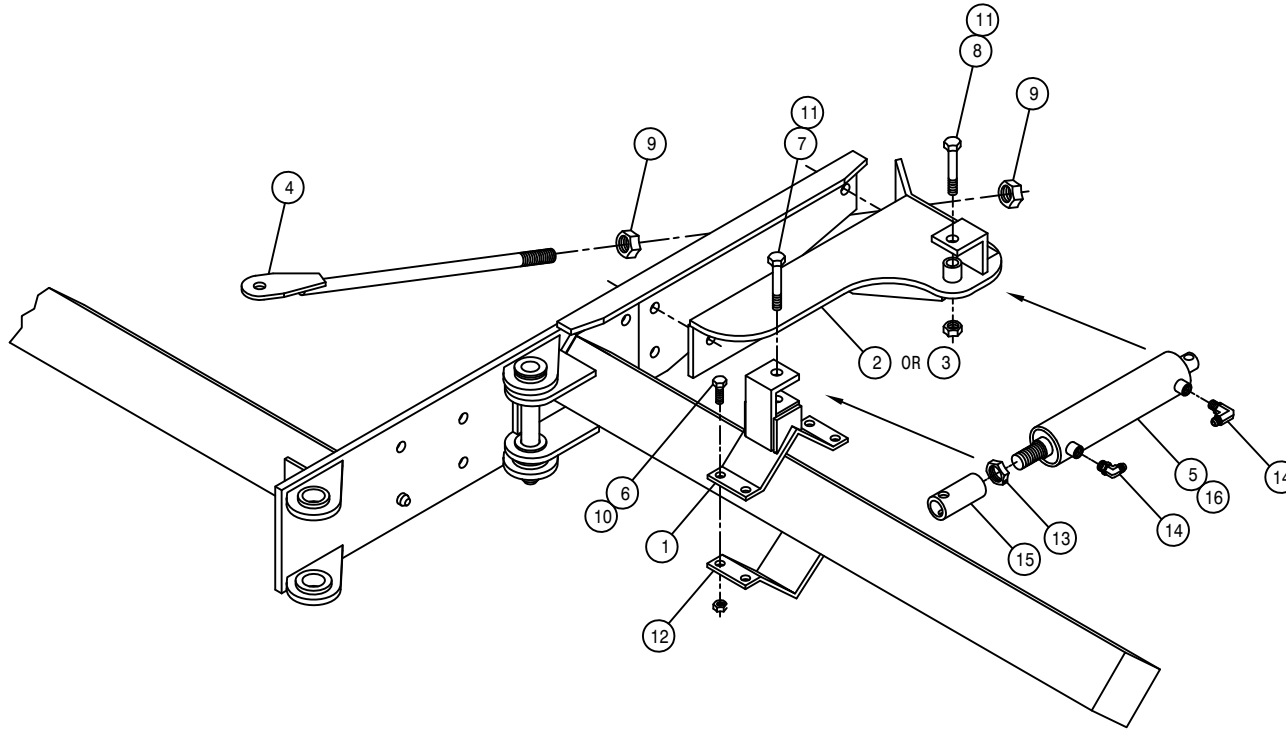
REAR WEIGHT BRACKET ASSEMBLY

DET. QTY PART NO. DESCRIPTION

1	1	341980	RH REAR TOOL BAR MT WLD 2XX
2	1	341981	LH REAR TOOL BAR MT WLD 2XX
3	1	438575	RH WEIGHT MT BRKT WLD 96
4	1	438576	LH WEIGHT MT BRKT WLD 96
5	1	438660	IH 173MAG WEIGHT ADPT PLT WLD
6	1	438581	WEIGHT MT PLATE WLD,JD 204 96
7	4	900277	1/2UNC X 5 1/2 HEX BOLT
8	4	900281	1/2UNC X 7 1/2 HEX BOLT
9	4	900335	5/8UNC X 2" HEX BOLT
10	8	914008	1/2UNC HEX STOVER NUT
11	4	914010	5/8UNC HEX STOVER NUT
12	8	920004	1/2 SAE FLAT WASHER



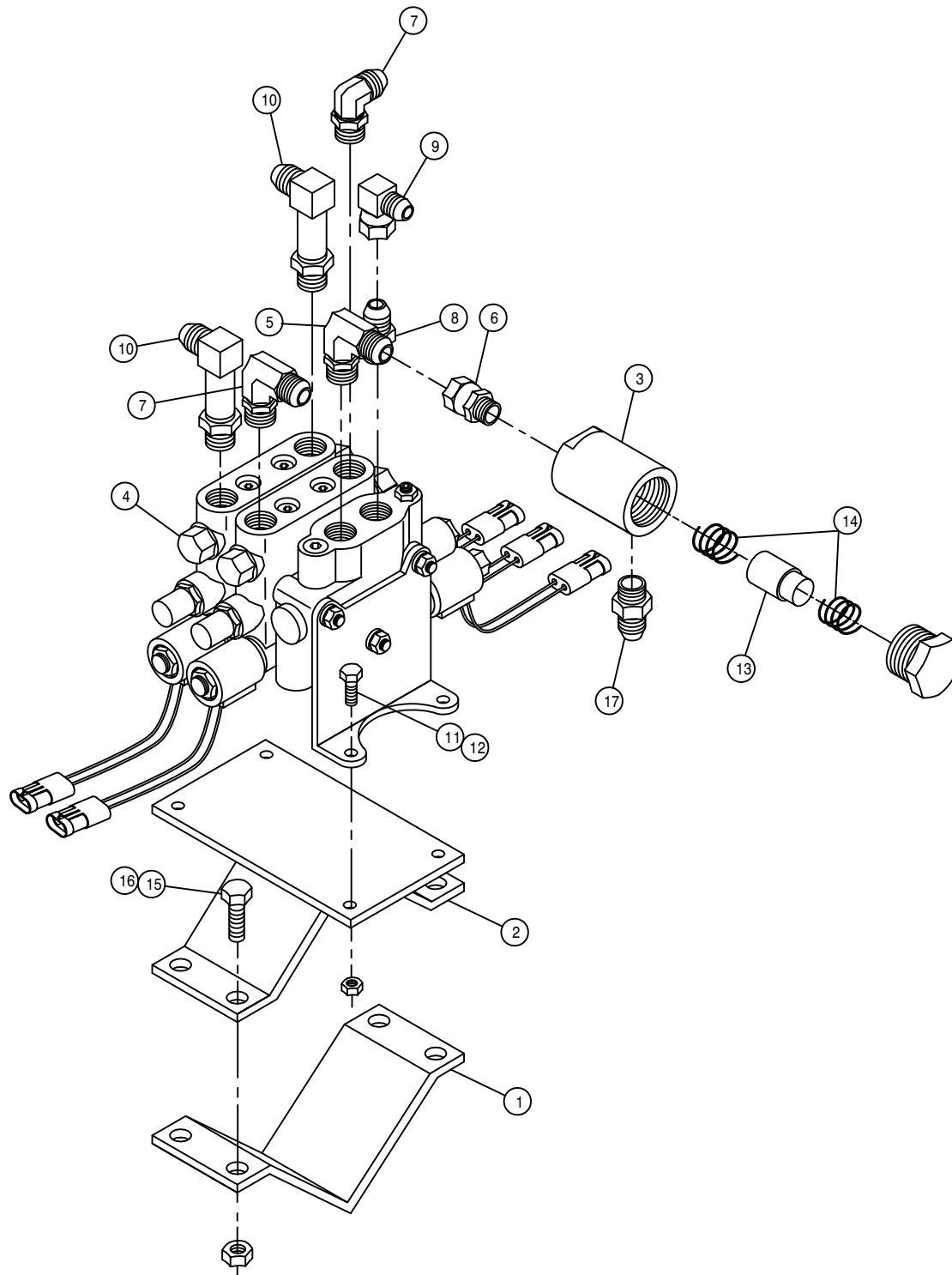
100



OUTRIGGER HYDRAULIC FOLD ASSEMBLY

DET.	QTY	PART NO.	DESCRIPTION
	1	2 438747	OUTRGR CYL MT WLD, 204SP
	2	1 438735	RH FOLD CYL MT WLD, 204/SP
	3	1 438736	LH FOLD CYL MT WLD, 204/SP
	4	2 438745	FOLD CYL MT SUPP ROD WLD204/SP
	5	2 621520	BOOM HINGE FOLD CYL ASSY
	6	8 900265	1/2UNC X 1 1/2 HEX BOLT
	7	2 900338	5/8UNC X 3" HEX BOLT
	8	2 900341	5/8UNC X 3 3/4 HEX BOLT
	9	4 910012	3/4UNC HEX NUT
	10	8 914008	1/2UNC HEX STOVER NUT
	11	4 914010	5/8UNC HEX STOVER NUT
	12	2 438324	75IN OUTRGR BRACE CLAMP
	13	2 472322	7/8-14 UNF HEX JAM NUT
	14	4 614747	.025 ELBOW ASSY,9/16MOR 90D
	15	2 620653	FOLD CYL ADJ SLEEVE 97
	16	2 621521	REPAIR KIT, HYD CYL 621520

QUANTITY LISTED IS FOR ONE MACHINE.



OUTRIGGER FOLD VALVE ASSEMBLY

DET. QTY PART NO. DESCRIPTION

1	1	438324	75IN OUTRGR BRACE CLAMP
2	1	438724	OUTRGR FOLD VLV MT WLD2100/STS
3	1	605615	HYD FILTER, INLINE 25M 9/16FOR
4	1	606090	BRAND HYD VALVE, 2-SECT SER 36
5	1	618183	3/4MJIC-90-7/8MOR LBO
6	1	618692	3/4FJIC SWIV-9/16MOR ADPTR
7	2	618115	9/16MJIC-90-3/4MOR LBO
8	1	618310	9/16MJIC-7/8MOR ADPTR
9	1	618618	9/16MJIC-90-9/16FJIC SWIV LBO
10	2	618709	9/16MJIC-90-3/4MOR EX LG LBO
11	4	900065	5/16UNC X 1" HEX BOLT
12	4	914002	5/16UNC HEX STOVER NUT
13	1	605616	ELEMENT, 25M HYD FILTER 605615
14	1	605617	SPRING KIT, HYD FILTER 605615
15	4	900265	1/2UNC X 1 1/2 HEX BOLT
16	4	914008	1/2UNC HEX STOVER NUT
17	1	618126	9/16MJIC-9/16MOR ADPTR

NOTICE

The following page contains decals for the model 204.

These decals can be obtained from Hagie Mfg. Co. and should be used whenever your machine is repainted or when the decals become worn, weathered, or faded.

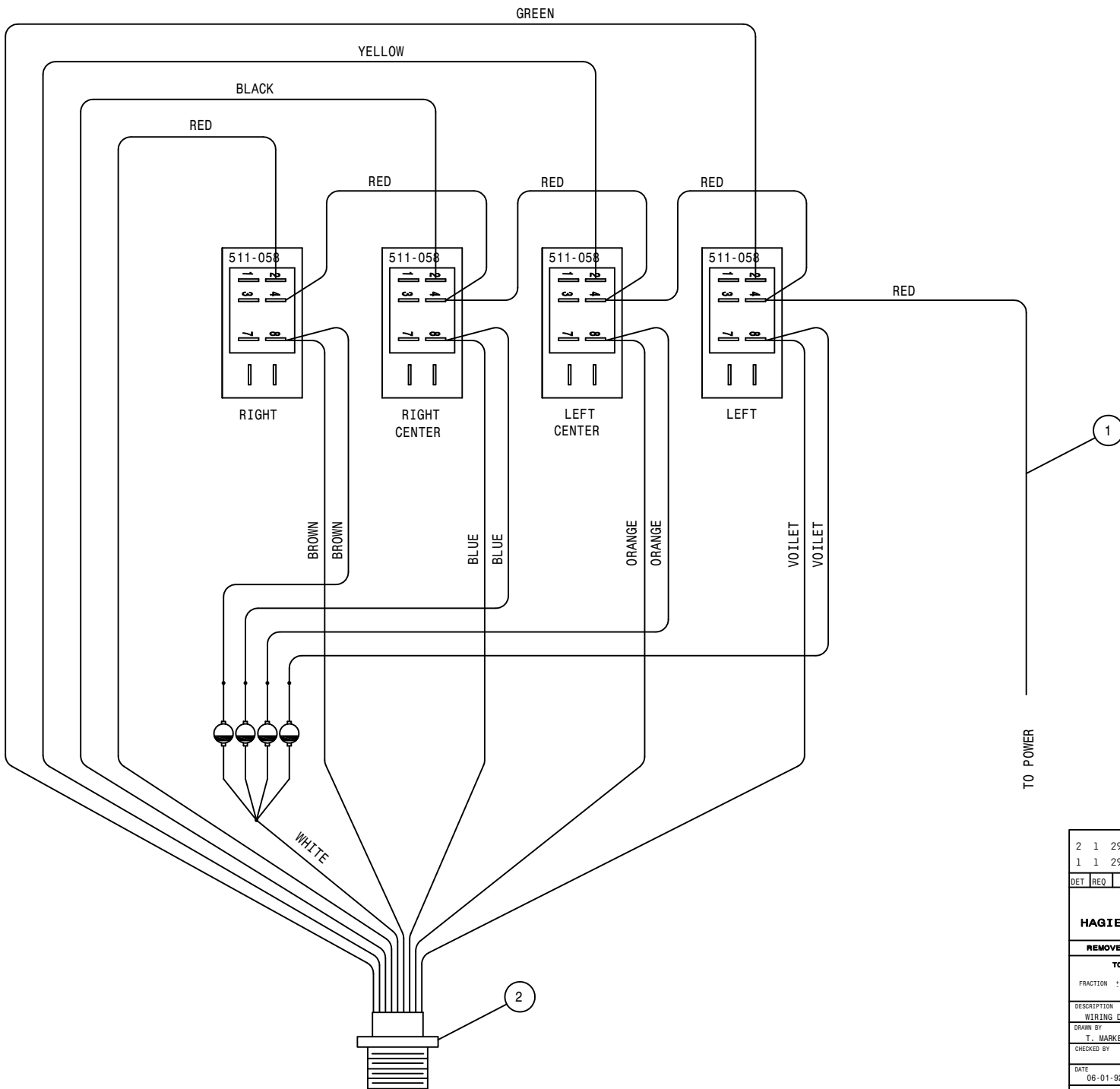
Special attention should be paid to decals involving personal safety. They have been attached for your protection.

KEEP THEM IN PLACE.

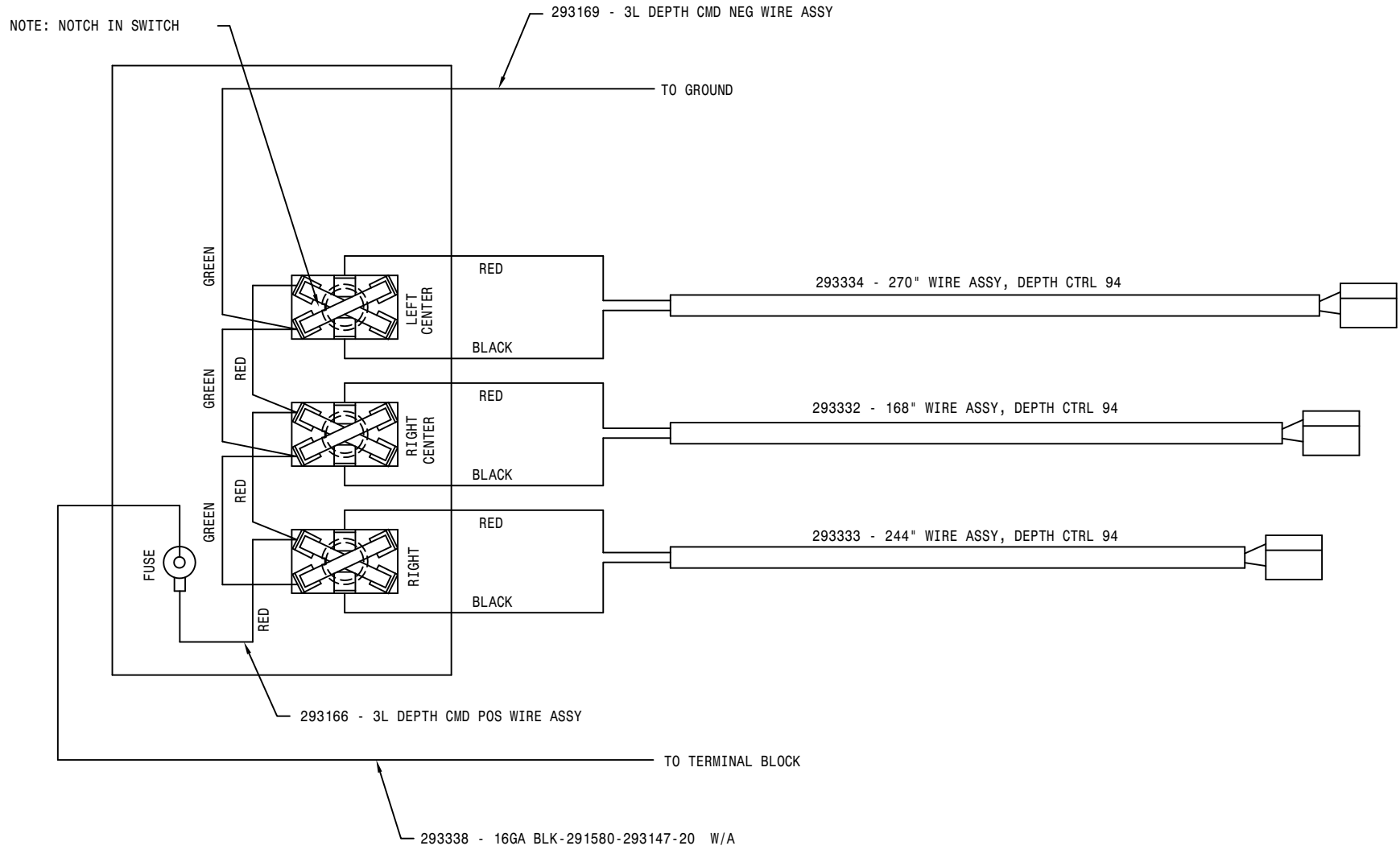
Contact: Hagie Manufacturing Co.
Box 273
Clarion, Iowa 50525

204 DECALS

QTY.	PART NO.	DESCRIPTION	LOCATION
1	650831	EMERGENCY STOP DECAL	ON CONSOLE SHEET METAL
1	650329	TRACTION VALVE DECAL	ON INSTRUMENT PANEL
2	650953	GASOLINE DECAL	NEAR EACH FUEL TANK NECK
1	650814	PARK BRAKE DECAL	NEAR PARK BRAKE
2	650819	DANGER, CUTTING BLADES	2-ON EACH CUTTER HEAD
1	650847	NO PASSENGER DECAL	ON FRONT OPERATOR STATION
2	650848	SLIP OR FALL DECAL	NEXT TO STEP ON EACH LEG RAIL
2	650849	ENGINE FUEL DECAL	NEAR EACH FUEL TANK NECK
4	650985	WHEEL BOLT TORQUE DECAL	ON EACH WHEEL RIM
2	650851	SHIELDS DECAL	ON SIDE OF TOP ENGINE COVER
1	650852	READ MANUAL DECAL	ON FRONT OPERATOR STATION
1	650981	COOLING SYSTEM DECAL	NEAR RADIATOR CAP
1	650982	ELECTRICAL DECAL	RIGHT HAND SIDE OF OIL TANK
3	650931	HAGIE DECAL 1 3/4 X 4	1 - ON EACH TASSEL DEFLECTOR 1 - ON EACH QUAD PULLER
4	650820	CAUTION MOVING PARTS DECAL	2 - EACH TASSEL DEFLECTOR 1 - ON EACH QUAD PULLER 1 - ON EACH TIRE PULLER
2	650954	DIESEL DECAL	NEAR EACH FUEL TANK NECK
1	650321	DECAL SET, HAGIE 204 STRIPE	ON EACH ENGINE HOOD
1	650319	DECAL, NOTICE LEG CYL OIL	ON TOP LH FRT LEG
1	650308	LEFT L-CTR R-CTR RIGHT DECAL	DEPTH COMMAND SWITCH BOX
1	650340	PARK BRAKE DECAL	ON CONSOLE COVER
1	650368	CONSOLE COVER DECAL	ON CONSOLE COVER
1	650881	CHOKE DECAL	ON CONSOLE COVER
1	650339	WARNING, HYD OIL INJ DECAL	ON FRONT OPERATOR STATION
1	650338	DEPTH CMD 6-LIFT DECAL	DEPTH COMMAND SWITCH BOX
1	650320	EMERGENCY EXIT DECAL	RIGHT SIDE CAB GALSS
1	650367	AIR FILTER INSTRUCTION DECAL	ON ENGINE AIR FILTER END CAP
1	650347	NOTICE-R134A CHARGE DECAL	NEXT TO A/C COMPRESSOR
1	650303	CUTTER ROTATION DECAL	ON FRONT OPERATOR STATION



2	1	293248	MANUAL LS SYS SW HARNESS
1	1	293249	MANUAL LS SYS PWR WIRE ASSY
DET	REQ	DESCRIPTION	
HAGIE			
HAGIE MANUFACTURING COMPANY			
CLARION, IOWA 50525			
REMOVE ALL SHARP CORNERS & BURRS			
TOLERANCE UNLESS OTHERWISE SPECIFIED			
FRACTION	1/32	DECIMALS	X.XX 1/32 X.XXX 1/64
DESCRIPTION		WIRING DIAG. MANUAL LS SYS SW	
DRAWN BY	T. MARKER	SCALE	NONE (1)
CHECKED BY		APPROVED BY	
DATE	06-01-92	DRAWING NUMBER	498414
SHEET	OF		



DET	REQ	DESCRIPTION			
 HAGIE MANUFACTURING COMPANY CLARION, IOWA 50525					
REMOVE ALL SHARP CORNERS & BURRS					
TOLERANCE UNLESS OTHERWISE SPECIFIED					
FRACTION	± 1/32	DECIMALS	X.XX ±.03 X.XXX ±.005	ANGLES	± *
DESCRIPTION					
WIRE DIAG, 3-LIFT DEPTH CMD 94					
DRAWN BY		SCALE			
T. MARKER		NONE			
CHECKED BY		APPROVED BY			
DATE		DRAWING NUMBER			
03-29-94		498451			
SHEET OF					

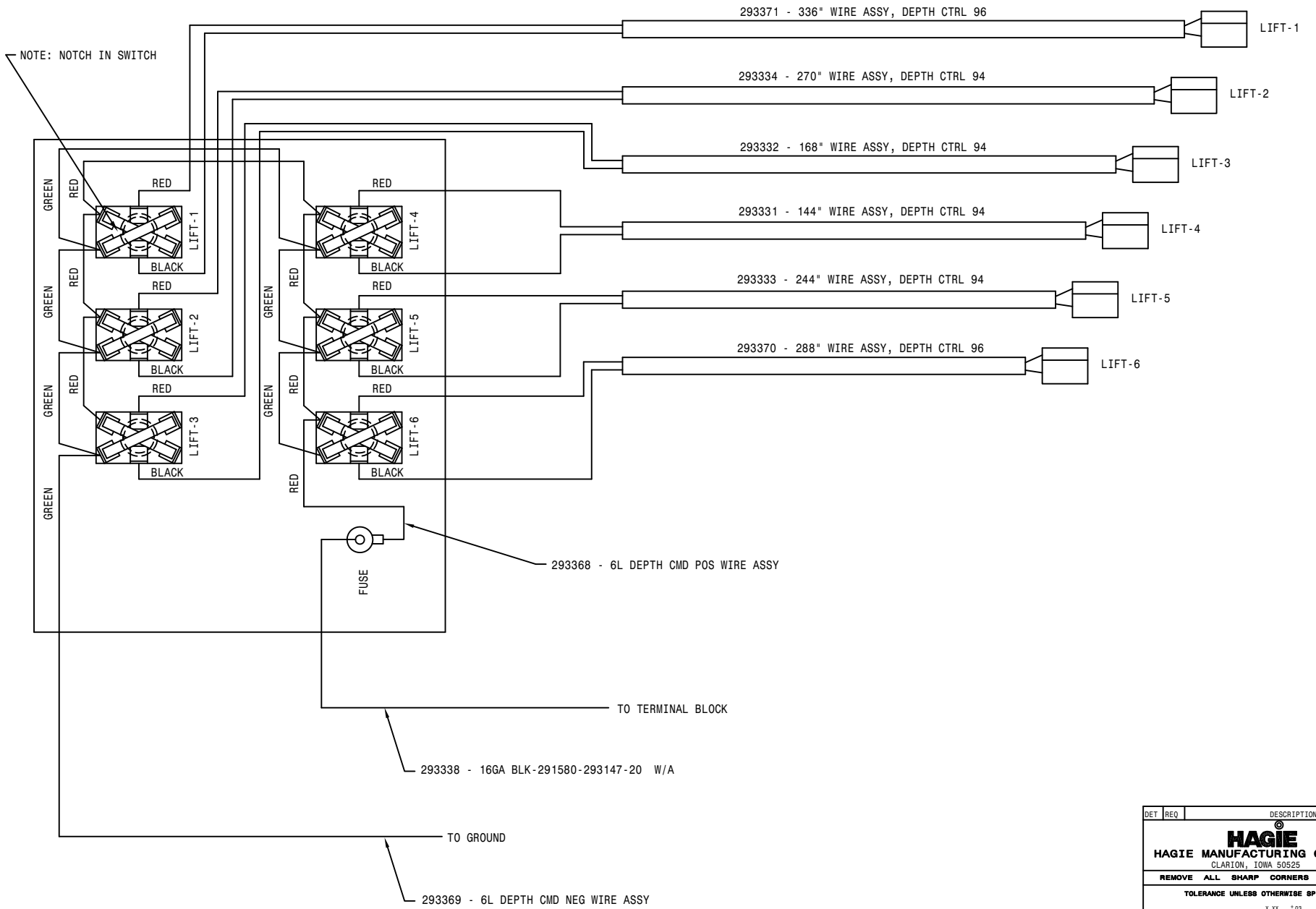
NOTE: NOTCH IN SWITCH



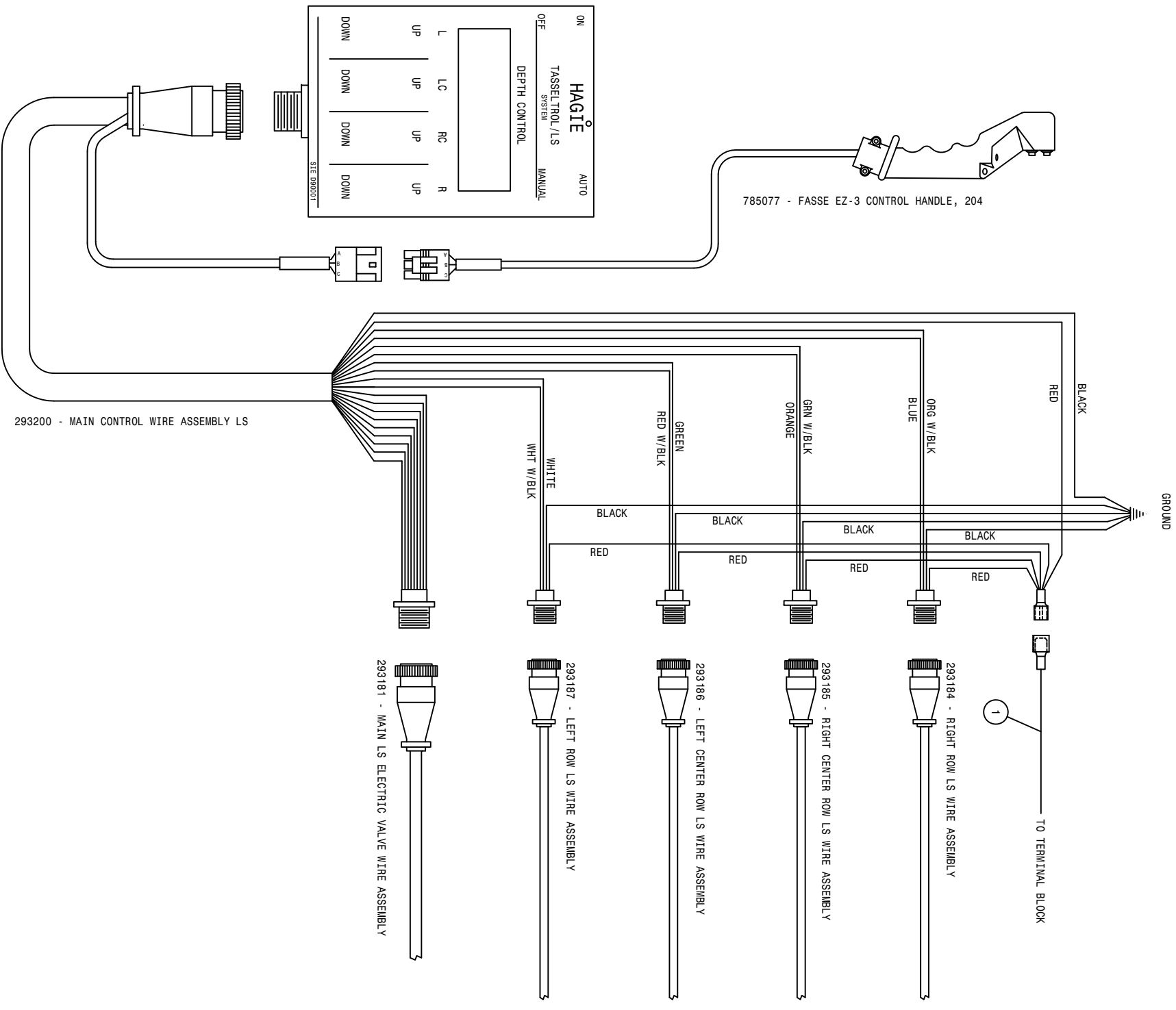
106

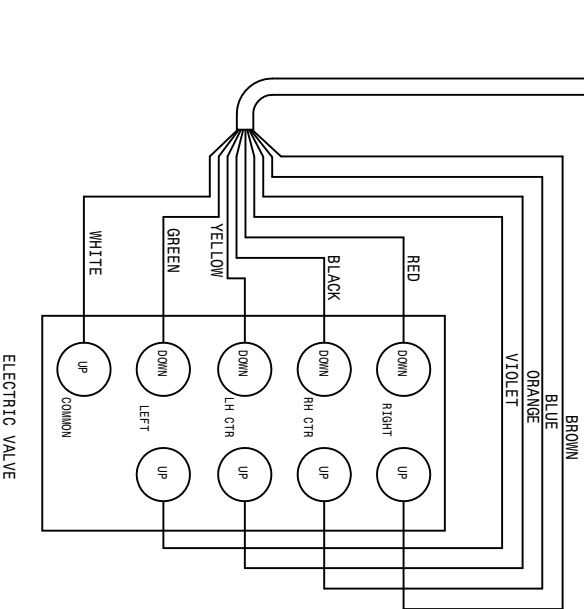
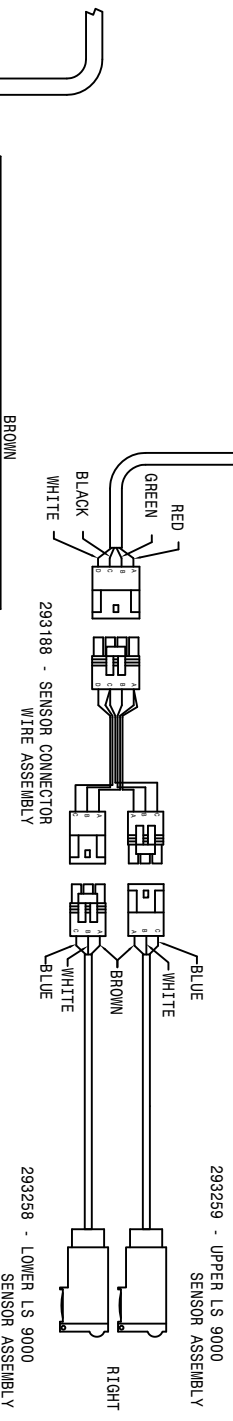
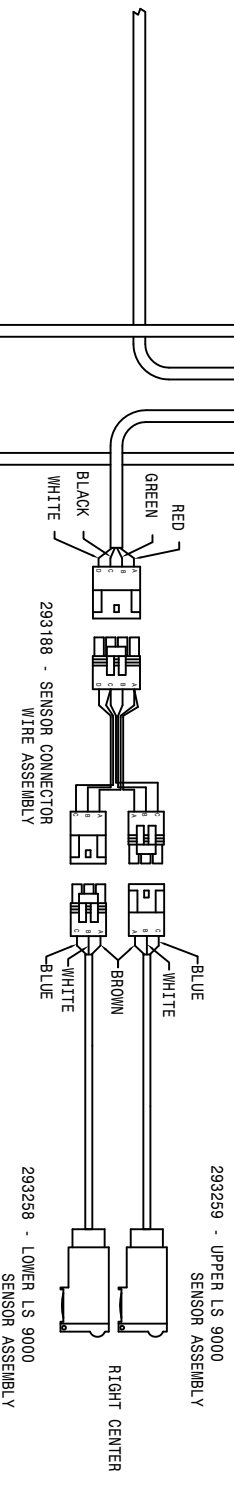
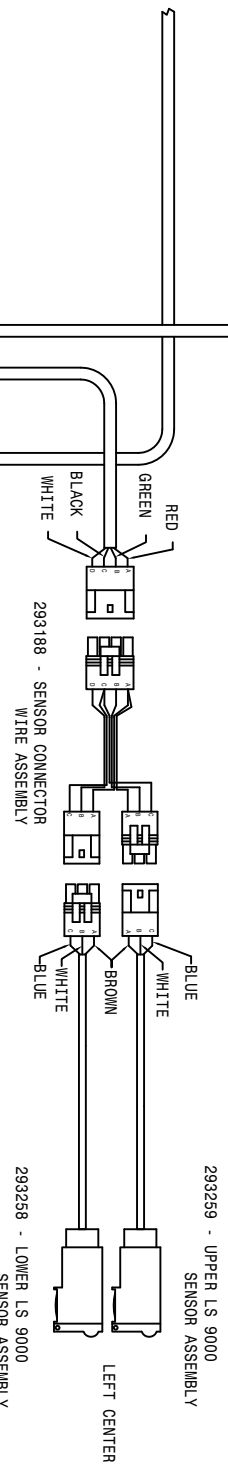
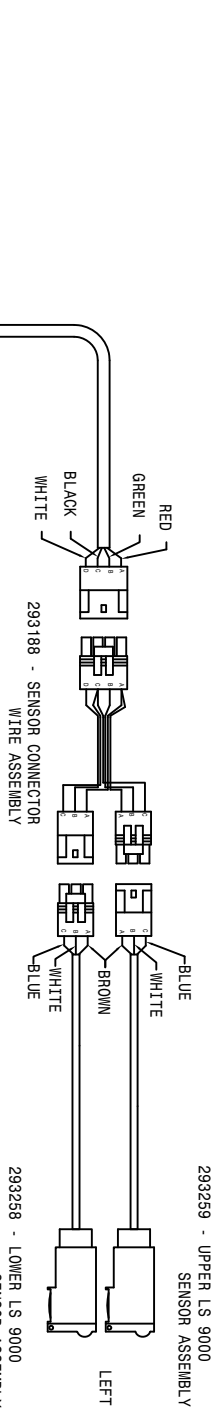
290106

DET	REQ	DESCRIPTION		
HAGIE HAGIE MANUFACTURING COMPANY <small>CLARION, IOWA 50525</small>				
REMOVE ALL SHARP CORNERS & BURRS TOLERANCE UNLESS OTHERWISE SPECIFIED				
FRACTION	1/32	DECIMALS	X.XX X.XXX	°03 °005
DESCRIPTION		SCALE		
WIRE DIAG, 4-LFT DEPTH CMD 94		NONE		
DRAWN BY T. MARKER		APPROVED BY		
CHECKED BY		DATE		
03-29-94		DRAWING NUMBER		
SHEET OF		498452		

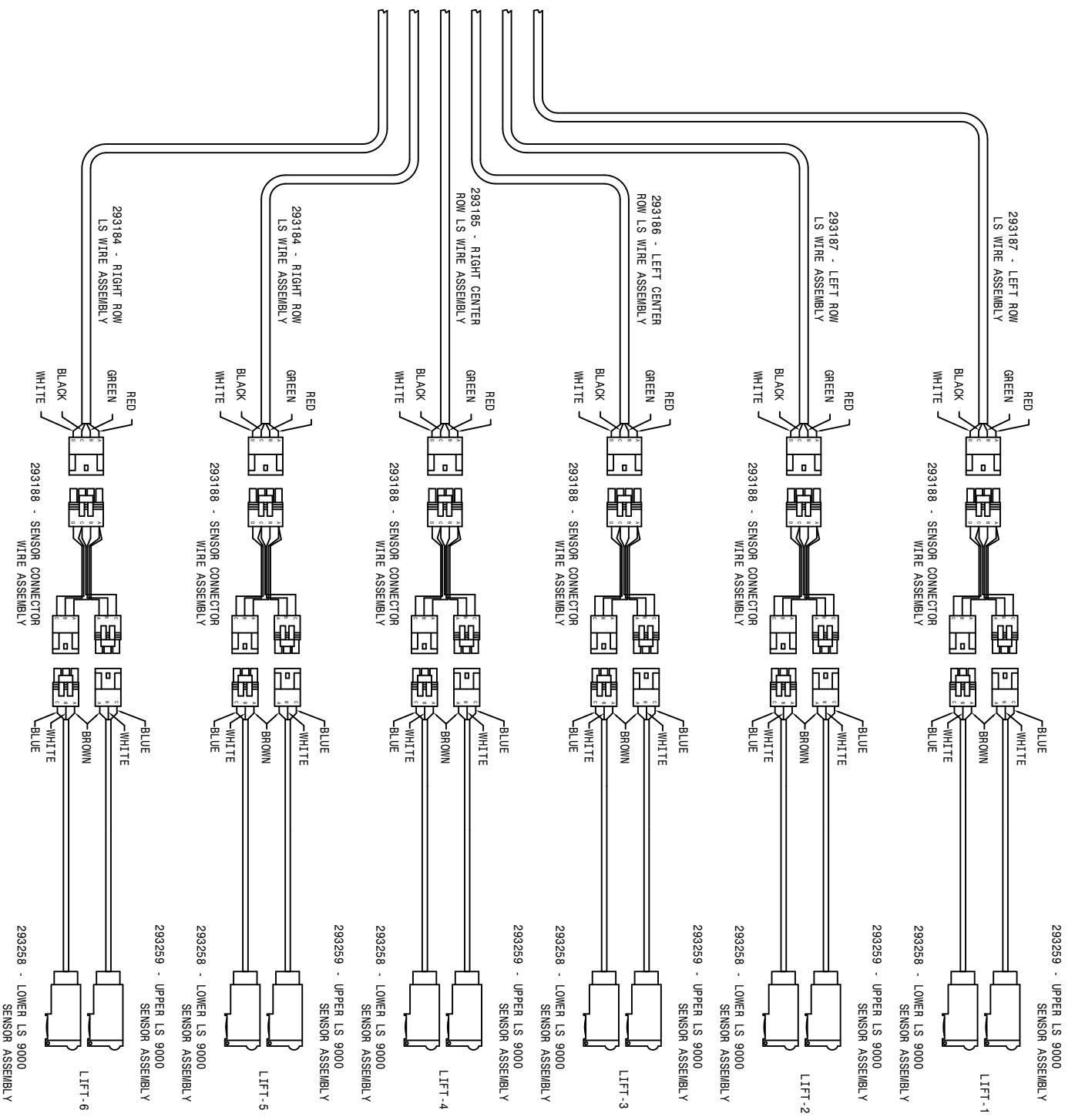


DET	REQ	DESCRIPTION
HAGIE HAGIE MANUFACTURING COMPANY CLARION, IOWA 50525		
REMOVE ALL SHARP CORNERS & BURRS		
TOLERANCE UNLESS OTHERWISE SPECIFIED		
FRACTION	DECIMALS	ANGLES
1/32	.03125	1°
	.005	1/2°
DESCRIPTION		
WIRE DIAG, 6-LIFT DEPTH CMD 96		
DRAWN BY	SCALE	
T. MARKER	NONE (1)	
CHECKED BY	APPROVED BY	
DATE	DRAWING NUMBER	
02-26-96	498479	
SHEET	OF	

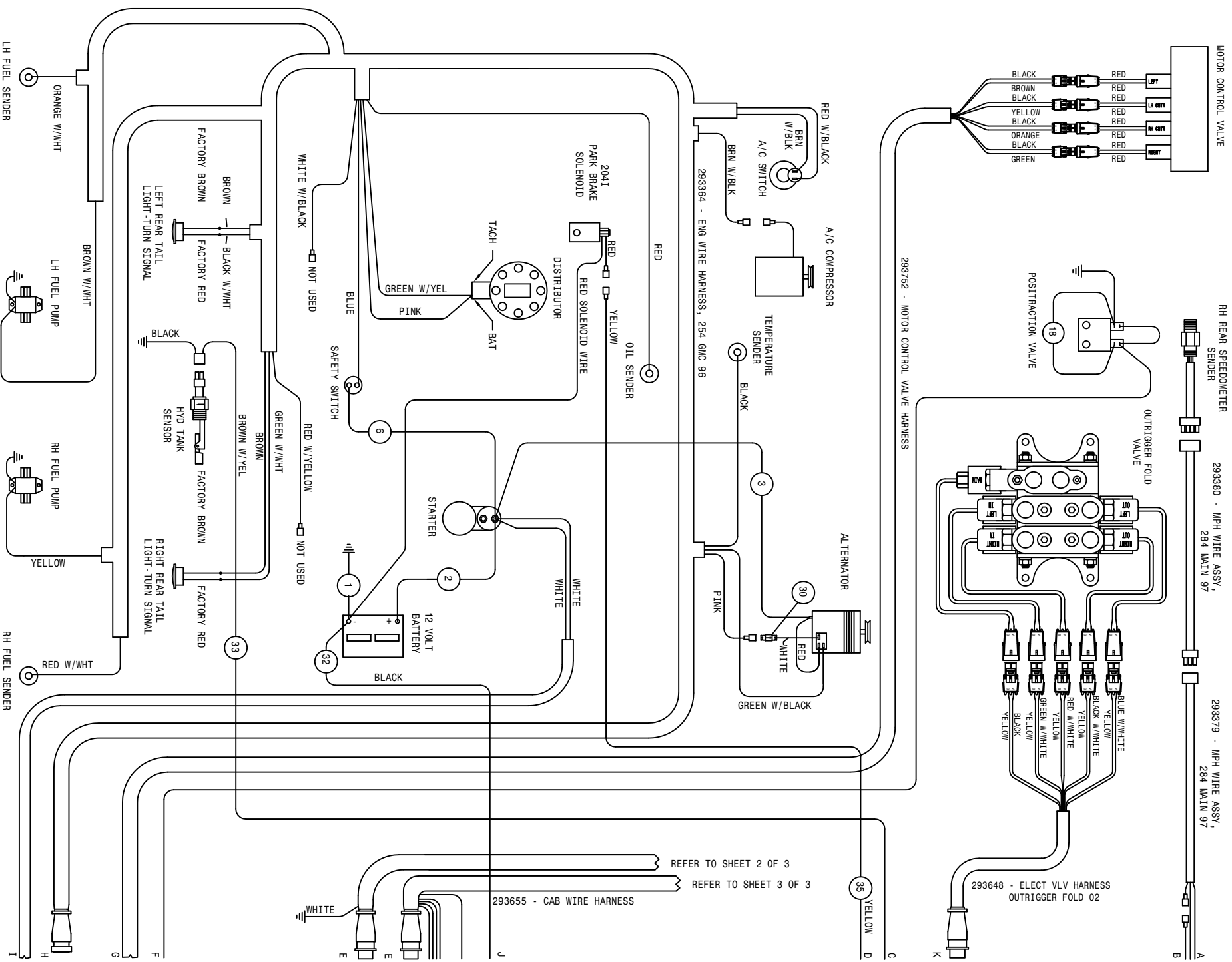


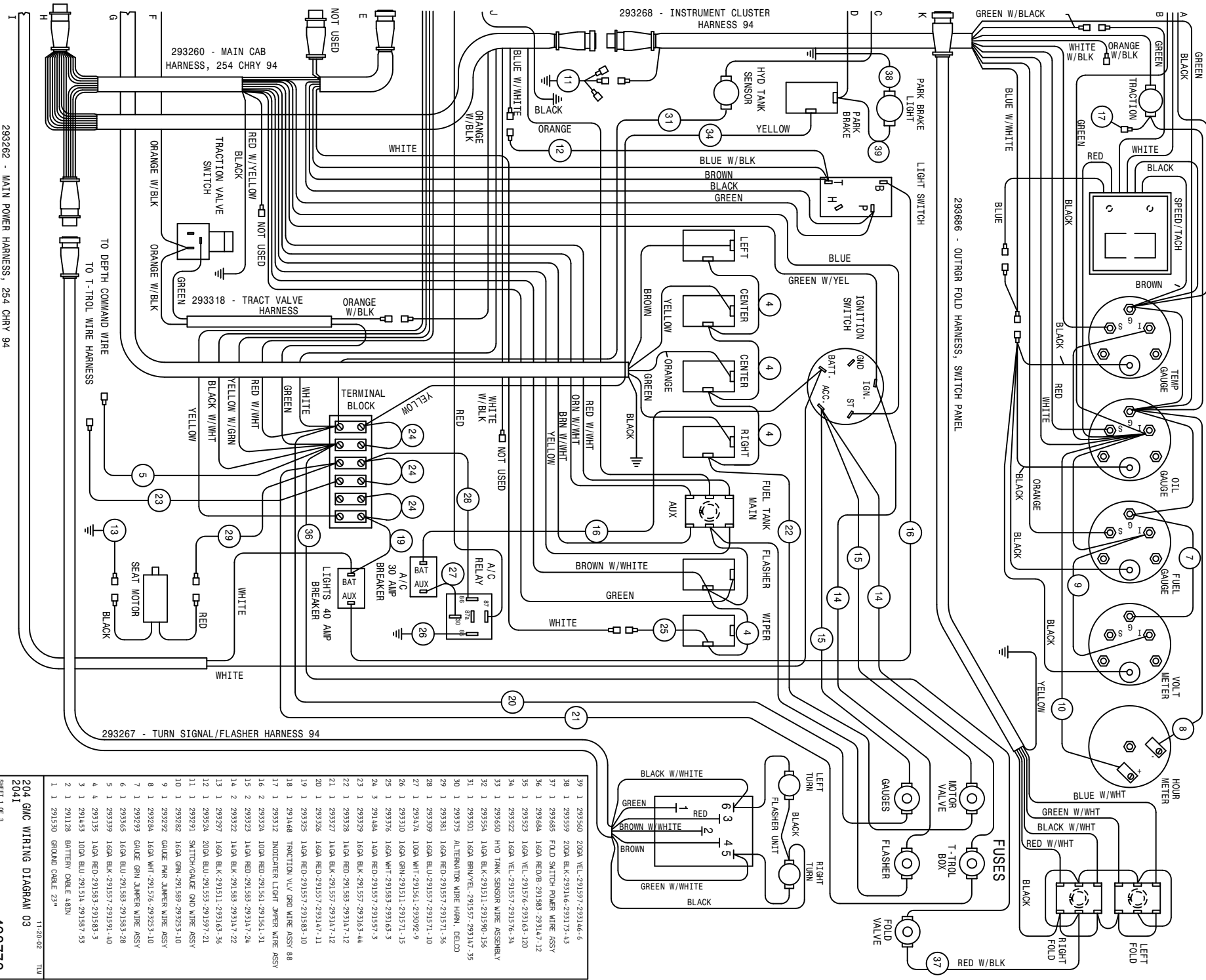


1	1	293259	16GA. BLK. 291557-293163-4/A	DESCRIPTION
DEF. HEAD				
HAGIE				
HAGIE MANUFACTURING COMPANY				
CLARION, TOWNSHIP, OHIO 43025				
REMOVE ALL SHARP CORNERS & BURRS				
TOLERANCE UNLESS OTHERWISE SPECIFIED				
FINISH	1:102	ORIGINALS	X, XX, 1:50	ANGLES: 1:1
DATE	03.30.94	DESIGNED BY		APPROVED BY
DRAWN BY		DATE		
CHECKED BY		ISSUED BY		
DATE	03.30.94	FORMING NUMBER		
SHEET	08		498454	



1	293259	16CN BLK-293157-293163-44	DESCRIPTION
DET	REQ		
HAGIE			
HAGIE MANUFACTURING COMPANY			
CARLTON, IOWA 50555			
REMOVE ALL SHARP CORNERS & BURRS			
TOLERANCE UNLESS OTHERWISE SPECIFIED			
FINISH	1:100	GEOMETRIC FORM 1000	ANGLES 1:1
DESCRIPTION: LS SYS WIRE D146, 294 98			
DRAWN BY: T. LAWRENCE			
CHECKED BY: J. WALKER			
DATE: 05-01-96			
SHEET: 02			
498509			





293	1	293560	200A	VEL.-291597-293146-6
38	1	293559	200A	BLK.-293146-293173-43
37	1	293685	200A	FIELD SWITCH POWER WIRE ASSY
36	1	293684	160A	RED/0/-291583-293147-12
35	1	293523	160A	VEL.-291576-293163-120
34	1	293522	160A	VEL.-291557-291576-34
33	1	293650	HVD TANK SENSOR WIRE ASSEMBLY	
32	1	293554	160A	BLK.-291511-291590-156
31	1	293501	160A	BRN/VEL.-291557-293147-35
30	1	293375	ALTERNATOR WIRE HARW. DELCO	
29	1	293381	160A	RED.-291557-291571-36
28	1	293309	160A	BLU.-291557-291571-10
27	1	293474	100A	MHT.-291561-293092-9
26	1	293310	160A	GRN.-291511-291571-15
25	1	293376	160A	MHT.-291583-293163-3
24	3	293184	160A	RED.-291557-291573
23	1	293329	160A	BLK.-291557-291533-44
22	1	293328	160A	RED.-291583-293163-12
21	1	293327	160A	BLK.-291557-293147-12
20	1	293326	160A	RED.-291557-293147-11
19	1	293325	160A	RED.-291557-291583-10
18	1	293148	TRACTION VLV.GRD WIRE ASSY 88	
17	1	293312	INDICATOR LIGHT DIMER WIRE ASSY	
16	2	293324	100A	RED.-291561-291561-31
15	2	293323	160A	RED.-291583-293147-24
14	2	293322	160A	BLK.-291583-293147-22
13	1	293297	160A	BLK.-291511-293163-36
12	1	293354	200A	BLU.-291553-291597-21
11	1	293291	SWITCH/GAUGE GND WIRE ASSY	
10	1	293282	160A	GRN.-291589-293253-10
9	1	293292	GAUGE PAR JUMPER WIRE ASSY	
8	1	293284	160A	MHT.-291576-293253-10
7	1	293293	GAUGE GRN JUMPER WIRE ASSY	
6	1	293365	160A	BLU.-291583-291583-28
5	1	293339	160A	BLK.-291557-291591-40
4	4	293135	160A	RED.-291583-291583-3
3	1	293128	100A	BLU.-291514-291587-53
2	1	293128	BATTERY CABLE 48IN	
1	1	291530	GROUND CABLE 23"	

204 GMC WIRING DIAGRAM 03
 SHEET 1 OF 3
 REVISION DATE:
 498772
 11-20-02 TUL

293262 - MAIN POWER HARNESS, 254 CHRY 94

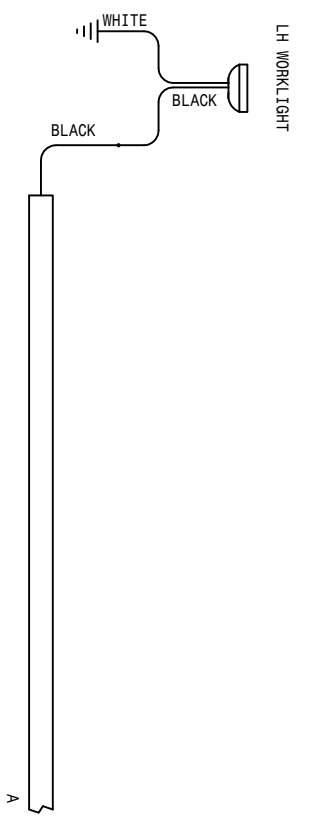
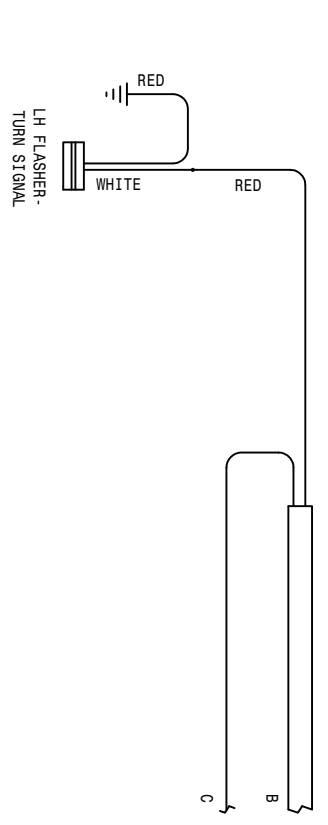
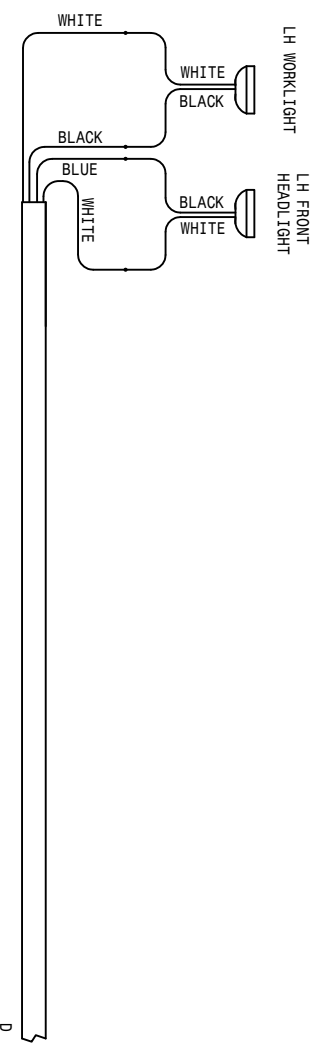
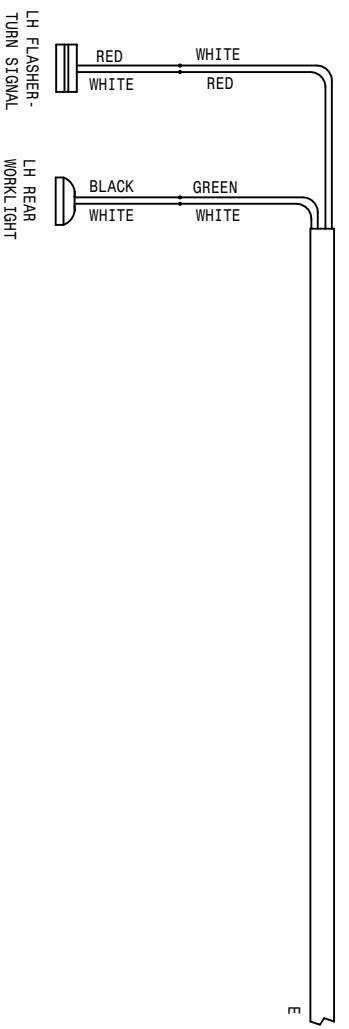
293260 - MAIN CAB HARNESS, 254 CHRY 94

293268 - INSTRUMENT CLUSTER HARNESS 94

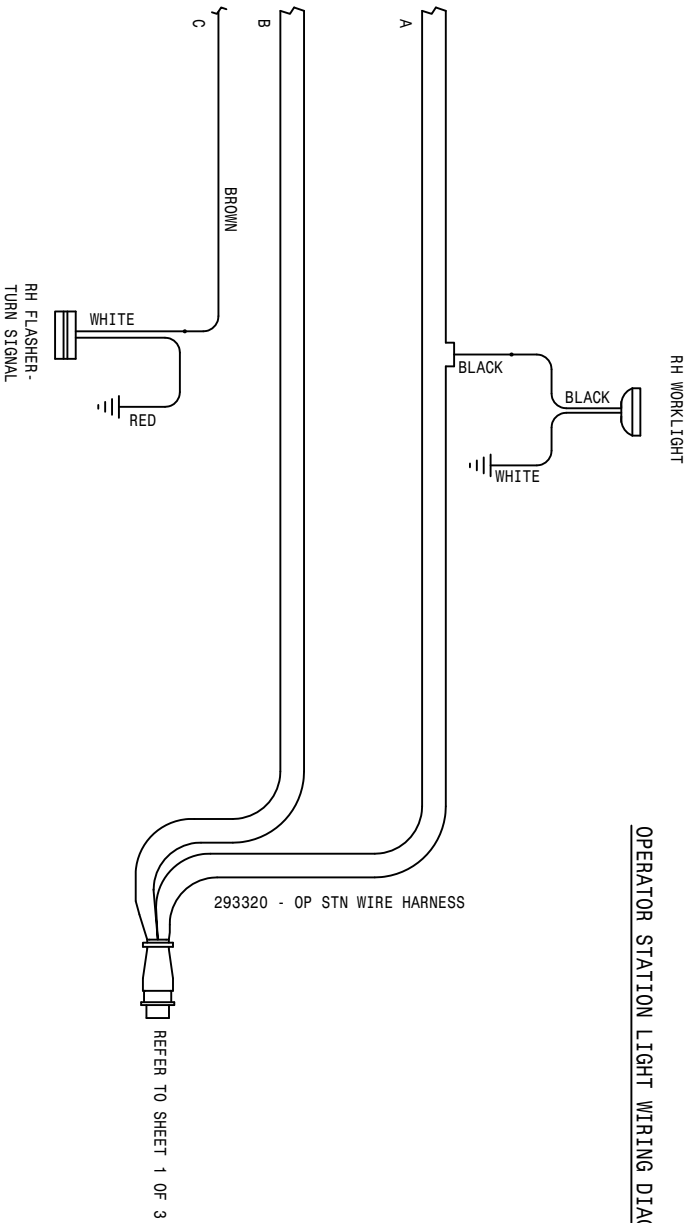
293318 - TRACT VALVE HARNESS

293267 - TURN SIGNAL/FLASHER HARNESS 94

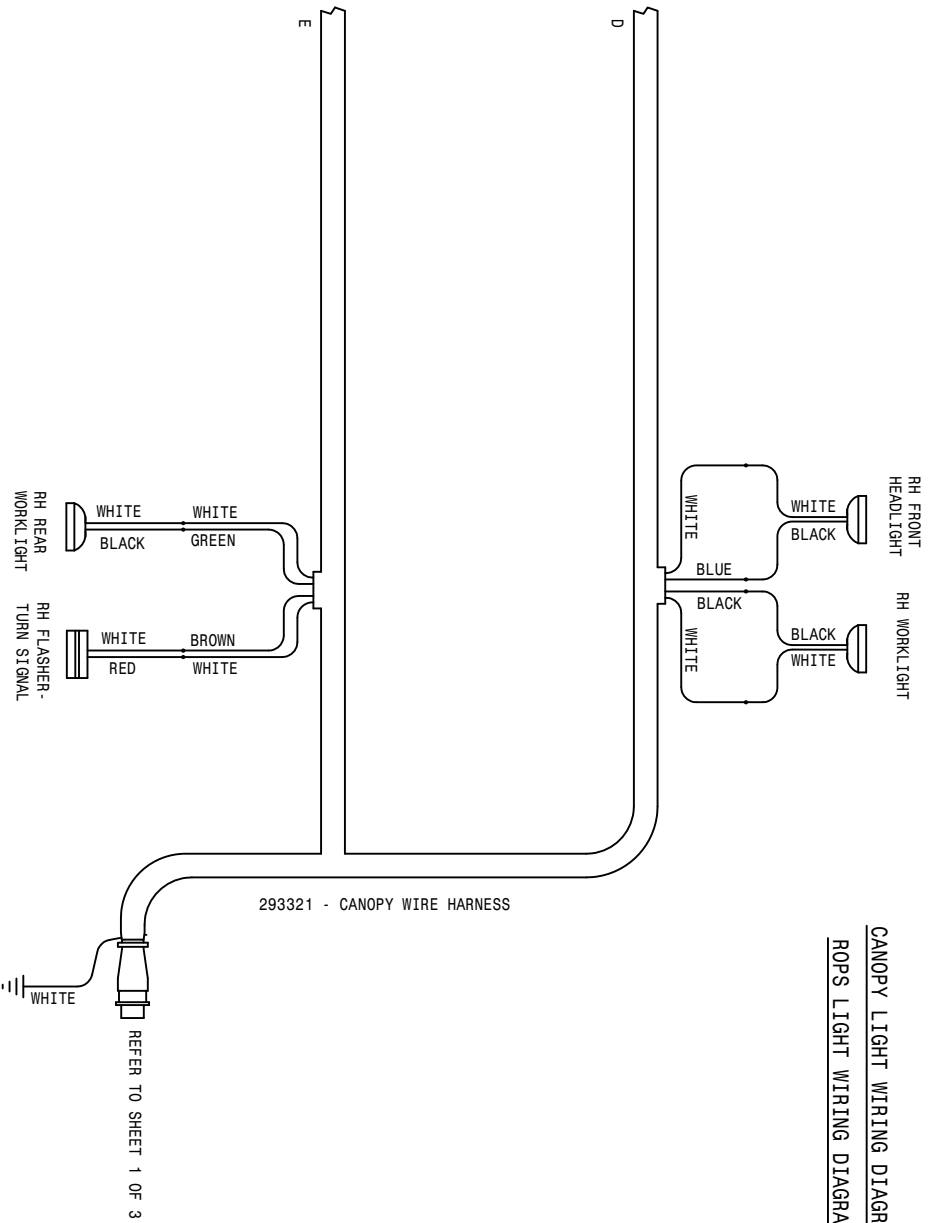
293686 - OUTRGR FOLD HARNESS, SWITCH PANEL



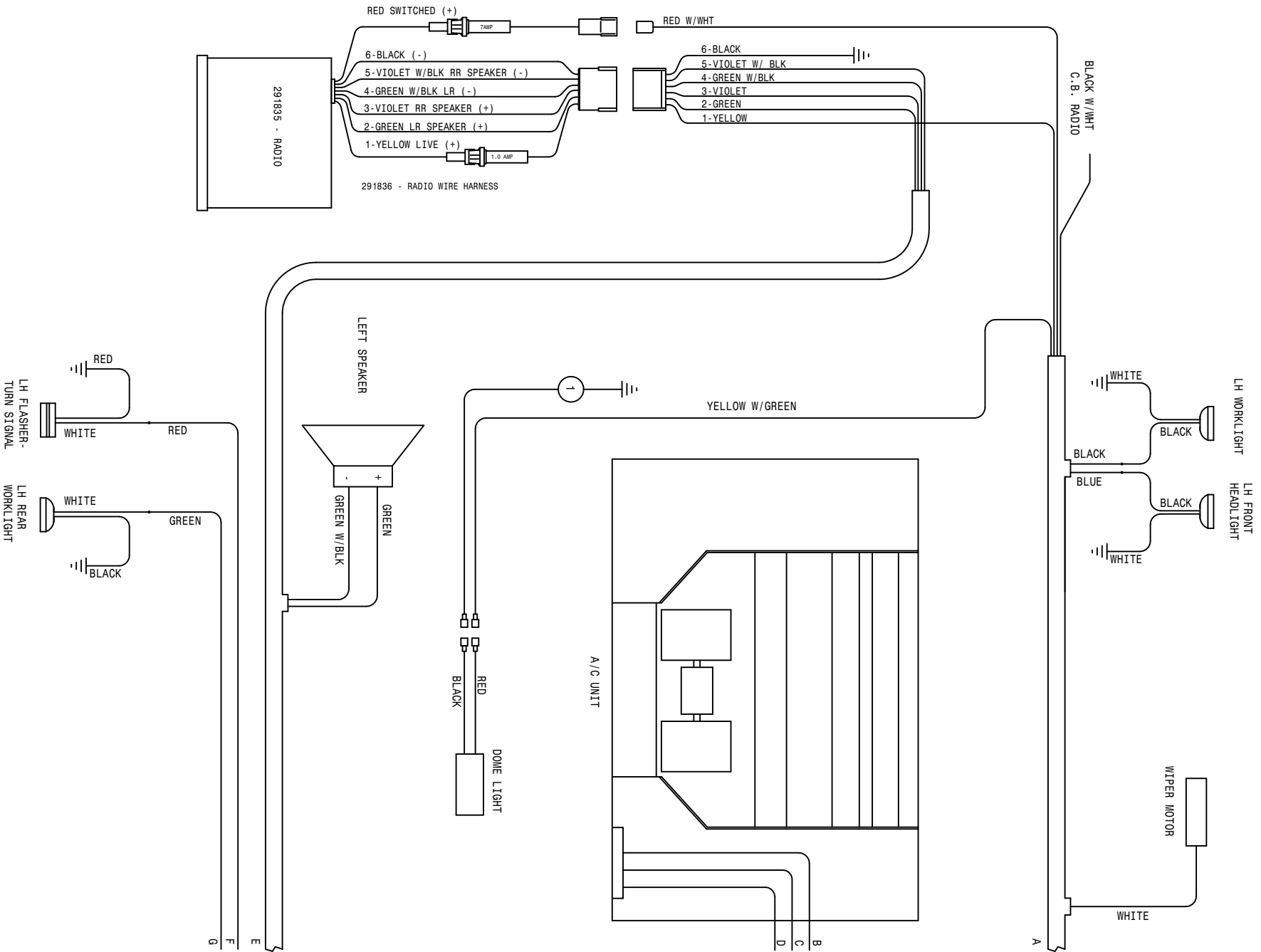
OPERATOR STATION LIGHT WIRING DIAGRAM

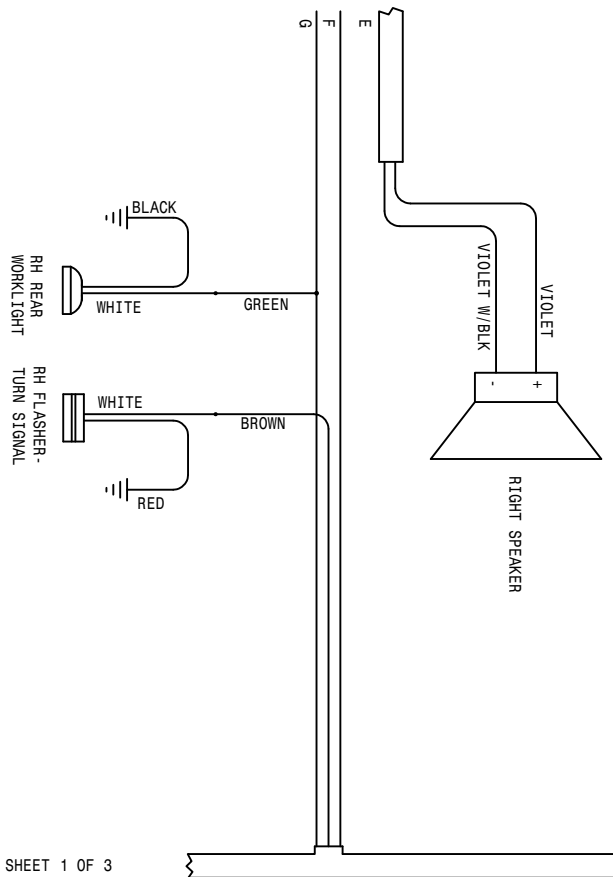
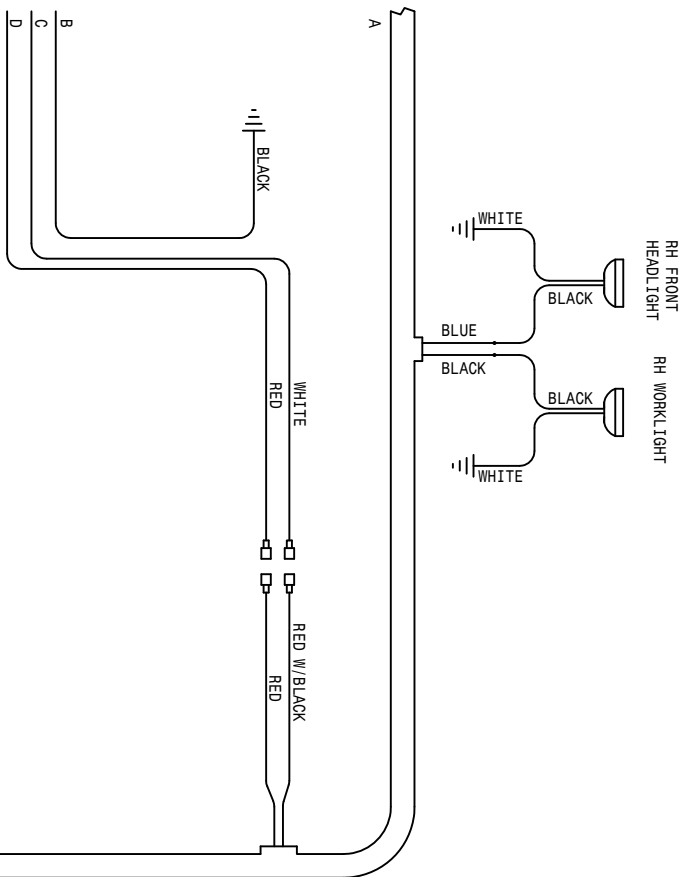


CANOPY LIGHT WIRING DIAGRAM
ROPS LIGHT WIRING DIAGRAM



204 GMC WIRING DIAGRAM 03
2041
SHEET 2 OF 3
REVISION DATE: 11-20-02 TLM
498772

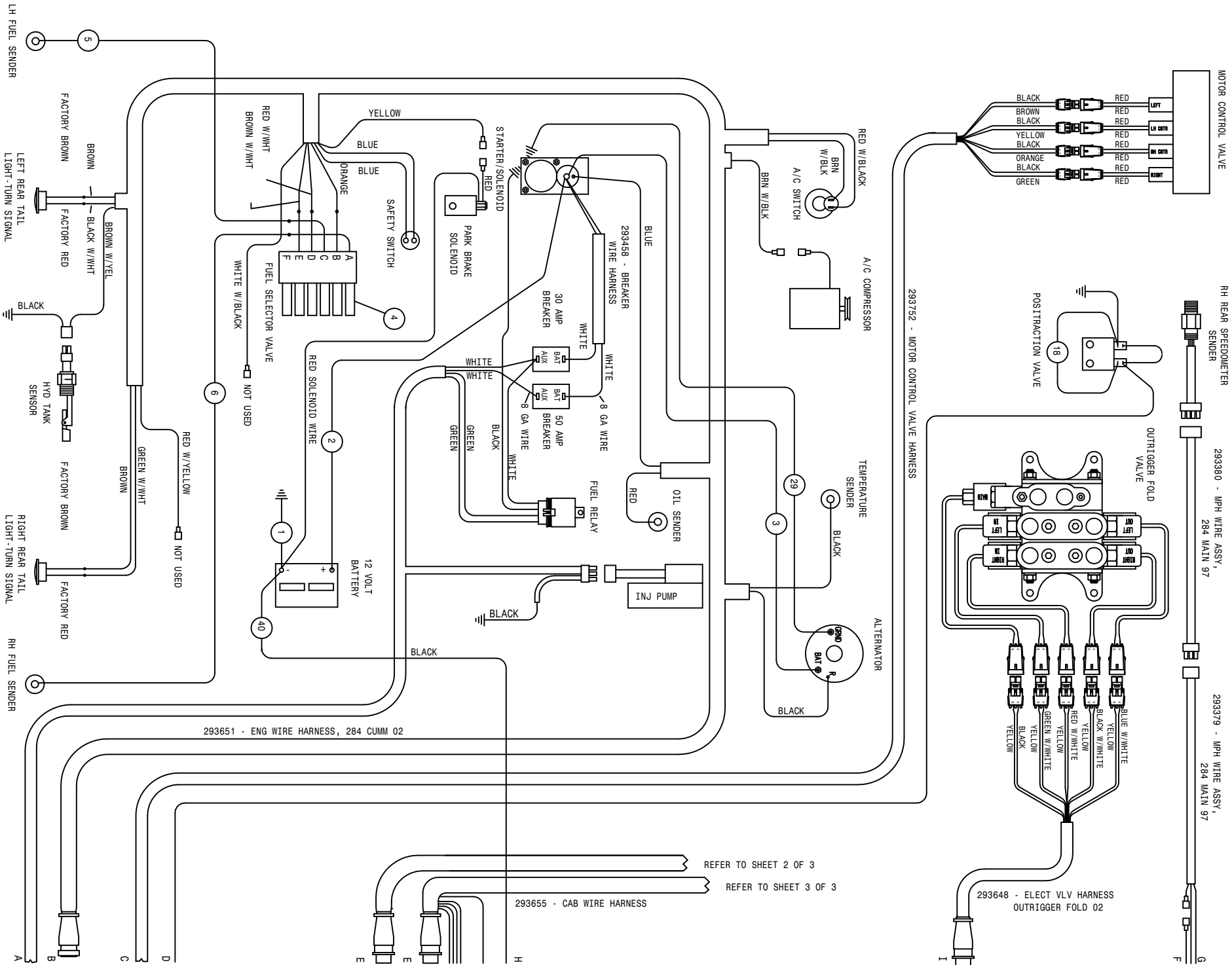




293655 - CAB WIRE HARNESS

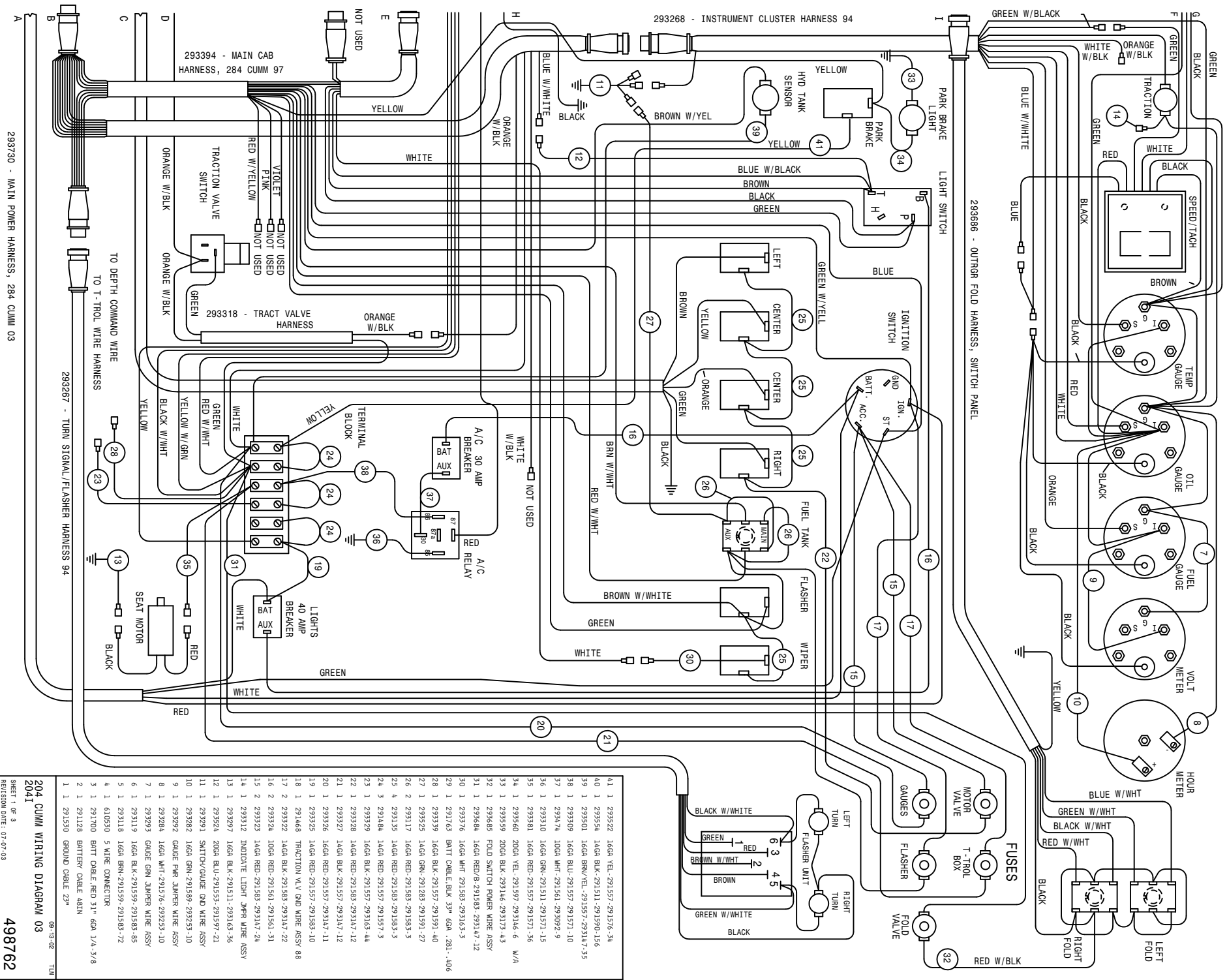
REFER TO SHEET 1 OF 3

1	1	293299	16GA	BLK-291511-291571-30
204 GMC WIRING DIAGRAM 03				
2041				
SHEET 3 OF 3				
REVISION DATE:				
				11-28-02
				TUR
				498772



REFER TO SHEET 2 OF 3

REFER TO SHEET 3 OF 3

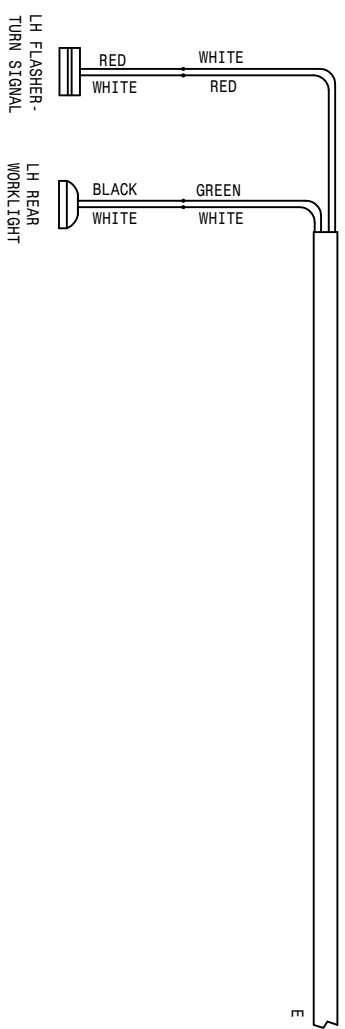
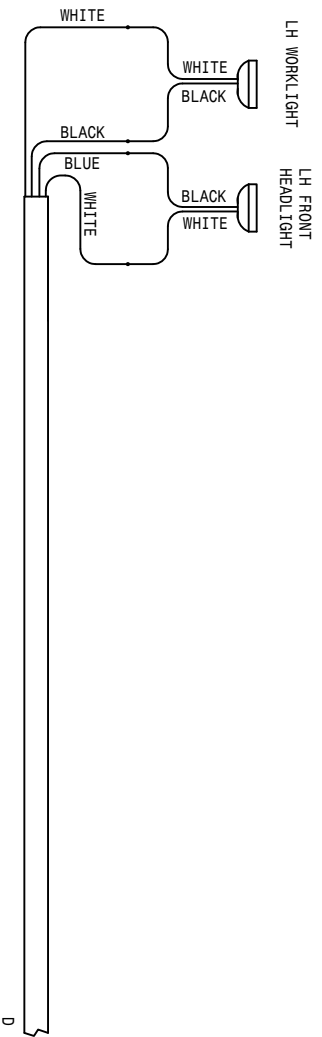
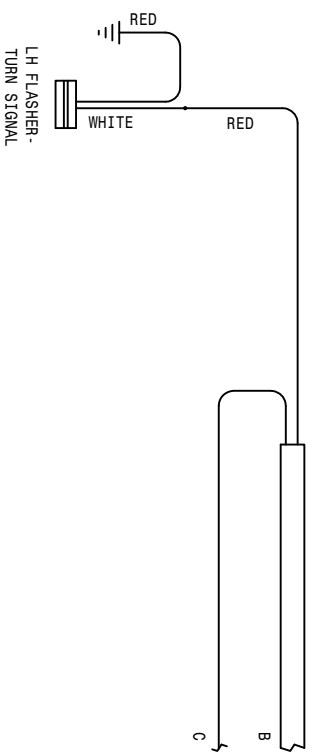
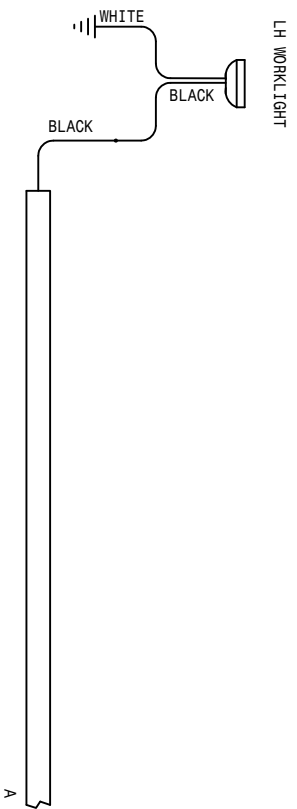


41	1	293522	16GA YEL.-291557-291574-34
40	1	293524	16GA BLK.-291511-291590-156
39	1	293501	16GA BRN/VEL.-291557-293147-35
38	1	293509	16GA BLU.-291557-291571-10
37	1	293474	10GA WHT.-291561-292074-9
36	1	293310	16GA GRN.-291511-291571-15
35	1	293381	16GA RED.-291557-291571-36
34	1	293560	20GA YEL.-291597-293146-6 W/A
33	1	293529	20GA BLK.-293146-293173-43
32	1	293685	FOLD SWITCH POWER BRN ASSY
31	1	293684	16GA RED/BL.-291585-293147-12
30	1	293376	16GA WHT-291583-293163-3
29	1	291743	BATT CABLE BLK 3" 6GA .281-.406
28	1	293339	16GA BLK.-291557-291591-40
27	1	293525	16GA GRN.-291283-291591-27
26	2	293117	16GA RED.-291583-291583-3
25	4	293135	1A GA RED.-291583-291583-3
24	3	291484	16GA RED.-291557-291557-3
23	1	293529	16GA BLK.-291557-293165-44
22	1	293328	1A GA RED.-291583-293147-12
21	1	293327	1A GA BLK.-291557-293147-12
20	1	293326	16GA RED.-291557-293147-11
19	1	293325	1A GA RED.-291557-291583-10
18	1	291468	TRACTOR VLV GND WIRE ASSY 88
17	2	293522	16GA BLK.-291583-293147-22
16	2	293324	10GA RED.-291561-291561-31
15	2	293323	1A GA RED.-291583-293147-24
14	1	293512	INDICATE LIGHT JMR WIRE ASSY
13	1	293297	16GA BLK.-291511-293161-36
12	1	293524	20GA BLU.-291553-291597-21
11	1	292921	SWITCH/GAUGE GND WIRE ASSY
10	1	293282	16GA GRN.-291589-292259-10
9	1	293292	GAUGE PWR JAMMER WIRE ASSY
8	1	292984	16GA WHT.-291576-292259-10
7	1	293293	GAUGE GRN JAMMER WIRE ASSY
6	1	293119	16GA BLK.-291559-291583-85
5	1	293118	16GA BRN.-291559-291583-72
4	1	610530	BATTY CABLE CONNECTOR
3	1	291700	BATTY CABLE REC 31" 6GA 1/4-3/8
2	1	291128	BATTY CABLE 48IN
1	1	291530	GROUND CABLE 29"

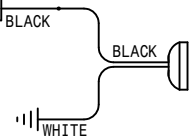
204 CUMM WIRING DIAGRAM 03
 2041
 SHEET 1 OF 3
 REVISION DATE: 07-07-03

498762

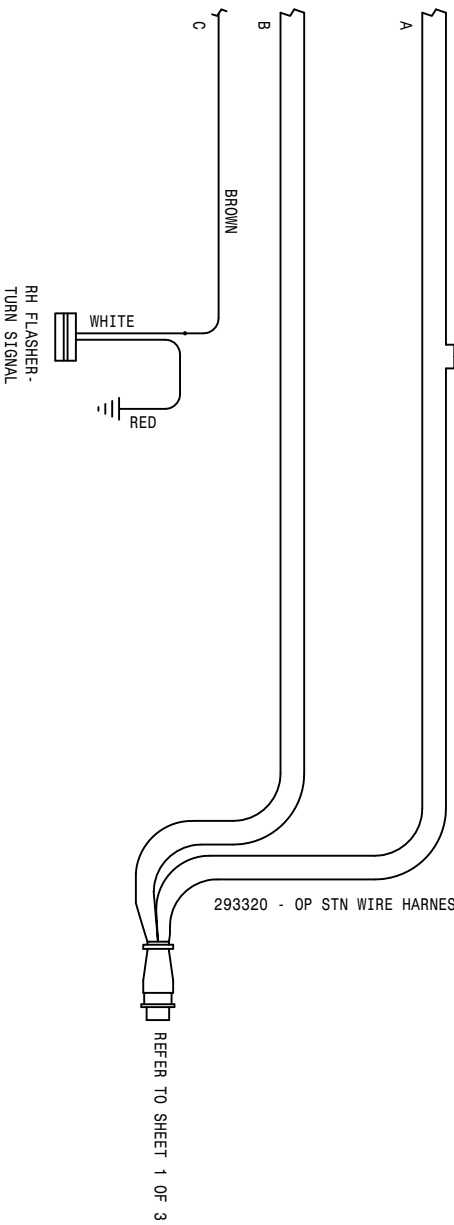
293730 - MAIN POWER HARNESS, 284 CUMM 03



RH WORKLIGHT



OPERATOR STATION LIGHT WIRING DIAGRAM

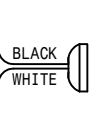


REFER TO SHEET 1 OF 3

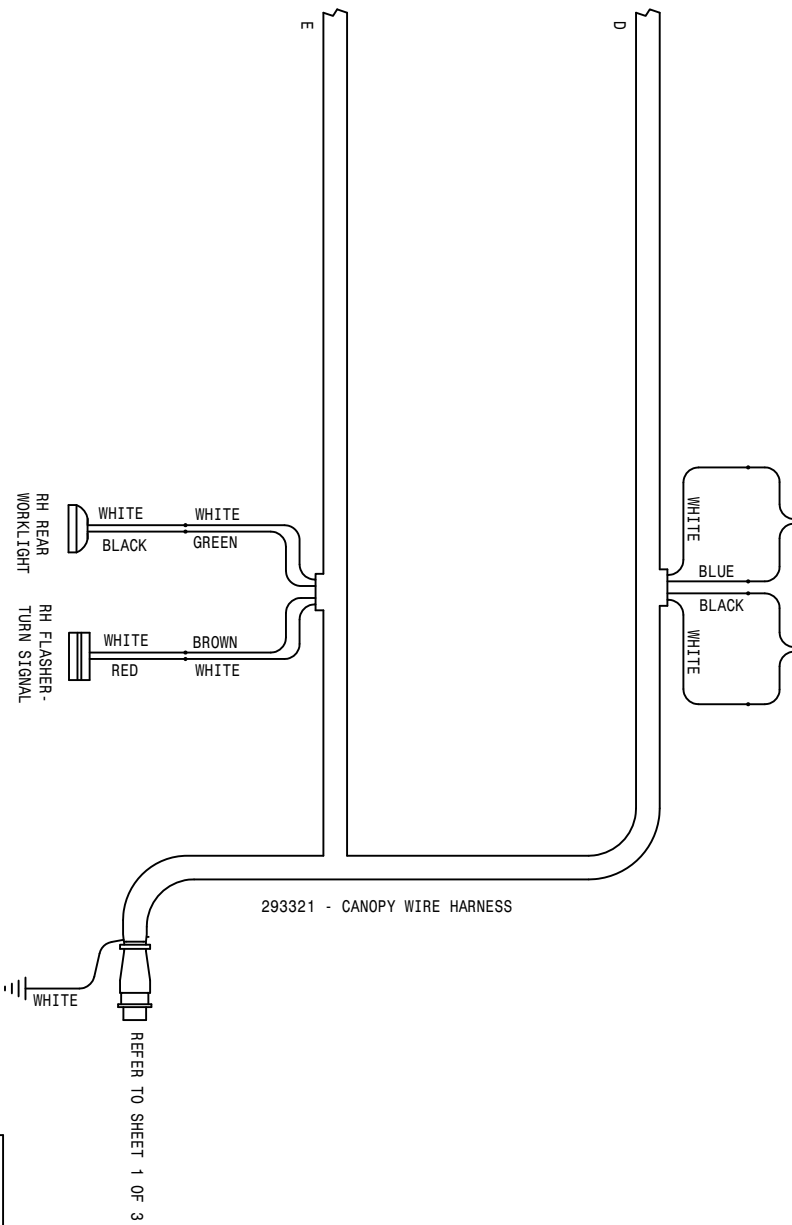
RH FRONT HEADLIGHT



RH WORKLIGHT

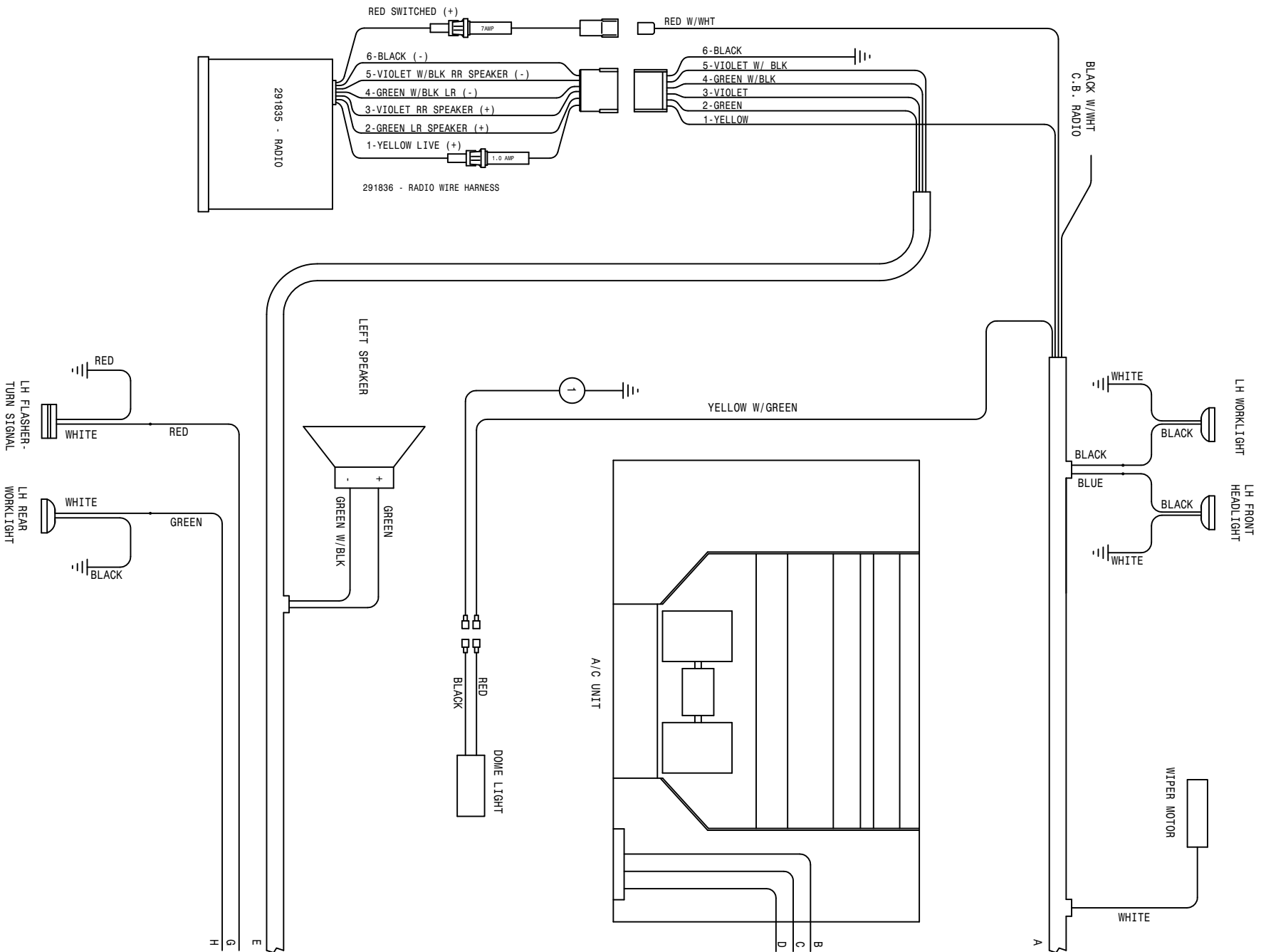


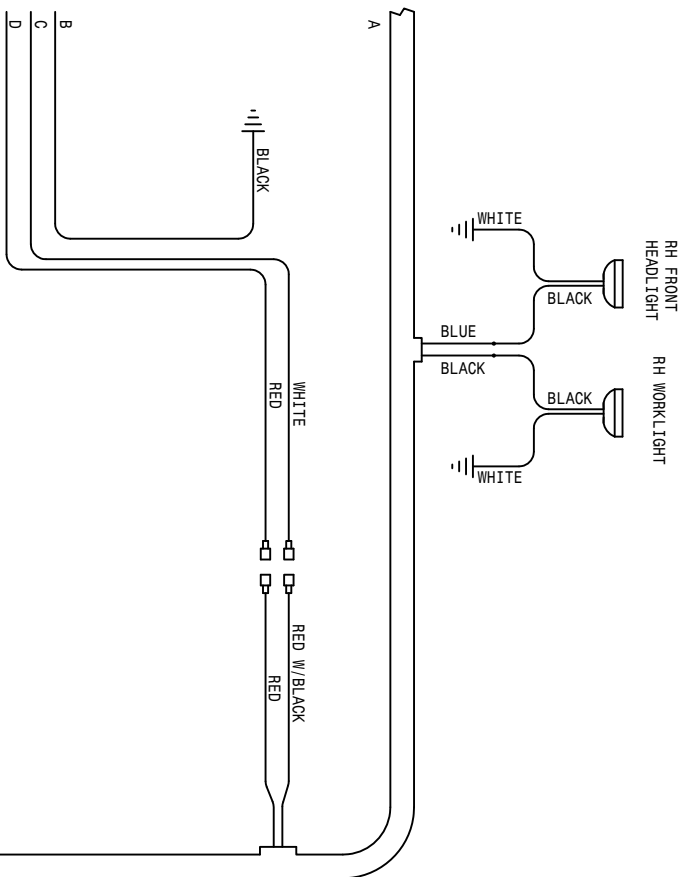
CANOPY LIGHT WIRING DIAGRAM
ROPS LIGHT WIRING DIAGRAM



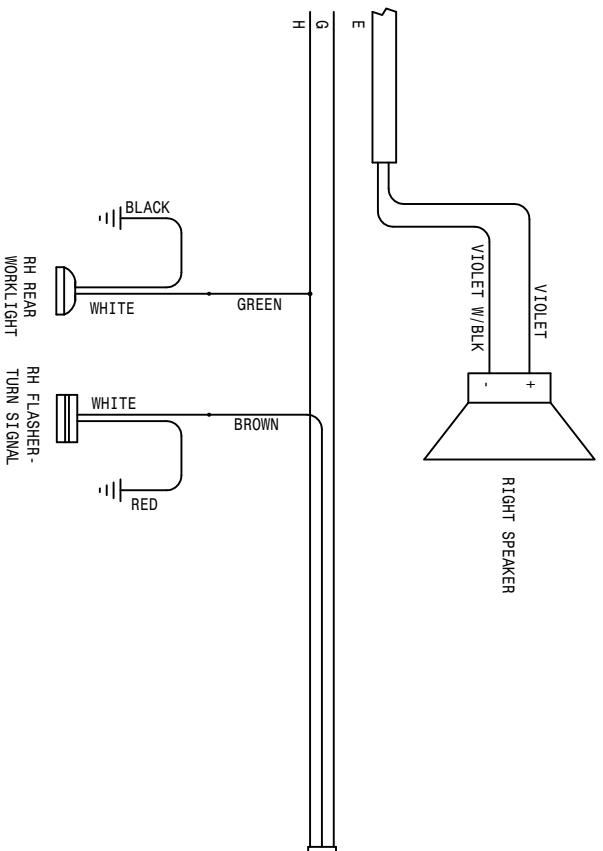
REFER TO SHEET 1 OF 3

204 CUHM WIRING DIAGRAM 03
SHEET 2 OF 3
REVISION DATE: 09-13-02 TLU
498762



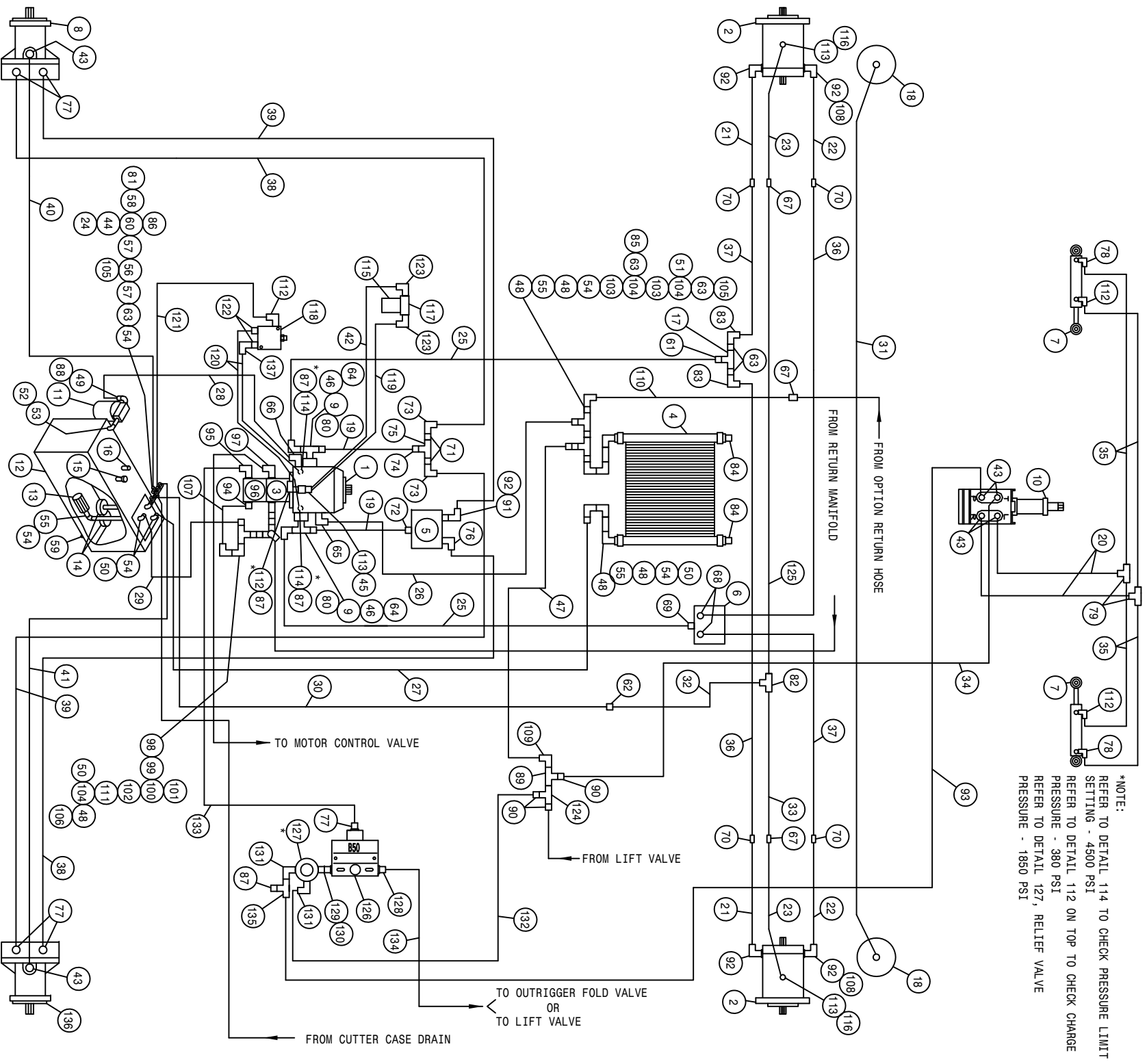


293655 - CAB WIRE HARNESS



REFER TO SHEET 1 OF 3

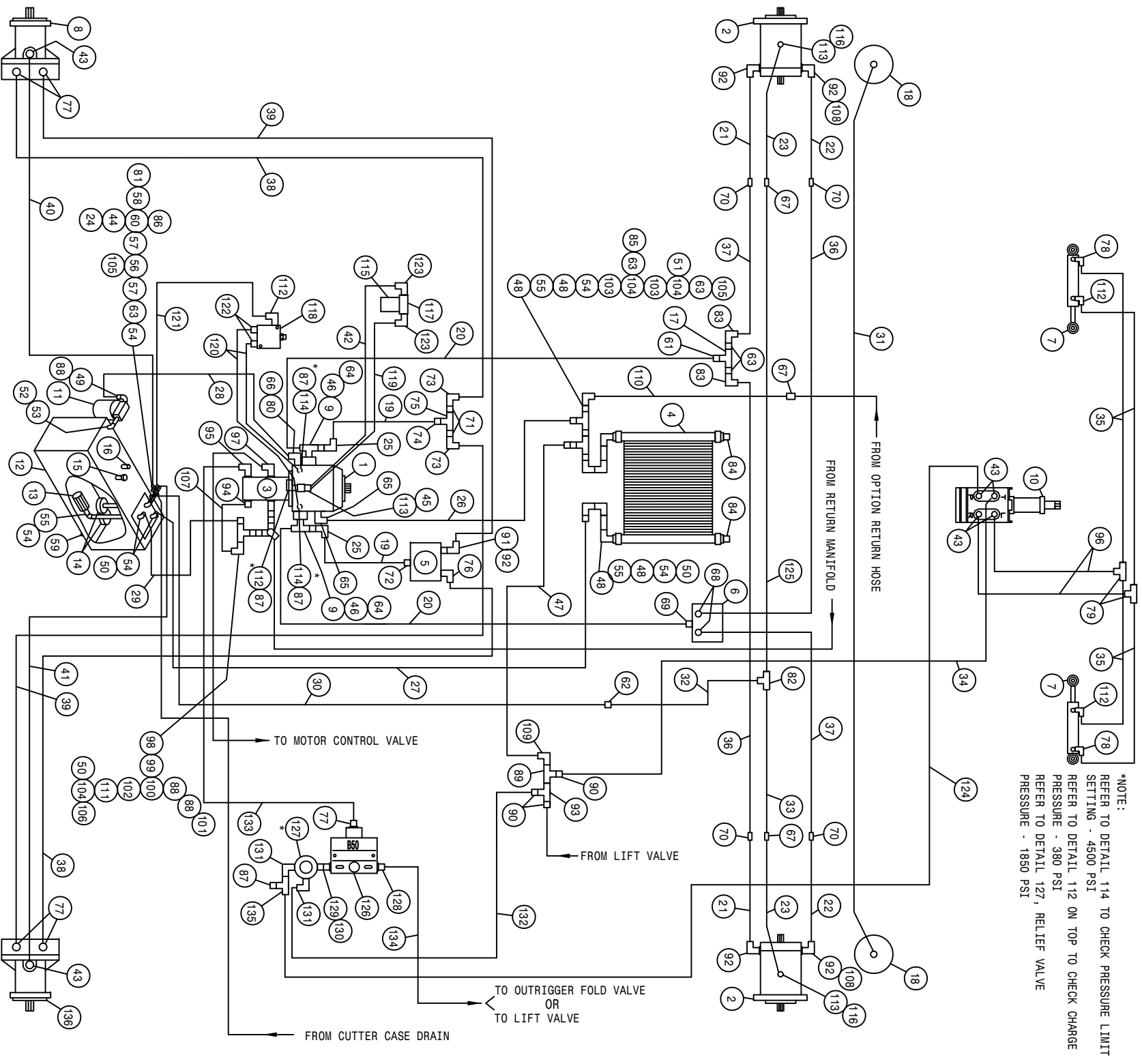
1	1	293299	16GH	BLK-291511-291571-30	09-13-02	TLH
204 CUMM WIRING DIAGRAM 03						
SHEET 3 OF 3						
REVISION DATE:						
						498762



*NOTE:
 REFER TO DETAIL 114 TO CHECK PRESSURE LIMIT
 SETTING - 4500 PSI
 REFER TO DETAIL 112 ON TOP TO CHECK CHANGE
 PRESSURE - 380 PSI
 REFER TO DETAIL 127, RELIEF VALVE
 PRESSURE - 1850 PSI

204 BASIC MACHINE GMC HYD SCHEMATIC 2004
REFERENCE DRAWING NO. 498790

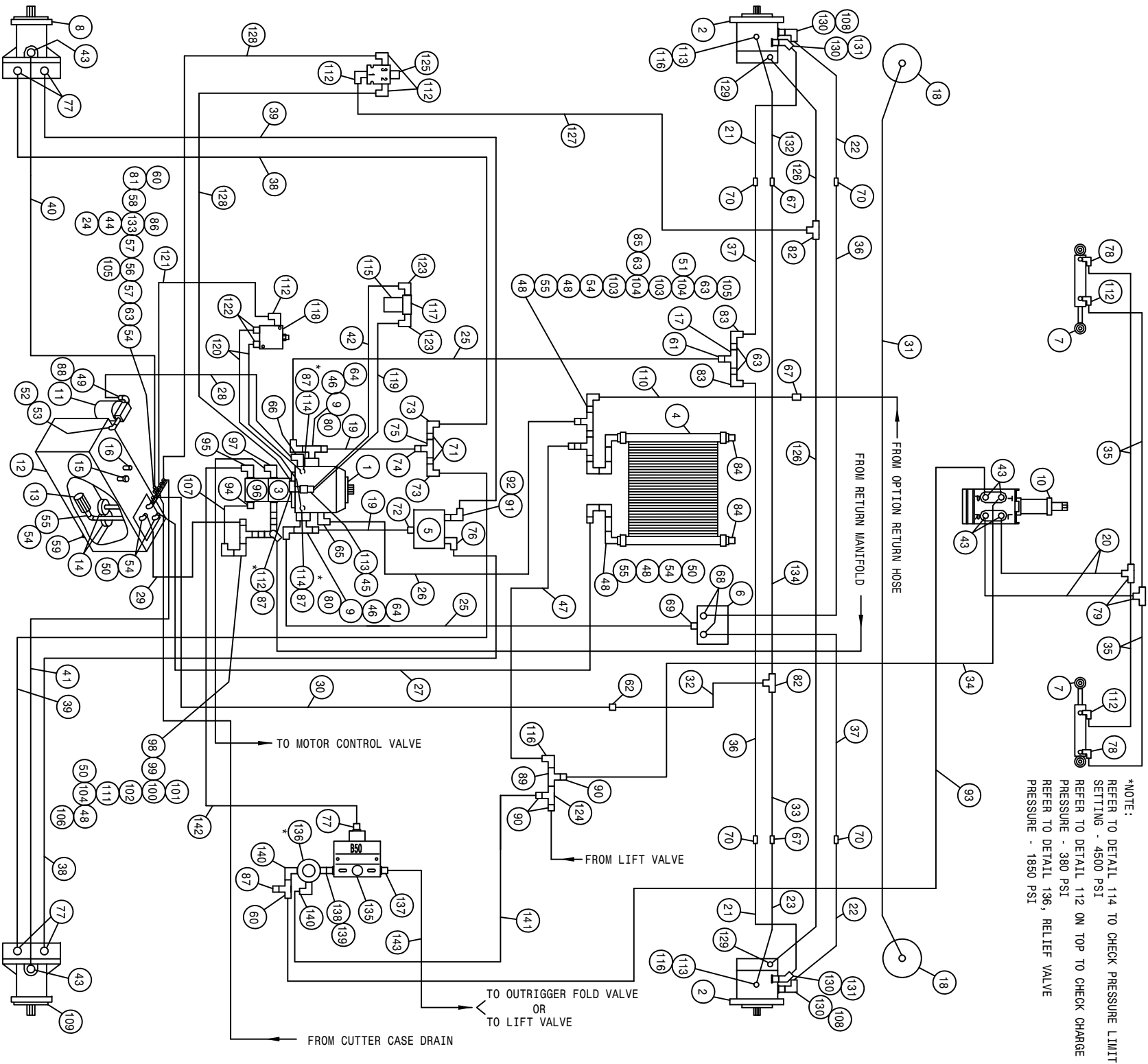
DET.	QTY	PART NO.	DESCRIPTION	DET.	QTY	PART NO.	DESCRIPTION
1	1	606911	SUND 75CQ PUMP-B-MT W/FILT	69	1	618186	1 5/16MJC-1 5/16MOR ADPTR
2	1	610557	SUND M35-3102 WHL MTR W/SHFT	70	4	618553	1 1/16MJC-7/8MJC REDU UNION
3	1	606894	SUND GEAR PUMP 3.40CI SPLINED	71	2	505005	RED BUSH 1 TO 1/2
4	1	618606	OIL COOLER, BLISSFIELD 65027	72	1	618308	1 1/16MJC-1 5/16MOR ADPTR
5	1	610585	POSTTRACTION VLV,44SP, 28G	73	2	611124	7/8MJC-90-1/2MNP LBO
6	1	610586	POSTTRACTION VLV,ALUM, 88SP60G	74	1	618434	1 1/16MJC-1MNP ADPTR
7	2	621500	STRG CYL ASSY, 2XX	75	1	618575	1MNP PIPE TEE STL
8	1	610567	SUND M25-3000 WHL MTR 1.5CI	76	1	618589	7/8MJC-90-1 5/16MOR LBO
9	2	618598	1" 4-BOLT FLG X 1 5/16 FOR	77	5	611126	7/8MJC-7/8MOR ADPTR
10	1	749150	STRG MTR NON-LOAD REACT 1008	78	2	618425	9/16MJC-45-9/16MOR LBO
11	1	605601	PARKER FILTER ASSY,10M,1.25NPT	79	2	618019	9/16MJC UNION TEE
12	1	760264	HYD TANK WLD,204/254/284 2002	80	2	618640	1 5/16MJC-90-1 5/16FJ SWIV LBO
13	1	605600	TANK FILTER, 100 MESH,1"FNPT	81	1	618018	9/16MJC-1/2MNP ADPTR
14	2	605603	LINE SUMP DIFFUSER	82	1	610193	9/16MJC BLKH BRANCH TEE
15	2	611052	FILLER BREATHER 3/4NPT	83	1	618156	7/8MJC-90-3/4MNP LBO
16	1	614453	DIPSTICK, 81N	84	2	505102	PIPE PLUG 1.00NPT SQ HD
17	1	614660	1IN STL TEE WLD 280	85	1	610300	3/4MJC-3/4MNP ADPTR
18	2	621502	LEG LEVEL CYL ASSY,2.00 X 12.0	86	1	618135	3/4 HOSE BARB-90-3/4MNP
19	2	614672	HYD TUBE ASSY, SUND PUMP	87	4	618531	9/16FJIC CAP NUT
20	2	616028	04C1T-06FJC-06FJC-47	88	1	506410	BLK PIPE ST EL 90DEG 1.25NPT
21	2	615659	FRT LEG INNER HYD TUBE,204 94	89	1	618311	3/4MJC UNION TEE
22	2	615660	FRT LEG CNTR HYD TUBE,204 94	90	3	618482	3/4FJIC-9/16MJC ADPTR
23	2	615661	FRT LEG OUTER HYD TUBE,204 94	91	1	618312	1 5/16MOR-1 1/16FOR ADPTR
24	1	618520	1/4MNP RUN TEE-9/16MJC	92	5	618535	7/8MJC-90-1 1/16MOR LBO
25	2	615687	12TWM-16FJC-16FJC-122	93	1	616040	04C1T-06FJC-06FJC-67
26	1	601395	HOSE, 3/4 X 64 1FBR-1SPI	94	1	618075	3/4 HOSE BARB-1 1/16MOR
27	1	601396	HOSE, 1 X 81 1FBR-1SPI	95	1	611128	7/8MJC-90-7/8MOR LBO
28	1	601375	HOSE, 1 X 24 1FBR-1SPI	96	1	606891	SUND GEAR PMP .52CI SPLINED
29	1	601377	HOSE, 1 X 48 1FBR-1SPI	97	1	618178	1 5/16MJC-90-1 5/16MOR LBO
30	1	614388	08C1T-08FJC-08FJC-129	98	1	618596	1 5/8MOR-1 1/4FNPT ADPTR
31	1	615614	FRT LEG CYL JUMPER HOSE280 89	99	1	507026	1 1/4MNP HEX PIPE NIPPLE STL
32	1	614625	06C1T-06FJC-06FJC-30	100	1	506701	SIDE OUTLET EL 90DEG 1.25NPT
33	1	615451	06C1T-06FJC-08FJC-58	101	1	715660	HOSE BARB 1 1/4NPT X 1 1/4
34	1	611204	04C1T-06FJC-06FJC-78	102	1	506005	1 1/4 TO 1 RED BUSH BLK MAL
35	4	614665	04C1T-06FJC-06FJC-16	103	2	505201	CLOSE NIPPLE 1.00NPT
36	2	614655	08C2AT-10FJC-12FJC90-70	104	3	505101	BLK PIPE TEE 1.00NPT
37	2	614654	08C2AT-10FJC-12FJC90-60	105	2	610305	3/4MJC-90-3/4MNP LBO
38	2	614656	08C2AT-10FJC-10FJC-118	106	1	716000	3/4 HOSE BARB-90-1MNP
39	2	614657	08C2AT-10FJC-10FJC-125	107	1	601383	HOSE, 3/4 X 8 1FBR-1SPI
40	1	614549	06C1T-06FJC-06FJC-140	108	2	618628	7/8MJC-45-7/8FJIC SWIV LBO
41	1	615449	06C1T-06FJC-06FJC-126	109	1	618609	3/4MJC-90-3/4FJIC SWIV LBO
42	1	615635	08C1T-08FJC-08FJC-23	110	1	614662	08C1T-08FJC-08FJC-72
43	6	618496	9/16MJC-45-3/4MOR LBO	111	1	505105	1MNP HEX PIPE NIPPLE STL
44	1	504001	RED BUSH 3/4 X 1/4 BLK MAL	112	4	618119	9/16MJC-90-9/16MOR LBO
45	1	618183	3/4MJC-90-7/8MOR LBO	113	3	618327	3/4MJC-7/8MOR ADPTR
46	2	618599	1 5/16MOR BRANCH TEE-1 5/16MJC	114	2	618629	9/16MOR BRANCH TEE-9/16MJC
47	1	615465	08C1T-08FJC-08FJC-33	115	1	605609	HYD FILTER ELEMENT, DONALDSON
48	5	505200	BLK PIPE ST EL 90DEG 1.00NPT	116	2	618590	3/4MJC-45-3/4FJIC SWIV LBO
49	1	715664	1 1/4 NPT X 1 HOSE BARB	117	1	605608	HYD FILTER HEAD, DONALDSON
50	4	714560	1NPT X 1 HOSE BARB	118	1	610580	REMOTE FLUSHING VALVE, SUND
51	1	714331	1 NPT X 3/4 HOSE BARB	119	1	616034	08C1T-08FJC-08FJC-17
52	1	506602	PIPE NIPPLE 1 1/4NPT-2 1/2	120	2	616253	04C2AT-06FJC-06FJC-23
53	1	506303	BLK PIPE EL 90DEG 1.25NPT	121	1	616048	04C1T-06FJC-06FJC-35
54	6	505300	BLK PIPE EL 90DEG 1.00NPT	122	2	618126	9/16MJC-9/16MOR ADPTR
55	3	505203	BLK PIPE NIPPLE 1.00NPT-4.00	123	2	618474	3/4MJC-90-1 1/16MOR LBO
56	1	504955	BLK PIPE TEE .75NPT	124	1	618451	3/4FJIC SW RUN TEE-3/4MJC
57	2	504702	CLOSE NIPPLE .75NPT	125	1	616024	06C1T-06FJC-08FJC-70
58	1	504210	RED BUSH 3/4 NPT X 1/2 NPT	126	1	607504	FLO DIV B50 2-8GPM 7/8 FOR
59	1	470308	1/2MNP DRAIN PLUG,AL HD,MAG	127	1	607512	RELIEF VALVE, RL50, 1850 PSI
60	1	504400	BLK PIPE CROSS .75NPT	128	1	618310	9/16MJC-7/8MOR ADPTR
61	1	618322	1 5/16MJC-1MNP ADPTR	129	1	500000	1/2MNP HEX PIPE NIPPLE STL
62	1	618551	3/4MJC-9/16MJC REDU UNION	130	1	618072	7/8MOR-1/2FNPT ADPTR
63	5	505213	RED BUSH 1 X 3/4 BLK MAL	131	2	618107	9/16MJC-90-1/2MNP LBO
64	2	618541	1 5/16FJIC-1 1/16MJC ADPTR	132	1	616042	04C1T-06FJC-06FJC-13
65	1	618118	3/4 HOSE BARB-90-1 1/16MOR	133	1	614664	10C1T-10FJC-10FJC-98
66	1	618564	1IN HOSE BARB-90-1 5/16MOR	134	1	615616	04C1T-06FJC-06FJC-65
67	3	618314	3/4MJC UNION	135	1	618486	9/16FJIC SW RUN TEE-9/16MJC
68	2	618601	7/8MJC-1 5/16MOR ADPT	136	1	610721	SUND M25-3000 WHL MTR W/SENSOR
				137	1	618618	9/16MJC-90-9/16FJIC SWIV LBO



*NOTE:
 REFER TO DETAIL 114 TO CHECK PRESSURE LIMIT
 SETTING - 4500 PSI
 REFER TO DETAIL 112 ON TOP TO CHECK CHARGE
 PRESSURE - 380 PSI
 REFER TO DETAIL 127, RELIEF VALVE
 PRESSURE - 1850 PSI

204 BASIC MACHINE CUMM HYD SCHEMATIC 2004
 REFERENCE DRAWING NO. 498791

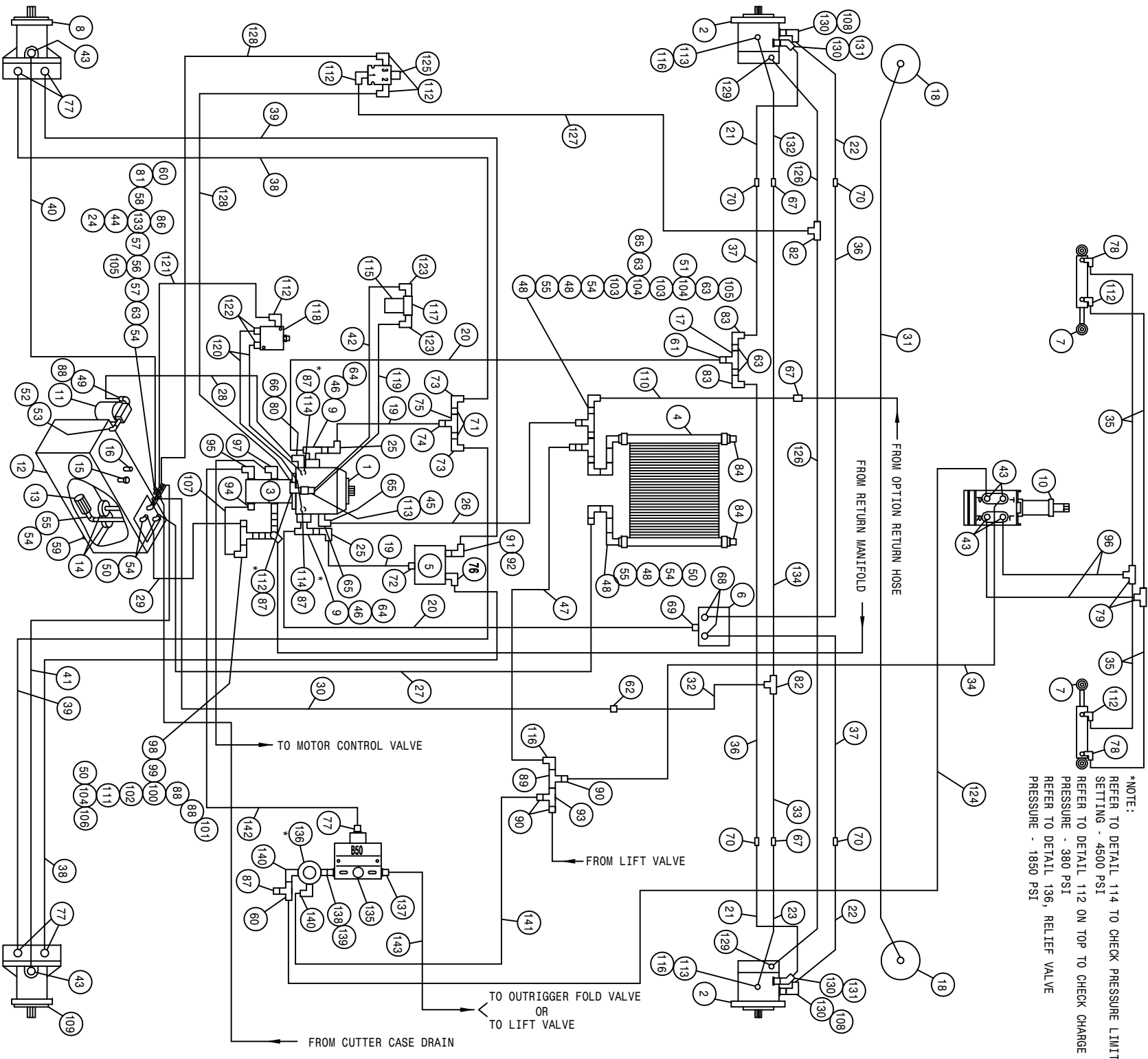
DET.	QTY	PART NO.	DESCRIPTION	DET.	QTY	PART NO.	DESCRIPTION
1	1	606902	SUND 100CC PUMP-B-MT W/FILT	69	1	618186	1 5/16MJIC-1 5/16MOR ADPTR
2	2	610557	SUND M35-3102 WHL MTR W/SHFT	70	4	618553	1 1/16MJIC-7/8MJIC REDU UNION
3	1	606937	TANDEM PUMP, 606929 & 606938	71	2	505005	RED BUSH 1 TO 1/2
4	1	618606	OIL COOLER, BLISSFIELD 65027	72	1	618308	1 1/16MJIC-1 5/16MOR ADPTR
5	1	610585	POSITRACITION VLV, 44SP, 28G	73	2	611124	7/8MJIC-90-1/2MNP LBO
6	1	610586	POSITRACITION VLV,ALUM,88SP60G	74	1	618434	1 1/16MJIC-1MNP ADPTR
7	2	621500	STRG CYL ASSY, 2XX	75	1	618575	1FNPT PIPE TEE STL
8	1	610567	SUND M25-3000 WHL MTR 1.5CI	76	1	618589	7/8MJIC-90-1 5/16MOR LBO
9	2	618598	1" 4-BOLT FLG X 1 5/16 FOR	77	5	611126	7/8MJIC-7/8MOR ADPTR
10	1	749150	STRG MTR NON-LOAD REACT 1008	78	2	618425	9/16MJIC-45-9/16MOR LBO
11	1	605601	PARKER FILTER ASSY,10M,1.25NPT	79	2	618019	9/16MJIC UNION TEE
12	1	760264	HYD TANK W/LD,204/254/284 2002	80	1	618639	1 5/8MOR-1 5/16FOR ADPTR
13	1	605600	TANK FILTER, 100 MESH,1"FNPT	81	1	618018	9/16MJIC-1/2MNP ADPTR
14	2	605603	LINE SUMP DIFFUSER	82	1	610193	9/16MJIC BLKHD BRANCH TEE
15	1	611052	FILLER BREATHER 3/4MNP	83	2	618156	7/8MJIC-90-3/4MNP LBO
16	1	614453	DIPSTICK, 8IN	84	2	505102	PIPE PLUG 1.00NPT SQ HD
17	1	614660	1IN STL TEE W/LD 280	85	1	610300	3/4MJIC-3/4MNP ADPTR
18	2	621502	LEG LEVEL CYL ASSY,2.00 X 12.0	86	1	618135	3/4 HOSE BARB-90-3/4MNP
19	2	614707	HYD TUBE ASSY,SUND,200 DIESEL	87	4	618531	9/16FJIC CAP NUT
20	2	615634	12TW-16FJX-16FJX-123	88	3	506410	BLK PIPE ST EL 90DEG 1.25NPT
21	2	615659	FRT LEG INNER HYD TUBE,204 94	89	1	618311	3/4MJIC UNION TEE
22	2	615660	FRT LEG CNTR HYD TUBE,204 94	90	3	618482	3/4FJIC-9/16MJIC ADPTR
23	2	615661	FRT LEG OUTER HYD TUBE,204 94	91	1	618312	1 5/16MOR-1 1/16FOR ADPTR
24	2	618520	1/4MNP RUN TEE-9/16MJIC	92	5	618535	7/8MJIC-90-1 1/16MOR LBO
25	2	618191	1 1/16MJ-90-1 1/16FJ SWIV LBO	93	1	618451	3/4FJIC SW RUN TEE-3/4MJIC
26	1	601395	HOSE, 3/4 X 64 1FBR-1SPI	94	1	618075	3/4 HOSE BARB-1 1/16MOR
27	1	601396	HOSE, 1 X 81 1FBR-1SPI	95	1	611128	7/8MJIC-90-7/8MOR LBO
28	1	601376	HOSE, 1 X 29 1FBR-1SPI	96	2	616028	04CIT-06FJX-06FJX-47
29	1	601377	HOSE, 1 X 48 1FBR-1SPI	97	1	618178	1 5/16MJIC-90-1 5/16MOR LBO
30	1	614388	08CIT-08FJX-08FJX-129	98	1	618596	1 5/8MOR-1 1/4FNPT ADPTR
31	1	615614	FRT LEG CYL JUMPER HOSE280 89	99	1	507026	1 1/4MNP HEX PIPE NIPPLE STL
32	1	614625	06CIT-06FJX-06FJX-30	100	1	506701	SIDE OUTLET EL 90DEG 1.25NPT
33	1	615451	06CIT-06FJX-08FJX-58	101	1	715660	HOSE BARB 1 1/4NPT X 1 1/4
34	1	611204	04CIT-06FJX-06FJX-78	102	1	506005	1 1/4 TO 1 RED BUSH BLK MAL
35	4	614663	04CIT-06FJX-06FJX-16	103	2	505201	CLOSE NIPPLE 1.00NPT
36	2	614655	08C2AT-10FJX-12FJX90- 70	104	3	505101	BLK PIPE TEE 1.00NPT
37	2	614654	08C2AT-10FJX-12FJX90-60	105	2	610305	3/4MJIC-90-3/4MNP LBO
38	2	614656	08C2AT-10FJX-10FJX-118	106	1	716000	3/4 HOSE BARB-90-1MNP
39	2	614657	08C2AT-10FJX-10FJX-125	107	1	601399	HOSE, 3/4 X 13 1FBR-1SPI
40	1	614549	06CIT-06FJX-06FJX-140	108	2	618628	7/8MJIC-45-7/8FJIC SWIV LBO
41	1	615449	06CIT-06FJX-06FJX-126	109	1	618609	3/4MJIC-90-3/4FJIC SWIV LBO
42	1	615633	08CIT-08FJX-08FJX-23	110	1	614662	08CIT-08FJX-08FJX-72
43	6	618496	9/16MJIC-45-3/4MOR LBO	111	1	505105	1MNP HEX PIPE NIPPLE STL
44	1	504001	RED BUSH 3/4 X 1/4 BLK MAL	112	4	618119	9/16MJIC-90-9/16MOR LBO
45	1	618183	3/4MJIC-90-7/8MOR LBO	113	3	618327	3/4MJIC-7/8MOR ADPTR
46	2	618599	1 5/16MOR BRANCH TEE-1 5/16MJ	114	2	618629	9/16MOR BRANCH TEE-9/16MJIC
47	1	615465	08CIT-08FJX-08FJX-33	115	1	605609	HYD FILTER ELEMENT, DONALDSON
48	4	505200	BLK PIPE ST EL 90DEG 1.00NPT	116	2	618590	3/4MJIC-45-3/4FJIC SWIV LBO
49	1	715664	1 1/4 NPT X 1 HOSE BARB	117	1	605608	HYD FILTER HEAD, DONALDSON
50	4	714560	1NPT X 1 HOSE BARB	118	1	610580	REMOTE FLUSHING VALVE, SUND
51	1	714331	1 NPT X 3/4 HOSE BARB	119	1	616034	08CIT-08FJX-08FJX-17
52	1	506602	PIPE NIPPLE 1 1/4NPT-2 1/2	120	2	616253	04CZAT-06FJX-06FJX-23
53	1	506303	BLK PIPE EL 90DEG 1.25NPT	121	1	616048	04CIT-06FJX-06FJX-35
54	6	505300	BLK PIPE EL 90DEG 1.00NPT	122	2	618126	9/16MJIC-9/16MOR ADPTR
55	3	505203	BLK PIPE NIPPLE 1.00NPT-4.00	123	2	618474	3/4MJIC-90-1 1/16MOR LBO
56	1	504955	BLK PIPE TEE .75NPT	124	1	616040	04CIT-06FJX-06FJX-67
57	2	504702	CLOSE NIPPLE .75NPT	125	1	616024	06CIT-06FJX-08FJX-70
58	1	504210	RED BUSH 3/4 NPT X 1/2 NPT	126	1	607504	FLO DIV B50 2-8GPM 7/8 FOR
59	1	4/70308	1/2MNP DRAIN PLUG,AL HD,MAG	127	1	607512	RELIEF VALVE, RL50, 1850 PSI
60	1	504400	BLK PIPE CROSS .75NPT	128	1	618310	9/16MJIC-7/8MOR ADPTR
61	1	618322	1 5/16MJIC-1MNP ADPTR	129	1	618000	1/2MNP HEX PIPE NIPPLE STL
62	1	618551	3/4MJIC-9/16MJIC REDU UNION	130	1	618072	7/8MOR-1/2NPT ADPTR
63	5	505213	RED BUSH 1 X 3/4 BLK MAL	131	2	618107	9/16MJIC-90-1/2MNP LBO
64	2	618541	1 5/16FJIC-1 1/16MJIC ADPTR	132	1	616042	04CIT-06FJX-06FJX-13
65	1	618118	3/4 HOSE BARB-90-1 1/16MOR	133	1	614664	10CIT-10FJX-10FJX-98
66	1	618638	1IN HOSE BARB-45-1 5/16MOR	134	1	615616	04CIT-06FJX-06FJX-65
67	3	618314	3/4MJIC UNION	135	1	618486	9/16FJIC SW RUN TEE-9/16MJIC
68	2	618601	7/8MJIC-1 5/16MOR ADPT	136	1	610721	SUND M25-3000 WHL MTR W/SENSOR



*NOTE:
 REFER TO DETAIL 114 TO CHECK PRESSURE LIMIT
 SETTING - 4500 PSI
 REFER TO DETAIL 112 ON TOP TO CHECK CHARGE
 PRESSURE - 380 PSI
 REFER TO DETAIL 136, RELIEF VALVE
 PRESSURE - 1850 PSI

2041 BASIC MACHINE GMC HYD SCHEMATIC 2004
REFERENCE DRAWING NO. 498792

DET.	QTY	PART NO.	DESCRIPTION	DET.	QTY	PART NO.	DESCRIPTION
1	1	606911	SUND 75CC PUMP B-MT W/FILT	73	2	611124	7/8MJIC-90-1/2ZMPT LBO
2	2	610717	TORQ HUB,24:1 W/M1 INTEGRATED	74	1	618434	1 1/16MJIC-1MNP ADPTR
3	1	606894	SUND GEAR PUMP 3.40CI SPLINED	75	1	618575	1FNPT PIPE STL
4	1	618606	OIL COOLER, BLISSFIELD 65027	76	1	618589	7/8MJIC-90-1 5/16MOR LBO
5	1	610585	POSTTRACTION VLV, 44SPL 28G	77	5	611126	7/8MJIC-7/8MOR ADPTR
6	1	610586	POSTTRACTION VLV,ALUM,88SP60G	78	2	618425	9/16MJIC-45-9/16MOR LBO
7	2	621500	STRG CYL ASSY, 2XX	79	2	618019	9/16MJIC UNION TEE
8	1	610567	SUND M25-3000 WHL MTR 1.5CI	80	2	618640	1 5/16MJ-90-1 5/16FJ SWIV LBO
9	2	618598	1" 4-BOLT FLG X 1 5/16 FOR	81	1	618018	9/16MJIC-1/2MNP ADPTR
10	1	749150	STRG MTR NON-LOAD REACT 1008	82	2	610193	9/16MJIC BLKHD BRANCH TEE
11	1	605601	PARKER FILTER ASSY,10M,1.25NPT	83	2	618156	7/8MJIC-90-3/4MNP LBO
12	1	760264	HYD TANK WLD, 204/254/284 2002	84	2	505102	PIPE PLUG 1.00NPT SQ HD
13	1	605600	TANK FILTER, 100 MESH,1"FNPT	85	1	610300	3/4MJIC-3/4MNP ADPTR
14	2	605603	LINE SUMP DIFFUSER	86	1	618135	3/4 HOSE BARB-90-3/4MNP
15	1	611052	FILLER BREATHER 3/4MNP	87	4	618531	9/16FJIC CAP NUT
16	1	614453	DIPSTICK, 8IN	88	1	506410	BLK PIPE ST EL 90DEG 1.25NPT
17	1	614660	1IN STL TEE WLD 280	89	1	618311	3/4MJIC UNION TEE
18	2	621502	LEG LEVEL CYL ASSY,2.00 X 12.0	90	3	618482	3/4FJIC-9/16MJIC ADPTR
19	2	614672	HYD TUBE ASSY, SUND PUMP	91	1	618312	1 5/16MOR-1 1/16FOR ADPTR
20	2	616028	04CIT-06F3X-06F3X-47	92	1	618535	7/8MJIC-90-1 1/16MOR LBO
21	2	615751	FRT LEG OUTR HYD TUBE,204 W/M1	93	1	616040	04CIT-06F3X-06F3X-67
22	2	615750	FRT LEG CNTR HYD TUBE,204 W/M1	94	1	618075	3/4 HOSE BARB-1 1/16MOR
23	1	615748	RH FRT INNER HYD TUBE,204 W/M1	95	1	611128	7/8MJIC-90-7/8MOR LBO
24	1	618520	1/4MNP RUN TEE-9/16MJIC	96	1	606891	SUND GEAR PMP .52CI SPLINED
25	2	615687	12TMM-16F3X-16F3X-122	97	1	618178	1 5/16MJIC-90-1 5/16MOR LBO
26	1	601395	HOSE, 3/4 X 64 1FBR-1SP1	98	1	618596	1 5/8MOR-1 1/4FNPT ADPTR
27	1	601396	HOSE, 1 X 81 1FBR-1SP1	99	1	507026	1 1/4MNP HEX PIPE NIPPLE STL
28	1	601375	HOSE, 1 X 24 1FBR-1SP1	100	1	506701	SIDE OUTLET EL 90DEG 1.25NPT
29	1	601377	HOSE, 1 X 48 1FBR-1SP1	101	1	715660	HOSE BARB 1 1/4NPT X 1 1/4
30	1	614388	08CIT-08F3X-08F3X-129	102	1	506005	1 1/4 TO 1 RED BUSH BLK MAL
31	1	615614	FRT LEG CYL JUMPER HOSE280 89	103	2	505201	CLOSE NIPPLE 1.00NPT
32	1	614625	06CIT-06F3X-06F3X-30	104	3	505101	BLK PIPE TEE 1.00NPT
33	1	615451	06CIT-06F3X-08F3X-58	105	2	610305	3/4MJIC-90-3/4MNP LBO
34	1	611204	04CIT-06F3X-06F3X-78	106	1	716000	3/4 HOSE BARB-90-1MNP
35	4	614663	04CIT-06F3X-06F3X-16	107	1	601383	HOSE, 3/4 X 8 1FBR-1SP1
36	2	614655	08CZAT-10F3X-12F3X90-70	108	2	618301	7/8MJIC-90-7/8FJIC SWIV LBO
37	2	614654	08CZAT-10F3X-12F3X90-60	109	1	610721	SUND M25-3000 WHL MTR W/SENSOR
38	2	614656	08CZAT-10F3X-10F3X-118	110	1	614662	08CIT-08F3X-08F3X-72
39	2	614657	08CZAT-10F3X-10F3X-125	111	1	505105	1MNP HEX PIPE NIPPLE STL
40	1	614549	06CIT-06F3X-06F3X-140	112	7	618119	9/16MJIC-90-9/16MOR LBO
41	1	615449	06CIT-06F3X-06F3X-126	113	3	618327	3/4MJIC-7/8MOR ADPTR
42	1	615633	08CIT-08F3X-08F3X-23	114	2	618629	9/16MOR BRANCH TEE-9/16MJIC
43	6	618496	9/16MJIC-45-3/4MOR LBO	115	1	605609	HYD FILTER ELEMENT, DONALDSON
44	1	504001	RED BUSH 3/4 X 1/4 BLK MAL	116	3	618609	3/4MJIC-90-3/4FJIC SWIV LBO
45	1	618183	3/4MJIC-90-7/8MOR LBO	117	1	605608	HYD FILTER HEAD, DONALDSON
46	2	618599	1 5/16MOR BRANCH TEE-1 5/16MJ	118	1	610580	REMOTE FLUSHING VALVE, SUND
47	1	615465	08CIT-08F3X-08F3X-33	119	1	616034	08CIT-08F3X-08F3X-17
48	5	505200	BLK PIPE ST EL 90DEG 1.00NPT	120	2	616253	04CZAT-06F3X-06F3X-23
49	1	715664	1 1/4 NPT X 1 HOSE BARB	121	1	616048	04CIT-06F3X-06F3X-35
50	4	714560	1NPT X 1 HOSE BARB	122	2	618126	9/16MJIC-9/16MOR ADPTR
51	1	714331	1 NPT X 3/4 HOSE BARB	123	2	618474	3/4MJIC-90-1 1/16MOR LBO
52	1	506602	PIPE NIPPLE 1 1/4NPT-2 1/2	124	1	618451	3/4FJIC SW RUN TEE-3/4MJIC
53	1	506303	BLK PIPE EL 90DEG 1.25NPT	125	1	601318	HOSE, 1 X 254 1BR BLK EPDM
54	6	505300	BLK PIPE EL 90DEG 1.00NPT	126	2	614101	04CIT-06F3X-06F3X-133
55	3	505203	BLK PIPE NIPPLE 1.00NPT-4.00	127	1	611246	04CIT-06F3X-06F3X-174
56	1	504955	BLK PIPE TEE .75NPT	128	2	616056	04CIT-06F3X-06F3X-32
57	2	504702	CLOSE NIPPLE .75NPT	129	2	618304	9/16MJIC-7/16MOR ADPTR
58	1	504210	RED BUSH 3/4 NPT X 1/2 NPT	130	4	618309	7/8MJIC-1 1/16MOR ADPTR
59	1	470308	1/2MNP DRAIN PLUG, AL HD, MAG	131	2	618628	7/8MJIC-45-7/8FJIC SWIV LBO
60	2	618486	9/16FJIC SW RUN TEE-9/16MJIC	132	1	615749	LH FRT INNER HYD TUBE,204 W/M1
61	1	618322	1 5/16MJIC-1MNP ADPTR	133	1	504400	BLK PIPE CROSS .75NPT
62	1	618551	3/4MJIC-9/16MJIC REDU UNION	134	1	616024	06CIT-06F3X-08F3X-70
63	5	505213	RED BUSH 1 X 3/4 BLK MAL	135	1	607504	FLO DIV B50 2-8GPM 7/8 FOR
64	2	618541	1 5/16FJIC-1 1/16MJIC ADPTR	136	1	607512	RELIEF VALVE, RL50, 1850 PSI
65	1	618118	3/4 HOSE BARB-90-1 1/16MOR	137	1	618310	9/16MJIC-7/8MOR ADPTR
66	1	618564	1IN HOSE BARB-90-1 5/16MOR	138	1	500000	1/2MNP HEX PIPE NIPPLE STL
67	3	618314	3/4MJIC UNION	139	2	618072	7/8MOR-1/2FNPT ADPTR
68	2	618601	7/8MJIC-1 5/16MOR ADPT	140	2	618107	9/16MJIC-90-1/2MNP LBO
69	1	618186	1 5/16MJIC-1 5/16MOR ADPTR	141	1	616042	04CIT-06F3X-06F3X-13
70	4	618553	1 1/16MJIC-7/8MJIC REDU UNION	142	1	614664	10CIT-10F3X-10F3X-98
71	2	505005	RED BUSH 1 TO 1/2	143	1	615616	04CIT-06F3X-06F3X-65
72	1	618308	1 1/16MJIC-1 5/16MOR ADPTR				

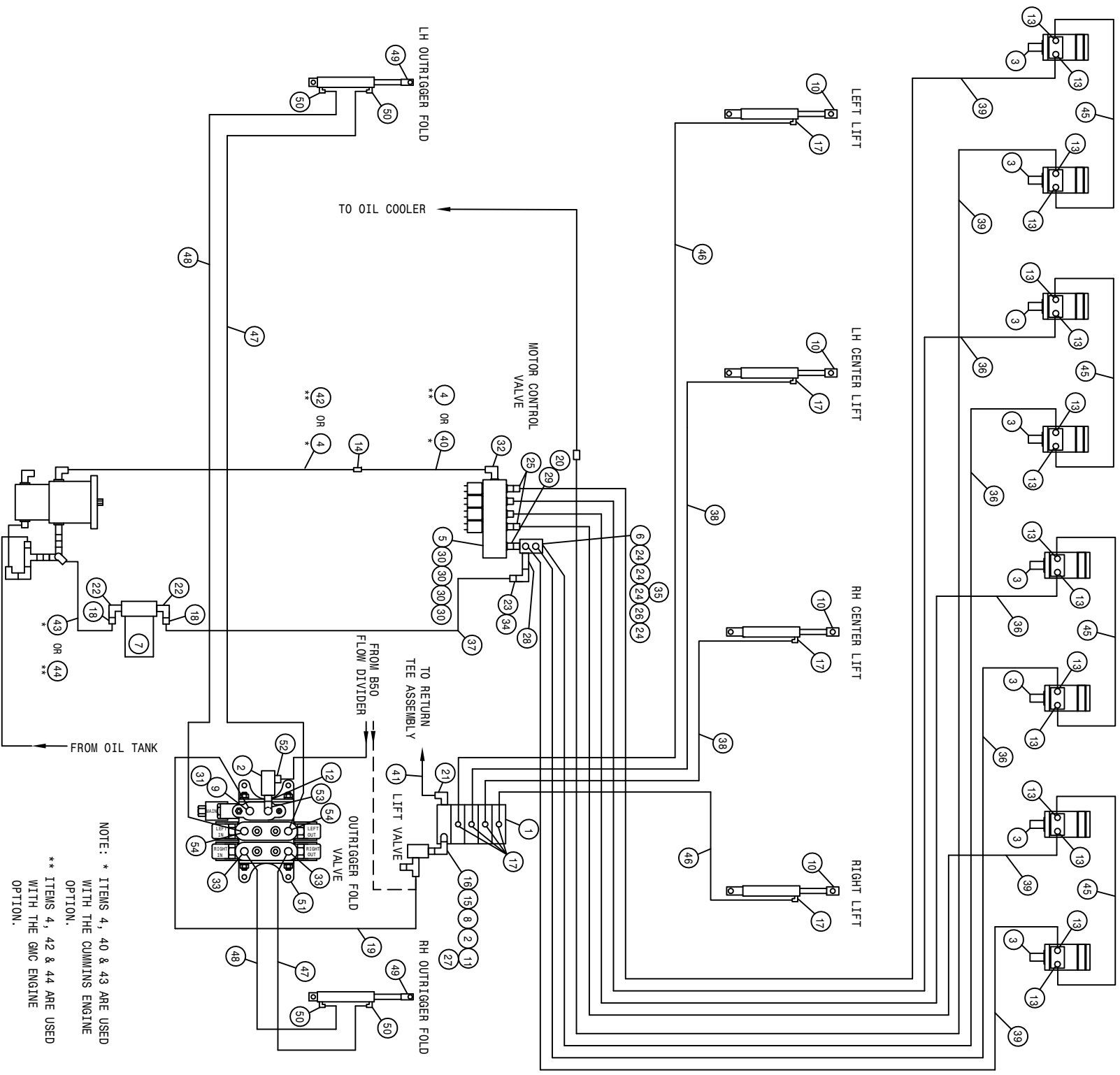


*NOTE:
 REFER TO DETAIL 114 TO CHECK PRESSURE LIMIT
 SETTING - 4500 PSI
 REFER TO DETAIL 112 ON TOP TO CHECK CHARGE
 PRESSURE - 380 PSI
 REFER TO DETAIL 136, RELIEF VALVE
 PRESSURE - 1850 PSI

DET.	QTY	PART NO.	DESCRIPTION	DET.	QTY	PART NO.	DESCRIPTION
1	1	606902	SUND 100CC PUMP-B-MT W/FILT	73	2	611124	7/8MJIC-90-1/2NPT LBO
2	2	610717	TORQ HUB,24-1 W/M1 INTEGRATED	74	1	618434	1 1/16MJIC-1MNPT ADPTR
3	1	606937	TANDEM PUMP, 606929 & 606938	75	1	618575	1NPT PIPE TEE STL
4	1	618606	OIL COOLER, BLISSFIELD 65027	76	1	618589	7/8MJIC-90-1 5/16MOR LBO
5	1	610585	POSITIONTRACION VLV,44SPL 28G	77	5	611126	7/8MJIC-7/8MOR ADPTR
6	1	610586	POSITIONTRACION VLV,ALUM, 88SP60G	78	2	618425	9/16MJIC-45-9/16MOR LBO
7	2	621500	STRG CYL ASSY, 2XX	79	2	618019	9/16MJIC UNION TEE
8	1	610567	SUND M25-3000 WHL MTR 1.5CI	80	1	618639	1 5/8MOR-1 5/16FOR ADPTR
9	2	618598	1" 4-BOLT FLG X 1 5/16 FOR	81	1	618018	9/16MJIC-1/2MNPT ADPTR
10	1	749150	STRG MTR NON-LOAD REACT 1008	82	2	610193	9/16MJIC BLKHD BRANCH TEE
11	1	605601	PARKER FILTER ASSY,10M,1.25NPT	83	2	618156	7/8MJIC-90-3/4MNPT LBO
12	1	760264	HYD TANK WLD,204/254/284 2002	84	2	505102	PIPE PLUG 1.00NPT SQ HD
13	1	605600	TANK FILTER, 100 MESH,1"FNPT	85	1	610300	3/4MJIC-3/4MNPT ADPTR
14	2	605603	LINE SUMP DIFFUSER	86	1	618135	3/4 HOSE BARB-90-3/4MNPT
15	1	611052	FILLER BREATHER 3/4NPT	87	4	618531	9/16FJIC CAP NUT
16	1	614453	DIPSTICK, 81N	88	3	506410	BLK PIPE ST EL 90DEG 1.25NPT
17	1	614660	1IN STL TEE WLD 280	89	1	618311	3/4MJIC UNION TEE
18	2	621502	LEG LEVEL CYL ASSY,2.00 X 12.0	90	3	618482	3/4FJIC-9/16MJIC ADPTR
19	2	614707	HYD TUBE ASSY,SUND,200 DIESEL	91	1	618312	1 5/16MOR-1 1/16FOR ADPTR
20	2	615634	12TWM-16FJX-16FJX-123	92	1	618535	7/8MJIC-90-1 1/16MOR LBO
21	2	615751	FRT LEG OUTR HYD TUBE,204 W/M1	93	1	618451	3/4FJIC SW RUN TEE-3/4MJIC
22	2	615750	FRT LEG CNTR HYD TUBE,204 W/M1	94	1	618075	3/4 HOSE BARB-1 1/16MOR
23	1	615748	RH FRT INNER HYD TUBE,204 W/M1	95	1	611128	7/8MJIC-90-1/78MOR LBO
24	1	618520	1/4MNPT RUN TEE-9/16MJIC	96	2	616028	04C1T-06FJX-06FJX-47
25	1	618191	1 1/16MJ-90-1 1/16FJ SWIV LBO	97	1	618178	1 5/16MJIC-90-1 5/16MOR LBO
26	1	601395	HOSE, 3/4 X 64 1FBR-1SPT	98	1	618596	1 5/8MOR-1 1/4FNPT ADPTR
27	1	601396	HOSE, 1 X 81 1FBR-1SPT	99	1	507026	1 1/4MNPT HEX PIPE NIPPLE STL
28	1	601376	HOSE, 1 X 29 1FBR-1SPT	100	1	506701	SIDE OUTLET EL 90DEG 1.25NPT
29	1	601377	HOSE, 1 X 48 1FBR-1SPT	101	1	715660	HOSE BARB 1 1/4NPT X 1 1/4
30	1	614388	08C1T-08FJX-08FJX-129	102	1	506005	1 1/4 TO 1 RED BUSH BLK MAL
31	1	615614	FRT LEG CYL JUMPER HOSE280	103	2	505201	CLOSE NIPPLE 1.00NPT
32	1	614625	06C1T-06FJX-06FJX-30	104	3	505101	BLK PIPE TEE 1.00NPT
33	1	615451	06C1T-06FJX-08FJX-58	105	2	610305	3/4MJIC-90-3/4MNPT LBO
34	1	611204	04C1T-06FJX-06FJX-78	106	1	716000	3/4 HOSE BARB-90-1MNPT
35	4	614663	04C1T-06FJX-06FJX-16	107	1	610399	HOSE, 3/4 X 13 1FBR-1SPT
36	2	614655	08C2AT-10FJX-12FJX90-70	108	2	618301	7/8MJIC-90-7/8FJIC SWIV LBO
37	2	614654	08C2AT-10FJX-12FJX90-60	109	1	610721	SUND M25-3000 WHL MTR W/SENSOR
38	2	614656	08C2AT-10FJX-10FJX-118	110	1	614662	08C1T-08FJX-08FJX-72
39	2	614657	08C2AT-10FJX-10FJX-125	111	1	505105	1MNPT HEX PIPE NIPPLE STL
40	1	614549	06C1T-06FJX-06FJX-140	112	7	618119	9/16MJIC-90-9/16MOR LBO
41	1	615449	06C1T-06FJX-06FJX-126	113	3	618327	3/4MJIC-7/8MOR ADPTR
42	1	615633	08C1T-08FJX-08FJX-23	114	2	618629	9/16MOR BRANCH TEE-9/16MJIC
43	6	618496	9/16MJIC-45-3/4MNOR LBO	115	1	605609	HYD FILTER ELEMENT, DONALDSON
44	1	504001	RED BUSH 3/4 X 1/4 BLK MAL	116	3	618609	3/4MJIC-90-3/4FJIC SWIV LBO
45	1	618183	3/4MJIC-90-7/8MOR LBO	117	1	605608	HYD FILTER HEAD, DONALDSON
46	2	618599	1 5/16MOR BRANCH TEE-1 5/16MJ	118	1	610580	REMOTE FLUSHING VALVE, SUND
47	1	615465	08C1T-08FJX-08FJX-33	119	1	616034	08C1T-08FJX-08FJX-17
48	4	505200	BLK PIPE ST EL 90DEG 1.00NPT	120	2	616253	04C2AT-06FJX-06FJX-23
49	1	715664	1 1/4 NPT X 1 HOSE BARB	121	1	616048	04C1T-06FJX-06FJX-35
50	4	714560	1NPT X 1 HOSE BARB	122	2	618126	9/16MJIC-9/16MOR ADPTR
51	1	714331	1 NPT X 3/4 HOSE BARB	123	2	618474	3/4MJIC-90-1 1/16MOR LBO
52	1	506602	PIPE NIPPLE 1 1/4NPT-2 1/2	124	1	616040	04C1T-06FJX-06FJX-67
53	1	506303	BLK PIPE EL 90DEG 1.25NPT	125	1	610318	HYD SOLE VLV,2P-3W,9/16FOR,12V
54	6	505300	BLK PIPE EL 90DEG 1.00NPT	126	2	614101	04C1T-06FJX-06FJX-133
55	3	505203	BLK PIPE NIPPLE 1.00NPT-4.00	127	1	611246	04C1T-06FJX-06FJX-174
56	1	504955	BLK PIPE TEE .75NPT	128	2	616056	04C1T-06FJX-06FJX-32
57	2	504702	CLOSE NIPPLE .75NPT	129	2	618304	9/16MJIC-7/16MOR ADPTR
58	1	504210	RED BUSH 3/4 NPT X 1/2 NPT	130	4	618309	7/8MJIC-1 1/16MOR ADPTR
59	1	470308	1/2MNPT DRAIN PLUG,AL HD,MAG	131	2	618628	7/8MJIC-45-7/8FJIC SWIV LBO
60	2	618486	9/16FJIC SW RUN TEE-9/16MJIC	132	1	615749	LH FRT INNER HYD TUBE,204 W/M1
61	1	618322	1 5/16MJIC-1MNPT ADPTR	133	1	504400	BLK PIPE CROSS .75NPT
62	1	618551	3/4MJIC-9/16MJIC REDU UNION	134	1	616024	06C1T-06FJX-08FJX-70
63	5	505213	RED BUSH 1 X 3/4 BLK MAL	135	1	607504	FLO DIV B50 2-8GPM 7/8 FOR
64	2	618541	1 5/16FJIC-1 1/16MJIC ADPTR	136	1	607512	RELIEF VALVE, R150, 1850 PSI
65	1	618118	3/4 HOSE BARB-90-1 1/16MOR	137	1	618310	9/16MJIC-7/8MOR ADPTR
66	1	618638	1IN HOSE BARB-45-1 5/16MOR	138	1	500000	1/2MNPT HEX PIPE NIPPLE STL
67	3	618314	3/4MJIC UNION	139	1	618072	7/8MOR-1/2FNPT ADPTR
68	2	618601	7/8MJIC-1 5/16MOR ADPT	140	2	618107	9/16MJIC-90-1/2MNPT LBO
69	1	618186	1 1/16MJIC-1 5/16MOR ADPTR	141	1	616042	04C1T-06FJX-06FJX-13
70	4	618533	1 1/16MJIC-7/8MJIC REDU UNION	142	1	614664	10C1T-10FJX-10FJX-98
71	2	505005	RED BUSH 1 TO 1/2	143	1	615616	04C1T-06FJX-06FJX-65
72	1	618308	1 1/16MJIC-1 5/16MOR ADPTR				

204 6R QUAD 3L LS HYD SCHEM 2004
REFERENCE DRAWING NO. 498796

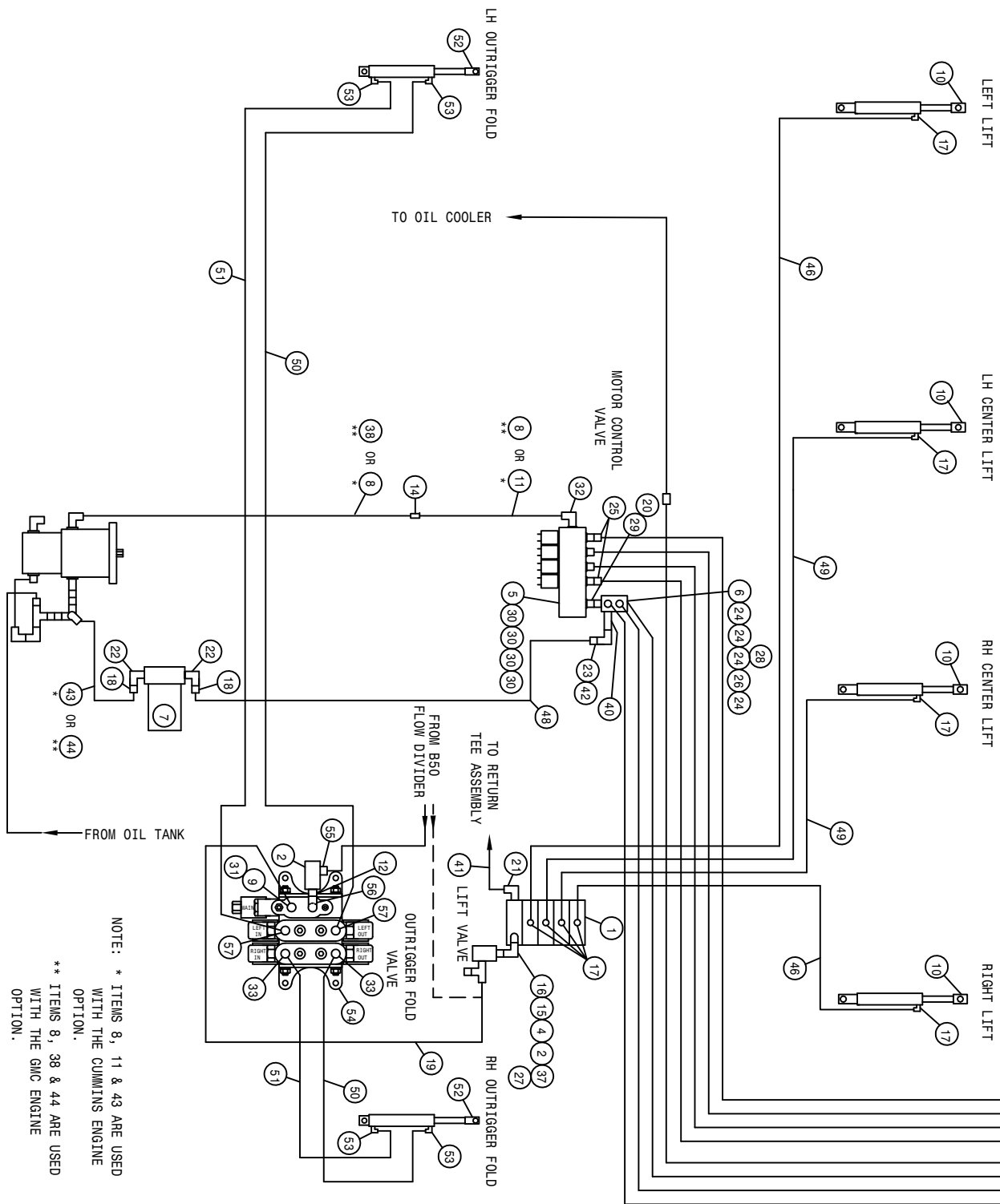
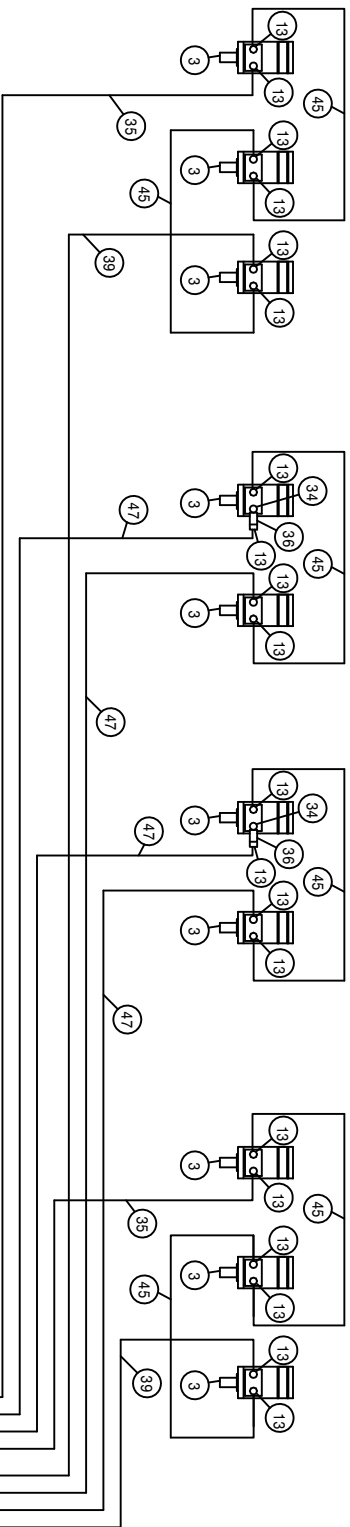
DET.	QTY	PART NO.	DESCRIPTION	DET.	QTY	PART NO.	DESCRIPTION
1	1	610532	ELECT HYD STACK VLV, 3 SECT	*28	1	505209	BLK PIPE NIPPLE 1.00NPT-6.00
2	2	605615	HYD FILTER, INLINE 25M 9/16FOR	29	1	618186	1 5/16MJIC-1 5/16MOR ADPTR
3	6	610547	HYD MOTOR 4.5CI 1IN SHFT	30	3	618469	3/4MJIC-1 1/16MOR ADPTR
4	1	618668	9/16FJIC SWIV-9/16MOR ADPTR	31	1	610186	1 1/16MOR PLUG
5	1	606034	MTR CONTROL ELECT VLV	32	1	618178	1 5/16MJIC-90-1 5/16MOR LBO
*6	1	614633	HYD MANIF 8200 86	33	2	618115	9/16MJIC-90-3/4MOR LBO
*7	1	605601	PARKER FILTER ASSY, 10M, 1.25NPT	*34	1	714561	1.00NPT-1.25 HOSE BARB
*8	1	618532	3/4FJIC CAP NUT	35	1	614350	16C2AT-16FJX-16FJX-55
9	1	618310	9/16MJIC-7/8MOR ADPTR	36	2	614688	08C1T-08FJX-08FJX-108
10	3	621506	LIFT CYL ASSY 1W, DETASSELER	*37	1	601378	HOSE, 1 1/4 X 156 1FBR-1SPI
11	1	618444	9/16MOR RUN TEE-9/16MJIC	38	2	614101	04C1T-06FJX-06FJX-133
12	1	618692	3/4FJIC SWIV-9/16MOR ADPTR	39	4	614690	08C1T-08FJX-08FJX-192
13	12	618327	3/4MJIC-7/8MOR ADPTR	40	1	614703	HYD TUBE ASSY, 200 MAIN
*14	1	618577	1 5/16MJIC UNION	*41	1	614627	06C1T-06FJX-06FJX-45
15	1	618440	9/16MJIC-90-9/16MOR EX LG LBO	42	1	614719	HYD TUBE ASSY, AUX 204 GMC
16	1	618170	3/4MOR-9/16FOR ADPTR	43	1	601437	HOSE, 1 1/4 X 40 1FBR-1SPI
17	6	618119	9/16MJIC-90-9/16MOR LBO	44	1	601440	HOSE, 1 1/4 X 25 1FBR-1SPI
*18	2	715660	HOSE BARB 1 1/4NPT X 1 1/4	45	3	616025	08C1T-08FJX-08FJX-50
19	1	618618	9/16MJIC-90-9/16FJIC SWIV LBO	46	3	614077	04C1T-06FJX-06FJX-88
*20	1	618587	1 5/16FJIC SWIV-1MNPT	47	1	615621	06C1T-06FJX-06FJX-24
21	1	618600	9/16MJIC-90-7/8MOR LBO	48	2	615727	04C1T-06FJX-06FJX-75
*22	2	506410	BLK PIPE ST EL 90DEG 1.25NPT	49	2	621520	BOOM HINGE FOLD CYL ASSY
*23	1	505300	BLK PIPE EL 90DEG 1.00NPT	50	4	614747	.025 ELBOW ASSY, 9/16MOR 90D
*24	4	611145	3/4MJIC-90-1/2MNPT LBO	51	1	606090	BRAND HYD VALVE, 2-SECT SER 36
25	1	618590	3/4MJIC-45-3/4FJIC SWIV LBO	52	1	618126	9/16MJIC-9/16MOR ADPTR
*26	1	503700	PIPE PLUG .50NPT SQ HD	53	1	618183	3/4MJIC-90-7/8MOR LBO
27	1	618531	9/16FJIC CAP NUT	54	2	618709	9/16MJIC-90-3/4MOR EX LG LBO



NOTE: * ITEMS 4, 40 & 43 ARE USED WITH THE CUMMINS ENGINE OPTION.
 ** ITEMS 4, 42 & 44 ARE USED WITH THE GMC ENGINE OPTION.

204 BR QUAD 4L LS HYD SCHEM 2004
REFERENCE DRAWING NO. 498797

DET.	QTY	PART NO.	DESCRIPTION	DET.	QTY	PART NO.	DESCRIPTION
1	1	610613	ELECT HYD STACT VLV, 4 SECT	*28	1	505209	BLK PIPE NIPPLE 1.00NPT-6.00
2	2	605615	HYD FILTER, INLINE 25M 9/16FOR	29	1	618186	1 5/16MJIC-1 5/16MOR ADPTR
3	8	610547	HYD MOTOR 4.5CI 1IN SHFT	30	4	618469	3/4MJIC-1 1/16MOR ADPTR
4	1	614350	16C2AT-16FJX-16FJX-55	H/A	1	618618	9/16MJIC-90-9/16FJIC SWIV LBO
5	1	606034	MTR CONTROL ELECT VLV	31	1	618178	1 5/16MJIC-90-1 5/16MOR LBO
*6	1	614633	HYD MANIF 8200 86	32	1	618178	9/16MJIC-90-3/4MOR LBO
*7	1	605601	PARKER FILTER ASSY, 10M, 1.25NPT	33	2	618115	1.00NPT-1.25 HOSE BARB
8	1	618668	9/16FJIC SWIV-9/16MOR ADPTR	*34	1	714561	3/4FJIC CAP NUT
9	1	618310	9/16MJIC-7/8MOR ADPTR	*35	1	618532	08C1T-08FJX-08FJX-120
10	4	621506	LIFT CYL ASSY 1W, DETASSELER	36	4	614689	HOSE, 1 1/4 X 156 1FBR-1SPI
11	1	618444	9/16MOR RUN TEE-9/16MJIC	*37	1	601378	HOSE, 1 1/4 X 40 1FBR-1SPI
12	1	618692	3/4FJIC SWIV-9/16MOR ADPTR	38	2	614101	04C1T-06FJX-06FJX-133
13	16	618327	3/4MJIC-7/8MOR ADPTR	39	4	614691	08C1T-08FJX-08FJX-220
*14	1	618577	1 5/16MJIC UNION	40	1	614703	HYD TUBE ASSY, 200 MAIN
15	1	618440	9/16MJIC-90-9/16MOR EX LG LBO	*41	1	614627	06C1T-06FJX-06FJX-45
16	1	618170	3/4MOR-9/16FOR ADPTR	42	1	614719	HYD TUBE ASSY, AUX 204 GMC 96
17	8	618119	9/16MJIC-90-9/16MOR LBO	43	1	601437	HOSE, 1 1/4 X 40 1FBR-1SPI
*18	2	715660	HOSE BARB 1 1/4NPT X 1 1/4	44	1	601440	HOSE, 1 1/4 X 25 1FBR-1SPI
19	1	615621	06C1T-06FJX-06FJX-24	45	4	616025	08C1T-08FJX-08FJX-50
*20	1	618587	1 5/16FJIC SWIV-1MNPT	46	2	611246	04C1T-06FJX-06FJX-174
21	1	618600	9/16MJIC-90-7/8MOR LBO	47	2	614077	04C1T-06FJX-06FJX-88
*22	2	506410	BLK PIPE ST EL 90DEG 1.25NPT	48	2	615727	04C1T-06FJX-06FJX-75
*23	1	505300	BLK PIPE EL 90DEG 1.00NPT	49	2	621520	BOOM HINGE FOLD CYL ASSY
*24	4	611145	3/4MJIC-90-1/2MNPT LBO	50	4	614747	.025 ELBOW ASSY, 9/16MOR 90D
25	2	618590	3/4MJIC-45-3/4FJIC SWIV LBO	51	1	606090	BRAND HYD VALVE, 2-SECT SER 36
*26	1	503700	PIPE PLUG .50NPT SQ HD	52	1	618126	9/16MJIC-9/16MOR ADPTR
27	1	618531	9/16FJIC CAP NUT	53	1	618183	3/4MJIC-90-7/8MOR LBO
				54	2	618709	9/16MJIC-90-3/4MOR EX LG LBO



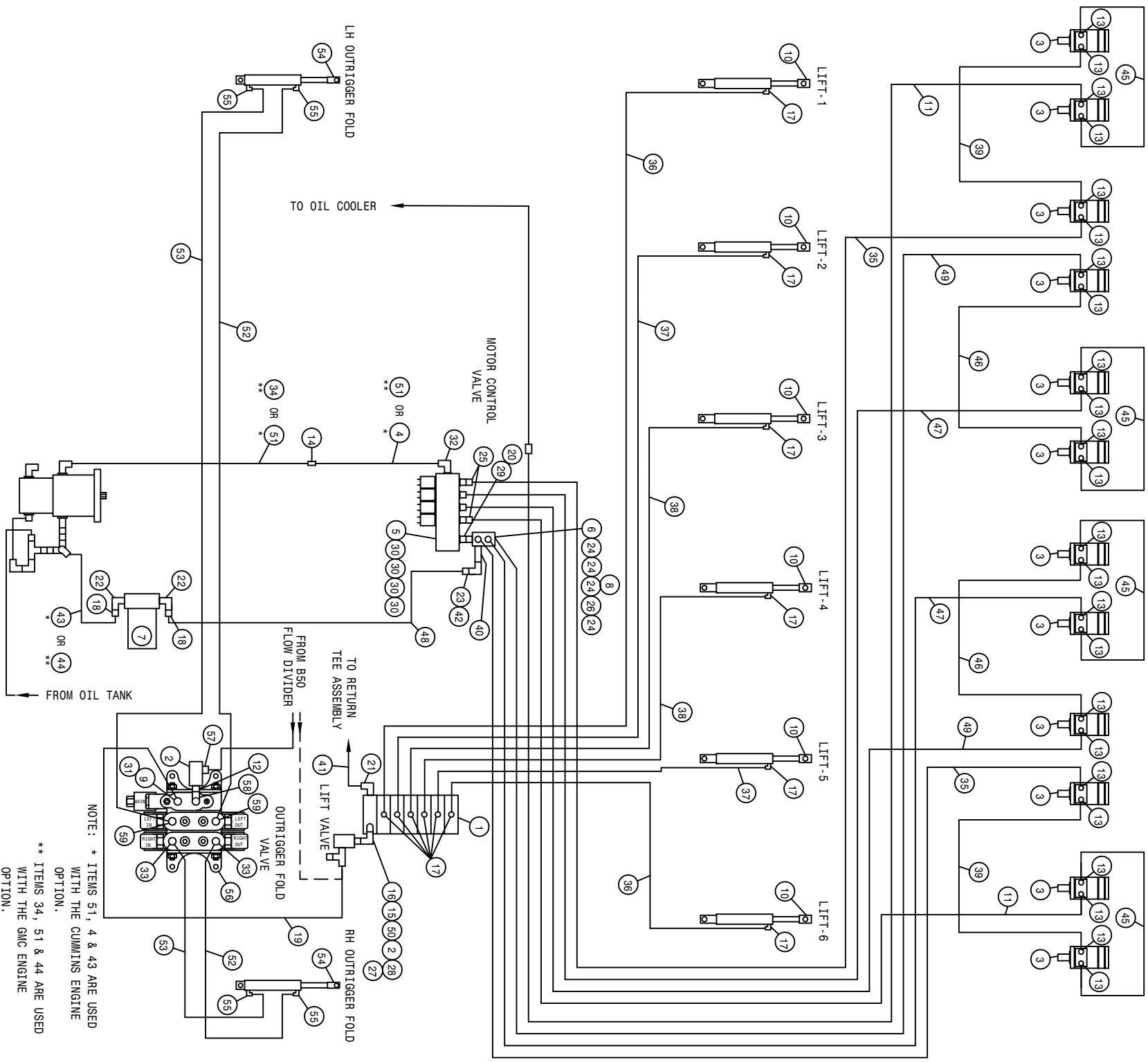
NOTE: * ITEMS 8, 11 & 43 ARE USED WITH THE CUMMINS ENGINE OPTION.
 ** ITEMS 8, 38 & 44 ARE USED WITH THE GMC ENGINE OPTION.

204 10R QUAD 4L HYD SCHEM 2004
REFERENCE DRAWING NO. 498798

DET.	QTY	PART NO.	DESCRIPTION	DET.	QTY	PART NO.	DESCRIPTION
	1	610613	ELECT HYD STACT VLV, 4 SECT	30	4	618469	3/4MJIC-1 1/16MOR ADPTR
	2	605615	HYD FILTER, INLINE 25M 9/16FOR	31	1	618618	9/16MJIC-90-9/16FJIC SWIV LBO
	3	610547	HYD MOTOR 4.5CI 1IN SHFT	32	1	618178	1 5/16MJIC-90-1 5/16MOR LBO
	4	618668	9/16FJIC SWIV-9/16MOR ADPTR	33	2	618115	9/16MJIC-90-3/4MOR LBO
	5	606034	MTR CONTROL ELECT VLV	34	2	618586	7/8MOR UNION
*	6	614633	HYD MANIF 8200 86	35	2	614384	08C1T-08FJX-08FJX-237
	7	605601	PARKER FILTER ASSY, 10M, 1.25NPT	36	2	607522	FLOW REGULATOR, 8GPM VONBERG
	8	614350	16C2AT-16FJX-16FJX-55 H/A	37	1	618444	9/16MOR RUN TEE-9/16MJIC
	9	618310	9/16MJIC-7/8MOR ADPTR	38	1	614719	HYD TUBE ASSY, AUX 204 GMC 96
	10	621506	LIFT CYL ASSY 1W, DETASSELER	39	2	614387	08C1T-08FJX-08FJX-267
	11	614703	HYD TUBE ASSY, 200 MAIN	40	1	505209	BLK PIPE NIPPLE 1.00NPT-6.00
	12	618692	3/4FJIC SWIV-9/16MOR ADPTR	41	1	614627	06C1T-06FJX-06FJX-45
	13	618327	3/4MJIC-7/8MOR ADPTR	42	1	714561	1.00NPT-1.25 HOSE BARB
*	14	618577	1 5/16MJIC UNION	43	1	601437	HOSE, 1 1/4 X 40 1FBR-1SPI
	15	618440	9/16MJIC-90-9/16MOR EX LG LBO	44	1	601440	HOSE, 1 1/4 X 25 1FBR-1SPI
	16	618170	3/4MOR-9/16FOR ADPTR	45	6	616025	08C1T-08FJX-08FJX-50
	17	618119	9/16MJIC-90-9/16MOR LBO	46	2	614098	04C1T-06FJX-06FJX-201
*	18	715660	HOSE BARB 1 1/4NPT X 1 1/4	47	4	614689	08C1T-08FJX-08FJX-120
	19	615621	06C1T-06FJX-06FJX-24 H/A	48	1	601378	HOSE, 1 1/4 X 156 1FBR-1SPI
*	20	618587	1 5/16FJIC SWIV-1MNPT	49	2	611202	04C1T-06FJX-06FJX-136
	21	618600	9/16MJIC-90-7/8MOR LBO	50	2	614077	04C1T-06FJX-06FJX-88
*	22	506410	BLK PIPE ST EL 90DEG 1.25NPT	51	2	615727	04C1T-06FJX-06FJX-75
*	23	505300	BLK PIPE EL 90DEG 1.00NPT	52	2	621520	BOOM HINGE FOLD CYL ASSY
*	24	611145	3/4MJIC-90-1/2MNPT LBO	53	4	614747	.025 ELBOW ASSY, 9/16MOR 90D
	25	618590	3/4MJIC-45-3/4FJIC SWIV LBO	54	1	606090	BRAND HYD VALVE, 2-SECT SER 36
*	26	503700	PIPE PLUG .50NPT SQ HD	55	1	618126	9/16MJIC-9/16MOR ADPTR
	27	618531	9/16FJIC CAP NUT	56	1	618183	3/4MJIC-90-7/8MOR LBO
*	28	618532	3/4FJIC CAP NUT	57	2	618709	9/16MJIC-90-3/4MOR EX LG LBO
	29	618186	1 5/16MJIC-1 5/16MOR ADPTR				

204 12R QUAD 4L LS HYD SCHEM 2004
REFERENCE DRAWING NO. 498799

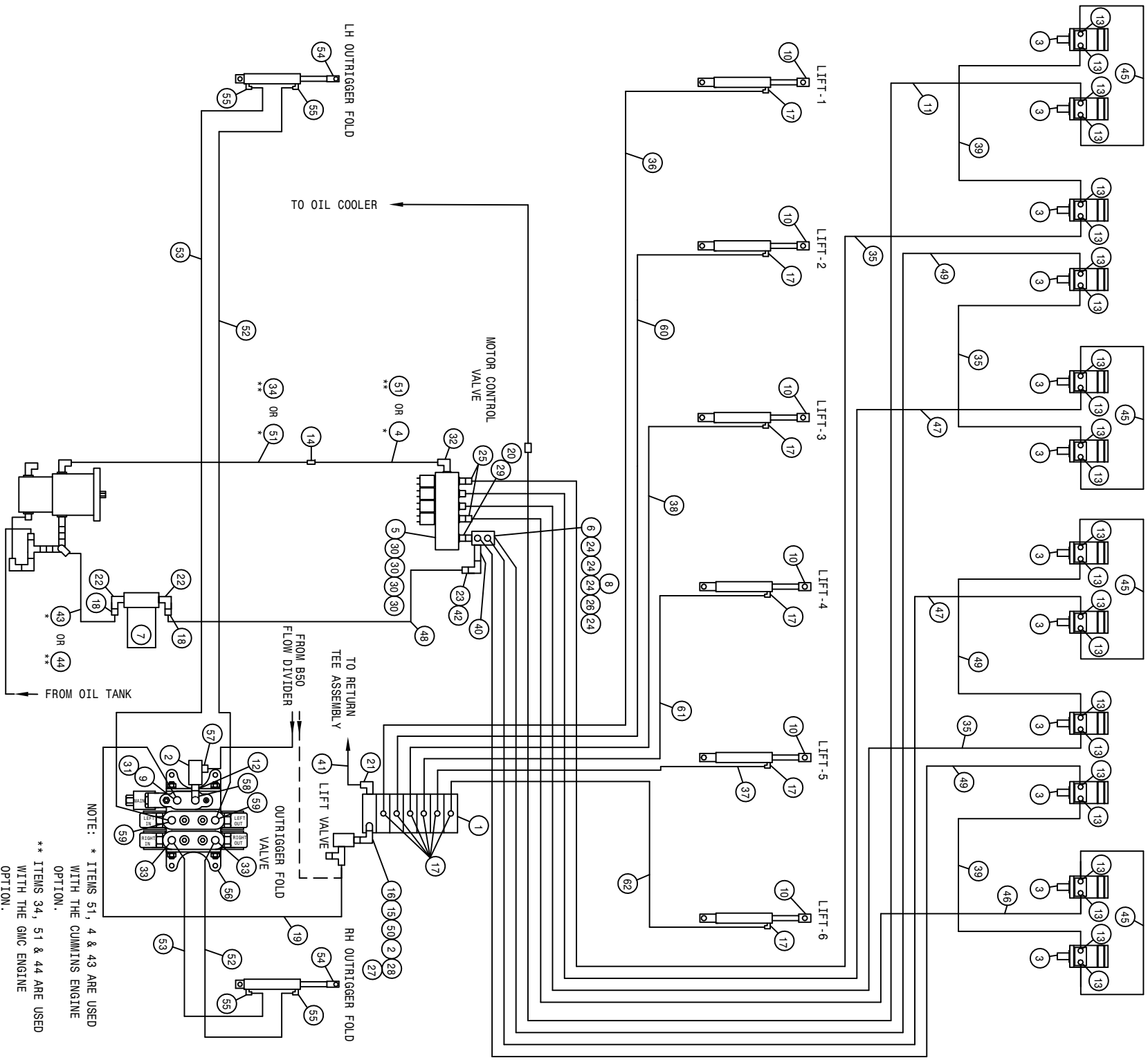
DET.	QTY	PART NO.	DESCRIPTION	DET.	QTY	PART NO.	DESCRIPTION
1	1	610613	ELECT HYD STACT VLV, 4 SECT	29	1	618186	1 5/16MJIC-1 5/16MOR ADPTR
2	2	605615	HYD FILTER, INLINE 25M 9/16FOR	30	4	618469	3/4MJIC-1 1/16MOR ADPTR
3	12	610547	HYD MOTOR 4.5CI 1IN SHFT	31	1	618618	9/16MJIC-90-9/16FJIC SWIV LBO
4	2	611202	04C1T-06FJX-06FJX-136	32	1	618178	1 5/16MJIC-90-1 5/16MOR LBO
5	1	606034	MTR CONTROL ELECT VLV	33	2	618115	9/16MJIC-90-3/4MOR LBO
* 6	1	614633	HYD MANIF 8200 86	*34	1	618532	3/4FJIC CAP NUT
* 7	1	605601	PARKER FILTER ASSY, 10M, 1.25NPT	35	2	614384	08C1T-08FJX-08FJX-237
8	1	618668	9/16FJIC SWIV-9/16MOR ADPTR	36	2	614387	08C1T-08FJX-08FJX-267
9	1	618310	9/16MJIC-7/8MOR ADPTR	37	1	618444	9/16MOR RUN TEE-9/16MJIC
10	4	621506	LIFT CYL ASSY 1M,DETASSELER	38	1	614719	HYD TUBE ASSY, AUX 204 GMC 96
11	1	614350	16C2AT-16FJX-16FJX-55	39	2	614375	08C1T-08FJX-08FJX-177
12	1	618692	3/4FJIC SWIV-9/16MOR ADPTR	*40	1	505209	BLK PIPE NIPPLE 1.00NPT-6.00
13	24	618327	3/4MJIC-7/8MOR ADPTR	*41	1	614627	06C1T-06FJX-06FJX-45
*14	1	618577	1 5/16MJIC UNION	*42	1	714561	1.00NPT-1.25 HOSE BARB
15	1	618440	9/16MJIC-90-9/16MOR EX LG LBO	43	1	601437	HOSE, 1 1/4 X 40 IFBR-1SPI
16	1	618170	3/4MOR-9/16FOR ADPTR	44	1	601440	HOSE, 1 1/4 X 25 IFBR-1SPI
17	8	618119	9/16MJIC-90-9/16MOR LBO	45	8	616025	08C1T-08FJX-08FJX-50
*18	2	715660	HOSE BARB 1 1/4NPT X 1 1/4	46	2	614098	04C1T-06FJX-06FJX-201
19	1	615621	06C1T-06FJX-06FJX-24	47	2	614378	08C1T-08FJX-08FJX-207
*20	1	618587	1 5/16FJIC SWIV-1MNPT	*48	1	601378	HOSE, 1 1/4 X 156 IFBR-1SPI
21	1	618600	9/16MJIC-90-7/8MOR LBO	49	2	614077	04C1T-06FJX-06FJX-88
*22	2	506410	BLK PIPE ST EL 90DEG 1.25NPT	50	2	615727	04C1T-06FJX-06FJX-75
*23	1	505300	BLK PIPE EL 90DEG 1.00NPT	51	2	621520	BOOM HINGE FOLD CYL ASSY
*24	4	611145	3/4MJIC-90-1/2MNPT LBO	52	4	614747	.025 ELBOW ASSY, 9/16MOR 90D
25	2	618590	3/4MJIC-45-3/4FJIC SWIV LBO	53	1	606090	BRAND HYD VALVE, 2-SECT SER 36
*26	1	503700	PIPE PLUG .50NPT SQ HD	54	1	618126	9/16MJIC-9/16MOR ADPTR
27	1	618531	9/16FJIC CAP NUT	55	1	618183	3/4MJIC-90-7/8MOR LBO
28	1	614703	HYD TUBE ASSY, 200 MAIN	56	2	618709	9/16MJIC-90-3/4MOR EX LG LBO



NOTE: * ITEMS 51, 4 & 43 ARE USED WITH THE CUMMINS ENGINE OPTION.
 ** ITEMS 34, 51 & 44 ARE USED WITH THE GMC ENGINE OPTION.

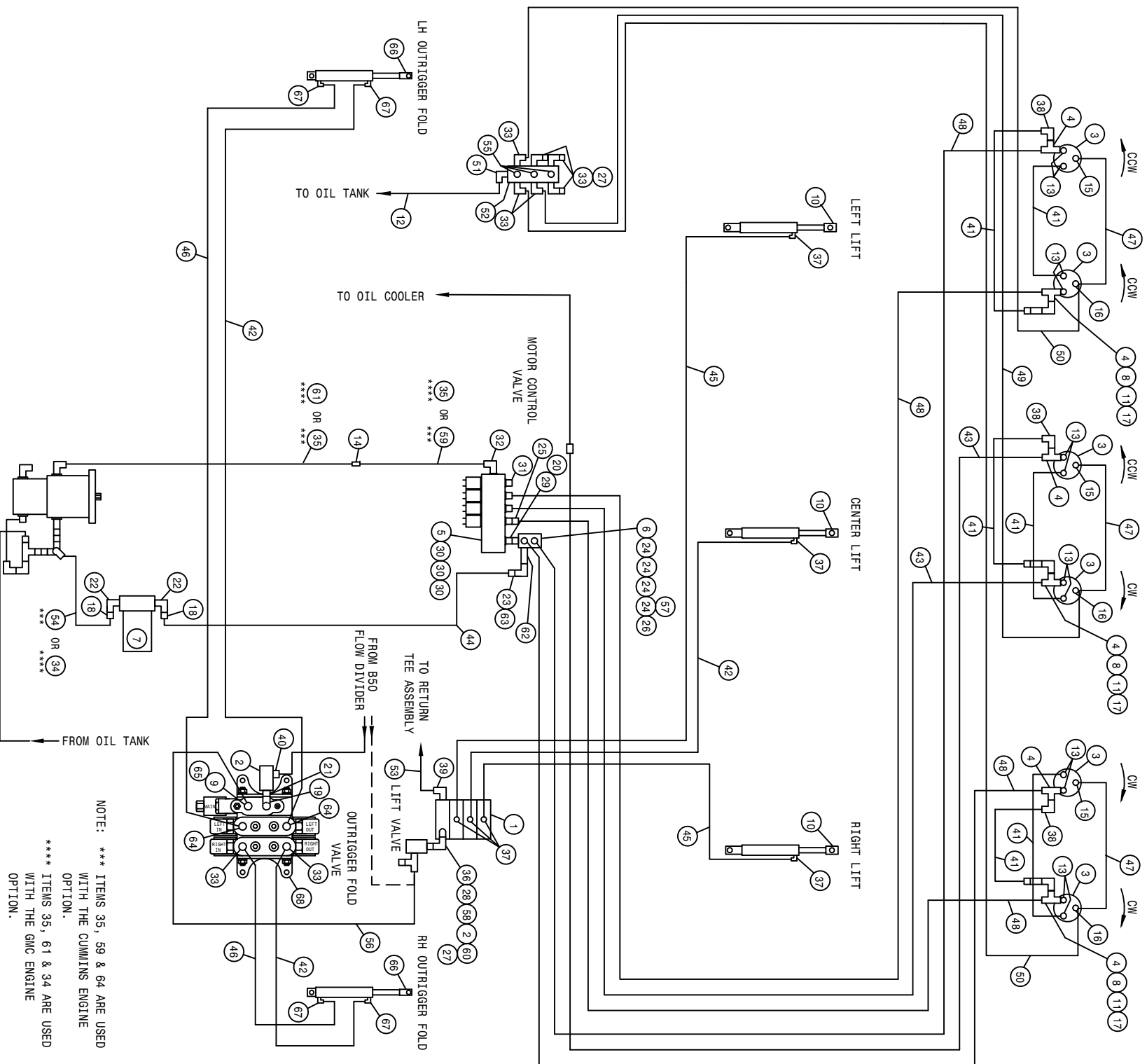
204 12R QUAD 6L LS HYD SCHEM 2004
REFERENCE DRAWING NO. 498800

DET.	QTY	PART NO.	DESCRIPTION	DET.	QTY	PART NO.	DESCRIPTION
1	1	610615	ELECT HYD STACT VLV, 6 SECT	31	1	618618	9/16MJIC-90-9/16FJIC SWIV LBO
2	2	605615	HYD FILTER, INLINE 25M 9/16FOR	32	1	618178	1 5/16MJIC-90-1 5/16MOR LBO
3	12	610547	HYD MOTOR 4.5CI 1IN SHFT	33	2	618115	9/16MJIC-90-3/4MOR LBO
* 4	1	614703	HYD TUBE ASSY, 200 MAIN	92	1	614719	HYD TUBE ASSY, AUX 204 GMC
5	1	606034	MTR CONTROL ELECT VLV	34	2	614378	08CI1-08FJX-08FJX-207
* 6	1	614633	HYD MANIIF 8200 86	35	2	614377	04CI1-06FJX-06FJX-258
* 7	1	605601	PARKER FILTER ASSY, 10M, 1.25NPT	36	2	611246	04CI1-06FJX-06FJX-174
8	1	618532	3/4FJIC CAP NUT	37	2	614101	04CI1-06FJX-06FJX-133
9	1	618310	9/16MJIC-7/8MOR ADPTR	38	2	614690	08CI1-08FJX-08FJX-192
10	6	621506	LIFT CYL ASSY 1W,DETAASSELER	39	2	505209	BLK PIPE NIPPLE 1.00NPT-6.00
11	2	614387	08CI1-08FJX-08FJX-267	*40	1	614627	06CI1-06FJX-06FJX-45
12	1	618692	3/4FJIC SWIV-9/16MOR ADPTR	*41	1	714561	1.00NPT-1.25 HOSE BARB
13	24	618327	3/4MJIC-7/8MOR ADPTR	*42	1	601437	HOSE, 1 1/4 X 40 1FBR-1SPI
*14	1	618577	1 5/16MJIC UNION	43	1	601440	HOSE, 1 1/4 X 25 1FBR-1SPI
15	1	618440	9/16MJIC-90-9/16MOR EX LG LBO	44	1	614384	08CI1-08FJX-08FJX-50
16	1	618170	3/4MOR-9/16FOR ADPTR	45	4	616025	08CI1-08FJX-08FJX-237
17	12	618119	9/16MJIC-90-9/16MOR LBO	46	2	614689	08CI1-08FJX-08FJX-120
*18	2	715660	HOSE BARB 1 1/4NPT X 1 1/4	47	2	601378	HOSE, 1 1/4 X 156 1FBR-1SPI
19	1	615621	06CI1-06FJX-06FJX-24	*48	1	614691	08CI1-08FJX-08FJX-220
*20	1	618587	1 5/16FJIC SWIV-1MNP	49	2	618668	9/16FJIC SWIV-9/16MOR ADPTR
21	1	618600	9/16MJIC-90-7/8MOR LBO	50	1	614350	16C2AT-16FJX-16FJX-55
*22	2	506410	BLK PIPE ST EL 90DEG 1.25NPT	51	2	614077	04CI1-06FJX-06FJX-88
*23	1	505300	BLK PIPE EL 90DEG 1.00NPT	52	2	615727	04CI1-06FJX-06FJX-75
*24	4	611145	3/4MJIC-90-1/2MNP LBO	53	2	621520	BOOM HINGE FOLD CYL ASSY
25	2	618590	3/4MJIC-45-3/4FJIC SWIV LBO	54	4	614747	.025 ELBOW ASSY, 9/16MOR 90D
*26	1	503700	PIPE PLUG .50NPT SQ HD	55	1	606090	BRAND HYD VALVE, 2-SECT SER 36
27	1	618531	9/16FJIC CAP NUT	56	1	618126	9/16MJIC-9/16MOR ADPTR
28	1	618444	9/16MOR RUN TEE-9/16MJIC	57	1	618183	3/4MJIC-90-7/8MOR LBO
29	1	618186	1 5/16MJIC-1 5/16MOR ADPTR	58	1	618709	9/16MJIC-90-3/4MOR EX LG LBO
30	4	618469	3/4MJIC-1 1/16MOR ADPTR	59	2		



204 12R QUAD 20" 6L LS HYD SCHEM 2004
REFERENCE DRAWING NO. 498839

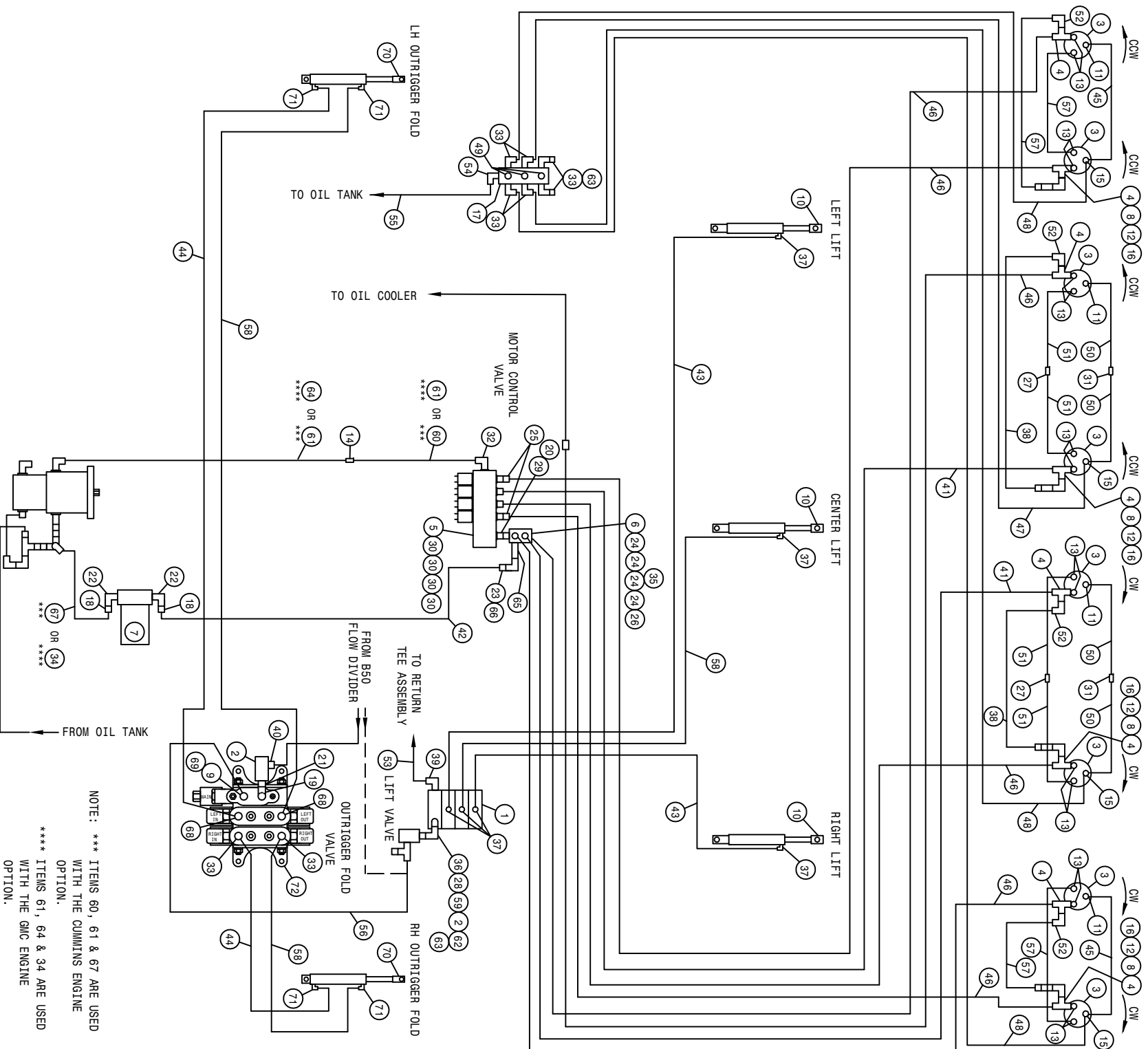
DET.	QTY	PART NO.	DESCRIPTION	DET.	QTY	PART NO.	DESCRIPTION
1	1	610615	ELECT HYD STACT VLV, 6 SECT	32	1	618178	1 5/16MJIC-90-1 5/16MOR LBO
2	2	605615	HYD FILTER, INLINE 25M 9/16FOR	33	2	618115	9/16MJIC-90-3/4MOR LBO
3	12	610547	HYD MOTOR 4.5CI 1IN SHFT	34	1	614719	HYD TUBE ASSY, AUX 204 GMC 96
*4	1	614703	HYD TUBE ASSY, 200 MAIN 92	35	3	614375	08CIT-08FJX-08FJX-177
5	1	606034	MTR CONTROL ELECT VLV	36	1	614154	04CIT-06FJX-06FJX-221
*6	1	614633	HYD MANIF 8200 86	37	1	611246	04CIT-06FJX-06FJX-174
*7	1	605601	PARKER FILTER ASSY, 10M, 1.25NPT	38	1	614101	04CIT-06FJX-06FJX-133
*8	1	618532	3/4FJIC CAP NUT	39	2	614385	08CIT-08FJX-08FJX-219
9	1	618310	9/16MJIC-7/8MOR ADPTR	*40	1	505209	BLK PIPE NIPPLE 1.00NPT-6.00
10	6	621506	LIFT CYL ASSY 1M, DETASSELER	*41	1	614627	06CIT-06FJX-06FJX-45
11	1	614384	08CIT-08FJX-08FJX-237	*42	1	714561	1.00NPT-1.25 HOSE BARB
12	1	618692	3/4FJIC SWIV-9/16MOR ADPTR	43	1	601437	HOSE, 1 1/4 X 40 1FBR-1SPI
13	24	618327	3/4MJIC-7/8MOR ADPTR	44	1	601440	HOSE, 1 1/4 X 25 1FBR-1SPI
*14	1	618577	1 5/16MJIC UNION	45	4	616025	08CIT-08FJX-08FJX-50
15	1	618440	9/16MJIC-90-9/16MOR EX LG LBO	46	1	616227	08CIT-08FJX-08FJX-255
16	1	618170	3/4MOR-9/16FOR ADPTR	47	2	614689	08CIT-08FJX-08FJX-120
17	12	618119	9/16MJIC-90-9/16MOR LBO	*48	1	601378	HOSE, 1 1/4 X 156 1FBR-1SPI
*18	2	715660	HOSE BARB 1 1/4NPT X 1 1/4	49	3	614690	08CIT-08FJX-08FJX-192
19	1	615621	06CIT-06FJX-06FJX-24	50	1	618668	9/16FJIC SWIV-9/16MOR ADPTR
*20	1	618587	1 5/16FJIC SWIV-1MNPT	51	1	614350	16C2AT-16FJX-16FJX-55
21	1	618600	9/16MJIC-90-7/8MOR LBO	52	2	614077	04CIT-06FJX-06FJX-88
*22	2	506410	BLK PIPE ST EL 90DEG 1.25NPT	53	2	615727	04CIT-06FJX-06FJX-75
*23	1	505300	BLK PIPE EL 90DEG 1.00NPT	54	2	621520	BOOM HINGE FOLD CYL ASSY
*24	4	611145	3/4MJIC-90-1/2MNPT LBO	55	4	614747	.025 ELBOW ASSY, 9/16MOR 90D
25	2	618590	3/4MJIC-45-3/4FJIC SWIV LBO	56	1	606090	BRAND HYD VALVE, 2-SECT SER 36
*26	1	503700	PIPE PLUG, .50NPT SQ HD	57	1	618126	9/16MJIC-9/16MOR ADPTR
27	1	618531	9/16FJIC CAP NUT	58	1	618183	3/4MJIC-90-7/8MOR LBO
28	1	618444	9/16MOR RUN TEE-9/16MJIC	59	2	618709	9/16MJIC-90-3/4MOR EX LG LBO
29	1	618186	1 5/16MJIC-1 5/16MOR ADPTR	60	1	616191	04CIT-06FJX-06FJX-138
30	4	618469	3/4MJIC-1 1/16MOR ADPTR	61	1	611245	04CIT-06FJX-06FJX-104
31	1	618618	9/16MJIC-90-9/16FJIC SWIV LBO	62	1	614303	04CIT-06FJX-06FJX-234



NOTE: *** ITEMS 35, 59 & 64 ARE USED WITH THE CUMMINS ENGINE OPTION.
 **** ITEMS 35, 61 & 34 ARE USED WITH THE GMC ENGINE OPTION.

204 6R CUTTER 3L LS HYD SCHEM 2004
 REFERENCE DRAWING NO. 498801

DET.	QTY	PART NO.	DESCRIPTION	DET.	QTY	PART NO.	DESCRIPTION
1	1	610532	ELECT HYD STACK VLV, 3 SECT	35	1	614350	16C2AT-16FJX-16FJX-55
2	2	605615	HYD FILTER, INLINE 25M 9/16FOR	36	1	618170	3/4MOR-9/16FOR ADPTR
3	6	610755	BARNES HYD MOTOR, D-SERIES 01	37	6	618119	9/16MJIC-90-9/16MOR LBO
4	6	618451	3/4FJIC SW RUN TEE-3/4MJIC	38	3	618609	3/4MJIC-90-3/4FJIC SWIV LBO
5	1	606034	MTR CONTROL ELECT VLV	39	1	618600	9/16MJIC-90-7/8MOR LBO
*6	1	614633	HYD MANIF 8200 86	40	1	618126	9/16MJIC-9/16MOR ADPTR
*7	1	605601	PARKER FILTER ASSY, 10M, 1.25NP	41	6	614368	08C1T-08FJX-08FJX-60
8	3	618620	3/4FJX-90-1/2MNPT ADPTR	42	3	614077	04C1T-06FJX-06FJX-88
9	1	618310	9/16MJIC-7/8MOR ADPTR	43	2	614688	08C1T-08FJX-08FJX-108
10	3	621506	LIFT CYL ASSY 1W, DETASSELER	*44	1	601378	HOSE, 1 1/4 X 156 1FBR-1SPI
11	3	690338	LINE CHECK VALVE HYD .50NP	45	2	614101	04C1T-06FJX-06FJX-133
12	1	601555	HOSE, 3/4 X 150 1FBR-1SPI	46	2	615727	04C1T-06FJX-06FJX-75
13	12	611125	3/4MJIC-3/4MOR ADPTR	47	3	611206	04C1T-06FJX-06FJX-66
*14	1	618577	1 5/16MJIC UNION	48	4	614690	08C1T-08FJX-08FJX-192
15	3	618530	9/16MJIC-1/8MNPT ADPTR	49	1	614152	04C1T-06FJX-06FJX-114
16	3	618546	1/8MNPT RUN TEE-9/16MJIC	50	2	611210	04C1T-06FJX-06FJX-156
17	3	611147	3/4MJIC-1/2MNPT ADPTR	51	1	618118	3/4 HOSE BARB-90-1 1/16MOR
*18	2	715660	HOSE BARB 1 1/4NP X 1 1/4	52	1	606021	HYD RETURN MANIF, 3/4FOR, 9-PORT
19	1	618183	3/4MJIC-90-7/8MOR LBO	*53	1	614627	06C1T-06FJX-06FJX-45
*20	1	618587	1 5/16FJIC SWIV-1MNPT	54	1	601437	HOSE, 1 1/4 X 40 1FBR-1SPI
21	1	618692	3/4FJIC SWIV-9/16MOR ADPTR	55	3	611159	3/4MOR PLUG
*22	2	506410	BLK PIPE ST EL 90DEG 1.25NP	56	1	615621	06C1T-06FJX-06FJX-24
*23	1	505300	BLK PIPE EL 90DEG 1.00NP	*57	1	618532	3/4FJIC CAP NUT
*24	4	611145	3/4MJIC-90-1/2MNPT LBO	58	1	618668	9/16FJIC SWIV-9/16MOR ADPTR
25	1	618590	3/4MJIC-45-3/4FJIC SWIV LBO	59	1	614703	HYD TUBE ASSY, 200 MAIN
*26	1	503700	PIPE PLUG .50NP SQ HD	60	1	618444	9/16MOR RUN TEE-9/16MJIC
27	4	618531	9/16FJIC CAP NUT	61	1	614719	HYD TUBE ASSY, AUX 204 GMC 96
28	1	618440	9/16MJIC-90-9/16MOR EX LG LBO	*62	1	505209	BLK PIPE NIPPLE 1.00NP-6.00
29	1	618186	1 5/16MJIC-1 5/16MOR ADPTR	*63	1	714561	1.00NP-1.25 HOSE BARB
30	3	618469	3/4MJIC-1 1/16MOR ADPTR	64	2	618709	9/16MJIC-90-3/4MOR EX LG LBO
31	1	610186	1 1/16MOR PLUG	65	1	618618	9/16MJIC-90-9/16FJIC SWIV LBO
32	1	618178	1 5/16MJIC-90-1 5/16MOR LBO	66	2	621520	BOOM HINGE FOLD CYL ASSY
33	8	618115	9/16MJIC-90-3/4MOR LBO	67	4	614747	.025 ELBOW ASSY, 9/16MOR 90D
34	1	601440	HOSE, 1 1/4 X 25 1FBR-1SPI	68	1	606090	BRAND HYD VALVE, 2-SECT SER 36



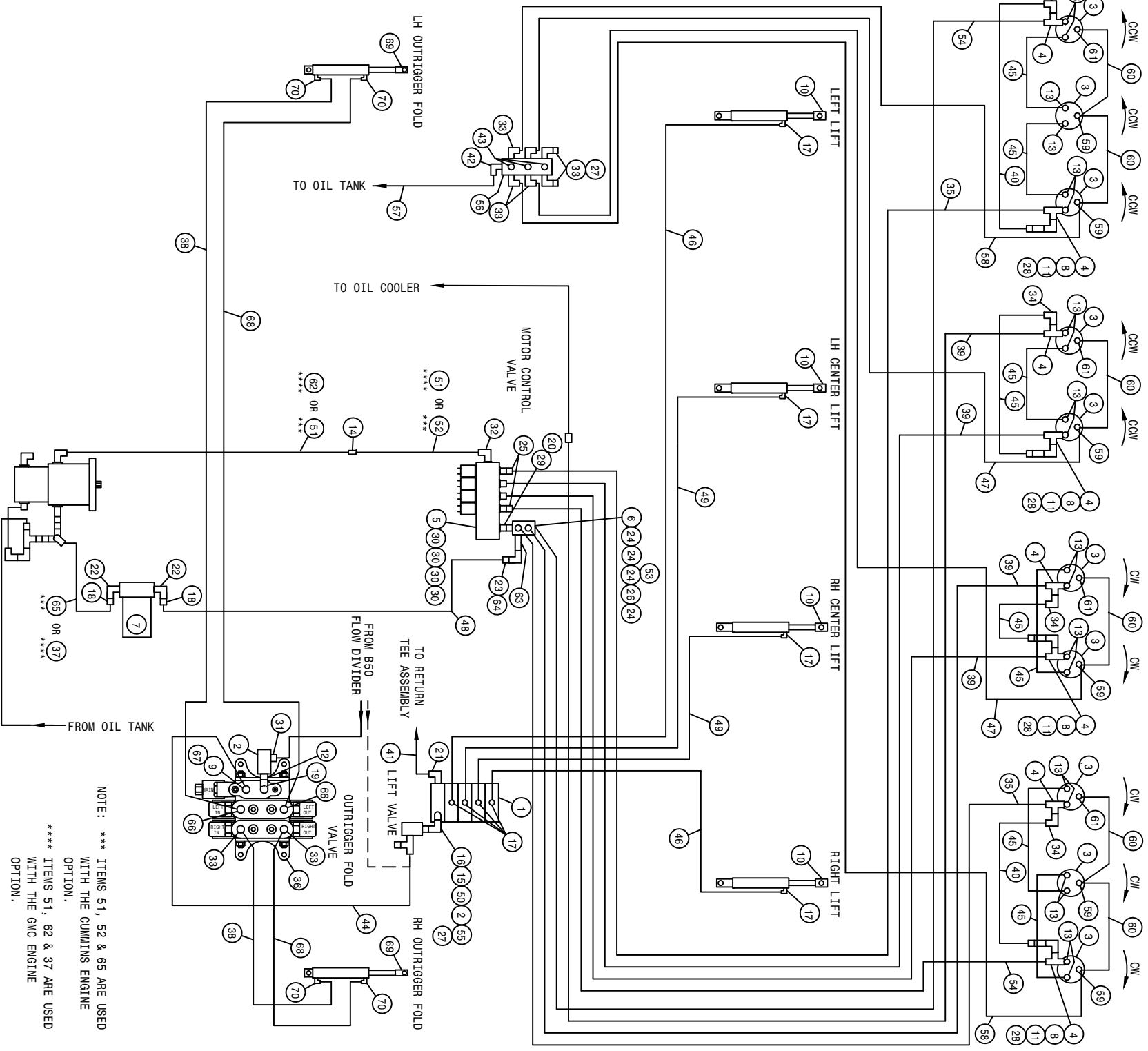
NOTE: *** ITEMS 60, 61 & 67 ARE USED WITH THE CUMMINS ENGINE OPTION.
 **** ITEMS 61, 64 & 34 ARE USED WITH THE GMC ENGINE OPTION.

204 BR CUTTER 3L LS HYD SCHEM 2004
REFERENCE DRAWING NO. 498802

DET.	QTY	PART NO.	DESCRIPTION	DET.	QTY	PART NO.	DESCRIPTION
1	1	610532	ELECT HYD STACK VLV, 3 SECT	37	618119	9/16MJIC-90-9/16MOR LBO	
2	2	605615	HYD FILTER, INLINE 25M 9/16FOR	38	614384	08C1T-.08FJX-.08FJX-237	H/A
3	8	610755	BARNES HYD MOTOR, D-SERIES 01	39	618600	9/16MJIC-90-7/8MOR LBO	
4	8	618451	3/4FJIC SW RUN TEE-3/4MJIC	40	618126	9/16MJIC-9/16MOR ADPTR	
5	1	606034	MTR CONTROL ELECT VLV	41	614688	08C1T-.08FJX-.08FJX-108	H/A
*6	1	614633	HYD MANIF 8200 86	*42	601378	HOSE, 1 1/4 X 156 1FBR-1SP1	
*7	1	605601	PARKER FILTER ASSY, 10M, 1.25NPT	43	611246	04C1T-.06FJX-.06FJX-174	H/A
8	4	618620	3/4FJX-90-1/2MNPT ADPTR	44	615727	04C1T-.06FJX-.06FJX-75	H/A
9	1	618310	9/16MJIC-7/8MOR ADPTR	45	611206	04C1T-.06FJX-.06FJX-66	H/A
10	3	621506	LIFT CYL ASSY 1W, DETASSELER	46	614691	08C1T-.08FJX-.08FJX-220	H/A
11	4	618530	9/16MJIC-1/8MNPT ADPTR	47	614152	04C1T-.06FJX-.06FJX-114	H/A
12	4	690338	LINE CHECK VALVE HYD .50NPT	48	614154	04C1T-.06FJX-.06FJX-221	H/A
13	16	611125	3/4MJIC-3/4MOR ADPTR	49	611159	3/4MOR PLUG	
*14	1	618577	1 5/16MJIC UNION	50	614101	04C1T-.06FJX-.06FJX-133	H/A
15	4	618546	1/8MNPT RUN TEE-9/16MJIC	51	614425	08C1T-.08FJX-.08FJX-132	H/A
16	4	611147	3/4MJIC-1/2MNPT ADPTR	52	618609	3/4MJIC-90-3/4FJIC SWIV LBO	
17	1	606021	HYD RETURN MANIF, 3/4FOR, 9-PORT	*53	614627	06C1T-.06FJX-.06FJX-45	H/A
*18	2	715660	HOSE BARB 1 1/4NPT X 1 1/4	54	618118	3/4 HOSE BARB-90-1 1/16MOR	
19	1	618183	3/4MJIC-90-7/8MOR LBO	55	601555	HOSE, 3/4 X 150 1FBR-1SP1	
*20	1	618587	1 5/16FJIC SWIV-1MNPT	56	615621	06C1T-.06FJX-.06FJX-24	H/A
21	1	618692	3/4FJIC SWIV-9/16MOR ADPTR	57	614368	08C1T-.08FJX-.08FJX-60	H/A
*22	2	506410	BLK PIPE ST EL 90DEG 1.25NPT	58	614077	04C1T-.06FJX-.06FJX-88	H/A
*23	1	505300	BLK PIPE EL 90DEG 1.00NPT	59	618668	9/16FJIC SWIV-9/16MOR ADPTR	
*24	4	611145	3/4MJIC-90-1/2MNPT LBO	60	614703	HYD TUBE ASSY, 200 MAIN	92
25	2	618590	3/4MJIC-45-3/4FJIC SWIV LBO	61	614350	16C2AT-.16FJX-.16FJX-55	H/A
*26	1	503700	PIPE PLUG .50NPT SQ HD	62	618444	9/16MOR RUN TEE-9/16MJIC	
27	2	618314	3/4MJIC UNION	63	618531	9/16FJIC CAP NUT	
28	1	618440	9/16MJIC-90-9/16MOR EX LG LBO	64	614719	HYD TUBE ASSY, AUX 204 GMC 96	
29	1	618186	1 5/16MJIC-1 5/16MOR ADPTR	*65	505209	BLK PIPE NIPPLE 1.00NPT-6.00	
30	4	618469	3/4MJIC-1 1/16MOR ADPTR	*66	714561	1.00NPT-1.25 HOSE BARB	
31	2	619010	9/16MJIC UNION	67	601437	HOSE, 1 1/4 X 40 1FBR-1SP1	
32	1	618178	1 5/16MJIC-90-1 5/16MOR LBO	68	618709	9/16MJIC-90-3/4MOR EX LG LBO	
33	8	618115	9/16MJIC-90-3/4MOR LBO	69	618618	9/16MJIC-90-9/16FJIC SWIV LBO	
34	1	601440	HOSE, 1 1/4 X 25 1FBR-1SP1	70	621520	BOOM HINGE FOLD CYL ASSY	
*35	1	618532	3/4FJIC CAP NUT	71	614747	.025 ELBOW ASSY, 9/16MOR 90D	
36	1	618170	3/4MOR-9/16FOR ADPTR	72	606090	BRAND HYD VALVE, 2-SECT SER 36	

204 8R CUTTER 4L LS HYD SCHEM 2004
REFERENCE DRAWING NO. 498803

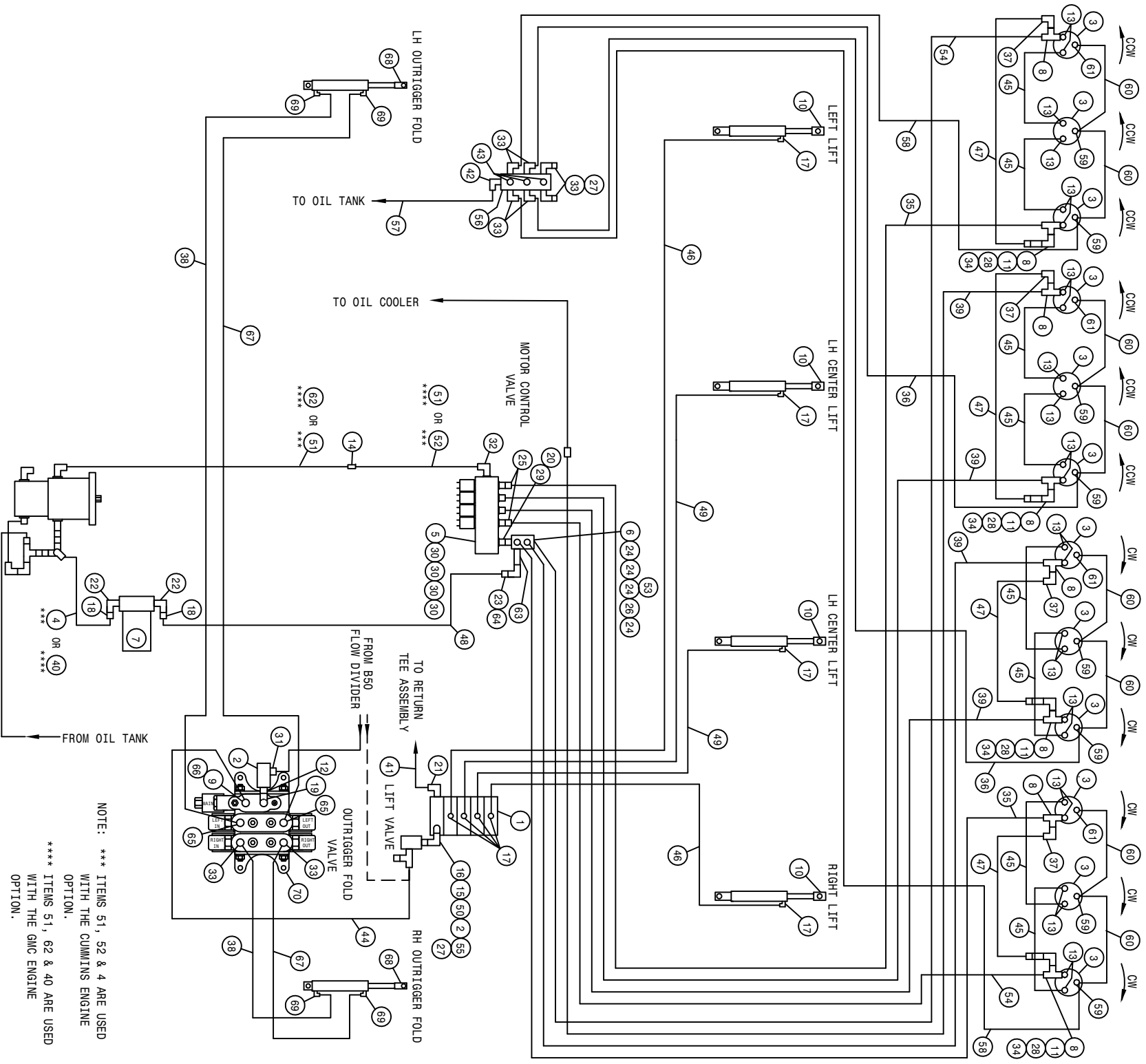
DET.	QTY	PART NO.	DESCRIPTION	DET.	QTY	PART NO.	DESCRIPTION
1	1	610613	ELECT HYD STACT VLV, 4 SECT	*35	1	618532	3/4FJIC CAP NUT
2	2	605615	HYD FILTER, INLINE 25M 9/16FOR	36	1	618170	3/4MOR-9/16FOR ADPTR
3	8	610755	BARNES HYD MOTOR, D-SERIES 01	37	8	618119	9/16MJIC-90-9/16MOR LBO
4	1	601437	HOSE, 1 1/4 X 40 1FBR-1SPI	38	1	601440	HOSE, 1 1/4 X 25 1FBR-1SPI
5	1	606034	MTR CONTROL ELECT VLV	39	1	618600	9/16MJIC-90-7/8MOR LBO
*6	1	614633	HYD MANIF 8200 86	40	4	618609	3/4MJIC-90-3/4FJIC SWIV LBO
*7	1	605601	PARKER FILTER ASSY, 10M, 1.25NPT	41	8	614368	08CIT-08FJX-08FJX-60
8	8	618451	3/4FJIC SW RUN TEE-3/4MJIC	42	2	614101	04CIT-06FJX-06FJX-133
9	1	618310	9/16MJIC-7/8MOR ADPTR	43	4	614689	08CIT-08FJX-08FJX-120
10	4	621506	LIFT CYL ASSY 1M, DETASSELER	*44	1	601378	HOSE, 1 1/4 X 156 1FBR-1SPI
11	4	618620	3/4FJX-90-1/2MNPT ADPTR	45	2	611246	04CIT-06FJX-06FJX-174
12	1	606021	HYD RETURN MANIF, 3/4FOR, 9-PORT	46	2	615727	04CIT-06FJX-06FJX-75
13	16	611125	3/4MJIC-3/4MOR ADPTR	47	4	611206	04CIT-06FJX-06FJX-66
*14	1	618577	1 5/16MJIC UNION	48	4	614691	08CIT-08FJX-08FJX-220
15	4	618530	9/16MJIC-1/8MNPT ADPTR	49	2	611212	04CIT-06FJX-06FJX-164
16	4	618546	1/8MNPT RUN TEE-9/16MJIC	50	2	614154	04CIT-06FJX-06FJX-221
17	4	690338	LINE CHECK VALVE HYD .50NPT	51	3	611159	3/4MOR PLUG
*18	2	715660	HOSE BARB 1 1/4NPT X 1 1/4	52	1	618118	3/4 HOSE BARB-90-1 1/16MOR
19	1	618183	3/4MJIC-90-7/8MOR LBO	*53	1	614627	06CIT-06FJX-06FJX-45
*20	1	618587	1 5/16FJIC SWIV-1MNPT	54	1	615621	06CIT-06FJX-06FJX-24
*22	1	618692	3/4FJIC SWIV-9/16MOR ADPTR	55	1	601555	HOSE, 3/4 X 150 1FBR-1SPI
*23	1	505300	BLK PIPE ST EL 90DEG 1.25NPT	56	1	618668	9/16FJIC SWIV-9/16MOR ADPTR
*24	4	611145	3/4MJIC-90-1/2MNPT LBO	57	1	614703	HYD TUBE ASSY, 200 MAIN
25	2	618590	3/4MJIC-45-3/4FJIC SWIV LBO	58	1	614350	16C2AT-16FJX-16FJX-55
*26	1	503700	PIPE PLUG .50NPT SQ HD	59	1	618444	9/16MOR RUN TEE-9/16MJIC
27	1	618126	9/16MJIC-9/16MOR ADPTR	60	3	618531	9/16FJIC CAP NUT
28	1	618440	9/16MJIC-90-9/16MOR EX LG LBO	61	1	614719	HYD TUBE ASSY, AUX 204 GMC 96
29	1	618186	1 5/16MJIC-1 5/16MOR ADPTR	*62	1	505209	BLK PIPE NIPPLE 1.00NPT-6.00
30	4	618469	3/4MJIC-1 1/16MOR ADPTR	*63	1	714561	1.00NPT-1.25 HOSE BARB
31	1	606090	BRAND HYD VALVE, 2-SECT SER 36	64	2	618709	9/16MJIC-90-3/4MOR EX LG LBO
32	1	618178	1 5/16MJIC-90-1 5/16MOR LBO	65	1	618618	9/16MJIC-90-9/16FJIC SWIV LBO
33	8	618115	9/16MJIC-90-3/4MOR LBO	66	2	614077	04CIT-06FJX-06FJX-88
34	4	611147	3/4MJIC-1/2MNPT ADPTR	67	2	621520	BOOM HINGE FOLD CYL ASSY
				68	4	614747	.025 ELBOW ASSY, 9/16MOR 90D



NOTE: *** ITEMS 51, 52 & 65 ARE USED WITH THE CUMMINS ENGINE OPTION.
 **** ITEMS 51, 62 & 37 ARE USED WITH THE GMC ENGINE OPTION.

204 10R CUTR 4L LS HYD SCHEM 2004
REFERENCE DRAWING NO. 498804

DET.	QTY	PART NO.	DESCRIPTION	DET.	QTY	PART NO.	DESCRIPTION
1	1	610613	ELECT HYD STACT VLV, 4 SECT	36	1	606090	BRAND HYD VALVE, 2-SECT SER 36
2	2	605615	HYD FILTER, INLINE 25M 9/16FOR	37	1	601440	HOSE, 1 1/4 X 25 1FBR-1SPI
3	10	610755	BARNES HYD MOTOR, D-SERIES 01	38	2	615727	04C1T-06FJX-06FJX-75
4	8	618451	3/4FJIC SW RUN TEE-3/4MJIC	39	4	614689	08C1T-08FJX-08FJX-120
5	1	606034	MTR CONTROL ELECT VLV	40	2	616057	08C1T-08FJX-08FJX-88
*6	1	614633	HYD MANIF 8200 86	*41	1	614627	06C1T-06FJX-06FJX-45
*7	1	605601	PARKER FILTER ASSY, 10M, 1.25NPT	42	1	618118	3/4 HOSE BARB-90-1 1/16MOR
8	4	618620	3/4FJX-90-1/2MNP ADPTR	43	3	611159	3/4MOR PLUG
9	1	618310	9/16MJIC-7/8MOR ADPTR	44	1	615621	06C1T-06FJX-06FJX-24
10	4	621506	LIFT CYL ASSY 1M, DETASSELER	45	8	614368	08C1T-08FJX-08FJX-60
11	4	690338	LINE CHECK VALVE HYD .50NPT	46	2	614098	04C1T-06FJX-06FJX-201
12	1	618692	3/4FJIC SWIV-9/16MOR ADPTR	47	2	614076	04C1T-06FJX-06FJX-119
13	20	611125	3/4MJIC-3/4MOR ADPTR	*48	1	601378	HOSE, 1 1/4 X 156 1FBR-1SPI
*14	1	618577	1 5/16MJIC UNION	49	2	611202	04C1T-06FJX-06FJX-136
15	1	618440	9/16MJIC-90-9/16MOR EX LG LBO	50	1	618668	9/16FJIC SWIV-9/16MOR ADPTR
16	1	618170	3/4MOR-9/16FOR ADPTR	51	1	614350	16C2AT-16FJX-16FJX-55
17	8	618119	9/16MJIC-90-9/16MOR LBO	52	1	614703	HYD TUBE ASSY, 200 MAIN
*18	2	715660	HOSE BARB 1 1/4NPT X 1 1/4	*53	1	618532	3/4FJIC CAP NUT
19	1	618183	3/4MJIC-90-7/8MOR LBO	54	2	614387	08C1T-08FJX-08FJX-267
*20	1	618587	1 5/16FJIC SWIV-1MNP	55	1	618444	9/16MOR RUN TEE-9/16MJIC
21	1	618600	9/16MJIC-90-7/8MOR LBO	56	1	606021	HYD RETURN MANIF, 3/4FOR, 9-PORT
*22	2	506410	BLK PIPE ST EL 90DEG 1.25NPT	57	1	601555	HOSE, 3/4 X 150 1FBR-1SPI
*23	1	505300	BLK PIPE EL 90DEG 1.00NPT	58	2	614554	04C1T-06FJX-06FJX-240
*24	4	611145	3/4MJIC-90-1/2MNP LBO	59	6	618546	1/8MNP RUN TEE-9/16MJIC
25	2	618590	3/4MJIC-45-3/4FJIC SWIV LBO	60	6	611206	04C1T-06FJX-06FJX-66
*26	1	503700	PIPE PLUG .50NPT SQ HD	61	4	618530	9/16MJIC-1/8MNP ADPTR
27	3	618531	9/16FJIC CAP NUT	62	1	614719	HYD TUBE ASSY, AUX 204 GMC 96
28	4	611147	3/4MJIC-1/2MNP ADPTR	*63	1	505209	BLK PIPE NIPPLE 1.00NPT-6.00
29	1	618186	1 5/16MJIC-1 5/16MOR ADPTR	*64	1	714561	1.00NPT-1.25 HOSE BARB
30	4	618469	3/4MJIC-1 1/16MOR ADPTR	65	1	601437	HOSE, 1 1/4 X 40 1FBR-1SPI
31	1	618126	9/16MJIC-9/16MOR ADPTR	66	2	618709	9/16MJIC-90-3/4MOR EX LG LBO
32	1	618178	1 5/16MJIC-90-1 5/16MOR LBO	67	1	618618	9/16MJIC-90-9/16FJIC SWIV LBO
33	8	618115	9/16MJIC-90-3/4MOR LBO	68	2	614077	04C1T-06FJX-06FJX-88
34	4	618609	3/4MJIC-90-3/4FJIC SWIV LBO	69	2	621520	BOOM HINGE FOLD CYL ASSY
35	2	614384	08C1T-08FJX-08FJX-237	H/A	4	614747	.025 ELBOW ASSY, 9/16MOR 90D



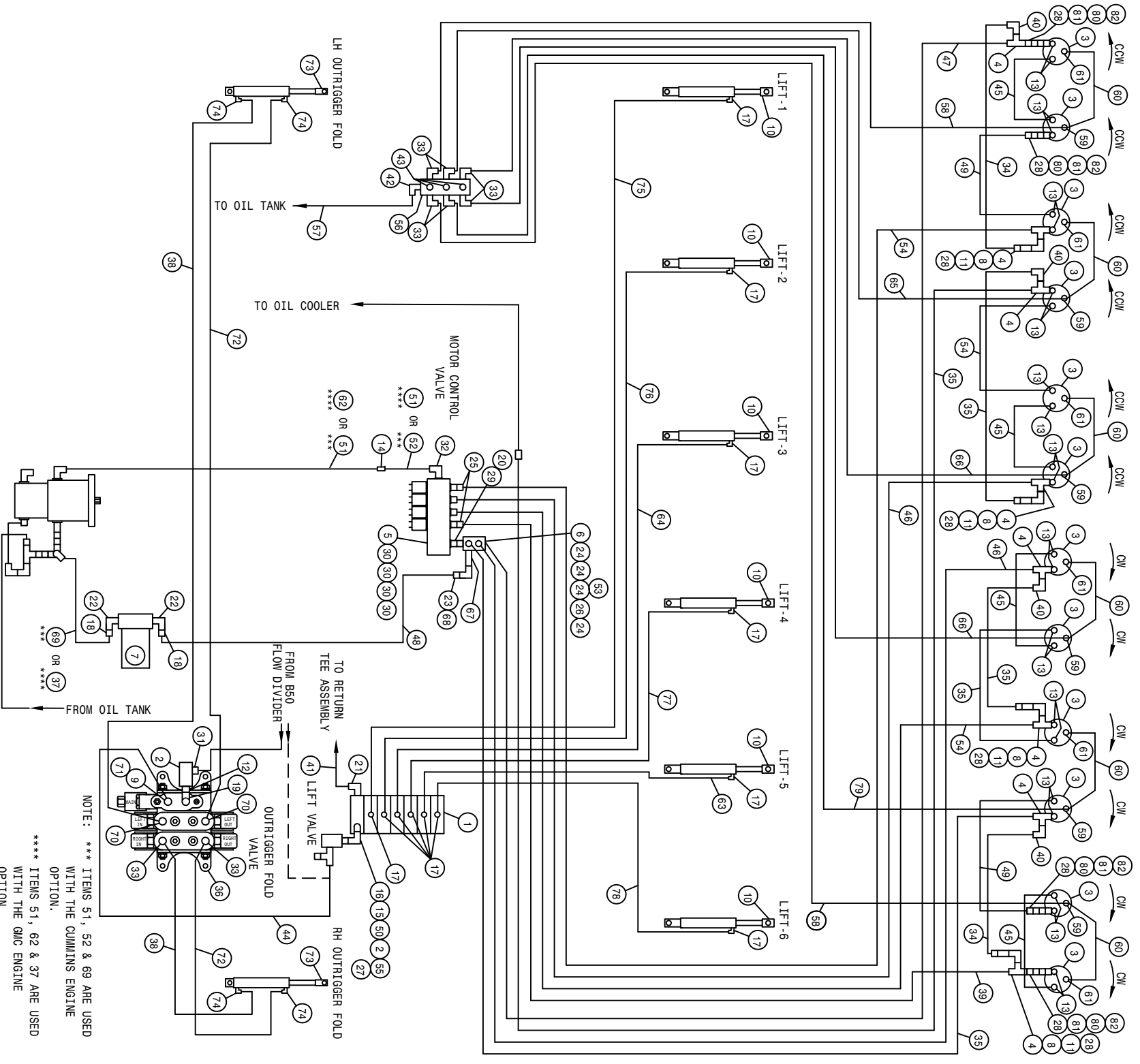
NOTE: *** ITEMS 51, 52 & 4 ARE USED WITH THE CUMMINS ENGINE
 **** ITEMS 51, 62 & 40 ARE USED WITH THE GMC ENGINE OPTION.

204 12R CUTR 4L LS SCHEM 2004
REFERENCE DRAWING NO. 498805

DET.	QTY	PART NO.	DESCRIPTION	DET.	QTY	PART NO.	DESCRIPTION
1	1	610613	ELECT HYD STACT VLV, 4 SECT	36	2	614076	04C1T-06FJX-06FJX-119
2	2	605615	HYD FILTER, INLINE 25M 9/16FOR	37	4	618609	3/4MJIC-90-3/4FJIC SWIV LBO
3	12	610755	BARNES HYD MOTOR, D-SERIES 01	38	2	615727	04C1T-06FJX-06FJX-75
4	1	606137	HOSE, 1 1/4 X 40 1FBR-1SPI	39	4	614375	08C1T-08FJX-08FJX-177
5	1	606034	MTR CONTROL ELECT VLV	40	1	601440	HOSE, 1 1/4 X 25 1FBR-1SPI
*6	1	614633	HYD MANIF 8200 86	*41	1	614627	06C1T-06FJX-06FJX-45
*7	1	605601	PARKER FILTER ASSY, 10M, 1.25NPT	42	1	618118	3/4 HOSE BARB-90-1 1/16MOR
8	8	618451	3/4FJIC SW RUN TEE-3/4MJIC	43	3	611159	3/4MOR PLUG
9	1	618310	9/16MJIC-7/8MOR ADPTR	44	1	615621	06C1T-06FJX-06FJX-24
10	4	621506	LIFT CYL ASSY 1M, DETASSELER	45	8	614368	08C1T-08FJX-08FJX-60
11	4	618620	3/4FJX-90-1/2MNPT ADPTR	46	2	614098	04C1T-06FJX-06FJX-201
12	1	618692	3/4FJIC SWIV-9/16MOR ADPTR	47	4	614689	08C1T-08FJX-08FJX-120
13	24	611125	3/4MJIC-3/4MOR ADPTR	*48	1	601378	HOSE, 1 1/4 X 156 1FBR-1SPI
*14	1	618577	1 5/16MJIC UNION	49	2	611202	04C1T-06FJX-06FJX-136
15	1	618440	9/16MJIC-90-9/16MOR EX LG LBO	50	1	618668	9/16FJIC SWIV-9/16MOR ADPTR
16	1	618170	3/4MOR-9/16FOR ADPTR	51	1	614350	16C2AT-16FJX-16FJX-55
17	8	618119	9/16MJIC-90-9/16MOR LBO	52	1	614703	HYD TUBE ASSY, 200 MAIN
*18	2	715660	HOSE BARB 1 1/4NPT X 1 1/4	*53	1	618532	3/4FJIC CAP NUT
19	1	618183	3/4MJIC-90-7/8MOR LBO	54	2	614387	08C1T-08FJX-08FJX-267
*20	1	618587	1 5/16FJIC SWIV-1MNPT	55	1	618444	9/16MOR RUN TEE-9/16MJIC
21	1	618600	9/16MJIC-90-7/8MOR LBO	56	1	606021	HYD RETURN MANIF, 3/4FOR, 9-PORT
*22	2	506410	BLK PIPE ST EL 90DEG 1.25NPT	57	1	601555	HOSE, 3/4 X 150 1FBR-1SPI
*23	1	505300	BLK PIPE EL 90DEG 1.00NPT	58	2	614554	04C1T-06FJX-06FJX-240
*24	4	611145	3/4MJIC-90-1/2MNPT LBO	59	8	618546	1/8MNPT RUN TEE-9/16MJIC
25	2	618590	3/4MJIC-45-3/4FJIC SWIV LBO	60	8	611206	04C1T-06FJX-06FJX-66
*26	1	503700	PIPE PLUG .50NPT SQ HD	61	4	618530	9/16MJIC-1/8MNPT ADPTR
27	3	618531	9/16FJIC CAP NUT	62	1	614719	HYD TUBE ASSY, AUX 204 GMC 96
28	4	690338	LINE CHECK VALVE HYD .50NPT	*63	1	505209	BLK PIPE NIPPLE 1.00NPT-6.00
29	1	618186	1 5/16MJIC-1 5/16MOR ADPTR	*64	1	714561	1.00NPT-1.25 HOSE BARB
30	4	618469	3/4MJIC-1 1/16MOR ADPTR	65	2	618709	9/16MJIC-90-3/4MOR EX LG LBO
31	1	618126	9/16MJIC-9/16MOR ADPTR	66	1	618618	9/16MJIC-90-9/16FJIC SWIV LBO
32	1	618178	1 5/16MJIC-90-1 5/16MOR LBO	67	2	614077	04C1T-06FJX-06FJX-88
33	8	618115	9/16MJIC-90-3/4MOR LBO	68	2	621520	BOOM HINGE FOLD CYL ASSY
34	4	611147	3/4MJIC-1/2MNPT ADPTR	69	4	614747	.025 ELBOW ASSY, 9/16MOR 90D
35	2	614384	08C1T-08FJX-08FJX-237	H/A	1	606090	BRAND HYD VALVE, 2-SECT SER 36

204 12R CUTR 6L LS HYD SCHEM 2004
REFERENCE DRAWING NO. 498806

DET.	QTY	PART NO.	DESCRIPTION	DET.	QTY	PART NO.	DESCRIPTION
1	1	610615	ELECT HYD STACT VLV, 6 SECT	39	614384	08C1T-08FJX-08FJX-237	H/A
2	2	605615	HYD FILTER, INLINE 25M 9/16FOR	40	618609	3/4MJIC-90-3/4FJIC SWIV LBO	H/A
3	12	610755	BARNES HYD MOTOR, D-SERIES 01	*41	614627	06C1T-06FJX-06FJX-45	H/A
4	8	618451	3/4FJIC SW RUN TEE-3/4MJIC	42	618118	3/4 HOSE BARB-90-1 1/16MOR	
5	1	606034	MTR CONTROL ELECT VLV	43	611159	3/4MOR PLUG	
* 6	1	614633	HYD MANIF 8200 86	44	615621	06C1T-06FJX-06FJX-24	H/A
* 7	1	605601	PARKER FILTER ASSY, 10M, 1.25NPT	45	614368	08C1T-08FJX-08FJX-60	H/A
8	4	618620	3/4FJX-90-1/2MNPT ADPTR	46	614689	08C1T-08FJX-08FJX-120	H/A
9	1	618310	9/16MJIC-7/8MOR ADPTR	47	614387	08C1T-08FJX-08FJX-267	H/A
10	6	621506	LIFT CYL ASSY 1M, DETASSELER	*48	601378	HOSE, 1 1/4 X 156 1FBR-1SPI	
11	4	690338	LINE CHECK VALVE HYD .50NPT	49	614691	08C1T-08FJX-08FJX-220	H/A
12	1	618692	3/4FJIC SWIV-9/16MOR ADPTR	50	618668	9/16FJIC SWIV-9/16MOR ADPTR	
13	24	611125	3/4MJIC-3/4MOR ADPTR	51	614350	16C2AT-16FJX-16FJX-55	H/A
*14	1	618577	1 5/16MJIC UNION	52	614703	HYD TUBE ASSY, 200 MAIN	92
15	1	618440	9/16MJIC-90-9/16MOR EX LG LBO	*53	618532	3/4FJIC CAP NUT	
16	1	618170	3/4MOR-9/16FOR ADPTR	54	614378	08C1T-08FJX-08FJX-207	H/A
17	12	618119	9/16MJIC-90-9/16MOR LBO	55	618444	9/16MOR RUN TEE-9/16MJIC	
*18	2	715660	HOSE BARB 1 1/4NPT X 1 1/4	56	606021	HYD RETURN MANIF, 3/4FOR, 9-PORT	
19	1	618183	3/4MJIC-90-7/8MOR LBO	57	601555	HOSE, 3/4 X 150 1FBR-1SPI	
*20	1	618587	1 5/16FJIC SWIV-1MNPT	58	614377	04C1T-06FJX-06FJX-258	H/A
*21	1	618600	9/16MJIC-90-7/8MOR LBO	59	618546	1/8MNPT RUN TEE-9/16MJIC	
*22	2	506410	BLK PIPE ST EL 90DEG 1.25NPT	60	611206	04C1T-06FJX-06FJX-66	H/A
*23	1	505300	BLK PIPE EL 90DEG 1.00NPT	61	618530	9/16MJIC-1/8MNPT ADPTR	
*24	4	611145	3/4MJIC-90-1/2MNPT LBO	62	614719	HYD TUBE ASSY, AUX 204 GMC 96	
25	2	618590	3/4MJIC-45-3/4FJIC SWIV LBO	63	611246	04C1T-06FJX-06FJX-174	H/A
*26	1	503700	PIPE PLUG .50NPT SQ HD	64	614101	04C1T-06FJX-06FJX-133	H/A
27	1	618531	9/16FJIC CAP NUT	65	614100	04C1T-06FJX-06FJX-211	H/A
28	4	611147	3/4MJIC-1/2MNPT ADPTR	66	614076	04C1T-06FJX-06FJX-119	H/A
29	1	618186	1 5/16MJIC-1 5/16MOR ADPTR	*67	505209	BLK PIPE NIPPLE 1.00NPT-6.00	
30	4	618469	3/4MJIC-1 1/16MOR ADPTR	*68	714561	1.00NPT-1.25 HOSE BARB	
31	1	618126	9/16MJIC-9/16MOR ADPTR	69	601437	HOSE, 1 1/4 X 40 1FBR-1SPI	
32	1	618178	1 5/16MJIC-90-1 5/16MOR LBO	70	618709	9/16MJIC-90-3/4MOR EX LG LBO	
33	8	618115	9/16MJIC-90-3/4MOR LBO	71	618618	9/16MJIC-90-9/16FJIC SWIV LBO	
34	2	614375	08C1T-08FJX-08FJX-177	72	614077	04C1T-06FJX-06FJX-88	H/A
35	2	614690	08C1T-08FJX-08FJX-192	73	621520	BOOM HINGE FOLD CYL ASSY	
36	1	606090	BRAND HYD VALVE, 2-SECT SER 36	74	614747	.025 ELBOW ASSY, 9/16MOR 90D	
37	1	601440	HOSE, 1 1/4 X 25 1FBR-1SPI	75	616249	04C1T-06FJX-06FJX-273	H/A
38	2	615727	04C1T-06FJX-06FJX-75				H/A



DET.	QTY	PART NO.	DESCRIPTION	DET.	QTY	PART NO.	DESCRIPTION
1	1	610615	ELECT HYD STACT VLV, 6 SECT	42	1	618118	3/4 HOSE BARB-90-1 1/16MOR
2	2	605615	HYD FILTER, INLINE 25M 9/16FOR	43	3	611159	3/4MOR PLUG
3	12	610755	BARNES HYD MOTOR, D-SERIES 01	44	1	615621	06C1T-06FJX-06FJX-24
4	8	618451	3/4FJIC SW RUN TEE, 3/4MJIC	45	4	614368	08C1T-08FJX-08FJX-60
5	1	606034	MTR CONTROL ELECT VLV	46	2	614689	08C1T-08FJX-08FJX-120
* 6	1	614633	HYD MANIF 8200 86	47	1	614384	08C1T-08FJX-08FJX-237
* 7	1	605601	PARKER FILTER ASSY, 10M, 1.25NPT	*48	1	601378	HOSE, 1 1/4 X 156 1FBR-1SPI
8	4	618620	3/4FJX-90-1/2MNPT ADPTR	49	2	614385	08C1T-08FJX-08FJX-219
9	1	618310	9/16MJIC-7/8MOR ADPTR	50	1	618668	9/16FJIC SWIV-9/16MOR ADPTR
10	6	621506	LIFT CYL ASSY 1M, DETASSELER	51	1	614350	16CZAT-16FJX-16FJX-55
11	4	690338	LINE CHECK VALVE HYD .50NPT	52	1	614703	HYD TUBE ASSY, 200 MAIN
12	1	618692	3/4FJIC SWIV-9/16MOR ADPTR	*53	1	618532	3/4FJIC CAP NUT
13	24	611125	3/4MJIC-3/4MOR ADPTR	54	3	614375	08C1T-08FJX-08FJX-177
*14	1	618577	1 5/16MJIC UNION	55	1	618444	9/16MOR RUN TEE-9/16MJIC
15	1	618440	9/16MJIC-90-9/16MOR EX LG LBO	56	1	606021	HYD RETURN MANIF, 3/4FOR, 9-PORT
16	1	618170	3/4MOR-9/16FOR ADPTR	57	1	601555	HOSE, 3/4 X 150 1FBR-1SPI
17	12	618119	9/16MJIC-90-9/16MOR LBO	58	2	614377	04C1T-06FJX-06FJX-258
*18	2	715660	HOSE BARB 1 1/4NPT X 1 1/4	59	6	618546	1/8MNPT RUN TEE-9/16MJIC
19	1	618183	3/4MJIC-90-7/8MOR LBO	60	6	611206	04C1T-06FJX-06FJX-66
*20	1	618587	1 5/16FJIC SWIV-1MNPT	61	6	618530	9/16MJIC-1/8MNPT ADPTR
21	1	618600	9/16MJIC-90-7/8MOR LBO	62	1	614719	HYD TUBE ASSY, AUX 204 GMC 96
*22	2	506410	BLK PIPE ST EL 90DEG 1.25NPT	63	1	611246	04C1T-06FJX-06FJX-174
*23	1	505300	BLK PIPE EL 90DEG 1.00NPT	64	1	614101	04C1T-06FJX-06FJX-133
*24	4	611145	3/4MJIC-90-1/2MNPT LBO	65	1	615095	04C1T-06FJX-06FJX-194
25	2	618590	3/4MJIC-45-3/4FJIC SWIV LBO	66	2	614076	04C1T-06FJX-06FJX-119
*26	1	503700	PIPE PLUG .50NPT SQ HD	*67	1	505209	BLK PIPE NIPPLE 1.00NPT-6.00
27	1	618531	9/16FJIC CAP NUT	*68	1	714561	1.00NPT-1.25 HOSE BARB
28	8	611147	3/4MJIC-1/2MNPT ADPTR	69	1	601437	HOSE, 1 1/4 X 40 1FBR-1SPI
29	1	618186	1 5/16MJIC-1 5/16MOR ADPTR	70	2	618709	9/16MJIC-90-3/4MOR EX LG LBO
30	4	618469	3/4MJIC-1 1/16MOR ADPTR	71	1	618618	9/16MJIC-90-9/16FJIC SWIV LBO
31	1	618126	9/16MJIC-9/16MOR ADPTR	72	2	614077	04C1T-06FJX-06FJX-88
32	1	618178	1 5/16MJIC-90-1 5/16MOR LBO	73	2	621520	BOOM HINGE FOLD CYL ASSY
33	8	618115	9/16MJIC-90-3/4MOR LBO	74	4	614747	.025 ELBOW ASSY, 9/16MOR 90D
34	2	614378	08C1T-08FJX-08FJX-207	75	1	614154	04C1T-06FJX-06FJX-221
35	5	614690	08C1T-08FJX-08FJX-192	76	1	616191	04C1T-06FJX-06FJX-138
36	1	606090	BRAND HYD VALVE, 2-SECT SER 36	77	1	611245	04C1T-06FJX-06FJX-104
37	1	601440	HOSE, 1 1/4 X 25 1FBR-1SPI	78	1	614303	04C1T-06FJX-06FJX-234
38	2	615727	04C1T-06FJX-06FJX-75	79	1	614158	04C1T-06FJX-06FJX-199
39	1	616227	08C1T-08FJX-08FJX-255	80	4	618621	HYD QUICK CPLR, FEMALE, .50FNPS
40	4	618609	3/4MJIC-90-3/4FJIC SWIV LBO	81	4	618622	HYD QUICK CPLR, MALE, .50FNPS
*41	1	614627	06C1T-06FJX-06FJX-45	82	4	618623	3/4FJIC-SWIV-1/2MNPT

ABBREVIATIONS

A/C - AIR CONDITIONER	MT - MOUNT
ADPTR - ADAPTER	MTR - MOTOR
AGI - AGITATOR	P/N - PART NUMBER
ALT - ALTERNATOR	PLT - PLATE
ASSY - ASSEMBLY	QTY - QUANTITY
BRKT - BRACKET	RED - REDUCER
DET - DETAIL	REF - REFERENCE
DISPL - DISPLACEMENT	REST - RESTRICTOR
EL - ELBOW	REQ - REQUIRED
EXT - EXTENSION	SHFT - SHAFT
FLO - FLOW	SOL - SOLUTION
FNPT - FEMALE NATIONAL PIPE THREAD	STRG - STEERING
FOR - FEMALE O-RING	ST - STREET
FRT - FRONT	SWIV - SWIVEL
HYD - HYDRAULIC	UNC - UNIFIED NATIONAL COURSE
HYDRO - HYDROSTATIC	UNF - UNIFIED NATIONAL FINE
LG - LONG	V - VOLT
LWR - LOWER	W/ - WITH
MJIC - MALE J.I.C.	WHL - WHEEL
MOR - MALE O-RING	WLD - WELDMENT

-A-

ABBREVIATIONS..... 158
 ACTUATOR,
 EXTENSION..... 90
 LINEAR..... 90
 AIR CLEANER..... 16, 17
 BAND..... 16, 17
 CAP..... 16, 17
 CLAMP..... 16, 17
 FILTER..... 16, 17
 HOSE..... 16, 17
 AIR INTAKE SCREEN..... 19
 ARM,
 SENSOR..... 87
 STEERING..... 20, 22, 24, 26

-B-

BAND, AIR CLEANER..... 16, 17
 BATTERY..... 41
 BOX..... 41
 CABLE..... 41
 HOLD DOWN..... 41
 BELT..... 5, 7
 BLADE,
 CHOPPER..... 80, 81, 82, 83
 CUTTER..... 76, 80, 81, 82, 83
 FAN..... 5, 7
 BLOCK, TERMINAL..... 50
 BOX,
 CONTROL..... 84, 85
 MANUAL SWITCH..... 85
 BRACKET, THROTTLE..... 7
 BRAKE
 CABLE..... 21, 23
 DISC..... 21, 23
 LEVER..... 46
 MOUNT..... 21, 23
 PAD..... 21, 23
 SOLENOID..... 32
 BREATHER..... 35

-C-

CAB..... 91
 CABLE,
 BRAKE..... 21, 23
 CHOKE..... 50
 HYDROSTATIC..... 52
 THROTTLE..... 52
 CANOPY..... 97, 98
 CAP,
 AIR CLEANER..... 16, 17

FUEL..... 36, 37
 RADIATOR..... 19
 STEERING..... 47
 CHOKE CABLE..... 50
 CHOPPER,
 BLADE..... 80, 81, 82, 83
 MALE ROW..... 80, 81, 82, 83
 CIRCUIT BREAKER..... 50
 CLAMP,
 MUFFLER..... 16, 18
 TEE..... 10
 CONSOLE..... 50
 PANEL..... 49
 CONTROL BOX..... 88, 89
 COVER..... 47
 COVER, RECEPTACLE..... 86
 CUTTER
 BLADE..... 76
 CASE DRAIN..... 79
 HEAD..... 76
 CYLINDER
 FOLD..... 100
 STEERING..... 34

-D-

DECALS..... 102, 103
 DEPTH COMMAND..... 88, 90
 DIAGRAM, WIRING.. 104, 105, 106, 107
 DIFFUSER, SUMP..... 37
 DIPSTICK..... 37
 DISC,
 BRAKE..... 21, 23
 SENSOR..... 21, 23
 DRAIN COCK, RADIATOR..... 19
 DRINK HOLDER..... 50
 DRIVE ASSEMBLY..... 4, 6

-E-

ELECTRIC VALVE..... 58, 59, 60
 ENGINE,
 CUMMINS..... 4, 5
 GMC..... 6, 7
 HOOD..... 53
 HOOD PROP..... 53
 EXHAUST PIPE..... 16, 18

-F-

FAN BLADE..... 5, 7
 FAN SPACER..... 5, 7

FILTER
 FUEL.....4, 36, 37
 OIL.....5, 7, 13, 35, 57
 FLASHER
 LIGHT.....53, 91, 97
 SWITCH.....47
 FLOW DIVIDER.....15
 FLOW REGULATOR.....75
 FLUSHING VALVE.....12
 FOAM.....19, 44, 91, 97
 FOLD CYLINDER.....100
 FOLD VALVE.....101
 FRONT LEG.....20, 22, 24, 26
 FUEL

CAP.....36, 37
 GAUGE.....48
 PUMP.....38
 SELECTOR VALVE.....36
 SENDER.....36, 37
 TANK.....36, 37
 FUSE.....49, 88, 89
 HOLDER.....49, 88, 89

-G-

GAUGE,
 FUEL.....48
 OIL PRESSURE.....48
 TEMPERATURE.....48
 GEAR PUMP.....8, 9
 GROUND STRAP.....4, 6

-H-

HANDRAIL.....40, 41, 42, 43
 HEAD,
 CUTTER.....76
 PULLER.....75
 HEADLIGHT.....91, 97
 HEAT SHIELD.....7, 18
 HOLD DOWN, BATTERY.....39
 HOLDER, DRINK.....50
 HOSE,
 AIR CLEANER.....16, 17
 RADIATOR.....5, 7
 HOUR METER.....48
 HYDRAULIC
 MOTOR.....75, 76, 83
 SCHEMATIC.....124
 HYDROSTATIC
 CABLE MOUNT.....6
 LEVER.....51

-I-

INDICATOR
 LIGHT.....47, 48
 MPH/RPM.....48
 INNER TUBE.....30
 INSTRUMENT PANEL.....48

-K-

KIT, LIGHT.....48
 KNOB.....47

-L-

LADDER.....40, 41, 42, 43
 LEG
 FRONT.....20, 22, 24, 26
 REAR.....28, 29
 SHIM.....20, 22, 24, 26
 SLEEVE, NYLON.....20, 22, 24, 26
 LEVER,
 BRAKE.....46
 HYDROSTATIC.....51
 THROTTLE.....52
 LIFTARM.....69
 LIGHT,
 FLASHER.....53, 91, 97
 KIT.....48
 SWITCH.....49
 LS CROSSTUBE.....87
 LS SENSOR.....87

-M-

MALE ROW CHOPPER.....80, 81, 82, 83
 MANIFOLD, HYDRAULIC.....56
 MANUAL SWITCH.....85
 MOTOR,
 CONTROL VALVE.....55
 MOUNT.....4, 5, 6, 7
 STEERING.....47
 MOUNT,
 BRAKE.....20, 22
 HYDROSTATIC CABLE.....6
 RADIATOR.....19
 RECEPTACLE.....86
 RUBBER.....4, 44
 MPH/RPM INDICATOR.....48
 MUFFLER.....16, 18
 CLAMP.....16, 18
 HEAT SHIELD.....18
 MULLION.....53

-N-

NOISE DEFLECTOR SHIELD.....44

-0-

OIL
COOLER.....19
FILTER.....6,57
PRESSURE GAUGE.....48
PRESSURE SENDER.....4,6
TANK.....35
OPERATOR STATION.....44
OUTRIGGER.....62,66,70
FOLD.....87

-P-

PAD, BRAKE.....21,23
PANEL, INSTRUMENT.....48
PHOTO SENSOR.....87
PIPE, EXHAUST.....16,18
PIVOT PIN.....62,66,70
PIVOT, STEERING.....33
PLATFORM, SERVICE.....40,41,42,43
POSITION VALVE.....10,11,14
PROP ENGINE HOOD.....53
PULLER
HEAD.....75
SHIELD.....75
PUMP,
FUEL.....38
GEAR.....8,9
SUNSTRAND.....8,9

-R-

RADIATOR.....19
HOSE.....5,7
MOUNT.....19
SHROUD.....19
REAR LEG.....27,28
RECEPTACLE
COVER.....86
MOUNT.....86
RECOVERY TANK.....19
REGULATOR, FLOW.....75
RELIEF VALVE.....15
RIM.....30
ROOF, CANOPY.....97
RUBBER.....91,97
BOOT.....49
HOOK.....53
MOUNT.....4,5,44

-S-

SCHEMATIC,
HYDRAULIC.....124
WIRING.....112
SCREEN, AIR INTAKE.....19

SEAT.....45

SELECTOR VALVE FUEL.....36
SENDER,
FUEL.....36,37

OIL PRESSURE.....4
TEMPERATURE.....5,7
SENSOR,
ARM.....87

DISC.....21,23
MPH.....21,23,28
SERVICE PLATFORM.....40,41,42,43
SHEET METAL.....53,54
SHIELD,
FUEL.....38
HEAT.....7,19
NOISE DEFLECTOR.....44
PULLER.....75
WHEEL MOTOR.....21,23,25,27

SHIM, LEG.....20,22,25,27,28,29
SHROUD, RADIATOR.....19
SMV SIGN.....54
SPACER,
FAN.....5

STABILIZER TUBE.....53,63,66,70
STALK GUIDE.....28,75,76
STEERING,
ARM.....20,22,24,26

CYLINDER.....34
MOTOR.....47
PIVOT.....33
POST.....47
WHEEL.....47
STRAP, GROUND.....4,6
SUNSTRAND PUMP.....8,9
SUPPORT POST.....62,66,70
SWITCH.....44

BOX.....88,89
FLASHER.....47
LIGHT.....49
TOGGLE.....49,88,89

-T-

TAILLIGHT.....54
TANK,
FUEL.....36,37
OIL.....35
TEE CLAMP.....10,11
TEMPERATURE
GAUGE.....48
SENDER.....5,7
TERMINAL BLOCK.....50
THROTTLE
CABLE BRACKET.....4,7

LEVER.....52
TIE ANGLE.....18
TIE BAR.....62, 66, 70
TIE PLATE.....18
TIE ROD.....33
TIRE.....30
 PULLER.....75
TOGGLE SWITCH.....49
TOOLBAR.....62, 63, 66, 70
TORQUE HUB.....21, 23, 25, 27, 28
TUBE,
 AIR CLEANER.....16, 17
 INNER.....30

-V-

VALVE,
 ELECTRIC.....58, 59, 60
 FLUSHING.....12
 FOLD.....101
 MOTOR CONTROL VALVE.....55
 POSITRACTION.....10, 11, 14
VOLTMETER.....48

-W-

WHEELMOTOR.....21, 23, 25, 27, 28, 29
SHIELD.....21, 23
WIRING,
 DIAGRAM.....104, 105, 106, 107
 SCHEMATIC.....112

