



**PARTS MANUAL
FOR
HAGIE MODEL 204SP DETASSELLER**

HAGIE MANUFACTURING COMPANY

721 CENTRAL AVE WEST
BOX 273

CLARION, IOWA 50525-0273

(515) 532-2861

COVERS MACHINE SERIAL NUMBERS: U1010880001 thru U1010880100

11-07 493402

U1010890001 thru U1010890100

05-12

U1010801001 thru U1010801100

DETASSELER IDENTIFICATION

Each Hagie detasseler is identified by means of a frame serial number. This serial number denotes the model, the year in which it was built, and the number of the detasseler. As for further identification, the engine has a serial number, the hydrostatic pump has a serial number, the wheel motors have identification tags, and the planetary hubs have identification plates that describe the type of mount and gear ratio. To insure prompt, efficient service when ordering parts or requesting service repairs from Hagie Manufacturing Company, record the serial and identification numbers in the space provided below.

NOTE: Reference to left hand and right hand used throughout this manual refers to the position when seated in the operator's seat facing forward.

DETASSELER SERIAL NUMBER

ENGINE SERIAL NUMBER

PLANETARY HUB IDENTIFICATION NUMBERS

TABLE OF CONTENTS

ENGINE ASSEMBLIES 4-6

POSITRACTION VALVE. 7

HI-PRESS FILTER & LOOP FLUSHING VALVE 8-9

FLOW DIVIDER. 10-11

EXHAUST PIPE & AIR CLEANER. 12

RADIATOR AND OIL COOLER 13

LEG ASSEMBLIES. 14-17

TIRE 18

BRAKE SOLENOID ASSEMBLY 19

TIE ROD ASSEMBLY. 20

STEERING CYLINDER ASSEMBLY. 21

FUEL AND OIL TANKS. 22-23

LADDER AND SERVICE PLATFORM 24-25

BATTERY 26

OPERATOR STATION ASSEMBLY 27-28

CONSOLE ASSEMBLY. 30-33

INSTRUMENT PANEL ASSEMBLY 34

SHEET METAL 35-36

MOTOR CONTROL VALVE 37

RETURN FILTER 38-39

ELECTROHYDRAULIC VALVE. 40

DUMP VALVE. 41

OUTRIGGER AND LIFT ASSEMBLY 42-59

LS SENSOR. 60

QUAD AND CUTTER HEAD. 61-62

CUTTER CASE DRAIN FITTING ASSEMBLY. 64

MALE ROW CHOPPER. 65-68

DEPTH COMMAND BOX 69-72

CAB OPTION. 73-78

CANOPY OPTION 79

OUTRIGGER HYDRAULIC FOLD OPTION 80-81

WEIGHT BRACKET OPTION 82

DECALS. 84-85

WIRING DIAGRAM. 86-97

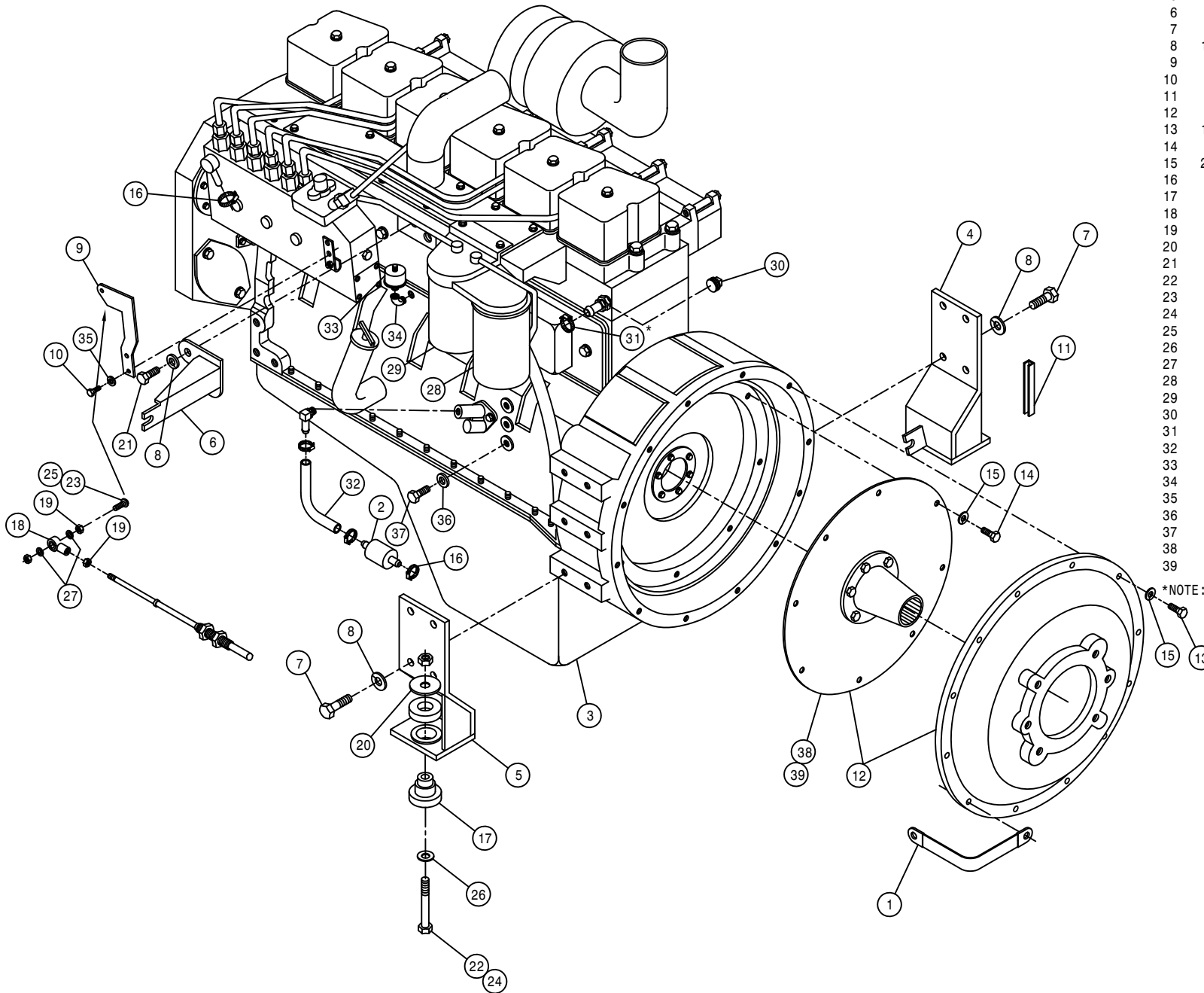
HYDRAULIC SCHEMATIC 98-139

ABBREVIATIONS 140

INDEX 141

DIESEL ENGINE ASSEMBLY

DET. QTY PART NO. DESCRIPTION



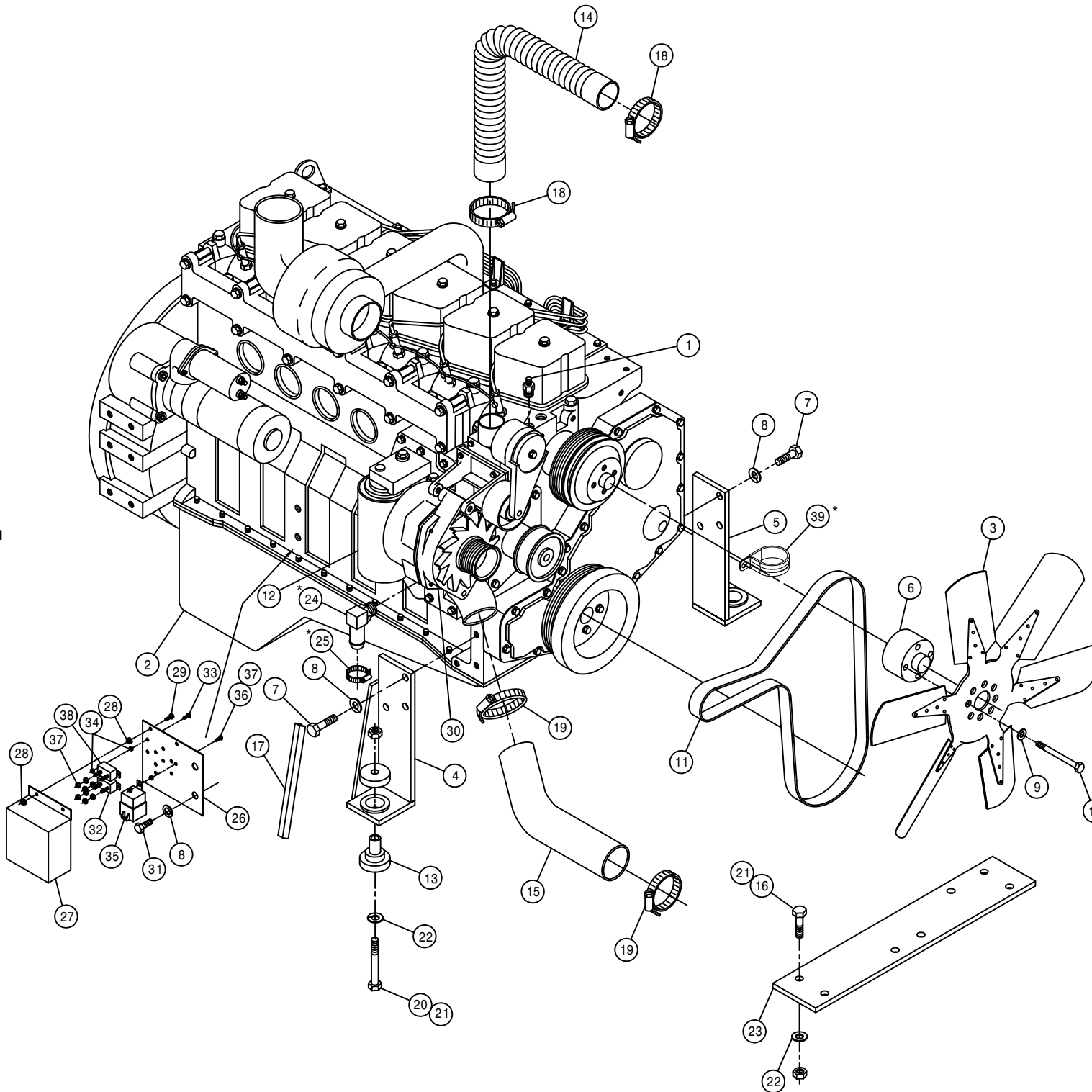
1	1	290107	GROUND CABLE,8" X 4GA .406LUGS
2	1	316281	FUEL STRAINER, IN-LINE, DIESEL
3	1	316302	CUMM ENG,6B5.9A 152@2500
4	1	316252	RH REAR ENG MT WLD, CUMM 94
5	1	316253	LH REAR ENG MT WLD, CUMM 94
6	1	316517	THROTTLE CABLE MT WLD, CUMM 02
7	8	473855	12MM-1.75 X 35MM FLANGE BOLT
8	10	473784	12MM LOCK WASHER
9	1	316629	THROTTLE CABLE LEVER, CUMM 05
10	2	473826	6MM-1.00 X 16MM HEX BOLT
11	1	193012	QUICKEDGE TRIM .135 TO .250
12	1	800495	SUND DRIVE ASSY,2.83PILOT 14T
13	12	473792	10MM-1.50 X 30MM HEX BOLT
14	8	473793	10MM-1.50 X 20MM HEX BOLT
15	20	473798	10MM LOCK WASHER
16	4	520120	HOSE CLAMP NO 4 STAINLESS
17	2	311054	RUBBER MOUNT SET, CB-2202-4
18	1	473921	BALL JOINT NO 10-32 THD
19	2	910027	10-32 HEX NUT
20	2	311055	REBOUND WASHER FOR 311054
21	2	473828	12MM-1.50 X 20MM HEX BOLT
22	2	900271	1/2UNC X 3 1/4 HEX BOLT
23	1	903893	10-32 X 1" SLT RD HD MACH SCR
24	2	914008	1/2UNC HEX STOVER NUT
25	1	914027	10-32 HEX STOVER NUT
26	2	920004	1/2 SAE FLAT WASHER
27	2	920510	#10 LOCK WASHER
28	1	316208	FUEL FILTER, PRIMARY CUMM 92
29	1	316209	FUEL FILTER, SECONDARY CUMM92
30	1	504900	PIPE PLUG .75NPT SQ HD
31	1	520055	HOSE CLAMP NO 12 STAINLESS
32	1	601347	HOSE, 3/8 X 10 FUEL LINE
33	1	291674	OIL PRESS SENDER,125PSI,1/8NPT
34	1	500900	BLK PIPE ST EL 90DEG .125NPT
35	2	473768	6MM LOCK WASHER
36	1	473804	8MM LOCK WASHER
37	1	473827	8MM-1.25 X 20MM HEX BOLT
38	1	800473	FEDERAL DRIVE DISK ASSY
39	1	800496	BUSH KIT FOR FED DR ASSY 14T

*NOTE: DETAIL 31 AND HOSE BARB ARE USED WITH THE CAB OPTION.

DIESEL ENGINE ASSEMBLY

DET.	QTY	PART NO.	DESCRIPTION
1	1	314836	TEMP SENDR 280D 1/2NPT FOR GA
2	1	316302	CUMM ENG,6B5.9A 152@2500
3	1	316410	FAN, 22" 6 BLADE 40DEG
4	1	316250	RH FRT ENG MT WLD, CUMM 94
5	1	316313	LH FRT ENG MT WLD, 284 CUMM 98
6	1	316199	22IN FAN SPACER CUMM 92
7	6	473855	12MM-1.75 X 35MM FLANGE BOLT
8	8	473784	12MM LOCK WASHER
9	4	473804	8MM LOCK WASHER
10	4	473822	8MM-1.25 X 70MM HEX BOLT
11	1	316206	POLY V BELT CUMMINS DIESEL 92
12	1	316207	LUBE FILTER CUMMINS DIESEL 92
13	2	311053	RUBBER MOUNT SET,SSB26-1000-1
14	1	314832	RADIATOR HOSE 1.75 X 19(52423)
15	1	314886	RADIATOR HOSE 2 1/4 20717
16	4	900265	1/2UNC X 1 1/2 HEX BOLT
17	1	193012	QUICKEDGE TRIM .135 TO .250
18	2	520067	HOSE CLAMP NO 28 STAINLESS
19	2	520099	HOSE CLAMP NO 40 STAINLESS
20	2	900271	1/2UNC X 3 1/4 HEX BOLT
21	6	914008	1/2UNC HEX STOVER NUT
22	6	920004	1/2 SAE FLAT WASHER
23	1	341968	TIE PLT 250/280 CUMM 92
24	1	618573	5/8 HOSE BARB-90-1/2MNPT
25	1	520055	HOSE CLAMP NO 12 STAINLESS
26	1	316339	BREAKER MTG PLT, 2100 98
27	1	316340	BREAKER COVER, 2100 98
28	4	470175	10-32 HEX FLANGE LOCK NUT
29	2	470216	10-32 X 3/4 FLANGE HEX BOLT
30	1	316367	DELCO ALTERNATOR,130 AMP 22SI
31	2	473783	12MM-1.75 X 25MM HEX BOLT
32	1	291197	CIRCUIT BREAKER,30AMP,INLINEMT
33	4	903812	6-32 X 1/2 SLT RD HD MACH SCR
34	8	910022	6-32 HEX NUT
35	1	291852	RELAY, 40 AMP, VF4 SERIES
36	1	903883	10-32 X 1/2 SLT RDHD MACH SCR
37	6	910027	10-32 HEX NUT
38	1	291556	CIRCUIT BREAKER,50AMP,INLINEMT
39	1	520161	CUSH CLAMP,#32 2"D-3/4W LOOP

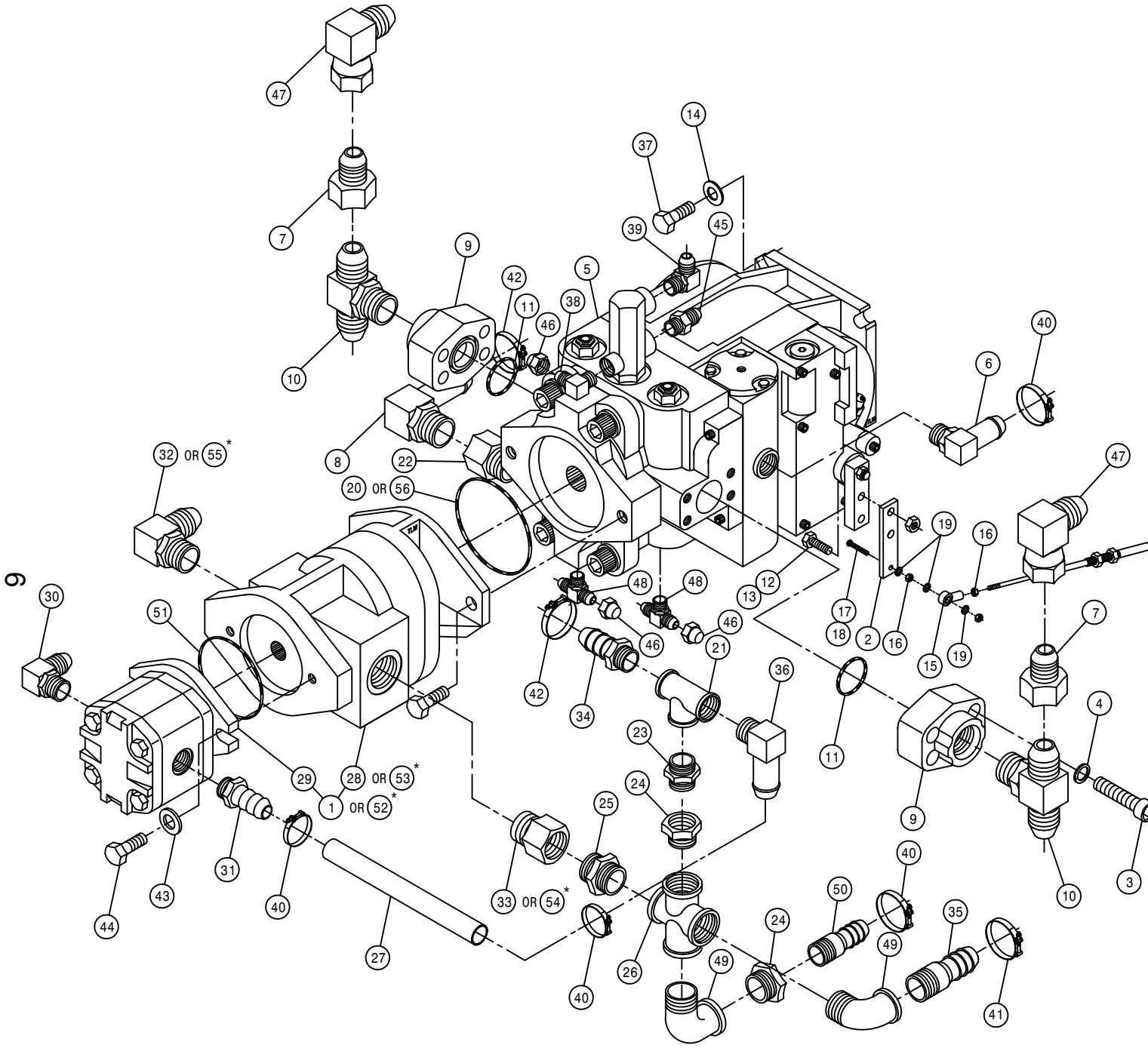
*NOTE: DETAIL 24, 25 AND 39 ARE USED WITH THE CAB OPTION.



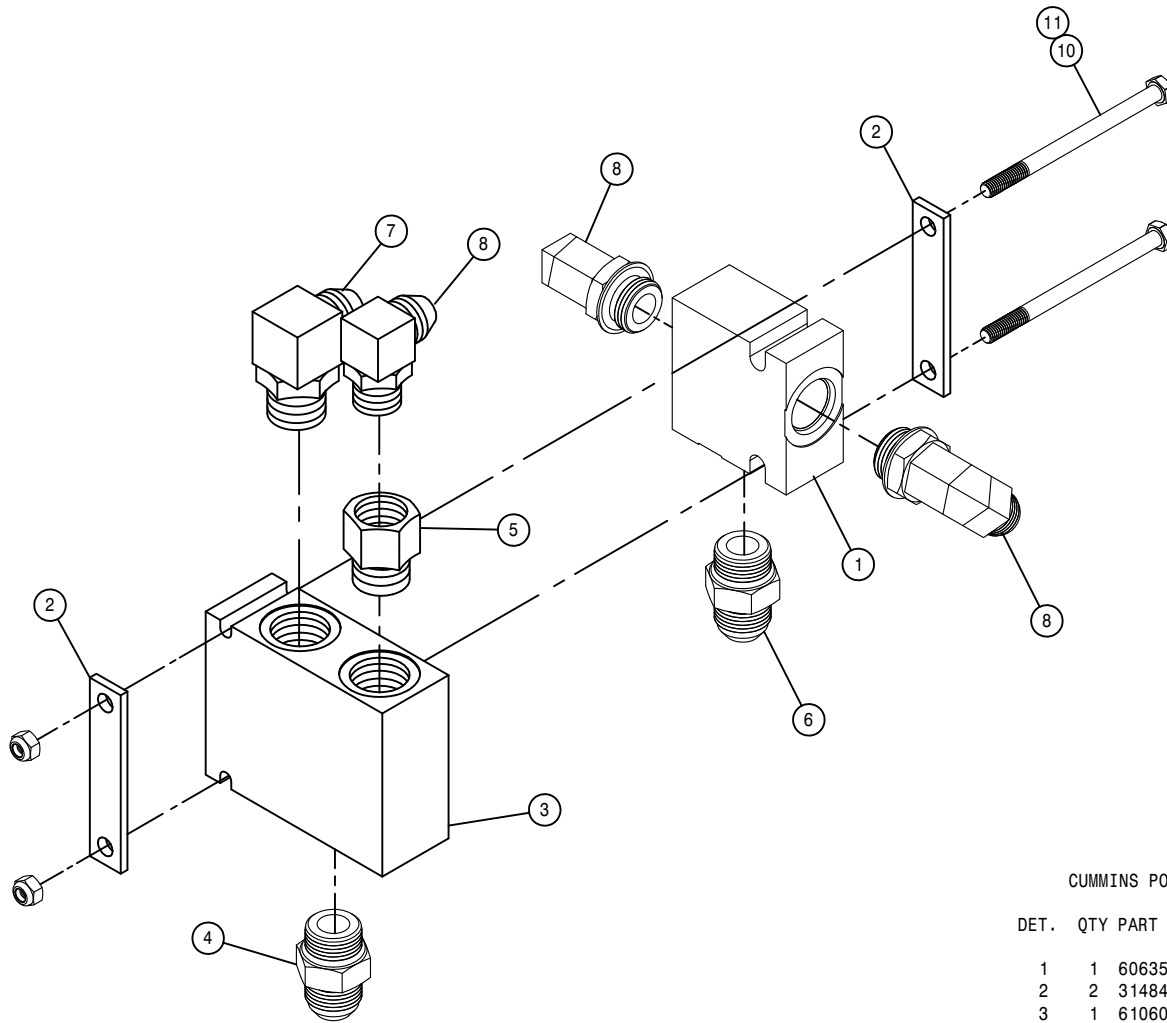
5

CUMMINS PUMP ASSEMBLY

DET.	QTY	PART NO.	DESCRIPTION
1	1	606160	TANDEM PUMP, 606161 & 606929
2	1	316160	PUMP CONT LEVER EXT 280 CUMM
3	8	470188	7/16-14 X 1 3/4 SKTHD CAP SCR
4	8	470189	7/16 HC LOCK WASH FOR 618598
5	1	606902	SUND 100CC PUMP,B-MT W/FILT
6	1	618118	3/4 HOSE BARB-90-1 1/16MOR
7	2	618541	1 5/16FJIC-1 1/16MJIC ADPTR
8	1	618638	1IN HOSE BARB-45-1 5/16MOR
9	2	618598	1" 4-BOLT FLG X 1 5/16 FOR
10	2	618599	1 5/16MOR BRANCH TEE-1 5/16MJ
11	2	870219	BUNA ORING 1 5/16 X 1 9/16
12	2	900003	1/4UNC X 1" HEX BOLT
13	2	914000	1/4UNC HEX STOVER NUT
14	4	920004	1/2 SAE FLAT WASHER
15	1	473921	BALL JOINT NO 10-32 THD
16	2	910027	10-32 HEX NUT
17	1	903893	10-32 X 1" PHIL PAN MACH SCR
18	1	914027	10-32 HEX STOVER NUT
19	3	920510	#10 LOCK WASHER
20	1	606870	O-RING, B-MT 4.1290D X 3.989ID
21	1	505101	BLK PIPE TEE 1.00NPT
22	1	618639	1 5/8MOR-1 5/16FOR ADPTR
23	1	505105	1MNPT HEX PIPE NIPPLE STL
24	2	506005	1 1/4 TO 1 RED BUSH BLK MAL
25	1	507026	1 1/4MNPT HEX PIPE NIPPLE STL
26	1	506202	BLK PIPE CROSS 1.25NPT
27	1	601399	HOSE, 3/4 X 13 1FBR-1SPI
28	1	606161	SAUER GEAR PUMP,5.36CI SPLNED
29	1	606929	SUND GEAR PUMP .66CI, SPLINED
30	1	611128	7/8MJIC-90-7/8MOR LBO
31	1	618075	3/4 HOSE BARB-1 1/16MOR
32	1	618476	1 5/8MJIC-90-1 5/16MOR LBO
33	1	618596	1 5/8MOR-1 1/4FNPT ADPTR
34	1	714560	1NPT X 1 HOSE BARB
35	1	715660	HOSE BARB 1 1/4NPT X 1 1/4
36	1	716000	3/4 HOSE BARB-90-1MNPT
37	4	900265	1/2UNC X 1 1/2 HEX BOLT
38	1	618119	9/16MJIC-90-9/16MOR LBO
39	1	618183	3/4MJIC-90-7/8MOR LBO
40	4	520137	1.12/1.25 T-BOLT HOSE CLAMP
41	1	520132	1.62/1.87 T-BOLT HOSE CLAMP SS
42	2	520138	1.38/1.56 T-BOLT HOSE CLAMP
43	2	920002	3/8 SAE FLAT WASHER
44	2	900130	3/8UNC X 1 1/4 SER FLANGE BOLT
45	1	618327	3/4MJIC-7/8MOR ADPTR
46	3	618531	9/16FJIC CAP NUT
47	2	618191	1 1/16MJ-90-1 1/16FJ SWIV LBO
48	2	618629	9/16MOR BRANCH TEE-9/16MJIC
49	2	506410	BLK PIPE ST EL 90DEG 1.25NPT
50	1	714331	1 NPT X 3/4 HOSE BARB
51	1	606924	O-RING FOR SUND A-MT
52	1	606352	TANDEM PUMP,606929 & 606353
53	1	606353	GEAR PUMP,5.38CI SAUER
54	1	618816	1 7/8MOR-1 1/4FNPT ADPTR
55	1	618477	1 5/8MJIC-90-1 5/8MOR LBO
56	1	606357	O-RING, SAUER 9004104-1540

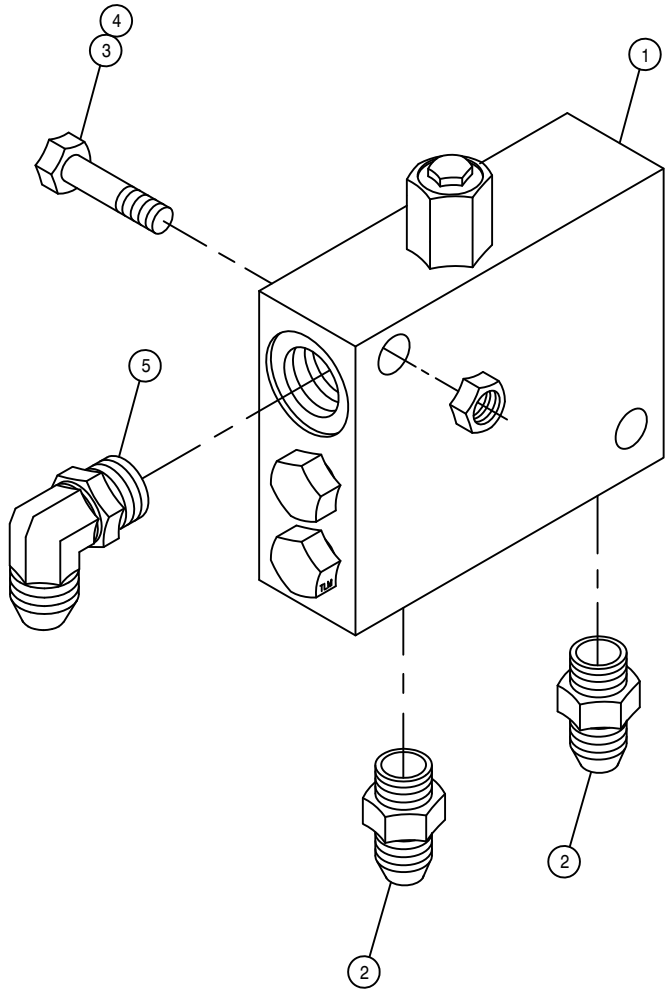


NOTE: ITEMS MARKER WITH A (*) ARE USED WITH PUMP 606352 - GEAR PUMP,5.38CI.



CUMMINS POSITRACTION VALVE ASSEMBLY

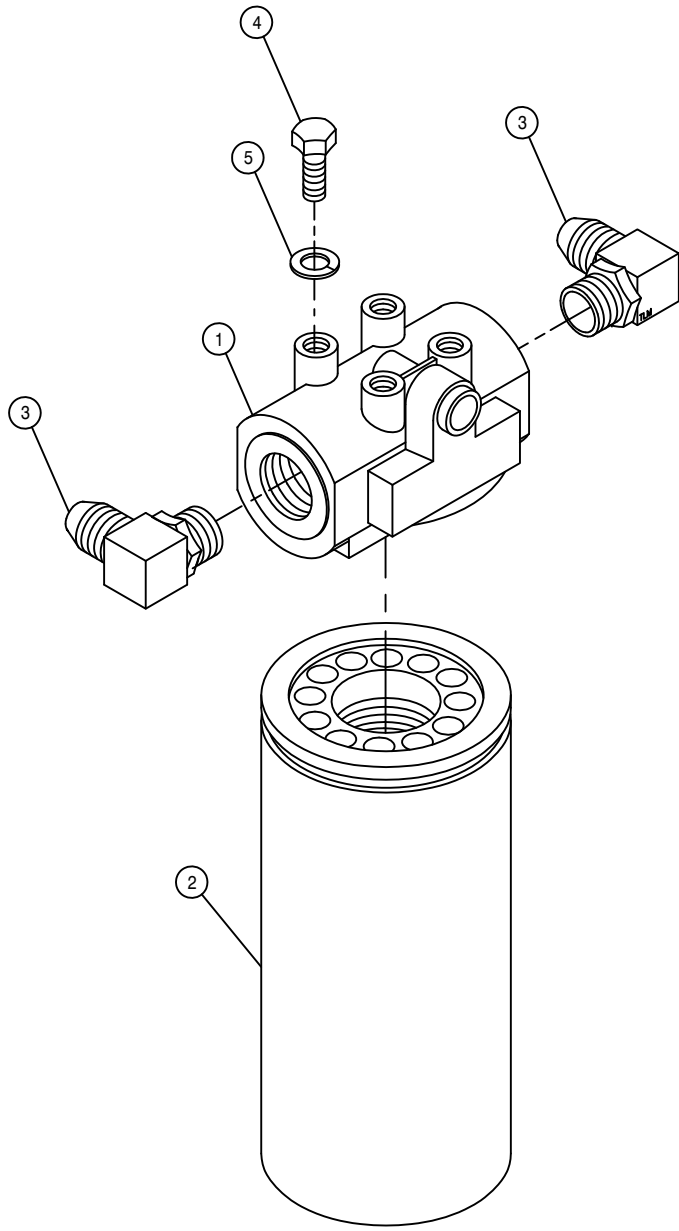
DET.	QTY	PART NO.	DESCRIPTION
1	1	606356	1 1/16FOR MANIIFOLD,3 #12PORTS
2	2	314843	TEE KEEPER, TRAC VLV 200 89
3	1	610609	TRACTION VLV,66S,40GPM
4	1	618308	1 1/16MJIC-1 5/16MOR ADPTR
5	1	618312	1 5/16MOR-1 1/16FOR ADPTR
6	1	611127	1 1/16MJIC-1 1/16MOR ADPTR
7	1	618589	7/8MJIC-90-1 5/16MOR LBO
8	3	618535	7/8MJIC-90-1 1/16MOR LBO
9	1	618575	1FNPT PIPE TEE STL
10	2	900078	5/16UNC X 4 1/2 HEX BOLT
11	2	473001	5/16UNC HEX NUT,NYLOC 316 SS



LOOP FLUSHING VALVE ASSEMBLY

DET. QTY PART NO. DESCRIPTION

1	1	610580	REMOTE FLUSHING VALVE, SUND
2	2	618126	9/16MJIC-9/16MOR ADPTR
3	2	900133	3/8UNC X 2" SERR FLANGE BOLT
4	2	914004	3/8UNC HEX STOVER NUT
5	1	618119	9/16MJIC-90-9/16MOR LBO



HI-PRESS FILTER ASSEMBLY

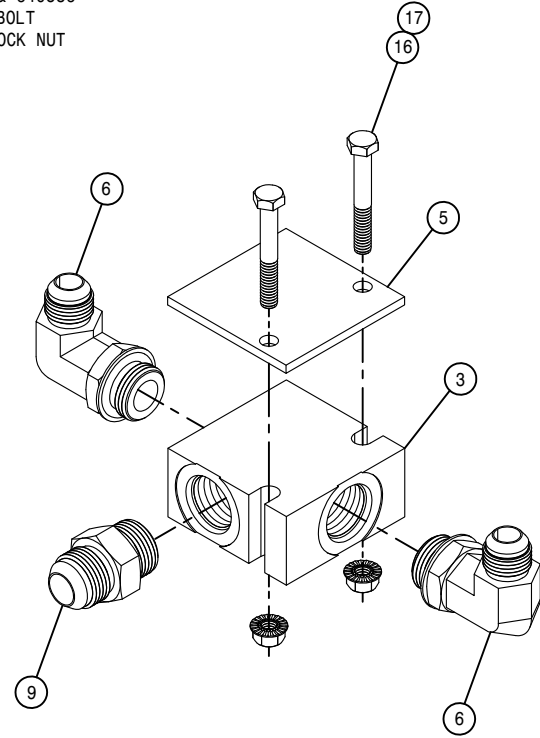
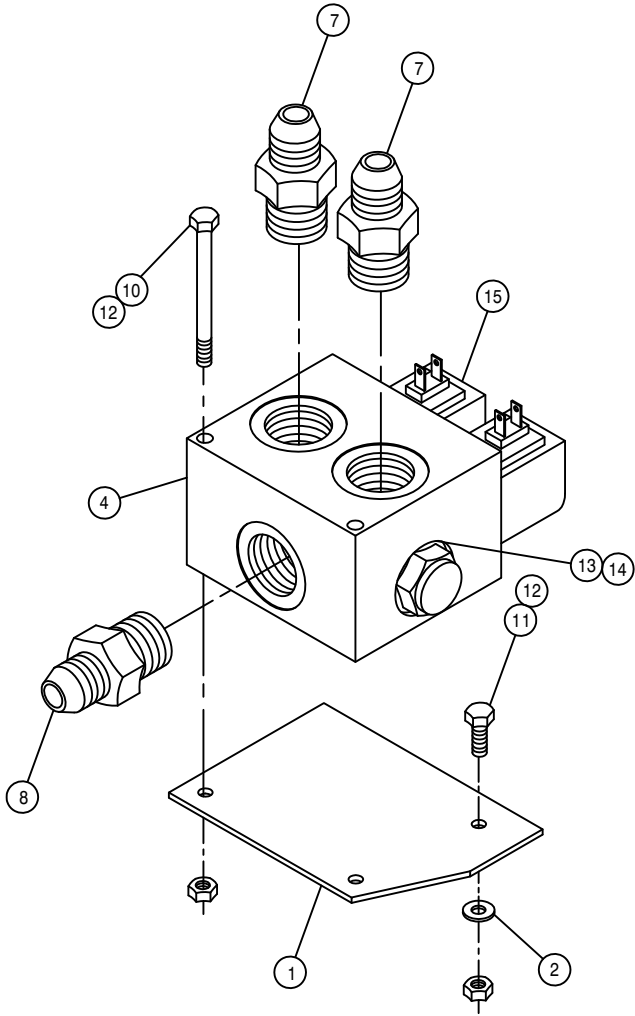
DET. QTY PART NO. DESCRIPTION

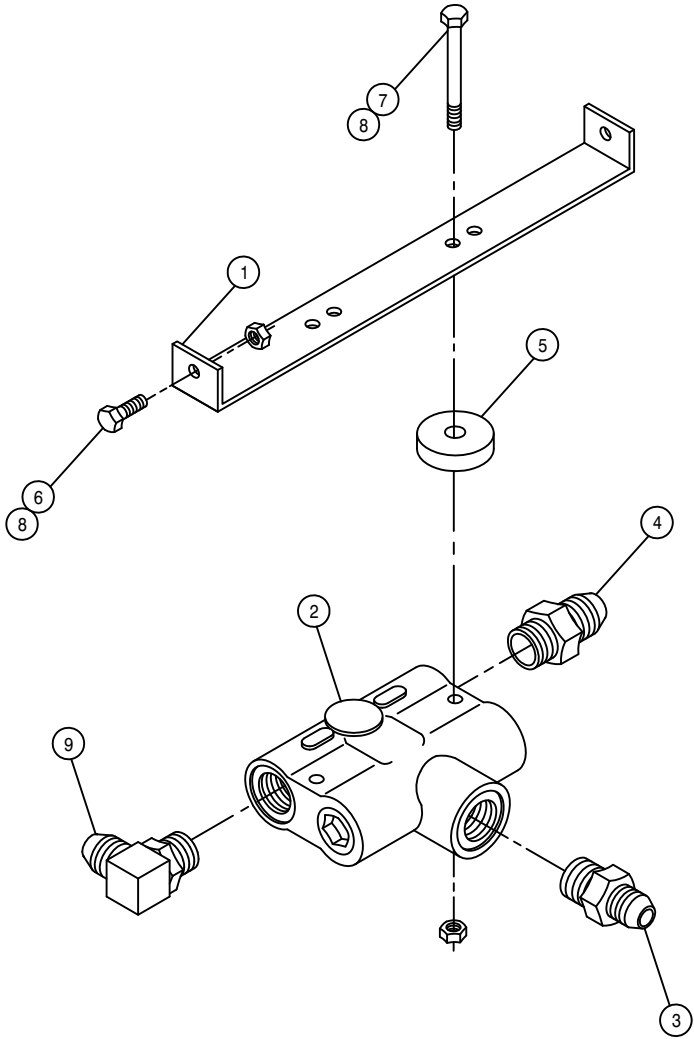
1	1	605608	HYD FILTER HEAD, DONALDSON
2	1	605609	HYD FILTER ELEMENT, DONALDSON
3	2	618474	3/4MJIC-90-1 1/16MOR LBO
4	4	900128	3/8UNC X 3/4 HEX BOLT
5	4	920502	3/8 LOCK WASHER

POSITRACTION VALVE ASSEMBLY

DET. QTY PART NO. DESCRIPTION

1	1	341849	POSITRACTION VALVE MT	200
2	1	920000	1/4 SAE FLAT WASHER	
3	1	606356	1 1/16FOR MANIIFOLD,3 #12PORTS	
4	1	610586	POSITRACTION VLV,ALUM,88SP60G	
5	1	343187	FRT RETURN MNFLD MT,204/SP 08	
6	2	618535	7/8MJIC-90-1 1/16MOR LBO	
7	2	618601	7/8MJIC-1 5/16MOR ADPT	
8	1	618186	1 5/16MJIC-1 5/16MOR ADPTR	
9	1	618558	1 5/16MJIC-1 1/16MOR ADPTR	
10	2	900012	1/4UNC X 3 1/2 HEX BOLT	
11	1	900002	1/4UNC X 3/4 HEX BOLT	
12	3	914000	1/4UNC HEX STOVER NUT	
13	1	610593	O-RING FOR 610513	
14	1	610961	FLO DIV COMBINER,POSIVLV610586	
15	2	610680	COIL FOR VLV 610513 & 610586	
16	2	900086	5/16UNC X 2 1/4 HEX BOLT	
17	2	470113	5/16UNC HEX FLANGE LOCK NUT	



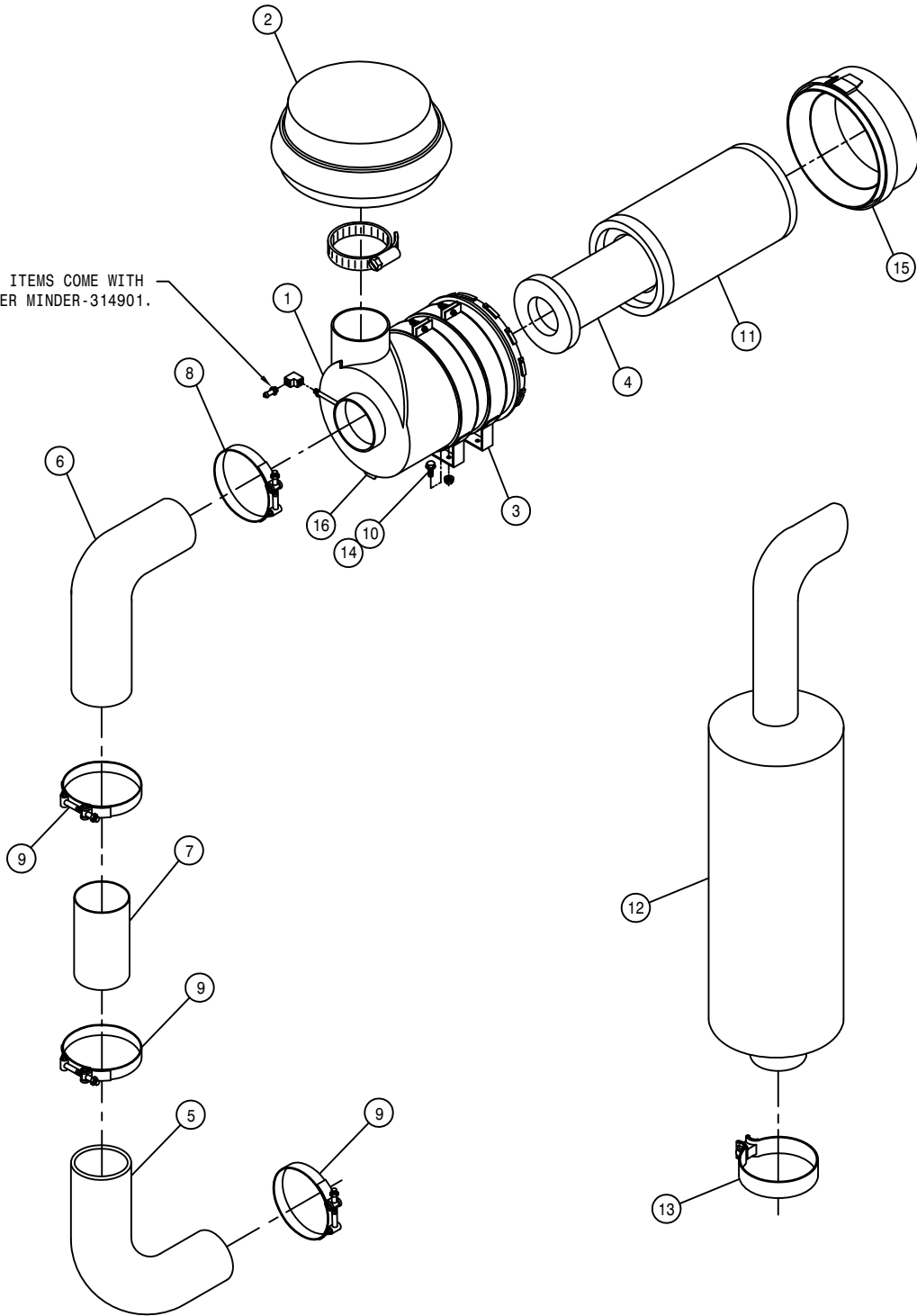


FLOW DIVIDER ASSEMBLY

DET. QTY PART NO. DESCRIPTION

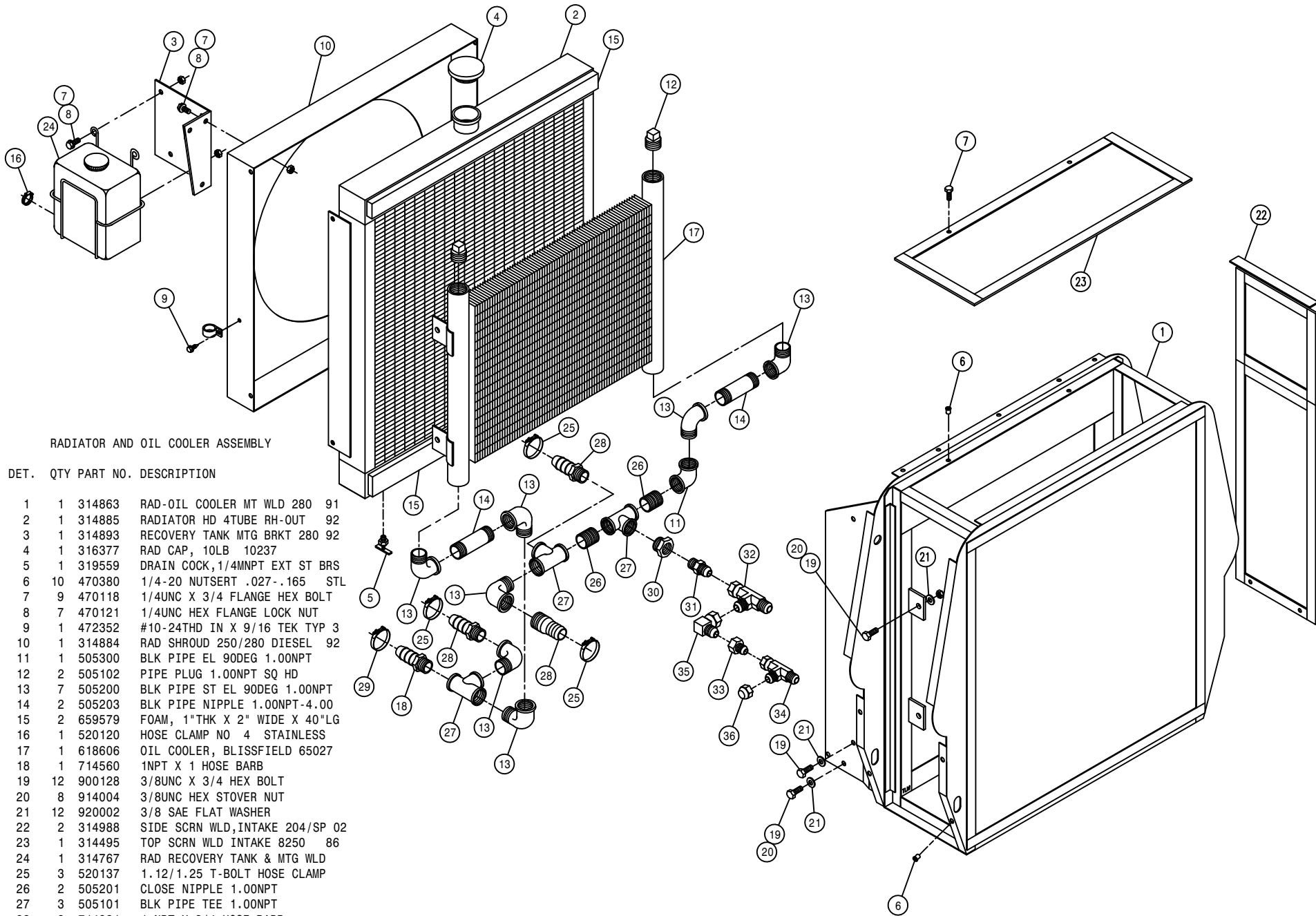
DET.	QTY	PART NO.	DESCRIPTION	
1	1	341774	FLOW DIVIDER MT 280	89
2	1	607504	FLO DIV B50 2-8GPM 7/8 FOR	
3	1	611126	7/8MJIC-7/8MOR ADPTR	
4	1	618310	9/16MJIC-7/8MOR ADPTR	
5	2	748500	RUBER WASH 3/8X1/4IDX1 1/2 OD	
6	2	900002	1/4UNC X 3/4 HEX BOLT	
7	2	900008	1/4UNC X 2 1/2 HEX BOLT	
8	4	914000	1/4UNC HEX STOVER NUT	
9	1	618600	9/16MJIC-90-7/8MOR LBO	

NOTE: BOTH ITEMS COME WITH
FILTER MINDER-314901.



AIR CLEANER AND EXHAUST ASSEMBLY

DET.	QTY	PART NO.	DESCRIPTION
	1	311528	AIR CLEANER, PLASTIC HSNQ
	2	314971	AIR CLEANER HOOD FOR 314970
	3	311529	AIR CLEANER MT BAND FOR 311528
	4	311531	SAFETY ELEMENT FOR 311528
	5	316309	4" 90DEG ELBOW, RUBBER
	6	316297	5" - 4" 90DEG REDU ELBOW, RUBBER
	7	316298	4" X 12" AIR INTAKE TUBE 97
	8	520136	5.31/5.59 T-BOLT HOSE CLAMP SS
	9	520134	4.31/4.59 T-BOLT HOSE CLAMP SS
	10	470113	5/16UNC HEX FLANGE LOCK NUT
	11	311530	PRIMARY ELEMENT FOR 311528
	12	316366	MUFFLER, 2100/STS10/STS12
	13	470458	MUFFLER CLAMP, 3.00 ACCUSEAL
	14	470233	5/16UNC X 3/4 FLANGE HEX BOLT
	15	311548	COVER ASSEMBLY FOR 311528
	16	311549	DUST EJECT VALVE FOR 311528



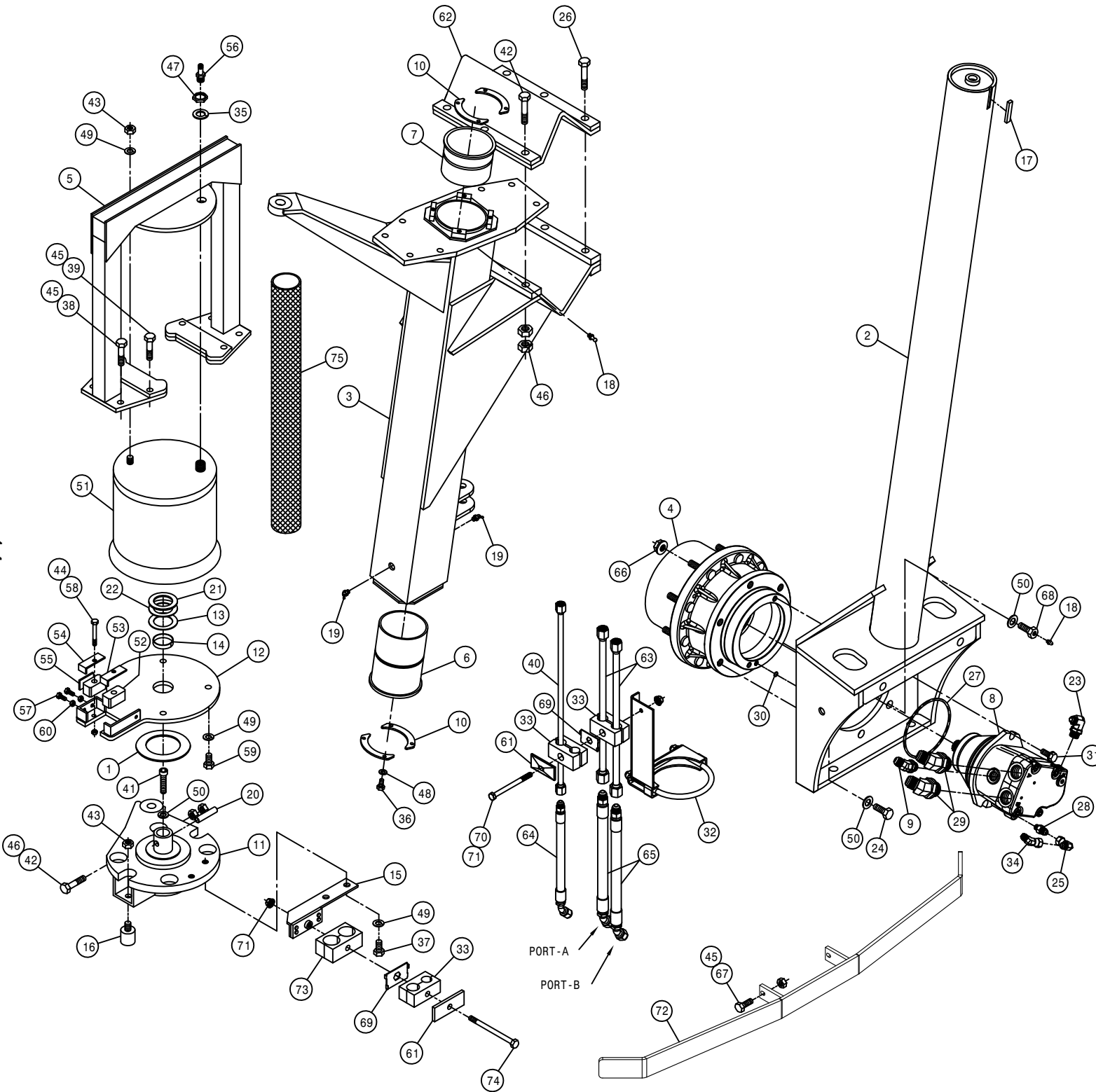
RADIATOR AND OIL COOLER ASSEMBLY

DET. QTY PART NO. DESCRIPTION

1	1	314863	RAD-OIL COOLER MT WLD 280	91
2	1	314885	RADIATOR HD 4TUBE RH-OUT	92
3	1	314893	RECOVERY TANK MTG BRKT 280	92
4	1	316377	RAD CAP, 10LB 10237	
5	1	319559	DRAIN COCK, 1/4MNPT EXT ST BRS	
6	10	470380	1/4-20 NUTSERT .027-.165 STL	
7	9	470118	1/4UNC X 3/4 FLANGE HEX BOLT	
8	7	470121	1/4UNC HEX FLANGE LOCK NUT	
9	1	472352	#10-24THD IN X 9/16 TEK TYP 3	
10	1	314884	RAD SHROUD 250/280 DIESEL	92
11	1	505300	BLK PIPE EL 90DEG 1.00NPT	
12	2	505102	PIPE PLUG 1.00NPT SQ HD	
13	7	505200	BLK PIPE ST EL 90DEG 1.00NPT	
14	2	505203	BLK PIPE NIPPLE 1.00NPT-4.00	
15	2	659579	FOAM, 1"THK X 2" WIDE X 40"LG	
16	1	520120	HOSE CLAMP NO 4 STAINLESS	
17	1	618606	OIL COOLER, BLISSFIELD 65027	
18	1	714560	1NPT X 1 HOSE BARB	
19	12	900128	3/8UNC X 3/4 HEX BOLT	
20	8	914004	3/8UNC HEX STOVER NUT	
21	12	920002	3/8 SAE FLAT WASHER	
22	2	314988	SIDE SCR N WLD, INTAKE 204/SP 02	
23	1	314495	TOP SCR N WLD INTAKE 8250	86
24	1	314767	RAD RECOVERY TANK & MTG WLD	
25	3	520137	1.12/1.25 T-BOLT HOSE CLAMP	
26	2	505201	CLOSE NIPPLE 1.00NPT	
27	3	505101	BLK PIPE TEE 1.00NPT	
28	3	714331	1 NPT X 3/4 HOSE BARB	
29	1	520138	1.38/1.56 T-BOLT HOSE CLAMP	
30	1	505213	RED BUSH 1 X 3/4 BLK MAL	
31	1	610300	3/4MJIC-3/4MNPT ADPTR	
32	1	618451	3/4FJIC SW RUN TEE-3/4MJIC	
33	1	618482	3/4FJIC-9/16MJIC ADPTR	
34	1	618486	9/16FJIC SW RUN TEE-9/16MJIC	
35	1	618609	3/4MJIC-90-3/4FJIC SWIV LBO	
36	1	618531	9/16FJIC CAP NUT	

RIGHT FRONT LEG ASSEMBLY

DET.	QTY	PART NO.	DESCRIPTION
1	1	127505	THRUST BEARING, FIBERGLIDE
2	1	357942	FRT INNER LEG WLD, 204SP 07
3	1	357857	RH FRT OUTER LEG WLD, 204SP 01
4	1	610835	TORQ HUB,24:1,7HPA W/BRAKE
5	1	357864	AIR BAG ARCH WLD,RF/LR204SP 01
6	1	358564	FRT LEG LWR NYL SLEEVE 280 89
7	1	358565	FRT LEG UPR NYL SLEEVE 280 89
8	1	606193	SAUER WHL MOTOR,KC-38CC
9	1	618315	3/4MJIC-45-3/4MOR LBO
10	4	358927	LWR BRG KPR, LEG 98
11	1	358971	STEERING ARM WLD,RF/LR 2100 99
12	1	358980	AIR BAG MT WLD, RF/LR 2100 99
13	1	358994	LEG WASHER, NYLON 2100 99
14	1	358995	NYLON BEARING,LWR AB MT2100 99
15	1	357870	RH UPPER HOSE MT WELD,204SP 01
16	2	470259	URETHANE BUMPER,1.25D X 1.25L
17	1	470265	.250 X .375 X 1.88 C/L
18	2	471005	GREASE ZERK, 1/4 28 X 1/2
19	2	471023	GREASE ZERK 1/4-28 X 45
20	1	473906	SPIRAL PIN, 1/2 X 2 1/2 LG
21	1	483061	1.65 ID X 2.50 OD X .188T WASH
22	1	483063	1.65 ID X 2.50 OD X .074T WASH
23	1	618119	9/16MJIC-90-9/16MOR LBO
24	5	900332	5/8UNC X 1 1/4 HEX BOLT
25	1	618618	9/16MJIC-90-9/16FJIC SWIV LBO
26	3	900837	5/8UNF X 3 1/2 HEX BOLT GR8
27	1	606197	O-RING, 4.936 OD X 4.730 ID
28	1	618304	9/16MJIC-7/16MOR ADPTR
29	2	618786	7/8MJIC-45-1 1/16MOR LBO
30	1	606198	O-RING, .379 OD X .239 ID
31	2	900197	7/16UNC X 1 1/2 HEX BOLT
32	1	357946	RH FRT TUBE MT WLD, 204 07
33	3	470270	HOSE CLAMP BODY, .530-.680
34	1	618634	9/16MJIC-45-9/16FJIC SWIV LBO
35	1	920506	3/4 LOCK WASHER
36	8	900064	5/16UNC X 3/4 HEX BOLT
37	2	900263	1/2UNC X 1" HEX BOLT
38	4	900265	1/2UNC X 1 1/2 HEX BOLT
39	4	900267	1/2UNC X 2" HEX BOLT
40	1	615841	LEG CASE DRN TUBE ASSY,204SP07
41	1	900390	5/8UNC X 2 1/2 SOCKET CAP SCR
42	4	900836	5/8UNF X 3 1/4 HEX BOLT GR8
43	3	910008	1/2UNC HEX NUT
44	2	914002	5/16UNC HEX STOVER NUT
45	10	914008	1/2UNC HEX STOVER NUT
46	14	914811	5/8UNF HEX NUT GR8
47	1	910013	3/4UNF HEX NUT
48	8	920501	5/16 LOCK WASHER
49	7	920504	1/2 LOCK WASHER
50	7	920505	5/8 LOCK WASHER
51	1	358831	ATRIDE SPRING 98
52	2	358990	NYLON GUIDE, 2100 LEG 99
53	1	358991	INNER KEEPER,NYL GUIDE,2100 99
54	1	358992	OUTER KEEPER,NYL GUIDE,2100 99
55	1	358993	.125 X 1.000 X 1.68 C/L
56	1	470338	AIR TANK VALVE,1/4MNPT W/CAP
57	2	900065	5/16UNC X 1" HEX BOLT
58	2	900069	5/16UNC X 2" HEX BOLT
59	4	900264	1/2UNC X 1 1/4 HEX BOLT
60	2	910002	5/16UNC HEX NUT
61	2	470276	CLAMP COVER PLATE,SINGL, 2.55LG
62	1	358759	LEG MT V-PLT WLD, 284T 94
63	2	615840	LEG HYD TUBE ASSY, 204SP 07
64	1	616432	08-471TC-08MJ-08FJX45-15 H/A
65	2	616433	10-381-10MJ-10FJX45-17 H/A
66	8	470140	5/8UNF SMTH FLANGE HEX NUT GR8
67	2	900266	1/2UNC X 1 3/4 HEX BOLT
68	1	610013	ZERK BOLT,5/8 X 1 1/4 TORQ HUB
69	2	470281	STACK BOLT SAFETY LOCK PLATE
70	1	900075	5/16UNC X 3 3/4 HEX BOLT
71	2	470113	5/16UNC HEX FLANGE LOCK NUT
72	1	357950	STALK GUIDE WLD, 204 07
73	1	470343	TUBE CLAMP BODY, .875-.875
74	1	900075	5/16UNC X 3 3/4 HEX BOLT
75	1	342637	NYL HOSE SLEEVE,2.96ID X 54.00

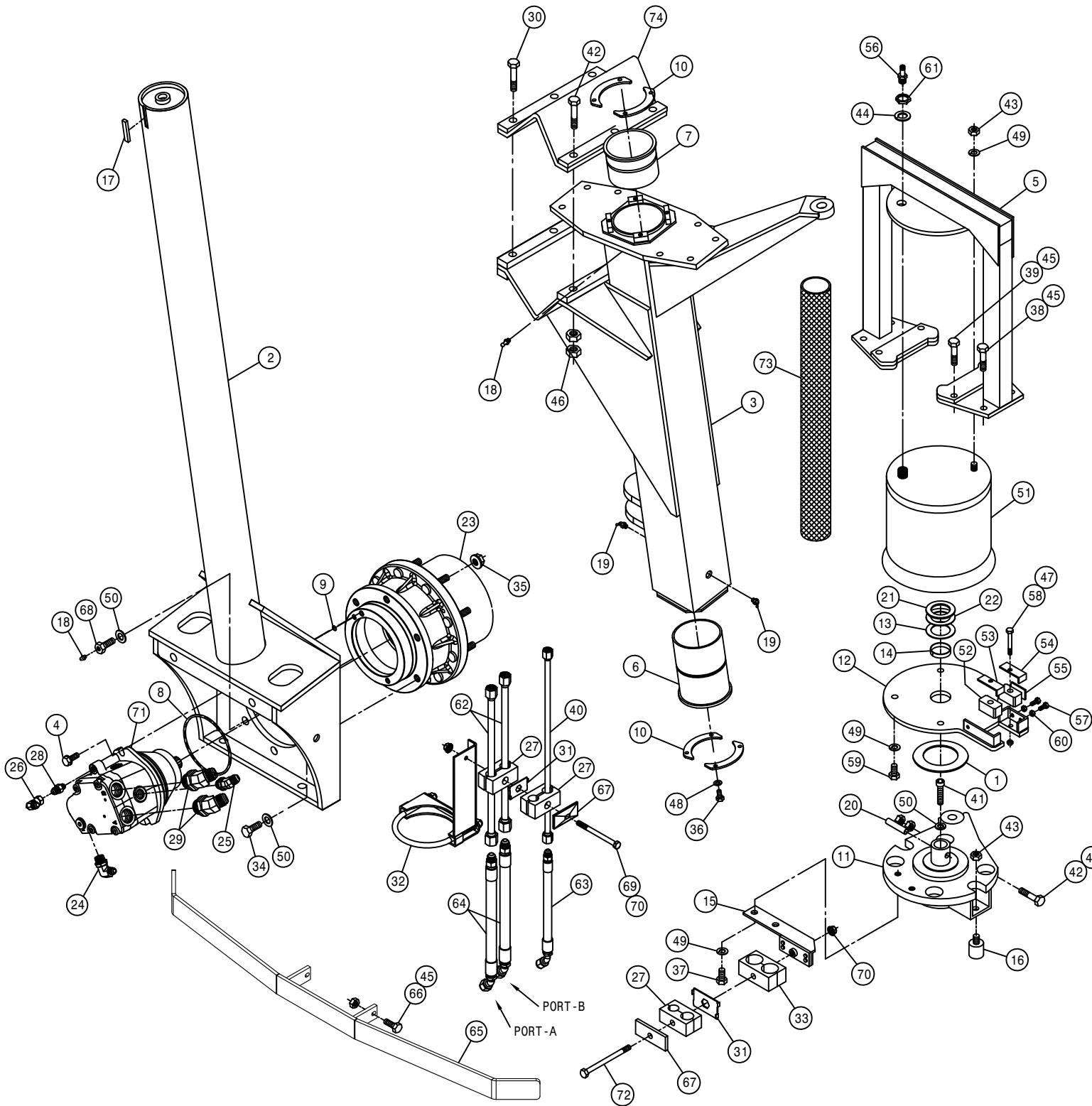


14

402014

LEFT FRONT LEG ASSEMBLY

DET. QTY PART NO. DESCRIPTION

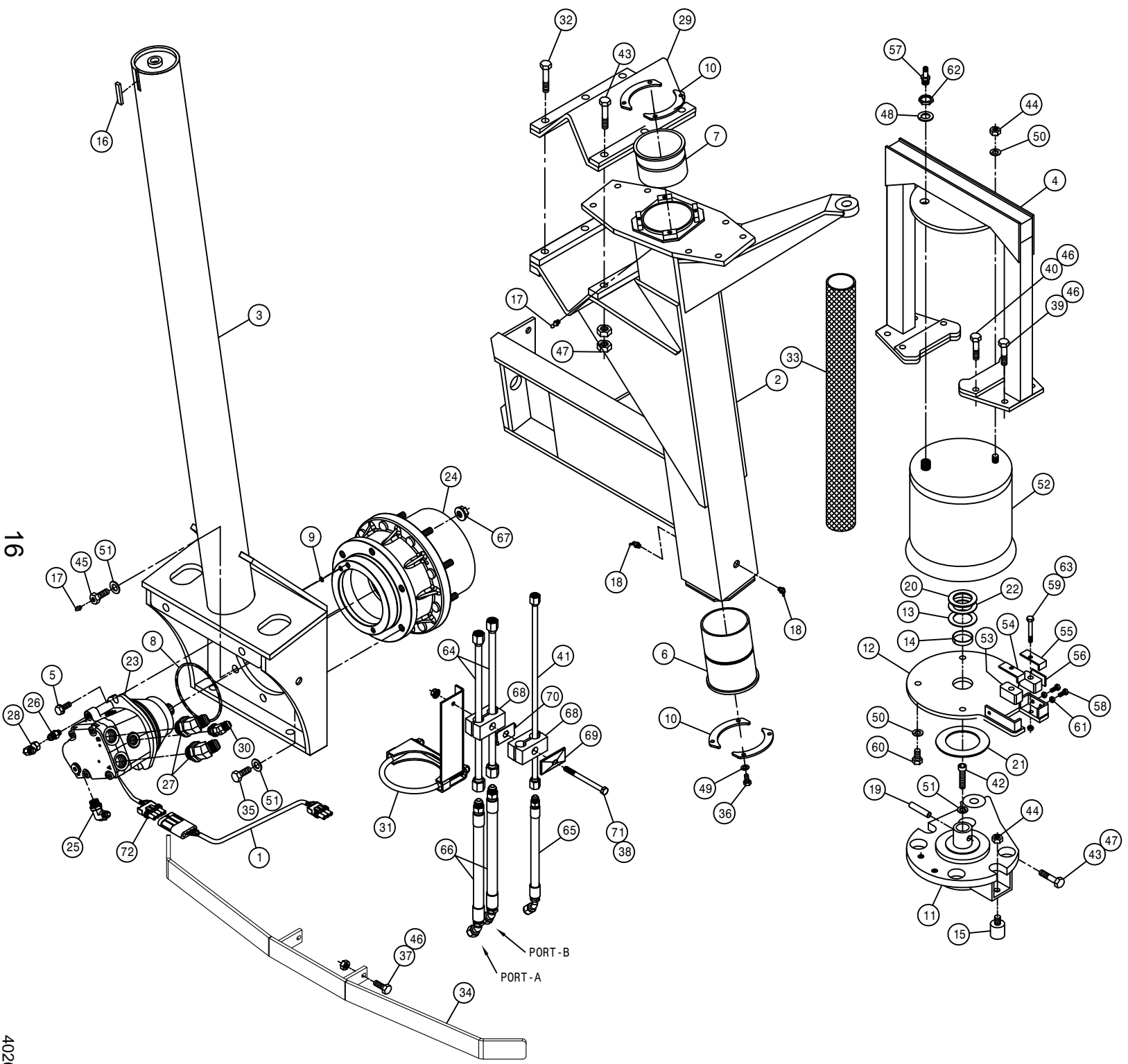


DET.	QTY	PART NO.	DESCRIPTION
1	1	127505	THRUST BEARING, FIBERGLIDE
2	1	357942	FRT INNER LEG WLD, 204SP 07
3	1	357858	LH FRT OUTER LEG WLD, 204SP 01
4	2	900197	7/16UNC X 1 1/2 HEX BOLT
5	1	357865	AIR BAG ARCH WLD,LF/RR204SP 01
6	1	358564	FRT LEG LWR NYL SLEEVE 280 89
7	1	358565	FRT LEG UPR NYL SLEEVE 280 89
8	1	606197	O-RING, 4.936 OD X 4.730 ID
9	1	606198	O-RING, .379 OD X .239 ID
10	4	358927	LWR BRG KPR, LEG 98
11	1	358972	STEERING ARM WLD,LF/RR 2100 99
12	1	358981	AIR BAG MT WLD, LF/RR 2100 99
13	1	358994	LEG WASHER, NYLON 2100 99
14	1	358995	NYLON BEARING,LWR AB MT2100 99
15	1	357871	LH UPPER HOSE MT WELD,204SP 01
16	2	470259	URETHANE BUMPER,1.25D X 1.25L
17	1	470265	.250 X .375 X 1.88 C/L
18	2	471005	GREASE ZERK, 1/4 28 X 1/2
19	2	471023	GREASE ZERK 1/4-28 X 45
20	1	473906	SPIRAL PIN, 1/2 X 2 1/2 LG
21	1	483061	1.65 ID X 2.50 OD X .188T WASH
22	1	483063	1.65 ID X 2.50 OD X .074T WASH
23	1	610835	TORQ HUB,24:1,7HPA W/BRAKE
24	1	618119	9/16MJIC-90-9/16MOR LBO
25	1	618315	3/4MJIC-45-3/4MOR LBO
26	1	618618	9/16MJIC-90-9/16FJIC SWIV LBO
27	3	470270	HOSE CLAMP BODY, .530-.680
28	1	618304	9/16MJIC-7/16MOR ADPTR
29	2	618786	7/8MJIC-45-1 1/16MOR LBO
30	3	900837	5/8UNF X 3 1/2 HEX BOLT GR8
31	2	470281	STACK BOLT SAFETY LOCK PLATE
32	1	357947	LH FRT TUBE MT WLD, 204 07
33	1	470343	TUBE CLAMP BODY, .875-.875
34	5	900332	5/8UNC X 1 1/4 HEX BOLT
35	8	470140	5/8UNF SMTH FLANGE HEX NUT GR8
36	8	900064	5/16UNC X 3/4 HEX BOLT
37	2	900263	1/2UNC X 1" HEX BOLT
38	4	900265	1/2UNC X 1 1/2 HEX BOLT
39	4	900267	1/2UNC X 2" HEX BOLT
40	1	615841	LEG CASE DRN TUBE ASSY,204SP07
41	1	900390	5/8UNC X 2 1/2 SOCKET CAP SCR
42	4	900836	5/8UNF X 3 1/4 HEX BOLT GR8
43	3	910008	1/2UNC HEX NUT
44	1	920506	3/4 LOCK WASHER
45	10	914008	1/2UNC HEX STOVER NUT
46	14	914811	5/8UNF HEX NUT GR8
47	2	914002	5/16UNC HEX STOVER NUT
48	8	920501	5/16 LOCK WASHER
49	7	920504	1/2 LOCK WASHER
50	7	920505	5/8 LOCK WASHER
51	1	358831	AIRIDE SPRING 98
52	2	358990	NYLON GUIDE, 2100 LEG 99
53	1	358991	INNER KEEPER,NYL GUIDE,2100 99
54	1	358992	OUTER KEEPER,NYL GUIDE,2100 99
55	1	358993	.125 X 1.000 X 1.68 C/L
56	1	470338	AIR TANK VALVE,1/4MNPT W/CAP
57	2	900065	5/16UNC X 1" HEX BOLT
58	2	900069	5/16UNC X 2" HEX BOLT
59	4	900264	1/2UNC X 1 1/4 HEX BOLT
60	2	910002	5/16UNC HEX NUT
61	1	910013	3/4UNF HEX NUT
62	2	615840	LEG HYD TUBE ASSY, 204SP 07
63	1	616432	08-471TC-08MJ-08FJX45-15 H/A
64	2	616433	10-381-10MJ-10FJX45-17 H/A
65	1	357950	STALK GUIDE WLD, 204 07
66	2	900266	1/2UNC X 1 3/4 HEX BOLT
67	2	470276	CLAMP COVER PLATE,SNGL, 2.55LG
68	1	610013	ZERK BOLT,5/8 X 1 1/4 TORQ HUB
69	1	900075	5/16UNC X 3 3/4 HEX BOLT
70	2	470113	5/16UNC HEX FLANGE LOCK NUT
71	1	606193	SAUER WHL MOTOR,KC-38CC
72	1	900075	5/16UNC X 3 3/4 HEX BOLT
73	1	342637	NYL HOSE SLEEVE,2.96ID X 54.00
74	1	358759	LEG MT V-PLT WLD, 284T 94

RIGHT REAR LEG ASSEMBLY

DET. QTY PART NO. DESCRIPTION

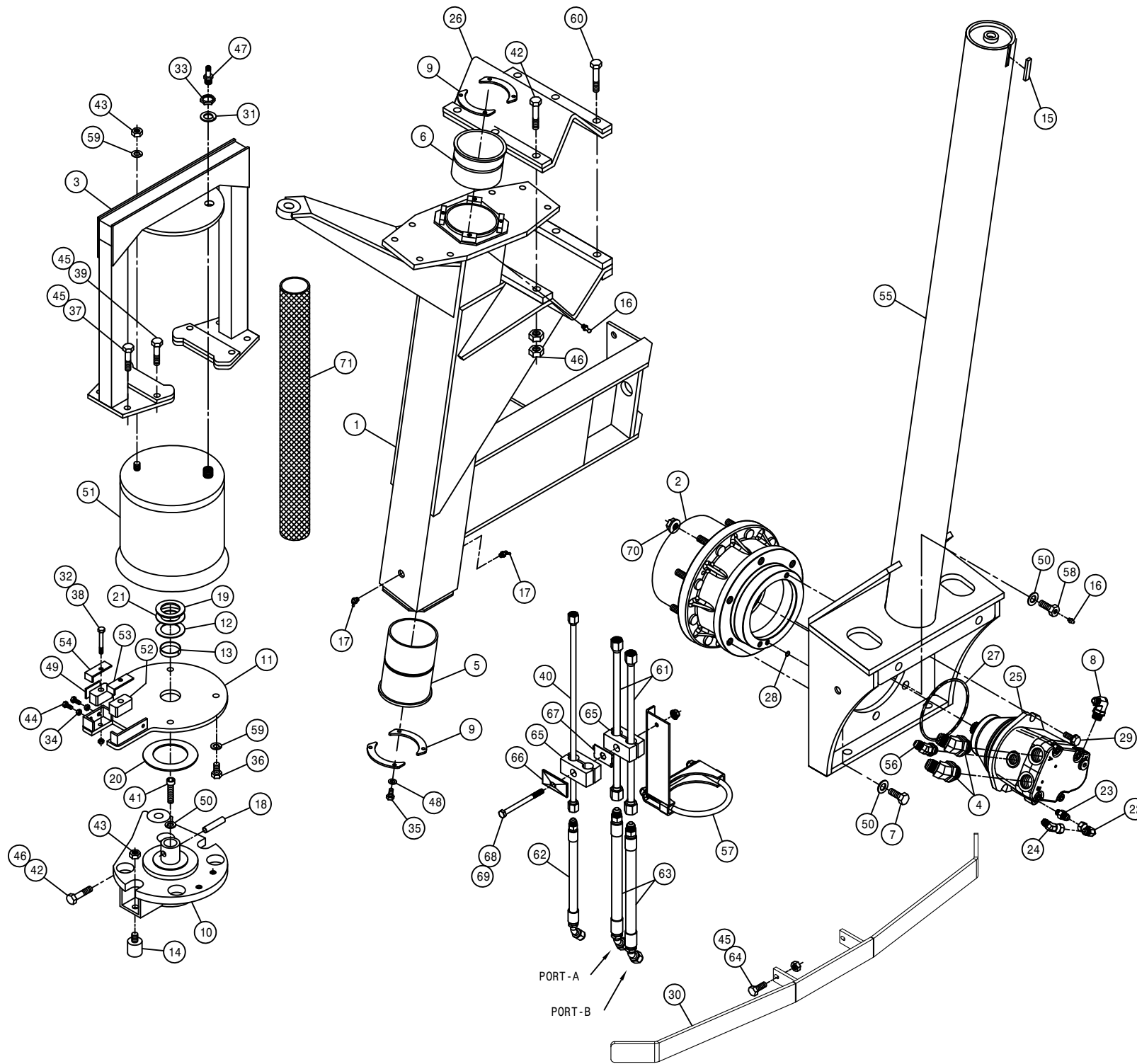
DET.	QTY	PART NO.	DESCRIPTION
1	1	293380	MPH WIRE ASSY, 284 LEG 97
2	1	357859	RH REAR OUTER LEG WLD,204SP 01
3	1	357942	FRT INNER LEG WLD, 204SP
4	1	357865	AIR BAG ARCH WLD,LF/RR204SP 07
5	2	900197	7/16UNC X 1 1/2 HEX BOLT
6	1	358564	FRT LEG LWR NYL SLEEVE 280 89
7	1	358565	FRT LEG UPR NYL SLEEVE 280 89
8	1	606197	O-RING, 4.936 OD X 4.730 ID
9	1	606198	O-RING, .379 OD X .239 ID
10	4	358927	LWR BRG KPR, LEG 98
11	1	358972	STEERING ARM WLD,LF/RR 2100 99
12	1	358981	AIR BAG MT WLD, LF/RR 2100 99
13	1	358994	LEG WASHER, NYLON 2100 99
14	1	358995	NYLON BEARING,LWR AB MT2100 99
15	2	470259	URETHANE BUMPER,1.25D X 1.25L
16	1	470265	.250 X .375 X 1.88 C/L
17	2	471005	GREASE ZERK, 1/4 28 X 1/2
18	2	471023	GREASE ZERK 1/4-28 X 45
19	1	473906	SPIRAL PIN, 1/2 X 2 1/2 LG
20	1	483061	1.65 ID X 2.50 OD X .188T WASH
21	1	483062	3.00 ID X 4.62 OD X .125T WASH
22	1	483063	1.65 ID X 2.50 OD X .074T WASH
23	1	606202	SAUER WHL MOTOR, KC-38CC W/SEN
24	1	610832	TORQ HUB,19:1,7HPA W/BRAKE
25	1	618119	9/16MJIC-90-9/16MOR LBO
26	1	618304	9/16MJIC-7/16MOR ADPTR
27	2	618786	7/8MJIC-45-1 1/16MOR LBO
28	1	618618	9/16MJIC-90-9/16FJIC SWIV LBO
29	1	358759	LEG MT V-PLT WLD, 284T 94
30	1	618315	3/4MJIC-45-3/4MOR LBO
31	1	357947	LH FRT TUBE MT WLD, 204
32	3	900837	5/8UNF X 3 1/2 HEX BOLT GR8
33	1	342635	NYL HOSE SLEEVE,2.64ID X 60.00
34	1	357950	STALK GUIDE WLD, 204
35	5	900332	5/8UNC X 1 1/4 HEX BOLT
36	8	900064	5/16UNC X 3/4 HEX BOLT
37	2	900266	1/2UNC X 1 3/4 HEX BOLT
38	1	470113	5/16UNC HEX FLANGE LOCK NUT
39	4	900265	1/2UNC X 1 1/2 HEX BOLT
40	4	900267	1/2UNC X 2" HEX BOLT
41	1	615841	LEG CASE DRN TUBE ASSY,204SP07
42	1	900390	5/8UNC X 2 1/2 SOCKET CAP SCR
43	4	900836	5/8UNF X 3 1/4 HEX BOLT GR8
44	3	910008	1/2UNC HEX NUT
45	1	610013	ZERK BOLT,5/8 X 1 1/4 TORQ HUB
46	10	914008	1/2UNC HEX STOVER NUT
47	14	914811	5/8UNF HEX NUT GR8
48	1	920506	3/4 LOCK WASHER
49	8	920501	5/16 LOCK WASHER
50	5	920504	1/2 LOCK WASHER
51	7	920505	5/8 LOCK WASHER
52	1	358831	AIRIDE SPRING 98
53	2	358990	NYLON GUIDE, 2100 LEG 99
54	1	358991	INNER KEEPER,NYL GUIDE,2100 99
55	1	358992	OUTER KEEPER,NYL GUIDE,2100 99
56	1	358993	.125 X 1.000 X 1.68 C/L
57	1	470338	AIR TANK VALVE,1/4MNPT W/CAP
58	2	900065	5/16UNC X 1" HEX BOLT
59	2	900069	5/16UNC X 2" HEX BOLT
60	4	900264	1/2UNC X 1 1/4 HEX BOLT
61	2	910002	5/16UNC HEX NUT
62	1	910013	3/4UNF HEX NUT
63	2	914002	5/16UNC HEX STOVER NUT
64	2	615840	LEG HYD TUBE ASSY, 204SP 07
65	1	616432	08-471TC-08MJ-08FJX45-15 H/A
66	2	616433	10-381-10MJ-10FJX45-17 H/A
67	8	470140	5/8UNF SMITH FLANGE HEX NUT GR8
68	2	470270	HOSE CLAMP BODY, .530-.680
69	1	470276	CLAMP COVER PLATE,SNGL, 2.55LG
70	1	470281	STACK BOLT SAFETY LOCK PLATE
71	1	900075	5/16UNC X 3 3/4 HEX BOLT
72	1	610625	SENSOR,WHL MOTOR, KPPG16008



16

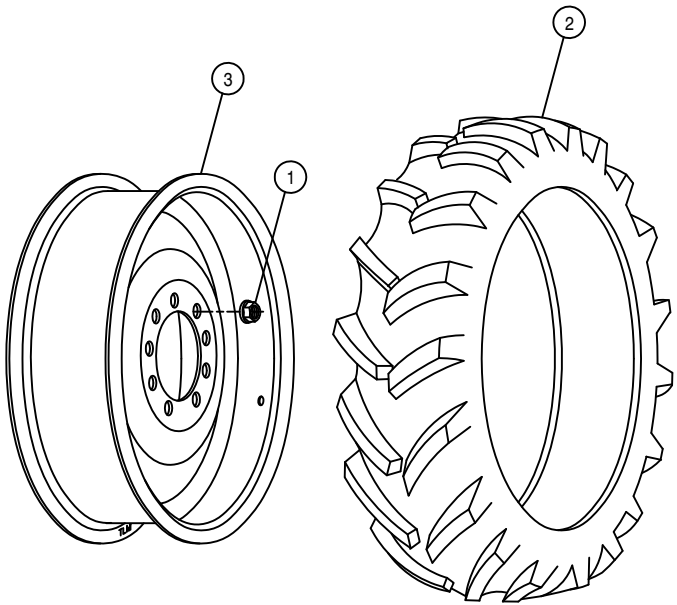
LEFT REAR LEG ASSEMBLY

DET.	QTY	PART NO.	DESCRIPTION
1	1	357860	LH REAR OUTER LEG WLD,204SP 01
2	1	610832	TORQ HUB,19:1,7HPA W/BRAKE
3	1	357864	AIR BAG ARCH WLD_RF/LR204SP 01
4	2	618786	7/8MJIC-45-1 1/16MOR LBO
5	1	358564	FRT LEG LWR NYL SLEEVE 280 89
6	1	358565	FRT LEG UPR NYL SLEEVE 280 89
7	5	900332	5/8UNC X 1 1/4 HEX BOLT
8	1	618119	9/16MJIC-90-9/16MOR LBO
9	4	358927	LWR BRG KPR, LEG 98
10	1	358971	STEERING ARM WLD_RF/LR 2100 99
11	1	358980	AIR BAG MT WLD, RF/LR 2100 99
12	1	358994	LEG WASHER, NYLON 2100 99
13	1	358995	NYLON BEARING,LWR AB MT2100 99
14	2	470259	URETHANE BUMPER,1.25D X 1.25L
15	1	470265	.250 X .375 X 1.88 C/L
16	2	471005	GREASE ZERK, 1/4 28 X 1/2
17	2	471023	GREASE ZERK 1/4-28 X 45
18	1	473906	SPIRAL PIN, 1/2 X 2 1/2 LG
19	1	483061	1.65 ID X 2.50 OD X .188T WASH
20	1	483062	3.00 ID X 4.62 OD X .125T WASH
21	1	483063	1.65 ID X 2.50 OD X .074T WASH
22	1	618618	9/16MJIC-90-9/16FJIC SWIV LBO
23	1	618304	9/16MJIC-7/16MOR ADPTR
24	1	618634	9/16MJIC-45-9/16FJIC SWIV LBO
25	1	606193	SAUER WHL MOTOR,KC-38CC
26	1	358759	LEG MT V-PLT WLD, 284T 94
27	1	606197	O-RING, 4.936 OD X 4.730 ID
28	1	606198	O-RING, .379 OD X .239 ID
29	2	900197	7/16UNC X 1 1/2 HEX BOLT
30	1	357950	STALK GUIDE WLD, 204 07
31	1	920506	3/4 LOCK WASHER
32	2	914002	5/16UNC HEX STOVER NUT
33	1	910013	3/4UNF HEX NUT
34	2	910002	5/16UNC HEX NUT
35	8	900064	5/16UNC X 3/4 HEX BOLT
36	4	900264	1/2UNC X 1 1/4 HEX BOLT
37	4	900265	1/2UNC X 1 1/2 HEX BOLT
38	2	900069	5/16UNC X 2" HEX BOLT
39	4	900267	1/2UNC X 2" HEX BOLT
40	1	615841	LEG CASE DRN TUBE ASSY,204SP07
41	1	900390	5/8UNC X 2 1/2 SOCKET CAP SCR
42	4	900836	5/8UNF X 3 1/4 HEX BOLT GR8
43	3	910008	1/2UNC HEX NUT
44	2	900065	5/16UNC X 1" HEX BOLT
45	10	914008	1/2UNC HEX STOVER NUT
46	14	914811	5/8UNF HEX NUT GR8
47	1	470338	AIR TANK VALVE,1/4MNPT W/CAP
48	8	920501	5/16 LOCK WASHER
49	1	358993	.125 X 1.000 X 1.68 C/L
50	7	920505	5/8 LOCK WASHER
51	1	358831	AIRIDE SPRING 98
52	2	358990	NYLON GUIDE, 2100 LEG 99
53	1	358991	INNER KEEPER,NYL GUIDE,2100 99
54	1	358992	OUTER KEEPER,NYL GUIDE,2100 99
55	1	357942	FRT INNER LEG WLD, 204SP 07
56	1	618315	3/4MJIC-45-3/4MOR LBO
57	1	357946	RH FRT TUBE MT WLD, 204 07
58	1	610013	ZERK BOLT,5/8 X 1 1/4 TORQ HUB
59	5	920504	1/2 LOCK WASHER
60	3	900837	5/8UNF X 3 1/2 HEX BOLT GR8
61	2	615840	LEG HYD TUBE ASSY, 204SP 07
62	1	616432	08-471TC-08MJ-08FJX45-15 H/A
63	2	616433	10-381-10MJ-10FJX45-17 H/A
64	2	900266	1/2UNC X 1 3/4 HEX BOLT
65	2	470270	HOSE CLAMP BODY,.530-.680
66	1	470276	CLAMP COVER PLATE,SNGL, 2.55LG
67	1	470281	STACK BOLT SAFETY LOCK PLATE
68	1	900075	5/16UNC X 3 3/4 HEX BOLT
69	1	470113	5/16UNC HEX FLANGE LOCK NUT
70	8	470140	5/8UNF SMITH FLANGE HEX NUT GR8
71	1	342635	NYL HOSE SLEEVE,2.64ID X 60.00



17

402017



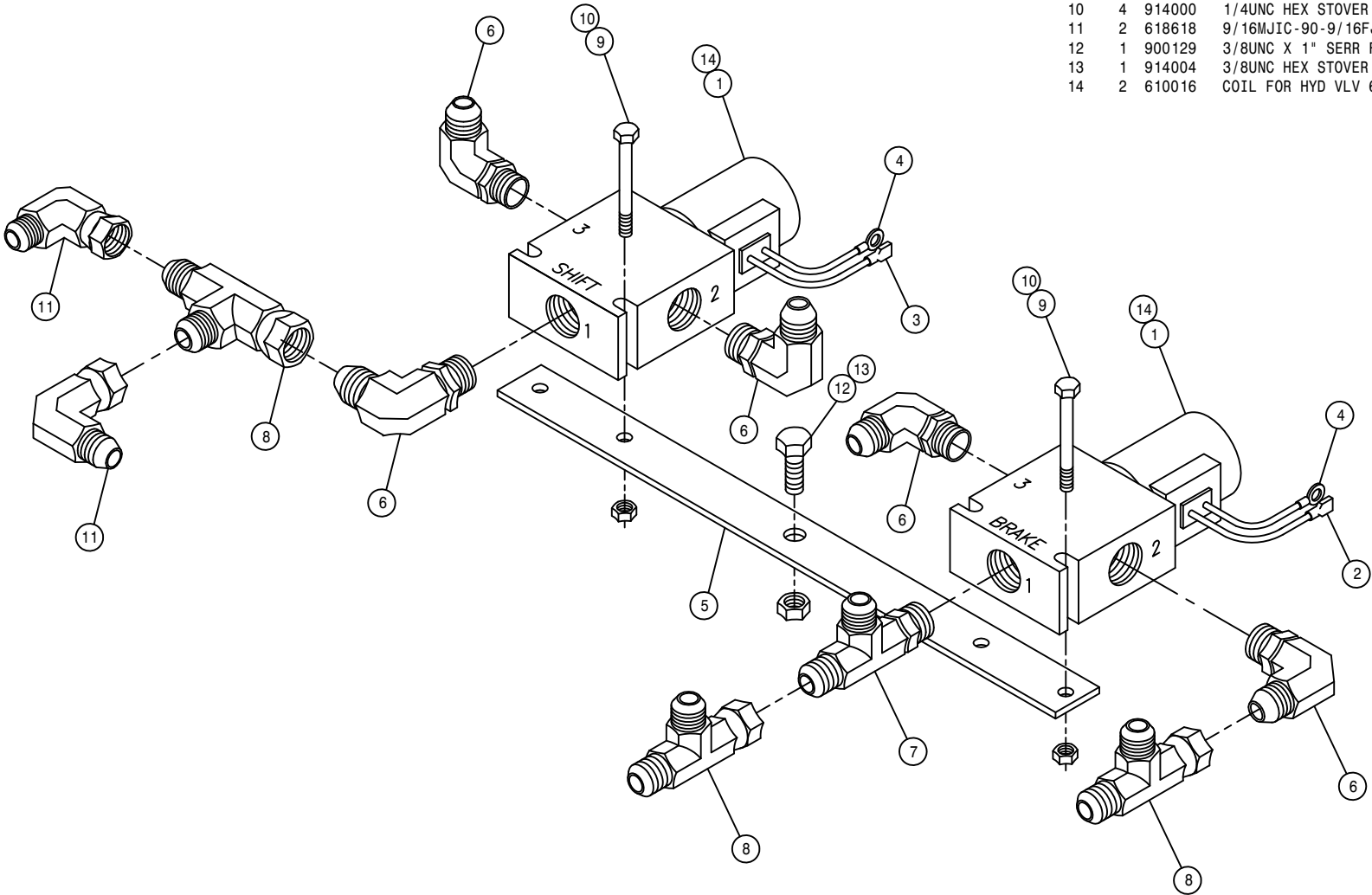
TIRE RIM ASSEMBLY

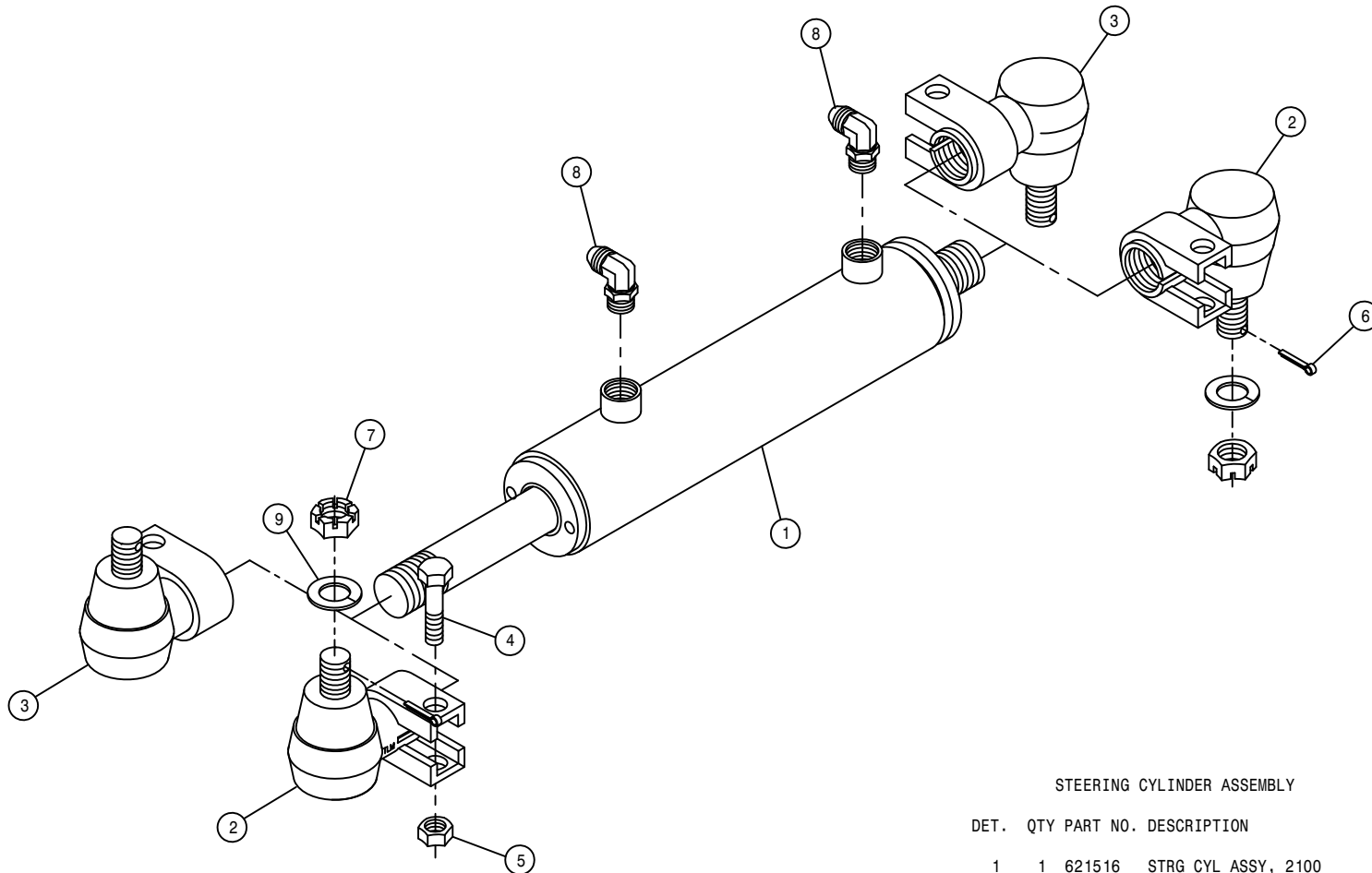
DET.	QTY	PART NO.	DESCRIPTION
1	9	470140	5/8UNF SMTH FLANGE HEX NUT GR8
2	1	820063	11.2-38 TL GOODYEAR TIRE
3	1	821050	RIM WLD, W10 X 38, W1M1 204

BRAKE/SHIFT SOLENOID ASSEMBLY

DET. QTY PART NO. DESCRIPTION

1	2	610318	HYD SOLE VLV,2P-3W,9/16FOR,12V
2	1	291571	.250FEM FASTON 14-16 FULL INS
3	1	293163	.250MALE FASTON14-16 FULL INS
4	2	291590	.312RING TERM 14-16WIRE INS
5	1	610797	BRAKE/SHIFT SOL VLV MT, 204I
6	5	618119	9/16MJIC-90-9/16MOR LBO
7	1	618444	9/16MOR RUN TEE-9/16MJIC
8	3	618486	9/16FJIC SW RUN TEE-9/16MJIC
9	4	900006	1/4UNC X 1 3/4 HEX BOLT
10	4	914000	1/4UNC HEX STOVER NUT
11	2	618618	9/16MJIC-90-9/16FJIC SWIV LBO
12	1	900129	3/8UNC X 1" SERR FLANGE BOLT
13	1	914004	3/8UNC HEX STOVER NUT
14	2	610016	COIL FOR HYD VLV 610318



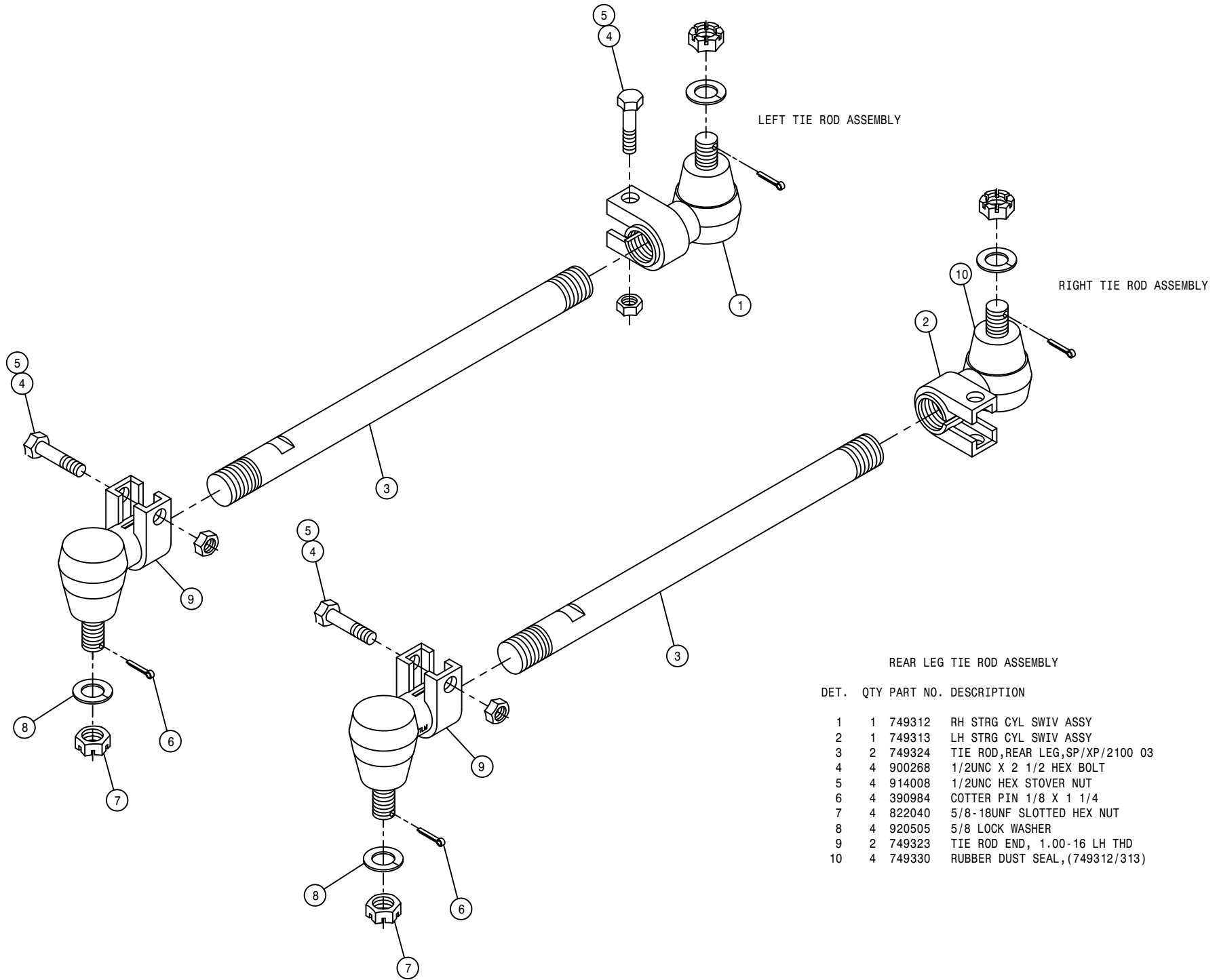


STEERING CYLINDER ASSEMBLY

DET. QTY PART NO. DESCRIPTION

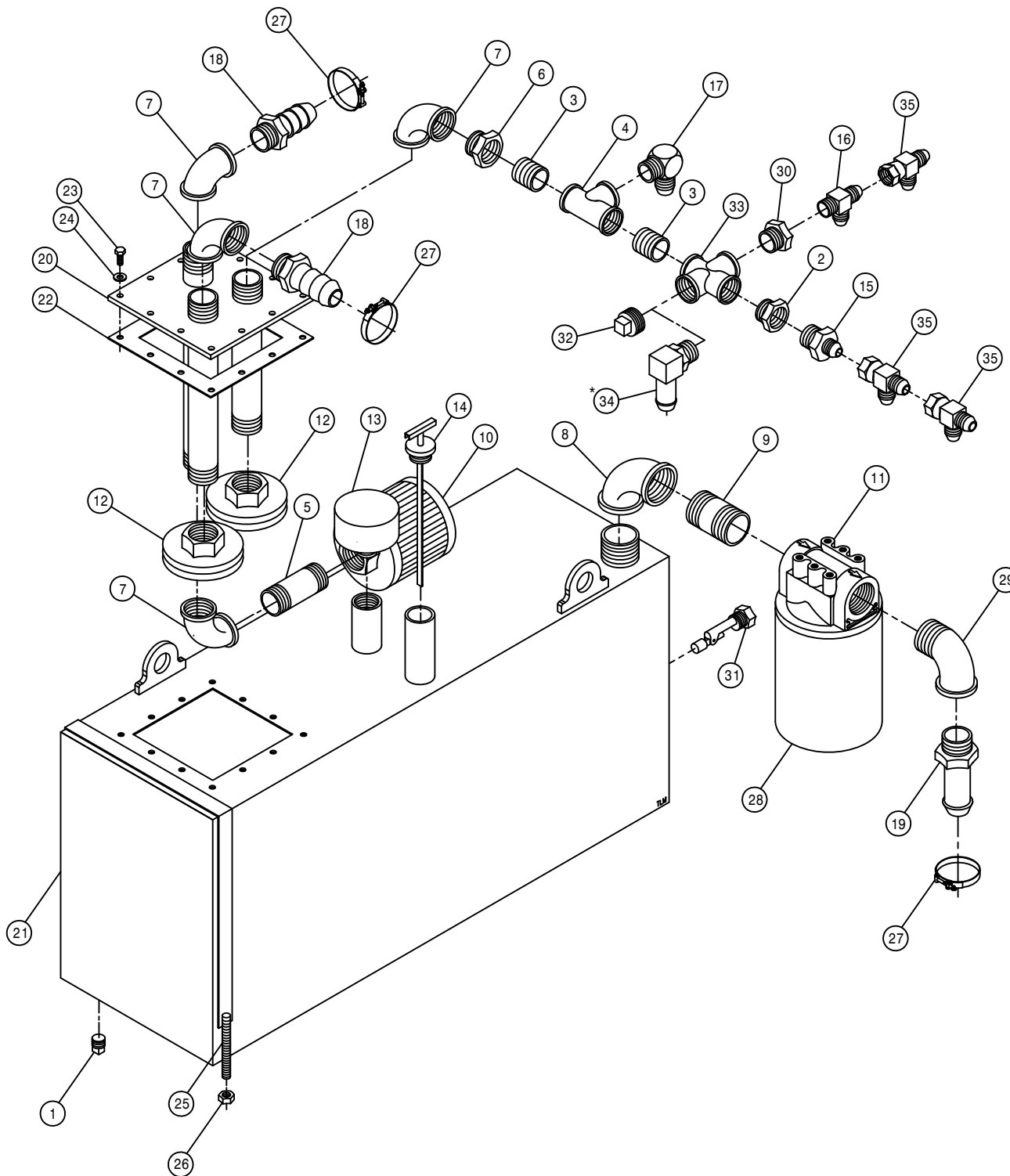
1	1	621516	STRG CYL ASSY, 2100
2	2	749312	RH STRG CYL SWIV ASSY
3	2	749313	LH STRG CYL SWIV ASSY
4	2	900268	1/2UNC X 2 1/2 HEX BOLT
5	2	914008	1/2UNC HEX STOVER NUT
6	2	390984	COTTER PIN 1/8 X 1 1/4
7	2	822040	5/8-18UNF SLOTTED HEX NUT
8	2	618119	9/16MJIC-90-9/16MOR LBO
9	2	920505	5/8 LOCK WASHER
NS	1	621517	REPAIR KIT, HYD CYL 621516

NOTE: 1. 621205 - RH STEERING CYLINDER ASSEMBLY W/CYL SWIV DET.2
 2. 621206 - LH STEERING CYLINDER ASSEMBLY W/CYL SWIV DET.3



REAR LEG TIE ROD ASSEMBLY

DET.	QTY	PART NO.	DESCRIPTION
	1	749312	RH STRG CYL SWIV ASSY
	1	749313	LH STRG CYL SWIV ASSY
	2	749324	TIE ROD,REAR LEG,SP/XP/2100 03
	4	900268	1/2UNC X 2 1/2 HEX BOLT
	4	914008	1/2UNC HEX STOVER NUT
	4	390984	COTTER PIN 1/8 X 1 1/4
	4	822040	5/8-18UNF SLOTTED HEX NUT
	4	920505	5/8 LOCK WASHER
	2	749323	TIE ROD END, 1.00-16 LH THD
	4	749330	RUBBER DUST SEAL,(749312/313)



HYDRAULIC TANK ASSEMBLY

DET. QTY PART NO. DESCRIPTION

1	1	470308	1/2MNPT DRAIN PLUG,AL HD,MAG
2	1	504210	RED BUSH 3/4 NPT X 1/2 NPT
3	2	504702	CLOSE NIPPLE .75NPT
4	1	504955	BLK PIPE TEE .75NPT
5	1	505203	BLK PIPE NIPPLE 1.00NPT-4.00
6	1	505213	RED BUSH 1 X 3/4 BLK MAL
7	4	505300	BLK PIPE EL 90DEG 1.00NPT
8	1	506303	BLK PIPE EL 90DEG 1.25NPT
9	1	506602	PIPE NIPPLE 1 1/4NPT-2 1/2
10	1	605600	TANK FILTER, 100 MESH,1"FNPT
11	1	605601	PARKER FILTER ASSY,10M,1.25NPT
12	2	605603	LINE SUMP DIFFUSER
13	1	611052	FILLER BREATHER 3/4NPT
14	1	614453	DIPSTICK, 8IN
15	1	618018	9/16MJIC-1/2MNPT ADPTR
16	1	618520	1/4MNPT RUN TEE-9/16MJIC
17	1	610305	3/4MJIC-90-3/4MNPT LBO
18	2	714560	1NPT X 1 HOSE BARB
19	1	715664	1 1/4 NPT X 1 HOSE BARB
20	1	760090	RECEIVER PLT WLD 8240
21	1	760264	HYD TANK WLD,204/254/284 2002
22	1	763039	HYD MTR MTG PLT GSKT
23	12	900064	5/16UNC X 3/4 HEX BOLT
24	12	920001	5/16 SAE FLAT WASHER
25	2	341360	OIL TANK STRAP WLD 8240 1982
26	4	914004	3/8UNC HEX STOVER NUT
27	3	520138	1.38/1.56 T-BOLT HOSE CLAMP
28	1	605602	PARKER FILTER ELEMENT,10MICRON
29	1	506410	BLK PIPE ST EL 90DEG 1.25NPT
30	1	504001	RED BUSH 3/4 X 1/4 BLK MAL
31	1	470350	LIQUID LEVEL SWITCH ASSY,1/2NP
32	1	504900	PIPE PLUG .75NPT SQ HD
33	1	504400	BLK PIPE CROSS .75NPT
34	1	618135	3/4 HOSE BARB-90-3/4MNPT
35	3	618486	9/16FJIC SW RUN TEE-9/16MJIC

*NOTE: DETAIL 34 IS USED WITH THE CUTTER OPTION.

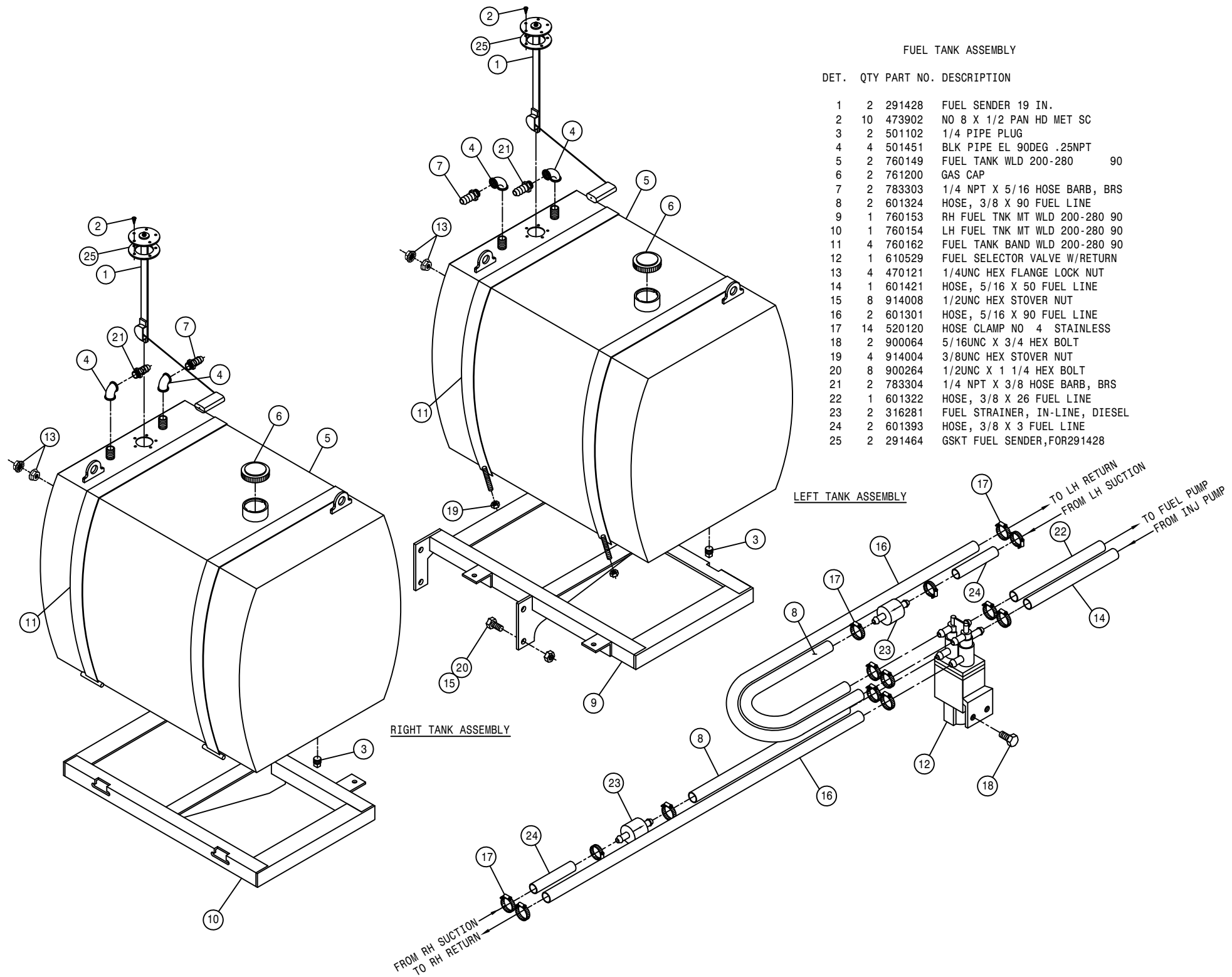
FUEL TANK ASSEMBLY

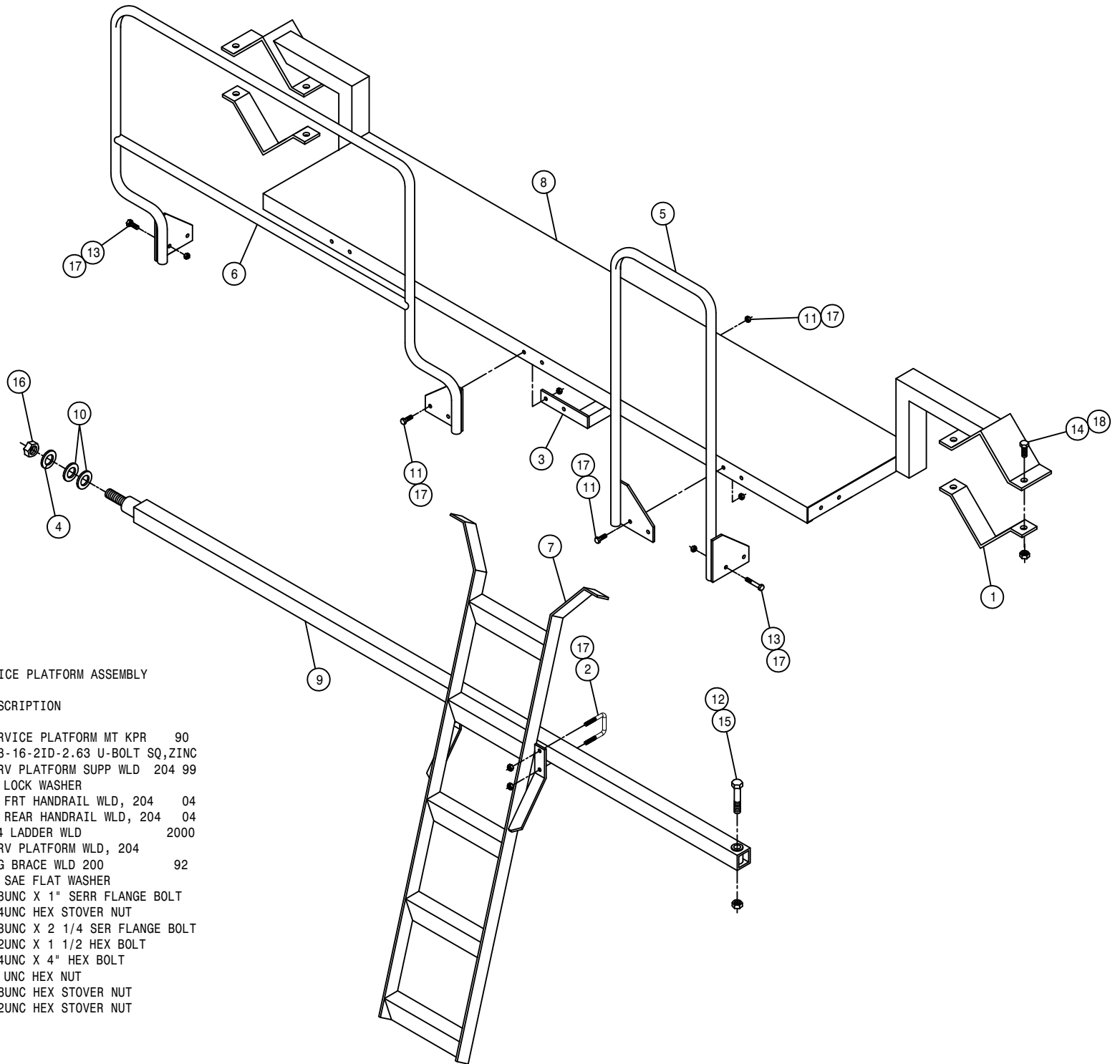
DET. QTY PART NO. DESCRIPTION

1	2	291428	FUEL SENDER 19 IN.
2	10	473902	NO 8 X 1/2 PAN HD MET SC
3	2	501102	1/4 PIPE PLUG
4	4	501451	BLK PIPE EL 90DEG .25NPT
5	2	760149	FUEL TANK WLD 200-280 90
6	2	761200	GAS CAP
7	2	783303	1/4 NPT X 5/16 HOSE BARB, BRS
8	2	601324	HOSE, 3/8 X 90 FUEL LINE
9	1	760153	RH FUEL TNK MT WLD 200-280 90
10	1	760154	LH FUEL TNK MT WLD 200-280 90
11	4	760162	FUEL TANK BAND WLD 200-280 90
12	1	610529	FUEL SELECTOR VALVE W/RETURN
13	4	470121	1/4UNC HEX FLANGE LOCK NUT
14	1	601421	HOSE, 5/16 X 50 FUEL LINE
15	8	914008	1/2UNC HEX STOVER NUT
16	2	601301	HOSE, 5/16 X 90 FUEL LINE
17	14	520120	HOSE CLAMP NO 4 STAINLESS
18	2	900064	5/16UNC X 3/4 HEX BOLT
19	4	914004	3/8UNC HEX STOVER NUT
20	8	900264	1/2UNC X 1 1/4 HEX BOLT
21	2	783304	1/4 NPT X 3/8 HOSE BARB, BRS
22	1	601322	HOSE, 3/8 X 26 FUEL LINE
23	2	316281	FUEL STRAINER, IN-LINE, DIESEL
24	2	601393	HOSE, 3/8 X 3 FUEL LINE
25	2	291464	GSKT FUEL SENDER, FOR291428

LEFT TANK ASSEMBLY

RIGHT TANK ASSEMBLY

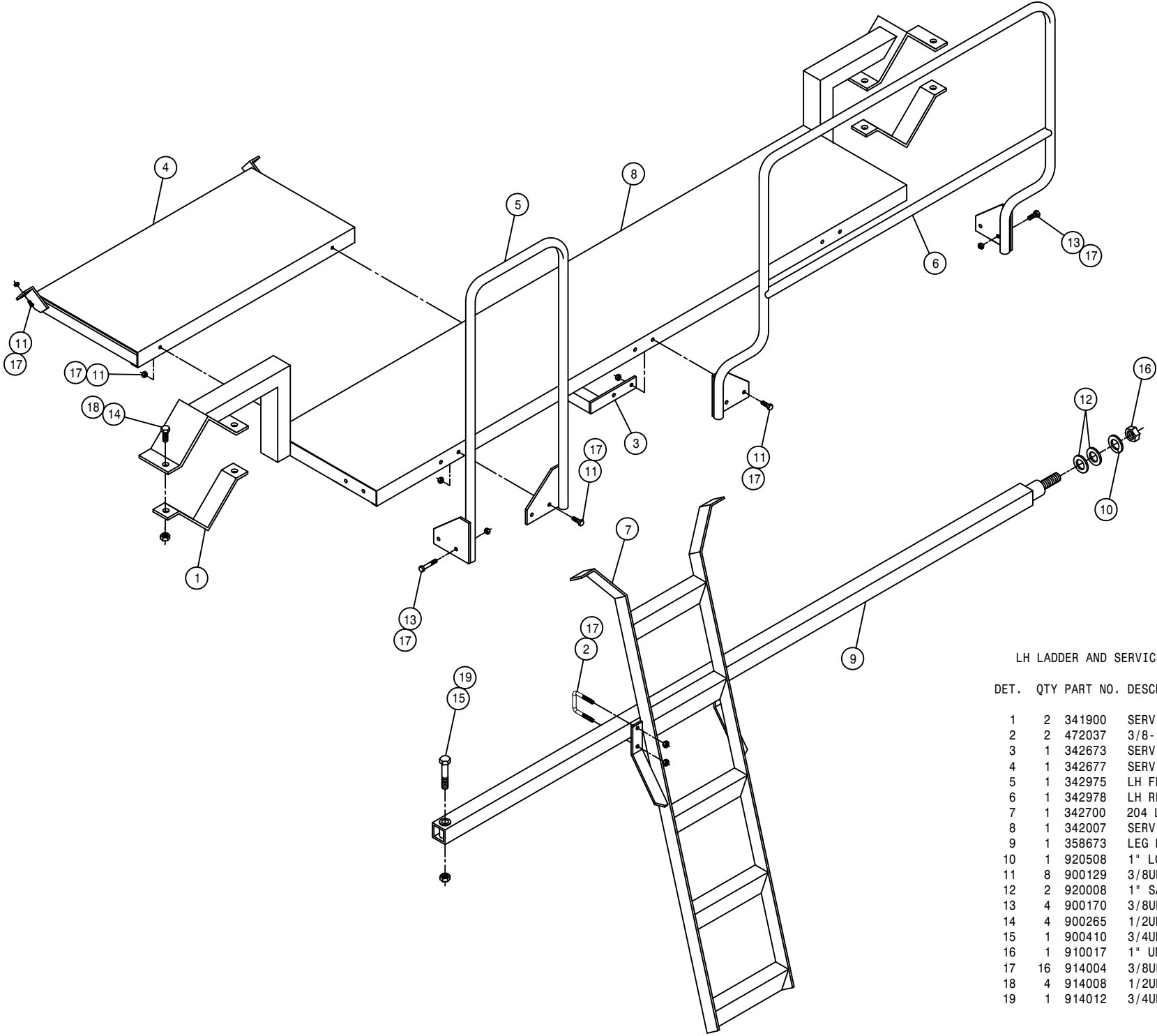




RH LADDER AND SERVICE PLATFORM ASSEMBLY

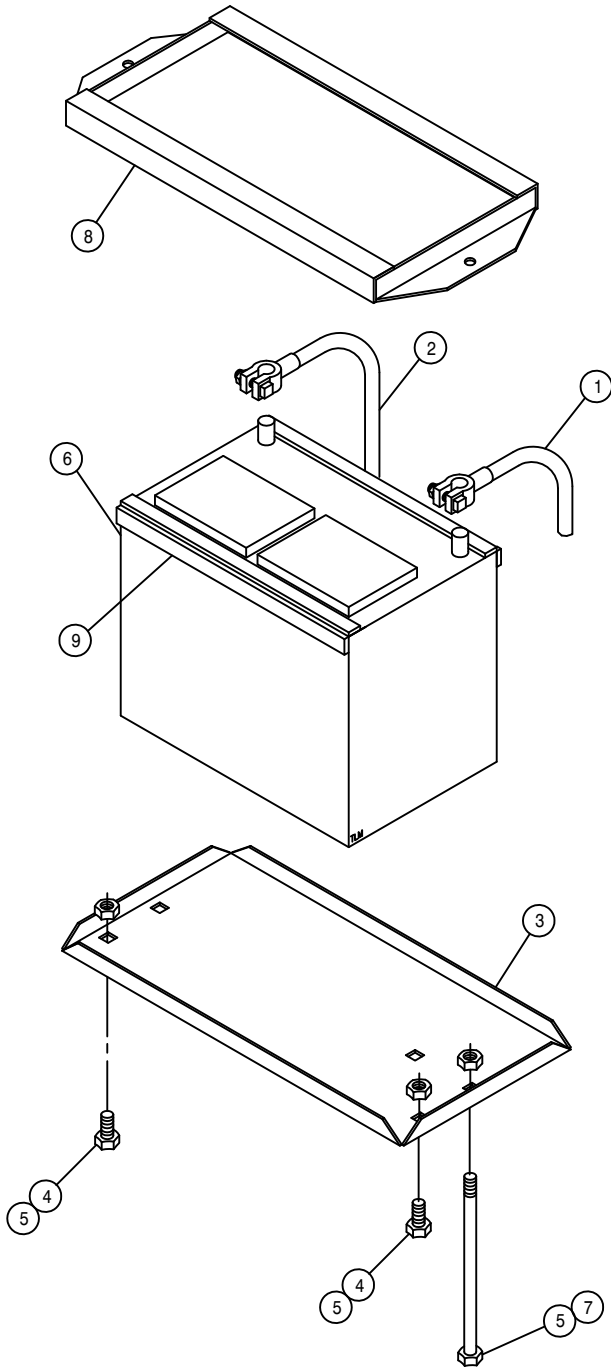
DET. QTY PART NO. DESCRIPTION

1	2	341900	SERVICE PLATFORM MT KPR	90
2	2	472037	3/8-16-2ID-2.63 U-BOLT SQ,ZINC	
3	1	342673	SERV PLATFORM SUPP WLD	204 99
4	1	920508	1" LOCK WASHER	
5	1	342974	RH FRT HANDRAIL WLD, 204	04
6	1	342977	RH REAR HANDRAIL WLD, 204	04
7	1	342700	204 LADDER WLD	2000
8	1	342007	SERV PLATFORM WLD, 204	
9	1	358673	LEG BRACE WLD 200	92
10	2	920008	1" SAE FLAT WASHER	
11	5	900129	3/8UNC X 1" SERR FLANGE BOLT	
12	1	914012	3/4UNC HEX STOVER NUT	
13	4	900170	3/8UNC X 2 1/4 SER FLANGE BOLT	
14	4	900265	1/2UNC X 1 1/2 HEX BOLT	
15	1	900410	3/4UNC X 4" HEX BOLT	
16	1	910017	1" UNC HEX NUT	
17	13	914004	3/8UNC HEX STOVER NUT	
18	4	914008	1/2UNC HEX STOVER NUT	



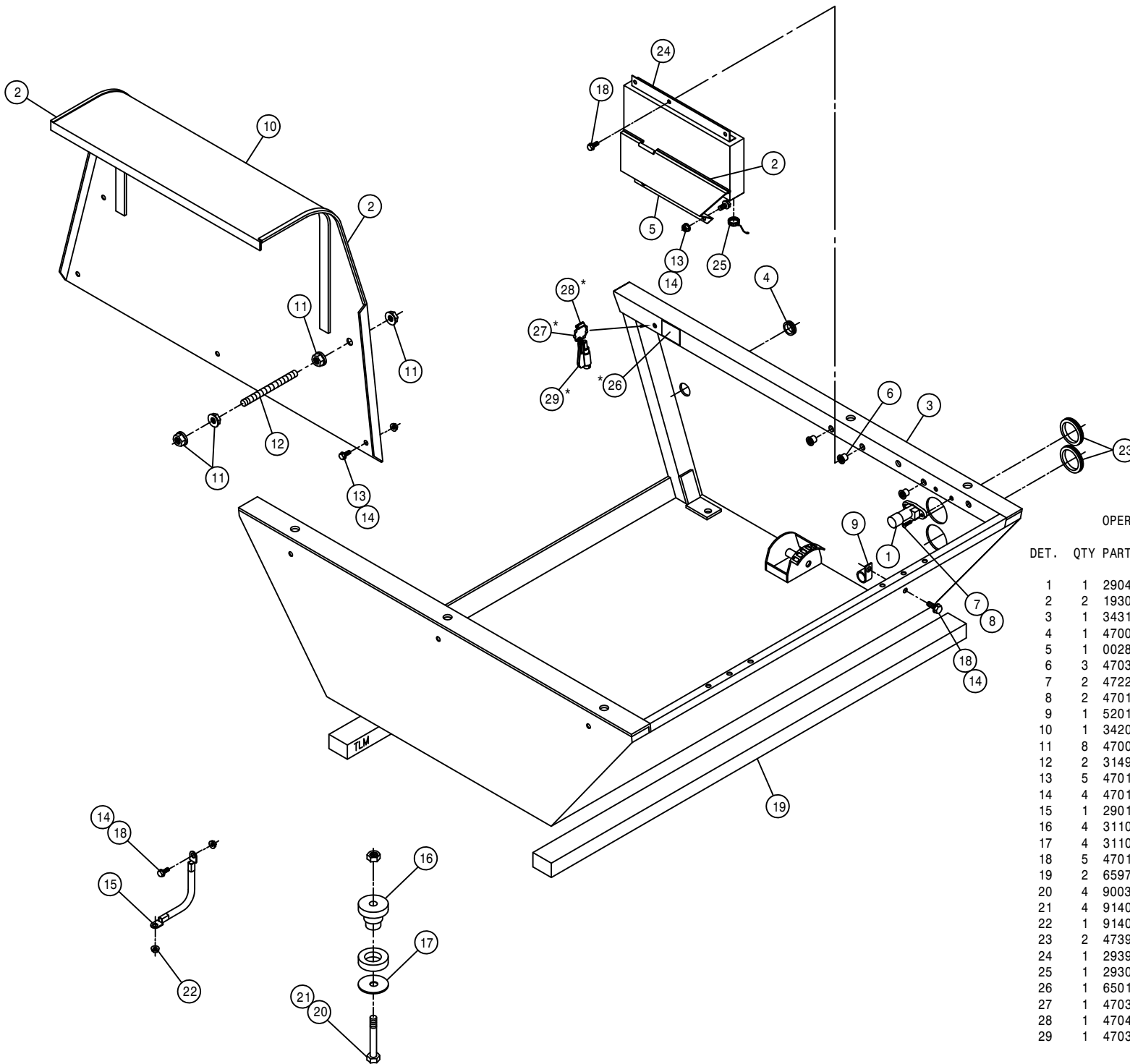
LH LADDER AND SERVICE PLATFORM ASSEMBLY

DET.	QTY	PART NO.	DESCRIPTION
1	2	341900	SERVICE PLATFORM MT KPR 90
2	2	472037	3/8-16-2ID-2.63 U-BOLT SQ,ZINC
3	1	342673	SERV PLATFORM SUPP WLD 204 99
4	1	342677	SERV PLATFORM STEP WLD 204 99
5	1	342975	LH FRT HANDRAIL WLD, 204 04
6	1	342978	LH REAR HANDRAIL WLD, 204 04
7	1	342700	204 LADDER WLD 2000
8	1	342007	SERV PLATFORM WLD, 204
9	1	358673	LEG BRACE WLD 200 92
10	1	920508	1" LOCK WASHER
11	8	900129	3/8UNC X 1" SERR FLANGE BOLT
12	2	920008	1" SAE FLAT WASHER
13	4	900170	3/8UNC X 2 1/4 SER FLANGE BOLT
14	4	900265	1/2UNC X 1 1/2 HEX BOLT
15	1	900410	3/4UNC X 4" HEX BOLT
16	1	910017	1" UNC HEX NUT
17	16	914004	3/8UNC HEX STOVER NUT
18	4	914008	1/2UNC HEX STOVER NUT
19	1	914012	3/4UNC HEX STOVER NUT



BATTERY BOX ASSEMBLY

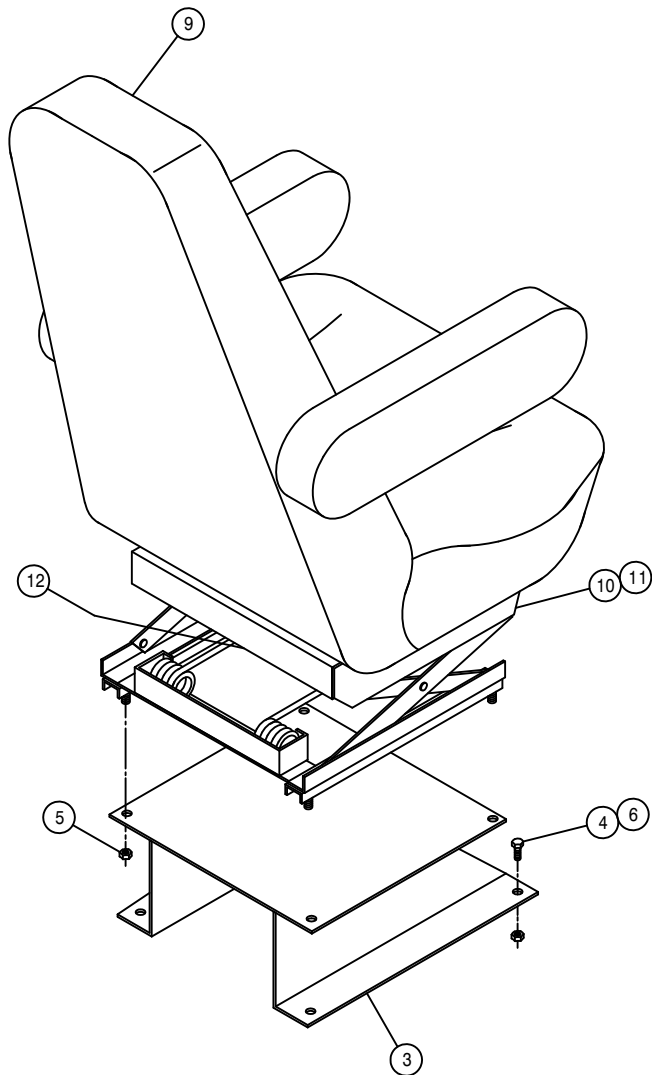
DET.	QTY	PART NO.	DESCRIPTION
	1	291128	BATTERY CABLE 48 IN
	1	291530	BATTERY GROUND CABLE, 23"
	1	361149	BATTERY BOX 8300-8400 1981
	3	900128	3/8UNC X 3/4 HEX BOLT
	5	914004	3/8UNC HEX STOVER NUT
	1	291122	BATTERY, 12V 950CCA, SAE POST
	2	901150	3/8UNC X 9" CARR BOLT
	1	341322	BATTERY HOLD DOWN WLD 1981
	4	193022	STICKERTITE 1/4 X 3/4



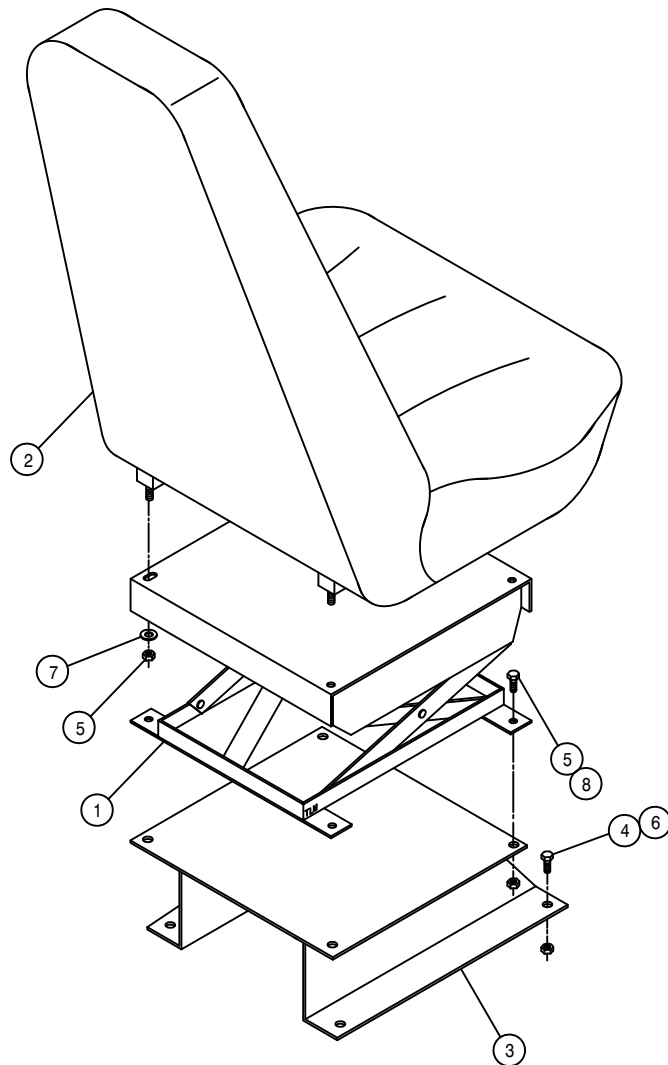
OPERATOR STATION ASSEMBLY

DET.	QTY	PART NO.	DESCRIPTION
1	1	290412	DIMMER SWITCH
2	2	193011	EDGE GUARD, BLK
3	1	343172	OP STN WLD, 204/204SP 07
4	1	470067	GROMMET, .250ID .125GW .375GD
5	1	002899	LS CTRL BOX CONNECTOR SHLD 96
6	3	470380	1/4-20 NUTSERT .027-.165 STL
7	2	472235	10-32 X 3/4 PHIL HD MACH SCR
8	2	470175	10-32 HEX FLANGE LOCK NUT
9	1	520121	CUSH CLAMP,#16 1IN X 3/4W
10	1	342098	NOISE DEFLECTOR WELDMT 204
11	8	470087	3/8UNC HEX FLANGE LOCK NUT
12	2	314929	3/8UNC X 3.00 STUD BOLT, FULL
13	5	470122	1/4UNC X 1/2 FLANGE HEX BOLT
14	4	470121	1/4UNC HEX FLANGE LOCK NUT
15	1	290107	GROUND CABLE,8" X 4GA .406LUGS
16	4	311051	RUBBER MOUNT, RB3-350
17	4	311052	SNUBBING WASHER FOR 311051
18	5	470118	1/4UNC X 3/4 FLANGE HEX BOLT
19	2	659704	FOAM, 2"THK X 2" WIDE X 42"LG
20	4	900342	5/8UNC X 4" HEX BOLT
21	4	914010	5/8UNC HEX STOVER NUT
22	1	914004	3/8UNC HEX STOVER NUT
23	2	473915	GROMMET,1.500ID .062GW 1.750GD
24	1	293906	TASSELTROL CABLE BOX ASSY 2008
25	1	293046	AMP,COVER,SIZE 11
26	1	650175	DECAL,NOTICE EMERGENCY EXIT
27	1	470398	BEAD CHAIN, #10 X 4" LONG
28	1	470400	BEAD CHAIN CONNECTOR #10 WHITE
29	1	470397	RES-Q-ME TOOL

NOTE: ITEMS WITH (*) ARE USED WITH THE CAB ASSEMBLY.



SEAT ASSEMBLY W/CAB



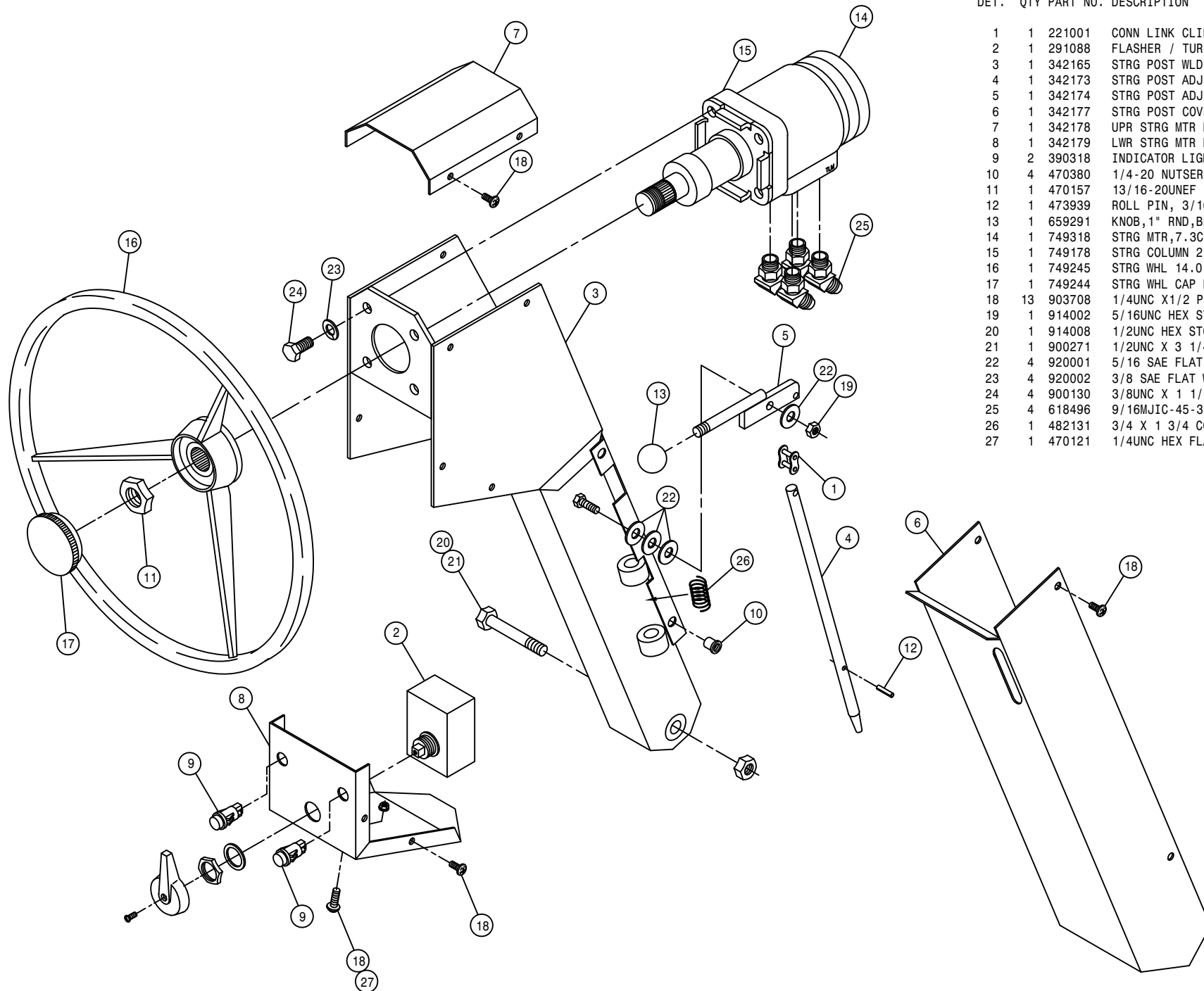
SEAT ASSEMBLY W/O CAB

SEAT ASSEMBLY

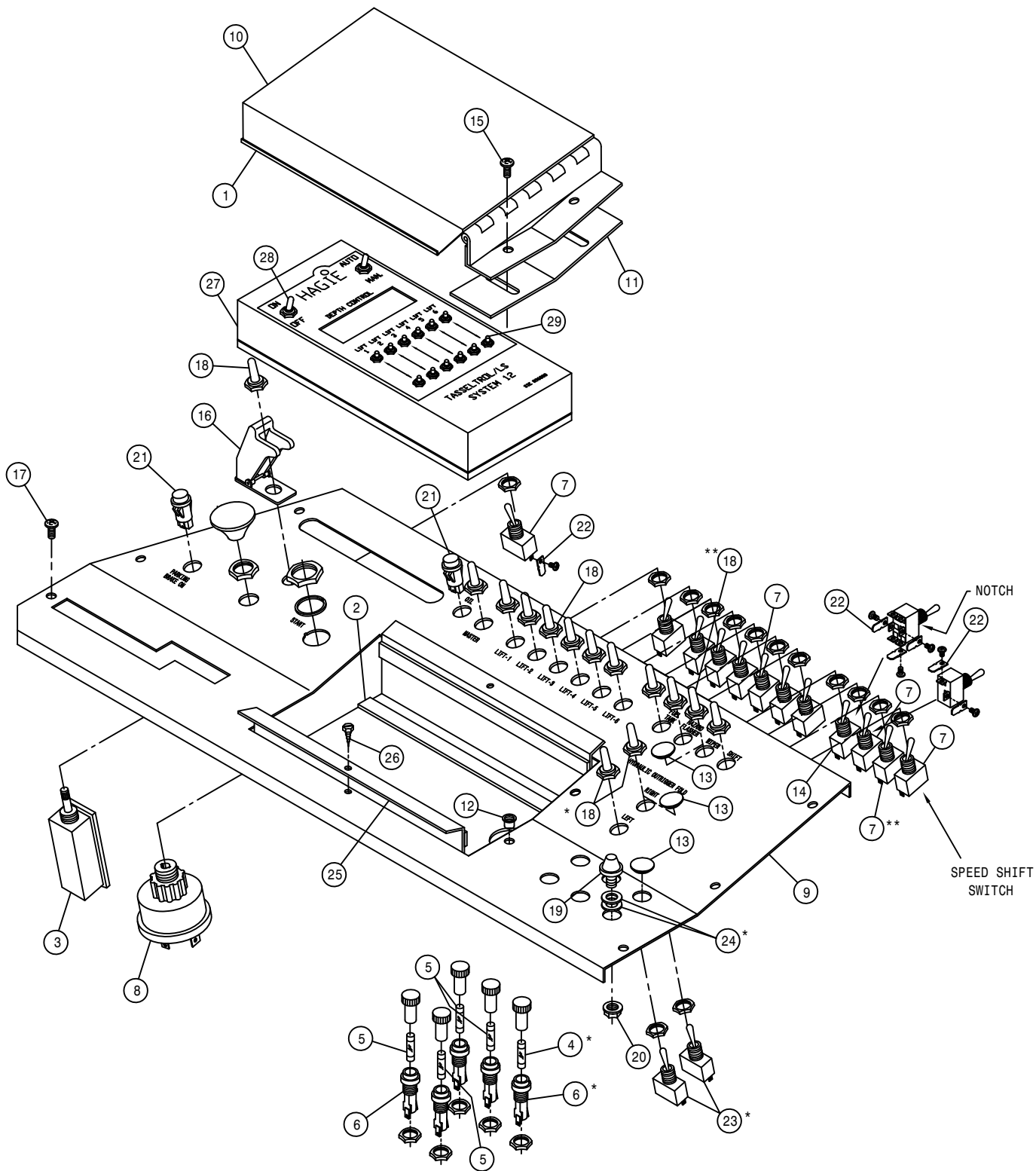
DET. QTY PART NO. DESCRIPTION

1	1	330015	SUSPENSION ASSY TRIMLINE SEAT
2	1	330017	TRIMLINE SEAT, MID HIGH,VINYL
3	2	341554	SEAT MT WLD TRIMLINE SEAT
4	8	900129	3/8UNC X 1" SERR FLANGE BOLT
5	12	914002	5/16UNC HEX STOVER NUT
6	8	914004	3/8UNC HEX STOVER NUT
7	2	920001	5/16 SAE FLAT WASHER
8	4	900064	5/16UNC X 3/4 HEX BOLT
9	1	330022	SEAT,MAGNUM-100 AIR SUSPEND95
10	1	330024	HEIGHT ADJ LATCH, SEAT 330022
11	1	330025	ADJ LATCH SPRING, SEAT 330022
12	1	330023	AIR BAG PKG, SEAT 330022

STEERING POST ASSEMBLY



DET.	QTY	PART NO.	DESCRIPTION
1	1	221001	CONN LINK CLIP TYPE RC50
2	1	291088	FLASHER / TURN SIGNAL SWITCH
3	1	342165	STRG POST WLD, 284 CAB 94
4	1	342173	STRG POST ADJ PIN, 284 CAB 94
5	1	342174	STRG POST ADJ PIN LEVER WLD94
6	1	342177	STRG POST COVER, 284 CAB 94
7	1	342178	UPR STRG MTR HSNQ COVER 94
8	1	342179	LWR STRG MTR HSNQ COVER 94
9	2	390318	INDICATOR LIGHT, RED
10	4	470380	1/4-20 NUTSERT .027-.165 STL
11	1	470157	13/16-20UNEF HEX NUT STRG WHL
12	1	473939	ROLL PIN, 3/16DIA X 7/8
13	1	659291	KNOB,1" RND,BLK, 3/8-16
14	1	749318	STRG MTR,7.3CID,NON-LOAD 1031
15	1	749178	STRG COLUMN 2.5IN LONG
16	1	749245	STRG WHL 14.0 DIA
17	1	749244	STRG WHL CAP FOR 749245
18	13	903708	1/4UNC X1/2 PHIL PNHD MACHSCR
19	1	914002	5/16UNC HEX STOVER NUT
20	1	914008	1/2UNC HEX STOVER NUT
21	1	900271	1/2UNC X 3 1/4 HEX BOLT
22	4	920001	5/16 SAE FLAT WASHER
23	4	920002	3/8 SAE FLAT WASHER
24	4	900130	3/8UNC X 1 1/4 SER FLANGE BOLT
25	4	618496	9/16MJIC-45-3/4MOR LBO
26	1	482131	3/4 X 1 3/4 COMPRSN SPRING
27	1	470121	1/4UNC HEX FLANGE LOCK NUT



CONSOLE PANEL ASSEMBLY

DET.	QTY	PART NO.	DESCRIPTION
1	2	193011	EDGE GUARD, BLK
2	2	193037	STICKERTITE 1/8 X 3/4
3	1	290046	LIGHT SWITCH TWO POSITION
4	1	291602	FUSE 10 AMP
5	4	298004	20 AMP FUSE SFE 20
6	5	298011	FUSE HOLDER
7	11	298012	TOGGLE SWITCH, ON-OFF, SPST, 15A
8	1	321020	IGN SWITCH, SEALED, 4 TERMINAL
9	1	343178	CONSOLE PANEL, 204 07
10	1	342240	CONTROL BOX COVER WLD, 204 94
11	1	342244	CONTROL BOX KEEPER, 204 94
12	2	470384	10-32 NUTSERT .020-.130 STL
13	4	470224	SNAP PLUG, BLK NYL, .50 DIA
14	1	610412	TOGGLE SWITCH FOR FUEL VLV
15	2	903710	10-32X5/8 PHIL PANHD MACH SCR
16	1	291655	AIRCRAFT TOGGLE SWITCH GUARD
17	6	903708	1/4UNC X1/2 PHIL PNHD MACHSCR
18	14	470001	RUBBER BOOT W NUT FOR 298012
19	1	470230	1/2 RUBBER BUMPER, 1/4-20 STUD
20	1	470121	1/4UNC HEX FLANGE LOCK NUT
21	2	390318	INDICATOR LIGHT, RED
22	6	291644	.250MALE FASTON-#6 RING ADPTR
23	2	293038	TOGGLE SWITCH DPDT 15 AMP
24	2	920002	3/8 SAE FLAT WASHER
25	1	342297	LS CTRL 6L DISPLAY BOX MT
26	2	473902	NO 8 X 1/2 PAN HD MET SC
27	1	293373	LS CTRL 6L DISPLAY BOX ASSY
28	2	470001	RUBBER BOOT W NUT FOR 298012
29	12	293255	SWITCH BOOT, PUSHBUTTON, 1/4-40

NOTE: ITEMS WITH (*) ARE USED WITH THE OUTRIGGER FOLD OPTION.
 ITEMS WITH (**) ARE USED WITH THE WINDSHIELD WIPER IN THE CAB OPTION.

SPEED SHIFT SWITCH

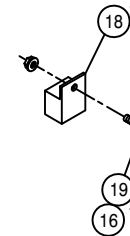
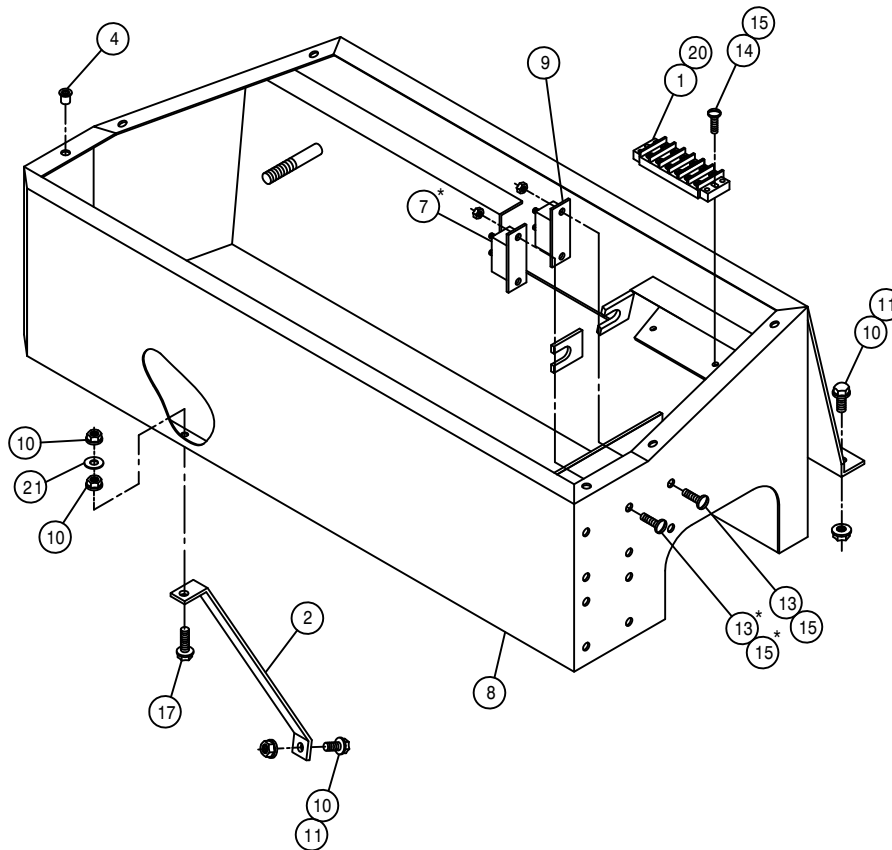
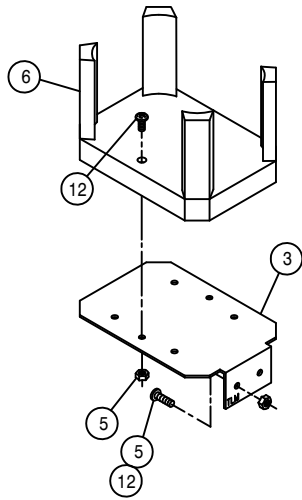
NOTCH

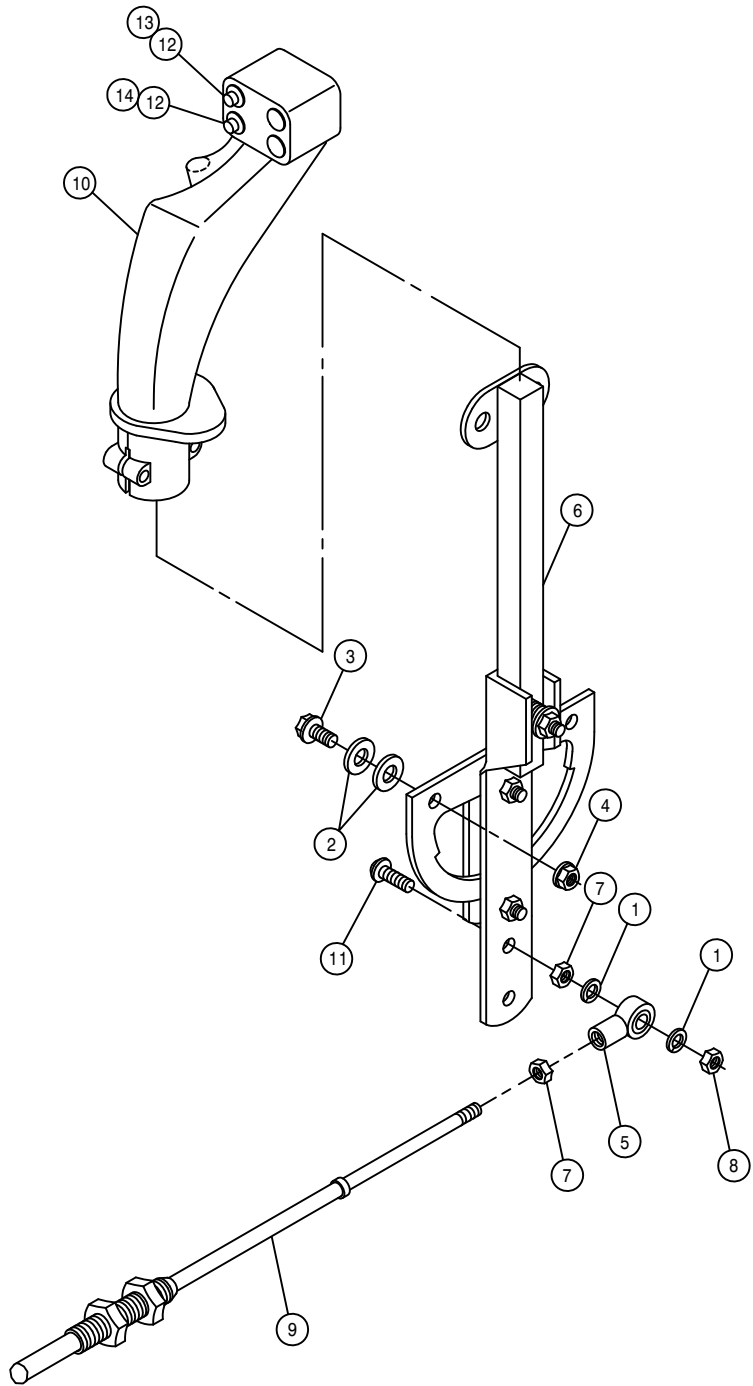
CONSOLE ASSEMBLY

DET. QTY PART NO. DESCRIPTION

DET.	QTY	PART NO.	DESCRIPTION
1	1	293093	TERMINAL BLOCK 6 POS - 2 ROW
2	1	342248	CONSOLE BRACE, 204
3	1	342216	DRINK HOLDER MT BRKT
4	6	470380	1/4-20 NUTSERT .027-.165 STL
5	4	470175	10-32 HEX FLANGE LOCK NUT
6	1	470214	SPILLMASTER DRINK HOLDER
7	1	291197	CIRCUIT BREAKER,30AMP,INLINEMT
8	1	343174	CONSOLE WLD, 204
9	1	291024	CIRCUIT BREAKER,40AMP,INLINEMT
10	5	470121	1/4UNC HEX FLANGE LOCK NUT
11	3	470118	1/4UNC X 3/4 FLANGE HEX BOLT
12	4	903710	10-32X5/8 PHIL PANHD MACH SCR
13	4	903812	6-32 X 1/2 SLT RD HD MACH SCR
14	2	903814	6-32 X 3/4 SLT RD HD MACH SCR
15	6	910022	6-32 HEX NUT
16	1	910024	8-32 HEX NUT
17	1	900004	1/4UNC X 1 1/4 HEX BOLT
18	1	291640	RELAY, 12V 20/30AMP BOSCH
19	1	903844	8-32 X 1/2 PHIL PANHD MACH SCR
20	3	903808	6-32 X 3/8 SLT RD HD MACH SCR
21	1	920000	1/4 SAE FLAT WASHER

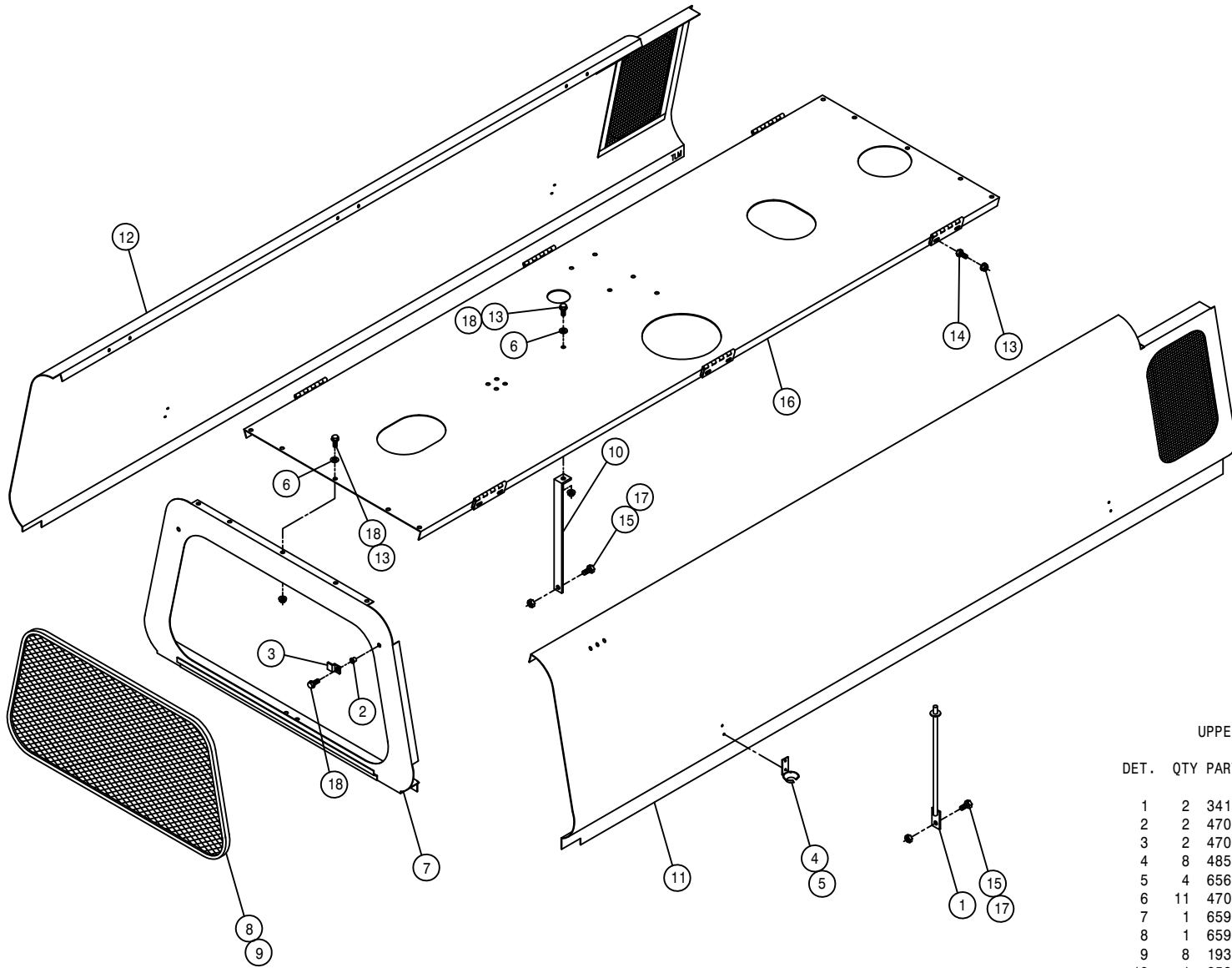
NOTE: ITEMS MARKED WITH A (*) ARE USED WITH THE CAB OPTION.





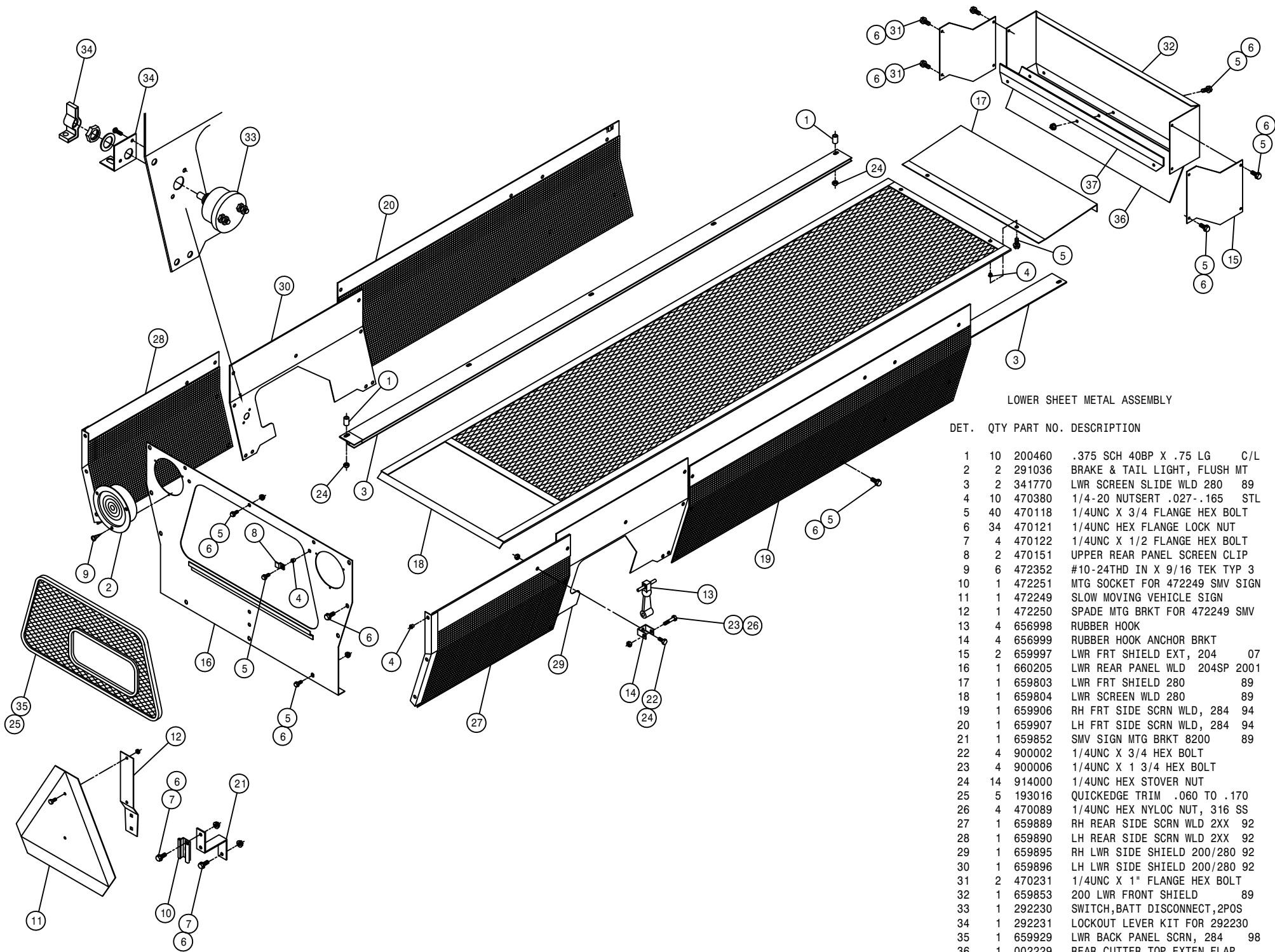
HYDROSTATIC LEVER ASSEMBLY

DET.	QTY	PART NO.	DESCRIPTION
	2	920510	#10 LOCK WASHER
	4	920000	1/4 SAE FLAT WASHER
	2	470118	1/4UNC X 3/4 FLANGE HEX BOLT
	2	470121	1/4UNC HEX FLANGE LOCK NUT
	1	473921	BALL JOINT NO 10-32 THD
	1	606907	HYDST CTRL LEVER ASSY 204-284
	2	910027	10-32 HEX NUT
	1	914027	10-32 HEX STOVER NUT
	1	785003	CTRL CABLE 10-32 4IN X 112 LG
	1	785077	FASSE EZ-3 CONTROL HANDLE,204
	1	903893	10-32 X 1" SLT RD HD MACH SCR
	2	291650	SWITCH,SPDT MOM MICRO
	1	291652	SWITCH BOOT, RED -FOR 291650
	1	291682	SWITCH BOOT, GRN -FOR 291650



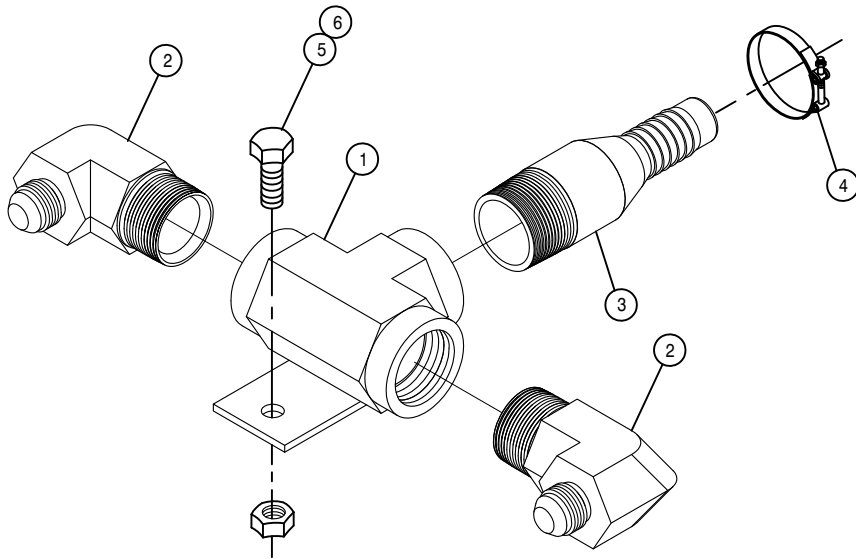
UPPER SHEET METAL ASSEMBLY

DET.	QTY	PART NO.	DESCRIPTION
	1	2	341356 ENGINE HOOD PROP WLD 8240 82
	2	2	470380 1/4-20 NUTSERT .027-.165 STL
	3	2	470151 UPPER REAR PANEL SCREEN CLIP
	4	8	485053 POP RIVET 3/16 X 3/8
	5	4	656997 RUBBER HOOK BRKT
	6	11	470212 1/4 BONDED SEALING WASH, SS
	7	1	659575 UPPER REAR PANEL WLD 8240 82
	8	1	659578 UPPER REAR PANEL SCREEN 8240
	9	8	193016 QUICKEDGE TRIM .060 TO .170
	10	1	659930 MULLION SUPPORT BRKT, 284 97
	11	1	659911 RH ENG HOOD WLD, 204 94
	12	1	659912 LH ENG HOOD WLD, 204 94
	13	23	470121 1/4UNC HEX FLANGE LOCK NUT
	14	12	900000 1/4UNC X 1/2 HEX BOLT
	15	3	900128 3/8UNC X 3/4 HEX BOLT
	16	1	660234 MULLION WLD, 204/284 CUMM 04
	17	3	914004 3/8UNC HEX STOVER NUT
	18	13	470118 1/4UNC X 3/4 FLANGE HEX BOLT



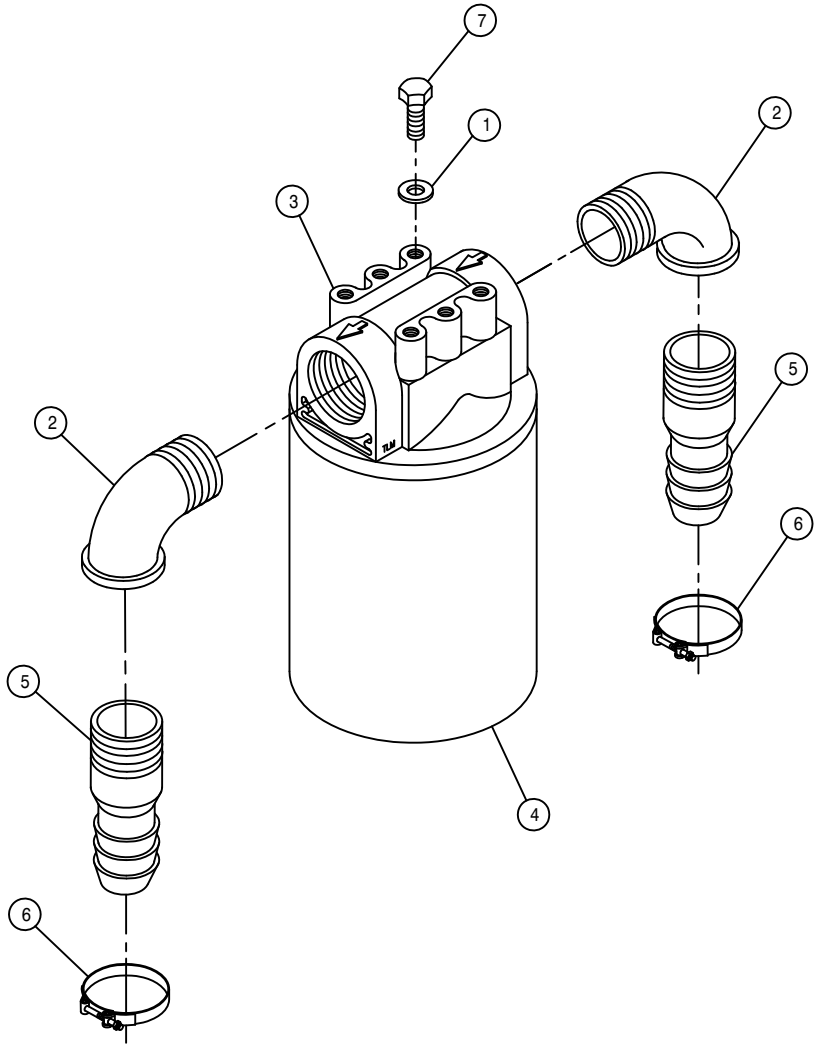
LOWER SHEET METAL ASSEMBLY

DET.	QTY	PART NO.	DESCRIPTION
1	10	200460	.375 SCH 40BP X .75 LG C/L
2	2	291036	BRAKE & TAIL LIGHT, FLUSH MT
3	2	341770	LWR SCREEN SLIDE WLD 280 89
4	10	470380	1/4-20 NUTSERT .027-.165 STL
5	40	470118	1/4UNC X 3/4 FLANGE HEX BOLT
6	34	470121	1/4UNC HEX FLANGE LOCK NUT
7	4	470122	1/4UNC X 1/2 FLANGE HEX BOLT
8	2	470151	UPPER REAR PANEL SCREEN CLIP
9	6	472352	#10-24THD IN X 9/16 TEK TYP 3
10	1	472251	MTG SOCKET FOR 472249 SMV SIGN
11	1	472249	SLOW MOVING VEHICLE SIGN
12	1	472250	SPADE MTG BRKT FOR 472249 SMV
13	4	656998	RUBBER HOOK
14	4	656999	RUBBER HOOK ANCHOR BRKT
15	2	659997	LWR FRT SHIELD EXT, 204 07
16	1	660205	LWR REAR PANEL WLD 204SP 2001
17	1	659803	LWR FRT SHIELD 280 89
18	1	659804	LWR SCREEN WLD 280 89
19	1	659906	RH FRT SIDE SCR N WLD, 284 94
20	1	659907	LH FRT SIDE SCR N WLD, 284 94
21	1	659852	SMV SIGN MTG BRKT 8200 89
22	4	900002	1/4UNC X 3/4 HEX BOLT
23	4	900006	1/4UNC X 1 3/4 HEX BOLT
24	14	914000	1/4UNC HEX STOVER NUT
25	5	193016	QUICKEDGE TRIM .060 TO .170
26	4	470089	1/4UNC HEX NYLOC NUT, 316 SS
27	1	659889	RH REAR SIDE SCR N WLD 2XX 92
28	1	659890	LH REAR SIDE SCR N WLD 2XX 92
29	1	659895	RH LWR SIDE SHIELD 200/280 92
30	1	659896	LH LWR SIDE SHIELD 200/280 92
31	2	470231	1/4UNC X 1" FLANGE HEX BOLT
32	1	659853	200 LWR FRONT SHIELD 89
33	1	292230	SWITCH,BATT DISCONNECT,2POS
34	1	292231	LOCKOUT LEVER KIT FOR 292230
35	1	659929	LWR BACK PANEL SCR N, 284 98
36	1	002229	REAR CUTTER TOP EXTEN FLAP
37	1	002230	REAR CUTTER TOP EXTEN FLAP KPR



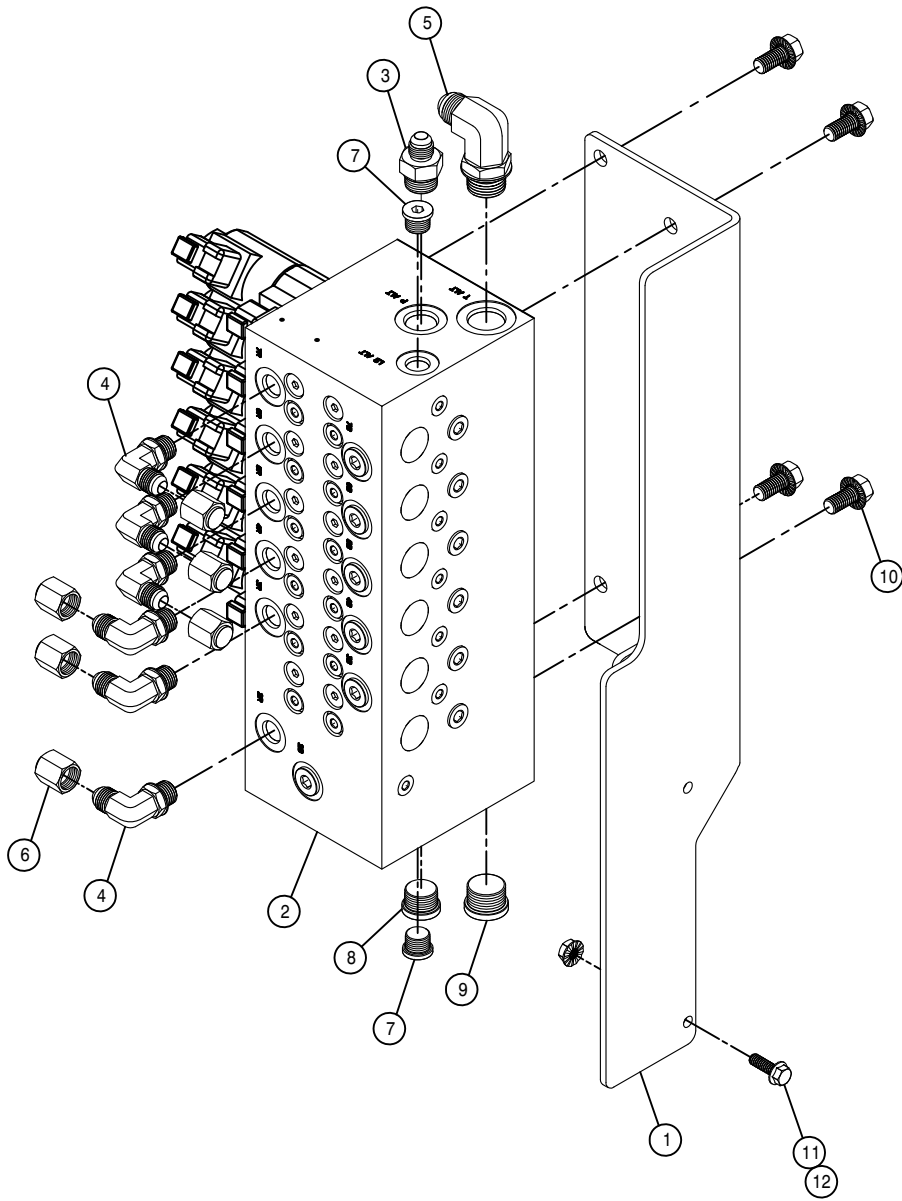
RETURN TEE ASSEMBLY

DET.	QTY	PART NO.	DESCRIPTION	
1	1	614660	1IN STL TEE WLD 280	89
2	2	618714	3/4MJIC-90-1"MNPT LBO	
3	1	714331	1 NPT X 3/4 HOSE BARB	
4	1	520137	1.12/1.25 T-BOLT HOSE CLAMP	
5	1	900128	3/8UNC X 3/4 HEX BOLT	
6	1	914004	3/8UNC HEX STOVER NUT	



DETASSELER FILTER ASSEMBLY

DET.	QTY	PART NO.	DESCRIPTION
1	4	920501	5/16 LOCK WASHER
2	2	506410	BLK PIPE ST EL 90DEG 1.25NPT
3	1	605633	PARKER FILTER ASSY,25M,1.25NPT
4	1	605634	PARKER FILTER ELEMENT,25MICRON
5	2	715660	HOSE BARB 1 1/4NPT X 1 1/4
6	2	520132	1.62/1.87 T-BOLT HOSE CLAMP SS
7	4	900062	5/16UNC X 1/2 HEX BOLT



LIFT VALVE ASSEMBLY

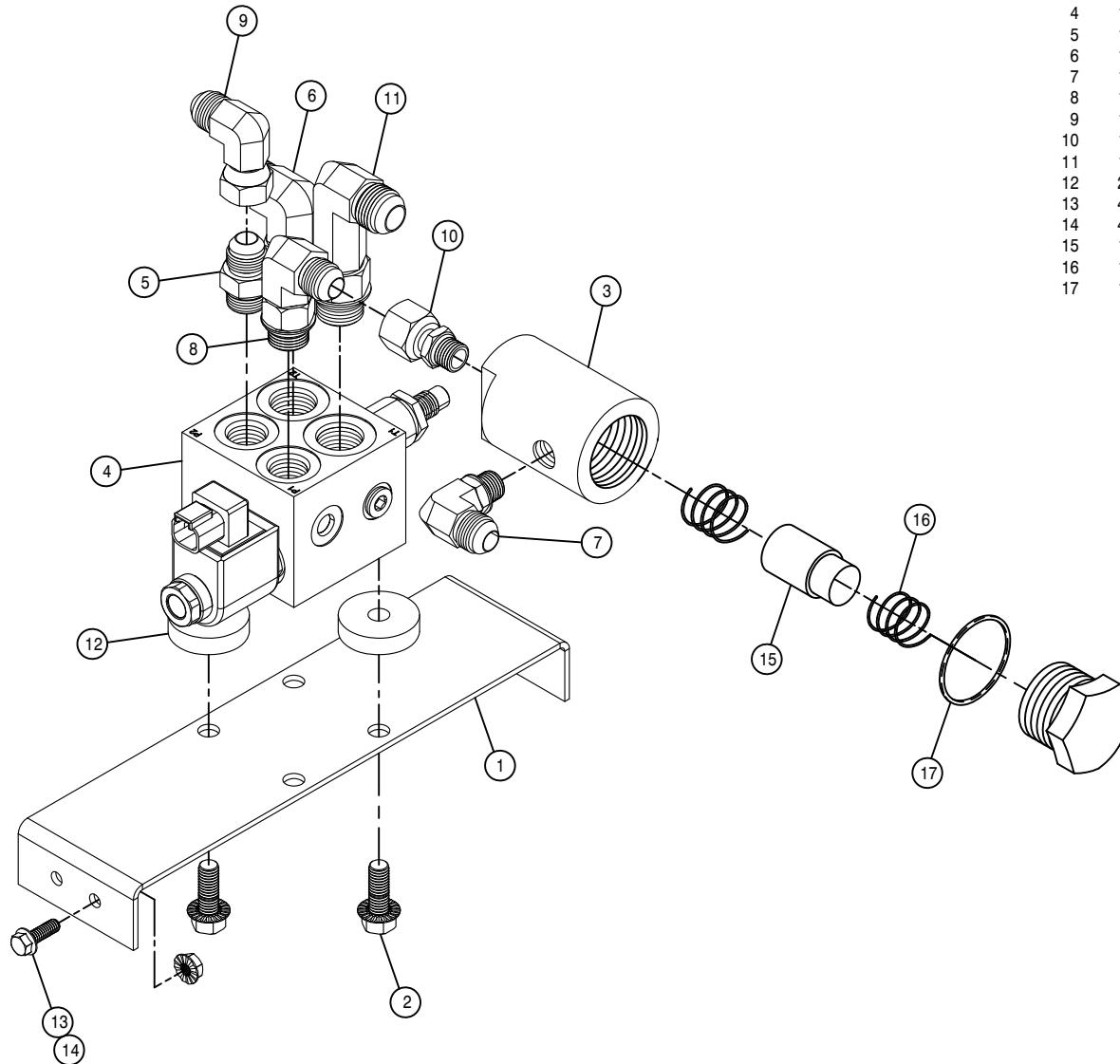
DET. QTY PART NO. DESCRIPTION

DET.	QTY	PART NO.	DESCRIPTION
1	1	003101	LIFT VALVE MT WLD 204 08
2	1	606285	LIFT VALVE,STS COMBO,SAUER
3	1	618109	9/16MJIC-3/4MOR ADPTR
4	6	618119	9/16MJIC-90-9/16MOR LBO
5	1	618183	3/4MJIC-90-7/8MOR LBO
6	6	618531	9/16FJIC CAP NUT
7	2	618754	9/16MOR PLUG, HEX SOCKET
8	1	618755	3/4MOR PLUG, HEX SOCKET
9	1	618756	7/8MOR PLUG, HEX SOCKET
10	4	900128	3/8UNC X 3/4 HEX BOLT
11	3	470118	1/4UNC X 3/4 FLANGE HEX BOLT
12	3	470121	1/4UNC HEX FLANGE LOCK NUT

DUMP MANIFOLD VALVE ASSEMBLY

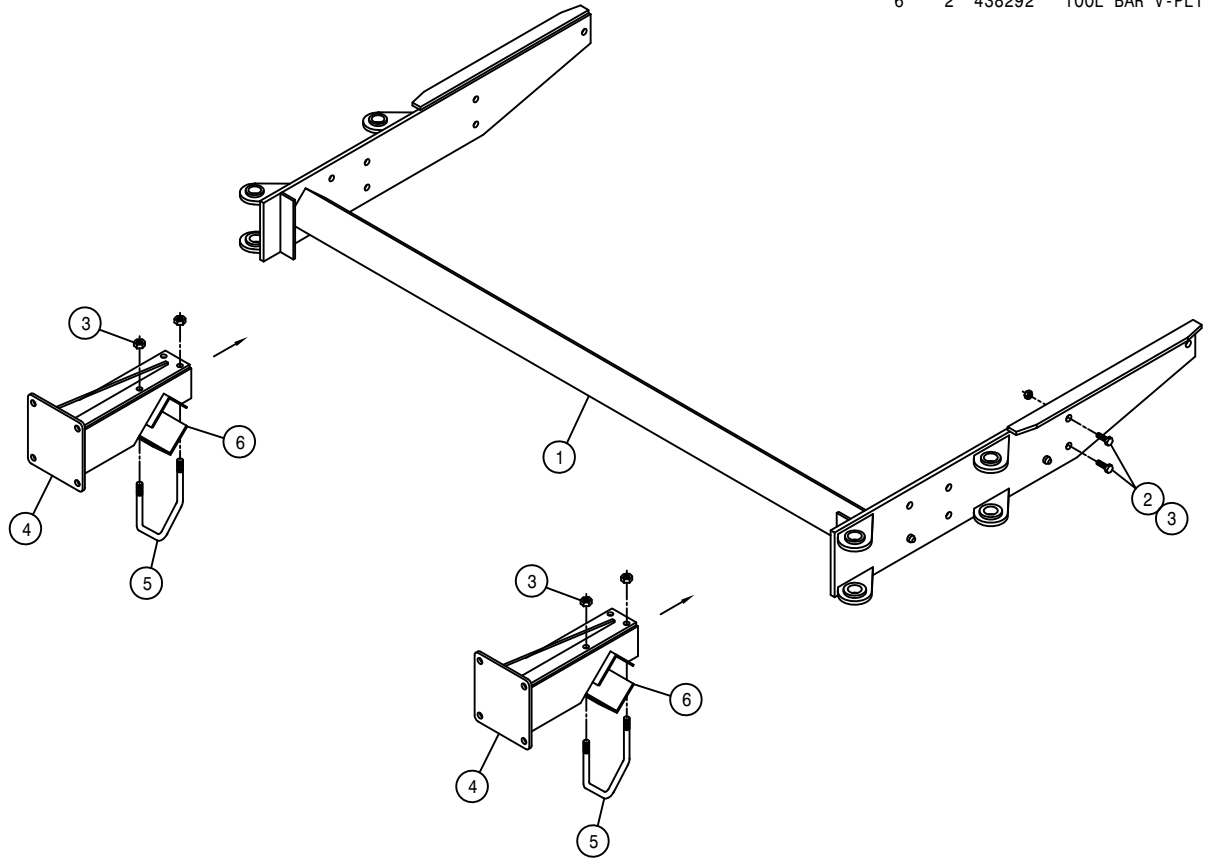
DET. QTY PART NO. DESCRIPTION

1	1	003100	DUMP VALVE MT 204 08
2	2	470460	3/8 X 1 SERR FLANGE BOLT
3	1	605615	HYD FILTER, INLINE 25M 9/16FOR
4	1	606330	DUMP MANIF VALVE SAUER
5	1	611125	3/4MJIC-3/4MOR ADPTR
6	1	611128	7/8MJIC-90-7/8MOR LBO
7	1	618249	3/4MJIC-90-9/16MOR LBO
8	1	618464	3/4MJIC-90-3/4MOR LG LBO
9	1	618609	3/4MJIC-90-3/4FJIC SWIV LBO
10	1	618692	3/4FJIC SWIV-9/16MOR ADPTR
11	1	618774	7/8MJIC-90-7/8MOR LG LBO
12	2	748501	RUBBER WASH .38 X .406 X 1.50
13	4	470121	1/4UNC HEX FLANGE LOCK NUT
14	4	470118	1/4UNC X 3/4 FLANGE HEX BOLT
15	1	605616	ELEMENT, 25M HYD FILTER 605615
16	1	605617	SPRING KIT, HYD FILTER 605615
17	1	610462	GASKET FOR 610447 ARROW FILT



4-ROW, 2-LIFT, OUTRIGGER ASSEMBLY

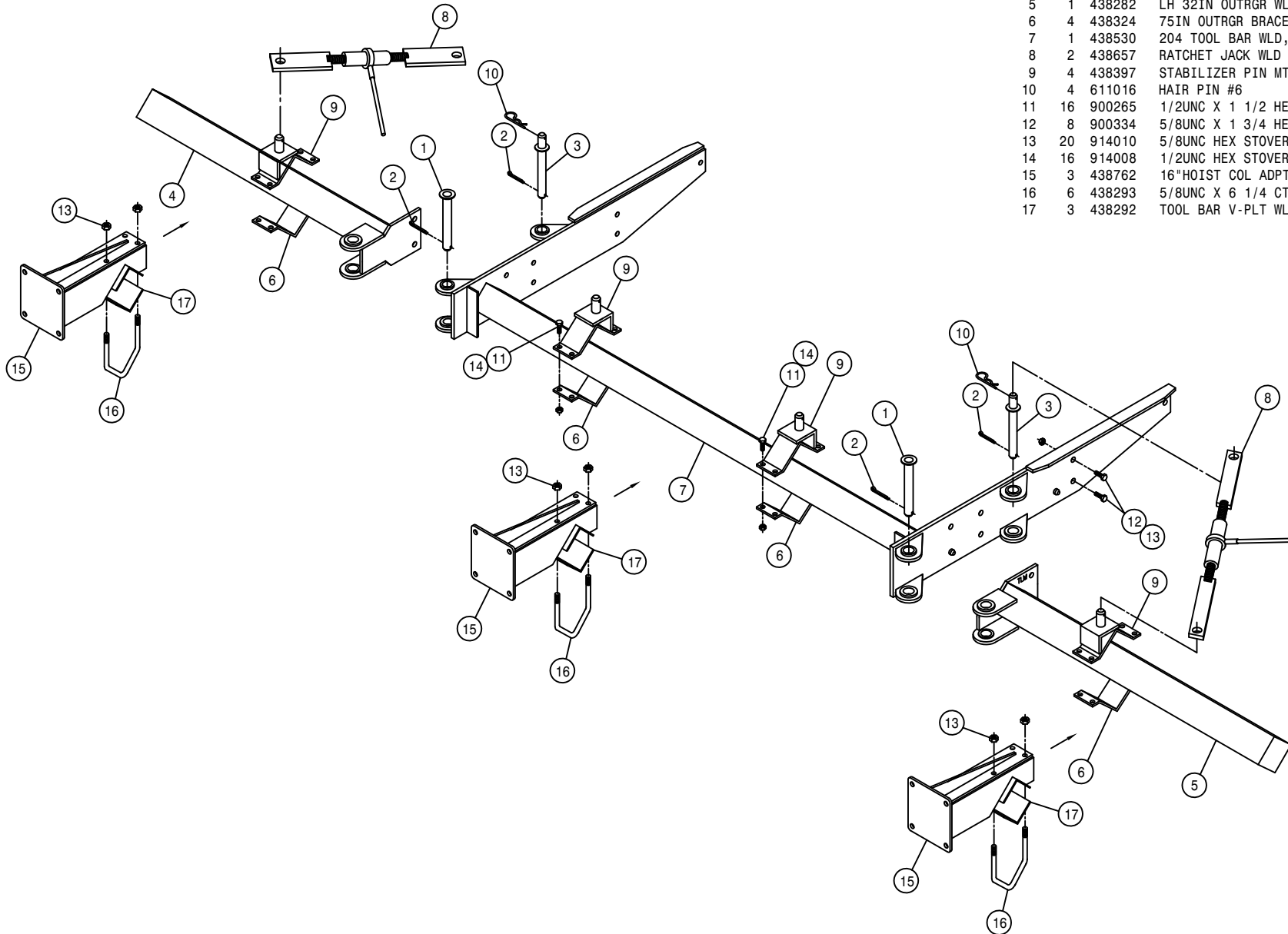
DET.	QTY	PART NO.	DESCRIPTION
1	1	438530	204 TOOL BAR WLD,12R 5/6L 96
2	8	900334	5/8UNC X 1 3/4 HEX BOLT
3	16	914010	5/8UNC HEX STOVER NUT
4	2	438762	16"HOIST COL ADPTR WLD, 204 04
5	4	438293	5/8UNC X 6 1/4 CTR U-BOLT TRI
6	2	438292	TOOL BAR V-PLT WLD 8200 86



6-ROW, 3-LIFT OUTRIGGER ASSEMBLY

DET. QTY PART NO. DESCRIPTION

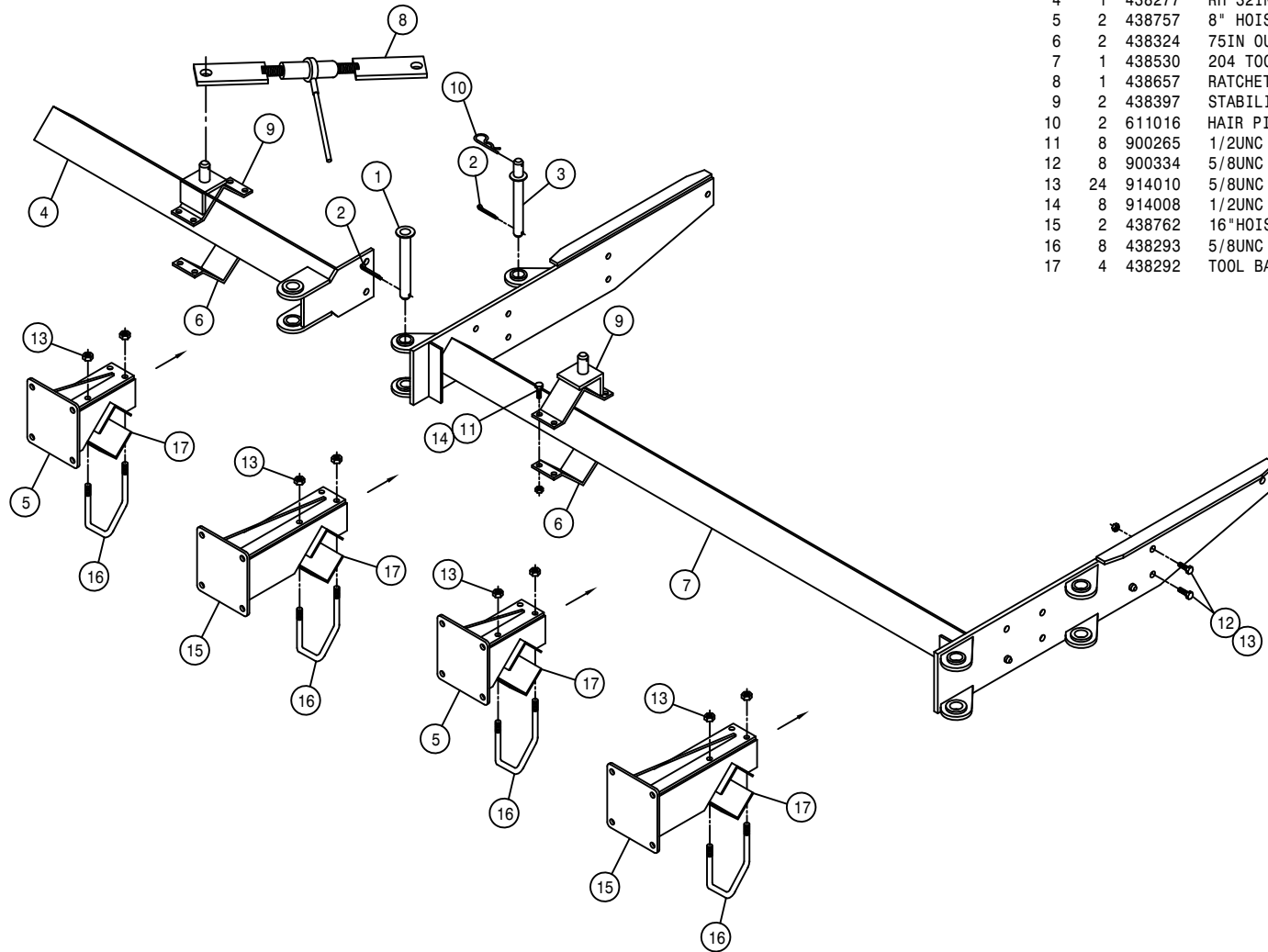
DET.	QTY	PART NO.	DESCRIPTION
1	2	438283	OUTRGR PIVOT PIN WLD 8200 86
2	4	470117	COTTER PIN 3/16 1 3/4 SQ CUT
3	2	438474	STABILIZER MT PIN WLD 10-12R
4	1	438277	RH 32IN OUTRGR WLD8200-850086
5	1	438282	LH 32IN OUTRGR WLD8200-850086
6	4	438324	75IN OUTRGR BRACE CLAMP
7	1	438530	204 TOOL BAR WLD,12R 5/6L 96
8	2	438657	RATCHET JACK WLD
9	4	438397	STABILIZER PIN MT WLD 90
10	4	611016	HAIR PIN #6
11	16	900265	1/2UNC X 1 1/2 HEX BOLT
12	8	900334	5/8UNC X 1 3/4 HEX BOLT
13	20	914010	5/8UNC HEX STOVER NUT
14	16	914008	1/2UNC HEX STOVER NUT
15	3	438762	16"HOIST COL ADPTR WLD, 204 04
16	6	438293	5/8UNC X 6 1/4 CTR U-BOLT TRI
17	3	438292	TOOL BAR V-PLT WLD 8200 86

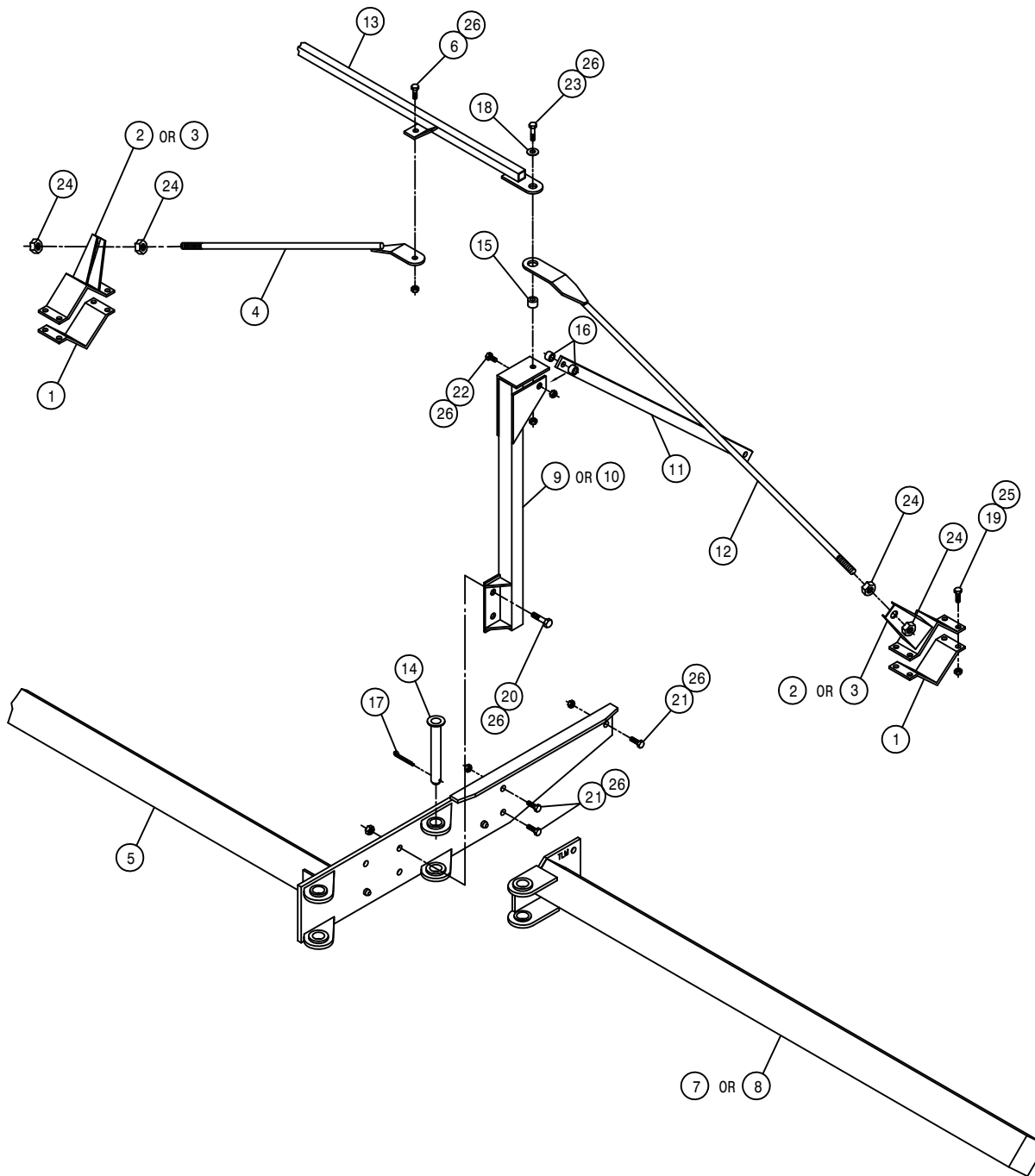


8-ROW, 4-LIFT, 20" SPACING OUTRIGGER ASSEMBLY

DET. QTY PART NO. DESCRIPTION

DET.	QTY	PART NO.	DESCRIPTION
1	1	438283	OUTRGR PIVOT PIN WLD 8200 86
2	2	470117	COTTER PIN 3/16 1 3/4 SQ CUT
3	1	438474	STABILIZER MT PIN WLD 10-12R
4	1	438277	RH 32IN OUTRGR WLD8200-850086
5	2	438757	8" HOIST COL ADPTR WLD, 204 04
6	2	438324	75IN OUTRGR BRACE CLAMP
7	1	438530	204 TOOL BAR WLD,12R 5/6L 96
8	1	438657	RATCHET JACK WLD
9	2	438397	STABILIZER PIN MT WLD 90
10	2	611016	HAIR PIN #6
11	8	900265	1/2UNC X 1 1/2 HEX BOLT
12	8	900334	5/8UNC X 1 3/4 HEX BOLT
13	24	914010	5/8UNC HEX STOVER NUT
14	8	914008	1/2UNC HEX STOVER NUT
15	2	438762	16"HOIST COL ADPTR WLD, 204 04
16	8	438293	5/8UNC X 6 1/4 CTR U-BOLT TRI
17	4	438292	TOOL BAR V-PLT WLD 8200 86





8-ROW, 4-LIFT OUTRIGGER ASSEMBLY

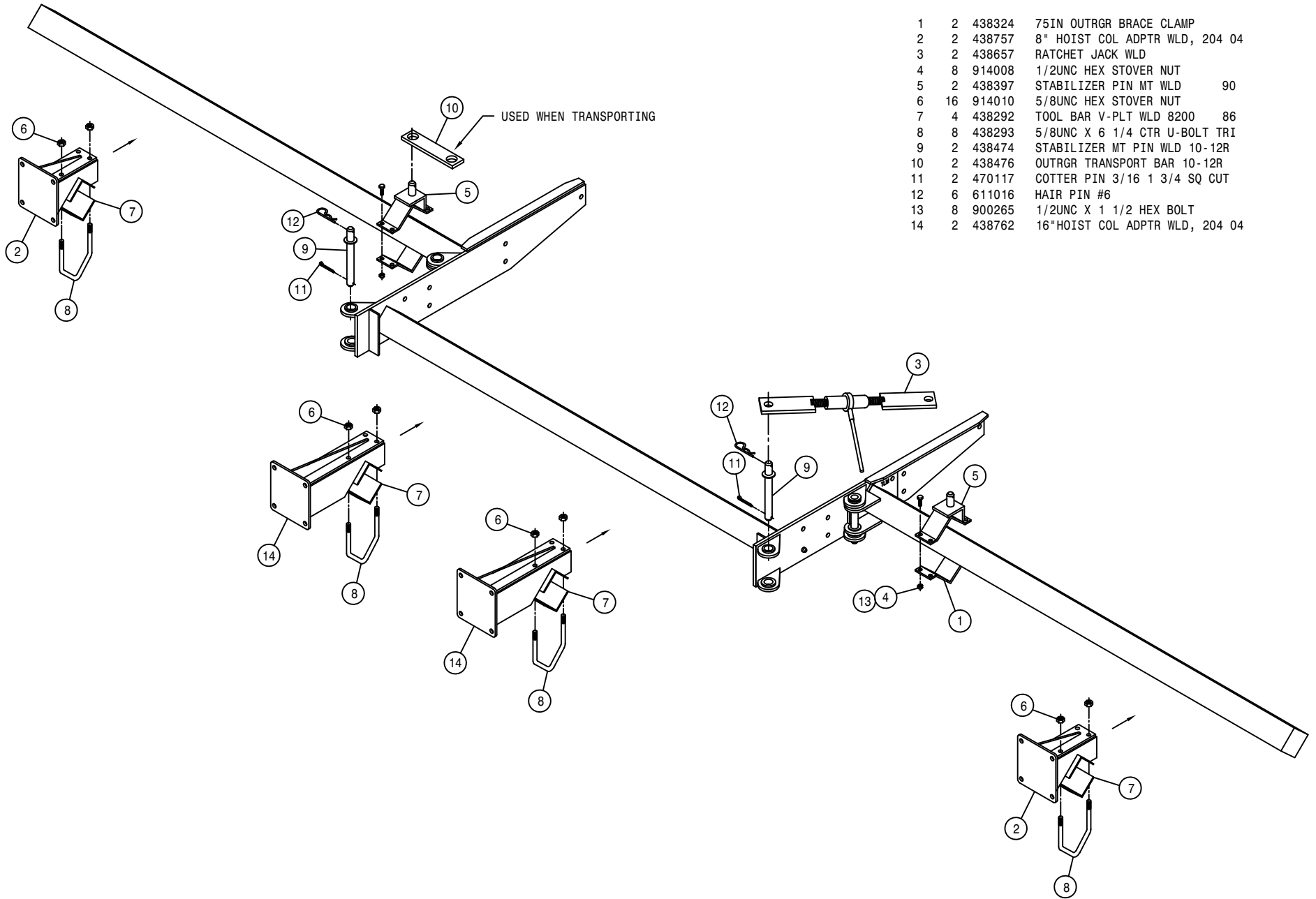
DET.	QTY	PART NO.	DESCRIPTION
1	4	438324	75IN OUTGR BRACE CLAMP
2	2	438362	RH OUTGR CLAMP WLD 200 89
3	2	438363	LH OUTGR CLAMP WLD 200 89
4	2	438469	OUTGR TIE BAR WLD 200 10-12R
5	1	438530	204 TOOL BAR WLD, 12R 5/6L 96
6	2	900333	5/8UNC X 1 1/2 HEX BOLT
7	1	438307	RH 75IN OUTGR WLD8200-850086
8	1	438309	LH 75IN OUTGR WLD8200-850086
9	1	438536	RH OUTGR SUPP POST WLD10/12R
10	1	438537	LH OUTGR SUPP POST WLD10/12R
11	2	438543	OUTGR SUPP BRACE, 10/12R 96
12	2	438676	OUTGR SUPP ROD WLD 72" 8R 01
13	1	438672	204 TIE TUBE WLD 2001
14	2	438283	OUTGR PIVOT PIN WLD 8200 86
15	2	438232	BUSH, 1.00 OD X .656ID X .28
16	4	438542	BUSH, 1.00 OD X .656ID X .78
17	2	470117	COTTER PIN 3/16 1 3/4 SQ CUT
18	2	483037	5/8 REGULAR FLAT WASHER
19	16	900265	1/2UNC X 1 1/2 HEX BOLT
20	4	900336	5/8UNC X 2 1/2 HEX BOLT
21	6	900334	5/8UNC X 1 3/4 HEX BOLT
22	2	900339	5/8UNC X 3 1/4 HEX BOLT
23	2	900352	5/8UNC X 2 1/4 HEX BOLT
24	8	910012	3/4UNC HEX NUT
25	16	914008	1/2UNC HEX STOVER NUT
26	16	914010	5/8UNC HEX STOVER NUT

QUANTITY LISTED IS FOR ONE MACHINE.

8-ROW, 4-LIFT OUTRIGGER ASSEMBLY

DET. QTY PART NO. DESCRIPTION

DET.	QTY	PART NO.	DESCRIPTION
1	2	438324	75IN OUTGR BRACE CLAMP
2	2	438757	8" HOIST COL ADPTR WLD, 204 04
3	2	438657	RATCHET JACK WLD
4	8	914008	1/2UNC HEX STOVER NUT
5	2	438397	STABILIZER PIN MT WLD 90
6	16	914010	5/8UNC HEX STOVER NUT
7	4	438292	TOOL BAR V-PLT WLD 8200 86
8	8	438293	5/8UNC X 6 1/4 CTR U-BOLT TRI
9	2	438474	STABILIZER MT PIN WLD 10-12R
10	2	438476	OUTGR TRANSPORT BAR 10-12R
11	2	470117	COTTER PIN 3/16 1 3/4 SQ CUT
12	6	611016	HAIR PIN #6
13	8	900265	1/2UNC X 1 1/2 HEX BOLT
14	2	438762	16"HOIST COL ADPTR WLD, 204 04

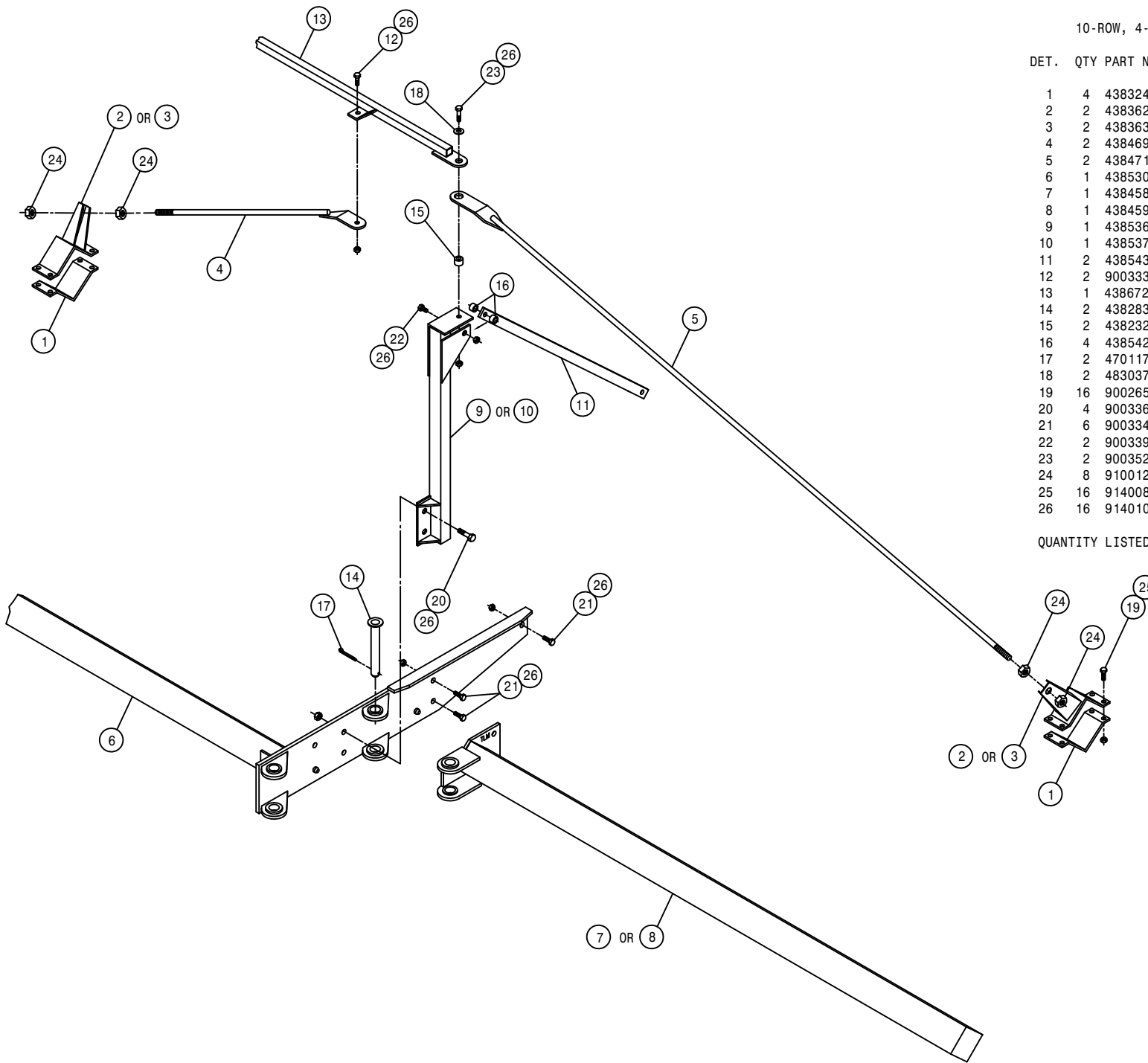


10-ROW, 4-LIFT OUTRIGGER ASSEMBLY

DET. QTY PART NO. DESCRIPTION

DET.	QTY	PART NO.	DESCRIPTION
1	4	438324	75IN OUTRGR BRACE CLAMP
2	2	438362	RH OUTRGR CLAMP WLD 200 89
3	2	438363	LH OUTRGR CLAMP WLD 200 89
4	2	438469	OUTRGR TIE BAR WLD 200 10-12R
5	2	438471	OUTRGR SUPP ROD WLD 10-12R
6	1	438530	204 TOOL BAR WLD,12R 5/6L 96
7	1	438458	RH 101IN OUTRGR WLD 10-12R 92
8	1	438459	LH 101IN OUTRGR WLD 10-12R 92
9	1	438536	RH OUTRGR SUPP POST WLD10/12R
10	1	438537	LH OUTRGR SUPP POST WLD10/12R
11	2	438543	OUTRGR SUPP BRACE,10/12R 96
12	2	900333	5/8UNC X 1 1/2 HEX BOLT
13	1	438672	204 TIE TUBE WLD 2001
14	2	438283	OUTRGR PIVOT PIN WLD 8200 86
15	2	438232	BUSH, 1.00 OD X .656ID X .28
16	4	438542	BUSH, 1.00 OD X .656ID X .78
17	2	470117	COTTER PIN 3/16 1 3/4 SQ CUT
18	2	483037	5/8 REGULAR FLAT WASHER
19	16	900265	1/2UNC X 1 1/2 HEX BOLT
20	4	900336	5/8UNC X 2 1/2 HEX BOLT
21	6	900334	5/8UNC X 1 3/4 HEX BOLT
22	2	900339	5/8UNC X 3 1/4 HEX BOLT
23	2	900352	5/8UNC X 2 1/4 HEX BOLT
24	8	910012	3/4UNC HEX NUT
25	16	914008	1/2UNC HEX STOVER NUT
26	16	914010	5/8UNC HEX STOVER NUT

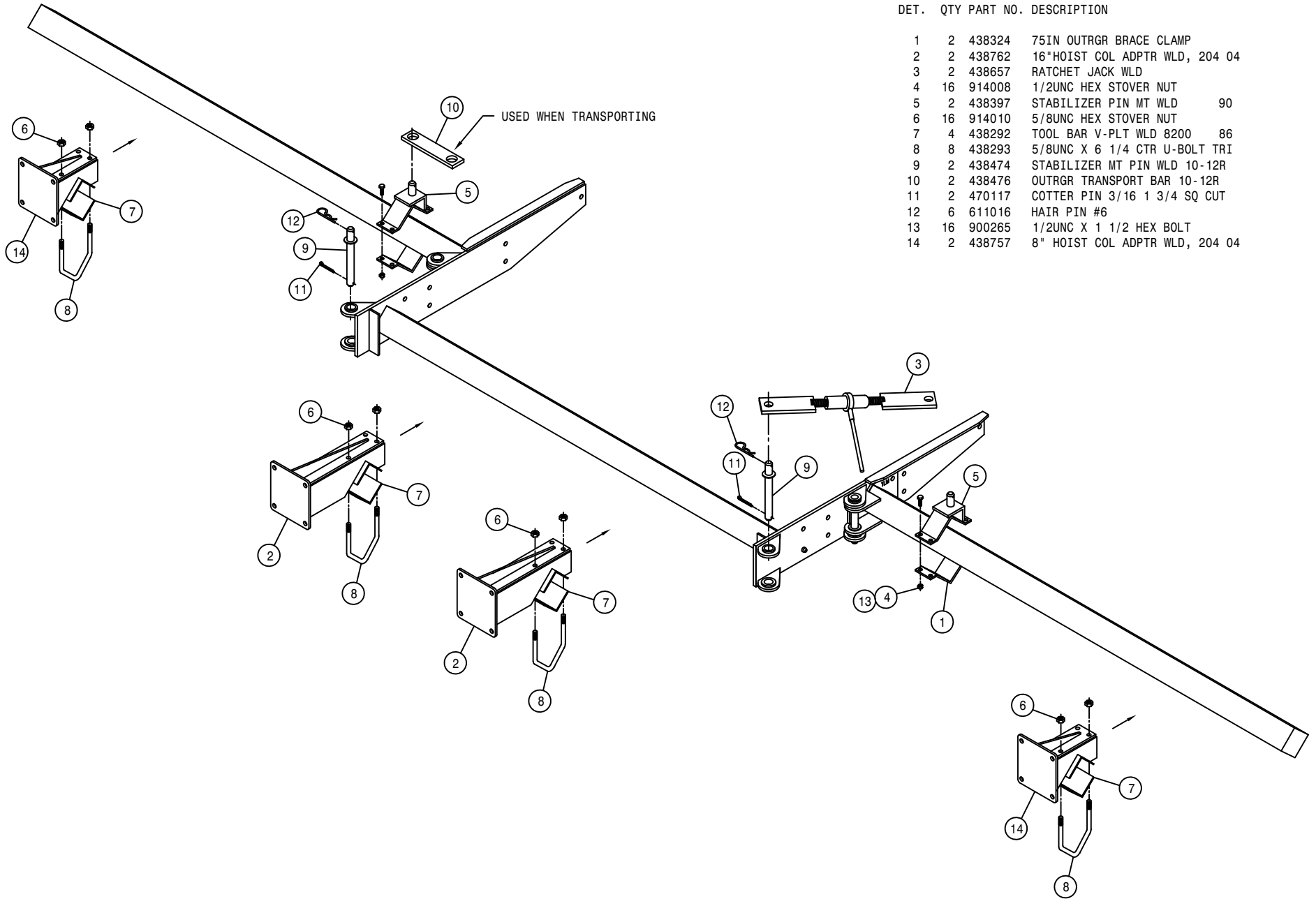
QUANTITY LISTED IS FOR ONE MACHINE.



10-ROW, 4-LIFT OUTRIGGER ASSEMBLY

DET. QTY PART NO. DESCRIPTION

DET.	QTY	PART NO.	DESCRIPTION
1	2	438324	75IN OUTRGR BRACE CLAMP
2	2	438762	16"HOIST COL ADPTR WLD, 204 04
3	2	438657	RATCHET JACK WLD
4	16	914008	1/2UNC HEX STOVER NUT
5	2	438397	STABILIZER PIN MT WLD 90
6	16	914010	5/8UNC HEX STOVER NUT
7	4	438292	TOOL BAR V-PLT WLD 8200 86
8	8	438293	5/8UNC X 6 1/4 CTR U-BOLT TRI
9	2	438474	STABILIZER MT PIN WLD 10-12R
10	2	438476	OUTRGR TRANSPORT BAR 10-12R
11	2	470117	COTTER PIN 3/16 1 3/4 SQ CUT
12	6	611016	HAIR PIN #6
13	16	900265	1/2UNC X 1 1/2 HEX BOLT
14	2	438757	8" HOIST COL ADPTR WLD, 204 04

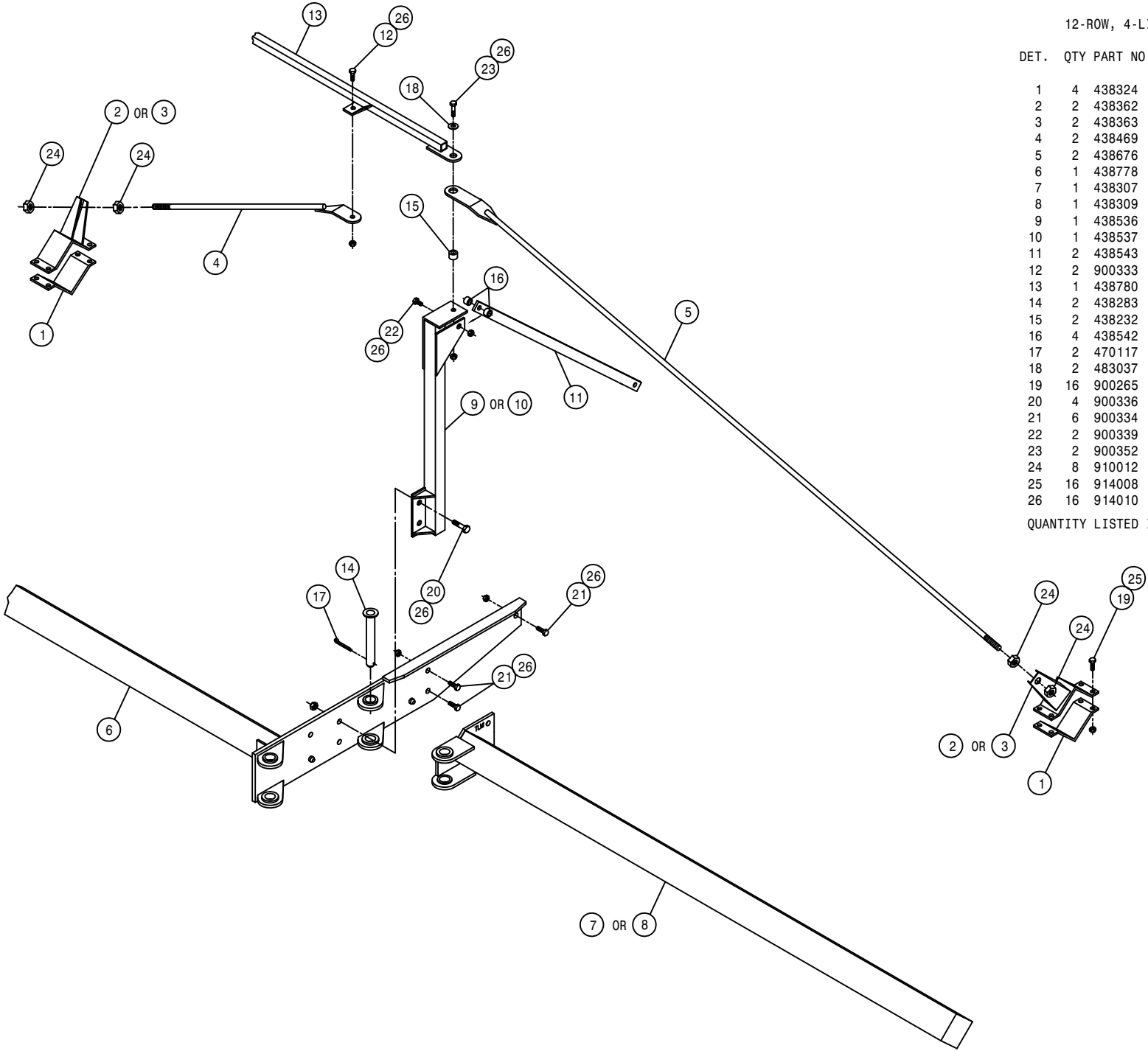


12-ROW, 4-LIFT OUTRIGGER ASSEMBLY

DET. QTY PART NO. DESCRIPTION

DET.	QTY	PART NO.	DESCRIPTION
1	4	438324	75IN OUTRGR BRACE CLAMP
2	2	438362	RH OUTRGR CLAMP WLD 200 89
3	2	438363	LH OUTRGR CLAMP WLD 200 89
4	2	438469	OUTRGR TIE BAR WLD 200 10-12R
5	2	438676	OUTRGR SUPP ROD WLD 72" 8R 01
6	1	438778	204SPW TOOL BAR WLD 08
7	1	438307	RH 75IN OUTRGR WLD8200-850086
8	1	438309	LH 75IN OUTRGR WLD8200-850086
9	1	438536	RH OUTRGR SUPP POST WLD10/12R
10	1	438537	LH OUTRGR SUPP POST WLD10/12R
11	2	438543	OUTRGR SUPP BRACE, 10/12R 96
12	2	900333	5/8UNC X 1 1/2 HEX BOLT
13	1	438780	204SPW CENTER TIE TUBE WLD 08
14	2	438283	OUTRGR PIVOT PIN WLD 8200 86
15	2	438232	BUSH, 1.00 OD X .656ID X .28
16	4	438542	BUSH, 1.00 OD X .656ID X .78
17	2	470117	COTTER PIN 3/16 1 3/4 SQ CUT
18	2	483037	5/8 REGULAR FLAT WASHER
19	16	900265	1/2UNC X 1 1/2 HEX BOLT
20	4	900336	5/8UNC X 2 1/2 HEX BOLT
21	6	900334	5/8UNC X 1 3/4 HEX BOLT
22	2	900339	5/8UNC X 3 1/4 HEX BOLT
23	2	900352	5/8UNC X 2 1/4 HEX BOLT
24	8	910012	3/4UNC HEX NUT
25	16	914008	1/2UNC HEX STOVER NUT
26	16	914010	5/8UNC HEX STOVER NUT

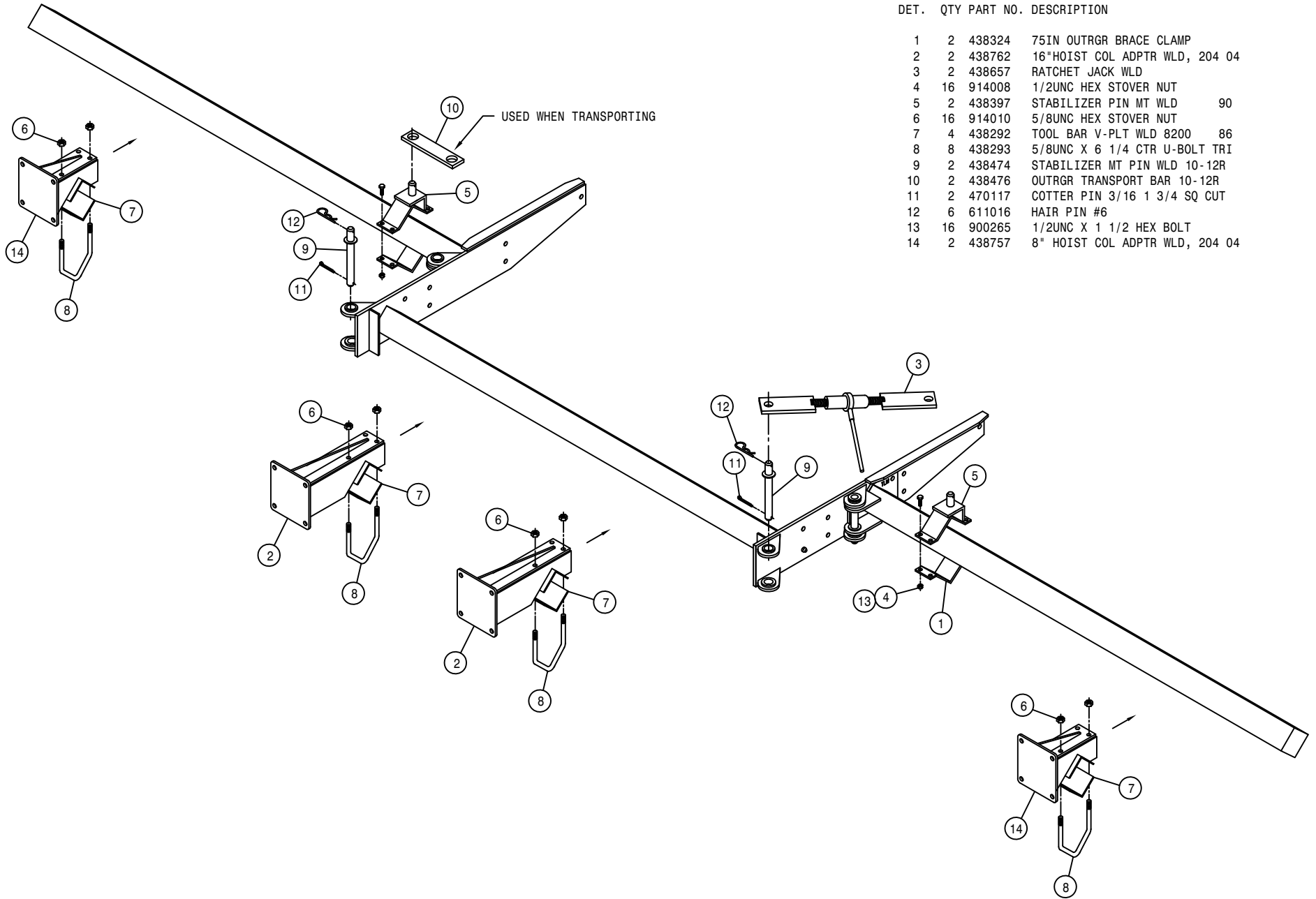
QUANTITY LISTED IS FOR ONE MACHINE.



12-ROW, 4-LIFT OUTRIGGER ASSEMBLY

DET. QTY PART NO. DESCRIPTION

DET.	QTY	PART NO.	DESCRIPTION
1	2	438324	75IN OUTRGR BRACE CLAMP
2	2	438762	16"HOIST COL ADPTR WLD, 204 04
3	2	438657	RATCHET JACK WLD
4	16	914008	1/2UNC HEX STOVER NUT
5	2	438397	STABILIZER PIN MT WLD 90
6	16	914010	5/8UNC HEX STOVER NUT
7	4	438292	TOOL BAR V-PLT WLD 8200 86
8	8	438293	5/8UNC X 6 1/4 CTR U-BOLT TRI
9	2	438474	STABILIZER MT PIN WLD 10-12R
10	2	438476	OUTRGR TRANSPORT BAR 10-12R
11	2	470117	COTTER PIN 3/16 1 3/4 SQ CUT
12	6	611016	HAIR PIN #6
13	16	900265	1/2UNC X 1 1/2 HEX BOLT
14	2	438757	8" HOIST COL ADPTR WLD, 204 04

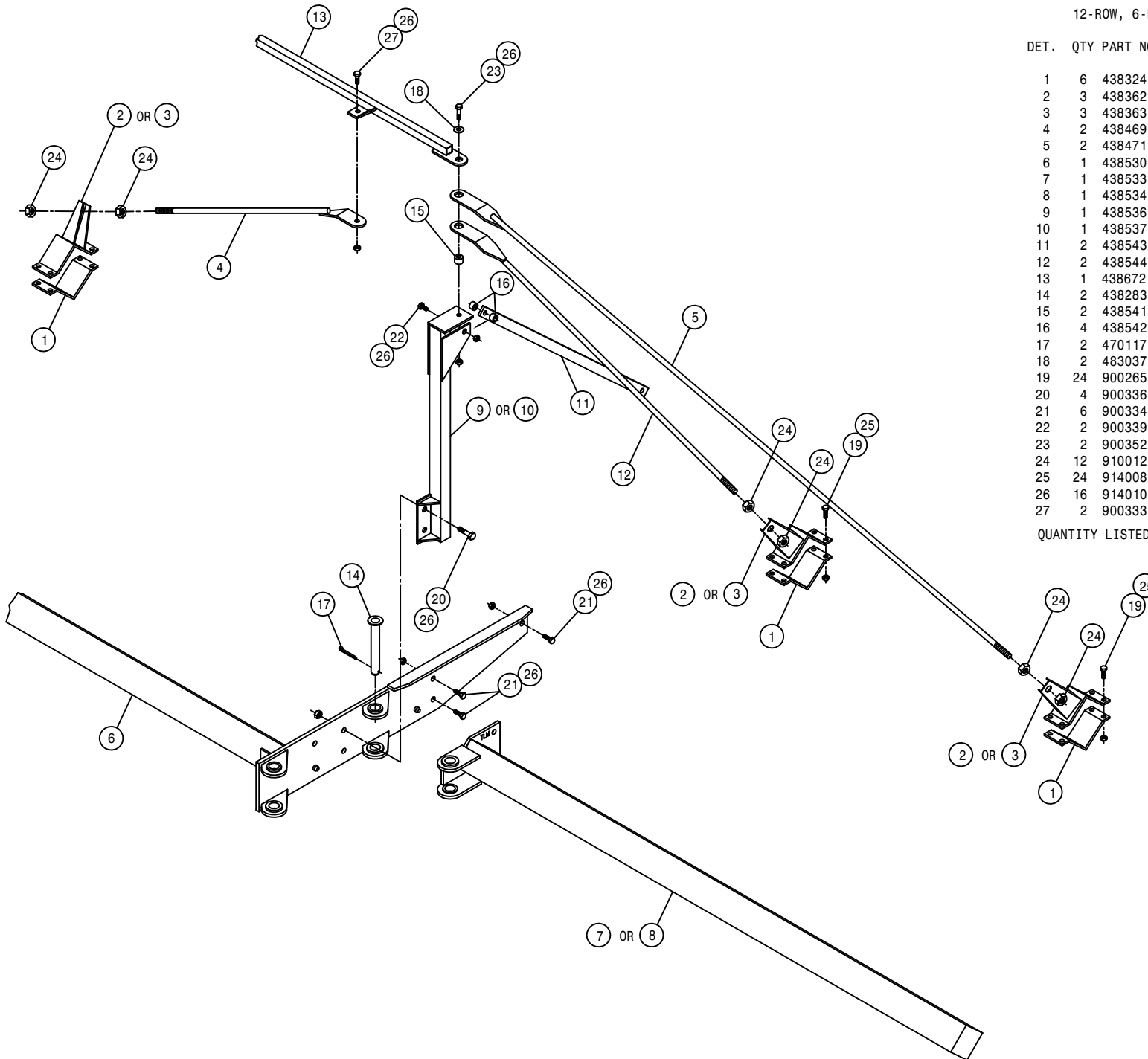


12-ROW, 6-LIFT OUTRIGGER ASSEMBLY

DET. QTY PART NO. DESCRIPTION

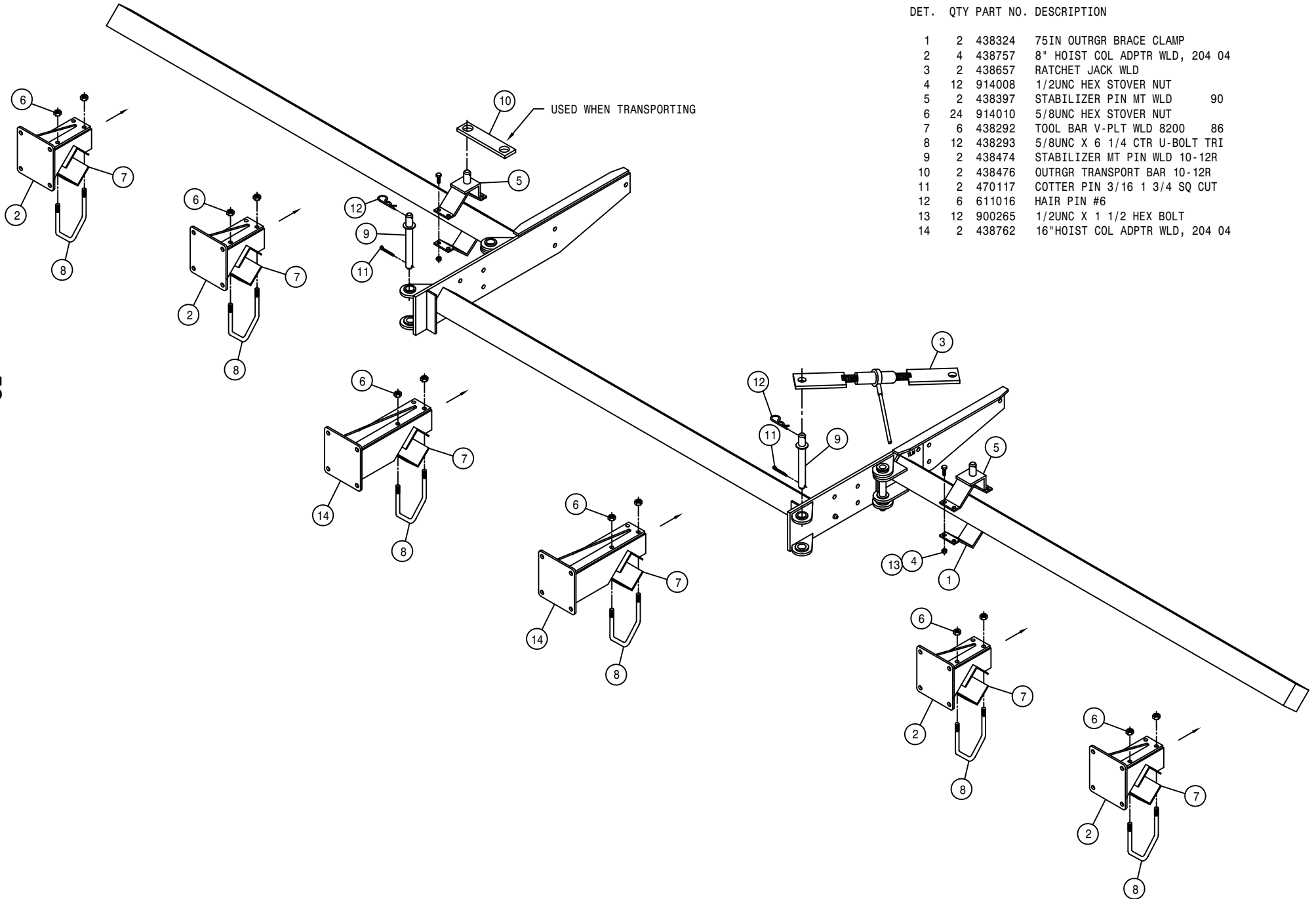
DET.	QTY	PART NO.	DESCRIPTION
1	6	438324	75IN OUTGR BRACE CLAMP
2	3	438362	RH OUTGR CLAMP WLD 200 89
3	3	438363	LH OUTGR CLAMP WLD 200 89
4	2	438469	OUTGR TIE BAR WLD 200 10-12R
5	2	438471	OUTGR SUPP ROD WLD 10-12R
6	1	438530	204 TOOL BAR WLD,12R 5/6L 96
7	1	438533	RH 133" OUTGR WLD, 10/12R 96
8	1	438534	LH 133" OUTGR WLD, 10/12R 96
9	1	438536	RH OUTGR SUPP POST WLD10/12R
10	1	438537	LH OUTGR SUPP POST WLD10/12R
11	2	438543	OUTGR SUPP BRACE,10/12R 96
12	2	438544	OUTGR SUPP ROD WLD 50"10/12R
13	1	438672	204 TIE TUBE WLD 2001
14	2	438283	OUTGR PIVOT PIN WLD 8200 86
15	2	438541	BUSH, 1.00 OD X .656ID X .53
16	4	438542	BUSH, 1.00 OD X .656ID X .78
17	2	470117	COTTER PIN 3/16 1 3/4 SQ CUT
18	2	483037	5/8 REGULAR FLAT WASHER
19	24	900265	1/2UNC X 1 1/2 HEX BOLT
20	4	900336	5/8UNC X 2 1/2 HEX BOLT
21	6	900334	5/8UNC X 1 3/4 HEX BOLT
22	2	900339	5/8UNC X 3 1/4 HEX BOLT
23	2	900352	5/8UNC X 2 1/4 HEX BOLT
24	12	910012	3/4UNC HEX NUT
25	24	914008	1/2UNC HEX STOVER NUT
26	16	914010	5/8UNC HEX STOVER NUT
27	2	900333	5/8UNC X 1 1/2 HEX BOLT

QUANTITY LISTED IS FOR ONE MACHINE.



12-ROW, 6-LIFT OUTRIGGER ASSEMBLY

DET.	QTY	PART NO.	DESCRIPTION
1	2	438324	75IN OUTRGR BRACE CLAMP
2	4	438757	8" HOIST COL ADPTR WLD, 204 04
3	2	438657	RATCHET JACK WLD
4	12	914008	1/2UNC HEX STOVER NUT
5	2	438397	STABILIZER PIN MT WLD 90
6	24	914010	5/8UNC HEX STOVER NUT
7	6	438292	TOOL BAR V-PLT WLD 8200 86
8	12	438293	5/8UNC X 6 1/4 CTR U-BOLT TRI
9	2	438474	STABILIZER MT PIN WLD 10-12R
10	2	438476	OUTRGR TRANSPORT BAR 10-12R
11	2	470117	COTTER PIN 3/16 1 3/4 SQ CUT
12	6	611016	HAIR PIN #6
13	12	900265	1/2UNC X 1 1/2 HEX BOLT
14	2	438762	16"HOIST COL ADPTR WLD, 204 04

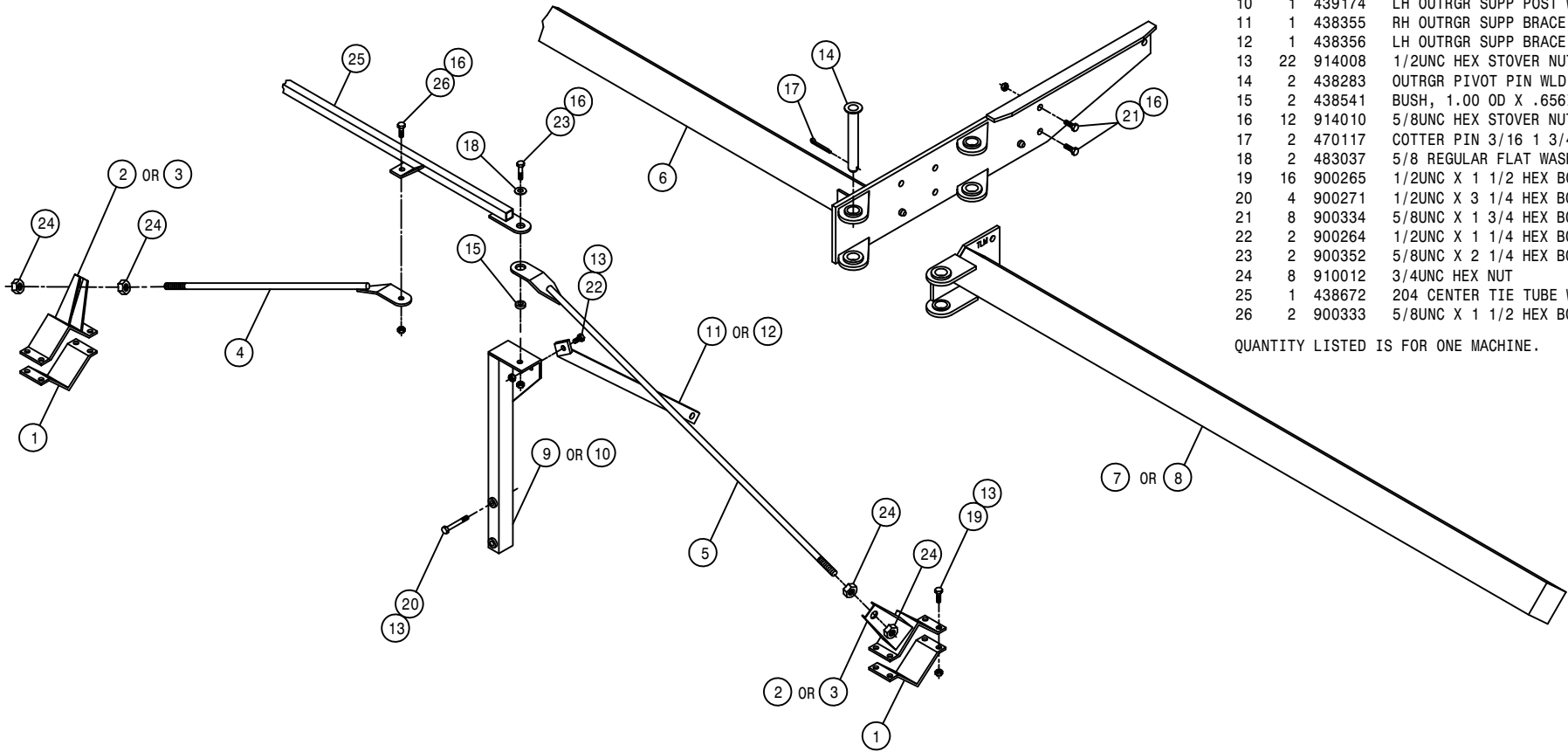


12-ROW, 6-LIFT, 52CM SPACING OUTRIGGER ASSEMBLY

DET. QTY PART NO. DESCRIPTION

DET.	QTY	PART NO.	DESCRIPTION
1	4	438324	75IN OUTGR BRACE CLAMP
2	2	438362	RH OUTGR CLAMP WLD 200 89
3	2	438363	LH OUTGR CLAMP WLD 200 89
4	2	439176	OUTGR TIE BAR WLD 204 52CM
5	2	439175	OUTGR SUPP ROD WLD 204 52CM
6	1	438530	204 TOOL BAR WLD,12R 5/6L 96
7	1	438497	RH 82" OUTGR WLD, 204 94
8	1	438498	LH 82" OUTGR WLD, 204 94
9	1	439173	RH OUTGR SUPP POST WLD 52CM
10	1	439174	LH OUTGR SUPP POST WLD 52CM
11	1	438355	RH OUTGR SUPP BRACE 200 89
12	1	438356	LH OUTGR SUPP BRACE 200 89
13	22	914008	1/2UNC HEX STOVER NUT
14	2	438283	OUTGR PIVOT PIN WLD 8200 86
15	2	438541	BUSH, 1.00 OD X .656ID X .53
16	12	914010	5/8UNC HEX STOVER NUT
17	2	470117	COTTER PIN 3/16 1 3/4 SQ CUT
18	2	483037	5/8 REGULAR FLAT WASHER
19	16	900265	1/2UNC X 1 1/2 HEX BOLT
20	4	900271	1/2UNC X 3 1/4 HEX BOLT
21	8	900334	5/8UNC X 1 3/4 HEX BOLT
22	2	900264	1/2UNC X 1 1/4 HEX BOLT
23	2	900352	5/8UNC X 2 1/4 HEX BOLT
24	8	910012	3/4UNC HEX NUT
25	1	438672	204 CENTER TIE TUBE WLD 2001
26	2	900333	5/8UNC X 1 1/2 HEX BOLT

QUANTITY LISTED IS FOR ONE MACHINE.



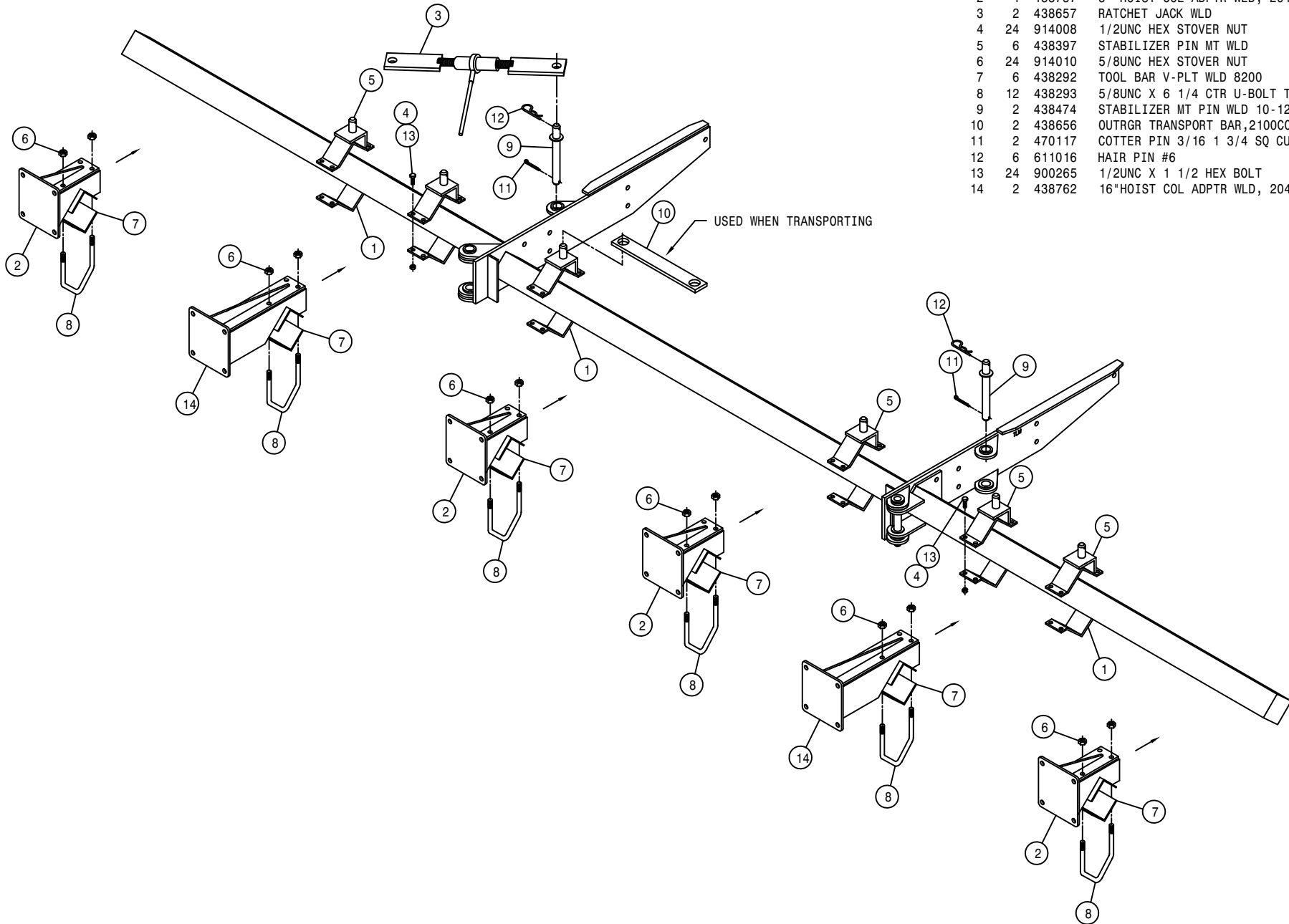
53

402053

12-ROW, 6-LIFT, 52CM SPACING OUTRIGGER ASSEMBLY

DET. QTY PART NO. DESCRIPTION

1	6	438324	75IN OUTRGR BRACE CLAMP	
2	4	438757	8" HOIST COL ADPTR WLD, 204 04	
3	2	438657	RATCHET JACK WLD	
4	24	914008	1/2UNC HEX STOVER NUT	
5	6	438397	STABILIZER PIN MT WLD	90
6	24	914010	5/8UNC HEX STOVER NUT	
7	6	438292	TOOL BAR V-PLT WLD 8200	86
8	12	438293	5/8UNC X 6 1/4 CTR U-BOLT TRI	
9	2	438474	STABILIZER MT PIN WLD 10-12R	
10	2	438656	OUTRGR TRANSPORT BAR,2100COMBO	
11	2	470117	COTTER PIN 3/16 1 3/4 SQ CUT	
12	6	611016	HAIR PIN #6	
13	24	900265	1/2UNC X 1 1/2 HEX BOLT	
14	2	438762	16"HOIST COL ADPTR WLD, 204 04	

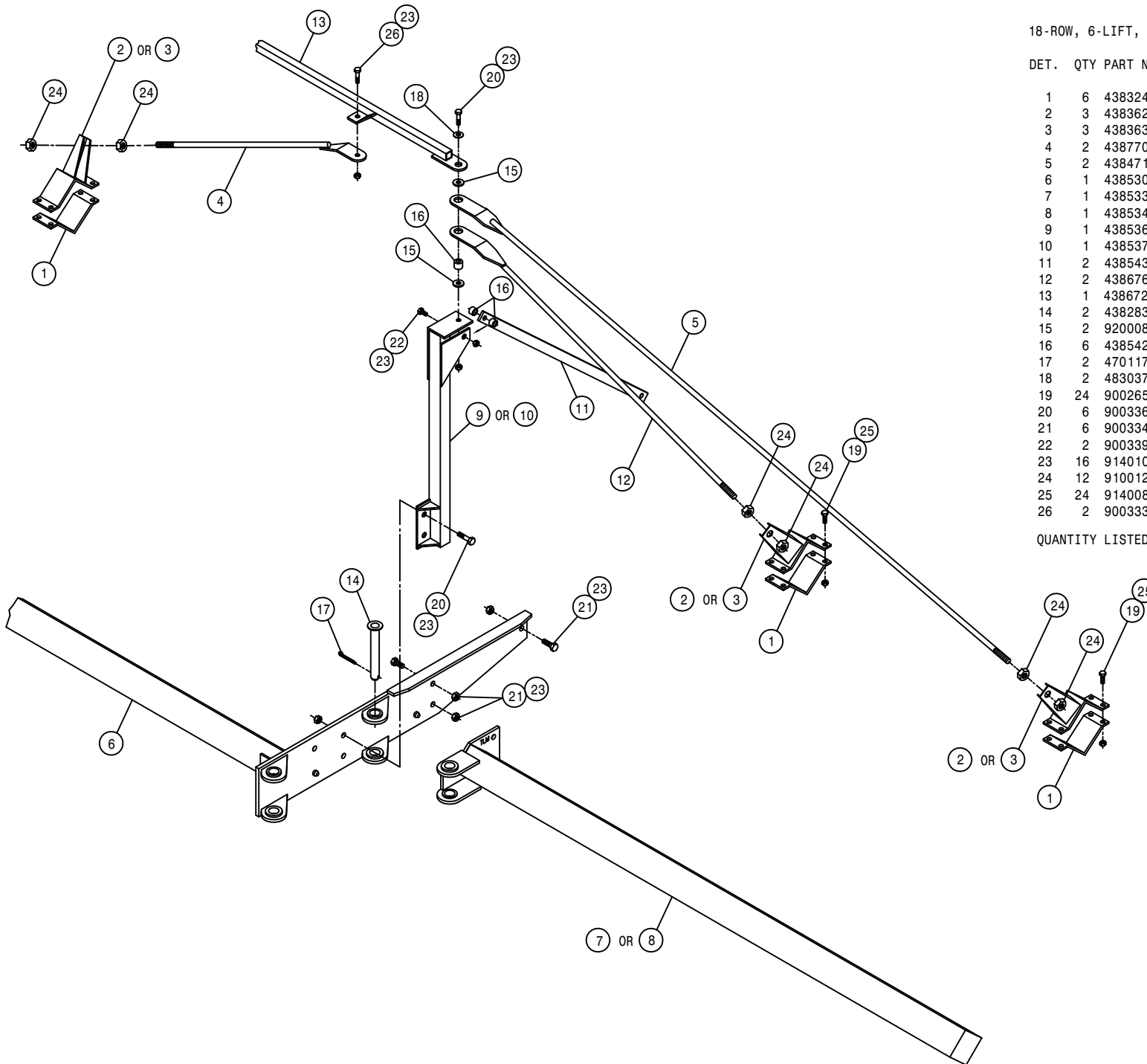


18-ROW, 6-LIFT, 20" SPACING OUTRIGGER ASSEMB

DET. QTY PART NO. DESCRIPTION

1	6	438324	75IN OUTRGR BRACE CLAMP	
2	3	438362	RH OUTRGR CLAMP WLD 200	89
3	3	438363	LH OUTRGR CLAMP WLD 200	89
4	2	438770	OUTRGR TIE BAR WLD 66" 204 18R	
5	2	438471	OUTRGR SUPP ROD WLD 10-12R	
6	1	438530	204 TOOL BAR WLD, 12R 5/6L	96
7	1	438533	RH 133" OUTRGR WLD, 10/12R	96
8	1	438534	LH 133" OUTRGR WLD, 10/12R	96
9	1	438536	RH OUTRGR SUPP POST WLD10/12R	
10	1	438537	LH OUTRGR SUPP POST WLD10/12R	
11	2	438543	OUTRGR SUPP BRACE, 10/12R	96
12	2	438676	OUTRGR SUPP ROD WLD 72" 8R 01	
13	1	438672	204 TIE TUBE WLD	2001
14	2	438283	OUTRGR PIVOT PIN WLD 8200	86
15	2	920008	1" SAE FLAT WASHER	
16	6	438542	BUSH, 1.00 OD X .656ID X .78	
17	2	470117	COTTER PIN 3/16 1 3/4 SQ CUT	
18	2	483037	5/8 REGULAR FLAT WASHER	
19	24	900265	1/2UNC X 1 1/2 HEX BOLT	
20	6	900336	5/8UNC X 2 1/2 HEX BOLT	
21	6	900334	5/8UNC X 1 3/4 HEX BOLT	
22	2	900339	5/8UNC X 3 1/4 HEX BOLT	
23	16	914010	5/8UNC HEX STOVER NUT	
24	12	910012	3/4UNC HEX NUT	
25	24	914008	1/2UNC HEX STOVER NUT	
26	2	900333	5/8UNC X 1 1/2 HEX BOLT	

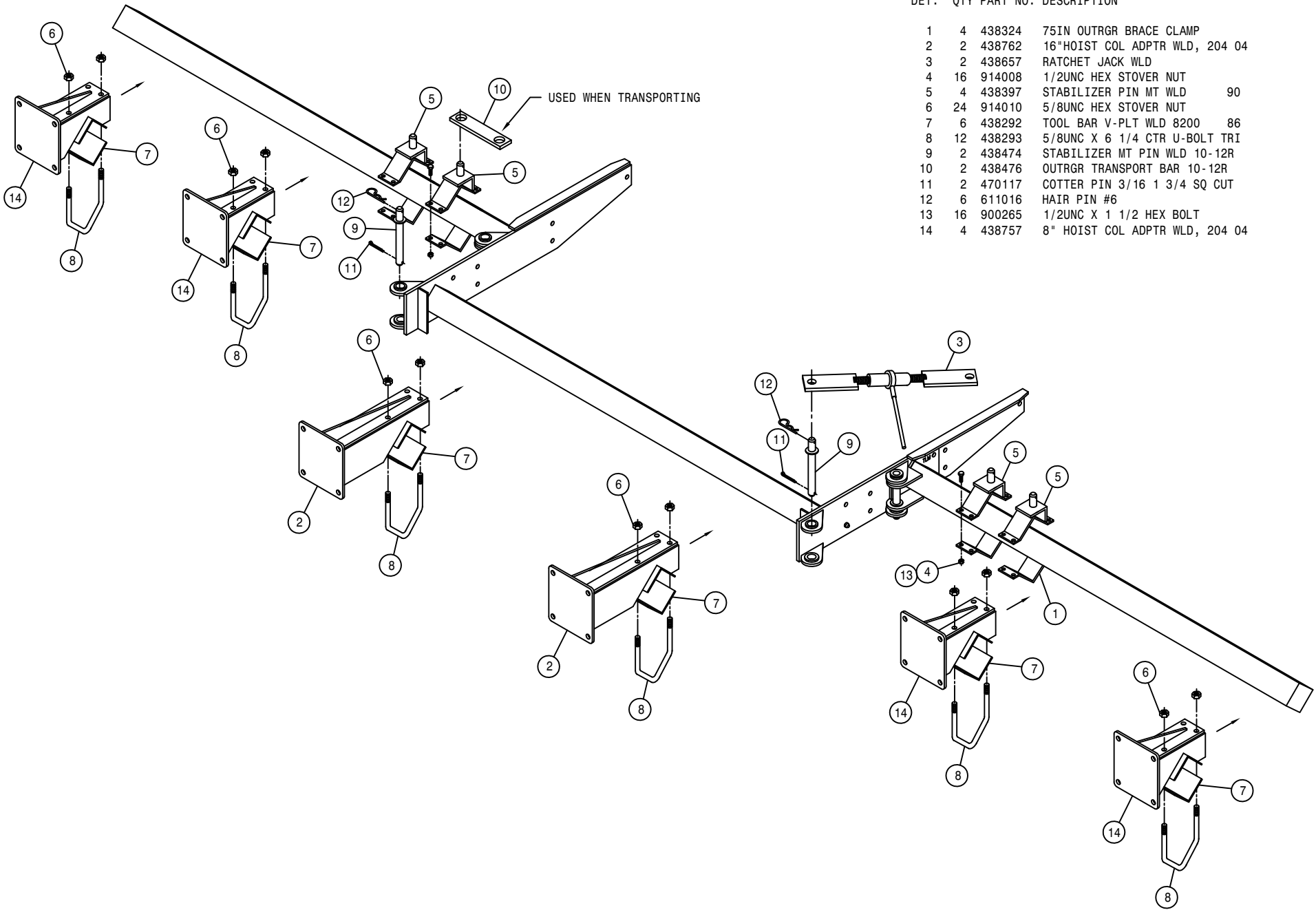
QUANTITY LISTED IS FOR ONE MACHINE.

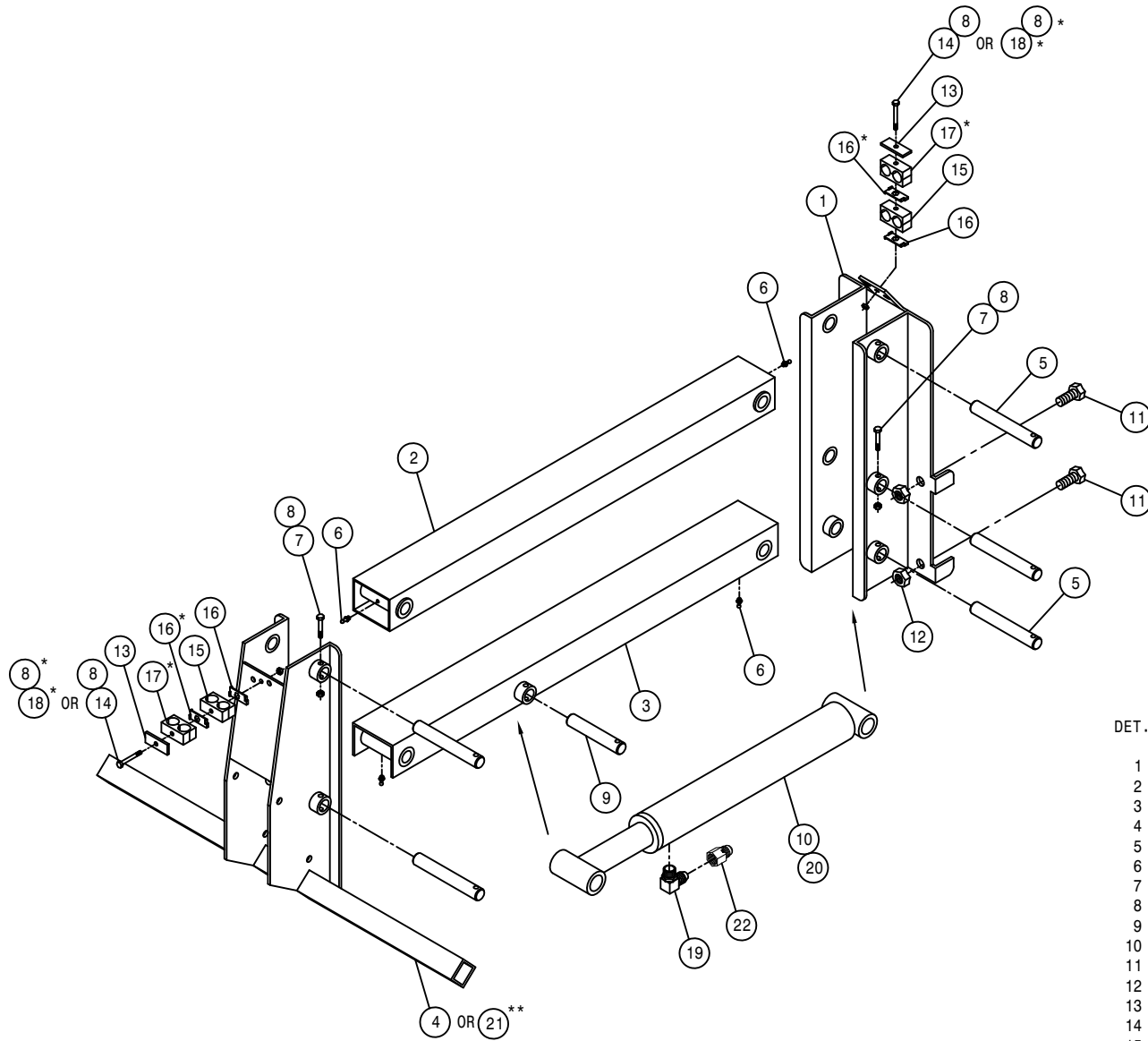


18-ROW, 6-LIFT, 20" SPACING OUTRIGGER ASSEMBLY

DET. QTY PART NO. DESCRIPTION

DET.	QTY	PART NO.	DESCRIPTION
1	4	438324	75IN OUTGR BRACE CLAMP
2	2	438762	16"HOIST COL ADPTR WLD, 204 04
3	2	438657	RATCHET JACK WLD
4	16	914008	1/2UNC HEX STOVER NUT
5	4	438397	STABILIZER PIN MT WLD 90
6	24	914010	5/8UNC HEX STOVER NUT
7	6	438292	TOOL BAR V-PLT WLD 8200 86
8	12	438293	5/8UNC X 6 1/4 CTR U-BOLT TRI
9	2	438474	STABILIZER MT PIN WLD 10-12R
10	2	438476	OUTGR TRANSPORT BAR 10-12R
11	2	470117	COTTER PIN 3/16 1 3/4 SQ CUT
12	6	611016	HAIR PIN #6
13	16	900265	1/2UNC X 1 1/2 HEX BOLT
14	4	438757	8" HOIST COL ADPTR WLD, 204 04



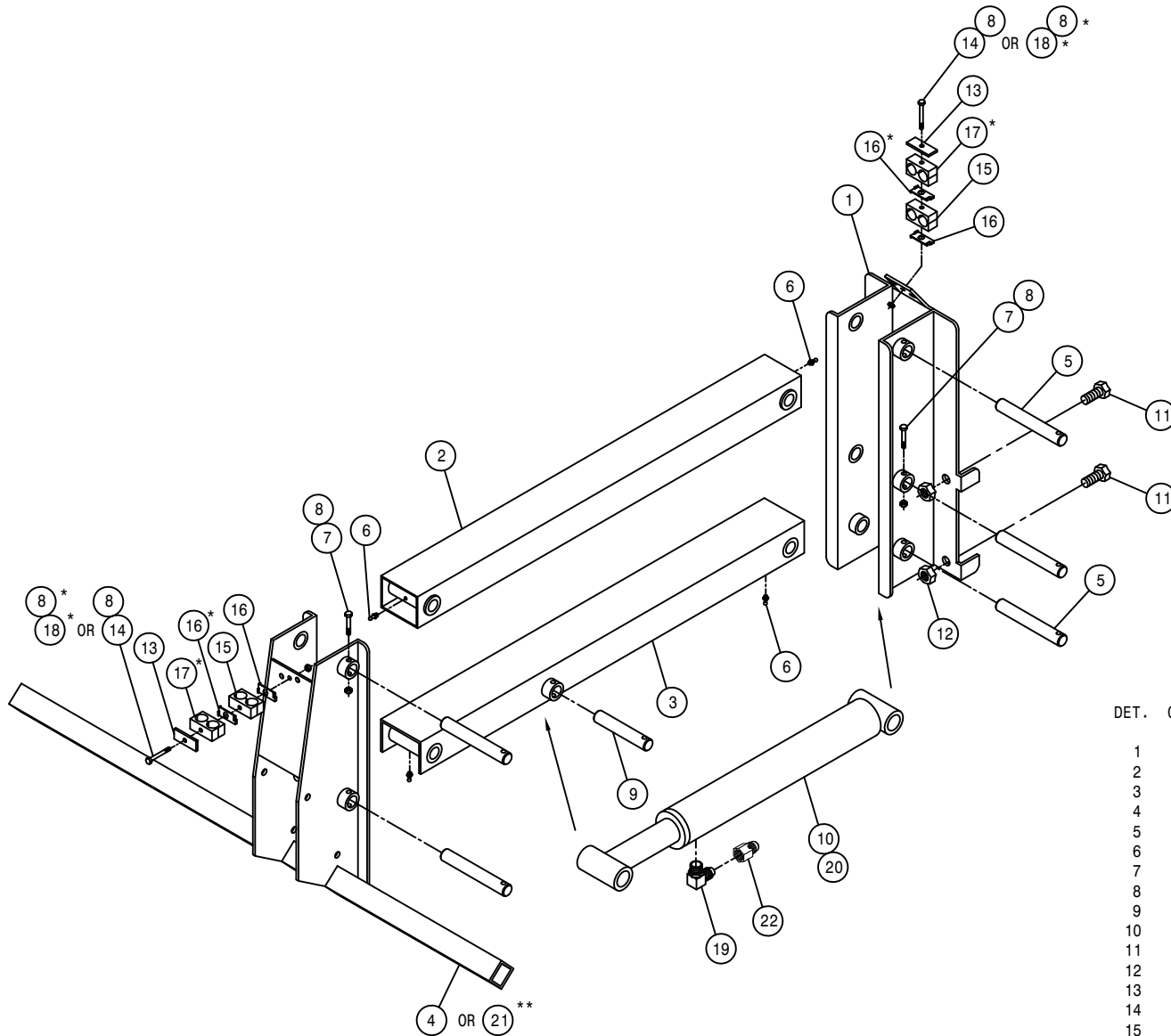


2-HEAD LIFT ASSEMBLY

DET.	QTY	PART NO.	DESCRIPTION
	1	439136	TOOLBAR MT BRKT WLD, STSC 03
	1	439143	UPPER LIFTARM WLD, STS COMBO 03
	1	439146	LWR LIFTARM WLD, STS COMBO 03
	1	439151	50" HEAD TOOLBAR WLD, STSC 03
	5	439158	LIFT ARM PIVOT PIN, STSC 03
	4	471005	1/4 28 X 1/2 GREASE ZERK
	7	900069	5/16UNC X 2" HEX BOLT
	8	914002	5/16UNC HEX STOVER NUT
	9	439156	LWR CYL MT PIN, STS COMBO 03
	10	621564	DETAS LIFT CYL, 2.00 X 11.00STS
	11	900401	3/4UNC X 1 1/2 HEX BOLT
	12	914012	3/4UNC HEX STOVER NUT
	13	470276	CLAMP COVER PLATE, SNGL, 2.55LG
	14	900086	5/16UNC X 2 1/4 HEX BOLT
	15	470274	TUBE CLAMP BODY, .750-.750
	16	470281	STACK BOLT SAFETY LOCK PLATE
	17	470270	HOSE CLAMP BODY, .530-.680
	18	900075	5/16UNC X 3 3/4 HEX BOLT
	19	618119	9/16MJIC-90-9/16MOR LBO
	20	621565	REPAIR KIT, HYD CYL 621564
	21	439197	33" HEAD TOOLBAR WLD, 20"R 06
	22	618733	9/16JIC .042 ORIFICE ADPTR

NOTE: DETAILS MARKED WITH A (*) ARE USED WITH THE CUTTER OPTION.

DETAILS MARKED WITH A (**) ARE USED WITH THE 20" ROW OPTION.

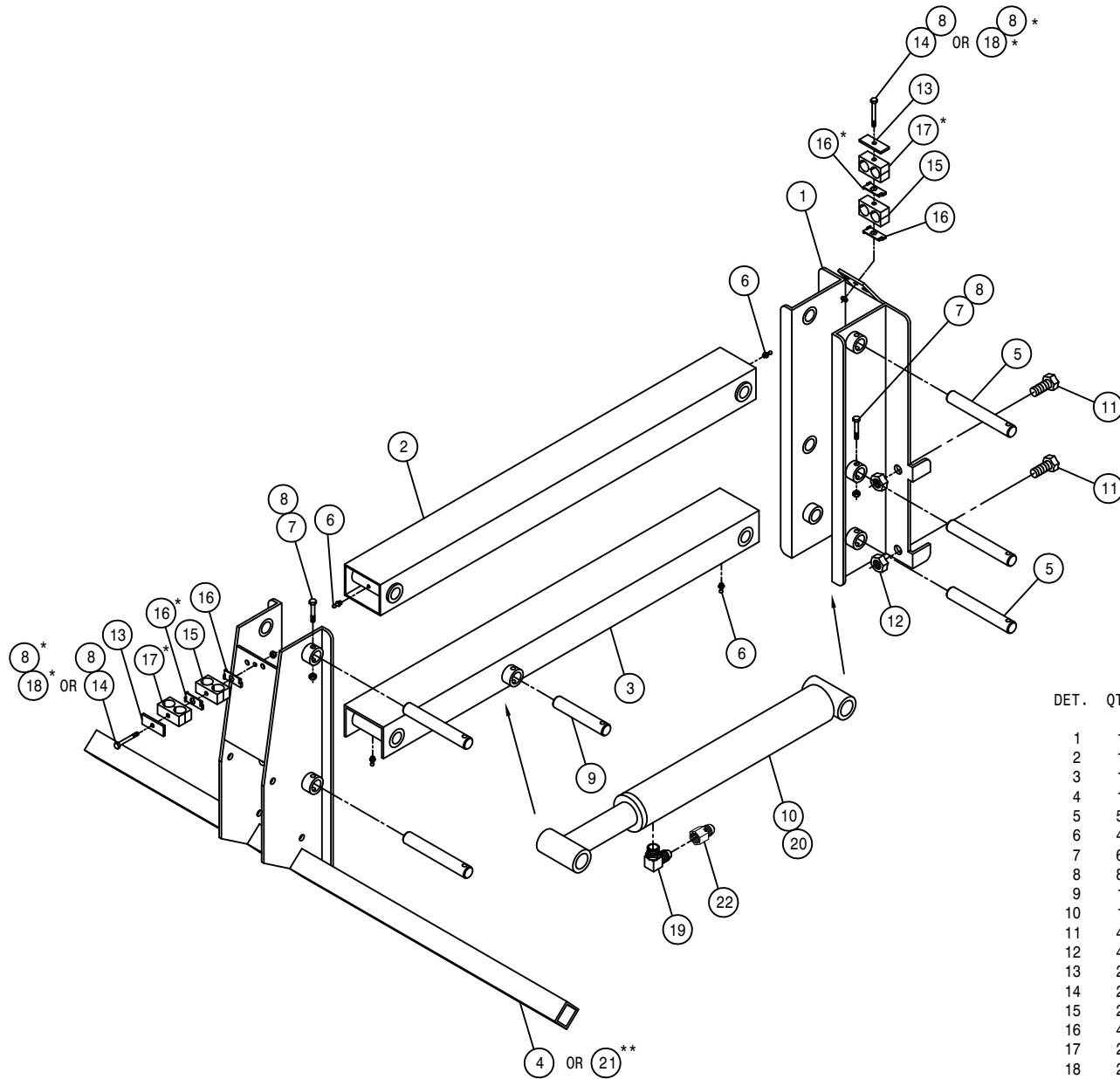


RIGHT 3-HEAD LIFT ASSEMBLY

DET.	QTY	PART NO.	DESCRIPTION
1	1	439136	TOOLBAR MT BRKT WLD, STSC 03
2	1	439143	UPPER LIFTARM WLD, STS COMBO 03
3	1	439146	LWR LIFTARM WLD, STS COMBO 03
4	1	439163	80"RH HEAD TOOLBAR WLD, STSC 03
5	5	439158	LIFT ARM PIVOT PIN, STSC 03
6	4	471005	1/4 28 X 1/2 GREASE KEK
7	6	900069	5/16UNC X 2" HEX BOLT
8	8	914002	5/16UNC HEX STOVER NUT
9	1	439156	LWR CYL MT PIN, STS COMBO 03
10	1	621564	DETAS LIFT CYL, 2.00 X 11.00STS
11	4	900401	3/4UNC X 1 1/2 HEX BOLT
12	4	914012	3/4UNC HEX STOVER NUT
13	2	470276	CLAMP COVER PLATE, SNGL, 2.55LG
14	2	900086	5/16UNC X 2 1/4 HEX BOLT
15	2	470274	TUBE CLAMP BODY, .750-.750
16	2	470281	STACK BOLT SAFETY LOCK PLATE
17	2	470270	HOSE CLAMP BODY, .530-.680
18	2	900075	5/16UNC X 3 3/4 HEX BOLT
19	1	618119	9/16MJIC-90-9/16MOR LBO
20	1	621565	REPAIR KIT, HYD CYL 621564
21	1	439182	57"RH HEAD TOOLBAR WLD, 20"R 05
22	1	618733	9/16JIC .042 ORIFICE ADPTR

NOTE: DETAILS MARKED WITH A (*) ARE USED WITH THE CUTTER OPTION.

DETAILS MARKED WITH A (**) ARE USED THE 20" ROW OPTION.

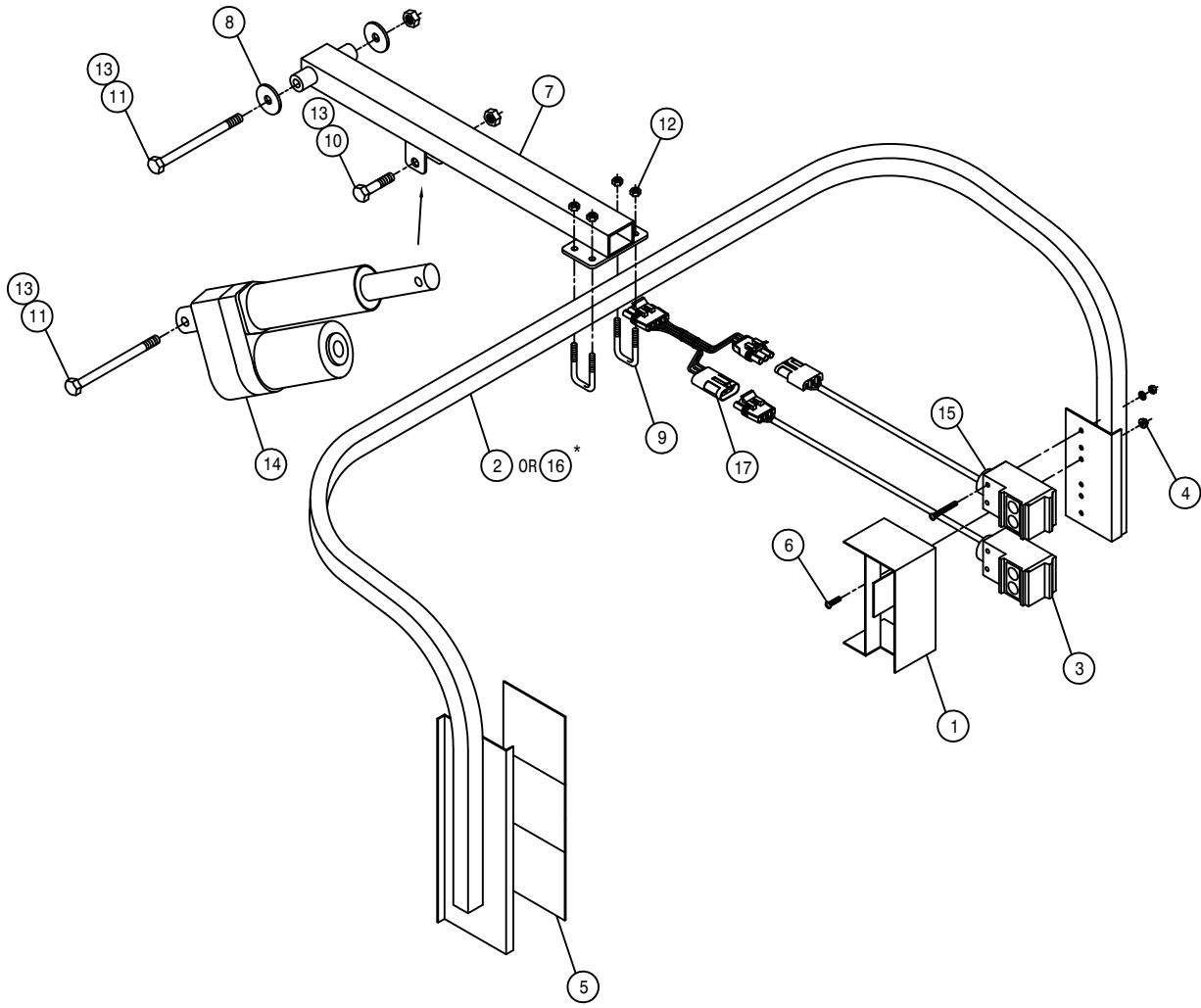


LEFT 3-HEAD LIFT ASSEMBLY

DET.	QTY	PART NO.	DESCRIPTION	
1	1	439136	TOOLBAR MT BRKT WLD, STSC	03
2	1	439143	UPPER LIFTARM WLD, STS COMBO	03
3	1	439146	LWR LIFTARM WLD, STS COMBO	03
4	1	439164	80"LH HEAD TOOLBAR WLD, STSC	03
5	5	439158	LIFT ARM PIVOT PIN, STSC	03
6	4	471005	1/4 28 X 1 1/2 GREASE ZERK	
7	6	900069	5/16UNC X 2" HEX BOLT	
8	8	914002	5/16UNC HEX STOVER NUT	
9	1	439156	LWR CYL MT PIN, STS COMBO	03
10	1	621564	DETAS LIFT CYL, 2.00 X 11.00STS	
11	4	900401	3/4UNC X 1 1/2 HEX BOLT	
12	4	914012	3/4UNC HEX STOVER NUT	
13	2	470276	CLAMP COVER PLATE, SNGL, 2.55LG	
14	2	900086	5/16UNC X 2 1/4 HEX BOLT	
15	2	470274	TUBE CLAMP BODY, .750-.750	
16	4	470281	STACK BOLT SAFETY LOCK PLATE	
17	2	470270	HOSE CLAMP BODY, .530-.680	
18	2	900075	5/16UNC X 3 3/4 HEX BOLT	
19	1	618119	9/16MJIC-90-9/16MOR LBO	
20	1	621565	REPAIR KIT, HYD CYL 621564	
21	1	439183	57"LH HEAD TOOLBAR WLD, 20"R 05	
22	1	618733	9/16JIC .042 ORIFICE ADPTR	

NOTE: DETAILS MARKED WITH A (*) ARE USED WITH THE CUTTER OPTION.

DETAILS MARKED WITH (**) ARE USED WITH THE 20" ROW OPTION.

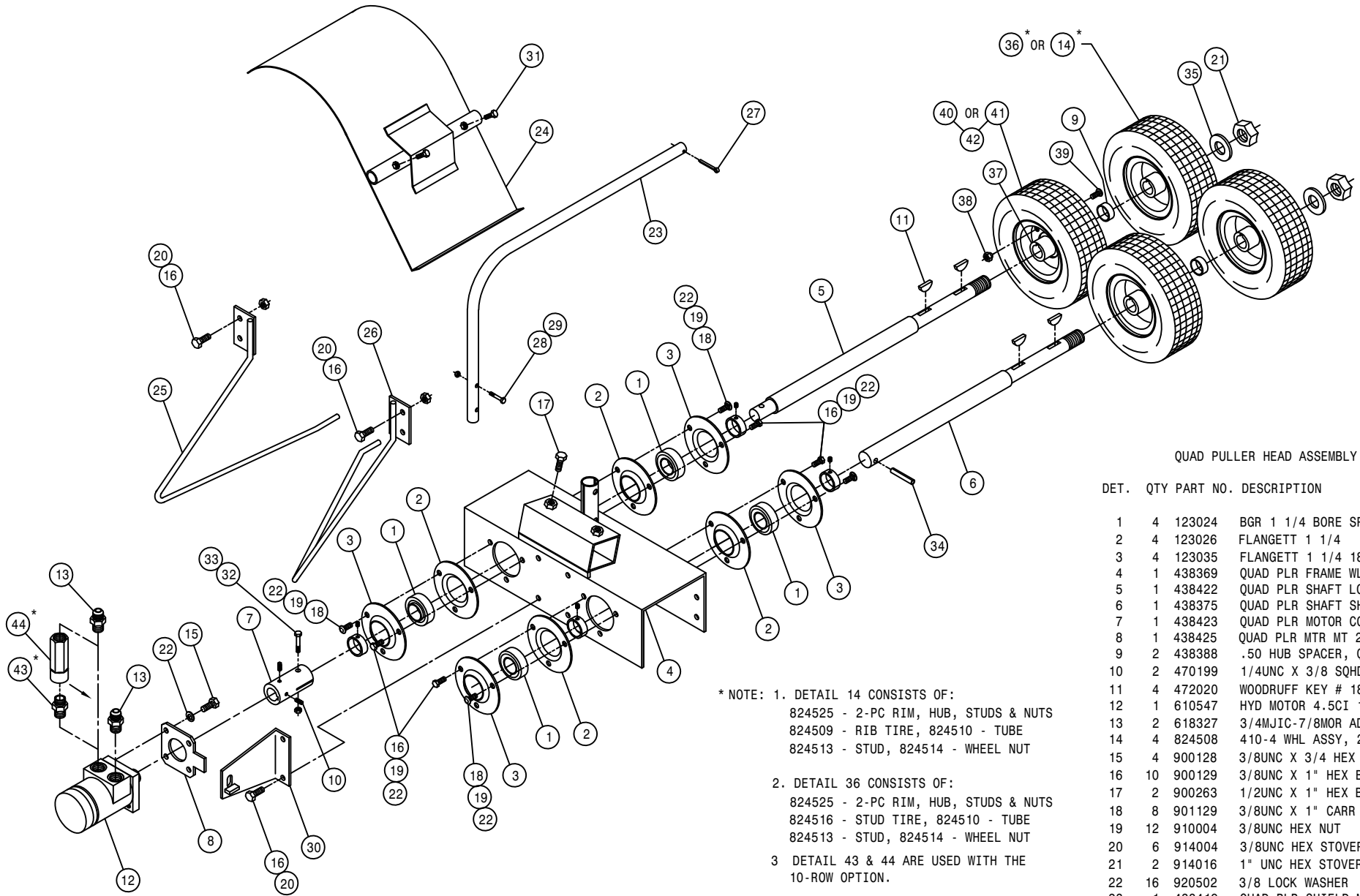


LS SENSOR ASSEMBLY

DET. QTY PART NO. DESCRIPTION

1	1	002841	LS 42GRU SENSOR SHIELD WLD
2	1	003033	LS SENSOR MT WLD, STS COMBO 03
3	1	293258	LWR LS 9200 SENSOR ASSY, FEM
4	2	473004	10-32 FLANGE NYLOC NUT
5	3	650297	REFLECTIVE TAPE, 4 X 4, RTC4-4P
6	2	903883	10-32 X 1/2 SLT RDHD MACH SCR
7	1	003028	LS SENSOR MT SUPP WLD, STSC 03
8	2	002815	SENSOR ARM WASH, NYL
9	2	473980	.31UNC-1.06ID-1.75SQ U-BOLT SS
10	1	900267	1/2UNC X 2" HEX BOLT
11	2	900278	1/2UNC X 6" HEX BOLT
12	4	914002	5/16UNC HEX STOVER NUT
13	3	914008	1/2UNC HEX STOVER NUT
14	1	291634	LINEAR ACTUATOR, KODIAK K2
15	1	293259	UPR LS 9200 SENSOR ASSY, MALE
16	1	003050	LS SENSOR MT WLD, 20°R 204 04
17	1	293188	SENSOR CONNECTOR WIRE ASSY

NOTE: DETAILS MARKER WITH A (*) ARE USED WITH THE 20° ROW OPTION.



QUAD PULLER HEAD ASSEMBLY

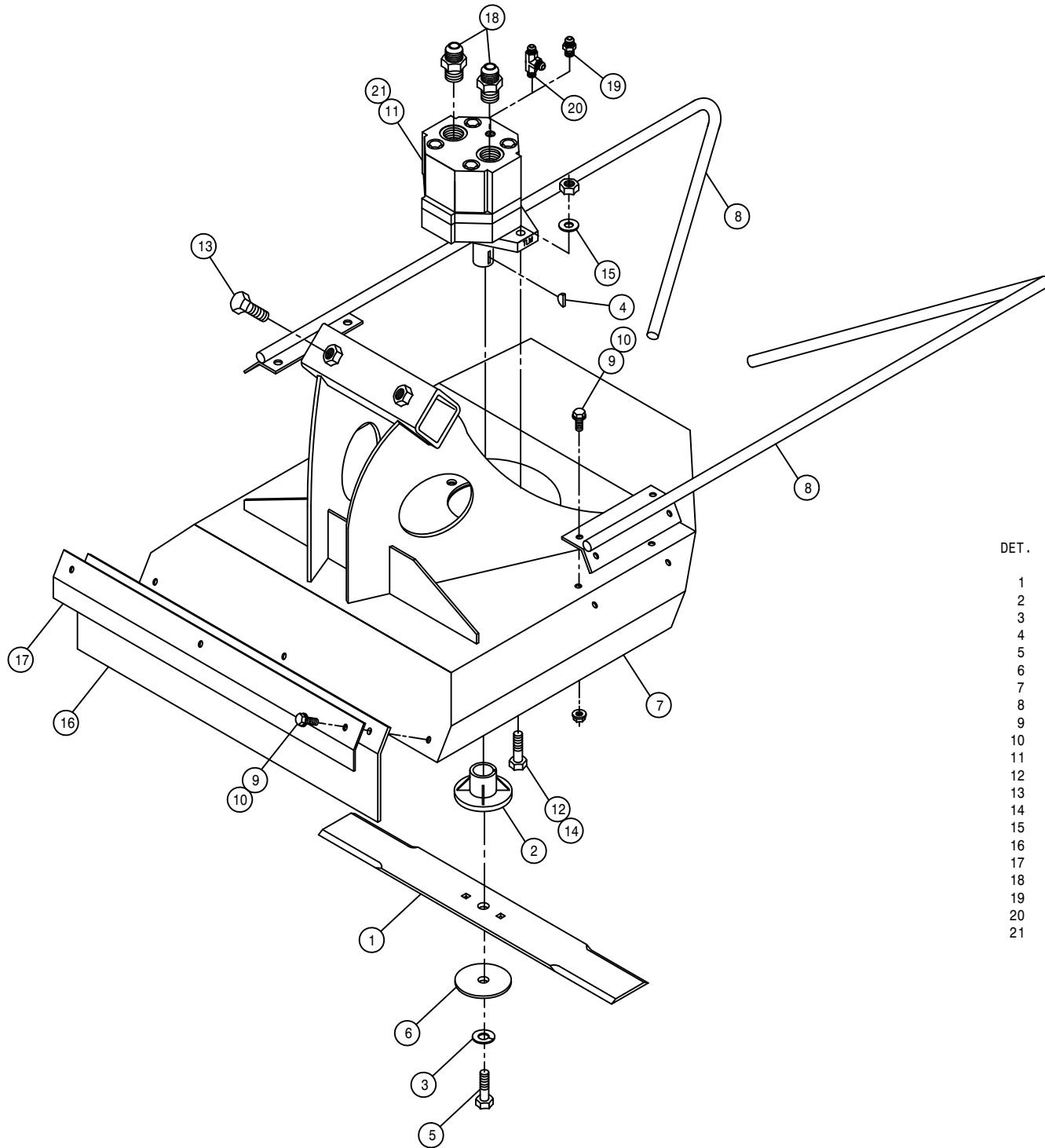
DET.	QTY	PART NO.	DESCRIPTION
1	4	123024	BGR 1 1/4 BORE SPHERICL RELUB
2	4	123026	FLANGETT 1 1/4
3	4	123035	FLANGETT 1 1/4 180 DEG ZERK
4	1	438369	QUAD PLR FRAME WLD 200 90
5	1	438422	QUAD PLR SHAFT LONG 200 91
6	1	438375	QUAD PLR SHAFT SHORT 200 90
7	1	438423	QUAD PLR MOTOR COUPLER 200 91
8	1	438425	QUAD PLR MTR MT 200 91
9	2	438388	.50 HUB SPACER, QUAD PLR
10	2	470199	1/4UNC X 3/8 SQHD CUP SET SCR
11	4	472020	WOODRUFF KEY # 18 1/4 X 1 1/8
12	1	610547	HYD MOTOR 4.5GI 1IN SHFT
13	2	618327	3/4MJIC-7/8MOR ADPTR
14	4	824508	410-4 WHL ASSY, 2P STUD
15	4	900128	3/8UNC X 3/4 HEX BOLT
16	10	900129	3/8UNC X 1" HEX BOLT
17	2	900263	1/2UNC X 1" HEX BOLT
18	8	901129	3/8UNC X 1" CARR BOLT
19	12	910004	3/8UNC HEX NUT
20	6	914004	3/8UNC HEX STOVER NUT
21	2	914016	1" UNC HEX STOVER NUT
22	16	920502	3/8 LOCK WASHER
23	1	438419	QUAD PLR SHIELD MT TUBE 91
24	1	438415	QUAD PLR SHIELD WLD 200 91
25	1	438381	RH QUAD PLR STALK GUIDE WLD90
26	1	438384	LH QUAD PLR STALK GUIDE WLD90
27	1	390984	COTTER PIN 1/8 X 1 1/4
28	2	900004	1/4UNC X 1 1/4 HEX BOLT
29	2	914000	1/4UNC HEX STOVER NUT
30	1	438424	QUAD PLR MTR MT PLT WLD
31	2	900064	5/16UNC X 3/4 HEX BOLT
32	1	900830	5/16UNC X 2" HEX BOLT GR8
33	1	914002	5/16UNC HEX STOVER NUT
34	1	473805	ROLL PIN, 1/4 X 1 1/2
35	2	483032	1 1/2 X 1" X .134TH MACH WASH
36	4	824515	410-4 WHL ASSY, 2P SAWTOOTH
37	4	824525	4 X 2.25 WHEEL & HUB
38	16	824514	WHL NUT, 4-BOLT HUB
39	16	824513	STUD, 4-BOLT HUB
40	4	824509	4.10/3.50-4 2PLY STUD TIRE
41	4	824516	4.10/3.50 2P SAWTOOTH TIRE
42	4	824510	4.10/3.50-4 BENT STEM TUBE
43	1	618586	7/8MOR UNION
44	1	607522	FLOW REGULATOR, 8GPM VONBERG

* NOTE: 1. DETAIL 14 CONSISTS OF:
 824525 - 2-PC RIM, HUB, STUDS & NUTS
 824509 - RIB TIRE, 824510 - TUBE
 824513 - STUD, 824514 - WHEEL NUT

2. DETAIL 36 CONSISTS OF:
 824525 - 2-PC RIM, HUB, STUDS & NUTS
 824516 - STUD TIRE, 824510 - TUBE
 824513 - STUD, 824514 - WHEEL NUT

3. DETAIL 43 & 44 ARE USED WITH THE 10-ROW OPTION.

DET.	QTY	PART NO.	DESCRIPTION
36	4	824515	410-4 WHL ASSY, 2P SAWTOOTH
37	4	824525	4 X 2.25 WHEEL & HUB
38	16	824514	WHL NUT, 4-BOLT HUB
39	16	824513	STUD, 4-BOLT HUB
40	4	824509	4.10/3.50-4 2PLY STUD TIRE
41	4	824516	4.10/3.50 2P SAWTOOTH TIRE
42	4	824510	4.10/3.50-4 BENT STEM TUBE
43	1	618586	7/8MOR UNION
44	1	607522	FLOW REGULATOR, 8GPM VONBERG



CUTTER HEAD ASSEMBLY

DET. QTY PART NO. DESCRIPTION

1	1	002103	CUTR BLADE 18 IN
2	1	002104	CUTTER BLADE ADAPTER, RD LUG
3	1	002105	3/8 LOCK WASHER ZINC PLT
4	1	002106	WOODRUFF KEY # 6, .156 X .625
5	1	002107	3/8UNF X 1 1/2 HEX BOLT CUTR
6	1	002108	STEEL WASHER CUTTER BLADE
7	1	002251	19" CUTTER DECK WLD 04
8	2	002258	19" CUTR STALK GUIDE WLD 04
9	11	470118	1/4UNC X 3/4 FLANGE HEX BOLT
10	11	470121	1/4UNC HEX FLANGE LOCK NUT
11	1	610755	BARNES HYD MOTOR, D-SERIES 01
12	2	900130	3/8UNC X 1 1/4 SER FLANGE BOLT
13	2	900265	1/2UNC X 1 1/2 HEX BOLT
14	2	914004	3/8UNC HEX STOVER NUT
15	2	920002	3/8 SAE FLAT WASHER
16	1	002256	19" REAR CUTR DECK EXT FLAP 04
17	1	002257	19" REAR CUTR DECK FLAP KPR 04
18	2	611125	3/4MJIC-3/4MOR ADPTR
19	1	618530	9/16MJIC-1/8MNPT ADPTR
20	1	618546	1/8MNPT RUN TEE-9/16MJIC
21	1	610756	SEAL, OUTER FOR 610755

TWO HEAD ASSEMBLY

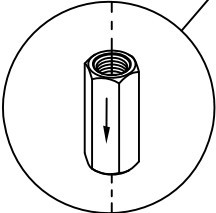
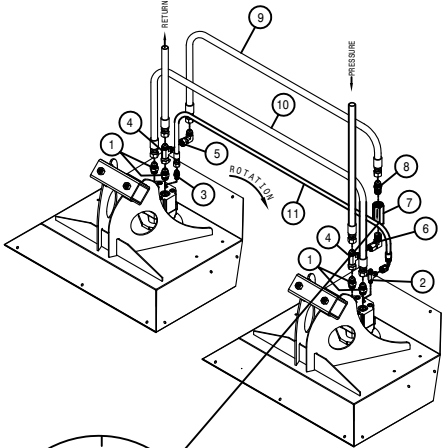
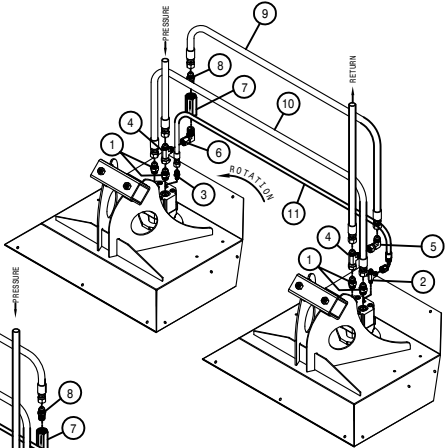
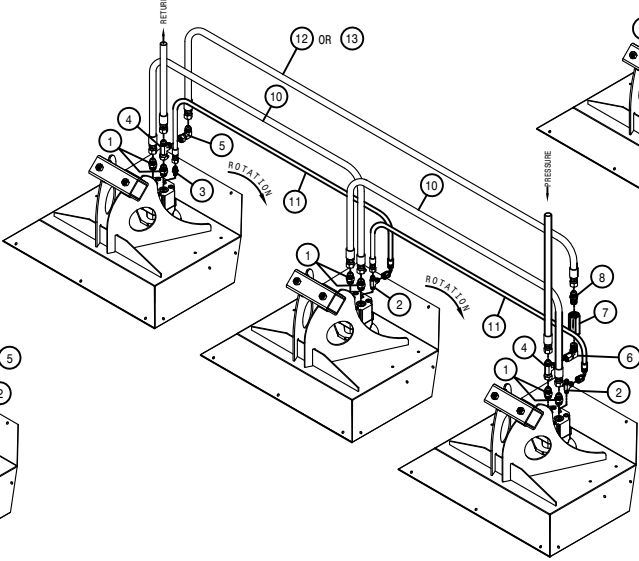
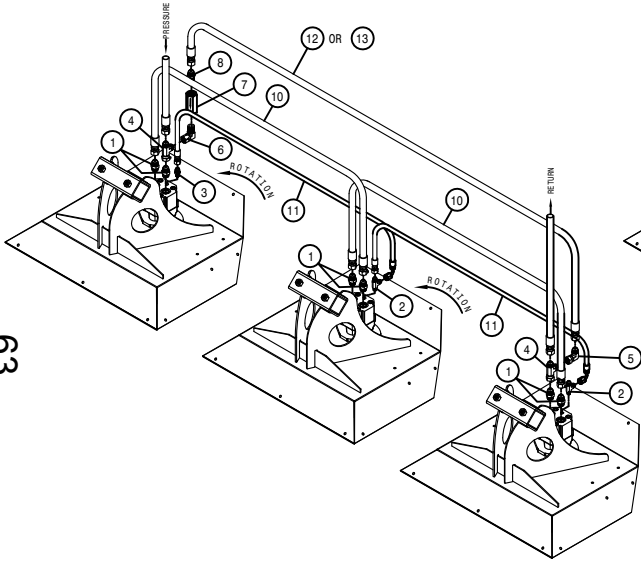
THREE HEAD ASSEMBLY

LEFT SIDE OF OPERATOR

RIGHT SIDE OF OPERATOR

LEFT SIDE OF OPERATOR

RIGHT SIDE OF OPERATOR

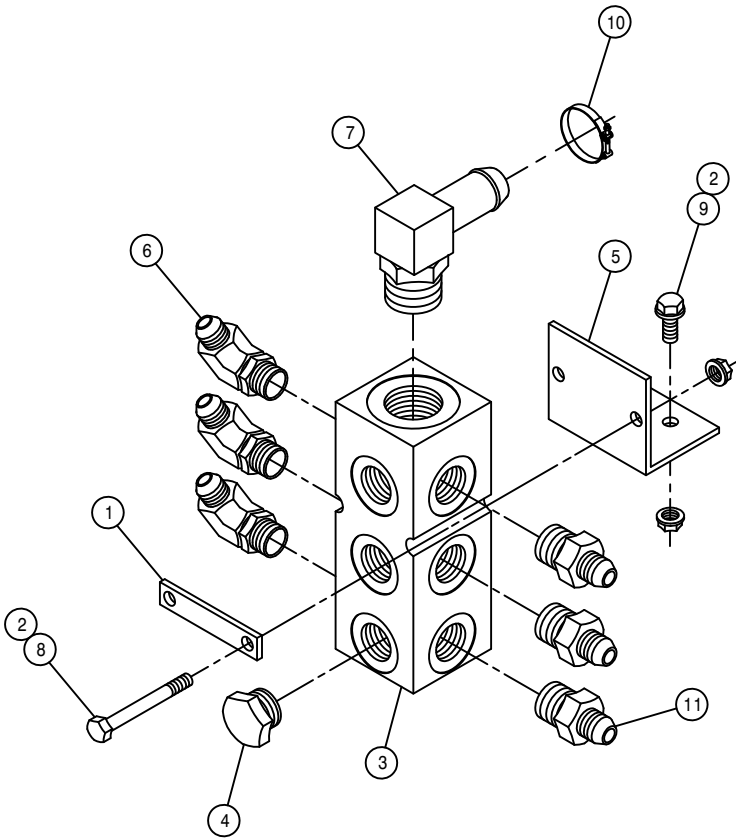


HYD SCHEM, CUTTER CHECK VLV 204 07

DET. QTY PART NO. DESCRIPTION

1	611125	3/4MJIC-3/4MOR ADPTR	
2	618546	1/8MNPT RUN TEE-9/16MJIC	
3	618530	9/16MJIC-1/8MNPT ADPTR	
4	618451	3/4FJIC SW RUN TEE-3/4MJIC	
5	618609	3/4MJIC-90-3/4FJIC SWIV LBO	
6	618620	3/4FJX-90-1/2MNPT ADPTR	
7	690338	LINE CHECK VALVE HYD .50NPT	
8	611147	3/4MJIC-1/2MNPT ADPTR	
9	616025	08C1T-08FJX-08FJX-50	H/A
10	614368	08C1T-08FJX-08FJX-60	H/A
11	616422	04C1T-06FJX-06FJX90-50	H/A
12	616031	08C1T-08FJX-08FJX-83	H/A
13	614662	08C1T-08FJX-08FJX-72	H/A

DET REQ	DESCRIPTION		
 HAGIE HAGIE MANUFACTURING COMPANY CLARION, IOWA 50525			
REMOVE ALL SHARP CORNERS & BURRS			
TOLERANCE UNLESS OTHERWISE SPECIFIED			
FRACTION ±1/32	DECIMALS X.XX ±.03	ANGLES ±°	
DESCRIPTION HYD SCHEM, CUTTER CHECK VLV 204 07			
DRAWN BY T. MARKER		SCALE FULL	
CHECKED BY		APPROVED BY	
DATE 05-16-07	DRAWING NUMBER 498929		
SHEET OF			



CUTTER CASE DRAIN MANIFOLD ASSEMBLY

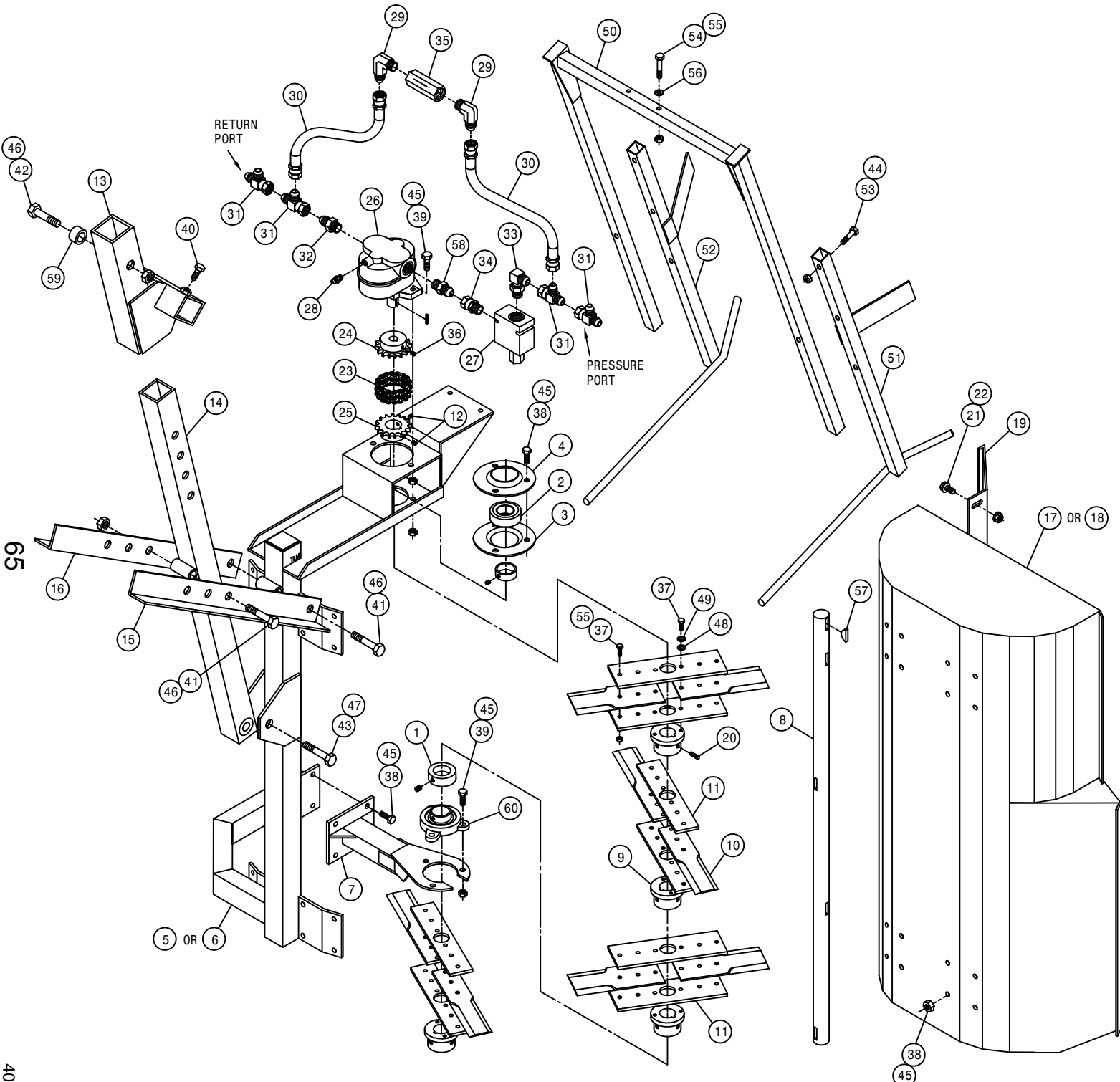
DET. QTY PART NO. DESCRIPTION

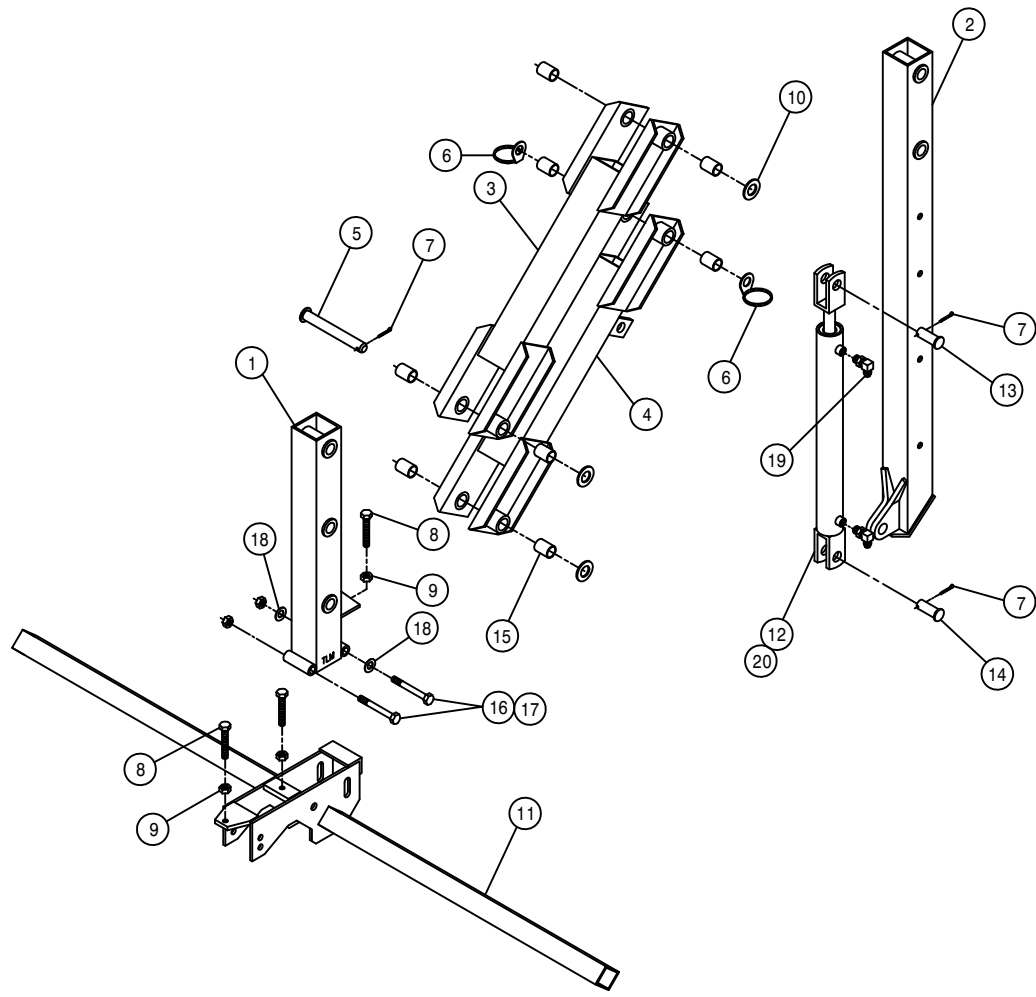
1	1	438729	CUTTER RETURN MANIF MT KEEPER
2	4	470121	1/4UNC HEX FLANGE LOCK NUT
3	1	606021	HYD RETURN MANIF,3/4FOR,9-PORT
4	3	611159	3/4MOR PLUG, HEX HEAD
5	1	615755	204 CASE DRAIN MANIFOLD MT 02
6	3	618115	9/16MJIC-90-3/4MOR LBO
7	1	618118	3/4 HOSE BARB-90-1 1/16MOR
8	2	900009	1/4UNC X 2 3/4 HEX BOLT
9	2	470118	1/4UNC X 3/4 FLANGE HEX BOLT
10	1	520137	1.12/1.25 T-BOLT HOSE CLAMP
11	3	618109	9/16MJIC-3/4MOR ADPTR

MALE ROW 4-BLADE CUTTER ASSEMBLY

DET. QTY PART NO. DESCRIPTION

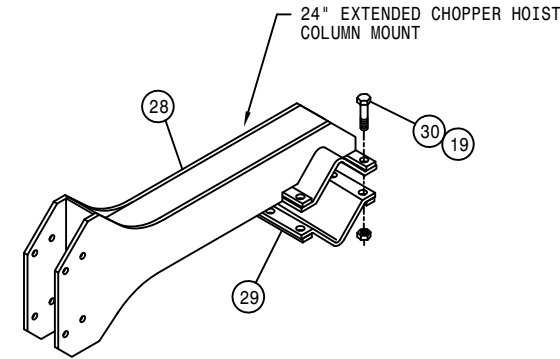
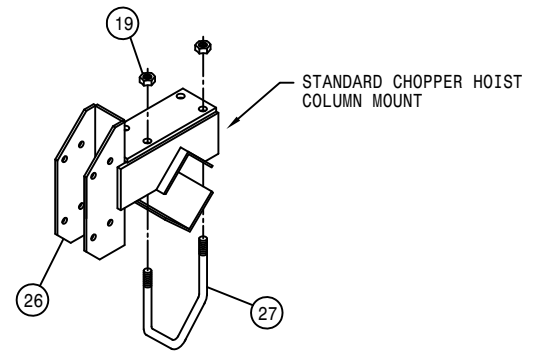
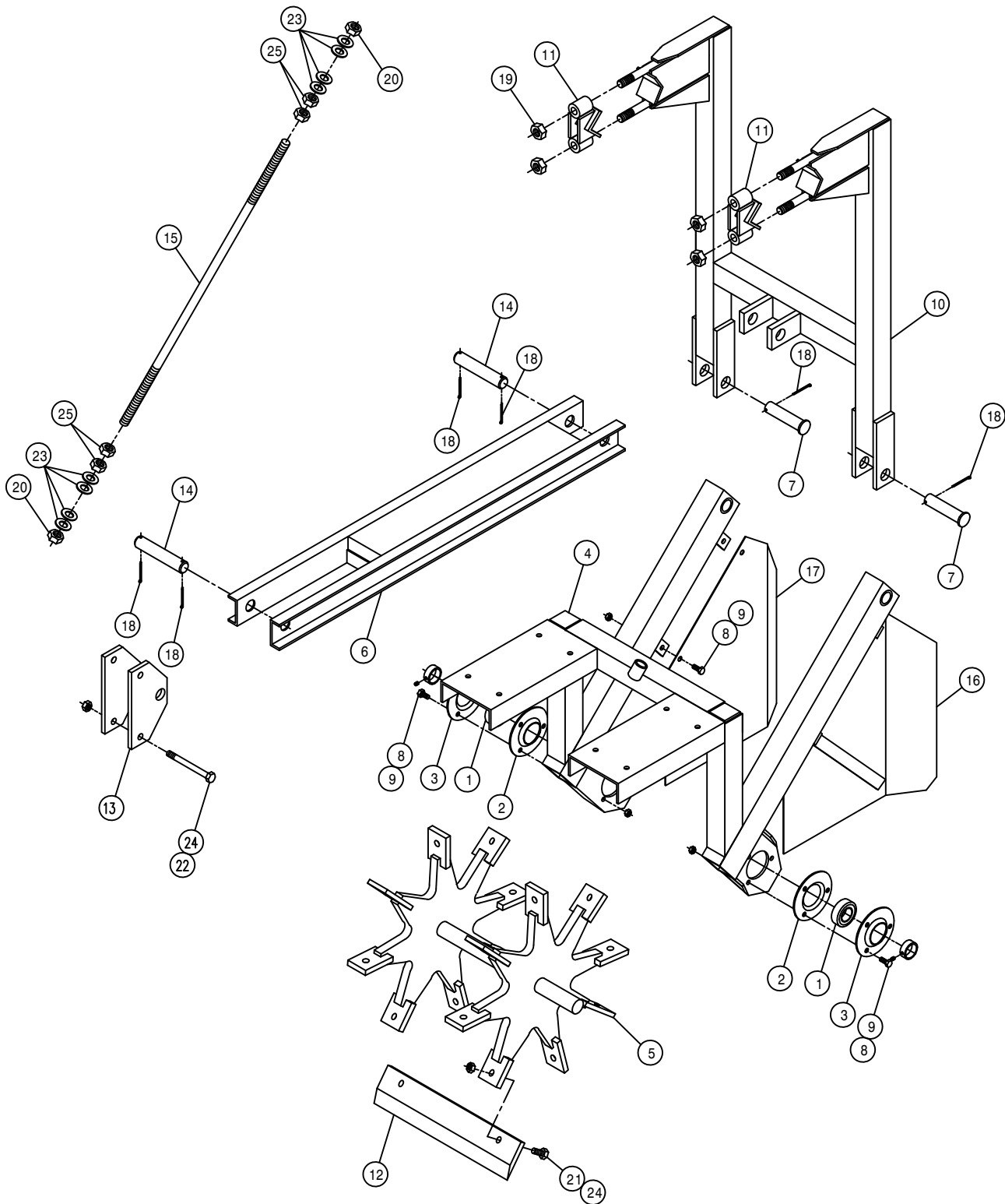
DET.	QTY	PART NO.	DESCRIPTION
1	1	474020	1 1/4 SHAFT SET COLLAR
2	1	123024	BGR 1 1/4 BORE SPHERICL RELUB
3	1	123026	FLANGETT 1 1/4
4	1	123035	FLANGETT 1 1/4 180 DEG ZERK
5	1	270880	RH 4-BLADE CUTTER FRAME WLD95
6	1	270881	LH 4-BLADE CUTTER FRAME WLD95
7	1	270896	LWR BRG MT WLD,4-BLD CUTR 95
8	1	270902	BLADE SHAFT,4-BLD CUTR 95
9	4	270903	BLADE MT HUB,4-BLD CUTR 95
10	8	270904	CUTTER BLADE,4-BLD CUTR 95
11	8	270905	UPPER BLADE SUPP,4-BLD CUTR95
12	2	470060	5/16UNC X 3/8 SET SCR
13	1	270907	CUTTER ADPT WLD,4-BLD CUTR 95
14	1	270910	CUTTER MT WLD,4-BLD CUTR 95
15	1	270913	RH ADJ ANG,4-BLD CUTR 95
16	1	270914	LH ADJ ANG,4-BLD CUTR 95
17	1	270915	RH SHIELD WLD,4-BLD CUTR 95
18	1	270916	LH SHIELD WLD,4-BLD CUTR 95
19	1	270923	DEFLECTOR SHLD,4-BLD CUTR 95
20	8	470057	5/16 X 1/2 LG SQ HD SET SCR
21	4	470121	1/4UNC HEX FLANGE LOCK NUT
22	4	470122	1/4UNC X 1/2 FLANGE HEX BOLT
23	1	492084	CHAIN FOR 4016 CHAIN COUPLER
24	1	492092	CHAIN CPLR 5/8 BORE 5/32 KWY
25	1	492091	CHAIN CPLR 1 1/4 BORE .25 KWY
26	1	610510	CESSNA GEAR MOTOR 1.48CI
27	1	610597	PRESS COMP FIXED FLO REG 18G
28	1	611121	9/16MJIC-1/4MNPT ADPTR
29	2	611145	3/4MJIC-90-1/2MNPT LBO
30	2	615626	08C1T-08FJX-08FJX-15 H/A
31	4	618451	3/4FJIC SW RUN TEE-3/4MJIC
32	1	618469	3/4MJIC-1 1/16MOR ADPTR
33	1	618474	3/4MJIC-90-1 1/16MOR LBO
34	1	618578	1 1/16FJIC SWIV-1 1/16MOR
35	1	690338	LINE CHECK VALVE HYD .50NPT
36	1	470052	1/4-20X1/2 AL HD SET SC CUP
37	24	900066	5/16UNC X 1 1/4 HEX BOLT
38	23	900129	3/8UNC X 1" HEX BOLT
39	5	900130	3/8UNC X 1 1/4 HEX BOLT
40	2	900263	1/2UNC X 1" HEX BOLT
41	2	900270	1/2UNC X 3" HEX BOLT
42	1	900273	1/2UNC X 3 3/4 HEX BOLT
43	1	900408	3/4UNC X 3 1/2 HEX BOLT
44	2	914000	1/4UNC HEX STOVER NUT
45	28	914004	3/8UNC HEX STOVER NUT
46	3	914008	1/2UNC HEX STOVER NUT
47	1	914012	3/4UNC HEX STOVER NUT
48	8	920001	5/16 SAE FLAT WASHER
49	8	920501	5/16 LOCK WASHER
50	1	270924	GUIDE MT WLD,4-BLD CUTR 95
51	1	270928	RH STALK GUIDE WLD,4-BLD CUTR
52	1	270929	LH STALK GUIDE WLD,4-BLD CUTR
53	2	900005	1/4UNC X 1 1/2 HEX BOLT
54	2	900069	5/16UNC X 2" HEX BOLT
55	18	914002	5/16UNC HEX STOVER NUT
56	2	920001	5/16 SAE FLAT WASHER
57	5	472020	WOODRUFF KEY # 18 1/4 X 1 1/8
58	1	611127	1 1/16MJIC-1 1/16MOR ADPTR
59	1	200015	.75 OD X 11GA WA X .38LG C/L
60	1	123050	1.25 PILLOW BLOCK BEARING,FLG





MALE ROW CHOPPER LIFT ASSEMBLY

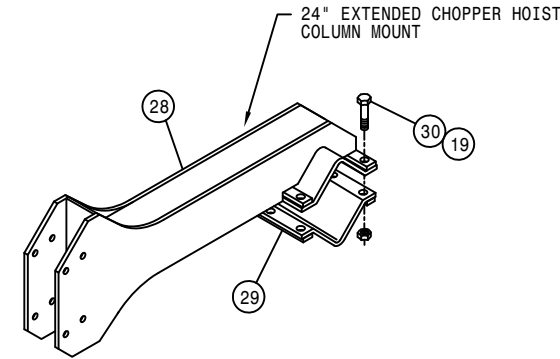
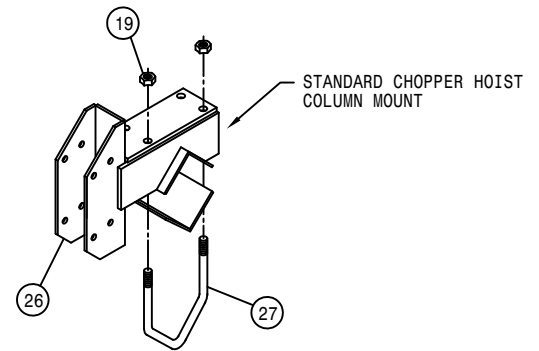
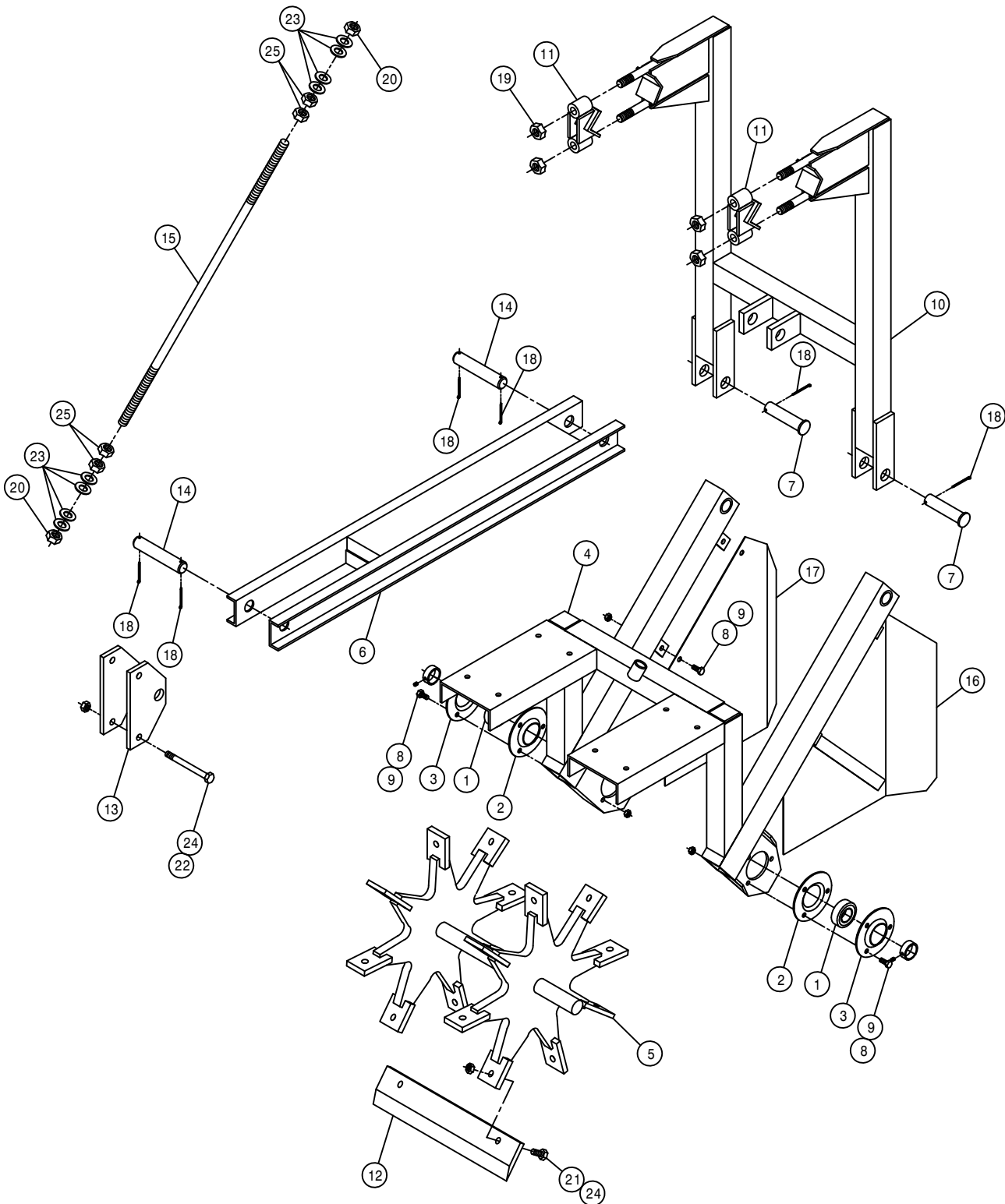
DET.	QTY	PART NO.	DESCRIPTION
	1	438245	TOOL BAR MT WLD,2-POS DETAS
	1	438184	HOIST COL WLD DETAS LIFT 83
	1	438294	UPPER LIFT ARM WLD 8200 86
	1	438297	LWR LIFT ARM WLD 8200 86
	4	438300	LIFT ARM PIVOT PIN WLD8200 86
	2	438302	HOSE SUPPORT RING WLD
	6	470162	COTTER PIN 3/16 X 1 1/2 SQ CUT
	3	900538	1/2UNC X 3 1/2 HEX BOLT FULL
	3	910008	1/2UNC HEX NUT
	3	920008	1" SAE FLAT WASHER
	1	438194	TOOL BAR WLD DETAS 4-6R 83
	1	621568	HYD CYL, 2.00 X 18.00 X 1.125
	1	472012	CLEVIS PIN, 1.00 X 3.25 PLT
	1	472206	PICKER PIN 1 DIA X 2 1/4
	8	121025	JOURNAL BRG, 1.00 ID X 1.50 LG
	2	900343	5/8UNC X 4 1/2 HEX BOLT
	2	914010	5/8UNC HEX STOVER NUT
	2	920005	5/8 SAE FLAT WASHER
	2	618119	9/16MJIC-90-9/16MOR LBO
	1	621569	REPAIR KIT, HYD CYL 621568



15" MALE ROW CHOPPER ASSEMBLY

DET. QTY PART NO. DESCRIPTION

DET.	QTY	PART NO.	DESCRIPTION
1	2	123024	BGR 1 1/4 BORE SPHERICL RELUB
2	2	123026	FLANGETT 1 1/4
3	2	123035	FLANGETT 1 1/4 180 DEG ZERK
4	1	270814	LWR FRAME WLD MALE ROW CHOP
5	1	270860	BLADE MT WHL WLD, CHOPPER 92
6	1	270852	LWR LIFT ARM WLD MALE CHOP 91
7	2	472012	CLEVIS PIN, 1.00 X 3.25 PLT
8	10	900129	3/8UNC X 1" HEX BOLT
9	10	914004	3/8UNC HEX STOVER NUT
10	1	270855	UPR FRAME WLD MALE ROW CHOP91
11	2	270833	TOOL BAR CLAMP WLD MALE CHOP
12	8	270838	CHOPPER BLADE 8131 STEEL TREA
13	2	270842	LWR LIFT ARM MTG PLT
14	2	270843	LIFT ARM PIN MALE ROW CHOPPER
15	1	270844	ADJ ROD MALE ROW CHOPPER
16	1	270845	RH SHLD WLD MALE ROW CHOPPER
17	1	270846	LH SHLD WLD MALE ROW CHOPPER
18	6	470162	COTTER PIN 3/16 X 1 1/2 SQ CUT
19	14	914010	5/8UNC HEX STOVER NUT
20	2	914012	3/4UNC HEX STOVER NUT
21	16	900265	1/2UNC X 1 1/2 HEX BOLT
22	2	900275	1/2UNC X 4 1/2 HEX BOLT
23	8	920006	3/4 SAE FLAT WASHER
24	18	914008	1/2UNC HEX STOVER NUT
25	4	910012	3/4UNC HEX NUT
26	1	438367	HOIST COL MT BRKT WLD 200 90
27	2	438293	5/8UNC X 6 1/4 CTR U-BOLT TRI
28	1	438665	24" HOIST COL MT BRKT WLD
29	1	438671	24" HOIST COL MT V-PLT KPR WLD
30	6	900337	5/8UNC X 2 3/4 HEX BOLT



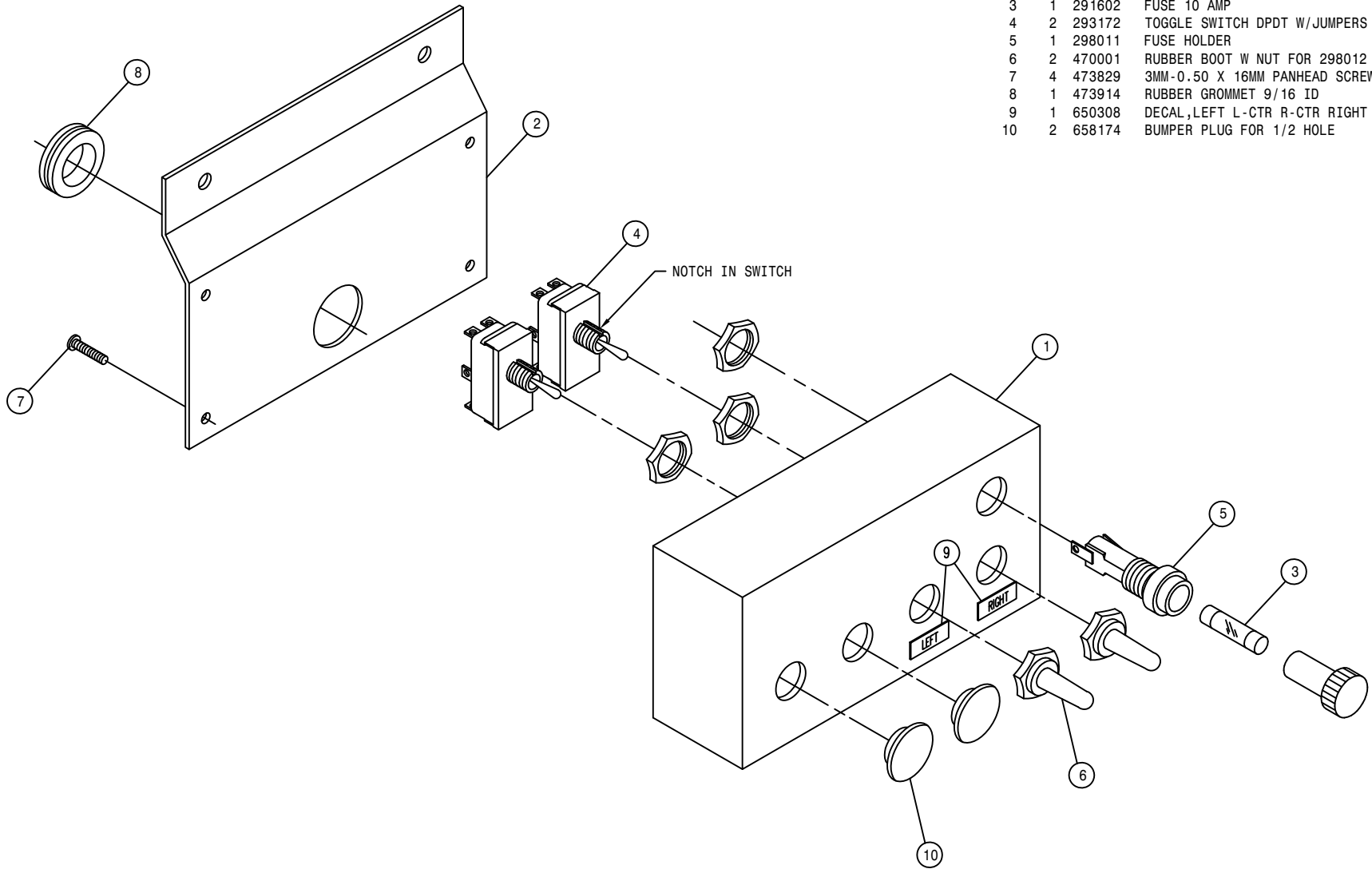
20" MALE ROW CHOPPER ASSEMBLY

DET.	QTY	PART NO.	DESCRIPTION
	2	123024	BGR 1 1/4 BORE SPHERICL RELUB
	2	123026	FLANGETT 1 1/4
	2	123035	FLANGETT 1 1/4 180 DEG ZERK
	4	270872	LWR FRAME WLD,20"MALE CHOPR95
	5	270874	BLADE MT WHL WLD,20"CHOPR 95
	6	270852	LWR LIFT ARM WLD MALE CHOP 91
	7	472012	CLEVIS PIN, 1.00 X 3.25 PLT
	8	100129	3/8UNC X 1" HEX BOLT
	10	914004	3/8UNC HEX STOVER NUT
	10	270876	UPR FRAME WLD,20"MALE CHOPR95
	11	270833	TOOL BAR CLAMP WLD MALE CHOP
	12	270866	CHOPPER BLADE,MALE ROW,20" 95
	13	270842	LWR LIFT ARM MTG PLT
	14	270843	LIFT ARM PIN MALE ROW CHOPPER
	15	270867	ADJ ROD WLD,MALE ROW CHOPR 95
	16	270845	RH SHLD WLD MALE ROW CHOPPER
	17	270846	LH SHLD WLD MALE ROW CHOPPER
	18	470162	COTTER PIN 3/16 X 1 1/2 SQ CUT
	19	914010	5/8UNC HEX STOVER NUT
	20	914012	3/4UNC HEX STOVER NUT
	21	900265	1/2UNC X 1 1/2 HEX BOLT
	22	900275	1/2UNC X 4 1/2 HEX BOLT
	23	920006	3/4 SAE FLAT WASHER
	24	914008	1/2UNC HEX STOVER NUT
	25	910012	3/4UNC HEX NUT
	26	438367	HOIST COL MT BRKT WLD 200 90
	27	438293	5/8UNC X 6 1/4 CTR U-BOLT TRI
	28	438665	24" HOIST COL MT BRKT WLD
	29	438671	24" HOIST COL MT V-PLT KPR WLD
	30	900337	5/8UNC X 2 3/4 HEX BOLT

2-LIFT, DEPTH COMMAND SWITCH ASSEMBLY

DET. QTY PART NO. DESCRIPTION

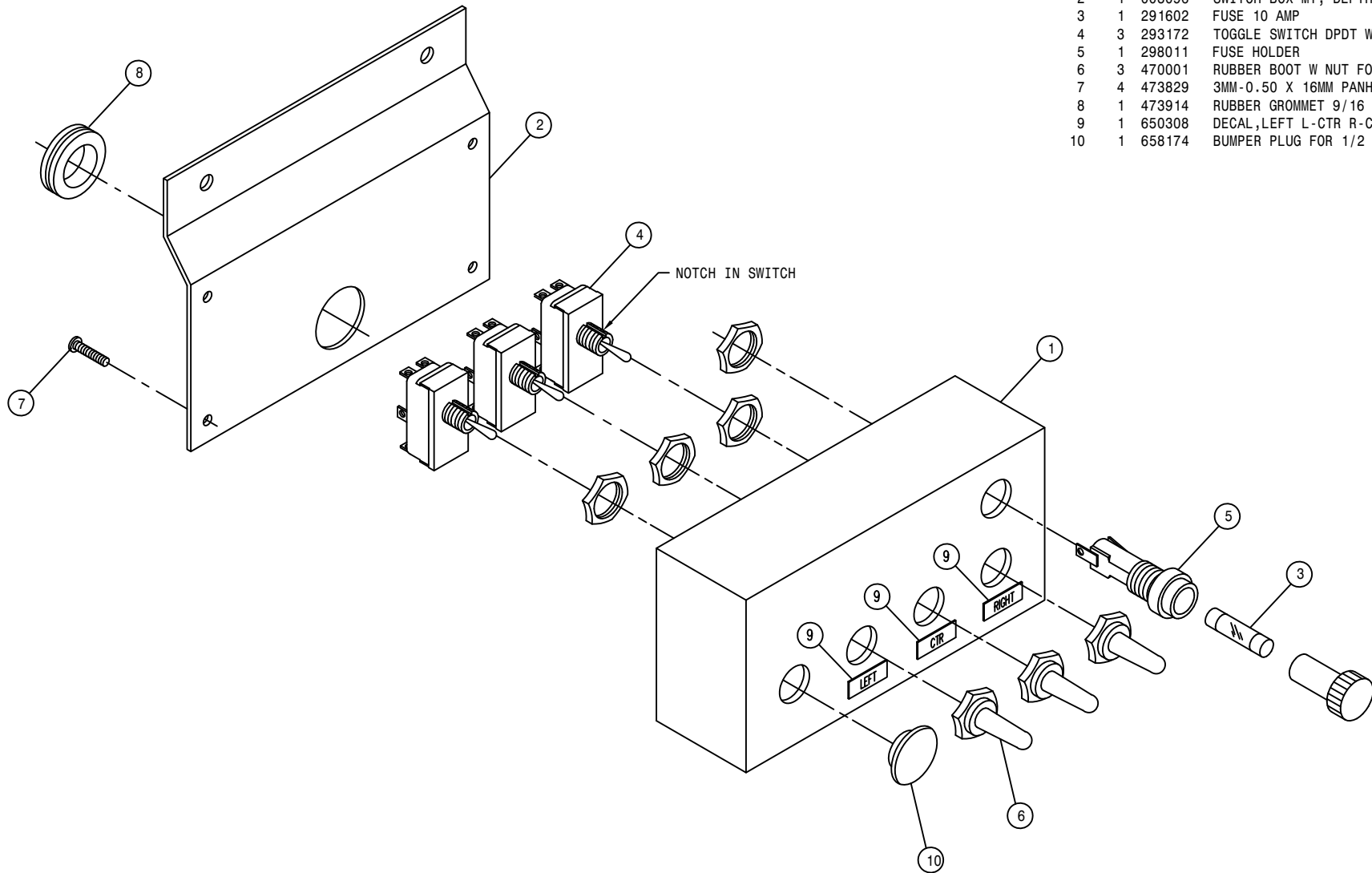
1	1	002744	SWITCH BOX, DEPTH CMD
2	1	003096	SWITCH BOX MT, DEPTH CMD 08
3	1	291602	FUSE 10 AMP
4	2	293172	TOGGLE SWITCH DPDT W/JUMPERS
5	1	298011	FUSE HOLDER
6	2	470001	RUBBER BOOT W NUT FOR 298012
7	4	473829	3MM-0.50 X 16MM PANHEAD SCREW
8	1	473914	RUBBER GROMMET 9/16 ID
9	1	650308	DECAL,LEFT L-CTR R-CTR RIGHT
10	2	658174	BUMPER PLUG FOR 1/2 HOLE



3-LIFT, DEPTH COMMAND SWITCH ASSEMBLY

DET. QTY PART NO. DESCRIPTION

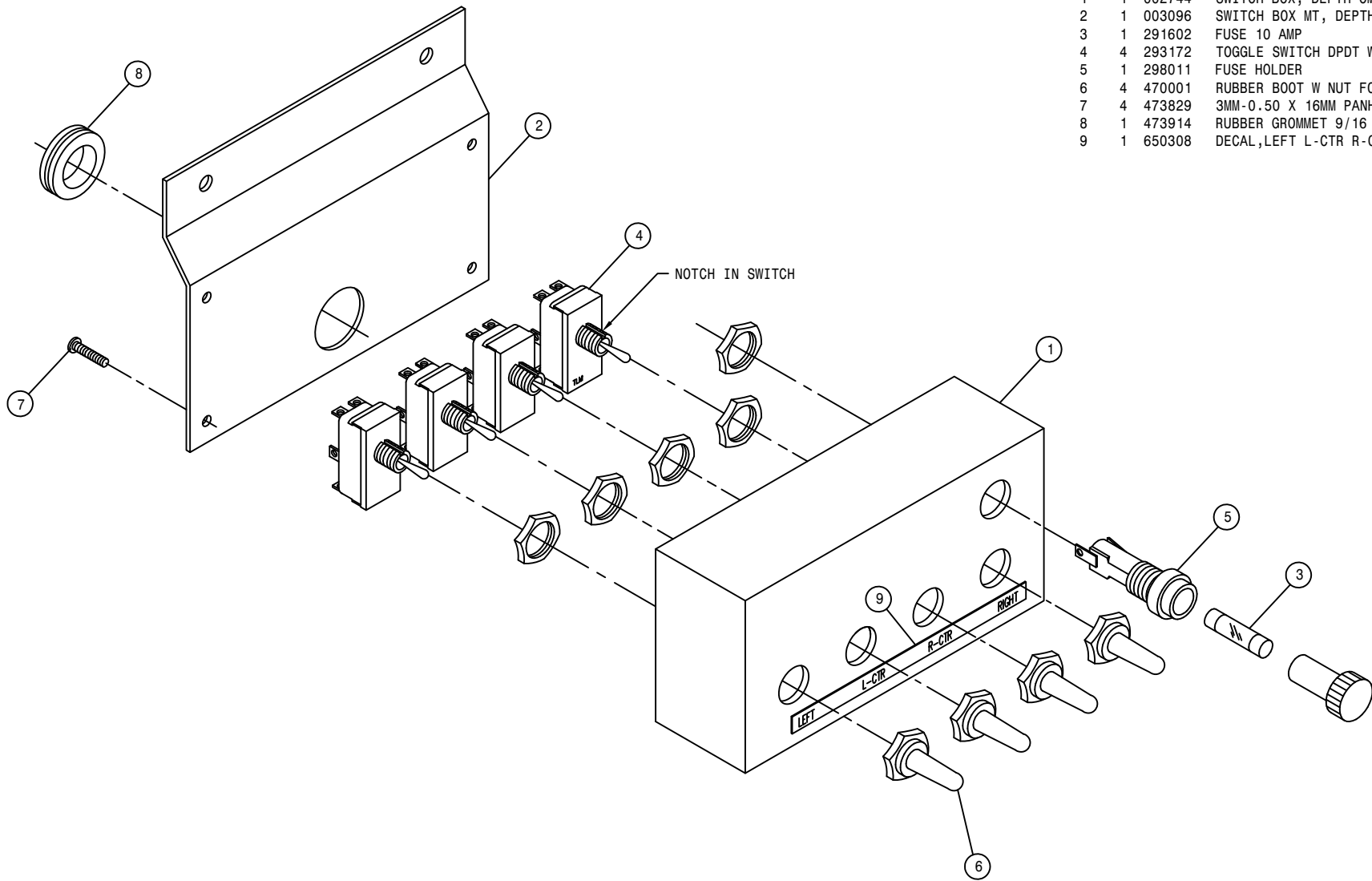
DET.	QTY	PART NO.	DESCRIPTION
1	1	002744	SWITCH BOX, DEPTH CMD
2	1	003096	SWITCH BOX MT, DEPTH CMD 08
3	1	291602	FUSE 10 AMP
4	3	293172	TOGGLE SWITCH DPDT W/JUMPERS
5	1	298011	FUSE HOLDER
6	3	470001	RUBBER BOOT W NUT FOR 298012
7	4	473829	3MM-0.50 X 16MM PANHEAD SCREW
8	1	473914	RUBBER GROMMET 9/16 ID
9	1	650308	DECAL, LEFT L-CTR R-CTR RIGHT
10	1	658174	BUMPER PLUG FOR 1/2 HOLE



4-LIFT, DEPTH COMMAND SWITCH ASSEMBLY

DET. QTY PART NO. DESCRIPTION

DET.	QTY	PART NO.	DESCRIPTION
1	1	002744	SWITCH BOX, DEPTH CMD
2	1	003096	SWITCH BOX MT, DEPTH CMD 08
3	1	291602	FUSE 10 AMP
4	4	293172	TOGGLE SWITCH DPDT W/JUMPERS
5	1	298011	FUSE HOLDER
6	4	470001	RUBBER BOOT W NUT FOR 298012
7	4	473829	3MM-0.50 X 16MM PANHEAD SCREW
8	1	473914	RUBBER GROMMET 9/16 ID
9	1	650308	DECAL, LEFT L-CTR R-CTR RIGHT



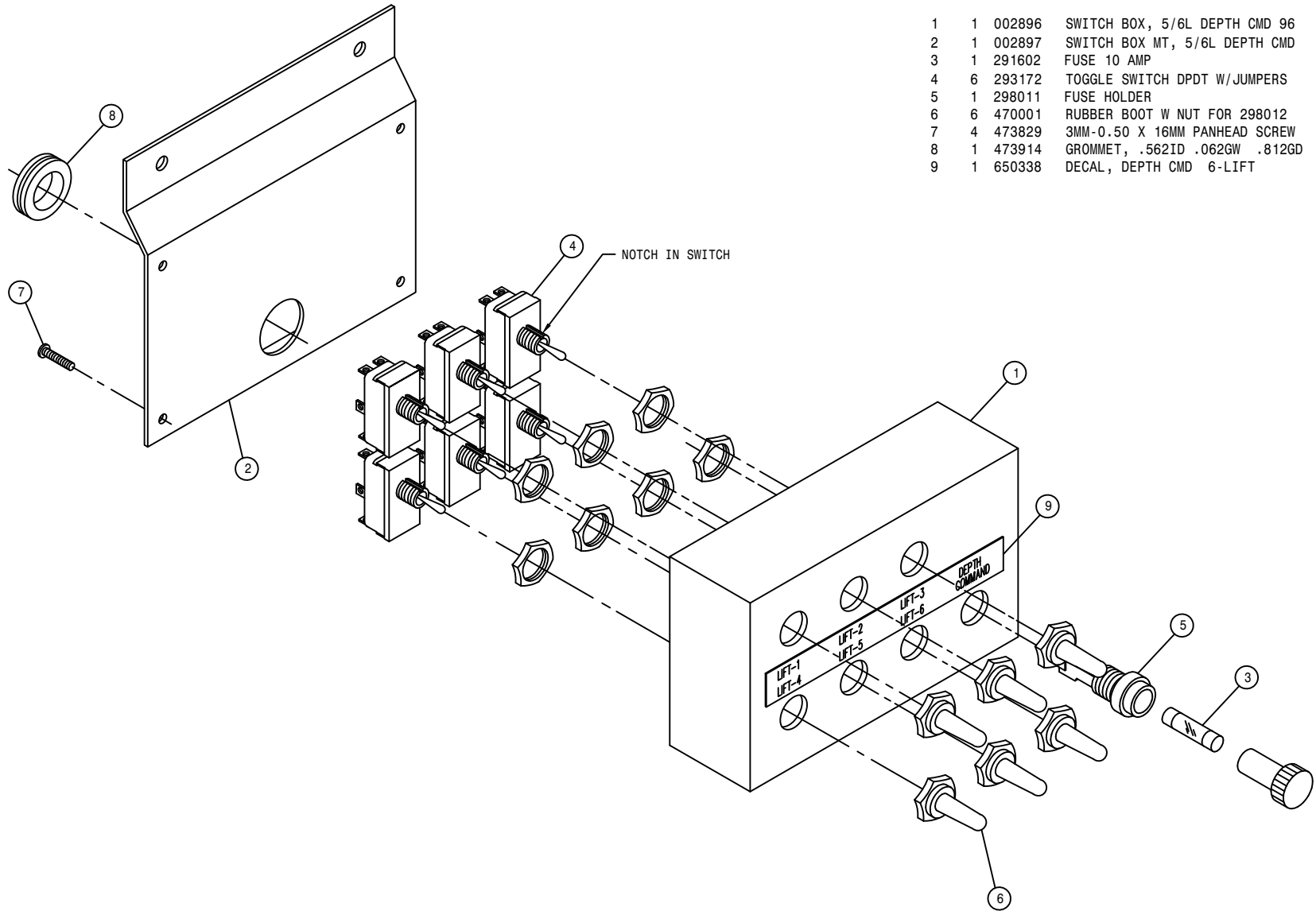
71

402071

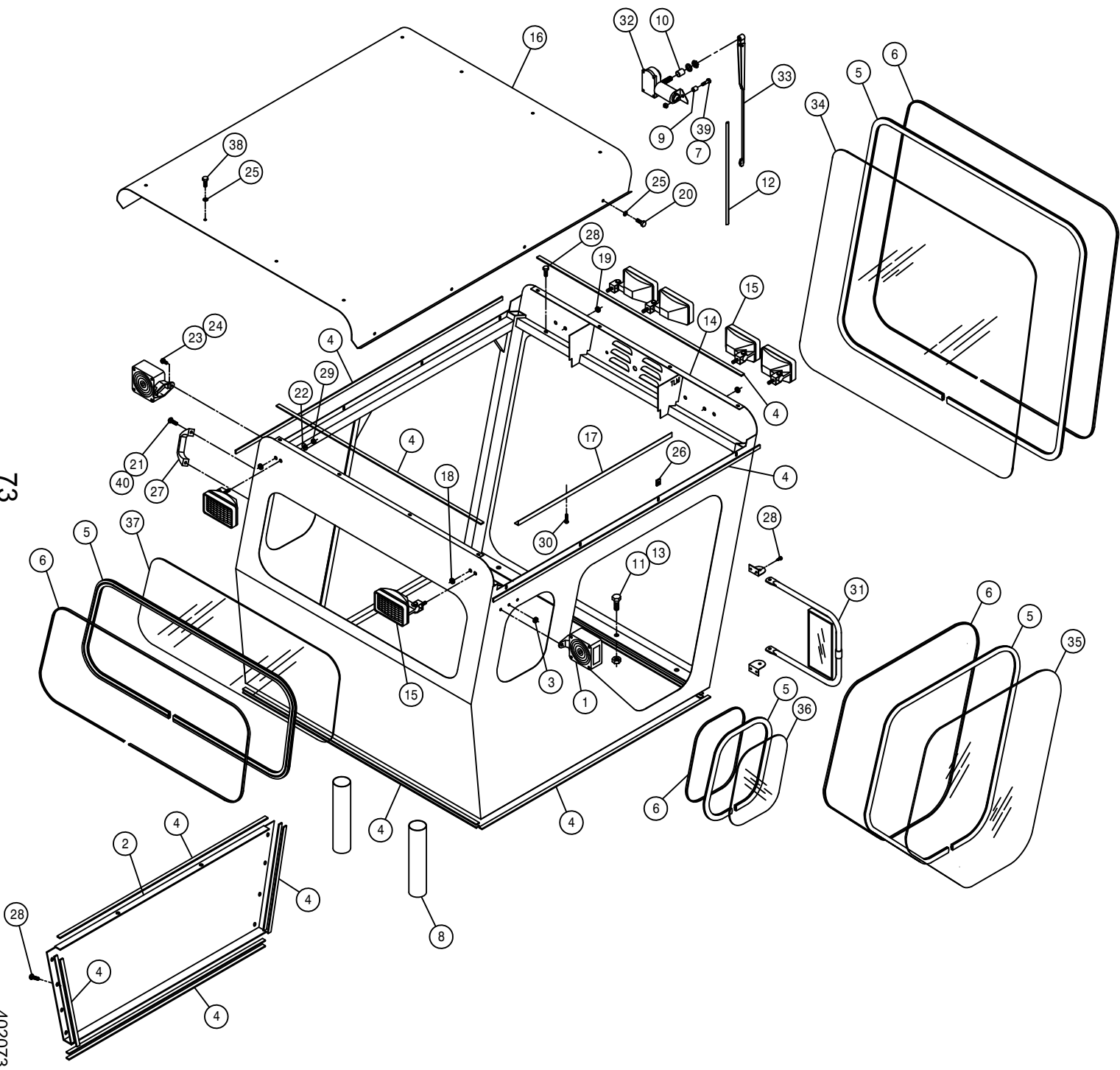
6-LIFT, DEPTH COMMAND SWITCH ASSEMBLY

DET. QTY PART NO. DESCRIPTION

1	1	002896	SWITCH BOX, 5/6L DEPTH CMD 96
2	1	002897	SWITCH BOX MT, 5/6L DEPTH CMD
3	1	291602	FUSE 10 AMP
4	6	293172	TOGGLE SWITCH DPDT W/JUMPERS
5	1	298011	FUSE HOLDER
6	6	470001	RUBBER BOOT W NUT FOR 298012
7	4	473829	3MM-0.50 X 16MM PANHEAD SCREW
8	1	473914	GROMMET, .562ID .062GW .812GD
9	1	650338	DECAL, DEPTH CMD 6-LIFT



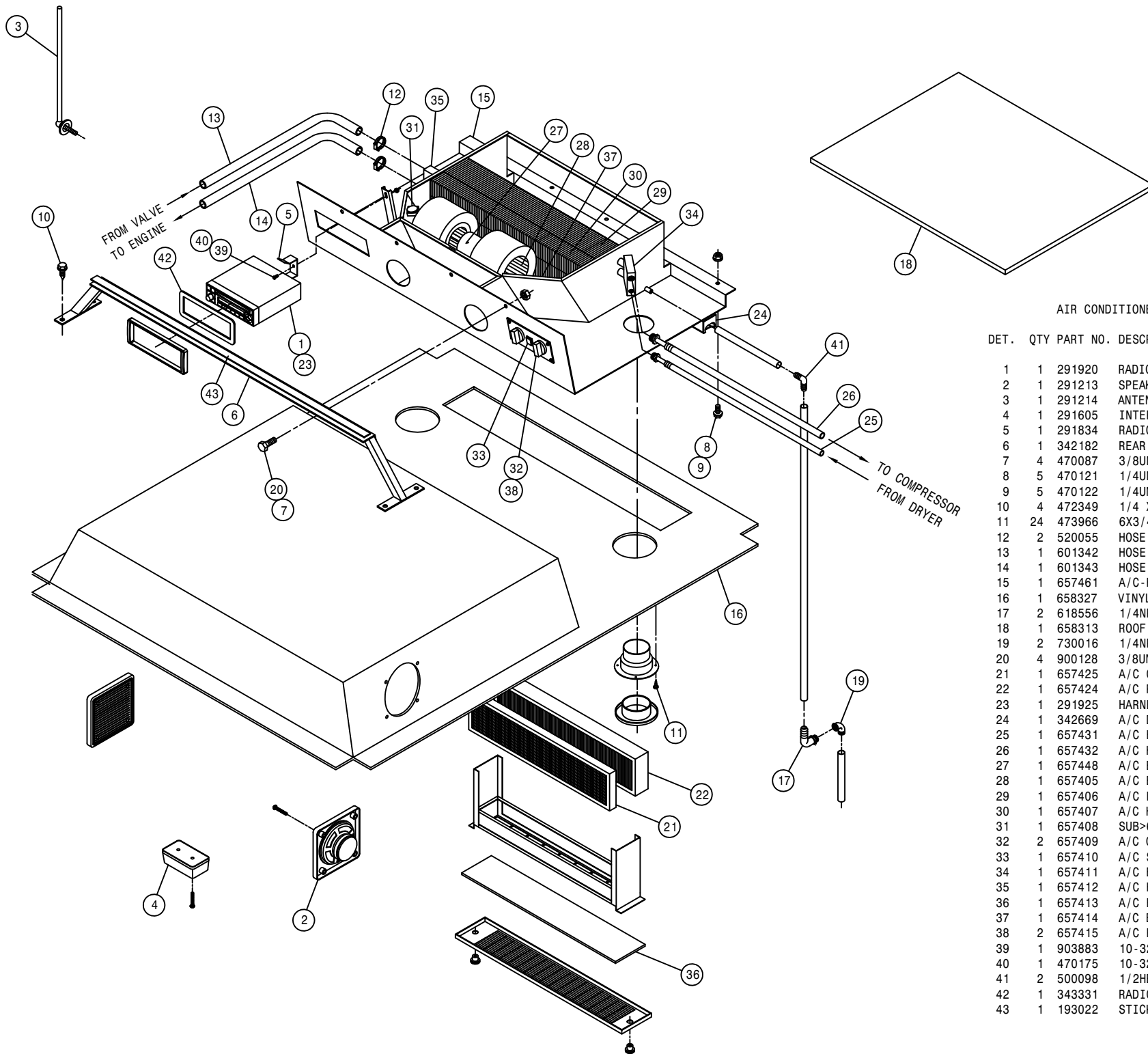
73



CAB ASSEMBLY

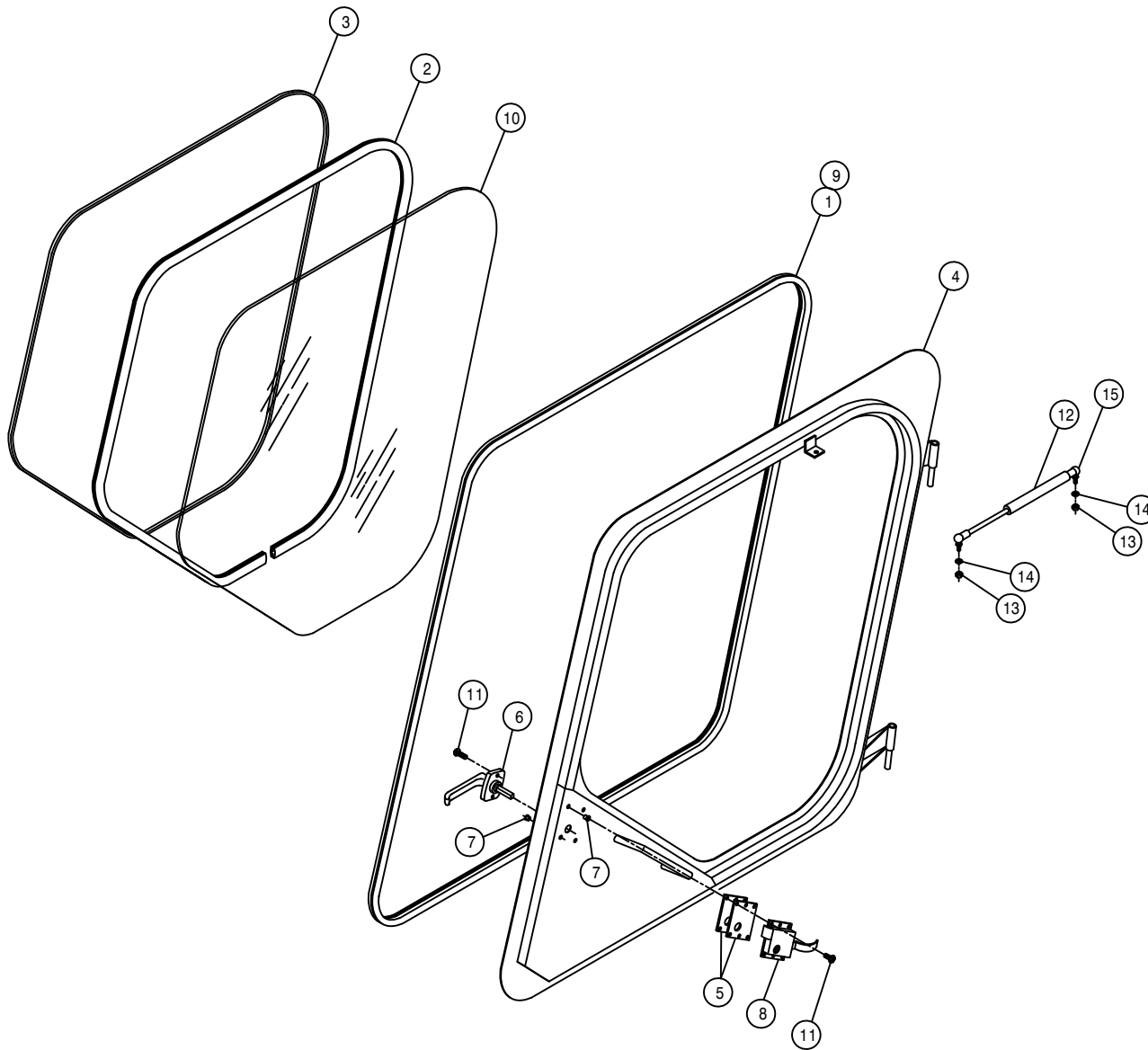
DET.	QTY	PART NO.	DESCRIPTION
1	2	291604	TURN SIGNAL LIGHT,PED MT, YEL
2	1	342295	LH SIDE PANEL, 204 CAB 95
3	2	470226	GROMMET, .156ID .062GW .250GD
4	46	193037	STICKERTITE 1/8 X 3/4
5	42	193044	WINDOW WEATHERSTRIP
6	42	193045	LOCK STRIP FOR 193044
7	1	914000	1/4UNC HEX STOVER NUT
8	2	342333	NYL HOSE SLEEVE,2.64ID X 12.00
9	1	200019	.25 SCH 40BP X 1.00 LG C/L
10	1	358886	AIR BAG MT LOCK COLLAR BUSH 98
11	6	900264	1/2UNC X 1 1/4 HEX BOLT
12	1	290417	18" WIPER BLADE
13	6	914008	1/2UNC HEX STOVER NUT
14	1	342287	204 CAB WELDMT 95
15	6	291603	HALOGEN WORKLAMP, SIDE MT 12V
16	1	342150	CAB ROOF WLD, 284 94
17	1	342180	HEADLINER KPR ANGLE,284CAB 94
18	2	470067	GROMMET, .250ID .125GW .375GD
19	2	470070	GROMMET, .375ID .062GW .500GD
20	8	470118	1/4UNC X 3/4 FLANGE HEX BOLT
21	2	903883	10-32 X 1/2 SLT RDHD MACH SCR
22	6	470100	3/8 INT TOOTH LOCK WASHER
23	4	470121	1/4UNC HEX FLANGE LOCK NUT
24	4	470122	1/4UNC X 1/2 FLANGE HEX BOLT
25	16	470514	1/4 X 1 SEALING WASHER SS
26	16	470218	1/4UNC NUT J-TYPE CAGE CLIP
27	1	470222	GRAB HANDLE, BLACK MOULDED
28	22	472349	1/4 X 3/4 20THD-IN TEK TYPE
29	6	473779	10MM-1.50 HEX NUT
30	2	473910	1/4 X 1 1/2 PHIL HD SHT MTL S
31	2	650524	OUTSIDE MIRROR W/MTG BRKT
32	1	658008	WINDSHIELD WIPER MOTOR
33	1	658013	WIPER ARM
34	1	658018	FRONT CAB GLASS, 204 95
35	1	658015	FRONT SIDE CAB/DOOR GLASS 94
36	2	658016	REAR SIDE CAB GLASS 94
37	1	658017	REAR CAB GLASS 94
38	8	900002	1/4UNC X 3/4 HEX BOLT
39	1	900005	1/4UNC X 1 1/2 HEX BOLT
40	2	470175	10-32 HEX FLANGE LOCK NUT

402073



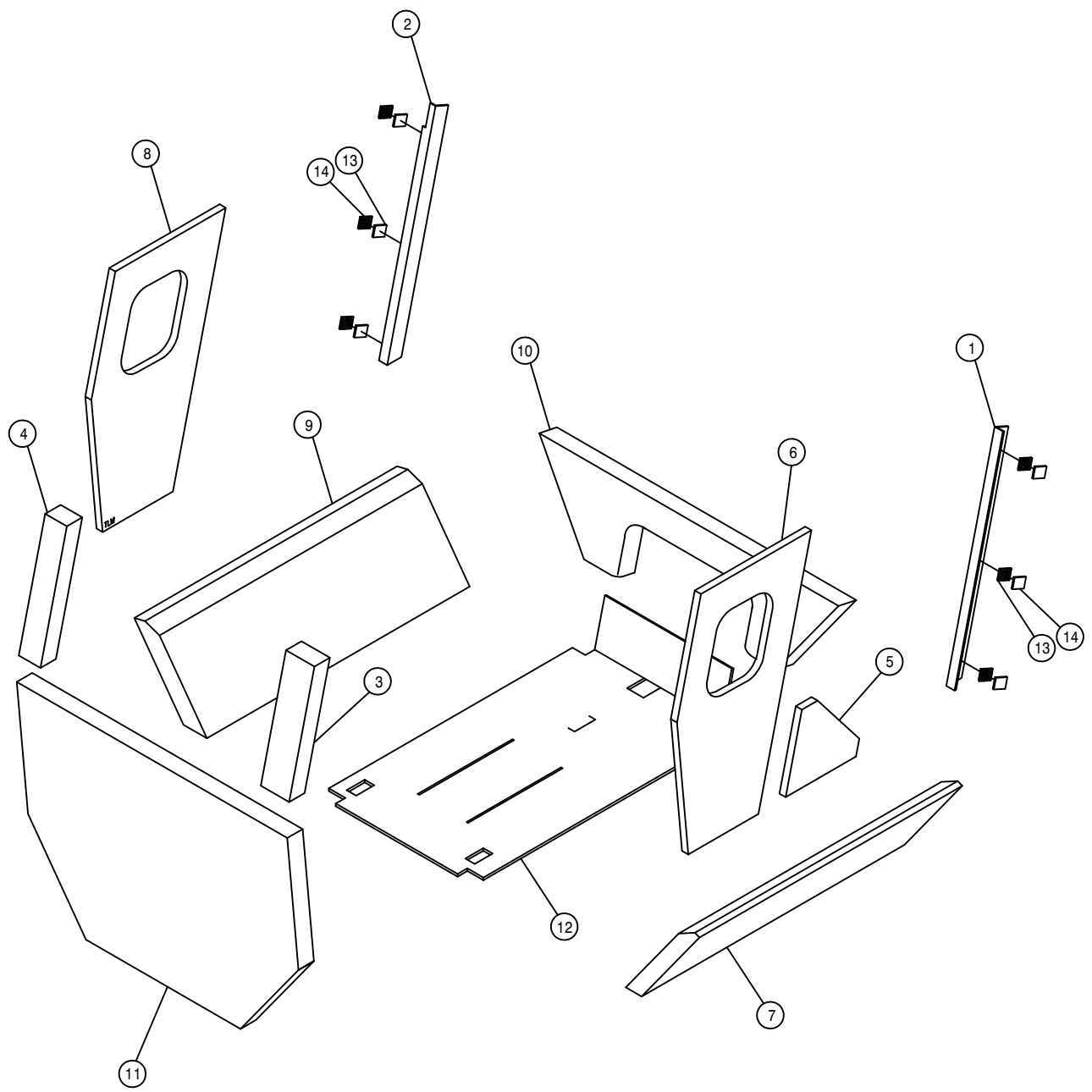
AIR CONDITIONER ASSEMBLY

DET.	QTY	PART NO.	DESCRIPTION
1	1	291920	RADIO CRW200
2	1	291213	SPEAKERS (PAIR)
3	1	291214	ANTENNA
4	1	291605	INTERIOR LIGHT W/SWITCH
5	1	291834	RADIO SUPPORT BRKT
6	1	342182	REAR A/C BLOWER MT WLD,CAB 94
7	4	470087	3/8UNC HEX FLANGE LOCK NUT
8	5	470121	1/4UNC HEX FLANGE LOCK NUT
9	5	470122	1/4UNC X 1/2 FLANGE HEX BOLT
10	4	472349	1/4 X 3/4 20THD-IN TEK TYPE
11	24	473966	6X3/4 PHIL FLT HD SHT MTL SCR
12	2	520055	HOSE CLAMP NO 12 STAINLESS
13	1	601342	HOSE, 5/8 X 192 HEATER
14	1	601343	HOSE, 5/8 X 216 HEATER
15	1	657461	A/C-HTR BLOWER SYS, DTS8 05
16	1	658327	VINYL HEAD LINER 99
17	2	618556	1/4NPT-90-1/2 HOSE BARB,POLY
18	1	658313	ROOF SEAL,AIR COND 204,254,284
19	2	730016	1/4NPT ST EL, 90 DEG POLY
20	4	900128	3/8UNC X 3/4 HEX BOLT
21	1	657425	A/C CHARCOAL AIR FILTER
22	1	657424	A/C PAPER AIR FILTER
23	1	291925	HARNES, RADIO CRW200 DTS 05
24	1	342669	A/C DRAIN HOSE KEEPER
25	1	657431	A/C HOSE ASSY, 5/16 X 173
26	1	657432	A/C HOSE ASSY, 1/2 X 190.
27	1	657448	A/C BLOWER ASSY, 12V KENWAY
28	1	657405	A/C BLOWER WHEEL W/CLIP
29	1	657406	A/C EVAPORATOR COIL
30	1	657407	A/C HEATER COIL
31	1	657408	SUB>657468:A/C THERMOSTAT
32	2	657409	A/C CONTROL KNOB
33	1	657410	A/C SWITCH, PUSH ON-OFF
34	1	657411	A/C EXPANSION VALVE
35	1	657412	A/C HEATER VALVE,4-WAY MTRIZED
36	1	657413	A/C FILTER,RECIRCULATION 30"
37	1	657414	A/C BLOWER DRIVE ASSY
38	2	657415	A/C POTENTIOMETER ASSY
39	1	903883	10-32 X 1/2 SLT RDHD MACH SCR
40	1	470175	10-32 HEX FLANGE LOCK NUT
41	2	500098	1/2HB-90-1/2 HOSE BARB, POLY
42	1	343331	RADIO BEZEL,CAB, BLK PLASIC 05
43	1	193022	STICKERTITE 1/4 X 3/4



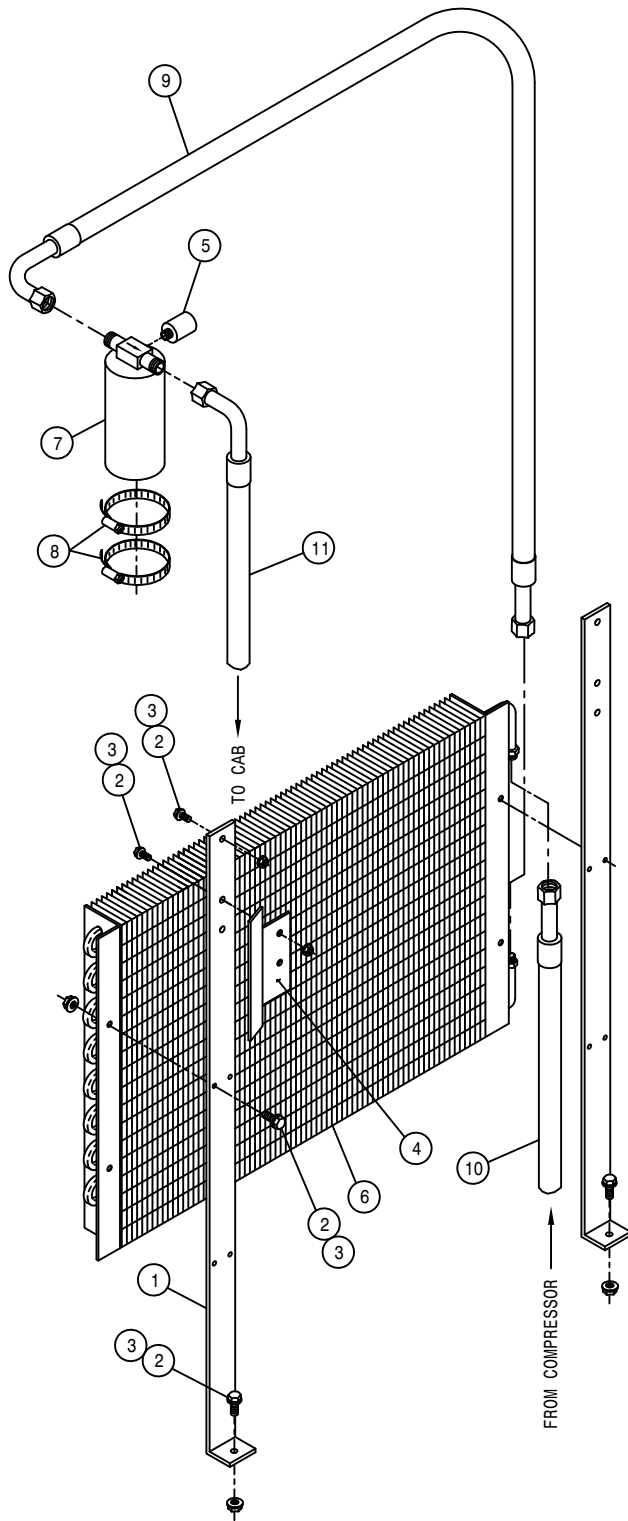
DOOR ASSEMBLY

DET.	QTY	PART NO.	DESCRIPTION
1	12	193028	PUSH-ON TRIM SEAL RS-130-FX
2	9	193044	WINDOW WEATHERSTRIP
3	9	193045	LOCK STRIP FOR 193044
4	1	342153	LH DOOR WLD, 284 CAB 94
5	2	342163	CAB DOOR LATCH SHIM, .06 94
6	1	342217	DOOR HANDLE, 254/284 CAB 94
7	6	470384	10-32 NUTSERT .020-.130 STL
8	1	470219	CAB LOCK, LH #55
9	2	485052	POP RIVET 1/8 X 3/8
10	1	658015	FRONT SIDE CAB/DOOR GLASS 94
11	6	903710	10-32X5/8 PHIL PANHD MACH SCR
12	1	470221	GAS SPRING, 60LB 3.5 STROKE
13	2	910002	5/16UNC HEX NUT
14	2	920501	5/16 LOCK WASHER
15	2	470255	BALL STUD,5/16-18 THD X 10MM



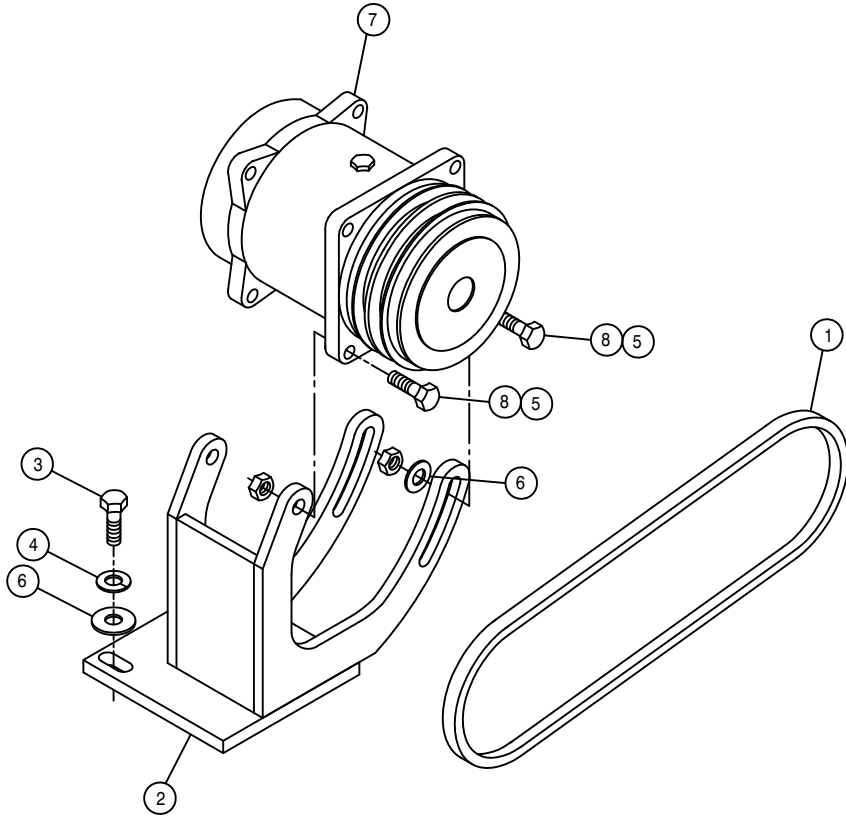
CAB FOAM

DET.	QTY	PART NO.	DESCRIPTION
1	1	658301	VINYL POST COVER, RH FRONT 94
2	1	658302	VINYL POST COVER, LH FRONT 94
3	1	658303	VINYL POST COVER, RH REAR 94
4	1	658304	VINYL POST COVER, LH REAR 94
5	1	658305	VINYL SIDE PANEL, RH 94
6	1	658306	VINYL SIDE PANEL, RH UPPER 94
7	1	658307	VINYL SIDE PANEL, RH LOWER 94
8	1	658308	VINYL SIDE PANEL, LH UPPER 94
9	1	658309	VINYL SIDE PANEL, LH LOWER 94
10	1	658310	VINYL FRONT COVER PANEL 94
11	1	658311	VINYL REAR COVER PANEL 94
12	1	658316	CAB FLOORMAT, 284 97
13	6	471101	DUAL LOCK, 1.00 X 1.00 SJ3542
14	6	471100	DUAL LOCK, 1.00 X 1.00 SJ3541



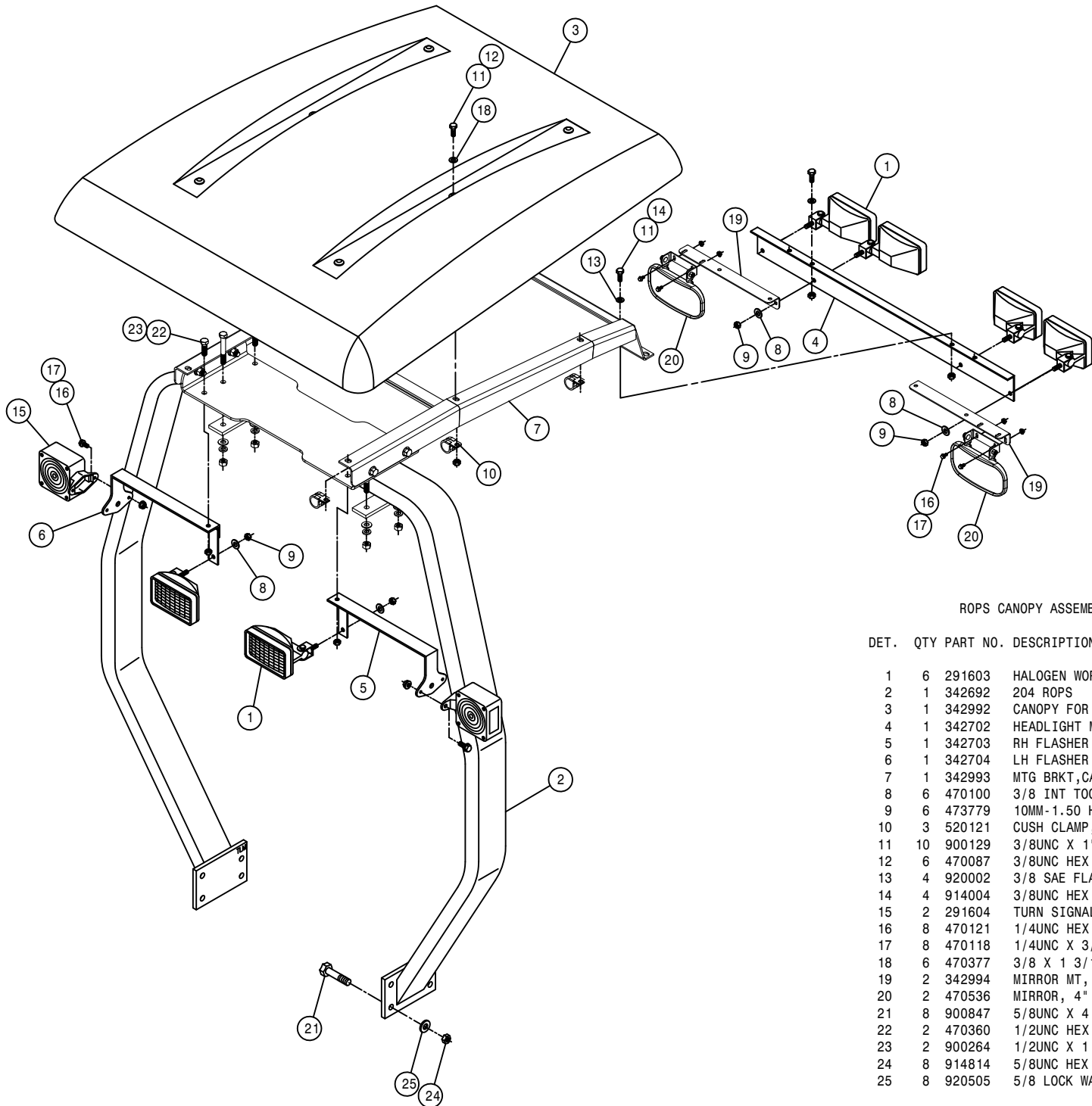
A/C CONDENSER ASSEMBLY

DET.	QTY	PART NO.	DESCRIPTION		
	1	2	315036	CONDENSER MTG BRKT	99
	2	10	470118	1/4UNC X 3/4 FLANGE HEX BOLT	
	3	10	470121	1/4UNC HEX FLANGE LOCK NUT	
	4	1	315038	A/C DRIER MT,204-254-284	99
	5	1	657422	A/C BINARY SWITCH	
	6	1	657423	A/C CONDENSER COIL 21-0324	
	7	1	657421	A/C RECEIVER/DRIER	
	8	2	520052	HOSE CLAMP NO 52 STAINLESS	
	9	1	657429	A/C HOSE ASSY, 5/16 X 44	
	10	1	657430	A/C HOSE ASSY, 13/32 X 80	
	11	1	657431	A/C HOSE ASSY, 5/16 X 173	



A/C COMPRESSOR PUMP ASSEMBLY

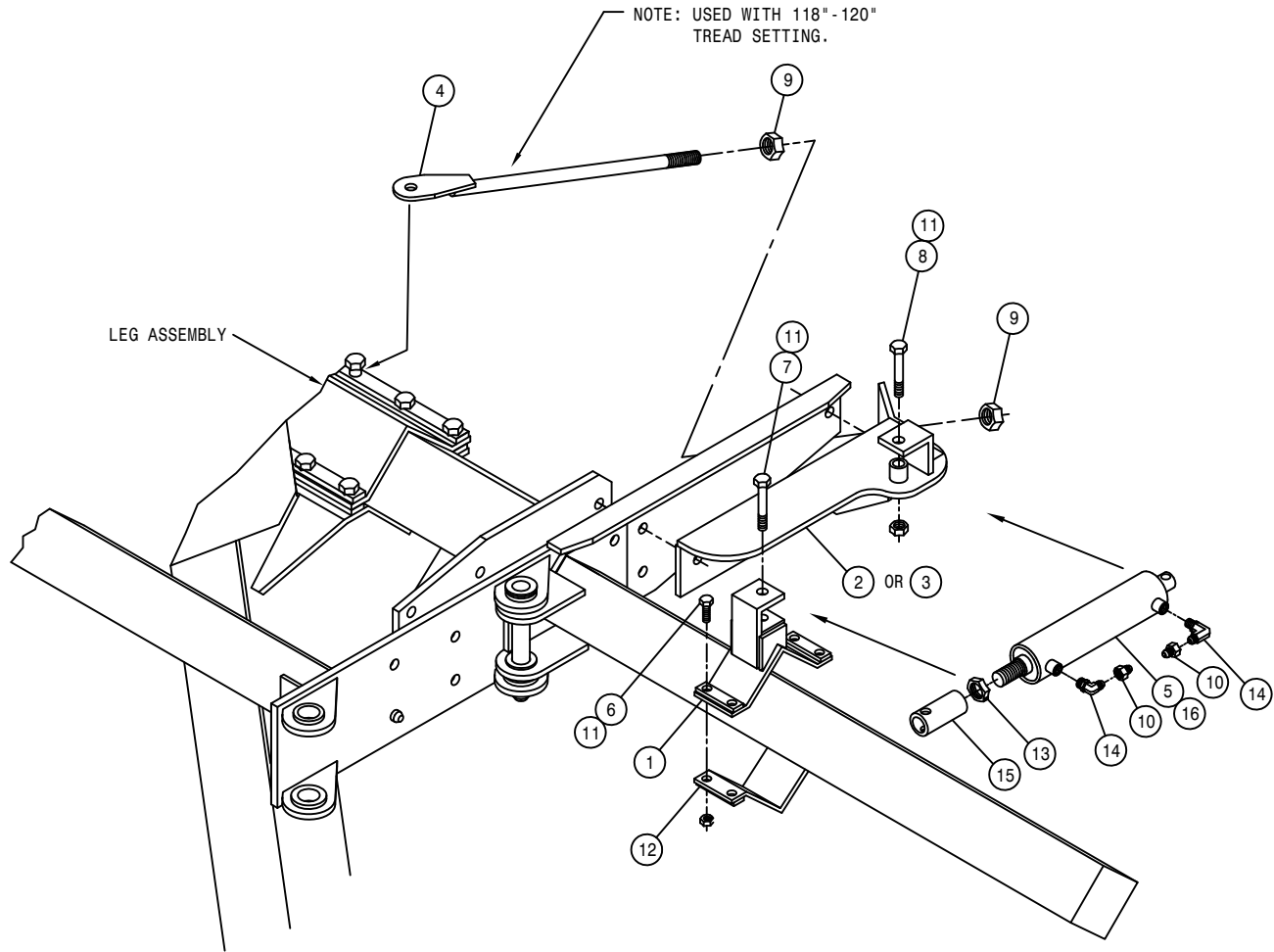
DET.	QTY	PART NO.	DESCRIPTION	
	1	147050	9455XL BELT, GATES	
	1	316314	A/C COMPRSR MT WLD, 284	98
	3	473792	10MM-1.50 X 30MM HEX BOLT	
	3	473798	10MM LOCK WASHER	
	4	914004	3/8UNC HEX STOVER NUT	
	5	483043	3/8 REGULAR FLAT WASHER	
	1	657403	A/C COMP SR, 180D PORTS TM15/12	
	4	900131	3/8UNC X 1 1/2 HEX BOLT	



ROPS CANOPY ASSEMBLY

DET. QTY PART NO. DESCRIPTION

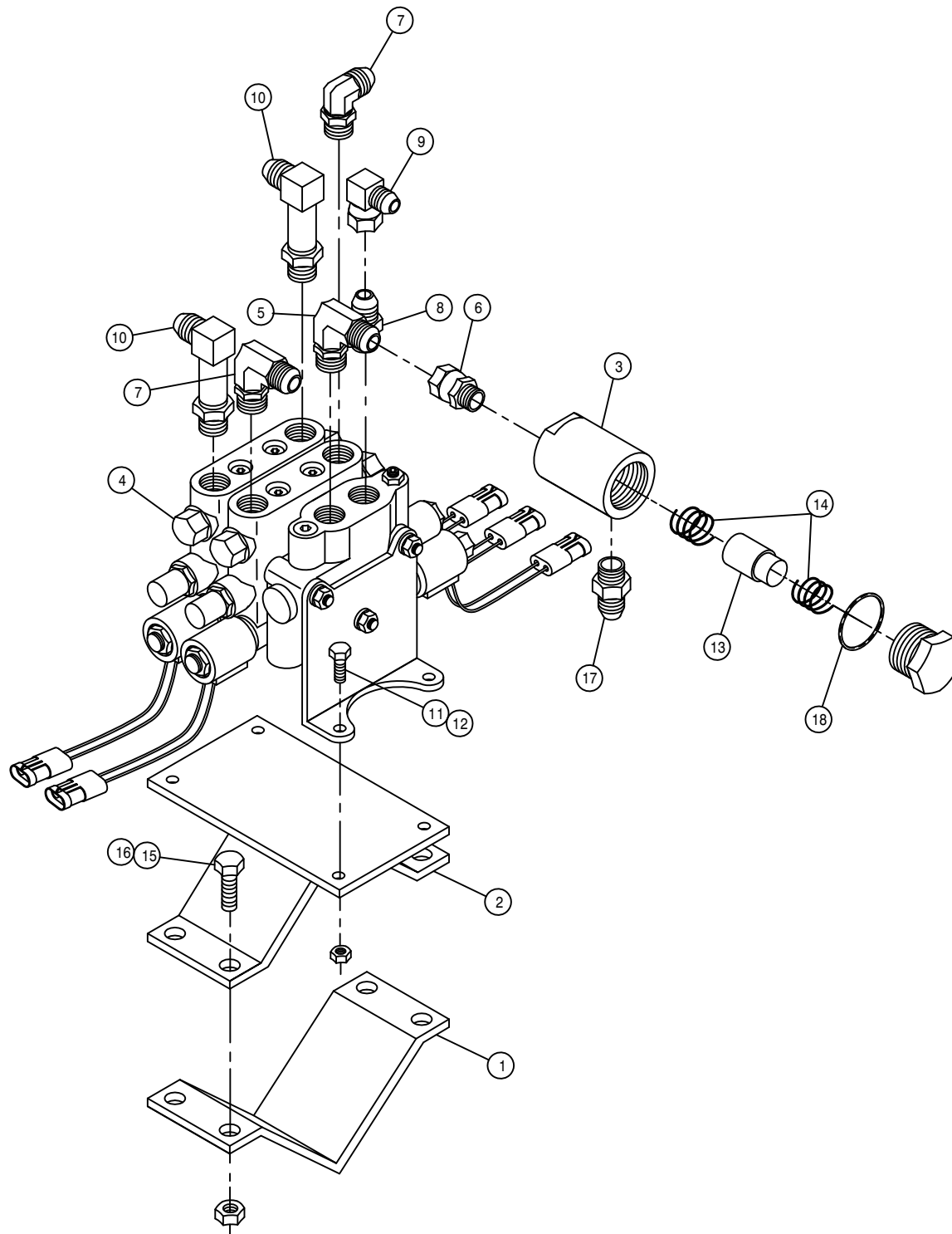
1	6	291603	HALOGEN WORKLAMP, SIDE MT 12V
2	1	342692	204 ROPS
3	1	342992	CANOPY FOR 204/SP ROPS 08
4	1	342702	HEADLIGHT MT, 204 ROPS 2000
5	1	342703	RH FLASHER MT WLD, 204 ROPS 2000
6	1	342704	LH FLASHER MT WLD, 204 ROPS 2000
7	1	342993	MTG BRKT, CANOPY 204/SP ROPS 08
8	6	470100	3/8 INT TOOTH LOCK WASHER
9	6	473779	10MM-1.50 HEX NUT
10	3	520121	CUSH CLAMP, #16 1IN X 3/4W
11	10	900129	3/8UNC X 1" SERR FLANGE BOLT
12	6	470087	3/8UNC HEX FLANGE LOCK NUT
13	4	920002	3/8 SAE FLAT WASHER
14	4	914004	3/8UNC HEX STOVER NUT
15	2	291604	TURN SIGNAL LIGHT, PED MT, YEL
16	8	470121	1/4UNC HEX FLANGE LOCK NUT
17	8	470118	1/4UNC X 3/4 FLANGE HEX BOLT
18	6	470377	3/8 X 1 3/16 BONDED SS WASHER
19	2	342994	MIRROR MT, 204 CANOPY 08
20	2	470536	MIRROR, 4" X 8" CONVEX
21	8	900847	5/8UNC X 4 1/2 HEX BOLT GR8
22	2	470360	1/2UNC HEX FLANGE LOCK NUT
23	2	900264	1/2UNC X 1 1/4 HEX BOLT
24	8	914814	5/8UNC HEX NUT GR8
25	8	920505	5/8 LOCK WASHER



OUTRIGGER HYDRAULIC FOLD ASSEMBLY

DET.	QTY	PART NO.	DESCRIPTION	
1	2	438772	OUTRGR CYL MT WLD, 204/SP	08
2	1	438735	RH FOLD CYL MT WLD, 204/SP	
3	1	438736	LH FOLD CYL MT WLD, 204/SP	
4	2	438745	FOLD CYL MT SUPP ROD WLD204/SP	
5	2	621520	BOOM HINGE FOLD CYL ASSY	
6	8	900337	5/8UNC X 2 3/4 HEX BOLT	
7	2	900338	5/8UNC X 3" HEX BOLT	
8	2	900341	5/8UNC X 3 3/4 HEX BOLT	
9	4	910012	3/4UNC HEX NUT	
10	4	618731	9/16JIC .025 ORIFICE ADPTR	
11	12	914010	5/8UNC HEX STOVER NUT	
12	2	438777	CYL MT KEEPER WLD, 204/SP	08
13	2	472322	7/8-14 UNF HEX JAM NUT	
14	4	618119	9/16MJIC-90-9/16MOR LBO	
15	2	620653	FOLD CYL ADJ SLEEVE	97
16	2	621521	REPAIR KIT, HYD CYL 621520	

QUANTITY LISTED IS FOR ONE MACHINE.



OUTRIGGER FOLD VALVE ASSEMBLY

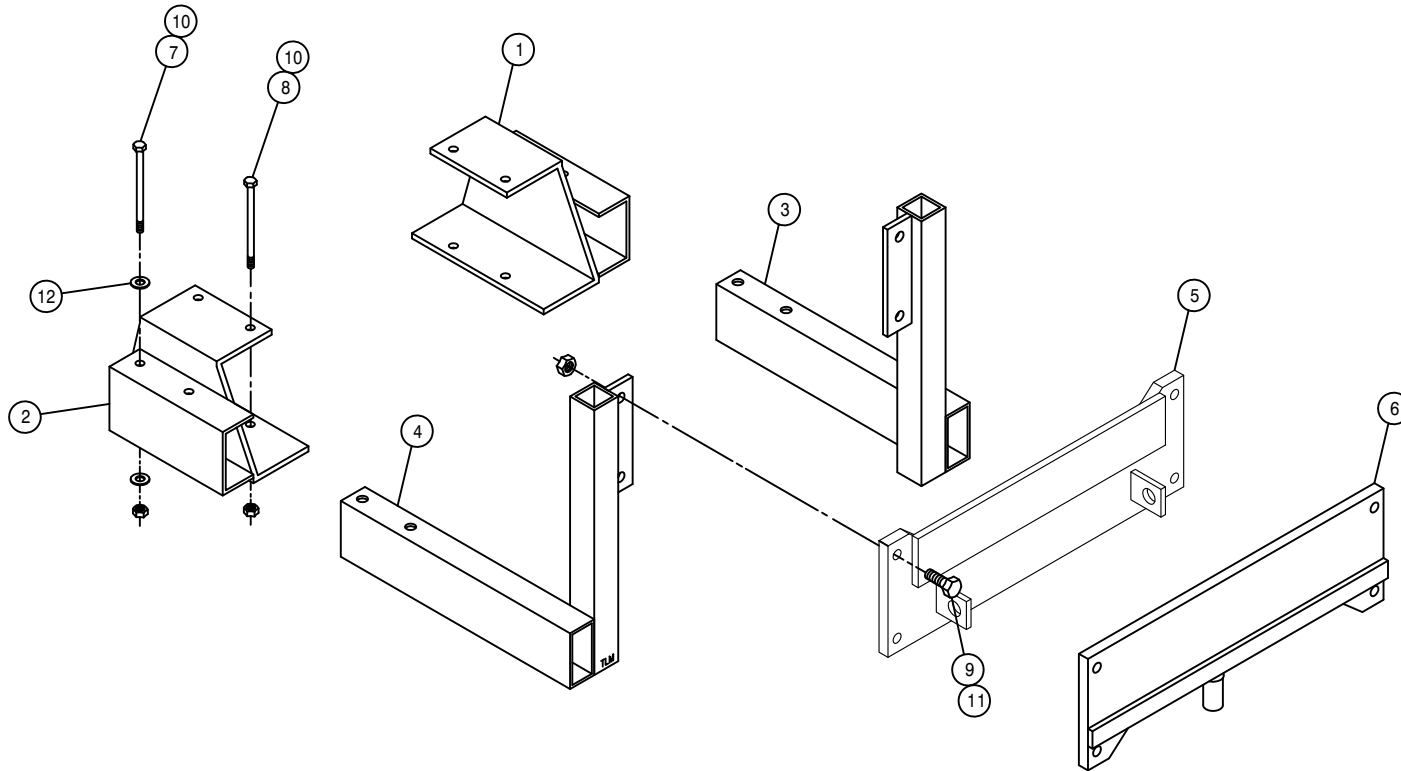
DET. QTY PART NO. DESCRIPTION

1	1	438324	7.5IN OUTRGR BRACE CLAMP
2	1	438724	OUTRGR FOLD VLV MT WLD2100/STS
3	1	605615	HYD FILTER, INLINE 25M 9/16FOR
4	1	606090	BRAND HYD VALVE, 2-SECT SER 36
5	1	618183	3/4MJIC-90-7/8MOR LBO
6	1	618692	3/4FJIC SWIV-9/16MOR ADPTR
7	2	618115	9/16MJIC-90-3/4MOR LBO
8	1	618310	9/16MJIC-7/8MOR ADPTR
9	1	618618	9/16MJIC-90-9/16FJIC SWIV LBO
10	2	618709	9/16MJIC-90-3/4MOR EX LG LBO
11	4	900065	5/16UNC X 1" HEX BOLT
12	4	914002	5/16UNC HEX STOVER NUT
13	1	605616	ELEMENT, 25M HYD FILTER 605615
14	1	605617	SPRING KIT, HYD FILTER 605615
15	4	900265	1/2UNC X 1 1/2 HEX BOLT
16	4	914008	1/2UNC HEX STOVER NUT
17	1	618126	9/16MJIC-9/16MOR ADPTR
18	1	610462	GASKET FOR 610447 ARROW FILT

REAR WEIGHT BRACKET ASSEMBLY

DET. QTY PART NO. DESCRIPTION

1	1	341980	RH REAR TOOL BAR MT WLD 2XX
2	1	341981	LH REAR TOOL BAR MT WLD 2XX
3	1	438575	RH WEIGHT MT BRKT WLD 96
4	1	438576	LH WEIGHT MT BRKT WLD 96
5	1	438660	IH 173MAG WEIGHT ADPT PLT WLD
6	1	438581	WEIGHT MT PLATE WLD,JD 204 96
7	4	900277	1/2UNC X 5 1/2 HEX BOLT
8	4	900281	1/2UNC X 7 1/2 HEX BOLT
9	4	900335	5/8UNC X 2" HEX BOLT
10	8	914008	1/2UNC HEX STOVER NUT
11	4	914010	5/8UNC HEX STOVER NUT
12	8	920004	1/2 SAE FLAT WASHER



This Page Intentionally Blank

NOTICE

The following page contains decals for the model 204 SP.

These decals can be obtained from Hagie Mfg. Co. and should be used whenever your machine is repainted or when the decals become worn, weathered, or faded.

Special attention should be paid to decals involving personal safety. They have been attached for your protection.

KEEP THEM IN PLACE.

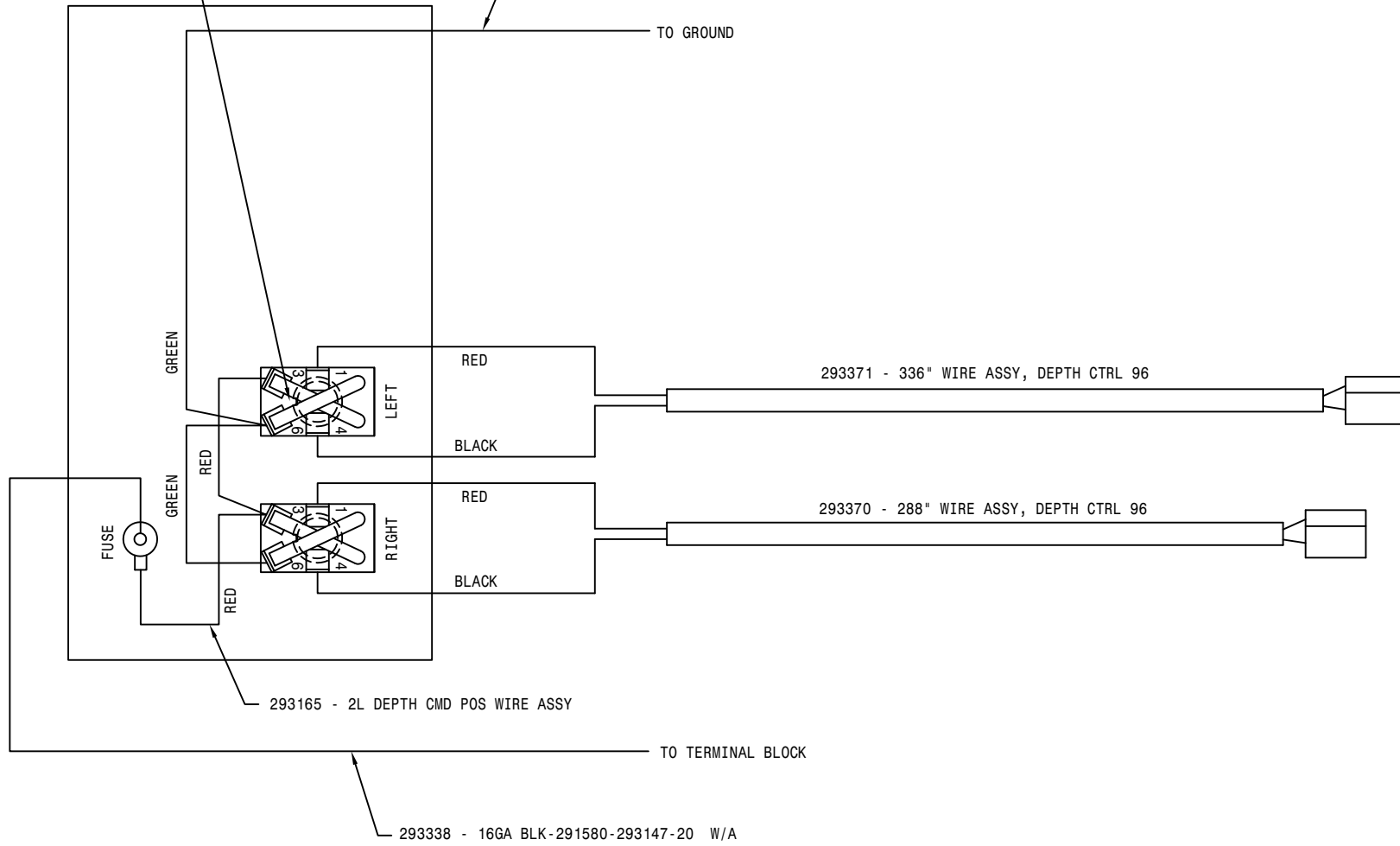
Contact: Hagie Manufacturing Co.
Box 273
Clarion, Iowa 50525

204SP DECALS

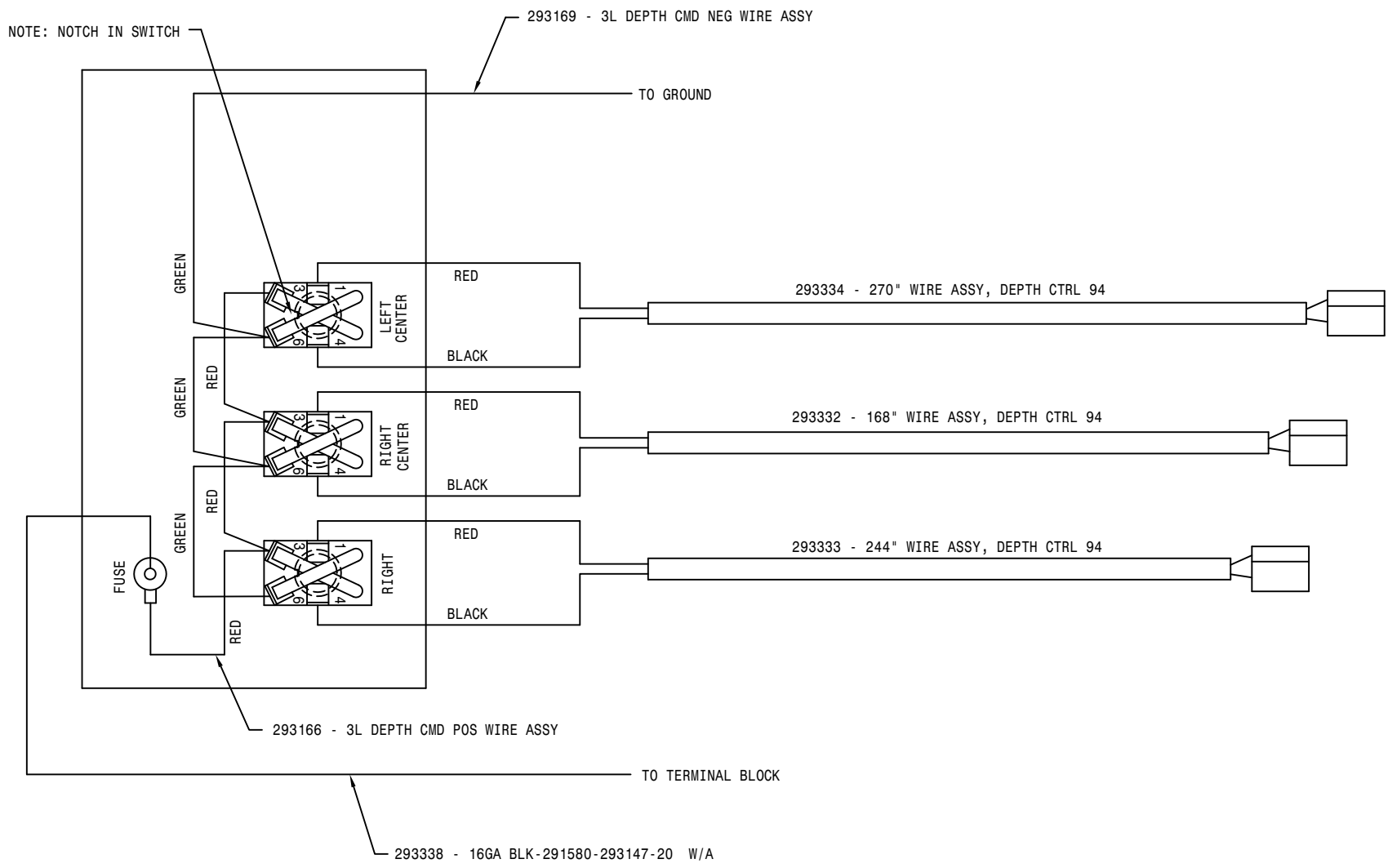
QTY.	PART NO.	DESCRIPTION	LOCATION
1	650154	PATENTS, HAGIE UPFRONT DECAL	ON LEFT FRONT OPERATOR STATION
2	650211	HYDRAULIC FILTER DECAL	2-1 EA END OF HYDRAULIC TANK
1	650303	CUTTER ROTATION DECAL	ON FRONT OPERATOR STATION
1	650308	LEFT L-CTR R-CTR RIGHT DECAL	DEPTH COMMAND SWITCH BOX
1	650320	EMERGENCY EXIT DECAL	RIGHT SIDE CAB GALSS
1	650338	DEPTH CMD 6-LIFT DECAL	DEPTH COMMAND SWITCH BOX
1	650339	WARNING, HYD OIL INJ DECAL	ON FRONT OPERATOR STATION
1	650347	NOTICE-R134A CHARGE DECAL	NEXT TO A/C COMPRESSOR
4	650364	AIR BAG WARNING DECAL	1-ON EACH AIR BAG BY AIR STEM
1	650367	AIR FILTER INSTRUCTION DECAL	ON ENGINE AIR FILTER END CAP
1	650378	CONSOLE COVER DECAL	ON CONSOLE COVER
1	650379	ENGAGE HYD MOTOR DECAL	ON CONSOLE COVER
2	650819	DANGER, CUTTING BLADES	2-ON EACH CUTTER HEAD
4	650820	CAUTION MOVING PARTS DECAL	2 - EACH TASSEL DEFLECTOR 1 - ON EACH QUAD PULLER 1 - ON EACH TIRE PULLER
1	650831	EMERGENCY STOP DECAL	ON CONSOLE SHEET METAL
1	650847	NO PASSENGER DECAL	ON FRONT OPERATOR STATION
2	650848	SLIP OR FALL DECAL	NEXT TO STEP ON EACH LEG RAIL
2	650849	ENGINE FUEL DECAL	NEAR EACH FUEL TANK NECK
2	650851	SHIELDS DECAL	ON SIDE OF TOP ENGINE COVER
1	650852	READ MANUAL DECAL	ON FRONT OPERATOR STATION
3	650931	HAGIE DECAL 1 3/4 X 4	1 - ON EACH TASSEL DEFLECTOR 1 - ON EACH QUAD PULLER
2	650954	DIESEL DECAL	NEAR EACH FUEL TANK NECK
1	650981	COOLING SYSTEM DECAL	NEAR RADIATOR CAP
1	650982	ELECTRICAL DECAL	RIGHT HAND SIDE OF OIL TANK
4	650985	WHEEL BOLT TORQUE DECAL	ON EACH WHEEL RIM
1	KDC001	DECAL SET, 204SP 05	ON EACH ENGINE HOOD

NOTE: NOTCH IN SWITCH

293168 - 2L DEPTH CMD NEG WIRE ASSY

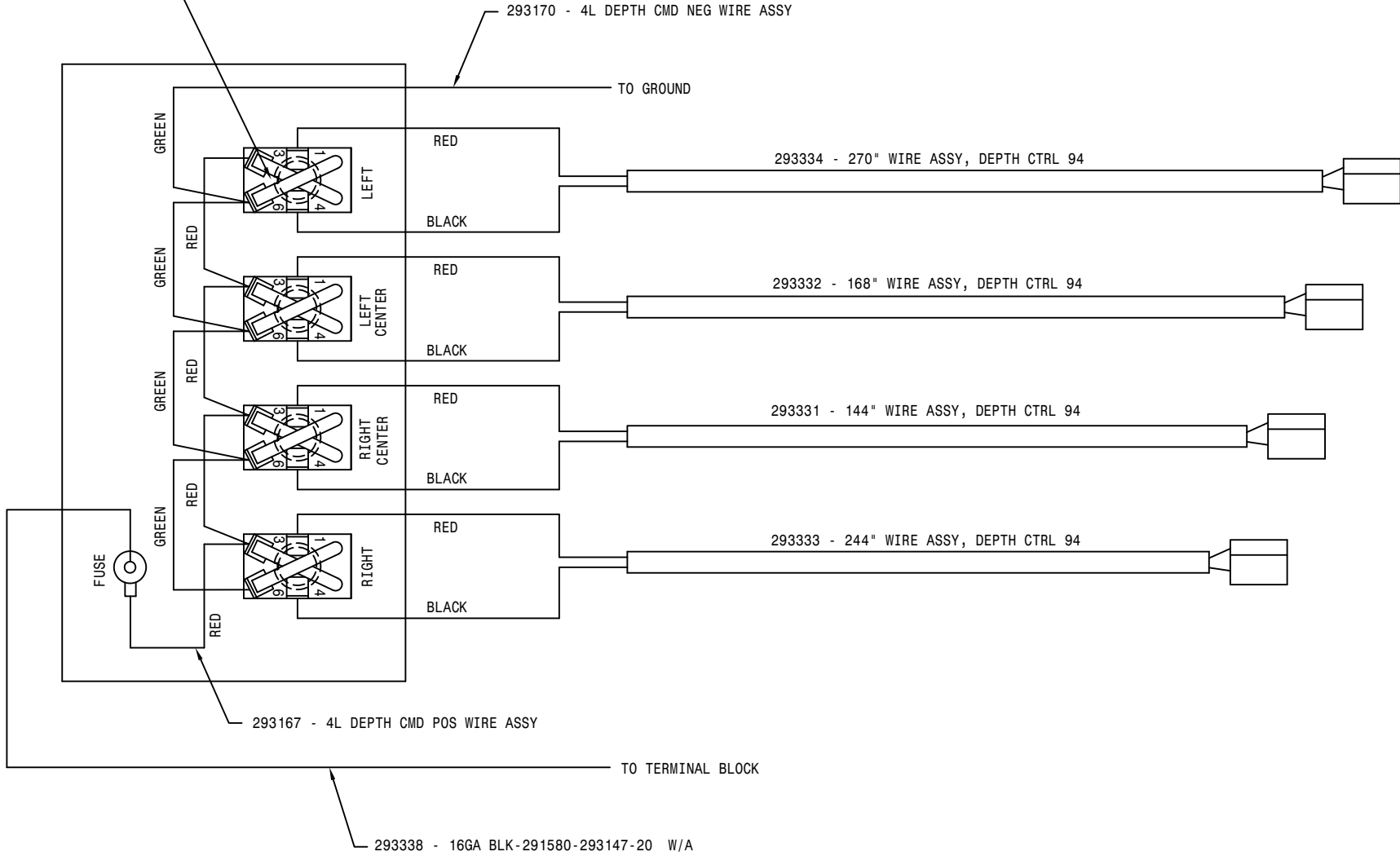


DET	REQ	DESCRIPTION
HAGIE HAGIE MANUFACTURING COMPANY CLARION, IOWA 50525		
REMOVE ALL SHARP CORNERS & BURRS		
TOLERANCE UNLESS OTHERWISE SPECIFIED		
FRACTION ±1/32	DECIMALS X.XX ±.03 X.XXX ±.005	ANGLES ±1°
DESCRIPTION WIRE DIAG, 2-LIFT DEPTH CMD 94		
DRAWN BY T. MARKER	SCALE NONE (1)	
CHECKED BY	APPROVED BY	
DATE 03-29-94	DRAWING NUMBER 498450	
SHEET	OF	



DET	REQ	DESCRIPTION
HAGIE HAGIE MANUFACTURING COMPANY CLARION, IOWA 50525		
REMOVE ALL SHARP CORNERS & BURRS		
TOLERANCE UNLESS OTHERWISE SPECIFIED		
FRACTION ±1/32	DECIMALS X.XX ±.03 X.XXX ±.005	ANGLES ±1°
DESCRIPTION		
WIRE DIAG, 3-LIFT DEPTH CMD 94		
DRAWN BY	T. MARKER	SCALE NONE
CHECKED BY		APPROVED BY
DATE 03-29-94	DRAWING NUMBER 498451	
SHEET	OF	

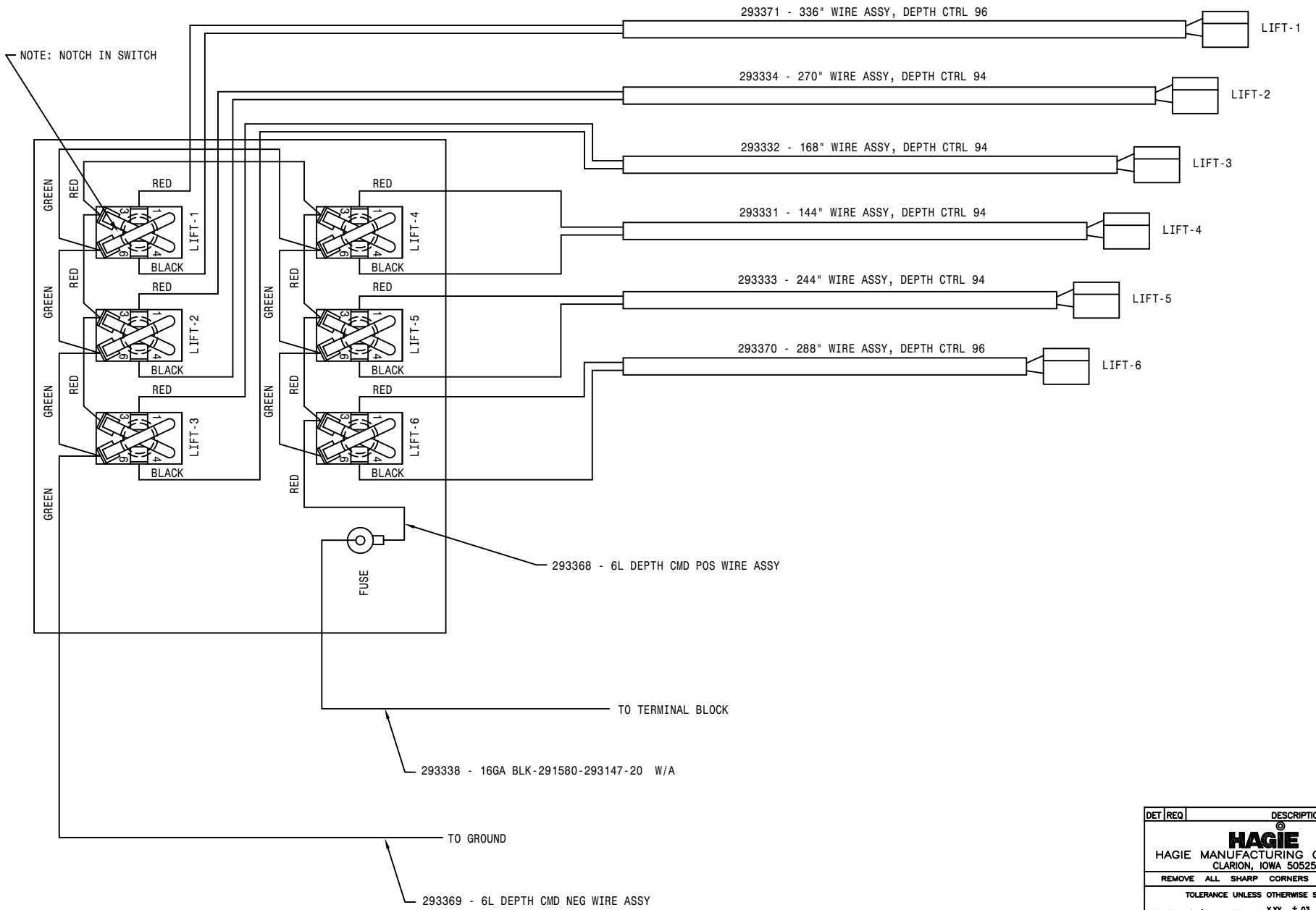
NOTE: NOTCH IN SWITCH



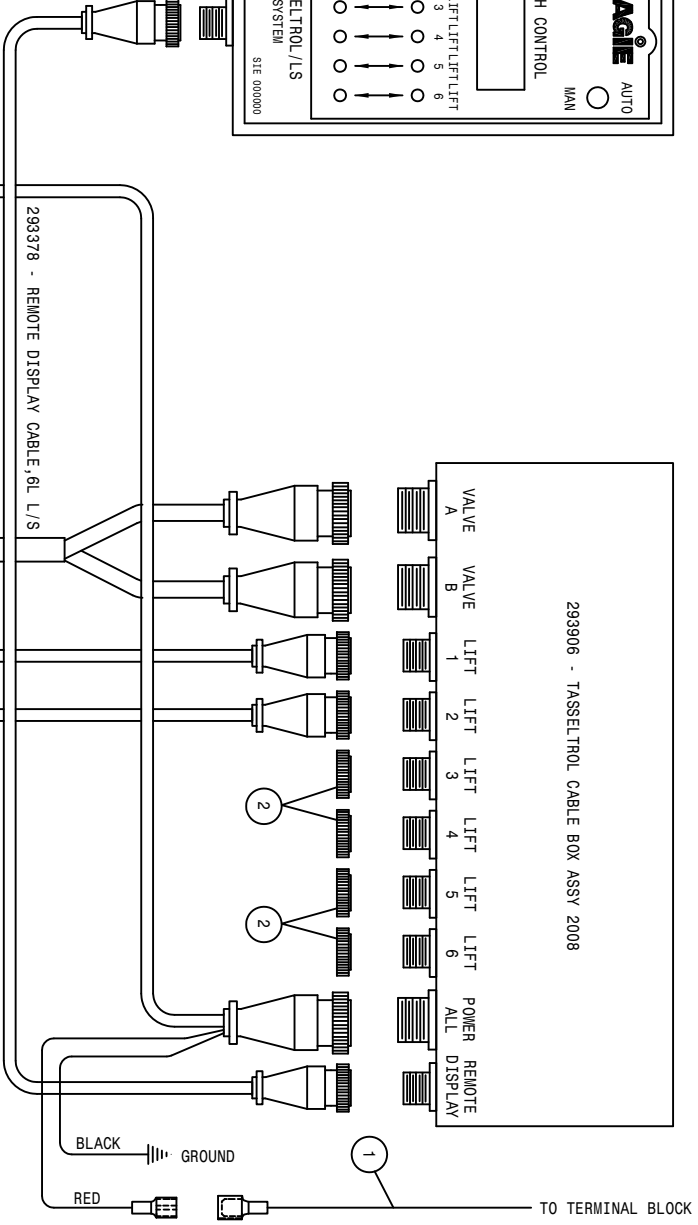
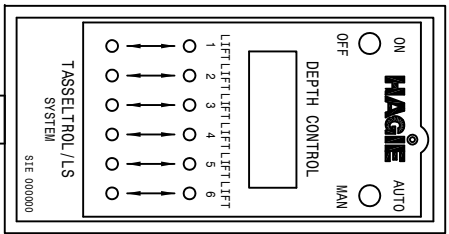
88

DET	REQ	DESCRIPTION
HAGIE HAGIE MANUFACTURING COMPANY CLARION, IOWA 50525		
REMOVE ALL SHARP CORNERS & BURRS		
TOLERANCE UNLESS OTHERWISE SPECIFIED		
FRACTION ±1/32	DECIMALS X.XX ±.03 X.XXX ±.005	ANGLES ±1°
DESCRIPTION		
WIRE DIAG, 4-LIFT DEPTH CMD 94		
DRAWN BY T. MARKER	SCALE NONE	APPROVED BY
CHECKED BY	APPROVED BY	
DATE 03-29-94	DRAWING NUMBER 498452	
SHEET	OF	

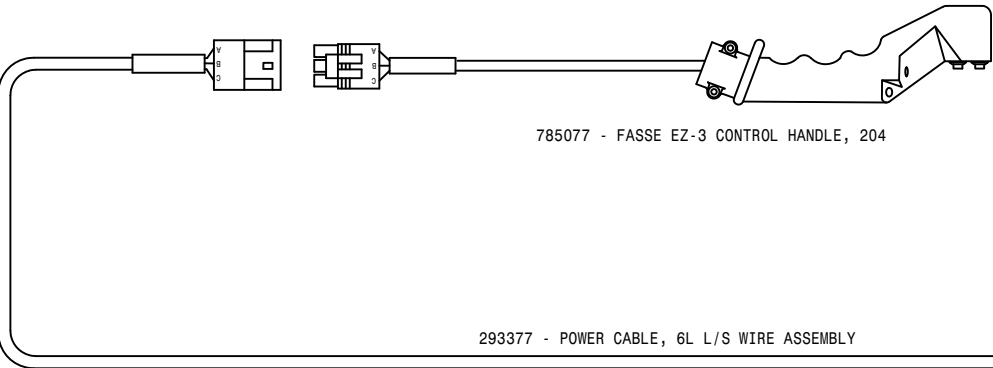
402088



DET	REQ	DESCRIPTION
HAGIE HAGIE MANUFACTURING COMPANY CLARION, IOWA 50525		
REMOVE ALL SHARP CORNERS & BURRS		
TOLERANCE UNLESS OTHERWISE SPECIFIED		
FRACTION ±1/32	DECIMALS X.XX ±.03 X.XXX ±.005	ANGLES ±1°
DESCRIPTION WIRE DIAG, 6-LIFT DEPTH CMD 96		
DRAWN BY T. MARKER	SCALE NONE (1)	APPROVED BY
CHECKED BY	APPROVED BY	
DATE 02-26-96	DRAWING NUMBER 498479	
SHEET	OF	

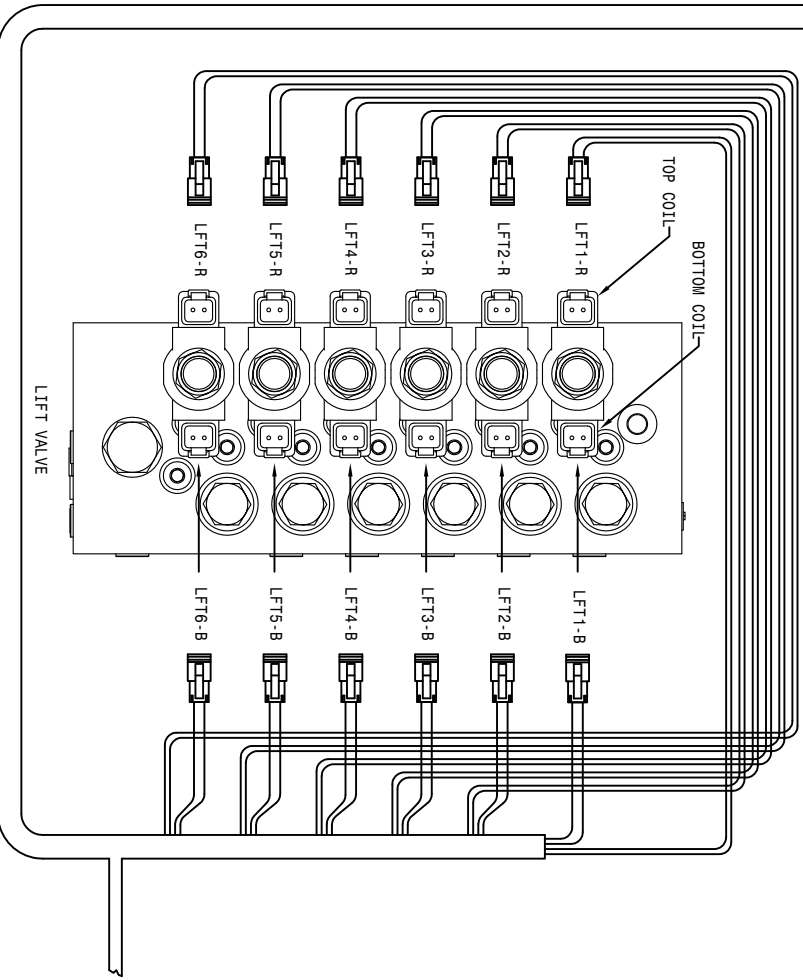


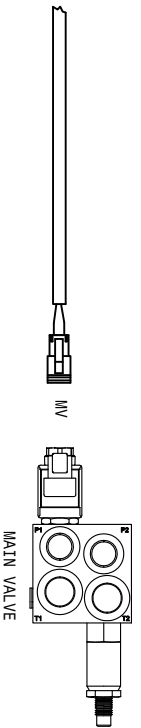
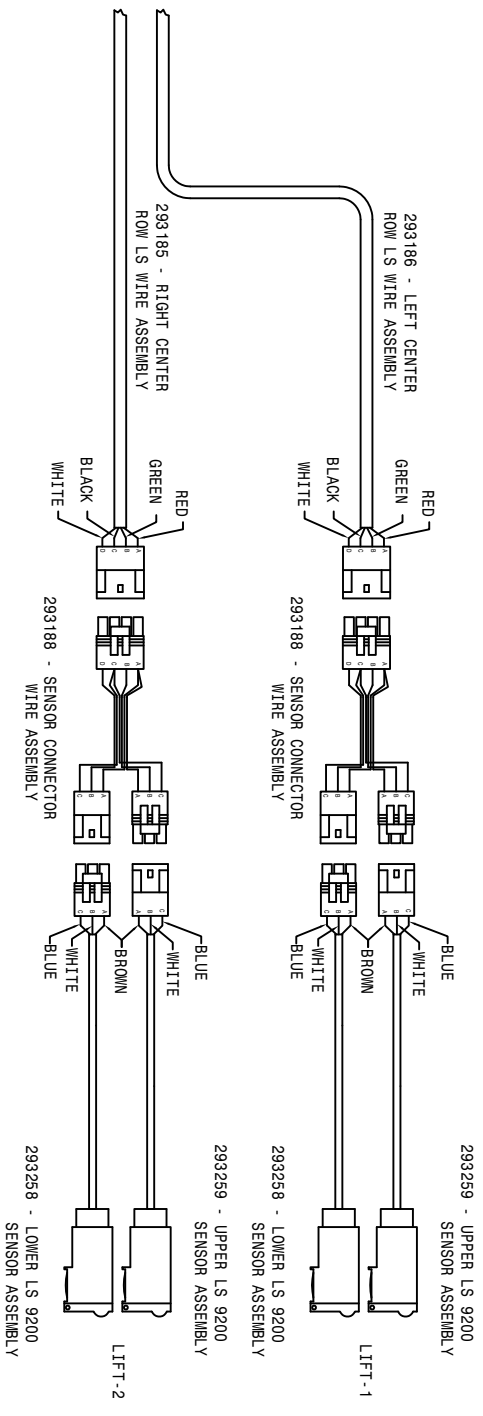
785077 - FASSE EZ-3 CONTROL HANDLE, 204



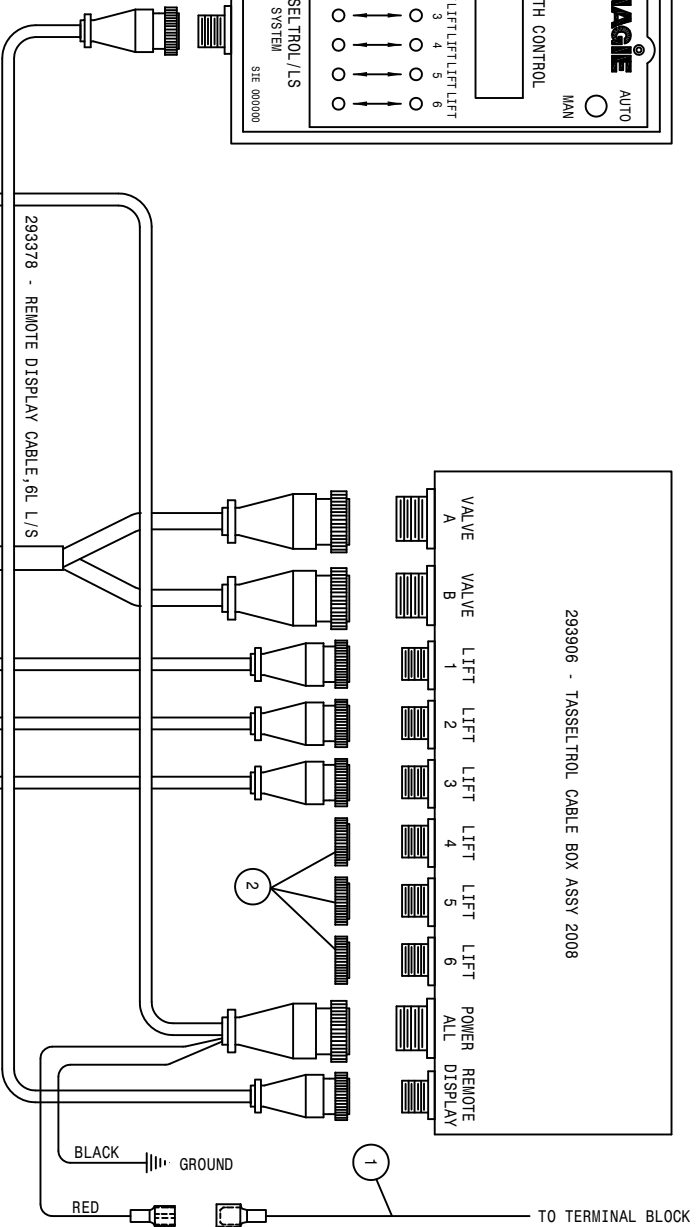
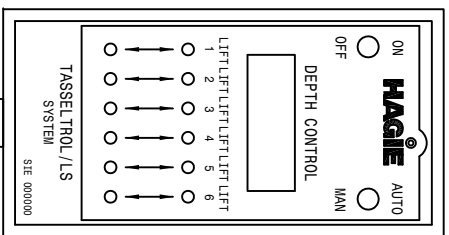
293377 - POWER CABLE, 6L L/S WIRE ASSEMBLY

293718 - LIFT VALVE WIRE HARNESS 08

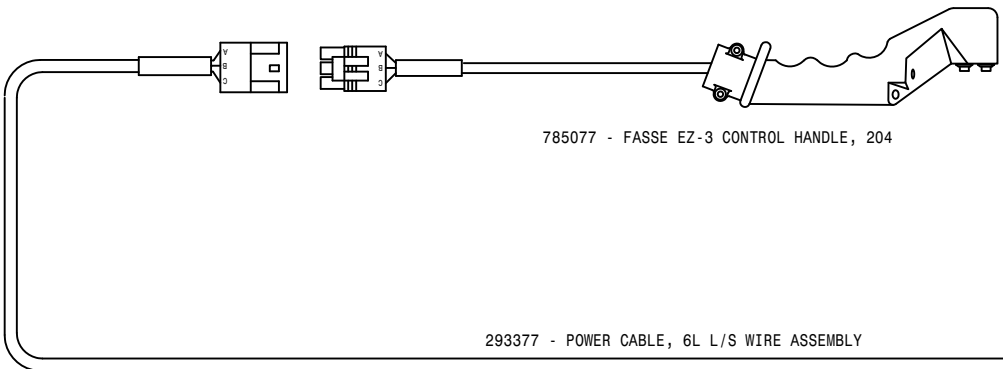




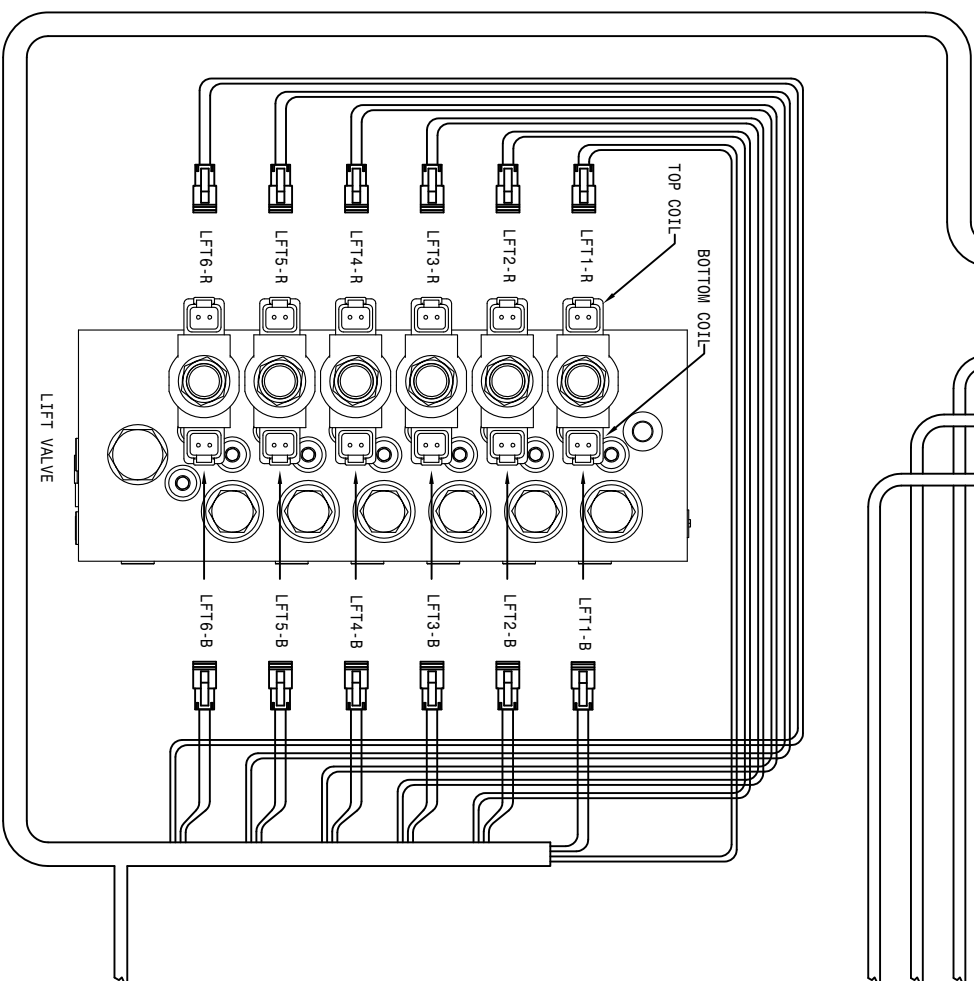
2	4	293406	AMP CONN, SIZE 11
1	1	293339	1624 BLK-291557-293185-44
HAGIE HAGIE MANUFACTURING COMPANY CLARION, IOWA, 50525			
REMOVE ALL SHARP CORNERS & BURRS TOLERANCE UNLESS OTHERWISE SPECIFIED FINISHES 21/32 DECIMAL XXV ±.02 ANGLES 2:1			
DESCRIPTION		SCALE	
2-LEFT LS SYS WIRE DWG, 204, 08		HALF	
DRAWN BY T. MARKER		APPROVED BY	
CHECKED BY		DRAWING NUMBER	
DATE 08-15-07		498996	
SHEET 08			

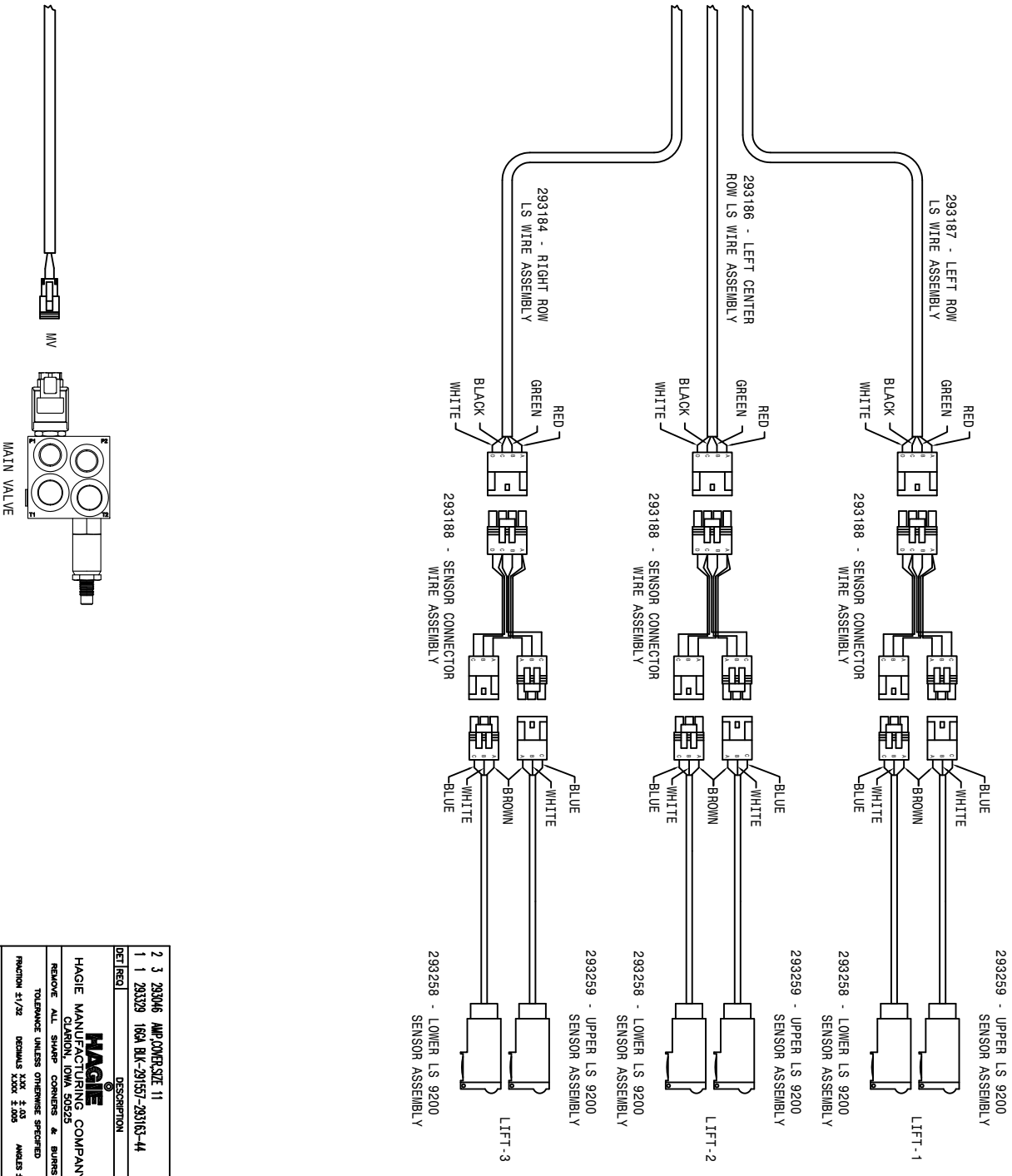


785077 - FASSE EZ-3 CONTROL HANDLE, 204

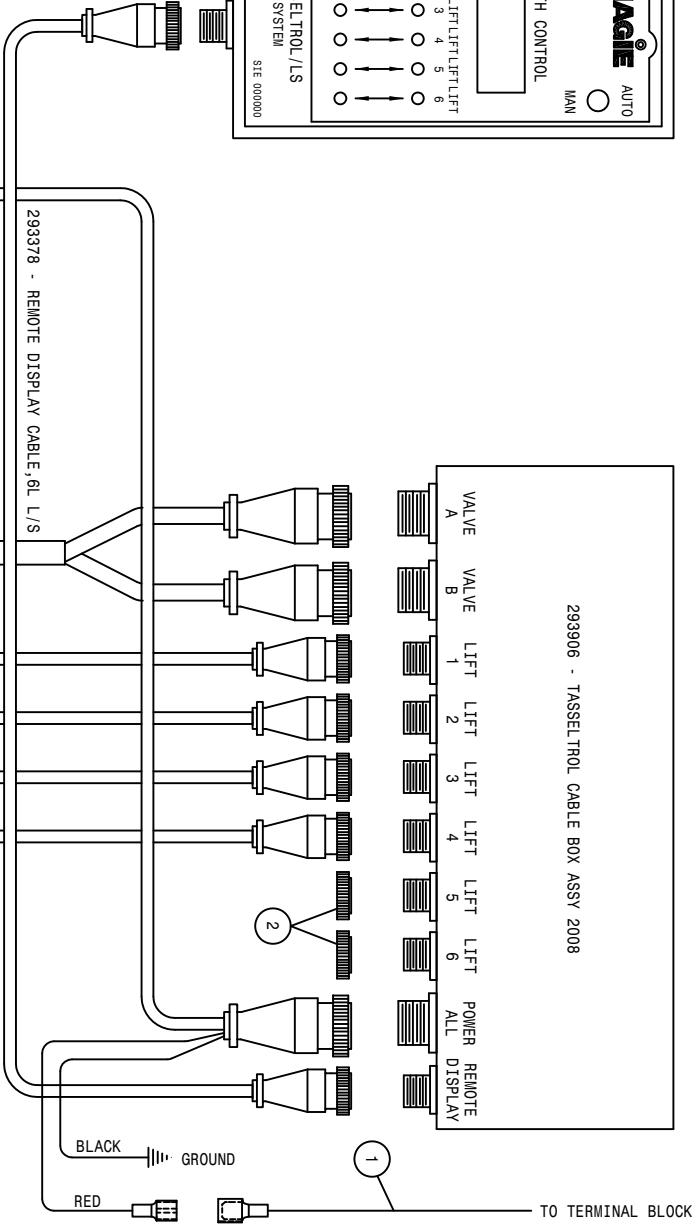
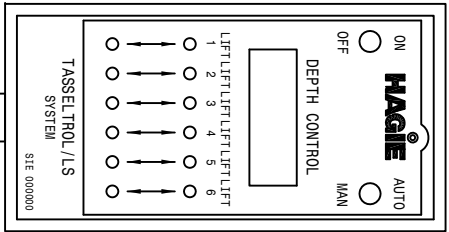


293718 - LIFT VALVE WIRE HARNESS 08





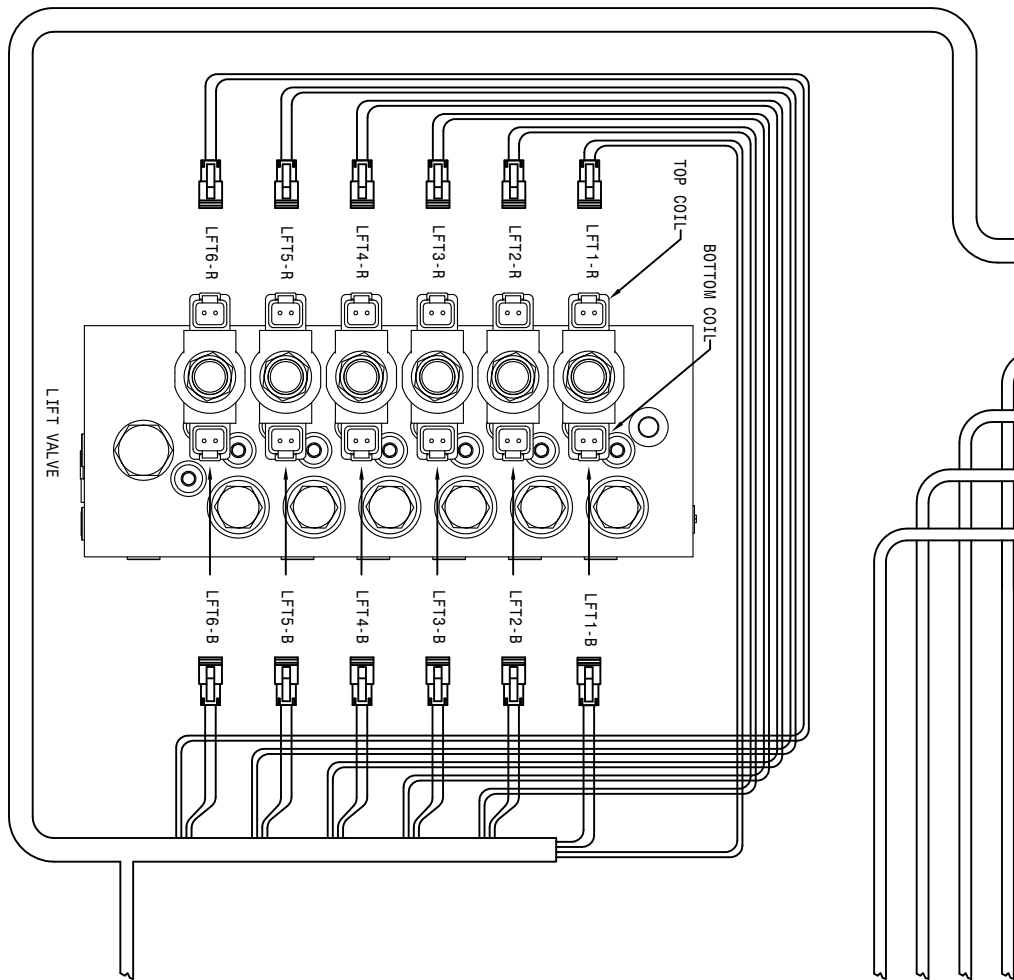
2 3	293046	AMP COVER SIZE 11
1 1	293239	1804 BLC-293157-293163-44
DEF (REQ)		DESCRIPTION
HAGIE		
HAGIE MANUFACTURING COMPANY		
CLARION, IOWA 50525		
REMOVE ALL SHARP CORNERS & BURRS		
TOLERANCE UNLESS OTHERWISE SPECIFIED		
FINISH	21/32	DECIMAL SIZE 2.00
FINISH	3/16	ANGLES 3:1
DESCRIPTION	3-LIFT LS SYS WIRE DIAG, 2014 08	
DRAWN BY	SCALE	
CHECKED BY	DATE	
DATE	04-22-08	DRAWING NUMBER
SHEET	08	4990004

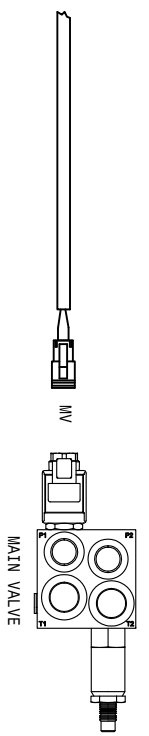
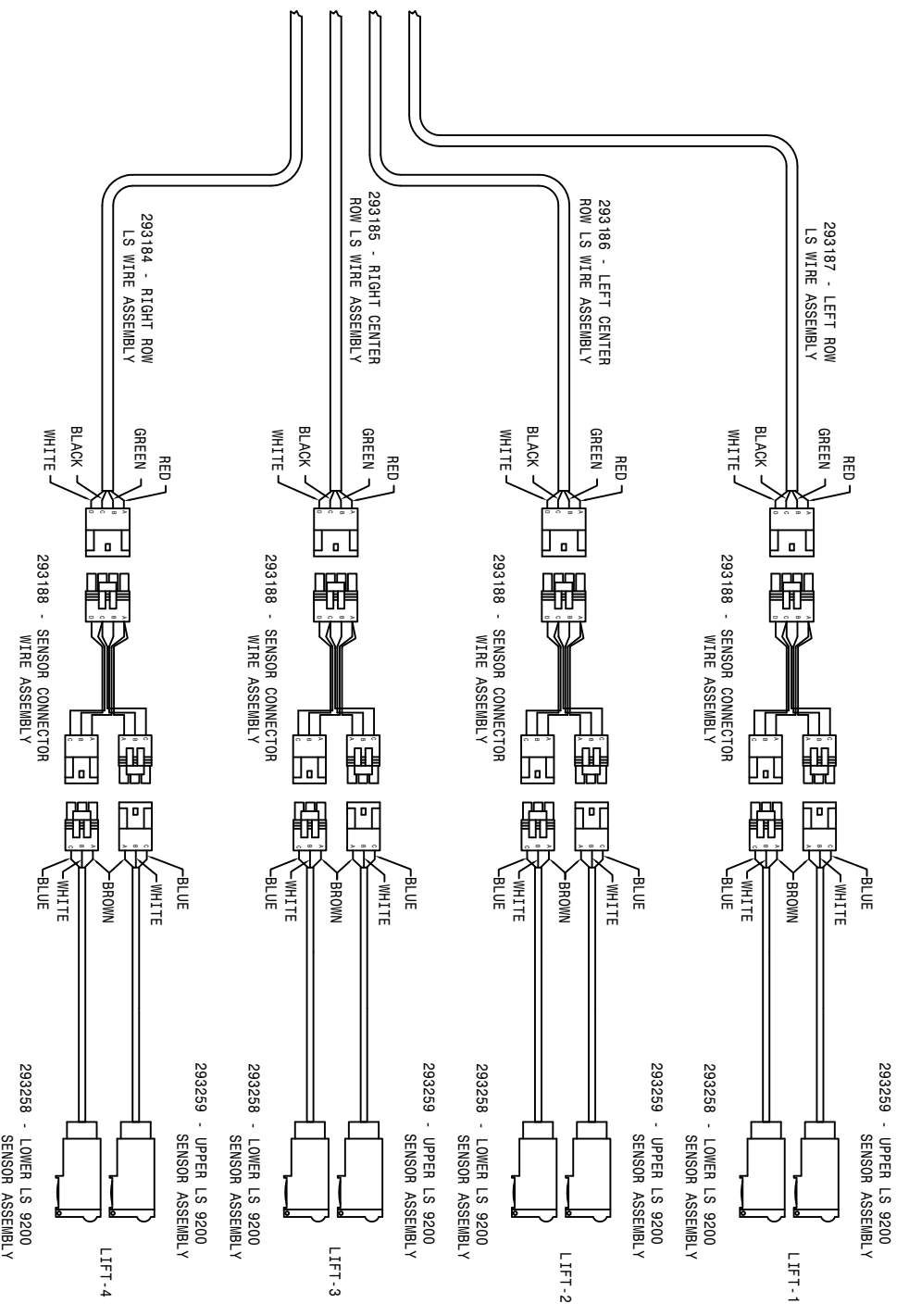


785077 - FASSE EZ-3 CONTROL HANDLE, 204

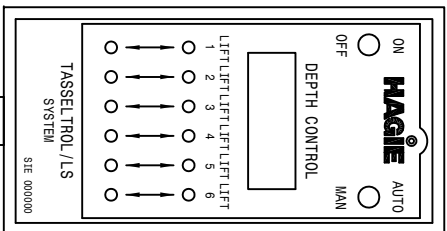
293377 - POWER CABLE, 6L L/S WIRE ASSEMBLY

293718 - LIFT VALVE WIRE HARNESS 08





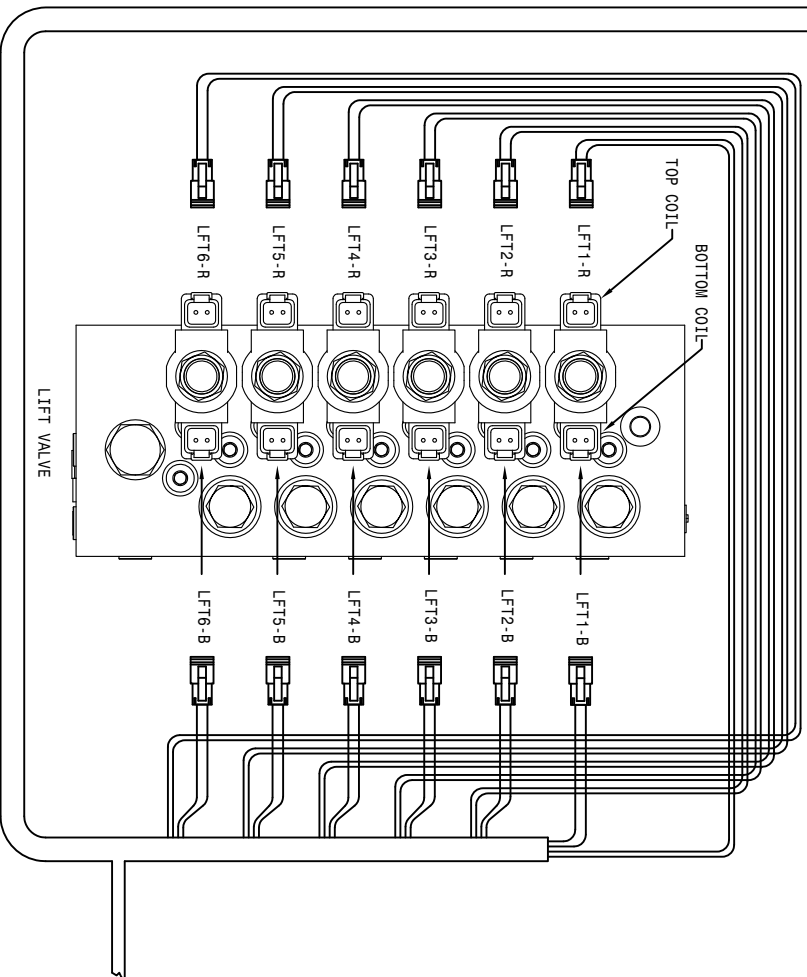
2	2	293046	AMP CONER SIZE 11
1	1	293039	1824 BLK-291357-29183-44
HAGIE HAGIE MANUFACTURING COMPANY CLARION, IOWA 50525			
REMOVE ALL SHARP CORNERS & BURRS TOLERANCE UNLESS OTHERWISE SPECIFIED FINISH 21/32 DECIMAL X".001 ±.005 ANGLES 2:1			
DRAWN BY T. MARKER		SCALE HALF	
CHECKED BY		APPROVED BY	
DATE 04-22-08		DRAWING NUMBER 499005	
SHEET OF			



785077 - FASSE EZ-3 CONTROL HANDLE, 204

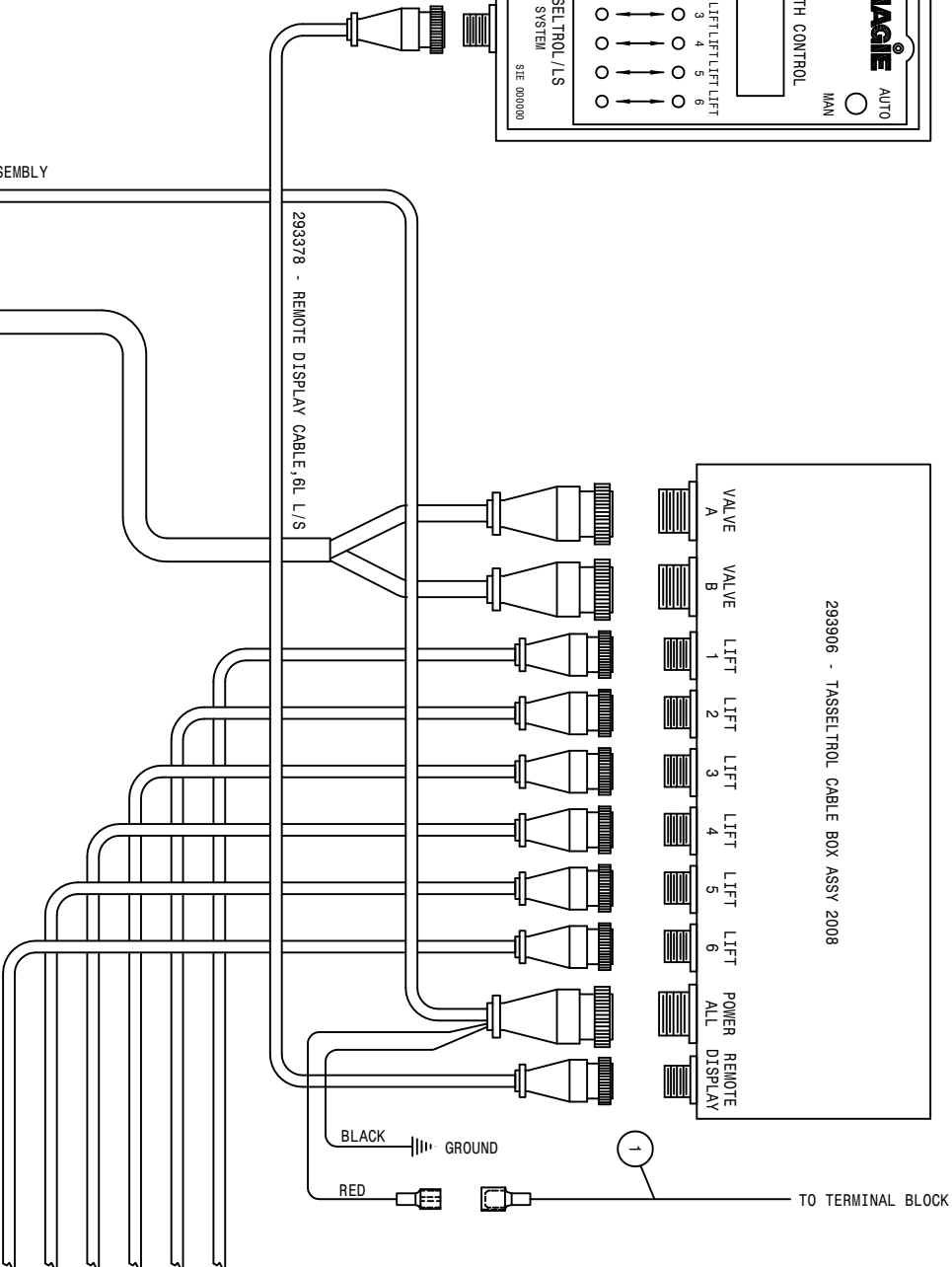
293377 - POWER CABLE, 6L L/S WIRE ASSEMBLY

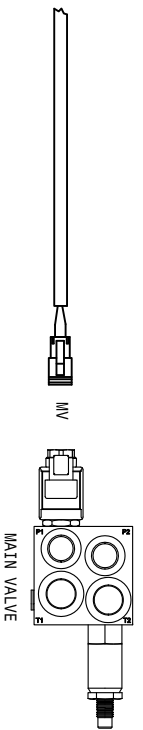
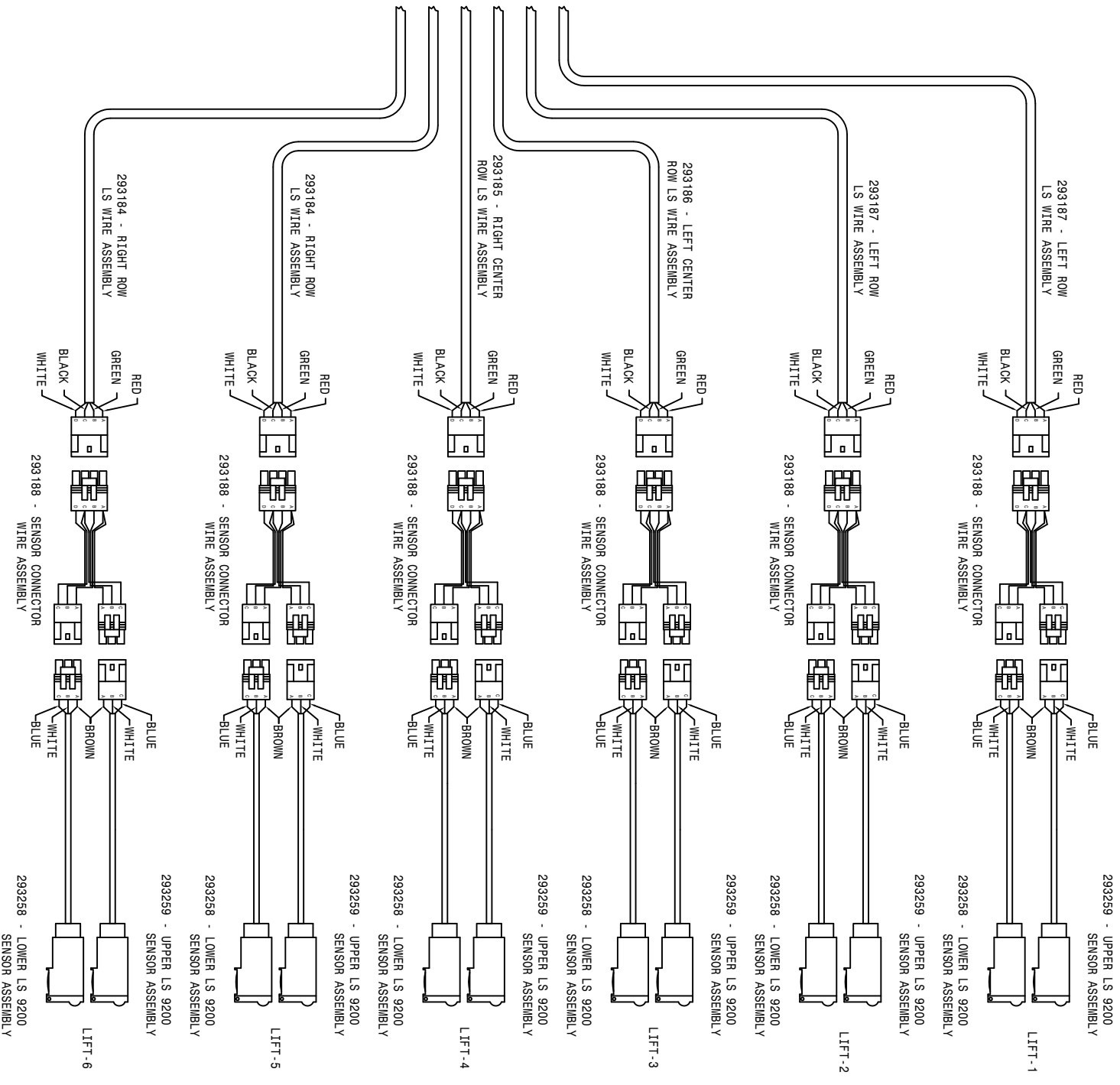
293718 - LIFT VALVE WIRE HARNESS 08



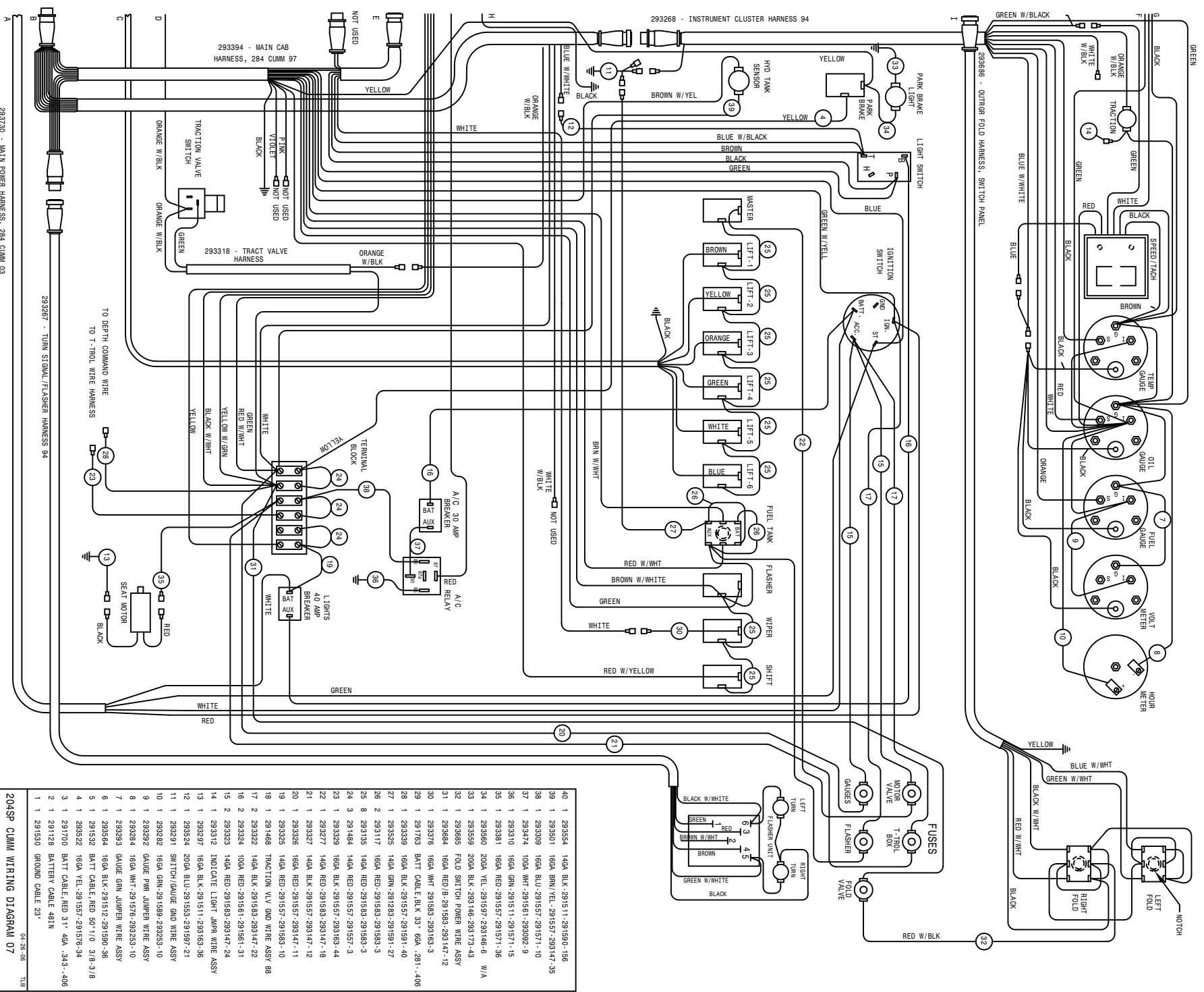
293378 - REMOTE DISPLAY CABLE, 6L L/S

293906 - TASSEL TROL CABLE BOX ASSY 2008





1	1	293259	1624 BLK-29157-293163-44	DESCRIPTION
HAGIE HAGIE MANUFACTURING COMPANY CLARION, IOWA 50525 REMOVE ALL SHARP CORNERS & BURRS TOLERANCE UNLESS OTHERWISE SPECIFIED FINISH: 1/32 DIMS: XXX ±.03 ANGLE: 3/4"				
DRAWN BY: JACOB SOBEL CHECKED BY: JACOB SOBEL DATE: 04-22-08 SHEET: 08				
499006				DRAWING NUMBER

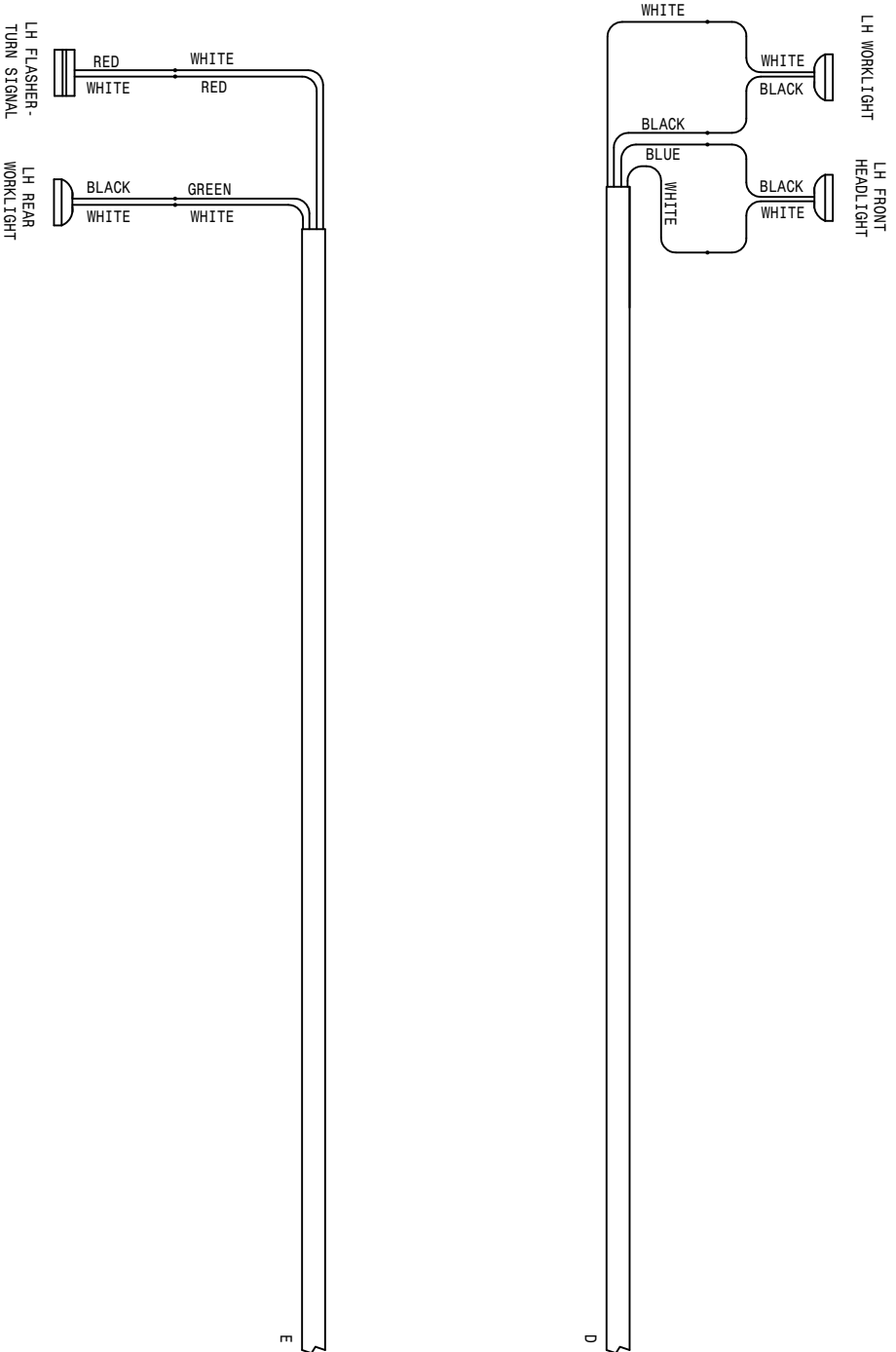


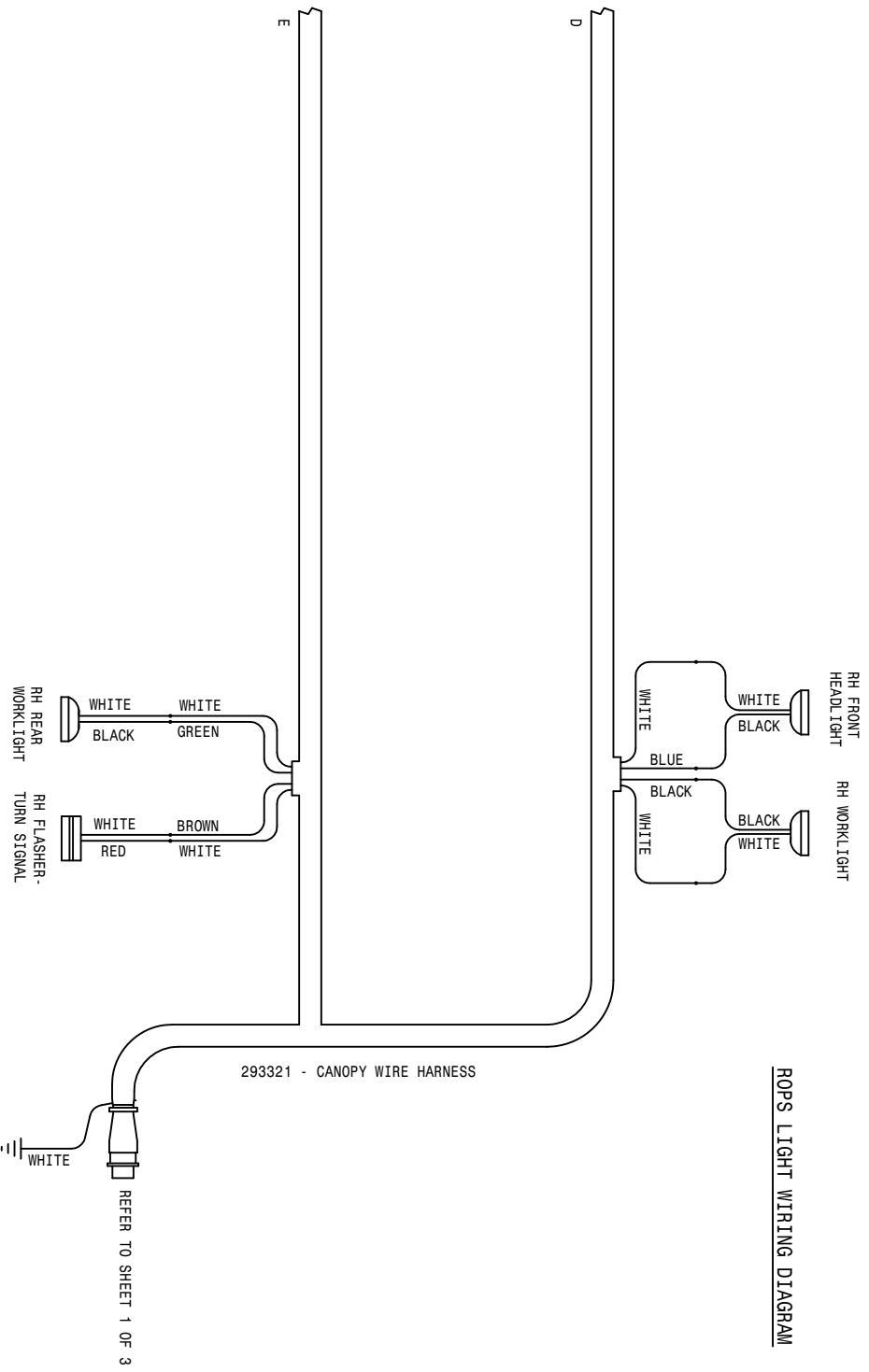
293730 - MAIN POWER HARNESS, 284 CUMM 03

293267 - TURN SIGNAL FLASHER HARNESS 84

40	1	293554	14GA	BLK	291911-291580-156
39	1	293501	16GA	BRN/WEL	291557-293147-35
38	1	293309	16GA	BLU	291557-291571-10
37	1	293474	10GA	WHI	291561-293092-9
36	1	293310	16GA	GRN	291911-291571-15
35	1	293381	16GA	RED	291557-291571-36
34	1	293560	20GA	YEL	291597-293146-6
33	1	293559	20GA	BLK	293146-293173-43
32	1	293665	FOLD SWITCH	POWER WIRE ASSY	
31	1	293684	16GA	RED	291583-293147-12
30	1	293376	16GA	WHI	291583-293163-3
29	1	291763	BATT CABLE	BLK 33' 60A	281-1-406
28	1	293339	16GA	BLK	291557-291591-40
27	1	293555	14GA	GRN	291483-291591-27
26	2	293117	16GA	RED	291583-291583-3
25	8	293135	14GA	RED	291583-291583-3
24	3	291484	14GA	RED	291557-291557-3
23	1	293329	16GA	BLK	291557-291633-44
22	1	293277	14GA	RED	291583-293147-18
21	1	293327	14GA	BLK	291557-293147-11
20	1	293326	16GA	RED	291557-293147-12
19	1	293325	14GA	RED	291557-291583-10
18	1	291468	TRACTION VLV	GRD WIRE ASSY	88
17	2	293322	14GA	BLK	291583-293147-22
16	2	293324	10GA	RED	291611-291581-31
15	2	293323	14GA	RED	291583-293147-24
14	1	293312	INDICATE LIGHT	UMPR WIRE ASSY	
13	1	293297	16GA	BLK	291511-293163-36
12	1	293524	20GA	BLU	291553-291597-21
11	1	293291	SWITCH/GAUGE	GRD WIRE ASSY	
10	1	293282	16GA	GRN	291589-293253-10
9	1	293292	GAUGE	PWR JUMPER WIRE ASSY	
8	1	293284	16GA	WHI	291576-293253-10
7	1	293293	GAUGE	GRN JUMPER WIRE ASSY	
6	1	293564	16GA	BLK	291512-291590-36
5	1	291532	BATT CABLE	RED 50'1/0	316-318
4	1	293522	16GA	YEL	291557-291576-34
3	1	291700	BATT CABLE	RED 31' 4GA	343--406
2	1	291128	BATTERY CABLE	4811N	
1	1	291530	GROUND	CABLE 23'	

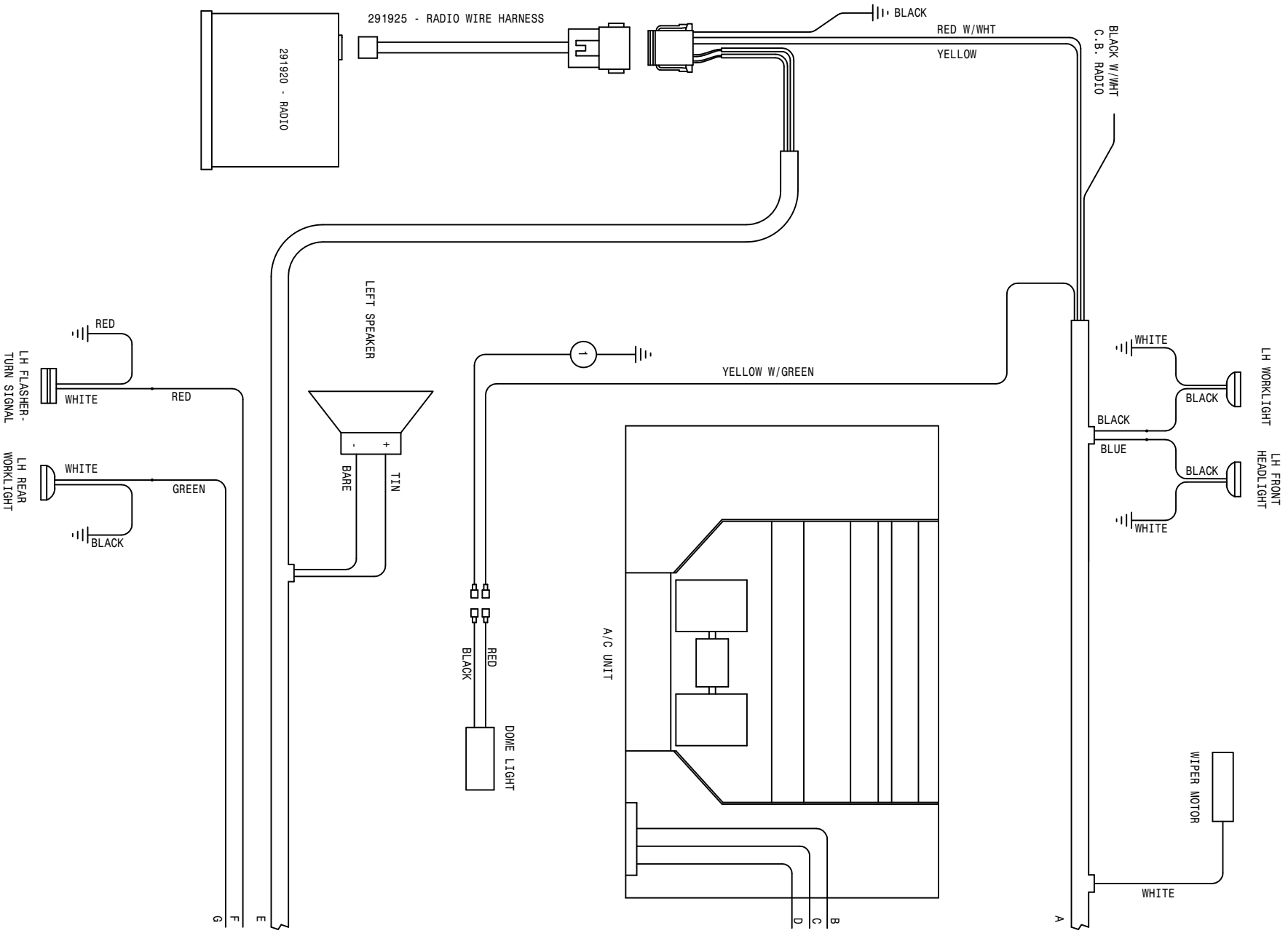
204SP CUMM WIRING DIAGRAM 07
 SHEET 1 OF 3
 REVISION DATE: 11-07-07
 4989226
 04-28-06 TUD

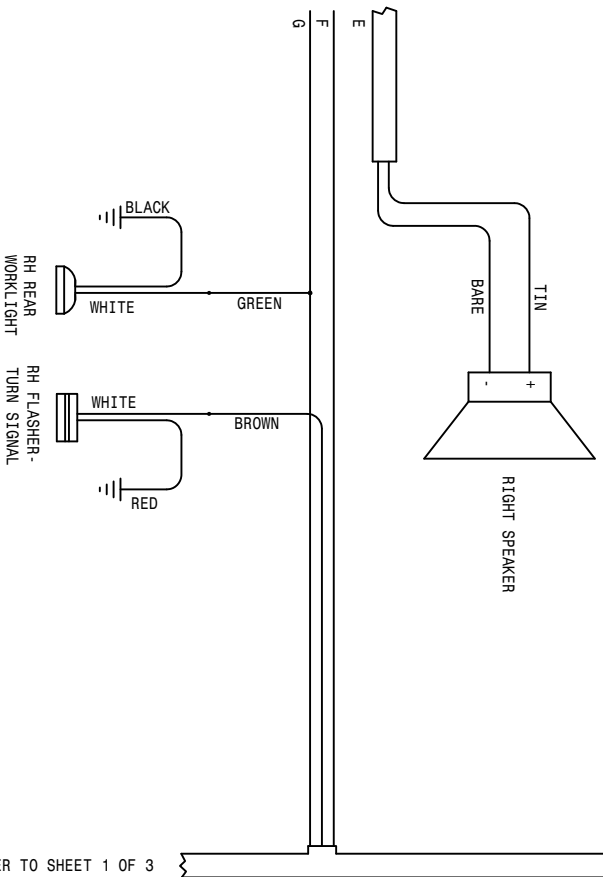
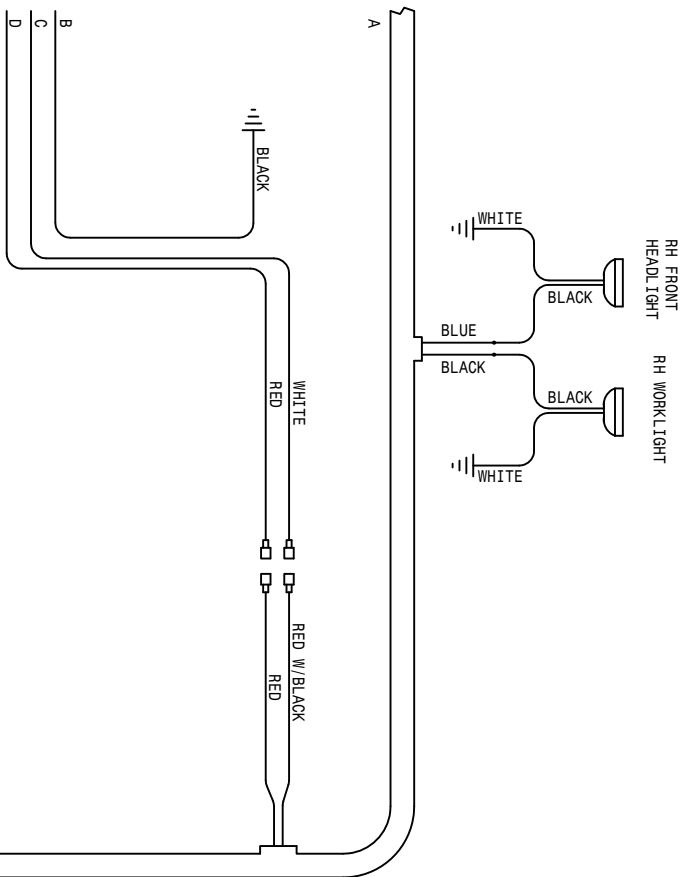




ROPS LIGHT WIRING DIAGRAM

204SP CUMM WIRING DIAGRAM 07 04-28-08 TLU
 SHEET 2 OF 3
 REVISION DATE: 05-25-07
 498926

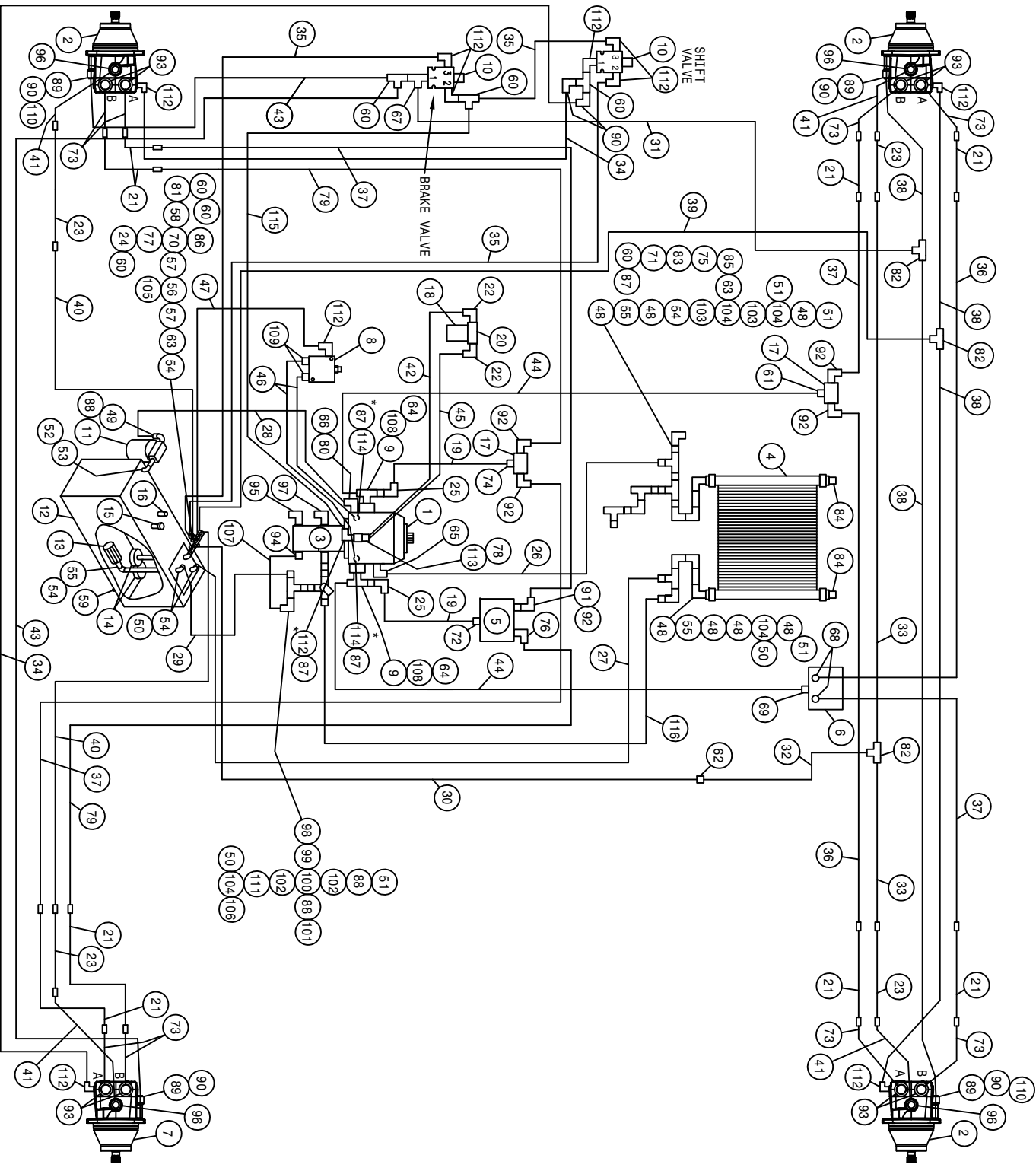




293826 - CAB WIRE HARNESS 204/DTS8 05

REFER TO SHEET 1 OF 3

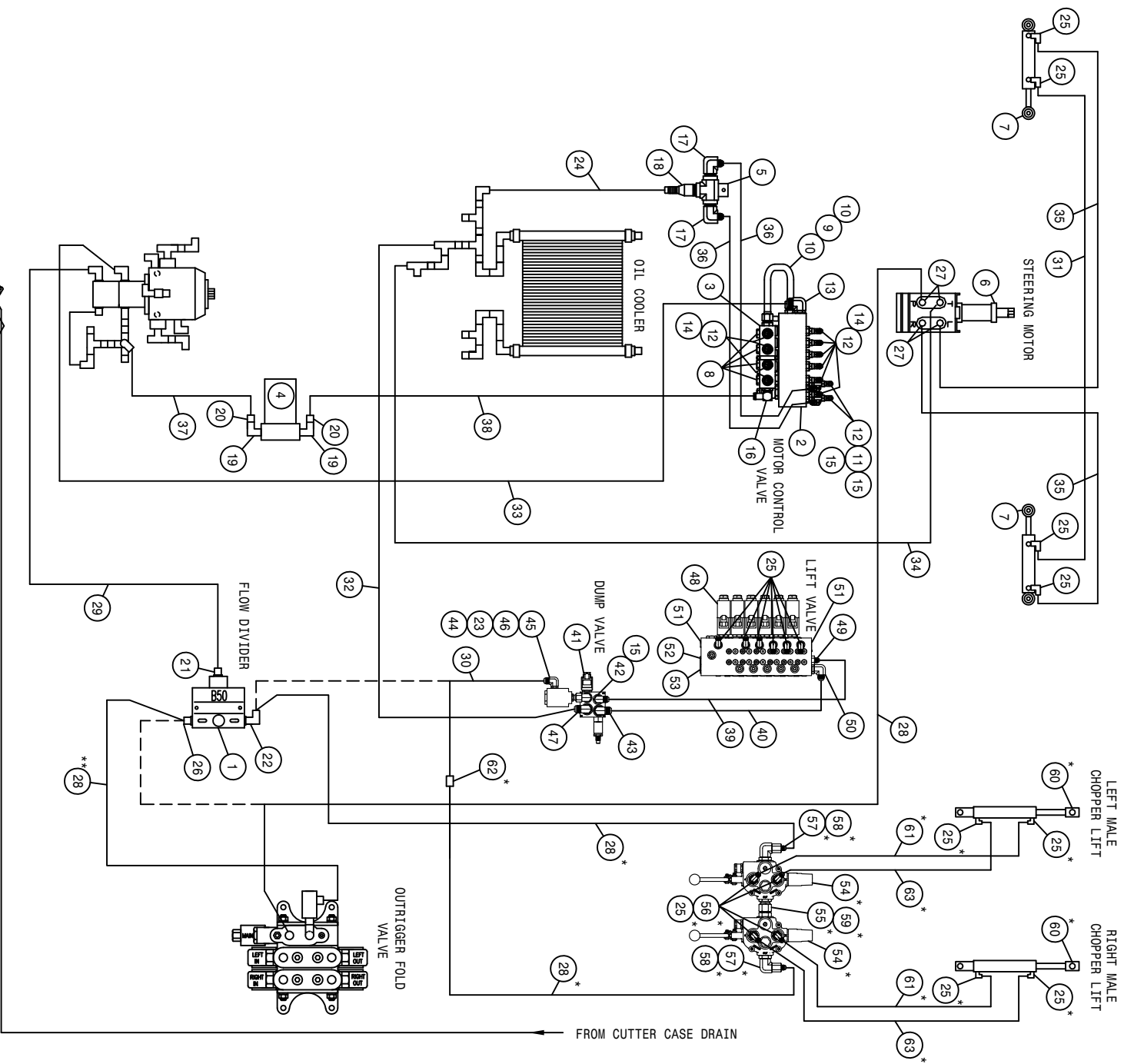
1	1	293299	1694	BLK-291511-291571-30	04-28-06	TJM
204SP - CUMM WIRING DIAGRAM 07						
SHEET 3 OF 3						
REVISION DATE:						
498926						



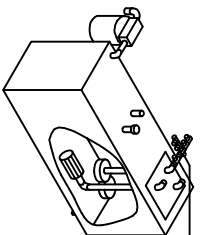
*NOTE:
 REFER TO DETAIL 114 TO CHECK PRESSURE LIMIT
 SETTING - 4500 PSI
 REFER TO DETAIL 112 ON TOP TO CHECK CHARGE
 PRESSURE - 380 PSI

204SP BASIC MACHINE CUMM HYD SCHEMATIC 08
REFERENCE DRAWING NO. 498981S1

DET.	QTY	PART NO.	DESCRIPTION	DET.	QTY	PART NO.	DESCRIPTION
1	1	606902	SUND 100CC PUMP,B-MT W/FILT	59	1	470308	1/2MNPT DRAIN PLUG,AL HD,MAG
2	3	606193	SAUER WHL MOTOR,KC-38CC	60	7	618486	9/16FJIC SW RUN TEE-9/16MJIC
3	1	606352	TANDEM PUMP,606929 & 606353	61	1	618558	1 5/16MJIC-1 1/16MOR ADPTR
4	1	618606	OIL COOLER, BLISSFIELD 65027	62	1	618551	3/4MJIC-9/16MJIC REDU UNION
5	1	610609	TRACTION VLV,66S,40GPM	63	2	505213	RED BUSH 1 X 3/4 BLK MAL
6	1	610586	POSITIONATION VLV,ALUM,88SP60G	64	2	618541	1 5/16FJIC-1 1/16MJIC ADPTR
7	1	606202	SAUER WHL MOTOR, KC-38CC W/SEN	65	1	618118	3/4 HOSE BARB-90-1 1/16MOR
8	1	610580	REMOTE FLUSHING VALVE, SUND	66	1	618638	1IN HOSE BARB-45-1 5/16MOR
9	2	618598	1" 4-BOLT FLG X 1 5/16 FOR	67	1	618444	9/16MOR RUN TEE-9/16MJIC
10	2	610318	HYD SOLE VLV,2P-3W,9/16FOR,12V	68	2	618601	7/8MJIC-1 5/16MOR ADPT
11	1	605601	PARKER FILTER ASSY,10M,1.25NPT	69	1	618186	1 5/16MJIC-1 5/16MOR ADPTR
12	1	760264	HYD TANK WLD,204/254/284 2002	70	1	504400	BLK PIPE CROSS .75NPT
13	1	605600	TANK FILTER, 100 MESH,1"FNPT	71	1	618482	3/4FJIC-9/16MJIC ADPTR
14	2	605603	LINE SUMP DIFFUSER	72	1	618308	1 1/16MJIC-1 5/16MOR ADPTR
15	1	611052	FILLER BREATHER 3/4NPT	73	8	616433	10-381-10MJ-10FJX45-17
16	1	614453	DIPSTICK, 8IN	74	1	611127	1 1/16MJIC-1 1/16MOR ADPTR
17	2	606356	1 1/16FOR MANIFOLD,3 #12PORTS	75	1	618451	3/4FJIC SW RUN TEE-3/4MJIC
18	1	605609	HYD FILTER ELEMENT, DONALDSON	76	1	618589	7/8MJIC-90-1 5/16MOR LBO
19	2	614707	HYD TUBE ASSY,SUND,200 DIESEL	77	1	504001	RED BUSH 3/4 X 1/4 BLK MAL
20	1	605608	HYD FILTER HEAD, DONALDSON	78	1	618183	3/4MJIC-90-7/8MOR LBO
21	8	615840	LEG HYD TUBE ASSY, 204SP	79	2	616297	08-381-10FJX-10MJ-88
22	2	618474	3/4MJIC-90-1 1/16MOR LBO	80	1	618639	1 5/8MOR-1 5/16FOR ADPTR
23	4	615841	LEG GASE DRN TUBE ASSY,204SP07	81	1	618018	9/16MJIC-1/2MNPT ADPTR
24	1	618520	1/4MNPT RUN TEE-9/16MJIC	82	3	618019	9/16MJIC UNION TEE
25	2	618191	1 1/16MJ-90-1 1/16FJ SWIV LBO	83	1	618609	3/4MJIC-90-3/4FJIC SWIV LBO
26	1	601395	HOSE, 3/4 X 64 1FBR-1SPI	84	2	505102	PIPE PLUG 1.00NPT SQ HD
27	1	601396	HOSE, 1 X 81 1FBR-1SPI	85	1	610300	3/4MJIC-3/4MNPT ADPTR
28	1	601376	HOSE, 1 X 29 1FBR-1SPI	86	1	618135	3/4 HOSE BARB-90-3/4MNPT
29	1	601377	HOSE, 1 X 48 1FBR-1SPI	87	4	618531	9/16FJIC CAP NUT
30	1	614388	08-482TC-08FJX-08FJX-129	88	3	506410	BLK PIPE ST EL 90DEG 1.25NPT
31	1	611225	04-482TC-06FJX-06FJX-174	89	4	618304	9/16MJIC-7/16MOR ADPTR
32	1	614626	06C1T-06FJX-06FJX-30	90	6	618618	9/16MJIC-90-9/16FJIC SWIV LBO
33	2	616156	06-482TC-06FJX-08MJ-92	91	1	618312	1 5/16MOR-1 1/16FOR ADPTR
34	2	614152	04-482TC-06FJX-06FJX-114	92	5	618535	7/8MJIC-90-1 1/16MOR LBO
35	3	614713	04-482TC-06FJX-06FJX-124	93	8	618786	7/8MJIC-45-1 1/16MOR LBO
36	2	616160	08-381-10FJX-10MJ-105	94	1	618075	3/4 HOSE BARB-1 1/16MOR
37	4	616159	08-381-10FJX-10MJ-98	95	1	611128	7/8MJIC-90-7/8MOR LBO
38	4	611202	04-482TC-06FJX-06FJX-136	96	4	618315	3/4MJIC-45-3/4MOR LBO
39	1	611212	04-482TC-06FJX-06FJX-164	97	1	618477	1 5/8MJIC-90-1 5/8MOR LBO
40	2	616157	06-482TC-06FJX-08MJ-106	98	1	618816	1 7/8MOR-1 1/4FNPT ADPTR
41	4	616432	08-381-08MJ-08FJX45-15	99	1	507026	1 1/4MNPT HEX PIPE NIPPLE STL
42	1	615633	08-482TC-08FJX-08FJX-23	100	1	506202	BLK PIPE CROSS 1.25NPT
43	2	614639	04-482TC-06FJX-06FJX-126	101	1	715660	HOSE BARB 1 1/4NPT X 1 1/4
44	2	615634	12-721-16FJX-16FJX-123	102	2	506005	1 1/4 TO 1 RED BUSH BLK MAL
45	1	616034	08-482TC-08FJX-08FJX-17	103	2	505201	CLOSE NIPPLE 1.00NPT
46	2	616253	04-381-06FJX-06FJX-23	104	4	505101	BLK PIPE TEE 1.00NPT
47	1	616048	04-482TC-06FJX-06FJX-35	105	1	610305	3/4MJIC-90-3/4MNPT LBO
48	7	505200	BLK PIPE ST EL 90DEG 1.00NPT	106	1	716000	3/4 HOSE BARB-90-1MNPT
49	1	715664	1 1/4 NPT X 1 HOSE BARB	107	1	601399	HOSE, 3/4 X 13 1FBR-1SPI
50	4	714560	1NPT X 1 HOSE BARB	108	2	618599	1 5/16MOR BRANCH TEE-1 5/16MJ
51	4	714331	PIPE NIPPLE 1 1/4NPT-2 1/2	109	2	618126	9/16MJIC-9/16MOR ADPTR
52	1	506602	PIPE NIPPLE 1 1/4NPT-2 1/2	110	2	618634	9/16MJIC-45-9/16FJIC SWIV LBO
53	1	506303	BLK PIPE EL 90DEG 1.25NPT	111	1	505105	1MNPT HEX PIPE NIPPLE STL
54	5	505300	BLK PIPE EL 90DEG 1.00NPT	112	11	618119	9/16MJIC-90-9/16MOR LBO
55	3	505203	BLK PIPE NIPPLE 1.00NPT-4.00	113	1	618327	3/4MJIC-7/8MOR ADPTR
56	1	504955	BLK PIPE TEE .75NPT	114	2	618629	9/16MOR BRANCH TEE-9/16MJIC
57	2	504702	CLOSE NIPPLE .75NPT	115	1	616056	04-482TC-06FJX-06FJX-32
58	1	504210	RED BUSH 3/4 NPT X 1/2 NPT	116	1	601632	HOSE, 3/4 X 72 1FBR-1SPI



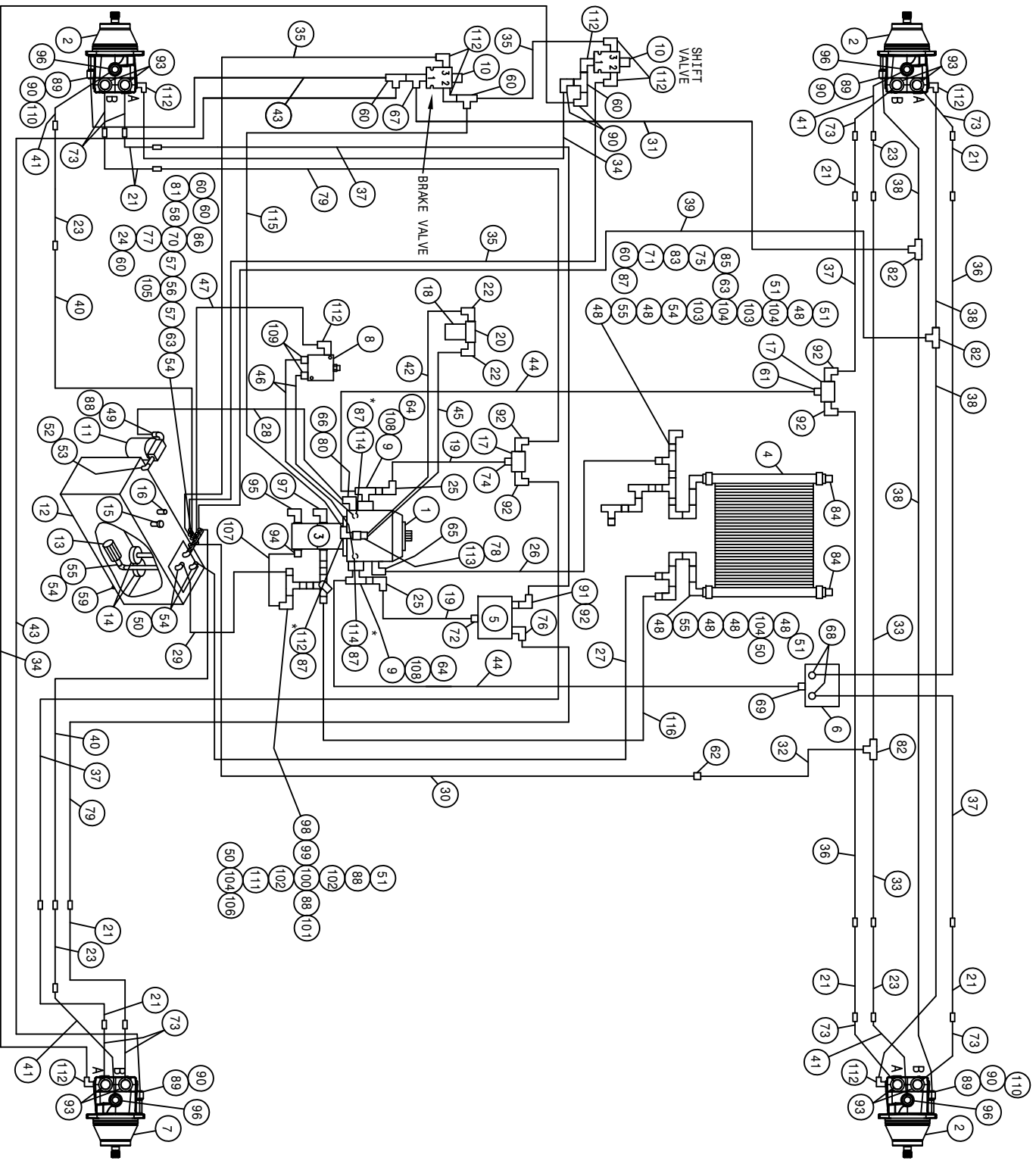
NOTE : (*) HYDRAULIC COMPONENTS ARE IN THE MALE CHOPPER OPTION.
 (***) HOSE COMES IN HYDRAULIC FOLD OPTION.



204SP BASIC MACHINE CUMM HYD SCHEMATIC 08
REFERENCE DRAWING NO. 498981S2

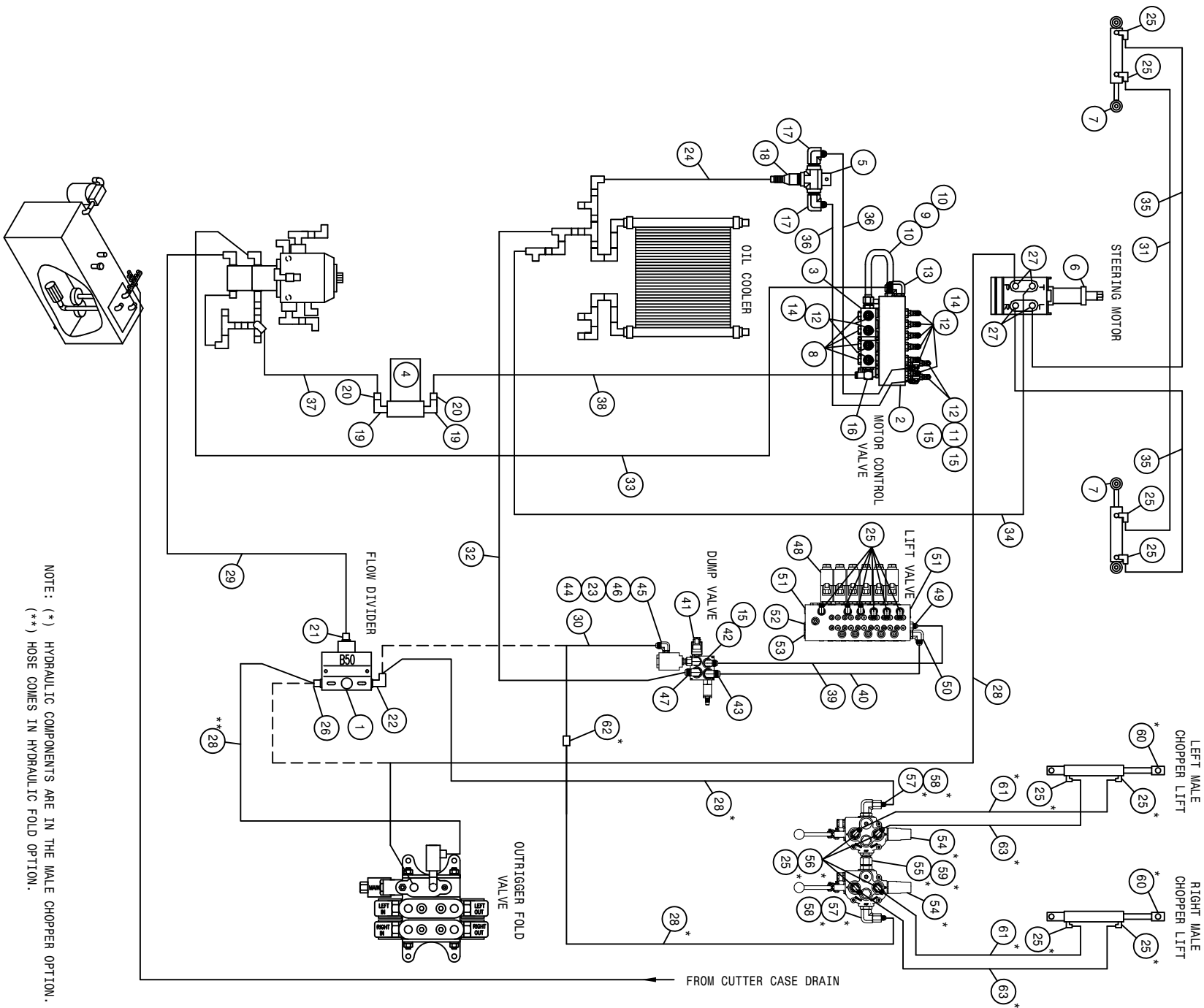
DET.	QTY	PART NO.	DESCRIPTION	DET.	QTY	PART NO.	DESCRIPTION
1	1	607504	FLO DIV B50 2-8GPM 7/8 FOR	33	1	616293	20-381-20FJX-20FJX-153
2	1	606262	MTR CONTROL ELECT VLV, SAUER 07	34	1	611204	04-482TC-06FJX-06FJX-78
3	1	606029	RETURN MANIFOLD BLOCK, STS 03	35	2	614639	04-482TC-06FJX-06FJX-126
4	1	605633	PARKER FILTER ASSY, 25M, 1.25NPT	36	2	615633	08-482TC-08FJX-08FJX-23
5	1	614660	IIN STL TEE WLD 280 89	37	1	601437	HOSE, 1 1/4 X 40 1FBR-1SPI
6	1	749318	STRG MTR, 7.3CID, NON-LOAD 1031	38	1	601378	HOSE, 1 1/4 X 156 1FBR-1SPI
7	2	621516	STRG CYL ASSY, 2100	39	1	616008	06C1T-08FJX-06FJX90-52
8	4	610186	1 1/16MOR PLUG, HEX HEAD	40	1	616007	08C1T-08FJX-10FJX-50
9	1	615799	MTR CTRL RET TUBE ASSY, 204	41	1	606330	DUMP MANIF VALVE
10	2	618186	1 5/16MJIC-1 5/16MOR ADPTR	42	1	611125	3/4MJIC-3/4MOR ADPTR
11	2	618451	3/4FJIC SW RUN TEE-3/4MJIC	43	1	611128	7/8MJIC-90-7/8MOR LBO
12	2	618469	3/4MJIC-1 1/16MOR ADPTR	44	1	618249	3/4MJIC-90-9/16MOR LBO
13	12	618476	1 5/8MJIC-90-1 5/16MOR LBO	45	1	618464	3/4MJIC-90-3/4MOR LG LBO
14	10	618590	3/4MJIC-45-3/4FJIC SMIV LBO	46	1	618692	3/4FJIC SMIV-9/16MOR ADPTR
15	5	618609	3/4MJIC-90-3/4FJIC SMIV LBO	47	1	618774	7/8MJIC-90-7/8MOR LG LBO
16	1	618772	1 1/4 HOSE BARB-90-1 5/16MOR	48	1	606285	LIFT VALVE, STS COMBO, SAUER
17	2	618714	3/4MJIC-90-1"MNPT LBO	49	1	618109	9/16MJIC-3/4MOR ADPTR
18	1	714331	1 NPT X 3/4 HOSE BARB	50	1	618183	3/4MJIC-90-7/8MOR LBO
19	2	506410	BLK PIPE ST EL 90DEG 1.25NPT	51	2	618754	9/16MOR PLUG, HEX SOCKET
20	2	715660	HOSE BARB 1 1/4NPT X 1 1/4	52	1	618755	3/4MOR PLUG, HEX SOCKET
21	1	611126	7/8MJIC-7/8MOR ADPTR	53	1	618756	7/8MOR PLUG, HEX SOCKET
22	1	618600	9/16MJIC-90-7/8MOR LBO	54	2	610306	BRAND 1 SPL VLV, TS-1 W/FLOAT
23	1	605615	HYD FILTER, INLINE 25M 9/16FOR	55	1	611127	1 1/16MJIC-1 1/16MOR ADPTR
24	1	601632	HOSE, 3/4 X 72 1FBR-1SPI	56	4	618172	7/8MOR-9/16FOR ADPTR
25	18	618119	9/16MJIC-90-9/16MOR LBO	57	2	618474	3/4MJIC-90-1 1/16MOR LBO
26	1	618310	9/16MJIC-7/8MOR ADPTR	58	2	618482	3/4FJIC-9/16MJIC ADPTR
27	4	618496	9/16MJIC-45-3/4MOR LBO	59	1	618578	1 1/16FJIC SMIV-1 1/16MOR
28	4	615727	04-482TC-06FJX-06FJX-75	60	2	621568	OUTRGR FOLD CYL, 2.00 X 18
29	1	614664	10-482TC-10FJX-10FJX-98	61	2	614554	04-482TC-06FJX-06FJX-240
30	1	615473	06-482TC-06FJX-08FJX-18	62	1	619010	9/16MJIC UNION
31	1	611246	04-482TC-06FJX-06FJX-174	63	2	616249	04-482TC-06FJX-06FJX-273
32	1	616006	08-482TC-08FJX-10FJX-33				H/A

*NOTE:
 REFER TO DETAIL 114 TO CHECK PRESSURE LIMIT
 SETTING - 4900 PSI
 REFER TO DETAIL 112 ON TOP TO CHECK CHARGE
 PRESSURE - 380 PSI



204SP WIDE BASIC MACHINE CUMM HYD SCHEM 08
REFERENCE DRAWING NO. 499002S1

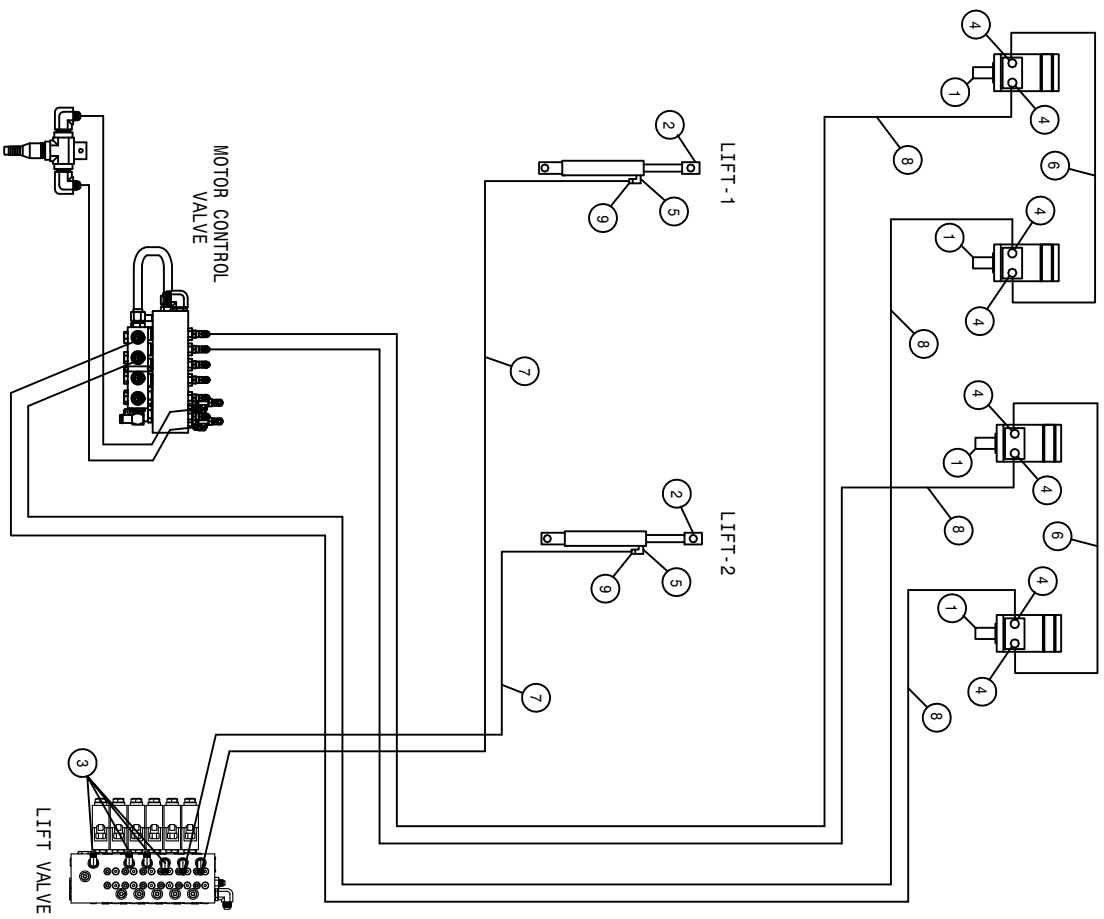
DET.	QTY	PART NO.	DESCRIPTION	DET.	QTY	PART NO.	DESCRIPTION
1	1	606902	SUND 100CC PUMP,B-MT W/FILT	59	1	470308	1/2MNP DRAIN PLUG,AL HD,MAG
2	3	606193	SAUER WHL MOTOR,KC-38CC	60	7	618486	9/16FJIC SW RUN TEE-9/16MJIC
3	1	606352	TANDEM PUMP,606929 & 606353	61	1	618558	1 5/16MJIC-1 1/16MOR ADPTR
4	1	618606	OIL COOLER, BLISSFIELD 65027	62	1	618551	3/4MJIC-9/16MJIC REDU UNION
5	1	610609	TRACTION VLV,66S,40GPM	63	2	505213	RED BUSH 1 X 3/4 BLK MAL
6	1	610586	POSITRACTION VLV,ALUM,88SP60G	64	2	618541	1 5/16FJIC-1 1/16MJIC ADPTR
7	1	606202	SAUER WHL MOTOR, KC-38CC W/SEN	65	1	618118	3/4 HOSE BARB-90-1 1/16MOR
8	1	610580	REMOTE FLUSHING VALVE, SUND	66	1	618638	1IN HOSE BARB-45-1 5/16MOR
9	2	618598	1" 4-BOLT FLG X 1 5/16 FOR	67	1	618444	9/16MOR RUN TEE-9/16MJIC
10	2	610318	HYD SOLE VLV,2P-3W,9/16FOR,12V	68	2	618601	7/8MJIC-1 5/16MOR ADPT
11	1	605601	PARKER FILTER ASSY,10M,1.25NPT	69	1	618186	1 5/16MJIC-1 5/16MOR ADPTR
12	1	760264	HYD TANK WLD,204/254/284 2002	70	1	504400	BLK PIPE CROSS .75NPT
13	1	605600	TANK FILTER, 100 MESH,1"FNPT	71	1	618482	3/4FJIC-9/16MJIC ADPTR
14	2	605603	LINE SUMP DIFFUSER	72	1	618308	1 1/16MJIC-1 5/16MOR ADPTR
15	1	611052	FILLER BREATHER 3/4MNP	73	8	616433	10-381-10MJ-10FCJX45-17
16	1	614453	DIPSTICK, 8IN	74	1	611127	1 1/16MJIC-1 1/16MOR ADPTR
17	2	606356	1 1/16FOR MANIFOLD,3 #12PORTS	75	1	618451	3/4FJIC SW RUN TEE-3/4MJIC
18	1	605609	HYD FILTER ELEMENT, DONALDSON	76	1	618589	7/8MJIC-90-1 5/16MOR LBO
19	2	614707	HYD TUBE ASSY,SUND,200 DIESEL	77	1	504001	RED BUSH 3/4 X 1/4 BLK MAL
20	1	605608	HYD FILTER HEAD, DONALDSON	78	1	618183	3/4MJIC-90-7/8MOR LBO
21	8	615840	LEG HYD TUBE ASSY, 204SP	79	2	616639	08-381-10MJ-10FCJX-95
22	2	618474	3/4MJIC-90-1 1/16MOR LBO	80	1	618639	1 5/8MOR-1 5/16FOR ADPTR
23	4	615841	LEG CASE DRN TUBE ASSY,204SP07	81	1	618018	9/16MJIC-1/2MNP ADPTR
24	1	618520	1/4MNP RUN TEE-9/16MJIC	82	3	618019	9/16MJIC UNION TEE
25	2	618191	1 1/16MJ-90-1 1/16FJ SWIV LBO	83	1	618609	3/4MJIC-90-3/4FJIC SWIV LBO
26	1	601395	HOSE, 3/4 X 64 1FBR-1SPI	84	2	505102	PIPE PLUG 1.00NPT SQ HD
27	1	601396	HOSE, 1 X 81 1FBR-1SPI	85	1	610300	3/4MJIC-3/4MNP ADPTR
28	1	601376	HOSE, 1 X 29 1FBR-1SPI	86	1	618135	3/4 HOSE BARB-90-3/4MNP
29	1	601377	HOSE, 1 X 48 1FBR-1SPI	87	4	618531	9/16FJIC CAP NUT
30	1	614388	08-482TC-08FJX-08FJX-129	88	3	506410	BLK PIPE ST EL 90DEG 1.25NPT
31	1	611246	04-482TC-06FJX-06FJX-174	89	4	618304	9/16MJIC-7/16MOR ADPTR
32	1	614625	06CIT-06FJX-06FJX-30	90	6	618618	9/16MJIC-90-9/16FJIC SWIV LBO
33	2	616637	06-482TC-08MJ-06FJX-99	91	1	618312	1 5/16MOR-1 1/16FOR ADPTR
34	2	616635	04-482TC-06FJX-06FJX-121	92	5	618535	7/8MJIC-90-1 1/16MOR LBO
35	3	614713	04-482TC-06FJX-06FJX-24	93	8	618786	7/8MJIC-45-1 1/16MOR LBO
36	4	616640	08-381-10MJ-10FJX-112	94	1	618075	3/4 HOSE BARB-1 1/16MOR
37	4	616160	08-381-10FJX-10MJ-105	95	1	611128	7/8MJIC-90-7/8MOR LBO
38	4	616636	04-482TC-06FJX-06FJX-143	96	4	618315	3/4MJIC-45-3/4MOR LBO
39	1	611212	04-482TC-06FJX-06FJX-164	97	1	618477	1 5/8MJIC-90-1 5/8MOR LBO
40	2	616638	06-482TC-08MJ-06FJX-113	98	1	618816	06-451TC-06FJX-06FJX-159
41	4	616432	08-381-08MJ-08FJX45-15	99	1	507026	1 1/4MNP HEX PIPE NIPPLE STL
42	1	615633	08-482TC-08FJX-08FJX-23	100	1	506202	BLK PIPE CROSS 1.25NPT
43	2	614101	04-482TC-06FJX-06FJX-133	101	1	715660	HOSE BARB 1 1/4NPT X 1 1/4
44	2	615634	12-721-16FJX-16FJX-123	102	2	506005	1 1/4 TO 1 RED BUSH BLK MAL
45	1	616034	08-482TC-08FJX-08FJX-17	103	2	505201	CLOSE NIPPLE 1.00NPT
46	2	616253	04-381-06FJX-06FJX-23	104	4	505101	BLK PIPE TEE 1.00NPT
47	1	616048	04-482TC-06FJX-06FJX-35	105	1	610305	3/4MJIC-90-3/4MNP LBO
48	7	505200	BLK PIPE ST EL 90DEG 1.00NPT	106	1	716000	3/4 HOSE BARB-90-1MNP
49	1	715664	1 1/4 NPT X 1 HOSE BARB	107	1	601399	HOSE, 3/4 X 13 1FBR-1SPI
50	4	714560	1NPT X 1 HOSE BARB	108	2	618599	1 5/16MOR BRANCH TEE-1 5/16MJ
51	4	714331	1 NPT X 3/4 HOSE BARB	109	2	618126	9/16MJIC-9/16MOR ADPTR
52	1	506602	PIPE NIPPLE 1 1/4NPT-2 1/2	110	2	618634	9/16MJIC-45-9/16FJIC SWIV LBO
53	1	506303	BLK PIPE EL 90DEG 1.25NPT	111	1	505105	1MNP HEX PIPE NIPPLE STL
54	5	505300	BLK PIPE EL 90DEG 1.00NPT	112	11	618119	9/16MJIC-90-9/16MOR LBO
55	3	505203	BLK PIPE NIPPLE 1.00NPT-4.00	113	1	618327	3/4MJIC-7/8MOR ADPTR
56	1	504955	BLK PIPE TEE .75NPT	114	2	618629	9/16MOR BRANCH TEE-9/16MJIC
57	2	504702	CLOSE NIPPLE .75NPT	115	1	616056	04-482TC-06FJX-06FJX-32
58	1	504210	RED BUSH 3/4 NPT X 1/2 NPT	116	1	601632	HOSE, 3/4 X 72 1FBR-1SPI



NOTE: (*) HYDRAULIC COMPONENTS ARE IN THE MALE CHOPPER OPTION.
 (**) HOSE COMES IN HYDRAULIC FOLD OPTION.

204SP WIDE BASIC MACHINE CUMM HYD SCHEM 08
REFERENCE DRAWING NO. 499002S2

DET.	QTY	PART NO.	DESCRIPTION	DET.	QTY	PART NO.	DESCRIPTION
1	1	607504	FLO DIV B50 2-8GPM 7/8 FOR	33	1	616293	20-381-20FJX-20FJX-153
2	1	606262	MTR CONTROL ELECT VLV, SAUER 07	34	1	611204	04-482TC-06FJX-06FJX-78
3	1	606029	RETURN MANIFOLD BLOCK, STS 03	35	2	614639	04-482TC-06FJX-06FJX-126
4	1	605633	PARKER FILTER ASSY, 25M, 1.25NPT	36	2	615633	08-482TC-08FJX-08FJX-23
5	1	749318	1IN STL TEE WLD 280	37	1	601437	HOSE, 1 1/4 X 40 1FBR-1SPI
6	1	614660	STRG MTR, 7.3CID, NON-LOAD 1031	38	1	601378	HOSE, 1 1/4 X 156 1FBR-1SPI
7	2	621516	STRG CYL ASSY, 2100	39	1	616008	06C1T-08FJX-06FJX90-52
8	4	610186	1 1/16MOR PLUG, HEX HEAD	40	1	616007	08C1T-08FJX-10FJX-50
9	1	615799	MTR CTRL RET TUBE ASSY, 204	41	1	606330	DUMP MANIF VALVE
10	2	618186	1 5/16MJIC-1 5/16MOR ADPTR	42	1	611125	3/4MJIC-3/4MOR ADPTR
11	2	618451	3/4FJIC SW RUN TEE-3/4MJIC	43	1	611128	7/8MJIC-90-7/8MOR LBO
12	12	618469	3/4MJIC-1 1/16MOR ADPTR	44	1	618249	3/4MJIC-90-9/16MOR LBO
13	1	618476	1 5/8MJIC-90-1 5/16MOR LBO	45	1	618464	3/4MJIC-90-3/4MOR LG LBO
14	10	618590	3/4MJIC-45-3/4FJIC SWIV LBO	46	1	618692	3/4FJIC SWIV-9/16MOR ADPTR
15	5	618609	3/4MJIC-90-3/4FJIC SWIV LBO	47	1	618774	7/8MJIC-90-7/8MOR LG LBO
16	1	618772	1 1/4 HOSE BARB-90-1 5/16MOR	48	1	606285	LIFT VALVE, STS COMBO, SAUER
17	2	618714	3/4MJIC-90-1"NMPT LBO	49	1	618109	9/16MJIC-3/4MOR ADPTR
18	1	714531	1 NPT X 3/4 HOSE BARB	50	1	618183	3/4MJIC-90-7/8MOR LBO
19	2	506410	BLK PIPE ST EL 90DEG 1.25NPT	51	2	618754	9/16MOR PLUG, HEX SOCKET
20	2	715660	HOSE BARB 1 1/4NPT X 1 1/4	52	1	618755	3/4MOR PLUG, HEX SOCKET
21	1	611126	7/8MJIC-7/8MOR ADPTR	53	1	618756	7/8MOR PLUG, HEX SOCKET
22	1	618600	9/16MJIC-90-7/8MOR LBO	54	2	610306	BRAND 1 SPL VLV, TS-1 W/FLOAT
23	1	605615	HYD FILTER, INLINE 25M	55	1	611127	1 1/16MJIC-1 1/16MOR ADPTR
24	1	601632	HOSE, 3/4 X 72 1FBR-1SPI	56	4	618172	7/8MOR-9/16FOR ADPTR
25	18	618119	9/16MJIC-90-9/16MOR LBO	57	2	618474	3/4MJIC-90-1 1/16MOR LBO
26	1	618310	9/16MJIC-7/8MOR ADPTR	58	2	618482	3/4FJIC-9/16MJIC ADPTR
27	4	618496	9/16MJIC-45-3/4MOR LBO	59	1	618578	1 1/16FJIC SWIV-1 1/16MOR
28	4	615727	04-482TC-06FJX-06FJX-75	60	2	621568	OUTRGR FOLD CYL, 2.00 X 18
29	1	614664	10-482TC-10FJX-10FJX-98	61	2	614554	04-482TC-06FJX-06FJX-240
30	1	615473	06-482TC-06FJX-08FJX-18	62	1	619010	9/16MJIC UNION
31	1	611246	04-482TC-06FJX-06FJX-174	63	2	616249	04-482TC-06FJX-06FJX-273
32	1	616006	08-482TC-08FJX-10FJX-33				H/A

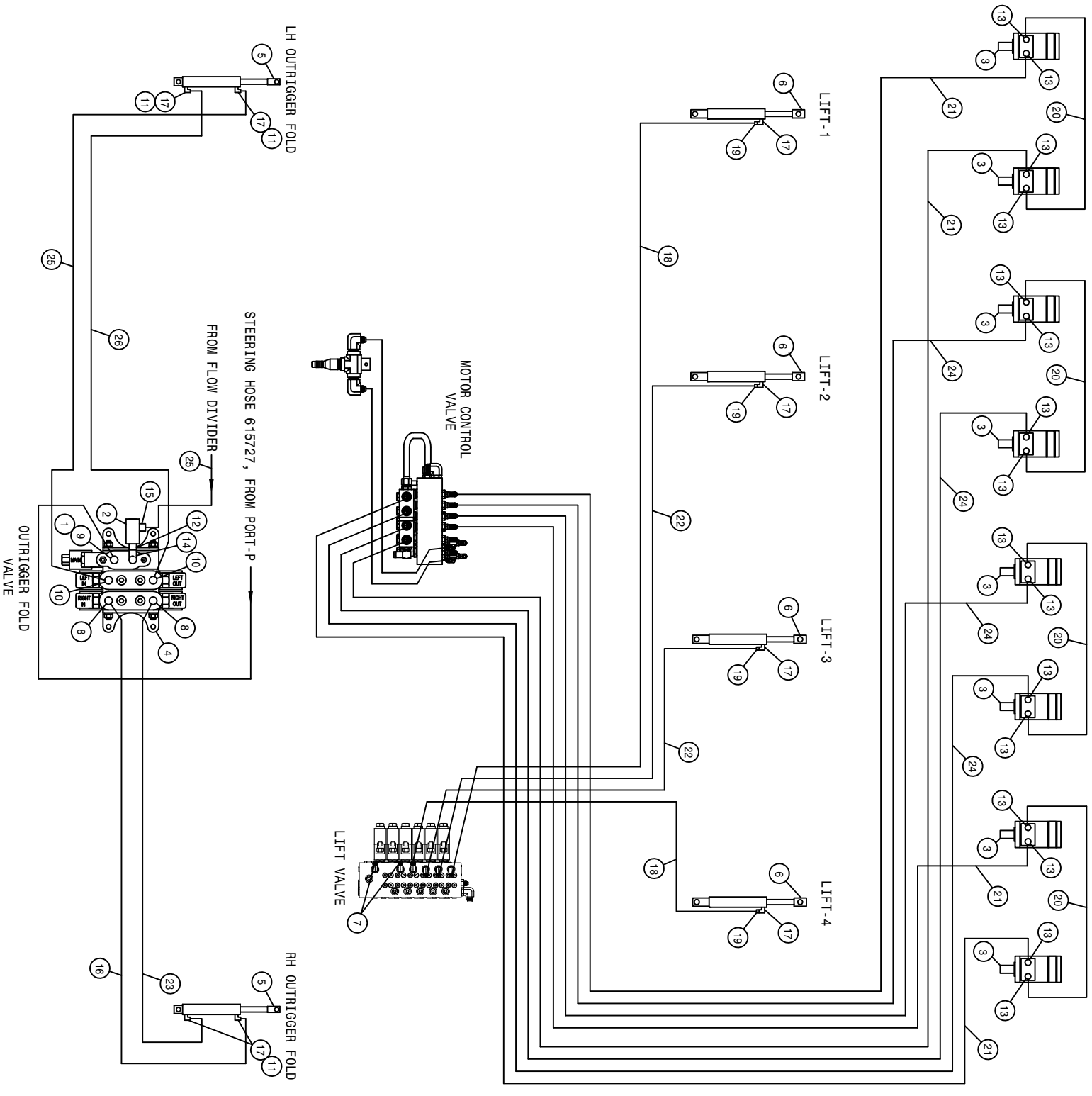


204 4R QUAD 2L LS HYD SCHEM 2008
REFERENCE DRAWING NO. 498997

DET.	QTY	PART NO.	DESCRIPTION	DET.	QTY	PART NO.	DESCRIPTION	H/A
1	4	610547	HYD MOTOR 4.5CI 1IN SHFT	6	2	616025	08-482TC-08FJX-08FJX-50	H/A
2	2	621564	DETA5 LIFT CYL,2.00 X 11.00STS	7	2	615729	04-482TC-06FJX-06FJX-84	H/A
3	4	618531	9/16FJIC CAP NUT	8	4	616168	08-482TC-08FJX-08FJX-139	H/A
4	8	618327	3/4MJIC-7/8MOR ADPTR	9	2	618733	9/16JIC .042 ORIFICE ADPTR	
5	2	618119	9/16MJIC-90-9/16MOR LBO					

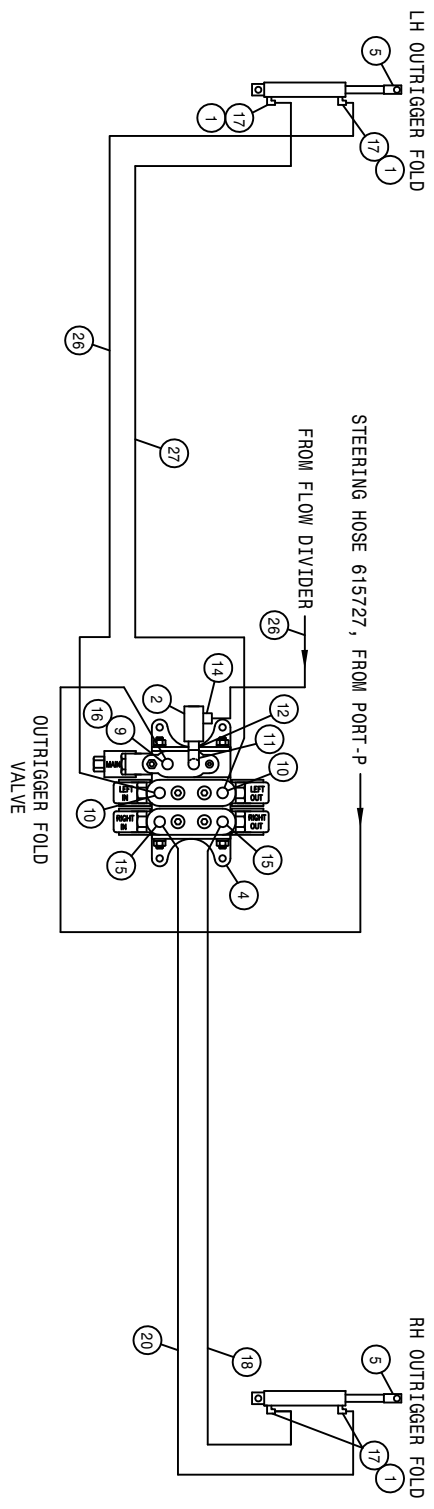
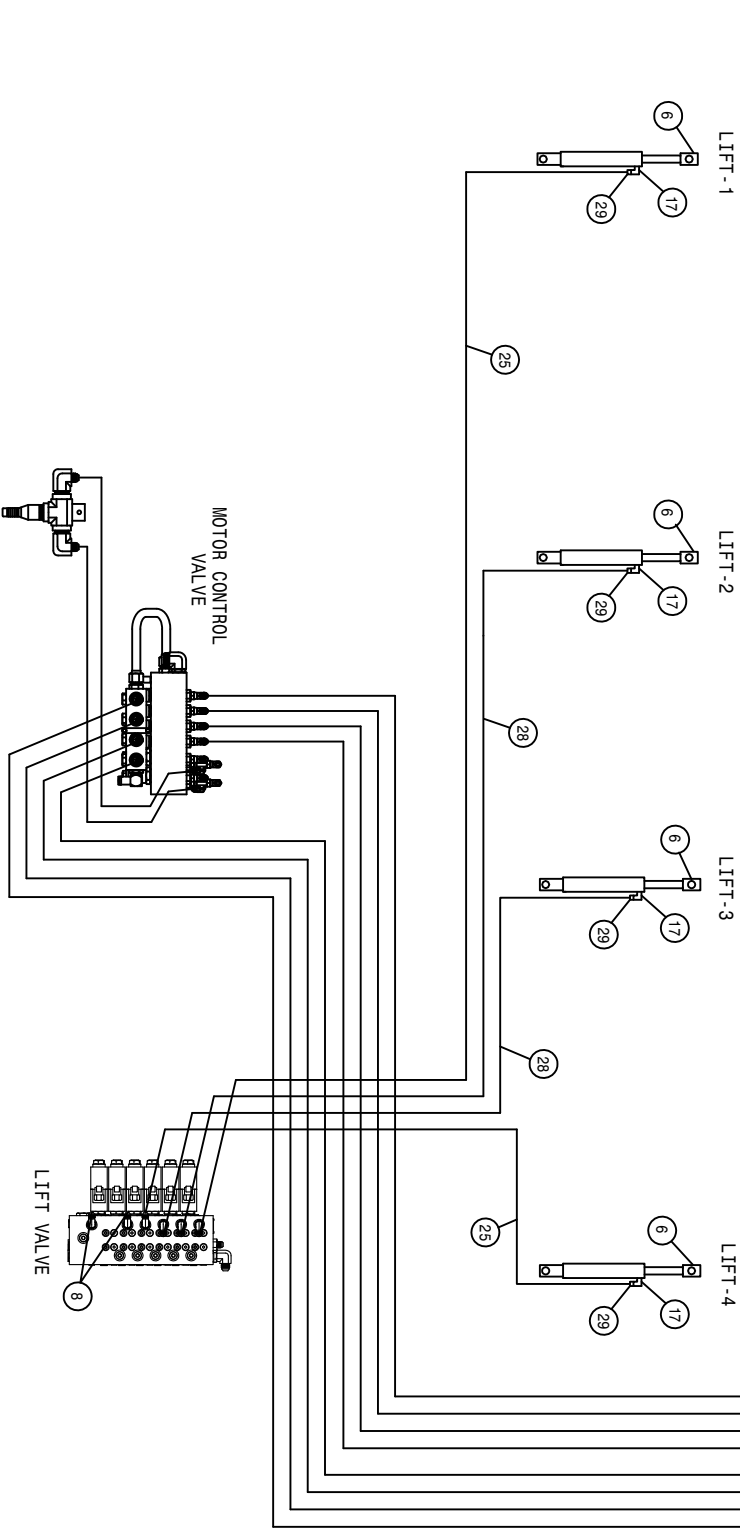
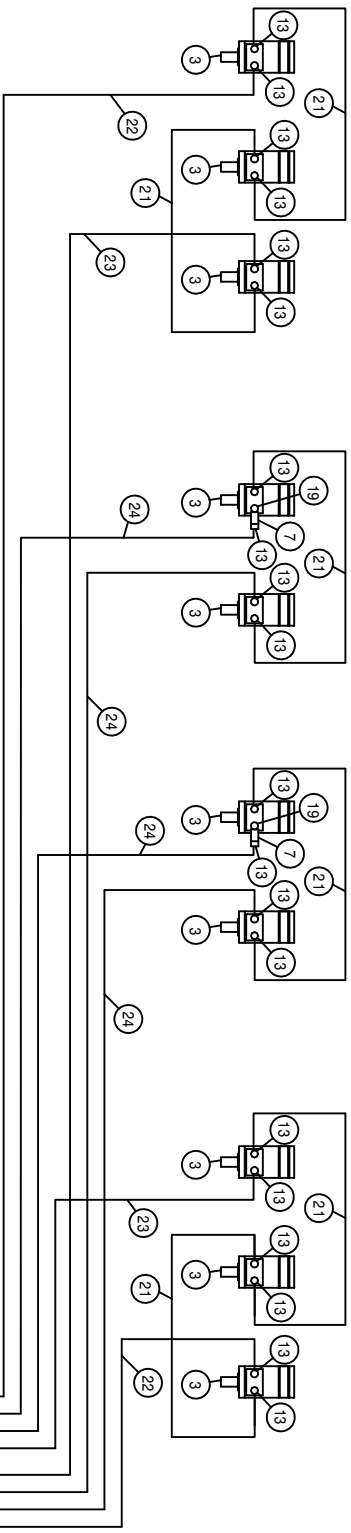
204 6R QUAD 3L LS HYD SCHEM 2008
REFERENCE DRAWING NO. 498982

DET.	QTY	PART NO.	DESCRIPTION	DET.	QTY	PART NO.	DESCRIPTION
1	4	618731	9/16JIC .025 ORIFICE ADPTR	14	1	618126	9/16MJIC-9/16MOR ADPTR
2	1	605615	HYD FILTER, INLINE 25M 9/16FOR	15	3	618531	9/16FJIC CAP NUT
3	6	610547	HYD MOTOR 4.5CI 1IN SHFT	16	1	614152	04-482TC-06FJX-06FJX-114
4	1	606090	BRAND HYD VALVE, 2-SECT SER 36	17	7	618119	9/16MJIC-90-9/16MOR LBO
5	2	621520	BOOM HINGE FOLD CYL ASSY	18	3	616025	08-482TC-08FJX-08FJX-50
6	3	621564	DETA5 LIFT CYL, 2.00 X 11.00STS	19	2	614689	08-482TC-08FJX-08FJX-120
7	1	618618	9/16MJIC-90-9/16FJIC SWIV LBO	20	4	614690	08-482TC-08FJX-08FJX-192
8	2	618709	9/16MJIC-90-3/4MOR EX LG LBO	21	2	614101	04-482TC-06FJX-06FJX-133
9	1	618310	9/16MJIC-7/8MOR ADPTR	22	1	616205	04-482TC-06FJX-06FJX-117
10	1	618183	3/4MJIC-90-7/8MOR LBO	23	2	615727	04-482TC-06FJX-06FJX-75
11	2	618115	9/16MJIC-90-3/4MOR LBO	24	3	618733	9/16JIC .042 ORIFICE ADPTR
12	1	618692	3/4FJIC SWIV-9/16MOR ADPTR	25	2	614077	04-482TC-06FJX-06FJX-88
13	12	618327	3/4MJIC-7/8MOR ADPTR				H/A



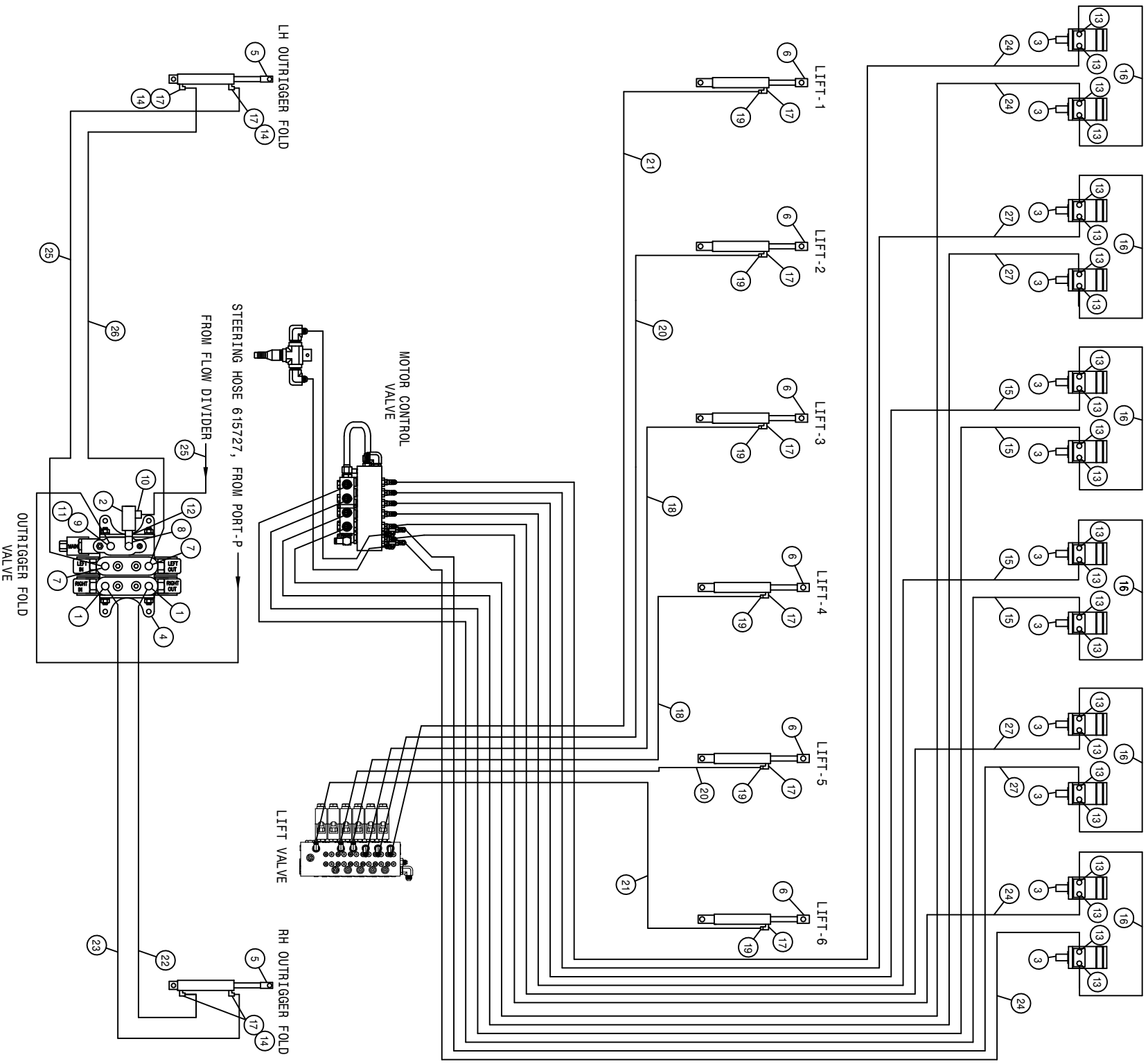
204 8R QUAD 4L LS HYD SCHEM 2008
REFERENCE DRAWING NO. 498983

DET.	QTY	PART NO.	DESCRIPTION	DET.	QTY	PART NO.	DESCRIPTION
1	1	618618	9/16MJIC-90-9/16FJIC SWIV LBO	15	1	618126	9/16MJIC-9/16MOR ADPTR
2	1	605615	HYD FILTER, INLINE 25M 9/16FOR	16	1	614152	04-482TC-06FJX-06FJX-114
3	8	610547	HYD MOTOR 4.5CI 1IN SHFT	17	8	618119	9/16MJIC-90-9/16MOR LBO
4	1	606090	BRAND HYD VALVE, 2-SECT SER 36	18	2	611262	04-482TC-06FJX-06FJX-182
5	2	621520	BOOM HINGE FOLD CYL ASSY	19	4	618733	9/16JIC .042 ORIFICE ADPTR
6	4	621564	DETA5 LIFT CYL, 2.00 X 11.00STS	20	4	616025	08-482TC-08FJX-08FJX-50
7	2	618531	9/16FJIC CAP NUT	21	4	614384	08-482TC-08FJX-08FJX-237
8	2	618115	9/16MJIC-90-3/4MOR LBO	22	2	615729	04-482TC-06FJX-06FJX-84
9	2	618310	9/16MJIC-7/8MOR ADPTR	23	1	616205	04-482TC-06FJX-06FJX-117
10	2	618709	9/16MJIC-90-3/4MOR EX LG LBO	24	4	616168	08-482TC-08FJX-08FJX-139
11	4	618731	9/16JIC .025 ORIFICE ADPTR	25	2	615727	04-482TC-06FJX-06FJX-75
12	1	618692	3/4FJIC SWIV-9/16MOR ADPTR	26	1	614077	04-482TC-06FJX-06FJX-88
13	16	618327	3/4MJIC-7/8MOR ADPTR				
14	1	618183	3/4MJIC-90-7/8MOR LBO				



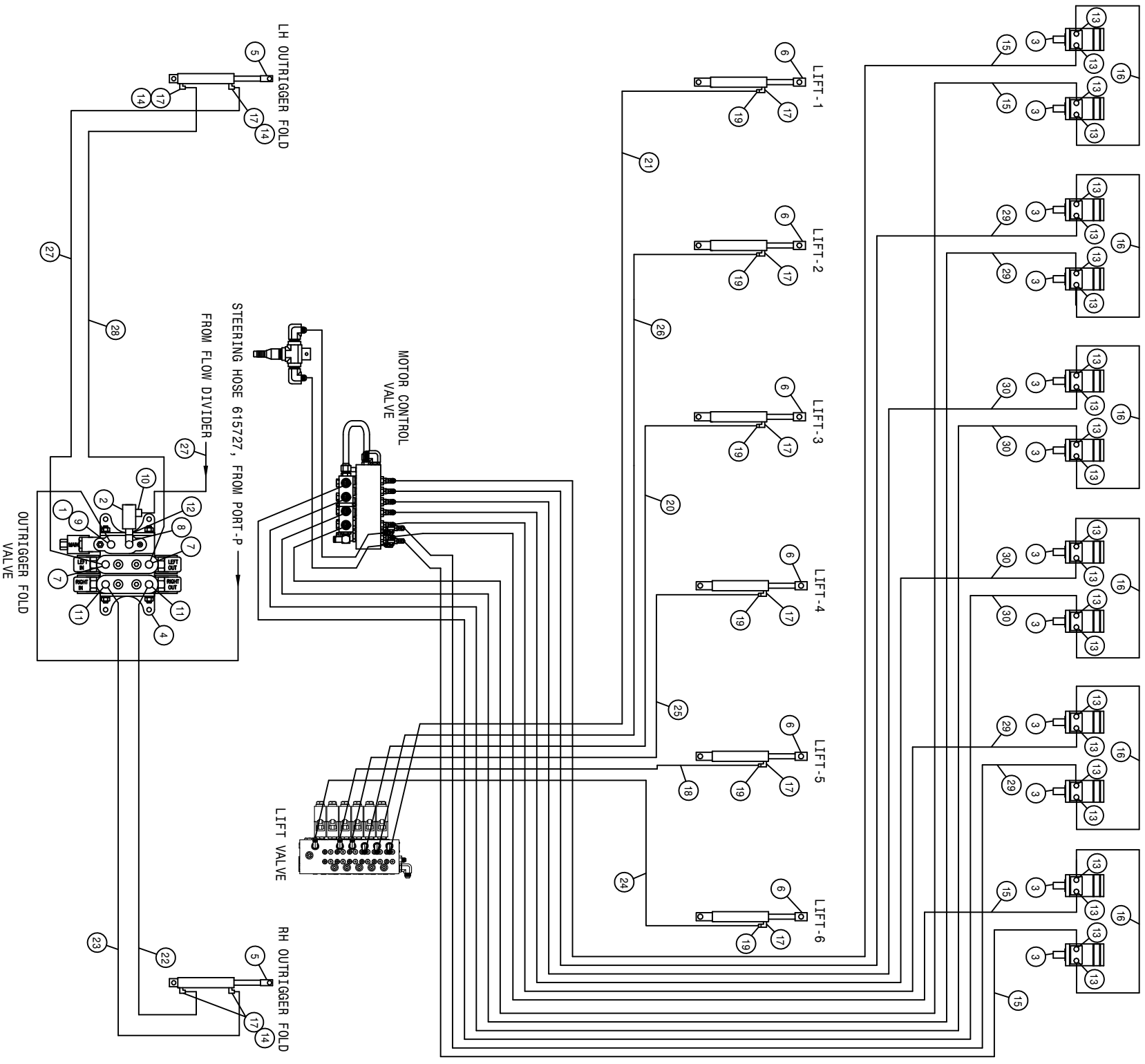
204 10R QUAD 4L LS HYD SCHEM 2008
REFERENCE DRAWING NO. 498984

DET.	QTY	PART NO.	DESCRIPTION	DET.	QTY	PART NO.	DESCRIPTION
1	4	618731	9/16JIC .025 ORIFICE ADPTR	16	1	618618	9/16MJIC-90-9/16FJIC SWIV LBO
2	1	605615	HYD FILTER, INLINE 25M 9/16FOR	17	8	618119	9/16MJIC-90-9/16MOR LBO
3	10	610547	HYD MOTOR 4.5CI 1IN SHFT	18	1	616205	04-482TC-06FJX-06FJX-117
4	1	606090	BRAND HYD VALVE, 2-SECT SER 36	19	2	618586	7/8MOR UNION
5	2	621520	BOOM HINGE FOLD CYL ASSY	20	1	614152	04-482TC-06FJX-06FJX-114
6	4	621564	DETA5 LIFT CYL, 2.00 X 11.00STS	21	6	616025	08-482TC-08FJX-08FJX-50
7	2	607522	FLOW REGULATOR, 8GPM VONBERG	22	2	614387	08-482TC-08FJX-08FJX-267
8	2	618531	9/16FJIC CAP NUT	23	2	614384	08-482TC-08FJX-08FJX-237
9	1	618310	9/16MJIC-7/8MOR ADPTR	24	4	616168	08-482TC-08FJX-08FJX-139
10	2	618709	9/16MJIC-90-3/4MOR EX LG LBO	25	2	614098	04-482TC-06FJX-06FJX-201
11	1	618183	3/4MJIC-90-7/8MOR LBO	26	2	615727	04-482TC-06FJX-06FJX-75
12	1	618692	3/4FJIC SWIV-9/16MOR ADPTR	27	1	614077	04-482TC-06FJX-06FJX-88
13	20	618327	3/4MJIC-7/8MOR ADPTR	28	2	615729	04-482TC-06FJX-06FJX-84
14	1	618126	9/16MJIC-9/16MOR ADPTR	29	4	618733	9/16JIC .042 ORIFICE ADPTR
15	2	618115	9/16MJIC-90-3/4MOR LBO				



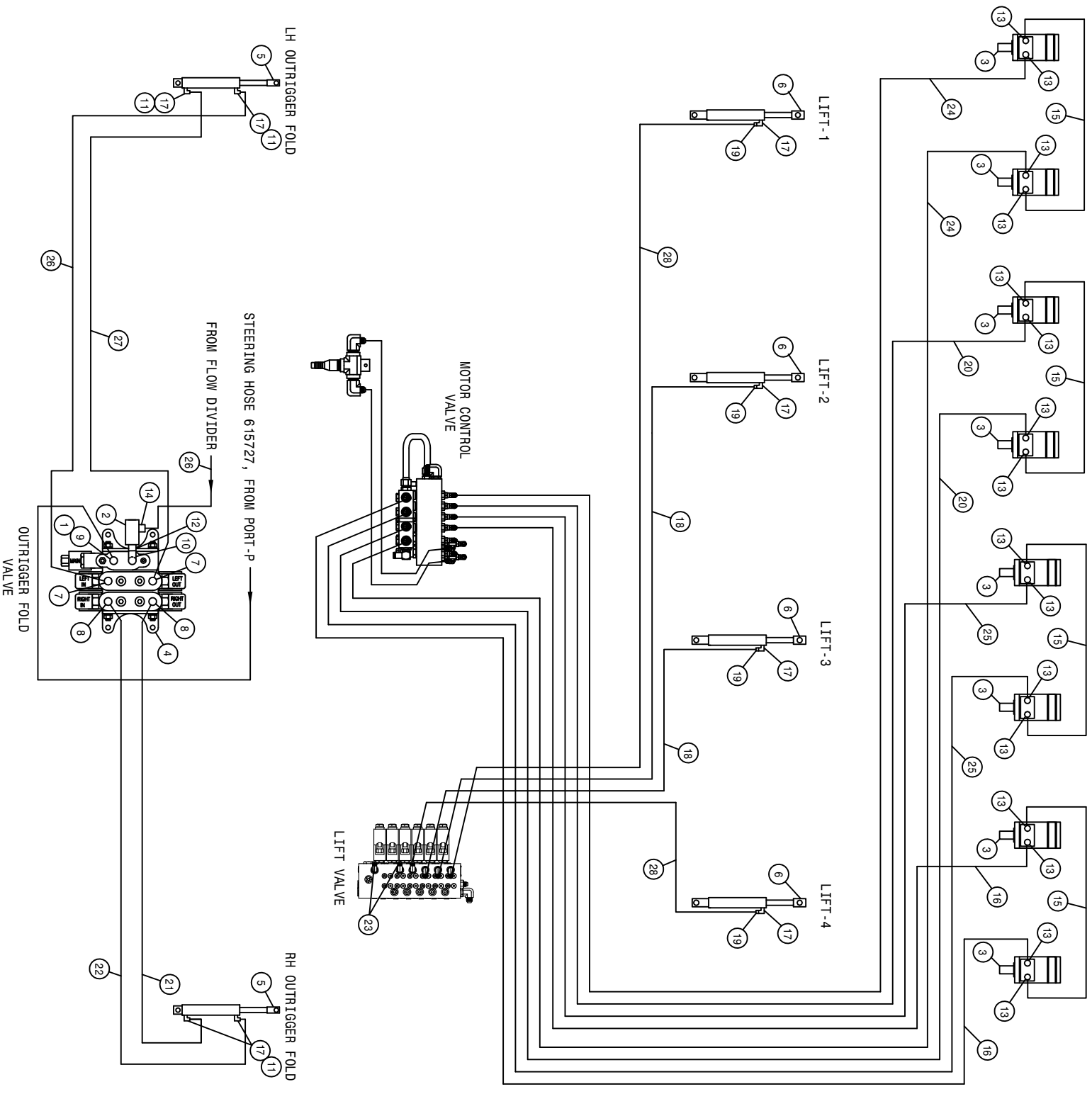
204 12R QUAD 6L LS HYD SCHEM 2008
REFERENCE DRAWING NO. 498985

DET.	QTY	PART NO.	DESCRIPTION	DET.	QTY	PART NO.	DESCRIPTION
1	2	618115	9/16MJIC-90-3/4MOR LBO	15	4	616168	08-482TC-08FJX-08FJX-139
2	1	605615	HYD FILTER, INLINE 25M 9/16FOR	16	6	616025	08-482TC-08FJX-08FJX-50
3	12	610547	HYD MOTOR 4.5CI 1IN SHFT	17	10	618119	9/16MJIC-90-9/16MOR LBO
4	1	606090	BRAND HYD VALVE, 2-SECT SER 36	18	2	615729	04-482TC-06FJX-06FJX-84
5	2	621520	BOOM HINGE FOLD CYL ASSY	19	6	618733	9/16JIC .042 ORIFICE ADPTR
6	6	621564	DETAS LIFT CYL, 2.00 X 11.00STS	20	2	611262	04-482TC-06FJX-06FJX-182
7	2	618709	9/16MJIC-90-3/4MOR EX LG LBO	21	2	614377	04-482TC-06FJX-06FJX-258
8	1	618183	3/4MJIC-90-7/8MOR LBO	22	1	616205	04-482TC-06FJX-06FJX-117
9	1	618310	9/16MJIC-7/8MOR ADPTR	23	1	614152	04-482TC-06FJX-06FJX-114
10	1	618126	9/16MJIC-9/16MOR ADPTR	24	4	616170	08-482TC-08FJX-08FJX-295
11	1	618618	9/16MJIC-90-9/16FJIC SWIV LBO	25	2	615727	04-482TC-06FJX-06FJX-75
12	1	618692	3/4FJIC SWIV-9/16MOR ADPTR	26	1	614077	04-482TC-06FJX-06FJX-88
13	24	618327	3/4MJIC-7/8MOR ADPTR	27	4	614384	08-482TC-08FJX-08FJX-237
14	4	618731	9/16JIC .025 ORFICE ADPTR				



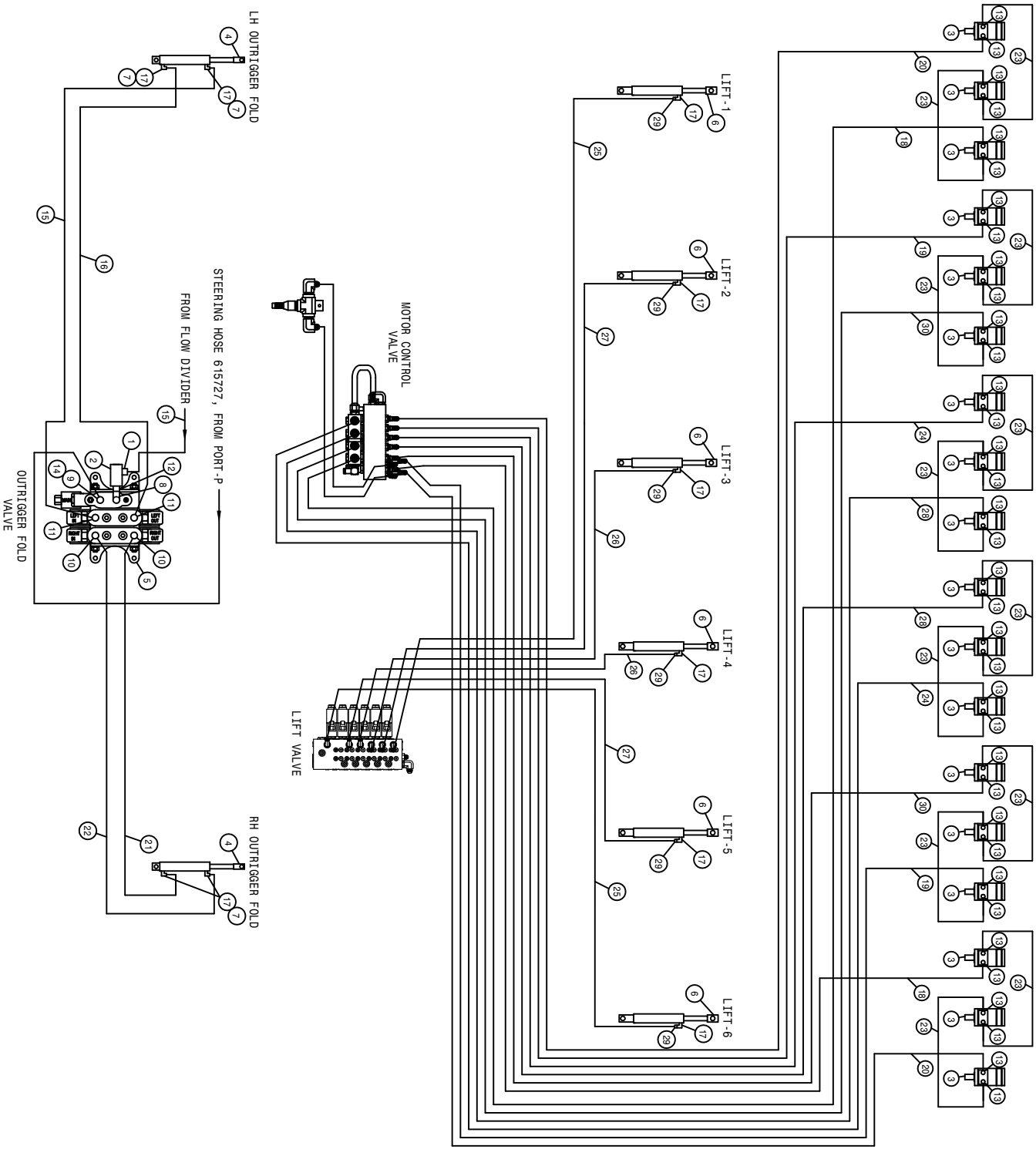
204 12R QUAD 52CM 6L LS HYD SCHEM 2008
REFERENCE DRAWING NO. 498986

DET.	QTY	PART NO.	DESCRIPTION	DET.	QTY	PART NO.	DESCRIPTION
1	1	618618	9/16MJIC-90-9/16FJIC SWIV LBO	17	10	618119	9/16MJIC-90-9/16MOR LBO
2	1	605615	HYD FILTER, INLINE 25M 9/16FOR	18	1	611246	04-482TC-06FJX-06FJX-174
3	12	610547	HYD MOTOR 4.5CI 1IN SHFT	19	6	618733	9/16JIC .042 ORIFICE ADPTR
4	1	606090	BRAND HYD VALVE, 2-SECT SER 36	20	1	614101	04-482TC-06FJX-06FJX-133
5	2	621520	BOOM HINGE FOLD CYL ASSY	21	1	614154	04-482T-06FJX-06FJX-221
6	6	621564	DETA5 LIFT CYL, 2.00 X 11.00STS	22	1	616205	04-482TC-06FJX-06FJX-117
7	2	618709	9/16MJIC-90-3/4MOR EX LG LBO	23	1	614152	04-482TC-06FJX-06FJX-114
8	1	618183	3/4MJIC-90-7/8MOR LBO	24	1	614303	04-482TC-06FJX-06FJX-234
9	1	618310	9/16MJIC-7/8MOR ADPTR	25	1	611245	04-482TC-06FJX-06FJX-104
10	1	618126	9/16MJIC-9/16MOR ADPTR	26	1	616191	04-482TC-06FJX-06FJX-138
11	2	618115	9/16MJIC-90-3/4MOR LBO	27	2	615727	04-482TC-06FJX-06FJX-75
12	1	618692	3/4FJIC SWIV-9/16MOR ADPTR	28	1	614077	04-482TC-06FJX-06FJX-88
13	24	618327	3/4MJIC-7/8MOR ADPTR	29	4	614690	08-482TC-08FJX-08FJX-192
14	4	618731	9/16JIC .025 ORIFICE ADPTR	30	4	614689	08-482TC-08FJX-08FJX-120
15	4	616227	08-482TC-08FJX-08FJX-255				H/A
16	6	616025	08-482TC-08FJX-08FJX-50				H/A



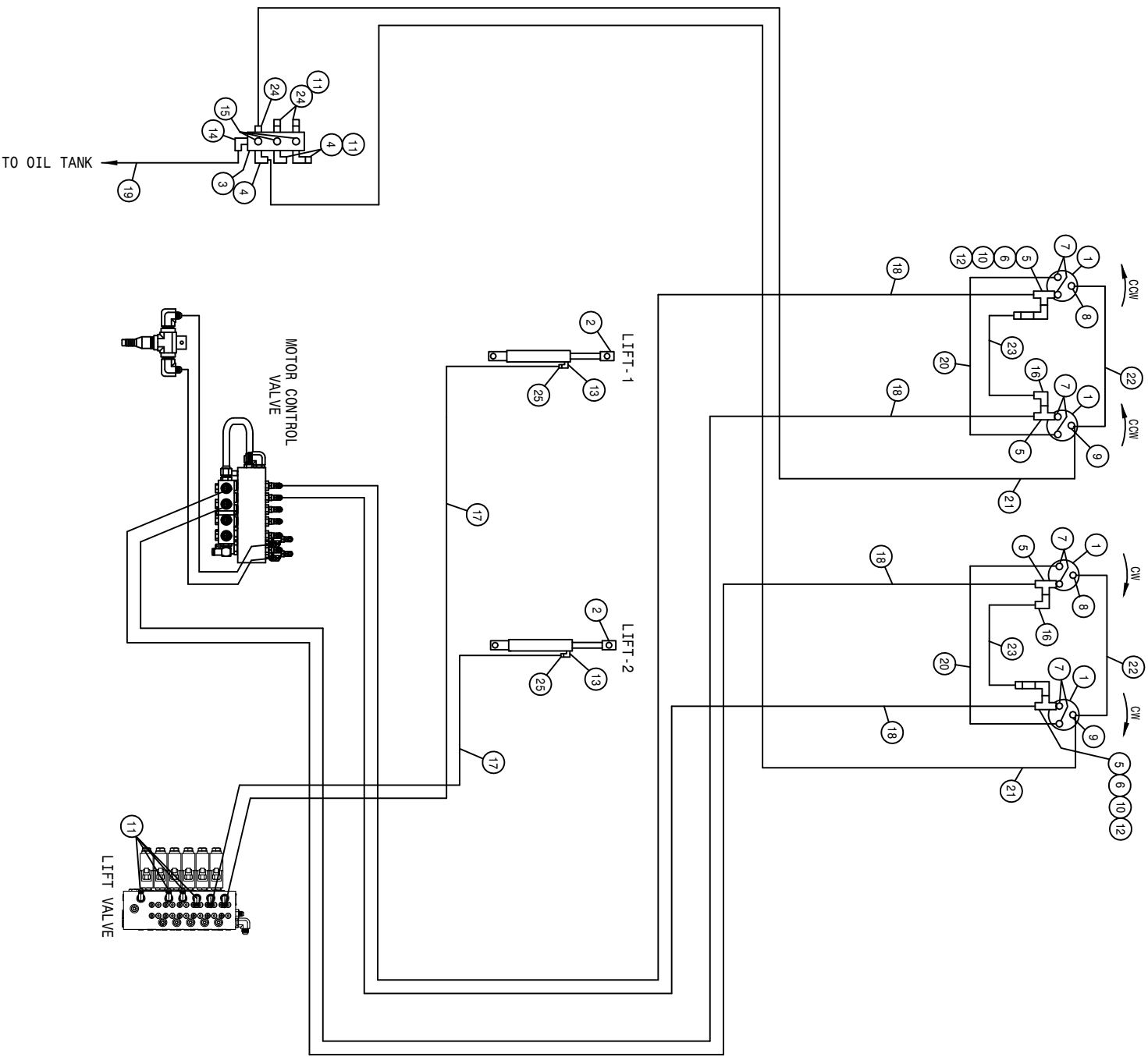
204 8R QUAD 4L 20" HYD SCHEM 2008
REFERENCE DRAWING NO. 498987

DET.	QTY	PART NO.	DESCRIPTION	DET.	QTY	PART NO.	DESCRIPTION
1	1	618618	9/16MJIC-90-9/16FJIC SWIV LBO	16	2	614690	08-482TC-08FJX-08FJX-192
2	1	605615	HYD FILTER, INLINE 25M 9/16FOR	17	8	618119	9/16MJIC-90-9/16MOR LBO
3	8	610547	HYD MOTOR 4.5CI 1IN SHFT	18	2	616060	04-482TC-06FJX-06FJX-104
4	1	606090	BRAND HYD VALVE, 2-SECT SER 36	19	4	618733	9/16JIC .042 ORIFICE ADPTR
5	2	621520	BOOM HINGE FOLD CYL ASSY	20	2	614689	08-482TC-08FJX-08FJX-120
6	4	621564	DETA5 LIFT CYL, 2.00 X 11.00STS	21	1	616025	08-482TC-08FJX-08FJX-50
7	2	618709	9/16MJIC-90-3/4MOR EX LG LBO	22	1	614152	04-482TC-06FJX-06FJX-114
8	2	618115	9/16MJIC-90-3/4MOR LBO	22	2	618531	9/16FJIC CAP NUT
9	1	618310	9/16MJIC-7/8MOR ADPTR	24	2	616423	08-482TC-08FJX-08FJX-163
10	1	618183	3/4MJIC-90-7/8MOR LBO	25	2	616168	08-482TC-08FJX-08FJX-139
11	4	618731	9/16JIC .025 ORFICE ADPTR	26	2	615727	04-482TC-06FJX-06FJX-75
12	1	618692	3/4FJIC SWIV-9/16MOR ADPTR	27	1	614077	04-482TC-06FJX-06FJX-88
13	16	618327	3/4MJIC-7/8MOR ADPTR	28	2	614101	04-482TC-06FJX-06FJX-133
14	1	618126	9/16MJIC-9/16MOR ADPTR				
15	4	614373	08-482TC-08FJX-08FJX-44				
							H/A



204 18R QUAD 20" 6L LS HYD SCHEM 2008
REFERENCE DRAWING NO. 498988

DET.	QTY	PART NO.	DESCRIPTION	DET.	QTY	PART NO.	DESCRIPTION
1	1	618126	9/16MJIC-9/16MOR ADPTR	17	10	618119	9/16MJIC-90-9/16MOR LBO
2	1	605615	HYD FILTER, INLINE 25M 9/16FOR	18	2	614387	08-482TC-08FJX-08FJX-267
3	18	610547	HYD MOTOR 4.5CI 1IN SHFT	19	2	616223	08-482TC-08FJX-08FJX-232
4	2	621520	BOOM HINGE FOLD CYL ASSY	20	2	616170	08-482TC-08FJX-08FJX-295
5	1	606090	BRAND HYD VALVE, 2-SECT SER 36	21	1	616205	04-482TC-06FJX-06FJX-117
6	6	621564	DETAS LIFT CYL, 2.00 X 11.00STS	22	1	614152	04-482TC-06FJX-06FJX-114
7	4	618731	9/16JIC .025 ORIFICE ADPTR	23	12	614373	08-482TC-08FJX-08FJX-44
8	1	618183	3/4MJIC-90-7/8MOR LBO	24	2	616169	08-482TC-08FJX-08FJX-146
9	1	618310	9/16MJIC-7/8MOR ADPTR	25	2	614377	04-482TC-06FJX-06FJX-258
10	2	618115	9/16MJIC-90-3/4MOR LBO	26	2	616060	04-482TC-06FJX-06FJX-104
11	2	618709	9/16MJIC-90-3/4MOR EX LG LBO	27	2	611246	04-482TC-06FJX-06FJX-174
12	1	618692	3/4FJIC SWIV-9/16MOR ADPTR	28	2	614689	08-482TC-08FJX-08FJX-120
13	36	618327	3/4MJIC-7/8MOR ADPTR	29	6	618733	9/16JIC .042 ORIFICE ADPTR
14	1	618618	9/16MJIC-90-9/16FJIC SWIV LBO	30	2	614378	08-482TC-08FJX-08FJX-207
15	2	615727	04-482TC-06FJX-06FJX-75				H/A
16	1	614077	04-482TC-06FJX-06FJX-88				H/A

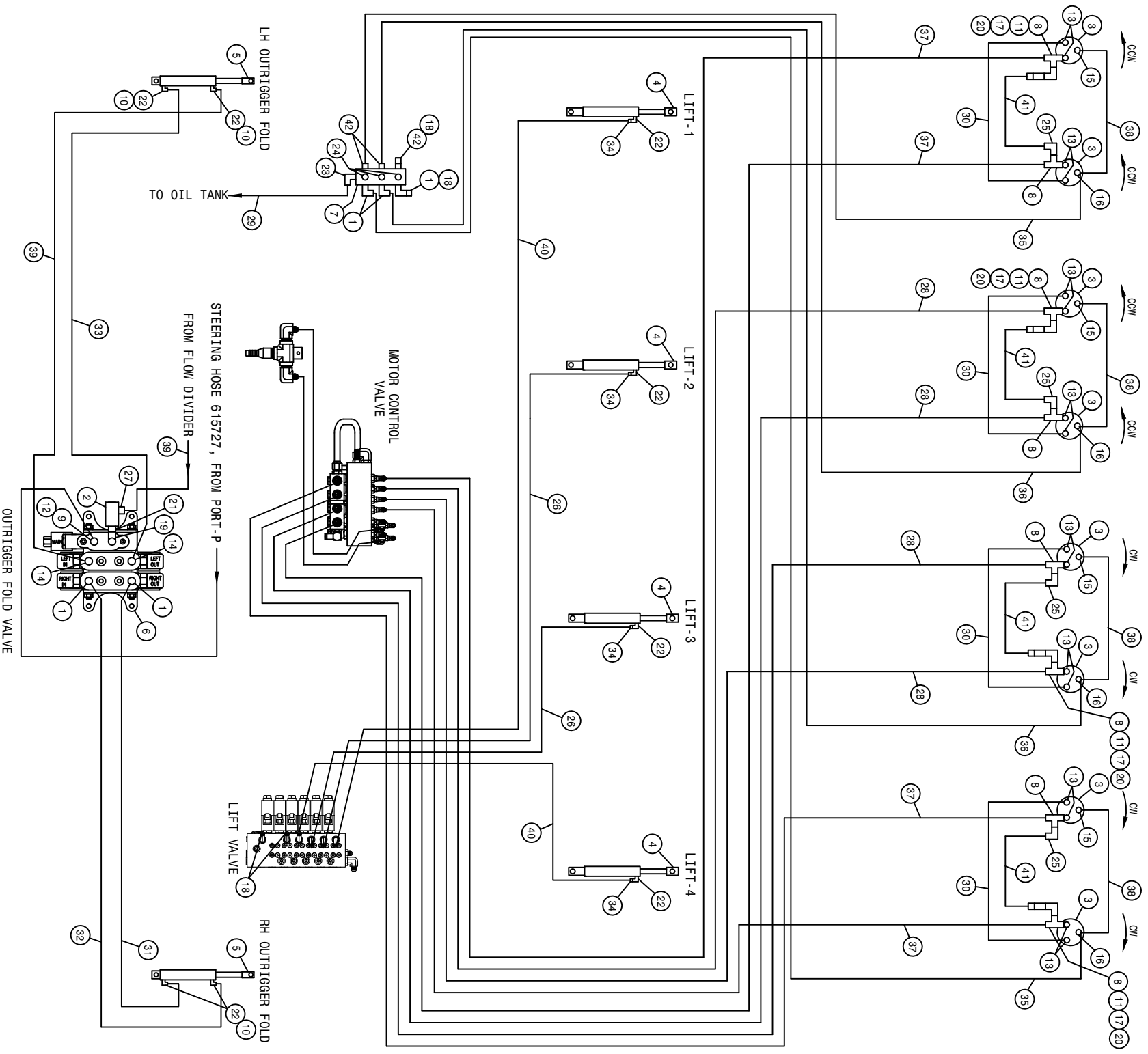


204 4R CUTTER 2L LS HYD SCHEM 2008
REFERENCE DRAWING NO. 498998

DET.	QTY	PART NO.	DESCRIPTION	DET.	QTY	PART NO.	DESCRIPTION
1	4	610755	BARNES HYD MOTOR, D-SERIES 01	14	1	618118	3/4 HOSE BARB-90-1 1/16MOR
2	2	621564	DETA5 LIFT CYL,2.00 X 11.00STS	15	3	611159	3/4MOR PLUG, HEX HEAD
3	1	606021	HYD RETURN MANIF,3/4FOR,9-PORT	16	2	618609	3/4MJIC-90-3/4FJIC SWIV LBO
4	3	618115	9/16MJIC-90-3/4MOR LBO	17	2	615729	04-482TC-06FJX-06FJX-84
5	4	618451	3/4FJIC SW RUN TEE-3/4MJIC	18	4	616168	08-482TC-08FJX-08FJX-139
6	2	618620	3/4FJX-90-1/2MNPT ADPTR	19	1	601555	HOSE, 3/4 X 150 1FBR-1SPI
7	8	611125	3/4MJIC-3/4MOR ADPTR	20	2	614368	08-482TC-08FJX-08FJX-60
8	2	618530	9/16MJIC-1/8MNPT ADPTR	21	2	611202	04-482TC-06FJX-06FJX-136
9	2	618546	1/8MNPT RUN TEE-9/16MJIC	22	2	616422	04CIT-06FJX-06FJX90-50
10	2	690338	LINE CHECK VALVE HYD .50NPT	23	2	616025	08-482TC-08FJX-08FJX-50
11	8	618531	9/16FJIC CAP NUT	24	1	618109	9/16MJIC-3/4MOR ADPTR
12	2	611147	3/4MJIC-1/2MNPT ADPTR	25	2	618733	9/16JIC .042 ORIFICE ADPTR
13	2	618119	9/16MJIC-90-9/16MOR LBO				

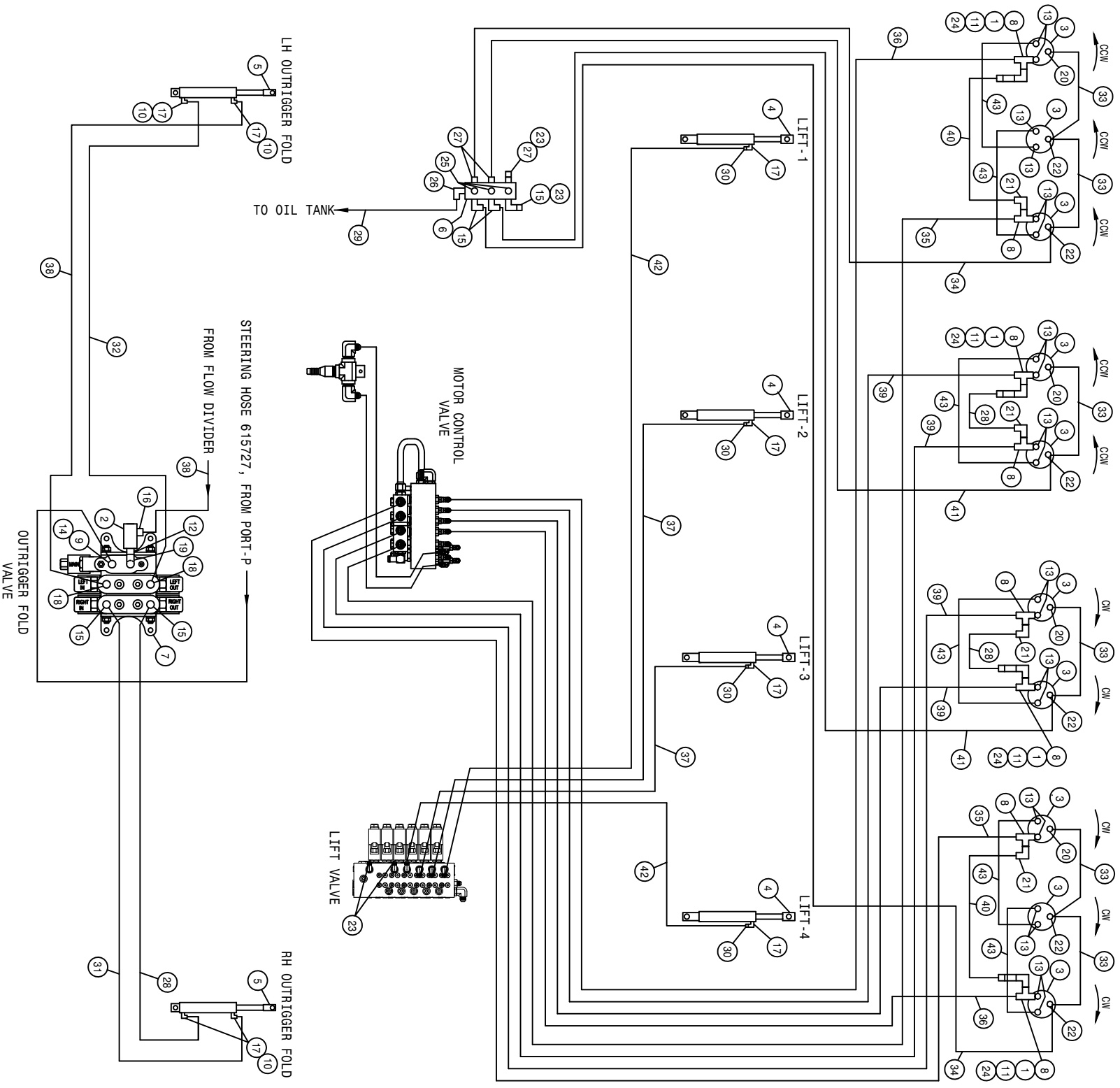
204 6R CUTTER 3L LS HYD SCHEM 2008
REFERENCE DRAWING NO. 498989

DET.	QTY	PART NO.	DESCRIPTION	DET.	QTY	PART NO.	DESCRIPTION
1	5	618115	9/16MJIC-90-3/4MOR LBO	23	7	618119	9/16MJIC-90-9/16MOR LBO
2	1	605615	HYD FILTER, INLINE 25M 9/16FOR	24	3	611159	3/4MOR PLUG, HEX HEAD
3	6	610755	BARNES HYD MOTOR, D-SERIES 01	25	1	618118	3/4 HOSE BARB-90-1 1/16MOR
4	3	621564	DETAS LIFT CYL, 2.00 X 11.00STS	26	1	618126	9/16MJIC-9/16MOR ADPTR
5	3	690338	LINE CHECK VALVE HYD .50NPT	27	6	618531	9/16FJIC CAP NUT
6	1	606090	BRAND HYD VALVE, 2-SECT SER 36	28	2	614077	04-482TC-06FJX-06FJX-88
7	1	606021	HYD RETURN MANIF, 3/4FOR, 9-PORT	29	2	614689	08-482TC-08FJX-08FJX-120
8	3	618620	3/4FJX-90-1/2MNP ADPTR	30	3	618109	9/16MJIC-3/4MOR ADPTR
9	1	618310	9/16MJIC-7/8MOR ADPTR	31	1	614102	04-482TC-06FJX-06FJX-191
10	6	618451	3/4FJIC SW RUN TEE-3/4MJIC	32	1	616205	04-482TC-06FJX-06FJX-117
11	4	618731	9/16JIC .025 ORIFICE ADPTR	33	1	614152	04-482TC-06FJX-06FJX-114
12	1	601555	HOSE, 3/4 X 150 1FBR-1SPI	34	1	611210	04-482TC-06FJX-06FJX-156
13	12	611125	3/4MJIC-3/4MOR ADPTR	35	3	618733	9/16JIC .042 ORIFICE ADPTR
14	2	621520	BOOM HINGE FOLD CYL ASSY	36	4	614690	08-482TC-08FJX-08FJX-192
15	3	618530	9/16MJIC-1/8MNP ADPTR	37	3	616422	04C1T-06FJX-06FJX90-50
16	3	618546	1/8MNP RUN TEE-9/16MJIC	38	2	615727	04-482TC-06FJX-06FJX-75
17	3	611147	3/4MJIC-1/2MNP ADPTR	39	3	614101	04-482TC-06FJX-06FJX-133
18	1	618618	9/16MJIC-90-9/16FJIC SWIV LBO	40	3	614368	08-482TC-08FJX-08FJX-60
19	1	618183	3/4MJIC-90-7/8MOR LBO	41	3	616025	08-482TC-08FJX-08FJX-50
20	2	618709	9/16MJIC-90-3/4MOR EX LG LBO				
21	1	618692	3/4FJIC SWIV-9/16MOR ADPTR				
22	3	618609	3/4MJIC-90-3/4FJIC SWIV LBO				



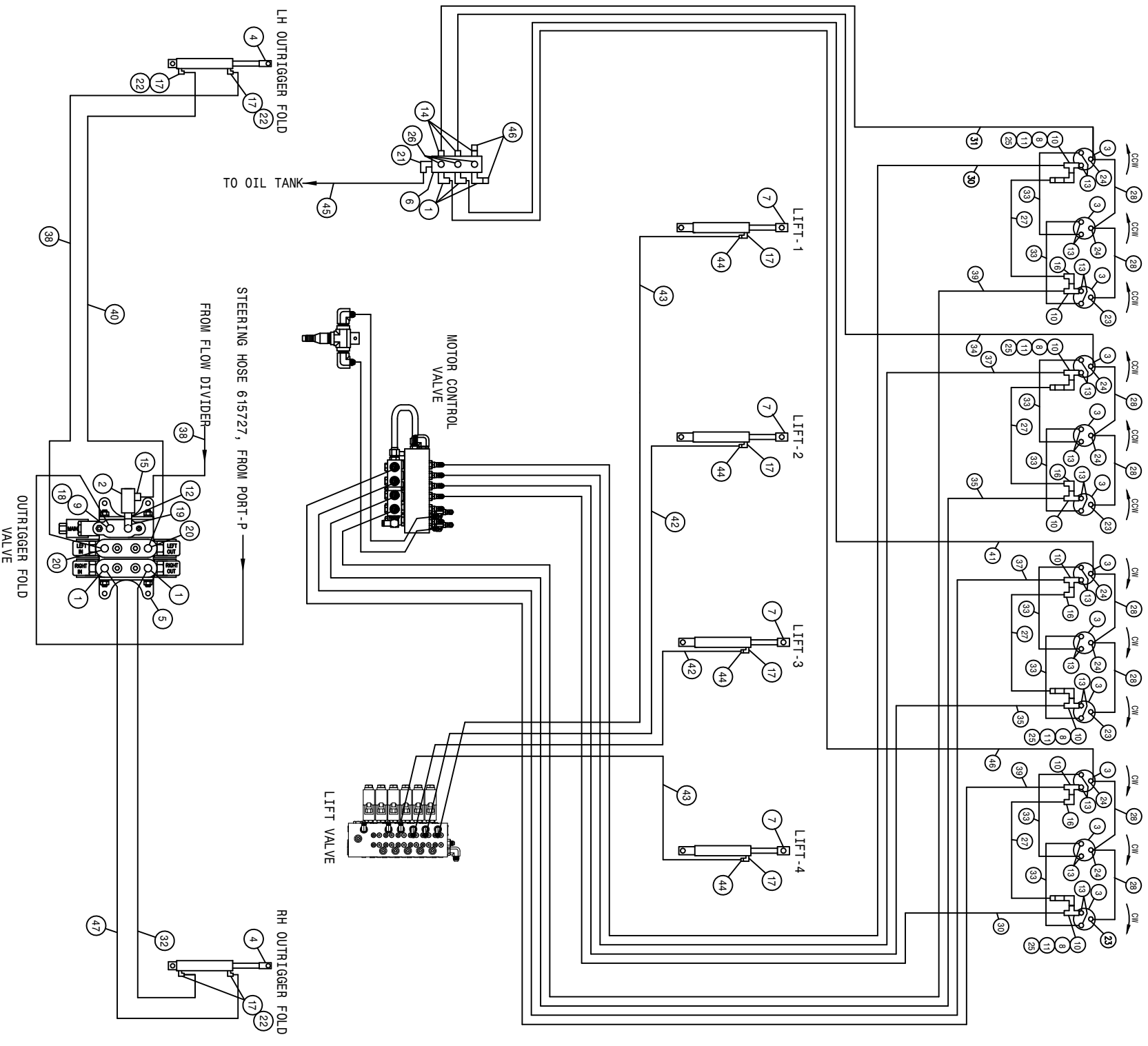
204 8R CUTTER 4L LS HYD SCHEM 2008
REFERENCE DRAWING NO. 498990

DET.	QTY	PART NO.	DESCRIPTION	DET.	QTY	PART NO.	DESCRIPTION
1	5	618115	9/16MJIC-90-3/4MOR LBO	23	1	618118	3/4 HOSE BARB-90-1 1/16MOR
2	1	605615	HYD FILTER, INLINE 25M 9/16FOR	24	3	611159	3/4MOR PLUG, HEX HEAD
3	8	610755	BARNES HYD MOTOR, D-SERIES 01	25	4	618609	3/4MJIC-90-3/4FJIC SWIV LBO
4	4	621564	DETAS LIFT CYL, 2.00 X 11.00STS	26	2	615729	04-482TC-06FJX-06FJX-84
5	2	621520	BOOM HINGE FOLD CYL ASSY	27	1	618126	9/16MJIC-9/16MOR ADPTR
6	1	606090	BRAND HYD VALVE, 2-SECT SER 36	28	4	616168	08-482TC-08FJX-08FJX-139
7	1	606021	HYD RETURN MANIF, 3/4FOR, 9-PORT	29	1	601555	HOSE, 3/4 X 150 1FBR-1SP1
8	8	618451	3/4FJIC SW RUN TEE-3/4MJIC	30	4	614368	08-482TC-08FJX-08FJX-60
9	1	618310	9/16MJIC-7/8MOR ADPTR	31	1	616205	04-482TC-06FJX-06FJX-117
10	4	618731	9/16JIC .025 ORIFICE ADPTR	32	1	614152	04-482TC-06FJX-06FJX-114
11	4	618620	3/4FJX-90-1/2MNPT ADPTR	33	1	614077	04-482TC-06FJX-06FJX-88
12	1	618618	9/16MJIC-90-9/16FJIC SWIV LBO	34	4	618733	9/16JIC .042 ORIFICE ADPTR
13	16	611125	3/4MJIC-3/4MOR ADPTR	35	2	614303	04-482TC-06FJX-06FJX-234
14	2	618709	9/16MJIC-90-3/4MOR EX LG LBO	36	2	611202	04-482TC-06FJX-06FJX-136
15	4	618530	9/16MJIC-1/8MNPT ADPTR	37	4	614384	08-482TC-08FJX-08FJX-237
16	4	618546	1/8MNPT RUN TEE-9/16MJIC	38	4	616422	04C1T-06FJX-06FJX90-50
17	4	690338	LINE CHECK VALVE HYD .50NPT	39	2	615727	04-482TC-06FJX-06FJX-75
18	4	618531	9/16FJIC CAP NUT	40	2	611262	04-482TC-06FJX-06FJX-182
19	1	618183	3/4MJIC-90-7/8MOR LBO	41	4	616025	08-482TC-08FJX-08FJX-50
20	4	611147	3/4MJIC-1/2MNPT ADPTR	42	3	618109	9/16MJIC-3/4MOR ADPTR
21	1	618692	3/4FJIC SWIV-9/16MOR ADPTR				
22	8	618119	9/16MJIC-90-9/16MOR LBO				



204 10R CUTR 4L LS HYD SCHEM 2008
REFERENCE DRAWING NO. 498991

DET.	QTY	PART NO.	DESCRIPTION	DET.	QTY	PART NO.	DESCRIPTION
1	4	618620	3/4FX-90-1/2MNPT ADPTR	24	4	611147	3/4MJIC-1/2MNPT ADPTR
2	1	605615	HYD FILTER, INLINE 25M 9/16FOR	25	3	611159	3/4MOR PLUG, HEX HEAD
3	10	610755	BARNES HYD MOTOR, D-SERIES 01	26	1	618118	3/4 HOSE BARB-90-1 1/16MOR
4	4	621564	DETA5 LIFT CYL, 2.00 X 11.00STS	27	3	618109	9/16MJIC-3/4MOR ADPTR
5	2	621520	BOOM HINGE FOLD CYL ASSY	28	3	616025	08-482TC-08FJX-08FJX-50
6	1	606021	HYD RETURN MANIF, 3/4FOR, 9-PORT	29	1	601555	HOSE, 3/4 X 150 1FBR-15PT
7	1	606090	BRAND HYD VALVE, 2-SECT SER 36	30	4	618735	9/16JIC .042 ORIFICE ADPTR
8	8	618451	3/4FJIC SW RUN TEE-3/4MJIC	31	1	614152	04-482TC-06FJX-06FJX-114
9	1	618310	9/16MJIC-7/8MOR ADPTR	32	1	614077	04-482TC-06FJX-06FJX-88
10	4	618731	9/16JIC .025 ORIFICE ADPTR	33	6	616422	04C1T-06FJX-06FJX90-50
11	4	690338	LINE CHECK VALVE HYD .50NPT	34	2	614377	04-482TC-06FJX-06FJX-258
12	1	618692	3/4FJIC SWIV-9/16MOR ADPTR	35	2	614384	08-482TC-08FJX-08FJX-237
13	20	611125	3/4MJIC-3/4MOR ADPTR	36	2	614387	08-482TC-08FJX-08FJX-267
14	1	618618	9/16MJIC-90-9/16FJIC SWIV LBO	37	2	615729	04-482TC-06FJX-06FJX-84
15	5	618115	9/16MJIC-90-3/4MOR LBO	38	2	615727	04-482TC-06FJX-06FJX-75
16	1	618126	9/16MJIC-9/16MOR ADPTR	39	4	616168	08-482TC-08FJX-08FJX-139
17	8	618119	9/16MJIC-90-9/16MOR LBO	40	2	616031	08-482TC-08FJX-08FJX-83
18	2	618709	9/16MJIC-90-3/4MOR EX LG LBO	41	2	611202	04-482TC-06FJX-06FJX-136
19	1	618183	3/4MJIC-90-7/8MOR LBO	42	2	614098	04-482TC-06FJX-06FJX-201
20	4	618530	9/16MJIC-1/8MNPT ADPTR	43	6	614368	08-482TC-08FJX-08FJX-60
21	4	618609	3/4MJIC-90-3/4FJIC SWIV LBO				
22	6	618546	1/8MNPT RUN TEE-9/16MJIC				
23	4	618531	9/16FJIC CAP NUT				



204 12R CUTR 20" 4L LS HYD SCHEM 2008
REFERENCE DRAWING NO. 499003

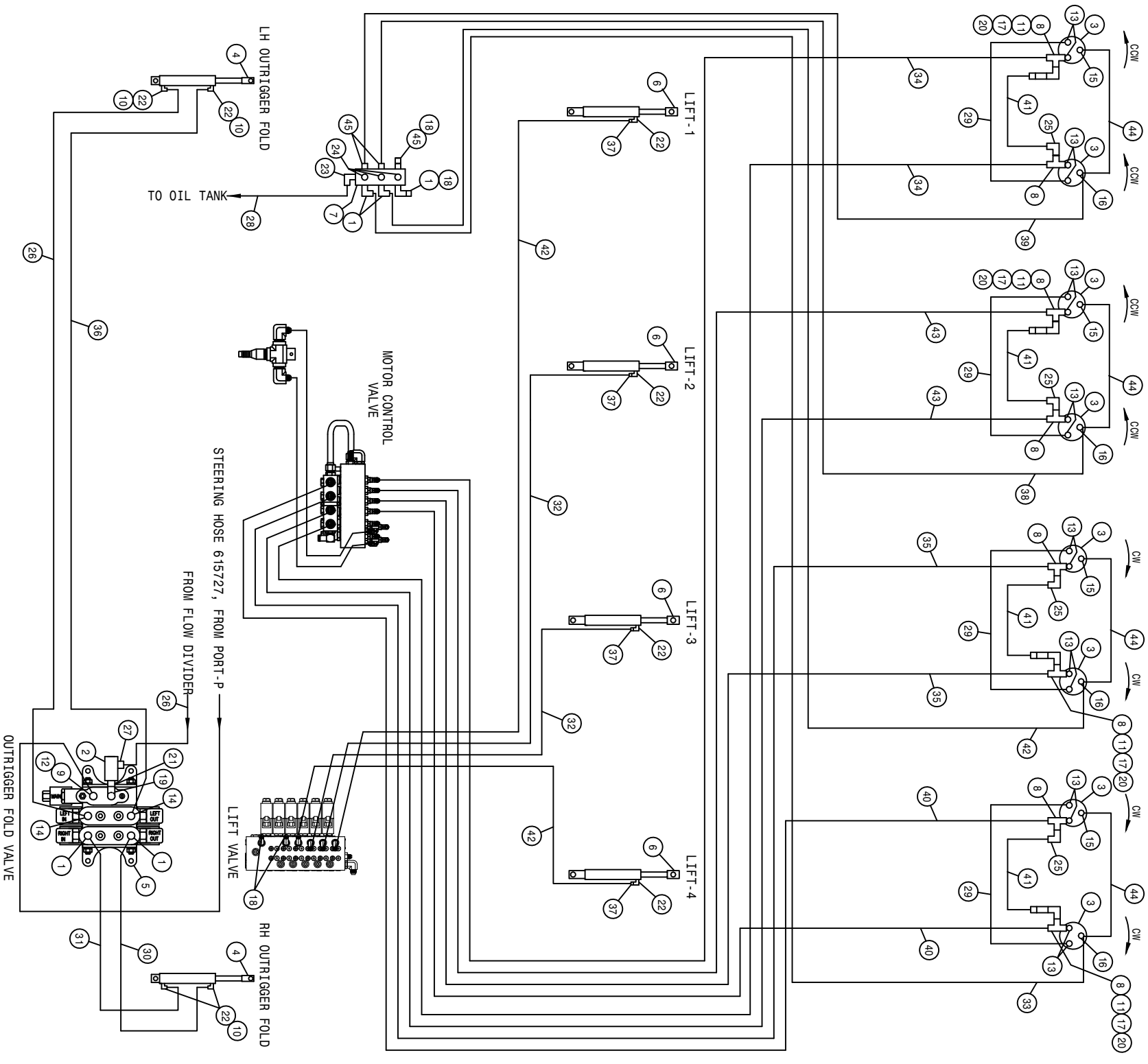
DET.	QTY	PART NO.	DESCRIPTION	DET.	QTY	PART NO.	DESCRIPTION
1	5	618115	9/16MJIC-90-3/4MOR LBO	24	8	618546	1/8MNPT RUN TEE-9/16MJIC
2	1	605615	HYD FILTER, INLINE 25M 9/16FOR	25	4	611147	3/4MJIC-1/2MNPT ADPTR
3	12	610755	BARNES HYD MOTOR, D-SERIES 01	26	3	611159	3/4MOR PLUG, HEX HEAD
4	2	621520	BOOM HINGE FOLD CYL ASSY	27	4	614662	08-482TC-08FJX-08FJX-72
5	1	606090	BRAND HYD VALVE, 2-SECT SER 36	28	8	616422	04C1T-06FJX-06FJX90-50
6	1	606021	HYD RETURN MANIF, 3/4FOR, 9-PORT	29	1	615729	04-482TC-06FJX-06FJX-84
7	4	621564	DETA5 LIFT CYL, 2.00 X 11.00STS	30	2	616225	08-482TC-08FJX-08FJX-248
8	4	618620	3/4FJX-90-1/2MNPT ADPTR	31	1	614377	04-482TC-06FJX-06FJX-258
9	1	618310	9/16MJIC-7/8MOR ADPTR	32	1	616205	04-482TC-06FJX-06FJX-117
10	8	618451	3/4FJIC SW RUN TEE-3/4MJIC	33	8	616025	08-482TC-08FJX-08FJX-50
11	4	690338	LINE CHECK VALVE HYD .50NPT	34	1	611262	04-482TC-06FJX-06FJX-182
12	1	618692	3/4FJIC SWIV-9/16MOR ADPTR	35	2	616193	08-482TC-08FJX-08FJX-148
13	24	611125	3/4MJIC-3/4MOR ADPTR	36	1	616421	04-482TC-06FJX-06FJX-228
14	3	618109	9/16MJIC-3/4MOR ADPTR	37	2	614375	08-482TC-08FJX-08FJX-177
15	1	618126	9/16MJIC-9/16MOR ADPTR	38	2	615727	04-482TC-06FJX-06FJX-75
16	4	618609	3/4MJIC-90-3/4FJIC SWIV LBO	39	2	614691	08-482TC-08FJX-08FJX-220
17	8	618119	9/16MJIC-90-9/16MOR LBO	40	1	614077	04-482TC-06FJX-06FJX-88
18	1	618618	9/16MJIC-90-9/16FJIC SWIV LBO	41	1	611212	04-482TC-06FJX-06FJX-164
19	1	618183	3/4MJIC-90-7/8MOR LBO	42	2	611202	04-482TC-06FJX-06FJX-136
20	2	618709	9/16MJIC-90-3/4MOR EX LG LBO	43	2	614102	04-482TC-06FJX-06FJX-191
21	1	618118	3/4 HOSE BARB-90-1 1/16MOR	44	4	618733	9/16JIC .042 ORIFICE ADPTR
22	4	618731	9/16JIC .025 ORIFICE ADPTR	45	1	601555	HOSE, 3/4 X 150 1FBR-1SP1
23	4	618530	9/16MJIC-1/8MNPT ADPTR	46	2	618531	9/16FJIC CAP NUT
				47	1	614152	04-482TC-06FJX-06FJX-114
							H/A

204 12R CUTR 6L LS HYD SCHEM 2008
REFERENCE DRAWING NO. 498992

DET.	QTY	PART NO.	DESCRIPTION	DET.	QTY	PART NO.	DESCRIPTION
1	5	618115	9/16MJIC-90-3/4MOR LBO	24	6	611147	3/4MJIC-1/2MNPT ADPTR
2	1	605615	HYD FILTER, INLINE 25M 9/16FOR	25	6	618733	9/16JIC .042 ORIFICE ADPTR
3	12	610755	BARNES HYD MOTOR, D-SERIES 01	26	3	611159	3/4MOR PLUG, HEX HEAD
4	2	621520	BOOM HINGE FOLD CYL ASSY	27	6	614368	08-482TC-08FJX-08FJX-60
5	1	606090	BRAND HYD VALVE, 2-SECT SER 36	28	4	614384	08-482TC-08FJX-08FJX-237
6	6	621564	DETAS LIFT CYL, 2.00 X 11.00STS	29	4	616170	08-482TC-08FJX-08FJX-295
7	1	606021	HYD RETURN MANIF, 3/4FOR, 9-PORT	30	1	601555	HOSE, 3/4 X 150 1FBR-1SPI
8	6	618620	3/4FJX-90-1/2MNPT ADPTR	31	1	616205	04-482TC-06FJX-06FJX-117
9	1	618310	9/16MJIC-7/8MOR ADPTR	32	1	614152	04-482TC-06FJX-06FJX-114
10	12	618451	3/4FJIC SW RUN TEE-3/4MJIC	33	2	614504	04-482TC-06FJX-06FJX-301
11	6	690338	LINE CHECK VALVE HYD .50NPT	34	1	614077	04-482TC-06FJX-06FJX-88
12	1	618692	3/4FJIC SWIV-9/16MOR ADPTR	35	2	611202	04-482TC-06FJX-06FJX-136
13	24	611125	3/4MJIC-3/4MOR ADPTR	36	2	614303	04-482TC-06FJX-06FJX-234
14	4	618731	9/16JIC .025 ORIFICE ADPTR	37	2	615729	04-482TC-06FJX-06FJX-84
15	6	618609	3/4MJIC-90-3/4FJIC SWIV LBO	38	2	615727	04-482TC-06FJX-06FJX-75
16	1	618126	9/16MJIC-9/16MOR ADPTR	39	6	616025	08-482TC-08FJX-08FJX-50
17	10	618119	9/16MJIC-90-9/16MOR LBO	40	2	611262	04-482TC-06FJX-06FJX-182
18	1	618618	9/16MJIC-90-9/16FJIC SWIV LBO	41	6	616422	04CIT-06FJX-06FJX90-50
19	1	618183	3/4MJIC-90-7/8MOR LBO	42	2	614377	04-482TC-06FJX-06FJX-258
20	2	618709	9/16MJIC-90-3/4MOR EX LG LBO	43	4	616168	08-482TC-08FJX-08FJX-139
21	1	618118	3/4 HOSE BARB-90-1 1/16MOR	44	3	618109	9/16MJIC-3/4MOR ADPTR
22	6	618530	9/16MJIC-1/8MNPT ADPTR				
23	6	618546	1/8MNPT RUN TEE-9/16MJIC				

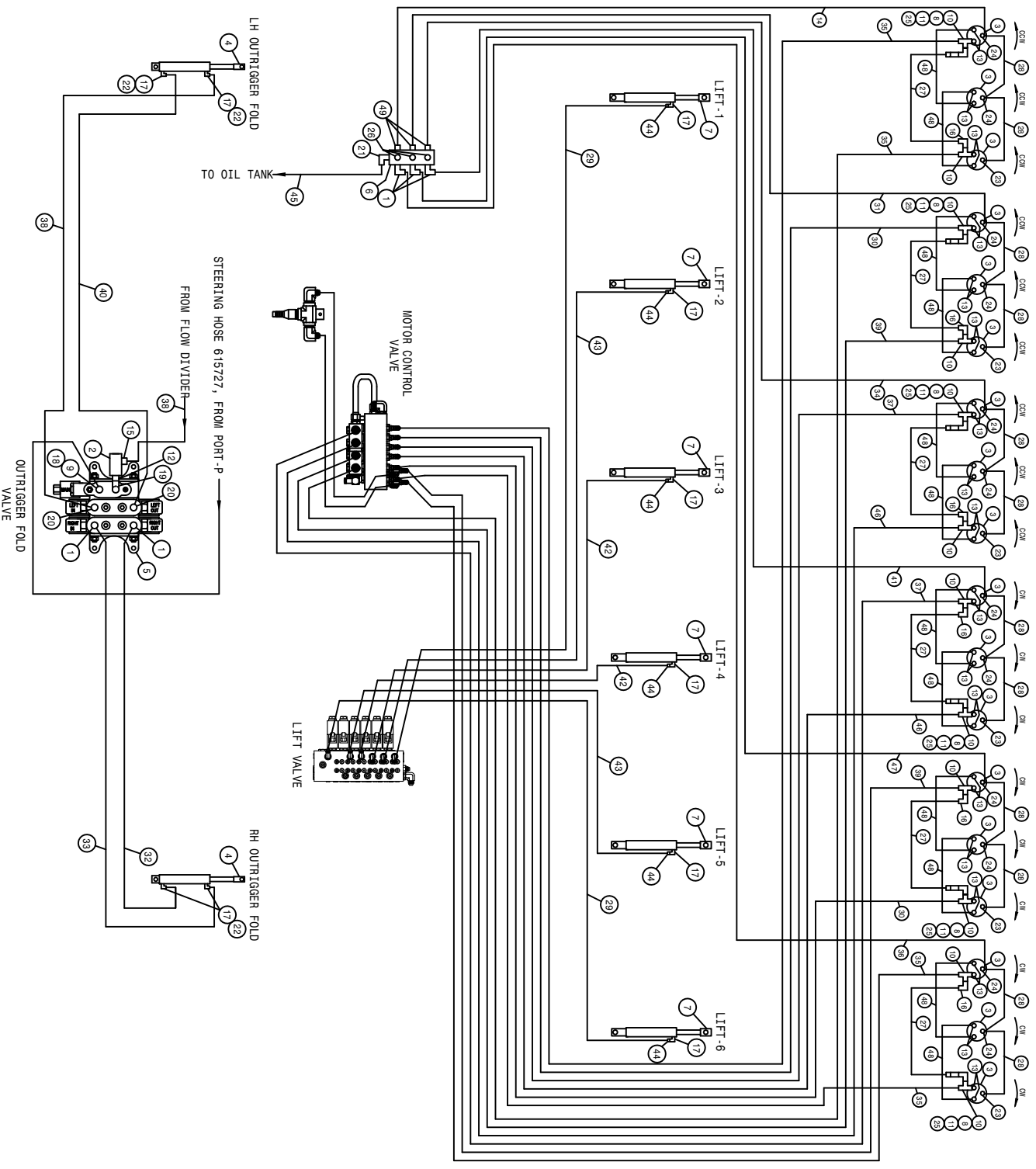
204 12R CUTR 52CM 6L LS HYD SCHEM 2008
REFERENCE DRAWING NO. 4989923

DET.	QTY	PART NO.	DESCRIPTION	DET.	QTY	PART NO.	DESCRIPTION
1	5	618115	9/16MJIC-90-3/4MOR LBO	26	3	611159	3/4MOR PLUG, HEX HEAD
2	1	605615	HYD FILTER, INLINE 25M 9/16FOR	27	1	614101	04-482TC-06FJX-06FJX-133
3	12	612055	BARNES HYD MOTOR, D-SERIES 01	28	2	614377	04-482TC-06FJX-06FJX-258
4	1	615720	BOOM HINGE FOLD CYL ASSY	29	1	601555	HOSE, 3/4 X 150 1FBR-1SPI
5	2	606090	BRAND HYD VALVE, 2-SECT SER 36	30	6	616025	08-482TC-08FJX-08FJX-50
6	1	606021	HYD RETURN MANIF, 3/4FOR, 9-PORT	31	1	616205	04-482TC-06FJX-06FJX-117
7	6	621564	DETA5 LIFT CYL, 2.00 X 11.00STS	32	1	614152	04-482TC-06FJX-06FJX-114
8	6	618620	3/4FJX-90-1/2MNPT ADPTR	33	6	616422	04C1T-06FJX-06FJX90-.50
9	1	618310	9/16MJIC-7/8MOR ADPTR	34	1	614158	04-482TC-06FJX-06FJX-199
10	4	618731	9/16JIC .025 ORIFICE ADPTR	35	4	614690	08-482TC-08FJX-08FJX-192
11	6	690338	LINE CHECK VALVE HYD .50NPT	36	1	614303	04-482TC-06FJX-06FJX-234
12	1	618692	3/4FJIC SWIV-9/16MOR ADPTR	37	1	611245	04-482TC-06FJX-06FJX-104
13	24	611125	3/4MJIC SW RUN TEE-3/4MJIC	38	2	615727	04-482TC-06FJX-06FJX-75
14	12	618451	3/4MJIC-90-3/4FJIC SWIV LBO	39	4	616227	08-482TC-08FJX-08FJX-255
15	6	618609	9/16MJIC-9/16MOR ADPTR	40	1	616191	04-482TC-06FJX-06FJX-138
16	1	618126	9/16MJIC-9/16MOR ADPTR	41	1	611246	04-482TC-06FJX-06FJX-174
17	10	618119	9/16MJIC-90-9/16MOR LBO	42	1	614154	04-482TC-06FJX-06FJX-221
18	1	618618	9/16MJIC-90-9/16FJIC SWIV LBO	43	1	614077	04-482TC-06FJX-06FJX-88
19	1	618183	3/4MJIC-90-7/8MOR LBO	44	6	618733	9/16JIC .042 ORIFICE ADPTR
20	2	618709	9/16MJIC-90-3/4MOR EX LG LBO	45	6	614368	08-482TC-08FJX-08FJX-60
21	1	618118	3/4 HOSE BARB-90-1 1/16MOR	46	4	614689	08-482TC-08FJX-08FJX-120
22	6	618530	9/16MJIC-1/8MNPT ADPTR	47	2	614076	04-482TC-06FJX-06FJX-119
23	6	618546	1/8MNPT RUN TEE-9/16MJIC	48	3	618109	9/16MJIC-3/4MOR ADPTR
24	6	611147	3/4MJIC-1/2MNPT ADPTR				
25	1	615095	04-482TC-06FJX-06FJX-194				H/A



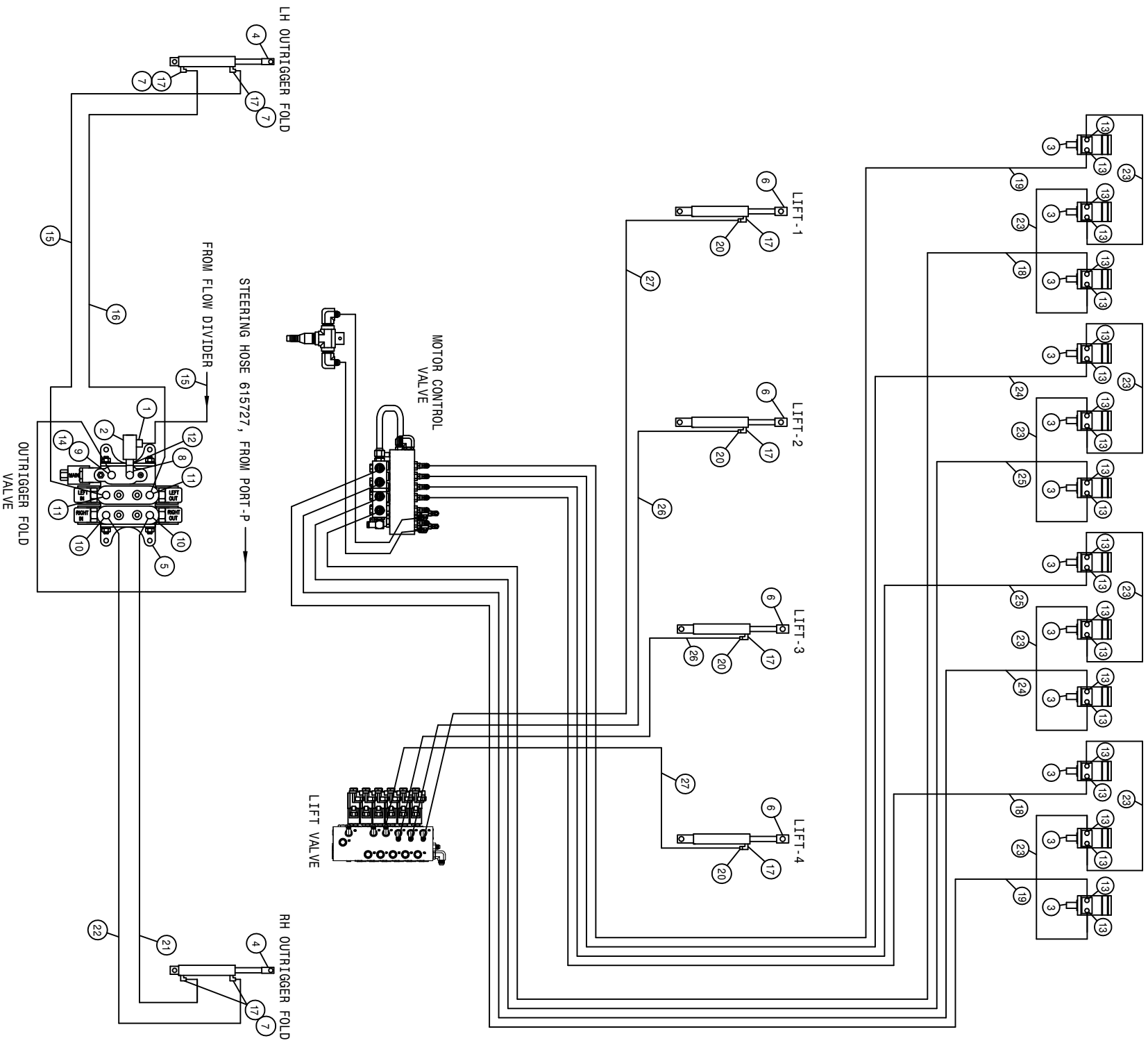
204 8R CUTTER 4L 20" HYD SCHEM 2008
REFERENCE DRAWING NO. 498994

DET.	QTY	PART NO.	DESCRIPTION	DET.	QTY	PART NO.	DESCRIPTION
1	5	618115	9/16MJIC-90-3/4MOR LBO	24	3	611159	3/4MOR PLUG, HEX HEAD
2	1	605615	HYD FILTER, INLINE 25M 9/16FOR	25	4	618609	3/4MJIC-90-3/4FJIC SWIV LBO
3	8	610755	BARNES HYD MOTOR, D-SERIES 01	26	2	615727	04-482TC-06FJX-06FJX-75
4	2	621520	BOOM HINGE FOLD CYL ASSY	27	1	618126	9/16MJIC-9/16MOR ADPTR
5	1	606900	BRAND HYD VALVE, 2-SECT SER 36	28	1	601555	HOSE, 3/4 X 150 1FBR-1SP1
6	4	621564	DETAS LIFT CYL, 2.00 X 11.00STS	29	4	614368	08-482TC-08FJX-08FJX-60
7	1	606021	HYD RETURN MANIF, 3/4FOR, 9-PORT	30	1	616205	04-482TC-06FJX-06FJX-117
8	8	618451	3/4FJIC SW RUN TEE-3/4MJIC	31	1	614152	04-482TC-06FJX-06FJX-114
9	1	618310	9/16MJIC-7/8MOR ADPTR	32	2	616060	04-482TC-06FJX-06FJX-104
10	4	618731	9/16JIC .025 ORIFICE ADPTR	33	1	611246	04-482TC-06FJX-06FJX-174
11	4	618620	3/4FJX-90-1/2MNPT ADPTR	34	2	616423	08-482TC-08FJX-08FJX-163
12	1	618618	9/16MJIC-90-9/16FJIC SWIV LBO	35	2	616168	08-482TC-08FJX-08FJX-139
13	16	611125	3/4MJIC-3/4MOR ADPTR	36	1	614077	04-482TC-06FJX-06FJX-88
14	2	618709	9/16MJIC-90-3/4MOR EX LG LBO	37	3	618733	9/16JIC .042 ORIFICE ADPTR
15	4	618530	9/16MJIC-1/8MNPT ADPTR	38	1	614152	04-482TC-06FJX-06FJX-114
16	4	618546	1/8MNPT RUN TEE-9/16MJIC	39	1	611212	04-482TC-06FJX-06FJX-164
17	4	690338	LINE CHECK VALVE HYD .50NPT	40	2	614690	08-482TC-08FJX-08FJX-192
18	4	618531	9/16FJIC CAP NUT	41	4	616025	08-482TC-08FJX-08FJX-50
19	1	618183	3/4MJIC-90-7/8MOR LBO	42	3	614101	04-482TC-06FJX-06FJX-133
20	4	611147	3/4MJIC-1/2MNPT ADPTR	43	2	614689	08-482TC-08FJX-08FJX-120
21	1	618692	3/4FJIC SWIV-9/16MOR ADPTR	44	4	616422	04CLT-06FJX-06FJX90-50
22	8	618119	9/16MJIC-90-9/16MOR LBO	45	3	618109	9/16MJIC-3/4MOR ADPTR
23	1	618118	3/4 HOSE BARB-90-1 1/16MOR				



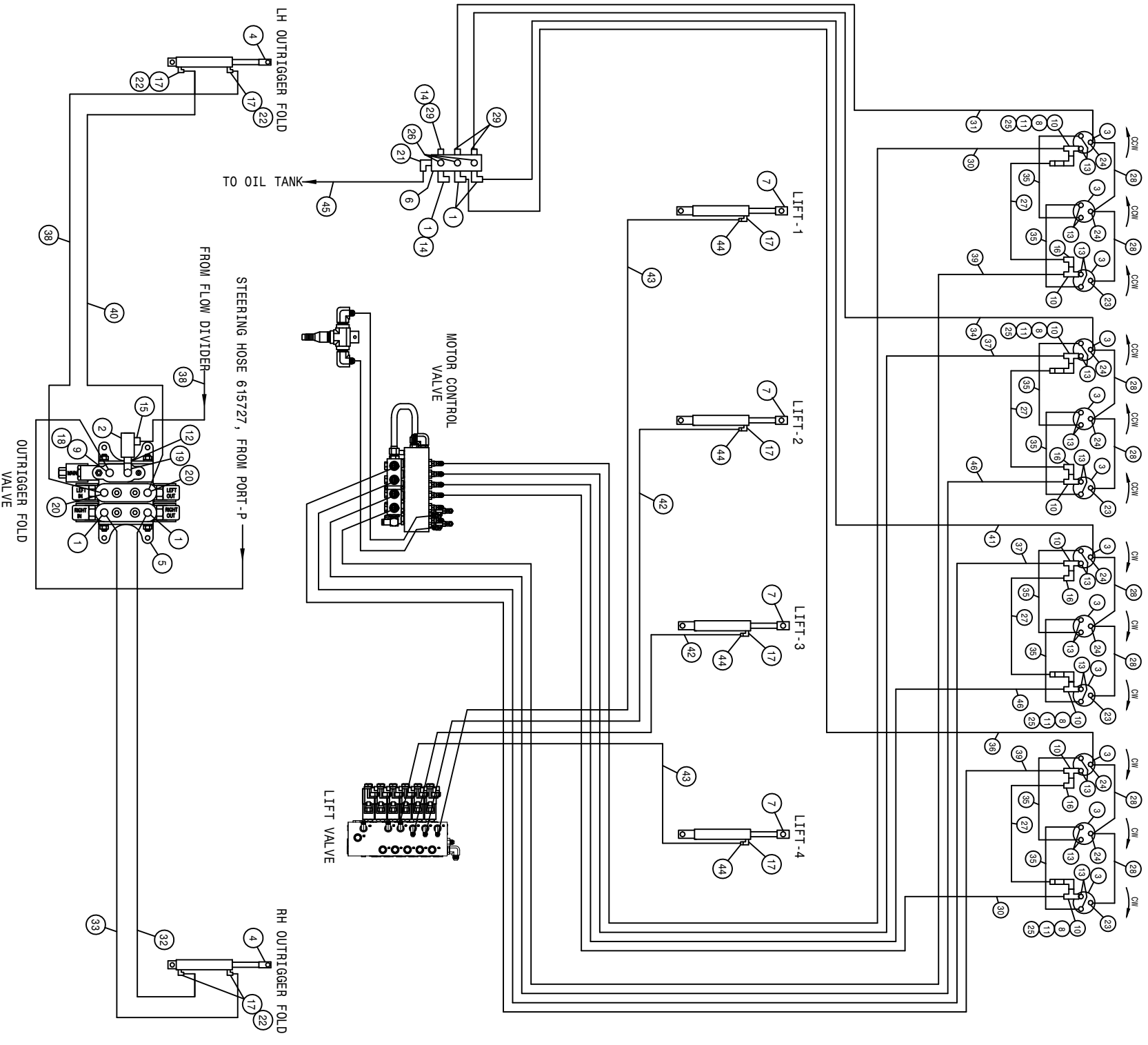
204 18R CUTR 20" 6L LS HYD SCHEM 2008
REFERENCE DRAWING NO. 498995

DET.	QTY	PART NO.	DESCRIPTION	DET.	QTY	PART NO.	DESCRIPTION
1	5	618115	9/16MJIC-90-3/4MOR LBO	26	3	611159	3/4MOR PLUG, HEX HEAD
2	1	605615	HYD FILTER, INLINE 25M 9/16FOR	6	6	614662	08-482TC-.08FJX-.08FJX-72
3	18	610755	BARNES HYD MOTOR, D-SERIES 01	12	12	616422	04C1T-.06FJX-.06FJX90-50
4	2	621520	BOOM HINGE FOLD CYL ASSY	2	2	614377	04-482TC-.06FJX-.06FJX-258
5	1	606090	BRAND HYD VALVE, 2-SECT SER 36	2	2	616223	08-482TC-.08FJX-.08FJX-232
6	1	606021	HYD RETURN MANIF, 3/4FOR, 9-PORT	1	1	614303	04-482TC-.06FJX-.06FJX-234
7	6	621564	DETAS LIFT CYL, 2.00 X 11.00STS	1	1	616205	04-482TC-.06FJX-.06FJX-117
8	6	618620	3/4FJX-90-1/2MNPT ADPTR	1	1	614152	04-482TC-.06FJX-.06FJX-114
9	1	618310	9/16MJIC-7/8MOR ADPTR	1	1	611212	04-482TC-.06FJX-.06FJX-164
10	12	618451	3/4FJIC SW RUN TEE-3/4MJIC	4	4	614386	08-482TC-.08FJX-.08FJX-285
11	6	690338	LINE CHECK VALVE HYD .50NPT	1	1	615731	04-482TC-.06FJX-.06FJX-290
12	1	618692	3/4FJIC SWIV-9/16MOR ADPTR	2	2	616169	08-482TC-.08FJX-.08FJX-146
13	36	611125	3/4MJIC-3/4MOR ADPTR	2	2	615727	04-482TC-.06FJX-.06FJX-75
14	1	614504	04-482TC-.06FJX-.06FJX-301 H/A	2	2	614378	08-482TC-.08FJX-.08FJX-207
15	1	618126	9/16MJIC-9/16MOR ADPTR	1	1	614077	04-482TC-.06FJX-.06FJX-88
16	6	618609	3/4MJIC-90-3/4FJIC SWIV LBO	1	1	614101	04-482TC-.06FJX-.06FJX-133
17	10	618119	9/16MJIC-90-9/16MOR LBO	2	2	616060	04-482TC-.06FJX-.06FJX-104
18	1	618618	9/16MJIC-90-9/16FJIC SWIV LBO	2	2	611246	04-482TC-.06FJX-.06FJX-174
19	1	618183	3/4MJIC-90-7/8MOR LBO	6	6	618733	9/16JIC .042 ORIFICE ADPTR
20	2	618709	9/16MJIC-90-3/4MOR EX LG LBO	1	1	601555	HOSE, 3/4 X 150 1FBR-1SPI
21	1	618118	3/4 HOSE BARB-90-1 1/16MOR	2	2	614689	08-482TC-.08FJX-.08FJX-120
22	4	618731	9/16JIC .025 ORIFICE ADPTR	1	1	614100	04-482TC-.06FJX-.06FJX-211
23	6	618530	9/16MJIC-1/8MNPT ADPTR	12	12	616025	08-482TC-.08FJX-.08FJX-50
24	12	618546	1/8MNPT RUN TEE-9/16MJIC	3	3	618109	9/16MJIC-3/4MOR ADPTR
25	6	611147	3/4MJIC-1/2MNPT ADPTR				



204 12R QUAD 52CM 4L LS HYD SHEM 2008
REFERENCE DRAWING NO. 499007

DET.	QTY	PART NO.	DESCRIPTION	DET.	QTY	PART NO.	DESCRIPTION
1	1	618126	9/16MJIC-9/16MOR ADPTR	15	2	615727	04-482TC-06FJX-06FJX-75
2	1	605615	HYD FILTER, INLINE 25M 9/16FOR	16	1	614077	04-482TC-06FJX-06FJX-88
3	12	610547	HYD MOTOR 4.5CI 1IN SHFT	17	8	618119	9/16MJIC-90-9/16MOR LBO
4	2	621520	BOOM HINGE FOLD CYL ASSY	18	2	614378	08-482TC-08FJX-08FJX-207
5	1	606090	BRAND HYD VALVE, 2-SECT SER 36	19	2	616223	08-482TC-08FJX-08FJX-232
6	4	621564	DETAS LIFT CYL, 2.00 X 11.00STS	20	4	618733	9/16JIC .042 ORIFICE ADPTR
7	4	618731	9/16JIC .025 ORIFICE ADPTR	21	1	616205	04-482TC-06FJX-06FJX-117
8	1	618183	3/4MJIC-90-7/8MOR LBO	22	1	614152	04-482TC-06FJX-06FJX-114
9	1	618310	9/16MJIC-7/8MOR ADPTR	23	8	614373	08-482TC-08FJX-08FJX-44
10	2	618115	9/16MJIC-90-3/4MOR LBO	24	2	616169	08-482TC-08FJX-08FJX-146
11	2	618709	9/16MJIC-90-3/4MOR EX LG LBO	25	2	614689	08-482TC-08FJX-08FJX-120
12	1	618692	3/4FJIC SWIV-9/16MOR ADPTR	26	2	616060	04-482TC-06FJX-06FJX-104
13	24	618327	3/4MJIC-7/8MOR ADPTR	27	2	611246	04-482TC-06FJX-06FJX-174
14	1	618618	9/16MJIC-90-9/16FJIC SWIV LBO				



204 12R CUTR 52CM 4L LS HYD SCHEM 2008
REFERENCE DRAWING NO. 499008

DET.	QTY	PART NO.	DESCRIPTION	DET.	QTY	PART NO.	DESCRIPTION
1	5	618115	9/16MJIC-90-3/4MOR LBO	24	8	618546	1/8MNPT RUN TEE-9/16MJIC
2	1	605615	HYD FILTER, INLINE 25M 9/16FOR	25	4	611147	3/4MJIC-1/2MNPT ADPTR
3	12	610755	BARNES HYD MOTOR, D-SERIES 01	26	3	611159	3/4MOR PLUG, HEX HEAD
4	2	621520	BOOM HINGE FOLD CYL ASSY	27	4	614662	08-482TC-08FJX-08FJX-72
5	1	606090	BRAND HYD VALVE, 2-SECT SER 36	28	8	616422	04CLT-06FJX-06FJX90-50
6	1	606021	HYD RETURN MANIF, 3/4FOR, 9-PORT	29	3	618109	9/16MJIC-3/4MOR ADPTR
7	4	621564	DETAS LIFT CYL, 2.00 X 11.00STS	30	2	616223	08-482TC-08FJX-08FJX-232
8	4	618620	3/4FJX-90-1/2MNPT ADPTR	31	1	614303	04-482TC-06FJX-06FJX-234
9	1	618310	9/16MJIC-7/8MOR ADPTR	32	1	616205	04-482TC-06FJX-06FJX-117
10	8	618451	3/4FJIC SW RUN TEE-3/4MJIC	33	1	614152	04-482TC-06FJX-06FJX-114
11	4	690338	LINE CHECK VALVE HYD .50NPT	34	1	611212	04-482TC-06FJX-06FJX-164
12	1	618692	3/4FJIC SWIV-9/16MOR ADPTR	35	8	616025	08-482TC-08FJX-08FJX-50
13	24	611125	3/4MJIC-3/4MOR ADPTR	36	1	614100	04-482TC-06FJX-06FJX-211
14	2	618531	9/16FJIC CAP NUT	37	2	616169	08-482TC-08FJX-08FJX-146
15	1	618126	9/16MJIC-9/16MOR ADPTR	38	2	615727	04-482TC-06FJX-06FJX-75
16	4	618609	3/4MJIC-90-3/4FJIC SWIV LBO	39	2	614378	08-482TC-08FJX-08FJX-207
17	8	618119	9/16MJIC-90-9/16MOR LBO	40	1	614077	04-482TC-06FJX-06FJX-88
18	1	618618	9/16MJIC-90-9/16FJIC SWIV LBO	41	1	614101	04-482TC-06FJX-06FJX-133
19	1	618183	3/4MJIC-90-7/8MOR LBO	42	2	616060	04-482TC-06FJX-06FJX-104
20	2	618709	9/16MJIC-90-3/4MOR EX LG LBO	43	2	611246	04-482TC-06FJX-06FJX-174
21	1	618118	3/4 HOSE BARB-90-1 1/16MOR	44	4	618733	9/16JIC .042 ORIFICE ADPTR
22	4	618731	9/16JIC .025 ORIFICE ADPTR	45	1	601555	HOSE, 3/4 X 150 1FBR-1SPT
23	4	618530	9/16MJIC-1/8MNPT ADPTR	46	2	614689	08-482TC-08FJX-08FJX-120

ABBREVIATIONS

A/C - AIR CONDITIONER	MT - MOUNT
ADPTR - ADAPTER	MTR - MOTOR
AGI - AGITATOR	P/N - PART NUMBER
ALT - ALTERNATOR	PLT - PLATE
ASSY - ASSEMBLY	QTY - QUANTITY
BRKT - BRACKET	RED - REDUCER
DET - DETAIL	REF - REFERENCE
DISPL - DISPLACEMENT	REST - RESTRICTOR
EL - ELBOW	REQ - REQUIRED
EXT - EXTENSION	SHFT - SHAFT
FLO - FLOW	SOL - SOLUTION
FNPT - FEMALE NATIONAL PIPE THREAD	STRG - STEERING
FOR - FEMALE O-RING	ST - STREET
FRT - FRONT	SWIV - SWIVEL
HYD - HYDRAULIC	UNC - UNIFIED NATIONAL COURSE
HYDRO - HYDROSTATIC	UNF - UNIFIED NATIONAL FINE
LG - LONG	V - VOLT
LWR - LOWER	W/ - WITH
MJIC - MALE J.I.C.	WHL - WHEEL
MOR - MALE O-RING	WLD - WELDMENT

INDEX

-A-

ABBREVIATIONS..... 150
 AIR CLEANER..... 12
 BAND..... 12
 CAP..... 12
 CLAMP..... 12
 FILTER..... 12
 HOSE..... 12
 AIR INTAKE SCREEN..... 13
 ARM,
 SENSOR..... 60
 STEERING..... 14, 15

-B-

BAND, AIR CLEANER..... 12
 BATTERY..... 25
 BOX..... 25
 CABLE..... 25
 HOLD DOWN..... 25
 BELT..... 5
 BLADE,
 CHOPPER..... 65, 67, 68
 CUTTER..... 65, 67, 68
 FAN..... 5
 BLOCK, TERMINAL..... 36
 BOX,
 CONTROL..... 70, 71, 72
 BRACKET, THROTTLE..... 4
 BRAKE
 SOLENOID..... 19
 WEIGHT BRACKET..... 82
 BREATHER..... 22

-C-

CAB..... 73
 CABLE,
 CHOKE..... 31
 HYDROSTATIC..... 33
 THROTTLE..... 33
 CANOPY..... 79
 CAP,
 AIR CLEANER..... 12
 FUEL..... 23
 RADIATOR..... 13
 STEERING..... 29
 CHOKE CABLE..... 31
 CHOPPER,
 BLADE..... 65, 67, 68
 MALE ROW..... 65, 67, 68
 CIRCUIT BREAKER..... 31

CLAMP,
 MUFFLER..... 12

TEE..... 7
 CONSOLE..... 31
 PANEL..... 30
 CONTROL BOX..... 30
 COVER..... 30
 CUTTER
 BLADE..... 62
 CASE DRAIN..... 62
 HEAD..... 62
 CYLINDER
 FOLD..... 80
 STEERING..... 21

-D-

DECALS..... 84, 85
 DEPTH COMMAND..... 58
 DIAGRAM, WIRING..... 86, 87, 88, 89, 90, 92
 DIFFUSER, SUMP..... 22
 DIPSTICK..... 22
 SENSOR..... 22
 DRAIN COCK, RADIATOR..... 13
 DRINK HOLDER..... 31
 DRIVE ASSEMBLY..... 4
 DUMP VALVE..... 41

-E-

ELECTRIC VALVE..... 40
 ENGINE,
 CUMMINS..... 4, 5
 HOOD..... 35
 HOOD PROP..... 35
 EXHAUST PIPE..... 12

-F-

FAN BLADE..... 5
 FAN SPACER..... 5
 FILTER
 FUEL..... 4, 23
 OIL..... 5, 9, 22, 39
 FLASHER
 LIGHT..... 35, 73, 79
 SWITCH..... 29
 FLOW DIVIDER..... 11
 FLOW REGULATOR..... 61
 FLUSHING VALVE..... 8
 FOAM..... 13, 27, 73, 76
 FOLD CYLINDER..... 80
 FOLD VALVE..... 81
 FRONT LEG..... 14, 16

FUEL
 CAP..... 23
 GAUGE..... 34
 SELECTOR VALVE..... 23
 SENDER..... 23
 TANK..... 23
 FUSE..... 30, 70, 71, 72
 HOLDER..... 30, 70, 71, 72

-G-

GAUGE,
 FUEL..... 34
 OIL PRESSURE..... 34
 TEMPERATURE..... 34
 GEAR PUMP..... 6
 GROUND STRAP..... 4

-H-

HANDRAIL..... 24, 25
 HEAD,
 CUTTER..... 62
 PULLER..... 61
 HEADLIGHT..... 73, 79
 HOLD DOWN, BATTERY..... 26
 HOLDER, DRINK..... 36
 HOSE,
 AIR CLEANER..... 12
 RADIATOR..... 5
 HOUR METER..... 34
 HYDRAULIC
 MOTOR..... 61, 62
 SCHEMATIC..... 104
 HYDROSTATIC, LEVER..... 32

-I-

INDICATOR
 LIGHT..... 29, 34
 MPH/RPM..... 34
 INNER TUBE..... 18
 INSTRUMENT PANEL..... 34

-K-

KIT, LIGHT..... 34
 KNOB..... 29

-L-

LADDER..... 24, 25
 LEG
 FRONT..... 14, 16
 REAR..... 16, 17
 SHIM..... 14
 SLEEVE, NYLON..... 14
 LEVER,
 HYDROSTATIC..... 32
 THROTTLE..... 33

LIFTARM..... 57, 64
 LIGHT,
 FLASHER..... 35, 73, 79
 KIT..... 34
 SWITCH..... 30
 LS CROSSTUBE..... 60
 LS SENSOR..... 60

-M-

MALE ROW CHOPPER..... 65, 67, 69
 MANIFOLD, HYDRAULIC..... 38
 MOTOR,
 CONTROL VALVE..... 37
 MOUNT..... 4, 5
 STEERING..... 29
 MOUNT,
 RADIATOR..... 13
 RUBBER..... 4, 27
 MPH/RPM INDICATOR..... 34
 MUFFLER..... 12
 CLAMP..... 12
 MULLION..... 35

-N-

NOISE DEFLECTOR SHIELD..... 27

-O-

OIL
 COOLER..... 13
 FILTER..... 39
 PRESSURE GAUGE..... 34
 PRESSURE SENDER..... 4
 TANK..... 22
 OPERATOR STATION..... 27
 OUTRIGGER..... 43, 47, 49
 FOLD..... 80

-P-

PANEL, INSTRUMENT..... 34
 PHOTO SENSOR..... 60
 PIPE, EXHAUST..... 13
 PIVOT PIN..... 43, 47, 49
 PIVOT, STEERING..... 20
 PLATFORM, SERVICE..... 24, 25
 POSITRACTION VALVE..... 7
 PROP ENGINE HOOD..... 35
 PULLER
 HEAD..... 61
 SHIELD..... 61
 PUMP,
 GEAR..... 6
 SUNDSTRAND..... 6

-R-

RADIATOR.....	13
HOSE.....	5
MOUNT.....	13
SHROUD.....	13
REAR LEG.....	16, 17
RECOVERY TANK.....	13
REGULATOR, FLOW.....	61
RELIEF VALVE.....	11
RIM.....	18
ROOF, CANOPY.....	79
RUBBER.....	73
BOOT.....	30
HOOK.....	35
MOUNT.....	4,5,27

-S-

SCHEMATIC, HYDRAULIC.....	104
WIRING.....	92
SCREEN, AIR INTAKE.....	13
SEAT.....	28
SELECTOR VALVE FUEL.....	23
SENDER, FUEL.....	23
OIL PRESSURE.....	4
TEMPERATURE.....	5
SENSOR, LS.....	60
MPH.....	16
SERVICE PLATFORM.....	24, 25
SHEET METAL.....	35, 36
SHIELD, HEAT.....	13
NOISE DEFLECTOR.....	27
PULLER.....	61
WHEEL MOTOR.....	14, 15, 16, 17
SHROUD, RADIATOR.....	13
SMV SIGN.....	36
SPACER, FAN.....	5
STABILIZER TUBE.....	45, 47, 49
STALK GUIDE.....	16, 17
STEERING, ARM.....	14, 15
CYLINDER.....	21
MOTOR.....	29
PIVOT.....	20
POST.....	29
WHEEL.....	29
STRAP, GROUND.....	4

-R-

SUNDSTRAND PUMP.....	6
SUPPORT POST.....	43, 47, 49
SWITCH.....	27
BOX.....	70, 71, 72
FLASHER.....	29
LIGHT.....	30
TOGGLE.....	30, 70, 71, 72

-T-

TAILLIGHT.....	36
TANK, FUEL.....	23
OIL.....	22
TEE CLAMP.....	7
TEMPERATURE GAUGE.....	34
SENDER.....	5
TERMINAL BLOCK.....	31
THROTTLE CABLE BRACKET.....	4
LEVER.....	33
TIE BAR.....	43, 47, 49
TIE ROD.....	20
TIRE.....	18
PULLER.....	61
TOGGLE SWITCH.....	30
TOOLBAR.....	43, 45, 47, 49
TORQUE HUB.....	14, 15, 16, 17
TUBE, AIR CLEANER.....	12
INNER.....	18

-V-

VALVE, DUMP.....	41
ELECTRIC.....	40
FLUSHING.....	8
FOLD.....	81
MOTOR CONTROL VALVE.....	37
POSTTRACTION.....	7, 10
VOLTMETER.....	34

-W-

WEIGHT BRACKET.....	82
WHEELMOTOR.....	14, 15, 16, 17
WIRING, DIAGRAM.....	86, 87, 88, 89
SCHEMATIC.....	104

Notes:

