

# 204<sub>SP</sub>



## PARTS MANUAL FOR HAGIE 204SP HAGIE MANUFACTURING COMPANY

721 CENTRAL AVENUE WEST  
BOX 273  
CLARION, IOWA 50525-0273

COVERS MACHINE SERIAL NUMBERS: 204SP 18001-18500

06-17 493760  
01-18

To obtain the most current parts manual for your machine,  
please visit [www.hagie.com](http://www.hagie.com).

© 2017-18 Hagie Manufacturing Company. Clarion, Iowa USA



## DETASSELER IDENTIFICATION

Each Hagie detasseler is identified by means of a frame serial number. This serial number denotes the model, the year in which it was built, and the number of the detasseler. As for further identification, the engine has a serial number. To ensure prompt, efficient service when ordering parts or requesting service repairs from your local John Deere dealer, record the serial and identification numbers in the spaces provided below.

**NOTE:** Reference to left hand and right hand used throughout this manual refers to the position when seated in the operator's seat facing forward.

*This manual is not intended to be a complete guide for machine maintenance and repairs. If you are not properly trained to perform service on this machine, contact your local John Deere dealer for assistance. Improper maintenance or repair may result in property damage, personal injury, or death.*

DETASSELER SERIAL NUMBER

\_\_\_\_\_

ENGINE SERIAL NUMBER

\_\_\_\_\_

---

### FILTER QUICK REFERENCE

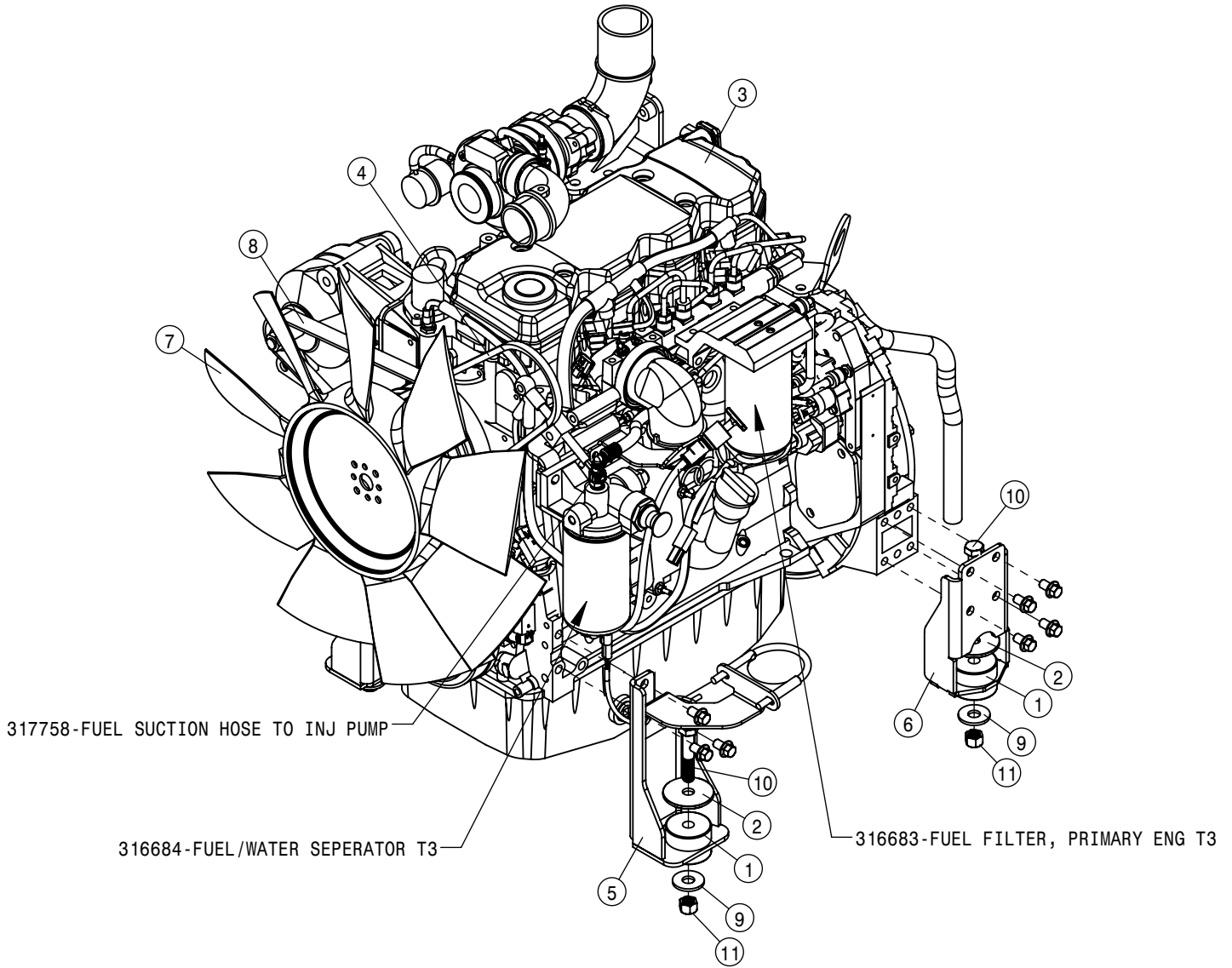
| <u>QTY</u>       | <u>P/N</u> | <u>DESCRIPTION</u>           |
|------------------|------------|------------------------------|
| 1                | 605609     | HYD OIL FILTER, CHARGE PUMP  |
| 1                | 613764     | HYD TANK OIL FILTER          |
| 1                | 657413     | CAB RECIRCULATION FILTER     |
| 1                | 657424     | CAB PAPER FILTER             |
| 1                | 657425     | CAB CHARCOAL FILTER          |
| <u>T3 ENGINE</u> |            |                              |
| 1                | 311530     | ENGINE AIR FILTER, PRIMARY   |
| 1                | 311531     | ENGINE AIR FILTER, SECONDARY |
| 1                | 316372     | ENGINE OIL FILTER            |
| 1                | 316684     | FUEL/WATER SEPERATOR T3      |
| 1                | 316683     | FUEL FILTER, PRIMARY ENG T3  |

### TRANSLATED DECAL KITS

| <u>QTY</u> | <u>P/N</u> | <u>DESCRIPTION</u>          |
|------------|------------|-----------------------------|
| 1          | KDC504UKR  | DECAL KIT, 204SP UKRANIAN   |
| 1          | KDC505TUK  | DECAL KIT, 204SP TURKISH    |
| 1          | KDC506BRZ  | DECAL KIT, 204SP PORTUGUESE |
| 1          | KDC507SRB  | DECAL KIT, 204SP SERVIAN    |
| 1          | KDC508HUN  | DECAL KIT, 204SP HUNGARIAN  |
| 1          | KDC509RMA  | DECAL KIT, 204SP ROMANIAN   |
| 1          | KDC510EGY  | DECAL KIT, 204SP ARABIC     |
| 1          | KDC514MEX  | DECAL KIT, 204SP SPANISH    |
| 1          | KDC515FRN  | DECAL KIT, 204SP FRENCH     |
| 1          | KDC516CHN  | DECAL KIT, 204SP CHINESS    |

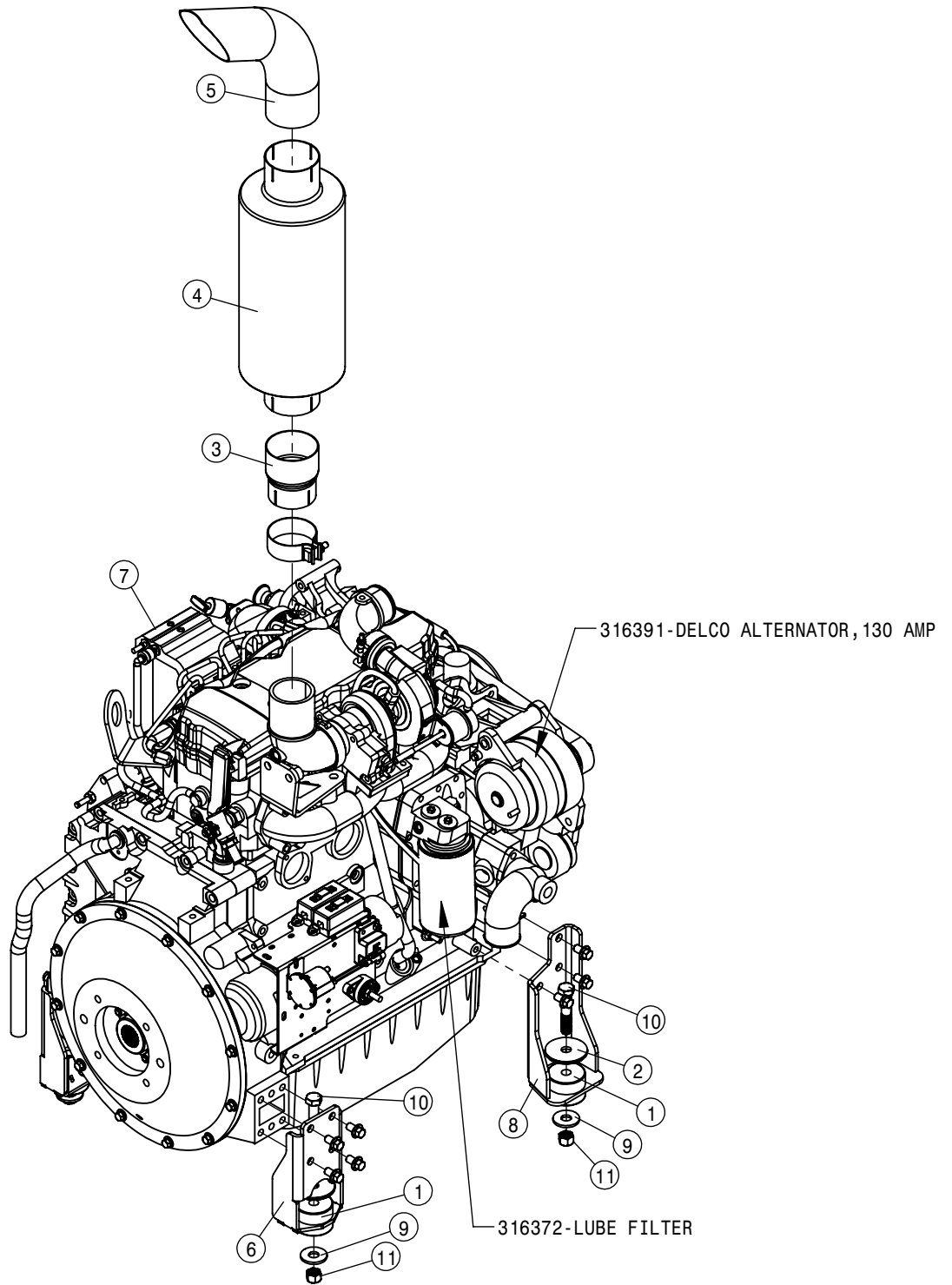
TABLE OF CONTENTS

|                                         |        |
|-----------------------------------------|--------|
| ENGINE ASSEMBLY T3 .....                | 4-6    |
| RADIATOR ASSEMBLY T3 .....              | 7      |
| A/C AND HEATER LINES .....              | 8      |
| BATTERY AND CABLES .....                | 9      |
| HYDRAULIC HOISING .....                 | 10-13  |
| OIL COOLER ASSEMBLY .....               | 14     |
| HYDROSTATIC PUMP ASSEMBLY .....         | 15     |
| LOOP FLUSHING VALVE AND FILTER .....    | 16-17  |
| HYDRAULIC TANK ASSEMBLY .....           | 18     |
| POSITRACTION VALVE .....                | 19-20  |
| DUMP VALVE ASSEMBLY .....               | 21     |
| FLOW DIVIDER ASSEMBLY .....             | 22     |
| BRAKE AND SHIFT VALVE ASSEMBLY .....    | 23     |
| MOTOR CONTROL VALVE ASSEMBLY .....      | 24     |
| LIFT VALVE ASSEMBLY .....               | 25     |
| RETURN MANIFOLD ASSEMBLY .....          | 26     |
| OUTRIGGER FOLD VALVE ASSEMBLY .....     | 27-30  |
| STEERING CYLINDER ASSEMBLY .....        | 31-32  |
| LEG ASSEMBLY .....                      | 33-36  |
| TIRE ASSEMBLY .....                     | 37     |
| FUEL TANK ASSEMBLY .....                | 38-39  |
| LADDER AND SERVICE PLATFORM .....       | 40-41  |
| OPERATOR STATION AND CAB ASSEMBLY ..... | 42-57  |
| SHEET METAL ASSEMBLY .....              | 58-60  |
| REAR WEIGHTS .....                      | 62     |
| OUTRIGGER AND LIFT ASSEMBLY .....       | 63-78  |
| LS SENSOR ASSEMBLY .....                | 79-80  |
| QUAD PULLER HEAD ASSEMBLY .....         | 81     |
| CUTTER HEAD ASSEMBLY .....              | 82-84  |
| MALE ROW CHOPPER ASSEMBLY .....         | 85-86  |
| ROW SENSING OPTION .....                | 87-88  |
| TOOLBAR HEADLIGHT ASSEMBLY .....        | 89     |
| HYDRAULIC DIAGRAMS .....                | 90-135 |
| INDEX .....                             | 137    |

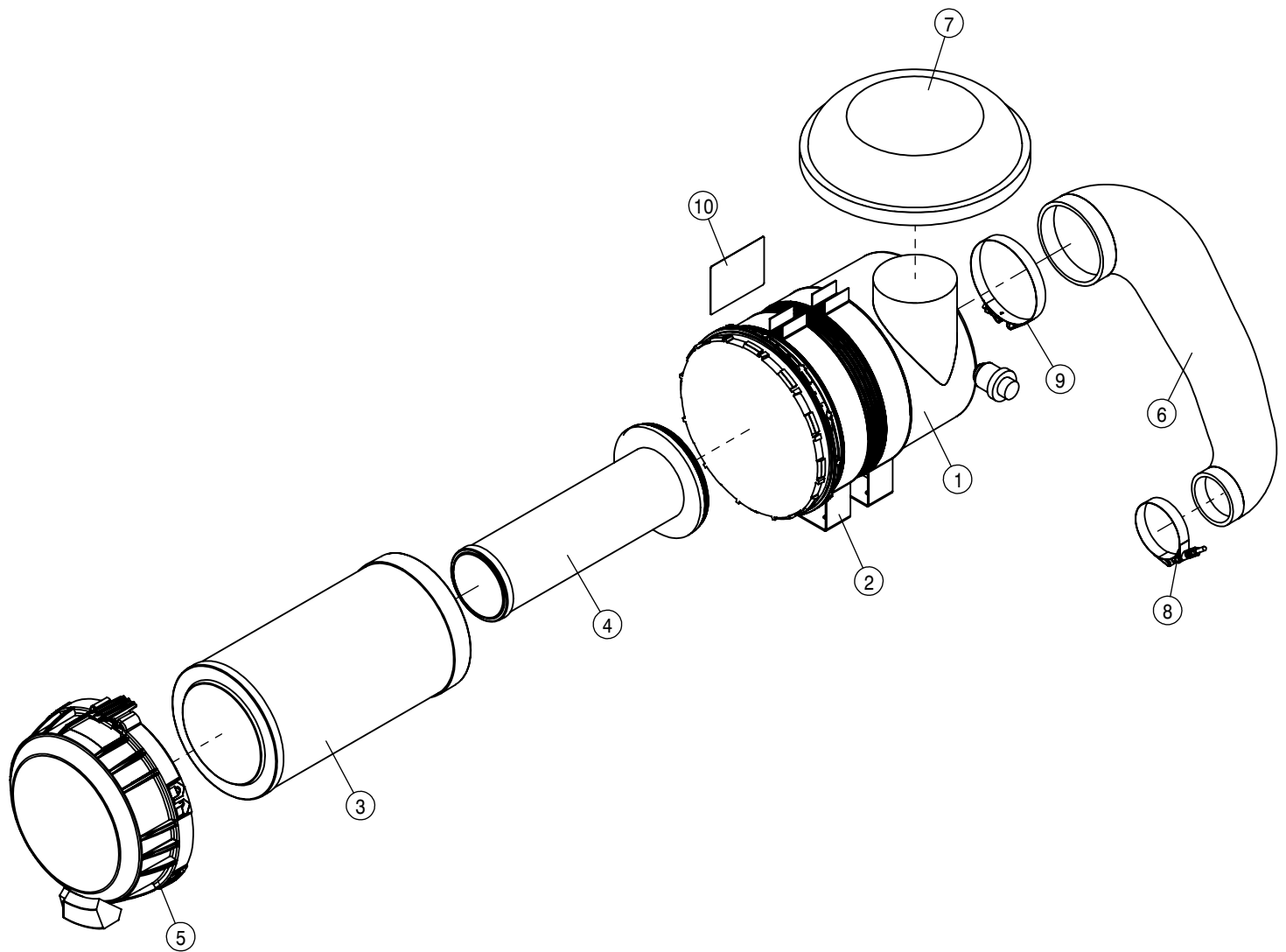


| TIER-3 ENGINE ASSEMBLY |     |         |                               |
|------------------------|-----|---------|-------------------------------|
| DET                    | QTY | P/N     | DESCRIPTION                   |
| 1                      | 2   | 311093  | ISOLATOR                      |
| 2                      | 2   | 311095  | SNUBBING WASH FOR 311093/094  |
| 3                      | 1   | 316030  | QSB 4.5 T3 ENGINE, 204SP '15  |
| 4                      | 1   | 316851  | BELT, GATES GREEN STRIPE 9447 |
| 5                      | 1   | 316863  | LH FRT ENG MT, MFM66-A        |
| 6                      | 1   | 316864  | LH REAR ENG MT, MRM103-A      |
| 7                      | 1   | 316551  | FAN, 24" CUMM QSB205, 2101 03 |
| 8                      | 1   | 317386  | SERPENTINE BELT, 204SP        |
| 9                      | 2   | 483037N | 5/8 REGULAR FLAT WASHER YZ    |
| 10                     | 2   | 900339N | 5/8UNC X 3 1/4 HEX BOLT       |
| 11                     | 2   | 914010N | 5/8UNC HEX STOVER NUT         |

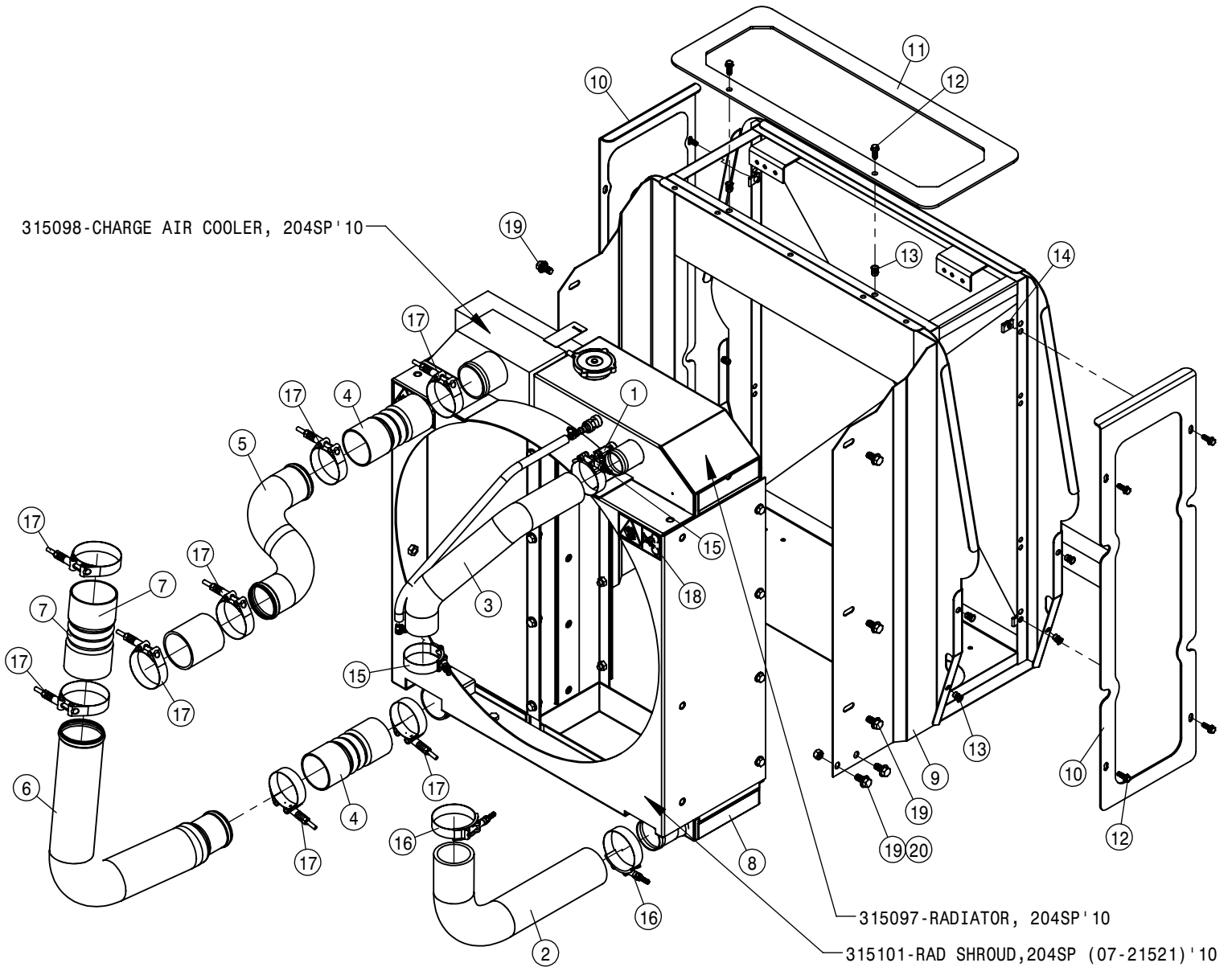




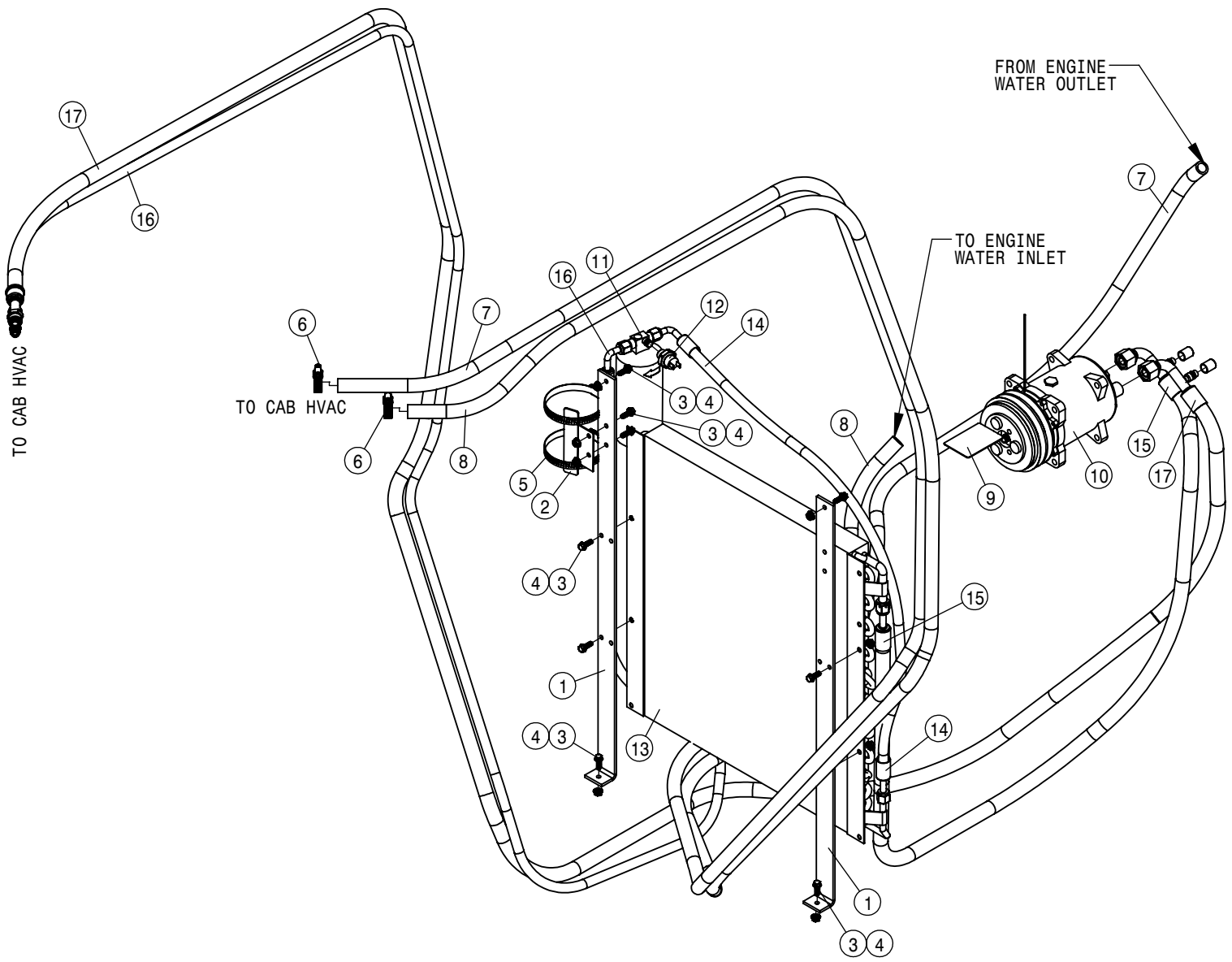
| TIER-3 ENGINE ASSEMBLY |     |         |                              |  |
|------------------------|-----|---------|------------------------------|--|
| DET                    | QTY | P/N     | DESCRIPTION                  |  |
| 1                      | 2   | 311093  | ISOLATOR                     |  |
| 2                      | 2   | 311095  | SNUBBING WASH FOR 311093/094 |  |
| 3                      | 1   | 311589  | REDUCER, EXHAUST             |  |
| 4                      | 1   | 311590  | MUFFLER                      |  |
| 5                      | 1   | 311591  | EXH PIPE STACK               |  |
| 6                      | 1   | 316005  | RH REAR ENG MT, MRM107-A     |  |
| 7                      | 1   | 316030  | QSB 4.5 T3 ENGINE, 204SP '15 |  |
| 8                      | 1   | 316862  | RH FRT ENG MT, MFM67-A       |  |
| 9                      | 2   | 483037N | 5/8 REGULAR FLAT WASHER YZ   |  |
| 10                     | 2   | 900339N | 5/8UNC X 3 1/4 HEX BOLT      |  |
| 11                     | 2   | 914010N | 5/8UNC HEX STOVER NUT        |  |



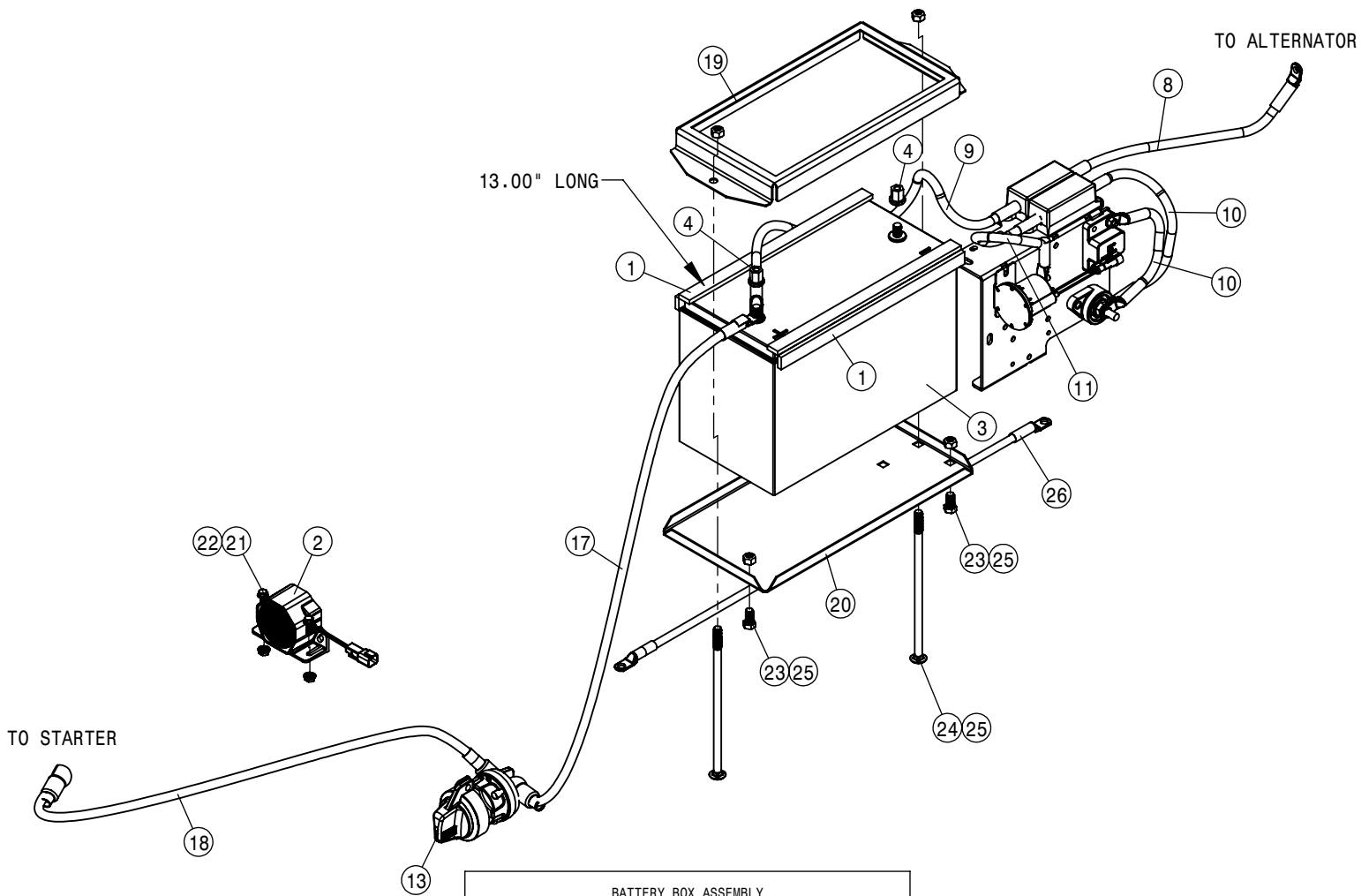
| TIER-3 AIR CLEANER ASSEMBLY |     |        |                                |
|-----------------------------|-----|--------|--------------------------------|
| DET                         | QTY | P/N    | DESCRIPTION                    |
| 1                           | 1   | 311528 | AIR CLEANER, PLASTIC HSNG      |
| 2                           | 2   | 311529 | AIR CLEANER MT BAND FOR 311528 |
| 3                           | 1   | 311530 | PRIMARY ELEMENT FOR 311528     |
| 4                           | 1   | 311531 | SAFETY ELEMENT FOR 311528      |
| 5                           | 1   | 311548 | COVER ASSEMBLY FOR 311528      |
| 6                           | 1   | 311585 | AIR INTAKE HOSE, MOLDED        |
| 7                           | 1   | 311588 | WEATHER HOOD                   |
| 8                           | 1   | 520130 | 3.31/3.59 T-BOLT HOSE CLAMP SS |
| 9                           | 1   | 520136 | 5.31/5.59 T-BOLT HOSE CLAMP SS |
| 10                          | 1   | 650367 | AIR FILTER INSTRUCTION DECAL   |



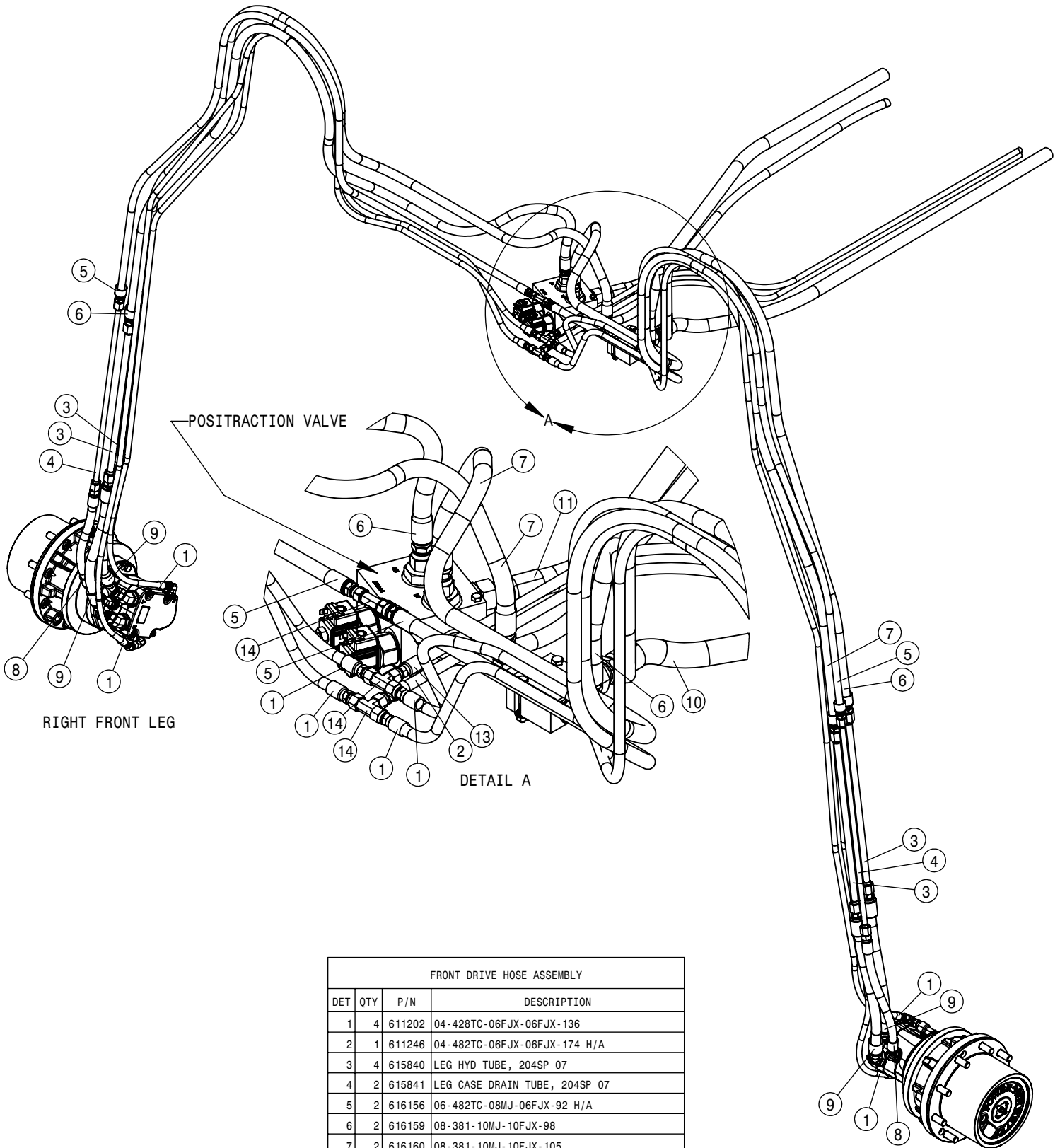
| TIER-3 RADIATOR ASSEMBLY |     |         |                                |
|--------------------------|-----|---------|--------------------------------|
| DET                      | QTY | P/N     | DESCRIPTION                    |
| 1                        | 1   | 291935  | RAD WATER LEVEL SENSOR,T3 ENG  |
| 2                        | 1   | 311097  | LOWER RAD HOSER,MCA189-B       |
| 3                        | 1   | 311583  | UPPER RAD HOSE,MCA195-A        |
| 4                        | 2   | 311584  | 2.50 X 6.00 CAC HOSE           |
| 5                        | 1   | 311586  | CAC TUBE,HOT                   |
| 6                        | 1   | 311587  | CAC TUBE, COLD                 |
| 7                        | 1   | 311592  | 3.00 X 6.00 CAC HOSE           |
| 8                        | 1   | 315096  | RAD, CAC, SHROUD KIT, 204SP    |
| 9                        | 1   | 362457  | RAD OIL COOLER RAD MT, T3      |
| 10                       | 2   | 362463  | SIDE SCR N WLD, INTAKE 204 T3  |
| 11                       | 1   | 362467  | TOP COOLING PKG WLD T3         |
| 12                       | 10  | 470118  | 1/4 UNC X 3/4 SER FLG BOLT     |
| 13                       | 14  | 470380N | 1/4-20 NUTSERT .027-1.65 STL   |
| 14                       | 4   | 470386  | 1/4 -20 SPRING NUT LUG         |
| 15                       | 2   | 520141  | 2.31/2.62 T-BOLT HOSE CLAMP SS |
| 16                       | 2   | 520143  | 2.87/3.18 T-BOLT HOSE CLAMP SS |
| 17                       | 8   | 520153  | 2.56/2.87 T-BOLT HOSE CLAMP SS |
| 18                       | 2   | 650434  | DECAL, FAN BLADE WARNING       |
| 19                       | 10  | 900128N | 3/8UNC X 3/4 SER FLANGE BOLT   |
| 20                       | 4   | 914004  | 3/8UNC HEX STOVER NUT          |



| A/C AND HEATER LINES |     |        |                                |
|----------------------|-----|--------|--------------------------------|
| DET                  | QTY | P/N    | DESCRIPTION                    |
| 1                    | 2   | 315036 | CONDENSOR MTG BRKT 99          |
| 2                    | 1   | 315038 | DRYER MTG BRKT 284 99          |
| 3                    | 10  | 470118 | 1/4 UNC X 3/4 SER FLG BOLT     |
| 4                    | 10  | 470121 | 1/4 UNC SERR FLG LOCK NUT      |
| 5                    | 2   | 520052 | HOSE CLAMP NO 52 STAINLESS     |
| 6                    | 2   | 520055 | HOSE CLAMP NO 12 STAINLESS     |
| 7                    | 1   | 601342 | HOSE, 5/8 X 192 HEATER         |
| 8                    | 1   | 601343 | HOSE, 5/8 X 216 HEATER         |
| 9                    | 1   | 650347 | DECAL, NOTICE R134A, 2LB 12OZ  |
| 10                   | 1   | 657403 | A/C COMPSR, 180D PORTS TM15/12 |
| 11                   | 1   | 657421 | A/C RECEIVER/DRIER             |
| 12                   | 1   | 657422 | A/C BINARY SWITCH              |
| 13                   | 1   | 657423 | COIL, COND                     |
| 14                   | 1   | 657429 | A/C HOSE ASSY, 5/16 X 44       |
| 15                   | 1   | 657430 | A/C HOSEASSY, 13/32 X 80       |
| 16                   | 1   | 657431 | A/C HOSE ASSY, 5/16 X 173      |
| 17                   | 1   | 657432 | A/C HOSE ASSY, 1/2 X 190.      |



| BATTERY BOX ASSEMBLY |     |        |                                    |  |
|----------------------|-----|--------|------------------------------------|--|
| DET                  | QTY | P/N    | DESCRIPTION                        |  |
| 1                    | 4   | 193022 | STICKERTITE 1/4 X 3/4              |  |
| 2                    | 1   | 290061 | ALARM, BACKUP 107DBA LT DUTY       |  |
| 3                    | 1   | 291196 | BATTERY, 12V 900CCA, SS STUD       |  |
| 4                    | 2   | 291205 | BATTERY NUT, 3/8-16 SS CLSD CAP    |  |
| NS                   | 1   | 292520 | BATT CABLE, RED 15*2/0 .406-.406   |  |
| NS                   | 1   | 292526 | BATT CABLE, BLK 26*1/0406-.406     |  |
| NS                   | 1   | 292527 | BATT CABLE, RED 54*4GA.406-.406    |  |
| 8                    | 1   | 292547 | BATT CABLE, RED 15*2GA.343-.343    |  |
| 9                    | 1   | 292548 | BATT CABLE, RED 46*2GA.343-.406    |  |
| 10                   | 2   | 292549 | BATT CABLE, RED 8*4GA.343-.406     |  |
| 11                   | 1   | 292550 | BATT CABLE, RED 10.50*4GA.281-.343 |  |
| NS                   | 1   | 292551 | BATT CABLE, BLK 22* 2GA .281-.406  |  |
| 13                   | 1   | 292580 | BATT DISCONNECT SWITCH, LOCKOUT    |  |
| NS                   | 1   | 293564 | 16GA BLK-291512-291590-36          |  |
| NS                   | 1   | 293970 | SPD SENSOR HARNESS, DTS10 '10      |  |
| NS                   | 1   | 294263 | 204 T3 ENGINE HARNESS              |  |
| 17                   | 1   | 294296 | BATT CABLE, RED 44*1/0.406-.406    |  |
| 18                   | 1   | 294297 | BATT CABLE, RED 78*1/0.406-.406    |  |
| 19                   | 1   | 341303 | HOLD DOWN - BATTERY, 204           |  |
| 20                   | 1   | 361149 | BATTERY BOX 8300-8400 1981         |  |
| 21                   | 2   | 470118 | 1/4 UNC X 3/4 SER FLG BOLT         |  |
| 22                   | 2   | 470121 | 1/4 UNC SERR FLG LOCK NUT          |  |
| 23                   | 2   | 900128 | 3/8UNC X 3/4 HEX BOLT              |  |
| 24                   | 2   | 901150 | 3/8-16 X 9 CARRIAGE BOLT           |  |
| 25                   | 4   | 914004 | 3/8UNC HEX STOVER NUT              |  |
| 26                   | 1   | 292552 | BATT CABLE, BLK 30*4GA.406-.406    |  |
| NS                   | 1   | 294003 | HARNESS, ECM POWER 204SP '10       |  |



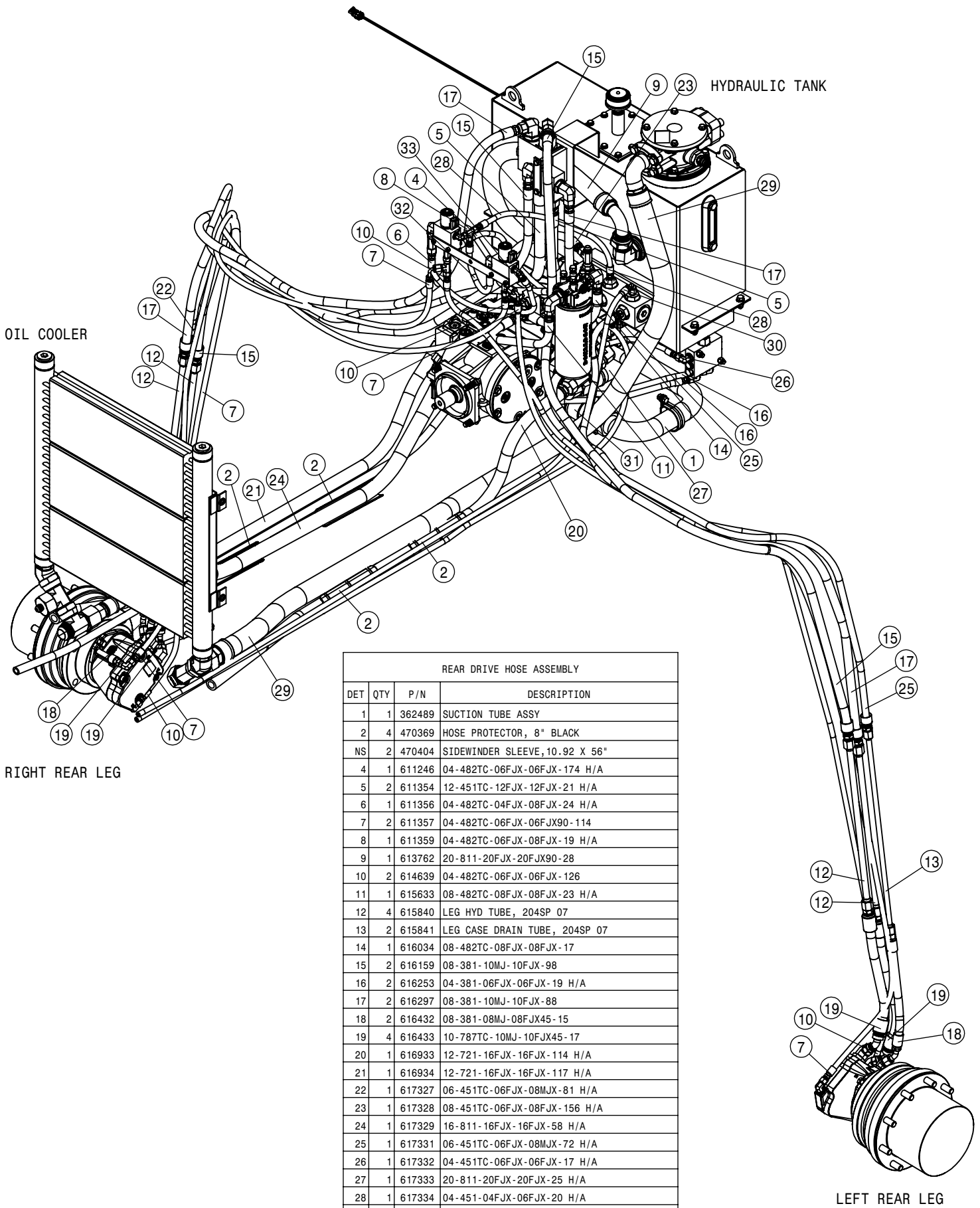
POSITRACTION VALVE

RIGHT FRONT LEG

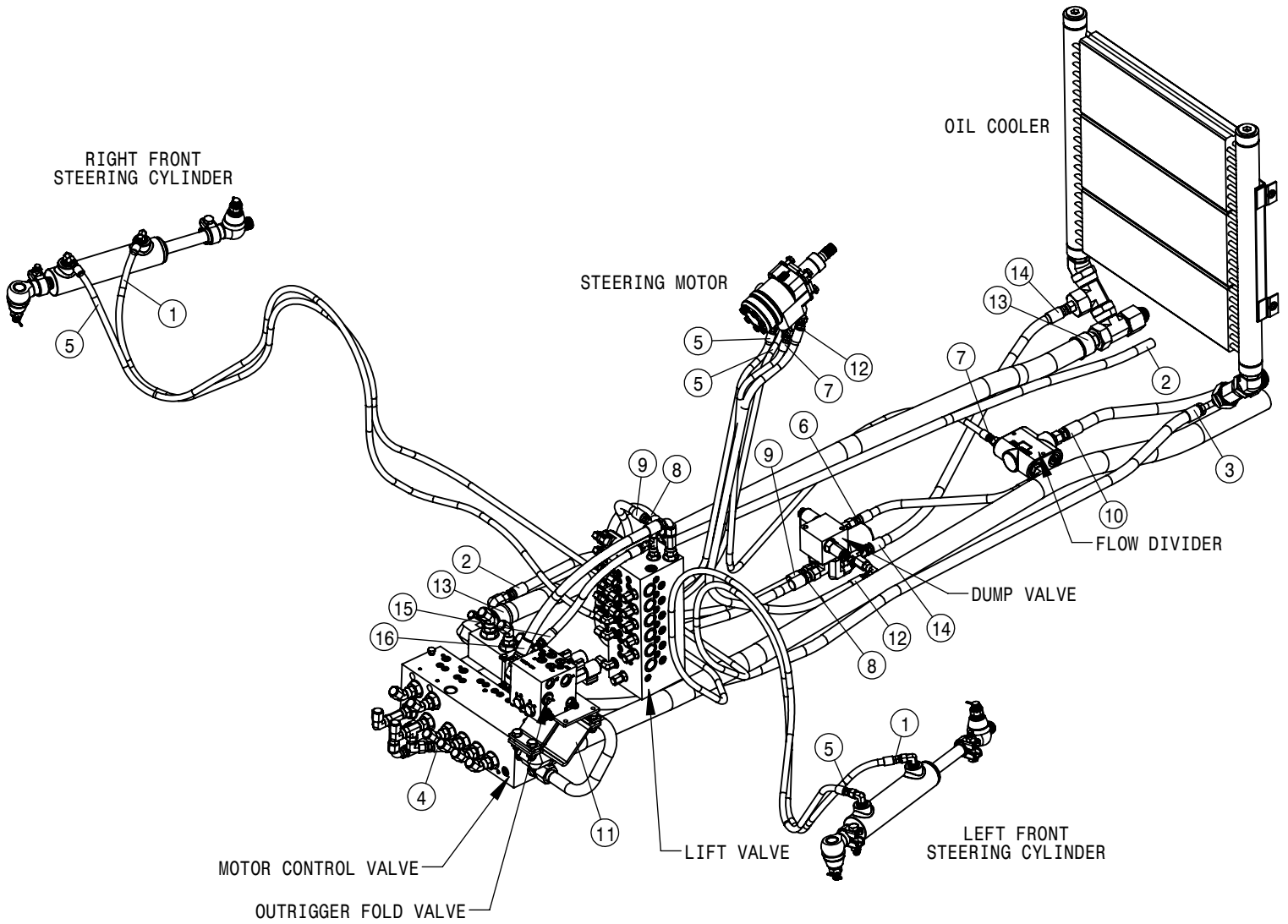
DETAIL A

LEFT FRONT LEG

| FRONT DRIVE HOSE ASSEMBLY |     |        |                                |
|---------------------------|-----|--------|--------------------------------|
| DET                       | QTY | P/N    | DESCRIPTION                    |
| 1                         | 4   | 611202 | 04-428TC-06FJX-06FJX-136       |
| 2                         | 1   | 611246 | 04-482TC-06FJX-06FJX-174 H/A   |
| 3                         | 4   | 615840 | LEG HYD TUBE, 204SP 07         |
| 4                         | 2   | 615841 | LEG CASE DRAIN TUBE, 204SP 07  |
| 5                         | 2   | 616156 | 06-482TC-08MJ-06FJX-92 H/A     |
| 6                         | 2   | 616159 | 08-381-10MJ-10FJX-98           |
| 7                         | 2   | 616160 | 08-381-10MJ-10FJX-105          |
| 8                         | 2   | 616432 | 08-381-08MJ-08FJX45-15         |
| 9                         | 4   | 616433 | 10-787TC-10MJ-10FJX45-17       |
| 10                        | 1   | 616933 | 12-721-16FJX-16FJX-114 H/A     |
| 11                        | 1   | 616934 | 12-721-16FJX-16FJX-117 H/A     |
| 12                        | 1   | 617328 | 08-451TC-06FJX-08FJX-156 H/A   |
| 13                        | 1   | 617336 | 04-451TC-06FJX-06FJX90-142 H/A |
| 14                        | 3   | 618019 | 9/16MJIC UNION TEE             |

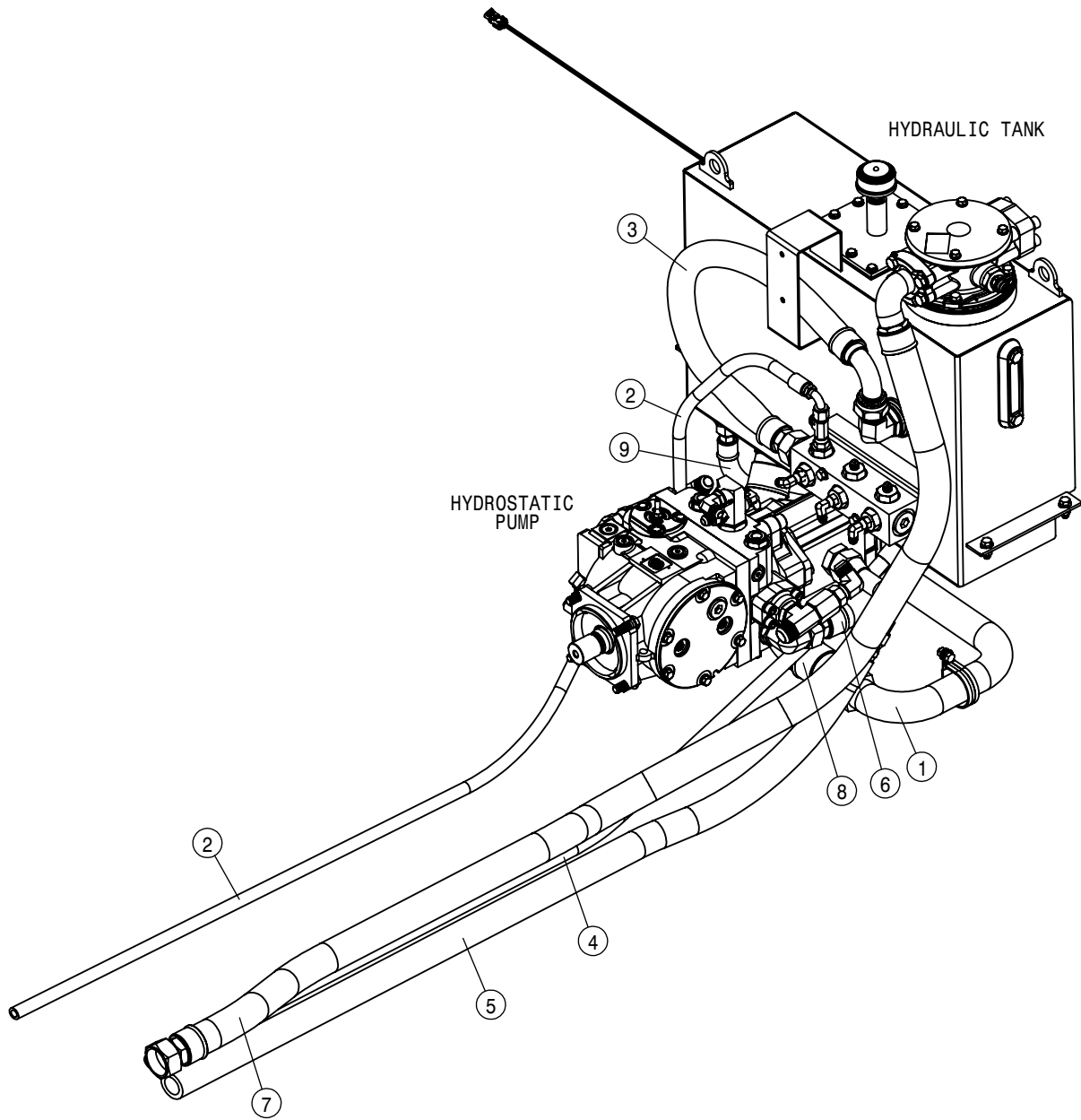


| REAR DRIVE HOSE ASSEMBLY |     |        |                                |
|--------------------------|-----|--------|--------------------------------|
| DET                      | QTY | P/N    | DESCRIPTION                    |
| 1                        | 1   | 362489 | SUCTION TUBE ASSY              |
| 2                        | 4   | 470369 | HOSE PROTECTOR, 8" BLACK       |
| NS                       | 2   | 470404 | SIDEWINDER SLEEVE, 10.92 X 56" |
| 4                        | 1   | 611246 | 04-482TC-06FJX-06FJX-174 H/A   |
| 5                        | 2   | 611354 | 12-451TC-12FJX-12FJX-21 H/A    |
| 6                        | 1   | 611356 | 04-482TC-04FJX-08FJX-24 H/A    |
| 7                        | 2   | 611357 | 04-482TC-06FJX-06FJX90-114     |
| 8                        | 1   | 611359 | 04-482TC-06FJX-08FJX-19 H/A    |
| 9                        | 1   | 613762 | 20-811-20FJX-20FJX90-28        |
| 10                       | 2   | 614639 | 04-482TC-06FJX-06FJX-126       |
| 11                       | 1   | 615633 | 08-482TC-08FJX-08FJX-23 H/A    |
| 12                       | 4   | 615840 | LEG HYD TUBE, 204SP 07         |
| 13                       | 2   | 615841 | LEG CASE DRAIN TUBE, 204SP 07  |
| 14                       | 1   | 616034 | 08-482TC-08FJX-08FJX-17        |
| 15                       | 2   | 616159 | 08-381-10MJ-10FJX-98           |
| 16                       | 2   | 616253 | 04-381-06FJX-06FJX-19 H/A      |
| 17                       | 2   | 616297 | 08-381-10MJ-10FJX-88           |
| 18                       | 2   | 616432 | 08-381-08MJ-08FJX45-15         |
| 19                       | 4   | 616433 | 10-787TC-10MJ-10FJX45-17       |
| 20                       | 1   | 616933 | 12-721-16FJX-16FJX-114 H/A     |
| 21                       | 1   | 616934 | 12-721-16FJX-16FJX-117 H/A     |
| 22                       | 1   | 617327 | 06-451TC-06FJX-08MJX-81 H/A    |
| 23                       | 1   | 617328 | 08-451TC-06FJX-08FJX-156 H/A   |
| 24                       | 1   | 617329 | 16-811-16FJX-16FJX-58 H/A      |
| 25                       | 1   | 617331 | 06-451TC-06FJX-08MJX-72 H/A    |
| 26                       | 1   | 617332 | 04-451TC-06FJX-06FJX-17 H/A    |
| 27                       | 1   | 617333 | 20-811-20FJX-20FJX-25 H/A      |
| 28                       | 1   | 617334 | 04-451-04FJX-06FJX-20 H/A      |
| 29                       | 1   | 617335 | 24-811-24FJX-24FLANGE90-89     |
| 30                       | 1   | 617336 | 04-451TC-06FJX-06FJX90-142 H/A |
| 31                       | 1   | 617339 | 32-811-32FJX-32FJX-21 H/A      |
| 32                       | 1   | 617340 | 04-451TC-04FJX-08FJX-13 H/A    |
| 33                       | 1   | 617338 | 12-811-12FJX-12FJX-15 H/A      |

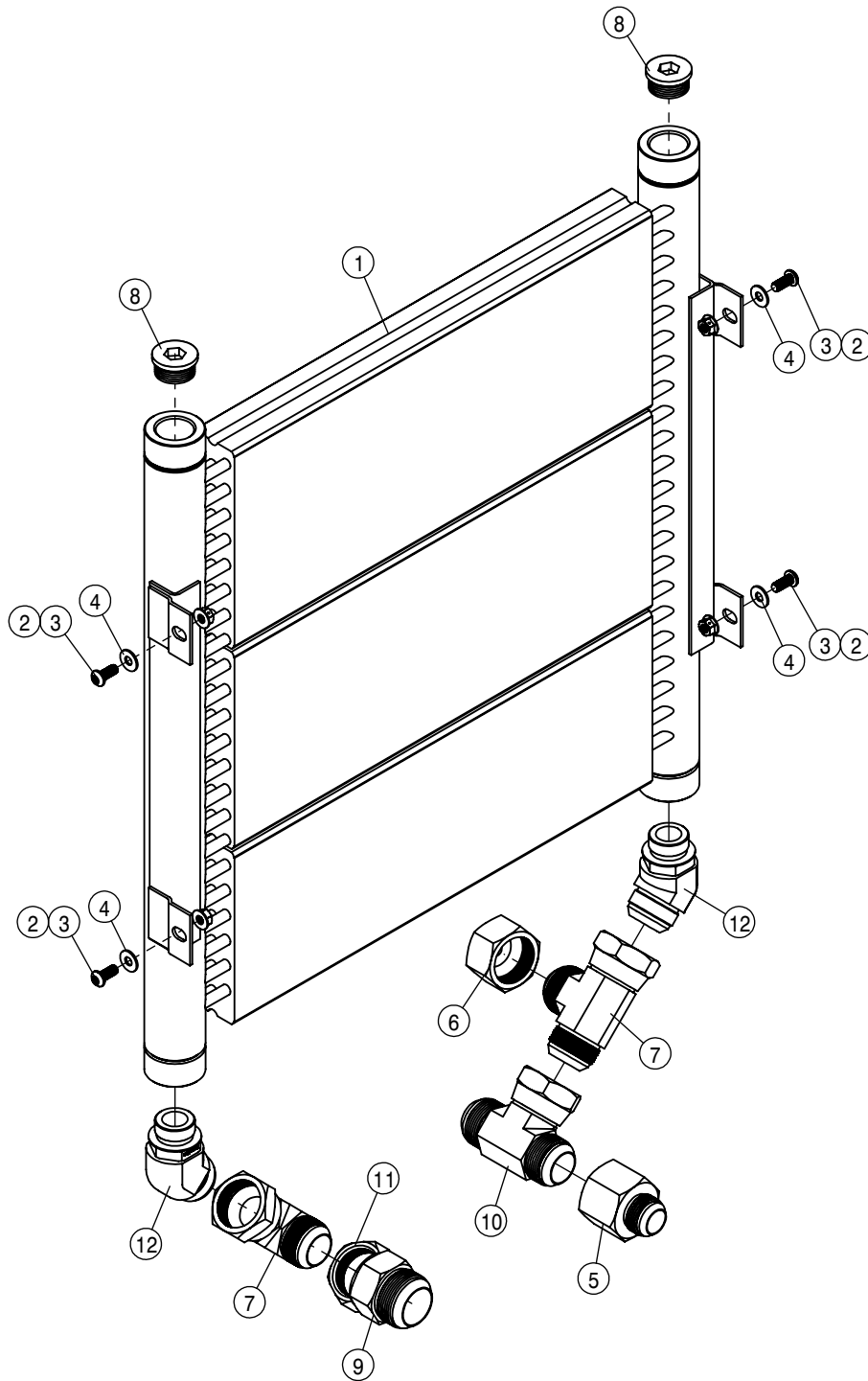


| FRONT AUX HYDRAULIC HOSE ASSEMBLY |     |        |                                |
|-----------------------------------|-----|--------|--------------------------------|
| DET                               | QTY | P/N    | DESCRIPTION                    |
| 1                                 | 1   | 611246 | 04-482TC-06FJX-06FJX-174 H/A   |
| 2                                 | 1   | 611353 | 08-451TC-08FJX-08FJX90-157 H/A |
| 3                                 | 1   | 611355 | 10-451TC-08FJX-10FJX90-90 H/A  |
| 4                                 | 1   | 617254 | 08-451TC-08FJX-08FJX90-21 H/A  |
| 5                                 | 2   | 614639 | 04-482TC-06FJX-06FJX-126       |
| 6                                 | 1   | 615473 | 06-482TC-06FJX-08FJX-18 H/A    |
| 7                                 | 1   | 615727 | 04-482TC-06FJX-06FJX-75 H/A    |
| 8                                 | 1   | 616007 | 08-482TC-08FJX-10FJX-50        |
| 9                                 | 1   | 616008 | 06-482TC-08FJX-06FJX90-52 H/A  |
| 10                                | 1   | 616147 | 10-482TC-10FJX-10FJX-89 H/A    |
| 11                                | 1   | 616257 | 20-381-20FJX-20FJX-144 H/A     |
| 12                                | 1   | 617330 | 06-451TC-6FJX-06FJX-46 H/A     |
| 13                                | 1   | 617337 | 20-811-20FJX-20FJX-73 H/A      |
| 14                                | 1   | 617341 | 08-451TC-08FJX-8FJX-36 H/A     |
| 15                                | 1   | 616117 | 06-451TC-06FJX-06FJX-17 H/A    |
| 16                                | 1   | 616505 | 08-451TC-08FJX-08FJX90-24 H/A  |

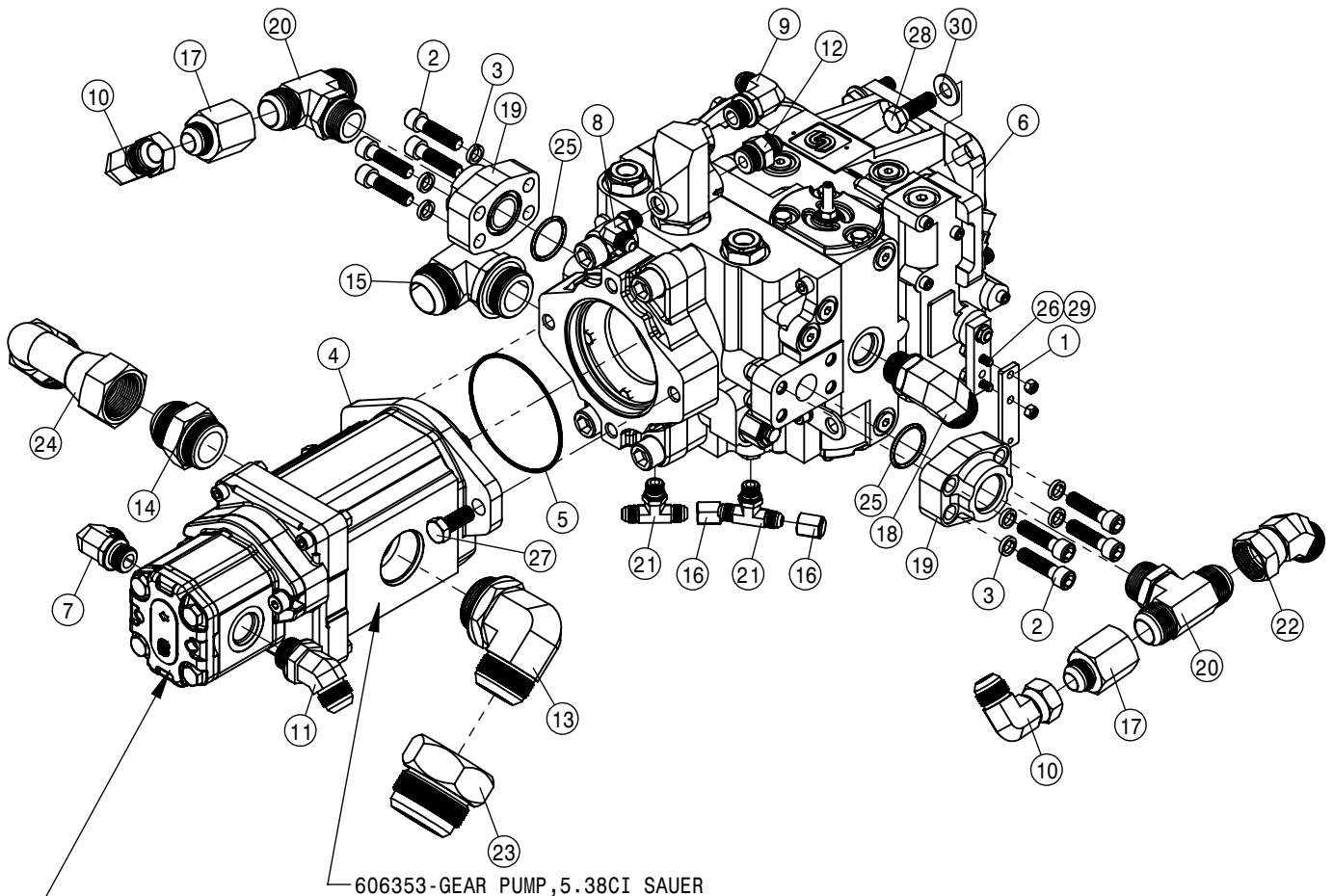




| REAR AUX HYDRAULIC HOSE ASSEMBLY |     |        |                                |
|----------------------------------|-----|--------|--------------------------------|
| DET                              | QTY | P/N    | DESCRIPTION                    |
| 1                                | 1   | 362489 | SUCTION TUBE ASSY              |
| 2                                | 1   | 611353 | 08-451TC-08FJX-08FJX90-157 H/A |
| 3                                | 1   | 613762 | 20-811-20FJX-20FJX90-28        |
| 4                                | 1   | 616147 | 10-482TC-10FJX-10FJX-89 H/A    |
| 5                                | 1   | 616257 | 20-381-20FJX-20FJX-144 H/A     |
| 6                                | 1   | 617333 | 20-811-20FJX-20FJX-25 H/A      |
| 7                                | 1   | 617335 | 24-811-24FJX-24FLANGE90-89     |
| 8                                | 1   | 617339 | 32-811-32FJX-32FJX-21 H/A      |
| 9                                | 1   | 617338 | 12-811-12FJX-12FJX-15 H/A      |



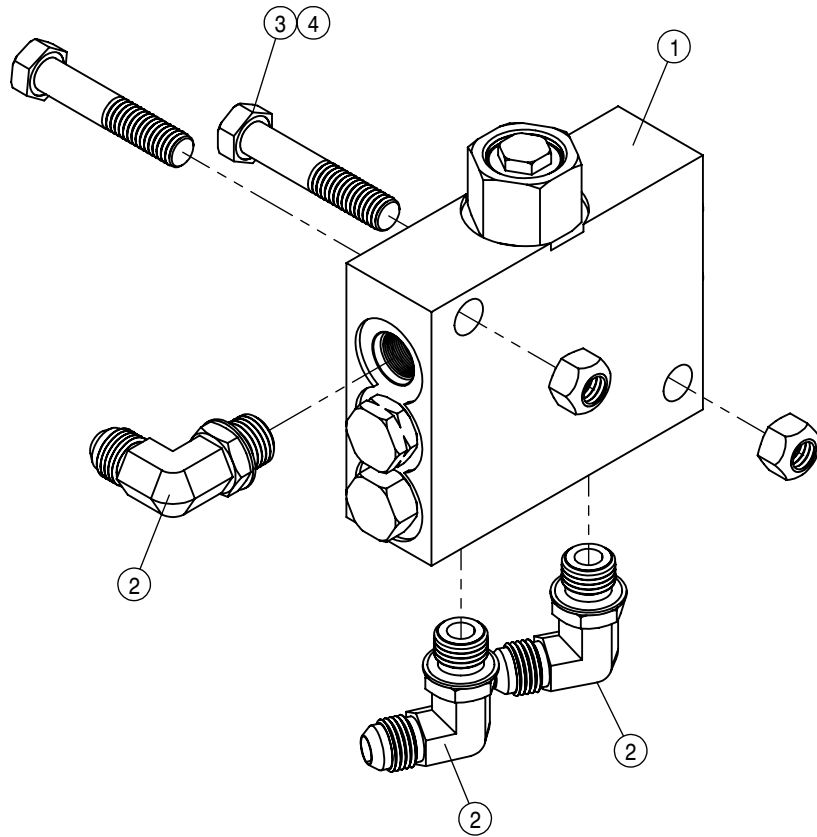
| OIL COOLER ASSEMBLY |     |        |                                |
|---------------------|-----|--------|--------------------------------|
| DET                 | QTY | P/N    | DESCRIPTION                    |
| 1                   | 1   | 317581 | OIL COOLER BLISSFIELD 87007    |
| 2                   | 4   | 470570 | 5/16UNC HEX FLG CNTR LOCK NUT  |
| 3                   | 4   | 472375 | 5/16UNC X 3/4 BUTN CAP SCR BLK |
| 4                   | 4   | 483038 | 1/4 REGULAR FLAT WASHER        |
| 5                   | 1   | 618547 | 1 5/8FJIC-1 5/16MJIC ADPTR     |
| 6                   | 1   | 618723 | 1 5/8FJIC-3/4MJIC ADPTR        |
| 7                   | 2   | 618726 | 1 5/8FJ SW RUN TEE-1 5/8MJ     |
| 8                   | 2   | 618758 | 1 5/16MOR PLUG, HEX SOCKET     |
| 9                   | 1   | 618762 | 1 5/8FJIC-1 7/8MJIC ADPTR      |
| 10                  | 1   | 618843 | 1 5/8FJX BRANCH TEE-1 5/8MJ    |
| 11                  | 1   | 618917 | 1 5/8FJIC-7/8MJIC ADPTR        |
| 12                  | 2   | 618969 | 1 5/8MJIC-45-1 5/16MOR         |



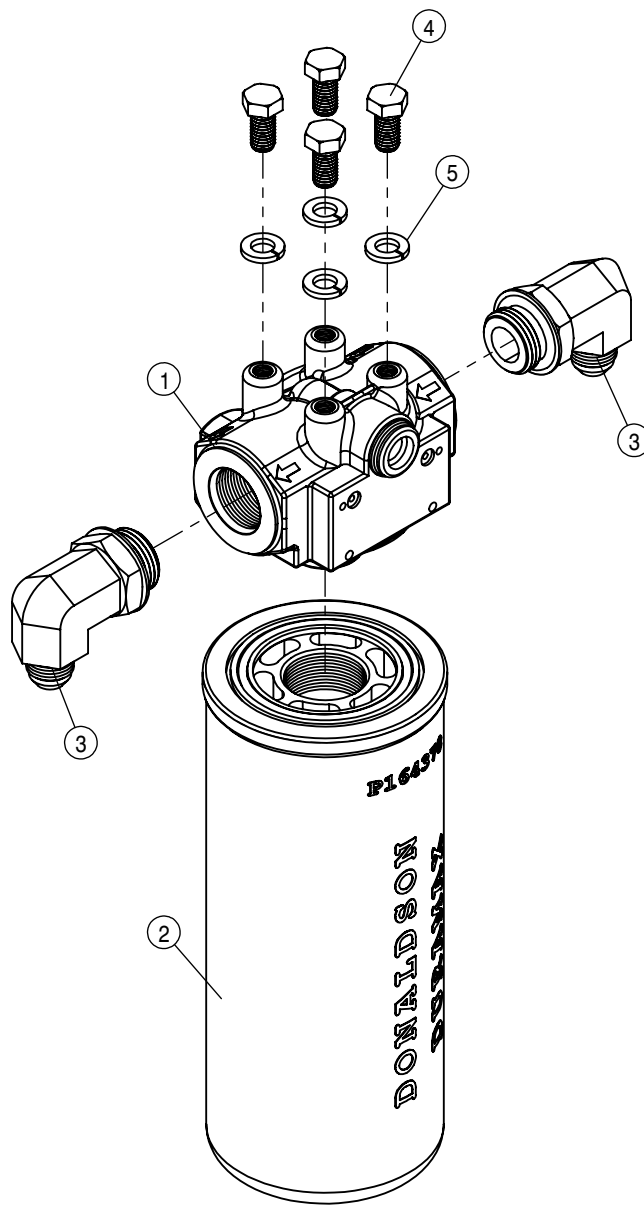
606353-GEAR PUMP, 5.38CI SAUER  
 606929-SUND GEAR PUMP .66CI, SPLINED  
 606924-O-RING FOR SUND A-MT

| HYDROSTATIC PUMP ASSEMBLY |     |        |                                |
|---------------------------|-----|--------|--------------------------------|
| DET                       | QTY | P/N    | DESCRIPTION                    |
| 1                         | 1   | 316160 | PUMP CONT LEVER EXT 280 CUMM   |
| 2                         | 8   | 470188 | 7/16-14 X 1 3/4 SKTHD CAP SCR  |
| 3                         | 8   | 470189 | 7/16 HC LOCK WASH FOR 618598   |
| 4                         | 1   | 606352 | TANDEM PUMP,606353 & 606929    |
| 5                         | 1   | 606357 | O-RING, B-MT, 3.737ID X .103CS |
| 6                         | 1   | 607572 | SUND 100CC PUMP,23T B-MT /FILT |
| 7                         | 1   | 611128 | 7/8MJIC-90-7/8MOR LBO          |
| 8                         | 1   | 618119 | 9/16MJIC-90-9/16MOR LBO        |
| 9                         | 1   | 618183 | 3/4MJIC-90-7/8MOR LBO          |
| 10                        | 2   | 618191 | 1 1/16MJ-90-1 1/16FJ SWIV LBO  |
| 11                        | 1   | 618313 | 1 1/16MJIC-45-1 1/16MOR LBO    |
| 12                        | 1   | 618327 | 3/4MJIC-7/8MOR ADPTR           |
| 13                        | 1   | 618432 | 1 7/8MJIC-90-1 7/8MOR LBO      |
| 14                        | 1   | 618472 | 1 5/8MJIC-1 5/8MOR ADPTR       |
| 15                        | 1   | 618477 | 1 5/8MJIC-90-1 5/8MOR LBO      |

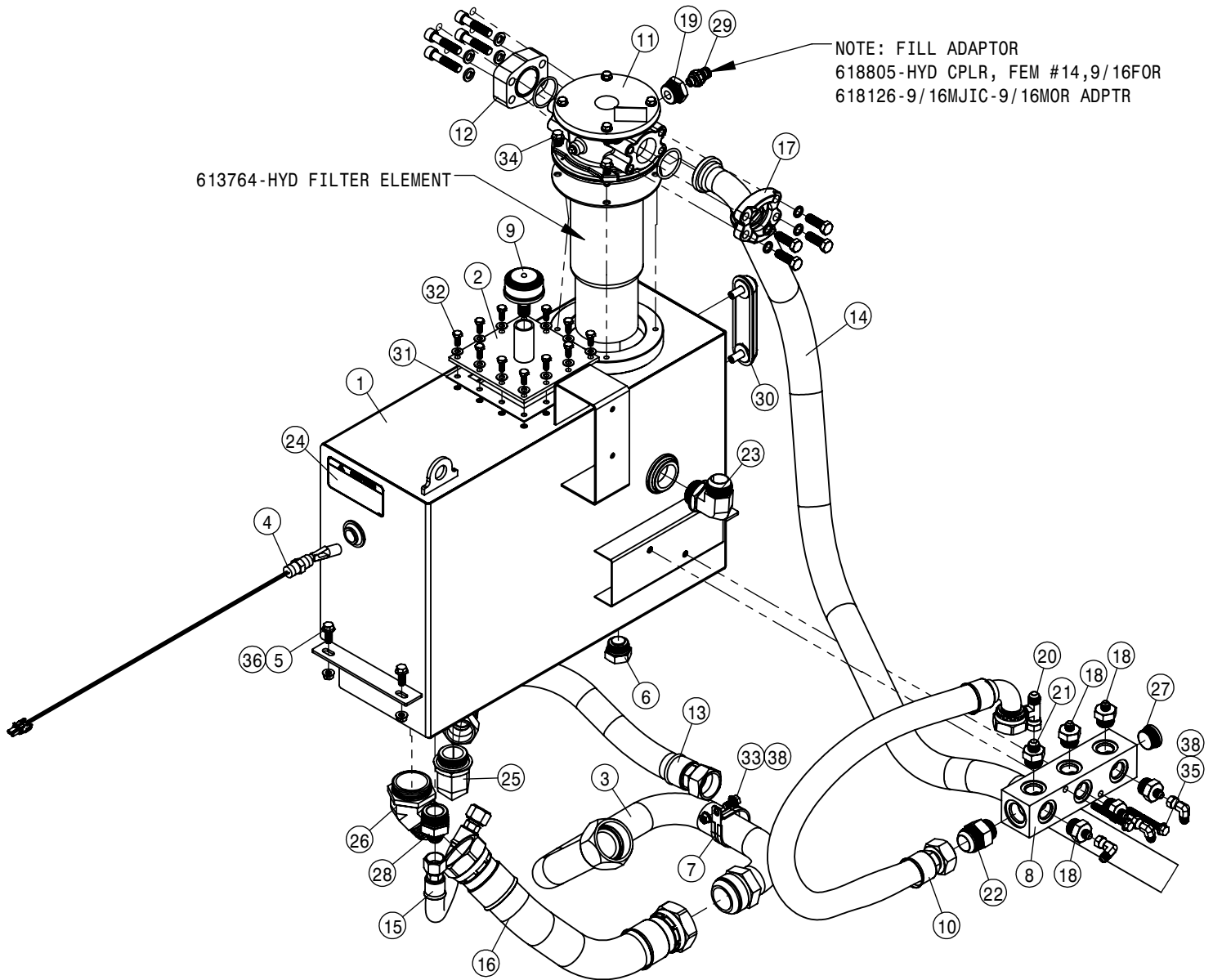
| HYDROSTATIC PUMP ASSEMBLY |     |        |                                 |
|---------------------------|-----|--------|---------------------------------|
| DET                       | QTY | P/N    | DESCRIPTION                     |
| 16                        | 2   | 618531 | 9/16FJIC CAP NUT                |
| 17                        | 2   | 618541 | 1 5/16FJIC-1 1/16MJIC ADPTR     |
| 18                        | 1   | 618576 | 1 5/16MJIC-90-1 1/16MOR LBO     |
| 19                        | 2   | 618598 | 1" 4-BOLT FLG X 1 5/16 FOR      |
| 20                        | 2   | 618599 | 1 5/16MOR BRANCH TEE-1 5/16MJIC |
| 21                        | 2   | 618629 | 9/16MOR BRANCH TEE-9/16MJIC     |
| 22                        | 1   | 618630 | 1 5/16MJ-45-1 5/16FJ SWIV LBO   |
| 23                        | 1   | 618839 | 1 7/8FJIC - 2 1/2MJIC ADPTR     |
| 24                        | 1   | 618851 | 1 5/8MJIC-90-1 5/8FJX TUBE FTG  |
| 25                        | 2   | 870219 | BUNA ORING 1 5/16 X 1 9/16      |
| 26                        | 2   | 900003 | 1/4UNC X 1" HEX BOLT            |
| 27                        | 2   | 900264 | 1/2UNC X 1 1/4 HEX BOLT         |
| 28                        | 4   | 900265 | 1/2UNC X 1 1/2 HEX BOLT         |
| 29                        | 2   | 914000 | 1/4UNC HEX STOVER NUT           |
| 30                        | 4   | 920004 | 1/2 SAE FLAT WASHER             |



| LOOP FLUSHING VALVE ASSEMBLY |     |        |                             |
|------------------------------|-----|--------|-----------------------------|
| DET                          | QTY | P/N    | DESCRIPTION                 |
| 1                            | 1   | 610580 | REMOTE FLUSHING VALVE, SUND |
| 2                            | 3   | 618119 | 9/16MJIC-90-9/16MOR LBO     |
| 3                            | 2   | 900133 | 3/8UNC X 2" HEX BOLT        |
| 4                            | 2   | 914004 | 3/8UNC HEX STOVER NUT       |

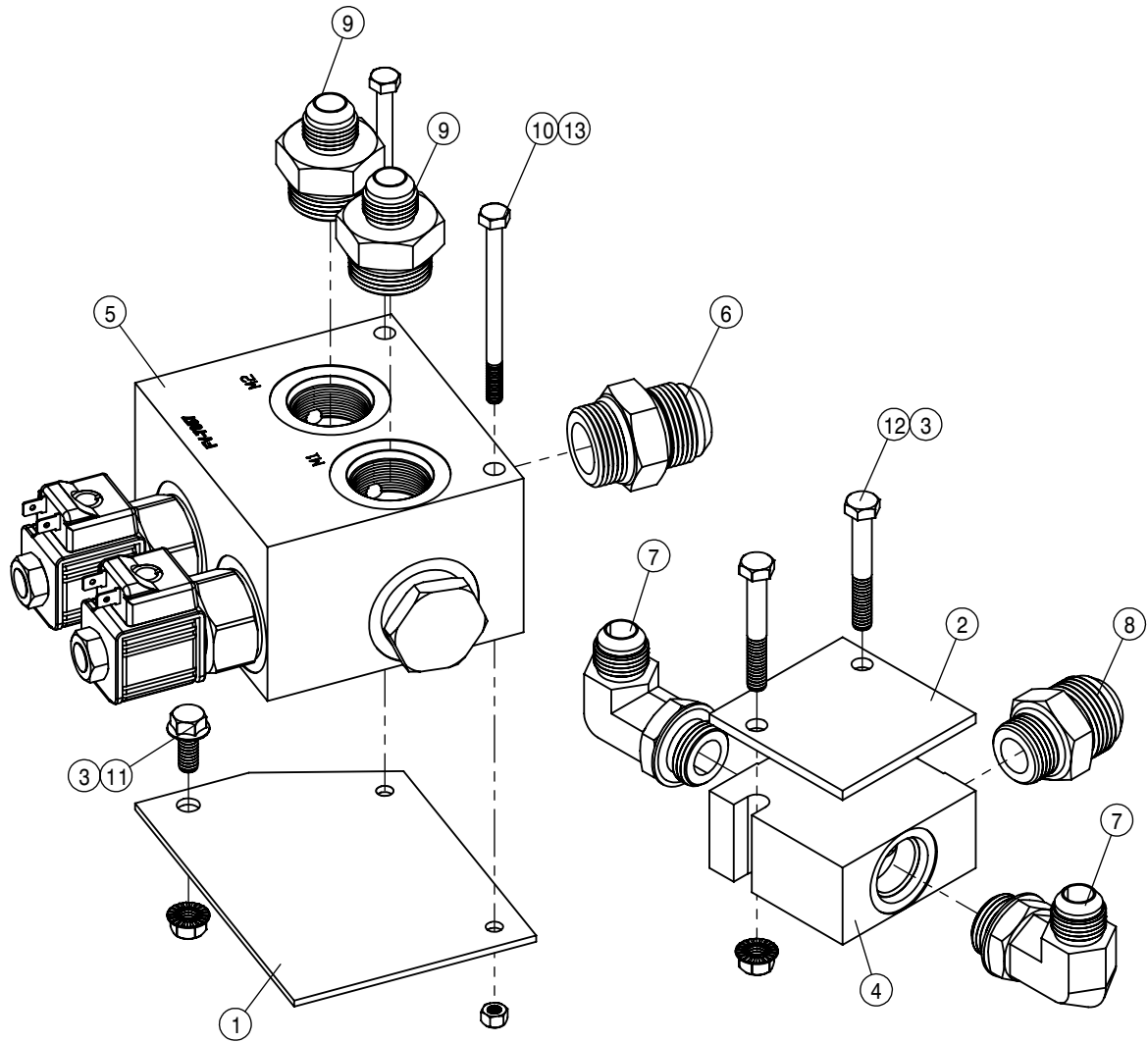


| HI-PRESSURE FILTER ASSEMBLY |     |        |                               |
|-----------------------------|-----|--------|-------------------------------|
| DET                         | QTY | P/N    | DESCRIPTION                   |
| 1                           | 1   | 605608 | HYD FILTER HEAD, DONALDSON    |
| 2                           | 1   | 605609 | HYD FILTER ELEMENT, DONALDSON |
| 3                           | 2   | 618474 | 3/4MJC-90-1 1/16MOR LBO       |
| 4                           | 4   | 900128 | 3/8UNC X 3/4 HEX BOLT         |
| 5                           | 4   | 920502 | 3/8 LOCK WASHER               |

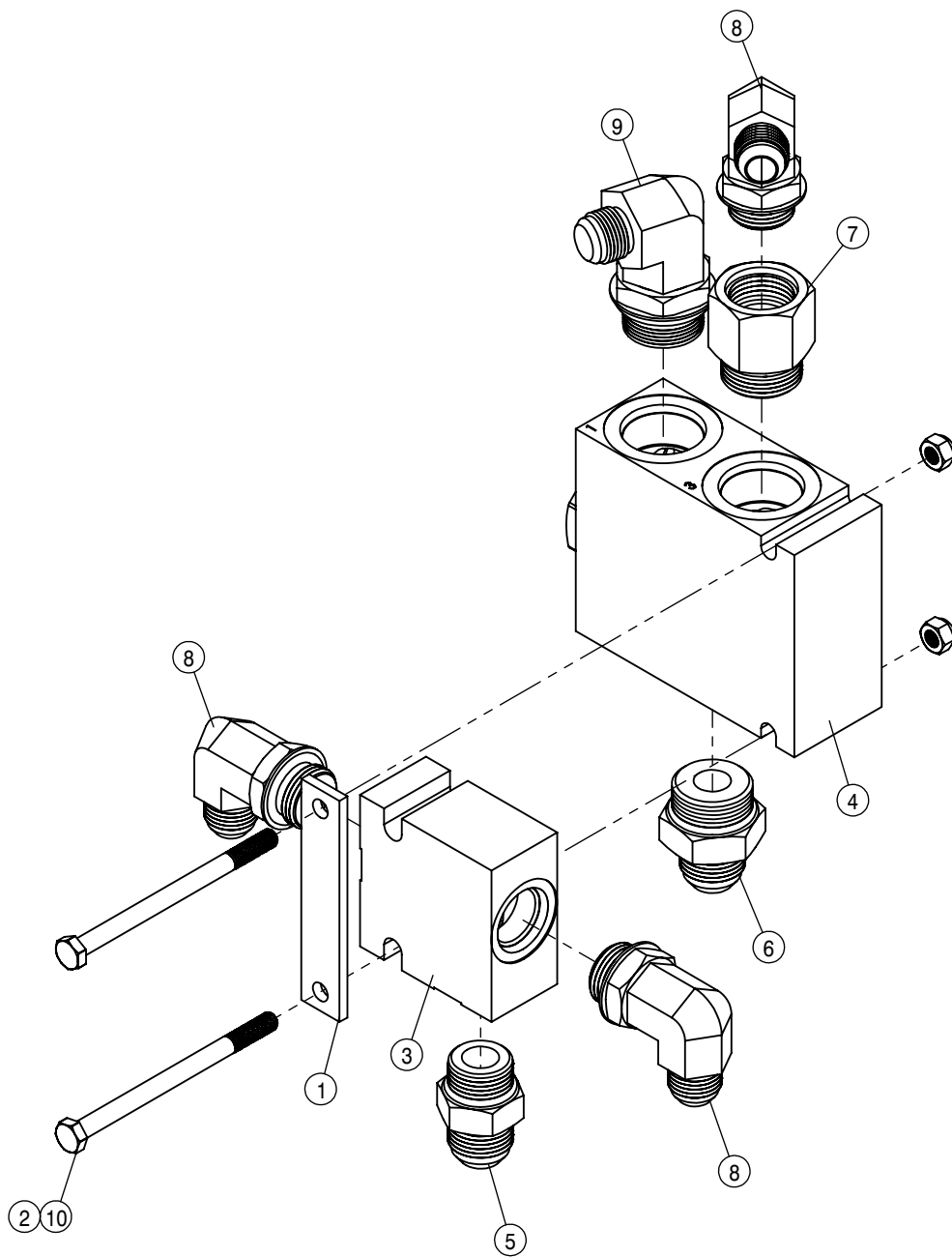


| HYDRAULIC TANK ASSEMBLY |     |        |                                 |
|-------------------------|-----|--------|---------------------------------|
| DET                     | QTY | P/N    | DESCRIPTION                     |
| 1                       | 1   | 317411 | WLDMT HYD RES, 204 T3, 2015     |
| 2                       | 1   | 317614 | WLD, HYD PLT                    |
| 3                       | 1   | 362489 | SUCTION TUBE ASSY               |
| 4                       | 1   | 470350 | LIQUID LEVEL SWITCH ASSY, 1/2NP |
| 5                       | 4   | 470460 | 3/8 X 1" SERR FLG BOLT          |
| 6                       | 1   | 470471 | 1 5/16MOR PLUG, MAGNETIC        |
| 7                       | 1   | 520172 | CUSH CLAMP, 2 1/2"D-3/4W LOOP   |
| 8                       | 1   | 606467 | DTS-RETURN MANIFOLD             |
| 9                       | 1   | 611052 | FILLER BREATHER 3/4NPT          |
| 10                      | 1   | 613762 | 20-811-20FJX-20FJX90-28         |
| 11                      | 1   | 613763 | HYD FILTER ASSY, 204            |
| 12                      | 1   | 617196 | 1.50 SPLIT FLANGE PLUG KIT #61  |
| 13                      | 1   | 617333 | 20-811-20FJX-20FJX-25 H/A       |
| 14                      | 1   | 617335 | 24-811-24FJX-24FLANGE90-89      |
| 15                      | 1   | 617338 | 12-811-12FJX-12FJX-15 H/A       |
| 16                      | 1   | 617339 | 32-811-32FJX-32FJX-21 H/A       |
| 17                      | 1   | 618299 | 1.50 SPLIT FLANGE KIT #61       |
| 18                      | 5   | 618344 | 9/16MJIC-1 1/16MOR ADPTR        |

| HYDRAULIC TANK ASSEMBLY |     |         |                                |
|-------------------------|-----|---------|--------------------------------|
| DET                     | QTY | P/N     | DESCRIPTION                    |
| 19                      | 1   | 618397  | 1 5/16MOR-9/16FOR ADPTR        |
| 20                      | 1   | 618451  | 3/4FJIC SW RUN TEE-3/4MJIC     |
| 21                      | 1   | 618469  | 3/4MJIC- 1 1/16MOR ADPTR       |
| 22                      | 1   | 618471  | 1 5/8MJIC-1 5/16MOR ADPTR      |
| 23                      | 1   | 618477  | 1 5/8MJIC-90-1 5/8MOR LBO      |
| 24                      | 1   | 650296  | CAUTION DECAL                  |
| 25                      | 1   | 618704  | 1 5/8MJIC-90-1 7/8MOR LBO      |
| 26                      | 1   | 618746  | 2 1/2MJIC-45-2 1/2MORB LBO     |
| 27                      | 1   | 618758  | 1 5/16MOR PLUG, HEX SOCKET     |
| 28                      | 1   | 618819  | 1 1/16MJIC-1 5/8MOR ADPTR      |
| 29                      | 1   | 618870  | HYD CPLR, MALE #14 9/16MOR     |
| 30                      | 1   | 701367  | SIGHT GAUGE                    |
| 31                      | 1   | 763039  | HYD MTR MTG PLT GSKT           |
| 32                      | 12  | 900064  | 5/16UNC X 3/4" HEX BOLT        |
| 33                      | 1   | 900128N | 3/8UNC X 3/4 SER FLANGE BOLT   |
| 34                      | 4   | 900131N | 3/8UNC X 1 1/2 SER FLANGE BOLT |
| 35                      | 2   | 900136N | 3/8UNC X 3" SERR FLANGE BOLT   |
| 36                      | 4   | 910004N | 3/8UNC FLANGE CNTR LOCK NUT    |
| 37                      | 3   | 618618  | 9/16MJIC-90-9/16FJIC SWIV LBO  |
| 38                      | 3   | 470087N | 3/8UNC HEX SERR FLG NUT YZ     |
| 39                      | 12  | 920001  | 5/16 SAE FLAT WASHER           |

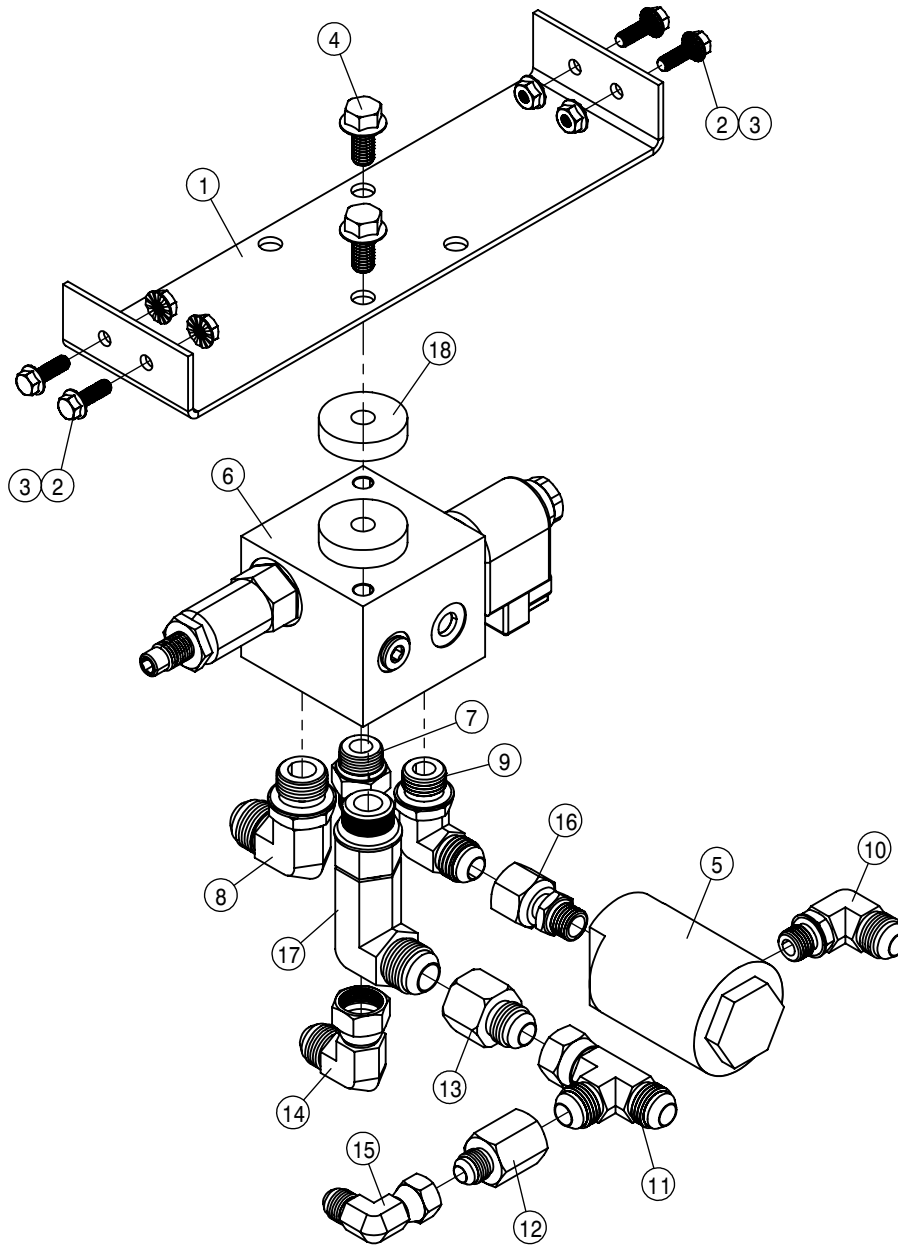


| FRONT POSITRACTION VALVE ASSEMBLY |     |         |                                |
|-----------------------------------|-----|---------|--------------------------------|
| DET                               | QTY | P/N     | DESCRIPTION                    |
| 1                                 | 1   | 341849  | POSITRACTION VALVE MT 200      |
| 2                                 | 1   | 343187  | FRT RETURN MNFLD MT,204/SP 08  |
| 3                                 | 3   | 470113  | 5/16UNC SERR FLG LOCK NUT      |
| 4                                 | 1   | 606356  | 1 1/16FOR MANIIFOLD,3 #12PORTS |
| 5                                 | 1   | 610586  | POSITRACTION VLV,ALUM,88SP60G  |
| 6                                 | 1   | 618186  | 1 5/16MJIC-1 5/16MOR ADPTR     |
| 7                                 | 2   | 618535  | 7/8MJIC-90-1 1/16MOR LBO       |
| 8                                 | 1   | 618558  | 1 5/16MJIC-1 1/16MOR ADPTR     |
| 9                                 | 2   | 618601  | 7/8MJIC-1 5/16MOR ADPT         |
| 10                                | 2   | 900012  | 1/4UNC X 3 1/2 HEX BOLT        |
| 11                                | 1   | 900064N | 5/16UNC X 3/4" SER FLG BOLT SS |
| 12                                | 2   | 900086  | 5/16UNC X 2 1/4 HEX BOLT       |
| 13                                | 2   | 914000  | 1/4UNC HEX STOVER NUT          |

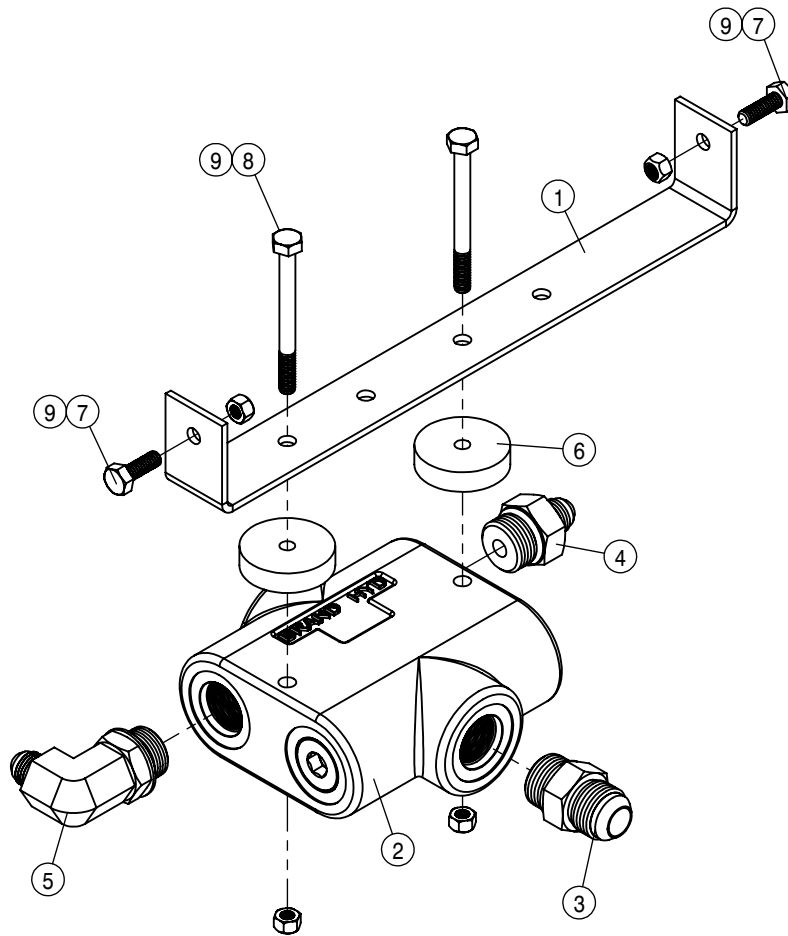


| REAR POSITRACTION VALVE ASSEMBLY |     |        |                                |
|----------------------------------|-----|--------|--------------------------------|
| DET                              | QTY | P/N    | DESCRIPTION                    |
| 1                                | 1   | 314843 | TEE KEEPER, TRAC VLV 200 89    |
| 2                                | 2   | 473001 | 5/16UNC HEX NUT,NYLOC          |
| 3                                | 1   | 606356 | 1 1/16FOR MANIIFOLD,3 #12PORTS |
| 4                                | 1   | 610609 | TRACTION VLV,STL,66S,40GPM     |
| 5                                | 1   | 611127 | 1 1/16MJIC-1 1/16MOR ADPTR     |
| 6                                | 1   | 618308 | 1 1/16MJIC-1 5/16MOR ADPTR     |
| 7                                | 1   | 618312 | 1 5/16MOR-1 1/16FOR ADPTR      |
| 8                                | 3   | 618535 | 7/8MJIC-90-1 1/16MOR LBO       |
| 9                                | 1   | 618589 | 7/8MJIC-90-1 5/16MOR LBO       |
| 10                               | 2   | 900078 | 5/16UNC X 4 1/2 HEX BOLT       |

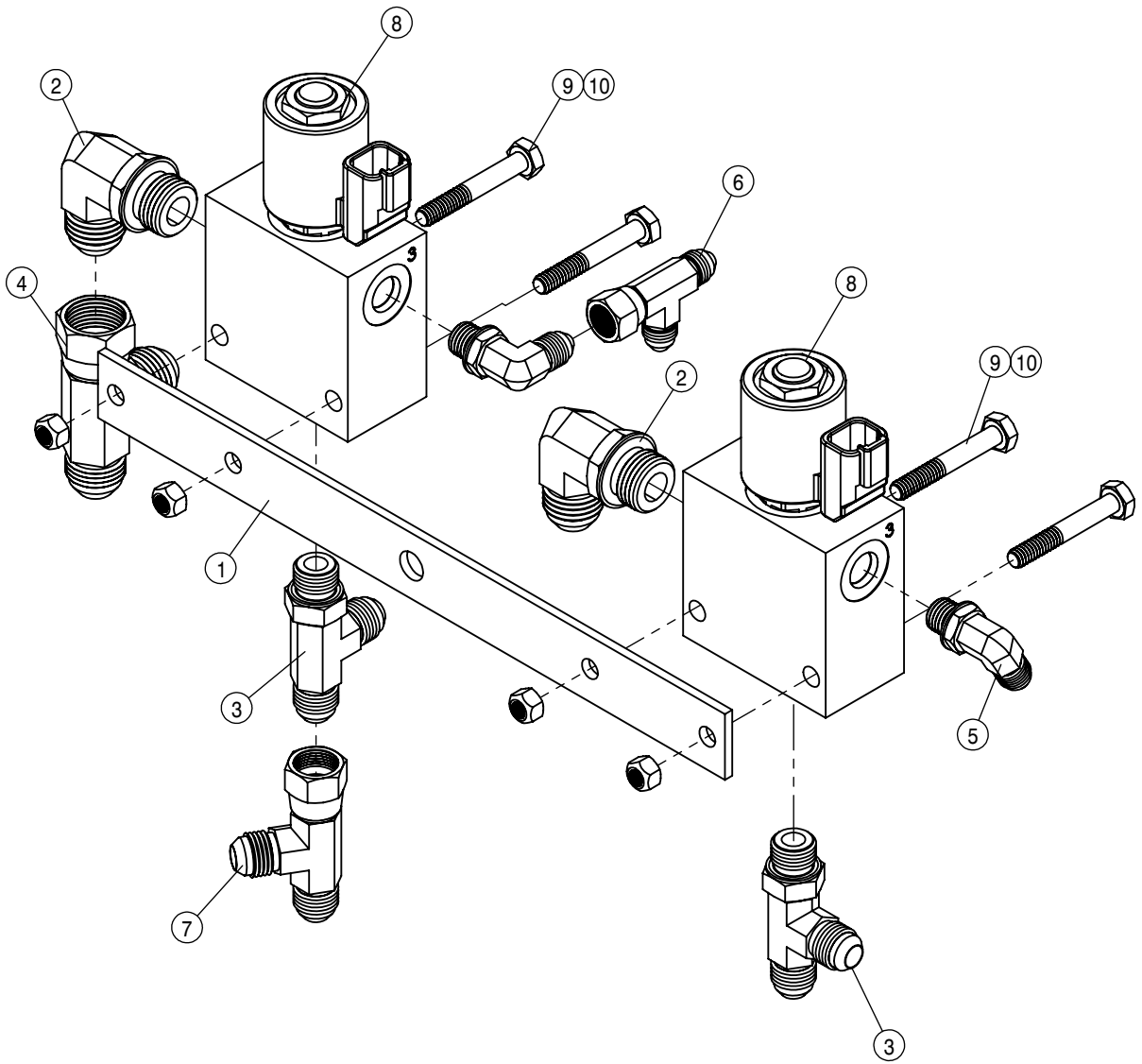




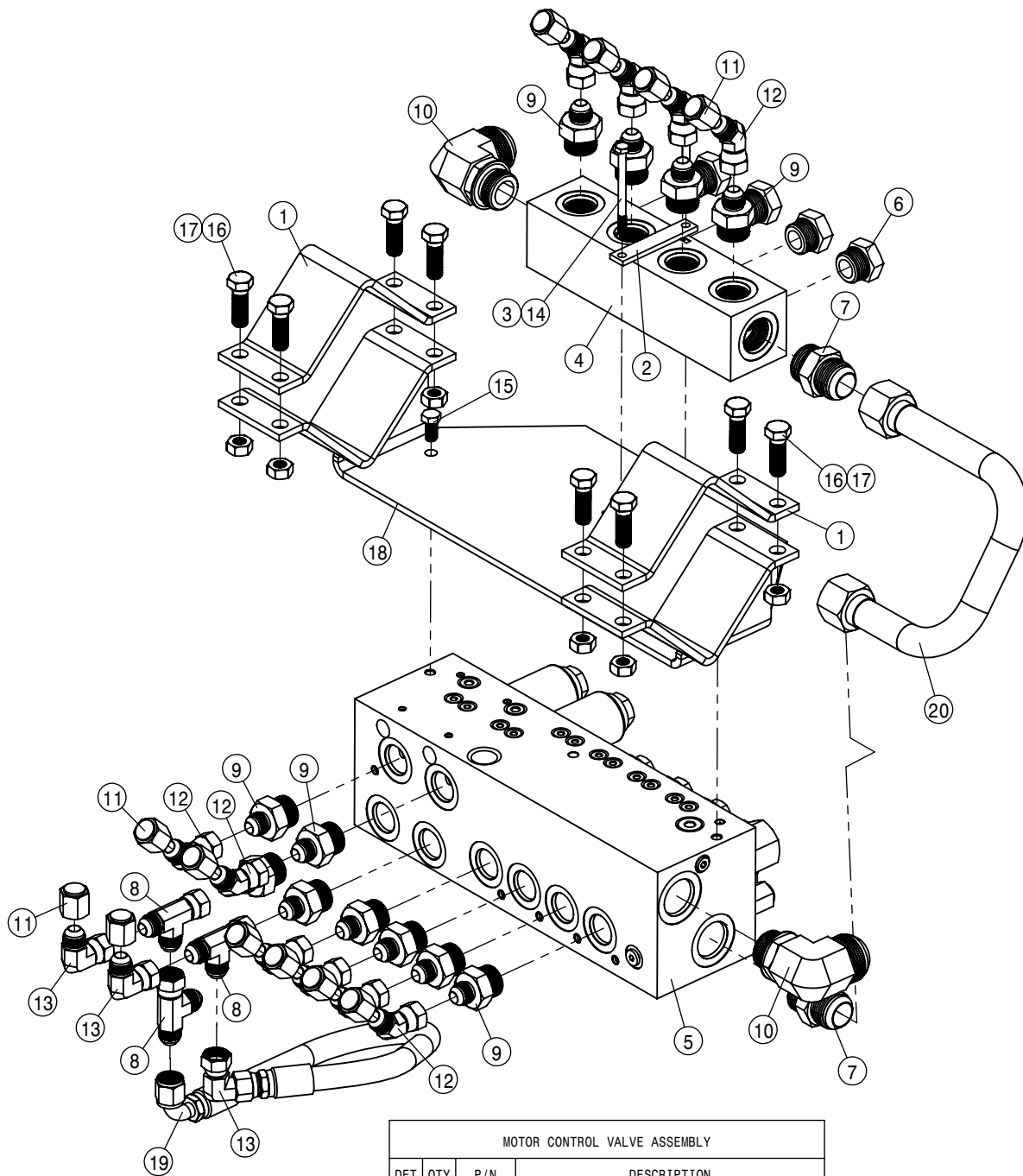
| DUMP VALVE ASSEMBLY |     |        |                                 |
|---------------------|-----|--------|---------------------------------|
| DET                 | QTY | P/N    | DESCRIPTION                     |
| 1                   | 1   | 003100 | DUMP VALVE MT 204 08            |
| 2                   | 4   | 470118 | 1/4 UNC X 3/4 SER FLG BOLT      |
| 3                   | 4   | 470121 | 1/4 UNC SERR FLG LOCK NUT       |
| 4                   | 2   | 470409 | 3/8UNC X 3/4" SERR FLG BOLT     |
| 5                   | 1   | 605615 | HYD FILTER, INLINE 25M 9/16 FOR |
| 6                   | 1   | 606330 | DUMP MANIF VALVE SAUER          |
| 7                   | 1   | 611125 | 3/4MJIC-3/4MOR ADPTR            |
| 8                   | 1   | 611128 | 7/8MJIC-90-7/8MOR LBO           |
| 9                   | 1   | 618241 | 3/4MJIC-90-3/4MOR LBO           |
| 10                  | 1   | 618249 | 3/4MJIC-90-9/16MOR LBO          |
| 11                  | 1   | 618451 | 3/4FJIC SW RUN TEE-3/4MJIC      |
| 12                  | 1   | 618482 | 3/4FJIC-9/16MJIC ADPTR          |
| 13                  | 1   | 618523 | 7/8FJIC-3/4MJIC ADPTR           |
| 14                  | 1   | 618609 | 3/4MJIC-90-3/4FJIC SWIV LBO     |
| 15                  | 1   | 618618 | 9/16MJIC-90-9/16FJIC SWIV LBO   |
| 16                  | 1   | 618692 | 3/4FJIC SWIV-9/16MOR ADPTR      |
| 17                  | 1   | 618774 | 7/8 MJIC-90-7/8 MOR LG LBO      |
| 18                  | 2   | 748501 | RUBBER WASH .38 X .406 X 1.50   |



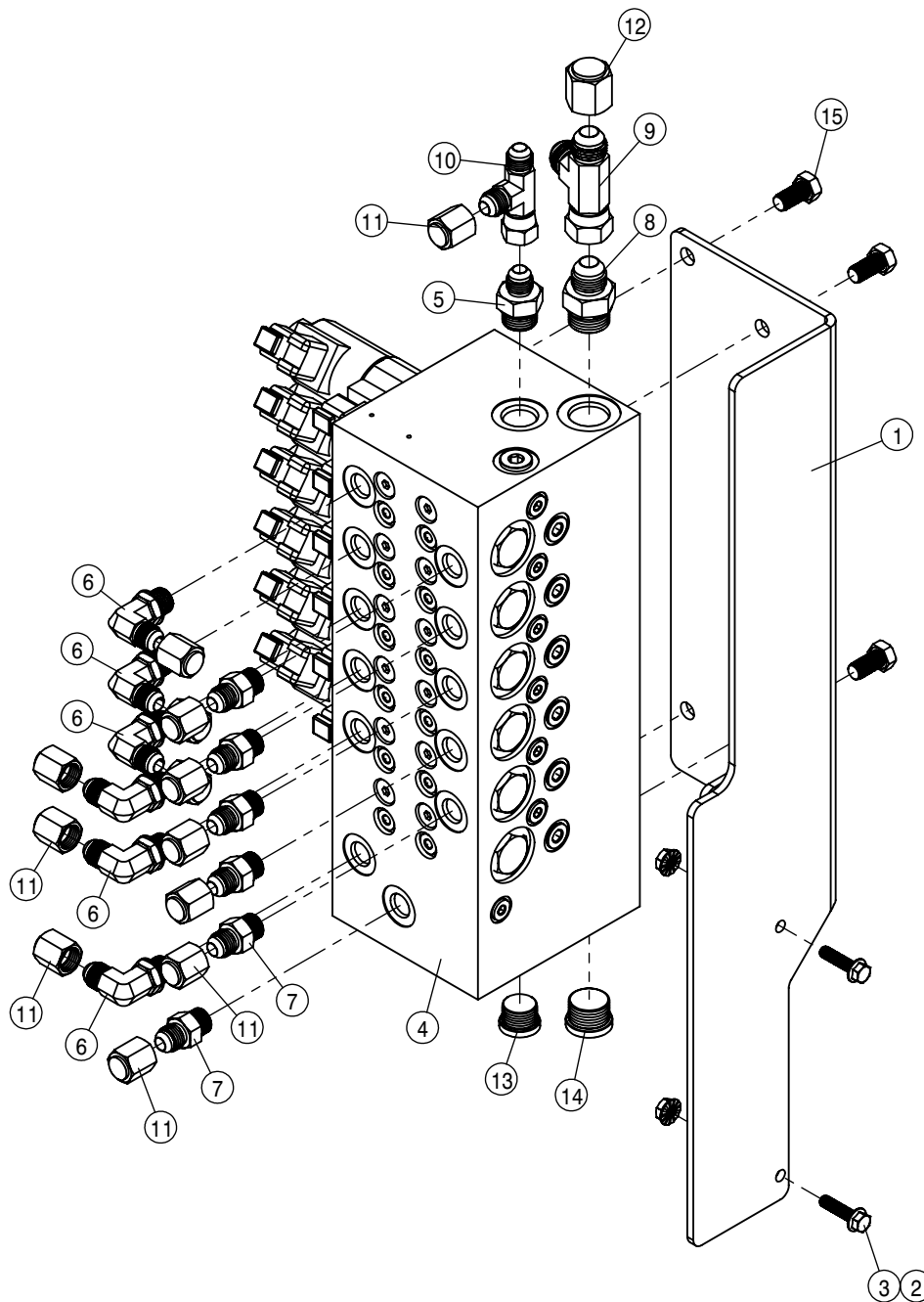
| FLOW DIVIDER VALVE ASSEMBLY |     |        |                               |    |
|-----------------------------|-----|--------|-------------------------------|----|
| DET                         | QTY | P/N    | DESCRIPTION                   |    |
| 1                           | 1   | 341774 | FLOW DIVIDER MT 280           | 89 |
| 2                           | 1   | 607504 | FLO DIV B50 2-8GPM 7/8 FOR    |    |
| 3                           | 1   | 611126 | 7/8MJIC-7/8MOR ADPTR          |    |
| 4                           | 1   | 618310 | 9/16MJIC-7/8MOR ADPTR         |    |
| 5                           | 1   | 618600 | 9/16MJIC-90-7/8MOR LBO        |    |
| 6                           | 2   | 748500 | RUBER WASH 3/8X1/4IDX1 1/2 OD |    |
| 7                           | 2   | 900002 | 1/4UNC x 3/4 HEX BOLT         |    |
| 8                           | 2   | 900009 | 1/4UNC X 2 3/4 HEX BOLT       |    |
| 9                           | 4   | 914000 | 1/4UNC HEX STOVER NUT         |    |



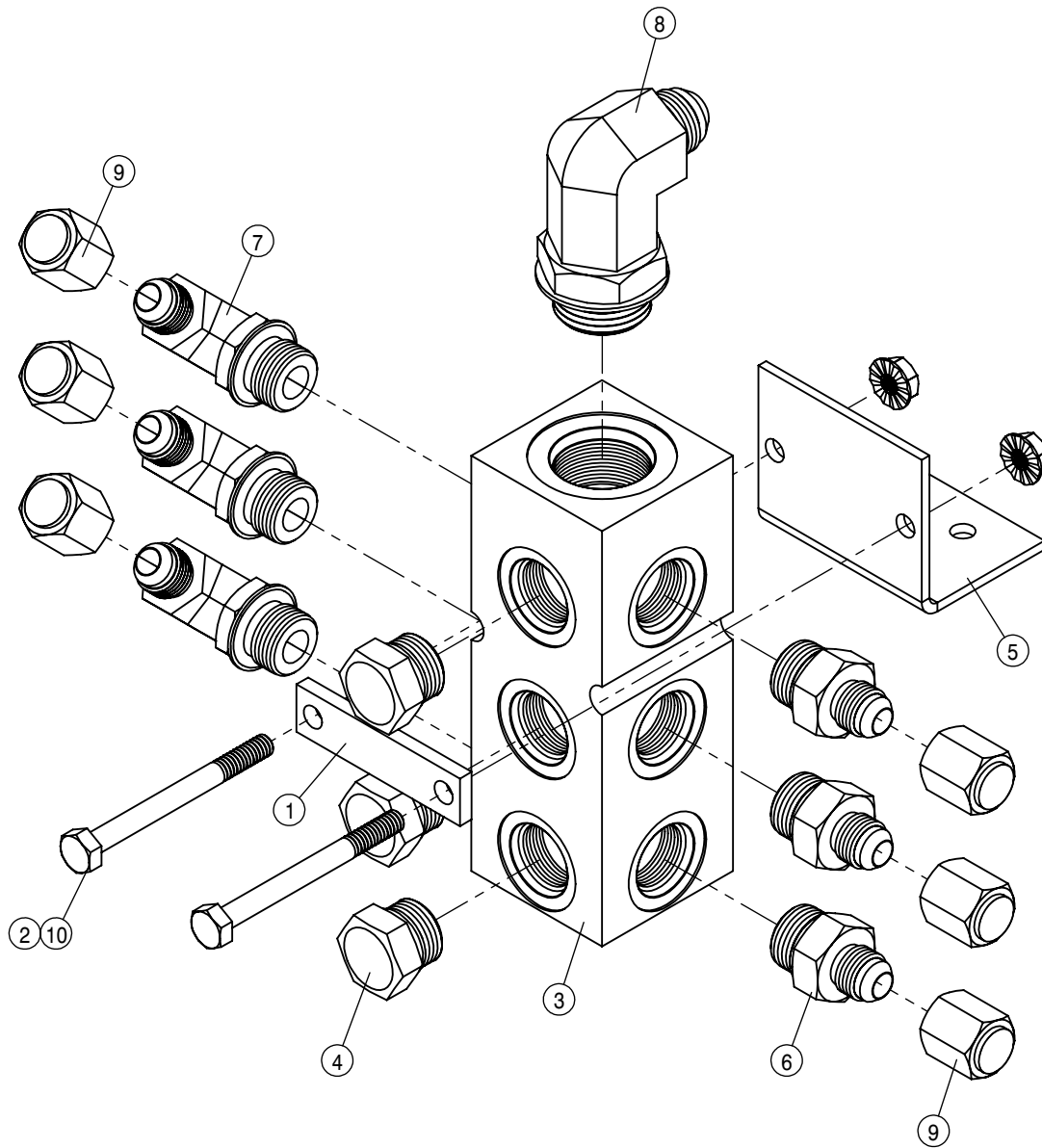
| BRAKE AND SHIFT VALVE ASSEMBLY |     |        |                              |
|--------------------------------|-----|--------|------------------------------|
| DET                            | QTY | P/N    | DESCRIPTION                  |
| 1                              | 1   | 610797 | BRAKE/SHIFT SOL VLV MT       |
| 2                              | 2   | 618241 | 3/4MJIC-90-3/4MOR LBO        |
| 3                              | 2   | 618444 | 9/16MOR RUN TEE-9/16MJIC     |
| 4                              | 1   | 618451 | 3/4FJIC SW RUN TEE-3/4MJIC   |
| 5                              | 2   | 618473 | 7/16MJIC-90-7/16MOR LBO      |
| 6                              | 1   | 618485 | 7/16FJIC SW RUN TEE-7/16MJIC |
| 7                              | 1   | 618486 | 9/16FJIC SW RUN TEE-9/16MJIC |
| 8                              | 2   | 701625 | ASSY, BRAKE/LADDER VALVE     |
| 9                              | 4   | 900006 | 1/4UNC X 1 3/4 HEX BOLT      |
| 10                             | 4   | 914000 | 1/4UNC HEX STOVER NUT        |



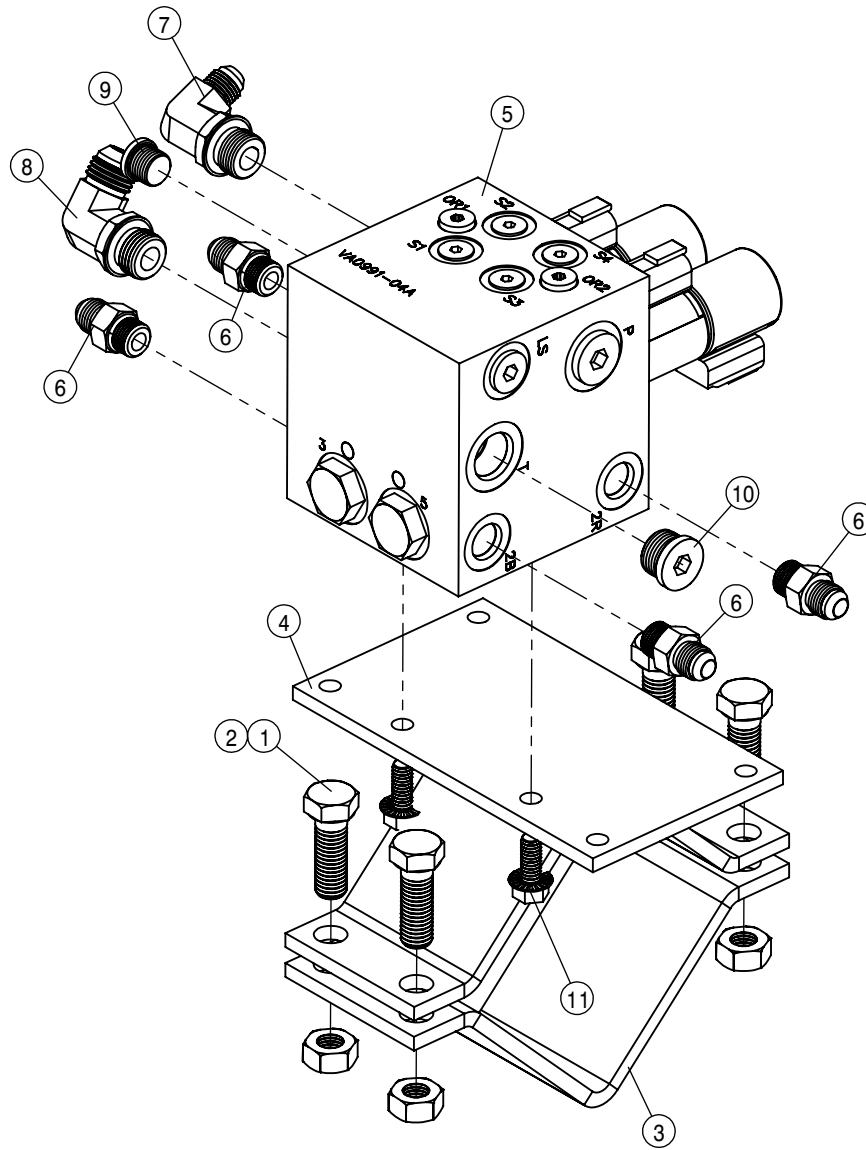
| MOTOR CONTROL VALVE ASSEMBLY |     |        |                                 |
|------------------------------|-----|--------|---------------------------------|
| DET                          | QTY | P/N    | DESCRIPTION                     |
| 1                            | 2   | 438324 | 75IN OUTGR BRACE CLAMP          |
| 2                            | 1   | 439116 | MTR CTRL VLV MT KEEPER, 204 07  |
| 3                            | 2   | 470121 | 1/4 UNC SERR FLG LOCK NUT       |
| 4                            | 1   | 606029 | RETURN MANIFOLD BLOCK, STS 03   |
| 5                            | 1   | 606262 | MTR CONTROL ELECT VLV, SAUER 07 |
| 6                            | 4   | 610186 | 1 1/16MOR PLUG, HEX HEAD        |
| 7                            | 2   | 618186 | 1 5/16MJIC-1 5/16MOR ADPTR      |
| 8                            | 3   | 618451 | 3/4FJIC SW RUN TEE-3/4MJIC      |
| 9                            | 12  | 618469 | 3/4MJIC- 1 1/16MOR ADPTR        |
| 10                           | 2   | 618476 | 1 5/8MJIC-90-1 5/16MOR LBO      |
| 11                           | 12  | 618532 | 3/4FJIC CAP NUT                 |
| 12                           | 10  | 618590 | 3/4MJIC-45-3/4FJIC SWIV LBO     |
| 13                           | 3   | 618609 | 3/4MJIC-90-3/4FJIC SWIV LBO     |
| 14                           | 2   | 900011 | 1/4UNC X 3 1/4 HEX BOLT         |
| 15                           | 2   | 900128 | 3/8UNC X 3/4 HEX BOLT           |
| 16                           | 8   | 900265 | 1/2UNC X 1 1/2 HEX BOLT         |
| 17                           | 8   | 914008 | 1/2 UNC HEX STOVER NUT          |
| 18                           | 1   | 439114 | MTR CTRL VLV MT WLD, 204 07     |
| 19                           | 1   | 617254 | 08-451TC-08FJX-08FJX90-21 H/A   |
| 20                           | 1   | 615799 | MTR CTRL RET TUBE ASSY, 204 07  |



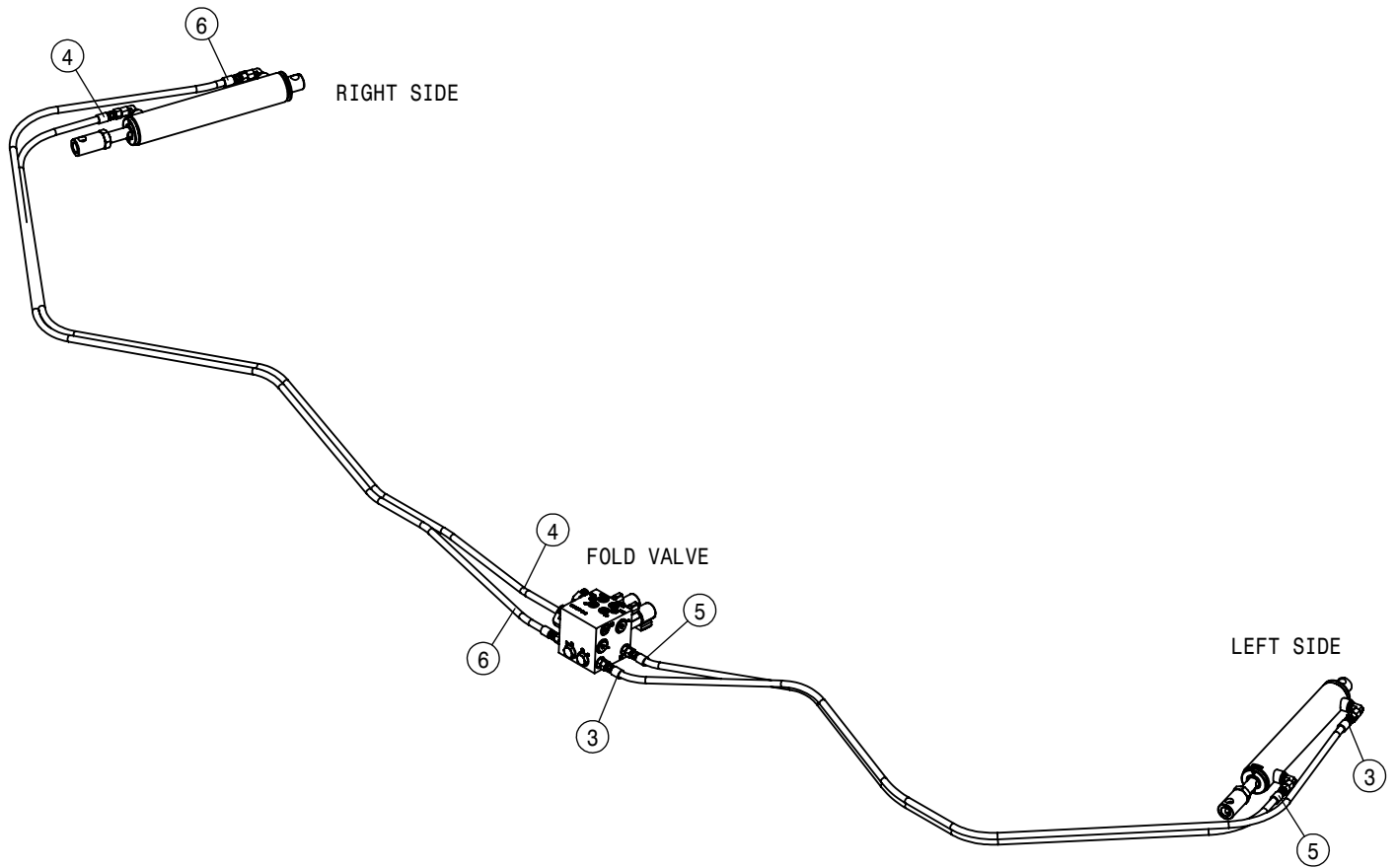
| LIFT VALVE ASSEMBLY |     |         |                              |
|---------------------|-----|---------|------------------------------|
| DET                 | QTY | P/N     | DESCRIPTION                  |
| 1                   | 1   | 003101  | LIFT VALVE MT WLD 204 08     |
| 2                   | 2   | 470121  | 1/4 UNC SERR FLG LOCK NUT    |
| 3                   | 2   | 470231N | 1/4UNC X 1" SERR FLG BOLT SS |
| 4                   | 1   | 606285  | LIFT VALVE,STS COMBO, SAUER  |
| 5                   | 1   | 618109  | 9/16MJIC-3/4MOR ADPTR        |
| 6                   | 6   | 618119  | 9/16MJIC-90-9/16MOR LBO      |
| 7                   | 6   | 618126  | 9/16MJIC-9/16MOR ADPTR       |
| 8                   | 1   | 618327  | 3/4MJIC-7/8MOR ADPTR         |
| 9                   | 1   | 618451  | 3/4FJIC SW RUN TEE-3/4MJIC   |
| 10                  | 1   | 618486  | 9/16FJIC SW RUN TEE-9/16MJIC |
| 11                  | 13  | 618531  | 9/16FJIC CAP NUT             |
| 12                  | 1   | 618532  | 3/4FJIC CAP NUT              |
| 13                  | 1   | 618755  | 3/4MOR PLUG, HEX SOCKET      |
| 14                  | 1   | 618756  | 7/8 MOR PLUG, HEX SOCKET     |
| 15                  | 4   | 900128  | 3/8UNC X 3/4 HEX BOLT        |



| RETURN MANIFOLD ASSEMBLY |     |        |                                |
|--------------------------|-----|--------|--------------------------------|
| DET                      | QTY | P/N    | DESCRIPTION                    |
| 1                        | 1   | 438729 | CUTTER RETURN MANIF MT KEEPER  |
| 2                        | 2   | 470121 | 1/4 UNC SERR FLG LOCK NUT      |
| 3                        | 1   | 606021 | HYD RETURN MANIF,3/4FOR,9-PORT |
| 4                        | 3   | 611159 | 3/4MOR PLUG, HEX HEAD          |
| 5                        | 1   | 615755 | 204 CASE DRAIN MANIFOLD MT     |
| 6                        | 3   | 618109 | 9/16MJIC-3/4MOR ADPTR          |
| 7                        | 3   | 618115 | 9/16MJIC-90-3/4MOR LBO         |
| 8                        | 1   | 618474 | 3/4MJIC-90-1 1/16MOR LBO       |
| 9                        | 6   | 618531 | 9/16FJIC CAP NUT               |
| 10                       | 2   | 900009 | 1/4UNC X 2 3/4 HEX BOLT        |

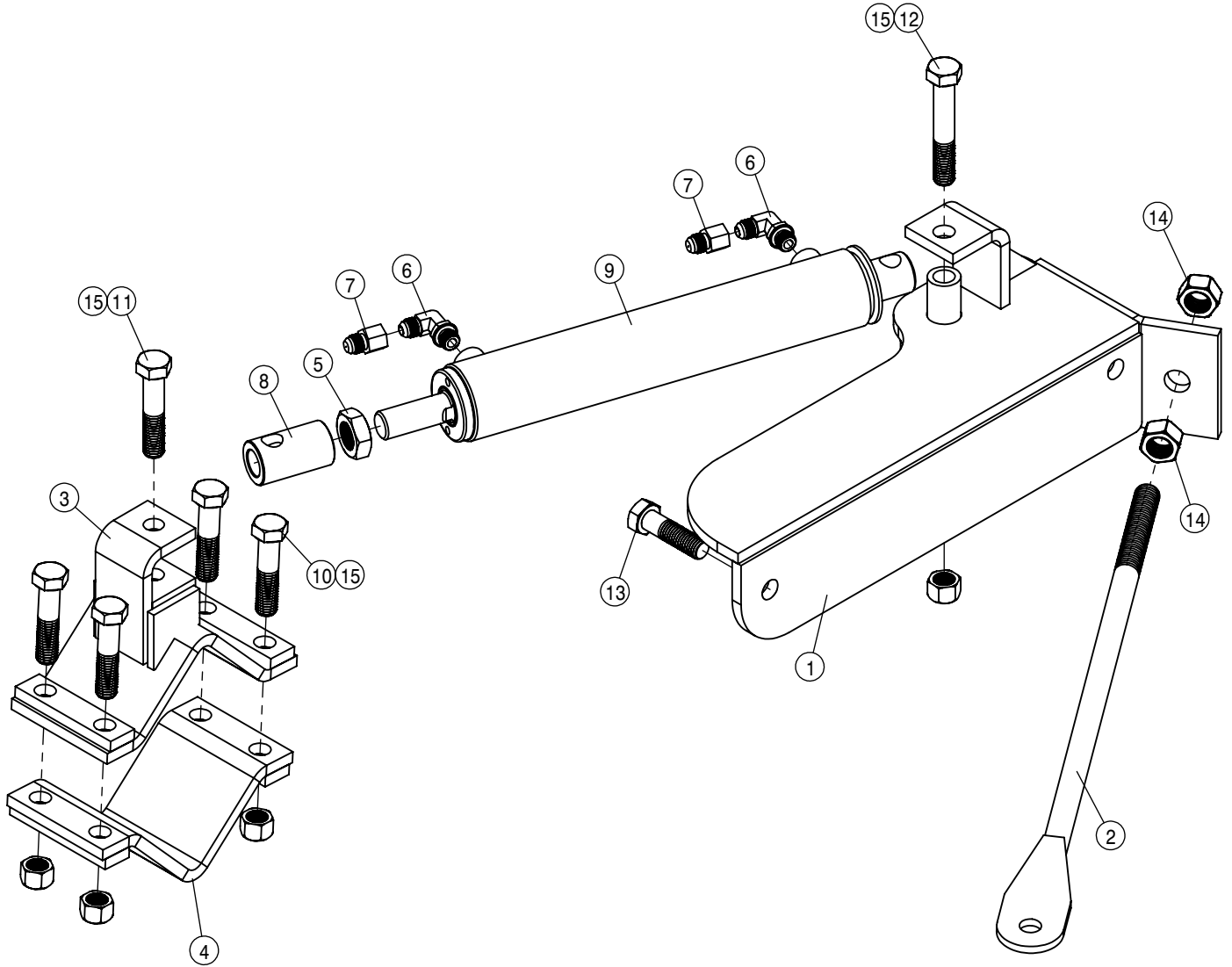


| OUTRIGGER FOLD VALVE ASSEMBLY |     |        |                                 |
|-------------------------------|-----|--------|---------------------------------|
| DET                           | QTY | P/N    | DESCRIPTION                     |
| 1                             | 4   | 900265 | 1/2UNC X 1 1/2 HEX BOLT         |
| 2                             | 4   | 914008 | 1/2 UNC HEX STOVER NUT          |
| 3                             | 1   | 438324 | 75IN OUTRGR BRACE CLAMP         |
| 4                             | 1   | 438724 | OUTRGR FOLD VALVE MT            |
| 5                             | 1   | 606249 | MANIFOLD,TRD ADJ PWRSYS         |
| 6                             | 4   | 618126 | 9/16MJIC-9/16MOR ADPTR          |
| 7                             | 1   | 618115 | 9/16MJIC-90-3/4MOR LBO          |
| 8                             | 1   | 618241 | 3/4MJIC-90-3/4MOR LBO           |
| 9                             | 1   | 618754 | 9/16 MOR PLUG, HEX SOCKET       |
| 10                            | 1   | 618755 | 3/4MOR PLUG, HEX SOCKET         |
| 11                            | 2   | 470233 | 5/16UNC X 3/4 SERR FLG HEX BOLT |

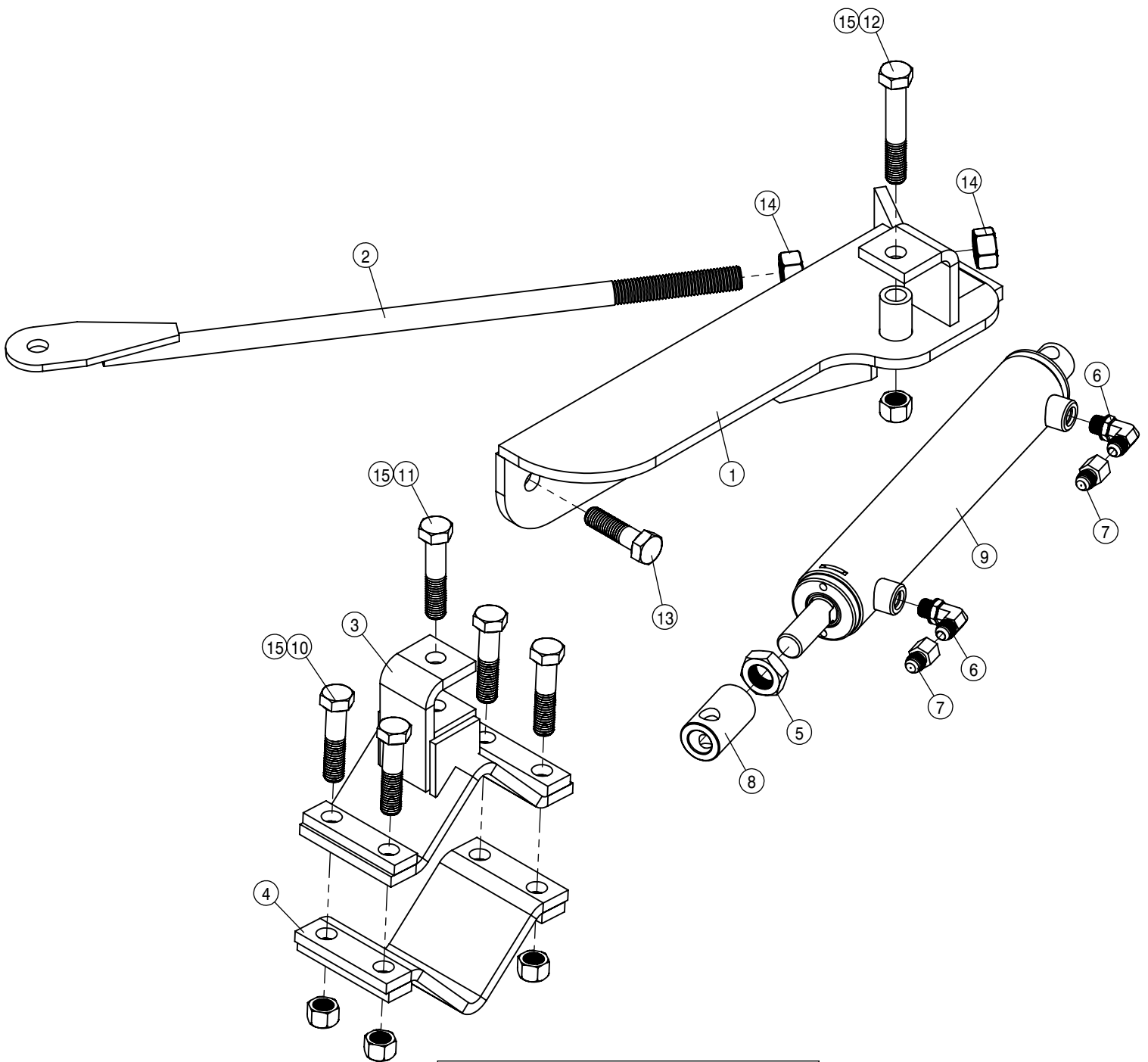


| OUTRIGGER FOLD HOISING ASSEMBLY |     |        |                              |
|---------------------------------|-----|--------|------------------------------|
| DET                             | QTY | P/N    | DESCRIPTION                  |
| NS                              | 1   | 293685 | FOLD SWITCH POWER HARNESS    |
| NS                              | 1   | 294028 | 204 OUTRIGGER HARNESS        |
| 3                               | 1   | 614077 | 04-482TC-06FJX-06FJX-88      |
| 4                               | 1   | 614152 | 04-482TC-06FJX-06FJX-114     |
| 5                               | 1   | 615727 | 04-482TC-06FJX-06FJX-75 H/A  |
| 6                               | 1   | 616205 | 04-482TC-06FJX-06FJX-117 H/A |

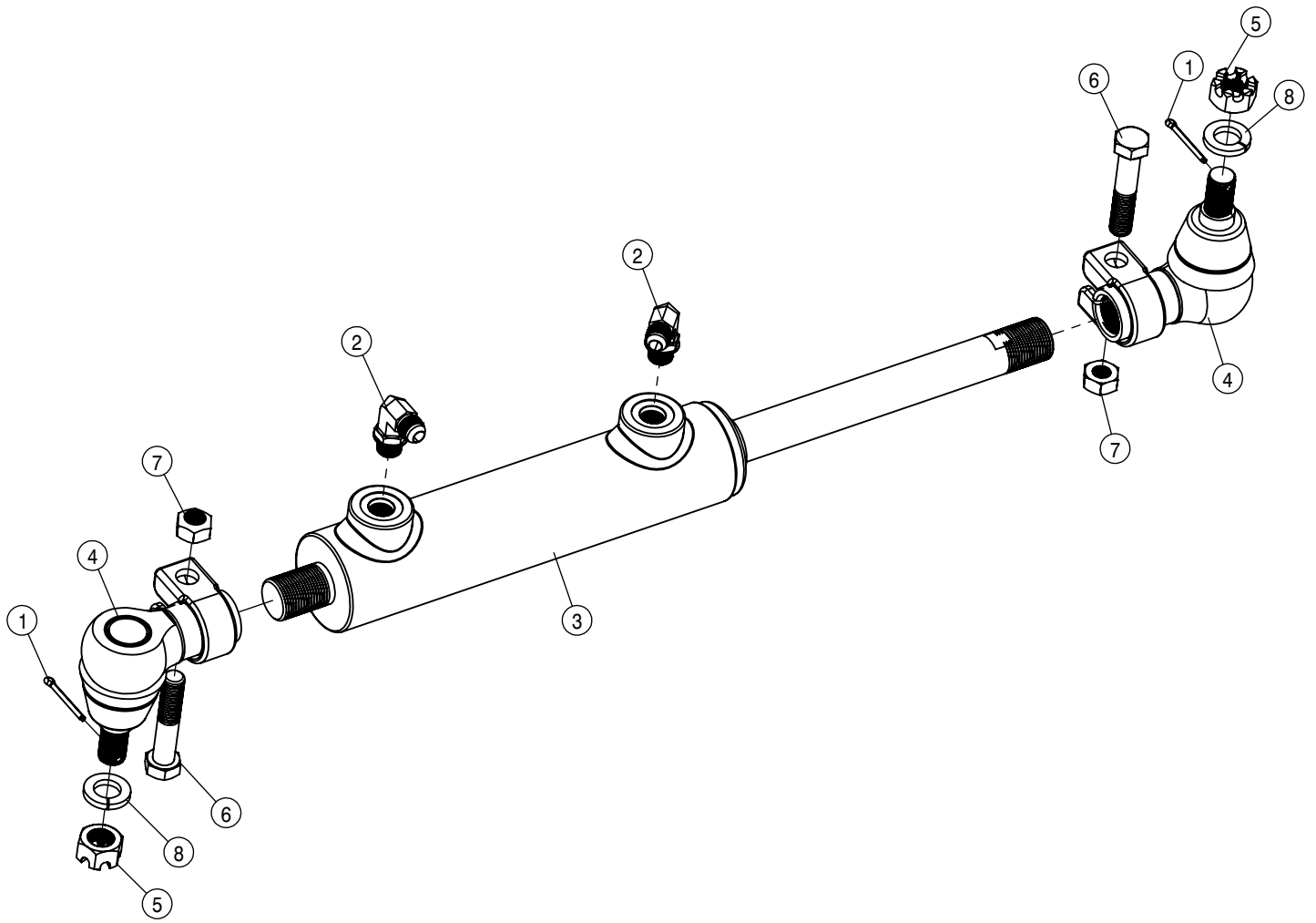




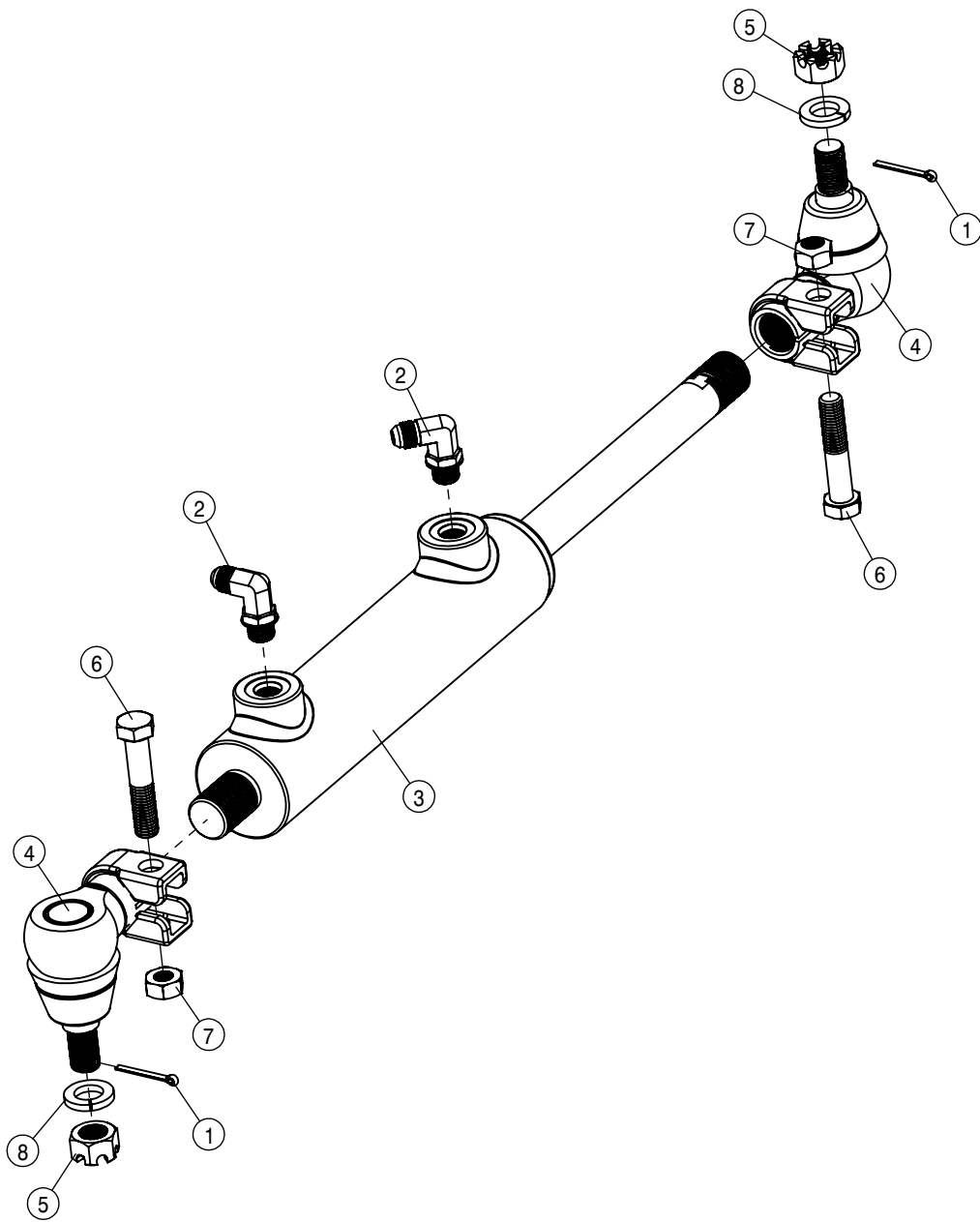
| RIGHT OUTRIGGER FOLD ASSEMBLY |     |        |                                |
|-------------------------------|-----|--------|--------------------------------|
| DET                           | QTY | P/N    | DESCRIPTION                    |
| 1                             | 1   | 438735 | RH FOLD CYL MT WLD, 204/SP     |
| 2                             | 1   | 438745 | FOLD CYL MT SUPP ROD WLD204/SP |
| 3                             | 1   | 438772 | OUTRGR CYL MT WLD, 204 08      |
| 4                             | 1   | 438777 | CYL MT KEEPER WLD, 204 08      |
| 5                             | 1   | 472322 | 7/8-14 UNF HEX JAM NUT         |
| 6                             | 2   | 618119 | 9/16MJIC-90-9/16MOR LBO        |
| 7                             | 2   | 618731 | 9/16 - .025 ORIFICE ADPT       |
| 8                             | 1   | 620653 | FOLD CYL ADJ SLEEVE 97         |
| 9                             | 1   | 621520 | HYD CYL, 2.00 X 10.00 X 1.000  |
| 10                            | 4   | 900337 | 5/8UNC X 2 3/4 HEX BOLT        |
| 11                            | 1   | 900338 | 5/8 UNC X 3" HEX BOLT          |
| 12                            | 1   | 900341 | 5/8UNC X 3 3/4 HEX BOLT        |
| 13                            | 1   | 900352 | 5/8UNC X 2 1/4 HEX BOLT        |
| 14                            | 2   | 910012 | 3/4UNC HEX NUT                 |
| 15                            | 6   | 914010 | 5/8UNC HEX STOVER NUT          |



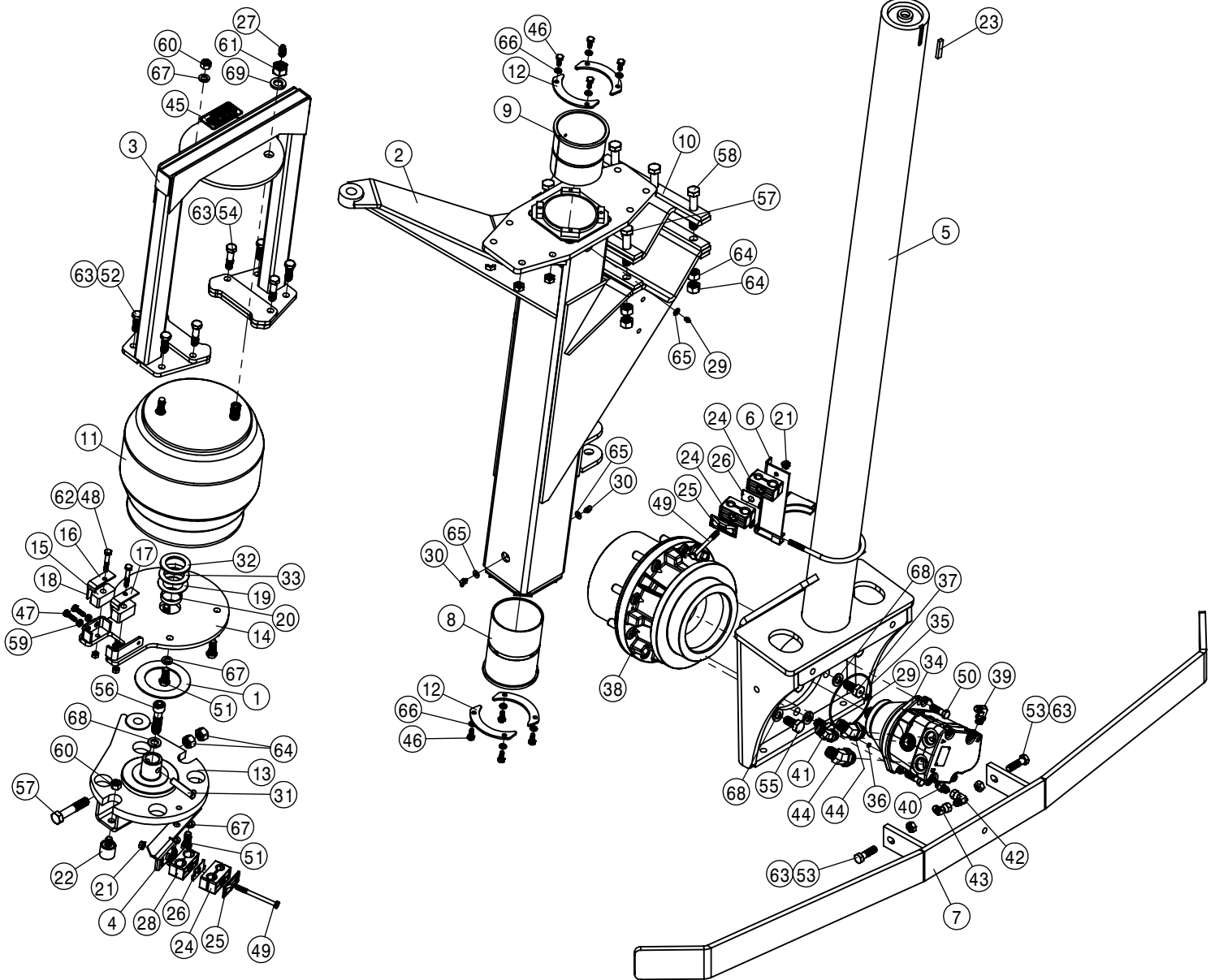
| LEFT OUTRIGGER FOLD ASSEMBLY |     |        |                                |
|------------------------------|-----|--------|--------------------------------|
| DET                          | QTY | P/N    | DESCRIPTION                    |
| 1                            | 1   | 438736 | LH FOLD CYL MT WLD, 204/SP     |
| 2                            | 1   | 438745 | FOLD CYL MT SUPP ROD WLD204/SP |
| 3                            | 1   | 438772 | OUTRGR CYL MT WLD, 204 08      |
| 4                            | 1   | 438777 | CYL MT KEEPER WLD, 204 08      |
| 5                            | 1   | 472322 | 7/8-14 UNF HEX JAM NUT         |
| 6                            | 2   | 618119 | 9/16MJIC-90-9/16MOR LBO        |
| 7                            | 2   | 618731 | 9/16 - .025 ORIFICE ADPT       |
| 8                            | 1   | 620653 | FOLD CYL ADJ SLEEVE 97         |
| 9                            | 1   | 621520 | HYD CYL, 2.00 X 10.00 X 1.000  |
| 10                           | 4   | 900337 | 5/8UNC X 2 3/4 HEX BOLT        |
| 11                           | 1   | 900338 | 5/8 UNC X 3" HEX BOLT          |
| 12                           | 1   | 900341 | 5/8UNC X 3 3/4 HEX BOLT        |
| 13                           | 1   | 900352 | 5/8UNC X 2 1/4 HEX BOLT        |
| 14                           | 2   | 910012 | 3/4UNC HEX NUT                 |
| 15                           | 6   | 914010 | 5/8UNC HEX STOVER NUT          |



| RIGHT STEERING CYLINDER ASSEMBLY |     |        |                              |
|----------------------------------|-----|--------|------------------------------|
| DET                              | QTY | P/N    | DESCRIPTION                  |
| 1                                | 2   | 390984 | 1/8 X 1 1/4 COTTER PIN       |
| 2                                | 2   | 618119 | 9/16MJIC-90-9/16MOR LBO      |
| 3                                | 1   | 621516 | HYD CYL, 2.00 X 7.00 X 1.000 |
| 4                                | 2   | 749312 | RH STRG CYL SWIV ASSY        |
| 5                                | 2   | 822040 | 5/8-18UNF SLOTTED HEX NUT    |
| 6                                | 2   | 900268 | 1/2UNC X 2 1/2 HEX BOLT      |
| 7                                | 2   | 914008 | 1/2 UNC HEX STOVER NUT       |
| 8                                | 2   | 920505 | 5/8 LOCK WASHER              |



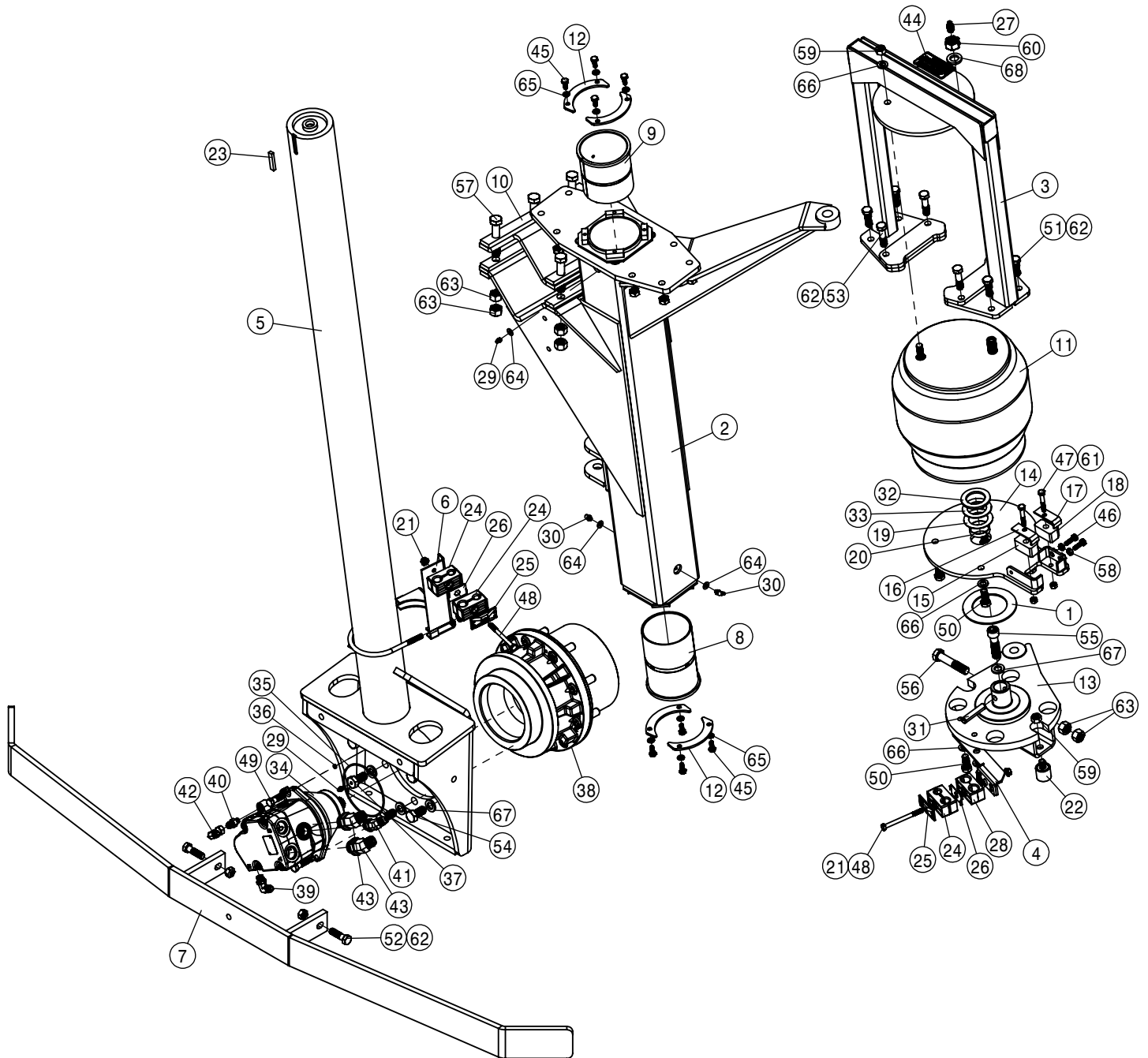
| LEFT STEERING CYLINDER ASSEMBLY |     |        |                              |
|---------------------------------|-----|--------|------------------------------|
| DET                             | QTY | P/N    | DESCRIPTION                  |
| 1                               | 2   | 390984 | 1/8 X 1 1/4 COTTER PIN       |
| 2                               | 2   | 618119 | 9/16MJIC-90-9/16MOR LBO      |
| 3                               | 1   | 621516 | HYD CYL, 2.00 X 7.00 X 1.000 |
| 4                               | 2   | 749313 | LH STRG CYL SWIV ASSY        |
| 5                               | 2   | 822040 | 5/8-18UNF SLOTTED HEX NUT    |
| 6                               | 2   | 900268 | 1/2UNC X 2 1/2 HEX BOLT      |
| 7                               | 2   | 914008 | 1/2 UNC HEX STOVER NUT       |
| 8                               | 2   | 920505 | 5/8 LOCK WASHER              |



| RIGHT FRONT LEG ASSEMBLY |     |        |                                  |
|--------------------------|-----|--------|----------------------------------|
| DET                      | QTY | P/N    | DESCRIPTION                      |
| 1                        | 1   | 127505 | THRUST BEARING, FIBERGUIDE       |
| 2                        | 1   | 357857 | RH FRT OUTER LEG WLD, 204SP 01   |
| 3                        | 1   | 357864 | AIR BAG ARCH WLD, RF/LR204SP 01  |
| 4                        | 1   | 357870 | RH UPR HYD HOSE BRKT WLD 204SP   |
| 5                        | 1   | 357942 | FRT INNER LEG WLD, 204SP 06      |
| 6                        | 1   | 357946 | RH FRT TUBE MT WLD, 204 07       |
| 7                        | 1   | 357950 | STALK GUIDE WLD, 204 07          |
| 8                        | 1   | 358564 | FRT LEG LWR NYL SLEEVE 280 89    |
| 9                        | 1   | 358565 | FRT LEG UPR NYL SLEEVE 280 89    |
| 10                       | 1   | 358759 | LEG MT V-PLT WLD, 284T 94        |
| 11                       | 1   | 358831 | AIRIDE SPRING                    |
| 12                       | 4   | 358927 | LWR BRG KPR, LEG 98              |
| 13                       | 1   | 358971 | STEERING ARM WLD, RF/LR 2100 99  |
| 14                       | 1   | 358980 | AIR BAG MT WLD, RF/LR 2100 99    |
| 15                       | 2   | 358990 | NYLON GUIDE, 2100 LEG 99         |
| 16                       | 1   | 358991 | INNER KEEPER, NYL GUIDE, 2100 99 |
| 17                       | 1   | 358992 | OUTER KEEPER, NYL GUIDE, 2100 99 |
| 18                       | 1   | 358993 | .125 X 1.000 X 1.68 W/HOLEC/S    |
| 19                       | 1   | 358994 | LEG WASHER, NYLON 2100 99        |
| 20                       | 1   | 358995 | NYLON BEARING, LWR AB MT2100 99  |
| 21                       | 2   | 470113 | 5/16UNC SERR FLG LOCK NUT        |
| 22                       | 2   | 470259 | URETHANE BUMPER, 1.25D X 1.25L   |
| 23                       | 1   | 470265 | .250 X .375 CFFL X 1.88 C/L      |

| RIGHT FRONT LEG ASSEMBLY |     |        |                                 |
|--------------------------|-----|--------|---------------------------------|
| DET                      | QTY | P/N    | DESCRIPTION                     |
| 24                       | 3   | 470270 | TUBE CLAMP BODY, .530-.680      |
| 25                       | 2   | 470276 | CLAMP COVER PLATE, SNGL, 2.55LG |
| 26                       | 2   | 470281 | STACK BOLT SAFETY LOCK PLATE    |
| 27                       | 1   | 470338 | AIR TANK VALVE, 1/4MNPT W/CAP   |
| 28                       | 1   | 470343 | TUBE CLAMP BODY, .875-.875      |
| 29                       | 2   | 471005 | GREASE ZERK, 1/4-28 X 1/2       |
| 30                       | 2   | 471023 | GREASE ZERK 1/4-28 X 45         |
| 31                       | 1   | 473906 | ROLL PIN, 1/2 X 2 1/2 COILED    |
| 32                       | 1   | 483061 | WASH: 7GA X 1.66 X 2.50         |
| 33                       | 1   | 483063 | WASH: 14GA X 1.66 X 2.50        |
| 34                       | 1   | 606193 | SAUER WHL MOTOR, KC-38CC        |
| 35                       | 1   | 606197 | O-RING, 4.73ID-.103CS-4.9430D   |
| 36                       | 1   | 606198 | O-RING .239ID .070CS .3790D     |
| 37                       | 1   | 610013 | ZERK BOLT, 5/8 X 1 1/4 TORQ HUB |
| 38                       | 1   | 611069 | TORQ HUB 25.15:1 70CD           |
| 39                       | 1   | 618119 | 9/16MJIC-90-9/16MOR LBO         |
| 40                       | 1   | 618304 | 9/16MJIC-7/16MOR ADPTR          |
| 41                       | 1   | 618315 | 3/4MJIC-45-3/4MOR LBO           |
| 42                       | 1   | 618618 | 9/16MJIC-90-9/16FJIC SWIV LBO   |
| 43                       | 1   | 618634 | 9/16MJIC-45-9/16FJIC SWIV LBO   |
| 44                       | 2   | 618786 | 7/8MJIC-45-1 1/16MOR LBO        |
| 45                       | 1   | 650364 | DECAL, AIR BAG WARNING 100 PSI  |
| 46                       | 8   | 900064 | 5/16UNC X 3/4" HEX BOLT         |

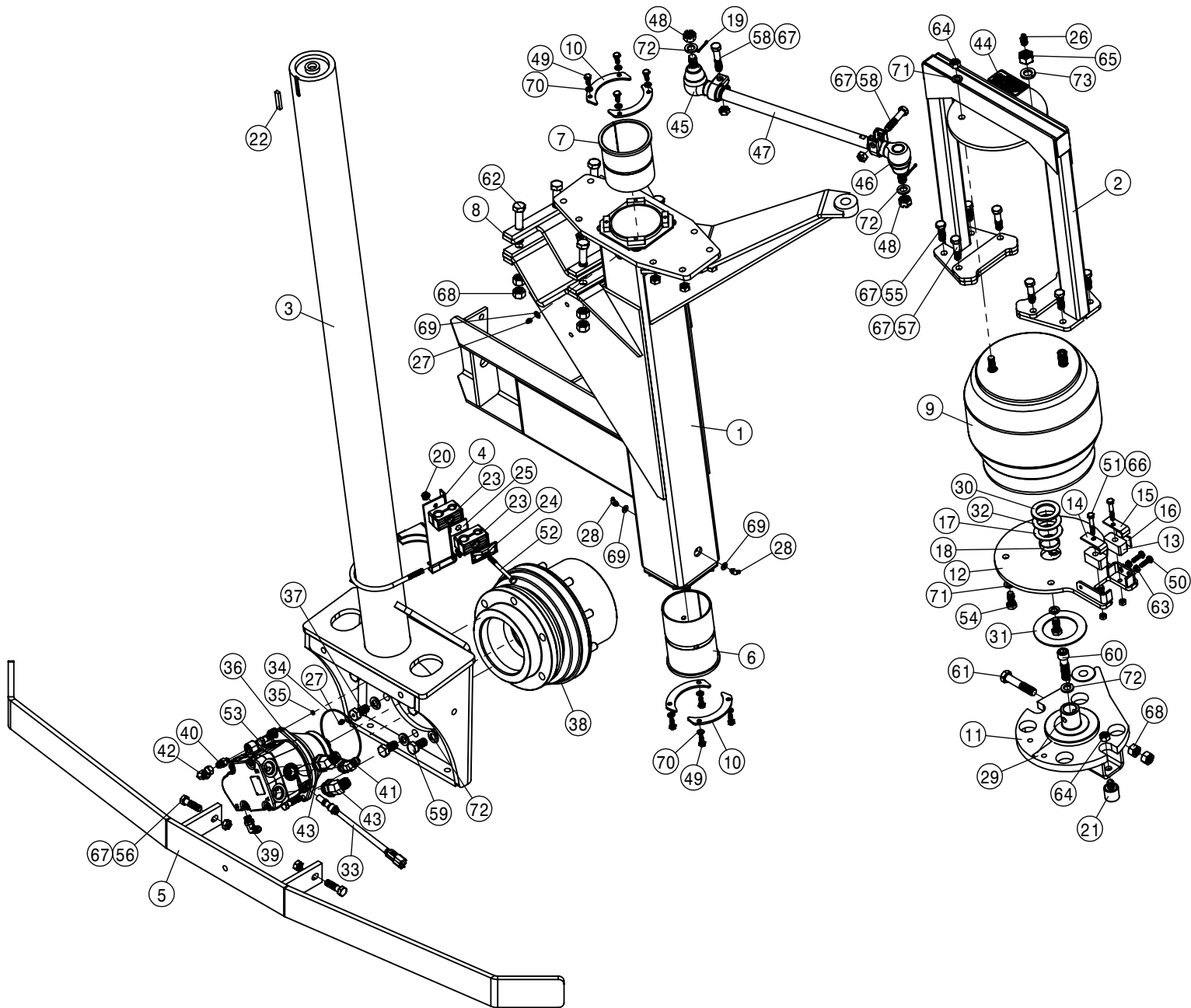
| RIGHT FRONT LEG ASSEMBLY |     |        |                               |
|--------------------------|-----|--------|-------------------------------|
| DET                      | QTY | P/N    | DESCRIPTION                   |
| 47                       | 2   | 900065 | 5/16UNC X 1" HEX BOLT         |
| 48                       | 2   | 900069 | 5/16UNC X 2" HEX BOLT         |
| 49                       | 2   | 900075 | 5/16UNC X 3 3/4 HEX BOLT      |
| 50                       | 2   | 900197 | 7/16UNC X 1 1/2 HEX BOLT      |
| 51                       | 6   | 900264 | 1/2UNC X 1 1/4 HEX BOLT       |
| 52                       | 4   | 900265 | 1/2UNC X 1 1/2 HEX BOLT       |
| 53                       | 2   | 900266 | 1/2UNC X 1 3/4 HEX BOLT       |
| 54                       | 4   | 900267 | 1/2UNC X 2" HEX BOLT          |
| 55                       | 5   | 900332 | 5/8UNC X 1 1/4 HEX BOLT       |
| 56                       | 1   | 900390 | 5/8UNC X 2 1/2 SOCKET CAP SCR |
| 57                       | 4   | 900836 | 5/8UNF X 3 1/4 HEX BOLT GR8   |
| 58                       | 3   | 900837 | 5/8UNF X 3 1/2 HEX BOLT GR8   |
| 59                       | 2   | 910002 | 5/16UNC HEX NUT               |
| 60                       | 3   | 910008 | 1/2UNC HEX NUT                |
| 61                       | 1   | 910013 | 3/4UNF HEX NUT                |
| 62                       | 2   | 914002 | 5/16UNC HEX STOVER NUT        |
| 63                       | 10  | 914008 | 1/2 UNC HEX STOVER NUT        |
| 64                       | 14  | 914811 | 5/8UNF HEX NUT GR8            |
| 65                       | 3   | 920000 | 1/4 SAE FLAT WASHER           |
| 66                       | 8   | 920501 | 5/16 LOCK WASHER              |
| 67                       | 7   | 920504 | 1/2 LOCK WASHER               |
| 68                       | 7   | 920505 | 5/8 LOCK WASHER               |
| 69                       | 1   | 920506 | 3/4 LOCK WASHER               |



| LEFT FRONT LEG ASSEMBLY |     |        |                                |
|-------------------------|-----|--------|--------------------------------|
| DET                     | QTY | P/N    | DESCRIPTION                    |
| 1                       | 1   | 127505 | THRUST BEARING, FIBERGUIDE     |
| 2                       | 1   | 357858 | LH FRT OUTER LEG WLD. 204SP 01 |
| 3                       | 1   | 357865 | AIR BAG ARCH WLD,LF/RR204SP 01 |
| 4                       | 1   | 357871 | LH UPR HYD HOSE BRKT WLD 204SP |
| 5                       | 1   | 357942 | FRT INNER LEG WLD, 204SP 06    |
| 6                       | 1   | 357947 | LH FRT TUBE MT WLD, 204 07     |
| 7                       | 1   | 357950 | STALK GUIDE WLD, 204 07        |
| 8                       | 1   | 358564 | FRT LEG LWR NYL SLEEVE 280 89  |
| 9                       | 1   | 358565 | FRT LEG UPR NYL SLEEVE 280 89  |
| 10                      | 1   | 358759 | LEG MT V-PLT WLD, 284T 94      |
| 11                      | 1   | 358831 | AIRIDE SPRING                  |
| 12                      | 4   | 358927 | LWR BRG KPR, LEG 98            |
| 13                      | 1   | 358972 | STEERING ARM WLD,LF/RR 2100 99 |
| 14                      | 1   | 358981 | AIR BAG MT WLD, LF/RR 2100 99  |
| 15                      | 2   | 358990 | NYLON GUIDE, 2100 LEG 99       |
| 16                      | 1   | 358991 | INNER KEEPER,NYL GUIDE,2100 99 |
| 17                      | 1   | 358992 | OUTER KEEPER,NYL GUIDE,2100 99 |
| 18                      | 1   | 358993 | .125 X 1.000 X 1.68 W/HOLEC/S  |
| 19                      | 1   | 358994 | LEG WASHER, NYLON 2100 99      |
| 20                      | 1   | 358995 | NYLON BEARING,LWR AB MT2100 99 |
| 21                      | 2   | 470113 | 5/16UNC SERR FLG LOCK NUT      |
| 22                      | 2   | 470259 | URETHANE BUMPER, 1.25D X 1.25L |
| 23                      | 1   | 470265 | .250 X .375 CFFL X 1.88 C/L    |

| LEFT FRONT LEG ASSEMBLY |     |        |                                 |
|-------------------------|-----|--------|---------------------------------|
| DET                     | QTY | P/N    | DESCRIPTION                     |
| 24                      | 3   | 470270 | TUBE CLAMP BODY, .530-.680      |
| 25                      | 2   | 470276 | CLAMP COVER PLATE,SNGL, 2.55LG  |
| 26                      | 2   | 470281 | STACK BOLT SAFETY LOCK PLATE    |
| 27                      | 1   | 470338 | AIR TANK VALVE, 1/4MNPT W/CAP   |
| 28                      | 1   | 470343 | TUBE CLAMP BODY, .875-.875      |
| 29                      | 2   | 471005 | GREASE ZERK, 1/4-28 X 1/2       |
| 30                      | 2   | 471023 | GREASE ZERK 1/4-28 X 45         |
| 31                      | 1   | 473906 | ROLL PIN, 1/2 X 2 1/2 COILED    |
| 32                      | 1   | 483061 | WASH: 7GA X 1.66 X 2.50         |
| 33                      | 1   | 483063 | WASH: 14GA X 1.66 X 2.50        |
| 34                      | 1   | 606193 | SAUER WHL MOTOR,KC-38CC         |
| 35                      | 1   | 606197 | O-RING, 4.73ID-.103CS-4.9430D   |
| 36                      | 1   | 606198 | O-RING .239ID .070CS .3790D     |
| 37                      | 1   | 610013 | ZERK BOLT, 5/8 X 1 1/4 TORQ HUB |
| 38                      | 1   | 611069 | TORQ HUB 25.15:1 70CD           |
| 39                      | 1   | 618119 | 9/16MJIC-90-9/16MOR LBO         |
| 40                      | 1   | 618304 | 9/16MJIC-7/16MOR ADPTR          |
| 41                      | 1   | 618315 | 3/4MJIC-45-3/4MOR LBO           |
| 42                      | 1   | 618618 | 9/16MJIC-90-9/16JIC SWIV LBO    |
| 43                      | 2   | 618786 | 7/8MJIC-45-1 1/16MOR LBO        |
| 44                      | 1   | 650364 | DECAL, AIR BAG WARNING 100 PSI  |
| 45                      | 8   | 900064 | 5/16UNC X 3/4" HEX BOLT         |
| 46                      | 2   | 900065 | 5/16UNC X 1" HEX BOLT           |

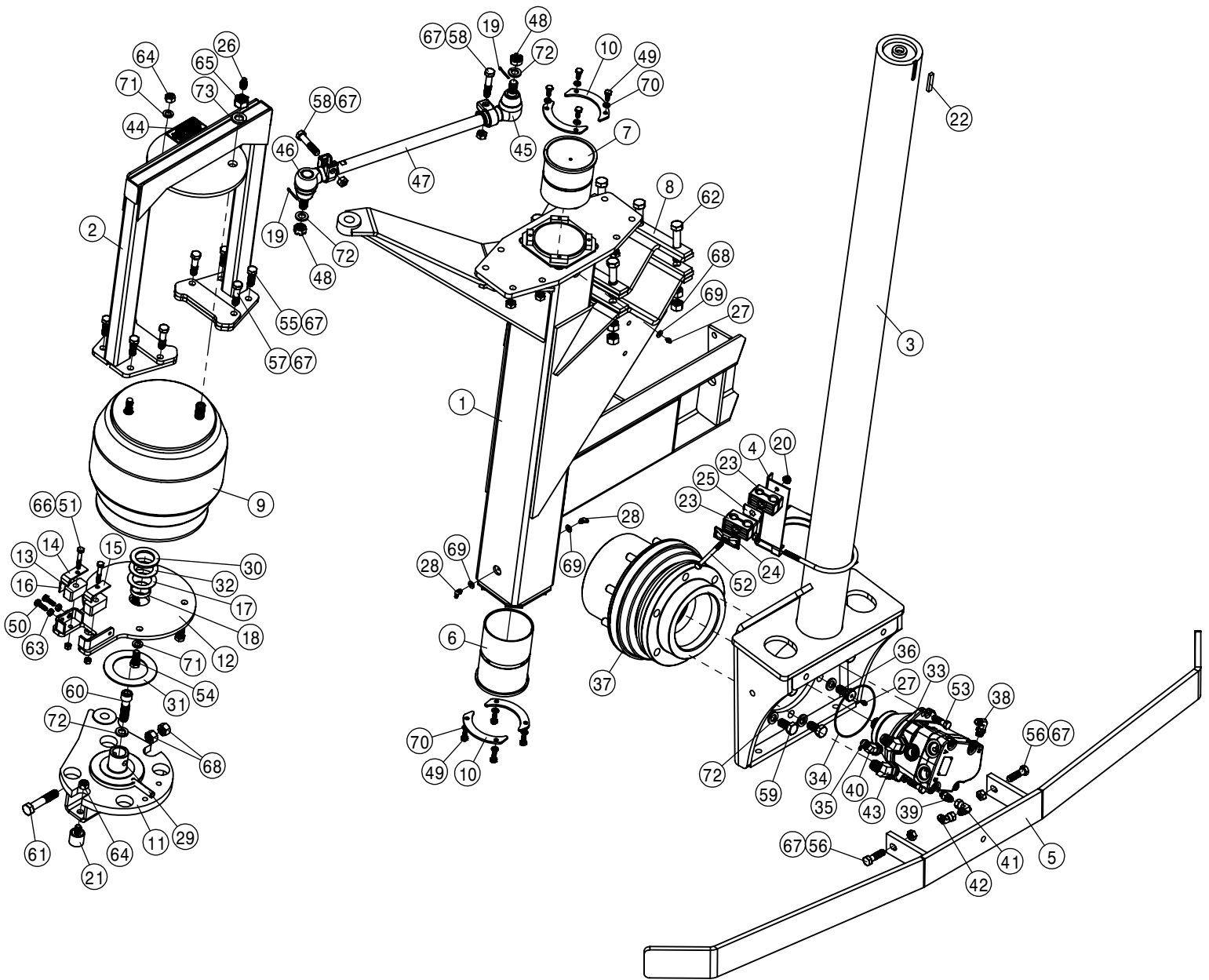
| LEFT FRONT LEG ASSEMBLY |     |        |                               |
|-------------------------|-----|--------|-------------------------------|
| DET                     | QTY | P/N    | DESCRIPTION                   |
| 47                      | 2   | 900069 | 5/16UNC X 2" HEX BOLT         |
| 48                      | 2   | 900075 | 5/16UNC X 3 3/4 HEX BOLT      |
| 49                      | 2   | 900197 | 7/16UNC X 1 1/2 HEX BOLT      |
| 50                      | 6   | 900264 | 1/2UNC X 1 1/4 HEX BOLT       |
| 51                      | 4   | 900265 | 1/2UNC X 1 1/2 HEX BOLT       |
| 52                      | 2   | 900266 | 1/2UNC X 1 3/4 HEX BOLT       |
| 53                      | 4   | 900267 | 1/2UNC X 2" HEX BOLT          |
| 54                      | 5   | 900332 | 5/8UNC X 1 1/4 HEX BOLT       |
| 55                      | 1   | 900390 | 5/8UNC X 2 1/2 SOCKET CAP SCR |
| 56                      | 4   | 900836 | 5/8UNF X 3 1/4 HEX BOLT GR8   |
| 57                      | 3   | 900837 | 5/8UNF X 3 1/2 HEX BOLT GR8   |
| 58                      | 2   | 910002 | 5/16UNC HEX NUT               |
| 59                      | 3   | 910008 | 1/2UNC HEX NUT                |
| 60                      | 1   | 910013 | 3/4UNF HEX NUT                |
| 61                      | 2   | 914002 | 5/16UNC HEX STOVER NUT        |
| 62                      | 10  | 914008 | 1/2 UNC HEX STOVER NUT        |
| 63                      | 14  | 914811 | 5/8UNF HEX NUT GR8            |
| 64                      | 3   | 920000 | 1/4 SAE FLAT WASHER           |
| 65                      | 8   | 920501 | 5/16 LOCK WASHER              |
| 66                      | 7   | 920504 | 1/2 LOCK WASHER               |
| 67                      | 7   | 920505 | 5/8 LOCK WASHER               |
| 68                      | 1   | 920506 | 3/4 LOCK WASHER               |



| RIGHT REAR LEG ASSEMBLY |     |        |                                 |
|-------------------------|-----|--------|---------------------------------|
| DET                     | QTY | P/N    | DESCRIPTION                     |
| 1                       | 1   | 357859 | RH REAR OUTER LEG WLD, 204SP 01 |
| 2                       | 1   | 357865 | AIR BAG ARCH WLD,LF/RR204SP 01  |
| 3                       | 1   | 357942 | FRT INNER LEG WLD, 204SP 06     |
| 4                       | 1   | 357947 | LH FRT TUBE MT WLD, 204 07      |
| 5                       | 1   | 357950 | STALK GUIDE WLD, 204 07         |
| 6                       | 1   | 358564 | FRT LEG LWR NYL SLEEVE 280 89   |
| 7                       | 1   | 358565 | FRT LEG UPN NYL SLEEVE 280 89   |
| 8                       | 1   | 358759 | LEG MT V-PLT WLD, 284T 94       |
| 9                       | 1   | 358831 | AIRIDE SPRING                   |
| 10                      | 4   | 358927 | LWR BRG KPR, LEG 98             |
| 11                      | 1   | 358972 | STEERING ARM WLD,LF/RR 2100 99  |
| 12                      | 1   | 358981 | AIR BAG MT WLD, LF/RR 2100 99   |
| 13                      | 2   | 358990 | NYLON GUIDE, 2100 LEG 99        |
| 14                      | 1   | 358991 | INNER KEEPER,NYL GUIDE,2100 99  |
| 15                      | 1   | 358992 | OUTER KEEPER,NYL GUIDE,2100 99  |
| 16                      | 1   | 358993 | .125 X 1.000 X 1.68 W/HOLEC/S   |
| 17                      | 1   | 358994 | LEG WASHER, NYLON 2100 99       |
| 18                      | 1   | 358995 | NYLON BEARING,LWR AB MT2100 99  |
| 19                      | 2   | 390984 | 1/8 X 1 1/4 COTTER PIN          |
| 20                      | 1   | 470113 | 5/16UNC SERR FLG LOCK NUT       |
| 21                      | 2   | 470259 | URETHANE BUMPER, 1.25D X 1.25L  |
| 22                      | 1   | 470265 | .250 X .375 OFFL X 1.88 C/L     |
| 23                      | 2   | 470270 | TUBE CLAMP BODY, .530-.680      |
| 24                      | 1   | 470276 | CLAMP COVER PLATE,SNGL, 2.55LG  |

| RIGHT REAR LEG ASSEMBLY |     |        |                                  |
|-------------------------|-----|--------|----------------------------------|
| DET                     | QTY | P/N    | DESCRIPTION                      |
| 25                      | 1   | 470281 | STACK BOLT SAFETY LOCK PLATE     |
| 26                      | 1   | 470338 | AIR TANK VALVE, 1/4MNPT W/CAP    |
| 27                      | 2   | 471005 | GREASE ZERK, 1/4-28 X 1/2        |
| 28                      | 2   | 471023 | GREASE ZERK 1/4-28 X 45          |
| 29                      | 1   | 473906 | ROLL PIN, 1/2 X 2 1/2 COILED     |
| 30                      | 1   | 483061 | WASH: 7GA X 1.66 X 2.50          |
| 31                      | 1   | 483062 | 3.031 ID X 4.62 OD X .125T WASH  |
| 32                      | 1   | 483063 | WASH: 14GA X 1.66 X 2.50         |
| 33                      | 1   | 606192 | SPEED SENSOR,WHEEL MTR           |
| 34                      | 1   | 606197 | O-RING, 4.73ID-.103CS-4.943OD    |
| 35                      | 1   | 606198 | O-RING .239ID .070CS .3790D      |
| 36                      | 1   | 606203 | SAUER WHL MOTOR, KC-38CC         |
| 37                      | 1   | 610013 | ZERK BOLT, 5/8 X 1 1/4 TORQ HUB  |
| 38                      | 1   | 611068 | TORQ HUB 17.94:1 70CD            |
| 39                      | 1   | 618119 | 9/16MJIC-90-9/16MOR LBO          |
| 40                      | 1   | 618304 | 9/16MJIC-7/16MOR ADPTR           |
| 41                      | 1   | 618315 | 3/4MJIC-45-3/4MOR LBO            |
| 42                      | 1   | 618618 | 9/16MJIC-90-9/16FJIC SWIV LBO    |
| 43                      | 2   | 618786 | 7/8MJIC-45-1 1/16MOR LBO         |
| 44                      | 1   | 650364 | DECAL, AIR BAG WARNING 100 PSI   |
| 45                      | 1   | 749313 | LH STRG CYL SWIV ASSY            |
| 46                      | 1   | 749323 | TIE ROD END, 1.00-16 LH THD      |
| 47                      | 1   | 749324 | TIE ROD, REAR LEG, SP/XP/2100 03 |
| 48                      | 2   | 822040 | 5/8-18UNF SLOTTED HEX NUT        |

| RIGHT REAR LEG ASSEMBLY |     |        |                               |
|-------------------------|-----|--------|-------------------------------|
| DET                     | QTY | P/N    | DESCRIPTION                   |
| 49                      | 8   | 900064 | 5/16UNC X 3/4" HEX BOLT       |
| 50                      | 2   | 900065 | 5/16UNC X 1" HEX BOLT         |
| 51                      | 2   | 900069 | 5/16UNC X 2" HEX BOLT         |
| 52                      | 1   | 900075 | 5/16UNC X 3 3/4 HEX BOLT      |
| 53                      | 2   | 900197 | 7/16UNC X 1 1/2 HEX BOLT      |
| 54                      | 4   | 900264 | 1/2UNC X 1 1/4 HEX BOLT       |
| 55                      | 4   | 900265 | 1/2UNC X 1 1/2 HEX BOLT       |
| 56                      | 2   | 900266 | 1/2UNC X 1 3/4 HEX BOLT       |
| 57                      | 4   | 900267 | 1/2UNC X 2" HEX BOLT          |
| 58                      | 2   | 900268 | 1/2UNC X 2 1/2 HEX BOLT       |
| 59                      | 5   | 900332 | 5/8UNC X 1 1/4 HEX BOLT       |
| 60                      | 1   | 900390 | 5/8UNC X 2 1/2 SOCKET CAP SCR |
| 61                      | 4   | 900836 | 5/8UNF X 3 1/4 HEX BOLT GR8   |
| 62                      | 3   | 900837 | 5/8UNF X 3 1/2 HEX BOLT GR8   |
| 63                      | 2   | 910002 | 5/16UNC HEX NUT               |
| 64                      | 3   | 910008 | 1/2UNC HEX NUT                |
| 65                      | 1   | 910013 | 3/4UNF HEX NUT                |
| 66                      | 2   | 914002 | 5/16UNC HEX STOVER NUT        |
| 67                      | 12  | 914008 | 1/2 UNC HEX STOVER NUT        |
| 68                      | 14  | 914811 | 5/8UNF HEX NUT GR8            |
| 69                      | 3   | 920000 | 1/4 SAE FLAT WASHER           |
| 70                      | 8   | 920501 | 5/16 LOCK WASHER              |
| 71                      | 5   | 920504 | 1/2 LOCK WASHER               |
| 72                      | 9   | 920505 | 5/8 LOCK WASHER               |
| 73                      | 1   | 920506 | 3/4 LOCK WASHER               |

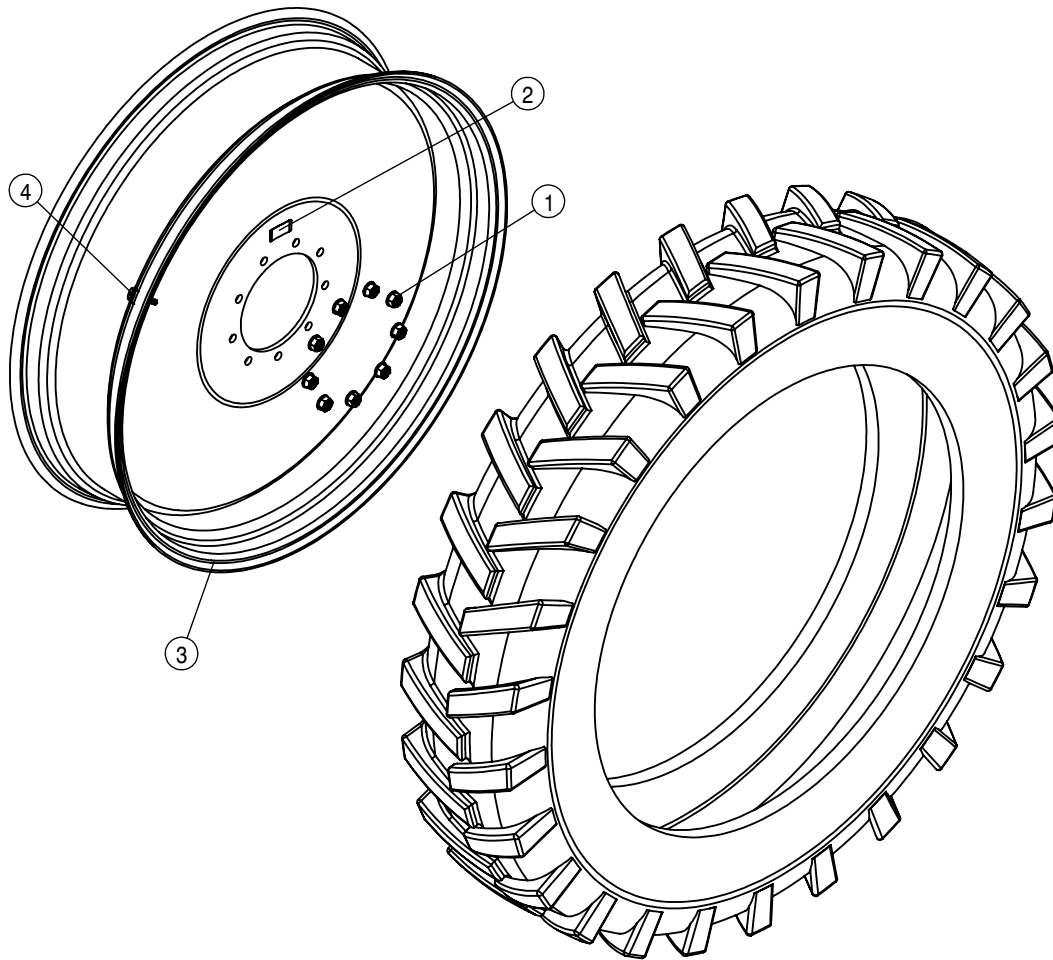


| LEFT REAR LEG ASSEMBLY |     |        |                                |
|------------------------|-----|--------|--------------------------------|
| DET                    | QTY | P/N    | DESCRIPTION                    |
| 1                      | 1   | 357860 | LH REAR OUTER LEG WLD,204SP 01 |
| 2                      | 1   | 357864 | AIR BAG ARCH WLD,RF/LR204SP 01 |
| 3                      | 1   | 357942 | FRT INNER LEG WLD, 204SP 06    |
| 4                      | 1   | 357946 | RH FRT TUBE MT WLD, 204 07     |
| 5                      | 1   | 357950 | STALK GUIDE WLD, 204 07        |
| 6                      | 1   | 358564 | FRT LEG LWR NYL SLEEVE 280 89  |
| 7                      | 1   | 358565 | FRT LEG UPR NYL SLEEVE 280 89  |
| 8                      | 1   | 358759 | LEG MT V-PLT WLD, 284T 94      |
| 9                      | 1   | 358831 | AIRIDE SPRING                  |
| 10                     | 4   | 358927 | LWR BRG KPR, LEG 98            |
| 11                     | 1   | 358971 | STEERING ARM WLD,RF/LR 2100 99 |
| 12                     | 1   | 358980 | AIR BAG MT WLD, RF/LR 2100 99  |
| 13                     | 2   | 358990 | NYLON GUIDE, 2100 LEG 99       |
| 14                     | 1   | 358991 | INNER KEEPER,NYL GUIDE,2100 99 |
| 15                     | 1   | 358992 | OUTER KEEPER,NYL GUIDE,2100 99 |
| 16                     | 1   | 358993 | .125 X 1.000 X 1.68 W/HOLEC/S  |
| 17                     | 1   | 358994 | LEG WASHER, NYLON 2100 99      |
| 18                     | 1   | 358995 | NYLON BEARING,LWR AB MT2100 99 |
| 19                     | 2   | 390984 | 1/8 X 1 1/4 COTTER PIN         |
| 20                     | 1   | 470113 | 5/16UNC SERR FLG LOCK NUT      |
| 21                     | 2   | 470259 | URETHANE BUMPER, 1.25D X 1.25L |
| 22                     | 1   | 470265 | .250 X .375 CFFL X 1.88 C/L    |
| 23                     | 2   | 470270 | TUBE CLAMP BODY, .530-.680     |
| 24                     | 1   | 470276 | CLAMP COVER PLATE,SNGL, 2.55LG |
| 25                     | 1   | 470281 | STACK BOLT SAFETY LOCK PLATE   |

| LEFT REAR LEG ASSEMBLY |     |        |                                  |
|------------------------|-----|--------|----------------------------------|
| DET                    | QTY | P/N    | DESCRIPTION                      |
| 26                     | 1   | 470338 | AIR TANK VALVE, 1/4MNPT W/CAP    |
| 27                     | 2   | 471005 | GREASE ZERK, 1/4-28 X 1/2        |
| 28                     | 2   | 471023 | GREASE ZERK 1/4-28 X 45          |
| 29                     | 1   | 473906 | ROLL PIN, 1/2 X 2 1/2 COILED     |
| 30                     | 1   | 483061 | WASH: 7GA X 1.66 X 2.50          |
| 31                     | 1   | 483062 | 3.031 ID X 4.62 OD X .125T WASH  |
| 32                     | 1   | 483063 | WASH: 14GA X 1.66 X 2.50         |
| 33                     | 1   | 606193 | SAUER WHL MOTOR,KC-38CC          |
| 34                     | 1   | 606197 | O-RING, 4.73ID-.103CS-4.9430D    |
| 35                     | 1   | 606198 | O-RING .239ID .070CS .3790D      |
| 36                     | 1   | 610013 | ZERK BOLT, 5/8 X 1 1/4 TORQ HUB  |
| 37                     | 1   | 611068 | TORQ HUB 17.94:1 70CD            |
| 38                     | 1   | 618119 | 9/16MJIC-90-9/16MOR LBO          |
| 39                     | 1   | 618304 | 9/16MJIC-7/16MOR ADPTR           |
| 40                     | 1   | 618315 | 3/4MJIC-45-3/4MOR LBO            |
| 41                     | 1   | 618618 | 9/16MJIC-90-9/16FJIC SWIV LBO    |
| 42                     | 1   | 618634 | 9/16MJIC-45-9/16FJIC SWIV LBO    |
| 43                     | 2   | 618786 | 7/8MJIC-45-1 1/16MOR LBO         |
| 44                     | 1   | 650364 | DECAL, AIR BAG WARNING 100 PSI   |
| 45                     | 1   | 749312 | RH STRG CYL SWIV ASSY            |
| 46                     | 1   | 749323 | TIE ROD END, 1.00-16 LH THD      |
| 47                     | 1   | 749324 | TIE ROD, REAR LEG, SP/XP/2100 03 |
| 48                     | 2   | 822040 | 5/8-18UNF SLOTTED HEX NUT        |
| 49                     | 8   | 900064 | 5/16UNC X 3/4" HEX BOLT          |
| 50                     | 2   | 900065 | 5/16UNC X 1" HEX BOLT            |

| LEFT REAR LEG ASSEMBLY |     |        |                               |
|------------------------|-----|--------|-------------------------------|
| DET                    | QTY | P/N    | DESCRIPTION                   |
| 51                     | 2   | 900069 | 5/16UNC X 2" HEX BOLT         |
| 52                     | 1   | 900075 | 5/16UNC X 3 3/4 HEX BOLT      |
| 53                     | 2   | 900197 | 7/16UNC X 1 1/2 HEX BOLT      |
| 54                     | 4   | 900264 | 1/2UNC X 1 1/4 HEX BOLT       |
| 55                     | 4   | 900265 | 1/2UNC X 1 1/2 HEX BOLT       |
| 56                     | 2   | 900266 | 1/2UNC X 1 3/4 HEX BOLT       |
| 57                     | 4   | 900267 | 1/2UNC X 2" HEX BOLT          |
| 58                     | 2   | 900268 | 1/2UNC X 2 1/2 HEX BOLT       |
| 59                     | 5   | 900332 | 5/8UNC X 1 1/4 HEX BOLT       |
| 60                     | 1   | 900390 | 5/8UNC X 2 1/2 SOCKET CAP SCR |
| 61                     | 4   | 900836 | 5/8UNF X 3 1/4 HEX BOLT GR8   |
| 62                     | 3   | 900837 | 5/8UNF X 3 1/2 HEX BOLT GR8   |
| 63                     | 2   | 910002 | 5/16UNC HEX NUT               |
| 64                     | 3   | 910008 | 1/2UNC HEX NUT                |
| 65                     | 1   | 910013 | 3/4UNF HEX NUT                |
| 66                     | 2   | 914002 | 5/16UNC HEX STOVER NUT        |
| 67                     | 12  | 914008 | 1/2 UNC HEX STOVER NUT        |
| 68                     | 14  | 914811 | 5/8UNF HEX NUT GR8            |
| 69                     | 3   | 920000 | 1/4 SAE FLAT WASHER           |
| 70                     | 8   | 920501 | 5/16 LOCK WASHER              |
| 71                     | 5   | 920504 | 1/2 LOCK WASHER               |
| 72                     | 9   | 920505 | 5/8 LOCK WASHER               |
| 73                     | 1   | 920506 | 3/4 LOCK WASHER               |



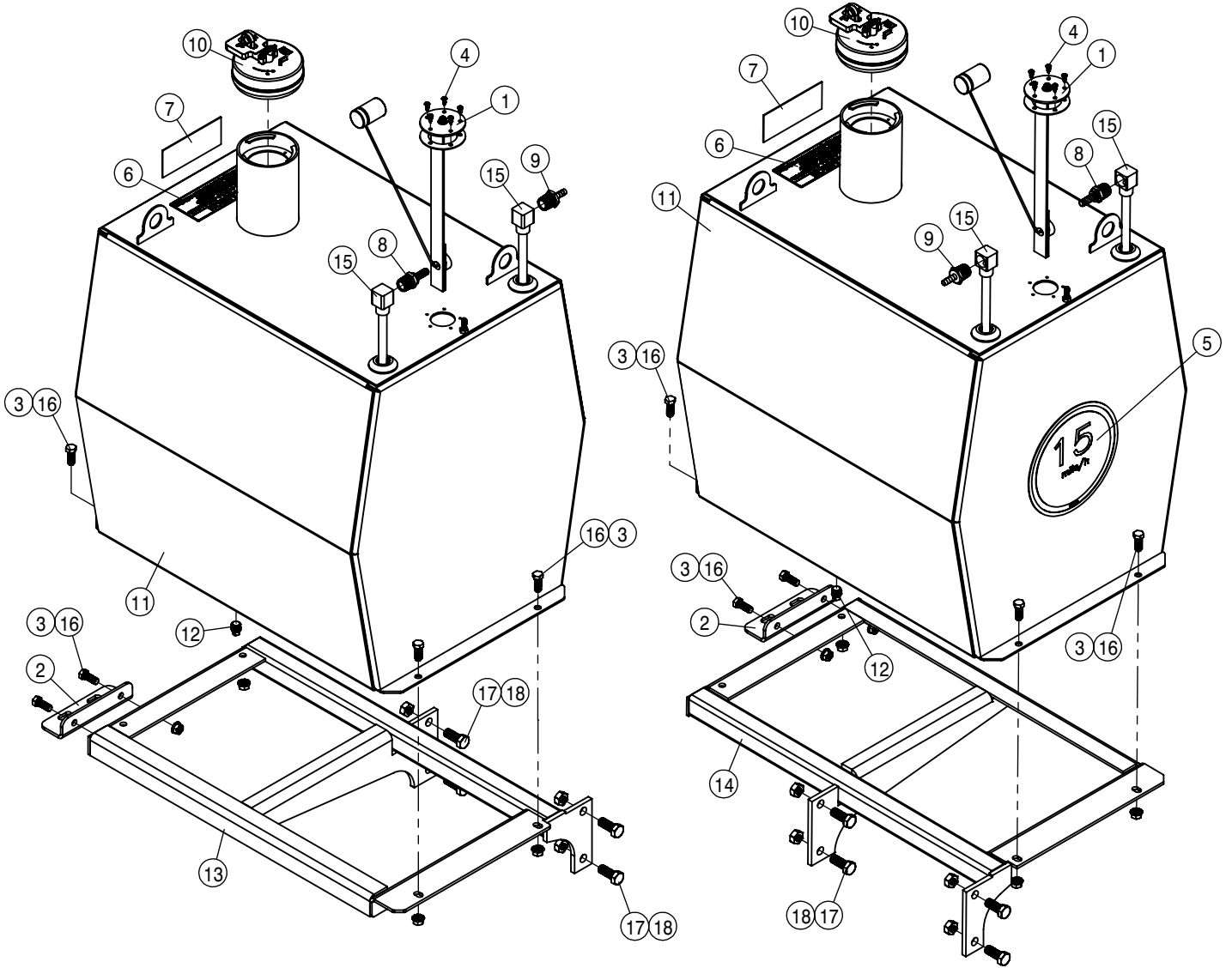


11.2-38 TIRE

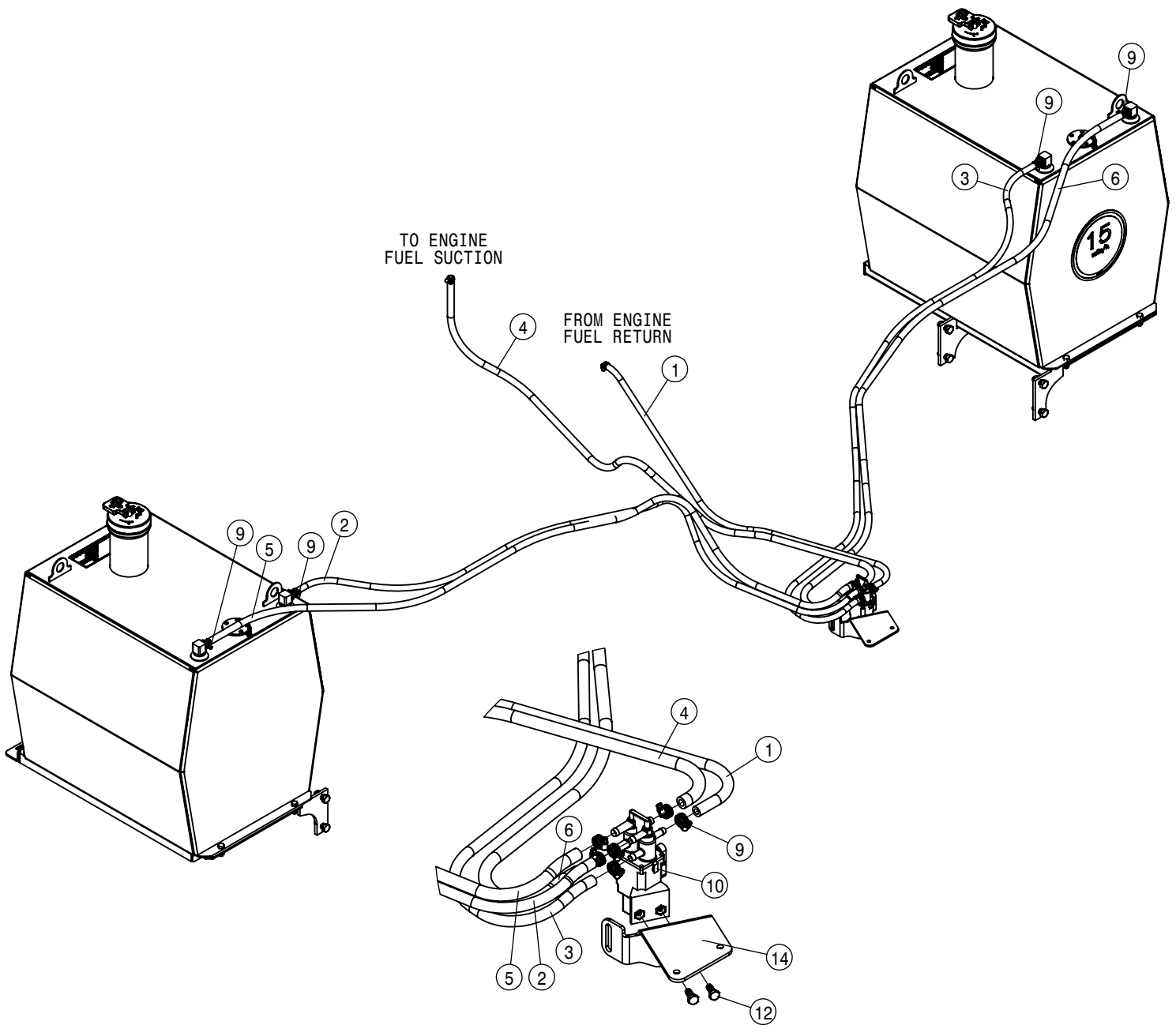
| TIRE AND RIM ASSEMBLY |     |        |                                |
|-----------------------|-----|--------|--------------------------------|
| DET                   | QTY | P/N    | DESCRIPTION                    |
| 1                     | 9   | 470140 | 5/8UNF SMTH FLG HEX NUT GR8    |
| 2                     | 1   | 650985 | DECAL,WHL BOLT TORQ 203854C    |
| 3                     | 1   | 821050 | RIM WLD, W10 X 38, W1M1 204    |
| 4                     | 1   | 821252 | VALVE STEM, TR-618A, STAINLESS |

LEFT FUEL TANK

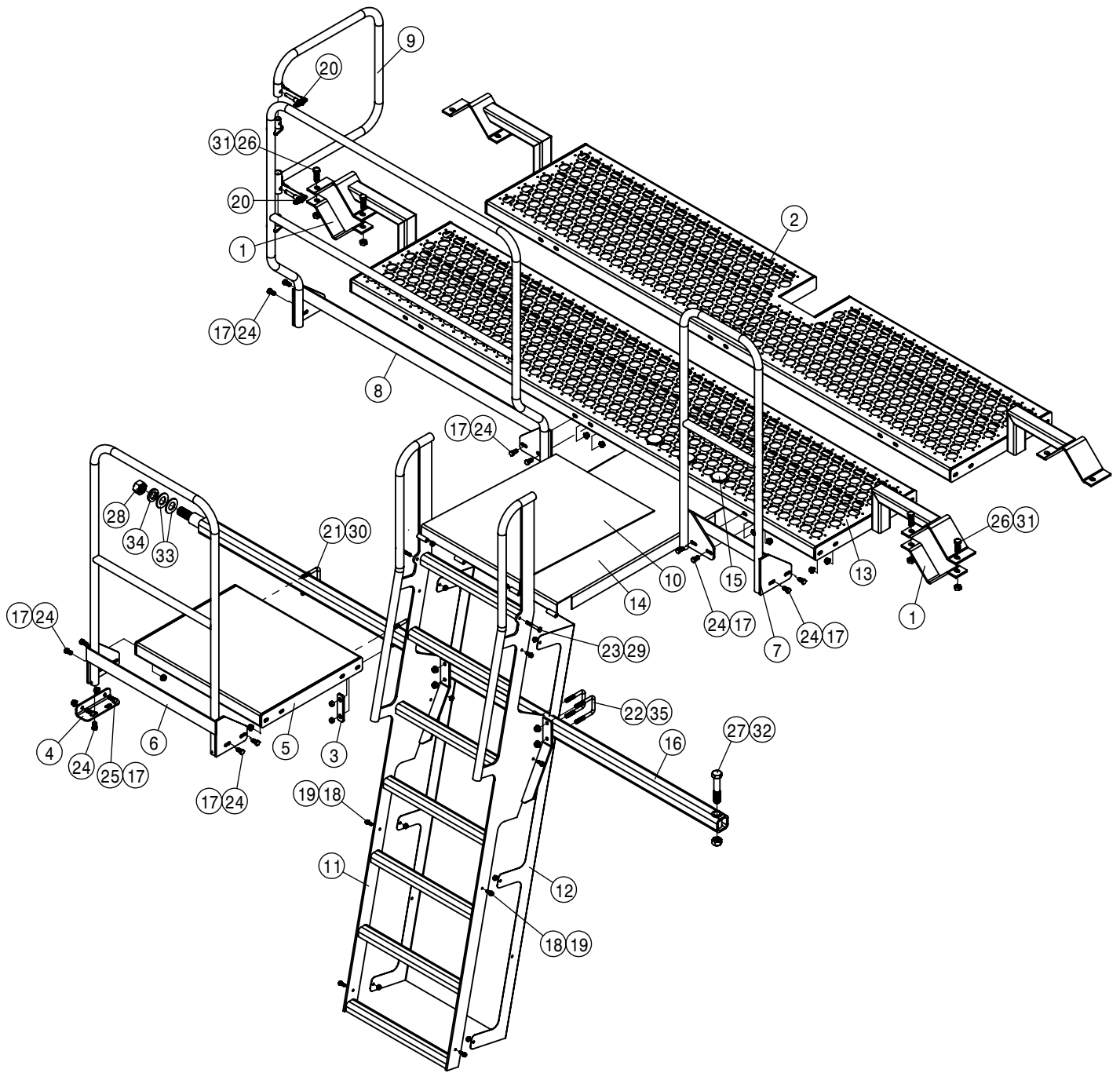
RIGHT FUEL TANK



| FUEL TANK ASSEMBLY |     |        |                              |
|--------------------|-----|--------|------------------------------|
| DET                | QTY | P/N    | DESCRIPTION                  |
| 1                  | 2   | 291428 | FUEL SENDER 19 IN            |
| 2                  | 2   | 343730 | REAR PLATFORM SUPPORT ANGLE  |
| 3                  | 12  | 470087 | 3/8UNC HEX SERR FLANGE NUT   |
| 4                  | 10  | 473902 | #8 X 1/2 PHIL PAN HD MTL SCR |
| 5                  | 1   | 650130 | DECAL, 15 MILE/H 204SP       |
| 6                  | 2   | 650849 | DECAL, CAUTION, ENG FUEL     |
| 7                  | 2   | 650954 | DECAL, DIESEL                |
| 8                  | 2   | 711080 | 1/2MNPT -3/8 BARB, BRS       |
| 9                  | 2   | 711081 | 1/2MNPT -5/16 BARB, BRS      |
| 10                 | 2   | 760469 | FUEL TANK CAP, 3.50" VENTED  |
| 11                 | 2   | 760883 | FUEL TANK WLD SS             |
| 12                 | 2   | 760889 | 1/4 PIPE PLUG SS             |
| 13                 | 1   | 760891 | LH FUEL TANK SS MT WLD       |
| 14                 | 1   | 760892 | RH FUEL TANK SS MT WLD       |
| 15                 | 4   | 760895 | FUEL SUCTION DROP TUBE, 204  |
| 16                 | 12  | 900129 | 3/8UNC X 1" HEX BOLT         |
| 17                 | 8   | 900264 | 1/2UNC X 1 1/4 HEX BOLT      |
| 18                 | 8   | 914008 | 1/2 UNC HEX STOVER NUT       |

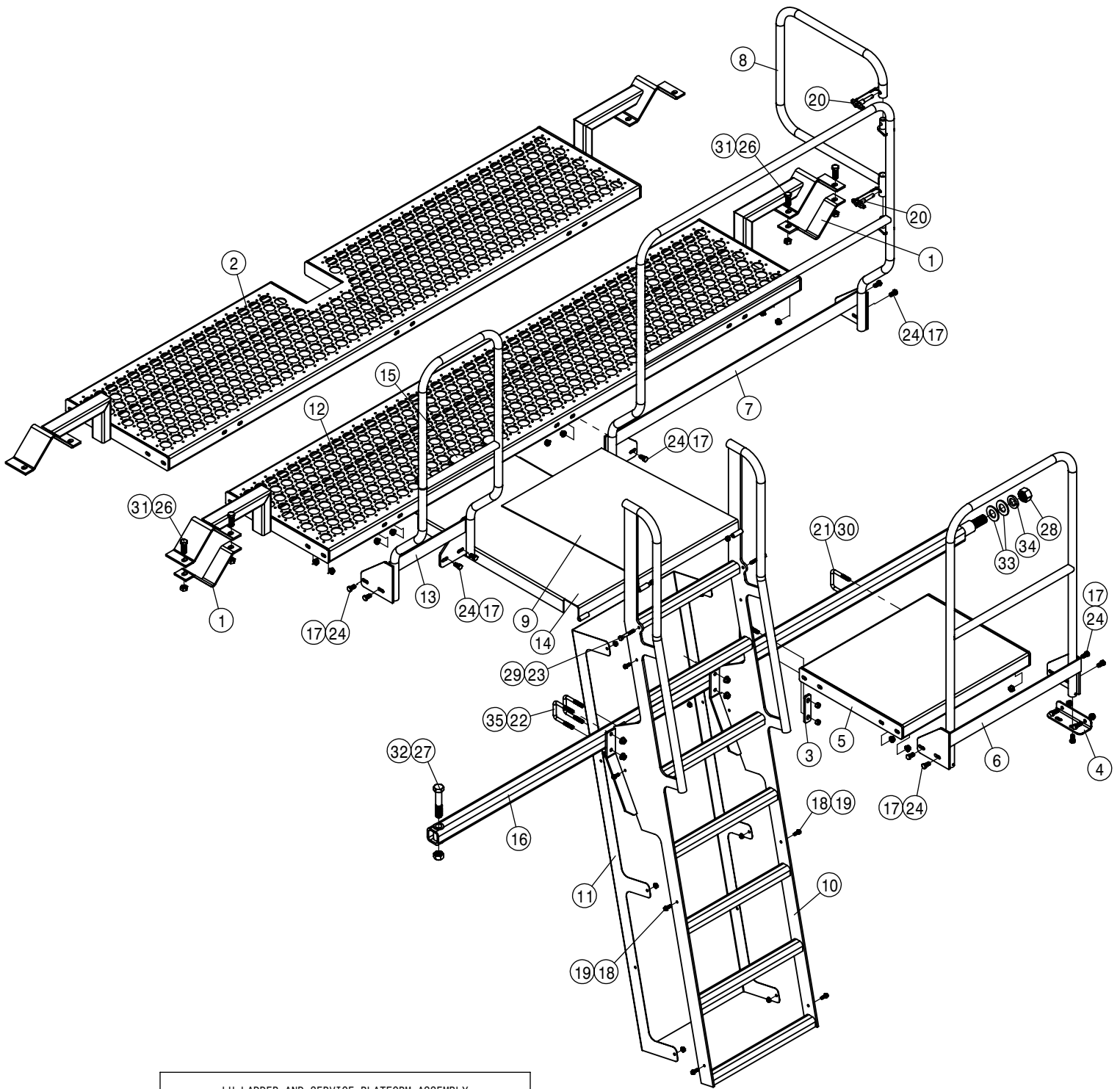


| FUEL LINES AND SELECTOR VALVE ASSEMBLY |     |            |                              |
|----------------------------------------|-----|------------|------------------------------|
| DET                                    | QTY | P/N        | DESCRIPTION                  |
| 1                                      | 1   | 195900-042 | HOSE 5/16 FUEL LN 1-FBR 30R1 |
| 2                                      | 1   | 195900-070 | HOSE 5/16 FUEL LN 1-FBR 30R1 |
| 3                                      | 1   | 195900-082 | HOSE 5/16 FUEL LN 1-FBR 30R1 |
| 4                                      | 1   | 195901-065 | HOSE 3/8 FUEL LN 1-FBR 30R1  |
| 5                                      | 1   | 195901-079 | HOSE 3/8 FUEL LN 1-FBR 30R1  |
| 6                                      | 1   | 195901-089 | HOSE 3/8 FUEL LN 1-FBR 30R1  |
| 7                                      | 4   | 470087     | 3/8UNC HEX SERR FLANGE NUT   |
| 8                                      | 5   | 473902     | #8 X 1/2 PHIL PAN HD MTL SCR |
| 9                                      | 12  | 520120     | HOSE CLAMP NO 4 STAINLESS    |
| 10                                     | 1   | 610529     | FUEL SELECTOR VALVE W/RETURN |
| 11                                     | 1   | 650954     | DECAL ,DIESEL                |
| 12                                     | 2   | 900064     | 5/16UNC X 3/4" HEX BOLT      |
| 13                                     | 4   | 900129     | 3/8UNC X 1" HEX BOLT         |
| 14                                     | 1   | 362462     | FUEL SELECTOR BRKT 204 T3    |



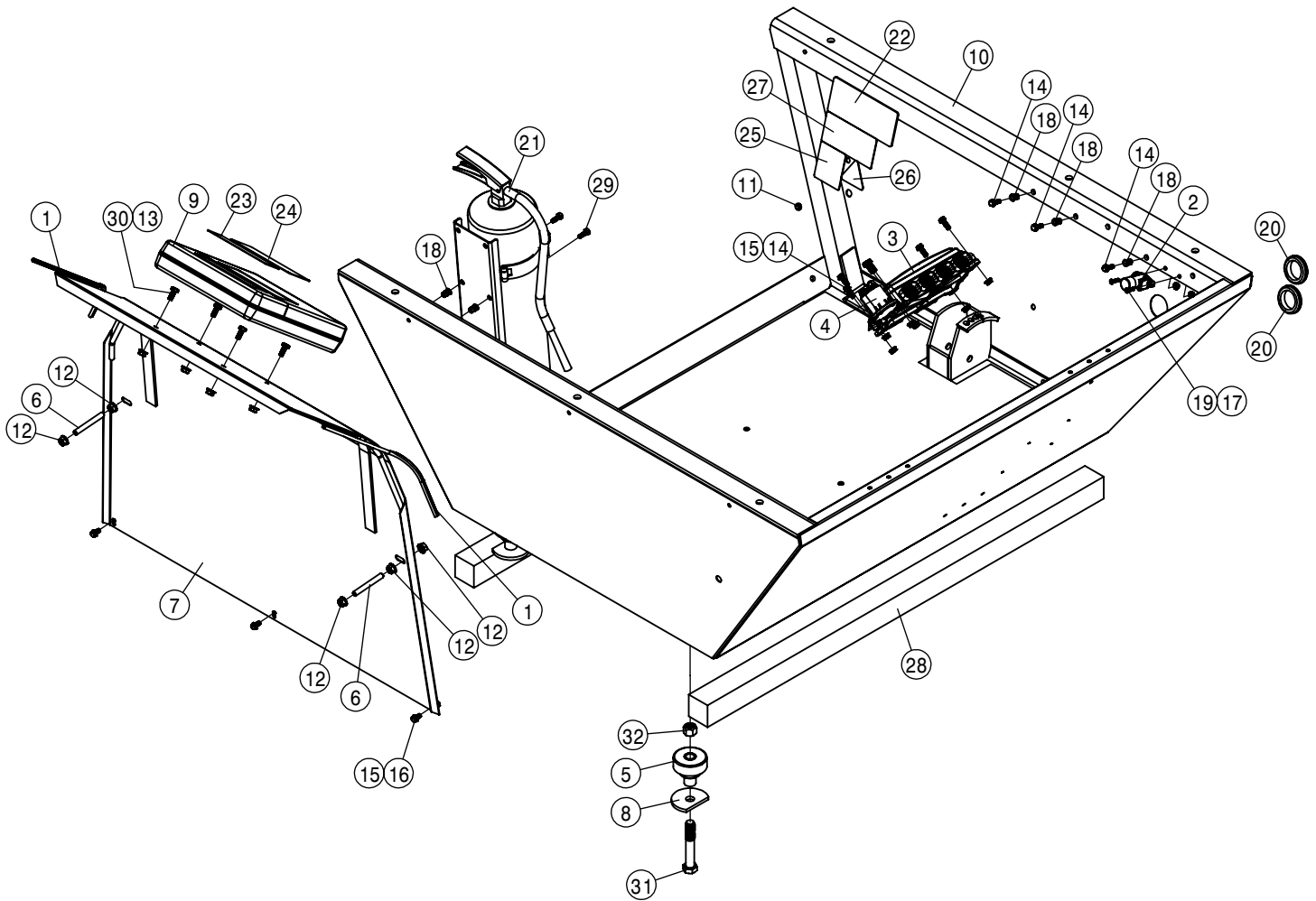
| RH LADDER AND SERVICE PLATFORM ASSEMBLY |     |        |                               |
|-----------------------------------------|-----|--------|-------------------------------|
| DET                                     | QTY | P/N    | DESCRIPTION                   |
| 1                                       | 2   | 341900 | SERVICE PLATFORM MT KPR 90    |
| 2                                       | 1   | 343720 | RH SERVICE PLATFORM WLD 204   |
| 3                                       | 2   | 343729 | REAR PLATFORM U-BOLT BAR      |
| 4                                       | 1   | 343730 | REAR PLATFORM SUPPORT ANGLE   |
| 5                                       | 1   | 343733 | FUEL TANK PLATFORM 204 10     |
| 6                                       | 1   | 343735 | REAR HANDRAIL WLDMNT          |
| 7                                       | 1   | 343737 | RH FRT HANDRAIL WLD, 204      |
| 8                                       | 1   | 343739 | RH REAR HANDRAIL WLD. 204     |
| 9                                       | 1   | 343770 | REAR HR EXT WLDMT             |
| 10                                      | 1   | 343781 | BRIDGE PLATE WELDMENT         |
| 11                                      | 1   | 343783 | 204 LADDER WELDMENT           |
| 12                                      | 1   | 343787 | 204 CE LADDER BACK STOP       |
| 13                                      | 1   | 343788 | LH SERVICE PLTFRM WLDMT - CAB |
| 14                                      | 1   | 343817 | BRIDGE PLATE WELDMENT, 204SPW |
| 15                                      | 3   | 343819 | BRIDGE PLATE WEAR PUCK 204    |
| 16                                      | 1   | 358673 | LEG BRACE WLD 200 92          |
| 17                                      | 14  | 470087 | 3/8UNC HEX SERR FLANGE NUT    |

| RH LADDER AND SERVICE PLATFORM ASSEMBLY |     |        |                                     |
|-----------------------------------------|-----|--------|-------------------------------------|
| DET                                     | QTY | P/N    | DESCRIPTION                         |
| 18                                      | 8   | 470118 | 1/4 UNC X 3/4 SER FLG BOLT          |
| 19                                      | 8   | 470121 | 1/4 UNC SERR FLG LOCK NUT           |
| 20                                      | 2   | 470857 | 3/8"PIN,T-HANDLE QK-REL,W/LAN       |
| 21                                      | 2   | 472040 | 3/8UNC-2.18ID-2.81 U-BOLT SQ        |
| 22                                      | 4   | 472051 | 3/8UNC-2ID-3.00 SQ U-BOLT MC, GR B7 |
| 23                                      | 2   | 900086 | 5/16UNC X 2 1/4 HEX BOLT            |
| 24                                      | 13  | 900128 | 3/8UNC X 3/4 HEX BOLT               |
| 25                                      | 2   | 900129 | 3/8UNC X 1" HEX BOLT                |
| 26                                      | 4   | 900265 | 1/2UNC X 1 1/2 HEX BOLT             |
| 27                                      | 1   | 900410 | 3/4UNC X 4" HEX BOLT                |
| 28                                      | 1   | 910017 | 1" UNC HEX NUT                      |
| 29                                      | 2   | 914002 | 5/16UNC HEX STOVER NUT              |
| 30                                      | 4   | 914004 | 3/8UNC HEX STOVER NUT               |
| 31                                      | 4   | 914008 | 1/2 UNC HEX STOVER NUT              |
| 32                                      | 1   | 914012 | 3/4UNC HEX STOVER NUT               |
| 33                                      | 2   | 920008 | 1" SAE FLAT WASHER                  |
| 34                                      | 1   | 920508 | 1" LOCK WASHER                      |
| 35                                      | 8   | 910106 | CENTERLOCK FLANGE NUT 3/8-16 MC GR5 |



| LH LADDER AND SERVICE PLATFORM ASSEMBLY |     |        |                               |
|-----------------------------------------|-----|--------|-------------------------------|
| DET                                     | QTY | P/N    | DESCRIPTION                   |
| 1                                       | 2   | 341900 | SERVICE PLATFORM MT KPR 90    |
| 2                                       | 1   | 343721 | LH SERVICE PLATFORM WLD 204   |
| 3                                       | 2   | 343729 | REAR PLATFORM U-BOLT BAR      |
| 4                                       | 1   | 343730 | REAR PLATFORM SUPPORT ANGLE   |
| 5                                       | 1   | 343733 | FUEL TANK PLATFORM 204 10     |
| 6                                       | 1   | 343735 | REAR HANDRAIL WLDMNT          |
| 7                                       | 1   | 343740 | LH REAR HANDRAIL WLD. 204     |
| 8                                       | 1   | 343770 | REAR HR EXT WLDMT             |
| 9                                       | 1   | 343781 | BRIDGE PLATE WELDMENT         |
| 10                                      | 1   | 343783 | 204 LADDER WELDMENT           |
| 11                                      | 1   | 343787 | 204 CE LADDER BACK STOP       |
| 12                                      | 1   | 343788 | LH SERVICE PLTFRM WLDMT - CAB |
| 13                                      | 1   | 343790 | LH FRT HANDRAIL WLD,204SP '11 |
| 14                                      | 1   | 343817 | BRIDGE PLATE WELDMENT, 204SPW |
| 15                                      | 3   | 343819 | BRIDGE PLATE WEAR PUCK 204    |
| 16                                      | 1   | 358673 | LEG BRACE WLD 200 92          |
| 17                                      | 14  | 470087 | 3/8UNC HEX SERR FLANGE NUT    |
| 18                                      | 8   | 470118 | 1/4 UNC X 3/4 SER FLG BOLT    |

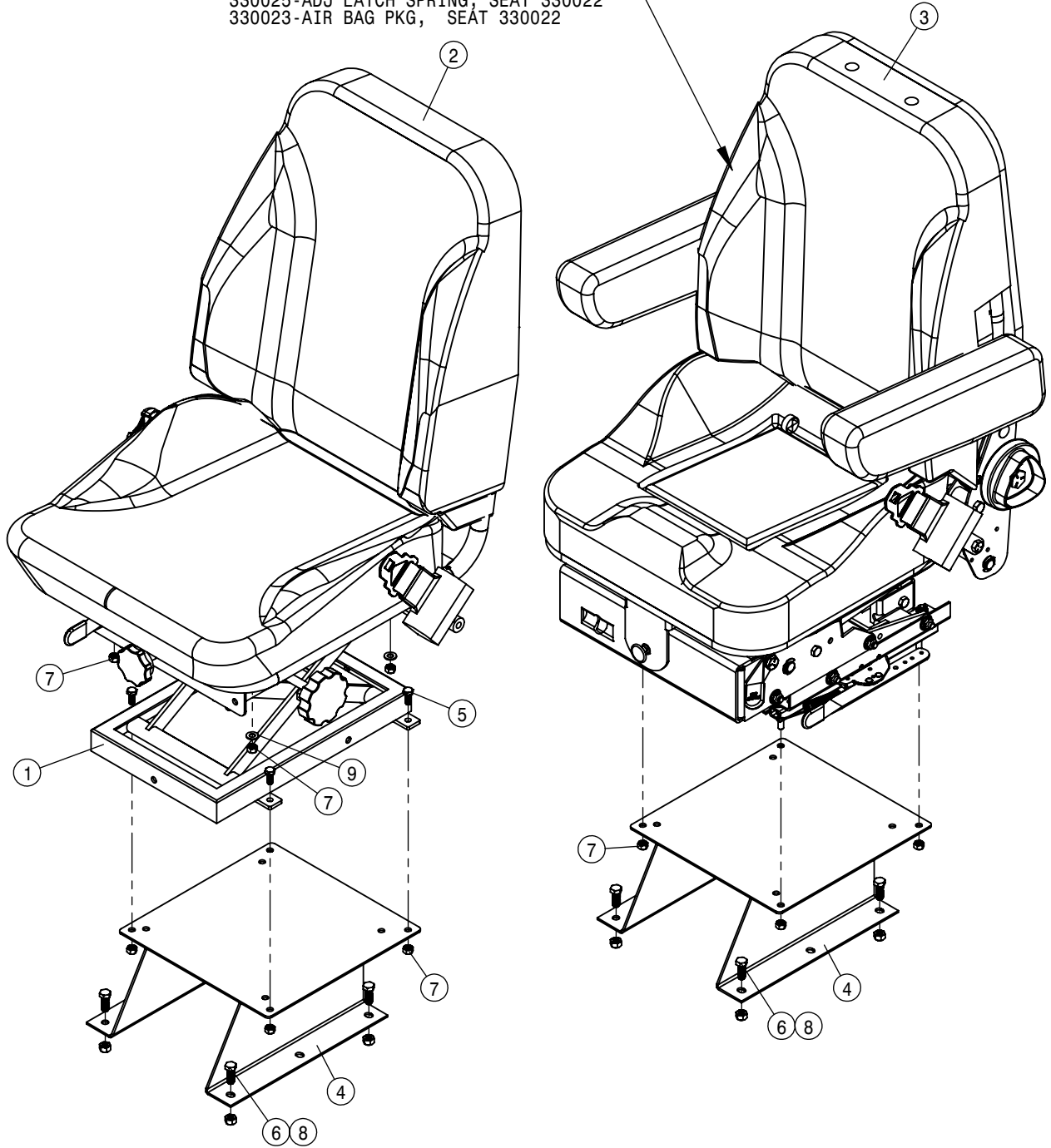
| LH LADDER AND SERVICE PLATFORM ASSEMBLY |     |        |                                     |
|-----------------------------------------|-----|--------|-------------------------------------|
| DET                                     | QTY | P/N    | DESCRIPTION                         |
| 19                                      | 8   | 470121 | 1/4 UNC SERR FLG LOCK NUT           |
| 20                                      | 2   | 470857 | 3/8"PIN,T-HANDLE QK-REL,W/LAN       |
| 21                                      | 2   | 472040 | 3/8UNC-2.18ID-2.81 U-BOLT SQ        |
| 22                                      | 4   | 472051 | 3/8UNC-2ID-3.00 SQ U-BOLT MC, GR B7 |
| 23                                      | 2   | 900086 | 5/16UNC X 2 1/4 HEX BOLT            |
| 24                                      | 13  | 900128 | 3/8UNC X 3/4 HEX BOLT               |
| 25                                      | 2   | 900129 | 3/8UNC X 1" HEX BOLT                |
| 26                                      | 4   | 900265 | 1/2UNC X 1 1/2 HEX BOLT             |
| 27                                      | 1   | 900410 | 3/4UNC X 4" HEX BOLT                |
| 28                                      | 1   | 910017 | 1" UNC HEX NUT                      |
| 29                                      | 2   | 914002 | 5/16UNC HEX STOVER NUT              |
| 30                                      | 4   | 914004 | 3/8UNC HEX STOVER NUT               |
| 31                                      | 4   | 914008 | 1/2 UNC HEX STOVER NUT              |
| 32                                      | 1   | 914012 | 3/4UNC HEX STOVER NUT               |
| 33                                      | 2   | 920008 | 1" SAE FLAT WASHER                  |
| 34                                      | 1   | 920508 | 1" LOCK WASHER                      |
| 35                                      | 8   | 910106 | CENTERLOCK FLANGE NUT 3/8-16 MC GR5 |



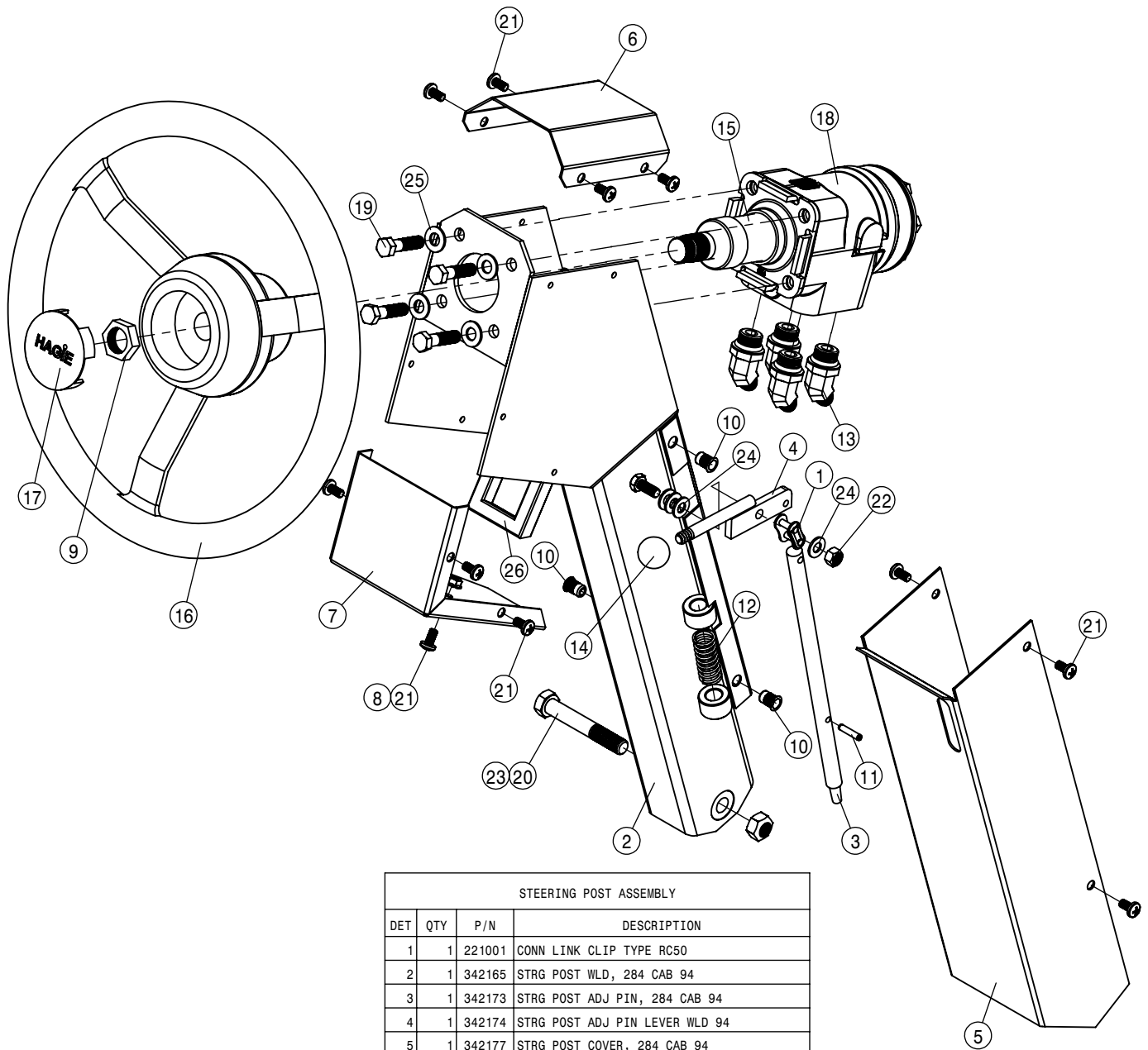
| OPERATOR STATION ASSEMBLY |     |        |                               |
|---------------------------|-----|--------|-------------------------------|
| DET                       | QTY | P/N    | DESCRIPTION                   |
| 1                         | 2   | 193011 | EDGE GUARD, BLK               |
| 2                         | 1   | 290412 | DIMMER SWITCH                 |
| 3                         | 1   | 292003 | DVEC - INTERIOR '15           |
| 4                         | 1   | 292505 | MCR                           |
| 5                         | 4   | 311051 | RUBBER MOUNT, RB3-350         |
| 6                         | 2   | 314929 | 3/8UNC X 3.00 STUD BOLT, FULL |
| 7                         | 1   | 342098 | NOISE DEFLECTOR WLD 204 01    |
| 8                         | 4   | 343204 | OP STATION WASHER, 204        |
| 9                         | 1   | 343780 | MANUAL HOLDER                 |
| 10                        | 1   | 362445 | OP STN WLD, 204 14 (PAINTED)  |
| 11                        | 1   | 470067 | GROMMET, .250ID .125GW .375GD |
| 12                        | 6   | 470087 | 3/8UNC HEX SERR FLANGE NUT    |
| 13                        | 4   | 470113 | 5/16UNC SERR FLG LOCK NUT     |
| 14                        | 9   | 470118 | 1/4 UNC X 3/4 SER FLG BOLT    |
| 15                        | 9   | 470121 | 1/4 UNC SERR FLG LOCK NUT     |
| 16                        | 3   | 470122 | 1/4 UNC X 1/2 SERR FLG BOLT   |

| OPERATOR STATION ASSEMBLY |     |         |                                 |
|---------------------------|-----|---------|---------------------------------|
| DET                       | QTY | P/N     | DESCRIPTION                     |
| 17                        | 2   | 470175  | 10-32 SERR FLANGE NUT           |
| 18                        | 5   | 470380N | 1/4-20 NUTSERT .027-1.65 STL    |
| 19                        | 2   | 472235  | 10-32 X 3/4 PHIL HD MACH SCR    |
| 20                        | 2   | 473915  | GROMMET 1.500ID .062GW 1.750GD  |
| 21                        | 1   | 490508  | FIRE EXTINGUISHER               |
| 22                        | 1   | 650303  | CUTTER ROTATION DECAL           |
| 23                        | 1   | 650383  | DECAL,HAGIE LOGO                |
| 24                        | 1   | 650384  | DECAL,MANUALS                   |
| 25                        | 1   | 650388  | DECAL,CAUTION,EMERGENCYSTOP' 11 |
| 26                        | 1   | 650389  | DECAL, WARNING, HYD OIL INJ' 11 |
| 27                        | 1   | 650847  | DECAL,CARRY PASSENGER WARNING   |
| 28                        | 2   | 659704  | FOAM 2" THK X 2" WIDE X 42" LG  |
| 29                        | 2   | 900002  | 1/4UNC x 3/4 HEX BOLT           |
| 30                        | 4   | 900064  | 5/16UNC X 3/4" HEX BOLT         |
| 31                        | 4   | 900342  | 5/8UNC X 4" HEX BOLT            |
| 32                        | 4   | 914010  | 5/8UNC HEX STOVER NUT           |

330024-HEIGHT ADJ LATCH, SEAT 330022  
 330025-ADJ LATCH SPRING, SEAT 330022  
 330023-AIR BAG PKG, SEAT 330022

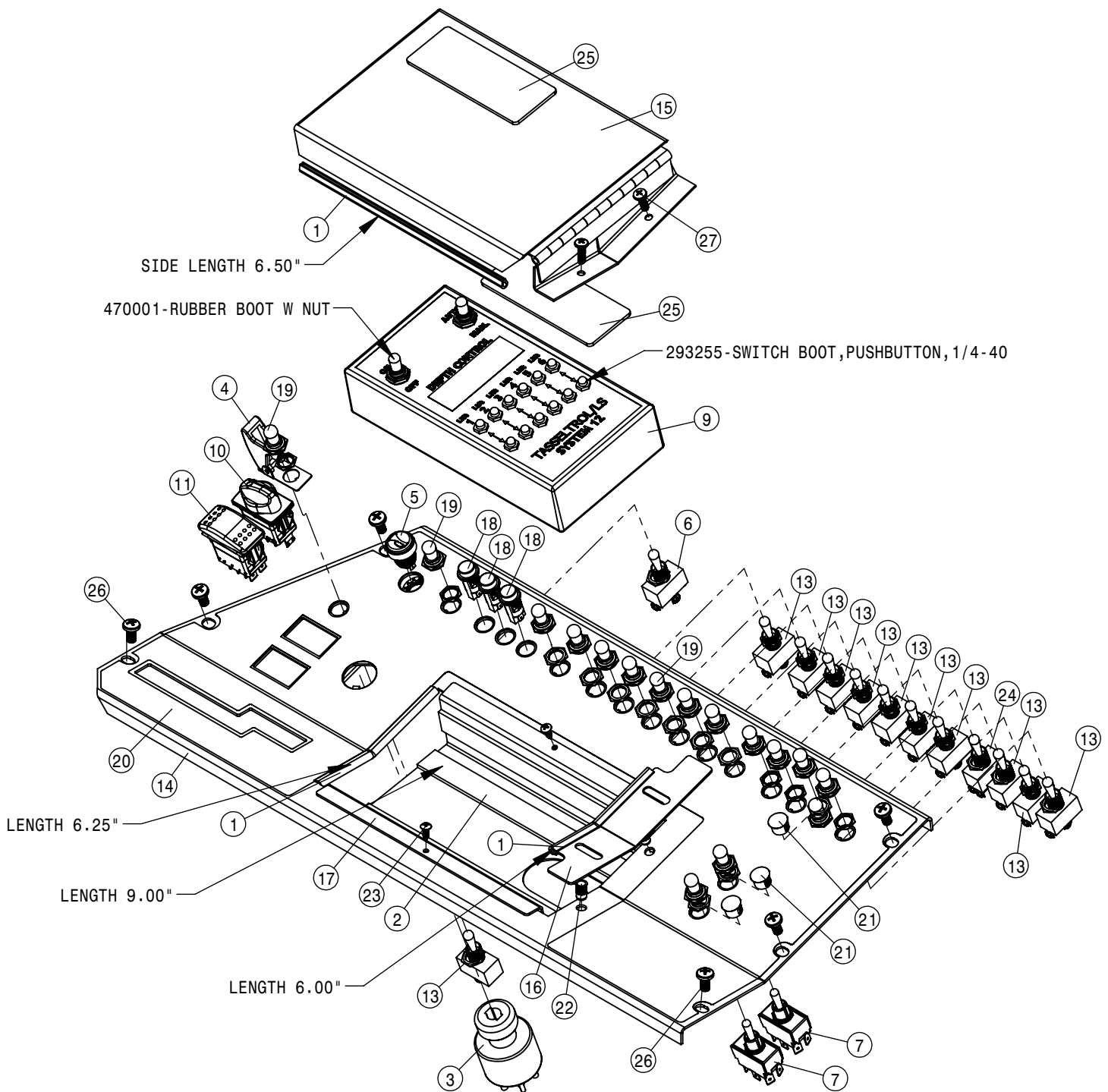


| SEAT ASSEMBLY |     |        |                                |
|---------------|-----|--------|--------------------------------|
| DET           | QTY | P/N    | DESCRIPTION                    |
| 1             | 1   | 330015 | SUSPENSION ASSY TRIMLINE SEAT  |
| 2             | 1   | 330043 | SEAT,EVC MIDHIGH TRIMLINE (CE) |
| 3             | 1   | 330044 | SEAT, (FOR 204SP CAB) (CE)     |
| 4             | 2   | 341554 | SEAT MT WLD TRIMLINE SEAT      |
| 5             | 4   | 900064 | 5/16UNC X 3/4" HEX BOLT        |
| 6             | 8   | 900129 | 3/8UNC X 1" HEX BOLT           |
| 7             | 12  | 914002 | 5/16UNC HEX STOVER NUT         |
| 8             | 8   | 914004 | 3/8UNC HEX STOVER NUT          |
| 9             | 2   | 920001 | 5/16 SAE FLAT WASHER           |



| STEERING POST ASSEMBLY |      |         |                                |  |
|------------------------|------|---------|--------------------------------|--|
| DET                    | QTY  | P/N     | DESCRIPTION                    |  |
| 1                      | 1    | 221001  | CONN LINK CLIP TYPE RC50       |  |
| 2                      | 1    | 342165  | STRG POST WLD, 284 CAB 94      |  |
| 3                      | 1    | 342173  | STRG POST ADJ PIN, 284 CAB 94  |  |
| 4                      | 1    | 342174  | STRG POST ADJ PIN LEVER WLD 94 |  |
| 5                      | 1    | 342177  | STRG POST COVER, 284 CAB 94    |  |
| 6                      | 1    | 342178  | UPR STRG MTR HSNG COVER 94     |  |
| 7                      | 1    | 362490  | LWR STRG MTR HSNG COVER 14     |  |
| 8                      | 1    | 470121  | 1/4 UNC SERR FLG LOCK NUT      |  |
| 9                      | 1    | 470157  | 13/16-20UNEF HEX NUT STRG WHL  |  |
| 10                     | 4    | 470380N | 1/4-20 NUTSERT .027-1.65 STL   |  |
| 11                     | 1    | 473928  | ROLL PIN, 3/16DIA X 7/8        |  |
| 12                     | 1    | 482131  | 3/4 X 1 3/4 COMPRSN SPRING     |  |
| 13                     | 4    | 618496  | 9/16MJIC-45-3/4MOR LBO         |  |
| 14                     | 1    | 659291  | KNOB, BLK, 3/8" - 16 UNC       |  |
| 15                     | 1    | 749178  | STRG COLUMN 2.5IN LONG         |  |
| 16                     | 1    | 749294  | STEERING WHL, VIP 14"          |  |
| 17                     | 1    | 749295  | STEER WHL CAP W/ HAGIE EMB     |  |
| 18                     | 1    | 749318  | STRG MTR,7.3CID,NON-LOAD 1031  |  |
| 19                     | 4    | 900131  | 3/8UNC X 1 1/2 HEX BOLT        |  |
| 20                     | 1    | 900271  | 1/2UNC X 3 1/4 HEX BOLT        |  |
| 21                     | 13   | 903708  | 1/4UNC X1/2PHIL PANHD MACH SCR |  |
| 22                     | 1    | 914002  | 5/16UNC HEX STOVER NUT         |  |
| 23                     | 1    | 914008  | 1/2 UNC HEX STOVER NUT         |  |
| 24                     | 4    | 920001  | 5/16 SAE FLAT WASHER           |  |
| 25                     | 4    | 920002  | 3/8 SAE FLAT WASHER            |  |
| 26                     | 0.33 | 193012  | QUICKEDGE TRIM .135 TO .250    |  |





SIDE LENGTH 6.50"

470001-RUBBER BOOT W NUT

293255-SWITCH BOOT,PUSHBUTTON, 1/4-40

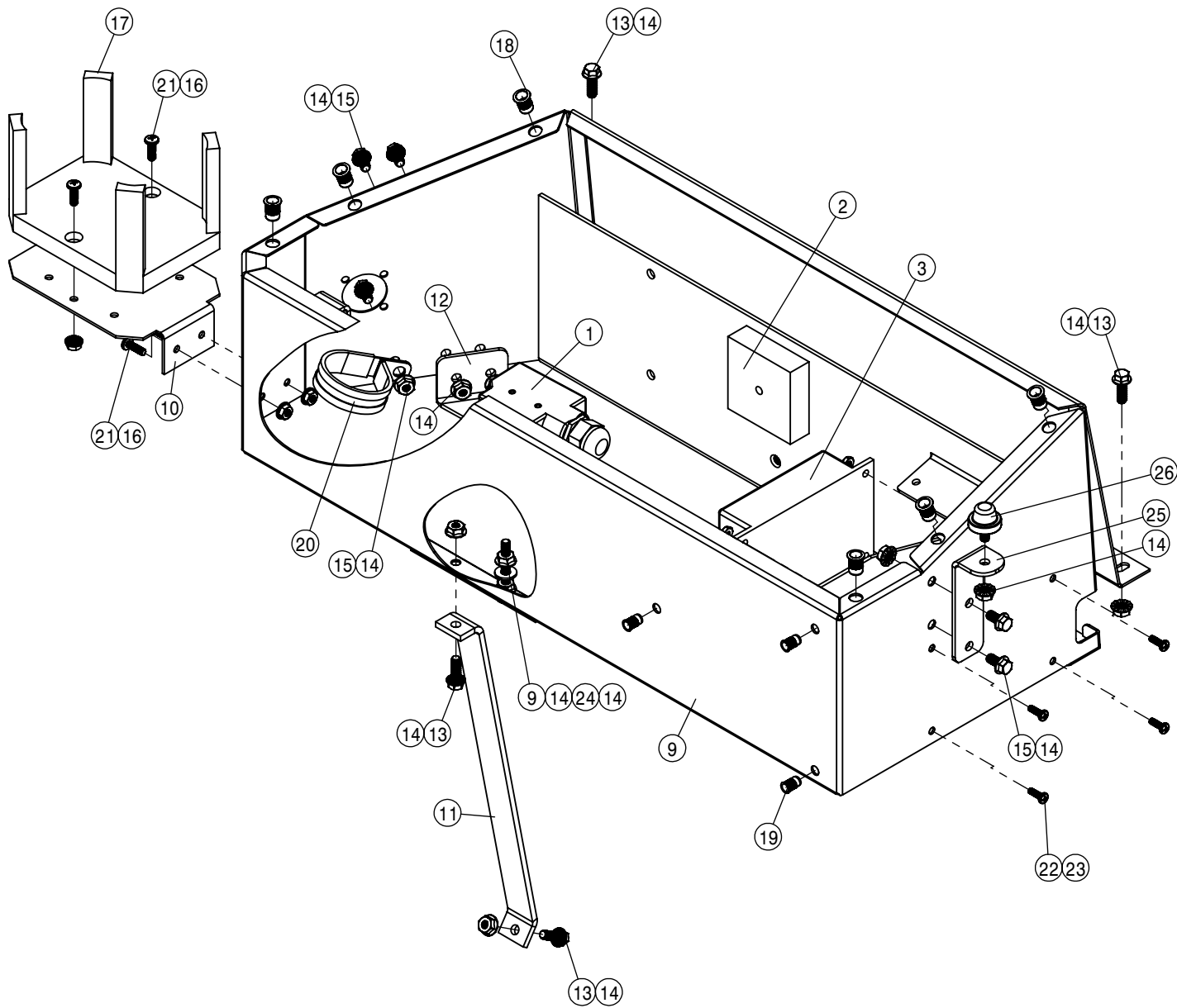
LENGTH 6.25"

LENGTH 9.00"

LENGTH 6.00"

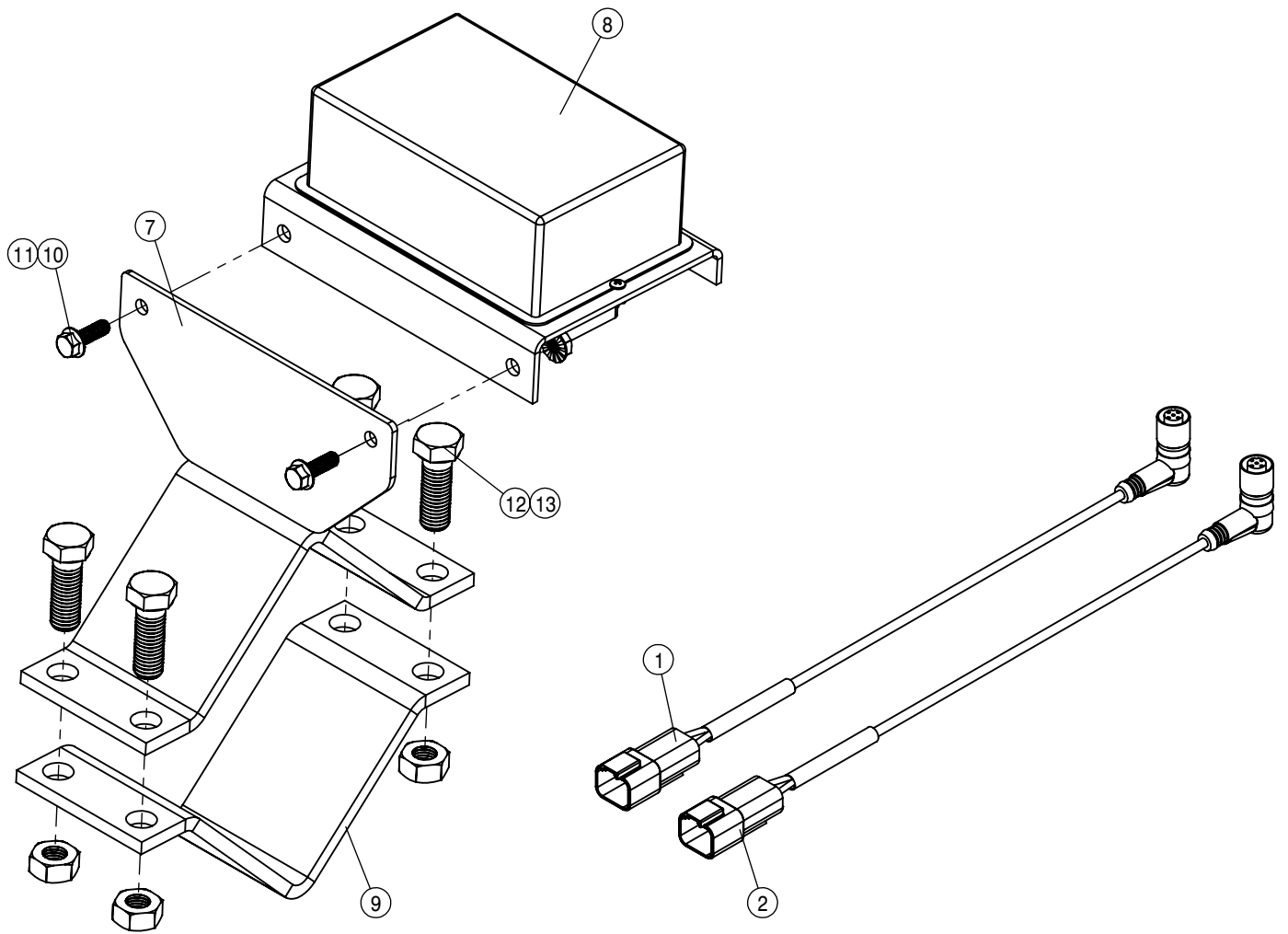
| CONSOLE COVER ASSEMBLY |     |        |                                |
|------------------------|-----|--------|--------------------------------|
| DET                    | QTY | P/N    | DESCRIPTION                    |
| 1                      | 5   | 193011 | EDGE GUARD, BLK                |
| 2                      | 4   | 193037 | STICKERTITE 1/8 X 3/4          |
| 3                      | 1   | 290073 | IGN SWITCH, SEALED 4 POSITION  |
| 4                      | 1   | 291655 | AIRCRAFT TOGGLE SWITCH GUARD   |
| 5                      | 1   | 292504 | HORN SWITCH                    |
| 6                      | 1   | 292560 | TOGGLE SWITCH MOMENTARY SPST   |
| 7                      | 2   | 293038 | TOGGLE SWITCH DPDT 15 AMP      |
| NS                     | 1   | 293686 | OUTRGR FOLD VLV HARNESS,SW PNL |
| 9                      | 1   | 294035 | LS CTRL 6L DISPLAY BOX ASSY    |
| 10                     | 1   | 294055 | SWITCH-ROTARY TURN SIGNAL      |
| 11                     | 1   | 294057 | SWITCH-DP LIGHTS               |
| NS                     | 1   | 294261 | 204 MAIN CAB HARNESS           |
| 13                     | 11  | 298012 | TOGGLE SWITCH SPST             |
| 14                     | 1   | 317634 | CONSOLE PANEL, 204SP '14       |

| CONSOLE COVER ASSEMBLY |     |         |                                 |
|------------------------|-----|---------|---------------------------------|
| DET                    | QTY | P/N     | DESCRIPTION                     |
| 15                     | 1   | 342240  | CONTROL BOX COVER WLD, 204 94   |
| 16                     | 1   | 342244  | CONTROL BOX KEEPER, 204 94      |
| 17                     | 1   | 342297  | LS CTRL 6L DISPLAY BOX MT       |
| 18                     | 3   | 390318  | INDICATOR LIGHT, RED            |
| 19                     | 16  | 470001  | RUBBER BOOT AND NUT FOR 298012  |
| 20                     | 1   | 650481  | DECAL,CONSOLE COVER 204SP '15   |
| 21                     | 3   | 470224  | SNAP PLUG, BLK NYL, .50 DIA     |
| 22                     | 2   | 470384N | 10-32 NUTSERT .020-.130 STL     |
| 23                     | 2   | 473902  | #8 X 1/2 PHIL PAN HD MTL SCR    |
| 24                     | 1   | 610412  | TOGGLE SWITCH FOR FUEL VLV      |
| 25                     | 2   | 650379  | DECAL,ENGAGE DET HD HYD MTRS    |
| 26                     | 6   | 903708  | 1/4UNC X1/2PHIL PANHD MACH SCR  |
| 27                     | 2   | 903710  | 10-32 X 5/8 PHIL PANHD MACH SCR |

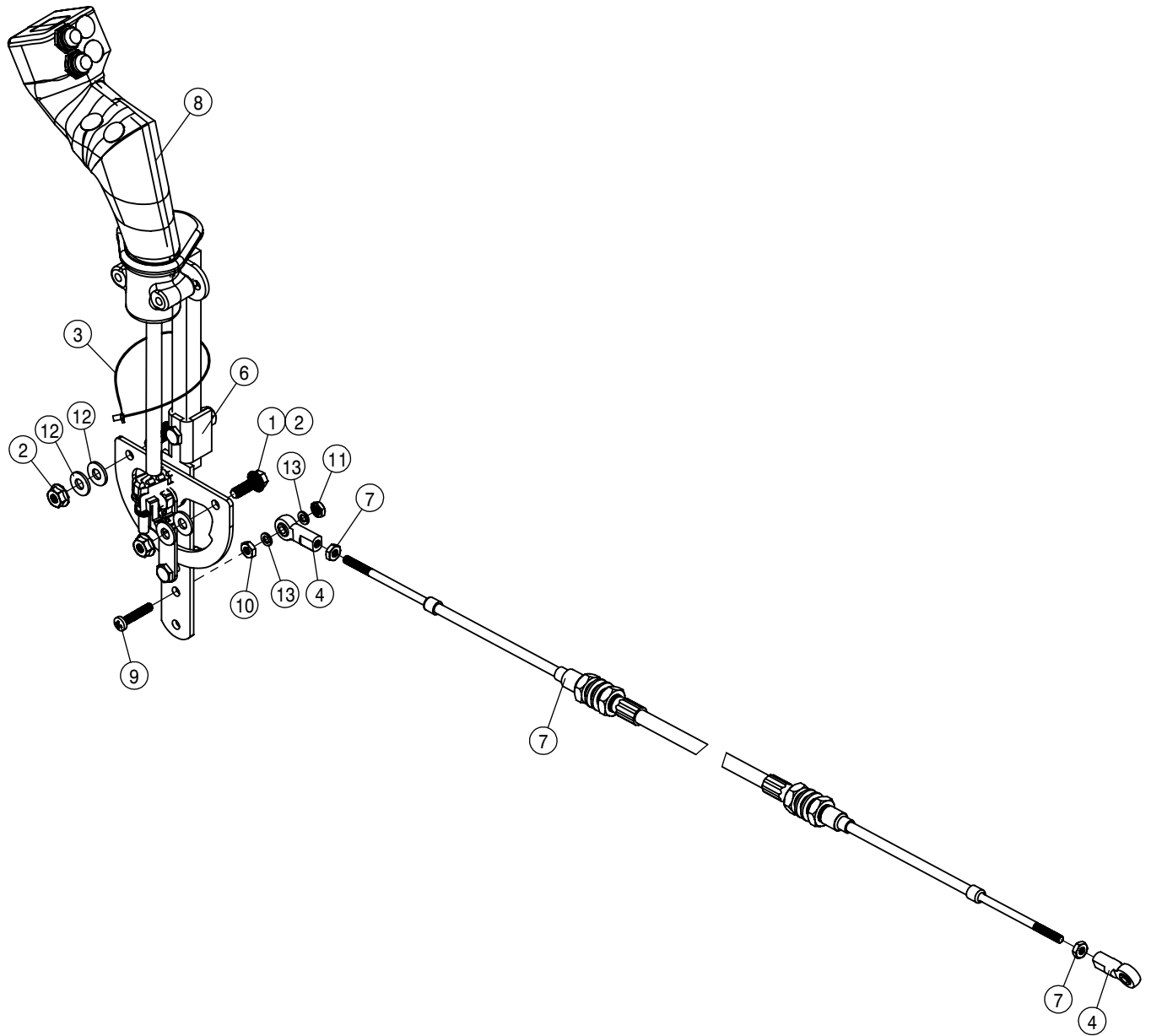


| CONSOLE ASSEMBLY |     |        |                                   |
|------------------|-----|--------|-----------------------------------|
| DET              | QTY | P/N    | DESCRIPTION                       |
| 1                | 1   | 290064 | SWITCH, BACK-UP                   |
| 2                | 1   | 290065 | TIMER BLOCK                       |
| 3                | 1   | 291910 | FLASHER, SOLID STATE, 12V         |
| NS               | 1   | 293907 | CANTRAK HARNESS 204SP             |
| NS               | 1   | 293985 | CONSOLE PWR, GND CABLE ASSY '10   |
| NS               | 1   | 294261 | 204 MAIN CAB HARNESS              |
| NS               | 1   | 294300 | BATT CABLE, RED 20*6GA. .312-.312 |
| NS               | 1   | 294301 | BATT CABLE, RED 13*6GA. .312-.312 |
| 9                | 1   | 317638 | CONSOLE WLD, 204 T3               |
| 10               | 1   | 342216 | DRINK HOLDER MT BRKT 94           |
| 11               | 1   | 342248 | CONSOLE BRACE, 204 94             |
| 12               | 1   | 343769 | BACK UP SIG BRKT, 204SP           |
| 13               | 4   | 470118 | 1/4 UNC X 3/4 SER FLG BOLT        |

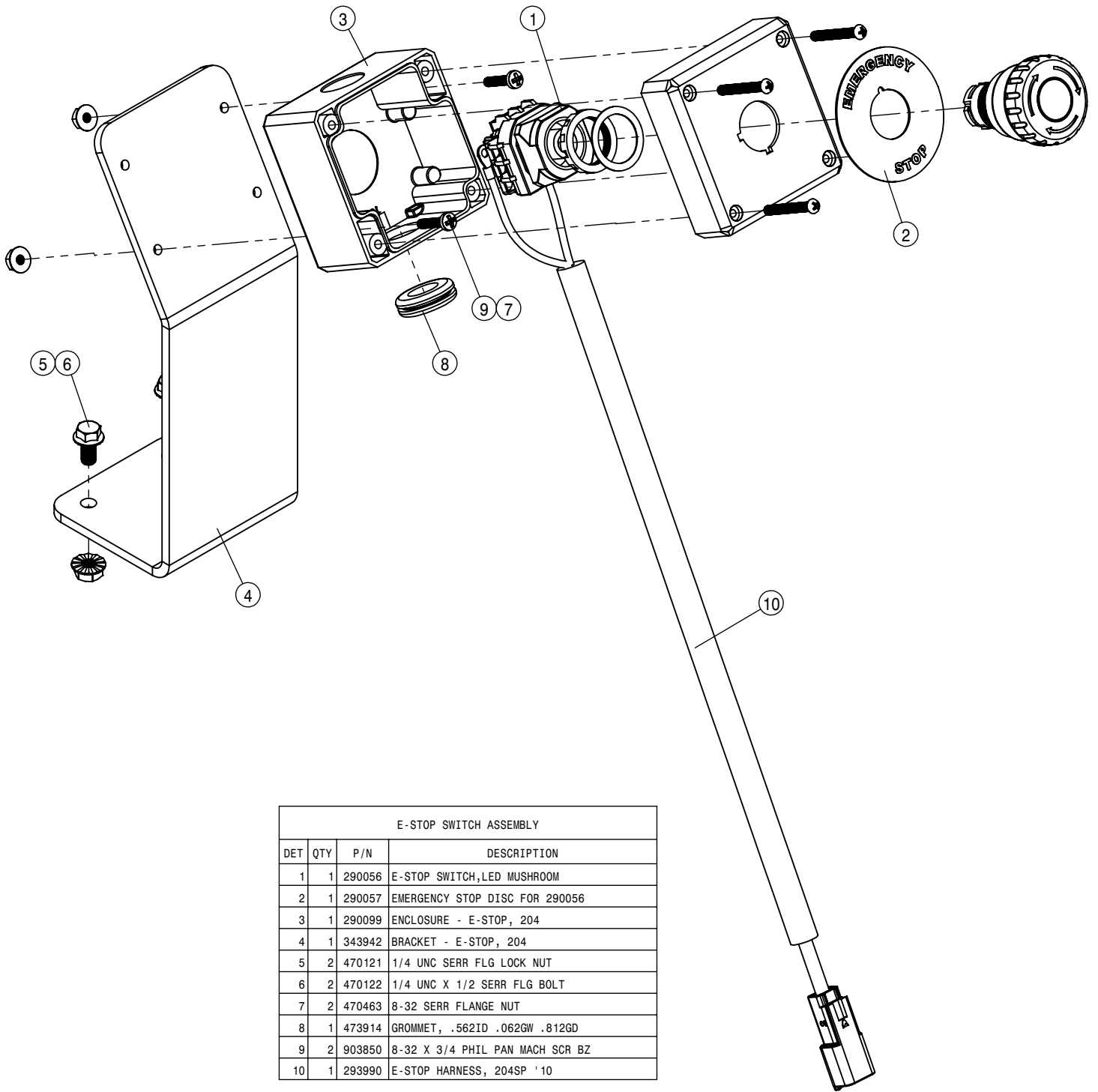
| CONSOLE ASSEMBLY |     |         |                                 |
|------------------|-----|---------|---------------------------------|
| DET              | QTY | P/N     | DESCRIPTION                     |
| 14               | 13  | 470121  | 1/4 UNC SERR FLG LOCK NUT       |
| 15               | 5   | 470122  | 1/4 UNC X 1/2 SERR FLG BOLT     |
| 16               | 4   | 470175  | 10-32 SERR FLANGE NUT           |
| 17               | 1   | 470214  | SPILLMASTER DRINK HOLDER        |
| 18               | 6   | 470380N | 1/4-20 NUTSERT .027-1.65 STL    |
| 19               | 3   | 470384N | 10-32 NUTSERT .020-.130 STL     |
| 20               | 1   | 520126  | CUSH CLAMP, #32 2IN X 5/8W      |
| 21               | 4   | 903710  | 10-32 X 5/8 PHIL PANHD MACH SCR |
| 22               | 4   | 903844  | 8-32 X 1/2 PHIL PANHD MACH SCR  |
| 23               | 4   | 910024  | 8-32 HEX NUT                    |
| 24               | 1   | 920000  | 1/4 SAE FLAT WASHER             |
| 25               | 1   | 317429  | CONSOLE LID BUMPER BRKT         |
| 26               | 1   | 470230  | 1/2 RUBBER BUMPER, 1/4-20 STUD  |



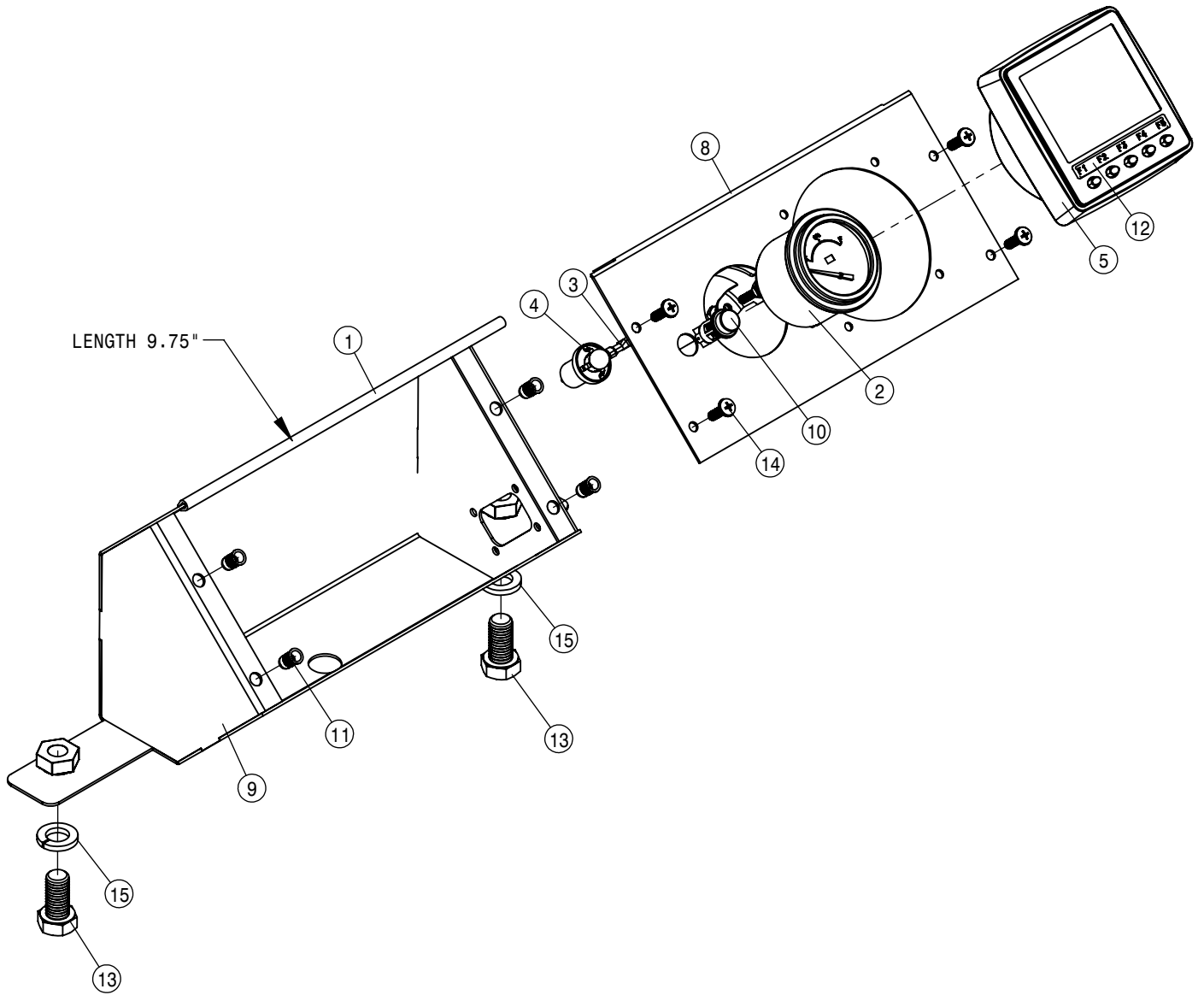
| DETASSELER MODULE ASSEMBLY |     |        |                                 |
|----------------------------|-----|--------|---------------------------------|
| DET                        | QTY | P/N    | DESCRIPTION                     |
| 1                          | 1   | 292583 | SENSOR HARNESS FOR AWS          |
| 2                          | 1   | 294049 | SENSOR HARNESS FOR SIE          |
| NS                         | 1   | 294038 | COMBO LIFT HARNESS              |
| NS                         | 1   | 294037 | COMBO/204 PHOTO EYE HARNESS     |
| NS                         | 1   | 294051 | 204 SIE CAB TASSEL TROL HARNESS |
| NS                         | 1   | 294050 | 204 CAB JUMPER HARNESS          |
| 7                          | 1   | 438789 | DETASSLER MODULE BRKT WLD       |
| 8                          | 1   | 294034 | DETASSLER MODULE                |
| 9                          | 1   | 438324 | 75IN OUTRGR BRACE CLAMP         |
| 10                         | 2   | 470118 | 1/4 UNC X 3/4 SER FLG BOLT      |
| 11                         | 2   | 470121 | 1/4 UNC SERR FLG LOCK NUT       |
| 12                         | 4   | 900265 | 1/2UNC X 1 1/2 HEX BOLT         |
| 13                         | 4   | 914008 | 1/2 UNC HEX STOVER NUT          |



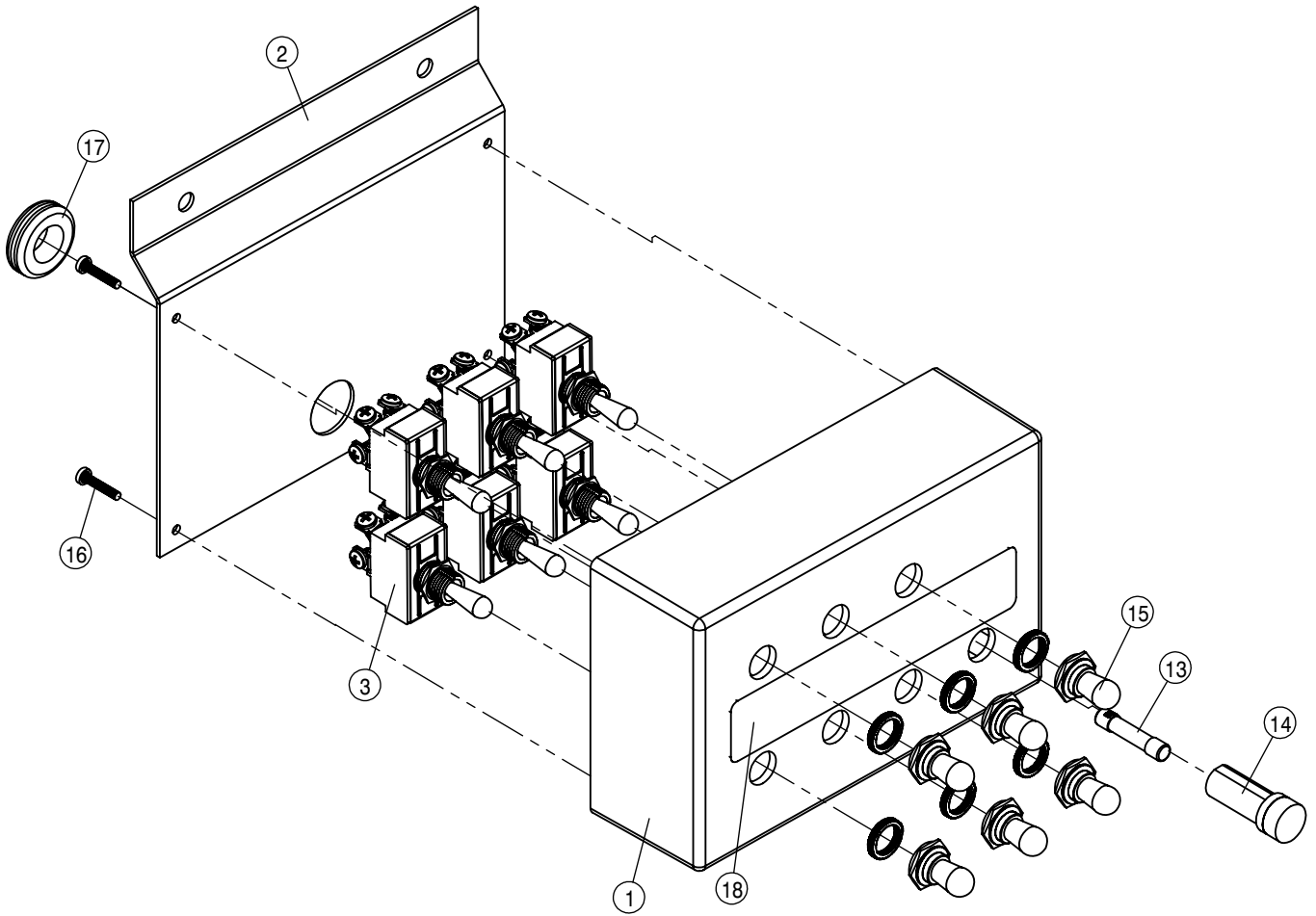
| HYDROSTATIC LEVER ASSEMBLY |     |        |                                |
|----------------------------|-----|--------|--------------------------------|
| DET                        | QTY | P/N    | DESCRIPTION                    |
| 1                          | 2   | 470118 | 1/4 UNC X 3/4 SER FLG BOLT     |
| 2                          | 2   | 470121 | 1/4 UNC SERR FLG LOCK NUT      |
| 3                          | 1   | 470609 | 8" BEAD CHAIN                  |
| 4                          | 2   | 473921 | BALL JOINT NO 10-32 THD        |
| NS                         | 1   | 493642 | 204SP QUICK START GUIDE        |
| 6                          | 1   | 606907 | HYDST CTRL LEVER ASSY 204-284  |
| 7                          | 1   | 785003 | CTRL CABLE 10-32 4IN X 112 LG  |
| 8                          | 1   | 785077 | FASSE EZ-3 CONTROL HANDLE, 204 |
| 9                          | 1   | 903893 | 10-32 X 1" PHIL PAN MACH SCR   |
| 10                         | 1   | 910027 | 10-32 HEX NUT                  |
| 11                         | 1   | 914027 | 10-32 HEX STOVER NUT           |
| 12                         | 4   | 920000 | 1/4 SAE FLAT WASHER            |
| 13                         | 2   | 920510 | #10 LOCK WASHER                |



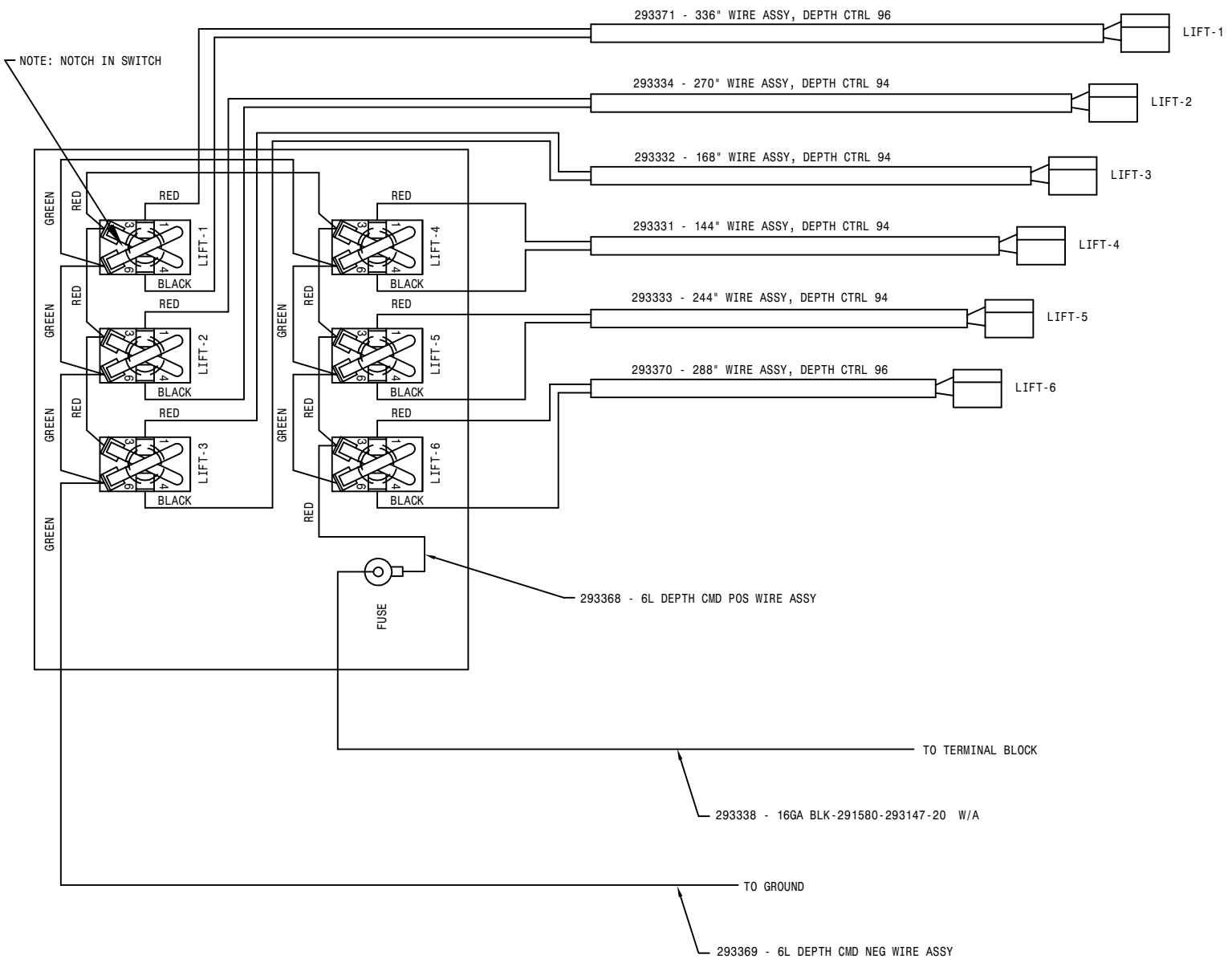
| E-STOP SWITCH ASSEMBLY |     |        |                                 |
|------------------------|-----|--------|---------------------------------|
| DET                    | QTY | P/N    | DESCRIPTION                     |
| 1                      | 1   | 290056 | E-STOP SWITCH,LED MUSHROOM      |
| 2                      | 1   | 290057 | EMERGENCY STOP DISC FOR 290056  |
| 3                      | 1   | 290099 | ENCLOSURE - E-STOP, 204         |
| 4                      | 1   | 343942 | BRACKET - E-STOP, 204           |
| 5                      | 2   | 470121 | 1/4 UNC SERR FLG LOCK NUT       |
| 6                      | 2   | 470122 | 1/4 UNC X 1/2 SERR FLG BOLT     |
| 7                      | 2   | 470463 | 8-32 SERR FLANGE NUT            |
| 8                      | 1   | 473914 | GROMMET, .562ID .062GW .812GD   |
| 9                      | 2   | 903850 | 8-32 X 3/4 PHIL PAN MACH SCR BZ |
| 10                     | 1   | 293990 | E-STOP HARNESS, 204SP '10       |



| CANTRAK ASSEMBLY |     |         |                                 |
|------------------|-----|---------|---------------------------------|
| DET              | QTY | P/N     | DESCRIPTION                     |
| 1                | 1   | 193011  | EDGE GUARD, BLK                 |
| 2                | 1   | 290401  | FUEL GAUGE FOR 2.125 DIA HOLE   |
| 3                | 1   | 291571  | TYCO,FASTON, .250(16-14GA),FEM  |
| 4                | 1   | 291612  | LIGHT KIT FOR 2" GAUGE          |
| 5                | 1   | 292236  | VEECAN 320 DISPLAY              |
| NS               | 1   | 293907  | CANTRAK HARNESS 204SP           |
| NS               | 1   | 293985  | CONSOLE PWR, GND CABLE ASSY'10  |
| 8                | 1   | 317635  | CANTRAK PANEL, 204SP '14        |
| 9                | 1   | 343801  | CANTRAK HSG WLD, 204SP          |
| 10               | 1   | 390318  | INDICATOR LIGHT, RED            |
| 11               | 4   | 470384N | 10-32 NUTSERT .020-.130 STL     |
| 12               | 1   | 650270  | DECAL,CANTRAK FUNCTION KEY      |
| 13               | 2   | 900263  | 1/2UNC X 1" HEX BOLT            |
| 14               | 4   | 903710  | 10-32 X 5/8 PHIL PANHD MACH SCR |
| 15               | 2   | 920504  | 1/2 LOCK WASHER                 |

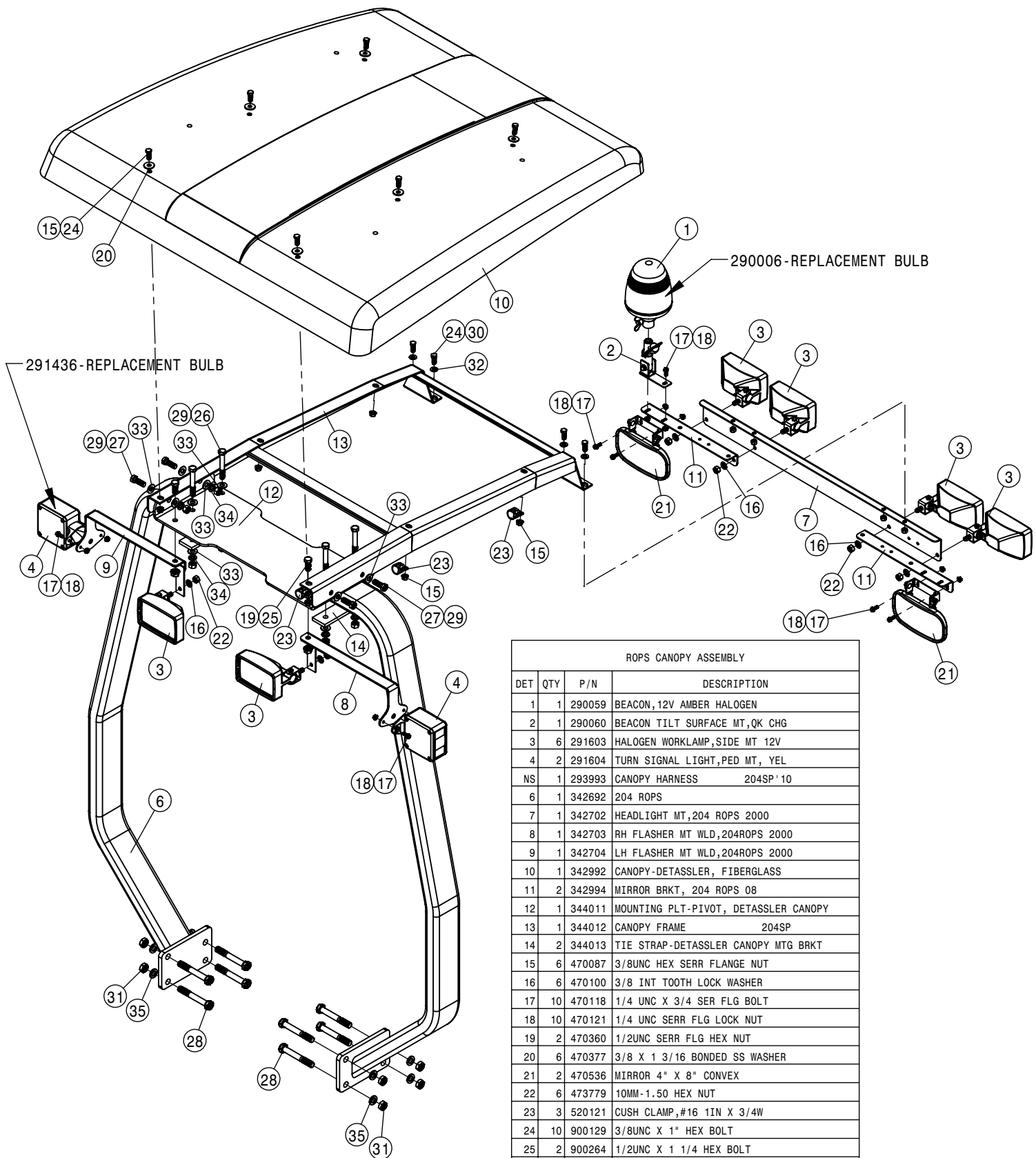


| 6-LIFT, DEPTH COMMAND SWITCH ASSEMBLY |     |        |                                |
|---------------------------------------|-----|--------|--------------------------------|
| DET                                   | QTY | P/N    | DESCRIPTION                    |
| 1                                     | 1   | 002896 | SWITCH BOX, 5/6L DEPTH CMD 96  |
| 2                                     | 1   | 002897 | SWITCH BOX, 5/6L DEPTH CMD 96  |
| 3                                     | 6   | 293172 | TOGGLE SWITCH DPDT W/JUMPERS   |
| NS                                    | 1   | 293331 | 144" WIRE ASSY, DEPTH CTRL 94  |
| NS                                    | 1   | 293332 | 168" WIRE ASSY, DEPTH CTRL 94  |
| NS                                    | 1   | 293333 | 244" WIRE ASSY, DEPTH CTRL 94  |
| NS                                    | 1   | 293334 | 270" WIRE ASSY, DEPTH CTRL 94  |
| NS                                    | 1   | 293338 | 16GA BLK-291580-293147-20 W/A  |
| NS                                    | 1   | 293368 | 6L DEPTH CMD POS WIRE ASSY     |
| NS                                    | 1   | 293369 | 6L DEPTH CMD NEG WIRE ASSY     |
| NS                                    | 1   | 293370 | 288" WIRE ASSY, DEPTH CTRL 96  |
| NS                                    | 1   | 293371 | 336" WIRE ASSY, DEPTH CTRL 96  |
| 13                                    | 1   | 298003 | FUSE 15 AMP                    |
| 14                                    | 1   | 298011 | FUSE HOLDER                    |
| 15                                    | 6   | 470001 | RUBBER BOOT AND NUT FOR 298012 |
| 16                                    | 4   | 473829 | 3MM-0.50 X 16MM PAN HD SCR     |
| 17                                    | 1   | 473914 | GROMMET, .562ID .062GW .812GD  |
| 18                                    | 1   | 650338 | DECAL,DEPTH CMD 6-LIFT         |

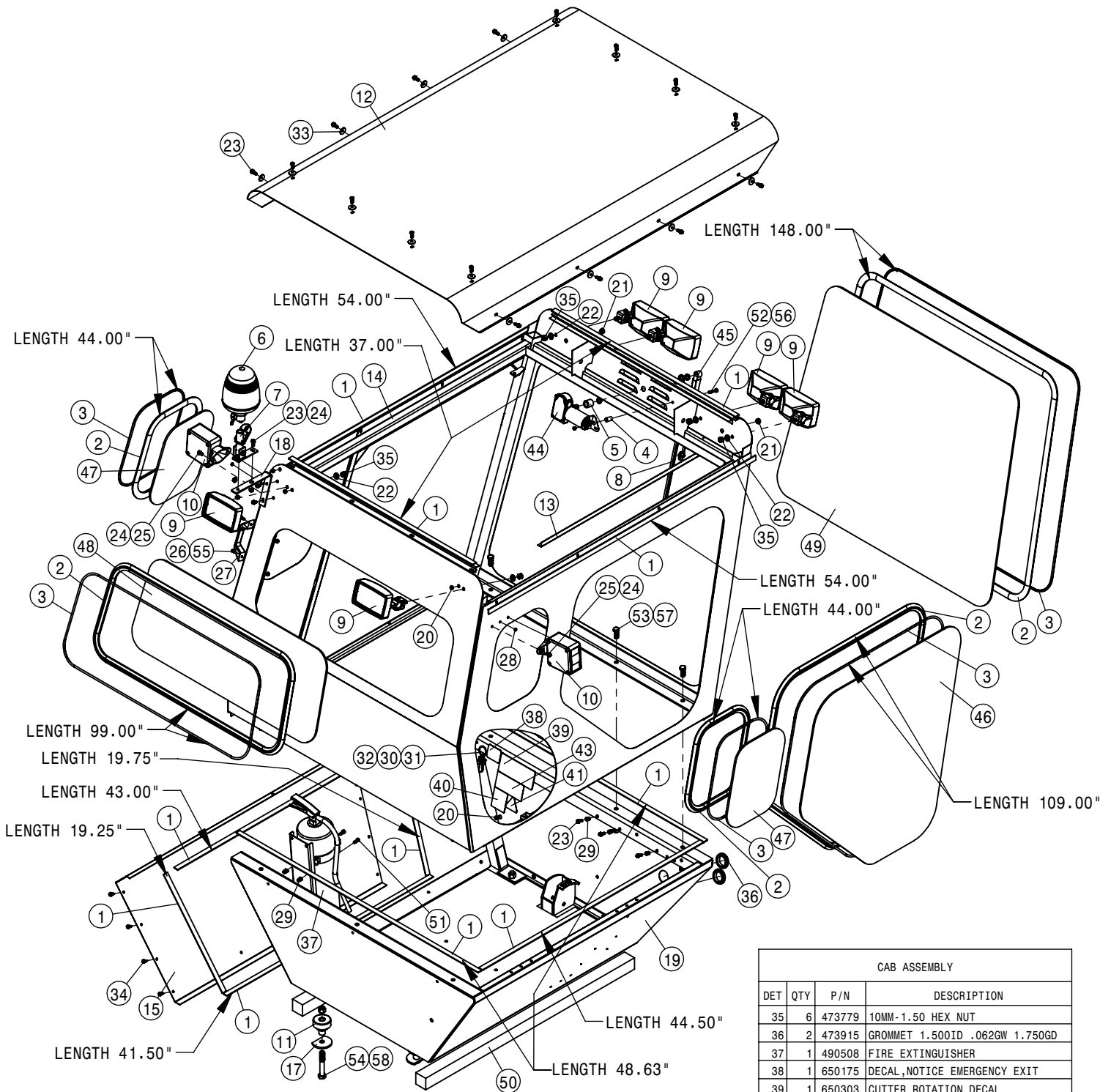


| DET                                                | REQ                               | DESCRIPTION |
|----------------------------------------------------|-----------------------------------|-------------|
| <b>HAGIE</b>                                       |                                   |             |
| HAGIE MANUFACTURING COMPANY<br>CLARION, IOWA 50525 |                                   |             |
| REMOVE ALL SHARP CORNERS & BURRS                   |                                   |             |
| TOLERANCE UNLESS OTHERWISE SPECIFIED               |                                   |             |
| FRACTION ±1/32                                     | DECIMALS X.XX ±.03<br>X.XXX ±.005 | ANGLES ±1°  |
| DESCRIPTION                                        |                                   |             |
| WIRE DIAG, 6-LIFT DEPTH CMD 96                     |                                   |             |
| DRAWN BY                                           | SCALE                             |             |
| 1: MARKER                                          | NONE (1)                          |             |
| CHECKED BY                                         | APPROVED BY                       |             |
| DATE                                               | DRAWING NUMBER                    |             |
| 02-26-96                                           | 498479                            |             |
| SHEET                                              | OF                                |             |





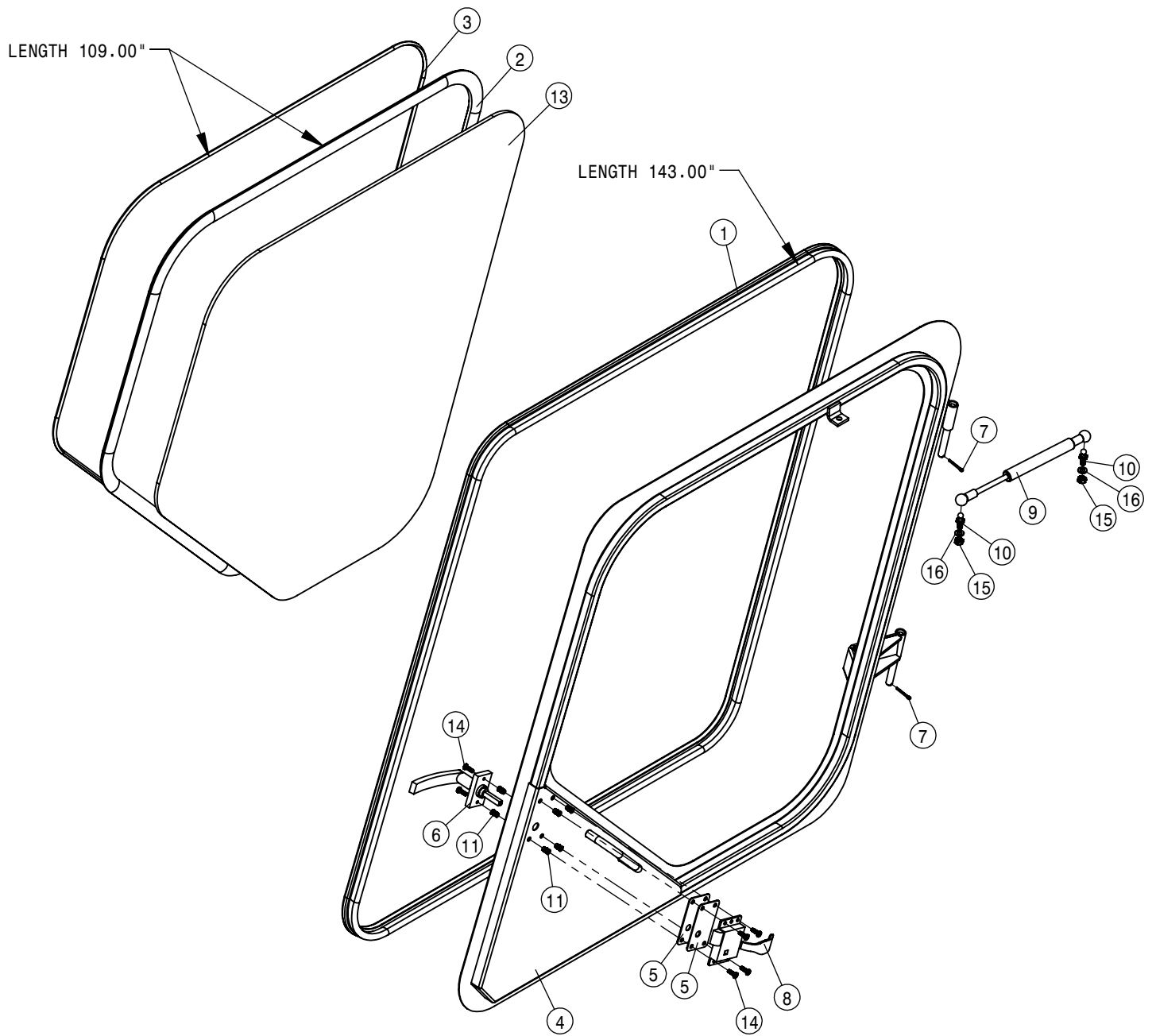
| ROPS CANOPY ASSEMBLY |     |        |                                      |
|----------------------|-----|--------|--------------------------------------|
| DET                  | QTY | P/N    | DESCRIPTION                          |
| 1                    | 1   | 290059 | BEACON, 12V AMBER HALOGEN            |
| 2                    | 1   | 290060 | BEACON TILT SURFACE MT, QK CHG       |
| 3                    | 6   | 291603 | HALOGEN WORKLAMP, SIDE MT 12V        |
| 4                    | 2   | 291604 | TURN SIGNAL LIGHT, PED MT, YEL       |
| NS                   | 1   | 293993 | CANOPY HARNESS 204SP '10             |
| 6                    | 1   | 342692 | 204 ROPS                             |
| 7                    | 1   | 342702 | HEADLIGHT MT, 204 ROPS 2000          |
| 8                    | 1   | 342703 | RH FLASHER MT WLD, 204ROPS 2000      |
| 9                    | 1   | 342704 | LH FLASHER MT WLD, 204ROPS 2000      |
| 10                   | 1   | 342992 | CANOPY-DETASSLER, FIBERGLASS         |
| 11                   | 2   | 342994 | MIRROR BRKT, 204 ROPS 08             |
| 12                   | 1   | 344011 | MOUNTING PLT-PIVOT, DETASSLER CANOPY |
| 13                   | 1   | 344012 | CANOPY FRAME 204SP                   |
| 14                   | 2   | 344013 | TIE STRAP-DETASSLER CANOPY MTG BRKT  |
| 15                   | 6   | 470087 | 3/8UNC HEX SERR FLANGE NUT           |
| 16                   | 6   | 470100 | 3/8 INT TOOTH LOCK WASHER            |
| 17                   | 10  | 470118 | 1/4 UNC X 3/4 SER FLG BOLT           |
| 18                   | 10  | 470121 | 1/4 UNC SERR FLG LOCK NUT            |
| 19                   | 2   | 470360 | 1/2UNC SERR FLG HEX NUT              |
| 20                   | 6   | 470377 | 3/8 X 1 3/16 BONDED SS WASHER        |
| 21                   | 2   | 470536 | MIRROR 4" X 8" CONVEX                |
| 22                   | 6   | 473779 | 10MM-1.50 HEX NUT                    |
| 23                   | 3   | 520121 | CUSH CLAMP, #16 1IN X 3/4W           |
| 24                   | 10  | 900129 | 3/8UNC X 1" HEX BOLT                 |
| 25                   | 2   | 900264 | 1/2UNC X 1 1/4 HEX BOLT              |
| 26                   | 4   | 900272 | 1/2UNC X 3 1/2 HEX BOLT              |
| 27                   | 4   | 900804 | 1/2UNC X 1 1/2 HEX BOLT GR8 YZ       |
| 28                   | 8   | 900847 | 5/8UNC X 4 1/2 HEX BOLT GR8 YZ       |
| 29                   | 8   | 910008 | 1/2UNC HEX NUT                       |
| 30                   | 4   | 914004 | 3/8UNC HEX STOVER NUT                |
| 31                   | 8   | 914814 | 5/8UNC HEX NUT GR8                   |
| 32                   | 4   | 920002 | 3/8 SAE FLAT WASHER                  |
| 33                   | 16  | 920004 | 1/2 SAE FLAT WASHER                  |
| 34                   | 8   | 920504 | 1/2 LOCK WASHER                      |
| 35                   | 8   | 920505 | 5/8 LOCK WASHER                      |



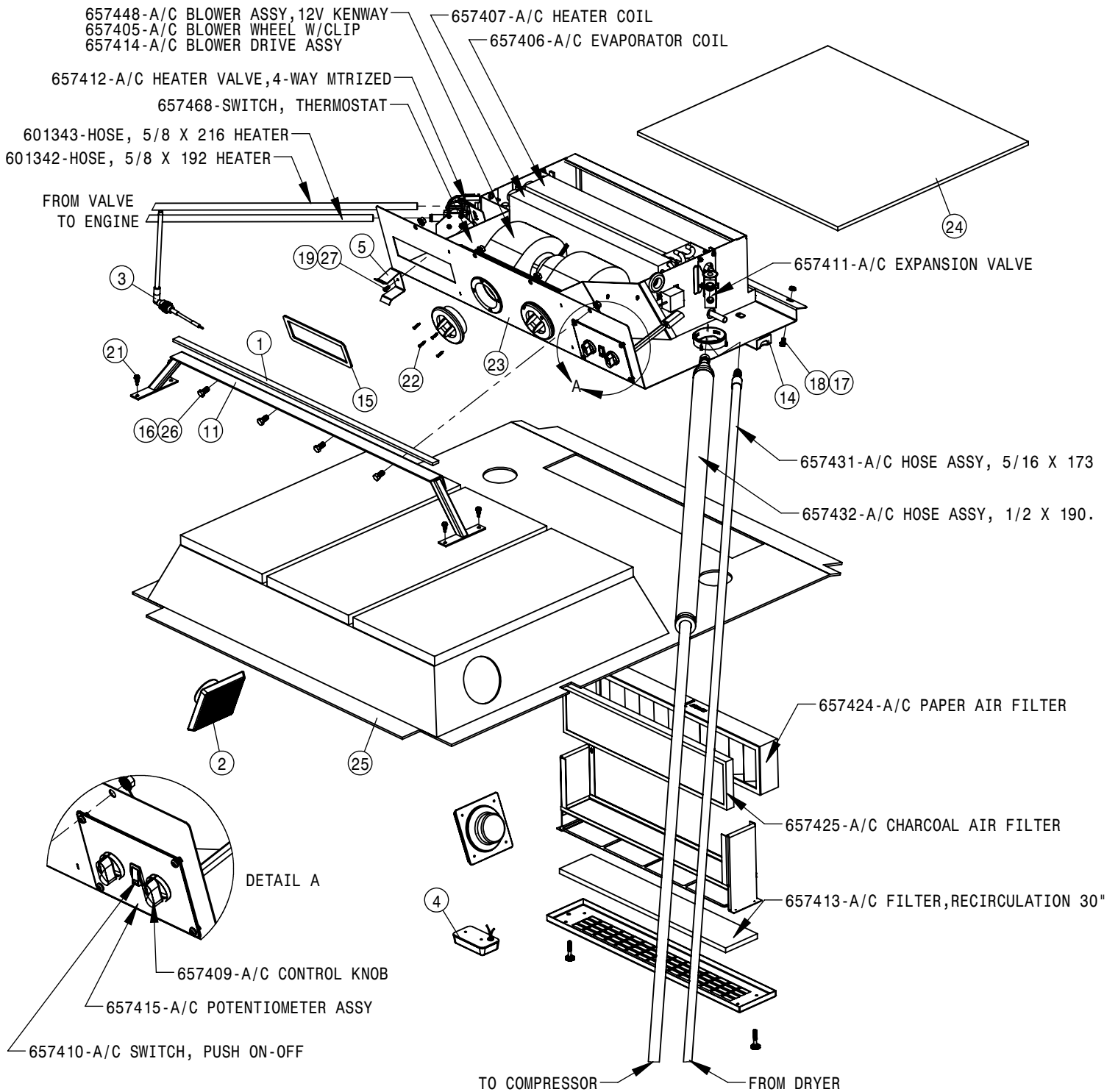
| CAB ASSEMBLY |     |        |                                |
|--------------|-----|--------|--------------------------------|
| DET          | QTY | P/N    | DESCRIPTION                    |
| 1            | 11  | 193037 | STICKERTITE 1/8 X 3/4          |
| 2            | 5   | 193044 | WINDOW WEATHERSTRIP            |
| 3            | 5   | 193045 | LOCK STRIP FOR 193044          |
| 4            | 1   | 200019 | .25 SCH40 BP X 1.00 LG C/L     |
| 5            | 1   | 202037 | WINDSHIELD WIPER SPACER        |
| 6            | 1   | 290059 | BEACON,12V AMBER HALOGEN       |
| 7            | 1   | 290060 | BEACON TILT SURFACE MT,QK CHG  |
| 8            | 1   | 290417 | 18" WIPER BLADE                |
| 9            | 6   | 291603 | HALOGEN WORKLAMP,SIDE MT 12V   |
| 10           | 2   | 291604 | TURN SIGNAL LIGHT,PED MT, YEL  |
| 11           | 4   | 311051 | RUBBER MOUNT, RB3-350          |
| 12           | 1   | 342150 | CAB ROOF WLD, 284 94           |
| 13           | 1   | 342180 | HD LINER KPR ANGLE, 284 CAB 94 |
| 14           | 1   | 342287 | 204 CAB WELDMT                 |
| 15           | 1   | 342295 | LH SIDE PANEL, 204 CAB 95      |
| NS           | 2   | 342333 | NYL HOSE SLEEVE,2.64ID X 12.00 |
| 17           | 4   | 343204 | OP STATION WASHER, 204         |

| CAB ASSEMBLY |     |         |                                |
|--------------|-----|---------|--------------------------------|
| DET          | QTY | P/N     | DESCRIPTION                    |
| 18           | 1   | 343839  | BEACON MNT BRKT, 204SP         |
| 19           | 1   | 362444  | OP STN WLD, 204 14 (BARE)      |
| 20           | 4   | 470067  | GROMMET, .250ID .125GW .375GD  |
| 21           | 2   | 470070  | GROMMET, .375ID .062GW .500GD  |
| 22           | 6   | 470100  | 3/8 INT TOOTH LOCK WASHER      |
| 23           | 13  | 470118  | 1/4 UNC X 3/4 SER FLG BOLT     |
| 24           | 6   | 470121  | 1/4 UNC SERR FLG LOCK NUT      |
| 25           | 6   | 470122  | 1/4 UNC X 1/2 SERR FLG BOLT    |
| 26           | 2   | 470175  | 10-32 SERR FLANGE NUT          |
| 27           | 1   | 470222  | GRAB HANDLE, BLACK MOLDED      |
| 28           | 2   | 470226  | GROMMET, .156ID .062GW .250GD  |
| 29           | 5   | 470380N | 1/4-20 NUTSERT .027-1.65 STL   |
| 30           | 1   | 470397  | RES-Q-ME TOOL                  |
| 31           | 1   | 470398  | BEAD CHAIN, #10 X 4" LONG      |
| 32           | 1   | 470400  | BEAD CHAIN CONNECTOR #10 WHITE |
| 33           | 16  | 470514  | 1/4 X 1 SEALING WASHER         |
| 34           | 10  | 472349  | 1/4 X 3/4 20THD-IN TEK TYPE    |

| CAB ASSEMBLY |     |        |                                  |
|--------------|-----|--------|----------------------------------|
| DET          | QTY | P/N    | DESCRIPTION                      |
| 35           | 6   | 473779 | 10MM-1.50 HEX NUT                |
| 36           | 2   | 473915 | GROMMET 1.500ID .062GW 1.750GD   |
| 37           | 1   | 490508 | FIRE EXTINGUISHER                |
| 38           | 1   | 650175 | DECAL,NOTICE EMERGENCY EXIT      |
| 39           | 1   | 650303 | CUTTER ROTATION DECAL            |
| 40           | 1   | 650388 | DECAL ,CAUTION,EMERGENCYSTOP' 11 |
| 41           | 1   | 650389 | DECAL, WARNING, HYD OIL INJ' 11  |
| NS           | 2   | 650524 | 204 CAB MIRRORS                  |
| 43           | 1   | 650847 | DECAL ,CARRY PASENGER WARNING    |
| 44           | 1   | 658008 | WINDSHIELD WIPER MOTOR           |
| 45           | 1   | 658013 | WIPER ARM                        |
| 46           | 1   | 658015 | FRONT SIDE CAB/DOOR GLASS 94     |
| 47           | 2   | 658016 | REAR SIDE CAB GLASS 94           |
| 48           | 1   | 658017 | REAR CAB GLASS 94                |
| 49           | 1   | 658018 | FRONT CAB GLASS, 204 95          |
| 50           | 2   | 659704 | FOAM 2" THK X 2" WIDE X 42" LG   |
| 51           | 10  | 900002 | 1/4UNC x 3/4 HEX BOLT            |
| 52           | 1   | 900005 | 1/4UNC X 1 1/2 HEX BOLT          |
| 53           | 6   | 900264 | 1/2UNC X 1 1/4 HEX BOLT          |
| 54           | 4   | 900342 | 5/8UNC X 4" HEX BOLT             |
| 55           | 2   | 903883 | 10-32 X 1/2 PHIL PAN MACH SCR    |
| 56           | 1   | 914000 | 1/4UNC HEX STOVER NUT            |
| 57           | 6   | 914008 | 1/2 UNC HEX STOVER NUT           |
| 58           | 4   | 914010 | 5/8UNC HEX STOVER NUT            |

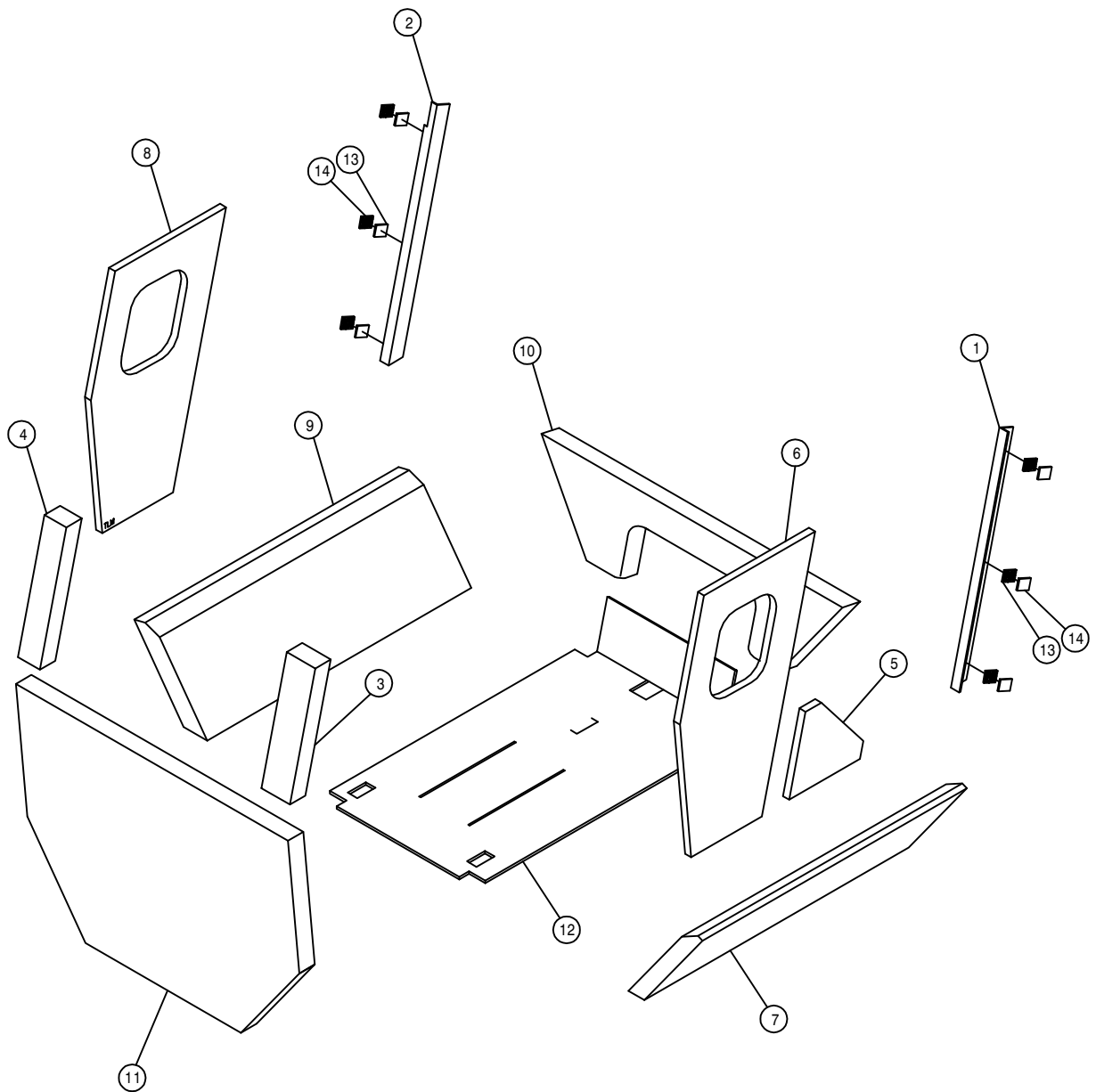


| DOOR ASSEMBLY |     |         |                                 |
|---------------|-----|---------|---------------------------------|
| DET           | QTY | P/N     | DESCRIPTION                     |
| 1             | 1   | 193028  | PUSH-ON TRIM SEAL RS-130-FX     |
| 2             | 1   | 193044  | WINDOW WEATHERSTRIP             |
| 3             | 1   | 193045  | LOCK STRIP FOR 193044           |
| 4             | 1   | 342153  | LH DOOR WLD, 284 CAB 94         |
| 5             | 2   | 342163  | CAB DOOR LATCH SHIM, .06 94     |
| 6             | 1   | 342217  | DOOR HANDLE, 254-284 CAB 94     |
| 7             | 2   | 470006  | 1/8 X 1 COTTER PIN              |
| 8             | 1   | 470219  | CAB LOCK, LH #55                |
| 9             | 1   | 470221  | GAS SPRING, 60LB 3.5 STROKE     |
| 10            | 2   | 470255  | BALL STUD, 5/16-18 THRD X 10MM  |
| 11            | 6   | 470384N | 10-32 NUTSERT .020-.130 STL     |
| NS            | 2   | 485052  | POP RIVET 1/8 X 3/8             |
| 13            | 1   | 658015  | FRONT SIDE CAB/DOOR GLASS 94    |
| 14            | 6   | 903710  | 10-32 X 5/8 PHIL PANHD MACH SCR |
| 15            | 2   | 910002  | 5/16UNC HEX NUT                 |
| 16            | 2   | 920501  | 5/16 LOCK WASHER                |



| AIR CONDITIONER ASSEMBLY |     |        |                                 |
|--------------------------|-----|--------|---------------------------------|
| DET                      | QTY | P/N    | DESCRIPTION                     |
| 1                        | 1   | 193022 | STICKERTITE 1/4 X 3/4           |
| 2                        | 1   | 291213 | SPEAKERS (PAIR)                 |
| 3                        | 1   | 291214 | ANTENNA                         |
| 4                        | 1   | 291605 | INTERIOR LIGHT W/SWITCH         |
| 5                        | 1   | 291834 | RADIO SUPPORT BRKT              |
| NS                       | 1   | 344415 | RADIO - STANDARD                |
| NS                       | 1   | 291933 | HARNES, RADIO CQ-5335U STS 06   |
| NS                       | 1   | 293299 | CAB DOME LIGHT GROUND           |
| NS                       | 1   | 293908 | CAB ROOF HARNES 204SP           |
| NS                       | 1   | 294068 | CAB WIPER MOTOR GROUND          |
| 11                       | 1   | 342182 | REAR A/C BLOWER MT WLD, CAB 94  |
| NS                       | 2   | 342333 | NYL HOSE SLEEVE, 2.64ID X 12.00 |
| NS                       | 2   | 342343 | NYL HOSE SLEEVE, 2.64ID X 6.00  |
| 14                       | 2   | 342669 | A/C DRAIN HOSE KEEPER           |

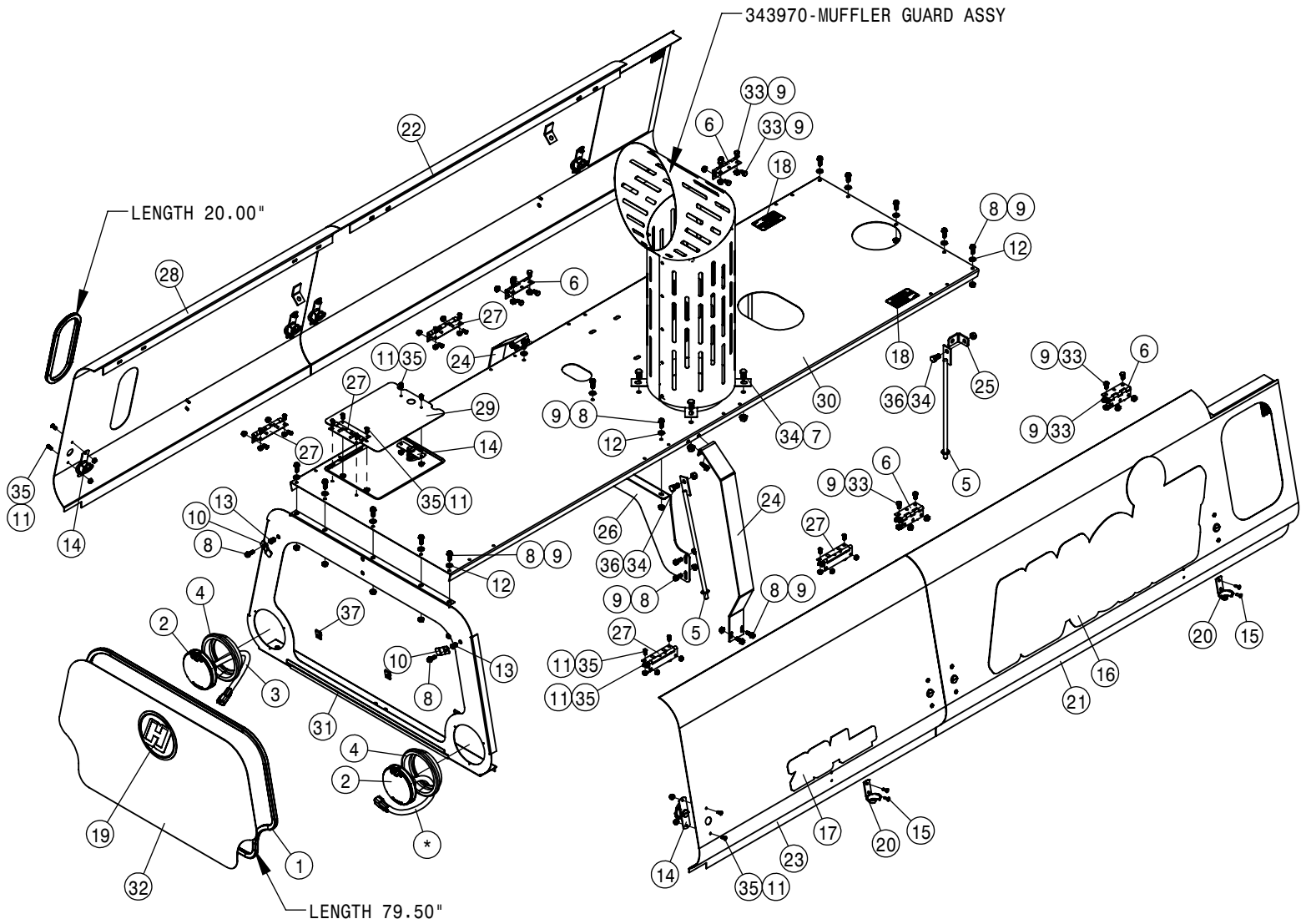
| AIR CONDITIONER ASSEMBLY |     |        |                                 |
|--------------------------|-----|--------|---------------------------------|
| DET                      | QTY | P/N    | DESCRIPTION                     |
| 15                       | 1   | 343331 | RADIO BEZEL, CAB, BLK PLASIC 05 |
| 16                       | 4   | 470087 | 3/8UNC HEX SERR FLANGE NUT      |
| 17                       | 5   | 470121 | 1/4 UNC SERR FLG LOCK NUT       |
| 18                       | 5   | 470122 | 1/4 UNC X 1/2 SERR FLG BOLT     |
| 19                       | 1   | 470175 | 10-32 SERR FLANGE NUT           |
| NS                       | 1   | 470292 | A/C INSULATION TAPE, 2" WIDE    |
| 21                       | 4   | 472349 | 1/4 X 3/4 20THD-IN TEK TYPE     |
| 22                       | 48  | 473966 | #6 X3/4 PHIL FLTHD SHT MTL SCR  |
| 23                       | 1   | 657461 | A/C-HTR BLOWER SYS, DTS8 05     |
| 24                       | 1   | 658313 | ROOF SEAL, AIR COND 204,254,28  |
| 25                       | 1   | 658327 | VINYL HEAD LINER 99             |
| 26                       | 4   | 900128 | 3/8UNC X 3/4 HEX BOLT           |
| 27                       | 1   | 903883 | 10-32 X 1/2 PHIL PAN MACH SCR   |



CAB FOAM

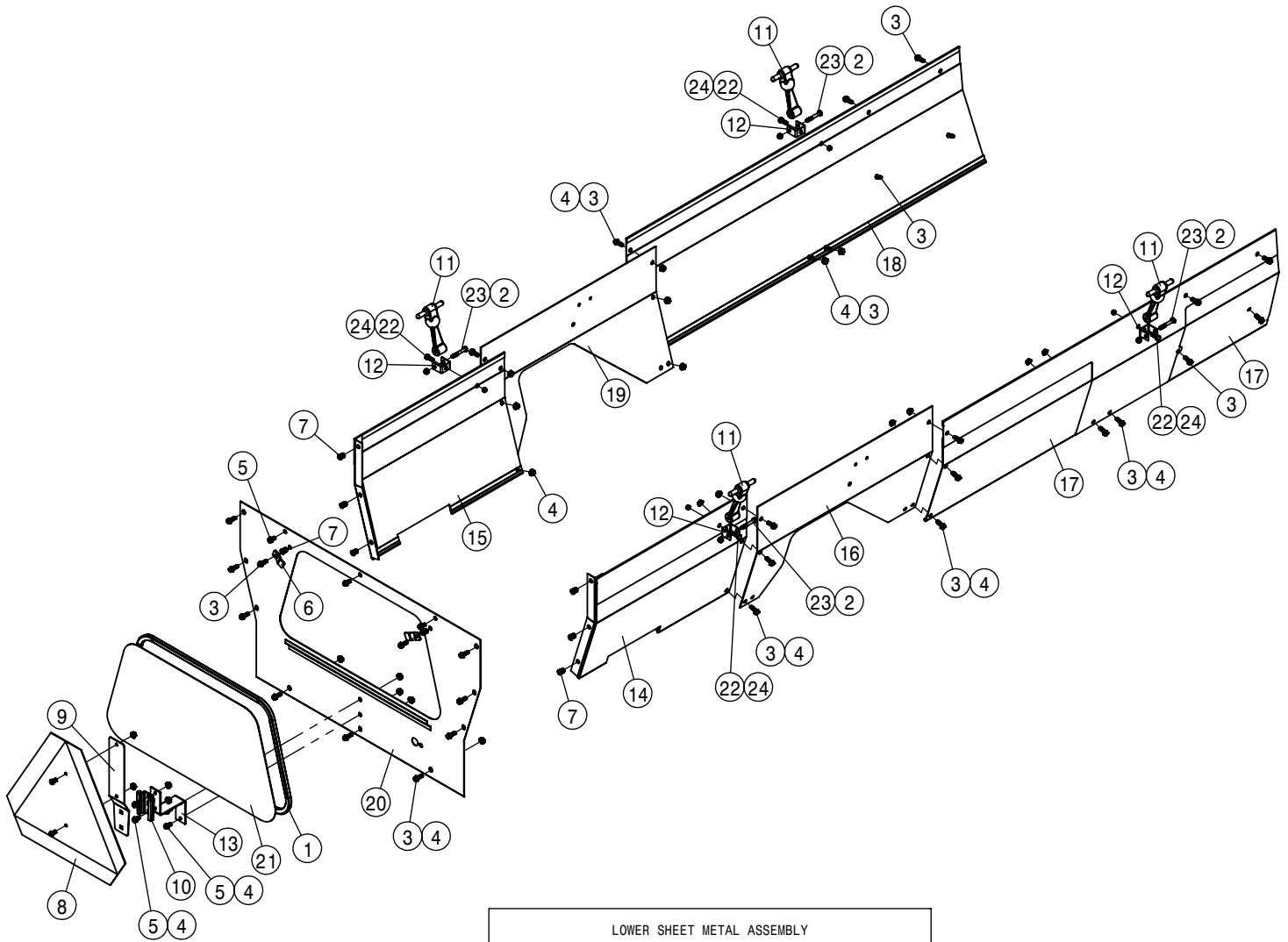
DET. QTY PART NO. DESCRIPTION

|    |   |        |                            |        |
|----|---|--------|----------------------------|--------|
| 1  | 1 | 658301 | VINYL POST COVER, RH FRONT | 94     |
| 2  | 1 | 658302 | VINYL POST COVER, LH FRONT | 94     |
| 3  | 1 | 658303 | VINYL POST COVER, RH REAR  | 94     |
| 4  | 1 | 658304 | VINYL POST COVER, LH REAR  | 94     |
| 5  | 1 | 658305 | VINYL SIDE PANEL, RH       | 94     |
| 6  | 1 | 658306 | VINYL SIDE PANEL, RH UPPER | 94     |
| 7  | 1 | 658307 | VINYL SIDE PANEL, RH LOWER | 94     |
| 8  | 1 | 658308 | VINYL SIDE PANEL, LH UPPER | 94     |
| 9  | 1 | 658309 | VINYL SIDE PANEL, LH LOWER | 94     |
| 10 | 1 | 658310 | VINYL FRONT COVER PANEL    | 94     |
| 11 | 1 | 658311 | VINYL REAR COVER PANEL     | 94     |
| 12 | 1 | 658316 | CAB FLOORMAT, 284          | 97     |
| 13 | 6 | 471101 | DUAL LOCK, 1.00 X 1.00     | SJ3542 |
| 14 | 6 | 471100 | DUAL LOCK, 1.00 X 1.00     | SJ3541 |

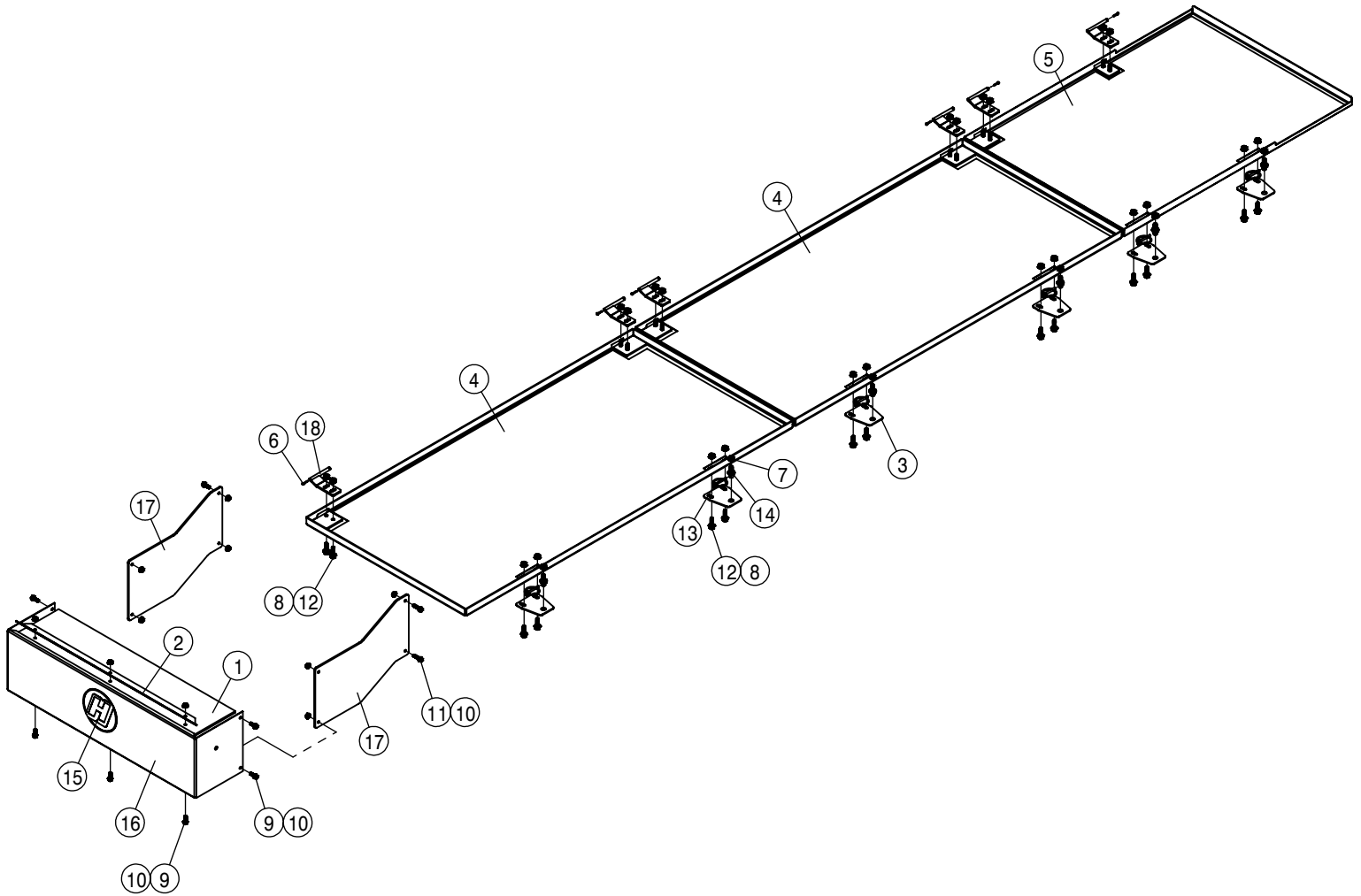


| UPPER SHEET METAL ASSEMBLY |     |         |                                  |
|----------------------------|-----|---------|----------------------------------|
| DET                        | QTY | P/N     | DESCRIPTION                      |
| 1                          | 2   | 193016  | QUICKEDGE TRIM .060 TO .170      |
| 2                          | 2   | 290201  | RED LED STT 3 DIODE LAMP         |
| 3                          | 2   | 290203  | 2-WIRE PIGTAIL FOR 290200AMBER   |
| 4                          | 2   | 290204  | 4" GROMMET FR 290200 & 290201    |
| 5                          | 4   | 341356  | ENGINE HOOD PROP WLD 8240 82     |
| 6                          | 4   | 344106  | HINGE 3 X 2 204 SP 2011          |
| 7                          | 4   | 470087  | 3/8UNC HEX SERR FLANGE NUT       |
| 8                          | 27  | 470118  | 1/4 UNC X 3/4 SER FLG BOLT       |
| 9                          | 41  | 470121  | 1/4 UNC SERR FLG LOCK NUT        |
| 10                         | 2   | 470151  | UPPER REAR PANEL SCREEN CLIP     |
| 11                         | 38  | 470175  | 10-32 SERR FLANGE NUT            |
| 12                         | 13  | 470212  | 1/4 BONDED SEALING WASH, SS      |
| 13                         | 2   | 470380N | 1/4-20 NUTSERT .027-1.65 STL     |
| 14                         | 9   | 470574  | LATCH, SPRING COMPRESSION, LARGE |
| 15                         | 8   | 485053  | POP RIVET 3/16 X 3/8             |
| 16                         | 2   | 650778  | HAGIE DECAL 33 X 14              |
| 17                         | 2   | 650779  | 204SP DECAL 12.5 X 3.5           |
| 18                         | 2   | 650851  | DECAL, NOTICE, SHIELD PROTECT    |

| UPPER SHEET METAL ASSEMBLY |     |        |                                    |
|----------------------------|-----|--------|------------------------------------|
| DET                        | QTY | P/N    | DESCRIPTION                        |
| 19                         | 1   | 651008 | DECAL - H-DOT FRONT GLASS 5.00"    |
| 20                         | 4   | 656997 | RUBBER HOOK BRACKET                |
| 21                         | 1   | 660265 | RH FRT ENG HOOD WLD, 204/SP '10    |
| 22                         | 1   | 660266 | LH FRT ENG HOOD WLD, 204/SP '10    |
| 23                         | 1   | 660267 | RH REAR HOOD WLD, 204/SP '10       |
| 24                         | 2   | 660273 | 204 CE HOOD CENTER BRACE           |
| 25                         | 2   | 660275 | FRT HOOD PROP MR, 204/SP '10       |
| 26                         | 1   | 660276 | MULLION SUPPORT 204SP 11           |
| 27                         | 5   | 660282 | HINGE, 4" QUICK -DISCONNECT W/.218 |
| 28                         | 1   | 660298 | LH REAR HOOD WLD, 204              |
| 29                         | 1   | 660654 | FILTER ACCESS PLT                  |
| 30                         | 1   | 660655 | MULLION, 204 CUMM WLD              |
| 31                         | 1   | 660661 | UPPER REAR PANEL WLD 204 T3        |
| 32                         | 1   | 660786 | UPPER REAR DOOR SCREEN WLD T3      |
| 33                         | 16  | 900000 | 1/4UNC X 1/2 HEX BOLT              |
| 34                         | 8   | 900128 | 3/8UNC X 3/4 HEX BOLT              |
| 35                         | 38  | 903883 | 10-32 X 1/2 PHIL PAN MACH SCR      |
| 36                         | 4   | 914004 | 3/8UNC HEX STOVER NUT              |
| 37                         | 3   | 470386 | 1/4 -20 SPRING NUT LUG             |

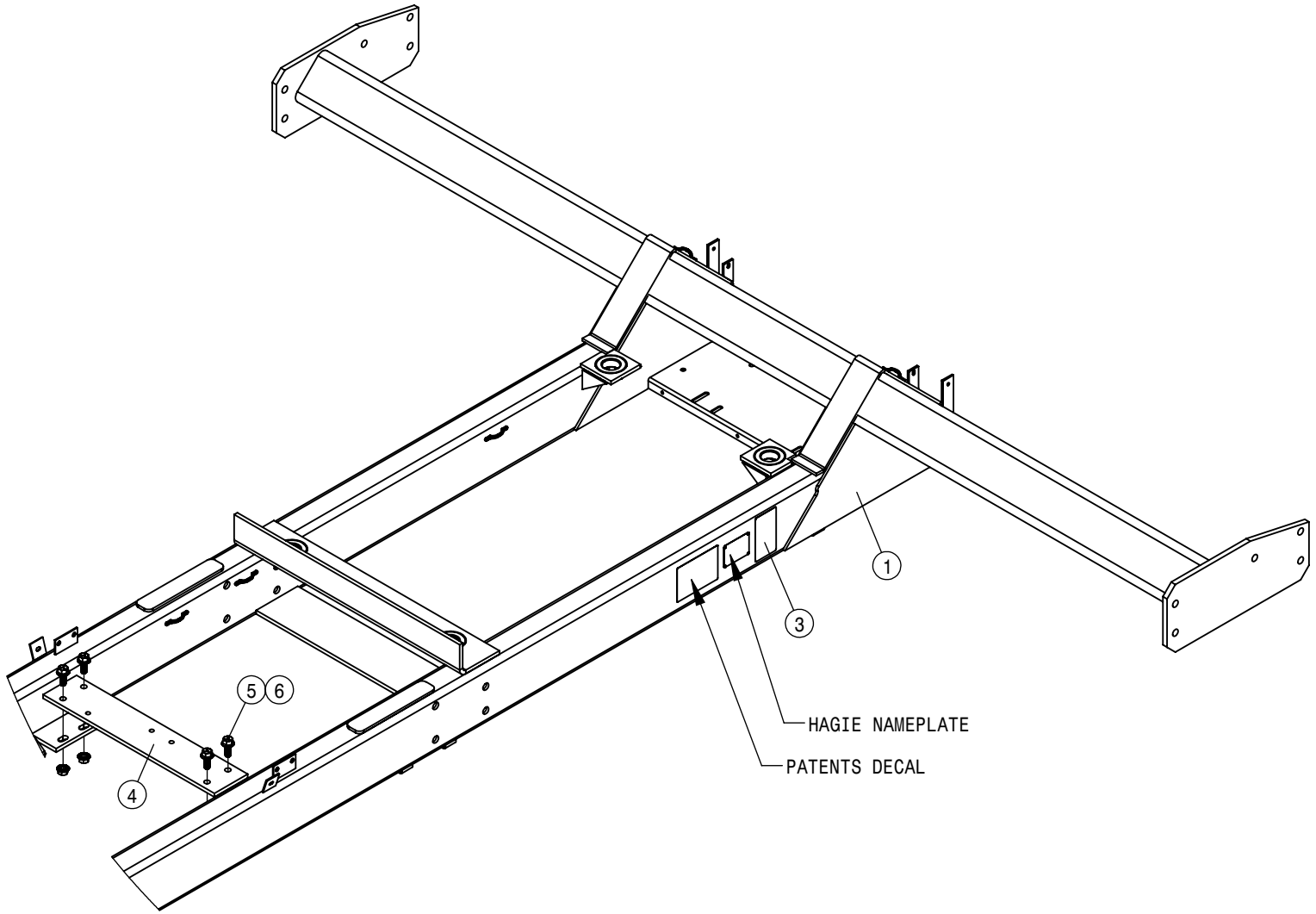


| LOWER SHEET METAL ASSEMBLY |     |         |                                 |
|----------------------------|-----|---------|---------------------------------|
| DET                        | QTY | P/N     | DESCRIPTION                     |
| 1                          | 1   | 193016  | QUICKEDGE TRIM .060 TO .170     |
| 2                          | 4   | 470089  | 1/4UNC HEX NYL-LOC NUT          |
| 3                          | 35  | 470118  | 1/4 UNC X 3/4 SER FLG BOLT      |
| 4                          | 25  | 470121  | 1/4 UNC SERR FLG LOCK NUT       |
| 5                          | 7   | 470122  | 1/4 UNC X 1/2 SERR FLG BOLT     |
| 6                          | 2   | 470151  | UPPER REAR PANEL SCREEN CLIP    |
| 7                          | 8   | 470380N | 1/4-20 NUTSERT .027-1.65 STL    |
| 8                          | 1   | 472249  | SLOW MOVING VEHICLE SIGN        |
| 9                          | 1   | 472250  | SPADE MTG BRKT FOR 472249 SMV   |
| 10                         | 1   | 472251  | MTG SOCKET FOR 472249 SMV SIGN  |
| 11                         | 4   | 656998  | RUBBER HOOK                     |
| 12                         | 4   | 656999  | RUBBER HOOK ANCHOR BRKT         |
| 13                         | 1   | 659852  | SMV SIGN MTG BRKT 8200 89       |
| 14                         | 1   | 659889  | RH REAR SIDE SCR N WLD 2XX 92   |
| 15                         | 1   | 659890  | LH REAR SIDE SCR N WLD 2XX 92   |
| 16                         | 1   | 659895  | RH LWR SIDE SHIELD 200/280 92   |
| 17                         | 1   | 660080  | RH FRT SIDE SCR N WLD 204 T3    |
| 18                         | 1   | 660081  | LH FRT SIDE SCR N WLD 204 T3    |
| 19                         | 1   | 660281  | LH LWR SIDE SHIELD 204SP '10    |
| 20                         | 1   | 660717  | LWR REAR PANEL WLD, 204 T3      |
| 21                         | 1   | 660793  | LWR BACK PANEL SCR N 204 COMMON |
| 22                         | 4   | 900002  | 1/4UNC x 3/4 HEX BOLT           |
| 23                         | 4   | 900006  | 1/4UNC X 1 3/4 HEX BOLT         |
| 24                         | 4   | 914000  | 1/4UNC HEX STOVER NUT           |

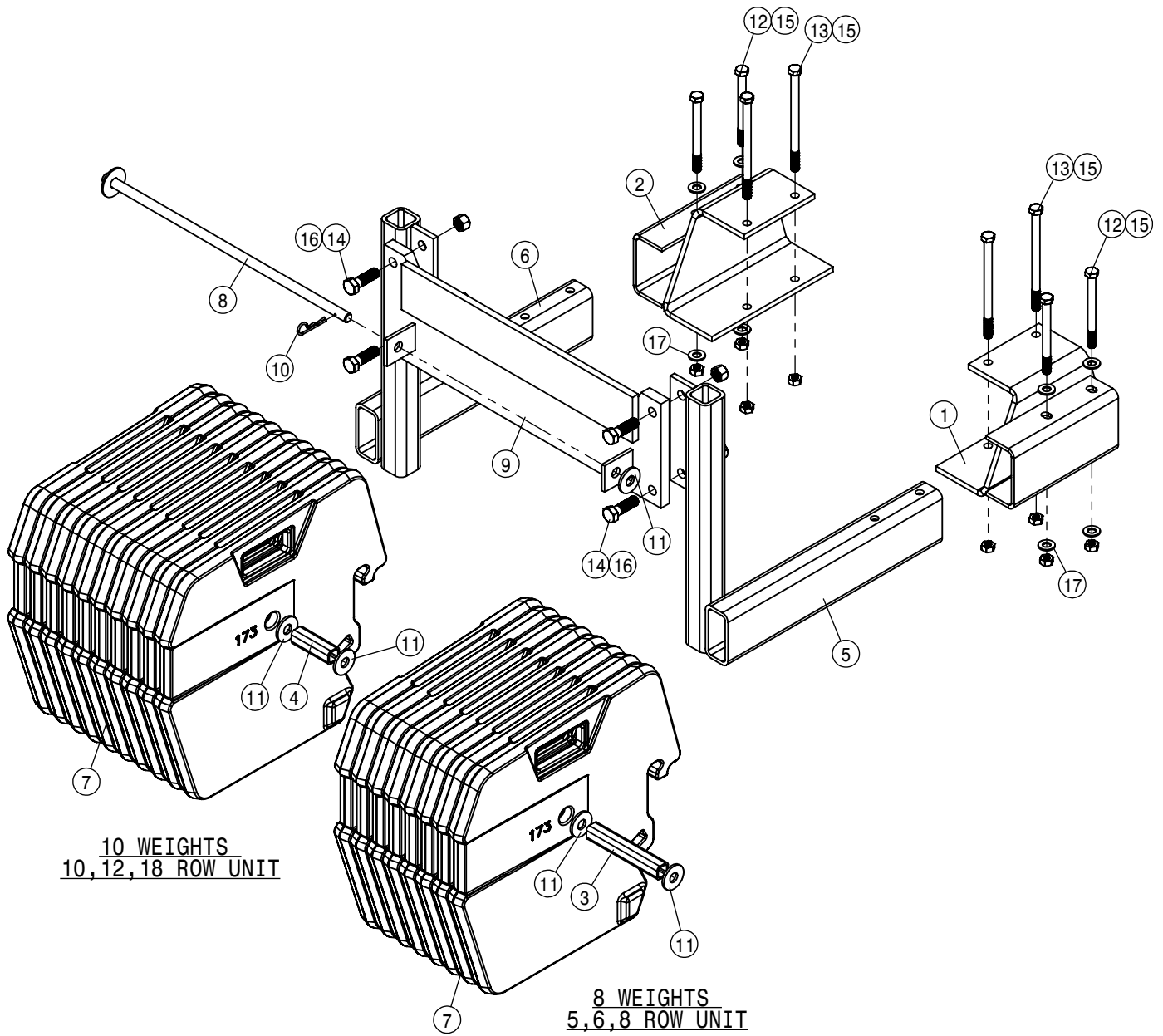


| BELLY SHIELDS |     |         |                                 |
|---------------|-----|---------|---------------------------------|
| DET           | QTY | P/N     | DESCRIPTION                     |
| 1             | 1   | 002229  | REAR CUTTER TOP EXTEN FLAP      |
| 2             | 1   | 002230  | REAR CUTTER TOP EXTEN FLAP KPR  |
| 3             | 6   | 362433  | TAB BELLY PAN MNT               |
| 4             | 2   | 362434  | BELLY PAN WLD FRT 204 T4F       |
| 5             | 1   | 362454  | BELLY PAN WLD REAR 204 T3       |
| 6             | 6   | 470075  | 1/8 X 3/4 COTTER PIN            |
| 7             | 6   | 470113  | 5/16UNC SERR FLG LOCK NUT       |
| 8             | 24  | 470113N | 5/16UNC SERR FLG LOCK NUT SS    |
| 9             | 9   | 470118  | 1/4 UNC X 3/4 SER FLG BOLT      |
| 10            | 11  | 470121  | 1/4 UNC SERR FLG LOCK NUT       |
| 11            | 2   | 470231  | 1/4UNC X 1" SERR FLG HEX BOLT   |
| 12            | 24  | 470234N | 5/16UNC X 1" SERR FLG BOLT SS   |
| 13            | 6   | 470335  | LINCHPIN, 3/16 X 1 1/4 GRIP     |
| 14            | 6   | 470520  | HANGER PIN,3/8UNC x.437Dx.500L  |
| 15            | 1   | 651008  | DECAL - H-DOT FRONT GLASS 5.00" |
| 16            | 1   | 659853  | 200 LWR FRONT SHIELD 89         |
| 17            | 2   | 659997  | LWR FRT SHIELD EXT 204 07       |
| 18            | 6   | 660578  | HINGE - BELLY PAN, WLD          |





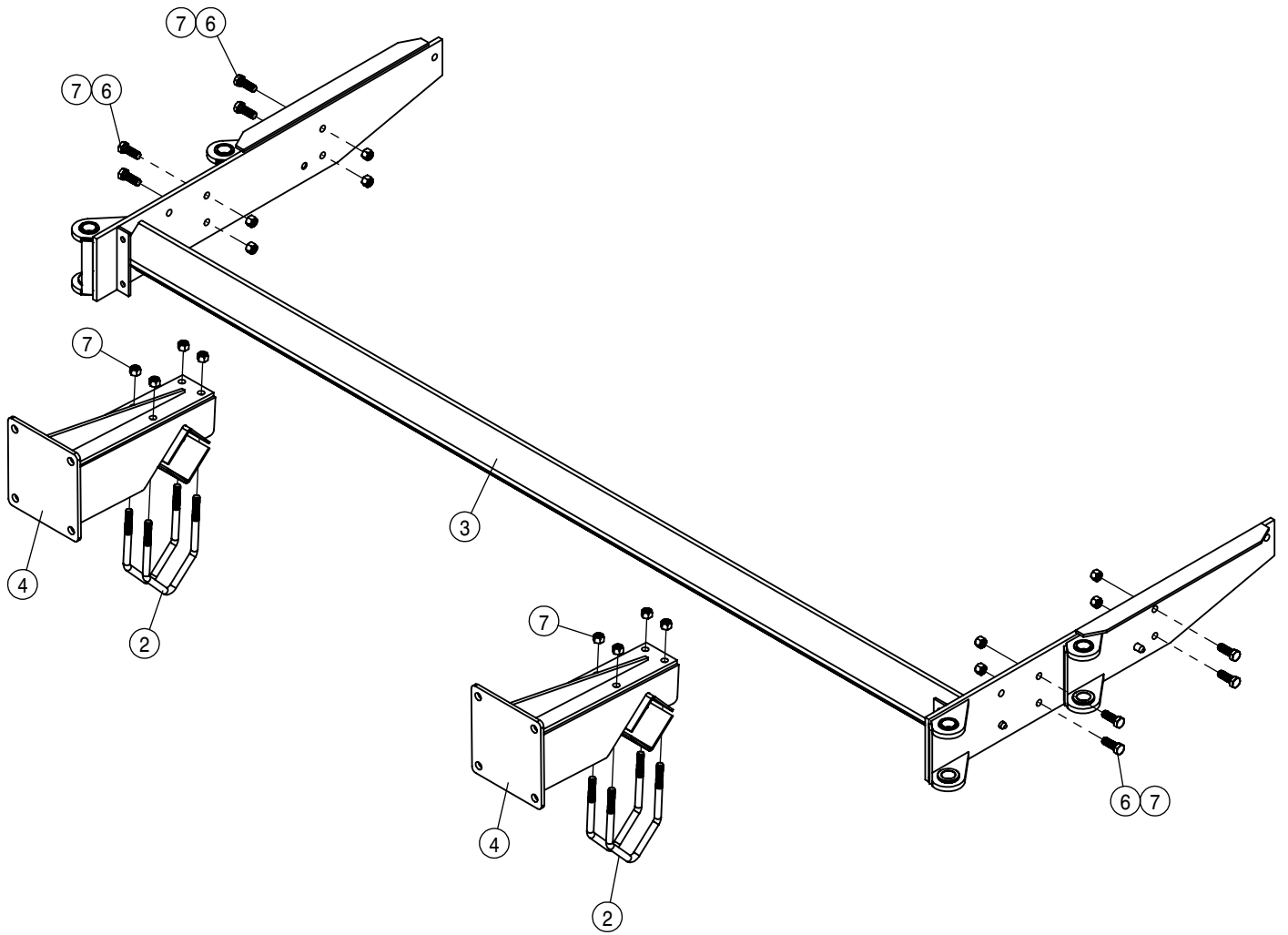
| MAINFRAME ASSEMBLY |     |        |                                  |
|--------------------|-----|--------|----------------------------------|
| DET                | QTY | P/N    | DESCRIPTION                      |
| 1                  | 1   | 362443 | MAINFRAME WLD, 204SP '14         |
| NS                 | 1   | 362450 | MAINFRAME WLD, 204SPW '14        |
| 3                  | 1   | 650484 | DECAL, NOTICE:EMISSION CTRL '15  |
| 4                  | 1   | 341968 | TIE PLT 250/280 CUMM 92          |
| 5                  | 4   | 900517 | 1/2UNC X 1 1/4 HHSFB GR5 MC      |
| 6                  | 4   | 470360 | HEX FLANGE NUT SER 1/2-13 MC GR5 |



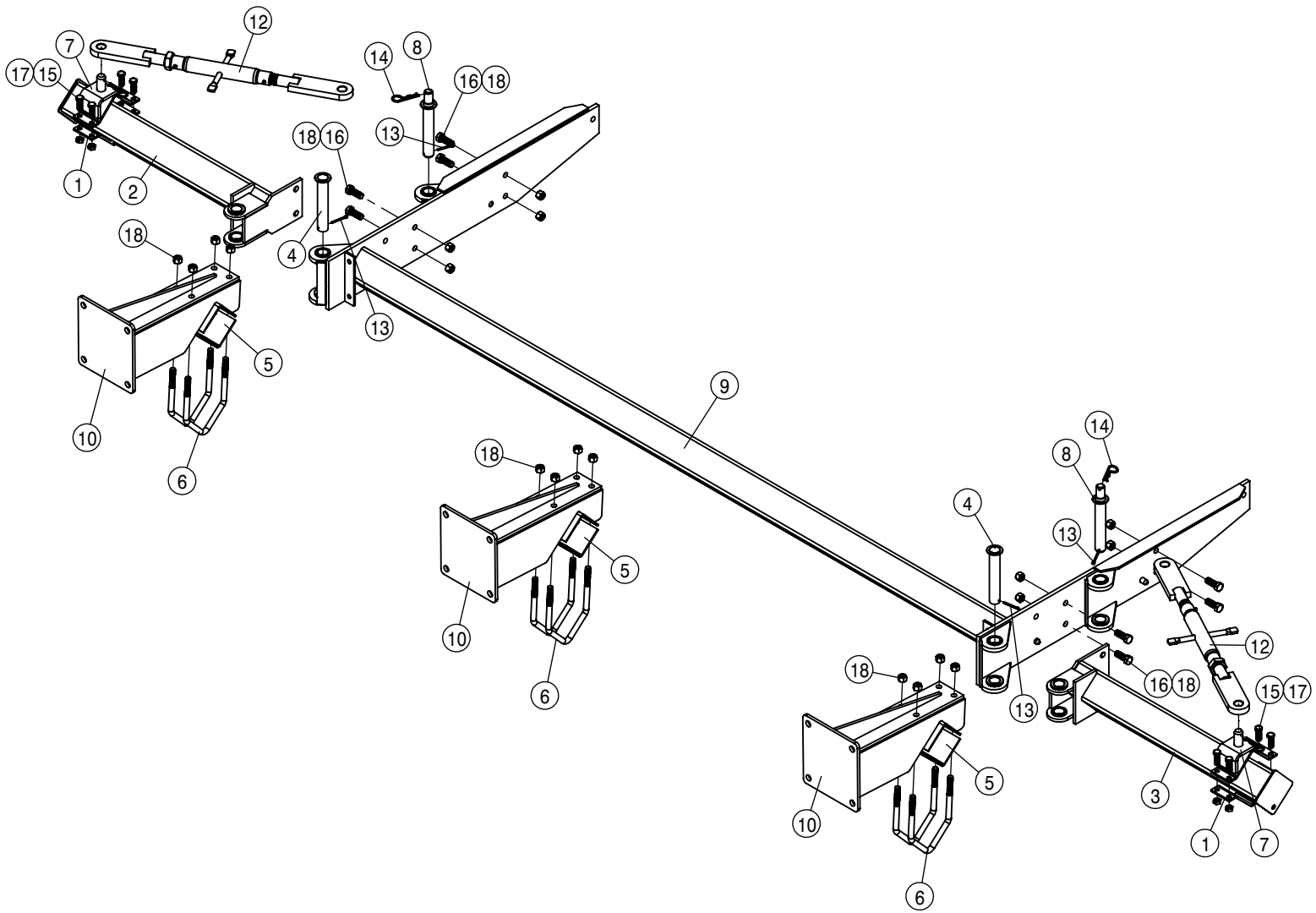
10 WEIGHTS  
10, 12, 18 ROW UNIT

8 WEIGHTS  
5, 6, 8 ROW UNIT

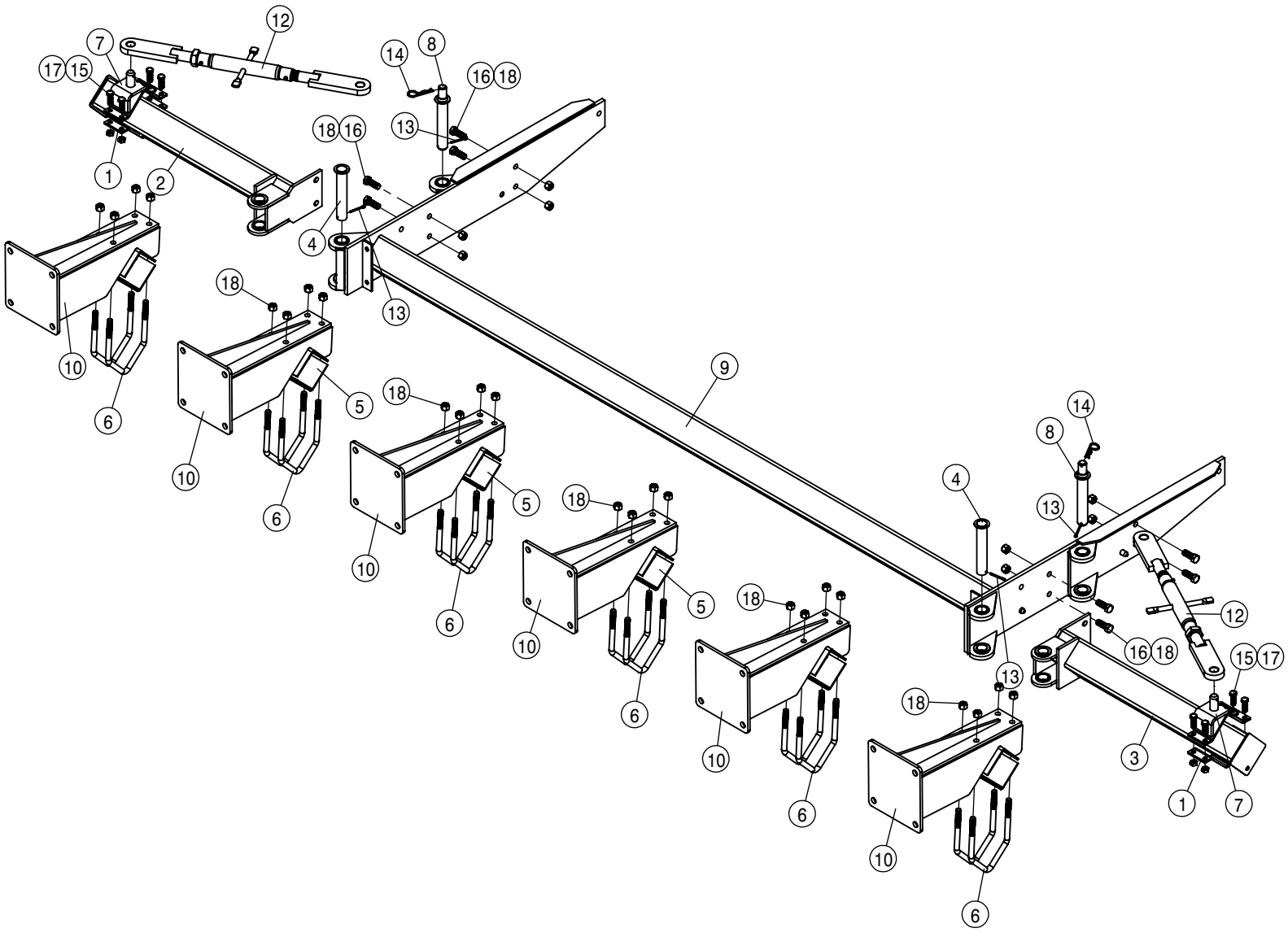
| REAR WEIGHT BRACKET ASSEMBLY |     |         |                               |
|------------------------------|-----|---------|-------------------------------|
| DET                          | QTY | P/N     | DESCRIPTION                   |
| 1                            | 1   | 341980  | RH REAR TOOL BAR MT WLD       |
| 2                            | 1   | 341981  | LH REAR TOOL BAR MT WLD       |
| 3                            | 1   | 361944  | 1.000 SQ X 11GA X 6.25 C/L    |
| 4                            | 1   | 361953  | 1.000 SQ X 11GA X 3.25 C/L    |
| 5                            | 1   | 438575  | RH WEIGHT MT BRKT WLD         |
| 6                            | 1   | 438576  | LH WEIGHT MT BRKT WLD         |
| 7                            | 18  | 438604  | IH WEIGHT, 173MAG 100 LB      |
| 8                            | 1   | 438648  | CASE IH WEIGHT LOCK BOLT WLD  |
| 9                            | 1   | 438660  | IH 173MAG WEIGHT ADPT PLT WLD |
| 10                           | 1   | 470235  | 1/8 #11 HAIR PIN              |
| 11                           | 5   | 483037N | 5/8 REGULAR FLAT WASHER YZ    |
| 12                           | 4   | 900277  | 1/2UNC X 5 1/2 HEX BOLT       |
| 13                           | 4   | 900281  | 1/2UNC X 7 1/2 HEX BOLT       |
| 14                           | 4   | 900335  | 5/8UNC X 2" HEX BOLT          |
| 15                           | 8   | 914008  | 1/2 UNC HEX STOVER NUT        |
| 16                           | 4   | 914010  | 5/8UNC HEX STOVER NUT         |
| 17                           | 8   | 920004  | 1/2 SAE FLAT WASHER           |



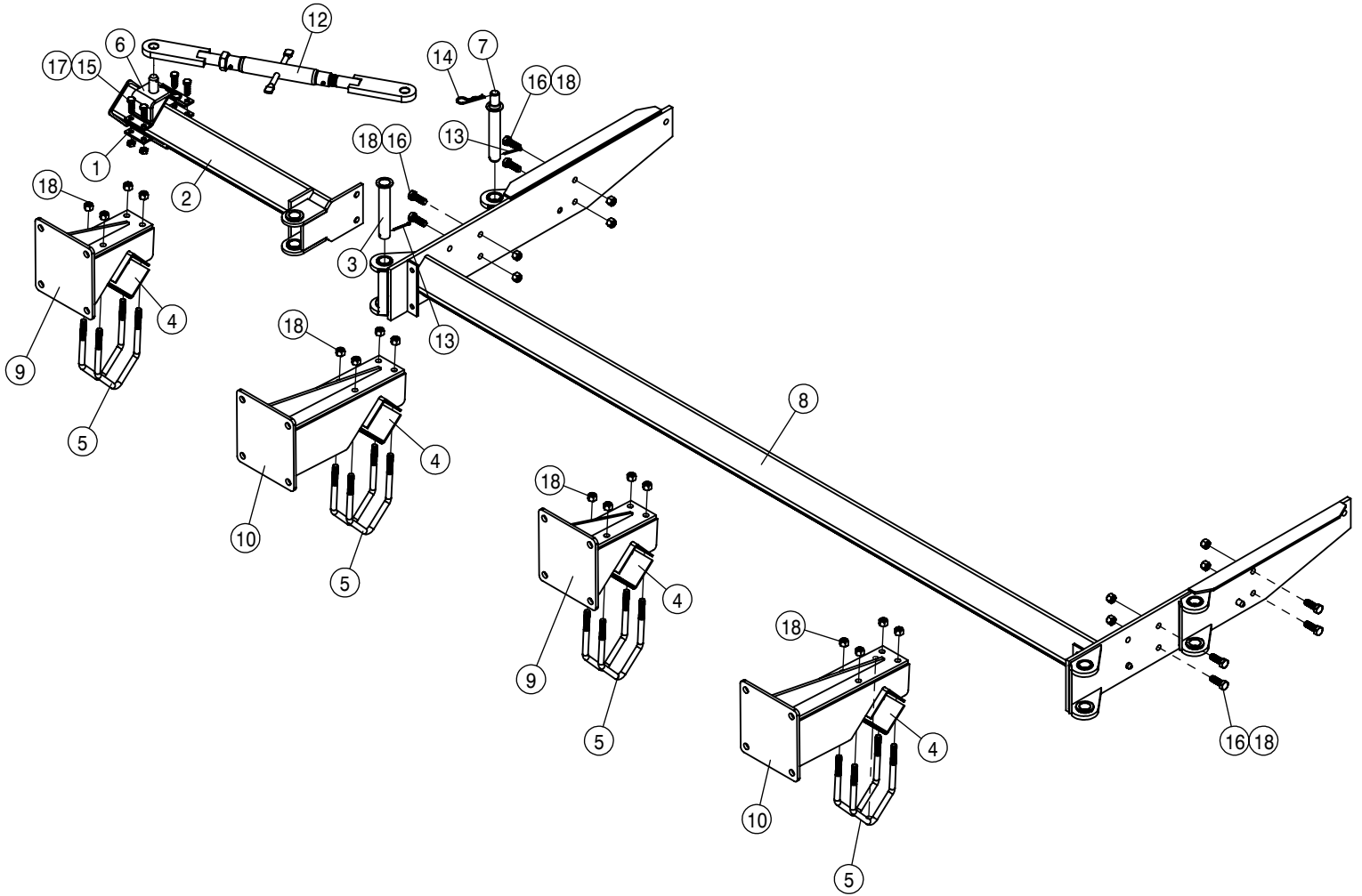
| 4-ROW, 2-LIFT, OUTRIGGER ASSEMBLY |     |        |                                |
|-----------------------------------|-----|--------|--------------------------------|
| DET                               | QTY | P/N    | DESCRIPTION                    |
| 1                                 | 2   | 438292 | TOOL BAR V-PLT WLD 8200 86     |
| 2                                 | 4   | 438293 | 5/8UNC X 6 1/4 CTR U-BOLT TRI  |
| 3                                 | 1   | 438530 | 204 TOOL BAR WLD, 12R 5/6L 96  |
| 4                                 | 2   | 438762 | 16"HOIST COL ADPTR WLD, 204 04 |
| NS                                | 1   | 438778 | 204SPW TOOL BAR WLD 08         |
| 6                                 | 8   | 900334 | 5/8UNC X 1 3/4 HEX BOLT        |
| 7                                 | 16  | 914010 | 5/8UNC HEX STOVER NUT          |



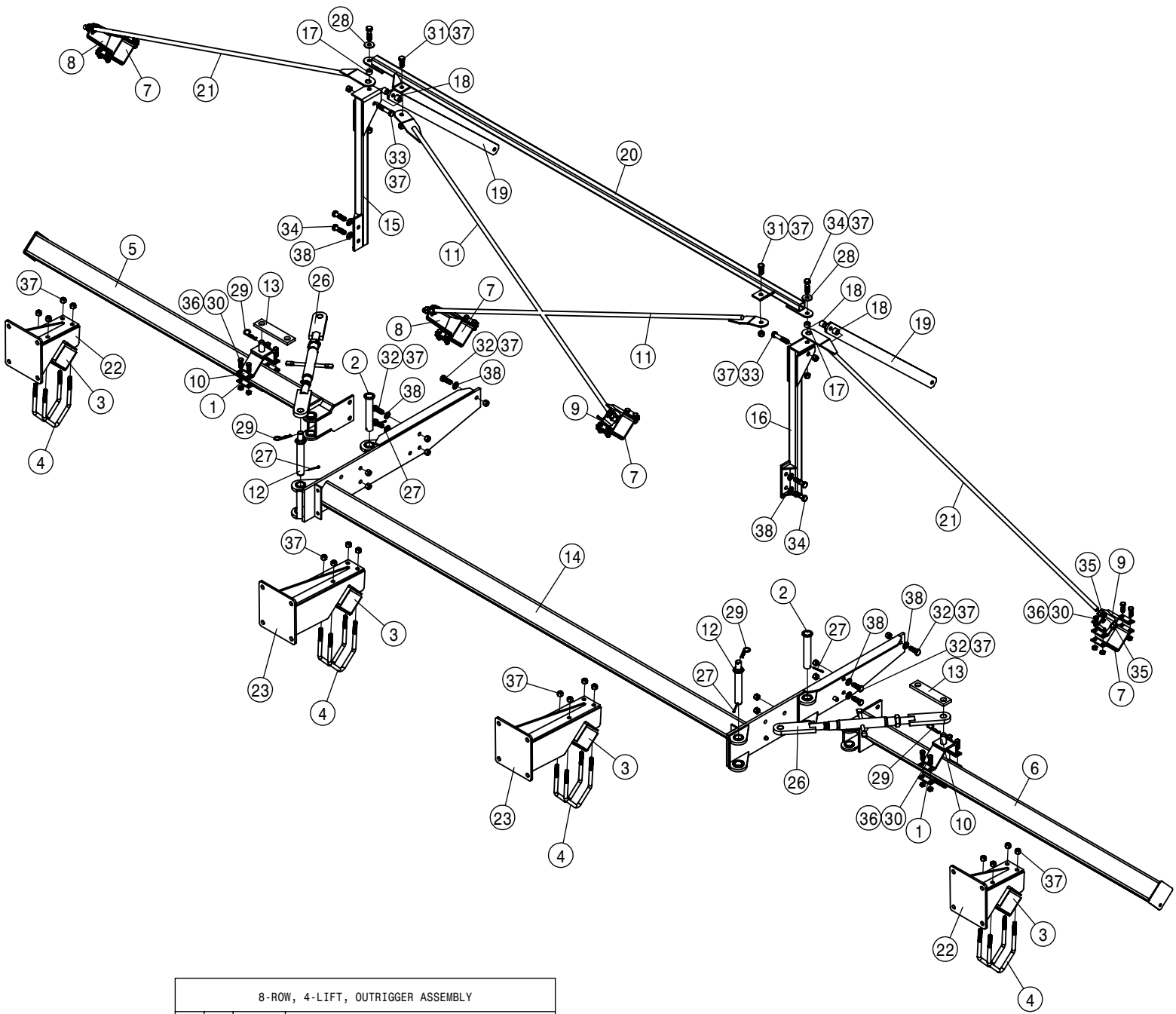
| 6-ROW, 3-LIFT, OUTRIGGER ASSEMBLY |     |        |                                |
|-----------------------------------|-----|--------|--------------------------------|
| DET                               | QTY | P/N    | DESCRIPTION                    |
| 1                                 | 2   | 438249 | 75IN OUTGR BRACE CLAMP         |
| 2                                 | 1   | 438277 | RH 32IN OUTGR WLD8200-850086   |
| 3                                 | 1   | 438282 | LH 32IN OUTGR WLD8200-850086   |
| 4                                 | 2   | 438283 | OUTGR PIVOT PIN WLD 8200 86    |
| 5                                 | 3   | 438292 | TOOL BAR V-PLT WLD 8200 86     |
| 6                                 | 6   | 438293 | 5/8UNC X 6 1/4 CTR U-BOLT TRI  |
| 7                                 | 2   | 438397 | STABILIZER PIN MT WLD 90       |
| 8                                 | 2   | 438474 | STABILIZER MT PIN WLD 10-12R   |
| 9                                 | 1   | 438530 | 204 TOOL BAR WLD,12R 5/6L 96   |
| 10                                | 3   | 438762 | 16*HOIST COL ADPTR WLD, 204 04 |
| NS                                | 1   | 438778 | 204SPW TOOL BAR WLD 08         |
| 12                                | 2   | 438785 | OUTGR BINDER                   |
| 13                                | 4   | 470117 | 3/16 X 1 3/4 COTTER PIN        |
| 14                                | 4   | 611016 | HAIR PIN #6                    |
| 15                                | 8   | 900265 | 1/2UNC X 1 1/2 HEX BOLT        |
| 16                                | 8   | 900334 | 5/8UNC X 1 3/4 HEX BOLT        |
| 17                                | 8   | 914008 | 1/2 UNC HEX STOVER NUT         |
| 18                                | 20  | 914010 | 5/8UNC HEX STOVER NUT          |



| 6-ROW, 6-LIFT, OUTRIGGER ASSEMBLY |     |        |                                |
|-----------------------------------|-----|--------|--------------------------------|
| DET                               | QTY | P/N    | DESCRIPTION                    |
| 1                                 | 2   | 438249 | 75IN OUTGR BRACE CLAMP         |
| 2                                 | 1   | 438277 | RH 32IN OUTGR WLD8200-850086   |
| 3                                 | 1   | 438282 | LH 32IN OUTGR WLD8200-850086   |
| 4                                 | 2   | 438283 | OUTGR PIVOT PIN WLD 8200 86    |
| 5                                 | 6   | 438292 | TOOL BAR V-PLT WLD 8200 86     |
| 6                                 | 12  | 438293 | 5/8UNC X 6 1/4 CTR U-BOLT TRI  |
| 7                                 | 2   | 438397 | STABILIZER PIN MT WLD 90       |
| 8                                 | 2   | 438474 | STABILIZER MT PIN WLD 10-12R   |
| 9                                 | 1   | 438530 | 204 TOOL BAR WLD,12R 5/6L 96   |
| 10                                | 6   | 438762 | 16"HOIST COL ADPTR WLD, 204 04 |
| NS                                | 1   | 438778 | 204SPW TOOL BAR WLD 08         |
| 12                                | 2   | 438785 | OUTGR BRINDER                  |
| 13                                | 4   | 470117 | 3/16 X 1 3/4 COTTER PIN        |
| 14                                | 4   | 611016 | HAIR PIN #6                    |
| 15                                | 8   | 900265 | 1/2UNC X 1 1/2 HEX BOLT        |
| 16                                | 8   | 900334 | 5/8UNC X 1 3/4 HEX BOLT        |
| 17                                | 8   | 914008 | 1/2 UNC HEX STOVER NUT         |
| 18                                | 32  | 914010 | 5/8UNC HEX STOVER NUT          |

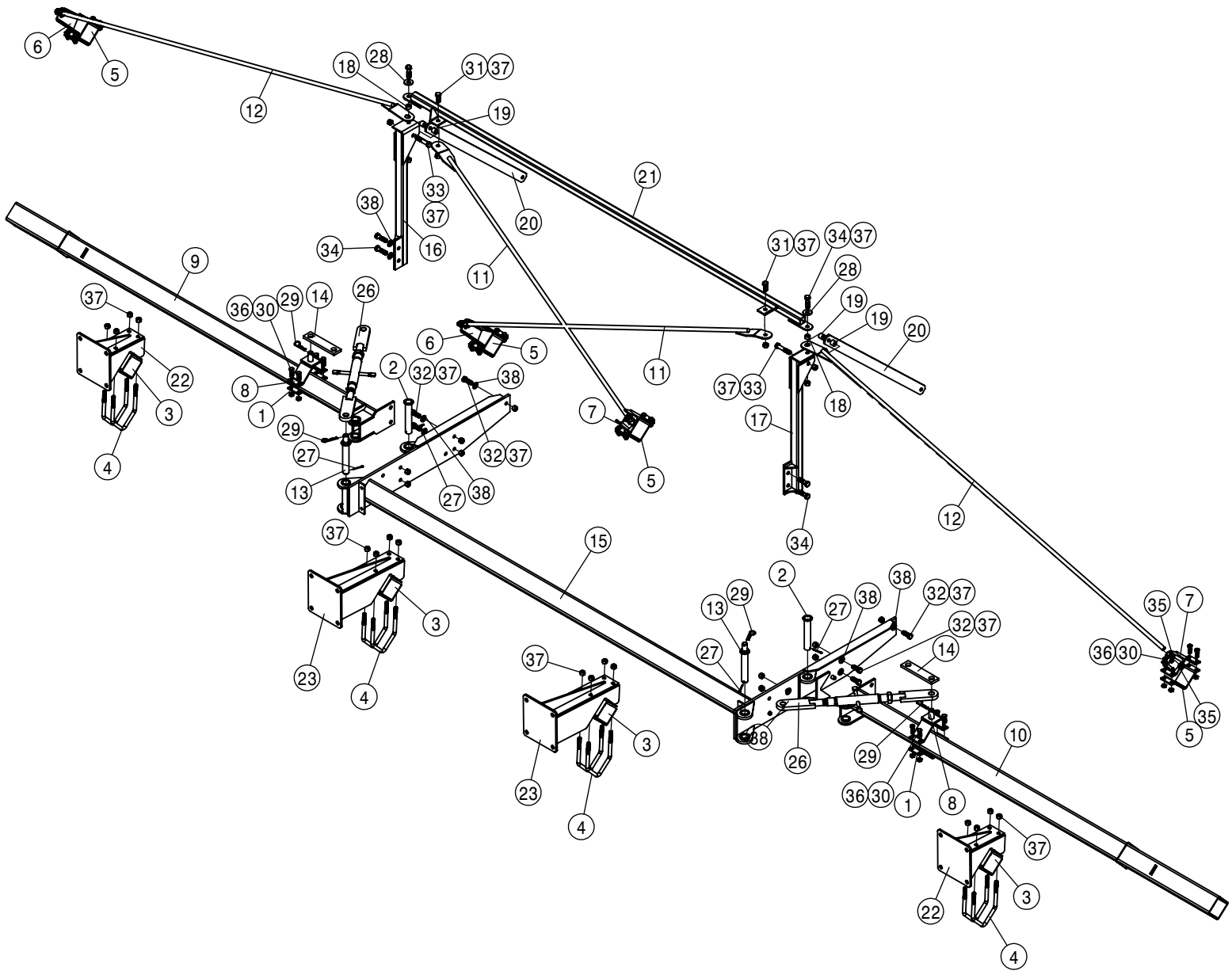


| 8-ROW, 4-LIFT, OUTRIGGER ASSEMBLY |     |        |                                |
|-----------------------------------|-----|--------|--------------------------------|
| DET                               | QTY | P/N    | DESCRIPTION                    |
| 1                                 | 1   | 438249 | 75IN OUTGR BRACE CLAMP         |
| 2                                 | 1   | 438277 | RH 32IN OUTGR WLD8200-850086   |
| 3                                 | 1   | 438283 | OUTGR PIVOT PIN WLD 8200 86    |
| 4                                 | 4   | 438292 | TOOL BAR V-PLT WLD 8200 86     |
| 5                                 | 8   | 438293 | 5/8UNC X 6 1/4 CTR U-BOLT TRI  |
| 6                                 | 1   | 438397 | STABILIZER PIN MT WLD 90       |
| 7                                 | 1   | 438474 | STABILIZER MT PIN WLD 10-12R   |
| 8                                 | 1   | 438530 | 204 TOOL BAR WLD, 12R 5/6L 96  |
| 9                                 | 2   | 438757 | 8" HOIST COL ADPTR WLD, 204 04 |
| 10                                | 2   | 438762 | 16"HOIST COL ADPTR WLD, 204 04 |
| NS                                | 1   | 438778 | 204SPW TOOL BAR WLD 08         |
| 12                                | 1   | 438785 | OUTGR BINDER                   |
| 13                                | 2   | 470117 | 3/16 X 1 3/4 COTTER PIN        |
| 14                                | 2   | 611016 | HAIR PIN #6                    |
| 15                                | 4   | 900265 | 1/2UNC X 1 1/2 HEX BOLT        |
| 16                                | 8   | 900334 | 5/8UNC X 1 3/4 HEX BOLT        |
| 17                                | 4   | 914008 | 1/2 UNC HEX STOVER NUT         |
| 18                                | 24  | 914010 | 5/8UNC HEX STOVER NUT          |



| 8-ROW, 4-LIFT, OUTRIGGER ASSEMBLY |     |        |                               |
|-----------------------------------|-----|--------|-------------------------------|
| DET                               | QTY | P/N    | DESCRIPTION                   |
| 1                                 | 2   | 438249 | 75IN OUTGR BRACE CLAMP        |
| 2                                 | 2   | 438283 | OUTGR PIVOT PIN WLD 8200 86   |
| 3                                 | 4   | 438292 | TOOL BAR V-PLT WLD 8200 86    |
| 4                                 | 8   | 438293 | 5/8UNC X 6 1/4 CTR U-BOLT TRI |
| 5                                 | 1   | 438307 | RH 75IN OUTGR WLD8200-850086  |
| 6                                 | 1   | 438309 | LH 75IN OUTGR WLD8200-850086  |
| 7                                 | 4   | 438324 | 75IN OUTGR BRACE CLAMP        |
| 8                                 | 2   | 438362 | RH OUTGR CLAMP WLD 200 89     |
| 9                                 | 2   | 438363 | LH OUTGR CLAMP WLD 200 89     |
| 10                                | 2   | 438397 | STABILIZER PIN MT WLD 90      |
| 11                                | 2   | 438469 | OUTGR TIE BAR WLD 200 10-12R  |
| 12                                | 2   | 438474 | STABILIZER MT PIN WLD 10-12R  |
| 13                                | 2   | 438476 | OUTGR TRANSPORT BAR 10-12R    |
| 14                                | 1   | 438530 | 204 TOOL BAR WLD,12R 5/6L 96  |
| 15                                | 1   | 438536 | RH OUTGR SUPP POST WLD10/12R  |
| 16                                | 1   | 438537 | LH OUTGR SUPP POST WLD10/12R  |
| 17                                | 2   | 438541 | BUSH,1.00 OD- .656 ID- .53 LG |
| 18                                | 4   | 438542 | BUSH 1.00 OD X .656 ID X .78  |
| 19                                | 2   | 438543 | OUTGR SUPP BRACE,10/12R 96    |
| 20                                | 1   | 438672 | 204 CENTER TIE TUBE WLD 2001  |

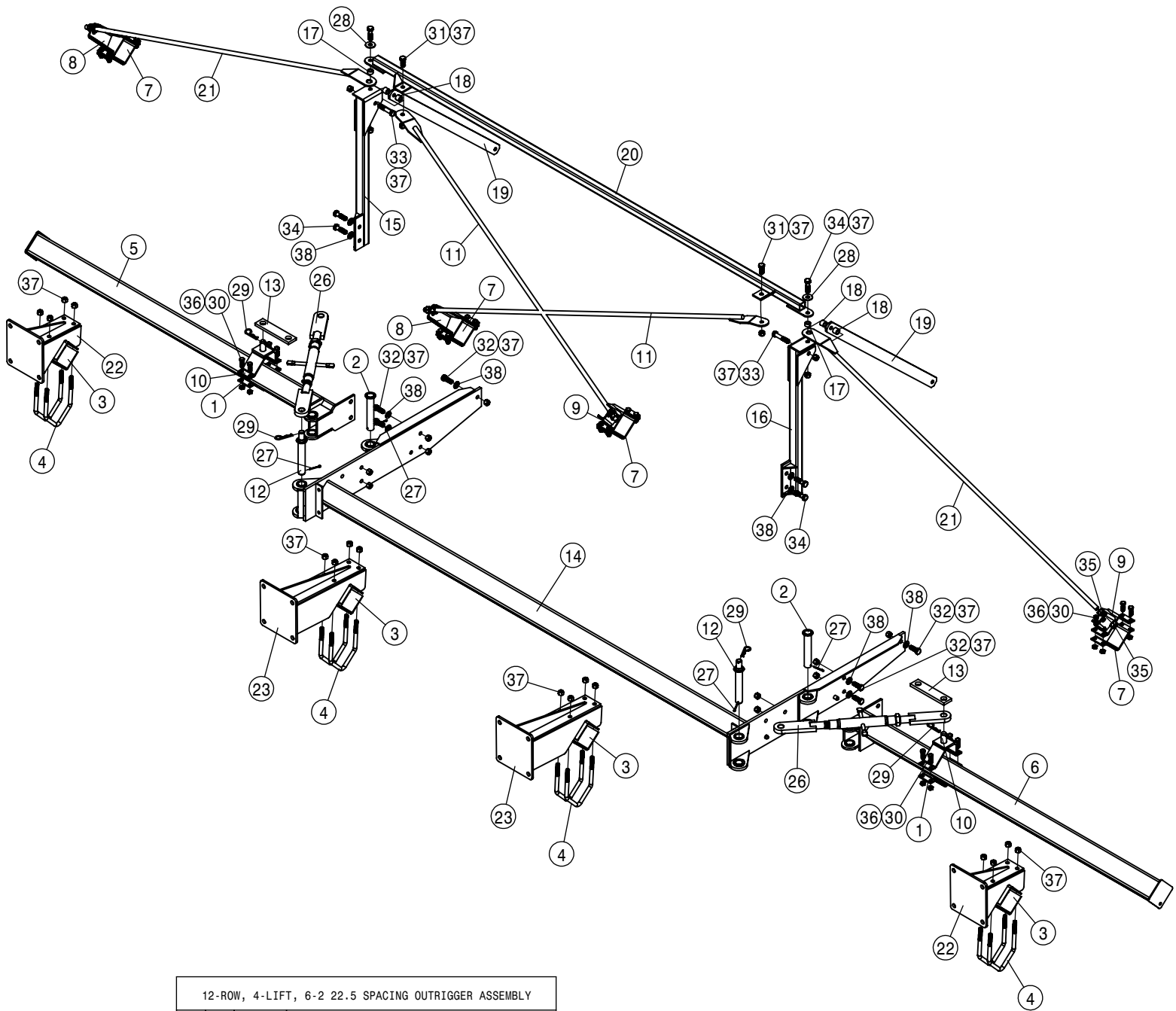
| 8-ROW, 4-LIFT, OUTRIGGER ASSEMBLY |     |         |                                |
|-----------------------------------|-----|---------|--------------------------------|
| DET                               | QTY | P/N     | DESCRIPTION                    |
| 21                                | 2   | 438676  | OUTGR SUPP ROD WLD 72" 8R 01   |
| 22                                | 2   | 438757  | 8" HOIST COL ADPTR WLD, 204 04 |
| 23                                | 2   | 438762  | 16"HOIST COL ADPTR WLD, 204 04 |
| NS                                | 1   | 438778  | 204SPW TOOL BAR WLD 08         |
| NS                                | 1   | 438780  | 204SPW CENTER TIE TUBE WLD 08  |
| 26                                | 2   | 438785  | OUTGR BINDER                   |
| 27                                | 4   | 470117  | 3/16 X 1 3/4 COTTER PIN        |
| 28                                | 2   | 483037  | 5/8 REGULAR FLAT WASHER        |
| 29                                | 4   | 611016  | HAIR PIN #6                    |
| 30                                | 24  | 900265  | 1/2UNC X 1 1/2 HEX BOLT        |
| 31                                | 2   | 900333  | 5/8UNC X 1 1/2 HEX BOLT        |
| 32                                | 6   | 900334  | 5/8UNC X 1 3/4 HEX BOLT        |
| 33                                | 2   | 900339  | 5/8UNC X 3 1/4 HEX BOLT        |
| 34                                | 6   | 900352  | 5/8UNC X 2 1/4 HEX BOLT        |
| 35                                | 8   | 910012  | 3/4UNC HEX NUT                 |
| 36                                | 24  | 914008  | 1/2 UNC HEX STOVER NUT         |
| 37                                | 32  | 914010  | 5/8UNC HEX STOVER NUT          |
| 38                                | 10  | 920005N | 5/8 SAE FLAT WASHER            |



| 10-ROW, 4-LIFT, OUTRIGGER ASSEMBLY |     |        |                                |
|------------------------------------|-----|--------|--------------------------------|
| DET                                | QTY | P/N    | DESCRIPTION                    |
| 1                                  | 2   | 438249 | 75IN OUTGR BRACE CLAMP         |
| 2                                  | 2   | 438283 | OUTGR PIVOT PIN WLD 8200 86    |
| 3                                  | 4   | 438292 | TOOL BAR V-PLT WLD 8200 86     |
| 4                                  | 8   | 438293 | 5/8UNC X 6 1/4 CTR U-BOLT TRI  |
| 5                                  | 4   | 438324 | 75IN OUTGR BRACE CLAMP         |
| 6                                  | 2   | 438362 | RH OUTGR CLAMP WLD 200 89      |
| 7                                  | 2   | 438363 | LH OUTGR CLAMP WLD 200 89      |
| 8                                  | 2   | 438397 | STABILIZER PIN MT WLD 90       |
| 9                                  | 1   | 438458 | RH 101IN OUTGR WLD 10-12R 92   |
| 10                                 | 1   | 438459 | LH 101IN OUTGR WLD 10-12R 92   |
| 11                                 | 2   | 438469 | OUTGR TIE BAR WLD 200 10-12R   |
| 12                                 | 2   | 438471 | OUTGR SUPP ROD WLD 10-12R      |
| 13                                 | 2   | 438474 | STABILIZER MT PIN WLD 10-12R   |
| 14                                 | 2   | 438476 | OUTGR TRANSPORT BAR 10-12R     |
| 15                                 | 1   | 438530 | 204 TOOL BAR WLD, 12R 5/6L 96  |
| 16                                 | 1   | 438536 | RH OUTGR SUPP POST WLD10/12R   |
| 17                                 | 1   | 438537 | LH OUTGR SUPP POST WLD10/12R   |
| 18                                 | 2   | 438541 | BUSH, 1.00 OD- .656 ID- .53 LG |
| 19                                 | 4   | 438542 | BUSH 1.00 OD X .656 ID X .78   |

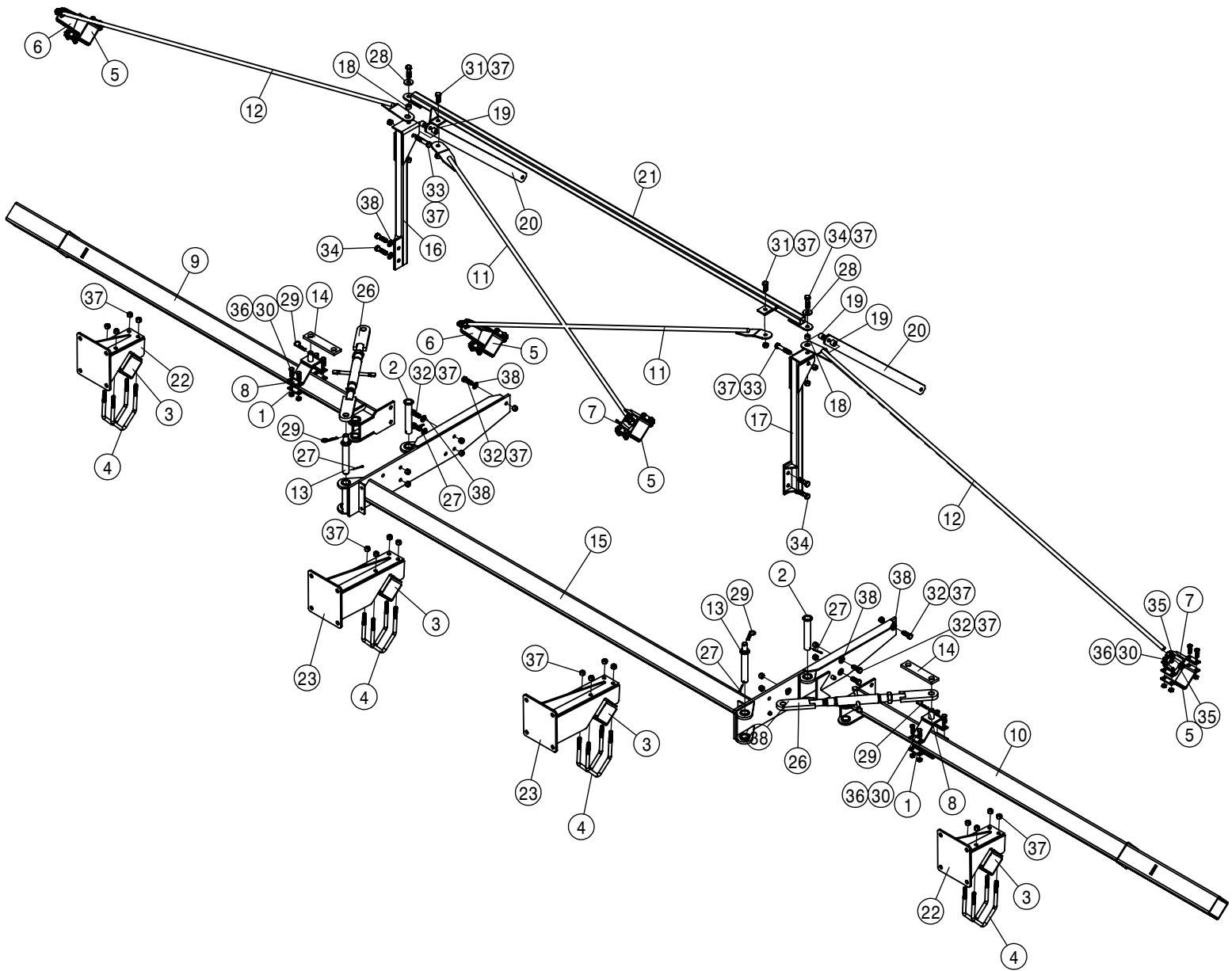
| 10-ROW, 4-LIFT, OUTRIGGER ASSEMBLY |     |         |                                |
|------------------------------------|-----|---------|--------------------------------|
| DET                                | QTY | P/N     | DESCRIPTION                    |
| 20                                 | 2   | 438543  | OUTGR SUPP BRACE, 10/12R 96    |
| 21                                 | 1   | 438672  | 204 CENTER TIE TUBE WLD 2001   |
| 22                                 | 2   | 438757  | 8" HOIST COL ADPTR WLD, 204 04 |
| 23                                 | 2   | 438762  | 16"HOIST COL ADPTR WLD, 204 04 |
| NS                                 | 1   | 438778  | 204SPW TOOL BAR WLD 08         |
| NS                                 | 1   | 438780  | 204SPW CENTER TIE TUBE WLD 08  |
| 26                                 | 2   | 438785  | OUTGR BINDER                   |
| 27                                 | 4   | 470117  | 3/16 X 1 3/4 COTTER PIN        |
| 28                                 | 2   | 483037  | 5/8 REGULAR FLAT WASHER        |
| 29                                 | 4   | 611016  | HAIR PIN #6                    |
| 30                                 | 24  | 900265  | 1/2UNC X 1 1/2 HEX BOLT        |
| 31                                 | 2   | 900333  | 5/8UNC X 1 1/2 HEX BOLT        |
| 32                                 | 6   | 900334  | 5/8UNC X 1 3/4 HEX BOLT        |
| 33                                 | 2   | 900339  | 5/8UNC X 3 1/4 HEX BOLT        |
| 34                                 | 6   | 900352  | 5/8UNC X 2 1/4 HEX BOLT        |
| 35                                 | 8   | 910012  | 3/4UNC HEX NUT                 |
| 36                                 | 24  | 914008  | 1/2 UNC HEX STOVER NUT         |
| 37                                 | 32  | 914010  | 5/8UNC HEX STOVER NUT          |
| 38                                 | 10  | 920005N | 5/8 SAE FLAT WASHER            |





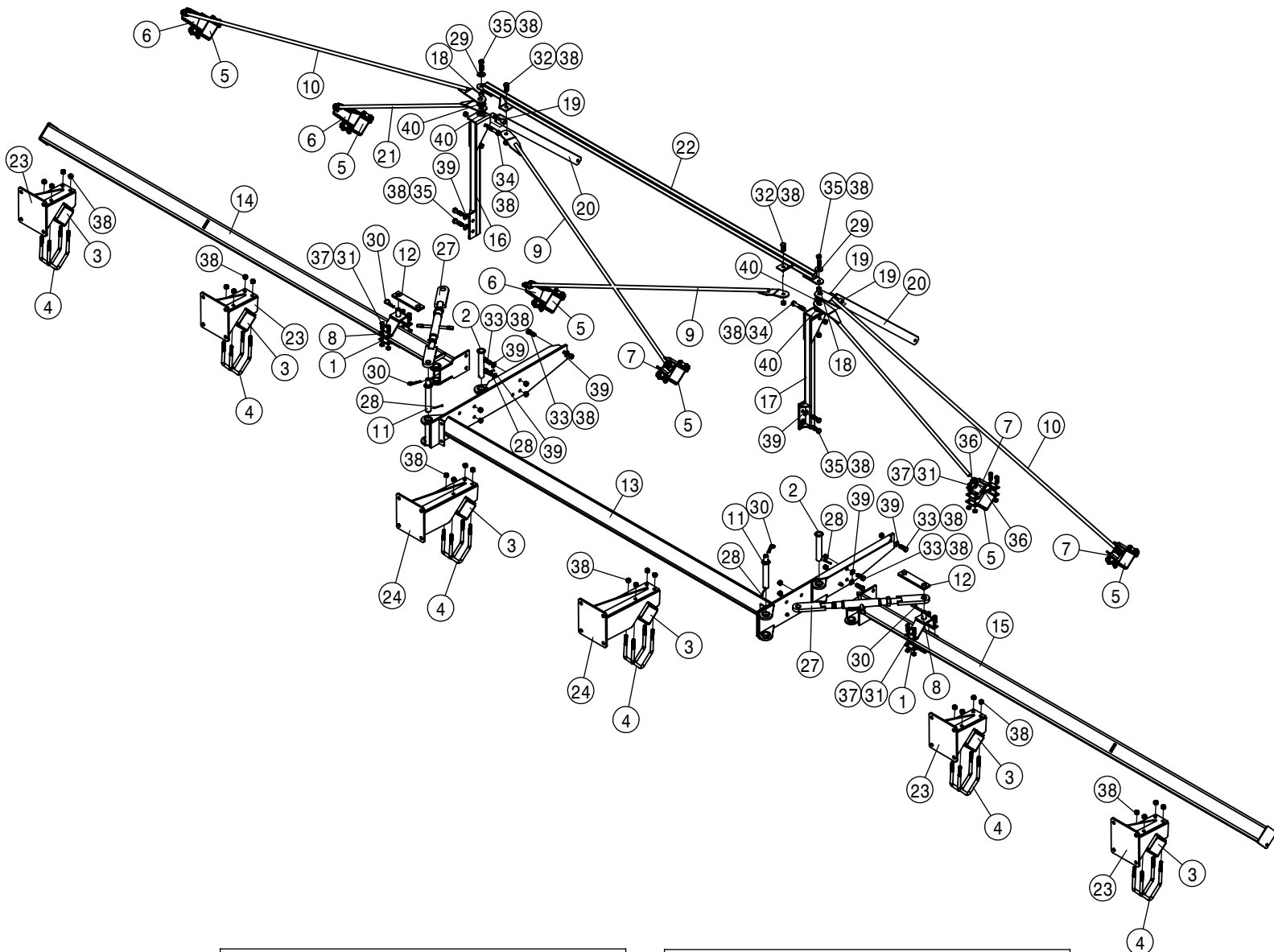
| 12-ROW, 4-LIFT, 6-2 22.5 SPACING OUTRIGGER ASSEMBLY |     |        |                               |
|-----------------------------------------------------|-----|--------|-------------------------------|
| DET                                                 | QTY | P/N    | DESCRIPTION                   |
| 1                                                   | 2   | 438249 | 75IN OUTGR BRACE CLAMP        |
| 2                                                   | 2   | 438283 | OUTGR PIVOT PIN WLD 8200 86   |
| 3                                                   | 4   | 438292 | TOOL BAR V-PLT WLD 8200 86    |
| 4                                                   | 8   | 438293 | 5/8UNC X 6 1/4 CTR U-BOLT TRI |
| 5                                                   | 1   | 438307 | RH 75IN OUTGR WLD8200-850086  |
| 6                                                   | 1   | 438309 | LH 75IN OUTGR WLD8200-850086  |
| 7                                                   | 4   | 438324 | 75IN OUTGR BRACE CLAMP        |
| 8                                                   | 2   | 438362 | RH OUTGR CLAMP WLD 200 89     |
| 9                                                   | 2   | 438363 | LH OUTGR CLAMP WLD 200 89     |
| 10                                                  | 2   | 438397 | STABILIZER PIN MT WLD 90      |
| 11                                                  | 2   | 438469 | OUTGR TIE BAR WLD 200 10-12R  |
| 12                                                  | 2   | 438474 | STABILIZER MT PIN WLD 10-12R  |
| 13                                                  | 2   | 438476 | OUTGR TRANSPORT BAR 10-12R    |
| 14                                                  | 1   | 438530 | 204 TOOL BAR WLD,12R 5/6L 96  |
| 15                                                  | 1   | 438536 | RH OUTGR SUPP POST WLD10/12R  |
| 16                                                  | 1   | 438537 | LH OUTGR SUPP POST WLD10/12R  |
| 17                                                  | 2   | 438541 | BUSH,1.00 OD- .656 ID- .53 LG |
| 18                                                  | 4   | 438542 | BUSH 1.00 OD X .656 ID X .78  |
| 19                                                  | 2   | 438543 | OUTGR SUPP BRACE,10/12R 96    |
| 20                                                  | 1   | 438672 | 204 CENTER TIE TUBE WLD 2001  |

| 12-ROW, 4-LIFT, 6-2 22.5 SPACING OUTRIGGER ASSEMBLY |     |         |                                |
|-----------------------------------------------------|-----|---------|--------------------------------|
| DET                                                 | QTY | P/N     | DESCRIPTION                    |
| 21                                                  | 2   | 438676  | OUTGR SUPP ROD WLD 72" 8R 01   |
| 22                                                  | 2   | 438757  | 8" HOIST COL ADPTR WLD, 204 04 |
| 23                                                  | 2   | 438762  | 16"HOIST COL ADPTR WLD, 204 04 |
| NS                                                  | 1   | 438778  | 204SPW TOOL BAR WLD 08         |
| NS                                                  | 1   | 438780  | 204SPW CENTER TIE TUBE WLD 08  |
| 26                                                  | 2   | 438785  | OUTGR BINDER                   |
| 27                                                  | 4   | 470117  | 3/16 X 1 3/4 COTTER PIN        |
| 28                                                  | 2   | 483037  | 5/8 REGULAR FLAT WASHER        |
| 29                                                  | 4   | 611016  | HAIR PIN #6                    |
| 30                                                  | 24  | 900265  | 1/2UNC X 1 1/2 HEX BOLT        |
| 31                                                  | 2   | 900333  | 5/8UNC X 1 1/2 HEX BOLT        |
| 32                                                  | 6   | 900334  | 5/8UNC X 1 3/4 HEX BOLT        |
| 33                                                  | 2   | 900339  | 5/8UNC X 3 1/4 HEX BOLT        |
| 34                                                  | 6   | 900352  | 5/8UNC X 2 1/4 HEX BOLT        |
| 35                                                  | 8   | 910012  | 3/4UNC HEX NUT                 |
| 36                                                  | 24  | 914008  | 1/2 UNC HEX STOVER NUT         |
| 37                                                  | 32  | 914010  | 5/8UNC HEX STOVER NUT          |
| 38                                                  | 10  | 920005N | 5/8 SAE FLAT WASHER            |



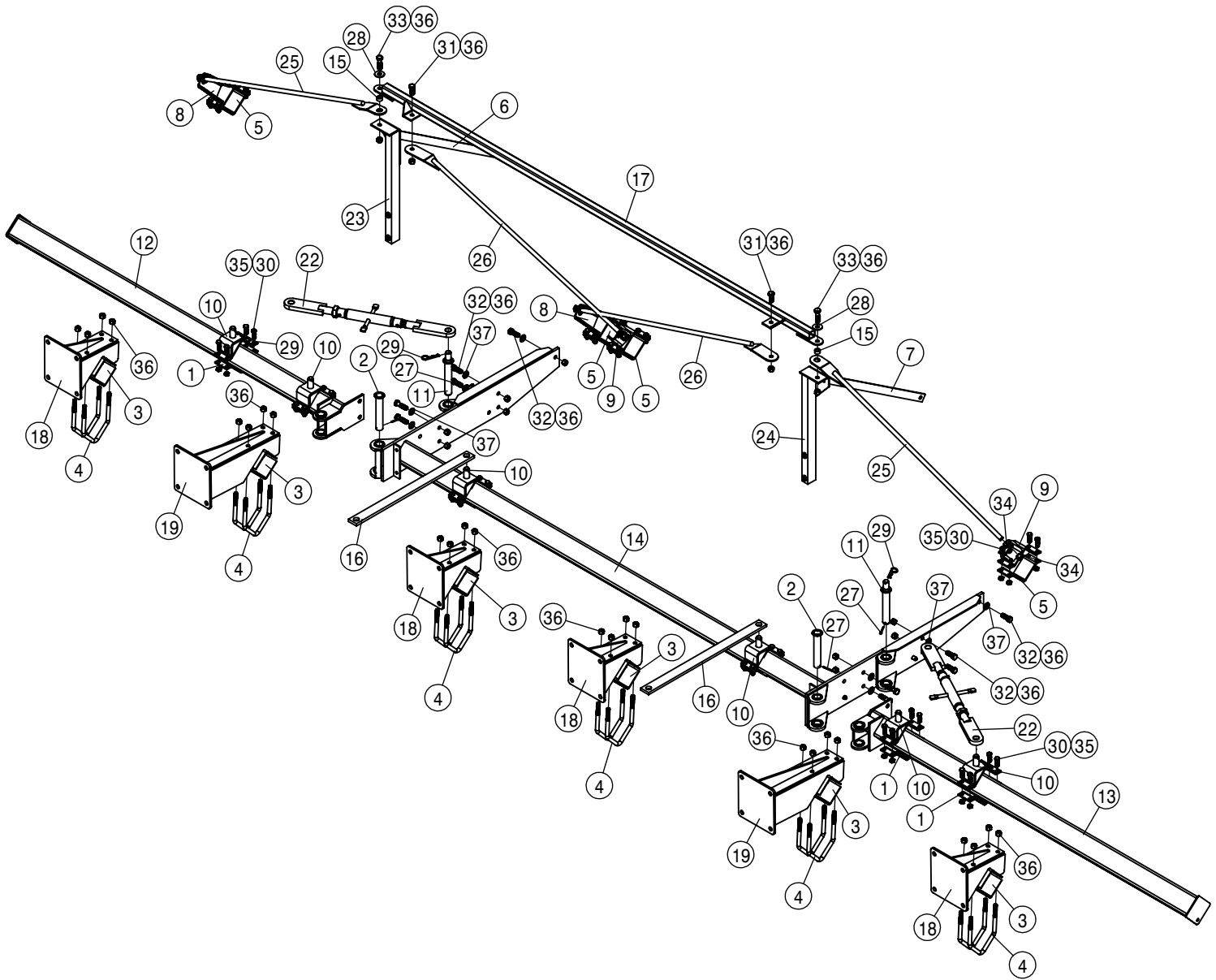
| 12-ROW, 4-LIFT, 52"CM SPACING OUTRIGGER ASSEMBLY |     |        |                                |  |
|--------------------------------------------------|-----|--------|--------------------------------|--|
| DET                                              | QTY | P/N    | DESCRIPTION                    |  |
| 1                                                | 2   | 438249 | 75IN OUTGR BRACE CLAMP         |  |
| 2                                                | 2   | 438283 | OUTGR PIVOT PIN WLD 8200 86    |  |
| 3                                                | 4   | 438292 | TOOL BAR V-PLT WLD 8200 86     |  |
| 4                                                | 8   | 438293 | 5/8UNC X 6 1/4 CTR U-BOLT TRI  |  |
| 5                                                | 4   | 438324 | 75IN OUTGR BRACE CLAMP         |  |
| 6                                                | 2   | 438362 | RH OUTGR CLAMP WLD 200 89      |  |
| 7                                                | 2   | 438363 | LH OUTGR CLAMP WLD 200 89      |  |
| 8                                                | 2   | 438397 | STABILIZER PIN MT WLD 90       |  |
| 9                                                | 1   | 438458 | RH 101IN OUTGR WLD 10-12R 92   |  |
| 10                                               | 1   | 438459 | LH 101IN OUTGR WLD 10-12R 92   |  |
| 11                                               | 2   | 438469 | OUTGR TIE BAR WLD 200 10-12R   |  |
| 12                                               | 2   | 438471 | OUTGR SUPP ROD WLD 10-12R      |  |
| 13                                               | 2   | 438474 | STABILIZER MT PIN WLD 10-12R   |  |
| 14                                               | 2   | 438476 | OUTGR TRANSPORT BAR 10-12R     |  |
| 15                                               | 1   | 438530 | 204 TOOL BAR WLD, 12R 5/6L 96  |  |
| 16                                               | 1   | 438536 | RH OUTGR SUPP POST WLD10/12R   |  |
| 17                                               | 1   | 438537 | LH OUTGR SUPP POST WLD10/12R   |  |
| 18                                               | 2   | 438541 | BUSH, 1.00 OD- .656 ID- .53 LG |  |
| 19                                               | 4   | 438542 | BUSH 1.00 OD X .656 ID X .78   |  |

| 12-ROW, 4-LIFT, 52"CM SPACING OUTRIGGER ASSEMBLY |     |         |                                |  |
|--------------------------------------------------|-----|---------|--------------------------------|--|
| DET                                              | QTY | P/N     | DESCRIPTION                    |  |
| 20                                               | 2   | 438543  | OUTGR SUPP BRACE, 10/12R 96    |  |
| 21                                               | 1   | 438672  | 204 CENTER TIE TUBE WLD 2001   |  |
| 22                                               | 2   | 438757  | 8" HOIST COL ADPTR WLD, 204 04 |  |
| 23                                               | 2   | 438762  | 16"HOIST COL ADPTR WLD, 204 04 |  |
| NS                                               | 1   | 438778  | 204SPW TOOL BAR WLD 08         |  |
| NS                                               | 1   | 438780  | 204SPW CENTER TIE TUBE WLD 08  |  |
| 26                                               | 2   | 438785  | OUTGR BINDER                   |  |
| 27                                               | 4   | 470117  | 3/16 X 1 3/4 COTTER PIN        |  |
| 28                                               | 2   | 483037  | 5/8 REGULAR FLAT WASHER        |  |
| 29                                               | 4   | 611016  | HAIR PIN #6                    |  |
| 30                                               | 24  | 900265  | 1/2UNC X 1 1/2 HEX BOLT        |  |
| 31                                               | 2   | 900333  | 5/8UNC X 1 1/2 HEX BOLT        |  |
| 32                                               | 6   | 900334  | 5/8UNC X 1 3/4 HEX BOLT        |  |
| 33                                               | 2   | 900339  | 5/8UNC X 3 1/4 HEX BOLT        |  |
| 34                                               | 6   | 900352  | 5/8UNC X 2 1/4 HEX BOLT        |  |
| 35                                               | 8   | 910012  | 3/4UNC HEX NUT                 |  |
| 36                                               | 24  | 914008  | 1/2 UNC HEX STOVER NUT         |  |
| 37                                               | 32  | 914010  | 5/8UNC HEX STOVER NUT          |  |
| 38                                               | 10  | 920005N | 5/8 SAE FLAT WASHER            |  |



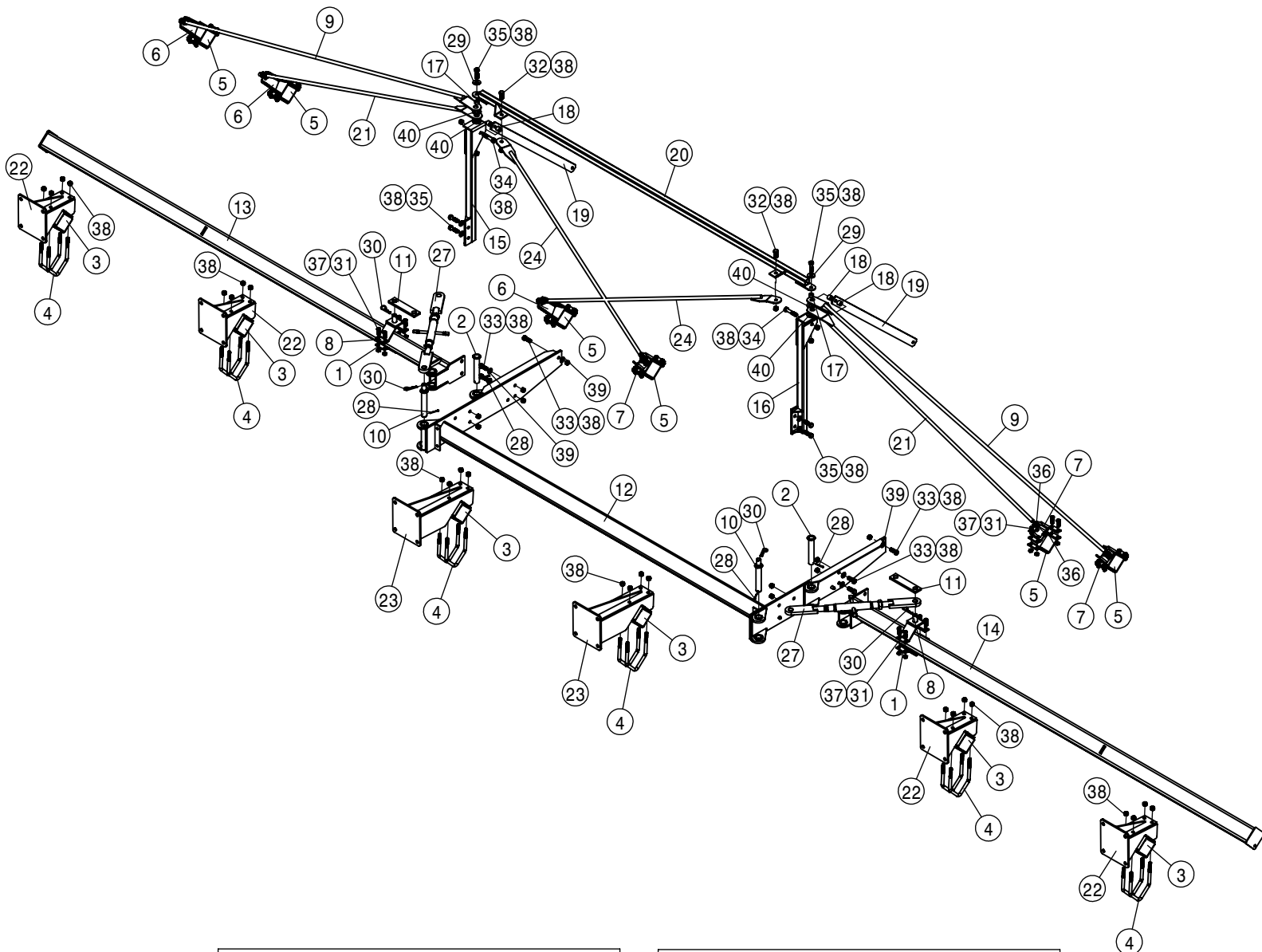
| 12-ROW, 6-LIFT, OUTRIGGER ASSEMBLY |     |        |                                |
|------------------------------------|-----|--------|--------------------------------|
| DET                                | QTY | P/N    | DESCRIPTION                    |
| 1                                  | 2   | 438249 | 75IN OUTGR BRACE CLAMP         |
| 2                                  | 2   | 438283 | OUTRGR PIVOT PIN WLD 8200 86   |
| 3                                  | 6   | 438292 | TOOL BAR V-PLT WLD 8200 86     |
| 4                                  | 12  | 438293 | 5/8UNC X 6 1/4 CTR U-BOLT TRI  |
| 5                                  | 6   | 438324 | 75IN OUTGR BRACE CLAMP         |
| 6                                  | 3   | 438362 | RH OUTRGR CLAMP WLD 200 89     |
| 7                                  | 3   | 438363 | LH OUTRGR CLAMP WLD 200 89     |
| 8                                  | 2   | 438397 | STABILIZER PIN MT WLD 90       |
| 9                                  | 2   | 438469 | OUTRGR TIE BAR WLD 200 10-12R  |
| 10                                 | 2   | 438471 | OUTRGR SUPP ROD WLD 10-12R     |
| 11                                 | 2   | 438474 | STABILIZER MT PIN WLD 10-12R   |
| 12                                 | 2   | 438476 | OUTRGR TRANSPORT BAR 10-12R    |
| 13                                 | 1   | 438530 | 204 TOOL BAR WLD, 12R 5/6L 96  |
| 14                                 | 1   | 438533 | RH 133" OUTRGR WLD, 10/12R 96  |
| 15                                 | 1   | 438534 | LH 133" OUTRGR WLD, 10/12R 96  |
| 16                                 | 1   | 438536 | RH OUTRGR SUPP POST WLD10/12R  |
| 17                                 | 1   | 438537 | LH OUTRGR SUPP POST WLD10/12R  |
| 18                                 | 2   | 438541 | BUSH, 1.00 OD- .656 ID- .53 LG |
| 19                                 | 4   | 438542 | BUSH 1.00 OD X .656 ID X .78   |
| 20                                 | 2   | 438543 | OUTRGR SUPP BRACE, 10/12R 96   |

| 12-ROW, 6-LIFT, OUTRIGGER ASSEMBLY |     |         |                                 |
|------------------------------------|-----|---------|---------------------------------|
| DET                                | QTY | P/N     | DESCRIPTION                     |
| 21                                 | 2   | 438544  | OUTRGR SUPP ROD WLD 50"10/12    |
| 22                                 | 1   | 438672  | 204 CENTER TIE TUBE WLD 2001    |
| 23                                 | 4   | 438757  | 8" HOIST COL ADPTR WLD, 204 04  |
| 24                                 | 2   | 438762  | 16" HOIST COL ADPTR WLD, 204 04 |
| NS                                 | 1   | 438778  | 204SPW TOOL BAR WLD 08          |
| NS                                 | 1   | 438780  | 204SPW CENTER TIE TUBE WLD 08   |
| 27                                 | 2   | 438785  | OUTRGR BINDER                   |
| 28                                 | 4   | 470117  | 3/16 X 1 3/4 COTTER PIN         |
| 29                                 | 2   | 483037  | 5/8 REGULAR FLAT WASHER         |
| 30                                 | 4   | 611016  | HAIR PIN #6                     |
| 31                                 | 32  | 900265  | 1/2UNC X 1 1/2 HEX BOLT         |
| 32                                 | 2   | 900333  | 5/8UNC X 1 1/2 HEX BOLT         |
| 33                                 | 6   | 900334  | 5/8UNC X 1 3/4 HEX BOLT         |
| 34                                 | 2   | 900339  | 5/8UNC X 3 1/4 HEX BOLT         |
| 35                                 | 6   | 900352  | 5/8UNC X 2 1/4 HEX BOLT         |
| 36                                 | 12  | 910012  | 3/4UNC HEX NUT                  |
| 37                                 | 32  | 914008  | 1/2 UNC HEX STOVER NUT          |
| 38                                 | 40  | 914010  | 5/8UNC HEX STOVER NUT           |
| 39                                 | 10  | 920005N | 5/8 SAE FLAT WASHER             |
| 40                                 | 4   | 920008  | 1" SAE FLAT WASHER              |



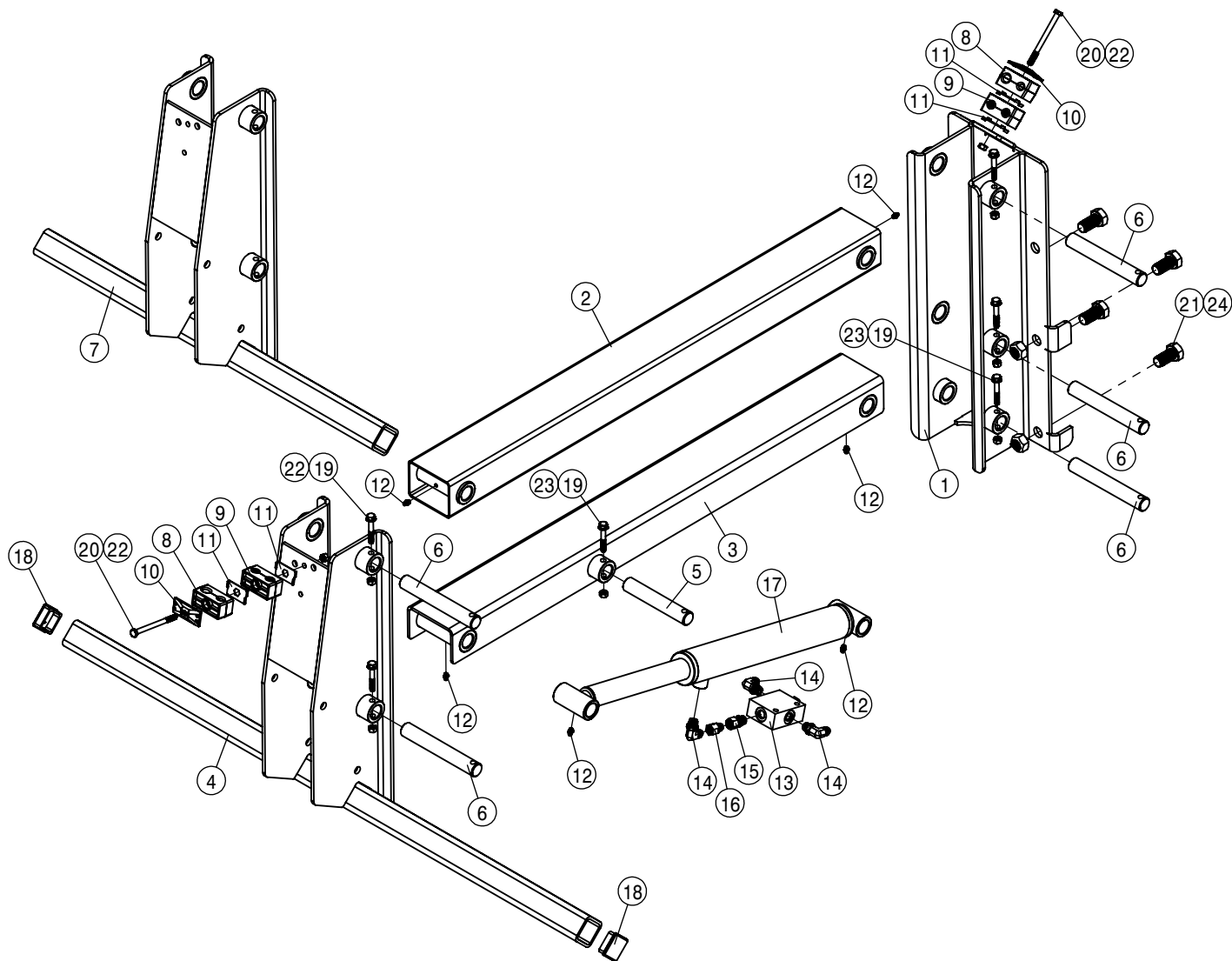
| 12-ROW, 6-LIFT, 52CM SPACING OUTRIGGER ASSEMBLY |     |        |                                 |
|-------------------------------------------------|-----|--------|---------------------------------|
| DET                                             | QTY | P/N    | DESCRIPTION                     |
| 1                                               | 6   | 438249 | 75IN OUTGR BRACE CLAMP          |
| 2                                               | 2   | 438283 | OUTRGR PIVOT PIN WLD 8200 86    |
| 3                                               | 6   | 438292 | TOOL BAR V-PLT WLD 8200 86      |
| 4                                               | 12  | 438293 | 5/8UNC X 6 1/4 CTR U-BOLT TRI   |
| 5                                               | 4   | 438324 | 75IN OUTGR BRACE CLAMP          |
| 6                                               | 1   | 438355 | RH OUTRGR SUPP BRACE 200 89     |
| 7                                               | 1   | 438356 | LH OUTRGR SUPP BRACE 200 89     |
| 8                                               | 2   | 438362 | RH OUTRGR CLAMP WLD 200 89      |
| 9                                               | 2   | 438363 | LH OUTRGR CLAMP WLD 200 89      |
| 10                                              | 6   | 438397 | STABILIZER PIN MT WLD 90        |
| 11                                              | 2   | 438474 | STABILIZER MT PIN WLD 10-12R    |
| 12                                              | 1   | 438497 | RH 82" OUTRGR WLD, 204 94       |
| 13                                              | 1   | 438498 | LH 82" OUTRGR WLD, 204 94       |
| 14                                              | 1   | 438530 | 204 TOOL BAR WLD, 12R 5/6L 96   |
| 15                                              | 2   | 438541 | BUSH, 1.00 OD- .656 ID- .53 LG  |
| 16                                              | 2   | 438656 | OUTRGR TRANSPORT BAR, 2100COMBO |
| 17                                              | 1   | 438672 | 204 CENTER TIE TUBE WLD 2001    |
| 18                                              | 4   | 438757 | 8" HOIST COL ADPTR WLD, 204 04  |
| 19                                              | 2   | 438762 | 16" HOIST COL ADPTR WLD, 204 04 |

| 12-ROW, 6-LIFT, 52CM SPACING OUTRIGGER ASSEMBLY |     |         |                               |
|-------------------------------------------------|-----|---------|-------------------------------|
| DET                                             | QTY | P/N     | DESCRIPTION                   |
| NS                                              | 1   | 438778  | 204SPW TOOL BAR WLD 08        |
| NS                                              | 1   | 438780  | 204SPW CENTER TIE TUBE WLD 08 |
| 22                                              | 2   | 438785  | OUTRGR BINDER                 |
| 23                                              | 1   | 439173  | RH OUTRGR SUPP POST WLD 52CM  |
| 24                                              | 1   | 439174  | LH OUTRGR SUPP POST WLD 52CM  |
| 25                                              | 2   | 439175  | OUTRGR SUPP ROD WLD 204 52CM  |
| 26                                              | 2   | 439176  | OUTRGR TIE BAR WLD 204 52CM   |
| 27                                              | 4   | 470117  | 3/16 X 1 3/4 COTTER PIN       |
| 28                                              | 2   | 483037  | 5/8 REGULAR FLAT WASHER       |
| 29                                              | 4   | 611016  | HAIR PIN #6                   |
| 30                                              | 40  | 900265  | 1/2UNC X 1 1/2 HEX BOLT       |
| 31                                              | 2   | 900333  | 5/8UNC X 1 1/2 HEX BOLT       |
| 32                                              | 6   | 900334  | 5/8UNC X 1 3/4 HEX BOLT       |
| 33                                              | 6   | 900352  | 5/8UNC X 2 1/4 HEX BOLT       |
| 34                                              | 8   | 910012  | 3/4UNC HEX NUT                |
| 35                                              | 40  | 914008  | 1/2 UNC HEX STOVER NUT        |
| 36                                              | 38  | 914010  | 5/8UNC HEX STOVER NUT         |
| 37                                              | 10  | 920005N | 5/8 SAE FLAT WASHER           |

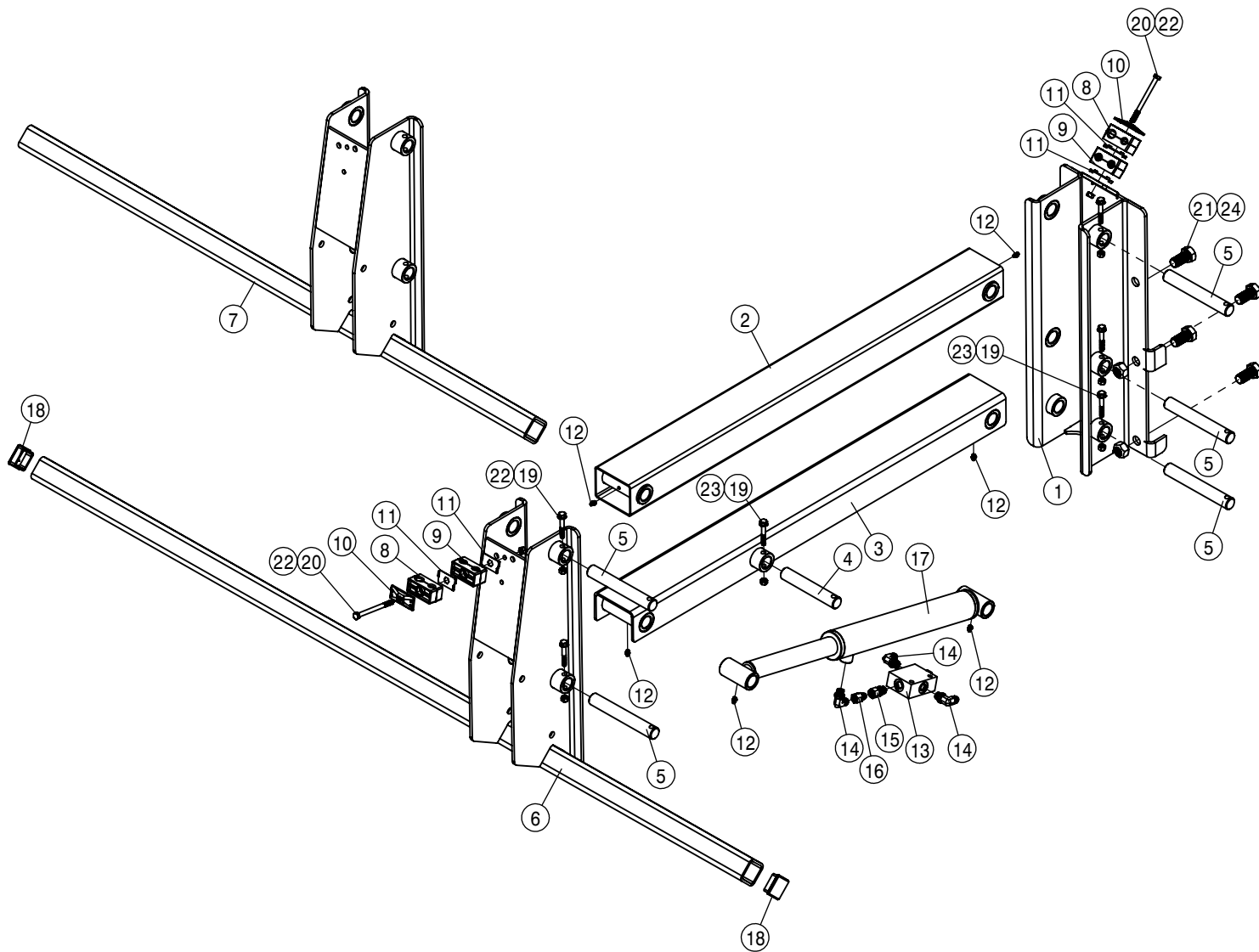


| 18-ROW, 6-LIFT, 20" SPACING OUTRIGGER ASSEMBLY |     |        |                               |
|------------------------------------------------|-----|--------|-------------------------------|
| DET                                            | QTY | P/N    | DESCRIPTION                   |
| 1                                              | 2   | 438249 | 75IN OUTGR BRACE CLAMP        |
| 2                                              | 2   | 438283 | OUTRGR PIVOT PIN WLD 8200 86  |
| 3                                              | 6   | 438292 | TOOL BAR V-PLT WLD 8200 86    |
| 4                                              | 12  | 438293 | 5/8UNC X 6 1/4 CTR U-BOLT TRI |
| 5                                              | 6   | 438324 | 75IN OUTGR BRACE CLAMP        |
| 6                                              | 3   | 438362 | RH OUTGR CLAMP WLD 200 89     |
| 7                                              | 3   | 438363 | LH OUTGR CLAMP WLD 200 89     |
| 8                                              | 2   | 438397 | STABILIZER PIN MT WLD 90      |
| 9                                              | 2   | 438471 | OUTRGR SUPP ROD WLD 10-12R    |
| 10                                             | 2   | 438474 | STABILIZER MT PIN WLD 10-12R  |
| 11                                             | 2   | 438476 | OUTRGR TRANSPORT BAR 10-12R   |
| 12                                             | 1   | 438530 | 204 TOOL BAR WLD,12R 5/6L 96  |
| 13                                             | 1   | 438533 | RH 133" OUTGR WLD, 10/12R 96  |
| 14                                             | 1   | 438534 | LH 133" OUTGR WLD, 10/12R 96  |
| 15                                             | 1   | 438536 | RH OUTGR SUPP POST WLD10/12R  |
| 16                                             | 1   | 438537 | LH OUTGR SUPP POST WLD10/12R  |
| 17                                             | 2   | 438541 | BUSH,1.00 OD- .656 ID- .53 LG |
| 18                                             | 4   | 438542 | BUSH 1.00 OD X .656 ID X .78  |
| 19                                             | 2   | 438543 | OUTRGR SUPP BRACE,10/12R 96   |
| 20                                             | 1   | 438672 | 204 CENTER TIE TUBE WLD 2001  |

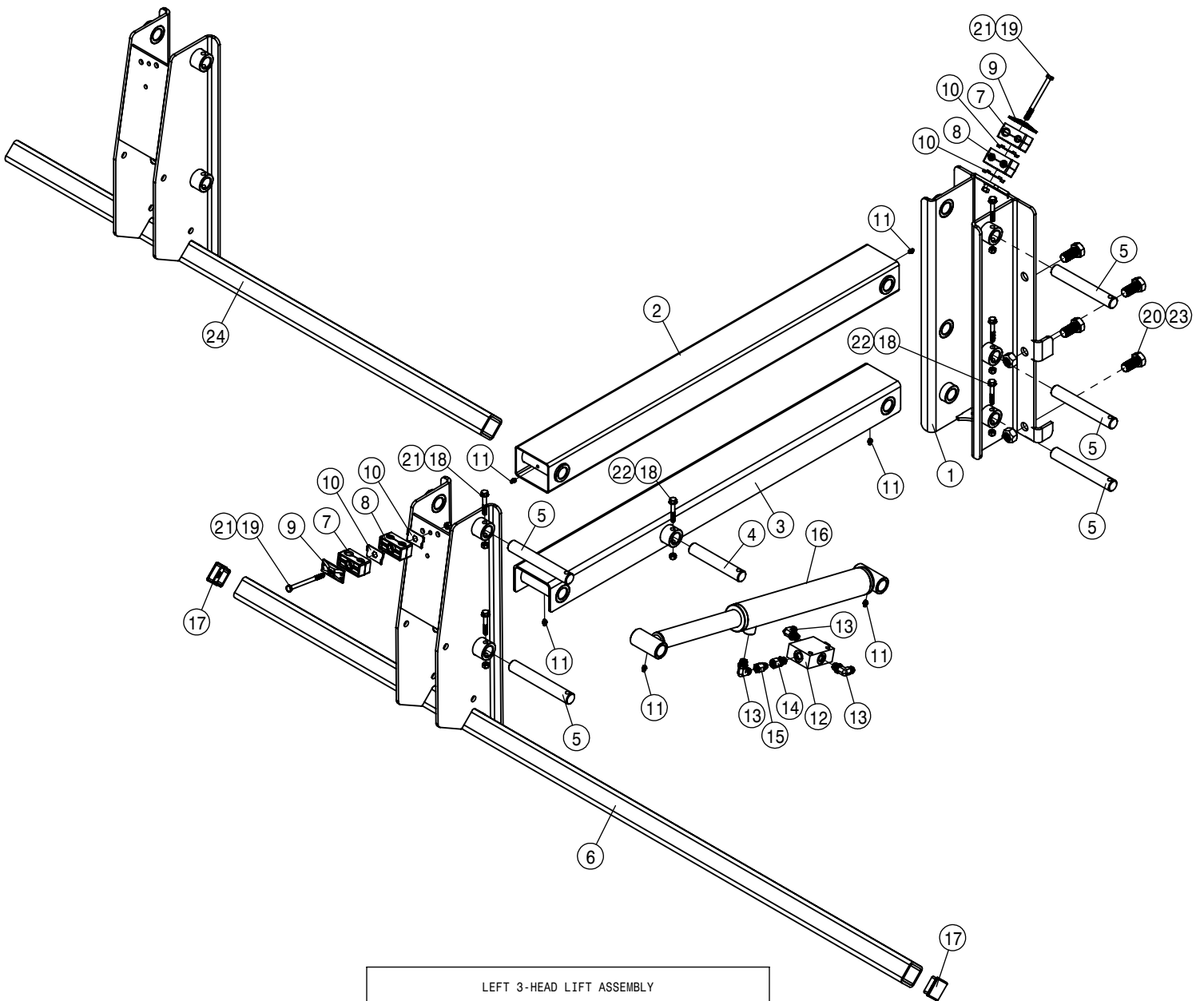
| 18-ROW, 6-LIFT, 20" SPACING OUTRIGGER ASSEMBLY |     |         |                                 |
|------------------------------------------------|-----|---------|---------------------------------|
| DET                                            | QTY | P/N     | DESCRIPTION                     |
| 21                                             | 2   | 438676  | OUTRGR SUPP ROD WLD 72" 8R 01   |
| 22                                             | 4   | 438757  | 8" HOIST COL ADPTR WLD, 204 04  |
| 23                                             | 2   | 438762  | 16"HOIST COL ADPTR WLD, 204 04  |
| 24                                             | 2   | 438770  | OUTRGR TIE BAR WLD, 66" 204 18R |
| NS                                             | 1   | 438778  | 204SPW TOOL BAR WLD 08          |
| NS                                             | 1   | 438780  | 204SPW CENTER TIE TUBE WLD 08   |
| 27                                             | 2   | 438785  | OUTRGR BINDER                   |
| 28                                             | 4   | 470117  | 3/16 X 1 3/4 COTTER PIN         |
| 29                                             | 2   | 483037  | 5/8 REGULAR FLAT WASHER         |
| 30                                             | 4   | 611016  | HAIR PIN #6                     |
| 31                                             | 32  | 900265  | 1/2UNC X 1 1/2 HEX BOLT         |
| 32                                             | 2   | 900333  | 5/8UNC X 1 1/2 HEX BOLT         |
| 33                                             | 6   | 900334  | 5/8UNC X 1 3/4 HEX BOLT         |
| 34                                             | 2   | 900339  | 5/8UNC X 3 1/4 HEX BOLT         |
| 35                                             | 6   | 900352  | 5/8UNC X 2 1/4 HEX BOLT         |
| 36                                             | 12  | 910012  | 3/4UNC HEX NUT                  |
| 37                                             | 32  | 914008  | 1/2 UNC HEX STOVER NUT          |
| 38                                             | 40  | 914010  | 5/8UNC HEX STOVER NUT           |
| 39                                             | 10  | 920005N | 5/8 SAE FLAT WASHER             |
| 40                                             | 4   | 920008  | 1" SAE FLAT WASHER              |



| 2-HEAD LIFT ASSEMBLY |     |         |                                |
|----------------------|-----|---------|--------------------------------|
| DET                  | QTY | P/N     | DESCRIPTION                    |
| 1                    | 1   | 439136  | TOOLBAR MT BRKT WLD, STSC 03   |
| 2                    | 1   | 439143  | UPPER LIFTARM WLD,STS COMBO 03 |
| 3                    | 1   | 439146  | LWR LIFTARM WLD, STS COMBO 03  |
| 4                    | 1   | 439151  | 50" HEAD TOOLBAR WLD,STSC 03   |
| 5                    | 1   | 439156  | LWR CYL MT PIN, STS COMBO 03   |
| 6                    | 5   | 439158  | LIFT ARM PIVOT PIN, STSC 03    |
| 7                    | 1   | 439197  | 33" HEAD TOOLBAR WLD,20"R 06   |
| 8                    | 2   | 470270  | TUBE CLAMP BODY, .530-.680     |
| 9                    | 2   | 470274  | TUBE CLAMP BODY, .750-.750     |
| 10                   | 2   | 470276  | CLAMP COVER PLATE,SNGL, 2.55LG |
| 11                   | 4   | 470281  | STACK BOLT SAFETY LOCK PLATE   |
| 12                   | 6   | 471005  | GREASE ZERK, 1/4-28 X 1/2      |
| 13                   | 1   | 607565  | CHECK VLV,PILOT TO OPEN, SUN   |
| 14                   | 3   | 618119  | 9/16MJIC-90-9/16MOR LBO        |
| 15                   | 1   | 618668  | 9/16FJIC SWIV-9/16MOR ADPTR    |
| 16                   | 1   | 618732  | 9/16JIC .031 ORIFICE ADPTR     |
| 17                   | 1   | 621564  | DETA LIFT CYL,2.00 X 11.00STS  |
| 18                   | 2   | 629773  | CAPLUGS 1 3/4"SQ PLUG,BLK POLY |
| 19                   | 6   | 900069N | 5/16UNC X 2" SERR FLG BOLT SS  |
| 20                   | 2   | 900076  | 5/16UNC X 4" HEX BOLT          |
| 21                   | 4   | 900401  | 3/4UNC X 1 1/2 HEX BOLT        |
| 22                   | 6   | 914002  | 5/16UNC HEX STOVER NUT         |
| 23                   | 2   | 914002N | 5/16UNC HEX STOVER NUT YZ      |
| 24                   | 4   | 914012  | 3/4UNC HEX STOVER NUT          |

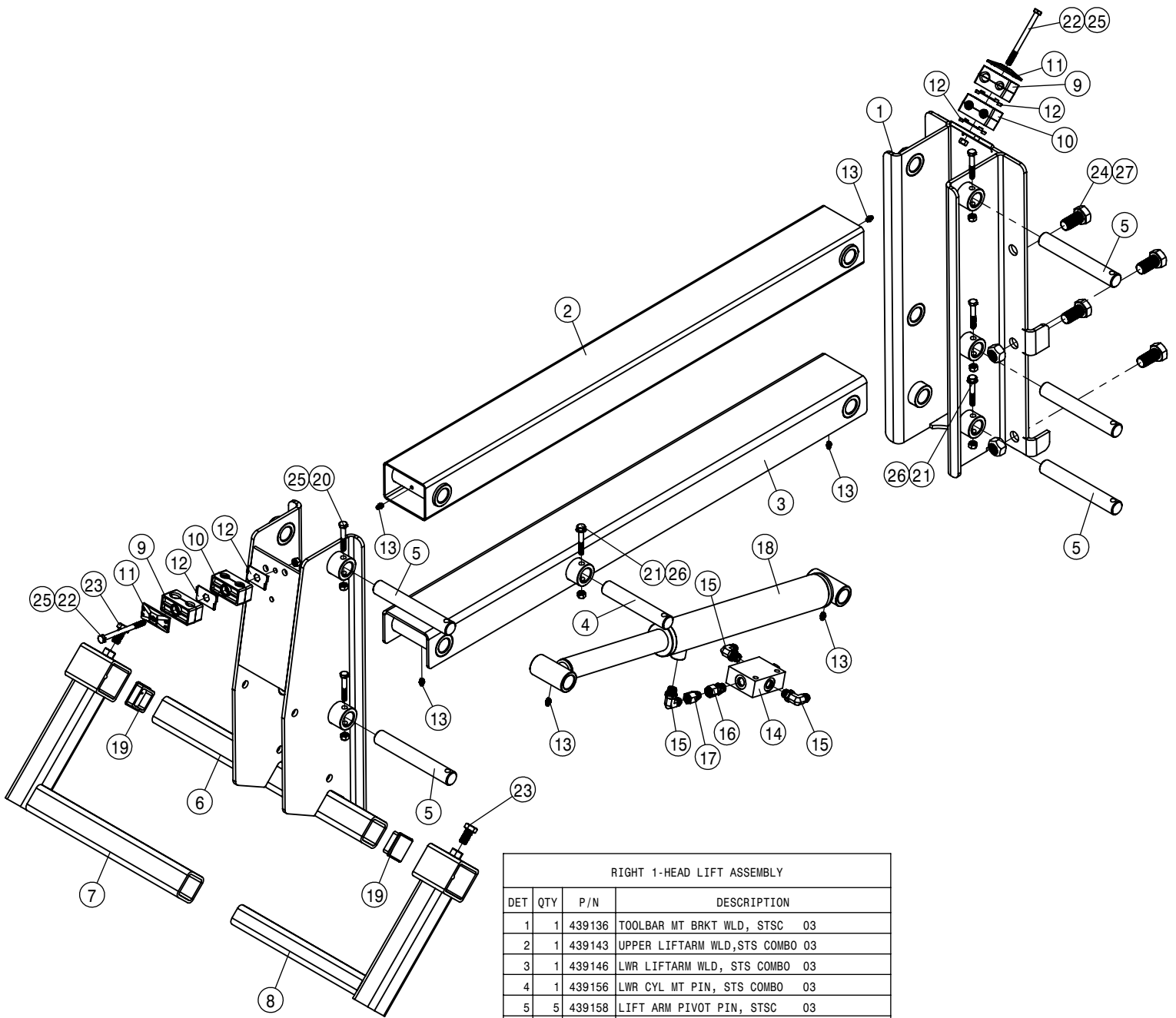


| RIGHT 3-HEAD LIFT ASSEMBLY |     |         |                                  |
|----------------------------|-----|---------|----------------------------------|
| DET                        | QTY | P/N     | DESCRIPTION                      |
| 1                          | 1   | 439136  | TOOLBAR MT BRKT WLD, STSC 03     |
| 2                          | 1   | 439143  | UPPER LIFTARM WLD, STS COMBO 03  |
| 3                          | 1   | 439146  | LWR LIFTARM WLD, STS COMBO 03    |
| 4                          | 1   | 439156  | LWR CYL MT PIN, STS COMBO 03     |
| 5                          | 5   | 439158  | LIFT ARM PIVOT PIN, STSC 03      |
| 6                          | 1   | 439163  | 80°RH HEAD TOOLBAR WLD, STSC 03  |
| 7                          | 1   | 439182  | 57°RH HEAD TOOLBAR WLD, 20°R 05  |
| 8                          | 2   | 470270  | TUBE CLAMP BODY, .530-.680       |
| 9                          | 2   | 470274  | TUBE CLAMP BODY, .750-.750       |
| 10                         | 2   | 470276  | CLAMP COVER PLATE, SNGL, 2.55LG  |
| 11                         | 4   | 470281  | STACK BOLT SAFETY LOCK PLATE     |
| 12                         | 6   | 471005  | GREASE ZERK, 1/4-28 X 1/2        |
| 13                         | 1   | 607565  | CHECK VLV, PILOT TO OPEN, SUN    |
| 14                         | 3   | 618119  | 9/16MJIC-90-9/16MOR LBO          |
| 15                         | 1   | 618668  | 9/16FJIC SWIV-9/16MOR ADPTR      |
| 16                         | 1   | 618732  | 9/16JIC .031 ORIFICE ADPTR       |
| 17                         | 1   | 621564  | DETAS LIFT CYL, 2.00 X 11.00STS  |
| 18                         | 2   | 629773  | CAPPLUGS 1 3/4"SQ PLUG, BLK POLY |
| 19                         | 6   | 900069N | 5/16UNC X 2" SERR FLG BOLT SS    |
| 20                         | 2   | 900076  | 5/16UNC X 4" HEX BOLT            |
| 21                         | 4   | 900401  | 3/4UNC X 1 1/2 HEX BOLT          |
| 22                         | 6   | 914002  | 5/16UNC HEX STOVER NUT           |
| 23                         | 2   | 914002N | 5/16UNC HEX STOVER NUT YZ        |
| 24                         | 4   | 914012  | 3/4UNC HEX STOVER NUT            |

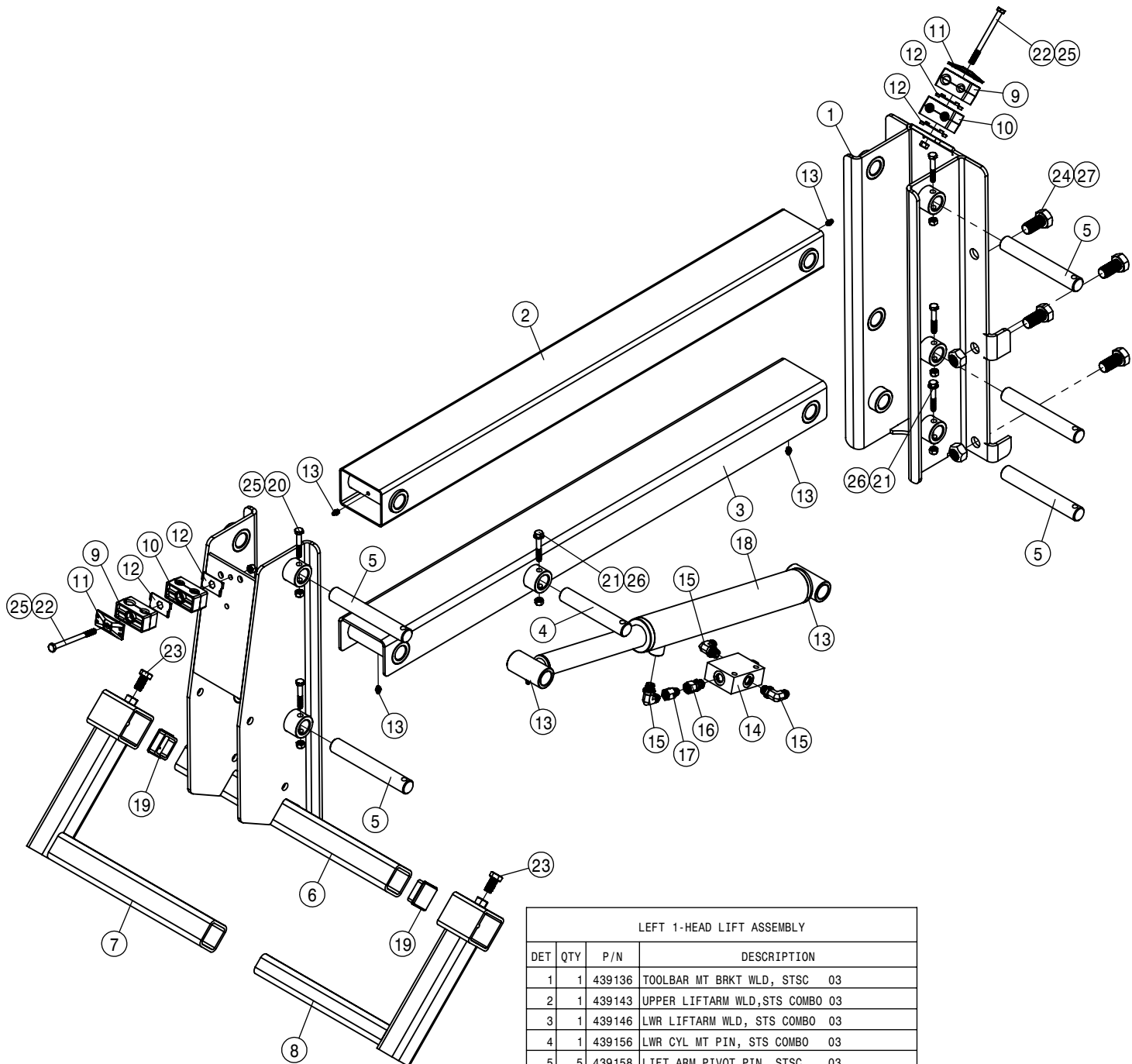


| LEFT 3-HEAD LIFT ASSEMBLY |     |         |                                |
|---------------------------|-----|---------|--------------------------------|
| DET                       | QTY | P/N     | DESCRIPTION                    |
| 1                         | 1   | 439136  | TOOLBAR MT BRKT WLD, STSC 03   |
| 2                         | 1   | 439143  | UPPER LIFTARM WLD,STS COMBO 03 |
| 3                         | 1   | 439146  | LWR LIFTARM WLD, STS COMBO 03  |
| 4                         | 1   | 439156  | LWR CYL MT PIN, STS COMBO 03   |
| 5                         | 5   | 439158  | LIFT ARM PIVOT PIN, STSC 03    |
| 6                         | 1   | 439164  | 80"LH HEAD TOOLBAR WLD,STSC 03 |
| 7                         | 2   | 470270  | TUBE CLAMP BODY, .530-.680     |
| 8                         | 2   | 470274  | TUBE CLAMP BODY, .750-.750     |
| 9                         | 2   | 470276  | CLAMP COVER PLATE,SNGL, 2.55LG |
| 10                        | 4   | 470281  | STACK BOLT SAFETY LOCK PLATE   |
| 11                        | 6   | 471005  | GREASE ZERK, 1/4-28 X 1/2      |
| 12                        | 1   | 607565  | CHECK VLV,PILOT TO OPEN, SUN   |
| 13                        | 3   | 618119  | 9/16MJIC-90-9/16MOR LBO        |
| 14                        | 1   | 618668  | 9/16FJIC SWIV-9/16MOR ADPTR    |
| 15                        | 1   | 618732  | 9/16JIC .031 ORIFICE ADPTR     |
| 16                        | 1   | 621564  | DETA LIFT CYL,2.00 X 11.00STS  |
| 17                        | 2   | 629773  | CAPLUGS 1 3/4"SQ PLUG,BLK POLY |
| 18                        | 6   | 900069N | 5/16UNC X 2" SERR FLG BOLT SS  |
| 19                        | 2   | 900076  | 5/16UNC X 4" HEX BOLT          |
| 20                        | 4   | 900401  | 3/4UNC X 1 1/2 HEX BOLT        |
| 21                        | 6   | 914002  | 5/16UNC HEX STOVER NUT         |
| 22                        | 2   | 914002N | 5/16UNC HEX STOVER NUT YZ      |
| 23                        | 4   | 914012  | 3/4UNC HEX STOVER NUT          |
| 24                        | 1   | 439183  | 57"LH HEAD TOOLBAR WLD,20*R 05 |

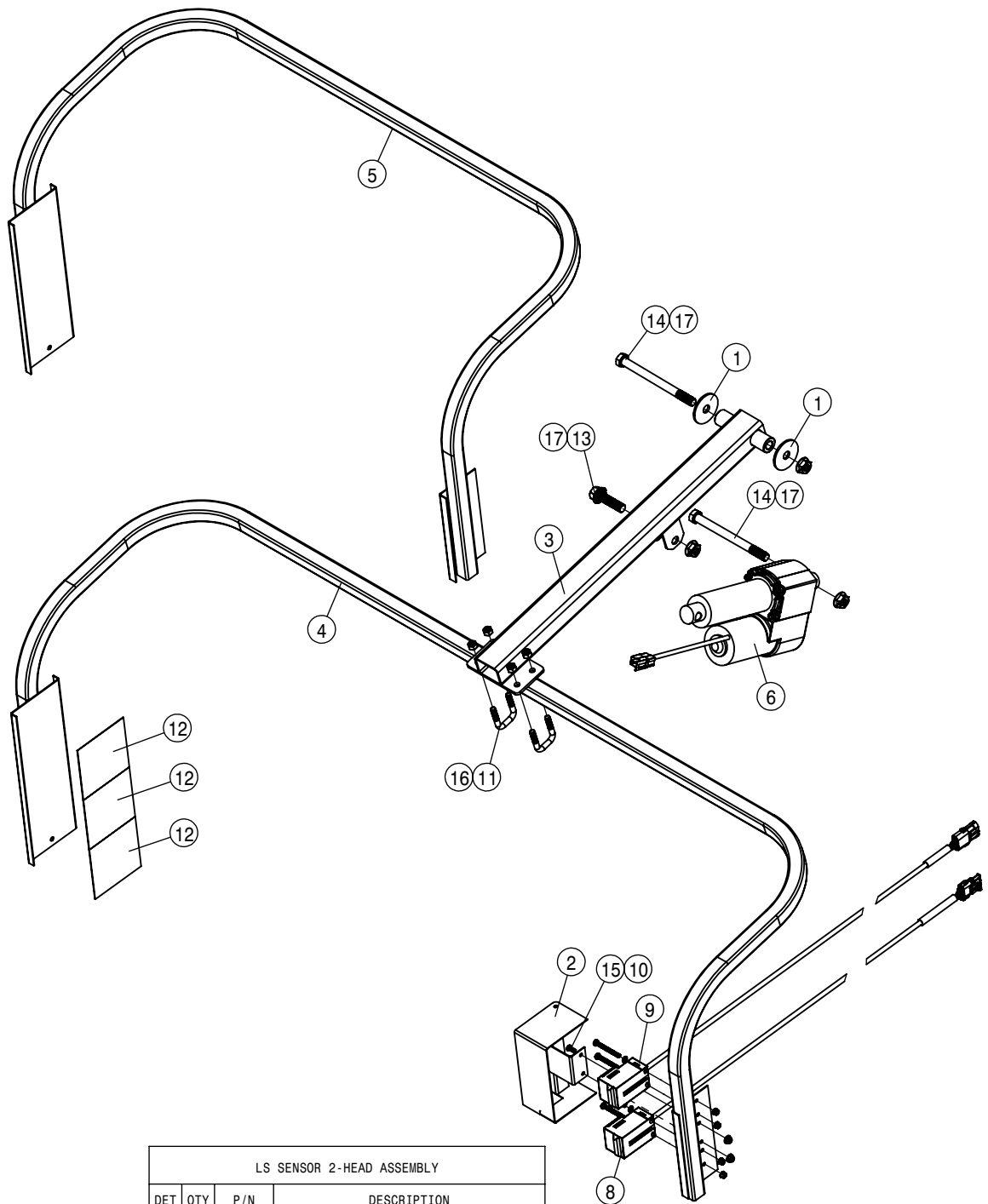




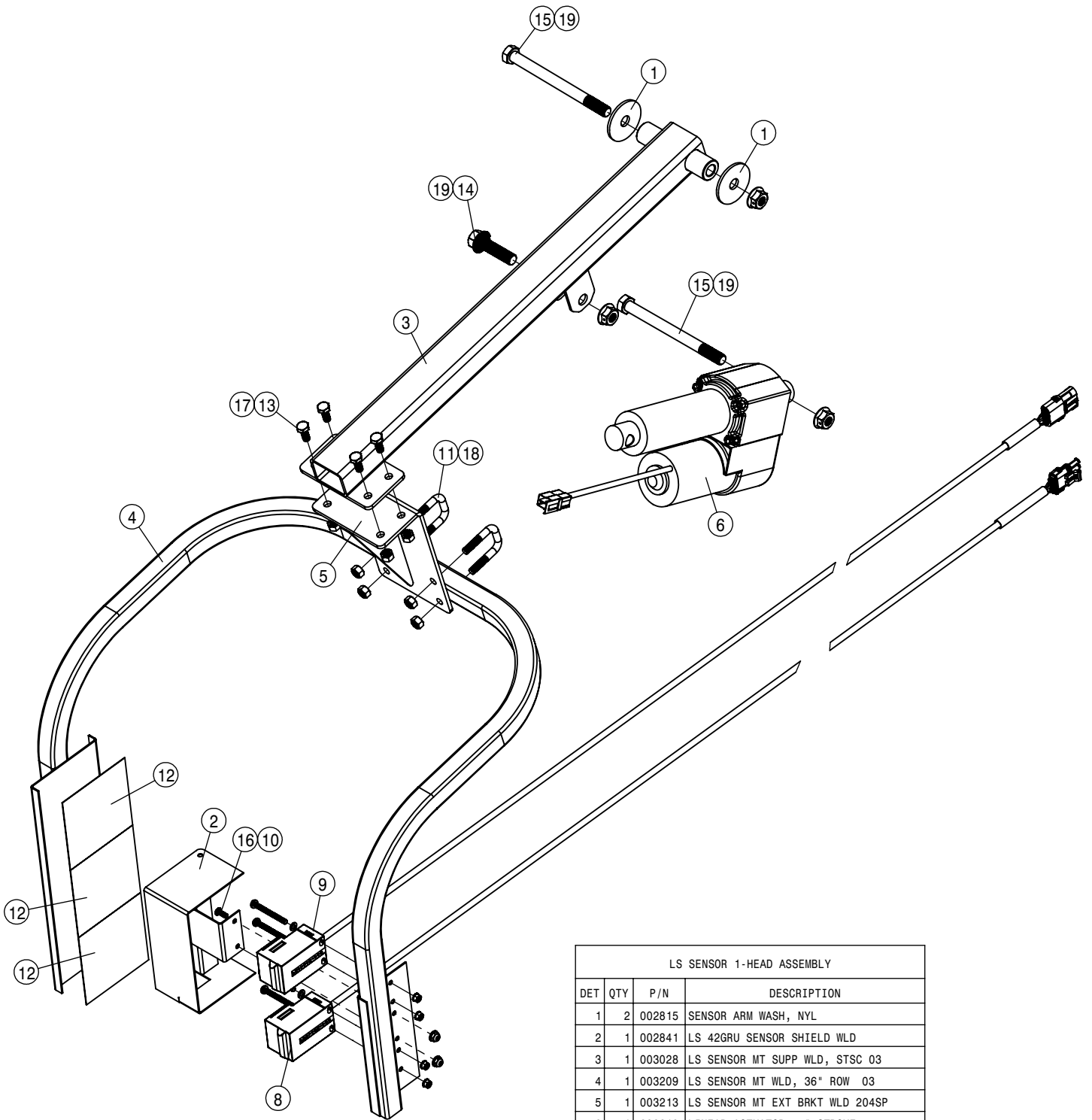
| RIGHT 1-HEAD LIFT ASSEMBLY |     |         |                                  |
|----------------------------|-----|---------|----------------------------------|
| DET                        | QTY | P/N     | DESCRIPTION                      |
| 1                          | 1   | 439136  | TOOLBAR MT BRKT WLD, STSC 03     |
| 2                          | 1   | 439143  | UPPER LIFTARM WLD, STS COMBO 03  |
| 3                          | 1   | 439146  | LWR LIFTARM WLD, STS COMBO 03    |
| 4                          | 1   | 439156  | LWR CYL MT PIN, STS COMBO 03     |
| 5                          | 5   | 439158  | LIFT ARM PIVOT PIN, STSC 03      |
| 6                          | 1   | 441002  | 60CM RH TOOLBAR WLD 204SP'12     |
| 7                          | 1   | 441003  | RH 1-HEAD MT WLD 204SP 12        |
| 8                          | 1   | 441004  | LH 1-HEAD MT WLD 204SP 12        |
| 9                          | 2   | 470270  | TUBE CLAMP BODY, .530-.680       |
| 10                         | 2   | 470274  | TUBE CLAMP BODY, .750-.750       |
| 11                         | 2   | 470276  | CLAMP COVER PLATE, SNGL, 2.55LG  |
| 12                         | 4   | 470281  | STACK BOLT SAFETY LOCK PLATE     |
| 13                         | 6   | 471005  | GREASE ZERK, 1/4-28 X 1/2        |
| 14                         | 1   | 607565  | CHECK VLV, PILOT TO OPEN, SUN    |
| 15                         | 3   | 618119  | 9/16MJIC-90-9/16MOR LBO          |
| 16                         | 1   | 618668  | 9/16FJIC SWIV-9/16MOR ADPTR      |
| 17                         | 1   | 618732  | 9/16JIC .031 ORIFICE ADPTR       |
| 18                         | 1   | 621564  | DETA5 LIFT CYL, 2.00 X 11.00STS  |
| 19                         | 2   | 629773  | CAPLUGS 1 3/4" SQ PLUG, BLK POLY |
| 20                         | 4   | 900069  | 5/16UNC X 2" HEX BOLT            |
| 21                         | 2   | 900069N | 5/16UNC X 2" SERR FLG BOLT SS    |
| 22                         | 2   | 900076  | 5/16UNC X 4" HEX BOLT            |
| 23                         | 2   | 900263  | 1/2UNC X 1" HEX BOLT             |
| 24                         | 4   | 900401  | 3/4UNC X 1 1/2 HEX BOLT          |
| 25                         | 6   | 914002  | 5/16UNC HEX STOVER NUT           |
| 26                         | 2   | 914002N | 5/16UNC HEX STOVER NUT YZ        |
| 27                         | 4   | 914012  | 3/4UNC HEX STOVER NUT            |



| LEFT 1-HEAD LIFT ASSEMBLY |     |         |                                 |
|---------------------------|-----|---------|---------------------------------|
| DET                       | QTY | P/N     | DESCRIPTION                     |
| 1                         | 1   | 439136  | TOOLBAR MT BRKT WLD, STSC 03    |
| 2                         | 1   | 439143  | UPPER LIFTARM WLD,STS COMBO 03  |
| 3                         | 1   | 439146  | LWR LIFTARM WLD, STS COMBO 03   |
| 4                         | 1   | 439156  | LWR CYL MT PIN, STS COMBO 03    |
| 5                         | 5   | 439158  | LIFT ARM PIVOT PIN, STSC 03     |
| 6                         | 1   | 441000  | 60CM LH TOOLBAR WLD 204SP'12    |
| 7                         | 1   | 441003  | RH 1-HEAD MT WLD 204SP 12       |
| 8                         | 1   | 441004  | LH 1-HEAD MT WLD 204SP 12       |
| 9                         | 2   | 470270  | TUBE CLAMP BODY, .530-.680      |
| 10                        | 2   | 470274  | TUBE CLAMP BODY, .750-.750      |
| 11                        | 2   | 470276  | CLAMP COVER PLATE,SNGL, 2.55LG  |
| 12                        | 4   | 470281  | STACK BOLT SAFETY LOCK PLATE    |
| 13                        | 6   | 471005  | GREASE ZERK, 1/4-28 X 1/2       |
| 14                        | 1   | 607565  | CHECK VLV,PILOT TO OPEN, SUN    |
| 15                        | 3   | 618119  | 9/16MJIC-90-9/16MOR LBO         |
| 16                        | 1   | 618668  | 9/16FJIC SWIV-9/16MOR ADPTR     |
| 17                        | 1   | 618732  | 9/16JIC .031 ORIFICE ADPTR      |
| 18                        | 1   | 621564  | DETAS LIFT CYL,2.00 X 11.00STS  |
| 19                        | 2   | 629773  | CAPPLUGS 1 3/4"SQ PLUG,BLK POLY |
| 20                        | 4   | 900069  | 5/16UNC X 2" HEX BOLT           |
| 21                        | 2   | 900069N | 5/16UNC X 2" SERR FLG BOLT SS   |
| 22                        | 2   | 900076  | 5/16UNC X 4" HEX BOLT           |
| 23                        | 2   | 900263  | 1/2UNC X 1" HEX BOLT            |
| 24                        | 4   | 900401  | 3/4UNC X 1 1/2 HEX BOLT         |
| 25                        | 6   | 914002  | 5/16UNC HEX STOVER NUT          |
| 26                        | 2   | 914002N | 5/16UNC HEX STOVER NUT YZ       |
| 27                        | 4   | 914012  | 3/4UNC HEX STOVER NUT           |



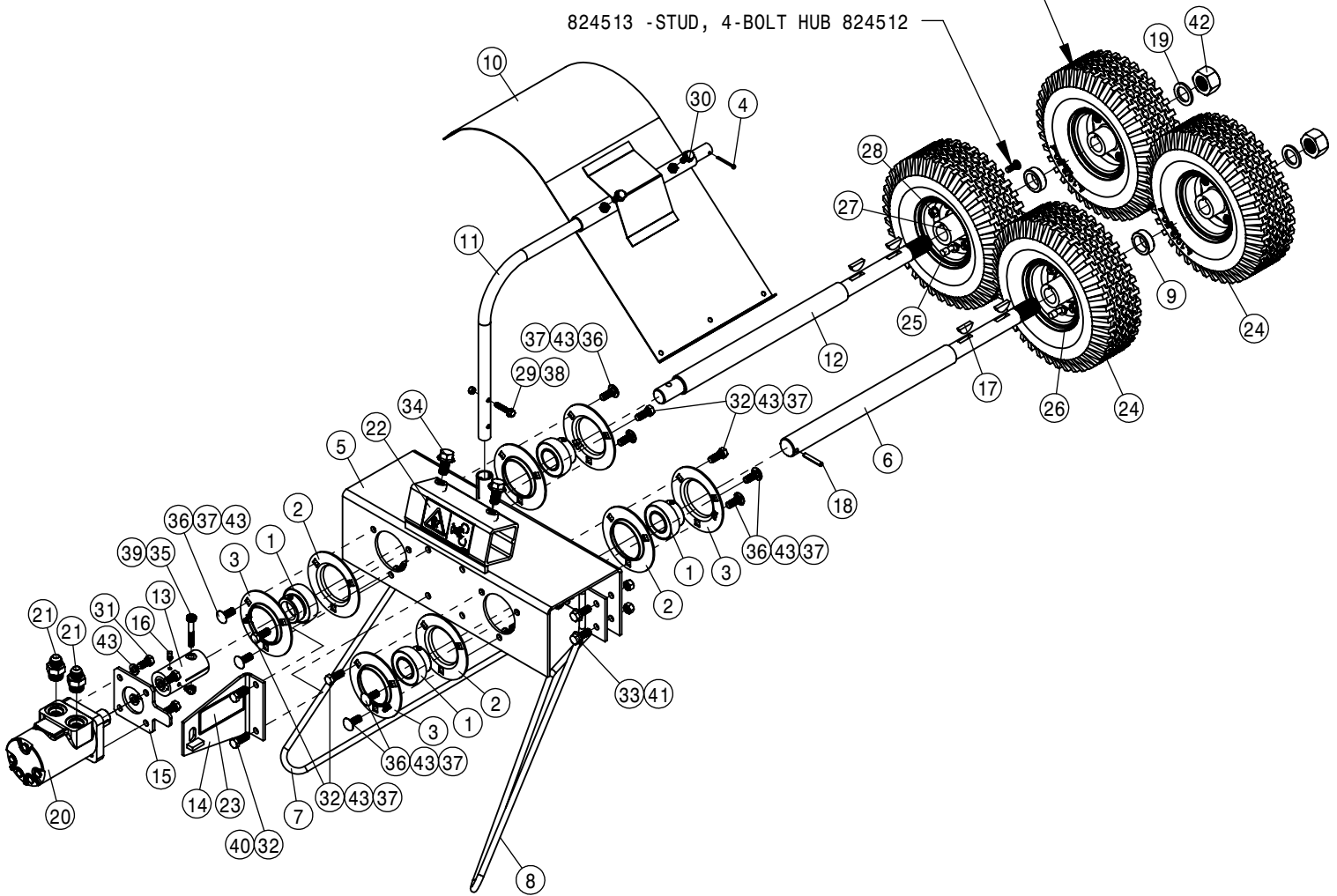
| LS SENSOR 2-HEAD ASSEMBLY |     |         |                                |
|---------------------------|-----|---------|--------------------------------|
| DET                       | QTY | P/N     | DESCRIPTION                    |
| 1                         | 2   | 002815  | SENSOR ARM WASH, NYL           |
| 2                         | 1   | 002841  | LS 42GRU SENSOR SHIELD WLD     |
| 3                         | 1   | 003028  | LS SENSOR MT SUPP WLD, STSC 03 |
| 4                         | 1   | 003033  | LS SENSOR MT WLD, STS COMBO 03 |
| 5                         | 1   | 003050  | LS SENSOR MT WLD               |
| 6                         | 1   | 292610  | LINEAR ACTUATOR, 4" STROKE     |
| NS                        | 1   | 293188  | SENSOR CONNECTOR WIRE ASSY     |
| 8                         | 1   | 293258  | UPR LS 9200 SENSOR ASSY, FEM   |
| 9                         | 1   | 293259  | UPR LS 9200 SENSOR ASSY, MALE  |
| 10                        | 2   | 473004  | 10-32 FLANGE NYLOC NUT         |
| 11                        | 2   | 473980  | .31UNC-1.06ID-1.75SQ U-BOLT SS |
| 12                        | 3   | 650297  | REFLECTIVE TAPE,4 X 4, RTC4-4C |
| 13                        | 1   | 900267N | 1/2UNC X 2" SERR FLG BOLT      |
| 14                        | 2   | 900278N | 1/2UNC X 6" HEX BOLT           |
| 15                        | 2   | 903883  | 10-32 X 1/2 PHIL PAN MACH SCR  |
| 16                        | 4   | 914002N | 5/16UNC HEX STOVER NUT YZ      |
| 17                        | 3   | 914008N | 1/2UNC SMTH FLG CTR LCK NUT YZ |



| LS SENSOR 1-HEAD ASSEMBLY |     |         |                                 |
|---------------------------|-----|---------|---------------------------------|
| DET                       | QTY | P/N     | DESCRIPTION                     |
| 1                         | 2   | 002815  | SENSOR ARM WASH, NYL            |
| 2                         | 1   | 002841  | LS 42GRU SENSOR SHIELD WLD      |
| 3                         | 1   | 003028  | LS SENSOR MT SUPP WLD, STSC 03  |
| 4                         | 1   | 003209  | LS SENSOR MT WLD, 36" ROW 03    |
| 5                         | 1   | 003213  | LS SENSOR MT EXT BRKT WLD 204SP |
| 6                         | 1   | 292610  | LINEAR ACTUATOR, 4" STROKE      |
| NS                        | 1   | 293188  | SENSOR CONNECTOR WIRE ASSY      |
| 8                         | 1   | 293258  | UPR LS 9200 SENSOR ASSY, FEM    |
| 9                         | 1   | 293259  | UPR LS 9200 SENSOR ASSY, MALE   |
| 10                        | 2   | 473004  | 10-32 FLANGE NYLOC NUT          |
| 11                        | 2   | 473980  | .31UNC-1.06ID-1.75SQ U-BOLT SS  |
| 12                        | 3   | 650297  | REFLECTIVE TAPE, 4 X 4, RTC4-4C |
| 13                        | 4   | 900064  | 5/16UNC X 3/4" HEX BOLT         |
| 14                        | 1   | 900267N | 1/2UNC X 2" SERR FLG BOLT       |
| 15                        | 2   | 900278N | 1/2UNC X 6" HEX BOLT            |
| 16                        | 2   | 903883  | 10-32 X 1/2 PHIL PAN MACH SCR   |
| 17                        | 4   | 914002  | 5/16UNC HEX STOVER NUT          |
| 18                        | 4   | 914002N | 5/16UNC HEX STOVER NUT YZ       |
| 19                        | 3   | 914008N | 1/2UNC SMTH FLG CTR LCK NUT YZ  |

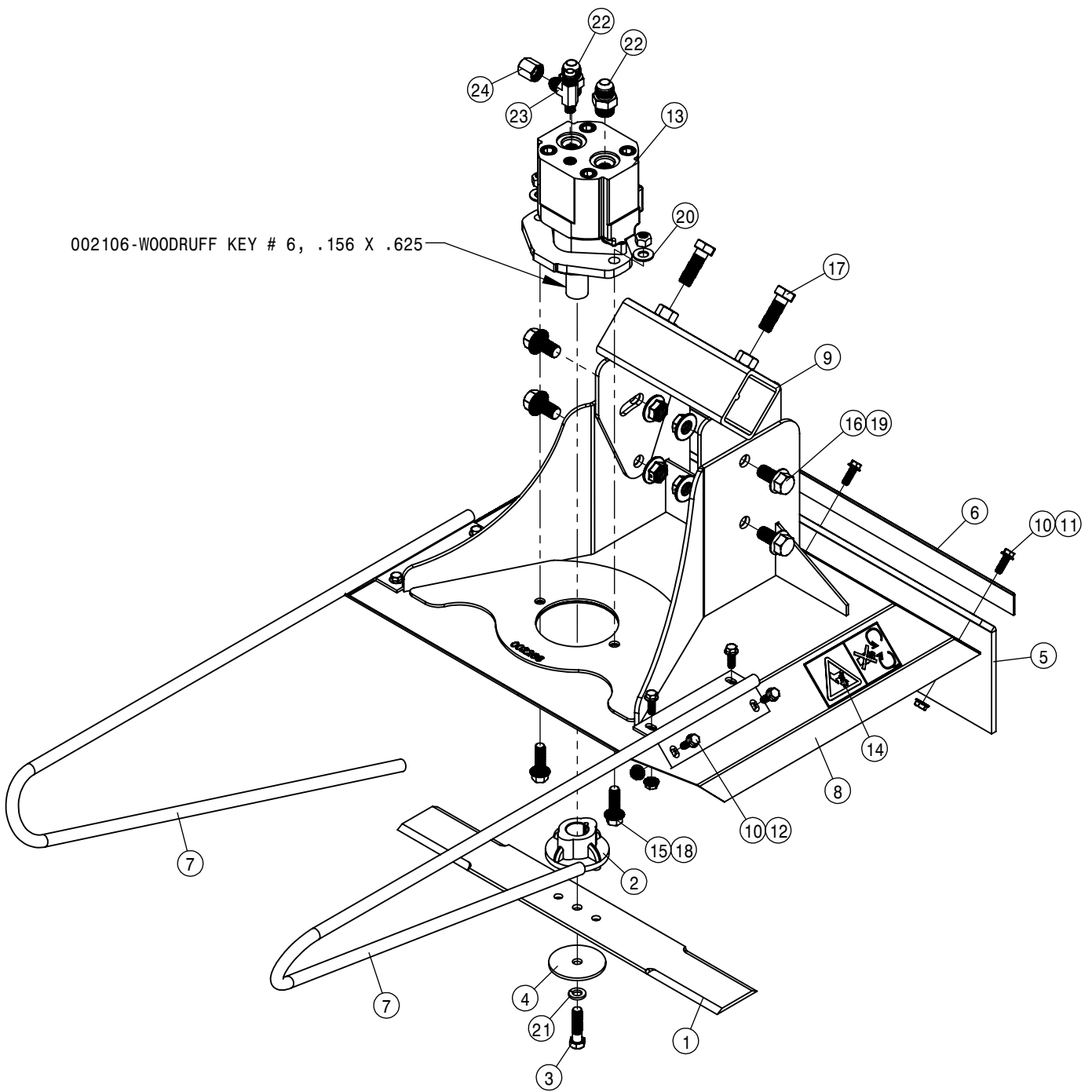
(OPTIONAL) 824516 - 4.10/3.50 2P SAWTOOTH TIRE

824513 -STUD, 4-BOLT HUB 824512



| QUAD PULLER HEAD ASSEMBLY |     |        |                               |
|---------------------------|-----|--------|-------------------------------|
| DET                       | QTY | P/N    | DESCRIPTION                   |
| 1                         | 4   | 123024 | BGR 1 1/4 BORE SPHERICL RELUB |
| 2                         | 4   | 123026 | FLANGETT 1 1/4                |
| 3                         | 4   | 123035 | FLANGETT 1 1/4 180 DEG ZERK   |
| 4                         | 1   | 390984 | 1/8 X 1 1/4 COTTER PIN        |
| 5                         | 1   | 438369 | QUAD PLR FRAME WLD 200 90     |
| 6                         | 1   | 438375 | QUAD PLR SHAFT SHORT 200 90   |
| 7                         | 1   | 438381 | RH QUAD PLR STALK GUIDE WLD90 |
| 8                         | 1   | 438384 | LH QUAD PLR STALK GUIDE WLD90 |
| 9                         | 2   | 438388 | .50 HUB SPACER, QUAD PLR      |
| 10                        | 1   | 438415 | QUAD PLR SHIELD WLD 200 91    |
| 11                        | 1   | 438419 | QUAD PLR SHIELD MT TUBE 91    |
| 12                        | 1   | 438422 | QUAD PLR SHAFT LONG 200 91    |
| 13                        | 1   | 438423 | QUAD PLR MOTOR COUPLER 200 91 |
| 14                        | 1   | 438424 | QUAD PLR MTR MT PLT WLD       |
| 15                        | 1   | 438425 | QUAD PLR MTR MT 200 91        |
| 16                        | 2   | 470199 | 1/4UNC X 3/8 SQHD CUP SET SCR |
| 17                        | 4   | 472020 | WOODRUFF KEY # 18 1/4 X 1 1/8 |
| 18                        | 1   | 473805 | ROLL PIN, 1/4 X 1 1/2         |
| 19                        | 2   | 483032 | 1 1/2 X 1" X .134TH MACH WASH |
| 20                        | 1   | 610547 | HYD MOTOR 4.5CI 1IN SHFT      |
| 21                        | 2   | 618327 | 3/4MJIC-7/8MOR ADPTR          |
| 22                        | 1   | 650259 | DECAL MOVING PARTS ROLLER     |

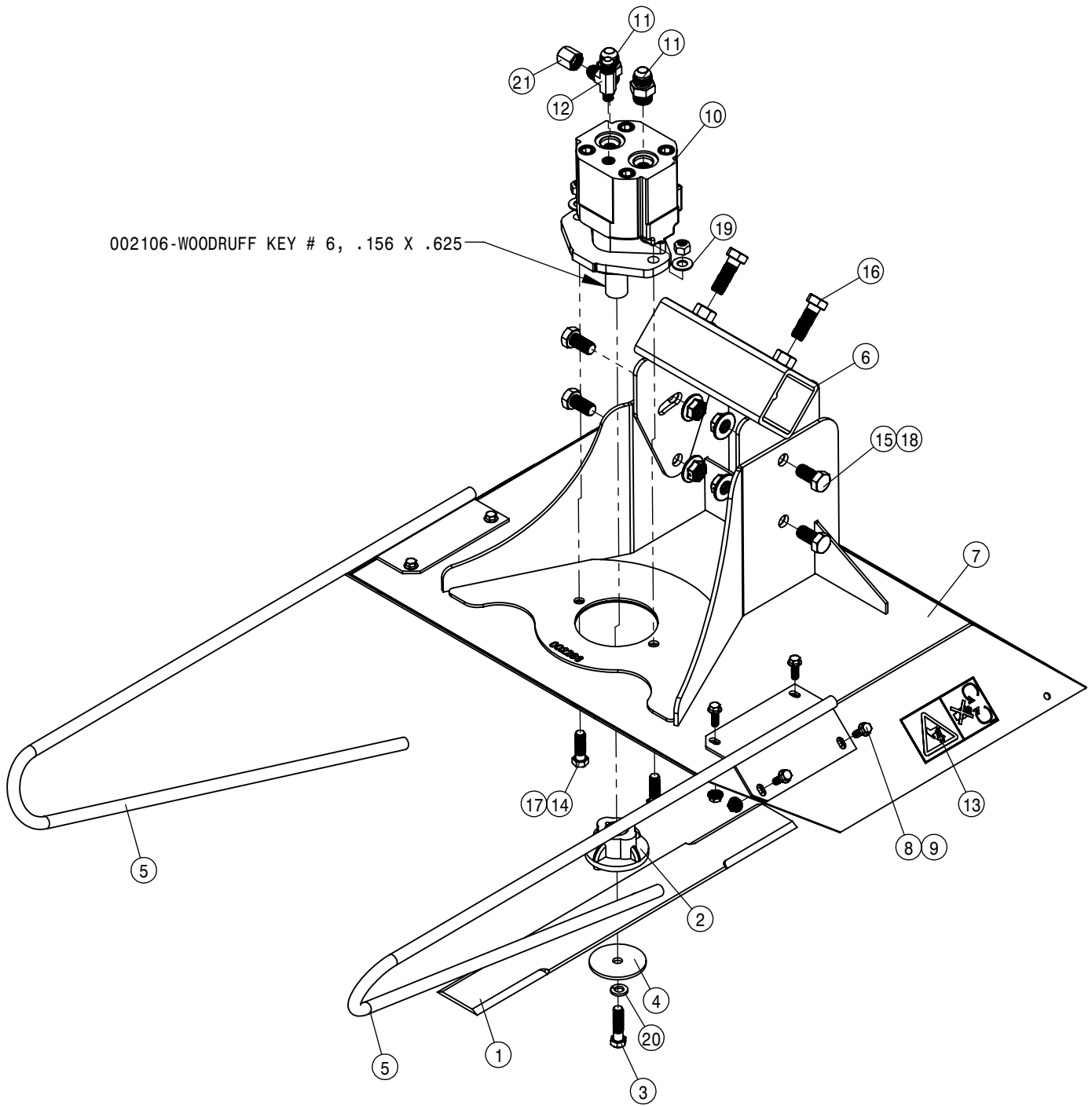
| QUAD PULLER HEAD ASSEMBLY |     |         |                                 |
|---------------------------|-----|---------|---------------------------------|
| DET                       | QTY | P/N     | DESCRIPTION                     |
| 23                        | 1   | 650931  | DECAL HAGIE 1 3/4 X 4           |
| 24                        | 4   | 824509  | 4.10/3.50-4 2PLY STUD TIRE      |
| 25                        | 4   | 824510  | 4.10/3.50-4 BENT STEM TUBE      |
| 26                        | 4   | 824511  | RIM, 410-4 2PC                  |
| 27                        | 4   | 824512  | HUB, 4-BOLT, 1" KEYED BORE      |
| 28                        | 16  | 824514  | WHL NUT, 4-BOLT HUB             |
| 29                        | 1   | 900004N | 1/4 UNC X 1 1/4 SER FLG BOLT SS |
| 30                        | 2   | 900064N | 5/16UNC X 3/4" SER FLG BOLT SS  |
| 31                        | 4   | 900128  | 3/8UNC X 3/4 HEX BOLT           |
| 32                        | 6   | 900129  | 3/8UNC X 1" HEX BOLT            |
| 33                        | 4   | 900129N | 3/8UNC X 1" SERR FLANGE BOLT    |
| 34                        | 2   | 900263N | 1/2UNC X 1" SER FLANGE BOLT     |
| 35                        | 1   | 900830  | 5/16UNC X 2" HEX BOLT GR8 YZ    |
| 36                        | 8   | 901129  | 3/8-16 X 1 CARRIAGE BOLT        |
| 37                        | 12  | 910004  | 3/8UNC HEX NUT                  |
| 38                        | 1   | 914000N | 1/4UNC HEX STOVER NUT YZ        |
| 39                        | 1   | 914002  | 5/16UNC HEX STOVER NUT          |
| 40                        | 2   | 914004  | 3/8UNC HEX STOVER NUT           |
| 41                        | 4   | 914004N | 3/8UNC HEX STOVER NUT           |
| 42                        | 2   | 914016  | 1" UNC HEX STOVER NUT           |
| 43                        | 16  | 920502  | 3/8 LOCK WASHER                 |



002106-WOODRUFF KEY # 6, .156 X .625

| 19" CUTTER HEAD ASSEMBLY |     |         |                                |
|--------------------------|-----|---------|--------------------------------|
| DET                      | QTY | P/N     | DESCRIPTION                    |
| 1                        | 1   | 002103  | CUTR BLADE 18 IN               |
| 2                        | 1   | 002104  | CUTTER BLADE ADAPTER,RD LUG    |
| 3                        | 1   | 002107  | 3/8UNF X 1 1/2 HEX BOLT CUTR   |
| 4                        | 1   | 002108  | STEEL WASHER CUTTER BLADE      |
| 5                        | 1   | 002256  | 19" REAR CUTR DECK EXT FLAP 04 |
| 6                        | 1   | 002257  | 19" REAR CUTR DECK FLAP KPR 04 |
| 7                        | 2   | 002258  | 19" CUTR STALK GUIDE WLD       |
| 8                        | 1   | 002265  | 19" CUTTER DECK WLD 08         |
| 9                        | 1   | 002269  | CUTR TUBE MT WLD 08            |
| 10                       | 11  | 470118  | 1/4 UNC X 3/4 SER FLG BOLT     |
| 11                       | 3   | 470121  | 1/4 UNC SERR FLG LOCK NUT      |
| 12                       | 8   | 470121N | 1/4 UNC SERR FLG LOCK NUT SS   |

| 19" CUTTER HEAD ASSEMBLY |     |         |                                |
|--------------------------|-----|---------|--------------------------------|
| DET                      | QTY | P/N     | DESCRIPTION                    |
| 13                       | 1   | 610755  | BARNES HYD MOTOR, D-SERIES 01  |
| 14                       | 2   | 650258  | DECAL CUTTING BLADES           |
| 15                       | 2   | 900127N | 3/8UNC X 1 1/4 SER FLANGE BOLT |
| 16                       | 4   | 900263N | 1/2UNC X 1" SER FLANGE BOLT    |
| 17                       | 2   | 900265  | 1/2UNC X 1 1/2 HEX BOLT        |
| 18                       | 2   | 914004N | 3/8UNC HEX STOVER NUT          |
| 19                       | 4   | 914015  | 1/2UNC HEX CENTER-LOCK NUT     |
| 20                       | 2   | 920002  | 3/8 SAE FLAT WASHER            |
| 21                       | 1   | 920502  | 3/8 LOCK WASHER                |
| 22                       | 2   | 611125  | 3/4MJIC-3/4MOR ADPTR           |
| 23                       | 1   | 618546  | 1/8MNPT RUN TEE-9/16MJIC       |
| 24                       | 1   | 618531  | 9/16FJIC CAP NUT               |



002106-WOODRUFF KEY # 6, .156 X .625

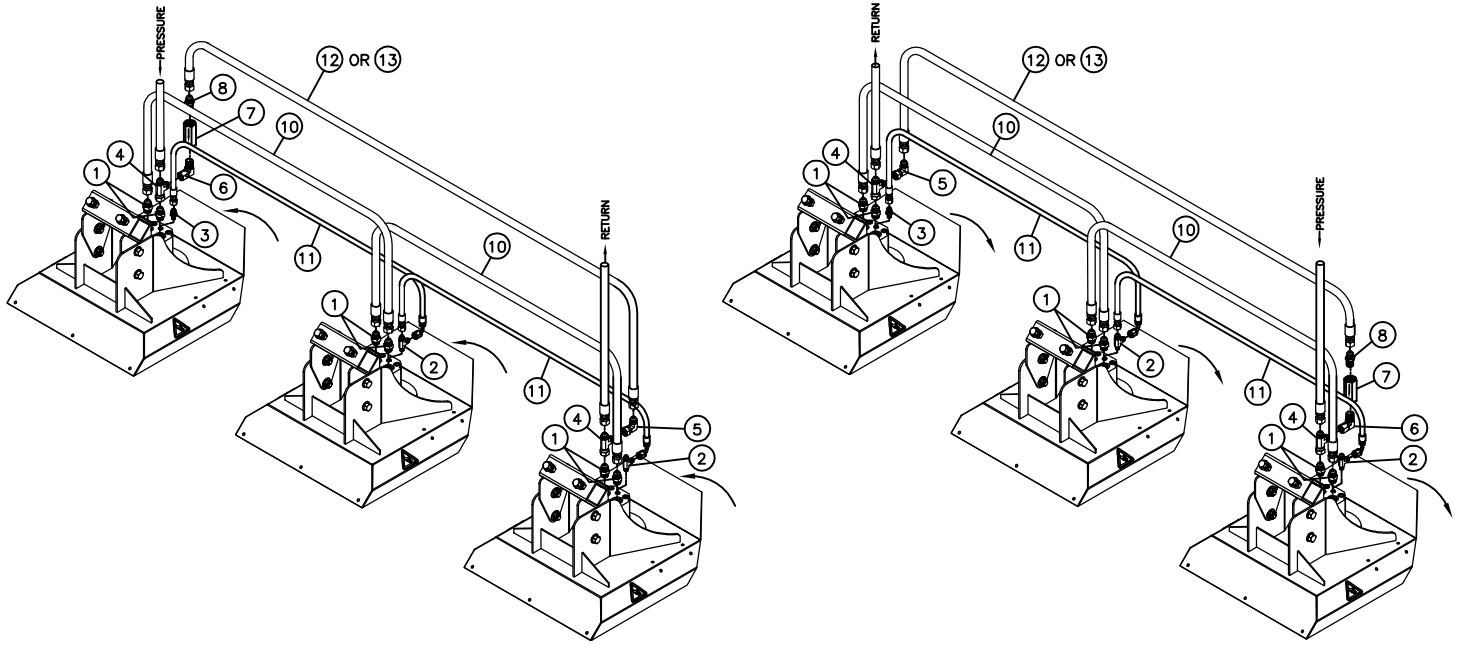
| 26" CUTTER HEAD ASSEMBLY |     |        |                               |
|--------------------------|-----|--------|-------------------------------|
| DET                      | QTY | P/N    | DESCRIPTION                   |
| 1                        | 1   | 002103 | CUTR BLADE 18 IN              |
| 2                        | 1   | 002104 | CUTTER BLADE ADAPTER, RD LUG  |
| 3                        | 1   | 002107 | 3/8UNF X 1 1/2 HEX BOLT CUTR  |
| 4                        | 1   | 002108 | STEEL WASHER CUTTER BLADE     |
| 5                        | 2   | 002215 | CUTR STALK GUIDE WLD 8200 85  |
| 6                        | 1   | 002269 | CUTR TUBE MT WLD 08           |
| 7                        | 1   | 002272 | 26" CUTTER DECK WLD           |
| 8                        | 8   | 470118 | 1/4 UNC X 3/4 SER FLG BOLT    |
| 9                        | 8   | 470121 | 1/4 UNC SERR FLG LOCK NUT     |
| 10                       | 1   | 610755 | BARNES HYD MOTOR, D-SERIES 01 |
| 11                       | 2   | 611125 | 3/4MJIC-3/4MOR ADPTR          |

| 26" CUTTER HEAD ASSEMBLY |     |         |                            |
|--------------------------|-----|---------|----------------------------|
| DET                      | QTY | P/N     | DESCRIPTION                |
| 12                       | 1   | 618546  | 1/8MNPT RUN TEE-9/16MJIC   |
| 13                       | 2   | 650258  | DECAL CUTTING BLADES       |
| 14                       | 2   | 900130  | 3/8UNC X 1 1/4 HEX BOLT    |
| 15                       | 4   | 900263  | 1/2UNC X 1" HEX BOLT       |
| 16                       | 2   | 900265  | 1/2UNC X 1 1/2 HEX BOLT    |
| 17                       | 2   | 914004  | 3/8UNC HEX STOVER NUT      |
| 18                       | 4   | 914015  | 1/2UNC HEX CENTER-LOCK NUT |
| 19                       | 2   | 920002  | 3/8 SAE FLAT WASHER        |
| 20                       | 1   | 920502N | 3/8 LOCK WASHER            |
| 21                       | 1   | 618531  | 9/16FJIC CAP NUT           |

THREE HEAD ASSEMBLY

LEFT SIDE OF OPERATOR

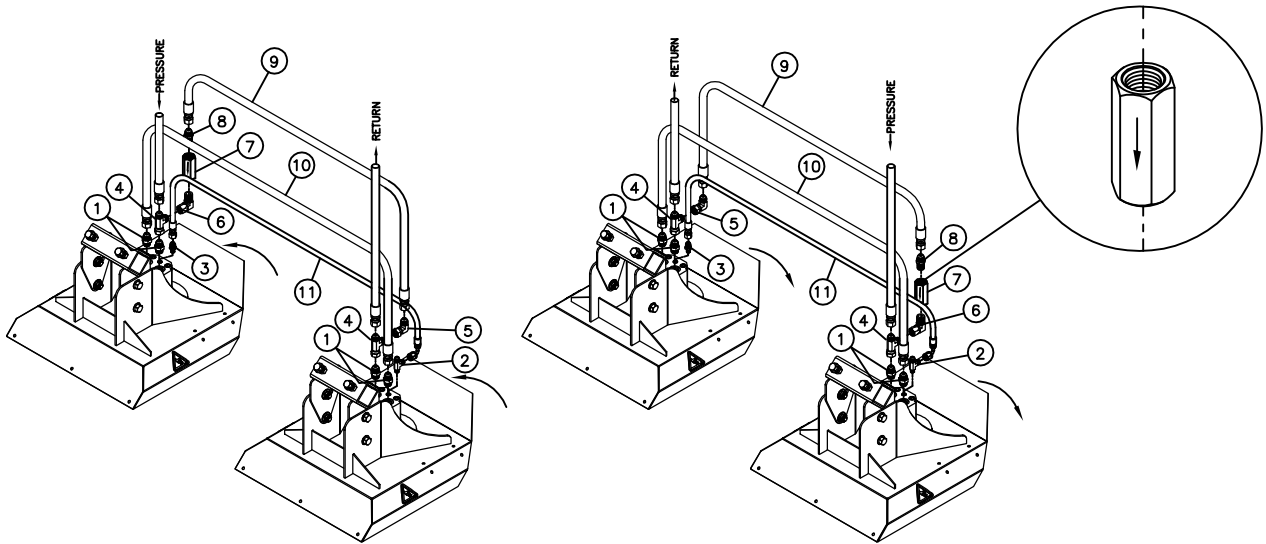
RIGHT SIDE OF OPERATOR



TWO HEAD ASSEMBLY

LEFT SIDE OF OPERATOR

RIGHT SIDE OF OPERATOR

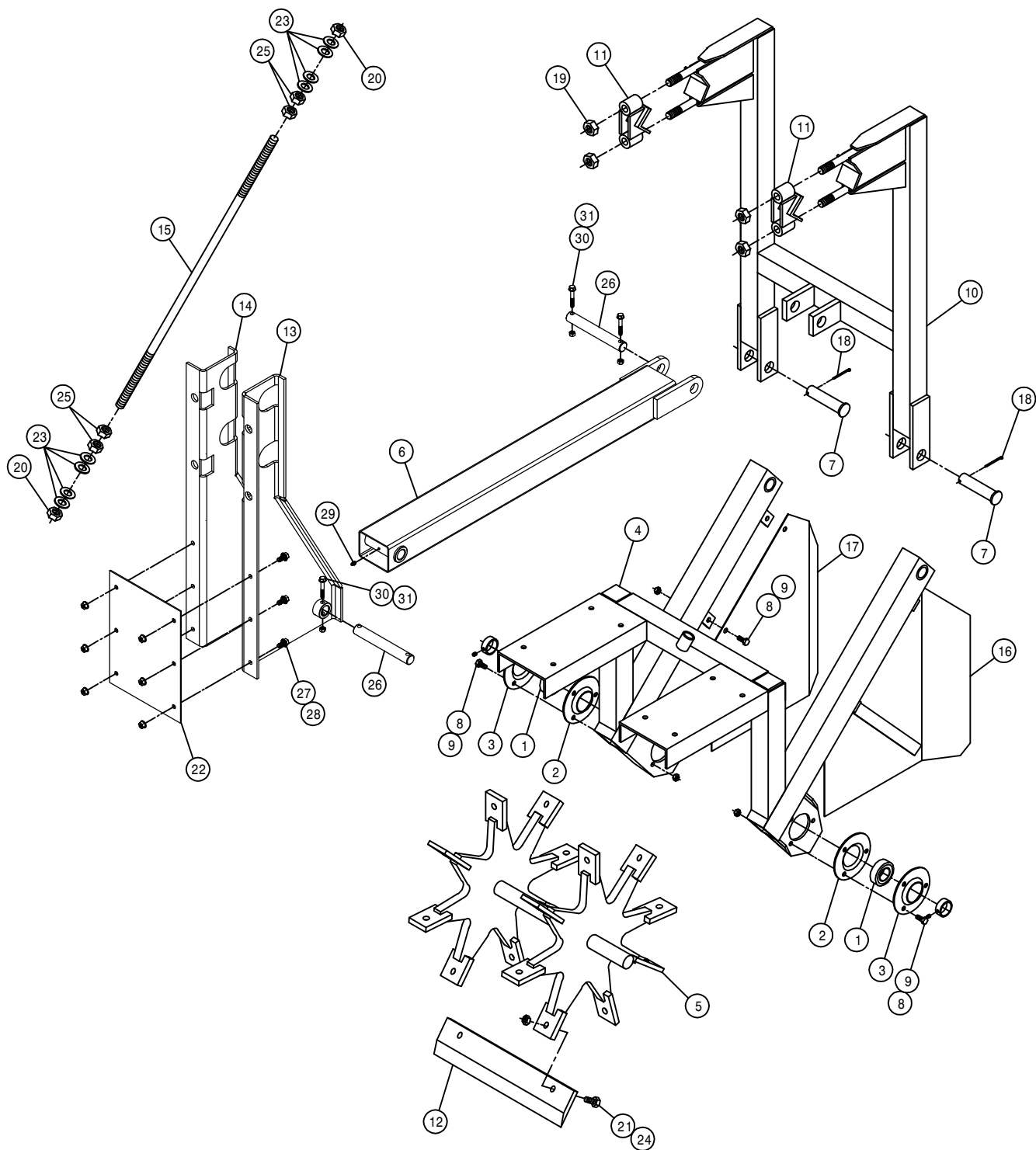


HYD SCHEM, CUTTER CHECK VLV 204 07

DET. QTY PART NO. DESCRIPTION

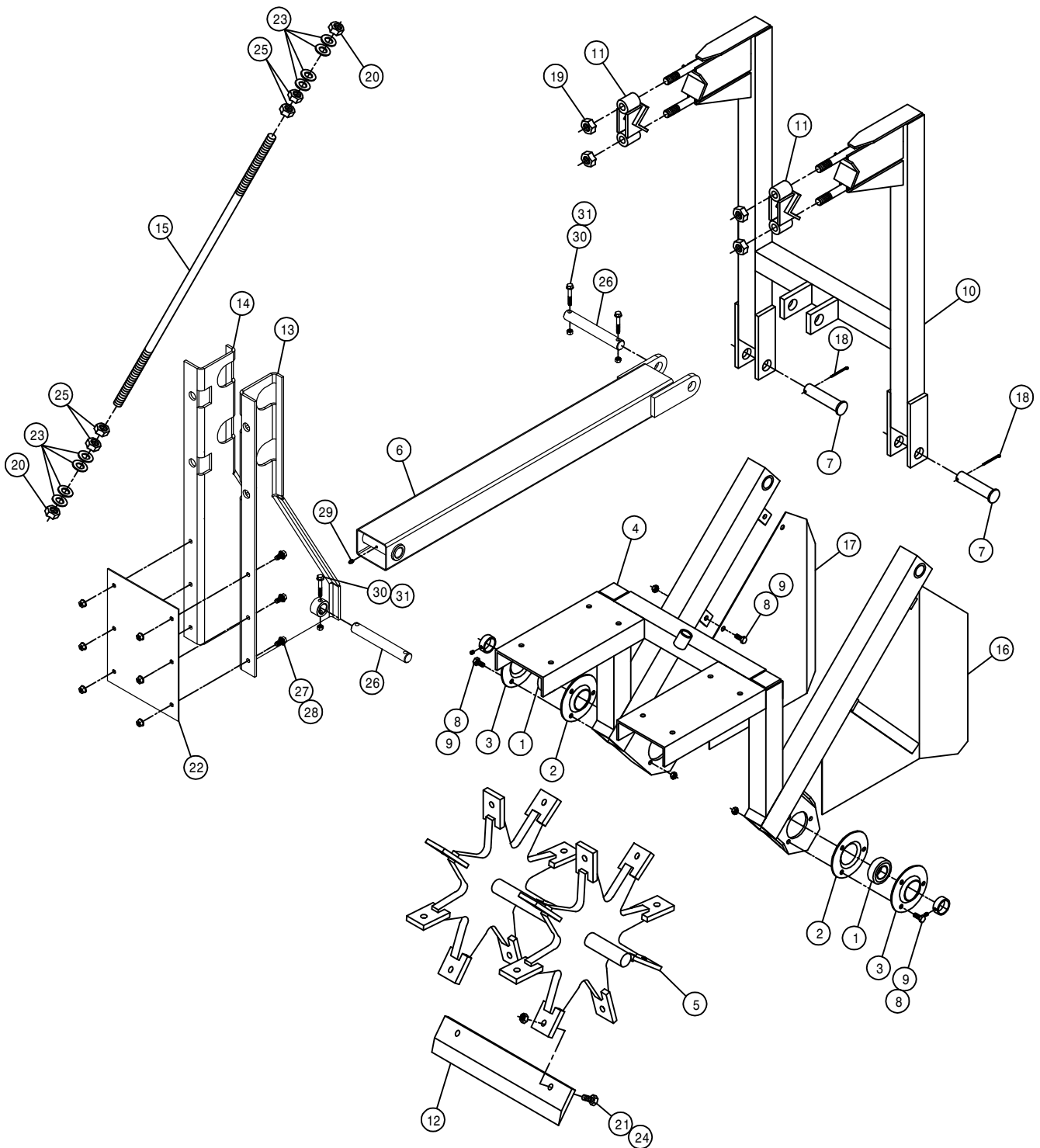
|    |        |                             |     |
|----|--------|-----------------------------|-----|
| 1  | 611125 | 3/4MJIC-3/4MOR ADPTR        |     |
| 2  | 618546 | 1/8MNPT RUN TEE-9/16MJIC    |     |
| 3  | 618530 | 9/16MJIC-1/8MNPT ADPTR      |     |
| 4  | 618451 | 3/4FJIC SW RUN TEE-3/4MJIC  |     |
| 5  | 618609 | 3/4MJIC-90-3/4FJIC SWIV LBO |     |
| 6  | 618620 | 3/4FJX-90-1/2MNPT ADPTR     |     |
| 7  | 690338 | LINE CHECK VALVE HYD .50NPT |     |
| 8  | 611147 | 3/4MJIC-1/2MNPT ADPTR       |     |
| 9  | 616025 | 08C1T-08FJX-08FJX-50        | H/A |
| 10 | 614368 | 08C1T-08FJX-08FJX-60        | H/A |
| 11 | 616422 | 04C1T-06FJX-06FJX90-50      | H/A |
| 12 | 616031 | 08C1T-08FJX-08FJX-83        | H/A |
| 13 | 614662 | 08C1T-08FJX-08FJX-72        | H/A |





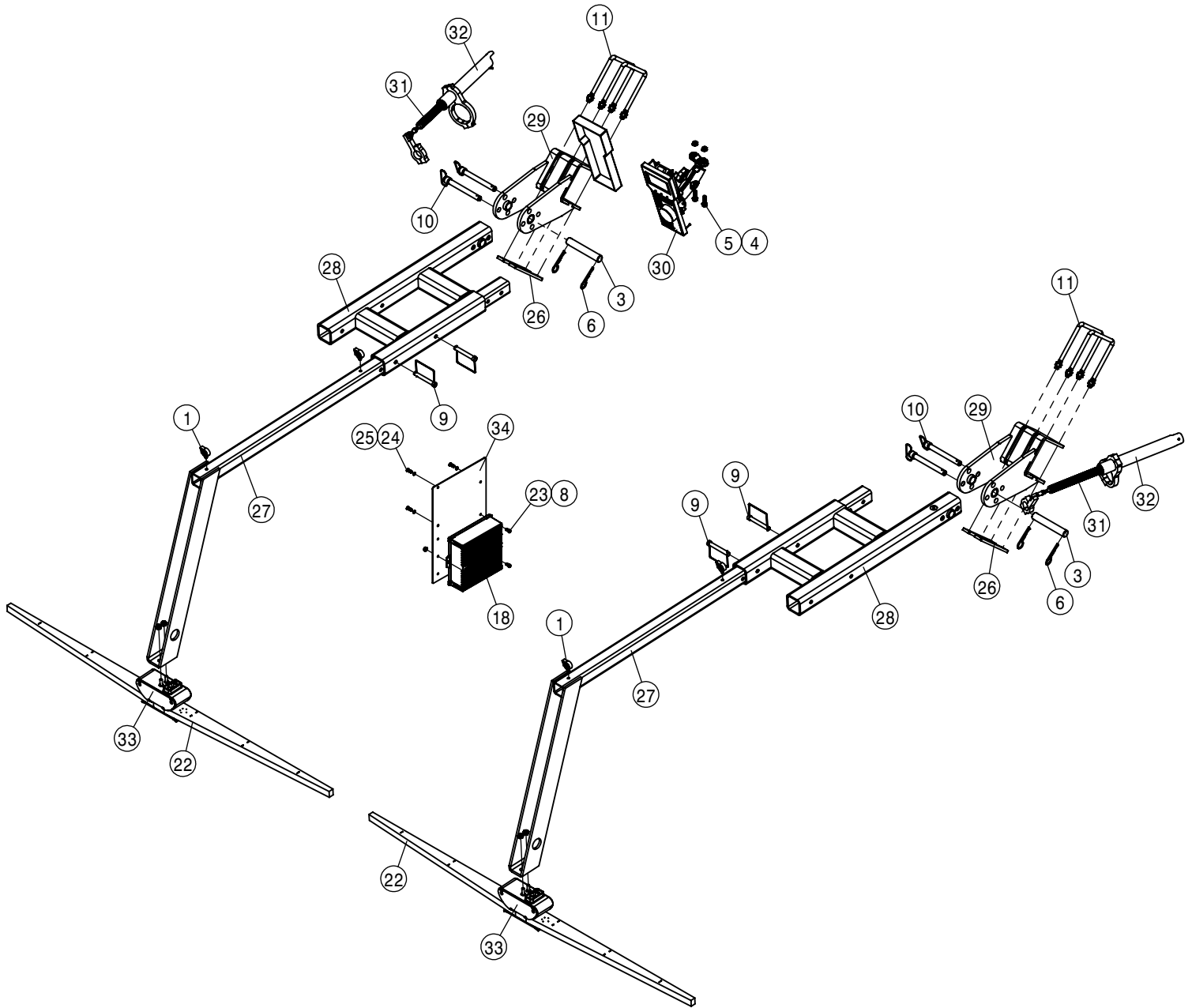
15" MALE ROW CHOPPER ASSEMBLY

| DET. | QTY | PART NO. | DESCRIPTION                    | DET. | QTY | PART NO. | DESCRIPTION                    |
|------|-----|----------|--------------------------------|------|-----|----------|--------------------------------|
| 1    | 2   | 123024   | BGR 1 1/4 BORE SPHERICL RELUB  | 17   | 1   | 270846   | LH SHLD WLD MALE ROW CHOPPER   |
| 2    | 2   | 123026   | FLANGETT 1 1/4                 | 18   | 2   | 470162   | COTTER PIN 3/16 X 1 1/2        |
| 3    | 2   | 123035   | FLANGETT 1 1/4 180 DEG ZERK    | 19   | 4   | 914010   | 5/8UNC HEX STOVER NUT          |
| 4    | 1   | 270814   | LWR FRAME WLD MALE ROW CHOP    | 20   | 2   | 914012   | 3/4UNC HEX STOVER NUT          |
| 5    | 1   | 270860   | BLADE MT WHL WLD, CHOPPER 92   | 21   | 16  | 900265   | 1/2UNC X 1 1/2 HEX BOLT        |
| 6    | 1   | 270937   | LWR LIFTARM WLDMT,MALE CHOP 09 | 22   | 1   | 270944   | LWR LIFTARM MT TIE PLT,CHOP 09 |
| 7    | 2   | 472012   | CLEVIS PIN, 1.00 X 3.25        | 23   | 8   | 920006   | 3/4 SAE FLAT WASHER            |
| 8    | 10  | 900129   | 3/8UNC X 1" HEX CAP BOLT       | 24   | 16  | 914008   | 1/2UNC HEX STOVER NUT          |
| 9    | 10  | 914004   | 3/8UNC HEX STOVER NUT          | 25   | 4   | 910012   | 3/4UNC HEX NUT                 |
| 10   | 1   | 270855   | UPR FRAME WLD MALE ROW CHOP91  | 26   | 2   | 270945   | LWR LIFTARM PIN,MALE CHOP 09   |
| 11   | 2   | 270833   | TOOL BAR CLAMP WLD MALE CHOP   | 27   | 6   | 470087   | 3/8UNC HEX SER FLG NUT         |
| 12   | 8   | 270838   | CHOPPER BLADE, MALE ROW, 15"   | 28   | 6   | 470409   | 3/8UNC X 3/4 SER FLG BOLT      |
| 13   | 1   | 270940   | RH LWR LIFTARM MT WLD,CHOP 09  | 29   | 1   | 471005   | GREASE ZERK, 1/4-28 X 1/2      |
| 14   | 1   | 270941   | LH LWR LIFTARM MT WLD,CHOP 09  | 30   | 4   | 900069   | 5/16UNC X 2" HEX BOLT          |
| 15   | 1   | 270844   | ADJ ROD MALE ROW CHOPPER       | 31   | 4   | 914002   | 5/16UNC HEX STOVER NUT         |
| 16   | 1   | 270845   | RH SHLD WLD MALE ROW CHOPPER   |      |     |          |                                |



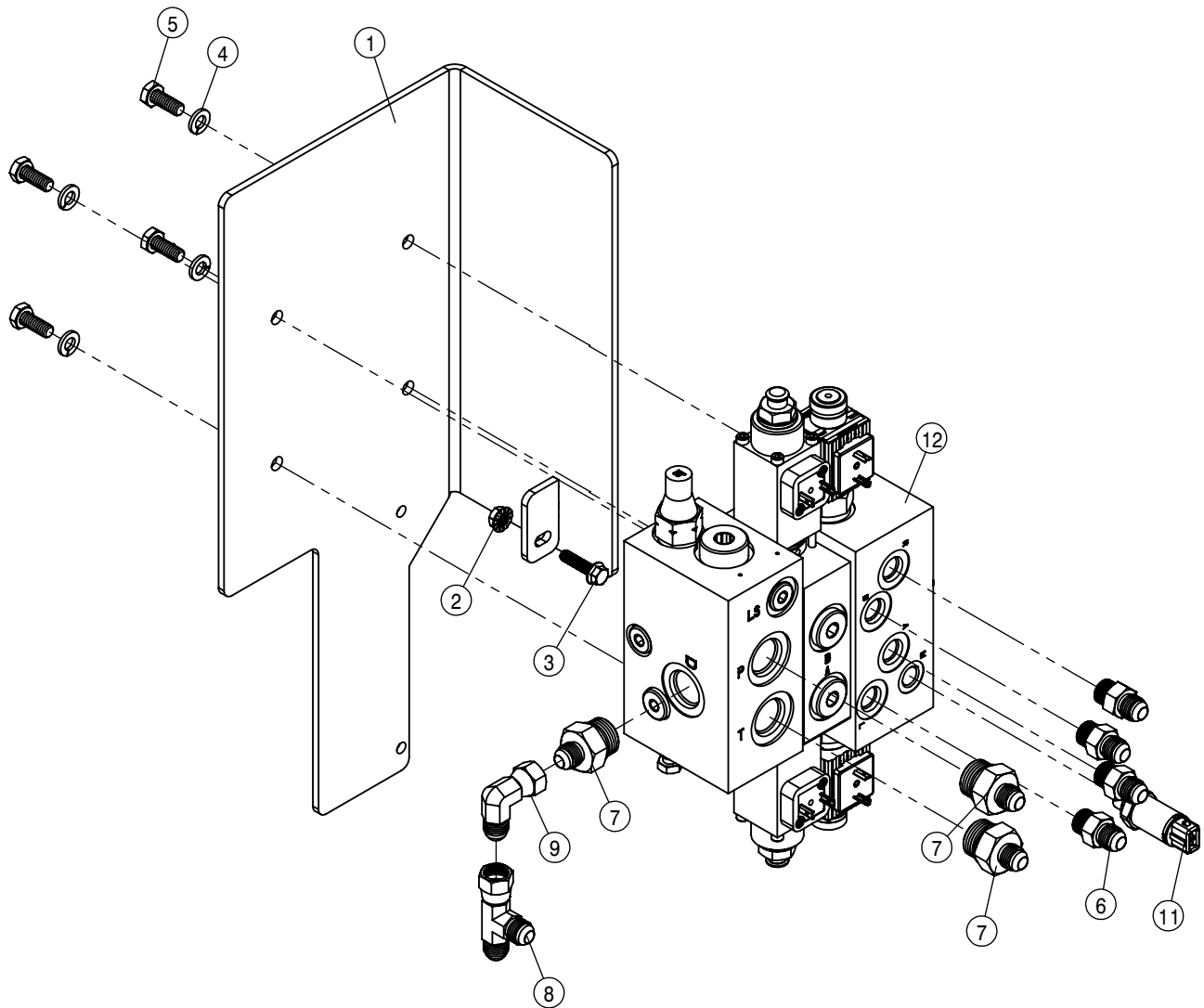
20" MALE ROW CHOPPER ASSEMBLY

| DET. | QTY | PART NO. | DESCRIPTION                   | DET. | QTY | PART NO. | DESCRIPTION                    |
|------|-----|----------|-------------------------------|------|-----|----------|--------------------------------|
| 1    | 2   | 123024   | BGR 1 1/4 BORE SPHERICL RELUB | 17   | 1   | 270846   | LH SHLD WLD MALE ROW CHOPPER   |
| 2    | 2   | 123026   | FLANGETT 1 1/4                | 18   | 2   | 470162   | COTTER PIN 3/16 X 1 1/2        |
| 3    | 2   | 123035   | FLANGETT 1 1/4 180 DEG ZERK   | 19   | 4   | 914010   | 5/8UNC HEX STOVER NUT          |
| 4    | 1   | 270872   | LWR FRAME WLD,20"MALE CHOPR95 | 20   | 2   | 914012   | 3/4UNC HEX STOVER NUT          |
| 5    | 1   | 270874   | BLADE MT WHL WLD,20"CHOPR 95  | 21   | 16  | 900265   | 1/2UNC X 1 1/2 HEX BOLT        |
| 6    | 1   | 270937   | LWR LIFTARM WLD,MALE CHOP 09  | 22   | 1   | 270944   | LWR LIFTARM MT TIE PLT,CHOP 09 |
| 7    | 2   | 472012   | CLEVIS PIN, 1.00 X 3.25       | 23   | 8   | 920006   | 3/4 SAE FLAT WASHER            |
| 8    | 10  | 900129   | 3/8UNC X 1" HEX CAP BOLT      | 24   | 16  | 914008   | 1/2UNC HEX STOVER NUT          |
| 9    | 10  | 914004   | 3/8UNC HEX STOVER NUT         | 25   | 4   | 910012   | 3/4UNC HEX NUT                 |
| 10   | 1   | 270876   | UPR FRAME WLD,20"MALE CHOPR95 | 26   | 2   | 270945   | LWR LIFTARM PIN,MALE CHOP 09   |
| 11   | 2   | 270833   | TOOL BAR CLAMP WLD MALE CHOP  | 27   | 6   | 470087   | 3/8UNC HEX SER FLG NUT         |
| 12   | 8   | 270866   | CHOPPER BLADE, MALE ROW, 20"  | 28   | 6   | 470409   | 3/8UNC X 3/4 SER FLG BOLT      |
| 13   | 1   | 270940   | RH LWR LIFTARM MT WLD,CHOP 09 | 29   | 1   | 471005   | GREASE ZERK, 1/4-28 X 1/2      |
| 14   | 1   | 270941   | LH LWR LIFTARM MT WLD,CHOP 09 | 30   | 4   | 900069   | 5/16UNC X 2" HEX BOLT          |
| 15   | 1   | 270867   | ADJ ROD WLD,MALE ROW CHOPR 95 | 31   | 4   | 914002   | 5/16UNC HEX STOVER NUT         |
| 16   | 1   | 270845   | RH SHLD WLD MALE ROW CHOPPER  |      |     |          |                                |

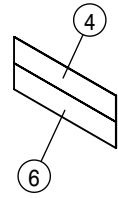
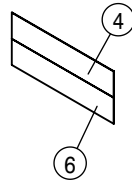
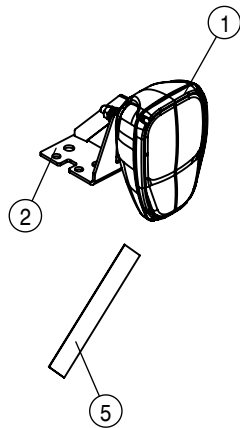
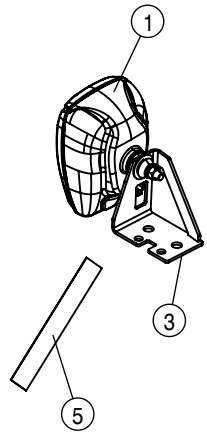


| ROW SENSE UNIT ASSEMBLY |     |        |                                   |
|-------------------------|-----|--------|-----------------------------------|
| DET                     | QTY | P/N    | DESCRIPTION                       |
| 1                       | 4   | 291008 | ROSEBUD CLP FOR .35 CNDT          |
| NS                      | 1   | 293977 | AUTO STEER HARNESS, 204SP '10     |
| 3                       | 2   | 351005 | STRNG GUIDANCE SHAFT 4.75         |
| 4                       | 2   | 470121 | 1/4 UNC SERR FLG LOCK NUT         |
| 5                       | 2   | 470231 | 1/4UNC X 1" SERR FLG HEX BOLT     |
| 6                       | 4   | 470235 | 1/8 #11 HAIR PIN                  |
| NS                      | 2   | 470383 | 1/4-20 NUTSERT .165-.260 STL      |
| 8                       | 3   | 470463 | 8-32 SERR FLANGE NUT              |
| 9                       | 4   | 470578 | 3/8 SFTY PIN /W SQ. SPRNG RTNR    |
| 10                      | 4   | 470579 | 1/2 HITCH PIN /W HAIRPIN RETAINER |
| 11                      | 4   | 472039 | 3/8UNC-4.00ID-5.25 U-BOLT SQ      |
| NS                      | 1   | 693006 | 204SP OPS STATION KIT             |
| NS                      | 1   | 693007 | 204SP TAC SENSOR KIT              |
| NS                      | 1   | 693008 | 204SP ANGLE SENSOR KIT            |
| NS                      | 1   | 693013 | REICHARDT PSR OPS MANUAL          |
| NS                      | 1   | 693014 | CALIBRATION QUICK REFERENCE       |
| NS                      | 1   | 693051 | TAC QUICK REFERENCE               |

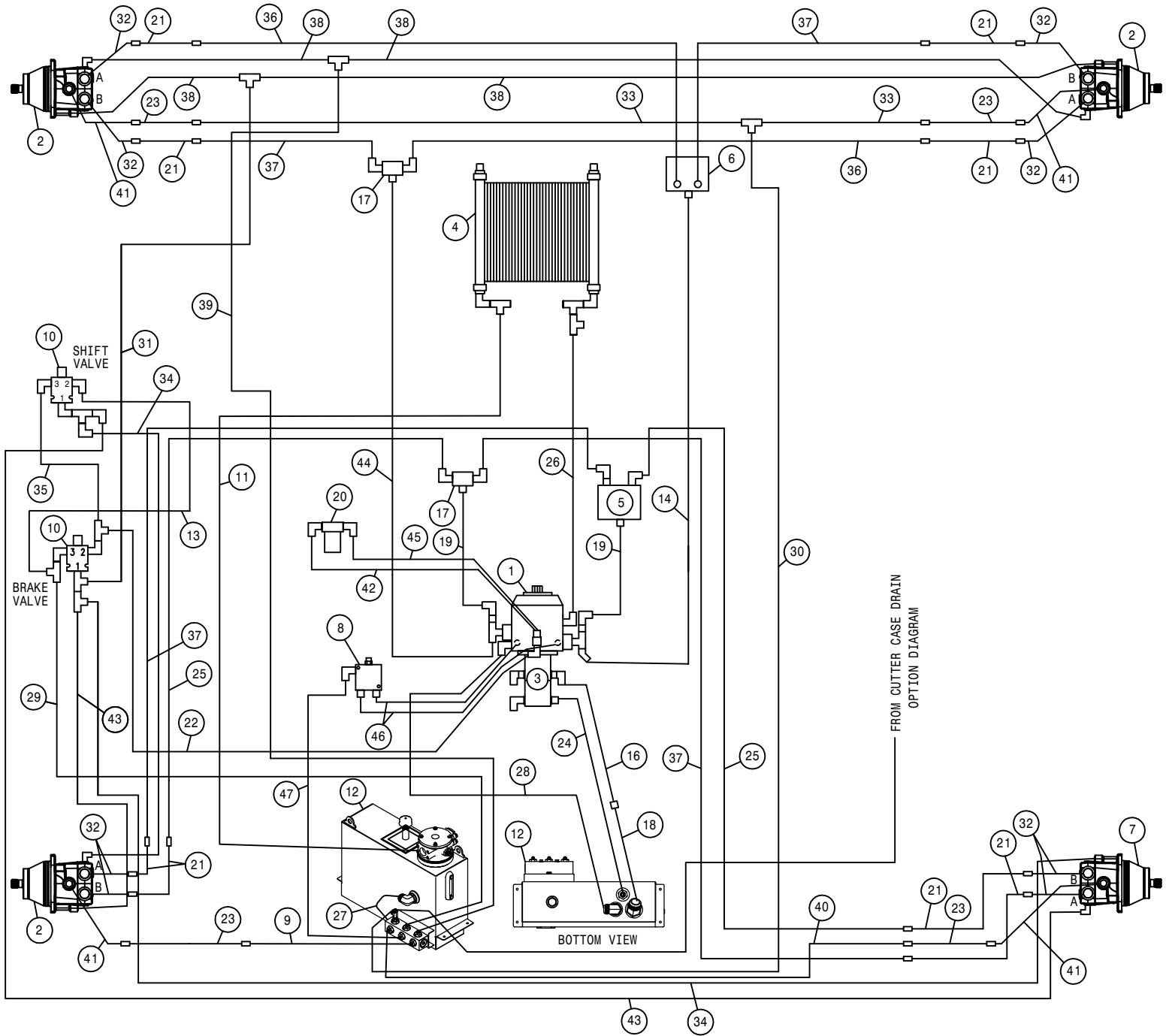
| ROW SENSE UNIT ASSEMBLY |     |        |                                      |
|-------------------------|-----|--------|--------------------------------------|
| DET                     | QTY | P/N    | DESCRIPTION                          |
| 18                      | 1   | 693301 | PSR IBOX LT CONTROL UNIT             |
| NS                      | 1   | 693302 | 204SP IBOX LT MAIN HARNESS           |
| NS                      | 1   | 693303 | 204SP VALVE ADAPTER HARNESS          |
| NS                      | 2   | 693304 | PSR EXTEN HARNESS,6PIN DEUTSCH       |
| 22                      | 2   | 693309 | PSR TAC PADDLE ORANGE                |
| 23                      | 3   | 903844 | 8-32 X 1/2 PHIL PANHD MACH SCR       |
| 24                      | 3   | 903883 | 10-32 X 1/2 PHIL PAN MACH SCR        |
| 25                      | 3   | 920510 | #10 LOCK WASHER                      |
| 26                      | 4   | 351026 | BACKING PLATE, 4 INCH ID U-BOLT, 3/8 |
| 27                      | 2   | 351009 | GUIDANCE WELD                        |
| 28                      | 2   | 351006 | STRNG GUIDANCE WLD                   |
| 29                      | 2   | 351001 | STEERING GUIDANCE BRKT WLD           |
| 30                      | 1   | 693307 | PSR AG OPERATING UNIT CBOX           |
| 31                      | 2   | 693305 | LINEAR SENSOR,P&G,225MM STROKE       |
| 32                      | 1   | 693306 | 204SP LINEAR SENSOR MT KIT           |
| 33                      | 2   | 693308 | PSR TAC SENSOR, REICHARDT            |
| 34                      | 1   | 351023 | AUTOSTEER CONTROLLER MOUNT BRKT      |



| ROW SENSE HYDRAULIC VALVE ASSEMBLY |     |        |                                   |
|------------------------------------|-----|--------|-----------------------------------|
| DET                                | QTY | P/N    | DESCRIPTION                       |
| 1                                  | 1   | 343629 | AUTOSTEER VLV MT WLD, 204SP 10    |
| 2                                  | 1   | 470121 | 1/4 UNC SERR FLG LOCK NUT         |
| 3                                  | 1   | 470231 | 1/4UNC X 1" SERR FLG HEX BOLT     |
| 4                                  | 4   | 473804 | 8MM LOCK WASHER                   |
| 5                                  | 4   | 473827 | 8MM-1.25 X 20MM HEX BOLT GR8      |
| 6                                  | 4   | 618126 | 9/16MJIC-9/16MOR ADPTR            |
| 7                                  | 3   | 618310 | 9/16MJIC-7/8MOR ADPTR             |
| 8                                  | 1   | 618486 | 9/16FJIC SW RUN TEE-9/16MJIC      |
| 9                                  | 1   | 618618 | 9/16MJIC-90-9/16FJIC SWIV LBO     |
| NS                                 | 1   | 693009 | 204SP HYDRAULIC SENSOR KIT        |
| 11                                 | 1   | 693311 | PSR HBASIC AG PRESSURE SENSOR     |
| 12                                 | 1   | 693323 | PSR BUCHER PROP. VALVE OC, REV II |

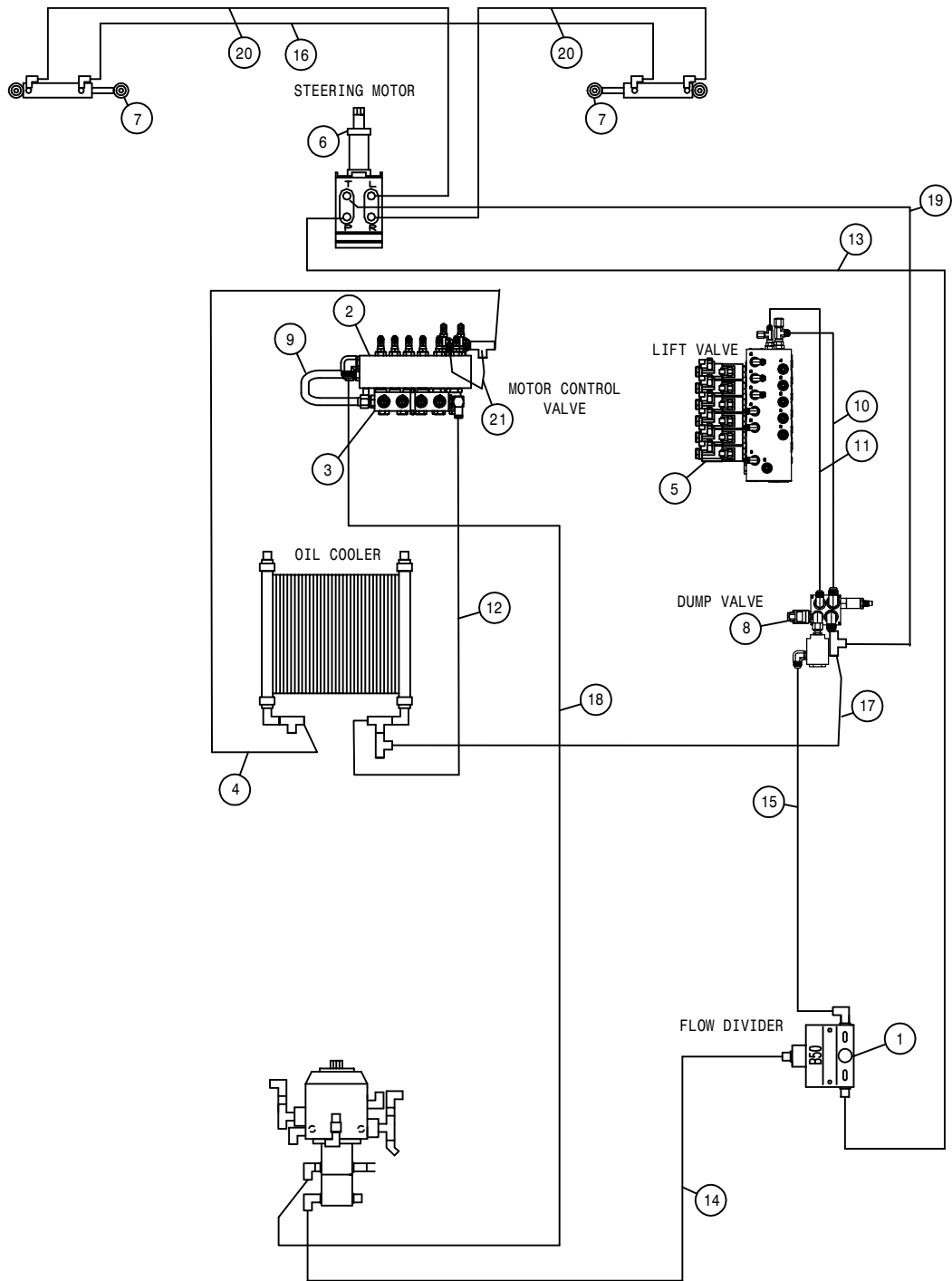


| TOOLBAR HEAD LIGHT ASSEMBLY |     |        |                              |
|-----------------------------|-----|--------|------------------------------|
| DET                         | QTY | P/N    | DESCRIPTION                  |
| 1                           | 2   | 292556 | HEAD/FLASHER LIGHT           |
| 2                           | 1   | 345153 | LIGHT BRKT 204 LH WLD        |
| 3                           | 1   | 345155 | LIGHT BRKT 204 RH WLD        |
| 4                           | 2   | JD5920 | 2 X 9 RETRO-REFLECTOR RED    |
| 5                           | 2   | JD5921 | 2 X 9 RETRO-REFLECTOR YELLOW |
| 6                           | 2   | JD5922 | 2 X 9 RETRO-REFLECTOR ORANGE |



204SP BASIC MACHINE CUMM HYD DIAG 15  
 REFERENCE DRAWING NO. 499187s1\_RevA

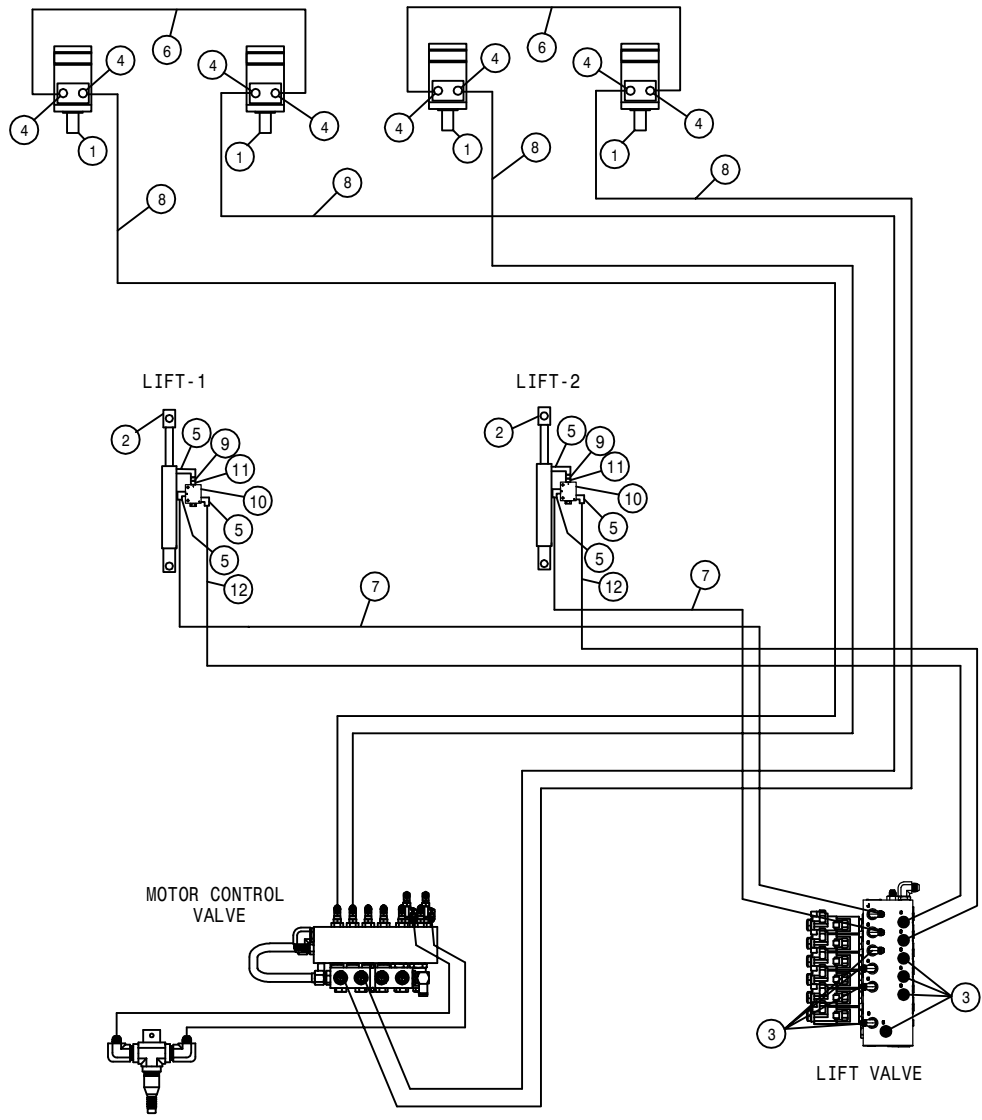
| DET. | QTY | PART NO. | DESCRIPTION                    | DET. | QTY | PART NO. | DESCRIPTION                |     |
|------|-----|----------|--------------------------------|------|-----|----------|----------------------------|-----|
| 1    | 1   | 607572   | SUND 100CC PUMP,23T B-MT /FILT | 25   | 2   | 616297   | 08-381-10MJ-10FJX-88       | H/A |
| 2    | 3   | 606193   | SAUER WHL MOTOR,KC-38CC        | 26   | 1   | 617329   | 16-811-16FJX-16FJX-58      | H/A |
| 3    | 1   | 606352   | TANDEM PUMP,606353 & 606929    | 27   | 1   | 613762   | 20-811-20FJX-20FJX90-28    | H/A |
| 4    | 1   | 317581   | OIL COOLER BLISSFIELD 87007    | 28   | 1   | 617333   | 20-811-20FJX-20FJX-25      | H/A |
| 5    | 1   | 610609   | TRACTION VLV,STL,66S,40GPM     | 29   | 1   | 617334   | 04-451TC-04FJX-06FJX-20    | H/A |
| 6    | 1   | 610586   | POSITRACTION VLV,STL,88SP 60G  | 30   | 1   | 617328   | 08-451TC-06FJX-08FJX-156   | H/A |
| 7    | 1   | 606203   | SAUER WHL MOTOR, KC-38CC       | 31   | 1   | 611246   | 04-482TC-06FJX-06FJX-174   | H/A |
| 8    | 1   | 610580   | REMOTE FLUSHING VALVE, SUND    | 32   | 8   | 616433   | 10-787TC-10MJ-10FJX45-17   | H/A |
| 9    | 1   | 617331   | 06-451TC-06FJX-08MJX-72 H/A    | 33   | 2   | 616156   | 06-482TC-08MJ-06FJX-92     | H/A |
| 10   | 2   | 701625   | BRAKE/LADDER VLV ASSY STS'14   | 34   | 2   | 611357   | 04-482TC-06FJX-06FJX90-114 | H/A |
| 11   | 1   | 617335   | 24-811-24FJX-24FLANGE90-89 H/A | 35   | 1   | 614713   | 04-482TC-06FJX-06FJX-24    | H/A |
| 12   | 1   | 317411   | WLD HYD RES, 204 T3 2015       | 36   | 2   | 616160   | 08-381-10MJ-10FJX-105      | H/A |
| 13   | 1   | 617340   | 04-451TC-04FJX-08FJX-13 H/A    | 37   | 4   | 616159   | 08-381-10MJ-10FJX-98       | H/A |
| 14   | 1   | 616934   | 12-721-16FJX-16FJX-117 H/A     | 38   | 4   | 611202   | 04-482TC-06FJX-06FJX-136   | H/A |
| 15   | 1   | 606467   | RETURN MANIFOLD - DTS          | 39   | 1   | 617336   | 04-451TC-06FJX-06FJX90-142 | H/A |
| 16   | 1   | 362489   | SUCTION TUBE ASSY              | 40   | 1   | 617327   | 06-451TC-06FJX-08MJX-81    | H/A |
| 17   | 2   | 606356   | 1 1/16FOR MANIFOLD,3 #12PORTS  | 41   | 4   | 616432   | 08-381-08MJ-08FJX45-15     | H/A |
| 18   | 1   | 617339   | 32-811-32FJX-32FJX-21 H/A      | 42   | 1   | 615633   | 08-482TC-08FJX-08FJX-23    | H/A |
| 19   | 2   | 611354   | 12-451TC-12FJX-12FJX-21 H/A    | 43   | 2   | 614639   | 04-482TC-06FJX-06FJX-126   | H/A |
| 20   | 1   | 605608   | HYD FILTER HEAD, DONALDSON     | 44   | 1   | 616933   | 12-721-16FJX-16FJX-114     | H/A |
| 21   | 8   | 615840   | LEG HYD TUBE ASSY, 204SP 07    | 45   | 1   | 616034   | 08-482TC-08FJX-08FJX-17    | H/A |
| 22   | 1   | 617334   | 04-451TC-04FJX-06FJX-20 H/A    | 46   | 2   | 616253   | 04-381-06FJX-06FJX-19      | H/A |
| 23   | 4   | 615841   | LEG CASE DRN TUBE ASSY,204SP07 | 47   | 1   | 617332   | 04-451TC-06FJX-06FJX-17    | H/A |
| 24   | 1   | 617338   | 12-811-12FJX-12FJX-15 H/A      |      |     |          |                            |     |





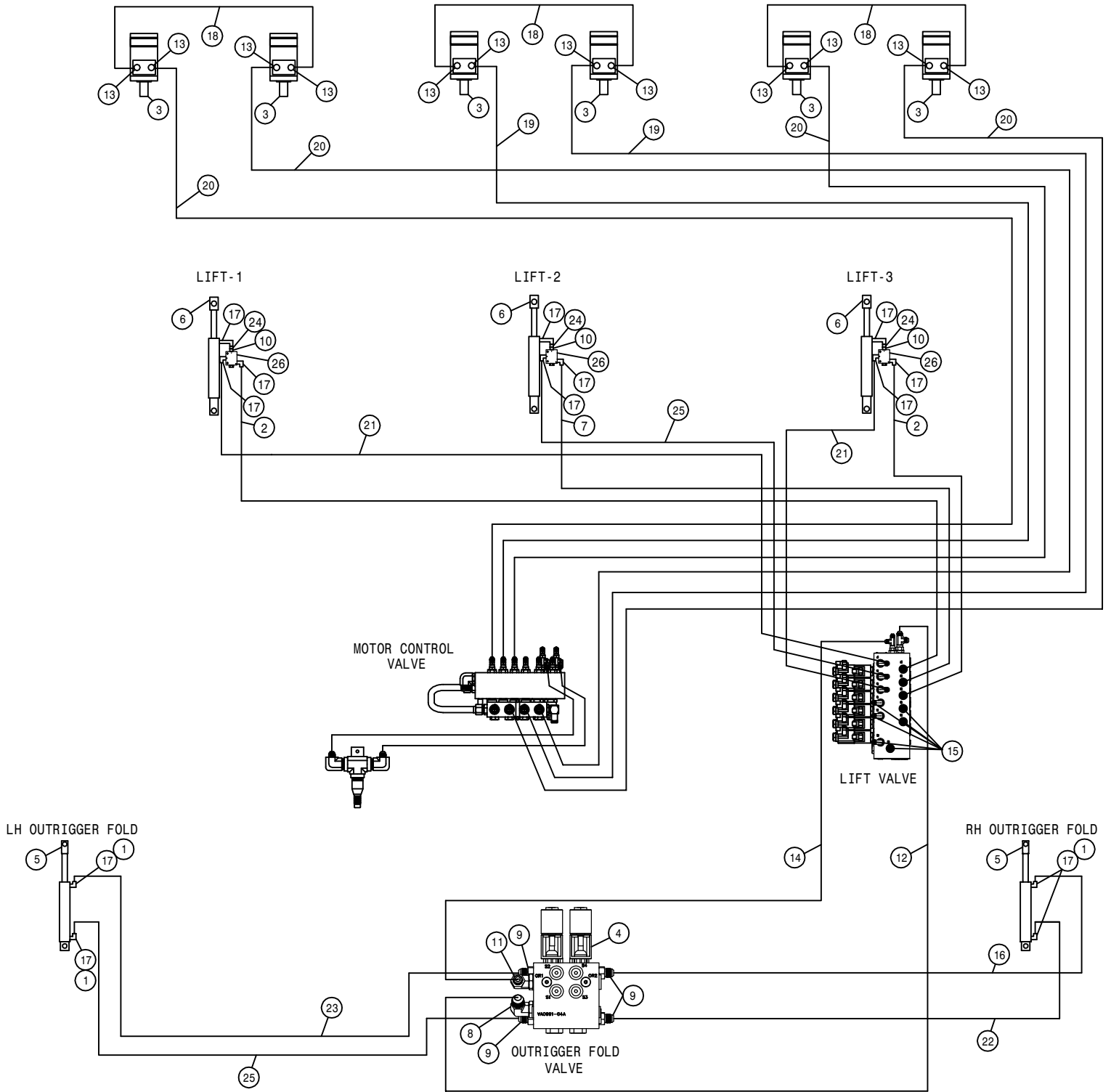
204SP BASIC MACHINE CUMM HYD DIAG 15  
REFERENCE DRAWING NO. 499187s2\_RevA

| DET. | QTY | PART NO. | DESCRIPTION                     | DET. | QTY | PART NO. | DESCRIPTION               |     |
|------|-----|----------|---------------------------------|------|-----|----------|---------------------------|-----|
| 1    | 1   | 607504   | FLO DIV B50 2-8GPM 7/8 FOR      | 12   | 1   | 617337   | 20-811-20FJX-20FJX-73     | H/A |
| 2    | 1   | 606262   | MTR CONTROL ELECT VLV, SAUER 07 | 13   | 1   | 615727   | 04-482TC-06FJX-06FJX-75   | H/A |
| 3    | 1   | 606029   | RETURN MANIFOLD BLOCK, STS 03   | 14   | 1   | 616147   | 10-482TC-10FJX-10FJX-89   | H/A |
| 4    | 1   | 611355   | 10-451TC-08FJX-10FJX90-90 H/A   | 15   | 1   | 615473   | 06-482TC-06FJX-08FJX-18   | H/A |
| 5    | 1   | 606285   | LIFT VALVE, STS COMBO, SAUER    | 16   | 1   | 611246   | 04-482TC-06FJX-06FJX-174  | H/A |
| 6    | 1   | 749318   | STRG MTR, 7.3CID, NON-LOAD 1031 | 17   | 1   | 617341   | 08-451TC-08FJX-08FJX-36   | H/A |
| 7    | 2   | 621516   | HYD CYL, 2.00 X 7.00 X 1.000    | 18   | 1   | 616257   | 20-381-20FJX-20FJX-144    | H/A |
| 8    | 1   | 606330   | DUMP MANIF VALVE SAUER          | 19   | 1   | 617330   | 06-451TC-06FJX-06FJX-46   | H/A |
| 9    | 1   | 615799   | MTR CTRL RET TUBE ASSY, 204 07  | 20   | 2   | 614639   | 04-482TC-06FJX-06FJX-126  | H/A |
| 10   | 1   | 616007   | 08-482TC-08FJX-10FJX-50 H/A     | 21   | 1   | 617254   | 08-451TC-08FJX-08FJX90-21 | H/A |
| 11   | 1   | 616008   | 06-482TC-08FJX-06FJX90-52 H/A   |      |     |          |                           |     |



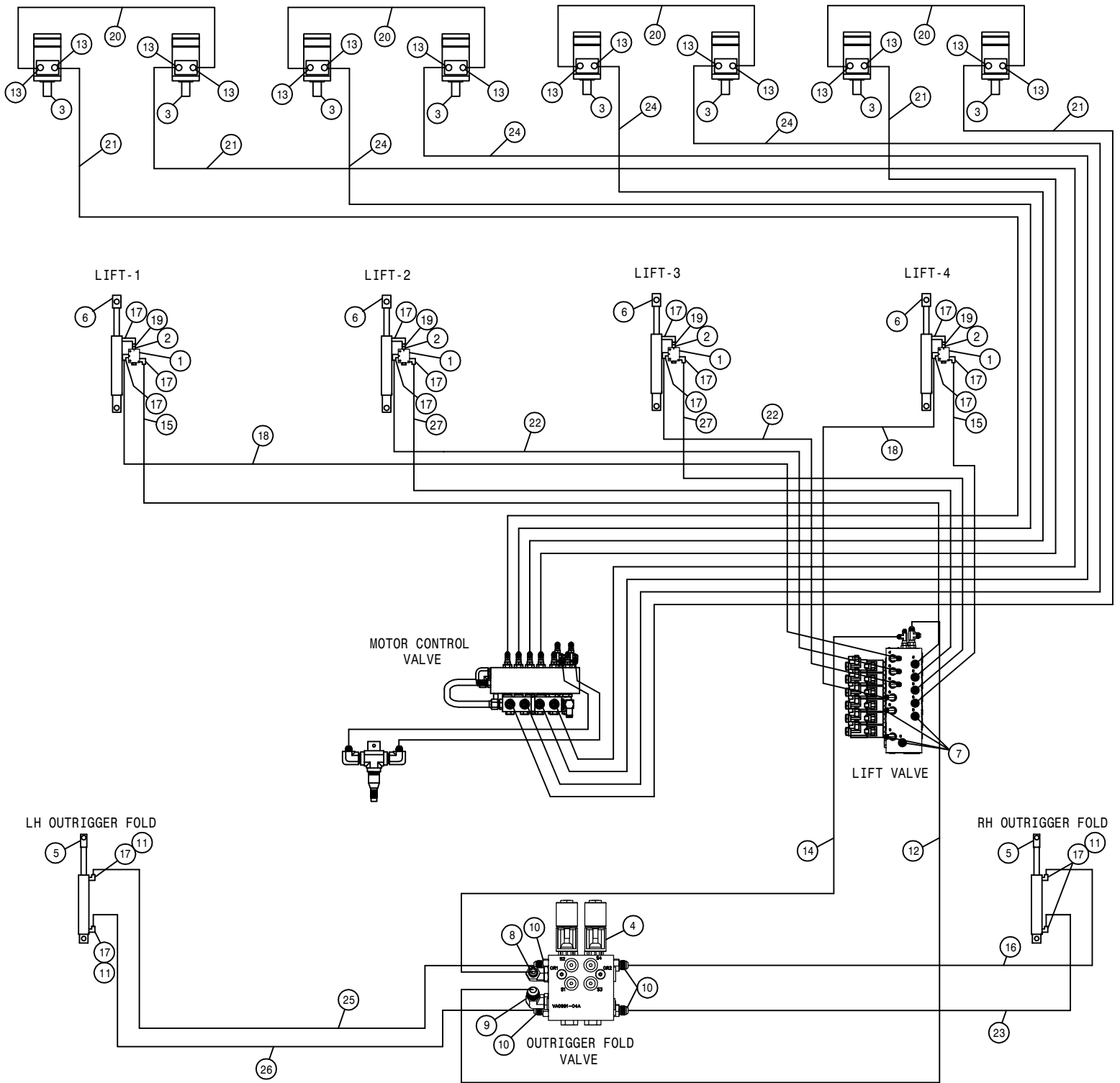
204 4R QUAD 2L LS HYD DIAG 2014  
 REFERENCE DRAWING NO. 499291

| DET. | QTY | PART NO. | DESCRIPTION                    | DET. | QTY | PART NO. | DESCRIPTION                   |
|------|-----|----------|--------------------------------|------|-----|----------|-------------------------------|
| 1    | 4   | 610547   | HYD MOTOR 4.5CI 1IN SHFT       | 7    | 2   | 615729   | 04-482TC-06FJX-06FJX-84 H/A   |
| 2    | 2   | 621564   | HYD CYL,2.00 X 11.00 X 1.50 1W | 8    | 4   | 616168   | 08-482TC-08FJX-08FJX-139 H/A  |
| 3    | 8   | 618531   | 9/16FJIC CAP NUT               | 9    | 2   | 618732   | 9/16JIC .031 ORIFICE ADPTR    |
| 4    | 8   | 618327   | 3/4MJIC-7/8MOR ADPTR           | 10   | 2   | 607565   | CHECK VLV,PILOT TO OPEN, SUN  |
| 5    | 6   | 618119   | 9/16MJIC-90-9/16MOR LBO        | 11   | 2   | 618668   | 9/16FJIC SWIV-9/16MOR ADPTR   |
| 6    | 2   | 616025   | 08-482TC-08FJX-08FJX-50 H/A    | 12   | 2   | 616861   | 04-451TC-06FJX-06FJX90-88 H/A |



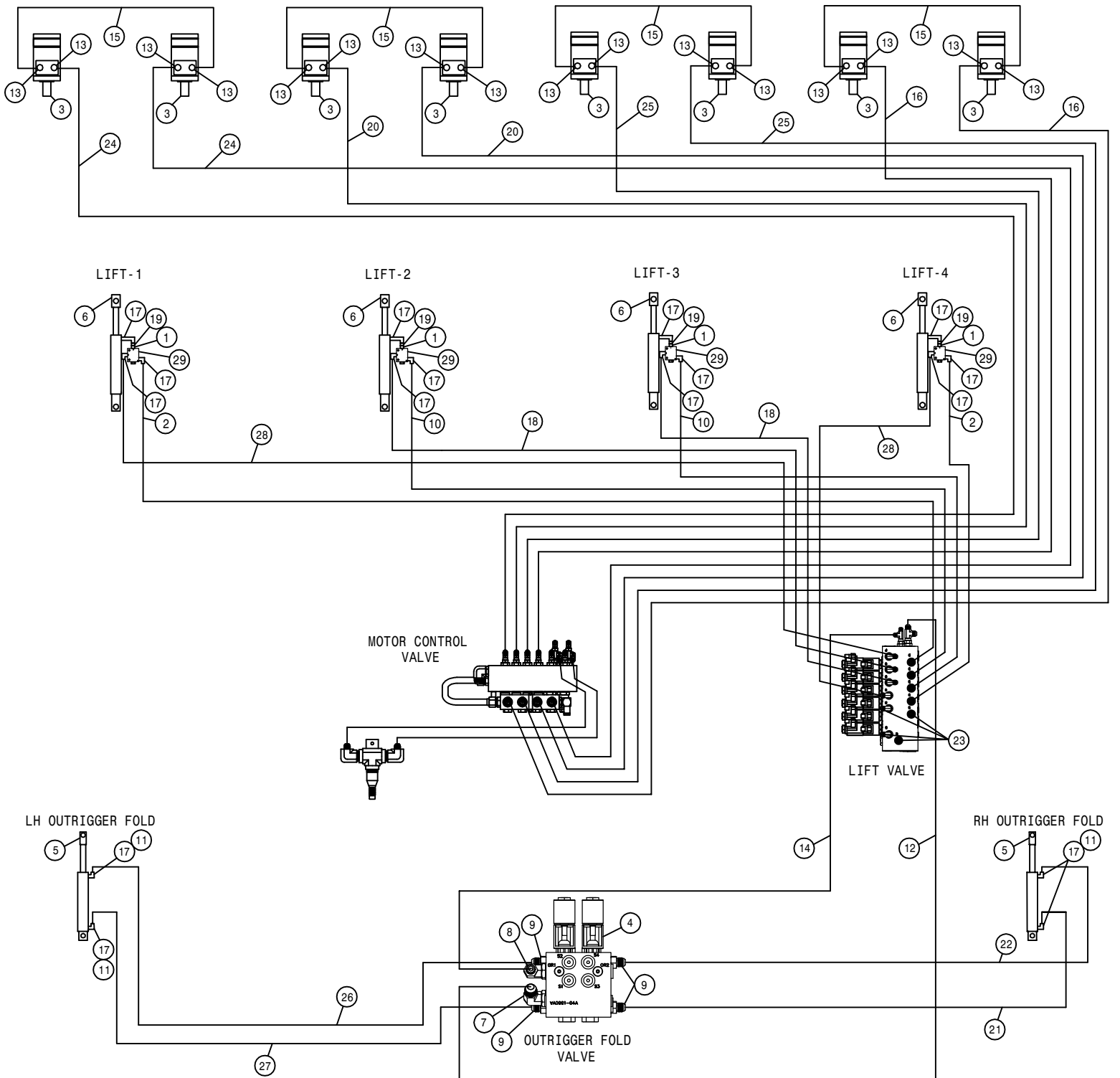
204SP 6R QUAD 3L LS HYD DIAG 2014  
REFERENCE DRAWING NO. 499292

| DET. | QTY | PART NO. | DESCRIPTION                    | DET. | QTY | PART NO. | DESCRIPTION                  |     |
|------|-----|----------|--------------------------------|------|-----|----------|------------------------------|-----|
| 1    | 4   | 618731   | 9/16JIC .025 ORIFICE ADPTR     | 14   | 1   | 616117   | 06-451TC-06FJX-06FJX-17      | H/A |
| 2    | 2   | 616864   | 04-451TC-06FJX-06FJX90-137 H/A | 15   | 6   | 618531   | 9/16FJIC CAP NUT             |     |
| 3    | 6   | 610547   | HYD MOTOR 4.5CI 1IN SHFT       | 16   | 1   | 614152   | 04-482TC-06FJX-06FJX-114     | H/A |
| 4    | 1   | 606249   | MANIFOLD,TRD ADJ PWRSYS        | 17   | 13  | 618119   | 9/16MJIC-90-9/16MOR LBO      |     |
| 5    | 2   | 621520   | HYD CYL, 2.00 X 10.00 X 1.000  | 18   | 3   | 616025   | 08-482TC-08FJX-08FJX-50      | H/A |
| 6    | 3   | 621564   | HYD CYL,2.00 X 11.00 X 1.50 1W | 19   | 2   | 614689   | 08-482TC-08FJX-08FJX-120     | H/A |
| 7    | 1   | 616862   | 04-451TC-06FJX-06FJX90-92 H/A  | 20   | 4   | 614690   | 08-482TC-08FJX-08FJX-192     | H/A |
| 8    | 1   | 618241   | 3/4MJIC-90-3/4MOR LBO          | 21   | 2   | 614101   | 04-482TC-06FJX-06FJX-133     | H/A |
| 9    | 4   | 618126   | 9/16MJIC-9/16MOR ADPTR         | 22   | 1   | 616205   | 04-482TC-06FJX-06FJX-117     | H/A |
| 10   | 3   | 618668   | 9/16FJIC SWIV-9/16MOR ADPTR    | 23   | 1   | 615727   | 04-482TC-06FJX-06FJX-75      | H/A |
| 11   | 1   | 618115   | 9/16MJIC-90-3/4MOR LBO         | 24   | 3   | 618732   | 9/16JIC .031 ORIFICE ADPTR   |     |
| 12   | 1   | 616505   | 08-451TC-08FJX-08FJX90-24 H/A  | 25   | 2   | 614077   | 04-482TC-06FJX-06FJX-88      | H/A |
| 13   | 12  | 618327   | 3/4MJIC-7/8MOR ADPTR           | 26   | 3   | 607565   | CHECK VLV,PILOT TO OPEN, SUN |     |



204SP 8R QUAD 4L LS HYD DIAG 2014  
 REFERENCE DRAWING NO. 499299

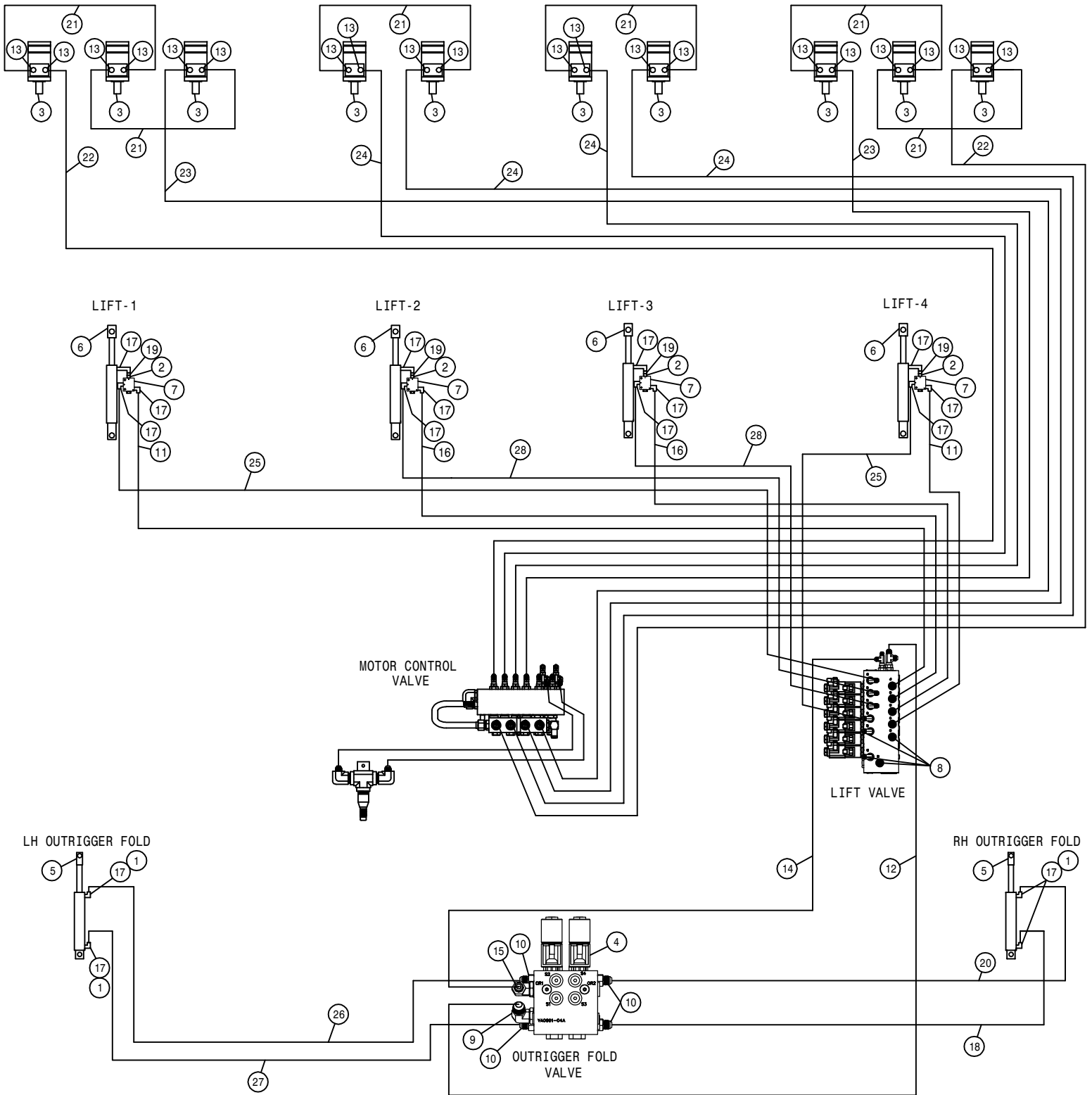
| DET. | QTY | PART NO. | DESCRIPTION                    | DET. | QTY | PART NO. | DESCRIPTION                    |
|------|-----|----------|--------------------------------|------|-----|----------|--------------------------------|
| 1    | 4   | 607565   | CHECK VLV,PILOT TO OPEN, SUN   | 15   | 2   | 616867   | 04-451TC-06FJX-06FJX90-186 H/A |
| 2    | 4   | 618668   | 9/16FJIC SWIV-9/16MOR ADPTR    | 16   | 1   | 614152   | 04-482TC-06FJX-06FJX-114 H/A   |
| 3    | 8   | 610547   | HYD MOTOR 4.5CI 1IN SHFT       | 17   | 16  | 618119   | 9/16MJIC-90-9/16MOR LBO        |
| 4    | 1   | 606249   | MANIFOLD,TRD ADJ PWRSYS        | 18   | 2   | 611262   | 04-482TC-06FJX-06FJX-182 H/A   |
| 5    | 2   | 621520   | HYD CYL, 2.00 X 10.00 X 1.000  | 19   | 4   | 618732   | 9/16JIC .031 ORIFICE ADPTR     |
| 6    | 4   | 621564   | HYD CYL,2.00 X 11.00 X 1.50 1W | 20   | 4   | 616025   | 08-482TC-08FJX-08FJX-50 H/A    |
| 7    | 4   | 618531   | 9/16FJIC CAP NUT               | 21   | 4   | 614384   | 08-482TC-08FJX-08FJX-237 H/A   |
| 8    | 1   | 618115   | 9/16MJIC-90-3/4MOR LBO         | 22   | 2   | 615729   | 04-482TC-06FJX-06FJX-84 H/A    |
| 9    | 1   | 618241   | 3/4MJIC-90-3/4MOR LBO          | 23   | 1   | 616205   | 04-482TC-06FJX-06FJX-117 H/A   |
| 10   | 4   | 618126   | 9/16MJIC-9/16MOR ADPTR         | 24   | 4   | 616168   | 08-482TC-08FJX-08FJX-139 H/A   |
| 11   | 4   | 618731   | 9/16JIC .025 ORIFICE ADPTR     | 25   | 1   | 615727   | 04-482TC-06FJX-06FJX-75 H/A    |
| 12   | 1   | 616505   | 08-451TC-08FJX-08FJX90-24 H/A  | 26   | 1   | 614077   | 04-482TC-06FJX-06FJX-88 H/A    |
| 13   | 16  | 618327   | 3/4MJIC-7/8MOR ADPTR           | 27   | 2   | 616861   | 04-451TC-06FJX-06FJX90-88 H/A  |
| 14   | 1   | 616117   | 06-451TC-06FJX-06FJX-17 H/A    |      |     |          |                                |





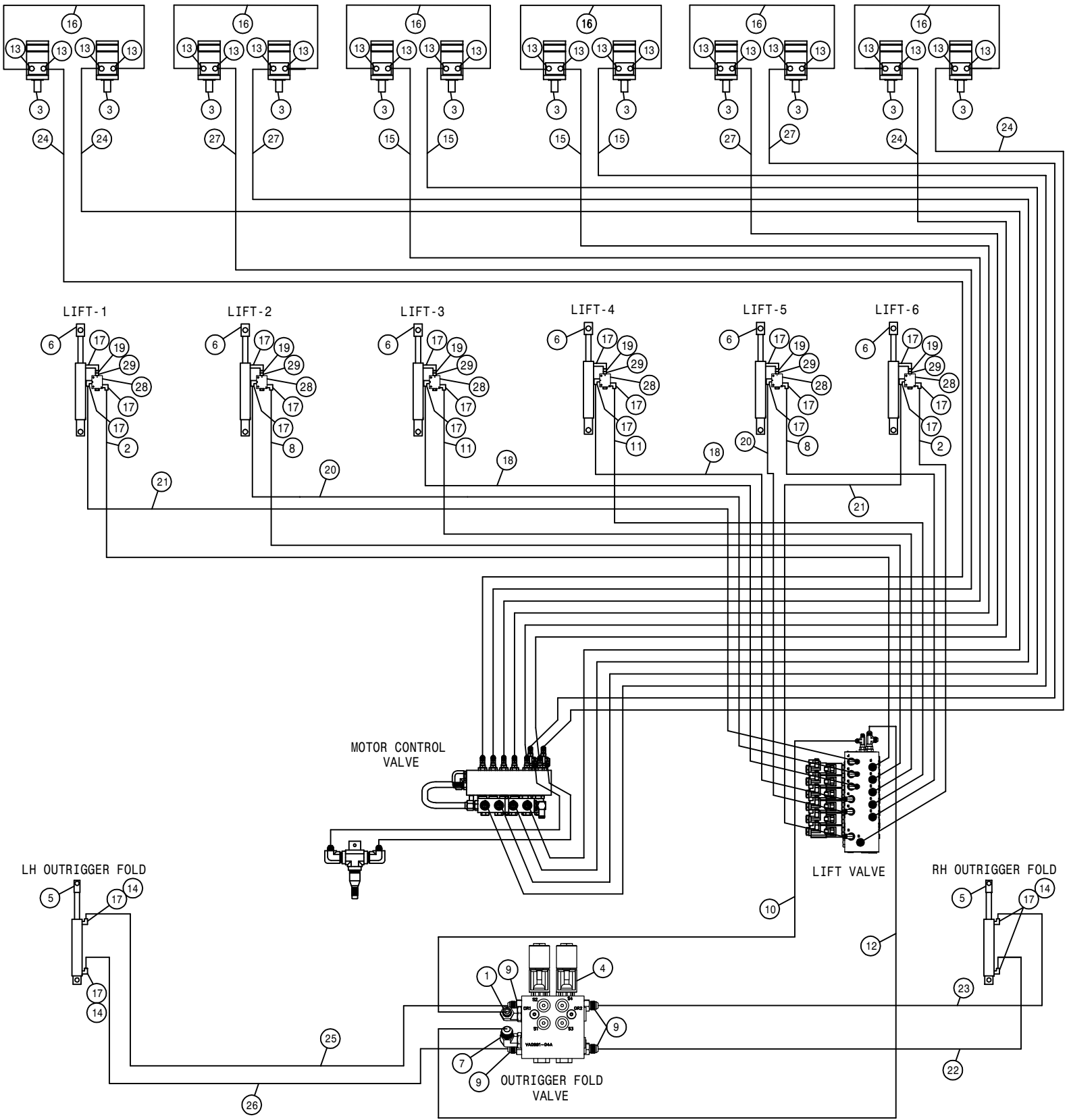
204SP 8R QUAD 4L 20" HYD DIAG 2014  
 REFERENCE DRAWING NO. 499300

| DET. | QTY | PART NO. | DESCRIPTION                    | DET. | QTY | PART NO. | DESCRIPTION                  |
|------|-----|----------|--------------------------------|------|-----|----------|------------------------------|
| 1    | 4   | 618668   | 9/16FJIC SWIV-9/16MOR ADPTR    | 16   | 2   | 614690   | 08-482TC-08FJX-08FJX-192 H/A |
| 2    | 2   | 616864   | 04-451TC-06FJX-06FJX90-137 H/A | 17   | 17  | 618119   | 9/16MJIC-90-9/16MOR LBO      |
| 3    | 8   | 610547   | HYD MOTOR 4.5CI 1IN SHFT       | 18   | 2   | 616060   | 04-482TC-06FJX-06FJX-104 H/A |
| 4    | 1   | 606249   | MANIFOLD,TRD ADJ PWRSYS        | 19   | 4   | 618732   | 9/16JIC .031 ORIFICE ADPTR   |
| 5    | 2   | 621520   | HYD CYL, 2.00 X 10.00 X 1.000  | 20   | 2   | 614689   | 08-482TC-08FJX-08FJX-120 H/A |
| 6    | 4   | 621564   | HYD CYL,2.00 X 11.00 X 1.50 1W | 21   | 1   | 616025   | 08-482TC-08FJX-08FJX-50 H/A  |
| 7    | 1   | 618241   | 3/4MJIC-90-3/4MOR LBO          | 22   | 1   | 614152   | 04-482TC-06FJX-06FJX-114 H/A |
| 8    | 1   | 618115   | 9/16MJIC-90-3/4MOR LBO         | 23   | 4   | 618531   | 9/16FJIC CAP NUT             |
| 9    | 4   | 618126   | 9/16MJIC-9/16MOR ADPTR         | 24   | 2   | 616423   | 08-482TC-08FJX-08FJX-163 H/A |
| 10   | 2   | 616863   | 04-451TC-06FJX-06FJX90-108 H/A | 25   | 2   | 616168   | 08-482TC-08FJX-08FJX-139 H/A |
| 11   | 4   | 618731   | 9/16JIC .025 ORIFICE ADPTR     | 26   | 1   | 615727   | 04-482TC-06FJX-06FJX-75 H/A  |
| 12   | 1   | 616502   | 08-451TC-08FJX-08FJX-20 H/A    | 27   | 1   | 614077   | 04-482TC-06FJX-06FJX-88 H/A  |
| 13   | 16  | 618327   | 3/4MJIC-7/8MOR ADPTR           | 28   | 2   | 614101   | 04-482TC-06FJX-06FJX-133 H/A |
| 14   | 1   | 616117   | 06-451TC-06FJX-06FJX-17 H/A    | 29   | 4   | 607565   | CHECK VLV,PILOT TO OPEN, SUN |
| 15   | 4   | 614373   | 08-482TC-08FJX-08FJX-44 H/A    |      |     |          |                              |



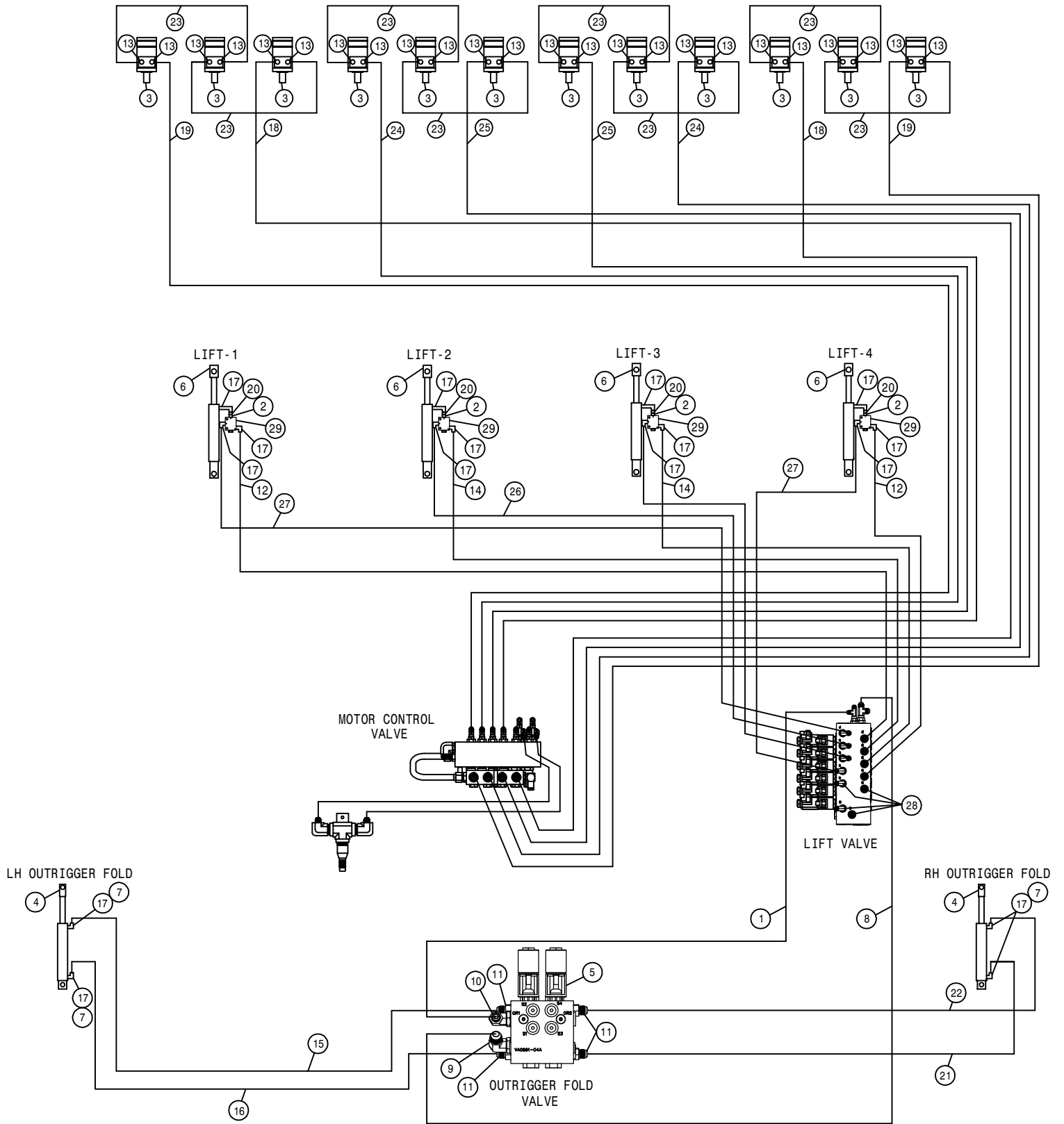
204SP 10R QUAD 4L LS HYD DIAG 2014  
 REFERENCE DRAWING NO. 499301

| DET. | QTY | PART NO. | DESCRIPTION                    | DET. | QTY | PART NO. | DESCRIPTION                   |
|------|-----|----------|--------------------------------|------|-----|----------|-------------------------------|
| 1    | 4   | 618731   | 9/16JIC .025 ORIFICE ADPTR     | 15   | 1   | 618115   | 9/16MJIC-90-3/4MOR LBO        |
| 2    | 4   | 618668   | 9/16FJIC SWIV-9/16MOR ADPTR    | 16   | 2   | 616861   | 04-451TC-06FJX-06FJX90-88 H/A |
| 3    | 10  | 610547   | HYD MOTOR 4.5CI 1IN SHFT       | 17   | 16  | 618119   | 9/16MJIC-90-9/16MOR LBO       |
| 4    | 1   | 606249   | MANIFOLD,TRD ADJ PWRSYS        | 18   | 1   | 616205   | 04-482TC-06FJX-06FJX-117 H/A  |
| 5    | 2   | 621520   | HYD CYL, 2.00 X 10.00 X 1.000  | 19   | 4   | 618732   | 9/16JIC .031 ORIFICE ADPTR    |
| 6    | 4   | 621564   | HYD CYL,2.00 X 11.00 X 1.50 1W | 20   | 1   | 614152   | 04-482TC-06FJX-06FJX-114 H/A  |
| 7    | 4   | 607565   | CHECK VLV,PILOT TO OPEN, SUN   | 21   | 6   | 616025   | 08-482TC-08FJX-08FJX-50 H/A   |
| 8    | 4   | 618531   | 9/16FJIC CAP NUT               | 22   | 2   | 614387   | 08-482TC-08FJX-08FJX-267 H/A  |
| 9    | 1   | 618241   | 3/4MJIC-90-3/4MOR LBO          | 23   | 2   | 614384   | 08-482TC-08FJX-08FJX-237 H/A  |
| 10   | 4   | 618126   | 9/16MJIC-9/16MOR ADPTR         | 24   | 4   | 616168   | 08-482TC-08FJX-08FJX-139 H/A  |
| 11   | 2   | 616868   | 04-451TC-06FJX-06FJX90-205 H/A | 25   | 2   | 614098   | 04-482TC-06FJX-06FJX-201 H/A  |
| 12   | 1   | 616505   | 08-451TC-08FJX-08FJX90-24 H/A  | 26   | 1   | 615727   | 04-482TC-06FJX-06FJX-75 H/A   |
| 13   | 20  | 618327   | 3/4MJIC-7/8MOR ADPTR           | 27   | 1   | 614077   | 04-482TC-06FJX-06FJX-88 H/A   |
| 14   | 1   | 616117   | 06-451TC-06FJX-06FJX-17 H/A    | 28   | 2   | 615729   | 04-482TC-06FJX-06FJX-84 H/A   |



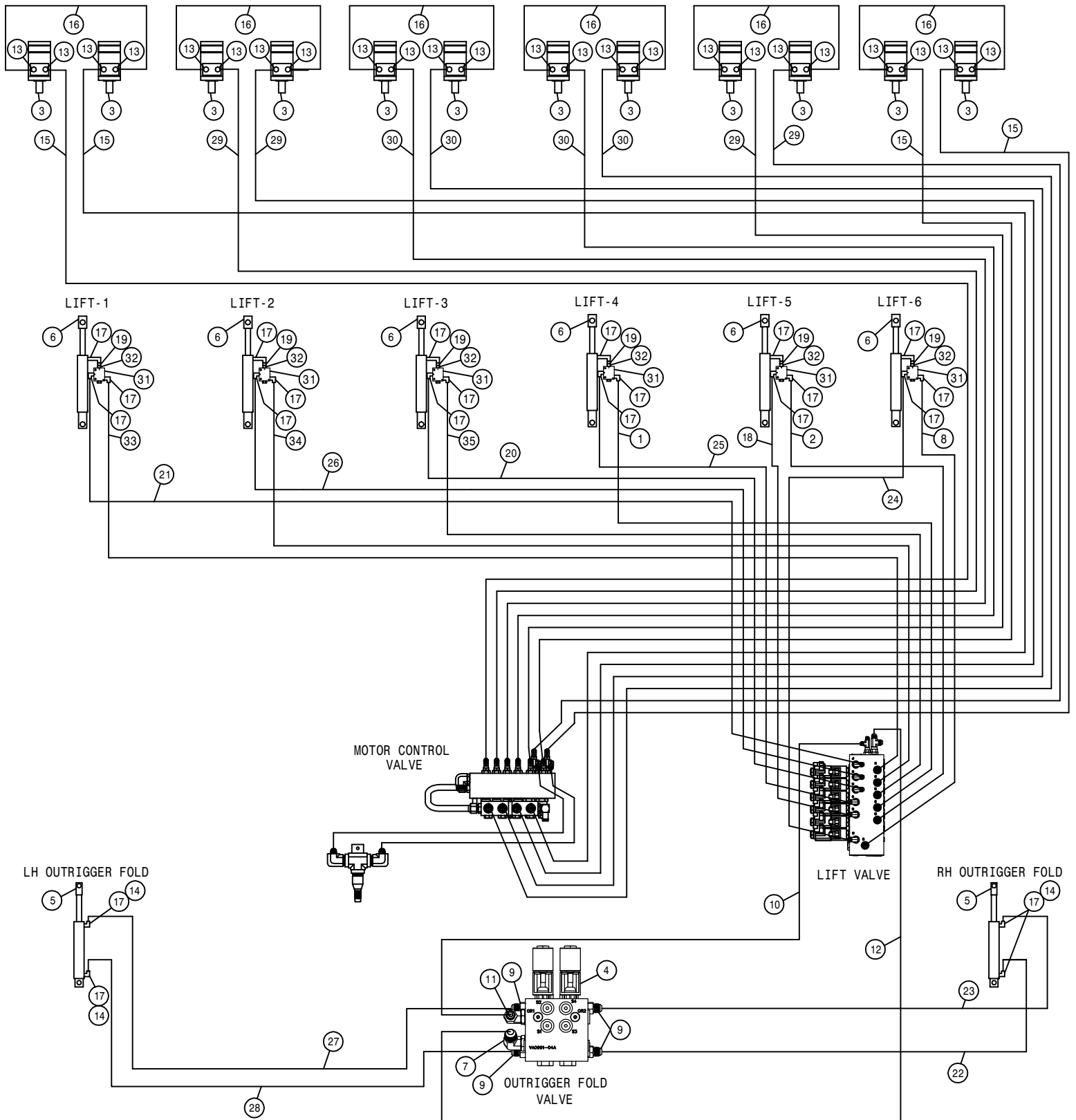
204SP 12R QUAD 6L LS HYD DIAG 2014  
REFERENCE DRAWING NO. 499302

| DET. | QTY | PART NO. | DESCRIPTION                    | DET. | QTY | PART NO. | DESCRIPTION                  |     |
|------|-----|----------|--------------------------------|------|-----|----------|------------------------------|-----|
| 1    | 1   | 618115   | 9/16MJIC-90-3/4MOR LBO         | 16   | 6   | 616025   | 08-482TC-08FJX-08FJX-50      | H/A |
| 2    | 2   | 616871   | 04-451TC-06FJX-06FJX90-262 H/A | 17   | 22  | 618119   | 9/16MJIC-90-9/16MOR LBO      |     |
| 3    | 12  | 610547   | HYD MOTOR 4.5CI 1IN SHFT       | 18   | 2   | 615729   | 04-482TC-06FJX-06FJX-84      | H/A |
| 4    | 1   | 606249   | MANIFOLD,TRD ADJ PWRSYS        | 20   | 2   | 611262   | 04-482TC-06FJX-06FJX-182     | H/A |
| 5    | 2   | 621520   | HYD CYL, 2.00 X 10.00 X 1.000  | 21   | 2   | 614377   | 04-482TC-06FJX-06FJX-258     | H/A |
| 6    | 6   | 621564   | HYD CYL,2.00 X 11.00 X 1.50 1W | 22   | 1   | 616205   | 04-482TC-06FJX-06FJX-117     | H/A |
| 7    | 1   | 618241   | 3/4MJIC-90-3/4MOR LBO          | 23   | 1   | 614152   | 04-482TC-06FJX-06FJX-114     | H/A |
| 8    | 2   | 616867   | 04-451TC-06FJX-06FJX90-186 H/A | 24   | 4   | 616170   | 08-482TC-08FJX-08FJX-295     | H/A |
| 9    | 4   | 618126   | 9/16MJIC-9/16MOR ADPTR         | 25   | 1   | 615727   | 04-482TC-06FJX-06FJX-75      | H/A |
| 10   | 1   | 616117   | 06-451TC-06FJX-06FJX-17 H/A    | 26   | 1   | 614077   | 04-482TC-06FJX-06FJX-88      | H/A |
| 11   | 2   | 616861   | 04-451TC-06FJX-06FJX90-88 H/A  | 27   | 4   | 614384   | 08-482TC-08FJX-08FJX-237     | H/A |
| 12   | 1   | 616505   | 08-451TC-08FJX-08FJX90-24 H/A  | 28   | 6   | 607565   | CHECK VLV,PILOT TO OPEN, SUN |     |
| 13   | 24  | 618327   | 3/4MJIC-7/8MOR ADPTR           | 29   | 6   | 618732   | 9/16JIC .031 ORIFICE ADPTR   |     |
| 14   | 4   | 618731   | 9/16JIC .025 ORIFICE ADPTR     | 29   | 6   | 618733   | 9/16JIC .042 ORIFICE ADPTR   |     |
| 15   | 4   | 616168   | 08-482TC-08FJX-08FJX-139 H/A   |      |     |          |                              |     |



204SP 12R QUAD 52CM 4L LS HYD DIAG 2014  
REFERENCE DRAWING NO. 499303

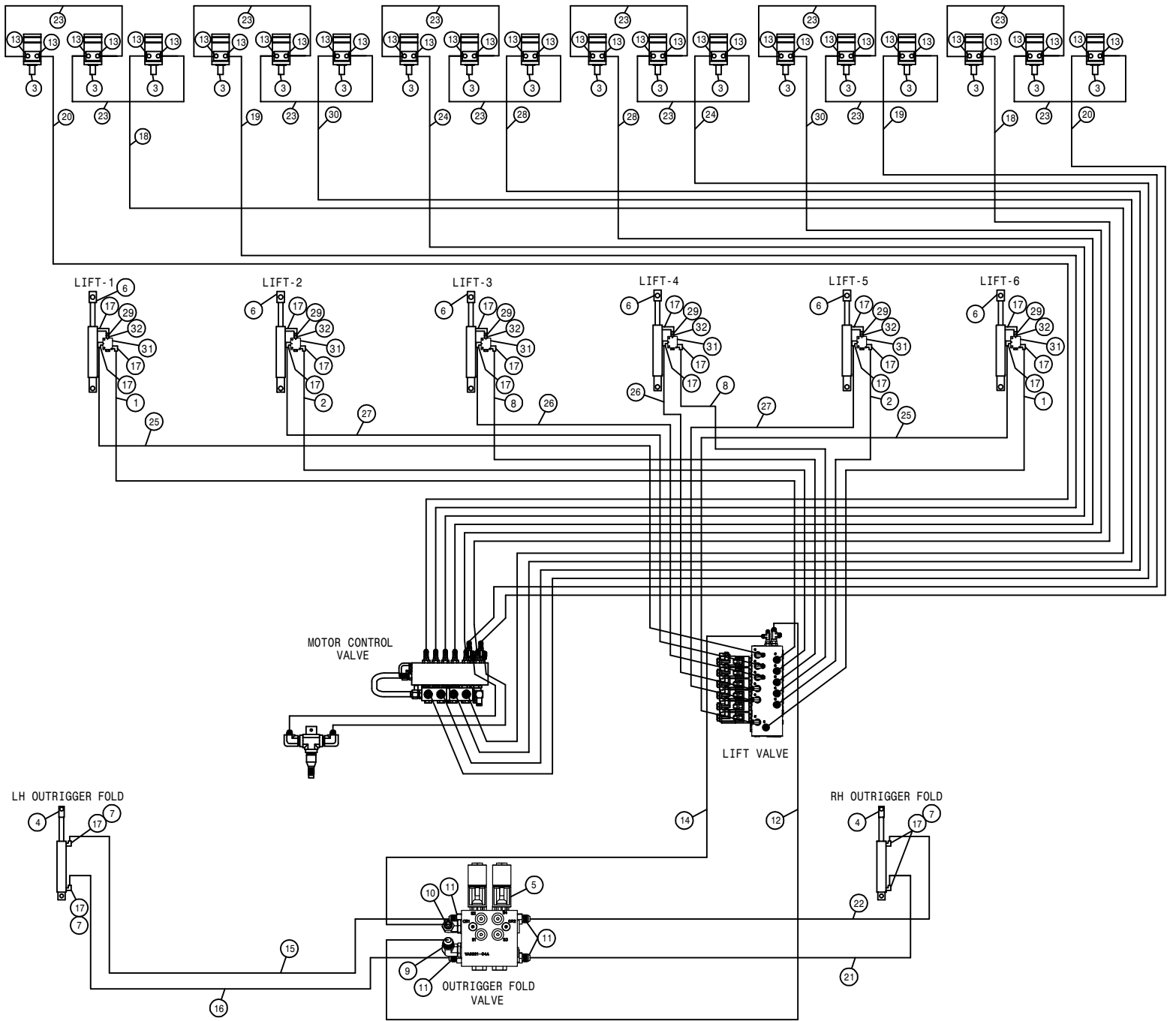
| DET. | QTY | PART NO. | DESCRIPTION                    | DET. | QTY | PART NO. | DESCRIPTION                  |
|------|-----|----------|--------------------------------|------|-----|----------|------------------------------|
| 1    | 1   | 616117   | 06-451TC-06FJX-06FJX-17 H/A    | 16   | 1   | 614077   | 04-482TC-06FJX-06FJX-88 H/A  |
| 2    | 4   | 618668   | 9/16FJIC SWIV-9/16MOR ADPTR    | 17   | 16  | 618119   | 9/16MJIC-90-9/16MOR LBO      |
| 3    | 12  | 610547   | HYD MOTOR 4.5CI 1IN SHFT       | 18   | 2   | 614378   | 08-482TC-08FJX-08FJX-207 H/A |
| 4    | 2   | 621520   | HYD CYL, 2.00 X 10.00 X 1.000  | 19   | 2   | 616223   | 08-482TC-08FJX-08FJX-232 H/A |
| 5    | 1   | 606249   | MANIFOLD,TRD ADJ PWRSYS        | 20   | 4   | 618732   | 9/16JIC .031 ORIFICE ADPTR   |
| 6    | 4   | 621564   | HYD CYL,2.00 X 11.00 X 1.50 1W | 21   | 1   | 616205   | 04-482TC-06FJX-06FJX-117 H/A |
| 7    | 4   | 618731   | 9/16JIC .025 ORIFICE ADPTR     | 22   | 1   | 614152   | 04-482TC-06FJX-06FJX-114 H/A |
| 8    | 1   | 616505   | 08-451TC-08FJX-08FJX90-24 H/A  | 23   | 8   | 614373   | 08-482TC-08FJX-08FJX-44 H/A  |
| 9    | 1   | 618241   | 3/4MJIC-90-3/4MOR LBO          | 24   | 2   | 616169   | 08-482TC-08FJX-08FJX-146 H/A |
| 10   | 1   | 618115   | 9/16MJIC-90-3/4MOR LBO         | 25   | 2   | 614689   | 08-482TC-08FJX-08FJX-120 H/A |
| 11   | 4   | 618126   | 9/16MJIC-9/16MOR ADPTR         | 26   | 2   | 616060   | 04-482TC-06FJX-06FJX-104 H/A |
| 12   | 2   | 616866   | 04-451TC-06FJX-06FJX90-178 H/A | 27   | 2   | 611246   | 04-482TC-06FJX-06FJX-174 H/A |
| 13   | 24  | 618327   | 3/4MJIC-7/8MOR ADPTR           | 28   | 4   | 618531   | 9/16FJIC CAP NUT             |
| 14   | 2   | 616863   | 04-451TC-06FJX-06FJX90-108 H/A | 29   | 4   | 607565   | CHECK VLV,PILOT TO OPEN, SUN |
| 15   | 1   | 615727   | 04-482TC-06FJX-06FJX-75 H/A    |      |     |          |                              |





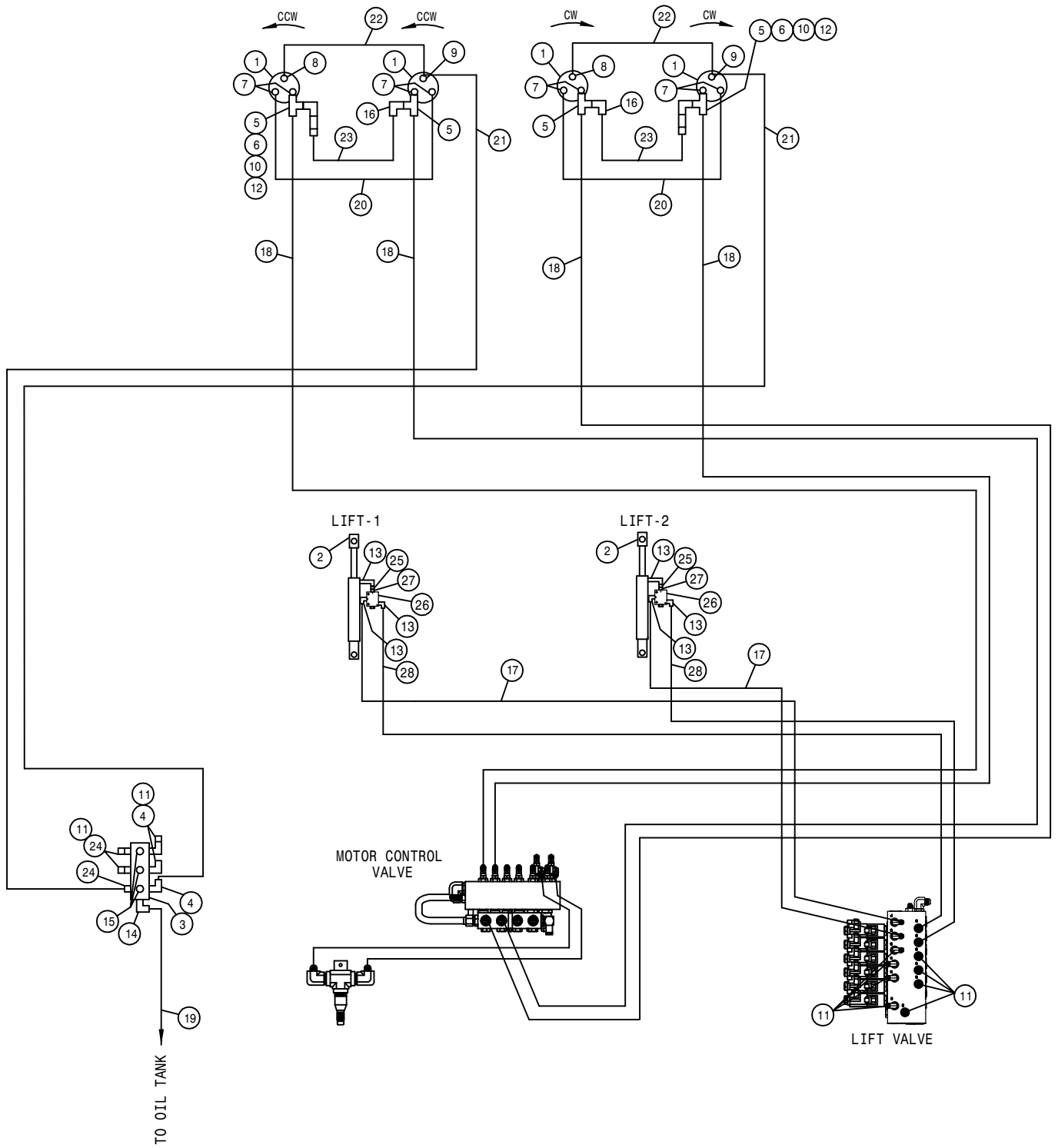
204SP 12R QUAD 52CM 6L LS HYD DIAG 2014  
REFERENCE DRAWING NO. 499304

| DET. | QTY | PART NO. | DESCRIPTION                    | DET. | QTY | PART NO. | DESCRIPTION                    |
|------|-----|----------|--------------------------------|------|-----|----------|--------------------------------|
| 1    | 1   | 616863   | 04-451TC-06FJX-06FJX90-108 H/A | 19   | 6   | 618732   | 9/16JIC .031 ORIFICE ADPTR     |
| 2    | 1   | 616866   | 04-451TC-06FJX-06FJX90-178 H/A | 20   | 1   | 614101   | 04-482TC-06FJX-06FJX-133 H/A   |
| 3    | 12  | 610547   | HYD MOTOR 4.5CI 1IN SHFT       | 21   | 1   | 614154   | 04-482TC-06FJX-06FJX-221 H/A   |
| 4    | 1   | 606249   | MANIFOLD,TRD ADJ PWRSYS        | 22   | 1   | 616205   | 04-482TC-06FJX-06FJX-117 H/A   |
| 5    | 2   | 621520   | HYD CYL, 2.00 X 10.00 X 1.000  | 23   | 1   | 614152   | 04-482TC-06FJX-06FJX-114 H/A   |
| 6    | 6   | 621564   | HYD CYL,2.00 X 11.00 X 1.50 1W | 24   | 1   | 614303   | 04-482TC-06FJX-06FJX-234 H/A   |
| 7    | 1   | 618241   | 3/4MJIC-90-3/4MOR LBO          | 25   | 1   | 611245   | 04-482TC-06FJX-06FJX-104 H/A   |
| 8    | 1   | 616870   | 04-451TC-06FJX-06FJX90-238 H/A | 26   | 1   | 616191   | 04-482TC-06FJX-06FJX-138 H/A   |
| 9    | 4   | 618126   | 9/16MJIC-9/16MOR ADPTR         | 27   | 1   | 615727   | 04-482TC-06FJX-06FJX-75 H/A    |
| 10   | 1   | 616117   | 06-451TC-06FJX-06FJX-17 H/A    | 28   | 1   | 614077   | 04-482TC-06FJX-06FJX-88 H/A    |
| 11   | 1   | 618115   | 9/16MJIC-90-3/4MOR LBO         | 29   | 4   | 614690   | 08-482TC-08FJX-08FJX-192 H/A   |
| 12   | 1   | 616505   | 08-451TC-08FJX-08FJX90-24 H/A  | 30   | 4   | 614689   | 08-482TC-08FJX-08FJX-120 H/A   |
| 13   | 24  | 618327   | 3/4MJIC-7/8MOR ADPTR           | 31   | 6   | 607565   | CHECK VLV,PILOT TO OPEN, SUN   |
| 14   | 4   | 618731   | 9/16JIC .025 ORIFICE ADPTR     | 32   | 6   | 618668   | 9/16FJIC SWIV-9/16MOR ADPTR    |
| 15   | 4   | 616227   | 08-482TC-08FJX-08FJX-255 H/A   | 33   | 1   | 616869   | 04-451TC-06FJX-06FJX90-225 H/A |
| 16   | 6   | 616025   | 08-482TC-08FJX-08FJX-50 H/A    | 34   | 1   | 616415   | 04-451TC-06FJX-06FJX90-142 H/A |
| 17   | 22  | 618119   | 9/16MJIC-90-9/16MOR LBO        | 35   | 1   | 616864   | 04-451TC-06FJX-06FJX90-137 H/A |
| 18   | 1   | 611246   | 04-482TC-06FJX-06FJX-174 H/A   |      |     |          |                                |



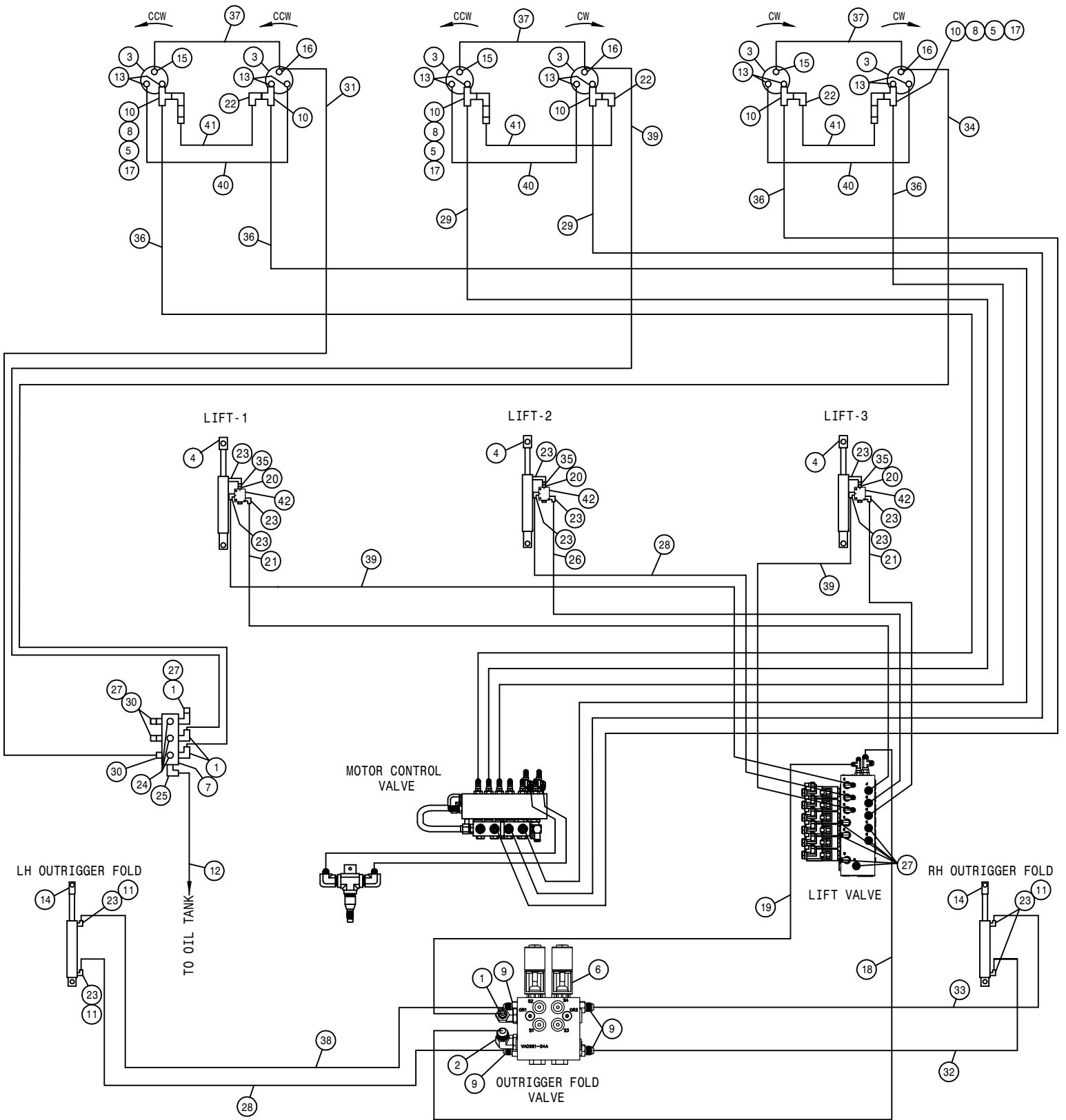
204SP 18R QUAD 20" 6L LS HYD DIAG 2014  
REFERENCE DRAWING NO. 499305

| DET. | QTY | PART NO. | DESCRIPTION                    | DET. | QTY | PART NO. | DESCRIPTION                  |
|------|-----|----------|--------------------------------|------|-----|----------|------------------------------|
| 1    | 2   | 616871   | 04-451TC-06FJX-06FJX90-262 H/A | 17   | 22  | 618119   | 9/16MJIC-90-9/16MOR LBO      |
| 2    | 2   | 616866   | 04-451TC-06FJX-06FJX90-178 H/A | 18   | 2   | 614387   | 08-482TC-08FJX-08FJX-267 H/A |
| 3    | 18  | 610547   | HYD MOTOR 4.5CI 1IN SHFT       | 19   | 2   | 616223   | 08-482TC-08FJX-08FJX-232 H/A |
| 4    | 2   | 621520   | HYD CYL, 2.00 X 10.00 X 1.000  | 20   | 2   | 616170   | 08-482TC-08FJX-08FJX-295 H/A |
| 5    | 1   | 606249   | MANIFOLD,TRD ADJ PWRSYS        | 21   | 1   | 616205   | 04-482TC-06FJX-06FJX-117 H/A |
| 6    | 6   | 621564   | HYD CYL,2.00 X 11.00 X 1.50 1W | 22   | 1   | 614152   | 04-482TC-06FJX-06FJX-114 H/A |
| 7    | 4   | 618731   | 9/16JIC .025 ORIFICE ADPTR     | 23   | 12  | 614373   | 08-482TC-08FJX-08FJX-44 H/A  |
| 8    | 2   | 616863   | 04-451TC-06FJX-06FJX90-108 H/A | 24   | 2   | 616169   | 08-482TC-08FJX-08FJX-146 H/A |
| 9    | 1   | 618241   | 3/4MJIC-90-3/4MOR LBO          | 25   | 2   | 614377   | 04-482TC-06FJX-06FJX-258 H/A |
| 10   | 1   | 618115   | 9/16MJIC-90-3/4MOR LBO         | 26   | 2   | 616060   | 04-482TC-06FJX-06FJX-104 H/A |
| 11   | 4   | 618126   | 9/16MJIC-9/16MOR ADPTR         | 27   | 2   | 611246   | 04-482TC-06FJX-06FJX-174 H/A |
| 12   | 1   | 616505   | 08-451TC-08FJX-08FJX90-24 H/A  | 28   | 2   | 614689   | 08-482TC-08FJX-08FJX-120 H/A |
| 13   | 36  | 618327   | 3/4MJIC-7/8MOR ADPTR           | 29   | 1   | 618732   | 9/16JIC .031 ORIFICE ADPTR   |
| 14   | 1   | 616117   | 06-451TC-06FJX-06FJX-17 H/A    | 30   | 2   | 614378   | 08-482TC-08FJX-08FJX-207 H/A |
| 15   | 1   | 615727   | 04-482TC-06FJX-06FJX-75 H/A    | 31   | 6   | 607565   | CHECK VLV,PILOT TO OPEN, SUN |
| 16   | 1   | 614077   | 04-482TC-06FJX-06FJX-88 H/A    | 32   | 6   | 618668   | 9/16FJIC SWIV-9/16MOR ADPTR  |



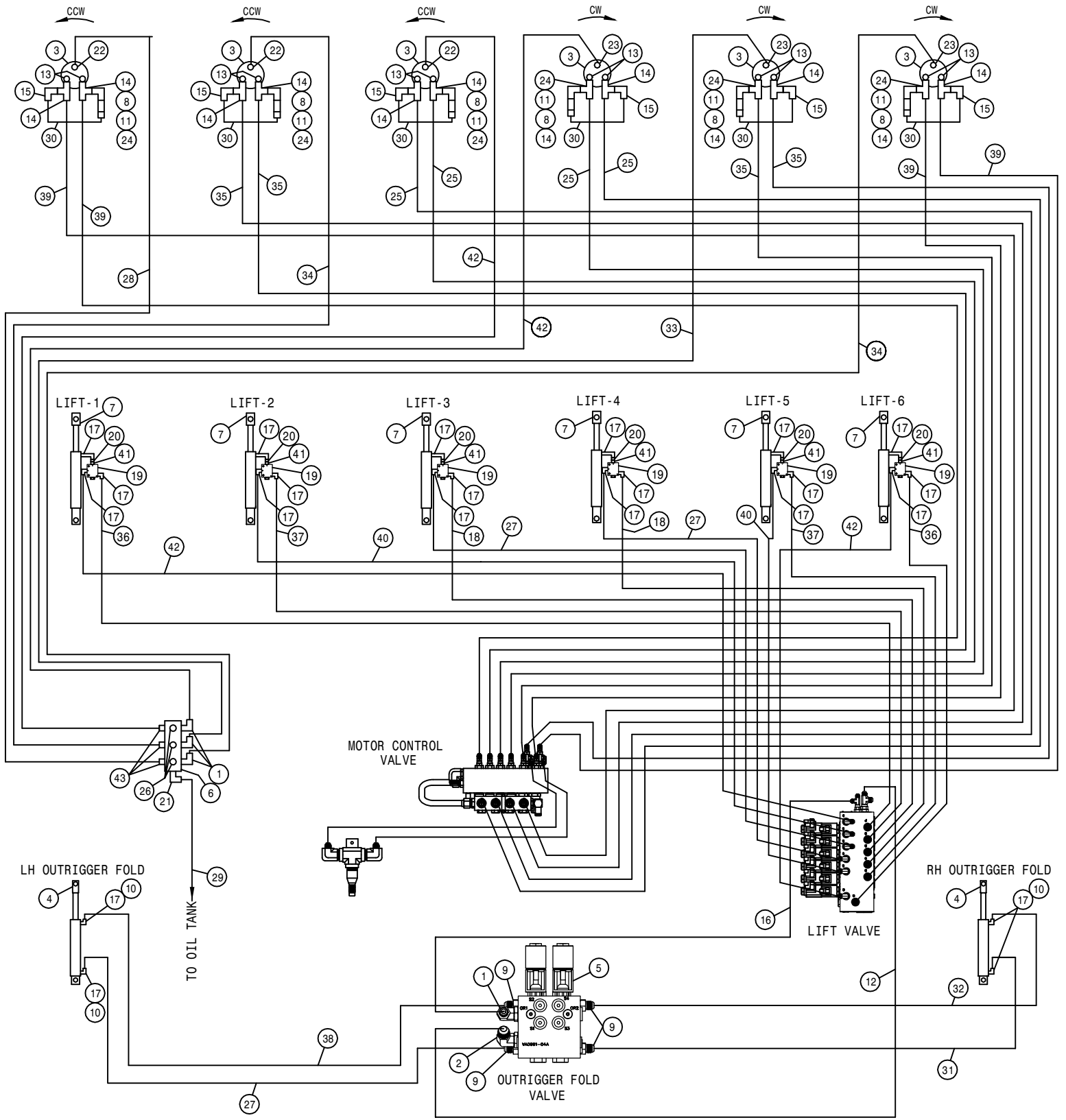
204 4R CUTTER 2L LS HYD DIAG 2014  
REFERENCE DRAWING NO. 499306

| DET. | QTY | PART NO. | DESCRIPTION                      | DET. | QTY | PART NO. | DESCRIPTION                   |
|------|-----|----------|----------------------------------|------|-----|----------|-------------------------------|
| 1    | 4   | 610755   | BARNES HYD MOTOR, D-SERIES 01    | 15   | 3   | 611159   | 3/4MOR PLUG, HEX HEAD         |
| 2    | 2   | 621564   | HYD CYL, 2.00 X 11.00 X 1.50 1W  | 16   | 2   | 618609   | 3/4MJIC-90-3/4FJIC SWIV LBO   |
| 3    | 1   | 606021   | HYD RETURN MANIF, 3/4FOR, 9-PORT | 17   | 2   | 615729   | 04-482TC-06FJX-06FJX-84 H/A   |
| 4    | 3   | 618115   | 9/16MJIC-90-3/4MOR LBO           | 18   | 4   | 616168   | 08-482TC-08FJX-08FJX-139 H/A  |
| 5    | 4   | 618451   | 3/4FJIC SW RUN TEE-3/4MJIC       | 19   | 1   | 601555   | HOSE, 3/4 X 150 1FBR-1SPI     |
| 6    | 2   | 618620   | 3/4FJX-90-1/2MNPT ADPTR          | 20   | 2   | 614368   | 08-482TC-08FJX-08FJX-60 H/A   |
| 7    | 8   | 611125   | 3/4MJIC-3/4MOR ADPTR             | 21   | 2   | 611202   | 04-482TC-06FJX-06FJX-136 H/A  |
| 8    | 2   | 618530   | 9/16MJIC-1/8MNPT ADPTR           | 22   | 2   | 616422   | 04-482TC-06FJX-06FJX90-56 H/A |
| 9    | 2   | 618546   | 1/8MNPT RUN TEE-9/16MJIC         | 23   | 2   | 616025   | 08-482TC-08FJX-08FJX-50 H/A   |
| 10   | 2   | 690338   | LINE CHECK VALVE HYD .50NPT      | 24   | 1   | 618109   | 9/16MJIC-3/4MOR ADPTR         |
| 11   | 12  | 618531   | 9/16FJIC CAP NUT                 | 25   | 2   | 618732   | 9/16JIC .031 ORIFICE ADPTR    |
| 12   | 2   | 611147   | 3/4MJIC-1/2MNPT ADPTR            | 26   | 2   | 607565   | CHECK VLV, PILOT TO OPEN, SUN |
| 13   | 6   | 618119   | 9/16MJIC-90-9/16MOR LBO          | 27   | 2   | 618668   | 9/16FJIC SWIV-9/16MOR ADPTR   |
| 14   | 1   | 618118   | 3/4 HOSE BARB-90-1 1/16MOR       | 28   | 2   | 616861   | 04-451TC-06FJX-06FJX90-88 H/A |



204SP 6R CUTTER 3L LS HYD SCHEM 2011  
REFERENCE DRAWING NO. 499307

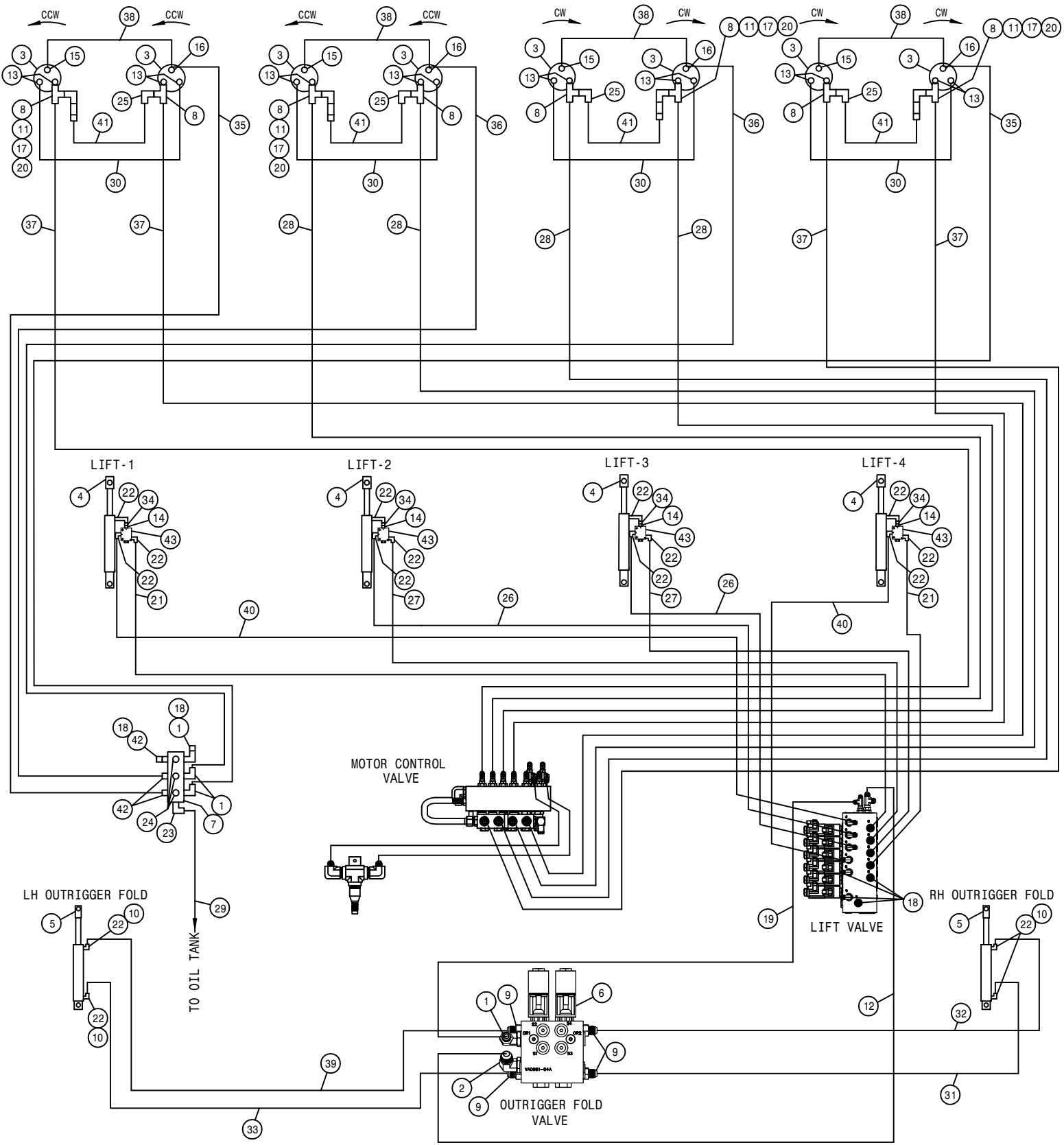
| DET. | QTY | PART NO. | DESCRIPTION                      | DET. | QTY | PART NO. | DESCRIPTION                   |
|------|-----|----------|----------------------------------|------|-----|----------|-------------------------------|
| 1    | 4   | 618115   | 9/16MJIC-90-3/4MOR LBO           | 22   | 3   | 618609   | 3/4MJIC-90-3/4FJIC SWIV LBO   |
| 2    | 1   | 618241   | 3/4MJIC-90-3/4MOR LBO            | 23   | 13  | 618119   | 9/16MJIC-90-9/16MOR LBO       |
| 3    | 6   | 610755   | BARNES HYD MOTOR, D-SERIES 01    | 24   | 3   | 611159   | 3/4MOR PLUG, HEX HEAD         |
| 4    | 3   | 621564   | HYD CYL, 2.00 X 11.00 X 1.50 1W  | 25   | 1   | 618118   | 3/4 HOSE BARB-90-1 1/16MOR    |
| 5    | 3   | 690338   | LINE CHECK VALVE HYD .50NPT      | 26   | 1   | 616862   | 04-451TC-06FJX-06FJX90-92 H/A |
| 6    | 1   | 606249   | MANIFOLD, TRD ADJ PWRSYS         | 27   | 9   | 618531   | 9/16FJIC CAP NUT              |
| 7    | 1   | 606021   | HYD RETURN MANIF, 3/4FOR, 9-PORT | 28   | 2   | 614077   | 04-482TC-06FJX-06FJX-88 H/A   |
| 8    | 3   | 618620   | 3/4FJX-90-1/2MNPT ADPTR          | 29   | 2   | 614688   | 08-482TC-08FJX-08FJX-108 H/A  |
| 9    | 4   | 618126   | 9/16MJIC-9/16MOR ADPTR           | 30   | 3   | 618109   | 9/16MJIC-3/4MOR ADPTR         |
| 10   | 6   | 618451   | 3/4FJIC SW RUN TEE-3/4MJIC       | 31   | 1   | 614102   | 04-482TC-06FJX-06FJX-191 H/A  |
| 11   | 4   | 618731   | 9/16JIC .025 ORIFICE ADPTR       | 32   | 1   | 616205   | 04-482TC-06FJX-06FJX-117 H/A  |
| 12   | 1   | 601555   | HOSE, 3/4 X 150 1FBR-1SPI        | 33   | 2   | 614152   | 04-482TC-06FJX-06FJX-114 H/A  |
| 13   | 12  | 611125   | 3/4MJIC-3/4MOR ADPTR             | 34   | 1   | 611210   | 04-482TC-06FJX-06FJX-156 H/A  |
| 14   | 2   | 621520   | HYD CYL, 2.00 X 10.00 X 1.000    | 35   | 3   | 618732   | 9/16JIC .031 ORIFICE ADPTR    |
| 15   | 3   | 618530   | 9/16MJIC-1/8MNPT ADPTR           | 36   | 4   | 614690   | 08-482TC-08FJX-08FJX-192 H/A  |
| 16   | 3   | 618546   | 1/8MNPT RUN TEE-9/16MJIC         | 37   | 3   | 616422   | 04-482TC-06FJX-06FJX90-56 H/A |
| 17   | 3   | 611147   | 3/4MJIC-1/2MNPT ADPTR            | 38   | 1   | 615727   | 04-482TC-06FJX-06FJX-75 H/A   |
| 18   | 1   | 616502   | 08-451TC-08FJX-08FJX-20 H/A      | 39   | 2   | 614101   | 04-482TC-06FJX-06FJX-133 H/A  |
| 19   | 1   | 616117   | 06-451TC-06FJX-06FJX-17 H/A      | 40   | 3   | 614368   | 08-482TC-08FJX-08FJX-60 H/A   |
| 20   | 3   | 618668   | 9/16FJIC SWIV-9/16MOR ADPTR      | 41   | 3   | 616025   | 08-482TC-08FJX-08FJX-50 H/A   |
| 21   | 2   | 616864   | 04-451TC-06FJX-06FJX90-137 H/A   | 42   | 3   | 607565   | CHECK VLV, PILOT TO OPEN, SUN |





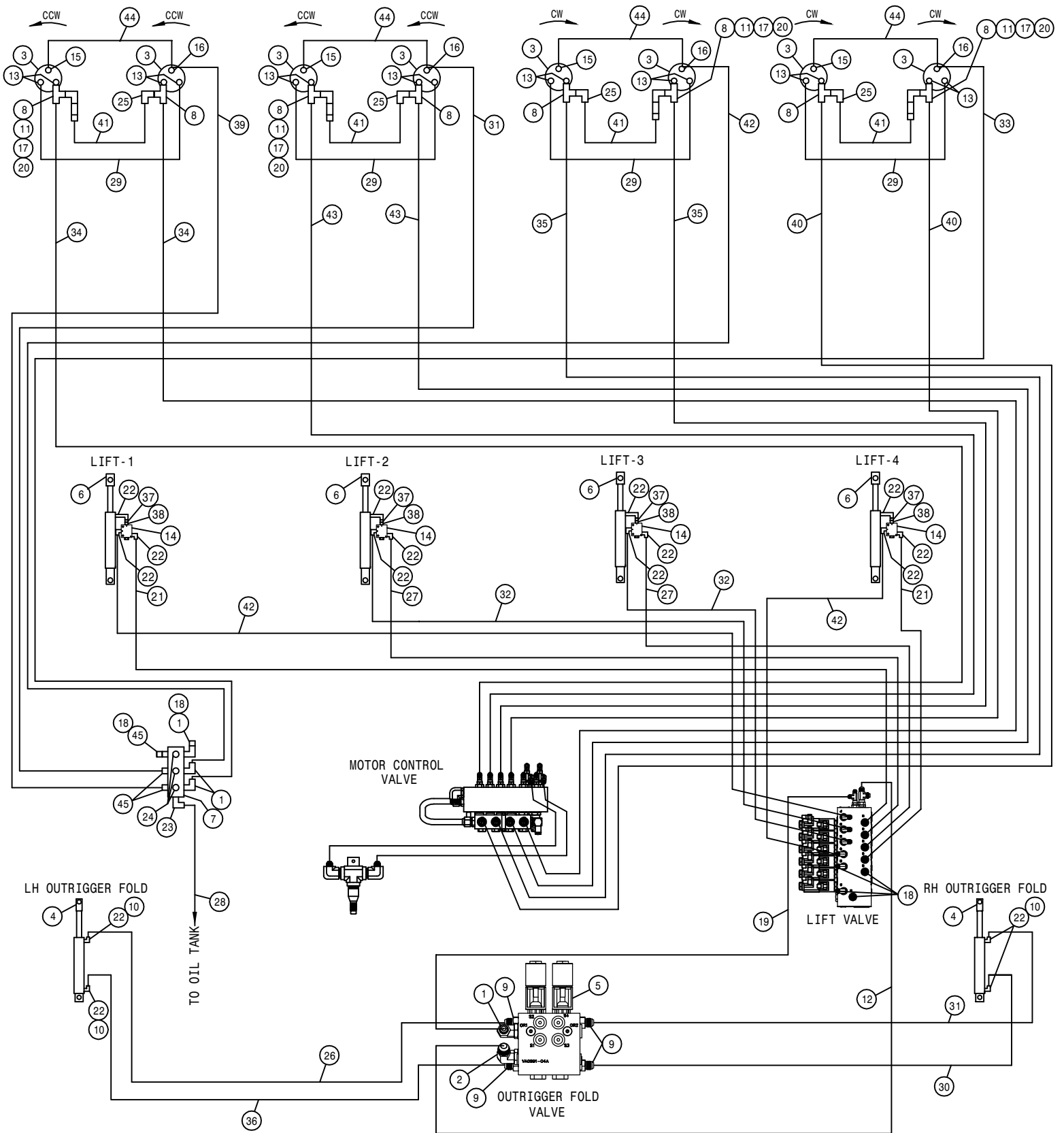
204SP 6R CUTR 60CM 6L LS HYD DIAG 2014  
REFERENCE DRAWING NO. 499308

| DET. | QTY | PART NO. | DESCRIPTION                      | DET. | QTY | PART NO. | DESCRIPTION                    |
|------|-----|----------|----------------------------------|------|-----|----------|--------------------------------|
| 1    | 4   | 618115   | 9/16MJIC-90-3/4MOR LBO           | 23   | 6   | 618546   | 1/8MNPT RUN TEE-9/16MJIC       |
| 2    | 1   | 618241   | 3/4MJIC-90-3/4MOR LBO            | 24   | 6   | 611147   | 3/4MJIC-1/2MNPT ADPTR          |
| 3    | 6   | 610755   | BARNES HYD MOTOR, D-SERIES 01    | 25   | 4   | 614688   | 08-482TC-08FJX-08FJX-108 H/A   |
| 4    | 2   | 621520   | HYD CYL, 2.00 X 10.00 X 1.000    | 26   | 3   | 611159   | 3/4MOR PLUG, HEX HEAD          |
| 5    | 1   | 606249   | MANIFOLD, TRD ADJ PWRSYS         | 27   | 3   | 614077   | 04-482TC-06FJX-06FJX-88 H/A    |
| 6    | 1   | 606021   | HYD RETURN MANIF, 3/4FOR, 9-PORT | 28   | 1   | 614102   | 04-482TC-06FJX-06FJX-191 H/A   |
| 7    | 6   | 621564   | HYD CYL, 2.00 X 11.00 X 1.50 1W  | 29   | 1   | 601555   | HOSE, 3/4 X 150 1FBR-1SPI      |
| 8    | 6   | 618620   | 3/4FJX-90-1/2MNPT ADPTR          | 30   | 6   | 615385   | 08-482TC-08FJX-08FJX-29 H/A    |
| 9    | 4   | 618126   | 9/16MJIC-9/16MOR ADPTR           | 31   | 1   | 616205   | 04-482TC-06FJX-06FJX-117 H/A   |
| 10   | 4   | 618731   | 9/16JIC .025 ORIFICE ADPTR       | 32   | 1   | 614152   | 04-482TC-06FJX-06FJX-114 H/A   |
| 11   | 6   | 690338   | LINE CHECK VALVE HYD .50NPT      | 33   | 1   | 611202   | 04-482TC-06FJX-06FJX-136 H/A   |
| 12   | 1   | 616505   | 08-451TC-08FJX-08FJX90-24 H/A    | 34   | 2   | 611210   | 04-482TC-06FJX-06FJX-156 H/A   |
| 13   | 12  | 611125   | 3/4MJIC-3/4MOR ADPTR             | 35   | 4   | 616168   | 08-482TC-08FJX-08FJX-139 H/A   |
| 14   | 12  | 618451   | 3/4FJIC SW RUN TEE-3/4MJIC       | 36   | 2   | 616864   | 04-451TC-06FJX-06FJX90-137 H/A |
| 15   | 6   | 618609   | 3/4MJIC-90-3/4FJIC SWIV LBO      | 37   | 2   | 616861   | 04-451TC-06FJX-06FJX90-88 H/A  |
| 16   | 1   | 616117   | 06-451TC-06FJX-06FJX-17 H/A      | 38   | 1   | 615727   | 04-482TC-06FJX-06FJX-75 H/A    |
| 17   | 22  | 618119   | 9/16MJIC-90-9/16MOR LBO          | 39   | 4   | 614690   | 08-482TC-08FJX-08FJX-192 H/A   |
| 18   | 2   | 616862   | 04-451TC-06FJX-06FJX90-92 H/A    | 40   | 2   | 615729   | 04-482TC-06FJX-06FJX-84 H/A    |
| 19   | 6   | 607505   | FLO CONT FC51 0-8 VARI 7/8FOR    | 41   | 6   | 618668   | 9/16FJIC SWIV-9/16MOR ADPTR    |
| 20   | 6   | 618732   | 9/16JIC .031 ORIFICE ADPTR       | 42   | 4   | 614101   | 04-482TC-06FJX-06FJX-133 H/A   |
| 21   | 1   | 618118   | 3/4 HOSE BARB-90-1 1/16MOR       | 43   | 3   | 618109   | 9/16MJIC-3/4MOR ADPTR          |
| 22   | 6   | 618530   | 9/16MJIC-1/8MNPT ADPTR           |      |     |          |                                |



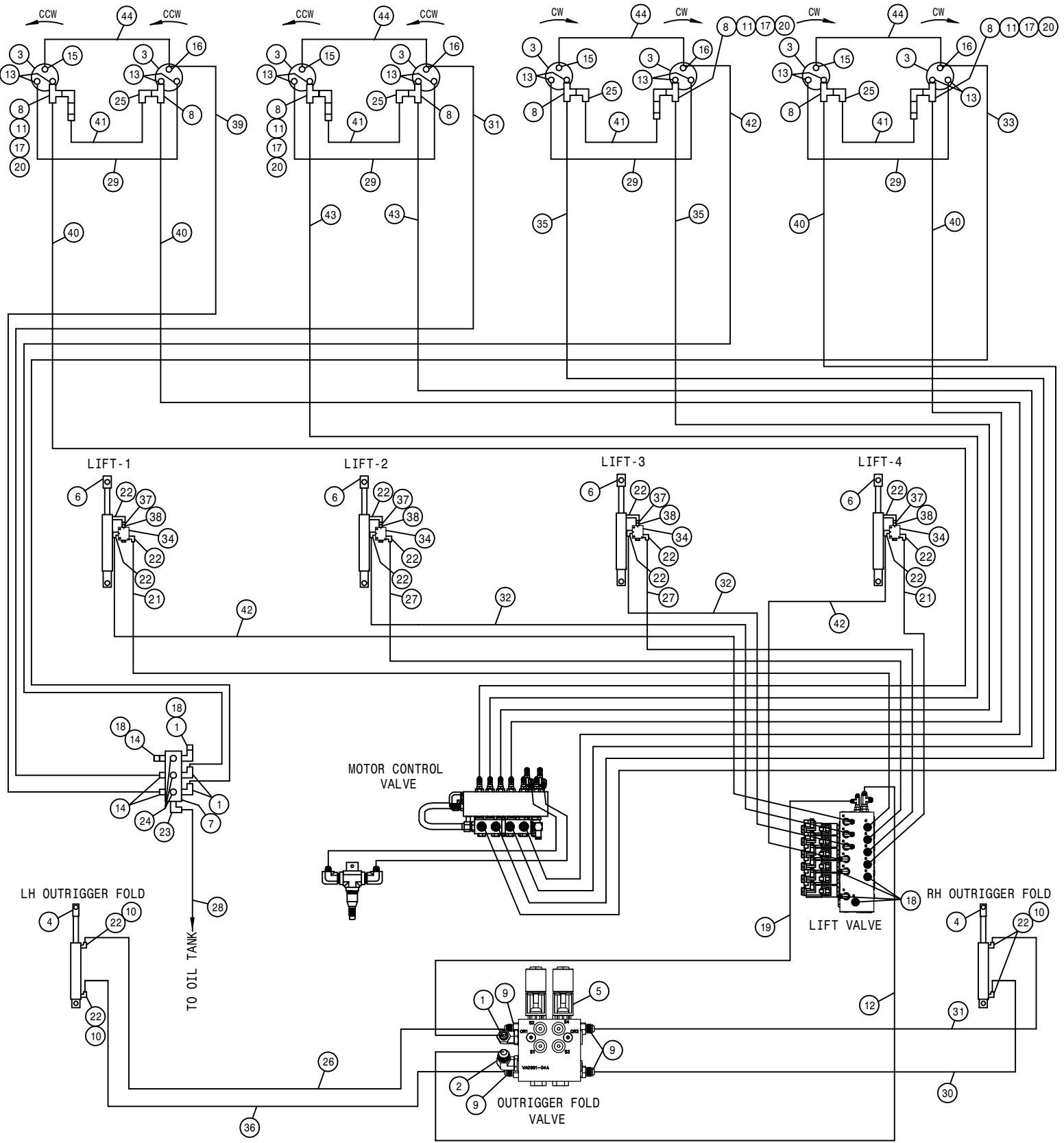
204SP 8R CUTTER 4L LS HYD DIAG 2014  
REFERENCE DRAWING NO. 499309

| DET. | QTY | PART NO. | DESCRIPTION                      | DET. | QTY | PART NO. | DESCRIPTION                   |
|------|-----|----------|----------------------------------|------|-----|----------|-------------------------------|
| 1    | 4   | 618115   | 9/16MJIC-90-3/4MOR LBO           | 23   | 1   | 618118   | 3/4 HOSE BARB-90-1 1/16MOR    |
| 2    | 1   | 618241   | 3/4MJIC-90-3/4MOR LBO            | 24   | 3   | 611159   | 3/4MOR PLUG, HEX HEAD         |
| 3    | 8   | 610755   | BARNES HYD MOTOR, D-SERIES 01    | 25   | 4   | 618609   | 3/4MJIC-90-3/4FJIC SWIV LBO   |
| 4    | 4   | 621564   | HYD CYL, 2.00 X 11.00 X 1.50 1W  | 26   | 2   | 615729   | 04-482TC-06FJX-06FJX-84 H/A   |
| 5    | 2   | 621520   | HYD CYL, 2.00 X 10.00 X 1.000    | 27   | 2   | 616861   | 04-451TC-06FJX-06FJX90-88 H/A |
| 6    | 1   | 606249   | MANIFOLD, TRD ADJ PWRSYS         | 28   | 4   | 616168   | 08-482TC-08FJX-08FJX-139 H/A  |
| 7    | 1   | 606021   | HYD RETURN MANIF, 3/4FOR, 9-PORT | 29   | 1   | 601555   | HOSE, 3/4 X 150 1FBR-1SPI     |
| 8    | 8   | 618451   | 3/4FJIC SW RUN TEE-3/4MJIC       | 30   | 4   | 614368   | 08-482TC-08FJX-08FJX-60 H/A   |
| 9    | 4   | 618126   | 9/16MJIC-9/16MOR ADPTR           | 31   | 1   | 616205   | 04-482TC-06FJX-06FJX-117 H/A  |
| 10   | 4   | 618731   | 9/16JIC .025 ORIFICE ADPTR       | 32   | 1   | 614152   | 04-482TC-06FJX-06FJX-114 H/A  |
| 11   | 4   | 618620   | 3/4FJX-90-1/2MNPT ADPTR          | 33   | 1   | 614077   | 04-482TC-06FJX-06FJX-88 H/A   |
| 12   | 1   | 616505   | 08-451TC-08FJX-08FJX90-24 H/A    | 34   | 4   | 618732   | 9/16JIC .031 ORIFICE ADPTR    |
| 13   | 16  | 611125   | 3/4MJIC-3/4MOR ADPTR             | 35   | 2   | 614303   | 04-482TC-06FJX-06FJX-234 H/A  |
| 14   | 4   | 618668   | 9/16FJIC SWIV-9/16MOR ADPTR      | 36   | 2   | 611202   | 04-482TC-06FJX-06FJX-136 H/A  |
| 15   | 4   | 618530   | 9/16MJIC-1/8MNPT ADPTR           | 37   | 4   | 614384   | 08-482TC-08FJX-08FJX-237 H/A  |
| 16   | 4   | 618546   | 1/8MNPT RUN TEE-9/16MJIC         | 38   | 4   | 616422   | 04-482TC-06FJX-06FJX90-56 H/A |
| 17   | 4   | 690338   | LINE CHECK VALVE HYD .50NPT      | 39   | 1   | 615727   | 04-482TC-06FJX-06FJX-75 H/A   |
| 18   | 6   | 618531   | 9/16FJIC CAP NUT                 | 40   | 2   | 611262   | 04-482TC-06FJX-06FJX-182 H/A  |
| 19   | 1   | 616117   | 06-451TC-06FJX-06FJX-17 H/A      | 41   | 4   | 616025   | 08-482TC-08FJX-08FJX-50 H/A   |
| 20   | 4   | 611147   | 3/4MJIC-1/2MNPT ADPTR            | 42   | 3   | 618109   | 9/16MJIC-3/4MOR ADPTR         |
| 21   | 2   | 616867   | 04-451TC-06FJX-06FJX90-186 H/A   | 43   | 4   | 607565   | CHECK VLV, PILOT TO OPEN, SUN |
| 22   | 16  | 618119   | 9/16MJIC-90-9/16MOR LBO          |      |     |          |                               |



204SP 8R CUTTER 4L 20" HYD DIAG 2014  
REFERENCE DRAWING NO. 499310

| DET. | QTY | PART NO. | DESCRIPTION                    | DET. | QTY | PART NO. | DESCRIPTION                    |
|------|-----|----------|--------------------------------|------|-----|----------|--------------------------------|
| 1    | 4   | 618115   | 9/16MJIC-90-3/4MOR LBO         | 24   | 3   | 611159   | 3/4MOR PLUG, HEX HEAD          |
| 2    | 1   | 618241   | 3/4MJIC-90-3/4MOR LBO          | 25   | 4   | 618609   | 3/4MJIC-90-3/4FJIC SWIV LBO    |
| 3    | 8   | 610755   | BARNES HYD MOTOR, D-SERIES 01  | 26   | 1   | 615727   | 04-482TC-06FJX-06FJX-75 H/A    |
| 4    | 2   | 621520   | HYD CYL, 2.00 X 10.00 X 1.000  | 27   | 2   | 616863   | 04-451TC-06FJX-06FJX90-108 H/A |
| 5    | 1   | 606249   | MANIFOLD,TRD ADJ PWSYS         | 28   | 1   | 601555   | HOSE, 3/4 X 150 1FBR-1SPI      |
| 6    | 4   | 621564   | HYD CYL,2.00 X 11.00 X 1.50 1W | 29   | 4   | 614368   | 08-482TC-08FJX-08FJX-60 H/A    |
| 7    | 1   | 606021   | HYD RETURN MANIF,3/4FOR,9-PORT | 30   | 1   | 616205   | 04-482TC-06FJX-06FJX-117 H/A   |
| 8    | 8   | 618451   | 3/4FJIC SW RUN TEE-3/4MJIC     | 31   | 2   | 614152   | 04-482TC-06FJX-06FJX-114 H/A   |
| 9    | 4   | 618126   | 9/16MJIC-9/16MOR ADPTR         | 32   | 2   | 616060   | 04-482TC-06FJX-06FJX-104 H/A   |
| 10   | 4   | 618731   | 9/16JIC .025 ORIFICE ADPTR     | 33   | 1   | 611246   | 04-482TC-06FJX-06FJX-174 H/A   |
| 11   | 4   | 618620   | 3/4FJX-90-1/2MNPT ADPTR        | 34   | 2   | 616423   | 08-482TC-08FJX-08FJX-163 H/A   |
| 12   | 1   | 616505   | 08-451TC-08FJX-08FJX90-24 H/A  | 35   | 2   | 616168   | 08-482TC-08FJX-08FJX-139 H/A   |
| 13   | 16  | 611125   | 3/4MJIC-3/4MOR ADPTR           | 36   | 1   | 614077   | 04-482TC-06FJX-06FJX-88 H/A    |
| 14   | 4   | 607565   | CHECK VLV,PILOT TO OPEN, SUN   | 37   | 3   | 618732   | 9/16JIC .031 ORIFICE ADPTR     |
| 15   | 4   | 618530   | 9/16MJIC-1/8MNPT ADPTR         | 38   | 4   | 618668   | 9/16FJIC SWIV-9/16MOR ADPTR    |
| 16   | 4   | 618546   | 1/8MNPT RUN TEE-9/16MJIC       | 39   | 1   | 611212   | 04-482TC-06FJX-06FJX-164 H/A   |
| 17   | 4   | 690338   | LINE CHECK VALVE HYD .50NPT    | 40   | 2   | 614690   | 08-482TC-08FJX-08FJX-192 H/A   |
| 18   | 6   | 618531   | 9/16FJIC CAP NUT               | 41   | 4   | 616025   | 08-482TC-08FJX-08FJX-50 H/A    |
| 19   | 1   | 616117   | 06-451TC-06FJX-06FJX-17 H/A    | 42   | 3   | 614101   | 04-482TC-06FJX-06FJX-133 H/A   |
| 20   | 4   | 611147   | 3/4MJIC-1/2MNPT ADPTR          | 43   | 2   | 614689   | 08-482TC-08FJX-08FJX-120 H/A   |
| 21   | 2   | 616864   | 04-451TC-06FJX-06FJX90-137 H/A | 44   | 4   | 616422   | 04-482TC-06FJX-06FJX90-56 H/A  |
| 22   | 16  | 618119   | 9/16MJIC-90-9/16MOR LBO        | 45   | 3   | 618109   | 9/16MJIC-3/4MOR ADPTR          |
| 23   | 1   | 618118   | 3/4 HOSE BARB-90-1 1/16MOR     |      |     |          |                                |



204SP 8R CUTTER 4L 20" HYD DIAG 14 NIDERA  
REFERENCE DRAWING NO. 499311

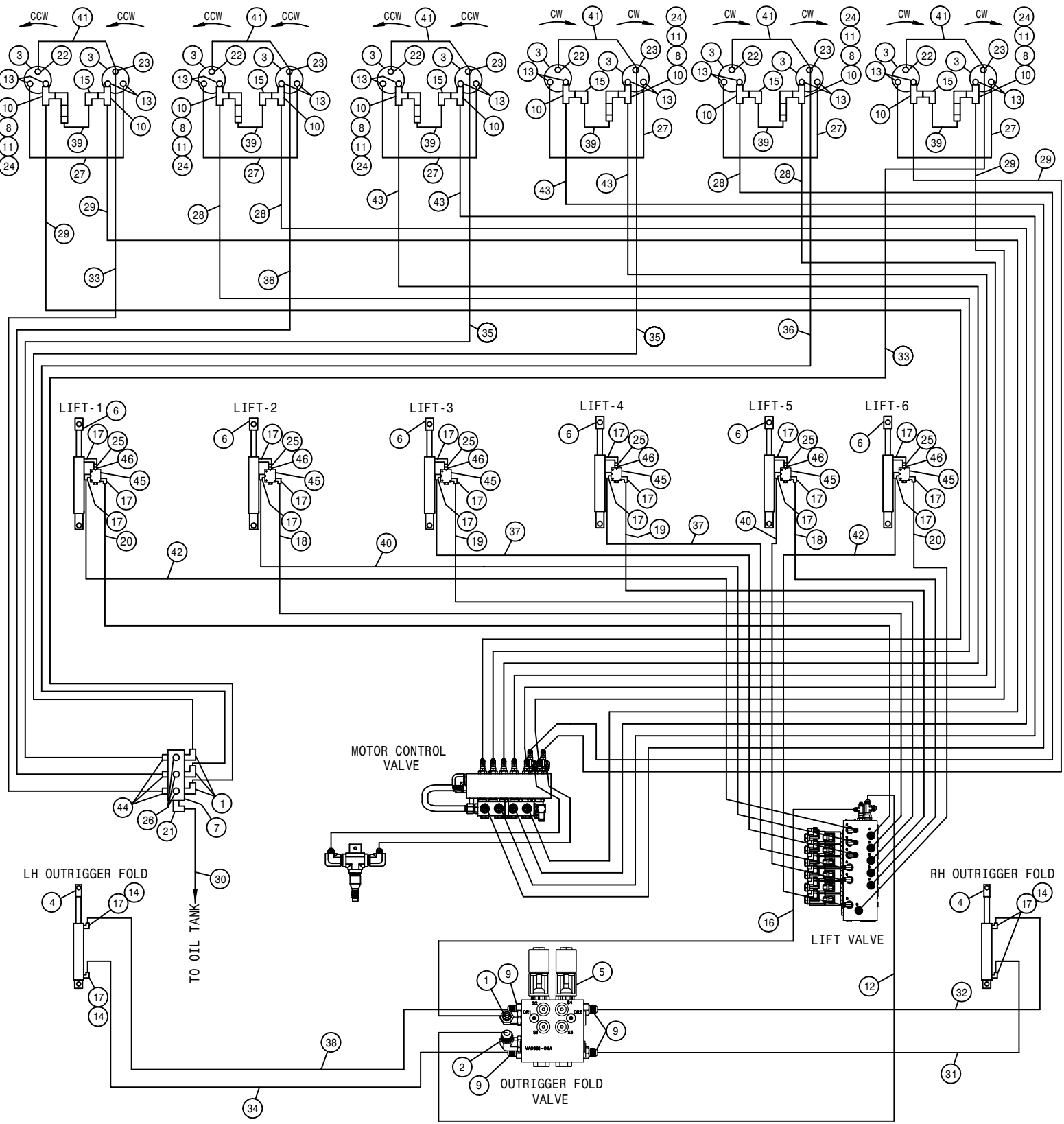
| DET. | QTY | PART NO. | DESCRIPTION                    | DET. | QTY | PART NO. | DESCRIPTION                    |
|------|-----|----------|--------------------------------|------|-----|----------|--------------------------------|
| 1    | 4   | 618115   | 9/16MJIC-90-3/4MOR LBO         | 23   | 1   | 618118   | 3/4 HOSE BARB-90-1 1/16MOR     |
| 2    | 1   | 618241   | 3/4MJIC-90-3/4MOR LBO          | 24   | 3   | 611159   | 3/4MOR PLUG, HEX HEAD          |
| 3    | 8   | 610755   | BARNES HYD MOTOR, D-SERIES 01  | 25   | 4   | 618609   | 3/4MJIC-90-3/4FJIC SWIV LBO    |
| 4    | 2   | 621520   | HYD CYL, 2.00 X 10.00 X 1.000  | 26   | 1   | 615727   | 04-482TC-06FJX-06FJX-75 H/A    |
| 5    | 1   | 606249   | MANIFOLD,TRD ADJ PWRSYS        | 27   | 2   | 616863   | 04-451TC-06FJX-06FJX90-108 H/A |
| 6    | 4   | 621564   | HYD CYL,2.00 X 11.00 X 1.50 1W | 28   | 1   | 601555   | HOSE, 3/4 X 150 1FBR-1SPI      |
| 7    | 1   | 606021   | HYD RETURN MANIF,3/4FOR,9-PORT | 29   | 4   | 614368   | 08-482TC-08FJX-08FJX-60 H/A    |
| 8    | 8   | 618451   | 3/4FJIC SW RUN TEE-3/4MJIC     | 30   | 1   | 616205   | 04-482TC-06FJX-06FJX-117 H/A   |
| 9    | 4   | 618126   | 9/16MJIC-9/16MOR ADPTR         | 31   | 2   | 614152   | 04-482TC-06FJX-06FJX-114 H/A   |
| 10   | 4   | 618731   | 9/16JIC .025 ORIFICE ADPTR     | 32   | 2   | 616060   | 04-482TC-06FJX-06FJX-104 H/A   |
| 11   | 4   | 618620   | 3/4FJX-90-1/2MNPT ADPTR        | 33   | 1   | 611246   | 04-482TC-06FJX-06FJX-174 H/A   |
| 12   | 1   | 616505   | 08-451TC-08FJX-08FJX90-24 H/A  | 34   | 4   | 607565   | CHECK VLV,PILOT TO OPEN, SUN   |
| 13   | 16  | 611125   | 3/4MJIC-3/4MOR ADPTR           | 35   | 2   | 616168   | 08-482TC-08FJX-08FJX-139 H/A   |
| 14   | 3   | 618109   | 9/16MJIC-3/4MOR ADPTR          | 36   | 1   | 614077   | 04-482TC-06FJX-06FJX-88 H/A    |
| 15   | 4   | 618530   | 9/16MJIC-1/8MNPT ADPTR         | 37   | 1   | 618732   | 9/16JIC .031 ORIFICE ADPTR     |
| 16   | 4   | 618546   | 1/8MNPT RUN TEE-9/16MJIC       | 38   | 4   | 618668   | 9/16FJIC SWIV-9/16MOR ADPTR    |
| 17   | 4   | 690338   | LINE CHECK VALVE HYD .50NPT    | 39   | 1   | 614102   | 04-482TC-06FJX-06FJX-191 H/A   |
| 18   | 6   | 618531   | 9/16FJIC CAP NUT               | 40   | 4   | 614690   | 08-482TC-08FJX-08FJX-192 H/A   |
| 19   | 1   | 616117   | 06-451TC-06FJX-06FJX-17 H/A    | 41   | 4   | 616025   | 08-482TC-08FJX-08FJX-50 H/A    |
| 20   | 4   | 611147   | 3/4MJIC-1/2MNPT ADPTR          | 42   | 3   | 614101   | 04-482TC-06FJX-06FJX-133 H/A   |
| 21   | 2   | 616864   | 04-451TC-06FJX-06FJX90-137 H/A | 43   | 2   | 614689   | 08-482TC-08FJX-08FJX-120 H/A   |
| 22   | 16  | 618119   | 9/16MJIC-90-9/16MOR LBO        | 44   | 4   | 616422   | 04-482TC-06FJX-06FJX90-56 H/A  |





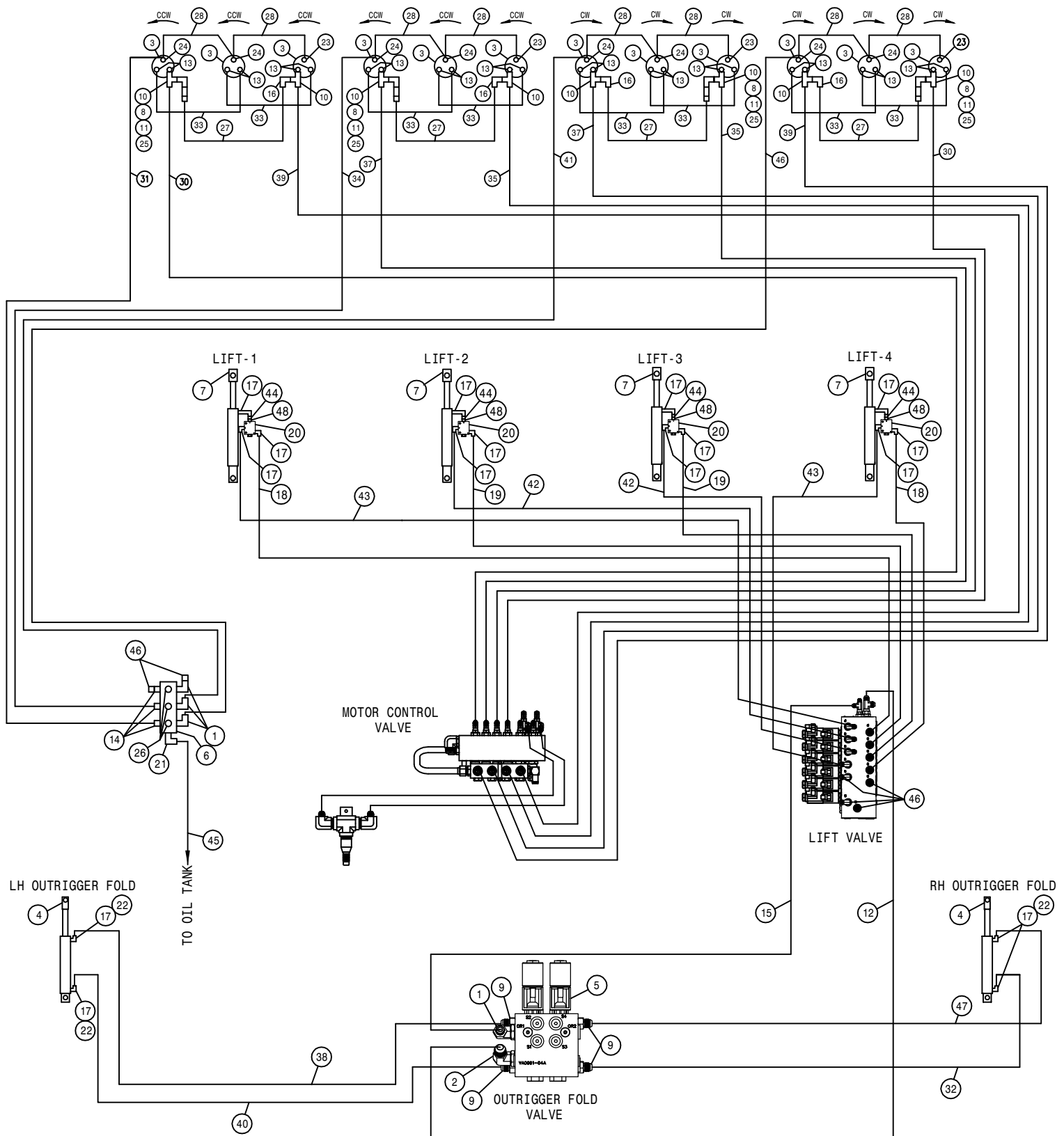
204SP 10R CUTR 4L LS HYD DIAG 2014  
REFERENCE DRAWING NO. 499312

| DET. | QTY | PART NO. | DESCRIPTION                      | DET. | QTY | PART NO. | DESCRIPTION                   |
|------|-----|----------|----------------------------------|------|-----|----------|-------------------------------|
| 1    | 4   | 618620   | 3/4FJX-90-1/2MNPT ADPTR          | 23   | 6   | 618531   | 9/16FJIC CAP NUT              |
| 2    | 1   | 618241   | 3/4MJIC-90-3/4MOR LBO            | 24   | 4   | 611147   | 3/4MJIC-1/2MNPT ADPTR         |
| 3    | 10  | 610755   | BARNES HYD MOTOR, D-SERIES 01    | 25   | 3   | 611159   | 3/4MOR PLUG, HEX HEAD         |
| 4    | 4   | 621564   | HYD CYL, 2.00 X 11.00 X 1.50 1W  | 26   | 1   | 618118   | 3/4 HOSE BARB-90-1 1/16MOR    |
| 5    | 2   | 621520   | HYD CYL, 2.00 X 10.00 X 1.000    | 27   | 3   | 618109   | 9/16MJIC-3/4MOR ADPTR         |
| 6    | 1   | 606021   | HYD RETURN MANIF, 3/4FOR, 9-PORT | 28   | 3   | 616025   | 08-482TC-08FJX-08FJX-50 H/A   |
| 7    | 1   | 606249   | MANIFOLD, TRD ADJ PWRSYS         | 29   | 1   | 601555   | HOSE, 3/4 X 150 1FBR-1SPI     |
| 8    | 8   | 618451   | 3/4FJIC SW RUN TEE-3/4MJIC       | 30   | 1   | 618732   | 9/16JIC .031 ORIFICE ADPTR    |
| 9    | 4   | 618126   | 9/16MJIC-9/16MOR ADPTR           | 31   | 1   | 614152   | 04-482TC-06FJX-06FJX-114 H/A  |
| 10   | 4   | 618731   | 9/16JIC .025 ORIFICE ADPTR       | 32   | 1   | 614077   | 04-482TC-06FJX-06FJX-88 H/A   |
| 11   | 4   | 690338   | LINE CHECK VALVE HYD .50NPT      | 33   | 6   | 616422   | 04-482TC-06FJX-06FJX90-56 H/A |
| 12   | 1   | 616505   | 08-451TC-08FJX-08FJX90-24 H/A    | 34   | 2   | 614377   | 04-482TC-06FJX-06FJX-258 H/A  |
| 13   | 20  | 611125   | 3/4MJIC-3/4MOR ADPTR             | 35   | 2   | 614384   | 08-482TC-08FJX-08FJX-237 H/A  |
| 14   | 1   | 616117   | 06-451TC-06FJX-06FJX-17 H/A      | 36   | 2   | 614387   | 08-482TC-08FJX-08FJX-267 H/A  |
| 15   | 4   | 618115   | 9/16MJIC-90-3/4MOR LBO           | 37   | 2   | 615729   | 04-482TC-06FJX-06FJX-84 H/A   |
| 16   | 2   | 616868   | 04-451TC-06FJX-06FJX90-205 H/A   | 38   | 1   | 615727   | 04-482TC-06FJX-06FJX-75 H/A   |
| 17   | 16  | 618119   | 9/16MJIC-90-9/16MOR LBO          | 39   | 4   | 616168   | 08-482TC-08FJX-08FJX-139 H/A  |
| 18   | 4   | 618668   | 9/16FJIC SWIV-9/16MOR ADPTR      | 40   | 2   | 616031   | 08-482TC-08FJX-08FJX-83 H/A   |
| 19   | 2   | 616861   | 04-451TC-06FJX-06FJX90-88 H/A    | 41   | 2   | 611202   | 04-482TC-06FJX-06FJX-136 H/A  |
| 20   | 4   | 618530   | 9/16MJIC-1/8MNPT ADPTR           | 42   | 2   | 614098   | 04-482TC-06FJX-06FJX-201 H/A  |
| 21   | 4   | 618609   | 3/4MJIC-90-3/4FJIC SWIV LBO      | 43   | 6   | 614368   | 08-482TC-08FJX-08FJX-60 H/A   |
| 22   | 6   | 618546   | 1/8MNPT RUN TEE-9/16MJIC         | 44   | 4   | 607565   | CHECK VLV, PILOT TO OPEN, SUN |



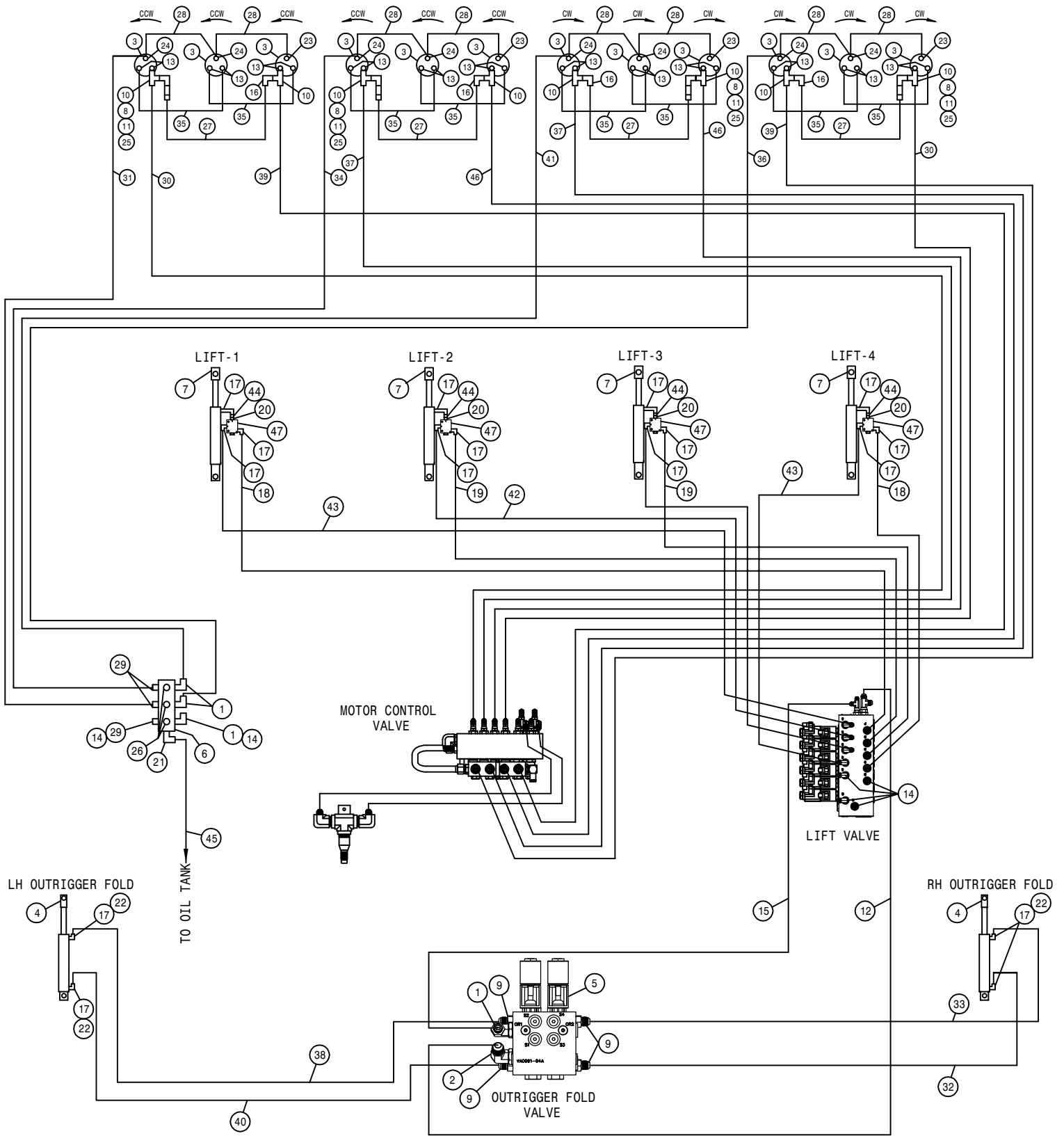
204SP 12R CUTR 6L LS HYD DIAG 2014  
REFERENCE DRAWING NO. 499313

| DET. | QTY | PART NO. | DESCRIPTION                    | DET. | QTY | PART NO. | DESCRIPTION                   |
|------|-----|----------|--------------------------------|------|-----|----------|-------------------------------|
| 1    | 4   | 618115   | 9/16MJIC-90-3/4MOR LBO         | 24   | 6   | 611147   | 3/4MJIC-1/2MNPT ADPTR         |
| 2    | 1   | 618241   | 3/4MJIC-90-3/4MOR LBO          | 25   | 6   | 618732   | 9/16JIC .031 ORIFICE ADPTR    |
| 3    | 12  | 610755   | BARNES HYD MOTOR, D-SERIES 01  | 26   | 3   | 611159   | 3/4MOR PLUG, HEX HEAD         |
| 4    | 2   | 621520   | HYD CYL, 2.00 X 10.00 X 1.000  | 27   | 6   | 614368   | 08-482TC-08FJX-08FJX-60 H/A   |
| 5    | 1   | 606249   | MANIFOLD,TRD ADJ PWRSYS        | 28   | 4   | 614384   | 08-482TC-08FJX-08FJX-237 H/A  |
| 6    | 6   | 621564   | HYD CYL,2.00 X 11.00 X 1.50 1W | 29   | 4   | 616170   | 08-482TC-08FJX-08FJX-295 H/A  |
| 7    | 1   | 606021   | HYD RETURN MANIF,3/4FOR,9-PORT | 30   | 1   | 601555   | HOSE, 3/4 X 150 1FBR-1SPI     |
| 8    | 6   | 618620   | 3/4FJX-90-1/2MNPT ADPTR        | 31   | 1   | 616205   | 04-482TC-06FJX-06FJX-117 H/A  |
| 9    | 4   | 618126   | 9/16MJIC-9/16MOR ADPTR         | 32   | 1   | 614152   | 04-482TC-06FJX-06FJX-114 H/A  |
| 10   | 12  | 618451   | 3/4FJIC SW RUN TEE-3/4MJIC     | 33   | 2   | 614504   | 04-482TC-06FJX-06FJX-301 H/A  |
| 11   | 6   | 690338   | LINE CHECK VALVE HYD .50NPT    | 34   | 1   | 614077   | 04-482TC-06FJX-06FJX-88 H/A   |
| 12   | 1   | 616505   | 08-451TC-08FJX-08FJX90-24 H/A  | 35   | 2   | 611202   | 04-482TC-06FJX-06FJX-136 H/A  |
| 13   | 24  | 611125   | 3/4MJIC-3/4MOR ADPTR           | 36   | 2   | 614303   | 04-482TC-06FJX-06FJX-234 H/A  |
| 14   | 4   | 618731   | 9/16JIC .025 ORIFICE ADPTR     | 37   | 2   | 615729   | 04-482TC-06FJX-06FJX-84 H/A   |
| 15   | 6   | 618609   | 3/4MJIC-90-3/4FJIC SWIV LBO    | 38   | 1   | 615727   | 04-482TC-06FJX-06FJX-75 H/A   |
| 16   | 1   | 616117   | 06-451TC-06FJX-06FJX-17 H/A    | 39   | 6   | 616025   | 08-482TC-08FJX-08FJX-50 H/A   |
| 17   | 22  | 618119   | 9/16MJIC-90-9/16MOR LBO        | 40   | 2   | 611262   | 04-482TC-06FJX-06FJX-182 H/A  |
| 18   | 2   | 616867   | 04-451TC-06FJX-06FJX90-186 H/A | 41   | 6   | 616422   | 04-482TC-06FJX-06FJX90-56 H/A |
| 19   | 2   | 616861   | 04-451TC-06FJX-06FJX90-88 H/A  | 42   | 2   | 614377   | 04-482TC-06FJX-06FJX-258 H/A  |
| 20   | 2   | 616871   | 04-451TC-06FJX-06FJX90-262 H/A | 43   | 4   | 616168   | 08-482TC-08FJX-08FJX-139 H/A  |
| 21   | 1   | 618118   | 3/4 HOSE BARB-90-1 1/16MOR     | 44   | 3   | 618109   | 9/16MJIC-3/4MOR ADPTR         |
| 22   | 6   | 618530   | 9/16MJIC-1/8MNPT ADPTR         | 45   | 6   | 607565   | CHECK VLV,PILOT TO OPEN, SUN  |
| 23   | 6   | 618546   | 1/8MNPT RUN TEE-9/16MJIC       | 46   | 6   | 618668   | 9/16FJIC SWIV-9/16MOR ADPTR   |



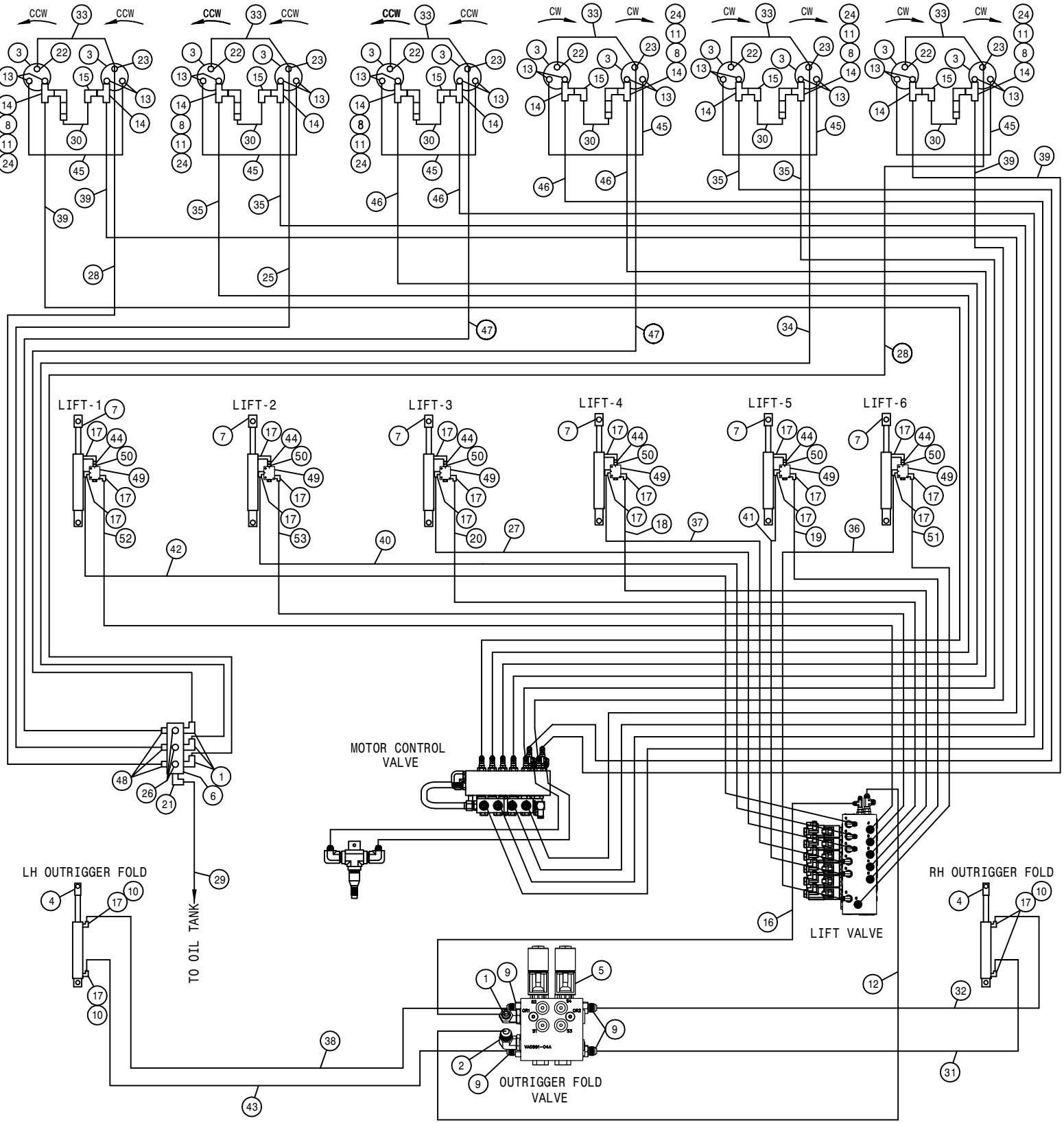
204SP 12R CUTR 20" 4L LS HYD DIAG 2014  
 REFERENCE DRAWING NO. 499314

| DET. | QTY | PART NO. | DESCRIPTION                    | DET. | QTY | PART NO. | DESCRIPTION                   |
|------|-----|----------|--------------------------------|------|-----|----------|-------------------------------|
| 1    | 4   | 618115   | 9/16MJIC-90-3/4MOR LBO         | 25   | 4   | 611147   | 3/4MJIC-1/2MNPT ADPTR         |
| 2    | 1   | 618241   | 3/4MJIC-90-3/4MOR LBO          | 26   | 3   | 611159   | 3/4MOR PLUG, HEX HEAD         |
| 3    | 12  | 610755   | BARNES HYD MOTOR, D-SERIES 01  | 27   | 4   | 614662   | 08-482TC-08FJX-08FJX-72 H/A   |
| 4    | 2   | 621520   | HYD CYL, 2.00 X 10.00 X 1.000  | 28   | 8   | 616422   | 04-482TC-06FJX-06FJX90-56 H/A |
| 5    | 1   | 606249   | MANIFOLD,TRD ADJ PWRSYS        | 29   | 1   | 615729   | 04-482TC-06FJX-06FJX-84 H/A   |
| 6    | 1   | 606021   | HYD RETURN MANIF,3/4FOR,9-PORT | 30   | 2   | 616225   | 08-482TC-08FJX-08FJX-248 H/A  |
| 7    | 4   | 621564   | HYD CYL,2.00 X 11.00 X 1.50 1W | 31   | 1   | 614377   | 04-482TC-06FJX-06FJX-258 H/A  |
| 8    | 4   | 618620   | 3/4FJX-90-1/2MNPT ADPTR        | 32   | 1   | 616205   | 04-482TC-06FJX-06FJX-117 H/A  |
| 9    | 4   | 618126   | 9/16MJIC-9/16MOR ADPTR         | 33   | 8   | 616025   | 08-482TC-08FJX-08FJX-50 H/A   |
| 10   | 8   | 618451   | 3/4FJIC SW RUN TEE-3/4MJIC     | 34   | 1   | 611262   | 04-482TC-06FJX-06FJX-182 H/A  |
| 11   | 4   | 690338   | LINE CHECK VALVE HYD .50NPT    | 35   | 2   | 616193   | 08-482TC-08FJX-08FJX-148 H/A  |
| 12   | 1   | 616505   | 08-451TC-08FJX-08FJX90-24 H/A  | 36   | 1   | 616421   | 04-482TC-06FJX-06FJX-228 H/A  |
| 13   | 24  | 611125   | 3/4MJIC-3/4MOR ADPTR           | 37   | 2   | 614375   | 08-482TC-08FJX-08FJX-177 H/A  |
| 14   | 3   | 618109   | 9/16MJIC-3/4MOR ADPTR          | 38   | 1   | 615727   | 04-482TC-06FJX-06FJX-75 H/A   |
| 15   | 1   | 616117   | 06-451TC-06FJX-06FJX-17 H/A    | 39   | 2   | 614691   | 08-482TC-08FJX-08FJX-220 H/A  |
| 16   | 4   | 618609   | 3/4MJIC-90-3/4FJIC SWIV LBO    | 40   | 1   | 614077   | 04-482TC-06FJX-06FJX-88 H/A   |
| 17   | 16  | 618119   | 9/16MJIC-90-9/16MOR LBO        | 41   | 1   | 611212   | 04-482TC-06FJX-06FJX-164 H/A  |
| 18   | 2   | 616833   | 04-451TC-06FJX-06FJX90-194 H/A | 42   | 2   | 611202   | 04-482TC-06FJX-06FJX-136 H/A  |
| 19   | 2   | 616865   | 04-451TC-06FJX-06FJX90-140 H/A | 43   | 2   | 614102   | 04-482TC-06FJX-06FJX-191 H/A  |
| 20   | 4   | 607565   | CHECK VLV,PILOT TO OPEN, SUN   | 44   | 4   | 618732   | 9/16JIC .031 ORIFICE ADPTR    |
| 21   | 1   | 618118   | 3/4 HOSE BARB-90-1 1/16MOR     | 45   | 1   | 601555   | HOSE, 3/4 X 150 1FBR-1SPI     |
| 22   | 4   | 618731   | 9/16JIC .025 ORIFICE ADPTR     | 46   | 6   | 618531   | 9/16FJIC CAP NUT              |
| 23   | 4   | 618530   | 9/16MJIC-1/8MNPT ADPTR         | 47   | 1   | 614152   | 04-482TC-06FJX-06FJX-114 H/A  |
| 24   | 8   | 618546   | 1/8MNPT RUN TEE-9/16MJIC       | 48   | 4   | 618668   | 9/16FJIC SWIV-9/16MOR ADPTR   |



204SP 12R CUTR 52CM 4L LS HYD DIAG 2014  
REFERENCE DRAWING NO. 499315

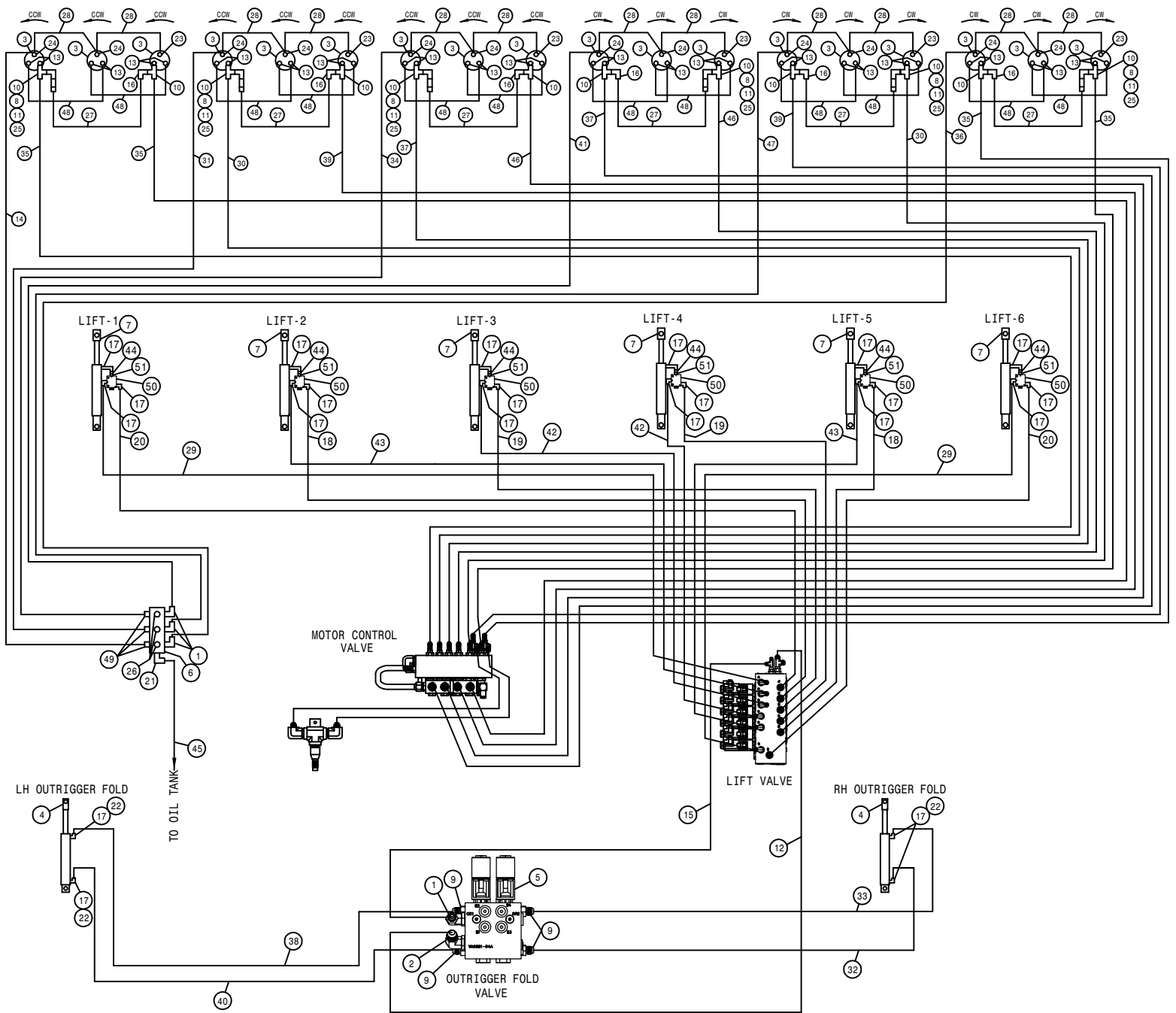
| DET. | QTY | PART NO. | DESCRIPTION                      | DET. | QTY | PART NO. | DESCRIPTION                   |
|------|-----|----------|----------------------------------|------|-----|----------|-------------------------------|
| 1    | 4   | 618115   | 9/16MJIC-90-3/4MOR LBO           | 25   | 4   | 611147   | 3/4MJIC-1/2MNPT ADPTR         |
| 2    | 1   | 618241   | 3/4MJIC-90-3/4MOR LBO            | 26   | 3   | 611159   | 3/4MOR PLUG, HEX HEAD         |
| 3    | 12  | 610755   | BARNES HYD MOTOR, D-SERIES 01    | 27   | 4   | 614662   | 08-482TC-08FJX-08FJX-72 H/A   |
| 4    | 2   | 621520   | HYD CYL, 2.00 X 10.00 X 1.000    | 28   | 8   | 616422   | 04-482TC-06FJX-06FJX90-56 H/A |
| 5    | 1   | 606249   | MANIFOLD, TRD ADJ PWRSYS         | 29   | 3   | 618109   | 9/16MJIC-3/4MOR ADPTR         |
| 6    | 1   | 606021   | HYD RETURN MANIF, 3/4FOR, 9-PORT | 30   | 2   | 616223   | 08-482TC-08FJX-08FJX-232 H/A  |
| 7    | 4   | 621564   | HYD CYL, 2.00 X 11.00 X 1.50 1W  | 31   | 1   | 614303   | 04-482TC-06FJX-06FJX-234 H/A  |
| 8    | 4   | 618620   | 3/4FJX-90-1/2MNPT ADPTR          | 32   | 1   | 616205   | 04-482TC-06FJX-06FJX-117 H/A  |
| 9    | 4   | 618126   | 9/16MJIC-9/16MOR ADPTR           | 33   | 1   | 614152   | 04-482TC-06FJX-06FJX-114 H/A  |
| 10   | 8   | 618451   | 3/4FJIC SW RUN TEE-3/4MJIC       | 34   | 1   | 611212   | 04-482TC-06FJX-06FJX-164 H/A  |
| 11   | 4   | 690338   | LINE CHECK VALVE HYD .50NPT      | 35   | 8   | 616025   | 08-482TC-08FJX-08FJX-50 H/A   |
| 12   | 1   | 616505   | 08-451TC-08FJX-08FJX90-24 H/A    | 36   | 1   | 614100   | 04-482TC-06FJX-06FJX-211 H/A  |
| 13   | 24  | 611125   | 3/4MJIC-3/4MOR ADPTR             | 37   | 2   | 616169   | 08-482TC-08FJX-08FJX-146 H/A  |
| 14   | 6   | 618531   | 9/16FJIC CAP NUT                 | 38   | 1   | 615727   | 04-482TC-06FJX-06FJX-75 H/A   |
| 15   | 1   | 616117   | 06-451TC-06FJX-06FJX-17 H/A      | 39   | 2   | 614378   | 08-482TC-08FJX-08FJX-207 H/A  |
| 16   | 4   | 618609   | 3/4MJIC-90-3/4FJIC SWIV LBO      | 40   | 1   | 614077   | 04-482TC-06FJX-06FJX-88 H/A   |
| 17   | 16  | 618119   | 9/16MJIC-90-9/16MOR LBO          | 41   | 1   | 614101   | 04-482TC-06FJX-06FJX-133 H/A  |
| 18   | 2   | 616866   | 04-451TC-06FJX-06FJX90-178 H/A   | 42   | 2   | 616060   | 04-482TC-06FJX-06FJX-104 H/A  |
| 19   | 2   | 616863   | 04-451TC-06FJX-06FJX90-108 H/A   | 43   | 2   | 611246   | 04-482TC-06FJX-06FJX-174 H/A  |
| 20   | 4   | 618668   | 9/16FJIC SWIV-9/16MOR ADPTR      | 44   | 4   | 618732   | 9/16JIC .031 ORIFICE ADPTR    |
| 21   | 1   | 618118   | 3/4 HOSE BARB-90-1 1/16MOR       | 45   | 1   | 601555   | HOSE, 3/4 X 150 1FBR-1SPI     |
| 22   | 4   | 618731   | 9/16JIC .025 ORIFICE ADPTR       | 46   | 2   | 614689   | 08-482TC-08FJX-08FJX-120 H/A  |
| 23   | 4   | 618530   | 9/16MJIC-1/8MNPT ADPTR           | 47   | 4   | 607565   | CHECK VLV, PILOT TO OPEN, SUN |
| 24   | 8   | 618546   | 1/8MNPT RUN TEE-9/16MJIC         |      |     |          |                               |





204SP 12R CUTR 52CM 6L LS HYD DIAG 2014  
REFERENCE DRAWING NO. 499316

| DET. | QTY | PART NO. | DESCRIPTION                    | DET. | QTY | PART NO. | DESCRIPTION                    |
|------|-----|----------|--------------------------------|------|-----|----------|--------------------------------|
| 1    | 4   | 618115   | 9/16MJIC-90-3/4MOR LBO         | 28   | 2   | 614377   | 04-482TC-06FJX-06FJX-258 H/A   |
| 2    | 1   | 618241   | 3/4MJIC-90-3/4MOR LBO          | 29   | 1   | 601555   | HOSE, 3/4 X 150 1FBR-1SPI      |
| 3    | 12  | 610755   | BARNES HYD MOTOR, D-SERIES 01  | 30   | 6   | 616025   | 08-482TC-08FJX-08FJX-50 H/A    |
| 4    | 2   | 621520   | HYD CYL, 2.00 X 10.00 X 1.000  | 31   | 1   | 616205   | 04-482TC-06FJX-06FJX-117 H/A   |
| 5    | 1   | 606249   | MANIFOLD,TRD ADJ PWRSYS        | 32   | 1   | 614152   | 04-482TC-06FJX-06FJX-114 H/A   |
| 6    | 1   | 606021   | HYD RETURN MANIF,3/4FOR,9-PORT | 33   | 6   | 616422   | 04-482TC-06FJX-06FJX90-56 H/A  |
| 7    | 6   | 621564   | HYD CYL,2.00 X 11.00 X 1.50 1W | 34   | 1   | 614158   | 04-482TC-06FJX-06FJX-199 H/A   |
| 8    | 6   | 618620   | 3/4FJX-90-1/2MNPT ADPTR        | 35   | 4   | 614690   | 08-482TC-08FJX-08FJX-192 H/A   |
| 9    | 4   | 618126   | 9/16MJIC-9/16MOR ADPTR         | 36   | 1   | 614303   | 04-482TC-06FJX-06FJX-234 H/A   |
| 10   | 4   | 618731   | 9/16JIC .025 ORIFICE ADPTR     | 37   | 1   | 611245   | 04-482TC-06FJX-06FJX-104 H/A   |
| 11   | 6   | 690338   | LINE CHECK VALVE HYD .50NPT    | 38   | 1   | 615727   | 04-482TC-06FJX-06FJX-75 H/A    |
| 12   | 1   | 616502   | 08-451TC-08FJX-08FJX-20 H/A    | 39   | 4   | 616227   | 08-482TC-08FJX-08FJX-255 H/A   |
| 13   | 24  | 611125   | 3/4MJIC-3/4MOR ADPTR           | 40   | 1   | 616191   | 04-482TC-06FJX-06FJX-138 H/A   |
| 14   | 12  | 618451   | 3/4FJIC SW RUN TEE-3/4MJIC     | 41   | 1   | 611246   | 04-482TC-06FJX-06FJX-174 H/A   |
| 15   | 6   | 618609   | 3/4MJIC-90-3/4FJIC SWIV LBO    | 42   | 1   | 614154   | 04-482TC-06FJX-06FJX-221 H/A   |
| 16   | 1   | 616117   | 06-451TC-06FJX-06FJX-17 H/A    | 43   | 1   | 614077   | 04-482TC-06FJX-06FJX-88 H/A    |
| 17   | 22  | 618119   | 9/16MJIC-90-9/16MOR LBO        | 44   | 6   | 618732   | 9/16JIC .031 ORIFICE ADPTR     |
| 18   | 1   | 616863   | 04-451TC-06FJX-06FJX90-108 H/A | 45   | 6   | 614368   | 08-482TC-08FJX-08FJX-60 H/A    |
| 19   | 1   | 616866   | 04-451TC-06FJX-06FJX90-178 H/A | 46   | 4   | 614689   | 08-482TC-08FJX-08FJX-120 H/A   |
| 20   | 1   | 616864   | 04-451TC-06FJX-06FJX90-137 H/A | 47   | 2   | 614076   | 04-482TC-06FJX-06FJX-119 H/A   |
| 21   | 1   | 618118   | 3/4 HOSE BARB-90-1 1/16MOR     | 48   | 3   | 618109   | 9/16MJIC-3/4MOR ADPTR          |
| 22   | 6   | 618530   | 9/16MJIC-1/8MNPT ADPTR         | 49   | 6   | 607505   | FLO CONT FC51 0-8 VARI 7/8FOR  |
| 23   | 6   | 618546   | 1/8MNPT RUN TEE-9/16MJIC       | 50   | 6   | 618668   | 9/16FJIC SWIV-9/16MOR ADPTR    |
| 24   | 6   | 611147   | 3/4MJIC-1/2MNPT ADPTR          | 51   | 1   | 616870   | 04-451TC-06FJX-06FJX90-238 H/A |
| 25   | 1   | 615095   | 04-482TC-06FJX-06FJX-194 H/A   | 52   | 1   | 616869   | 04-451TC-06FJX-06FJX90-225 H/A |
| 26   | 3   | 611159   | 3/4MOR PLUG, HEX HEAD          | 53   | 1   | 616415   | 04-451TC-06FJX-06FJX90-142 H/A |
| 27   | 1   | 614101   | 04-482TC-06FJX-06FJX-133 H/A   |      |     |          |                                |



204SP 18R CUTR 20" 6L LS HYD DIAG 2014  
REFERENCE DRAWING NO. 499317

| DET. | QTY | PART NO. | DESCRIPTION                      | DET. | QTY | PART NO. | DESCRIPTION                   |
|------|-----|----------|----------------------------------|------|-----|----------|-------------------------------|
| 1    | 4   | 618115   | 9/16MJIC-90-3/4MOR LBO           | 27   | 6   | 614662   | 08-482TC-08FJX-08FJX-72 H/A   |
| 2    | 1   | 618241   | 3/4MJIC-90-3/4MOR LBO            | 28   | 12  | 616422   | 04-482TC-06FJX-06FJX90-56 H/A |
| 3    | 18  | 610755   | BARNES HYD MOTOR, D-SERIES 01    | 29   | 2   | 614377   | 04-482TC-06FJX-06FJX-258 H/A  |
| 4    | 2   | 621520   | HYD CYL, 2.00 X 10.00 X 1.000    | 30   | 2   | 616223   | 08-482TC-08FJX-08FJX-232 H/A  |
| 5    | 1   | 606249   | MANIFOLD, TRD ADJ PWRSYS         | 31   | 1   | 614303   | 04-482TC-06FJX-06FJX-234 H/A  |
| 6    | 1   | 606021   | HYD RETURN MANIF, 3/4FOR, 9-PORT | 32   | 1   | 616205   | 04-482TC-06FJX-06FJX-117 H/A  |
| 7    | 6   | 621564   | HYD CYL, 2.00 X 11.00 X 1.50 1W  | 33   | 1   | 614152   | 04-482TC-06FJX-06FJX-114 H/A  |
| 8    | 6   | 618620   | 3/4FJX-90-1/2MNPT ADPTR          | 34   | 1   | 611212   | 04-482TC-06FJX-06FJX-164 H/A  |
| 9    | 4   | 618126   | 9/16MJIC-9/16MOR ADPTR           | 35   | 4   | 614386   | 08-482TC-08FJX-08FJX-285 H/A  |
| 10   | 12  | 618451   | 3/4FJIC SW RUN TEE-3/4MJIC       | 36   | 1   | 615731   | 04-482TC-06FJX-06FJX-290 H/A  |
| 11   | 6   | 690338   | LINE CHECK VALVE HYD .50NPT      | 37   | 2   | 616169   | 08-482TC-08FJX-08FJX-146 H/A  |
| 12   | 1   | 616505   | 08-451TC-08FJX-08FJX90-24 H/A    | 38   | 1   | 615727   | 04-482TC-06FJX-06FJX-75 H/A   |
| 13   | 36  | 611125   | 3/4MJIC-3/4MOR ADPTR             | 39   | 2   | 614378   | 08-482TC-08FJX-08FJX-207 H/A  |
| 14   | 1   | 614504   | 04-482TC-06FJX-06FJX-301 H/A     | 40   | 1   | 614077   | 04-482TC-06FJX-06FJX-88 H/A   |
| 15   | 1   | 616117   | 06-451TC-06FJX-06FJX-17 H/A      | 41   | 1   | 614101   | 04-482TC-06FJX-06FJX-133 H/A  |
| 16   | 6   | 618609   | 3/4MJIC-90-3/4FJIC SWIV LBO      | 42   | 2   | 616060   | 04-482TC-06FJX-06FJX-104 H/A  |
| 17   | 22  | 618119   | 9/16MJIC-90-9/16MOR LBO          | 43   | 2   | 611246   | 04-482TC-06FJX-06FJX-174 H/A  |
| 18   | 2   | 616866   | 04-451TC-06FJX-06FJX90-178 H/A   | 44   | 6   | 618732   | 9/16JIC .031 ORIFICE ADPTR    |
| 19   | 2   | 616863   | 04-451TC-06FJX-06FJX90-108 H/A   | 45   | 1   | 601555   | HOSE, 3/4 X 150 1FBR-1SPI     |
| 20   | 2   | 616871   | 04-451TC-06FJX-06FJX90-262 H/A   | 46   | 2   | 614689   | 08-482TC-08FJX-08FJX-120 H/A  |
| 21   | 1   | 618118   | 3/4 HOSE BARB-90-1 1/16MOR       | 47   | 1   | 614100   | 04-482TC-06FJX-06FJX-211 H/A  |
| 22   | 4   | 618731   | 9/16JIC .025 ORIFICE ADPTR       | 48   | 12  | 616025   | 08-482TC-08FJX-08FJX-50 H/A   |
| 23   | 6   | 618530   | 9/16MJIC-1/8MNPT ADPTR           | 49   | 3   | 618109   | 9/16MJIC-3/4MOR ADPTR         |
| 24   | 12  | 618546   | 1/8MNPT RUN TEE-9/16MJIC         | 50   | 6   | 607565   | CHECK VLV, PILOT TO OPEN, SUN |
| 25   | 6   | 611147   | 3/4MJIC-1/2MNPT ADPTR            | 51   | 6   | 618668   | 9/16FJIC SWIV-9/16MOR ADPTR   |
| 26   | 3   | 611159   | 3/4MOR PLUG, HEX HEAD            |      |     |          |                               |

## ABBREVIATIONS

|                                    |                               |
|------------------------------------|-------------------------------|
| A/C - AIR CONDITIONER              | MT - MOUNT                    |
| ADPTR - ADAPTER                    | MTR - MOTOR                   |
| AGI - AGITATOR                     | P/N - PART NUMBER             |
| ALT - ALTERNATOR                   | PLT - PLATE                   |
| ASSY - ASSEMBLY                    | QTY - QUANTITY                |
| BRKT - BRACKET                     | RED - REDUCER                 |
| DET - DETAIL                       | REF - REFERENCE               |
| DISPL - DISPLACEMENT               | REST - RESTRICTOR             |
| EL - ELBOW                         | REQ - REQUIRED                |
| EXT - EXTENSION                    | SHFT - SHAFT                  |
| FLO - FLOW                         | SOL - SOLUTION                |
| FNPT - FEMALE NATIONAL PIPE THREAD | STRG - STEERING               |
| FOR - FEMALE O-RING                | ST - STREET                   |
| FRT - FRONT                        | SV - STANDARD VOLUME          |
| HV - HI-VOLUME                     | SWIV - SWIVEL                 |
| HYD - HYDRAULIC                    | UNC - UNIFIED NATIONAL COURSE |
| HYDRO - HYDROSTATIC                | UNF - UNIFIED NATIONAL FINE   |
| LG - LONG                          | V - VOLT                      |
| LWR - LOWER                        | W/ - WITH                     |
| MJIC - MALE J.I.C.                 | WHL - WHEEL                   |
| MOR - MALE O-RING                  | WLD - WELDMENT                |

-A-

|                    |             |
|--------------------|-------------|
| ABBREVIATIONS..... | 136         |
| ACTUATOR.....      | 79,80       |
| AIR BAG.....       | 33,34,34,36 |
| AIR CLEANER.....   | 6           |
| CAP.....           | 6           |
| FILTER.....        | 6           |
| HOSE.....          | 6           |
| ALARM, BACKUP..... | 9           |
| A/C, CAB.....      | 56          |
| COMPRESSOR.....    | 8           |
| FILTER.....        | 56          |

-B-

|                         |       |
|-------------------------|-------|
| BACKUP ALARM.....       | 9     |
| BATTERY.....            | 8     |
| CABLE.....              | 9     |
| SWITCH.....             | 9     |
| BEACON.....             | 53,54 |
| BELT, ENGINE.....       | 4     |
| BOX, DEPTH COMMAND..... | 51    |
| BRAKE VALVE.....        | 23    |

-C-

|                                 |                |
|---------------------------------|----------------|
| CAB.....                        | 54             |
| A/C.....                        | 56             |
| DOOR.....                       | 55             |
| GLASS.....                      | 54             |
| MOUNT.....                      | 42             |
| CABLE, BATTERY.....             | 9              |
| CANOPY.....                     | 53             |
| CANTRAK DISPLAY.....            | 50             |
| CHOPPER, MALE ROW.....          | 85,86          |
| COMPRESSOR, A/C.....            | 8              |
| CONDENSOR, A/C.....             | 8              |
| CONSOLE.....                    | 45             |
| CONTROL LEVER.....              | 48             |
| CUP HOLDER.....                 | 46             |
| CUTTER CASE DRAIN MANIFOLD..... | 26             |
| CUTTER HEAD.....                | 82,83          |
| CYLINDERS,                      |                |
| FOLD.....                       | 29,30          |
| LIFT.....                       | 74,75,76,77,78 |
| STEERING.....                   | 31,32          |

-D-

|                         |    |
|-------------------------|----|
| DEPTH COMMAND BOX.....  | 51 |
| DIAGRAM, HYDRAULIC..... | 90 |
| DOOR, CAB.....          | 55 |
| DRYER, A/C.....         | 8  |
| DUMP VALVE.....         | 21 |

-E-

|               |     |
|---------------|-----|
| E-STOP.....   | 49  |
| ENGINE.....   | 4,5 |
| HARNESS.....  | 9   |
| ISOLATOR..... | 4   |

-F-

|                            |       |
|----------------------------|-------|
| FAN.....                   | 4     |
| FILTER,                    |       |
| AIR CLEANER.....           | 6     |
| A/C.....                   | 56    |
| HYDRAULIC.....             | 17,18 |
| FIRE EXTINGUISHER.....     | 42    |
| FLASHER.....               | 53    |
| FLOW DIVIDER.....          | 22    |
| FOAM, CAB.....             | 57    |
| FOLD CYLINDER.....         | 29,30 |
| FOLD VALVE, OUTRIGGER..... | 27    |
| FUEL SELECTOR VALVE.....   | 39    |
| FUEL TANK.....             | 38    |
| SENSOR.....                | 38    |

-G-

|                 |    |
|-----------------|----|
| GLASS, CAB..... | 54 |
|-----------------|----|

-H-

|                       |             |
|-----------------------|-------------|
| HOSE, RADIATOR.....   | 7           |
| HUB, TORQUE.....      | 33,34,35,36 |
| HYDRAULIC             |             |
| DIAGRAM.....          | 90          |
| FILTER.....           | 17,18,21    |
| HOSING.....           | 10,11,12,13 |
| TANK.....             | 17          |
| HYDROSTATIC PUMP..... | 15          |

-I-

|                       |     |
|-----------------------|-----|
| ISOLATOR, ENGINE..... | 4,5 |
|-----------------------|-----|

-L-

|                          |             |
|--------------------------|-------------|
| LADDER.....              | 40,41       |
| LEG.....                 | 33,34,35,36 |
| LIFT ASSEMBLY.....       | 74,75,76,77 |
| LIFT VALVE.....          | 25          |
| LIGHTS.....              | 53,54       |
| LOOP FLUSHING VALVE..... | 16          |
| LS DISPLAY.....          | 45          |
| LS SENSOR.....           | 79,80       |

-M-

MAINFRAME.....61  
 MALE ROW CHOPPER.....85,86  
 MANIFOLD, CUTTER CASE DRAIN.....26  
 MIRROR.....53,54  
 MODULE, DETASSLER.....47  
 MOTOR,  
   CONTROL VALVE.....24  
   STEERING.....44  
   WHEEL.....33,34,35,36  
 MOUNT, CAB.....42  
 MUFFLER.....5

-O-

OIL COOLER.....14  
 OPERATOR STATION.....42  
 OUTRIGGER FOLD VALVE.....27,28

-P-

PULLER, QUAD.....81  
 POSITRACTION VALVE.....19,20  
 PUMP, HYROSTATIC.....15

-Q-

QUAD PULLER.....81

-R-

RADIATOR.....7  
   HOSE.....7  
 RADIO.....56  
 RIM.....37  
 ROOF.....54  
 ROPS.....53  
 ROW SENSOR.....87

-S-

SEAT.....43  
 SENSOR, FUEL TANK.....38  
 SERVICE PLATFORM.....40,41  
 SHEET METAL.....58,59,60  
 SHIELDS.....60  
 SHIFT VALVE.....23  
 SMV SIGN.....59  
 STEERING  
   COLUMN.....44  
   CYLINDER.....31,32  
   MOTOR.....44  
   WHEEL.....44  
 SWITCH, BATTERY.....9

-T-

TANK, HYDRAULIC.....18  
 TIRE.....37  
 TOOLBAR.....63  
 TORQ HUB.....33,34,35,36

-V-

VALVE,  
   BRAKE.....23  
   DUMP.....21  
   FUEL SELECTOR.....39  
   LIFT.....25  
   LOOP FLUSHING.....16  
   MOTOR CONTROL.....24  
   POSITRACTION.....19,20  
   SHIFT.....23

-W-

WEIGHTS.....62  
 WHEEL MOTOR.....33,34,35,36  
 WIPER.....54

# Notes: