

PARTS MANUAL
FOR
HAGIE MODEL 2100 HI-TRACTOR
SPRAYER – DETASSELER

HAGIE MANUFACTURING COMPANY

BOX 273 CLARION, IOWA 50525 (515) 532-2861

COVERS MACHINE SERIAL NUMBERS: 039199001 thru 039199100

04-99 493198
02-08

SPRAYER IDENTIFICATION

Each Hagie sprayer is identified by means of a frame serial number. This serial number denotes the model, the year in which it was built, and the number of the sprayer. As for further identification, the engine has a serial number and the planetary hubs have identification plates that describe the type of mount and gear ratio. To insure prompt, efficient service when ordering parts or requesting service repairs from Hagie Manufacturing Company, record the serial and identification numbers in the space provided below.

NOTE: Reference to left hand and right hand used throughout this manual refers to the position when seated in the operator's seat facing forward.

SPRAYER SERIAL NUMBER

ENGINE SERIAL NUMBER

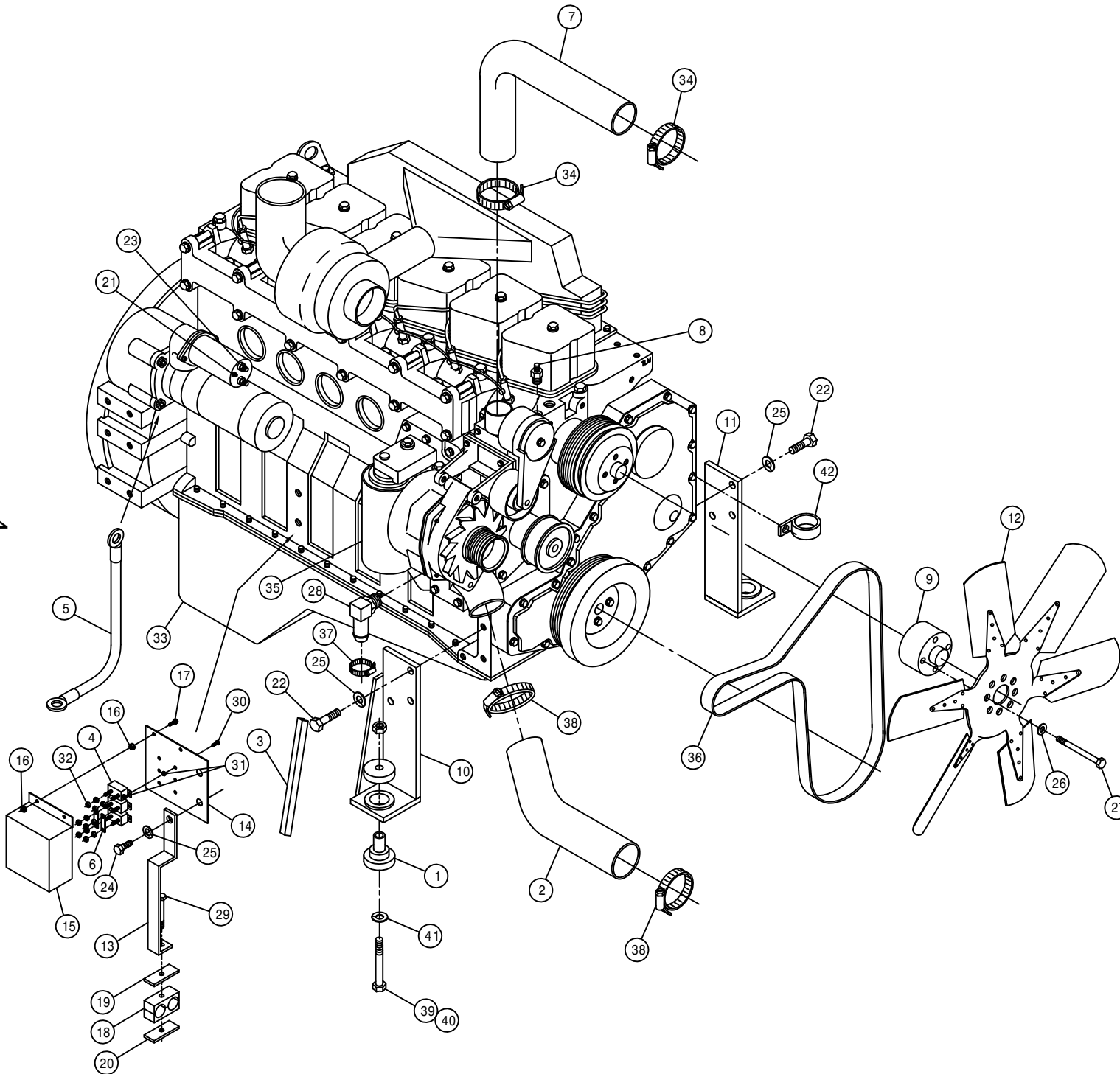
PLANETARY HUB IDENTIFICATION NUMBERS

TABLE OF CONTENTS

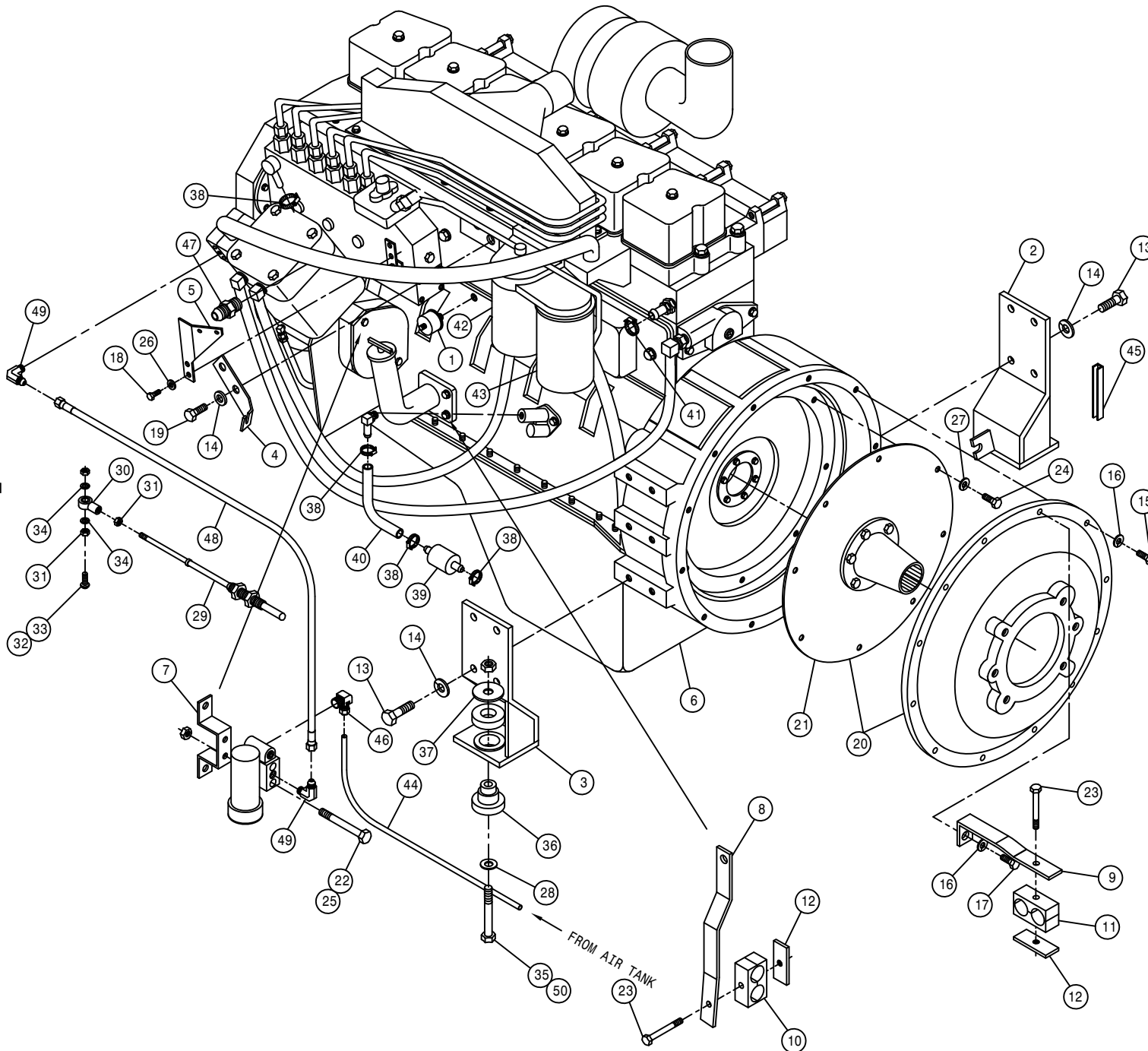
ENGINE ASSEMBLY4-7
AIR TANK ASSEMBLY8-9
LOOP FLUSHING10-11
WHEEL MOTOR VALVES.12
VFC AND FLOW DIVIDER.13-16
MOTOR CONTROL VALVE AND FILTER.17-21
RADIATOR AND OIL COOLER ASSEMBLY.22
OIL TANK ASSEMBLY23
LEG ASSEMBLY.24-31
STEERING CYLINDER32-33
TIRE ASSEMBLY34
RADIATOR RECOVERY TANK.35
MUFFLER AND AIR CLEANER36-37
CAB ASSEMBLY.38-42
INSTRUMENT PANEL ASSEMBLY43
CONSOLE ASSEMBLY.44-47
SWITCH PANEL ASSEMBLY48
FOAM AIR REGULATOR.49
FUSE BOX AND SEAT50-51
SHEET METAL52-53
LADDER.54-55
FUEL TANK56
SERVICE PLATFORM.57
BOOM GRADLE58-59
BATTERY60
SOLUTION TANK61-64
SOLUTION PUMP AND SOLENOIDS65-68
QUICK FILL AND FENCE ROW.69-71
SOLUTION HOISING72-74
TRANSOM, BOOM, AND LIFT COMPONENTS.75-89
BOOM SECTION LIGHTS90
RINSE92-93
FOAMER.94-95
TREAD ADJUSTMENT.96-99
PRESSURE WASHER AND CHEMICAL INDUCTOR100-102
SOLUTION PUMP (HI-VOLUME)103-106
OUTRIGGER AND BOOM VALVE.107-111
OUTRIGGER AND LIFT ASSEMBLY112-117
CUTTER AND QUAD HEADS118-120
CUTTER CASE DRAIN RETURN.121
LS AND DEPTH COMMAND.123-128
WINDSHIELD WASHER.129
DECALS.130-131
ELECTRICAL SCHEMATIC.132-147
HYDRAULIC SCHEMATIC148-169
ABBREVIATIONS170
INDEX171
PARTS ORDER FORM.175

ENGINE ASSEMBLY

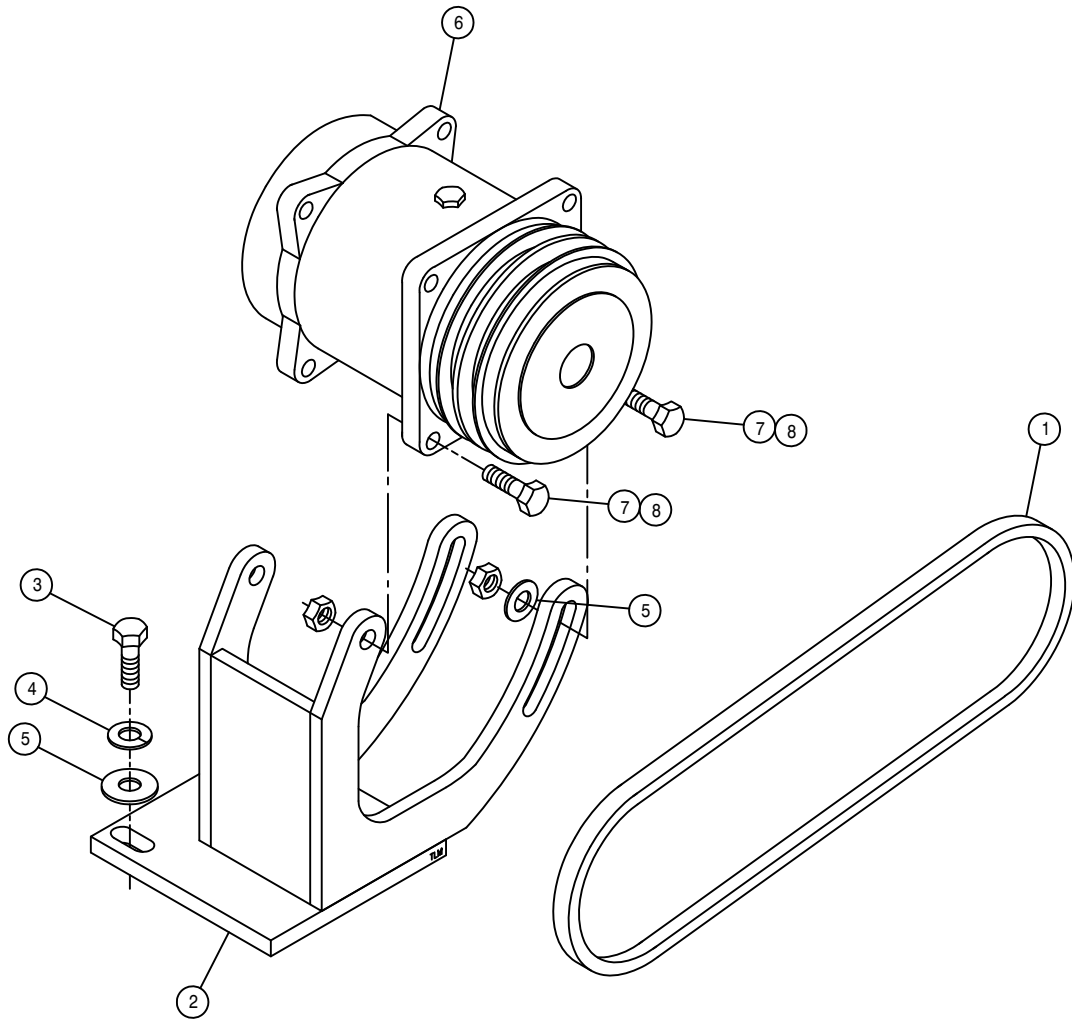
DET.	QTY	PART NO.	DESCRIPTION
1	2	311053	RUBBER MOUNT SET,SSB26-1000-1
2	1	314307	RADIATOR HOSE 21194
3	2	193012	QUICKEDGE TRIM .135 TO .250
4	3	291197	CIRCUIT BREAKER,30AMP,INLINED
5	1	291531	GROUND CABLE, 15"
6	2	291683	BUSS BAR, 2 GANG CIRCIT
7	1	314308	RADIATOR HOSE 70558
8	1	314836	TEMP SENDR 280D 1/2NPT FOR GA
9	1	316199	22IN FAN SPACER CUMM 92
10	1	316250	RH FRT ENG MT WLD, CUMM 94
11	1	316313	LH FRT ENG MT WLD, 284 CUMM 98
12	1	316327	FAN, 24" 6 BLADE 28.5DEG CCW
13	1	316336	RH HYD TUBE MT, 2100 98
14	1	316339	BREAKER MTG PLT, 2100 98
15	1	316340	BREAKER COVER, 2100 98
16	4	470175	10-32 HEX FLANGE LOCK NUT
17	2	470216	10-32 X 3/4 FLANGE HEX BOLT
18	1	470274	TUBE CLAMP BODY, .750-.750
19	1	470276	CLAMP COVER PLATE,SNGL, 1.75LG
20	1	470278	CLAMP WELD PLATE, SNGL, 2.75LG
21	1	473770	5MM-.80 HEX NUT
22	6	473775	12MM-1.75 X 30MM HEX BOLT
23	1	473779	10MM-1.50 HEX NUT
24	2	473783	12MM-1.75 X 25MM HEX BOLT
25	8	473784	12MM LOCK WASHER
26	4	473804	8MM LOCK WASHER
27	4	473822	8MM-1.25 X 70MM HEX BOLT
28	1	618573	5/8 HOSE BARB-90-1/2MNPT
29	1	900086	5/16UNC X 2 1/4 HEX BOLT
30	6	903812	6-32 X 1/2 SLT RD HD MACH SCR
31	12	910022	6-32 HEX NUT
32	12	910027	10-32 HEX NUT
33	1	316310	CUMM ENG,6B5.9A 174@2500 CMPSR
34	2	520067	HOSE CLAMP NO 28 PLATED
35	1	316207	LUBE FILTER CUMMINS DIESEL 92
36	1	316206	POLY V BELT CUMMINS DIESEL 92
37	1	520055	HOSE CLAMP NO 12 PLATED
38	2	520099	HOSE CLAMP NO 40 PLATED
39	2	900271	1/2UNC X 3 1/4 HEX BOLT
40	2	914008	1/2UNC HEX STOVER NUT
41	2	920004	1/2 SAE FLAT WASHER
42	1	520126	CUSH HOSE CLAMP 2IN X 5/8W



ENGINE ASSEMBLY



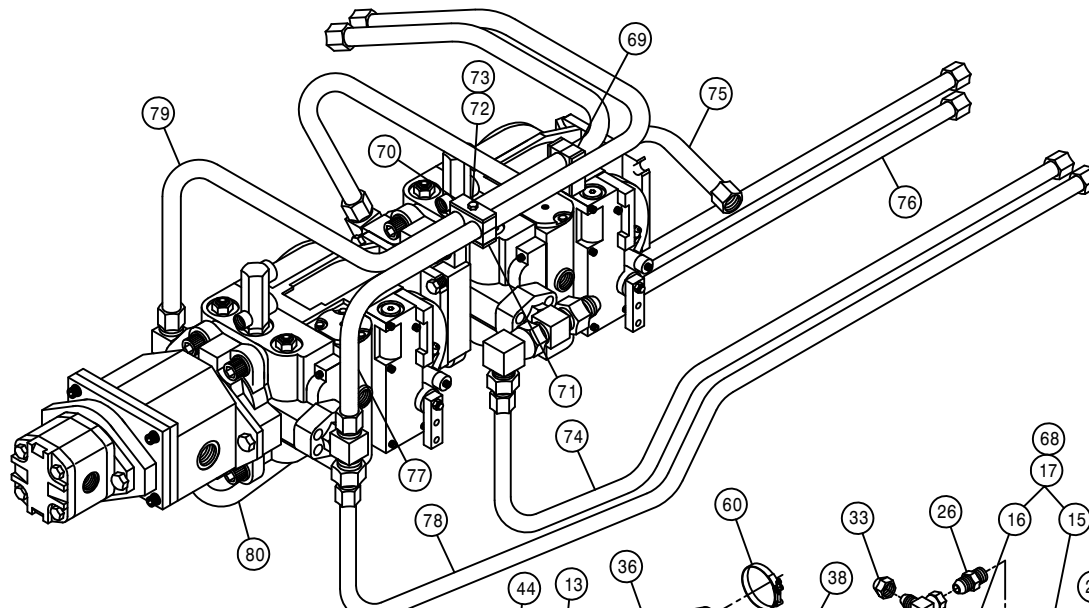
DET.	QTY	PART NO.	DESCRIPTION
1	1	291674	OIL PRESS SENDER,125PSI,1/8NPT
2	1	316252	RH REAR ENG MT WLD, CUMM 94
3	1	316253	LH REAR ENG MT WLD, CUMM 94
4	1	316303	THROTTLE CABLE MT,6CYL CUMM 97
5	1	316304	THROTTLE LEVER EXT,6CYL CUMM97
6	1	316310	CUMM ENG,6B5.9A 174@2500 CMPSR
7	1	316322	AIR REGULATOR BRKT 98
8	1	316337	LH HYD TUBE MT, 2100 98
9	1	316338	REAR HYD TUBE MT, 2100 98
10	1	470274	TUBE CLAMP BODY, .750-.750
11	1	470275	TUBE CLAMP BODY,1.000-1.000
12	2	470278	CLAMP WELD PLATE, SNGL, 2.75LG
13	8	473775	12MM-1.75 X 30MM HEX BOLT
14	10	473784	12MM LOCK WASHER
15	11	473792	10MM-1.50 X 30MM HEX BOLT
16	12	473798	10MM LOCK WASHER
17	1	473818	10MM-1.50 X 40MM HEX BOLT
18	2	473826	6MM-1.00 X 16MM HEX BOLT
19	2	473828	12MM-1.50 X 20MM HEX BOLT
20	1	800499	SUND DRIVE ASSY,2.83PILOT 23T
21	1	800500	DRIVE DISK ASSY,2.83PILOT 23T
22	2	900072	5/16UNC X 3" HEX BOLT
23	2	900086	5/16UNC X 2 1/4 HEX BOLT
24	8	900128	3/8UNC X 3/4 HEX BOLT
25	2	914002	5/16UNC HEX STOVER NUT
26	2	920500	1/4 LOCK WASHER
27	8	920502	3/8 LOCK WASHER
28	2	920004	1/2 SAE FLAT WASHER
29	1	785079	CTRL CABLE 10-32 4IN X 140 IN
30	1	473921	BALL JOINT NO 10-32 THD
31	2	910027	10-32 HEX NUT
32	1	903893	10-32 X 1" SLT RD HD MACH SCR
33	1	914027	10-32 HEX STOVER NUT
34	2	920510	#10 LOCK WASHER
35	2	900271	1/2UNC X 3 1/4 HEX BOLT
36	2	311054	RUBBER MOUNT SET, CB-2202-4
37	2	311055	REBOUND WASHER FOR 311054
38	4	520120	HOSE CLAMP NO 4 PLATED MINI
39	1	316281	FUEL STRAINER, IN-LINE, DIESEL
40	1	601347	HOSE, 3/8 X 10" FUEL LINE
41	1	520055	HOSE CLAMP NO 12 PLATED
42	1	316208	FUEL FILTER, PRIMARY CUMM 92
43	1	316209	FUEL FILTER, SECONDARY CUMM92
44	1	601414	HOSE, 1/4" OD X 31" AIR
45	2	193012	QUICKEDGE TRIM .135 TO .250
46	1	711026	1/8MNPT-90-1/4OD NYL TUBE FTG
47	1	611147	3/4MJIC-1/2MNPT ADPTR
48	1	611293	04P919-04FJX-04FJX-20 H/A
49	2	618447	7/16MJIC-90-1/8MNPT LBO
50	2	914008	1/2UNC HEX STOVER NUT



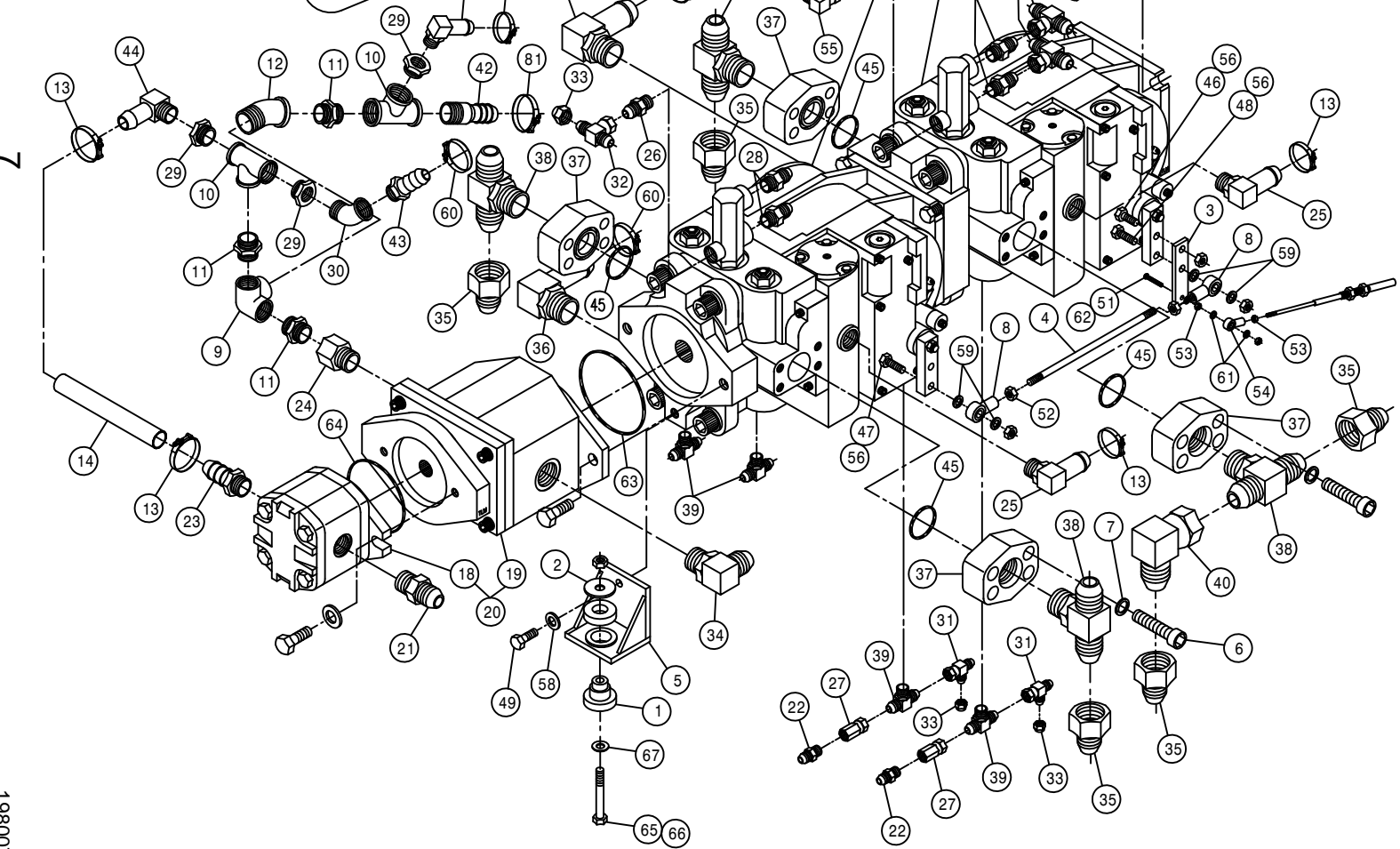
A/C COMPRESSOR PUMP ASSEMBLY

DET.	QTY	PART NO.	DESCRIPTION	
1	1	147050	9455XL BELT, GATES	
2	1	316314	A/C COMPRSR MT WLD, 284	98
3	3	473792	10MM-1.50 X 30MM HEX BOLT	
4	3	473798	10MM LOCK WASHER	
5	5	483043	3/8 REGULAR FLAT WASHER	
6	1	657403	A/C COMPRESSOR, SELTEC TM15/12	
7	4	900131	3/8UNC X 1 1/2 HEX BOLT	
8	4	914004	3/8UNC HEX STOVER NUT	

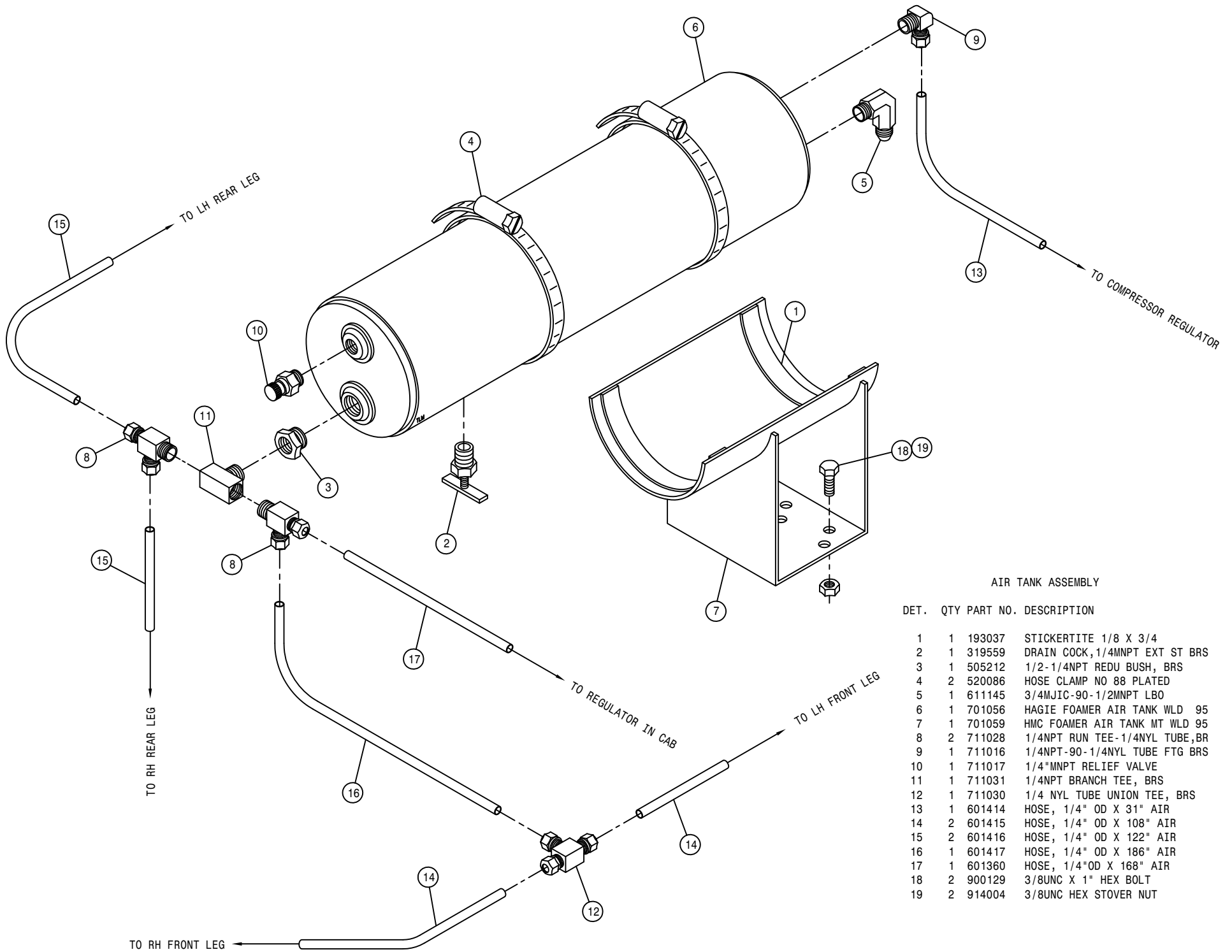
COMBO SUNDSTRAND PUMP ASSEMBLY



DET.	QTY	PART NO.	DESCRIPTION	DET.	QTY	PART NO.	DESCRIPTION
68	1	606950	O-RING, SUND 9004100-0480	1	1	311054	RUBBER MOUNT SET, CB-2202-4
69	2	470275	TUBE CLAMP BODY, 1.000-1.000	2	1	311055	REBOUND WASHER FOR 311054
70	2	470276	CLAMP COVER PLATE, SNGL, 1.75LG	3	1	316160	PUMP CONT LEVER EXT 280 CUMM
71	2	470278	CLAMP WELD PLATE, SNGL, 2.75LG	4	1	316335	HYDST PUMP CTRL ROD, 2100 98
72	2	900086	5/16UNC X 2 1/4 HEX BOLT	5	1	316341	AUX PUMP SUPP MT WLD, 2100 98
73	2	920001	5/16 SAE FLAT WASHER	6	16	470188	7/16-14 X 1 1/2 SKTHD CAP SCR
74	1	615717	RH FRT PUMP LWR TUBEASSY210098	7	16	470189	7/16 HC LOCK WASH FOR 618598
75	1	615718	LH FRT PUMP UPR TUBEASSY210098	8	2	473998	BALL JOINT, 1/4-28 1/4BORE
76	1	615719	RH FRT PUMP LWR TUBEASSY210098	9	1	506701	SIDE OUTLET EL 90DEG 1.25NPT
77	1	615720	RH REAR PUMP UPR TUBE ASSY 98	10	2	506105	BLK PIPE TEE 1.25NPT
78	1	615721	RH REAR PUMP LWR TUBE ASSY 98	11	3	507026	1 1/4MMPT HEX PIPE NIPPLE STL
79	1	615722	LH REAR PUMP UPR TUBE ASSY 98	12	1	506409	BLK PIPE ST EL 45DEG 1.25NPT
80	1	615723	LH REAR PUMP LWR TUBE ASSY 98	13	5	520137	.75 T-BOLT HOSE CLAMP
81	1	520132	1.62/1.87 T-BOLT HOSE CLAMP	14	1	601399	HOSE, 3/4 X 13 1FBR-1SPI

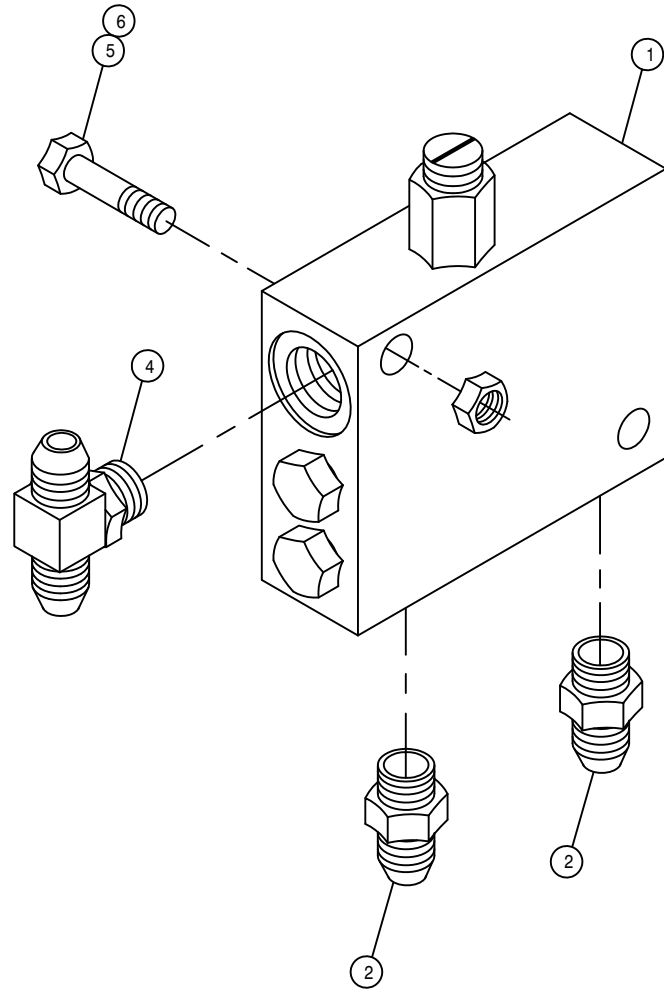
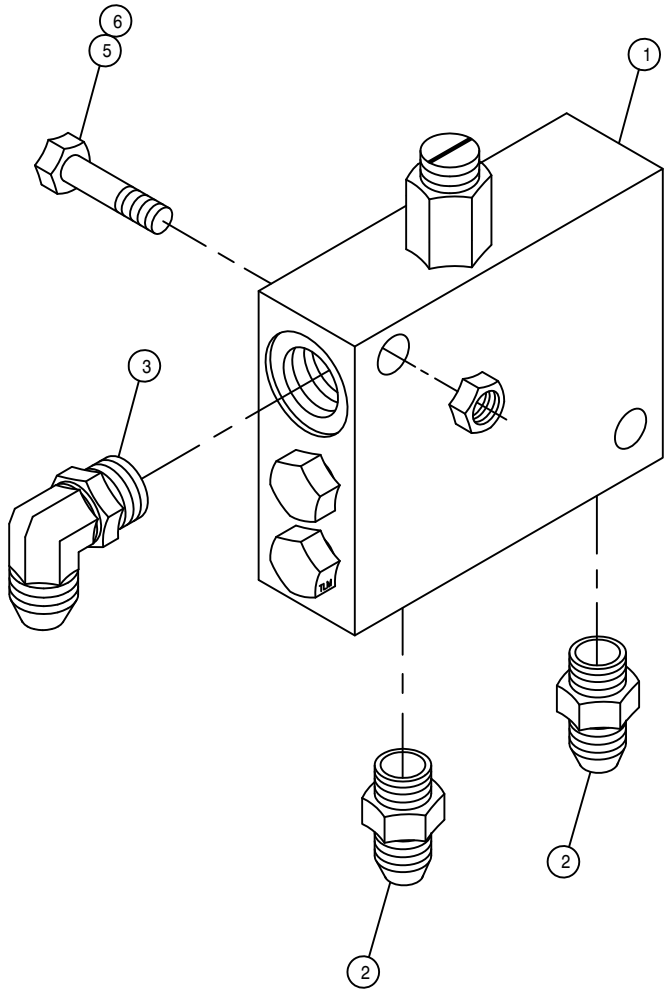


15	1	606944	SUND 75CC PUMP, C/C-MT	15	1	606944	SUND 75CC PUMP, C/C-MT
16	1	606947	SUND 75CC PUMP, C/B-MT	16	1	606947	SUND 75CC PUMP, C/B-MT
17	1	606943	TANDEM PUMP, 606944 & 606947	17	1	606943	TANDEM PUMP, 606944 & 606947
18	1	606929	SUND GEAR PUMP .66CI, SPLINED	18	1	606929	SUND GEAR PUMP .66CI, SPLINED
19	1	606938	SUND GEAR PUMP, 4.00CIR SPLINED	19	1	606938	SUND GEAR PUMP, 4.00CIR SPLINED
20	1	606937	TANDEM PUMP, 606929 & 606938	20	1	606937	TANDEM PUMP, 606929 & 606938
21	1	611126	7/8MJIC-7/8MOR ADPTR	21	1	611126	7/8MJIC-7/8MOR ADPTR
22	2	614740	RESTRICTOR FTG ASSY, .050	22	2	614740	RESTRICTOR FTG ASSY, .050
23	1	618075	3/4 HOSE BARB-1 1/16MOR	23	1	618075	3/4 HOSE BARB-1 1/16MOR
24	1	618596	1 5/8MOR-1 1/4FNPT ADPTR	24	1	618596	1 5/8MOR-1 1/4FNPT ADPTR
25	2	618118	3/4 HOSE BARB-90-1 1/16MOR	25	2	618118	3/4 HOSE BARB-90-1 1/16MOR
26	2	618126	9/16MJIC-9/16MOR ADPTR	26	2	618126	9/16MJIC-9/16MOR ADPTR
27	2	618291	9/16FJX-1/4FNPT ADPTR	27	2	618291	9/16FJX-1/4FNPT ADPTR
28	4	618327	3/4MJIC-7/8MOR ADPTR	28	4	618327	3/4MJIC-7/8MOR ADPTR
29	3	506005	1 1/4 TO 1 RED BUSH BLK MAL	29	3	506005	1 1/4 TO 1 RED BUSH BLK MAL
30	1	505110	BLK PIPE ST EL 45DEG 1.00NPT	30	1	505110	BLK PIPE ST EL 45DEG 1.00NPT
31	2	618486	9/16FJIC SW RUN TEE-9/16MJIC	31	2	618486	9/16FJIC SW RUN TEE-9/16MJIC
32	1	618514	9/16FJ SW BRANCH TEE-9/16MJ	32	1	618514	9/16FJ SW BRANCH TEE-9/16MJ
33	4	618531	9/16FJIC CAP NUT	33	4	618531	9/16FJIC CAP NUT
34	1	618178	1 5/16MJIC-90-1 5/16MOR LBO	34	1	618178	1 5/16MJIC-90-1 5/16MOR LBO
35	5	618541	1 5/16FJIC-1 1/16MJIC ADPTR	35	5	618541	1 5/16FJIC-1 1/16MJIC ADPTR
36	2	618564	1IN HOSE BARB-90-1 5/16MOR	36	2	618564	1IN HOSE BARB-90-1 5/16MOR
37	4	618598	1" 4-BOLT FLG X 1 5/16 FOR	37	4	618598	1" 4-BOLT FLG X 1 5/16 FOR
38	4	618599	1 5/16MOR BRANCH TEE-1 5/16MJ	38	4	618599	1 5/16MOR BRANCH TEE-1 5/16MJ
39	4	618629	9/16MOR BRANCH TEE-9/16MJIC	39	4	618629	9/16MOR BRANCH TEE-9/16MJIC
40	1	618640	1 5/16MJ-90-1 5/16FJ SWIV LBO	40	1	618640	1 5/16MJ-90-1 5/16FJ SWIV LBO
41	2	618643	3/4FJ SW BRANCH TEE-3/4MJ	41	2	618643	3/4FJ SW BRANCH TEE-3/4MJ
42	1	715660	HOSE BARB 1 1/4NPT X 1 1/4	42	1	715660	HOSE BARB 1 1/4NPT X 1 1/4
43	1	714560	1NPT X 1 HOSE BARB	43	1	714560	1NPT X 1 HOSE BARB
44	2	716000	3/4 HOSE BARB-90-1MNPT	44	2	716000	3/4 HOSE BARB-90-1MNPT
45	4	870219	BUNA ORING 1 5/16 X 1 9/16	45	4	870219	BUNA ORING 1 5/16 X 1 9/16
46	1	900003	1/4UNC X 1" HEX BOLT	46	1	900003	1/4UNC X 1" HEX BOLT
47	1	900004	1/4UNC X 1 1/4 HEX BOLT	47	1	900004	1/4UNC X 1 1/4 HEX BOLT
48	1	900005	1/4UNC X 1 1/2 HEX BOLT	48	1	900005	1/4UNC X 1 1/2 HEX BOLT
49	1	900263	1/2UNC X 1" HEX BOLT	49	1	900263	1/2UNC X 1" HEX BOLT
50	4	900265	1/2UNC X 1 1/2 HEX BOLT	50	4	900265	1/2UNC X 1 1/2 HEX BOLT
51	1	903893	10-32 X 1" SLT RD HD MACH SCR	51	1	903893	10-32 X 1" SLT RD HD MACH SCR
52	2	910001	1/4UNF HEX NUT	52	2	910001	1/4UNF HEX NUT
53	2	910027	10-32 HEX NUT	53	2	910027	10-32 HEX NUT
54	1	473921	BALL JOINT NO 10-32 THD	54	1	473921	BALL JOINT NO 10-32 THD
55	1	618618	9/16MJIC-90-9/16FJIC SWIV LBO	55	1	618618	9/16MJIC-90-9/16FJIC SWIV LBO
56	3	914000	1/4UNC HEX STOVER NUT	56	3	914000	1/4UNC HEX STOVER NUT
57	4	920004	1/2 SAE FLAT WASHER	57	4	920004	1/2 SAE FLAT WASHER
58	1	920504	1/2 LOCK WASHER	58	1	920504	1/2 LOCK WASHER
59	4	920500	1/4 LOCK WASHER	59	4	920500	1/4 LOCK WASHER
60	3	520138	1.00 T-BOLT HOSE CLAMP	60	3	520138	1.00 T-BOLT HOSE CLAMP
61	3	920510	#10 LOCK WASHER	61	3	920510	#10 LOCK WASHER
62	1	914027	10-32 HEX STOVER NUT	62	1	914027	10-32 HEX STOVER NUT
63	1	606870	O-RING FOR 606865 SUND B-MT	63	1	606870	O-RING FOR 606865 SUND B-MT
64	1	606924	O-RING FOR SUND A-MT	64	1	606924	O-RING FOR SUND A-MT
65	1	900271	1/2UNC X 3 1/4 HEX BOLT	65	1	900271	1/2UNC X 3 1/4 HEX BOLT
66	1	914008	1/2UNC HEX STOVER NUT	66	1	914008	1/2UNC HEX STOVER NUT
67	1	920004	1/2 SAE FLAT WASHER	67	1	920004	1/2 SAE FLAT WASHER



AIR TANK ASSEMBLY

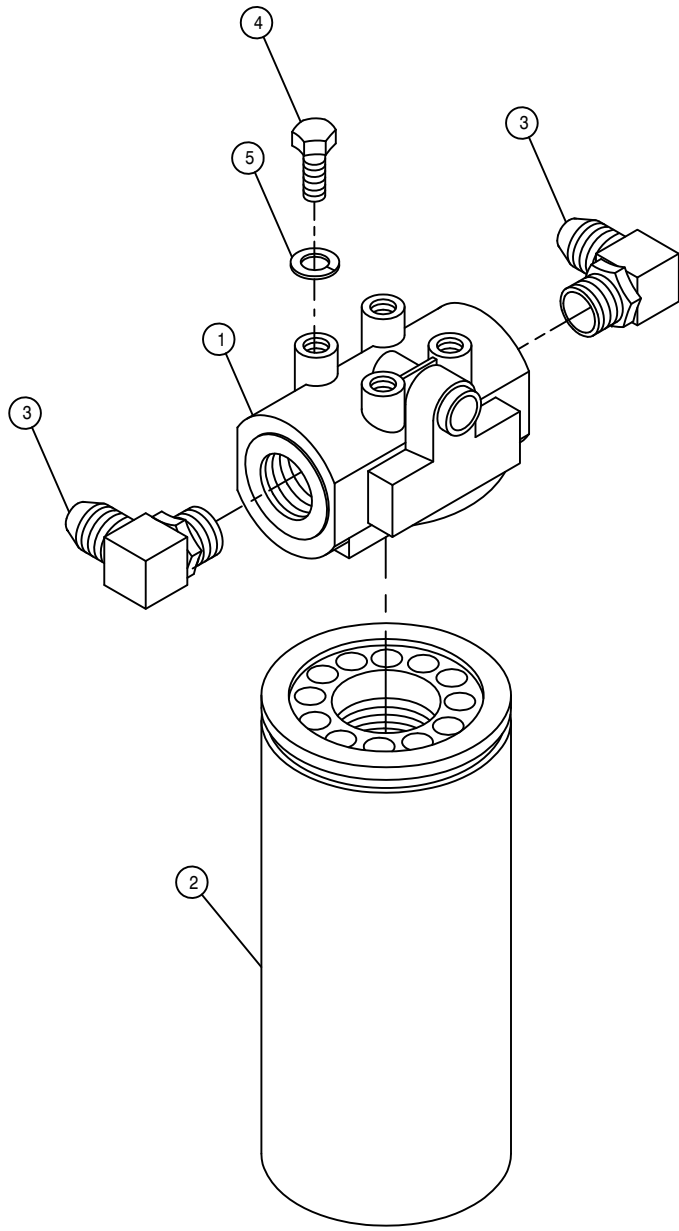
DET.	QTY	PART NO.	DESCRIPTION
	1	193037	STICKERTITE 1/8 X 3/4
	1	319559	DRAIN COCK, 1/4MNPT EXT ST BRS
	1	505212	1/2-1/4NPT REDU BUSH, BRS
	2	520086	HOSE CLAMP NO 88 PLATED
	1	611145	3/4MJIC-90-1/2MNPT LBO
	1	701056	HAGIE FOAMER AIR TANK WLD 95
	1	701059	HMC FOAMER AIR TANK MT WLD 95
	2	711028	1/4NPT RUN TEE-1/4NYL TUBE, BR
	1	711016	1/4NPT-90-1/4NYL TUBE FTG BRS
	1	711017	1/4"MNPT RELIEF VALVE
	1	711031	1/4NPT BRANCH TEE, BRS
	1	711030	1/4 NYL TUBE UNION TEE, BRS
	1	601414	HOSE, 1/4" OD X 31" AIR
	2	601415	HOSE, 1/4" OD X 108" AIR
	1	601417	HOSE, 1/4" OD X 122" AIR
	1	601417	HOSE, 1/4" OD X 186" AIR
	1	601360	HOSE, 1/4"OD X 168" AIR
	2	900129	3/8UNC X 1" HEX BOLT
	2	914004	3/8UNC HEX STOVER NUT



LOOP FLUSHING VALVE ASSEMBLY

DET. QTY PART NO. DESCRIPTION

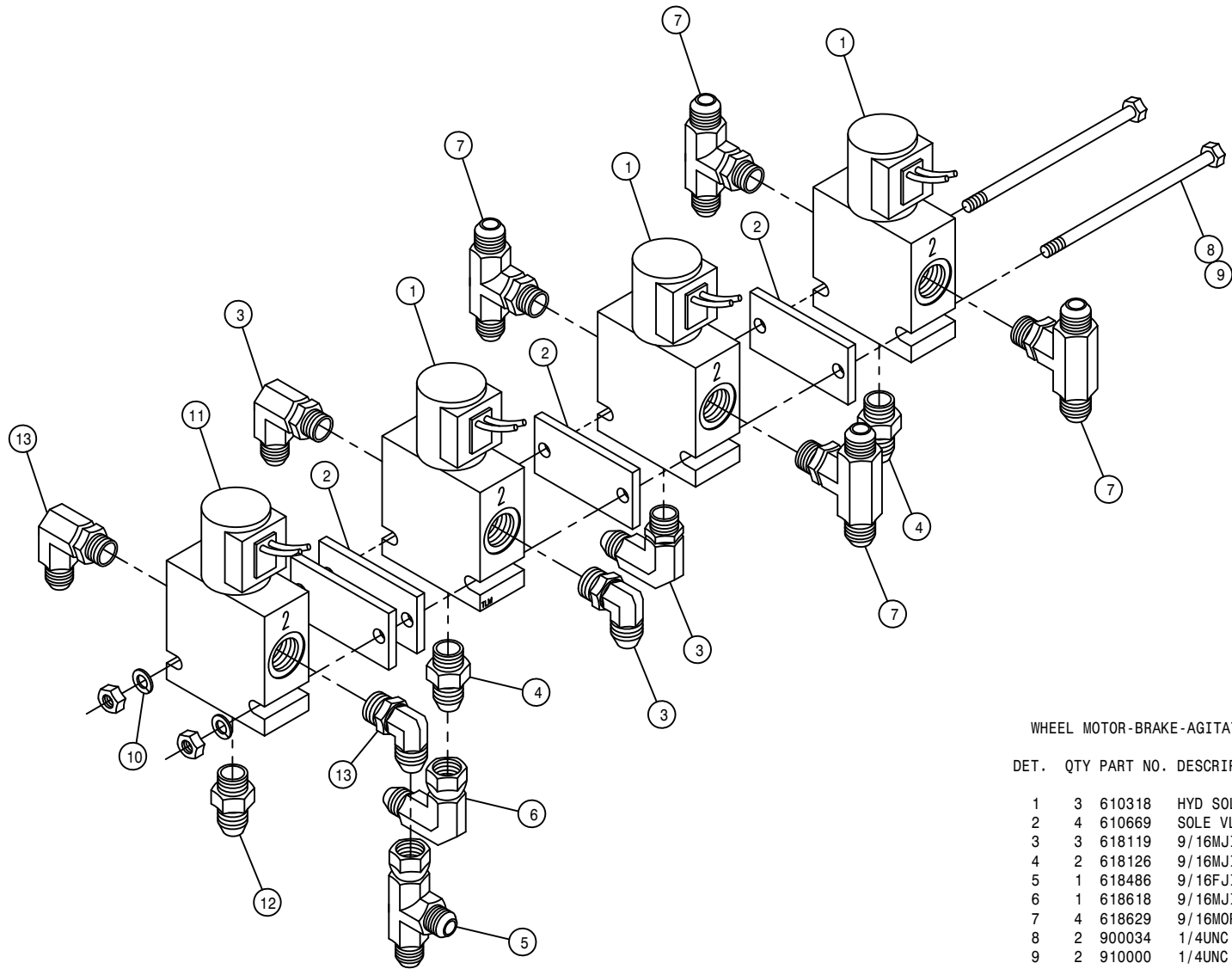
1	2	610580	REMOTE FLUSHING VALVE, SUND
2	4	618126	9/16MJIC-9/16MOR ADPTR
3	1	618119	9/16MJIC-90-9/16MOR LBO
4	1	618629	9/16MOR BRANCH TEE-9/16MJIC
5	4	900133	3/8UNC X 2" HEX BOLT
6	4	914004	3/8UNC HEX STOVER NUT



HI-PRESS FILTER ASSEMBLY

DET. QTY PART NO. DESCRIPTION

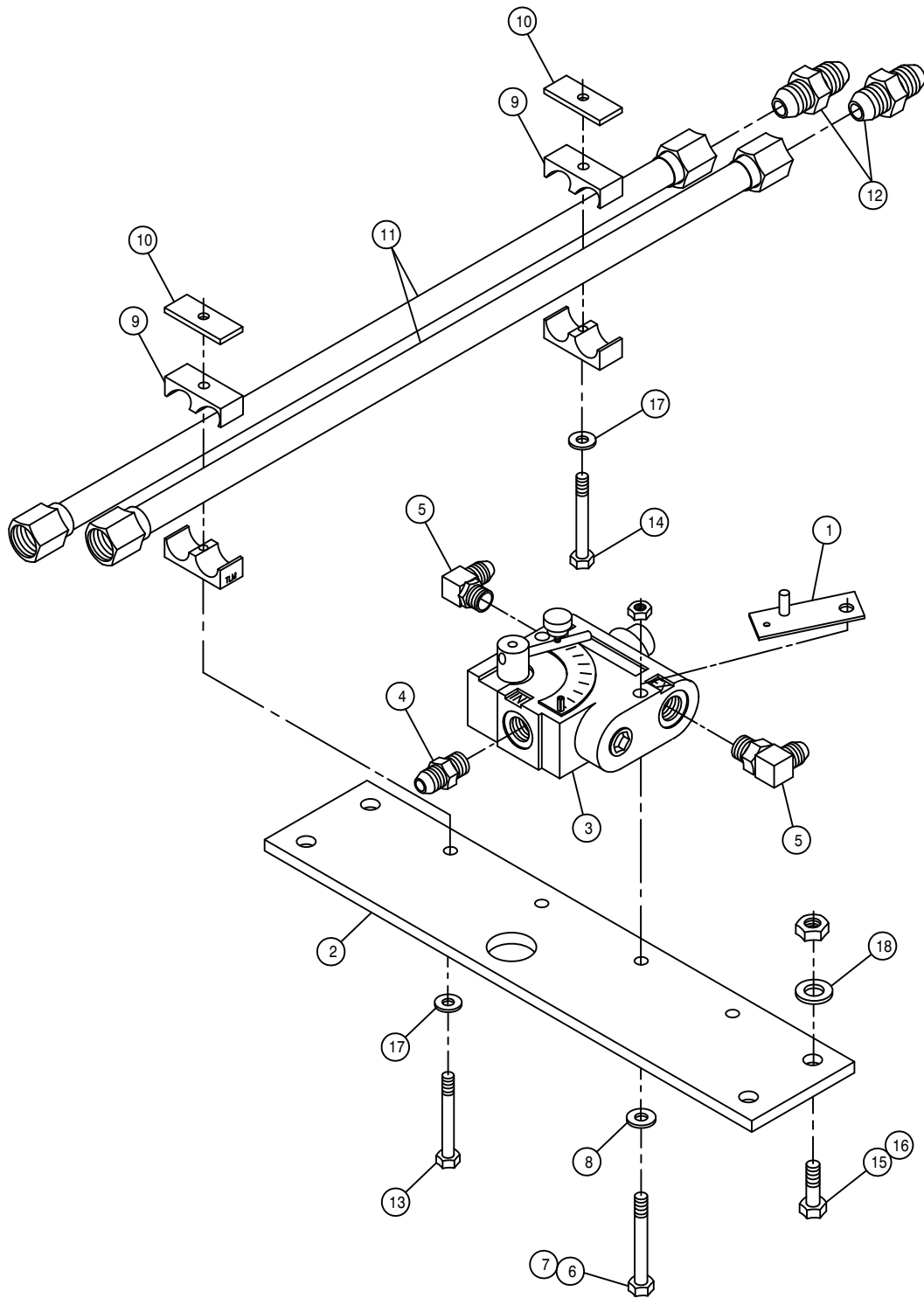
1	1	605608	HYD FILTER HEAD, DONALDSON
2	1	605609	HYD FILTER ELEMENT, DONALDSON
3	2	618474	3/4MJIC-90-1 1/16MOR LBO
4	4	900128	3/8UNC X 3/4 HEX BOLT
5	4	920502	3/8 LOCK WASHER



WHEEL MOTOR-BRAKE-AGITATOR VALVE ASSEMBLY

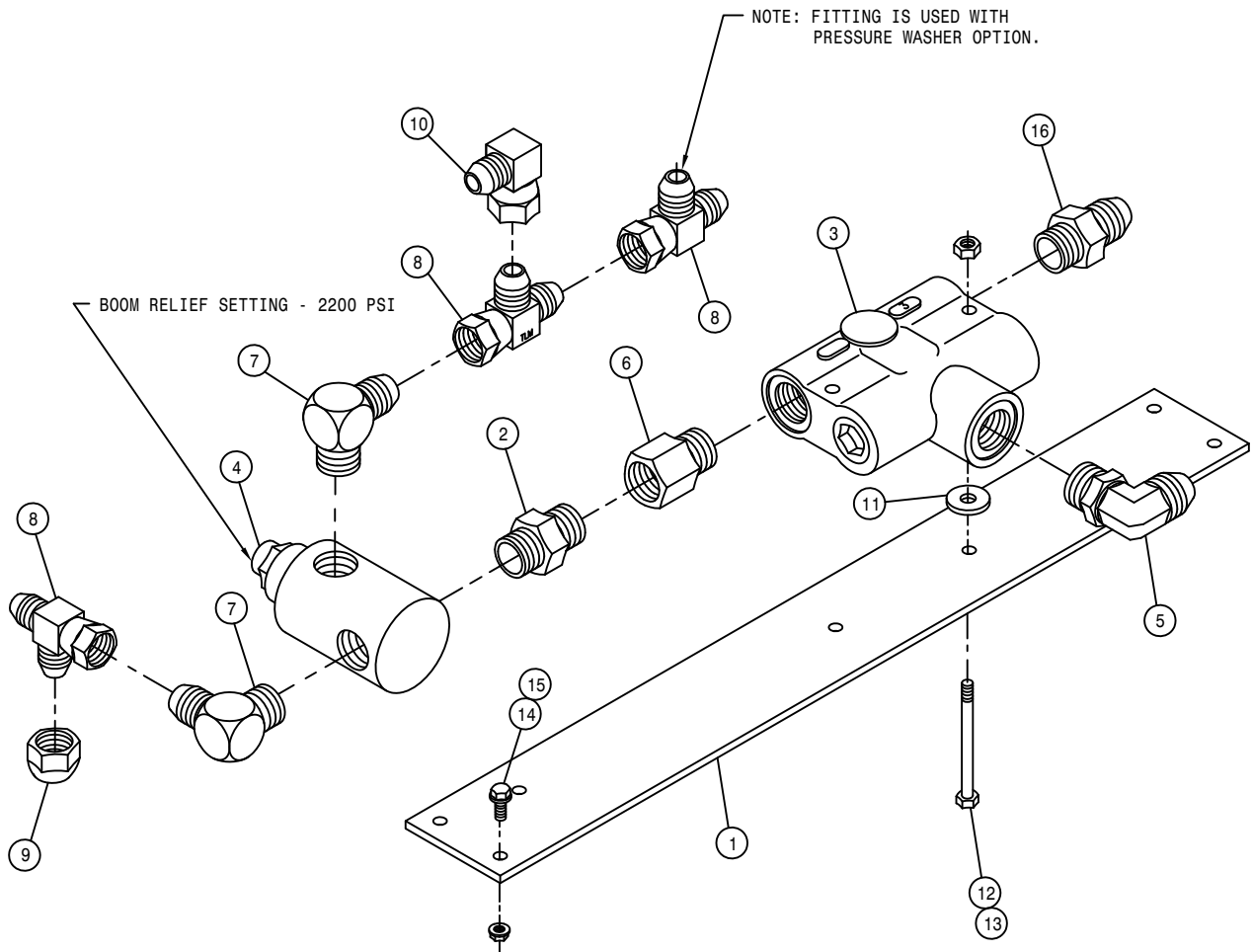
DET. QTY PART NO. DESCRIPTION

1	3	610318	HYD SOLE VLV,2P-3W,9/16FOR,12V
2	4	610669	SOLE VLV SPACER
3	3	618119	9/16MJIC-90-9/16MOR LBO
4	2	618126	9/16MJIC-9/16MOR ADPTR
5	1	618486	9/16FJIC SW RUN TEE-9/16MJIC
6	1	618618	9/16MJIC-90-9/16FJIC SWIV LBO
7	4	618629	9/16MOR BRANCH TEE-9/16MJIC
8	2	900034	1/4UNC X 7" HEX BOLT
9	2	910000	1/4UNC HEX NUT
10	2	920500	1/4 LOCK WASHER
11	1	610674	HYD SOLE VLV,2P3W,3/4FOR,12V
12	1	618109	9/16MJIC-3/4MOR ADPTR
13	2	618115	9/16MJIC-90-3/4MOR LBO



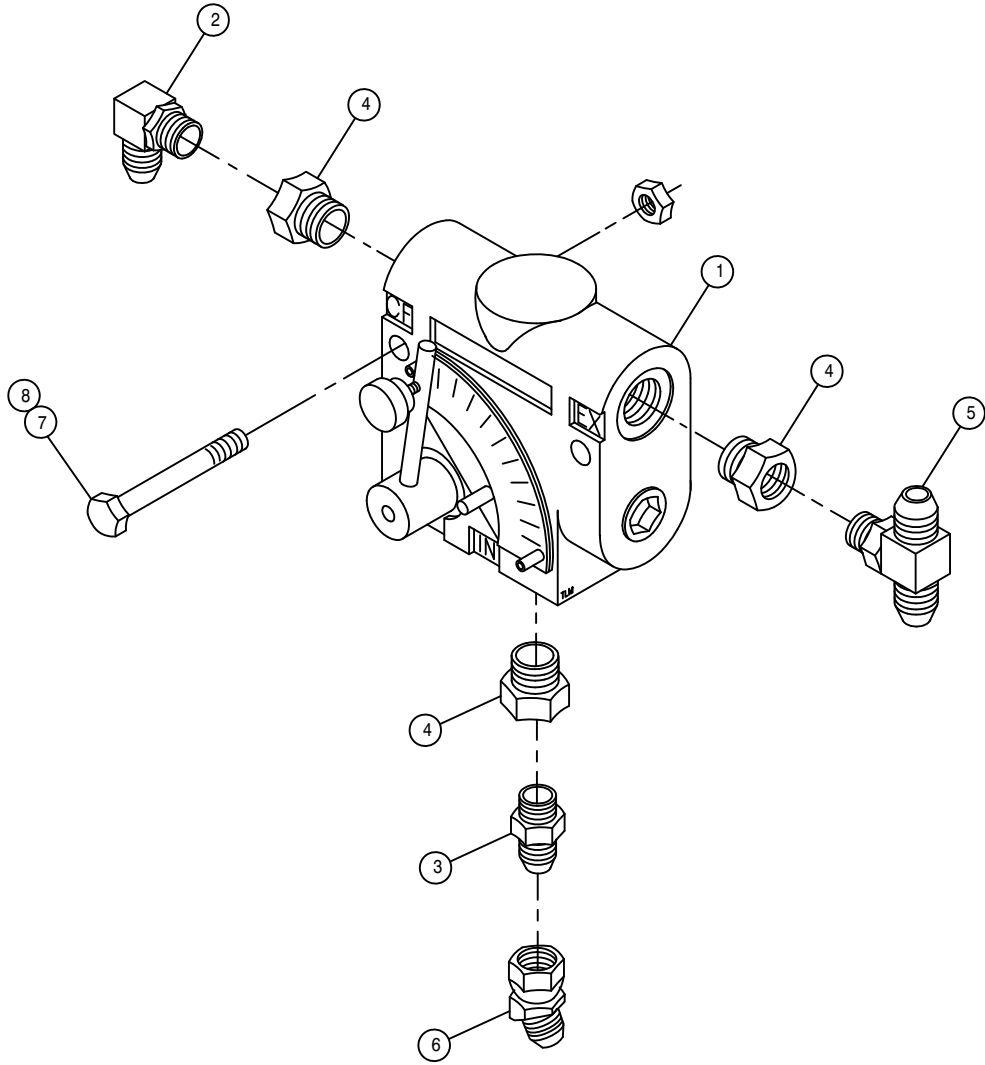
SOLUTION PUMP VARIABLE FLOW CONTROL ASSEMBLY

DET.	QTY	PART NO.	DESCRIPTION
1	1	342306	SOLU PUMP VFC STOP WLD,9G 96
2	1	361477	TIE PLT, 2100 98
3	1	606818	FLO CONT FCR51 0-16GPM 7/8FOR
4	1	611126	7/8MJIC-7/8MOR ADPTR
5	2	611128	7/8MJIC-90-7/8MOR LBO
6	2	900009	1/4UNC X 2 3/4 HEX BOLT
7	2	914000	1/4UNC HEX STOVER NUT
8	2	920000	1/4 SAE FLAT WASHER
9	4	470274	TUBE CLAMP BODY, .750-.750
10	4	470278	CLAMP WELD PLATE, SNGL, 2.75LG
11	4	615724	FRT MAIN HYD TUBE ASSY,2100 98
12	4	618177	1 1/16MJIC UNION
13	2	900069	5/16UNC X 2" HEX BOLT
14	2	900086	5/16UNC X 2 1/4 HEX BOLT
15	4	900265	1/2UNC X 1 1/2 HEX BOLT
16	4	914008	1/2UNC HEX STOVER NUT
17	4	920001	5/16 SAE FLAT WASHER
18	4	920004	1/2 SAE FLAT WASHER



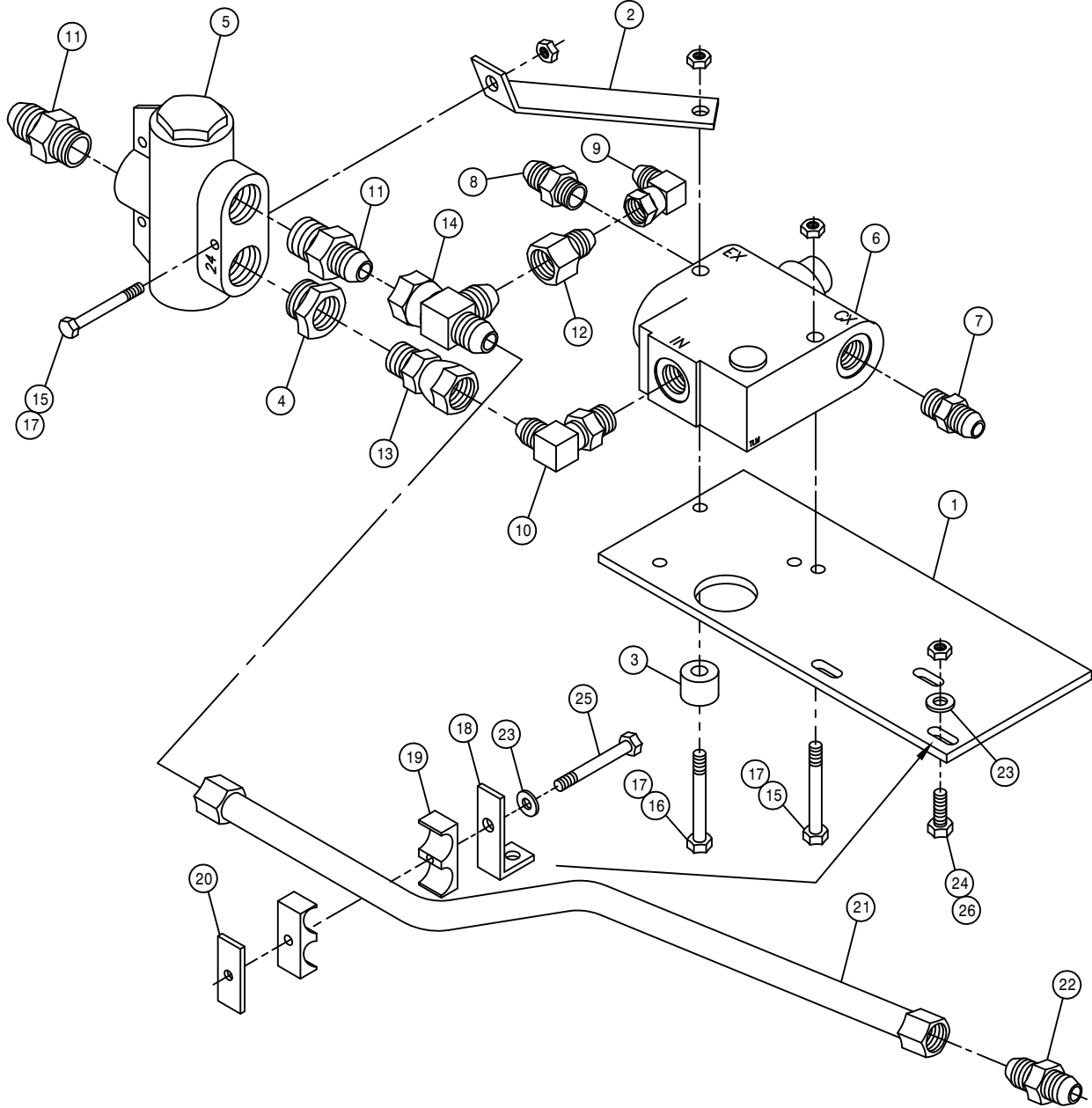
FLOW DIVIDER VALVE ASSEMBLY

DET.	QTY	PART NO.	DESCRIPTION
	1	361478	REAR FLOW DIV PLT, 2100 98
	1	500000	1/2MNPT HEX PIPE NIPPLE STL
	1	610307	FLO DIV BG53 3GPM PRI 7/8FOR
	1	607512	RELIEF VALVE, RL50, 1850 PSI
	1	611128	7/8MJIC-90-7/8MOR LBO
	1	618072	7/8MOR-1/2FNPT ADPTR
	2	618107	9/16MJIC-90-1/2MNPT LBO
	3	618486	9/16FJIC SW RUN TEE-9/16MJIC
	1	618531	9/16FJIC CAP NUT
	1	618618	9/16MJIC-90-9/16FJIC SWIV LBO
	2	748500	RUBER WASH 3/8X1/4IDX1 1/2 OD
	2	900008	1/4UNC X 2 1/2 HEX BOLT
	2	914000	1/4UNC HEX STOVER NUT
	4	470118	1/4UNC X 3/4 FLANGE HEX BOLT
	4	470121	1/4UNC HEX FLANGE LOCK NUT
	1	618310	9/16MJIC-7/8MOR ADPTR



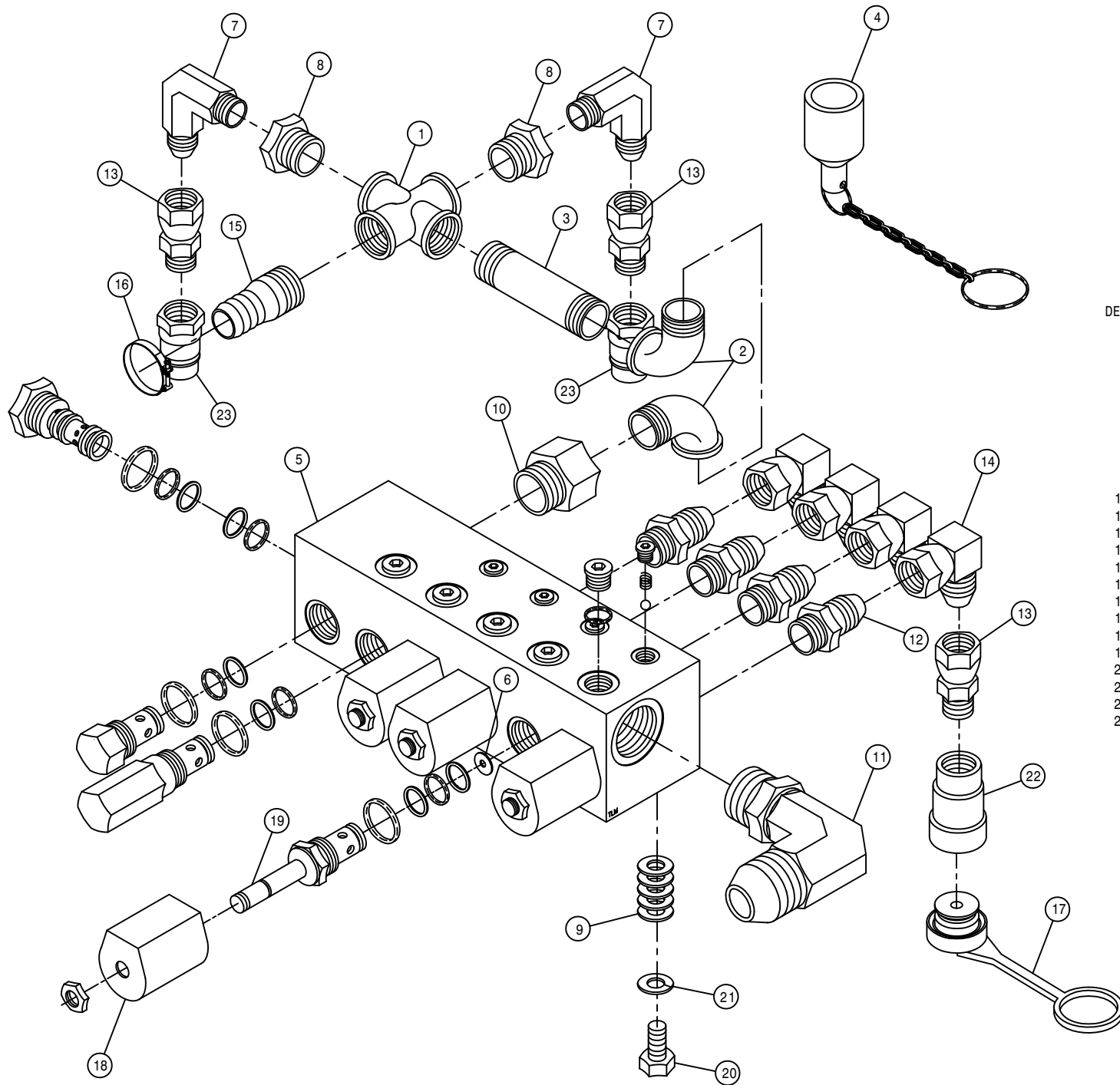
AGITATOR VARIABLE FLOW CONTROL ASSEMBLY

DET.	QTY	PART NO.	DESCRIPTION
	1	606827	FLO CONT FC51 0-3 VARI 7/8FOR
	2	618119	9/16MJIC-90-9/16MOR LBO
	3	618126	9/16MJIC-9/16MOR ADPTR
	4	618172	7/8MOR-9/16FOR ADPTR
	5	618629	9/16MOR BRANCH TEE-9/16MJIC
	6	618634	9/16MJIC-45-9/16FJIC SWIV LBO
	7	900008	1/4UNC X 2 1/2 HEX BOLT
	8	914000	1/4UNC HEX STOVER NUT



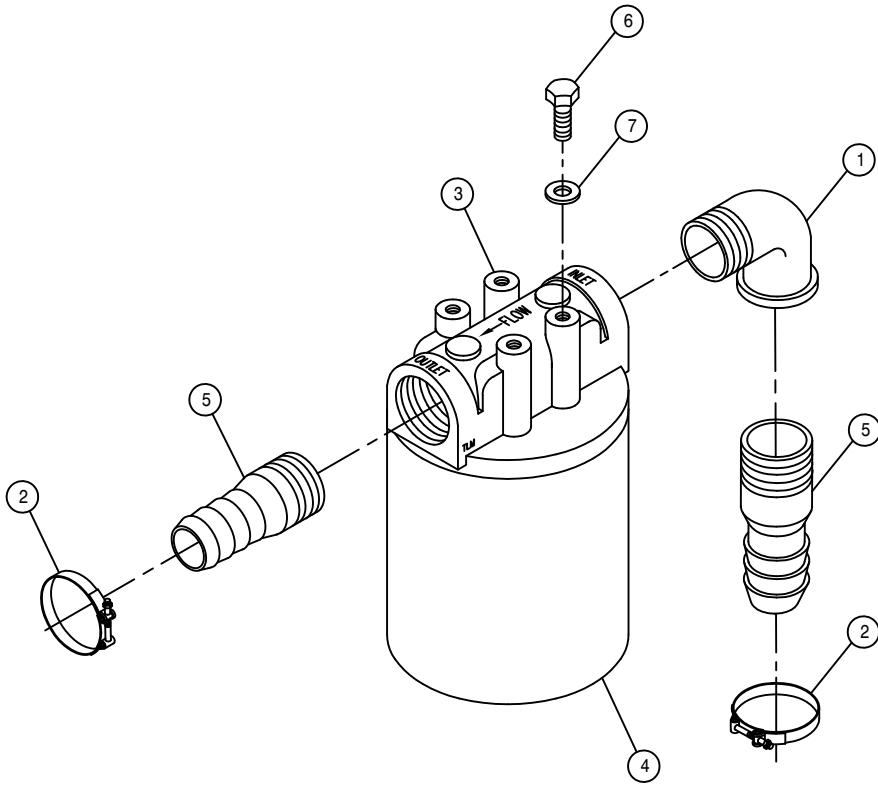
COMBO FLOW DIVIDER AND VFC ASSEMBLY

DET.	QTY	PART NO.	DESCRIPTION
1	1	342665	FLOW DIVIDER MT PLT,2100 COMBO
2	1	342666	FLOW DIV SUPP BRKT,2100 COMBO
3	1	438453	VFC STOP, 280 COMBO 92
4	1	505213	RED BUSH 1 X 3/4 BLK MAL
5	1	606836	FLO DIV BG424 24GPM PRI 1NPT
6	1	607510	FLO CONT FCR51 0-30VARI 7/8OR
7	1	611126	7/8MJIC-7/8MOR ADPTR
8	1	618189	1 1/16MJIC-7/8MOR ADPTR
9	1	618191	1 1/16MJ-90-1 1/16FJ SWIV LBO
10	1	618279	1 1/16MJIC-90-7/8MOR LBO
11	2	618322	1 5/16MJIC-1MNPT ADPTR
12	1	618541	1 5/16FJIC-1 1/16MJIC ADPTR
13	1	618579	1 1/16FJIC SWIV-3/4MNPT
14	1	618619	1 5/16FJ SW RUN TEE-15/16MJ
15	2	900008	1/4UNC X 2 1/2 HEX BOLT
16	1	900012	1/4UNC X 3 1/2 HEX BOLT
17	3	914000	1/4UNC HEX STOVER NUT
18	1	342667	HYD TUBE BRKT, 2100 COMBO
19	1	470275	TUBE CLAMP BODY,1.000-1.000
20	1	470278	CLAMP WELD PLATE, SNGL, 2.75LG
21	1	615743	HYD TUBE ASSY, 2100 COMBO 99
22	1	618577	1 5/16MJIC UNION
23	4	920001	5/16 SAE FLAT WASHER
24	3	900066	5/16UNC X 1 1/4 HEX BOLT
25	1	900069	5/16UNC X 2" HEX BOLT
26	3	914002	5/16UNC HEX STOVER NUT



COMBO MOTOR CONTROL VALVE ASSEMBLY

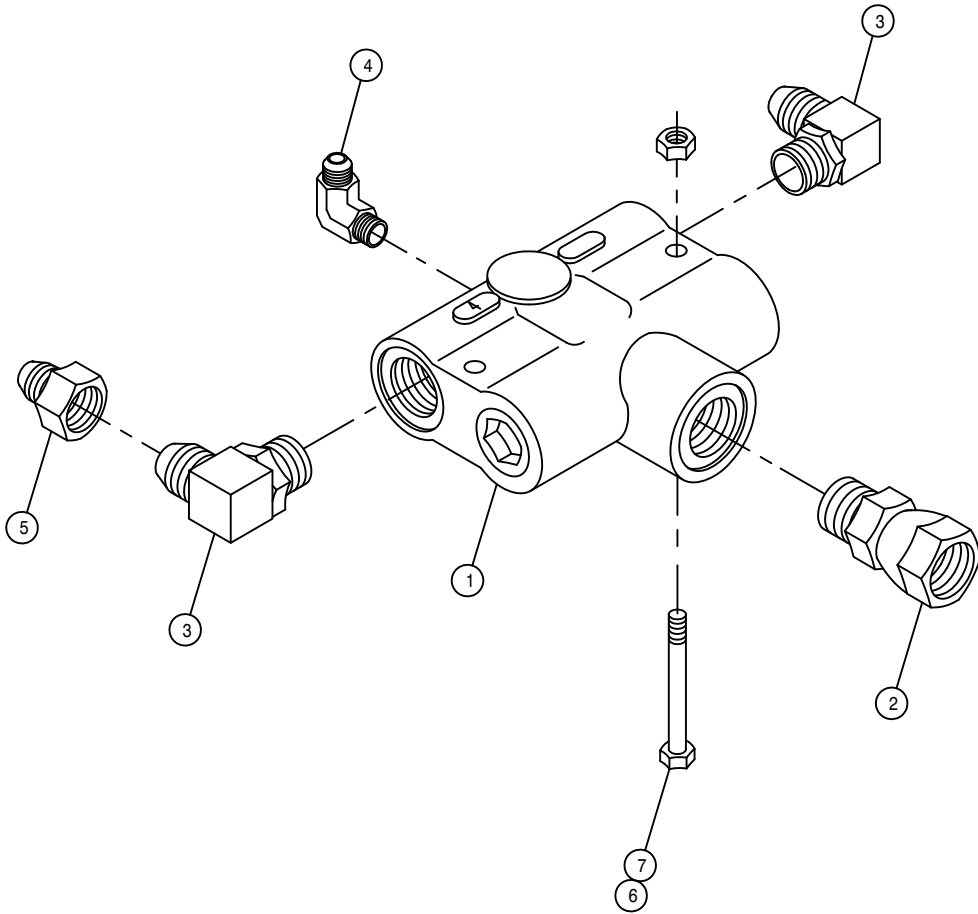
DET.	QTY	PART NO.	DESCRIPTION
	1	505100	BLK PIPE CROSS 1.00NPT
	2	505200	BLK PIPE ST EL 90DEG 1.00NPT
	3	505210	BLK PIPE NIPPLE 1.00NPT-3.00
	4	618636	RUBBER DUST CAP FOR 618622
	5	610467	MODULAR MTR CONTROL ELECT VLV
	6	610478	DISK .182 ORIFICE MOD CTRL
	7	611145	3/4MJIC-90-1/2MNPT LBO
	8	2	505005 RED BUSH 1 TO 1/2
	9	10	920002 3/8 SAE FLAT WASHER
	10	1	618090 1 5/16MOR-1FNPT ADPTR
	11	1	618178 1 5/16MJIC-90-1 5/16MOR LBO
	12	4	618469 3/4MJIC-1 1/16MOR ADPTR
	13	6	618623 3/4FJIC-SWIV-1/2MNPT
	14	4	618609 3/4MJIC-90-3/4FJIC SWIV LBO
	15	1	714561 1.00NPT-1.25 HOSE BARB
	16	1	520132 1.62/1.87 T-BOLT HOSE CLAMP
	17	4	618635 RUBBER DUST PLUG FOR 618621
	18	4	610480 SOLENOID COIL FOR610476REPAIR
	19	4	610481 SOLENOID VLV FOR 610476REPAIR
	20	2	900128 3/8UNC X 3/4 HEX BOLT
	21	2	920502 3/8 LOCK WASHER
	22	4	618621 HYD QUICK CPLR, FEMALE, .50FNPS
	23	2	618622 HYD QUICK CPLR, MALE, .50FNPS



DETASSELER OPTION FILTER ASSEMBLY

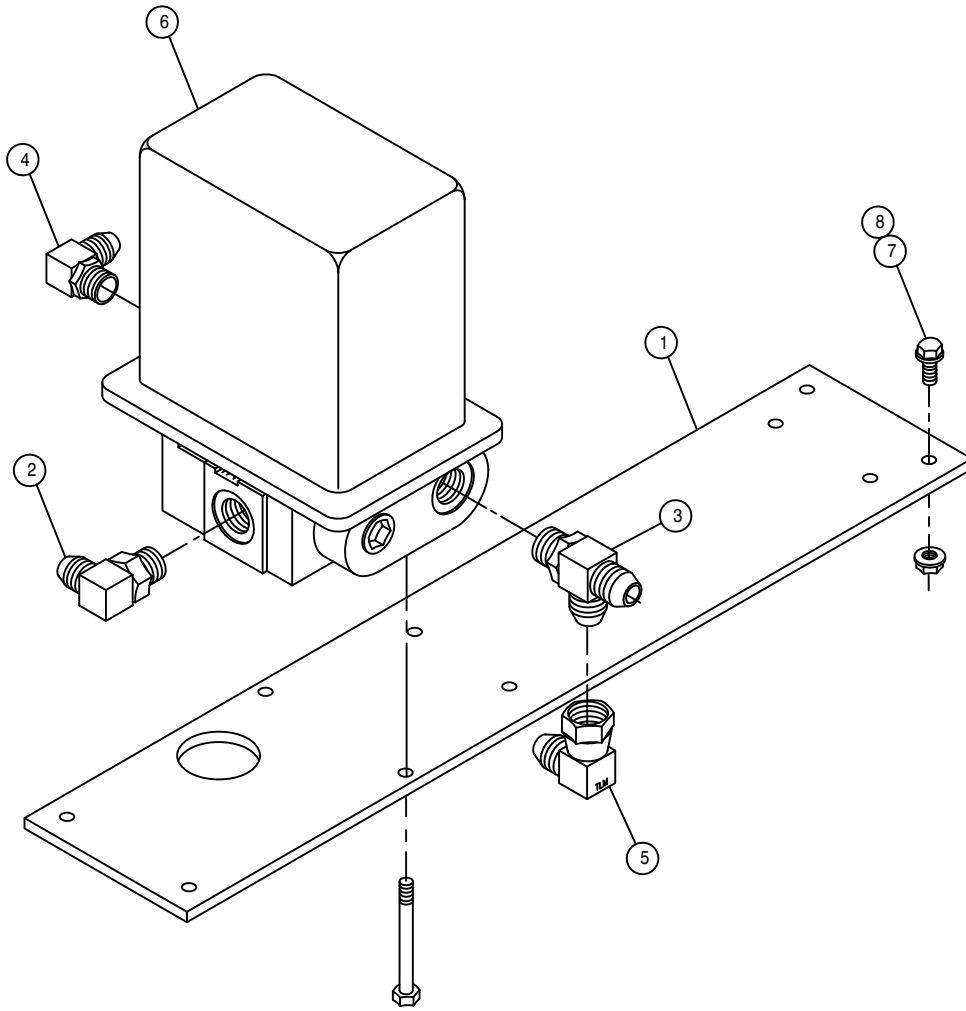
DET. QTY PART NO. DESCRIPTION

1	1	506410	BLK PIPE ST EL 90DEG 1.25NPT
2	2	520132	1.62/1.87 T-BOLT HOSE CLAMP
3	1	605601	GRESEN FILTER 10 MICRON 40GPM
4	1	605602	FILT ELEMENT 10MICRON 40GPM
5	2	715660	HOSE BARB 1 1/4NPT X 1 1/4
6	4	900062	5/16UNC X 1/2 HEX BOLT
7	4	920501	5/16 LOCK WASHER



BGR54 FLOW DIVIDER ASSEMBLY

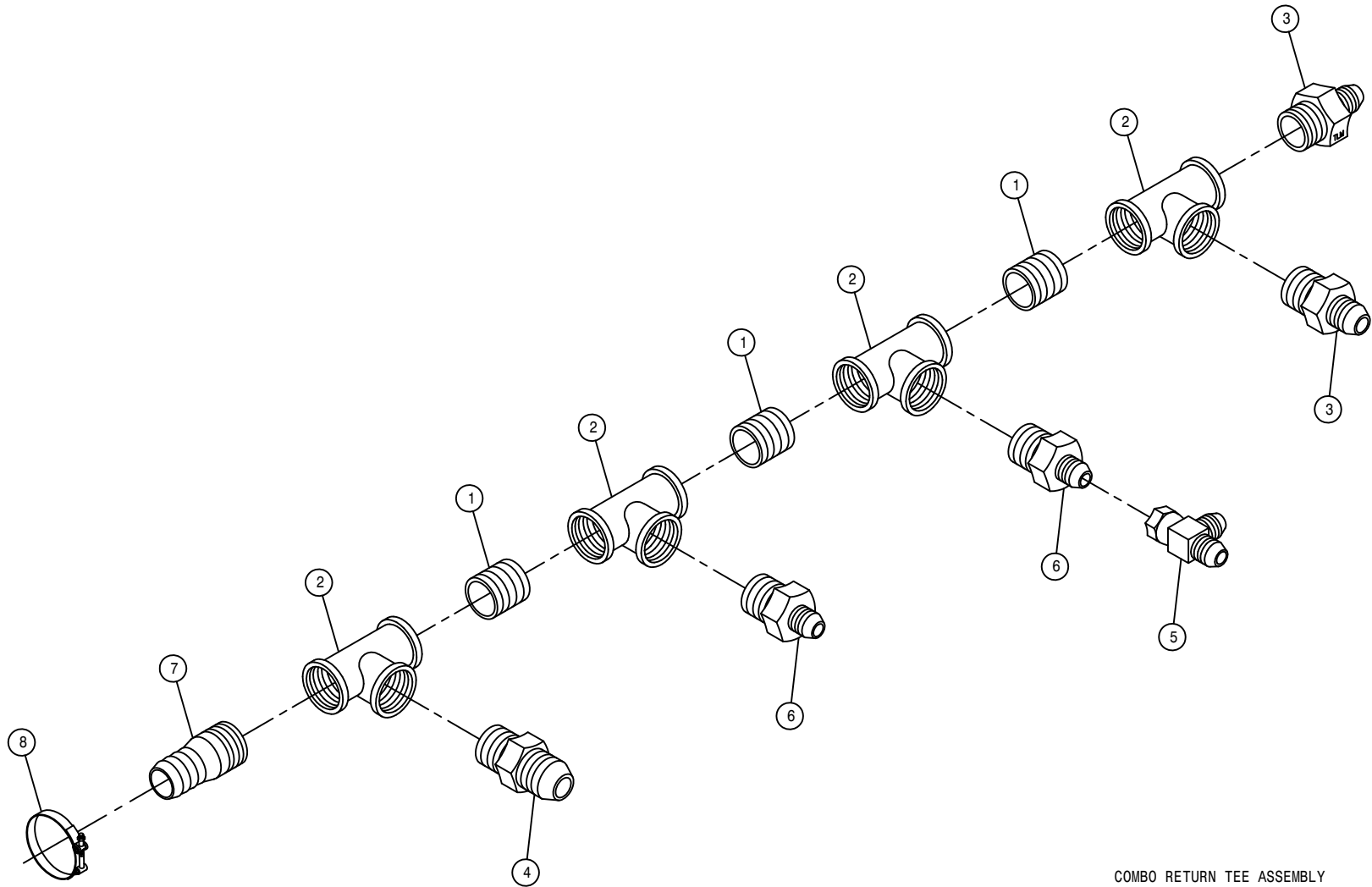
DET.	QTY	PART NO.	DESCRIPTION
	1	607528	FLO DIV BGR54 4GPM PRI 7/8FOR
	1	618594	7/8FJIC SWIV-7/8MOR ADPTR
	2	611128	7/8MJIC-90-7/8MOR LBO
	1	618015	9/16MJIC-90-3/8MNPT LBO
	1	618557	7/8FJIC-9/16MJIC ADPTR
	2	914000	1/4UNC HEX STOVER NUT
	2	900008	1/4UNC X 2 1/2 HEX BOLT



RAVEN HYDRAULIC CONTROL VALVE ASSEMBLY

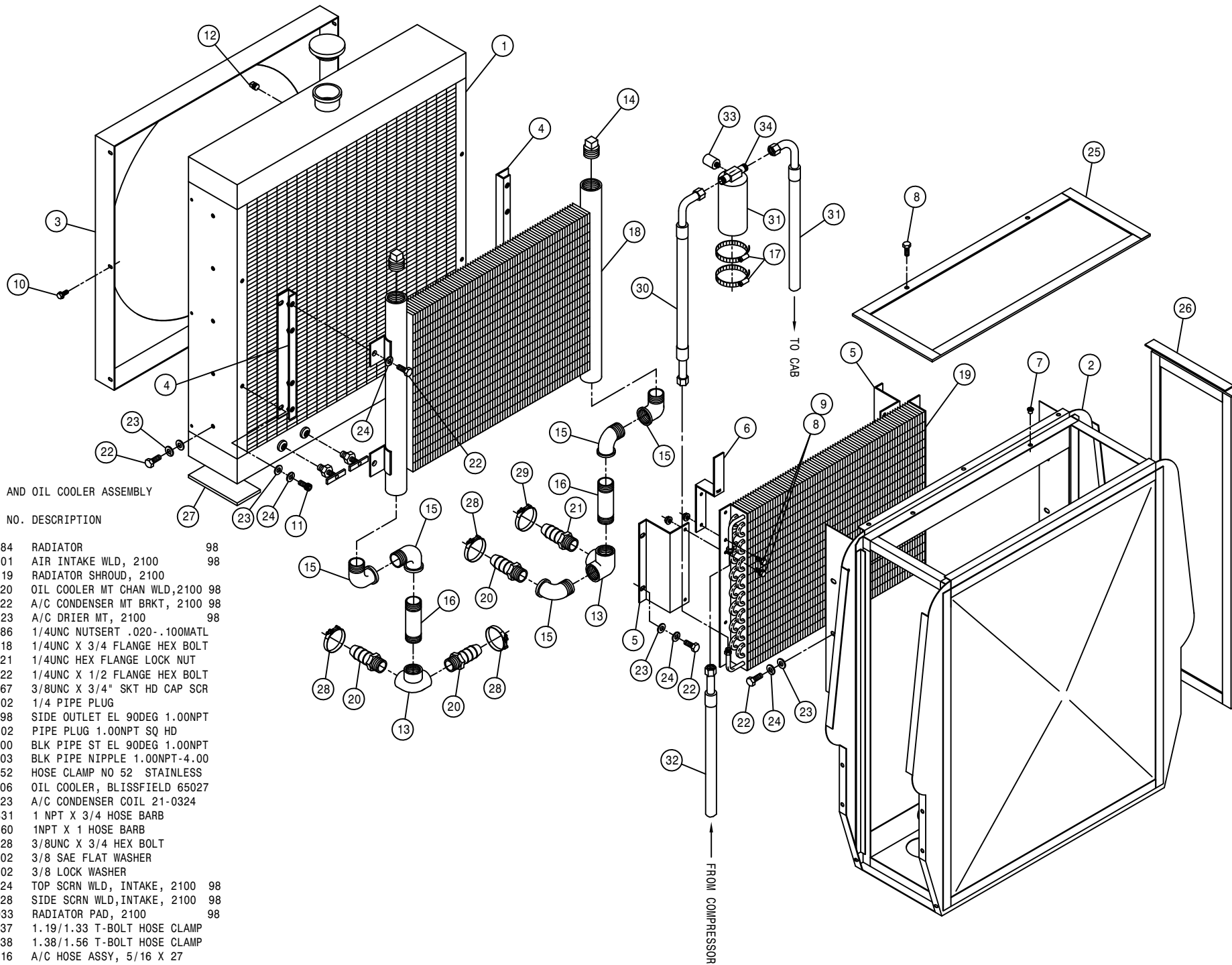
DET. QTY PART NO. DESCRIPTION

1	1	361476	ELECT VLV MTG PLT, 2100	98
2	1	611128	7/8MJIC-90-7/8MOR LBO	
3	1	618130	7/8MOR RUN TEE-7/8MJIC	
4	1	618183	3/4MJIC-90-7/8MOR LBO	
5	1	618301	7/8MJIC-90-7/8FJIC SWIV LBO	
6	1	690621	VALVE HYD CTRL, 16GPM RAVEN	
7	4	470118	1/4UNC X 3/4 FLANGE HEX BOLT	
8	4	470121	1/4UNC HEX FLANGE LOCK NUT	



COMBO RETURN TEE ASSEMBLY

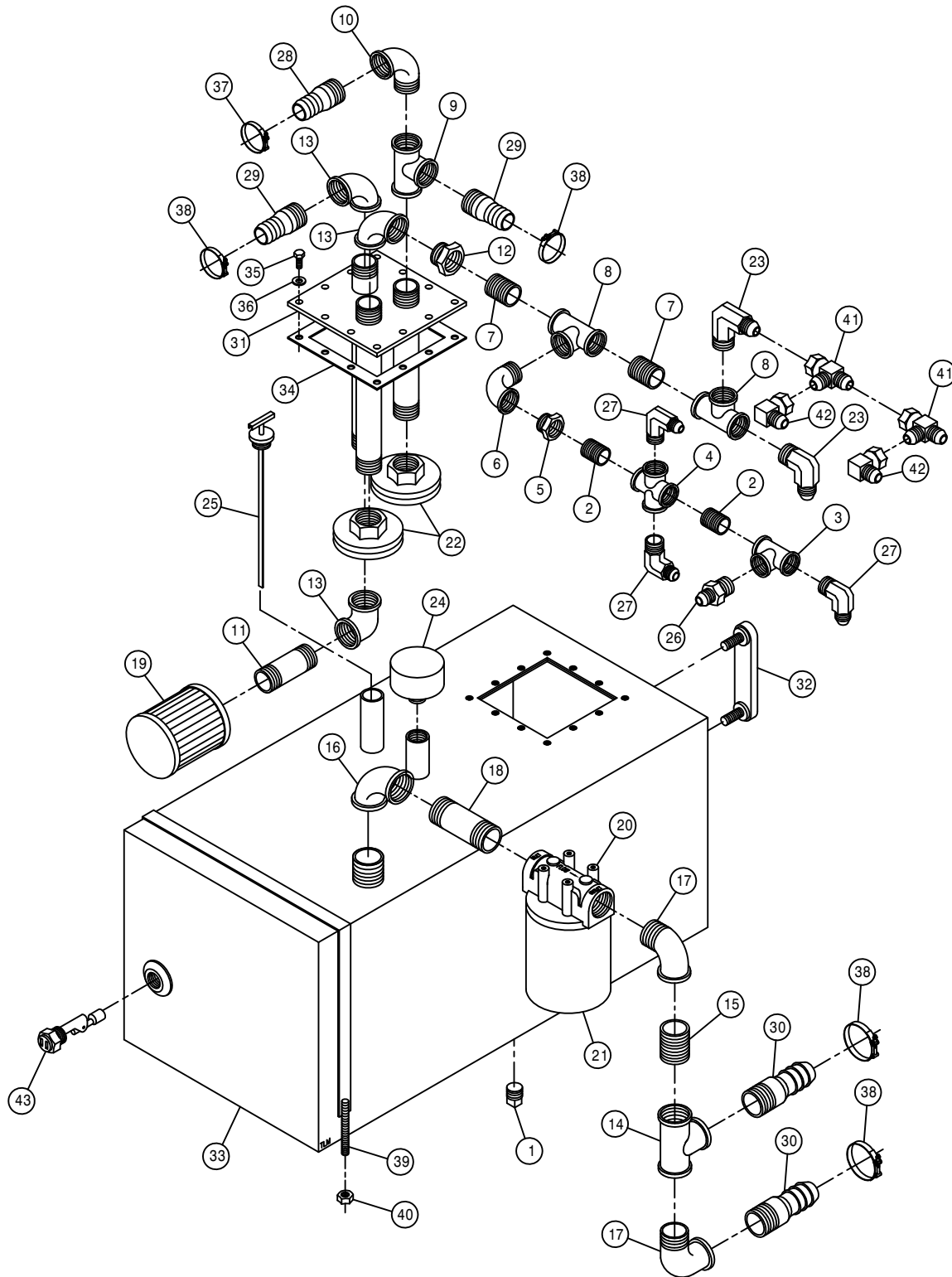
DET.	QTY	PART NO.	DESCRIPTION
1	3	504702	CLOSE NIPPLE .75NPT
2	4	504955	BLK PIPE TEE .75NPT
3	2	610300	3/4MJIC-3/4MNPT ADPTR
4	1	618059	7/8MJIC-3/4MNPT ADPTR
5	1	618486	9/16FJIC SW RUN TEE-9/16MJIC
6	2	618642	9/16MJIC-3/4MNPT ADPTR
7	1	713220	HOSE BARB 3/4 NPT X 3/4
8	1	520137	.75 T-BOLT HOSE CLAMP



RADIATOR AND OIL COOLER ASSEMBLY

DET. QTY PART NO. DESCRIPTION

1	1	314984	RADIATOR	98
2	1	315001	AIR INTAKE WLD, 2100	98
3	1	315019	RADIATOR SHROUD, 2100	
4	2	315020	OIL COOLER MT CHAN WLD, 2100	98
5	2	315022	A/C CONDENSER MT BRKT, 2100	98
6	1	315023	A/C DRIER MT, 2100	98
7	14	470086	1/4UNC NUTSERT .020-.100MATL	
8	8	470118	1/4UNC X 3/4 FLANGE HEX BOLT	
9	6	470121	1/4UNC HEX FLANGE LOCK NUT	
10	6	470122	1/4UNC X 1/2 FLANGE HEX BOLT	
11	4	470267	3/8UNC X 3/4" SKT HD CAP SCR	
12	1	501102	1/4 PIPE PLUG	
13	2	505098	SIDE OUTLET EL 90DEG 1.00NPT	
14	2	505102	PIPE PLUG 1.00NPT SQ HD	
15	5	505200	BLK PIPE ST EL 90DEG 1.00NPT	
16	2	505203	BLK PIPE NIPPLE 1.00NPT-4.00	
17	2	520052	HOSE CLAMP NO 52 STAINLESS	
18	1	618606	OIL COOLER, BLISSFIELD 65027	
19	1	657423	A/C CONDENSER COIL 21-0324	
20	3	714331	1 NPT X 3/4 HOSE BARB	
21	1	714560	1NPT X 1 HOSE BARB	
22	18	900128	3/8UNC X 3/4 HEX BOLT	
23	18	920002	3/8 SAE FLAT WASHER	
24	22	920502	3/8 LOCK WASHER	
25	1	315024	TOP SCR N WLD, INTAKE, 2100	98
26	2	315028	SIDE SCR N WLD, INTAKE, 2100	98
27	2	315033	RADIATOR PAD, 2100	98
28	3	520137	1.19/1.33 T-BOLT HOSE CLAMP	
29	1	520138	1.38/1.56 T-BOLT HOSE CLAMP	
30	1	657416	A/C HOSE ASSY, 5/16 X 27	
31	1	657418	A/C HOSE ASSY, 5/16 X 198	
32	1	657417	A/C HOSE ASSY, 13/32 X 84	
33	1	657422	A/C BINARY SWITCH	
34	1	657421	A/C RECEIVER/DRIER	

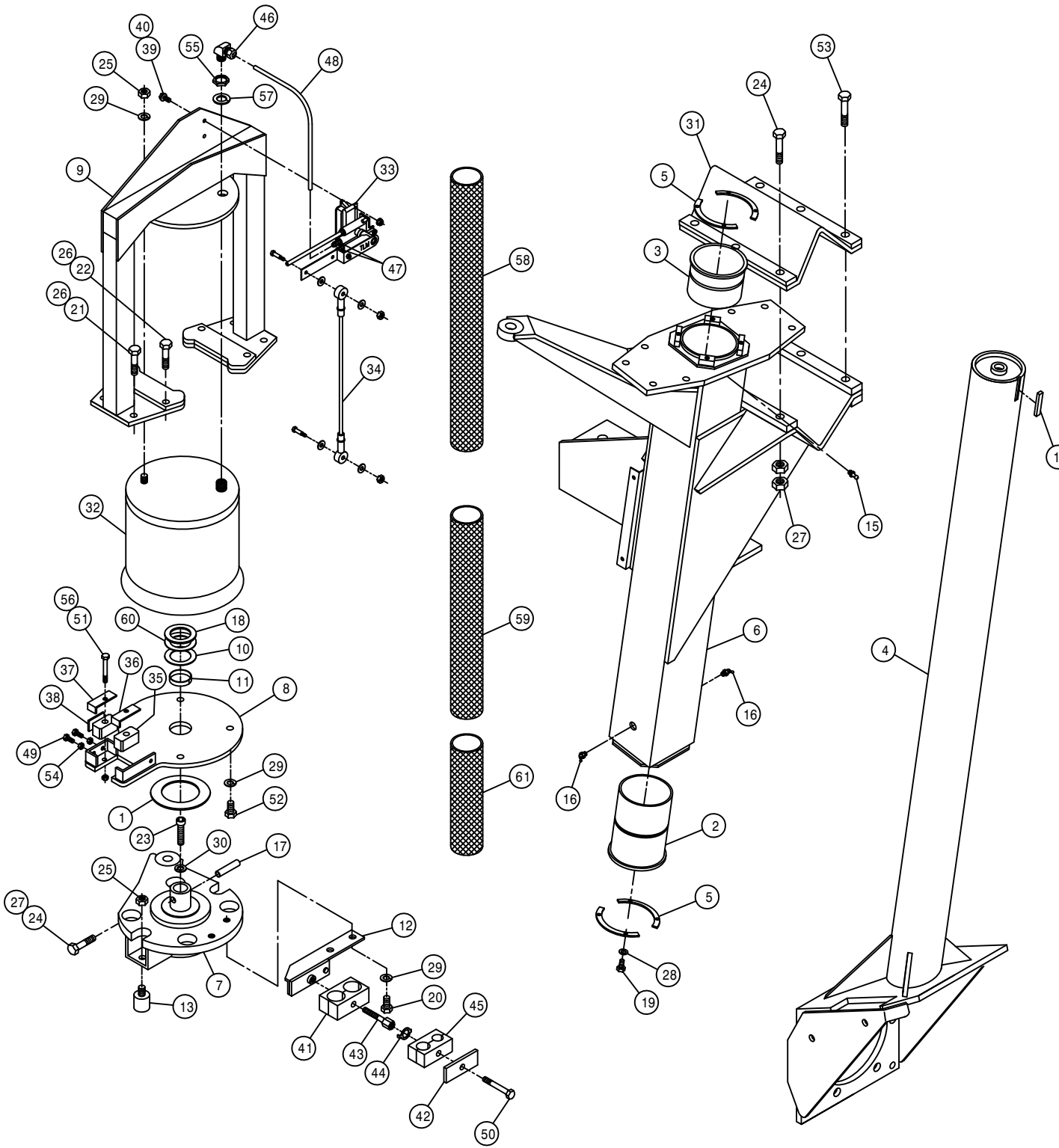


COMBO HYDRAULIC TANK ASSEMBLY

DET.	QTY	PART NO.	DESCRIPTION	
	1	501102	1/4 PIPE PLUG	
	2	503600	CLOSE NIPPLE .50NPT	
	3	503820	BLK PIPE TEE .50NPT	
	4	503824	BLK PIPE CROSS .50NPT	
	5	504210	RED BUSH 3/4 NPT X 1/2 NPT	
	6	504610	BLK PIPE ST EL 90DEG .75NPT	
	7	504702	CLOSE NIPPLE .75NPT	
	8	504955	BLK PIPE TEE .75NPT	
	9	505101	BLK PIPE TEE 1.00NPT	
	10	505200	BLK PIPE ST EL 90DEG 1.00NPT	
	11	505203	BLK PIPE NIPPLE 1.00NPT-4.00	
	12	505213	RED BUSH 1 X 3/4 BLK MAL	
	13	505300	BLK PIPE EL 90DEG 1.00NPT	
	14	506105	BLK PIPE TEE 1.25NPT	
	15	506200	CLOSE NIPPLE 1.25NPT	
	16	506303	BLK PIPE EL 90DEG 1.25NPT	
	17	506410	BLK PIPE ST EL 90DEG 1.25NPT	
	18	506604	BLK PIPE NIPPLE 1.25NPT-4.00	
	19	605600	MICHIGAN RESERVOIR FILTER	
	20	605601	GRESEN FILTER 10 MICRON 40GPM	
	21	605602	FILT ELEMENT 10MICRON 40GPM	
	22	605603	LINE SUMP DIFFUSER	
	23	610305	3/4MJIC-90-3/4MNPT LBO	
	24	611052	FILLER BREATHER 3/4NPT	
	25	614453	DIPSTICK, 8IN	
	26	618018	9/16MJIC-1/2MNPT ADPTR	
	27	618107	9/16MJIC-90-1/2MNPT LBO	
	28	714331	1 NPT X 3/4 HOSE BARB	
	29	714560	1NPT X 1 HOSE BARB	
	30	715664	1 1/4 NPT X 1 HOSE BARB	
	31	760090	RECEIVER PLT WLD 8240	
	32	760177	SIGHT GAUGE, HYD TANK	
	33	760205	HYD TANK WELD, 2100	98
	34	763039	HYD MTR MTG PLT GSKT	
	35	900064	5/16UNC X 3/4 HEX BOLT	
	36	920001	5/16 SAE FLAT WASHER	
	37	520137	.75 T-BOLT HOSE CLAMP	
	38	520138	1.00 T-BOLT HOSE CLAMP	
	39	760212	HYD TANK STRAP WLD, 2100	98
	40	914004	3/8UNC HEX STOVER NUT	
	41	618451	3/4FJIC SW RUN TEE-3/4MJIC	
	42	618609	3/4MJIC-90-3/4FJIC SWIV LBO	
	43	470290	LIQUID LEVEL SWITCH, 1/2MNPT	

RIGHT FRONT LEG ASSEMBLY

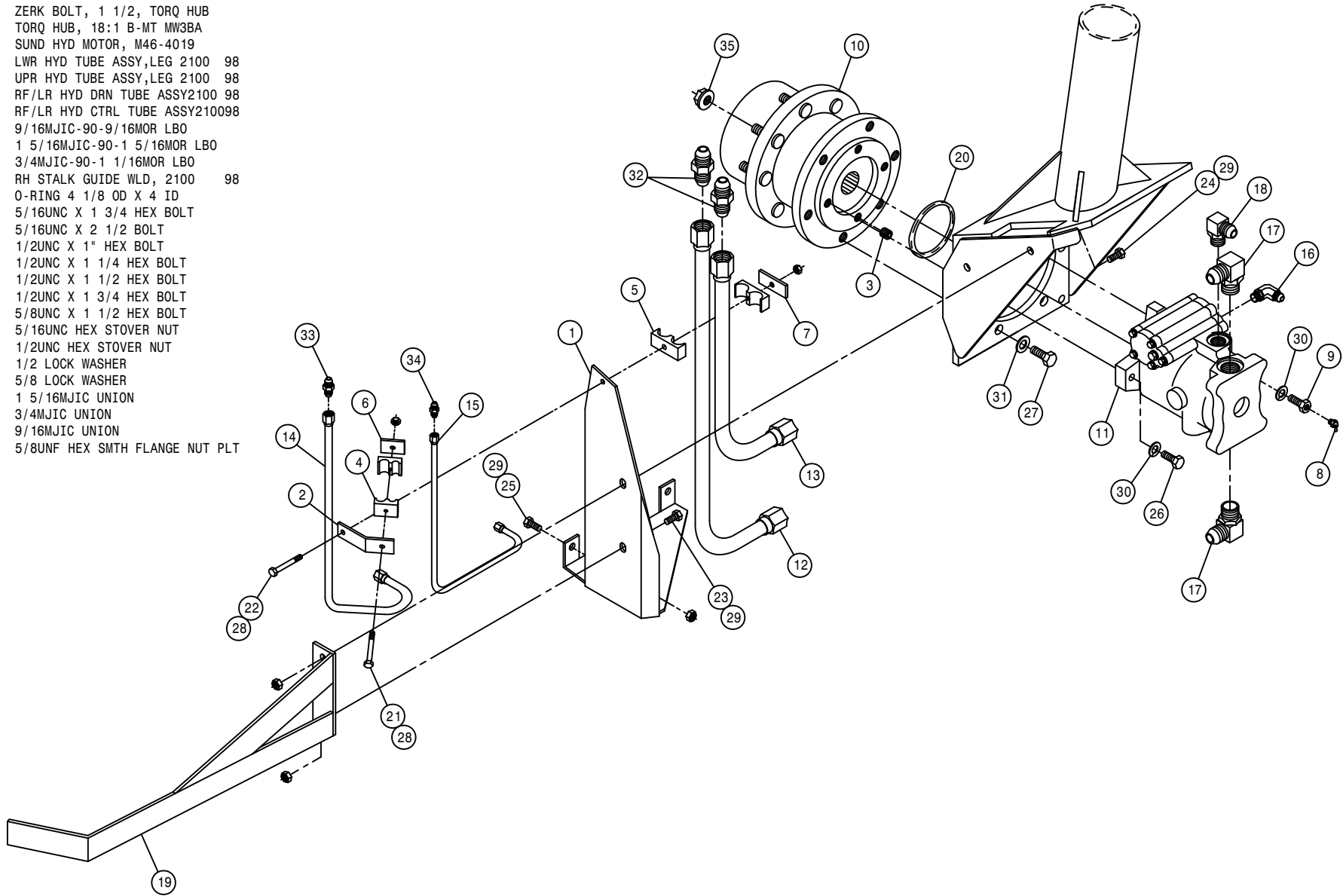
DET. QTY PART NO. DESCRIPTION



1	1	127505	THRUST BEARING, FIBERGLIDE	
2	1	358564	FRT LEG LWR NYL SLEEVE 280 89	
3	1	358565	FRT LEG UPR NYL SLEEVE 280 89	
4	1	358868	RH FRT INNER LEG WLD, 2100 98	
5	4	358927	LWR BRG KPR, LEG	98
6	1	358954	RH FRT OUTER LEG WLD, 2100 99	
7	1	358971	STEERING ARM WLD, RF/LR 2100 99	
8	1	358980	AIR BAG MT WLD, RF/LR 2100 99	
9	1	358985	AIR BAG ARCH WLD, RF/LR 2100 99	
10	1	358994	LEG WASHER, NYLON 2100 99	
11	1	358995	NYLON BEARING, LWR AB MT2100 99	
12	1	358996	RH UPPER HOSE MT WELD, 2100 99	
13	2	470259	URETHANE BUMPER, 1.25D X 1.25L	
14	1	470265	KEY, .250 X .375 X 1.88 LG	
15	1	471005	1/4 28 X 1/2 GREASE ZERK	
16	2	471023	GREASE ZERK 1/4-28 X 45	
17	1	473906	SPIRAL PIN, 1/2 X 2 1/2 LG	
18	1	483061	1.65 ID X 2.50 OD X .188T WASH	
19	8	900064	5/16UNC X 3/4 HEX BOLT	
20	2	900263	1/2UNC X 1" HEX BOLT	
21	4	900265	1/2UNC X 1 1/2 HEX BOLT	
22	4	900266	1/2UNC X 1 3/4 HEX BOLT	
23	1	900390	5/8UNC X 2 1/2 SOCKET CAP SCR	
24	4	900836	5/8UNF X 3 1/4 HEX BOLT GR8	
25	3	910008	1/2UNC HEX NUT	
26	8	914008	1/2UNC HEX STOVER NUT	
27	14	914811	5/8UNF HEX NUT GR8	
28	8	920501	5/16 LOCK WASHER	
29	7	920504	1/2 LOCK WASHER	
30	1	920505	5/8 LOCK WASHER	
31	1	358759	LEG MT V-PLT WLD, 284T	94
32	1	358831	AIRIDE SPRING	98
33	1	358832	AIRIDE SPRING CTRL VALVE	98
34	1	358839	AIRIDE CTRL LINK KIT, 2100 99	
35	2	358990	NYLON GUIDE, 2100 LEG	99
36	1	358991	INNER KEEPER, NYL GUIDE, 2100 99	
37	1	358992	OUTER KEEPER, NYL GUIDE, 2100 99	
38	1	358993	NYLON GUIDE BACK PLATE, 2100 99	
39	2	470118	1/4UNC X 3/4 FLANGE HEX BOLT	
40	2	470121	1/4UNC HEX FLANGE LOCK NUT	
41	1	470271	HOSE CLAMP BODY, 1.200-1.200	
42	1	470276	CLAMP COVER PLATE, SNGL, 1.75LG	
43	1	470280	STACK BOLT, 5/16UNC X 1 3/4	
44	1	470281	STACK BOLT SAFETY LOCK PLATE	
45	1	470282	HOSE CLAMP BODY, .53-.78	
46	1	711016	1/4NPT-90-1/4NYL TUBE FTG BR8	
47	2	711023	1/8MNPT-1/4OD NYL TUBE FTG BR8	
48	1	601413	HOSE, 1/4 X 8 AIR	
49	2	900065	5/16UNC X 1" HEX BOLT	
50	1	900068	5/16UNC X 1 3/4 HEX BOLT	
51	2	900069	5/16UNC X 2" HEX BOLT	
52	4	900264	1/2UNC X 1 1/4 HEX BOLT	
53	3	900837	5/8UNF X 3 1/2 HEX BOLT GR8	
54	2	910002	5/16UNC HEX NUT	
55	1	910013	3/4UNF HEX NUT	
56	2	914002	5/16UNC HEX STOVER NUT	
57	1	920506	3/4 LOCK WASHER	
58	1	342637	NYL HOSE SLEEVE, 2.96ID X 54.00	
59	1	342335	NYL HOSE SLEEVE, 2.64ID X 36.00	
60	1	483063	1.65ID X 2.50D X .074 WASH	
61	1	342654	NYL HOSE SLEEVE 3.66ID X 24	

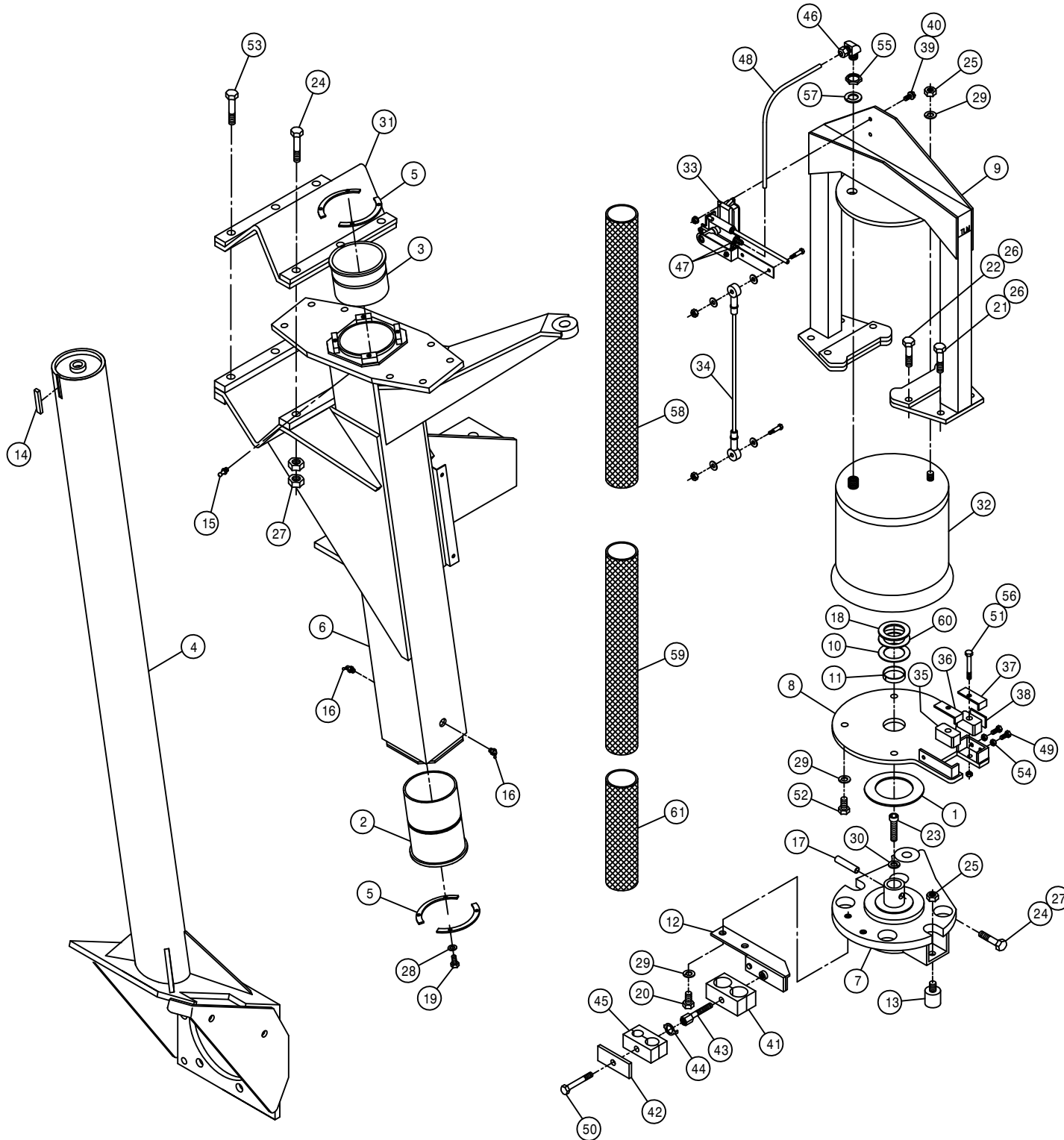
RIGHT FRONT LEG ASSEMBLY

DET.	QTY	PART NO.	DESCRIPTION
1	1	358916	RH FRT WHL MTR SHLD WLD2100 98
2	1	358926	FRT LEG HYD TUBE BRKT, 2100 98
3	1	470066	1/2UNC X 1/2 AL HD CUP SET SCR
4	1	470272	TUBE CLAMP BODY, .375-.500
5	1	470275	TUBE CLAMP BODY, 1.000-1.000
6	1	470277	CLAMP WELD PLATE, SNGL, 2.15LG
7	1	470278	CLAMP WELD PLATE, SNGL, 2.75LG
8	1	471023	GREASE ZERK 1/4-28 X 45
9	1	610634	ZERK BOLT, 1 1/2, TORQ HUB
10	1	610686	TORQ HUB, 18:1 B-MT MW3BA
11	1	610637	SUND HYD MOTOR, M46-4019
12	1	615708	LWR HYD TUBE ASSY, LEG 2100 98
13	1	615709	UPR HYD TUBE ASSY, LEG 2100 98
14	1	615710	RF/LR HYD DRN TUBE ASSY2100 98
15	1	615712	RF/LR HYD CTRL TUBE ASSY210098
16	1	618119	9/16MJIC-90-9/16MOR LBO
17	2	618178	1 5/16MJIC-90-1 5/16MOR LBO
18	1	618474	3/4MJIC-90-1 1/16MOR LBO
19	1	662250	RH STALK GUIDE WLD, 2100 98
20	1	870045	O-RING 4 1/8 OD X 4 ID
21	1	900068	5/16UNC X 1 3/4 HEX BOLT
22	1	900070	5/16UNC X 2 1/2 BOLT
23	1	900263	1/2UNC X 1" HEX BOLT
24	1	900264	1/2UNC X 1 1/4 HEX BOLT
25	2	900265	1/2UNC X 1 1/2 HEX BOLT
26	1	900266	1/2UNC X 1 3/4 HEX BOLT
27	6	900333	5/8UNC X 1 1/2 HEX BOLT
28	2	914002	5/16UNC HEX STOVER NUT
29	4	914008	1/2UNC HEX STOVER NUT
30	2	920504	1/2 LOCK WASHER
31	6	920505	5/8 LOCK WASHER
32	2	618577	1 5/16MJIC UNION
33	1	618314	3/4MJIC UNION
34	1	619010	9/16MJIC UNION
35	9	470140	5/8UNF HEX SMTH FLANGE NUT PLT



LEFT FRONT LEG ASSEMBLY

DET. QTY PART NO. DESCRIPTION

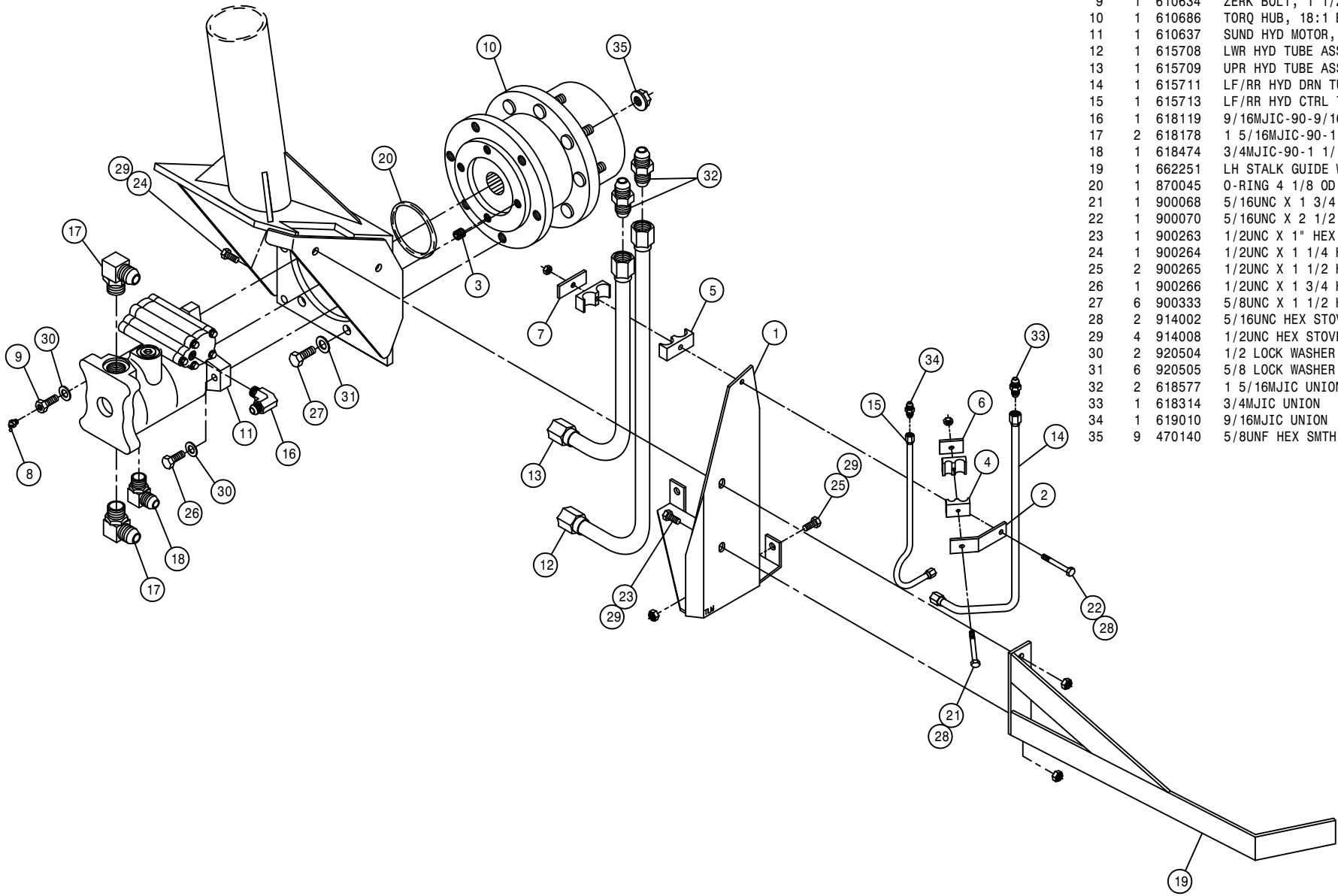


DET.	QTY	PART NO.	DESCRIPTION
1	1	127505	THRUST BEARING, FIBERGLIDE
2	1	358564	FRT LEG LWR NYL SLEEVE 280 89
3	1	358565	FRT LEG UPR NYL SLEEVE 280 89
4	1	358869	LH FRT INNER LEG WLD, 2100 98
5	4	358927	LWR BRG KPR, LEG 98
6	1	358955	LH FRT OUTER LEG WLD, 2100 99
7	1	358972	STEERING ARM WLD, LF/RR 2100 99
8	1	358981	AIR BAG MT WLD, LF/RR 2100 99
9	1	358986	AIR BAG ARCH WLD, LF/RR 2100 99
10	1	358994	LEG WASHER, NYLON 2100 99
11	1	358995	NYLON BEARING, LWR AB MT2100 99
12	1	358997	LH UPPER HOSE MT WELD, 2100 99
13	2	470259	URETHANE BUMPER, 1.25D X 1.25L
14	1	470265	KEY, .250 X .375 X 1.88 LG
15	1	471005	1/4 28 X 1/2 GREASE ZERK
16	2	471023	GREASE ZERK 1/4-28 X 45
17	1	473906	SPIRAL PIN, 1/2 X 2 1/2 LG
18	1	483061	1.65 ID X 2.50 OD X .188T WASH
19	8	900064	5/16UNC X 3/4 HEX BOLT
20	2	900263	1/2UNC X 1" HEX BOLT
21	4	900265	1/2UNC X 1 1/2 HEX BOLT
22	4	900266	1/2UNC X 1 3/4 HEX BOLT
23	1	900390	5/8UNC X 2 1/2 SOCKET CAP SCR
24	4	900836	5/8UNF X 3 1/4 HEX BOLT GR8
25	3	910008	1/2UNC HEX NUT
26	8	914008	1/2UNC HEX STOVER NUT
27	14	914811	5/8UNF HEX NUT GR8
28	8	920501	5/16 LOCK WASHER
29	7	920504	1/2 LOCK WASHER
30	1	920505	5/8 LOCK WASHER
31	1	358759	LEG MT V-PLT WLD, 284T 94
32	1	358831	AIRIDE SPRING 98
33	1	358832	AIRIDE SPRING CTRL VALVE 98
34	1	358839	AIRIDE CTRL LINK KIT, 2100 99
35	2	358990	NYLON GUIDE, 2100 LEG 99
36	1	358991	INNER KEEPER, NYL GUIDE, 2100 99
37	1	358992	OUTER KEEPER, NYL GUIDE, 2100 99
38	1	358993	NYLON GUIDE BACK PLATE, 2100 99
39	2	470118	1/4UNC X 3/4 FLANGE HEX BOLT
40	2	470121	1/4UNC HEX FLANGE LOCK NUT
41	1	470271	HOSE CLAMP BODY, 1.200-1.200
42	1	470276	CLAMP COVER PLATE, SNGL, 1.75LG
43	1	470280	STACK BOLT, 5/16UNC X 1 3/4
44	1	470281	STACK BOLT SAFETY LOCK PLATE
45	1	470282	HOSE CLAMP BODY, .53-.78
46	1	711016	1/4NPT-90-1/4NYL TUBE FTG BR8
47	2	711023	1/8MNPT-1/4OD NYL TUBE FTGBRS
48	1	601413	HOSE, 1/4 X 8 AIR
49	2	900065	5/16UNC X 1" HEX BOLT
50	1	900068	5/16UNC X 1 3/4 HEX BOLT
51	2	900069	5/16UNC X 2" HEX BOLT
52	4	900264	1/2UNC X 1 1/4 HEX BOLT
53	3	900837	5/8UNF X 3 1/2 HEX BOLT GR8
54	2	910002	5/16UNC HEX NUT
55	1	910013	3/4UNF HEX NUT
56	2	914002	5/16UNC HEX STOVER NUT
57	1	920506	3/4 LOCK WASHER
58	1	342637	NYL HOSE SLEEVE, 2.96ID X 54.00
59	1	342335	NYL HOSE SLEEVE, 2.64ID X 36.00
60	1	483063	1.65 ID X 2.50 OD X .074T WASH
61	1	342654	NYL HOSE SLEEVE 3.66ID X 24

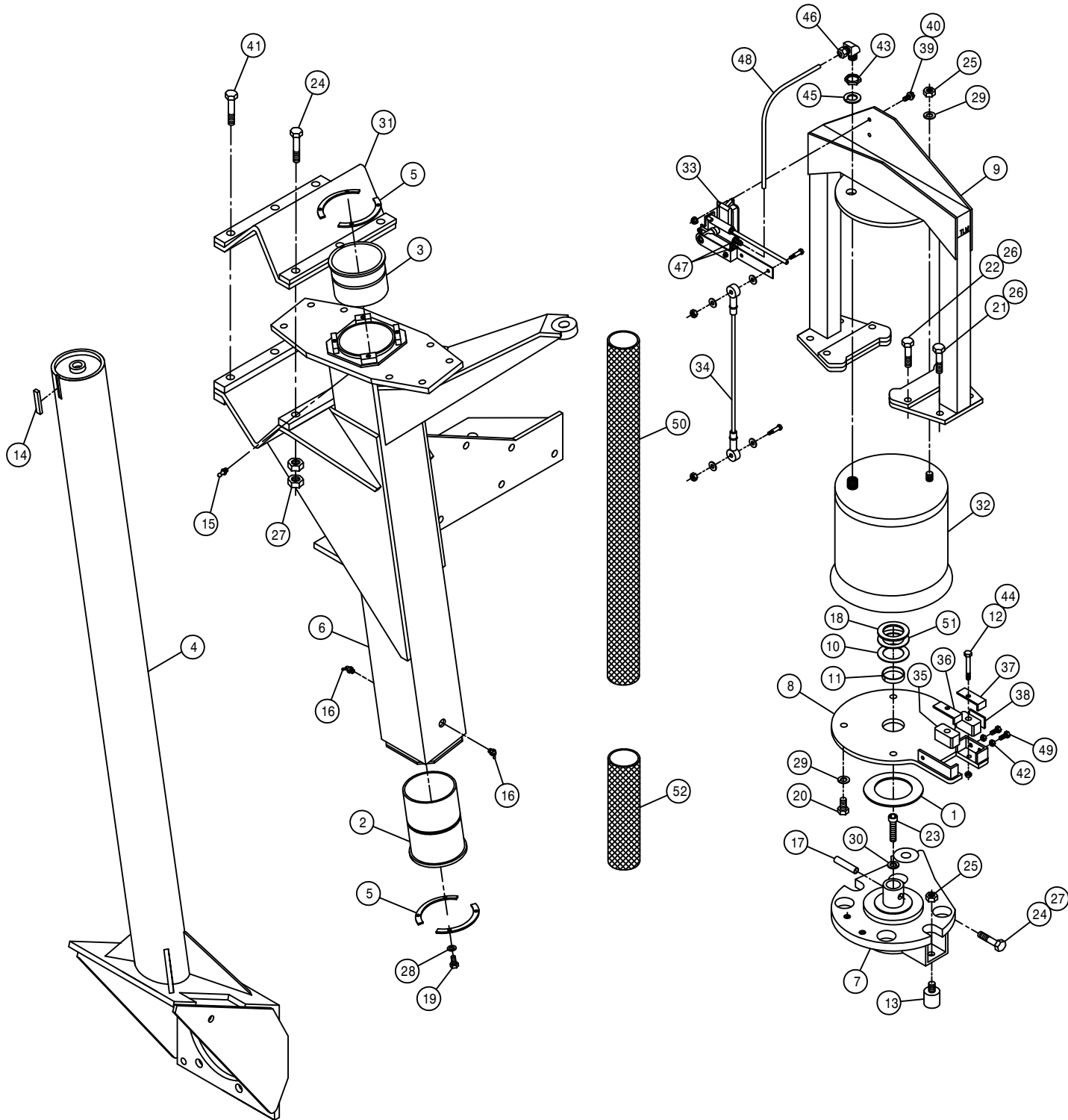
LEFT FRONT LEG ASSEMBLY

DET. QTY PART NO. DESCRIPTION

DET.	QTY	PART NO.	DESCRIPTION
1	1	358917	LH FRT WHL MTR SHLD WLD2100 98
2	1	358926	FRT LEG HYD TUBE BRKT, 2100 98
3	1	470066	1/2UNC X 1/2 AL HD CUP SET SCR
4	1	470272	TUBE CLAMP BODY, .375- .500
5	1	470275	TUBE CLAMP BODY,1.000-1.000
6	1	470277	CLAMP WELD PLATE, SNGL, 2.15LG
7	1	470278	CLAMP WELD PLATE, SNGL, 2.75LG
8	1	471023	GREASE ZERK 1/4-28 X 45
9	1	610634	ZERK BOLT, 1 1/2, TORQ HUB
10	1	610686	TORQ HUB, 18:1 B-MT MW3BA
11	1	610637	SUND HYD MOTOR, M46-4019
12	1	615708	LWR HYD TUBE ASSY,LEG 2100 98
13	1	615709	UPR HYD TUBE ASSY,LEG 2100 98
14	1	615711	LF/RR HYD DRN TUBE ASSY2100 98
15	1	615713	LF/RR HYD CTRL TUBE ASSY210098
16	1	618119	9/16MJIC-90-9/16MOR LBO
17	2	618178	1 5/16MJIC-90-1 5/16MOR LBO
18	1	618474	3/4MJIC-90-1 1/16MOR LBO
19	1	662251	LH STALK GUIDE WLD, 2100 98
20	1	870045	O-RING 4 1/8 OD X 4 ID
21	1	900068	5/16UNC X 1 3/4 HEX BOLT
22	1	900070	5/16UNC X 2 1/2 BOLT
23	1	900263	1/2UNC X 1" HEX BOLT
24	1	900264	1/2UNC X 1 1/4 HEX BOLT
25	2	900265	1/2UNC X 1 1/2 HEX BOLT
26	1	900266	1/2UNC X 1 3/4 HEX BOLT
27	6	900333	5/8UNC X 1 1/2 HEX BOLT
28	2	914002	5/16UNC HEX STOVER NUT
29	4	914008	1/2UNC HEX STOVER NUT
30	2	920504	1/2 LOCK WASHER
31	6	920505	5/8 LOCK WASHER
32	2	618577	1 5/16MJIC UNION
33	1	618314	3/4MJIC UNION
34	1	619010	9/16MJIC UNION
35	9	470140	5/8UNF HEX SMTH FLANGE NUT PLT



27

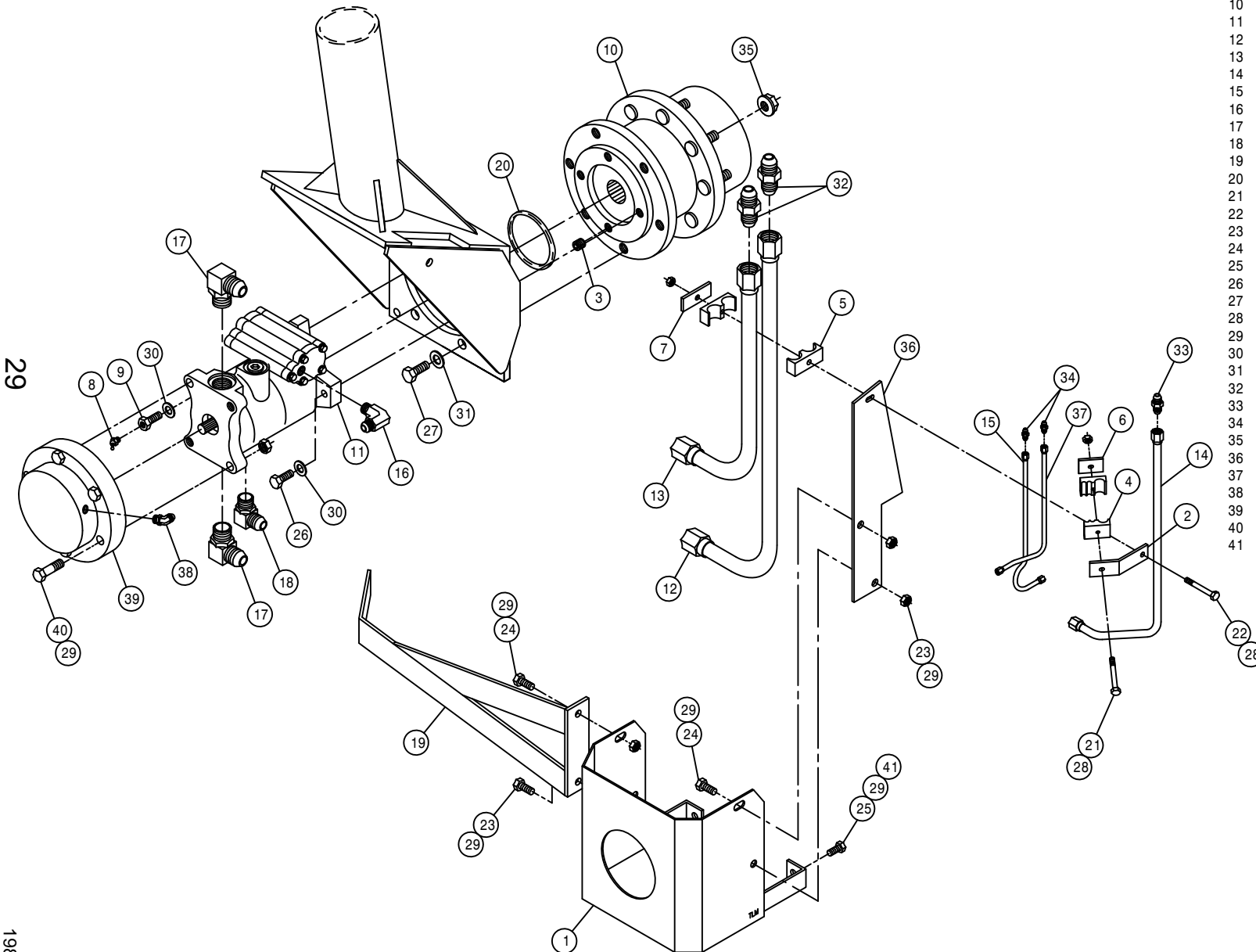


RIGHT REAR LEG ASSEMBLY

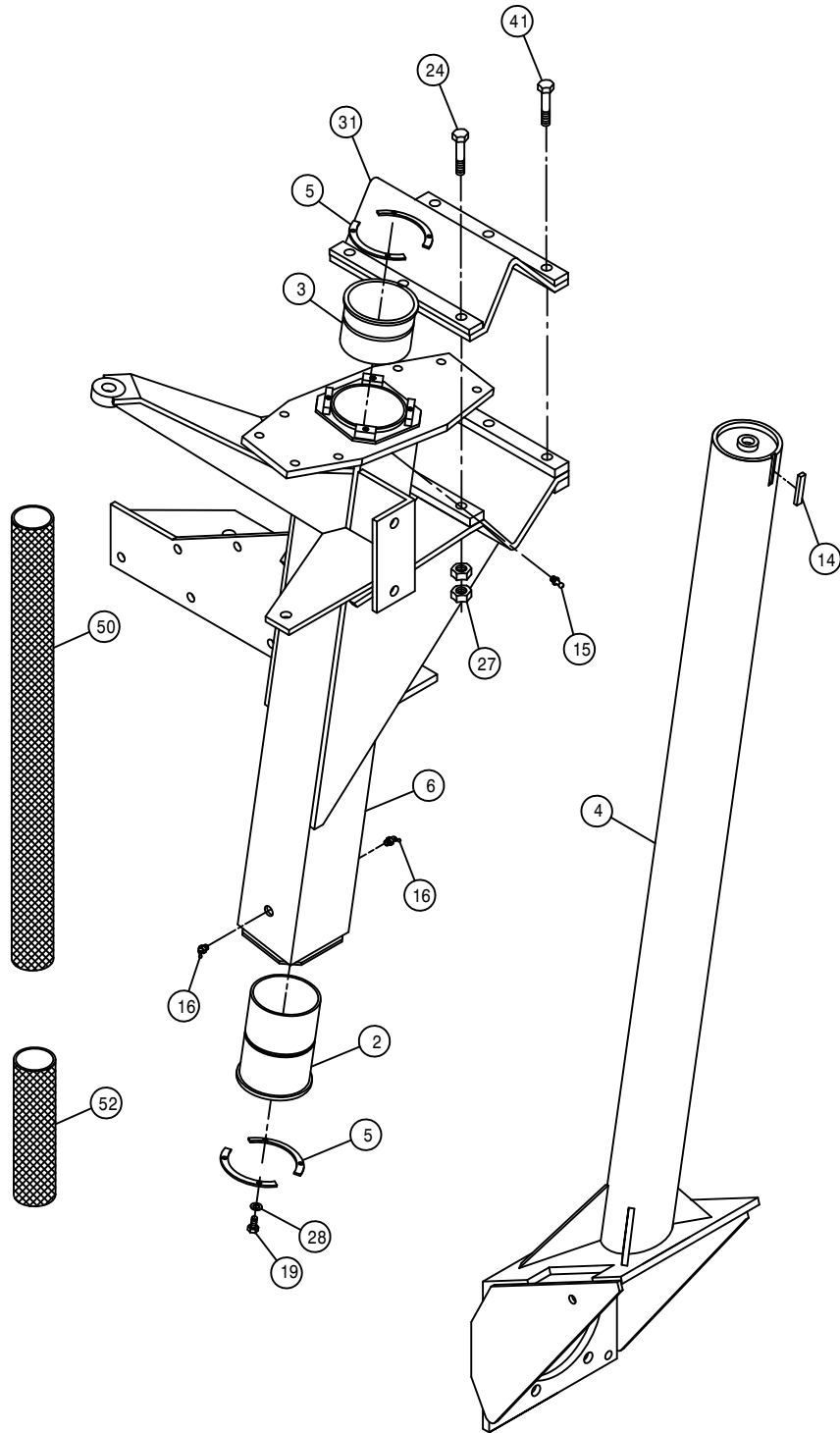
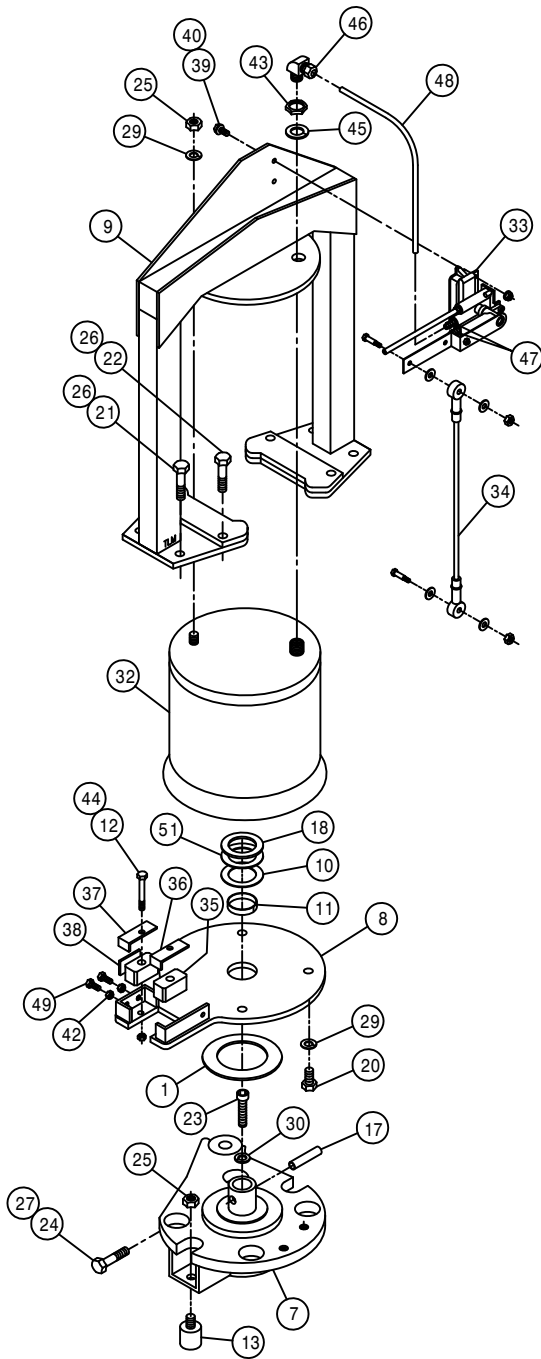
DET.	QTY	PART NO.	DESCRIPTION
	1	483062	3.00 ID X 4.62 OD X .125T WASH
	2	358564	FRT LEG LWR NYL SLEEVE 280 89
	3	358565	FRT LEG UPR NYL SLEEVE 280 89
	4	358870	RH REAR INNER LEG WLD, 2100 98
	5	358927	LWR BRG KPR, LEG 98
	6	358956	RH REAR OUTER LEG WLD, 2100 99
	7	358972	STEERING ARM WLD, LF/RR 2100 99
	8	358981	AIR BAG MT WLD, LF/RR 2100 99
	9	358986	AIR BAG ARCH WLD, LF/RR 2100 99
	10	358994	LEG WASHER, NYLON 2100 99
	11	358995	NYLON BEARING, LWR AB MT 2100 99
	12	900069	5/16UNC X 2" HEX BOLT
	13	470259	URETHANE BUMPER, 1.25D X 1.25L
	14	470265	KEY, .250 X .375 X 1.88 LG
	15	471005	1/4 28 X 1/2 GREASE ZERK
	16	471023	GREASE ZERK 1/4-28 X 45
	17	473906	SPIRAL PIN, 1/2 X 2 1/2 LG
	18	483061	1.65 ID X 2.50 OD X .188T WASH
	19	900064	5/16UNC X 3/4 HEX BOLT
	20	900264	1/2UNC X 1 1/4 HEX BOLT
	21	900265	1/2UNC X 1 1/2 HEX BOLT
	22	900266	1/2UNC X 1 3/4 HEX BOLT
	23	900390	5/8UNC X 2 1/2 SOCKET CAP SCR
	24	900836	5/8UNF X 3 1/4 HEX BOLT GR8
	25	910008	1/2UNC HEX NUT
	26	914008	1/2UNC HEX STOVER NUT
	27	914811	5/8UNF HEX NUT GR8
	28	920501	5/16 LOCK WASHER
	29	920504	1/2 LOCK WASHER
	30	920505	5/8 LOCK WASHER
	31	358759	LEG MT V-PLT WLD, 284T 94
	32	358831	AIRIDE SPRING 98
	33	358832	AIRIDE SPRING CTRL VALVE 98
	34	358839	AIRIDE CTRL LINK KIT, 2100 99
	35	358990	NYLON GUIDE, 2100 LEG 99
	36	358991	INNER KEEPER, NYL GUIDE, 2100 99
	37	358992	OUTER KEEPER, NYL GUIDE, 2100 99
	38	358993	NYLON GUIDE BACK PLATE, 2100 99
	39	470118	1/4UNC X 3/4 FLANGE HEX BOLT
	40	470121	1/4UNC HEX FLANGE LOCK NUT
	41	900837	5/8UNF X 3 1/2 HEX BOLT GR8
	42	910002	5/16UNC HEX NUT
	43	910013	3/4UNF HEX NUT
	44	914002	5/16UNC HEX STOVER NUT
	45	920506	3/4 LOCK WASHER
	46	711016	1/4NPT-90-1/4NYL TUBE FTG BR8
	47	711023	1/8MNPT-1/4OD NYL TUBE FTG BR8
	48	601413	HOSE, 1/4 X 8 AIR
	49	900065	5/16UNC X 1" HEX BOLT
	50	342638	NYL HOSE SLEEVE, 2.96ID X 65.00
	51	483063	1.65 ID X 2.50 OD X .074T WASH
	52	342654	NYL HOSE SLEEVE 3.66 ID X 24

RIGHT REAR LEG ASSEMBLY

DET.	QTY	PART NO.	DESCRIPTION
	1	358928	RH REAR WHLMTR SHLD WLD2100 98
	2	358934	REAR LEG HYD TUBE BRKT,2100 98
	3	470066	1/2UNC X 1/2 AL HD CUP SET SCR
	4	470273	TUBE CLAMP BODY, .375-.375-.500
	5	470275	TUBE CLAMP BODY,1.000-1.000
	6	470277	CLAMP WELD PLATE, SNGL, 2.15LG
	7	470278	CLAMP WELD PLATE, SNGL, 2.75LG
	8	471023	GREASE ZERK 1/4-28 X 45
	9	610634	ZERK BOLT, 1 1/2, TORQ HUB
	10	610689	TORQ HUB, 26:1 B-MT MW3BA
	11	610640	SUND HYD MOTOR, M46-4144
	12	615708	LWR HYD TUBE ASSY,LEG 2100 98
	13	615709	UPR HYD TUBE ASSY,LEG 2100 98
	14	615711	LF/RR HYD DRN TUBE ASSY2100 98
	15	615713	LF/RR HYD CTRL TUBE ASSY210098
	16	618119	9/16MJIC-90-9/16MOR LBO
	17	618178	1 5/16MJIC-90-1 5/16MOR LBO
	18	618474	3/4MJIC-90-1 1/16MOR LBO
	19	662250	RH STALK GUIDE WLD, 2100 98
	20	870045	O-RING 4 1/8 OD X 4 ID
	21	900068	5/16UNC X 1 3/4 HEX BOLT
	22	900070	5/16UNC X 2 1/2 BOLT
	23	900263	1/2UNC X 1" HEX BOLT
	24	900264	1/2UNC X 1 1/4 HEX BOLT
	25	900265	1/2UNC X 1 1/2 HEX BOLT
	26	900266	1/2UNC X 1 3/4 HEX BOLT
	27	900333	5/8UNC X 1 1/2 HEX BOLT
	28	914002	5/16UNC HEX STOVER NUT
	29	914008	1/2UNC HEX STOVER NUT
	30	920504	1/2 LOCK WASHER
	31	920505	5/8 LOCK WASHER
	32	618577	1 5/16MJIC UNION
	33	618314	3/4MJIC UNION
	34	619010	9/16MJIC UNION
	35	470140	5/8UNF HEX SMTH FLANGE NUT PLT
	36	358933	REAR HYD TUBE MTG PLT,2100 98
	37	615714	RH HYD BRAKE TUBE ASSY,2100 98
	38	618114	9/16MJIC-90-7/16MOR LBO
	39	828093	MICO HYD BRAKE 98
	40	900271	1/2UNC X 3 1/4 HEX BOLT
	41	920004	1/2 SAE FLAT WASHER



29



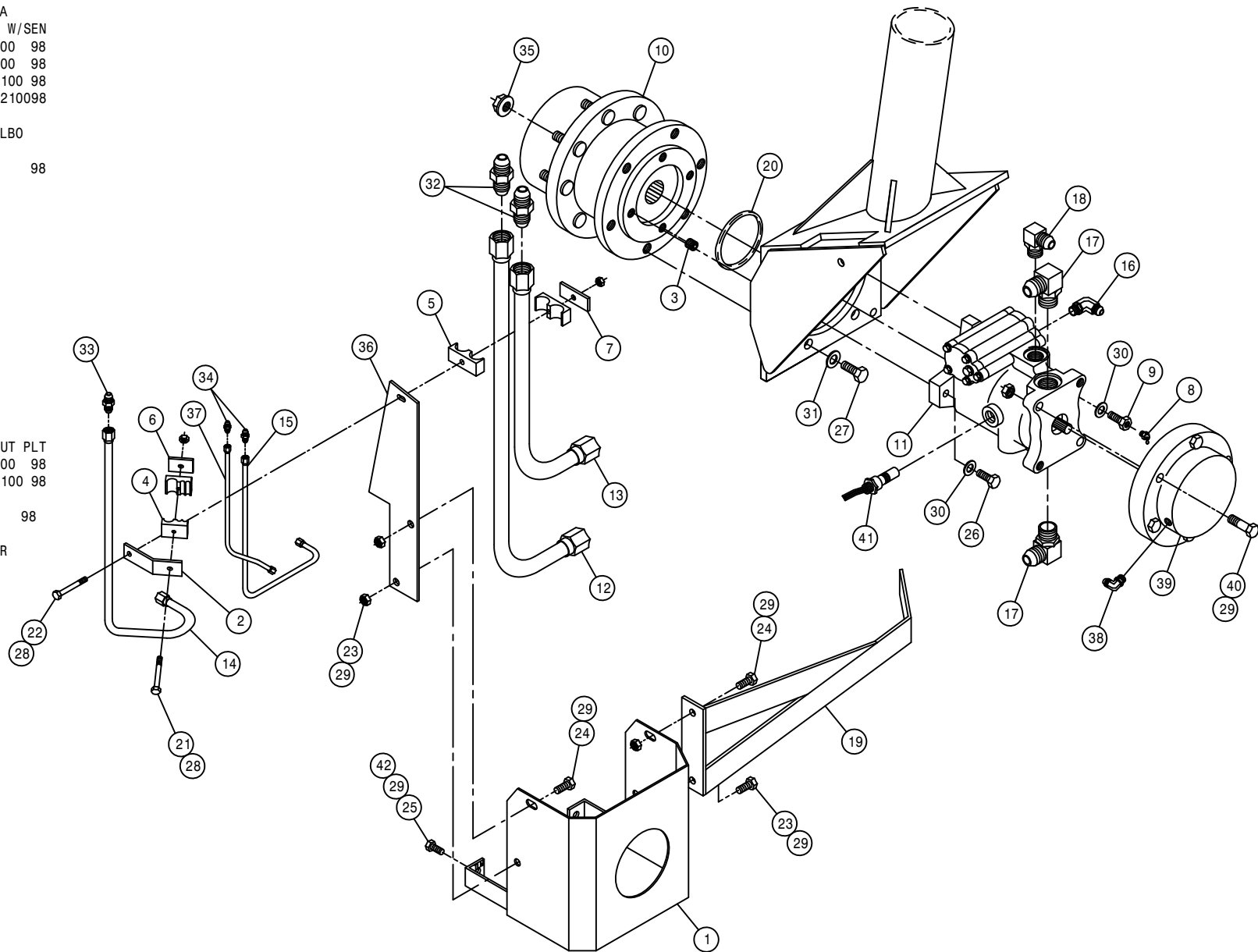
LEFT REAR LEG ASSEMBLY

DET.	QTY	PART NO.	DESCRIPTION
1	1	483062	3.00 ID X 4.62 OD X .125T WASH
2	1	358564	FRT LEG LWR NYL SLEEVE 280 89
3	1	358565	FRT LEG UPR NYL SLEEVE 280 89
4	1	358871	LH REAR INNER LEG WLD, 2100 98
5	4	358927	LWR BRG KPR, LEG 98
6	1	358957	LH REAR OUTER LEG WLD,2100 99
7	1	358971	STEERING ARM WLD,RF/LR 2100 99
8	1	358980	AIR BAG MT WLD, RF/LR 2100 99
9	1	358985	AIR BAG ARCH WLD,RF/LR 2100 99
10	1	358994	LEG WASHER, NYLON 2100 99
11	1	358995	NYLON BEARING,LWR AB MT2100 99
12	2	900069	5/16UNC X 2" HEX BOLT
13	2	470259	URETHANE BUMPER,1.25D X 1.25L
14	1	470265	KEY, .250 X .375 X 1.88 LG
15	1	471005	1/4 28 X 1/2 GREASE ZERK
16	2	471023	GREASE ZERK 1/4-28 X 45
17	1	473906	SPIRAL PIN, 1/2 X 2 1/2 LG
18	1	483061	1.65 ID X 2.50 OD X .188T WASH
19	8	900064	5/16UNC X 3/4 HEX BOLT
20	4	900264	1/2UNC X 1 1/4 HEX BOLT
21	4	900265	1/2UNC X 1 1/2 HEX BOLT
22	4	900266	1/2UNC X 1 3/4 HEX BOLT
23	1	900390	5/8UNC X 2 1/2 SOCKET CAP SCR
24	4	900836	5/8UNF X 3 1/4 HEX BOLT GR8
25	3	910008	1/2UNC HEX NUT
26	8	914008	1/2UNC HEX STOVER NUT
27	14	914811	5/8UNF HEX NUT GR8
28	8	920501	5/16 LOCK WASHER
29	5	920504	1/2 LOCK WASHER
30	1	920505	5/8 LOCK WASHER
31	1	358759	LEG MT V-PLT WLD, 284T 94
32	1	358831	AIRIDE SPRING 98
33	1	358832	AIRIDE SPRING CTRL VALVE 98
34	1	358839	AIRRIE CTRL LINK KIT, 2100 99
35	2	358990	NYLON GUIDE, 2100 LEG 99
36	1	358991	INNER KEEPER,NYL GUIDE,2100 99
37	1	358992	OUTER KEEPER,NYL GUIDE,2100 99
38	1	358993	NYLON GUIDE BACK PLATE,2100 99
39	2	470118	1/4UNC X 3/4 FLANGE HEX BOLT
40	2	470121	1/4UNC HEX FLANGE LOCK NUT
41	3	900837	5/8UNF X 3 1/2 HEX BOLT GR8
42	2	910002	5/16UNC HEX NUT
43	1	910013	3/4UNF HEX NUT
44	2	914002	5/16UNC HEX STOVER NUT
45	1	920506	3/4 LOCK WASHER
46	1	711016	1/4NPT-90-1/4NYL TUBE FTG BRS
47	2	711023	1/8MNPT-1/4OD NYL TUBE FTGBRS
48	1	601413	HOSE, 1/4 X 8 AIR
49	2	900065	5/16UNC X 1" HEX BOLT
50	1	342638	NYL HOSE SLEEVE,2.96ID X 65.00
51	1	483063	1.65 ID X 2.50 OD X .074T WASH
52	1	342654	NYL HOSE SLEEVE 3.66ID X 24

LEFT REAR LEG ASSEMBLY

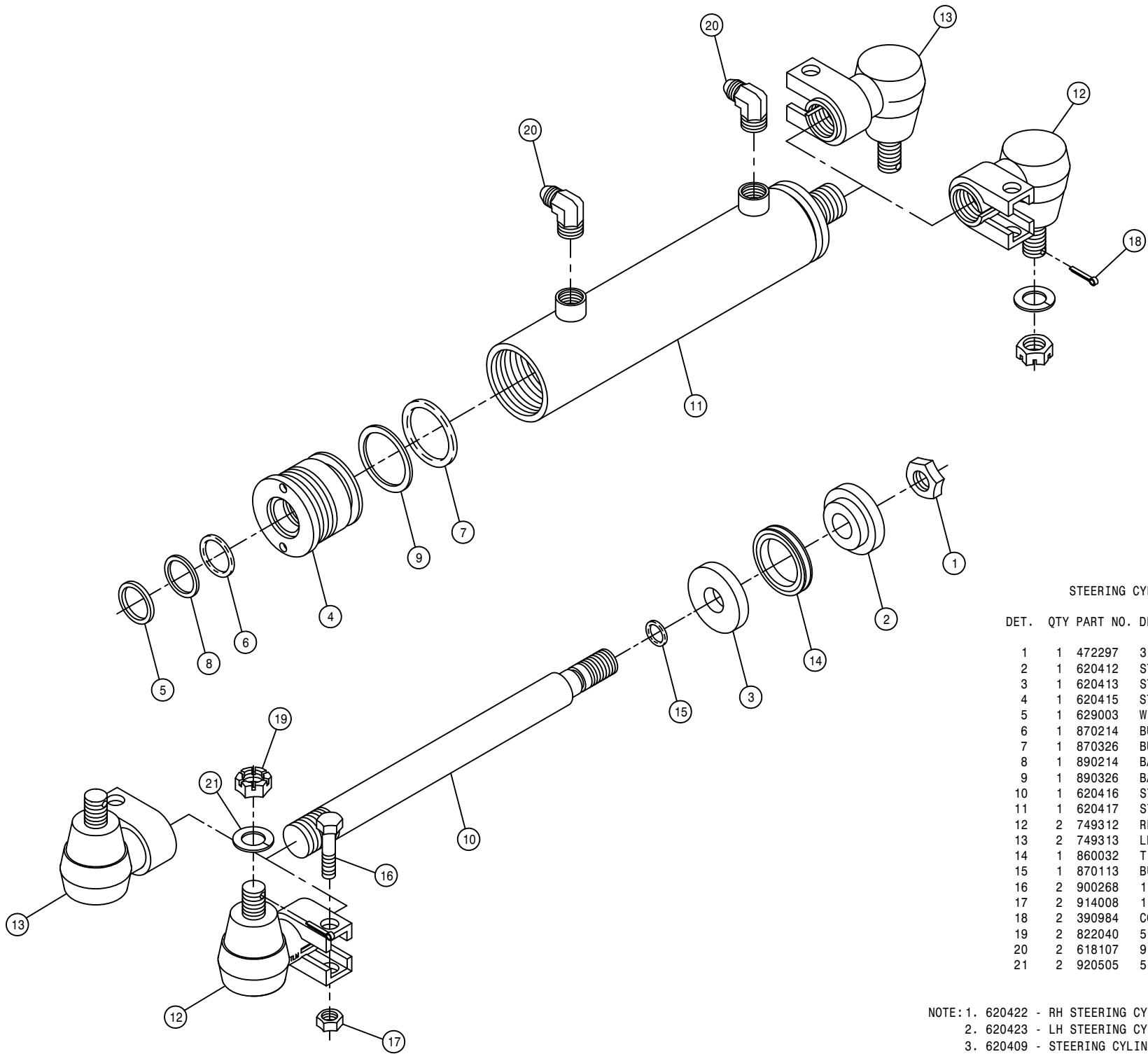
DET. QTY PART NO. DESCRIPTION

1	1	358929	LH REAR WHLMTR SHLD WLD2100 98
2	1	358934	REAR LEG HYD TUBE BRKT,2100 98
3	1	470066	1/2UNC X 1/2 AL HD CUP SET SCR
4	1	470273	TUBE CLAMP BODY, .375-.375-.500
5	1	470275	TUBE CLAMP BODY,1.000-1.000
6	1	470277	CLAMP WELD PLATE, SNGL, 2.15LG
7	1	470278	CLAMP WELD PLATE, SNGL, 2.75LG
8	1	471023	GREASE ZERK 1/4-28 X 45
9	1	610634	ZERK BOLT, 1 1/2, TORQ HUB
10	1	610689	TORQ HUB, 26:1 B-MT MW3BA
11	1	610643	SUND HYD MOTOR, M46-4199 W/SEN
12	1	615708	LWR HYD TUBE ASSY,LEG 2100 98
13	1	615709	UPR HYD TUBE ASSY,LEG 2100 98
14	1	615710	RF/LR HYD DRN TUBE ASSY2100 98
15	1	615712	RF/LR HYD CTRL TUBE ASSY210098
16	1	618119	9/16MJIC-90-9/16MOR LBO
17	2	618178	1 5/16MJIC-90-1 5/16MOR LBO
18	1	618474	3/4MJIC-90-1 1/16MOR LBO
19	1	662251	LH STALK GUIDE WLD, 2100 98
20	1	870045	O-RING 4 1/8 OD X 4 ID
21	1	900068	5/16UNC X 1 3/4 HEX BOLT
22	1	900070	5/16UNC X 2 1/2 BOLT
23	2	900263	1/2UNC X 1" HEX BOLT
24	2	900264	1/2UNC X 1 1/4 HEX BOLT
25	2	900265	1/2UNC X 1 1/2 HEX BOLT
26	1	900266	1/2UNC X 1 3/4 HEX BOLT
27	6	900333	5/8UNC X 1 1/2 HEX BOLT
28	2	914002	5/16UNC HEX STOVER NUT
29	6	914008	1/2UNC HEX STOVER NUT
30	2	920504	1/2 LOCK WASHER
31	6	920505	5/8 LOCK WASHER
32	2	618577	1 5/16MJIC UNION
33	1	618314	3/4MJIC UNION
34	2	619010	9/16MJIC UNION
35	9	470140	5/8UNF HEX SMTH FLANGE NUT PLT
36	1	358933	REAR HYD TUBE MTG PLT,2100 98
37	1	615715	LH HYD BRAKE TUBE ASSY,2100 98
38	1	618114	9/16MJIC-90-7/16MOR LBO
39	1	828093	MICO HYD BRAKE 98
40	2	900271	1/2UNC X 3 1/4 HEX BOLT
41	1	610625	SENSOR FOR SUND WHL MOTOR
42	2	920004	1/2 SAE FLAT WASHER



31

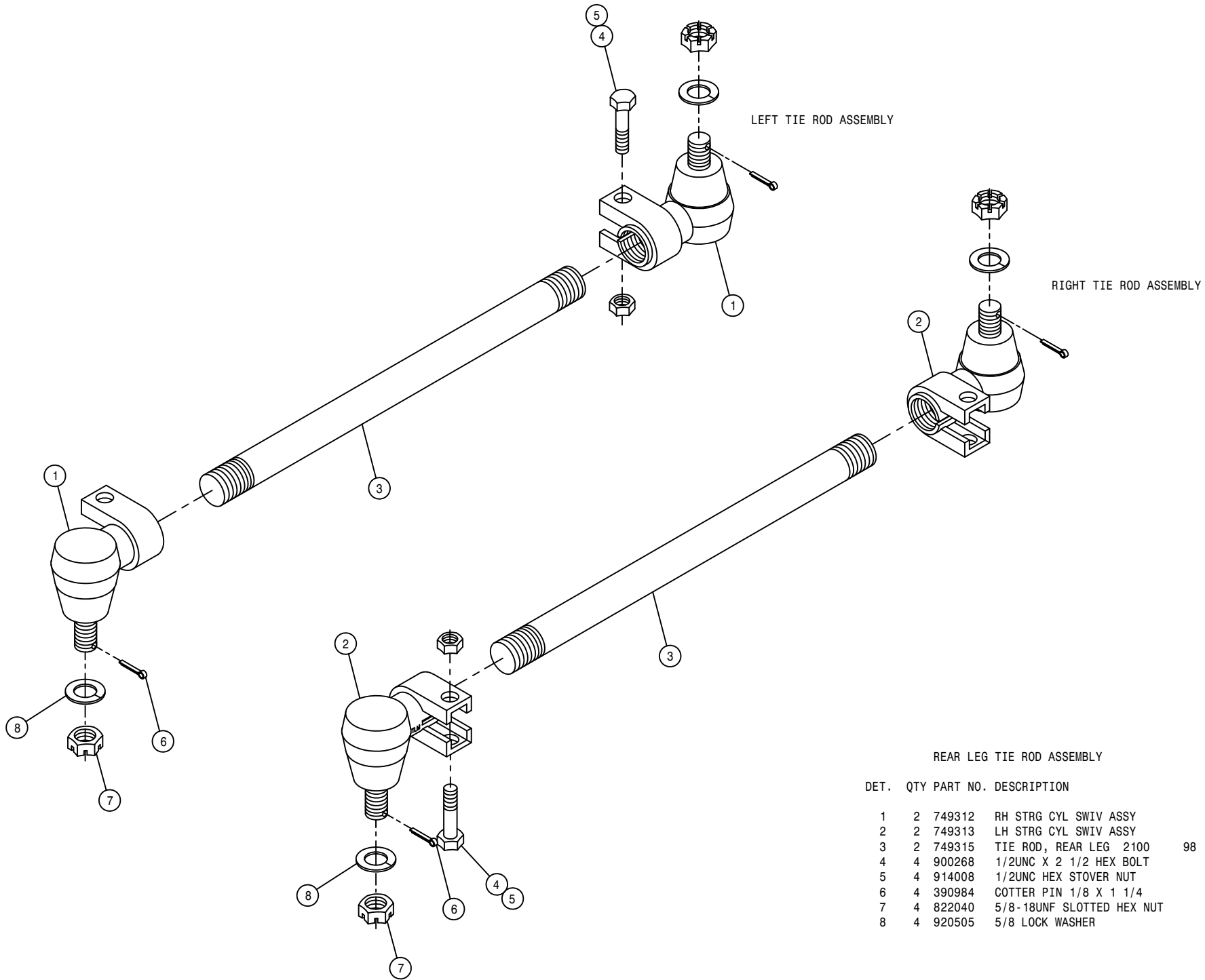
198031



STEERING CYLINDER ASSEMBLY

DET.	QTY	PART NO.	DESCRIPTION
	1	472297	3/4UNF HEX STOVER NUT THIN
	2	620412	STRG CYL PISTON HALF, 2100 98
	3	620413	STRG CYL PISTON WASH, 2100 98
	4	620415	STRG CYL GLAND, 2100 98
	5	629003	WIPER 1 X 1 1/4 X 1/8
	6	870214	BUNA ORING 1 X 1 1/4
	7	870326	BUNA ORING 1 5/8 X 2
	8	890214	BACKUP WASH 1 X 1 1/4 HT2022
	9	890326	BACKUP WASH 1 5/8 X 2 LEATH
	10	620416	STRG CYL SHAFT, 2100 98
	11	620417	STRG CYL TUBE WLD, 2100 98
	12	749312	RH STRG CYL SWIV ASSY
	13	749313	LH STRG CYL SWIV ASSY
	14	860032	T-SEAL, CAPPED 2.00 OD
	15	870113	BUNA ORING 9/16 X 3/4
	16	900268	1/2UNC X 2 1/2 HEX BOLT
	17	914008	1/2UNC HEX STOVER NUT
	18	390984	COTTER PIN 1/8 X 1 1/4
	19	822040	5/8-18UNF SLOTTED HEX NUT
	20	618107	9/16MJIC-90-1/2MNPT LBO
	21	920505	5/8 LOCK WASHER

NOTE: 1. 620422 - RH STEERING CYLINDER ASSEMBLY W/CYL SWIV DET.12
 2. 620423 - LH STEERING CYLINDER ASSEMBLY W/CYL SWIV DET.13
 3. 620409 - STEERING CYLINDER ASSEMBLY W/O CYL SWIV
 4. 620420 - SEAL KIT

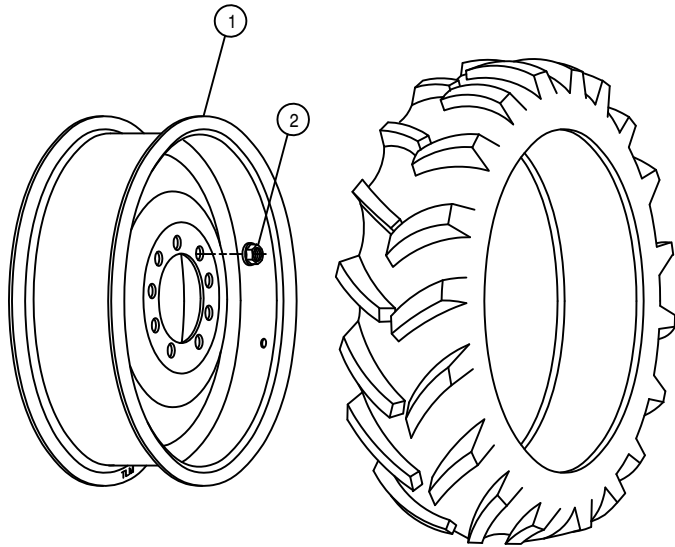


LEFT TIE ROD ASSEMBLY

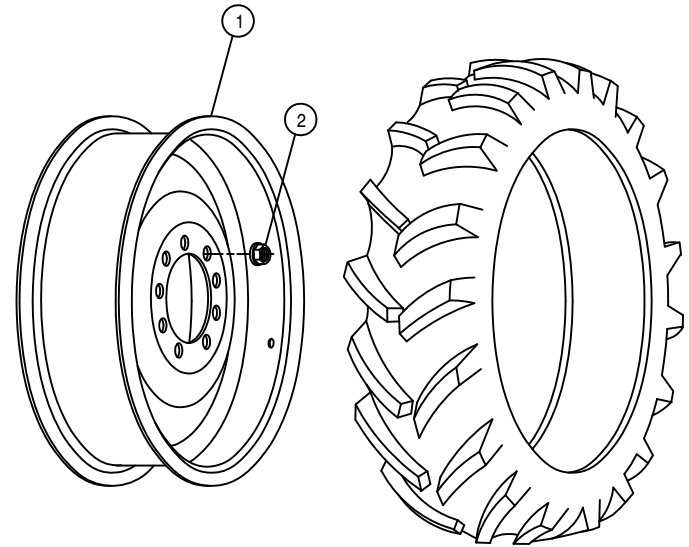
RIGHT TIE ROD ASSEMBLY

REAR LEG TIE ROD ASSEMBLY

DET.	QTY	PART NO.	DESCRIPTION
1	2	749312	RH STRG CYL SWIV ASSY
2	2	749313	LH STRG CYL SWIV ASSY
3	2	749315	TIE ROD, REAR LEG 2100
4	4	900268	1/2UNC X 2 1/2 HEX BOLT
5	4	914008	1/2UNC HEX STOVER NUT
6	4	390984	COTTER PIN 1/8 X 1 1/4
7	4	822040	5/8-18UNF SLOTTED HEX NUT
8	4	920505	5/8 LOCK WASHER



290/95R 34 *** RADIAL TIRE

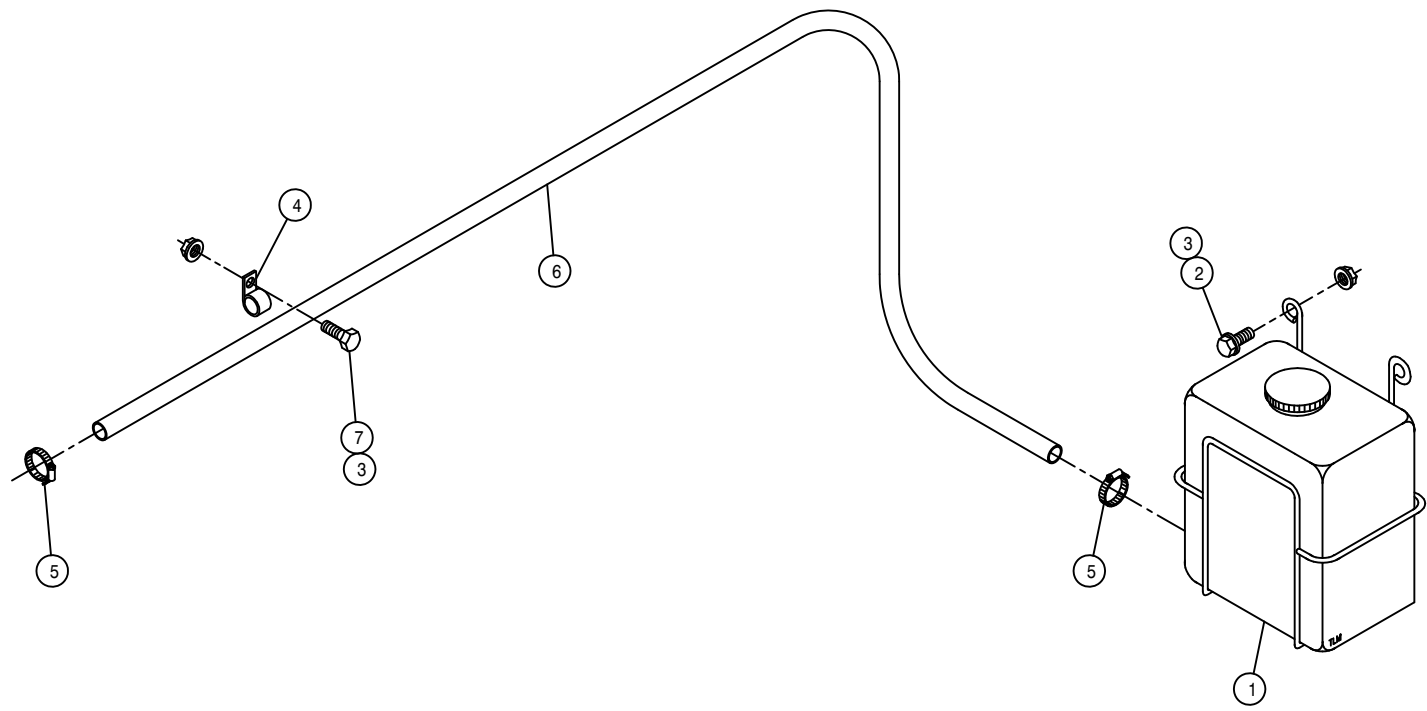


320/85R 34 *** RADIAL TIRE

TIRE AND RIM ASSEMBLIES

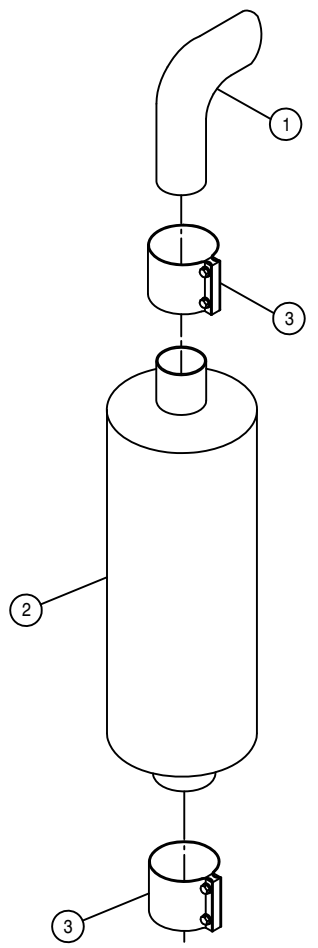
DET. QTY PART NO. DESCRIPTION

1	2	821042	RIM WLD, W10-34	98
2	18	470140	5/8UNF HEX SMTH FLANGE NUT PLT	



RADIATOR RECOVERY TANK ASSEMBLY

DET.	QTY	PART NO.	DESCRIPTION
	1	314767	RAD RECOVERY TANK & MTG WLD
	3	470118	1/4UNC X 3/4 FLANGE HEX BOLT
	7	470121	1/4UNC HEX FLANGE LOCK NUT
	4	520118	CUSH HOSE CLAMP 1/2D X 1/2W
	5	520120	HOSE CLAMP NO 4 PLATED MINI
	6	601424	HOSE, 5/16 X 114LG EPDM
	7	900002	1/4UNC X 3/4 HEX BOLT



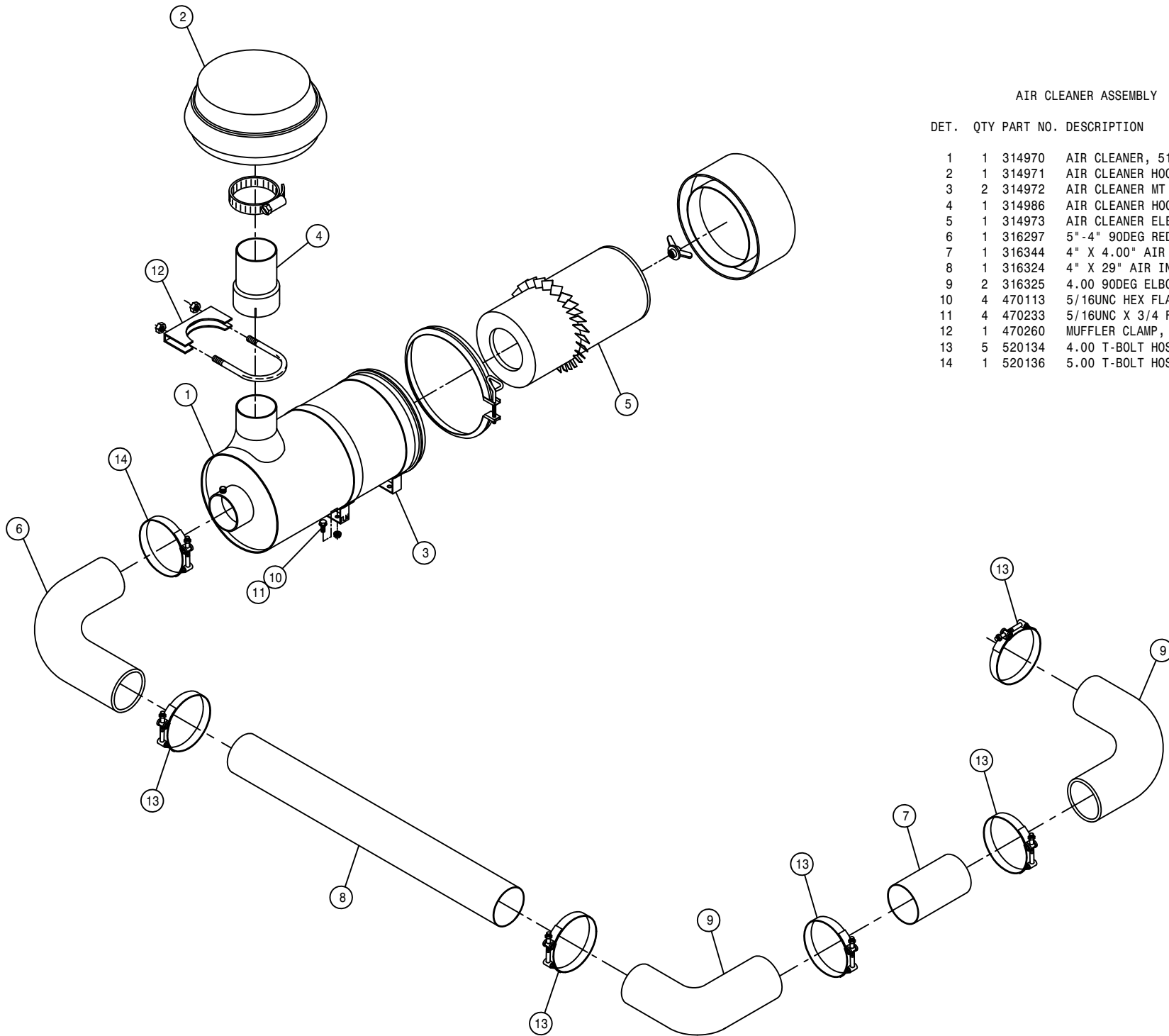
MUFFLER ASSEMBLY

DET.	QTY	PART NO.	DESCRIPTION	
1	1	316300	3" EXHAUST STACK	97
2	1	316326	MUFFLER, 2100	98
3	2	470243	3" STRAP BAND EXHAUST CLAMP	

AIR CLEANER ASSEMBLY

DET. QTY PART NO. DESCRIPTION

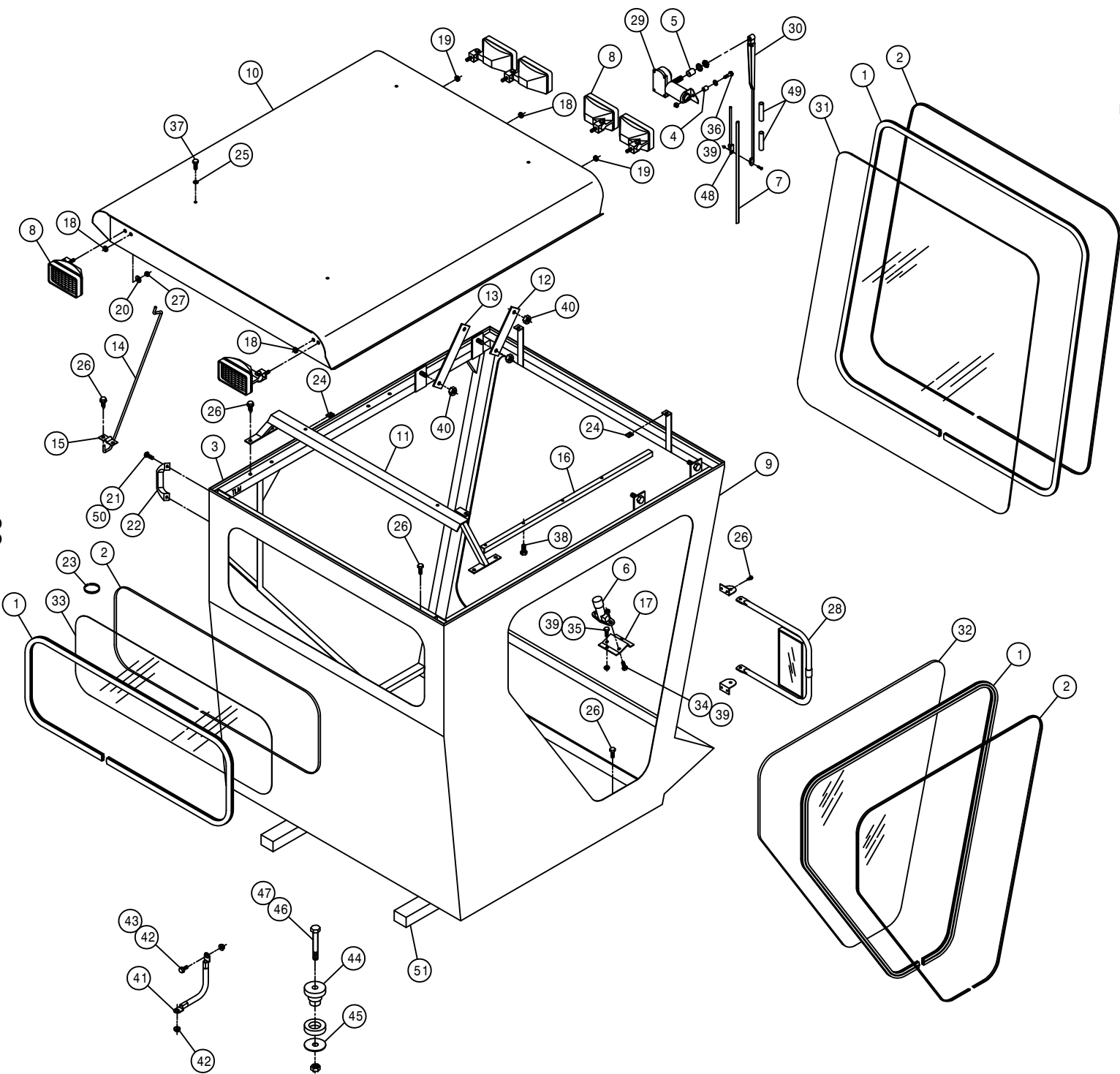
DET.	QTY	PART NO.	DESCRIPTION
1	1	314970	AIR CLEANER, 510 CFM
2	1	314971	AIR CLEANER HOOD FOR 314970
3	2	314972	AIR CLEANER MT BAND FOR314970
4	1	314986	AIR CLEANER HOOD EXTEN,2100 98
5	1	314973	AIR CLEANER ELEMENT FOR314970
6	1	316297	5"-4" 90DEG REDU ELBOW,RUBBER
7	1	316344	4" X 4.00" AIR INTAKE TUBE 98
8	1	316324	4" X 29" AIR INTAKE TUBE, 98
9	2	316325	4.00 90DEG ELBOW, 2100 98
10	4	470113	5/16UNC HEX FLANGE LOCK NUT
11	4	470233	5/16UNC X 3/4 FLANGE HEX BOLT
12	1	470260	MUFFLER CLAMP, 5.00
13	5	520134	4.00 T-BOLT HOSE CLAMP
14	1	520136	5.00 T-BOLT HOSE CLAMP

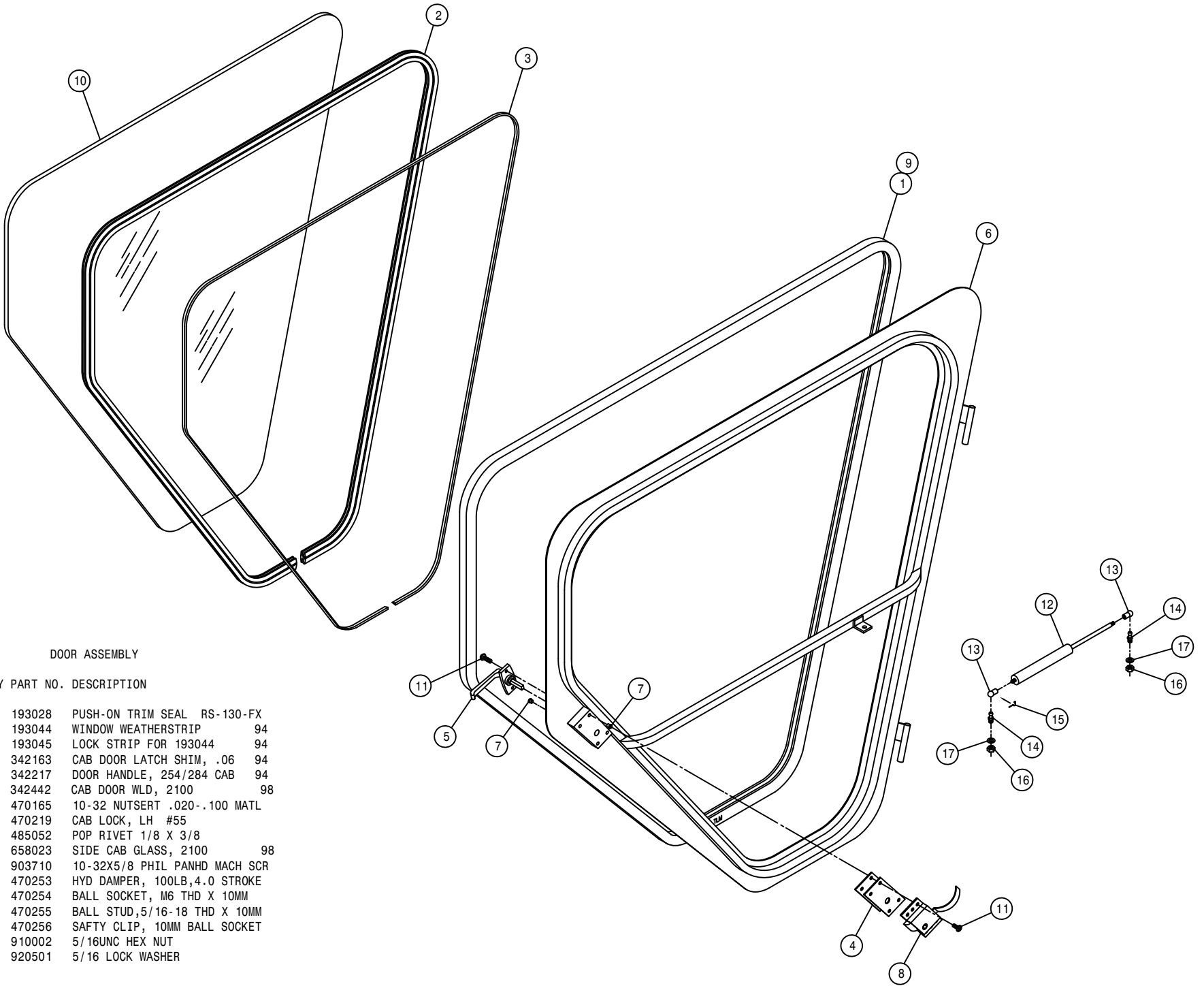


CAB ASSEMBLY

DET.	QTY	PART NO.	DESCRIPTION		
	1	38	193044	WINDOW WEATHERSTRIP	94
	2	38	193045	LOCK STRIP FOR 193044	94
	3	18	193050	TRIM-LOCK SEAL, 250'	
	4	1	200019	.25 SCH 40BP X 1.00 LG	C/L
	5	1	202037	WINDSHIELD WIPER SPACER	
	6	1	290412	DIMMER SWITCH	
	7	1	290417	18" WIPER BLADE	
	8	6	291603	WORKLAMP, SIDE MT 12V HALOGEN	
	9	1	342357	CAB WELD, 2100	98
	10	1	342403	CAB ROOF WLD, 2100	
	11	1	342414	REAR CAB ROOF MT WLD, 2100	98
	12	2	342416	CAB ROOF 4" LINKAGE, 2100	98
	13	2	342417	CAB ROOF 8" LINKAGE, 2100	98
	14	1	342418	CAB ROOF PROP, 2100	98
	15	1	342419	CAB ROOF PROP MT, 2100	
	16	1	342420	HEAD LINER ANGLE, RH, 2100	98
	17	1	342642	SOLU SWITCH ADPTR BRKT, 2100	98
	18	3	470067	RUBBER GROMMET 1/4 ID	
	19	2	470070	RUBBER GROMMET 3/8 ID	
	20	6	470100	3/8 INT TOOTH LOCK WASHER	
	21	2	470175	10-32 HEX FLANGE LOCK NUT	
	22	1	470222	GRAB HANDLE, BLACK MOULDED	
	23	1	470229	IDENTIFICATION TIE, 3/4"	
	24	4	470261	3/8UNC NUT, U-TAPPED SPRING	
	25	4	470262	3/8 X 1" BONDED SEALING WASH	
	26	16	472349	1/4 X 3/4 20THD-IN TEK TYPE	
	27	6	473779	10MM-1.50 HEX NUT	
	28	2	650524	OUTSIDE REAR VIEW MIRROR	
	29	1	658008	WINDSHIELD WIPER MOTOR	
	30	1	658013	WIPER ARM	
	31	1	658022	FRONT CAB GLASS, 2100	98
	32	1	658023	SIDE CAB GLASS, 2100	98
	33	1	658024	REAR CAB GLASS, 2100	98
	34	2	900002	1/4UNC X 3/4 HEX BOLT	
	35	2	900003	1/4UNC X 1" HEX BOLT	
	36	1	900005	1/4UNC X 1 1/2 HEX BOLT	
	37	4	900129	3/8UNC X 1" HEX BOLT	
	38	4	900263	1/2UNC X 1" HEX BOLT	
	39	5	914000	1/4UNC HEX STOVER NUT	
	40	8	914008	1/2UNC HEX STOVER NUT	
	41	1	290107	GROUND STRAP 8 IN	
	42	2	470087	3/8UNC HEX FLANGE LOCK NUT	
	43	1	900128	3/8UNC X 3/4 HEX BOLT	
	44	4	311051	RUBBER MOUNT, RB3-350	
	45	4	311052	SNUBBING WASHER FOR 311051	
	46	4	900829	5/8UNC X 4" HEX BOLT GR8	
	47	4	914010	5/8UNC HEX STOVER NUT	
	48	1	290003	WINDSHIELD WASHER NOZZLE KIT	
	49	1	291569	3/8 X 6" HEAT SHRINK TUBE	
	50	2	903883	10-32 X 1/2 SLT RDHD MACH SCR	
	51	2	659704	FOAM, 2"THK X 2" WIDE X 42"LG	

38



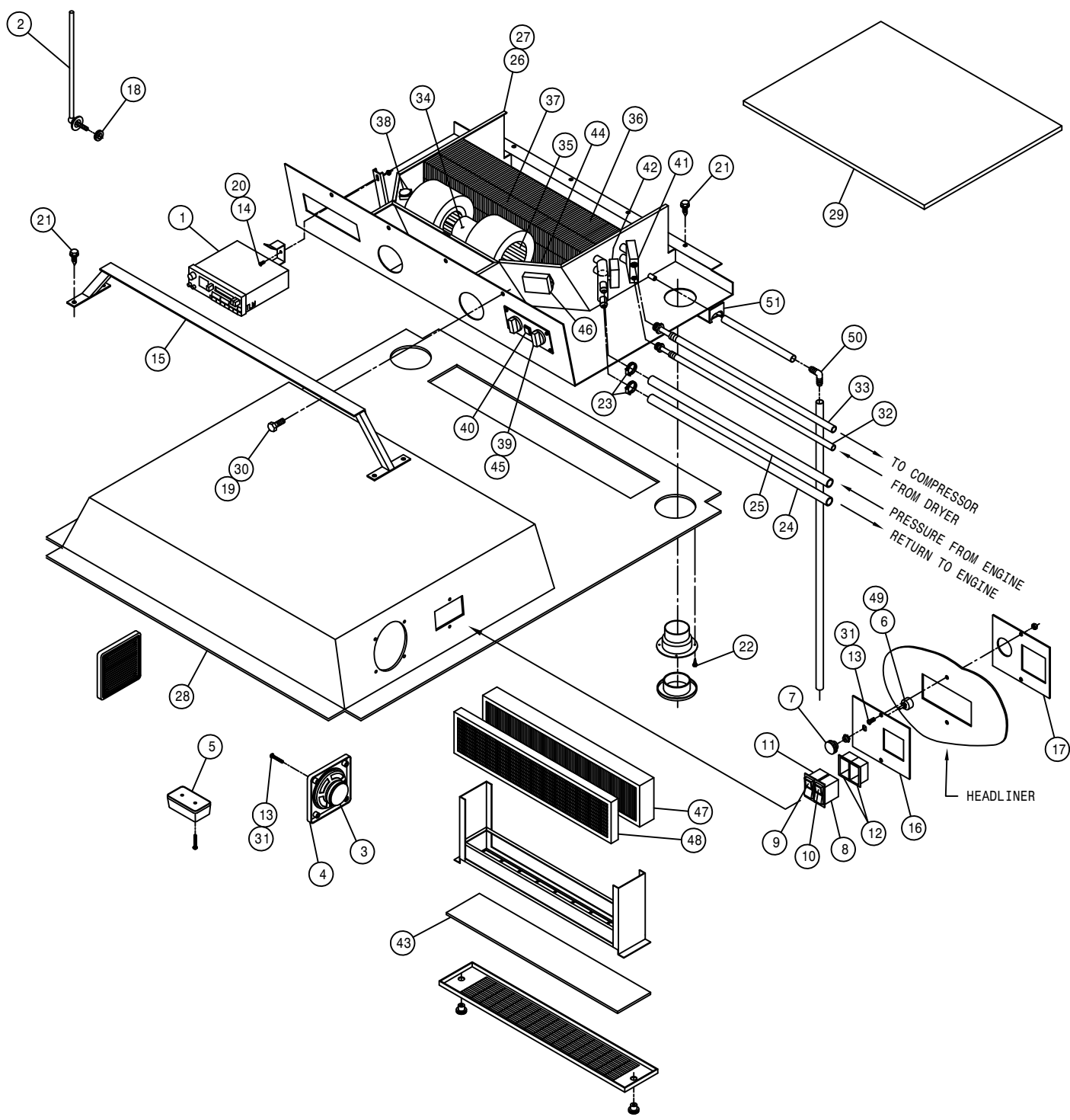


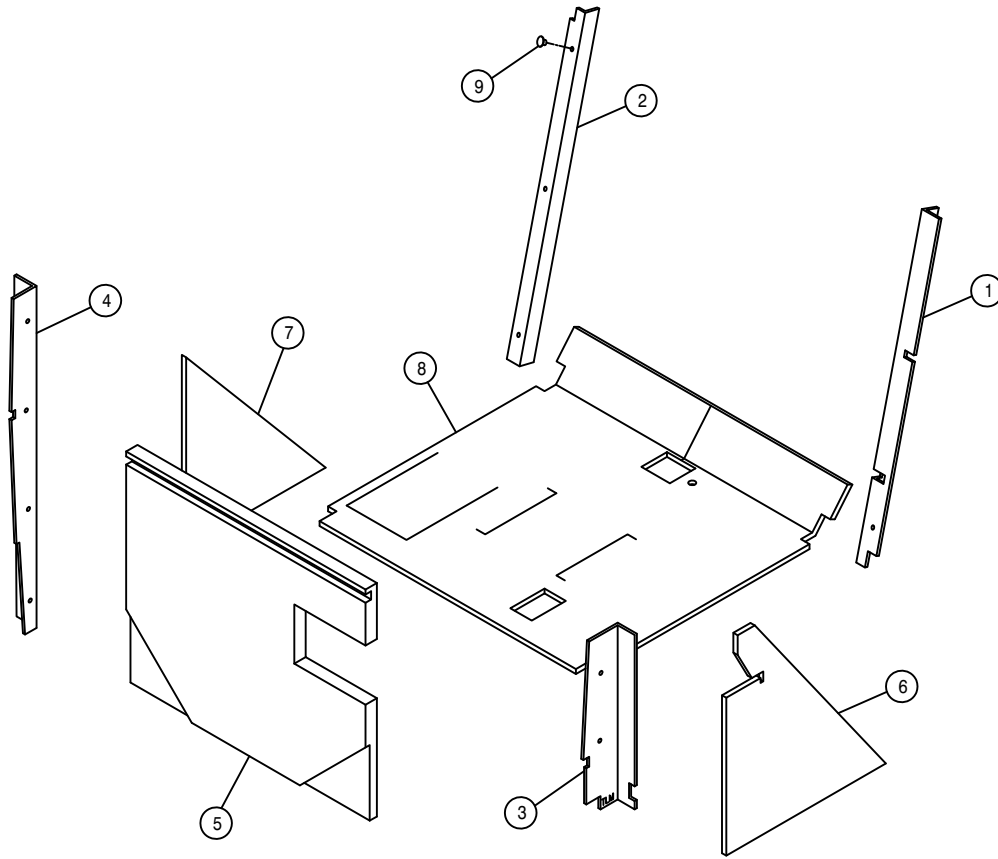
DOOR ASSEMBLY

DET.	QTY	PART NO.	DESCRIPTION
1	16	193028	PUSH-ON TRIM SEAL RS-130-FX
2	13	193044	WINDOW WEATHERSTRIP 94
3	13	193045	LOCK STRIP FOR 193044 94
4	2	342163	CAB DOOR LATCH SHIM, .06 94
5	1	342217	DOOR HANDLE, 254/284 CAB 94
6	1	342442	CAB DOOR WLD, 2100 98
7	6	470165	10-32 NUTSERT .020-.100 MATL
8	1	470219	CAB LOCK, LH #55
9	1	485052	POP RIVET 1/8 X 3/8
10	1	658023	SIDE CAB GLASS, 2100 98
11	6	903710	10-32X5/8 PHIL PANHD MACH SCR
12	1	470253	HYD DAMPER, 100LB,4.0 STROKE
13	2	470254	BALL SOCKET, M6 THD X 10MM
14	2	470255	BALL STUD,5/16-18 THD X 10MM
15	2	470256	SAFTY CLIP, 10MM BALL SOCKET
16	2	910002	5/16UNC HEX NUT
17	2	920501	5/16 LOCK WASHER

AIR CONDITIONER ASSEMBLY

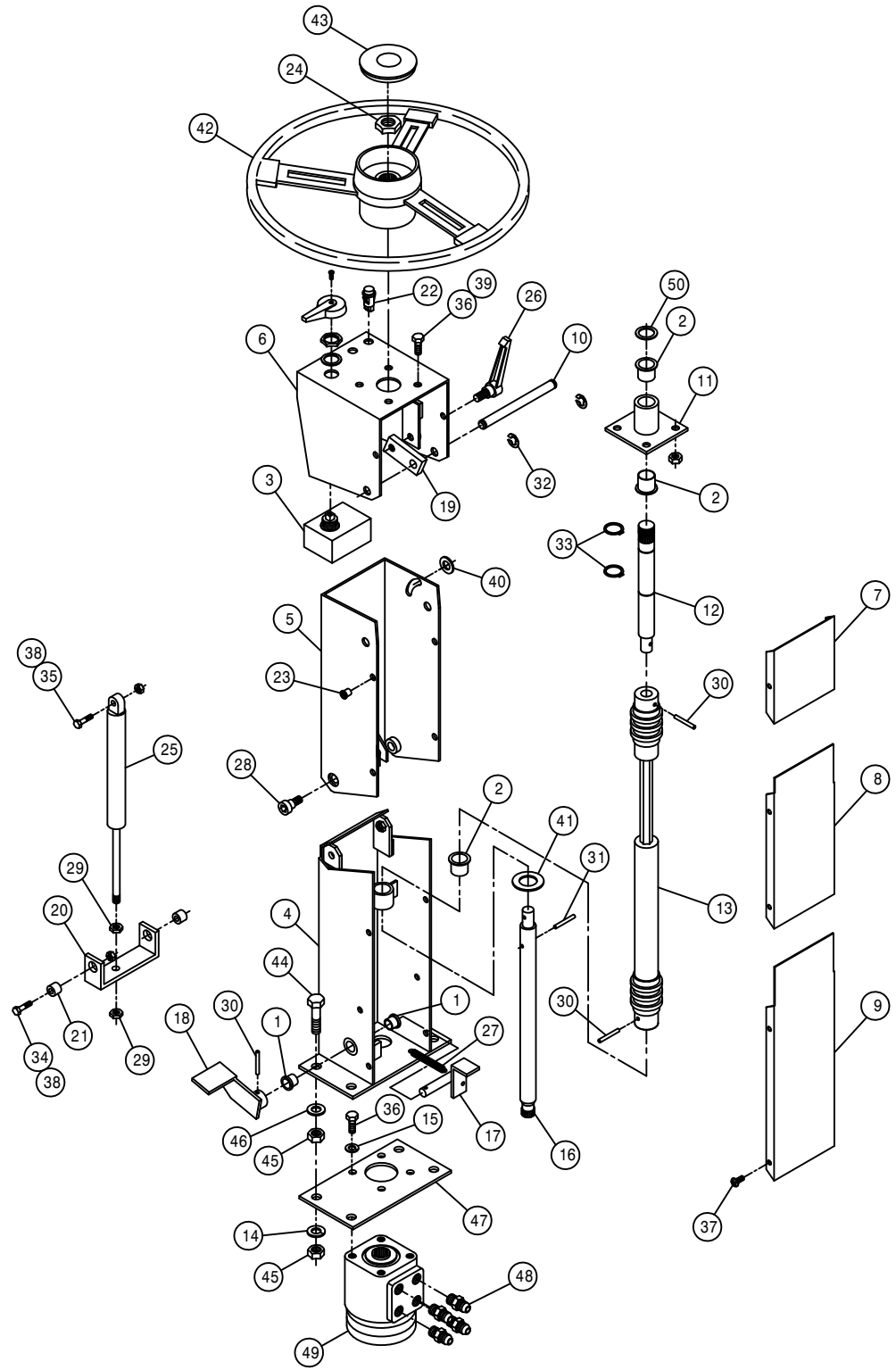
DET.	QTY	PART NO.	DESCRIPTION	
1	1	291212	RADIO	94
2	1	291214	ANTENNA	94
3	2	291219	SPEAKER, 5 1/4"RD	
4	2	291224	SPEAKER GRILLE, 6" BLACK MESH	
5	1	291605	INTERIOR LIGHT W/SWITCH	
6	1	291606	ROTARY HEADLAMP SWITCH	
7	1	291607	SWITCH KNOB FOR 291606	
8	1	291622	SWITCH, 1P ON/OFF	511-003
9	1	291630	LENS, WINDSHIELD WASHER	
10	1	291631	LENS, HAZARD	
11	1	291678	SWITCH, 511-115	
12	2	293246	END BEZEL	
13	10	903710	10-32X5/8 PHIL PANHD MACH SCR	
14	1	903883	10-32 X 1/2 SLT RDHD MACH SCR	
15	1	342411	REAR A/C BLWR MT WLD, 2100	98
16	1	342421	LIGHT SWITCH PANEL, 2100	98
17	1	342633	LIGHT SWITCH PANEL KPR, 2100	98
18	1	470067	RUBBER GROMMET 1/4 ID	
19	4	470087	3/8UNC HEX FLANGE LOCK NUT	
20	1	470175	10-32 HEX FLANGE LOCK NUT	
21	8	472349	1/4 X 3/4 20THD-IN TEK TYPE	
22	24	473966	6X3/4 PHIL FLT HD SHT MTL SCR	
23	2	520055	HOSE CLAMP NO 12 STAINLESS	
24	1	601342	HOSE, 5/8 X 192 HEATER	
25	1	601431	HOSE, 5/8 X 250 HEATER	
26	1	657400	A/C & HTR ASSY, CAB R134A	
27	1	657401	A/C HOSE KIT, EVAP R134A	
28	1	658317	HEADLINER, 2100	98
29	1	658318	HEADLINER INSULATION, 2100	98
30	4	900128	3/8UNC X 3/4 HEX BOLT	
31	10	914027	10-32 HEX STOVER NUT	
32	1	657418	A/C HOSE ASSY, 5/16 X 198	MCC
33	1	657419	A/C HOSE ASSY, 1/2 X 198	MCC
34	1	657404	A/C BLOWER MOTOR, 12V	MCC
35	2	657405	A/C BLOWER WHEEL W/CLIP	MCC
36	1	657406	A/C EVAPORATOR COIL	MCC
37	1	657407	A/C HEATER COIL	MCC
38	1	657408	A/C THERMOSTAT	MCC
39	2	657409	A/C CONTROL KNOB	MCC
40	1	657410	A/C SWITCH, PUSH ON-OFF	MCC
41	1	657411	A/C EXPANSION VALVE	MCC
42	1	657412	A/C HEATER VALVE, MOTORIZED	MCC
43	1	657413	A/C FILTER, RECIRCULATION	MCC
44	1	657414	A/C BLOWER DRIVE ASSY	MCC
45	2	657415	A/C POTENTIOMETER ASSY	MCC
46	1	657420	A/C VALVE MODULE ASSY	MCC
47	1	657424	A/C AIR FILTER	MCC
48	1	657425	A/C CHARCOAL AIR FILTER	MCC
49	1	903844	8-32 X 1/2 SLT RD HD MACH SCR	
50	2	500098	1/2HB-90-1/2 HOSE BARB, POLY	
51	2	342669	DRAIN HOSE SUPPORT KEEPER	





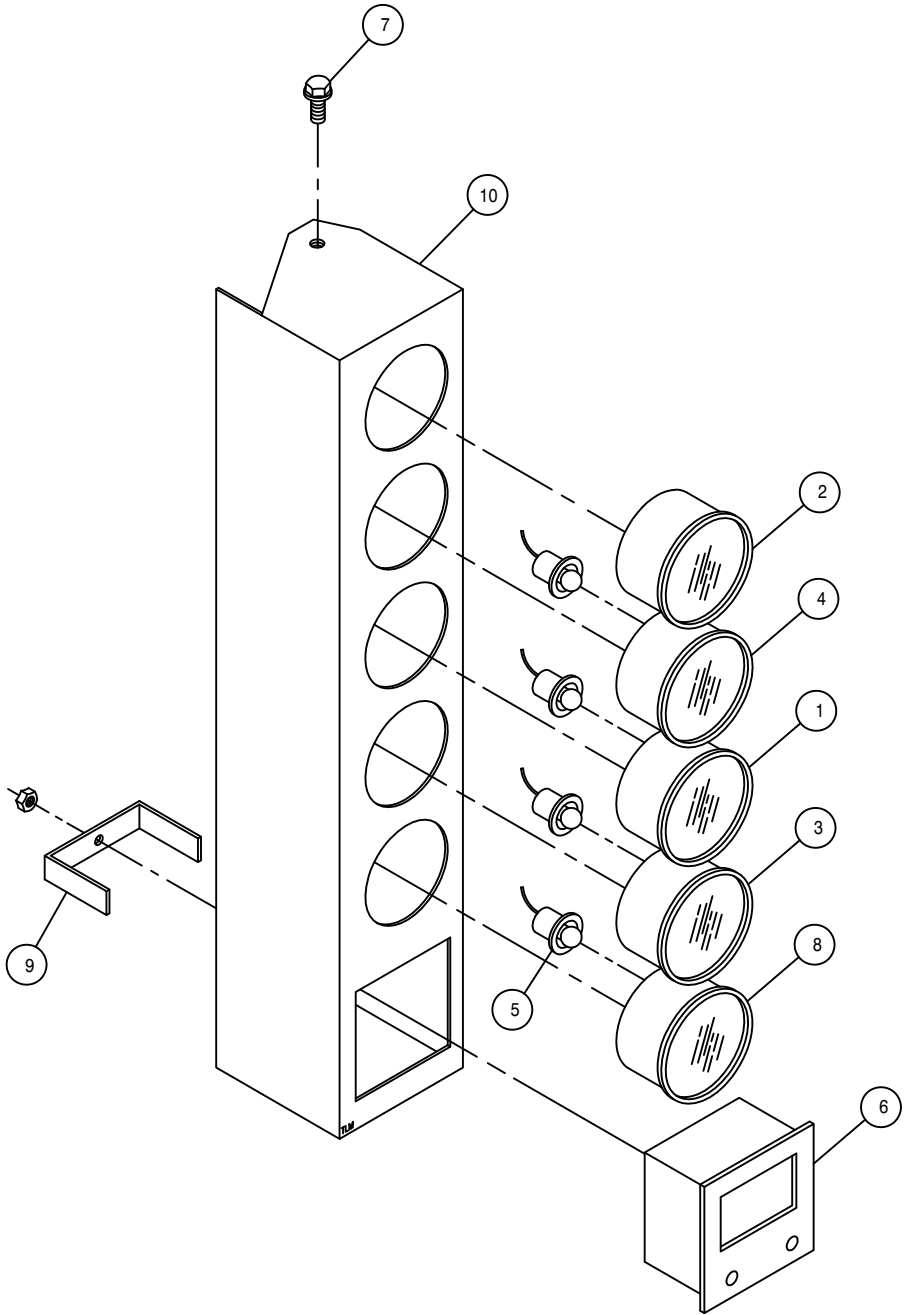
FOAM

DET.	QTY	PART NO.	DESCRIPTION		
1	1	658319	POST COVER, RH FRONT		
2	1	658320	POST COVER, LH FRONT	2100	98
3	1	658321	POST COVER, RH REAR	2100	98
4	1	658322	POST COVER, LH REAR	2100	98
5	1	658323	BACKPANEL, 2100		98
6	1	658324	SIDE PANEL, RH 2100		98
7	1	658325	SIDE PANEL, LH 2100		98
8	1	658326	FLOORMAT, 2100		98
9	10	470225	TRIM CLIP, 11/16 BLK NYL HEAD		



STEERING POST ASSEMBLY

DET.	QTY	PART NO.	DESCRIPTION
	1	2	127502 NYLON FLANGE BRG
	2	3	127503 NYLINER FLG BRG, .875 ID
	3	1	291088 FLASHER / TURN SIGNAL SWITCH
	4	1	342450 LWR STRG COLUMN WLD, 2100 98
	5	1	342454 UPPER STRG COLUMN WLD, 2100 98
	6	1	342461 STRG WHL MT WLD, 2100 98
	7	1	342467 UPPER STRG COLUMN COVER,2100 98
	8	1	342468 CNTR STRG COLUMN COVER,2100 98
	9	1	342469 LWR STRG COLUMN SHLD
	10	1	342470 STRG COLUMN PIVOT PIN, 2100 98
	11	1	342471 STRG COL BRG HSG WLD, 2100 98
	12	1	342474 UPPER STEERING SHAFT, 2100 98
	13	1	470285 DOUBLE UNIVERSAL JOINT DRIVER
	14	4	920504 1/2 LOCK WASHER
	15	4	920502 3/8 LOCK WASHER
	16	1	342483 LWR STEERING SHAFT, 2100 98
	17	1	342484 FOOT PEDAL PIV PIN WLD,2100 98
	18	1	342487 FOOT PEDAL WLD, 2100 98
	19	1	342490 STRG PIVOT LOCK, 2100 98
	20	1	342491 LWR AIR SHOCK PIVOT, 2100 98
	21	2	342492 LWR AIR SHOCK PIV BUSH,2100 98
	22	2	390318 INDICATOR LIGHT, RED
	23	10	470086 1/4UNC NUTSERT .020-.100MATL
	24	1	470157 13/16-20UNEF HEX NUT STRG WHL
	25	1	470252 GAS SPRING, LOCKING 0350N
	26	1	470257 ADJ HANDLE,3/8-16 STUD, BLACK
	27	1	470268 SPRING, EXTENSION, .50 X 1.75
	28	2	470283 3/8UNC 1/2 SCKT SHLDR BOLT
	29	2	473830 10MM-1.00 HEX JAM NUT
	30	3	473928 ROLL PIN 3/16 X 1
	31	1	473936 ROLL PIN, 3/16 X 1 1/4
	32	2	629525 RING, RETAINING, .50DIA SHAFT
	33	2	629533 SNAP RING, 7/8 EXTRN
	34	2	900065 5/16UNC X 1" HEX BOLT
	35	1	900067 5/16UNC X 1 1/2 HEX BOLT
	36	8	900128 3/8UNC X 3/4 HEX BOLT
	37	10	903708 1/4UNC X1/2 PHIL PNHD MACHSCR
	38	3	914002 5/16UNC HEX STOVER NUT
	39	4	914004 3/8UNC HEX STOVER NUT
	40	1	920002 3/8 SAE FLAT WASHER
	41	1	920007 7/8 SAE FLAT WASHER
	42	1	749294 STEERING WHEEL, VIP 14"
	43	1	749295 STRG WHL CAP W/HAGIE EMBLEM
	44	4	900267 1/2UNC X 2" HEX BOLT
	45	8	910008 1/2UNC HEX NUT
	46	4	920004 1/2 SAE FLAT WASHER
	47	1	342625 STEERING MTR PLT, 2100 98
	48	4	618109 9/16MJIC-3/4MOR ADPTR
	49	1	749318 STRG MTR, 7.3CID, NON-LOAD 1031
	50	1	483031 1 3/8 X 7/8 X 18GA MACH WASH



INSTRUMENT PANEL ASSEMBLY

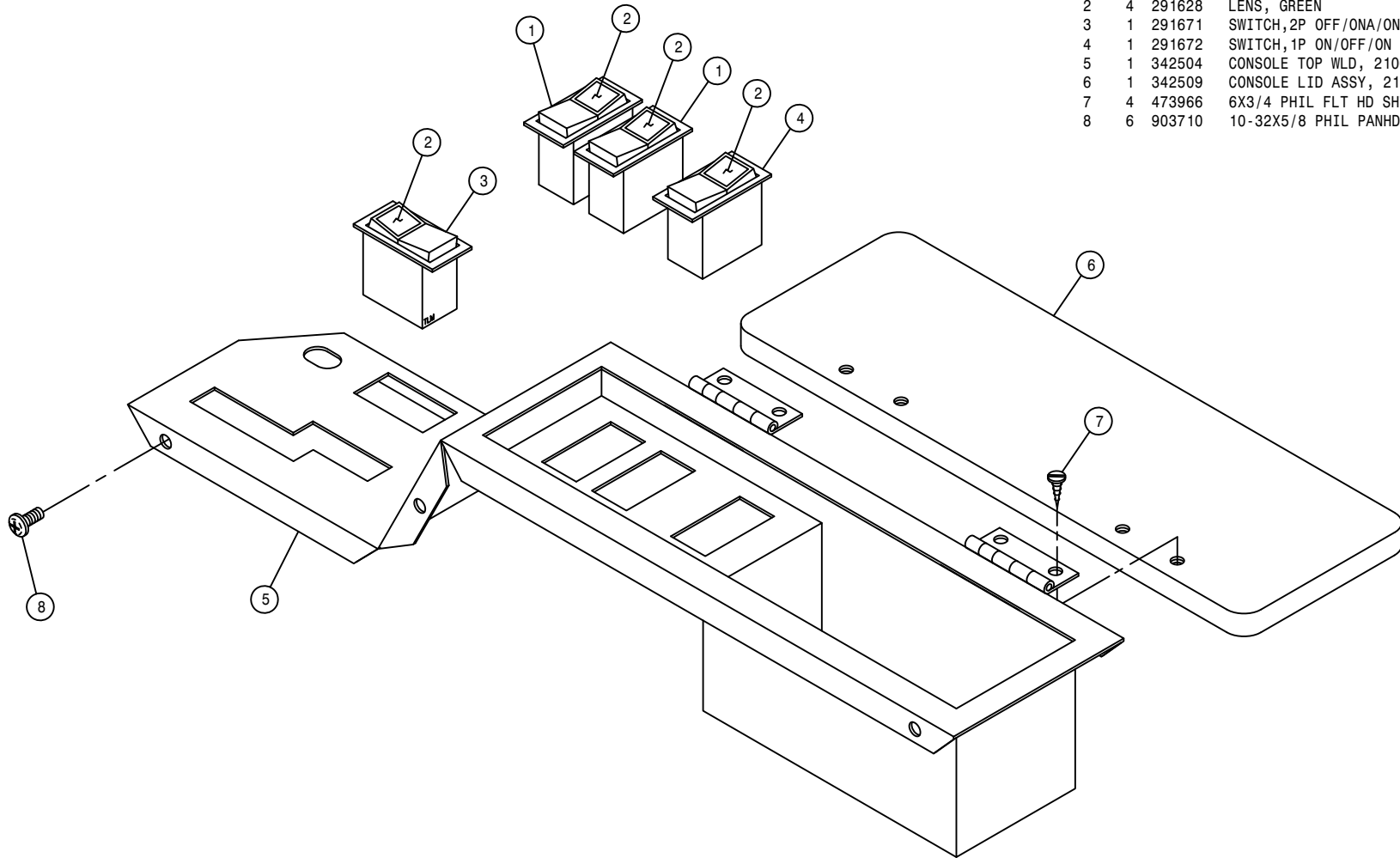
DET. QTY PART NO. DESCRIPTION

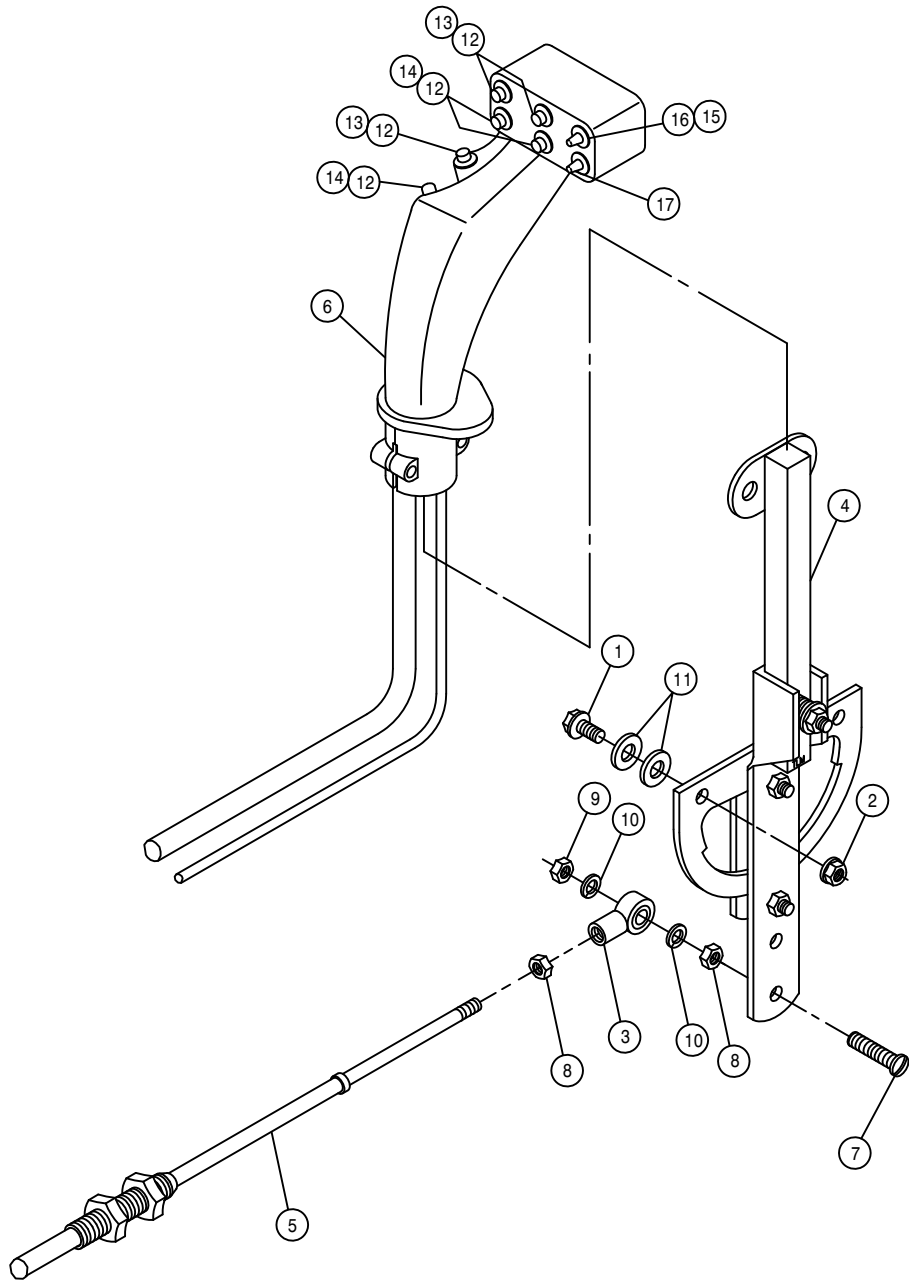
1	1	290401	FUEL GAUGE FOR 2.125 DIA HOLE
2	1	291203	HOUR METER
3	1	291673	OIL PRESS GAUGE, 125PSI
4	1	291611	VOLTMETER, 8V TO 18V DC
5	4	291612	LIGHT KIT FOR 2" GAUGE
6	1	291635	DIGITAL MPH/RPM INDICATOR
7	2	470122	1/4UNC X 1/2 FLANGE HEX BOLT
8	1	314436	TEMP GA 100-280 DEG LIGHTED
9	1	342068	DIGITAL MPH/RPM IND KEEPER 94
10	1	342533	INSTRU HSNG WLD, 2100 98

CONSOLE COVER ASSEMBLY

DET. QTY PART NO. DESCRIPTION

1	2	291627	SWITCH,2P(ON)OFF(ON) 511-058
2	4	291628	LENS, GREEN
3	1	291671	SWITCH,2P OFF/ONA/ONAB 511-138
4	1	291672	SWITCH,1P ON/OFF/ON 511-149
5	1	342504	CONSOLE TOP WLD, 2100 98
6	1	342509	CONSOLE LID ASSY, 2100 98
7	4	473966	6X3/4 PHIL FLT HD SHT MTL SCR
8	6	903710	10-32X5/8 PHIL PANHD MACH SCR





COMBO HYDROSTATIC LEVER ASSEMBLY

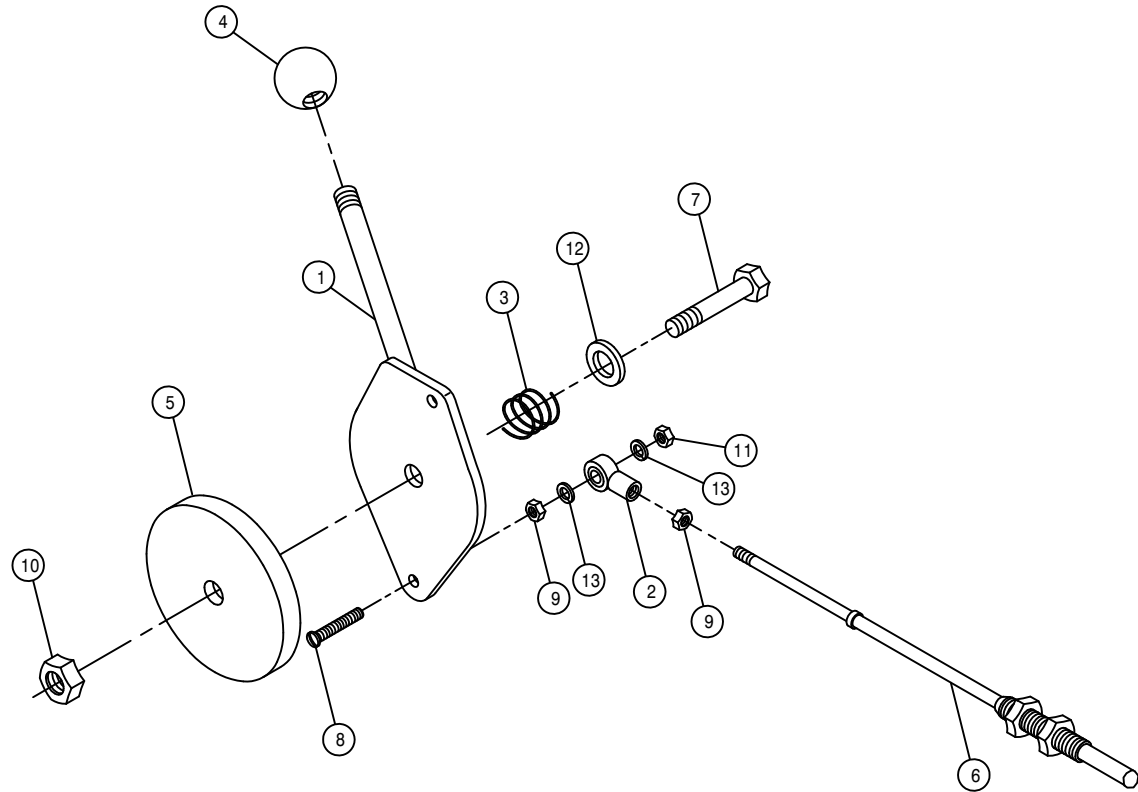
DET. QTY PART NO. DESCRIPTION

1	2	470118	1/4UNC X 3/4 FLANGE HEX BOLT
2	2	470121	1/4UNC HEX FLANGE LOCK NUT
3	1	473921	BALL JOINT NO 10-32 THD
4	1	342528	HYDST CTRL LEVER ASSY, 2100 98
5	1	785066	CTRL CABLE 10-32 4IN X 129 IN
6	1	785078	FASSE EZ-3 CTRL HANDLE,284 96
7	1	903893	10-32 X 1" SLT RD HD MACH SCR
8	2	910027	10-32 HEX NUT
9	1	914027	10-32 HEX STOVER NUT
10	2	920510	#10 LOCK WASHER
11	4	920000	1/4 SAE FLAT WASHER
12	6	291650	SWITCH,SPDT MOM MICRO
13	3	291651	SWITCH BOOT, GRAY -FOR 291650
14	3	291652	SWITCH BOOT, RED -FOR 291650
15	1	291654	SWITCH BOOT, BLACK-FOR 291653
16	1	291653	SWITCH, TOG SPDT 3POS STAT
17	1	293336	LS CTRL OVERRIDE WIRE ASSY284

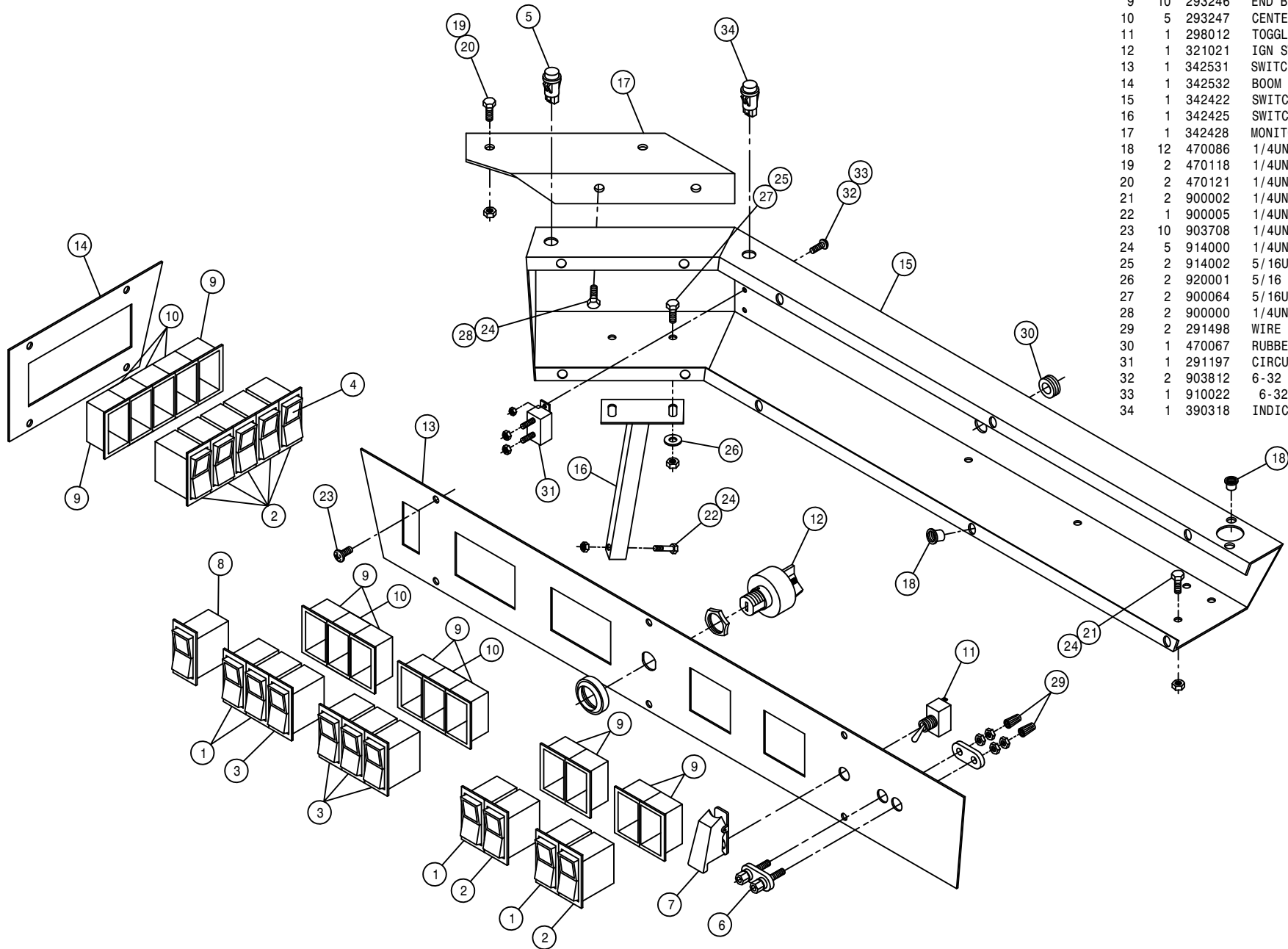
THROTTLE LEVER ASSEMBLY

DET. QTY PART NO. DESCRIPTION

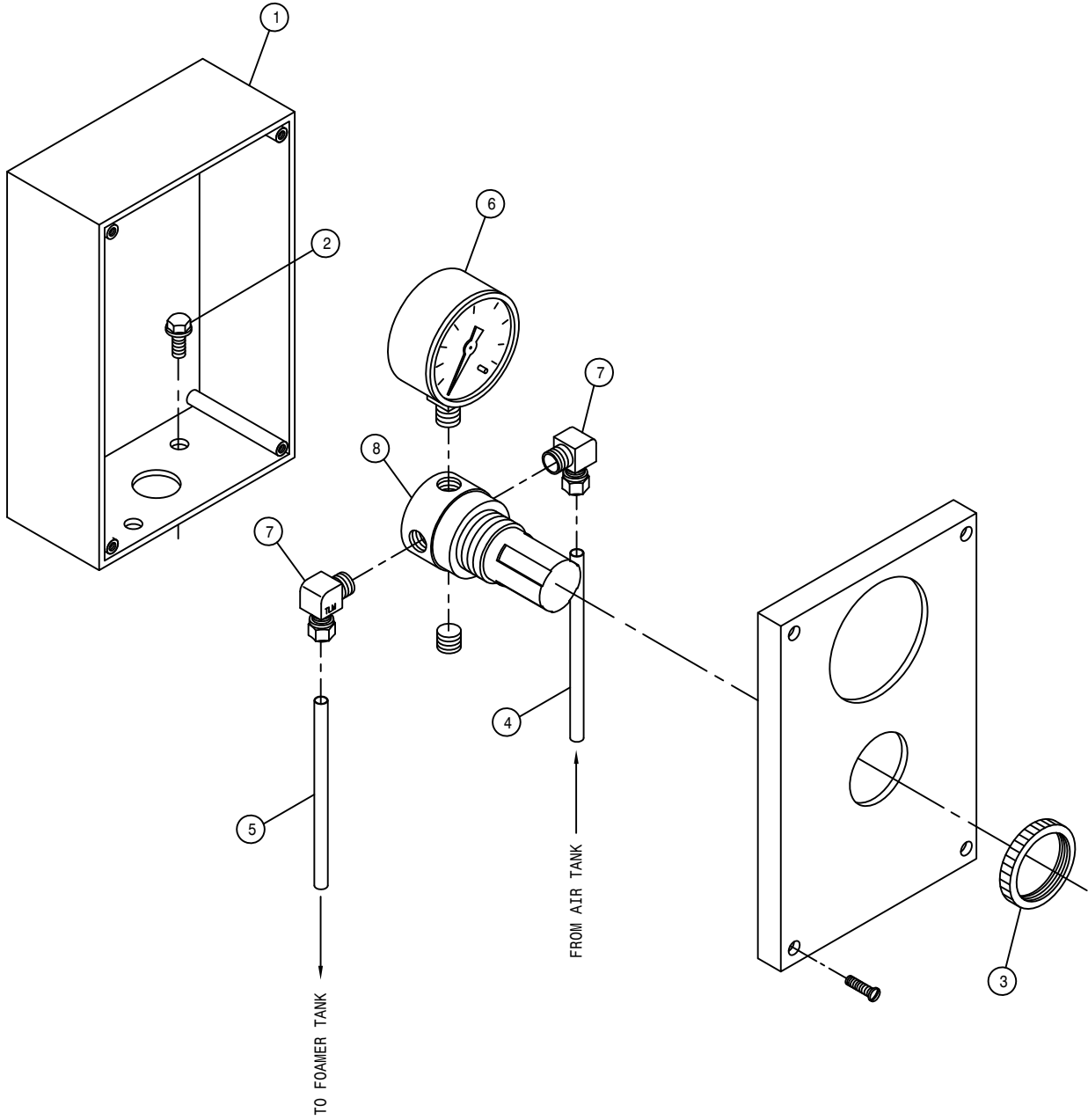
1	1	342529	THROT LEVER WLD, 2100	98
2	1	473921	BALL JOINT NO 10-32 THD	
3	1	499001	SPRING HYDRO CONTROL	
4	1	785007	KNOB, 1 3/16" BALL, RED, 3/8-16	
5	1	785046	FRICTION DISC 3-333 X .38	
6	1	785079	CTRL CABLE 10-32 4IN X 140 IN	
7	1	900170	3/8UNC X 2 1/4 HEX BOLT	
8	1	903893	10-32 X 1" SLT RD HD MACH SCR	
9	2	910027	10-32 HEX NUT	
10	1	914004	3/8UNC HEX STOVER NUT	
11	1	914027	10-32 HEX STOVER NUT	
12	1	920002	3/8 SAE FLAT WASHER	
13	2	920510	#10 LOCK WASHER	



DET.	QTY	PART NO.	DESCRIPTION	
1	4	291623	SWITCH,2P ON/OFF	511-015
2	7	291625	SWITCH,2P ON/ON	511-108
3	4	291627	SWITCH,2P(ON)OFF(OFF)	511-058
4	16	291628	LENS, GREEN	
5	1	291638	INDICATOR LIGHT, GREEN	
6	1	291647	DUAL BINDING POSTS	
7	1	291655	AIRCRAFT TOGGLE SWITCH GUARD	
8	1	291672	SWITCH,1P ON/OFF/ON	511-149
9	10	293246	END BEZEL	
10	5	293247	CENTER BEZEL	
11	1	298012	TOGGLE SWITCH	
12	1	321021	IGN SWITCH	
13	1	342531	SWITCH PANEL, 2100	98
14	1	342532	BOOM SWITCH PANEL, 2100	98
15	1	342422	SWITCH HOUSING WLD, 2100	98
16	1	342425	SWITCH HSNQ SUPP WLD, 2100	98
17	1	342428	MONITOR BRKT, 2100	98
18	12	470086	1/4UNC NUTSERT .020-.100MATL	
19	2	470118	1/4UNC X 3/4 FLANGE HEX BOLT	
20	2	470121	1/4UNC HEX FLANGE LOCK NUT	
21	2	900002	1/4UNC X 3/4 HEX BOLT	
22	1	900005	1/4UNC X 1 1/2 HEX BOLT	
23	10	903708	1/4UNC X1/2 PHIL PNHD MACHSCR	
24	5	914000	1/4UNC HEX STOVER NUT	
25	2	914002	5/16UNC HEX STOVER NUT	
26	2	920001	5/16 SAE FLAT WASHER	
27	2	900064	5/16UNC X 3/4 HEX BOLT	
28	2	900000	1/4UNC X 1/2 HEX BOLT	
29	2	291498	WIRE NUT, 22-16GA GRAY	
30	1	470067	RUBBER GROMMET 1/4 ID	
31	1	291197	CIRCUIT BREAKER,30AMP,INLINEMT	
32	2	903812	6-32 X 1/2 SLT RD HD MACH SCR	
33	1	910022	6-32 HEX NUT	
34	1	390318	INDICATOR LIGHT, RED	



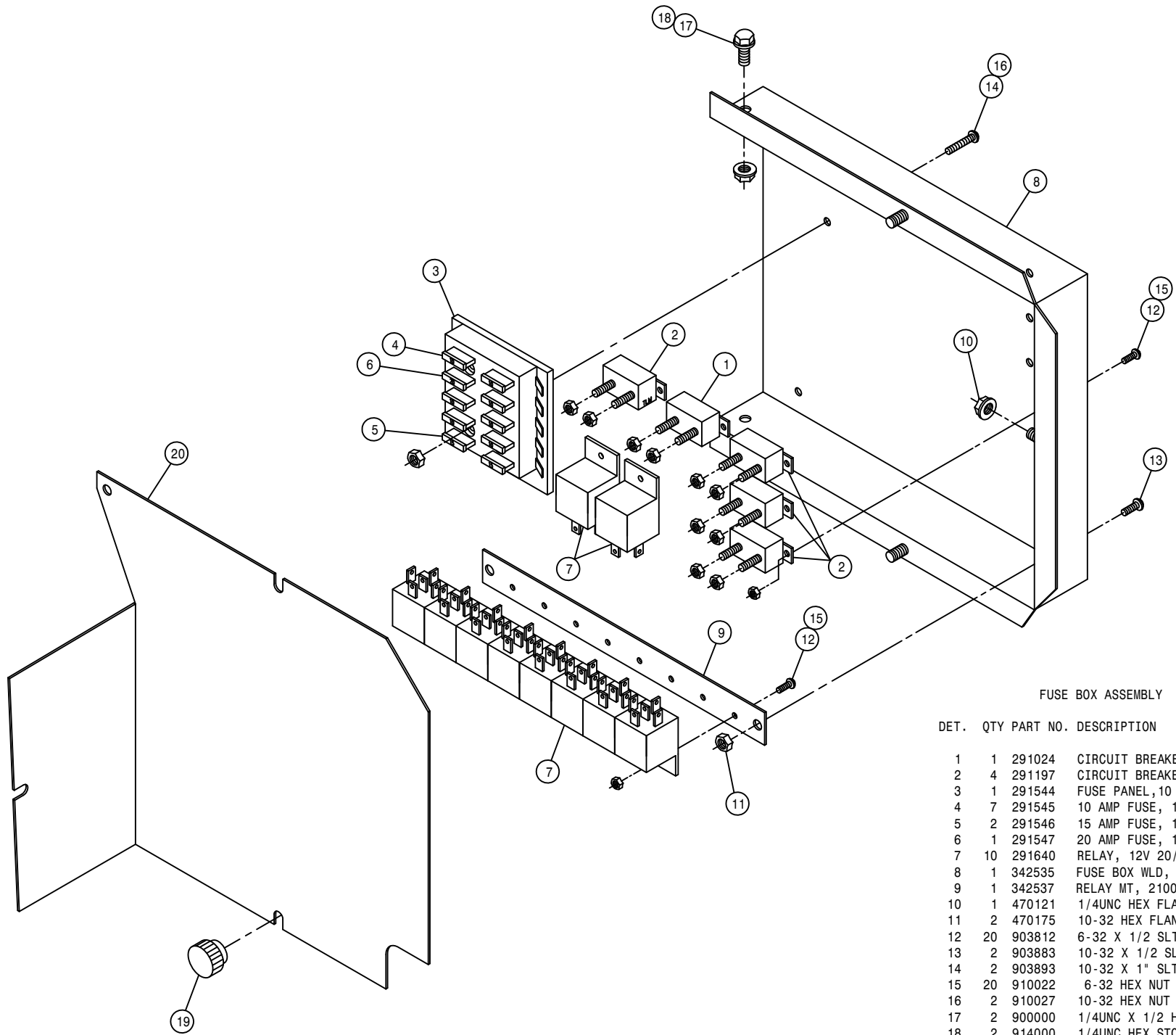
48



FOAMER AIR REGULATOR ASSEMBLY

DET. QTY PART NO. DESCRIPTION

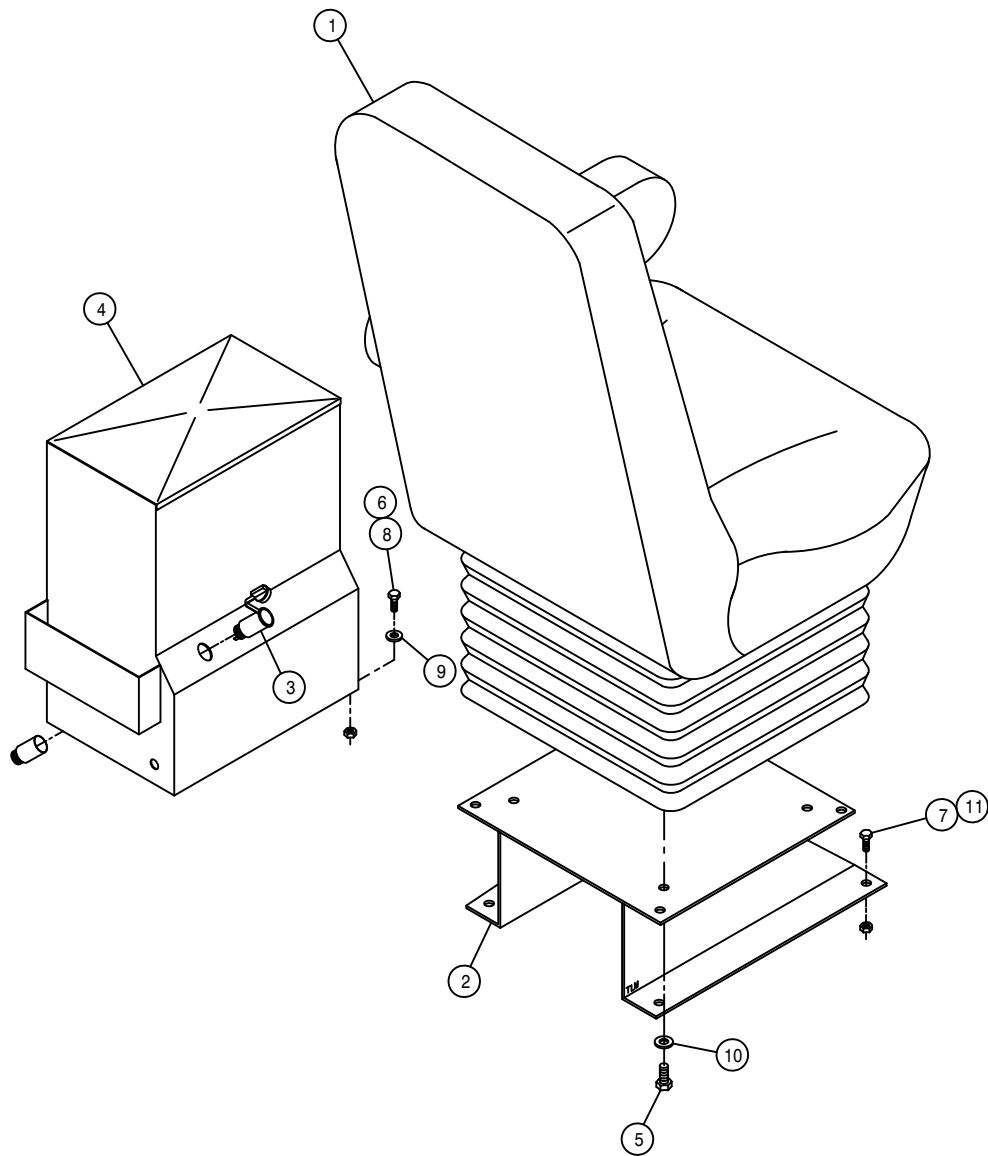
DET.	QTY	PART NO.	DESCRIPTION
1	1	342429	FOAMER AIR REG MT BOX, 2100 98
2	2	470122	1/4UNC X 1/2 FLANGE HEX BOLT
3	1	711021	1 1/4-18 NUT,AIR REGULATOR MT
4	1	601360	HOSE, 1/4 X 168 AIR
5	1	601418	HOSE, 1/4 X 228 AIR
6	1	701310	AIR PRESS GAUGE, 1/8"BOT
7	2	711016	1/4NPT-90-1/4NYL TUBE FTG BRS
8	1	711019	1/4"MNPT AIR REGULATOR



FUSE BOX ASSEMBLY

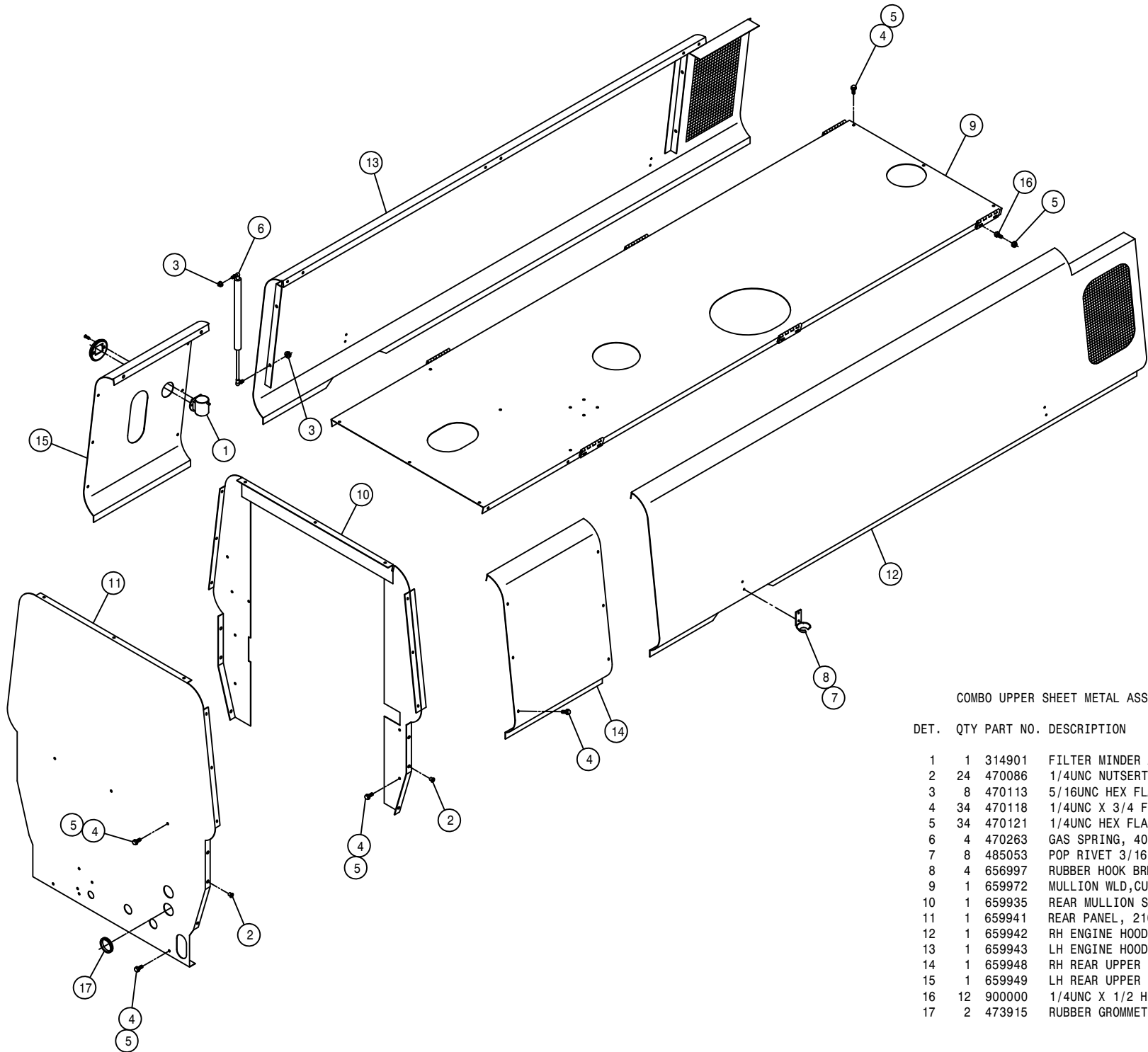
DET. QTY PART NO. DESCRIPTION

DET.	QTY	PART NO.	DESCRIPTION
1	1	291024	CIRCUIT BREAKER,40AMP,INLINEMT
2	4	291197	CIRCUIT BREAKER,30AMP,INLINEMT
3	1	291544	FUSE PANEL,10 CIRCUIT,BLADE TP
4	7	291545	10 AMP FUSE, 1/4" BLADE TYPE
5	2	291546	15 AMP FUSE, 1/4" BLADE TYPE
6	1	291547	20 AMP FUSE, 1/4" BLADE TYPE
7	10	291640	RELAY, 12V 20/30AMP BOSCH
8	1	342535	FUSE BOX WLD, 2100 98
9	1	342537	RELAY MT, 2100 98
10	1	470121	1/4UNC HEX FLANGE LOCK NUT
11	2	470175	10-32 HEX FLANGE LOCK NUT
12	20	903812	6-32 X 1/2 SLT RD HD MACH SCR
13	2	903883	10-32 X 1/2 SLT RDHD MACH SCR
14	2	903893	10-32 X 1" SLT RD HD MACH SCR
15	20	910022	6-32 HEX NUT
16	2	910027	10-32 HEX NUT
17	2	900000	1/4UNC X 1/2 HEX BOLT
18	2	914000	1/4UNC HEX STOVER NUT
19	3	470284	KNOB,.88 KNRLD,BLK,1/4-20
20	1	342431	FUSE BOX COVER, 2100



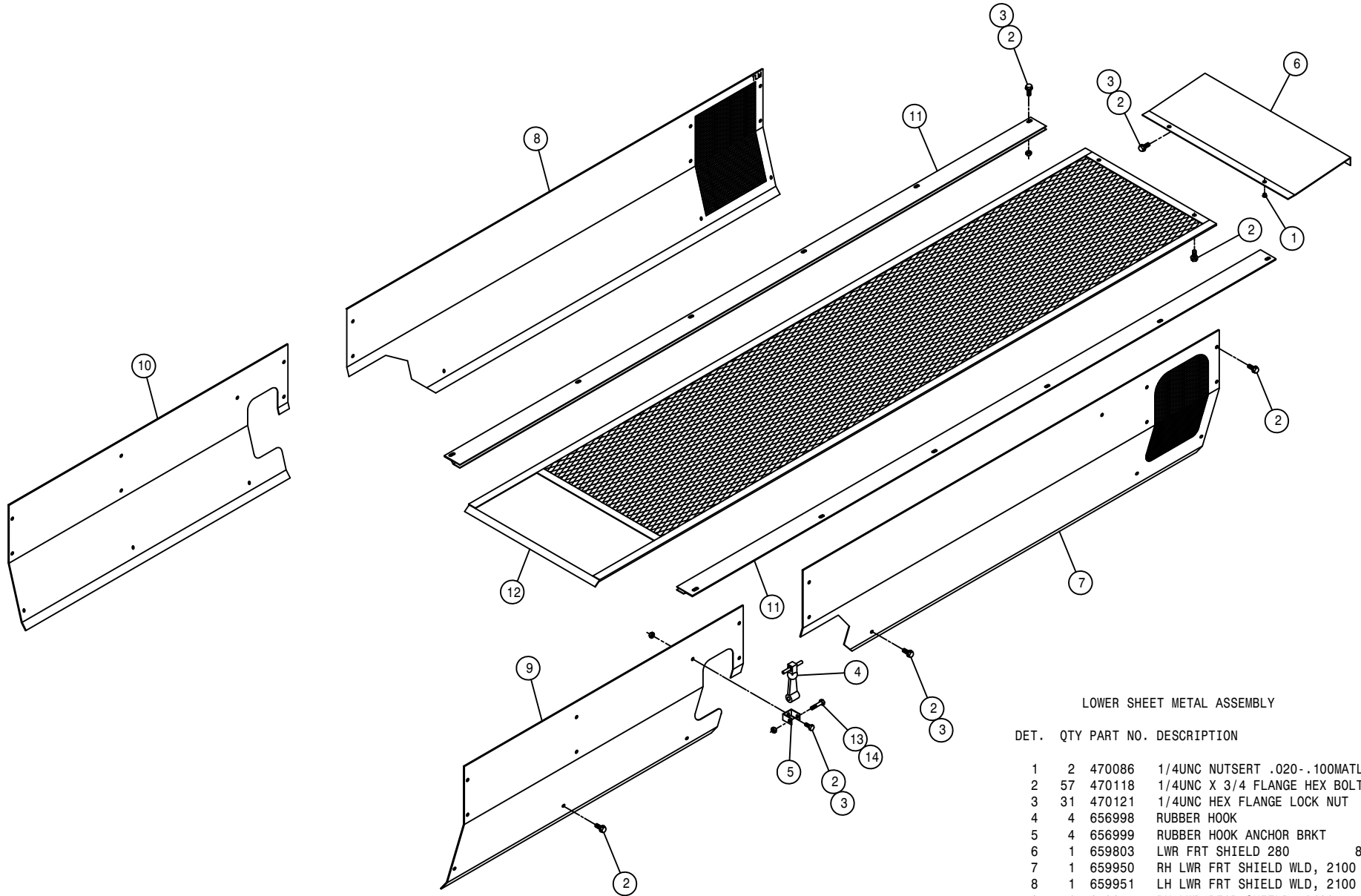
SEAT AND CONSOLE ASSEMBLY

DET.	QTY	PART NO.	DESCRIPTION	
1	1	330026	SEAT & AIR SUSP ASSY, 2100	98
2	1	342090	SEAT MT WELD, 254/284	95
3	1	291648	POWER POINT RECEPTACLE	
4	1	342432	LH CONSOLE WLD, 2100	98
5	4	473803	8MM-1.25 X 16MM HEX BOLT	
6	4	900002	1/4UNC X 3/4 HEX BOLT	
7	4	900129	3/8UNC X 1" HEX BOLT	
8	4	914000	1/4UNC HEX STOVER NUT	
9	4	920000	1/4 SAE FLAT WASHER	
10	4	920501	5/16 LOCK WASHER	
11	4	914004	3/8UNC HEX STOVER NUT	



COMBO UPPER SHEET METAL ASSEMBLY

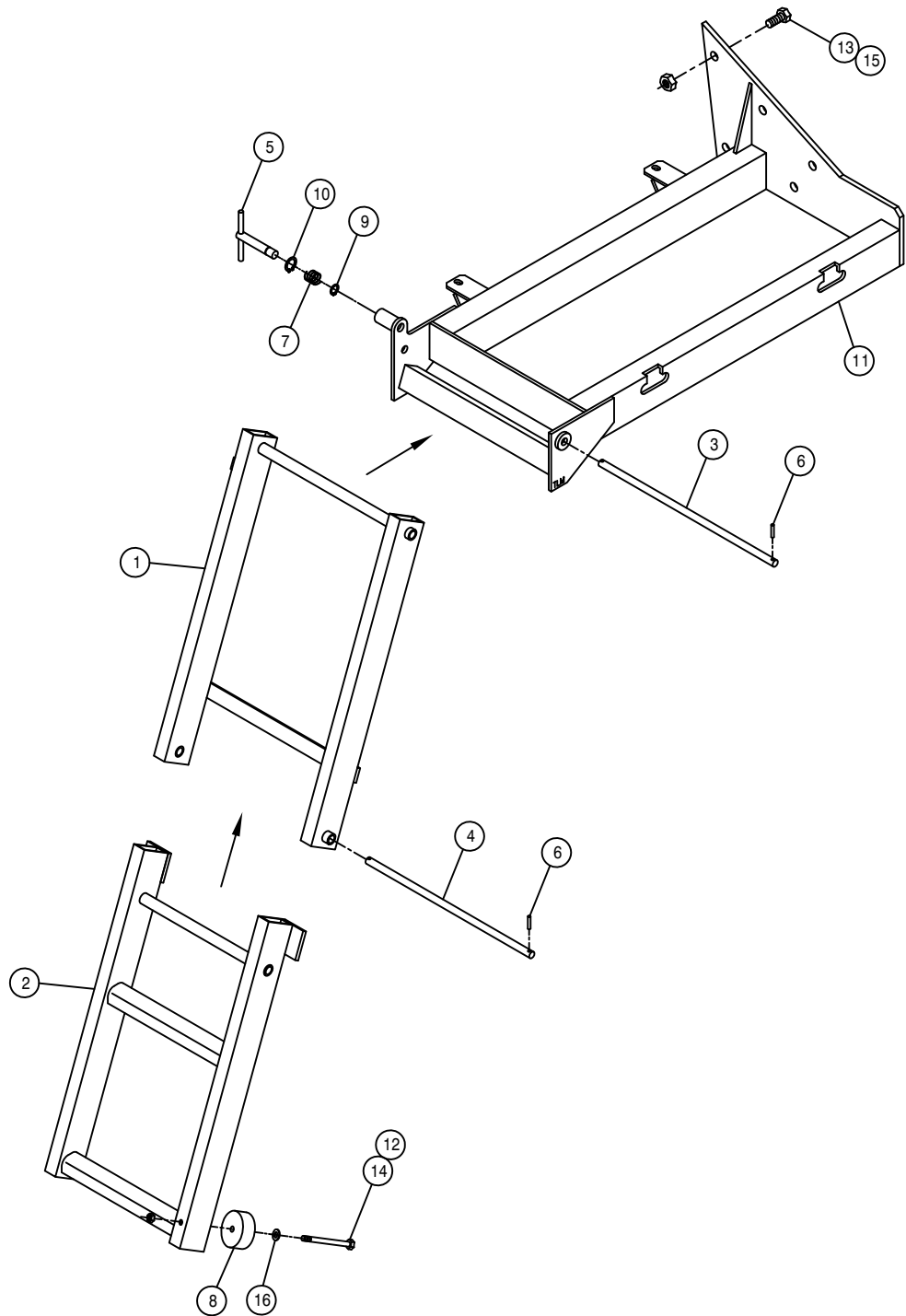
DET.	QTY	PART NO.	DESCRIPTION
1	1	314901	FILTER MINDER AIR RESTRICT GA
2	24	470086	1/4UNC NUTSERT .020-.100MATL
3	8	470113	5/16UNC HEX FLANGE LOCK NUT
4	34	470118	1/4UNC X 3/4 FLANGE HEX BOLT
5	34	470121	1/4UNC HEX FLANGE LOCK NUT
6	4	470263	GAS SPRING, 4016 8.00 STROKE
7	8	485053	POP RIVET 3/16 X 3/8
8	4	656997	RUBBER HOOK BRKT
9	1	659972	MULLION WLD,CUMM,2100 COMBO 99
10	1	659935	REAR MULLION SUPP WLD, 2100 98
11	1	659941	REAR PANEL, 2100 98
12	1	659942	RH ENGINE HOOD WLD, 2100 98
13	1	659943	LH ENGINE HOOD WLD, 2100 98
14	1	659948	RH REAR UPPER PANEL, 2100 98
15	1	659949	LH REAR UPPER PANEL, 2100 98
16	12	900000	1/4UNC X 1/2 HEX BOLT
17	2	473915	RUBBER GROMMET 1 1/2 ID



LOWER SHEET METAL ASSEMBLY

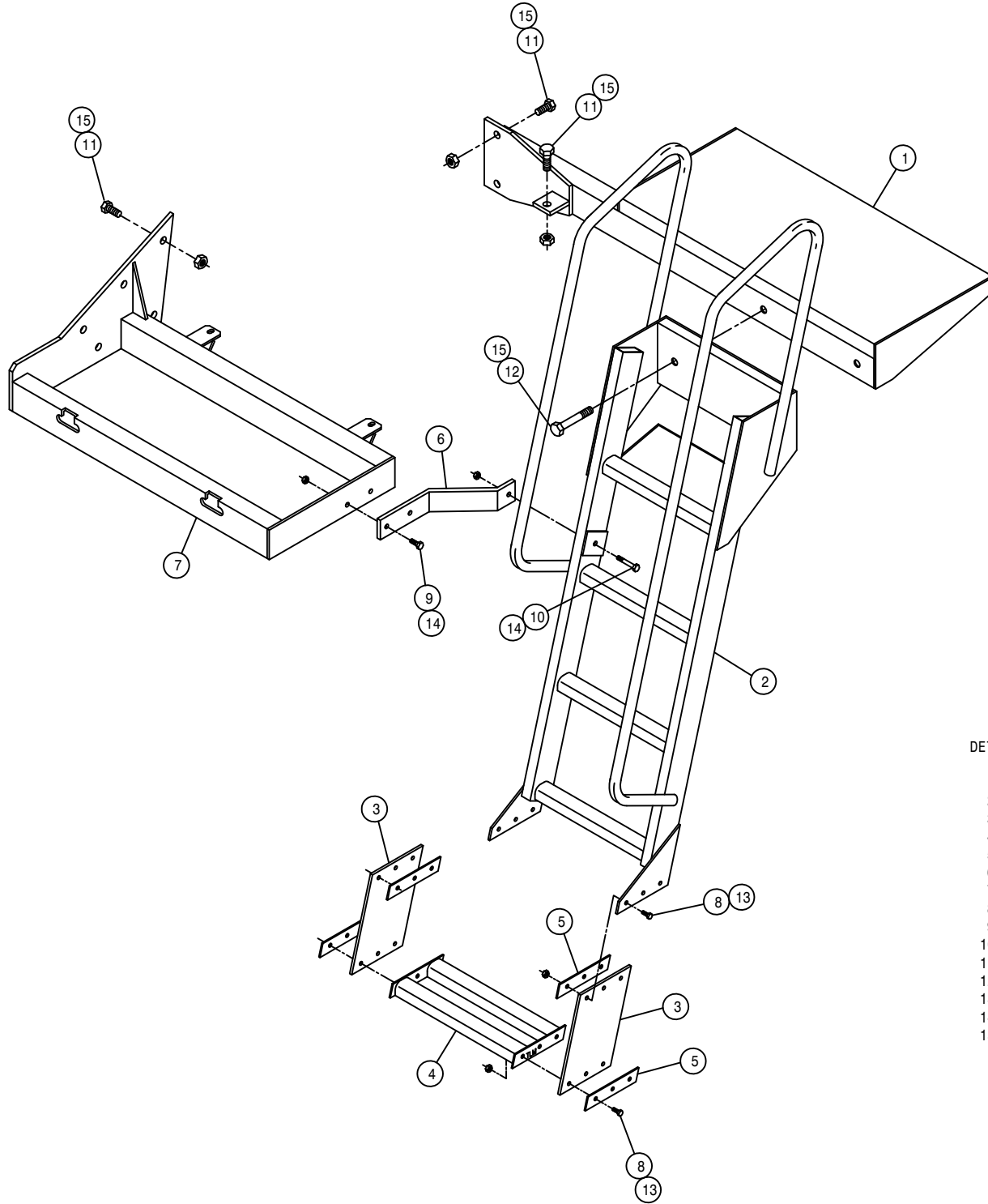
DET. QTY PART NO. DESCRIPTION

1	2	470086	1/4UNC NUSERT .020-.100MATL	
2	57	470118	1/4UNC X 3/4 FLANGE HEX BOLT	98
3	31	470121	1/4UNC HEX FLANGE LOCK NUT	
4	4	656998	RUBBER HOOK	
5	4	656999	RUBBER HOOK ANCHOR BRKT	
6	1	659803	LWR FRT SHIELD 280	89
7	1	659950	RH LWR FRT SHIELD WLD, 2100	98
8	1	659951	LH LWR FRT SHIELD WLD, 2100	98
9	1	659955	RH LWR REAR SHIELD, 2100	98
10	1	659956	LH LWR REAR SHIELD, 2100	98
11	2	659957	LWR SCR N SLIDE WLD, 2100	98
12	1	659960	LWR SCR N WLD, 2100	98
13	4	900005	1/4UNC X 1 1/2 HEX BOLT	
14	4	914000	1/4UNC HEX STOVER NUT	



RIGHT FOLDING LADDER ASSEMBLY

DET.	QTY	PART NO.	DESCRIPTION
1	1	342583	FOLD LDDR UPR SECT WLD,2100 98
2	1	342589	FOLD LDDR LWR SECT WLD,2100 98
3	1	342594	FOLD LADDER UPR PIVOT PIN 98
4	1	342595	FOLD LADDER LWR PIVOT PIN 98
5	1	342596	FOLD LDDR LOCK PIN WLD,2100 98
6	4	473928	ROLL PIN 3/16 X 1
7	1	482131	3/4 X 1 3/4 COMPRSN SPRING
8	1	470098	RUBBER BUMPER 2.500D X .38ID
9	1	629534	SNAP RING, 9/16 EXTERNAL
10	1	629535	SNAP RING, 3/4 INTERNAL
11	1	760215	RH FUEL TANK MT WLD, 2100 98
12	1	900072	5/16UNC X 3" HEX BOLT
13	6	900334	5/8UNC X 1 3/4 HEX BOLT
14	1	910002	5/16UNC HEX NUT
15	6	914010	5/8UNC HEX STOVER NUT
16	1	920001	5/16 SAE FLAT WASHER

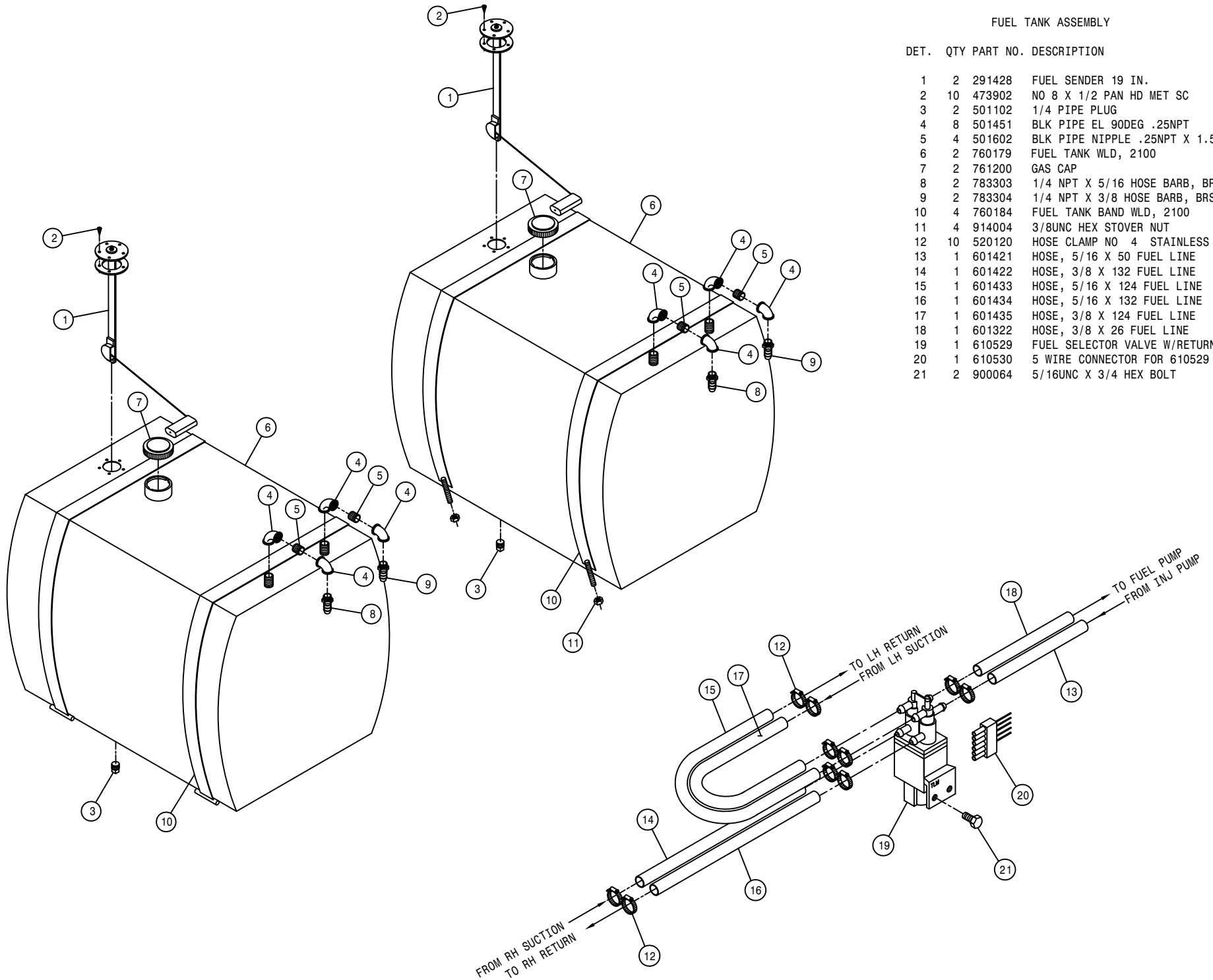


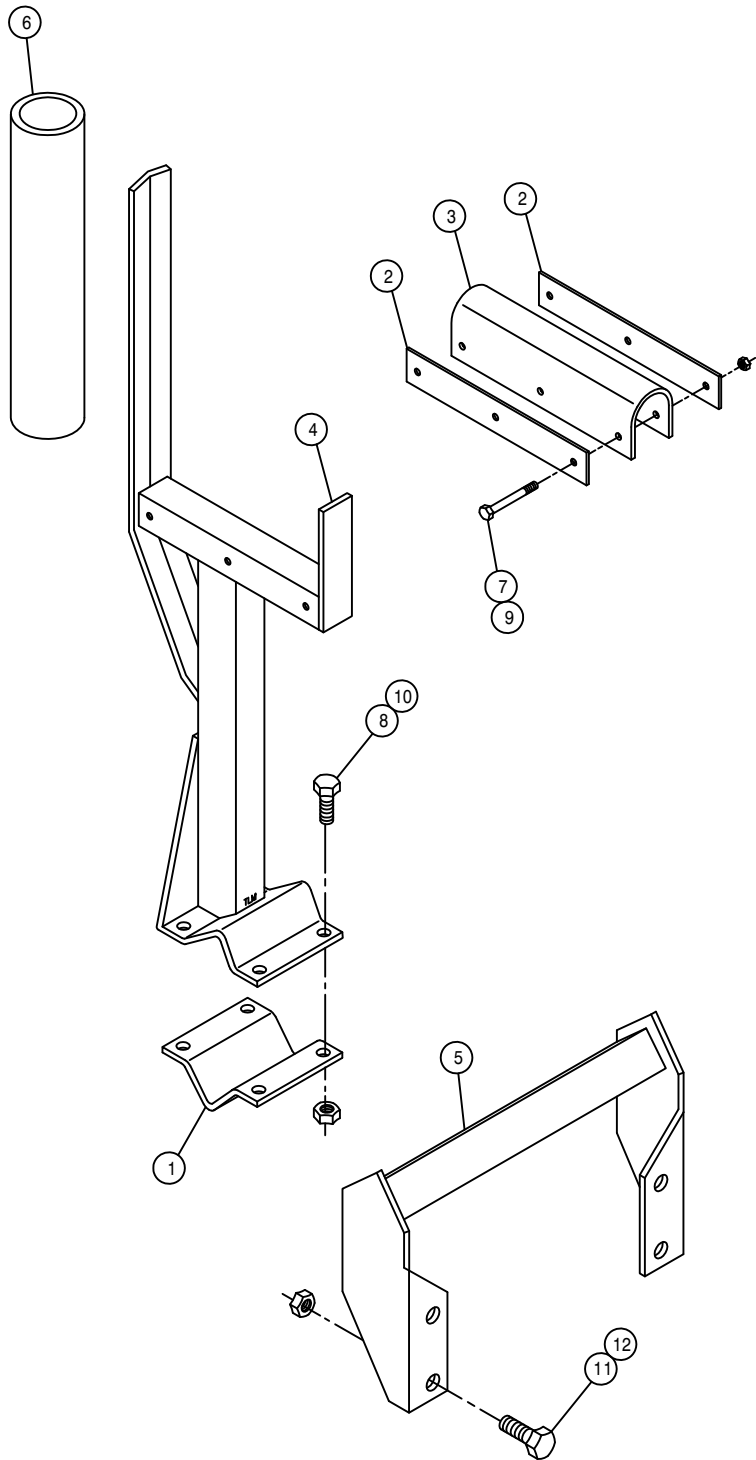
LEFT LADDER ASSEMBLY

DET.	QTY	PART NO.	DESCRIPTION	
1	1	342599	LH LADDER MT WLD, 2100	98
2	1	342605	LH LADDER WLD, 2100	98
3	2	342614	LADDER SIDE, LWR STEP, 2100	98
4	1	342615	LADDER STEP WLD, 2100	98
5	4	342616	LWR STEP SIDE KEEPER, 2100	98
6	1	342618	LH LADDER SUPP BRKT, 2100	98
7	1	760216	LH FUEL TANK MT WLD, 2100	98
8	12	900065	5/16UNC X 1" HEX BOLT	
9	2	900130	3/8UNC X 1 1/4 HEX BOLT	
10	1	900133	3/8UNC X 2" HEX BOLT	
11	9	900334	5/8UNC X 1 3/4 HEX BOLT	
12	2	900829	5/8UNC X 4" HEX BOLT GR8	
13	12	914002	5/16UNC HEX STOVER NUT	
14	3	914004	3/8UNC HEX STOVER NUT	
15	11	914010	5/8UNC HEX STOVER NUT	

FUEL TANK ASSEMBLY

DET.	QTY	PART NO.	DESCRIPTION
1	2	291428	FUEL SENDER 19 IN.
2	10	473902	NO 8 X 1/2 PAN HD MET SC
3	2	501102	1/4 PIPE PLUG
4	8	501451	BLK PIPE EL 90DEG .25NPT
5	4	501602	BLK PIPE NIPPLE .25NPT X 1.50
6	2	760179	FUEL TANK WLD, 2100 98
7	2	761200	GAS CAP
8	2	783303	1/4 NPT X 5/16 HOSE BARB, BRS
9	2	783304	1/4 NPT X 3/8 HOSE BARB, BRS
10	4	760184	FUEL TANK BAND WLD, 2100 98
11	4	914004	3/8UNC HEX STOVER NUT
12	10	520120	HOSE CLAMP NO 4 STAINLESS
13	1	601421	HOSE, 5/16 X 50 FUEL LINE
14	1	601422	HOSE, 3/8 X 132 FUEL LINE
15	1	601433	HOSE, 5/16 X 124 FUEL LINE
16	1	601434	HOSE, 5/16 X 132 FUEL LINE
17	1	601435	HOSE, 3/8 X 124 FUEL LINE
18	1	601322	HOSE, 3/8 X 26 FUEL LINE
19	1	610529	FUEL SELECTOR VALVE W/RETURN
20	1	610530	5 WIRE CONNECTOR FOR 610529
21	2	900064	5/16UNC X 3/4 HEX BOLT



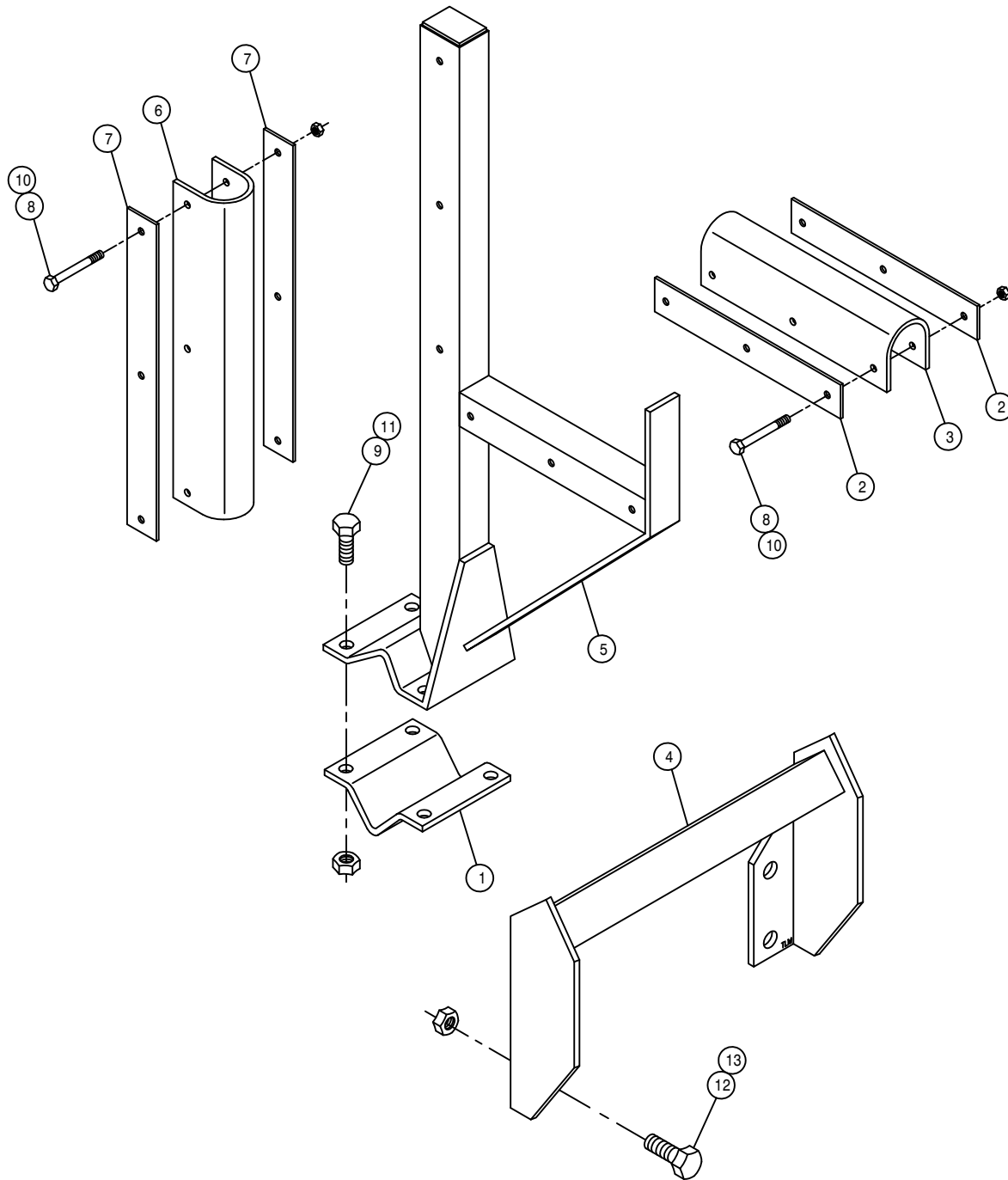


BOOM CRADLE ASSEMBLY

DET. QTY PART NO. DESCRIPTION

1	2	164253	BOOM CRADLE V-PLATE KEEPER	96
2	4	164254	CRADLE CUSHION KEEPER	96
3	2	164256	BOOM CRADLE CUSHION	96
4	2	164372	BOOM CRADLE WLD, 2100	98
5	2	164376	BOOM CRADLE MT WLD, 2100	98
6	2	601184	HOSE, 1 1/2 X 14 2BR BLK EPDM	
7	6	900008	1/4UNC X 2 1/2 HEX BOLT	
8	8	900265	1/2UNC X 1 1/2 HEX BOLT	
9	6	914000	1/4UNC HEX STOVER NUT	
10	8	914008	1/2UNC HEX STOVER NUT	
11	8	900334	5/8UNC X 1 3/4 HEX BOLT	
12	8	914010	5/8UNC HEX STOVER NUT	

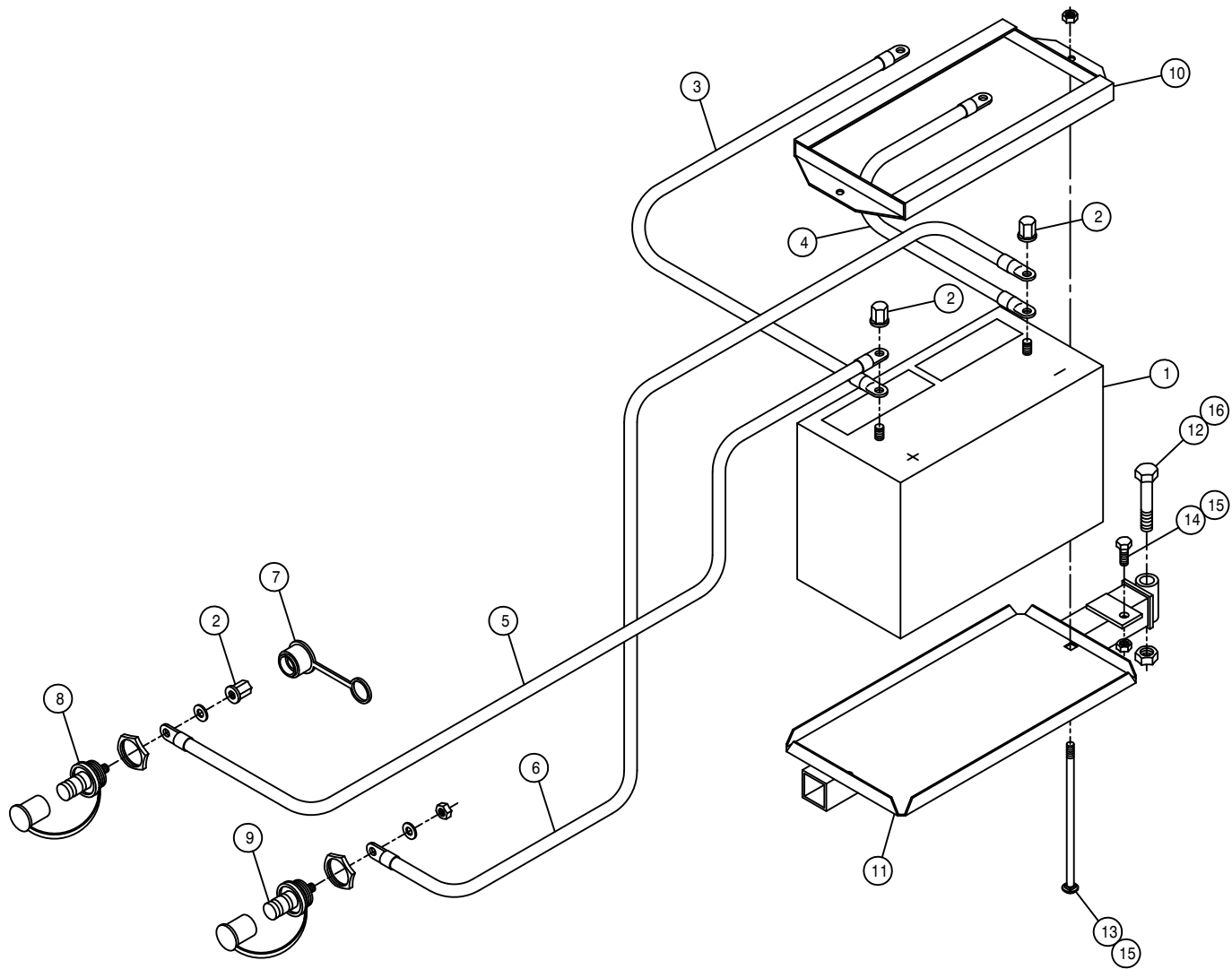
NOTE: QUANTITY LISTED IS FOR ONE MACHINE.



154" TREAD ADJUST BOOM CRADLE ASSEMBLY

DET.	QTY	PART NO.	DESCRIPTION
1	2	164253	BOOM CRADLE V-PLATE KEEPER 96
2	4	164254	CRADLE CUSHION KEEPER 96
3	2	164256	BOOM CRADLE CUSHION 96
4	2	164376	BOOM CRADLE MT WLD, 2100 98
5	2	164391	BOOM CRADLE WLD, 2100 154"TRD98
6	2	164395	BOOM CRADLE CUSHION, LONG 98
7	4	164396	CUSHION CRADLE KEEPER, LONG 98
8	12	900008	1/4UNC X 2 1/2 HEX BOLT
9	8	900265	1/2UNC X 1 1/2 HEX BOLT
10	12	914000	1/4UNC HEX STOVER NUT
11	8	914008	1/2UNC HEX STOVER NUT
12	8	900334	5/8UNC X 1 3/4 HEX BOLT
13	8	914010	5/8UNC HEX STOVER NUT

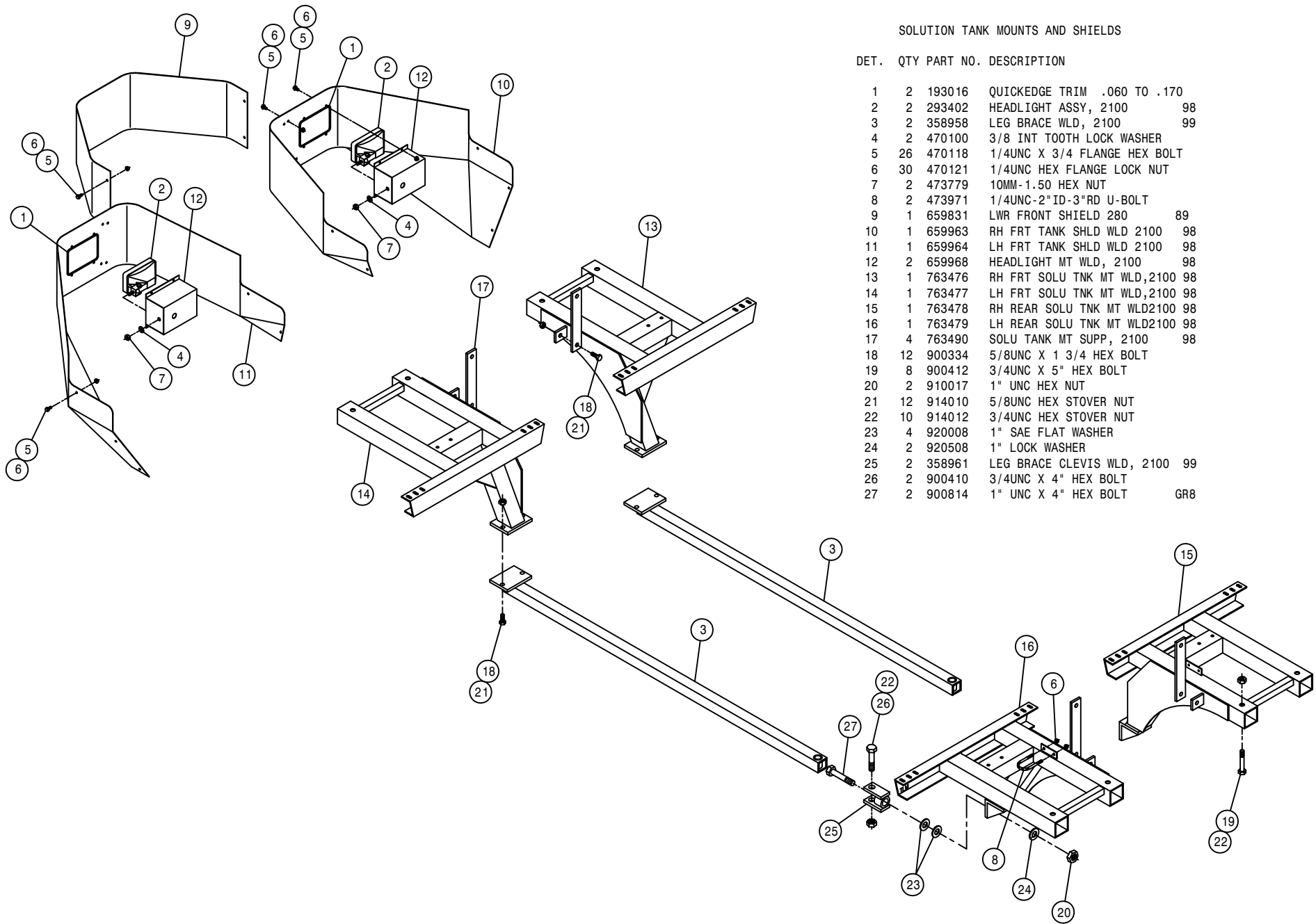
NOTE: QUANTITY LISTED IS FOR ONE MACHINE.



BATTERY BOX ASSEMBLY

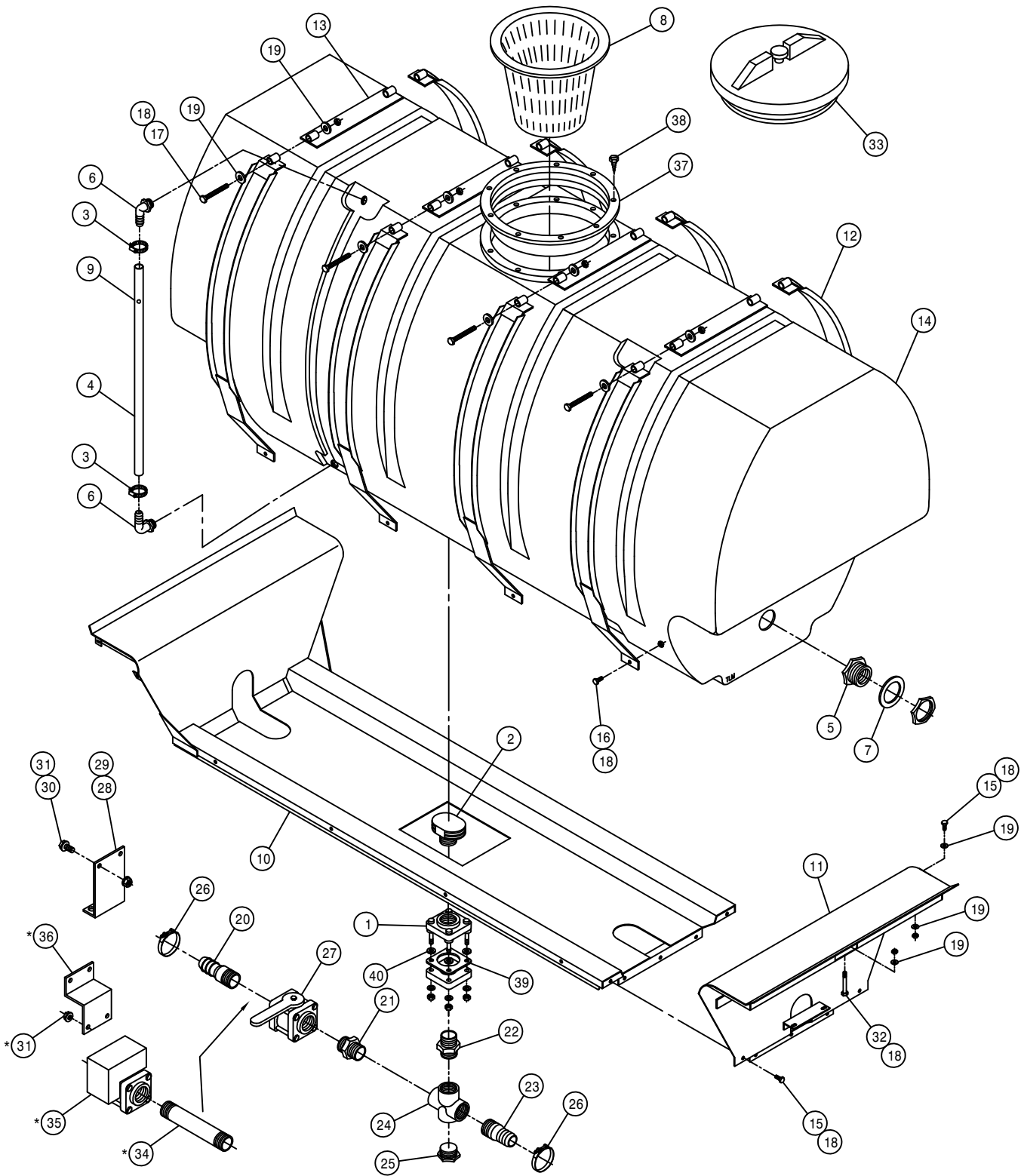
DET. QTY PART NO. DESCRIPTION

1	1	291196	BATTERY, 12V 950CCA, SS STUD	
2	3	291205	BATTERY NUT, 3/8-16 SS CLSD CAP	
3	1	291532	BATTERY CABLE, 50" RED 3/8-3/8S	
4	1	291534	BATTERY CABLE, 50" BLK 3/8-3/8S	
5	1	291533	BATTERY CABLE, 74" RED 3/8-3/8S	
6	1	291535	BATTERY CABLE, 84" BLK 3/8-3/8S	
7	1	291679	BATTERY NUT COVER, POSITIVE-RED	
8	1	291680	POSITIVE JUMPER STUD, RED	
9	1	291681	NEGATIVE JUMPER STUD, BLACK	
10	1	341322	BATTERY HOLD DOWN WLD 1981	
11	1	361470	BATTERY BOX WLD, 2100	98
12	1	900339	5/8UNC X 3 1/4 HEX BOLT	
13	2	901150	3/8UNC X 9" CARR BOLT	
14	1	900129	3/8UNC X 1" HEX BOLT	
15	3	914004	3/8UNC HEX STOVER NUT	
16	1	914010	5/8UNC HEX STOVER NUT	



SOLUTION TANK MOUNTS AND SHIELDS

DET.	QTY	PART NO.	DESCRIPTION
	1	2	193016 QUICKEDGE TRIM .060 TO .170
	2	2	293402 HEADLIGHT ASSY, 2100 98
	3	2	358958 LEG BRACE WLD, 2100 99
	4	2	470100 3/8 INT TOOTH LOCK WASHER
	5	26	470118 1/4UNC X 3/4 FLANGE HEX BOLT
	6	30	470121 1/4UNC HEX FLANGE LOCK NUT
	7	2	473779 10MM-1.50 HEX NUT
	8	2	473971 1/4UNC-2" ID-3" RD U-BOLT
	9	1	659831 LWR FRONT SHIELD 280 89
	10	1	659963 RH FRT TANK SHLD WLD 2100 98
	11	1	659964 LH FRT TANK SHLD WLD 2100 98
	12	2	659968 HEADLIGHT MT WLD, 2100 98
	13	1	763476 RH FRT SOLU TNK MT WLD,2100 98
	14	1	763477 LH FRT SOLU TNK MT WLD,2100 98
	15	1	763478 RH REAR SOLU TNK MT WLD2100 98
	16	1	763479 LH REAR SOLU TNK MT WLD2100 98
	17	4	763490 SOLU TANK MT SUPP, 2100 98
	18	12	900334 5/8UNC X 1 3/4 HEX BOLT
	19	8	900412 3/4UNC X 5" HEX BOLT
	20	2	910017 1" UNC HEX NUT
	21	12	914010 5/8UNC HEX STOVER NUT
	22	10	914012 3/4UNC HEX STOVER NUT
	23	4	920008 1" SAE FLAT WASHER
	24	2	920508 1" LOCK WASHER
	25	2	358961 LEG BRACE CLEVIS WLD, 2100 99
	26	2	900410 3/4UNC X 4" HEX BOLT
	27	2	900814 1" UNC X 4" HEX BOLT GR8



RIGHT POLY SOLUTION TANK ASSEMBLY

DET.	QTY	PART NO.	DESCRIPTION
	1	500076	2"NPT TANK FTG,BOTDRN BLT POLY
	1	500077	VENT CAP, 2" W/O SCREEN,POLY
	3	520069	HOSE CLAMP NO 6 STAINLESS
	4	601245	HOSE, 1/2 X 42 CLEAR VINYL
	5	618548	1.25 PLASTIC FTG ASSY POLYTNK
	6	618556	1/4NPT-90-1/2 HOSE BARB,POLY
	7	763430	1 1/4 TANK FLANGE RUBBER SEAL
	8	763431	8" STRAINER BASKET, SOLU TANK
	9	763446	RED POLYPROPYLENE BALL 25/64"
	10	763493	RH POLY TANK CRADLE WLD2100 98
	11	763502	REAR CRADLE MT WLD, 2100 98
	12	763507	TANK BAND WLD, 2100 POLY 98
	13	763511	TANK BAND TIE WLD, 2100 98
	14	763513	500 GAL POLY SOLU TANK 98
	15	900129	3/8UNC X 1" HEX BOLT
	16	900130	3/8UNC X 1 1/4 HEX BOLT
	17	906138	3/8UNC X 3 1/2 HEX BOLT FULL
	18	914004	3/8UNC HEX STOVER NUT
	19	920002	3/8 SAE FLAT WASHER
	20	500032	1 1/2NPT X 1 1/2 H BARB, POLY
	21	500038	2"X 1 1/2NPT REDU NIPPLE,POLY
	22	500056	2" NPT CLOSE HEX NIPPLE, POLY
	23	500057	2"NPT X 1 1/2 H BARB, POLY
	24	500060	2"FNPT CROSS, POLY
	25	500065	2"NPT PIPE PLUG, POLY
	26	520133	1.81/2.06 T-BOLT HOSE CLAMP SS
	27	696110	BALL VALVE 1 1/2FNPT POLY
	28	763363	SOLU HOSE SUPPORT 280 POLY 91
	29	470000	CABLE TIE, 21" BLACK PLASTIC
	30	470118	1/4UNC X 3/4 FLANGE HEX BOLT
	31	470121	1/4UNC HEX FLANGE LOCK NUT
	32	900140	3/8UNC X 4" HEX BOLT
	33	763408	LID, THD'D W/VENT, POLY TANK
	34	500029	1 1/2NPT X 6 PIPE NIPPLE,POLY
	35	696161	1 1/2NPT ELECT SOLU VALVE
	36	763445	ELECT SOLU VLV SUPPORT 94
	37	763409	10" THD'D RING FOR TANK LID
	38	763410	S.S. SCREW FOR CAP RING
	39	500087	GASKET,2" TANK FLG 500076/179
	40	500100	FOOT GASKET,2" FLG 500076/179

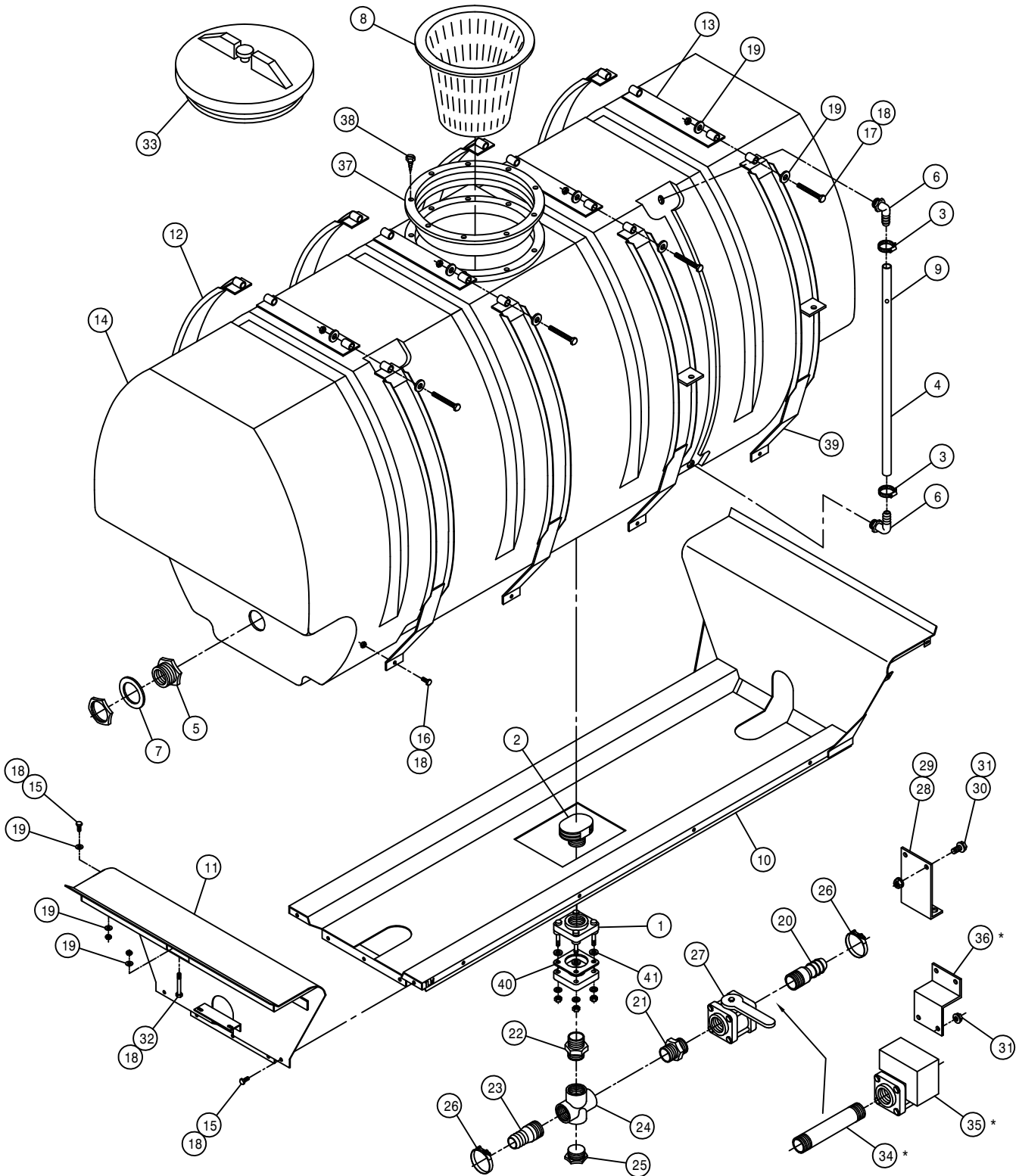
*NOTE: ITEMS 31,34,35, AND 36 ARE USED WITH THE ELECTRIC SOLUTION VALVE OPTION.

LEFT POLY SOLUTION TANK ASSEMBLY

DET. QTY PART NO. DESCRIPTION

1	1	500076	2"NPT TANK FTG,BOTDRN BLT POLY
2	1	500077	VENT CAP, 2" W/O SCREEN,POLY
3	2	520069	HOSE CLAMP NO 6 STAINLESS
4	1	601245	HOSE, 1/2 X 42 CLEAR VINYL
5	2	618548	1.25 PLASTIC FTG ASSY POLYTNK
6	2	618556	1/4NPT-90-1/2 HOSE BARB,POLY
7	2	763430	1 1/4 TANK FLANGE RUBBER SEAL
8	1	763431	8" STRAINER BASKET, SOLU TANK
9	1	763446	RED POLYPROPYLENE BALL 25/64"
10	1	763494	LH POLY TANK CRADLE WLD2100 98
11	1	763502	REAR CRADLE MT WLD, 2100 98
12	6	763507	TANK BAND WLD, 2100 POLY 98
13	4	763511	TANK BAND TIE WLD, 2100 98
14	1	763513	500 GAL POLY SOLU TANK 98
15	13	900129	3/8UNC X 1" HEX BOLT
16	8	900130	3/8UNC X 1 1/4 HEX BOLT
17	8	906138	3/8UNC X 3 1/2 HEX BOLT FULL
18	33	914004	3/8UNC HEX STOVER NUT
19	36	920002	3/8 SAE FLAT WASHER
20	1	500032	1 1/2NPT X 1 1/2 H BARB, POLY
21	1	500038	2" X 1 1/2NPT REDU NIPPLE,POLY
22	1	500056	2" NPT CLOSE HEX NIPPLE, POLY
23	1	500057	2"NPT X 1 1/2 H BARB, POLY
24	1	500060	2"FNPT CROSS, POLY
25	1	500065	2"NPT PIPE PLUG, POLY
26	2	520133	1.81/2.06 T-BOLT HOSE CLAMP SS
27	1	696110	BALL VALVE 1 1/2FNPT POLY
28	1	763363	SOLU HOSE SUPPORT 280 POLY 91
29	1	470000	CABLE TIE, 21" BLACK PLASTIC
30	2	470118	1/4UNC X 3/4 FLANGE HEX BOLT
31	4	470121	1/4UNC HEX FLANGE LOCK NUT
32	4	900140	3/8UNC X 4" HEX BOLT
33	1	763408	LID, THD'D W/VENT, POLY TANK
34	1	500029	1 1/2NPT X 6 PIPE NIPPLE,POLY
35	1	696161	1 1/2NPT ELECT SOLU VALVE
36	1	763445	ELECT SOLU VLV SUPPORT 94
37	1	763409	10" THD'D RING FOR TANK LID
38	8	763410	S.S. SCREW FOR CAP RING
39	2	763515	TANK BAND W/TAB WLD, 2100 98
40	1	500087	GASKET,2" TANK FLG 500076/179
41	4	500100	FOOT GASKET,2" FLG 500076/179

*NOTE: ITEMS 31,34,35, AND 36 ARE USED WITH THE ELECTRIC SOLUTION VALVE OPTION.

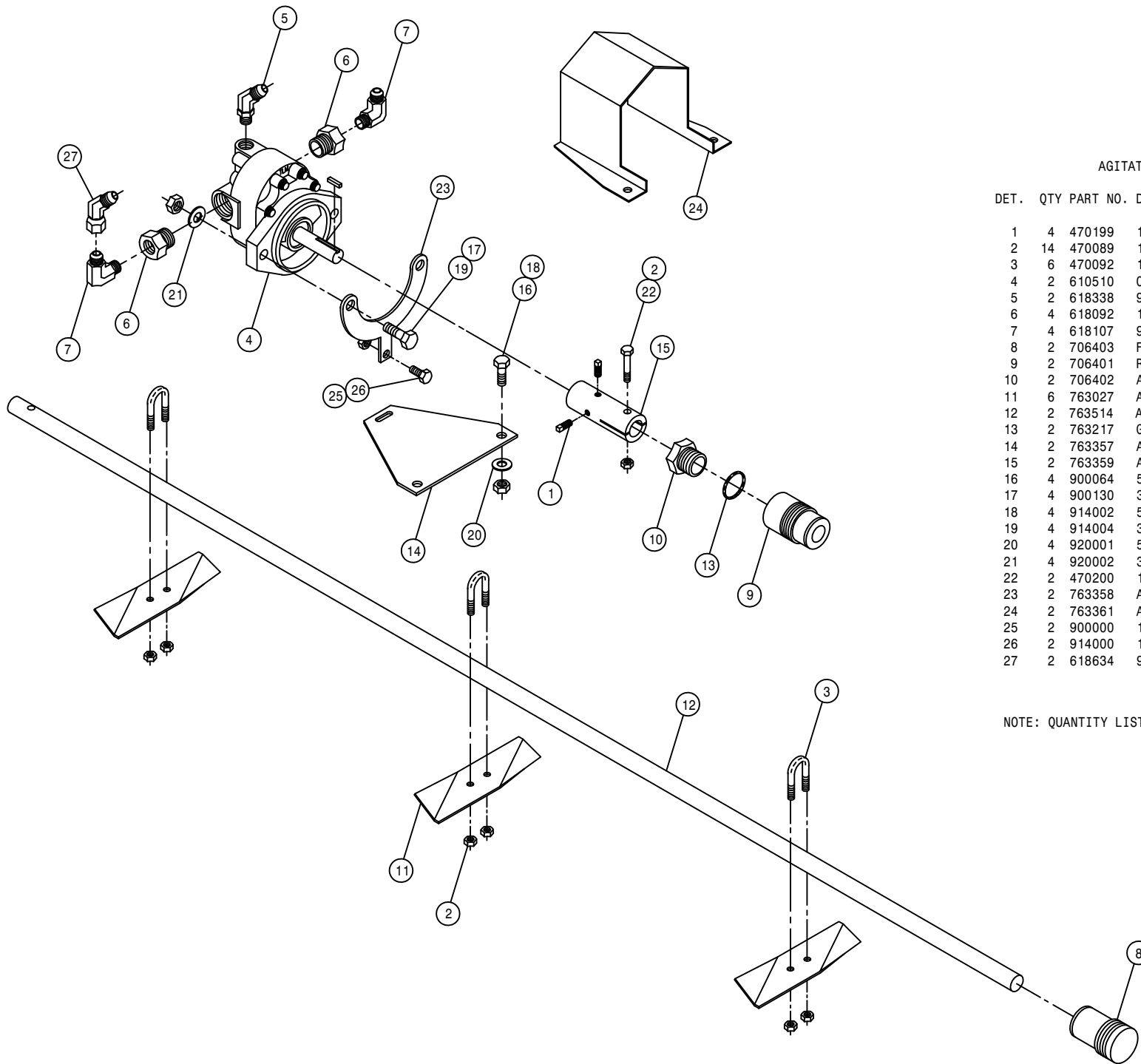


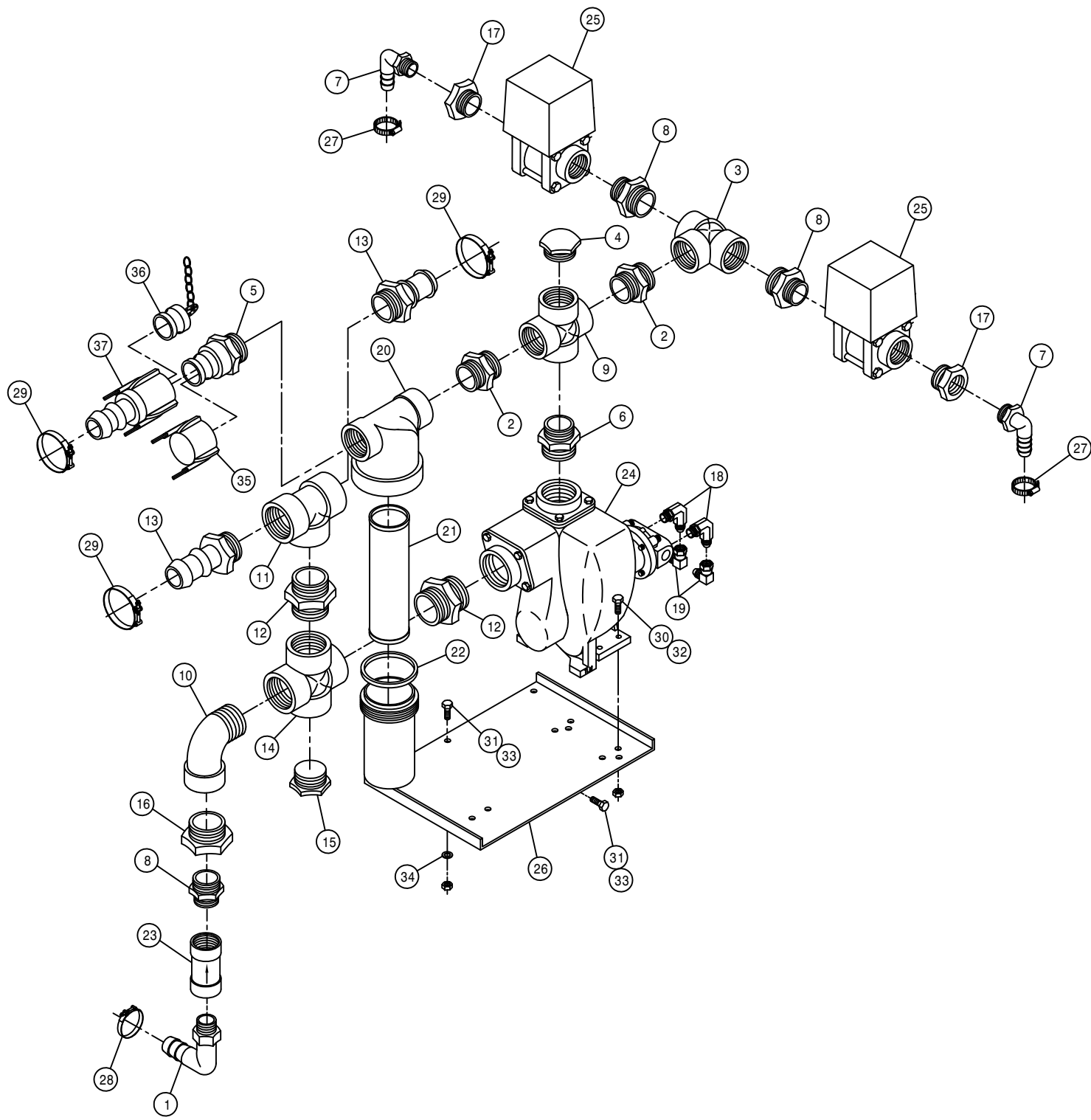
AGITATOR ASSEMBLY

DET. QTY PART NO. DESCRIPTION

DET.	QTY	PART NO.	DESCRIPTION
1	4	470199	1/4UNC X 3/8 SQHD CUP SET SCR
2	14	470089	1/4UNC HEX LOC NUT NYL INS SS
3	6	470092	1/4UNC-3/4ID-1 1/4 U-BOLT SS
4	2	610510	CESSNA GEAR MOTOR 1.48CI
5	2	618338	9/16MJIC-45-1/4MNPT LBO
6	4	618092	1 1/16MOR-1/2FNPT ADPTR
7	4	618107	9/16MJIC-90-1/2MNPT LBO
8	2	706403	FRT AGIT SHFT BRG, NYLON
9	2	706401	REAR AGIT SHFT BRG, NYLON
10	2	706402	AGIT SHFT GLAND NUT, NYLON
11	6	763027	AGIT IMPELLER
12	2	763514	AGIT SHAFT, 2100 98
13	2	763217	GLAND PACKING, 13 IN. LONG
14	2	763357	AGIT MTR MT PLT CES 280 91
15	2	763359	AGIT MTR CPLR 280 91
16	4	900064	5/16UNC X 3/4 HEX BOLT
17	4	900130	3/8UNC X 1 1/4 HEX BOLT
18	4	914002	5/16UNC HEX STOVER NUT
19	4	914004	3/8UNC HEX STOVER NUT
20	4	920001	5/16 SAE FLAT WASHER
21	4	920002	3/8 SAE FLAT WASHER
22	2	470200	1/4UNC X 1 3/4 HEX BOLT SS
23	2	763358	AGIT MTR MT YOKE CES 280 91
24	2	763361	AGIT CPLR SHIELD 280 91
25	2	900000	1/4UNC X 1/2 HEX BOLT
26	2	914000	1/4UNC HEX STOVER NUT
27	2	618634	9/16MJIC-45-9/16FJIC SWIV LBO

NOTE: QUANTITY LISTED IS FOR ONE MACHINE.





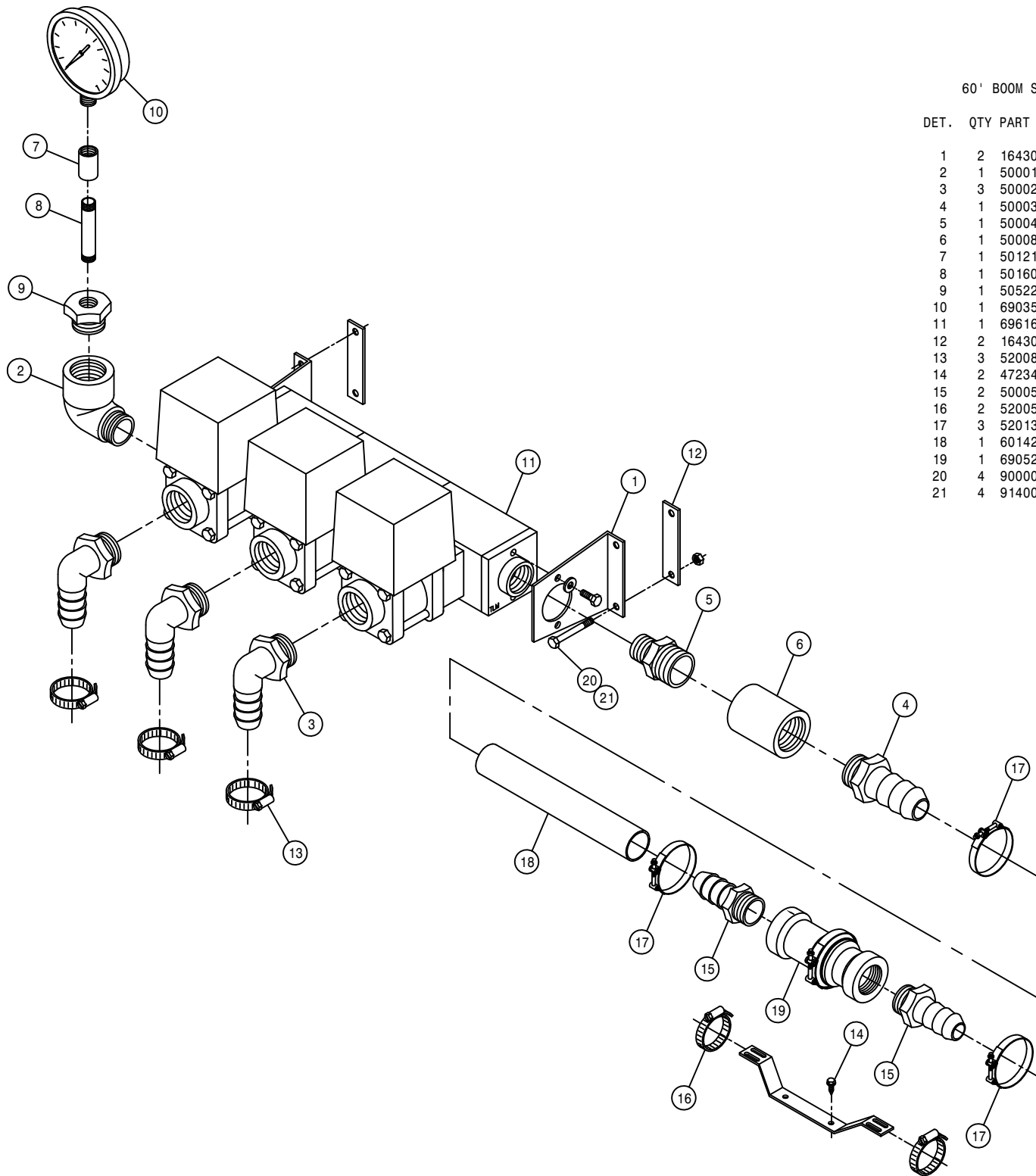
SOLUTION PUMP ASSEMBLY

DET.	QTY	PART NO.	DESCRIPTION
1	1	500024	1" NPT-90-1" HOSE BARB, POLY
2	2	500028	1 1/2" NPT PIPE NIPPLE, POLY
3	1	500030	1 1/2" NPT PIPE TEE, POLY
4	1	500031	1 1/2" NPT PIPE PLUG, POLY
5	1	500094	1.50 MNPT-MALE COUPLER POLY
6	1	500038	2" X 1 1/2" NPT REDU NIPPLE, POLY
7	2	500041	3/4" NPT-90-1/2" HOSE BARB, POLY
8	3	500048	1 1/2" X 1" NPT REDU NIPPLE, POLY
9	1	500049	1 1/2" FNPT CROSS, POLY
10	1	500053	2" NPT-90 ST EL, POLY
11	1	500055	2" NPT PIPE TEE, POLY
12	2	500056	2" NPT CLOSE HEX NIPPLE, POLY
13	2	500057	2" NPT X 1 1/2" H BARB, POLY
14	1	500060	2" FNPT CROSS, POLY
15	1	500065	2" NPT PIPE PLUG, POLY
16	1	500071	2" X 1 1/2" NPT REDU BUSH, POLY
17	2	505214	1"-3/4" NPT REDU BUSH, POLY
18	2	618241	3/4" MJIC-90-3/4" MOR LBO
19	2	618609	3/4" MJIC-90-3/4" FJIC SWIV LBO
20	1	690474	1 1/2" LINE STRAINER 50M 150PSI
21	1	690475	50 MESH SCREEN FOR 690474
22	1	690476	STRAINER GASKET FOR 690474
23	1	690488	1.00 CHECK VLV, SPRING LOADED
24	1	690552	FLOMAX 8, 2" PUMP
25	2	696162	1" ELECT BALL VLV, 344AEC-2-1
26	1	690530	2" SOLU PUMP MT WLD 95
27	2	520070	HOSE CLAMP NO 8 STAINLESS
28	1	520138	1.38/1.56 T-BOLT HOSE CLAMP
29	3	520133	1.81/2.06 T-BOLT HOSE CLAMP SS
30	4	900066	5/16" UNC X 1 1/4" HEX BOLT
31	3	900129	3/8" UNC X 1" HEX BOLT
32	4	914002	5/16" UNC HEX STOVER NUT
33	3	914004	3/8" UNC HEX STOVER NUT
34	2	920002	3/8" SAE FLAT WASHER
35	1	500095	CAP FOR 1.50 MALE COUPLER POLY
36	1	690304	PLUG FOR 1.50 FEMALE COUPLER
37	1	500097	1.50 HOSE BARB-FEMALE COUPLER

60' BOOM SOLUTION SOLENOID ASSEMBLY

DET. QTY PART NO. DESCRIPTION

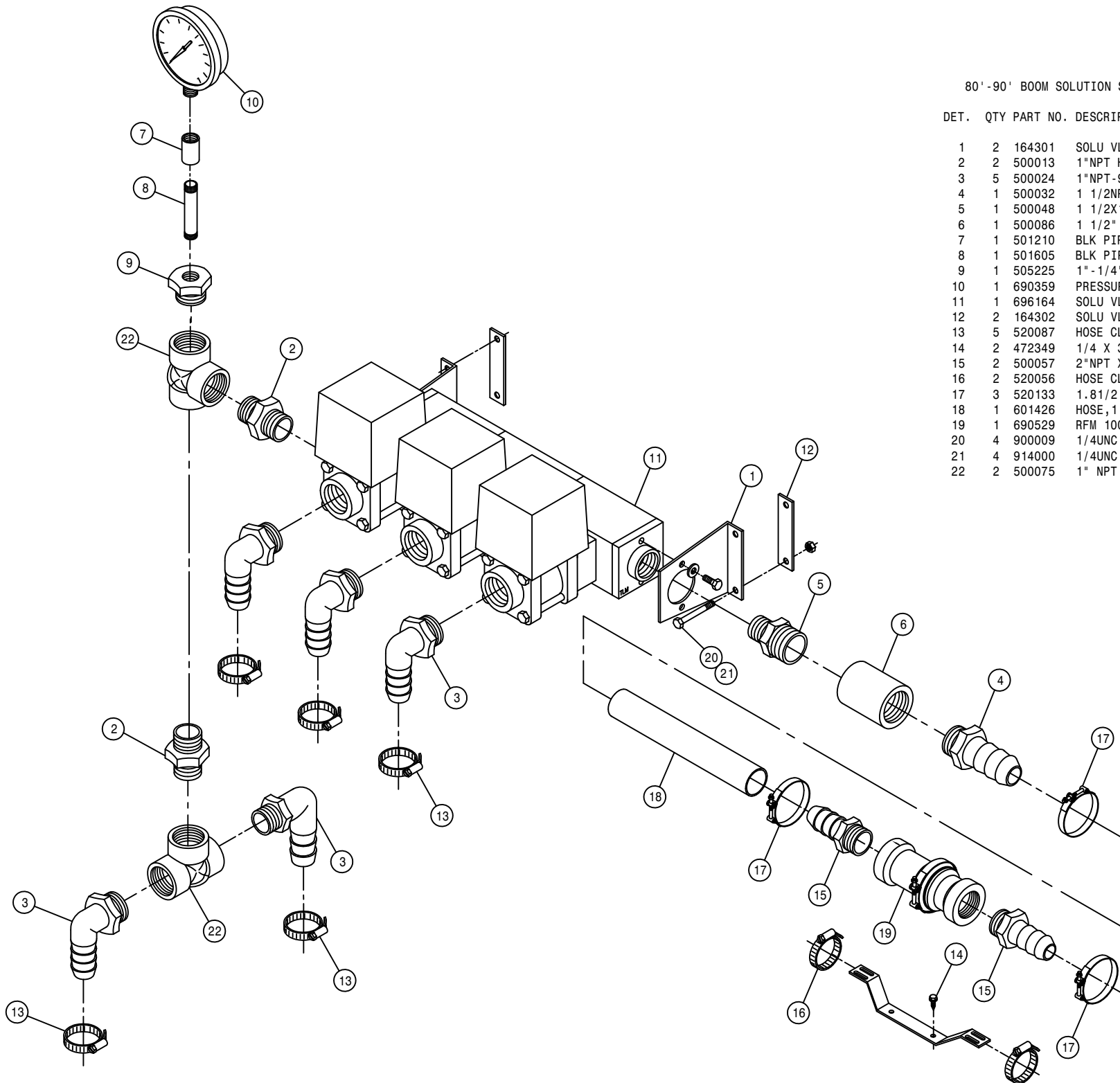
DET.	QTY	PART NO.	DESCRIPTION	
1	2	164301	SOLU VLV MANIFOLD MT	97
2	1	500014	1"NPT-90 ST EL, POLY	
3	3	500024	1"NPT-90-1"HOSE BARB, POLY	
4	1	500032	1 1/2NPT X 1 1/2 H BARB, POLY	
5	1	500048	1 1/2X1"NPT REDU NIPPLE, POLY	
6	1	500086	1 1/2" NPT COUPLING, POLY	
7	1	501210	BLK PIPE CPLG .25NPT	
8	1	501605	BLK PIPE NIPPLE .25NPT-3.00	
9	1	505225	1"-1/4"NPT REDU BUSH, POLY	
10	1	690359	PRESSURE GA GLYCERI 100 PSI	
11	1	696164	SOLU VLV ASSY,3-SECT 1"NPT	
12	2	164302	SOLU VLV MANIFOLD MT KEEPER97	
13	3	520087	HOSE CLAMP NO 20 PLATED	
14	2	472349	1/4 X 3/4 20THD-IN TEK TYPE	
15	2	500057	2"NPT X 1 1/2 H BARB, POLY	
16	2	520056	HOSE CLAMP NO 56 PLATED	
17	3	520133	1.81/2.06 T-BOLT HOSE CLAMP	
18	1	601426	HOSE,1 1/2 X 22 SUCT,2F1W EPDM	
19	1	690529	RFM 100 FLOW METER, RAVEN	
20	4	900009	1/4UNC X 2 3/4 HEX BOLT	
21	4	914000	1/4UNC HEX STOVER NUT	



80'-90' BOOM SOLUTION SOLENOID ASSEMBLY

DET. QTY PART NO. DESCRIPTION

DET.	QTY	PART NO.	DESCRIPTION
1	2	164301	SOLU VLV MANIFOLD MT 97
2	2	500013	1"NPT HEX PIPE NIPPLE, POLY
3	5	500024	1"NPT-90-1"HOSE BARB, POLY
4	1	500032	1 1/2NPT X 1 1/2 H BARB, POLY
5	1	500048	1 1/2X1"NPT REDU NIPPLE, POLY
6	1	500086	1 1/2" NPT COUPLING, POLY
7	1	501210	BLK PIPE CPLG .25NPT
8	1	501605	BLK PIPE NIPPLE .25NPT-3.00
9	1	505225	1"-1/4"NPT REDU BUSH, POLY
10	1	690359	PRESSURE GA GLYCERI 100 PSI
11	1	696164	SOLU VLV ASSY,3-SECT 1"NPT
12	2	164302	SOLU VLV MANIFOLD MT KEEPER97
13	5	520087	HOSE CLAMP NO 20 PLATED
14	2	472349	1/4 X 3/4 20THD-IN TEK TYPE
15	2	500057	2"NPT X 1 1/2 H BARB, POLY
16	2	520056	HOSE CLAMP NO 56 PLATED
17	3	520133	1.81/2.06 T-BOLT HOSE CLAMP
18	1	601426	HOSE, 1 1/2 X 22 SUCT,2F1W EPDM
19	1	690529	RFM 100 FLOW METER, RAVEN
20	4	900009	1/4UNC X 2 3/4 HEX BOLT
21	4	914000	1/4UNC HEX STOVER NUT
22	2	500075	1" NPT PIPE TEE, POLY

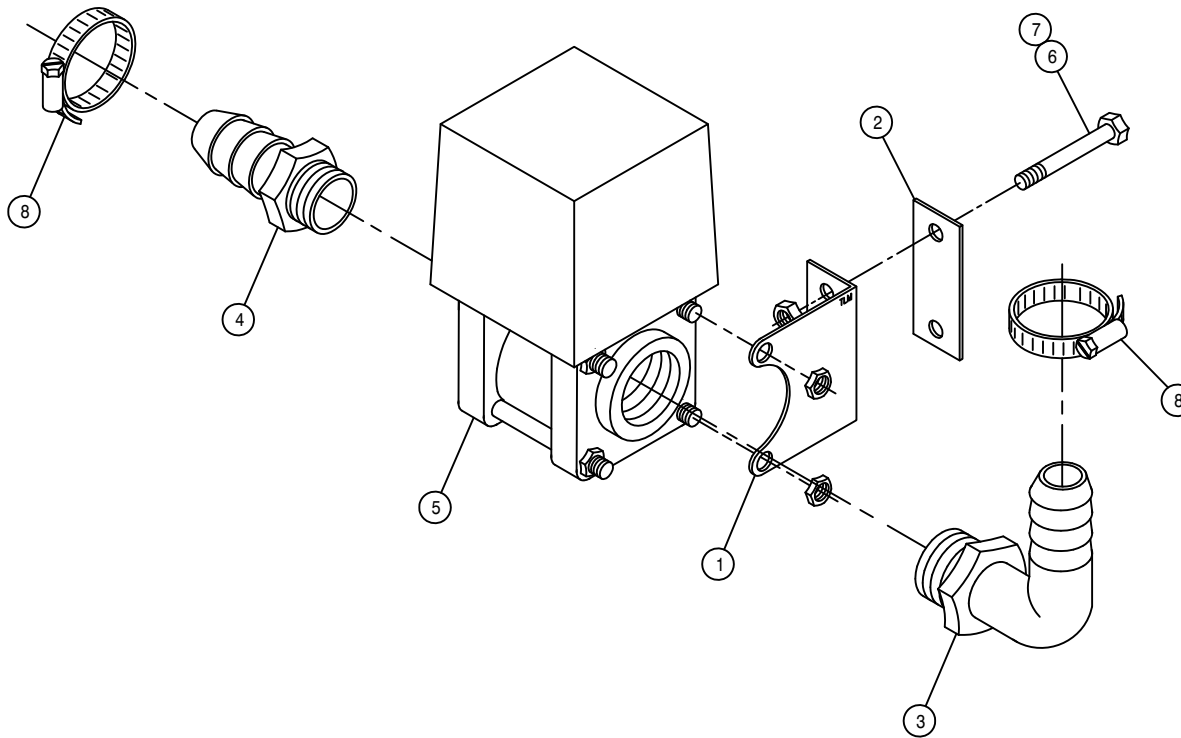


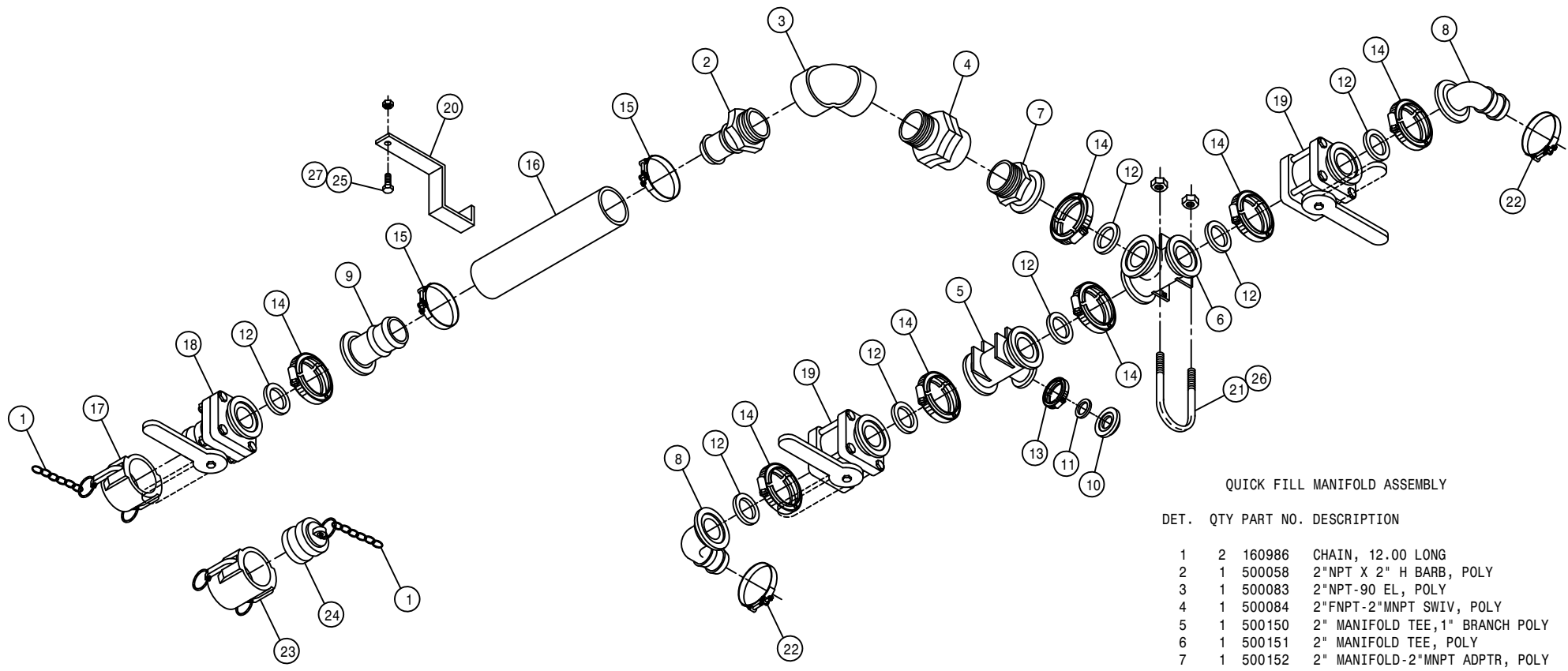
80' -90' OUTER BOOM SOLUTION SOLENOID

DET. QTY PART NO. DESCRIPTION

1	2	164303	SOLU VLV MT	97
2	2	164304	SOLU VLV MT KEEPER	97
3	2	500024	1"NPT-90-1"HOSE BARB, POLY	
4	2	500074	1"NPT-1" HOSE BARB, POLY	
5	2	696162	1" ELECT BALL VLV, 344AEC-2-1	
6	4	900007	1/4UNC X 2" HEX BOLT	
7	4	914000	1/4UNC HEX STOVER NUT	
8	4	520087	HOSE CLAMP NO 20 STAINLESS	

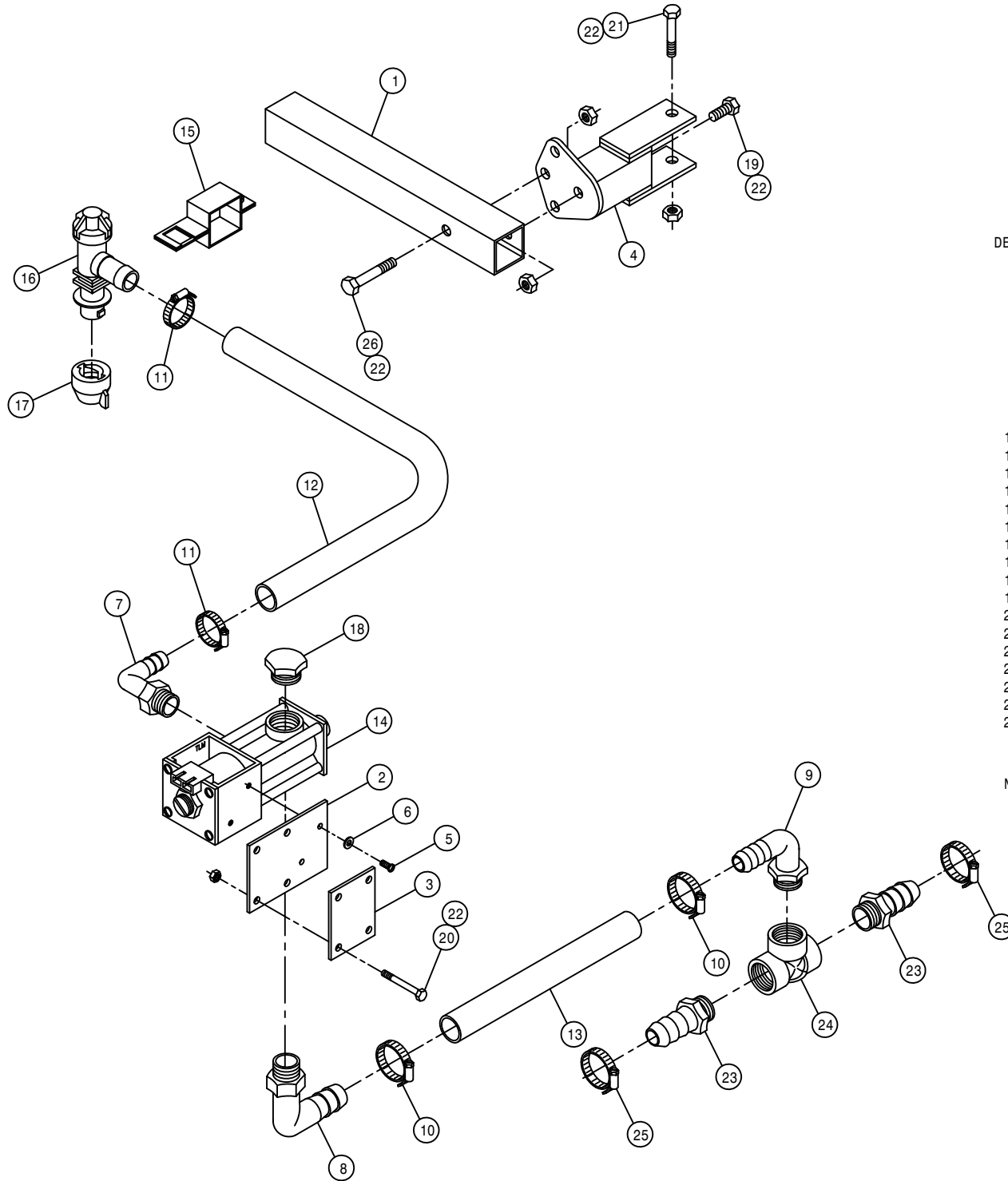
NOTE: QUANTITY LISTED IS FOR ONE MACHINE.





QUICK FILL MANIFOLD ASSEMBLY

DET.	QTY	PART NO.	DESCRIPTION
1	2	160986	CHAIN, 12.00 LONG
2	1	500058	2"NPT X 2" H BARB, POLY
3	1	500083	2"NPT-90 EL, POLY
4	1	500084	2"FNPT-2"MNPT SWIV, POLY
5	1	500150	2" MANIFOLD TEE, 1" BRANCH POLY
6	1	500151	2" MANIFOLD TEE, POLY
7	1	500152	2" MANIFOLD-2"MNPT ADPTR, POLY
8	2	500153	2" MANIFOLD-90-1 1/2 HBARBPOLY
9	1	500154	2' MANIFOLD-2" HBARB, POLY
10	1	500155	1" MANIFOLD PLUG, POLY
11	1	500157	1" MANIFOLD GASKET
12	7	500158	1 1/2" GASKET FOR 2" MANIFOLD
13	1	500159	1" MANIFOLD CLAMP, S.S.
14	7	500160	2" MANIFOLD CLAMP, S.S.
15	2	520141	2.31/2.62 T-BOLT HOSE CLAMP
16	1	601423	HOSE, 2 X 12 SUCT, 2F1W EPDM
17	1	690623	CAP FOR 2" MALE ADAPTER, POLY
18	1	696141	BALL VLV, 2"MALE ADPTR/2"C-FLG
19	2	696142	BALL VLV, 2" C-FLG
20	1	342620	QUICK FILL HOSE HANGER
21	2	472195	5/16UNC-2 11/16ID-3 9/16U-BOLT
22	2	520133	1.81/2.06 T-BOLT HOSE CLAMP
23	1	690390	2.00 FEMALE NPT COUPLER
24	1	690392	ADPTR PLG FOR 2.00 NPT COUPLR
25	1	900129	3/8UNC X 1" HEX BOLT
26	4	914002	5/16UNC HEX STOVER NUT
27	1	914004	3/8UNC HEX STOVER NUT



60' BOOM FENCE ROW OPTION

DET. QTY PART NO. DESCRIPTION

DET.	QTY	PART NO.	DESCRIPTION	
1	2	164384	FENCE ROW NOZL MTG TUBE	98
2	2	164397	VLV MT, 60' FENCE ROW NOZL	98
3	2	164398	VLV MT KPR,60' FENCE ROW NOZL	98
4	2	164399	NOZL MT WLD,60' FENCE ROW	210098
5	4	472199	10-24 X 1/2 RD HD MACH SCR	
6	4	473821	#10 INT TOOTH WASHER	
7	2	500047	1/2NPT-90-1/2 HOSE BARB, POLY	
8	2	500054	3/4NPT-90-3/4 HOSE BARB, POLY	
9	2	500067	1 NPT-90-3/4 HOSE BARB, POLY	
10	4	520055	HOSE CLAMP NO 12 STAINLESS	
11	4	520070	HOSE CLAMP NO 8 STAINLESS	
12	2	601164	HOSE, 1/2 X 117 1BR BLK EPDM	
13	2	601173	HOSE, 3/4 X 50 1BR BLK EPDM	
14	2	695952	SOLUTION VALVE, AA144-1 VITON	
15	2	737817	NOZL MT CLMP,1.00 SQ SS,Q-TJET	
16	2	737827	QUICK TEEJET CHK VLV 1/2 SNGL	
17	2	737822	QUICK TEEJET CAP YELLOW 19115	
18	2	500043	3/4NPT PIPE PLUG, POLY	
19	2	900002	1/4UNC X 3/4 HEX BOLT	
20	8	900006	1/4UNC X 1 3/4 HEX BOLT	
21	2	900007	1/4UNC X 2" HEX BOLT	
22	14	914000	1/4UNC HEX STOVER NUT	
23	4	500074	1"NPT-1" HOSE BARB, POLY	
24	2	500075	1" NPT PIPE TEE, POLY	
25	4	520087	HOSE CLAMP NO 20 STAINLESS	
26	2	900005	1/4UNC X 1 1/2 HEX BOLT	

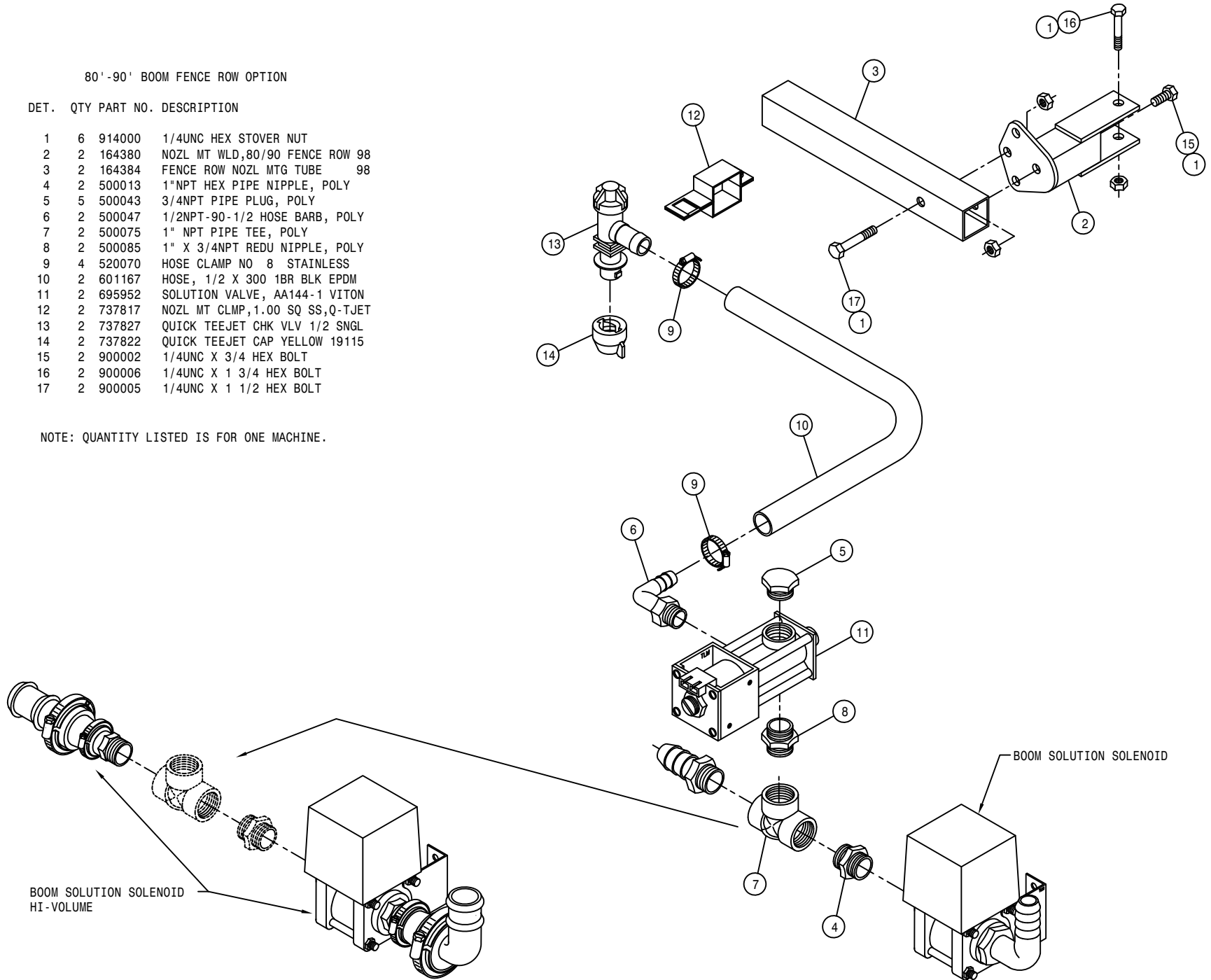
NOTE: QUANTITY LISTED IS FOR ONE MACHINE.

80'-90' BOOM FENCE ROW OPTION

DET. QTY PART NO. DESCRIPTION

DET.	QTY	PART NO.	DESCRIPTION
1	6	914000	1/4UNC HEX STOVER NUT
2	2	164380	NOZL MT WLD,80/90 FENCE ROW 98
3	2	164384	FENCE ROW NOZL MTG TUBE 98
4	2	500013	1"NPT HEX PIPE NIPPLE, POLY
5	5	500043	3/4NPT PIPE PLUG, POLY
6	2	500047	1/2NPT-90-1/2 HOSE BARB, POLY
7	2	500075	1" NPT PIPE TEE, POLY
8	2	500085	1" X 3/4NPT REDU NIPPLE, POLY
9	4	520070	HOSE CLAMP NO 8 STAINLESS
10	2	601167	HOSE, 1/2 X 300 1BR BLK EPDM
11	2	695952	SOLUTION VALVE, AA144-1 VITON
12	2	737817	NOZL MT CLMP,1.00 SQ SS,Q-TJET
13	2	737827	QUICK TEEJET CHK VLV 1/2 SNGL
14	2	737822	QUICK TEEJET CAP YELLOW 19115
15	2	900002	1/4UNC X 3/4 HEX BOLT
16	2	900006	1/4UNC X 1 3/4 HEX BOLT
17	2	900005	1/4UNC X 1 1/2 HEX BOLT

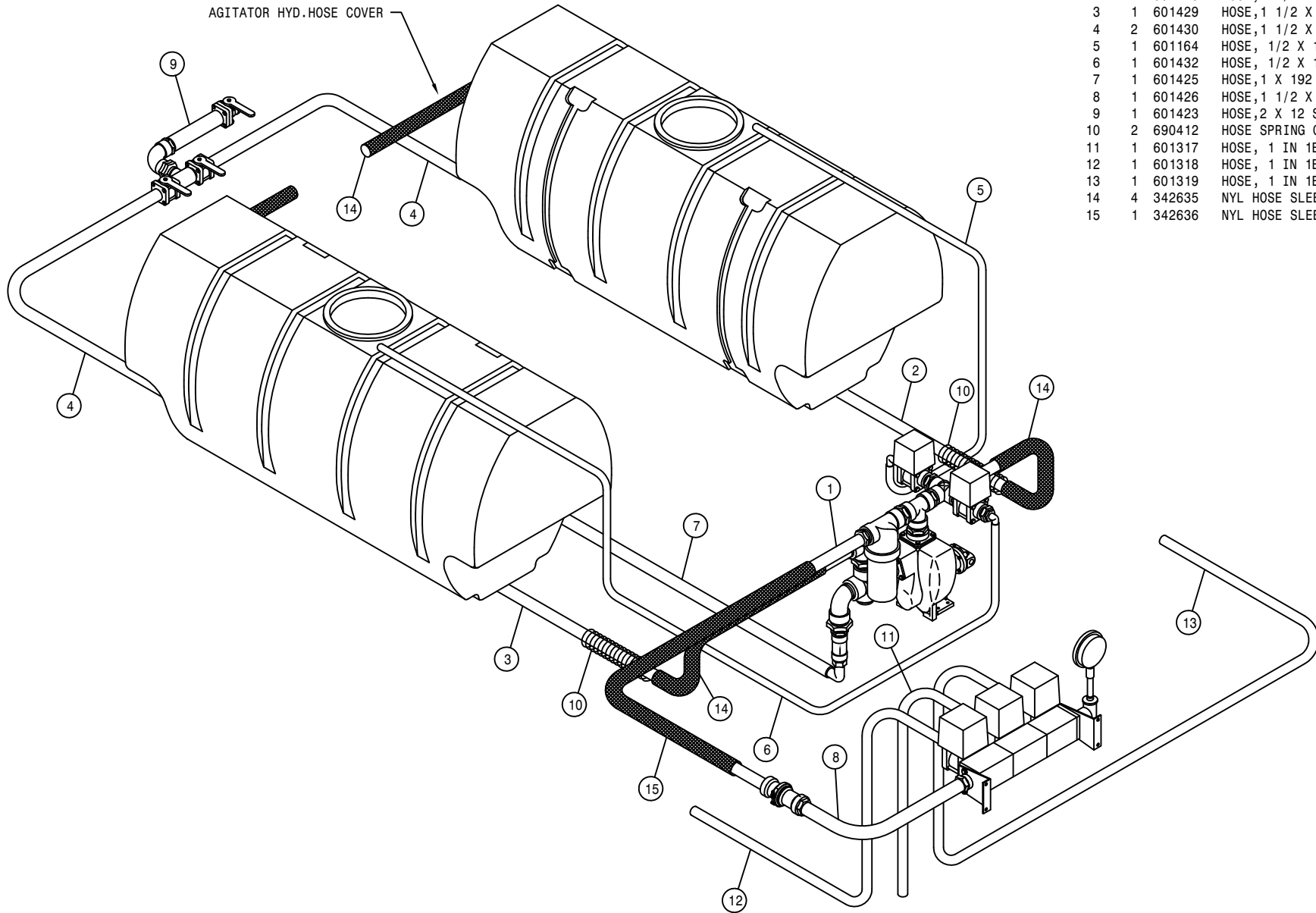
NOTE: QUANTITY LISTED IS FOR ONE MACHINE.



SOLUTION HOISING FOR 60' BOOM

DET. QTY PART NO. DESCRIPTION

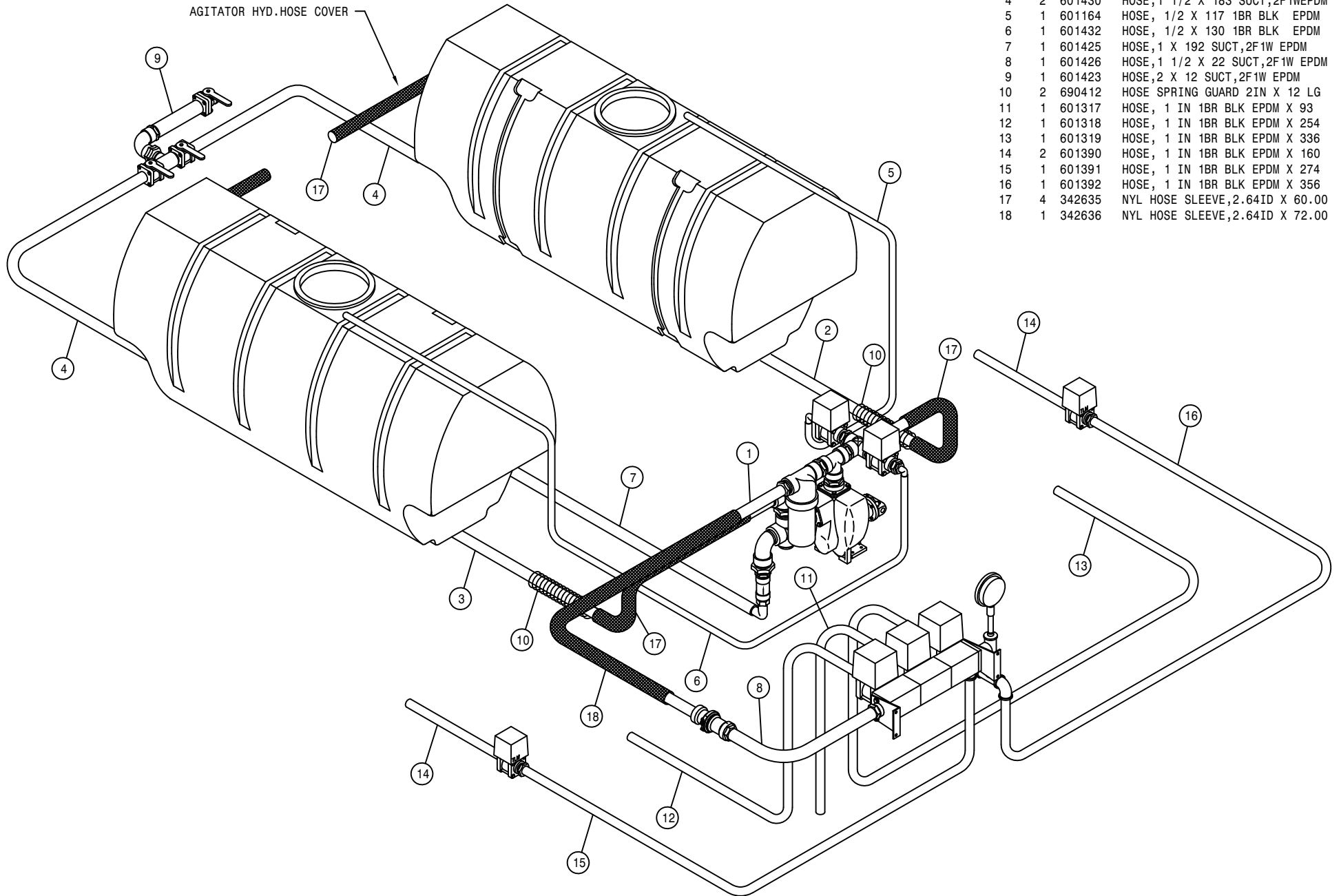
DET.	QTY	PART NO.	DESCRIPTION
1	1	601427	HOSE, 1 1/2 X 87 SUCT, 2F1W EPDM
2	1	601428	HOSE, 1 1/2 X 125 SUCT, 2F1WEPDM
3	1	601429	HOSE, 1 1/2 X 143 SUCT, 2F1WEPDM
4	2	601430	HOSE, 1 1/2 X 183 SUCT, 2F1WEPDM
5	1	601164	HOSE, 1/2 X 117 1BR BLK EPDM
6	1	601432	HOSE, 1/2 X 130 1BR BLK EPDM
7	1	601425	HOSE, 1 X 192 SUCT, 2F1W EPDM
8	1	601426	HOSE, 1 1/2 X 22 SUCT, 2F1W EPDM
9	1	601423	HOSE, 2 X 12 SUCT, 2F1W EPDM
10	2	690412	HOSE SPRING GUARD 2IN X 12 LG
11	1	601317	HOSE, 1 IN 1BR BLK EPDM X 93
12	1	601318	HOSE, 1 IN 1BR BLK EPDM X 254
13	1	601319	HOSE, 1 IN 1BR BLK EPDM X 336
14	4	342635	NYL HOSE SLEEVE, 2.64ID X 60.00
15	1	342636	NYL HOSE SLEEVE, 2.64ID X 72.00



SOLUTION HOISING FOR 80'-90' BOOM

DET. QTY PART NO. DESCRIPTION

DET.	QTY	PART NO.	DESCRIPTION
1	1	601427	HOSE, 1 1/2 X 87 SUCT, 2F1W EPDM
2	1	601428	HOSE, 1 1/2 X 125 SUCT, 2F1W EPDM
3	1	601429	HOSE, 1 1/2 X 143 SUCT, 2F1W EPDM
4	2	601430	HOSE, 1 1/2 X 183 SUCT, 2F1W EPDM
5	1	601164	HOSE, 1/2 X 117 1BR BLK EPDM
6	1	601432	HOSE, 1/2 X 130 1BR BLK EPDM
7	1	601425	HOSE, 1 X 192 SUCT, 2F1W EPDM
8	1	601426	HOSE, 1 1/2 X 22 SUCT, 2F1W EPDM
9	1	601423	HOSE, 2 X 12 SUCT, 2F1W EPDM
10	2	690412	HOSE SPRING GUARD 2IN X 12 LG
11	1	601317	HOSE, 1 IN 1BR BLK EPDM X 93
12	1	601318	HOSE, 1 IN 1BR BLK EPDM X 254
13	1	601319	HOSE, 1 IN 1BR BLK EPDM X 336
14	2	601390	HOSE, 1 IN 1BR BLK EPDM X 160
15	1	601391	HOSE, 1 IN 1BR BLK EPDM X 274
16	1	601392	HOSE, 1 IN 1BR BLK EPDM X 356
17	4	342635	NYL HOSE SLEEVE, 2.64ID X 60.00
18	1	342636	NYL HOSE SLEEVE, 2.64ID X 72.00

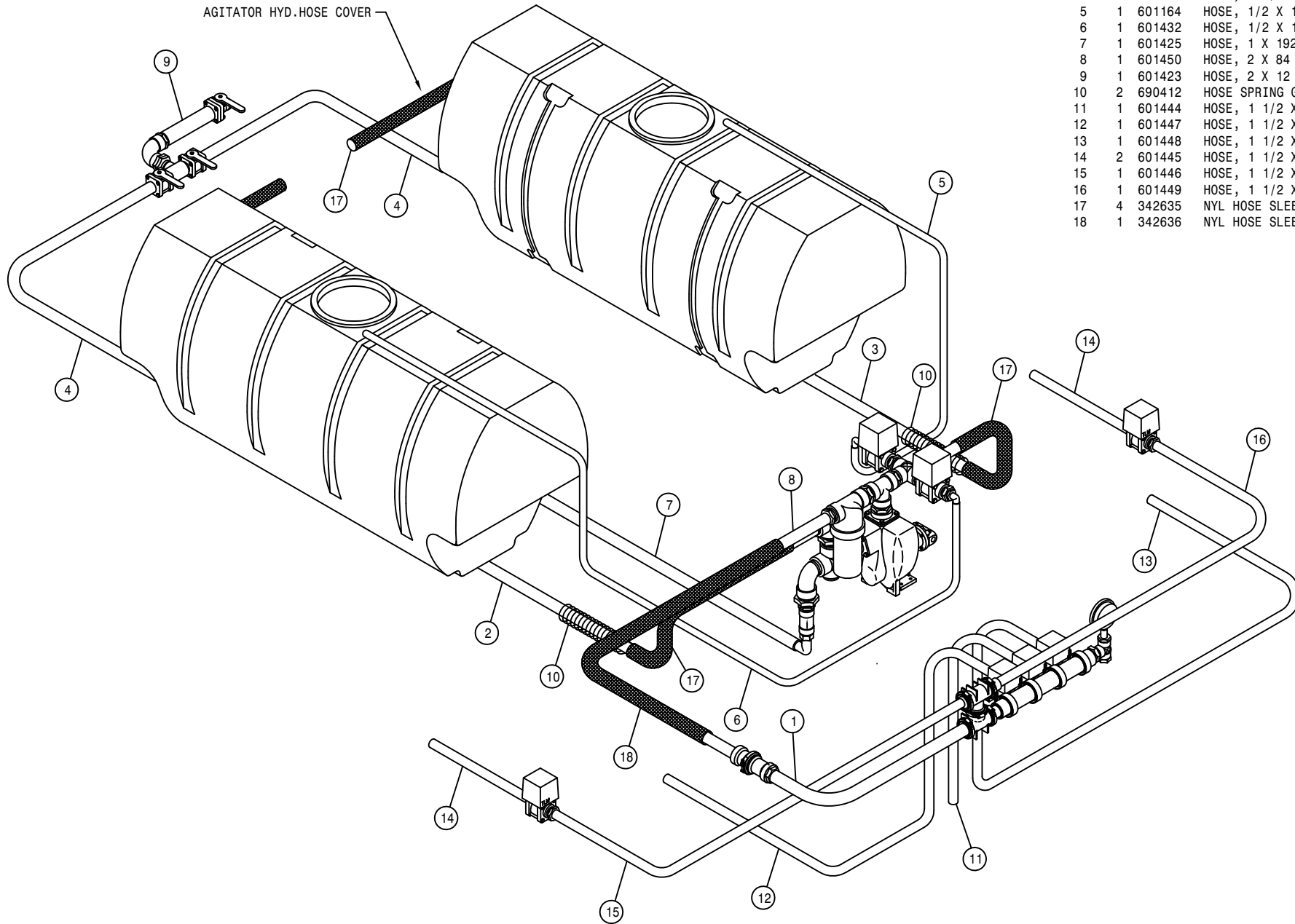


AGITATOR HYD. HOSE COVER

HI-VOLUME SOLUTION HOISING FOR 80'-90' BOOM

DET. QTY PART NO. DESCRIPTION

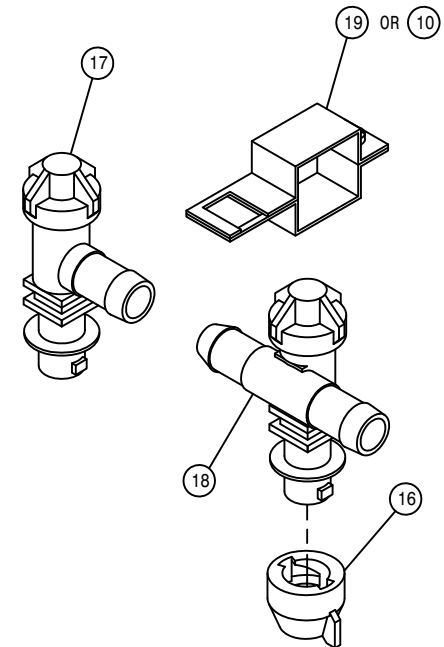
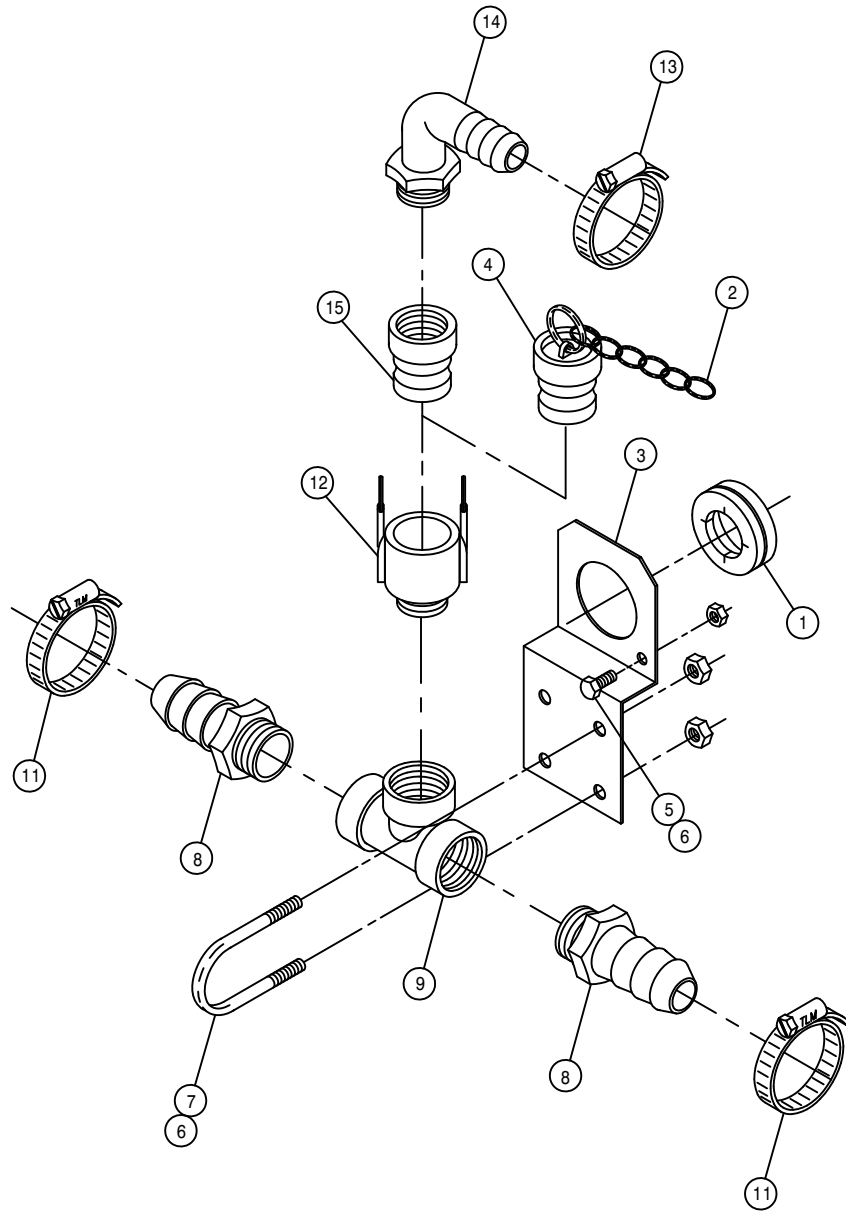
DET.	QTY	PART NO.	DESCRIPTION
1	1	601451	HOSE, 2 X 69 2F-1W EPDM
2	1	601428	HOSE, 1 1/2 X 125 2F-1W EPDM
3	1	601429	HOSE, 1 1/2 X 143 2F-1W EPDM
4	2	601430	HOSE, 1 1/2 X 183 2F-1W EPDM
5	1	601164	HOSE, 1/2 X 117 1BR BLK EPDM
6	1	601432	HOSE, 1/2 X 130 1BR BLK EPDM
7	1	601425	HOSE, 1 X 192 2F1W EPDM
8	1	601450	HOSE, 2 X 84 2F-1W EPDM
9	1	601423	HOSE, 2 X 12 2F-1W EPDM
10	2	690412	HOSE SPRING GUARD 2IN X 12 LG
11	1	601444	HOSE, 1 1/2 X 51 2BR BLK EPDM
12	1	601447	HOSE, 1 1/2 X 248 2BR BLK EPDM
13	1	601448	HOSE, 1 1/2 X 262 2BR BLK EPDM
14	2	601445	HOSE, 1 1/2 X 160 2BR BLK EPDM
15	1	601446	HOSE, 1 1/2 X 245 2BR BLK EPDM
16	1	601449	HOSE, 1 1/2 X 294 2BR BLK EPDM
17	4	342635	NYL HOSE SLEEVE, 2.64ID X 60.00
18	1	342636	NYL HOSE SLEEVE, 2.64ID X 72.00



AGITATOR HYD. HOSE COVER

BOOM FEEDER TEE ASSEMBLY

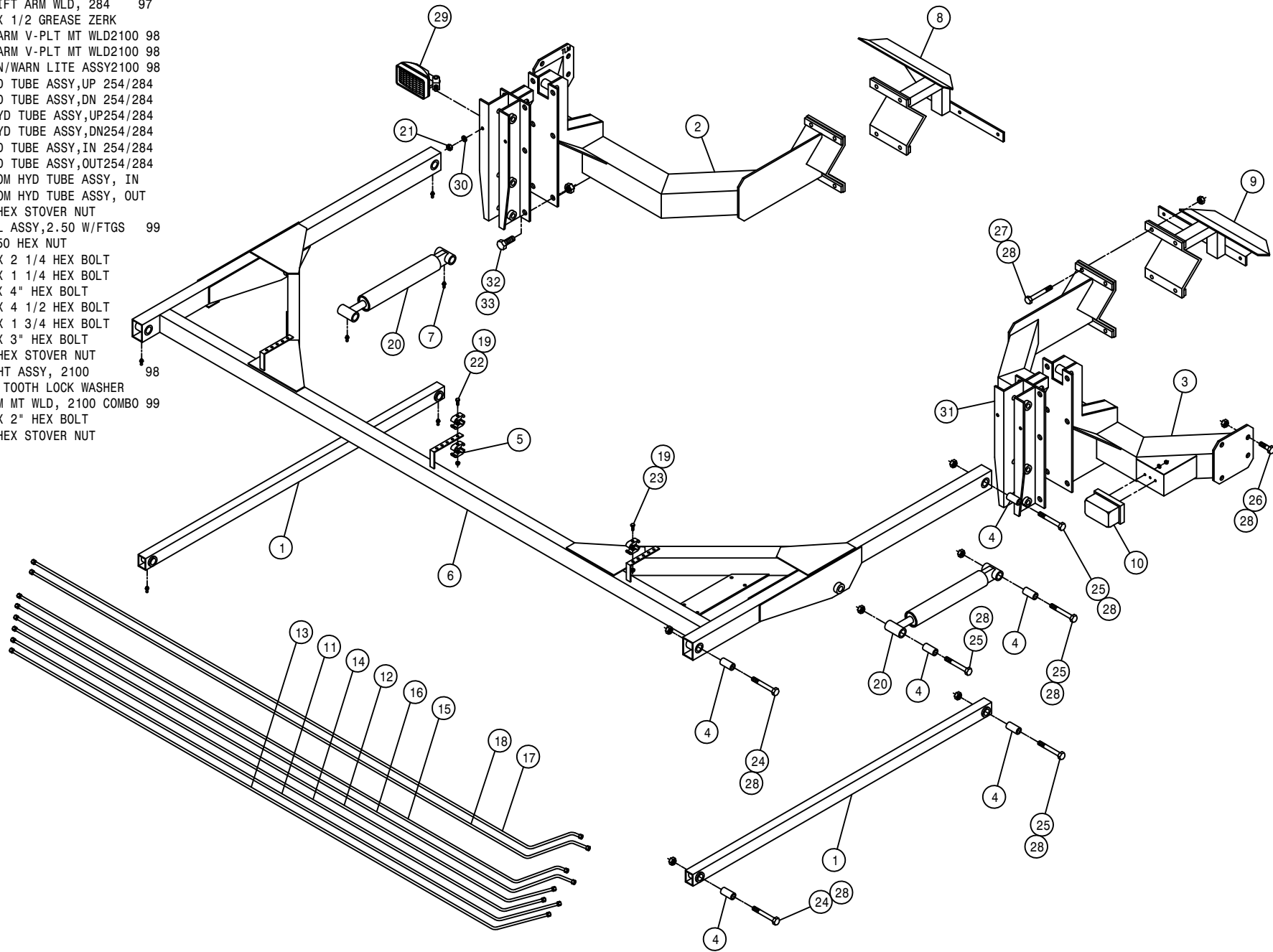
DET.	QTY	PART NO.	DESCRIPTION
1	1	160015	2.06ID GROMMET SLIT
2	1	160986	CHAIN, 12.00 LONG
3	1	164262	FEEDER T MTG BRKT 96
4	1	696204	QUICK CONNECT PLUG, 3/4
5	1	900002	1/4UNC X 3/4 HEX BOLT
6	5	914000	1/4UNC HEX STOVER NUT
7	2	470237	1/4UNC-1 1/2ID-3 1/4 U-BOLT
8	2	500022	3/4NPT-3/4HOSE BARB, POLY
9	1	505218	3/4 NPT PIPE TEE, POLY
10	1	737817	NOZL MT CLMP,1.00 SQ Q-TEEJET
11	2	520055	HOSE CLAMP NO 12 PLATED
12	1	696203	QUICK CONNECT CPLR MALE 3/4
13	1	520087	HOSE CLAMP NO 20 PLATED
14	1	500026	3/4NPT-90-1"HOSE BARB, POLY
15	1	696202	QUICK CONNECT FEM ADPTR 3/4NP
16	1	737822	QUICK TEEJET CAP YELLOW 19115
17	1	737829	QUICK TJET EL BODY DIAPH .75
18	1	737830	QUICK TJET TEE BODY DIAPH .75
19	1	737832	NOZL MT CLMP,1.25 SQ Q-TEEJET



COMBO LIFTARM ASSEMBLY

DET. QTY PART NO. DESCRIPTION

1	2	160471	LWR LIFT ARM WLD 8540-8250 87
2	1	164405	RH LIFT ARM EXT WLD,2100 COMBO
3	1	164406	LH LIFT ARM EXT WLD,2100 COMBO
4	12	160691	BUSH LIFT ARM LONG 470
5	12	470287	TUBE CLAMP, .375-.375 (PAIR)
6	1	164297	UPPER LIFT ARM WLD, 284 97
7	12	471005	1/4 28 X 1/2 GREASE ZERK
8	1	164364	RH LIFTARM V-PLT MT WLD2100 98
9	1	164365	LH LIFTARM V-PLT MT WLD2100 98
10	2	293404	FRT TURN/WARN LITE ASSY2100 98
11	1	615637	LIFT HYD TUBE ASSY,UP 254/284
12	1	615638	LIFT HYD TUBE ASSY,DN 254/284
13	1	615639	LEVEL HYD TUBE ASSY,UP254/284
14	1	615640	LEVEL HYD TUBE ASSY,DN254/284
15	1	615641	FOLD HYD TUBE ASSY,IN 254/284
16	1	615642	FOLD HYD TUBE ASSY,OUT254/284
17	1	615682	FOLD BOOM HYD TUBE ASSY, IN
18	1	615683	FOLD BOOM HYD TUBE ASSY, OUT
19	9	914000	1/4UNC HEX STOVER NUT
20	2	620700	LIFT CYL ASSY,2.50 W/FTGS 99
21	2	473779	10MM-1.50 HEX NUT
22	3	900023	1/4UNC X 2 1/4 HEX BOLT
23	6	900004	1/4UNC X 1 1/4 HEX BOLT
24	4	900342	5/8UNC X 4" HEX BOLT
25	8	900343	5/8UNC X 4 1/2 HEX BOLT
26	8	900334	5/8UNC X 1 3/4 HEX BOLT
27	8	900338	5/8UNC X 3" HEX BOLT
28	28	914010	5/8UNC HEX STOVER NUT
29	2	293402	HEADLIGHT ASSY, 2100
30	2	470100	3/8 INT TOOTH LOCK WASHER
31	2	164414	LIFT ARM MT WLD, 2100 COMBO 99
32	12	900403	3/4UNC X 2" HEX BOLT
33	12	914012	3/4UNC HEX STOVER NUT

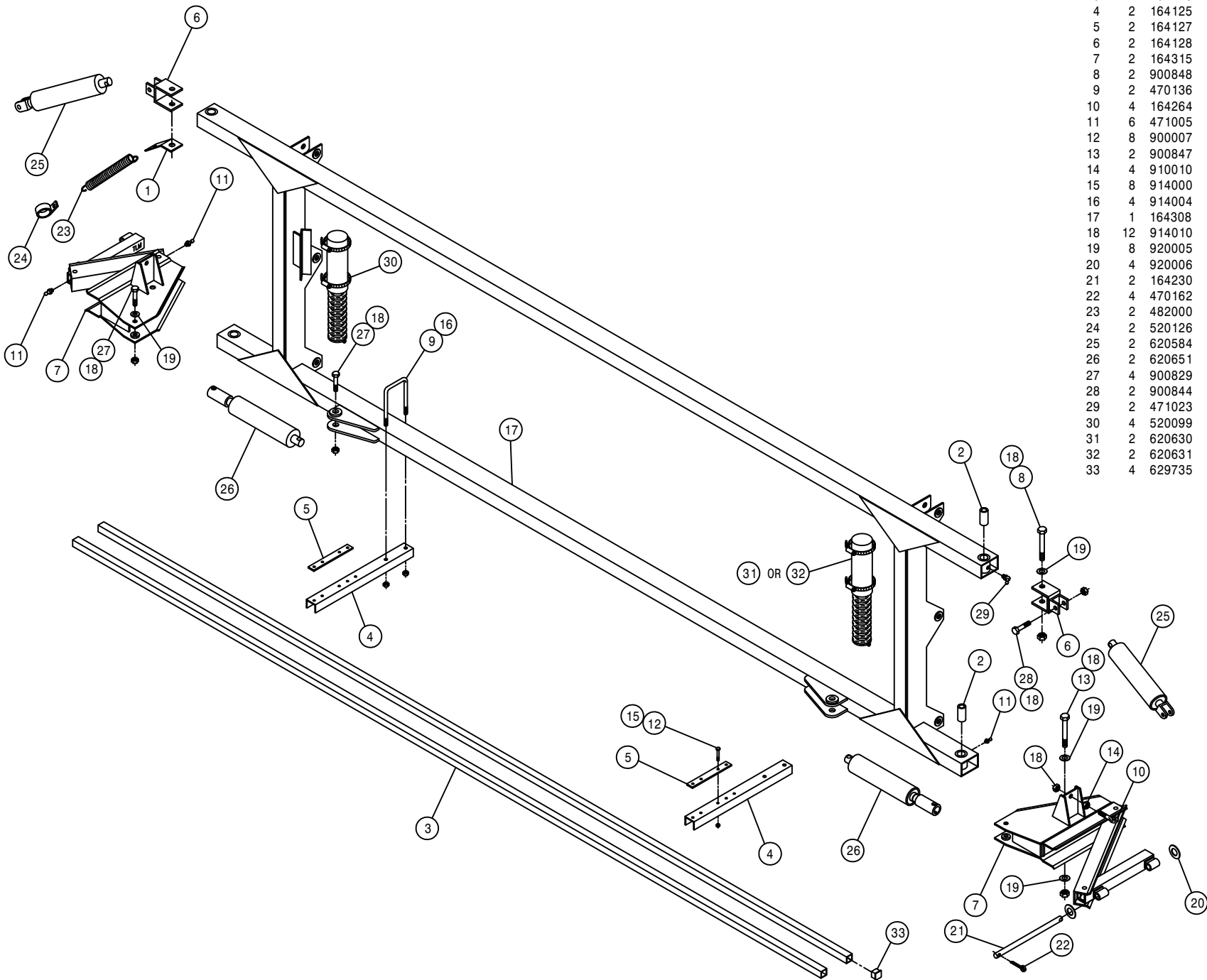


76

TRANSOM ASSEMBLY

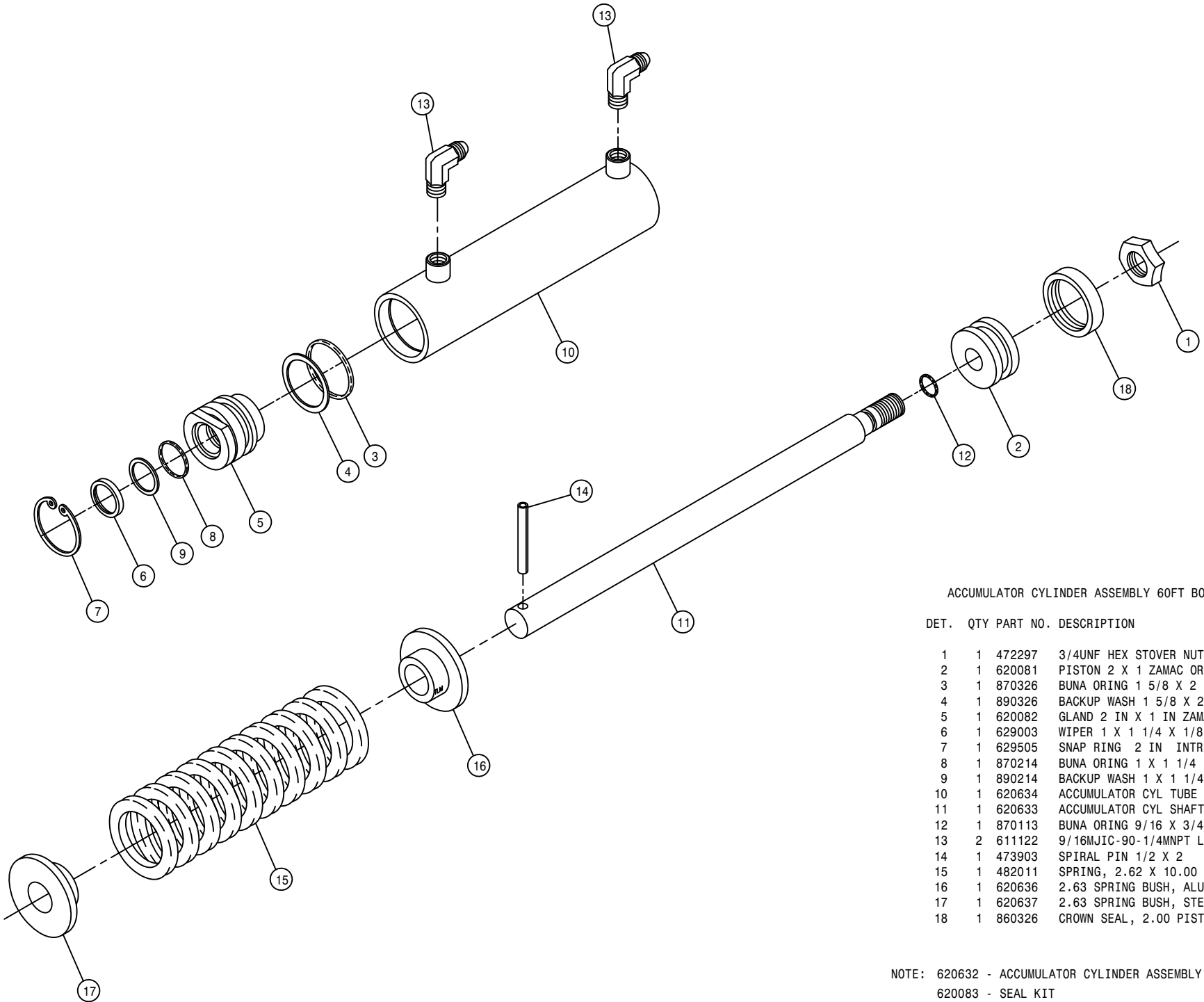
DET. QTY PART NO. DESCRIPTION

1	2	160429	FEEDER HOSE SUPPORT SPRING MT	
2	4	160691	BUSH LIFT ARM LONG 470	
3	2	164123	NOZL MT TUBE, 254/284	96
4	2	164125	NOZL MT TUBE HANGER CHAN	96
5	2	164127	NOZL MT TUBE CLAMP	96
6	2	164128	LEVEL CYL PIVOT BRKT WLD	96
7	2	164315	BOOM BREAKAWAY WLD	97
8	2	900848	5/8UNC X 4 3/4 HEX BOLT GR8	
9	2	470136	3/8UNC-3 1/16ID-3 SQ U-BOLT	
10	4	164264	5/8UNC X 3" EYE BOLT	
11	6	471005	1/4 28 X 1/2 GREASE ZERK	
12	8	900007	1/4UNC X 2" HEX BOLT	
13	2	900847	5/8UNC X 4 1/2 HEX BOLT GR8	
14	4	910010	5/8UNC HEX NUT	
15	8	914000	1/4UNC HEX STOVER NUT	
16	4	914004	3/8UNC HEX STOVER NUT	
17	1	164308	TRANSOM WLD, 284	97
18	12	914010	5/8UNC HEX STOVER NUT	
19	8	920005	5/8 SAE FLAT WASHER	
20	4	920006	3/4 SAE FLAT WASHER	
21	2	164230	BOOM PIVOT PIN, .75 X 13.31 96	
22	4	470162	COTTER PIN 3/16 X 1 1/2 SQCUT	
23	2	482000	SPRING, .930D X 8.5LG, .072WIRE	
24	2	520126	CUSH HOSE CLAMP 2IN X 5/8W	
25	2	620584	LEVEL CYL ASSY W/FTGS	96
26	2	620651	FOLD CYL ASSY W/FTGS	97
27	4	900829	5/8UNC X 4" HEX BOLT GR8	
28	2	900844	5/8UNC X 2 3/4 HEX BOLT GR8	
29	2	471023	GREASE ZERK 1/4-28 X 45	
30	4	520099	HOSE CLAMP NO 40 STAINLESS	
31	2	620630	ACCUMULATOR ASSY,60' BOOM 96	
32	2	620631	ACCUMULATOR ASSY,80/90' BOOM96	
33	4	629735	CAPLUG, 1 1/4" SQ, BLACK POLY	



77

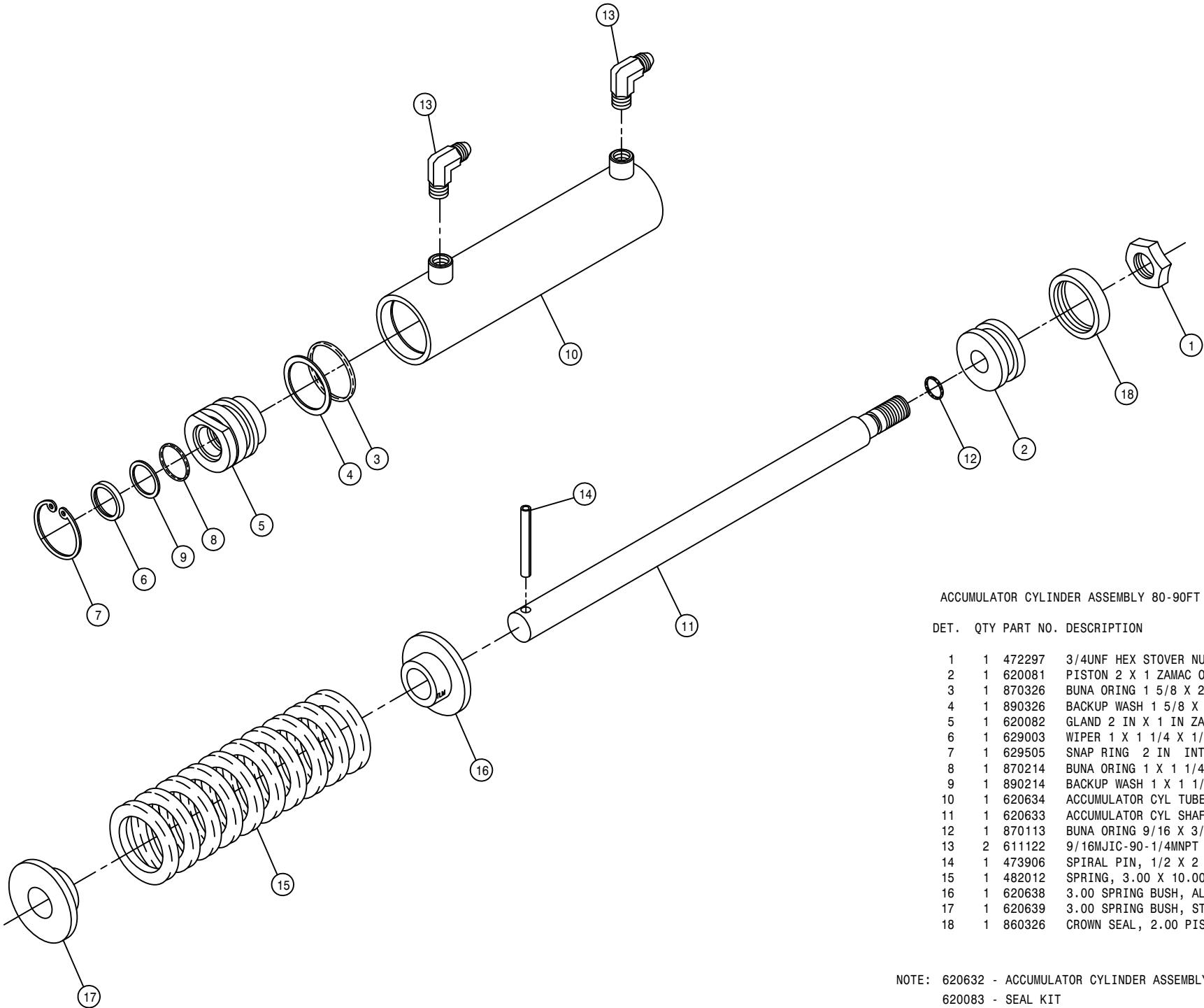
198077



ACCUMULATOR CYLINDER ASSEMBLY 60FT BOOM

DET.	QTY	PART NO.	DESCRIPTION
	1	472297	3/4UNF HEX STOVER NUT THIN
	1	620081	PISTON 2 X 1 ZAMAC ORING TYPE
	1	870326	BUNA ORING 1 5/8 X 2
	1	890326	BACKUP WASH 1 5/8 X 2 LEATH
	1	620082	GLAND 2 IN X 1 IN ZAMAC
	1	629003	WIPER 1 X 1 1/4 X 1/8
	1	629505	SNAP RING 2 IN INTRN
	1	870214	BUNA ORING 1 X 1 1/4
	1	890214	BACKUP WASH 1 X 1 1/4 HT2022
	1	620634	ACCUMULATOR CYL TUBE WLD 96
	1	620633	ACCUMULATOR CYL SHAFT 96
	1	870113	BUNA ORING 9/16 X 3/4
	2	611122	9/16MJIC-90-1/4MNPT LBO
	1	473903	SPIRAL PIN 1/2 X 2 640
	1	482011	SPRING, 2.62 X 10.00 COMPRSN
	1	620636	2.63 SPRING BUSH, ALUM 96
	1	620637	2.63 SPRING BUSH, STEEL 96
	1	860326	CROWN SEAL, 2.00 PISTON (326

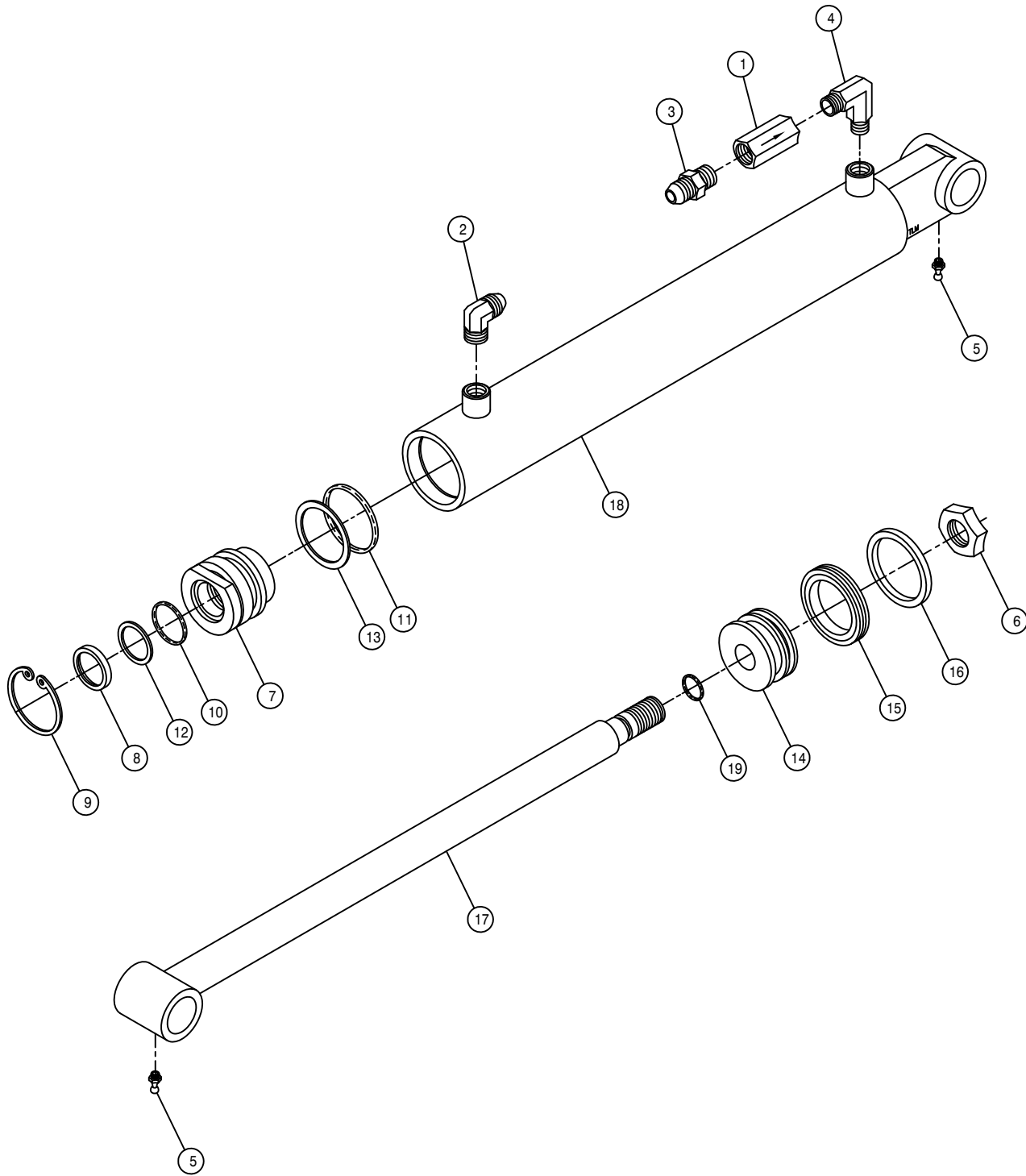
NOTE: 620632 - ACCUMULATOR CYLINDER ASSEMBLY 1-12
 620083 - SEAL KIT



ACCUMULATOR CYLINDER ASSEMBLY 80-90FT BOOM

DET.	QTY	PART NO.	DESCRIPTION
	1	472297	3/4UNF HEX STOVER NUT THIN
	2	620081	PISTON 2 X 1 ZAMAC ORING TYPE
	3	870326	BUNA ORING 1 5/8 X 2
	4	890326	BACKUP WASH 1 5/8 X 2 LEATH
	5	620082	GLAND 2 IN X 1 IN ZAMAC
	6	629003	WIPER 1 X 1 1/4 X 1/8
	7	629505	SNAP RING 2 IN INTRN
	8	870214	BUNA ORING 1 X 1 1/4
	9	890214	BACKUP WASH 1 X 1 1/4 HT2022
	10	620634	ACCUMULATOR CYL TUBE WLD 96
	11	620633	ACCUMULATOR CYL SHAFT 96
	12	870113	BUNA ORING 9/16 X 3/4
	13	611122	9/16MJIC-90-1/4MNPT LBO
	14	473906	SPIRAL PIN, 1/2 X 2 1/2 LG
	15	482012	SPRING, 3.00 X 10.00 COMPRSN
	16	620638	3.00 SPRING BUSH, ALUM 96
	17	620639	3.00 SPRING BUSH, STEEL 96
	18	860326	CROWN SEAL, 2.00 PISTON (326)

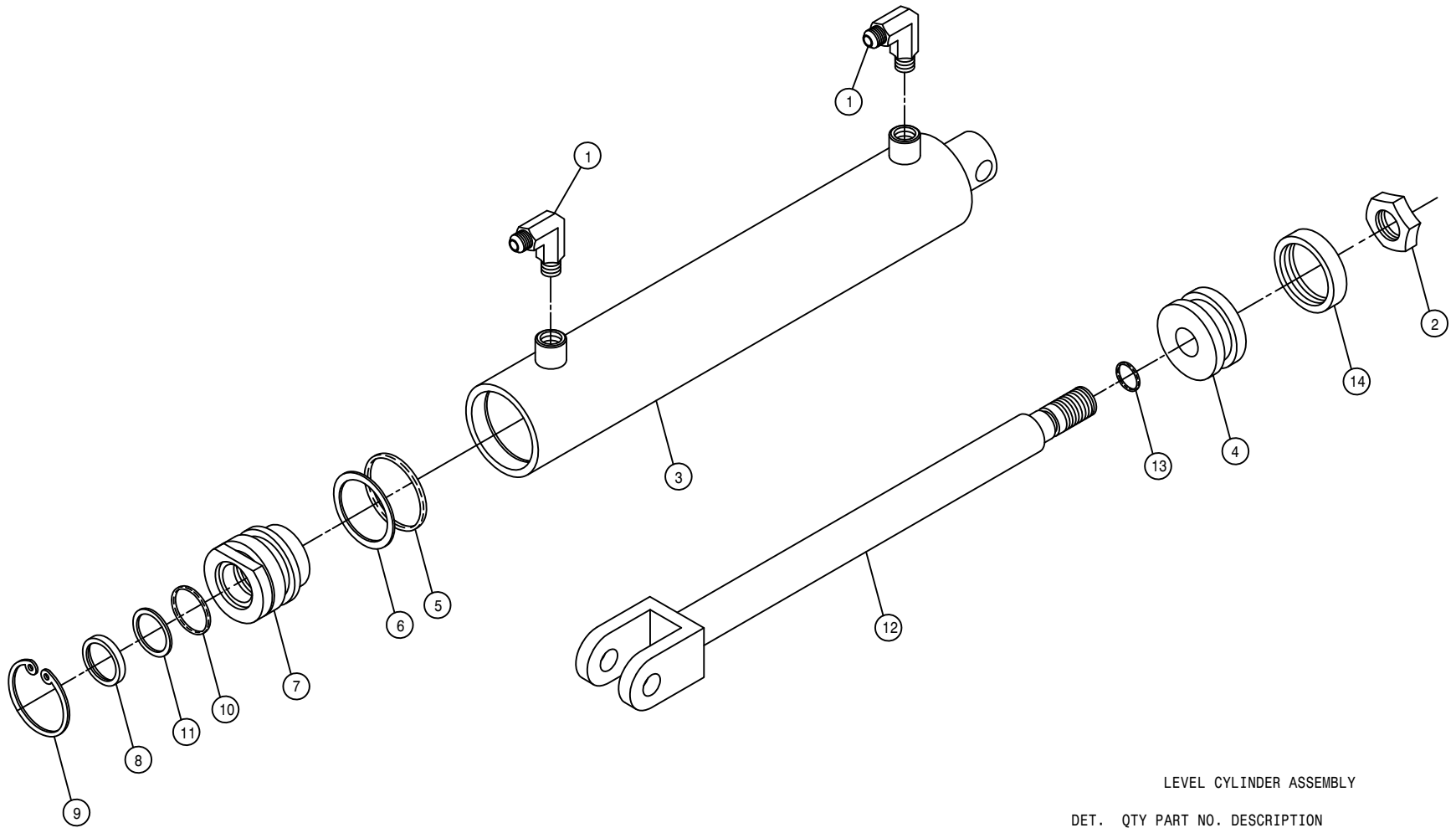
NOTE: 620632 - ACCUMULATOR CYLINDER ASSEMBLY 1-12
 620083 - SEAL KIT



LIFT CYLINDER ASSEMBLY

DET.	QTY	PART NO.	DESCRIPTION
	1	610675	RESTRICTOR, .042 1-WAY, 1/2FNPT
	2	611122	9/16MJIC-90-1/4MNPT LBO
	3	618018	9/16MJIC-1/2MNPT ADPTR
	4	618633	1/2MNPT-90-1/4MNPT REDU LBO
	5	471005	1/4 28 X 1/2 GREASE ZERK
	6	472297	3/4UNF HEX STOVER NUT THIN
	7	620675	GLAND, 2.50OD X 1.25ID, ALUM
	8	629002	WIPER 1 1/4 X 1 1/2 X 1/8
	9	629504	SNAP RING 2 1/2 IN INTRN
	10	870218	BUNA ORING 1 1/4 X 1 1/2
	11	870330	NEO ORING 2 1/8 X 2 1/2
	12	890218	BACKUP WASH1 1/4X1 1/2 HT2022
	13	890330	BACKUP WASH 2 1/8 X 2 1/2
	14	620703	PISTON, 2.50" T-SEAL/WEAR RING
	15	860330	T-SEAL, 2.50 OD W/BACKUPS(330)
	16	860331	WEAR RING, .25 X 2.50
	17	620704	LIFT CYL SHAFT WLD 99
	18	620706	LIFT CYL TUBE WLD, 2.50" 99
	19	870113	BUNA ORING 9/16 X 3/4

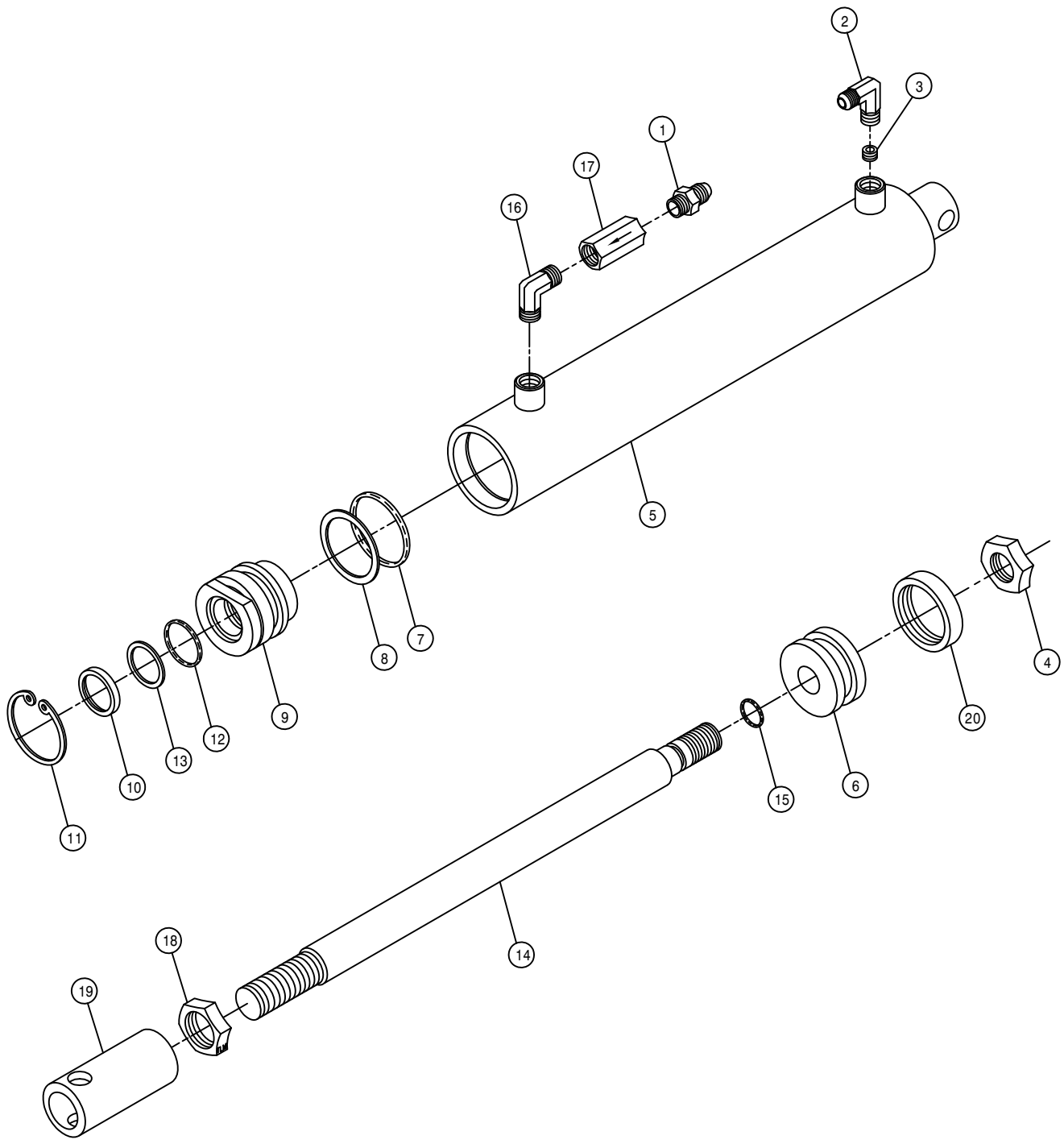
NOTE: 1. 620701 - LIFT CYLINDER ASSEMBLY
 2. 620700 - LIFT CYLINDER ASSEMBLY WITH FITTINGS
 3. 620708 - SEAL KIT



LEVEL CYLINDER ASSEMBLY

DET.	QTY	PART NO.	DESCRIPTION
1	2	611122	9/16MJIC-90-1/4MNPT LBO
2	1	472297	3/4UNF HEX STOVER NUT THIN
3	1	620586	LEVEL CYL TUBE WLD 96
4	1	620081	PISTON 2 X 1 ZAMAC ORING TYPE
5	1	870326	BUNA ORING 1 5/8 X 2
6	1	890326	BACKUP WASH 1 5/8 X 2 LEATH
7	1	620082	GLAND 2 IN X 1 IN ZAMAC
8	1	629003	WIPER 1 X 1 1/4 X 1/8
9	1	629505	SNAP RING 2 IN INTRN
10	1	870214	BUNA ORING 1 X 1 1/4
11	1	890214	BACKUP WASH 1 X 1 1/4 HT2022
12	1	620591	LEVEL CYL SHAFT WLD 96
13	1	870113	BUNA ORING 9/16 X 3/4
14	1	860326	CROWN SEAL, 2" PISTON, HYD

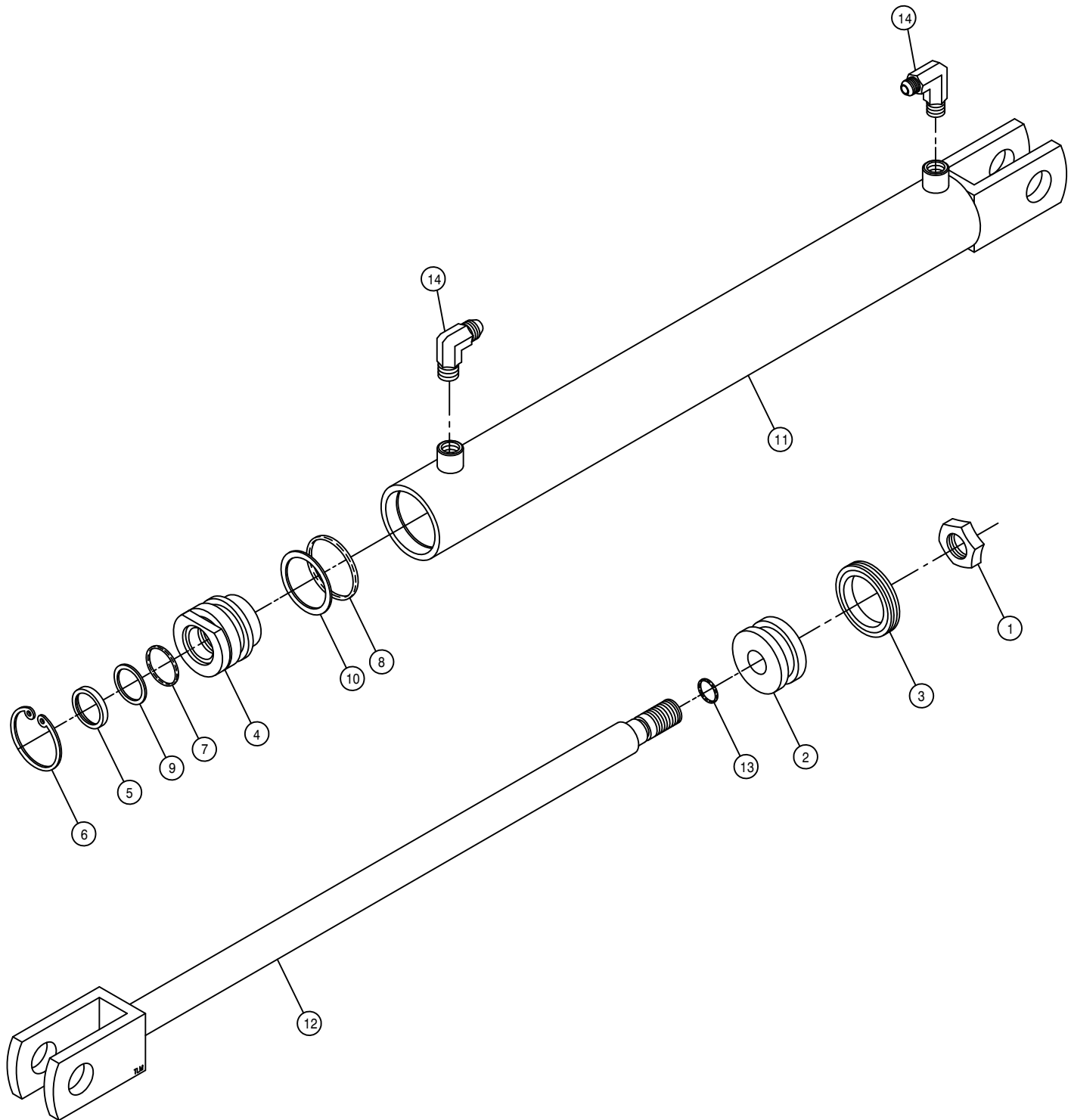
NOTE: 1. 620585 - LEVEL CLINDER ASSEMBLY
 2. 620584 - LEVEL CYLINDER ASSEMBLY W/FTGS
 3. 620083 - SEAL KIT



FOLD CYLINDER ASSEMBLY

DET.	QTY	PART NO.	DESCRIPTION
1	1	618018	9/16MJIC-1/2MNPT ADPTR
2	1	440338	9/16 JIC W/90X1/4 NPT TAPPED
3	1	614366	RESTRICTOR SCREW, .042 DIA
4	1	472297	3/4UNF HEX STOVER NUT THIN
5	1	620586	LEVEL CYL TUBE WLD 96
6	1	620081	PISTON 2 X 1 ZAMAC ORING TYPE
7	1	870326	BUNA ORING 1 5/8 X 2
8	1	890326	BACKUP WASH 1 5/8 X 2 LEATH
9	1	620082	GLAND 2 IN X 1 IN ZAMAC
10	1	629003	WIPER 1 X 1 1/4 X 1/8
11	1	629505	SNAP RING 2 IN INTRN
12	1	870214	BUNA ORING 1 X 1 1/4
13	1	890214	BACKUP WASH 1 X 1 1/4 HT2022
14	1	620596	FOLD CYL SHAFT 96
15	1	870113	BUNA ORING 9/16 X 3/4
16	1	618633	1/2MNPT-90-1/4MNPT REDU LBO
17	1	610450	RESTRICTOR .025 1-WAY, 1/2FNPT
18	1	472322	7/8UNF HEX JAM NUT
19	1	620653	FOLD CYL ADJ SLEEVE 97
20	1	860326	CROWN SEAL, 2" PISTON, HYD

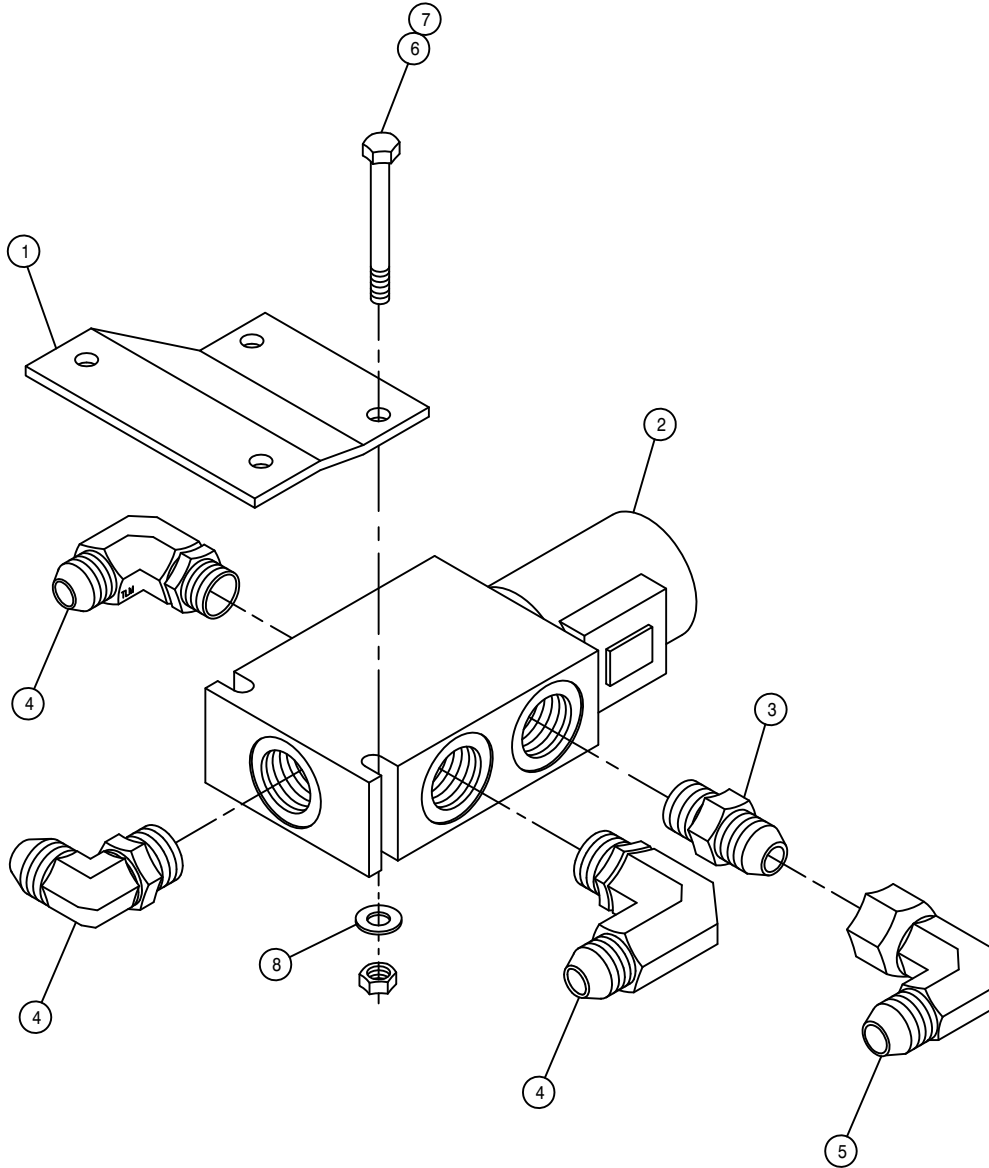
NOTE: 1. 620652 - FOLD CLINDER ASSEMBLY
 2. 620651 - FOLD CYLINDER ASSEMBLY WITH FITTINGS
 3. 614365 - RESTRICTOR ELBOW ASSEMBLY
 4. 620083 - SEAL KIT



BOOM EXTENSION FOLD CYLINDER ASSEMBLY

DET.	QTY	PART NO.	DESCRIPTION	
	1	472297	3/4UNF HEX STOVER NUT THIN	
	2	620666	PISTON, 2.50" T-SEAL TYPE	
	3	860330	T-SEAL, 2.50 OD W/BACKUPS	
	4	620668	GLAND, 2.500D X 1.00ID O-RING	
	5	629003	WIPER 1 X 1 1/4 X 1/8	
	6	629504	SNAP RING 2 1/2 IN INTRN	
	7	870214	BUNA ORING 1 X 1 1/4	
	8	870330	NEO ORING 2 1/8 X 2 1/2	
	9	890214	BACKUP WASH 1 X 1 1/4 HT2022	
	10	890330	BACKUP WASH 2 1/8 X 2 1/2	
	11	620669	CYL TUBE WLD, BOOM FOLD	98
	12	620688	CYL SHAFT WLD, BOOM FOLD	98
	13	870113	BUNA ORING 9/16 X 3/4	
	14	614365	RESTRICTOR ELBOW ASSY .042DIA	

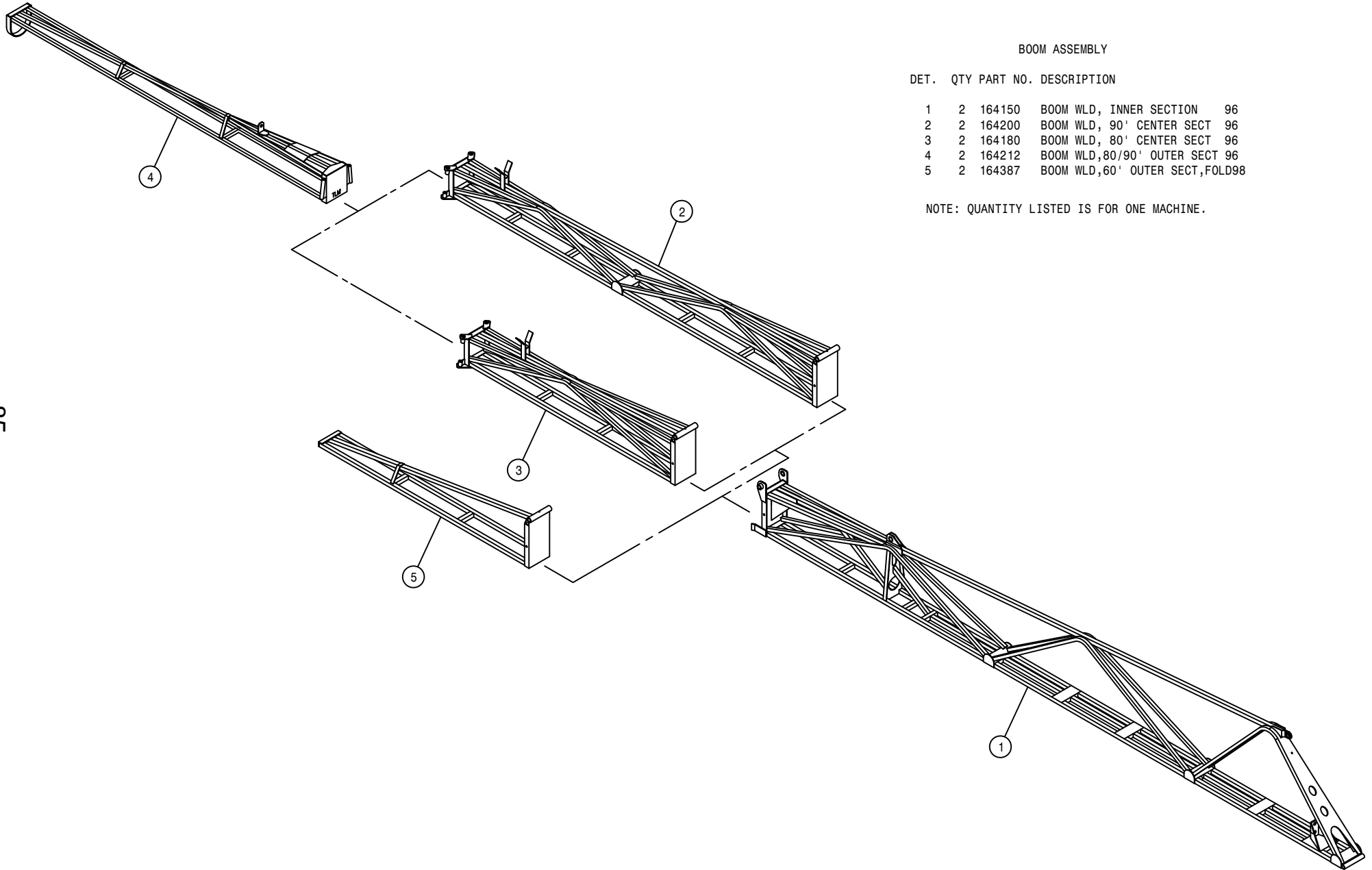
NOTE: 620664 - LIFT CYLINDER INCLUDES ITEMS 1-13.
 620671 - SEAL KIT



LIFT CYLINDER LOCK SOLENOID VALVE ASSEMBLY

DET. QTY PART NO. DESCRIPTION

1	1	164305	LIFT CYL LOCK SOL VLV MT	97
2	1	610628	4-WAY, 2-POSITION SOL VLV	
3	1	618109	9/16MJIC-3/4MOR ADPTR	
4	3	618115	9/16MJIC-90-3/4MOR LBO	
5	1	618618	9/16MJIC-90-9/16FJIC SWIV LBO	
6	2	900006	1/4UNC X 1 3/4 HEX BOLT	
7	2	914000	1/4UNC HEX STOVER NUT	
8	2	920000	1/4 SAE FLAT WASHER	

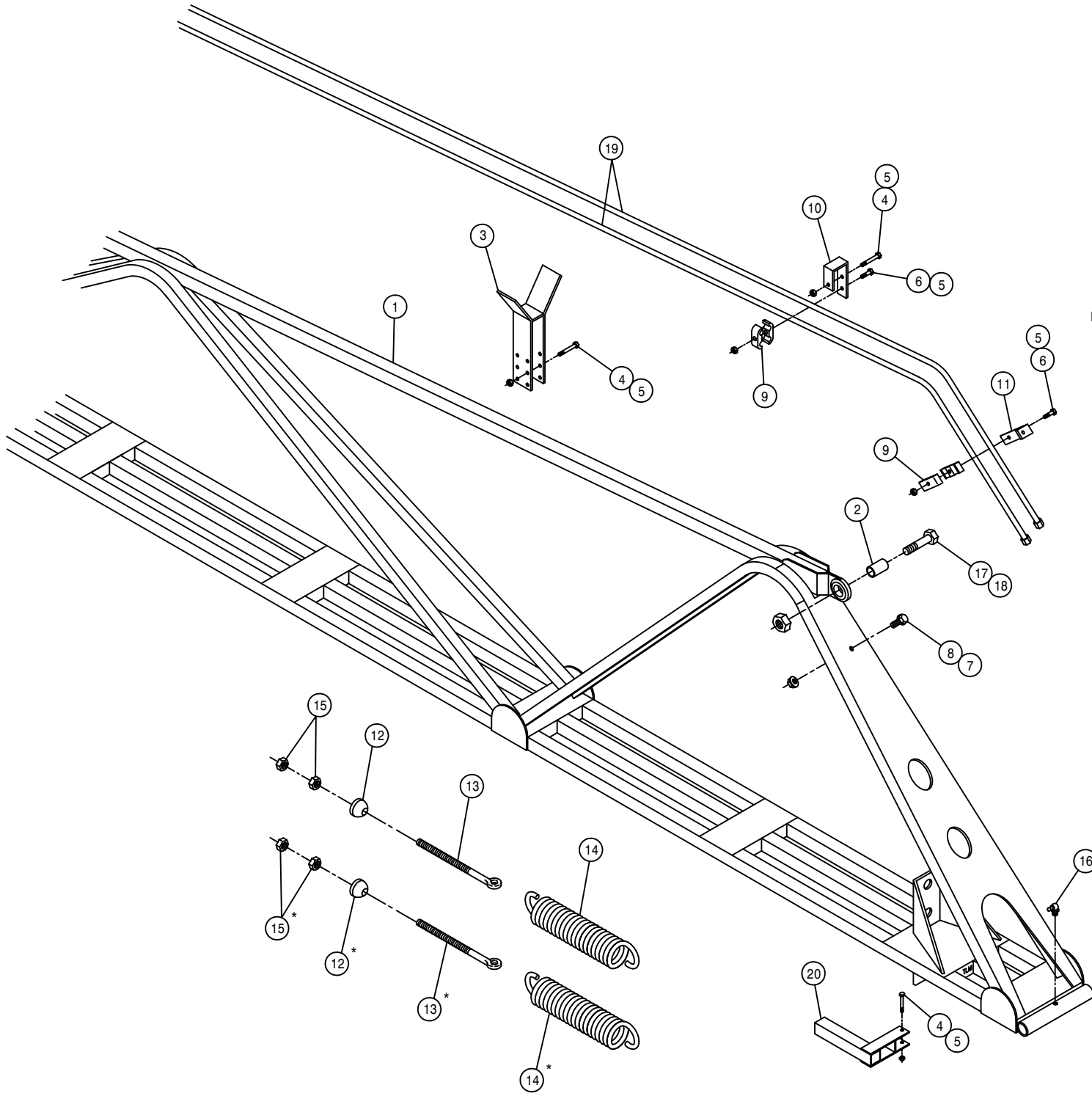


BOOM ASSEMBLY

DET. QTY PART NO. DESCRIPTION

1	2	164150	BOOM WLD, INNER SECTION	96
2	2	164200	BOOM WLD, 90' CENTER SECT	96
3	2	164180	BOOM WLD, 80' CENTER SECT	96
4	2	164212	BOOM WLD, 80/90' OUTER SECT	96
5	2	164387	BOOM WLD, 60' OUTER SECT, FOLD98	

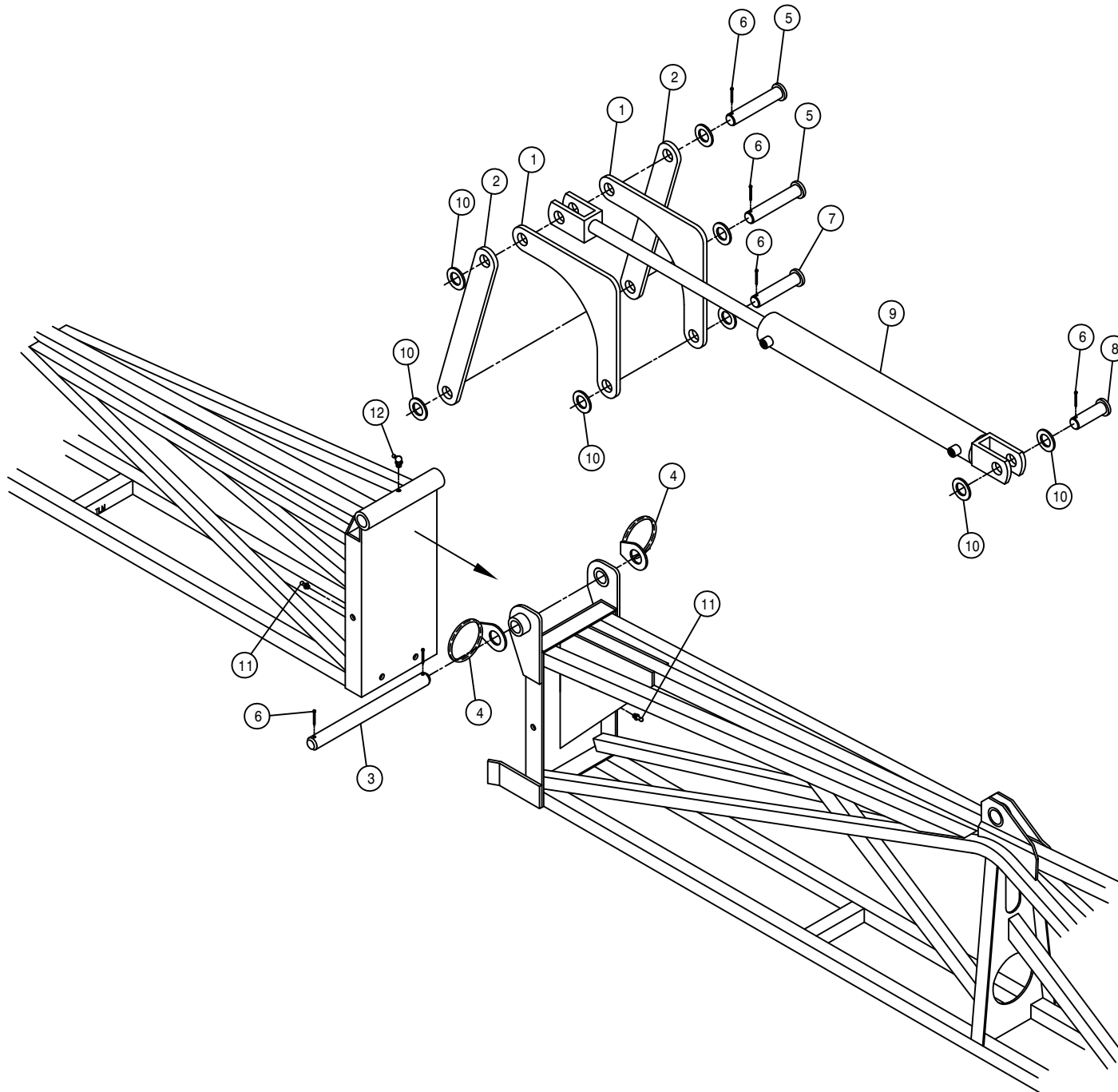
NOTE: QUANTITY LISTED IS FOR ONE MACHINE.



INNER BOOM ASSEMBLY

DET.	QTY	PART NO.	DESCRIPTION	
1	2	164150	BOOM WLD, INNER SECTION	96
2	2	164227	BOOM BALL JOINT BUSH	96
3	2	164266	OUTER BOOM SUPP WLD,80/90'	96
4	18	900007	1/4UNC X 2" HEX BOLT	
5	28	914000	1/4UNC HEX STOVER NUT	
6	10	900004	1/4UNC X 1 1/4 HEX BOLT	
7	2	470121	1/4UNC HEX FLANGE LOCK NUT	
8	2	470118	1/4UNC X 3/4 FLANGE HEX BOLT	
9	10	470287	TUBE CLAMP, .375-.375 (PAIR)	
10	8	164242	HYD TUBE HANGER CLEVIS,BOOM96	
11	2	164243	HYD TUBE HANGER ANGLE,BOOM 96	
12	4	164263	SWIVEL, 5/8 BOOM EYEBOLT	
13	4	164265	5/8UNC X 7 1/2 EYE BOLT	
14	4	482014	SPRING,3.25 X 11.50 EXTENSION	
15	8	910010	5/8UNC HEX NUT	
16	2	471028	GREASE ZERK, 1/4-28 90DEG	
17	2	900844	5/8UNC X 2 3/4 HEX BOLT GR8	
18	2	914010	5/8UNC HEX STOVER NUT	
19	4	615684	HYD TUBE ASSY,BOOM EXT FOLD96	
20	2	164275	NOZL MT WLD	96

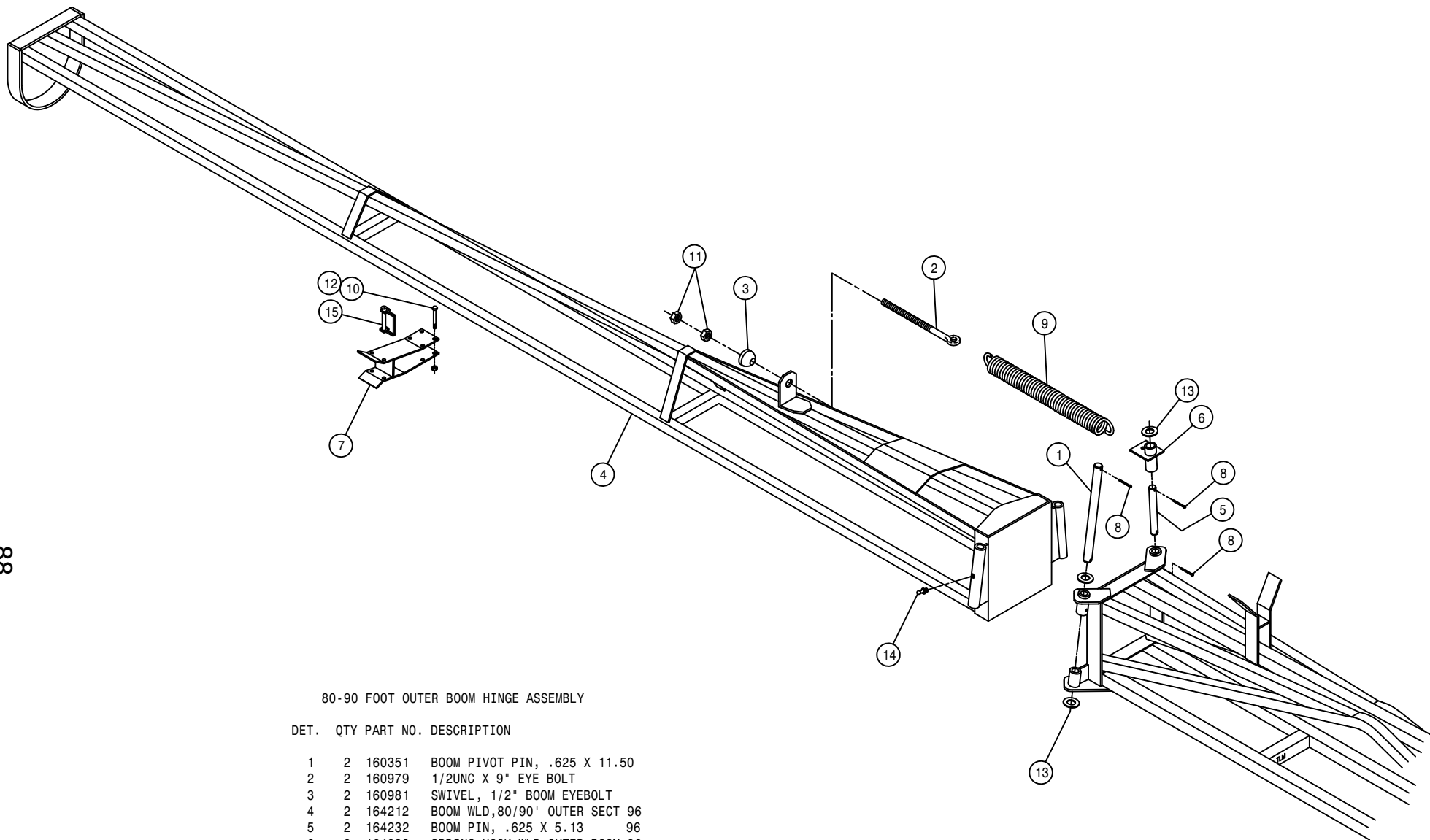
NOTE: QUANTITY LISTED IS FOR ONE MACHINE.
 *60 FOOT BOOM USES ONE SPRING SETUP.



80-90 FOOT BOOM HINGE PIVOT ASSEMBLY

DET.	QTY	PART NO.	DESCRIPTION	
1	4	164228	FOLDING LINK, INNER BOOM	96
2	4	164229	FOLDING LINK, BOOM CNTR SECT	96
3	2	164231	BOOM PIN, 1.00 X 11.75	96
4	4	438302	HOSE SUPPORT RING WLD W/WASHER	
5	4	470155	CLEVIS PIN, 1.00 X 4.00	PLT
6	12	470162	COTTER PIN 3/16 X 1 1/2	SQCUT
7	2	472012	CLEVIS PIN, 1.00 X 3.25	PLT
8	2	472270	CLEVIS PIN, 1.00 X 2.50	PLT
9	2	620664	CYL ASSY, BOOM FOLD 2.50X18"	98
10	16	920008	1" SAE FLAT WASHER	
11	4	471005	1/4 28 X 1/2 GREASE ZERK	
12	2	471028	GREASE ZERK, 1/4-28 90DEG	

NOTE: QUANTITY LISTED IS FOR ONE MACHINE.

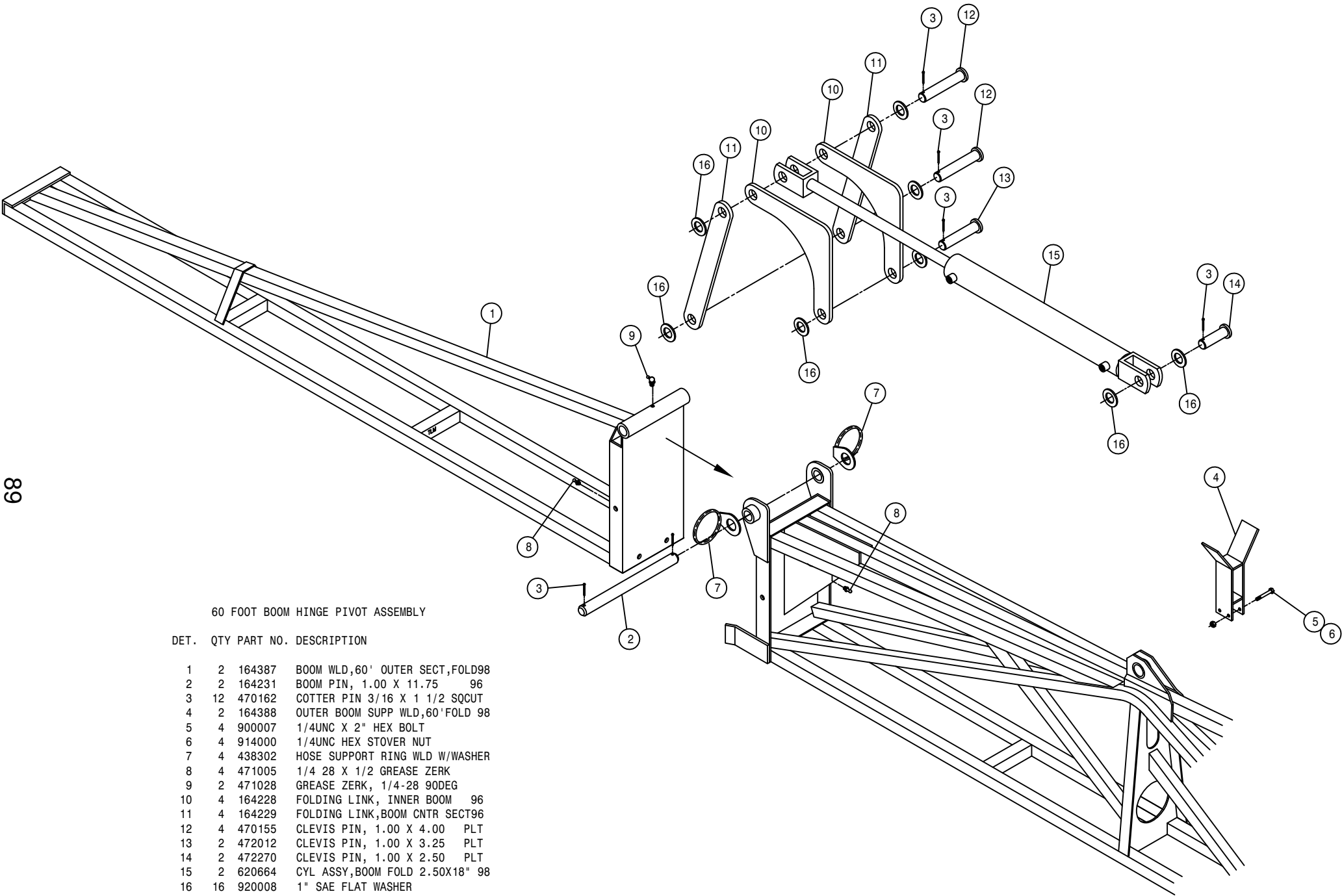


80-90 FOOT OUTER BOOM HINGE ASSEMBLY

DET. QTY PART NO. DESCRIPTION

DET.	QTY	PART NO.	DESCRIPTION
1	2	160351	BOOM PIVOT PIN, .625 X 11.50
2	2	160979	1/2UNC X 9" EYE BOLT
3	2	160981	SWIVEL, 1/2" BOOM EYEBOLT
4	2	164212	BOOM WLD,80/90' OUTER SECT 96
5	2	164232	BOOM PIN, .625 X 5.13 96
6	2	164233	SPRING HOOK WLD, OUTER BOOM 96
7	2	164236	OUTER BOOM SUPPORT WLD 96
8	8	470162	COTTER PIN 3/16 X 1 1/2 SQ CUT
9	2	482013	SPRING, 2.50 X 17.00 EXTENSION
10	8	900006	1/4UNC X 1 3/4 HEX BOLT
11	4	910008	1/2UNC HEX NUT
12	8	914000	1/4UNC HEX STOVER NUT
13	6	920005	5/8 SAE FLAT WASHER
14	2	471005	1/4 28 X 1/2 GREASE ZERK
15	2	473895	1/4 X 1 3/4 LYNCH PIN

NOTE: QUANTITY LISTED IS FOR ONE MACHINE.

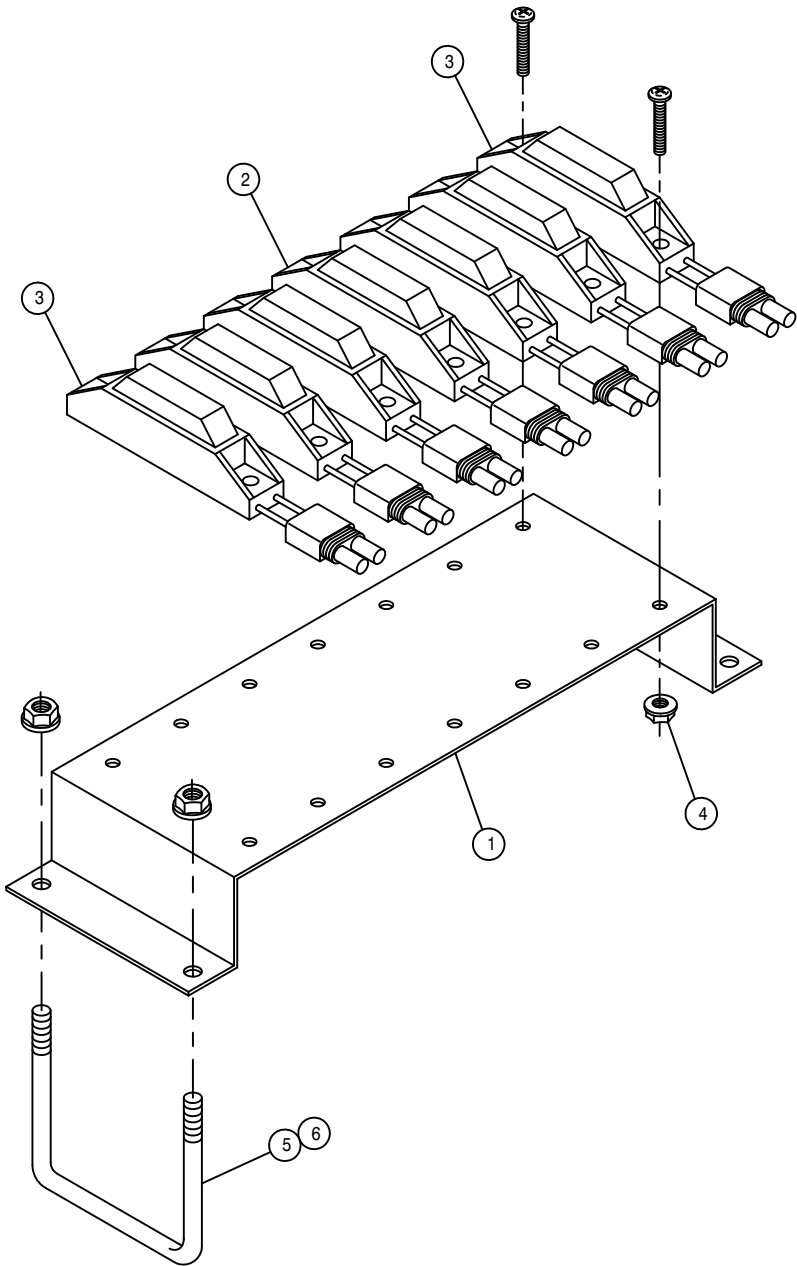


60 FOOT BOOM HINGE PIVOT ASSEMBLY

DET. QTY PART NO. DESCRIPTION

1	2	164387	BOOM WLD,60' OUTER SECT,FOLD98
2	2	164231	BOOM PIN, 1.00 X 11.75 96
3	12	470162	COTTER PIN 3/16 X 1 1/2 SQCUT
4	2	164388	OUTER BOOM SUPP WLD,60'FOLD 98
5	4	900007	1/4UNC X 2" HEX BOLT
6	4	914000	1/4UNC HEX STOVER NUT
7	4	438302	HOSE SUPPORT RING WLD W/WASHER
8	4	471005	1/4 28 X 1/2 GREASE ZERK
9	2	471028	GREASE ZERK, 1/4-28 90DEG
10	4	164228	FOLDING LINK, INNER BOOM 96
11	4	164229	FOLDING LINK,BOOM CNTR SECT96
12	4	470155	CLEVIS PIN, 1.00 X 4.00 PLT
13	2	472012	CLEVIS PIN, 1.00 X 3.25 PLT
14	2	472270	CLEVIS PIN, 1.00 X 2.50 PLT
15	2	620664	CYL ASSY,BOOM FOLD 2.50X18" 98
16	16	920008	1" SAE FLAT WASHER

NOTE: QUANTITY LISTED IS FOR ONE MACHINE.



BOOM SECTION LIGHT ASSEMBLY

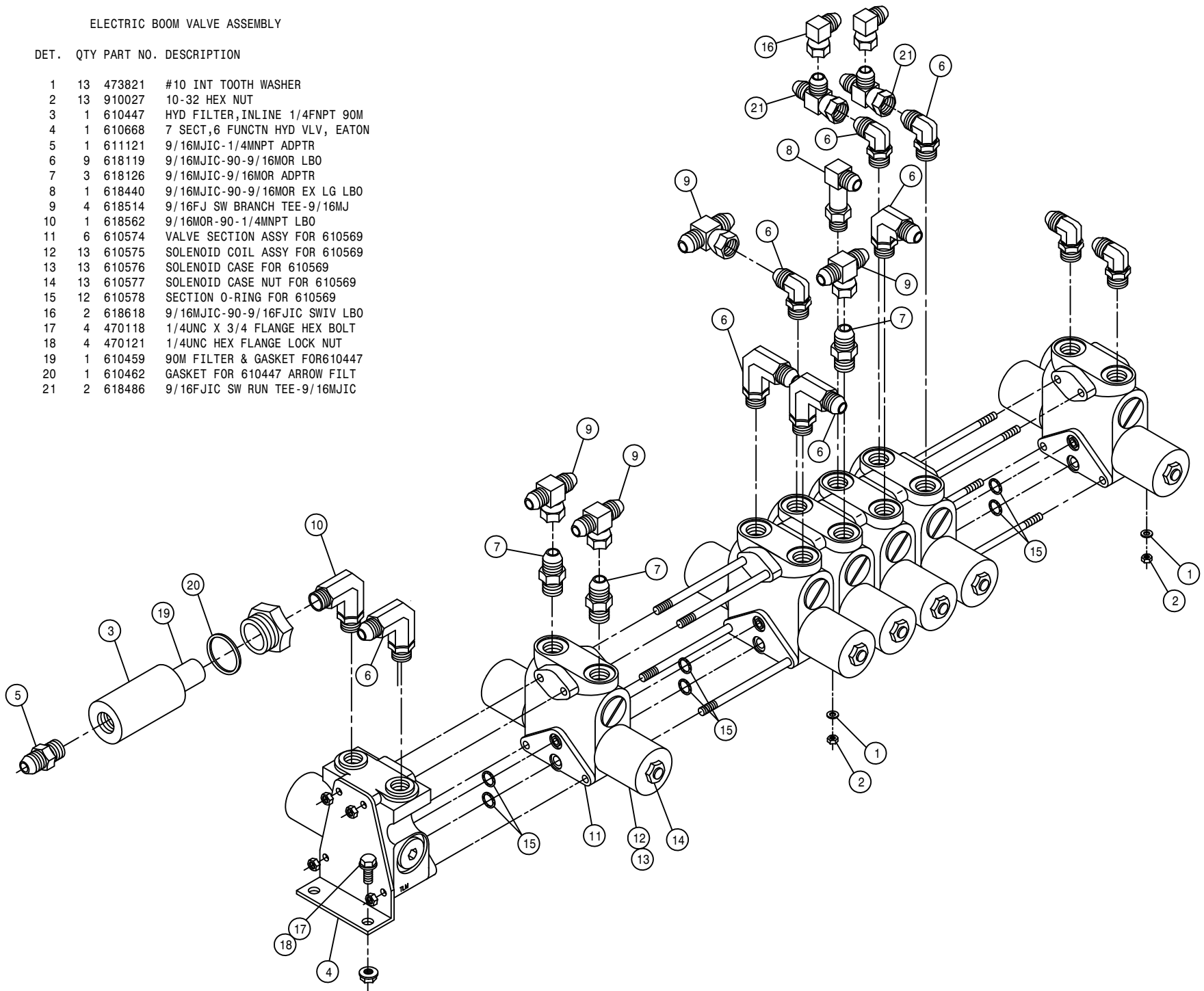
DET. QTY PART NO. DESCRIPTION

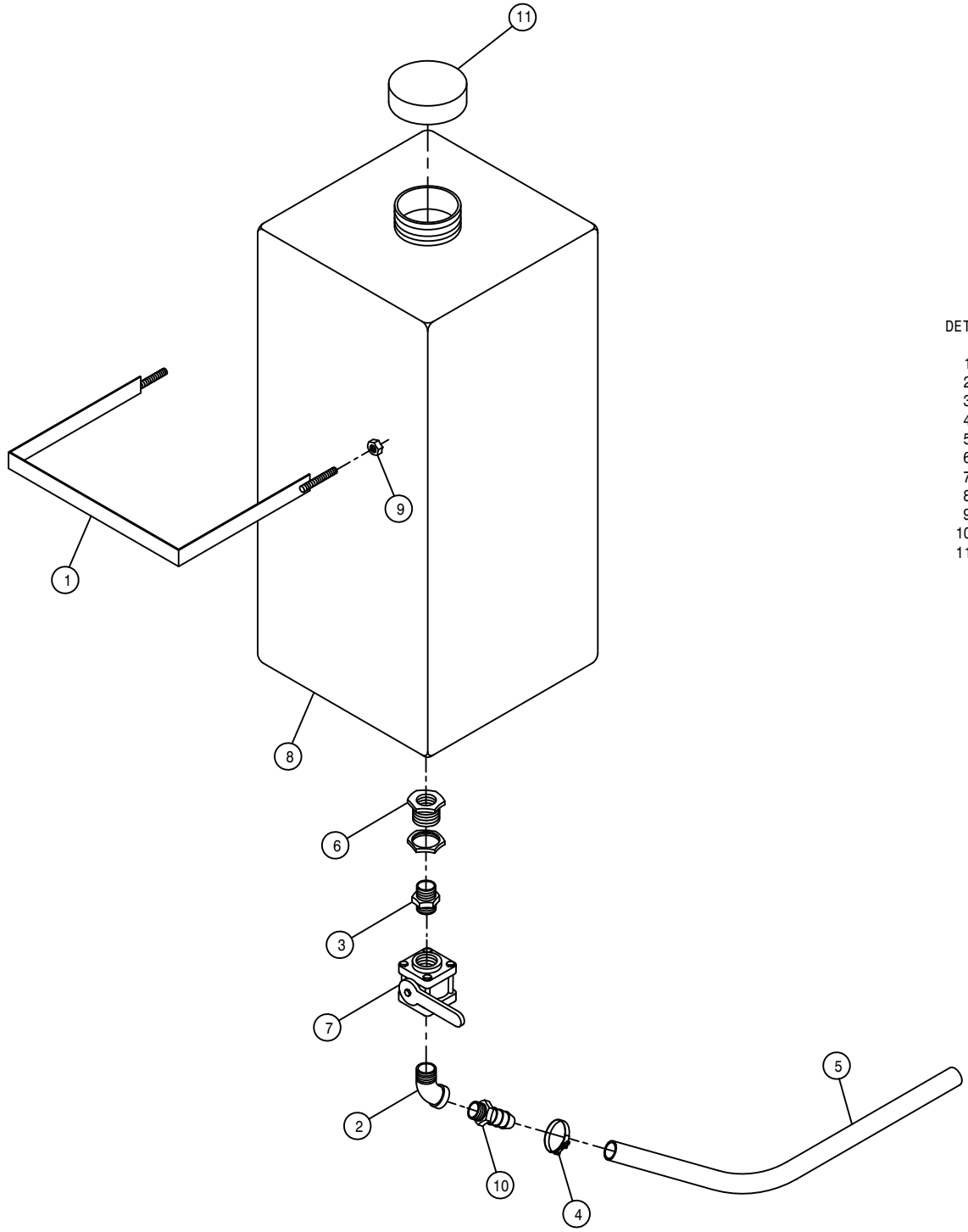
1	1	164386	BOOM SECT ID LIGHT BRKT2100 98
2	5	293396	RED BOOM SECT ID LIGHT ASSY
3	2	293397	YELLOW BOOM SECT ID LIGHT ASSY
4	14	470175	10-32 HEX FLANGE LOCK NUT
5	2	473970	1/4UNC-1 1/16ID-2 3/4 U-BOLTSQ
6	4	470121	1/4UNC HEX FLANGE LOCK NUT

ELECTRIC BOOM VALVE ASSEMBLY

DET. QTY PART NO. DESCRIPTION

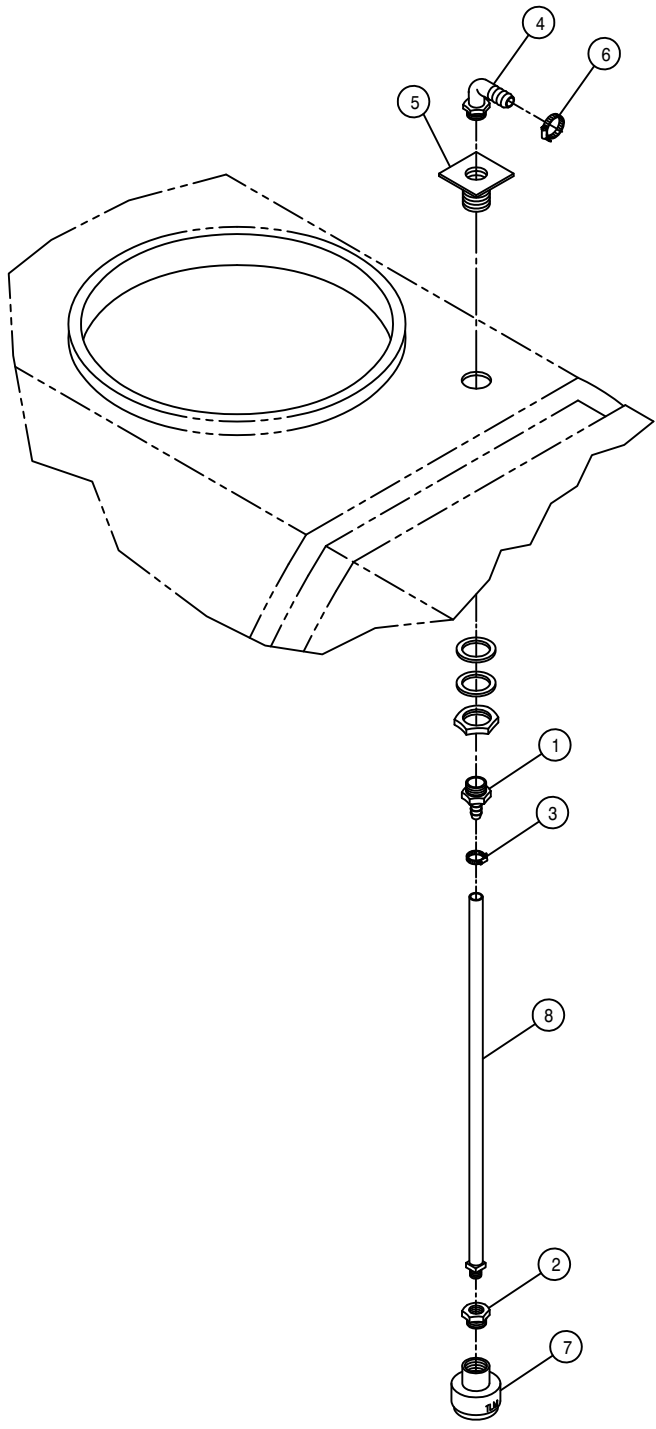
1	13	473821	#10 INT TOOTH WASHER
2	13	910027	10-32 HEX NUT
3	1	610447	HYD FILTER, INLINE 1/4FNPT 90M
4	1	610668	7 SECT, 6 FUNCTN HYD VLV, EATON
5	1	611121	9/16MJIC-1/4MNPT ADPTR
6	9	618119	9/16MJIC-90-9/16MOR LBO
7	3	618126	9/16MJIC-9/16MOR ADPTR
8	1	618440	9/16MJIC-90-9/16MOR EX LG LBO
9	4	618514	9/16FJ SW BRANCH TEE-9/16MJ
10	1	618562	9/16MOR-90-1/4MNPT LBO
11	6	610574	VALVE SECTION ASSY FOR 610569
12	13	610575	SOLENOID COIL ASSY FOR 610569
13	13	610576	SOLENOID CASE FOR 610569
14	13	610577	SOLENOID CASE NUT FOR 610569
15	12	610578	SECTION O-RING FOR 610569
16	2	618618	9/16MJIC-90-9/16FJIC SWIV LBO
17	4	470118	1/4UNC X 3/4 FLANGE HEX BOLT
18	4	470121	1/4UNC HEX FLANGE LOCK NUT
19	1	610459	90M FILTER & GASKET FOR 610447
20	1	610462	GASKET FOR 610447 ARROW FILT
21	2	618486	9/16FJIC SW RUN TEE-9/16MJIC





RINSE TANK ASSEMBLY

DET.	QTY	PART NO.	DESCRIPTION
1	1	342621	RINSE TANK BAND WLD, 2100 98
2	1	500088	1"NPT-45 ST EL, POLY
3	1	500052	1 1/4 X 1NPT REDU NIPPLE,POLY
4	1	520138	1.00 T-BOLT HOSE CLAMP
5	1	601425	HOSE,1 X 192 SUCT,2F1W EPDM
6	1	618548	1.25 PLASTIC FTG ASSY POLYTNK
7	1	695900	BALL VALVE 1IN FNPT POLY
8	1	763475	55 GAL TANK, RECTANGLE VERTIC
9	2	914008	1/2UNC HEX STOVER NUT
10	1	500074	1"NPT-1" HOSE BARB, POLY
11	1	763474	LID, 55 GAL RINSE TANK 763475



RINSE NOZZLE ASSEMBLY

DET.	QTY	PART NO.	DESCRIPTION
1	2	500027	3/4NPT-3/8 HOSE BARB, POLY
2	2	504002	RED BUSH 3/4 TO 1/4, POLY
3	2	520120	HOSE CLAMP NO 4 STAINLESS
4	2	500041	3/4NPT-90-1/2"HOSE BARB, POLY
5	2	618549	.75 PLASTIC FTG ASSY POLY TNK
6	2	520070	HOSE CLAMP NO 8 STAINLESS
7	2	737873	ROTARY NOZZLE, TEFLON
8	2	737821	QUICK TEEJET HOSE DROP 24IN

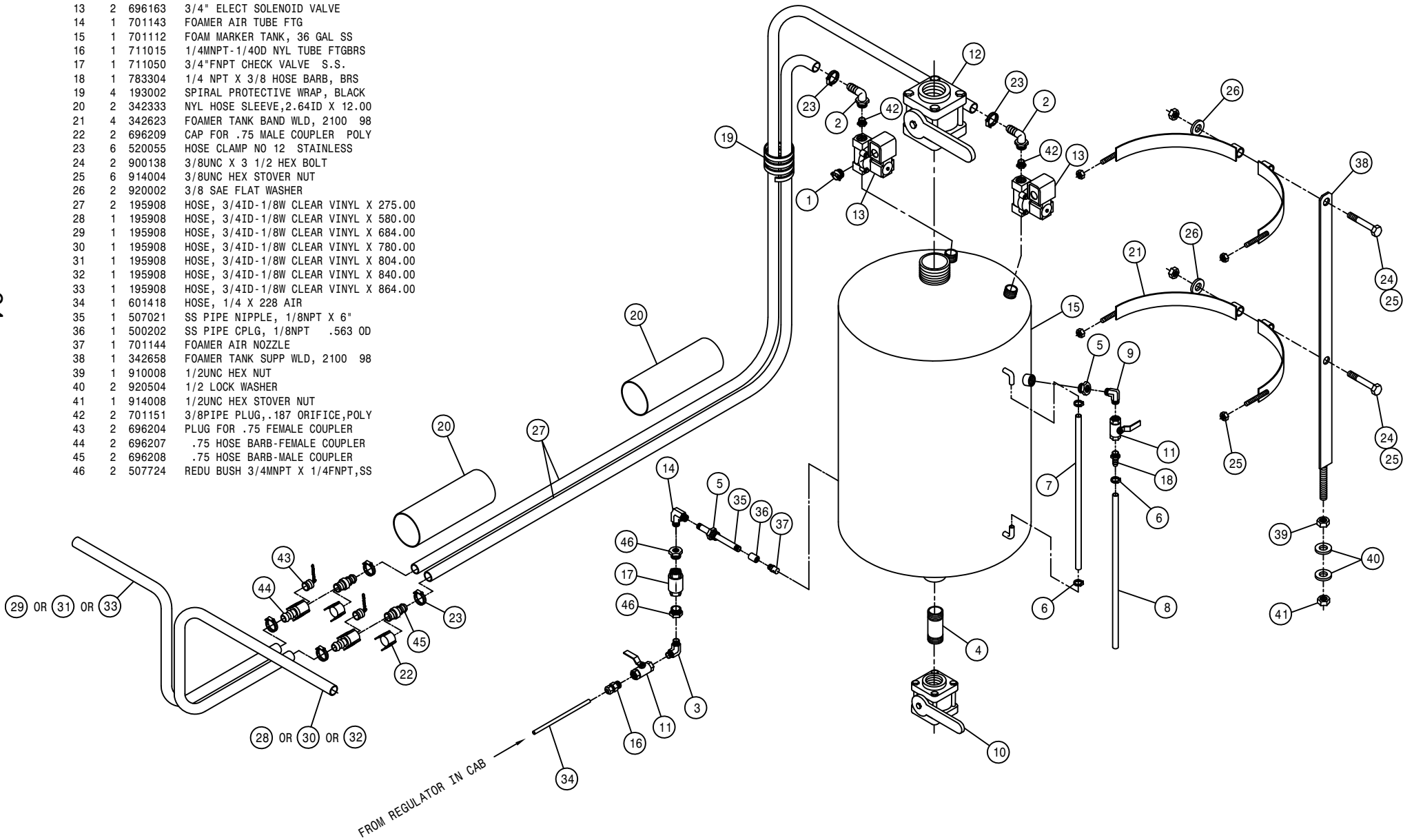
NOTE: QUANTITY LISTED IS FOR ONE MACHINE.

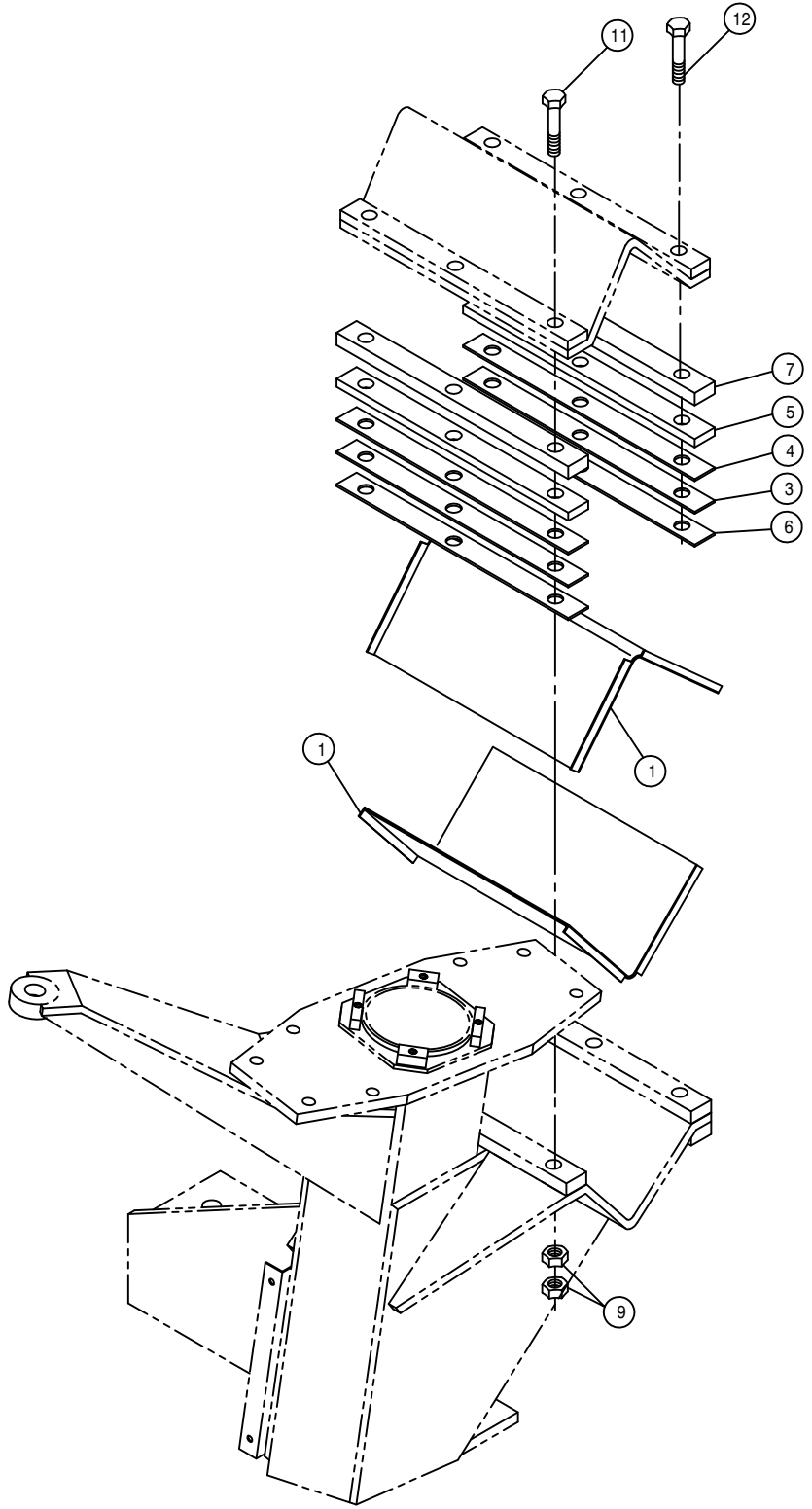
FOAM MARKER TANK ASSEMBLY

DET. QTY PART NO. DESCRIPTION

1	3	293056	ROMEX CONNECTOR .50IN 2-SCR
2	2	701150	3/4NPT-90-3/4HBRB, TAPPED, POLY
3	1	502705	1/4NPT-90-1/4NPT LBO, BRS
4	1	505205	BLK PIPE NIPPLE 1.00NPT-5.00
5	2	505211	3/8-1/4NPT REDU BUSH, BRS
6	3	520120	HOSE CLAMP NO 4 STAINLESS
7	1	601419	HOSE, 3/8 X 30 CLEAR VINYL
8	1	601420	HOSE, 3/8 X 48 CLEAR VINYL
9	1	618571	1/4MNPT-90-1/4MNPT LBO
10	1	695900	BALL VALVE 1IN FNPT POLY
11	2	696120	BALL VALVE, 1/4NPT, STEEL
12	1	696134	BALL VALVE 2IN FNPT POLY
13	2	696163	3/4" ELECT SOLENOID VALVE
14	1	701143	FOAMER AIR TUBE FTG
15	1	701112	FOAM MARKER TANK, 36 GAL SS
16	1	711015	1/4MNPT-1/4OD NYL TUBE FTGBRS
17	1	711050	3/4"FNPT CHECK VALVE S.S.
18	1	783304	1/4 NPT X 3/8 HOSE BARB, BRS
19	4	193002	SPIRAL PROTECTIVE WRAP, BLACK
20	2	342333	NYL HOSE SLEEVE, 2.64ID X 12.00
21	4	342623	FOAMER TANK BAND WLD, 2100 98
22	2	696209	CAP FOR .75 MALE COUPLER POLY
23	6	520055	HOSE CLAMP NO 12 STAINLESS
24	2	900138	3/8UNC X 3 1/2 HEX BOLT
25	6	914004	3/8UNC HEX STOVER NUT
26	2	920002	3/8 SAE FLAT WASHER
27	2	195908	HOSE, 3/4ID-1/8W CLEAR VINYL X 275.00
28	1	195908	HOSE, 3/4ID-1/8W CLEAR VINYL X 580.00
29	1	195908	HOSE, 3/4ID-1/8W CLEAR VINYL X 684.00
30	1	195908	HOSE, 3/4ID-1/8W CLEAR VINYL X 780.00
31	1	195908	HOSE, 3/4ID-1/8W CLEAR VINYL X 804.00
32	1	195908	HOSE, 3/4ID-1/8W CLEAR VINYL X 840.00
33	1	195908	HOSE, 3/4ID-1/8W CLEAR VINYL X 864.00
34	1	601418	HOSE, 1/4 X 228 AIR
35	1	507021	SS PIPE NIPPLE, 1/8NPT X 6"
36	1	500202	SS PIPE CPLG, 1/8NPT .563 OD
37	1	701144	FOAMER AIR NOZZLE
38	1	342658	FOAMER TANK SUPP WLD, 2100 98
39	1	910008	1/2UNC HEX NUT
40	2	920504	1/2 LOCK WASHER
41	1	914008	1/2UNC HEX STOVER NUT
42	2	701151	3/8PIPE PLUG, .187 ORIFICE, POLY
43	2	696204	PLUG FOR .75 FEMALE COUPLER
44	2	696207	.75 HOSE BARB-FEMALE COUPLER
45	2	696208	.75 HOSE BARB-MALE COUPLER
46	2	507724	REDU BUSH 3/4MNPT X 1/4FNPT, SS

NOTE: 1. DETAIL 28 AND 29 ARE USED WITH THE 60 FT BOOM.
 2. DETAIL 30 AND 31 ARE USED WITH THE 80 FT BOOM.
 3. DETAIL 32 AND 33 ARE USED WITH THE 90 FT BOOM.

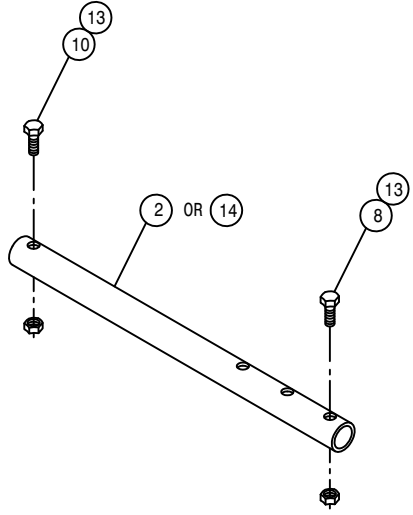


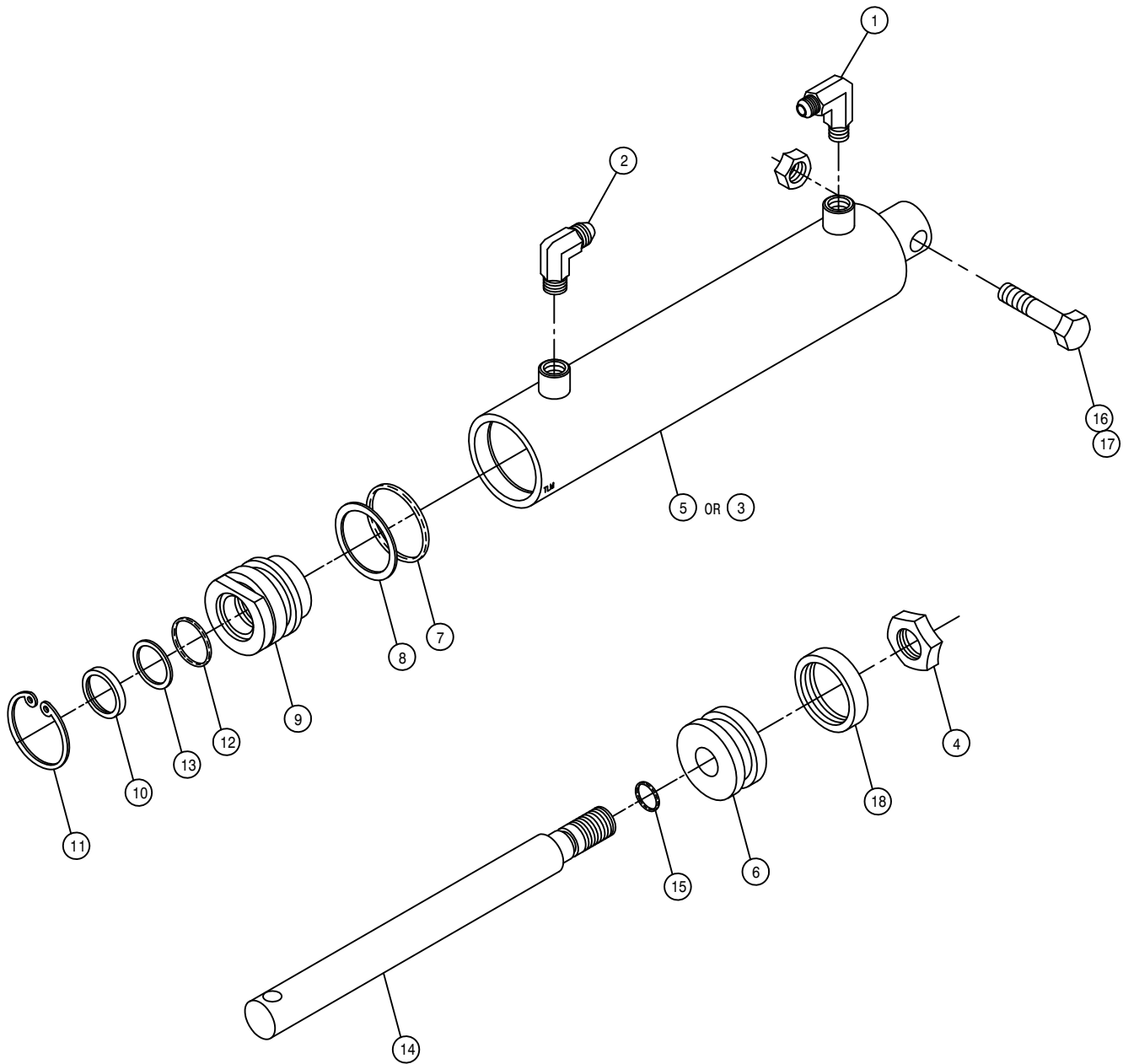


TREAD ADJUSTMENT ASSEMBLY

DET.	QTY	PART NO.	DESCRIPTION
1	8	358703	TREAD ADJ XMBR BEARING ASSY
2	4	358939	TREAD ADJ CYL EXT, 144" 2100 98
3	8	358767	.025 LEG MT SHIM, 284T 94
4	8	358752	.074 LEG MT SHIM, 284T 94
5	8	358769	.250 LEG MT SHIM, 284T 94
6	4	358768	.037 LEG MT SHIM, 284T 94
7	8	358766	.375 LEG MT SPACER, 284T 94
8	4	900268	1/2UNC X 2 1/2 HEX BOLT
9	48	914811	5/8UNF HEX NUT GR8
10	4	900267	1/2UNC X 2" HEX BOLT
11	12	900837	5/8UNF X 3 1/2 HEX BOLT GR8
12	12	900838	5/8UNF X 4" HEX BOLT GR8
13	8	914008	1/2UNC HEX STOVER NUT
14	4	358944	TREAD ADJ CYL EXT, 154" 2100 98

NOTE: QUANTITY LISTED IS FOR ONE MACHINE.

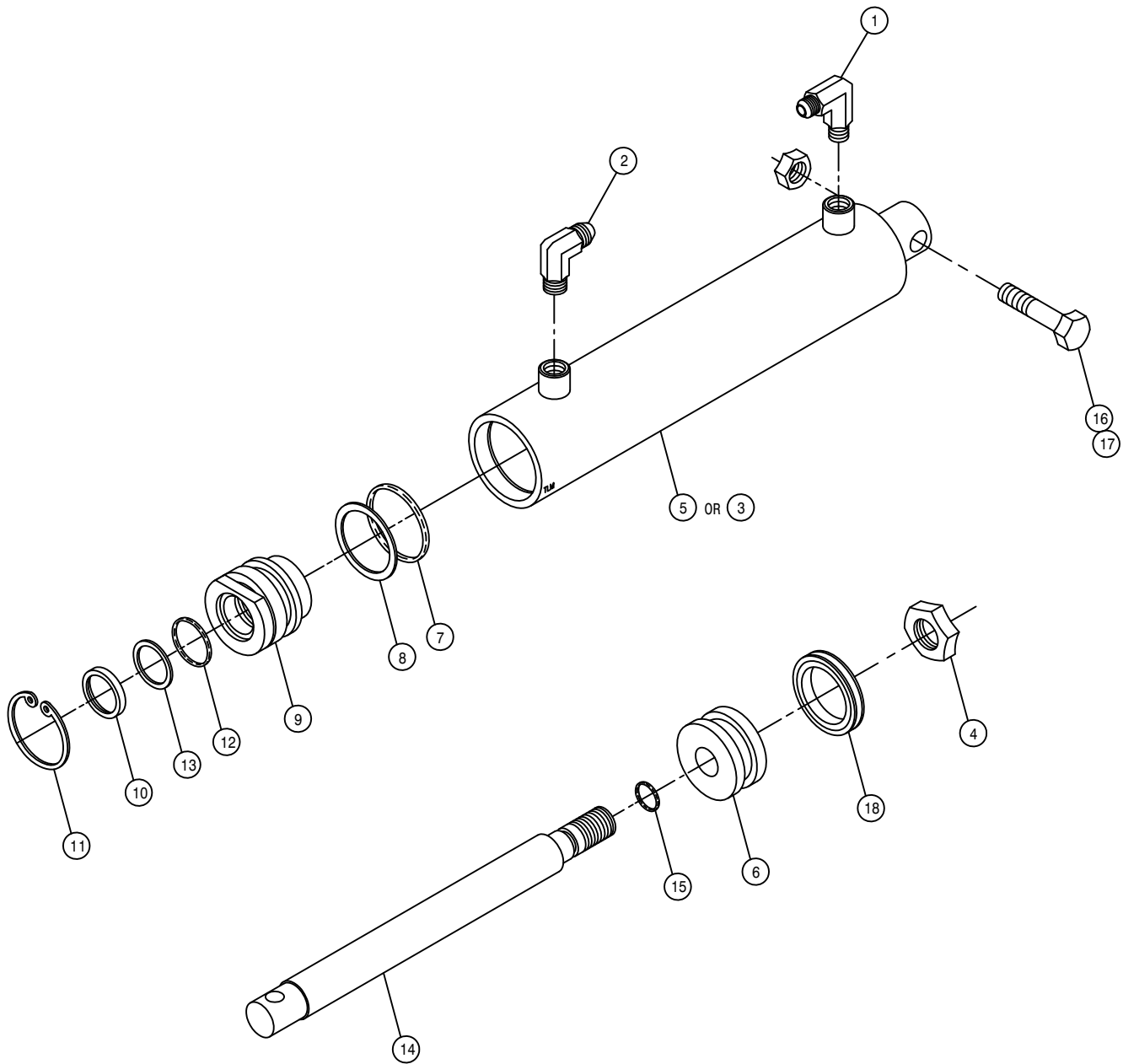




144" TREAD ADJUSTMENT LEG CYLINDER ASSEMBLY

DET.	QTY	PART NO.	DESCRIPTION
1	1	614710	RESTRICTOR ELBOW ASSY .025DIA
2	1	611122	9/16MJIC-90-1/4MNPT LBO
3	1	620663	CYL TUBE WLD,TRD,LH284,RH2100
4	1	472297	3/4UNF HEX STOVER NUT THIN
5	1	620660	CYL TUBE WLD,TRD,RH284,LH2100
6	1	620081	PISTON 2 X 1 ZAMAC ORING TYPE
7	1	870326	BUNA ORING 1 5/8 X 2
8	1	890326	BACKUP WASH 1 5/8 X 2 LEATH
9	1	620082	GLAND 2 IN X 1 IN ZAMAC
10	1	629003	WIPER 1 X 1 1/4 X 1/8
11	1	629505	SNAP RING 2 IN INTRN
12	1	870214	BUNA ORING 1 X 1 1/4
13	1	890214	BACKUP WASH 1 X 1 1/4 HT2022
14	1	620661	CYL SHFT, LEG,120-144TRD ADJ98
15	1	870113	BUNA ORING 9/16 X 3/4
16	1	900268	1/2UNC X 2 1/2 HEX BOLT
17	1	914008	1/2UNC HEX STOVER NUT
18	1	860326	CROWN SEAL, 2.00 PISTON (326)

NOTE: 1. 620659 - LH LEG 144" TREAD ADJ CYLINDER ASSEMBLY
 2. 620662 - RH LEG 144" TREAD ADJ CYLINDER ASSEMBLY
 3. 620083 - SEAL KIT



154" TREAD ADJUSTMENT LEG CYLINDER ASSEMBLY

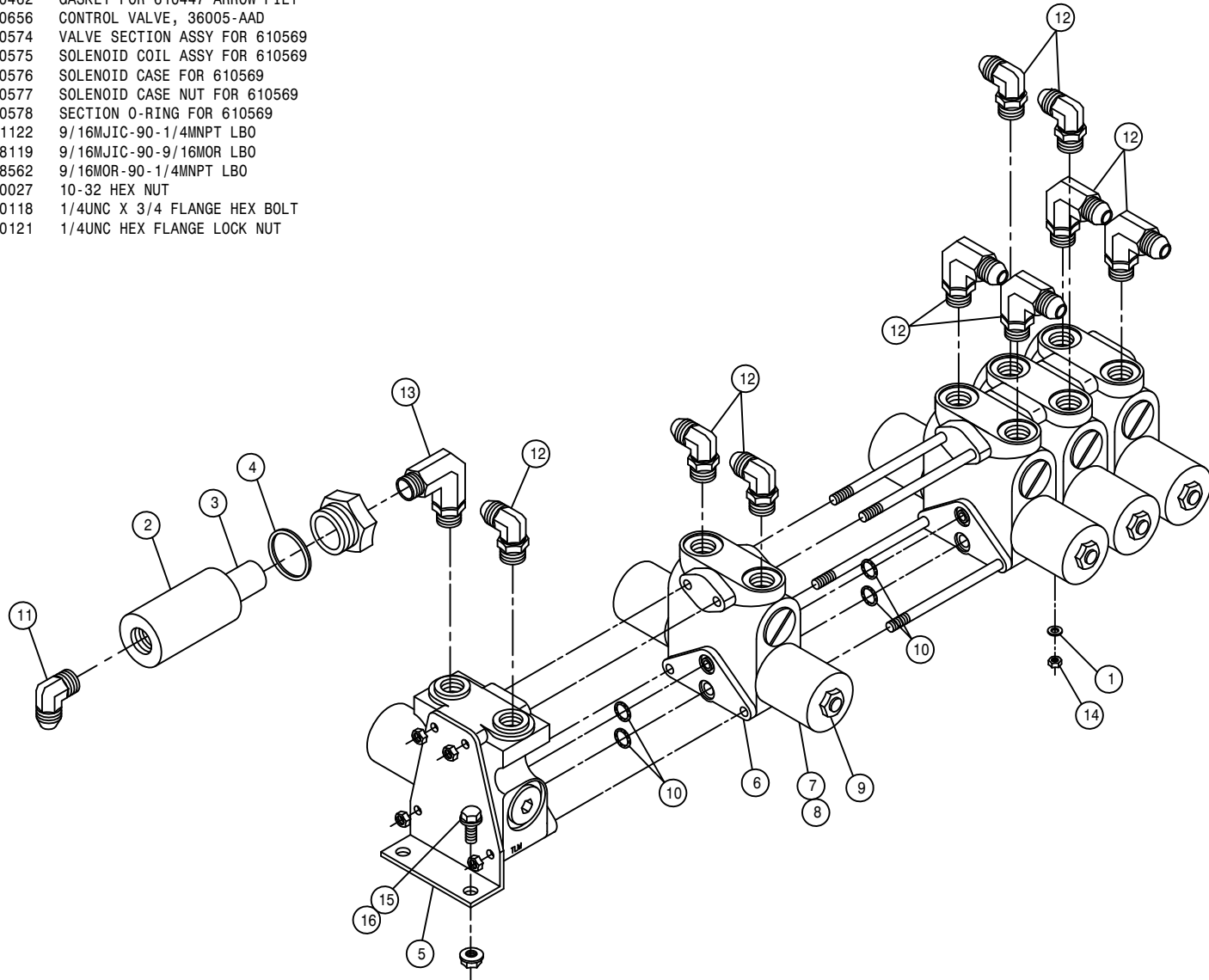
DET.	QTY	PART NO.	DESCRIPTION
1	1	614710	RESTRICTOR ELBOW ASSY .025DIA
2	1	611122	9/16MJC-90-1/4MNPT LBO
3	1	620693	CYL TUBE WLD, RH LEG 154TA 98
4	1	472297	3/4UNF HEX STOVER NUT THIN
5	1	620692	CYL TUBE WLD, LH LEG 154TA 98
6	1	620666	PISTON, 2.50" T-SEAL TYPE
7	1	870330	NEO ORING 2 1/8 X 2 1/2
8	1	890330	BACKUP WASH 2 1/8 X 2 1/2
9	1	620675	GLAND, 2.500D X 1.25ID, ALUM
10	1	629002	WIPER 1 1/4 X 1 1/2 X 1/8
11	1	629504	SNAP RING 2 1/2 IN INTRN
12	1	870218	BUNA ORING 1 1/4 X 1 1/2
13	1	890218	BACKUP WASH1 1/4X1 1/2 HT2022
14	1	620697	CYL SHAFT,LEG,120-154 TRDADJ98
15	1	870113	BUNA ORING 9/16 X 3/4
16	1	900268	1/2UNC X 2 1/2 HEX BOLT
17	1	914008	1/2UNC HEX STOVER NUT
18	1	860330	T-SEAL, 2.50 OD W/BACKUPS(330)

NOTE: 1. 620690 - LH LEG 154" TREAD ADJ CYLINDER ASSEMBLY
 2. 620691 - RH LEG 154" TREAD ADJ CYLINDER ASSEMBLY
 3. 620687 - SEAL KIT

ELECTRIC TREAD ADJUST VALVE ASSEMBLY

DET. QTY PART NO. DESCRIPTION

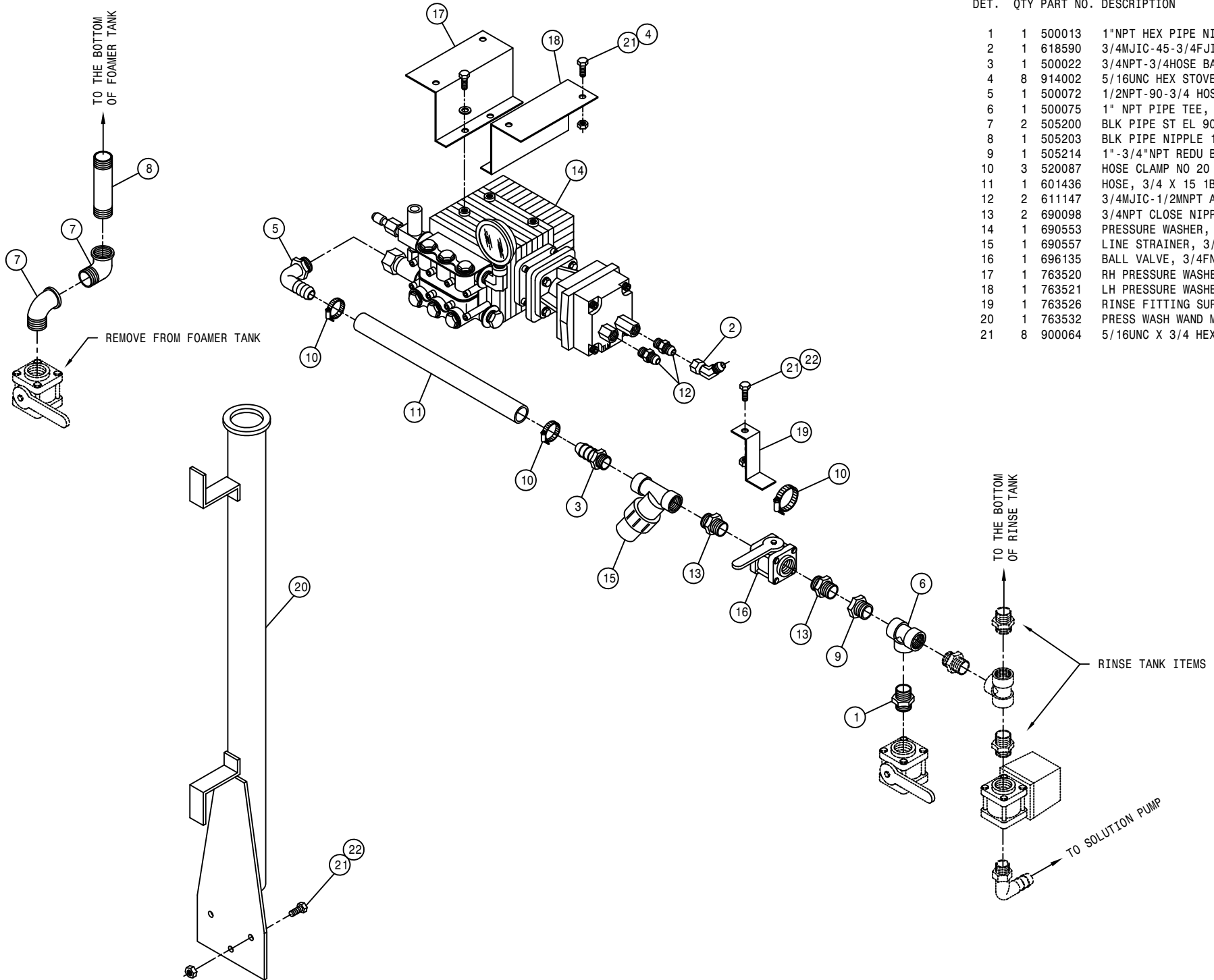
1	9	473821	#10 INT TOOTH WASHER
2	1	610447	HYD FILTER, INLINE 1/4FNPT 90M
3	1	610459	90M FILTER & GASKET FOR 610447
4	1	610462	GASKET FOR 610447 ARROW FILT
5	1	610656	CONTROL VALVE, 36005-AAD
6	4	610574	VALVE SECTION ASSY FOR 610569
7	9	610575	SOLENOID COIL ASSY FOR 610569
8	9	610576	SOLENOID CASE FOR 610569
9	9	610577	SOLENOID CASE NUT FOR 610569
10	8	610578	SECTION O-RING FOR 610569
11	1	611122	9/16MJIC-90-1/4MNPT LBO
12	9	618119	9/16MJIC-90-9/16MOR LBO
13	1	618562	9/16MOR-90-1/4MNPT LBO
14	9	910027	10-32 HEX NUT
15	4	470118	1/4UNC X 3/4 FLANGE HEX BOLT
16	4	470121	1/4UNC HEX FLANGE LOCK NUT

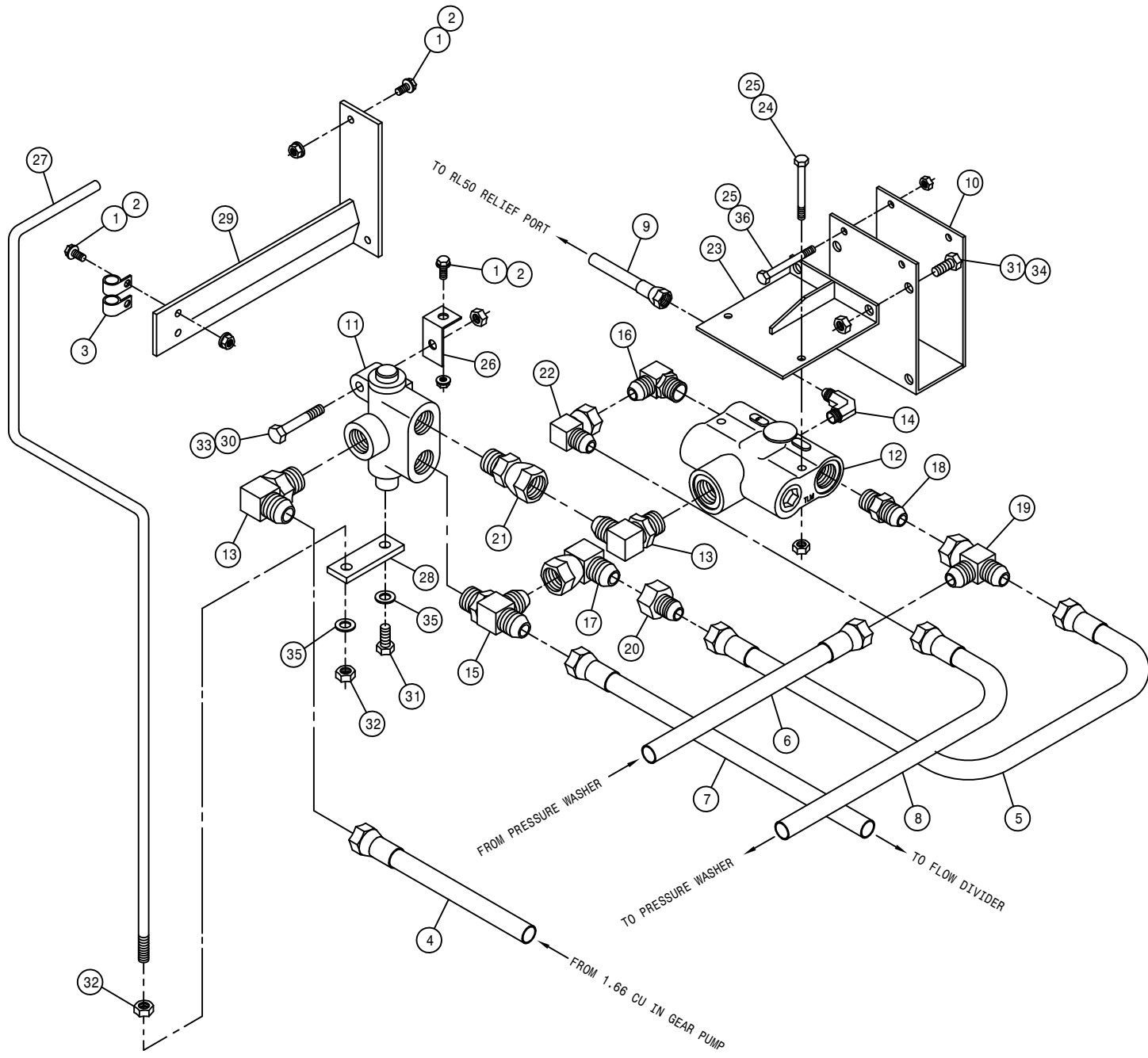


PRESSURE WASHER ASSEMBLY

DET. QTY PART NO. DESCRIPTION

DET.	QTY	PART NO.	DESCRIPTION
1	1	500013	1"NPT HEX PIPE NIPPLE, POLY
2	1	618590	3/4MJIC-45-3/4FJIC SWIV LBO
3	1	500022	3/4NPT-3/4HOSE BARB, POLY
4	8	914002	5/16UNC HEX STOVER NUT
5	1	500072	1/2NPT-90-3/4 HOSE BARB, POLY
6	1	500075	1" NPT PIPE TEE, POLY
7	2	505200	BLK PIPE ST EL 90DEG 1.00NPT
8	1	505203	BLK PIPE NIPPLE 1.00NPT-4.00
9	1	505214	1"-3/4"NPT REDU BUSH, POLY
10	3	520087	HOSE CLAMP NO 20 STAINLESS
11	1	601436	HOSE, 3/4 X 15 1BR BLK EPDM
12	2	611147	3/4MJIC-1/2MNPT ADPTR
13	2	690098	3/4NPT CLOSE NIPPLE, POLY
14	1	690553	PRESSURE WASHER, HYPRO 1802
15	1	690557	LINE STRAINER, 3/4NPT 80M
16	1	696135	BALL VALVE, 3/4FNPT POLY
17	1	763520	RH PRESSURE WASHER MT, 2100 98
18	1	763521	LH PRESSURE WASHER MT, 2100 98
19	1	763526	RINSE FITTING SUPP, WASH2100 98
20	1	763532	PRESS WASH WAND MT WLD, 2100 98
21	8	900064	5/16UNC X 3/4 HEX BOLT





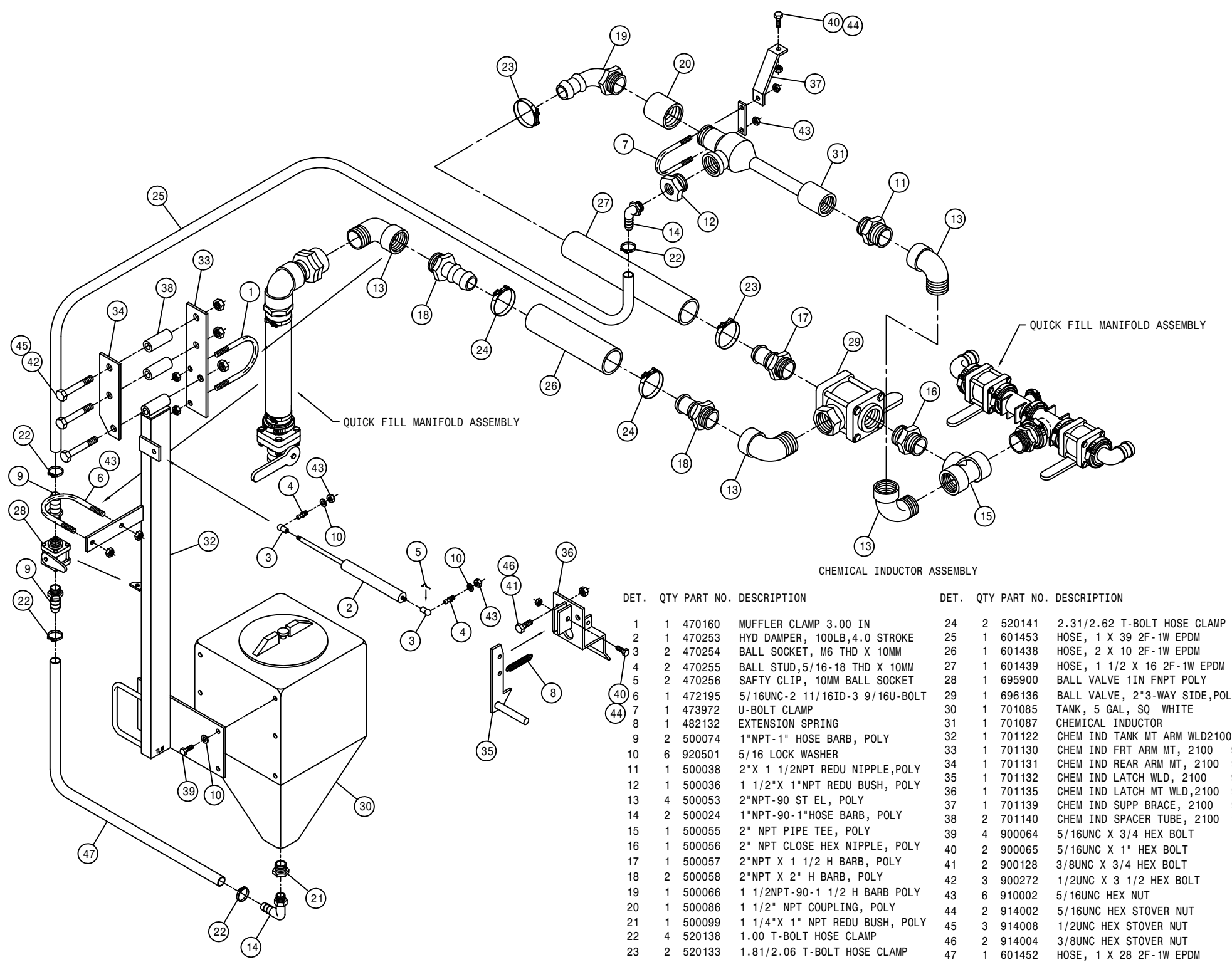
198101

101

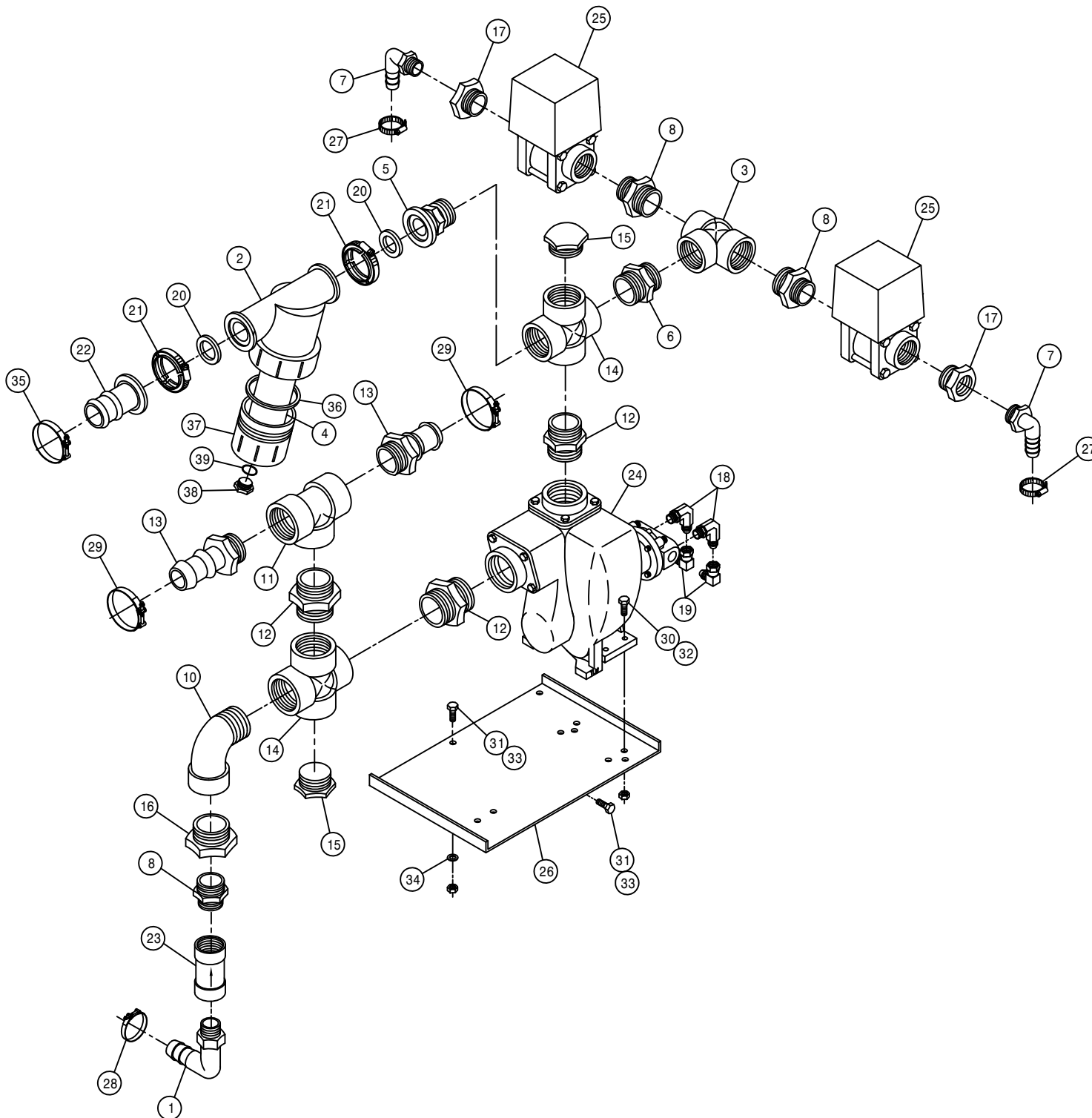
198101

PRESSURE WASHER FLOW DIVIDER ASSEMBLY

DET.	QTY	PART NO.	DESCRIPTION
1	5	470118	1/4UNC X 3/4 FLANGE HEX BOLT
2	5	470121	1/4UNC HEX FLANGE LOCK NUT
3	2	520118	CUSH HOSE CLAMP 1/2D X 1/2W
4	1	614744	10C2AT-10FJX-10FJX-18 H/A
5	1	615385	08C1T-08FJX-08FJX-29 H/A
6	1	615465	08C1T-08FJX-08FJX-33 H/A
7	1	615741	10C1T-10FJX-10FJX-38 H/A
8	1	615742	08C1T-08FJX-08FJX-36 H/A
9	1	616043	04C1T-06FJX-06FJX-23 H/A
10	1	342311	TRACT VLV MT WLD,284 COMBO 96
11	1	690625	SELECT VLV, PRESS WASH 2100
12	1	607518	FLO DIV BGR56 6GPM PRI 7/8FOR
13	2	611128	7/8MJIC-90-7/8MOR LBO
14	1	618015	9/16MJIC-90-3/8MPT LBO
15	1	618130	7/8MOR RUN TEE-7/8MJIC
16	1	618183	3/4MJIC-90-7/8MOR LBO
17	1	618301	7/8MJIC-90-7/8FJIC SWIV LBO
18	1	618327	3/4MJIC-7/8MOR ADPTR
19	1	618451	3/4FJIC SW RUN TEE-3/4MJIC
20	1	618523	7/8FJIC-3/4MJIC ADPTR
21	1	618594	7/8FJIC SWIV-7/8MOR ADPTR
22	1	618609	3/4MJIC-90-3/4FJIC SWIV LBO
23	1	763522	FLO DIV MT WLD, WASHER 2100 98
24	2	900007	1/4UNC X 2" HEX BOLT
25	4	914000	1/4UNC HEX STOVER NUT
26	1	763525	SEL VLV MT,PRESS WASH 2100 98
27	1	763527	SEL VLV HANDLE, WASHER 2100 98
28	1	763528	VLV HANDLE BRKT,WASHER 2100 98
29	1	763529	VLV HANDLE SUPP WLD,WASH210098
30	1	900067	5/16UNC X 1 1/2 HEX BOLT
31	3	900128	3/8UNC X 3/4 HEX BOLT
32	2	910004	3/8UNC HEX NUT
33	1	914002	5/16UNC HEX STOVER NUT
34	2	914004	3/8UNC HEX STOVER NUT
35	2	920502	3/8 LOCK WASHER
36	2	900010	1/4UNC X 3" HEX BOLT



DET.	QTY	PART NO.	DESCRIPTION	DET.	QTY	PART NO.	DESCRIPTION
1	1	470160	MUFFLER CLAMP 3.00 IN	24	2	520141	2.31/2.62 T-BOLT HOSE CLAMP
2	1	470253	HYD DAMPER, 100LB,4.0 STROKE	25	1	601453	HOSE, 1 X 39 2F-1W EPDM
3	2	470254	BALL SOCKET, M6 THD X 10MM	26	1	601438	HOSE, 2 X 10 2F-1W EPDM
4	2	470255	BALL STUD,5/16-18 THD X 10MM	27	1	601439	HOSE, 1 1/2 X 16 2F-1W EPDM
5	2	470256	SAFETY CLIP, 10MM BALL SOCKET	28	1	695900	BALL VALVE 1IN FNPT POLY
6	1	472195	5/16UNC-2 11/16ID-3 9/16U-BOLT	29	1	696136	BALL VALVE, 2"3-WAY SIDE,POLY
7	1	473972	U-BOLT CLAMP	30	1	701085	TANK, 5 GAL, SQ WHITE
8	1	482132	EXTENSION SPRING	31	1	701087	CHEMICAL INDUCTOR
9	2	500074	1"NPT-1" HOSE BARB, POLY	32	1	701122	CHEM IND TANK MT ARM WLD210098
10	6	920501	5/16 LOCK WASHER	33	1	701130	CHEM IND FRT ARM MT, 2100 98
11	1	500038	2"X 1 1/2NPT REDU NIPPLE,POLY	34	1	701131	CHEM IND REAR ARM MT, 2100 98
12	1	500036	1 1/2"X 1"NPT REDU BUSH, POLY	35	1	701132	CHEM IND LATCH WLD, 2100 98
13	4	500053	2"NPT-90 ST EL, POLY	36	1	701135	CHEM IND LATCH MT WLD,2100 98
14	2	500024	1"NPT-90-1"HOSE BARB, POLY	37	1	701139	CHEM IND SUPP BRACE, 2100 98
15	1	500055	2" NPT PIPE TEE, POLY	38	2	701140	CHEM IND SPACER TUBE, 2100 98
16	1	500056	2" NPT CLOSE HEX NIPPLE, POLY	39	4	900064	5/16UNC X 3/4 HEX BOLT
17	1	500057	2"NPT X 1 1/2 H BARB, POLY	40	2	900065	5/16UNC X 1" HEX BOLT
18	2	500058	2"NPT X 2" H BARB, POLY	41	2	900128	3/8UNC X 3/4 HEX BOLT
19	1	500066	1 1/2NPT-90-1 1/2 H BARB POLY	42	3	900272	1/2UNC X 3 1/2 HEX BOLT
20	1	500086	1 1/2" NPT COUPLING, POLY	43	6	910002	5/16UNC HEX NUT
21	1	500099	1 1/4" X 1" NPT REDU BUSH, POLY	44	2	914002	5/16UNC HEX STOVER NUT
22	4	520138	1.00 T-BOLT HOSE CLAMP	45	3	914008	1/2UNC HEX STOVER NUT
23	2	520133	1.81/2.06 T-BOLT HOSE CLAMP	46	2	914004	3/8UNC HEX STOVER NUT
				47	1	601452	HOSE, 1 X 28 2F-1W EPDM



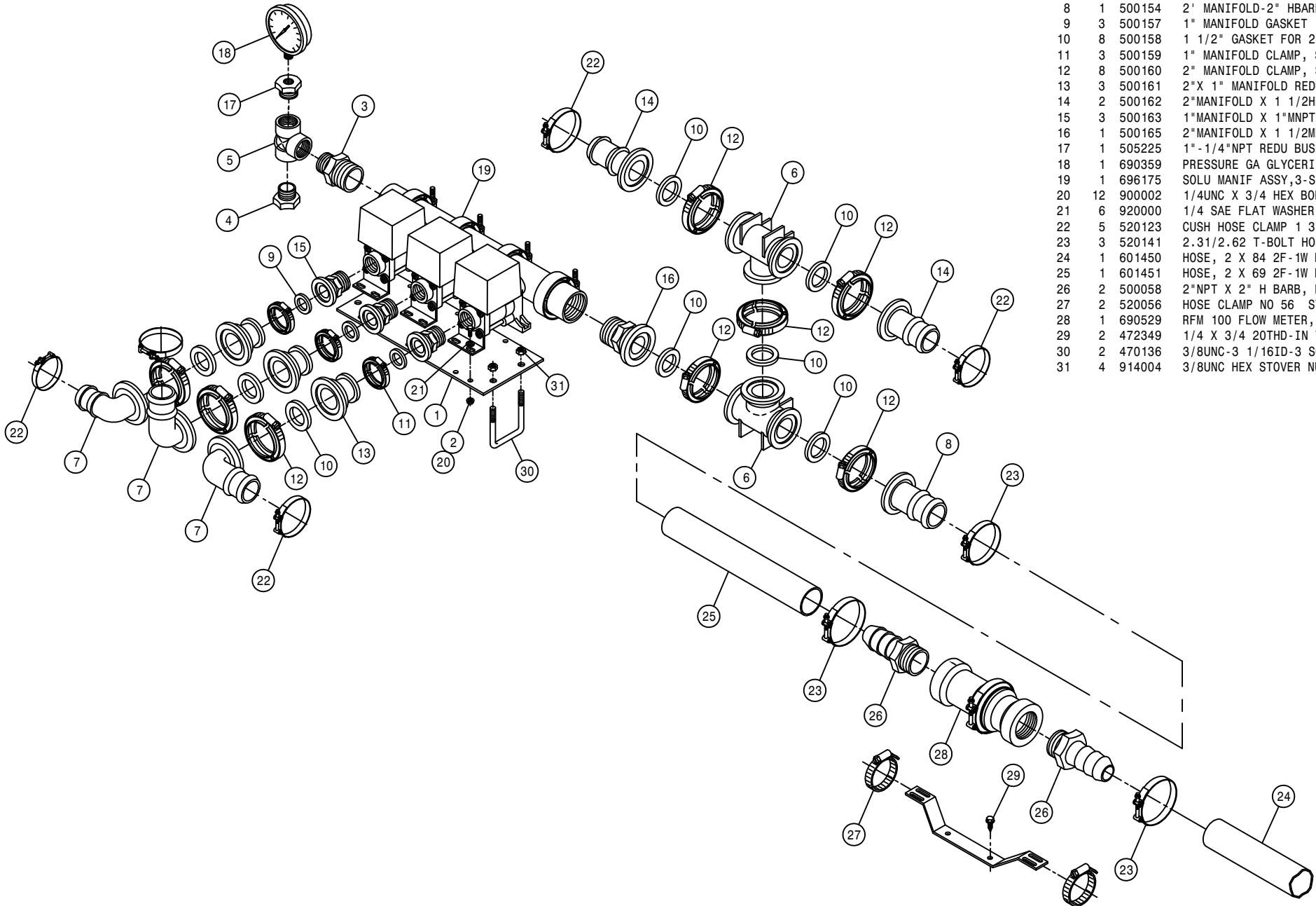
SOLUTION PUMP ASSEMBLY (HI-VOLUME)

DET.	QTY	PART NO.	DESCRIPTION
1	1	500024	1"NPT-90-1"HOSE BARB, POLY
2	1	690628	LINE STRAINER,2"MANIFOLD
3	1	500030	1 1/2"NPT PIPE TEE, POLY
4	1	690629	50 MESH SCREEN FOR 690628
5	1	500152	2" MANIFOLD-2"MNPT ADPTR, POL
6	1	500038	2"X 1 1/2NPT REDU NIPPLE,POLY
7	2	500041	3/4NPT-90-1/2"HOSE BARB, POLY
8	3	500048	1 1/2X1"NPT REDU NIPPLE, POLY
9	1	500049	1 1/2 FNPT CROSS, POLY
10	1	500053	2"NPT-90 ST EL, POLY
11	1	500055	2" NPT PIPE TEE, POLY
12	3	500056	2" NPT CLOSE HEX NIPPLE, POLY
13	2	500057	2"NPT X 1 1/2 H BARB, POLY
14	2	500060	2"FNPT CROSS, POLY
15	2	500065	2"NPT PIPE PLUG, POLY
16	1	500071	2" X 1 1/2NPT REDU BUSH, POLY
17	2	505214	1"-3/4"NPT REDU BUSH, POLY
18	2	618241	3/4MJIC-90-3/4MOR LBO
19	2	618609	3/4MJIC-90-3/4FJIC SWIV LBO
20	2	500158	1 1/2" GASKET FOR 2" MANIFOLD
21	2	500160	2" MANIFOLD CLAMP, S.S.
22	1	500154	2" MANIFOLD-2" HBARB, POLY
23	1	690488	1.00 CHECK VLV, SPRING LOADED
24	1	690552	FLOMAX 8, 2" PUMP
25	2	696162	1" ELECT BALL VLV, 344AEC-2-1
26	1	690530	2" SOLU PUMP MT WLD 95
27	2	520070	HOSE CLAMP NO 8 STAINLESS
28	1	520138	1.00 T-BOLT HOSE CLAMP
29	2	520133	1.81/2.06 T-BOLT HOSE CLAMP
30	4	900066	5/16UNC X 1 1/4 HEX BOLT
31	3	900129	3/8UNC X 1" HEX BOLT
32	4	914002	5/16UNC HEX STOVER NUT
33	3	914004	3/8UNC HEX STOVER NUT
34	2	920002	3/8 SAE FLAT WASHER
35	1	520141	2.31/2.62 T-BOLT HOSE CLAMP
36	1	690630	GASKET FOR 690628
37	1	690631	END CAP FOR 690628
38	1	690632	CLEAN-OUT PLUG FOR 690628
39	1	690633	O-RING,EDPM FOR 690628 PLUG

SOLUTION SOLENOID ASSEMBLY (HI-VOLUME)

DET. QTY PART NO. DESCRIPTION

DET.	QTY	PART NO.	DESCRIPTION
1	1	164422	SOLU MANIF VLV MT, HIVOL
2	12	470121	1/4UNC HEX FLANGE LOCK NUT
3	1	500048	1 1/2X1"NPT REDU NIPPLE, POLY
4	1	500063	1"NPT PIPE PLUG, POLY
5	1	500075	1" NPT PIPE TEE, POLY
6	2	500151	2" MANIFOLD TEE, POLY
7	3	500153	2" MANIFOLD-90-1 1/2 HBARBPOLY
8	1	500154	2" MANIFOLD-2" HBARB, POLY
9	3	500157	1" MANIFOLD GASKET
10	8	500158	1 1/2" GASKET FOR 2" MANIFOLD
11	3	500159	1" MANIFOLD CLAMP, S.S.
12	8	500160	2" MANIFOLD CLAMP, S.S.
13	3	500161	2"X 1" MANIFOLD REDU CPLR,POLY
14	2	500162	2"MANIFOLD X 1 1/2HBARB POLY
15	3	500163	1"MANIFOLD X 1"MNPT ADPTR,POLY
16	1	500165	2"MANIFOLD X 1 1/2MNPT POLY
17	1	505225	1"-1/4"NPT REDU BUSH, POLY
18	1	690359	PRESSURE GA GLYCERI 100 PSI
19	1	696175	SOLU MANIF ASSY,3-SECT,DRCTVLV
20	12	900002	1/4UNC X 3/4 HEX BOLT
21	6	920000	1/4 SAE FLAT WASHER
22	5	520123	CUSH HOSE CLAMP 1 3/4 X 5/8W
23	3	520141	2.31/2.62 T-BOLT HOSE CLAMP
24	1	601450	HOSE, 2 X 84 2F-1W EPDM
25	1	601451	HOSE, 2 X 69 2F-1W EPDM
26	2	500058	2"NPT X 2" H BARB, POLY
27	2	520056	HOSE CLAMP NO 56 STAINLESS
28	1	690529	RFM 100 FLOW METER, RAVEN
29	2	472349	1/4 X 3/4 20THD-IN TEK TYPE
30	2	470136	3/8UNC-3 1/16ID-3 SQ U-BOLT
31	4	914004	3/8UNC HEX STOVER NUT



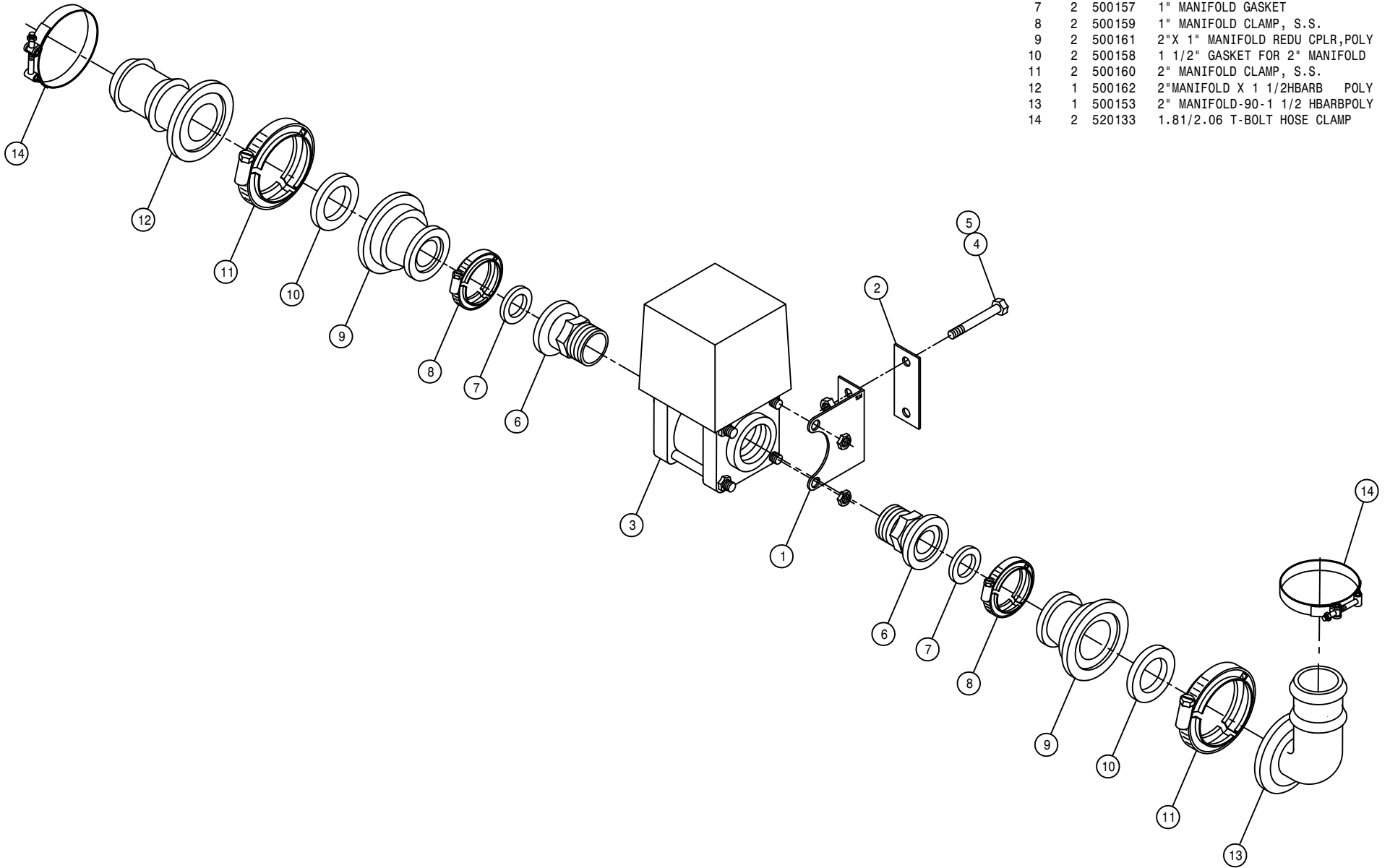
104

198104

80-90 OUTER BOOM SOLU SOLENOID (HI-VOLUME)

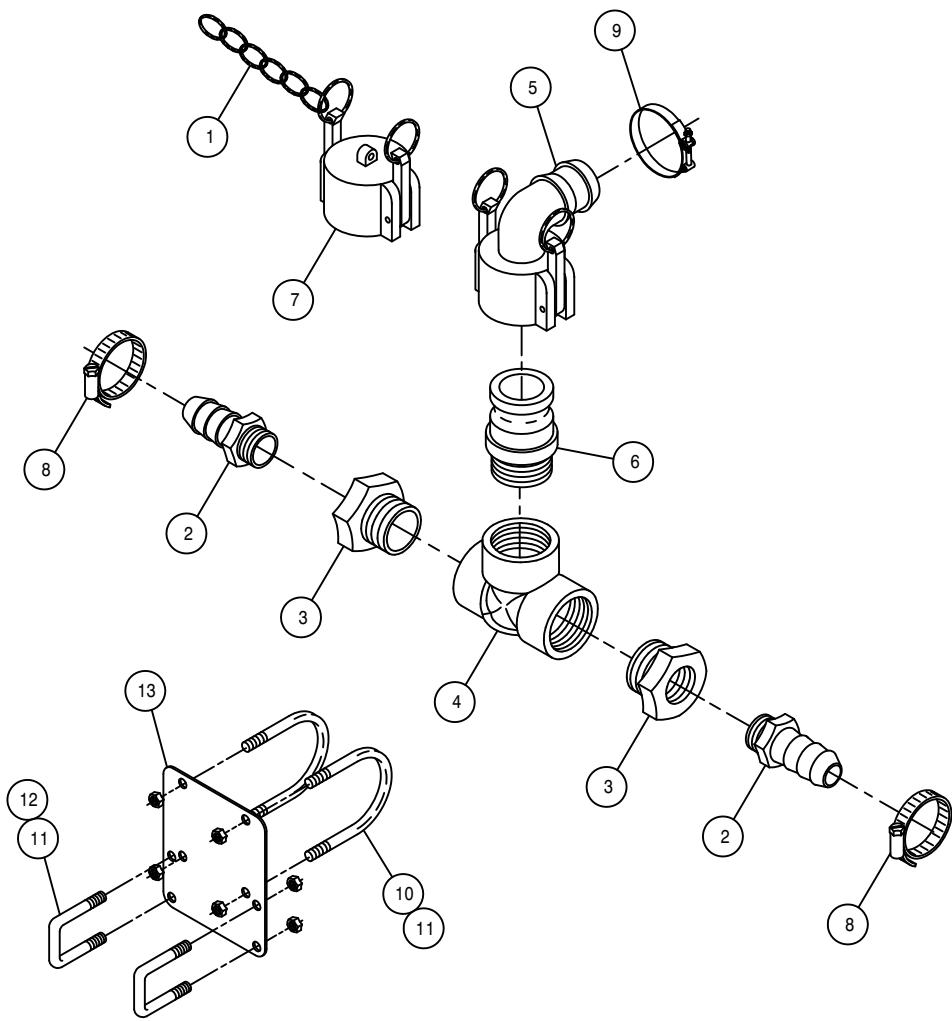
DET. QTY PART NO. DESCRIPTION

DET.	QTY	PART NO.	DESCRIPTION	
1	1	164303	SOLU VLV MT	97
2	1	164304	SOLU VLV MT KEEPER	97
3	1	696162	1" ELECT BALL VLV, 344AEC-2-1	
4	2	900007	1/4UNC X 2" HEX BOLT	
5	2	914000	1/4UNC HEX STOVER NUT	
6	2	500163	1"MANIFOLD X 1"MNPT ADPTR,POLY	
7	2	500157	1" MANIFOLD GASKET	
8	2	500159	1" MANIFOLD CLAMP, S.S.	
9	2	500161	2"X 1" MANIFOLD REDU CPLR,POLY	
10	2	500158	1 1/2" GASKET FOR 2" MANIFOLD	
11	2	500160	2" MANIFOLD CLAMP, S.S.	
12	1	500162	2"MANIFOLD X 1 1/2HBARB POLY	
13	1	500153	2" MANIFOLD-90-1 1/2 HBARBPOLY	
14	2	520133	1.81/2.06 T-BOLT HOSE CLAMP	



105

198105



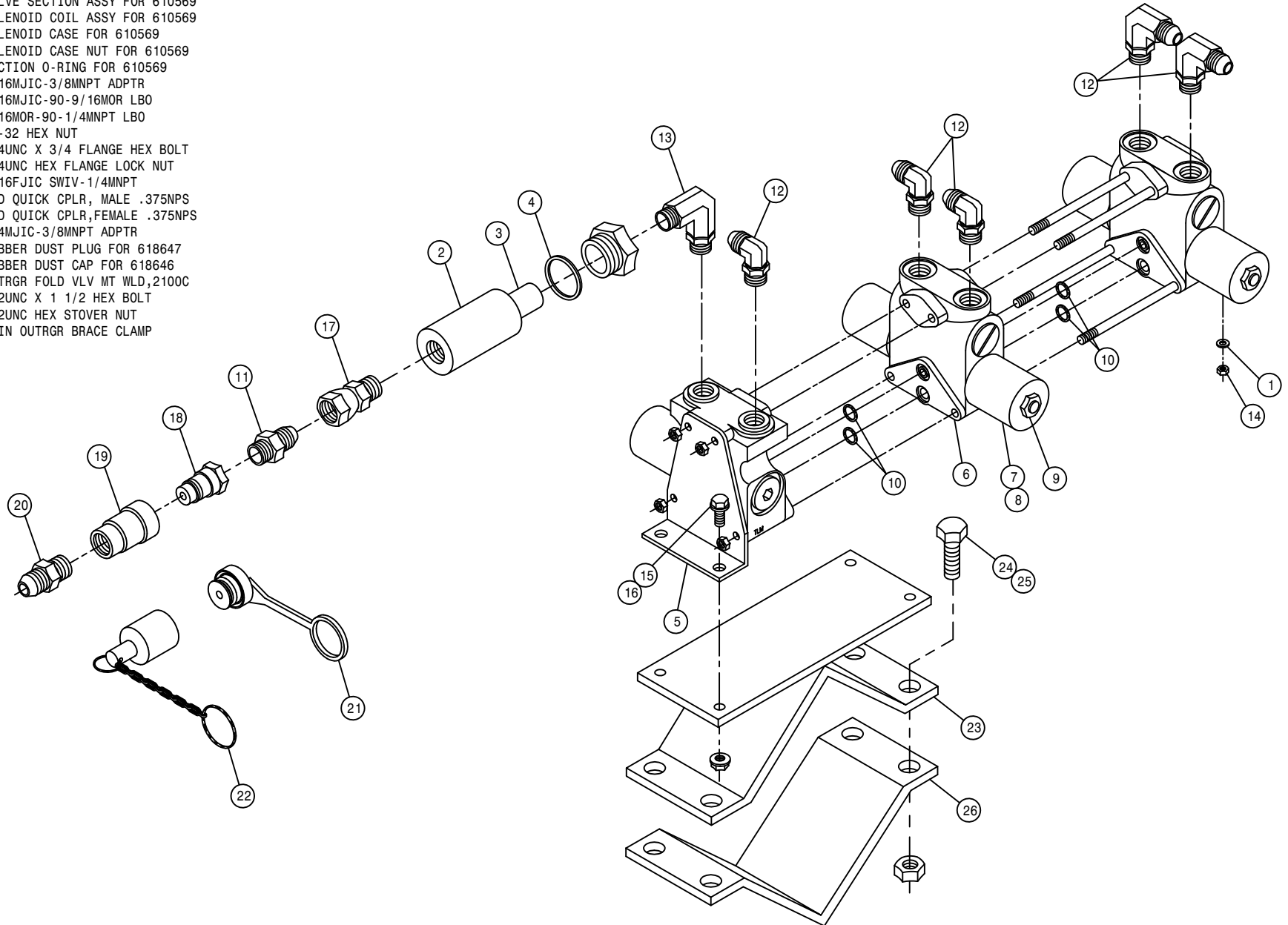
FEEDER TEE ASSEMBLY (HI-VOLUME)

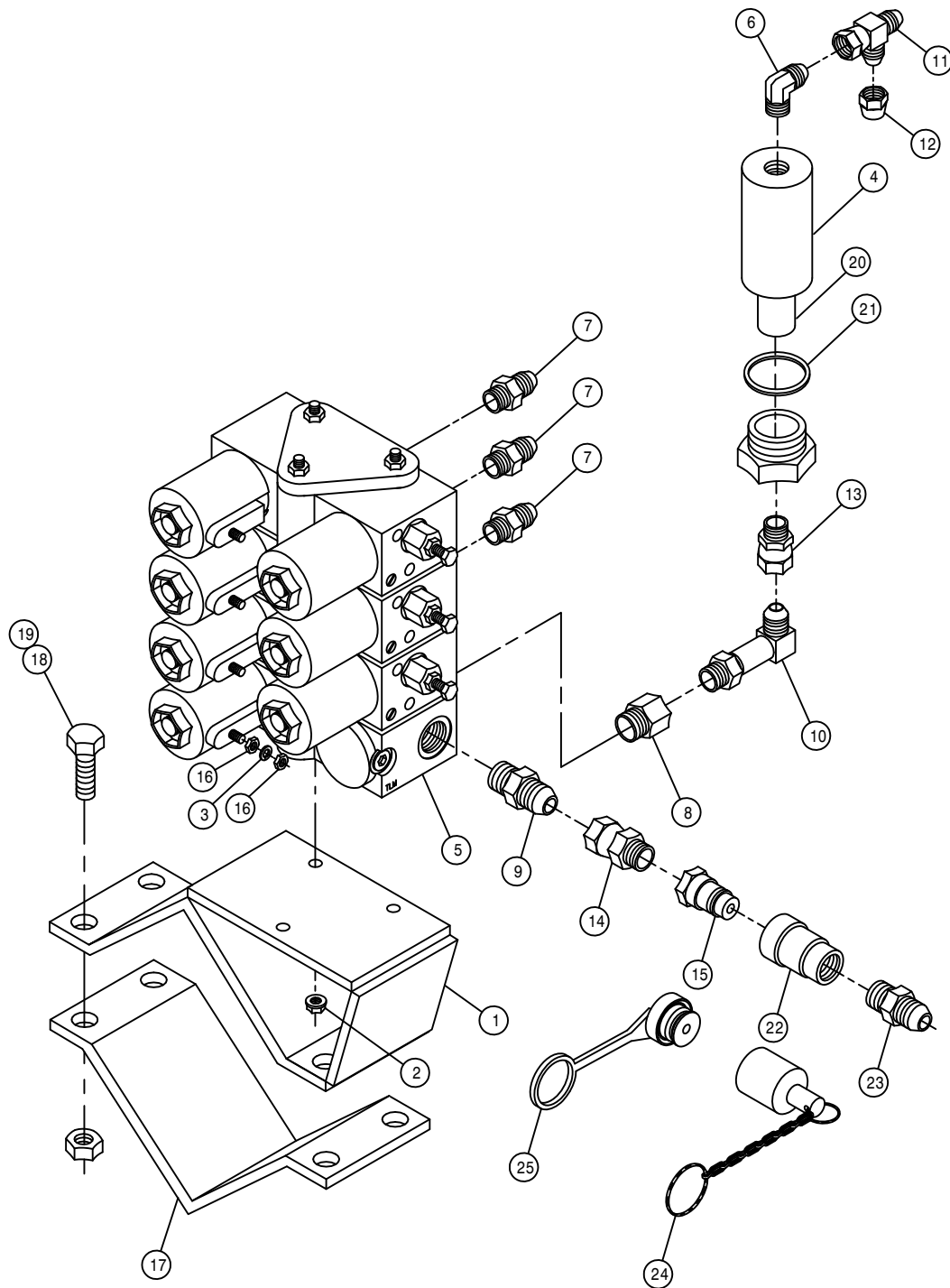
DET.	QTY	PART NO.	DESCRIPTION
	1	160986	CHAIN, 12.00 LONG
	2	500022	3/4NPT-3/4HOSE BARB, POLY
	2	500040	1 1/2 X 3/4 NPT BUSH, POLY
	4	500030	1 1/2"NPT PIPE TEE, POLY
	5	500093	FEM CPLR,CAM LEV,90D 1.50HBARB
	6	500094	MALE CPLR, 1.5MNPT POLY
	7	500095	CAP FOR 1.50 MALE CPLR POLY
	8	520055	HOSE CLAMP NO 12 STAINLESS
	9	520133	1.81/2.06 T-BOLT HOSE CLAMP
	10	473974	.31UNC-2.56ID-3.5 U-BOLT SS
	11	914017	5/16UNC HEX STOVER NUT, SS
	12	473973	.31UNC-1.31ID-2.0 SQ U-BOLT SS
	13	164423	FEEDER TEE MT, HIVOL

OUTRIGGER FOLD VALVE ASSEMBLY

DET. QTY PART NO. DESCRIPTION

1	5	473821	#10 INT TOOTH WASHER
2	1	610447	HYD FILTER, INLINE 1/4FNPT 90M
3	1	610459	90M FILTER & GASKET FOR 610447
4	1	610462	GASKET FOR 610447 ARROW FILT
5	1	610417	HYD CTRL VALVE
6	2	610574	VALVE SECTION ASSY FOR 610569
7	5	610575	SOLENOID COIL ASSY FOR 610569
8	5	610576	SOLENOID CASE FOR 610569
9	5	610577	SOLENOID CASE NUT FOR 610569
10	4	610578	SECTION O-RING FOR 610569
11	1	618011	9/16MJIC-3/8MNPT ADPTR
12	5	618119	9/16MJIC-90-9/16MOR LBO
13	1	618562	9/16MOR-90-1/4MNPT LBO
14	5	910027	10-32 HEX NUT
15	4	470118	1/4UNC X 3/4 FLANGE HEX BOLT
16	4	470121	1/4UNC HEX FLANGE LOCK NUT
17	1	618608	9/16FJIC SWIV-1/4MNPT
18	1	618646	HYD QUICK CPLR, MALE .375NPS
19	1	618645	HYD QUICK CPLR, FEMALE .375NPS
20	1	618462	3/4MJIC-3/8MNPT ADPTR
21	1	618647	RUBBER DUST PLUG FOR 618647
22	1	618648	RUBBER DUST CAP FOR 618646
23	1	438617	OUTRGR FOLD VLV MT WLD, 2100C
24	4	900265	1/2UNC X 1 1/2 HEX BOLT
25	4	914008	1/2UNC HEX STOVER NUT
26	1	438324	75IN OUTRGR BRACE CLAMP

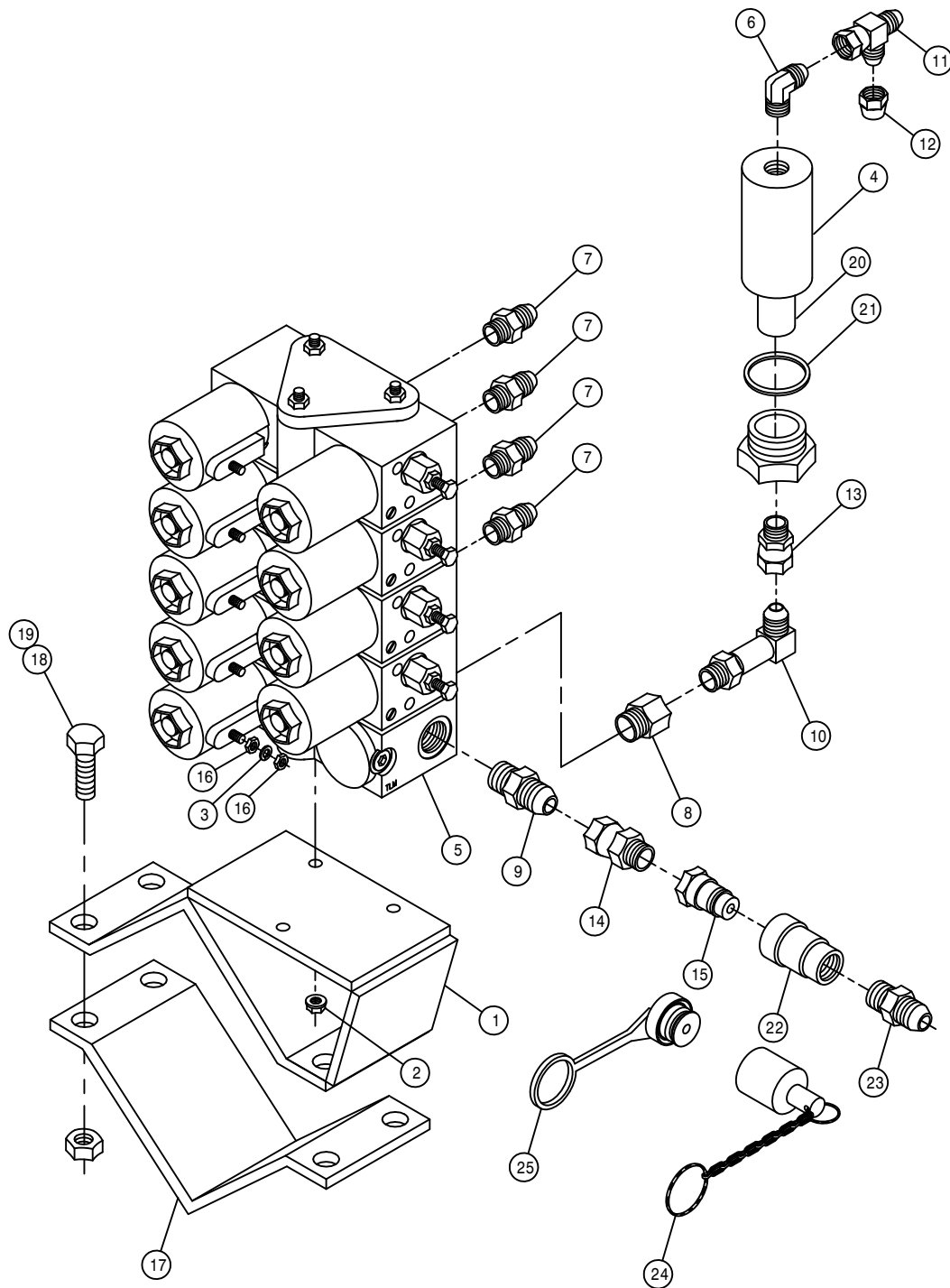




COMBO 3-SECTION ELECTRIC VALVE ASSEMBLY

DET. QTY PART NO. DESCRIPTION

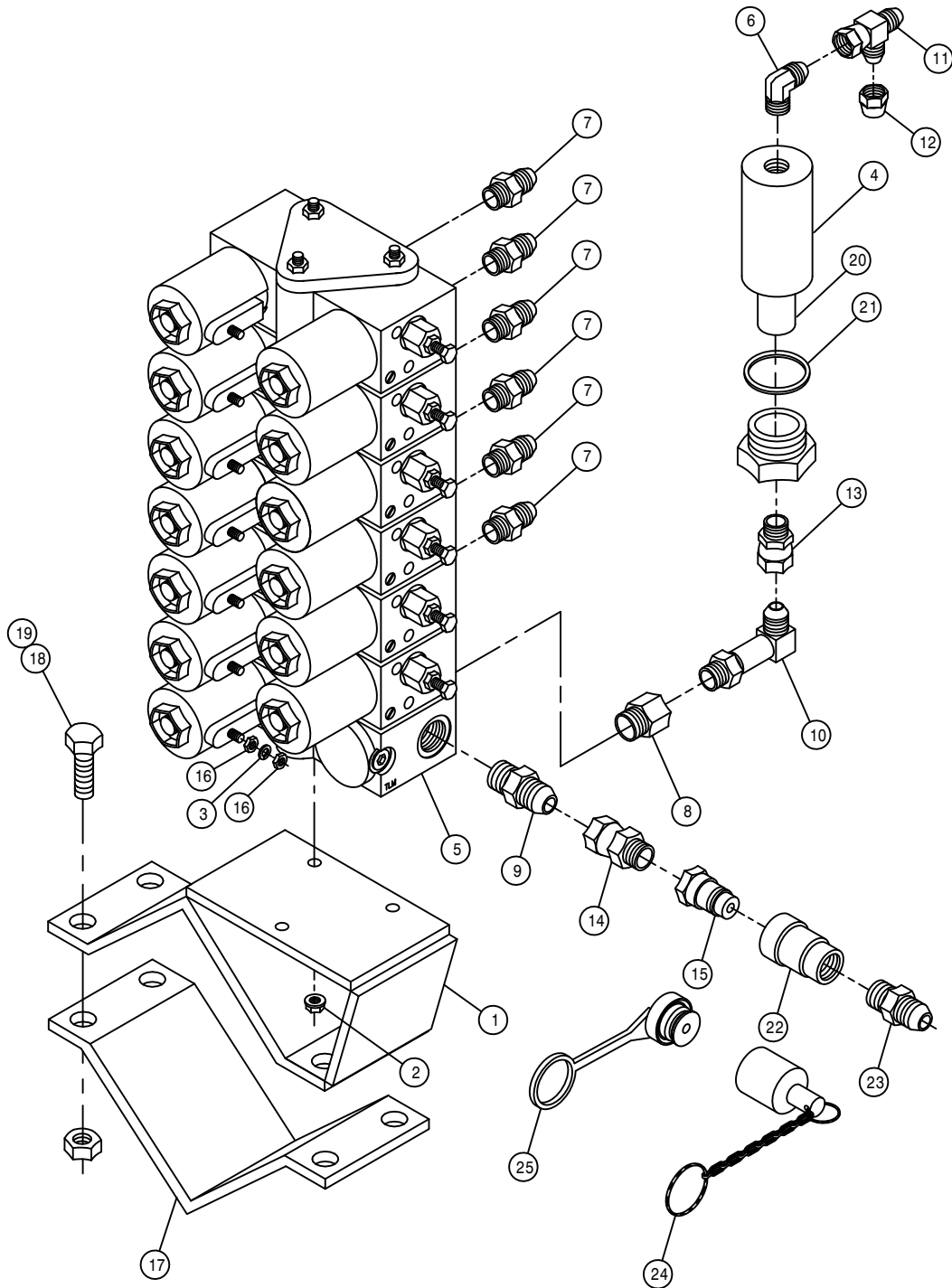
1	1	438614	ELECT VLV MT WLD, 2100 COMBO
2	3	470121	1/4UNC HEX FLANGE LOCK NUT
3	7	473821	#10 INT TOOTH WASHER
4	1	610447	HYD FILTER, INLINE 1/4FNPT 90M
5	1	610532	ELECT HYD STACK VLV, 3 SECT
6	1	611122	9/16MJIC-90-1/4MNPT LBO
7	3	618126	9/16MJIC-9/16MOR ADPTR
8	1	618170	3/4MOR-9/16FOR ADPTR
9	1	618327	3/4MJIC-7/8MOR ADPTR
10	1	618440	9/16MJIC-90-9/16MOR EX LG LBO
11	1	618486	9/16FJIC SW RUN TEE-9/16MJIC
12	1	618531	9/16FJIC CAP NUT
13	1	618608	9/16FJIC SWIV-1/4MNPT
14	1	618615	3/4FJIC-SWIV-3/8MNPT
15	1	618646	HYD QUICK CPLR, MALE .375NPS
16	14	910027	10-32 HEX NUT
17	1	438324	75IN OUTRGR BRACE CLAMP
18	4	900265	1/2UNC X 1 1/2 HEX BOLT
19	4	914008	1/2UNC HEX STOVER NUT
20	1	610462	GASKET FOR 610447 ARROW FILT
21	1	610459	90M FILTER & GASKET FOR610447
22	1	618645	HYD QUICK CPLR,FEMALE .375NPS
23	1	618462	3/4MJIC-3/8MNPT ADPTR
24	1	618648	RUBBER DUST CAP FOR 618646
25	1	618647	RUBBER DUST PLUG FOR 618645



COMBO 4-SECTION ELECTRIC VALVE ASSEMBLY

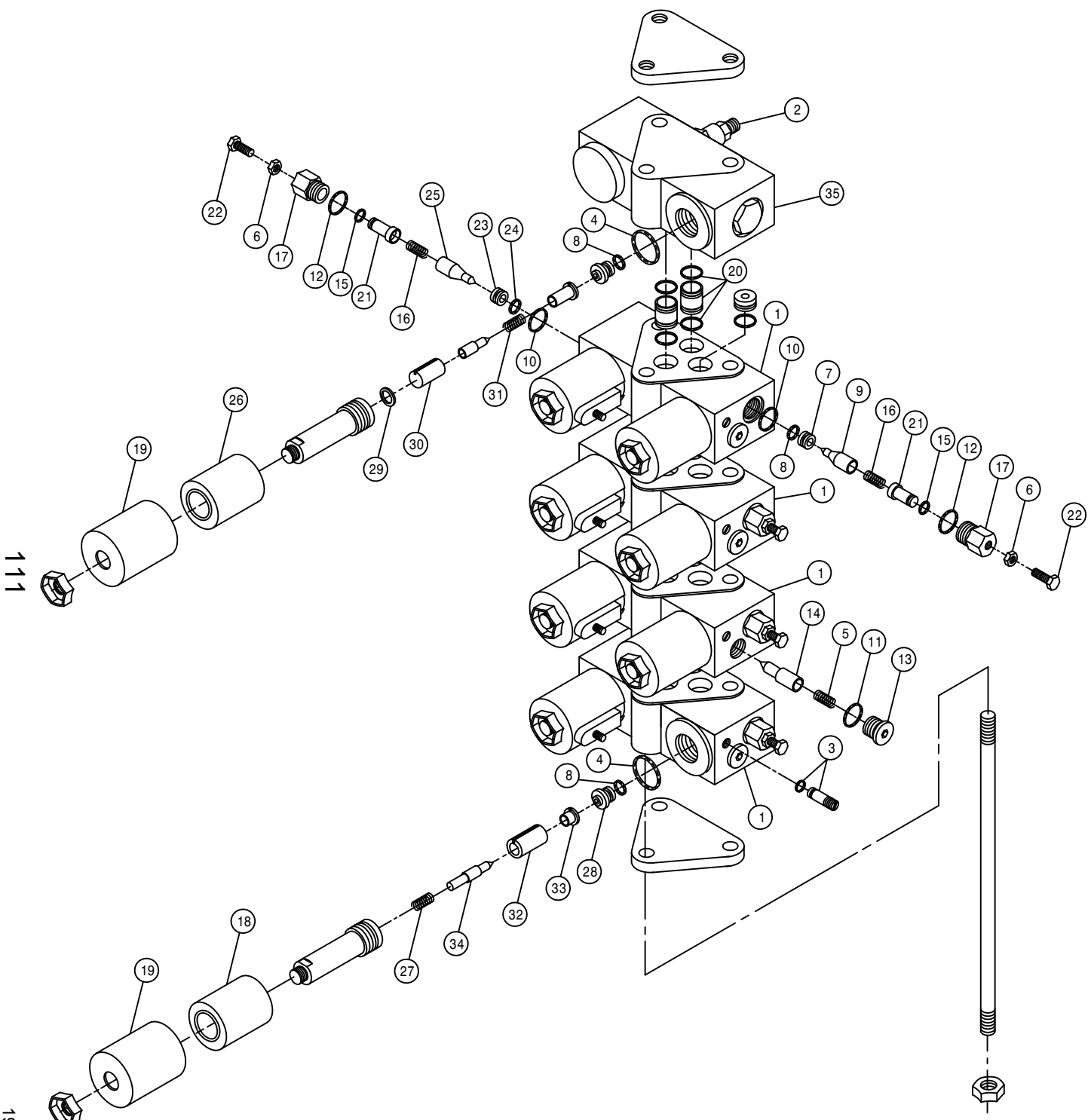
DET. QTY PART NO. DESCRIPTION

DET.	QTY	PART NO.	DESCRIPTION
1	1	438614	ELECT VLV MT WLD, 2100 COMBO
2	3	470121	1/4UNC HEX FLANGE LOCK NUT
3	9	473821	#10 INT TOOTH WASHER
4	1	610447	HYD FILTER, INLINE 1/4FNPT 90M
5	1	610613	ELECT HYD STACT VLV, 4 SECT
6	1	611122	9/16MJIC-90-1/4MNPT LBO
7	4	618126	9/16MJIC-9/16MOR ADPTR
8	1	618170	3/4MOR-9/16FOR ADPTR
9	1	618327	3/4MJIC-7/8MOR ADPTR
10	1	618440	9/16MJIC-90-9/16MOR EX LG LBO
11	1	618486	9/16FJIC SW RUN TEE-9/16MJIC
12	1	618531	9/16FJIC CAP NUT
13	1	618608	9/16FJIC SWIV-1/4MNPT
14	1	618615	3/4FJIC-SWIV-3/8MNPT
15	1	618646	HYD QUICK CPLR, MALE .375NPS
16	18	910027	10-32 HEX NUT
17	1	438324	75IN OUTRGR BRACE CLAMP
18	4	900265	1/2UNC X 1 1/2 HEX BOLT
19	4	914008	1/2UNC HEX STOVER NUT
20	1	610462	GASKET FOR 610447 ARROW FILT
21	1	610459	90M FILTER & GASKET FOR610447
22	1	618645	HYD QUICK CPLR, FEMALE .375NPS
23	1	618462	3/4MJIC-3/8MNPT ADPTR
24	1	618648	RUBBER DUST CAP FOR 618646
25	1	618647	RUBBER DUST PLUG FOR 618645



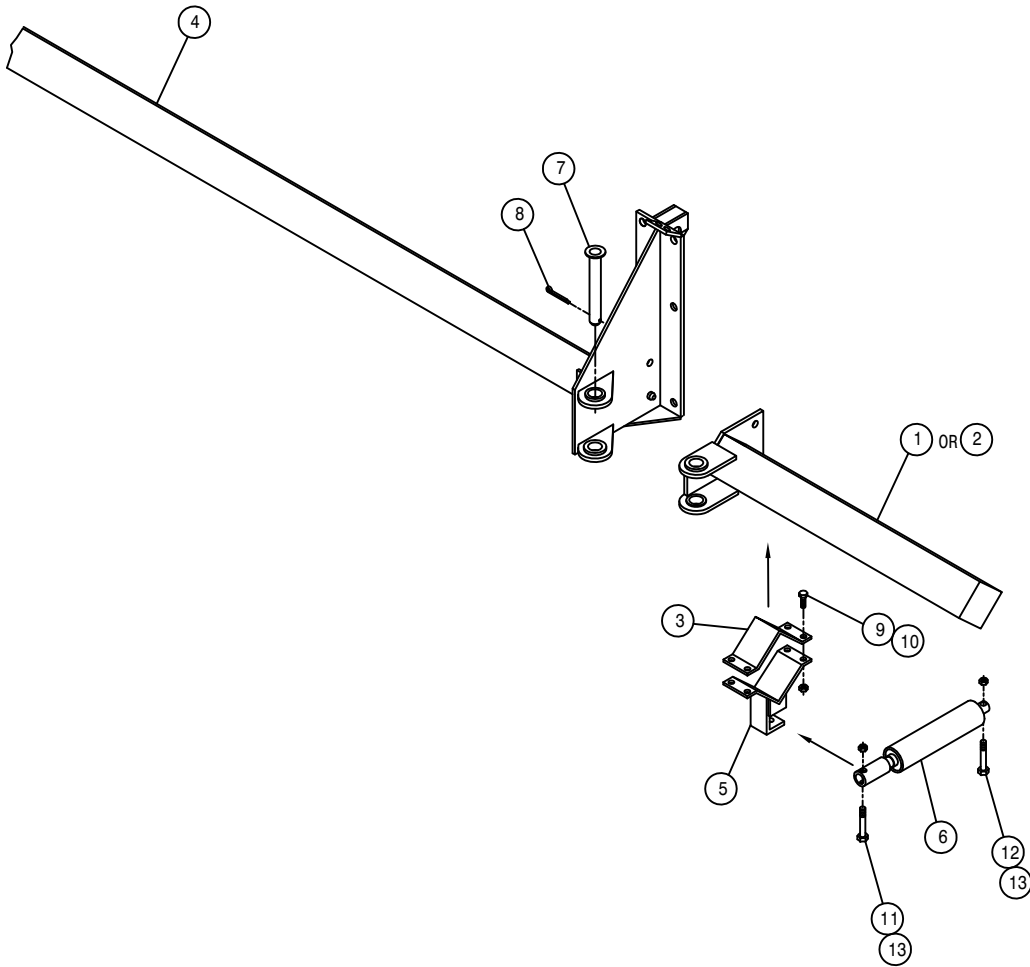
COMBO 6-SECTION ELECTRIC VALVE ASSEMBLY

DET.	QTY	PART NO.	DESCRIPTION
1	1	438614	ELECT VLV MT WLD, 2100 COMBO
2	3	470121	1/4UNC HEX FLANGE LOCK NUT
3	13	473821	#10 INT TOOTH WASHER
4	1	610447	HYD FILTER, INLINE 1/4FNPT 90M
5	1	610615	ELECT HYD STACT VLV, 6 SECT
6	1	611122	9/16MJIC-90-1/4MNPT LBO
7	6	618126	9/16MJIC-9/16MOR ADPTR
8	1	618170	3/4MOR-9/16FOR ADPTR
9	1	618327	3/4MJIC-7/8MOR ADPTR
10	1	618440	9/16MJIC-90-9/16MOR EX LG LBO
11	1	618486	9/16FJIC SW RUN TEE-9/16MJIC
12	1	618531	9/16FJIC CAP NUT
13	1	618608	9/16FJIC SWIV-1/4MNPT
14	1	618615	3/4FJIC-SWIV-3/8MNPT
15	1	618646	HYD QUICK CPLR, MALE .375NPS
16	26	910027	10-32 HEX NUT
17	1	438324	75IN OUTRGR BRACE CLAMP
18	4	900265	1/2UNC X 1 1/2 HEX BOLT
19	4	914008	1/2UNC HEX STOVER NUT
20	1	610462	GASKET FOR 610447 ARROW FILT
21	1	610459	90M FILTER & GASKET FOR610447
22	1	618645	HYD QUICK CPLR, FEMALE .375NPS
23	1	618462	3/4MJIC-3/8MNPT ADPTR
24	1	618648	RUBBER DUST CAP FOR 618646
25	1	618647	RUBBER DUST PLUG FOR 618645



ELECTROHYDRAULIC VALVE

DET.	QTY	PART NO.	DESCRIPTION	
1	4	610533	UNBALANCED LOAD VALVE	89
2	1	610551	R.V. CARTRIDGE FOR 610532	90
3	8	610267	SEAL PLUG ASSY FOR 610257	
4	9	871019	ORING, 13/16 X 15/16 NEO 90D	
5	4	610491	SPRING AM-501-3-035 FOR610485	
6	8	910000	1/4UNC HEX NUT	
7	4	610488	ORIFICE PRESSED IN BLACK	
8	13	871010	ORING 1/4 X 3/8 VITON 90D	
9	4	610129	POPPET,ELECT VALVE,UNBAL LOAD	
10	8	870013	ORING, 7/16 X 9/16 NEO 70D	
11	4	871904	ORING, .351 X .072CS NEO 90D	
12	8	871906	ORING, .468ID X .078CS NEO 90D	
13	4	610130	PLUG, SAE4,ELECT VALVE,UNBAL	
14	4	610489	CHECK VLV POPPET	
15	8	871008	O-RING 3/16 X 5/16 90D	
16	8	610492	SPRING AM-570-3-126 FOR610485	
17	8	610453	VLV CAP	
18	8	610493	COIL FOR 610485	86
19	9	610113	COVER, ELECT VALVE, NON ADJ	
20	8	610534	THRU TUBE ASSY ELEC VLV	89
21	8	610452	ADJ VLV STOP	
22	8	900003	1/4UNC X 1" HEX BOLT	
23	4	610494	ORIFICE FOR 610485	
24	4	871056	O-RING	90D
25	4	610495	POPPET FOR 610485AM-570-3-654	
26	1	610076	COIL, ELECT STACK VALVE	
27	8	610127	SPRING,ELECT VALVE,UNBAL LOAD	
28	8	610108	ORIFICE 040, ELECT VALVE	
29	1	610084	WASHER, ELECT-HYD VALVE	
30	1	610112	ARMATURE, ELECT VALVE	
31	1	610110	SPRING, ELECT VALVE, NON ADJ	
32	8	610126	ARMATURE, ELECT VALVE, UNBAL	
33	8	610133	POLE PIECE,ELECT VALVE, UNBAL	
34	8	610490	POPPET FOR 610485AM-501-3-033	
35	1	610679	UNLOAD RELIEF VALVE	



6-ROW 3-LIFT COMBO OUTRIGGER ASSEMBLY

DET. QTY PART NO. DESCRIPTION

1	1	438277	RH 32IN OUTGR WLD8200-850086
2	1	438282	LH 32IN OUTGR WLD8200-850086
3	2	438324	75IN OUTGR BRACE CLAMP
4	1	438605	TOOL BAR WLD, 2100 COMBO
5	2	438610	OUTGR CYL MT WLD, 2100 COMBO
6	2	620698	OUTGR FOLD CYL ASSY W/FTGS 99
7	2	438283	OUTGR PIVOT PIN WLD 8200 86
8	2	470117	COTTER PIN 3/16 1 3/4 SQ CUT
9	8	900265	1/2UNC X 1 1/2 HEX BOLT
10	8	914008	1/2UNC HEX STOVER NUT
11	2	900338	5/8UNC X 3" HEX BOLT
12	2	900343	5/8UNC X 4 1/2 HEX BOLT
13	4	914010	5/8UNC HEX STOVER NUT

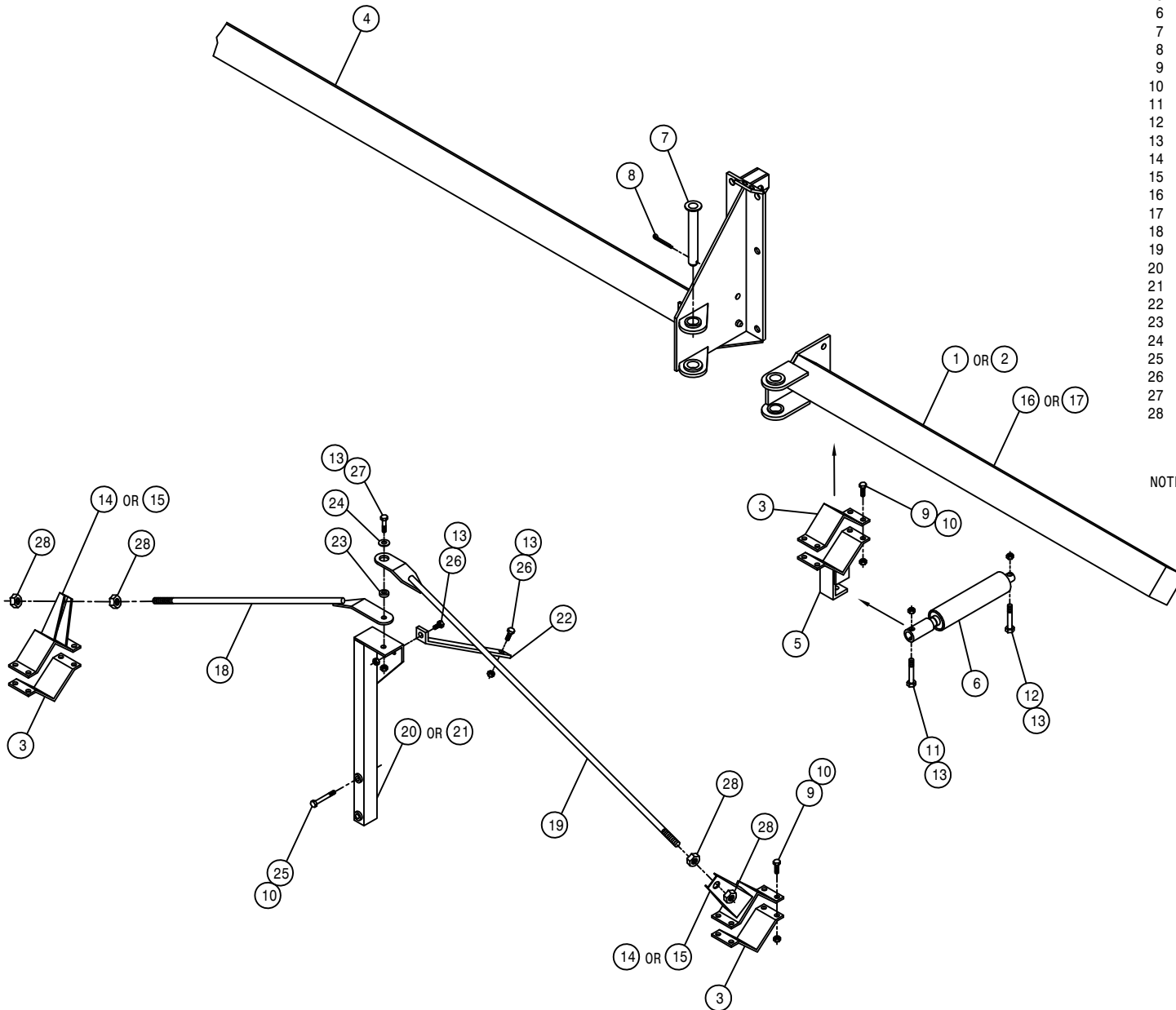
NOTE: QUANTITY LISTED IS FOR ONE MACHINE.

8-10 ROW 4-LIFT COMBO OUTRIGGER ASSEMBLY

DET. QTY PART NO. DESCRIPTION

DET.	QTY	PART NO.	DESCRIPTION
1	1	438307	RH 75IN OUTGR WLD8200-850086
2	1	438309	LH 75IN OUTGR WLD8200-850086
3	4	438324	75IN OUTGR BRACE CLAMP
4	1	438605	TOOL BAR WLD, 2100 COMBO
5	2	438610	OUTGR CYL MT WLD, 2100 COMBO
6	2	620698	OUTGR FOLD CYL ASSY W/FTGS 99
7	2	438283	OUTGR PIVOT PIN WLD 8200 86
8	2	470117	COTTER PIN 3/16 1 3/4 SQ CUT
9	24	900265	1/2UNC X 1 1/2 HEX BOLT
10	28	914008	1/2UNC HEX STOVER NUT
11	2	900338	5/8UNC X 3" HEX BOLT
12	2	900343	5/8UNC X 4 1/2 HEX BOLT
13	10	914010	5/8UNC HEX STOVER NUT
14	2	438362	RH OUTGR CLAMP WLD 200 89
15	2	438363	LH OUTGR CLAMP WLD 200 89
16	1	438458	RH 101IN OUTGR WLD 10-12R 92
17	1	438459	LH 101IN OUTGR WLD 10-12R 92
18	2	438664	OUTGR TIE BAR WLD 72"2100/STS
19	2	438544	OUTGR SUPP ROD WLD 50"10/12R
20	1	438595	RH OUTGR SUPP POST WLD284C 97
21	1	438596	LH OUTGR SUPP POST WLD284C 97
22	2	438609	OUTGR SUPP BRACE, 2100 COMBO
23	2	438541	BUSH, 1.00 OD X .656ID X .53
24	2	483037	5/8 REGULAR FLAT WASHER
25	4	900271	1/2UNC X 3 1/4 HEX BOLT
26	4	900333	5/8UNC X 1 1/2 HEX BOLT
27	2	900352	5/8UNC X 2 1/4 HEX BOLT
28	8	910012	3/4UNC HEX NUT

NOTE: QUANTITY LISTED IS FOR ONE MACHINE.

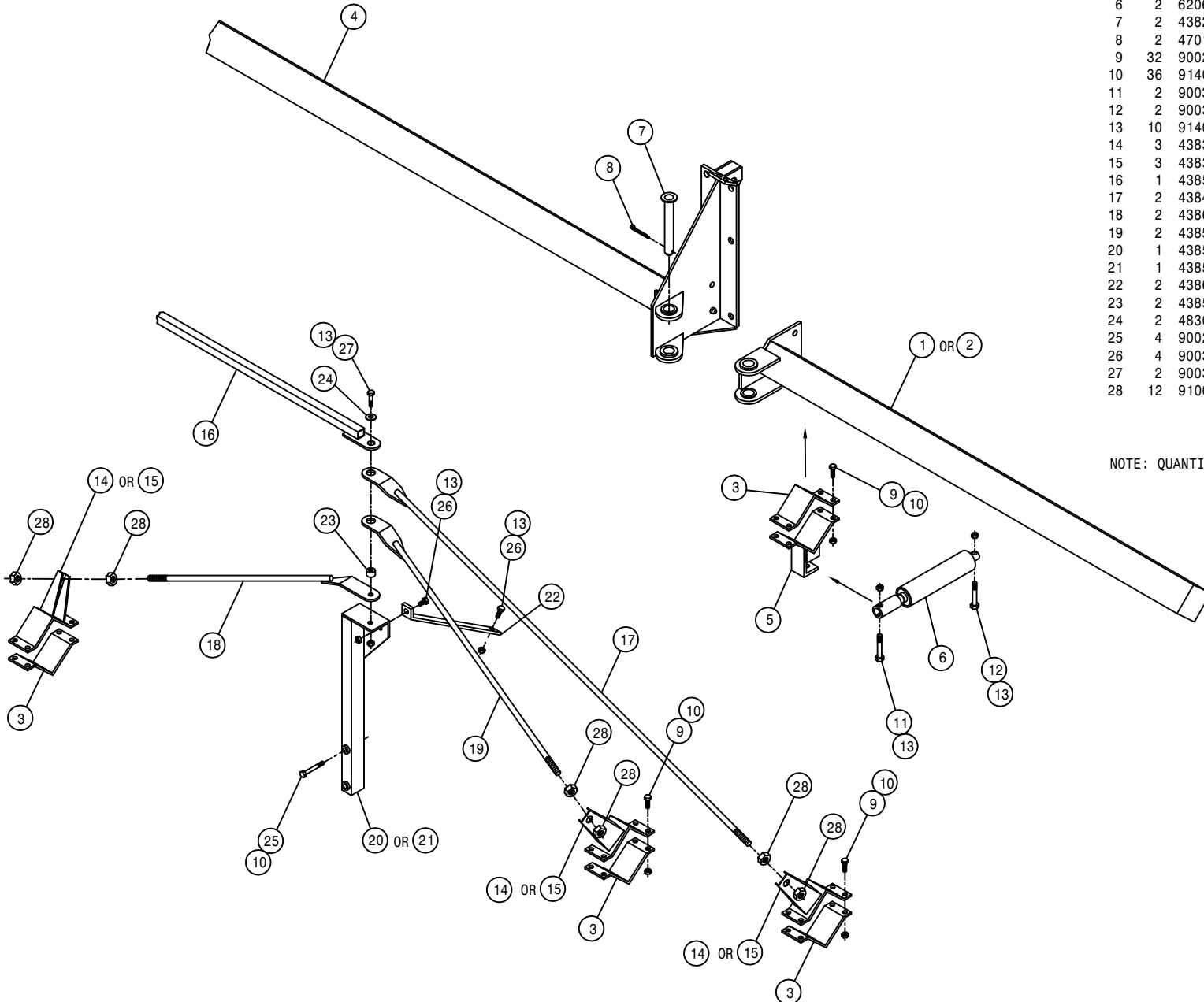


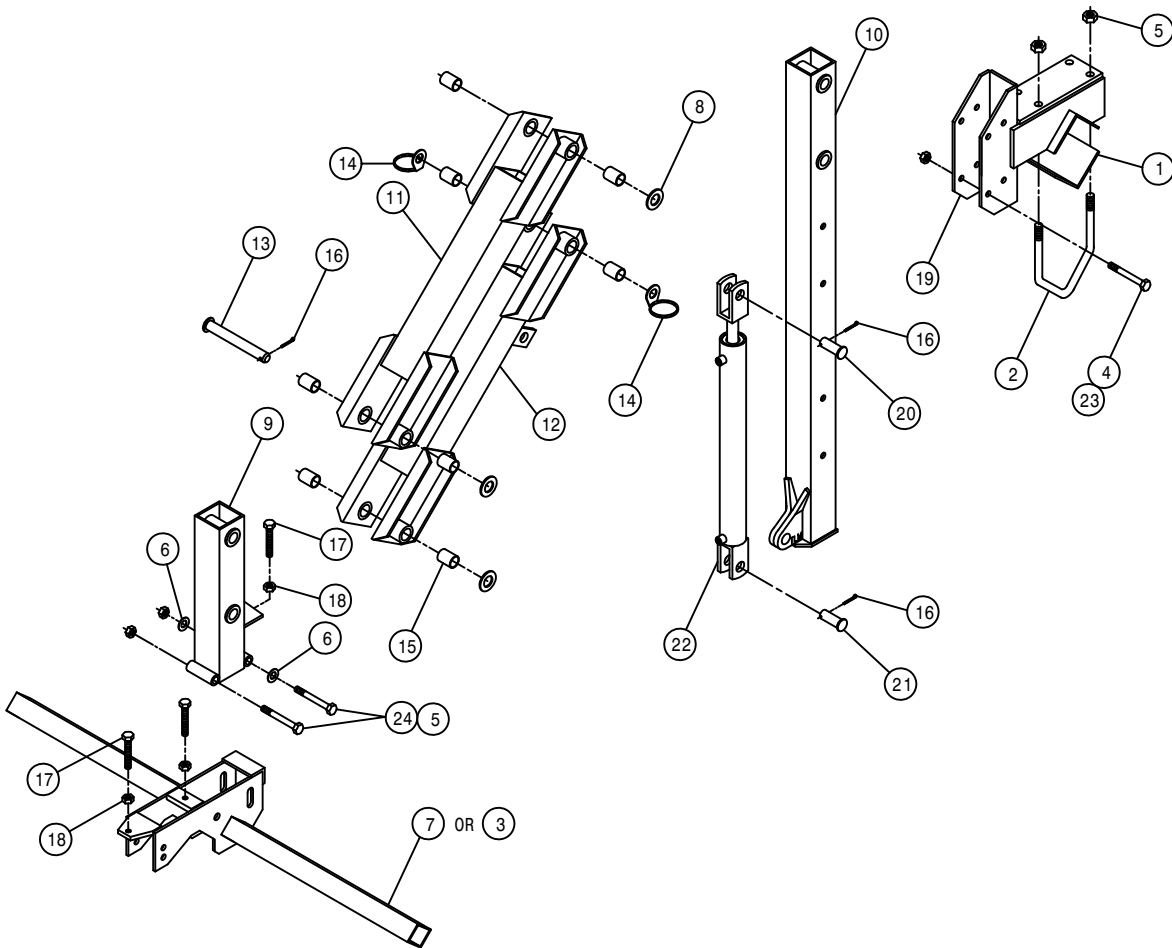
12 ROW 6-LIFT COMBO OUTRIGGER ASSEMBLY

DET. QTY PART NO. DESCRIPTION

1	1	438533	RH 133" OUTRGR WLD, 10/12R 96
2	1	438534	LH 133" OUTRGR WLD, 10/12R 96
3	8	438324	75IN OUTRGR BRACE CLAMP
4	1	438605	TOOL BAR WLD, 2100 COMBO
5	2	438610	OUTRGR CYL MT WLD, 2100 COMBO
6	2	620698	OUTRGR FOLD CYL ASSY W/FTGS 99
7	2	438283	OUTRGR PIVOT PIN WLD 8200 86
8	2	470117	COTTER PIN 3/16 1 3/4 SQ CUT
9	32	900265	1/2UNC X 1 1/2 HEX BOLT
10	36	914008	1/2UNC HEX STOVER NUT
11	2	900338	5/8UNC X 3" HEX BOLT
12	2	900343	5/8UNC X 4 1/2 HEX BOLT
13	10	914010	5/8UNC HEX STOVER NUT
14	3	438362	RH OUTRGR CLAMP WLD 200 89
15	3	438363	LH OUTRGR CLAMP WLD 200 89
16	1	438599	OUTRGR TIE TUBE WLD,284C 97
17	2	438471	OUTRGR SUPP ROD WLD 10-12R
18	2	438664	OUTRGR TIE BAR WLD 72"2100/STS
19	2	438544	OUTRGR SUPP ROD WLD 50"10/12R
20	1	438595	RH OUTRGR SUPP POST WLD284C 97
21	1	438596	LH OUTRGR SUPP POST WLD284C 97
22	2	438609	OUTRGR SUPP BRACE, 2100 COMBO
23	2	438541	BUSH, 1.00 OD X .656ID X .53
24	2	483037	5/8 REGULAR FLAT WASHER
25	4	900271	1/2UNC X 3 1/4 HEX BOLT
26	4	900333	5/8UNC X 1 1/2 HEX BOLT
27	2	900352	5/8UNC X 2 1/4 HEX BOLT
28	12	910012	3/4UNC HEX NUT

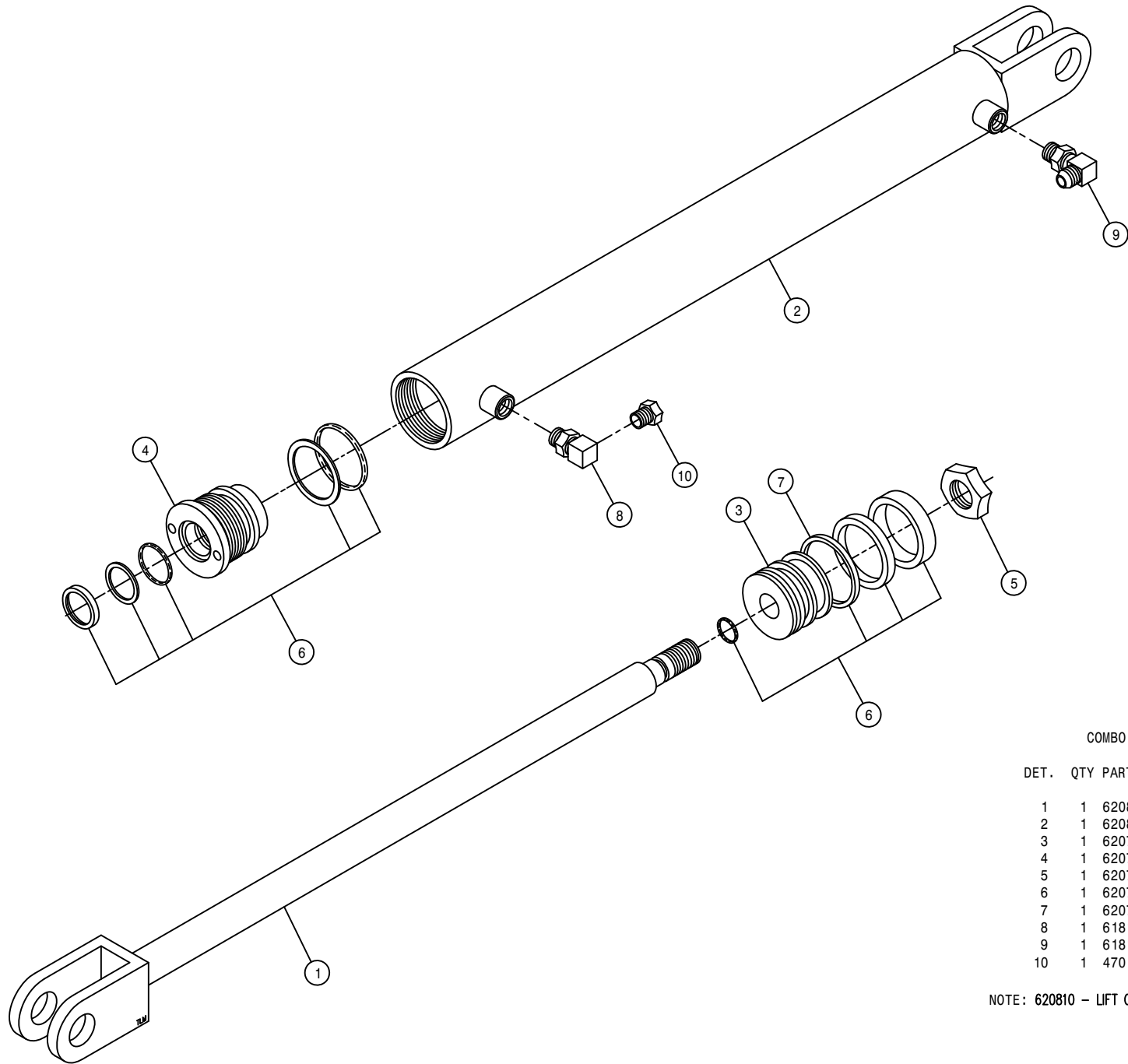
NOTE: QUANTITY LISTED IS FOR ONE MACHINE.





COMBO DETASSELER LIFT ASSEMBLY

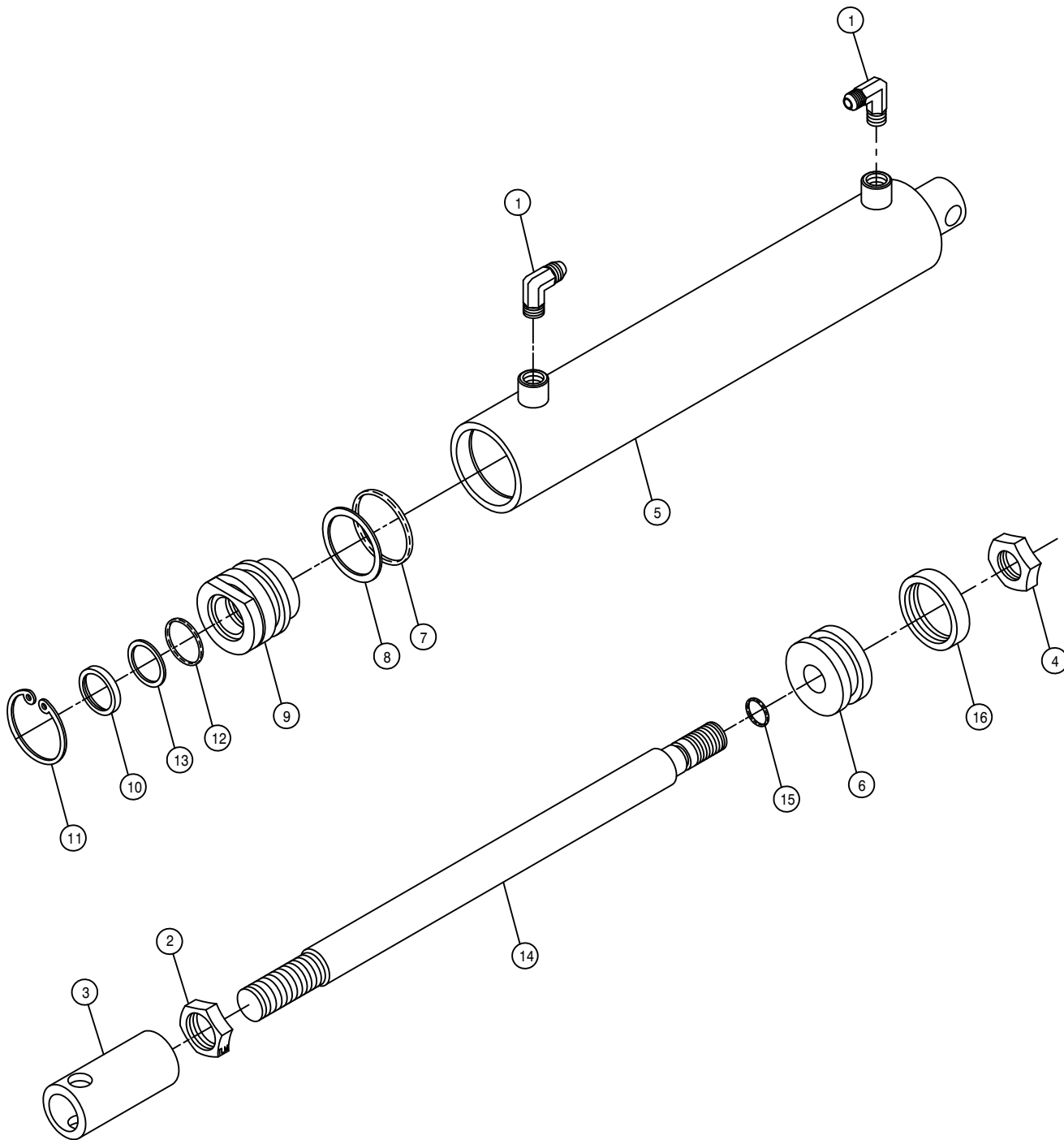
DET.	QTY	PART NO.	DESCRIPTION
1	1	438292	TOOL BAR V-PLT WLD 8200 86
2	2	438293	5/8UNC X 6 1/4 CTR U-BOLT TRI
3	1	438478	TOOL BAR WLD 10-12R DETASSLR
4	4	914008	1/2UNC HEX STOVER NUT
5	6	914010	5/8UNC HEX STOVER NUT
6	2	920005	5/8 SAE FLAT WASHER
7	1	438194	TOOL BAR WLD DETAS 4-6R 83
8	3	920008	1" SAE FLAT WASHER
9	1	438177	TOOL BAR MT WLD DETAS 83
10	1	438184	HOIST COL WLD DETAS LIFT 83
11	1	438294	UPPER LIFT ARM WLD 8200 86
12	1	438297	LWR LIFT ARM WLD 8200 86
13	4	438300	LIFT ARM PIVOT PIN WLD8200 86
14	2	438302	HOSE SUPPORT RING WLD W/WASHER
15	8	121025	JOURNAL BRG FOR 1IN SHFT1.5LG
16	6	470162	COTTER PIN 3/16 X 1 1/2 SQCUT
17	2	900538	1/2UNC X 3 1/2 HEX BOLT FULL
18	2	910008	1/2UNC HEX NUT
19	1	438367	HOIST COL MT BRKT WLD 200 90
20	1	472012	CLEVIS PIN, 1.00 X 3.25 PLT
21	1	472206	PICKER PIN 1 DIA X 2 1/4
22	1	620810	LIFT CYL ASSY, DETASSELER
23	4	900275	1/2UNC X 4 1/2 HEX BOLT
24	2	900343	5/8UNC X 4 1/2 HEX BOLT



COMBO LIFT CYLINDER ASSEMBLY

DET.	QTY	PART NO.	DESCRIPTION
1	1	620813	SHAFT, LIFT CYL,DETASS 620810
2	1	620814	BARREL ,LIFT CYL,DETASS 620810
3	1	620754	PISTON, P-2.00-120
4	1	620758	HEAD, H-2.00-345
5	1	620757	NUT, N-0.75-02
6	1	620778	REPAIR KIT, RK-2.00-800
7	1	620753	STEEL PISTON RING, R-2.00-01
8	1	618116	9/16MOR-90-1/4FNPT LBO
9	1	618119	9/16MJIC-90-9/16MOR LBO
10	1	470114	BREATHER FILTER VENT, 1/4 NPT

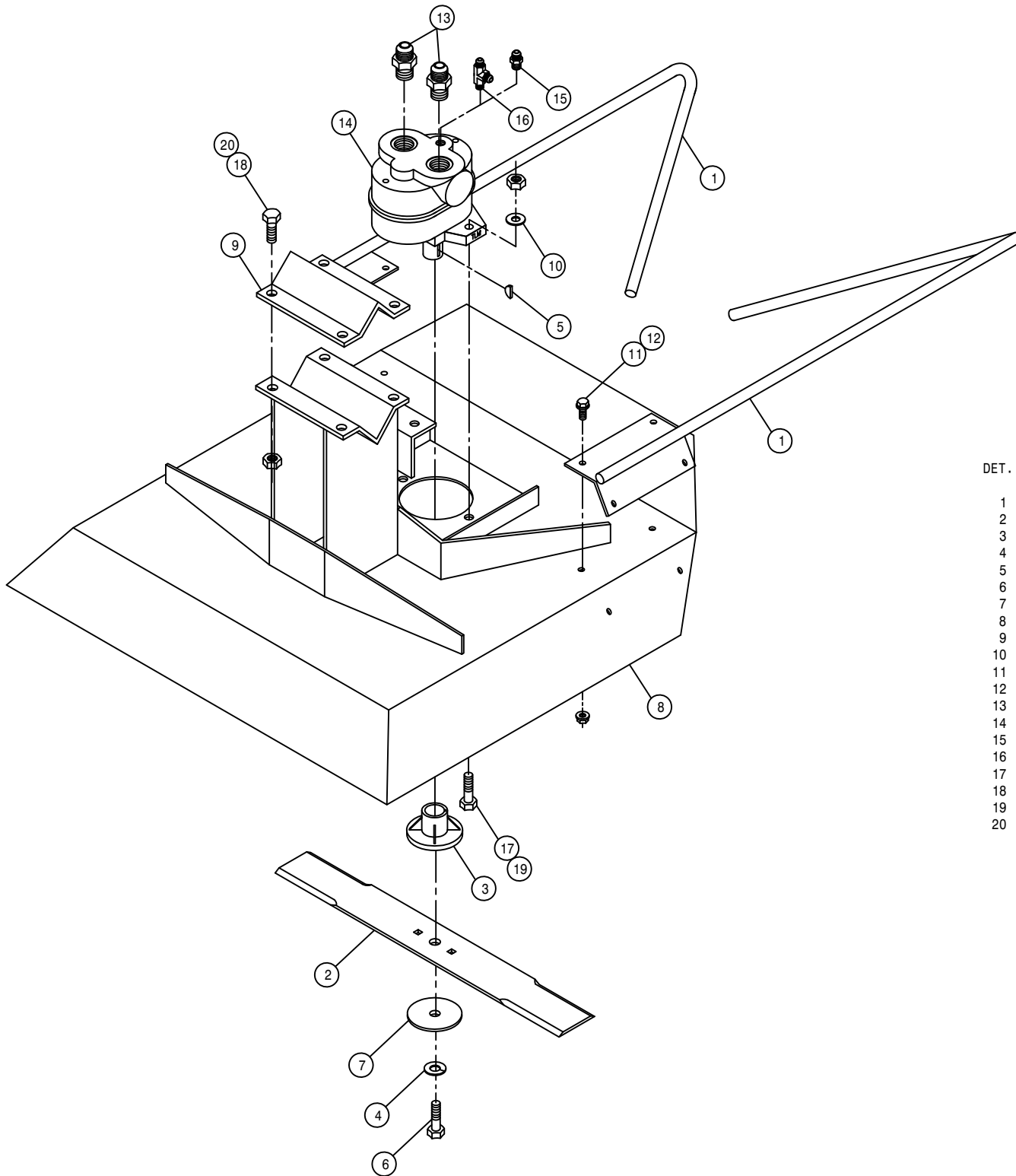
NOTE: 620810 – LIFT CYLINDER INCLUDES ITEMS 1–7.



OUTRIGGER FOLD CYLINDER ASSEMBLY

DET.	QTY	PART NO.	DESCRIPTION
	1	2	614710 RESTRICTOR ELBOW ASSY .025DIA
	1	472322	7/8UNF HEX JAM NUT
	1	620653	FOLD CYL ADJ SLEEVE 97
	1	472297	3/4UNF HEX STOVER NUT THIN
	1	620586	LEVEL CYL TUBE WLD 96
	1	620081	PISTON 2 X 1 ZAMAC ORING TYPE
	1	870326	BUNA ORING 1 5/8 X 2
	1	890326	BACKUP WASH 1 5/8 X 2 LEATH
	1	620082	GLAND 2 IN X 1 IN ZAMAC
	1	629003	WIPER 1 X 1 1/4 X 1/8
	1	629505	SNAP RING 2 IN INTRN
	1	870214	BUNA ORING 1 X 1 1/4
	1	890214	BACKUP WASH 1 X 1 1/4 HT2022
	1	620596	FOLD CYL SHAFT 96
	1	870113	BUNA ORING 9/16 X 3/4
	1	860326	CROWN SEAL, 2.00 PISTON (326)

NOTE: 1. 620652 - FOLD CLINDER ASSEMBLY
 2. 620698 - FOLD CYLINDER ASSEMBLY WITH FITTINGS
 3. 620083 - SEAL KIT



CUTTER HEAD ASSEMBLY

DET. QTY PART NO. DESCRIPTION

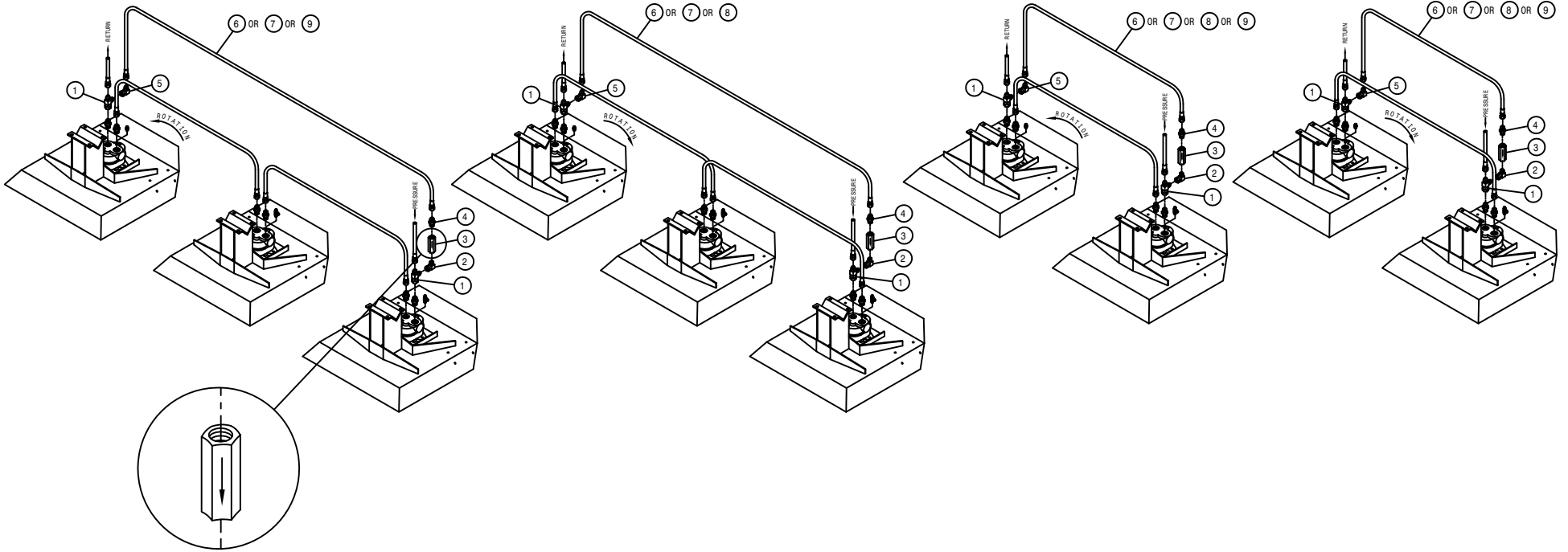
1	2	002215	CUTR STALK GUIDE WLD 8200	85
2	1	002103	CUTR BLADE 18 IN	
3	1	002104	CLUTCH BODY BLADE	
4	1	002105	STEEL LOCK WASH CUTR BLADE	
5	1	002106	WOODRUFF KEY #6 .156 X .625	
6	1	002107	3/8UNF X 1 1/2 HEX BOLT CUTR	
7	1	002108	STEEL WASHER CUTTER BLADE	
8	1	002210	CUTR TOP WLD 8200	85
9	1	410016	RLR HANGER V 473	
10	2	920002	3/8 SAE FLAT WASHER	
11	8	470118	1/4UNC X 3/4 FLANGE HEX BOLT	
12	8	470121	1/4UNC HEX FLANGE LOCK NUT	
13	2	611125	3/4MJIC-3/4MOR ADPTR	
14	1	610590	SUB>610755:BARNES HYD MOTOR	
15	1	618530	9/16MJIC-1/8MNPT ADPTR	
16	1	618546	1/8MNPT RUN TEE-9/16MJIC	
17	2	900130	3/8UNC X 1 1/4 HEX BOLT	
18	4	900265	1/2UNC X 1 1/2 HEX BOLT	
19	2	914004	3/8UNC HEX STOVER NUT	
20	4	914008	1/2UNC HEX STOVER NUT	

LEFT SIDE OF OPERATOR

RIGHT SIDE OF OPERATOR

LEFT SIDE OF OPERATOR

RIGHT SIDE OF OPERATOR

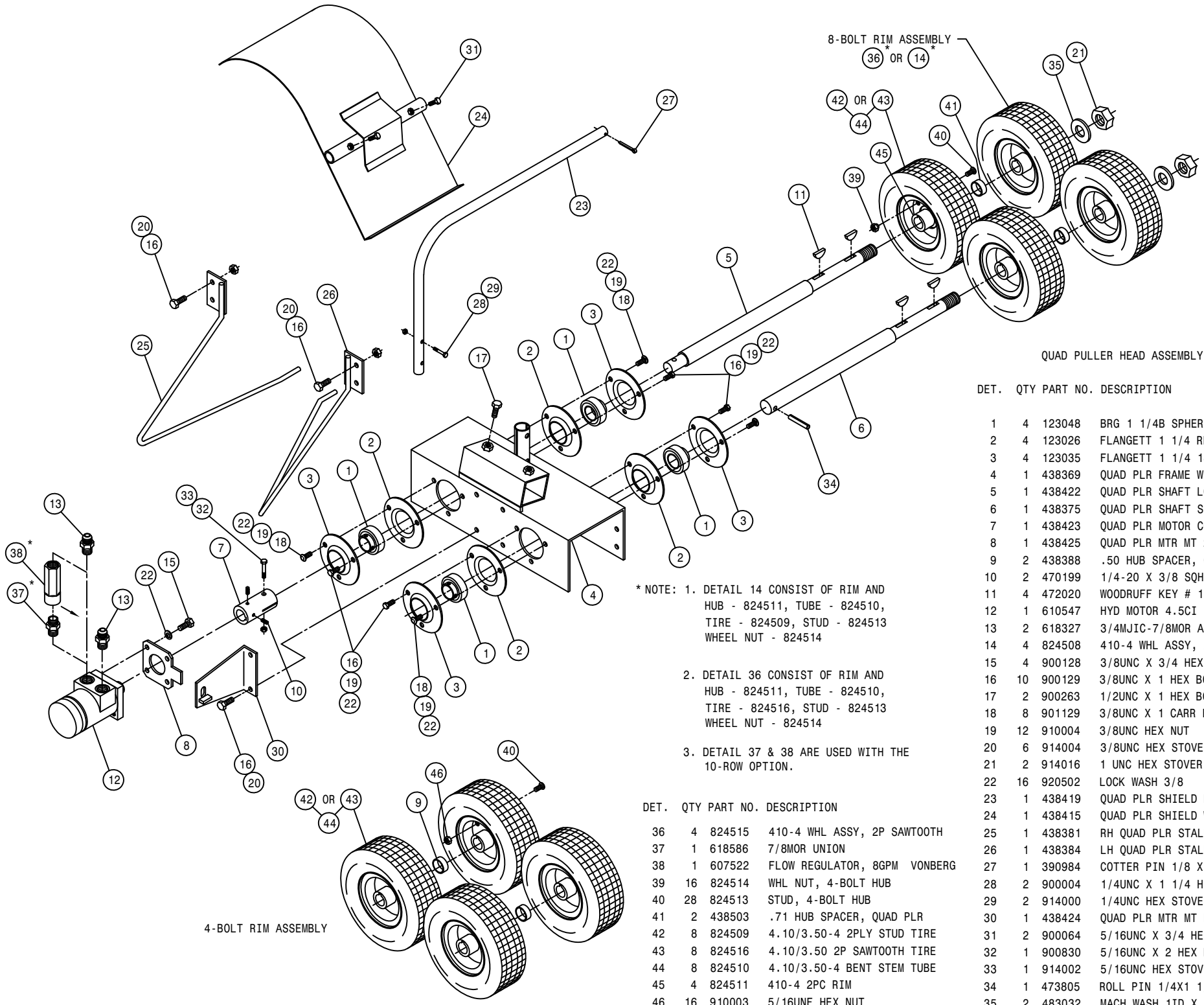


CUTTER CHECK VALVE HYDRAULIC SCHEMATIC

DET. QTY PART NO. DESCRIPTION

1	2	618451	3/4FJIC SW RUN TEE-3/4MJIC	
2	1	618620	3/4FJX-90-1/2MNPT ADPTR	
3	1	690338	LINE CHECK VALVE HYD .50NPT	
4	1	611147	3/4MJIC-1/2MNPT ADPTR	
5	1	618609	3/4MJIC-90-3/4FJIC SWIV LBO	
6	1	614375	08C1T-08FJX-08FJX-177	H/A
7	1	616057	08C1T-08FJX-08FJX-88	H/A
8	1	614368	08C1T-08FJX-08FJX-60	H/A
9	1	614384	08C1T-08FJX-08FJX-237	H/A

NOTE: LISTING IS FOR ONE GROUP OF CUTTER HEADS.



QUAD PULLER HEAD ASSEMBLY

DET.	QTY	PART NO.	DESCRIPTION
1	4	123048	BRG 1 1/4B SPHER RELUB SCRLOC
2	4	123026	FLANGETT 1 1/4 RELUBE
3	4	123035	FLANGETT 1 1/4 180 DEG ZERK
4	1	438369	QUAD PLR FRAME WLD 200 90
5	1	438422	QUAD PLR SHAFT LONG 200 91
6	1	438375	QUAD PLR SHAFT SHORT 200 90
7	1	438423	QUAD PLR MOTOR COUPLER 200 91
8	1	438425	QUAD PLR MTR MT 200 91
9	2	438388	.50 HUB SPACER, QUAD PLR
10	2	470199	1/4-20 X 3/8 SQHD CUP SET SCR
11	4	472020	WOODRUFF KEY # 18 1/4 X 1 1/8
12	1	610547	HYD MOTOR 4.5CI 1IN SHFT
13	2	618327	3/4MJIC-7/8MOR ADPTR
14	4	824508	410-4 WHL ASSY, 2P STUD
15	4	900128	3/8UNC X 3/4 HEX BOLT
16	10	900129	3/8UNC X 1 HEX BOLT
17	2	900263	1/2UNC X 1 HEX BOLT
18	8	901129	3/8UNC X 1 CARR BOLT
19	12	910004	3/8UNC HEX NUT
20	6	914004	3/8UNC HEX STOVER NUT
21	2	914016	1 UNC HEX STOVER NUT
22	16	920502	LOCK WASH 3/8
23	1	438419	QUAD PLR SHIELD MT TUBE 91
24	1	438415	QUAD PLR SHIELD WLD 200 91
25	1	438381	RH QUAD PLR STALK GUIDE WLD90
26	1	438384	LH QUAD PLR STALK GUIDE WLD90
27	1	390984	COTTER PIN 1/8 X 1 1/4
28	2	900004	1/4UNC X 1 1/4 HEX BOLT
29	2	914000	1/4UNC HEX STOVER NUT
30	1	438424	QUAD PLR MTR MT PLT WLD
31	2	900064	5/16UNC X 3/4 HEX BOLT
32	1	900830	5/16UNC X 2 HEX BOLT GR8
33	1	914002	5/16UNC HEX STOVER NUT
34	1	473805	ROLL PIN 1/4X1 1/2
35	2	483032	MACH WASH 1ID X 1.50D X.134TH

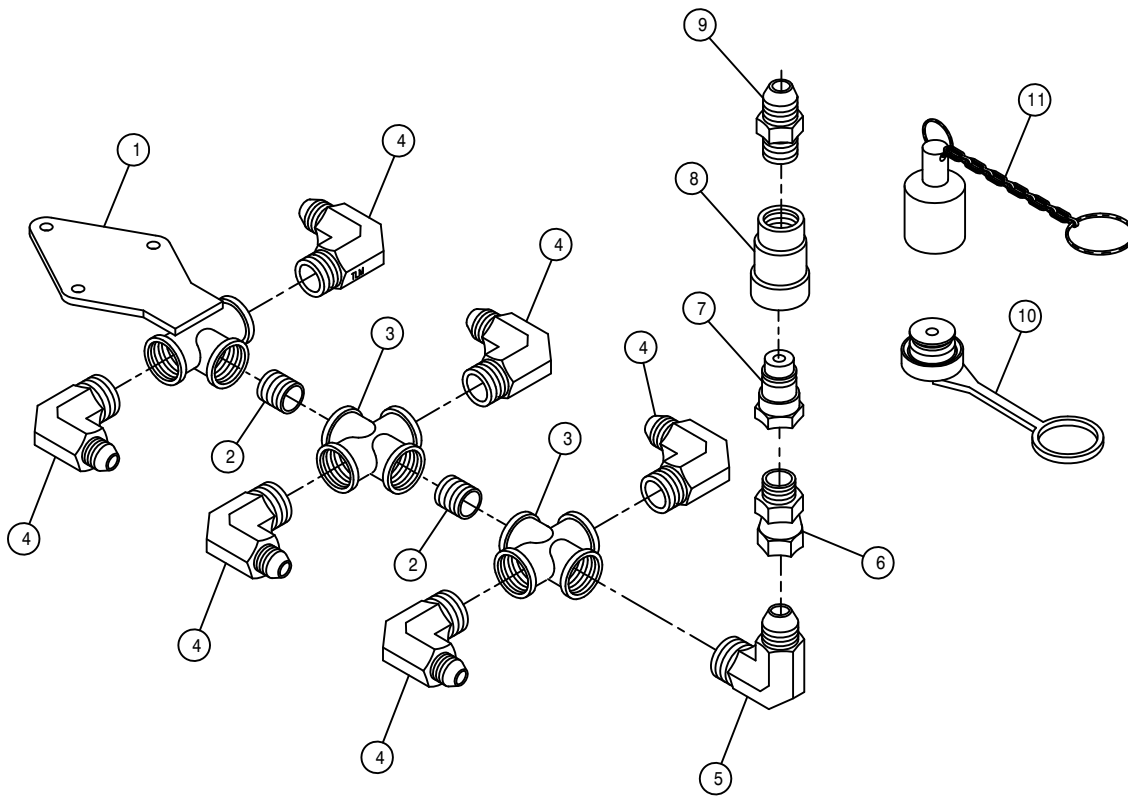
* NOTE: 1. DETAIL 14 CONSIST OF RIM AND HUB - 824511, TUBE - 824510, TIRE - 824509, STUD - 824513 WHEEL NUT - 824514

2. DETAIL 36 CONSIST OF RIM AND HUB - 824511, TUBE - 824510, TIRE - 824516, STUD - 824513 WHEEL NUT - 824514

3. DETAIL 37 & 38 ARE USED WITH THE 10-ROW OPTION.

DET.	QTY	PART NO.	DESCRIPTION
36	4	824515	410-4 WHL ASSY, 2P SAWTOOTH
37	1	618586	7/8MOR UNION
38	1	607522	FLOW REGULATOR, 8GPM VONBERG
39	16	824514	WHL NUT, 4-BOLT HUB
40	28	824513	STUD, 4-BOLT HUB
41	2	438503	.71 HUB SPACER, QUAD PLR
42	8	824509	4.10/3.50-4 2PLY STUD TIRE
43	8	824516	4.10/3.50 2P SAWTOOTH TIRE
44	8	824510	4.10/3.50-4 BENT STEM TUBE
45	4	824511	410-4 2PC RIM
46	16	910003	5/16UNF HEX NUT

4-BOLT RIM ASSEMBLY



CUTTER CASE DRAIN FITTING ASSEMBLY

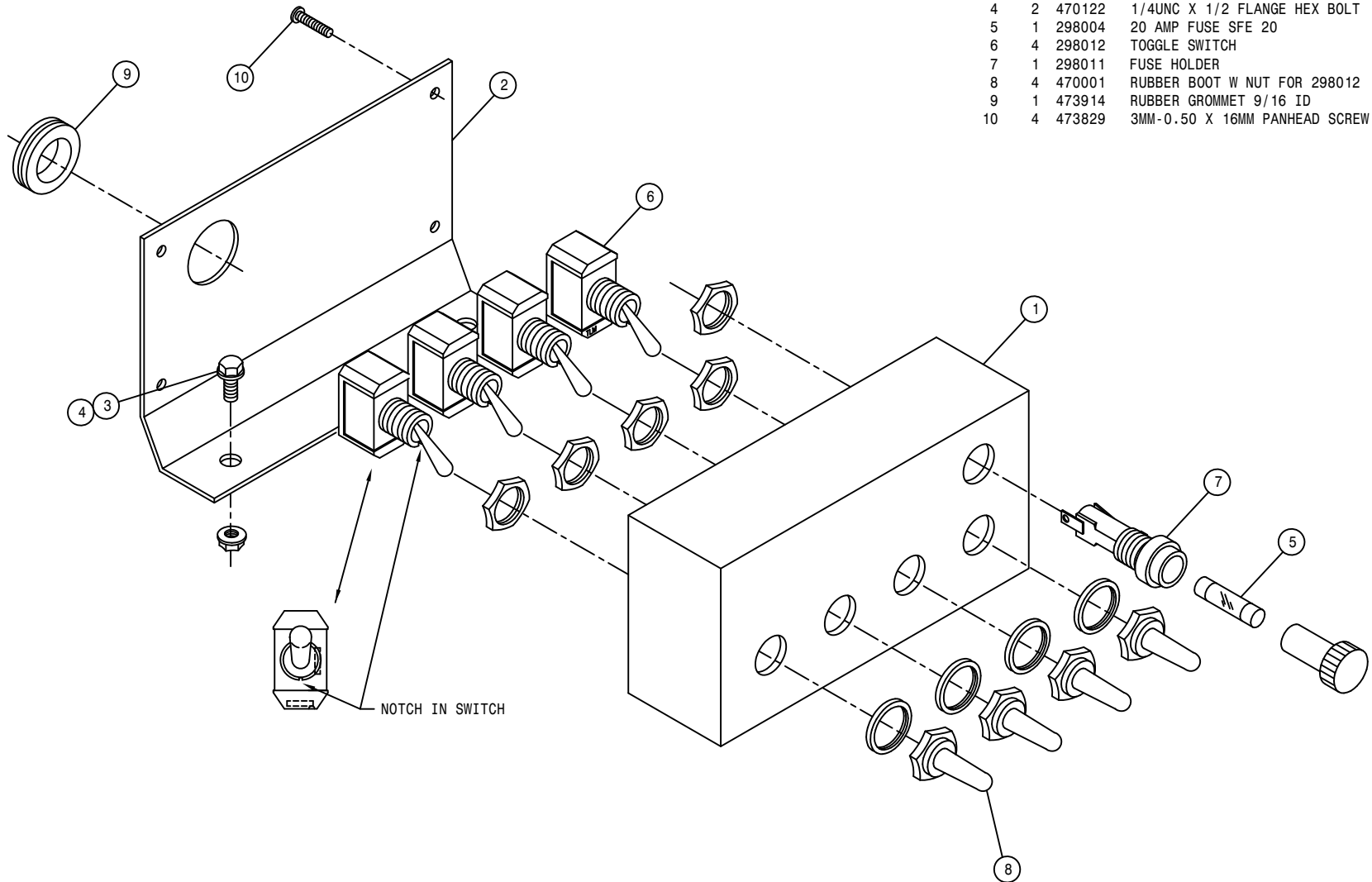
DET.	QTY	PART NO.	DESCRIPTION
	1	615746	CASE DRAIN FTG WLD
	2	503600	CLOSE NIPPLE .50NPT
	3	503824	BLK PIPE CROSS .50NPT
	4	618107	9/16MJIC-90-1/2MNPT LBO
	5	611145	3/4MJIC-90-1/2MNPT LBO
	6	618615	3/4FJIC-SWIV-3/8MNPT
	7	618646	HYD QUICK CPLR, MALE .375NPS
	8	618645	HYD QUICK CPLR, FEMALE .375NPS
	9	618462	3/4MJIC-3/8MNPT ADPTR
	10	618647	RUBBER DUST PLUG FOR 618645
	11	618648	RUBBER DUST CAP FOR 618646

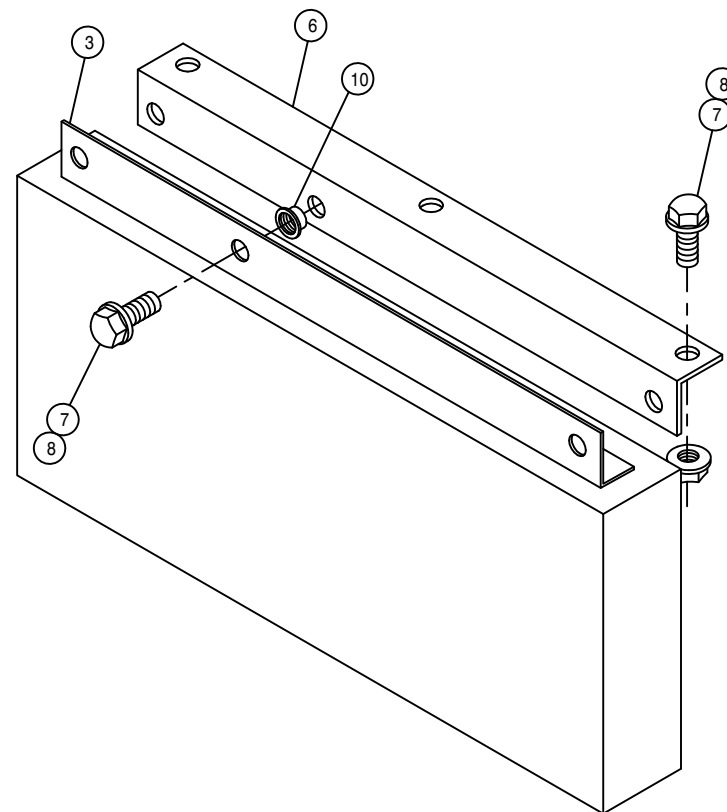
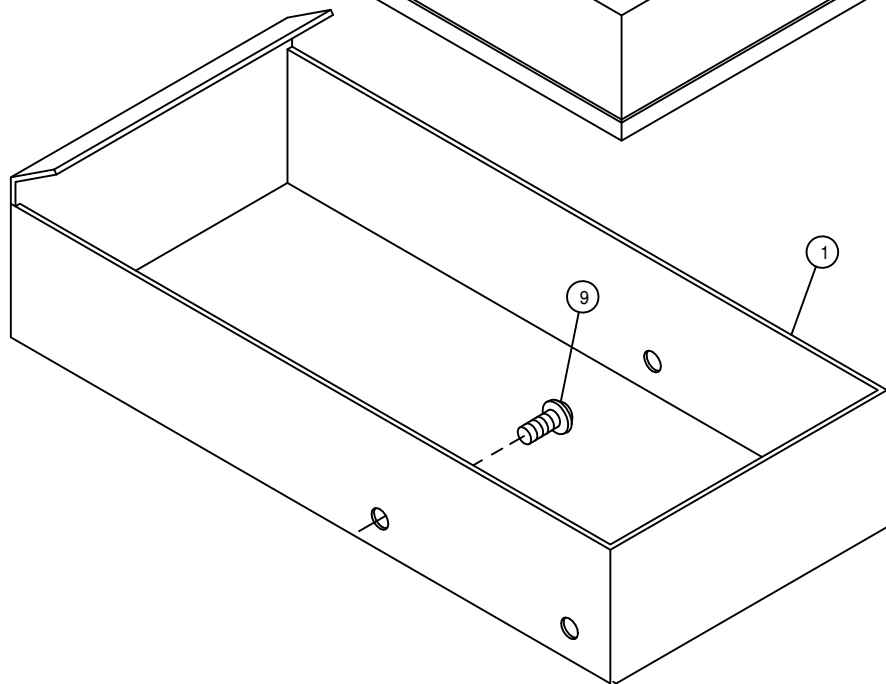
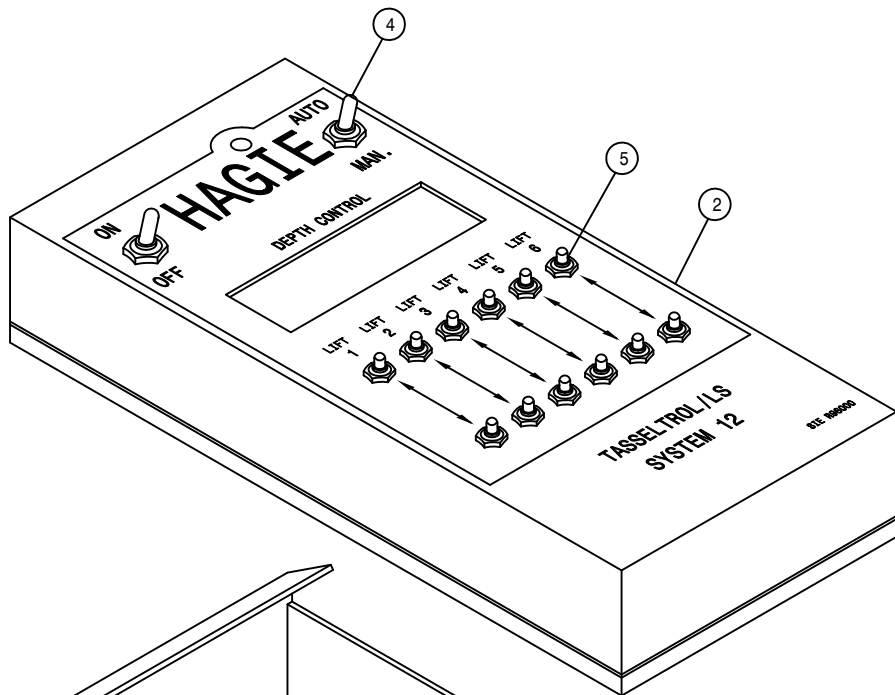
NOTES

COMBO MOTOR CONTROL VALVE SWITCH ASSEMBLY

DET. QTY PART NO. DESCRIPTION

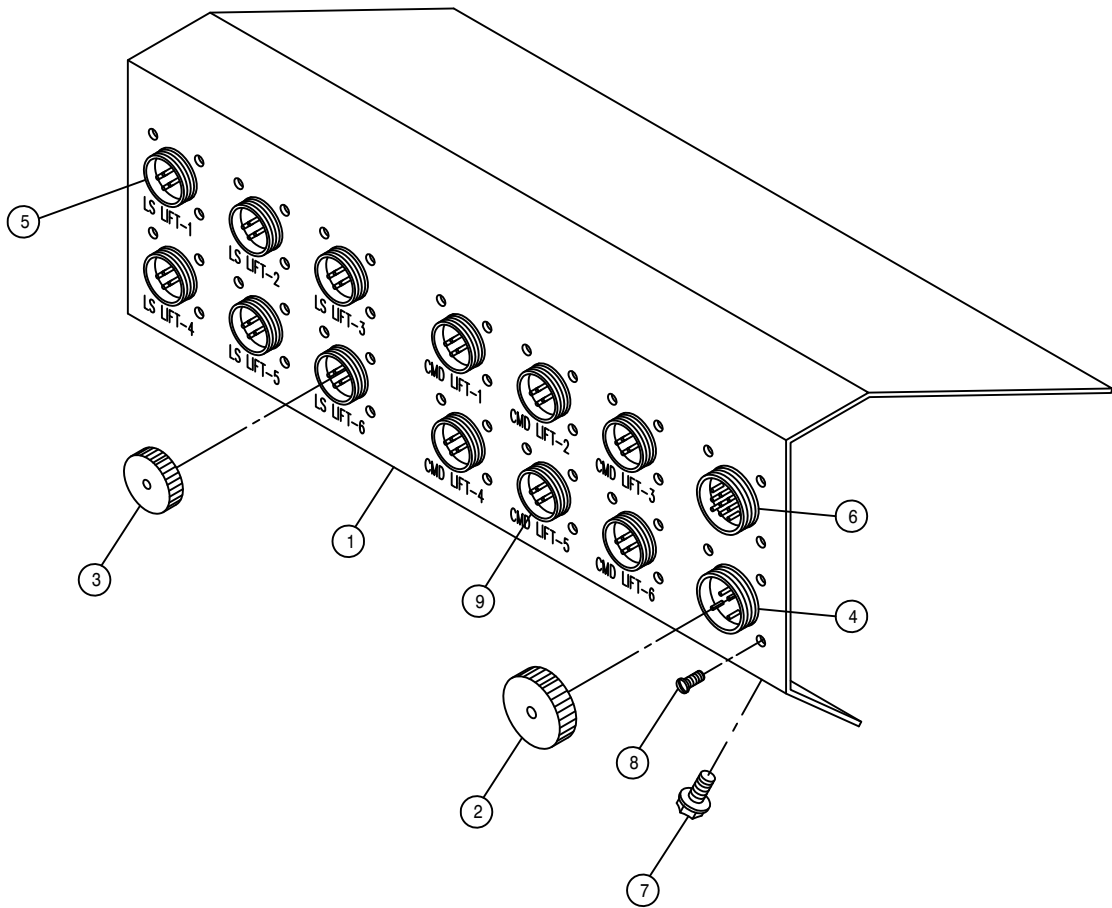
DET.	QTY	PART NO.	DESCRIPTION
1	1	002744	SWITCH BOX, DEPTH CMD
2	1	002923	SW BOX MT, MTR CTRL, 2100 COMBO
3	2	470121	1/4UNC HEX FLANGE LOCK NUT
4	2	470122	1/4UNC X 1/2 FLANGE HEX BOLT
5	1	298004	20 AMP FUSE SFE 20
6	4	298012	TOGGLE SWITCH
7	1	298011	FUSE HOLDER
8	4	470001	RUBBER BOOT W NUT FOR 298012
9	1	473914	RUBBER GROMMET 9/16 ID
10	4	473829	3MM-0.50 X 16MM PANHEAD SCREW





LS CONTROL BOX ASSEMBLY

DET.	QTY	PART NO.	DESCRIPTION
1	1	002903	LS CTRL 6L DISPLAY MT
2	1	293373	LS CTRL 6L DISPLAY BOX ASSY
3	1	293374	LS CTRL 6L CABLE BOX ASSY
4	2	470001	RUBBER BOOT W NUT FOR 298012
5	12	293255	SWITCH BOOT, PUSHBUTTON, 1/4-40
6	1	002925	LS CTRL BOX MT, 2100 COMBO
7	3	470121	1/4UNC HEX FLANGE LOCK NUT
8	6	470122	1/4UNC X 1/2 FLANGE HEX BOLT
9	2	903708	1/4UNC X 1/2 PHIL PNHD MACHSCR
10	3	470086	1/4UNC NUTSERT .020-.100MATL



COMBO LS/DEPTH CMD RECEPTACLE ASSEMBLY

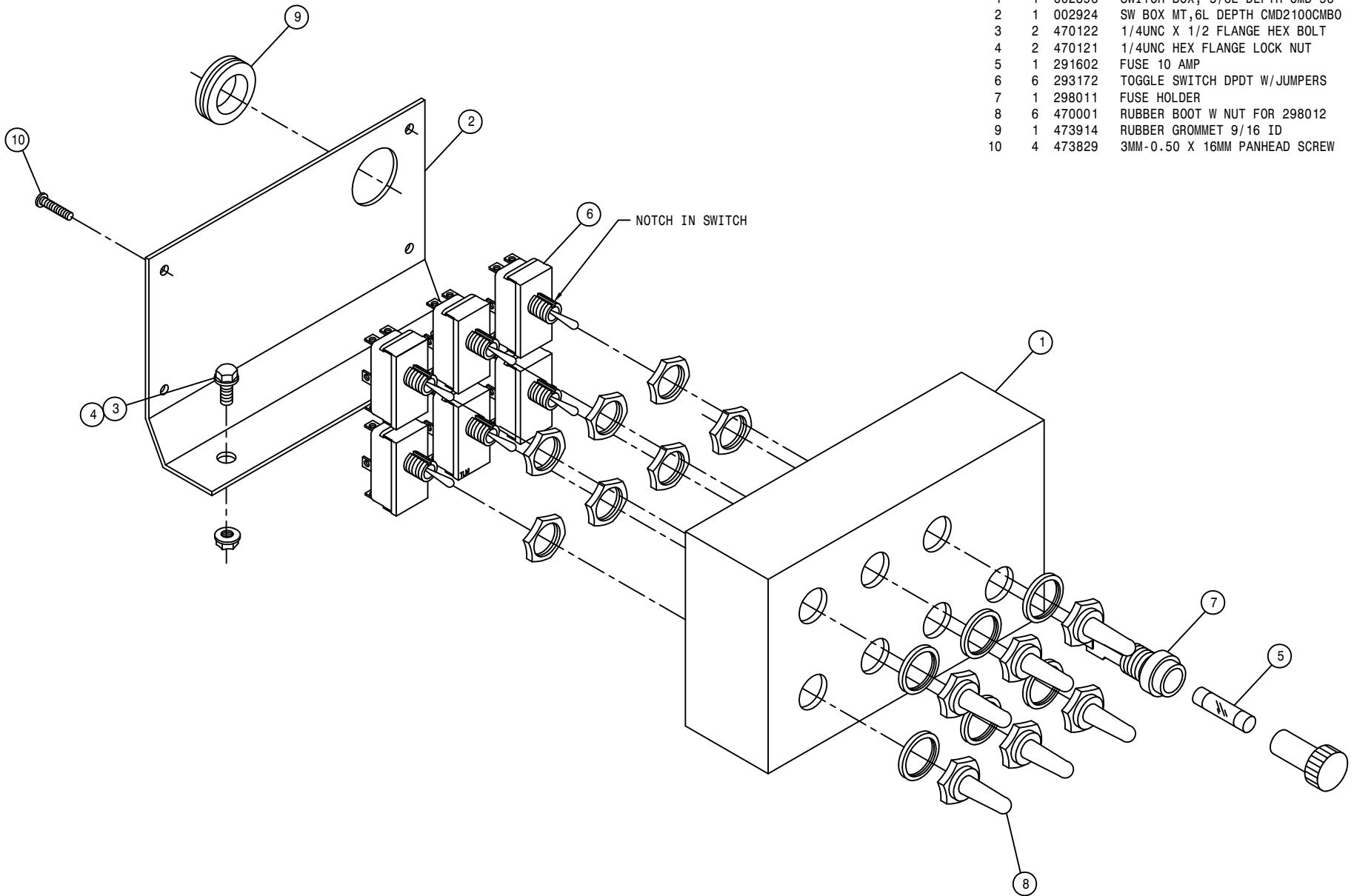
DET. QTY PART NO. DESCRIPTION

1	1	002926	LS RECEPTACLE MT, 2100 COMBO
2	2	291688	CAP FPR #13 SHELL RECEPTACLE
3	12	293046	CAP FOR #11 SHELL RECEPTACLE
4	1	293483	5-6LS ELECT VLV JMPR WIRE ASSY
5	6	293484	LS JUMPER WIRE ASSY,2100 COMBO
6	1	293485	MAIN LS ELECT VLV WIRE ASSY
7	3	470122	1/4UNC X 1/2 FLANGE HEX BOLT
8	56	473932	6-32 X 3/8 PAN SELF TAP SCR
9	6	293479	129" WIRE ASSY,DEPTH CMD JMPR

6-LIFT, DEPTH COMMAND SWITCH ASSEMBLY

DET. QTY PART NO. DESCRIPTION

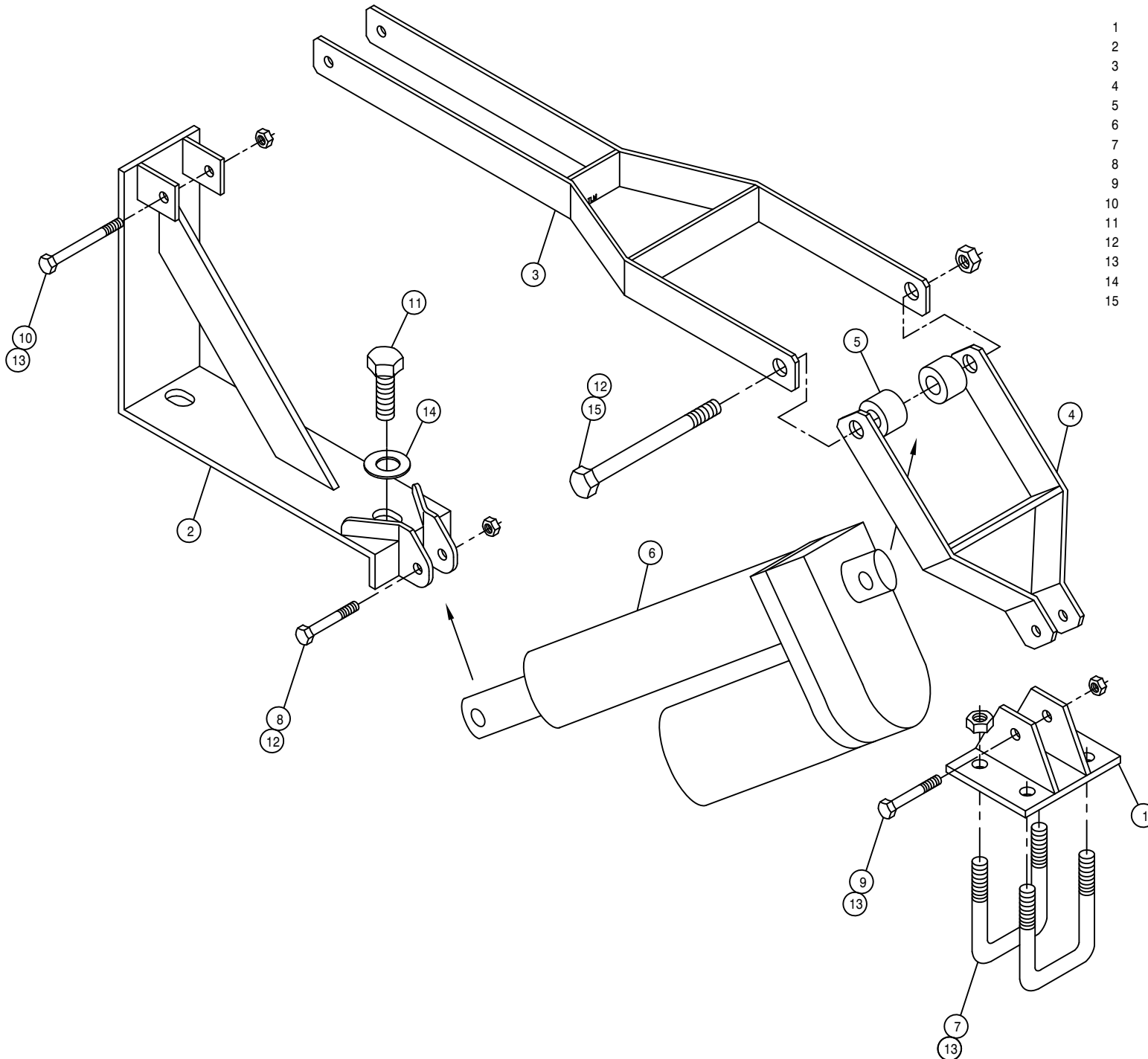
DET.	QTY	PART NO.	DESCRIPTION
1	1	002896	SWITCH BOX, 5/6L DEPTH CMD 96
2	1	002924	SW BOX MT,6L DEPTH CMD2100CMB0
3	2	470122	1/4UNC X 1/2 FLANGE HEX BOLT
4	2	470121	1/4UNC HEX FLANGE LOCK NUT
5	1	291602	FUSE 10 AMP
6	6	293172	TOGGLE SWITCH DPDT W/JUMPERS
7	1	298011	FUSE HOLDER
8	6	470001	RUBBER BOOT W NUT FOR 298012
9	1	473914	RUBBER GROMMET 9/16 ID
10	4	473829	3MM-0.50 X 16MM PANHEAD SCREW

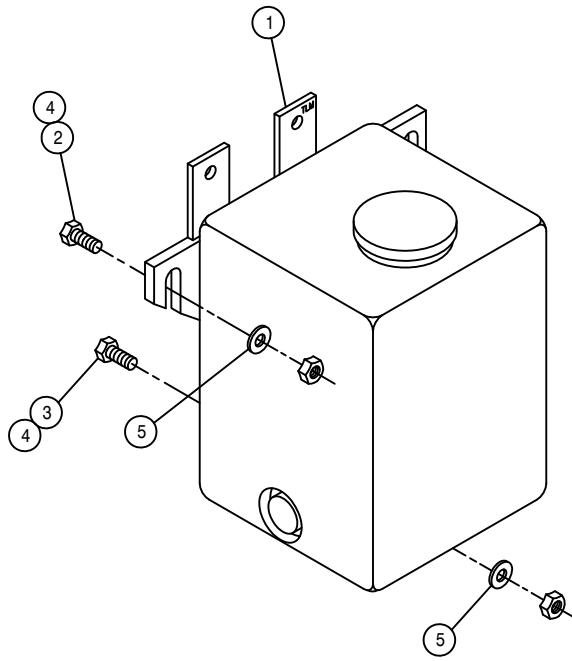


DEPTH COMMAND ACTUATOR ASSEMBLY

DET. QTY PART NO. DESCRIPTION

1	1	002849	HD DEPTH CMD ARM MT WLD	94
2	1	002846	HD DEPTH CMD MTG BRKT WLD	94
3	1	002851	HD DEPTH CMD UPR ARM WLD	94
4	1	002855	HD DEPTH CMD LWR ARM WLD	94
5	2	002858	HD DEPTH CMD ARM BUSH	94
6	1	291634	LINEAR ACTUATOR, 12V 4" 250LB	
7	2	473949	5/16UNC-1 9/16ID-1 15/16BOLT	
8	1	900267	1/2UNC X 2 HEX BOLT	
9	1	900069	5/16UNC X 2 HEX BOLT	
10	1	900070	5/16UNC X 2 1/2 BOLT	
11	2	900263	1/2UNC X 1 HEX BOLT	
12	2	914008	1/2UNC HEX STOVER NUT	
13	6	914002	5/16UNC HEX STOVER NUT	
14	2	920004	1/2 FLAT WASHER SAE	
15	1	900275	1/2UNC X 4 1/2 HEX BOLT	





WINDSHIELD WASHER ASSEMBLY

DET. QTY PART NO. DESCRIPTION

1	1	290004	WINDSHIELD WASHER TANK ASSY 98
2	2	900002	1/4UNC X 3/4 HEX BOLT
3	1	900004	1/4UNC X 1 1/4 HEX BOLT
4	3	914000	1/4UNC HEX STOVER NUT
5	3	920000	1/4 SAE FLAT WASHER

NOTICE

The following page contains decals for the model 2100 .

These decals can be obtained from Hagie Mfg. Co. and should be used whenever your machine is repainted or when the decals become worn, weathered, or faded.

Special attention should be paid to decals involving personal safety. They have been attached for your protection.

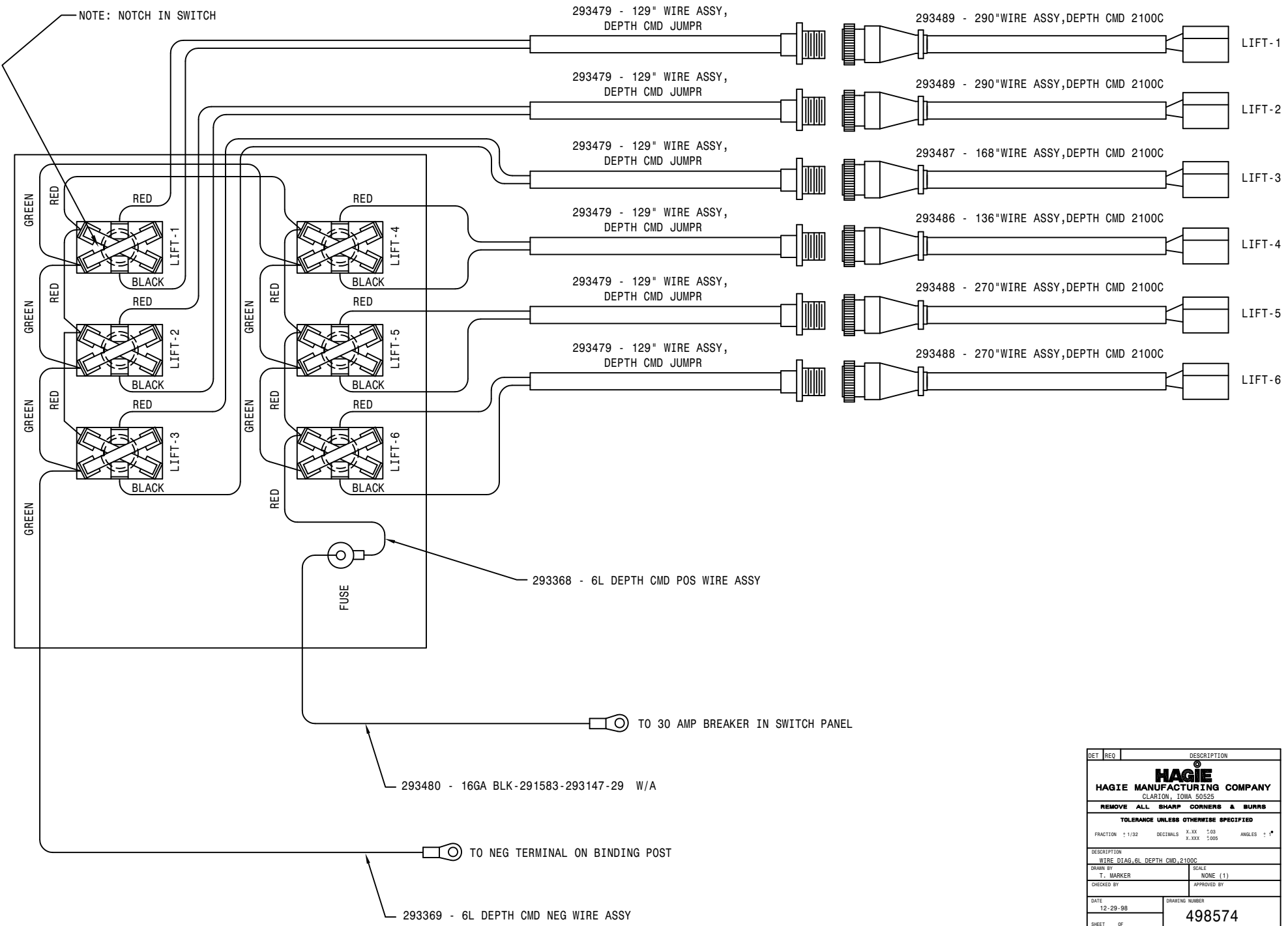
KEEP THEM IN PLACE.

Contact: Hagie Manufacturing Co.
Box 273
Clarion, Iowa 50525

2100 DECALS

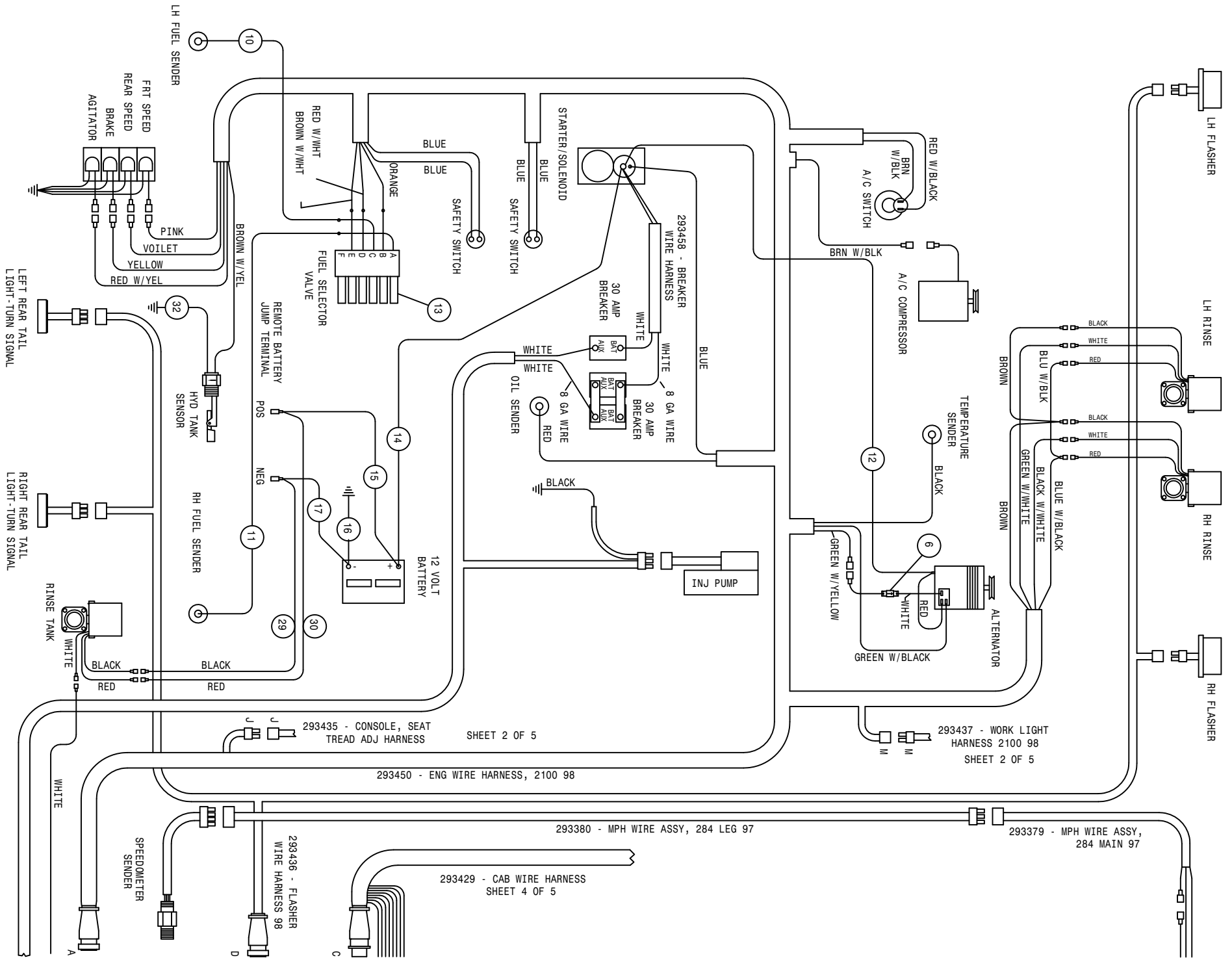
<u>QTY.</u>	<u>PART NO.</u>	<u>DESCRIPTION</u>	<u>LOCATION</u>
1	650320	EMERGENCY EXIT DECAL	ON THE LOWER LEFT ON REAR WINDOW
1	650326	HAGIE DECAL	ON FRONT MAINFRAME SHIELD
1	650336	FOLD BOOM WARNING DECAL	ON RH SIDE WINDOW
1	650337	ELECTROCUITION HAZARD DECAL	ON RH SIDE WINDOW
1	650339	HYDRAULIC OIL INJ. DECAL	ON STEERING POST
1	650340	PARK BRAKE DECAL	NEAR PARK SWITCH
1	650341	DECAL SET, HAGIE 2100 STRIPE	ON EACH ENGINE HOOD
1	650343	HYDROSTATIC CONTROL DECAL	ON CONSOLE
1	650344	SWITCH PANEL DECAL	ON SWITCH PANEL COVER
1	650345	BOOM CONTROL PANEL DECAL	ON SWITCH PANEL COVER
1	650346	TREAD ADJUST DECAL	ON CONSOLE
1	650347	NOTICE-R134A CHARGE DECAL	ON ENGINE NEAR A/C COMPRESSOR
1	650348	NOTICE-DRAIN AIR TANK DECAL	ON AIR TANK
1	650349	LIGHT SWITCH PANEL DECAL	ON SWITCH PANEL IN HEADLINER
1	650350	CAUTION, BOOSTER TERMINAL DECAL	ON LOWER BACK SHEET METAL
1	650351	AGITATION VFC DECAL	ON LOWER BACK SHEET METAL
2	650352	RH TREAD ADJ INDICATOR DECAL	1-ON RH FRONT INDICATOR MOUNT 1-ON LH REAR INDICATOR MOUNT
2	650353	LH TREAD ADJ INDICATOR DECAL	1-ON LH FRONT INDICATOR MOUNT 1-ON RH REAR INDICATOR MOUNT
1	650354	FUSE BOX DECAL	ON FUSE BOX COVER
1	650822	SOLUTION PUMP DECAL	ON FRONT MAINFRAME SHIELD
1	650831	EMERGENCY STOP DECAL	ON STEERING POST
1	650847	NO PASSENGER DECAL	ON LH REAR ON CAB
2	650848	SLIP OR FALL DECAL	ON BACK OF FUEL TANKS
2	650849	ENGINE FUEL DECAL	NEAR EACH FUEL TANK NECK
2	650850	CHEMICAL DECAL	ON TANK BAND TIE
2	650851	SHIELDS DECAL	ON LOWER REAR OF MAINFRAME
1	650852	READ MANUAL DECAL	ON LEFT CONSOLE TOP
1	650954	DIESEL DECAL	NEAR EACH FUEL NECK
1	650981	COOLING SYSTEM DECAL	NEAR RADIATOR CAP
1	650982	ELECTRICAL DECAL	ON ENGINE HOOD ABOVE BATTERY
4	650985	WHEEL BOLT TORQUE DECAL	ON EACH WHEEL RIM
2	650819	DANGER, CUTTING BLADES DECAL	2-ON EACH CUTTER HEAD
1	650308	LEFT L-CTR R-CTR RIGHT DECAL	ON MOTOR CONTROL VALVE BOX
1	650358	DEPTH CMD 6-LIFT DECAL	ON DEPTH COMMAND BOX
1	650357	LS DEPTH CTRL DECAL	ON RECEPTACLE MT

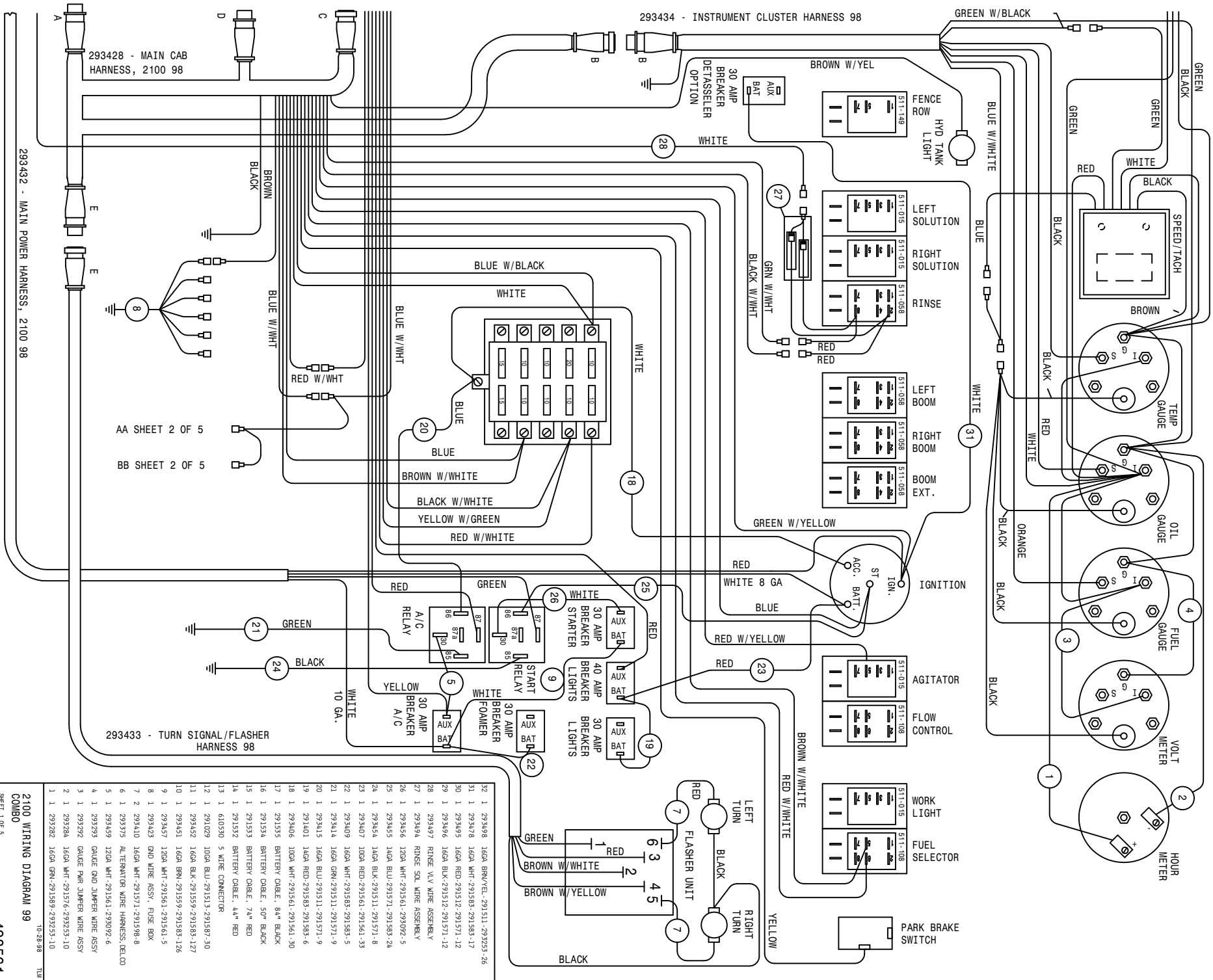
135



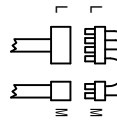
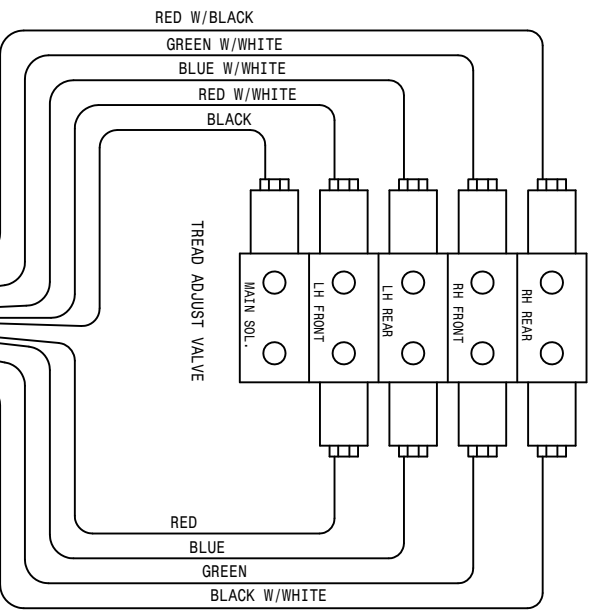
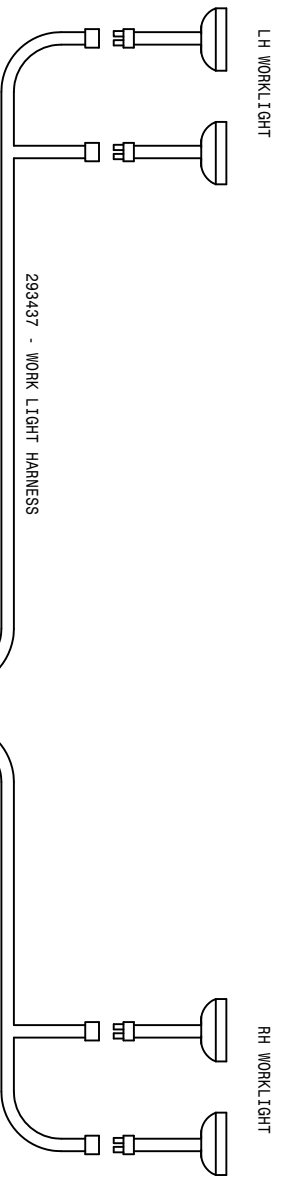
DET	REQ	DESCRIPTION
HAGIE HAGIE MANUFACTURING COMPANY CLARION, IOWA 50525		
REMOVE ALL SHARP CORNERS & BURRS		
TOLERANCE UNLESS OTHERWISE SPECIFIED		
FRACTION : 1/32	DECIMALS X.XX ±.03 X.XXX ±.005	ANGLES : °
DESCRIPTION WIRE DIAG, 6L DEPTH CMD, 2100C		
DRAWN BY T. MARKER	SCALE NONE (1)	APPROVED BY
DATE 12-29-98	DRAWING NUMBER 498574	
SHEET	OF	

198135



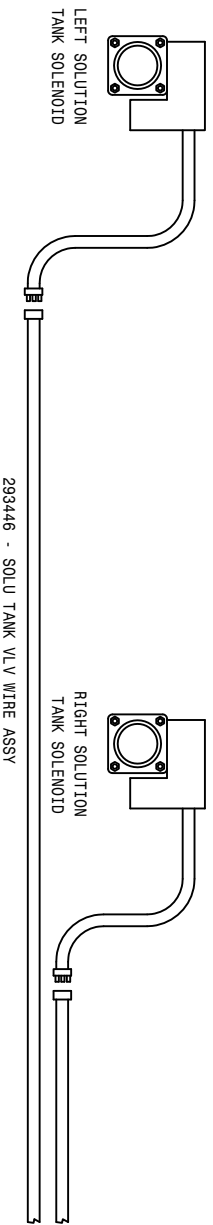


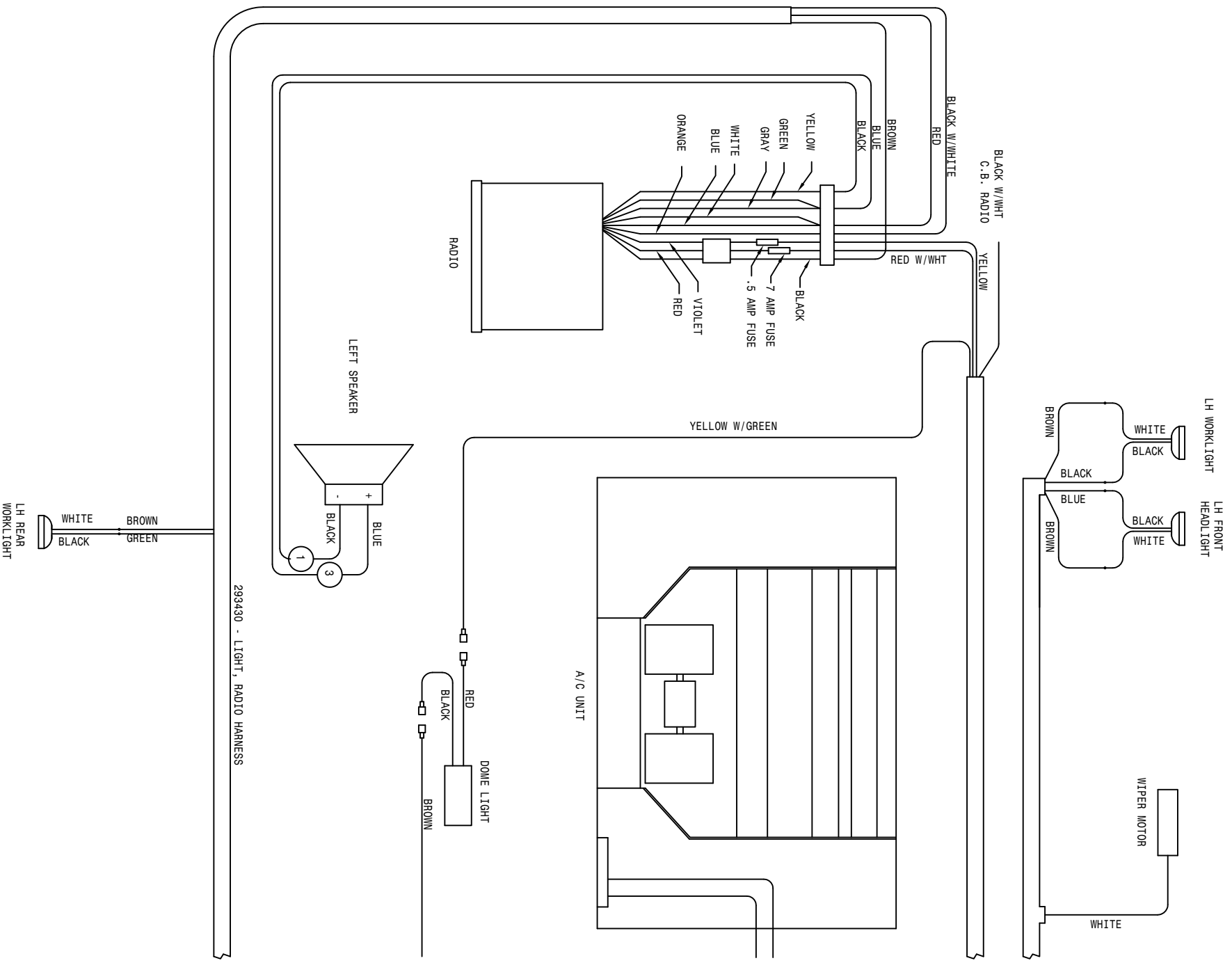
32	1	293408	16GA	BRN/YEL	291511-293253-26
31	1	293478	16GA	WHT-291583-291589-17	
30	1	293495	16GA	RED-291512-291571-12	
29	1	293465	16GA	BLK-291512-291571-12	
28	1	293497	RINSE	KLYN WIRE ASSEMBLY	
27	1	293494	RINSE	SOL WIRE ASSEMBLY	
26	1	293466	10GA	RED-291561-293099-5	
25	1	293455	10GA	BLU-291571-291589-24	
24	1	293454	16GA	BLK-291511-291571-8	
23	1	293407	10GA	RED-291561-291561-33	
22	1	293409	16GA	WHT-291583-291589-5	
21	1	293414	16GA	GRN-291511-291571-9	
20	1	293415	16GA	BLU-291511-291571-9	
19	1	291401	16GA	RED-291583-291589-6	
18	1	293406	10GA	WHT-291561-291561-30	
17	1	291535	BATTERY	CABLE, 8" BLACK	
16	1	291534	BATTERY	CABLE, 50" BLACK	
15	1	291533	BATTERY	CABLE, 74" RED	
14	1	291532	BATTERY	CABLE, 44" RED	
13	1	610350	5	WIRE CONNECTOR	
12	1	291009	10GA	BLU-291513-291589-30	
11	1	293452	16GA	BLK-291559-291589-127	
10	1	293451	16GA	BRN-291559-291589-126	
9	1	293457	12GA	WHT-291561-291561-5	
8	1	293423	OND	WIRE ASSY, FUSE BOX	
7	2	293410	16GA	WHT-291571-291598-8	
6	1	293375	ALTERNATOR	WIRE HARNESS, DELCO	
5	1	293459	12GA	WHT-291561-293099-6	
4	1	293293	GAUGE	OND JUMPER WIRE ASSY	
3	1	293284	GAUGE	PWR JUMPER WIRE ASSY	
2	1	293284	16GA	WHT-291576-293253-10	
1	1	293282	16GA	GRN-291589-293253-10	

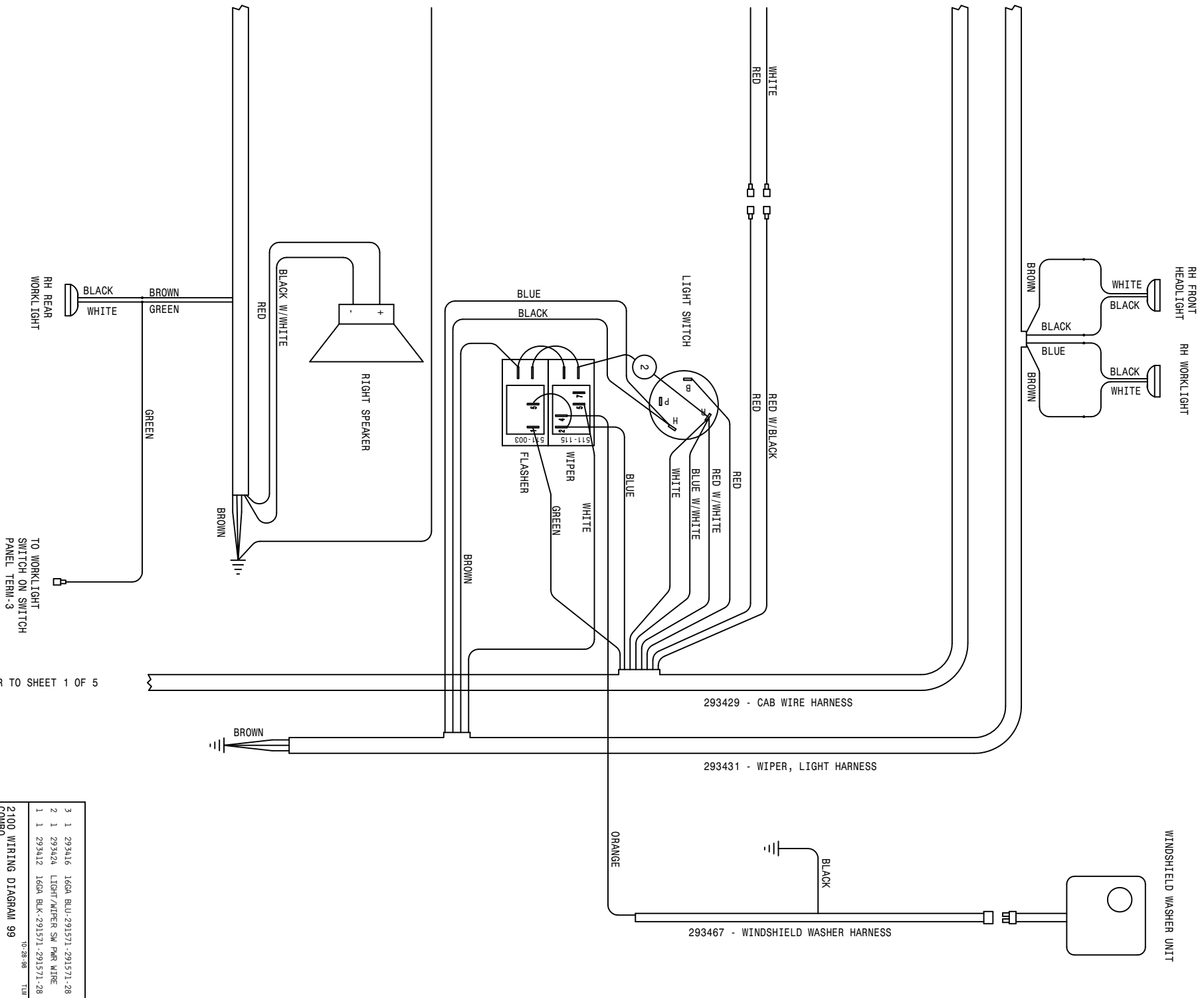


293443 - BOOM IND LIGHT SW PANEL HARNESS SHEET 5 OF 5

293450 - ENGINE WIRE HARNESS SHEET 1 OF 5





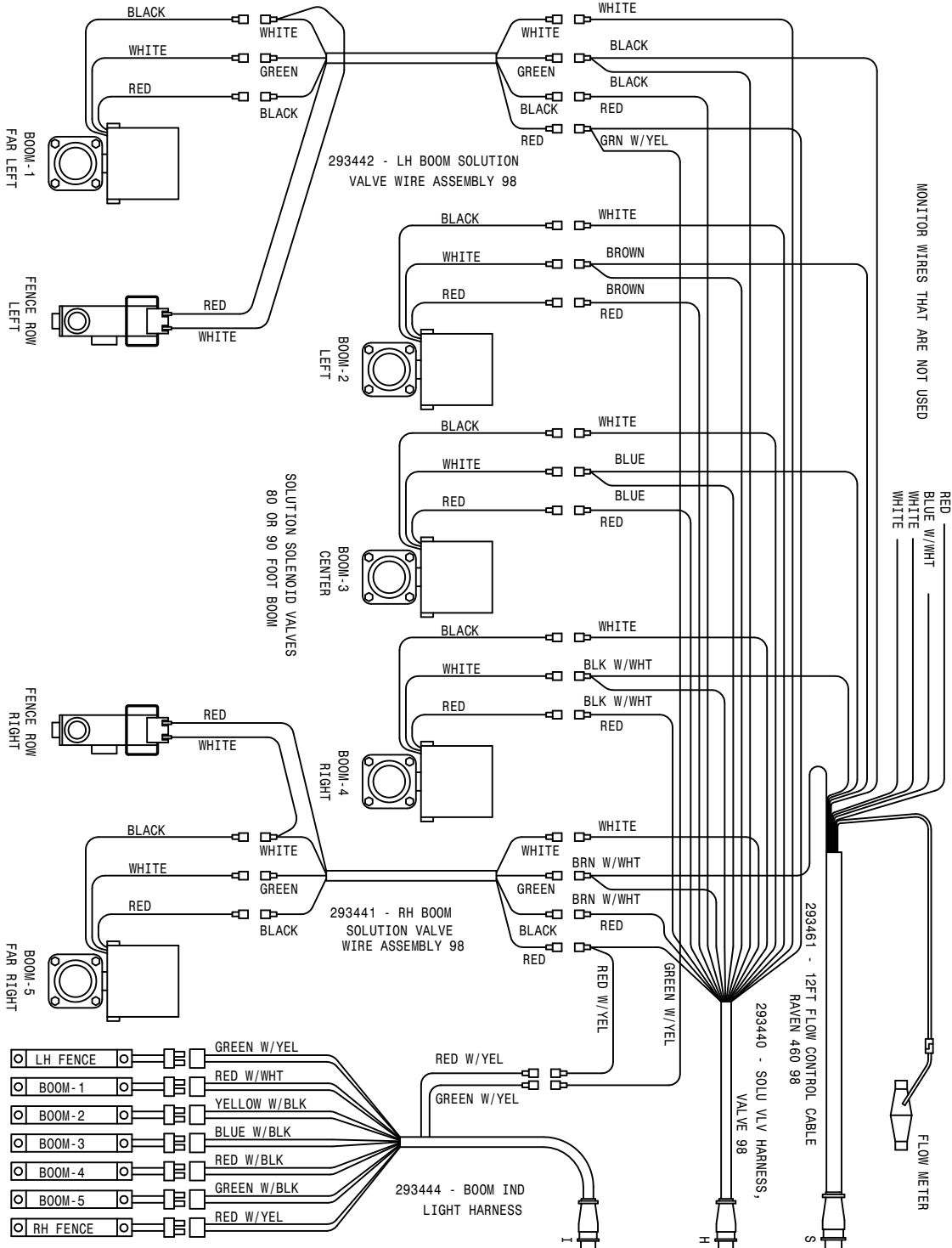
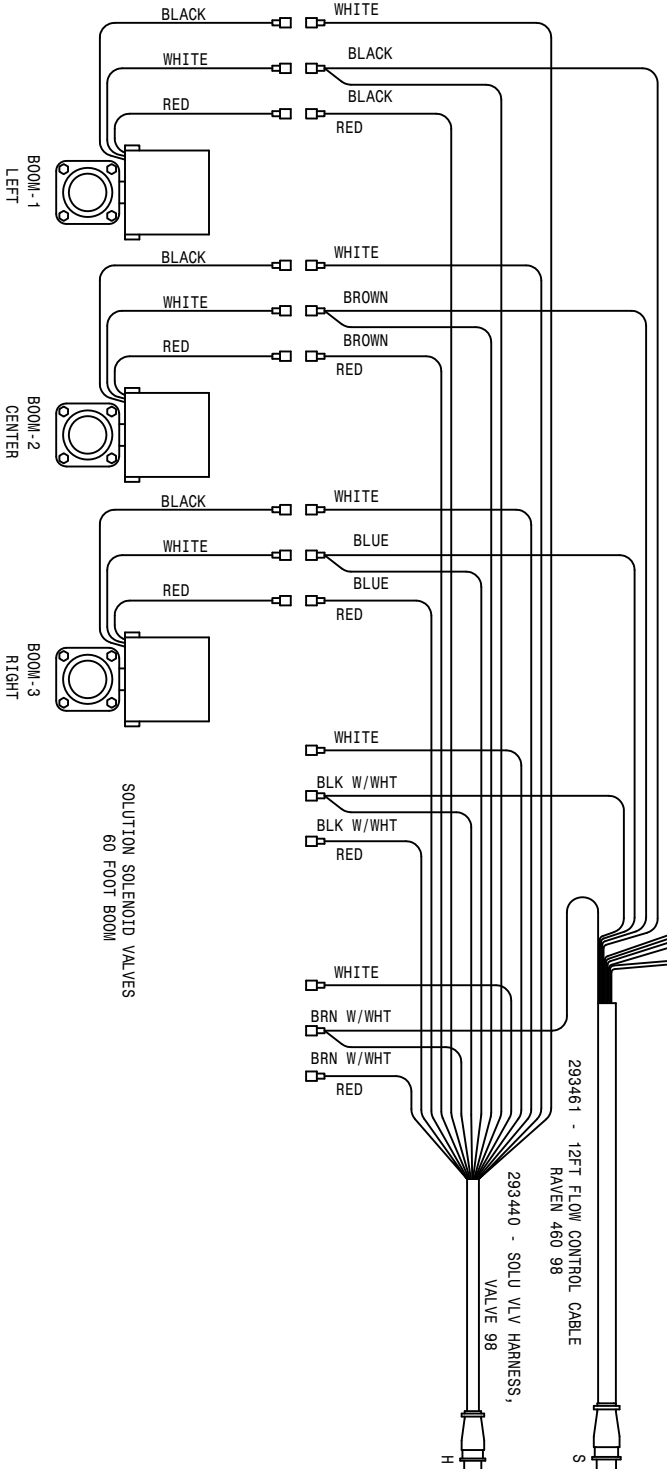


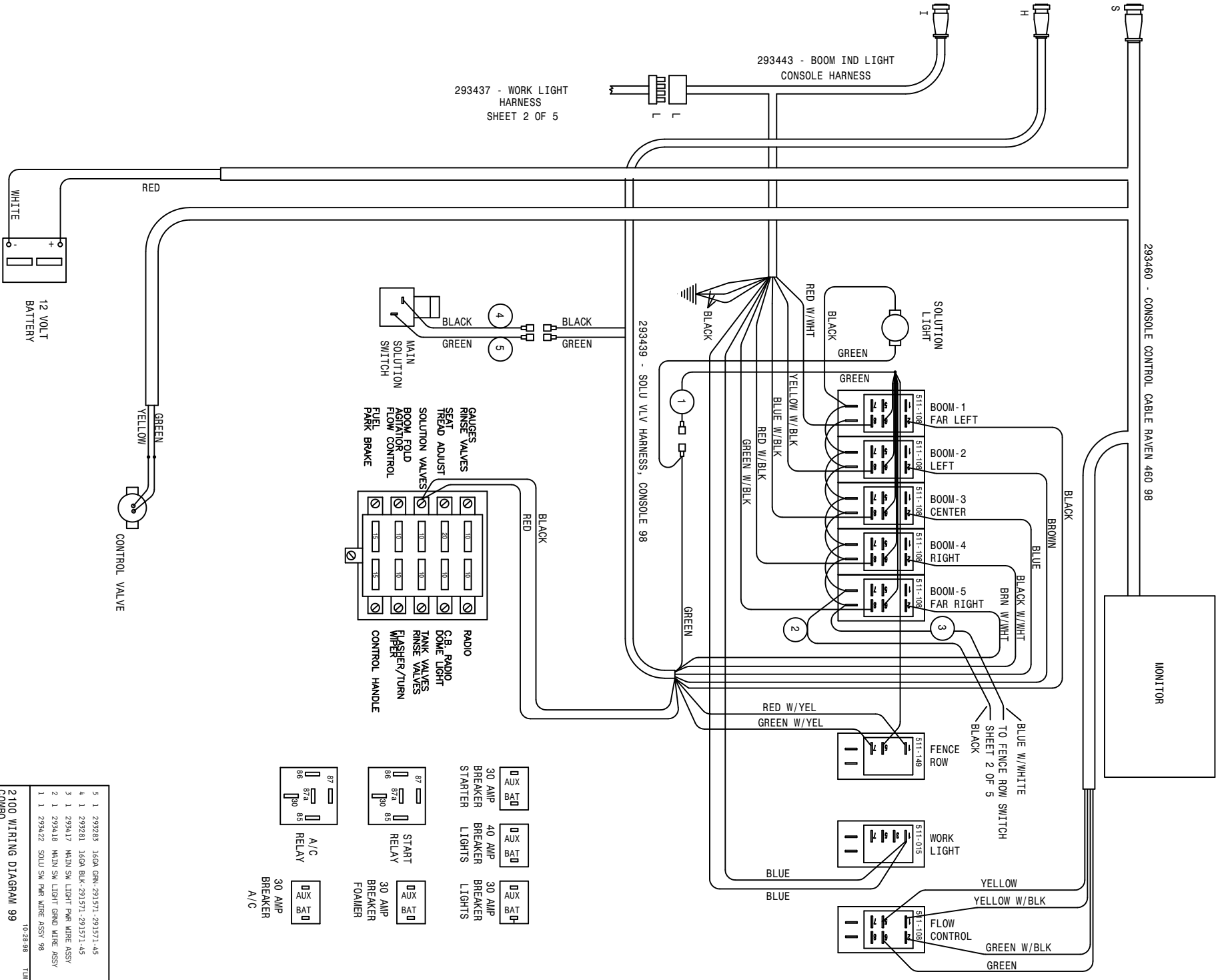
REFER TO SHEET 1 OF 5

3	1	293416	16GA BLU-291571-291571-28
2	1	293429	LIGHT/WIPER SW PAR WIRE
1	1	293412	16GA BLK-291571-291571-28

2100 WIRING DIAGRAM 99
COMBO
SHEET 4 OF 5
REVISION DATE: 10/25/98 TLW

498561





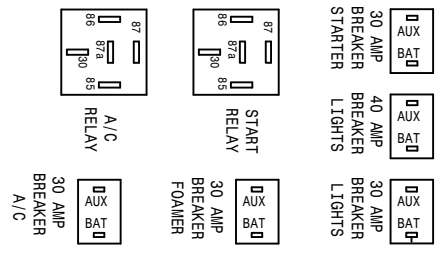
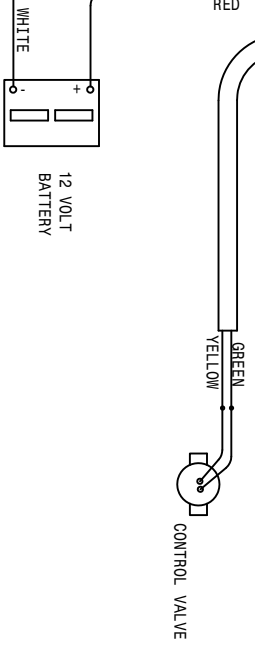
293437 - WORK LIGHT HARNESS
SHEET 2 OF 5

293443 - BOOM IND LIGHT CONSOLE HARNESS

293460 - CONSOLE CONTROL CABLE RAVEN 460 98

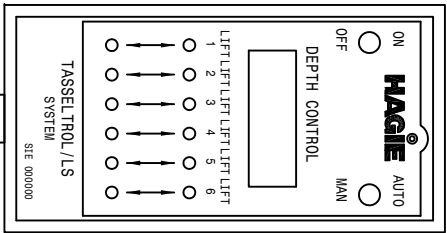
293439 - SOLU VLV HARNESS, CONSOLE 98

MONITOR

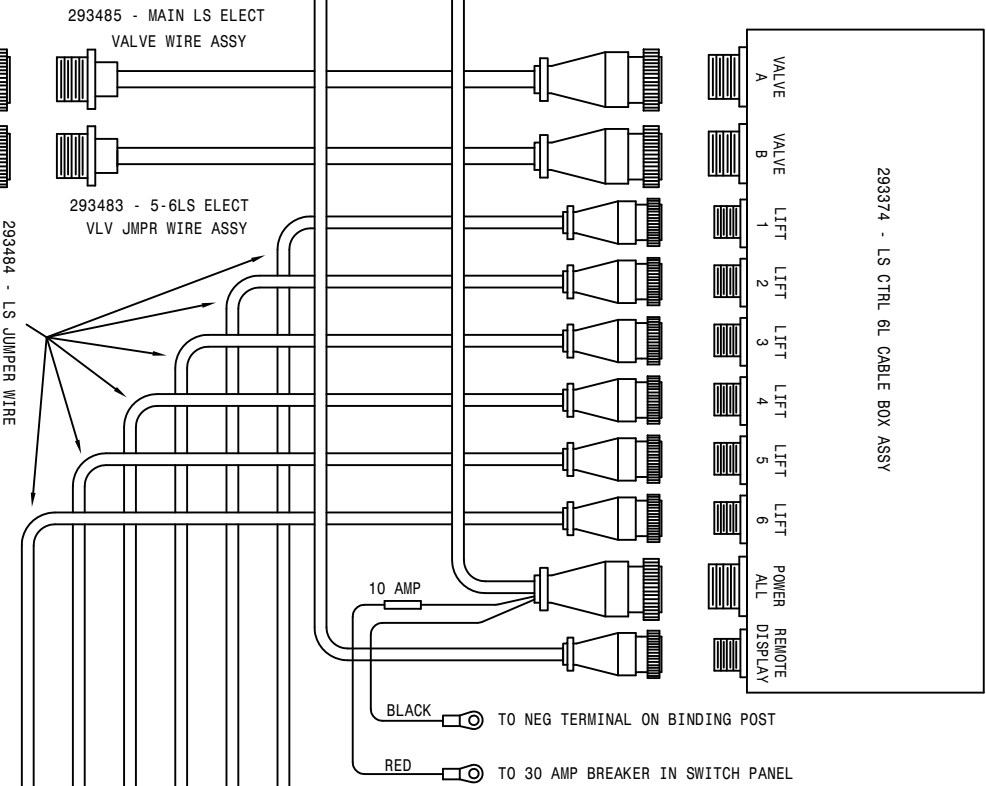


5	1	292823	16GM GRN-291571-291571-45
4	1	292821	16GM BLK-291571-291571-45
3	1	293417	MAIN SW LIGHT PARK WIRE ASSY
2	1	293418	MAIN SW LIGHT GRND WIRE ASSY
1	1	293422	SOLU SW PARK WIRE ASSY 98

2-100 WIRING DIAGRAM 99
COMBO
SHEET 5 OF 5
REVISION DATE: 10-08-99
498561
TUJ



293482 - DISPLAY CABLE ASSY,6L LS 2100C



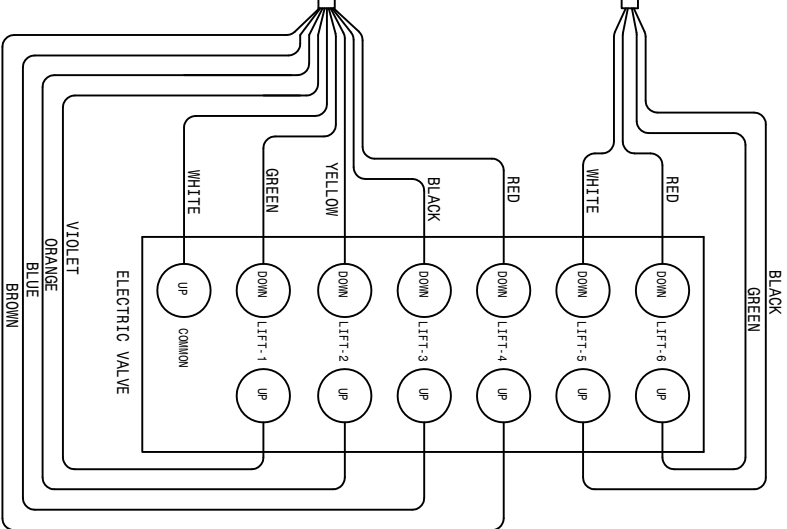
293485 - MAIN LS ELECT VALVE WIRE ASSY

293483 - 5-6LS ELECT VLV JMPR WIRE ASSY

293484 - LS JUMPER WIRE ASSY,2100 COMBO

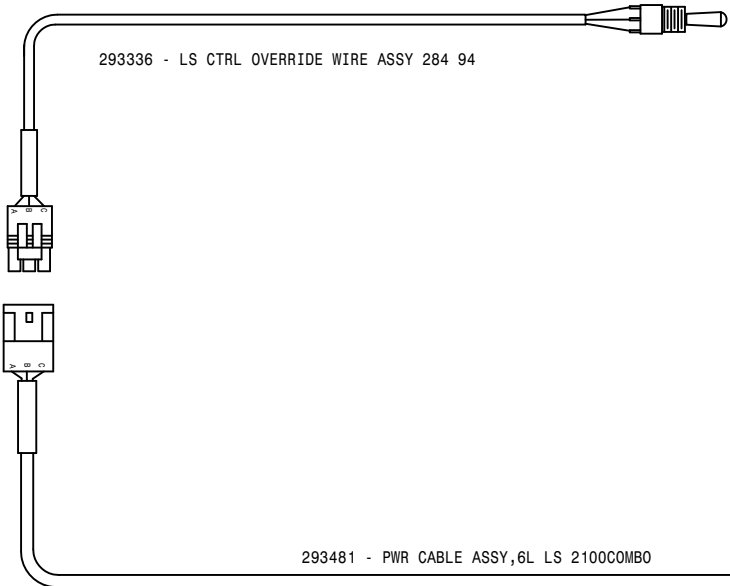
293491 - 5-6L LS ELECT VALVE WIRE ASSY

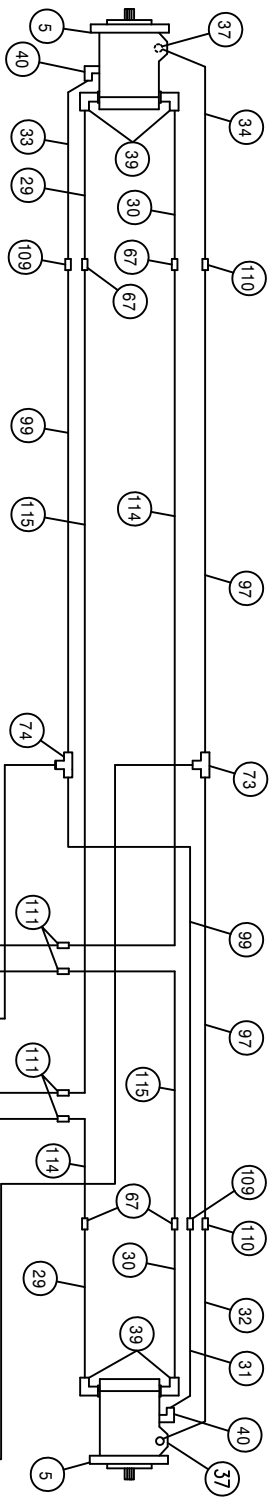
293492 - MAIN LS ELECT VALVE WIRE ASSY



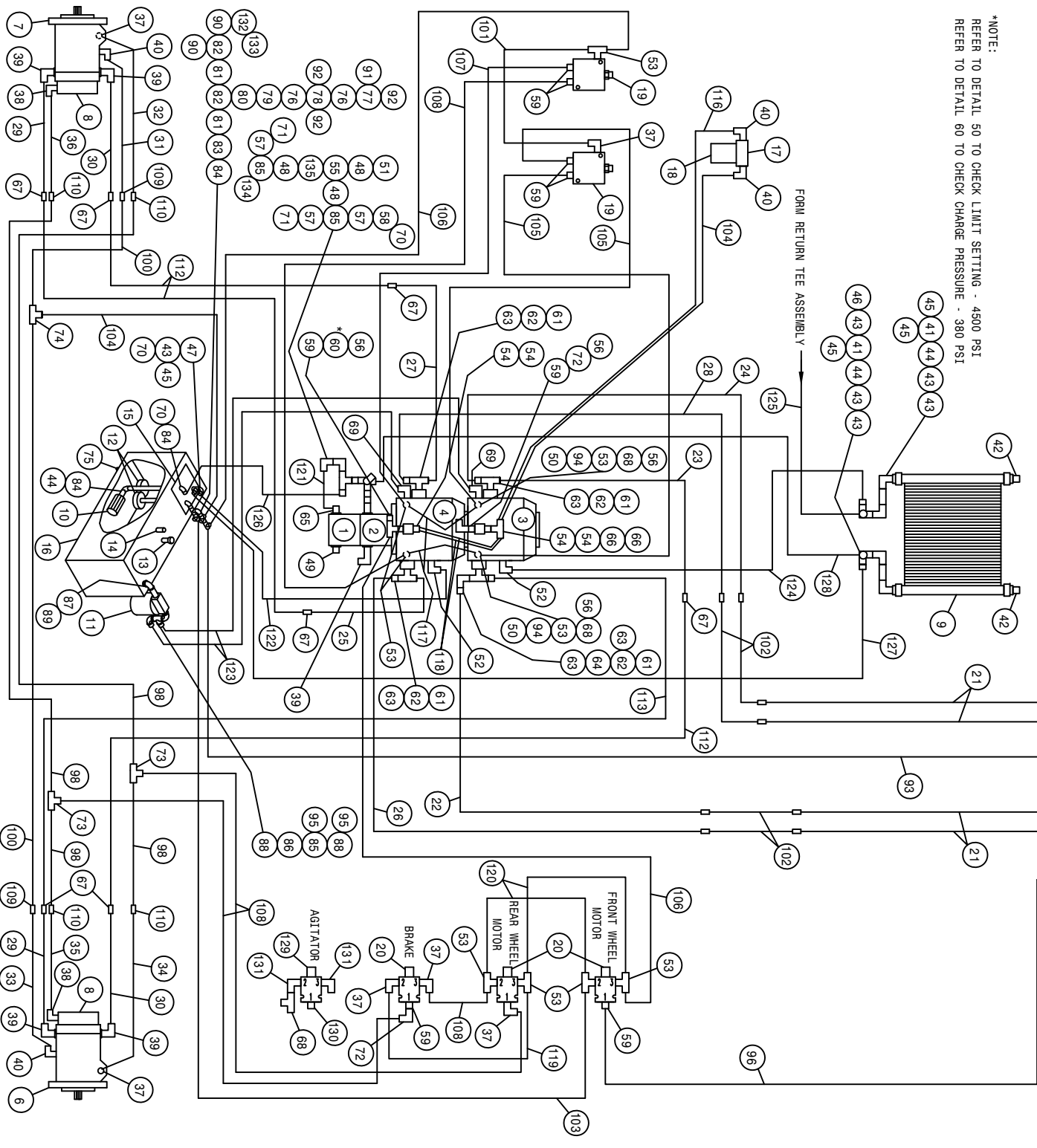
293481 - PWR CABLE ASSY,6L LS 2100COMBO

293336 - LS CTRL OVERRIDE WIRE ASSY 284 94



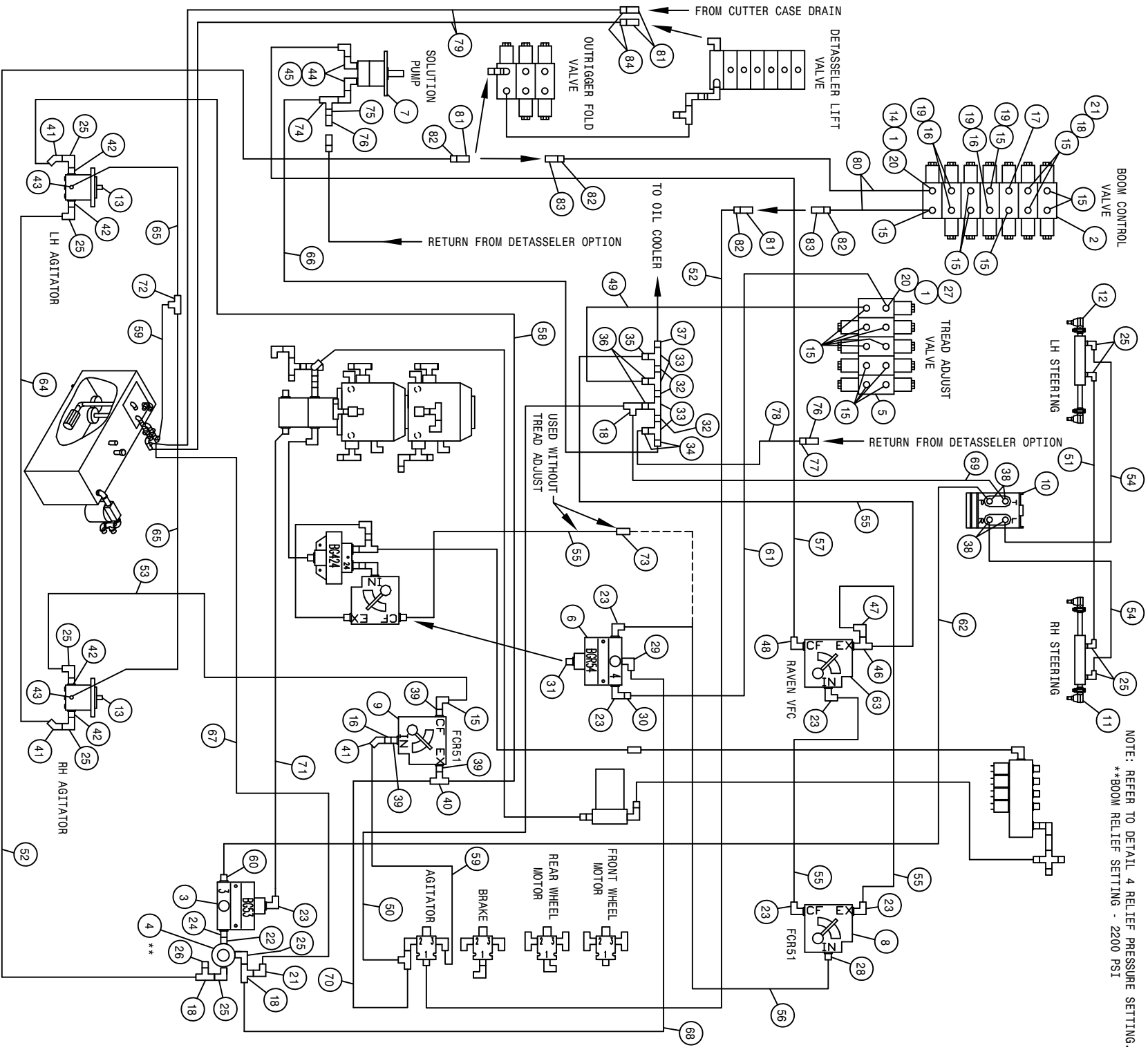


*NOTE:
 REFER TO DETAIL 50 TO CHECK LIMIT SETTING - 4500 PSI
 REFER TO DETAIL 60 TO CHECK CHARGE PRESSURE - 380 PSI



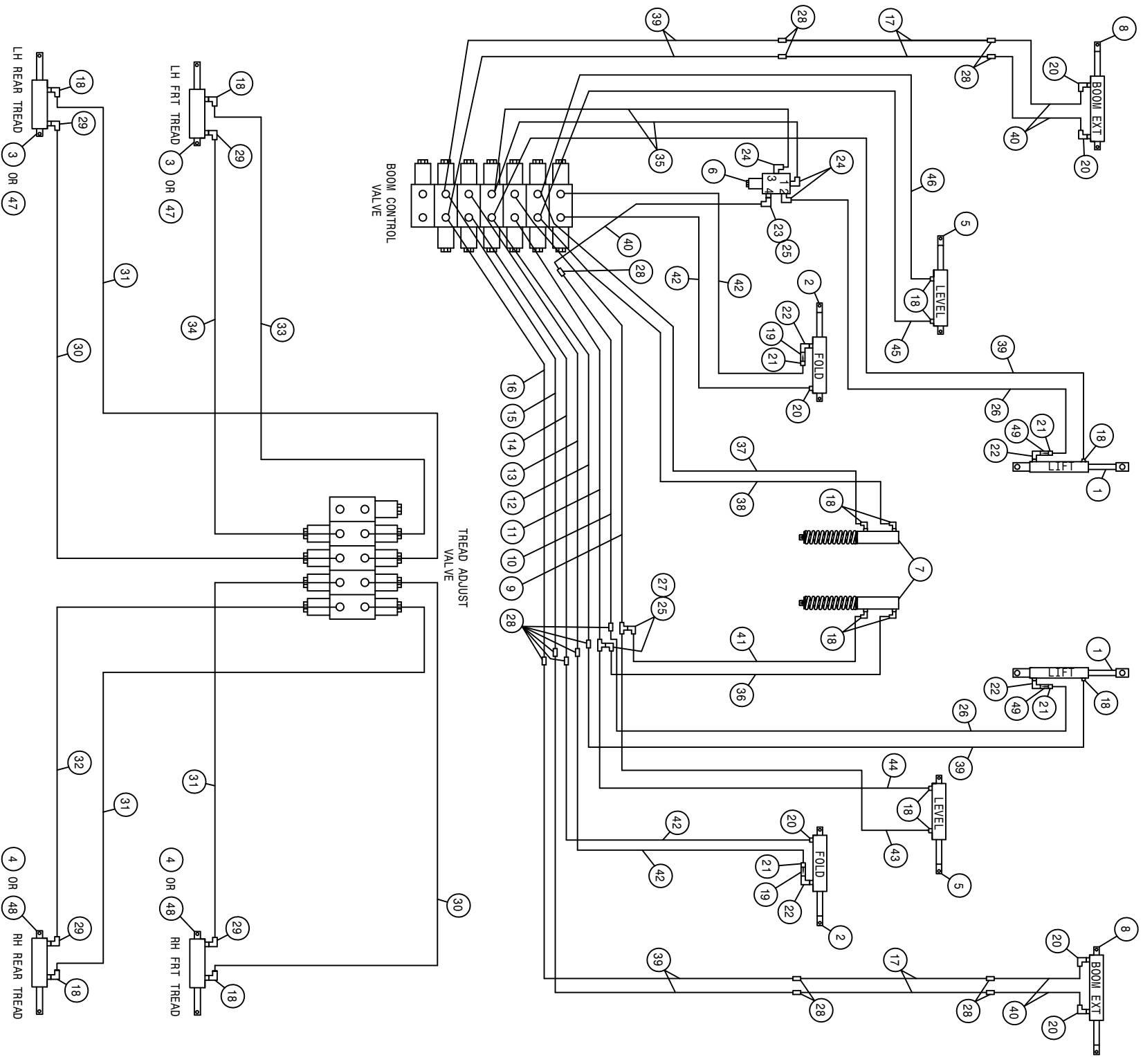
2100 COMBO HYDRAULIC SCHEMATIC 99
REFERENCE DRAWING NO. 49856251

DET.	QTY	PART NO.	DESCRIPTION	DET.	QTY	PART NO.	DESCRIPTION
1	1	606929	SUND GEAR PUMP .66C1, SPLINED	69	2	618564	IIN HOSE BARB-90-1 5/16MOR
2	1	606938	SUND GEAR PUMP 4.00CIR SPLINED	70	3	714560	INPT X 1 HOSE BARB
3	1	606944	SUND 75CC PUMP C/C-MT	71	2	716000	3/4 HOSE BARB-90-1MNPT
4	1	606947	SUND 75CC PUMP C/B-MT	72	2	618618	9/16MJIC-90-9/16FJIC SWIV LBO
5	2	610637	SUND HYD MOTOR, M46-4019	73	3	618019	9/16MJIC UNION TEE
6	1	610640	SUND HYD MOTOR, M46-4144	74	2	618311	3/4MJIC UNION TEE
7	1	610643	SUND HYD MOTOR, M46-4199 W/SEN	75	1	501102	1/4 PIPE PLUG
8	2	828093	MICO HYD BRAKE	76	2	503600	CLOSE NIPPLE .50NPT
9	1	618606	OIL COOLER, BLISSFIELD 65027	77	1	503820	BLK PIPE TEE .50NPT
10	1	605600	MICHIGAN RESERVOIR FILTER	78	1	503824	BLK PIPE CROSS .50NPT
11	1	605601	GRESEN FILTER 10 MICRON 40GPM	79	1	504210	RED BUSH 3/4 NPT X 1/2 NPT
12	2	605603	LINE SUMP DIFFUSER	80	1	504610	BLK PIPE ST EL 90DEG .75NPT
13	1	611052	FILLER BREAKER 3/4NPT	81	2	504702	CLOSE NIPPLE .75NPT
14	1	614453	DIPSTICK, 8IN	82	2	504955	BLK PIPE TEE .75NPT
15	1	760090	RECEIVER PLT WLD 8240	83	1	505213	RED BUSH 1 X 3/4 BLK MAL
16	1	760205	HYD TANK WELD, 2100	84	3	505300	BLK PIPE EL 90DEG 1.25NPT
17	1	605608	HYD FILTER HEAD, DONALDSON	85	3	506105	BLK PIPE TEE 1.25NPT
18	1	605609	HYD FILTER ELEMENT, DONALDSON	86	1	506200	CLOSE NIPPLE 1.25NPT
19	2	610580	REMOTE FLUSHING VALVE, SUND	87	1	506303	BLK PIPE EL 90DEG 1.25NPT
20	3	610318	HYD SOLE VLV, 2P-3W, 9/16FOR, 12V	88	2	506410	BLK PIPE ST EL 90DEG 1.25NPT
21	4	615724	FRT MAIN HYD TUBE ASSY, 2100 98	89	1	506604	BLK PIPE NIPPLE 1.25NPT-4.00
22	1	615717	RH FRT PUMP LMR TUBEASSY210098	90	2	610305	3/4MJIC-90-3/4MNPT LBO
23	1	615718	LH FRT PUMP LMR TUBEASSY210098	91	1	618018	9/16MJIC-1/2MNPT ADPTR
24	1	615719	LH FRT PUMP LMR TUBEASSY210098	92	3	618107	9/16MJIC-90-1/2MNPT LBO
25	1	615720	RH REAR PUMP UPR TUBE ASSY	93	1	615737	08C2AT-08FJX-08FJX90-198
26	1	615721	RH REAR PUMP LMR TUBE ASSY	94	2	618291	9/16FJX-1/4FNPT ADPTR
27	1	615722	LH REAR PUMP UPR TUBE ASSY	95	2	715664	1 1/4 NPT X 1 HOSE BARB
28	1	615723	LH REAR PUMP LMR TUBE ASSY	96	1	611246	04C1T-06FJX-06FJX-174
29	4	615708	LMR HYD TUBE ASSY, LEG 2100 98	97	2	614152	04C1T-06FJX-06FJX-114
30	4	615709	UPR HYD TUBE ASSY, LEG 2100 98	98	4	614157	04C1T-06FJX-06FJX-101
31	2	615710	RF/LR HYD DRN TUBE ASSY2100 98	99	2	614546	08C1T-08FJX-08FJX-115
32	2	615712	RF/LR HYD CTRL TUBE ASSY210098	100	2	614688	08C1T-08FJX-08FJX-108
33	2	615711	LF/RR HYD DRN TUBE ASSY2100 98	101	1	614713	04C1T-06FJX-06FJX-24
34	2	615713	LF/RR HYD CTRL TUBE ASSY210098	102	4	614734	12TWM-12MJ-12MJ-16
35	1	615714	RH HYD BRAKE TUBE ASSY, 2100 98	103	1	616026	04C1T-06FJX-06FJX-37
36	1	615715	LH HYD BRAKE TUBE ASSY, 2100 98	104	2	616034	08C1T-08FJX-08FJX-17
37	8	618119	9/16MJIC-90-9/16MOR LBO	105	2	616039	04C1T-06FJX-06FJX-29
38	2	618114	9/16MJIC-90-7/16MOR LBO	106	2	616037	04C1T-06FJX-06FJX-19
39	9	618178	1 5/16MJIC-90-1 5/16MOR LBO	107	1	616043	04C1T-06FJX-06FJX-23
40	6	618474	3/4MJIC-90-1 1/16MOR LBO	108	4	616049	04C1T-06FJX-06FJX-26
41	2	505098	SIDE OUTLET EL 90DEG 1.00NPT	109	4	618314	3/4MJIC UNION
42	2	505102	PIPE PLUG 1.00NPT SQ HD	110	6	619010	9/16MJIC UNION
43	6	505200	BLK PIPE ST EL 90DEG 1.00NPT	111	3	614735	1 1/16MJIC UNION
44	3	505203	BLK PIPE NIPPLE 1.00NPT 4.00	112	3	614735	12TWM-16FJX-16FJX-75
45	4	714531	1 NPT X 3/4 HOSE BARB	113	1	614736	12TWM-12FJX90-16FJX-75
46	1	714560	INPT X 1 HOSE BARB	114	2	614737	12TWM-12FJX90-16FJX-99
47	1	505101	BLK PIPE TEE 1.00NPT	115	2	614738	12TWM-12FJX90-16FJX-114
48	3	507026	1 1/4MNPT HEX PIPE NIPPLE STL	116	1	615626	08C1T-08FJX-08FJX-15
49	1	611126	7/8MJIC-7/8MOR ADPTR	117	2	615734	04C2AT-06FJX-06FJX-11
50	2	614740	RESTRICTOR FTG ASSY, .050	118	2	614739	08C1T-08FJX-08FJX-16
51	1	618596	1 5/8MOR-1 1/4FNPT ADPTR	119	2	614712	04C1T-06FJX-06FJX-20
52	2	618118	3/4 HOSE BARB-90-1 1/16MOR	120	2	615725	04C1T-06FJX-06FJX-10
53	9	618629	9/16MOR BRANCH TEE-9/16MJIC	121	1	601399	HOSE, 3/4 X 13 IFBR-1SPI
54	4	618327	3/4MJIC-7/8MOR ADPTR	122	1	601384	HOSE, 3/4 X 40 IFBR-1SPI
55	1	506701	SIDE OUTLET EL 90DEG 1.25NPT	123	2	601409	HOSE, 1 X 39 IFBR-1SPI
56	4	618531	9/16FJIC CAP NUT	124	1	601407	HOSE, 3/4 X 62 IFBR-1SPI
57	3	506005	1 1/4 TO 1 RED BUSH BLK MAL	125	1	601406	HOSE, 3/4 X 38 IFBR-1SPI
58	1	505110	BLK PIPE ST EL 45DEG 1.00NPT	126	1	601410	HOSE, 1 X 52 IFBR-1SPI
59	8	618126	9/16MJIC-9/16MOR ADPTR	127	1	601411	HOSE, 1 X 100 IFBR-1SPI
60	1	618514	9/16FJ SW BRANCH TEE-9/16MJ	128	1	601408	HOSE, 3/4 X 77 IFBR-1SPI
61	4	618598	1" 4-BOLT FLG X 1 5/16 FOR	129	1	610674	HYD SOLE VLV, 2P3W, 3/4FOR, 12V
62	4	618599	1 5/16MOR BRANCH TEE-1 5/16MJ	130	1	618109	9/16MJIC-3/4MOR ADPTR
63	5	618541	1 5/16FJIC-1 1/16MJIC ADPTR	131	2	618115	9/16MJIC-90-3/4MOR LBO
64	1	618640	1 5/16MJ-90-1 5/16FJ SWIV LBO	132	1	618451	3/4FJIC SW RUN TEE-3/4MJIC
65	1	618075	3/4 HOSE BARB-1 1/16MOR	133	1	618609	3/4MJIC-90-3/4FJIC SWIV LBO
66	2	618643	3/4FJ SW BRANCH TEE-3/4MJ	134	1	715660	HOSE BARB 1 1/4NPT X 1 1/4
67	11	618577	1 5/16MJIC UNION	135	1	506409	BLK PIPE ST EL 45DEG 1.25NPT
68	3	618486	9/16FJIC SW RUN TEE-9/16MJIC				



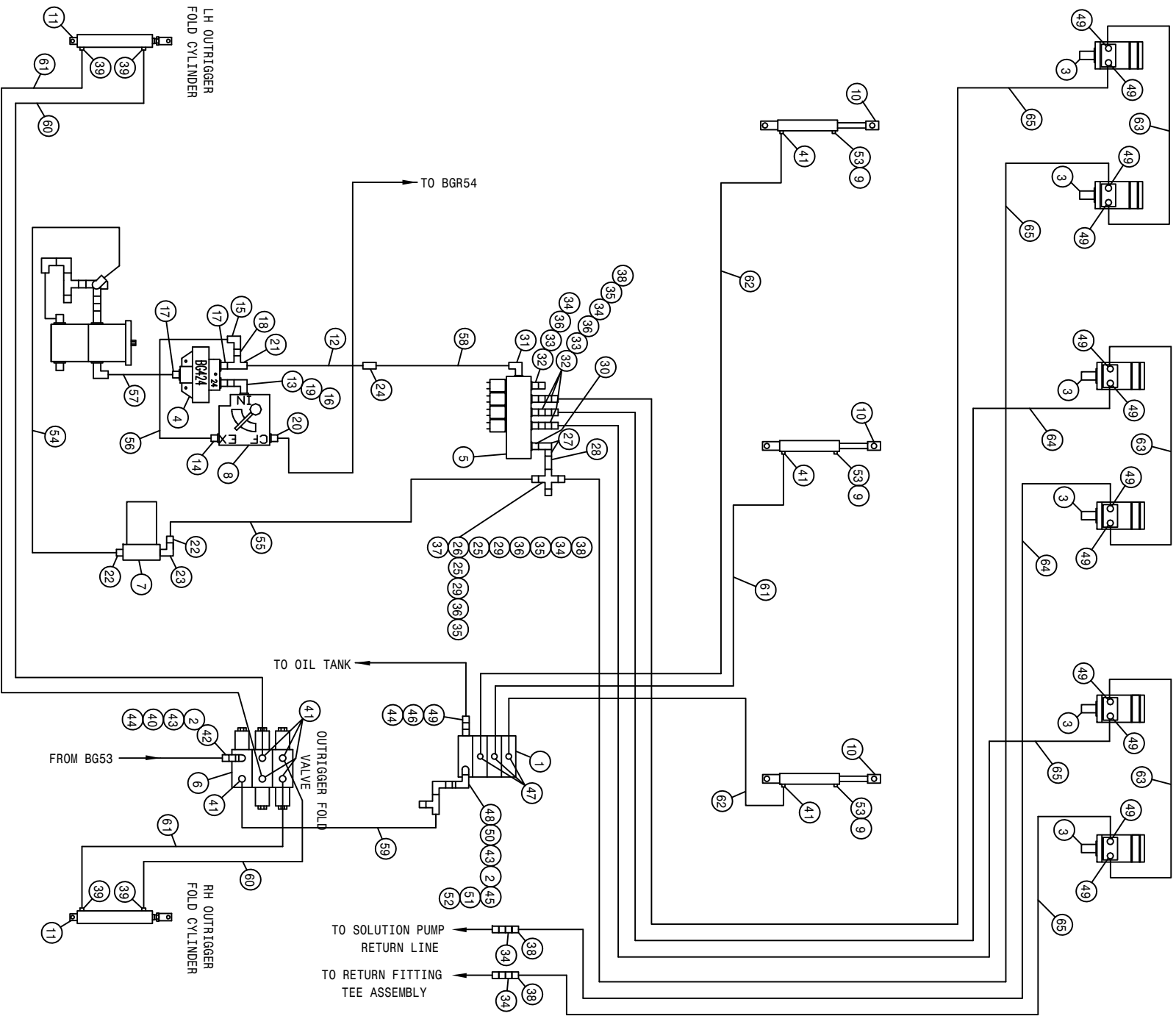
2100 COMBO HYDRAULIC SCHEMATIC 99
REFERENCE DRAWING NO. 498562S2

DET.	QTY	PART NO.	DESCRIPTION	DET.	QTY	PART NO.	DESCRIPTION
1	2	610447	HYD FILTER, INLINE 1/4FNPT 90M	43	618338	9/16MJIC-45-1/4MNPT LBO	
2	1	610668	7 SECT, 6 FUNCTN HYD VLV, EATON	44	618241	3/4MJIC-90-3/4MOR LBO	
3	1	610307	FLO DIV BG53 3GPM PRI 7/8FOR	45	618609	3/4MJIC-90-3/4FJIC SWIV LBO	
4	1	607512	RELIEF VALVE, RL50, 1850 PSI	46	618130	7/8MOR RUN TEE-7/8MJIC	
5	1	610656	5 SECT, 4 FUNCTN HYD VLV, EATON	47	618301	7/8MJIC-90-7/8FJIC SWIV LBO	
6	1	607528	FLO DIV BGR54 4GPM PRI 7/8FOR	48	618183	3/4MJIC-90-7/8MOR LBO	
7	1	690573	HYD MOTOR, FLOMAX HI-SPEED	49	616037	04C1T-06FJX-06FJX-29	
8	1	606818	FLO CONT FCR51 0-16GPM 7/8FOR	50	6114693	06C1T-06FJX-06FJX-168	
9	1	606827	FLO CONT FCS1 0-3 VARI 7/8FOR	51	611246	04C1T-06FJX-06FJX-174	
10	1	749318	STRG MTR, 7.3CID, NON-LOAD 1031	52	615735	06C1T-06FJX-06FJX-300	
11	1	620422	RH STRG CYL ASSY, 2X7" 2100 99	53	614549	06C1T-06FJX-06FJX-140	
12	1	620423	LH STRG CYL ASSY, 2X7" 2100 99	54	614639	04C1T-06FJX-06FJX-126	
13	2	610510	CESSNA GEAR MOTOR 1.48CI	55	614732	10C2AT-10FJX-10FJX-29	
14	1	611121	9/16MJIC-1/4MNPT ADPTR	56	614733	10C2AT-10FJX-10FJX-57	
15	19	618119	9/16MJIC-90-9/16MOR LBO	57	616057	08C1T-08FJX-08FJX-88	
16	4	618126	9/16MJIC-9/16MOR ADPTR	58	615348	06C1T-06FJX-06FJX-127	
17	1	618440	9/16MJIC-90-9/16MOR EX LG LBO	59	615401	06C1T-06FJX-06FJX-22	
18	5	618486	9/16FJIC SW RUN TEE-9/16MJIC	60	618310	9/16MJIC-7/8MOR ADPTR	
19	4	618514	9/16FJ SW BRANCH TEE-9/16MJ	61	615728	04C1T-06FJX-06FJX-80	
20	2	618562	9/16MOR-90-1/4MNPT LBO	62	615730	04C1T-06FJX-06FJX-150	
21	3	618618	9/16MJIC-90-9/16FJIC SWIV LBO	63	690621	VALVE HYD CTRL, 16GPM RAVEN	
22	1	500000	1/2MNPT HEX PIPE NIPPLE STL	64	615732	06C1T-06FJX-06FJX-194	
23	6	611128	7/8MJIC-90-7/8MOR LBO	65	615733	06C1T-06FJX-06FJX-101	
24	1	618072	7/8MOR-1/2FNPT ADPTR	66	615736	08C2AT-08FJX-08FJX-46	
25	10	618107	9/16MJIC-90-1/2MNPT LBO	67	615442	04C1T-06FJX-06FJX-55	
26	1	618531	9/16FJIC CAP NUT	68	616028	04C1T-06FJX-06FJX-47	
27	1	611122	9/16MJIC-90-1/4MNPT LBO	69	616049	04C1T-06FJX-06FJX-26	
28	1	611126	7/8MJIC-7/8MOR ADPTR	70	615621	06C1T-06FJX-06FJX-24	
29	1	618015	9/16MJIC-90-3/8MNPT LBO	71	614744	10C2AT-10FJX-10FJX-18	
30	1	618557	7/8FJIC-9/16MJIC ADPTR	72	618019	9/16MJIC UNION TEE	
31	1	618594	7/8FJIC SWIV-7/8MOR ADPTR	73	618456	7/8MJIC UNION	
32	3	504702	CLOSE NIPPLE .75NPT	74	618451	3/4FJIC SW RUN TEE-3/4MJIC	
33	4	504955	BLK PIPE TEE .75NPT	75	618623	3/4FJIC-SWIV-1/2MNPT	
34	2	610300	3/4MJIC-3/4MNPT ADPTR	76	618622	HYD QUICK CPLR, MALE, .50FNPS	
35	1	618059	7/8MJIC-3/4MNPT ADPTR	77	611147	3/4MJIC-1/2MNPT ADPTR	
36	2	618642	9/16MJIC-3/4MNPT ADPTR	78	614745	08C1T-08FJX-08FJX-66	
37	1	713220	HOSE BARB 3/4 NPT X 3/4	79	614746	08C1T-08FJX-08FJX-228	
38	4	618109	9/16MJIC-3/4MOR ADPTR	80	615460	06C1T-06FJX-06FJX-11	
39	3	618172	7/8MOR-9/16FOR ADPTR	81	618645	HYD QUICK CPLR, FEMALE .375NPS	
40	1	618629	9/16MOR BRANCH TEE-9/16MJIC	82	618011	9/16MJIC-3/8MNPT ADPTR	
41	3	618634	9/16MJIC-45-9/16FJIC SWIV LBO	83	618646	HYD QUICK CPLR, MALE .375NPS	
42	4	618092	1/16MOR-1/2FNPT ADPTR	84	618462	3/4MJIC-3/8MNPT ADPTR	



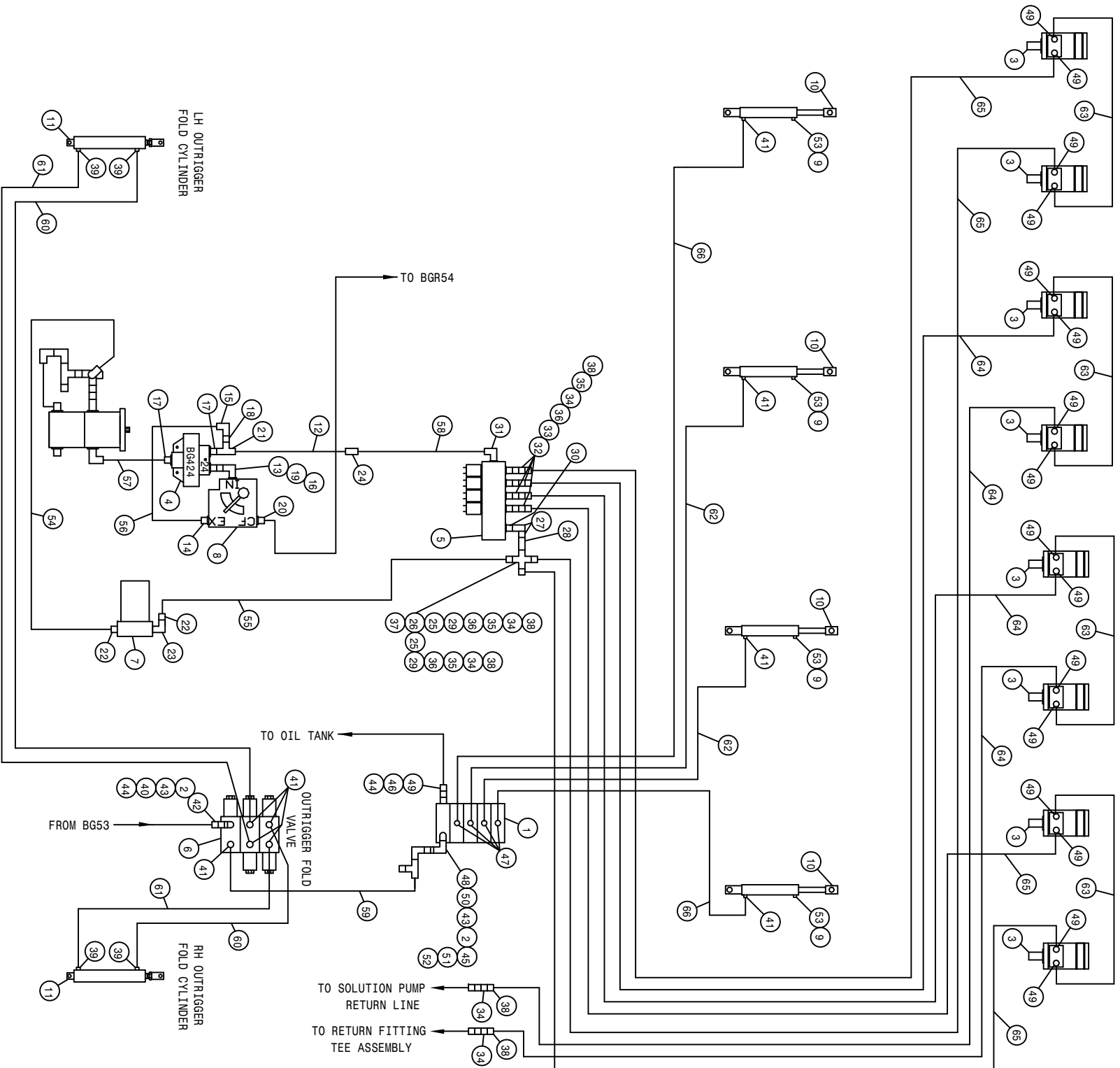
2100 COMBO HYDRAULIC SCHEMATIC 99
REFERENCE DRAWING NO. 498562S3

DET.	QTY	PART NO.	DESCRIPTION	DET.	QTY	PART NO.	DESCRIPTION
1	2	620701	LIFT CYL ASSY, 2.50 X 14.00" 99	26	2	615616	04C1T-06FJX-06FJX-65
2	2	620652	FOLD CYL ASSY, 2 X 10 IN 97	27	2	618019	9/16MJIC UNION TEE
3	2	620659	CYL ASSY, TRD ADJ, RH284, LH2100	28	15	619010	9/16MJIC UNION
4	2	620662	CYL ASSY, TRD ADJ, LH284, RH2100	29	4	614710	RESTRICTOR ELBOW ASSY .025DIA
5	2	620585	LEVEL CYL ASSY, 2 X 10 96	30	2	611204	04C1T-06FJX-06FJX-78
6	1	610628	4-MAY, 2-POSITION SOL VLV	31	3	614077	04C1T-06FJX-06FJX-88
7	2	620632	ACCUMULATOR CYL ASSY 96	32	1	615726	04C1T-06FJX-06FJX-73
8	2	620664	CYL ASSY, BOOM FOLD 2.50X18" 98	33	1	615727	04C1T-06FJX-06FJX-75
9	1	615639	LEVEL HYD TUBE ASSY, UP254/284	34	1	615729	04C1T-06FJX-06FJX-84
10	1	615637	LIFT HYD TUBE ASSY, UP 254/284	35	2	614663	04C1T-06FJX-06FJX-16
11	1	615640	LEVEL HYD TUBE ASSY, DN254/284	36	1	614712	04C1T-06FJX-06FJX-20
12	1	615638	LIFT HYD TUBE ASSY, DN 254/284	37	1	614713	04C1T-06FJX-06FJX-24
13	1	615642	FOLD HYD TUBE ASSY, OUT254/284	38	1	616037	04C1T-06FJX-06FJX-29
14	1	615641	FOLD HYD TUBE ASSY, IN 254/284	39	6	616040	04C1T-06FJX-06FJX-67
15	1	615683	FOLD BOOM HYD TUBE ASSY, OUT	40	5	616043	04C1T-06FJX-06FJX-23
16	1	615682	FOLD BOOM HYD TUBE ASSY, IN	41	1	616049	04C1T-06FJX-06FJX-26
17	4	615684	HYD TUBE ASSY, BOOM EXT FOLD96	42	4	615442	04C1T-06FJX-06FJX-55
18	14	611122	9/16MJIC-90-1/4MNPT LBO	43	1	616028	04C1T-06FJX-06FJX-47
19	2	610450	RESTRICTOR .025 1-WAY, 1/2FNPT	44	1	614714	04C1T-06FJX-06FJX-34
20	6	614365	RESTRICTOR ELBOW ASSY .042DIA	45	1	616059	04C1T-06FJX-06FJX-33
21	4	618018	9/16MJIC-1/2MNPT ADPTR	46	1	614715	04C1T-06FJX-06FJX-43
22	4	618633	1/2MNPT-90-1/4MNPT REDU LBO	47	2	620690	CYL ASSY, LH LEG, 154 TRD ADJ 98
23	1	618109	9/16MJIC-3/4MOR ADPTR	48	2	620691	CYL ASSY, RH LEG 154 TRD ADJ 98
24	3	618115	9/16MJIC-90-3/4MOR LBO	49	2	610675	RESTRICTOR, .042 1-WAY, 1/2FNPT
25	3	618618	9/16MJIC-90-9/16FJIC SMIV LBO				



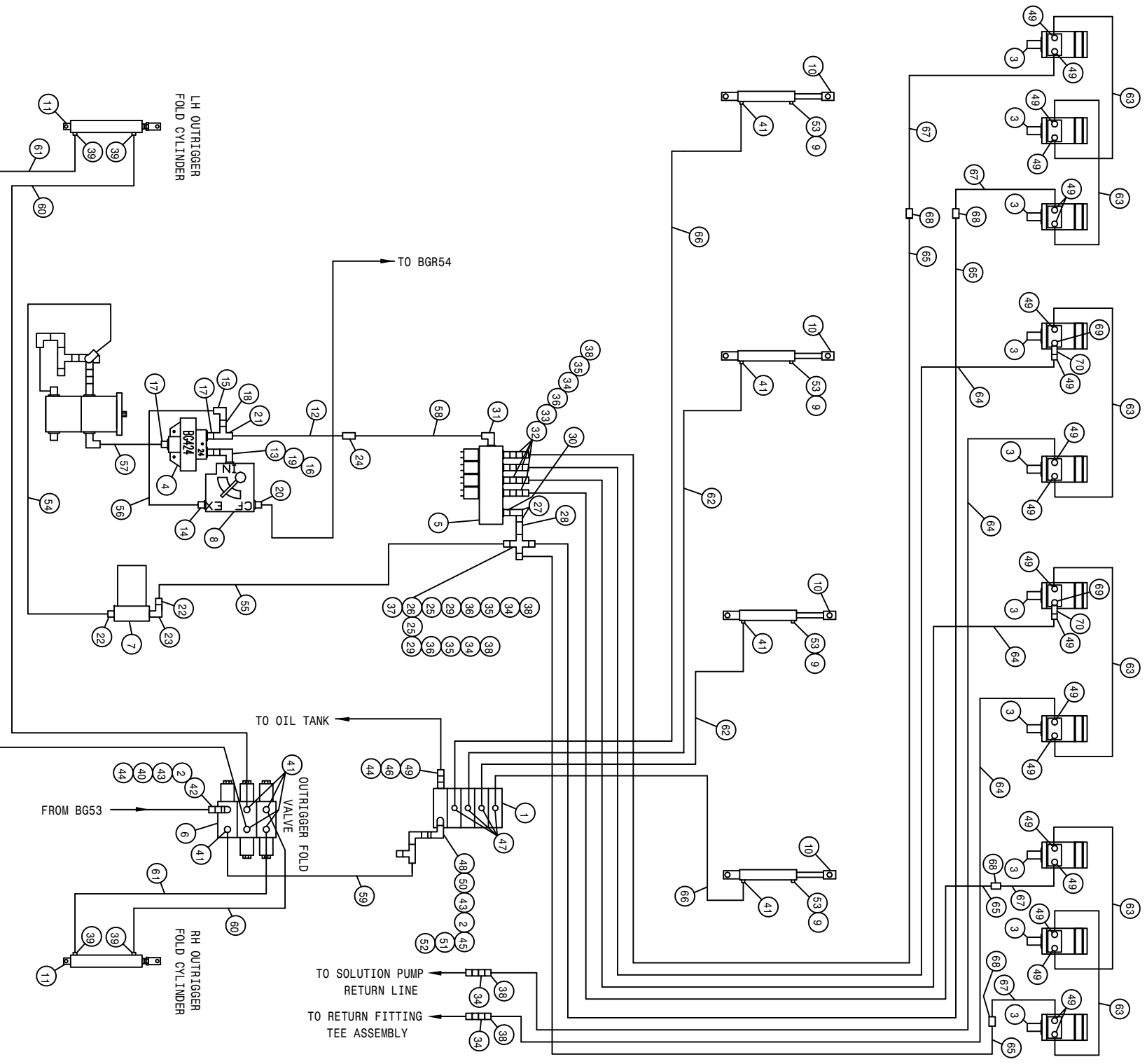
HYD SCHEM,2100 COMBO,6R QUAD
REFERENCE DRAWING NO. 498563

DET.	QTY	PART NO.	DESCRIPTION	DET.	QTY	PART NO.	DESCRIPTION
1	1	610532	ELECT HYD STACK VLV, 3 SECT	*34	7	618621	HYD QUICK CPLR,FEMALE,.50FNPS
2	2	610447	HYD FILTER,INLINE 1/4FNPT 90M	*35	5	618622	HYD QUICK CPLR, MALE, .50FNPS
3	6	610547	HYD MOTOR 4.5CI 1IN SHFT	*36	6	618623	3/4FJIC-SWIV-1/2MNPT
*4	1	606836	FLO DIV BG424 24GPM PRI 1NPT	*37	1	714561	1.00NPT-1.25 HOSE BARB
*5	1	610467	MODULAR MTR CONTROL ELECT VLV	38	6	611147	3/4MJIC-1/2MNPT ADPTR
6	1	610417	HYD CTRL VALVE	39	4	614710	RESTRICTOR ELBOW ASSY .025DIA
*7	1	605601	GRESEN FILTER 10 MICRON 40GPM	40	1	618011	9/16MJIC-3/8MNPT ADPTR
*8	1	607510	FLO CONT FCR51 0-30VARI 7/8DR	41	8	618119	9/16MJIC-90-9/16MOR LBO
9	3	470114	BREATHER FILTER VENT, 1/4 NPT	42	1	618562	9/16MOR-90-1/4MNPT LBO
10	3	620810	LIFT CYL ASSY, DETASSELER	43	2	618608	9/16FJIC SWIV-1/4MNPT
11	2	620652	FOLD CYL ASSY, 2 X 10 IN	44	2	618646	HYD QUICK CPLR, MALE .375NPS
*12	1	615743	HYD TUBE ASSY, 2100 COMBO	99	45	611122	9/16MJIC-90-1/4MNPT LBO
*13	1	505213	RED BUSH 1 X 3/4 BLK MAL	46	1	618615	3/4FJIC-SWIV-3/8MNPT
*14	1	618189	1 1/16MJIC-7/8MOR ADPTR	47	3	618126	9/16MJIC-9/16MOR ADPTR
*15	1	618191	1 1/16MJIC-90-1 1/16FJ SWIV LBO	48	1	618170	3/4MOR-9/16FOR ADPTR
*16	1	618279	1 1/16MJIC-90-7/8MOR LBO	49	13	618327	3/4MJIC-7/8MOR ADPTR
*17	2	618322	1 5/16MJIC-1MNPT ADPTR	50	1	618440	9/16MJIC-90-9/16MOR EX LG LBO
*18	1	618541	1 5/16FJIC-1 1/16MJIC ADPTR	51	1	618486	9/16FJIC SW RUN TEE-9/16MJIC
*19	1	618579	1 1/16FJIC SWIV-3/4MNPT	52	1	618531	9/16FJIC CAP NUT
*20	1	611126	7/8MJIC-7/8MOR ADPTR	53	3	618116	9/16MOR-90-1/4FNPT LBO
*21	1	618619	1 5/16FJ SW RUN TEE-15/16MJ	*54	1	601442	HOSE, 1 1/4 X 45 1FBR-1SPI
*22	2	715660	HOSE BARB 1 1/4NPT X 1 1/4	*55	1	601443	HOSE, 1 1/4 X 177 1FBR-1SPI
*23	1	506410	BLK PIPE ST EL 90DEG 1.25NPT	*56	1	615738	12C2AT-12FJX-12FJX-27
*24	1	618577	1 5/16MJIC UNION	*57	1	615739	16C2AT-16FJX-16FJX-17
*25	2	505005	RED BUSH 1 TO 1/2	*58	1	615740	16C2AT-16FJX-16FJX-118
*26	1	505100	BLK PIPE CROSS 1.00NPT	59	1	615621	06C1T-06FJX-06FJX-24
*27	2	505200	BLK PIPE ST EL 90DEG 1.00NPT	60	2	615727	04C1T-06FJX-06FJX-75
*28	1	505210	BLK PIPE NIPPLE 1.00NPT-3.00	61	3	614077	04C1T-06FJX-06FJX-88
*29	2	611145	3/4MJIC-90-1/2MNPT LBO	62	2	614101	04C1T-06FJX-06FJX-133
*30	1	618090	1 5/16MOR-1FNPT ADPTR	63	3	616025	08C1T-08FJX-08FJX-50
*31	1	618178	1 5/16MJIC-90-1 5/16MOR LBO	64	2	614688	08C1T-08FJX-08FJX-108
*32	4	618469	3/4MJIC-1 1/16MOR ADPTR	65	4	614690	08C1T-08FJX-08FJX-192
*33	4	618609	3/4MJIC-90-3/4FJIC SWIV LBO				H/A



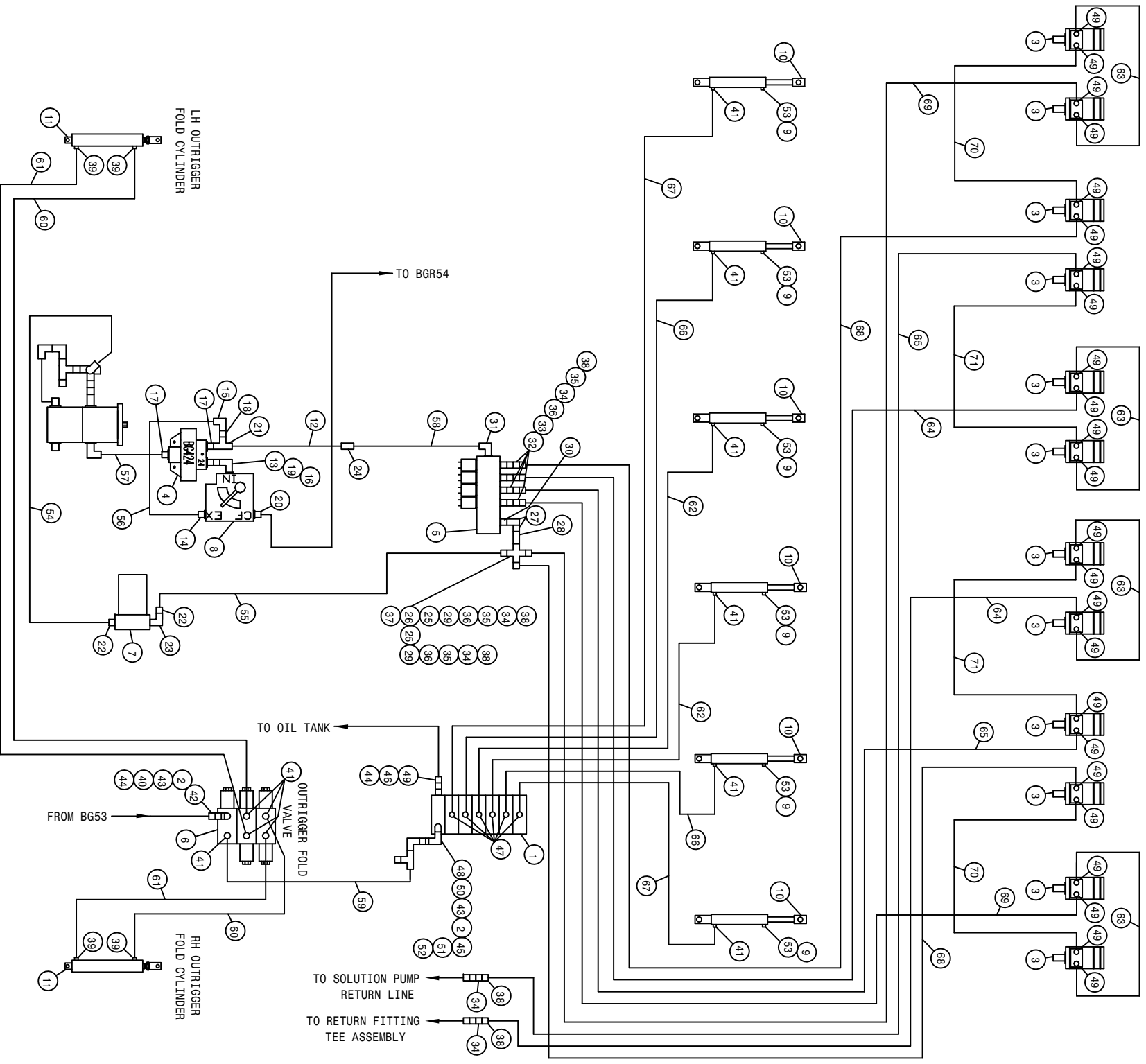
HYD SCHEM, 2100 COMBO, 8R QUAD
REFERENCE DRAWING NO. 498564

DET.	QTY	PART NO.	DESCRIPTION	DET.	QTY	PART NO.	DESCRIPTION
1	1	610613	ELECT HYD STACT VLV, 4 SECT	*34	8	618621	HYD QUICK CPLR, FEMALE, .50FNPS
2	2	610447	HYD FILTER, INLINE 1/4FNPT 90M	*35	6	618622	HYD QUICK CPLR, MALE, .50FNPS
3	8	610547	HYD MOTOR 4.5CT 1IN SHFT	*36	6	618623	3/4FJIC-SWIV-1/2MNPT
*4	1	606836	FLO DIV BG424 24GPM PRI 1NPT	*37	1	714561	1.00NPT-1.25 HOSE BARB
*5	1	610467	MODULAR MTR CONTROL ELECT VLV	38	8	611147	3/4MJIC-1/2MNPT ADPTR
6	1	610417	HYD CTRL VALVE	39	4	614710	RESTRICTOR ELBOW ASSY .025DIA
*7	1	605601	GRESEN FILTER 10 MICRON 40GPM	40	1	618011	9/16MJIC-3/8MNPT ADPTR
*8	1	607510	FLO CONT FCR51 0-30VARI 7/8DR	41	9	618119	9/16MJIC-90-9/16MOR LBO
9	4	470114	BREATHER FILTER VENT, 1/4 NPT	42	1	618562	9/16MOR-90-1/4MNPT LBO
10	4	620810	LIFT CYL ASSY, DETASSELER	43	2	618608	9/16FJIC SWIV-1/4MNPT
11	2	620652	FOLD CYL ASSY, 2 X 10 IN	44	2	618646	HYD QUICK CPLR, MALE .375NPS
*12	1	615743	HYD TUBE ASSY, 2100 COMBO	45	1	611122	9/16MJIC-90-1/4MNPT LBO
*13	1	505213	RED BUSH 1 X 3/4 BLK MAL	46	1	618615	3/4FJIC-SWIV-3/8MNPT
*14	1	618189	1 1/16MJIC-7/8MOR ADPTR	47	4	618126	9/16MJIC-9/16MOR ADPTR
*15	1	618191	1 1/16MJIC-90-1 1/16FJ SWIV LBO	48	1	618170	3/4MOR-9/16FOR ADPTR
*16	1	618279	1 1/16MJIC-90-7/8MOR LBO	49	17	618327	3/4MJIC-7/8MOR ADPTR
*17	2	618322	1 5/16MJIC-1MNPT ADPTR	50	1	618440	9/16MJIC-90-9/16MOR EX LG LBO
*18	1	618541	1 5/16FJIC-1 1/16MJIC ADPTR	51	1	618486	9/16FJIC SW RUN TEE-9/16MJIC
*19	1	618579	1 1/16FJIC SWIV-3/4MNPT	52	1	618531	9/16FJIC CAP NUT
*20	1	611126	7/8MJIC-7/8MOR ADPTR	53	4	618116	9/16MOR-90-1/4FNPT LBO
*21	1	618619	1 5/16FJ SW RUN TEE-15/16MJ	*54	1	601442	HOSE, 1 1/4 X 45 1FBR-1SP1
*22	2	715660	HOSE BARB 1 1/4NPT X 1 1/4	*55	1	601443	HOSE, 1 1/4 X 177 1FBR-1SP1
*23	1	506410	BLK PIPE ST EL 90DEG. 1.25NPT	*56	1	615738	12C2AT-12FJX-12FJX-27
*24	1	618577	1 5/16MJIC UNION	*57	1	615739	16C2AT-16FJX-16FJX-17
*25	2	505005	RED BUSH 1 TO 1/2	*58	1	615740	16C2AT-16FJX-16FJX-118
*26	1	505100	BLK PIPE CROSS 1.00NPT	59	1	615621	06C1T-06FJX-06FJX-24
*27	2	505200	BLK PIPE ST EL 90DEG. 1.00NPT	60	2	615727	04C1T-06FJX-06FJX-75
*28	1	505210	BLK PIPE NIPPLE 1.00NPT-3.00	61	2	614077	04C1T-06FJX-06FJX-88
*29	2	611145	3/4MJIC-90-1/2MNPT LBO	62	2	614101	04C1T-06FJX-06FJX-133
*30	1	618090	1 5/16MOR-1FNPT ADPTR	63	4	616025	08C1T-08FJX-08FJX-50
*31	1	618178	1 5/16MJIC-90-1 5/16MOR LBO	64	4	614689	08C1T-08FJX-08FJX-120
*32	4	618469	3/4MJIC-1 1/16MOR ADPTR	65	4	614691	08C1T-08FJX-08FJX-220
*33	4	618609	3/4MJIC-90-3/4FJIC SWIV LBO	66	2	611246	04C1T-06FJX-06FJX-174



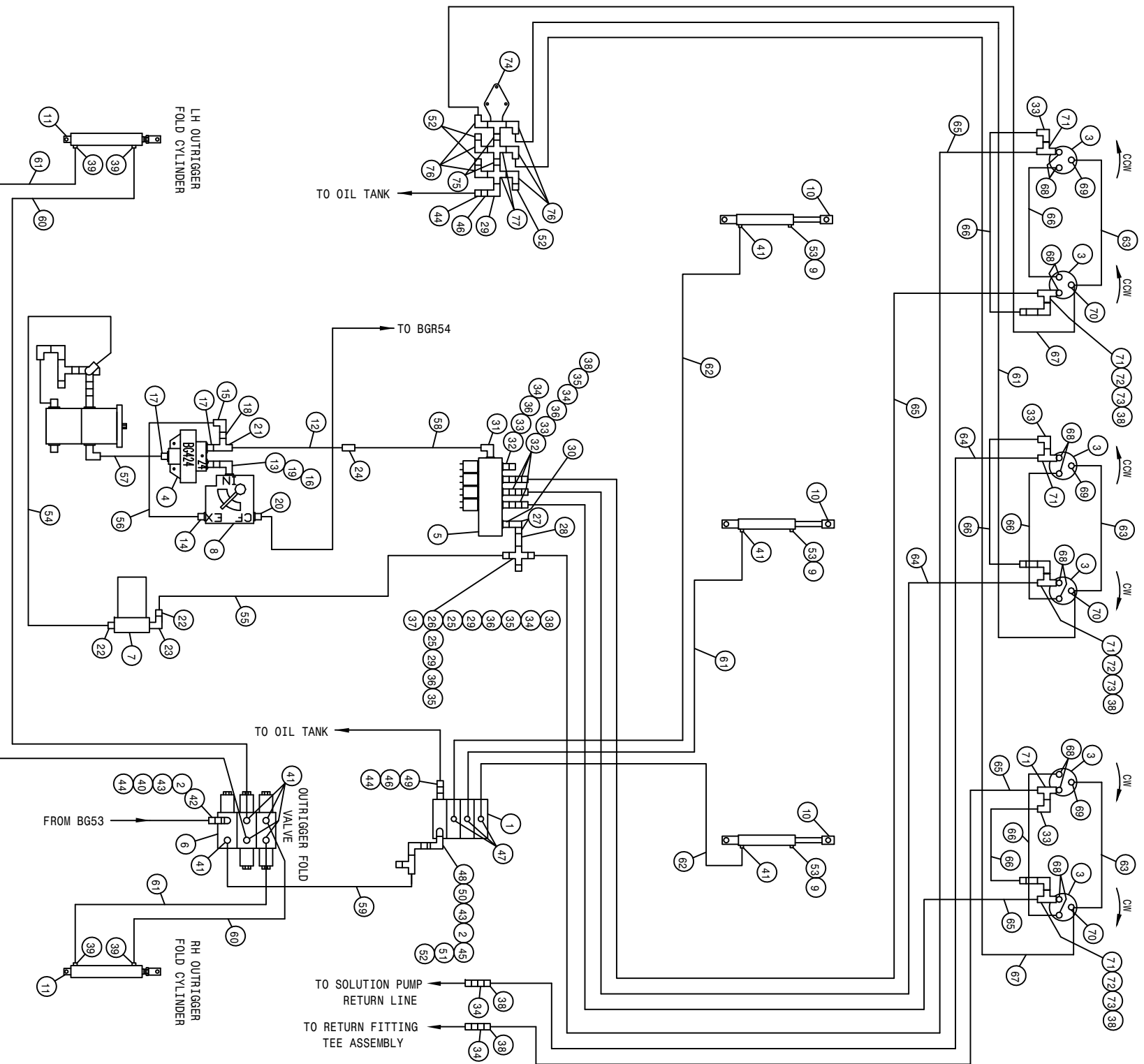
HYD SCHEM, 2100 COMBO, 10R QUAD
REFERENCE DRAWING NO. 498565

DET.	QTY	PART NO.	DESCRIPTION	DET.	QTY	PART NO.	DESCRIPTION
1	1	610613	ELECT HYD STACT VLV, 4 SECT	*36	618623	3/4FJIC-SWIV-1/2MNPT	
2	2	610447	HYD FILTER, INLINE 1/4FNPT 90M	*37	714561	1.00NPT-1.25 HOSE BARB	
3	10	610547	HYD MOTOR 4.5CT 1IN SHFT	38	611147	3/4MJIC-1/2MNPT ADPTR	
*4	1	606836	FLO DIV BG424 24GPM PRI 1NPT	39	614710	RESTRICTOR ELBOW ASSY .025DIA	
*5	1	610467	MODULAR MTR CONTROL ELECT VLV	40	618011	9/16MJIC-3/8MNPT ADPTR	
6	1	610417	HYD CTRL VALVE	41	618119	9/16MJIC-90-9/16MOR LBO	
*7	1	605601	GREEN FILTER 10 MICRON 40GPM	42	618562	9/16MOR-90-1/4MNPT LBO	
*8	1	607510	FLO CONT FOR51 0-30VARI 7/8OR	43	618608	9/16FJIC SWIV-1/4MNPT	
9	4	470114	BREATHER FILTER VENT, 1/4 NPT	44	618646	HYD QUICK CPLR, MALE .375NPS	
10	4	620810	LIFT CYL ASSY, DETASSELER	45	611122	9/16MJIC-90-1/4MNPT LBO	
11	2	620652	FOLD CYL ASSY, 2 X 10 IN	46	618615	3/4FJIC-SWIV-3/8MNPT	
*12	1	615743	HYD TUBE ASSY, 2100 COMBO	47	618126	9/16MJIC-9/16MOR ADPTR	
*13	1	505213	RED BUSH 1 X 3/4 BLK MAL	48	618170	3/4MOR-9/16FOR ADPTR	
*14	1	618189	1 1/16MJIC-7/8MOR ADPTR	49	618327	3/4MJIC-7/8MOR ADPTR	
*15	1	618191	1 1/16MJ-90-1 1/16FJ SWIV LBO	50	618440	9/16MJIC-90-9/16MOR EX LG LBO	
*16	1	618279	1 1/16MJIC-90-7/8MOR LBO	51	618486	9/16FJIC SW RUN TEE-9/16MJIC	
*17	2	618322	1 5/16MJIC-1MNPT ADPTR	52	618531	9/16FJIC CAP NUT	
*18	1	618541	1 5/16FJIC-1 1/16MJIC ADPTR	53	618116	9/16MOR-90-1/4FNPT LBO	
*19	1	618579	1 1/16FJIC SWIV-3/4MNPT	*54	601442	HOSE, 1 1/4 X 45 1FBR-15PT	
*20	1	611126	7/8MJIC-7/8MOR ADPTR	*55	601443	HOSE, 1 1/4 X 177 1FBR-15PT	
*21	1	618619	1 5/16FJ SW RUN TEE-15/16MJ	*56	615738	12C2AT-12FJX-12FJX-27	
*22	2	715660	HOSE BARB 1 1/4NPT X 1 1/4	*57	615739	16C2AT-16FJX-16FJX-17	
*23	1	506410	BLK PIPE ST EL 90DEG 1.25NPT	*58	615740	16C2AT-16FJX-16FJX-118	
*24	1	618577	1 5/16MJIC UNION	59	615621	06C1T-06FJX-06FJX-24	
*25	2	505005	RED BUSH 1 TO 1/2	60	615727	04C1T-06FJX-06FJX-75	
*26	1	505100	BLK PIPE CROSS 1.00NPT	61	614077	04C1T-06FJX-06FJX-88	
*27	2	505200	BLK PIPE ST EL 90DEG 1.00NPT	62	614101	04C1T-06FJX-06FJX-133	
*28	1	505210	BLK PIPE NIPPLE 1.00NPT-3.00	63	616025	08C1T-08FJX-08FJX-50	
*29	2	611145	3/4MJIC-90-1/2MNPT LBO	64	614689	08C1T-08FJX-08FJX-120	
*30	1	618090	1 5/16MOR-1FNPT ADPTR	65	614691	08C1T-08FJX-08FJX-220	
*31	1	618178	1 5/16MJIC-90-1 5/16MOR LBO	66	611246	04C1T-06FJX-06FJX-174	
*32	4	618469	3/4MJIC-1 1/16MOR ADPTR	67	615385	08C1T-08FJX-08FJX-29	
*33	4	618609	3/4MJIC-90-3/4FJIC SWIV LBO	68	618314	3/4MJIC UNION	
*34	8	618621	HYD QUICK CPLR, FEMALE, .50FNPS	69	618586	7/8MOR UNION	
*35	6	618622	HYD QUICK CPLR, MALE, .50FNPS	70	607522	FLOW REGULATOR, 8GPM VONBERG	



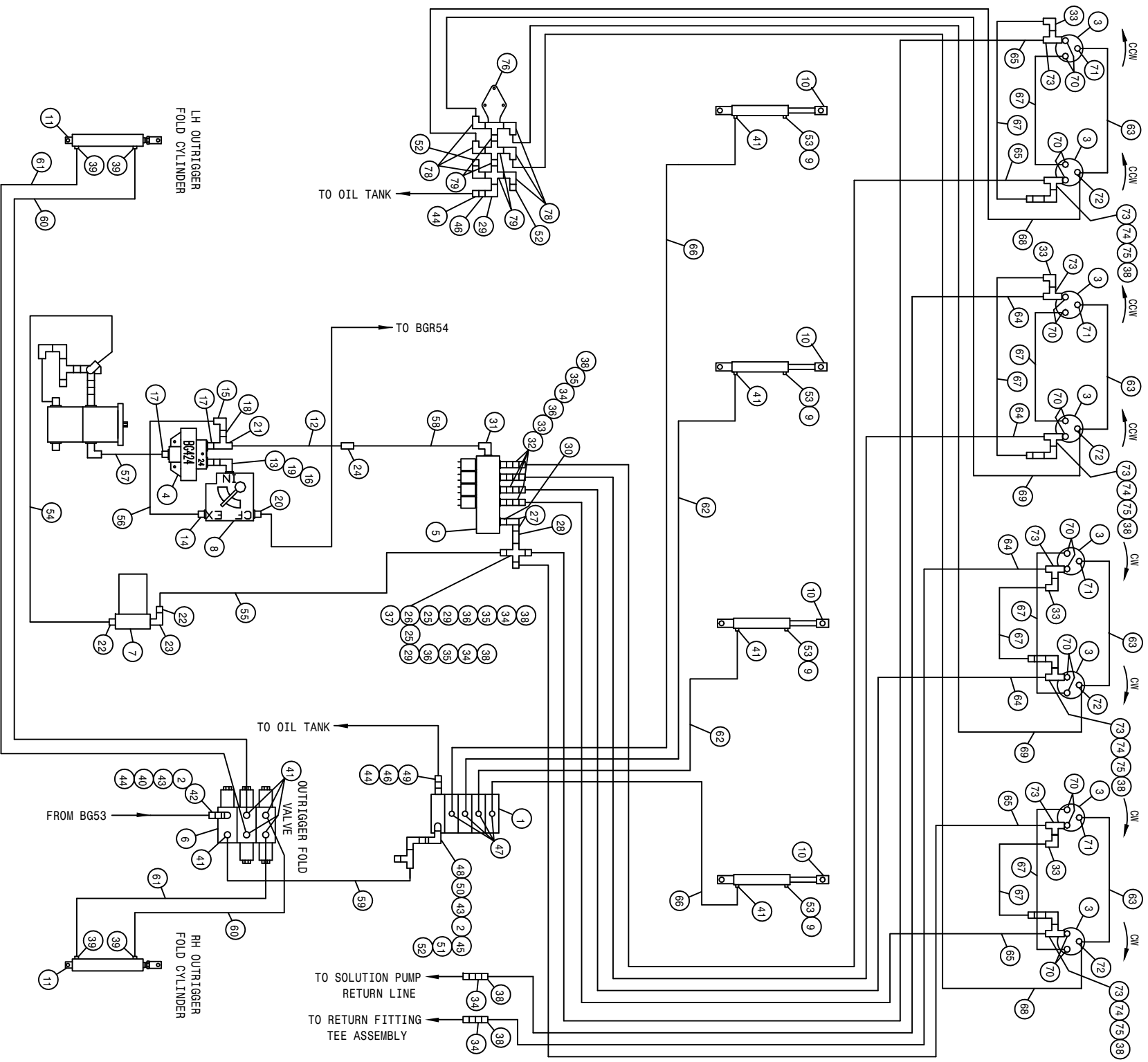
HYD SCHEM, 2100 COMBO, 12R QUAD
REFERENCE DRAWING NO. 498566

DET.	QTY	PART NO.	DESCRIPTION	DET.	QTY	PART NO.	DESCRIPTION
1	1	610615	ELECT HYD STACT VLV, 6 SECT	*37	1	714561	1.00NPT-1.25 HOSE BARB
2	2	610447	HYD FILTER, INLINE 1/4FNPT 90M	38	8	611147	3/4MJIC-1/2MNPT ADPTR
3	12	610547	HYD MOTOR 4.5CI 1IN SHFT	39	4	614710	RESTRICTOR ELBOW ASSY .025DIA
*4	1	606836	FLO DIV BG424 24GPM PRI 1NPT	40	1	618011	9/16MJIC-3/8MNPT ADPTR
*5	1	610467	MODULAR MTR CONTROL ELECT VLV	41	11	618119	9/16MJIC-90-9/16MOR LBO
6	1	610417	HYD CTRL VALVE	42	1	618562	9/16MOR-90-1/4MNPT LBO
*7	1	605601	GRESEN FILTER 10 MICRON 40GPM	43	2	618608	9/16FJIC SWIV-1/4MNPT
*8	1	607510	FLO CONT FCR51 0-30VARI 7/8OR	44	2	618646	HYD QUICK CPLR, FEMALE, .375NPS
9	6	470114	BREATHER FILTER VENT, 1/4 NPT	45	1	611122	9/16MJIC-90-1/4MNPT LBO
10	6	620810	LIFT CYL ASSY, DETASSELER	46	1	618615	3/4FJIC-SWIV-3/8MNPT
11	2	620652	FOLD CYL ASSY, 2 X 10 IN	47	6	618126	9/16MJIC-9/16MOR ADPTR
*12	1	615743	HYD TUBE ASSY, 2100 COMBO	48	1	618170	3/4MOR-9/16FOR ADPTR
*13	1	505213	RED BUSH 1 X 3/4 BLK MAL	49	25	618327	3/4MJIC-7/8MOR ADPTR
*14	1	618189	1 1/16MJIC-7/8MOR ADPTR	50	1	618440	9/16MJIC-90-9/16MOR EX LG LBO
*15	1	618191	1 1/16MJ-90-1 1/16FJ SWIV LBO	51	1	618486	9/16FJIC SW RUN TEE-9/16MJIC
*16	1	618279	1 1/16MJIC-90-7/8MOR LBO	52	1	618531	9/16FJIC CAP NUT
*17	2	618322	1 5/16MJIC-1MNPT ADPTR	53	6	618116	9/16MOR-90-1/4FNPT LBO
*18	1	618541	1 5/16FJIC-1 1/16MJIC ADPTR	*54	1	601442	HOSE, 1 1/4 X 45 1FBR-1SPI
*19	1	618579	1 1/16FJIC SWIV-3/4MNPT	*55	1	601443	HOSE, 1 1/4 X 177 1FBR-1SPI
*20	1	611126	7/8MJIC-7/8MOR ADPTR	*56	1	615738	12C2AT-12FJX-12FJX-27
*21	1	618619	1 5/16FJ SW RUN TEE-.15/16MJ	*57	1	615739	16C2AT-16FJX-16FJX-17
*22	2	715660	HOSE BARB 1 1/4NPT X 1 1/4	*58	1	615740	16C2AT-16FJX-16FJX-118
*23	1	506410	BLK PIPE ST EL 90DEG 1.25NPT	59	1	615621	06C1T-06FJX-06FJX-24
*24	1	618577	1 5/16MJIC UNION	60	2	615727	04C1T-06FJX-06FJX-75
*25	2	505005	RED BUSH 1 TO 1/2	61	2	614077	04C1T-06FJX-06FJX-88
*26	1	505100	BLK PIPE CROSS 1.00NPT	62	2	614101	04C1T-06FJX-06FJX-133
*27	2	505200	BLK PIPE ST EL 90DEG 1.00NPT	63	4	616025	08C1T-08FJX-08FJX-50
*28	1	505210	BLK PIPE NIPPLE 1.00NPT-3.00	64	2	614689	08C1T-08FJX-08FJX-120
*29	2	611145	3/4MJIC-90-1/2MNPT LBO	65	2	614691	08C1T-08FJX-08FJX-220
*30	1	618090	1 5/16MOR-1FNPT ADPTR	66	2	611246	04C1T-06FJX-06FJX-174
*31	1	618178	1 5/16MJIC-90-1 5/16MOR LBO	67	2	614377	04C1T-06FJX-06FJX-258
*32	4	618469	3/4MJIC-1 1/16MOR ADPTR	68	2	614378	08C1T-08FJX-08FJX-207
*33	4	618609	3/4MJIC-90-3/4FJIC SWIV LBO	69	2	614387	08C1T-08FJX-08FJX-267
*34	8	618621	HYD QUICK CPLR, FEMALE, .50FNPS	70	2	614690	08C1T-08FJX-08FJX-192
*35	6	618622	HYD QUICK CPLR, MALE, .50FNPS	71	2	614384	08C1T-08FJX-08FJX-237
*36	6	618623	3/4FJIC-SWIV-1/2MNPT				



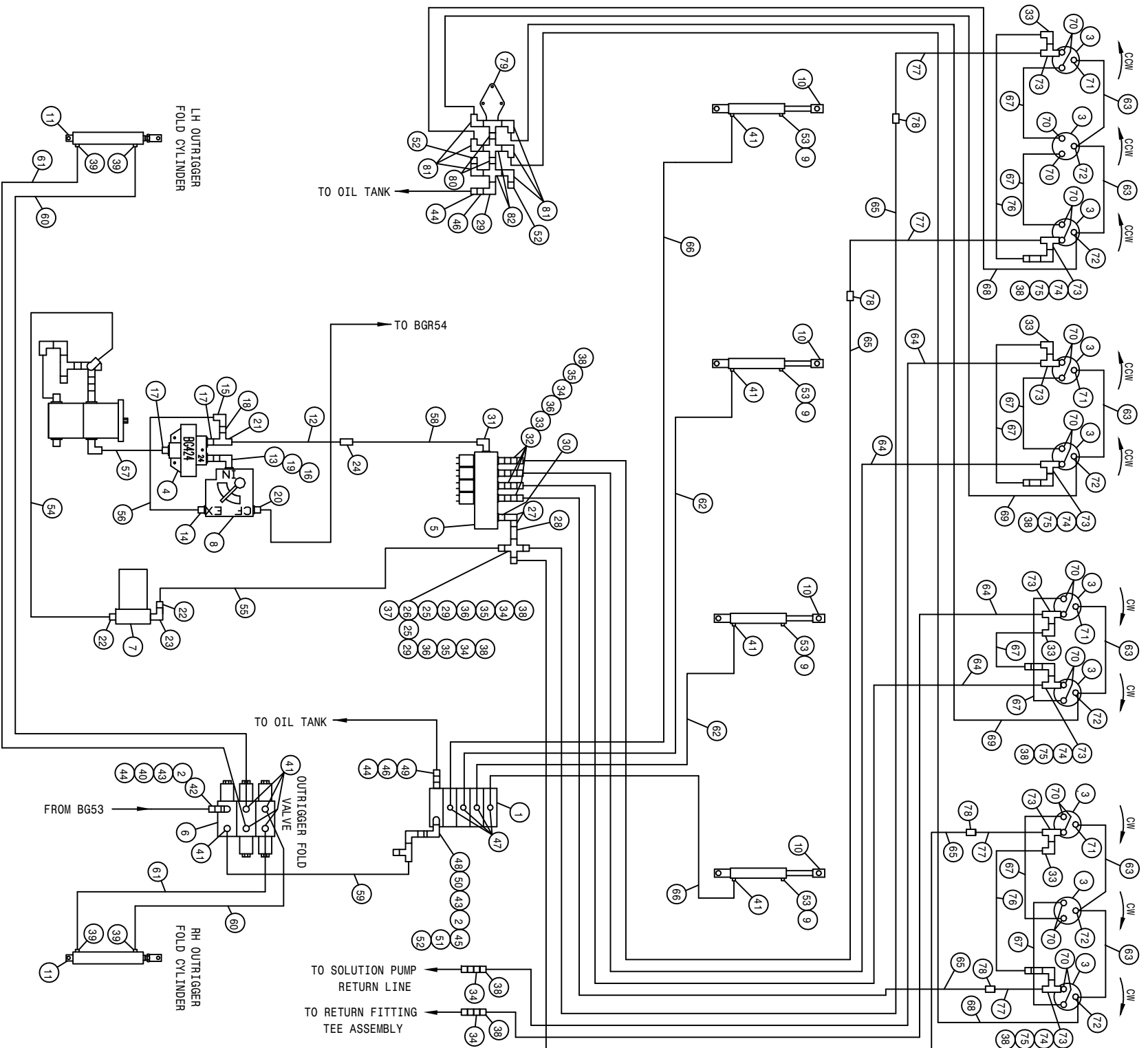
HYD SCHEM, 2100 COMBO, 6R CUTR
REFERENCE DRAWING NO. 498567

DET.	QTY	PART NO.	DESCRIPTION	DET.	QTY	PART NO.	DESCRIPTION
1	1	610532	ELECT HYD STACK VLV, 3 SECT	40	1	618011	9/16MJIC-3/8MNPT ADPTR
2	2	610447	HYD FILTER, INLINE 1/4FNPT 90M	41	8	618119	9/16MJIC-90-9/16MOR LBO
3	6	610590	BARNES HYD MOTOR	42	1	618562	9/16MOR-90-1/4MNPT LBO
*4	1	606836	FLO DIV BGA24 24GPM PRI INPT	43	2	618608	9/16FJIC SWIV-1/4MNPT
*5	1	610467	MODULAR MTR CONTROL ELECT VLV	44	3	618646	HYD QUICK CPLR, MALE .375NPS
6	1	610417	HYD CTRL VALVE	45	1	611122	9/16MJIC-90-1/4MNPT LBO
*7	1	605601	GRESEN FILTER 10 MICRON 40GPM	46	2	618615	3/4FJIC-SWIV-3/8MNPT
*8	1	607510	FLO CONT FGR51 0-30VARI 7/8OR	47	3	618126	9/16MJIC-9/16MOR ADPTR
9	3	470114	BREATHER FILTER VENT, 1/4 NPT	48	1	618170	3/4MOR-9/16FOR ADPTR
10	3	620810	LIFT CYL ASSY, DETASSELER	49	1	618327	3/4MJIC-7/8MOR ADPTR
11	2	620652	FOLD CYL ASSY, 2 X 10 IN	50	1	618440	9/16MJIC-90-9/16MOR EX LG LBO
*12	1	615743	HYD TUBE ASSY, 2100 COMBO	51	1	618486	9/16FJIC SW RUN TEE-9/16MJIC
*13	1	505213	RED BUSH 1 X 3/4 BLK MAL	52	4	618531	9/16FJIC CAP NUT
*14	1	618189	1 1/16MJIC-7/8MOR ADPTR	53	3	618116	9/16MOR-90-1/4FNPT LBO
*15	1	618191	1 1/16MJ-90-1 1/16FJ SWIV LBO	*54	1	601442	HOSE, 1 1/4 X 45 1FBR-1SPI
*16	1	618279	1 1/16MJIC-90-7/8MOR LBO	*55	1	601443	HOSE, 1 1/4 X 177 1FBR-1SPI
*17	2	618322	1 5/16MJIC-1MNPT ADPTR	*56	1	615738	12C2AT-12FJX-12FJX-27
*18	1	618541	1 5/16FJIC-1 1/16MJIC ADPTR	*57	1	615739	16C2AT-16FJX-16FJX-17
*19	1	618579	1 1/16FJIC SWIV-3/4MNPT	*58	1	615740	16C2AT-16FJX-16FJX-118
*20	1	611126	7/8MJIC-7/8MOR ADPTR	59	1	615621	06C1T-06FJX-06FJX-24
*21	1	618619	1 5/16FJ SW RUN TEE-15/16MJ	60	2	615727	04C1T-06FJX-06FJX-75
*22	2	715660	HOSE BARB 1 1/4NPT X 1 1/4	61	4	614077	04C1T-06FJX-06FJX-88
*23	1	506410	BLK PIPE ST EL 90DEG 1.25NPT	62	2	614101	04C1T-06FJX-06FJX-133
*24	1	618577	1 5/16MJIC UNION	63	3	611206	04C1T-06FJX-06FJX-66
*25	2	505005	RED BUSH 1 TO 1/2	64	2	614688	08C1T-08FJX-08FJX-108
*26	1	505100	BLK PIPE CROSS 1.00NPT	65	4	614690	08C1T-08FJX-08FJX-192
*27	2	505200	BLK PIPE ST EL 90DEG 1.00NPT	66	6	614368	08C1T-08FJX-08FJX-60
*28	1	505210	BLK PIPE NIPPLE 1.00NPT-3.00	67	2	611210	04C1T-06FJX-06FJX-156
*29	3	611145	3/4MJIC-90-1/2MNPT LBO	68	12	611125	3/4MJIC-3/4MOR ADPTR
*30	1	618090	1 5/16MOR-1FNPT ADPTR	69	3	618530	9/16MJIC-1/8MNPT ADPTR
*31	1	618178	1 5/16MJIC-90-1 5/16MOR LBO	70	3	618546	1/8MNPT RUN TEE-9/16MJIC
*32	4	618469	3/4MJIC-1 1/16MOR ADPTR	71	6	618451	3/4FJIC SW RUN TEE-3/4MJIC
*33	7	618609	3/4MJIC-90-3/4FJIC SWIV LBO	72	3	618620	3/4FJX-90-1/2MNPT ADPTR
*34	7	618621	HYD QUICK CPLR, FEMALE, .50FNPS	73	3	690338	LINE CHECK VALVE HYD .50NPT
*35	5	618622	HYD QUICK CPLR, MALE, .50FNPS	74	1	615746	CASE DRAIN FTG WLD
*36	6	618623	3/4FJIC-SWIV-1/2MNPT	75	2	503600	CLOSE NIPPLE .50NPT
*37	1	714561	1.00NPT-1.25 HOSE BARB	76	6	618107	9/16MJIC-90-1/2MNPT LBO
38	9	611147	3/4MJIC-1/2MNPT ADPTR	77	2	503824	BLK PIPE CROSS .50NPT
39	4	614710	RESTRICTOR ELBOW ASSY .025DIA				



HYD SCHEM, 2100 COMBO, 8R CULTR
REFERENCE DRAWING NO. 498568

DET.	QTY	PART NO.	DESCRIPTION	DET.	QTY	PART NO.	DESCRIPTION
1	1	610613	ELECT HYD STACT VLV, 4 SECT	41	9	618119	9/16MJIC-90-9/16MOR LBO
2	2	610447	HYD FILTER, INLINE 1/4FNPT 90M	42	1	618562	9/16MOR-90-1/4MNPT LBO
3	8	610590	BARNES HYD MOTOR	43	2	618608	9/16FJIC SWIV-1/4MNPT
*4	1	606836	FLO DIV BG424 24GPM PRI 1NPT	44	3	618646	HYD QUICK CPLR, MALE .375NPS
*5	1	610467	MODULAR MTR CONTRPOL ELECT VLV	45	1	611122	9/16MJIC-90-1/4MNPT LBO
6	1	610417	HYD CTRL VALVE	46	2	618615	3/4FJIC-SWIV-3/8MNPT
*7	1	605601	GRESEN FILTER 10 MICRON 40GPM	47	4	618126	9/16MJIC-9/16MOR ADPTR
*8	1	607510	FLO CONT FCR51 0-30VARI 7/8OR	48	1	618170	3/4MOR-9/16FOR ADPTR
9	4	470114	BREATHER FILTER VENT, 1/4 NPT	49	1	618327	3/4MJIC-7/8MOR ADPTR
10	4	620810	LIFT CYL ASSY, DETASSELER	50	1	618440	9/16MJIC-90-9/16MOR EX LG LBO
11	2	620652	FOLD CYL ASSY, 2 X 10 IN	51	1	618486	9/16FJIC SW RUN TEE-9/16MJIC
*12	1	615745	HYD TUBE ASSY, 2100 COMBO	52	3	618531	9/16FJIC CAP NUT
*13	1	505213	RED BUSH 1 X 3/4 BLK MAL	53	4	618116	9/16MOR-90-1/4FNPT LBO
*14	1	618189	1 1/16MJIC-7/8MOR ADPTR	*54	1	601442	HOSE, 1 1/4 X 45 1FBR-1SPI
*15	1	618191	1 1/16MJ-90-1 1/16FJ SWIV LBO	*55	1	601443	HOSE, 1 1/4 X 177 1FBR-1SPI
*16	1	618279	1 1/16MJIC-90-7/8MOR LBO	*56	1	615738	12C2AT-12FJX-12FJX-27
*17	2	618322	1 5/16MJIC-1MNPT ADPTR	*57	1	615739	16C2AT-16FJX-16FJX-17
*18	1	618541	1 5/16FJIC-1 1/16MJIC ADPTR	*58	1	615740	16C2AT-16FJX-16FJX-118
*19	1	618579	1 1/16FJIC SWIV-3/4MNPT	59	1	615621	06C1T-06FJX-06FJX-24
*20	1	611126	7/8MJIC-7/8MOR ADPTR	60	2	615727	04C1T-06FJX-06FJX-75
*21	1	618619	1 5/16FJ SW RUN TEE-15/16MJ	61	2	614077	04C1T-06FJX-06FJX-88
*22	2	715660	HOSE BARB 1 1/4NPT X 1 1/4	62	2	614101	04C1T-06FJX-06FJX-133
*23	1	506410	BLK PIPE ST EL 90DEG 1.25NPT	63	4	611206	04C1T-06FJX-06FJX-66
*24	1	618577	1 5/16MJIC UNION	64	4	614689	08C1T-08FJX-08FJX-120
*25	2	505005	RED BUSH 1 TO 1/2	65	4	614691	08C1T-08FJX-08FJX-220
*26	1	505100	BLK PIPE CROSS 1.00NPT	66	2	611246	04C1T-06FJX-06FJX-174
*27	2	505200	BLK PIPE ST EL 90DEG 1.00NPT	67	8	614368	08C1T-08FJX-08FJX-60
*28	1	505210	BLK PIPE NIPPLE 1.00NPT-3.00	68	2	614154	04C1T-06FJX-06FJX-221
*29	3	611145	3/4MJIC-90-1/2MNPT LBO	69	2	611212	04C1T-06FJX-06FJX-164
*30	1	618090	1 5/16MOR-1FNPT ADPTR	70	16	611125	3/4MJIC-3/4MOR ADPTR
*31	1	618178	1 5/16MJIC-90-1 5/16MOR LBO	71	4	618530	9/16MJIC-1/8MNPT ADPTR
*32	4	618469	3/4MJIC-1 1/16MOR ADPTR	72	4	618546	1/8MNPT RUN TEE-9/16MJIC
*33	8	618609	3/4MJIC-90-3/4FJIC SWIV LBO	73	8	618451	3/4FJIC SW RUN TEE-3/4MJIC
*34	8	618621	HYD QUICK CPLR, FEMALE, .50FNPS	74	4	618620	3/4FJX-90-1/2MNPT ADPTR
*35	6	618622	HYD QUICK CPLR, MALE, .50FNPS	75	4	690338	LINE CHECK VALVE HYD .50NPT
*36	6	618623	3/4FJIC-SWIV-1/2MNPT	76	1	615746	CASE DRAIN FTG WLD
*37	1	714561	1.00NPT-1.25 HOSE BARB	77	2	503600	CLOSE NIPPLE .50NPT
38	12	611147	3/4MJIC-1/2MNPT ADPTR	78	6	618107	9/16MJIC-90-1/2MNPT LBO
39	4	614710	RESTRICTOR ELBOW ASSY .025DIA	79	2	503824	BLK PIPE CROSS .50NPT
40	1	618011	9/16MJIC-3/8MNPT ADPTR				



HYD SCHEM, 2100 COMBO, 10R CUTR
REFERENCE DRAWING NO. 498569

DET.	QTY	PART NO.	DESCRIPTION	DET.	QTY	PART NO.	DESCRIPTION
1	1	610613	ELECT HYD STACT VLV, 4 SECT	42	1	618562	9/16MOR-90-1/4MNPT LBO
2	2	610447	HYD FILTER, INLINE 1/4FNPT 90M	43	2	618608	9/16FJIC SWIV-1/4MNPT
3	10	610590	BARNES HYD MOTOR	44	3	618646	HYD QUICK CPLR, MALE .375NPS
*4	1	606836	FLO DIV BG424 24GPM PRI 1NPT	45	1	611122	9/16MJIC-90-1/4MNPT LBO
*5	1	610467	MODULAR MTR CONTROL ELECT VLV	46	2	618615	3/4FJIC-SWIV-3/8MNPT
6	1	610417	HYD CTRL VALVE	47	4	618126	9/16MJIC-9/16MOR ADPTR
*7	1	605601	GRESN FILTER 10 MICRON 40GPM	48	1	618170	3/4MOR-9/16FOR ADPTR
*8	1	607510	FLO CONT FOR51 0-30VARI 7/8OR	49	1	618327	3/4MJIC-7/8MOR ADPTR
9	4	470114	BREATHR FILTER VENT, 1/4 NPT	50	1	618440	9/16MJIC-90-9/16MOR EX LG LBO
10	4	620810	LIFT CYL ASSY, DETASSELER	51	1	618486	9/16FJIC SW RUN TEE-9/16MJIC
11	2	620652	FOLD CYL ASSY, 2 X 10 IN	52	3	618531	9/16FJIC CAP NUT
*12	1	615743	HYD TUBE ASSY, 2100 COMBO	53	4	618116	9/16MOR-90-1/4FNPT LBO
*13	1	505213	RED BUSH 1 X 3/4 BLK MAL	*54	1	601442	HOSE, 1 1/4 X 45 1FBR-1SPI
*14	1	618189	1 1/16MJIC-7/8MOR ADPTR	*55	1	601443	HOSE, 1 1/4 X 177 1FBR-1SPI
*15	1	618191	1 1/16MJ-90-1 1/16FJ SWIV LBO	*56	1	615738	12C2AT-12FJX-12FJX-27
*16	1	618279	1 1/16MJIC-90-7/8MOR LBO	*57	1	615739	16C2AT-16FJX-16FJX-17
*17	2	618322	1 5/16MJIC-1MNPT ADPTR	58	1	615740	16C2AT-16FJX-16FJX-118
*18	1	618541	1 5/16FJIC-1 1/16MJIC ADPTR	59	1	615621	06C1T-06FJX-06FJX-24
*19	1	618579	1 1/16FJIC SWIV-3/4MNPT	60	2	615727	04C1T-06FJX-06FJX-75
*20	1	611126	7/8MJIC-7/8MOR ADPTR	61	2	614077	04C1T-06FJX-06FJX-88
*21	1	618619	1 5/16FJ SW RUN TEE-15/16MJ	62	2	614101	04C1T-06FJX-06FJX-133
*22	2	715660	HOSE BARB 1 1/4NPT X 1 1/4	63	6	611206	04C1T-06FJX-06FJX-66
*23	1	506410	BLK PIPE ST EL 90DEG 1.25NPT	64	4	614689	08C1T-08FJX-08FJX-120
*24	1	618577	1 5/16MJIC UNION	65	4	614691	08C1T-08FJX-08FJX-220
*25	2	505005	RED BUSH 1 TO 1/2	66	2	611246	04C1T-06FJX-06FJX-174
*26	1	505100	BLK PIPE CROSS 1.00NPT	67	8	614368	08C1T-08FJX-08FJX-60
*27	2	505200	BLK PIPE ST EL 90DEG 1.00NPT	68	2	614154	04C1T-06FJX-06FJX-221
*28	1	505210	BLK PIPE NIPPLE 1.00NPT-3.00	69	2	611212	04C1T-06FJX-06FJX-164
*29	3	611145	3/4MJIC-90-1/2MNPT LBO	70	20	611125	3/4MJIC-3/4MOR ADPTR
*30	1	618090	1 5/16MOR-1FNPT ADPTR	71	4	618530	9/16MJIC-1/8MNPT ADPTR
*31	1	618178	1 5/16MJIC-90-1 5/16MOR LBO	72	6	618546	1/8MNPT RUN TEE-9/16MJIC
*32	4	618469	3/4MJIC-1 1/16MOR ADPTR	73	8	618451	3/4FJIC SW RUN TEE-3/4MJIC
*33	8	618609	3/4MJIC-90-3/4FJIC SWIV LBO	74	4	618620	3/4FJX-90-1/2MNPT ADPTR
*34	8	618621	HYD QUICK CPLR,FEMALE, .50FNPS	75	4	690338	LINE CHECK VALVE HYD .50NPT
*35	6	618622	HYD QUICK CPLR, MALE, .50FNPS	76	2	616057	08C1T-08FJX-08FJX-88
*36	6	618623	3/4FJIC-SWIV-1/2MNPT	77	4	615385	08C1T-08FJX-08FJX-29
*37	1	714561	1.00NPT-1.25 HOSE BARB	78	4	618314	3/4MJIC UNION
38	12	611147	3/4MJIC-1/2MNPT ADPTR	79	1	615746	CASE DRATIN FTG.WLD
39	4	614710	RESTRICTOR ELBOW ASSY .025DIA	80	2	503600	CLOSE NIPPLE .50NPT
40	1	618011	9/16MJIC-3/8MNPT ADPTR	81	6	618107	9/16MJIC-90-1/2MNPT LBO
41	9	618119	9/16MJIC-90-9/16MOR LBO	82	2	503824	BLK PIPE CROSS .50NPT

HYD SCHEM, 2100 COMBO, 12R CUTR
REFERENCE DRAWING NO. 498570

DET.	QTY	PART NO.	DESCRIPTION	DET.	QTY	PART NO.	DESCRIPTION
1	1	610615	ELECT HYD STACT VLV, 6 SECT	44	3	618646	HYD QUICK CPLR, MALE .375NPS
2	2	610447	HYD FILTER, INLINE 1/4FNPT 90M	45	1	611122	9/16MJIC-90-1/4MNPT LBO
3	12	610590	BARNES HYD MOTOR	46	2	618615	3/4FJIC-SWIV-3/8MNPT
* 4	1	606836	FLO DIV BG424 24GPM PRI 1NPT	47	6	618126	9/16MJIC-9/16MOR ADPTR
* 5	1	610467	MODULAR MTR CONTROL ELECT VLV	48	1	618170	3/4MOR-9/16FOR ADPTR
6	1	610417	HYD CTRL VALVE	49	1	618327	3/4MJIC-7/8MOR ADPTR
* 7	1	605601	GRESEN FILTER 10 MICRON 40GPM	50	1	618440	9/16MJIC-90-9/16MOR EX LG LBO
* 8	1	607510	FLO CONT FCR51 0-30VARI 7/8OR	51	1	618486	9/16FJIC SW RUN TEE-9/16MJIC
9	6	470114	BREATHER FILTER VENT, 1/4 NPT	52	1	618531	9/16FJIC CAP NUT
10	6	620810	LIFT CYL ASSY, DETASSELER	53	6	618116	9/16MOR-90-1/4FNPT LBO
11	2	620652	FOLD CYL ASSY, 2 X 10 IN	*54	1	601442	HOSE, 1 1/4 X 45 1FBR-1SPI
*12	1	615743	HYD TUBE ASSY, 2100 COMBO	*55	1	601443	HOSE, 1 1/4 X 177 1FBR-1SPI
*13	1	505213	RED BUSH 1 X 3/4 BLK MAL	*56	1	615738	12C2AT-12FJX-12FJX-27
*14	1	618189	1 1/16MJIC-7/8MOR ADPTR	*57	1	615739	16C2AT-16FJX-16FJX-17
*15	1	618191	1 1/16MJ-90-1 1/16FJ SWIV LBO	*58	1	615740	16C2AT-16FJX-16FJX-118
*16	1	618279	1 1/16MJIC-90-7/8MOR LBO	59	1	615621	06C1T-06FJX-06FJX-24
*17	2	618322	1 5/16MJIC-1MNPT ADPTR	60	2	615727	04C1T-06FJX-06FJX-75
*18	1	618541	1 5/16FJIC-1 1/16MJIC ADPTR	61	2	614077	04C1T-06FJX-06FJX-88
*19	1	618579	1 1/16FJIC SWIV-3/4MNPT	62	2	614101	04C1T-06FJX-06FJX-133
*20	1	611126	7/8MJIC-7/8MOR ADPTR	63	6	611206	04C1T-06FJX-06FJX-66
*21	1	618619	1 5/16FJ SW RUN TEE-.15/16MJ	64	2	614689	08C1T-08FJX-08FJX-120
*22	2	715660	HOSE BARB 1 1/4NPT X 1 1/4	65	2	614691	08C1T-08FJX-08FJX-220
*23	1	506410	BLK PIPE ST EL 90DEG 1.25NPT	66	2	611246	04C1T-06FJX-06FJX-174
*24	1	618577	1 5/16MJIC UNION	67	4	614368	08C1T-08FJX-08FJX-60
*25	2	505005	RED BUSH 1 TO 1/2	68	4	614377	04C1T-06FJX-06FJX-258
*26	1	505100	BLK PIPE CROSS 1.00NPT	69	2	614387	08C1T-08FJX-08FJX-267
*27	2	505200	BLK PIPE ST EL 90DEG 1.00NPT	70	24	611125	3/4MJIC-3/4MOR ADPTR
*28	1	505210	BLK PIPE NIPPLE 1.00NPT-3.00	71	6	618530	9/16MJIC-1/8MNPT ADPTR
*29	3	611145	3/4MJIC-90-1/2MNPT LBO	72	6	618546	1/8MNPT RUN TEE-9/16MJIC
*30	1	618090	1 5/16MOR-1FNPT ADPTR	73	8	618451	3/4FJIC SW RUN TEE-3/4MJIC
*31	1	618178	1 5/16MJIC-90-1 5/16MOR LBO	74	4	618620	3/4FJX-90-1/2MNPT ADPTR
*32	4	618469	3/4MJIC-1 1/16MOR ADPTR	75	4	690338	LINE CHECK VALVE HYD .50NPT
*33	8	618609	3/4MJIC-90-3/4FJIC SWIV LBO	76	2	614100	04C1T-06FJX-06FJX-211
*34	8	618621	HYD QUICK CPLR, FEMALE, .50FNPS	77	2	614378	08C1T-08FJX-08FJX-207
*35	6	618622	HYD QUICK CPLR, MALE, .50FNPS	78	2	614076	04C1T-06FJX-06FJX-119
*36	6	618623	3/4FJIC-SWIV-1/2MNPT	79	2	614375	08C1T-08FJX-08FJX-177
*37	1	714561	1.00NPT-1.25 HOSE BARB	80	4	614384	08C1T-08FJX-08FJX-237
38	12	611147	3/4MJIC-1/2MNPT ADPTR	81	2	614690	08C1T-08FJX-08FJX-192
39	4	614710	RESTRICTOR ELBOW ASSY .025DIA	82	1	615746	CASE DRAIN FTG WLD
40	1	618011	9/16MJIC-3/8MNPT ADPTR	83	2	503600	CLOSE NIPPLE .50NPT
41	11	618119	9/16MJIC-90-9/16MOR LBO	84	6	618107	9/16MJIC-90-1/2MNPT LBO
42	1	618562	9/16MOR-90-1/4MNPT LBO	85	2	503824	BLK PIPE CROSS .50NPT
43	2	618608	9/16FJIC SWIV-1/4MNPT				

ABBREVIATIONS

A/C - AIR CONDITIONER	MT - MOUNT
ADPTR - ADAPTER	MTR - MOTOR
AGI - AGITATOR	P/N - PART NUMBER
ALT - ALTERNATOR	PLT - PLATE
ASSY - ASSEMBLY	QTY - QUANTITY
BRKT - BRACKET	RED - REDUCER
DET - DETAIL	REF - REFERENCE
DISPL - DISPLACEMENT	REST - RESTRICTOR
EL - ELBOW	REQ - REQUIRED
EXT - EXTENSION	SHFT - SHAFT
FLO - FLOW	SOL - SOLUTION
FNPT - FEMALE NATIONAL PIPE THREAD	STRG - STEERING
FOR - FEMALE O-RING	ST - STREET
FRT - FRONT	SWIV - SWIVEL
HYD - HYDRAULIC	UNC - UNIFIED NATIONAL COURSE
HYDRO - HYDROSTATIC	UNF - UNIFIED NATIONAL FINE
LG - LONG	V - VOLT
LWR - LOWER	W/ - WITH
MJIC - MALE J.I.C.	WHL - WHEEL
MOR - MALE O-RING	WLD - WELDMENT

INDEX

-A-

ABBREVIATIONS..... 170
ACCUMULATOR CYLINDER..... 78, 79
AGITATOR
 IMPELLER..... 64
 SHAFT..... 64
 SHIELD..... 64
 SOLUTION..... 64
 VARIABLE FLOW CONTROL..... 15
AIR BAG..... 24, 26, 28, 30
AIR CLEANER..... 37
 BAND..... 37
 FILTER..... 37
 HOOD..... 37
 HOSE..... 37
AIR CONDITIONER..... 40
 BLOWER..... 40
 COMPRESSOR..... 5
 CONDENSOR..... 22
 DRYER..... 22
 EVAPORATOR..... 40
 FILTER..... 40
AIR INTAKE..... 22
AIR LINE..... 9, 49
AIR REGULATOR..... 49
AIR SEAT..... 51
AIR TANK..... 8, 9
ANTENNA..... 40

-B-

BATTERY..... 60
 BOX..... 60
 CABLE..... 60
 HOLD DOWN..... 60
BEARING, LEG..... 24, 26, 28, 30
BELT..... 4, 6
BINDING POST..... 48
BLADE, WIPER..... 38
BLOWER MOTOR..... 40
BOOM..... 85, 86, 87, 88, 89
 CONTROL VALVE..... 91
 CRADLE..... 58, 59
 HINGE..... 87, 88
 LIGHTS..... 90
 SOLENOID..... 66, 67, 104, 105
 SPRING..... 86
BOX FUSE..... 50
BREAKAWAY..... 77
BREAKER CIRCUIT..... 4, 50
BUMPER, LEG..... 24, 26, 28, 30

-C-

CAB..... 38
 LIGHTS..... 38, 40
CABLE,
 BATTERY..... 60
 GROUND..... 4
 HYDROSTATIC..... 46
 THROTTLE..... 5, 46
CIRCUIT BREAKER..... 4, 50
CLAMP,
 AIR CLEANER..... 37
 MUFFLER..... 36, 37
CONDENSOR..... 22
CONSOLE..... 44, 51
CRADLE
 BOOM..... 58, 59
 SOLUTION TANK..... 62, 63
CROP GUIDE..... 25, 27, 29, 31
CUTTER HEAD..... 118
CYLINDER
 ACCUMULATOR..... 78, 79
 FOLD..... 82, 83
 LEVEL..... 81
 LIFT..... 80, 108, 116
 STEERING..... 32
TREAD ADJUST..... 97, 98

-D-

DECALS..... 130
DEPTH COMMAND..... 127
DIAGRAMS, WIRING..... 132
DOOR..... 39
 LATCH..... 39
DRAIN VALVE..... 8, 9
DRINK HOLDER..... 45
DRIVE DISK..... 5
DYER, A/C..... 22
BELT..... 4, 6

-E-

ENGINE..... 4, 5
 HOOD..... 52
EXHAUST STACK..... 36

-F-

FAN..... 4
 SPACER..... 4
FEEDER TEE..... 74, 106

FENCE ROW.....70,71
 FILTER,
 AIR CLEANER.....37
 AIR CONDITIONER.....40
 ENGINE.....4
 FUEL.....5
 HYDRAULIC.....11,16
 MINDER.....52
 FLOW DIVIDER.....14,16,19
 FLOW METER.....66,67
 FLUSHING VALVE.....10
 FOAM.....38,41
 FOAMER TANK.....92
 FOLD CYLINDER.....82,83
 FUEL,
 SELECTOR VALVE.....56
 STRAINER.....5
 TANK.....56
 TANK MOUNT.....54,55
 FUSE.....50
 BOX.....50

-G-

GAS SPRING.....42,45,52
 GAUGE
 AIR REGULATOR.....49
 OIL PRESSURE.....43
 PRESSURE.....49,66,67
 TEMPERATURE.....43
 TREAD ADJUST.....57
 GRAB HANDLE.....38
 GLASS.....38,39
 GROUND CABLE.....4
 GROUND STRAP.....38
 GUIDE, STALK.....25,27,29,31

-H-

HANDLE,
 DOOR.....39
 GRAB.....38
 HANDRAIL.....57
 HEAD, CUTTER.....118
 HEADLIGHT.....38,61,76
 HEADLINER.....40
 HEATER COIL.....40
 HINGE, BOOM.....87,89
 HOOD,
 AIR CLEANER.....37
 ENGINE.....52
 HOOK, RUBBER.....43
 HOSE, RADIATOR.....4
 HOISING, SOLUTION.....72,73
 HOUR METER.....43
 HUB, TORQUE.....25,27,29,31

HYDRAULIC
 DAMPER.....39
 FILTER.....11
 SOLENOID VALVE.....12
 SCHEMATIC.....148
 TANK.....23
 HYDROSTATIC
 CABLE.....46
 LEVER.....46

-I-

IGNITION SWITCH.....48
 INSTRUMENT PANEL.....43

-L-

LADDER.....54,55
 LATCH, DOOR.....39
 LEG,
 BEARING.....24,26,28,30
 BRACE.....61
 BUMPER.....24,26,28,30
 FRONT.....24,26
 REAR.....28,30
 LEVEL CYLINDER.....81
 LEVER,
 HYDROSTATIC.....46
 THROTTLE.....47
 LIFTARM.....76
 LIFT CYLINDER.....80,108,116
 LIGHT,
 BOOM.....90
 CAB.....38,40
 SWITCH.....40
 LS CONTROL.....124,126

-M-

MIRROR.....38
 MOTOR
 BLOWER.....40
 CONTROL VALVE.....17
 STEERING.....42
 WHEEL.....25,27,29,31
 WIPER.....38
 MOUNT,
 CAB.....38
 MOTOR.....4,5
 PUMP.....7
 MUFFLER.....36
 CLAMP.....36,37
 MULLION.....52

-N-

NOZZLE, RINSE.....93

-0-

OIL
COOLER.....22
PRESSUR.....43
SENDER......5
TANK......23
OUTRIGGER.....112
FOLD VALVE.....107

-P-

PAD, RADIATOR.....22
PANEL, SWITCH.....48
POWER POINT.....51
PRESSURE
GAUGE.....49,66,67
WASHER.....100
PULLER, QUAD.....120
PUMP,
SOLUTION.....65,103
SUNDSTRAND.....7

-Q-

QUAD PULLER.....120
QUICK FILL.....69

-R-

RADIATOR.....22
HOSE.....4
PAD.....22
RECOVERY TANK.....35
SHROUD.....22
RADIO.....40
RAVEN, VFC.....20
RELAY.....50
RELIEF VALVE.....14
RETURN TEE ASSEMBLY.....21
RIM.....34
RINSE
NOZZLE.....93
TANK.....92
RUBBER,
HOOK.....52
MOUNT.....4,5,7,38

-S-

SCHEMATIC, HYDRAULIC.....148
SEAT.....51
SENDER,
OIL.....5
TEMPERATURE.....4
SERVICE PLATFORM.....57

SHEET METAL.....52,53

SHIELD, TANK.....61
SHROUD, RADIATOR.....22
SIDERAIL.....57
SNV SIGN.....57
SOLENOID, BOOM..66,67,68,104,105
SOLUTION
HOSING.....72,73
PUMP.....65,103
TANK CRADLE.....62,63
SPACER, FAN.....4
SPEAKER.....40
SPRING, GAS.....42,45
STALK GUIDE.....25,27,29,31
STEERING
COLUMN.....42
CYLINDER.....42
MOTOR.....42
WHEEL.....42
STRAINER,
FUEL.....5
SOLUTION.....62,63
STRAP, GROUND.....38
SUNDSTRAND PUMP.....7
SWITCH,
IGNITION.....48
LIGHT.....48
PANEL.....48
SOLUTION.....38

-T-

TAILLIGHT.....57
TANK,
AIR.....8,9
FOAMER.....94
HYDRAULIC.....23
MOUNTS.....61
RADIATOR RECOVERY.....35
RINSE.....92
SHIELD.....61
SOLUTION.....62,63
TEE, FEEDER.....74
TEMPERATURE
GAUGE.....43
SENDER.....4
THROTTLE CABLE.....5,47
TIE PLATE.....13
TIE ROD.....29
TIRE.....34
TRANSOM.....77
TREAD ADJUST.....96
CYLINDER.....97,98
GAUGE.....57
VALVE.....99
TORQUE, HUB.....25,27,29,31

-V-

VALVE,

AIRBAG.....	25, 26, 28, 30
DETASSELER LIFT.....	108
DRAIN.....	8
ELECTRIC BOOM.....	75
FENCE ROW.....	70, 71
FLUSHING.....	10
FOLD, OUTRIGGER.....	107
FUEL SELECTOR.....	56
HYDRAULIC SOLENOID.....	12
LIFT CYLINDER LOCK SOLENOID.....	84
MOTOR CONTROL.....	17
RELIEF.....	14
TREAD ADJUST.....	99
VARIABLE FLOW CONTROL.....	13, 15, 16
VOLTMETER.....	43

-W-

WASHER, PRESSURE.....	100
WHEEL MOTOR.....	25, 27, 29, 31
WHEEL, STEERING.....	42
WINDSHIELD WASHER.....	129
WIPER,	
BLADE.....	38
MOTOR.....	38
WINDSHIELD.....	38

