

PARTS MANUAL
FOR
HAGIE MODEL 2100 COMBO
SPRAYER – DETASSELER

HAGIE MANUFACTURING COMPANY

BOX 273 CLARION, IOWA 50525 (515) 532-2861

COVERS MACHINE SERIAL NUMBERS: U14503330001 thru U14503330100

01-04 493268
02-08

SPRAYER IDENTIFICATION

Each Hagie sprayer is identified by means of a frame serial number. This serial number denotes the model, the year in which it was built, and the number of the sprayer. As for further identification, the engine has a serial number and the planetary hubs have identification plates that describe the type of mount and gear ratio. To insure prompt, efficient service when ordering parts or requesting service repairs from Hagie Manufacturing Company, record the serial and identification numbers in the space provided below.

NOTE: Reference to left hand and right hand used throughout this manual refers to the position when seated in the operator's seat facing forward.

SPRAYER SERIAL NUMBER

ENGINE SERIAL NUMBER

PLANETARY HUB IDENTIFICATION NUMBERS

TABLE OF CONTENTS

ENGINE ASSEMBLY 4-7

AIR TANK ASSEMBLY 8-9

LOOP FLUSHING 10-11

WHEEL MOTOR VALVES 12

VFC AND FLOW DIVIDER 13-16

MOTOR CONTROL VALVE AND FILTER 17-21

RADIATOR AND OIL COOLER ASSEMBLY 22

OIL TANK ASSEMBLY 23

LEG ASSEMBLY 24-31

STEERING CYLINDER 32-33

TIRE ASSEMBLY 34

RADIATOR RECOVERY TANK 35

MUFFLER AND AIR CLEANER 36-37

CAB ASSEMBLY 38-42

INSTRUMENT PANEL ASSEMBLY 43

CONSOLE ASSEMBLY 44-47

SWITCH PANEL ASSEMBLY 48

FOAM AIR REGULATOR 49

FUSE BOX AND SEAT 50-51

SHEET METAL 52-53

LADDER 54-55

FUEL TANK 56

SERVICE PLATFORM 57

BOOM CRADLE 58-59

BATTERY 60

SOLUTION TANK 61-65

SOLUTION SOLENOID VALVE 66-71

QUICK FILL AND FENCE ROW 72-74

WINDSHIELD WASHER 75

SOLUTION HOISING AND SOLUTION PUMP 76-81

REAR WHEEL NOZZLE 82

TRANSOM, BOOM, AND LIFT COMPONENTS 83-96

BOOM SECTION LIGHTS 97

RINSE AND FOAMER TANK 98-101

TREAD ADJUSTMENT 102-105

PRESSURE WASHER AND FLOW MAX 110 106-108

RADAR AND INJ PLATFORM OPTION 109-111

OUTRIGGER AND BOOM VALVE 112-116

OUTRIGGER AND LIFT ASSEMBLY 117-122

CUTTER CASE DRAIN RETURN 123

CUTTER AND QUAD HEADS 124-126

LS AND DEPTH COMMAND 127-133

DECALS 134-135

ELECTRICAL SCHEMATIC 136-151

HYDRAULIC SCHEMATIC 152-173

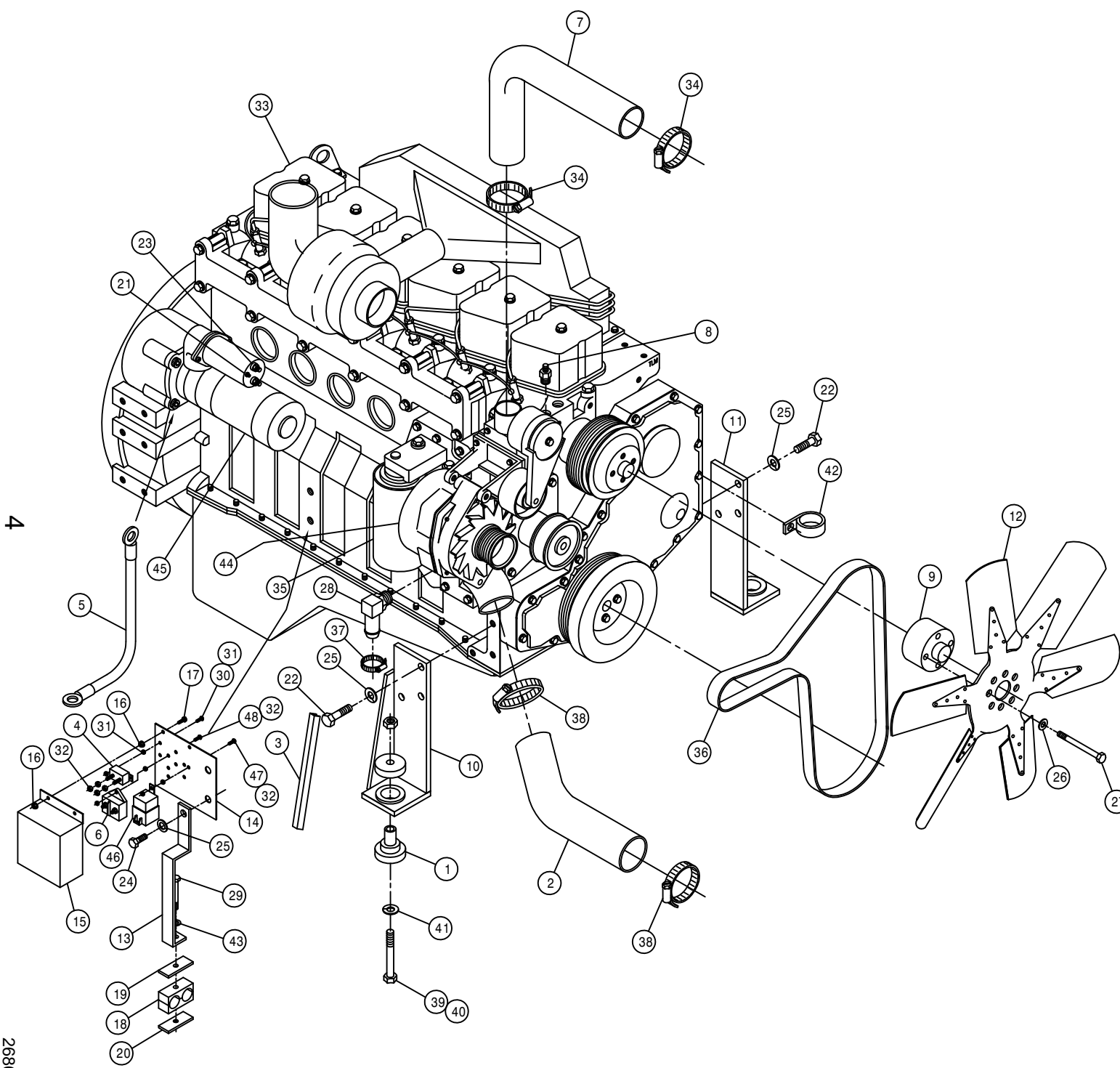
ABBREVIATIONS 174

INDEX 175

PARTS ORDER FORM 179

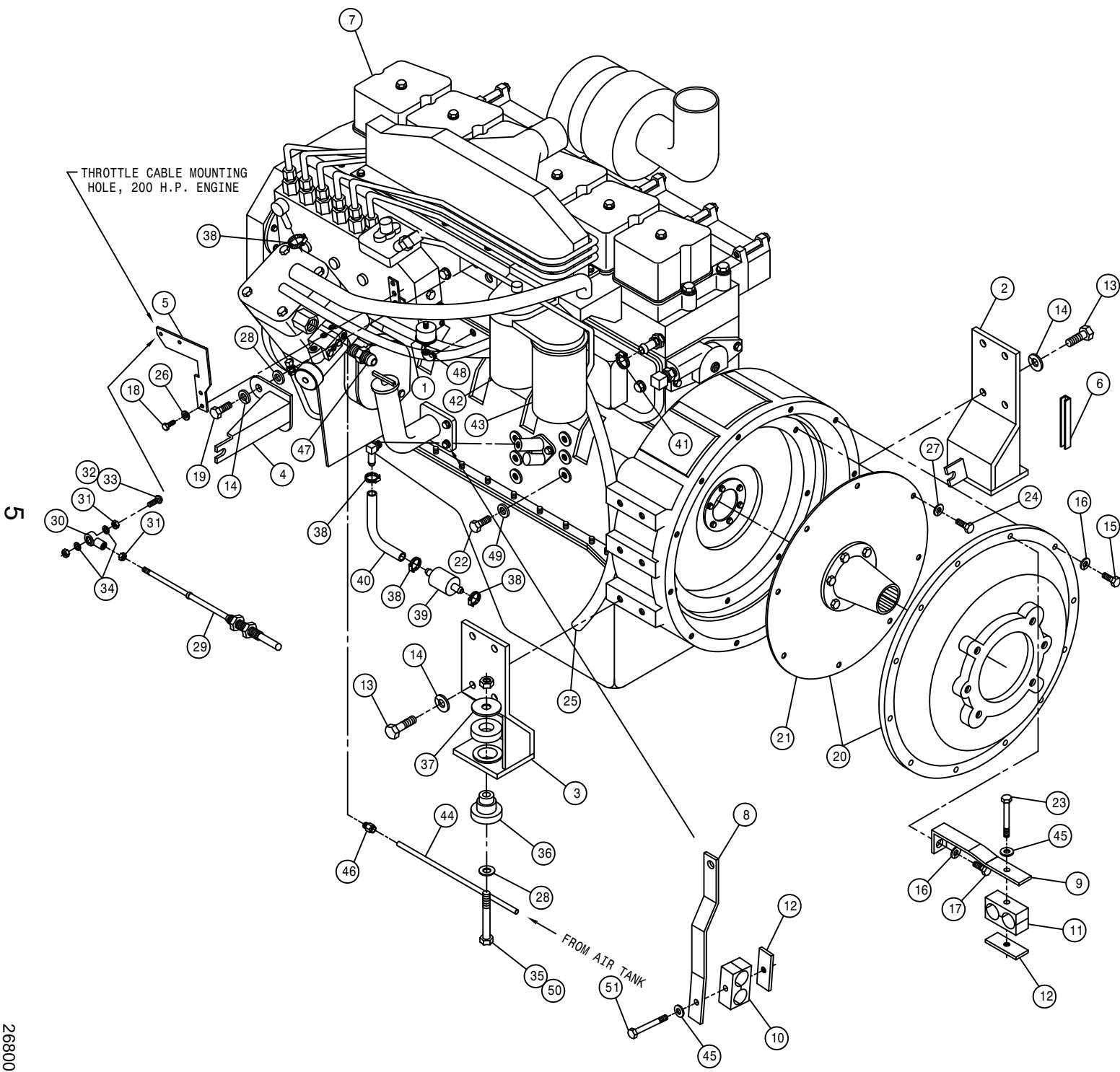
ENGINE ASSEMBLY

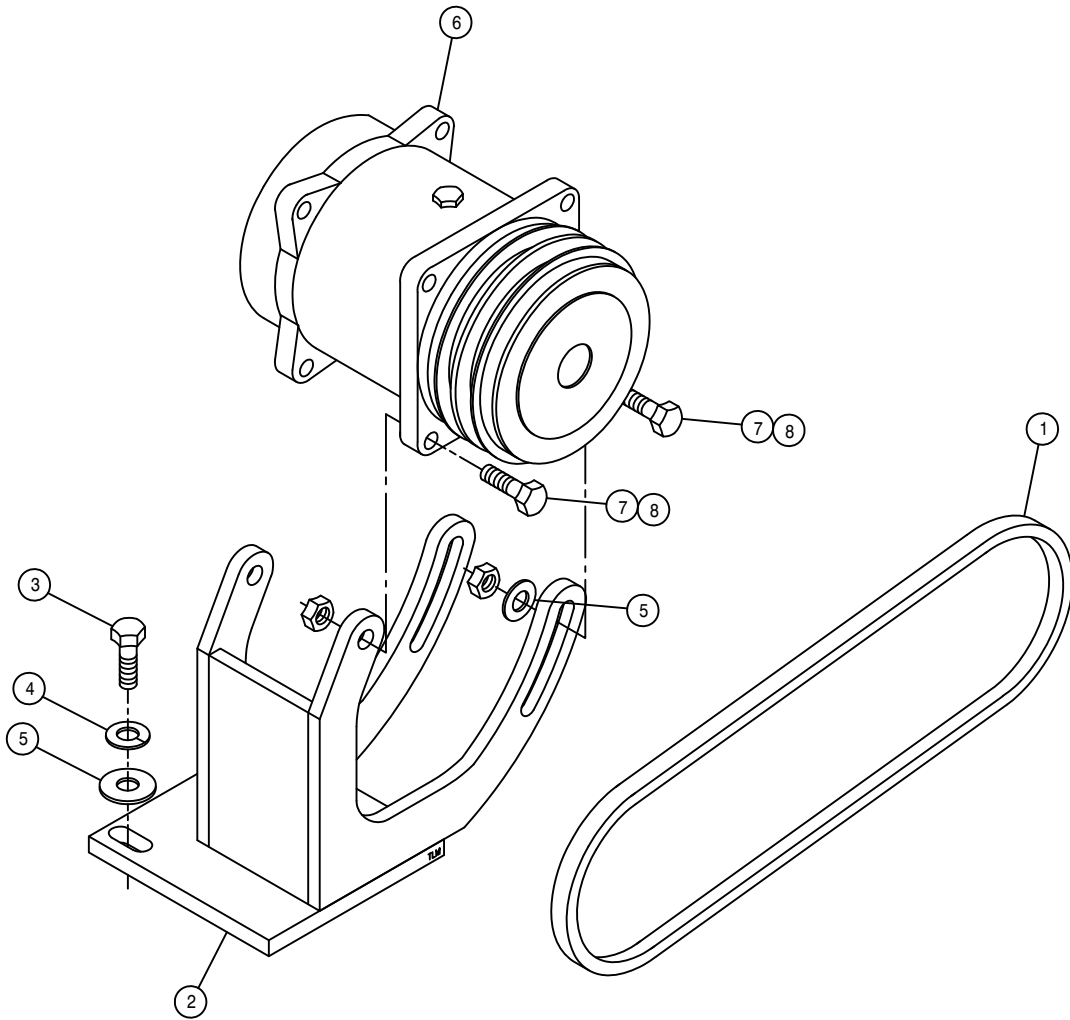
DET.	QTY	PART NO.	DESCRIPTION
	1	2	311053 RUBBER MOUNT SET,SSB26-1000-1
	1	2	314307 RADIATOR HOSE 21194
	2	3	193012 QUICKEDGE TRIM .135 TO .250
	1	4	291197 CIRCUIT BREAKER,30AMP,INLINEMT
	1	5	291531 GROUND CABLE, 15"
	1	6	291830 CIRCUIT BREAKER, 60 AMP BUSS
	1	7	314308 RADIATOR HOSE, GOODYEAR 60880
	1	8	314836 TEMP SENDR 280D 1/2NPT FOR GA
	1	9	316199 22IN FAN SPACER CUMM 92
	10	1	316250 RH FRT ENG MT WLD, CUMM 94
	11	1	316313 LH FRT ENG MT WLD, 284 CUMM 98
	12	1	316327 FAN, 24" 6 BLADE 28.5DEG CCW
	13	1	316336 RH HYD TUBE MT, 2100 98
	14	1	316339 BREAKER MTG PLT, 2100 98
	15	1	316340 BREAKER COVER, 2100 98
	16	4	470175 10-32 HEX FLANGE LOCK NUT
	17	2	470216 10-32 X 3/4 FLANGE HEX BOLT
	18	1	470274 TUBE CLAMP BODY, .750-.750
	19	1	470276 CLAMP COVER PLATE,SNGL, 2.55LG
	20	1	470278 CLAMP WELD PLATE, SNGL, 2.75LG
	21	1	473770 5MM-.80 HEX NUT
	22	6	473775 12MM-1.75 X 30MM HEX BOLT
	23	1	473779 10MM-1.50 HEX NUT
	24	2	473783 12MM-1.75 X 25MM HEX BOLT
	25	8	473784 12MM LOCK WASHER
	26	4	473804 8MM LOCK WASHER
	27	4	473822 8MM-1.25 X 70MM HEX BOLT
	28	1	618573 5/8 HOSE BARB-90-1/2MNPT
	29	1	900086 5/16UNC X 2 1/4 HEX BOLT
	30	2	903812 6-32 X 1/2 SLT RD HD MACH SCR
	31	4	910022 6-32 HEX NUT
	32	18	910027 10-32 HEX NUT
	33	1	316350 CUMM ENG,6B5.9A 200@2500 CMPSR
	34	2	520067 HOSE CLAMP NO 28 STAINLESS
	35	1	316207 LUBE FILTER CUMMINS DIESEL 92
	36	1	316206 POLY V BELT CUMMINS DIESEL 92
	37	1	520055 HOSE CLAMP NO 12 STAINLESS
	38	2	520099 HOSE CLAMP NO 40 STAINLESS
	39	2	900271 1/2UNC X 3 1/4 HEX BOLT
	40	2	914008 1/2UNC HEX STOVER NUT
	41	2	920004 1/2 SAE FLAT WASHER
	42	1	520126 CUSH HOSE CLAMP 2IN X 5/8W
	43	1	920501 5/16 LOCK WASHER
	44	1	316367 DELCO ALTERNATOR,130 AMP 22SI
	45	1	316216 STARTER FOR CUMM 6 CYL 316185
	46	1	291852 RELAY, 40 AMP, VF4 SERIES
	47	1	903883 10-32 X 1/2 SLT RDHD MACH SCR
	48	2	903889 10-32 X 3/4 SLT RDHD MACH SCR



ENGINE ASSEMBLY

DET.	QTY	PART NO.	DESCRIPTION
1	1	291674	OIL PRESS SENDER,125PSI,1/8NPT
2	1	316252	RH REAR ENG MT WLD, CUMM 94
3	1	316253	LH REAR ENG MT WLD, CUMM 94
4	1	316517	THROTTLE CABLE MT WLD, CUMM 02
5	1	316516	THROTTLE CABLE LEVER, CUMM 02
6	2	193012	QUICKEDGE TRIM .135 TO .250
7	1	316350	CUMM ENG,6B5.9A 200@2500 CMPSR
8	1	316337	LH HYD TUBE MT, 2100 98
9	1	316338	REAR HYD TUBE MT, 2100 98
10	1	470274	TUBE CLAMP BODY, .750-.750
11	1	470275	TUBE CLAMP BODY,1.000-1.000
12	2	470278	CLAMP WELD PLATE, SNGL, 2.75LG
13	8	473775	12MM-1.75 X 30MM HEX BOLT
14	10	473784	12MM LOCK WASHER
15	11	473792	10MM-1.50 X 30MM HEX BOLT
16	12	473798	10MM LOCK WASHER
17	1	473818	10MM-1.50 X 40MM HEX BOLT
18	2	473826	6MM-1.00 X 16MM HEX BOLT
19	2	473828	12MM-1.50 X 20MM HEX BOLT
20	1	800502	PUMP DRIVE,DIRECT SAE#3/C 23T
21	1	800503	DRIVE DISK ASSY,11.5" 23T SPL
22	1	473827	8MM-1.25 X 20MM HEX BOLT
23	1	900086	5/16UNC X 2 1/4 HEX BOLT
24	8	900128	3/8UNC X 3/4 HEX BOLT
25	1	601537	HOSE, 3/4 X 24 CLEAR VINYL
26	2	473768	6MM LOCK WASHER
27	8	920502	3/8 LOCK WASHER
28	4	920004	1/2 SAE FLAT WASHER
29	1	785079	CTRL CABLE 10-32 4IN X 140 IN
30	1	473921	BALL JOINT NO 10-32 THD
31	2	910027	10-32 HEX NUT
32	1	903893	10-32 X 1" SLT RD HD MACH SCR
33	1	914027	10-32 HEX STOVER NUT
34	2	920510	#10 LOCK WASHER
35	2	900271	1/2UNC X 3 1/4 HEX BOLT
36	2	311054	RUBBER MOUNT SET, CB-2202-4
37	2	311055	REBOUND WASHER FOR 311054
38	4	520120	HOSE CLAMP NO 4 STAINLESS
39	1	316281	FUEL STRAINER, IN-LINE, DIESEL
40	1	601347	HOSE, 3/8 X 10 FUEL LINE
41	1	520055	HOSE CLAMP NO 12 STAINLESS
42	1	316208	FUEL FILTER, PRIMARY CUMM 92
43	1	316209	FUEL FILTER, SECONDARY CUMM92
44	1	601553	HOSE, 1/4 X 43 AIR
45	2	920501	5/16 LOCK WASHER
46	1	711036	1/8MNPT-1/4 NYL TUBE FTG
47	1	610300	3/4MJIC-3/4MNPT ADPTR
48	1	500900	BLK PIPE ST EL 90DEG .125NPT
49	1	473804	8MM LOCK WASHER
50	2	914008	1/2UNC HEX STOVER NUT
51	1	900069	5/16UNC X 2" HEX BOLT

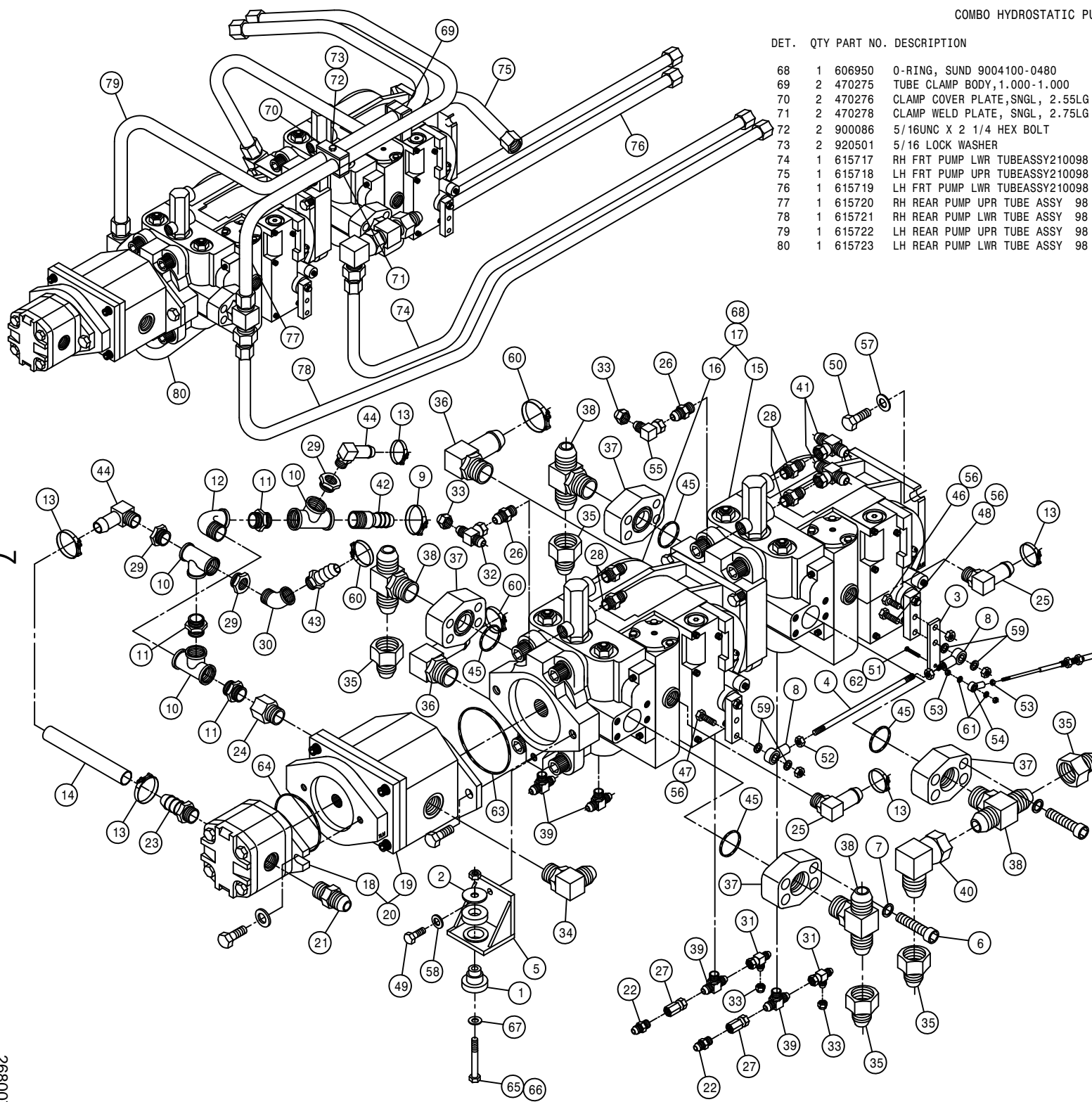




A/C COMPRESSOR PUMP ASSEMBLY

DET.	QTY	PART NO.	DESCRIPTION
1	1	147050	9455XL BELT, GATES
2	1	316314	A/C COMPRSR MT WLD, 284 98
3	3	473792	10MM-1.50 X 30MM HEX BOLT
4	3	473798	10MM LOCK WASHER
5	5	483043	3/8 REGULAR FLAT WASHER
6	1	657403	A/C COMPSR, 180D PORTS TM15/12
7	4	900131	3/8UNC X 1 1/2 HEX BOLT
8	4	914004	3/8UNC HEX STOVER NUT

COMBO HYDROSTATIC PUMP ASSEMBLY

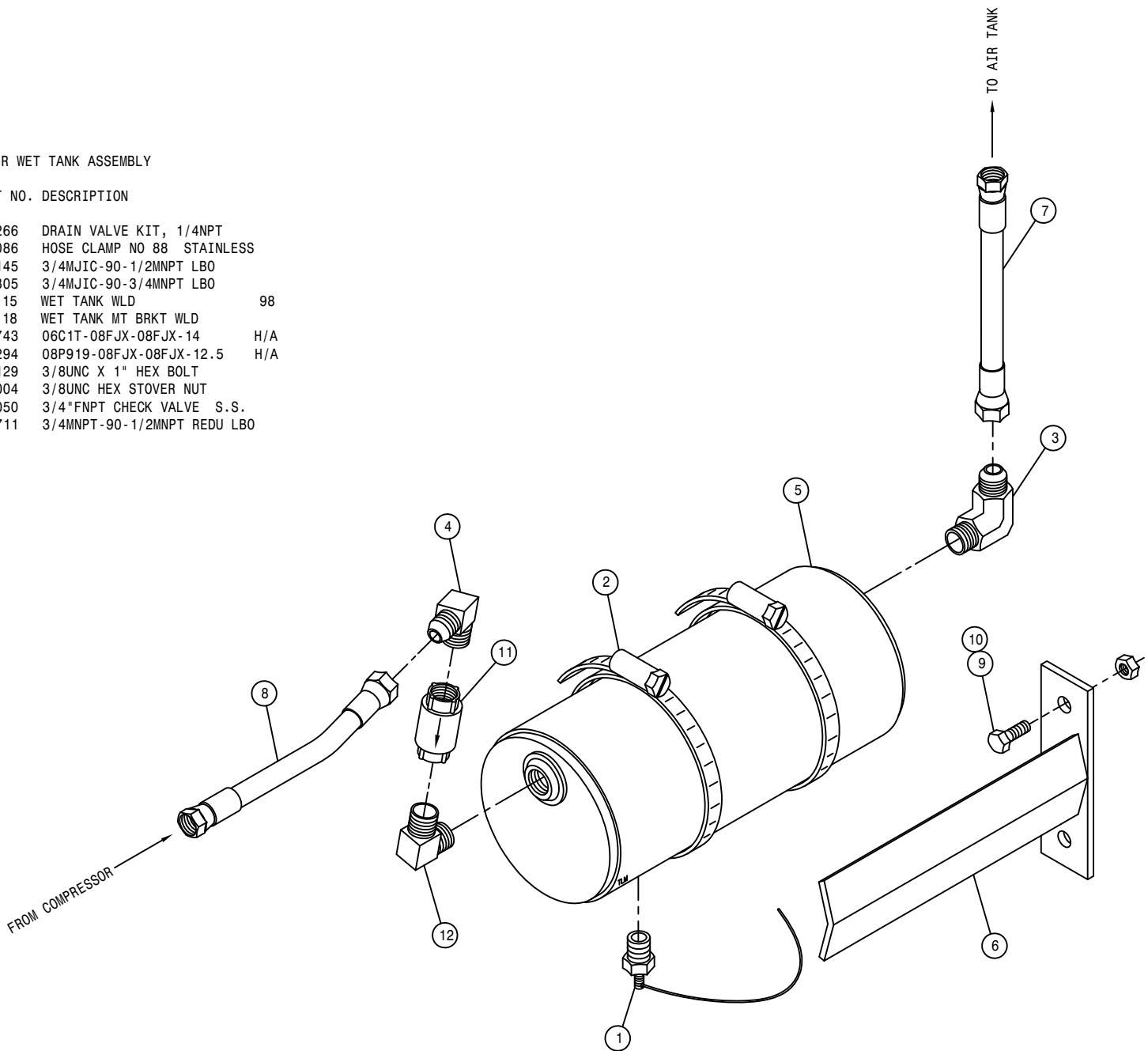


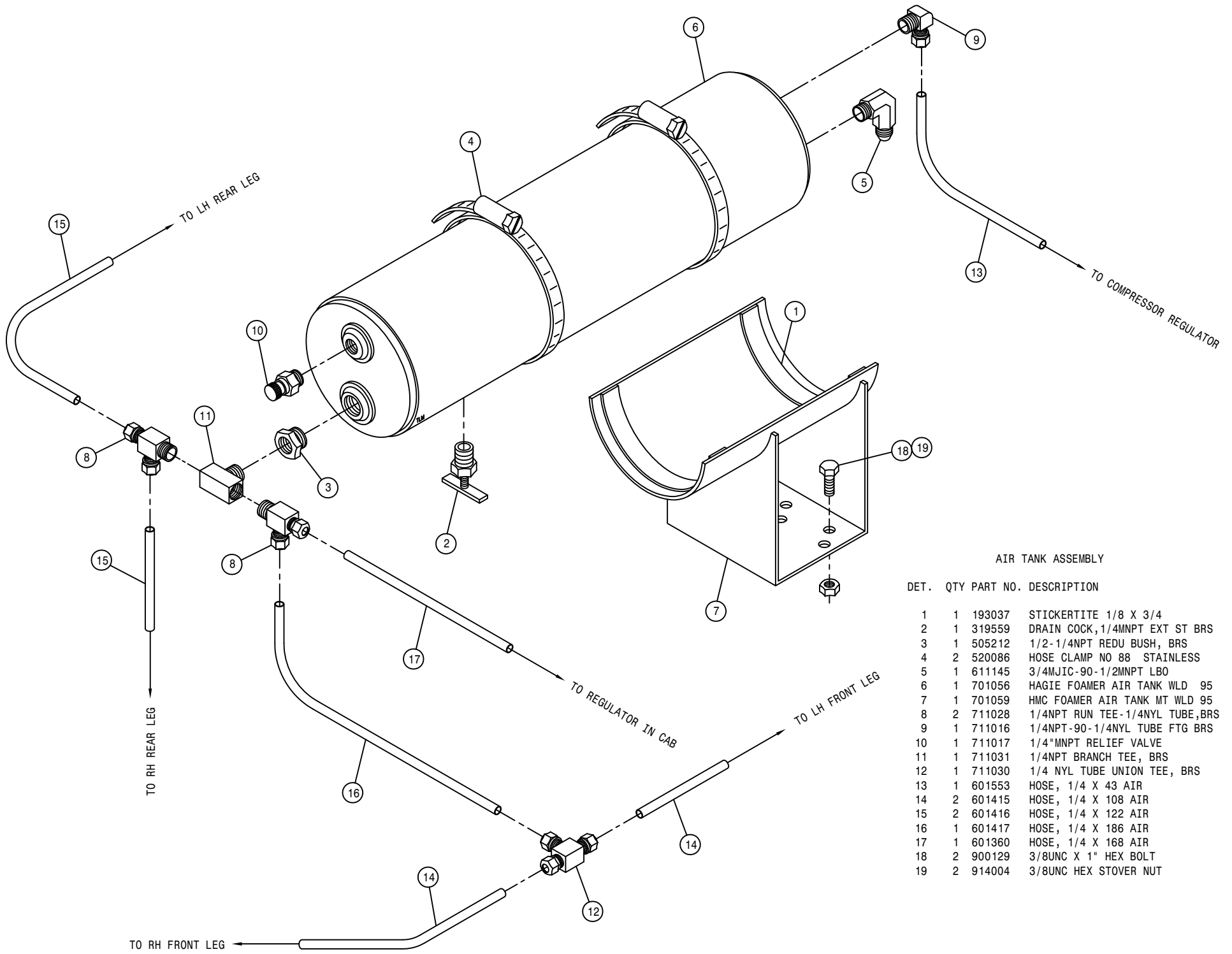
DET.	QTY	PART NO.	DESCRIPTION	DET.	QTY	PART NO.	DESCRIPTION
68	1	606950	O-RING, SUND 9004100-0480	1	1	311054	RUBBER MOUNT SET, CB-2202-4
69	2	470275	TUBE CLAMP BODY, 1.000-1.000	2	1	311055	REBOUND WASHER FOR 311054
70	2	470276	CLAMP COVER PLATE, SNGL, 2.55LG	3	1	316160	PUMP CONT LEVER EXT 280 CUMM
71	2	470278	CLAMP WELD PLATE, SNGL, 2.75LG	4	1	316335	HYDST PUMP CTRL ROD, 2100 98
72	2	900086	5/16UNC X 2 1/4 HEX BOLT	5	1	316341	AUX PUMP SUPP MT WLD, 2100 98
73	2	920501	5/16 LOCK WASHER	6	16	470188	7/16-14 X 1 3/4 SKTHD CAP SCR
74	1	615717	RH FRT PUMP LWR TUBEASSY210098	7	16	470189	7/16 HC LOCK WASH FOR 618598
75	1	615718	LH FRT PUMP UPR TUBEASSY210098	8	2	473998	BALL JOINT, 1/4-28 1/4BORE
76	1	615719	LH FRT PUMP LWR TUBEASSY210098	9	1	520132	1.62/1.87 T-BOLT HOSE CLAMP SS
77	1	615720	RH REAR PUMP UPR TUBE ASSY 98	10	3	506105	BLK PIPE TEE 1.25NPT
78	1	615721	RH REAR PUMP LWR TUBE ASSY 98	11	3	507026	1 1/4MNPT HEX PIPE NIPPLE STL
79	1	615722	LH REAR PUMP UPR TUBE ASSY 98	12	1	506410	BLK PIPE ST EL 90DEG 1.25NPT
80	1	615723	LH REAR PUMP LWR TUBE ASSY 98	13	5	520137	1.12/1.25 T-BOLT HOSE CLAMP
				14	1	601399	HOSE, 3/4 X 13 1FBR-1SPI
				15	1	606944	SUND 75CC PUMP, C/C-MT
				16	1	606947	SUND 75CC PUMP, C/B-MT
				17	1	606943	TANDEM PUMP, 606944 & 606947
				18	1	606929	SUND GEAR PUMP .66CI, SPLINED
				19	1	606938	SUND GEAR PUMP, 4.00CIR SPLINED
				20	1	606937	TANDEM PUMP, 606929 & 606938
				21	1	611126	7/8MJIC-7/8MOR ADPTR
				22	2	614740	RESTRICTOR FTG ASSY, .050
				23	1	618075	3/4 HOSE BARB-1 1/16MOR
				24	1	618596	1 5/8MOR-1 1/4FNPT ADPTR
				25	2	618118	3/4 HOSE BARB-90-1 1/16MOR
				26	2	618126	9/16MJIC-9/16MOR ADPTR
				27	2	618291	9/16FJX-1/4FNPT ADPTR
				28	4	618327	3/4MJIC-7/8MOR ADPTR
				29	3	506005	1 1/4 TO 1 RED BUSH BLK MAL
				30	1	505110	BLK PIPE ST EL 45DEG 1.00NPT
				31	2	618486	9/16FJIC SW RUN TEE-9/16MJIC
				32	1	618514	9/16FJ SW BRANCH TEE-9/16MJ
				33	4	618531	9/16FJIC CAP NUT
				34	1	618178	1 5/16MJIC-90-1 5/16MOR LBO
				35	5	618541	1 5/16FJIC-1 1/16MJIC ADPTR
				36	2	618564	1IN HOSE BARB-90-1 5/16MOR
				37	4	618598	1" 4-BOLT FLG X 1 5/16 FOR
				38	4	618599	1 5/16MOR BRANCH TEE-1 5/16MJ
				39	4	618629	9/16MOR BRANCH TEE-9/16MJIC
				40	1	618640	1 5/16MJ-90-1 5/16FJ SWIV LBO
				41	2	618643	3/4FJ SW BRANCH TEE-3/4MJ
				42	1	715660	HOSE BARB 1 1/4NPT X 1 1/4
				43	1	714560	1NPT X 1 HOSE BARB
				44	2	716000	3/4 HOSE BARB-90-1MNPT
				45	4	870219	BUNA ORING 1 5/16 X 1 9/16
				46	1	900003	1/4UNC X 1" HEX BOLT
				47	1	900004	1/4UNC X 1 1/4 HEX BOLT
				48	1	900005	1/4UNC X 1 1/2 HEX BOLT
				49	1	900263	1/2UNC X 1" HEX BOLT
				50	4	900265	1/2UNC X 1 1/2 HEX BOLT
				51	1	903893	10-32 X 1" SLT RD HD MACH SCR
				52	2	910001	1/4UNF HEX NUT
				53	2	910027	10-32 HEX NUT
				54	1	473921	BALL JOINT NO 10-32 THD
				55	1	618618	9/16MJIC-90-9/16FJIC SWIV LBO
				56	3	914000	1/4UNC HEX STOVER NUT
				57	4	920004	1/2 SAE FLAT WASHER
				58	1	920504	1/2 LOCK WASHER
				59	4	920500	1/4 LOCK WASHER
				60	3	520138	1.38/1.56 T-BOLT HOSE CLAMP
				61	3	920510	#10 LOCK WASHER
				62	1	914027	10-32 HEX STOVER NUT
				63	1	606870	O-RING FOR 606865 SUND B-MT
				64	1	606924	O-RING FOR SUND A-MT
				65	1	900271	1/2UNC X 3 1/4 HEX BOLT
				66	1	914008	1/2UNC HEX STOVER NUT
				67	1	920004	1/2 SAE FLAT WASHER

AIR WET TANK ASSEMBLY

DET. QTY PART NO. DESCRIPTION

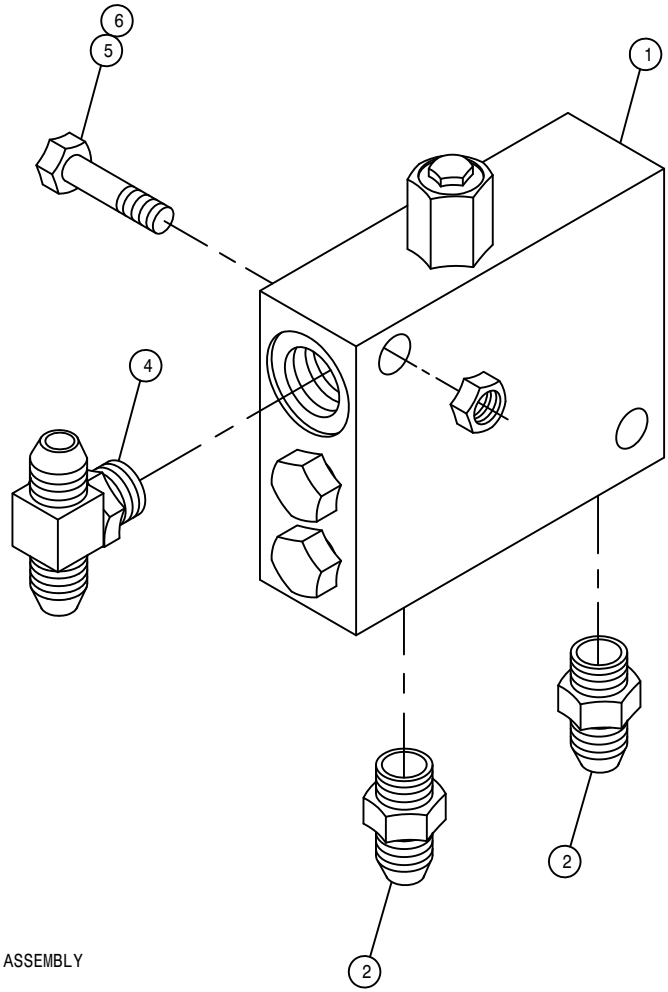
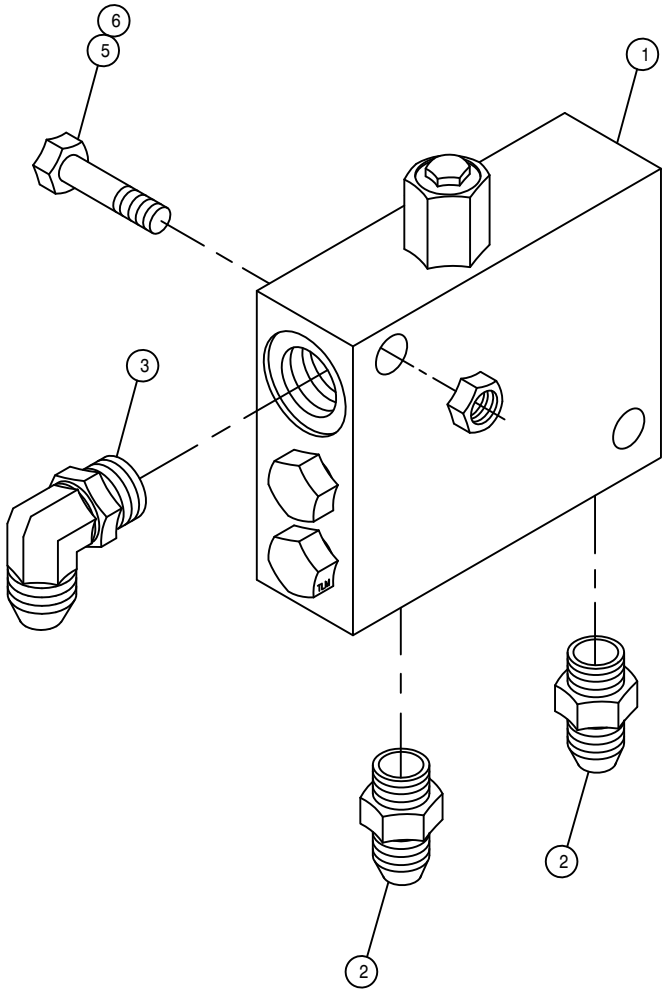
1	1	470266	DRAIN VALVE KIT, 1/4NPT	
2	2	520086	HOSE CLAMP NO 88 STAINLESS	
3	1	611145	3/4MJIC-90-1/2MNPT LBO	
4	1	610305	3/4MJIC-90-3/4MNPT LBO	
5	1	701115	WET TANK WLD	98
6	1	701118	WET TANK MT BRKT WLD	
7	1	614743	06C1T-08FJX-08FJX-14	H/A
8	1	611294	08P919-08FJX-08FJX-12.5	H/A
9	2	900129	3/8UNC X 1" HEX BOLT	
10	2	914004	3/8UNC HEX STOVER NUT	
11	1	711050	3/4"FNPT CHECK VALVE S.S.	
12	1	618711	3/4MNPT-90-1/2MNPT REDU LBO	





AIR TANK ASSEMBLY

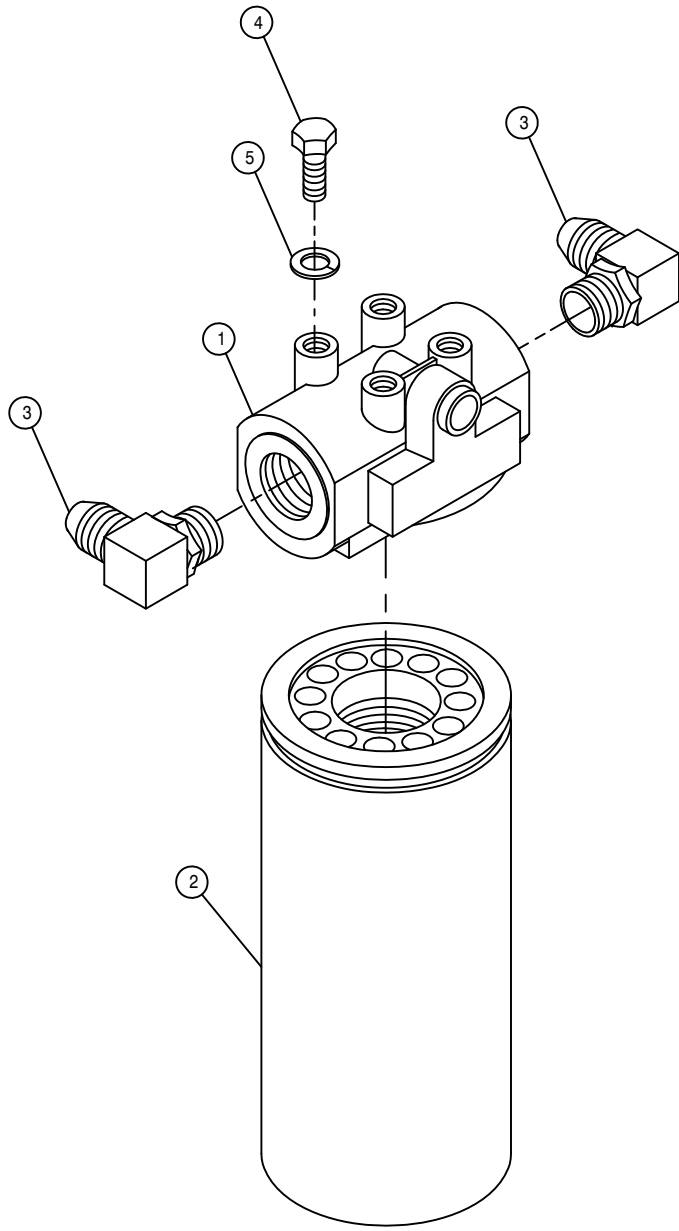
DET.	QTY	PART NO.	DESCRIPTION
	1	193037	STICKERTITE 1/8 X 3/4
	1	319559	DRAIN COCK, 1/4MNPT EXT ST BRS
	3	505212	1/2-1/4NPT REDU BUSH, BRS
	4	520086	HOSE CLAMP NO 88 STAINLESS
	5	611145	3/4MJIC-90-1/2MNPT LBO
	6	701056	HAGIE FOAMER AIR TANK WLD 95
	7	701059	HMC FOAMER AIR TANK MT WLD 95
	8	711028	1/4NPT RUN TEE-1/4NYL TUBE, BRS
	9	711016	1/4NPT-90-1/4NYL TUBE FTG BRS
	10	711017	1/4" MNPT RELIEF VALVE
	11	711031	1/4NPT BRANCH TEE, BRS
	12	711030	1/4 NYL TUBE UNION TEE, BRS
	13	601553	HOSE, 1/4 X 43 AIR
	14	601415	HOSE, 1/4 X 108 AIR
	15	601416	HOSE, 1/4 X 122 AIR
	16	601417	HOSE, 1/4 X 186 AIR
	17	601360	HOSE, 1/4 X 168 AIR
	18	900129	3/8UNC X 1" HEX BOLT
	19	914004	3/8UNC HEX STOVER NUT



LOOP FLUSHING VALVE ASSEMBLY

DET. QTY PART NO. DESCRIPTION

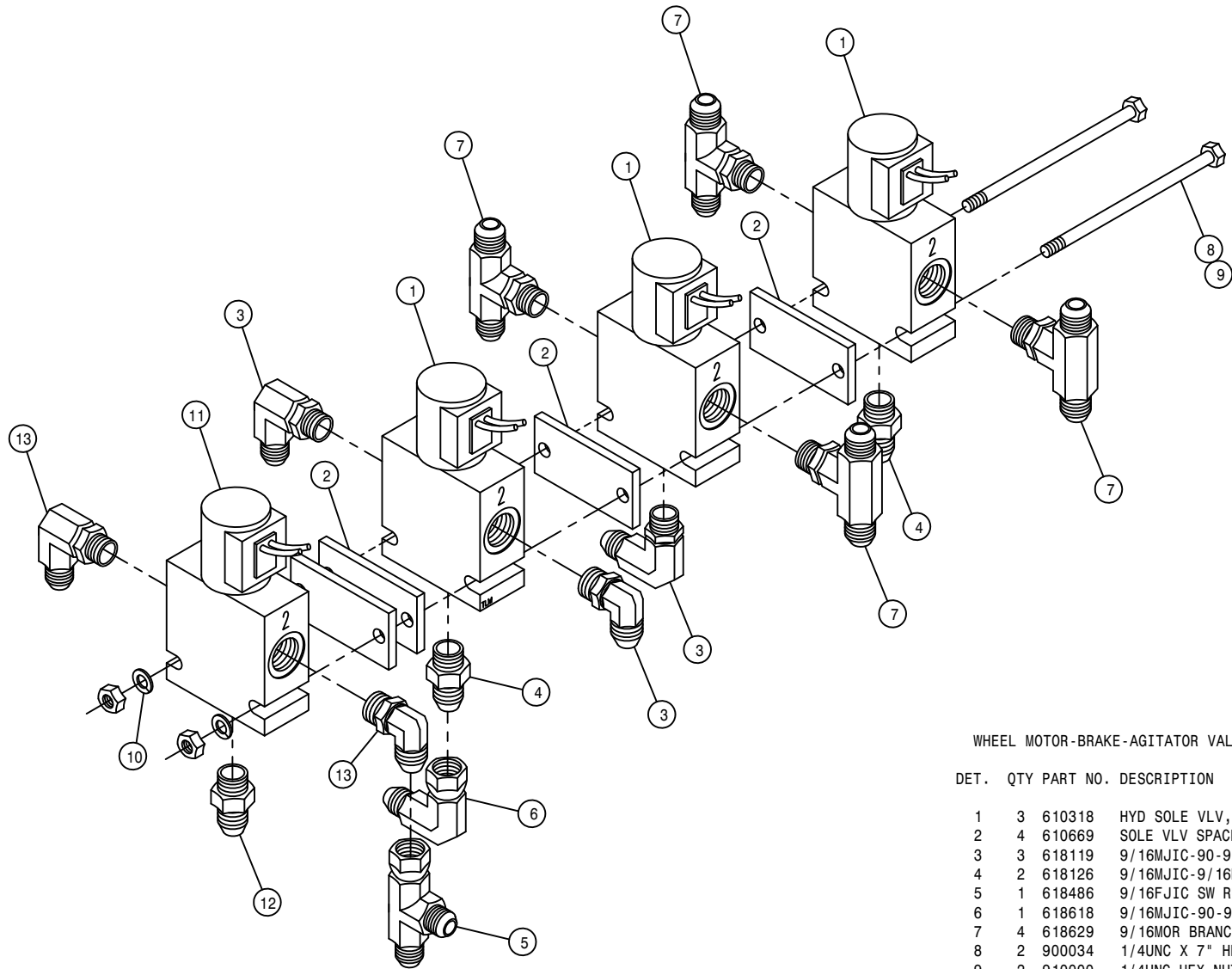
1	2	610580	REMOTE FLUSHING VALVE, SUND
2	4	618126	9/16MJIC-9/16MOR ADPTR
3	1	618119	9/16MJIC-90-9/16MOR LBO
4	1	618629	9/16MOR BRANCH TEE-9/16MJIC
5	4	900133	3/8UNC X 2" HEX BOLT
6	4	914004	3/8UNC HEX STOVER NUT



HI-PRESS FILTER ASSEMBLY

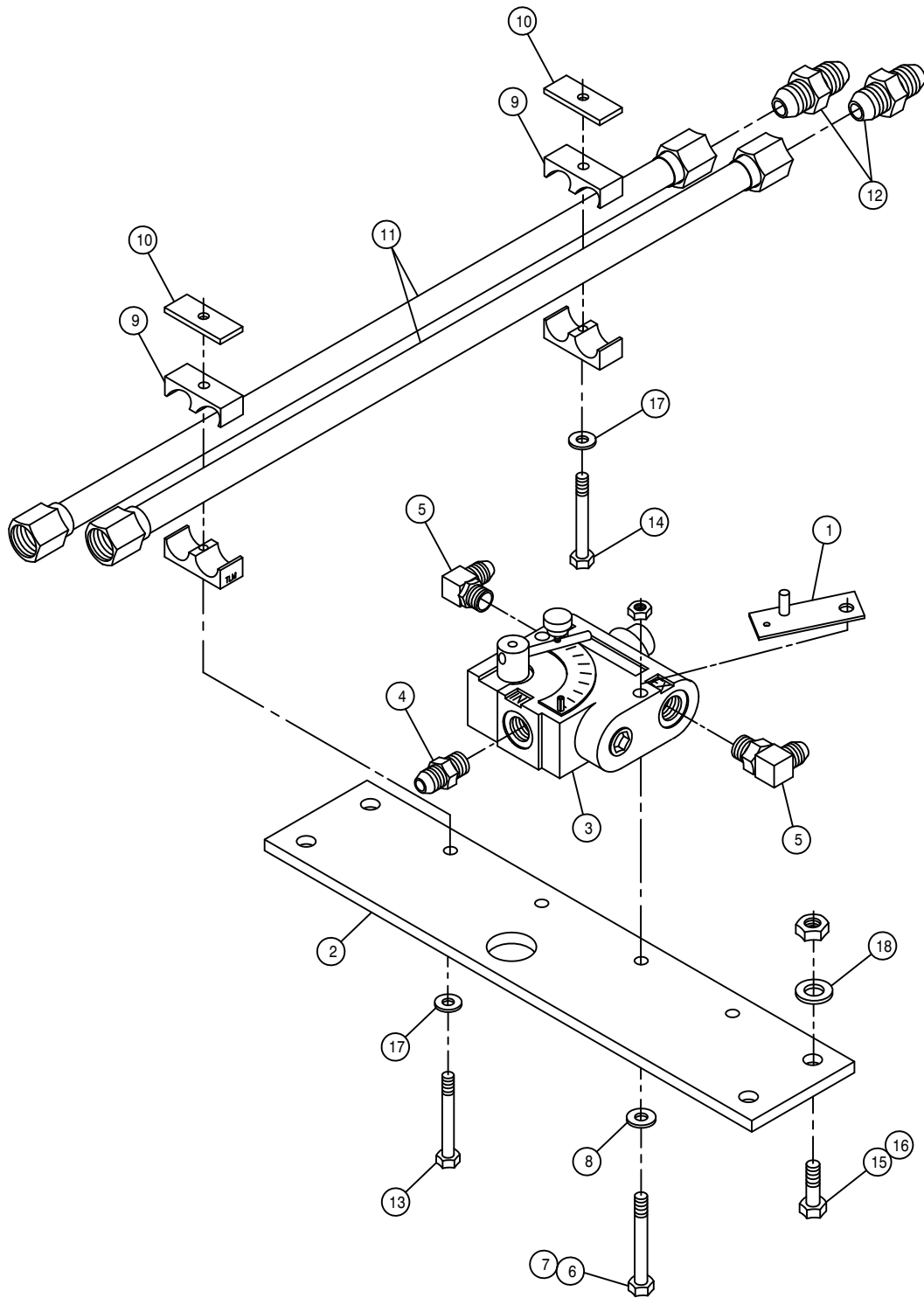
DET. QTY PART NO. DESCRIPTION

1	1	605608	HYD FILTER HEAD, DONALDSON
2	1	605609	HYD FILTER ELEMENT, DONALDSON
3	2	618474	3/4MJIC-90-1 1/16MOR LBO
4	4	900128	3/8UNC X 3/4 HEX BOLT
5	4	920502	3/8 LOCK WASHER



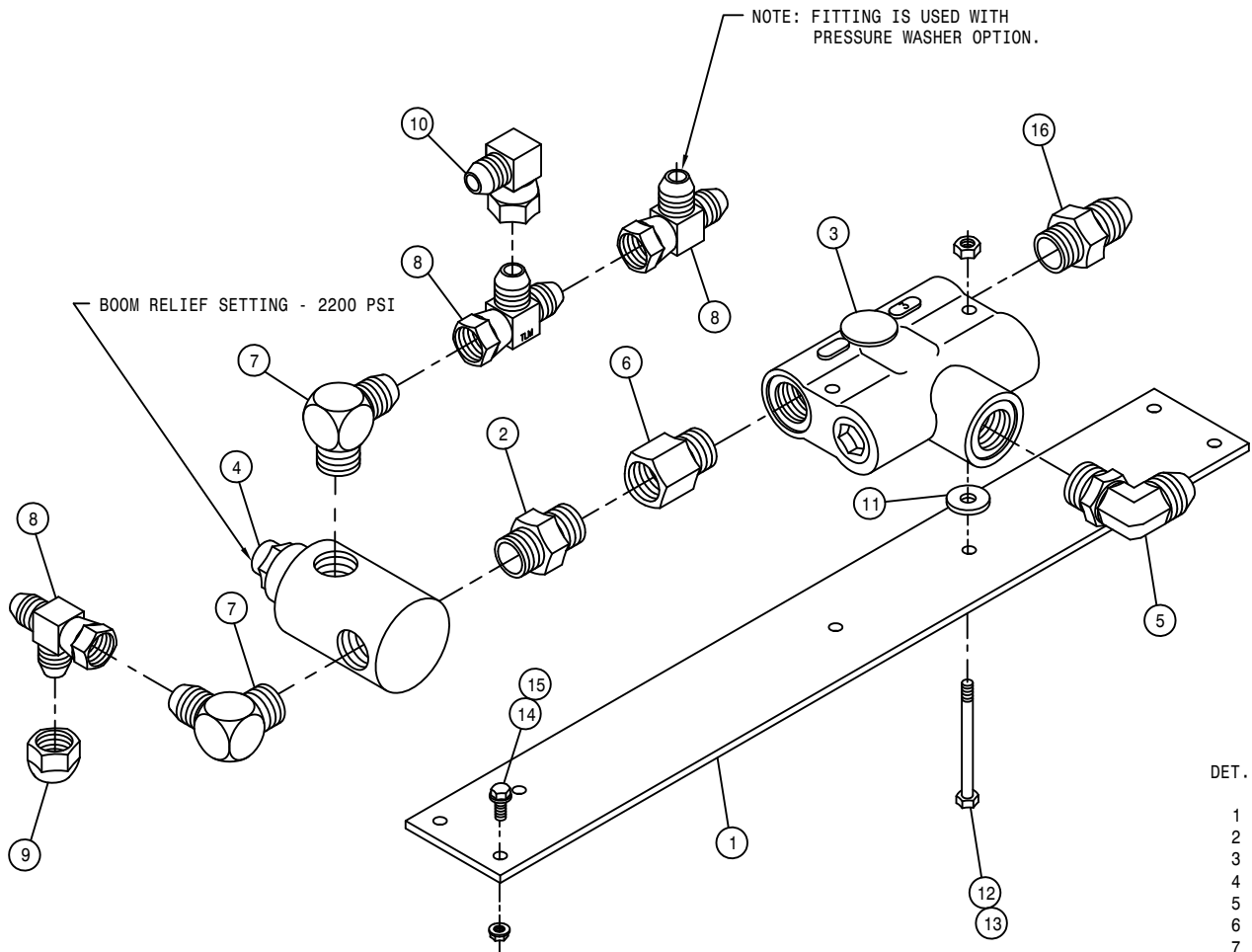
WHEEL MOTOR-BRAKE-AGITATOR VALVE ASSEMBLY

DET.	QTY	PART NO.	DESCRIPTION
1	3	610318	HYD SOLE VLV,2P-3W,9/16FOR,12V
2	4	610669	SOLE VLV SPACER
3	3	618119	9/16MJIC-90-9/16MOR LBO
4	2	618126	9/16MJIC-9/16MOR ADPTR
5	1	618486	9/16FJIC SW RUN TEE-9/16MJIC
6	1	618618	9/16MJIC-90-9/16FJIC SWIV LBO
7	4	618629	9/16MOR BRANCH TEE-9/16MJIC
8	2	900034	1/4UNC X 7" HEX BOLT
9	2	910000	1/4UNC HEX NUT
10	2	920500	1/4 LOCK WASHER
11	1	610674	HYD SOLE VLV,2P3W,3/4FOR,12V
12	1	618109	9/16MJIC-3/4MOR ADPTR
13	2	618115	9/16MJIC-90-3/4MOR LBO



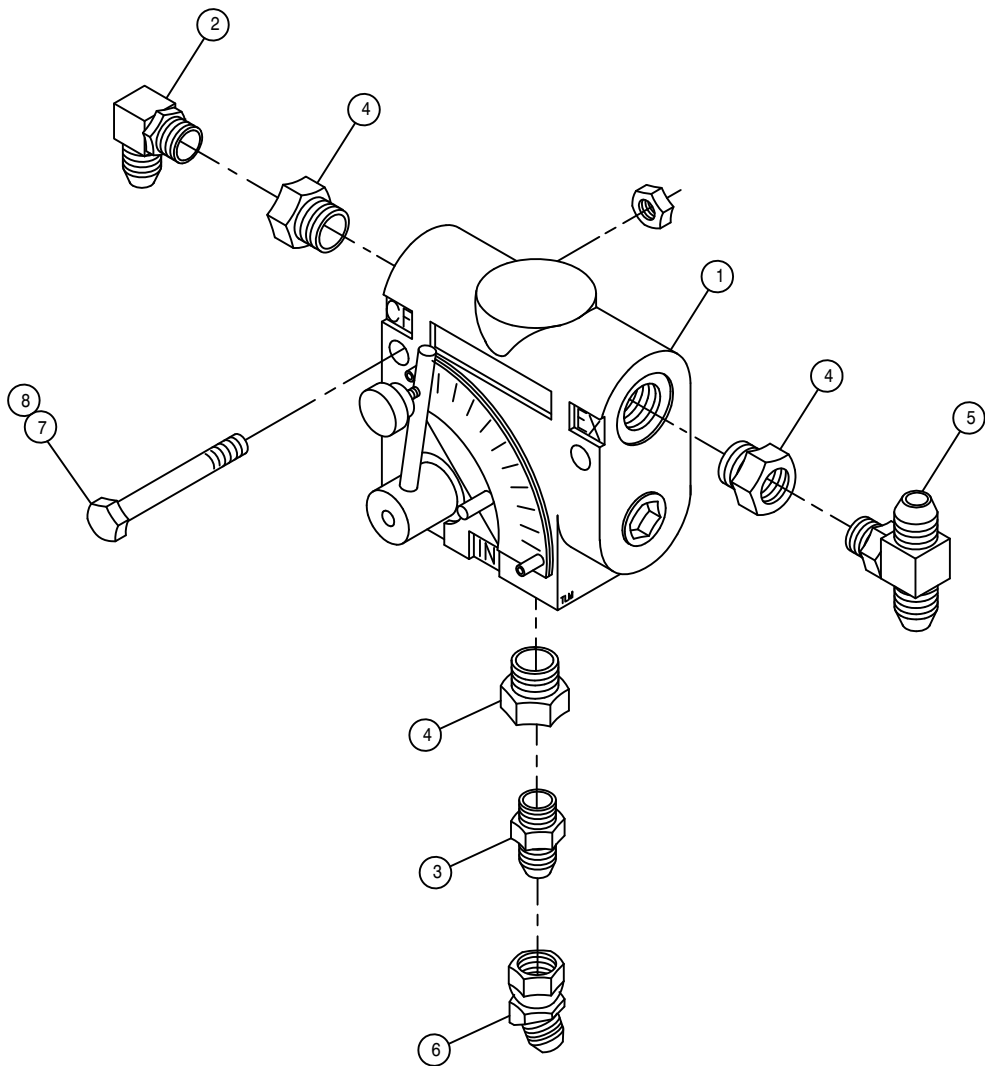
SOLUTION PUMP VARIABLE FLOW CONTROL ASSEMBLY

DET.	QTY	PART NO.	DESCRIPTION
1	1	342306	SOLU PUMP VFC STOP WLD,9G 96
2	1	361477	TIE PLT, 2100 98
3	1	606818	FLO CONT FCR51 0-16GPM 7/8FOR
4	1	611126	7/8MJIC-7/8MOR ADPTR
5	2	611128	7/8MJIC-90-7/8MOR LBO
6	2	900009	1/4UNC X 2 3/4 HEX BOLT
7	2	914000	1/4UNC HEX STOVER NUT
8	2	920000	1/4 SAE FLAT WASHER
9	4	470274	TUBE CLAMP BODY, .750-.750
10	4	470278	CLAMP WELD PLATE, SNGL, 2.75LG
11	4	615724	FRT MAIN HYD TUBE ASSY,2100 98
12	4	618177	1 1/16MJIC UNION
13	2	900069	5/16UNC X 2" HEX BOLT
14	2	900086	5/16UNC X 2 1/4 HEX BOLT
15	4	900265	1/2UNC X 1 1/2 HEX BOLT
16	4	914008	1/2UNC HEX STOVER NUT
17	4	920001	5/16 SAE FLAT WASHER
18	4	920004	1/2 SAE FLAT WASHER



FLOW DIVIDER VALVE ASSEMBLY

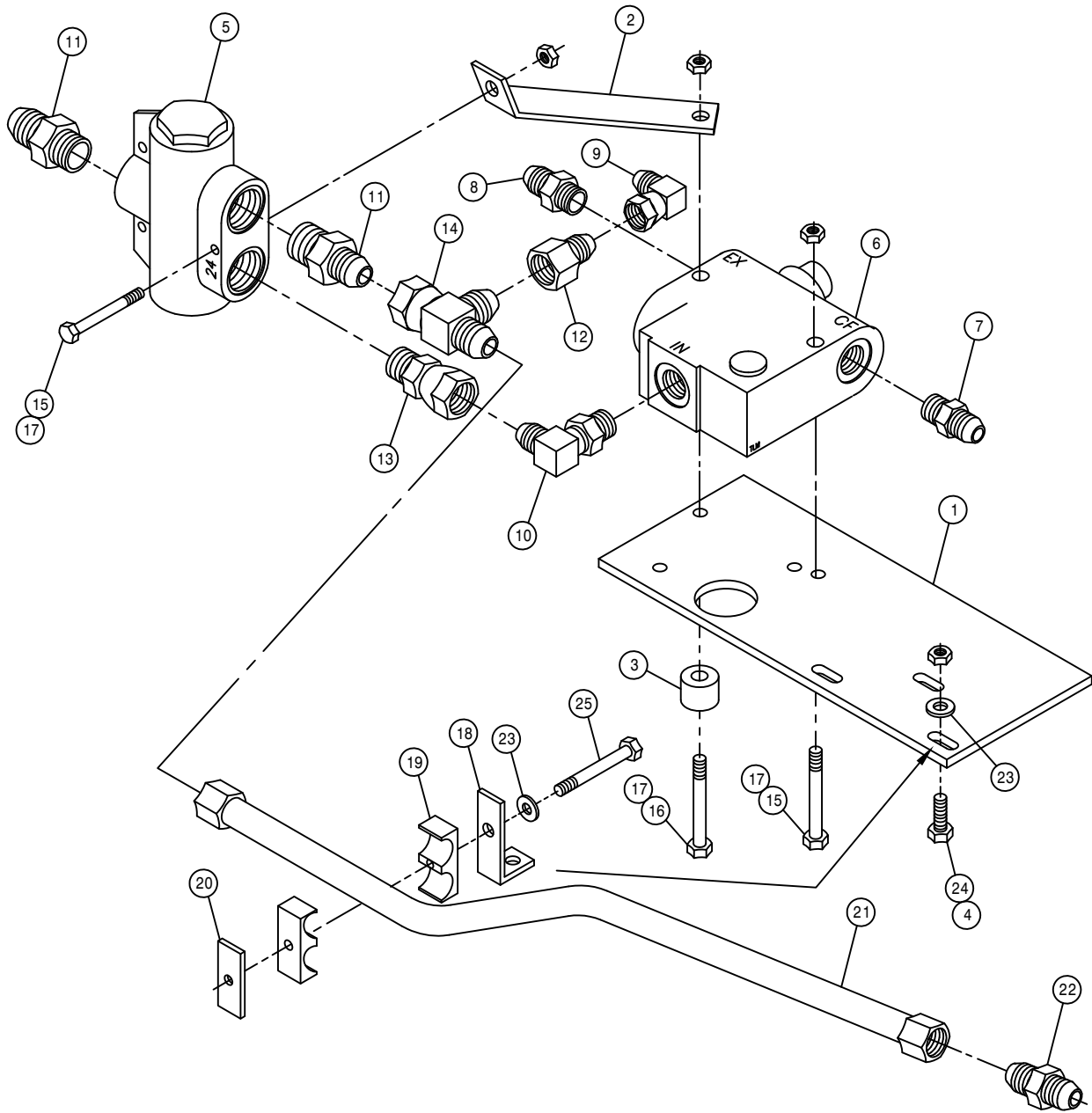
DET.	QTY	PART NO.	DESCRIPTION
	1	361478	REAR FLO DIV PLT, 2100 98
	2	500000	1/2MNPT HEX PIPE NIPPLE STL
	3	610307	FLO DIV BG53 3GPM PRI 7/8FOR
	4	607512	RELIEF VALVE, RL50, 1850 PSI
	5	611128	7/8MJIC-90-7/8MOR LBO
	6	618072	7/8MOR-1/2FNPT ADPTR
	7	618107	9/16MJIC-90-1/2MNPT LBO
	8	618486	9/16FJIC SW RUN TEE-9/16MJIC
	9	618531	9/16FJIC CAP NUT
	10	618618	9/16MJIC-90-9/16FJIC SWIV LBO
	11	748500	RUBER WASH 3/8X1/4IDX1 1/2 OD
	12	900008	1/4UNC X 2 1/2 HEX BOLT
	13	914000	1/4UNC HEX STOVER NUT
	14	470118	1/4UNC X 3/4 FLANGE HEX BOLT
	15	470121	1/4UNC HEX FLANGE LOCK NUT
	16	618310	9/16MJIC-7/8MOR ADPTR



AGITATOR VARIABLE FLOW CONTROL ASSEMBLY

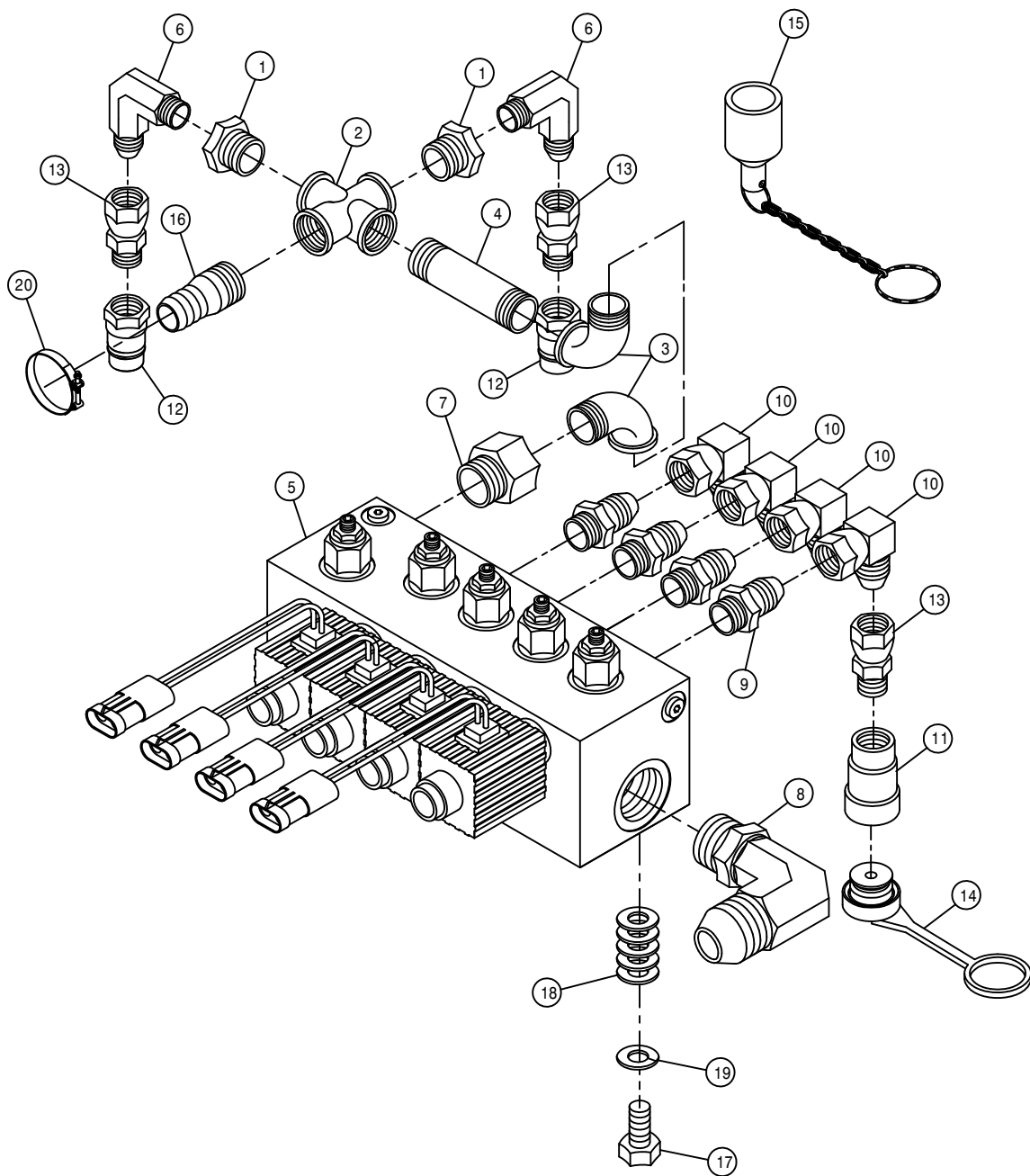
DET. QTY PART NO. DESCRIPTION

1	1	606827	FLO CONT FC51 0-3 VARI 7/8FOR
2	1	618119	9/16MJIC-90-9/16MOR LBO
3	1	618126	9/16MJIC-9/16MOR ADPTR
4	3	618172	7/8MOR-9/16FOR ADPTR
5	1	618629	9/16MOR BRANCH TEE-9/16MJIC
6	1	618634	9/16MJIC-45-9/16FJIC SWIV LBO
7	2	900008	1/4UNC X 2 1/2 HEX BOLT
8	2	914000	1/4UNC HEX STOVER NUT



COMBO FLOW DIVIDER AND VFC ASSEMBLY

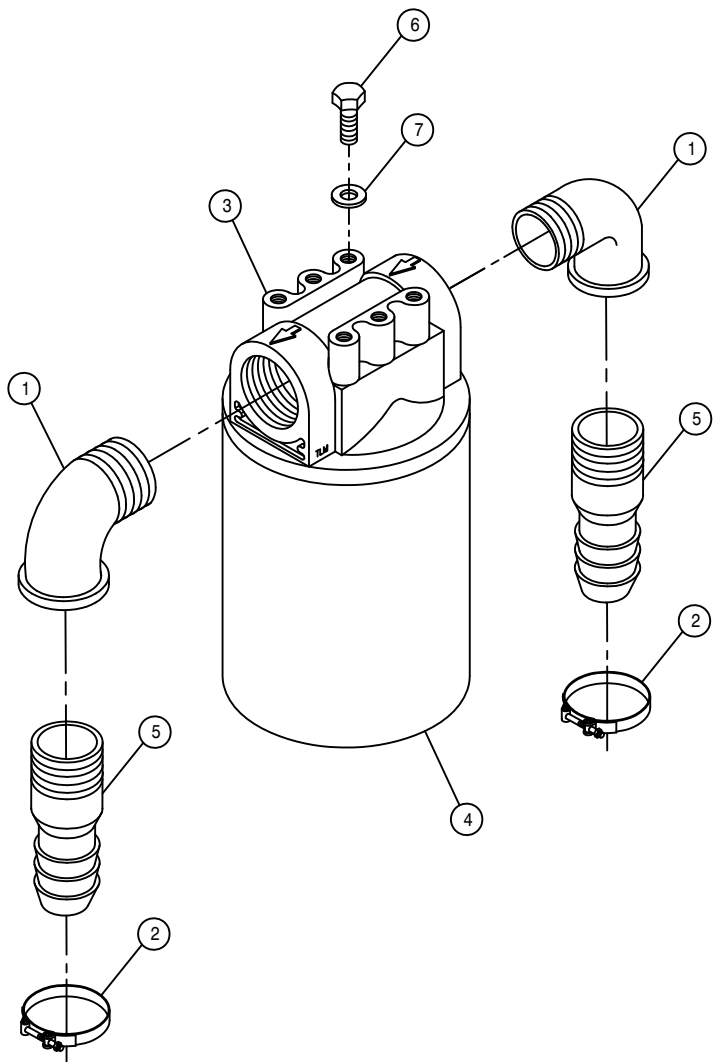
DET.	QTY	PART NO.	DESCRIPTION
	1	342665	FLOW DIVIDER MT PLT,2100 COMBO
	2	342666	FLOW DIV SUPP BRKT,2100 COMBO
	3	438453	VFC STOP, 280 COMBO
	4	914002	5/16UNC HEX STOVER NUT
	5	606836	FLO DIV BG424 24G PR,1 5/16FOR
	6	607510	FLO CONT FCR51 0-30VARI 7/8OR
	7	611126	7/8MJIC-7/8MOR ADPTR
	8	618189	1 1/16MJIC-7/8MOR ADPTR
	9	618191	1 1/16MJ-90-1 1/16FJ SWIV LBO
	10	618279	1 1/16MJIC-90-7/8MOR LBO
	11	2	618186 1 5/16MJIC-1 5/16MOR ADPTR
	12	1	618541 1 5/16FJIC-1 1/16MJIC ADPTR
	13	1	618718 1 5/16MOR-1 1/16FJIC SWIV
	14	1	618619 1 5/16FJ SW RUN TEE-1 5/16MJ
	15	2	900008 1/4UNC X 2 1/2 HEX BOLT
	16	1	900012 1/4UNC X 3 1/2 HEX BOLT
	17	3	914000 1/4UNC HEX STOVER NUT
	18	1	342667 HYD TUBE BRKT, 2100 COMBO
	19	1	470275 TUBE CLAMP BODY,1.000-1.000
	20	1	470278 CLAMP WELD PLATE, SNGL, 2.75LG
	21	1	615743 HYD TUBE ASSY, 2100 COMBO
	22	1	618577 1 5/16MJIC UNION
	23	4	920001 5/16 SAE FLAT WASHER
	24	3	900066 5/16UNC X 1 1/4 HEX BOLT
	25	1	900069 5/16UNC X 2" HEX BOLT



COMBO MOTOR CONTROL VALVE ASSEMBLY

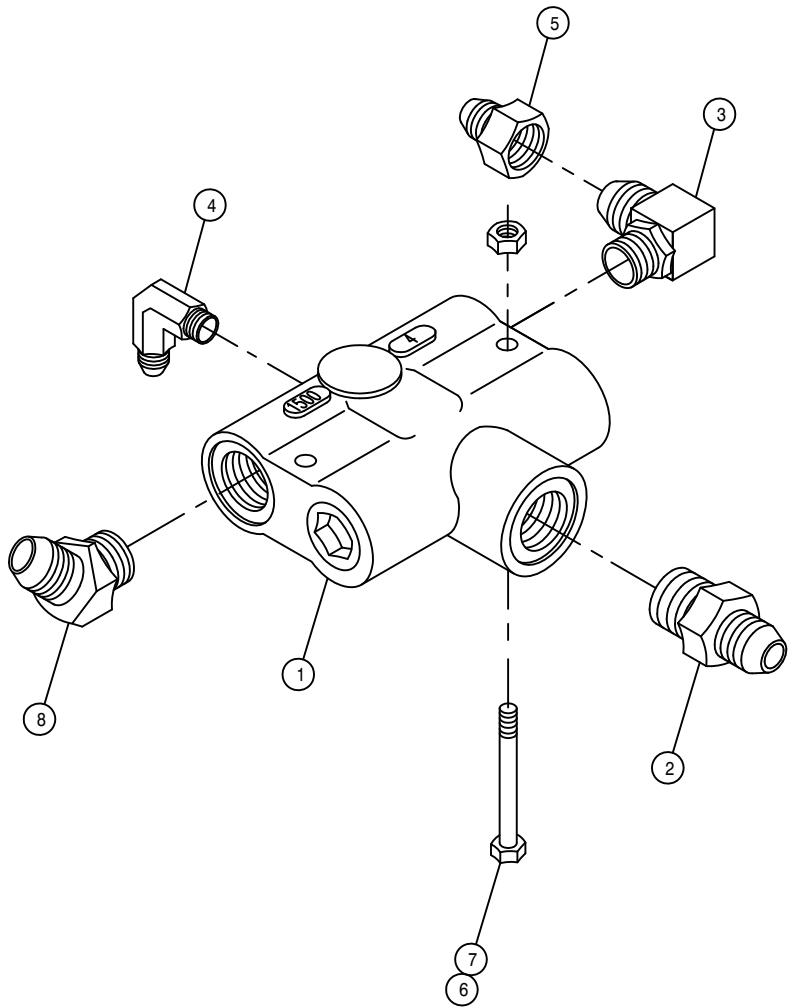
DET. QTY PART NO. DESCRIPTION

1	2	505005	RED BUSH 1 TO 1/2
2	1	505100	BLK PIPE CROSS 1.00NPT
3	2	505200	BLK PIPE ST EL 90DEG 1.00NPT
4	1	505210	BLK PIPE NIPPLE 1.00NPT-3.00
5	1	606034	MTR CONTROL ELECT VLV
6	2	611145	3/4MJIC-90-1/2MNPT LBO
7	1	618090	1 5/16MOR-1FNPT ADPTR
8	1	618178	1 5/16MJIC-90-1 5/16MOR LBO
9	4	618469	3/4MJIC-1 1/16MOR ADPTR
10	4	618609	3/4MJIC-90-3/4FJIC SWIV LBO
11	4	618621	HYD QUICK CPLR,FEMALE, .50FNPS
12	2	618622	HYD QUICK CPLR, MALE, .50FNPS
13	6	618623	3/4FJIC-SWIV-1/2MNPT
14	4	618635	RUBBER DUST PLUG, 618621/696
15	2	618636	RUBBER DUST CAP, 618622/697
16	1	714561	1.00NPT-1.25 HOSE BARB
17	2	900128	3/8UNC X 3/4 HEX BOLT
18	10	920002	3/8 SAE FLAT WASHER
19	2	920502	3/8 LOCK WASHER
20	1	520132	1.62/1.87 T-BOLT HOSE CLAMP SS



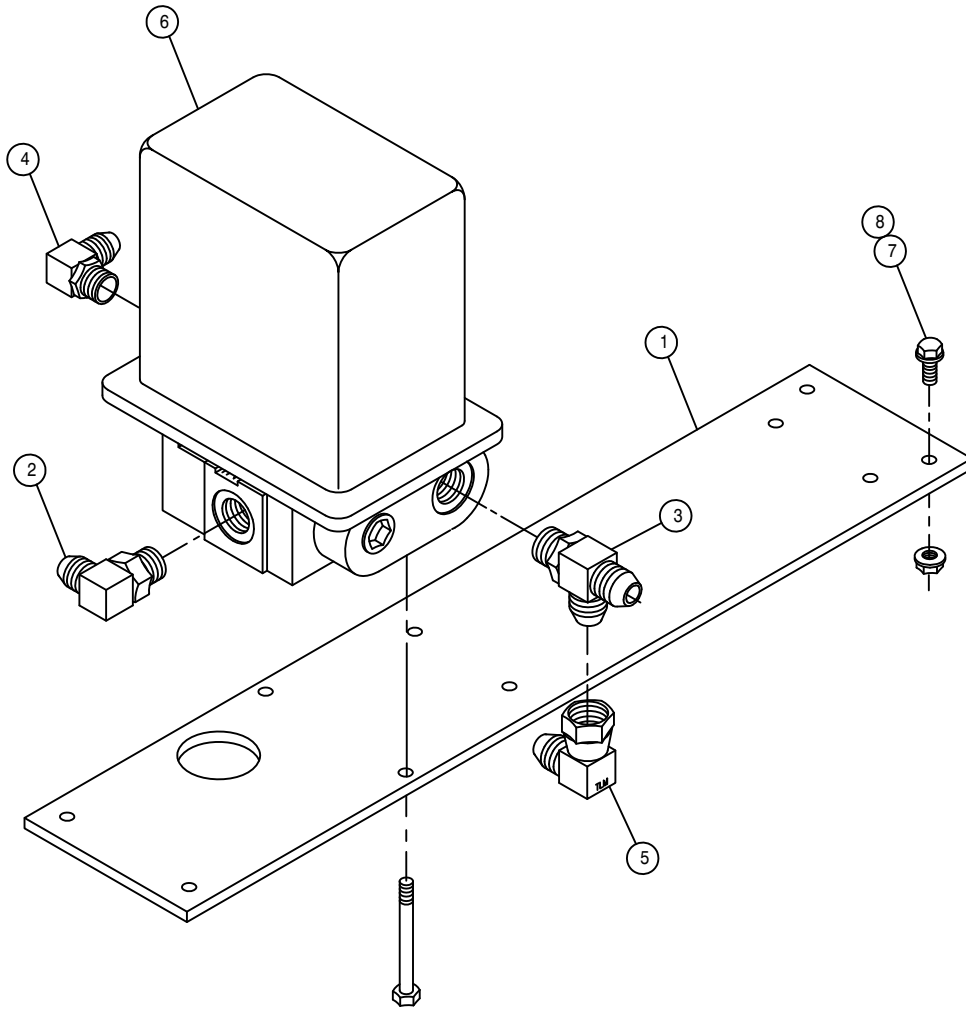
DETASSELER OPTION FILTER ASSEMBLY

DET.	QTY	PART NO.	DESCRIPTION
1	2	506410	BLK PIPE ST EL 90DEG 1.25NPT
2	2	520132	1.62/1.87 T-BOLT HOSE CLAMP SS
3	1	605601	PARKER FILTER ASSY, 10M, 1.25NPT
4	1	605602	PARKER FILTER ELEMENT, 10MICRON
5	2	715660	HOSE BARB 1 1/4NPT X 1 1/4
6	4	900062	5/16UNC X 1/2 HEX BOLT
7	4	920501	5/16 LOCK WASHER



BGR54 FLOW DIVIDER ASSEMBLY

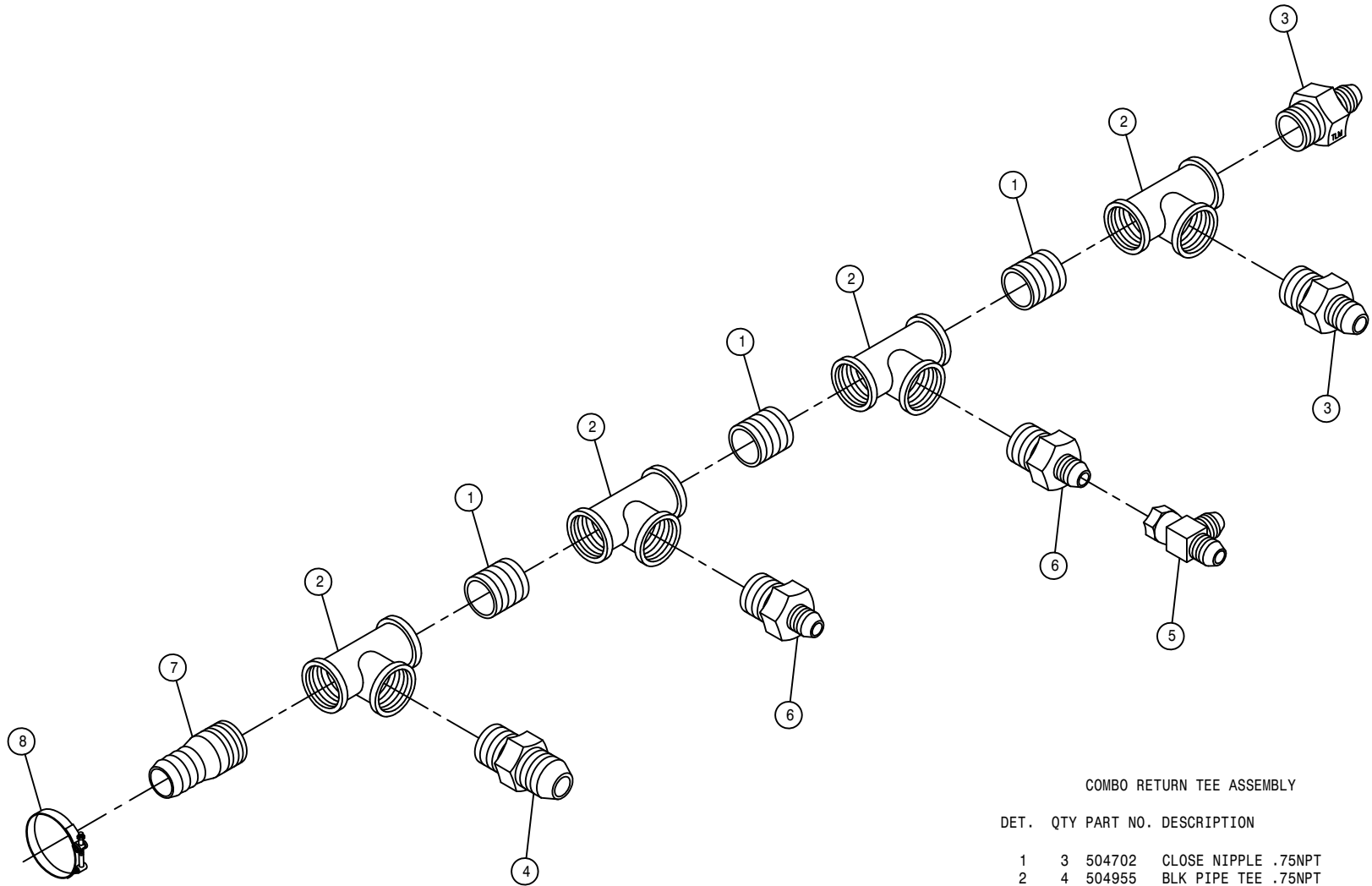
DET.	QTY	PART NO.	DESCRIPTION
	1	607528	FLO DIV BGR54 4GPM PRI 7/8FOR
	1	611126	7/8MJIC-7/8MOR ADPTR
	1	611128	7/8MJIC-90-7/8MOR LBO
	1	618015	9/16MJIC-90-3/8MNPT LBO
	1	618557	7/8FJIC-9/16MJIC ADPTR
	2	914000	1/4UNC HEX STOVER NUT
	2	900008	1/4UNC X 2 1/2 HEX BOLT
	1	618644	7/8MJIC-45-7/8MOR LBO



RAVEN HYDRAULIC CONTROL VALVE ASSEMBLY

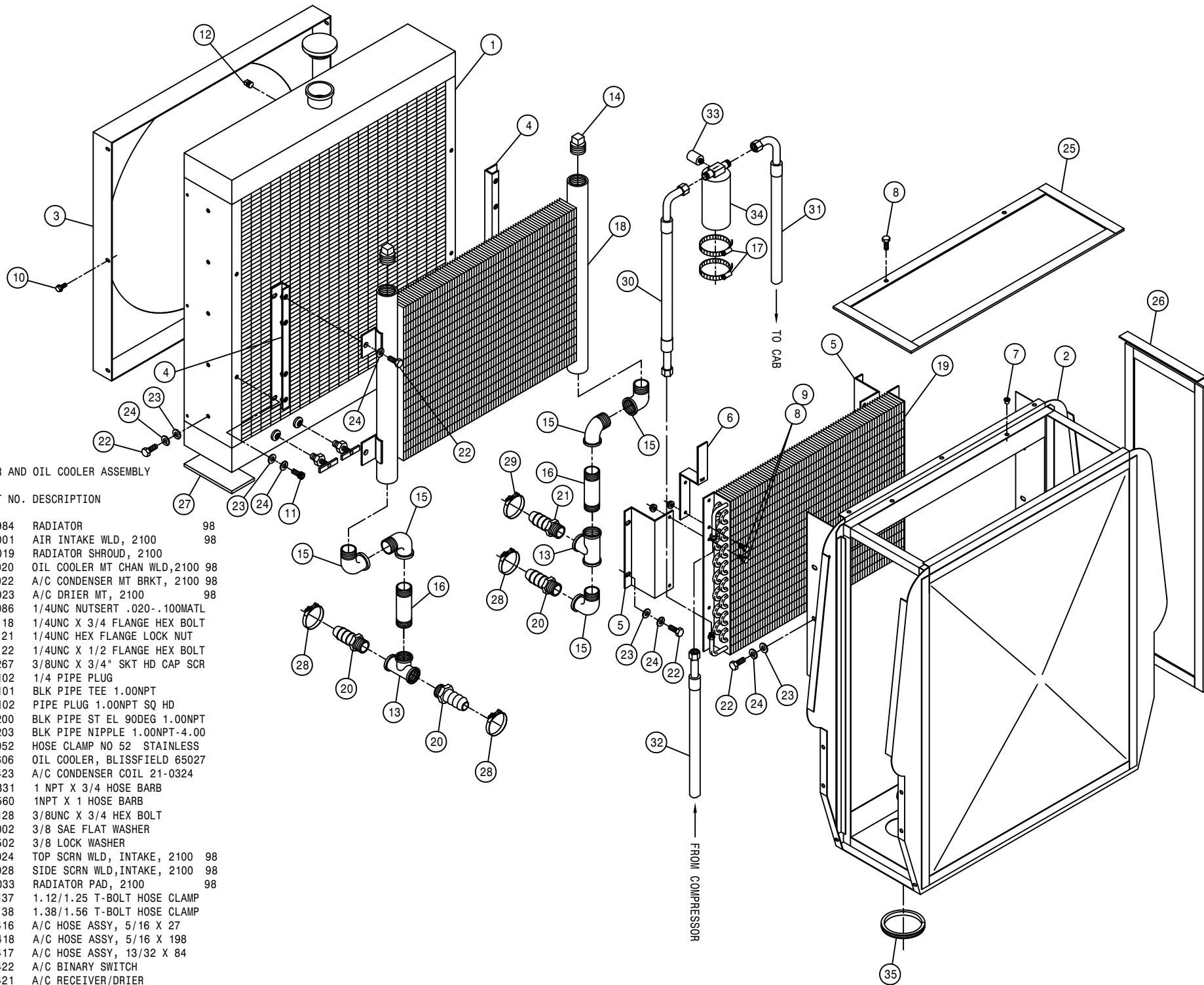
DET. QTY PART NO. DESCRIPTION

1	1	361476	ELECT VLV MTG PLT, 2100	98
2	1	611128	7/8MJIC-90-7/8MOR LBO	
3	1	618130	7/8MOR RUN TEE-7/8MJIC	
4	1	618183	3/4MJIC-90-7/8MOR LBO	
5	1	618301	7/8MJIC-90-7/8FJIC SWIV LBO	
6	1	690621	VALVE HYD CTRL, 16GPM RAVEN	
7	4	470118	1/4UNC X 3/4 FLANGE HEX BOLT	
8	4	470121	1/4UNC HEX FLANGE LOCK NUT	



COMBO RETURN TEE ASSEMBLY

DET.	QTY	PART NO.	DESCRIPTION
1	3	504702	CLOSE NIPPLE .75NPT
2	4	504955	BLK PIPE TEE .75NPT
3	2	610300	3/4MJIC-3/4MNPT ADPTR
4	1	618059	7/8MJIC-3/4MNPT ADPTR
5	1	618486	9/16MJIC SW RUN TEE-9/16MJIC
6	2	618642	9/16MJIC-3/4MNPT ADPTR
7	1	713220	HOSE BARB 3/4 NPT X 3/4
8	1	520137	1.12/1.25 T-BOLT HOSE CLAMP



RADIATOR AND OIL COOLER ASSEMBLY

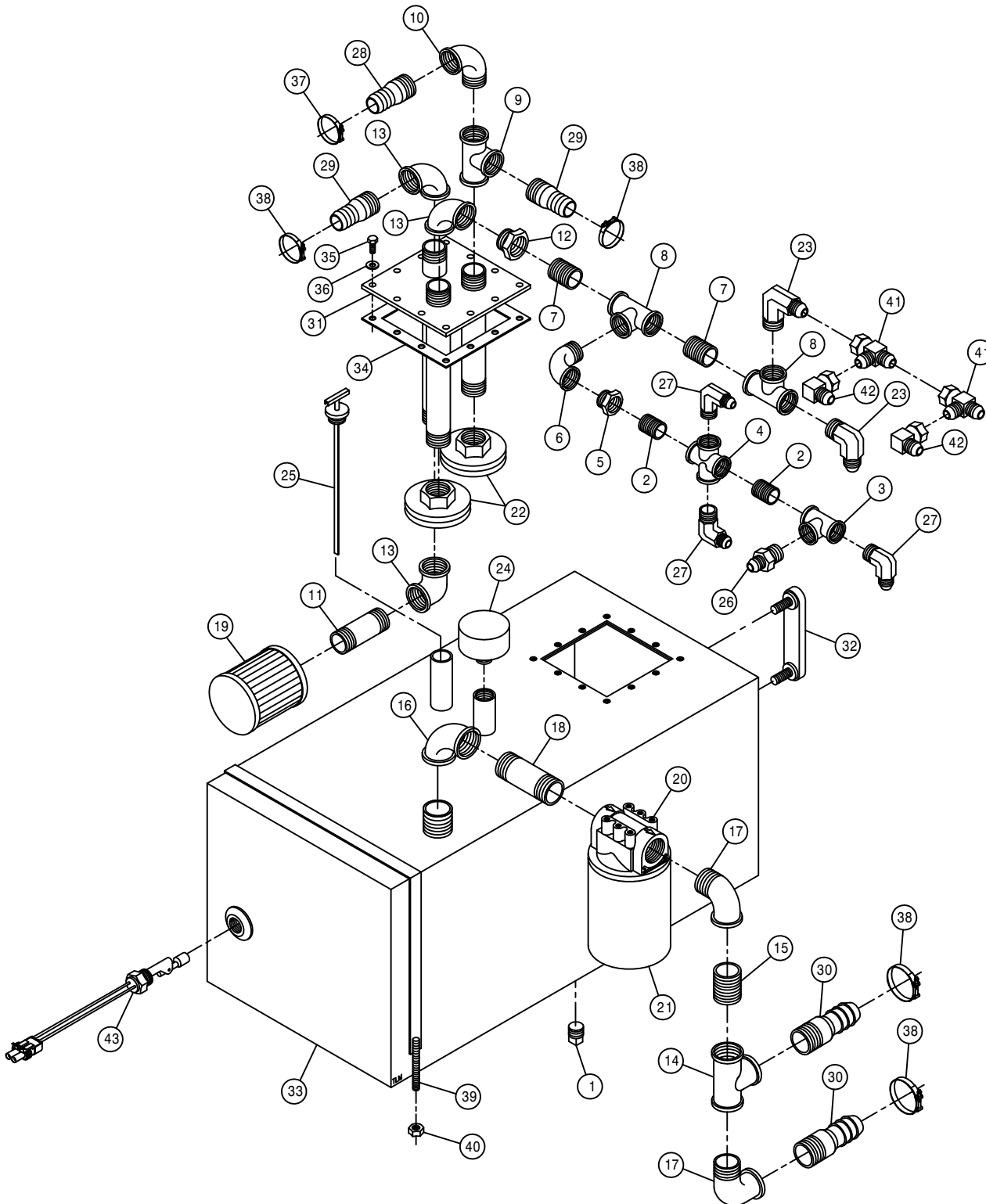
DET. QTY PART NO. DESCRIPTION

1	1	314984	RADIATOR	98
2	1	315001	AIR INTAKE WLD, 2100	98
3	1	315019	RADIATOR SHROUD, 2100	
4	2	315020	OIL COOLER MT CHAN WLD, 2100	98
5	2	315022	A/C CONDENSER MT BRKT, 2100	98
6	1	315023	A/C DRIER MT, 2100	98
7	14	470086	1/4UNC NUTSERT .020-.100MATL	
8	8	470118	1/4UNC X 3/4 FLANGE HEX BOLT	
9	6	470121	1/4UNC HEX FLANGE LOCK NUT	
10	6	470122	1/4UNC X 1/2 FLANGE HEX BOLT	
11	4	470267	3/8UNC X 3/4" SKT HD CAP SCR	
12	1	501102	1/4 PIPE PLUG	
13	2	505101	BLK PIPE TEE 1.00NPT	
14	2	505102	PIPE PLUG 1.00NPT SQ HD	
15	5	505200	BLK PIPE ST EL 90DEG 1.00NPT	
16	2	505203	BLK PIPE NIPPLE 1.00NPT-4.00	
17	2	520052	HOSE CLAMP NO 52 STAINLESS	
18	1	618606	OIL COOLER, BLISSFIELD 65027	
19	1	657423	A/C CONDENSER COIL 21-0324	
20	3	714331	1 NPT X 3/4 HOSE BARB	
21	1	714560	1NPT X 1 HOSE BARB	
22	18	900128	3/8UNC X 3/4 HEX BOLT	
23	18	920002	3/8 SAE FLAT WASHER	
24	22	920502	3/8 LOCK WASHER	
25	1	315024	TOP SCR N WLD, INTAKE, 2100	98
26	2	315028	SIDE SCR N WLD, INTAKE, 2100	98
27	2	315033	RADIATOR PAD, 2100	98
28	3	520137	1.12/1.25 T-BOLT HOSE CLAMP	
29	1	520138	1.38/1.56 T-BOLT HOSE CLAMP	
30	1	657416	A/C HOSE ASSY, 5/16 X 27	
31	1	657418	A/C HOSE ASSY, 5/16 X 198	
32	1	657417	A/C HOSE ASSY, 13/32 X 84	
33	1	657422	A/C BINARY SWITCH	
34	1	657421	A/C RECEIVER/DRIER	
35	1	193016	QUICKEDGE TRIM .060 TO .170	

COMBO HYDRAULIC TANK ASSEMBLY

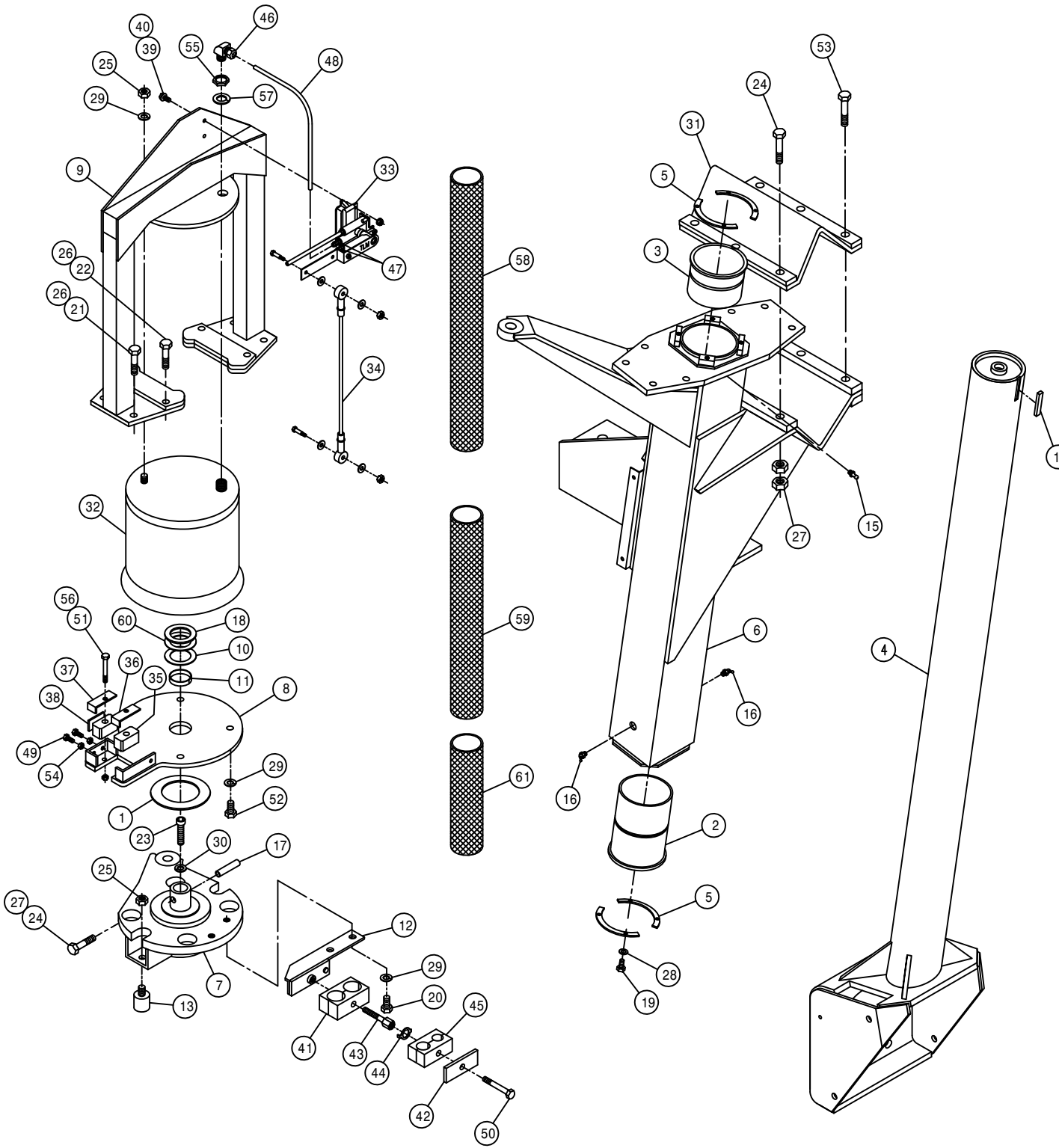
DET. QTY PART NO. DESCRIPTION

DET.	QTY	PART NO.	DESCRIPTION
1	1	470308	1/2MNPT DRAIN PLUG,AL HD,MAG
2	2	503600	CLOSE NIPPLE .50NPT
3	1	503820	BLK PIPE TEE .50NPT
4	1	503824	BLK PIPE CROSS .50NPT
5	1	504210	RED BUSH 3/4 NPT X 1/2 NPT
6	1	504610	BLK PIPE ST EL 90DEG .75NPT
7	2	504702	CLOSE NIPPLE .75NPT
8	2	504955	BLK PIPE TEE .75NPT
9	1	505101	BLK PIPE TEE 1.00NPT
10	1	505200	BLK PIPE ST EL 90DEG 1.00NPT
11	1	505203	BLK PIPE NIPPLE 1.00NPT-4.00
12	1	505213	RED BUSH 1 X 3/4 BLK MAL
13	3	505300	BLK PIPE EL 90DEG 1.00NPT
14	1	506105	BLK PIPE TEE 1.25NPT
15	1	506200	CLOSE NIPPLE 1.25NPT
16	1	506303	BLK PIPE EL 90DEG 1.25NPT
17	2	506410	BLK PIPE ST EL 90DEG 1.25NPT
18	1	506604	BLK PIPE NIPPLE 1.25NPT-4.00
19	1	605600	TANK FILTER, 100 MESH,1"FNPT
20	1	605601	PARKER FILTER ASSY,10M,1.25NPT
21	1	605602	PARKER FILTER ELEMENT,10MICRON
22	2	605603	LINE SUMP DIFFUSER
23	2	610305	3/4MJIC-90-3/4MNPT LBO
24	1	611052	FILLER BREATHER 3/4NPT
25	1	614453	DIPSTICK, 8IN
26	1	618018	9/16MJIC-1/2MNPT ADPTR
27	3	618107	9/16MJIC-90-1/2MNPT LBO
28	1	714331	1 NPT X 3/4 HOSE BARB
29	2	714560	1NPT X 1 HOSE BARB
30	2	715664	1 1/4 NPT X 1 HOSE BARB
31	1	760090	RECEIVER PLT WLD 8240
32	1	760177	SIGHT GAUGE W/TEMP, HYD TANK
33	1	760268	HYD TANK WLD, 2100 2002
34	1	763039	HYD MTR MTG PLT GSKT
35	12	900064	5/16UNC X 3/4 HEX BOLT
36	12	920001	5/16 SAE FLAT WASHER
37	1	520137	1.12/1.25 T-BOLT HOSE CLAMP
38	4	520138	1.38/1.56 T-BOLT HOSE CLAMP
39	2	760212	HYD TANK STRAP WLD, 2100 98
40	4	914004	3/8UNC HEX STOVER NUT
41	2	618451	3/4FJIC SW RUN TEE-3/4MJIC
42	2	618609	3/4MJIC-90-3/4FJIC SWIV LBO
43	1	470350	LIQUID LEVEL SWITCH ASSY,1/2NP



RIGHT FRONT LEG ASSEMBLY

DET. QTY PART NO. DESCRIPTION



QTY	PART NO.	DESCRIPTION
1	127505	THRUST BEARING, FIBERGLIDE
2	358564	FRT LEG LWR NYL SLEEVE 280 89
3	358565	FRT LEG UPR NYL SLEEVE 280 89
4	359194	RF/LR INNER LEG WLD, 2100 02
5	358927	LWR BRG KPR, LEG 98
6	358954	RH FRT OUTER LEG WLD, 2100 99
7	358971	STEERING ARM WLD,RF/LR 2100 99
8	358980	AIR BAG MT WLD, RF/LR 2100 99
9	358985	AIR BAG ARCH WLD,RF/LR 2100 99
10	358994	LEG WASHER, NYLON 2100 99
11	358995	NYLON BEARING,LWR AB MT2100 99
12	358996	RH UPPER HOSE MT WELD, 2100 99
13	470259	URETHANE BUMPER,1.25D X 1.25L
14	470265	KEY, .250 X .375 X 1.88 LG
15	471005	1/4 28 X 1/2 GREASE ZERK
16	471023	GREASE ZERK 1/4-28 X 45
17	473906	SPIRAL PIN, 1/2 X 2 1/2 LG
18	483061	1.65 ID X 2.50 OD X .188T WASH
19	900064	5/16UNC X 3/4 HEX BOLT
20	900263	1/2UNC X 1" HEX BOLT
21	900265	1/2UNC X 1 1/2 HEX BOLT
22	900266	1/2UNC X 1 3/4 HEX BOLT
23	900390	5/8UNC X 2 1/2 SOCKET CAP SCR
24	900836	5/8UNF X 3 1/4 HEX BOLT GR8
25	910008	1/2UNC HEX NUT
26	914008	1/2UNC HEX STOVER NUT
27	914811	5/8UNF HEX NUT GR8
28	920501	5/16 LOCK WASHER
29	920504	1/2 LOCK WASHER
30	920505	5/8 LOCK WASHER
31	358759	LEG MT V-PLT WLD, 284T 94
32	358831	AIRIDE SPRING 98
33	358832	AIRIDE SPRING CTRL VALVE 98
34	358839	AIRRIDE CTRL LINK KIT, 2100 99
35	358990	NYLON GUIDE, 2100 LEG 99
36	358991	INNER KEEPER,NYL GUIDE,2100 99
37	358992	OUTER KEEPER,NYL GUIDE,2100 99
38	358993	NYLON GUIDE BACK PLATE,2100 99
39	470118	1/4UNC X 3/4 FLANGE HEX BOLT
40	470121	1/4UNC HEX FLANGE LOCK NUT
41	470271	HOSE CLAMP BODY,1.181-1.181
42	470276	CLAMP COVER PLATE,SNGL, 2.55LG
43	470280	STACK BOLT, 5/16UNC X 1 3/4
44	470281	STACK BOLT SAFETY LOCK PLATE
45	470282	HOSE CLAMP BODY, .53-.78
46	711016	1/4NPT-90-1/4NYL TUBE FTG BR8
47	711023	1/8MNPT-1/4OD NYL TUBE FTGBRS
48	601413	HOSE, 1/4 X 8 AIR
49	900065	5/16UNC X 1" HEX BOLT
50	900068	5/16UNC X 1 3/4 HEX BOLT
51	900069	5/16UNC X 2" HEX BOLT
52	900264	1/2UNC X 1 1/4 HEX BOLT
53	900837	5/8UNF X 3 1/2 HEX BOLT GR8
54	910002	5/16UNC HEX NUT
55	910013	3/4UNF HEX NUT
56	914002	5/16UNC HEX STOVER NUT
57	920506	3/4 LOCK WASHER
58	342637	NYL HOSE SLEEVE,2.96ID X 54.00
59	342335	NYL HOSE SLEEVE,2.64ID X 36.00
60	483063	1.65 ID X 2.50 OD X .074T WASH
61	342654	NYL HOSE SLEEVE,3.66ID X 24.00

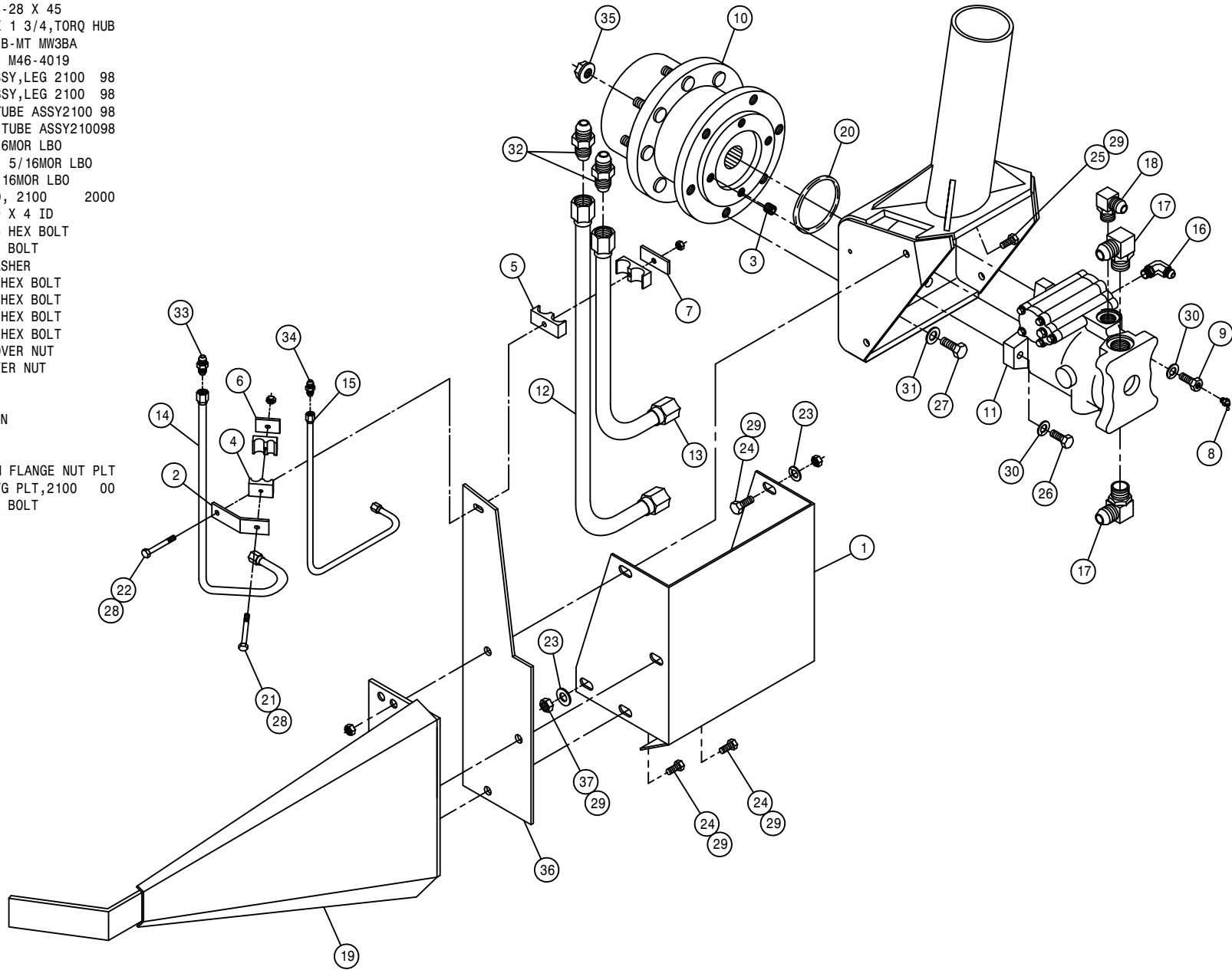
24

268024

RIGHT FRONT LEG ASSEMBLY

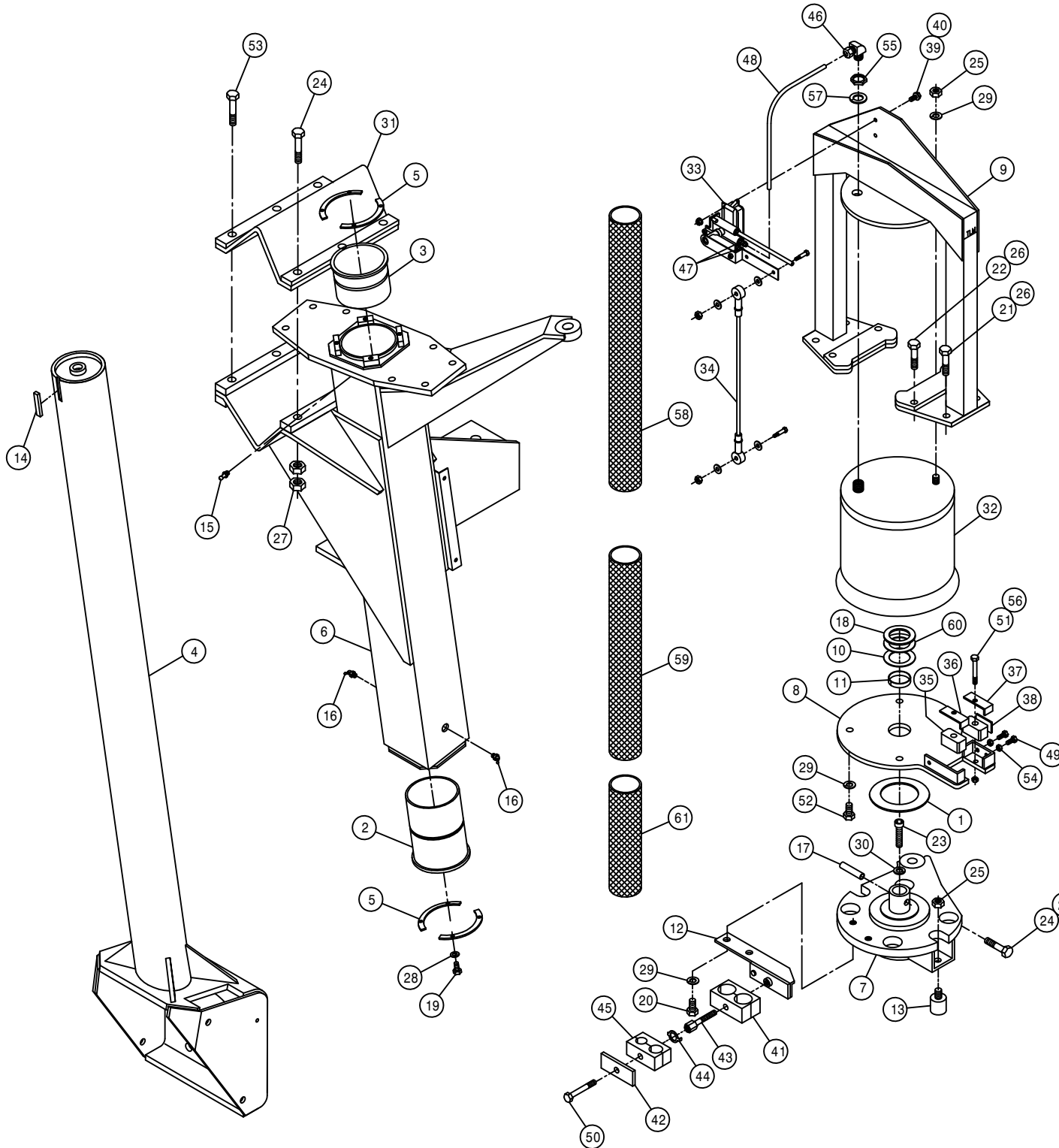
DET. QTY PART NO. DESCRIPTION

1	1	359185	WHL MTR SHLD, XP/2100	2002
2	1	358926	FRT LEG HYD TUBE BRKT, 2100	98
3	1	470066	1/2UNC X 1/2 AL HD CUP SET SCR	
4	1	470272	TUBE CLAMP BODY, .375- .500	
5	1	470275	TUBE CLAMP BODY, 1.000-1.000	
6	1	470277	CLAMP WELD PLATE, SNGL, 2.15LG	
7	1	470278	CLAMP WELD PLATE, SNGL, 2.75LG	
8	1	471023	GREASE ZERK 1/4-28 X 45	
9	1	610634	ZERK BOLT, 1/2 X 1 3/4, TORQ HUB	
10	1	610686	TORQ HUB, 18:1 B-MT MW3BA	
11	1	610637	SUND HYD MOTOR, M46-4019	
12	1	615708	LWR HYD TUBE ASSY, LEG 2100	98
13	1	615709	UPR HYD TUBE ASSY, LEG 2100	98
14	1	615710	RF/LR HYD DRN TUBE ASSY 2100	98
15	1	615712	RF/LR HYD CTRL TUBE ASSY 2100	98
16	1	618119	9/16MJIC-90-9/16MOR LBO	
17	2	618178	1 5/16MJIC-90-1 5/16MOR LBO	
18	1	618474	3/4MJIC-90-1 1/16MOR LBO	
19	1	662256	STALK GUIDE WLD, 2100	2000
20	1	870045	O-RING 4 1/8 OD X 4 ID	
21	1	900068	5/16UNC X 1 3/4 HEX BOLT	
22	1	900070	5/16UNC X 2 1/2 BOLT	
23	3	920004	1/2 SAE FLAT WASHER	
24	3	900264	1/2UNC X 1 1/4 HEX BOLT	
25	1	900265	1/2UNC X 1 1/2 HEX BOLT	
26	1	900266P	1/2UNC X 1 3/4 HEX BOLT	
27	6	900333P	5/8UNC X 1 1/2 HEX BOLT	
28	2	914002	5/16UNC HEX STOVER NUT	
29	6	914008	1/2UNC HEX STOVER NUT	
30	2	920504P	1/2 LOCK WASHER	
31	6	920505P	5/8 LOCK WASHER	
32	2	618577	1 5/16MJIC UNION	
33	1	618314	3/4MJIC UNION	
34	1	619010	9/16MJIC UNION	
35	9	470140	5/8UNF HEX SMTH FLANGE NUT PLT	
36	1	359014	FRT HYD TUBE MTG PLT, 2100	00
37	2	900263	1/2UNC X 1" HEX BOLT	



LEFT FRONT LEG ASSEMBLY

DET. QTY PART NO. DESCRIPTION



DET.	QTY	PART NO.	DESCRIPTION
1	1	127505	THRUST BEARING, FIBERGLIDE
2	1	358564	FRT LEG LWR NYL SLEEVE 280 89
3	1	358565	FRT LEG UPR NYL SLEEVE 280 89
4	1	359195	LF/RR INNER LEG WLD, 2100 02
5	4	358927	LWR BRG KPR, LEG 98
6	1	358955	LH FRT OUTER LEG WLD, 2100 99
7	1	358972	STEERING ARM WLD, LF/RR 2100 99
8	1	358981	AIR BAG MT WLD, LF/RR 2100 99
9	1	358986	AIR BAG ARCH WLD, LF/RR 2100 99
10	1	358994	LEG WASHER, NYLON 2100 99
11	1	358995	NYLON BEARING, LWR AB MT2100 99
12	1	358997	LH UPPER HOSE MT WELD, 2100 99
13	2	470259	URETHANE BUMPER, 1.25D X 1.25L
14	1	470265	KEY, .250 X .375 X 1.88 LG
15	1	471005	1/4 28 X 1/2 GREASE ZERK
16	2	471023	GREASE ZERK 1/4-28 X 45
17	1	473906	SPIRAL PIN, 1/2 X 2 1/2 LG
18	1	483061	1.65 ID X 2.50 OD X .188T WASH
19	8	900064	5/16UNC X 3/4 HEX BOLT
20	2	900263	1/2UNC X 1" HEX BOLT
21	4	900265	1/2UNC X 1 1/2 HEX BOLT
22	4	900266	1/2UNC X 1 3/4 HEX BOLT
23	1	900390	5/8UNC X 2 1/2 SOCKET CAP SCR
24	4	900836	5/8UNF X 3 1/4 HEX BOLT GR8
25	3	910008	1/2UNC HEX NUT
26	8	914008	1/2UNC HEX STOVER NUT
27	14	914811	5/8UNF HEX NUT GR8
28	8	920501	5/16 LOCK WASHER
29	7	920504	1/2 LOCK WASHER
30	1	920505	5/8 LOCK WASHER
31	1	358759	LEG MT V-PLT WLD, 284T 94
32	1	358831	AIRIDE SPRING 98
33	1	358832	AIRIDE SPRING CTRL VALVE 98
34	1	358839	AIRIDE CTRL LINK KIT, 2100 99
35	2	358990	NYLON GUIDE, 2100 LEG 99
36	1	358991	INNER KEEPER, NYL GUIDE, 2100 99
37	1	358992	OUTER KEEPER, NYL GUIDE, 2100 99
38	1	358993	NYLON GUIDE BACK PLATE, 2100 99
39	2	470118	1/4UNC X 3/4 FLANGE HEX BOLT
40	2	470121	1/4UNC HEX FLANGE LOCK NUT
41	1	470271	HOSE CLAMP BODY, 1.181-1.181
42	1	470276	CLAMP COVER PLATE, SNGL, 2.55LG
43	1	470280	STACK BOLT, 5/16UNC X 1 3/4
44	1	470281	STACK BOLT SAFETY LOCK PLATE
45	1	470282	HOSE CLAMP BODY, .53-.78
46	1	711016	1/4NPT-90-1/4NYL TUBE FTG BR8
47	2	711023	1/8MNPT-1/40D NYL TUBE FTGBRS
48	1	601413	HOSE, 1/4 X 8 AIR
49	2	900065	5/16UNC X 1" HEX BOLT
50	1	900068	5/16UNC X 1 3/4 HEX BOLT
51	2	900069	5/16UNC X 2" HEX BOLT
52	4	900264	1/2UNC X 1 1/4 HEX BOLT
53	3	900837	5/8UNF X 3 1/2 HEX BOLT GR8
54	2	910002	5/16UNC HEX NUT
55	1	910013	3/4UNF HEX NUT
56	2	914002	5/16UNC HEX STOVER NUT
57	1	920506	3/4 LOCK WASHER
58	1	342637	NYL HOSE SLEEVE, 2.96ID X 54.00
59	1	342335	NYL HOSE SLEEVE, 2.64ID X 36.00
60	1	483063	1.65 ID X 2.50 OD X .074T WASH
61	1	342654	NYL HOSE SLEEVE, 3.66ID X 24.00

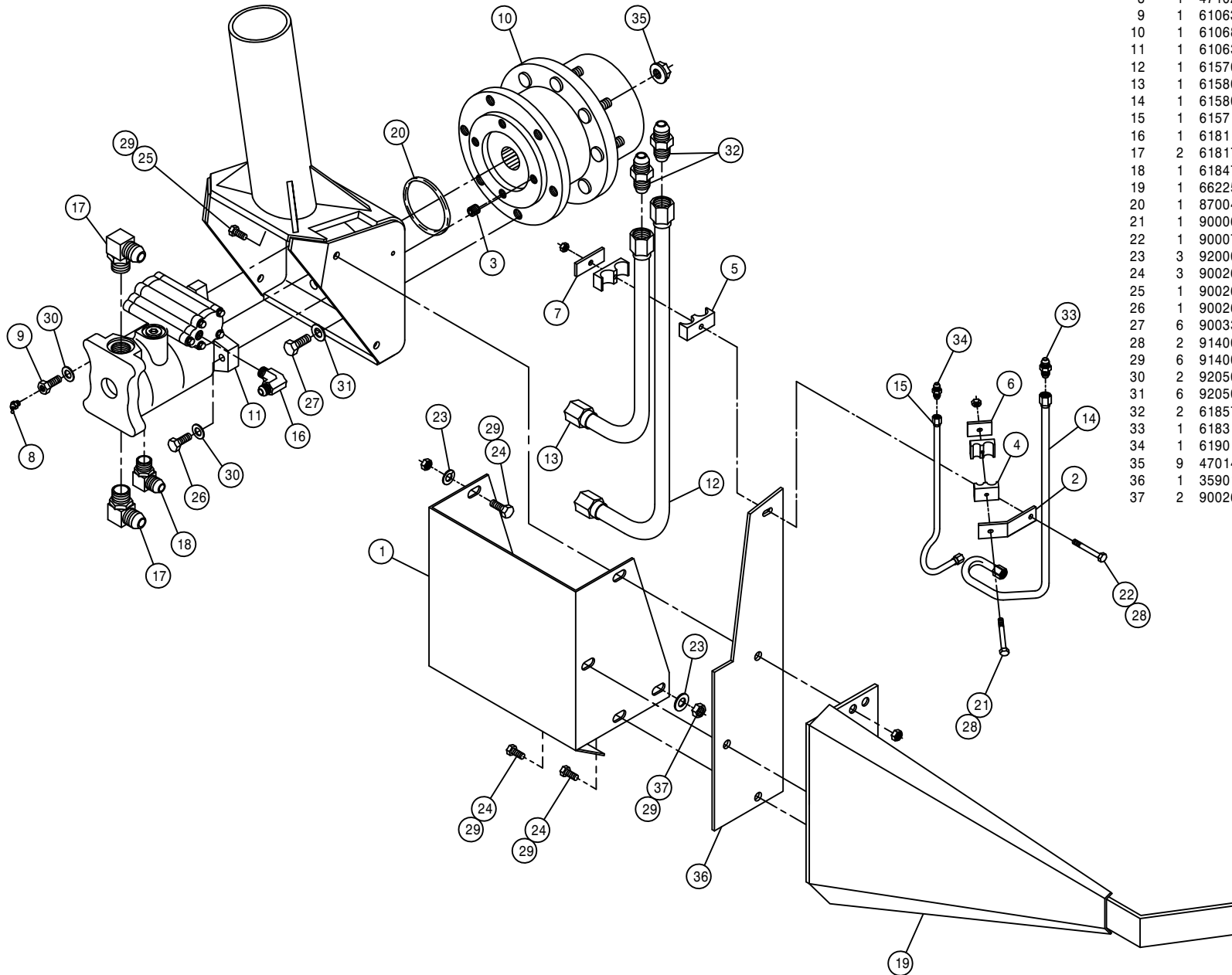
26

268026

LEFT FRONT LEG ASSEMBLY

DET. QTY PART NO. DESCRIPTION

1	1	359185	WHL MTR SHLD, XP/2100	2002
2	1	358926	FRT LEG HYD TUBE BRKT, 2100	98
3	1	470066	1/2UNC X 1/2 AL HD CUP SET SCR	
4	1	470272	TUBE CLAMP BODY, .375-.500	
5	1	470275	TUBE CLAMP BODY, 1.000-1.000	
6	1	470277	CLAMP WELD PLATE, SNGL, 2.15LG	
7	1	470278	CLAMP WELD PLATE, SNGL, 2.75LG	
8	1	471023	GREASE ZERK 1/4-28 X 45	
9	1	610634	ZERK BOLT, 1/2 X 1 3/4, TORQ HUB	
10	1	610686	TORQ HUB, 18:1 B-MT MW3BA	
11	1	610637	SUND HYD MOTOR, M46-4019	
12	1	615708	LWR HYD TUBE ASSY, LEG 2100	98
13	1	615808	UPR HYD TUBE ASSY, LEG 2100	03
14	1	615809	LF/RR HYD DRN TUBE ASSY 2100	03
15	1	615713	LF/RR HYD CTRL TUBE ASSY 2100	98
16	1	618119	9/16MJIC-90-9/16MOR LBO	
17	2	618178	1 5/16MJIC-90-1 5/16MOR LBO	
18	1	618474	3/4MJIC-90-1 1/16MOR LBO	
19	1	662256	STALK GUIDE WLD, 2100	2000
20	1	870045	O-RING 4 1/8 OD X 4 ID	
21	1	900068	5/16UNC X 1 3/4 HEX BOLT	
22	1	900070	5/16UNC X 2 1/2 BOLT	
23	3	920004	1/2 SAE FLAT WASHER	
24	3	900264	1/2UNC X 1 1/4 HEX BOLT	
25	1	900265	1/2UNC X 1 1/2 HEX BOLT	
26	1	900266P	1/2UNC X 1 3/4 HEX BOLT	
27	6	900333P	5/8UNC X 1 1/2 HEX BOLT	
28	2	914002	5/16UNC HEX STOVER NUT	
29	6	914008	1/2UNC HEX STOVER NUT	
30	2	920504P	1/2 LOCK WASHER	
31	6	920505P	5/8 LOCK WASHER	
32	2	618577	1 5/16MJIC UNION	
33	1	618314	3/4MJIC UNION	
34	1	619010	9/16MJIC UNION	
35	9	470140	5/8UNF HEX SMTH FLANGE NUT PLT	
36	1	359014	FRT HYD TUBE MTG PLT, 2100	00
37	2	900263	1/2UNC X 1" HEX BOLT	

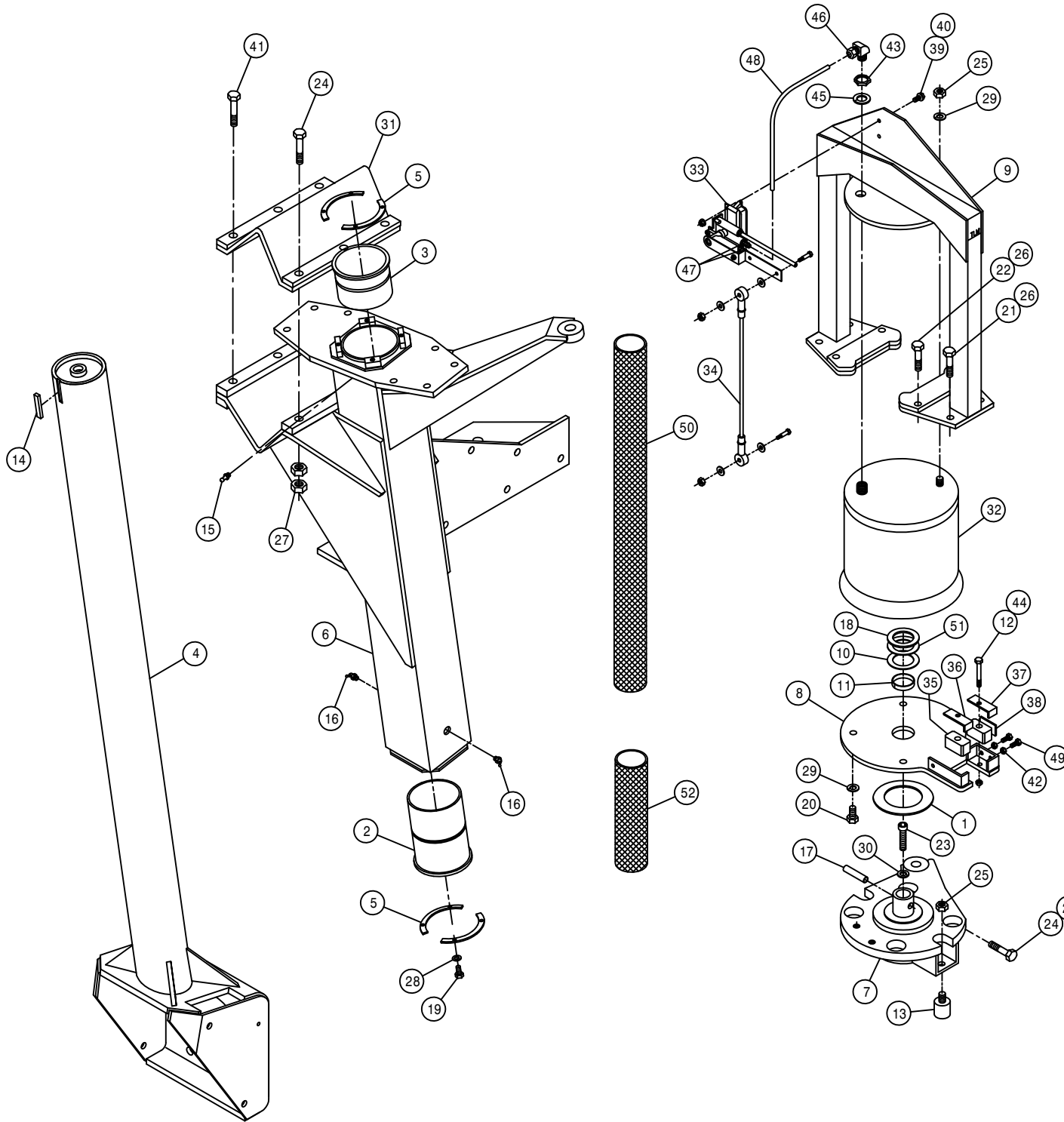


27

RIGHT REAR LEG ASSEMBLY

DET. QTY PART NO. DESCRIPTION

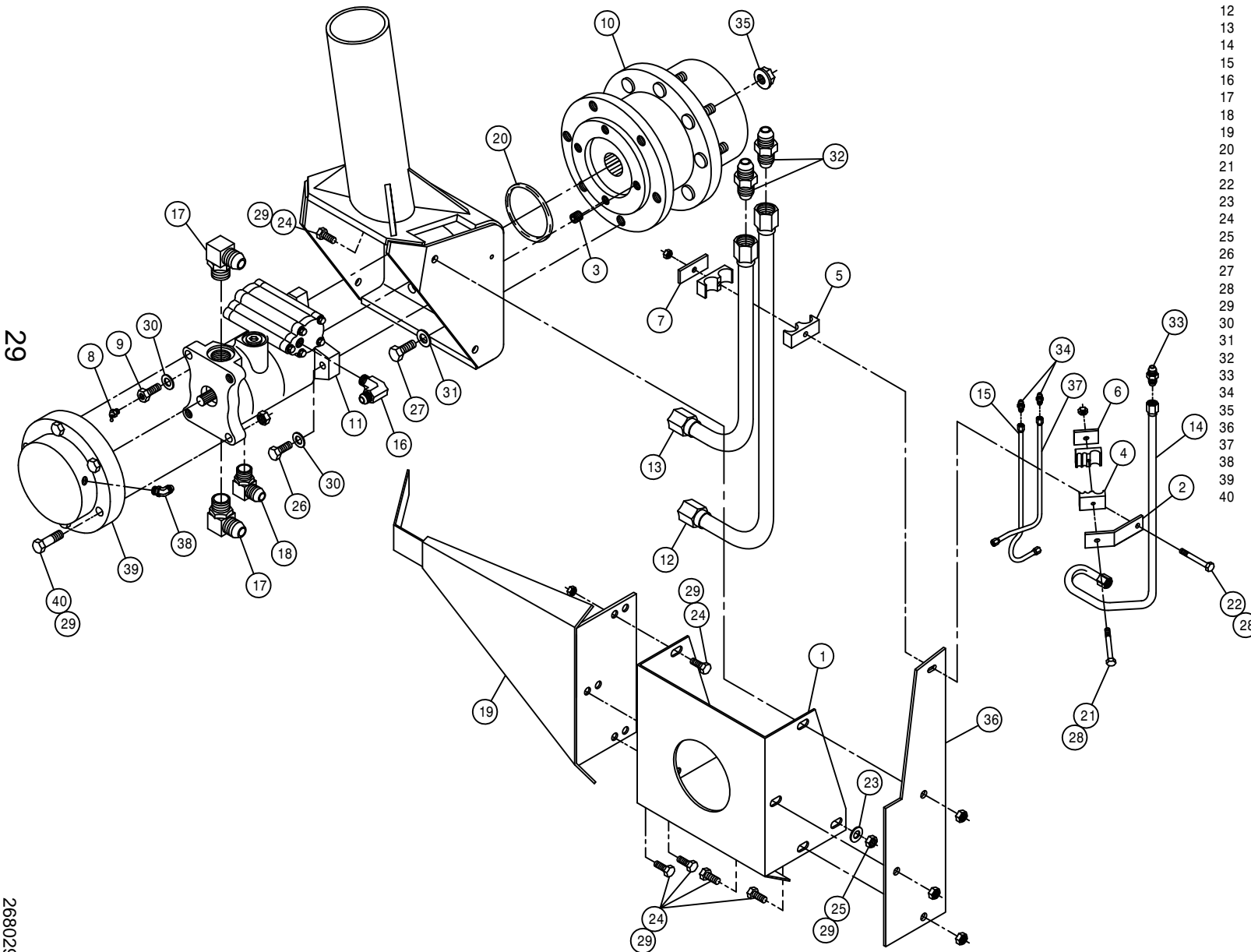
DET.	QTY	PART NO.	DESCRIPTION
1	1	483062	3.00 ID X 4.62 OD X .125T WASH
2	1	358564	FRT LEG LWR NYL SLEEVE 280 89
3	1	358565	FRT LEG UPR NYL SLEEVE 280 89
4	1	359195	LF/RR INNER LEG WLD, 2100 02
5	4	358927	LWR BRG KPR, LEG 98
6	1	358956	RH REAR OUTER LEG WLD,2100 99
7	1	358972	STEERING ARM WLD,LF/RR 2100 99
8	1	358981	AIR BAG MT WLD, LF/RR 2100 99
9	1	358986	AIR BAG ARCH WLD,LF/RR 2100 99
10	1	358994	LEG WASHER, NYLON 2100 99
11	1	358995	NYLON BEARING,LWR AB MT2100 99
12	2	900069	5/16UNC X 2" HEX BOLT
13	2	470259	URETHANE BUMPER,1.25D X 1.25L
14	1	470265	KEY, .250 X .375 X 1.88 LG
15	1	471005	1/4 28 X 1/2 GREASE ZERK
16	2	471023	GREASE ZERK 1/4-28 X 45
17	1	473906	SPIRAL PIN, 1/2 X 2 1/2 LG
18	1	483061	1.65 ID X 2.50 OD X .188T WASH
19	8	900064	5/16UNC X 3/4 HEX BOLT
20	4	900264	1/2UNC X 1 1/4 HEX BOLT
21	4	900265	1/2UNC X 1 1/2 HEX BOLT
22	4	900266	1/2UNC X 1 3/4 HEX BOLT
23	1	900390	5/8UNC X 2 1/2 SOCKET CAP SCR
24	4	900836	5/8UNF X 3 1/4 HEX BOLT GR8
25	3	910008	1/2UNC HEX NUT
26	8	914008	1/2UNC HEX STOVER NUT
27	14	914811	5/8UNF HEX NUT GR8
28	8	920501	5/16 LOCK WASHER
29	5	920504	1/2 LOCK WASHER
30	1	920505	5/8 LOCK WASHER
31	1	358759	LEG MT V-PLT WLD, 284T 94
32	1	358831	AIRIDE SPRING 98
33	1	358832	AIRIDE SPRING CTRL VALVE 98
34	1	358839	AIRIDE CTRL LINK KIT, 2100 99
35	2	358990	NYLON GUIDE, 2100 LEG 99
36	1	358991	INNER KEEPER,NYL GUIDE,2100 99
37	1	358992	OUTER KEEPER,NYL GUIDE,2100 99
38	1	358993	NYLON GUIDE BACK PLATE,2100 99
39	2	470118	1/4UNC X 3/4 FLANGE HEX BOLT
40	2	470121	1/4UNC HEX FLANGE LOCK NUT
41	3	900837	5/8UNF X 3 1/2 HEX BOLT GR8
42	2	910002	5/16UNC HEX NUT
43	1	910013	3/4UNF HEX NUT
44	2	914002	5/16UNC HEX STOVER NUT
45	1	920506	3/4 LOCK WASHER
46	1	711016	1/4NPT-90-1/4NYL TUBE FTG BR8
47	2	711023	1/8MNPT-1/40D NYL TUBE FTGBRS
48	1	601413	HOSE, 1/4 X 8 AIR
49	2	900065	5/16UNC X 1" HEX BOLT
50	1	342638	NYL HOSE SLEEVE,2.96ID X 65.00
51	1	483063	1.65 ID X 2.50 OD X .074T WASH
52	1	342654	NYL HOSE SLEEVE,3.66ID X 24.00



RIGHT REAR LEG ASSEMBLY

DET. QTY PART NO. DESCRIPTION

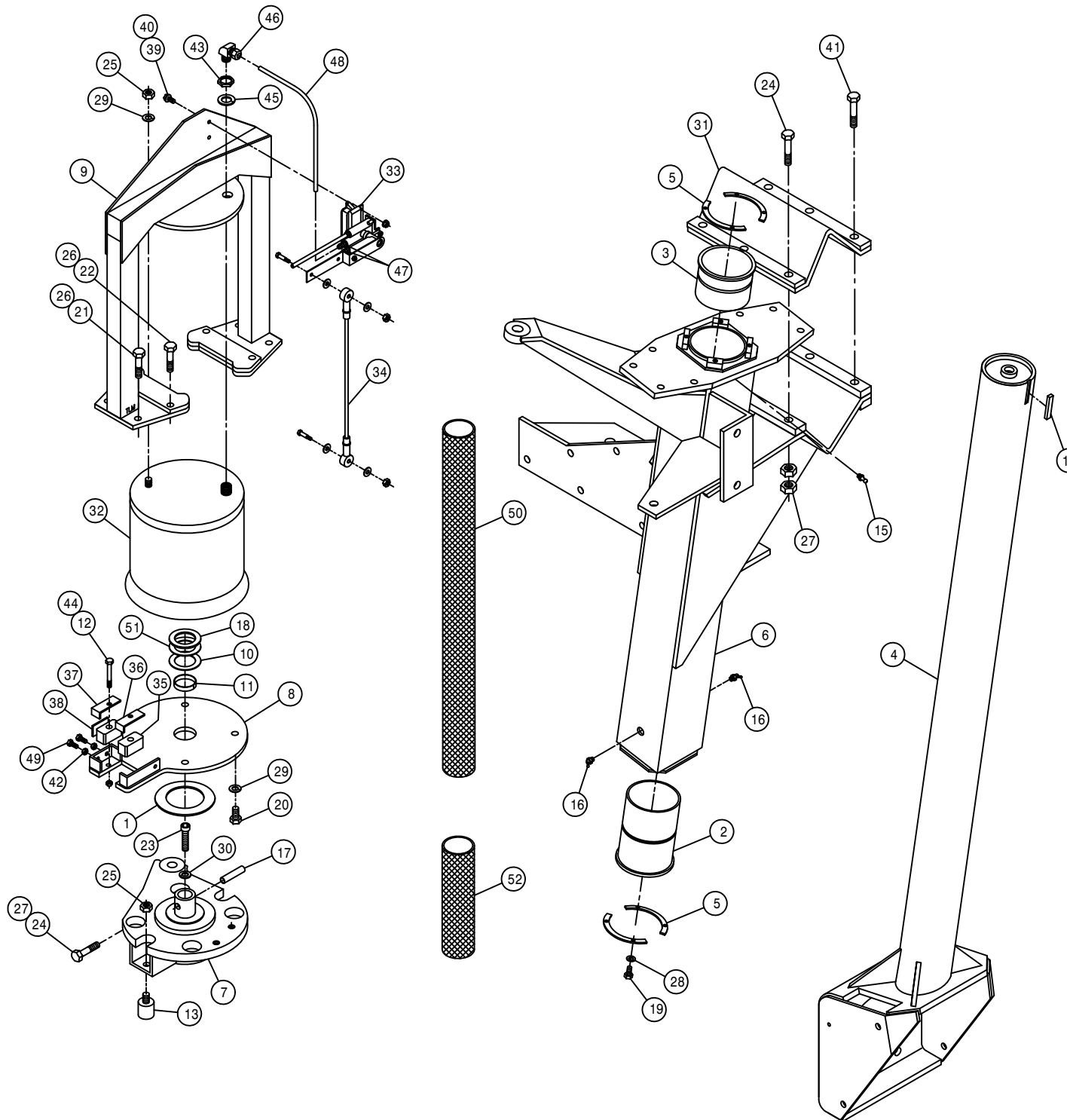
1	1	359196	REAR WHL MTR SHLD, 2100 2002
2	1	358934	REAR LEG HYD TUBE BRKT,2100 98
3	1	470066	1/2UNC X 1/2 AL HD CUP SET SCR
4	1	470273	TUBE CLAMP BODY, .375-.375-.500
5	1	470275	TUBE CLAMP BODY, 1.000-1.000
6	1	470277	CLAMP WELD PLATE, SNGL, 2.15LG
7	1	470278	CLAMP WELD PLATE, SNGL, 2.75LG
8	1	471023	GREASE ZERK 1/4-28 X 45
9	1	610634	ZERK BOLT, 1/2 X 1 3/4, TORQ HUB
10	1	610689	TORQ HUB, 26:1 B-MT MW3BA
11	1	610640	SUND HYD MOTOR, M46-4144
12	1	615708	LWR HYD TUBE ASSY, LEG 2100 98
13	1	615808	UPR HYD TUBE ASSY, LEG 2100 03
14	1	615809	LF/RR HYD DRN TUBE ASSY 2100 03
15	1	615713	LF/RR HYD CTRL TUBE ASSY 2100 98
16	1	618119	9/16MJIC-90-9/16MOR LBO
17	2	618178	1 5/16MJIC-90-1 5/16MOR LBO
18	1	618474	3/4MJIC-90-1 1/16MOR LBO
19	1	662256	STALK GUIDE WLD, 2100 2000
20	1	870045	O-RING 4 1/8 OD X 4 ID
21	1	900068	5/16UNC X 1 3/4 HEX BOLT
22	1	900070	5/16UNC X 2 1/2 BOLT
23	2	920004	1/2 SAE FLAT WASHER
24	6	900264	1/2UNC X 1 1/4 HEX BOLT
25	2	900263	1/2UNC X 1" HEX BOLT
26	1	900266P	1/2UNC X 1 3/4 HEX BOLT
27	6	900333P	5/8UNC X 1 1/2 HEX BOLT
28	2	914002	5/16UNC HEX STOVER NUT
29	10	914008	1/2UNC HEX STOVER NUT
30	2	920504P	1/2 LOCK WASHER
31	6	920505P	5/8 LOCK WASHER
32	2	618577	1 5/16MJIC UNION
33	1	618314	3/4MJIC UNION
34	2	619010	9/16MJIC UNION
35	9	470140	5/8UNF HEX SMTH FLANGE NUT PLT
36	1	359022	REAR HYD TUBE MTG PLT, 2100 00
37	1	615714	RH HYD BRAKE TUBE ASSY, 2100 98
38	1	618114	9/16MJIC-90-7/16MOR LBO
39	1	828093	MICO HYD BRAKE 98
40	2	900271	1/2UNC X 3 1/4 HEX BOLT



LEFT REAR LEG ASSEMBLY

DET. QTY PART NO. DESCRIPTION

DET.	QTY	PART NO.	DESCRIPTION
1	1	483062	3.00 ID X 4.62 OD X .125T WASH
2	1	358564	FRT LEG LWR NYL SLEEVE 280 89
3	1	358565	FRT LEG UPR NYL SLEEVE 280 89
4	1	359194	RF/LR INNER LEG WLD, 2100 02
5	4	358927	LWR BRG KPR, LEG 98
6	1	358957	LH REAR OUTER LEG WLD,2100 99
7	1	358971	STEERING ARM WLD,RF/LR 2100 99
8	1	358980	AIR BAG MT WLD, RF/LR 2100 99
9	1	358985	AIR BAG ARCH WLD,RF/LR 2100 99
10	1	358994	LEG WASHER, NYLON 2100 99
11	1	358995	NYLON BEARING,LWR AB MT2100 99
12	2	900069	5/16UNC X 2" HEX BOLT
13	2	470259	URETHANE BUMPER,1.25D X 1.25L
14	1	470265	KEY, .250 X .375 X 1.88 LG
15	1	471005	1/4 28 X 1/2 GREASE ZERK
16	2	471023	GREASE ZERK 1/4-28 X 45
17	1	473906	SPIRAL PIN, 1/2 X 2 1/2 LG
18	1	483061	1.65 ID X 2.50 OD X .188T WASH
19	8	900064	5/16UNC X 3/4 HEX BOLT
20	4	900264	1/2UNC X 1 1/4 HEX BOLT
21	4	900265	1/2UNC X 1 1/2 HEX BOLT
22	4	900266	1/2UNC X 1 3/4 HEX BOLT
23	1	900390	5/8UNC X 2 1/2 SOCKET CAP SCR
24	4	900836	5/8UNF X 3 1/4 HEX BOLT GR8
25	3	910008	1/2UNC HEX NUT
26	8	914008	1/2UNC HEX STOVER NUT
27	14	914811	5/8UNF HEX NUT GR8
28	8	920501	5/16 LOCK WASHER
29	5	920504	1/2 LOCK WASHER
30	1	920505	5/8 LOCK WASHER
31	1	358759	LEG MT V-PLT WLD, 284T 94
32	1	358831	AIRIDE SPRING 98
33	1	358832	AIRIDE SPRING CTRL VALVE 98
34	1	358839	AIRIDE CTRL LINK KIT, 2100 99
35	2	358990	NYLON GUIDE, 2100 LEG 99
36	1	358991	INNER KEEPER,NYL GUIDE,2100 99
37	1	358992	OUTER KEEPER,NYL GUIDE,2100 99
38	1	358993	NYLON GUIDE BACK PLATE,2100 99
39	2	470118	1/4UNC X 3/4 FLANGE HEX BOLT
40	2	470121	1/4UNC HEX FLANGE LOCK NUT
41	3	900837	5/8UNF X 3 1/2 HEX BOLT GR8
42	2	910002	5/16UNC HEX NUT
43	1	910013	3/4UNF HEX NUT
44	2	914002	5/16UNC HEX STOVER NUT
45	1	920506	3/4 LOCK WASHER
46	1	711016	1/4NPT-90-1/4NYL TUBE FTG BR5
47	2	711023	1/8MNPT-1/4OD NYL TUBE FTGBRS
48	1	601413	HOSE, 1/4 X 8 AIR
49	2	900065	5/16UNC X 1" HEX BOLT
50	1	342638	NYL HOSE SLEEVE,2.96ID X 65.00
51	1	483063	1.65 ID X 2.50 OD X .074T WASH
52	1	342654	NYL HOSE SLEEVE,3.66ID X 24.00



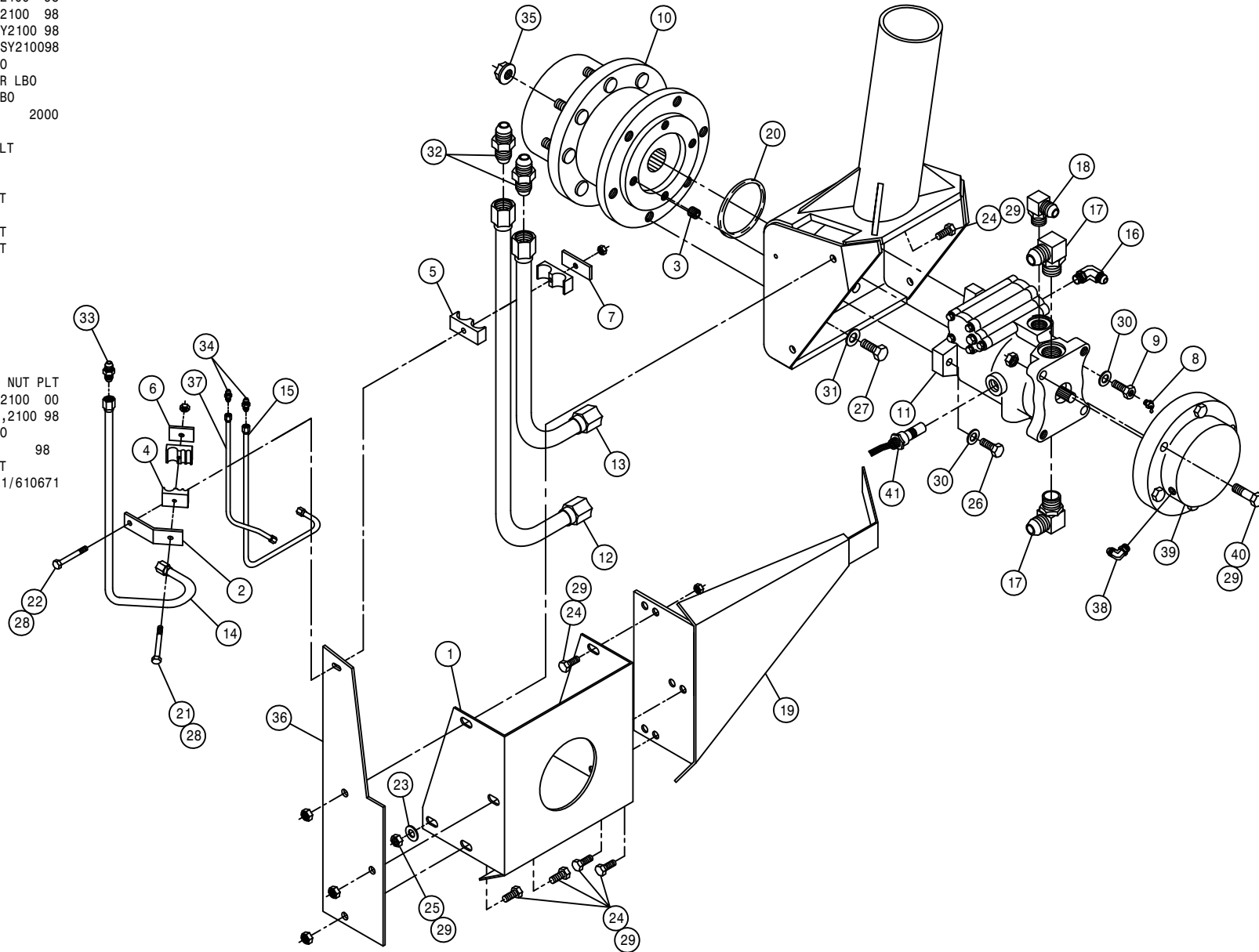
30

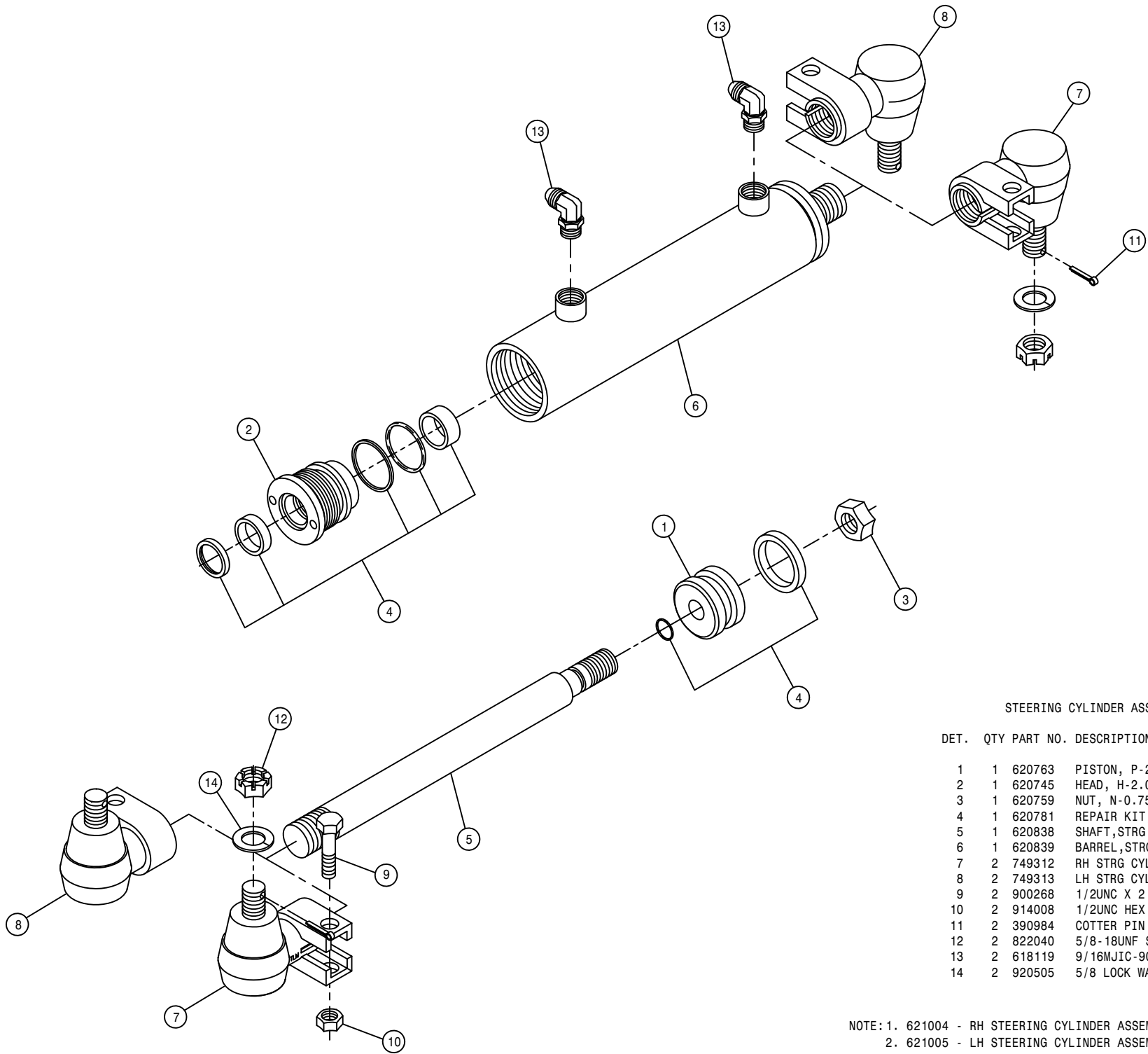
268030

LEFT REAR LEG ASSEMBLY

DET. QTY PART NO. DESCRIPTION

1	1	359196	REAR WHL MTR SHLD, 2100 2002
2	1	358934	REAR LEG HYD TUBE BRKT,2100 98
3	1	470066	1/2UNC X 1/2 AL HD CUP SET SCR
4	1	470273	TUBE CLAMP BODY, .375-.375-.500
5	1	470275	TUBE CLAMP BODY,1.000-1.000
6	1	470277	CLAMP WELD PLATE, SNGL, 2.15LG
7	1	470278	CLAMP WELD PLATE, SNGL, 2.75LG
8	1	471023	GREASE ZERK 1/4-28 X 45
9	1	610634	ZERK BOLT,1/2 X 1 3/4,TORQ HUB
10	1	610689	TORQ HUB, 26:1 B-MT MW3BA
11	1	610643	SUND HYD MOTOR, M46-4199 W/SEN
12	1	615708	LWR HYD TUBE ASSY,LEG 2100 98
13	1	615709	UPR HYD TUBE ASSY,LEG 2100 98
14	1	615710	RF/LR HYD DRN TUBE ASSY2100 98
15	1	615712	RF/LR HYD CTRL TUBE ASSY210098
16	1	618119	9/16MJIC-90-9/16MOR LBO
17	2	618178	1 5/16MJIC-90-1 5/16MOR LBO
18	1	618474	3/4MJIC-90-1 1/16MOR LBO
19	1	662256	STALK GUIDE WLD, 2100 2000
20	1	870045	O-RING 4 1/8 OD X 4 ID
21	1	900068	5/16UNC X 1 3/4 HEX BOLT
22	1	900070	5/16UNC X 2 1/2 BOLT
23	2	920004	1/2 SAE FLAT WASHER
24	6	900264	1/2UNC X 1 1/4 HEX BOLT
25	2	900263	1/2UNC X 1" HEX BOLT
26	1	900266P	1/2UNC X 1 3/4 HEX BOLT
27	6	900333P	5/8UNC X 1 1/2 HEX BOLT
28	2	914002	5/16UNC HEX STOVER NUT
29	10	914008	1/2UNC HEX STOVER NUT
30	2	920504P	1/2 LOCK WASHER
31	6	920505P	5/8 LOCK WASHER
32	2	618577	1 5/16MJIC UNION
33	1	618314	3/4MJIC UNION
34	2	619010	9/16MJIC UNION
35	9	470140	5/8UNF HEX SMTH FLANGE NUT PLT
36	1	359022	REAR HYD TUBE MTG PLT,2100 00
37	1	615715	LH HYD BRAKE TUBE ASSY,2100 98
38	1	618114	9/16MJIC-90-7/16MOR LBO
39	1	828093	MICO HYD BRAKE 98
40	2	900271	1/2UNC X 3 1/4 HEX BOLT
41	1	610625	SENSOR,WHL MOTOR 610621/610671

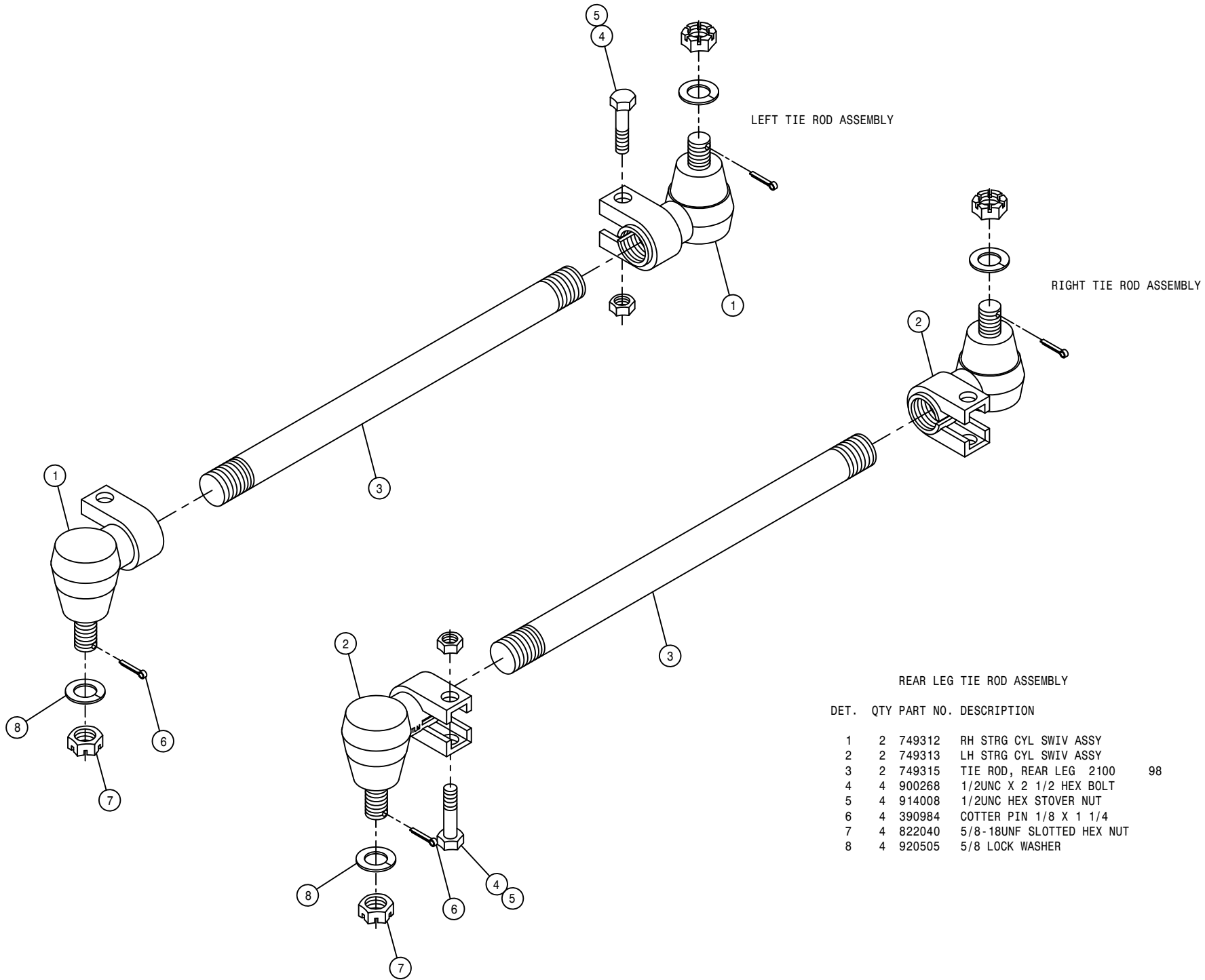




STEERING CYLINDER ASSEMBLY

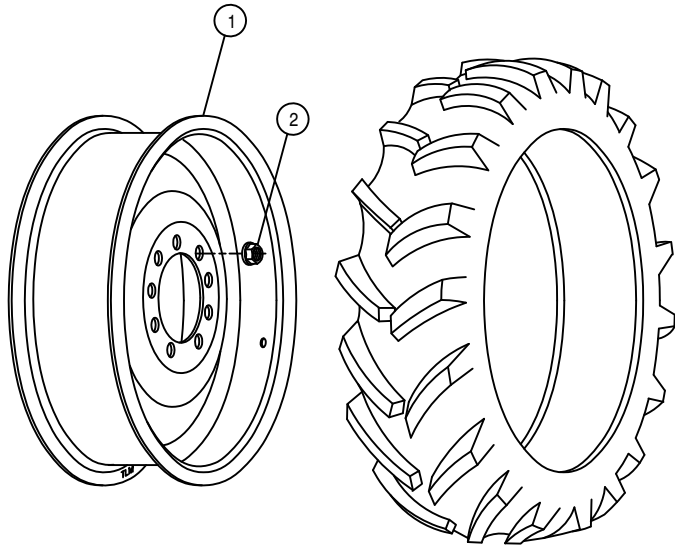
DET.	QTY	PART NO.	DESCRIPTION
	1	620763	PISTON, P-2.00-107
	2	620745	HEAD, H-2.00-335
	3	620759	NUT, N-0.75-01
	4	620781	REPAIR KIT, HYD CYL, RK-2.00-803
	5	620838	SHAFT, STRG CYL, 2100 620835
	6	620839	BARREL, STRG CYL, 2100 620835
	7	749312	RH STRG CYL SWIV ASSY
	8	749313	LH STRG CYL SWIV ASSY
	9	900268	1/2UNC X 2 1/2 HEX BOLT
	10	914008	1/2UNC HEX STOVER NUT
	11	390984	COTTER PIN 1/8 X 1 1/4
	12	822040	5/8-18UNF SLOTTED HEX NUT
	13	618119	9/16MJIC-90-9/16MOR LBO
	14	920505	5/8 LOCK WASHER

NOTE: 1. 621004 - RH STEERING CYLINDER ASSEMBLY W/CYL SWIV DET.7
 2. 621005 - LH STEERING CYLINDER ASSEMBLY W/CYL SWIV DET.8
 3. 620835 - STEERING CYLINDER ASSEMBLY W/O CYL SWIV INCLUDES ITEMS 1-6

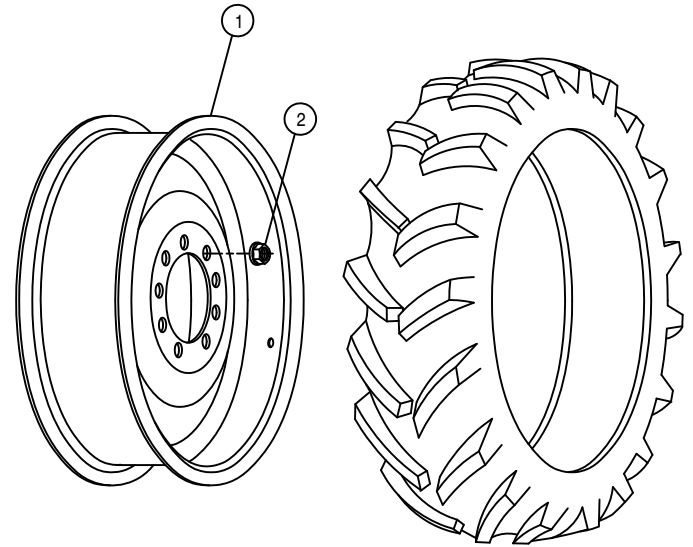


REAR LEG TIE ROD ASSEMBLY

DET.	QTY	PART NO.	DESCRIPTION	
1	2	749312	RH STRG CYL SWIV ASSY	
2	2	749313	LH STRG CYL SWIV ASSY	
3	2	749315	TIE ROD, REAR LEG 2100	98
4	4	900268	1/2UNC X 2 1/2 HEX BOLT	
5	4	914008	1/2UNC HEX STOVER NUT	
6	4	390984	COTTER PIN 1/8 X 1 1/4	
7	4	822040	5/8-18UNF SLOTTED HEX NUT	
8	4	920505	5/8 LOCK WASHER	



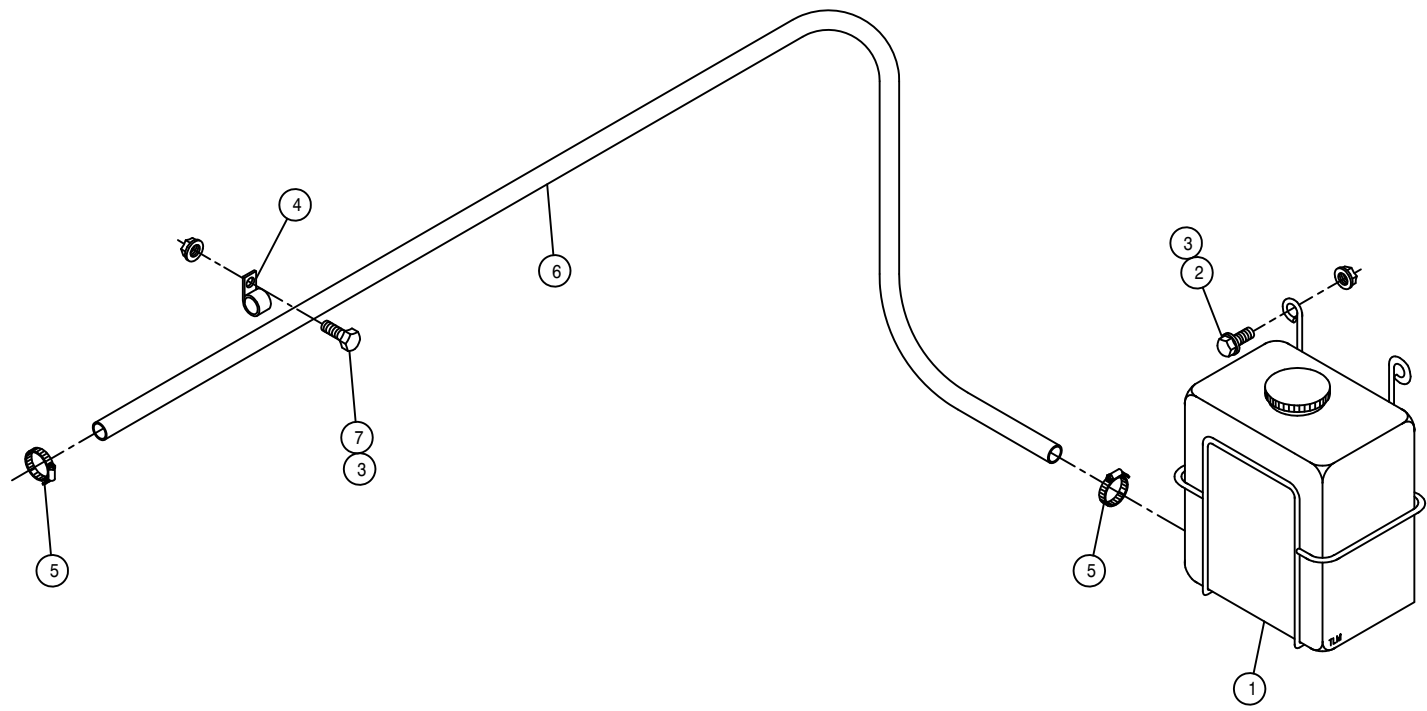
290/95R 34 *** RADIAL TIRE



320/85R 34 *** RADIAL TIRE

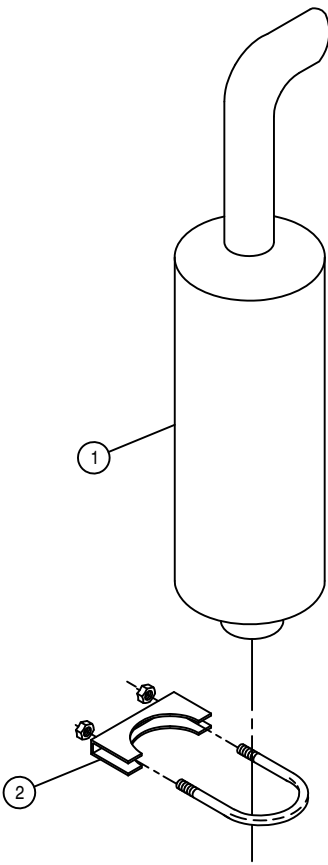
TIRE AND RIM ASSEMBLIES

DET.	QTY	PART NO.	DESCRIPTION
1	2	821042	RIM WLD, W10-34 98
2	18	470140	5/8UNF HEX SMTH FLANGE NUT PLT



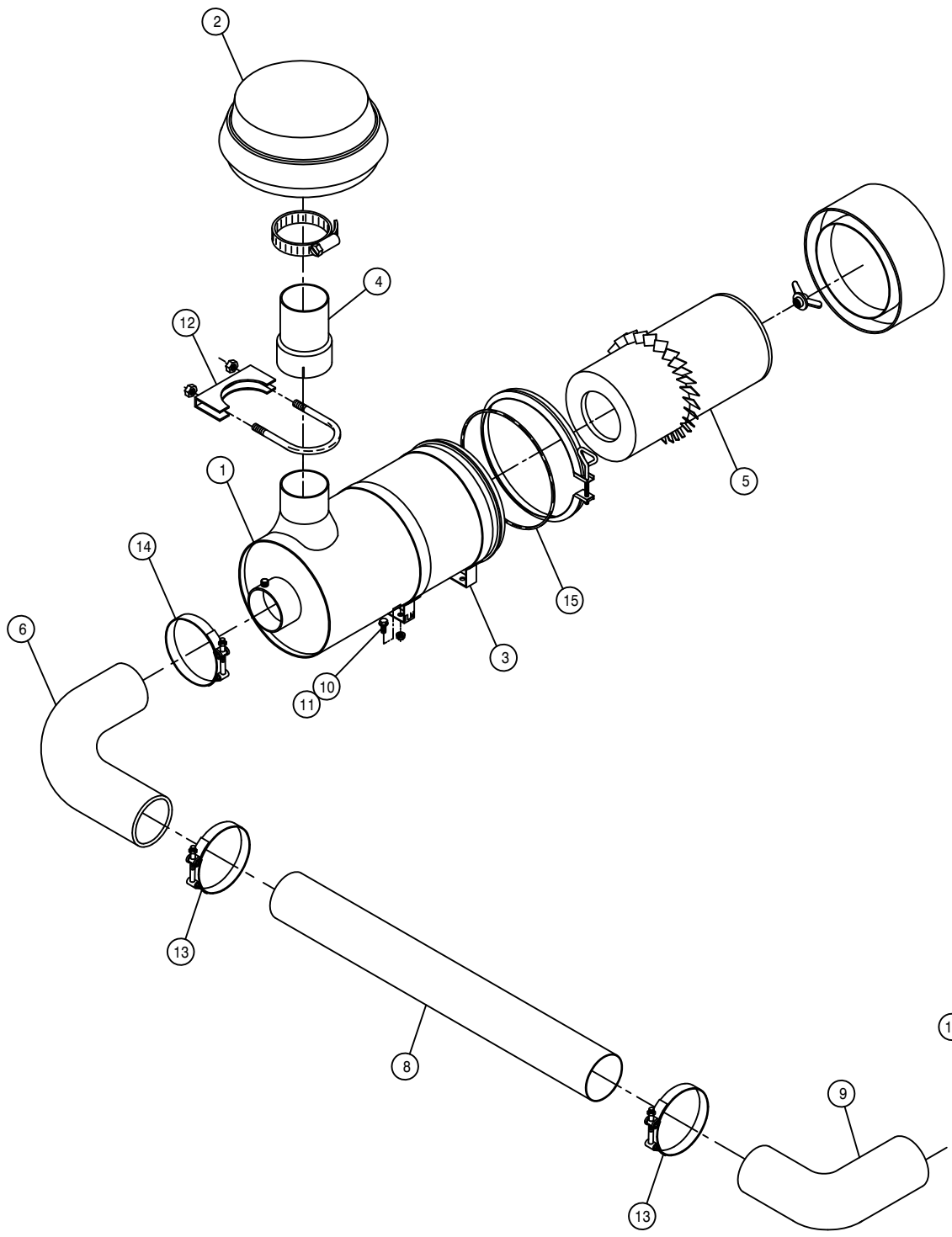
RADIATOR RECOVERY TANK ASSEMBLY

DET.	QTY	PART NO.	DESCRIPTION
1	1	314767	RAD RECOVERY TANK & MTG WLD
2	3	470118	1/4UNC X 3/4 FLANGE HEX BOLT
3	7	470121	1/4UNC HEX FLANGE LOCK NUT
4	4	520118	CUSH HOSE CLAMP 1/2D X 1/2W
5	2	520120	HOSE CLAMP NO 4 STAINLESS
6	1	601424	HOSE, 5/16 X 114 EPDM
7	4	900002	1/4UNC X 3/4 HEX BOLT



MUFFLER ASSEMBLY

DET.	QTY	PART NO.	DESCRIPTION
1	1	316366	MUFFLER, 2100/STS10/STS12
2	1	470160	MUFFLER CLAMP 3.00 IN



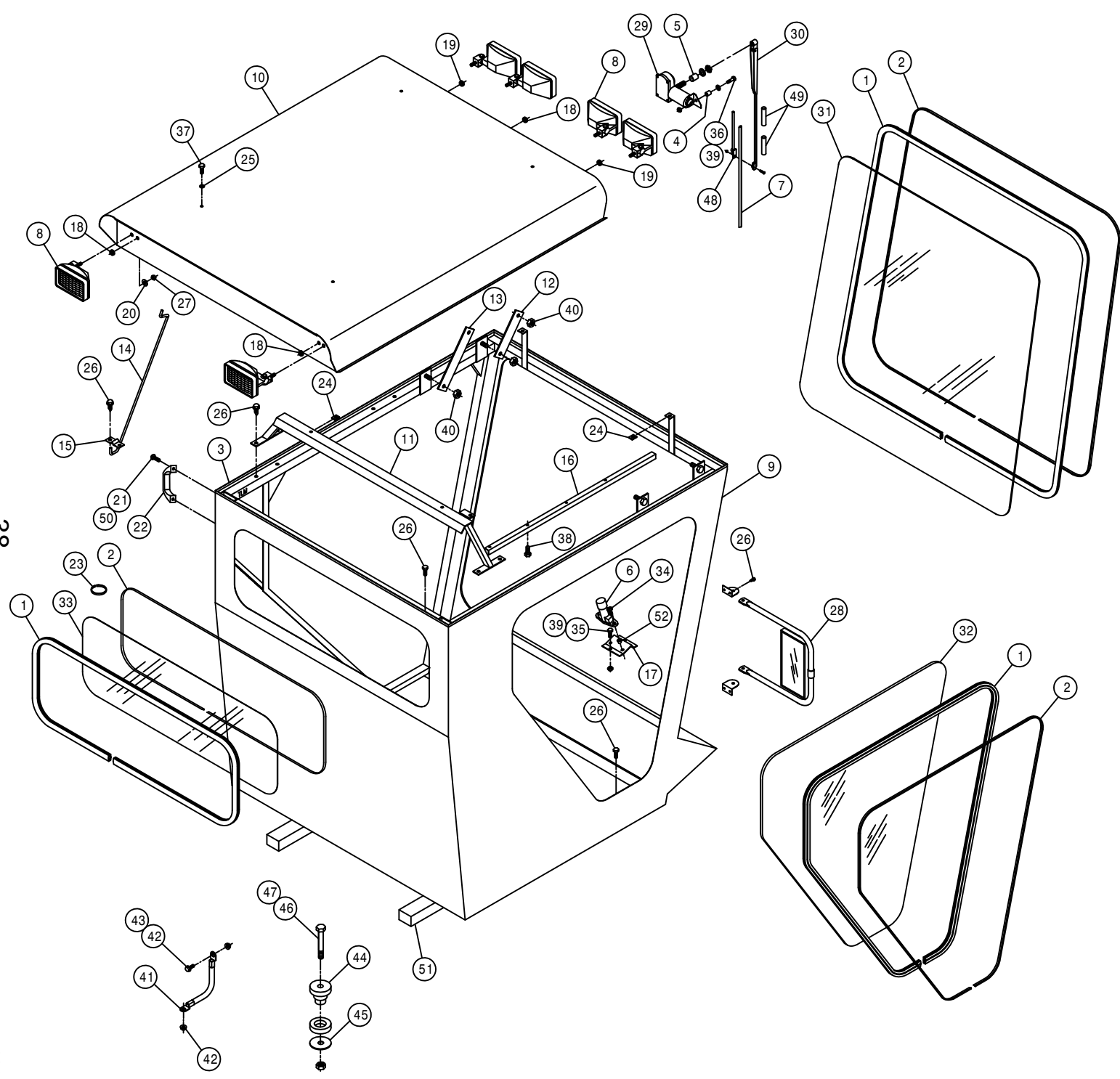
AIR CLEANER ASSEMBLY

DET.	QTY	PART NO.	DESCRIPTION
1	1	314970	AIR CLEANER, 510 CFM
2	1	314971	AIR CLEANER HOOD FOR 314970
3	2	314972	AIR CLEANER MT BAND FOR314970
4	1	314986	AIR CLEANER HOOD EXTEN,5"X8"LG
5	1	314973	AIR CLEANER ELEMENT FOR314970
6	1	316297	5" -4" 90DEG REDU ELBOW,RUBBER
7	1	316344	4" X 4.00" AIR INTAKE TUBE 98
8	1	316324	4" X 29" AIR INTAKE TUBE, 98
9	2	316325	4.00 90DEG ELBOW, 2100 98
10	4	470113	5/16UNC HEX FLANGE LOCK NUT
11	4	470233	5/16UNC X 3/4 FLANGE HEX BOLT
12	1	470260	MUFFLER CLAMP, 5.00
13	5	520134	4.31/4.59 T-BOLT HOSE CLAMP SS
14	1	520136	5.31/5.59 T-BOLT HOSE CLAMP SS
15	1	314994	GASKET FOR AIR CLEANER 314970

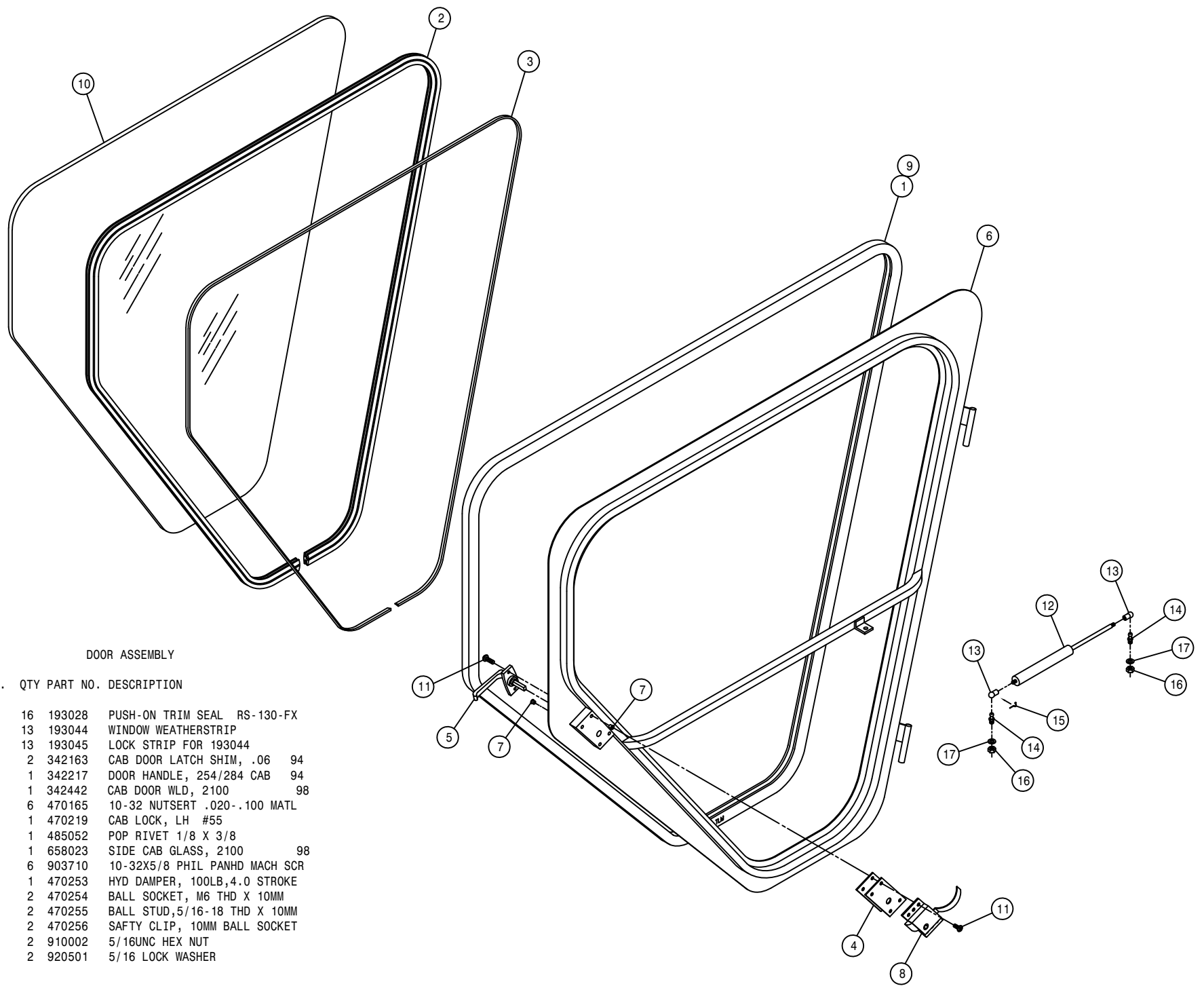
CAB ASSEMBLY

DET.	QTY	PART NO.	DESCRIPTION
	1	38	193044 WINDOW WEATHERSTRIP
	2	38	193045 LOCK STRIP FOR 193044
	3	19	193050 TRIM-LOCK SEAL, 250'
	4	1	200019 .25 SCH 40BP X 1.00 LG C/L
	5	1	202037 WINDSHIELD WIPER SPACER
	6	1	290412 DIMMER SWITCH
	7	1	290417 18" WIPER BLADE
	8	6	291603 HALOGEN WORKLAMP, SIDE MT 12V
	9	1	342357 CAB WELD, 2100 98
	10	1	342403 CAB ROOF WLD, 2100 98
	11	1	342414 REAR CAB ROOF MT WLD, 2100 98
	12	2	342416 CAB ROOF 4" LINKAGE, 2100 98
	13	2	342417 CAB ROOF 8" LINKAGE, 2100 98
	14	1	342418 CAB ROOF PROP, 2100 98
	15	1	342419 CAB ROOF PROP MT, 2100
	16	1	342420 HEAD LINER ANGLE, RH, 2100 98
	17	1	342642 SOLU SWITCH ADPTR BRKT, 2100 98
	18	3	470067 GROMMET, .250ID .125GW .375GD
	19	2	470070 GROMMET, .375ID .062GW .500GD
	20	6	470100 3/8 INT TOOTH LOCK WASHER
	21	2	470175 10-32 HEX FLANGE LOCK NUT
	22	1	470222 GRAB HANDLE, BLACK MOULDED
	23	1	470229 IDENTIFICATION TIE, WHITE
	24	4	470261 3/8UNC NUT, U-TAPPED SPRING
	25	4	470262 3/8 X 1" BONDED SEALING WASH
	26	16	472349 1/4 X 3/4 20THD-IN TEK TYPE
	27	6	473779 10MM-1.50 HEX NUT
	28	2	650524 OUTSIDE MIRROR W/MTG BRKT
	29	1	658008 WINDSHIELD WIPER MOTOR
	30	1	658013 WIPER ARM
	31	1	658022 FRONT CAB GLASS, 2100 98
	32	1	658023 SIDE CAB GLASS, 2100 98
	33	1	658024 REAR CAB GLASS, 2100 98
	34	2	903708 1/4UNC X1/2 PHIL PNHD MACHSCR
	35	2	900003 1/4UNC X 1" HEX BOLT
	36	1	900005 1/4UNC X 1 1/2 HEX BOLT
	37	4	900129 3/8UNC X 1" HEX BOLT
	38	4	900263 1/2UNC X 1" HEX BOLT
	39	3	914000 1/4UNC HEX STOVER NUT
	40	8	914008 1/2UNC HEX STOVER NUT
	41	1	290107 GROUND CABLE, 8" X 4GA .406LUGS
	42	2	470087 3/8UNC HEX FLANGE LOCK NUT
	43	1	900128 3/8UNC X 3/4 HEX BOLT
	44	4	311051 RUBBER MOUNT, RB3-350
	45	4	311052 SNUBBING WASHER FOR 311051
	46	4	900829 5/8UNC X 4" HEX BOLT GR8
	47	4	914010 5/8UNC HEX STOVER NUT
	48	1	290003 WINDSHIELD WASHER NOZZLE KIT
	49	1	291569 3/8 X 6" HEAT SHRINK TUBE
	50	2	903883 10-32 X 1/2 SLT RDHD MACH SCR
	51	2	659704 FOAM, 2"THK X 2" WIDE X 42"LG
	52	2	470086 1/4UNC NUTSERT .020-.100MATL

38



268038



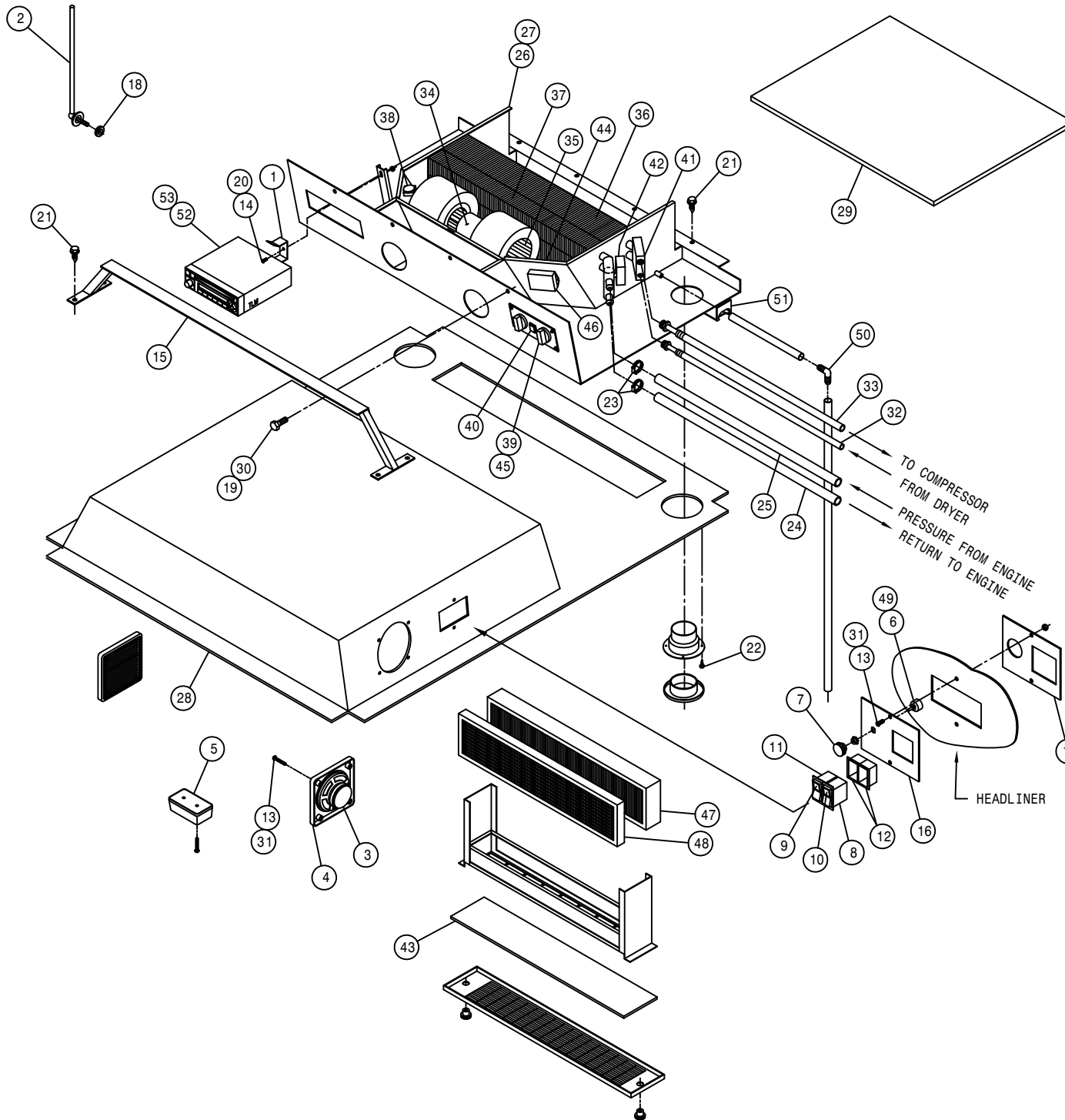
DOOR ASSEMBLY

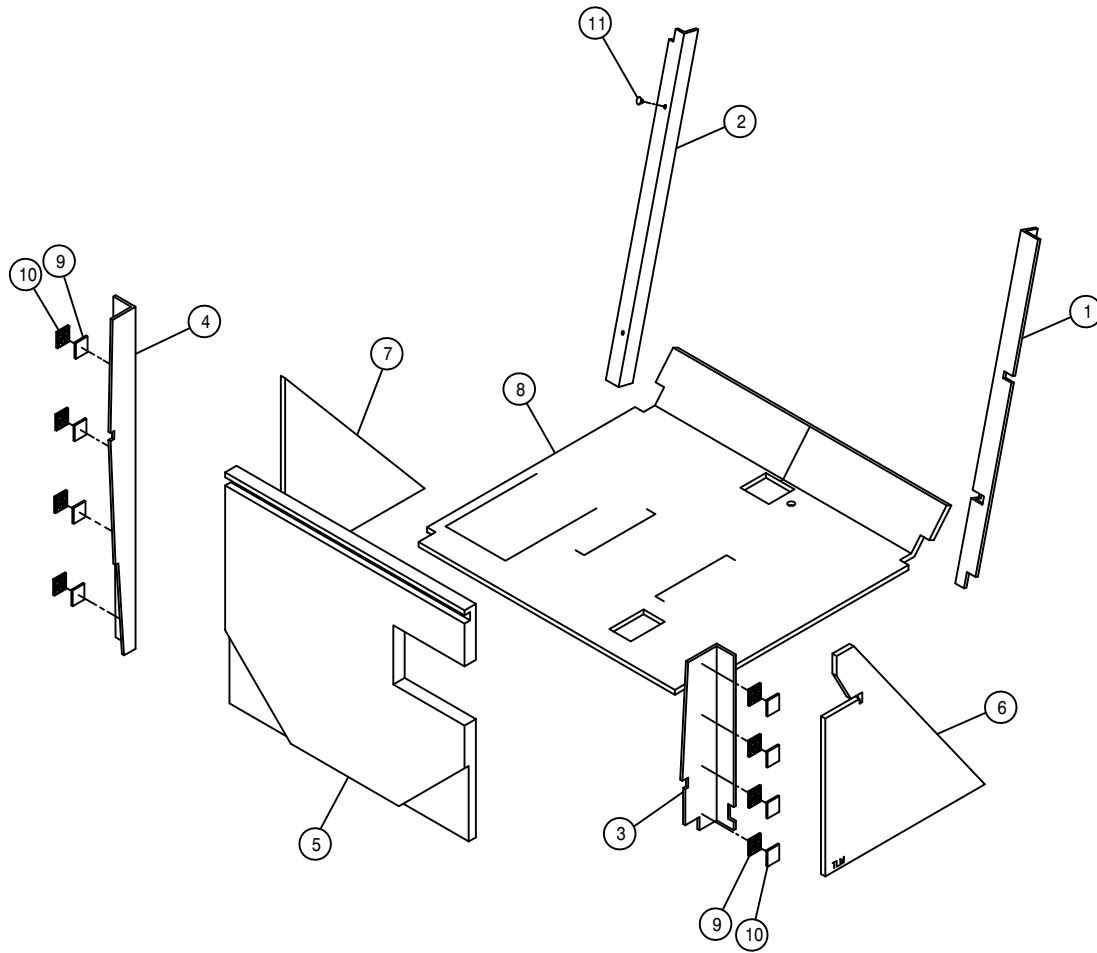
DET.	QTY	PART NO.	DESCRIPTION
1	16	193028	PUSH-ON TRIM SEAL RS-130-FX
2	13	193044	WINDOW WEATHERSTRIP
3	13	193045	LOCK STRIP FOR 193044
4	2	342163	CAB DOOR LATCH SHIM, .06 94
5	1	342217	DOOR HANDLE, 254/284 CAB 94
6	1	342442	CAB DOOR WLD, 2100 98
7	6	470165	10-32 NUTSERT .020-.100 MATL
8	1	470219	CAB LOCK, LH #55
9	1	485052	POP RIVET 1/8 X 3/8
10	1	658023	SIDE CAB GLASS, 2100 98
11	6	903710	10-32X5/8 PHIL PANHD MACH SCR
12	1	470253	HYD DAMPER, 100LB,4.0 STROKE
13	2	470254	BALL SOCKET, M6 THD X 10MM
14	2	470255	BALL STUD,5/16-18 THD X 10MM
15	2	470256	SAFTY CLIP, 10MM BALL SOCKET
16	2	910002	5/16UNC HEX NUT
17	2	920501	5/16 LOCK WASHER

AIR CONDITIONER ASSEMBLY

DET. QTY PART NO. DESCRIPTION

DET.	QTY	PART NO.	DESCRIPTION
1	1	291834	RADIO SUPPORT BRKT
2	1	291214	ANTENNA
3	2	291219	SPEAKER, 5 1/4"RD
4	2	291224	SPEAKER GRILLE, 6" BLACK MESH
5	1	291605	INTERIOR LIGHT W/SWITCH
6	1	291606	ROTARY HEADLAMP SWITCH
7	1	291607	SWITCH KNOB FOR 291606
8	1	291622	SWITCH, 1P ON/OFF 511-003
9	1	291630	LENS, WINDSHIELD WASHER, 594-701
10	1	291631	LENS, HAZARD 595-417
11	1	291678	SWITCH, 511-115
12	2	293246	END BEZEL, 594-802
13	10	903710	10-32X5/8 PHIL PANHD MACH SCR
14	1	903883	10-32 X 1/2 SLT RDHD MACH SCR
15	1	342411	REAR A/C BLWR MT WLD, 2100 98
16	1	342421	LIGHT SWITCH PANEL, 2100 98
17	1	342633	LIGHT SWITCH PANEL KPR, 2100 98
18	1	470067	GROMMET, .250ID .125GW .375GD
19	4	470087	3/8UNC HEX FLANGE LOCK NUT
20	1	470175	10-32 HEX FLANGE LOCK NUT
21	8	472349	1/4 X 3/4 20THD-IN TEK TYPE
22	24	473966	6X3/4 PHIL FLT HD SHT MTL SCR
23	2	520055	HOSE CLAMP NO 12 STAINLESS
24	1	601342	HOSE, 5/8 X 192 HEATER
25	1	601431	HOSE, 5/8 X 250 HEATER
26	1	657400	A/C & HTR ASSY, CAB R134A
27	1	657401	A/C HOSE KIT, EVAP R134A
28	1	658317	HEADLINER, 2100 98
29	1	658318	ROOF SEAL, AIR COND 2100
30	4	900128	3/8UNC X 3/4 HEX BOLT
31	10	914027	10-32 HEX STOVER NUT
32	1	657418	A/C HOSE ASSY, 5/16 X 198
33	1	657419	A/C HOSE ASSY, 1/2 X 198
34	1	657448	A/C BLOWER ASSY, 12V KENWAY
35	2	657405	A/C BLOWER WHEEL W/CLIP
36	1	657406	A/C EVAPORATOR COIL
37	1	657407	A/C HEATER COIL
38	1	657408	A/C THERMOSTAT
39	2	657409	A/C CONTROL KNOB
40	1	657410	A/C SWITCH, PUSH ON-OFF
41	1	657411	A/C EXPANSION VALVE
42	1	657412	A/C HEATER VALVE, 4-WAY MTRIZED
43	1	657413	A/C FILTER, RECIRCULATION
44	1	657414	A/C BLOWER DRIVE ASSY
45	2	657415	A/C POTENTIOMETER ASSY
46	1	657420	A/C VALVE MODULE ASSY
47	1	657424	A/C AIR FILTER
48	1	657425	A/C CHARCOAL AIR FILTER
49	1	903844	8-32 X 1/2 SLT RD HD MACH SCR
50	2	500098	1/2HB-90-1/2 HOSE BARB, POLY
51	2	342669	A/C DRAIN HOSE KEEPER
52	1	291835	RADIO, AM/FM/CD/WB CRC-5320
53	1	291836	WIRE HARNESS FOR 291835 RADIO





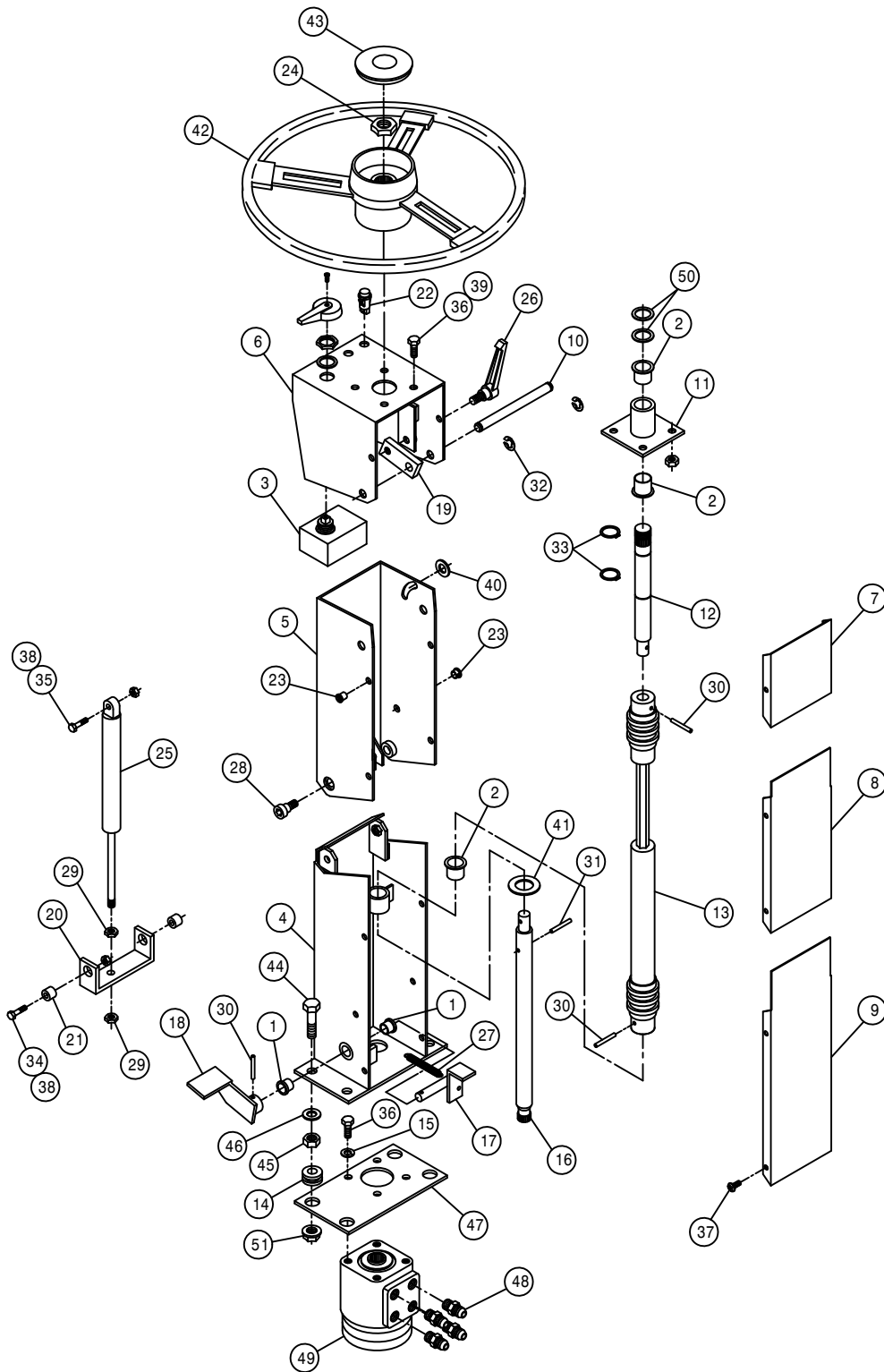
FOAM

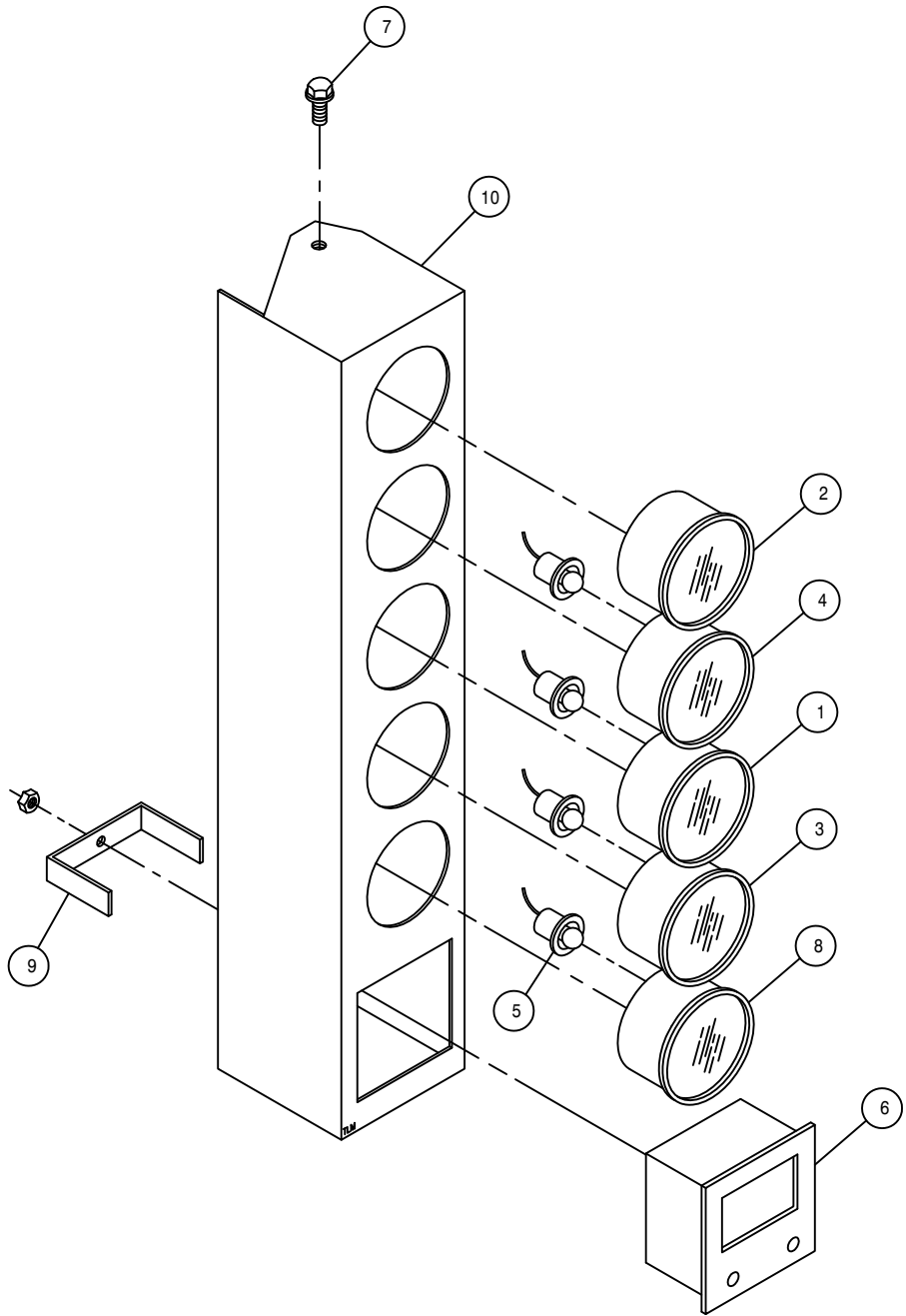
DET. QTY PART NO. DESCRIPTION

1	1	658319	POST COVER, RH FRONT		
2	1	658320	POST COVER, LH FRONT	2100	98
3	1	658321	POST COVER, RH REAR	2100	98
4	1	658322	POST COVER, LH REAR	2100	98
5	1	658323	BACKPANEL, 2100		98
6	1	658324	SIDE PANEL, RH 2100		98
7	1	658325	SIDE PANEL, LH 2100		98
8	1	658326	FLOORMAT, 2100		98
9	8	471101	DUAL LOCK, 1.00 X 1.00	SJ3542	
10	8	471100	DUAL LOCK, 1.00 X 1.00	SJ3541	
11	2	470225	TRIM CLIP, 11/16 BLK NYL HEAD		

STEERING POST ASSEMBLY

DET.	QTY	PART NO.	DESCRIPTION
1	2	127502	NYLON FLANGE BRG
2	3	127503	NYLINER FLG BRG, .875 ID
3	1	291088	FLASHER / TURN SIGNAL SWITCH
4	1	342450	LWR STRG COLUMN WLD, 2100 98
5	1	342454	UPPER STRG COLUMN WLD, 2100 98
6	1	342461	STRG WHL MT WLD, 2100 98
7	1	342467	UPPER STRG COLUMN COVER, 2100 98
8	1	342468	CNTR STRG COLUMN COVER, 2100 98
9	1	342469	LWR STRG COLUMN SHLD
10	1	342470	STRG COLUMN PIVOT PIN, 2100 98
11	1	342471	STRG COL BRG HSNQ WLD, 2100 98
12	1	342474	UPPER STEERING SHAFT, 2100 98
13	1	470285	DOUBLE UNIVERSAL JOINT DRIVER
14	4	470346	GROMMET, .500ID .250GW, .812GD
15	4	920502	3/8 LOCK WASHER
16	1	342483	LWR STEERING SHAFT, 2100 98
17	1	342484	FOOT PEDAL PIV PIN WLD, 2100 98
18	1	342487	FOOT PEDAL WLD, 2100 98
19	1	342490	STRG PIVOT LOCK, 2100 98
20	1	342491	LWR AIR SHOCK PIVOT, 2100 98
21	2	342492	LWR AIR SHOCK PIV BUSH, 2100 98
22	2	390318	INDICATOR LIGHT, RED
23	11	470086	1/4UNC NUTSERT .020-.100MATL
24	1	470157	13/16-20UNEF HEX NUT STRG WHL
25	1	470252	GAS SPRING, LOCKING 0350N
26	1	470257	ADJ HANDLE, 3/8-16 STUD, BLACK
27	1	470268	SPRING, EXTENSION, .50 X 1.75
28	2	470283	3/8UNC 1/2 SCKT SHLDR BOLT
29	2	473830	10MM-1.00 HEX JAM NUT
30	3	473928	ROLL PIN, 3/16 X 1
31	1	473936	ROLL PIN, 3/16 X 1 1/4
32	2	629525	RING, RETAINING, .50DIA SHAFT
33	2	629533	SNAP RING, 7/8 EXTRN
34	2	900065	5/16UNC X 1" HEX BOLT
35	1	900067	5/16UNC X 1 1/2 HEX BOLT
36	8	900128	3/8UNC X 3/4 HEX BOLT
37	10	903708	1/4UNC X 1/2 PHIL PNHD MACHSCR
38	3	914002	5/16UNC HEX STOVER NUT
39	4	914004	3/8UNC HEX STOVER NUT
40	1	920002	3/8 SAE FLAT WASHER
41	1	920007	7/8 SAE FLAT WASHER
42	1	749294	STEERING WHEEL, VIP 14"
43	1	749295	STRG WHL CAP W/HAGIE EMBLEM
44	4	900267P	1/2UNC X 2" HEX BOLT
45	4	470124P	1/2UNC HEX JAM NUT
46	4	920004	1/2 SAE FLAT WASHER
47	1	343211	STEERING MTR PLT, 284XP/2100 02
48	4	618109	9/16MJIC-3/4MOR ADPTR
49	1	749318	STRG MTR, 7.3CID, NON-LOAD 1031
50	2	483031	1 3/8 X 7/8 X 18GA MACH WASHER
51	4	470345P	1/2UNC HEX SMTH FLNG LOCK NUT





INSTRUMENT PANEL ASSEMBLY

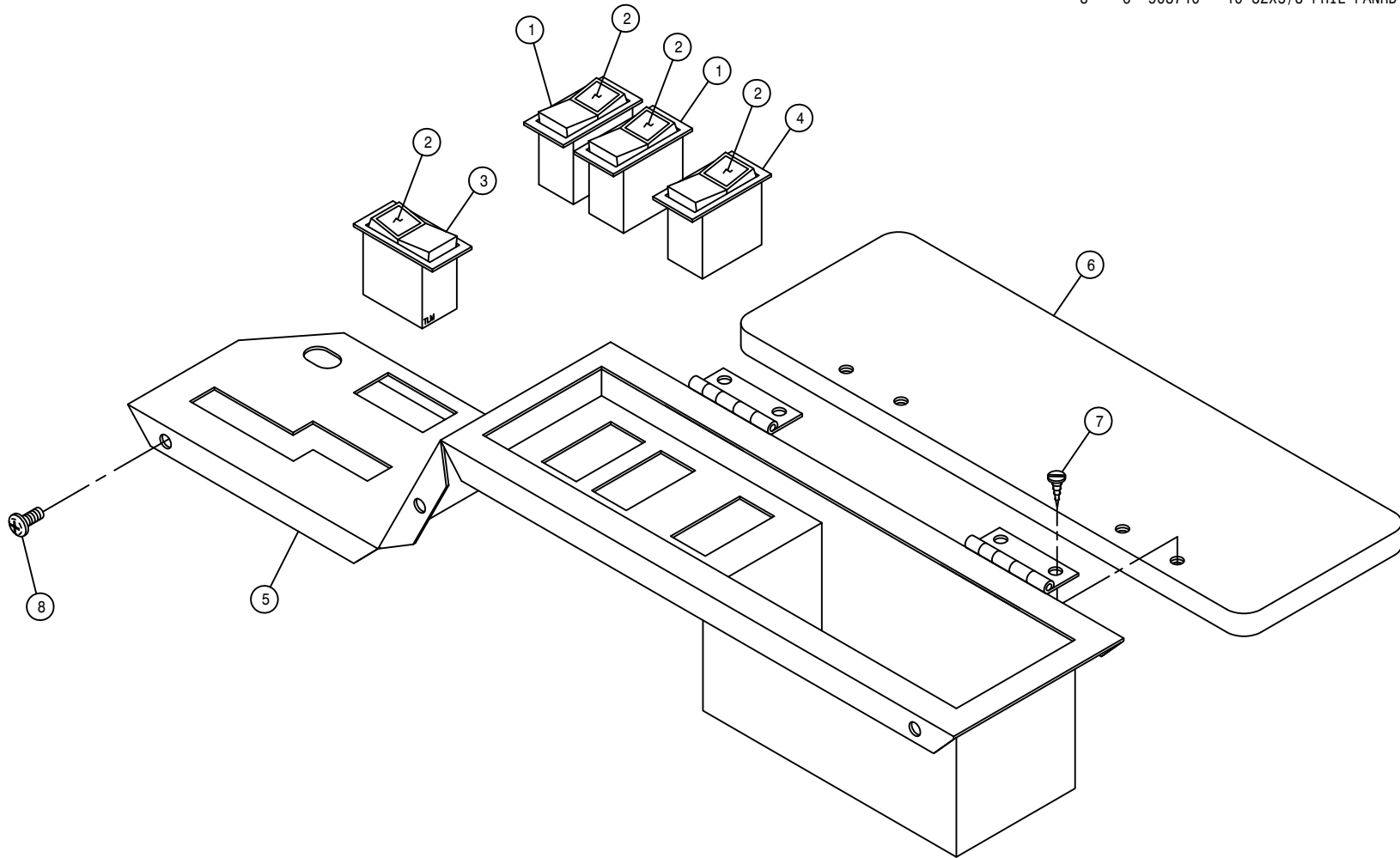
DET. QTY PART NO. DESCRIPTION

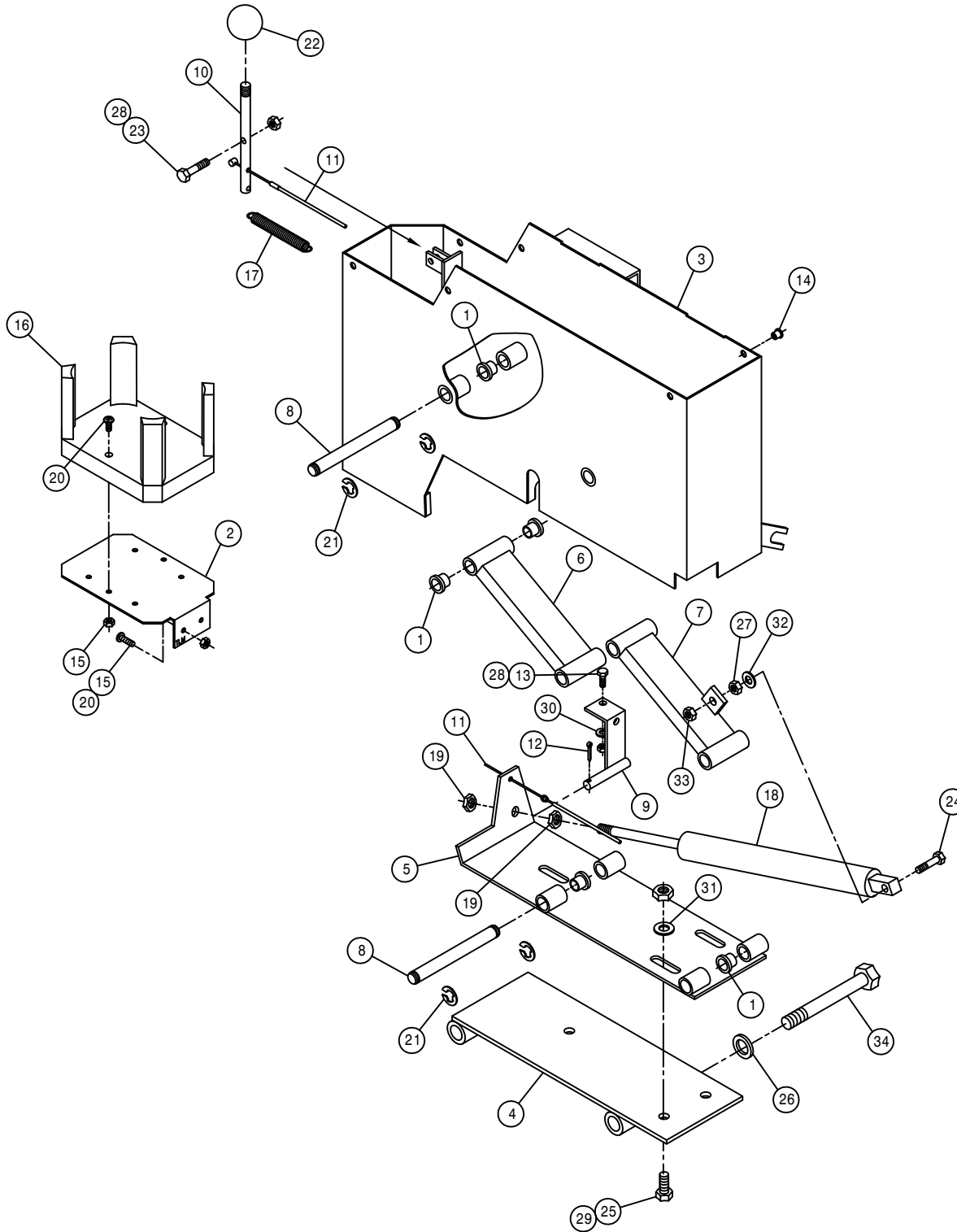
1	1	290401	FUEL GAUGE FOR 2.125 DIA HOLE
2	1	291203	HOUR METER, 12/24VDC BLACK BEZ
3	1	291673	OIL PRESS GAUGE, 125PSI
4	1	291611	VOLTMETER, 8V TO 18V DC
5	4	291612	LIGHT KIT FOR 2" GAUGE
6	1	291635	DIGITAL MPH/RPM INDICATOR
7	2	470122	1/4UNC X 1/2 FLANGE HEX BOLT
8	1	314436	TEMP GA 100-280 DEG LIGHTED
9	1	342068	DIGITAL MPH/RPM IND KEEPER 94
10	1	342533	INSTRU HSNQ WLD, 2100 98

CONSOLE COVER ASSEMBLY

DET. QTY PART NO. DESCRIPTION

1	2	291627	SWITCH,2P(ON)OFF(ON)	511-058
2	4	291628	LENS, GREEN	596-650
3	1	291671	SWITCH,2P OFF/ONA/ONAB	511-138
4	1	291672	SWITCH,1P ON/OFF/ON	511-149
5	1	342504	CONSOLE TOP WLD, 2100	98
6	1	342509	CONSOLE LID ASSY, 2100	98
7	4	473966	6X3/4 PHIL FLT HD SHT MTL SCR	
8	6	903710	10-32X5/8 PHIL PANHD MACH SCR	

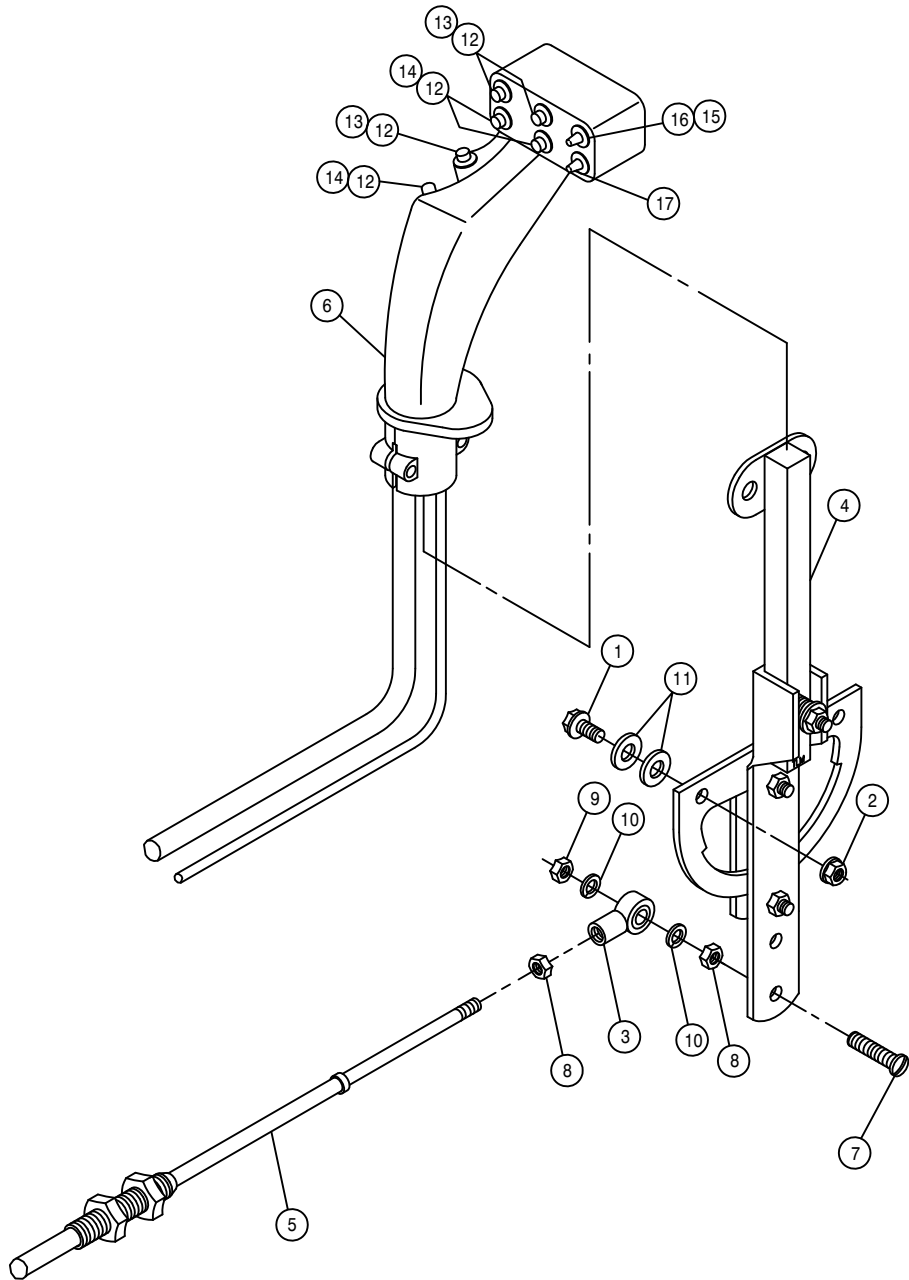




CONSOLE ASSEMBLY

DET. QTY PART NO. DESCRIPTION

1	16	127504	NYLINER FLG BRG, .500 ID	
2	1	342216	DRINK HOLDER MT BRKT	94
3	1	342493	CONSOLE WLD, 2100	98
4	1	342510	CONSOLE SEAT MT WLD, 2100	98
5	1	342513	LWR CONSOLE MTG PLT WLD2100	98
6	1	342516	FRT CONSOLE PIVOT BRKT WLD	98
7	1	342519	REAR CONSOLE PIVOT BRKT WLD	98
8	4	342522	CONSOLE PIN, 2100	98
9	1	342523	AIR SHOCK RELEASE WLD, 2100	98
10	1	342526	ADJ HANDLE, 2100	98
11	1	342527	CONSOLE ADJ CABLE ASSY,2100	98
12	1	470006	COTTER PIN 1/8 X 1	
13	1	470118	1/4UNC X 3/4 FLANGE HEX BOLT	
14	6	470165	10-32 NUTSERT .020-.100 MATL	
15	4	470175	10-32 HEX FLANGE LOCK NUT	
16	1	470214	SPILLMASTER DRINK HOLDER	
17	1	470248	SPRING,EXPANSION .438 X 3.00	
18	1	470251	GAS SPRING, LOCKING 0250N	
19	2	473830	10MM-1.00 HEX JAM NUT	
20	4	903710	10-32X5/8 PHIL PANHD MACH SCR	
21	8	629525	RING, RETAINING, .50DIA SHAFT	
22	1	659291	KNOB, 1" RND, BLK, 3/8-16	
23	1	900003	1/4UNC X 1" HEX BOLT	
24	1	900067	5/16UNC X 1 1/2 HEX BOLT	
25	3	900129	3/8UNC X 1" HEX BOLT	
26	2	920505	5/8 LOCK WASHER	
27	1	910002	5/16UNC HEX NUT	
28	2	914000	1/4UNC HEX STOVER NUT	
29	3	914004	3/8UNC HEX STOVER NUT	
30	1	920000	1/4 SAE FLAT WASHER	
31	3	920002	3/8 SAE FLAT WASHER	
32	1	920001	5/16 SAE FLAT WASHER	
33	1	914002	5/16UNC HEX STOVER NUT	
34	2	900346	5/8UNC X 6" HEX BOLT	



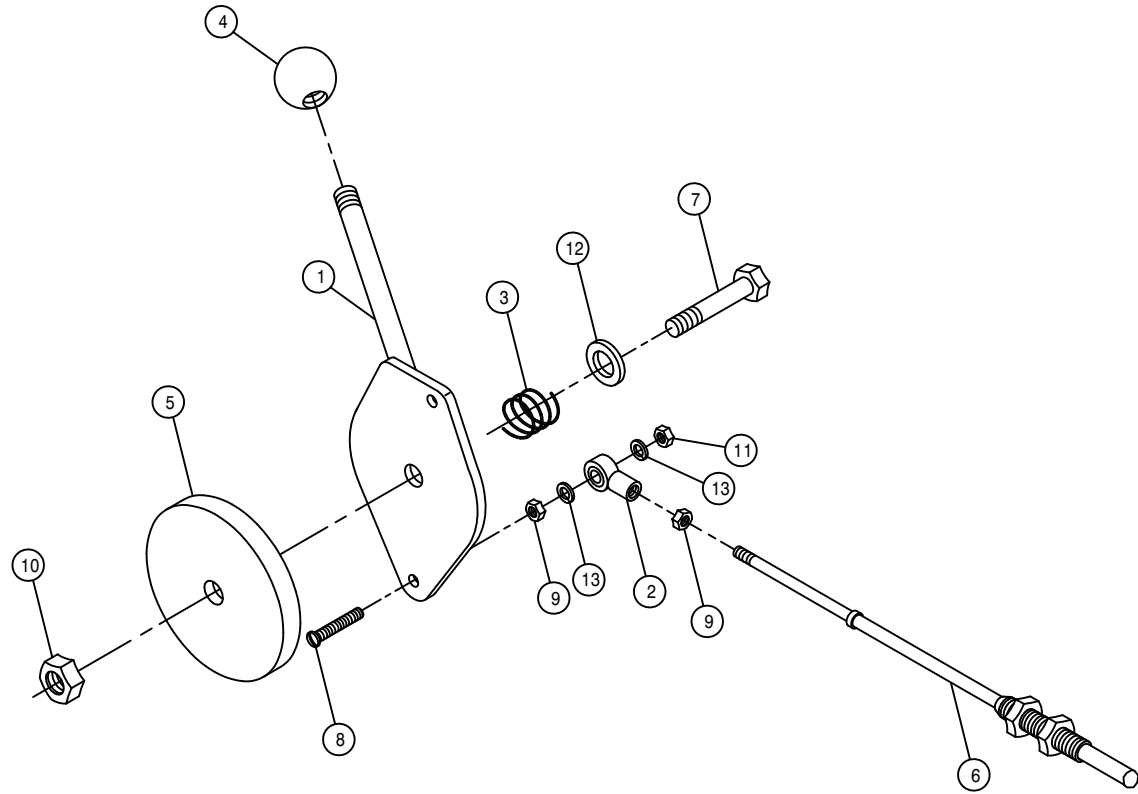
COMBO HYDROSTATIC LEVER ASSEMBLY

DET.	QTY	PART NO.	DESCRIPTION	
	1	2	470118	1/4UNC X 3/4 FLANGE HEX BOLT
	2	2	470121	1/4UNC HEX FLANGE LOCK NUT
	3	1	473921	BALL JOINT NO 10-32 THD
	4	1	342528	HYDST CTRL LEVER ASSY, 2100 98
	5	1	785066	CTRL CABLE 10-32 4IN X 129 IN
	6	1	785078	FASSE EZ-3 CTRL HANDLE,284 96
	7	1	903893	10-32 X 1" SLT RD HD MACH SCR
	8	2	910027	10-32 HEX NUT
	9	1	914027	10-32 HEX STOVER NUT
	10	2	920510	#10 LOCK WASHER
	11	4	920000	1/4 SAE FLAT WASHER
	12	6	291650	SWITCH,SPDT MOM MICRO
	13	3	291651	SWITCH BOOT, GRAY -FOR 291650
	14	3	291652	SWITCH BOOT, RED -FOR 291650
	15	1	291654	SWITCH BOOT, BLACK-FOR 291653
	16	1	291653	SWITCH, TOG SPDT 3POS STAT
	17	1	293336	LS CTRL OVERRIDE WIRE ASSY284

THROTTLE LEVER ASSEMBLY

DET. QTY PART NO. DESCRIPTION

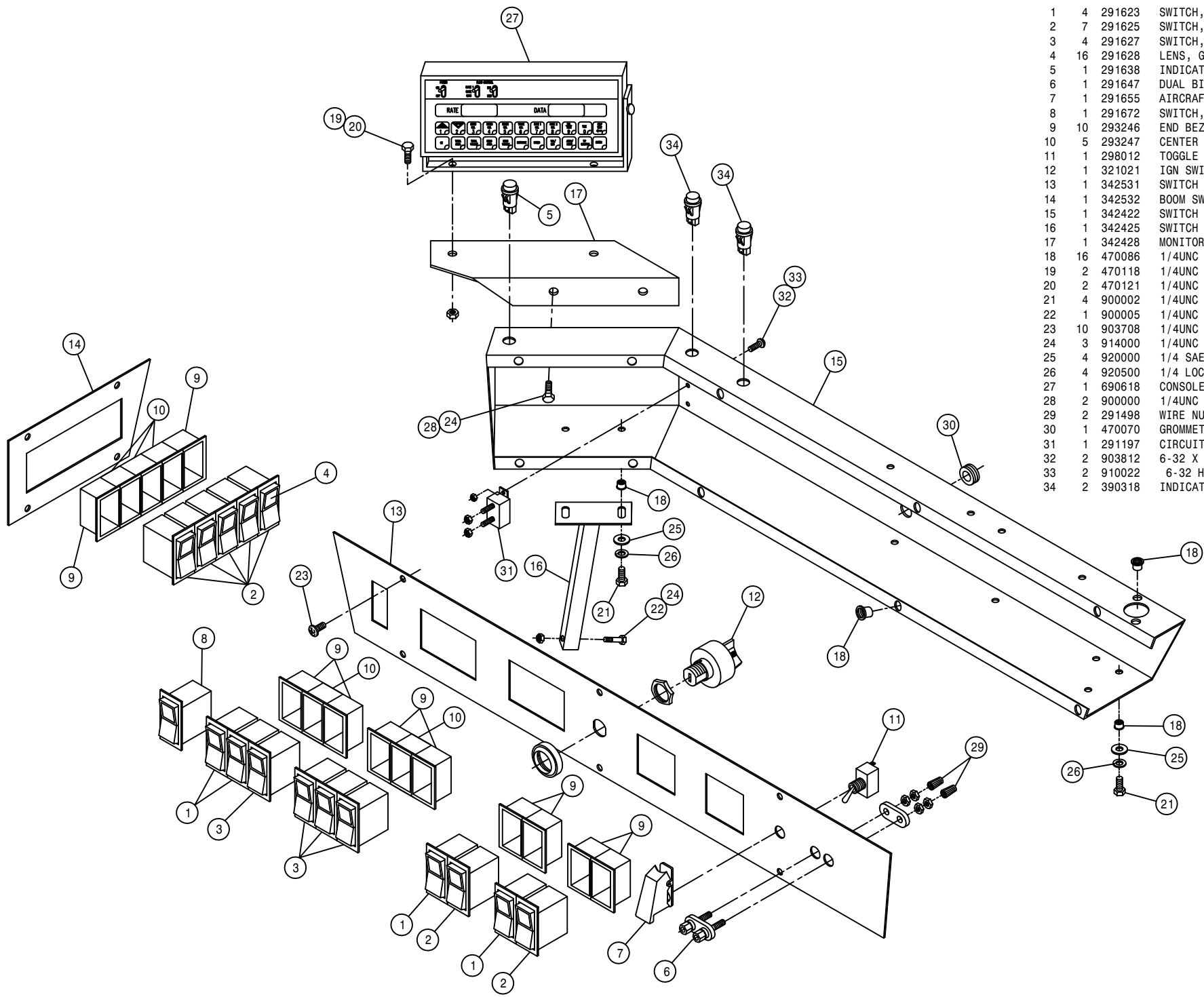
1	1	342529	THROT LEVER WLD, 2100	98
2	1	473921	BALL JOINT NO 10-32 THD	
3	1	499001	SPRING HYDRO CONTROL	
4	1	785007	KNOB,1 3/16" BALL,RED,3/8-16	
5	1	785046	FRICTION DISC 3-333 X .38	
6	1	785079	CTRL CABLE 10-32 4IN X 140 IN	
7	1	900170	3/8UNC X 2 1/4 HEX BOLT	
8	1	903893	10-32 X 1" SLT RD HD MACH SCR	
9	2	910027	10-32 HEX NUT	
10	1	914004	3/8UNC HEX STOVER NUT	
11	1	914027	10-32 HEX STOVER NUT	
12	1	920002	3/8 SAE FLAT WASHER	
13	2	920510	#10 LOCK WASHER	



COMBO SWITCH PANEL ASSEMBLY

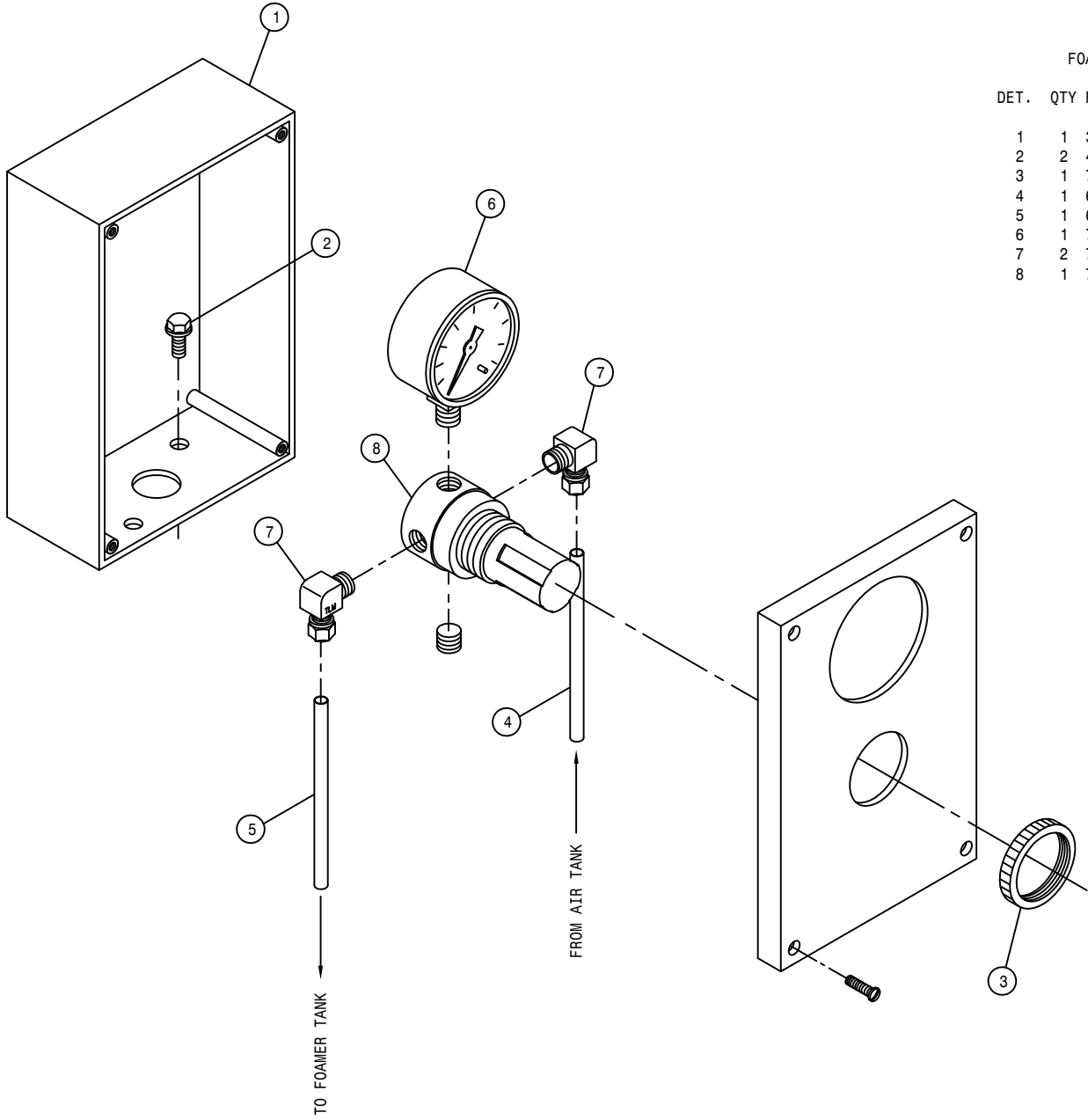
DET. QTY PART NO. DESCRIPTION

DET.	QTY	PART NO.	DESCRIPTION	
1	4	291623	SWITCH,2P ON/OFF	511-015
2	7	291625	SWITCH,2P ON/ON	511-108
3	4	291627	SWITCH,2P(ON)OFF(ON)	511-058
4	16	291628	LENS, GREEN	596-650
5	1	291638	INDICATOR LIGHT, GREEN	
6	1	291647	DUAL BINDING POSTS	
7	1	291655	AIRCRAFT TOGGLE SWITCH GUARD	
8	1	291672	SWITCH,1P ON/OFF/ON	511-149
9	10	293246	END BEZEL, 594-802	
10	5	293247	CENTER BEZEL, 594-801	
11	1	298012	TOGGLE SWITCH,ON-OFF,SPST,15A	
12	1	321021	IGN SWITCH, NON-SEALED	
13	1	342531	SWITCH PANEL, 2100	98
14	1	342532	BOOM SWITCH PANEL, 2100	98
15	1	342422	SWITCH HOUSING WLD, 2100	98
16	1	342425	SWITCH HSG SUPP WLD, 2100	98
17	1	342428	MONITOR BRKT, 2100	98
18	16	470086	1/4UNC NUTSERT .020-.100MATL	
19	2	470118	1/4UNC X 3/4 FLANGE HEX BOLT	
20	2	470121	1/4UNC HEX FLANGE LOCK NUT	
21	4	900002	1/4UNC X 3/4 HEX BOLT	
22	1	900005	1/4UNC X 1 1/2 HEX BOLT	
23	10	903708	1/4UNC X1/2 PHIL PNHD MACHSCR	
24	3	914000	1/4UNC HEX STOVER NUT	
25	4	920000	1/4 SAE FLAT WASHER	
26	4	920500	1/4 LOCK WASHER	
27	1	690618	CONSOLE, RAVEN 460 W/GPS PORT	
28	2	900000	1/4UNC X 1/2 HEX BOLT	
29	2	291498	WIRE NUT, 22-16GA GRAY	
30	1	470070	GROMMET, .375ID .062GW .500GD	
31	1	291197	CIRCUIT BREAKER,30AMP,INLINEMT	
32	2	903812	6-32 X 1/2 SLT RD HD MACH SCR	
33	2	910022	6-32 HEX NUT	
34	2	390318	INDICATOR LIGHT, RED	



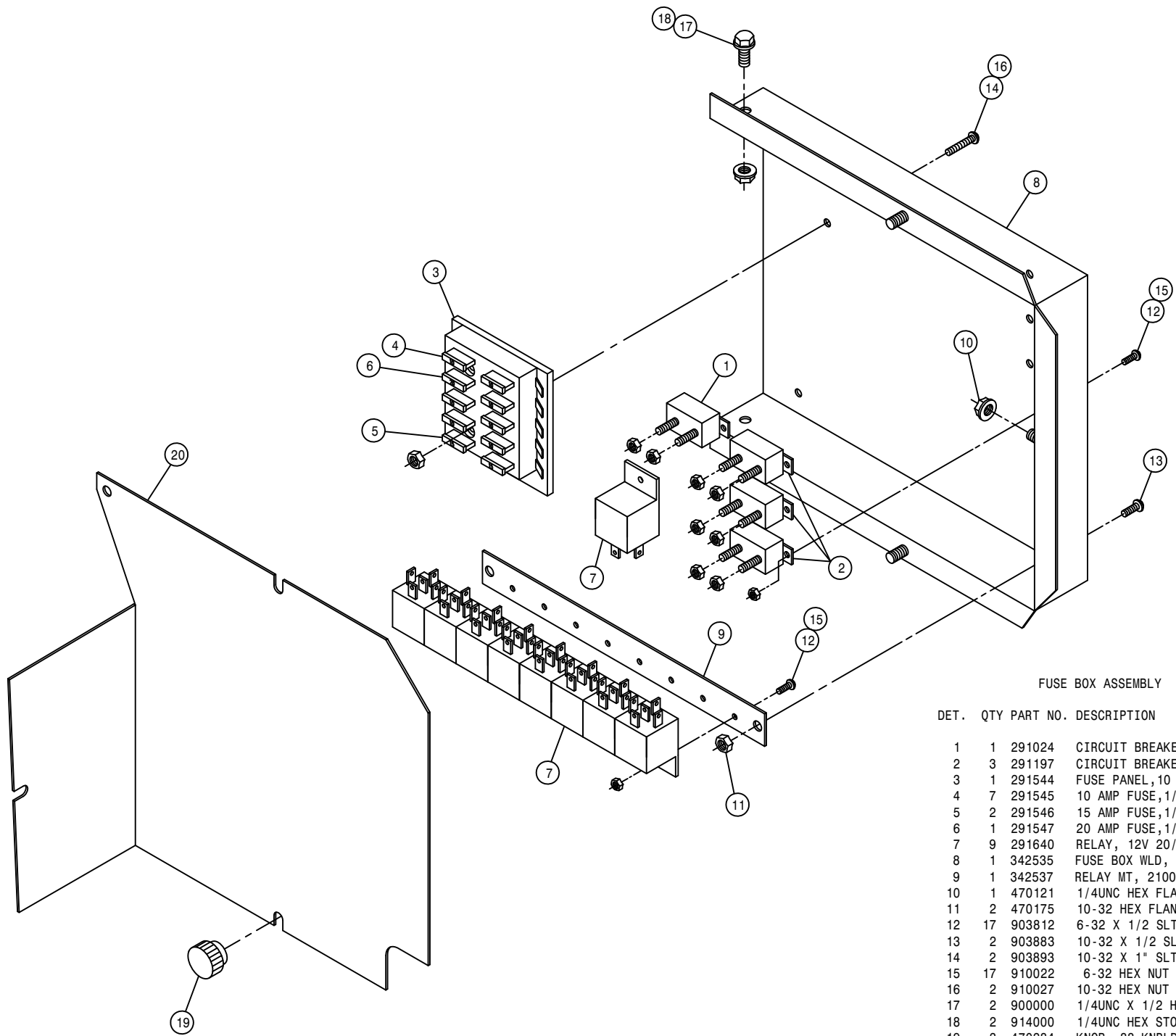
48

268048



FOAMER AIR REGULATOR ASSEMBLY

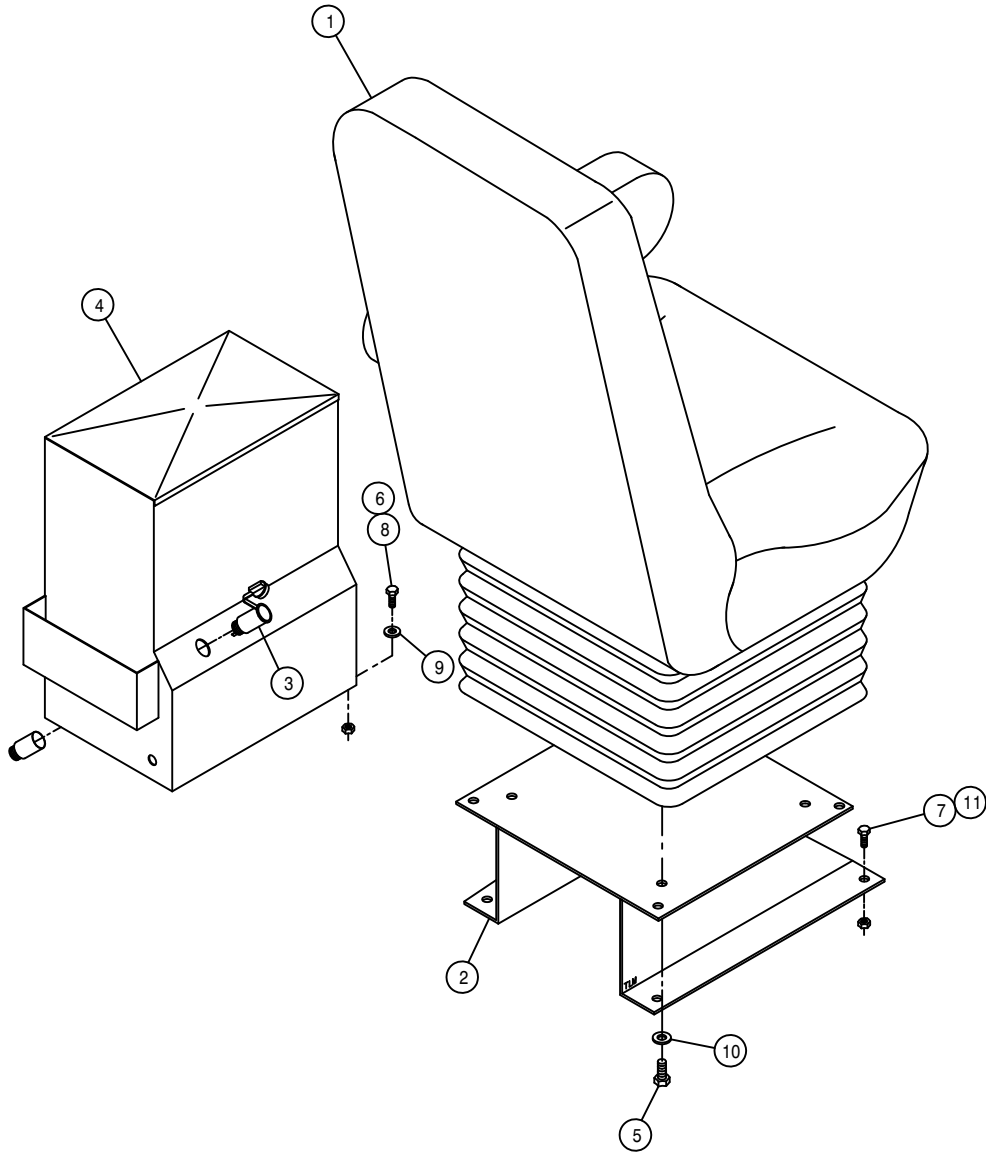
DET.	QTY	PART NO.	DESCRIPTION
1	1	342429	FOAMER AIR REG MT BOX, 2100 98
2	2	470122	1/4UNC X 1/2 FLANGE HEX BOLT
3	1	711021	1 1/4-18 NUT,AIR REGULATOR MT
4	1	601360	HOSE, 1/4 X 168 AIR
5	1	601418	HOSE, 1/4 X 228 AIR
6	1	701310	AIR PRESS GAUGE, 1/8"BOT
7	2	711016	1/4NPT-90-1/4NYL TUBE FTG BRS
8	1	711019	1/4"MNPT AIR REGULATOR



FUSE BOX ASSEMBLY

DET. QTY PART NO. DESCRIPTION

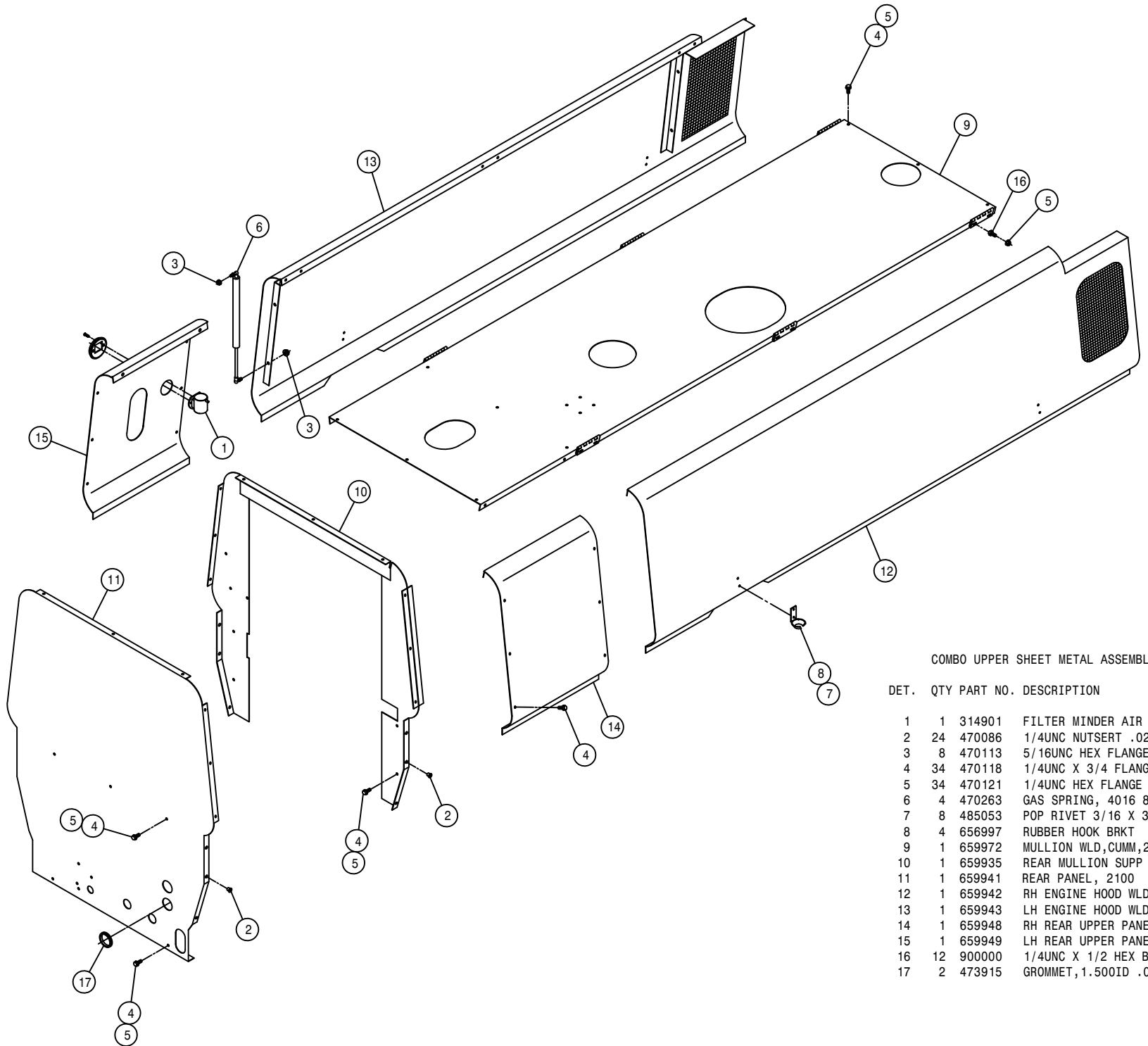
DET.	QTY	PART NO.	DESCRIPTION
1	1	291024	CIRCUIT BREAKER,40AMP,INLINEMT
2	3	291197	CIRCUIT BREAKER,30AMP,INLINEMT
3	1	291544	FUSE PANEL,10 CIRCUIT,BLADE TP
4	7	291545	10 AMP FUSE,1/4"BLADE ATO/ATC
5	2	291546	15 AMP FUSE,1/4"BLADE ATO/ATC
6	1	291547	20 AMP FUSE,1/4"BLADE ATO/ATC
7	9	291640	RELAY, 12V 20/30AMP BOSCH
8	1	342535	FUSE BOX WLD, 2100 98
9	1	342537	RELAY MT, 2100 98
10	1	470121	1/4UNC HEX FLANGE LOCK NUT
11	2	470175	10-32 HEX FLANGE LOCK NUT
12	17	903812	6-32 X 1/2 SLT RD HD MACH SCR
13	2	903883	10-32 X 1/2 SLT RDHD MACH SCR
14	2	903893	10-32 X 1" SLT RD HD MACH SCR
15	17	910022	6-32 HEX NUT
16	2	910027	10-32 HEX NUT
17	2	900000	1/4UNC X 1/2 HEX BOLT
18	2	914000	1/4UNC HEX STOVER NUT
19	3	470284	KNOB,.88 KNRLD,BLK,1/4-20
20	1	342431	FUSE BOX COVER, 2100



SEAT AND CONSOLE ASSEMBLY

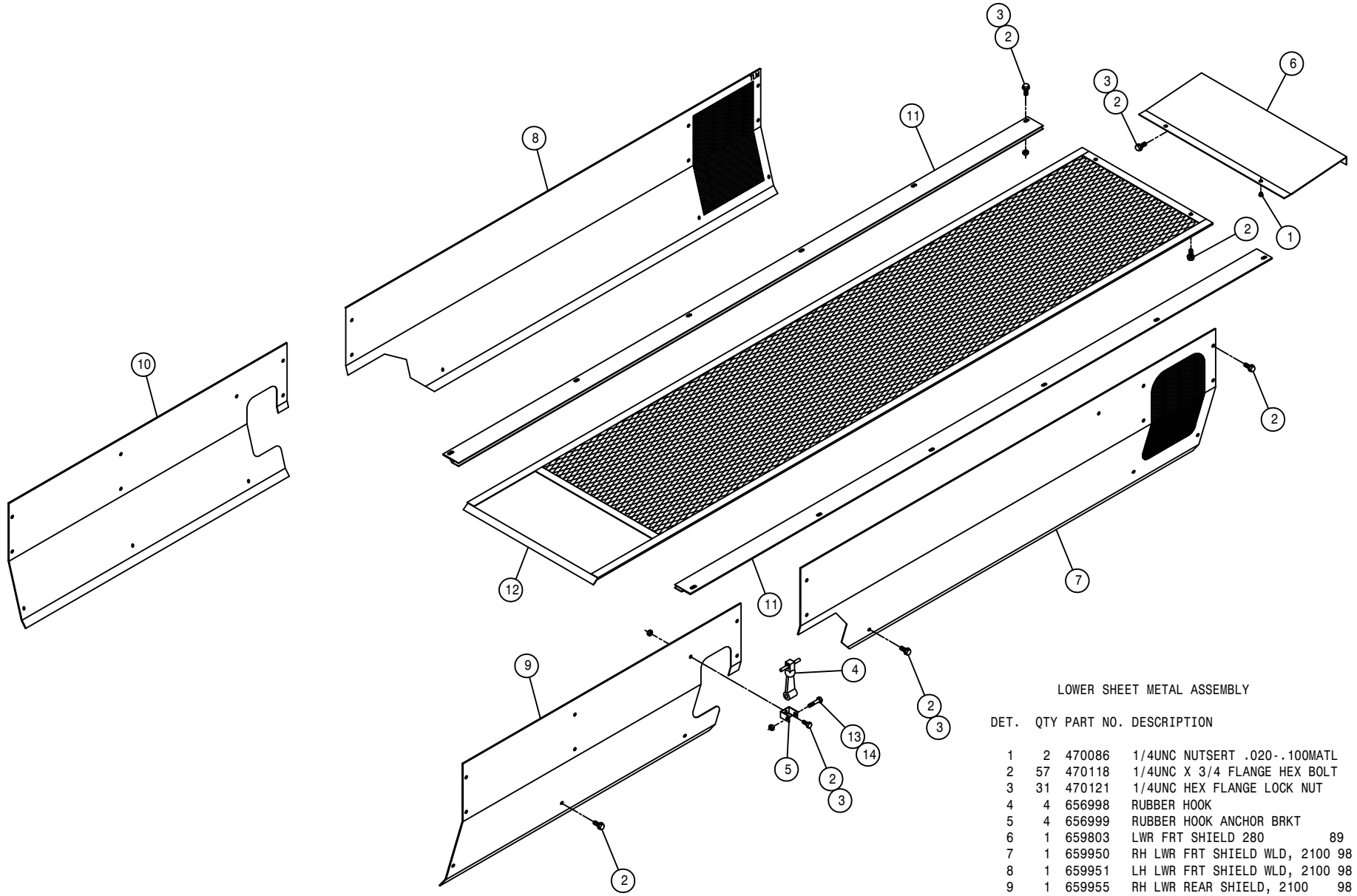
DET. QTY PART NO. DESCRIPTION

1	1	330026	SEAT & AIR SUSP ASSY, 2100	98
2	1	342090	SEAT MT WELD, 254/284	95
3	1	291648	POWER POINT RECEPTACLE	
4	1	342432	LH CONSOLE WLD, 2100	98
5	4	473803	8MM-1.25 X 16MM HEX BOLT	
6	4	900002	1/4UNC X 3/4 HEX BOLT	
7	4	900129	3/8UNC X 1" HEX BOLT	
8	4	914000	1/4UNC HEX STOVER NUT	
9	4	920000	1/4 SAE FLAT WASHER	
10	4	920501	5/16 LOCK WASHER	
11	4	914004	3/8UNC HEX STOVER NUT	



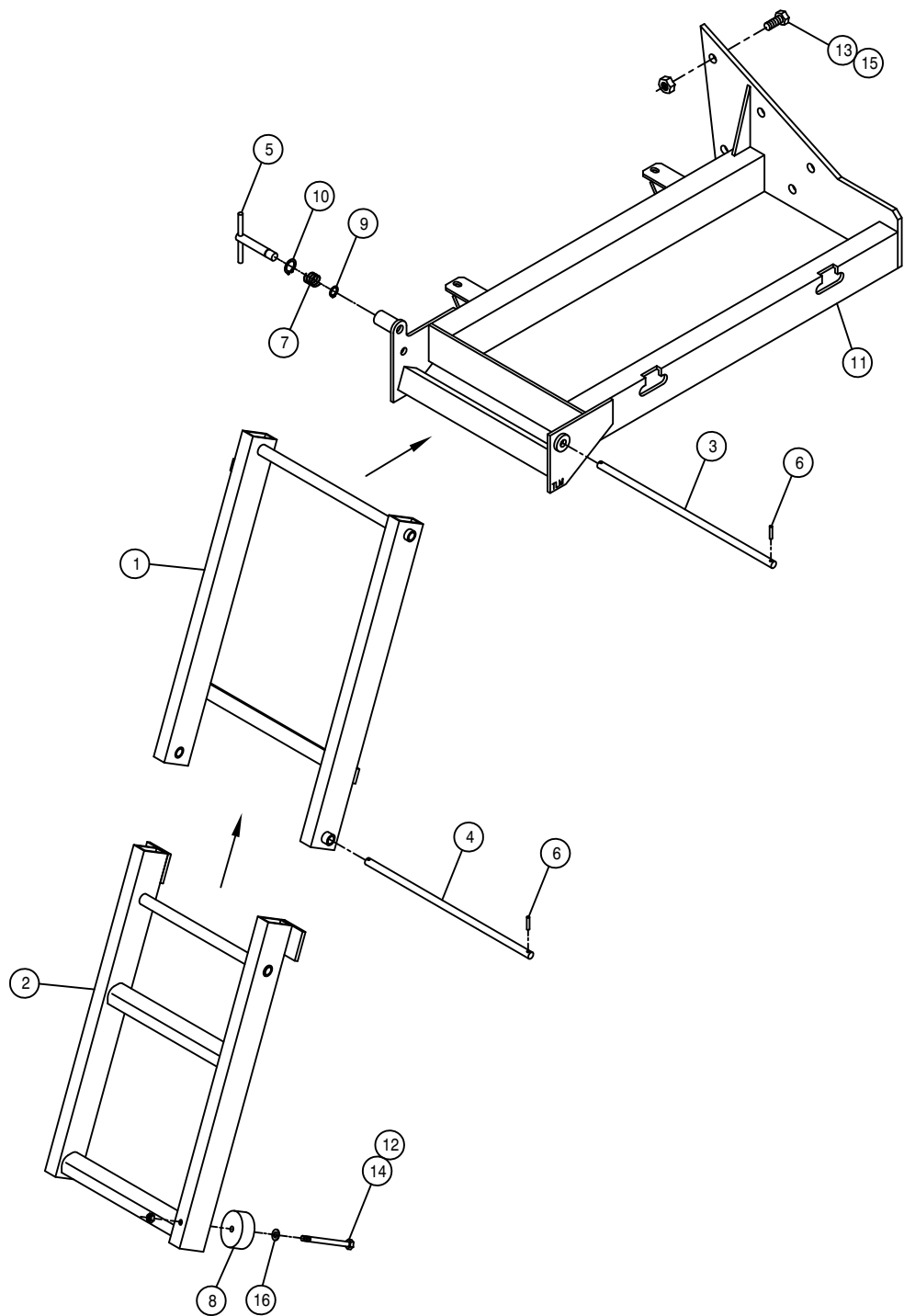
COMBO UPPER SHEET METAL ASSEMBLY

DET.	QTY	PART NO.	DESCRIPTION
	1	314901	FILTER MINDER AIR RESTRICT GA
	24	470086	1/4UNC NUTSERT .020-.100MATL
	8	470113	5/16UNC HEX FLANGE LOCK NUT
	4	470118	1/4UNC X 3/4 FLANGE HEX BOLT
	5	470121	1/4UNC HEX FLANGE LOCK NUT
	4	470263	GAS SPRING, 4016 8.00 STROKE
	8	485053	POP RIVET 3/16 X 3/8
	8	656997	RUBBER HOOK BRKT
	9	659972	MULLION WLD,CUMM,2100 COMBO 99
	10	659935	REAR MULLION SUPP WLD, 2100 98
	11	659941	REAR PANEL, 2100 98
	12	659942	RH ENGINE HOOD WLD, 2100 98
	13	659943	LH ENGINE HOOD WLD, 2100 98
	14	659948	RH REAR UPPER PANEL, 2100 98
	15	659949	LH REAR UPPER PANEL, 2100 98
	16	900000	1/4UNC X 1/2 HEX BOLT
	17	473915	GROMMET,1.500ID .062GW 1.750GD



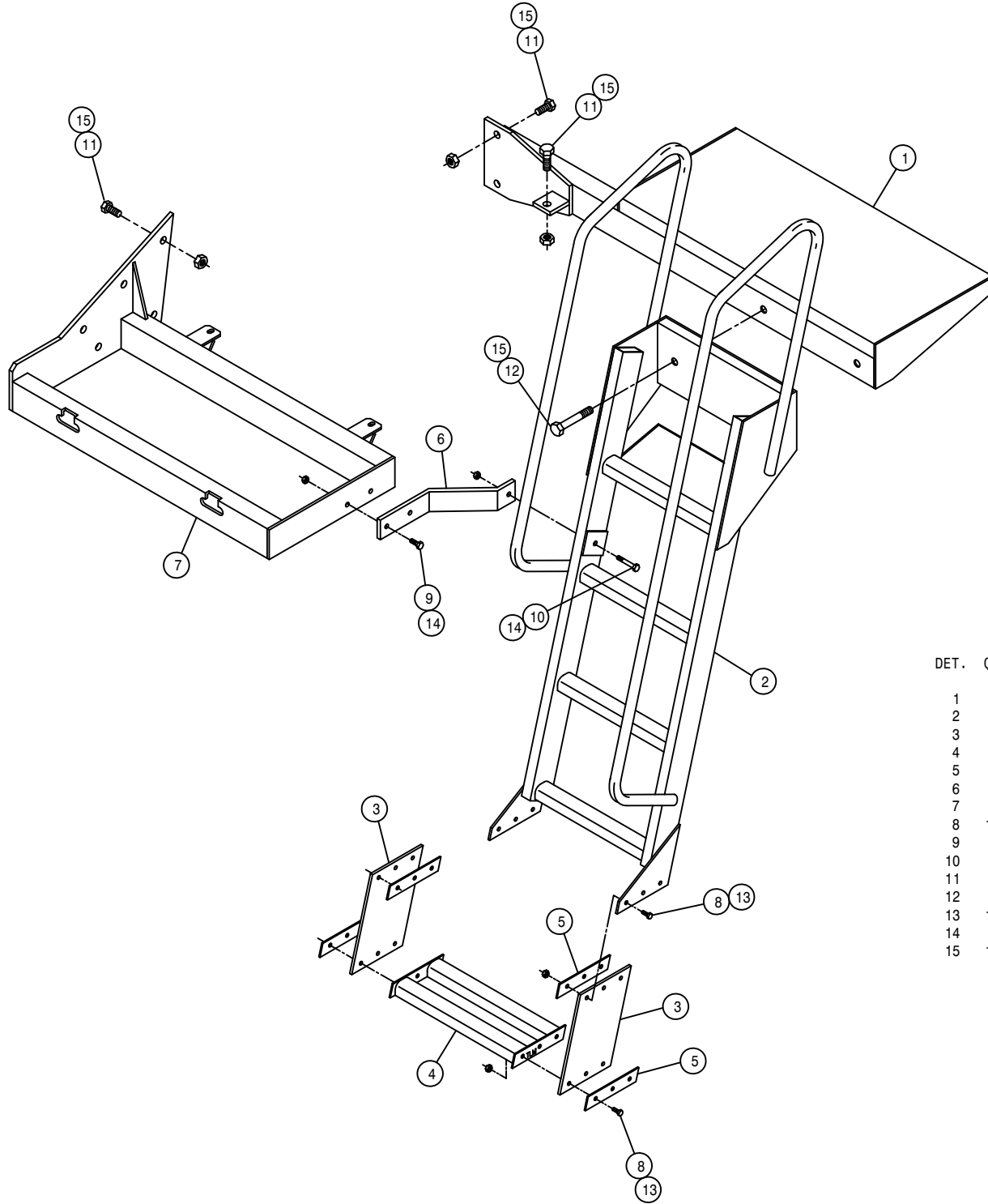
LOWER SHEET METAL ASSEMBLY

DET.	QTY	PART NO.	DESCRIPTION
	1	2	470086 1/4UNC NUTSERT .020-.100MATL
	2	57	470118 1/4UNC X 3/4 FLANGE HEX BOLT
	3	31	470121 1/4UNC HEX FLANGE LOCK NUT
	4	4	656998 RUBBER HOOK
	5	4	656999 RUBBER HOOK ANCHOR BRKT
	6	1	659803 LWR FRT SHIELD 280 89
	7	1	659950 RH LWR FRT SHIELD WLD, 2100 98
	8	1	659951 LH LWR FRT SHIELD WLD, 2100 98
	9	1	659955 RH LWR REAR SHIELD, 2100 98
	10	1	659956 LH LWR REAR SHIELD, 2100 98
	11	2	659957 LWR SCR N SLIDE WLD, 2100 98
	12	1	659960 LWR SCR N WLD, 2100 98
	13	4	900005 1/4UNC X 1 1/2 HEX BOLT
	14	4	914000 1/4UNC HEX STOVER NUT



RIGHT FOLDING LADDER ASSEMBLY

DET.	QTY	PART NO.	DESCRIPTION
1	1	342583	FOLD LDDR UPR SECT WLD,2100 98
2	1	342589	FOLD LDDR LWR SECT WLD,2100 98
3	1	342594	FOLD LADDER UPR PIVOT PIN 98
4	1	342595	FOLD LADDER LWR PIVOT PIN 98
5	1	342596	FOLD LDDR LOCK PIN WLD,2100 98
6	4	473928	ROLL PIN, 3/16 X 1
7	1	482131	3/4 X 1 3/4 COMPRSN SPRING
8	1	470098	RUBBER BUMPER 2.500D X .38ID
9	1	629534	SNAP RING, 9/16 EXTERNAL
10	1	629535	SNAP RING, 3/4 INTERNAL
11	1	760215	RH FUEL TANK MT WLD, 2100 98
12	1	900072	5/16UNC X 3" HEX BOLT
13	6	900334	5/8UNC X 1 3/4 HEX BOLT
14	1	910002	5/16UNC HEX NUT
15	6	914010	5/8UNC HEX STOVER NUT
16	1	920001	5/16 SAE FLAT WASHER



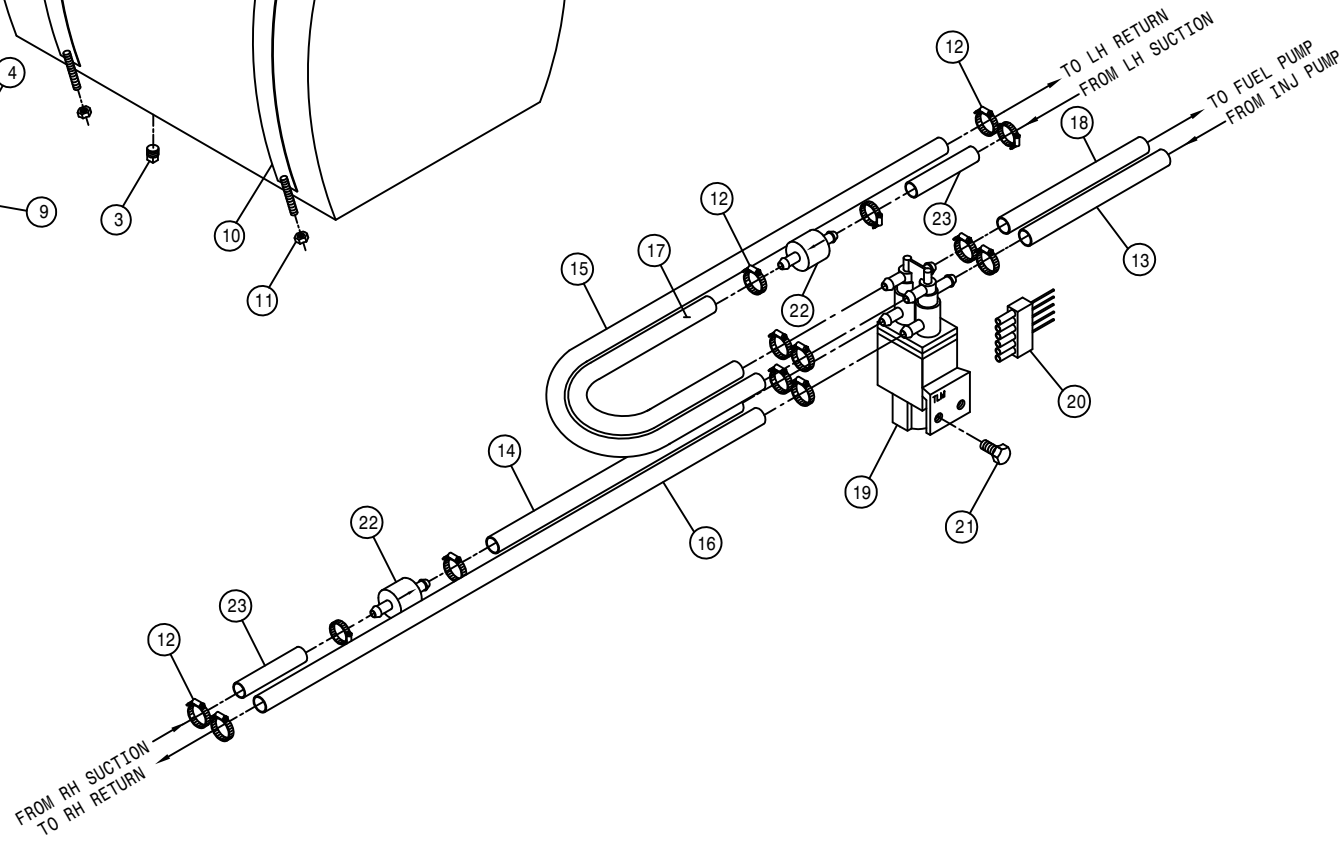
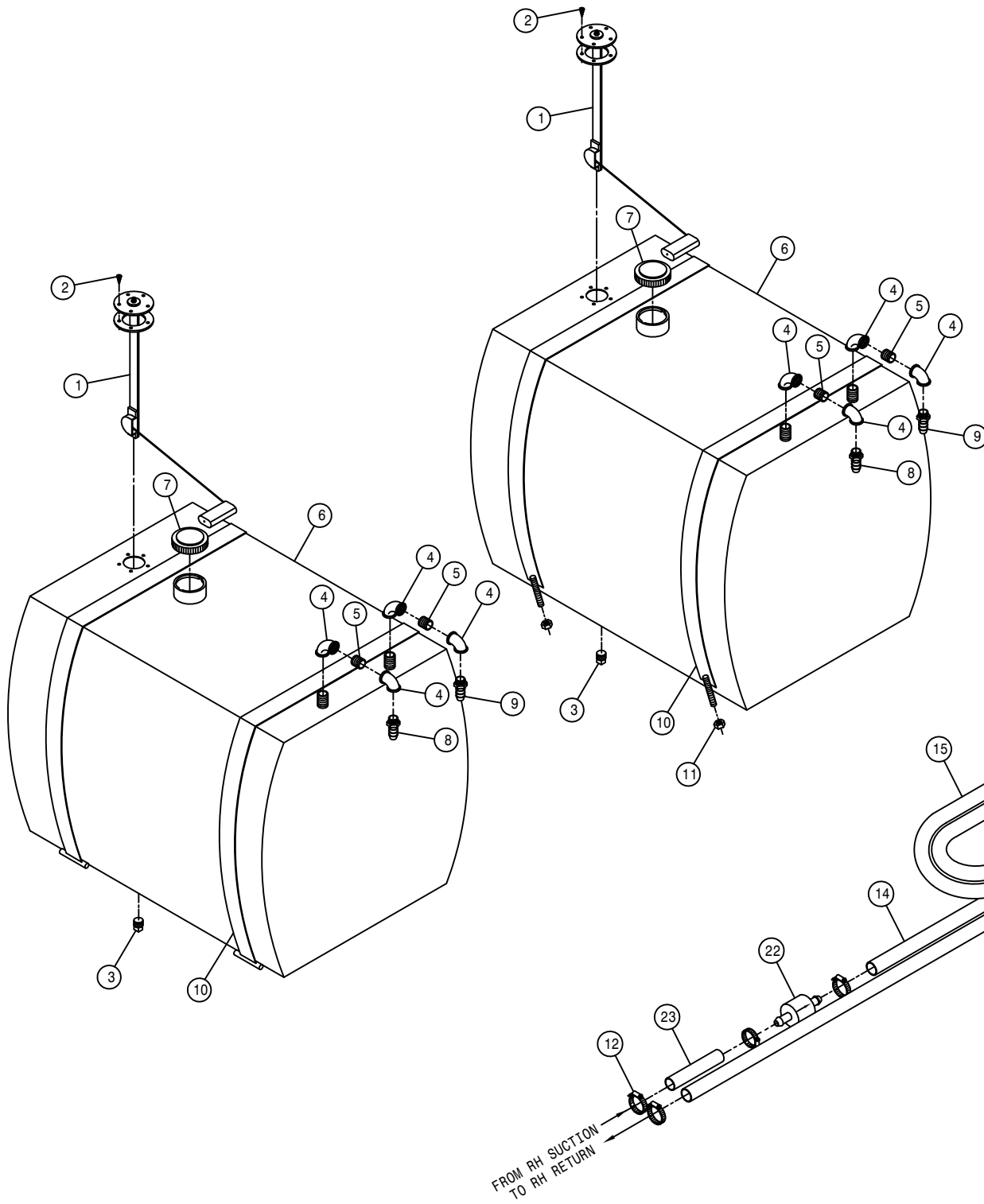
LEFT LADDER ASSEMBLY

DET.	QTY	PART NO.	DESCRIPTION	
1	1	342599	LH LADDER MT WLD, 2100	98
2	1	342605	LH LADDER WLD, 2100	98
3	2	342614	LADDER SIDE, LWR STEP, 2100	98
4	1	342615	LADDER STEP WLD, 2100	98
5	4	342616	LWR STEP SIDE KEEPER, 2100	98
6	1	342618	LH LADDER SUPP BRKT, 2100	98
7	1	760216	LH FUEL TANK MT WLD, 2100	98
8	12	900065	5/16UNC X 1" HEX BOLT	
9	2	900130	3/8UNC X 1 1/4 HEX BOLT	
10	1	900133	3/8UNC X 2" HEX BOLT	
11	9	900334	5/8UNC X 1 3/4 HEX BOLT	
12	2	900829	5/8UNC X 4" HEX BOLT GR8	
13	12	914002	5/16UNC HEX STOVER NUT	
14	3	914004	3/8UNC HEX STOVER NUT	
15	11	914010	5/8UNC HEX STOVER NUT	

FUEL TANK ASSEMBLY

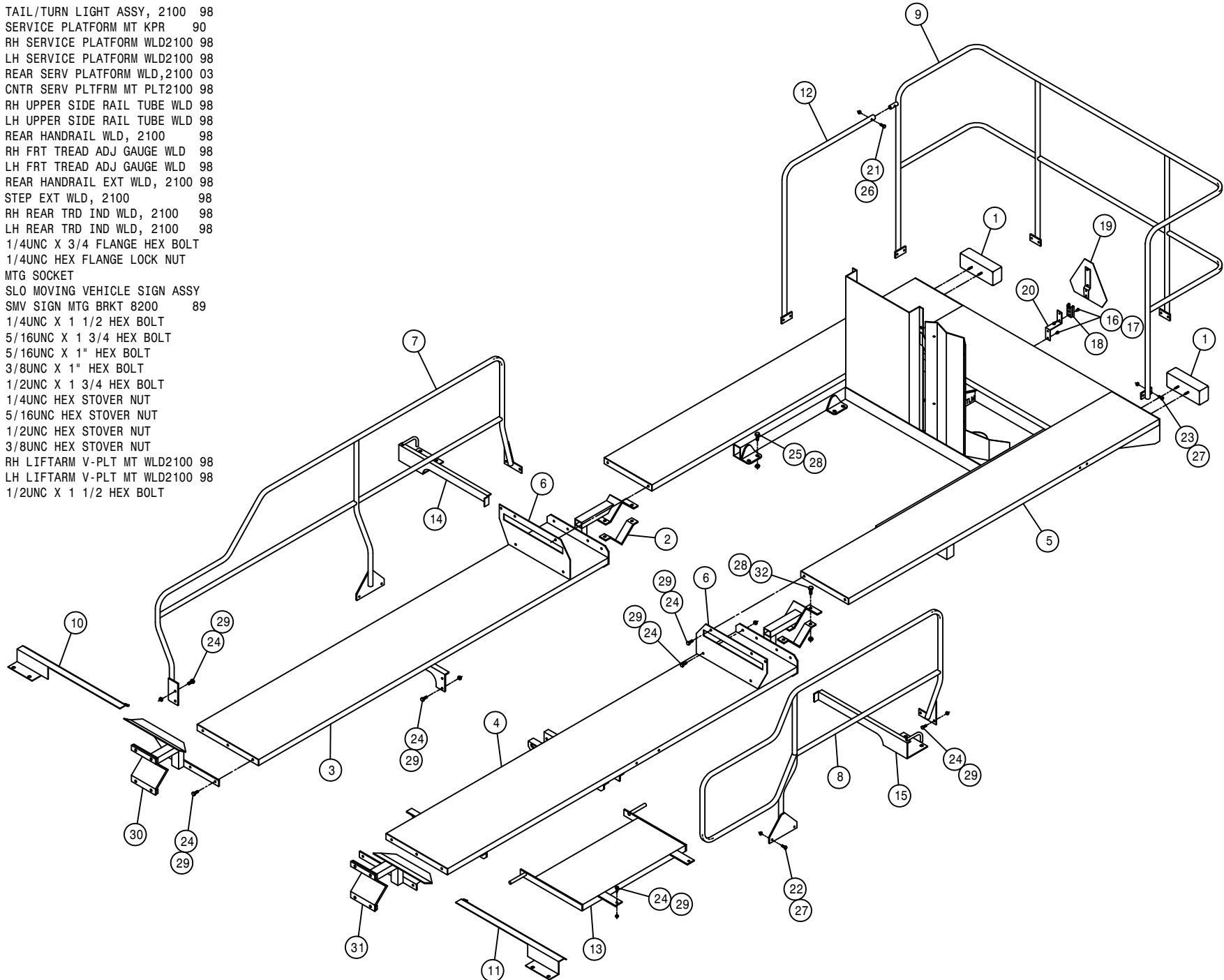
DET. QTY PART NO. DESCRIPTION

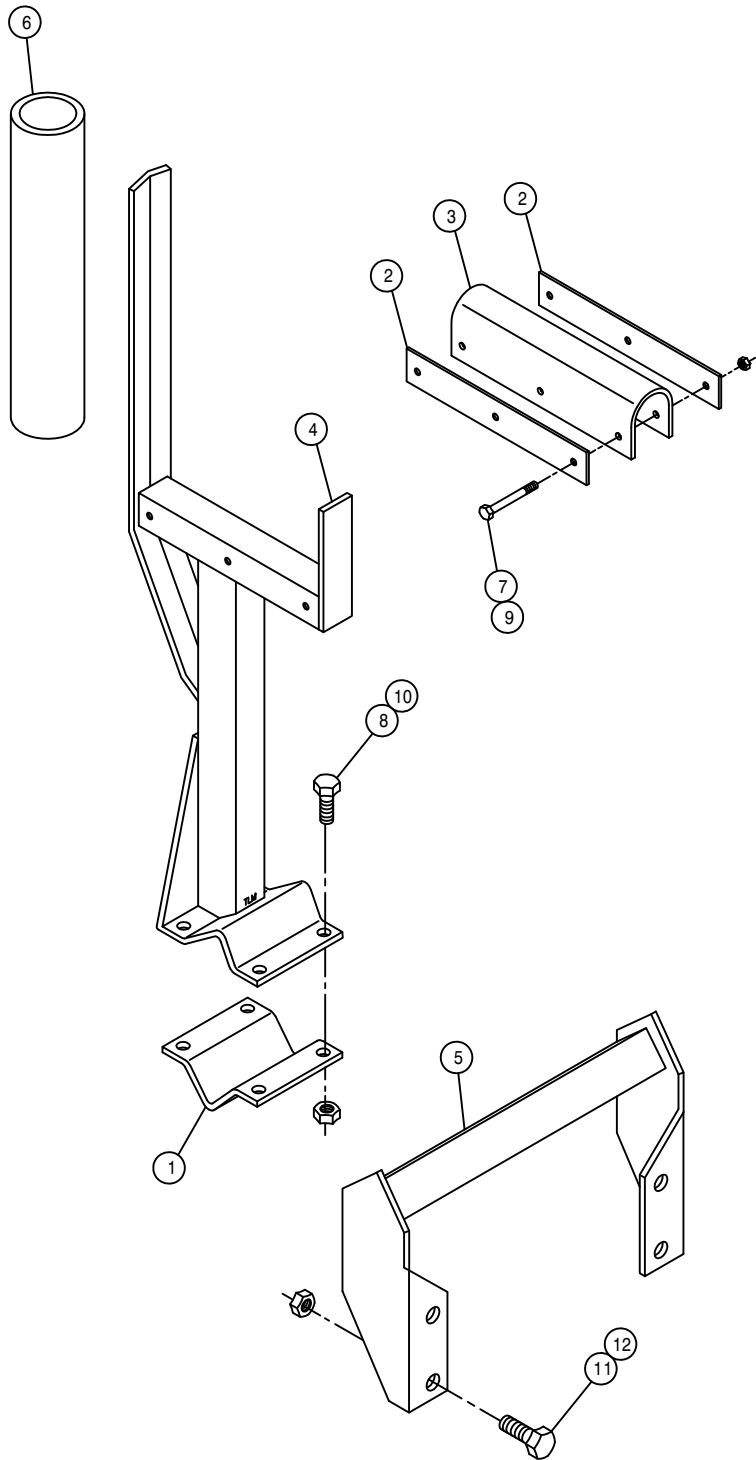
1	2	291428	FUEL SENDER 19 IN.	
2	10	473902	NO 8 X 1/2 PAN HD MET SC	
3	2	501102	1/4 PIPE PLUG	
4	8	501451	BLK PIPE EL 90DEG .25NPT	
5	4	501602	BLK PIPE NIPPLE .25NPT-1.50	
6	2	760179	FUEL TANK WLD, 2100	98
7	2	761200	GAS CAP	
8	2	783303	1/4 NPT X 5/16 HOSE BARB, BRS	
9	2	783304	1/4 NPT X 3/8 HOSE BARB, BRS	
10	4	760184	FUEL TANK BAND WLD, 2100	98
11	4	914004	3/8UNC HEX STOVER NUT	
12	14	520120	HOSE CLAMP NO 4 STAINLESS	
13	1	601421	HOSE, 5/16 X 50 FUEL LINE	
14	1	601546	HOSE, 3/8 X 108 FUEL LINE	
15	1	601354	HOSE, 5/16 X 100 FUEL LINE	
16	1	601545	HOSE, 5/16 X 108 FUEL LINE	
17	1	601355	HOSE, 3/8 X 100 FUEL LINE	
18	1	601322	HOSE, 3/8 X 26 FUEL LINE	
19	1	610529	FUEL SELECTOR VALVE W/RETURN	
20	1	610530	5 WIRE CONNECTOR FOR 610529	
21	2	900064	5/16UNC X 3/4 HEX BOLT	
22	2	316281	FUEL STRAINER, IN-LINE, DIESEL	
23	2	601528	HOSE, 3/8 X 9 FUEL LINE	



SERVICE PLATFORM ASSEMBLY

DET.	QTY	PART NO.	DESCRIPTION
1	2	293403	TAIL/TURN LIGHT ASSY, 2100 98
2	2	341900	SERVICE PLATFORM MT KPR 90
3	1	342538	RH SERVICE PLATFORM WLD2100 98
4	1	342539	LH SERVICE PLATFORM WLD2100 98
5	1	343221	REAR SERV PLATFORM WLD,2100 03
6	2	342565	CNTR SERV PLTFRM MT PLT2100 98
7	1	342566	RH UPPER SIDE RAIL TUBE WLD 98
8	1	342567	LH UPPER SIDE RAIL TUBE WLD 98
9	1	342576	REAR HANDRAIL WLD, 2100 98
10	1	342626	RH FRT TREAD ADJ GAUGE WLD 98
11	1	342627	LH FRT TREAD ADJ GAUGE WLD 98
12	1	342641	REAR HANDRAIL EXT WLD, 2100 98
13	1	342645	STEP EXT WLD, 2100 98
14	1	342650	RH REAR TRD IND WLD, 2100 98
15	1	342651	LH REAR TRD IND WLD, 2100 98
16	4	470118	1/4UNC X 3/4 FLANGE HEX BOLT
17	4	470121	1/4UNC HEX FLANGE LOCK NUT
18	1	472251	MTG SOCKET
19	1	656886	SLO MOVING VEHICLE SIGN ASSY
20	1	659852	SMV SIGN MTG BRKT 8200 89
21	1	900005	1/4UNC X 1 1/2 HEX BOLT
22	4	900068	5/16UNC X 1 3/4 HEX BOLT
23	10	900065	5/16UNC X 1" HEX BOLT
24	24	900129	3/8UNC X 1" HEX BOLT
25	8	900266	1/2UNC X 1 3/4 HEX BOLT
26	1	914000	1/4UNC HEX STOVER NUT
27	14	914002	5/16UNC HEX STOVER NUT
28	12	914008	1/2UNC HEX STOVER NUT
29	24	914004	3/8UNC HEX STOVER NUT
30	1	164364	RH LIFTARM V-PLT MT WLD2100 98
31	1	164365	LH LIFTARM V-PLT MT WLD2100 98
32	4	900265	1/2UNC X 1 1/2 HEX BOLT



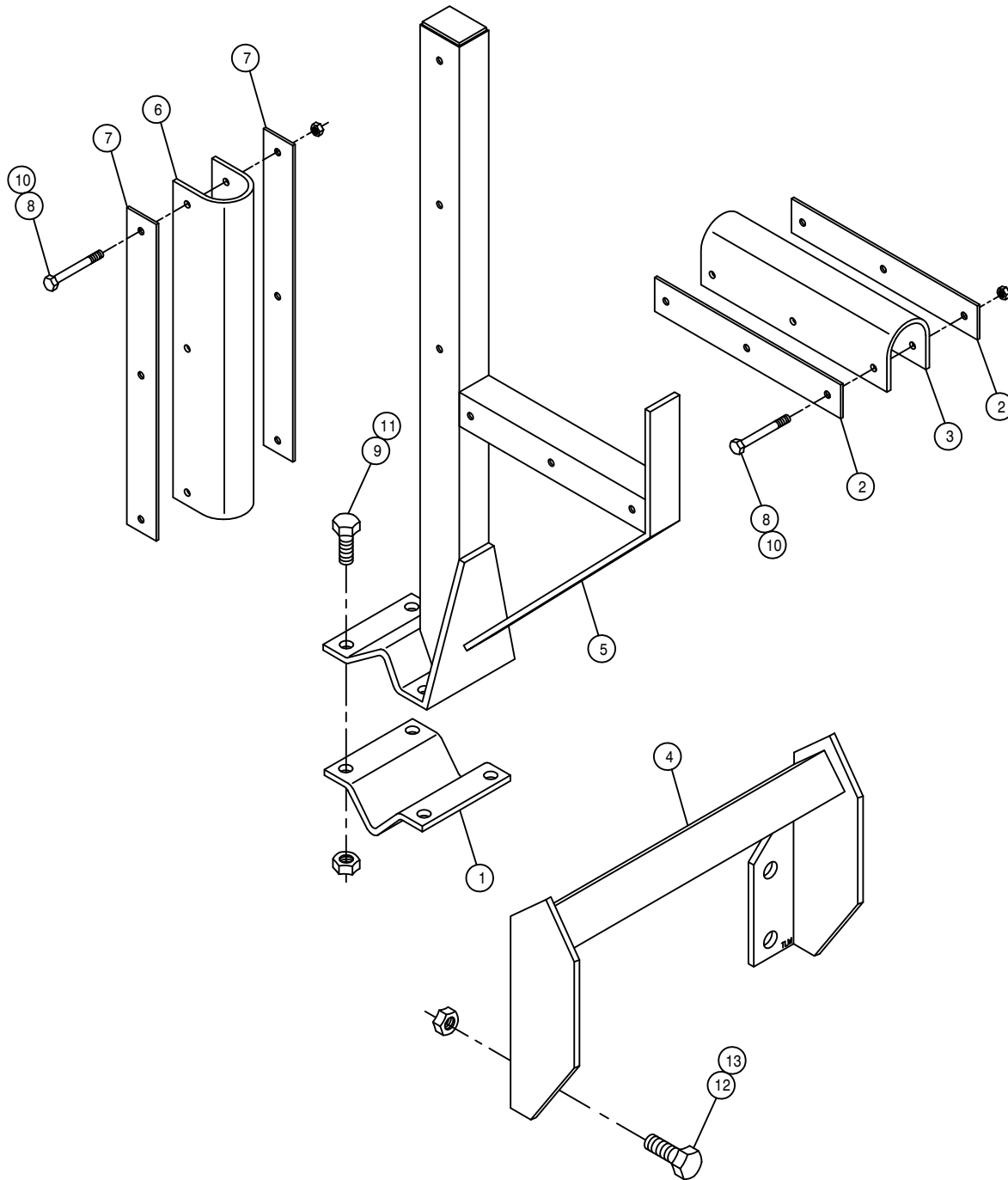


BOOM CRADLE ASSEMBLY

DET. QTY PART NO. DESCRIPTION

1	2	164253	BOOM CRADLE V-PLATE KEEPER	96
2	4	164254	CRADLE CUSHION KEEPER	96
3	2	164256	BOOM CRADLE CUSHION	96
4	2	164372	BOOM CRADLE WLD, 2100	98
5	2	164376	BOOM CRADLE MT WLD, 2100	98
6	2	601184	HOSE, 1 1/2 X 14 2BR BLK EPDM	
7	6	900008	1/4UNC X 2 1/2 HEX BOLT	
8	8	900265	1/2UNC X 1 1/2 HEX BOLT	
9	6	914000	1/4UNC HEX STOVER NUT	
10	8	914008	1/2UNC HEX STOVER NUT	
11	8	900334	5/8UNC X 1 3/4 HEX BOLT	
12	8	914010	5/8UNC HEX STOVER NUT	

NOTE: QUANTITY LISTED IS FOR ONE MACHINE.

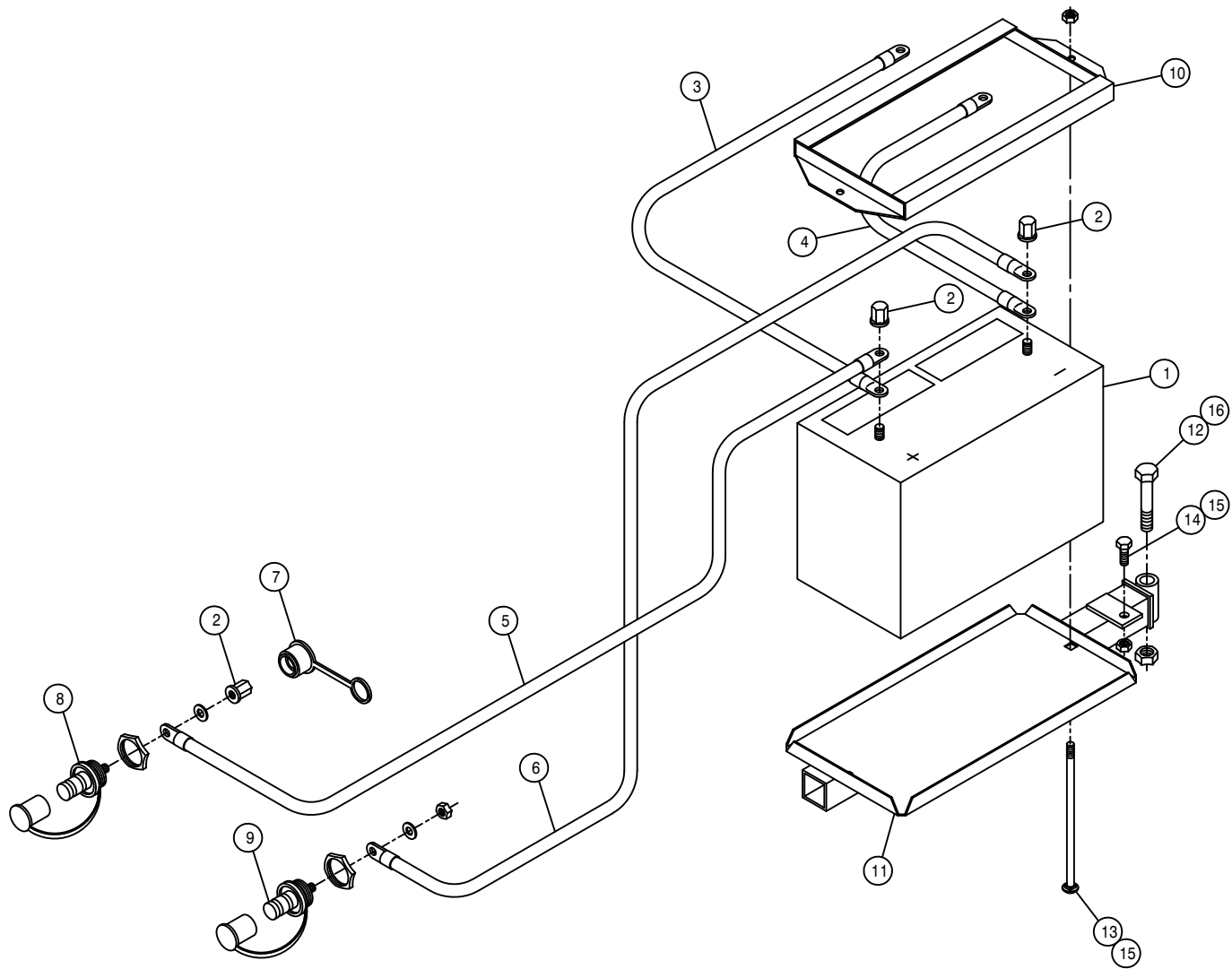


154" TREAD ADJUST BOOM CRADLE ASSEMBLY

DET. QTY PART NO. DESCRIPTION

1	2	164253	BOOM CRADLE V-PLATE KEEPER	96
2	4	164254	CRADLE CUSHION KEEPER	96
3	2	164256	BOOM CRADLE CUSHION	96
4	2	164376	BOOM CRADLE MT WLD, 2100	98
5	2	164391	BOOM CRADLE WLD, 2100 154"TRD98	
6	2	164395	BOOM CRADLE CUSHION, LONG	98
7	4	164396	CUSHION CRADLE KEEPER, LONG	98
8	12	900008	1/4UNC X 2 1/2 HEX BOLT	
9	8	900265	1/2UNC X 1 1/2 HEX BOLT	
10	12	914000	1/4UNC HEX STOVER NUT	
11	8	914008	1/2UNC HEX STOVER NUT	
12	8	900334	5/8UNC X 1 3/4 HEX BOLT	
13	8	914010	5/8UNC HEX STOVER NUT	

NOTE: QUANTITY LISTED IS FOR ONE MACHINE.



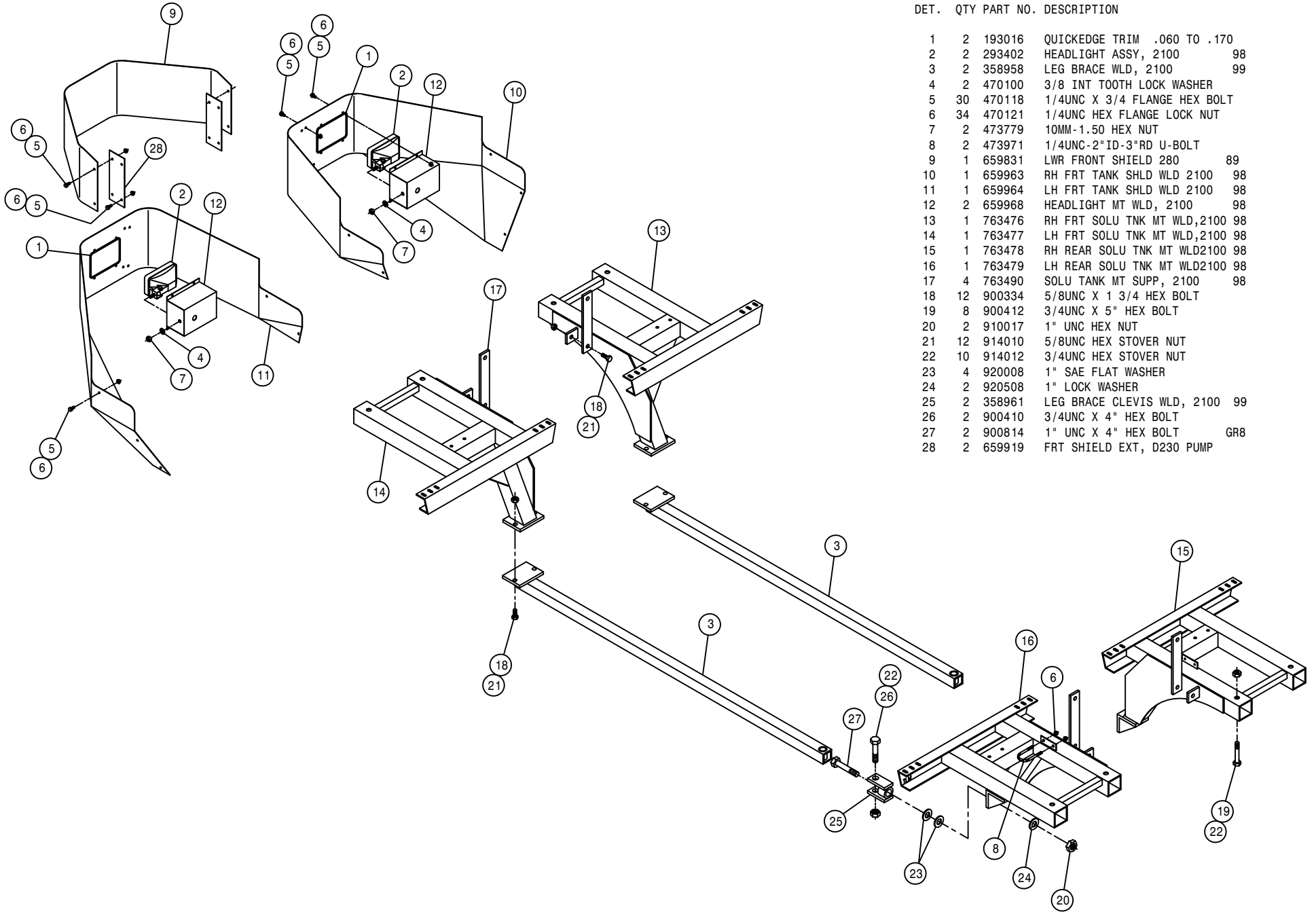
BATTERY BOX ASSEMBLY

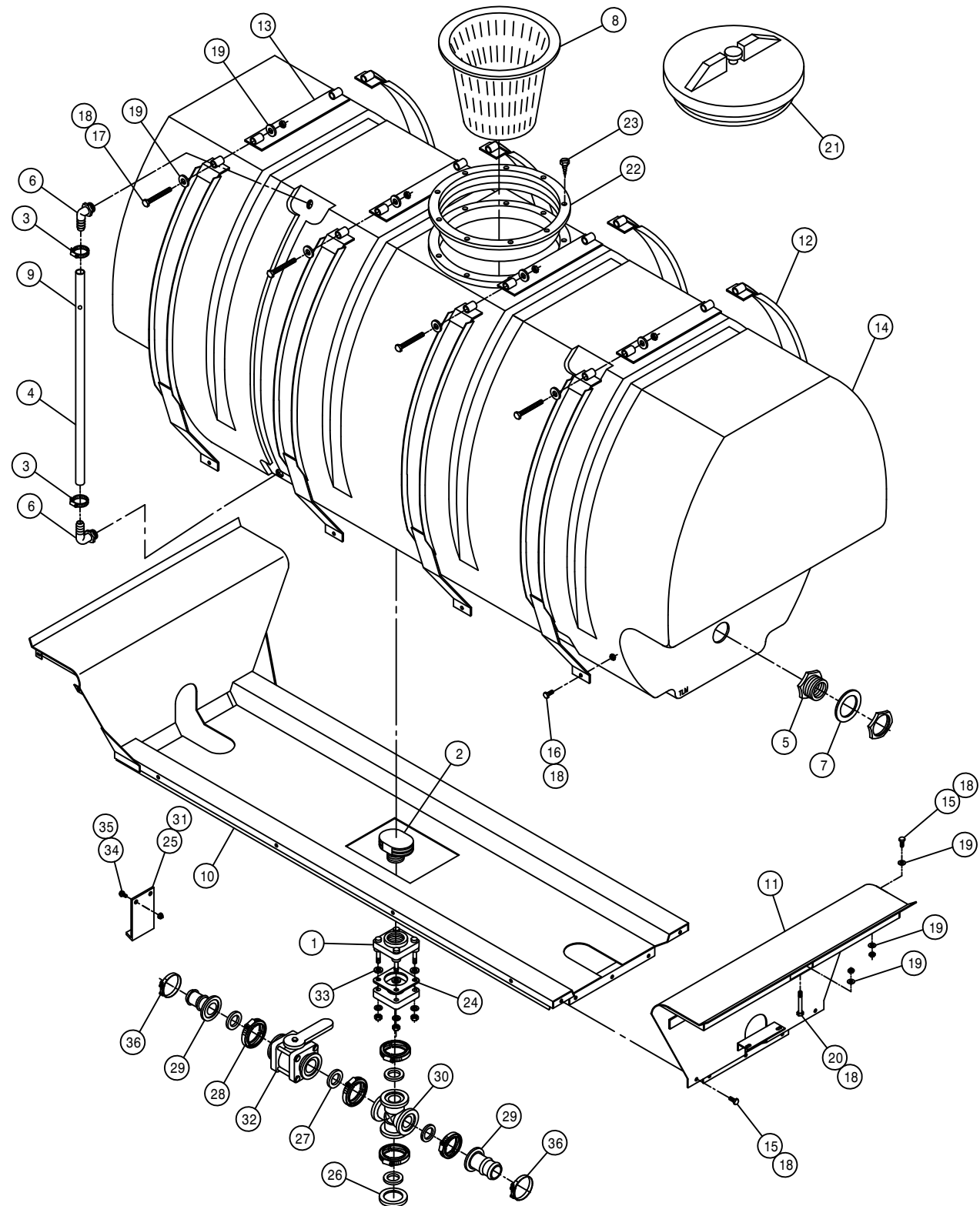
DET.	QTY	PART NO.	DESCRIPTION
	1	291196	BATTERY, 12V 950CCA, SS STUD
	3	291205	BATTERY NUT, 3/8-16 SS CLSD CAP
	3	291532	BATT CABLE, RED 50" 1/0 3/8-3/8
	1	291534	BATT CABLE, BLK 50" 1/0 3/8-3/8
	1	291533	BATT CABLE, RED 74" 1/0 3/8-3/8
	1	291535	BATT CABLE, BLK 84" 1/0 3/8-3/8
	1	291679	BATTERY NUT COVER, POSITIVE-RED
	1	291680	POSITIVE JUMPER STUD, RED
	1	291681	NEGATIVE JUMPER STUD, BLACK
	1	341322	BATTERY HOLD DOWN WLD 1981
	1	361470	BATTERY BOX WLD, 2100 98
	1	900339	5/8UNC X 3 1/4 HEX BOLT
	2	901150	3/8UNC X 9" CARR BOLT
	1	900129	3/8UNC X 1" HEX BOLT
	3	914004	3/8UNC HEX STOVER NUT
	1	914010	5/8UNC HEX STOVER NUT

SOLUTION TANK MOUNTS AND SHIELDS

DET. QTY PART NO. DESCRIPTION

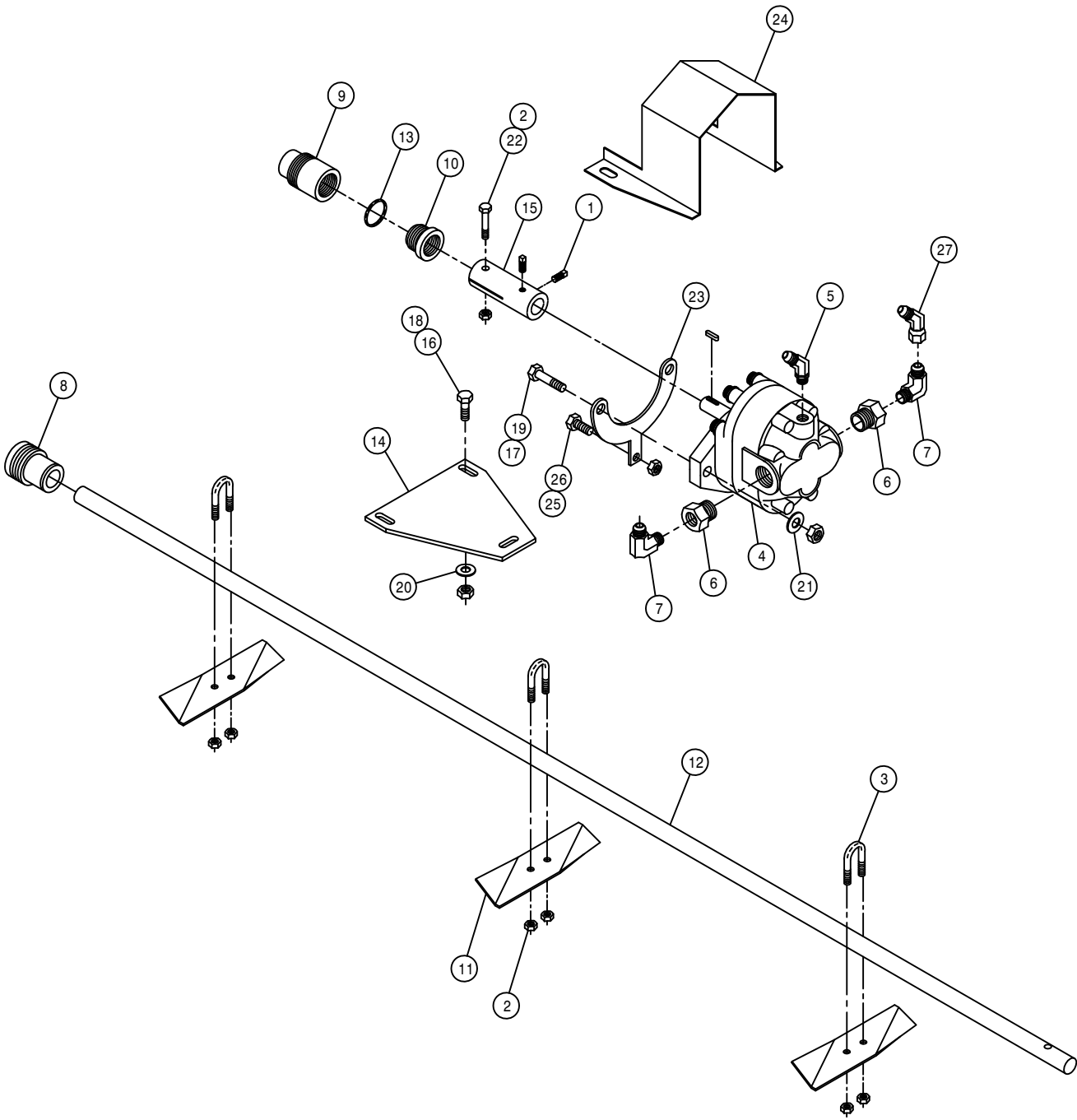
DET.	QTY	PART NO.	DESCRIPTION	
1	2	193016	QUICKEDGE TRIM .060 TO .170	
2	2	293402	HEADLIGHT ASSY, 2100	98
3	2	358958	LEG BRACE WLD, 2100	99
4	2	470100	3/8 INT TOOTH LOCK WASHER	
5	30	470118	1/4UNC X 3/4 FLANGE HEX BOLT	
6	34	470121	1/4UNC HEX FLANGE LOCK NUT	
7	2	473779	10MM-1.50 HEX NUT	
8	2	473971	1/4UNC-2"ID-3"RD U-BOLT	
9	1	659831	LWR FRONT SHIELD 280	89
10	1	659963	RH FRT TANK SHLD WLD 2100	98
11	1	659964	LH FRT TANK SHLD WLD 2100	98
12	2	659968	HEADLIGHT MT WLD, 2100	98
13	1	763476	RH FRT SOLU TNK MT WLD,2100	98
14	1	763477	LH FRT SOLU TNK MT WLD,2100	98
15	1	763478	RH REAR SOLU TNK MT WLD2100	98
16	1	763479	LH REAR SOLU TNK MT WLD2100	98
17	4	763490	SOLU TANK MT SUPP, 2100	98
18	12	900334	5/8UNC X 1 3/4 HEX BOLT	
19	8	900412	3/4UNC X 5" HEX BOLT	
20	2	910017	1" UNC HEX NUT	
21	12	914010	5/8UNC HEX STOVER NUT	
22	10	914012	3/4UNC HEX STOVER NUT	
23	4	920008	1" SAE FLAT WASHER	
24	2	920508	1" LOCK WASHER	
25	2	358961	LEG BRACE CLEVIS WLD, 2100	99
26	2	900410	3/4UNC X 4" HEX BOLT	
27	2	900814	1" UNC X 4" HEX BOLT	GR8
28	2	659919	FRT SHIELD EXT, D230 PUMP	





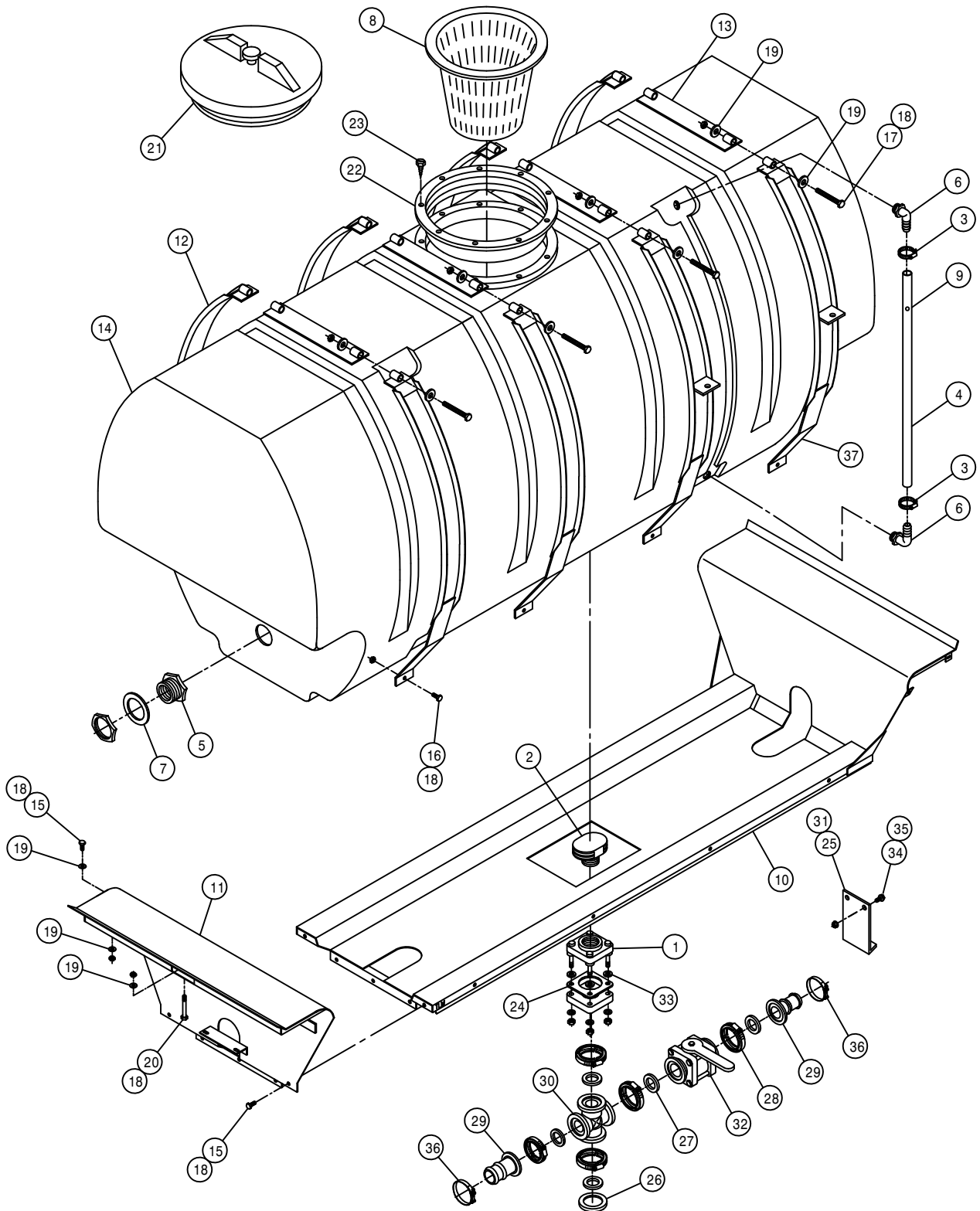
RIGHT POLY SOLUTION TANK ASSEMBLY

DET.	QTY	PART NO.	DESCRIPTION
1	1	500179	2"FLG TANK FTG,BOTDRN BLT POLY
2	1	500077	VENT CAP, 2" W/O SCREEN,POLY
3	2	520069	HOSE CLAMP NO 6 STAINLESS
4	1	601245	HOSE, 1/2 X 42 CLEAR VINYL
5	2	618548	1.25 PLASTIC FTG ASSY POLYTNK
6	2	618556	1/4NPT-90-1/2 HOSE BARB,POLY
7	2	763430	1 1/4 TANK FLANGE RUBBER SEAL
8	1	763431	8" STRAINER BASKET, SOLU TANK
9	1	763446	RED POLYPROPYLENE BALL 25/64"
10	1	763493	RH POLY TANK CRADLE WLD2100 98
11	1	763502	REAR CRADLE MT WLD, 2100 98
12	8	763507	TANK BAND WLD, 2100 POLY 98
13	4	763511	TANK BAND TIE WLD, 2100 98
14	1	763513	500 GAL POLY SOLU TANK 98
15	13	900129	3/8UNC X 1" HEX BOLT
16	8	900130	3/8UNC X 1 1/4 HEX BOLT
17	8	906138	3/8UNC X 3 1/2 HEX BOLT FULL
18	33	914004	3/8UNC HEX STOVER NUT
19	36	920002	3/8 SAE FLAT WASHER
20	4	900140	3/8UNC X 4" HEX BOLT
21	1	763408	LID, THD'D W/VENT, POLY TANK
22	1	763409	10" THD'D RING FOR TANK LID
23	8	763410	S.S. SCREW FOR CAP RING
24	1	500087	GASKET,2" TANK FLG 500076/179
25	1	763363	SOLU HOSE SUPPORT 280 POLY 91
26	1	500156	2" FLANGE CAP PLUG POLY
27	5	500158	1 1/2" GASKET FOR 2" FLANGE
28	5	500160	2" FLANGE CLAMP, S.S.
29	2	500162	2" FLANGE-1 1/2 HOSE BARB POLY
30	1	500176	2" FLANGE CROSS POLY
31	1	470000	CABLE TIE, 21" BLACK PLASTIC
32	1	696142	BALL VLV, 2" FLANGE
33	4	500100	FOOT GASKET,2" FLG 500076/179
34	2	470118	1/4UNC X 3/4 FLANGE HEX BOLT
35	2	470121	1/4UNC HEX FLANGE LOCK NUT
36	2	520133	1.81/2.06 T-BOLT HOSE CLAMP SS



RH POLY TANK AGITATOR ASSEMBLY

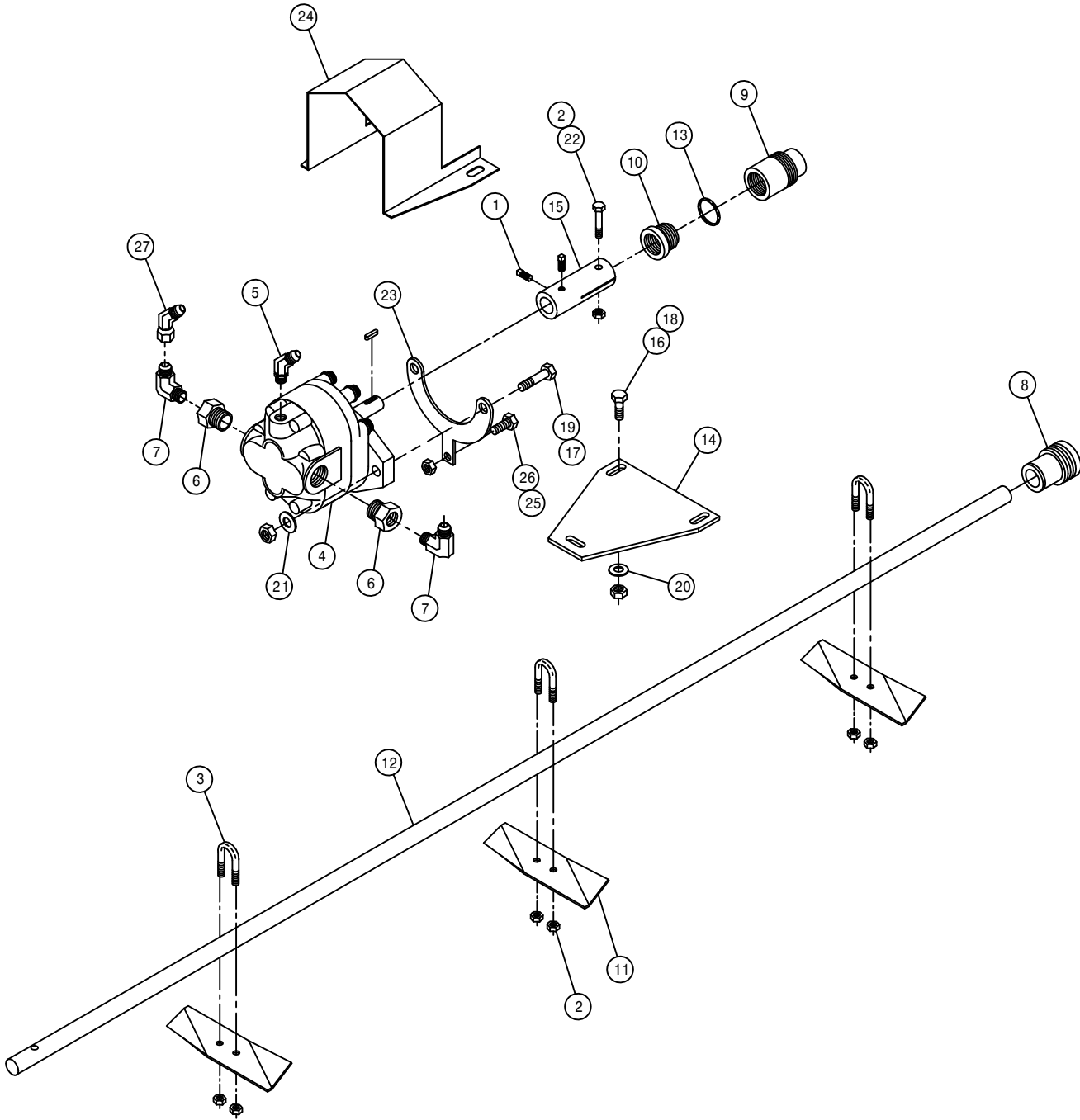
DET.	QTY	PART NO.	DESCRIPTION
1	2	470199	1/4UNC X 3/8 SQHD CUP SET SCR
2	7	470089	1/4UNC HEX LOC NUT NYL INS SS
3	3	470092	1/4UNC-3/4ID-1 1/4 U-BOLT SS
4	1	610510	CESSNA GEAR MOTOR 1.48CI
5	1	618338	9/16MJIC-45-1/4MNPT LBO
6	2	618092	1 1/16MOR-1/2FNPT ADPTR
7	2	618107	9/16MJIC-90-1/2MNPT LBO
8	1	706403	FRT AGIT SHFT BRG, NYLON
9	1	706401	REAR AGIT SHFT BRG, NYLON
10	1	706402	AGIT SHFT GLAND NUT, NYLON
11	3	763027	AGIT IMPELLER
12	1	763514	AGIT SHAFT, 2100
13	1	763217	GLAND PACKING, 13 IN. LONG
14	1	763357	AGIT MTR MT PLT CES 280
15	1	763359	AGIT MTR CPLR 280
16	2	900064	5/16UNC X 3/4 HEX BOLT
17	2	900130	3/8UNC X 1 1/4 HEX BOLT
18	2	914002	5/16UNC HEX STOVER NUT
19	2	914004	3/8UNC HEX STOVER NUT
20	2	920001	5/16 SAE FLAT WASHER
21	2	920002	3/8 SAE FLAT WASHER
22	1	470200	1/4UNC X 1 3/4 HEX BOLT SS
23	1	763358	AGIT MTR MT YOKE CES 280
24	1	763361	AGIT CPLR SHIELD 280
25	1	900000	1/4UNC X 1/2 HEX BOLT
26	1	914000	1/4UNC HEX STOVER NUT
27	1	618634	9/16MJIC-45-9/16FJIC SWIV LBO



LEFT POLY SOLUTION TANK ASSEMBLY

DET. QTY PART NO. DESCRIPTION

1	1	500179	2"FLG TANK FTG,BOTDRN BLT POLY
2	1	500077	VENT CAP, 2" W/O SCREEN,POLY
3	2	520069	HOSE CLAMP NO 6 STAINLESS
4	1	601245	HOSE, 1/2 X 42 CLEAR VINYL
5	2	618548	1.25 PLASTIC FTG ASSY POLYTNK
6	2	618556	1/4NPT-90-1/2 HOSE BARB,POLY
7	2	763430	1 1/4 TANK FLANGE RUBBER SEAL
8	1	763431	8" STRAINER BASKET, SOLU TANK
9	1	763446	RED POLYPROPYLENE BALL 25/64"
10	1	763494	LH POLY TANK CRADLE WLD2100 98
11	1	763502	REAR CRADLE MT WLD, 2100 98
12	6	763507	TANK BAND WLD, 2100 POLY 98
13	4	763511	TANK BAND TIE WLD, 2100 98
14	1	763513	500 GAL POLY SOLU TANK 98
15	13	900129	3/8UNC X 1" HEX BOLT
16	8	900130	3/8UNC X 1 1/4 HEX BOLT
17	8	906138	3/8UNC X 3 1/2 HEX BOLT FULL
18	33	914004	3/8UNC HEX STOVER NUT
19	36	920002	3/8 SAE FLAT WASHER
20	4	900140	3/8UNC X 4" HEX BOLT
21	1	763408	LID, THD'D W/VENT, POLY TANK
22	1	763409	10" THD'D RING FOR TANK LID
23	8	763410	S.S. SCREW FOR CAP RING
24	1	500087	GASKET,2" TANK FLG 500076/179
25	1	763363	SOLU HOSE SUPPORT 280 POLY 91
26	1	500156	2" FLANGE CAP PLUG POLY
27	5	500158	1 1/2" GASKET FOR 2" FLANGE
28	5	500160	2" FLANGE CLAMP, S.S.
29	2	500162	2" FLANGE-1 1/2 HOSE BARB POLY
30	1	500176	2" FLANGE CROSS POLY
31	1	470000	CABLE TIE, 21" BLACK PLASTIC
32	1	696142	BALL VLV, 2" FLANGE
33	4	500100	FOOT GASKET,2" FLG 500076/179
34	2	470118	1/4UNC X 3/4 FLANGE HEX BOLT
35	2	470121	1/4UNC HEX FLANGE LOCK NUT
36	2	520133	1.81/2.06 T-BOLT HOSE CLAMP SS
37	2	763515	TANK BAND W/TAB WLD, 2100 98



LH POLY TANK AGITATOR ASSEMBLY

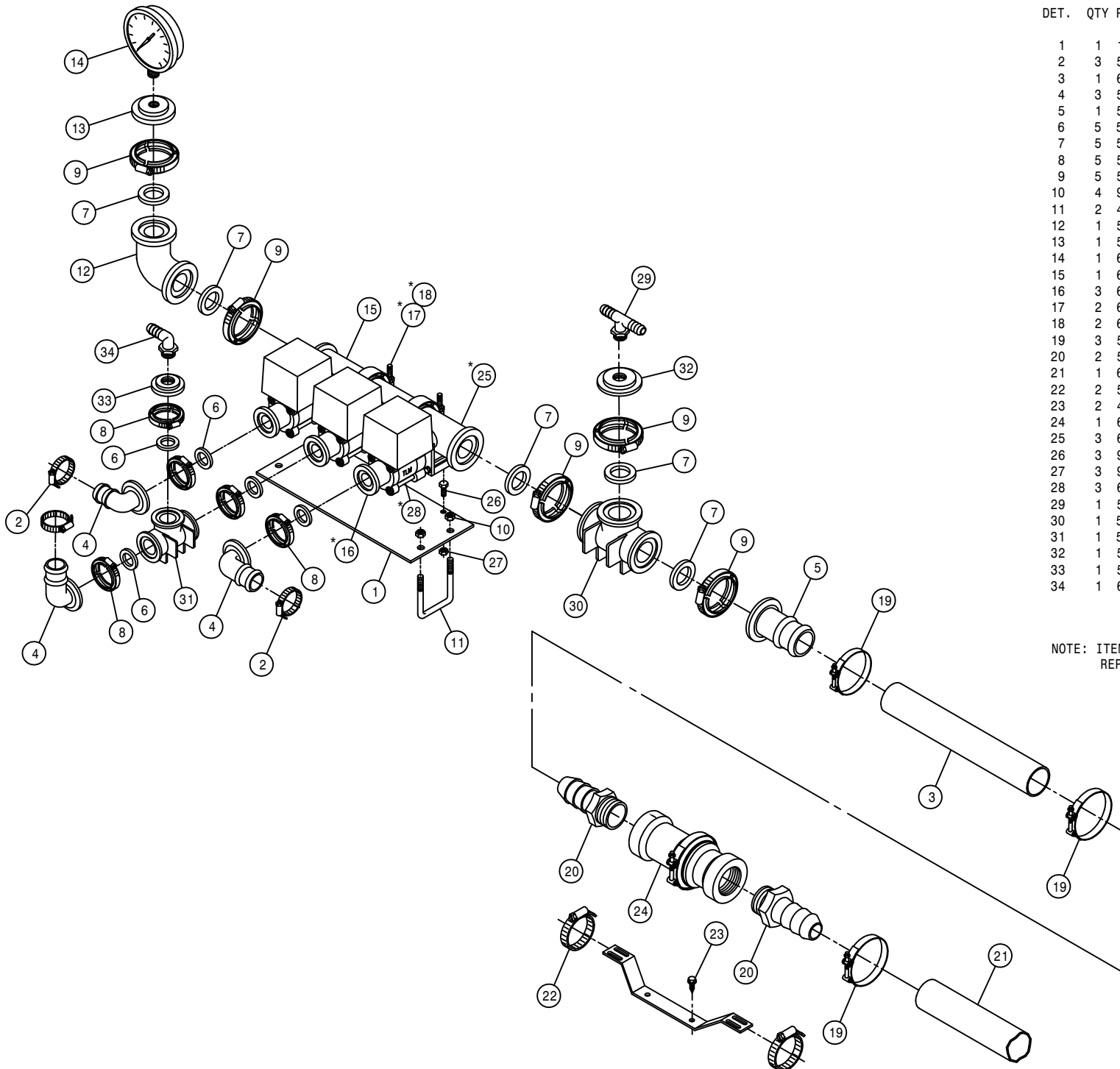
DET.	QTY	PART NO.	DESCRIPTION	
1	2	470199	1/4UNC X 3/8 SQHD CUP SET SCR	
2	7	470089	1/4UNC HEX LOC NUT NYL INS SS	
3	3	470092	1/4UNC-3/4ID-1 1/4 U-BOLT SS	
4	1	610510	CESSNA GEAR MOTOR 1.48CI	
5	1	618338	9/16MJIC-45-1/4MNPT LBO	
6	2	618092	1 1/16MOR-1/2FNPT ADPTR	
7	2	618107	9/16MJIC-90-1/2MNPT LBO	
8	1	706403	FRT AGIT SHFT BRG, NYLON	
9	1	706401	REAR AGIT SHFT BRG, NYLON	
10	1	706402	AGIT SHFT GLAND NUT, NYLON	
11	3	763027	AGIT IMPELLER	
12	1	763514	AGIT SHAFT, 2100	98
13	1	763217	GLAND PACKING, 13 IN. LONG	
14	1	763357	AGIT MTR MT PLT CES 280	91
15	1	763359	AGIT MTR CPLR 280	91
16	2	900064	5/16UNC X 3/4 HEX BOLT	
17	2	900130	3/8UNC X 1 1/4 HEX BOLT	
18	2	914002	5/16UNC HEX STOVER NUT	
19	2	914004	3/8UNC HEX STOVER NUT	
20	2	920001	5/16 SAE FLAT WASHER	
21	2	920002	3/8 SAE FLAT WASHER	
22	1	470200	1/4UNC X 1 3/4 HEX BOLT SS	
23	1	763358	AGIT MTR MT YOKE CES 280	91
24	1	763361	AGIT CPLR SHIELD 280	91
25	1	900000	1/4UNC X 1/2 HEX BOLT	
26	1	914000	1/4UNC HEX STOVER NUT	
27	1	618634	9/16MJIC-45-9/16FJIC SWIV LBO	

60' SOLUTION SOLENOID ASSEMBLY (STANDARD)

DET. QTY PART NO. DESCRIPTION

DET.	QTY	PART NO.	DESCRIPTION
1	1	164422	SOLU MANIF VLV MT, HIVOL
2	3	520090	HOSE CLAMP NO 16 STAINLESS
3	1	601451	HOSE, 2 X 69 2F-1W EPDM
4	3	500173	1" FLANGE-90-1" HOSE BARB POLY
5	1	500154	2" FLANGE-2" HOSE BARB POLY
6	5	500157	1" FLANGE GASKET EPDM
7	5	500158	1 1/2" GASKET FOR 2" FLANGE
8	5	500159	1" FLANGE CLAMP, S.S.
9	5	500160	2" FLANGE CLAMP, S.S.
10	4	914004	3/8UNC HEX STOVER NUT
11	2	470136	3/8UNC-3 1/16ID-3 SQ U-BOLT
12	1	500180	2"FLANGE-90-2"FLANGE LBO POLY
13	1	500181	2" FLANGE PLUG W/1/4"FNPT POLY
14	1	690359	PRESSURE GA GLYCERI 100 PSI
15	1	696178	ELECT 3-BALL VLV,2"FLANGE TJET
16	3	696502	OUTLET FLG END-CAP FOR 696178
17	2	696503	O-RING,VLV FITTING FOR 696178
18	2	696504	CLAMP,VLV FITTING FOR 696178
19	3	520141	2.31/2.62 T-BOLT HOSE CLAMP SS
20	2	500058	2"NPT X 2" H BARB, POLY
21	1	601450	HOSE, 2 X 84 2F-1W EPDM
22	2	520056	HOSE CLAMP NO 56 STAINLESS
23	2	472349	1/4 X 3/4 20THD-IN TEK TYPE
24	1	690529	RFM 100 FLOW METER, RAVEN
25	3	696501	FLANGE VLV TEE FOR 696178
26	3	900064	5/16UNC X 3/4 HEX BOLT
27	3	914002	5/16UNC HEX STOVER NUT
28	3	696500	450EC VLV W/FLG TEE FOR 696178
29	1	500119	1/2"NPT BR TEE-1/2"H BARB, POLY
30	1	500151	2" FLANGE TEE POLY
31	1	500175	1" FLANGE TEE POLY
32	1	500224	2" FLANGE PLUG W/1/2"FNPT POLY
33	1	500226	1" FLANGE PLUG W/1/4"FNPT POLY
34	1	618556	1/4NPT-90-1/2 HOSE BARB,POLY

NOTE: ITEMS MARKED WITH A (*) ARE SOLUTION VALVE REPAIR PARTS.



66

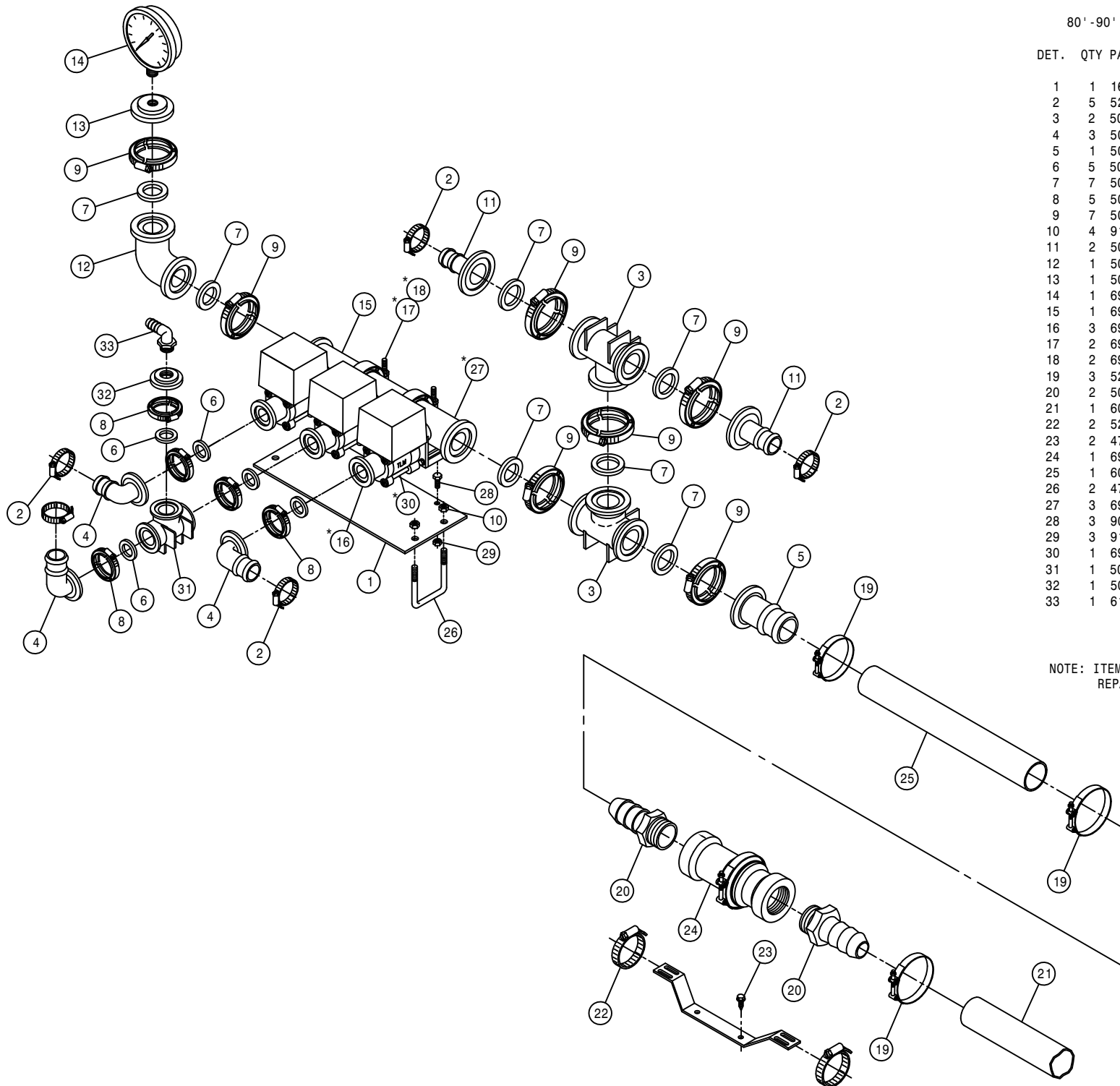
268066

80'-90' SOLUTION ASSEMBLY (STANDARD)

DET. QTY PART NO. DESCRIPTION

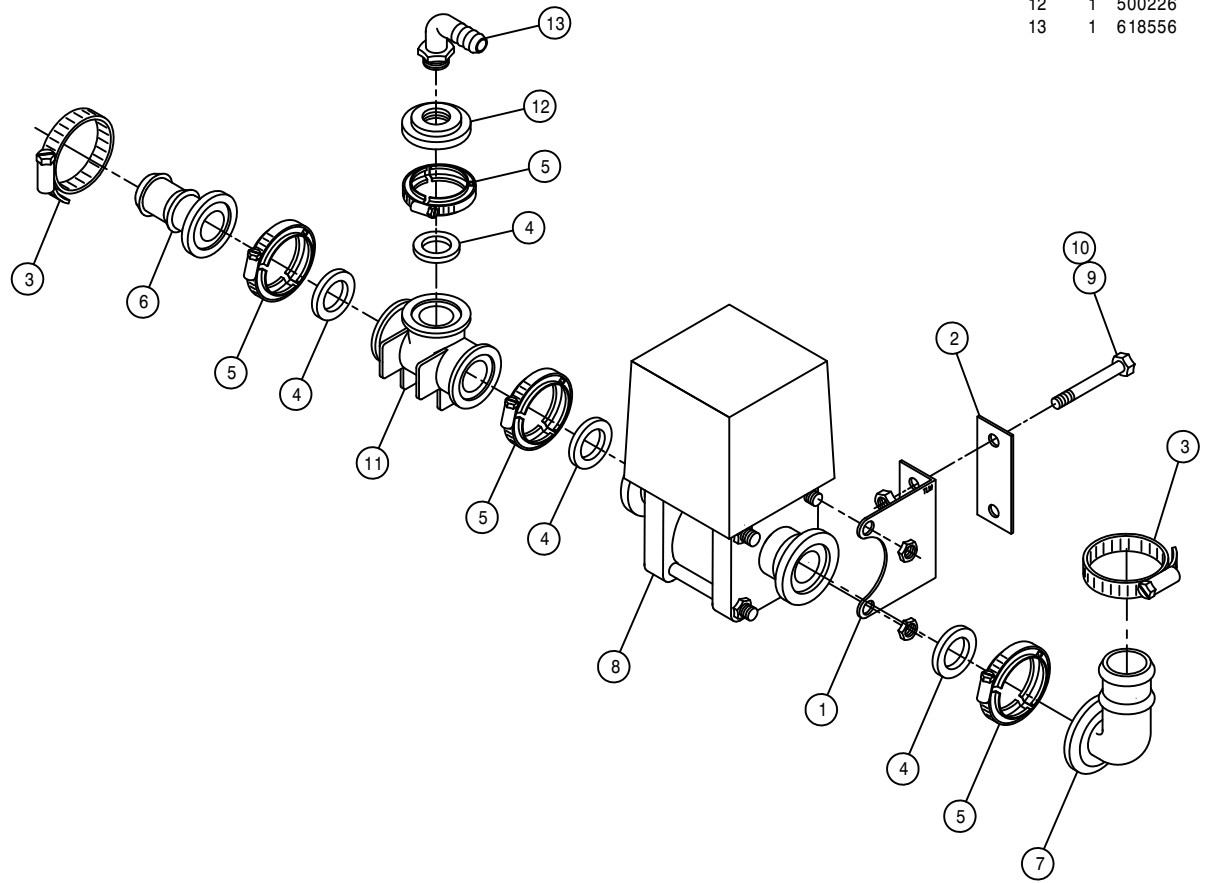
DET.	QTY	PART NO.	DESCRIPTION
1	1	164422	SOLU MANIF VLV MT, HIVOL
2	5	520090	HOSE CLAMP NO 16 STAINLESS
3	2	500151	2" FLANGE TEE POLY
4	3	500173	1" FLANGE-90-1" HOSE BARB POLY
5	1	500154	2" FLANGE-2" HOSE BARB POLY
6	5	500157	1" FLANGE GASKET EPDM
7	7	500158	1 1/2" GASKET FOR 2" FLANGE
8	5	500159	1" FLANGE CLAMP, S.S.
9	7	500160	2" FLANGE CLAMP, S.S.
10	4	914004	3/8UNC HEX STOVER NUT
11	2	500172	2" FLANGE-1" HOSE BARB POLY
12	1	500180	2"FLANGE-90-2"FLANGE LBO POLY
13	1	500181	2" FLANGE PLUG W/1/4"FNPT POLY
14	1	690359	PRESSURE GA GLYCERI 100 PSI
15	1	696178	ELECT 3-BALL VLV,2"FLANGE TJET
16	3	696502	OUTLET FLG END-CAP FOR 696178
17	2	696503	O-RING,VLV FITTING FOR 696178
18	2	696504	CLAMP,VLV FITTING FOR 696178
19	3	520141	2.31/2.62 T-BOLT HOSE CLAMP SS
20	2	500058	2"NPT X 2" H BARB, POLY
21	1	601450	HOSE, 2 X 84 2F-1W EPDM
22	2	520056	HOSE CLAMP NO 56 STAINLESS
23	2	472349	1/4 X 3/4 20THD-IN TEK TYPE
24	1	690529	RFM 100 FLOW METER, RAVEN
25	1	601451	HOSE, 2 X 69 2F-1W EPDM
26	2	470136	3/8UNC-3 1/16ID-3 SQ U-BOLT
27	3	696501	FLANGE VLV TEE FOR 696178
28	3	900064	5/16UNC X 3/4 HEX BOLT
29	3	914002	5/16UNC HEX STOVER NUT
30	1	696500	450EC VLV W/FLG TEE FOR 696178
31	1	500175	1" FLANGE TEE POLY
32	1	500226	1" FLANGE PLUG W/1/4"FNPT POLY
33	1	618556	1/4NPT-90-1/2 HOSE BARB,POLY

NOTE: ITEMS MARKED WITH A (*) ARE SOLUTION VALVE REPAIR PARTS.



80' -90' OUTER BOOM SOLENOID (STANDARD)

DET.	QTY	PART NO.	DESCRIPTION
1	1	164303	SOLU VLV MT 97
2	1	164304	SOLU VLV MT KEEPER 97
3	2	520090	HOSE CLAMP NO 16 STAINLESS
4	4	500157	1" FLANGE GASKET EPDM
5	4	500159	1" FLANGE CLAMP, S.S.
6	1	500171	1" FLANGE-1" HOSE BARB POLY
7	1	500173	1" FLANGE-90-1" HOSE BARB POLY
8	1	696177	ELECT BALL VLV, 1" FLANGE TJET
9	2	900007	1/4UNC X 2" HEX BOLT
10	2	914000	1/4UNC HEX STOVER NUT
11	1	500175	1" FLANGE TEE POLY
12	1	500226	1" FLANGE PLUG W/1/4"FNPT POLY
13	1	618556	1/4NPT-90-1/2 HOSE BARB,POLY

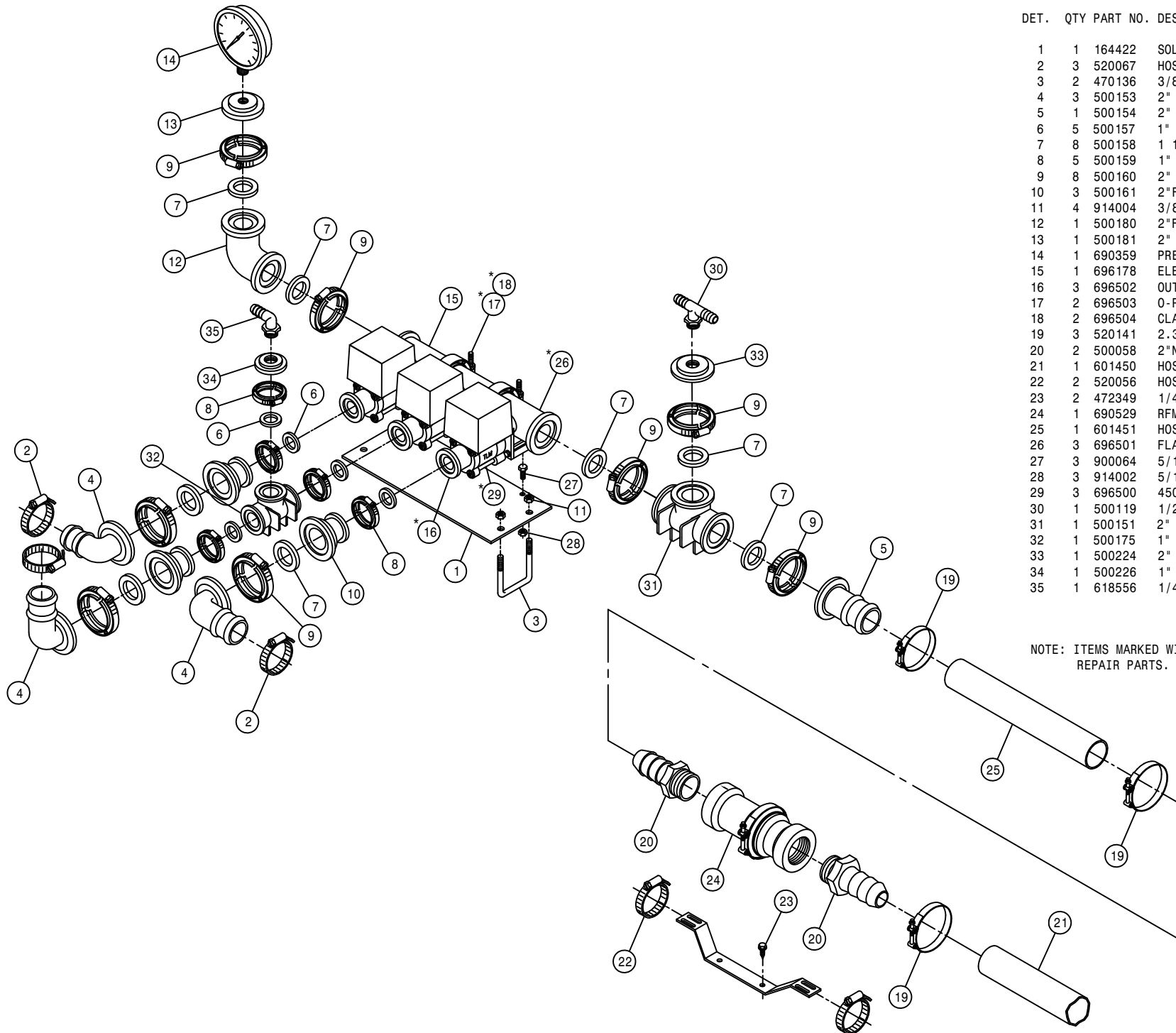


60' SOLUTION SOLENOID ASSEMBLY (HI-VOLUME)

DET. QTY PART NO. DESCRIPTION

DET.	QTY	PART NO.	DESCRIPTION
1	1	164422	SOLU MANIF VLV MT, HIVOL
2	3	520067	HOSE CLAMP NO 28 STAINLESS
3	2	470136	3/8UNC-3 1/16ID-3 SQ U-BOLT
4	3	500153	2" FLANGE-90-1 1/2 HBARB POLY
5	1	500154	2" FLANGE-2" HOSE BARB POLY
6	5	500157	1" FLANGE GASKET EPDM
7	8	500158	1 1/2" GASKET FOR 2" FLANGE
8	5	500159	1" FLANGE CLAMP, S.S.
9	8	500160	2" FLANGE CLAMP, S.S.
10	3	500161	2" FLANGE-1" FLANGE COUPLER, POLY
11	4	914004	3/8UNC HEX STOVER NUT
12	1	500180	2" FLANGE-90-2" FLANGE LBO POLY
13	1	500181	2" FLANGE PLUG W/1/4" FNPT POLY
14	1	690359	PRESSURE GA GLYCERI 100 PSI
15	1	696178	ELECT 3-BALL VLV, 2" FLANGE TJET
16	3	696502	OUTLET FLG END-CAP FOR 696178
17	2	696503	O-RING, VLV FITTING FOR 696178
18	2	696504	CLAMP, VLV FITTING FOR 696178
19	3	520141	2.31/2.62 T-BOLT HOSE CLAMP SS
20	2	500058	2"NPT X 2" H BARB, POLY
21	1	601450	HOSE, 2 X 84 2F-1W EPDM
22	2	520056	HOSE CLAMP NO 56 STAINLESS
23	2	472349	1/4 X 3/4 20THD-IN TEK TYPE
24	1	690529	RFM 100 FLOW METER, RAVEN
25	1	601451	HOSE, 2 X 69 2F-1W EPDM
26	3	696501	FLANGE VLV TEE FOR 696178
27	3	900064	5/16UNC X 3/4 HEX BOLT
28	3	914002	5/16UNC HEX STOVER NUT
29	3	696500	450EC VLV W/FLG TEE FOR 696178
30	1	500119	1/2"NPT BR TEE-1/2" HBARB, POLY
31	1	500151	2" FLANGE TEE POLY
32	1	500175	1" FLANGE TEE POLY
33	1	500224	2" FLANGE PLUG W/1/2" FNPT POLY
34	1	500226	1" FLANGE PLUG W/1/4" FNPT POLY
35	1	618556	1/4NPT-90-1/2 HOSE BARB, POLY

NOTE: ITEMS MARKED WITH A (*) ARE SOLUTION VALVE REPAIR PARTS.

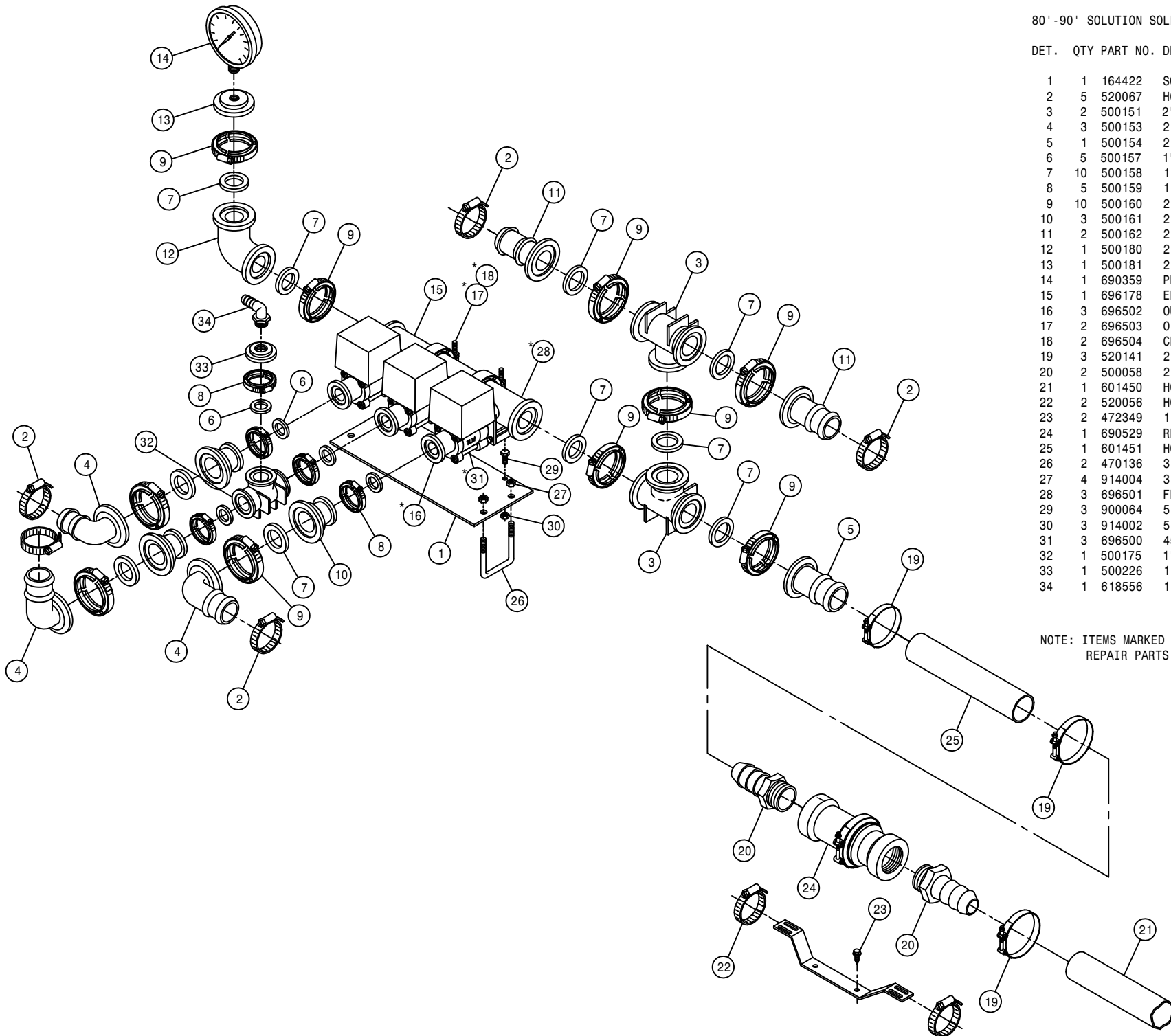


80'-90' SOLUTION SOLENOID ASSEMBLY (HI-VOLUME)

DET. QTY PART NO. DESCRIPTION

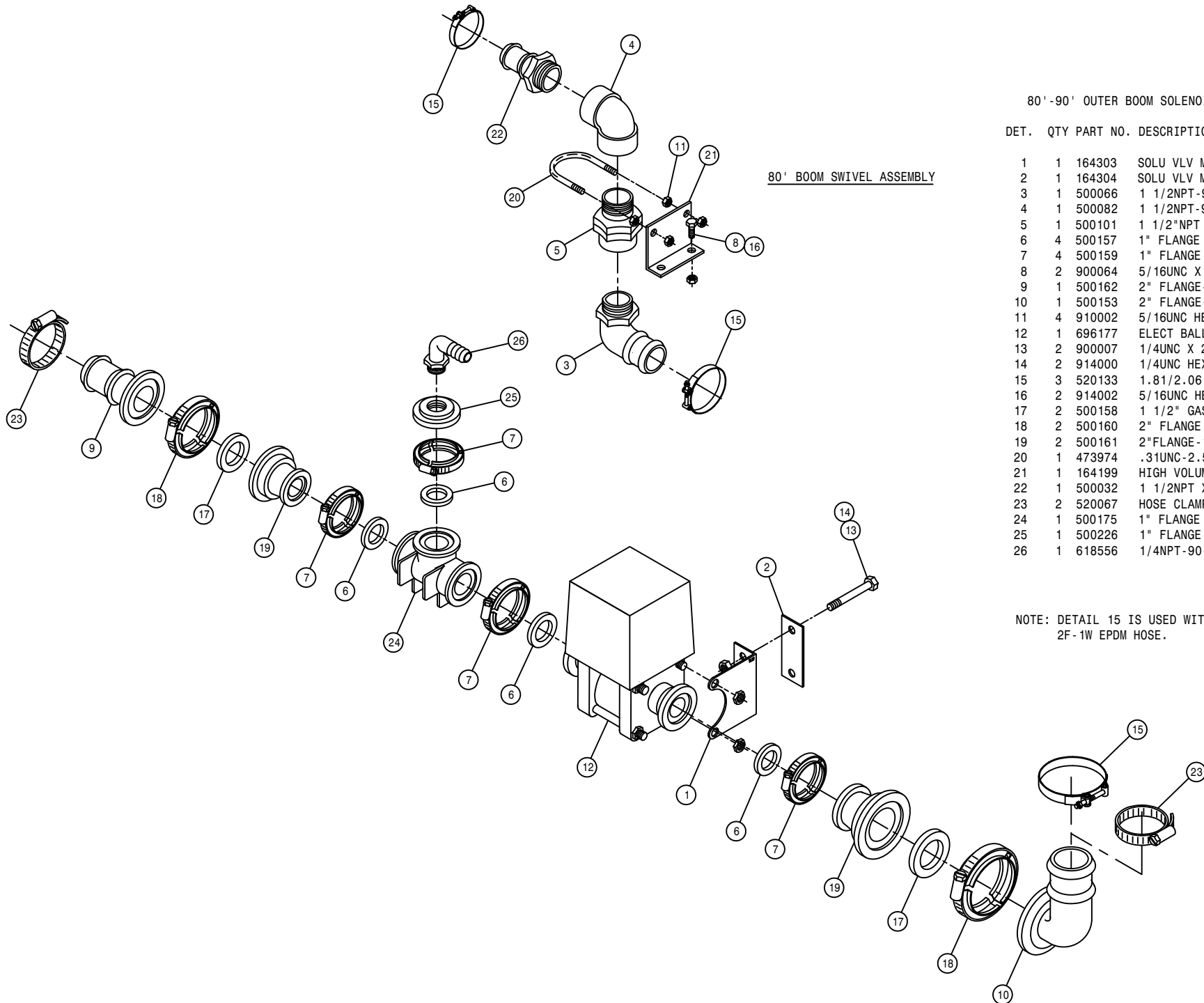
DET.	QTY	PART NO.	DESCRIPTION
1	1	164422	SOLU MANIF VLV MT, HIVOL
2	5	520067	HOSE CLAMP NO 28 STAINLESS
3	2	500151	2" FLANGE TEE POLY
4	3	500153	2" FLANGE-90-1 1/2 HBARB POLY
5	1	500154	2" FLANGE-2" HOSE BARB POLY
6	5	500157	1" FLANGE GASKET EPDM
7	10	500158	1 1/2" GASKET FOR 2" FLANGE
8	5	500159	1" FLANGE CLAMP, S.S.
9	10	500160	2" FLANGE CLAMP, S.S.
10	3	500161	2"FLANGE-1"FLANGE COUPLER,POLY
11	2	500162	2" FLANGE-1 1/2 HOSE BARB POLY
12	1	500180	2"FLANGE-90-2"FLANGE LBO POLY
13	1	500181	2" FLANGE PLUG W/1/4"FNPT POLY
14	1	690359	PRESSURE GA GLYCERI 100 PSI
15	1	696178	ELECT 3-BALL VLV,2"FLANGE TJTET
16	3	696502	OUTLET FLG END-CAP FOR 696178
17	2	696503	O-RING,VLV FITTING FOR 696178
18	2	696504	CLAMP,VLV FITTING FOR 696178
19	3	520141	2.31/2.62 T-BOLT HOSE CLAMP SS
20	2	500058	2"NPT X 2" H BARB, POLY
21	1	601450	HOSE, 2 X 84 2F-1W EPDM
22	2	520056	HOSE CLAMP NO 56 STAINLESS
23	2	472349	1/4 X 3/4 20THD-IN TEK TYPE
24	1	690529	RFM 100 FLOW METER, RAVEN
25	1	601451	HOSE, 2 X 69 2F-1W EPDM
26	2	470136	3/8UNC-3 1/16ID-3 SQ U-BOLT
27	4	914004	3/8UNC HEX STOVER NUT
28	3	696501	FLANGE VLV TEE FOR 696178
29	3	900064	5/16UNC X 3/4 HEX BOLT
30	3	914002	5/16UNC HEX STOVER NUT
31	3	696500	450EC VLV W/FLG TEE FOR 696178
32	1	500175	1" FLANGE TEE POLY
33	1	500226	1" FLANGE PLUG W/1/4"FNPT POLY
34	1	618556	1/4NPT-90-1/2 HOSE BARB,POLY

NOTE: ITEMS MARKED WITH A (*) ARE SOLUTION VALVE REPAIR PARTS.



70

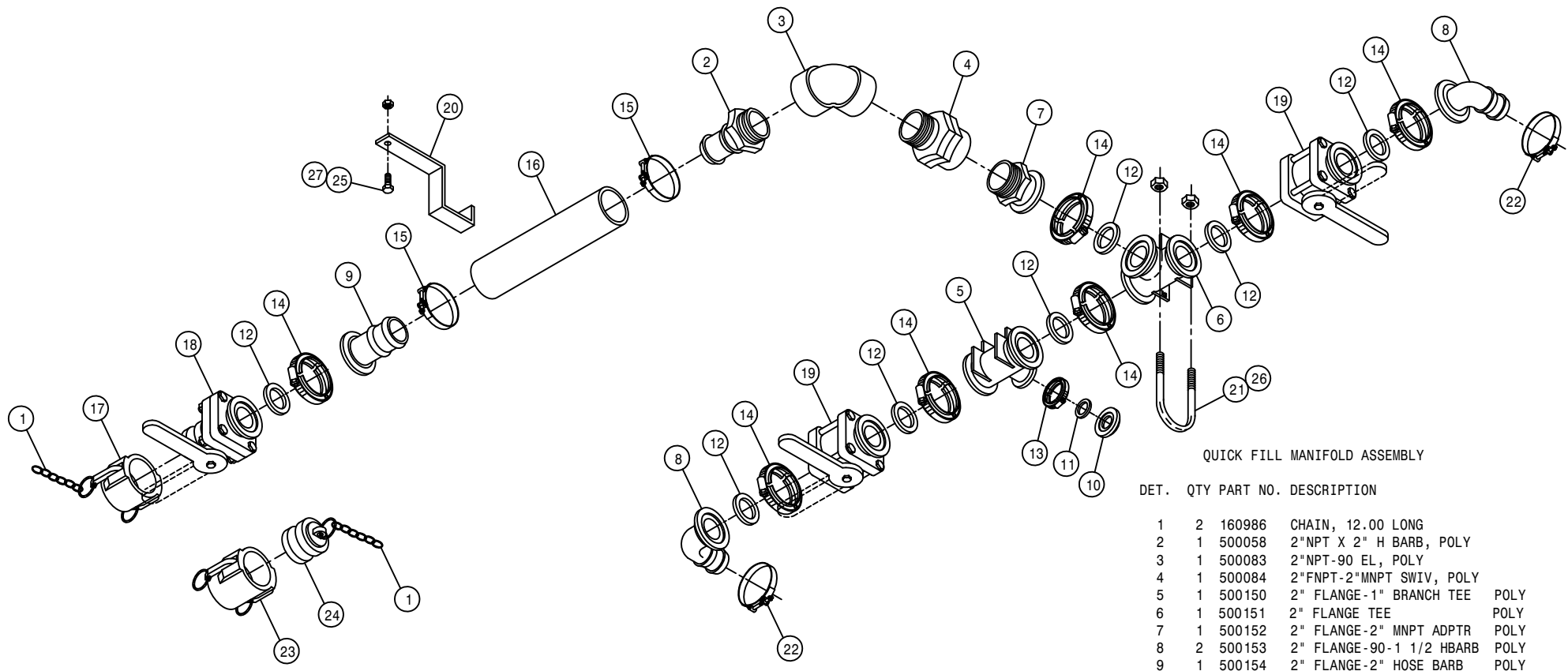
80' BOOM SWIVEL ASSEMBLY



80' -90' OUTER BOOM SOLENOID (HI-VOLUME)

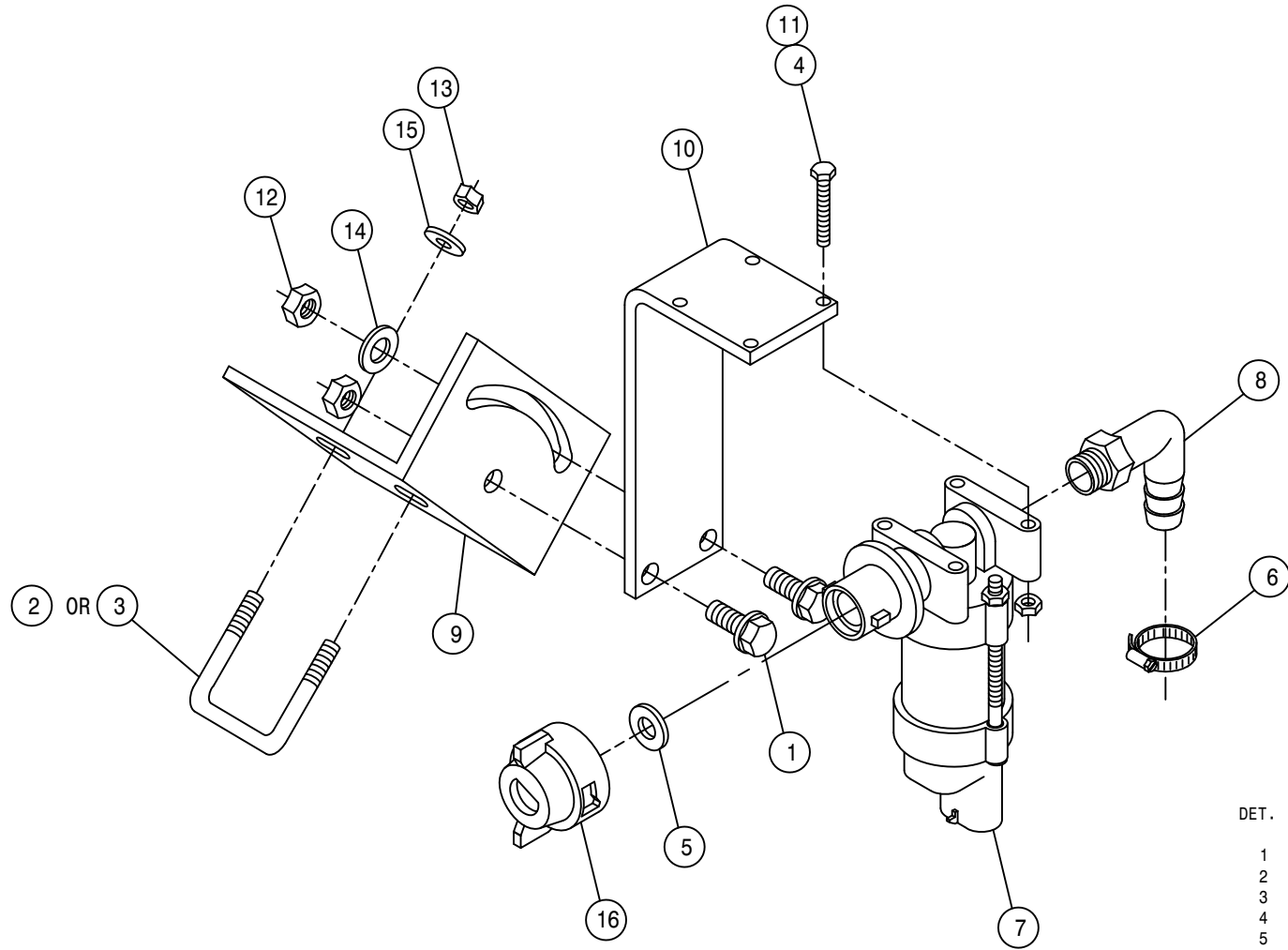
DET.	QTY	PART NO.	DESCRIPTION	
	1	164303	SOLU VLV MT	97
	2	164304	SOLU VLV MT KEEPER	97
	3	500066	1 1/2NPT-90-1 1/2 H BARB POLY	
	4	500082	1 1/2NPT-90 EL, POLY	
	5	500101	1 1/2"NPT SWIVEL	POLY
	6	500157	1" FLANGE GASKET	EPDM
	7	500159	1" FLANGE CLAMP, S.S.	
	8	900064	5/16UNC X 3/4 HEX BOLT	
	9	500162	2" FLANGE-1 1/2 HOSE BARB POLY	
	10	500153	2" FLANGE-90-1 1/2 HBARB POLY	
	11	910002	5/16UNC HEX NUT	
	12	696177	ELECT BALL VLV,1"FLANGE	TJET
	13	900007	1/4UNC X 2" HEX BOLT	
	14	914000	1/4UNC HEX STOVER NUT	
	15	520133	1.81/2.06 T-BOLT HOSE CLAMP SS	
	16	914002	5/16UNC HEX STOVER NUT	
	17	500158	1 1/2" GASKET FOR 2" FLANGE	
	18	500160	2" FLANGE CLAMP, S.S.	
	19	500161	2"FLANGE-1"FLANGE COUPLER,POLY	
	20	473974	.31UNC-2.56ID-3.5 U-BOLT SS	
	21	164199	HIGH VOLUME HOSE SWIVEL MT	
	22	500032	1 1/2NPT X 1 1/2 H BARB, POLY	
	23	520067	HOSE CLAMP NO 28 STAINLESS	
	24	500175	1" FLANGE TEE	POLY
	25	500226	1" FLANGE PLUG W/1/4"FNPT POLY	
	26	618556	1/4NPT-90-1/2 HOSE BARB,POLY	

NOTE: DETAIL 15 IS USED WITH 1 1/2 I.D.
2F-1W EPDM HOSE.



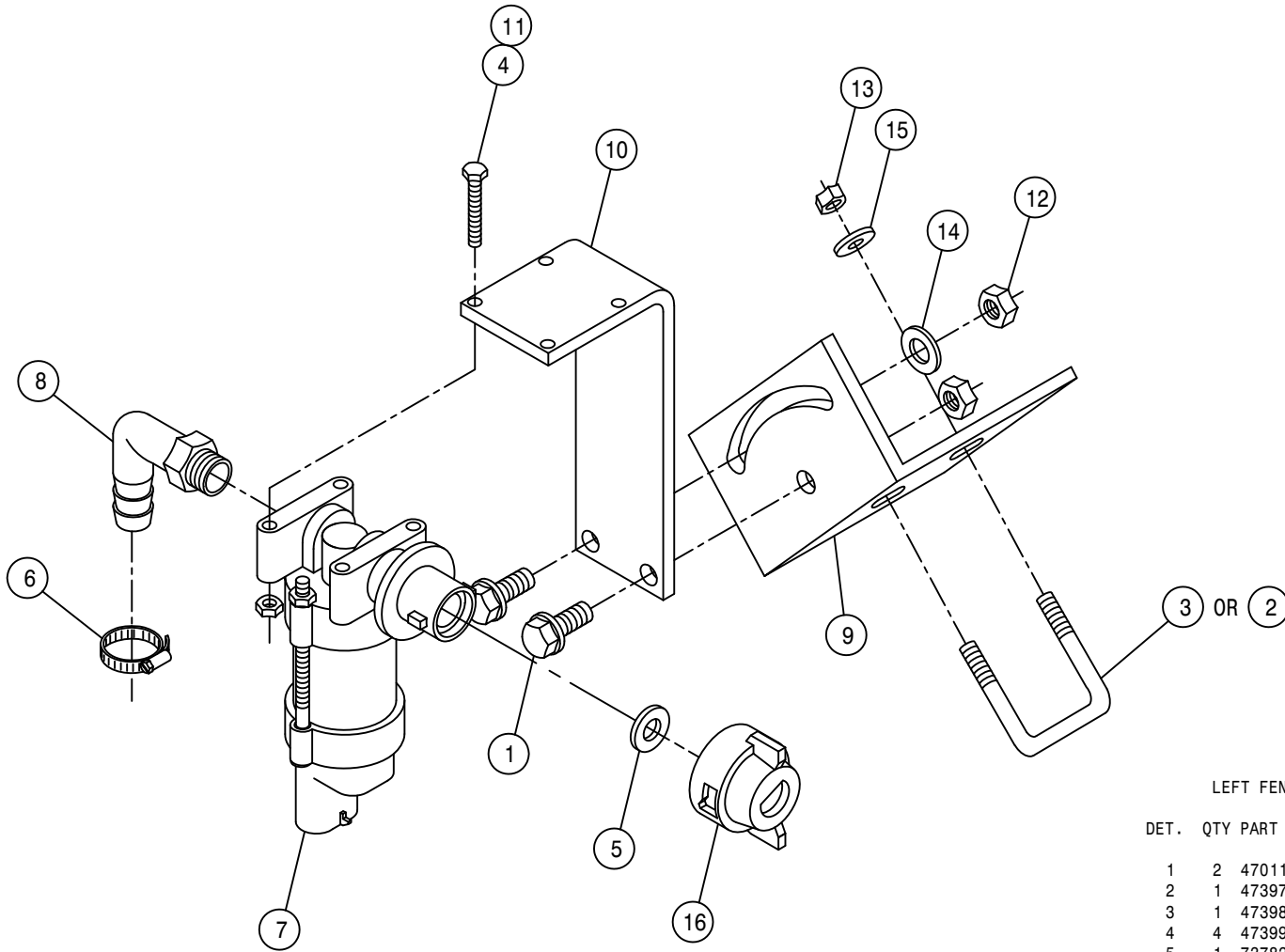
QUICK FILL MANIFOLD ASSEMBLY

DET.	QTY	PART NO.	DESCRIPTION
1	2	160986	CHAIN, 12.00 LONG
2	1	500058	2"NPT X 2" H BARB, POLY
3	1	500083	2"NPT-90 EL, POLY
4	1	500084	2"FNPT-2"MNPT SWIV, POLY
5	1	500150	2" FLANGE-1" BRANCH TEE POLY
6	1	500151	2" FLANGE TEE POLY
7	1	500152	2" FLANGE-2" MNPT ADPTR POLY
8	2	500153	2" FLANGE-90-1 1/2 HBARB POLY
9	1	500154	2" FLANGE-2" HOSE BARB POLY
10	1	500155	1" FLANGE CAP PLUG POLY
11	1	500157	1" FLANGE GASKET EPDM
12	7	500158	1 1/2" GASKET FOR 2" FLANGE
13	1	500159	1" FLANGE CLAMP, S.S.
14	7	500160	2" FLANGE CLAMP, S.S.
15	2	520141	2.31/2-.62 T-BOLT HOSE CLAMP SS
16	1	601423	HOSE, 2 X 12 2F-1W EPDM
17	1	690623	CAP FOR 2.00 MALE COUPLER POLY
18	1	696141	BALL VLV,2"FLANGE/2"MALE ADPTR
19	2	696142	BALL VLV, 2" FLANGE
20	1	342620	QUICK FILL HOSE HANGER
21	2	472195	5/16UNC-2 11/16ID-3 9/16U-BOLT
22	2	520133	1.81/2.06 T-BOLT HOSE CLAMP SS
23	1	690390	2.00FNPT-FEMALE COUPLER POLY
24	1	690392	PLUG FOR 2.00 FEMALE COUPLER
25	1	900129	3/8UNC X 1" HEX BOLT
26	4	914002	5/16UNC HEX STOVER NUT
27	1	914004	3/8UNC HEX STOVER NUT



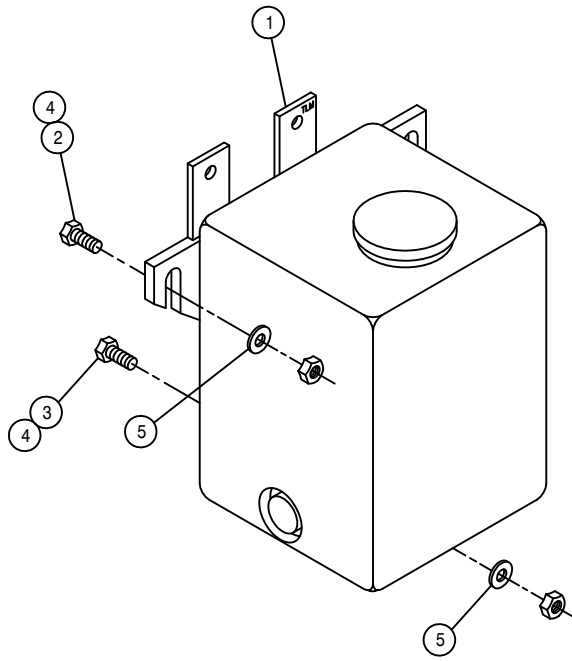
RIGHT FENCE ROW NOZZLE ASSEMBLY

DET.	QTY	PART NO.	DESCRIPTION
	1	2	470118 1/4UNC X 3/4 FLANGE HEX BOLT
	2	1	473973 .31UNC-1.31ID-2.0 SQ U-BOLT SS
	3	1	473980 .31UNC-1.06ID-1.75SQ U-BOLT SS
	4	4	473993 6-32 X 1 1/4 HH MACH SCR
	5	1	737824 QUICK TEEJET SEAT GASKET
	6	1	520070 HOSE CLAMP NO 8 STAINLESS
	7	1	737875 NOZZLE BODY VALVE, 12VDC
	8	1	618556 1/4NPT-90-1/2 HOSE BARB,POLY
	9	1	737886 FENCE-ROW NOZZLE MT,284 01
	10	1	737906 FENCE ROW NOZL BRKT
	11	4	910022 6-32 HEX NUT
	12	2	914000 1/4UNC HEX STOVER NUT
	13	2	914002 5/16UNC HEX STOVER NUT
	14	1	920000 1/4 SAE FLAT WASHER
	15	2	920001 5/16 SAE FLAT WASHER
	16	1	737822 CAP SET, YELLOW QUICK TEEJET



LEFT FENCE ROW NOZZLE ASSEMBLY

DET.	QTY	PART NO.	DESCRIPTION
	2	470118	1/4UNC X 3/4 FLANGE HEX BOLT
	1	473973	.31UNC-1.31ID-2.0 SQ U-BOLT SS
	1	473980	.31UNC-1.06ID-1.75SQ U-BOLT SS
	4	473993	6-32 X 1 1/4 HH MACH SCR
	1	737824	QUICK TEEJET SEAT GASKET
	1	520070	HOSE CLAMP NO 8 STAINLESS
	1	737875	NOZZLE BODY VALVE, 12VDC
	1	618556	1/4NPT-90-1/2 HOSE BARB,POLY
	1	737886	FENCE-ROW NOZZLE MT,284 01
	1	737906	FENCE ROW NOZL BRKT
	4	910022	6-32 HEX NUT
	2	914000	1/4UNC HEX STOVER NUT
	2	914002	5/16UNC HEX STOVER NUT
	1	920000	1/4 SAE FLAT WASHER
	2	920001	5/16 SAE FLAT WASHER
	1	737822	CAP SET, YELLOW QUICK TEEJET



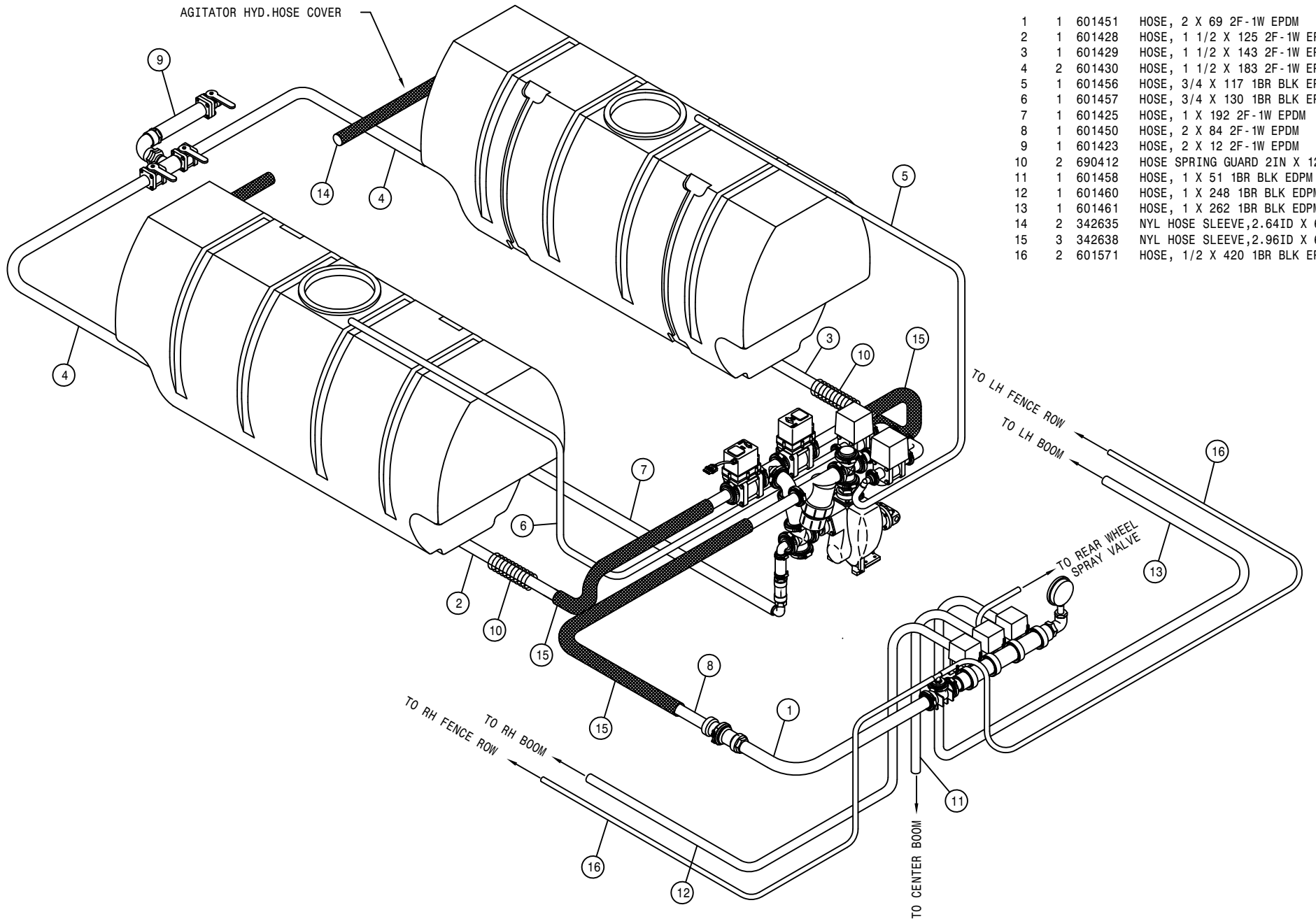
WINDSHIELD WASHER ASSEMBLY

DET.	QTY	PART NO.	DESCRIPTION
	1	290004	WINDSHIELD WASHER TANK ASSY 98
	2	900002	1/4UNC X 3/4 HEX BOLT
	3	900004	1/4UNC X 1 1/4 HEX BOLT
	4	914000	1/4UNC HEX STOVER NUT
	5	920000	1/4 SAE FLAT WASHER

SOLUTION HOISING FOR 60' BOOM (STANDARD)

DET. QTY PART NO. DESCRIPTION

DET.	QTY	PART NO.	DESCRIPTION
1	1	601451	HOSE, 2 X 69 2F-1W EPDM
2	1	601428	HOSE, 1 1/2 X 125 2F-1W EPDM
3	1	601429	HOSE, 1 1/2 X 143 2F-1W EPDM
4	2	601430	HOSE, 1 1/2 X 183 2F-1W EPDM
5	1	601456	HOSE, 3/4 X 117 1BR BLK EPDM
6	1	601457	HOSE, 3/4 X 130 1BR BLK EPDM
7	1	601425	HOSE, 1 X 192 2F-1W EPDM
8	1	601450	HOSE, 2 X 84 2F-1W EPDM
9	1	601423	HOSE, 2 X 12 2F-1W EPDM
10	2	690412	HOSE SPRING GUARD 2IN X 12 LG
11	1	601458	HOSE, 1 X 51 1BR BLK EPDM
12	1	601460	HOSE, 1 X 248 1BR BLK EPDM
13	1	601461	HOSE, 1 X 262 1BR BLK EPDM
14	2	342635	NYL HOSE SLEEVE, 2.64ID X 60.00
15	3	342638	NYL HOSE SLEEVE, 2.96ID X 65.00
16	2	601571	HOSE, 1/2 X 420 1BR BLK EPDM



AGITATOR HYD. HOSE COVER

9

14

4

5

4

3

15

TO LH FENCE ROW
TO LH BOOM

7

6

2

10

15

8

15

TO RH FENCE ROW
TO RH BOOM

1

TO CENTER BOOM

TO REAR WHEEL
SPRAY VALVE

16

13

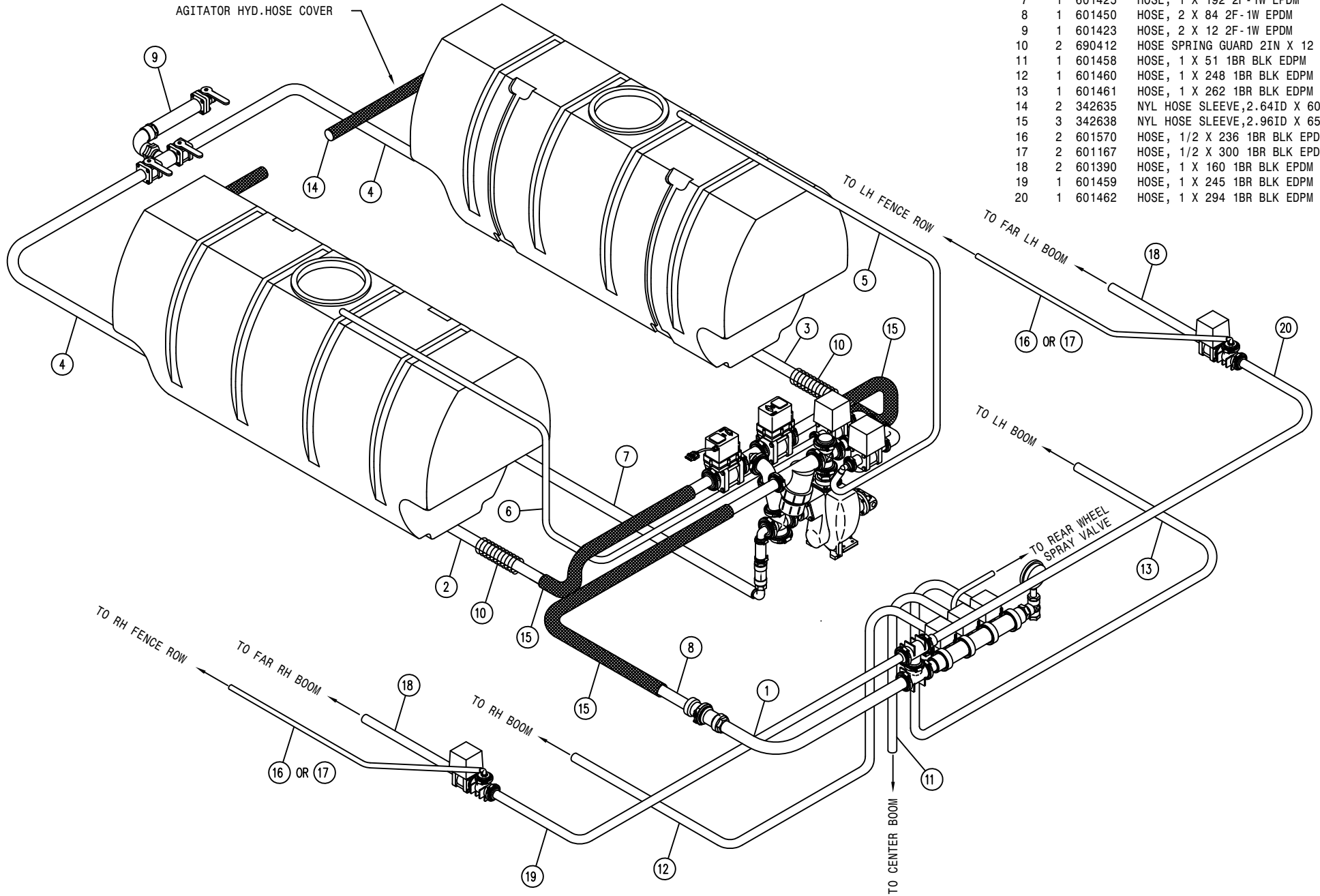
16

12

SOLUTION HOISING FOR 80'-90' BOOM (STANDARD)

DET. QTY PART NO. DESCRIPTION

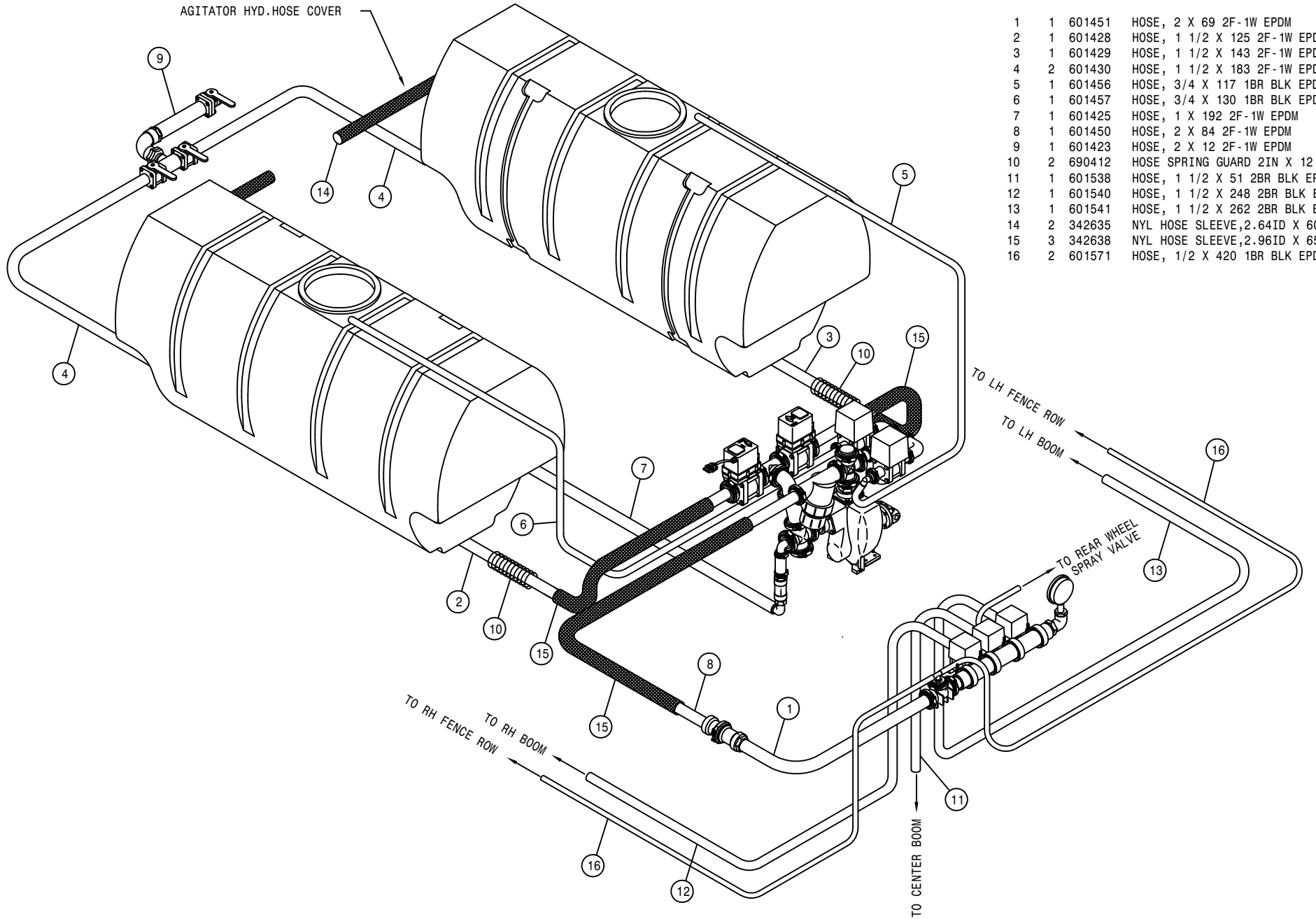
DET.	QTY	PART NO.	DESCRIPTION
1	1	601451	HOSE, 2 X 69 2F-1W EPDM
2	1	601428	HOSE, 1 1/2 X 125 2F-1W EPDM
3	1	601429	HOSE, 1 1/2 X 143 2F-1W EPDM
4	2	601430	HOSE, 1 1/2 X 183 2F-1W EPDM
5	1	601456	HOSE, 3/4 X 117 1BR BLK EPDM
6	1	601457	HOSE, 3/4 X 130 1BR BLK EPDM
7	1	601425	HOSE, 1 X 192 2F-1W EPDM
8	1	601450	HOSE, 2 X 84 2F-1W EPDM
9	1	601423	HOSE, 2 X 12 2F-1W EPDM
10	2	690412	HOSE SPRING GUARD 2IN X 12 LG
11	1	601458	HOSE, 1 X 51 1BR BLK EPDM
12	1	601460	HOSE, 1 X 248 1BR BLK EPDM
13	1	601461	HOSE, 1 X 262 1BR BLK EPDM
14	2	342635	NYL HOSE SLEEVE, 2.64ID X 60.00
15	3	342638	NYL HOSE SLEEVE, 2.96ID X 65.00
16	2	601570	HOSE, 1/2 X 236 1BR BLK EPDM
17	2	601167	HOSE, 1/2 X 300 1BR BLK EPDM
18	2	601390	HOSE, 1 X 160 1BR BLK EPDM
19	1	601459	HOSE, 1 X 245 1BR BLK EPDM
20	1	601462	HOSE, 1 X 294 1BR BLK EPDM



SOLUTION HOISING FOR 60' BOOM (HI-VOLUME)

DET. QTY PART NO. DESCRIPTION

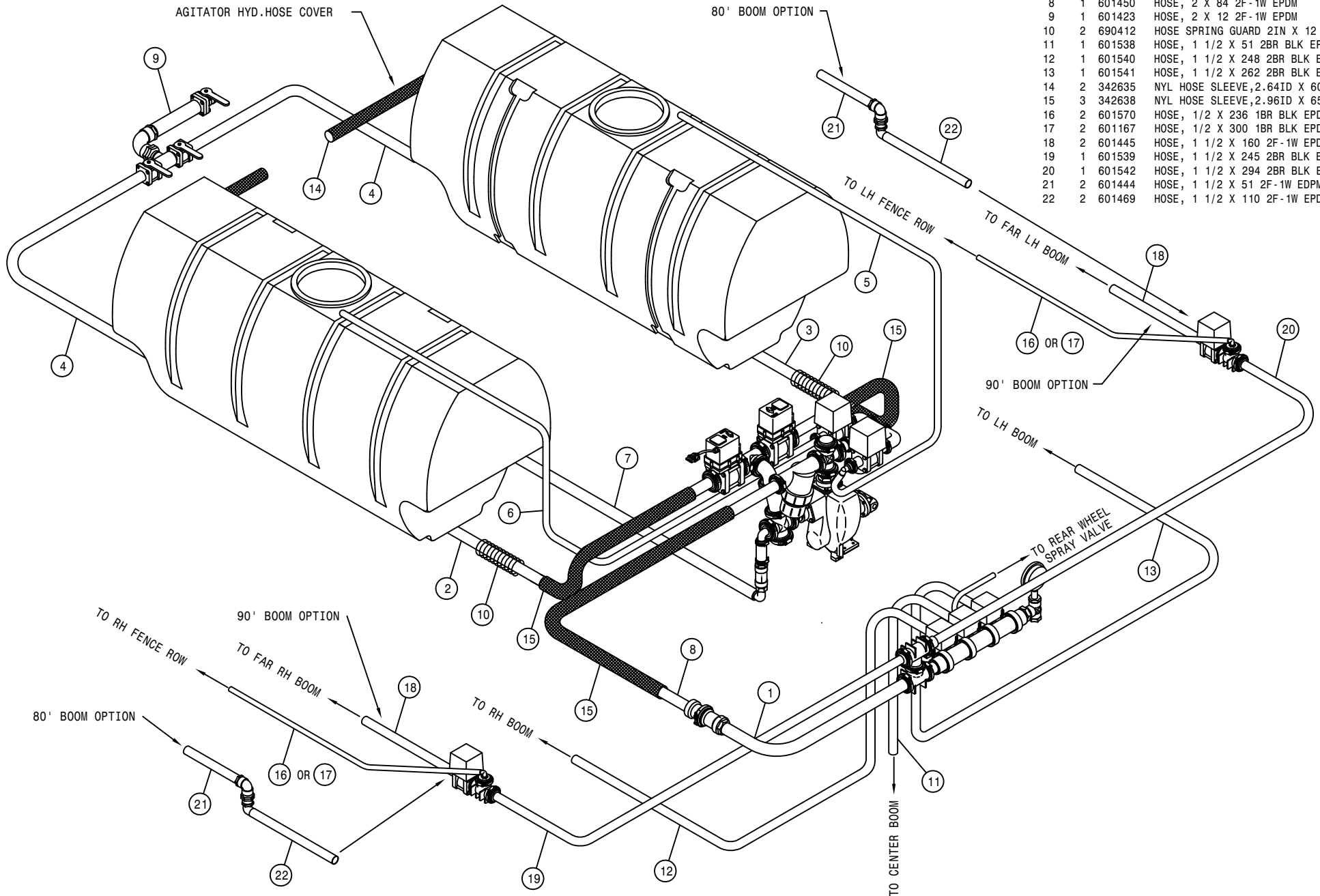
1	1	601451	HOSE, 2 X 69 2F-1W EPDM
2	1	601428	HOSE, 1 1/2 X 125 2F-1W EPDM
3	1	601429	HOSE, 1 1/2 X 143 2F-1W EPDM
4	2	601430	HOSE, 1 1/2 X 183 2F-1W EPDM
5	1	601456	HOSE, 3/4 X 117 1BR BLK EPDM
6	1	601457	HOSE, 3/4 X 130 1BR BLK EPDM
7	1	601425	HOSE, 1 X 192 2F-1W EPDM
8	1	601450	HOSE, 2 X 84 2F-1W EPDM
9	1	601423	HOSE, 2 X 12 2F-1W EPDM
10	2	690412	HOSE SPRING GUARD 2IN X 12 LG
11	1	601538	HOSE, 1 1/2 X 51 2BR BLK EPDM
12	1	601540	HOSE, 1 1/2 X 248 2BR BLK EPDM
13	1	601541	HOSE, 1 1/2 X 262 2BR BLK EPDM
14	2	342635	NYL HOSE SLEEVE, 2.64ID X 60.00
15	3	342638	NYL HOSE SLEEVE, 2.96ID X 65.00
16	2	601571	HOSE, 1/2 X 420 1BR BLK EPDM

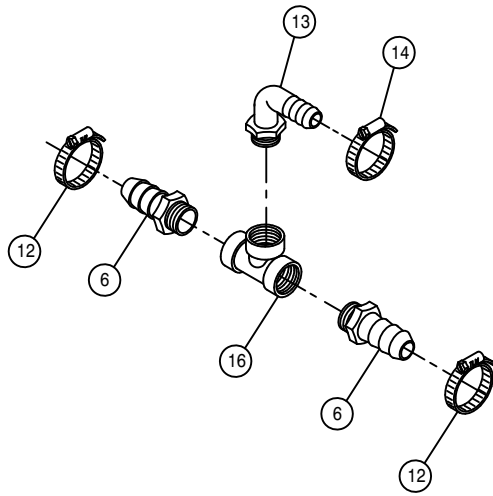


SOLUTION HOISING FOR 80'-90' BOOM (HI-VOLUME)

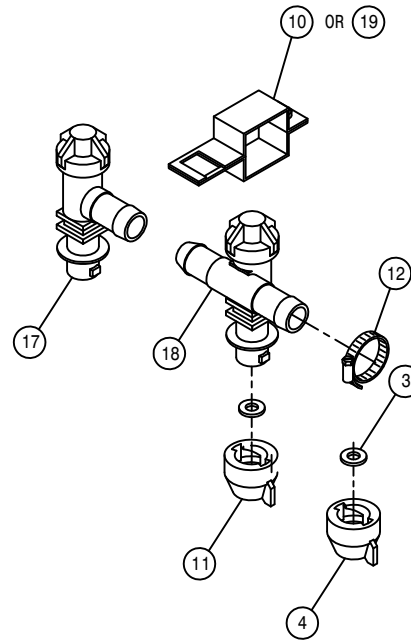
DET. QTY PART NO. DESCRIPTION

1	1	601451	HOSE, 2 X 69 2F-1W EPDM
2	1	601428	HOSE, 1 1/2 X 125 2F-1W EPDM
3	1	601429	HOSE, 1 1/2 X 143 2F-1W EPDM
4	2	601430	HOSE, 1 1/2 X 183 2F-1W EPDM
5	1	601456	HOSE, 3/4 X 117 1BR BLK EPDM
6	1	601457	HOSE, 3/4 X 130 1BR BLK EPDM
7	1	601425	HOSE, 1 X 192 2F-1W EPDM
8	1	601450	HOSE, 2 X 84 2F-1W EPDM
9	1	601423	HOSE, 2 X 12 2F-1W EPDM
10	2	690412	HOSE SPRING GUARD 2IN X 12 LG
11	1	601538	HOSE, 1 1/2 X 51 2BR BLK EPDM
12	1	601540	HOSE, 1 1/2 X 248 2BR BLK EPDM
13	1	601541	HOSE, 1 1/2 X 262 2BR BLK EPDM
14	2	342635	NYL HOSE SLEEVE, 2.64ID X 60.00
15	3	342638	NYL HOSE SLEEVE, 2.96ID X 65.00
16	2	601570	HOSE, 1/2 X 236 1BR BLK EPDM
17	2	601167	HOSE, 1/2 X 300 1BR BLK EPDM
18	2	601445	HOSE, 1 1/2 X 160 2F-1W EPDM
19	1	601539	HOSE, 1 1/2 X 245 2BR BLK EPDM
20	1	601542	HOSE, 1 1/2 X 294 2BR BLK EPDM
21	2	601444	HOSE, 1 1/2 X 51 2F-1W EPDM
22	2	601469	HOSE, 1 1/2 X 110 2F-1W EPDM





FEEDER TEE ASSEMBLY (STANDARD VOLUME)



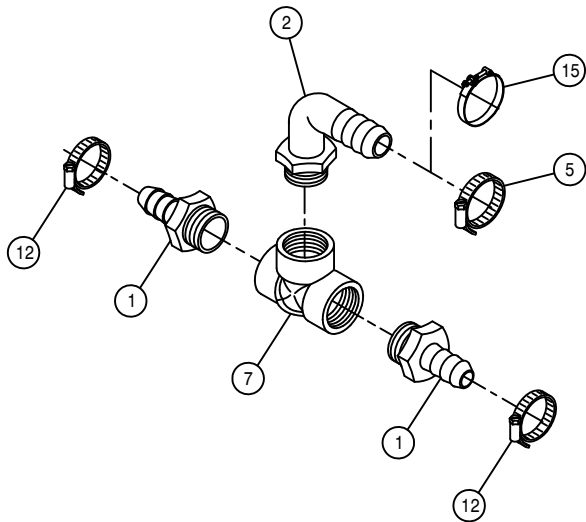
SINGLE TIP NOZZLE SPACING

BOOM FEEDER TEE ASSEMBLY

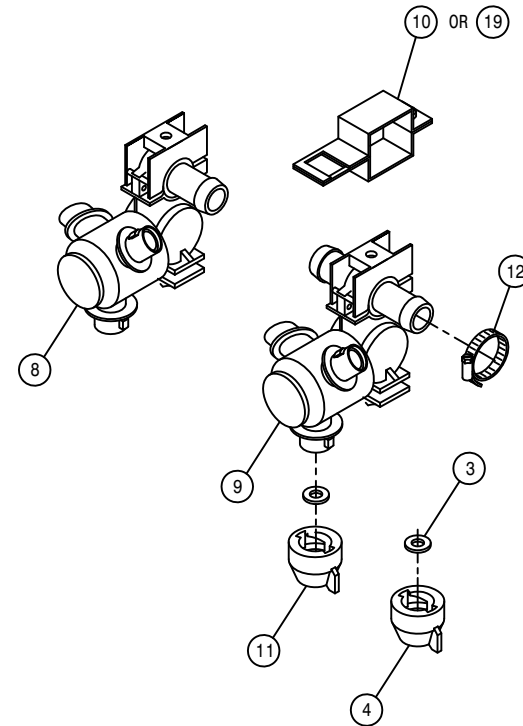
DET. QTY PART NO. DESCRIPTION

DET.	QTY	PART NO.	DESCRIPTION
1	2	500108	1"NPT-3/4" HOSE BARB POLY
2	1	500117	1"NPT-90-1 1/2"HOSE BARB, POLY
3	4	737824	QUICK TEEJET SEAT GASKET
4	2	737825	QUICK SHUT-OFF CAP
5	1	520067	HOSE CLAMP NO 28 STAINLESS
6	2	500022	3/4NPT-3/4HOSE BARB, POLY
7	1	500075	1" NPT PIPE TEE, POLY
8	1	737833	QUICK TJET LBO,3-TIP BODY .75
9	1	737834	QUICK TJET TEE,3-TIP BODY .75
10	2	737817	NOZL MT CLMP,1.00 SQ SS,Q-TJET
11	2	737822	CAP SET, YELLOW QUICK TEEJET
12	6	520055	HOSE CLAMP NO 12 STAINLESS
13	1	500026	3/4NPT-90-1"HOSE BARB, POLY
14	1	520090	HOSE CLAMP NO 16 STAINLESS
15	1	520133	1.81/2.06 T-BOLT HOSE CLAMP SS
16	1	505218	3/4 NPT PIPE TEE, POLY
17	1	737829	QUICK TJET LBO,1-TIP BODY .75
18	1	737830	QUICK TJET TEE,1-TIP BODY .75
19	2	737832	NOZL MT CLMP,1.25 SQ,SS Q-TJET

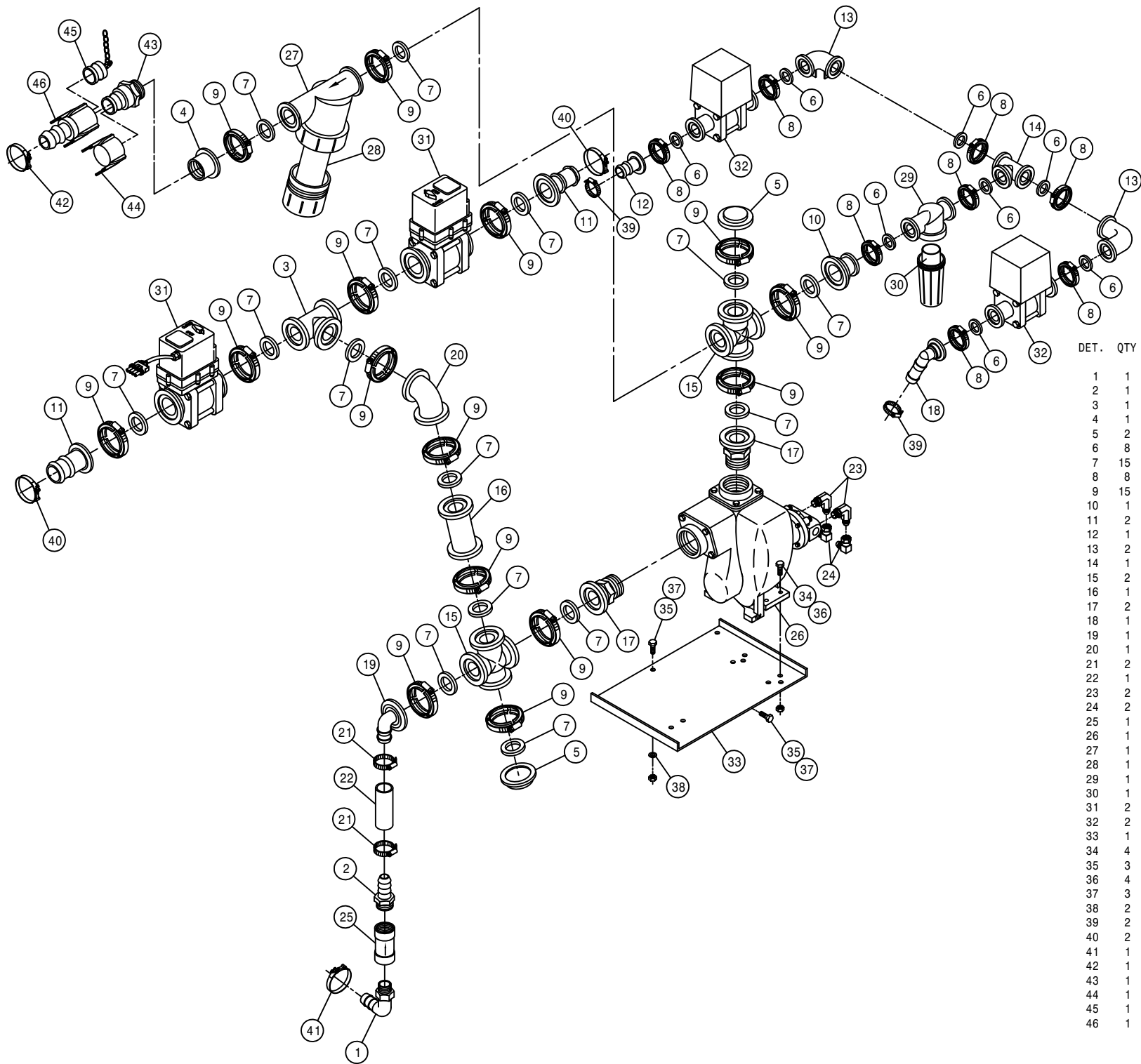
NOTE: DETAIL 15 IS USED WITH 1 1/2 I.D.
2F-1W EPDM HOSE.



FEEDER TEE ASSEMBLY (HIGH VOLUME)



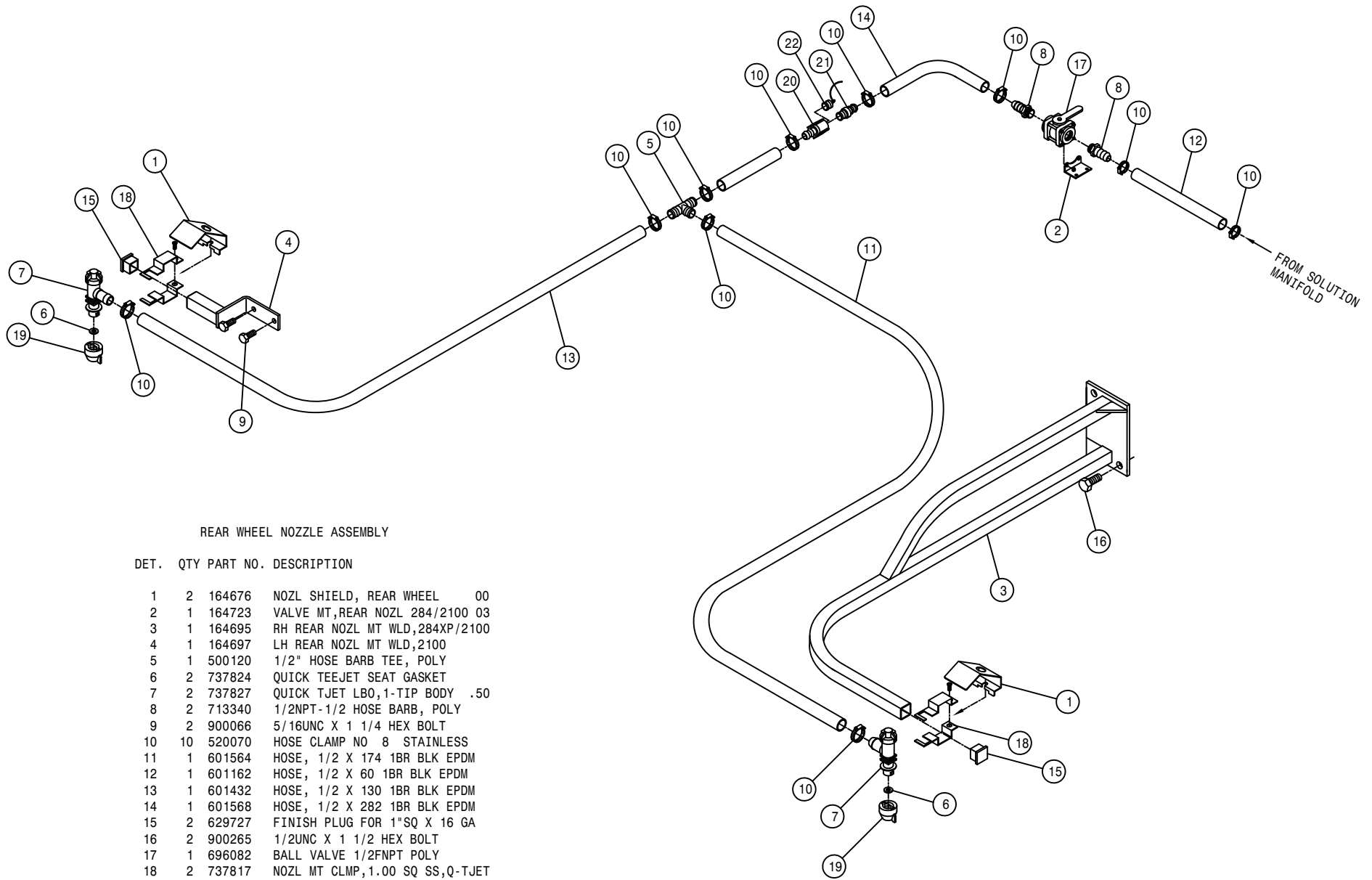
TRIPLE TIP NOZZLE SPACING



SOLUTION PUMP ASSEMBLY

DET. QTY PART NO. DESCRIPTION

1	1	500024	1"NPT-90-1"HOSE BARB, POLY
2	1	500074	1"NPT-1" HOSE BARB, POLY
3	1	500151	2" FLANGE TEE POLY
4	1	500183	2" FLANGE-2" FNPT ADPTR POLY
5	2	500156	2" FLANGE CAP PLUG POLY
6	8	500157	1" FLANGE GASKET EPDM
7	15	500158	1 1/2" GASKET FOR 2" FLANGE
8	8	500159	1" FLANGE CLAMP, S.S.
9	15	500160	2" FLANGE CLAMP, S.S.
10	1	500161	2"FLANGE-1"FLANGE COUPLER,POLY
11	2	500162	2" FLANGE-1 1/2 HOSE BARB POLY
12	1	500170	1" FLANGE-3/4" HOSE BARB POLY
13	2	500174	1" FLANGE-90-1" FLANGE LBOPOLY
14	1	500175	1" FLANGE TEE POLY
15	2	500176	2" FLANGE CROSS POLY
16	1	500177	2" FLANGE-2" FLANGE CPLR POLY
17	2	500182	2" FLANGE-2"MNPT ADPTR S.S.
18	1	500185	1"FLANGE-90-3/4"HOSE BARB POLY
19	1	500189	2" FLANGE-90-1" HOSE BARB POLY
20	1	500225	2"FLANGE-45-2"FLANGE LBO POLY
21	2	520087	HOSE CLAMP NO 20 STAINLESS
22	1	601463	HOSE, 1 X 4 2BR BLK EPDM
23	2	618241	3/4MJIC-90-3/4MOR LBO
24	2	618609	3/4MJIC-90-3/4FJIC SWIV LBO
25	1	690488	1.00 CHECK VLV, SPRING LOADED
26	1	690552	FLOMAX 8, 2" PUMP
27	1	690628	LINE "Y" STRAINER, 2" FLANGE
28	1	690629	50 MESH SCREEN FOR 690628
29	1	690660	LINE "T" STRAINER, 1" FLANGE
30	1	690661	50 MESH SCREEN FOR 690660
31	2	696176	ELECT BALL VLV,2"FLANGE BANJO
32	2	696177	ELECT BALL VLV,1"FLANGE TJET
33	1	690530	2" SOLU PUMP MT WLD 95
34	4	900066	5/16UNC X 1 1/4 HEX BOLT
35	3	900129	3/8UNC X 1" HEX BOLT
36	4	914002	5/16UNC HEX STOVER NUT
37	3	914004	3/8UNC HEX STOVER NUT
38	2	920002	3/8 SAE FLAT WASHER
39	2	520055	HOSE CLAMP NO 12 STAINLESS
40	2	520133	1.81/2.06 T-BOLT HOSE CLAMP SS
41	1	520138	1.38/1.56 T-BOLT HOSE CLAMP
42	1	520141	2.31/2.62 T-BOLT HOSE CLAMP SS
43	1	696201	ADAPTER, 2IN MALE FOR 696200
44	1	690623	CAP FOR 2.00 MALE COUPLER POLY
45	1	690392	PLUG FOR 2.00 FEMALE COUPLER
46	1	696210	2.00 HOSE BARB-FEMALE COUPLER



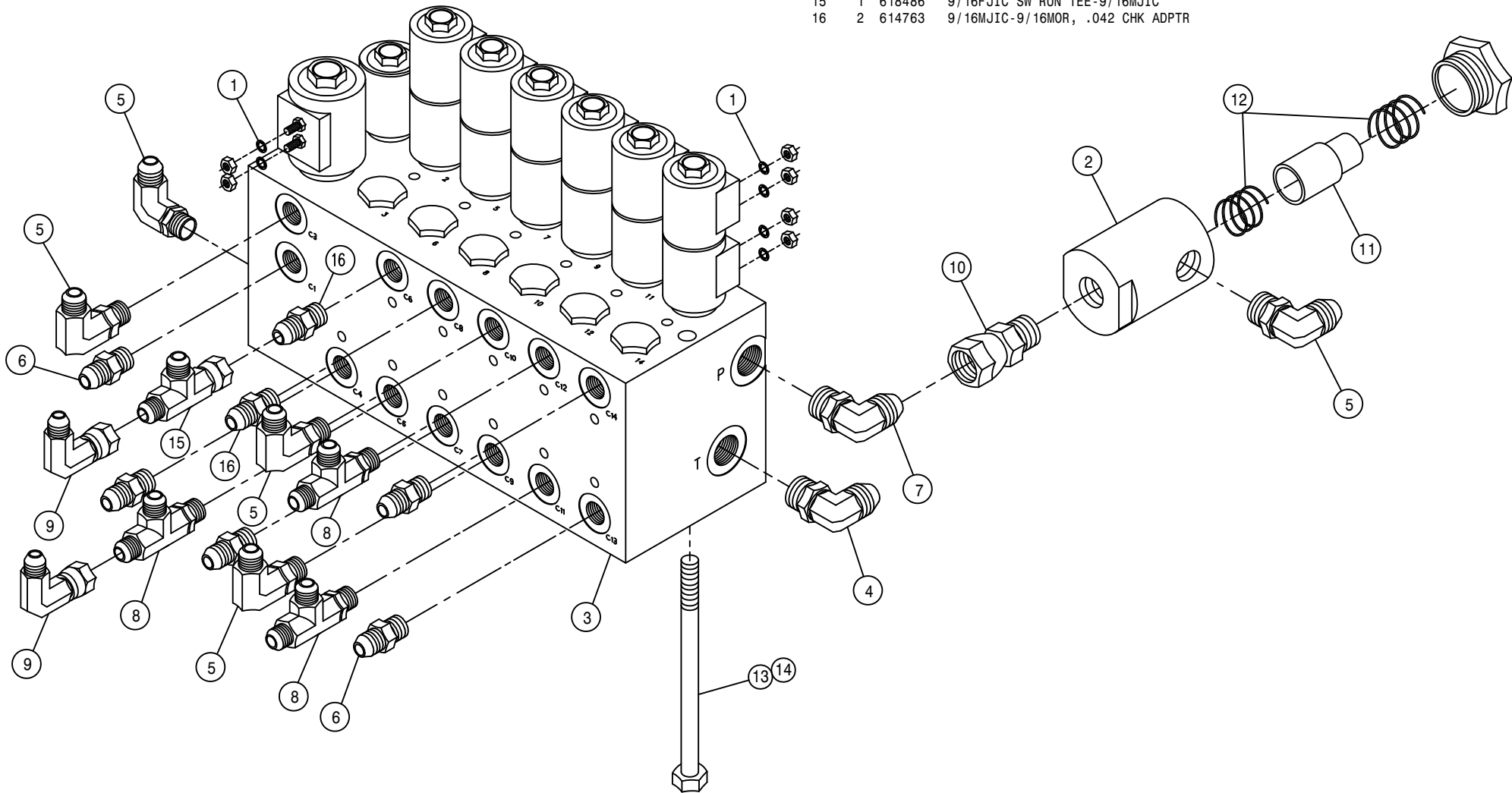
REAR WHEEL NOZZLE ASSEMBLY

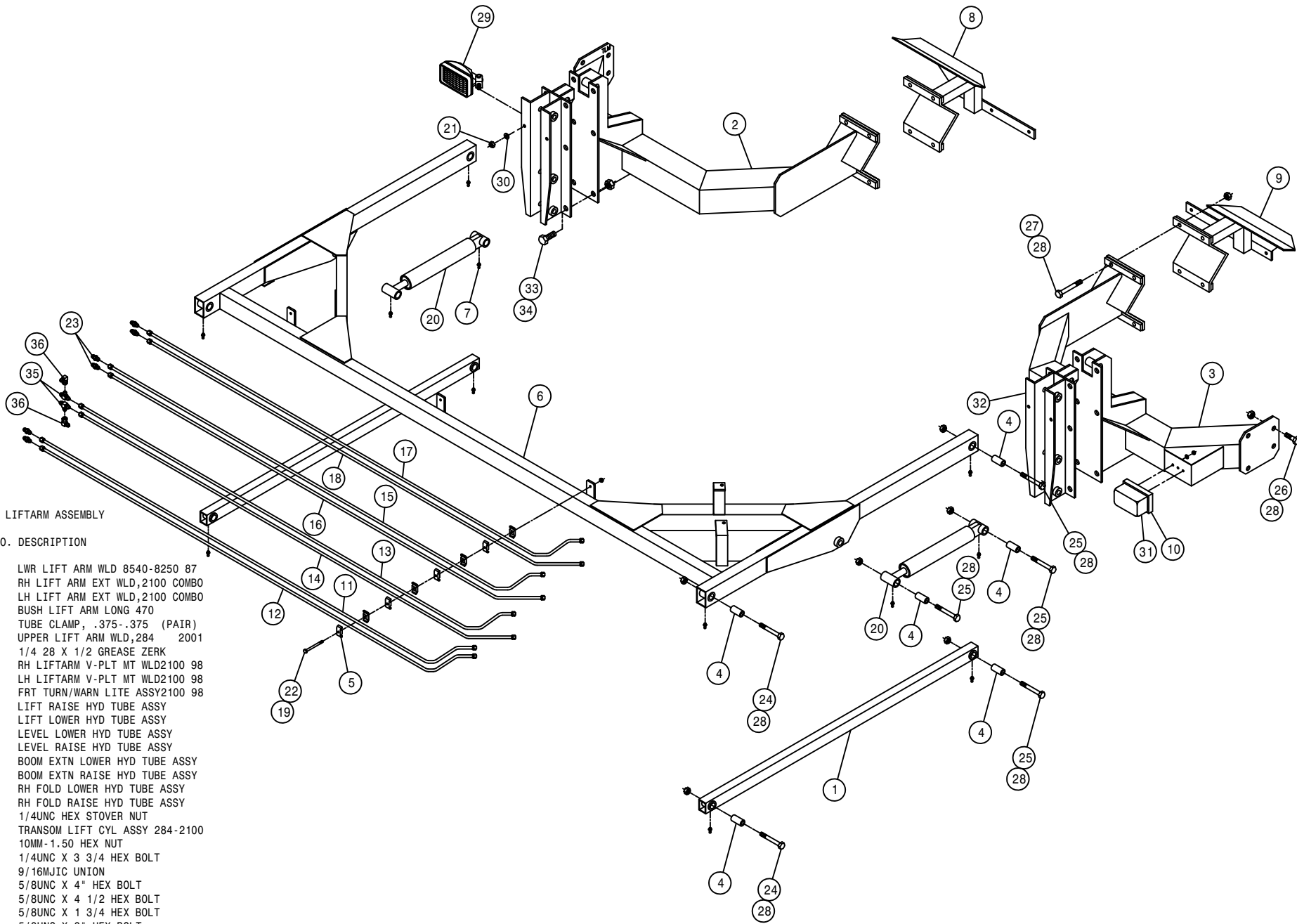
DET.	QTY	PART NO.	DESCRIPTION
1	2	164676	NOZL SHIELD, REAR WHEEL 00
2	1	164723	VALVE MT, REAR NOZL 284/2100 03
3	1	164695	RH REAR NOZL MT WLD, 284XP/2100
4	1	164697	LH REAR NOZL MT WLD, 2100
5	1	500120	1/2" HOSE BARB TEE, POLY
6	2	737824	QUICK TEEJET SEAT GASKET
7	2	737827	QUICK TJET LBO, 1-TIP BODY .50
8	2	713340	1/2NPT-1/2 HOSE BARB, POLY
9	2	900066	5/16UNC X 1 1/4 HEX BOLT
10	10	520070	HOSE CLAMP NO 8 STAINLESS
11	1	601564	HOSE, 1/2 X 174 1BR BLK EPDM
12	1	601162	HOSE, 1/2 X 60 1BR BLK EPDM
13	1	601432	HOSE, 1/2 X 130 1BR BLK EPDM
14	1	601568	HOSE, 1/2 X 282 1BR BLK EPDM
15	2	629727	FINISH PLUG FOR 1" SQ X 16 GA
16	2	900265	1/2UNC X 1 1/2 HEX BOLT
17	1	696082	BALL VALVE 1/2FNPT POLY
18	2	737817	NOZL MT CLMP, 1.00 SQ SS, Q-TJET
19	2	737822	CAP SET, YELLOW QUICK TEEJET
20	1	696233	.50 HOSE BARB-FEMALE COUPLER
21	1	696234	.50 HOSE BARB-MALE COUPLER
22	1	696204	PLUG FOR .50/.75 FEM COUPLER

BOOM CONTROL VALVE ASSEMBLY

DET. QTY PART NO. DESCRIPTION

1	28	473802	# 8 INT TOOTH STAR WASHER
2	1	605615	HYD FILTER, INLINE 25M 9/16FOR
3	1	606102	BOOM VLV, X11/284/2100 PWRSYS03
4	1	618115	9/16MJIC-90-3/4MOR LBO
5	5	618119	9/16MJIC-90-9/16MOR LBO
6	5	618126	9/16MJIC-9/16MOR ADPTR
7	1	618241	3/4MJIC-90-3/4MOR LBO
8	3	618444	9/16MOR RUN TEE-9/16MJIC
9	2	618618	9/16MJIC-90-9/16FJIC SWIV LBO
10	1	618692	3/4FJIC SWIV-9/16MOR ADPTR
11	1	605616	ELEMENT, 25M HYD FILTER 605615
12	1	605617	SPRING KIT, HYD FILTER 605615
13	2	900146	3/8UNC X 5 3/4 HEX BOLT
14	2	914004	3/8UNC HEX STOVER NUT
15	1	618486	9/16FJIC SW RUN TEE-9/16MJIC
16	2	614763	9/16MJIC-9/16MOR, .042 CHK ADPTR



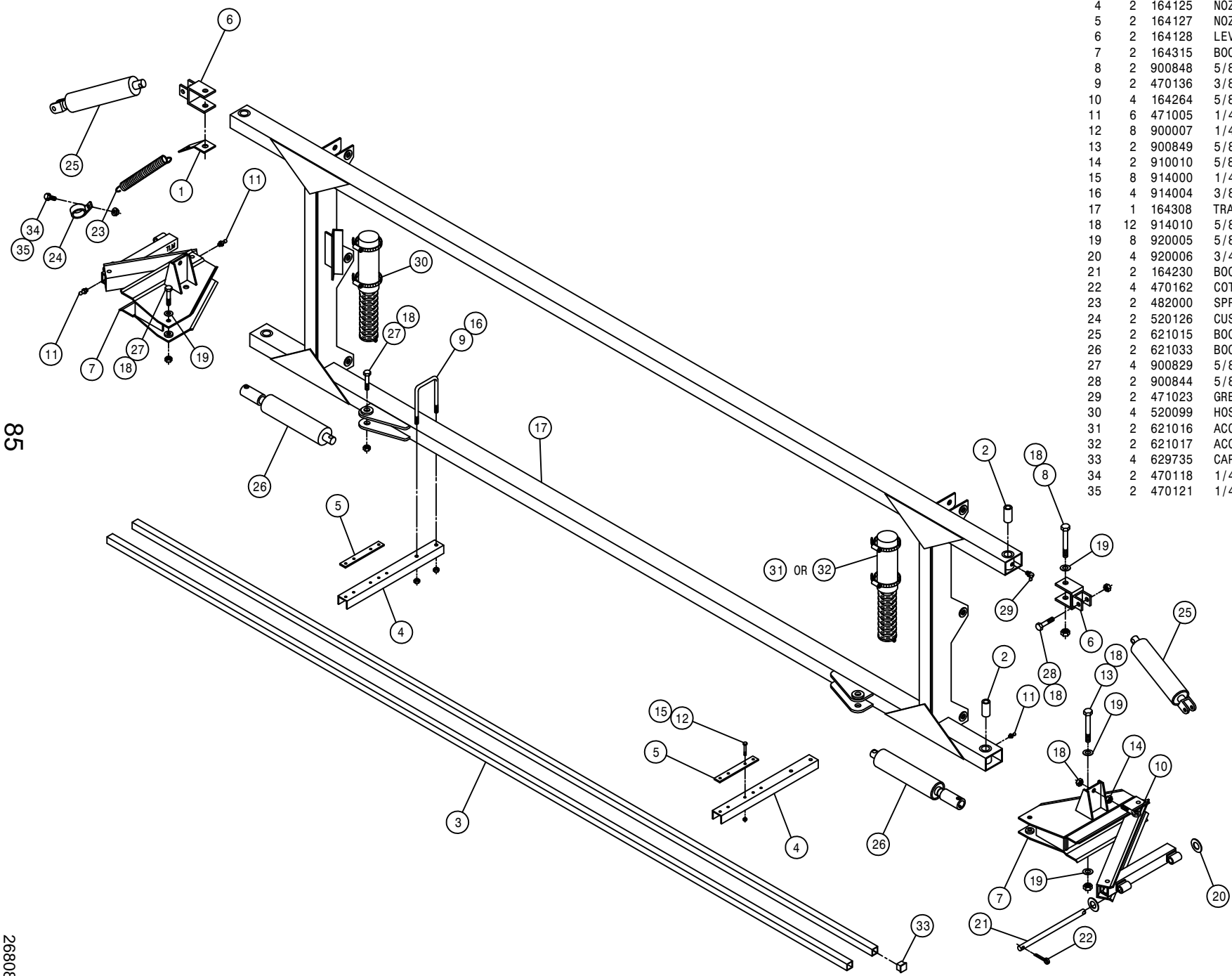


COMBO LIFTARM ASSEMBLY

DET.	QTY	PART NO.	DESCRIPTION
1	2	160471	LWR LIFT ARM WLD 8540-8250 87
2	1	164405	RH LIFT ARM EXT WLD,2100 COMBO
3	1	164406	LH LIFT ARM EXT WLD,2100 COMBO
4	12	160691	BUSH LIFT ARM LONG 470
5	12	470287	TUBE CLAMP, .375-.375 (PAIR)
6	1	164651	UPPER LIFT ARM WLD,284 2001
7	12	471005	1/4 28 X 1/2 GREASE ZERK
8	1	164364	RH LIFTARM V-PLT MT WLD2100 98
9	1	164365	LH LIFTARM V-PLT MT WLD2100 98
10	2	293404	FRT TURN/WARN LITE ASSY2100 98
11	1	615761	LIFT RAISE HYD TUBE ASSY
12	1	615762	LIFT LOWER HYD TUBE ASSY
13	1	615764	LEVEL LOWER HYD TUBE ASSY
14	1	615763	LEVEL RAISE HYD TUBE ASSY
15	1	615767	BOOM EXTN LOWER HYD TUBE ASSY
16	1	615766	BOOM EXTN RAISE HYD TUBE ASSY
17	1	615769	RH FOLD LOWER HYD TUBE ASSY
18	1	615768	RH FOLD RAISE HYD TUBE ASSY
19	3	914000	1/4UNC HEX STOVER NUT
20	2	621031	TRANSOM LIFT CYL ASSY 284-2100
21	2	473779	10MM-1.50 HEX NUT
22	3	900013	1/4UNC X 3 3/4 HEX BOLT
23	6	619010	9/16MJIC UNION
24	4	900342	5/8UNC X 4" HEX BOLT
25	8	900343	5/8UNC X 4 1/2 HEX BOLT
26	8	900334	5/8UNC X 1 3/4 HEX BOLT
27	8	900338	5/8UNC X 3" HEX BOLT
28	28	914010	5/8UNC HEX STOVER NUT
29	2	293402	HEADLIGHT ASSY, 2100 98
30	2	470100	3/8 INT TOOTH LOCK WASHER
31	1	291669	YELLOW LENS FOR 291668
32	2	164414	LIFT ARM MT WLD, 2100 COMBO 99
33	12	900403	3/4UNC X 2" HEX BOLT
34	12	914012	3/4UNC HEX STOVER NUT
35	2	618019	9/16MJIC UNION TEE
36	2	618618	9/16MJIC-90-9/16FJIC SWIV LBO

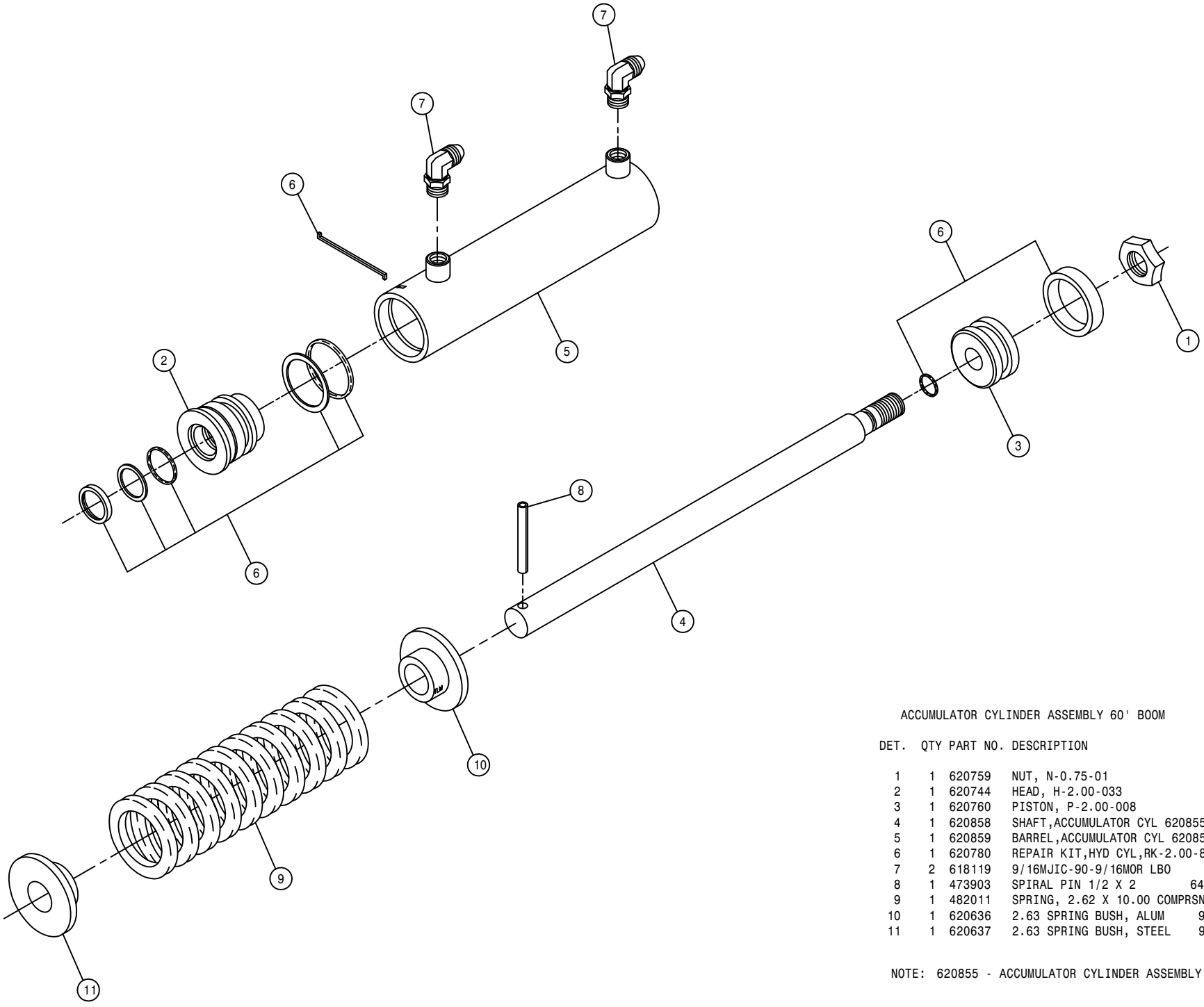
DET. QTY PART NO. DESCRIPTION

DET.	QTY	PART NO.	DESCRIPTION	
1	2	160429	FEEDER HOSE SUPPORT SPRING MT	
2	4	160691	BUSH LIFT ARM LONG 470	
3	2	164123	NOZL MT TUBE, 254/284	96
4	2	164125	NOZL MT TUBE HANGER CHAN	96
5	2	164127	NOZL MT TUBE CLAMP	96
6	2	164128	LEVEL CYL PIVOT BRKT WLD	96
7	2	164315	BOOM BREAKAWAY WLD	97
8	2	900848	5/8UNC X 4 3/4 HEX BOLT GR8	
9	2	470136	3/8UNC-3 1/16ID-3 SQ U-BOLT	
10	4	164264	5/8UNC X 3" EYE BOLT	
11	6	471005	1/4 28 X 1/2 GREASE ZERK	
12	8	900007	1/4UNC X 2" HEX BOLT	
13	2	900849	5/8UNC X 4 1/2 HHCS,7/8THD GR8	
14	2	910010	5/8UNC HEX NUT	
15	8	914000	1/4UNC HEX STOVER NUT	
16	4	914004	3/8UNC HEX STOVER NUT	
17	1	164308	TRANSOM WLD, 284	97
18	12	914010	5/8UNC HEX STOVER NUT	
19	8	920005	5/8 SAE FLAT WASHER	
20	4	920006	3/4 SAE FLAT WASHER	
21	2	164230	BOOM PIVOT PIN, .75 X 13.31 96	
22	4	470162	COTTER PIN 3/16 X 1 1/2 SQ CUT	
23	2	482000	SPRING, .930D X 8.5LG, .072WIRE	
24	2	520126	CUSH HOSE CLAMP 2IN X 5/8W	
25	2	621015	BOOM LEVEL CYL ASSY	
26	2	621033	BOOM HINGE FOLD CYL ASSY, 284	
27	4	900829	5/8UNC X 4" HEX BOLT GR8	
28	2	900844	5/8UNC X 2 3/4 HEX BOLT GR8	
29	2	471023	GREASE ZERK 1/4-28 X 45	
30	4	520099	HOSE CLAMP NO 40 STAINLESS	
31	2	621016	ACCUMULATOR CYL ASSY, 60 BOOM	
32	2	621017	ACCUMULATOR CYL ASSY, 80/90BOOM	
33	4	629735	CAPLUG, 1 1/4" SQ, BLACK POLY	
34	2	470118	1/4UNC X 3/4 FLANGE HEX BOLT	
35	2	470121	1/4UNC HEX FLANGE LOCK NUT	



85

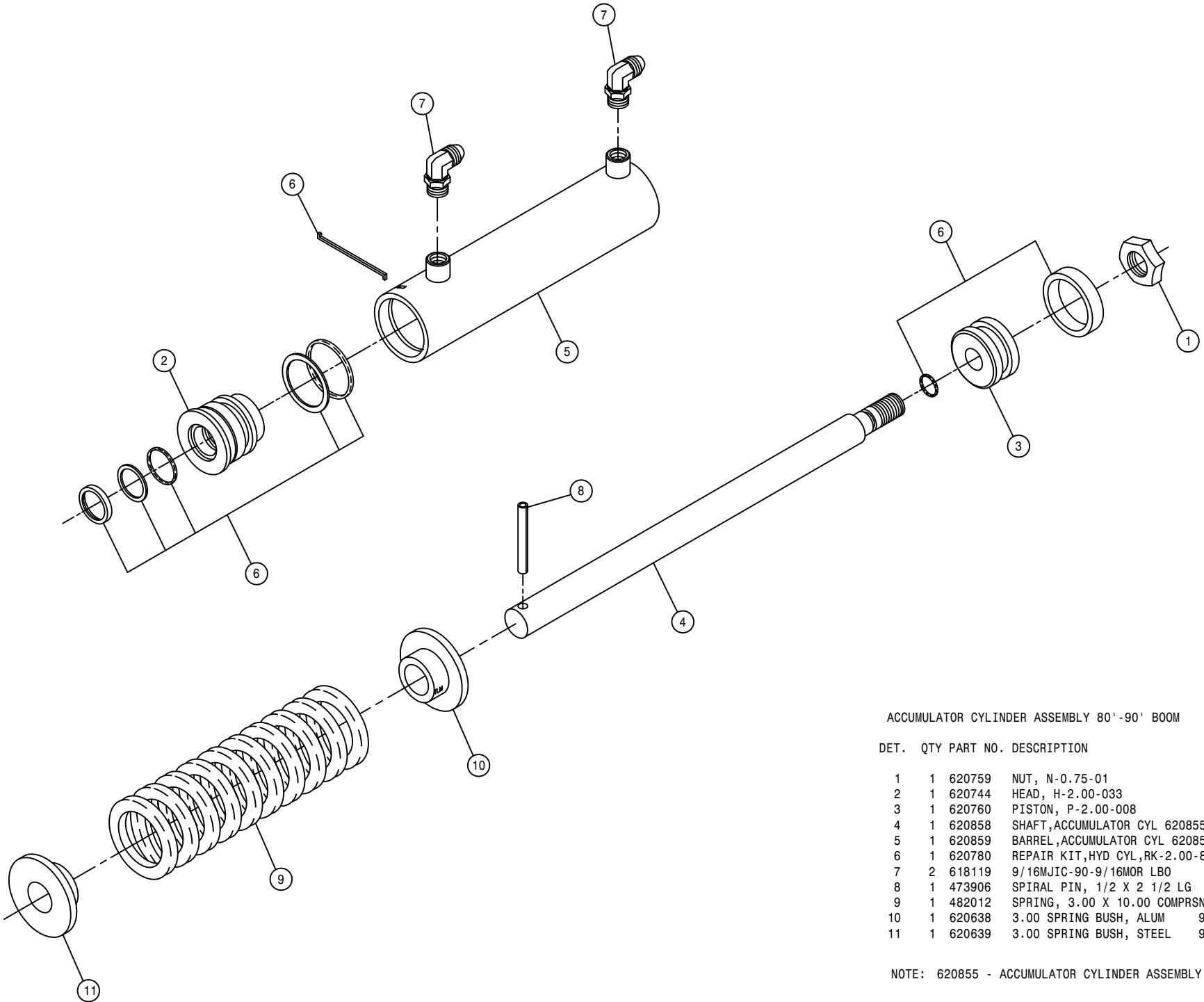
268085



ACCUMULATOR CYLINDER ASSEMBLY 60' BOOM

DET.	QTY	PART NO.	DESCRIPTION
1	1	620759	NUT, N-0.75-01
2	1	620744	HEAD, H-2.00-033
3	1	620760	PISTON, P-2.00-008
4	1	620858	SHAFT, ACCUMULATOR CYL 620855
5	1	620859	BARREL, ACCUMULATOR CYL 620855
6	1	620780	REPAIR KIT, HYD CYL, RK-2.00-806
7	2	618119	9/16MJIC-90-9/16MOR LBO
8	1	473903	SPIRAL PIN 1/2 X 2 640
9	1	482011	SPRING, 2.62 X 10.00 COMPRSN
10	1	620636	2.63 SPRING BUSH, ALUM 96
11	1	620637	2.63 SPRING BUSH, STEEL 96

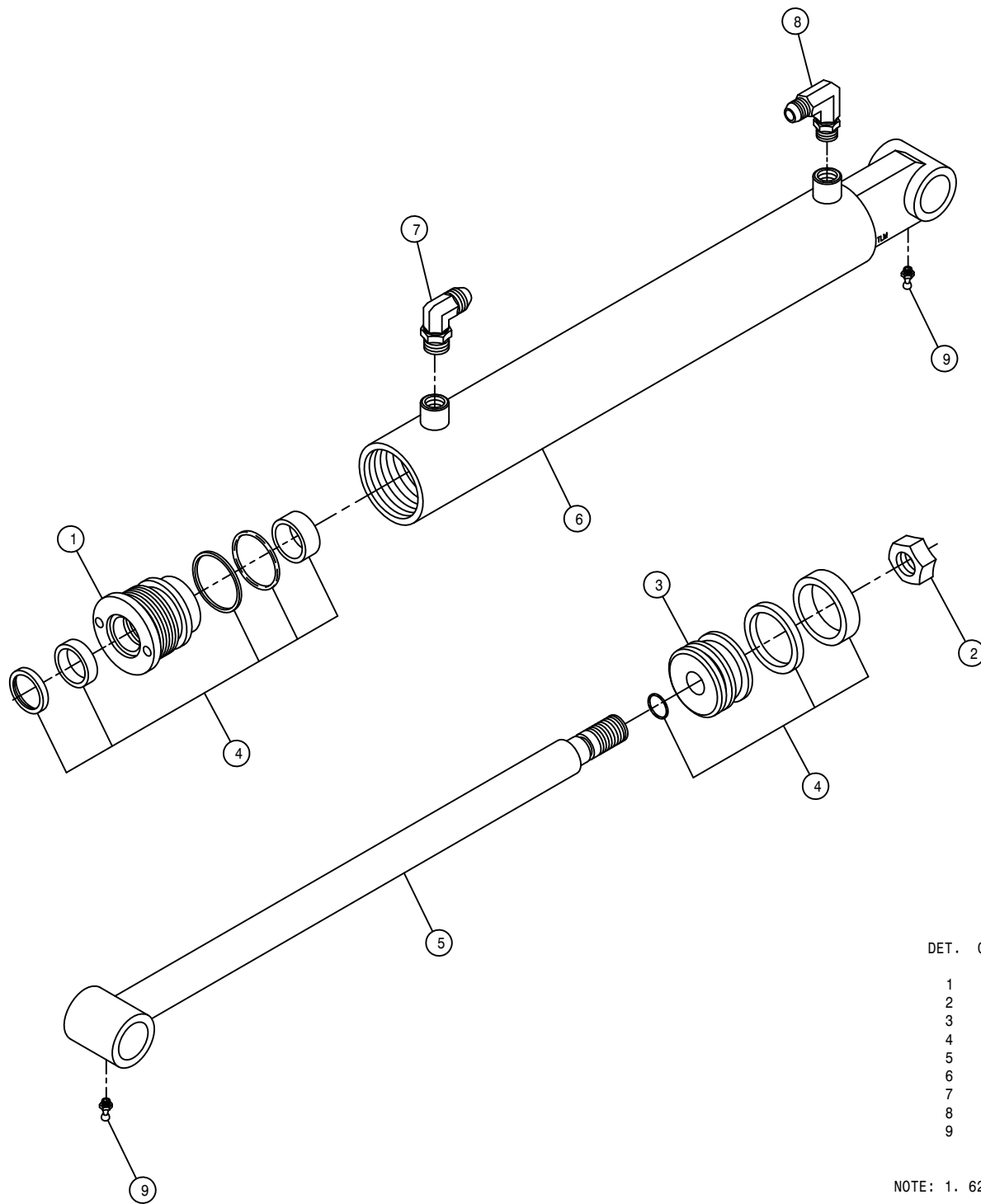
NOTE: 620855 - ACCUMULATOR CYLINDER ASSEMBLY 1-6



ACCUMULATOR CYLINDER ASSEMBLY 80'-90' BOOM

DET.	QTY	PART NO.	DESCRIPTION
1	1	620759	NUT, N-0.75-01
2	1	620744	HEAD, H-2.00-033
3	1	620760	PISTON, P-2.00-008
4	1	620858	SHAFT, ACCUMULATOR CYL 620855
5	1	620859	BARREL, ACCUMULATOR CYL 620855
6	1	620780	REPAIR KIT, HYD CYL, RK-2.00-806
7	2	618119	9/16MJIC-90-9/16MOR LBO
8	1	473906	SPIRAL PIN, 1/2 X 2 1/2 LG
9	1	482012	SPRING, 3.00 X 10.00 COMPRSN
10	1	620638	3.00 SPRING BUSH, ALUM 96
11	1	620639	3.00 SPRING BUSH, STEEL 96

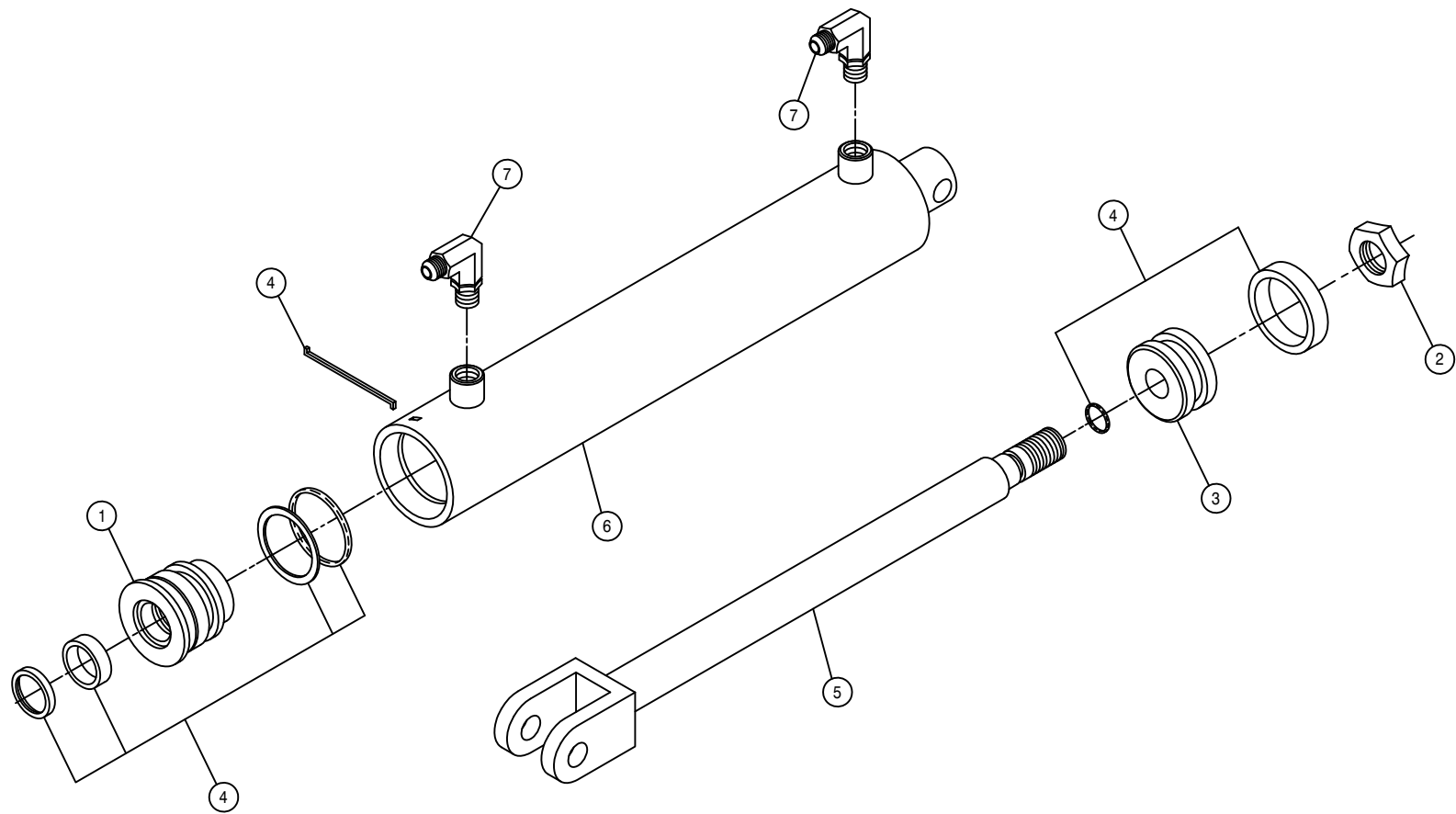
NOTE: 620855 - ACCUMULATOR CYLINDER ASSEMBLY 1-6



TRANSOM LIFT CYLINDER ASSEMBLY

DET.	QTY	PART NO.	DESCRIPTION
1	1	620748	HEAD, H-2.50-350
2	1	620759	NUT, N-0.75-01
3	1	620764	PISTON, P-2.50-107
4	1	620785	REPAIR KIT, HYD CYL, RK-2.50-800
5	1	620843	SHAFT, TRANSOM LIFT CYL 620840
6	1	620844	BARREL, TRANSOM LIFT CYL 620840
7	1	618119	9/16MJIC-90-9/16MOR LBO
8	1	618689	9/16MOR-90-9/16MJ .042 CHK VLV
9	2	471005	1/4 28 X 1/2 GREASE ZERK

NOTE: 1. 620840 - TRANSOM LIFT CYLINDER ASSEMBLY 1-6
 2. 621031 - TRANSOM LIFT CYLINDER ASSEMBLY WITH FITTINGS

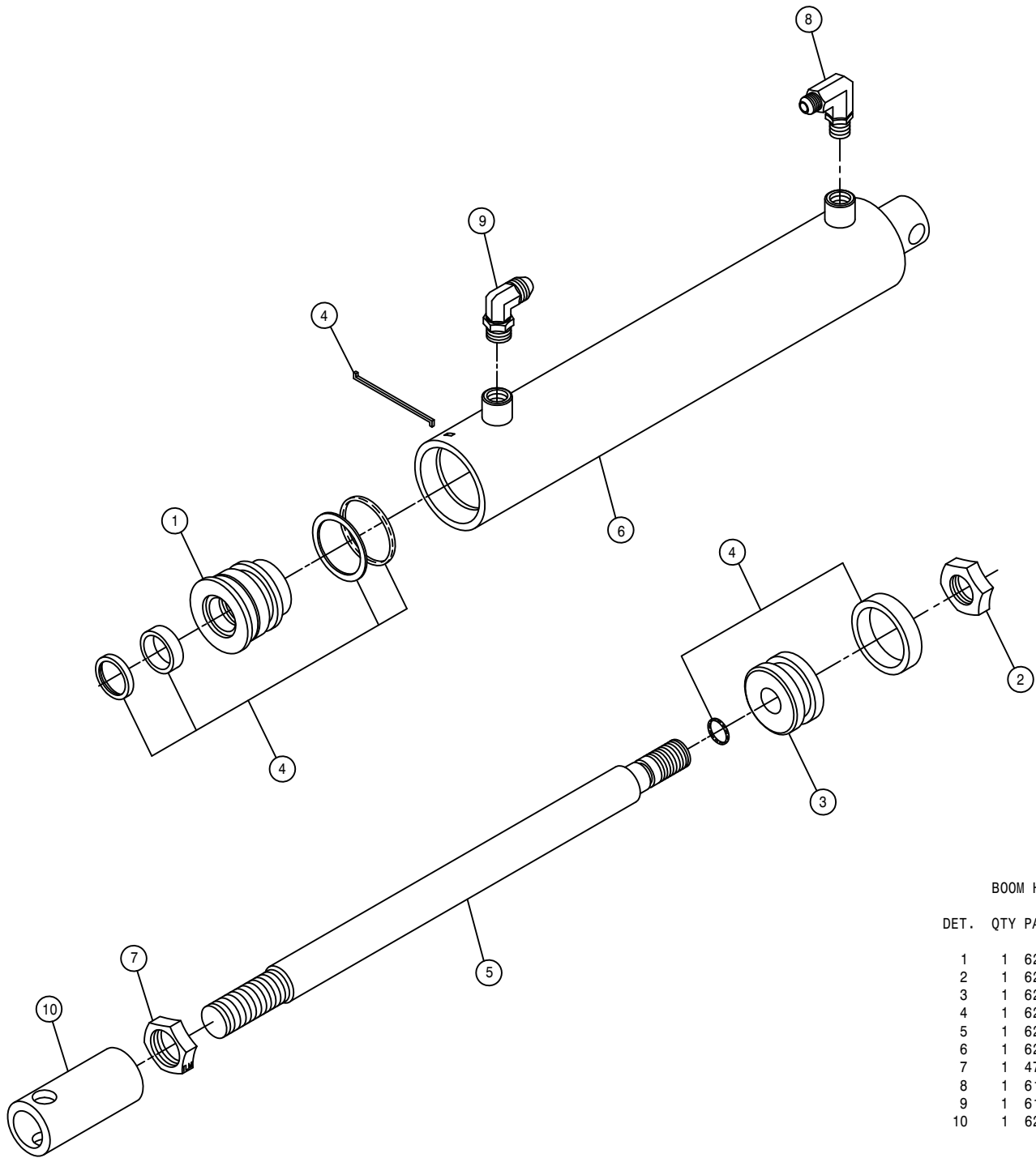


BOOM LEVEL CYLINDER ASSEMBLY

DET. QTY PART NO. DESCRIPTION

1	1	620744	HEAD, H-2.00-033
2	1	620759	NUT, N-0.75-01
3	1	620760	PISTON, P-2.00-008
4	1	620780	REPAIR KIT, HYD CYL, RK-2.00-806
5	1	620853	SHAFT, BOOM LEVEL CYL 620850
6	1	620854	BARREL, BOOM LEVEL CYL 620850
7	2	618119	9/16MJIC-90-9/16MOR LBO

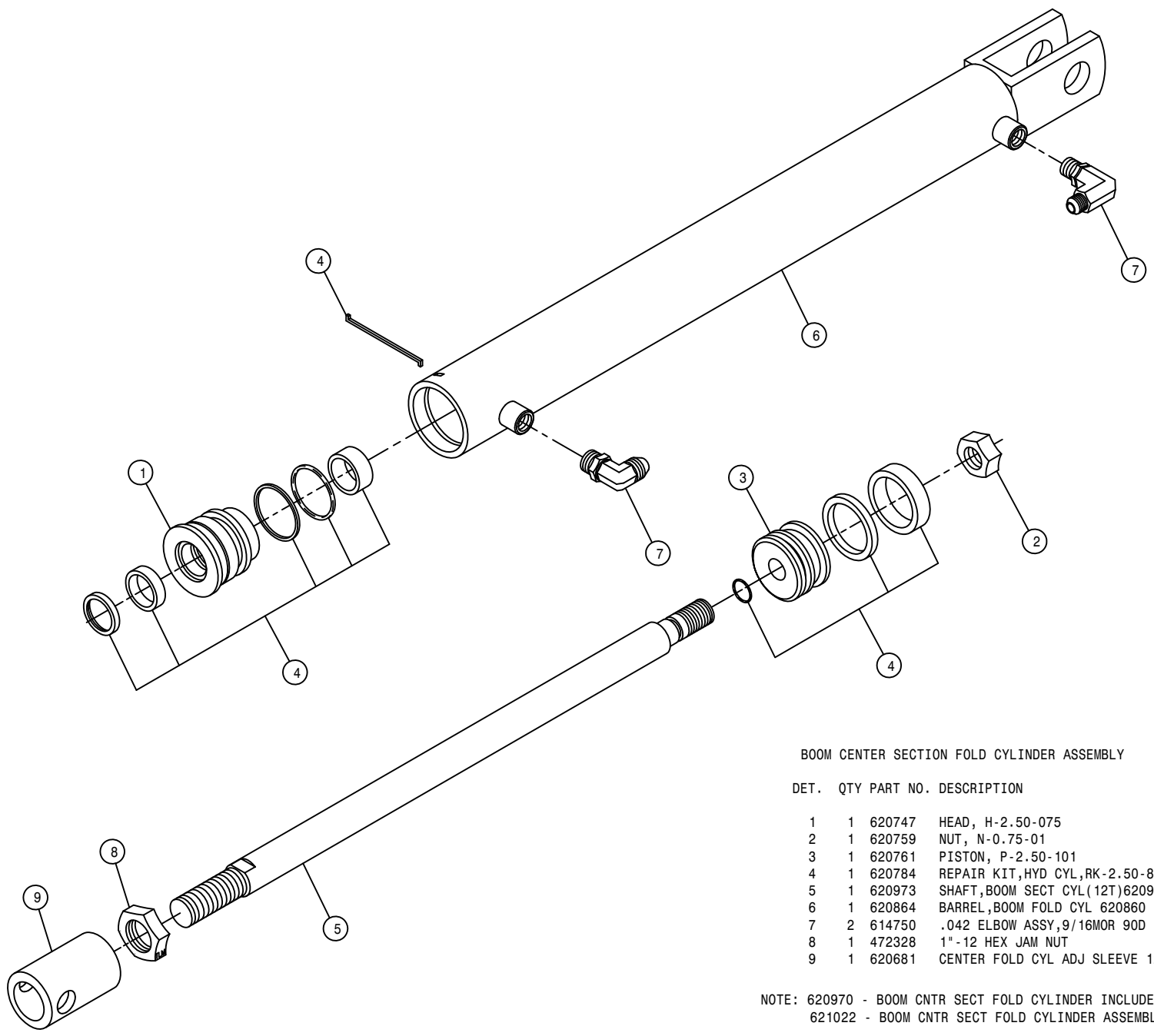
NOTE: 1. 620850 - BOOM LEVEL CYLINDER ASSEMBLY 1-6
 2. 621015 - BOOM LEVEL CYLINDER ASSEMBLY WITH FITTINGS



BOOM HINGE FOLD CYLINDER ASSEMBLY

DET.	QTY	PART NO.	DESCRIPTION
	1	620744	HEAD, H-2.00-033
	1	620759	NUT, N-0.75-01
	1	620760	PISTON, P-2.00-008
	1	620780	REPAIR KIT, HYD CYL, RK-2.00-806
	1	620848	SHAFT, BOOM FOLD CYL 620845
	1	620849	BARREL, BOOM FOLD CYL 620845
	1	472322	7/8UNF HEX JAM NUT
	1	614750	.042 ELBOW ASSY, 9/16MOR 90D
	1	618688	9/16MOR-90-9/16MJ .025 CHK VLV
	1	620653	FOLD CYL ADJ SLEEVE 97

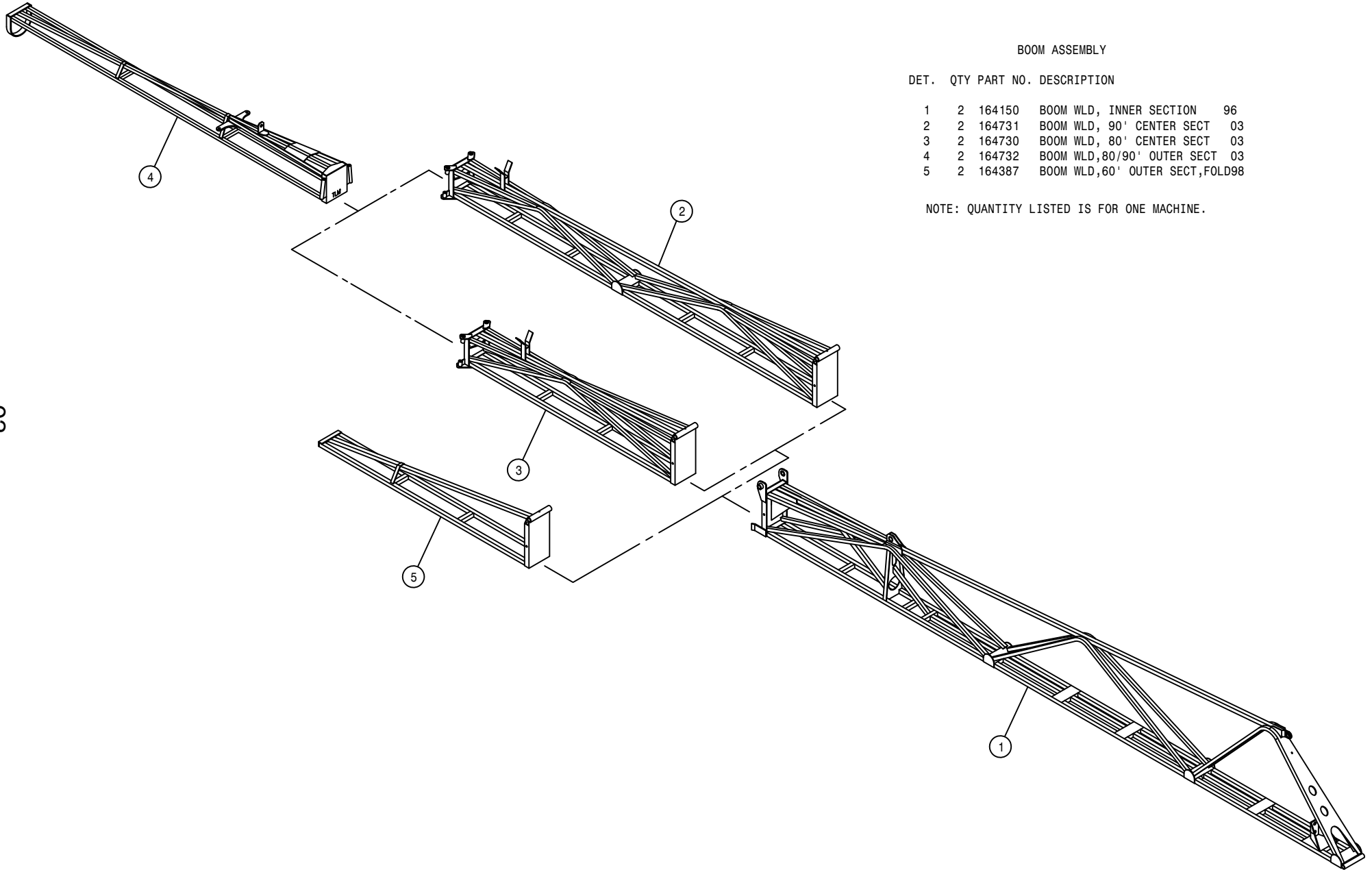
NOTE: 1. 620845 - BOOM HINGE FOLD CYLINDER ASSEMBLY 1-6
 2. 621033 - BOOM HINGE FOLD CYLINDER ASSEMBLY WITH FITTINGS



BOOM CENTER SECTION FOLD CYLINDER ASSEMBLY

DET.	QTY	PART NO.	DESCRIPTION
	1	620747	HEAD, H-2.50-075
	1	620759	NUT, N-0.75-01
	1	620761	PISTON, P-2.50-101
	1	620784	REPAIR KIT, HYD CYL, RK-2.50-801
	1	620973	SHAFT, BOOM SECT CYL (12T) 620970
	1	620864	BARREL, BOOM FOLD CYL 620860
	2	614750	.042 ELBOW ASSY, 9/16MOR 90D
	1	472328	1" - 12 HEX JAM NUT
	1	620681	CENTER FOLD CYL ADJ SLEEVE 12T

NOTE: 620970 - BOOM CNTR SECT FOLD CYLINDER INCLUDES ITEMS 1-6.
 621022 - BOOM CNTR SECT FOLD CYLINDER ASSEMBLY WITH FITTINGS

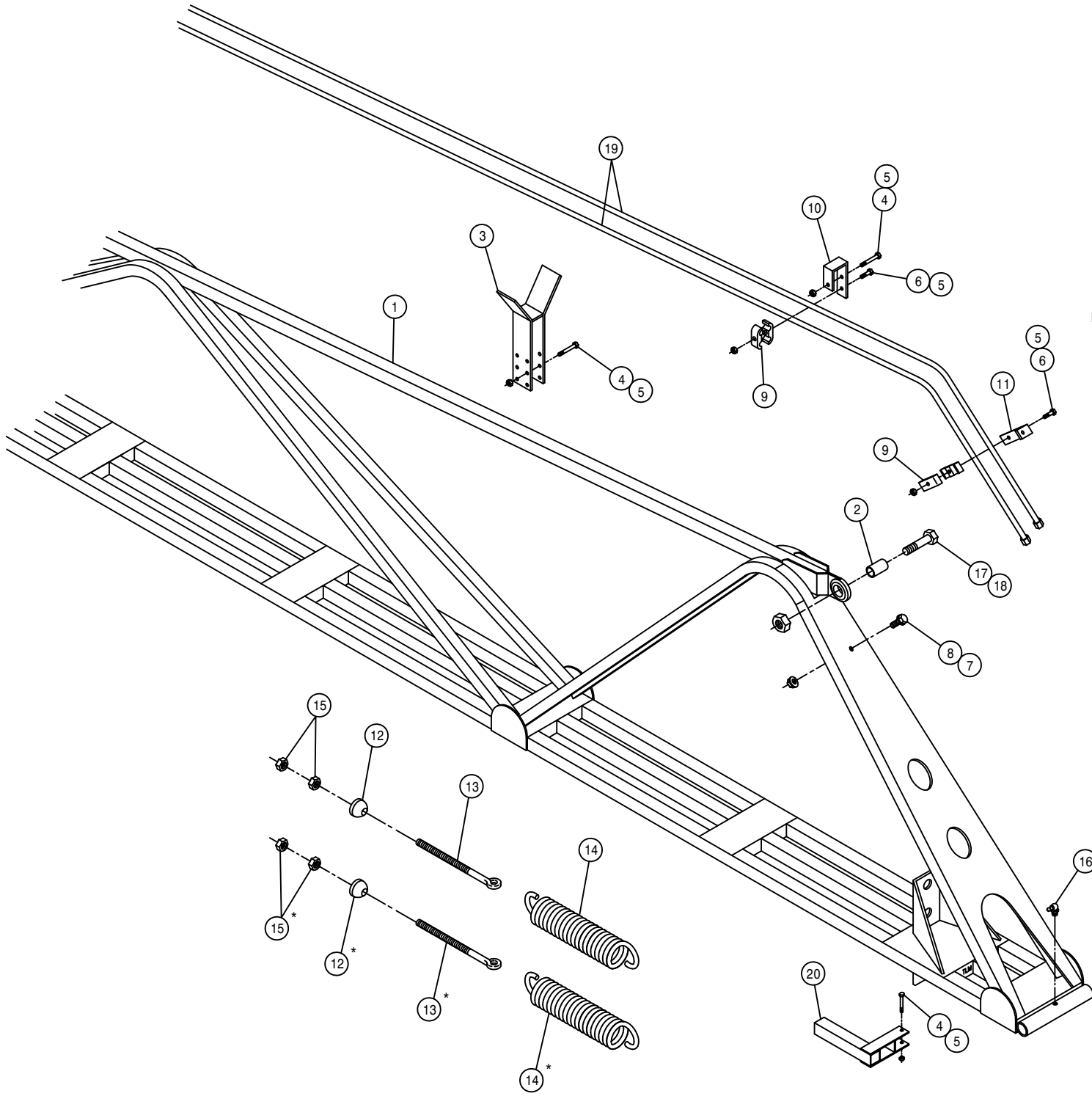


BOOM ASSEMBLY

DET. QTY PART NO. DESCRIPTION

1	2	164150	BOOM WLD, INNER SECTION	96
2	2	164731	BOOM WLD, 90' CENTER SECT	03
3	2	164730	BOOM WLD, 80' CENTER SECT	03
4	2	164732	BOOM WLD, 80/90' OUTER SECT	03
5	2	164387	BOOM WLD, 60' OUTER SECT, FOLD98	

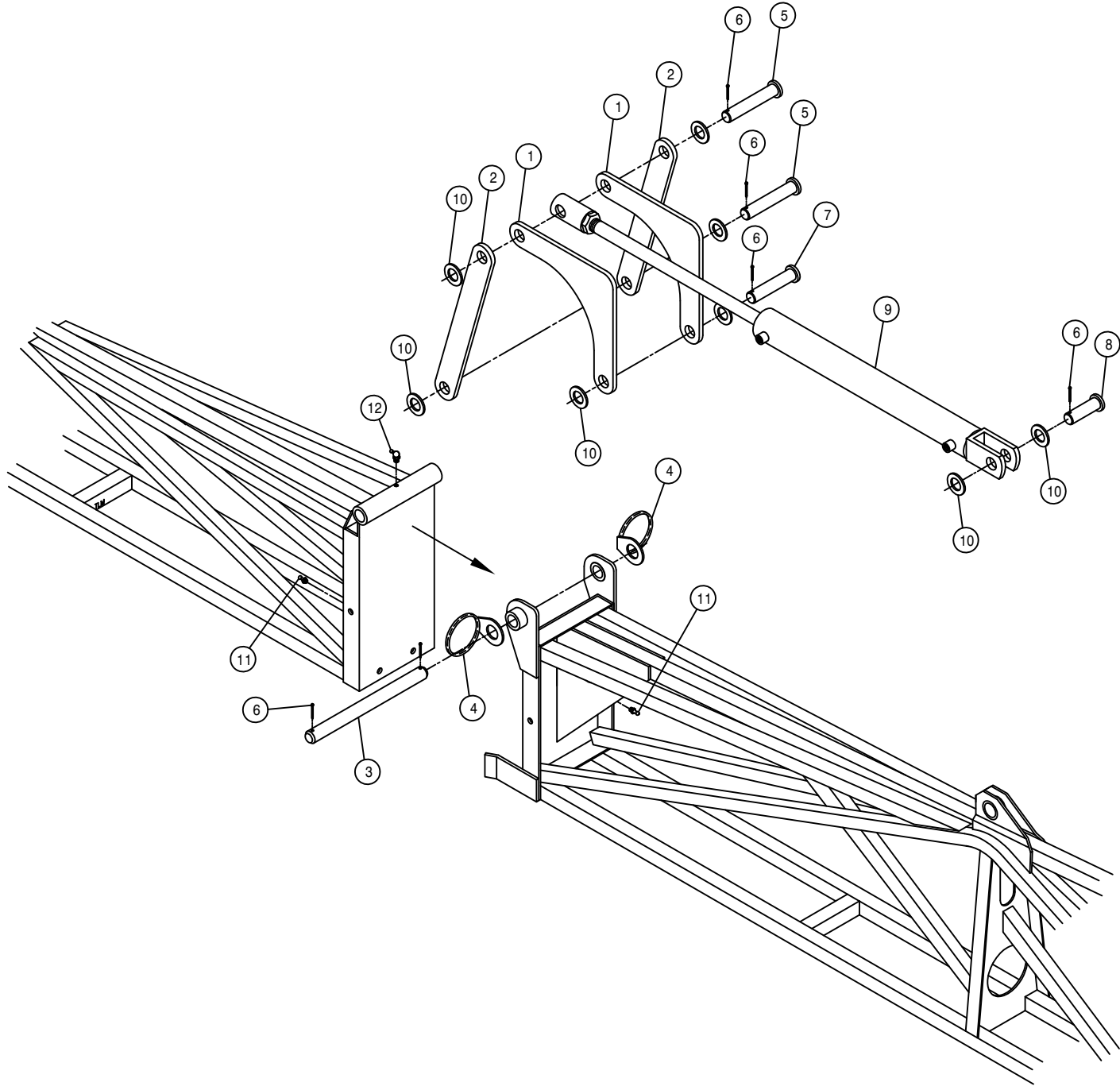
NOTE: QUANTITY LISTED IS FOR ONE MACHINE.



INNER BOOM ASSEMBLY

DET.	QTY	PART NO.	DESCRIPTION	
1	2	164150	BOOM WLD, INNER SECTION	96
2	2	164227	BOOM BALL JOINT BUSH	96
3	2	164266	OUTER BOOM SUPP WLD,80/90'	96
4	18	900007	1/4UNC X 2" HEX BOLT	
5	28	914000	1/4UNC HEX STOVER NUT	
6	10	900004	1/4UNC X 1 1/4 HEX BOLT	
7	2	470121	1/4UNC HEX FLANGE LOCK NUT	
8	2	470118	1/4UNC X 3/4 FLANGE HEX BOLT	
9	10	470287	TUBE CLAMP, .375-.375 (PAIR)	
10	8	164242	HYD TUBE HANGER CLEVIS,BOOM96	
11	2	164243	HYD TUBE HANGER ANGLE,BOOM 96	
12	4	164263	SWIVEL, 5/8 BOOM EYEBOLT	
13	4	164265	5/8UNC X 7 1/2 EYE BOLT	
14	4	482014	SPRING,3.25 X 11.50 EXTENSION	
15	8	910010	5/8UNC HEX NUT	
16	2	471028	GREASE ZERK, 1/4-28 90DEG	
17	2	900844	5/8UNC X 2 3/4 HEX BOLT GR8	
18	2	914010	5/8UNC HEX STOVER NUT	
19	4	615684	HYD TUBE ASSY,BOOM EXT FOLD96	
20	2	164275	NOZL MT WLD	96

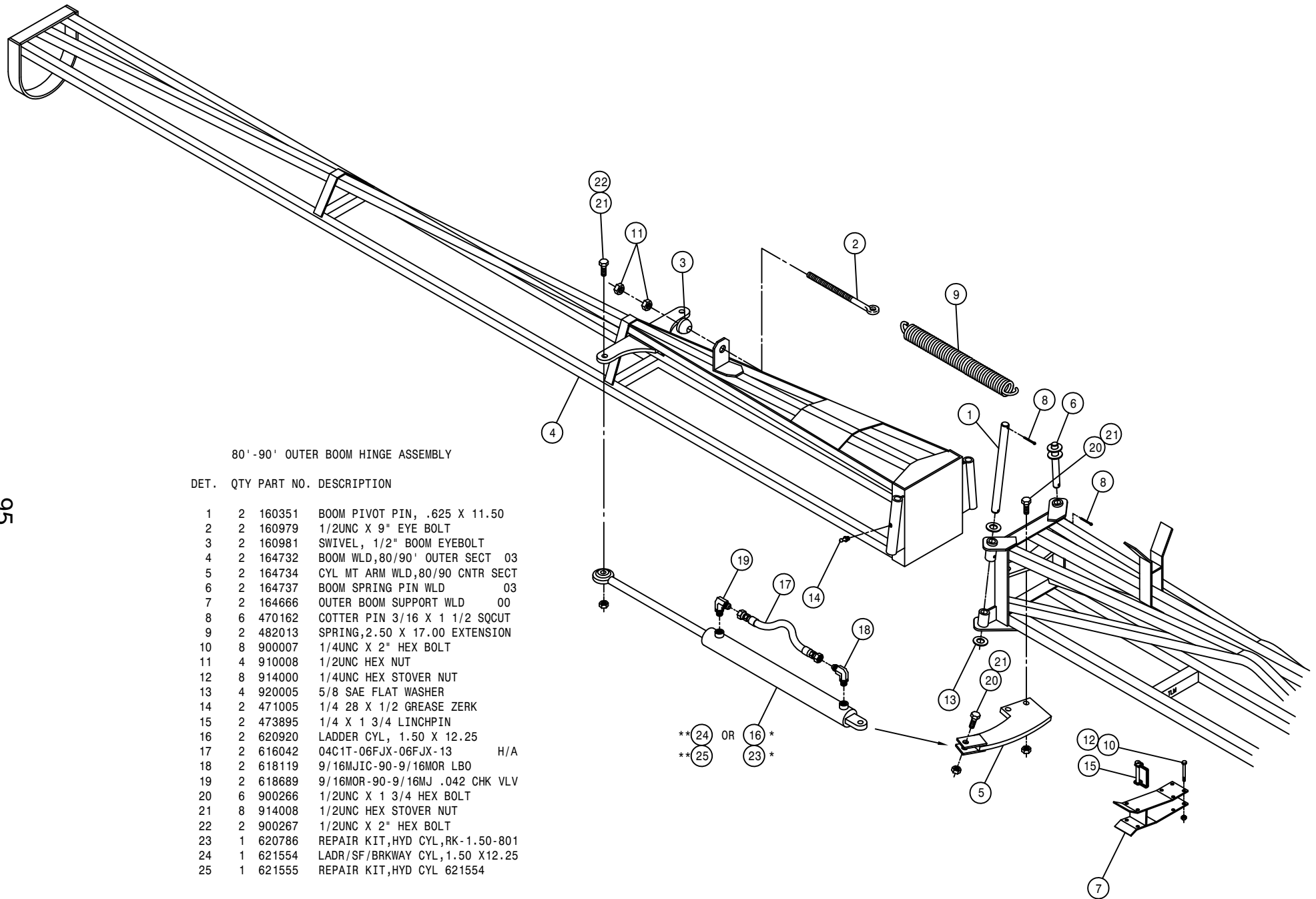
NOTE: QUANTITY LISTED IS FOR ONE MACHINE.
 *60 FOOT BOOM USES ONE SPRING SETUP.



80'-90' BOOM HINGE PIVOT ASSEMBLY

DET.	QTY	PART NO.	DESCRIPTION
	1	4	164228 FOLDING LINK, INNER BOOM 96
	2	4	164229 FOLDING LINK, BOOM CNTR SECT96
	3	2	164231 BOOM PIN, 1.00 X 11.75 96
	4	4	438302 HOSE SUPPORT RING WLD
	5	4	470155 CLEVIS PIN, 1.00 X 4.00 PLT
	6	12	470162 COTTER PIN 3/16 X 1 1/2 SQ CUT
	7	2	472012 CLEVIS PIN, 1.00 X 3.25 PLT
	8	2	472270 CLEVIS PIN, 1.00 X 2.50 PLT
	9	2	621022 BOOM CNTR SECT CYL ASSY(12T)03
	10	16	920008 1" SAE FLAT WASHER
	11	4	471005 1/4 28 X 1/2 GREASE ZERK
	12	2	471028 GREASE ZERK, 1/4-28 90DEG

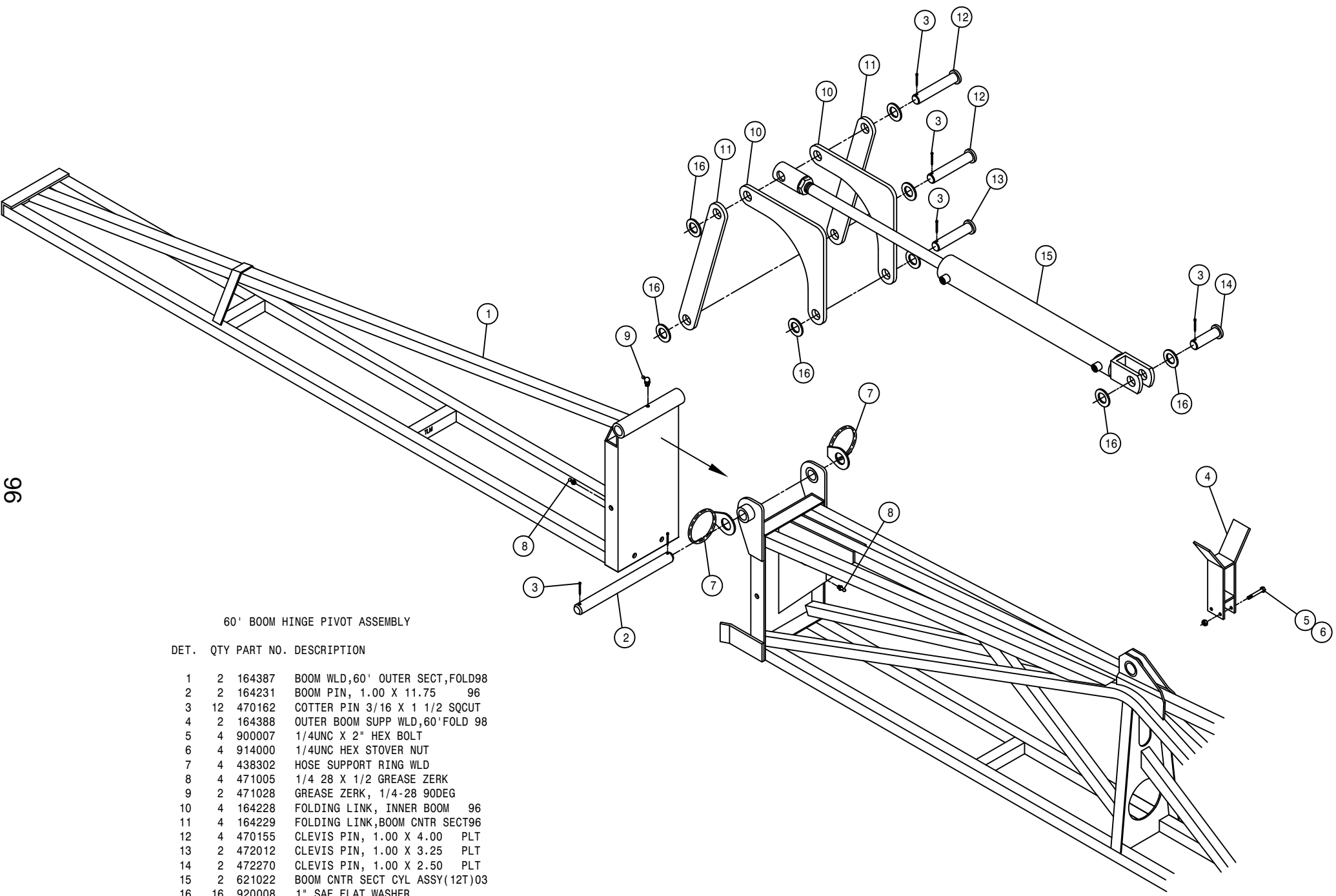
NOTE: QUANTITY LISTED IS FOR ONE MACHINE.



80'-90' OUTER BOOM HINGE ASSEMBLY

DET.	QTY	PART NO.	DESCRIPTION
	1	2 160351	BOOM PIVOT PIN, .625 X 11.50
	2	2 160979	1/2UNC X 9" EYE BOLT
	3	2 160981	SWIVEL, 1/2" BOOM EYEBOLT
	4	2 164732	BOOM WLD,80/90' OUTER SECT 03
	5	2 164734	CYL MT ARM WLD,80/90 CNTR SECT
	6	2 164737	BOOM SPRING PIN WLD 03
	7	2 164666	OUTER BOOM SUPPORT WLD 00
	8	6 470162	COTTER PIN 3/16 X 1 1/2 SQCUT
	9	2 482013	SPRING,2.50 X 17.00 EXTENSION
	10	8 900007	1/4UNC X 2" HEX BOLT
	11	4 910008	1/2UNC HEX NUT
	12	8 914000	1/4UNC HEX STOVER NUT
	13	4 920005	5/8 SAE FLAT WASHER
	14	2 471005	1/4 28 X 1/2 GREASE ZERK
	15	2 473895	1/4 X 1 3/4 LINCHPIN
	16	2 620920	LADDER CYL, 1.50 X 12.25
	17	2 616042	04C1T-06FJX-06FJX-13 H/A
	18	2 618119	9/16MJIC-90-9/16MOR LBO
	19	2 618689	9/16MOR-90-9/16MJ .042 CHK VLV
	20	6 900266	1/2UNC X 1 3/4 HEX BOLT
	21	8 914008	1/2UNC HEX STOVER NUT
	22	2 900267	1/2UNC X 2" HEX BOLT
	23	1 620786	REPAIR KIT,HYD CYL,RK-1.50-801
	24	1 621554	LADR/SF/BRKWAY CYL,1.50 X12.25
	25	1 621555	REPAIR KIT,HYD CYL 621554

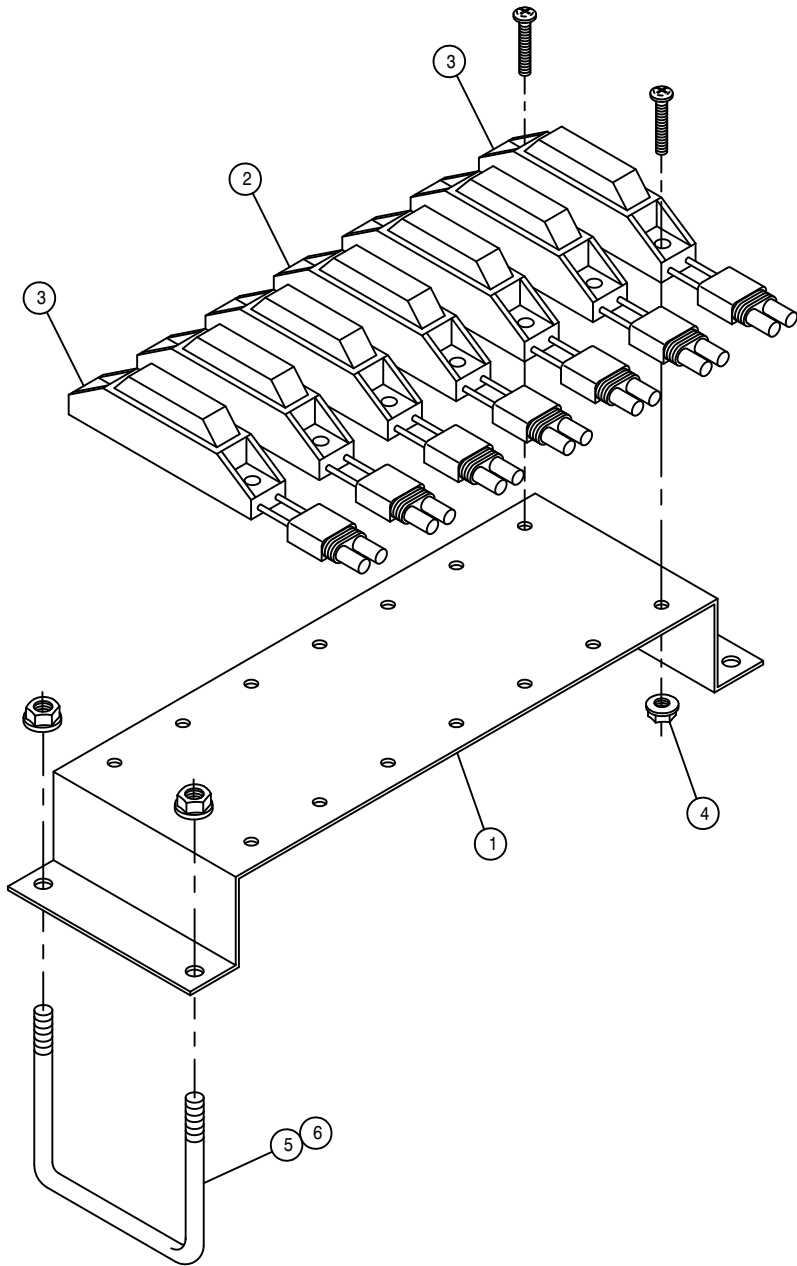
NOTE: 1. QUANTITY LISTED IS FOR ONE MACHINE.
 *2. 621034 - BOOM BREAKAWAY CYLINDER ASSEMBLY.
 **3. 621035 - BOOM BREAKAWAY CYLINDER ASSEMBLY.



60' BOOM HINGE PIVOT ASSEMBLY

DET.	QTY	PART NO.	DESCRIPTION
1	2	164387	BOOM WLD,60' OUTER SECT,FOLD98
2	2	164231	BOOM PIN, 1.00 X 11.75 96
3	12	470162	COTTER PIN 3/16 X 1 1/2 SQCUT
4	2	164388	OUTER BOOM SUPP WLD,60'FOLD 98
5	4	900007	1/4UNC X 2" HEX BOLT
6	4	914000	1/4UNC HEX STOVER NUT
7	4	438302	HOSE SUPPORT RING WLD
8	4	471005	1/4 28 X 1/2 GREASE ZERK
9	2	471028	GREASE ZERK, 1/4-28 90DEG
10	4	164228	FOLDING LINK, INNER BOOM 96
11	4	164229	FOLDING LINK,BOOM CNTR SECT96
12	4	470155	CLEVIS PIN, 1.00 X 4.00 PLT
13	2	472012	CLEVIS PIN, 1.00 X 3.25 PLT
14	2	472270	CLEVIS PIN, 1.00 X 2.50 PLT
15	2	621022	BOOM CNTR SECT CYL ASSY(12T)03
16	16	920008	1" SAE FLAT WASHER

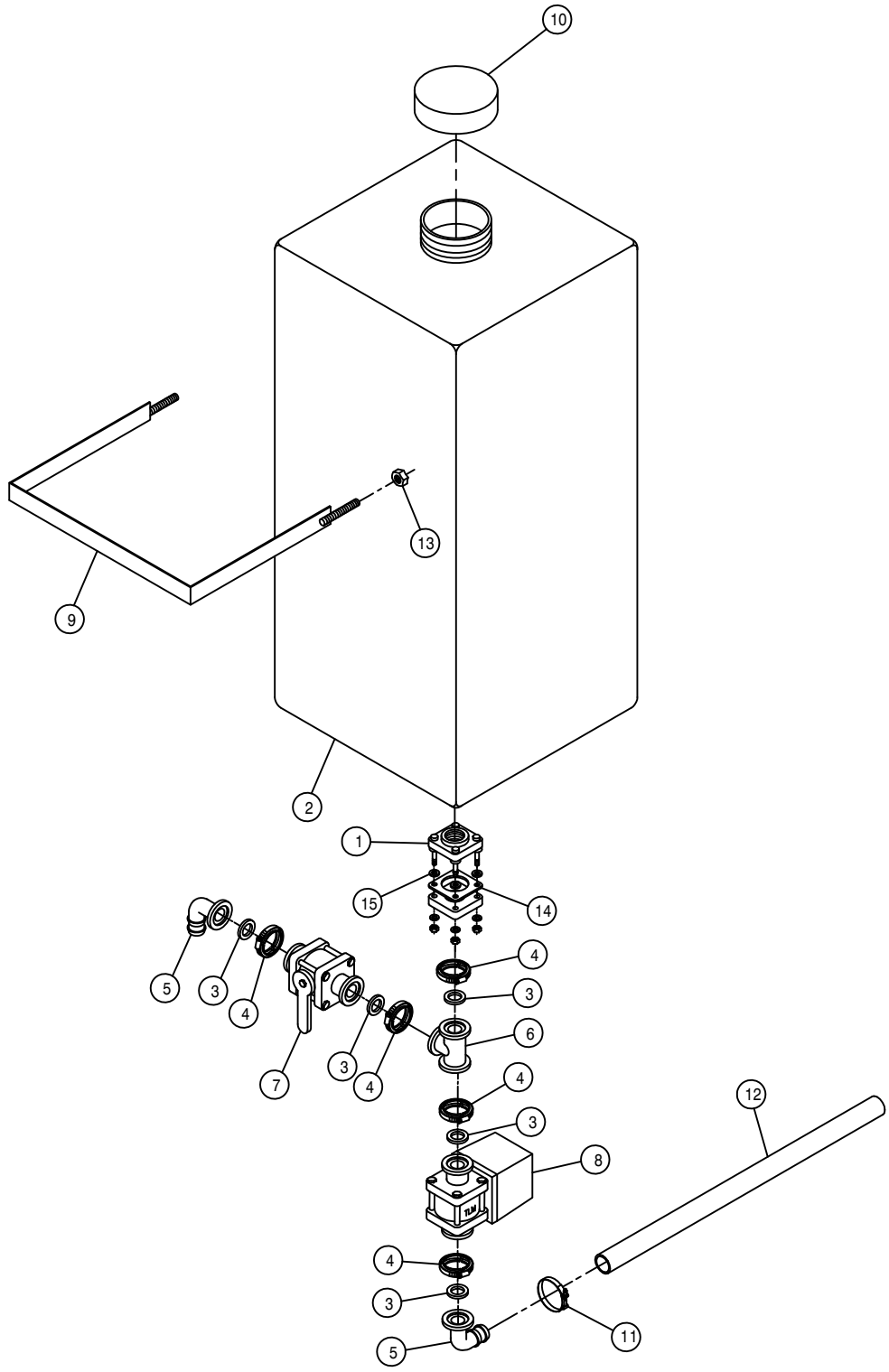
NOTE: QUANTITY LISTED IS FOR ONE MACHINE.



BOOM SECTION LIGHT ASSEMBLY

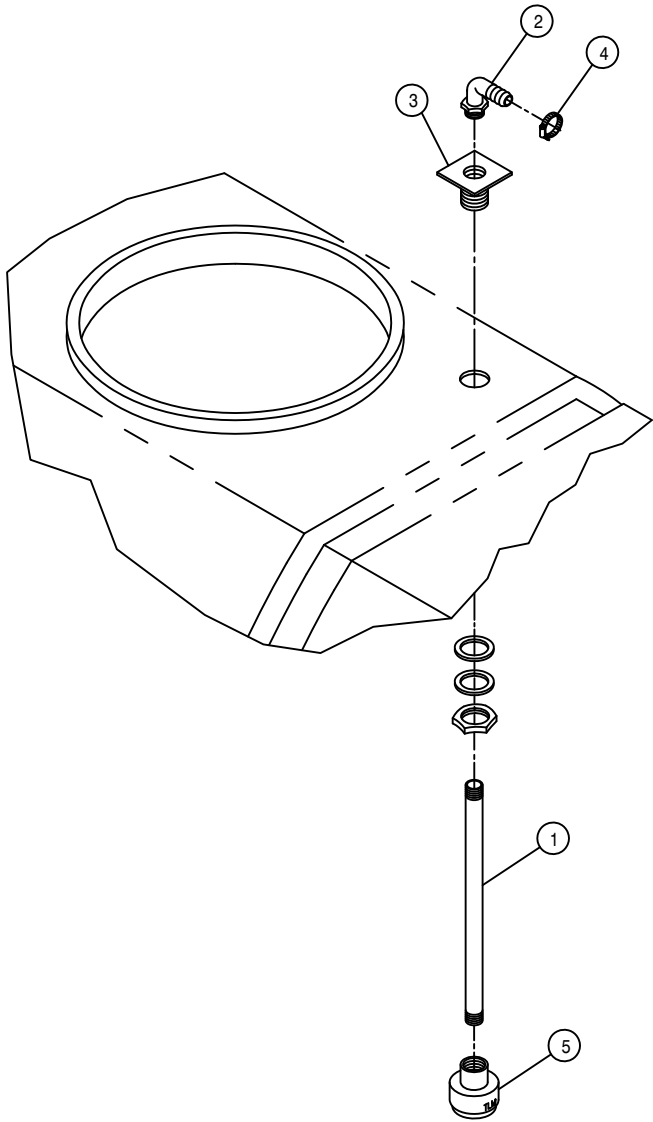
DET. QTY PART NO. DESCRIPTION

1	1	164386	BOOM SECT ID LIGHT BRKT2100 98
2	5	293396	RED BOOM SECT ID LIGHT ASSY
3	2	293397	YELLOW BOOM SECT ID LIGHT ASSY
4	14	470175	10-32 HEX FLANGE LOCK NUT
5	2	473970	1/4UNC-1 1/16ID-2 3/4 U-BOLTSQ
6	4	470121	1/4UNC HEX FLANGE LOCK NUT



RINSE TANK ASSEMBLY

DET.	QTY	PART NO.	DESCRIPTION
	1	500178	1"FLG TANK FTG,BOTDRN BLT POLY
	1	763475	55 GAL TANK, RECTANGLE VERTICL
	5	500157	1" FLANGE GASKET EPDM
	5	500159	1" FLANGE CLAMP, S.S.
	2	500173	1" FLANGE-90-1" HOSE BARB POLY
	1	500175	1" FLANGE TEE POLY
	1	696147	BALL VLV, 1" FLANGE
	1	696177	ELECT BALL VLV,1"FLANGE TJET
	1	342621	RINSE TANK BAND WLD, 2100 98
	1	763474	LID, 55 GAL RINSE TANK 763475
	1	520138	1.38/1.56 T-BOLT HOSE CLAMP
	1	601425	HOSE, 1 X 192 2F-1W EPDM
	2	914008	1/2UNC HEX STOVER NUT
	1	500221	FULL GASKET,1" TANK FTG 500178
	4	500222	FOOT GASKET,1" TANK FTG 500178



RINSE NOZZLE ASSEMBLY

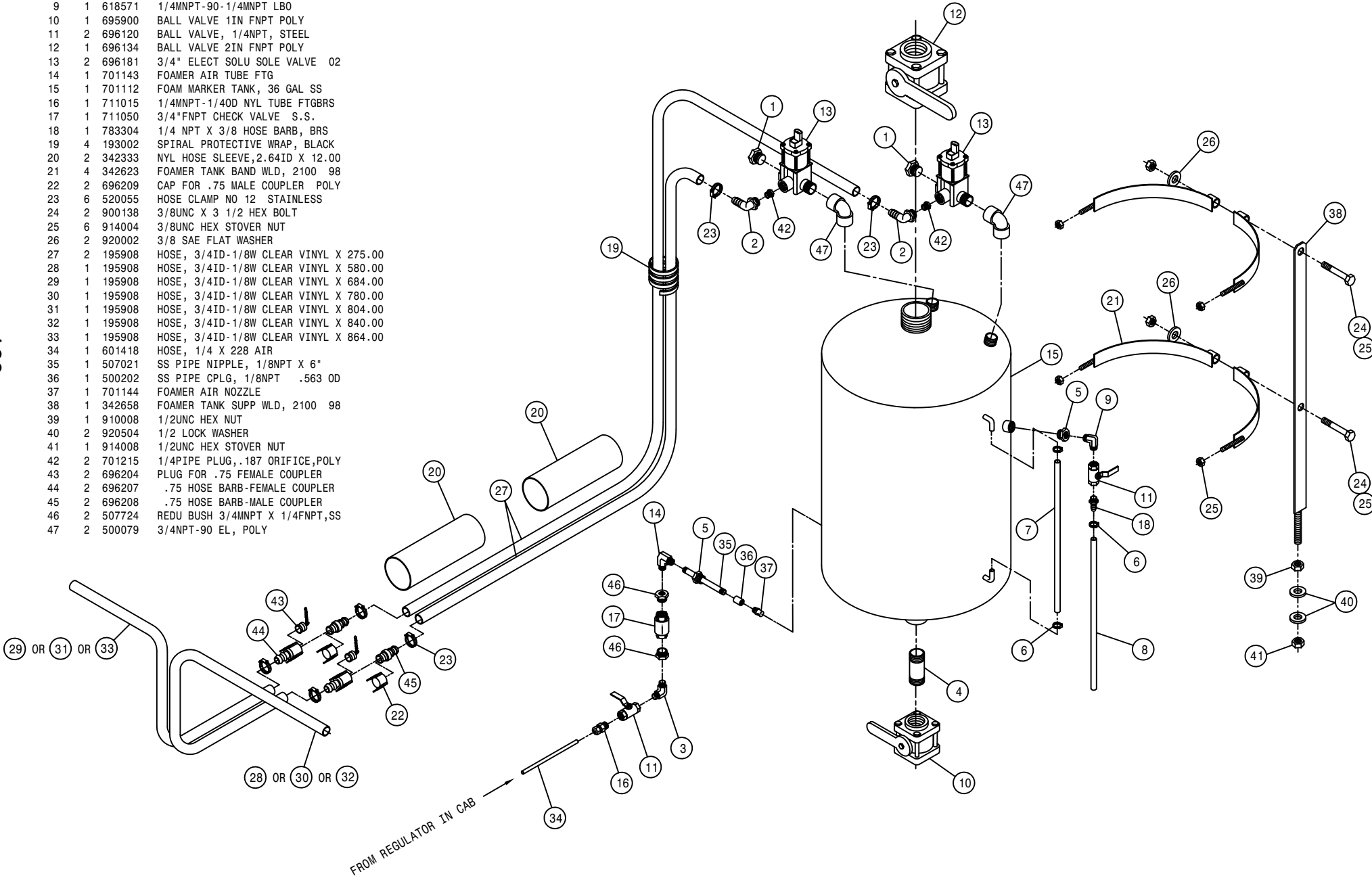
DET.	QTY	PART NO.	DESCRIPTION
	1	504850	CPVC PIPE NIPPLE .75NPT-24.00
	2	500054	3/4NPT-90-3/4 HOSE BARB, POLY
	2	618549	.75 PLASTIC FTG ASSY POLY TNK
	2	520055	HOSE CLAMP NO 12 STAINLESS
	2	737873	ROTARY NOZZLE, TEFLON

NOTE: QUANTITY LISTED IS FOR ONE MACHINE.

FOAM MARKER TANK ASSEMBLY

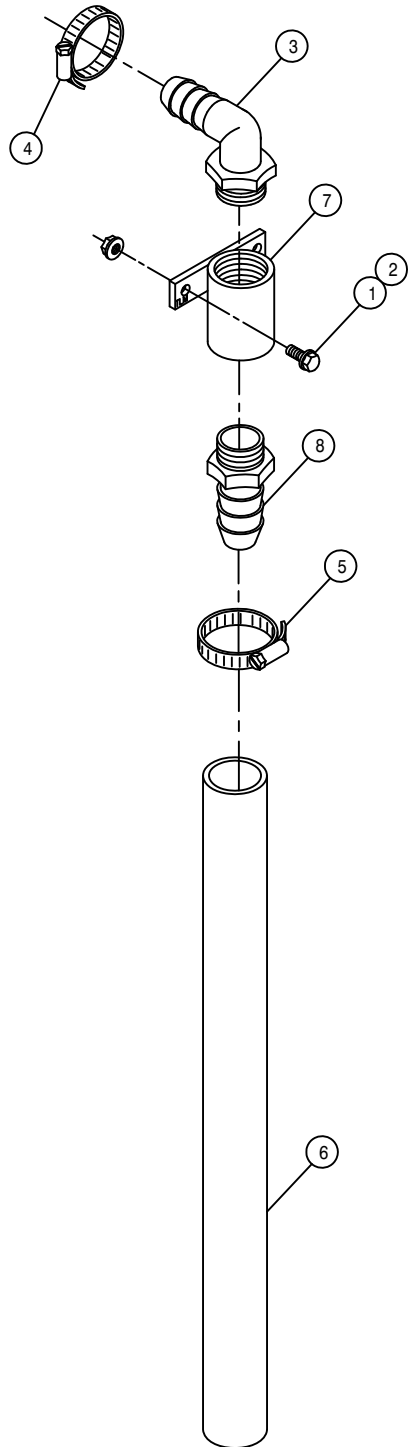
NOTE: 1. DETAIL 28 AND 29 ARE USED WITH THE 60 FT BOOM.
 2. DETAIL 30 AND 31 ARE USED WITH THE 80 FT BOOM.
 3. DETAIL 32 AND 33 ARE USED WITH THE 90 FT BOOM.

DET.	QTY	PART NO.	DESCRIPTION
1	2	500043	3/4NPT PIPE PLUG, POLY
2	2	701214	3/4NPT-90-3/4HBRB, 1/4TAP, POLY
3	1	502705	1/4NPT-90-1/4NPT LBO, BRS
4	1	505205	BLK PIPE NIPPLE 1.00NPT-5.00
5	2	505211	3/8-1/4NPT REDU BUSH, BRS
6	3	520120	HOSE CLAMP NO 4 STAINLESS
7	1	601419	HOSE, 3/8 X 30 CLEAR VINYL
8	1	601420	HOSE, 3/8 X 48 CLEAR VINYL
9	1	618571	1/4MNPT-90-1/4MNPT LBO
10	1	695900	BALL VALVE 1IN FNPT POLY
11	2	696120	BALL VALVE, 1/4NPT, STEEL
12	1	696134	BALL VALVE 2IN FNPT POLY
13	2	696181	3/4" ELECT SOLU SOLE VALVE 02
14	1	701143	FOAMER AIR TUBE FTG
15	1	701112	FOAM MARKER TANK, 36 GAL SS
16	1	711015	1/4MNPT-1/4OD NYL TUBE FTGBRS
17	1	711050	3/4"FNPT CHECK VALVE S.S.
18	1	783304	1/4 NPT X 3/8 HOSE BARB, BRS
19	4	193002	SPIRAL PROTECTIVE WRAP, BLACK
20	2	342333	NYL HOSE SLEEVE, 2.64ID X 12.00
21	4	342623	FOAMER TANK BAND WLD, 2100 98
22	2	696209	CAP FOR .75 MALE COUPLER POLY
23	6	520055	HOSE CLAMP NO 12 STAINLESS
24	2	900138	3/8UNC X 3 1/2 HEX BOLT
25	6	914004	3/8UNC HEX STOVER NUT
26	2	920002	3/8 SAE FLAT WASHER
27	2	195908	HOSE, 3/4ID-1/8W CLEAR VINYL X 275.00
28	1	195908	HOSE, 3/4ID-1/8W CLEAR VINYL X 580.00
29	1	195908	HOSE, 3/4ID-1/8W CLEAR VINYL X 684.00
30	1	195908	HOSE, 3/4ID-1/8W CLEAR VINYL X 780.00
31	1	195908	HOSE, 3/4ID-1/8W CLEAR VINYL X 804.00
32	1	195908	HOSE, 3/4ID-1/8W CLEAR VINYL X 840.00
33	1	195908	HOSE, 3/4ID-1/8W CLEAR VINYL X 864.00
34	1	601418	HOSE, 1/4 X 228 AIR
35	1	507021	SS PIPE NIPPLE, 1/8NPT X 6"
36	1	500202	SS PIPE CPLG, 1/8NPT .563 OD
37	1	701144	FOAMER AIR NOZZLE
38	1	342658	FOAMER TANK SUPP WLD, 2100 98
39	1	910008	1/2UNC HEX NUT
40	2	920504	1/2 LOCK WASHER
41	1	914008	1/2UNC HEX STOVER NUT
42	2	701215	1/4PIPE PLUG, .187 ORIFICE, POLY
43	2	696204	PLUG FOR .75 FEMALE COUPLER
44	2	696207	.75 HOSE BARB-FEMALE COUPLER
45	2	696208	.75 HOSE BARB-MALE COUPLER
46	2	507724	REDU BUSH 3/4MNPT X 1/4FNPT, SS
47	2	500079	3/4NPT-90 EL, POLY



100

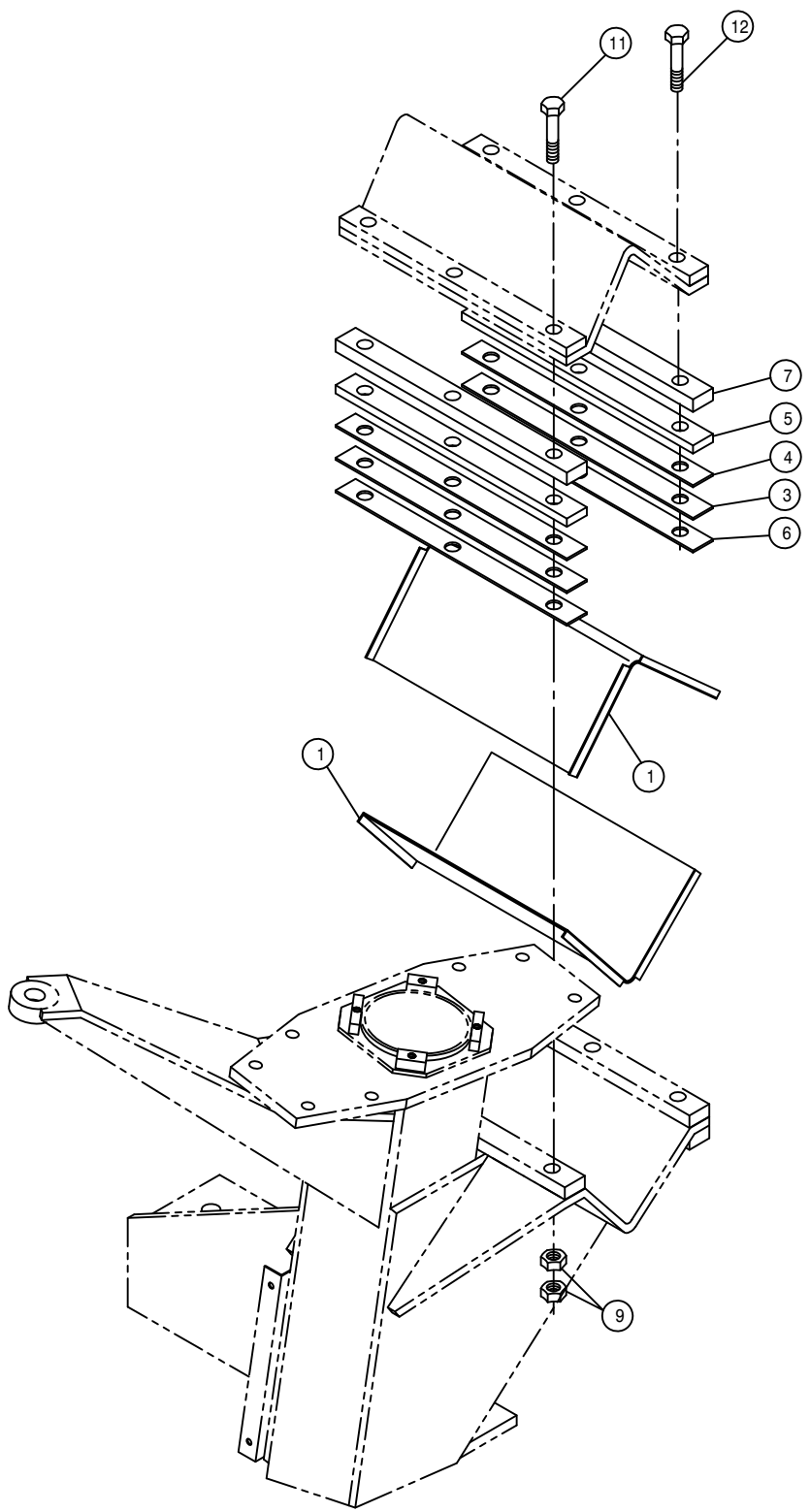
268100



FOAMER DROP END ASSEMBLY

DET.	QTY	PART NO.	DESCRIPTION
1	4	470118	1/4UNC X 3/4 FLANGE HEX BOLT
2	4	470121	1/4UNC HEX FLANGE LOCK NUT
3	2	500067	1 NPT-90-3/4 HOSE BARB, POLY
4	2	520055	HOSE CLAMP NO 12 STAINLESS
5	2	520085	HOSE CLAMP NO 24 STAINLESS
6	2	601367	HOSE, 1 1/4 X 24 2BR BLK EPDM
7	2	701102	FOAM MARKER DROP CPLR WELD
8	2	714561	1.00NPT-1.25 HOSE BARB

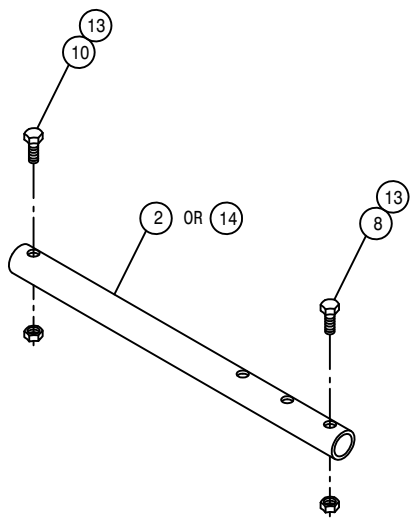
NOTE: QUANTITY LISTED IS FOR ONE MACHINE.

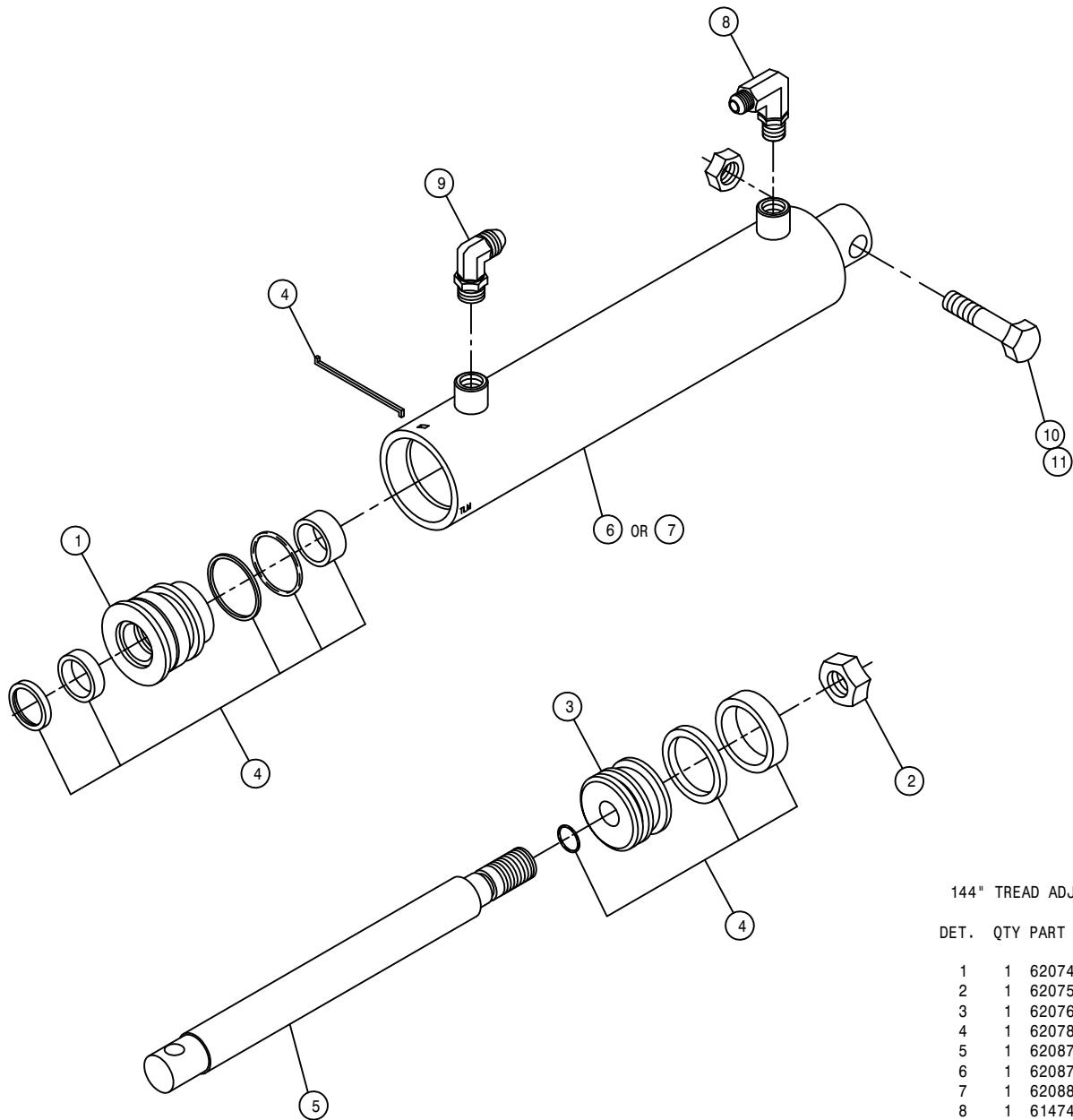


TREAD ADJUSTMENT ASSEMBLY

DET.	QTY	PART NO.	DESCRIPTION
1	8	358703	TREAD ADJ XMBR BEARING ASSY
2	4	358939	TREAD ADJ CYL EXT, 144" 2100 98
3	16	358767	.025 LEG MT SHIM, 284T 94
4	4	358752	.074 LEG MT SHIM, 284T 94
5	8	358769	.250 LEG MT SHIM, 284T 94
6	8	358768	.037 LEG MT SHIM, 284T 94
7	8	358766	.375 LEG MT SPACER, 284T 94
8	4	900268	1/2UNC X 2 1/2 HEX BOLT
9	48	914811	5/8UNF HEX NUT GR8
10	4	900267	1/2UNC X 2" HEX BOLT
11	12	900837	5/8UNF X 3 1/2 HEX BOLT GR8
12	12	900838	5/8UNF X 4" HEX BOLT GR8
13	8	914008	1/2UNC HEX STOVER NUT
14	4	358944	TREAD ADJ CYL EXT, 154" 2100 98

NOTE: QUANTITY LISTED IS FOR ONE MACHINE.

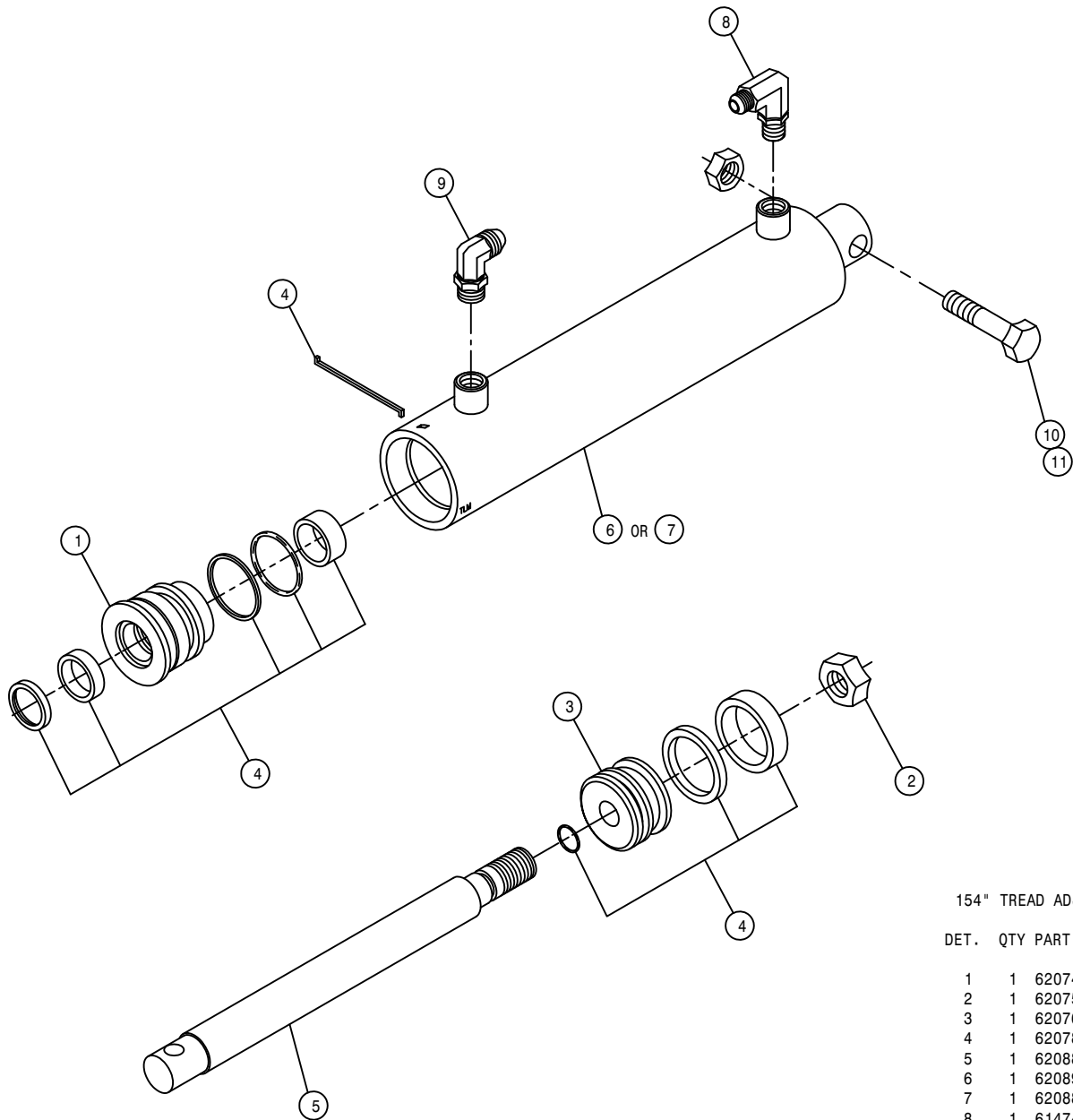




144" TREAD ADJUSTMENT LEG CYLINDER ASSEMBLY

DET.	QTY	PART NO.	DESCRIPTION
	1	620749	HEAD, H-2.50-352
	2	620759	NUT, N-0.75-01
	3	620764	PISTON, P-2.50-107
	4	620784	REPAIR KIT, HYD CYL, RK-2.50-801
	5	620878	SHAFT, LEG CYL, TRD ADJ 620875
	6	620879	BARREL, LEG CYL, TRD ADJ 620875
	7	620884	BARREL, LEG CYL, TRD ADJ 620880
	8	614747	.025 ELBOW ASSY, 9/16MOR 90D
	9	618119	9/16MJIC-90-9/16MOR LBO
	10	900268	1/2UNC X 2 1/2 HEX BOLT
	11	914008	1/2UNC HEX STOVER NUT

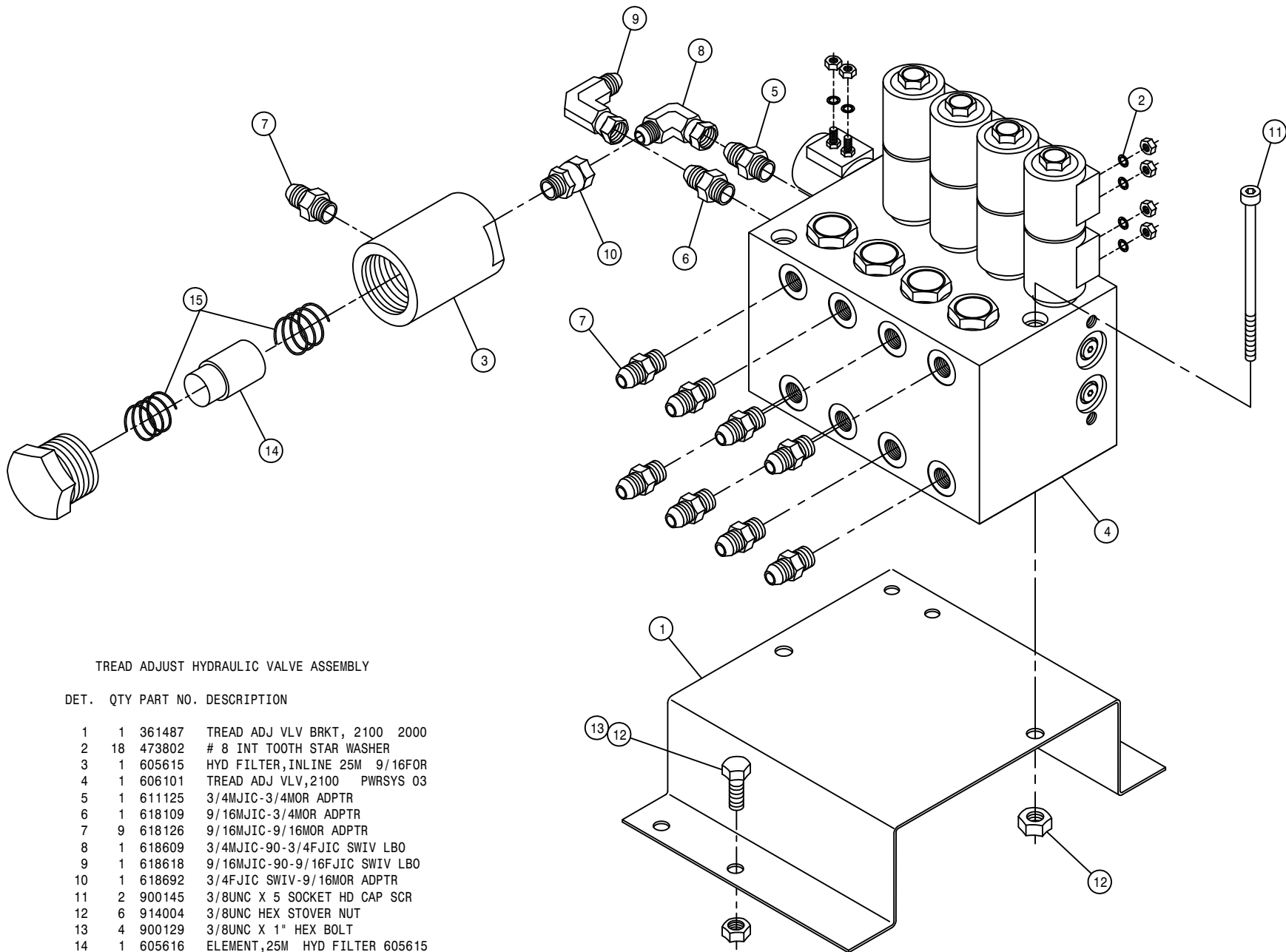
NOTE: 1. 620880 - RH LEG 144" TREAD ADJ CYL ASSEMBLY INCLUDES ITEMS 1-5 & 7
 2. 620875 - LH LEG 144" TREAD ADJ CYL ASSEMBLY INCLUDES ITEMS 1-5 & 6
 3. 621028 - RH LEG 144" TREAD ADJ CYLINDER ASSEMBLY WITH FITTINGS
 4. 621027 - LH LEG 144" TREAD ADJ CYLINDER ASSEMBLY WITH FITTINGS



154" TREAD ADJUSTMENT LEG CYLINDER ASSEMBLY

DET.	QTY	PART NO.	DESCRIPTION
	1	620749	HEAD, H-2.50-352
	1	620759	NUT, N-0.75-01
	1	620764	PISTON, P-2.50-107
	1	620784	REPAIR KIT, HYD CYL, RK-2.50-801
	1	620888	SHAFT, LEG CYL, TRD ADJ 620885
	1	620894	BARREL, LEG CYL, TRD ADJ 620890
	1	620889	BARREL, LEG CYL, TRD ADJ 620885
	1	614747	.025 ELBOW ASSY, 9/16MOR 90D
	1	618119	9/16MJIC-90-9/16MOR LBO
	1	900268	1/2UNC X 2 1/2 HEX BOLT
	1	914008	1/2UNC HEX STOVER NUT

NOTE: 1. 620885 - RH LEG 144" TREAD ADJ CYL ASSEMBLY INCLUDES ITEMS 1-5 & 7
 2. 620890 - LH LEG 144" TREAD ADJ CYL ASSEMBLY INCLUDES ITEMS 1-5 & 6
 3. 621029 - RH LEG 144" TREAD ADJ CYLINDER ASSEMBLY WITH FITTINGS
 4. 621030 - LH LEG 144" TREAD ADJ CYLINDER ASSEMBLY WITH FITTINGS



TREAD ADJUST HYDRAULIC VALVE ASSEMBLY

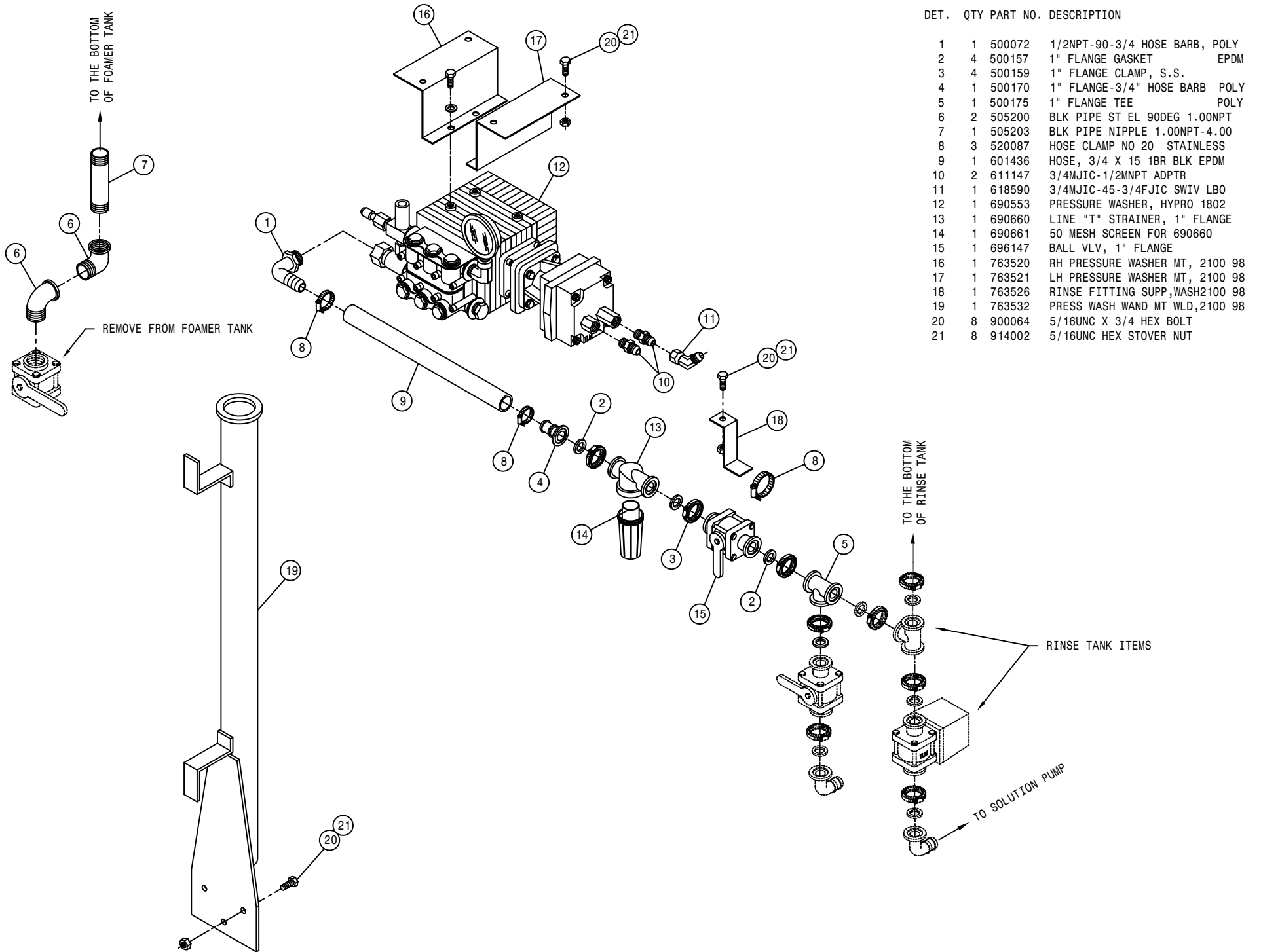
DET. QTY PART NO. DESCRIPTION

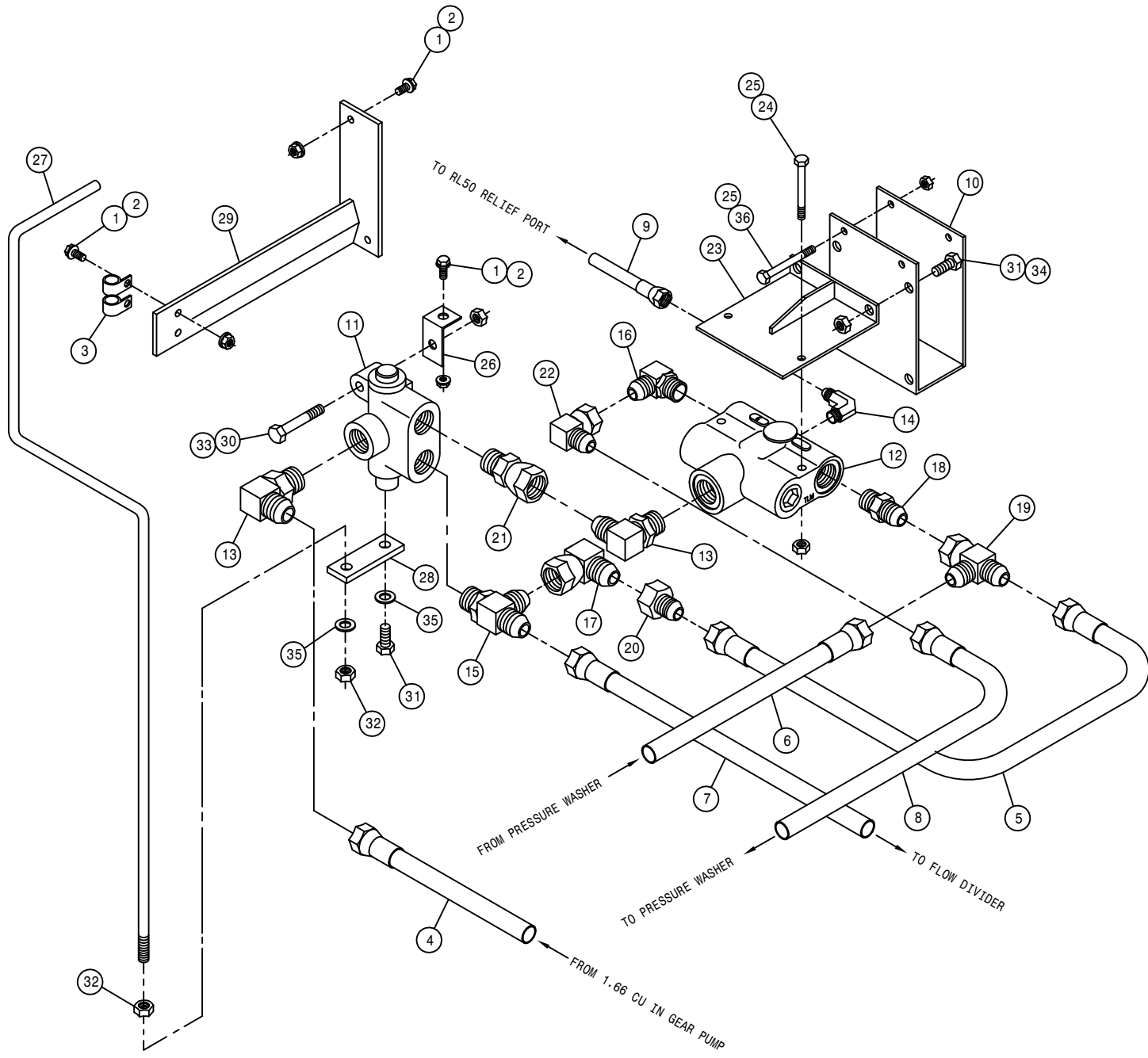
1	1	361487	TREAD ADJ VLV BRKT, 2100 2000
2	18	473802	# 8 INT TOOTH STAR WASHER
3	1	605615	HYD FILTER, INLINE 25M 9/16FOR
4	1	606101	TREAD ADJ VLV, 2100 PWRSYS 03
5	1	611125	3/4MJIC-3/4MOR ADPTR
6	1	618109	9/16MJIC-3/4MOR ADPTR
7	9	618126	9/16MJIC-9/16MOR ADPTR
8	1	618609	3/4MJIC-90-3/4FJIC SWIV LBO
9	1	618618	9/16MJIC-90-9/16FJIC SWIV LBO
10	1	618692	3/4FJIC SWIV-9/16MOR ADPTR
11	2	900145	3/8UNC X 5 SOCKET HD CAP SCR
12	6	914004	3/8UNC HEX STOVER NUT
13	4	900129	3/8UNC X 1" HEX BOLT
14	1	605616	ELEMENT, 25M HYD FILTER 605615
15	1	605617	SPRING KIT, HYD FILTER 605615

PRESSURE WASHER ASSEMBLY

DET. QTY PART NO. DESCRIPTION

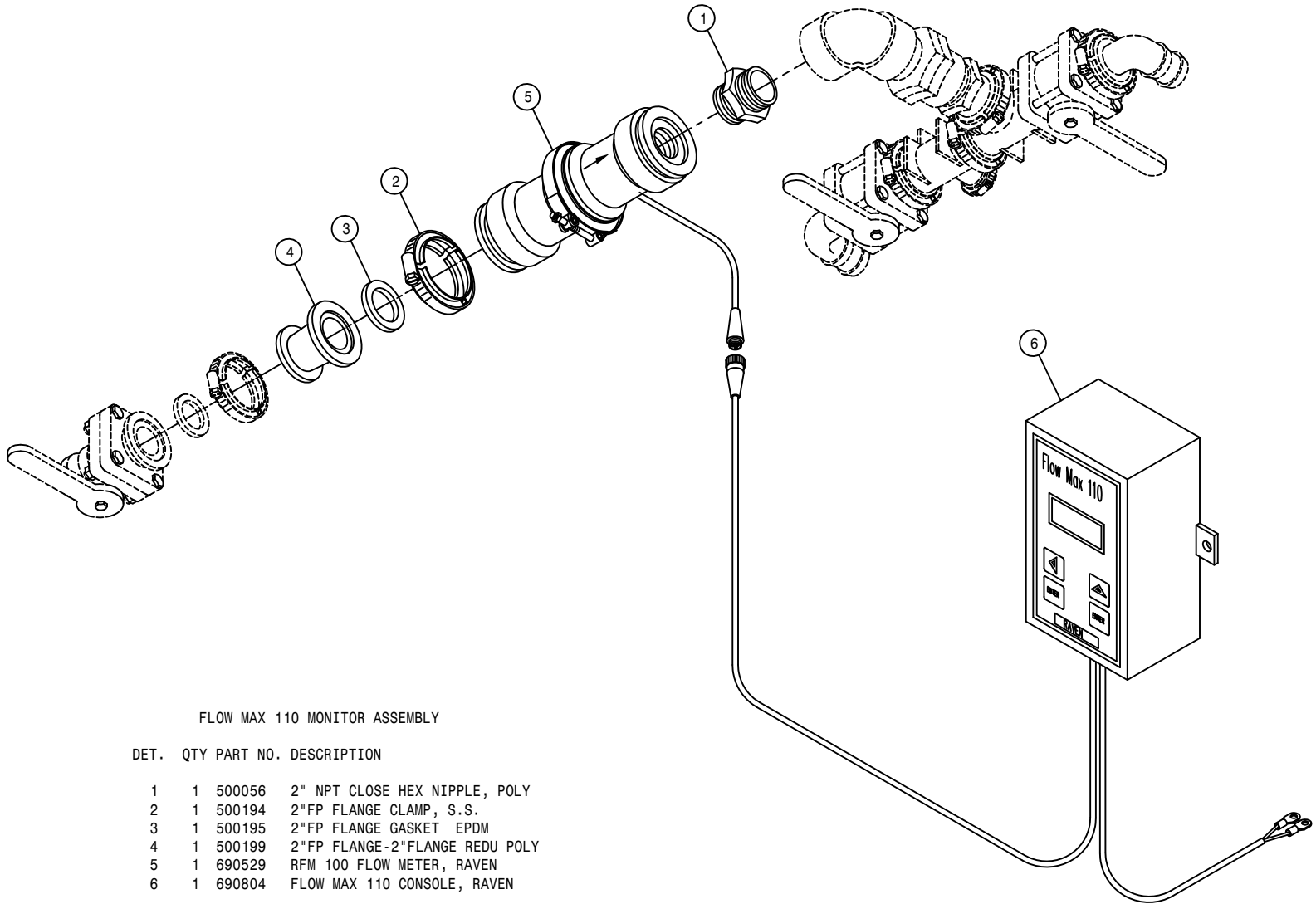
DET.	QTY	PART NO.	DESCRIPTION
1	1	500072	1/2NPT-90-3/4 HOSE BARB, POLY
2	4	500157	1" FLANGE GASKET EPDM
3	4	500159	1" FLANGE CLAMP, S.S.
4	1	500170	1" FLANGE-3/4" HOSE BARB POLY
5	1	500175	1" FLANGE TEE POLY
6	2	505200	BLK PIPE ST EL 90DEG 1.00NPT
7	1	505203	BLK PIPE NIPPLE 1.00NPT-4.00
8	3	520087	HOSE CLAMP NO 20 STAINLESS
9	1	601436	HOSE, 3/4 X 15 1BR BLK EPDM
10	2	611147	3/4MJIC-1/2MNPT ADPTR
11	1	618590	3/4MJIC-45-3/4FJIC SWIV LBO
12	1	690553	PRESSURE WASHER, HYPRO 1802
13	1	690660	LINE "T" STRAINER, 1" FLANGE
14	1	690661	50 MESH SCREEN FOR 690660
15	1	696147	BALL VLV, 1" FLANGE
16	1	763520	RH PRESSURE WASHER MT, 2100 98
17	1	763521	LH PRESSURE WASHER MT, 2100 98
18	1	763526	RINSE FITTING SUPP, WASH2100 98
19	1	763532	PRESS WASH WAND MT WLD, 2100 98
20	8	900064	5/16UNC X 3/4 HEX BOLT
21	8	914002	5/16UNC HEX STOVER NUT

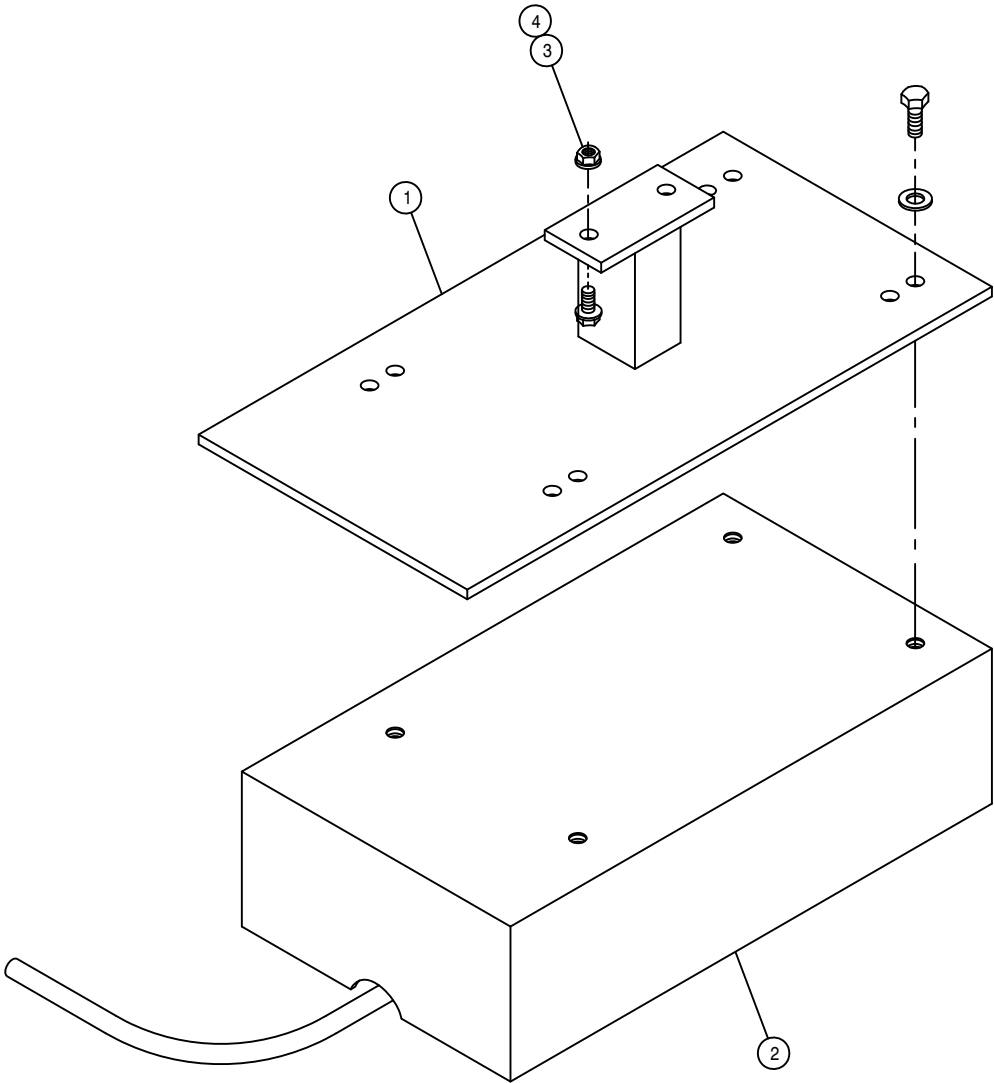




PRESSURE WASHER FLOW DIVIDER ASSEMBLY

DET.	QTY	PART NO.	DESCRIPTION
1	5	470118	1/4UNC X 3/4 FLANGE HEX BOLT
2	5	470121	1/4UNC HEX FLANGE LOCK NUT
3	2	520118	CUSH HOSE CLAMP 1/2D X 1 1/2W
4	1	614744	10C2AT-10FJX-10FJX-18 H/A
5	1	615385	08C1T-08FJX-08FJX-29 H/A
6	1	615465	08C1T-08FJX-08FJX-33 H/A
7	1	615741	10C1T-10FJX-10FJX-38 H/A
8	1	615742	08C1T-08FJX-08FJX-36 H/A
9	1	616043	04C1T-06FJX-06FJX-23 H/A
10	1	342311	TRACT VLV MT WLD,284 COMBO 96
11	1	690625	SELECT VLV,PRESS WASH 2100 98
12	1	607518	FLO DIV BGR56 6GPM PRI 7/8FOR
13	2	611128	7/8MJIC-90-7/8MOR LBO
14	1	618015	9/16MJIC-90-3/8MNPT LBO
15	1	618130	7/8MOR RUN TEE-7/8MJIC
16	1	618183	3/4MJIC-90-7/8MOR LBO
17	1	618301	7/8MJIC-90-7/8FJIC SWIV LBO
18	1	618327	3/4MJIC-7/8MOR ADPTR
19	1	618451	3/4FJIC SW RUN TEE-3/4MJIC
20	1	618523	7/8FJIC-3/4MJIC ADPTR
21	1	618594	7/8FJIC SWIV-7/8MOR ADPTR
22	1	618609	3/4MJIC-90-3/4FJIC SWIV LBO
23	1	763522	FLO DIV MT WLD, WASHER 2100 98
24	2	900007	1/4UNC X 2" HEX BOLT
25	4	914000	1/4UNC HEX STOVER NUT
26	1	763525	SEL VLV MT,PRESS WASH 2100 98
27	1	763527	SEL VLV HANDLE, WASHER 2100 98
28	1	763528	VLV HANDLE BRKT,WASHER 2100 98
29	1	763529	VLV HANDLE SUPP WLD,WASH210098
30	1	900067	5/16UNC X 1 1/2 HEX BOLT
31	3	900128	3/8UNC X 3/4 HEX BOLT
32	2	910004	3/8UNC HEX NUT
33	1	914002	5/16UNC HEX STOVER NUT
34	2	914004	3/8UNC HEX STOVER NUT
35	2	920502	3/8 LOCK WASHER
36	2	900010	1/4UNC X 3" HEX BOLT





RADAR OPTION

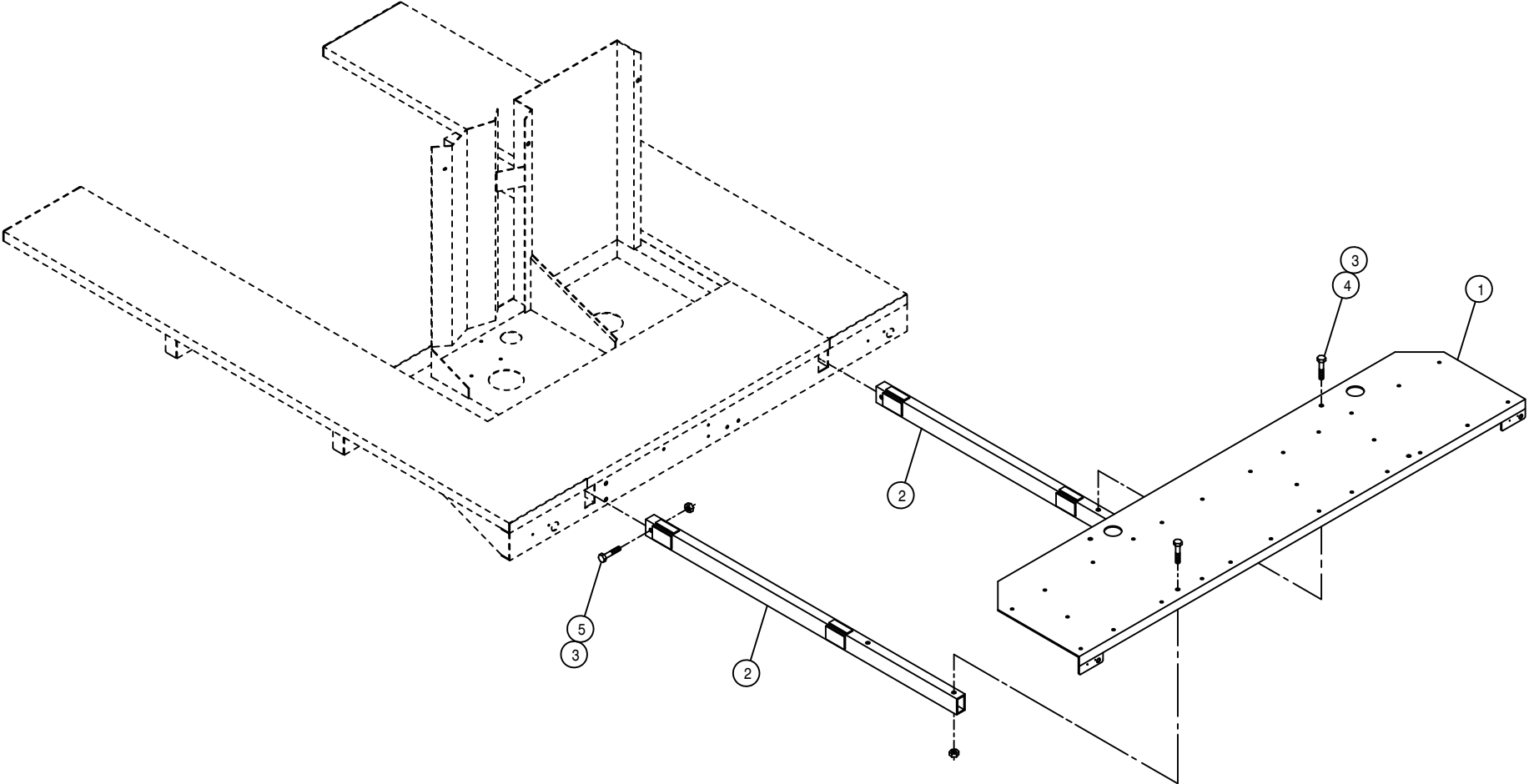
DET. QTY PART NO. DESCRIPTION

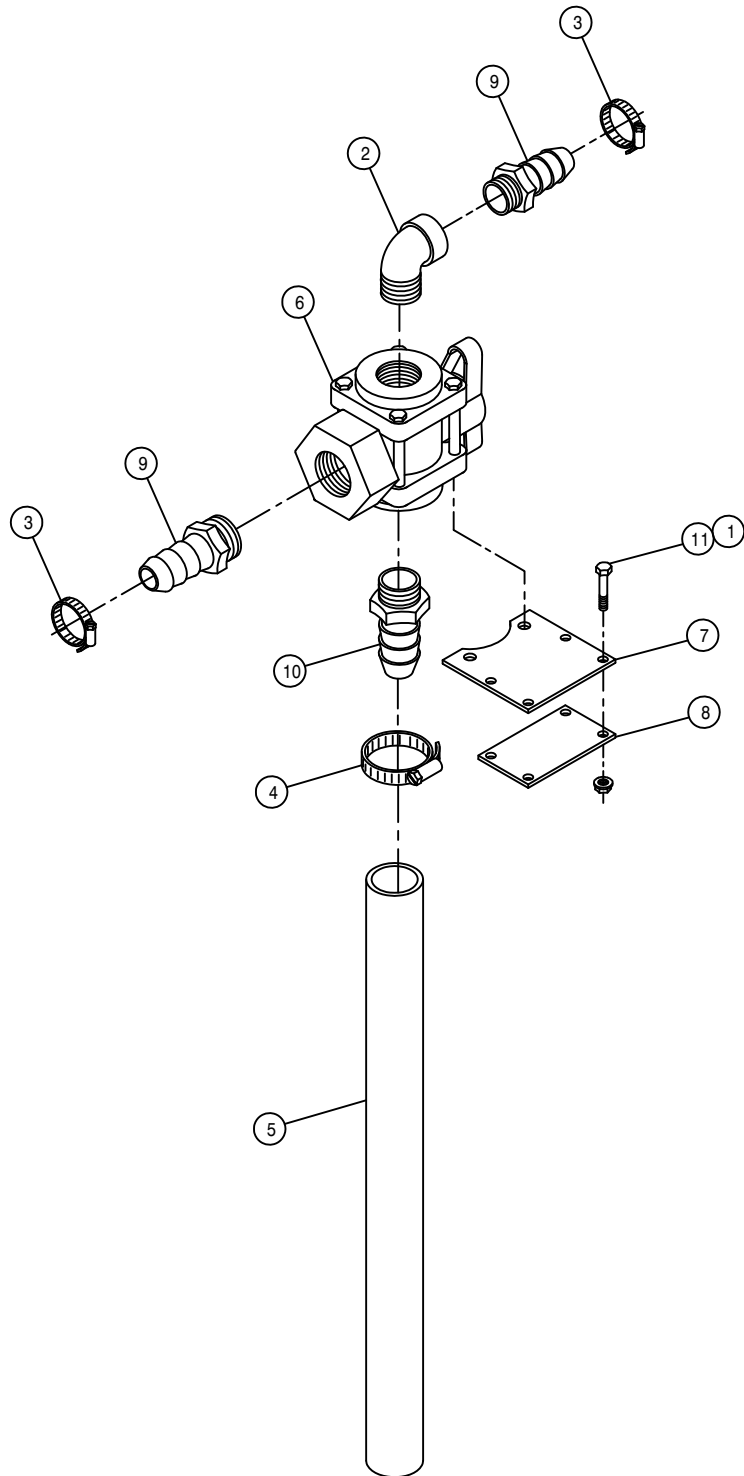
1	1	690462	RADAR MTG BRKT WLD, INJ SYS
2	1	690599	RAVEN RADAR UNIT W/CABLE
3	2	470118	1/4UNC X 3/4 FLANGE HEX BOLT
4	2	470121	1/4UNC HEX FLANGE LOCK NUT

INJECTION SYSTEM PLATFORM OPTION

DET. QTY PART NO. DESCRIPTION

1	1	690637	INJ SYS PLATFORM WLD, 2100 99
2	2	690641	INJ SYS PLATFORM MT WLD, 2100
3	6	914008	1/2UNC HEX STOVER NUT
4	4	900272	1/2UNC X 3 1/2 HEX BOLT
5	2	900269	1/2UNC X 2 3/4 HEX BOLT



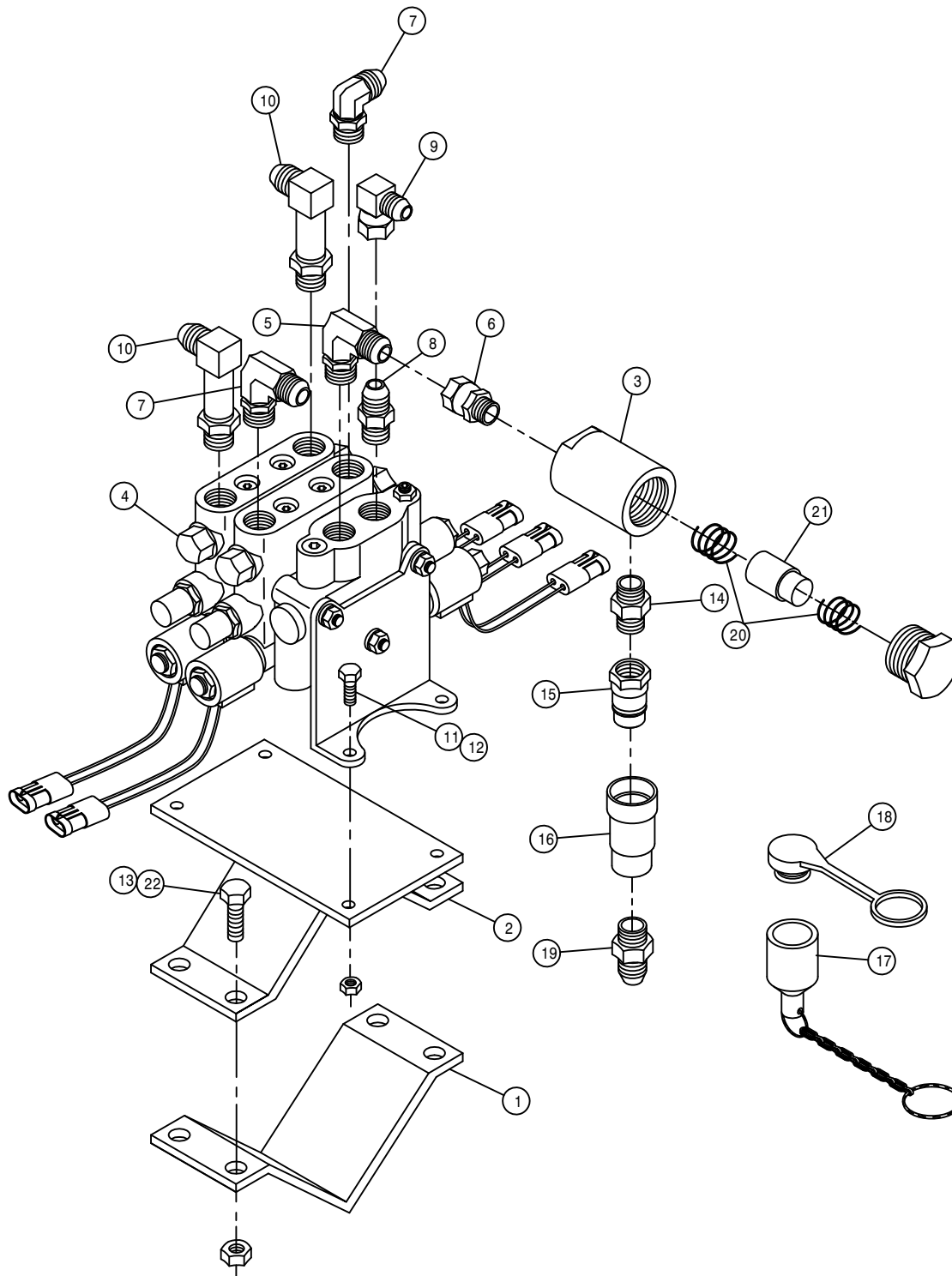


60''-80' FOAMER DIVERTER VALVE OPTION

DET. QTY PART NO. DESCRIPTION

1	8	470121	1/4UNC HEX FLANGE LOCK NUT
2	2	500014	1"NPT-90 ST EL, POLY
3	4	520055	HOSE CLAMP NO 12 STAINLESS
4	2	520085	HOSE CLAMP NO 24 STAINLESS
5	2	601367	HOSE, 1 1/4 X 24 2BR BLK EPDM
6	2	696133	BALL VLV, 1.00NP 3WAY-BOTT POLY
7	2	701152	FOAMER DIVERTER VALVE MT BRKT
8	2	701153	FOAMER DIVERTER VLV BRKT KEEP
9	4	714331	1 NPT X 3/4 HOSE BARB
10	2	714561	1.00NPT-1.25 HOSE BARB
11	8	900007	1/4UNC X 2" HEX BOLT

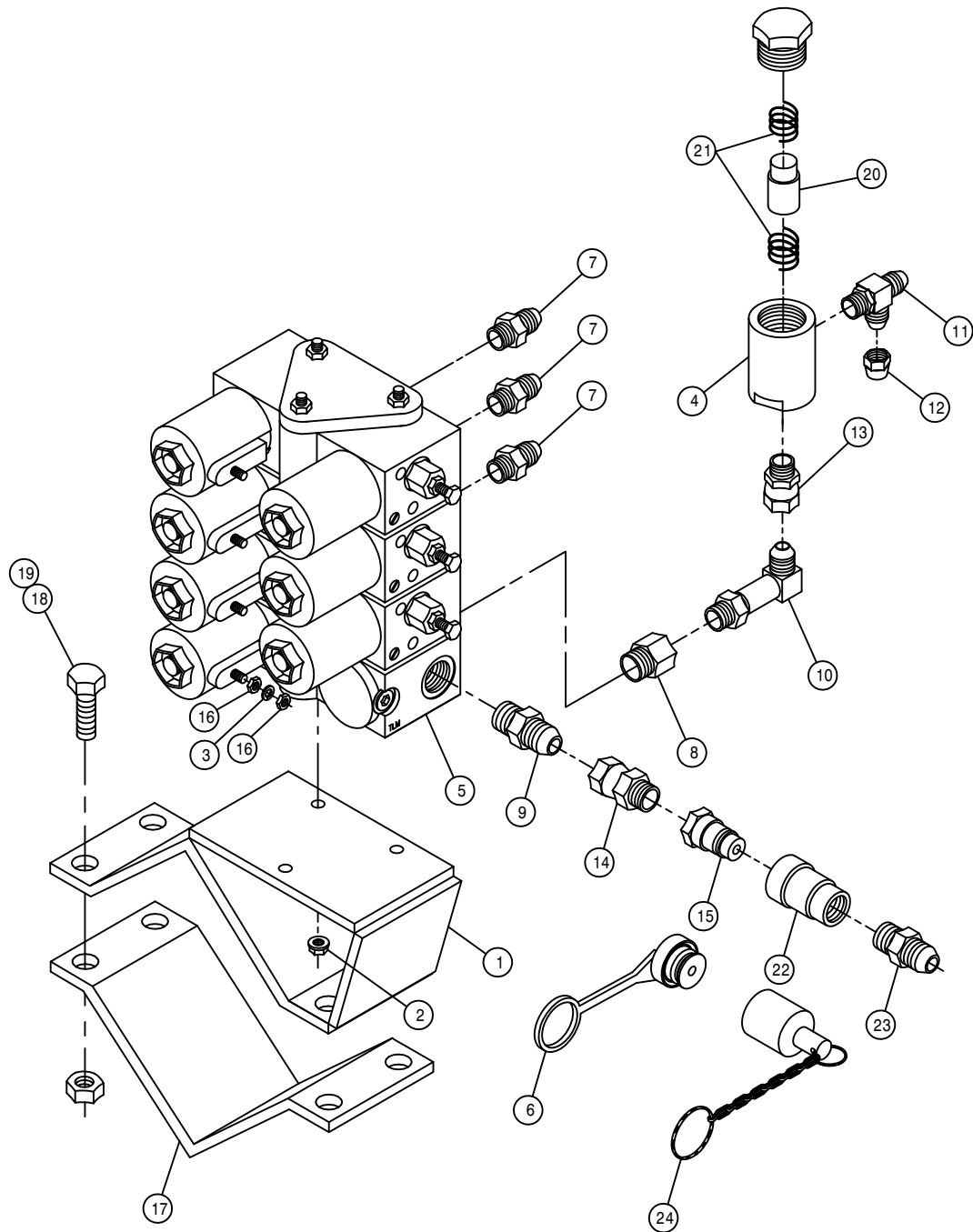
NOTE: QUANTITY LISTED IS FOR ONE MACHINE.



OURIGGER FOLD VALVE ASSEMBLY

DET. QTY PART NO. DESCRIPTION

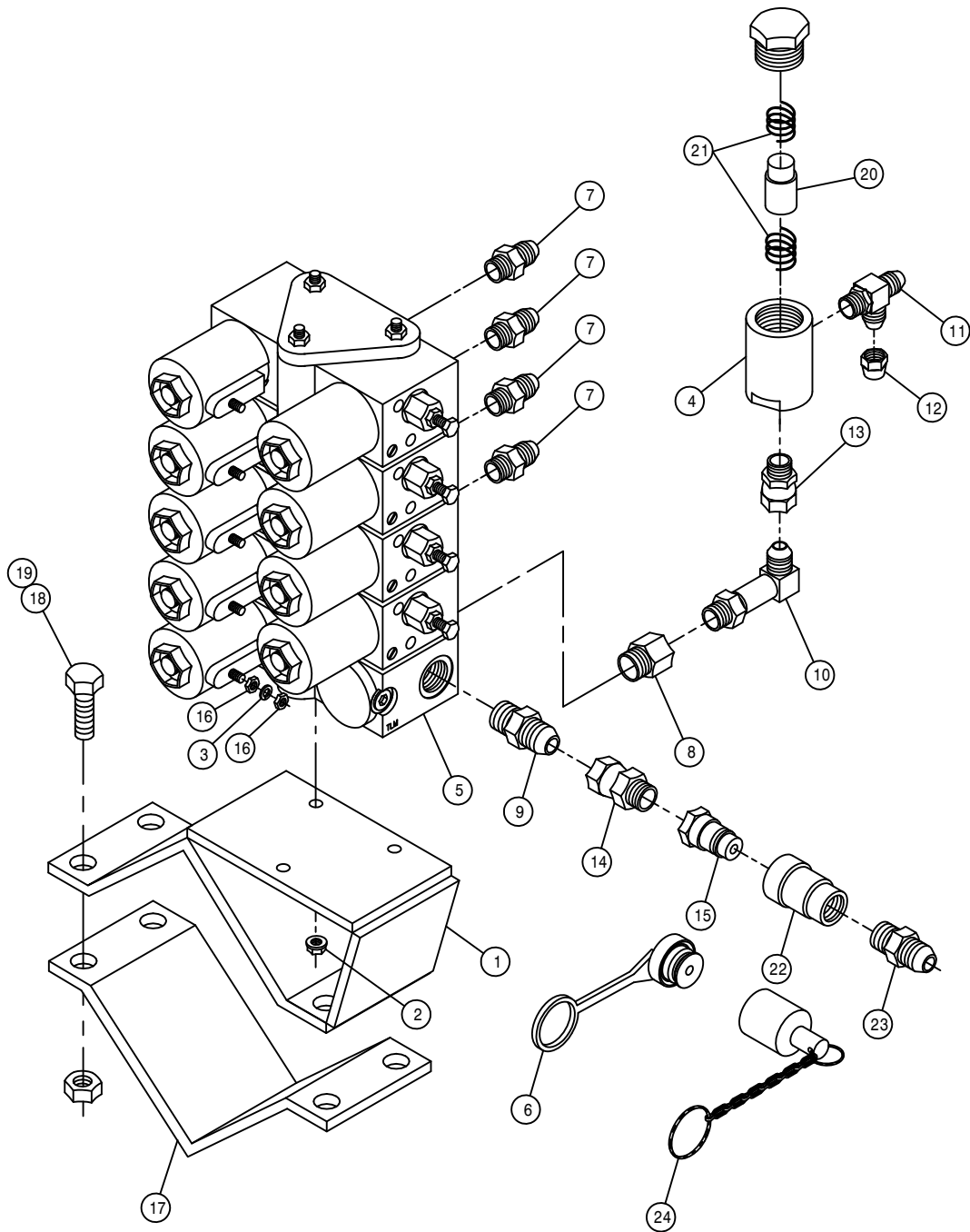
DET.	QTY	PART NO.	DESCRIPTION
1	1	438324	75IN OUTRGR BRACE CLAMP
2	1	438724	OUTRGR FOLD VLV MT WLD2100/STS
3	1	605615	HYD FILTER, INLINE 25M 9/16FOR
4	1	606090	BRAND HYD VALVE, 2-SECT SER 36
5	1	618183	3/4MJIC-90-7/8MOR LBO
6	1	618692	3/4FJIC SWIV-9/16MOR ADPTR
7	2	618115	9/16MJIC-90-3/4MOR LBO
8	1	618310	9/16MJIC-7/8MOR ADPTR
9	1	618618	9/16MJIC-90-9/16FJIC SWIV LBO
10	2	618709	9/16MJIC-90-3/4MOR EX LG LBO
11	4	900065	5/16UNC X 1" HEX BOLT
12	4	914002	5/16UNC HEX STOVER NUT
13	4	914008	1/2UNC HEX STOVER NUT
14	1	618345	9/16MOR-3/8MNPT ADPTR
15	1	618646	HYD QUICK CPLR, MALE .375NPS
16	1	618645	HYD QUICK CPLR, FEMALE .375NPS
17	1	618648	RUBBER DUST CAP, 3/8 (618646)
18	1	618647	RUBBER DUST PLUG, 3/8 (618645)
19	1	618011	9/16MJIC-3/8MNPT ADPTR
20	1	605616	ELEMENT, 25M HYD FILTER 605615
21	1	605617	SPRING KIT, HYD FILTER 605615
22	4	900265	1/2UNC X 1 1/2 HEX BOLT



COMBO 3-SECTION ELECTRIC VALVE ASSEMBLY

DET. QTY PART NO. DESCRIPTION

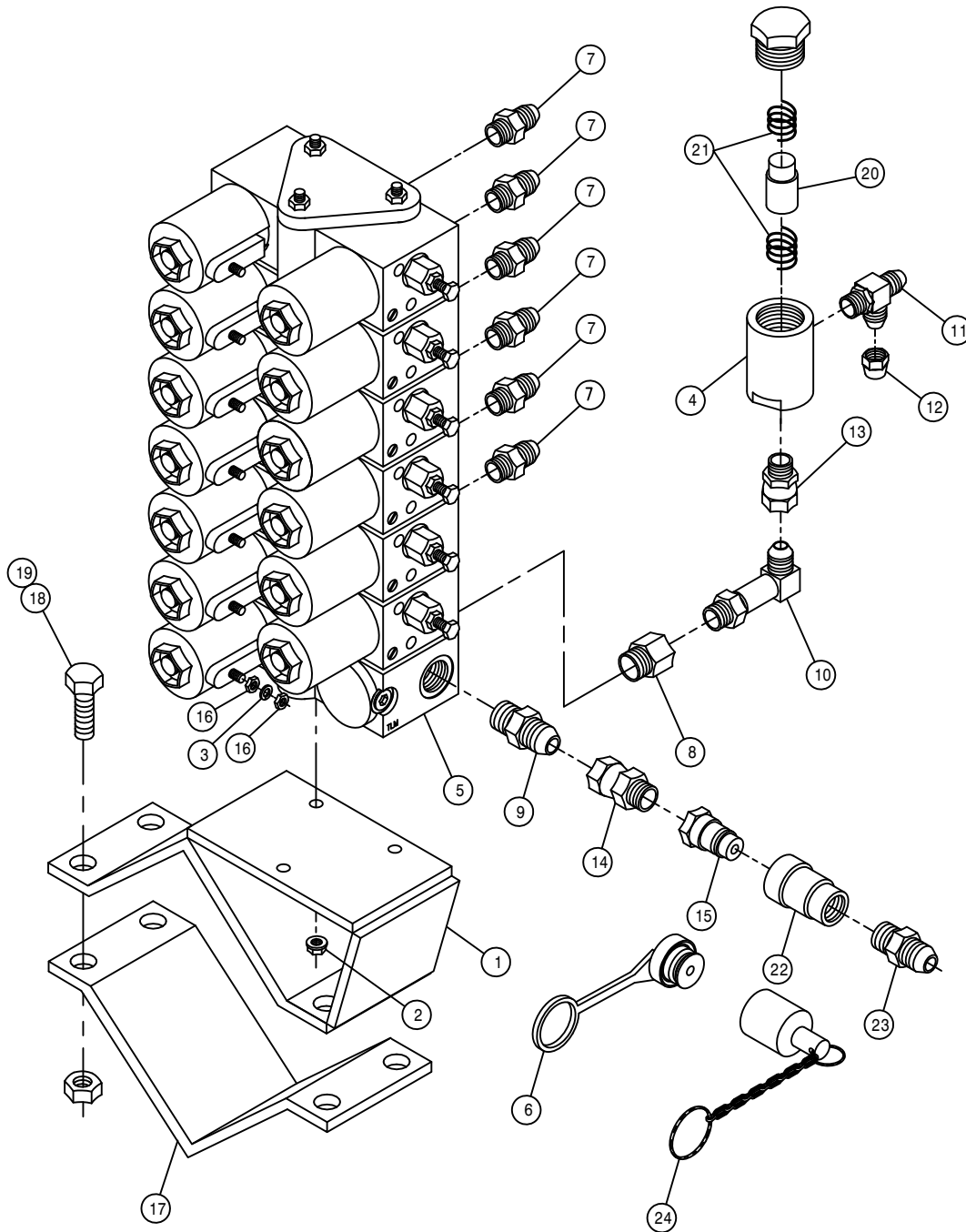
DET.	QTY	PART NO.	DESCRIPTION
1	1	438614	ELECT VLV MT WLD, 2100 COMBO
2	3	470121	1/4UNC HEX FLANGE LOCK NUT
3	7	473821	#10 INT TOOTH WASHER
4	1	605615	HYD FILTER, INLINE 25M 9/16FOR
5	1	610532	ELECT HYD STACK VLV, 3 SECT
6	1	618647	RUBBER DUST PLUG, 3/8 (618645)
7	3	618126	9/16MJIC-9/16MOR ADPTR
8	1	618170	3/4MOR-9/16FOR ADPTR
9	1	618327	3/4MJIC-7/8MOR ADPTR
10	1	618440	9/16MJIC-90-9/16MOR EX LG LBO
11	1	618444	9/16MOR RUN TEE-9/16MJIC
12	1	618531	9/16FJIC CAP NUT
13	1	618668	9/16FJIC SWIV-9/16MOR ADPTR
14	1	618615	3/4FJIC-SWIV-3/8MNPT
15	1	618646	HYD QUICK CPLR, MALE .375NPS
16	14	910027	10-32 HEX NUT
17	1	438324	75IN OUTRGR BRACE CLAMP
18	4	900265	1/2UNC X 1 1/2 HEX BOLT
19	4	914008	1/2UNC HEX STOVER NUT
20	1	605616	ELEMENT, 25M HYD FILTER 605615
21	1	605617	SPRING KIT, HYD FILTER 605615
22	1	618645	HYD QUICK CPLR, FEMALE .375NPS
23	1	618462	3/4MJIC-3/8MNPT ADPTR
24	1	618648	RUBBER DUST CAP, 3/8 (618646)



COMBO 4-SECTION ELECTRIC VALVE ASSEMBLY

DET. QTY PART NO. DESCRIPTION

1	1	438614	ELECT VLV MT WLD, 2100 COMBO
2	3	470121	1/4UNC HEX FLANGE LOCK NUT
3	9	473821	#10 INT TOOTH WASHER
4	1	605615	HYD FILTER, INLINE 25M 9/16FOR
5	1	610613	ELECT HYD STACT VLV, 4 SECT
6	1	618647	RUBBER DUST PLUG, 3/8 (618645)
7	4	618126	9/16MJIC-9/16MOR ADPTR
8	1	618170	3/4MOR-9/16FOR ADPTR
9	1	618327	3/4MJIC-7/8MOR ADPTR
10	1	618440	9/16MJIC-90-9/16MOR EX LG LBO
11	1	618444	9/16MOR RUN TEE-9/16MJIC
12	1	618531	9/16FJIC CAP NUT
13	1	618668	9/16FJIC SWIV-9/16MOR ADPTR
14	1	618615	3/4FJIC-SWIV-3/8MNPT
15	1	618646	HYD QUICK CPLR, MALE .375NPS
16	18	910027	10-32 HEX NUT
17	1	438324	75IN OUTGR BRACE CLAMP
18	4	900265	1/2UNC X 1 1/2 HEX BOLT
19	4	914008	1/2UNC HEX STOVER NUT
20	1	605616	ELEMENT, 25M HYD FILTER 605615
21	1	605617	SPRING KIT, HYD FILTER 605615
22	1	618645	HYD QUICK CPLR, FEMALE .375NPS
23	1	618462	3/4MJIC-3/8MNPT ADPTR
24	1	618648	RUBBER DUST CAP, 3/8 (618646)

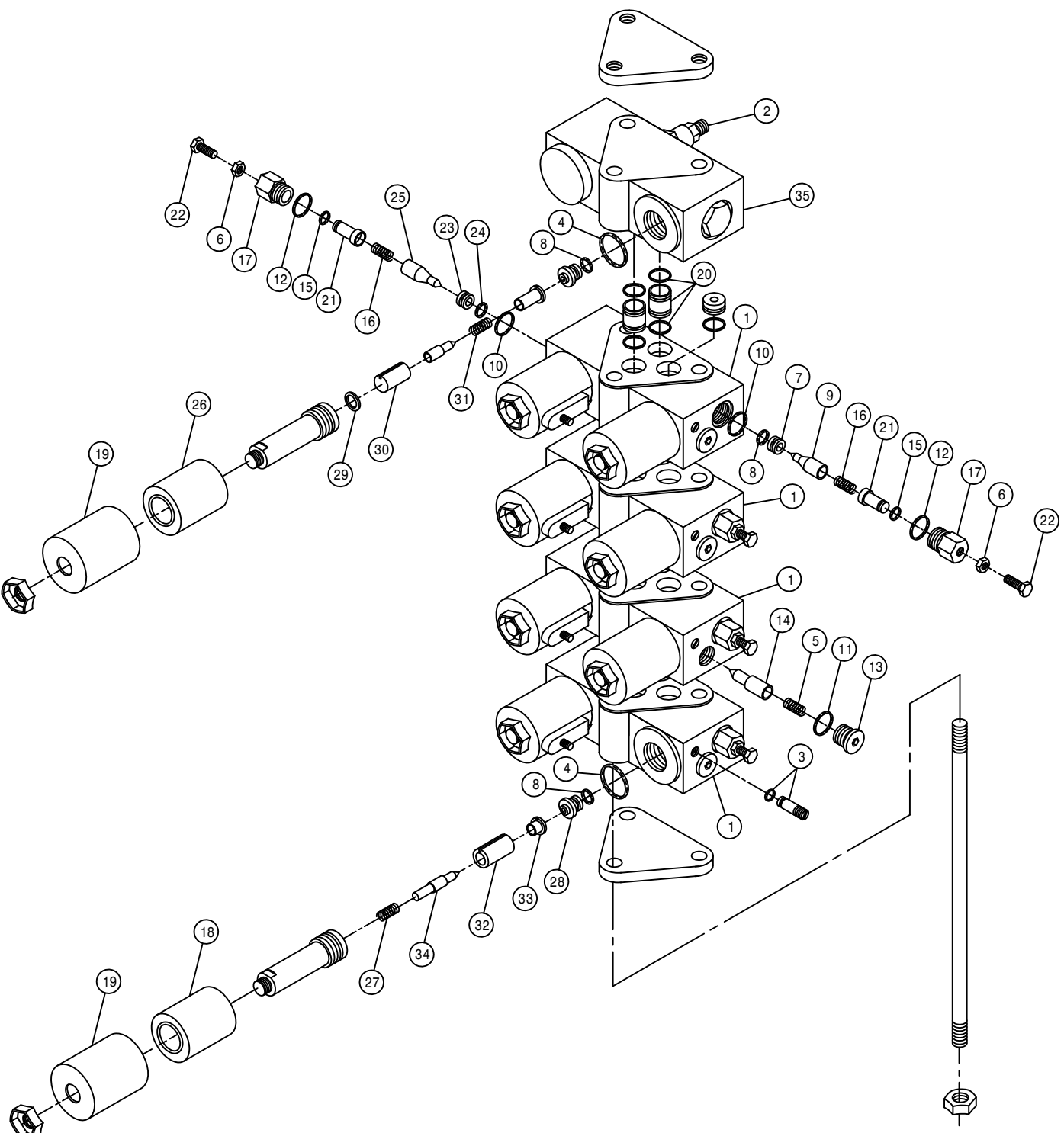


COMBO 6-SECTION ELECTRIC VALVE ASSEMBLY

DET. QTY PART NO. DESCRIPTION

1	1	438614	ELECT VLV MT WLD, 2100 COMBO
2	3	470121	1/4UNC HEX FLANGE LOCK NUT
3	13	473821	#10 INT TOOTH WASHER
4	1	605615	HYD FILTER, INLINE 25M 9/16FOR
5	1	610615	ELECT HYD STACT VLV, 6 SECT
6	1	618647	RUBBER DUST PLUG, 3/8 (618645)
7	6	618126	9/16MJIC-9/16MOR ADPTR
8	1	618170	3/4MOR-9/16FOR ADPTR
9	1	618327	3/4MJIC-7/8MOR ADPTR
10	1	618440	9/16MJIC-90-9/16MOR EX LG LBO
11	1	618444	9/16MOR RUN TEE-9/16MJIC
12	1	618531	9/16FJIC CAP NUT
13	1	618668	9/16FJIC SWIV-9/16MOR ADPTR
14	1	618615	3/4FJIC-SWIV-3/8MNPT
15	1	618646	HYD QUICK CPLR, MALE .375NPS
16	26	910027	10-32 HEX NUT
17	1	438324	75IN OUTGR BRACE CLAMP
18	4	900265	1/2UNC X 1 1/2 HEX BOLT
19	4	914008	1/2UNC HEX STOVER NUT
20	1	605616	ELEMENT, 25M HYD FILTER 605615
21	1	605617	SPRING KIT, HYD FILTER 605615
22	1	618645	HYD QUICK CPLR, FEMALE .375NPS
23	1	618462	3/4MJIC-3/8MNPT ADPTR
24	1	618648	RUBBER DUST CAP, 3/8 (618646)

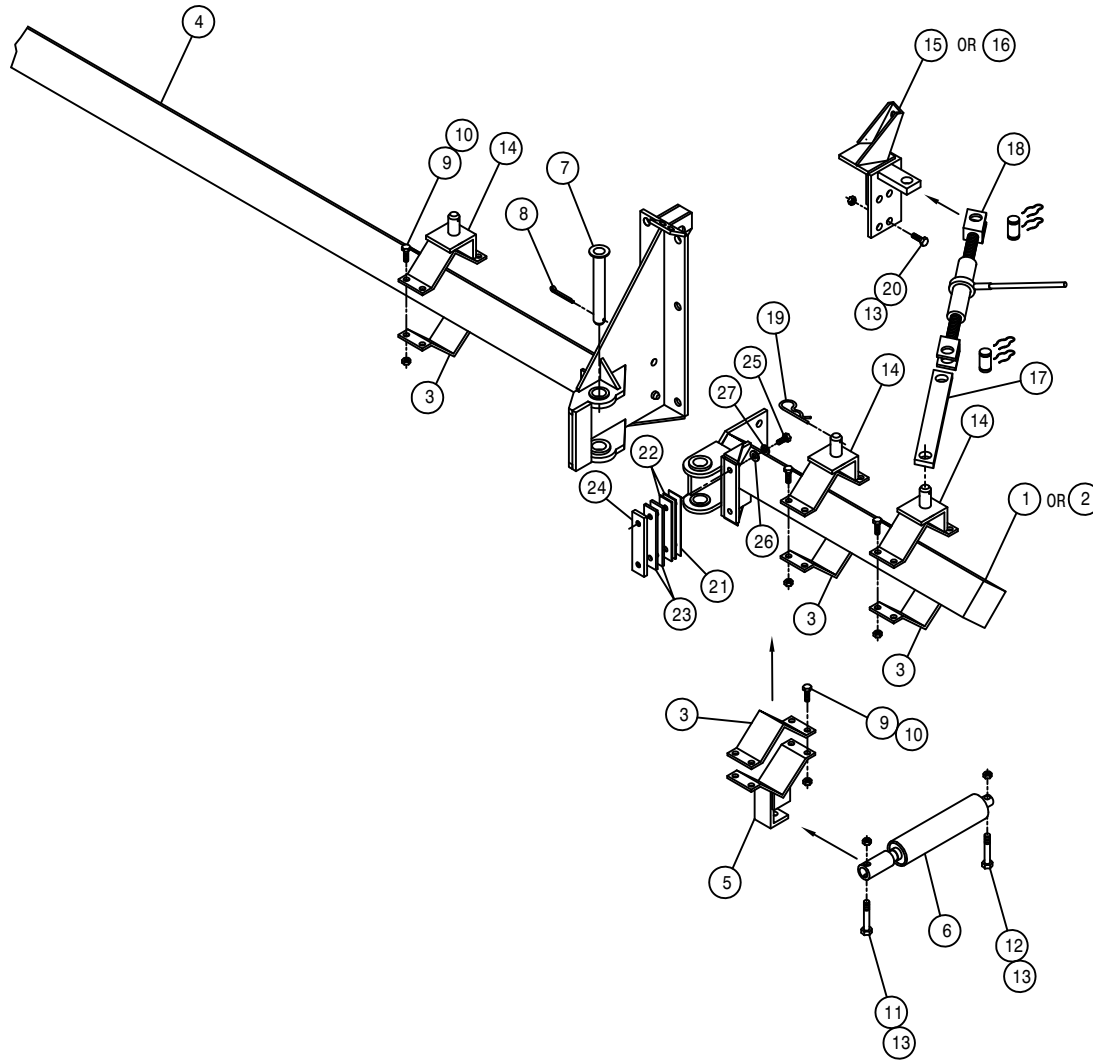
116



ELECTROHYDRAULIC VALVE

DET.	QTY	PART NO.	DESCRIPTION	
1	4	610533	UNBALANCED LOAD VALVE	89
2	1	610551	R.V. CARTRIDGE FOR 610532	90
3	8	610267	SEAL PLUG ASSY FOR 610257	
4	9	871019	ORING, 13/16 X 15/16 NEO 90D	
5	4	610491	SPRING AM-501-3-035 FOR610485	
6	8	910000	1/4UNC HEX NUT	
7	4	610488	ORIFICE PRESSED IN BLACK	
8	13	871010	ORING 1/4 X 3/8 VITON 90D	
9	4	610129	POPPET,ELECT VALVE,UNBAL LOAD	
10	8	870013	ORING, 7/16 X 9/16 NEO 70D	
11	4	871904	ORING, .351 X .072CS NEO 90D	
12	8	871906	ORING, .468ID X .078CS NEO 90D	
13	4	610130	PLUG, SAE4,ELECT VALVE,UNBAL	
14	4	610489	CHECK VLV POPPET	
15	8	871008	O-RING 3/16 X 5/16 90D	
16	8	610492	SPRING AM-570-3-126 FOR610485	
17	8	610453	VLV CAP	
18	8	610493	COIL FOR 610485	86
19	9	610113	COVER, ELECT VALVE, NON ADJ	
20	8	610534	THRU TUBE ASSY ELEC VLV	89
21	8	610452	ADJ VLV STOP	
22	8	900003	1/4UNC X 1" HEX BOLT	
23	4	610494	ORIFICE FOR 610485	
24	4	871056	O-RING	90D
25	4	610495	POPPET FOR 610485AM-570-3-654	
26	1	610076	COIL, ELECT STACK VALVE	
27	8	610127	SPRING,ELECT VALVE,UNBAL LOAD	
28	8	610108	ORIFICE 040, ELECT VALVE	
29	1	610084	WASHER, ELECT-HYD VALVE	
30	1	610112	ARMATURE, ELECT VALVE	
31	1	610110	SPRING, ELECT VALVE, NON ADJ	
32	8	610126	ARMATURE, ELECT VALVE, UNBAL	
33	8	610133	POLE PIECE,ELECT VALVE, UNBAL	
34	8	610490	POPPET FOR 610485AM-501-3-033	
35	1	610679	UNLOAD RELIEF VALVE	

268116



6-ROW 3-LIFT COMBO OUTRIGGER ASSEMBLY

DET.	QTY	PART NO.	DESCRIPTION
1	1	438705	RH 32IN OUTGR WLD 2100-ST512
2	1	438706	LH 32IN OUTGR WLD 2100-ST512
3	8	438324	75IN OUTGR BRACE CLAMP
4	1	438695	TOOLBAR WLD, 2100-ST512 COMBO
5	2	438610	OUTGR CYL MT WLD, 2100 COMBO
6	2	621014	OUTGR FOLD CYL ASSY,2100COMBO
7	2	438283	OUTGR PIVOT PIN WLD 8200 86
8	2	470117	COTTER PIN 3/16 1 3/4 SQ CUT
9	32	900265	1/2UNC X 1 1/2 HEX BOLT
10	32	914008	1/2UNC HEX STOVER NUT
11	2	900338	5/8UNC X 3" HEX BOLT
12	2	900343	5/8UNC X 4 1/2 HEX BOLT
13	8	914010	5/8UNC HEX STOVER NUT
14	6	438397	STABILIZER PIN MT WLD 90
15	1	438651	RH OUTGR SUPP MT WLD,2100COMBO
16	1	438652	LH OUTGR SUPP MT WLD,2100COMBO
17	1	438656	OUTGR TRANSPORT BAR,2100COMBO
18	1	470299	RATCHET LOAD-BINDER
19	4	611016	HAIR PIN #6
20	4	900334	5/8UNC X 1 3/4 HEX BOLT
21	2	438700	TOOLBAR STOP SHIM, 16GA (.060)
22	4	438701	TOOLBAR STOP SHIM, 14GA (.075)
23	4	438702	TOOLBAR STOP SHIM, 11GA (.120)
24	2	438703	TOOLBAR STOP, 2100-ST512 COMBO
25	4	900130	3/8UNC X 1 1/4 HEX BOLT
26	4	920002	3/8 SAE FLAT WASHER
27	4	920502	3/8 LOCK WASHER

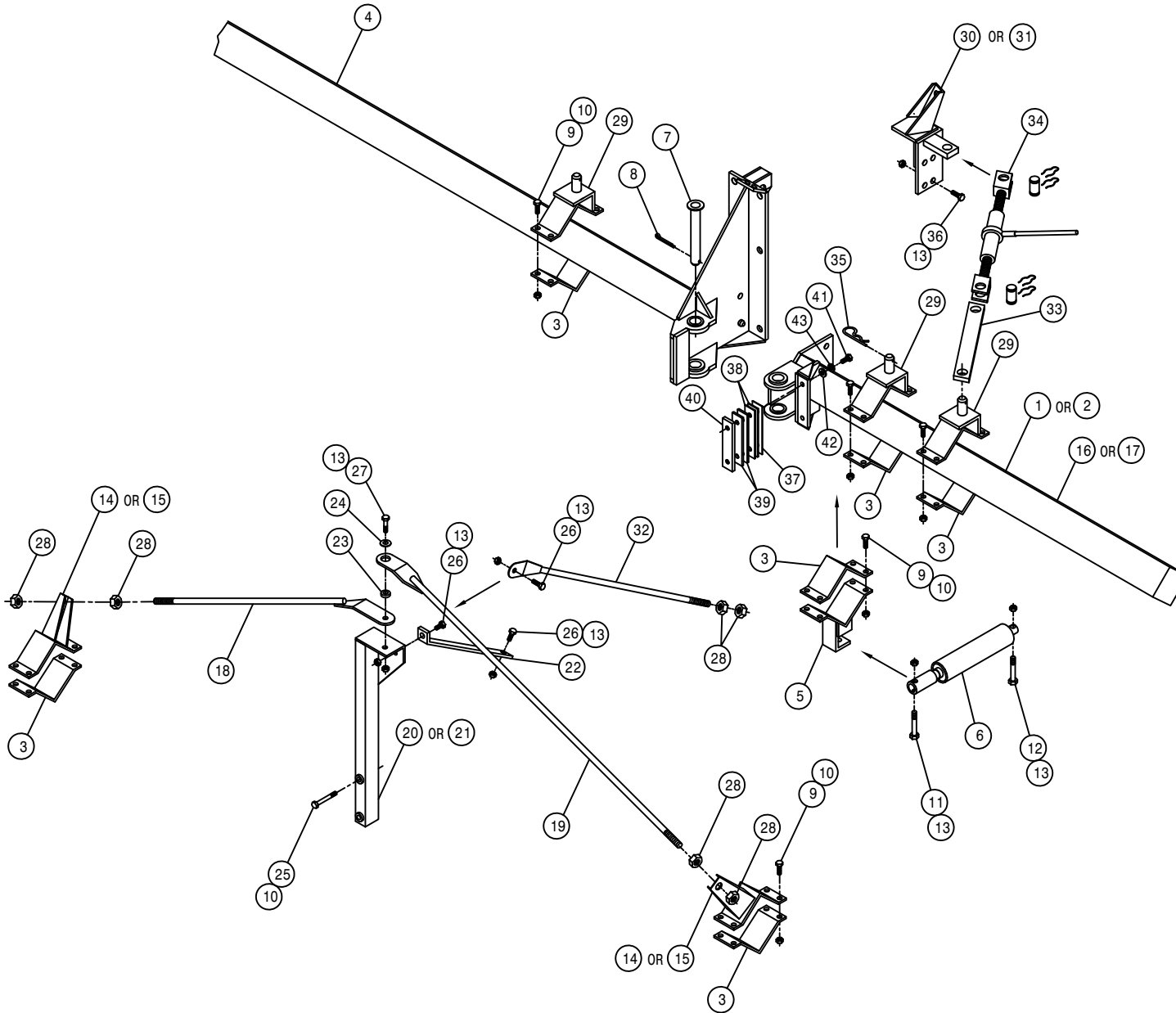
NOTE: QUANTITY LISTED IS FOR ONE MACHINE.

8-10 ROW 4-LIFT COMBO OUTRIGGER ASSEMBLY

DET. QTY PART NO. DESCRIPTION

DET.	QTY	PART NO.	DESCRIPTION
1	1	438707	RH 75IN OUTGR WLD 2100-ST512
2	1	438708	LH 75IN OUTGR WLD 2100-ST512
3	12	438324	75IN OUTGR BRACE CLAMP
4	1	438695	TOOLBAR WLD, 2100-ST512 COMBO
5	2	438610	OUTGR CYL MT WLD, 2100 COMBO
6	2	621014	OUTGR FOLD CYL ASSY,2100COMBO
7	2	438283	OUTGR PIVOT PIN WLD 8200 86
8	2	470117	COTTER PIN 3/16 1 3/4 SQ CUT
9	48	900265	1/2UNC X 1 1/2 HEX BOLT
10	52	914008	1/2UNC HEX STOVER NUT
11	2	900338	5/8UNC X 3" HEX BOLT
12	2	900343	5/8UNC X 4 1/2 HEX BOLT
13	16	914010	5/8UNC HEX STOVER NUT
14	2	438362	RH OUTGR CLAMP WLD 200 89
15	2	438363	LH OUTGR CLAMP WLD 200 89
16	1	438709	RH 101IN OUTGR WLD 2100-ST512
17	1	438710	LH 101IN OUTGR WLD 2100-ST512
18	2	438664	OUTGR TIE BAR WLD 72"2100/STS
19	2	438544	OUTGR SUPP ROD WLD 50"10/12R
20	1	438595	RH OUTGR SUPP POST WLD284C 97
21	1	438596	LH OUTGR SUPP POST WLD284C 97
22	2	438609	OUTGR SUPP BRACE, 2100 COMBO
23	2	438541	BUSH, 1.00 OD X .656ID X .53
24	2	483037	5/8 REGULAR FLAT WASHER
25	4	900271	1/2UNC X 3 1/4 HEX BOLT
26	6	900333	5/8UNC X 1 1/2 HEX BOLT
27	2	900352	5/8UNC X 2 1/4 HEX BOLT
28	12	910012	3/4UNC HEX NUT
29	6	438397	STABILIZER PIN MT WLD 90
30	1	438651	RH OUTGR SUPP MT WLD,2100CMB0
31	1	438652	LH OUTGR SUPP MT WLD,2100CMB0
32	2	438654	TOOLBAR SUPP ROD WLD,2100COMBO
33	2	438656	OUTGR TRANSPORT BAR,2100COMBO
34	2	470299	RATCHET LOAD-BINDER
35	4	611016	HAIR PIN #6
36	4	900334	5/8UNC X 1 3/4 HEX BOLT
37	2	438700	TOOLBAR STOP SHIM, 16GA (.060)
38	4	438701	TOOLBAR STOP SHIM, 14GA (.075)
39	4	438702	TOOLBAR STOP SHIM, 11GA (.120)
40	2	438703	TOOLBAR STOP, 2100-ST512 COMBO
41	4	900130	3/8UNC X 1 1/4 HEX BOLT
42	4	920002	3/8 SAE FLAT WASHER
43	4	920502	3/8 LOCK WASHER

NOTE: QUANTITY LISTED IS FOR ONE MACHINE.

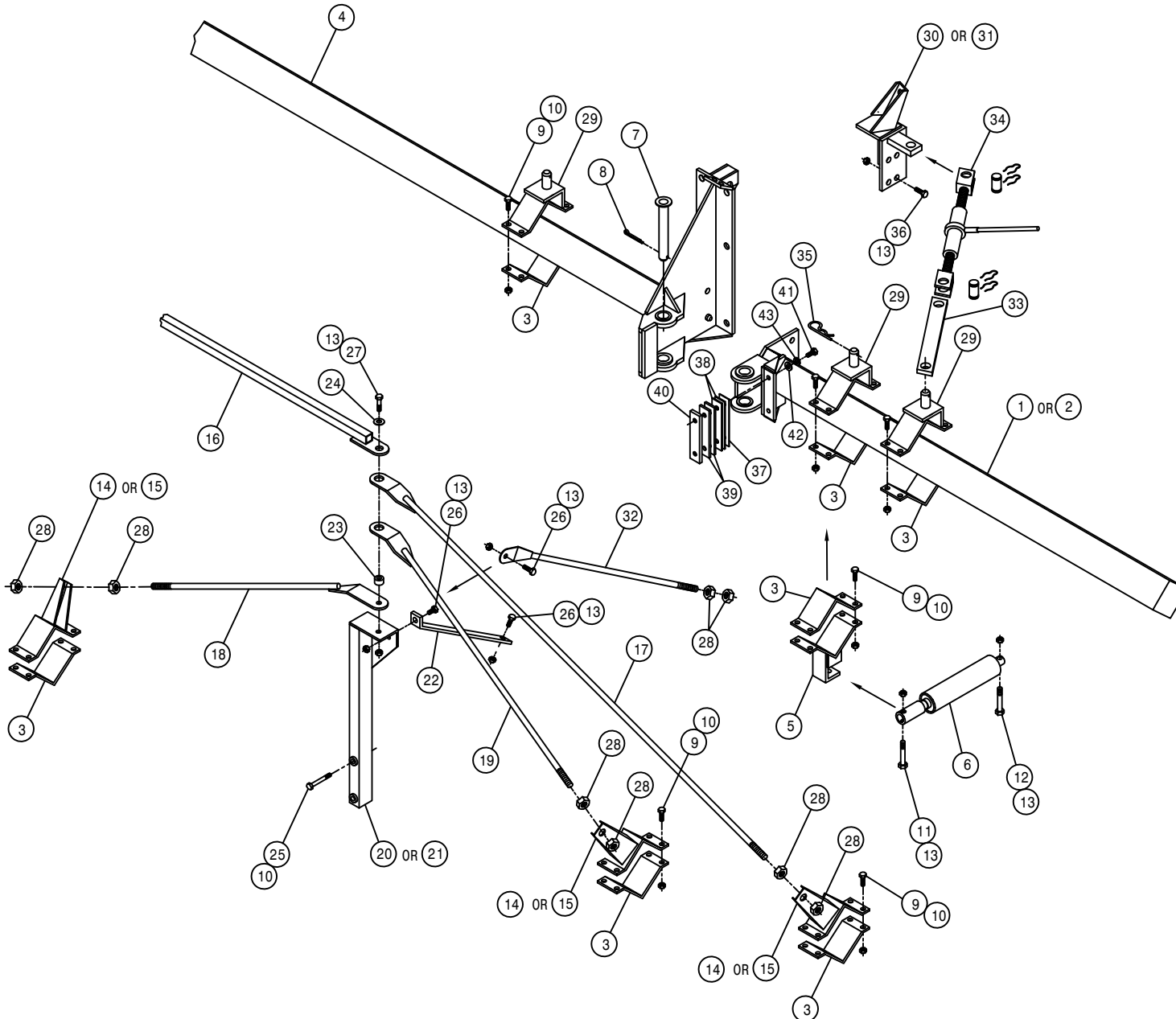


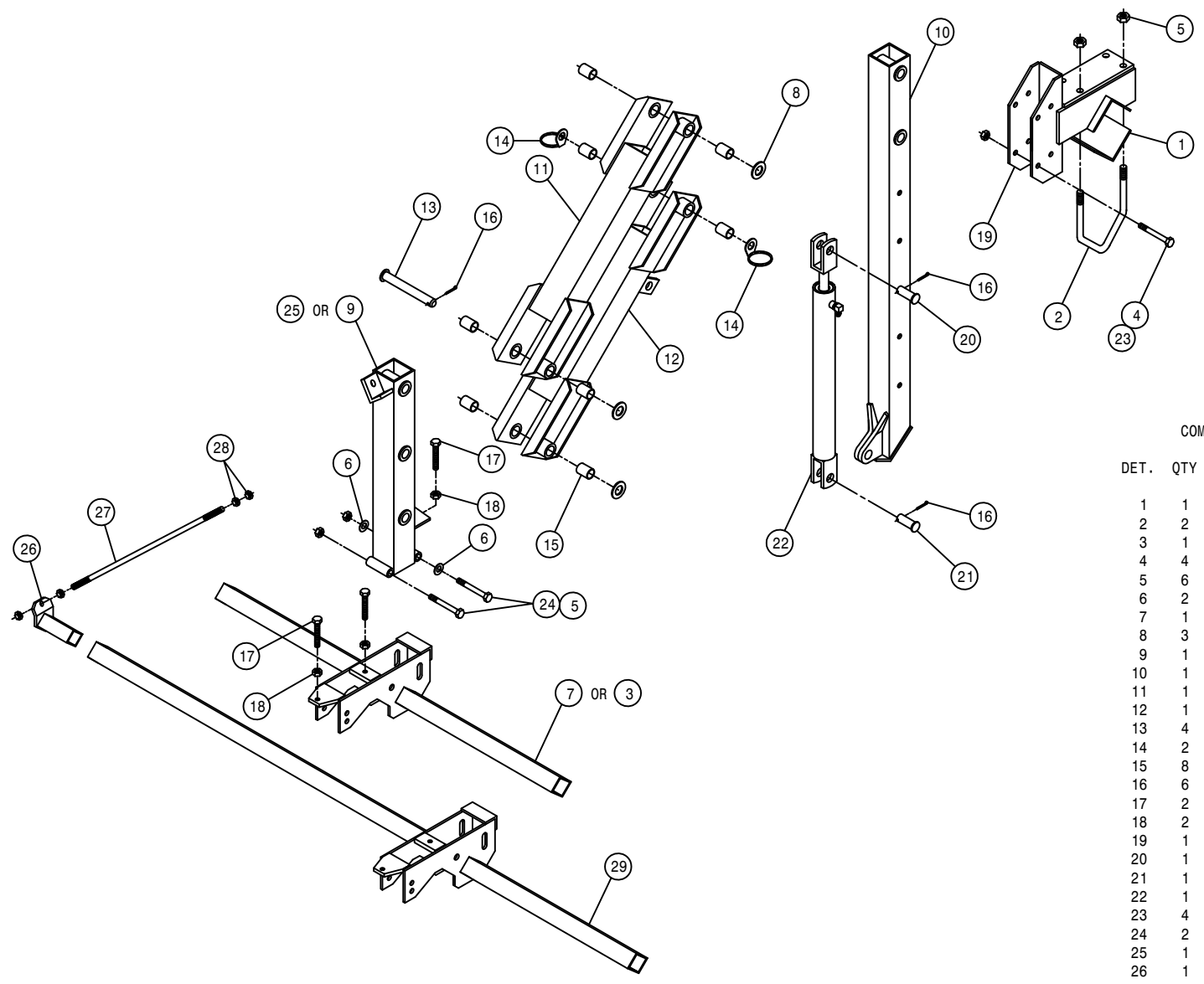
12 ROW 6-LIFT COMBO OUTRIGGER ASSEMBLY

DET. QTY PART NO. DESCRIPTION

1	1	438711	RH 133IN OUTRGR WLD 2100-ST512
2	1	438712	LH 133IN OUTRGR WLD 2100-ST512
3	14	438324	75IN OUTRGR BRACE CLAMP
4	1	438695	TOOLBAR WLD, 2100-ST512 COMBO
5	2	438610	OUTRGR CYL MT WLD, 2100 COMBO
6	2	621014	OUTRGR FOLD CYL ASSY,2100COMBO
7	2	438283	OUTRGR PIVOT PIN WLD 8200 86
8	2	470117	COTTER PIN 3/16 1 3/4 SQ CUT
9	56	900265	1/2UNC X 1 1/2 HEX BOLT
10	60	914008	1/2UNC HEX STOVER NUT
11	2	900338	5/8UNC X 3" HEX BOLT
12	2	900343	5/8UNC X 4 1/2 HEX BOLT
13	16	914010	5/8UNC HEX STOVER NUT
14	3	438362	RH OUTRGR CLAMP WLD 200 89
15	3	438363	LH OUTRGR CLAMP WLD 200 89
16	1	438547	204 TIE TUBE WLD, 10/12R 96
17	2	438471	OUTRGR SUPP ROD WLD 10-12R
18	2	438664	OUTRGR TIE BAR WLD 72"2100/STS
19	2	438544	OUTRGR SUPP ROD WLD 50"10/12R
20	1	438595	RH OUTRGR SUPP POST WLD284C 97
21	1	438596	LH OUTRGR SUPP POST WLD284C 97
22	2	438609	OUTRGR SUPP BRACE, 2100 COMBO
23	2	438541	BUSH, 1.00 OD X .656ID X .53
24	2	483037	5/8 REGULAR FLAT WASHER
25	4	900271	1/2UNC X 3 1/4 HEX BOLT
26	6	900333	5/8UNC X 1 1/2 HEX BOLT
27	2	900352	5/8UNC X 2 1/4 HEX BOLT
28	16	910012	3/4UNC HEX NUT
29	6	438397	STABILIZER PIN MT WLD 90
30	1	438651	RH OUTRGR SUPP MT WLD,2100CMB0
31	1	438652	LH OUTRGR SUPP MT WLD,2100CMB0
32	2	438654	TOOLBAR SUPP ROD WLD,2100COMBO
33	2	438656	OUTRGR TRANSPORT BAR,2100COMBO
34	2	470299	RATCHET LOAD-BINDER
35	2	611016	HAIR PIN #6
36	4	900334	5/8UNC X 1 3/4 HEX BOLT
37	2	438700	TOOLBAR STOP SHIM, 16GA (.060)
38	4	438701	TOOLBAR STOP SHIM, 14GA (.075)
39	4	438702	TOOLBAR STOP SHIM, 11GA (.120)
40	2	438703	TOOLBAR STOP, 2100-ST512 COMBO
41	4	900130	3/8UNC X 1 1/4 HEX BOLT
42	4	920002	3/8 SAE FLAT WASHER
43	4	920502	3/8 LOCK WASHER

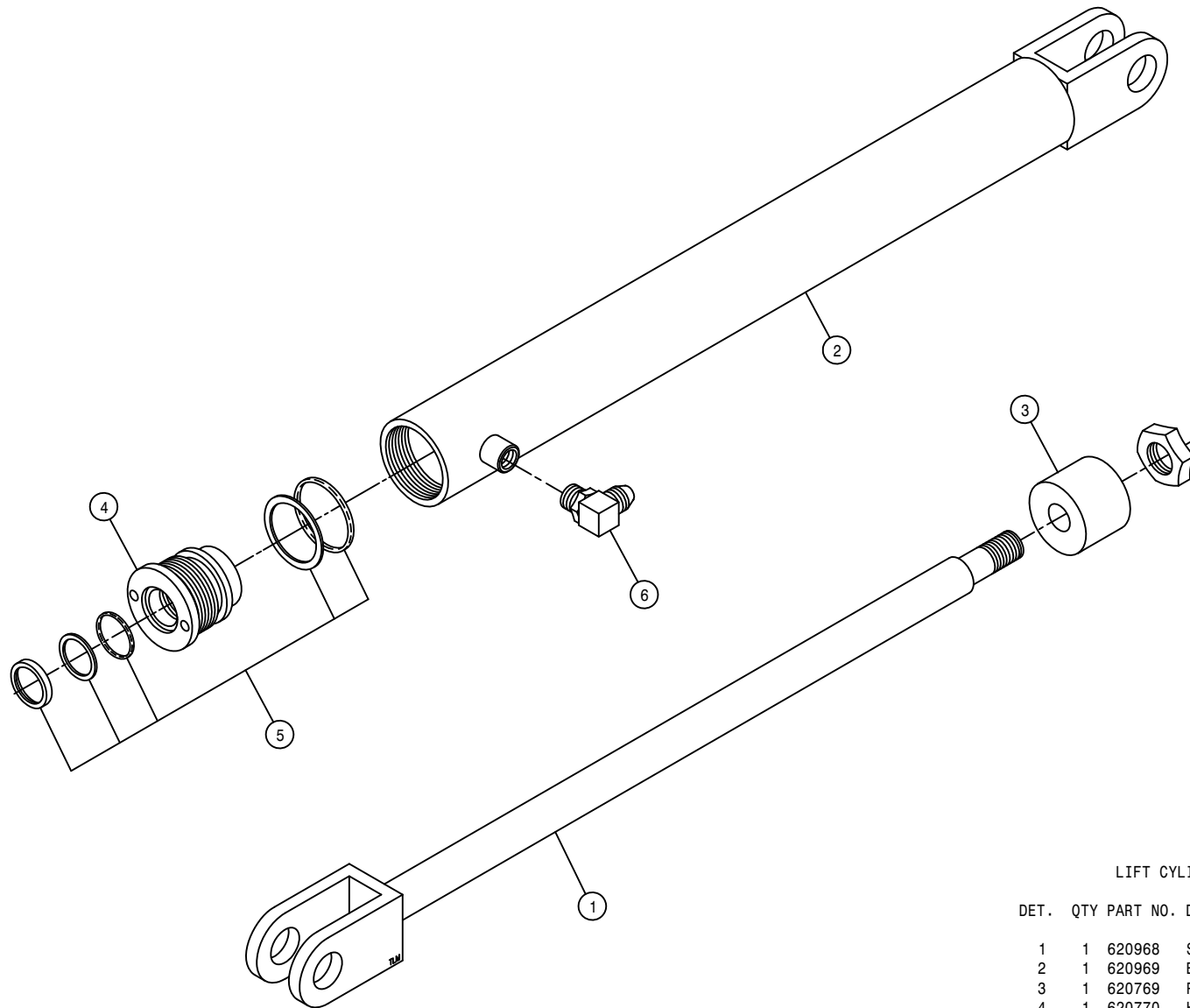
NOTE: QUANTITY LISTED IS FOR ONE MACHINE.





COMBO DETASSELER LIFT ASSEMBLY

DET.	QTY	PART NO.	DESCRIPTION
1	1	438292	TOOL BAR V-PLT WLD 8200 86
2	2	438293	5/8UNC X 6 1/4 CTR U-BOLT TRI
3	1	438478	TOOL BAR WLD 10-12R DETASSLR
4	4	914008	1/2UNC HEX STOVER NUT
5	6	914010	5/8UNC HEX STOVER NUT
6	2	920005	5/8 SAE FLAT WASHER
7	1	438194	TOOL BAR WLD DETAS 4-6R 83
8	3	920008	1" SAE FLAT WASHER
9	1	438245	TOOL BAR MT WLD,2-POS DETAS
10	1	438184	HOIST COL WLD DETAS LIFT 83
11	1	438294	UPPER LIFT ARM WLD 8200 86
12	1	438297	LWR LIFT ARM WLD 8200 86
13	4	438300	LIFT ARM PIVOT PIN WLD8200 86
14	2	438302	HOSE SUPPORT RING WLD
15	8	121025	JOURNAL BRG, 1.00 ID X 1.50 LG
16	6	470162	COTTER PIN 3/16 X 1 1/2 SQCUT
17	2	900538	1/2UNC X 3 1/2 HEX BOLT FULL
18	2	910008	1/2UNC HEX NUT
19	1	438367	HOIST COL MT BRKT WLD 200 90
20	1	472012	CLEVIS PIN, 1.00 X 3.25 PLT
21	1	472206	PICKER PIN 1 DIA X 2 1/4
22	1	621009	LIFT CYL ASSY, DETASSELER 03
23	4	900275	1/2UNC X 4 1/2 HEX BOLT
24	2	900343	5/8UNC X 4 1/2 HEX BOLT
25	1	438749	TOOL BAR MT WLD,2-POS W/SUPP
26	1	438226	TOOL BAR SUPP WLD
27	1	438231	TOOL BAR SUPP ROD
28	4	910008	1/2UNC HEX NUT
29	1	438750	TOOL BAR WLD 10-12R 3-HD DET

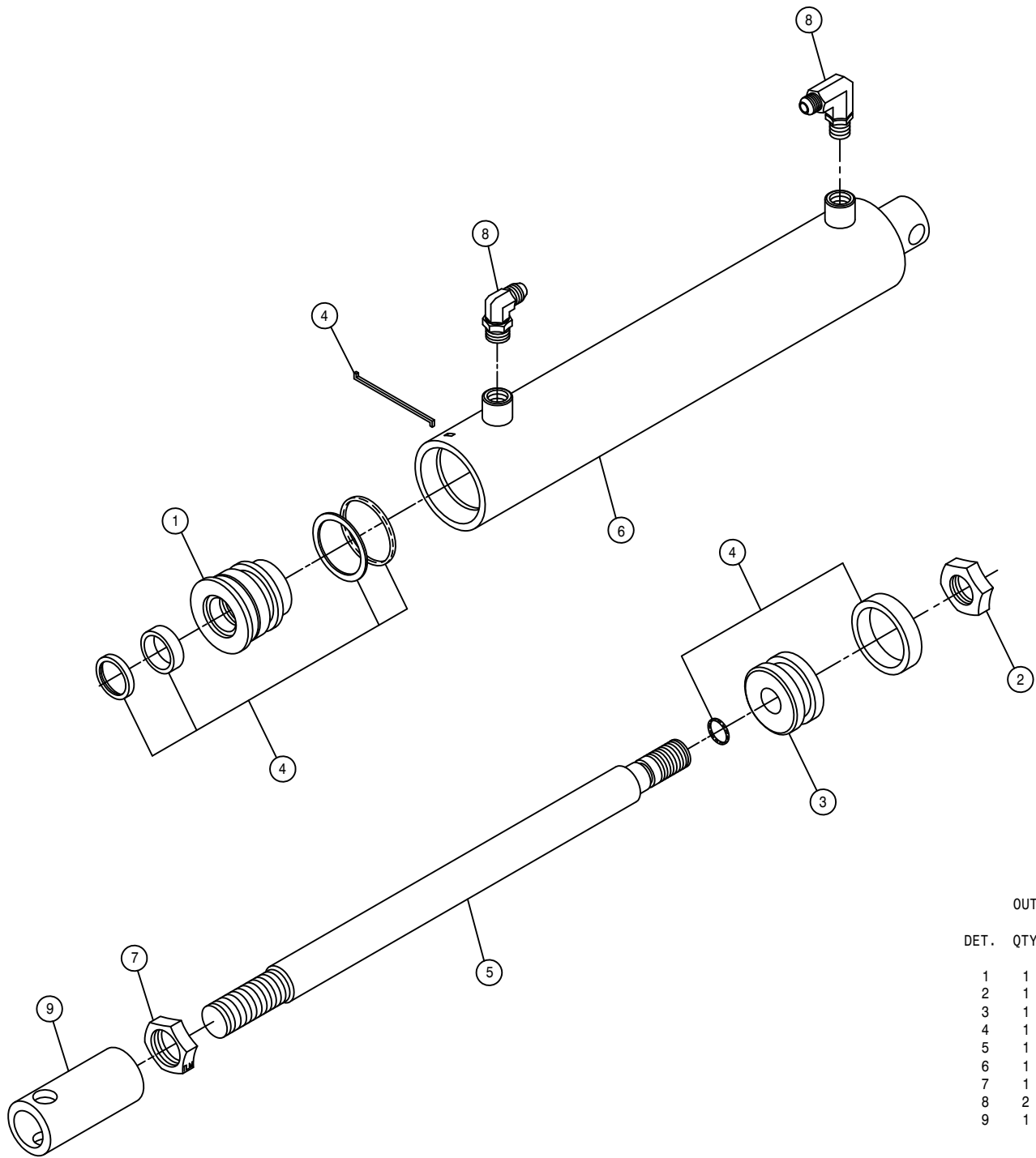


LIFT CYLINDER ASSEMBLY

DET. QTY PART NO. DESCRIPTION

1	1	620968	SHAFT, LIFT CYL, DETASS 620965
2	1	620969	BARREL, LIFT CYL, DETASS 620965
3	1	620769	PISTON, PIS2000-0121
4	1	620770	HEAD, HED2000-0344
5	1	620794	REPAIR KIT, HYDCYL, RKT2000-0807
6	1	618119	9/16MJIC-90-9/16MOR LBO

NOTE: 620965 - LIFT CYLINDER INCLUDES ITEMS 1-5.



OUTRIGGER FOLD CYLINDER ASSEMBLY

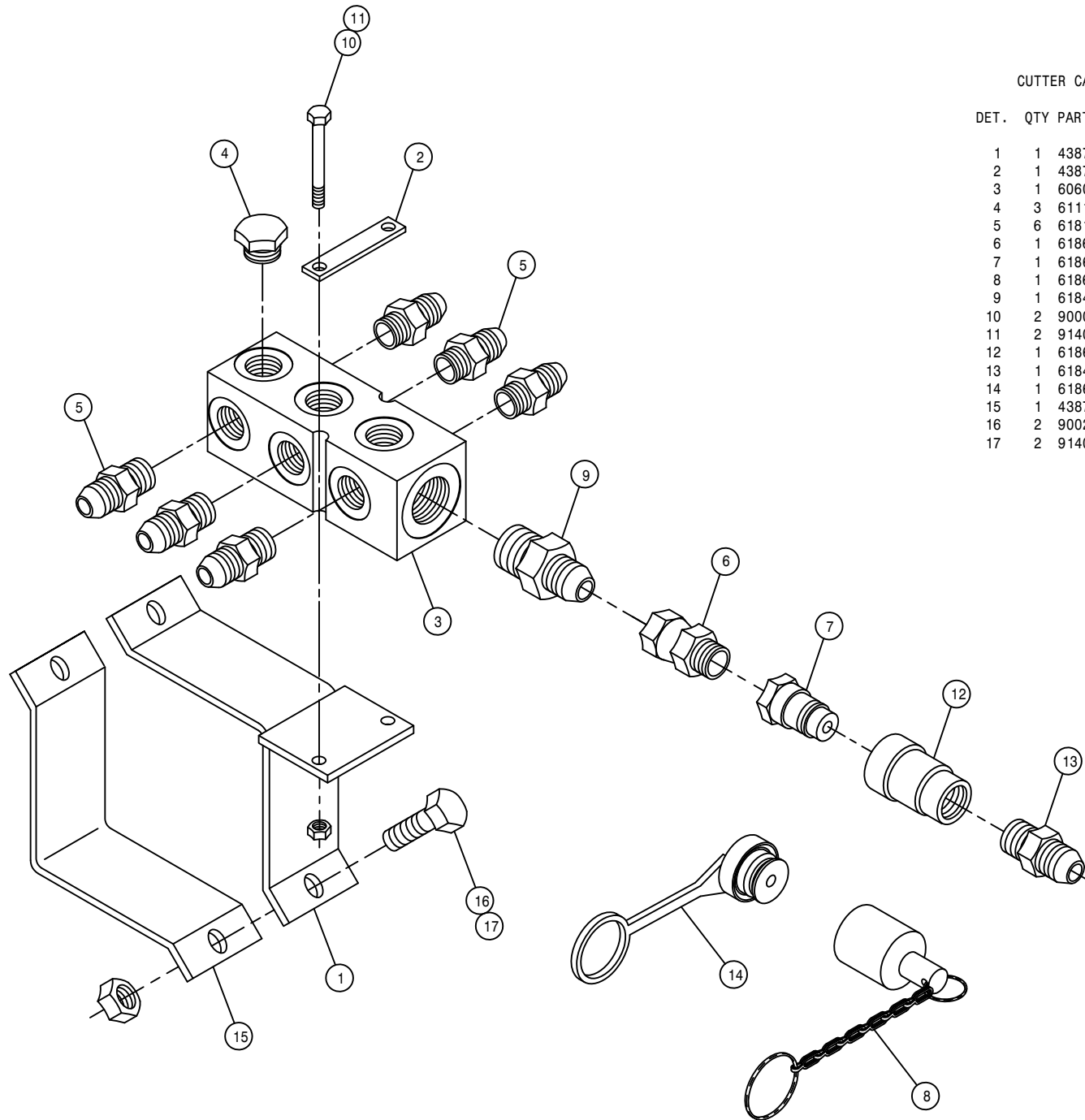
DET.	QTY	PART NO.	DESCRIPTION
	1	620744	HEAD, H-2.00-033
	1	620759	NUT, N-0.75-01
	1	620760	PISTON, P-2.00-008
	1	620780	REPAIR KIT, HYD CYL, RK-2.00-806
	1	620848	SHAFT, BOOM FOLD CYL 620845
	1	620849	BARREL, BOOM FOLD CYL 620845
	1	472322	7/8UNF HEX JAM NUT
	2	614747	.025 ELBOW ASSY, 9/16MOR 90D
	1	620653	FOLD CYL ADJ SLEEVE 97

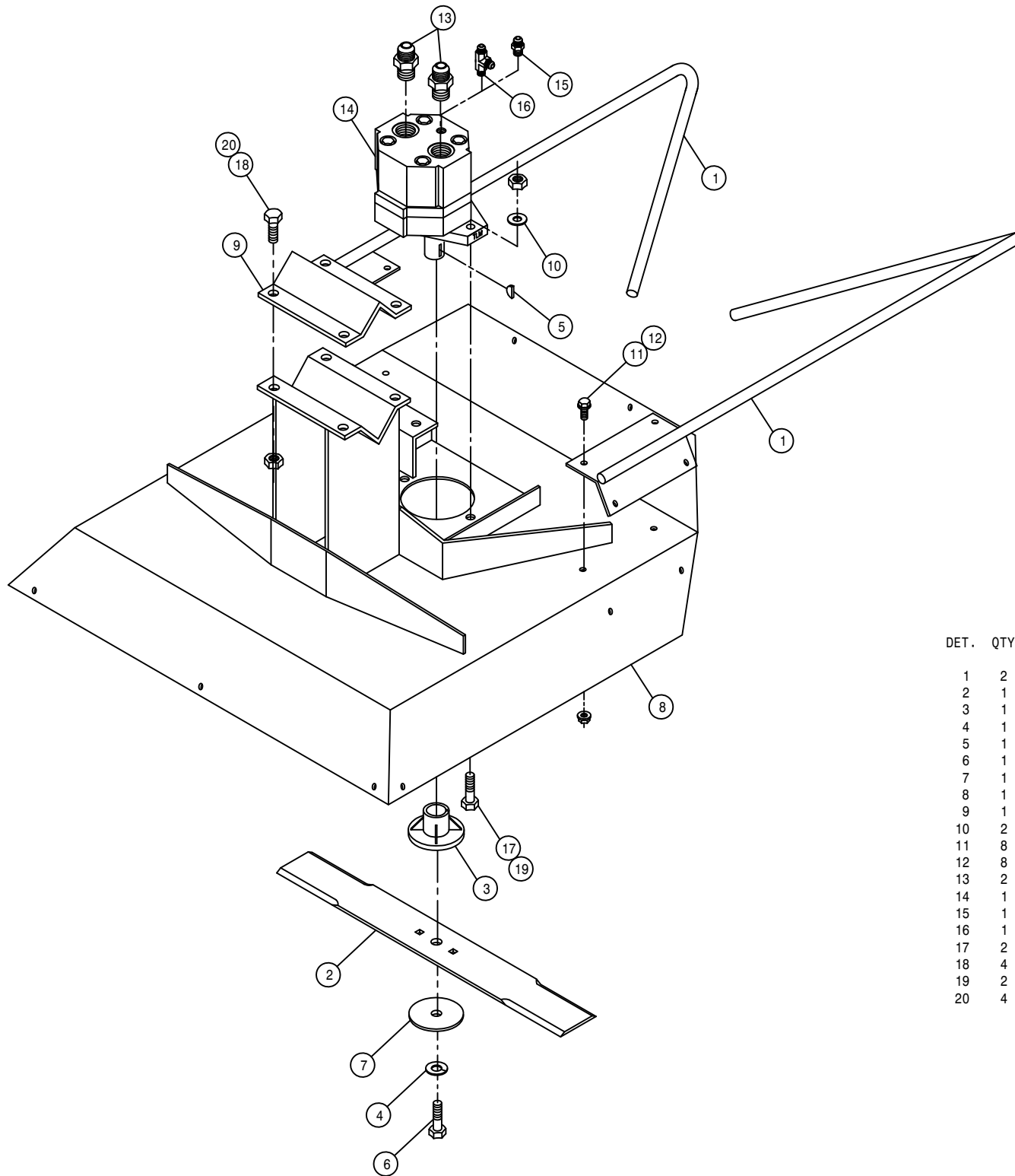
NOTE: 1. 620845 - OUTRIGGER FOLD CYLINDER ASSEMBLY 1-6
 2. 621014 - OUTRIGGER FOLD CYLINDER ASSEMBLY WITH FITTINGS

CUTTER CASE DRAIN MANIFOLD ASSEMBLY

DET. QTY PART NO. DESCRIPTION

DET.	QTY	PART NO.	DESCRIPTION
1	1	438726	CUTTER RETURN MANIFOLD MT WLD
2	1	438729	CUTTER RETURN MANIF MT KEEPER
3	1	606021	HYD RETURN MANIF,3/4FOR,9-PORT
4	3	611159	3/4MOR PLUG
5	6	618109	9/16MJIC-3/4MOR ADPTR
6	1	618615	3/4FJIC-SWIV-3/8MNPT
7	1	618646	HYD QUICK CPLR, MALE .375NPS
8	1	618648	RUBBER DUST CAP FOR 618646
9	1	618469	3/4MJIC-1 1/16MOR ADPTR
10	2	900009	1/4UNC X 2 3/4 HEX BOLT
11	2	914000	1/4UNC HEX STOVER NUT
12	1	618645	HYD QUICK CPLR,FEMALE .375NPS
13	1	618462	3/4MJIC-3/8MNPT ADPTR
14	1	618647	RUBBER DUST PLUG FOR 618645
15	1	438727	CUTTER RETURN MANIF MT V-PLT
16	2	900264	1/2UNC X 1 1/4 HEX BOLT
17	2	914008	1/2UNC HEX STOVER NUT





CUTTER HEAD ASSEMBLY

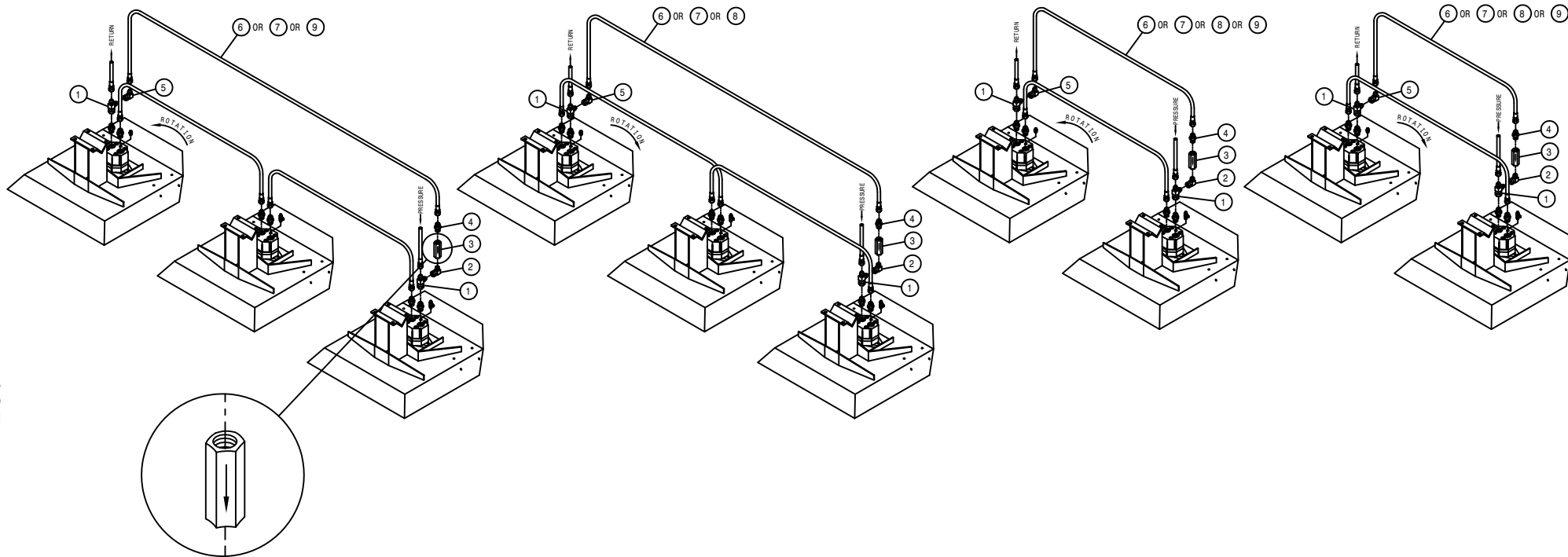
DET.	QTY	PART NO.	DESCRIPTION
	1	2	002215 CUTR STALK GUIDE WLD 8200 85
	2	1	002103 CUTR BLADE 18 IN
	3	1	002104 CLUTCH BODY BLADE
	4	1	002105 3/8 LOCK WASHER ZINC PLT
	5	1	002106 WOODRUFF KEY #6 .156 X .625
	6	1	002107 3/8UNF X 1 1/2 HEX BOLT CUTR
	7	1	002108 STEEL WASHER CUTTER BLADE
	8	1	002210 CUTR TOP WLD 8200 85
	9	1	410016 RLR HANGER V 473
	10	2	920002 3/8 SAE FLAT WASHER
	11	8	470118 1/4UNC X 3/4 FLANGE HEX BOLT
	12	8	470121 1/4UNC HEX FLANGE LOCK NUT
	13	2	611125 3/4MJIC-3/4MOR ADPTR
	14	1	610755 BARNES HYD MOTOR, D-SERIES 01
	15	1	618530 9/16MJIC-1/8MNPT ADPTR
	16	1	618546 1/8MNPT RUN TEE-9/16MJIC
	17	2	900130 3/8UNC X 1 1/4 HEX BOLT
	18	4	900265 1/2UNC X 1 1/2 HEX BOLT
	19	2	914004 3/8UNC HEX STOVER NUT
	20	4	914008 1/2UNC HEX STOVER NUT

LEFT SIDE OF OPERATOR

RIGHT SIDE OF OPERATOR

LEFT SIDE OF OPERATOR

RIGHT SIDE OF OPERATOR

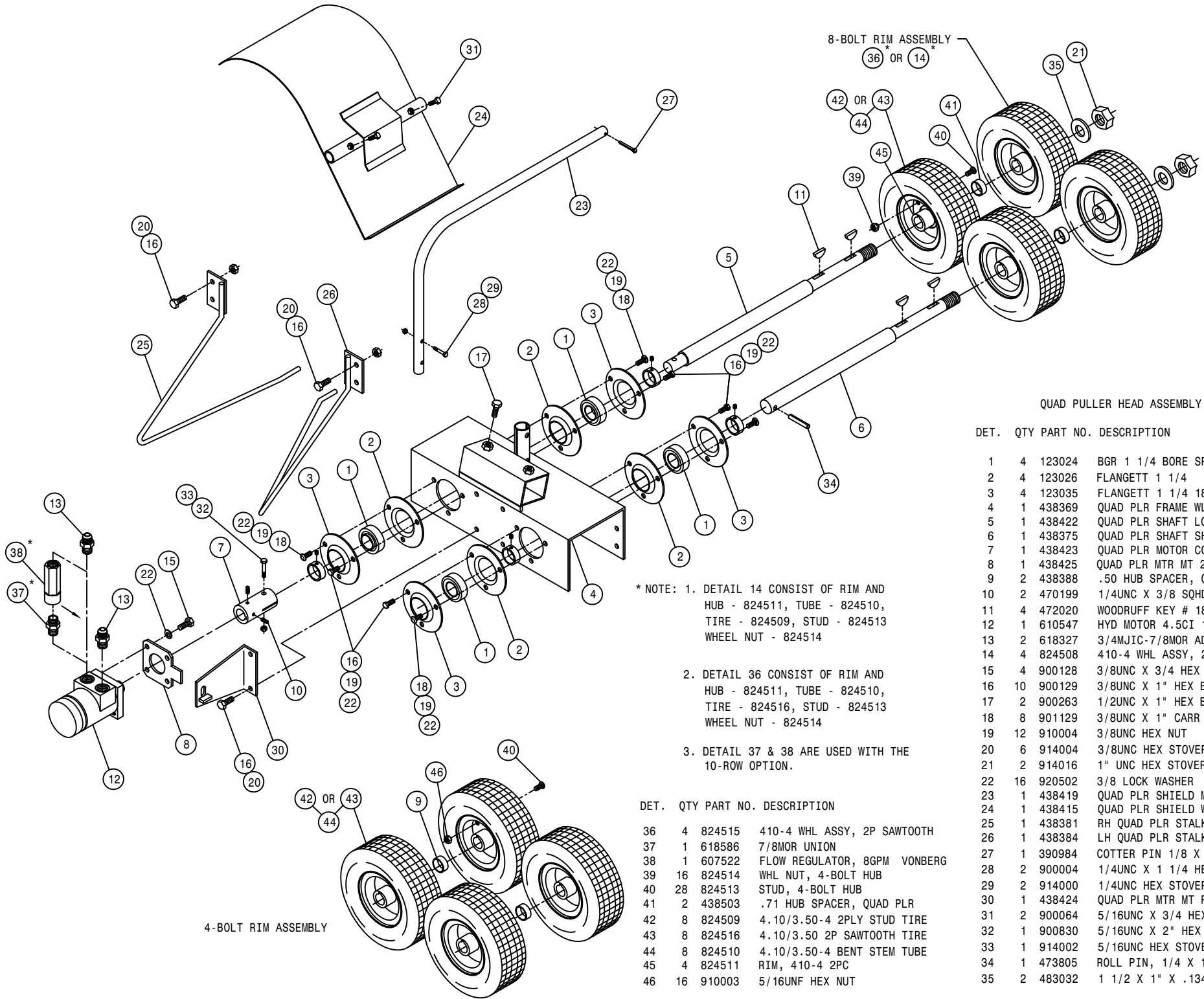


CUTTER CHECK VALVE HYDRAULIC SCHEMATIC

DET. QTY PART NO. DESCRIPTION

1	2	618451	3/4FJIC SW RUN TEE-3/4MJIC	
2	1	618620	3/4FJX-90-1/2MNPT ADPTR	
3	1	690338	LINE CHECK VALVE HYD .50NPT	
4	1	611147	3/4MJIC-1/2MNPT ADPTR	
5	1	618609	3/4MJIC-90-3/4FJIC SWIV LBO	
6	1	614375	08C1T-08FJX-08FJX-177	H/A
7	1	616057	08C1T-08FJX-08FJX-88	H/A
8	1	614368	08C1T-08FJX-08FJX-60	H/A
9	1	614384	08C1T-08FJX-08FJX-237	H/A

NOTE: LISTING IS FOR ONE GROUP OF CUTTER HEADS.



QUAD PULLER HEAD ASSEMBLY

DET.	QTY	PART NO.	DESCRIPTION
1	4	123024	BGR 1 1/4 BORE SPHERICL RELUB
2	4	123026	FLANGETT 1 1/4
3	4	123035	FLANGETT 1 1/4 180 DEG ZERK
4	1	438369	QUAD PLR FRAME WLD 200 90
5	1	438422	QUAD PLR SHAFT LONG 200 91
6	1	438375	QUAD PLR SHAFT SHORT 200 90
7	1	438423	QUAD PLR MOTOR COUPLER 200 91
8	1	438425	QUAD PLR MTR MT 200 91
9	2	438388	.50 HUB SPACER, QUAD PLR
10	2	470199	1/4UNC X 3/8 SQHD CUP SET SCR
11	4	472020	WOODRUFF KEY # 18 1/4 X 1 1/8
12	1	610547	HYD MOTOR 4.5GI 1IN SHFT
13	2	618327	3/4MJIC-7/8MOR ADPTR
14	4	824508	410-4 WHL ASSY, 2P STUD
15	4	900128	3/8UNC X 3/4 HEX BOLT
16	10	900129	3/8UNC X 1" HEX BOLT
17	2	900263	1/2UNC X 1" HEX BOLT
18	8	901129	3/8UNC X 1" CARR BOLT
19	12	910004	3/8UNC HEX NUT
20	6	914004	3/8UNC HEX STOVER NUT
21	2	914016	1" UNC HEX STOVER NUT
22	16	920502	3/8 LOCK WASHER
23	1	438419	QUAD PLR SHIELD MT TUBE 91
24	1	438415	QUAD PLR SHIELD WLD 200 91
25	1	438381	RH QUAD PLR STALK GUIDE WLD90
26	1	438384	LH QUAD PLR STALK GUIDE WLD90
27	1	390984	COTTER PIN 1/8 X 1 1/4
28	2	900004	1/4UNC X 1 1/4 HEX BOLT
29	2	914000	1/4UNC HEX STOVER NUT
30	1	438424	QUAD PLR MTR MT PLT WLD
31	2	900064	5/16UNC X 3/4 HEX BOLT
32	1	900830	5/16UNC X 2" HEX BOLT GR8
33	1	914002	5/16UNC HEX STOVER NUT
34	1	473805	ROLL PIN, 1/4 X 1 1/2
35	2	483032	1 1/2 X 1" X .134TH MACH WASH
36	4	824515	410-4 WHL ASSY, 2P SAWTOOTH
37	1	618586	7/8MOR UNION
38	1	607522	FLOW REGULATOR, 8GPM VONBERG
39	16	824514	WHL NUT, 4-BOLT HUB
40	28	824513	STUD, 4-BOLT HUB
41	2	438503	.71 HUB SPACER, QUAD PLR
42	8	824509	4.10/3.50-4 2PLY STUD TIRE
43	8	824516	4.10/3.50 2P SAWTOOTH TIRE
44	8	824510	4.10/3.50-4 BENT STEM TUBE
45	4	824511	RIM, 410-4 2PC
46	16	910003	5/16UNF HEX NUT

* NOTE: 1. DETAIL 14 CONSIST OF RIM AND HUB - 824511, TUBE - 824510, TIRE - 824509, STUD - 824513 WHEEL NUT - 824514

2. DETAIL 36 CONSIST OF RIM AND HUB - 824511, TUBE - 824510, TIRE - 824516, STUD - 824513 WHEEL NUT - 824514

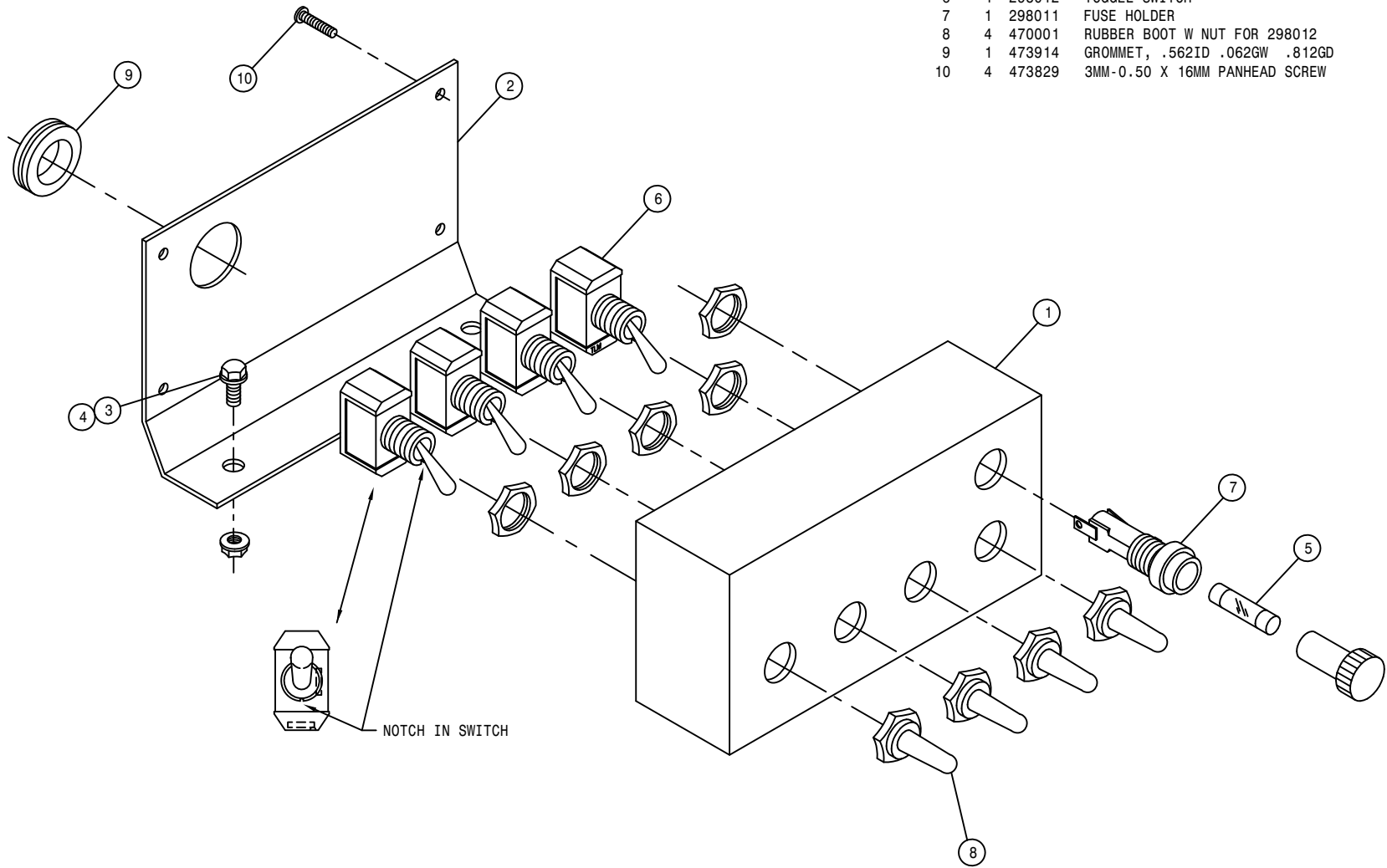
3. DETAIL 37 & 38 ARE USED WITH THE 10-ROW OPTION.

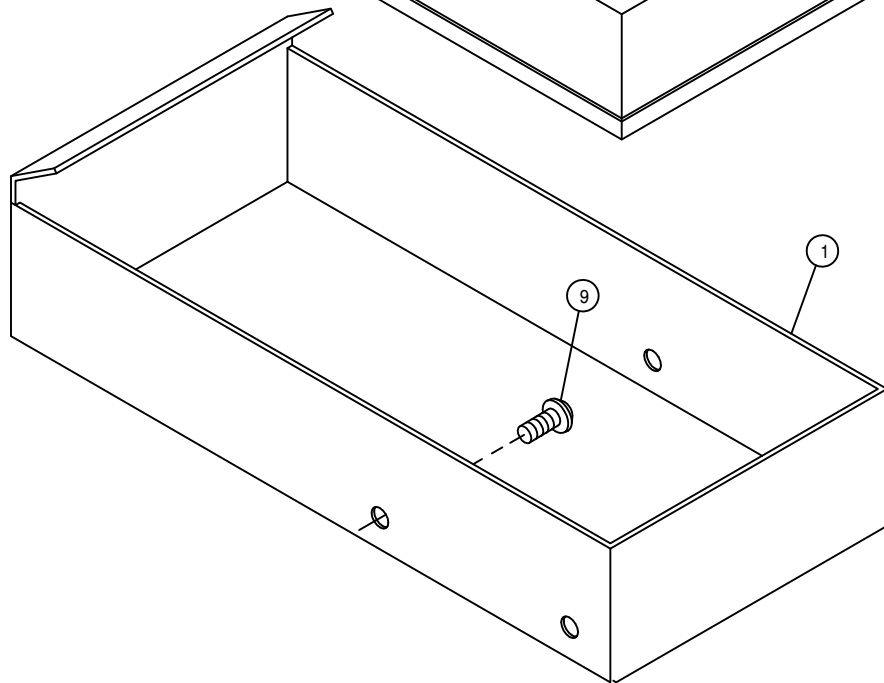
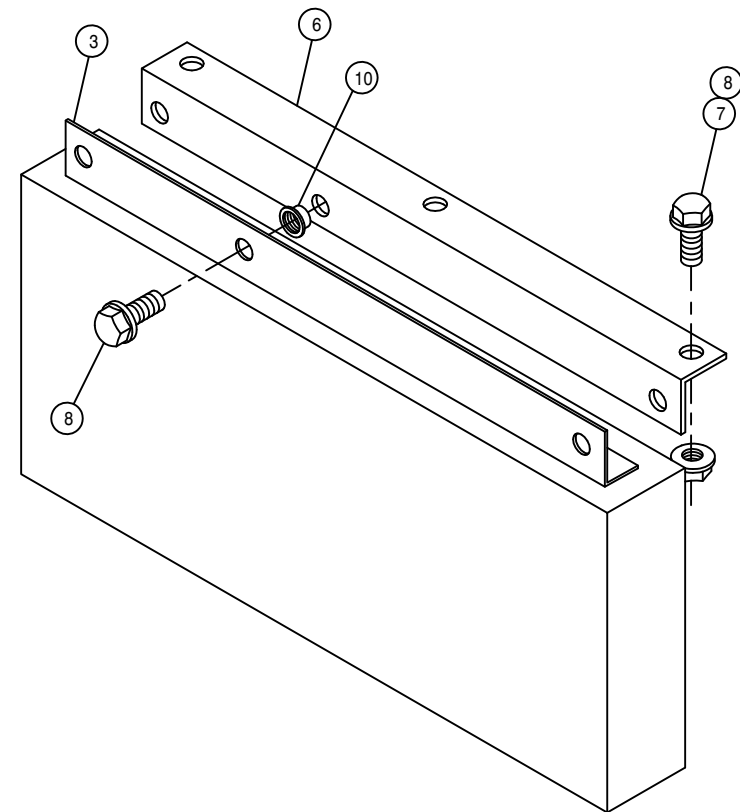
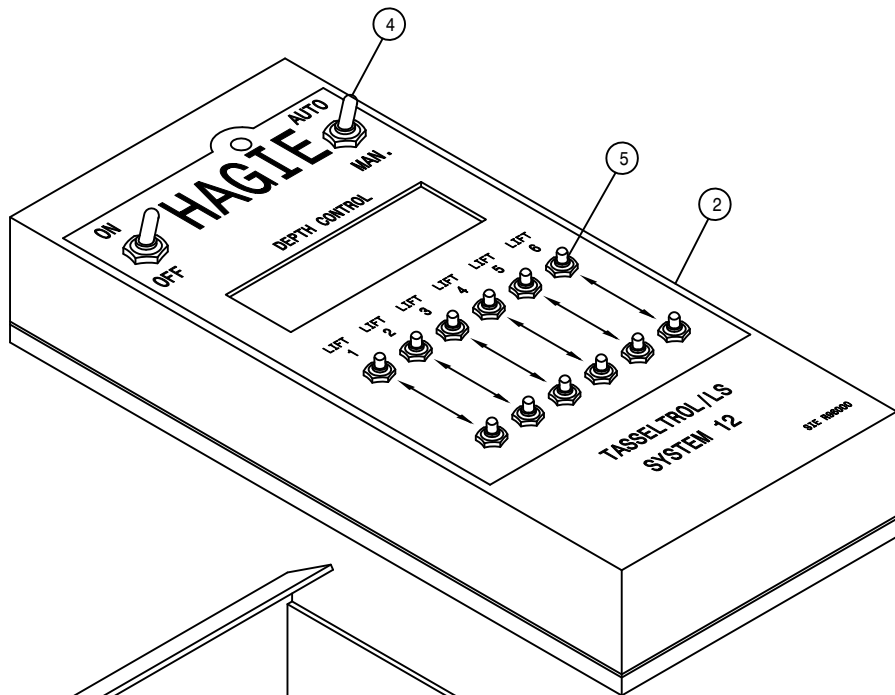
4-BOLT RIM ASSEMBLY

COMBO MOTOR CONTROL VALVE SWITCH ASSEMBLY

DET. QTY PART NO. DESCRIPTION

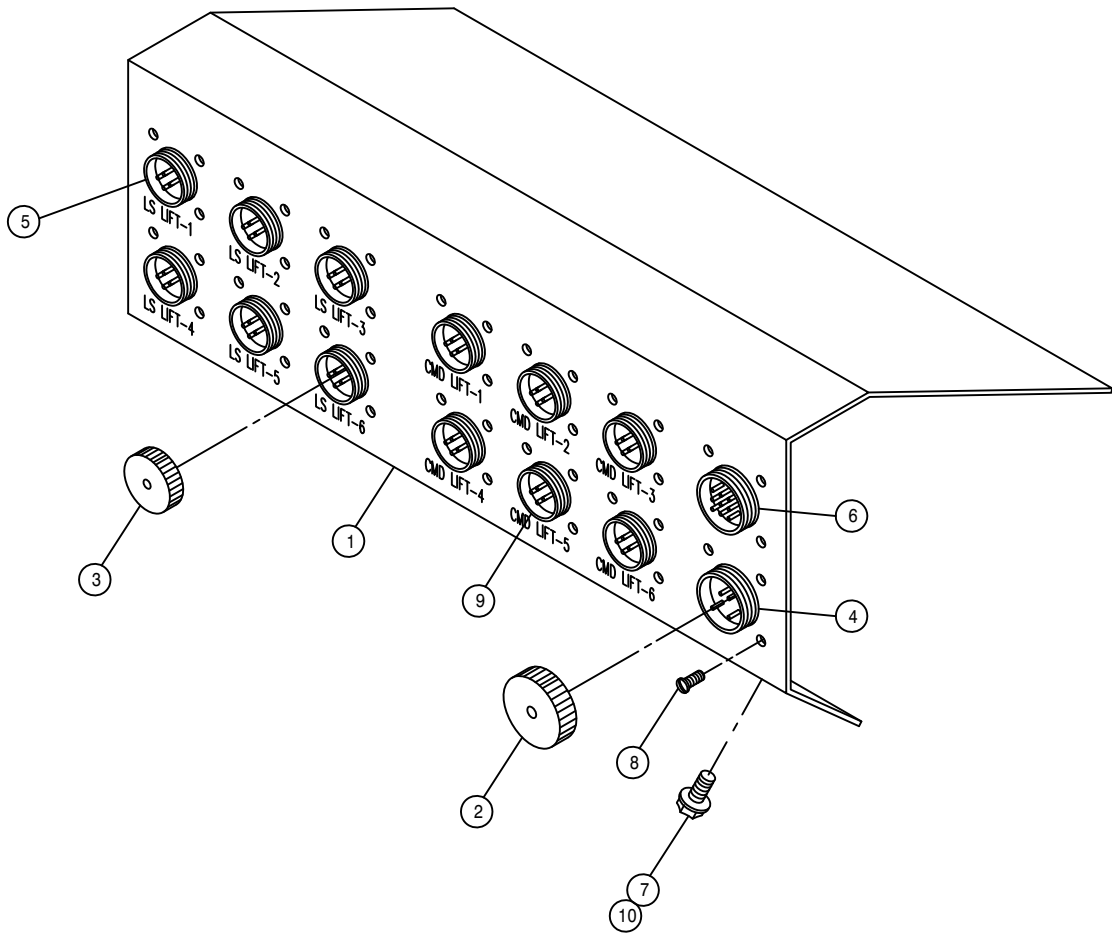
DET.	QTY	PART NO.	DESCRIPTION
1	1	002744	SWITCH BOX, DEPTH CMD
2	1	002923	SW BOX MT,MTR CTRL,2100 COMBO
3	2	470121	1/4UNC HEX FLANGE LOCK NUT
4	2	470122	1/4UNC X 1/2 FLANGE HEX BOLT
5	1	298004	20 AMP FUSE SFE 20
6	4	298012	TOGGLE SWITCH
7	1	298011	FUSE HOLDER
8	4	470001	RUBBER BOOT W NUT FOR 298012
9	1	473914	GROMMET, .562ID .062GW .812GD
10	4	473829	3MM-0.50 X 16MM PANHEAD SCREW





LS CONTROL BOX ASSEMBLY

DET.	QTY	PART NO.	DESCRIPTION
	1	002903	LS CTRL 6L DISPLAY MT
	1	293373	LS CTRL 6L DISPLAY BOX ASSY
	1	293374	LS CTRL 6L CABLE BOX ASSY
	2	470001	RUBBER BOOT W NUT FOR 298012
	12	293255	SWITCH BOOT,PUSHBUTTON,1/4-40
	1	002925	LS CTRL BOX MT, 2100 COMBO
	3	470121	1/4UNC HEX FLANGE LOCK NUT
	6	470122	1/4UNC X 1/2 FLANGE HEX BOLT
	2	903708	1/4UNC X1/2 PHIL PNHD MACHSCR
	3	470086	1/4UNC NUTSERT .020-.100MATL

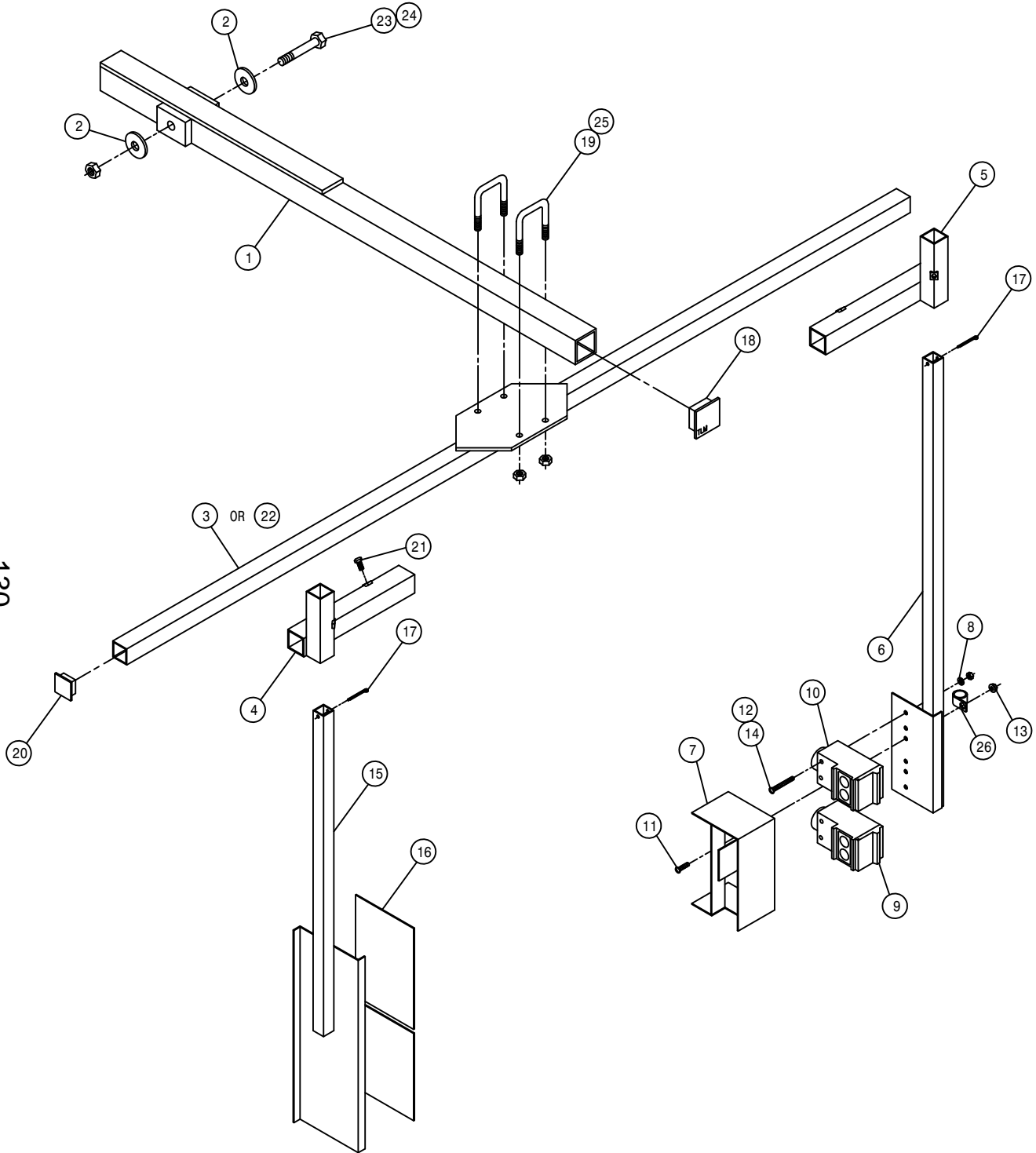


COMBO LS/DEPTH CMD RECEPTACLE ASSEMBLY

DET. QTY PART NO. DESCRIPTION

1	1	002926	LS RECEPTACLE MT, 2100 COMBO
2	2	291688	CAP FPR #13 SHELL RECEPTACLE
3	12	293046	CAP FOR #11 SHELL RECEPTACLE
4	1	293483	5-6LS ELECT VLV JMPR WIRE ASSY
5	6	293484	LS JUMPER WIRE ASSY,2100 COMBO
6	1	293485	MAIN LS ELECT VLV WIRE ASSY
7	3	470122	1/4UNC X 1/2 FLANGE HEX BOLT
8	56	473932	6-32 X 3/8 PAN SELF TAP SCR
9	6	293479	129" WIRE ASSY,DEPTH CMD JMPR
10	3	470086	1/4UNC NUTSERT .020-.100MATL

130



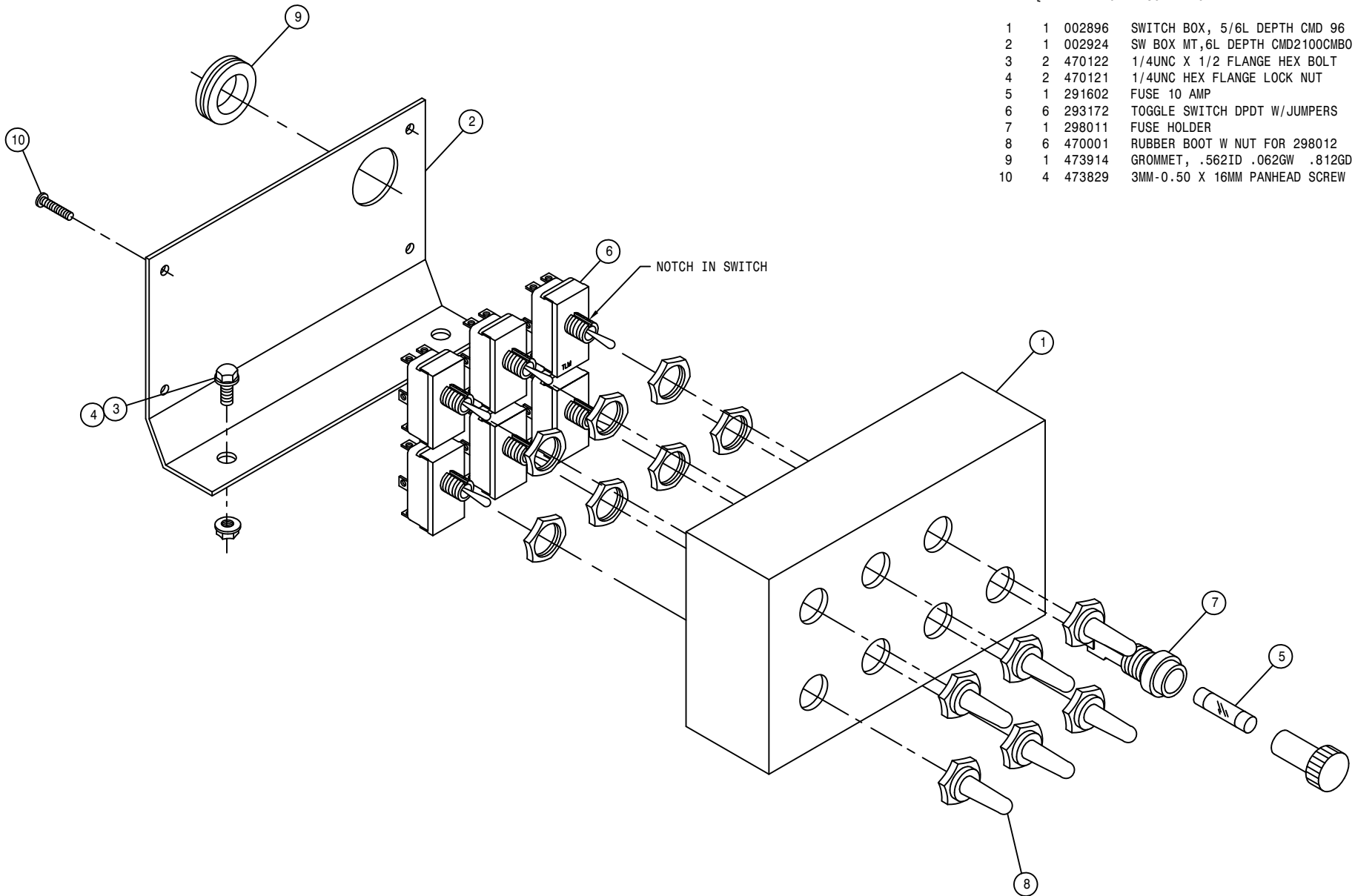
LS SENSOR ASSEMBLY

DET.	QTY	PART NO.	DESCRIPTION	
1	1	002813	SENSOR ARM WELD 200 DET	92
2	2	002815	SENSOR ARM WASH, NYL	
3	1	002709	LS CROSSTUBE WLD	90
4	1	002712	LS REFLECTOR SLIDE MT WLD	90
5	1	002713	LS SENSOR SLIDE MT WLD	90
6	1	002839	LS 42GRU PHOTOSW SENSR MT WLD	
7	1	002841	LS 42GRU SENSOR SHIELD WLD	
8	4	920510	#10 LOCK WASHER	
9	1	293258	LWR LS 9000 SENSOR ASSY, FEM	
10	1	293259	UPR LS 9000 SENSOR ASSY, MALE	
11	2	903883	10-32 X 1/2 SLT RDHD MACH SCR	
12	4	910027	10-32 HEX NUT	
13	2	470175	10-32 HEX FLANGE LOCK NUT	
14	4	903902	10-32 X 2" SLT RD HD MACH SCR	
15	1	002723	LS REFLECTOR MT WLD	90
16	2	650298	REFLEXITE ACRYLIC RECT 4" X 6"	
17	2	390984	COTTER PIN 1/8 X 1 1/4	
18	1	473943	FINISH PLUG 1 1/2 SQ	
19	2	473949	5/16UNC-1 9/16ID-1 15/16U-BOLT	
20	2	629727	FINISH PLUG FOR 1 IN X 16 GA	
21	4	900000	1/4UNC X 1/2 HEX BOLT	
22	1	002834	LS CROSSTUBE WLD 10-12R	92
23	1	900275	1/2UNC X 4 1/2 HEX BOLT	
24	1	914008	1/2UNC HEX STOVER NUT	
25	4	914002	5/16UNC HEX STOVER NUT	
26	1	520117	CUSH HOSE CLAMP 5/8D X 1/2W	

6-LIFT, DEPTH COMMAND SWITCH ASSEMBLY

DET. QTY PART NO. DESCRIPTION

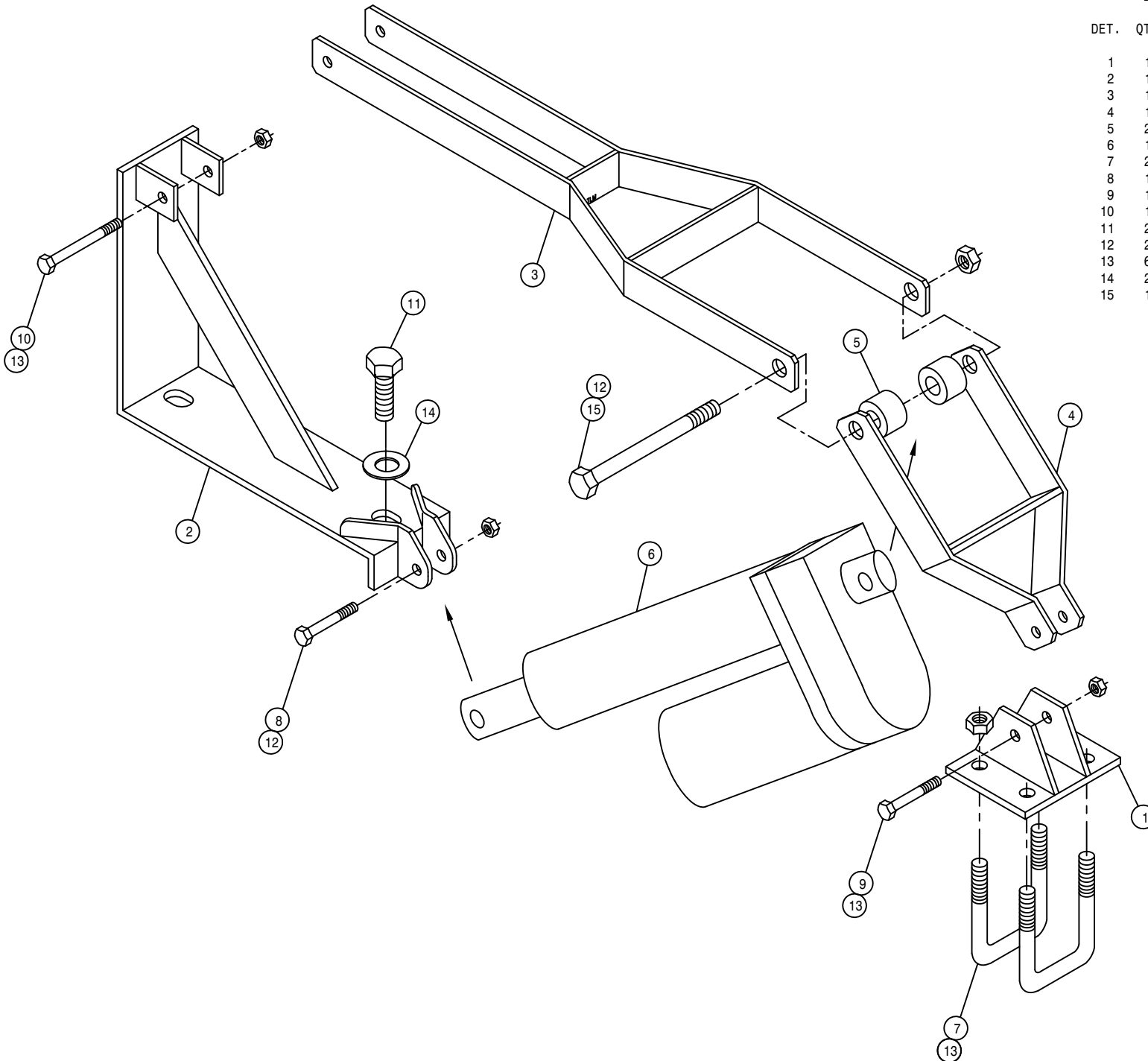
DET.	QTY	PART NO.	DESCRIPTION
1	1	002896	SWITCH BOX, 5/6L DEPTH CMD 96
2	1	002924	SW BOX MT,6L DEPTH CMD2100CMBO
3	2	470122	1/4UNC X 1/2 FLANGE HEX BOLT
4	2	470121	1/4UNC HEX FLANGE LOCK NUT
5	1	291602	FUSE 10 AMP
6	6	293172	TOGGLE SWITCH DPDT W/JUMPERS
7	1	298011	FUSE HOLDER
8	6	470001	RUBBER BOOT W NUT FOR 298012
9	1	473914	GROMMET, .562ID .062GW .812GD
10	4	473829	3MM-0.50 X 16MM PANHEAD SCREW



DEPTH COMMAND ACTUATOR ASSEMBLY

DET. QTY PART NO. DESCRIPTION

DET.	QTY	PART NO.	DESCRIPTION	
1	1	002849	HD DEPTH CMD ARM MT WLD	94
2	1	002846	HD DEPTH CMD MTG BRKT WLD	94
3	1	002851	HD DEPTH CMD UPR ARM WLD	94
4	1	002855	HD DEPTH CMD LWR ARM WLD	94
5	2	002858	HD DEPTH CMD ARM BUSH	94
6	1	291634	LINEAR ACTUATOR, ELECTRAK 2	
7	2	473949	5/16UNC-1 9/16ID-1 15/16U-BOLT	
8	1	900267	1/2UNC X 2" HEX BOLT	
9	1	900069	5/16UNC X 2" HEX BOLT	
10	1	900070	5/16UNC X 2 1/2 BOLT	
11	2	900263	1/2UNC X 1" HEX BOLT	
12	2	914008	1/2UNC HEX STOVER NUT	
13	6	914002	5/16UNC HEX STOVER NUT	
14	2	920004	1/2 SAE FLAT WASHER	
15	1	900275	1/2UNC X 4 1/2 HEX BOLT	



132

This Page Intentionally Blank

NOTICE

The following page contains decals for the model 2100.

These decals can be obtained from Hagie Mfg. Co. and should be used whenever your machine is repainted or when the decals become worn, weathered, or faded.

Special attention should be paid to decals involving personal safety. They have been attached for your protection.

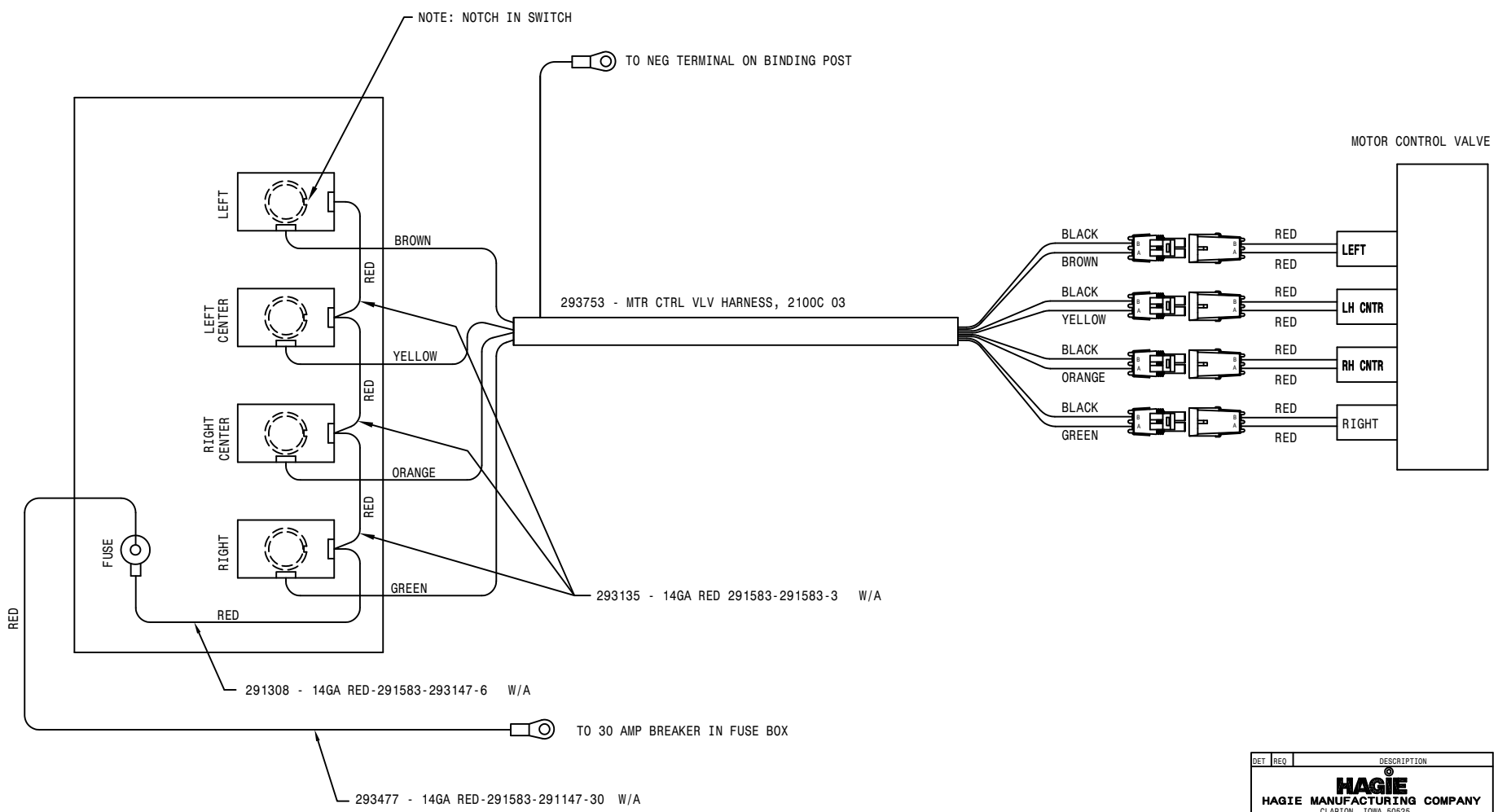
KEEP THEM IN PLACE.

Contact: Hagie Manufacturing Co.
Box 273
Clarion, Iowa 50525

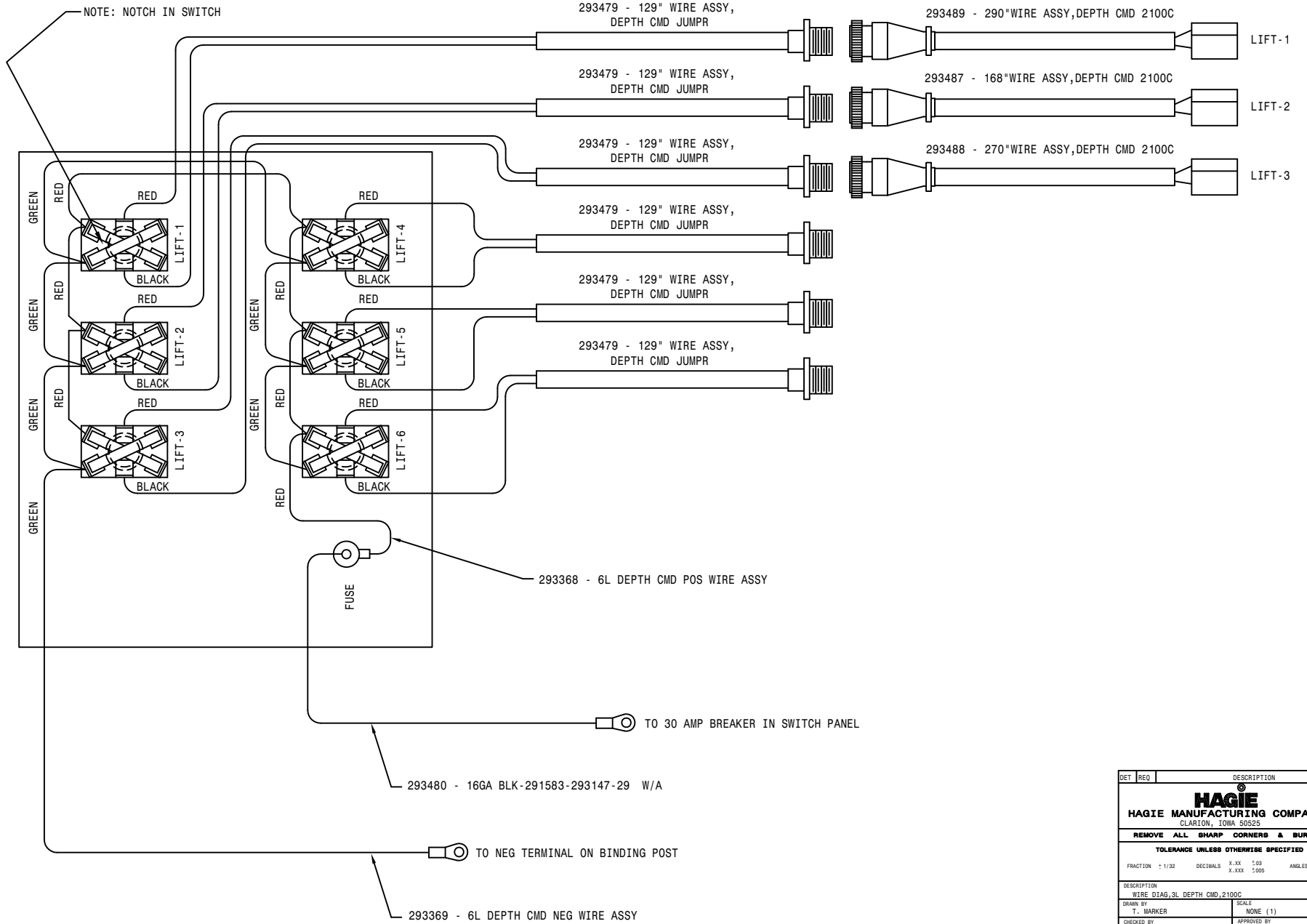
2100 DECALS

<u>QTY.</u>	<u>PART NO.</u>	<u>DESCRIPTION</u>	<u>LOCATION</u>
1	650303	CUTTER ROTATION DECAL	ON THE LOWER LEFT OF FRONT WINDOW
1	650308	LEFT L-CTR R-CTR RIGHT DECAL	ON MOTOR CONTROL VALVE BOX
1	650320	EMERGENCY EXIT DECAL	ON THE LOWER LEFT ON REAR WINDOW
1	650326	HAGIE DECAL	ON FRONT MAINFRAME SHIELD
1	650336	FOLD BOOM WARNING DECAL	ON RH SIDE WINDOW
1	650337	ELECTROCUITION HAZARD DECAL	ON RH SIDE WINDOW
1	650339	HYDRAULIC OIL INJ. DECAL	ON STEERING POST
1	650340	PARK BRAKE DECAL	NEAR PARK SWITCH
1	650341	DECAL SET, HAGIE 2100 STRIPE	ON EACH ENGINE HOOD
1	650343	HYDROSTATIC CONTROL DECAL	ON CONSOLE
1	650344	SWITCH PANEL DECAL	ON SWITCH PANEL COVER
1	650345	BOOM CONTROL PANEL DECAL	ON SWITCH PANEL COVER
1	650346	TREAD ADJUST DECAL	ON CONSOLE
1	650347	NOTICE-R134A CHARGE DECAL	ON ENGINE NEAR A/C COMPRESSOR
1	650348	NOTICE-DRAIN AIR TANK DECAL	ON AIR TANK
1	650349	LIGHT SWITCH PANEL DECAL	ON SWITCH PANEL IN HEADLINER
1	650350	CAUTION, BOOSTER TERMINAL DECAL	ON LOWER BACK SHEET METAL
1	650351	AGITATION VFC DECAL	ON LOWER BACK SHEET METAL
2	650352	RH TREAD ADJ INDICATOR DECAL	1-ON RH FRONT INDICATOR MOUNT
2	650353	LH TREAD ADJ INDICATOR DECAL	1-ON LH REAR INDICATOR MOUNT
1	650354	FUSE BOX DECAL	1-ON LH FRONT INDICATOR MOUNT
1	650820	CAUTION, MOVING PARTS DECAL	ON FUSE BOX COVER
1	650822	SOLUTION PUMP DECAL	1-ON EACH QUAD HEAD
1	650831	EMERGENCY STOP DECAL	ON FRONT MAINFRAME SHIELD
1	650847	NO PASSENGER DECAL	ON STEERING POST
2	650848	SLIP OR FALL DECAL	ON LH REAR ON CAB
2	650849	ENGINE FUEL DECAL	ON BACK OF FUEL TANKS
2	650850	CHEMICAL DECAL	NEAR EACH FUEL TANK NECK
2	650851	SHIELDS DECAL	ON TANK BAND TIE
1	650852	READ MANUAL DECAL	ON LOWER REAR OF MAINFRAME
1	650931	1 3/4 X 4 HAGIE DECAL	ON LEFT CONSOLE TOP
1	650954	DIESEL DECAL	1-ON EACH QUAD HEAD
1	650981	COOLING SYSTEM DECAL	NEAR EACH FUEL NECK
1	650982	ELECTRICAL DECAL	NEAR RADIATOR CAP
4	650985	WHEEL BOLT TORQUE DECAL	ON ENGINE HOOD ABOVE BATTERY
1	650955	SLOW ENGINE TO IDLE DECAL	ON EACH WHEEL RIM
2	650819	DANGER, CUTTING BLADES DECAL	ON THE LOWER LEFT OF FRONT WINDOW
1	650338	DEPTH CMD 6-LIFT DECAL	2-ON EACH CUTTER HEAD
1	650357	LS DEPTH CTRL DECAL	ON DEPTH COMMAND BOX
1	650367	AIR FILTER INSTRUCTION DECAL	ON RECEPTACLE MT
1	650108	MAIN SPRAY POWER DECAL	ON ENGINE AIR FILTER END CAP
1	650109	LOW HYDRAULIC OIL DECAL	ON SWITCH PANEL HOUSING
1	650366	PARKING BRAKE ON DECAL	ON SWITCH PANEL HOUSING

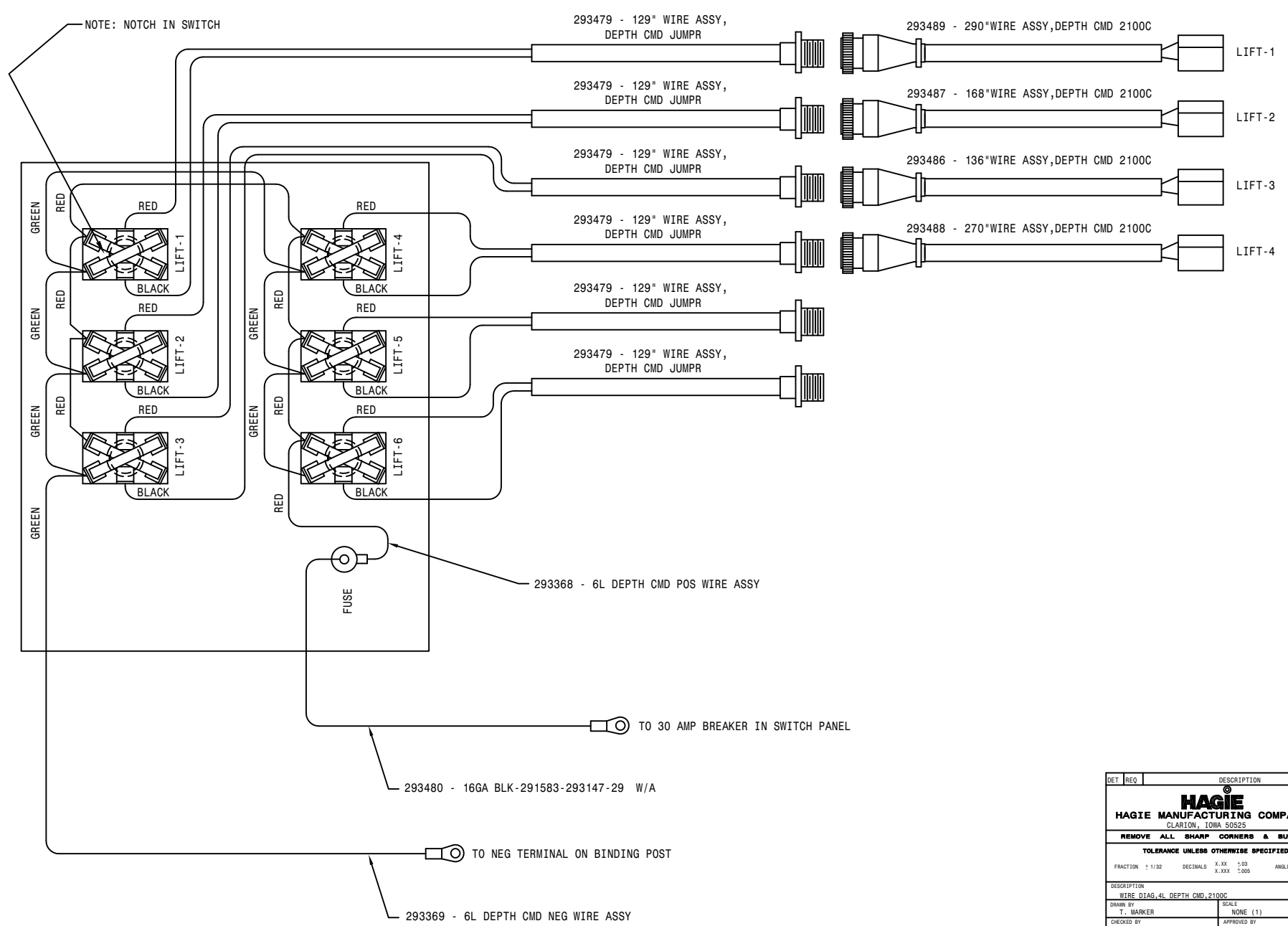
135



DET	REQ	DESCRIPTION
HAGIE HAGIE MANUFACTURING COMPANY CLARION, IOWA 50525		
REMOVE ALL SHARP CORNERS & BURRS		
TOLERANCE UNLESS OTHERWISE SPECIFIED		
FRACTION	± 1/32	DECIMALS X.XX ±.03 X.XXX ±.005
DESCRIPTION WIRE DIAG, 2100 COMBO MTR CTRL 03		
DRAWN BY	T. MARKER	SCALE NONE (1)
CHECKED BY		APPROVED BY
DATE 11-20-02	DRAWING NUMBER 498771	
SHEET	OF	

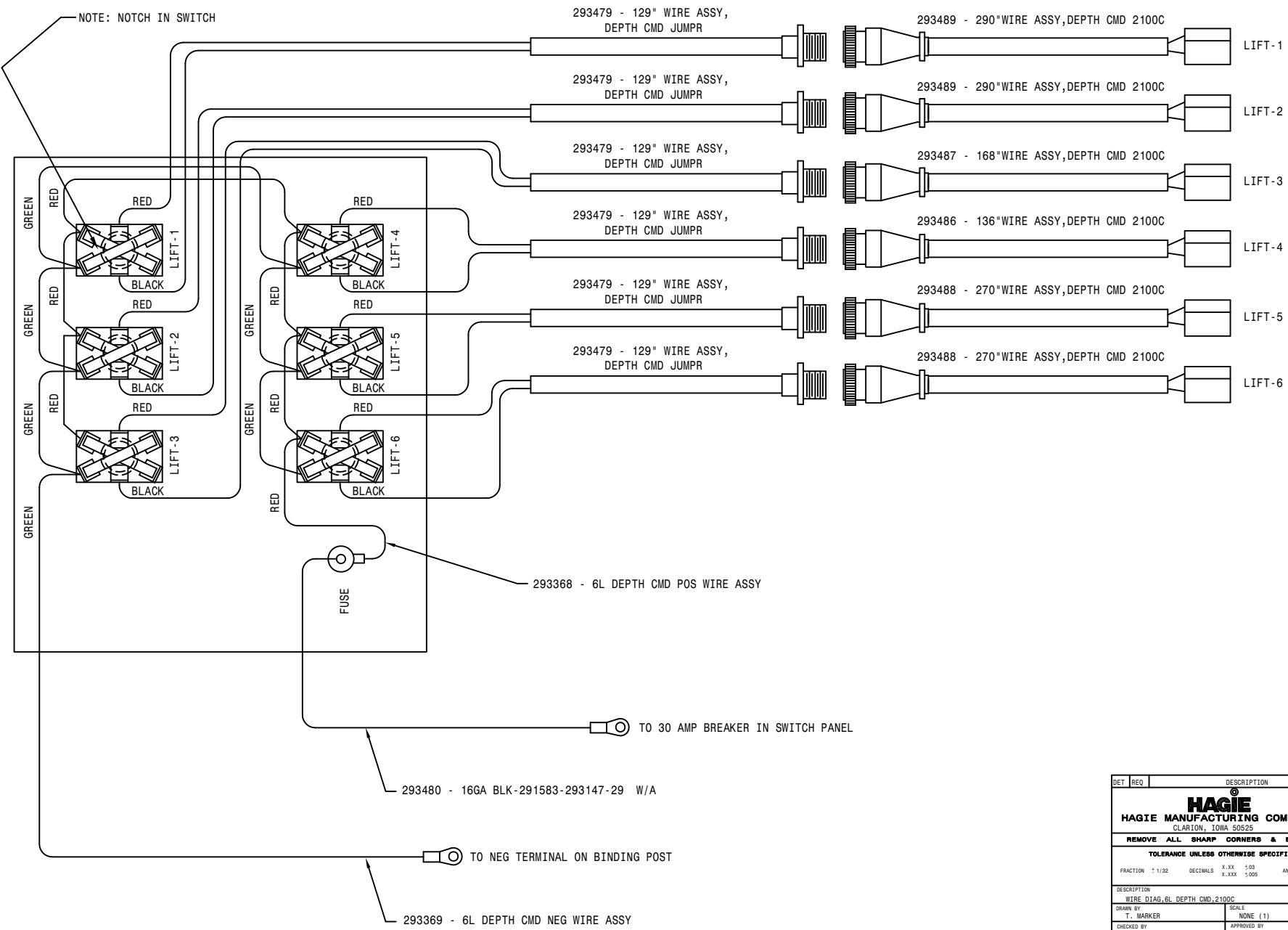


DET	REQ	DESCRIPTION
HAGIE HAGIE MANUFACTURING COMPANY CLARION, IOWA 50525		
REMOVE ALL SHARP CORNERS & BURRS		
TOLERANCE UNLESS OTHERWISE SPECIFIED		
FRACTION	± 1/32	DECIMALS X.XX ±.03
		X.XXX ±.005
		ANGLES ± °
DESCRIPTION WIRE DIAG, 3L DEPTH CMD, 2100C		
DRAWN BY	T. MARKER	SCALE NONE (1)
CHECKED BY		APPROVED BY
DATE 12-29-98	DRAWING NUMBER 498572	
SHEET	OF	



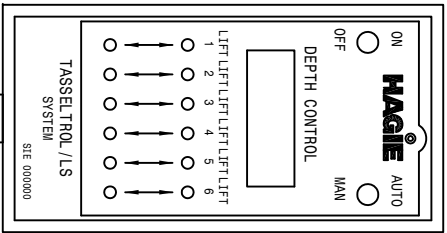
DET	REQ	DESCRIPTION
HAGIE HAGIE MANUFACTURING COMPANY <small>CLARION, IOWA 50525</small>		
<small>REMOVE ALL SHARP CORNERS & BURRS</small>		
<small>TOLERANCE UNLESS OTHERWISE SPECIFIED</small>		
<small>FRACTION ± 1/32</small>		<small>DECIMALS X.XX ± .03 X.XXX ± .008</small>
<small>ANGLES ± °</small>		
<small>DESCRIPTION</small> WIRE DIAG, 4L DEPTH CMD, 2100C		<small>SCALE</small> NONE (1)
<small>DRAWN BY</small> T. MARKER	<small>CHECKED BY</small> APPROVED BY	
<small>DATE</small> 12-29-98	<small>DRAWING NUMBER</small> 498573	
<small>SHEET</small> 0F		

139

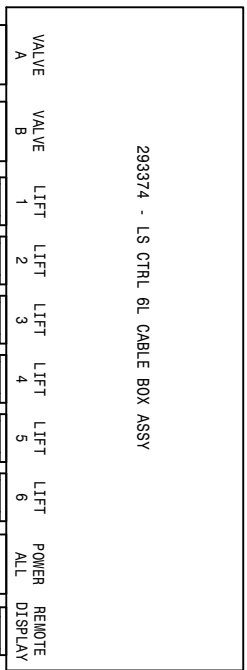
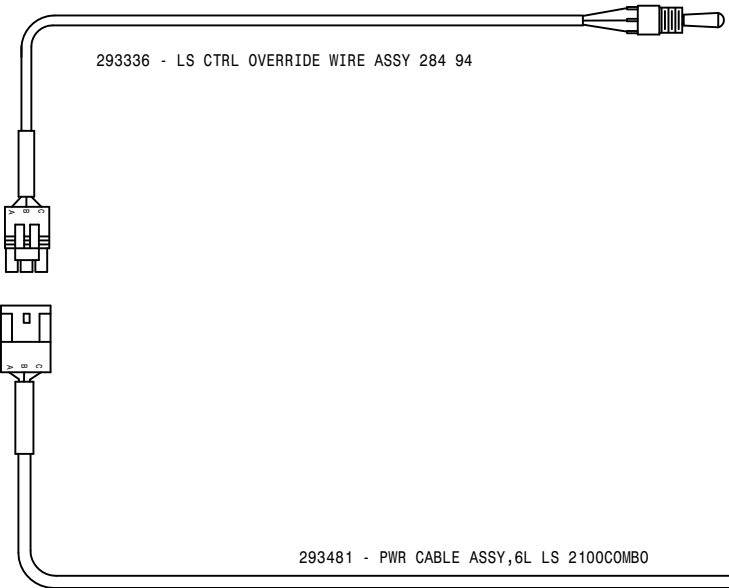


DET	REQ	DESCRIPTION
HAGIE HAGIE MANUFACTURING COMPANY <small>CLARION, IOWA 50525</small>		
REMOVE ALL SHARP CORNERS & BURRS		
TOLERANCE UNLESS OTHERWISE SPECIFIED		
FRACTION	1/32	DECIMALS
		X.XX 1/32
		X.XXX 1/64
		X.XXX 1/128
		ANGLES
		± °
DESCRIPTION		
WIRE DIAG, 6L DEPTH CMD, 2100C		
DRAWN BY	T. MARKER	SCALE
CHECKED BY		NONE (1)
DATE	12-29-98	APPROVED BY
SHEET	OF	DRAWING NUMBER
		498574

268139



293482 - DISPLAY CABLE ASSY, 6L LS 2100C



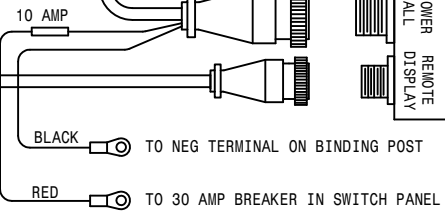
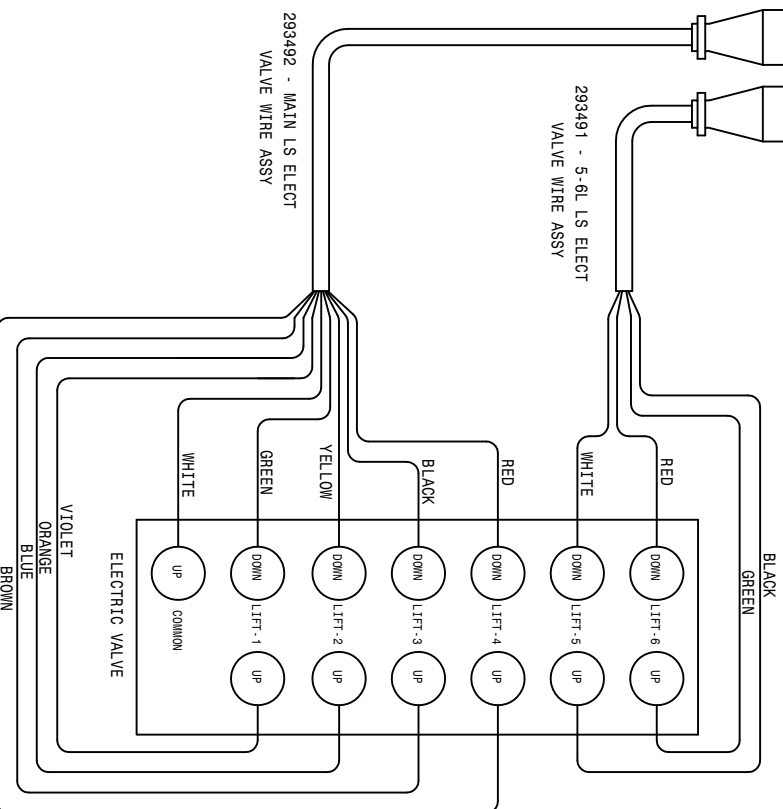
293485 - MAIN LS ELECT VALVE WIRE ASSY

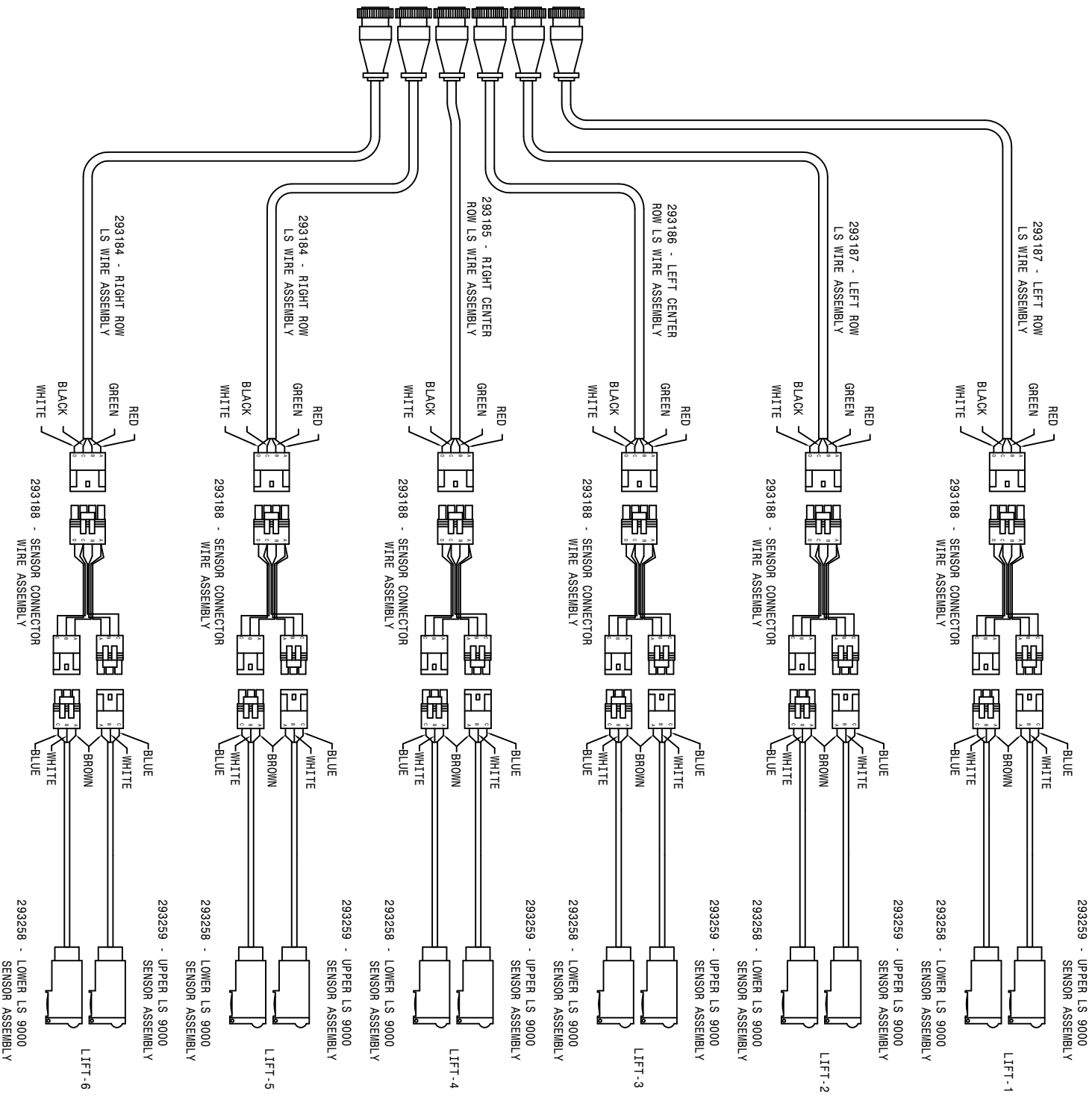
293483 - 5-6LS ELECT VLV JMPR WIRE ASSY

293484 - LS JUMPER WIRE ASSY, 2100 COMBO

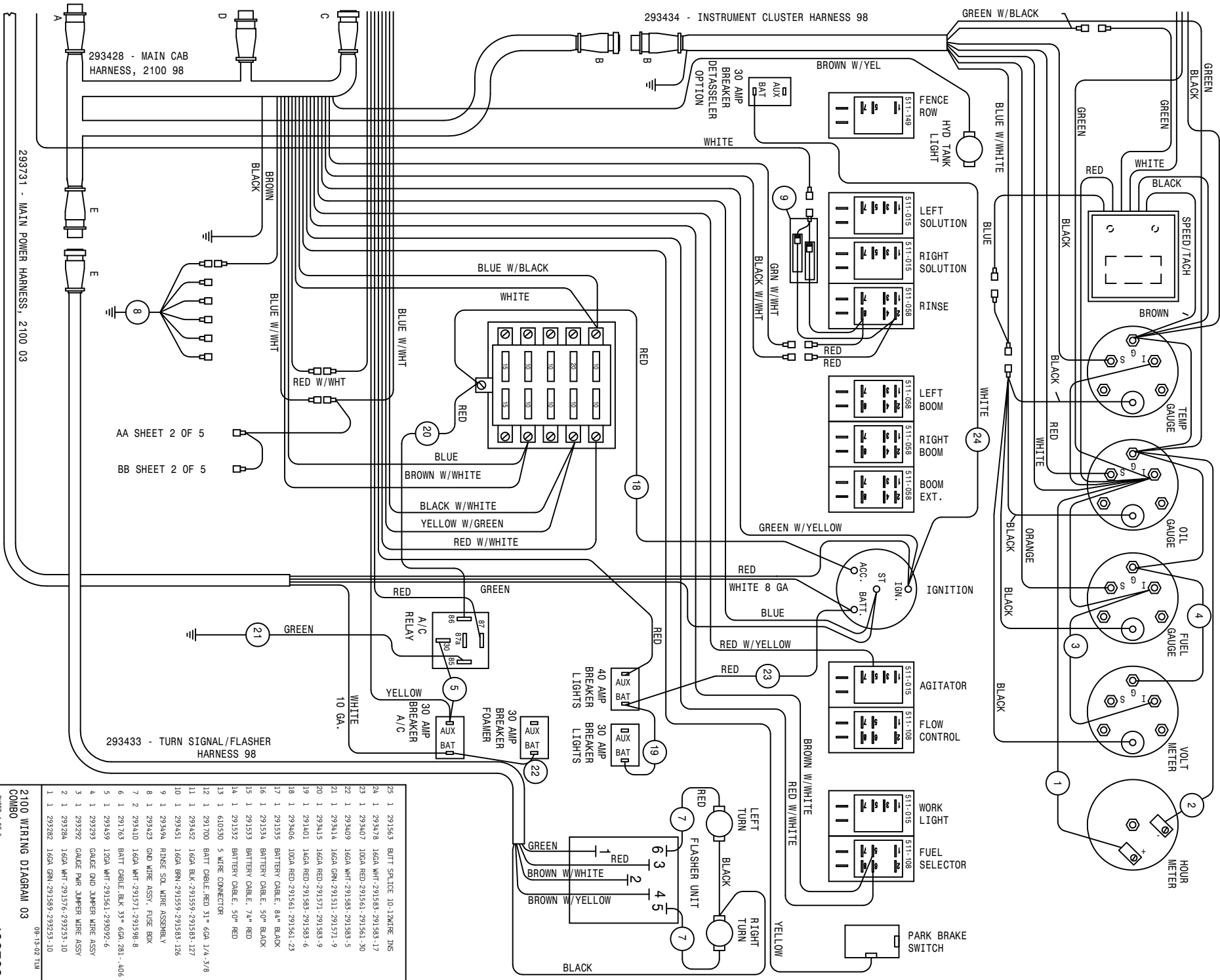
293491 - 5-6L LS ELECT VALVE WIRE ASSY

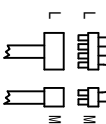
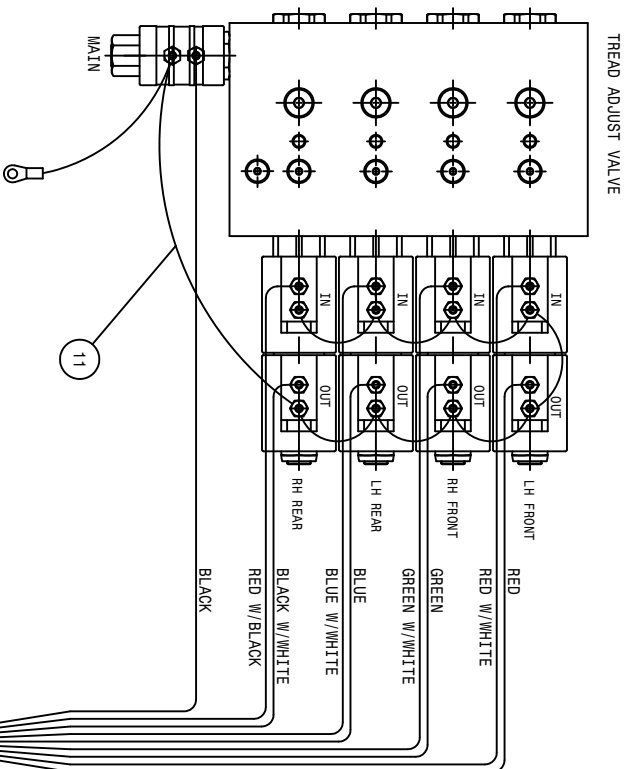
293492 - MAIN LS ELECT VALVE WIRE ASSY





QTY	REV	DESCRIPTION
		HAGIE
		HAGIE MANUFACTURING COMPANY
		CLARION, IOWA 50523
		RESOLVE ALL SHAW CORNERS & BURNS
		TOLERANCE UNLESS OTHERWISE SPECIFIED
		FRACTION 1/16 DECIMALS .X XX 1/8 ANGLES 1°
		UNLESS STATED OTHERWISE
		DATE 12-28-98
		DRAWING NUMBER
		498575
		SHEET 01



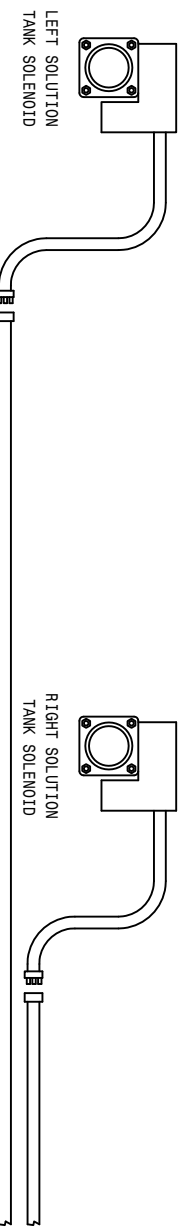


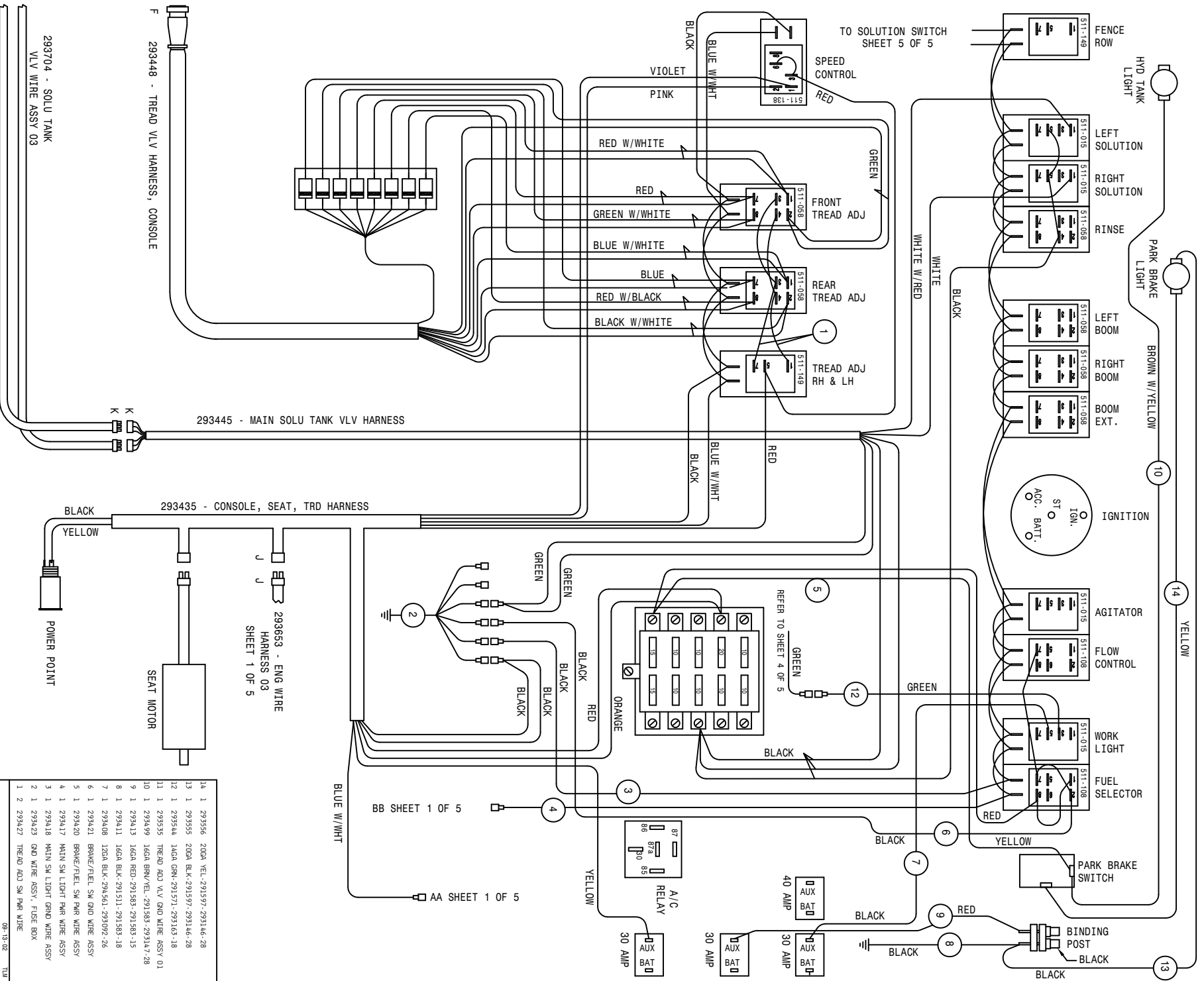
293503 - BOOM IND LIGHT
SW PANEL HARNESS
SHEET 5 OF 5

293653 - ENGINE WIRE
HARNESS 02
SHEET 1 OF 5

293534 - TREAD ADJ ELECT VLV HARNESS 01

F





293653 - ENG WIRE HARNESS 03 SHEET 1 OF 5

293435 - CONSOLE, SEAT, TRD HARNESS

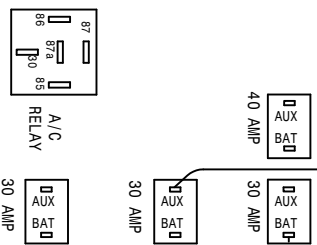
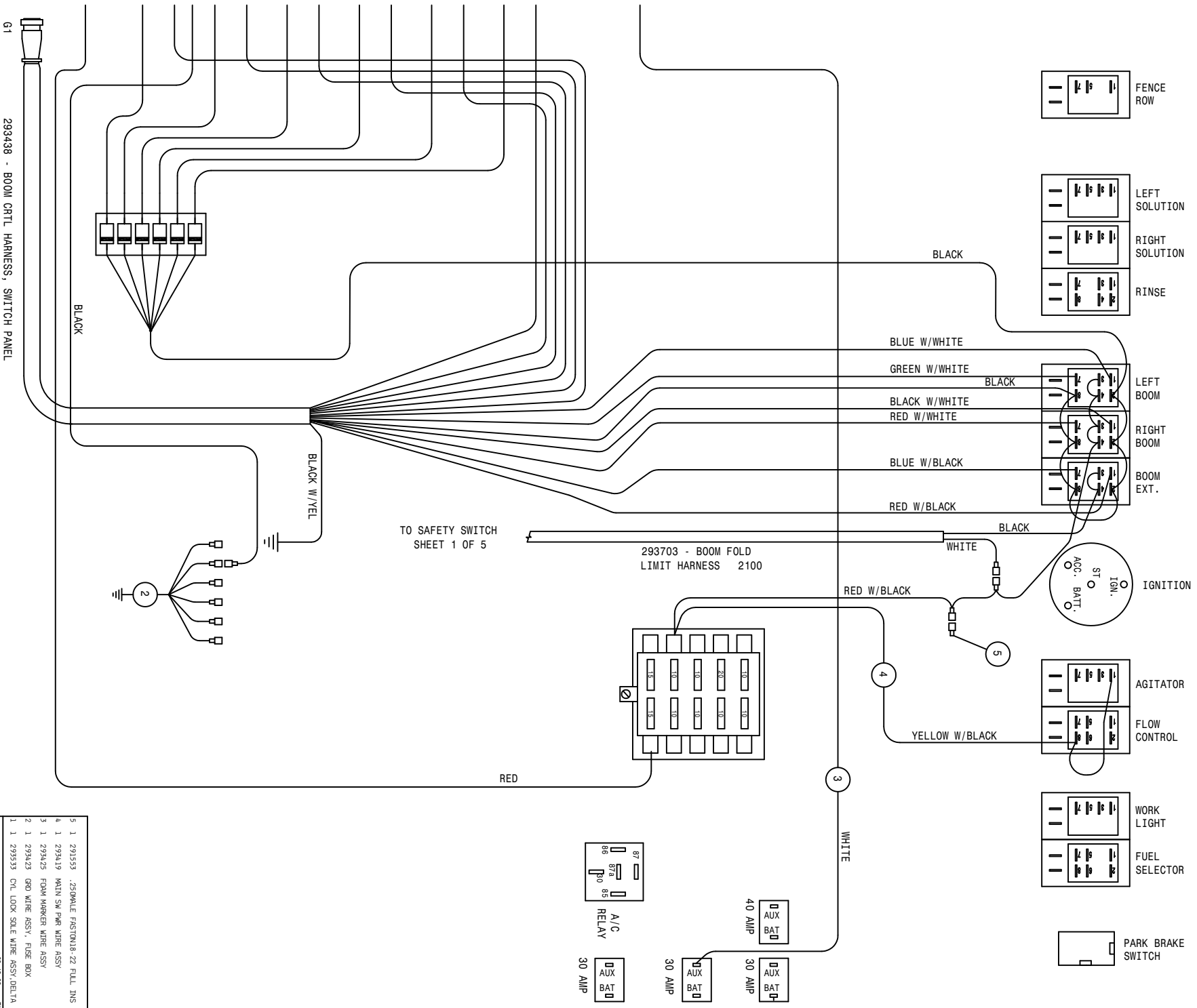
293448 - TREAD VLV HARNESS, CONSOLE

293445 - MAIN SOLU TANK VLV HARNESS

293704 - SOLU TANK VLV WIRE ASSY 03

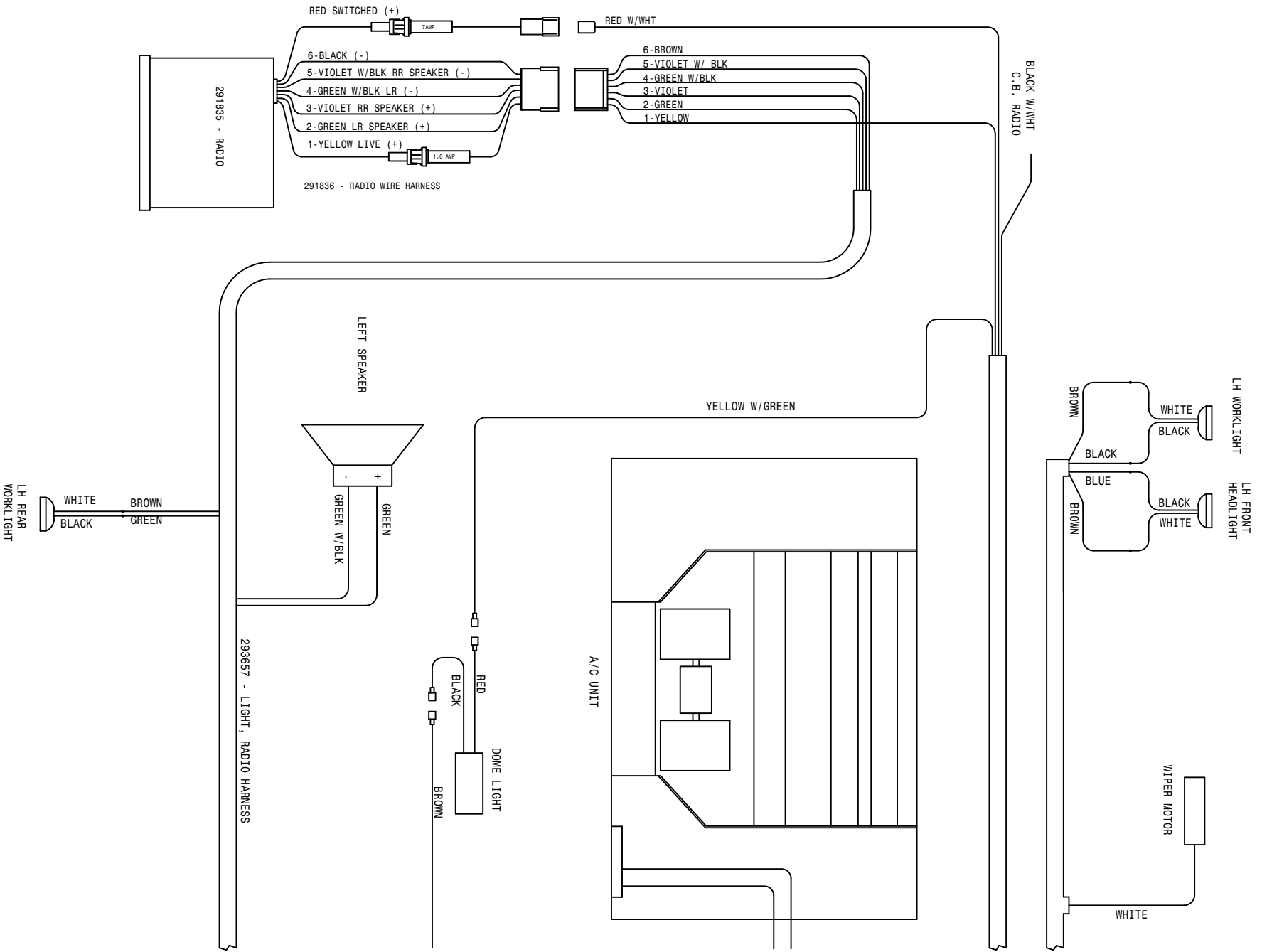
14	1	293556	20CA	VEL-291597-293146-28
13	1	293555	20CA	BLK-291597-293146-28
12	1	293544	14GA	GRN-291571-293143-18
11	1	293535	TREAD ADJ	VLV GND WIRE ASSY 01
10	1	293499	16GA	BRN/VEL-291583-293147-28
9	1	293413	16GA	RED-291583-291583-15
8	1	293411	16GA	BLK-291511-291583-18
7	1	293408	12GA	BLK-294561-293092-26
6	1	293421	BRK/VEL	SM GND WIRE ASSY
5	1	293420	BRK/VEL	SM PWR WIRE ASSY
4	1	293417	MAIN SM	LIGHT PWR WIRE ASSY
3	1	293418	MAIN SM	LIGHT GND WIRE ASSY
2	1	293423	GND WIRE	ASSY - FUSE BOX
1	2	293427	TREAD ADJ	SM PWR WIRE

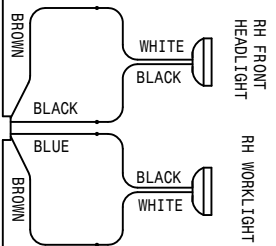
2100 WIRING DIAGRAM 03 COMBO 498768



5	1	291553	.250INLE FASTON18-22 FULL INS
4	1	293419	MAIN SW PWR WIRE ASSY
3	1	293425	FOAM MARKER WIRE ASSY
2	1	293423	GRO WIRE ASSY, FUSE BOX
1	1	293533	CH. LOCK SOLE WIRE ASSY, DELTA

2100 WIRING DIAGRAM 03
 COMBO
 SHEET 3 OF 5
 REVISION ONE:
 498768
 09-13-02 TLM



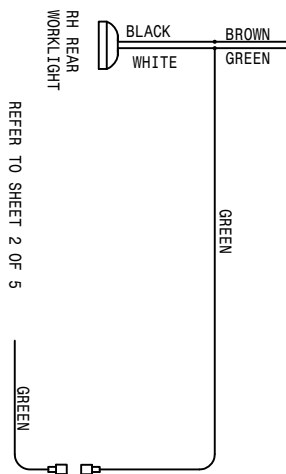
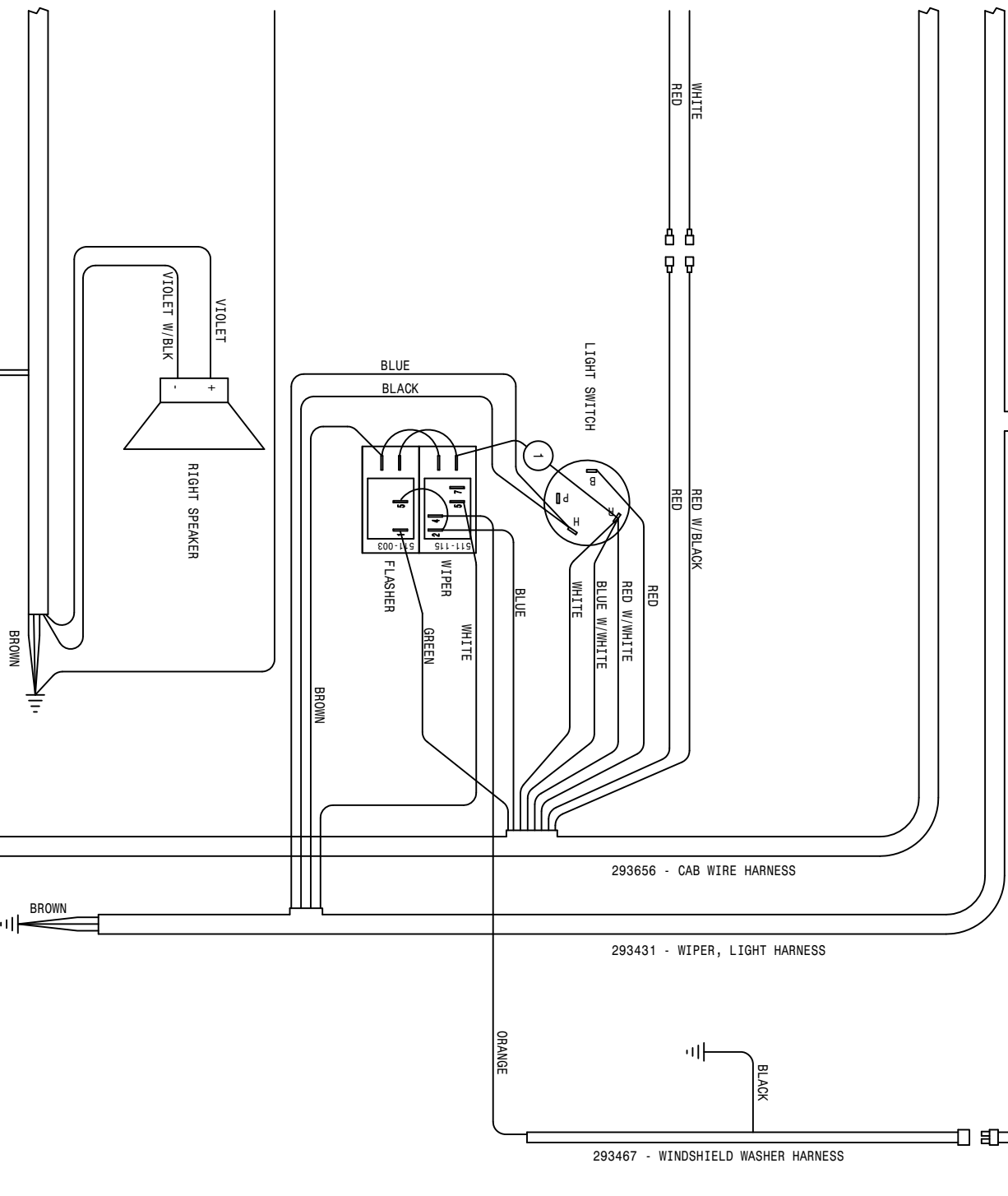


WINDSHIELD WASHER UNIT

293467 - WINDSHIELD WASHER HARNESS

293431 - WIPER, LIGHT HARNESS

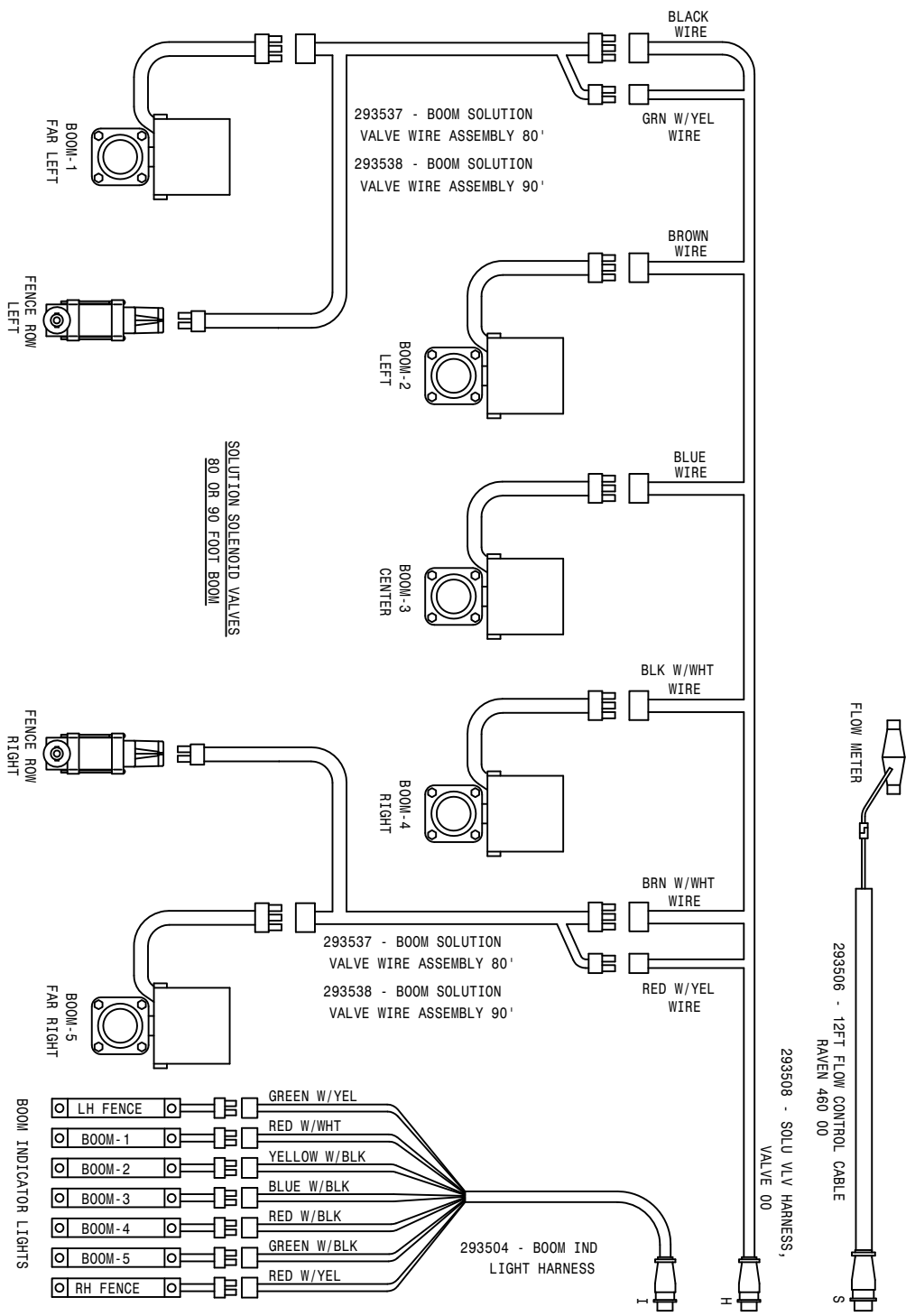
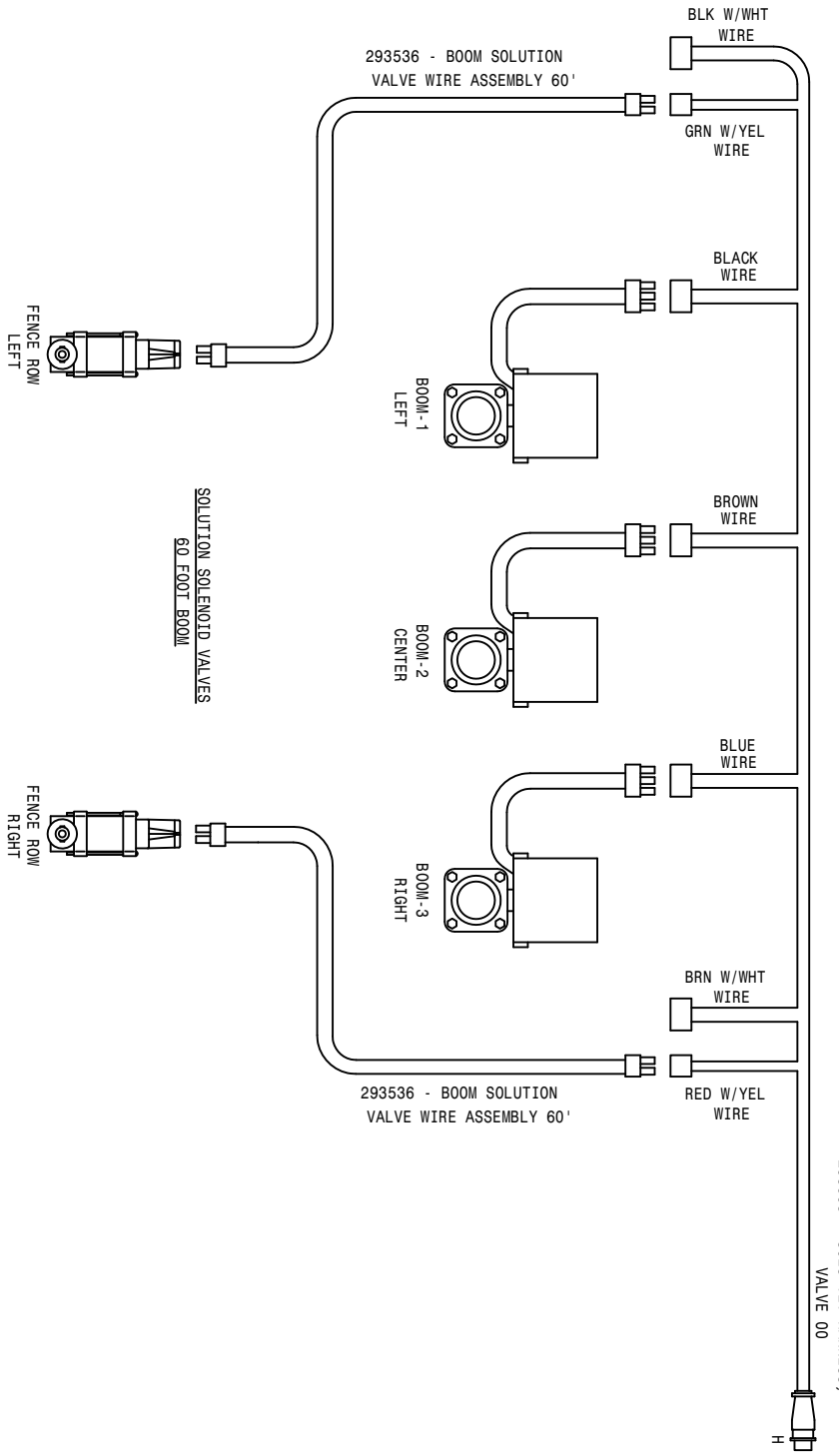
293656 - CAB WIRE HARNESS

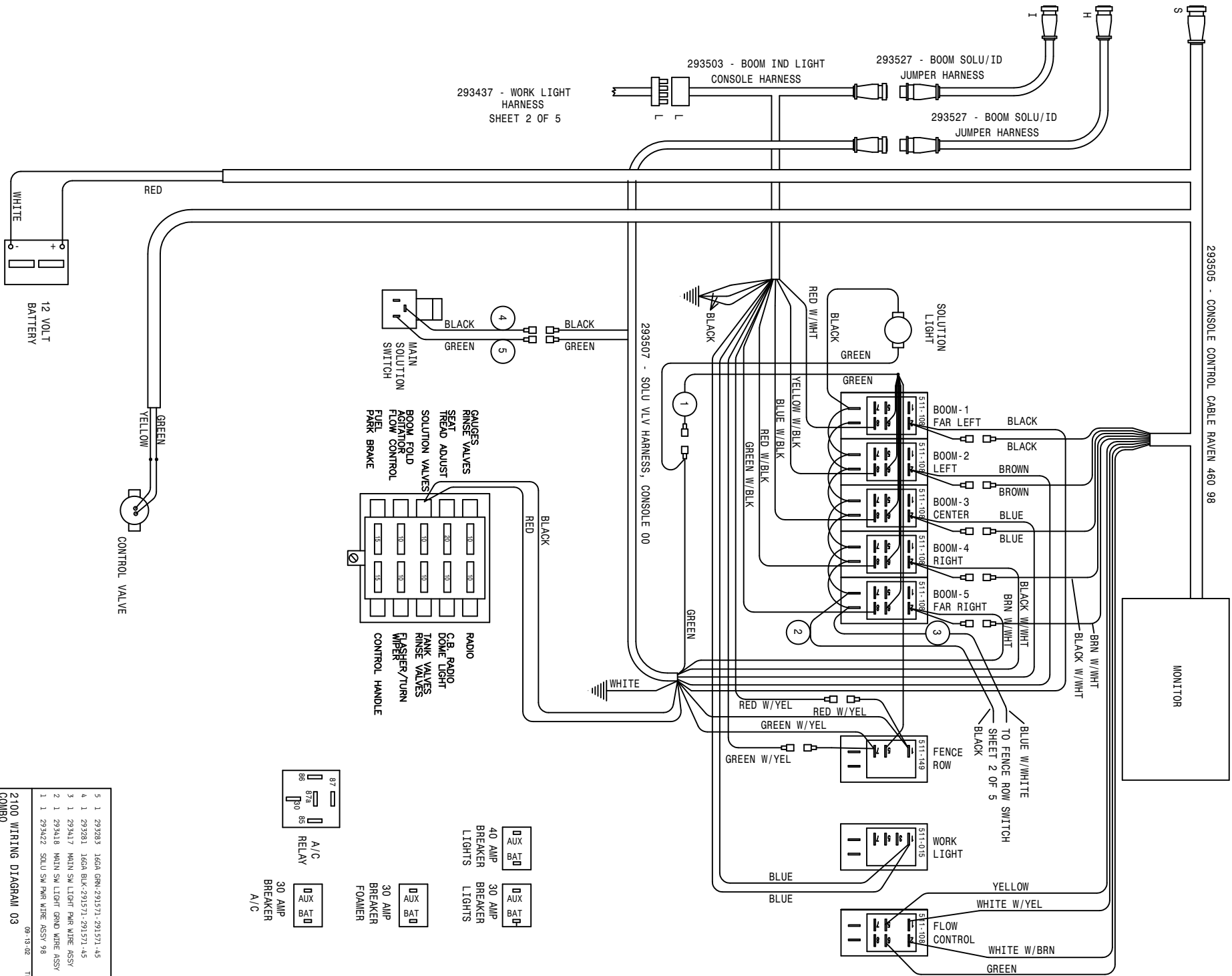


REFER TO SHEET 2 OF 5

REFER TO SHEET 1 OF 5

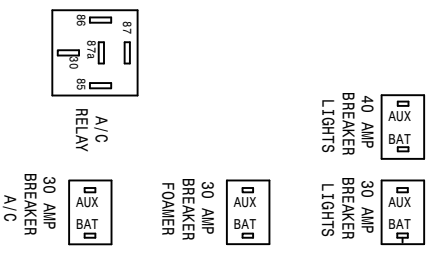
1	1	293428	LIGHT/WIPER SW PUR WIRE
2100 WIRING DIAGRAM 03			
COMBO			
SHEET 4 OF 5			
REVISION DATE:			
09-13-02			
TUM			
498768			





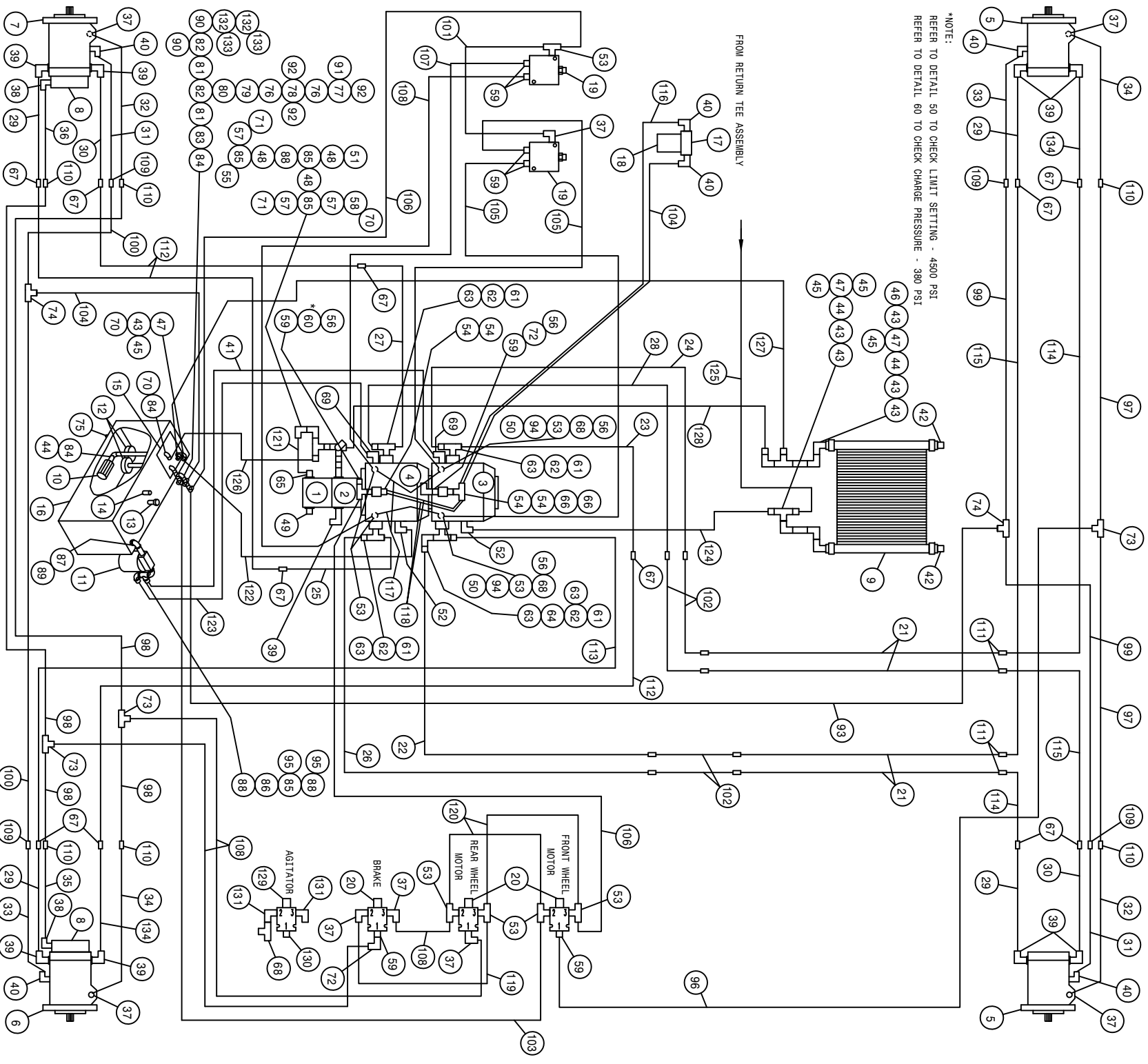
293437 - WORK LIGHT HARNESS
SHEET 2 OF 5

293507 - SOLU VLV HARNESS, CONSOLE 00



5	1	293283	16GA GRN-293571-291571-45
4	1	293281	16GA BLK-293571-291571-45
3	1	293417	MAIN SW LIGHT PAR WIRE ASSY
2	1	293418	MAIN SW LIGHT GRND WIRE ASSY
1	1	293422	SOLU SW PARK WIRE ASSY 98

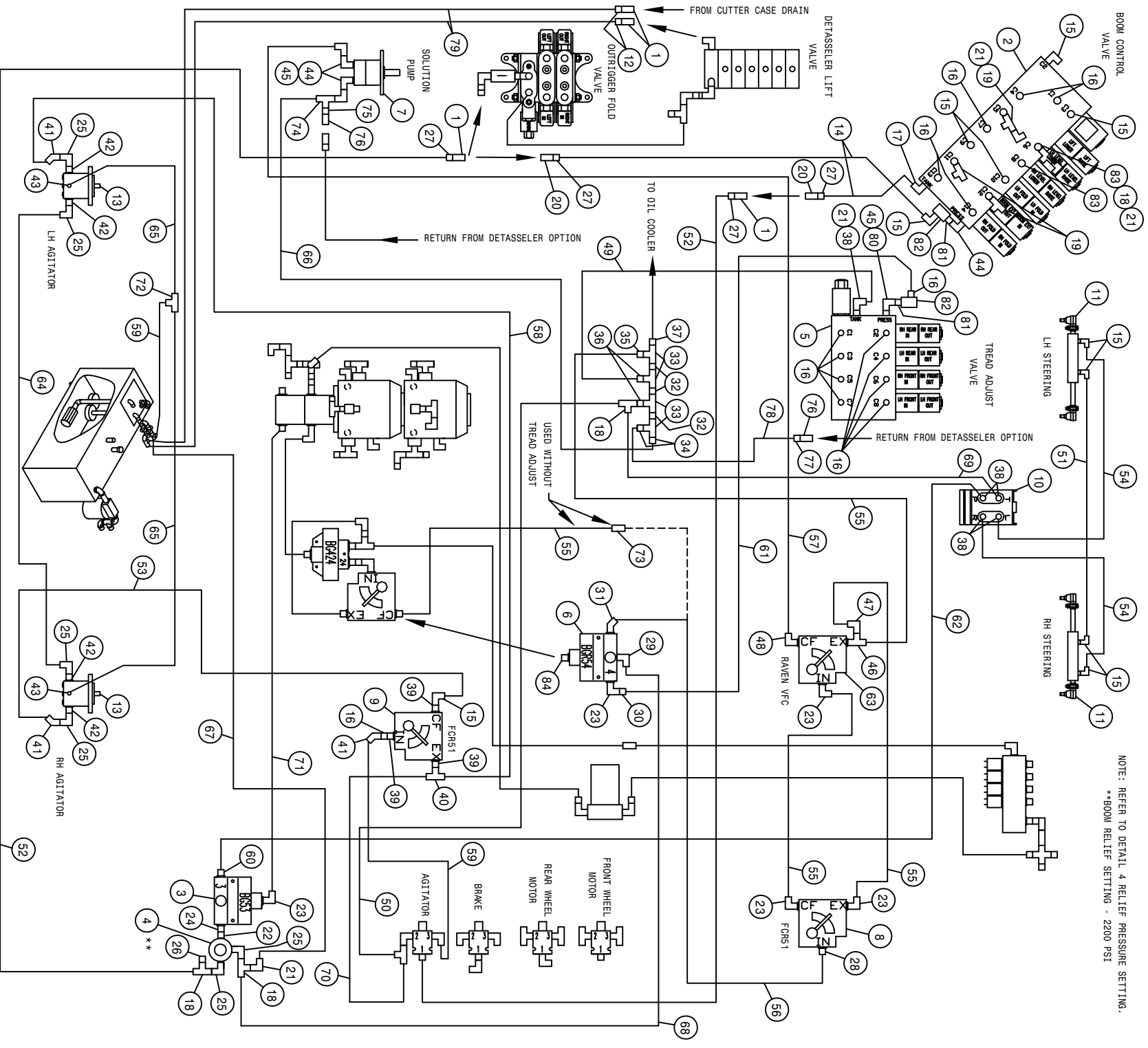
2100 WIRING DIAGRAM 03
COMBO
SHEET 5 OF 5
REVISION DATE: 10-01-02
498768
08-13-02
TUL



*NOTE:
 REFER TO DETAIL 50 TO CHECK LIMIT SETTING - 4500 PSI
 REFER TO DETAIL 60 TO CHECK CHARGE PRESSURE - 380 PSI

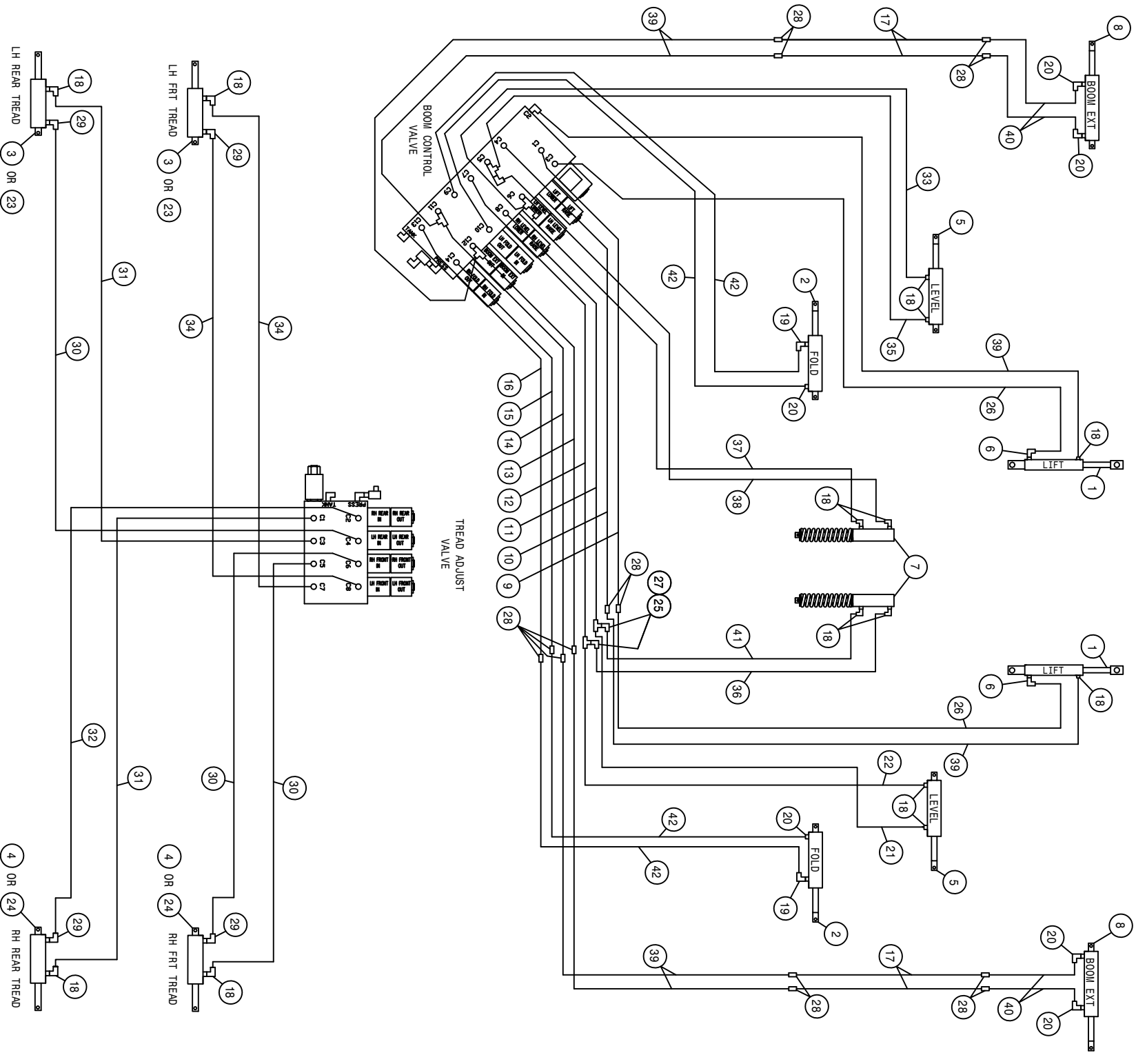
2100 COMBO HYDRAULIC SCHEMATIC 03
REFERENCE DRAWING NO. 49872351

DET.	QTY	PART NO.	DESCRIPTION	DET.	QTY	PART NO.	DESCRIPTION
1	1	606929	SUND GEAR PUMP ,66C1, SPLINED	68	3	618486	9/16FJIC SW RUN TEE-9/16MJIC
2	1	606938	SUND GEAR PUMP ,4.00C1R SPLINED	69	2	618564	1IN HOSE BARB-90-1 5/16MOR
3	1	606944	SUND 75CC PUMP,C/C-MT	70	3	714560	1NPT X 1 HOSE BARB
4	1	606947	SUND 75CC PUMP,C/B-MT	71	2	716000	3/4 HOSE BARB-90-1NPNPT
5	2	610637	SUND HYD MOTOR, M46-4019	72	2	618618	9/16MJIC-90-9/16FJIC SWIV LBO
6	1	610640	SUND HYD MOTOR, M46-4144	73	3	618019	9/16MJIC UNION TEE
7	1	610643	SUND HYD MOTOR, M46-4199 W/SEN	74	2	618311	3/4MJIC UNION TEE
8	2	828093	MICO HYD BRAKE	75	1	470308	1/2NPNPT DRAIN PLUG, AL HD, MAG
9	1	618606	OIL COOLER, BLISSFIELD 65027	76	2	503600	CLOSE NIPPLE .50NPT
10	1	605600	TANK FILTER, 100 MESH, 1"FNPT	77	1	503820	BLK PIPE TEE .50NPT
11	1	605601	PARKER FILTER ASSY,10M,1.25NPT	78	1	503824	BLK PIPE CROSS .50NPT
12	2	605603	LINE SUMP DIFUSER	79	1	504210	RED BUSH 3/4 NPT X 1/2 NPT
13	1	611052	FILLER BREATHER 3/4NPT	80	1	504610	BLK PIPE ST EL 90DEG .75NPT
14	1	614453	DIPSTICK, 8IN	81	2	504702	CLOSE NIPPLE .75NPT
15	1	760090	RECEIVER PLT WLD 8240	82	2	504955	BLK PIPE TEE .75NPT
16	1	760268	HYD TANK WLD, 2100	83	1	505213	RED BUSH 1 X 3/4 BLK MAL
17	1	605608	HYD FILTER HEAD, DONALDSON	84	3	505300	BLK PIPE EL 90DEG 1.00NPT
18	1	605609	HYD FILTER ELEMENT, DONALDSON	85	4	506105	BLK PIPE TEE 1.25NPT
19	2	610580	REMOTE FLUSHING VALVE, SUND	86	1	506200	CLOSE NIPPLE 1.25NPT
20	3	610318	HYD SOLE VLV, 2P-3W, 9/16FOR,12V	87	1	506303	BLK PIPE EL 90DEG 1.25NPT
21	4	615724	FRT MAIN HYD TUBE ASSY, 2100 98	88	3	506410	BLK PIPE ST EL 90DEG 1.25NPT
22	1	615717	RH FRT PUMP LMR TUBEASSY210098	89	1	506604	BLK PIPE NIPPLE 1.25NPT-4.00
23	1	615718	LH FRT PUMP UPR TUBEASSY210098	90	2	610305	3/4MJIC-90-3/4MNPT LBO
24	1	615719	LH FRT PUMP LMR TUBEASSY210098	91	1	618018	9/16MJIC-1/2MNPT ADPTR
25	1	615720	RH REAR PUMP UPR TUBE ASSY	92	3	618107	9/16MJIC-90-1/2MNPT LBO
26	1	615721	RH REAR PUMP LMR TUBE ASSY	93	1	615737	08C2AT-08FJX-08FJX90-198
27	1	615722	LH REAR PUMP UPR TUBE ASSY	94	2	618291	9/16FJX-1/4FNPT ADPTR
28	1	615723	LH REAR PUMP LMR TUBE ASSY	95	2	715664	1 1/4 NPT X 1 HOSE BARB
29	4	615708	LMR HYD TUBE ASSY, LEG 2100 98	96	1	611246	04C1T-06FJX-06FJX-174
30	2	615709	UPR HYD TUBE ASSY, LEG 2100 98	97	2	614152	04C1T-06FJX-06FJX-114
31	2	615710	RF/LR HYD DRN TUBE ASSY2100 98	98	4	614157	04C1T-06FJX-06FJX-101
32	2	615712	RF/LR HYD CTRL TUBE ASSY210098	99	2	614546	08C1T-08FJX-08FJX-115
33	2	615809	LF/RR HYD DRN TUBE ASSY2100 03	100	2	614688	08C1T-08FJX-08FJX-108
34	2	615713	LF/RR HYD CTRL TUBE ASSY210098	101	4	614713	04C1T-06FJX-06FJX-24
35	1	615714	RH HYD BRAKE TUBE ASSY, 2100 98	102	1	616026	04C1T-06FJX-06FJX-16
36	1	615715	LH HYD BRAKE TUBE ASSY, 2100 98	103	1	616026	04C1T-06FJX-06FJX-17
37	8	618119	9/16MJIC-90-9/16MOR LBO	104	2	616034	08C1T-08FJX-08FJX-17
38	2	618114	9/16MJIC-90-7/16MOR LBO	105	2	616037	04C1T-06FJX-06FJX-29
39	9	618178	1 5/16MJIC-90-1 5/16MOR LBO	106	2	616039	04C1T-06FJX-06FJX-19
40	6	618474	3/4MJIC-90-1 1/16MOR LBO	107	1	616043	04C1T-06FJX-06FJX-23
41	1	601376	HOSE, 1 X 29 1FBR-1SP1	108	4	616049	04C1T-06FJX-06FJX-25
42	2	505102	PIPE PLUG 1.00NPT SQ HD	109	4	618314	3/4MJIC UNION
43	6	505200	BLK PIPE ST EL 90DEG 1.00NPT	110	6	619010	9/16MJIC UNION
44	3	505203	BLK PIPE NIPPLE 1.00NPT-4.00	111	4	618177	1 1/16MJIC UNION
45	4	714331	1 NPT X 3/4 HOSE BARB	112	3	614735	12TWM-16FJX-16FJX-75
46	1	714560	1NPT X 1 HOSE BARB	113	1	614736	12TWM-12FJX90-16FJX-75
47	3	505101	BLK PIPE TEE 1.00NPT	114	2	614737	12TWM-12FJX90-16FJX-99
48	3	507026	1 1/4NPT HEX PIPE NIPPLE STL	115	2	614738	12TWM-12FJX90-16FJX-114
49	1	611126	7/8MJIC-7/8MOR ADPTR	116	1	615626	08C1T-08FJX-08FJX-15
50	2	614740	RESTRICTOR FTG ASSY,.050	117	2	615734	04C2AT-06FJX-06FJX-11
51	1	618596	1 5/8MOR-1 1/4FNPT ADPTR	118	2	614739	08C1T-08FJX-08FJX90-16
52	2	618118	3/4 HOSE BARB-90-1 1/16MOR	119	1	614712	04C1T-06FJX-06FJX-20
53	9	618629	9/16MOR BRANCH TEE-9/16MJIC	120	2	615725	04C1T-06FJX-06FJX-10
54	4	618327	3/4MJIC-7/8MOR ADPTR	121	1	601399	HOSE, 3/4 X 13 1FBR-1SP1
55	1	715660	HOSE BARB 1 1/4NPT X 1 1/4	122	1	601384	HOSE, 3/4 X 40 1FBR-1SP1
56	4	618531	9/16FJIC CAP NUT	123	1	601543	HOSE, 1 X 36 1FBR-1SP1
57	3	506005	1 1/4 TO 1 RED BUSH BLK MAL	124	1	601407	HOSE, 3/4 X 62 1FBR-1SP1
58	1	505110	BLK PIPE ST EL 45DEG 1.00NPT	125	1	601406	HOSE, 3/4 X 38 1FBR-1SP1
59	8	618126	9/16MJIC-9/16MOR ADPTR	126	1	601544	HOSE, 1 X 42 1FBR-1SP1
60	1	618514	9/16FJ SW BRANCH TEE-9/16MJ	127	1	601411	HOSE, 1 X 100 1FBR-1SP1
61	4	618598	1" 4-BOLT FLG X 1 5/16 FOR	128	1	601401	HOSE, 3/4 X 88 1FBR-1SP1
62	4	618599	1 5/16MOR BRANCH TEE-1 5/16MJ	129	1	610674	HYD SOLE VLV, 2P3W, 3/4FOR, 12V
63	5	618541	1 5/16FJIC-1 1/16MJIC ADPTR	130	1	618109	9/16MJIC-90-3/4MOR ADPTR
64	1	618640	1 5/16MJ-90-1 5/16FJ SWIV LBO	131	2	618115	9/16MJIC-90-3/4MOR LBO
65	1	618075	3/4 HOSE BARB-1 1/16MOR	132	2	618451	3/4FJIC SW RUN TEE-3/4MJIC
66	2	618643	3/4FJ SW BRANCH TEE-3/4MJ	133	2	618609	3/4MJIC-90-3/4FJIC SWIV LBO
67	11	618577	1 5/16MJIC UNION	134	2	615808	UPR HYD TUBE ASSY, LEG 2100 03



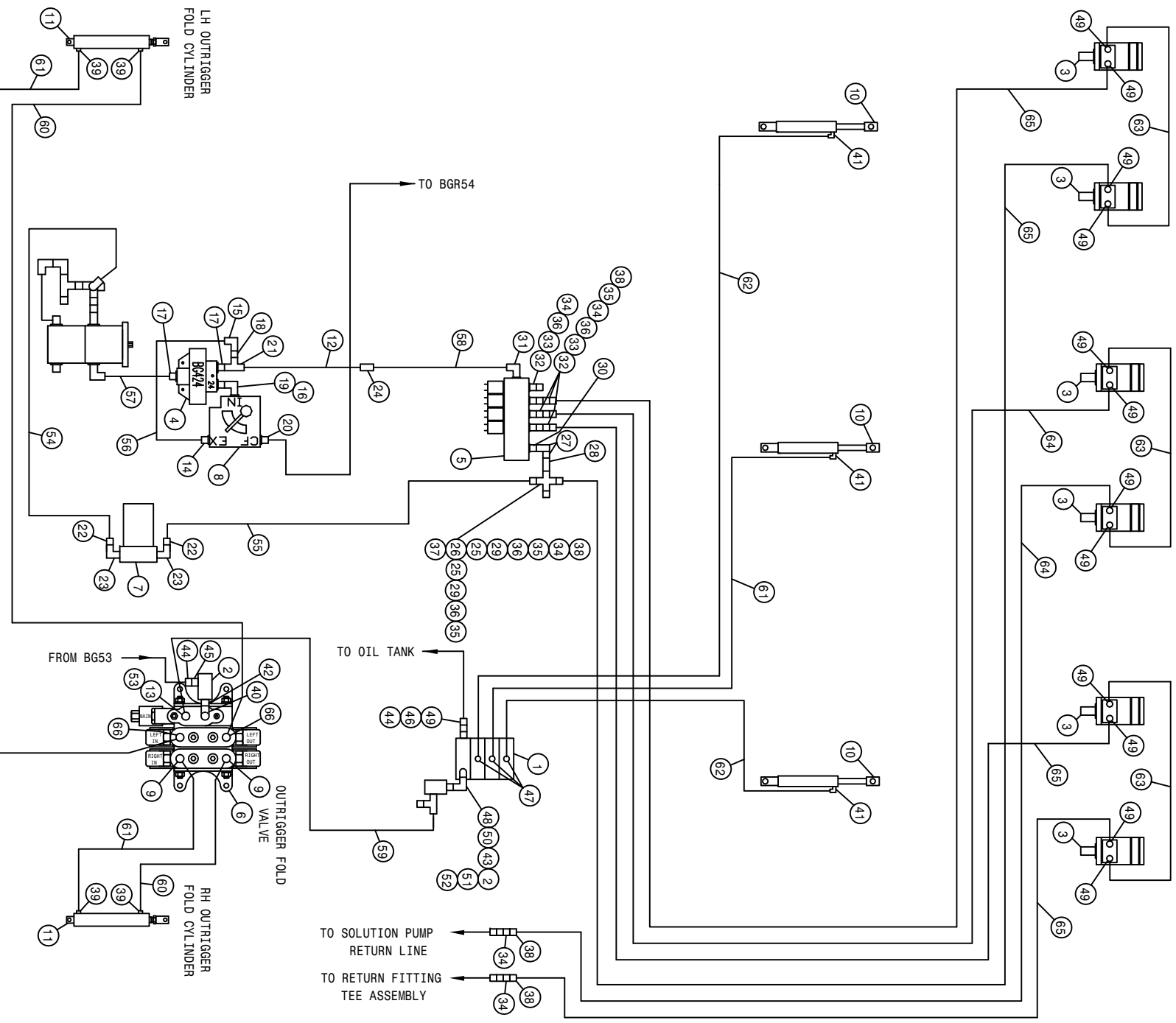
2100 COMBO HYDRAULIC SCHEMATIC 03
REFERENCE DRAWING NO. 498723S2

DET.	QTY	PART NO.	DESCRIPTION	DET.	QTY	PART NO.	DESCRIPTION
1	4	618645	HYD QUICK CPLR,FEMALE .375NPS	43	2	618338	9/16MJIC-45-1/4MNPT LBO
2	1	606102	BOOM VLV,X11/284/2100 PWRSYS03	44	3	618241	3/4MJIC-90-3/4MOR LBO
3	1	610307	FLO DIV BG53 3GPM PRI 7/8FOR	45	3	618609	3/4MJIC-90-3/4FJIC SWIV LBO
4	1	607512	RELIEF VALVE, RL50, 1850 PSI	46	1	618130	7/8MOR RUN TEE-7/8MJIC
5	1	606101	TREAD ADJ VLV, 2100 PWRSYS 03	47	1	618301	7/8MJIC-90-7/8FJIC SWIV LBO
6	1	607528	FLO DIV BGR54 4GPM PRI 7/8FOR	48	1	618183	3/4MJIC-90-7/8MOR LBO
7	1	690573	HYD MOTOR, FLOMAX HI-SPEED	49	1	616037	04C1T-06FJX-06FJX-29
8	1	606818	FLO CONT FCR51 0-16GPM 7/8FOR	50	1	614693	06C1T-06FJX-06FJX-168
9	1	606827	FLO CONT FCS1 0-3 VARI 7/8FOR	51	1	611246	04C1T-06FJX-06FJX-174
10	1	749318	STRG MTR,7.3GID,NON-LOAD 1031	52	2	615735	06C1T-06FJX-06FJX-300
11	2	620835	STRG CYL ASSY, 2100	53	1	614549	06C1T-06FJX-06FJX-140
12	2	618462	3/4MJIC-3/8MNPT ADPTR	54	2	614639	04C1T-06FJX-06FJX-126
13	2	610510	CESSNA GEAR MOTOR 1.48CI	55	4	614732	10C2AT-10FJX-10FJX-29
14	2	615460	06C1T-06FJX-06FJX-11	56	1	614733	10C2AT-10FJX-10FJX-57
15	10	618119	9/16MJIC-90-9/16MOR LBO	57	1	616057	08C1T-08FJX-08FJX-88
16	15	618126	9/16MJIC-9/16MOR ADPTR	58	1	615348	06C1T-06FJX-06FJX-127
17	1	618115	9/16MJIC-90-3/4MOR LBO	59	2	615401	06C1T-06FJX-06FJX-22
18	4	618486	9/16FJIC SW RUN TEE-9/16MJIC	60	1	618310	9/16MJIC-7/8MOR ADPTR
19	3	618444	9/16MOR RUN TEE-9/16MJIC	61	1	615728	04C1T-06FJX-06FJX-80
20	2	618646	HYD QUICK CPLR, MALE .375NPS	62	1	615730	04C1T-06FJX-06FJX-150
21	4	618618	9/16MJIC-90-9/16FJIC SWIV LBO	63	1	690621	VALVE HYD CTRL,16GPM RAVEN
22	1	500000	1/2MNPT HEX PIPE NIPPLE STL	64	1	615732	06C1T-06FJX-06FJX-194
23	5	611128	7/8MJC-90-7/8MOR LBO	65	2	615733	06C1T-06FJX-06FJX-101
24	1	618072	7/8MOR-1/2FNPT ADPTR	66	1	615736	08C2AT-08FJX-08FJX-46
25	6	618107	9/16MJIC-90-1/2MNPT LBO	67	1	615442	04C1T-06FJX-06FJX-55
26	1	618531	9/16FJIC CAP NUT	68	1	616028	04C1T-06FJX-06FJX-47
27	4	618011	9/16MJIC-3/8MNPT ADPTR	69	1	616049	04C1T-06FJX-06FJX-26
28	1	611126	7/8MJIC-7/8MOR ADPTR	70	1	615621	06C1T-06FJX-06FJX-24
29	1	618015	9/16MJIC-90-3/8MNPT LBO	71	1	614744	10C2AT-10FJX-10FJX-18
30	1	618557	7/8FJIC-9/16MJIC ADPTR	72	1	618019	9/16MJIC UNION TEE
31	1	618644	7/8MJIC-45-7/8MOR LBO	73	1	618456	7/8MJIC UNION
32	3	504702	CLOSE NIPPLE .75NPT	74	1	618451	3/4FJIC SW RUN TEE-3/4MJIC
33	4	504955	BLK PIPE TEE .75NPT	75	1	618623	3/4FJIC-SMIV-1/2MNPT
34	2	610300	3/4MJIC-3/4MNPT ADPTR	76	2	618622	HYD QUICK CPLR, MALE, .50FNPS
35	1	618059	7/8MJIC-3/4MNPT ADPTR	77	1	611147	3/4MJIC-1/2MNPT ADPTR
36	2	618642	9/16MJIC-3/4MNPT ADPTR	78	1	614745	08C1T-08FJX-08FJX-66
37	1	713220	HOSE BARB 3/4 NPT X 3/4	79	2	614746	08C1T-08FJX-08FJX-228
38	5	618109	9/16MJIC-3/4MOR ADPTR	80	1	611125	3/4MJIC-3/4MOR ADPTR
39	3	618172	7/8MOR-9/16FOR ADPTR	81	2	618692	3/4FJIC SMIV-9/16MOR ADPTR
40	1	618629	9/16MOR BRANCH TEE-9/16MJIC	82	2	605615	HYD FILTER, INLINE 25M 9/16FOR
41	3	618634	9/16MJIC-45-9/16FJIC SWIV LBO	83	2	614763	9/16MJIC-9/16MOR,.042 CHK ADPT
42	4	618092	1 1/16MOR-1/2FNPT ADPTR	84	1	618594	7/8FJIC SMIV-7/8MOR ADPTR



2100 COMBO HYDRAULIC SCHEMATIC 03
REFERENCE DRAWING NO. 498723S3

DET.	QTY	PART NO.	DESCRIPTION	DET.	QTY	PART NO.	DESCRIPTION
1	2	620840	TRANSOM LIFT CYL ASSY	22	1	614714	04C1T-.06FJX-.06FJX-34
2	2	620845	BOOM HINGE FOLD CYL ASSY	23	2	620890	LEG CYL ASSY, 154LH TRD
3	2	620875	LEG CYL, TRD ADJ, RH 284-LH 2100	24	2	620885	LEG CYL ASSY, 154RH TRD
4	2	620880	LEG CYL, TRD ADJ, LH 284-RH 2100	25	2	618618	9/16MJIC-90-.9/16FJIC SWIV LBO
5	2	620850	BOOM LEVEL CYL ASSY	26	2	616174	04C1T-.06FJX-.06FJX-70
6	2	618689	9/16MOR-90-.9/16MJ .042 CHK VLV	27	2	618019	9/16MJIC UNION TEE
7	2	620855	ACCUMULATOR CYL ASSY	28	14	619010	9/16MJIC UNION
8	2	620970	BOOM CNTR SECT CYL ASSY(12T)03	29	4	614747	.025 ELBOW ASSY, 9/16MOR 90D
9	1	615761	LIFT RAISE HYD TUBE ASSY	30	3	611204	04C1T-.06FJX-.06FJX-78
10	1	615762	LIFT LOWER HYD TUBE ASSY	31	2	614077	04C1T-.06FJX-.06FJX-88
11	1	615763	LEVEL RAISE HYD TUBE ASSY	32	1	615726	04C1T-.06FJX-.06FJX-73
12	1	615764	LEVEL LOWER HYD TUBE ASSY	33	1	615314	04C1T-.06FJX-.06FJX-50
13	1	615766	BOOM EXTN RAISE HYD TUBE ASSY	34	2	615729	04C1T-.06FJX-.06FJX-84
14	1	615767	BOOM EXTN LOWER HYD TUBE ASSY	35	1	616026	04C1T-.06FJX-.06FJX-37
15	1	615768	RH FOLD RAISE HYD TUBE ASSY	36	1	614712	04C1T-.06FJX-.06FJX-20
16	1	615769	RH FOLD LOWER HYD TUBE ASSY	37	1	614713	04C1T-.06FJX-.06FJX-24
17	4	615684	HYD TUBE ASSY, BOOM EXT FOLD96	38	1	616037	04C1T-.06FJX-.06FJX-29
18	14	618119	9/16MJIC-90-.9/16MOR LBO	39	6	616040	04C1T-.06FJX-.06FJX-67
19	2	618688	9/16MOR-90-.9/16MJ .025 CHK VLV	40	4	616043	04C1T-.06FJX-.06FJX-23
20	6	614750	.042 ELBOW ASSY, 9/16MOR 90D	41	1	616049	04C1T-.06FJX-.06FJX-26
21	1	616028	04C1T-.06FJX-.06FJX-47	42	4	615442	04C1T-.06FJX-.06FJX-55

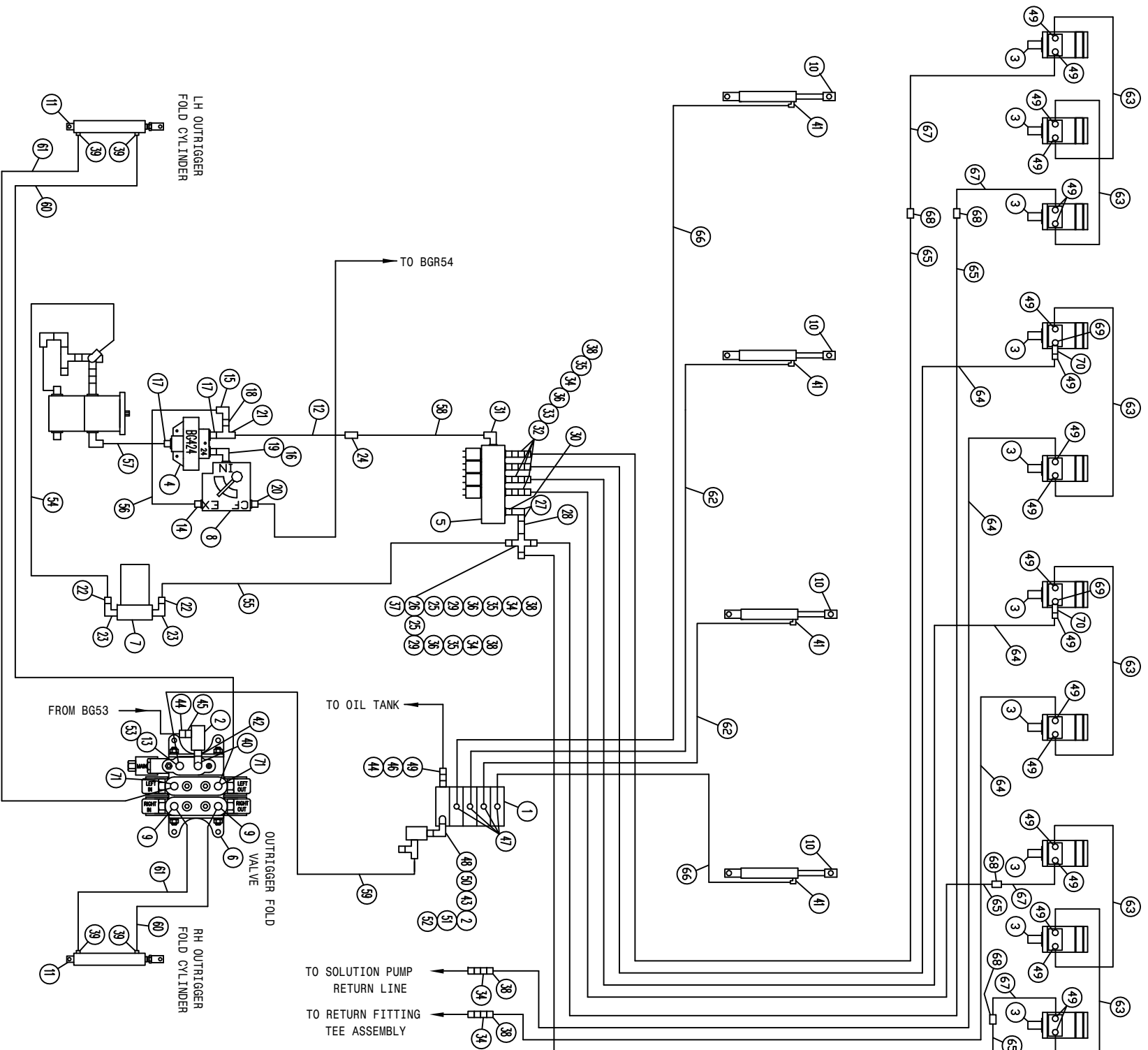


2100 COMBO 6R QUAD HYD SCHEM 03
REFERENCE DRAWING NO. 498730

DET.	QTY	PART NO.	DESCRIPTION	DET.	QTY	PART NO.	DESCRIPTION
1	1	610532	ELECT HYD STACK VLV, 3 SECT	*34	7	618621	HYD QUICK CPLR, FEMALE, .50FNPS
2	2	605615	HYD FILTER, INLINE 25M 9/16FOR	*35	5	618622	HYD QUICK CPLR, MALE, .50FNPS
3	6	610547	HYD MOTOR 4.5CT 1IN SHFT	*36	6	618623	3/4FJIC-SWIV-1/2MNP
*4	1	606836	FLO DIV BG424 24G PR, 1 5/16FOR	*37	1	714561	1.00NPT-1.25 HOSE BARB
*5	1	606034	MTR CONTROL ELECT VLV	38	6	611147	3/4MJIC-1/2MNP ADPTR
6	1	606090	BRAND HYD VALVE, 2-SECT SER 36	39	4	614747	.025 ELBOW ASSY, 9/16MOR 90D
*7	1	605501	PARKER FILTER ASSY, 10M, 1.25NPT	40	1	618183	3/4MJIC-90-7/8MOR LBO
*8	1	607510	FLO CONT FCR51 0-30VARI 7/8OR	41	3	618119	9/16MJIC-90-9/16MOR LBO
9	2	618709	9/16MJIC-90-3/4MOR EX LG LBO	42	1	618692	3/4FJIC SWIV-9/16MOR ADPTR
10	3	620965	LIFT CYL ASSY 1W, DETASSELER	03	43	618668	9/16FJIC SWIV-9/16MOR ADPTR
11	2	620845	BOOM HINGE FOLD CYL ASSY	44	2	618646	HYD QUICK CPLR, MALE .375NPS
*12	1	615743	HYD TUBE ASSY, 2100 COMBO	99	45	618345	9/16MOR-3/8MNP ADPTR
13	1	618310	9/16MJIC-7/8MOR ADPTR	46	1	618615	3/4FJIC-SWIV-3/8MNP
*14	1	618189	1 1/16MJIC-7/8MOR ADPTR	47	3	618126	9/16MJIC-9/16MOR ADPTR
*15	1	618191	1 1/16MJIC-90-1 1/16FJ SWIV LBO	48	1	618170	3/4MOR-9/16FOR ADPTR
*16	1	618279	1 1/16MJIC-90-7/8MOR LBO	49	13	618327	3/4MJIC-7/8MOR ADPTR
*17	2	618186	1 5/16MJIC-1 5/16MOR ADPTR	50	1	618440	9/16MJIC-90-9/16MOR EX LG LBO
*18	1	618541	1 5/16FJIC-1 1/16MJIC ADPTR	51	1	618444	9/16MOR RUN TEE-9/16MJIC
*19	1	618718	1 5/16MOR-1 1/16FJIC SWIV	52	1	618531	9/16FJIC CAP NUT
*20	1	611126	7/8MJIC-7/8MOR ADPTR	53	1	618618	9/16MJIC-90-9/16FJIC SWIV LBO
*21	1	618619	1 5/16FJ SW RUN TEE-1 5/16MJ	*54	1	601442	HOSE, 1 1/4 X 45 1FBR-1SP1
*22	2	715660	HOSE BARB 1 1/4NPT X 1 1/4	*55	1	601443	HOSE, 1 1/4 X 177 1FBR-1SP1
*23	2	506410	BLK PIPE ST EL 90DEG 1.25NPT	*56	1	615738	12C2AT-12FJX-12FJX-27
*24	1	618577	1 5/16MJIC UNION	*57	1	615739	16C2AT-16FJX-16FJX-17
*25	1	505005	RED BUSH 1 TO 1/2	*58	1	615740	16C2AT-16FJX-16FJX-118
*26	1	505100	BLK PIPE CROSS 1.00NPT	59	1	615621	06C1T-06FJX-06FJX-24
*27	2	505200	BLK PIPE ST EL 90DEG 1.00NPT	60	2	615727	04C1T-06FJX-06FJX-75
*28	1	505210	BLK PIPE NIPPLE 1.00NPT-3.00	61	3	614077	04C1T-06FJX-06FJX-88
*29	2	611145	3/4MJIC-90-1/2MNP LBO	62	2	614101	04C1T-06FJX-06FJX-133
*30	1	618090	1 5/16MOR-1FNPT ADPTR	63	3	616025	08C1T-08FJX-08FJX-50
*31	1	618178	1 5/16MJIC-90-1 5/16MOR LBO	64	2	614688	08C1T-08FJX-08FJX-108
*32	4	618469	3/4MJIC-1 1/16MOR ADPTR	65	4	614690	08C1T-08FJX-08FJX-192
*33	4	618609	3/4MJIC-90-3/4FJIC SWIV LBO	66	2	618115	9/16MJIC-90-3/4MOR LBO

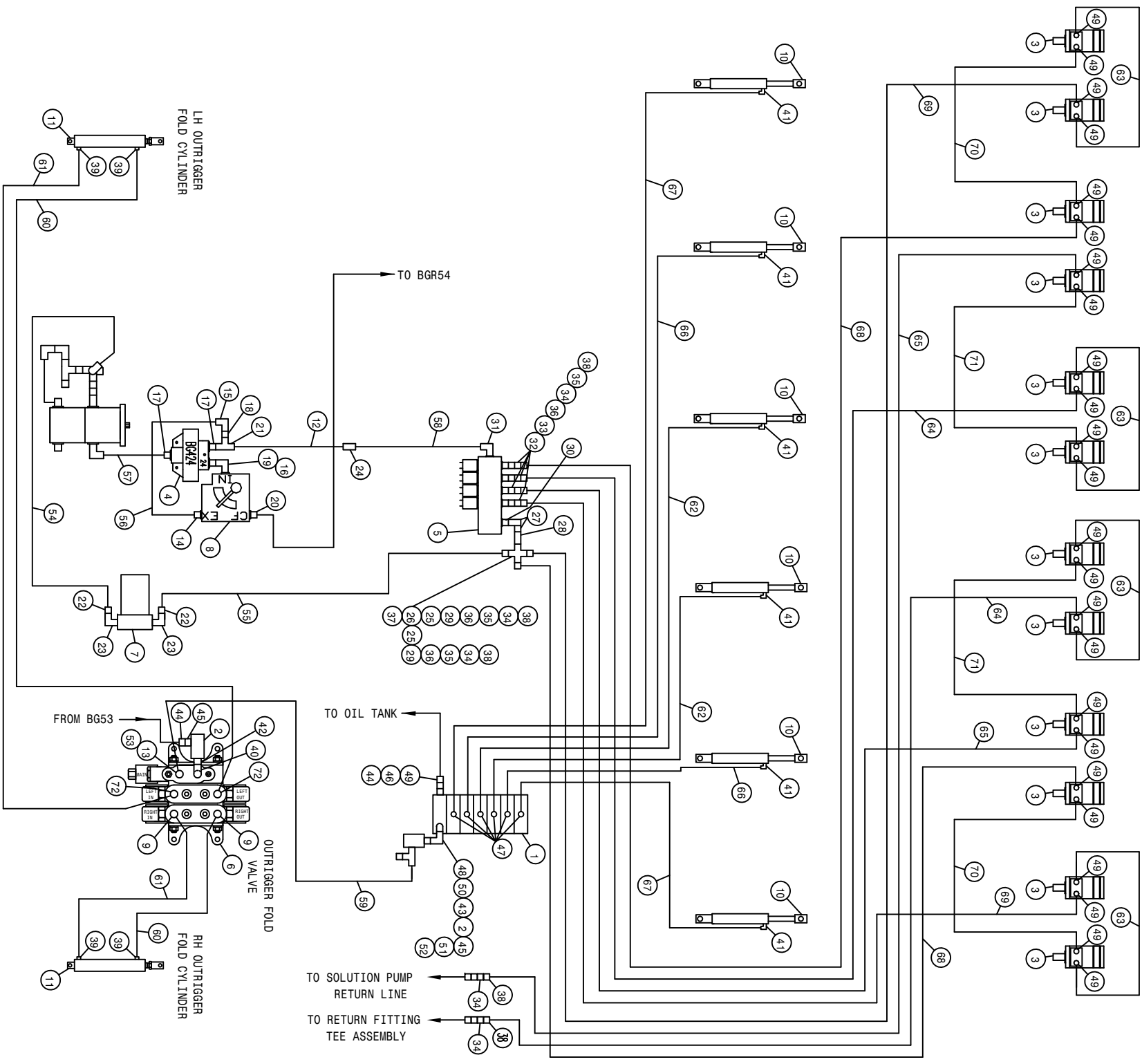
2100 COMBO 8R QUAD HYD SCHEM 03
REFERENCE DRAWING NO. 498731

DET.	QTY	PART NO.	DESCRIPTION	DET.	QTY	PART NO.	DESCRIPTION
1	1	610613	ELECT HYD STACT VLV, 4 SECT	*35	6	618622	HYD QUICK CPLR, MALE, .50FNPS
2	2	605615	HYD FILTER, INLINE 25M 9/16FOR	*36	6	618623	3/4FJIC-SWIV-1/2MNP
3	8	610547	HYD MOTOR 4.5CI LIN SHFT	*37	1	714561	1.00NPT-1.25 HOSE BARB
*4	1	606836	FLO DIV BG424 24G PR.1 5/16FOR	38	8	611147	3/4MJIC-1/2MNP ADPTR
*5	1	606034	MTR CONTROL ELECT VLV	39	4	614747	.025 ELBOW ASSY,9/16MOR 90D
6	1	606090	BRAND HYD VALVE, 2-SECT SER 36	40	1	618183	3/4MJIC-90-7/8MOR LBO
*7	1	605601	PARKER FILTER ASSY,10M,1.25NPT	41	4	618119	9/16MJIC-90-9/16MOR LBO
*8	1	607510	FLO CONT FCPS1 0-30VARI 7/8OR	42	1	618692	3/4FJIC SWIV-9/16MOR ADPTR
9	2	618709	9/16MJIC-90-3/4MOR EX LG LBO	43	1	618668	9/16FJIC SWIV-9/16MOR ADPTR
10	4	620965	LIFT CYL ASSY 1W,DETRASSELER 03	44	2	618646	HYD QUICK CPLR, MALE .375NPS
11	2	620845	BOOM HINGE FOLD CYL ASSY	45	1	618345	9/16MOR-3/8MNP ADPTR
*12	1	615743	HYD TUBE ASSY, 2100 COMBO	46	1	618615	3/4FJIC-SWIV-3/8MNP
13	1	618310	9/16MJIC-7/8MOR ADPTR	47	4	618126	9/16MJIC-9/16MOR ADPTR
*14	1	618189	1 1/16MJIC-7/8MOR ADPTR	48	1	618170	3/4MOR-9/16FOR ADPTR
*15	1	618191	1 1/16MJ-90-1 1/16FJ SWIV LBO	49	17	618327	3/4MJIC-7/8MOR ADPTR
*16	1	618279	1 1/16MJIC-90-7/8MOR LBO	50	1	618440	9/16MJIC-90-9/16MOR EX LG LBO
*17	2	618186	1 5/16MJIC-1 5/16MOR ADPTR	51	1	618444	9/16MOR RUN TEE-9/16MJIC
*18	1	618541	1 5/16FJIC-1 1/16MJIC ADPTR	52	1	618531	9/16FJIC GAP NUT
*19	1	618718	1 5/16MOR-1 1/16FJIC SWIV	53	1	618618	9/16MJIC-90-9/16FJIC SWIV LBO
*20	1	611126	7/8MJIC-7/8MOR ADPTR	*54	1	601442	HOSE, 1 1/4 X 45 1FBR-1SPI
*21	1	618619	1 5/16FJ SW RUN TEE-1 5/16MJ	*55	1	601443	HOSE, 1 1/4 X 177 1FBR-1SPI
*22	2	715660	HOSE BARB 1 1/4NPT X 1 1/4	*56	1	615738	12C2AT-12FJX-12FJX-27
*23	2	506410	BLK PIPE ST EL 90DEG 1.25NPT	*57	1	615739	16C2AT-16FJX-16FJX-17
*24	1	618577	1 5/16MJIC UNION	*58	1	615740	16C2AT-16FJX-16FJX-118
*25	2	505005	RED BUSH 1 TO 1/2	59	1	615621	06C1T-06FJX-06FJX-24
*26	1	505100	BLK PIPE CROSS 1.00NPT	60	2	615727	04C1T-06FJX-06FJX-75
*27	2	505200	BLK PIPE ST EL 90DEG 1.00NPT	61	2	614077	04C1T-06FJX-06FJX-88
*28	1	505210	BLK PIPE NIPPLE 1.00NPT-3.00	62	2	614101	04C1T-06FJX-06FJX-133
*29	2	611145	3/4MJIC-90-1/2MNP LBO	63	4	616025	08C1T-08FJX-08FJX-50
*30	1	618090	1 5/16MOR-1FNPT ADPTR	64	4	614689	08C1T-08FJX-08FJX-120
*31	1	618178	1 5/16MJIC-90-1 5/16MOR LBO	65	4	614691	08C1T-08FJX-08FJX-220
*32	4	618469	3/4MJIC-1 1/16MOR ADPTR	66	2	611246	04C1T-06FJX-06FJX-174
*33	4	618609	3/4MJIC-90-3/4FJIC SWIV LBO	67	2	618115	9/16MJIC-90-3/4MOR LBO
*34	8	618621	HYD QUICK CPLR,FEMALE,.50FNPS				



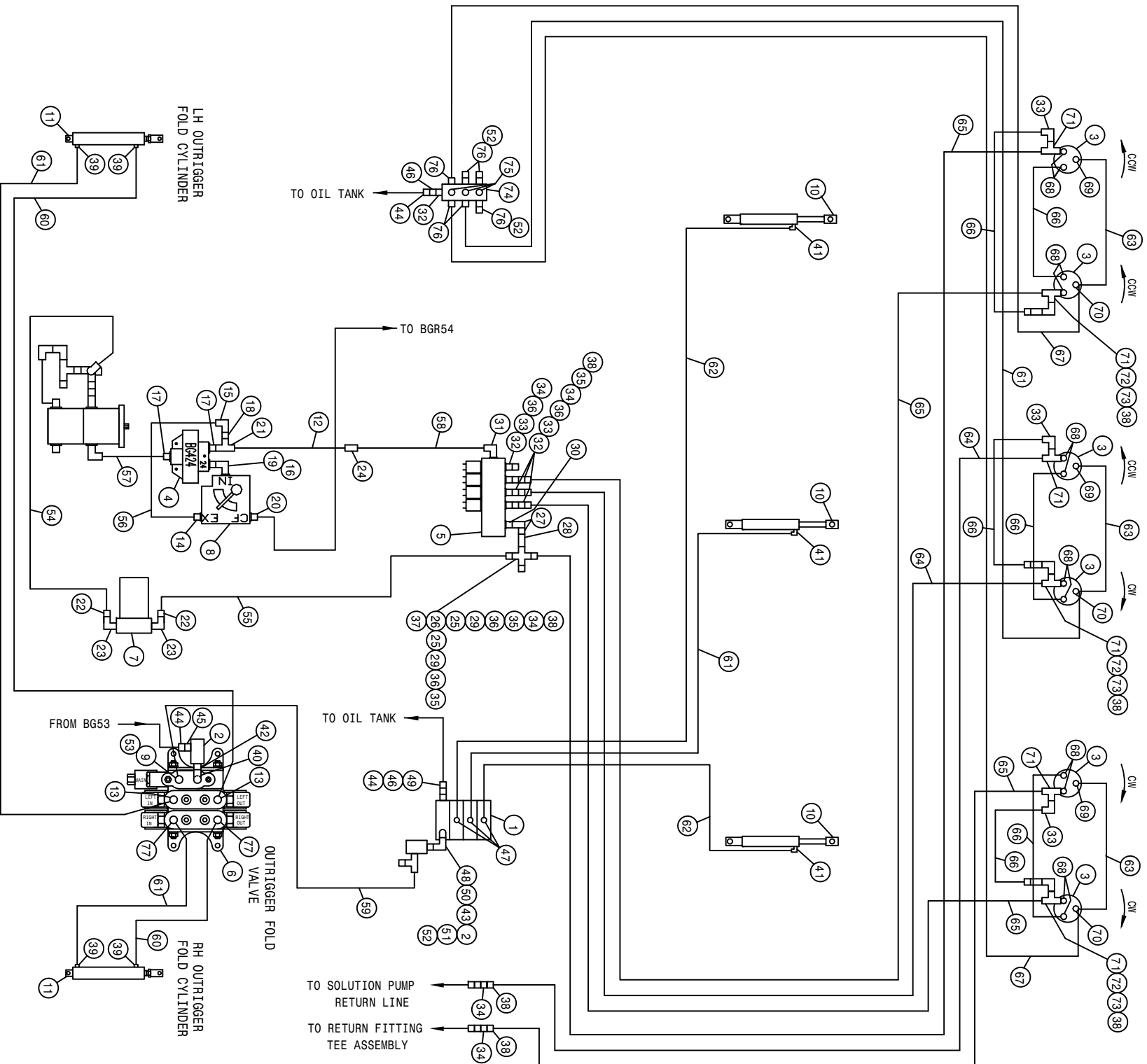
2100 COMBO 10R QUAD HYD SCHEM 03
REFERENCE DRAWING NO. 498732

DET.	QTY	PART NO.	DESCRIPTION	DET.	QTY	PART NO.	DESCRIPTION
1	1	610613	ELECT HYD STACT VLV, 4 SECT	*37	1	714561	1.00NPT-1.25 HOSE BARB
2	2	605615	HYD FILTER, INLINE 25M 9/16FOR	38	8	611147	3/4MJIC-1/2MNPT ADPTR
3	10	610547	HYD MOTOR 4.5CI 1IN SHFT	39	4	614747	.025 ELBOW ASSY, 9/16MOR 90D
*4	1	606836	FLO DIV BG424 24G PR, 1 5/16FOR	40	1	618183	3/4MJIC-90-7/8MOR LBO
*5	1	606034	MTR CONTROL ELECT VLV	41	4	618119	9/16MJIC-90-9/16MOR LBO
6	1	606090	BRAND HYD VALVE, 2-SECT SER 36	42	1	618668	3/4FJIC SWIV-9/16MOR ADPTR
*7	1	605601	PARKER FILTER ASSY, 10M, 1.25NPT	43	1	618668	9/16FJIC SWIV-9/16MOR ADPTR
*8	1	607510	FLO CONT FCR51 0-30VARI 7/8OR	44	2	618646	HYD QUICK CPLR, MALE .375NPS
9	2	618709	9/16MJIC-90-3/4MOR EX LG LBO	45	1	618345	9/16MOR-3/8MNPT ADPTR
10	4	620965	LIFT CYL ASSY 1M, DETASSELER 03	46	1	618615	3/4FJIC-SWIV-3/8MNPT
11	2	620845	BOOM HINGE FOLD CYL ASSY	47	4	618126	9/16MJIC-9/16MOR ADPTR
*12	1	615743	HYD TUBE ASSY, 2100 COMBO	48	1	618170	3/4MOR-9/16FOR ADPTR
13	1	618310	9/16MJIC-7/8MOR ADPTR	49	21	618327	3/4MJIC-7/8MOR ADPTR
*14	1	618189	1 1/16MJIC-7/8MOR ADPTR	50	1	618440	9/16MJIC-90-9/16MOR EX LG LBO
*15	1	618191	1 1/16MJ-90-1 1/16FJ SWIV LBO	51	1	618444	9/16MOR RUN TEE-9/16MJIC
*16	1	618279	1 1/16MJIC-90-7/8MOR LBO	52	1	618531	9/16FJIC CAP NUT
*17	2	618186	1 5/16MJIC-1 5/16MOR ADPTR	53	1	618618	9/16MJIC-90-9/16FJIC SWIV LBO
*18	1	618541	1 5/16FJIC-1 1/16MJIC ADPTR	*54	1	601442	HOSE, 1 1/4 X 45 1FBR-1SPI
*19	1	618718	1 5/16MOR-1 1/16FJIC SWIV	*55	1	601443	HOSE, 1 1/4 X 177 1FBR-1SPI
*20	1	611126	7/8MJIC-7/8MOR ADPTR	*56	1	615738	12C2AT-12FJX-12FJX-27
*21	1	618619	1 5/16FJ SW RUN TEE-1 5/16MJ	*57	1	615739	16C2AT-16FJX-16FJX-17
*22	2	715660	HOSE BARB 1 1/4NPT X 1 1/4	*58	1	615740	16C2AT-16FJX-16FJX-118
*23	2	506410	BLK PIPE ST EL 90DEG 1.25NPT	59	1	615621	06C1T-06FJX-06FJX-24
*24	1	618577	1 5/16MJIC UNION	60	2	615727	04C1T-06FJX-06FJX-75
*25	2	505005	RED BUSH 1 TO 1/2	61	2	614077	04C1T-06FJX-06FJX-88
*26	1	505100	BLK PIPE CROSS 1.00NPT	62	2	614101	04C1T-06FJX-06FJX-133
*27	2	505200	BLK PIPE ST EL 90DEG 1.00NPT	63	6	616025	08C1T-08FJX-08FJX-50
*28	1	505210	BLK PIPE NIPPLE 1.00NPT-3.00	64	4	614689	08C1T-08FJX-08FJX-120
*29	2	611145	3/4MJIC-90-1/2MNPT LBO	65	4	614691	08C1T-08FJX-08FJX-220
*30	1	618090	1 5/16MOR-1FNPT ADPTR	66	2	611246	04C1T-06FJX-06FJX-174
*31	1	618178	1 5/16MJIC-90-1 5/16MOR LBO	67	4	615385	08C1T-08FJX-08FJX-29
*32	4	618469	3/4MJIC-1 1/16MOR ADPTR	68	4	618314	3/4MJIC UNION
*33	4	618609	3/4MJIC-90-3/4FJIC SWIV LBO	69	2	618586	7/8MOR UNION
*34	8	618621	HYD QUICK CPLR, FEMALE, .50FNPS	70	2	607522	FLOW REGULATOR, 8GPM VONBERG
*35	6	618622	HYD QUICK CPLR, MALE, .50FNPS	71	2	618115	9/16MJIC-90-3/4MOR LBO
*36	6	618623	3/4FJIC-SWIV-1/2MNPT				



2100 COMBO 12R QUAD HYD SCHEM 03
REFERENCE DRAWING NO. 498733

DET.	QTY	PART NO.	DESCRIPTION	DET.	QTY	PART NO.	DESCRIPTION
1	1	610615	ELECT HYD STACT VLV, 6 SECT	*37	1	714561	1.00NPT-1.25 HOSE BARB
2	2	605615	HYD FILTER, INLINE 25M 9/16FOR	38	8	611147	3/4MJIC-1/2MNPT ADPTR
3	12	610547	HYD MOTOR 4.5CI 1IN SHFT	39	4	614747	.025 ELBOW ASSY, 9/16MOR 90D
*4	1	606836	FLO DIV BG424 24G PR, 1 5/16FOR	40	1	618183	3/4MJIC-90-7/8MOR LBO
*5	1	606034	MTR CONTROL ELECT VLV	41	6	618119	9/16MJIC-90-9/16MOR LBO
6	1	606090	BRAND HYD VALVE, 2-SECT SER 36	42	1	618692	3/4FJIC SWIV-9/16MOR ADPTR
*7	1	605601	PARKER FILTER ASSY, 10M, 1.25NPT	43	1	618668	9/16FJIC SWIV-9/16MOR ADPTR
*8	1	607510	FLO CONT FOR51 0-30VARI 7/8OR	44	2	618646	HYD QUICK CPLR, MALE .375NPS
9	2	618709	9/16MJIC-90-3/4MOR EX LG LBO	45	1	618345	9/16MOR-3/8MNPT ADPTR
10	6	620965	LIFT CYL ASSY 1W, DETASSELER 03	46	1	618615	3/4FJIC-SWIV-3/8MNPT
11	2	620845	BOOM HINGE FOLD CYL ASSY	47	6	618126	9/16MJIC-9/16MOR ADPTR
*12	1	615743	HYD TUBE ASSY, 2100 COMBO	48	1	618170	3/4MOR-9/16FOR ADPTR
13	1	618310	9/16MJIC-7/8MOR ADPTR	49	25	618327	3/4MJIC-7/8MOR ADPTR
*14	1	618189	1 1/16MJIC-7/8MOR ADPTR	50	1	618440	9/16MJIC-90-9/16MOR EX LG LBO
*15	1	618191	1 1/16MJ-90-1 1/16F-J SWIV LBO	51	1	618444	9/16MOR RUN TEE-9/16MJIC
*16	1	618279	1 1/16MJIC-90-7/8MOR LBO	52	1	618531	9/16FJIC CAP NUT
*17	1	618186	1 5/16MJIC-1 5/16MOR ADPTR	53	1	618618	9/16MJIC-90-9/16FJIC SWIV LBO
*18	1	618541	1 5/16FJIC-1 1/16MJIC ADPTR	*54	1	601442	HOSE, 1 1/4 X 45 IFBR-1SPI
*19	1	618718	1 5/16MOR-1 1/16FJIC SWIV	*55	1	601443	HOSE, 1 1/4 X 177 IFBR-1SPI
*20	1	611126	7/8MJIC-7/8MOR ADPTR	*56	1	615738	12C2AT-12FJX-12FJX-27
*21	1	618619	1 5/16FJ SW RUN TEE-1 5/16MJ	*57	1	615739	16C2AT-16FJX-16FJX-17
*22	2	715660	HOSE BARB 1 1/4NPT X 1 1/4	*58	1	615740	16C2AT-16FJX-16FJX-118
*23	2	506410	BLK PIPE ST EL 90DEG 1.25NPT	59	1	615621	06C1T-06FJX-06FJX-24
*24	1	618577	1 5/16MJIC UNION	60	2	615727	04C1T-06FJX-06FJX-75
*25	2	505005	RED BUSH 1 TO 1 1/2	61	2	614077	04C1T-06FJX-06FJX-88
*26	1	505100	BLK PIPE CROSS 1.00NPT	62	2	614101	04C1T-06FJX-06FJX-133
*27	2	505200	BLK PIPE ST EL 90DEG 1.00NPT	63	4	616025	08C1T-08FJX-08FJX-50
*28	1	505210	BLK PIPE NIPPLE 1.00NPT-3.00	64	2	614689	08C1T-08FJX-08FJX-120
*29	2	611145	3/4MJIC-90-1/2MNPT LBO	65	2	614691	08C1T-08FJX-08FJX-220
*30	1	618090	1 5/16MOR-1FNPT ADPTR	66	2	611246	04C1T-06FJX-06FJX-174
*31	1	618178	1 5/16MJIC-90-1 5/16MOR LBO	67	2	614377	04C1T-06FJX-06FJX-258
*32	4	618469	3/4MJIC-1 1/16MOR ADPTR	68	2	614378	08C1T-08FJX-08FJX-207
*33	4	618609	3/4MJIC-90-3/4FJIC SWIV LBO	69	2	614387	08C1T-08FJX-08FJX-267
*34	8	618621	HYD QUICK CPLR, FEMALE, .50FNPS	70	2	614690	08C1T-08FJX-08FJX-192
*35	6	618622	HYD QUICK CPLR, MALE, .50FNPS	71	2	614384	08C1T-08FJX-08FJX-237
*36	6	618623	3/4FJIC-SWIV-1/2MNPT	72	2	618115	9/16MJIC-90-3/4MOR LBO



2100 COMBO 6R CUTR HYD SCHEM 03
REFERENCE DRAWING NO. 498734

DET.	QTY	PART NO.	DESCRIPTION	DET.	QTY	PART NO.	DESCRIPTION
1	1	610532	ELECT HYD STACK VLV, 3 SECT	40	1	618183	3/4MJC-90-7/8MOR LBO
2	2	605615	HYD FILTER, INLINE 25M 9/16FOR	41	3	618119	9/16MJC-90-9/16MOR LBO
3	6	610755	BARNES HYD MOTOR, D-SERIES 01	42	1	618692	3/4FJIC SWIV-9/16MOR ADPTR
*4	1	606836	FLO DIV BG424 24G PR.1 5/16FOR	43	1	618668	9/16FJIC SWIV-9/16MOR ADPTR
*5	1	606034	MTR CONTROL ELECT VLV	44	3	618646	HYD QUICK CPLR, MALE .375NPS
*6	1	606090	BRAND HYD VALVE, 2-SECT SER 36	45	1	618345	9/16MOR-3/8MNP ADPTR
*7	1	605601	PARKER FILTER ASSY,10M,1.25NPT	46	2	618615	3/4FJIC-SWIV-3/8MNP
*8	1	607510	FLO CONT FCR51 0-30VARI 7/8OR	47	3	618126	9/16MJC-9/16MOR ADPTR
9	1	618310	9/16MJC-7/8MOR ADPTR	48	1	618170	3/4MOR-9/16FOR ADPTR
10	3	620965	LIFT CYL ASSY 1W,DETSSELER 03	49	1	618327	3/4MJC-7/8MOR ADPTR
11	2	620845	BOOM HINGE FOLD CYL ASSY	50	1	618440	9/16MJC-90-9/16MOR EX LG LBO
*12	1	615743	HYD TUBE ASSY, 2100 COMBO	51	1	618444	9/16MOR RUN TEE-9/16MJC
13	2	618115	9/16MJC-90-3/4MOR LBO	52	4	618531	9/16FJIC CAP NUT
*14	1	618189	1 1/16MJC-7/8MOR ADPTR	53	1	618618	9/16MJC-90-9/16FJIC SWIV LBO
*15	1	618191	1 1/16MJC-90-1 1/16FJ SWIV LBO	*54	1	601442	HOSE, 1 1/4 X 45 1FBR-15PT
*16	1	618279	1 1/16MJC-90-7/8MOR LBO	*55	1	601443	HOSE, 1 1/4 X 177 1FBR-15PT
*17	2	618186	1 5/16MJC-1 5/16MOR ADPTR	*56	1	615738	12C2AT-12FJX-12FJX-27
*18	1	618541	1 5/16FJIC-1 1/16MJC ADPTR	*57	1	615739	16C2AT-16FJX-16FJX-17
*19	1	618718	1 5/16MOR-1 1/16FJIC SWIV	*58	1	615740	16C2AT-16FJX-16FJX-118
*20	1	611126	7/8MJC-7/8MOR ADPTR	59	1	615621	06C1T-06FJX-06FJX-24
*21	1	618619	1 5/16FJ SW RUN TEE-1 5/16MJC	60	2	615727	04C1T-06FJX-06FJX-75
*22	2	715660	HOSE BARB 1 1/4NPT X 1 1/4	61	4	614077	04C1T-06FJX-06FJX-88
*23	2	506410	BLK PIPE ST EL 90DEG 1.25NPT	62	2	614101	04C1T-06FJX-06FJX-133
*24	1	618577	1 5/16MJC UNION	63	3	611206	04C1T-06FJX-06FJX-66
*25	2	505005	RED BUSH 1 TO 1/2	64	2	614688	08C1T-08FJX-08FJX-108
*26	1	505100	BLK PIPE CROSS 1.00NPT	65	4	614690	08C1T-08FJX-08FJX-192
*27	2	505200	BLK PIPE ST EL 90DEG 1.00NPT	66	6	614368	08C1T-08FJX-08FJX-60
*28	1	505210	BLK PIPE NIPPLE 1.00NPT-3.00	67	2	611210	04C1T-06FJX-06FJX-156
*29	2	611145	3/4MJC-90-1/2MNP LBO	68	12	611125	3/4MJC-3/4MOR ADPTR
*30	1	618090	1 5/16MOR-1FNPT ADPTR	69	3	618530	9/16MJC-1/8MNP ADPTR
*31	1	618178	1 5/16MJC-90-1 5/16MOR LBO	70	3	618546	1/8MNP RUN TEE-9/16MJC
*32	5	618469	3/4MJC-1 1/16MOR ADPTR	71	6	618451	3/4FJIC SW RUN TEE-3/4MJC
*33	7	618609	3/4MJC-90-3/4FJIC SWIV LBO	72	3	618620	3/4FJX-90-1/2MNP ADPTR
*34	7	618621	HYD QUICK CPLR,FEMALE,.50FNPS	73	3	690338	LINE CHECK VALVE HYD .50NPT
*35	5	618622	HYD QUICK CPLR, MALE, .50FNPS	74	1	606021	HYD RETURN MANIF,3/4FOR,9-PORT
*36	6	618623	3/4FJIC-SWIV-1/2MNP	75	3	611159	3/4MOR PLUG
*37	1	714561	1.00NPT-1.25 HOSE BARB	76	6	618109	9/16MJC-3/4MOR ADPTR
38	9	611147	3/4MJC-1/2MNP ADPTR	77	2	618709	9/16MJC-90-3/4MOR EX LG LBO
39	4	614747	.025 ELBOW ASSY, 9/16MOR 90D				

2100 COMBO 8R CUTR HYD SCHEM 03
REFERENCE DRAWING NO. 498735

DET.	QTY	PART NO.	DESCRIPTION	DET.	QTY	PART NO.	DESCRIPTION
1	1	610613	ELECT HYD STACT VLV, 4 SECT	41	4	618119	9/16MJIC-90-9/16MOR LBO
2	2	605615	HYD FILTER, INLINE 25M 9/16FOR	42	1	618692	3/4FJIC SWIV-9/16MOR ADPTR
3	8	610755	BARNES HYD MOTOR, D-SERIES 01	43	1	618668	9/16FJIC SWIV-9/16MOR ADPTR
* 4	1	606836	FLO DIV BG424 24G PR.1 5/16FOR	44	3	618646	HYD QUICK CPLR, MALE .375NPS
* 5	1	606034	MTR CONTROL ELECT VLV	45	1	618345	9/16MOR-3/8MNPT ADPTR
* 6	1	606090	BRAND HYD VALVE, 2-SECT SER 36	46	2	618615	3/4FJIC-SWIV-3/8MNPT
* 7	1	605601	PARKER FILTER ASSY,10M,1.25NPT	47	4	618126	9/16MJIC-9/16MOR ADPTR
* 8	1	607510	FLO CONT FCR51 0-30VARI 7/8OR	48	1	618170	3/4MOR-9/16FOR ADPTR
9	1	618310	9/16MJIC-7/8MOR ADPTR	49	1	618327	3/4MJIC-7/8MOR ADPTR
10	4	620965	LIFT CYL ASSY 1W,DETASSELER 03	50	1	618440	9/16MJIC-90-9/16MOR EX LG LBO
11	2	620845	BOOM HINGE FOLD CYL ASSY	51	1	618444	9/16MOR RUN TEE-9/16MJIC
*12	1	615743	HYD TUBE ASSY, 2100 COMBO	52	3	618531	9/16FJIC CAP NUT
13	2	618115	9/16MJIC-90-3/4MOR LBO	53	2	618709	9/16MJIC-90-3/4MOR EX LG LBO
*14	1	618189	1 1/16MJIC-7/8MOR ADPTR	*54	1	601442	HOSE, 1 1/4 X 45 1FBR-15PT
*15	1	618191	1 1/16MJIC-90-1 1/16FJ SWIV LBO	*55	1	601443	HOSE, 1 1/4 X 177 1FBR-15PT
*16	1	618279	1 1/16MJIC-90-7/8MOR LBO	*56	1	615738	12C2AT-12FJX-12FJX-27
*17	2	618718	1 5/16MOR-1 1/16FJIC SWIV	*57	1	615739	16C2AT-16FJX-16FJX-17
*18	1	618541	1 5/16FJIC-1 1/16MJIC ADPTR	*58	1	615740	16C2AT-16FJX-16FJX-118
*19	1	618718	1 5/16MOR-1 1/16FJIC SWIV	59	1	615621	06C1T-06FJX-06FJX-24
*20	1	611126	7/8MJIC-7/8MOR ADPTR	60	2	615727	04C1T-06FJX-06FJX-75
*21	1	618619	1 5/16FJ SW RUN TEE-1 5/16MJ	61	2	614077	04C1T-06FJX-06FJX-88
*22	2	715660	HOSE BARB 1 1/4NPT X 1 1/4	62	2	614101	04C1T-06FJX-06FJX-133
*23	2	506410	BLK PIPE ST EL 90DEG 1.25NPT	63	4	611206	04C1T-06FJX-06FJX-66
*24	1	618577	1 5/16MJIC UNION	64	4	614689	08C1T-08FJX-08FJX-120
*25	2	505005	RED BUSH 1 TO 1/2	65	4	614691	08C1T-08FJX-08FJX-220
*26	1	505100	BLK PIPE CROSS 1.00NPT	66	2	611246	04C1T-06FJX-06FJX-174
*27	2	505200	BLK PIPE ST EL 90DEG 1.00NPT	67	8	614368	08C1T-08FJX-08FJX-60
*28	1	505210	BLK PIPE NIPPLE 1.00NPT-3.00	68	2	614154	04C1T-06FJX-06FJX-221
*29	2	611145	3/4MJIC-90-1/2MNPT LBO	69	2	611212	04C1T-06FJX-06FJX-164
*30	1	618090	1 5/16MOR-1FNPT ADPTR	70	16	611125	3/4MJIC-3/4MOR ADPTR
*31	1	618178	1 5/16MJIC-90-1 5/16MOR LBO	71	4	618530	9/16MJIC-1/8MNPT ADPTR
*32	5	618469	3/4MJIC-1 1/16MOR ADPTR	72	4	618546	1/8MNPT RUN TEE-9/16MJIC
*33	8	618609	3/4MJIC-90-3/4FJIC SWIV LBO	73	8	618451	3/4FJIC SW RUN TEE-3/4MJIC
*34	8	618621	HYD QUICK CPLR,FEMALE,.50FNPS	74	4	618620	3/4FJX-90-1/2MNPT ADPTR
*35	6	618622	HYD QUICK CPLR, MALE, .50FNPS	75	4	690338	LINE CHECK VALVE HYD .50NPT
*36	6	618623	3/4FJIC-SWIV-1/2MNPT	76	1	606021	HYD RETURN MANIF,3/4FOR,9-PORT
*37	1	714561	1.00NPT-1.25 HOSE BARB	77	3	611159	3/4MOR PLUG
38	12	611147	3/4MJIC-1/2MNPT ADPTR	78	6	618109	9/16MJIC-3/4MOR ADPTR
39	4	614747	.025 ELBOW ASSY,9/16MOR 90D	79	1	618618	9/16MJIC-90-9/16FJIC SWIV LBO
40	1	618183	3/4MJIC-90-7/8MOR LBO				

2100 COMBO 10R CUTR HYD SCHEM 03
REFERENCE DRAWING NO. 498736

DET.	QTY	PART NO.	DESCRIPTION	DET.	QTY	PART NO.	DESCRIPTION
1	1	610613	ELECT HYD STACT VLV, 4 SECT	42	1	618692	3/4FJIC SWIV-9/16MOR ADPTR
2	2	605615	HYD FILTER, INLINE 25M 9/16FOR	43	1	618668	9/16FJIC SWIV-9/16MOR ADPTR
3	10	610755	BARNES HYD MOTOR, D-SERIES 01	44	3	618646	HYD QUICK CPLR, MALE .375NPS
* 4	1	606836	FLO DIV BG424 24G PR, 1 5/16FOR	45	1	618345	9/16MOR-3/8MNPT ADPTR
* 5	1	606034	MTR CONTROL ELECT VLV	46	2	618615	3/4FJIC-SWIV-3/8MNPT
6	1	606090	BRAND HYD VALVE, 2-SECT SER 36	47	4	618126	9/16MJIC-9/16MOR ADPTR
* 7	1	605601	PARKER FILTER ASSY, 10M, 1.25NPT	48	1	618170	3/4MOR-9/16FOR ADPTR
* 8	1	607510	FLO CONT FOR51 0-30VARI 7/8OR	49	1	618327	3/4MJIC-7/8MOR ADPTR
9	1	618310	9/16MJIC-9/16MOR ADPTR	50	1	618440	9/16MJIC-90-9/16MOR EX LG LBO
10	4	620965	LIFT CYL ASSY 1M,DEFASSLELR 03	51	1	618444	9/16MOR RUN TEE-9/16MJIC
11	2	620845	BOOM HINGE FOLD CYL ASSY	52	3	618531	9/16FJIC CAP NUT
*12	1	615743	HYD TUBE ASSY, 2100 COMBO	53	2	618709	9/16MJIC-90-3/4MOR EX LG LBO
13	2	618115	9/16MJIC-90-3/4MOR LBO	*54	1	601442	HOSE, 1 1/4 X 45 1FBR-1SPI
*14	1	618189	1 1/16MJIC-7/8MOR ADPTR	*55	1	601443	HOSE, 1 1/4 X 177 1FBR-1SPI
*15	1	618191	1 1/16MJ-90-1 1/16FJ SWIV LBO	*56	1	615738	12C2AT-12FJX-12FJX-27
*16	1	618279	1 1/16MJIC-90-7/8MOR LBO	*57	1	615739	16C2AT-16FJX-16FJX-17
*17	2	618186	1 5/16MJIC-1 5/16MOR ADPTR	*58	1	615740	16C2AT-16FJX-16FJX-118
*18	1	618541	1 5/16FJIC-1 1/16MJIC ADPTR	59	1	615621	06C1T-06FJX-06FJX-24
*19	1	618718	1 5/16MOR-1 1/16FJIC SWIV	60	2	615727	04C1T-06FJX-06FJX-75
*20	1	611126	7/8MJIC-7/8MOR ADPTR	61	2	614077	04C1T-06FJX-06FJX-88
*21	1	618619	1 5/16FJ SW RUN TEE-1 5/16MJ	62	2	614101	04C1T-06FJX-06FJX-133
*22	2	715660	HOSE BARB 1 1/4NPT X 1 1/4	63	6	611206	04C1T-06FJX-06FJX-66
*23	2	506410	BLK PIPE ST EL 90DEG 1.25NPT	64	4	614689	08C1T-08FJX-08FJX-120
*24	1	618577	1 5/16MJIC UNION	65	4	614691	08C1T-08FJX-08FJX-220
*25	2	505005	RED BUSH 1 TO 1 1/2	66	2	611246	04C1T-06FJX-06FJX-174
*26	1	505100	BLK PIPE CROSS 1.00NPT	67	8	614368	08C1T-08FJX-08FJX-60
*27	2	505200	BLK PIPE ST EL 90DEG 1.00NPT	68	2	614154	04C1T-06FJX-06FJX-221
*28	1	505210	BLK PIPE NIPPLE 1.00NPT-3.00	69	2	611212	04C1T-06FJX-06FJX-164
*29	2	611145	3/4MJIC-90-1/2MNPT LBO	70	20	611125	3/4MJIC-3/4MOR ADPTR
*30	1	618090	1 5/16MOR-1FNPT ADPTR	71	4	618530	9/16MJIC-1/8MNPT ADPTR
*31	1	618178	1 5/16MJIC-90-1 5/16MOR LBO	72	6	618546	1/8MNPT RUN TEE-9/16MJIC
*32	5	618469	3/4MJIC-1 1/16MOR ADPTR	73	8	618451	3/4FJIC SW RUN TEE-3/4MJIC
*33	8	618609	3/4MJIC-90-3/4FJIC SWIV LBO	74	4	618620	3/4FJX-90-1/2MNPT ADPTR
*34	8	618621	HYD QUICK CPLR, FEMALE, .50FNPS	75	4	690338	LINE CHECK VALVE HYD .50NPT
*35	6	618622	HYD QUICK CPLR, MALE, .50FNPS	76	2	616057	08C1T-08FJX-08FJX-88
*36	6	618623	3/4FJIC-SWIV-1/2MNPT	77	4	615385	08C1T-08FJX-08FJX-29
*37	1	714561	1.00NPT-1.25 HOSE BARB	78	4	618314	3/4MJIC UNION
38	12	611147	3/4MJIC-1/2MNPT ADPTR	79	1	606021	HYD RETURN MANIF, 3/4FOR, 9-PORT
39	4	614747	.025 ELBOW ASSY, 9/16MOR 90D	80	3	611159	3/4MOR PLUG
40	1	618183	3/4MJIC-90-7/8MOR LBO	81	6	618109	9/16MJIC-3/4MOR ADPTR
41	4	618119	9/16MJIC-90-9/16MOR LBO	82	1	618618	9/16MJIC-90-9/16FJIC SWIV LBO

2100 COMBO 12R CUTR HYD SCHEM 03
REFERENCE DRAWING NO. 498737

DET.	QTY	PART NO.	DESCRIPTION	DET.	QTY	PART NO.	DESCRIPTION
1	1	610615	ELECT HYD STACT VL.V, 6 SECT	44	3	618646	HYD QUICK CPLR, MALE .375NPS
2	2	605615	HYD FILTER, INLINE 25M 9/16FOR	45	1	618345	9/16MOR-3/8MNPT ADPTR
3	12	610755	BARNES HYD MOTOR, D-SERIES 01	46	2	618615	3/4FJIC-SWIV-3/8MNPT
*4	1	606836	FLO DIV BG424 24G PR,1 5/16FOR	47	6	618126	9/16MJIC-9/16MOR ADPTR
*5	1	606034	MTR CONTROL ELECT VL.V	48	1	618170	3/4MOR-9/16FOR ADPTR
6	1	606090	BRAND HYD VALVE, 2-SECT SER 36	49	1	618327	3/4MJIC-7/8MOR ADPTR
*7	1	605601	PARKER FILTER ASSY,10M,1.25NPT	50	1	618440	9/16MJIC-90-9/16MOR EX LG LBO
*8	1	607510	FLO CONT FCR51 0-30VARI 7/8OR	51	1	618444	9/16MOR RUN TEE-9/16MJIC
9	1	618310	9/16MJIC-7/8MOR ADPTR	52	1	618531	9/16FJIC CAP NUT
10	6	620965	LIFT CYL ASSY 1M,DETASSELER 03	53	2	618709	9/16MJIC-90-3/4MOR EX LG LBO
11	2	620845	BOOM HINGE FOLD CYL ASSY	*54	1	601442	HOSE, 1 1/4 X 45 1FBR-1SPI
*12	1	615743	HYD TUBE ASSY, 2100 COMBO	*55	1	601443	HOSE, 1 1/4 X 177 1FBR-1SPI
*13	2	618115	9/16MJIC-90-3/4MOR LBO	*56	1	615738	12C2AT-12FCX-12FCX-27
*14	1	618189	1 1/16MJIC-7/8MOR ADPTR	*57	1	615739	16C2AT-16FCX-16FCX-17
*15	1	618291	1 1/16MJ-90-1 1/16FJ SWIV LBO	*58	1	615740	16C2AT-16FCX-16FCX-118
*16	1	618279	1 1/16MJIC-90-7/8MOR LBO	59	1	615621	06CIT-06FCX-06FCX-24
*17	1	618186	1 5/16MJIC-1 5/16MOR ADPTR	60	2	615727	04CIT-06FCX-06FCX-75
*18	1	618541	1 5/16FJIC-1 1/16MJIC ADPTR	61	2	614077	04CIT-06FCX-06FCX-88
*19	1	618718	1 5/16MOR-1 1/16FJIC SWIV	62	2	614101	04CIT-06FCX-06FCX-133
*20	1	611126	7/8MJIC-7/8MOR ADPTR	63	6	611206	04CIT-06FCX-06FCX-66
*21	1	618619	1 5/16FJ Sw RUN TEE-1 5/16MJ	64	2	614689	08CIT-08FCX-08FCX-120
*22	2	715660	HOSE BARB 1 1/4NPT X 1 1/4	65	2	614691	08CIT-08FCX-08FCX-220
*23	2	506410	BLK PIPE ST EL 90DEG 1.25NPT	66	2	611246	04CIT-06FCX-06FCX-174
*24	1	618577	1 5/16MJIC UNION	67	4	614368	08CIT-08FCX-08FCX-60
*25	2	505005	RED BUSH 1 TO 1 1/2	68	4	614377	04CIT-06FCX-06FCX-258
*26	1	505100	BLK PIPE CROSS 1.00NPT	69	2	614387	08CIT-08FCX-06FCX-267
*27	2	505200	BLK PIPE ST EL 90DEG 1.00NPT	70	24	611125	3/4MJIC-3/4MOR ADPTR
*28	1	505210	BLK PIPE NIPPLE 1.00NPT-3.00	71	6	618530	9/16MJIC-1/8MNPT ADPTR
*29	2	611145	3/4MJIC-90-1/2MNPT LBO	72	6	618546	1/8MNPT RUN TEE-9/16MJIC
*30	1	618090	1 5/16MOR-1FNPT ADPTR	73	8	618451	3/4FJIC Sw RUN TEE-3/4MJIC
*31	1	618178	1 5/16MJIC-90-1 5/16MOR LBO	74	4	618620	3/4FCX-90-1/2MNPT ADPTR
*32	5	618469	3/4MJIC-1 1/16MOR ADPTR	75	4	690338	LINE CHECK VALVE HYD .50NPT
*33	8	618609	3/4MJIC-90-3/4FJIC SWIV LBO	76	2	614100	04CIT-06FCX-06FCX-211
*34	8	618621	HYD QUICK CPLR,FEMALE, .50FNPS	77	2	614378	08CIT-08FCX-08FCX-207
*35	6	618622	HYD QUICK CPLR, MALE, .50FNPS	78	2	614076	04CIT-06FCX-06FCX-119
*36	6	618623	3/4FJIC-SWIV-1/2MNPT	79	2	614375	08CIT-08FCX-08FCX-177
*37	1	714561	1.00NPT-1.25 HOSE BARB	80	4	614384	08CIT-08FCX-08FCX-237
38	12	611147	3/4MJIC-1/2MNPT ADPTR	81	2	614690	08CIT-08FCX-08FCX-192
39	4	614747	.025 ELBOW ASSY,9/16MOR 90D	82	1	606021	HYD RETURN MANIF, 3/4FOR, 9-PORT
40	1	618183	3/4MJIC-90-7/8MOR LBO	83	3	611159	3/4MOR PLUG
41	6	618119	9/16MJIC-90-9/16MOR LBO	84	6	618109	9/16MJIC-3/4MOR ADPTR
42	1	618692	3/4FJIC SWIV-9/16MOR ADPTR	85	1	618618	9/16MJIC-90-9/16FJIC SWIV LBO
43	1	618668	9/16FJIC SWIV-9/16MOR ADPTR				

ABBREVIATIONS

A/C - AIR CONDITIONER	MT - MOUNT
ADPTR - ADAPTER	MTR - MOTOR
AGI - AGITATOR	P/N - PART NUMBER
ALT - ALTERNATOR	PLT - PLATE
ASSY - ASSEMBLY	QTY - QUANTITY
BRKT - BRACKET	RED - REDUCER
DET - DETAIL	REF - REFERENCE
DISPL - DISPLACEMENT	REST - RESTRICTOR
EL - ELBOW	REQ - REQUIRED
EXT - EXTENSION	SHFT - SHAFT
FLO - FLOW	SOL - SOLUTION
FNPT - FEMALE NATIONAL PIPE THREAD	STRG - STEERING
FOR - FEMALE O-RING	ST - STREET
FRT - FRONT	SWIV - SWIVEL
HYD - HYDRAULIC	UNC - UNIFIED NATIONAL COURSE
HYDRO - HYDROSTATIC	UNF - UNIFIED NATIONAL FINE
LG - LONG	V - VOLT
LWR - LOWER	W/ - WITH
MJIC - MALE J.I.C.	WHL - WHEEL
MOR - MALE O-RING	WLD - WELDMENT

INDEX

-A-

ABBREVIATIONS.....174
ACCUMULATOR CYLINDER..... 86,87
AGITATOR
 IMPELLER.....63,65
 SHAFT.....63,65
 SHIELD.....63,65
 SOLUTION.....63,65
 VARIABLE FLOW CONTROL.....15
AIR BAG.....24,26,28,30
AIR CLEANER.....37
 BAND.....37
 FILTER.....37
 HOOD.....37
 HOSE.....37
AIR CONDITIONER.....40
 BLOWER.....40
 COMPRESSOR.....5
 CONDENSOR.....22
 DRYER.....22
 EVAPORATOR.....40
 FILTER.....40
AIR INTAKE.....22
AIR LINE.....9,49
AIR REGULATOR.....49
AIR SEAT.....51
AIR TANK.....8,9
ANTENNA.....40

-B-

BATTERY.....60
 BOX.....60
 CABLE.....60
 HOLD DOWN.....60
BEARING, LEG.....24,26,28,30
BELL.....4,6
BINDING POST.....48
BLADE, WIPER.....38
BLOWER MOTOR.....40
BOOM.....92,93,94,95,96
 CONTROL VALVE.....83
 GRADLE.....58,59
 HINGE.....94,95
 LIGHTS.....97
 SOLENOID.....66,67,69,70
 SPRING.....93
BOX FUSE.....50
BREAKAWAY.....85
BREAKER CIRCUIT.....4,50
BUMPER, LEG.....24,26,28,30

-C-

CAB.....38
 LIGHTS.....38,40
CABLE,
 BATTERY.....60
 GROUND.....4
 HYDROSTATIC.....46
 THROTTLE.....5,46
CIRCUIT BREAKER.....4,50
CLAMP,
 AIR CLEANER.....37
 MUFFLER.....36,37
CONDENSOR.....22
CONSOLE.....44,51
GRADLE
 BOOM.....58,59
 SOLUTION TANK.....62,64
CROP GUIDE.....25,27,29,31
CUTTER HEAD.....124
CYLINDER
 ACCUMULATOR.....86,87
 FOLD.....90,91
 LEVEL.....89
 LIFT.....88,121
 STEERING.....32
TREAD ADJUST.....103,104

-D-

DECALS.....134
DEPTH COMMAND.....131
DIAGRAMS, WIRING.....136
DOOR.....39
 LATCH.....39
DRAIN VALVE.....8,9
DRINK HOLDER.....45
DRIVE DISK.....5
DYER, A/C.....22
BELT.....4,6

-E-

ENGINE.....4,5
 HOOD.....52
EXHAUST STACK.....36

-F-

FAN.....4
 SPACER.....4
FEEDER TEE.....80

FENCE ROW.....73, 74
 FILTER,
 AIR CLEANER.....37
 AIR CONDITIONER.....40
 ENGINE.....4
 FUEL.....5
 HYDRAULIC.....11, 16
 MINDER.....52
 FLOW DIVIDER.....14, 16, 19
 FLOW MAX 110.....108
 FLOW METER.....66, 67, 69, 70
 FLUSHING VALVE.....10
 FOAM.....38, 41
 FOAMER TANK.....100
 FOAMER VALVE.....111
 FOLD CYLINDER.....90, 91
 FUEL,
 SELECTOR VALVE.....56
 STRAINER.....5
 TANK.....56
 TANK MOUNT.....54, 55
 FUSE.....50
 BOX.....50

-G-

GAS SPRING.....42, 45, 52
 GAUGE
 AIR REGULATOR.....49
 OIL PRESSURE.....43
 PRESSURE.....49, 66, 67, 69, 70
 TEMPERATURE.....43
 TREAD ADJUST.....57
 GRAB HANDLE.....38
 GLASS.....38, 39
 GROUND CABLE.....4
 GROUND STRAP.....38
 GUIDE, STALK.....25, 27, 29, 31

-H-

HANDLE,
 DOOR.....39
 GRAB.....38
 HANDRAIL.....57
 HEAD, CUTTER.....124
 HEADLIGHT.....38, 61, 76
 HEADLINER.....40
 HEATER COIL.....40
 HINGE, BOOM.....94, 96
 HOOD,
 AIR CLEANER.....37
 ENGINE.....52
 HOOK, RUBBER.....43
 HOSE, RADIATOR.....4
 HOISING, SOLUTION.....76, 77, 78, 79
 HOUR METER.....43
 HUB, TORQUE.....25, 27, 29, 31

HYDRAULIC
 DAMPER.....39
 FILTER.....11
 SOLENOID VALVE.....12
 SCHEMATIC.....152
 TANK.....23
 HYDROSTATIC
 CABLE.....46
 LEVER.....46

-I-

IGNITION SWITCH.....48
 INSTRUMENT PANEL.....43

-L-

LADDER.....54, 55
 LATCH, DOOR.....39
 LEG,
 BEARING.....24, 26, 28, 30
 BRACE.....61
 BUMPER.....24, 26, 28, 30
 FRONT.....24, 26
 REAR.....28, 30
 LEVEL CYLINDER.....89
 LEVER,
 HYDROSTATIC.....46
 THROTTLE.....47
 LIFTARM.....84
 LIFT CYLINDER.....87, 121
 LIGHT,
 BOOM.....97
 CAB.....38, 40
 SWITCH.....40
 LS CONTROL.....128, 130

-M-

MIRROR.....38
 MOTOR
 BLOWER.....40
 CONTROL VALVE.....17
 STEERING.....42
 WHEEL.....25, 27, 29, 31
 WIPER.....38
 MOUNT,
 CAB.....38
 MOTOR.....4, 5
 PUMP.....7
 MUFFLER.....36
 CLAMP.....36, 37
 MULLION.....52

-N-

NOZZLE, REAR WHEEL.....82
 NOZZLE, RINSE.....99

-0-
OIL
COOLER.....22
PRESSUR.....43
SENDER.....5
TANK.....23
OUTRIGGER..... 117, 118, 119
FOLD VALVE.....112

-P-
PAD, RADIATOR.....22
PANEL, SWITCH.....48
POWER POINT.....51
PRESSURE
GAUGE.....49, 66, 67, 69, 70
WASHER.....106
PULLER, QUAD.....126
PUMP,
SOLUTION.....81
SUNDSTRAND.....7

-Q-
QUAD PULLER.....126
QUICK FILL.....72

-R-
RADAR.....109
RADIATOR.....22
HOSE.....4
PAD.....22
RECOVERY TANK.....35
SHROUD.....22
RADIO.....40
RAVEN, VFC.....20
REAR WHEEL NOZZLE.....82
RELAY.....50
RELIEF VALVE.....14
RETURN TEE ASSEMBLY.....21
RIM.....34
RINSE
NOZZLE.....99
TANK.....98
RUBBER,
HOOK.....52
MOUNT.....4, 5, 7, 38

-S-
SCHEMATIC, HYDRAULIC.....152
SEAT.....51
SENDER,
OIL.....5
TEMPERATURE.....4
SERVICE PLATFORM.....57

SHEET METAL.....52, 53
SHIELD, TANK.....61
SHROUD, RADIATOR.....22
SIDERAIL.....57
SMV SIGN.....57
SOLENOID, BOOM.....66, 67, 68, 70, 71
SOLUTION
HOSING.....76, 77, 78, 79
PUMP.....81
TANK CRADLE.....62, 64
SPACER, FAN.....4
SPEAKER.....40
SPRING, GAS.....42, 45
STALK GUIDE.....25, 27, 29, 31
STEERING
COLUMN.....42
CYLINDER.....42
MOTOR.....42
WHEEL.....42
STRAINER,
FUEL.....5
SOLUTION.....62, 64
STRAP, GROUND.....38
SUNDSTRAND PUMP.....7
SWITCH,
IGNITION.....48
LIGHT.....48
PANEL.....48
SOLUTION.....38

-T-
TAILLIGHT.....57
TANK,
AIR.....8, 9
FOAMER.....100
HYDRAULIC.....23
MOUNTS.....61
RADIATOR RECOVERY.....35
RINSE.....98
SHIELD.....61
SOLUTION.....62, 64
TEE, FEEDER.....74
TEMPERTURE
GAUGE.....43
SENDER.....4
THROTTLE CABLE.....5, 47
TIE PLATE.....13
TIE ROD.....29
TIRE.....34
TRANSOM.....77
TREAD ADJUST.....102
CYLINDER.....103, 104
GAUGE.....57
VALVE.....105
TORQUE, HUB.....25, 27, 29, 31

-V-

VALVE,
AIRBAG.....25,26,28,30
DETASSELER LIFT.....113,114
DIVERT FOAMER.....111
DRAIN.....8
ELECTRIC BOOM.....83
FENCE ROW.....73,74,75
FLUSHING.....10
FOLD, OUTRIGGER.....112
FUEL SELECTOR.....56
HYDRAULIC SOLENOID.....12
MOTOR CONTROL.....17
RELIEF.....14
TREAD ADJUST.....105
VARIABLE FLOW CONTROL.13,15,16
VOLT METER.....43

-W-

WASHER, PRESSURE.....106
WHEEL MOTOR.....25,27,29,31
WHEEL, STEERING.....42
WINDSHIELD WASHER.....75
WIPER,
BLADE.....38
MOTOR.....38
WINDSHIELD.....38

