

PARTS MANUAL
FOR
HAGIE MODEL 254 HI-TRACTOR

HAGIE MANUFACTURING COMPANY

BOX 273 CLARION, IOWA 50525 (515) 532-2861

COVERS MACHINE SERIAL NUMBERS: 045849001 thru 045849200
046349001 thru 046349200

12-93 493142
02-08

SPRAYER IDENTIFICATION

Each Hagie sprayer is identified by means of a frame serial number. This serial number denotes the model, the year in which it was built, and the number of the sprayer. As for further identification, the engine has a serial number and the planetary hubs have identification plates that describe the type of mount and gear ratio. To insure prompt, efficient service when ordering parts or requesting service repairs from Hagie Manufacturing Company, record the serial and identification numbers in the space provided below.

NOTE: Reference to left hand and right hand used throughout this manual refers to the position when seated in the operator's seat facing forward.

SPRAYER SERIAL NUMBER

ENGINE SERIAL NUMBER

PLANETARY HUB IDENTIFICATION NUMBERS

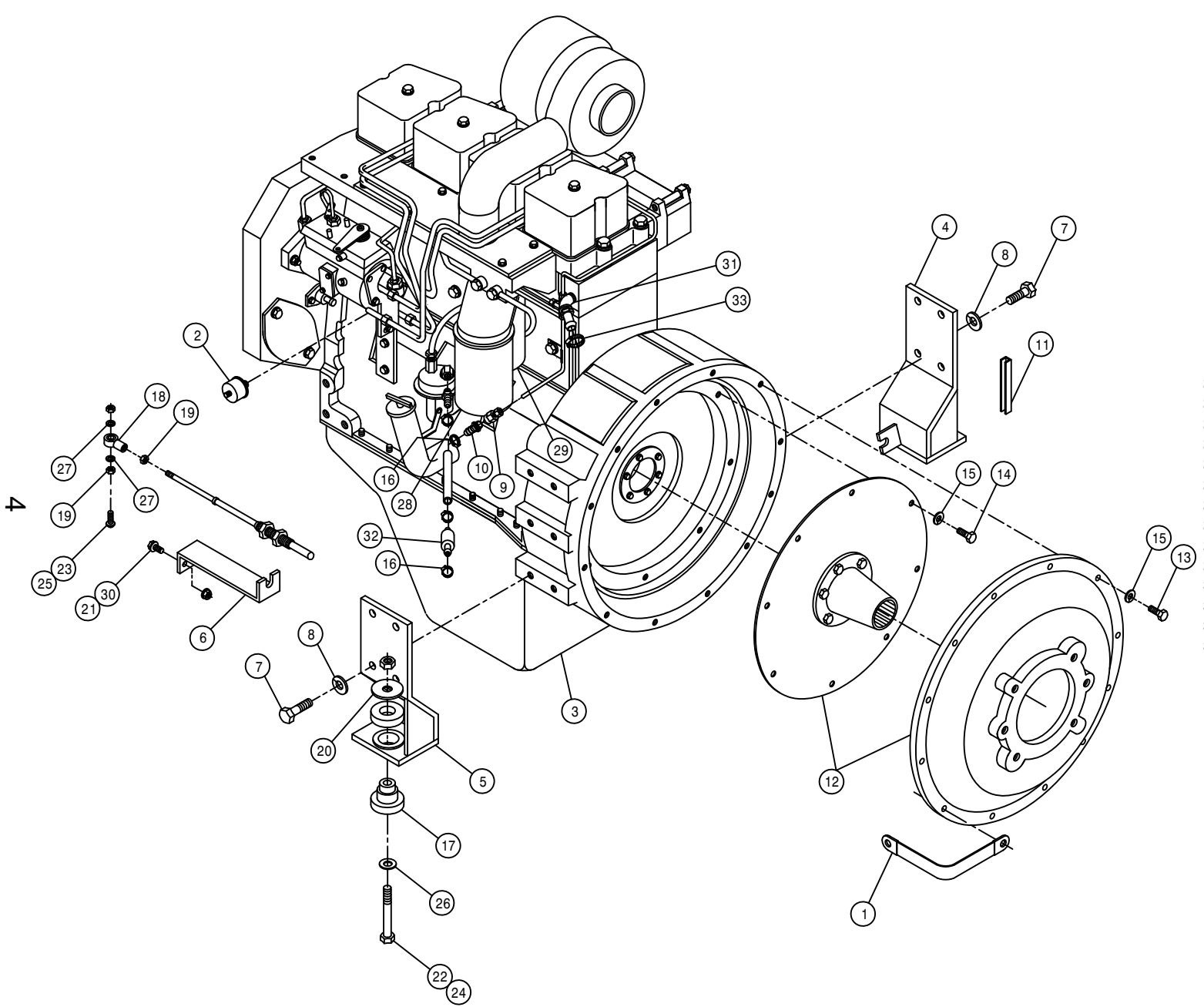
TABLE OF CONTENTS

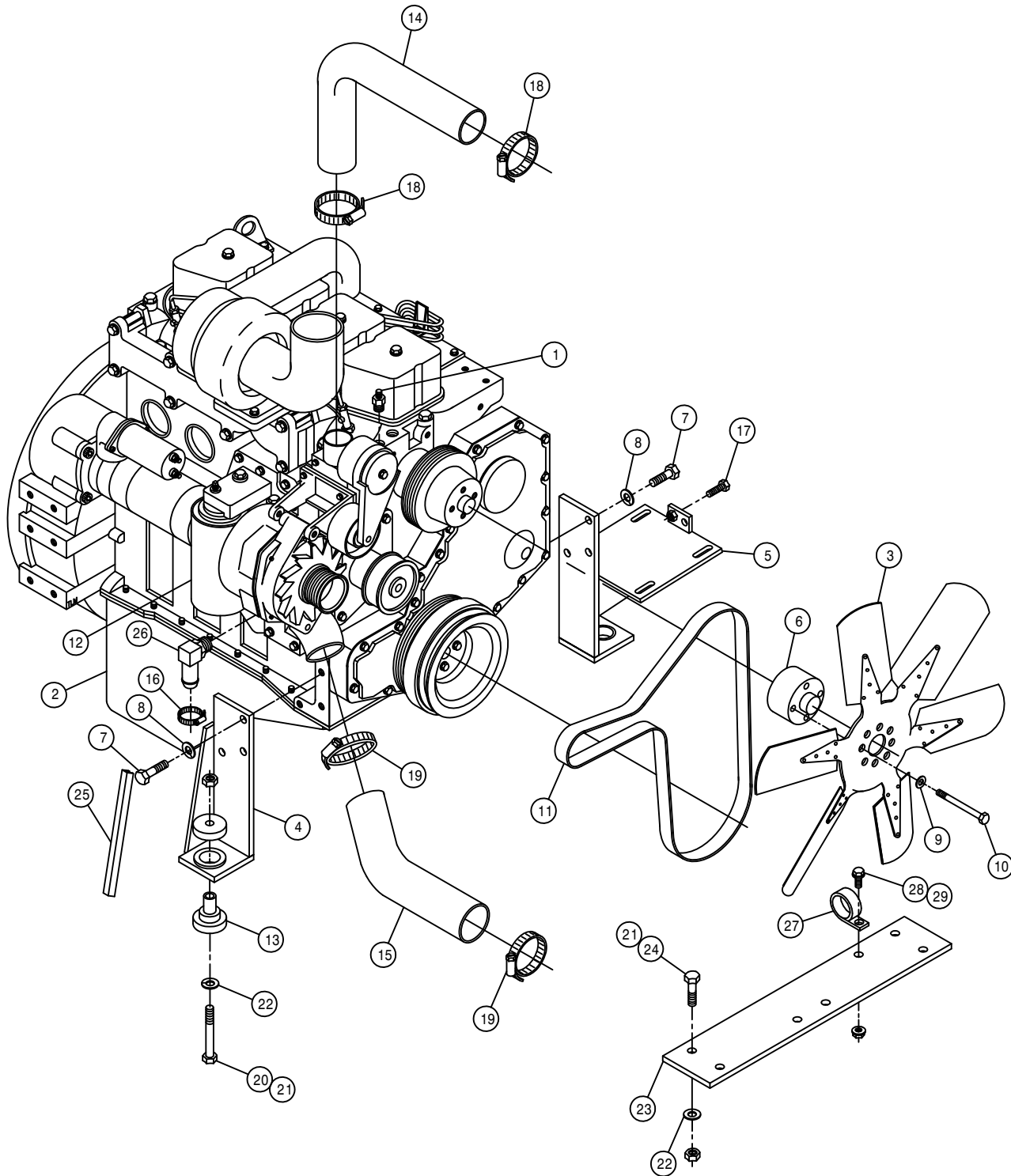
ENGINE ASSEMBLIES	4-8
FLOW DIVIDER AND FLUSHING VALVE9-11
A/C AND RADIATOR	12-13
AIR CLEANER AND EXHAUST PIPE.	14-16
LEG ASSEMBLIES.	18-20
TIRE.21
TIE ROD ASSEMBLY.22
STEERING CYLINDER23
MAINFRAME ASSEMBLY.	24-25
FUEL TANKS.	26-28
OIL TANK AND BATTERY.	29-30
SELECTOR VALVE.31
CAB ASSEMBLY.	32-36
INSTRUMENT PANEL ASSEMBLY37
CONSOLE ASSEMBLY.	38-41
BRAKE LEVER42
FLOW CONTROL.43
SHEET METAL	44-45
LADDER AND SERVICE PLATFORM ASSEMBLY.46
TANK SHIELDS.47
SOLUTION SYSTEM	48-53
TRANSOM, BOOM AND LIFT COMPONENTS	54-62
CROP GUIDES63
SOLUTION HOSING DIAGRAM64
RINSE OPTION.	65-67
HYPRO D-230 OPTION.	68-70
6FT DROP AND BEAN 35 ASSEMBLY	71-73
WHEEL DRIVE ASSEMBLY.	74-77
DECALS.	78-79
HYDRAULIC SCHEMATIC	80-99
ELECTRICAL SCHEMATIC.	100-115
ABBREVIATIONS	116
INDEX	117

CUMMINS ENGINE ASSEMBLY

DET. QTY PART NO. DESCRIPTION

DET.	QTY	PART NO.	DESCRIPTION
1	1	290107	ENG TO GROUND STRAP 8 IN
2	1	291610	OIL PRESS SENDER, 1/8NPT
3	1	316204	CUMMINS ENGINE 4BT3.9
4	1	316252	RH REAR ENG MT WLD, CUMM 94
5	1	316253	LH REAR ENG MT WLD, CUMM 94
6	1	316214	THROTTLE CABLE MT 4CYL CUMM92
7	8	473775	12MM-1.75 X 30MM HEX BOLT
8	8	473784	LOCKWASHER 12MM PL
9	1	618611	1/8FNPT-3/16 TUBE ADPTR, BRASS
10	1	711001	1/8 NPT X 5/16 HOSE BARB
11	1	193012	QUICKEDGE TRIM .135 TO .250
12	1	800495	SUND DRIVE ASSY, 2.83PILOT 14T
13	12	473792	10MM-1.50 X 30MM HEX BOLT
14	8	473793	10MM-1.50 X 20MM HEX BOLT
15	20	473798	LOCKWASHER 10MM PL
16	2	520120	HOSE CLAMP NO 4 PLATED MINI
17	2	311054	RUBBER MOUNT SET, CB-2202-4
18	1	473921	BALL JOINT NO 10-32 THD
19	2	910027	#10-32 HEX NUT
20	2	311055	REBOUND WASHER FOR 311054
21	2	470121	1/4UNC HEX FLANGED LOCK NUT
22	2	900271	1/2UNC X 3 1/4 HEX BOLT
23	1	903893	10 32 X 1 SLT RD HD MACH SCR
24	2	914008	1/2UNC HEX STOVER NUT
25	1	914027	#10-32 HEX STOVER NUT
26	2	920004	1/2 FLAT WASHER SAE
27	2	920510	LOCK WASH NO 10
28	1	316208	FUEL FILTER, PRIMARY CUMM 92
29	1	316209	FUEL FILTER, SECONDARY CUMM92
30	2	470118	1/4UNC X 3/4 FLANGED HEX BOLT
31	1	503211	BLK PIPE ST EL 45DEG .50NPT
32	1	319612	GAS LINE FILT NAPA3012&FRAM
33	1	520055	HOSE CLAMP NO 12 PLATED





CUMMINS ENGINE ASSEMBLY

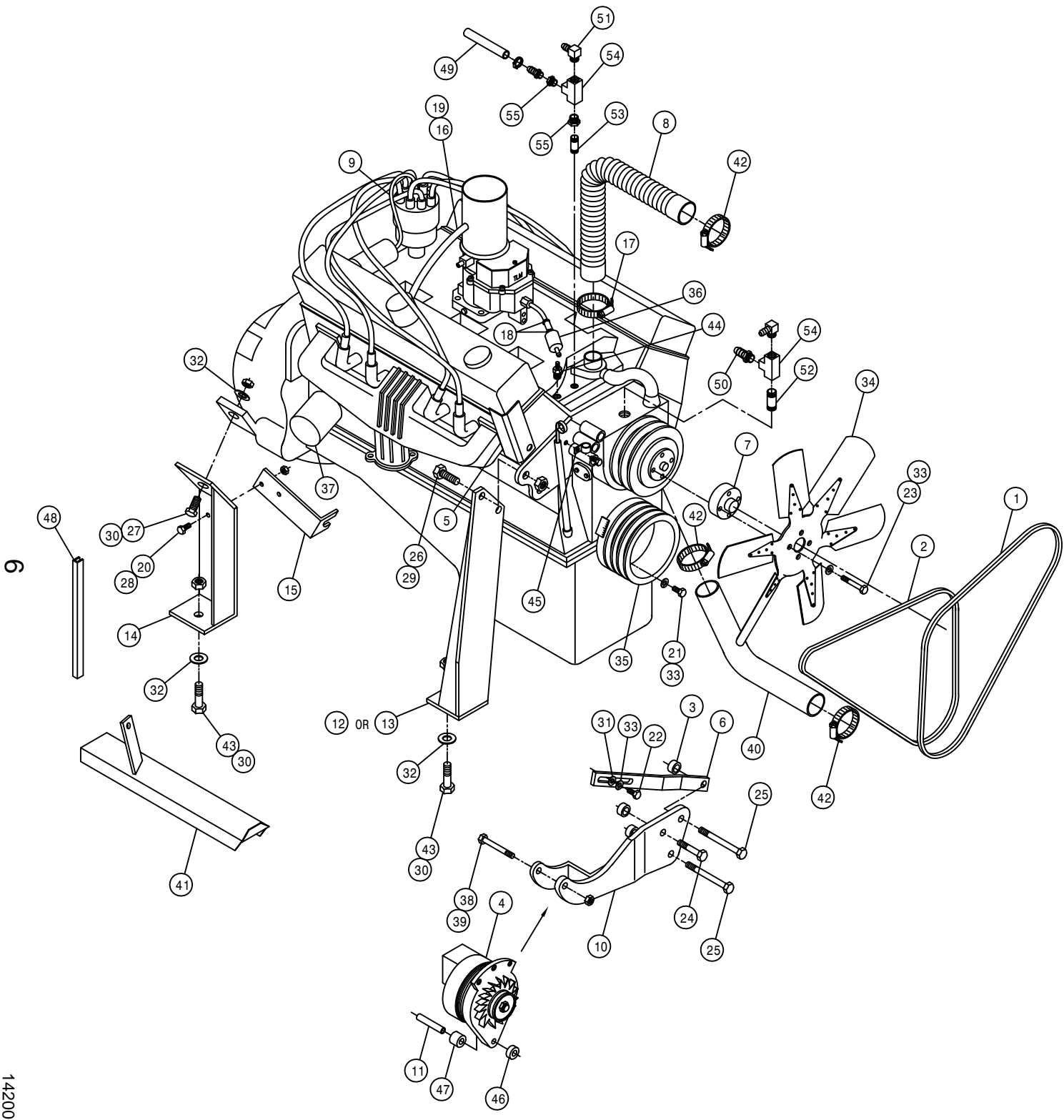
DET. QTY PART NO. DESCRIPTION

1	1	314836	TEMP SENDR 280D 1/2NPT FOR GA
2	1	316204	CUMMINS ENGINE 4BT3.9
3	1	316180	22 IN DIA 6 BLADE 2.25 PITCH
4	1	316250	RH FRT ENG MT WLD, CUMM 94
5	1	316251	LH FRT ENG MT WLD, CUMM 94
6	1	316199	22IN FAN SPACER CUMM 92
7	6	473775	12MM-1.75 X 30MM HEX BOLT
8	6	473784	LOCKWASHER 12MM PL
9	4	473804	8MM LOCKWASHER
10	4	473822	08MM-1.25 X 70MM HEX BOLT
11	1	316206	POLY V BELT CUMMINS DIESEL 92
12	1	316207	LUBE FILTER CUMMINS DIESEL 92
13	2	311053	RUBBER MOUNT SET,SSB26-1000-1
14	1	314832	RADIATOR HOSE 1.75 X 19
15	1	314886	RADIATOR HOSE 2 1/4 20717
16	1	520055	HOSE CLAMP NO 12 PLATED
17	1	900130	3/8UNC X 1 1/4 HEX BOLT
18	2	520067	HOSE CLAMP NO 28 PLATED
19	2	520099	HOSE CLAMP NO 40 PLATED
20	2	900271	1/2UNC X 3 1/4 HEX BOLT
21	6	914008	1/2UNC HEX STOVER NUT
22	6	920004	1/2 FLAT WASHER SAE
23	1	341968	TIE PLT 250/280 CUMM 92
24	4	900265	1/2UNC X 1 1/2 HEX BOLT
25	1	193012	QUICKEDGE TRIM .135 TO .250
26	1	618573	5/8 HOSE BARB-90-1/2MNPT
27	1	520126	CUSH HOSE CLAMP 2IN X 5/8W
28	1	470121	1/4UNC HEX FLANGED LOCK NUT
29	1	470118	1/4UNC X 3/4 FLANGED HEX BOLT

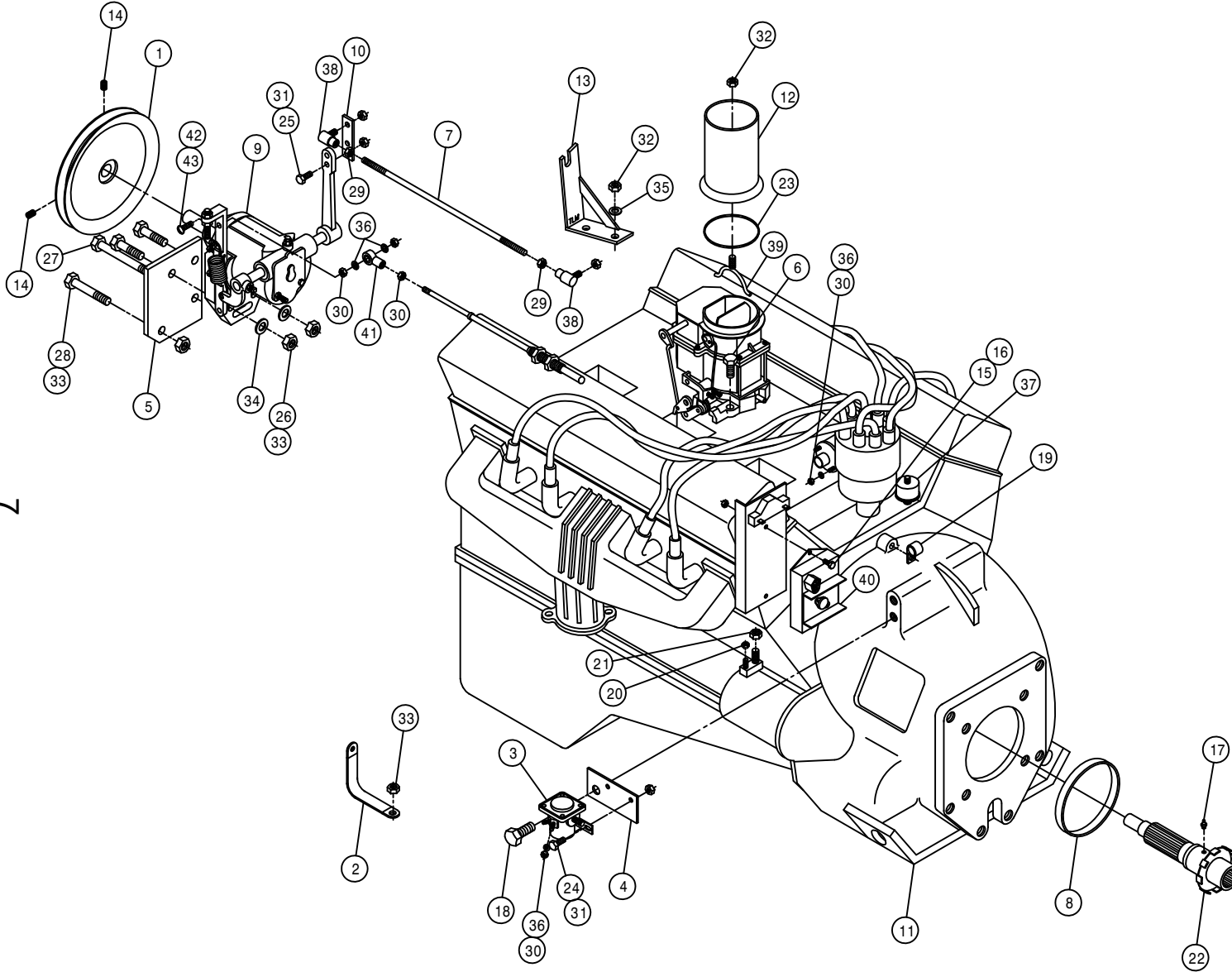
CHRYSLER ENGINE ASSEMBLY

DET. QTY PART NO. DESCRIPTION

DET.	QTY	PART NO.	DESCRIPTION
1	1	147000	BELT GATES 2490 TRUFLEX
2	1	147001	BELT GATES 7512
3	3	200015	.75 OD X 11GA WA X .38LG C/L
4	1	291487	72 AMP ALT W/ REGULATOR
5	1	314303	EXHAUST MANIF HEAT SHIELD
6	1	314309	ALT ADJ ARM
7	1	314359	FAN SPACER CHRY 383014
8	1	314832	RADIATOR HOSE 1.75 X 19
9	1	314841	COIL WIRE FOR CHRY 318
10	1	314849	CHRY 72A ALT MT WLD 90
11	1	314852	CHRY 72A ALT MT SLV PRESTO 90
12	1	341793	RH FRT MTR MT WLD 200 318 89
13	1	341794	LH FRT MTR MT WLD 200 318 89
14	2	341797	REAR MTR MT WLD 200 318 89
15	1	341815	HYDST CABLE MT 200 CHRY 318
16	2	520070	HOSE CLAMP NO 8 PLATED
17	1	520085	HOSE CLAMP NO 24 PLATED
18	2	520120	HOSE CLAMP NO 4 PLATED MINI
19	1	601151	HOSE, 5/8 X 12 HEATER
20	2	900002	1/4UNC X 3/4 HEX BOLT
21	6	900064	5/16UNC X 3/4 HEX BOLT
22	1	900065	5/16UNC X 1 HEX BOLT
23	4	900069	5/16UNC X 2 HEX BOLT
24	1	900132	3/8UNC X 1 3/4 HEX BOLT
25	2	900142	3/8UNC X 5 HEX BOLT
26	4	900198	7/16UNC X 1 3/4 HEX BOLT
27	2	900283	1/2UNC X 2 1/4 HEX BOLT
28	2	914000	1/4UNC HEX STOVER NUT
29	4	914006	7/16UNC HEX STOVER NUT
30	6	914008	1/2UNC HEX STOVER NUT
31	1	920001	5/16 FLAT WASHER SAE PLT
32	6	920004	1/2 FLAT WASHER SAE
33	11	920501	LOCK WASH 5/16
34	1	316180	22 IN DIA 6 BLADE 2.25 PITCH
35	1	314824	3GR CRANK PULLEY CHRY 318
36	1	314388	FUEL LINE W/ FILT CHRY 318
37	1	319260	PH8 FRAM FILT OIL
38	1	900137	3/8UNC X 3 1/4 HEX BOLT
39	1	914004	3/8UNC HEX STOVER NUT
40	1	314417	LWR RAD HOSE 8240 82 318 CHRY
41	1	314428	CABLE HEAT SHLD WLD CHRY 318
42	3	520067	HOSE CLAMP NO 28 PLATED
43	4	900265	1/2UNC X 1 1/2 HEX BOLT
44	1	314437	TEMP SENDR 280D 1/8NPT FOR GA
45	1	520128	CUSH HOSE CLAMP 9/16D X 3/4W
46	1	314853	CHRY ALT FRONT BUSH PRESTO 90
47	1	314854	CHRY ALT REAR BUSH PRESTO 90
48	2	193012	QUICKEDGE TRIM .135 TO .250
49	1	601347	HOSE, 3/8 X 10" FUEL LINE
50	1	713341	3/8 NPT X 5/8 HOSE BARB, BRS
51	1	716006	5/8 HOSE BARB-90-3/8MNPT, BRS
52	1	502702	PIPE NIPPLE,3/8NPT X 2 LG BRS
53	1	502703	PIPE NIPPLE,1/4NPT X 2"LG BRS
54	2	502911	3/8FNPT PIPE TEE, BRS
55	2	505211	3/8-1/4NPT REDU BUSH, BRS



CHRYSLER ENGINE ASSEMBLY

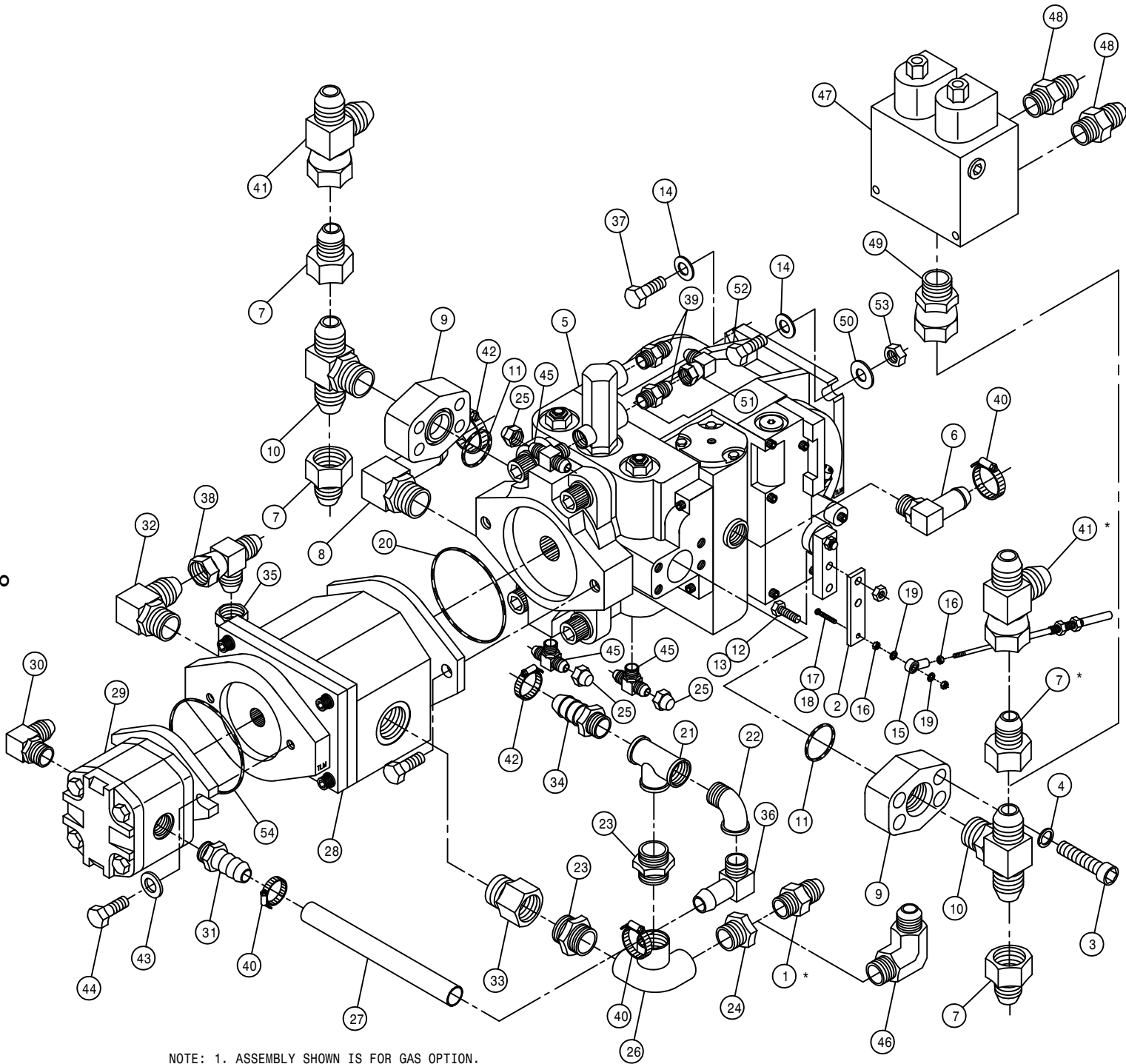


DET.	QTY	PART NO.	DESCRIPTION
	1	147030	6IN PULLEY A GR 5/8 BORE
	2	290109	GROUND STRAP, 8IN 17/32 HOLES
	3	310491	STARTER SOLENOID FORD 300 ENG
	4	311021	START SOLENOID MT 473 CHRY
	5	311044	GOV MT WLD
	6	900065	5/16UNC X 1 HEX BOLT
	7	314311	GOV CONTROL ROD
	8	314323	SUND PUMP SPACER RING 647 3/8
	9	314337	GOV REWORKED 647
	10	314341	GOV ARMEXTENSION647CHRY
	11	314922	CHRY ENGINE 5.2L 93
	12	314732	AIR INTAKE TUBE WLD 2840 82
	13	314918	THROT CABLE BRKT WLD CHRY 93
	14	470054	SET SCREW 5/16X 1/4 AL HD CUP
	15	470121	1/4UNC HEX FLANGED LOCK NUT
	16	470122	1/4UNC X 1/2 FLANGED HEX BOLT
	17	471005	1/4 28 X 1/2 GREASE ZERK
	18	472363	9/16UNC X 3/4 HEX BOLT
	19	520128	CUSH HOSE CLAMP 9/16D X 3/4W
	20	473770	05MM-.80 HEX NUT
	21	473778	08MM-1.25 HEX NUT
	22	800490	CHRY 318 OUTPUT SHFT WLD 14T
	23	870334	NEO ORING 2 5/8 X 3
	24	900000	1/4UNC X 1/2 HEX BOLT
	25	900002	1/4UNC X 3/4 HEX BOLT
	26	900131	3/8UNC X 1 1/2 HEX BOLT
	27	900142	3/8UNC X 5 HEX BOLT
	28	900170	3/8UNC X 2 1/4 HEX BOLT
	29	910001	1/4UNF HEX NUT
	30	910027	#10-32 HEX NUT
	31	914000	1/4UNC HEX STOVER NUT
	32	914002	5/16UNC HEX STOVER NUT
	33	914004	3/8UNC HEX STOVER NUT
	34	920002	WASH FLAT 3/8 SAE
	35	920501	LOCK WASH 5/16
	36	920510	LOCK WASH NO 10
	37	291610	OIL PRESS SENDER, 1/8NPT
	38	473918	BALL JOINT 1/4 28 FEM STUDED
	39	314649	AIRINTK CLAMP FOR 314453 CARB
	40	314362	ELECT IGN MODULATOR 647
	41	473921	BALL JOINT NO 10-32 THD
	42	914027	#10-32 HEX STOVER NUT
	43	903893	10 32 X 1 SLT RD HD MACH SCR

7

SUNDSTRAND PUMP ASSEMBLY

8

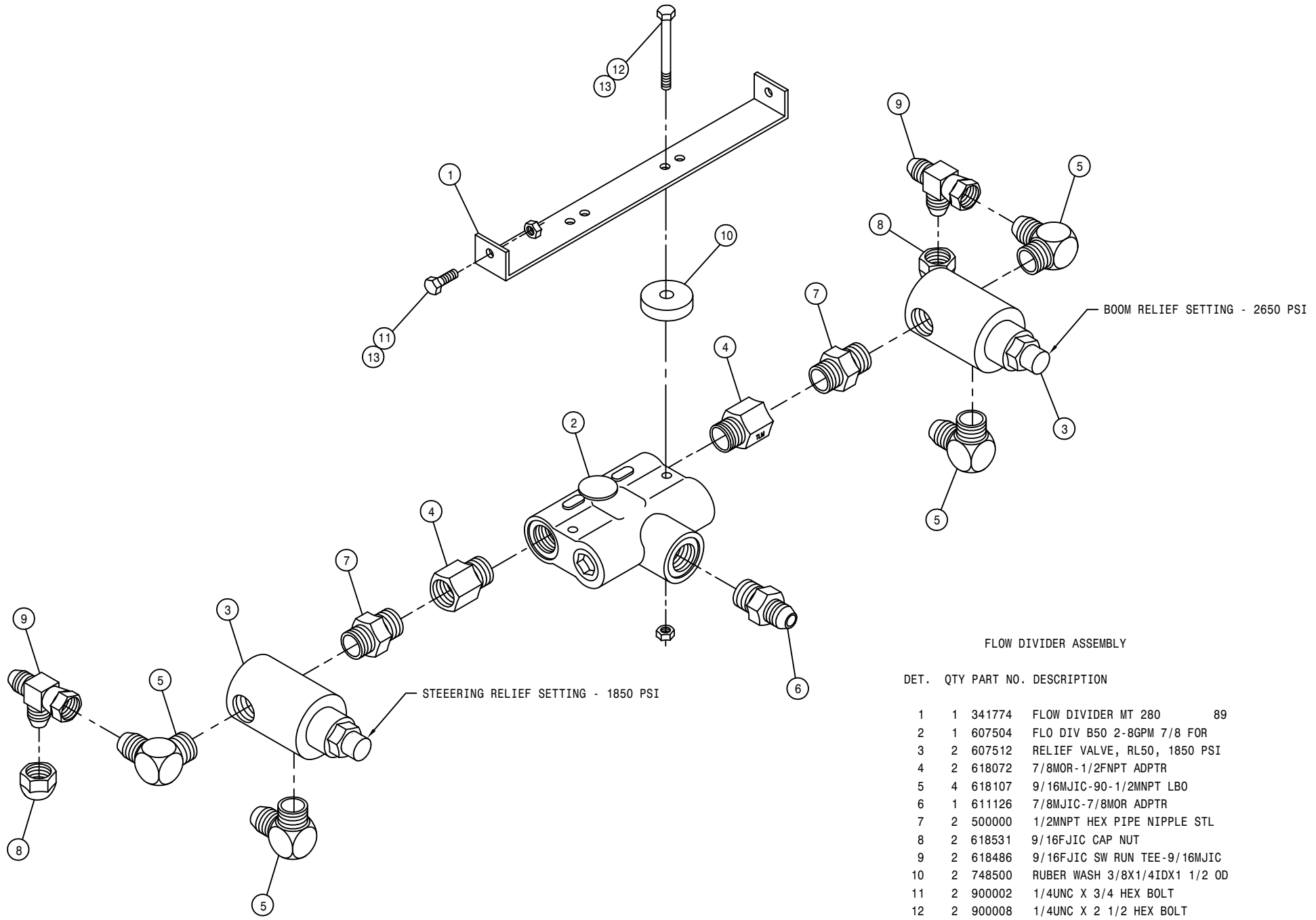


DET.	QTY	PART NO.	DESCRIPTION
1	1	610300	3/4MJIC-3/4MNPT ADPTR
2	1	316160	PUMP CONT LEVER EXT 280 CUMM
3	8	470188	7/16-14 X 1 1/2 SOCHD CAP SCR
4	8	470189	7/16 HC LOCK WASH FOR 618598
5	1	606911	SUND 75CC PUMP,B-MT W/FILT
6	1	618118	3/4 HOSE BARB-90-1 1/16MOR
7	4	618541	1 5/16FJIC-1 1/16MJIC ADPTR
8	1	618564	1IN HOSE BARB-90-1 5/16MOR
9	2	618598	1 IN 4-BOLT FLG X 1 5/16FOR
10	2	618599	1 5/16MOR BRANCH TEE-1 5/16MJ
11	2	870219	BUNA ORING 1 5/16 X 1 9/16
12	2	900003	1/4UNC X 1 HEX BOLT
13	2	914000	1/4UNC HEX STOVER NUT
14	4	920004	1/2 FLAT WASHER SAE
15	1	473921	BALL JOINT NO 10-32 THD
16	2	910027	#10-32 HEX NUT
17	1	903893	10 32 X 1 SLT RD HD MACH SCR
18	1	914027	#10-32 HEX STOVER NUT
19	2	920510	LOCK WASH NO 10
20	1	606870	O-RING FOR 606865 SUND B-MT
21	1	505101	BLK PIPE TEE 1.00NPT
22	1	505200	BLK PIPE ST EL 90DEG 1.00NPT
23	2	505105	1MNPT HEX PIPE NIPPLE STL
24	1	505213	RED BUSH 1 X 3/4 BLK MAL
25	3	618531	9/16FJIC CAP NUT
26	1	505098	SIDE OUTLET EL 90DEG 1.00NPT
27	1	601311	HOSE, 3/4 X 8 2BR RED
28	1	606897	SUND GEAR PUMP 1.34CI SPLINED
29	1	606891	SUND GEAR PMP .52CI SPLINED
30	1	611128	7/8MJIC-90-7/8MOR LBO
31	1	618075	3/4 HOSE BARB-1 1/16MOR
32	1	618535	7/8MJIC-90-1 1/16MOR LBO
33	1	618090	1 5/16MOR-1FNPT ADPTR
34	1	714560	1NPT X 1 HOSE BARB
35	1	618328	7/8FJIC CAP NUT
36	1	716000	3/4 HOSE BARB-90-1MNPT
37	2	900266	1/2UNC X 1 3/4 HEX BOLT
38	1	618333	7/8FJIC SW RUN TEE-7/8MJIC
39	2	618327	3/4MJIC-7/8MOR ADPTR
40	3	520055	HOSE CLAMP NO 12 PLATED
41	2	618487	1 1/16FJ SW RUN TEE-1 1/16MJ
42	2	520087	HOSE CLAMP NO 20 PLATED
43	2	920002	WASH FLAT 3/8 SAE
44	2	900130	3/8UNC X 1 1/4 HEX BOLT
45	3	618629	9/16MOR BRANCH TEE-9/16MJIC
46	1	610305	3/4MJIC-90-3/4MNPT LBO
47	1	610586	POSITRACTION VLV 94
48	2	618308	1 1/16MJIC-1 5/16MOR ADPTR
49	1	618588	1 5/16MOR-1 5/16FJIC SWIV
50	2	483041	1/2 REGULAR FLAT WASH PLT
51	1	618609	3/4MJIC-90-3/4FJIC SWIV LBO
52	2	900267	1/2UNC X 2 HEX BOLT
53	2	914008	1/2UNC HEX STOVER NUT
54	1	606924	O-RING FOR SUND A-MOUNT

NOTE: 1. ASSEMBLY SHOWN IS FOR GAS OPTION.

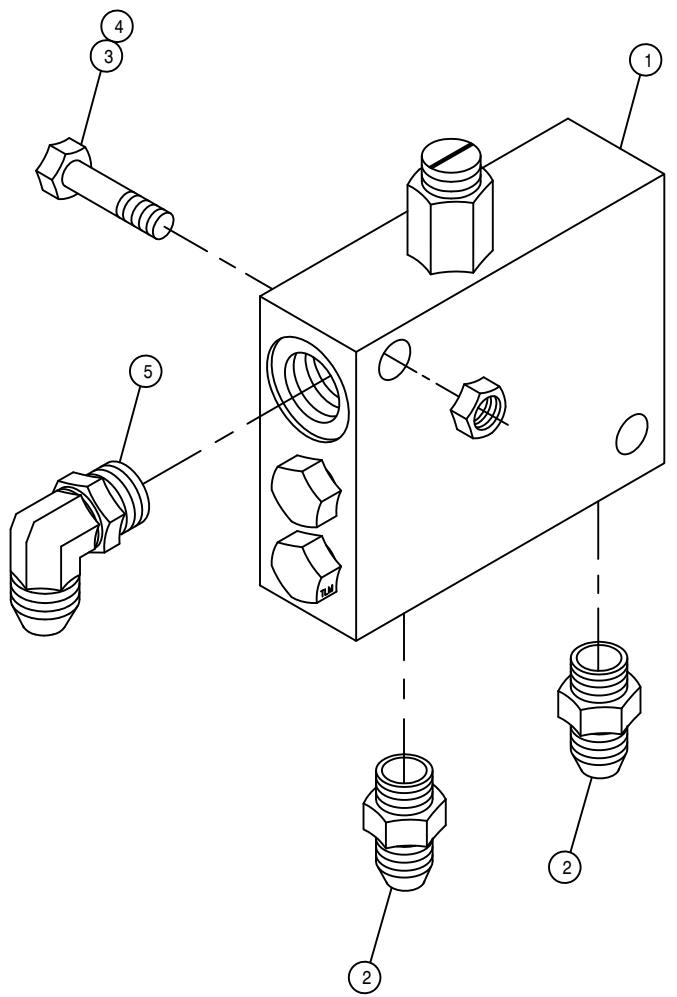
2. FOR DIESEL OPTION REPLACE ITEMS 14, 37,50,52, AND 53 WITH (4) 900265 - 1/2 UNC X 1 1/2 HEX BOLT AND (4) 920004 - 1/2 SAE FLAT WASHER.

*3. PUMP ASSEMBLY WITH TRACTION VALVE DELETE DETAILS 1, 7, AND 41. THEN ADD DETAILS 46, 47, 48, AND 49.



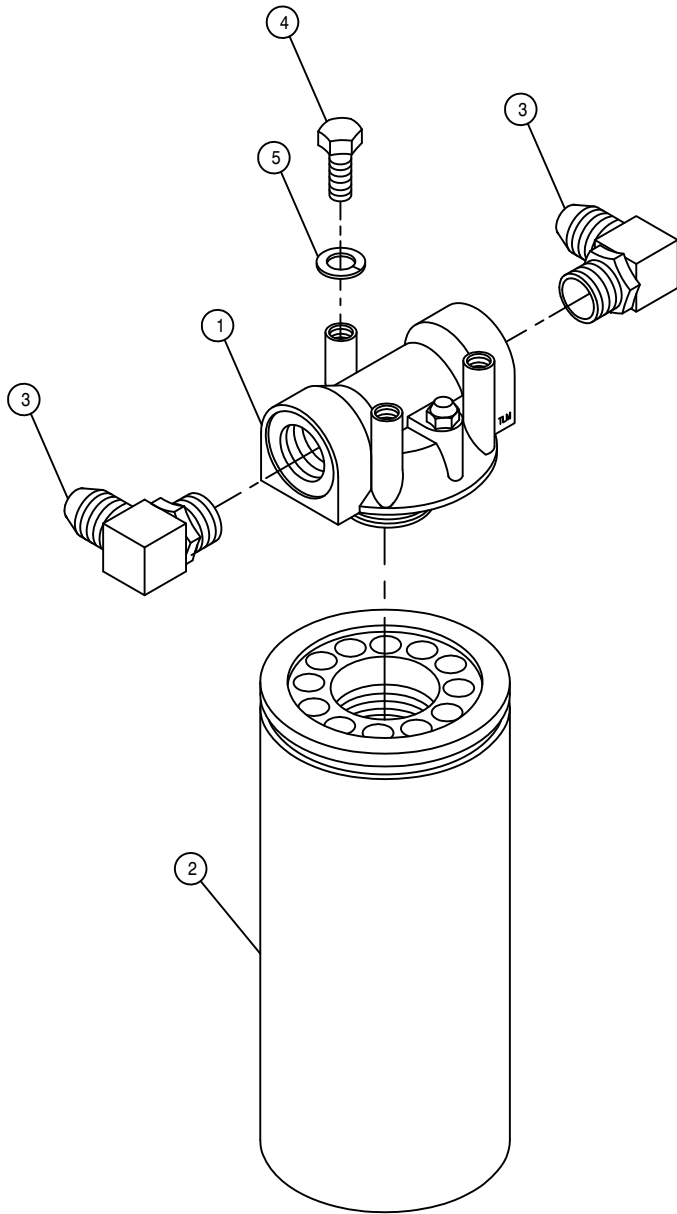
FLOW DIVIDER ASSEMBLY

DET.	QTY	PART NO.	DESCRIPTION	
	1	341774	FLOW DIVIDER MT 280	89
	2	607504	FLO DIV B50 2-8GPM 7/8 FOR	
	3	607512	RELIEF VALVE, RL50, 1850 PSI	
	4	618072	7/8MOR-1/2FNPT ADPTR	
	5	618107	9/16MJIC-90-1/2MNPT LBO	
	6	611126	7/8MJIC-7/8MOR ADPTR	
	7	500000	1/2MNPT HEX PIPE NIPPLE STL	
	8	618531	9/16FJIC CAP NUT	
	9	618486	9/16FJIC SW RUN TEE-9/16MJIC	
	10	748500	RUBER WASH 3/8X1/4IDX1 1/2 OD	
	11	900002	1/4UNC X 3/4 HEX BOLT	
	12	900008	1/4UNC X 2 1/2 HEX BOLT	
	13	914000	1/4UNC HEX STOVER NUT	



LOOP FLUSHING VALVE ASSEMBLY

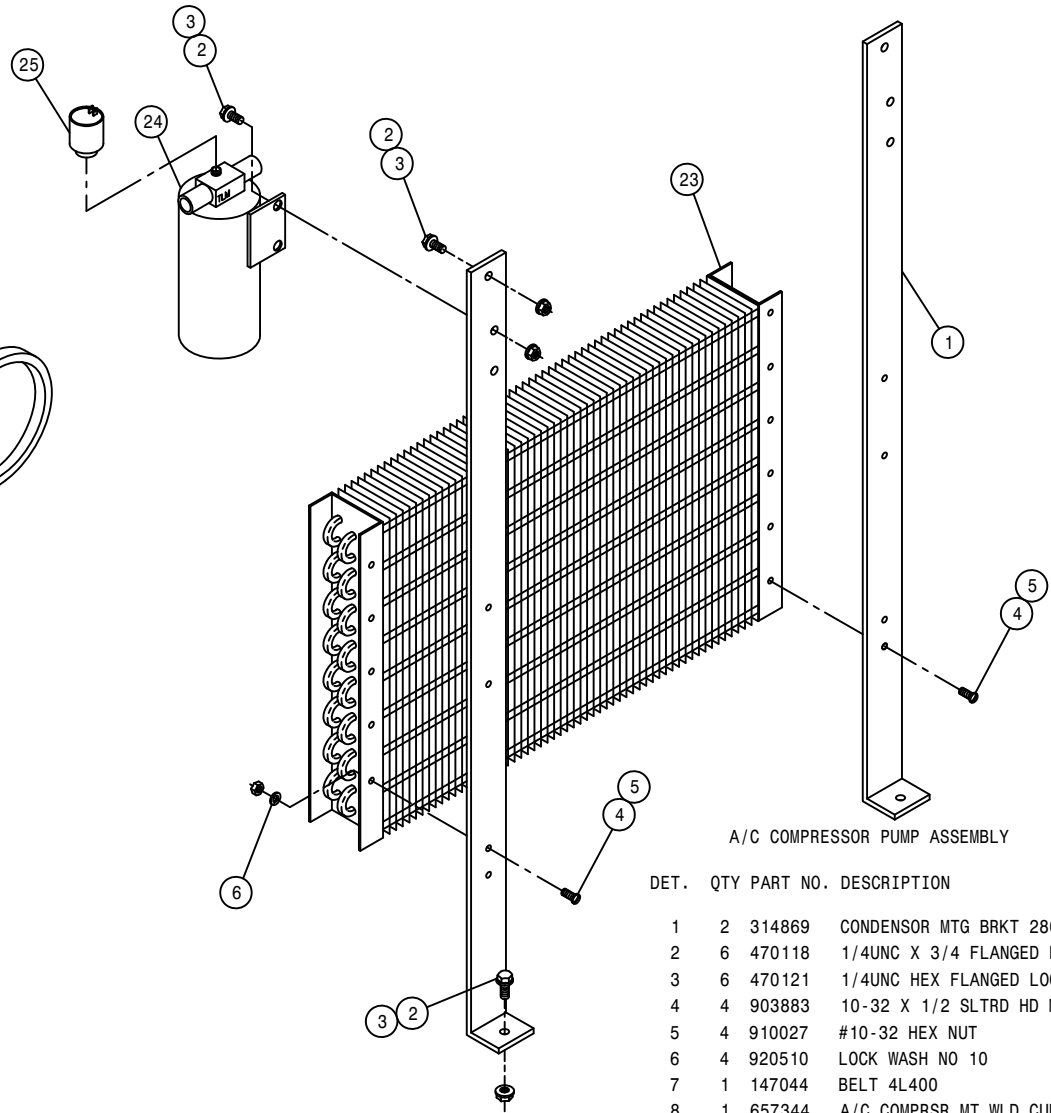
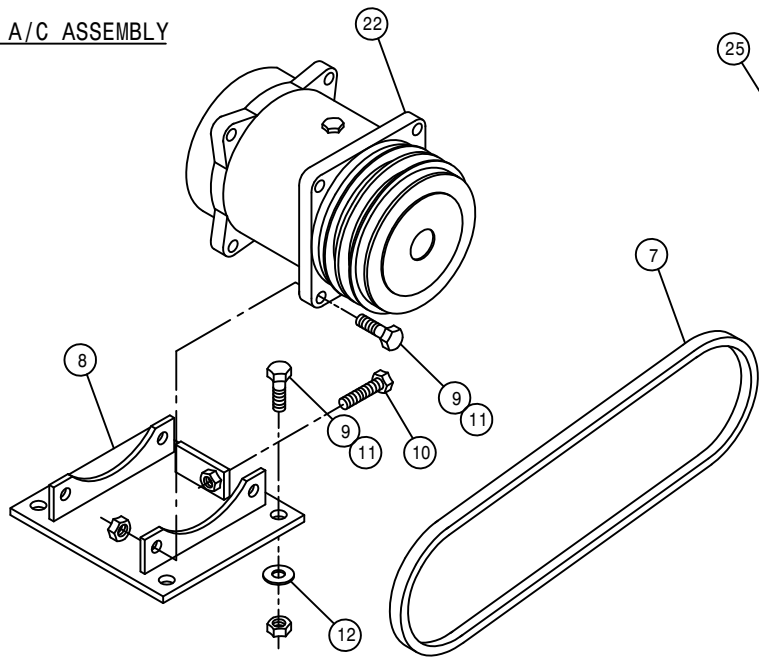
DET.	QTY	PART NO.	DESCRIPTION
1	1	610580	REMOTE FLUSHING VALVE, SUND
2	2	618126	9/16MJC-9/16MOR ADPTR
3	2	900133	3/8UNC X 2 HEX BOLT
4	2	914004	3/8UNC HEX STOVER NUT
5	1	618119	9/16MJC-90-9/16MOR LBO



HI-PRESS FILTER ASSEMBLY

DET.	QTY	PART NO.	DESCRIPTION
	1	605606	FILTER HEAD, ZINZA HI-PRESS
	1	605607	FILTER, 10 MICRON ZINGA, HIPRES
	2	618474	3/4MJIC-90-1 1/16MOR LBO
	3	900064	5/16UNC X 3/4 HEX BOLT
	3	920501	LOCK WASH 5/16

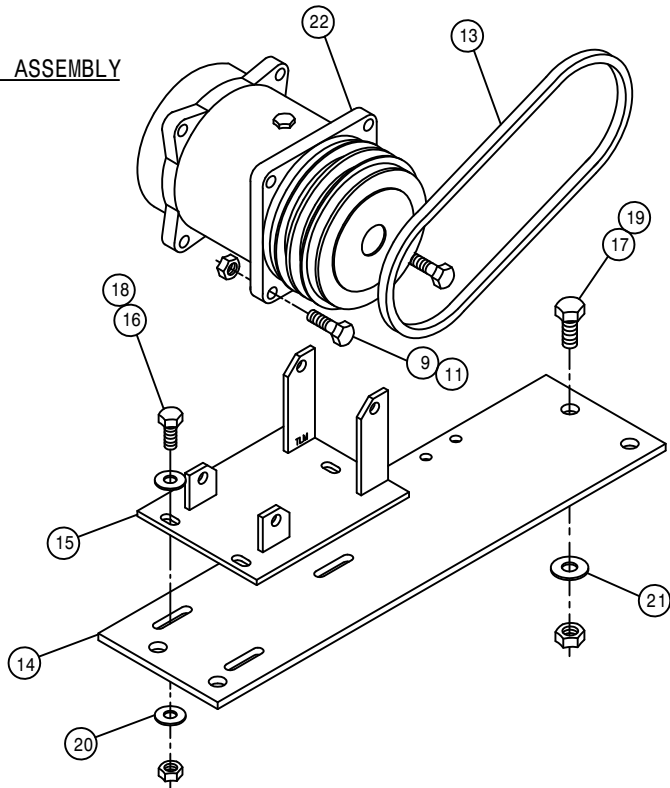
CUMMINS A/C ASSEMBLY

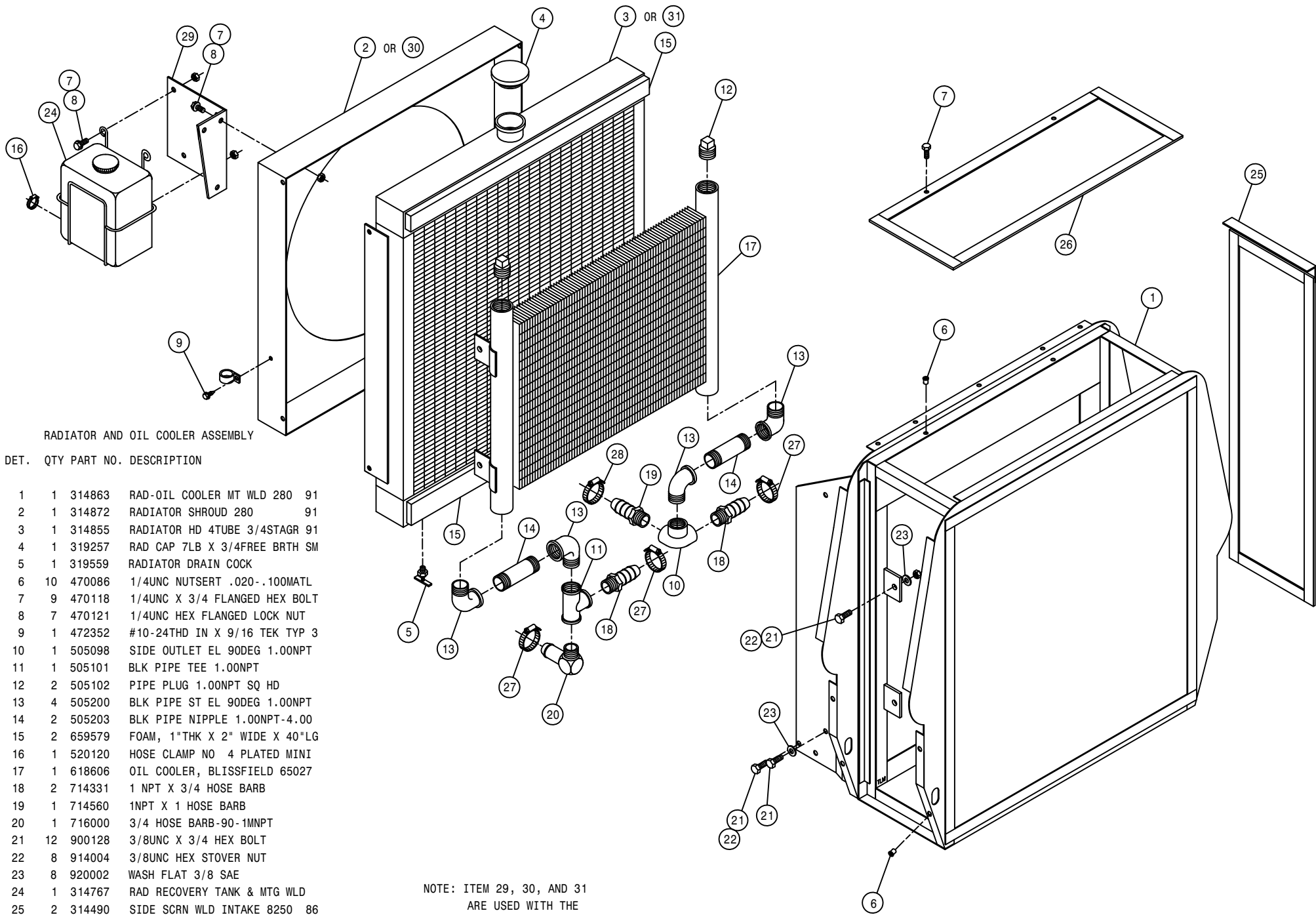


A/C COMPRESSOR PUMP ASSEMBLY

DET.	QTY	PART NO.	DESCRIPTION
	1	2	314869 CONDENSOR MTG BRKT 280 91
	2	6	470118 1/4UNC X 3/4 FLANGED HEX BOLT
	3	6	470121 1/4UNC HEX FLANGED LOCK NUT
	4	4	903883 10-32 X 1/2 SLTRD HD MACH SCR
	5	4	910027 #10-32 HEX NUT
	6	4	920510 LOCK WASH NO 10
	7	1	147044 BELT 4L400
	8	1	657344 A/C COMPRSR MT WLD CUMM 92
	9	12	900130 3/8UNC X 1 1/4 HEX BOLT
	10	1	906132 3/8UNC X 1 3/4 HEX BOLT FULL
	11	12	914004 3/8UNC HEX STOVER NUT
	12	4	920002 WASH FLAT 3/8 SAE
	13	1	147023 7365 BELT
	14	1	341955 A/C COMPSR MTG PLT 250CHRY 91
	15	1	657341 A/C COMPSR MT WLD CHRY 250 91
	16	3	900065 5/16UNC X 1 HEX BOLT
	17	4	900264 1/2UNC X 1 1/4 HEX BOLT
	18	3	914002 5/16UNC HEX STOVER NUT
	19	4	914008 1/2UNC HEX STOVER NUT
	20	6	920001 5/16 FLAT WASHER SAE PLT
	21	4	920004 1/2 FLAT WASHER SAE
	22	2	657352 A/C COMPRESSOR, R134A
	23	1	657348 CONDSR COIL FOR 657309
	24	1	657351 A/C DRIER, O-RING TYPE
	25	1	657350 A/C BINARY SWITCH

CHRYSLER A/C ASSEMBLY



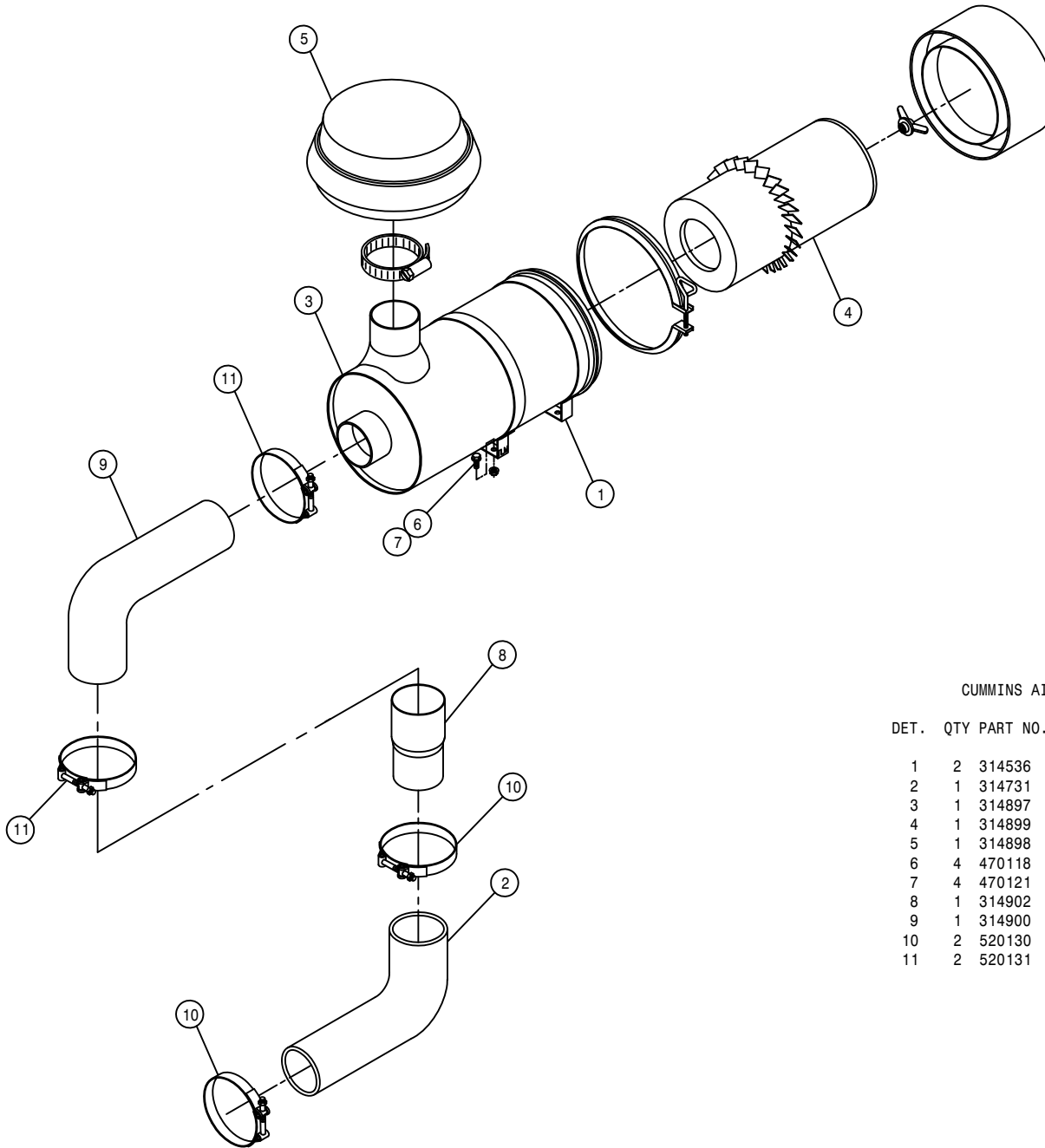


RADIATOR AND OIL COOLER ASSEMBLY

DET. QTY PART NO. DESCRIPTION

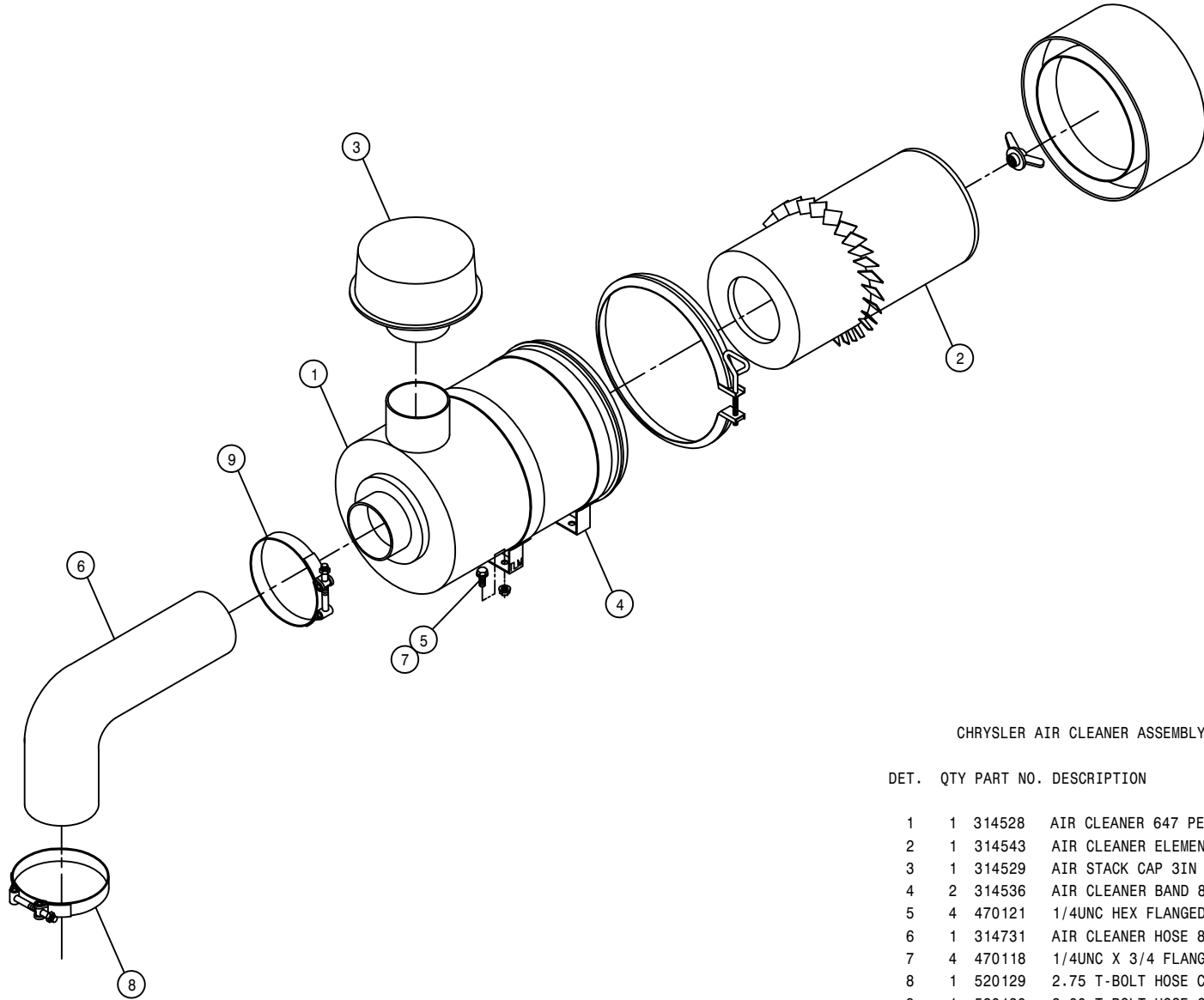
1	1	314863	RAD-OIL COOLER MT WLD 280 91
2	1	314872	RADIATOR SHROUD 280 91
3	1	314855	RADIATOR HD 4TUBE 3/4STAGR 91
4	1	319257	RAD CAP 7LB X 3/4FREE BRTH SM
5	1	319559	RADIATOR DRAIN COCK
6	10	470086	1/4UNC NUTSERT .020-.100MATL
7	9	470118	1/4UNC X 3/4 FLANGED HEX BOLT
8	7	470121	1/4UNC HEX FLANGED LOCK NUT
9	1	472352	#10-24THD IN X 9/16 TEK TYP 3
10	1	505098	SIDE OUTLET EL 90DEG 1.00NPT
11	1	505101	BLK PIPE TEE 1.00NPT
12	2	505102	PIPE PLUG 1.00NPT SQ HD
13	4	505200	BLK PIPE ST EL 90DEG 1.00NPT
14	2	505203	BLK PIPE NIPPLE 1.00NPT-4.00
15	2	659579	FOAM, 1"THK X 2" WIDE X 40"LG
16	1	520120	HOSE CLAMP NO 4 PLATED MINI
17	1	618606	OIL COOLER, BLISSFIELD 65027
18	2	714331	1 NPT X 3/4 HOSE BARB
19	1	714560	1NPT X 1 HOSE BARB
20	1	716000	3/4 HOSE BARB-90-1MNPT
21	12	900128	3/8UNC X 3/4 HEX BOLT
22	8	914004	3/8UNC HEX STOVER NUT
23	8	920002	WASH FLAT 3/8 SAE
24	1	314767	RAD RECOVERY TANK & MTG WLD
25	2	314490	SIDE SCR N WLD INTAKE 8250 86
26	1	314495	TOP SCR N WLD INTAKE 8250 86
27	3	520055	HOSE CLAMP NO 12 PLATED
28	1	520087	HOSE CLAMP NO 20 PLATED
29	1	314893	RECOVERY TANK MTG BRKT 280 92
30	1	314884	RAD SHROUD 250/280 DIESEL 92
31	1	314885	RADIATOR HD 4TUBE RH-OUT 92

NOTE: ITEM 29, 30, AND 31
ARE USED WITH THE
DIESEL OPTION.



CUMMINS AIR CLEANER ASSEMBLY

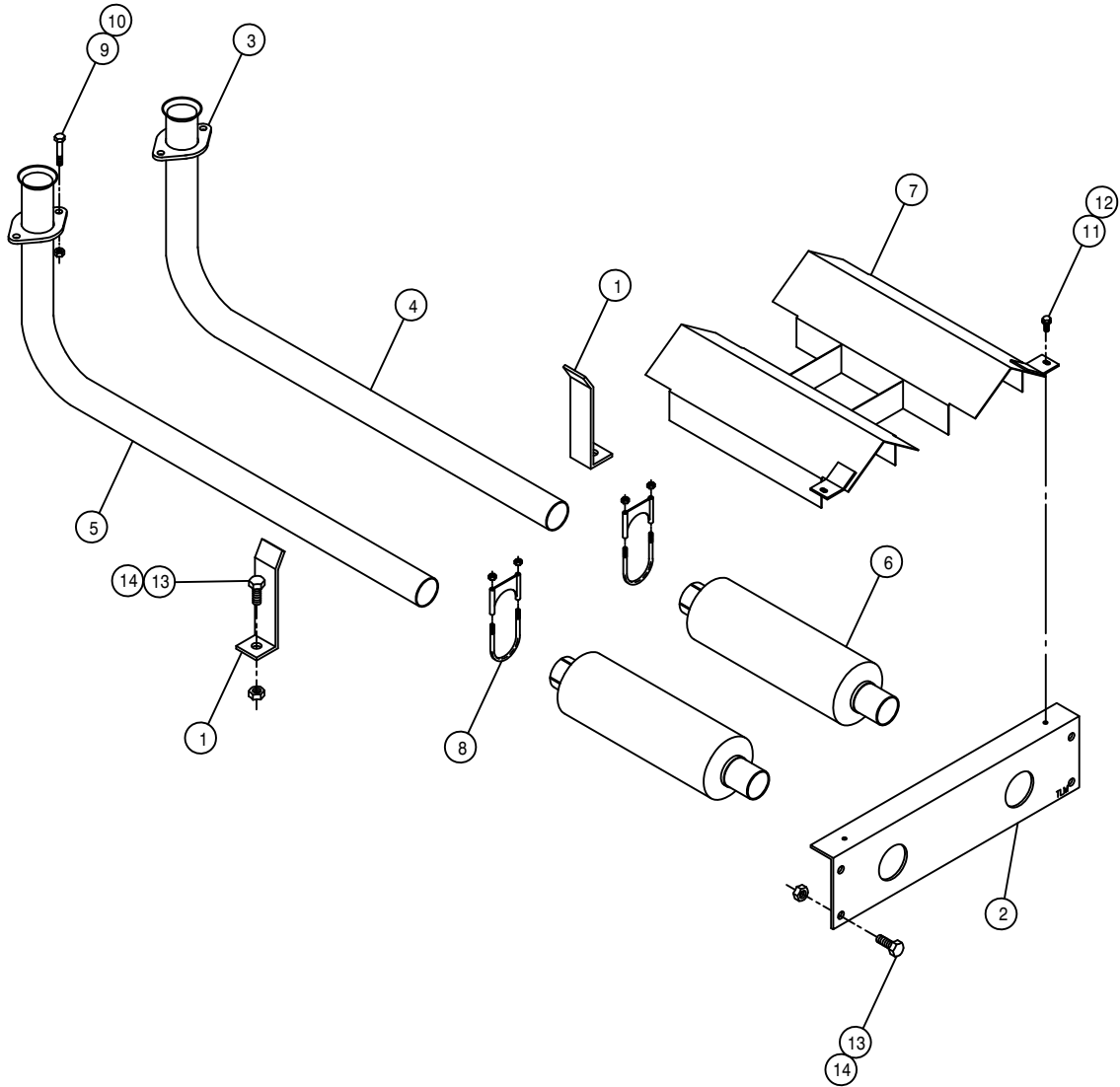
DET.	QTY	PART NO.	DESCRIPTION
1	2	314536	AIR CLEANER BAND 8IN DONALDSON
2	1	314731	AIR CLEANER HOSE, 3" ID 90DEG
3	1	314897	AIR CLEANER, 280 CFM
4	1	314899	AIR CLEANER ELEMENT FOR314897
5	1	314898	AIR CLEANER HOOD FOR 314897
6	4	470118	1/4UNC X 3/4 FLANGE HEX BOLT
7	4	470121	1/4UNC HEX FLANGE LOCK NUT
8	1	314902	3.50 - 3.00 X 6.00LG PIPE
9	1	314900	3.50 90 DEG AIR INTAKE HOSE
10	2	520130	3.00 T-BOLT HOSE CLAMP
11	2	520131	3.50 T-BOLT HOSE CLAMP



CHRYSLER AIR CLEANER ASSEMBLY

DET. QTY PART NO. DESCRIPTION

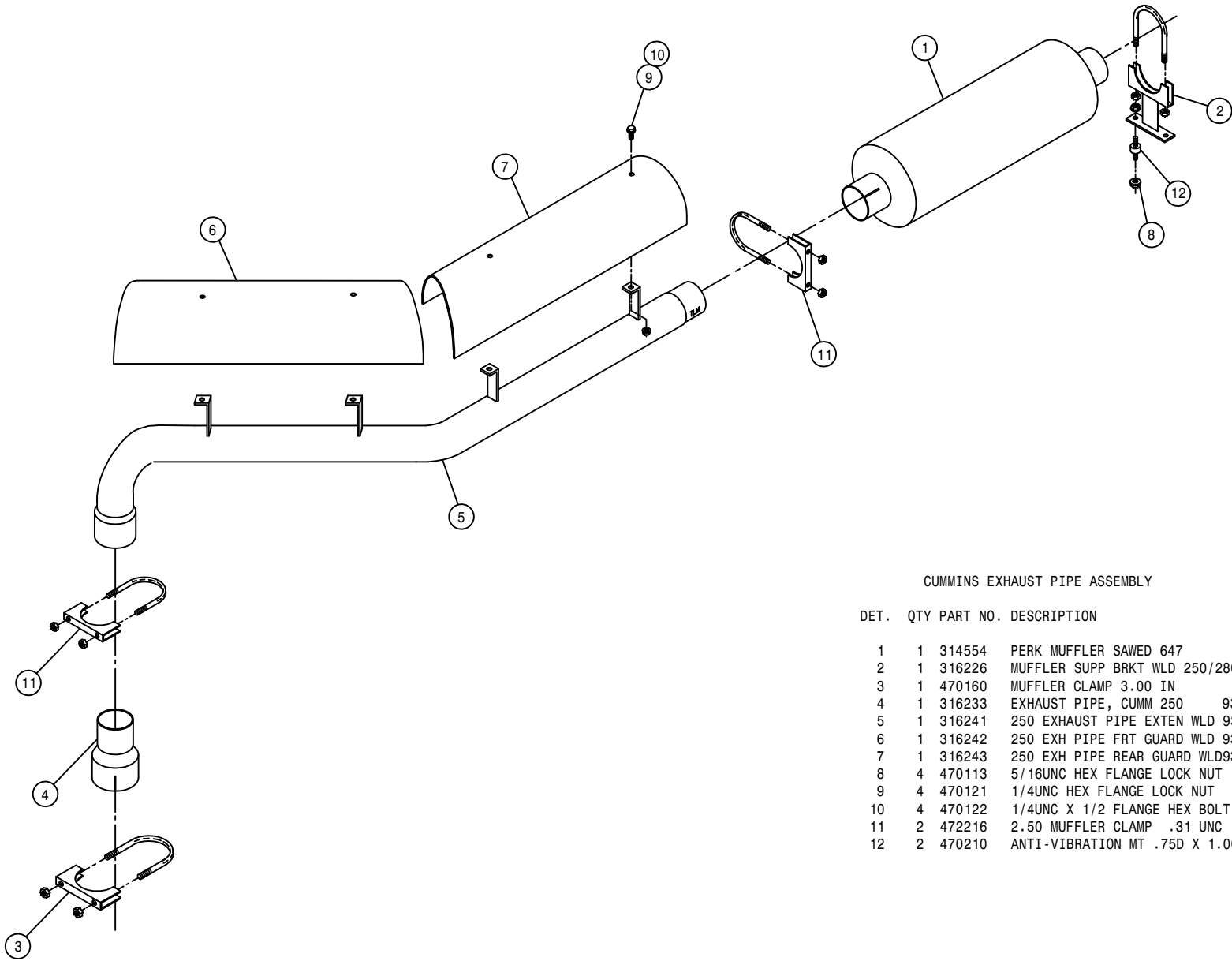
1	1	314528	AIR CLEANER 647 PERK
2	1	314543	AIR CLEANER ELEMENT PERK 6
3	1	314529	AIR STACK CAP 3IN PERK 6CY
4	2	314536	AIR CLEANER BAND 8IN DONALDSON
5	4	470121	1/4UNC HEX FLANGED LOCK NUT
6	1	314731	AIR CLEANER HOSE 8240
7	4	470118	1/4UNC X 3/4 FLANGED HEX BOLT
8	1	520129	2.75 T-BOLT HOSE CLAMP
9	1	520130	3.00 T-BOLT HOSE CLAMP



CHRYSLER EXHAUST PIPE ASSEMBLY

DET. QTY PART NO. DESCRIPTION

1	2	341956	HOSE SUPPORT BRKT 250	91
2	1	361346	MAINFRAME REAR TIE ANGLE 280	280
3	2	314735	EXHAUST PIPE FLG 8240 318 82	82
4	1	314873	RH EXHAUST PIPE 200 CHRY	91
5	1	314874	LH EXHAUST PIPE 200 CHRY	91
6	2	319287	MUFFLER CHRY 440	
7	1	341829	MUFFLER HEAT SHIELD WLD200 89	89
8	2	319327	MUFFLER CLAMP 2IN HVY DUTY	
9	4	900170	3/8UNC X 2 1/4 HEX BOLT	
10	4	914004	3/8UNC HEX STOVER NUT	
11	3	470118	1/4UNC X 3/4 FLANGED HEX BOLT	
12	3	470121	1/4UNC HEX FLANGED LOCK NUT	
13	6	900263	1/2UNC X 1 HEX BOLT	
14	6	914008	1/2UNC HEX STOVER NUT	

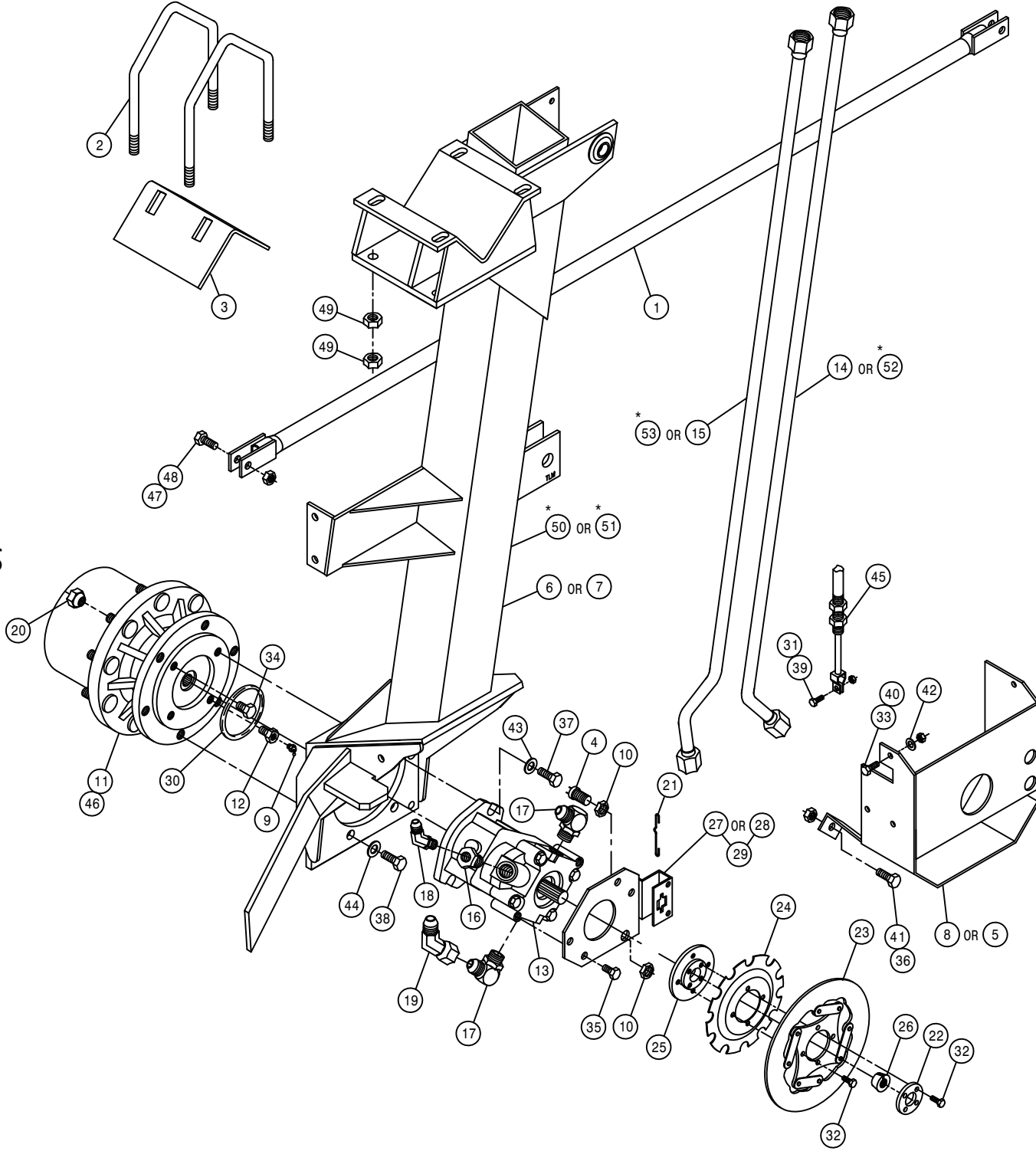


CUMMINS EXHAUST PIPE ASSEMBLY

DET.	QTY	PART NO.	DESCRIPTION
	1	314554	PERK MUFFLER SAWED 647
	1	316226	MUFFLER SUPP BRKT WLD 250/280
	1	470160	MUFFLER CLAMP 3.00 IN
	1	316233	EXHAUST PIPE, CUMM 250 93
	1	316241	250 EXHAUST PIPE EXTEN WLD 93
	1	316242	250 EXH PIPE FRT GUARD WLD 93
	1	316243	250 EXH PIPE REAR GUARD WLD93
	4	470113	5/16UNC HEX FLANGE LOCK NUT
	4	470121	1/4UNC HEX FLANGE LOCK NUT
	4	470122	1/4UNC X 1/2 FLANGE HEX BOLT
	2	472216	2.50 MUFFLER CLAMP .31 UNC
	2	470210	ANTI-VIBRATION MT .75D X 1.00

REAR LEG ASSEMBLY

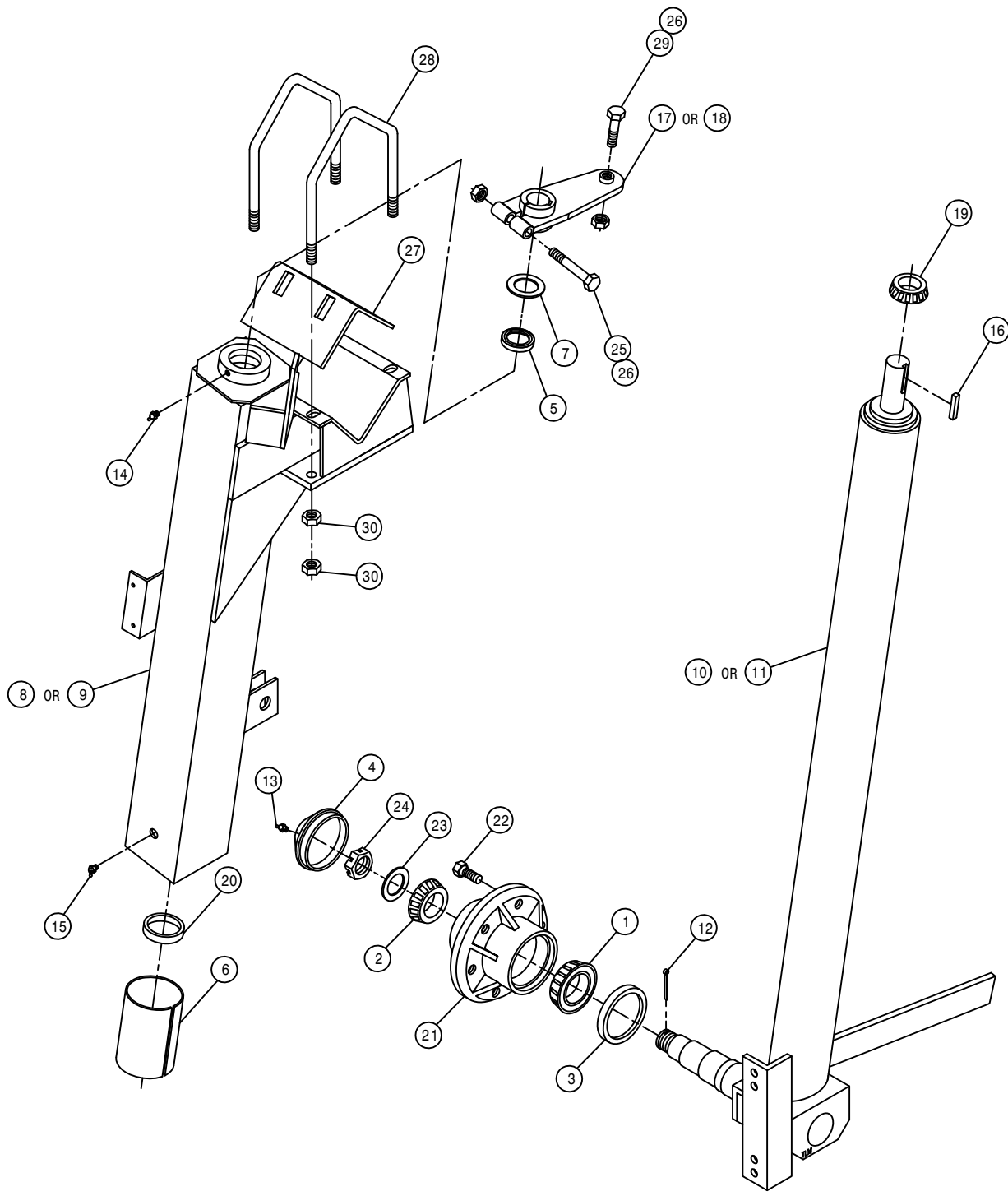
DET. QTY PART NO. DESCRIPTION



1	1	341944	LEG BRACE WLD 250	91
2	2	358693	5/8UNF X 7 9/16 CTR UBOLT TRI	
3	1	358567	UPPER LEG V-PLATE WLD 280	89
4	1	291206	SENSOR, SPEEDO/TACH W/NUT	
5	1	358596	RH REAR WHL MTR SHLD WLD 280	
6	1	358638	RH REAR LEG WLD 250	91
7	1	358639	LH REAR LEG WLD 250	91
8	1	358597	LH REAR WHL MTR SHLD WLD 280	
9	1	471023	GREASE ZERK 1/4-28 X 45	
10	2	473061	3/4UNF TRUSEAL HEX NUT	
11	1	610516	TORQ HUB 24 TO 1 B-MT W1BFNZ	
12	1	610556	1/2UNC X 1/2 ZERK BOLT T-HUB	
13	1	610557	SUND M35-3102 WHL MTR W/SHFT	
14	1	614694	FRT HYD TUBE ASSY 250 REARLEG	
15	1	614695	REAR HYD TUBE ASSY 250REARLEG	
16	1	618172	7/8MOR-9/16FOR ADPTR	
17	2	618248	1 1/16MJIC-90-1 1/16MOR LBO	
18	1	618425	9/16MJIC-45-9/16MOR LBO	
19	1	618529	1 1/16MJ-45-1 1/16FJ SWIV LBO	
20	9	824052	1/2UNF 60 DEG WHL NUT	
21	1	826929	CLIP BRAKE RETAINER	
22	1	826945	HUB MOUNT, BRAKE	
23	1	826959	BRAKE DISC SUB ASSY	
24	1	826963	SENSOR DISC, 647 BRAKE FORMED	
25	1	826975	TAPER LOCK HUB	
26	1	826988	HUB, TAPER LOCK 13 TEETH	
27	1	828083	RH BRAKE MT WLD 250	91
28	1	828084	LH BRAKE MT WLD 250	91
29	2	826918	PARK BRAKE PAD	
30	1	870045	O RING 4 1/8 OD X 4 ID	
31	1	900002	1/4UNC X 3/4 HEX BOLT	
32	8	900064	5/16UNC X 3/4 HEX BOLT	
33	2	900130	3/8UNC X 1 1/4 HEX BOLT	
34	1	900260	1/2UNC X 1/2 HEX BOLT	
35	2	900262	1/2UNC X 3/4 HEX BOLT	
36	2	900265	1/2UNC X 1 1/2 HEX BOLT	
37	2	900267	1/2UNC X 2 HEX BOLT	
38	6	900333	5/8UNC X 1 1/2 HEX BOLT	
39	1	914000	1/4UNC HEX STOVER NUT	
40	2	914004	3/8UNC HEX STOVER NUT	
41	2	914008	1/2UNC HEX STOVER NUT	
42	2	920002	WASH FLAT 3/8 SAE	
43	2	920004	1/2 FLAT WASHER SAE	
44	6	920505	LOCK WASHER 5/8	
45	1	826926	190 IN BRAKE CABLE	
46	1	610552	SEAL BOOT FOR W1BFNZ, W2B2FZ	
47	2	914010	5/8UNC HEX STOVER NUT	
48	2	900336	5/8UNC X 2 1/2 HEX BOLT	
49	8	914811	5/8UNF HEX NUT GR8	
50	1	358685	LH REAR LEG WLD 250 X-11	92
51	1	358684	RH REAR LEG WLD 250 X-11	92
52	1	614700	FRT HYD TUBE ASSY 250 X-11	92
53	1	614701	REAR HYD TUBE ASSY 250 X11	92

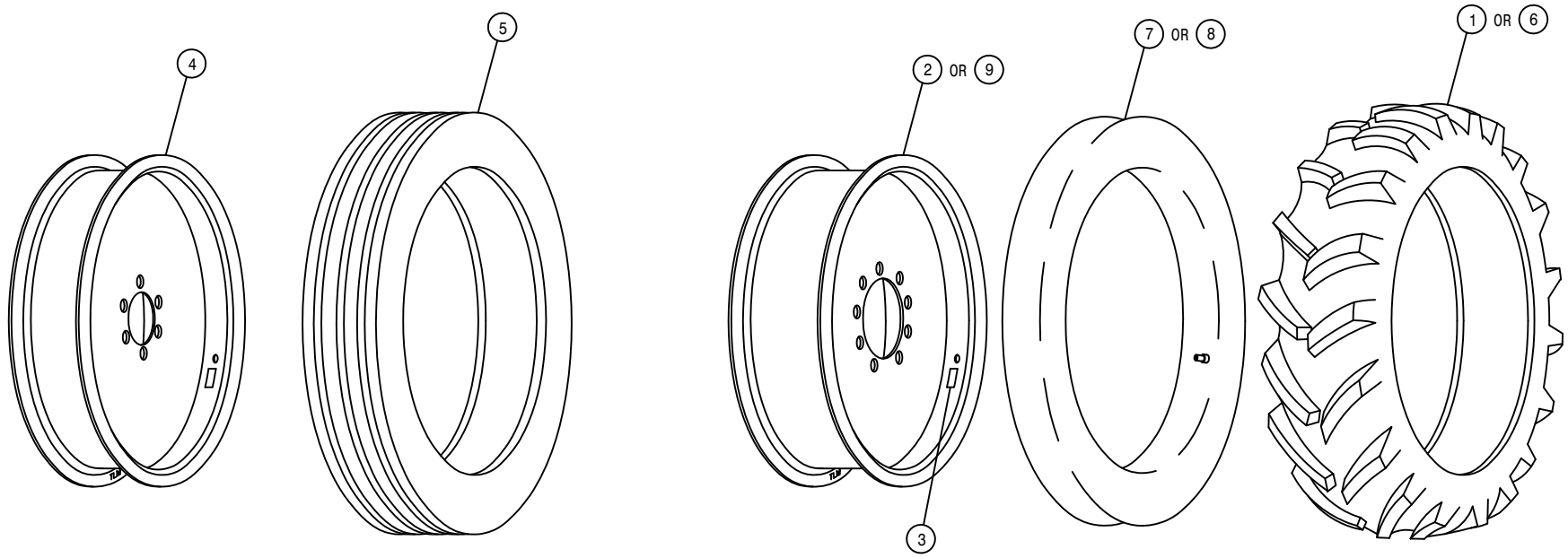
NOTE: 1. ITEMS 4, 10, 24, AND 27 ARE USED ON THE RIGHT HAND LEG ASSEMBLY.

*2. X-11 MACHINES USE DETAILS 50,51,52 AND 53.



TWO-WHEEL DRIVE FRONT LEG ASSEMBLY

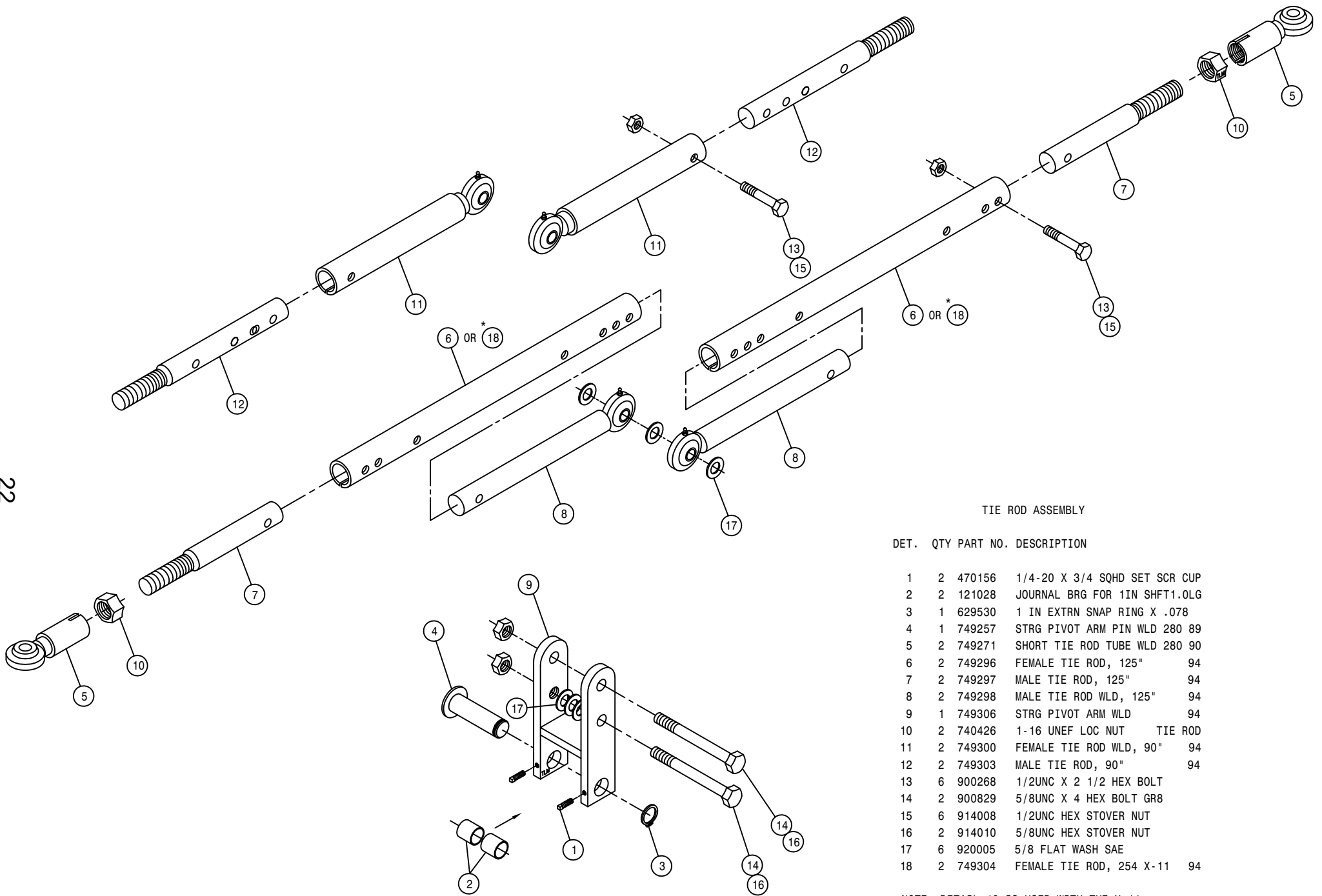
DET.	QTY	PART NO.	DESCRIPTION	
	1	125042	INNER CONE FOR 825009	
	1	125043	OUTER CONE FOR 825009	
	1	125044	GREASE SEAL FOR 825009	
	1	125046	HUB CAP DRILLED & TAPPED XHD	
	1	129010	SEAL C/R 16069	
	1	358298	JOURNAL BRG-LINER TYPE	
	1	358448	FRT LEG WSHR 8540	
	1	358644	RH FRT OUTER LEG WLD 250	91
	1	358645	LH FRT OUTER LEG WLD 250	91
	1	358665	RH FRT INLEG WLD 250 TWD	91
	1	358666	LH FRT INLEG WLD 250 TWD	91
	1	470015	COTTER PIN 5/32 X 1 3/4 LG	
	1	471005	1/4 28 X 1/2 GREASE ZERK	
	1	471021	GREASE ZERK 1/8 NPT STRAIGHT	
	1	471023	GREASE ZERK 1/4-28 X 45	
	1	483036	DIFF SHAFT HUB KEY	
	1	749280	RH STRG ARM WLD 250	91
	1	749281	LH STRG ARM WLD 250	91
	1	825003	INNER CONE FOR 825001 & 825002	
	1	825004	INNER CUP FOR 825001 & 825002	
	1	825009	HUB W/CUPS WILTONW803 8250XHD	
	6	825010	9/16UNF X 1 1/8 90D WHL BOLT	
	1	825012	SPINDLE WASHER 2 OD-.937 ID	
	1	825013	7/8UNF SLOTTED HEX NUT	
	1	900343	5/8UNC X 4 1/2 HEX BOLT	
	2	914010	5/8UNC HEX STOVER NUT	
	1	358567	UPPER LEG V-PLATE WLD 280	89
	2	358693	5/8UNF X 7 9/16 CTR UBOLT TRI	
	1	749269	STRG ARM BOLT 280	89
	8	914811	5/8UNF HEX NUT GR8	



TIRE AND RIM ASSEMBLY

DET.	QTY	PART NO.	DESCRIPTION
1	1	820201	11.2 X 24 TIRE 4P TRA
2	1	820600	REAR RIM WELD,W10X24 470 472
3	1	650985	WHL BOLT TORQ DECAL 203854C
4	1	820015	RIM WLD,W8X24 W/.56-90DEG XHD
5	1	820611	TIRE 9.00-24 6PLY RIB IMP I-1
6	1	820001	12.4 X 28 4P TIRE TRACT F&R
7	1	820205	11.2/24 INNER TUBE
8	1	820002	12.4 X 28 INNER TUBE
9	1	820017	RIM WLD, W10 X 28 280

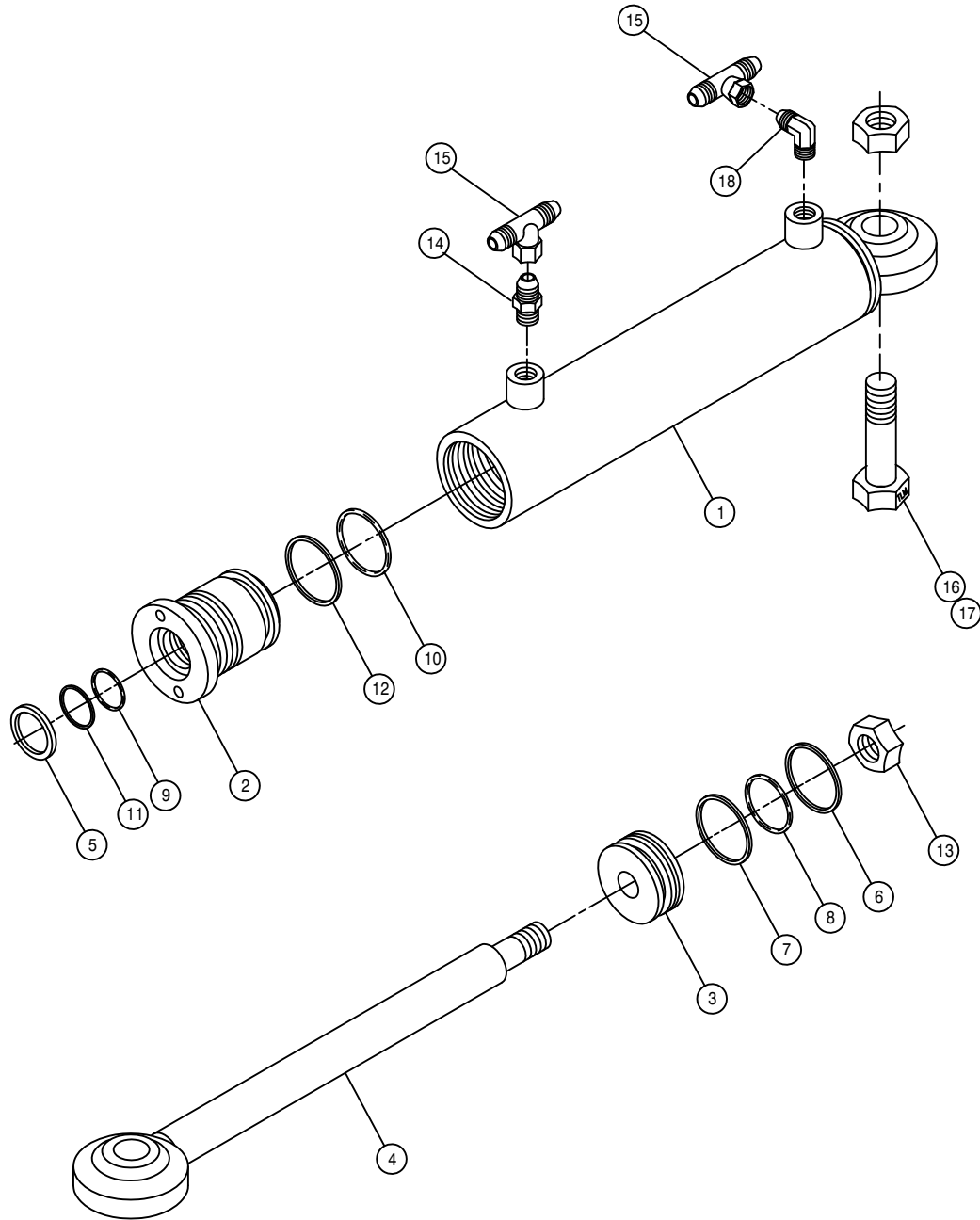
NOTE: DETAILS 6,8 AND 9 ARE USED WITH THE X-11 MACHINES.



TIE ROD ASSEMBLY

DET.	QTY	PART NO.	DESCRIPTION
1	2	470156	1/4-20 X 3/4 SQHD SET SCR CUP
2	2	121028	JOURNAL BRG FOR 1IN SHFT1.0LG
3	1	629530	1 IN EXTRN SNAP RING X .078
4	1	749257	STRG PIVOT ARM PIN WLD 280 89
5	2	749271	SHORT TIE ROD TUBE WLD 280 90
6	2	749296	FEMALE TIE ROD, 125" 94
7	2	749297	MALE TIE ROD, 125" 94
8	2	749298	MALE TIE ROD WLD, 125" 94
9	1	749306	STRG PIVOT ARM WLD 94
10	2	740426	1-16 UNEF LOC NUT TIE ROD
11	2	749300	FEMALE TIE ROD WLD, 90" 94
12	2	749303	MALE TIE ROD, 90" 94
13	6	900268	1/2UNC X 2 1/2 HEX BOLT
14	2	900829	5/8UNC X 4 HEX BOLT GR8
15	6	914008	1/2UNC HEX STOVER NUT
16	2	914010	5/8UNC HEX STOVER NUT
17	6	920005	5/8 FLAT WASH SAE
18	2	749304	FEMALE TIE ROD, 254 X-11 94

NOTE: DETAIL 18 IS USED WITH THE X-11.



STEERING CYLINDER ASSEMBLY

DET. QTY PART NO. DESCRIPTION

1	1	620089	STRG CYL TUBE WLD 1.5 X 6. 85
2	1	620109	GLAND HYD CYL 1.5 X .75 1985
3	1	620129	PISTON HYD CYL 1.5 X .5 1985
4	1	620148	STRG CYL SHAFT WLD
5	1	629028	WIPER, 10D X 3/4ID X 1/8
6	1	629616	SEAL, 1704-24 HT20550R POLYHON
7	1	629618	WEAR RING, 1.5" HYD CYL
8	1	870025	BUNA ORING 1 3/16 X 1 5/16
9	1	870210	BUNA ORING 3/4 X 1
10	1	870218	BUNA ORING 1 1/4 X 1 1/2
11	1	890210	BACKUP WASH 3/4 X1 HT2022
12	1	890218	BACKUP WASH1 1/4X1 1/2 HT2022
13	1	914009	1/2UNF HEX STOVER NUT
14	1	611121	9/16MJIC-1/4MNPT ADPTR
15	2	618514	9/16FJ SW BRANCH TEE-9/16MJ
16	1	900336	5/8UNC X 2 1/2 HEX BOLT
17	1	914010	5/8UNC HEX STOVER NUT
18	1	611122	9/16MJIC-90-1/4MNPT LBO

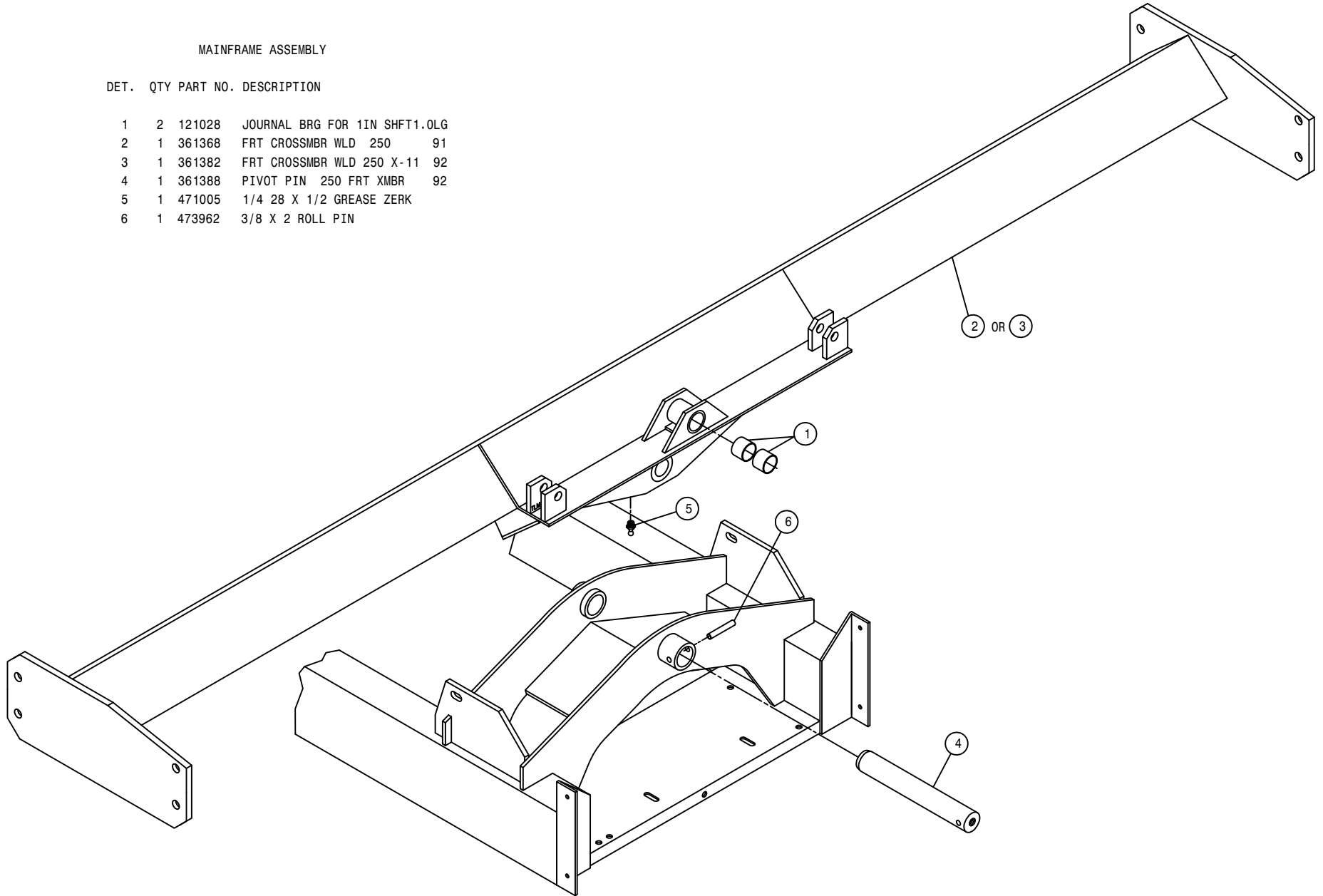
NOTE: 1. RIRHT CYLINDER ASSEMBLY IS SHOWN.
 FOR LEFT CYLINDER ASSEMBLY DELETE DETAIL
 14 AND 15 REPLACE WITH (1) 611122 - 9/16
 MJIC-90-1/4 MNPT ELBOW.

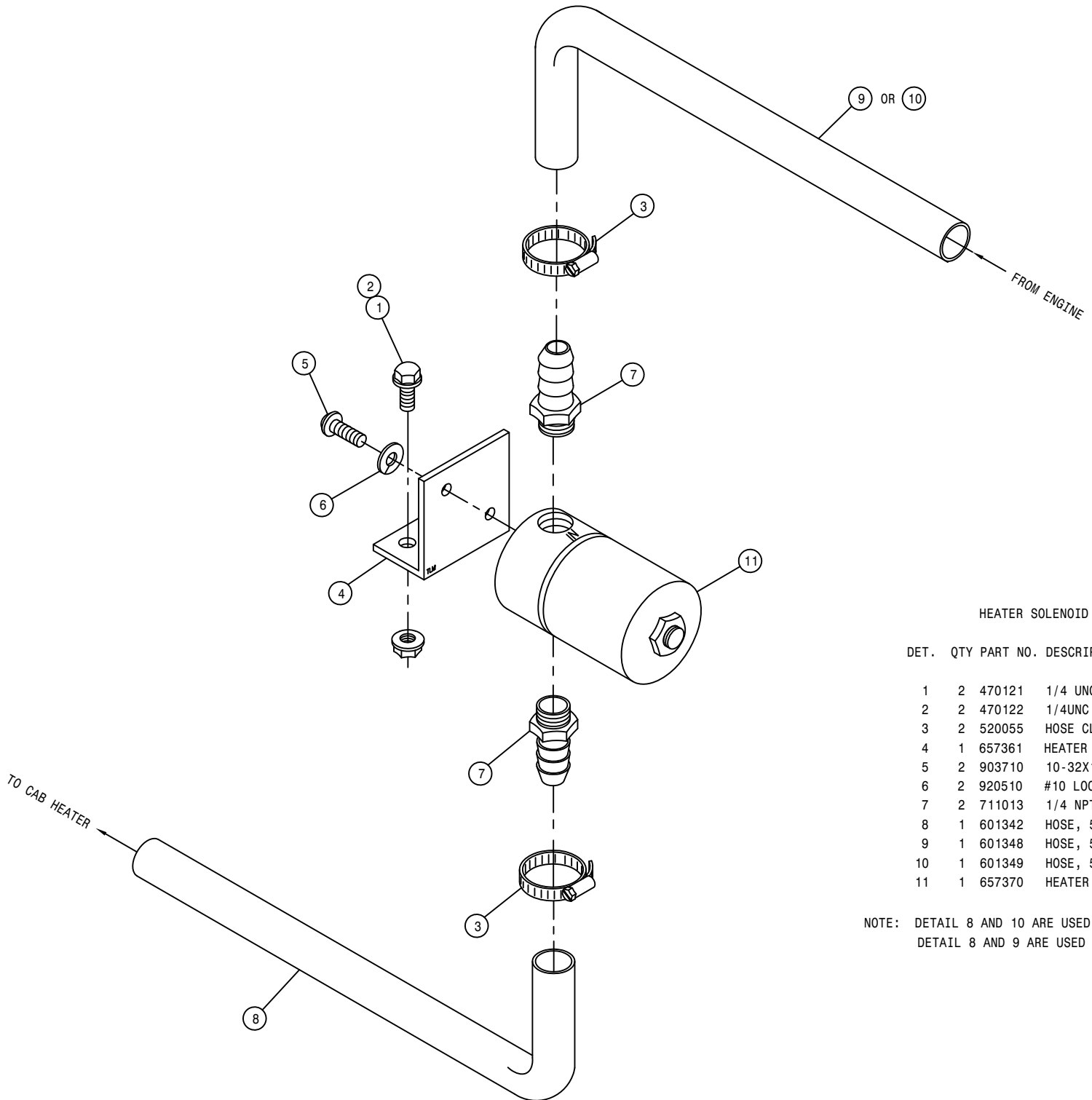
- 2 620080 - CYLINDER ASSEMBLY
- 3. 620998 - SEAL KIT

MAINFRAME ASSEMBLY

DET. QTY PART NO. DESCRIPTION

1	2	121028	JOURNAL BRG FOR 1IN SHFT1.0LG
2	1	361368	FRT CROSSMBR WLD 250 91
3	1	361382	FRT CROSSMBR WLD 250 X-11 92
4	1	361388	PIVOT PIN 250 FRT XMBR 92
5	1	471005	1/4 28 X 1/2 GREASE ZERK
6	1	473962	3/8 X 2 ROLL PIN





HEATER SOLENOID ASSEMBLY

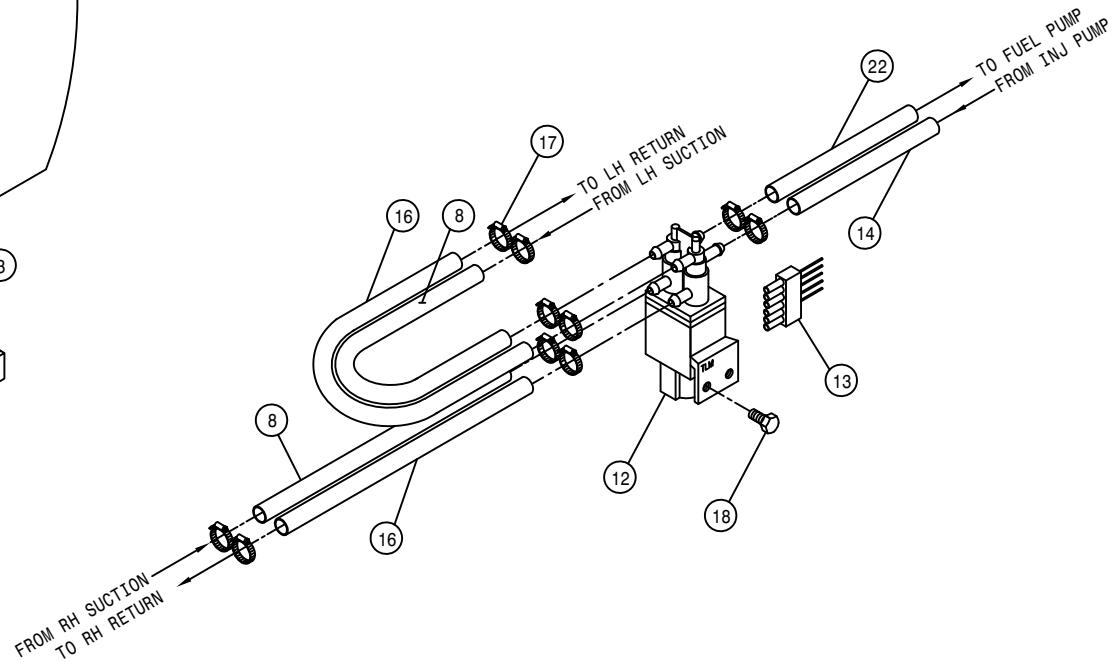
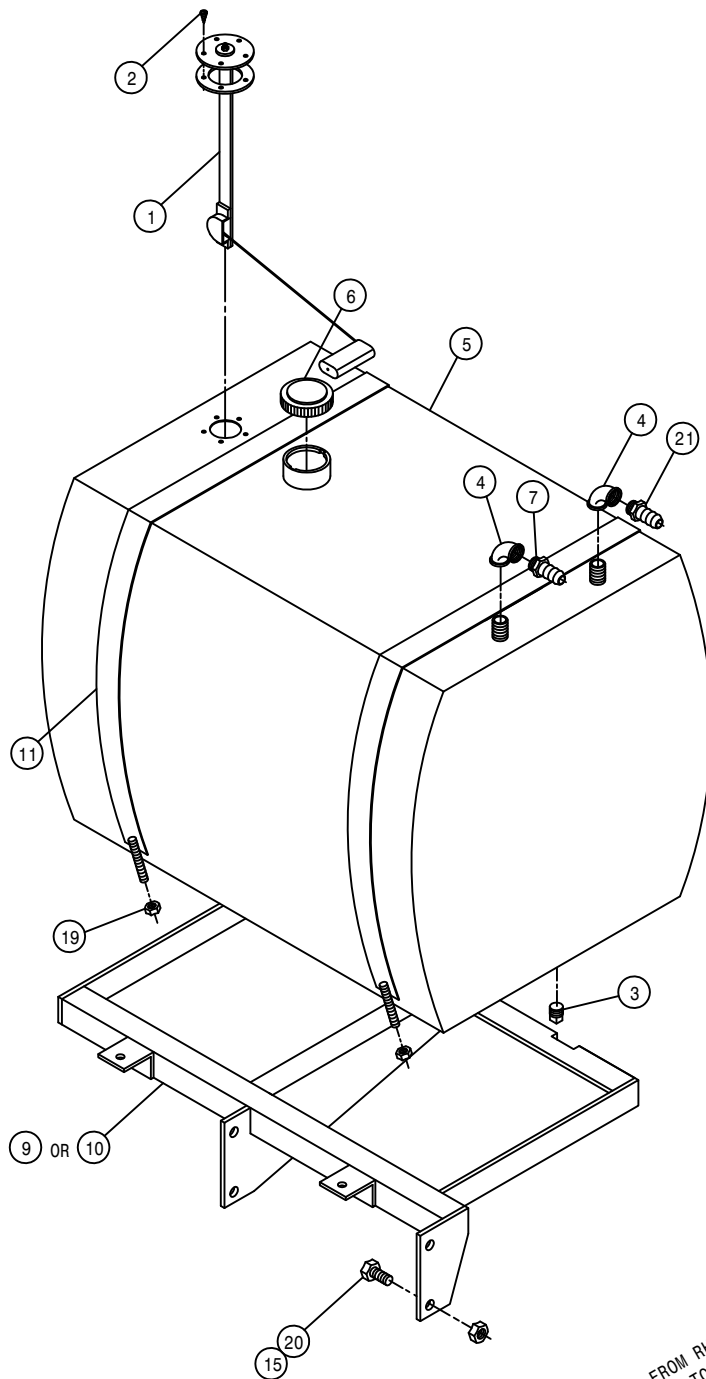
DET.	QTY	PART NO.	DESCRIPTION
1	2	470121	1/4 UNC HEX FLANGED LOCK NUT
2	2	470122	1/4UNC X 1/2 FLANGED HEX BOLT
3	2	520055	HOSE CLAMP NO 12 PLATED
4	1	657361	HEATER SOL VLV MT 94
5	2	903710	10-32X1/2 PHIL PANHD MACH SCR
6	2	920510	#10 LOCK WASHER
7	2	711013	1/4 NPT X 1/2 HOSE BARB, BRS
8	1	601342	HOSE, 5/8 X 192 HEATER
9	1	601348	HOSE, 5/8 X 36" HEATER
10	1	601349	HOSE, 5/8 X 15" HEATER
11	1	657370	HEATER SOLENOID VLV W/O HBARB

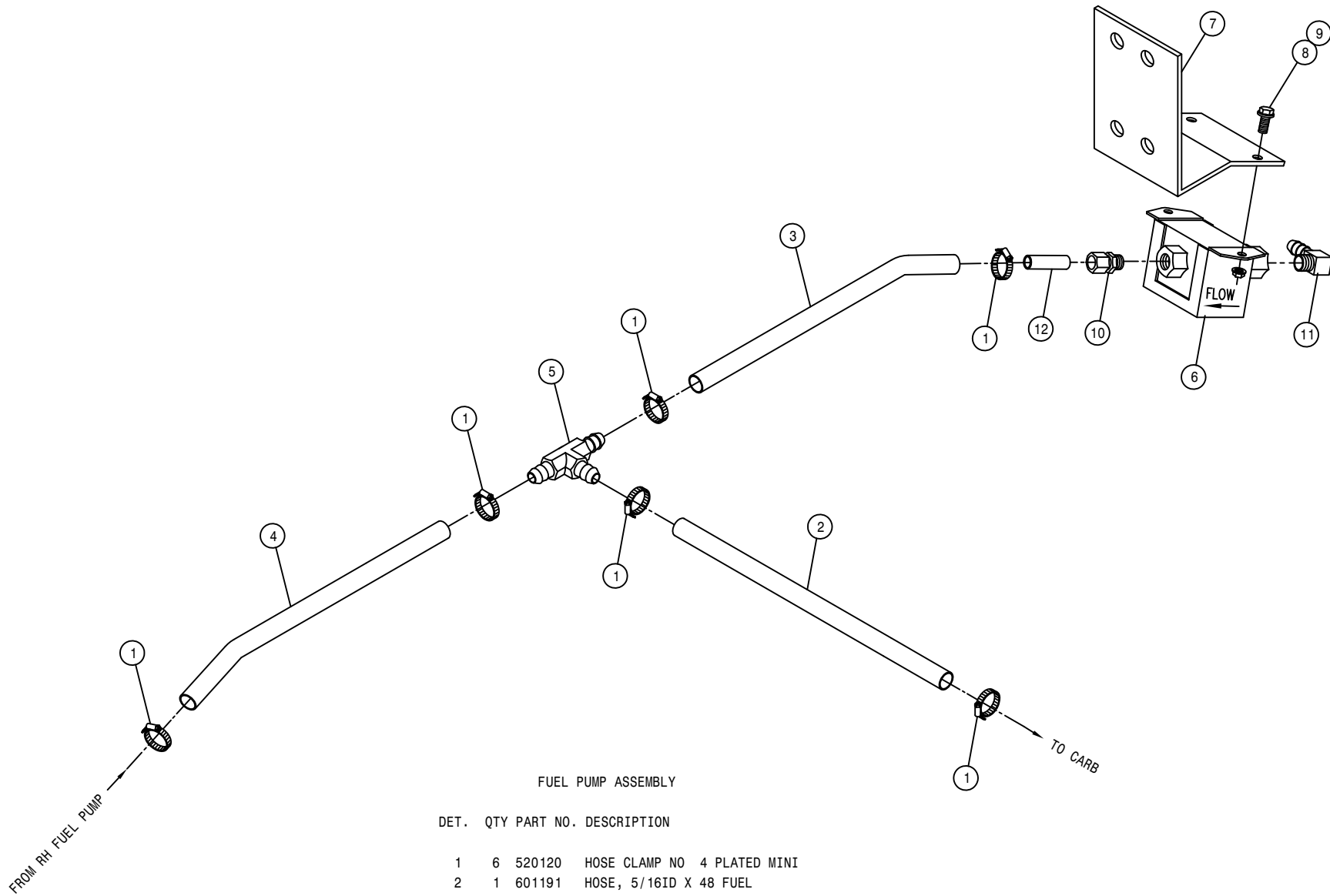
NOTE: DETAIL 8 AND 10 ARE USED WITH THE DIESEL OPTION.
 DETAIL 8 AND 9 ARE USED WITH THE GAS OPTION.

DIESEL FUEL TANK ASSEMBLY

DET. QTY PART NO. DESCRIPTION

DET.	QTY	PART NO.	DESCRIPTION
1	1	291428	FUEL SENDER 19 IN.
2	5	473902	NO 8 X 1/2 PAN HD MET SC
3	1	501102	1/4 PIPE PLUG
4	2	501451	BLK PIPE EL 90DEG .25NPT
5	1	760149	FUEL TANK WLD 200-280 90
6	1	761200	GAS CAP
7	1	783303	1/4 NPT X 5/16 HOSE BARB, BRS
8	2	601324	HOSE, 3/8 X 90 FUEL LINE
9	1	760153	RH FUEL TNK MT WLD 200-280 90
10	1	760154	LH FUEL TNK MT WLD 200-280 90
11	2	760162	FUEL TANK BAND WLD 200-280 90
12	1	610529	FUEL SELECTOR VALVE W/RETURN
13	1	610530	5 WIRE CONNECTOR FOR 610529
14	1	601142	HOSE, 5/16 X 36 FUEL LINE
15	4	914008	1/2UNC HEX STOVER NUT
16	2	601301	HOSE, 5/16 X 90 FUEL LINE
17	10	520120	HOSE CLAMP NO 4 STAINLESS
18	2	900064	5/16UNC X 3/4 HEX BOLT
19	2	914004	3/8UNC HEX STOVER NUT
20	4	900264	1/2UNC X 1 1/4 HEX BOLT
21	1	783304	1/4 NPT X 3/8 HOSE BARB, BRS
22	1	601323	HOSE, 3/8 X 36 FUEL LINE



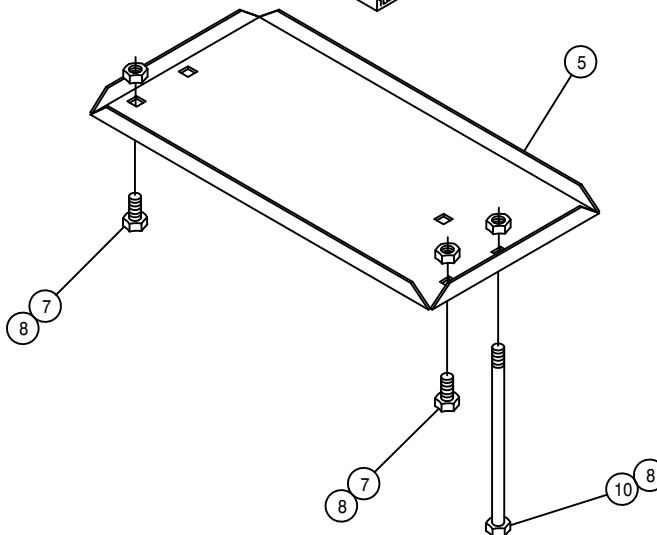
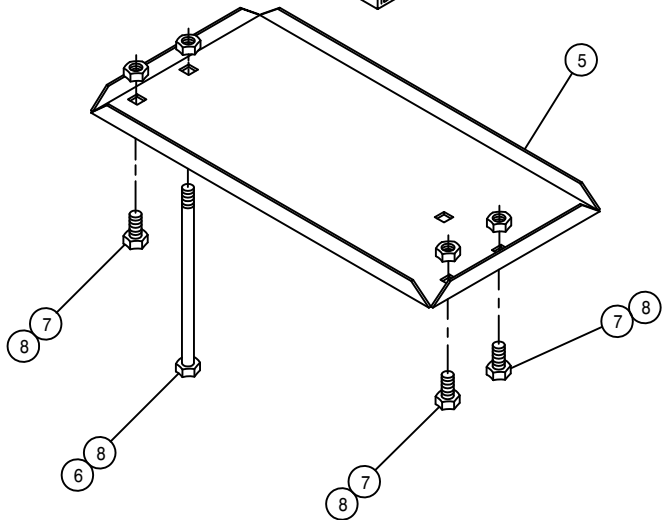
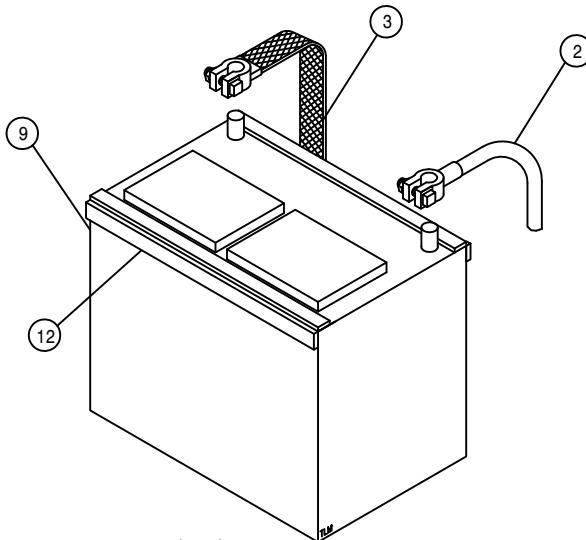
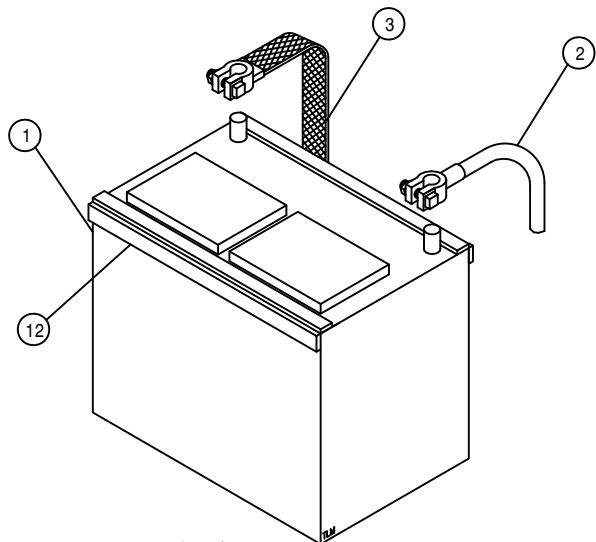
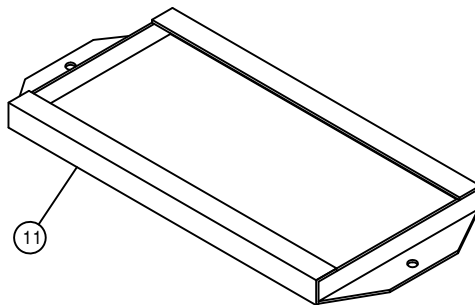
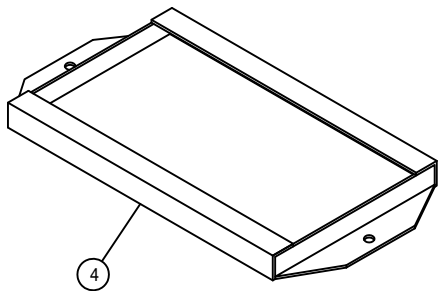
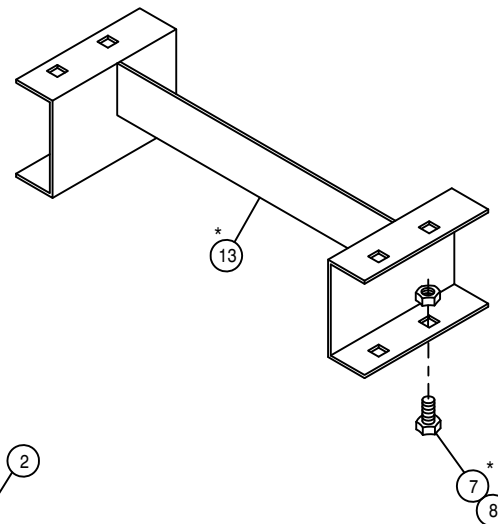


FUEL PUMP ASSEMBLY

DET.	QTY	PART NO.	DESCRIPTION
	1	6	520120 HOSE CLAMP NO 4 PLATED MINI
	2	1	601191 HOSE, 5/16ID X 48 FUEL
	3	1	601215 HOSE, 5/16 X 72 FUEL LINE
	4	1	601320 HOSE, 5/16 X 76IN FUEL LINE
	5	1	711011 5/16 HOSE BARB TEE, BRASS
	6	1	314882 ELECTRONIC FUEL PUMP CHRY 91
	7	1	342013 FUEL PUMP MT BRKT 250 92
	8	2	470121 1/4 UNC HEX FLANGED LOCK NUT
	9	2	470122 1/4UNC X 1/2 FLANGED HEX BOLT
	10	1	711012 BALL CHECK CONNECT,1/8NPT BRS
	11	1	711010 5/16 HOSE BARB-90-1/8MNPT BRS
	12	1	314527 FUEL FILTER HOSE BARB

GAS ENGINE OPTION

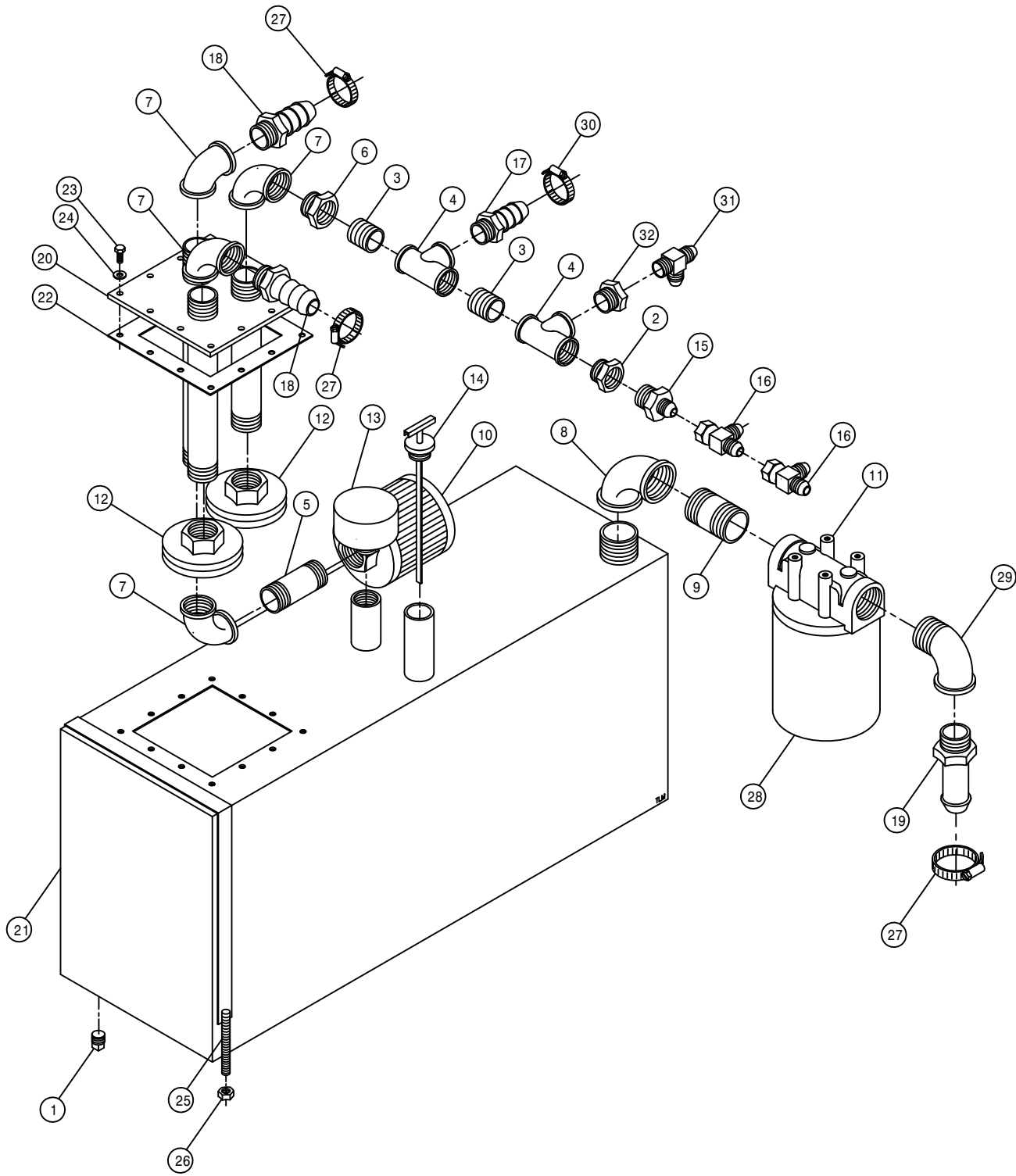
DIESEL ENGINE OPTION



BATTERY BOX ASSEMBLY

DET.	QTY	PART NO.	DESCRIPTION
1	1	290013	BATT 12V 90AH LT WARRANTY
2	2	291128	BATTERY CABLE 48 IN
3	2	290111	GROUND STRAP
4	1	290212	BATT HOLD DOWN WLD CHRY
5	2	361149	BATTERY BOX 8300-8400 1981
6	2	901149	3/8UNC X 8 1/2 CARR BOLT
7	9	900128	3/8UNC X 3/4 HEX BOLT
8	13	914004	3/8UNC HEX STOVER NUT
9	1	291122	BATTERY,575 AMP 160 RES
10	2	901150	3/8UNC X 9 CARR BOLT
11	1	341322	BATTERY HOLD DOWN WLD 1981
12	8	193022	STICKERTITE 1/4 X 3/4
13	1	361417	BATT BOX SPACER WLD 94

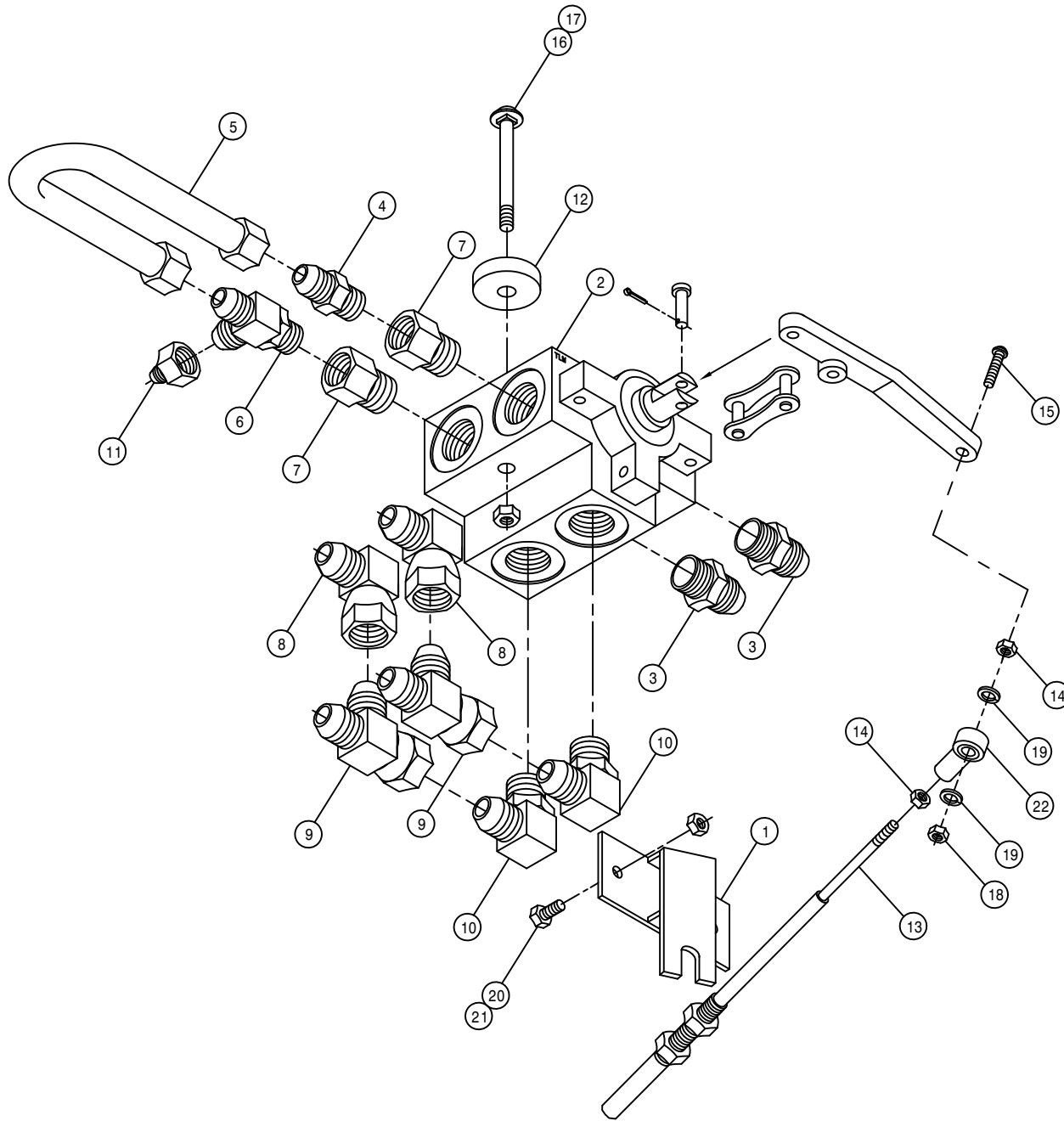
NOTE: DETAILS MARKED WITH A (*) ARE USED WITH THE GAS TRACTION VALVE OPTION.



HYDRAULIC TANK ASSEMBLY

DET. QTY PART NO. DESCRIPTION

1	1	501102	1/4 PIPE PLUG
2	1	504210	RED BUSH 3/4 NPT X 1/2 NPT
3	2	504702	CLOSE NIPPLE .75NPT
4	2	504955	BLK PIPE TEE .75NPT
5	1	505203	BLK PIPE NIPPLE 1.00NPT-4.00
6	1	505213	RED BUSH 1 X 3/4 BLK MAL
7	4	505300	BLK PIPE EL 90DEG 1.00NPT
8	1	506303	BLK PIPE EL 90DEG 1.25NPT
9	1	506602	PIPE NIPPLE 1 1/4NPT-2 1/2
10	1	605600	MICHIGAN RESERVOIR FILTER
11	1	605601	GRESEN FILTER 10 MICRON 40GPM
12	2	605603	LINE SUMP DIFFUSER
13	1	611052	FILLER BREATHER 3/4NPT
14	1	614453	DIPSTICK, 8IN
15	1	618018	9/16MJIC-1/2MNPT ADPTR
16	2	618486	9/16FJIC SW RUN TEE-9/16MJIC
17	1	713220	HOSE BARB 3/4 NPT X 3/4
18	2	714560	1NPT X 1 HOSE BARB
19	1	715664	1 1/4 NPT X 1 HOSE BARB
20	1	760090	RECIEVER PLT WLD 8240
21	1	760097	OIL TANK WLD 8240 1982
22	1	763039	HYD MTR MTG PLT GSKT
23	12	900064	5/16UNC X 3/4 HEX BOLT
24	12	920001	5/16 FLAT WASHER SAE PLT
25	2	341360	OIL TANK STRAP WLD 8240 1982
26	4	914004	3/8UNC HEX STOVER NUT
27	3	520087	HOSE CLAMP NO 20 PLATED
28	1	605602	FILT ELEMENT 10MICRON 40GPM
29	1	506410	BLK PIPE ST EL 90DEG 1.25NPT
30	1	520055	HOSE CLAMP NO 12 PLATED
31	1	618520	1/4MNPT RUN TEE-9/16MJIC
32	1	504001	RED BUSH 3/4 X 1/4 BLK MAL



FOUR-WHEEL DRIVE SELECTOR VALVE ASSEMBLY

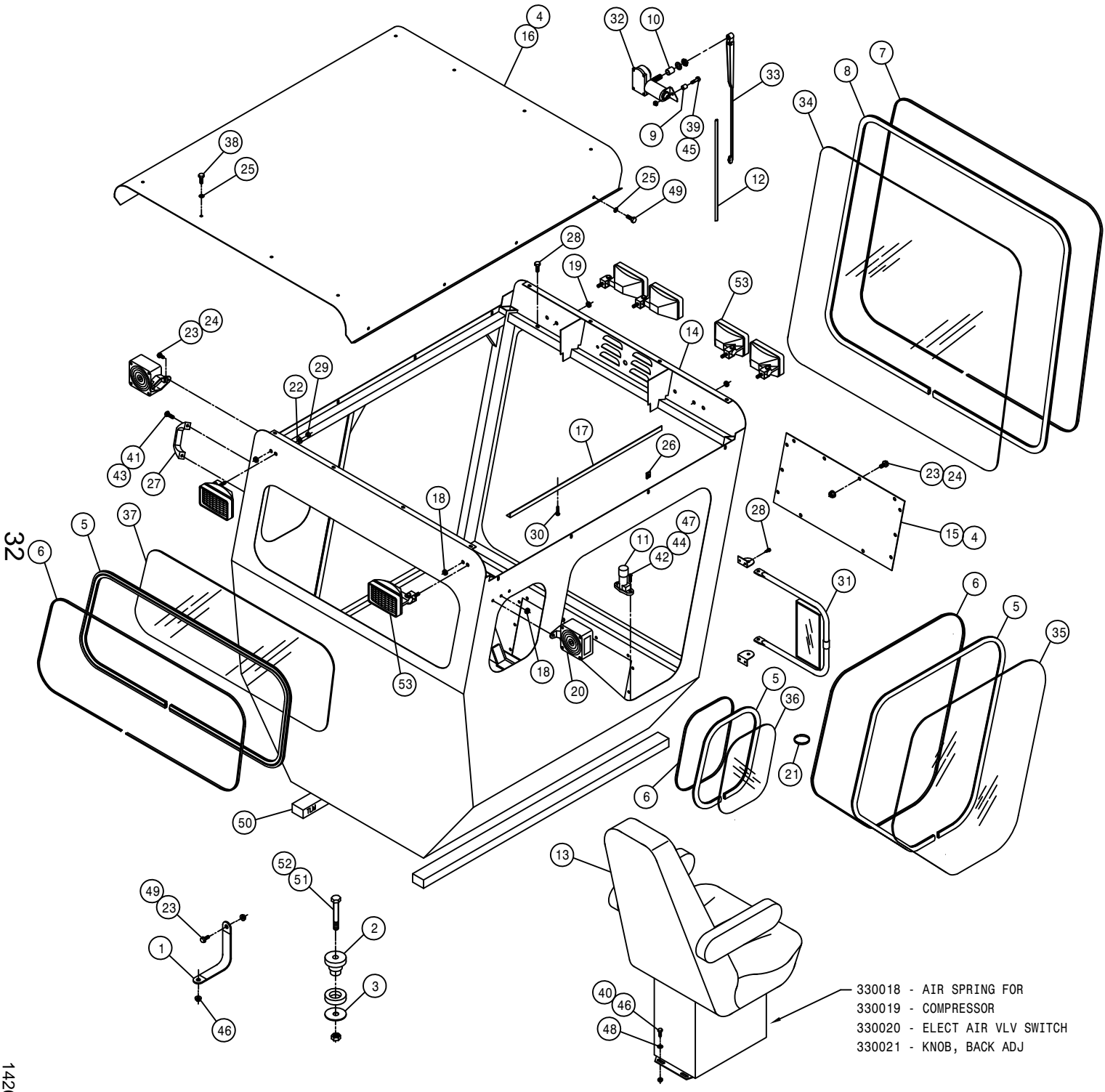
DET. QTY PART NO. DESCRIPTION

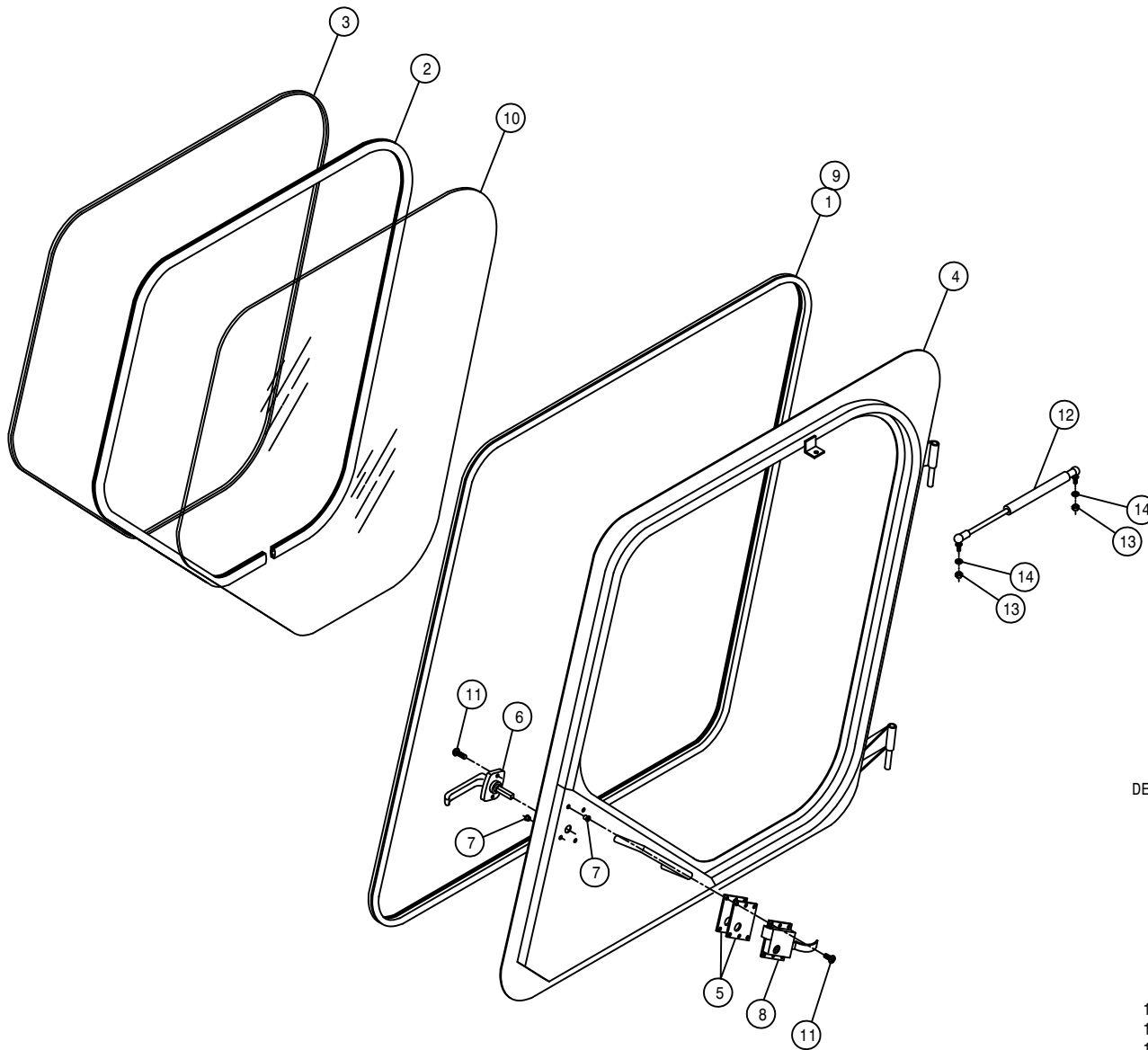
1	1	341861	FWD CABLE MT WLD 280	89
2	1	606003	GRESEN SELECTOR VALVE DS-12	
3	2	611127	1 1/16MJIC-1 1/16MOR ADPTR	
4	1	611126	7/8MJIC-7/8MOR ADPTR	
5	1	614198	FWD VALVE U-TUBE ASSY	
6	1	618130	7/8MOR RUN TEE-7/8MJIC	
7	2	618132	1 1/16MOR-7/8FOR ADPTR	
8	2	618301	7/8MJIC-90-7/8FJIC SWIV LBO	
9	2	618333	7/8FJIC SW RUN TEE-7/8MJIC	
10	2	618535	7/8MJIC-90-1 1/16MOR LBO	
11	1	618557	7/8FJIC-9/16MJIC ADPTR	
12	2	748501	RUBBER WASH .38 X .406 X 1.50	
13	1	785056	CTRL CABLE 10-32 4IN X 58 LG	
14	2	910027	#10-32 HEX NUT	
15	1	903893	10 32 X 1 SLT RD HD MACH SCR	
16	2	901136	3/8UNC X 3 CARR BOLT	
17	2	914004	3/8UNC HEX STOVER NUT	
18	1	914027	#10-32 HEX STOVER NUT	
19	2	920510	LOCK WASH NO 10	
20	2	900002	1/4UNC X 3/4 HEX BOLT	
21	2	914000	1/4UNC HEX STOVER NUT	
22	1	473921	BALL JOINT NO 10-32 THD	

CAB ASSEMBLY

DET. QTY PART NO. DESCRIPTION

1	1	290107	ENG TO GROUND STRAP 8 IN
2	4	311051	RUBBER MOUNT, RB3-350
3	4	311052	SNUBBING WASHER FOR 311051
4	24	193037	STICKERTITE 1/8 X 3/4
5	25	193044	WINDOW WEATHERSTRIP
6	25	193045	LOCK STRIP FOR 193044
7	13	192001	FILLR STRIP FOR WEATHERSTRIP
8	13	193018	2 P/C SELF SEAL WEATHERSTRIP
9	1	200019	.25 SCH 40BP X 1.00 LG C/L
10	1	202037	WINDSHIELD WIPER SPACER
11	1	290412	DIMMER SWITCH
12	1	290417	18" WIPER BLADE
13	1	330016	WISE AIR SEAT
14	1	342100	CAB WLD 254-284
15	1	342145	KICK PANEL, 254 CAB
16	1	342150	CAB ROOF WLD, 284
17	1	342180	HEADLINER KPR ANGLE,284CAB 94
18	4	470067	RUBBER GROMMET 1/4 ID
19	2	470070	RUBBER GROMMET 3/8 ID
20	2	291604	TURN SIGNAL LIGHT,PED MT, YEL
21	1	470229	IDENTIFICATION TIE, 3/4"
22	6	470100	LOCKWASH, .38 INT TOOTH
23	17	470121	1/4UNC HEX FLANGED LOCK NUT
24	16	470122	1/4UNC X 1/2 FLANGED HEX BOLT
25	16	470212	1/4 BONDED NEO SEALING WASH
26	16	470218	1/4-20 NUT, J-TYPE CAGE CLIP
27	1	470222	GRAB HANDLE, BLACK MOULDED
28	12	472349	1/4 X 3/4 20THD-IN TEK TYPE
29	6	473779	10MM-1.50 HEX NUT
30	2	473910	SHT MTL SCR,1/4X1 1/2 PHIL HD
31	2	650524	OUTSIDE REAR VIEW MIRROR
32	1	658008	WINDSHIELD WIPER MOTOR
33	1	658013	WIPER ARM
34	1	658014	FRONT CAB GLASS
35	1	658015	FRONT SIDE CAB/DOOR GLASS
36	2	658016	REAR SIDE CAB GLASS
37	1	658017	REAR CAB GLASS
38	8	900002	1/4UNC X 3/4 HEX BOLT
39	1	900005	1/4UNC X 1 1/2 HEX NUT
40	4	900130	3/8UNC X 1 1/4 HEX BOLT
41	2	903883	10-32 X 1/2 SLTRD HD MACH SCR
42	2	903889	10-32 X 3/4 SLT RDHD MACH SCR
43	2	470175	#10-32 HEX FLANGED LOCK NUT
44	2	910027	#10-32 HEX NUT
45	1	914000	1/4UNC HEX STOVER NUT
46	5	914004	3/8UNC HEX STOVER NUT
47	2	920510	LOCK WASH NO 10
48	4	920002	WASH FLAT 3/8 SAE
49	9	470118	1/4UNC X 3/4 FLANGED HEX BOLT
50	2	659704	FOAM, 2"THK X 2" WIDE X 42"LG
51	4	900343	5/8UNC X 4 1/2 HEX BOLT
52	4	914010	5/8UNC HEX STOVER NUT
53	6	291603	WORKLAMP, SIDE MT 12V HALOGEN

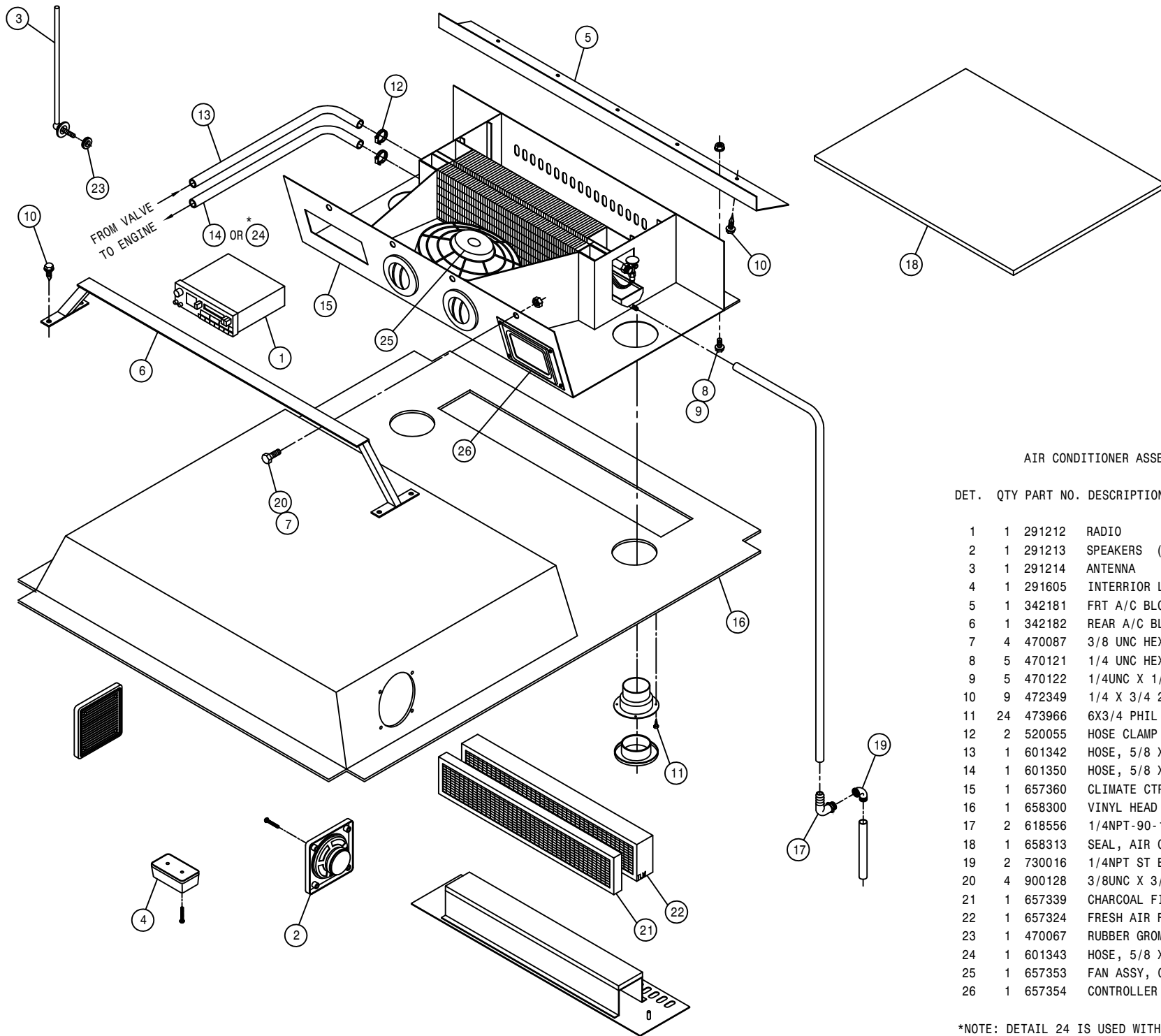




DOOR ASSEMBLY

DET. QTY PART NO. DESCRIPTION

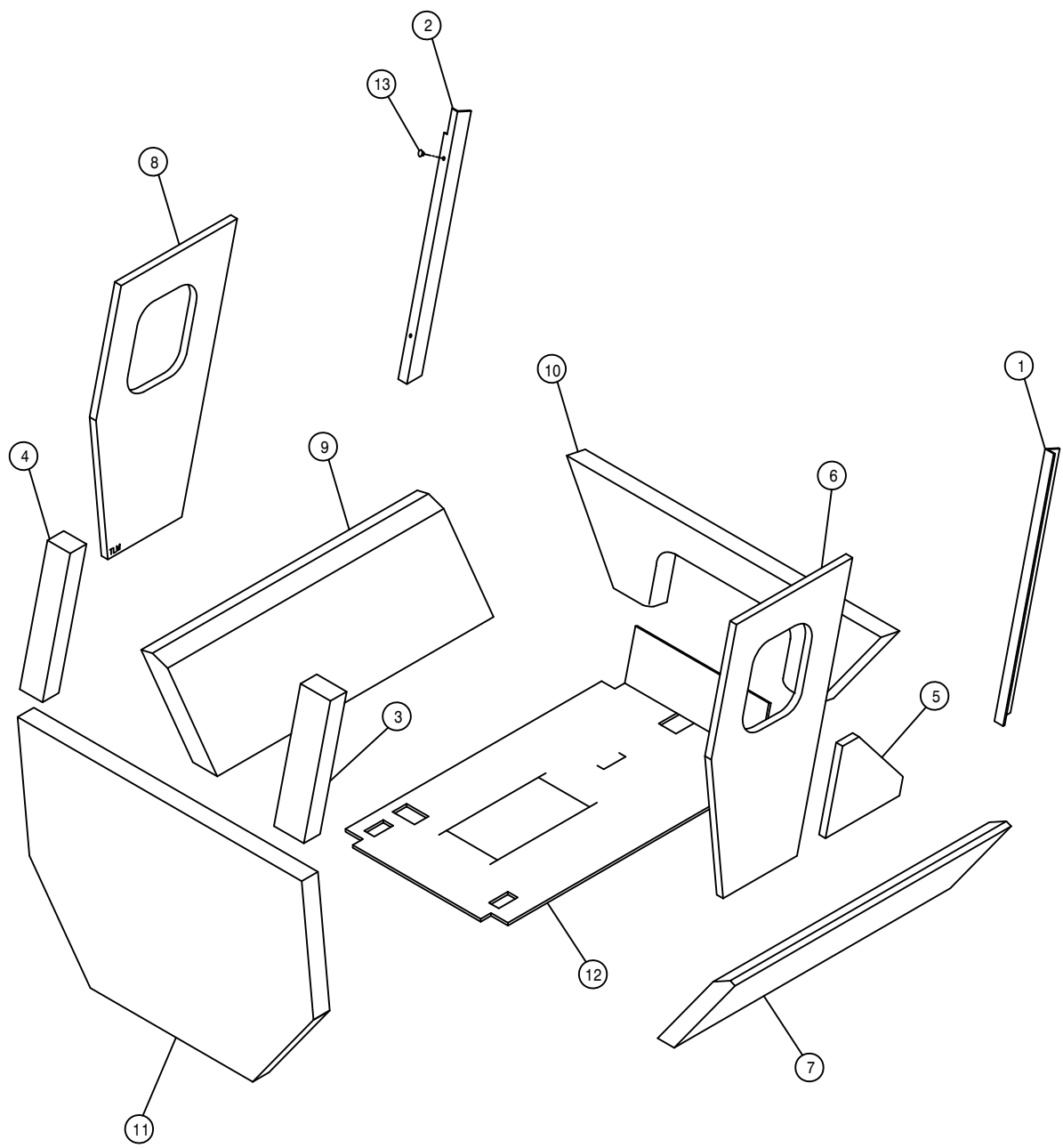
1	12	193028	PUSH-ON TRIM SEAL RS-130-FX
2	9	193044	WINDOW WEATHERSTRIP 94
3	9	193045	LOCK STRIP FOR 193044 94
4	1	342153	LH DOOR WLD, 284 CAB 94
5	2	342163	CAB DOOR LATCH SHIM, .06 94
6	1	342217	DOOR HANDLE, 254/284 CAB 94
7	6	470165	10-32 NUTSERT .020-.100 MATL
8	1	470219	CAB LOCK, LH #55
9	2	485052	POP RIVET 1/8 X 3/8
10	1	658015	FRONT SIDE CAB/DOOR GLASS 94
11	6	903710	10-32X5/8 PHIL PANHD MACH SCR
12	1	470221	GAS SPRING, 60LB 3.5 STROKE
13	2	910002	5/16UNC HEX NUT
14	2	920501	5/16 LOCK WASHER



AIR CONDITIONER ASSEMBLY

DET.	QTY	PART NO.	DESCRIPTION	
	1	291212	RADIO	94
	1	291213	SPEAKERS (PAIR)	94
	1	291214	ANTENNA	94
	1	291605	INTERIOR LIGHT W/SWITCH	
	1	342181	FRT A/C BLOWER MT ANG, CAB 94	
	1	342182	REAR A/C BLOWER MT WLD,CAB 94	
	4	470087	3/8 UNC HEX FLANGED LOCK NUT	
	5	470121	1/4 UNC HEX FLANGED LOCK NUT	
	5	470122	1/4UNC X 1/2 FLANGED HEX BOLT	
	9	472349	1/4 X 3/4 20THD-IN TEK TYPE	
	24	473966	6X3/4 PHIL FLT HD SHT MTL SCR	
	2	520055	HOSE CLAMP NO 12 PLATED	
	1	601342	HOSE, 5/8 X 192 HEATER	
	1	601350	HOSE, 5/8 X 160" HEATER	
	1	657360	CLIMATE CTRL, A/C & HTR R134A	
	1	658300	VINYL HEAD LINER	94
	2	618556	1/4NPT-90-1/2 HOSE BARB,POLY	
	1	658313	SEAL, AIR CONDITIONER	94
	2	730016	1/4NPT ST EL, 90 DEG POLY	
	4	900128	3/8UNC X 3/4 HEX BOLT	
	1	657339	CHARCOAL FILTER FOR 657333	
	1	657324	FRESH AIR FILTER EAGLE	
	1	470067	RUBBER GROMMET 1/4 ID	
	1	601343	HOSE, 5/8 X 216 HEATER	
	1	657353	FAN ASSY, CLIMATE CTRL R134A	
	1	657354	CONTROLLER ASSY, CLIMATE CTRL	

*NOTE: DETAIL 24 IS USED WITH THE GAS OPTION.



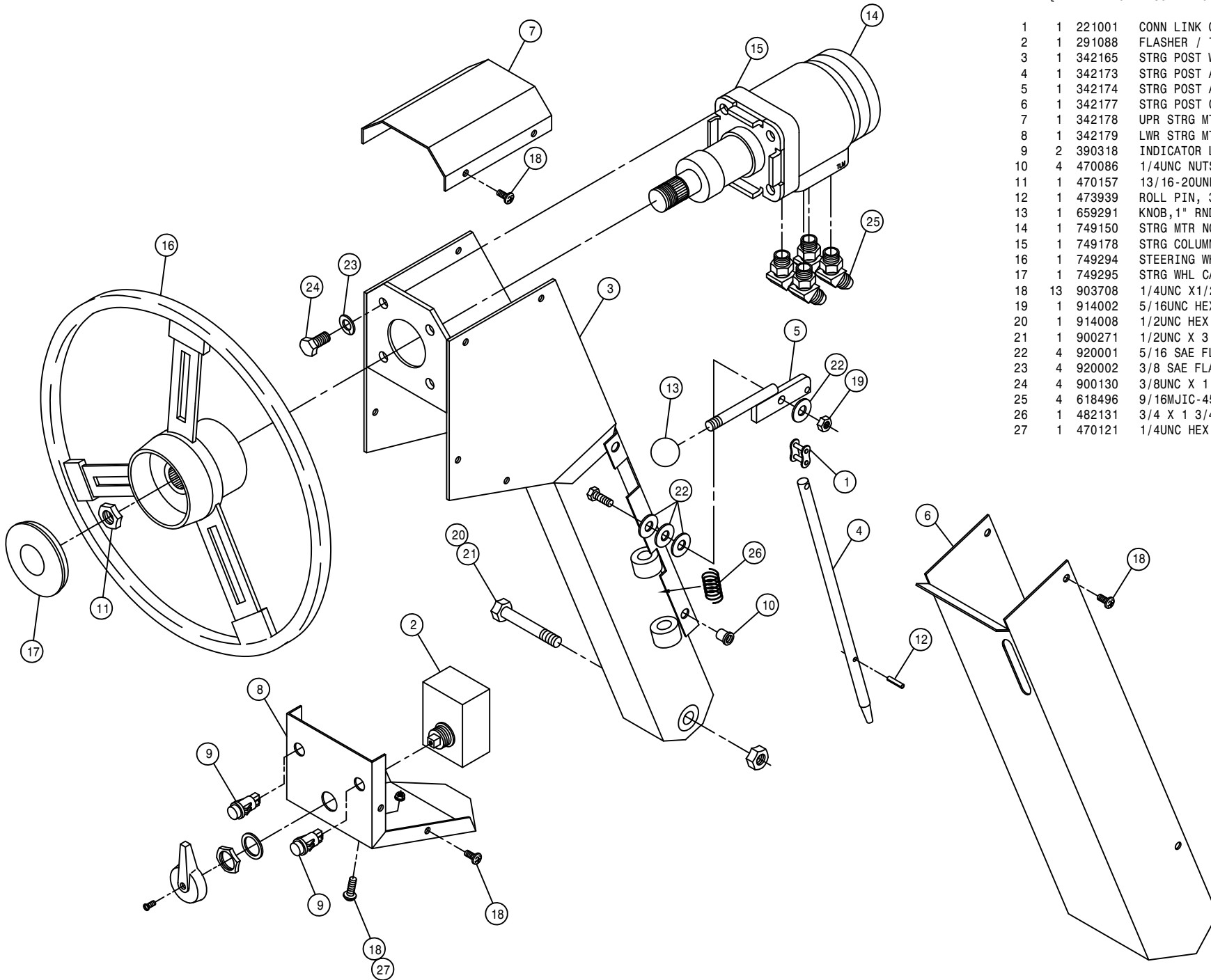
CAB FOAM

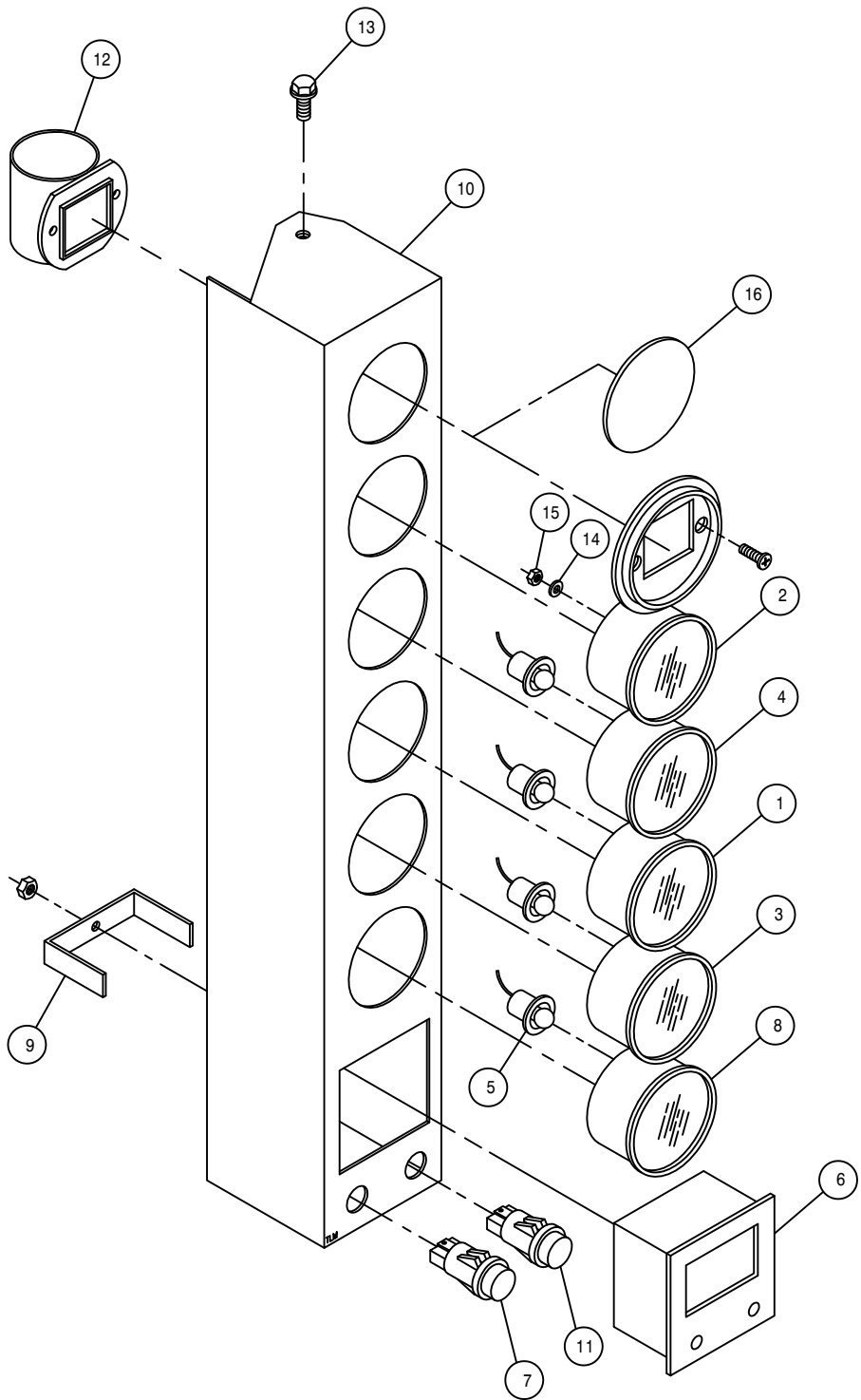
DET.	QTY	PART NO.	DESCRIPTION
1	1	658301	VINYL POST COVER, RH FRONT 94
2	1	658302	VINYL POST COVER, LH FRONT 94
3	1	658303	VINYL POST COVER, RH REAR 94
4	1	658304	VINYL POST COVER, LH REAR 94
5	1	658305	VINYL SIDE PANEL, RH 94
6	1	658306	VINYL SIDE PANEL, RH UPPER 94
7	1	658307	VINYL SIDE PANEL, RH LOWER 94
8	1	658308	VINYL SIDE PANEL, LH UPPER 94
9	1	658309	VINYL SIDE PANEL, LH LOWER 94
10	1	658310	VINYL FRONT COVER PANEL 94
11	1	658311	VINYL REAR COVER PANEL 94
12	1	658312	CAB FLOORMAT 254/284 94
13	2	470225	TRIM CLIP, 11/16 BLK NYL HEAD

STEERING POST ASSEMBLY

DET. QTY PART NO. DESCRIPTION

DET.	QTY	PART NO.	DESCRIPTION
1	1	221001	CONN LINK CLIP TYPE RC50
2	1	291088	FLASHER / TURN SIGNAL SWITCH
3	1	342165	STRG POST WLD, 284 CAB 94
4	1	342173	STRG POST ADJ PIN, 284 CAB 94
5	1	342174	STRG POST ADJ PIN LEVER WLD94
6	1	342177	STRG POST COVER, 284 CAB 94
7	1	342178	UPR STRG MTR HSG COVER 94
8	1	342179	LWR STRG MTR HSG COVER 94
9	2	390318	INDICATOR LIGHT, RED
10	4	470086	1/4UNC NUTSERT .020-.100MATL
11	1	470157	13/16-20UNEF HEX NUT STRG WHL
12	1	473939	ROLL PIN, 3/16DIA X 7/8
13	1	659291	KNOB, 1" RND, BLK, 3/8-16
14	1	749150	STRG MTR NON-LOAD REACT 1008
15	1	749178	STRG COLUMN 2.5IN LONG
16	1	749294	STEERING WHEEL, VIP 14"
17	1	749295	STRG WHL CAP W/HAGIE EMBLEM
18	13	903708	1/4UNC X1/2 PHIL PNHD MACHSCR
19	1	914002	5/16UNC HEX STOVER NUT
20	1	914008	1/2UNC HEX STOVER NUT
21	1	900271	1/2UNC X 3 1/4 HEX BOLT
22	4	920001	5/16 SAE FLAT WASHER
23	4	920002	3/8 SAE FLAT WASHER
24	4	900130	3/8UNC X 1 1/4 HEX BOLT
25	4	618496	9/16MJIC-45-3/4MOR LBO
26	1	482131	3/4 X 1 3/4 COMPRSN SPRING
27	1	470121	1/4UNC HEX FLANGE LOCK NUT

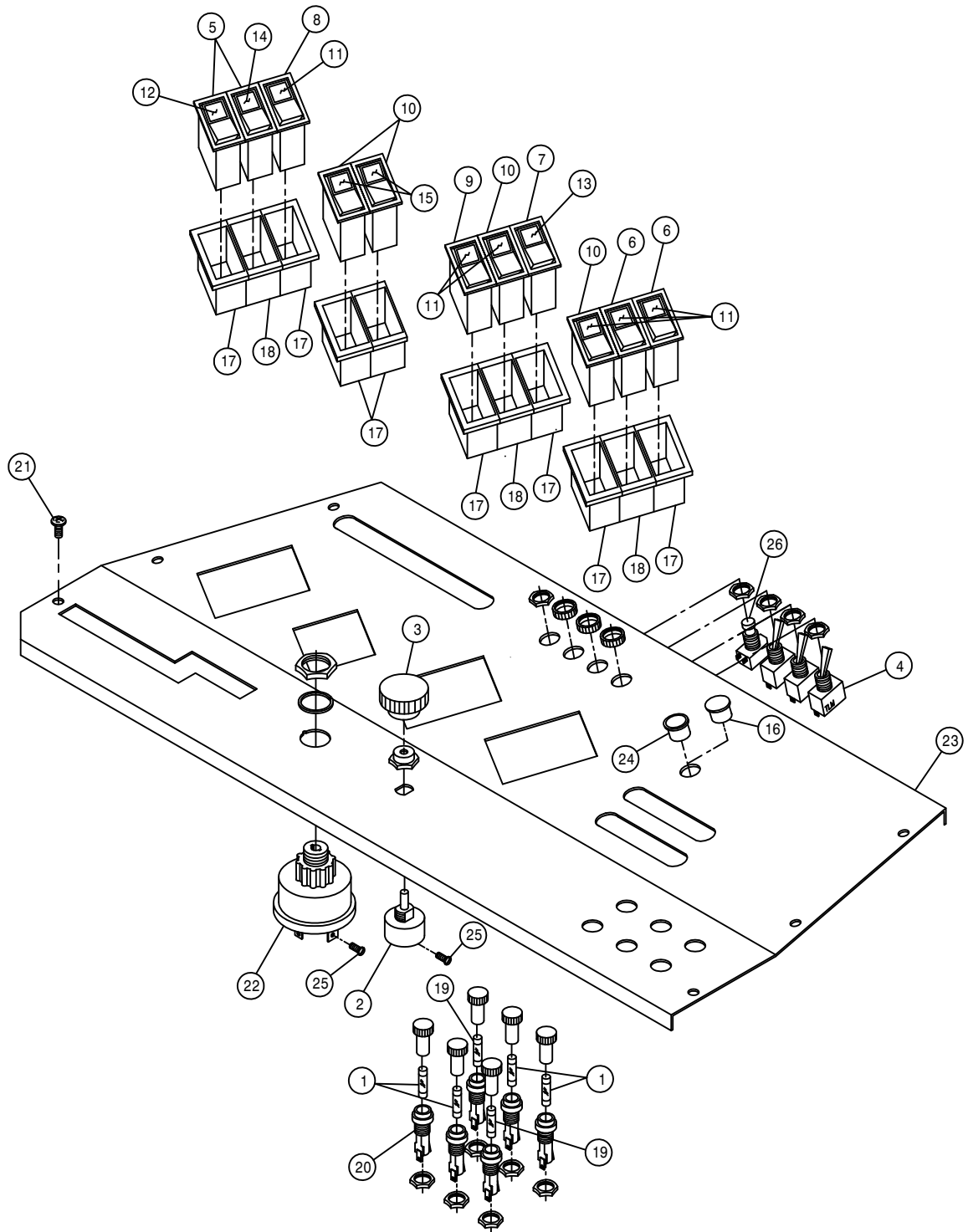




INSTRUMENT PANEL ASSEMBLY

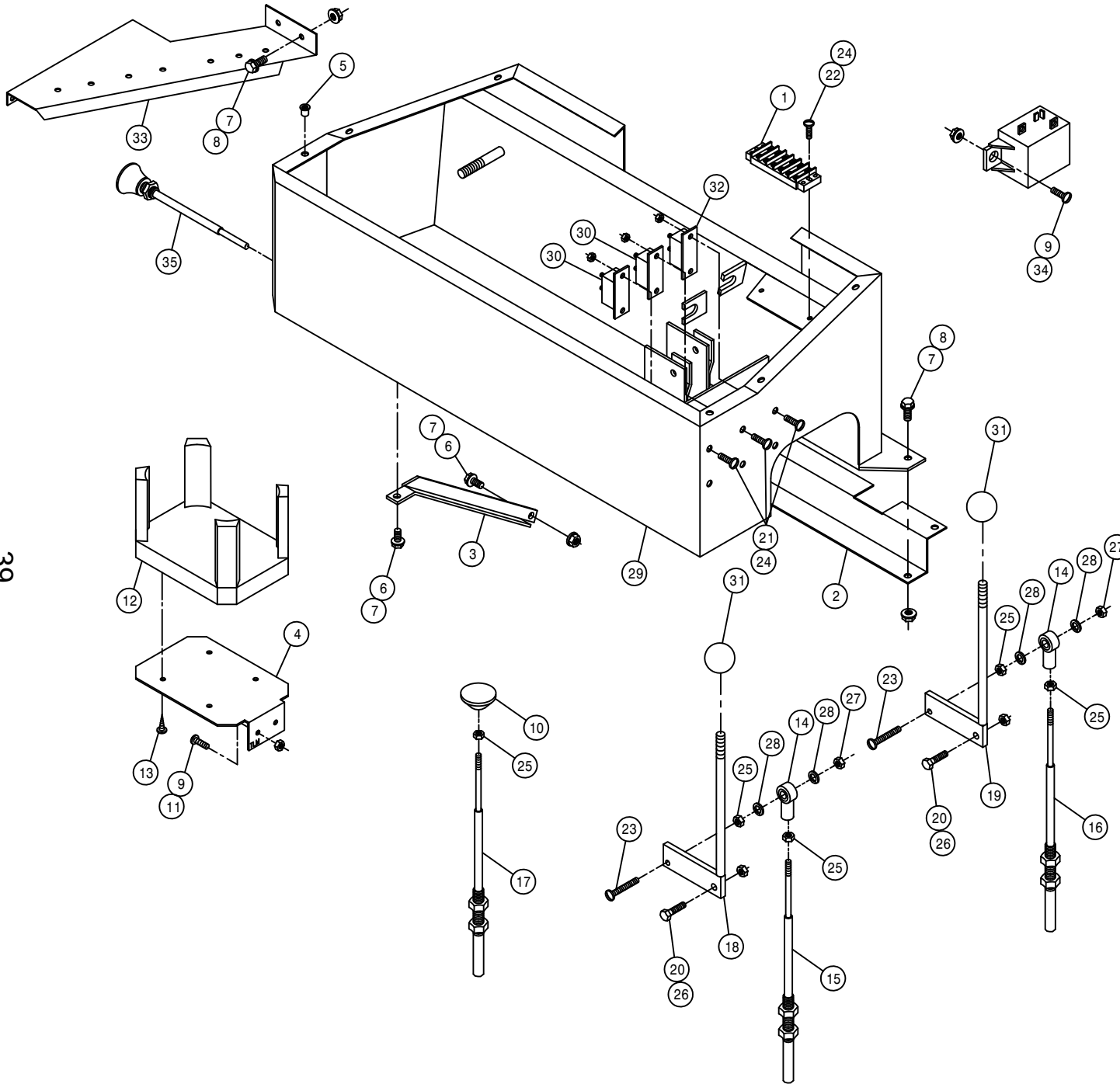
DET. QTY PART NO. DESCRIPTION

1	1	290401	FUEL GAUGE FOR 2.125 DIA HOLE
2	1	291203	HOUR METER
3	1	291609	OIL PRESS GAUGE, 80PSI
4	1	291611	VOLTMETER, 8V TO 18V DC
5	4	291612	LIGHT KIT FOR 2" GAUGE
6	1	291635	DIGITAL MPH/RPM INDICATOR
7	1	291638	INDICATOR LIGHT, GREEN
8	1	314436	TEMP GA 100-280 DEG LIGHTED
9	1	342068	DIGITAL MPH/RPM IND KEEPER 94
10	1	342186	INSTRU HSNGLD, 284 CAB 94
11	1	390318	INDICATOR LIGHT RED SNAP-IN
12	1	314901	FILTER MINDER AIR RESTRICT GA
13	2	470122	1/4UNC X 1/2 FLANGED HEX BOLT
14	8	473802	# 8 INT TOOTH STAR WASHER
15	8	910024	# 8-32 HEX NUT
16	1	629728	FINISH PLUG FOR 2.12 HOLE



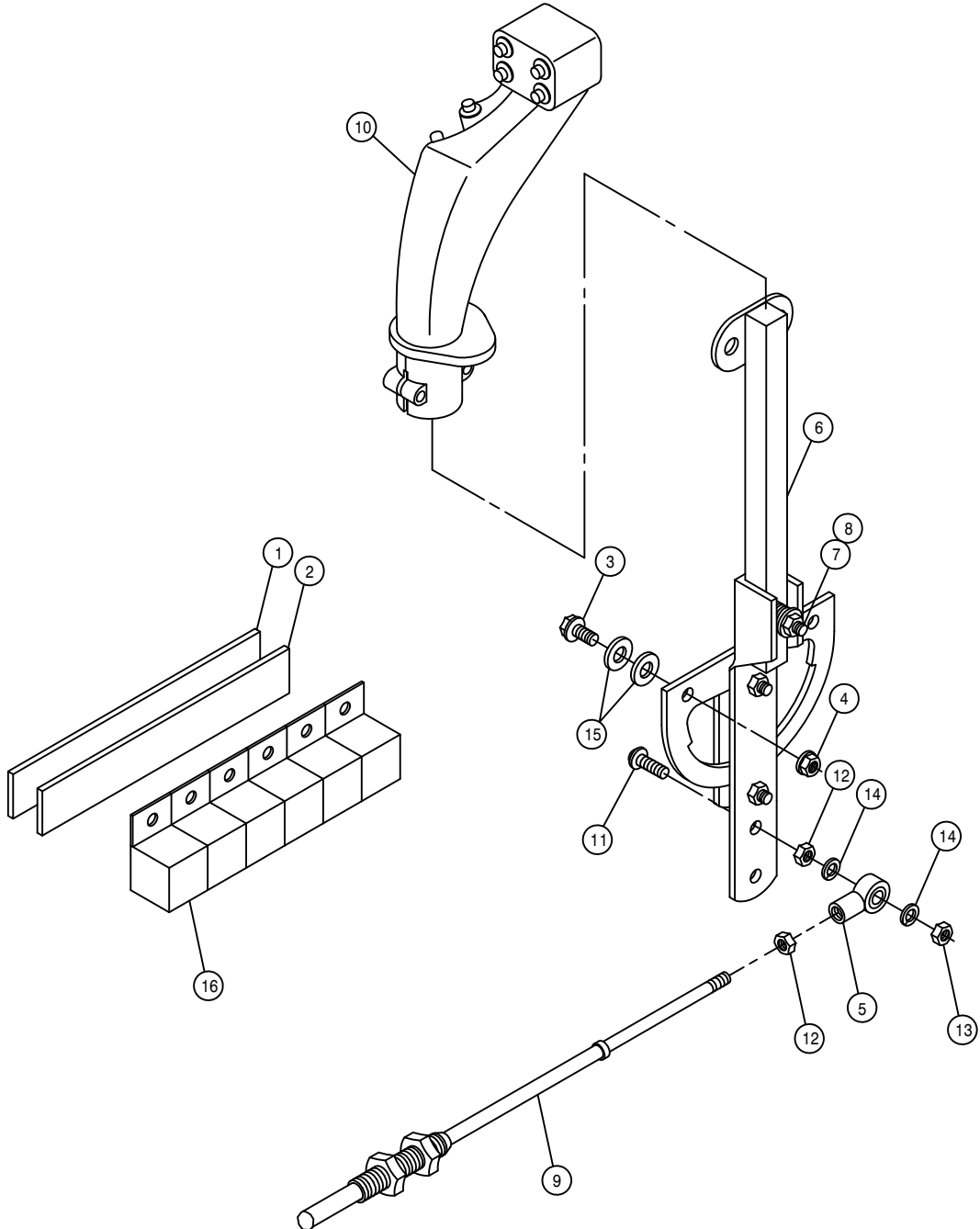
CONSOLE PANEL ASSEMBLY

DET.	QTY	PART NO.	DESCRIPTION
	4	291602	FUSE 10 AMP
	1	291606	ROTARY HEADLAMP SWITCH
	1	291607	SWITCH KNOB FOR 291606
	3	291608	TOGGLE SWITCH, ON-OFF, UNLIT
	2	291622	SWITCH, 1P ON/OFF 511-003
	2	291623	SWITCH, 2P ON/OFF 511-015
	1	291624	SWITCH, 2P(ON)/OFF 511-130
	1	291625	SWITCH, 2P ON/ON 511-108
	1	291626	SWITCH, 2P ON/OFF/ON 511-053
	4	291627	SWITCH, 2P(ON)OFF(ON) 511-058
	6	291628	LENS, GREEN
	1	291629	LENS, WIPER
	1	291630	LENS, WINDSHIELD WASHER
	1	291631	LENS, HAZARD
	2	291632	LENS, DIRECTION INDICATOR
	1	470224	SNAP PLUG, BLK NYL, .50 DIA
	8	293246	END BEZEL FOR 293244
	3	293247	CENTER BEZEL FOR 293244
	2	298004	20 AMP FUSE SFE 20
	6	298011	FUSE HOLDER
	6	903708	MACH SCR 1/4-20X1/2 PHIL PNHD
	1	321020	IGN SWITCH 5 POLE
	1	342189	CONSOLE COVER PNL, 284 CAB 94
	1	470223	SNAP BUSHING, BLK NYL, .50DIA
	2	903844	8-32 X 1/2 SLTRDHD MACH SCREW
	1	291639	PUSHBUTTON SWITCH, ON/OFF SPST



CONSOLE ASSEMBLY

DET.	QTY	PART NO.	DESCRIPTION
	1	293093	TERMINAL BLOCK 6 POS - 2 ROW
	2	342207	CONSOLE MT BRKT, 284 CAB 94
	3	342208	CONSOLE BRACE, 284 CAB 94
	4	342216	DRINK HOLDER MT BRKT 94
	5	470086	1/4UNC NUTSERT .020-.100MATL
	6	470118	1/4UNC X 3/4 FLANGED HEX BOLT
	7	10 470121	1/4UNC HEX FLANGED LOCK NUT
	8	470122	1/4UNC X 1/2 FLANGED HEX BOLT
	9	470175	#10-32 HEX FLANGED LOCK NUT
	10	470190	PUSH/PULL KNOB 10-32 1.38 DIA
	11	903710	MACH SCR 10-32X1/2 PHIL PANHD
	12	470214	SPILLMASTER DRINK HOLDER
	13	473902	NO 8 X 1/2 PAN HD MET SC
	14	473921	BALL JOINT NO 10-32 THD
	15	785063	CTRL CABLE 10-32 2IN X 42 LG
	16	785064	CTRL CABLE 10-32 2IN X 53 LG
	17	785065	CTRL CABLE 10-32 4IN X 68 LG
	18	785070	SOLU PRESS CTRL LEVER WLD 94
	19	785073	AGIT CTRL LEVER WLD 94
	20	2 900003	1/4UNC X 1 HEX BOLT
	21	6 903812	6-32 X 1/2 SLT RD HD MACH SCR
	22	2 903814	6-32 X 3/4 SLT RD HD MACH SCR
	23	2 903893	10 32 X 1 SLT RD HD MACH SCR
	24	8 910022	#6-32 HEX NUT
	25	5 910027	#10-32 HEX NUT
	26	2 914000	1/4UNC HEX STOVER NUT
	27	2 914027	#10-32 HEX STOVER NUT
	28	4 920510	LOCK WASH NO 10
	29	1 342191	CONSOLE WLD, 284 CAB 94
	30	2 291197	CIRCUIT BREAKER, 30AMP
	31	2 659291	1 DIA BALL KNOB 3/8-16INSERT
	32	1 291024	CIRCUIT BREAKER, 40AMP
	33	1 342215	MONITOR MT, 284 CAB 94
	34	2 903883	10-32 X 1/2 SLTRD HD MACH SCR
	35	1 780101	CHOKE CONTROL CABLE, 144 IN



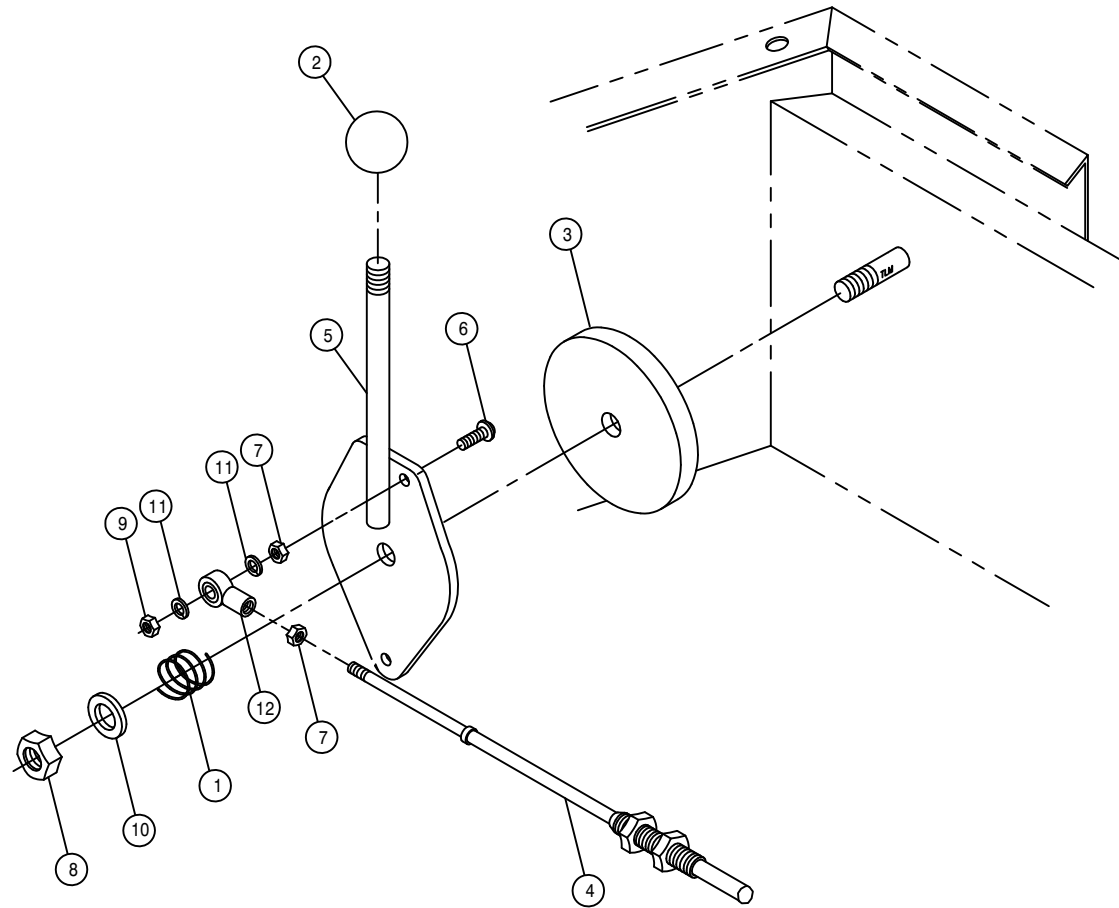
HYDROSTATIC LEVER ASSEMBLY

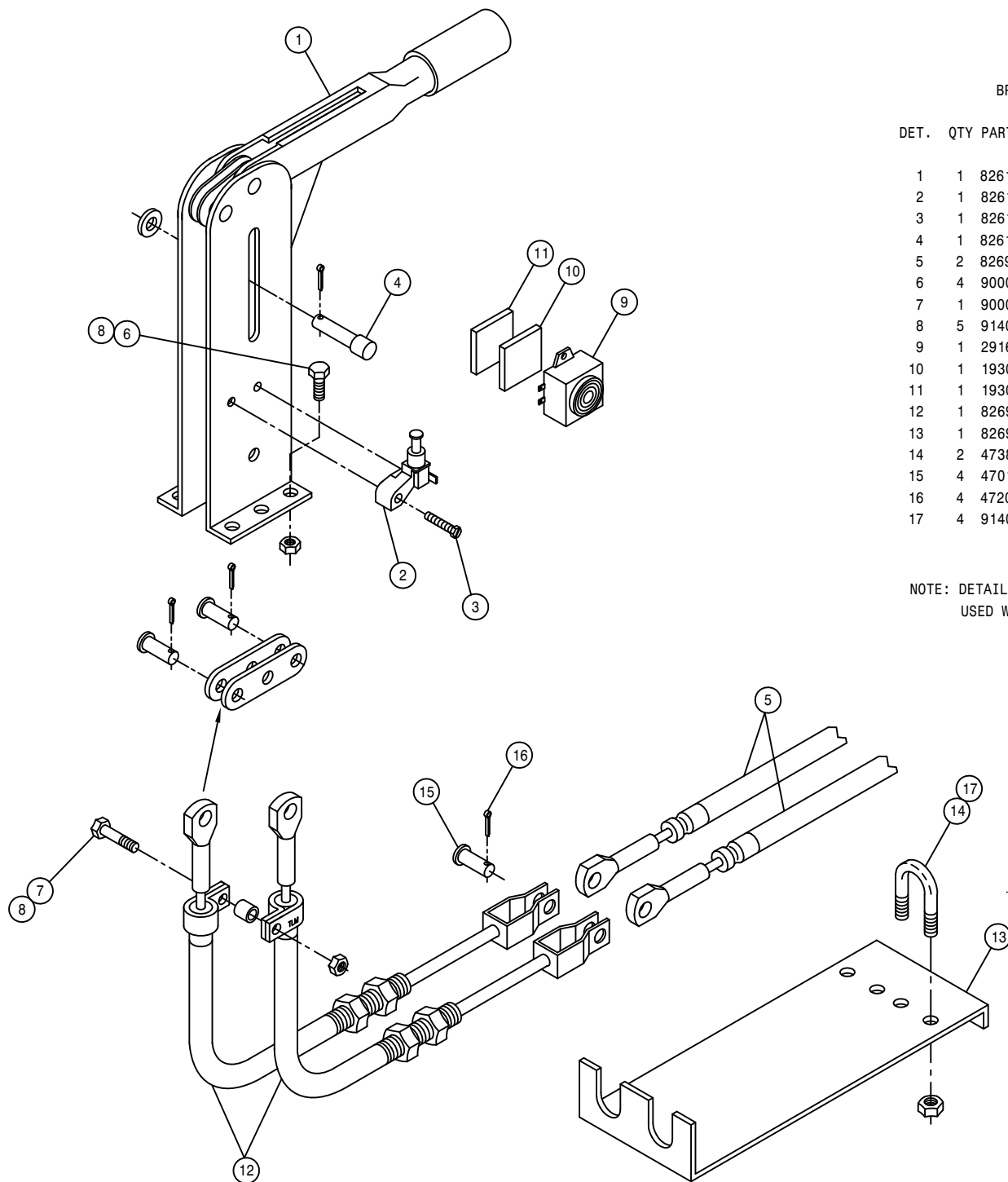
DET.	QTY	PART NO.	DESCRIPTION
	1	193038	DUAL LOCK 1IN SJ3541 TYPE 400
	1	193039	DUAL LOCK 1IN SJ3542 TYPE 400
	2	470118	1/4UNC X 3/4 FLANGED HEX BOLT
	2	470121	1/4UNC HEX FLANGED LOCK NUT
	1	473921	BALL JOINT NO 10-32 THD
	1	606907	HYDST CTRL LEVER, 204-284 94
	1	900005	1/4UNC X 1 1/2 HEX BOLT
	1	914000	1/4UNC HEX STOVER NUT
	1	785003	CTRL CABLE 10-32 4IN X 112 LG
	1	785076	FASSE EZ-3 CONTROL HANDLE
	1	903893	10 32 X 1 SLT RD HD MACH SCR
	2	910027	#10-32 HEX NUT
	1	914027	#10-32 HEX STOVER NUT
	2	920510	LOCK WASH NO 10
	4	920000	1/4 FLAT WASH SAE
	6	291640	RELAY FOR CTRL HANDLE #785076

THROTTLE LEVER ASSEMBLY

DET. QTY PART NO. DESCRIPTION

1	1	499001	SPRING HYDRO CONTROL
2	1	785007	NOB,1 3/16" BALL,RED,3/8-16
3	1	785046	FRICTION DISC 3-333 X .38
4	1	785066	CTRL CABLE 10-32 4IN X 129 IN
5	1	785067	THROT LEVER WLD,GAS/DIESEL 94
6	1	903893	10-32 X 1" SLT RD HD MACH SCR
7	2	910027	10-32 HEX NUT
8	1	914004	3/8UNC HEX STOVER NUT
9	1	914027	10-32 HEX STOVER NUT
10	1	920002	3/8 SAE FLAT WASHER
11	2	920510	#10 LOCK WASHER
12	1	473921	BALL JOINT NO 10-32 THD



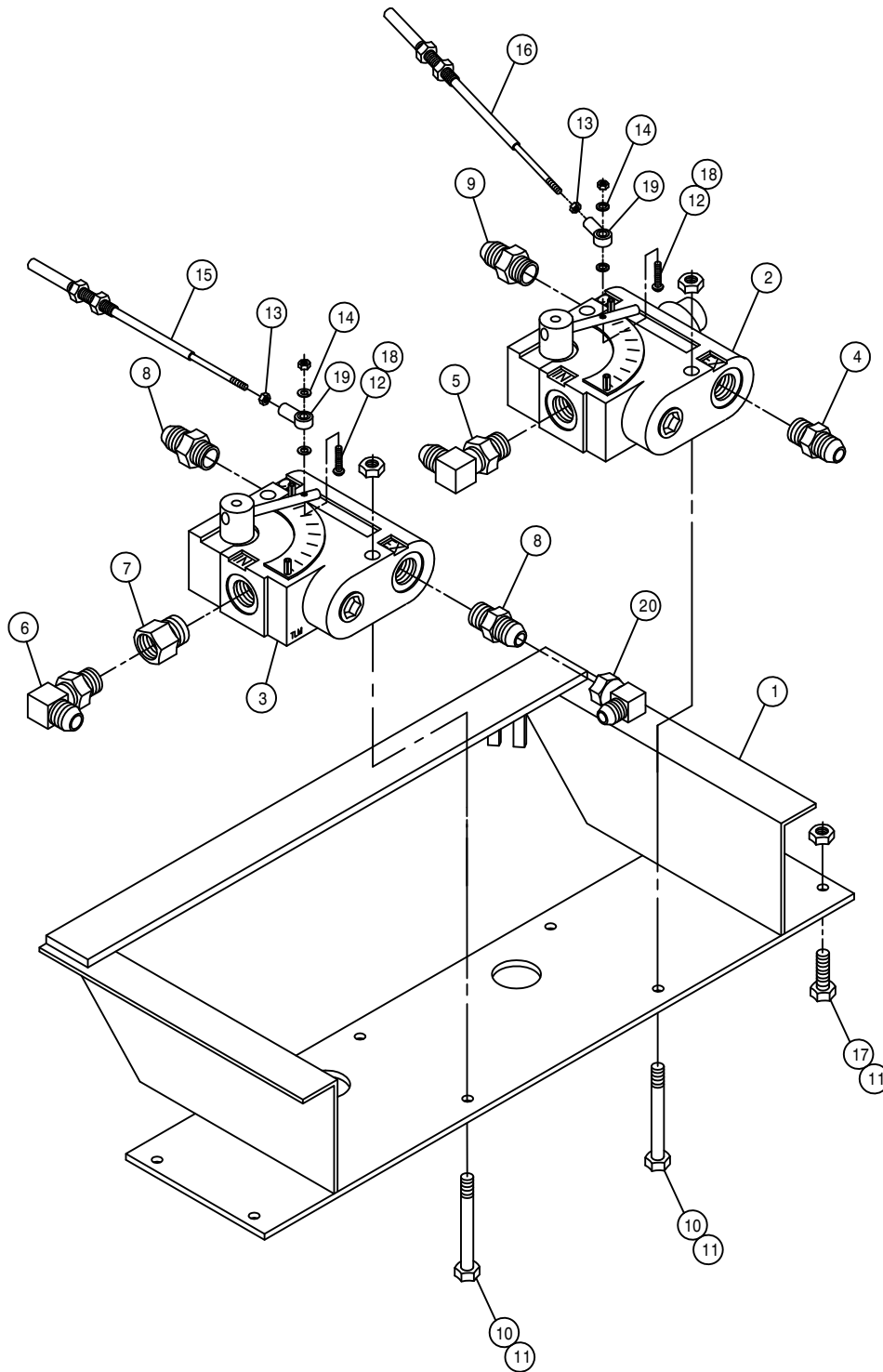


BRAKE LEVER ASSEMBLY

DET. QTY PART NO. DESCRIPTION

DET.	QTY	PART NO.	DESCRIPTION
1	1	826108	BRAKE LEVER ASSY
2	1	826138	PARK BRAKE SWITCH FOR 826108
3	1	826139	PARK BRAKE SWITCH SCREW
4	1	826140	PARK BRAKE SWITCH PIN
5	2	826926	190 IN BRAKE CABLE
6	4	900064	5/16UNC X 3/4 HEX BOLT
7	1	900067	5/16UNC X 1 1/2 HEX BOLT
8	5	914002	5/16UNC HEX STOVER NUT
9	1	291636	BUZZER, 12V ELECTRONIC
10	1	193038	DUAL LOCK 1IN SJ3541 TYPE 400
11	1	193039	DUAL LOCK 1IN SJ3542 TYPE 400
12	1	826930	BRAKE CABLE EXTEN 20IN470
13	1	826981	BRAKE CABLE EXT BRKT 8250
14	2	473808	1/4UNC-3/4ID-1 1/4 UBOLT
15	4	470135	CLEVIS PIN, 5/16 X 7/8 LG
16	4	472008	COTTER PIN 5/32 X 1
17	4	914000	1/4UNC HEX STOVER NUT

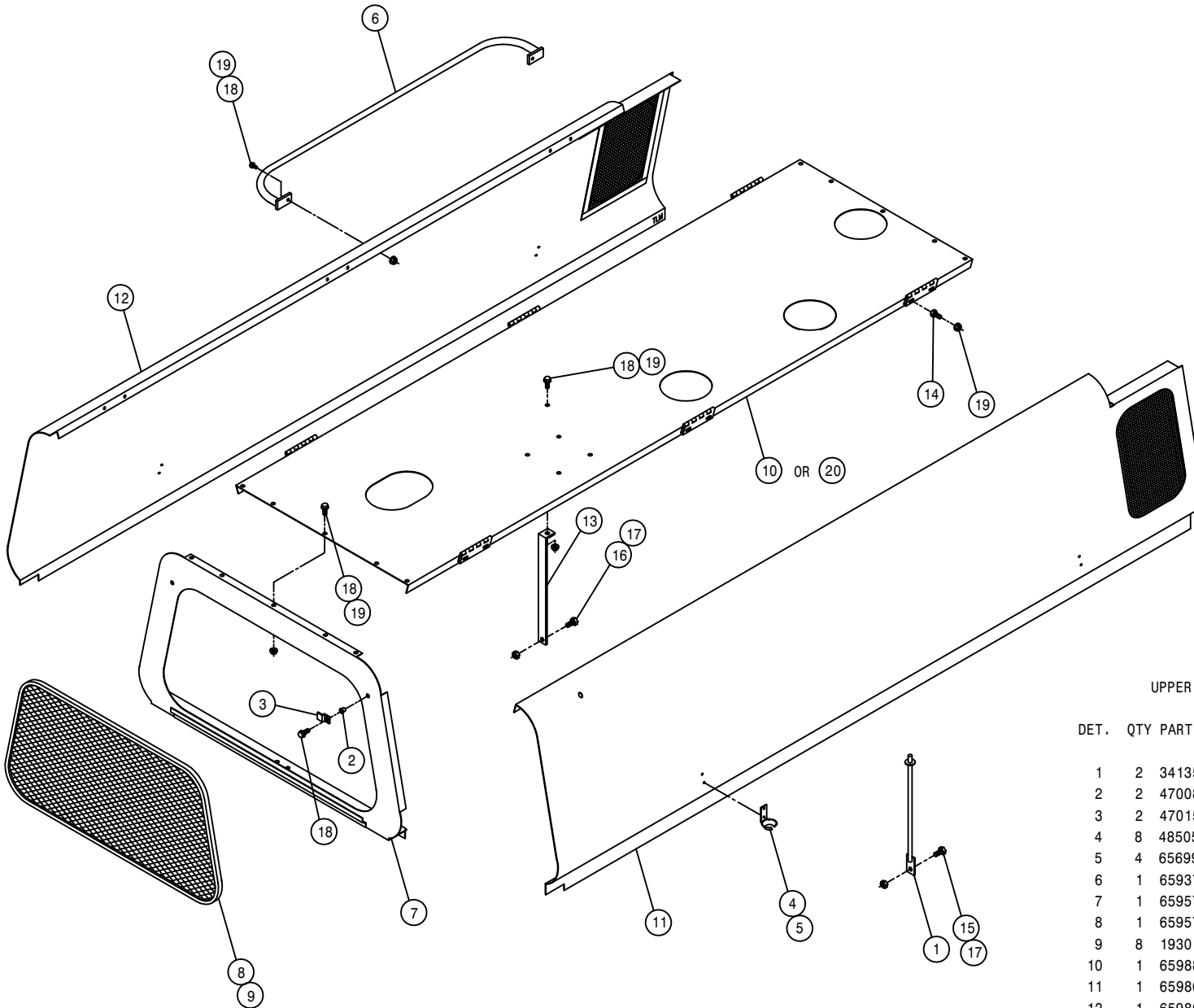
NOTE: DETAILS 12,13,14,15,16 AND 17 ARE USED WITH THE X-11 MACHINES.



VARIABLE FLOW CONTROL ASSEMBLY

DET. QTY PART NO. DESCRIPTION

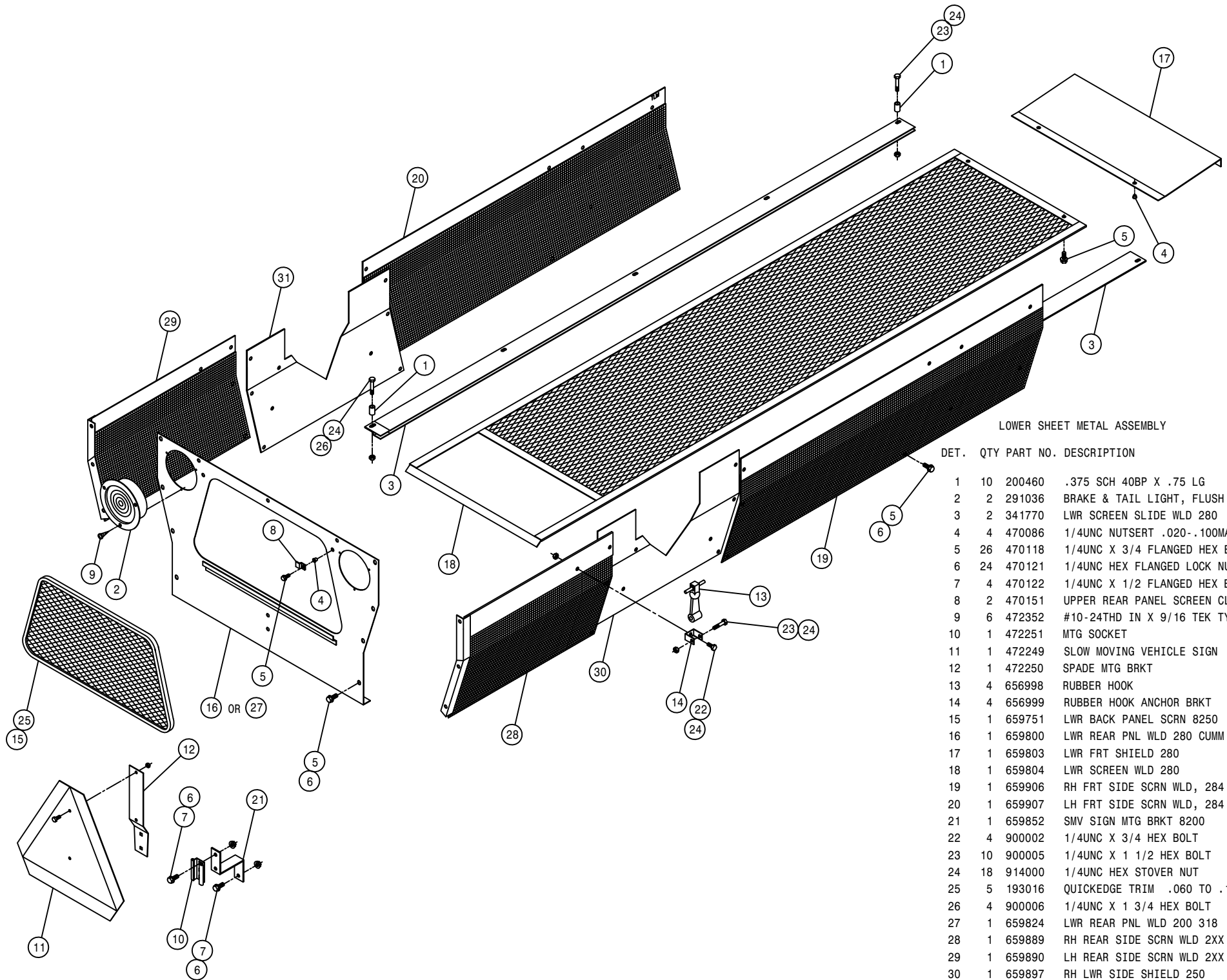
1	1	342209	SOLU VFC MT WLD	94
2	1	606818	FLO CONT FCR51 0-16GPM 7/8FOR	
3	1	606827	FLO CONT FC51 0-3 VARI 7/8FOR	
4	1	611126	7/8MJIC-7/8MOR ADPTR	
5	1	611128	7/8MJIC-90-7/8MOR LBO	
6	1	618119	9/16MJIC-90-9/16MOR LBO	
7	1	618172	7/8MOR-9/16FOR ADPTR	
8	2	618310	9/16MJIC-7/8MOR ADPTR	
9	1	618327	3/4MJIC-7/8MOR ADPTR	
10	4	900008	1/4UNC X 2 1/2 HEX BOLT	
11	8	914000	1/4UNC HEX STOVER NUT	
12	2	903893	10-32 X 1" SLT RD HD MACH SCR	
13	2	910027	10-32 HEX NUT	
14	4	920510	#10 LOCK WASHER	
15	1	785064	CTRL CABLE 10-32 2IN X 53 LG	
16	1	785063	CTRL CABLE 10-32 2IN X 42 LG	
17	4	470118	1/4UNC X 3/4 FLANGE HEX BOLT	
18	2	914027	10-32 HEX STOVER NUT	
19	2	473921	BALL JOINT NO 10-32 THD	
20	1	618618	9/16MJIC-90-9/16FJIC SWIV LBO	



UPPER SHEET METAL ASSEMBLY

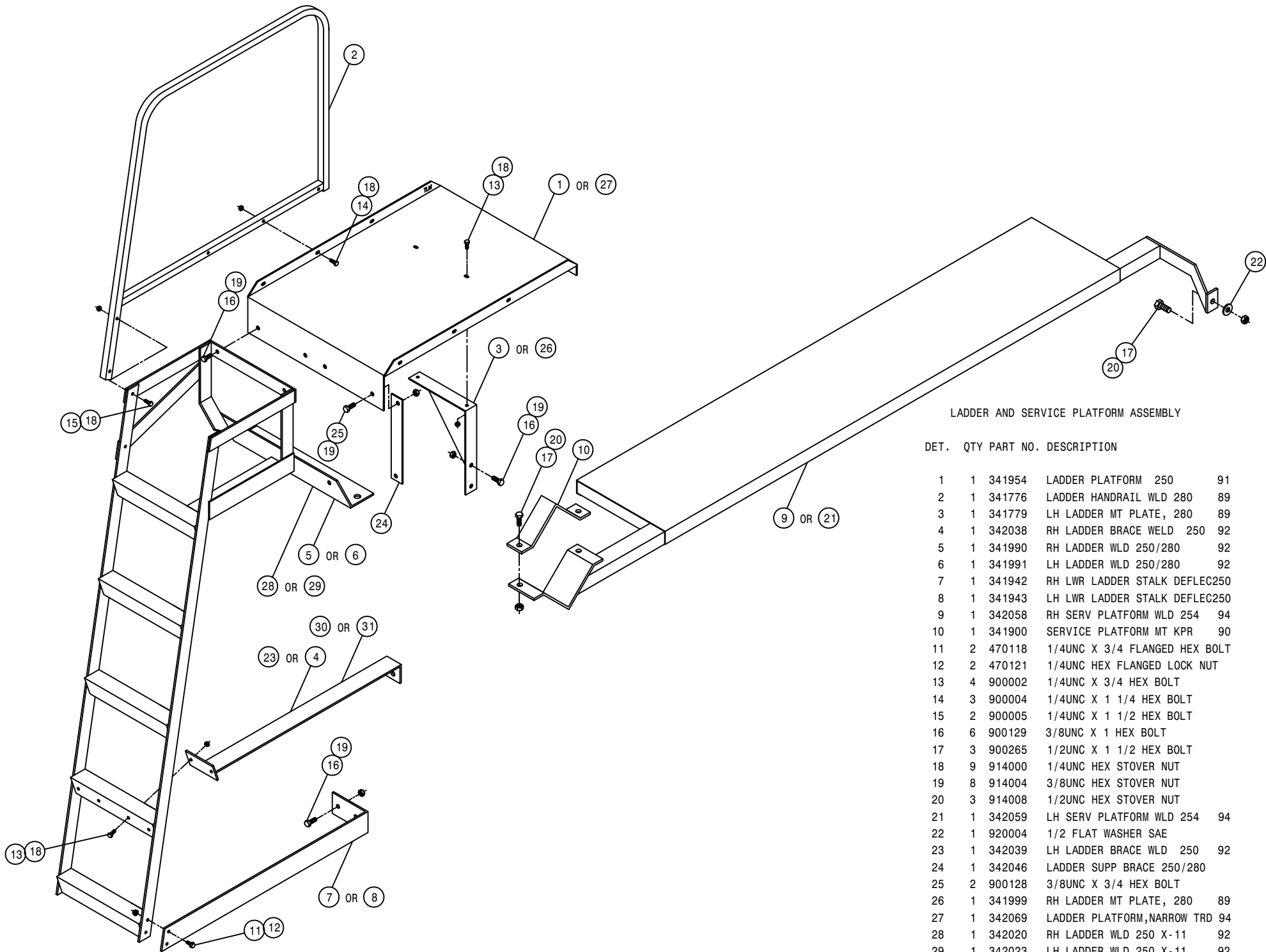
DET. QTY PART NO. DESCRIPTION

1	2	341356	ENGINE HOOD PROP WLD 8240 82
2	2	470086	1/4UNC NUTSERT .020-.100MATL
3	2	470151	UPPER REAR PANEL SCREEN CLIP
4	8	485053	POP RIVET 3/16 X 3/8
5	4	656997	RUBBER HOOK BRKT 473
6	1	659378	RH ENG HOOD HANDRAIL WLD 647S
7	1	659575	UPPER REAR PANEL WLD 8240 82
8	1	659578	UPPER REAR PANEL SCREEN 8240
9	8	193016	QUICKEDGE TRIM .060 TO .170
10	1	659883	MULLION WLD CUMM 250 92
11	1	659864	RH ENGINE HOOD WLD 250 91
12	1	659865	LH ENGINE HOOD WLD 250 91
13	1	659835	MULLION SUPPORT 200 89
14	12	900000	1/4UNC X 1/2 HEX BOLT
15	2	900128	3/8UNC X 3/4 HEX BOLT
16	1	900129	3/8UNC X 1 HEX BOLT
17	3	914004	3/8UNC HEX STOVER NUT
18	15	470118	1/4UNC X 3/4 FLANGED HEX BOLT
19	25	470121	1/4UNC HEX FLANGED LOCK NUT
20	1	659822	MULLION WLD 200 CHRY 318 89



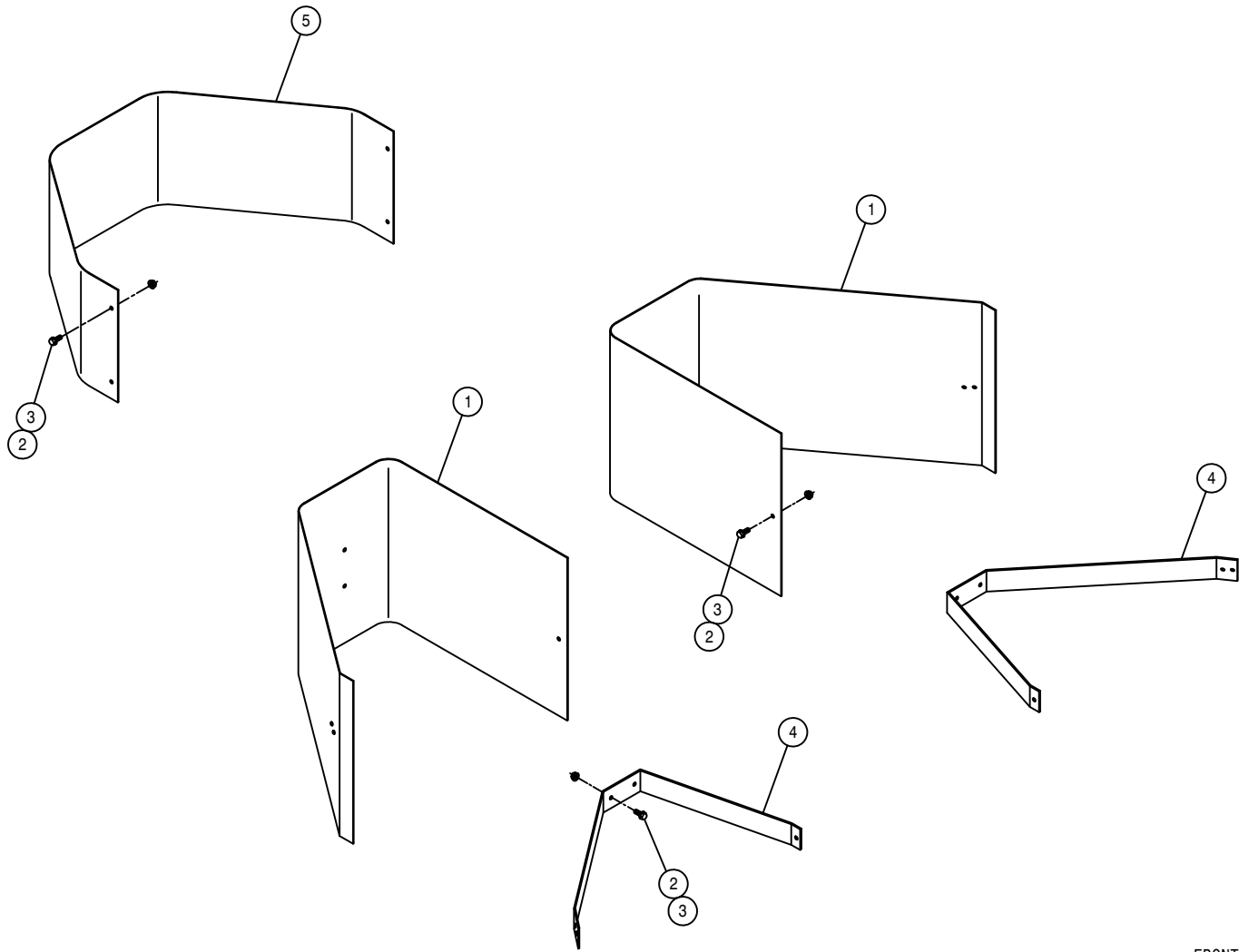
LOWER SHEET METAL ASSEMBLY

DET.	QTY	PART NO.	DESCRIPTION
1	10	200460	.375 SCH 40BP X .75 LG C/L
2	2	291036	BRAKE & TAIL LIGHT, FLUSH MT
3	2	341770	LWR SCREEN SLIDE WLD 280 89
4	4	470086	1/4UNC NUTSERT .020-.100MATL
5	26	470118	1/4UNC X 3/4 FLANGED HEX BOLT
6	24	470121	1/4UNC HEX FLANGED LOCK NUT
7	4	470122	1/4UNC X 1/2 FLANGED HEX BOLT
8	2	470151	UPPER REAR PANEL SCREEN CLIP
9	6	472352	#10-24THD IN X 9/16 TEK TYP 3
10	1	472251	MTG SOCKET
11	1	472249	SLOW MOVING VEHICLE SIGN
12	1	472250	SPADE MTG BRKT
13	4	656998	RUBBER HOOK
14	4	656999	RUBBER HOOK ANCHOR BRKT
15	1	659751	LWR BACK PANEL SCR N 8250 86
16	1	659800	LWR REAR PNL WLD 280 CUMM 89
17	1	659803	LWR FRT SHIELD 280 89
18	1	659804	LWR SCREEN WLD 280 89
19	1	659906	RH FRT SIDE SCR N WLD, 284 94
20	1	659907	LH FRT SIDE SCR N WLD, 284 94
21	1	659852	SMV SIGN MTG BRKT 8200 89
22	4	900002	1/4UNC X 3/4 HEX BOLT
23	10	900005	1/4UNC X 1 1/2 HEX BOLT
24	18	914000	1/4UNC HEX STOVER NUT
25	5	193016	QUICKEDGE TRIM .060 TO .170
26	4	900006	1/4UNC X 1 3/4 HEX BOLT
27	1	659824	LWR REAR PNL WLD 200 318 89
28	1	659889	RH REAR SIDE SCR N WLD 2XX 92
29	1	659890	LH REAR SIDE SCR N WLD 2XX 92
30	1	659897	RH LWR SIDE SHIELD 250 92
31	1	659898	LH LWR SIDE SHIELD 250 92



LADDER AND SERVICE PLATFORM ASSEMBLY

DET.	QTY	PART NO.	DESCRIPTION	
1	1	341954	LADDER PLATFORM 250	91
2	1	341776	LADDER HANDRAIL WLD 280	89
3	1	341779	LH LADDER MT PLATE, 280	89
4	1	342038	RH LADDER BRACE WELD 250	92
5	1	341990	RH LADDER WLD 250/280	92
6	1	341991	LH LADDER WLD 250/280	92
7	1	341942	RH LWR LADDER STALK DEFLEC250	
8	1	341943	LH LWR LADDER STALK DEFLEC250	
9	1	342058	RH SERV PLATFORM WLD 254	94
10	1	341900	SERVICE PLATFORM MT KPR	90
11	2	470118	1/4UNC X 3/4 FLANGED HEX BOLT	
12	2	470121	1/4UNC HEX FLANGED LOCK NUT	
13	4	900002	1/4UNC X 3/4 HEX BOLT	
14	3	900004	1/4UNC X 1 1/4 HEX BOLT	
15	2	900005	1/4UNC X 1 1/2 HEX BOLT	
16	6	900129	3/8UNC X 1 HEX BOLT	
17	3	900265	1/2UNC X 1 1/2 HEX BOLT	
18	9	914000	1/4UNC HEX STOVER NUT	
19	8	914004	3/8UNC HEX STOVER NUT	
20	3	914008	1/2UNC HEX STOVER NUT	
21	1	342059	LH SERV PLATFORM WLD 254	94
22	1	920004	1/2 FLAT WASHER SAE	
23	1	342039	LH LADDER BRACE WLD 250	92
24	1	342046	LADDER SUPP BRACE 250/280	
25	2	900128	3/8UNC X 3/4 HEX BOLT	
26	1	341999	RH LADDER MT PLATE, 280	89
27	1	342069	LADDER PLATFORM, NARROW TRD	94
28	1	342020	RH LADDER WLD 250 X-11	92
29	1	342023	LH LADDER WLD 250 X-11	92
30	1	342026	RH LADDER BRACE WLD 250 X-11	
31	1	342027	LH LADDER BRACE WLD 250 X-11	



FRONT TANK SHIELDS

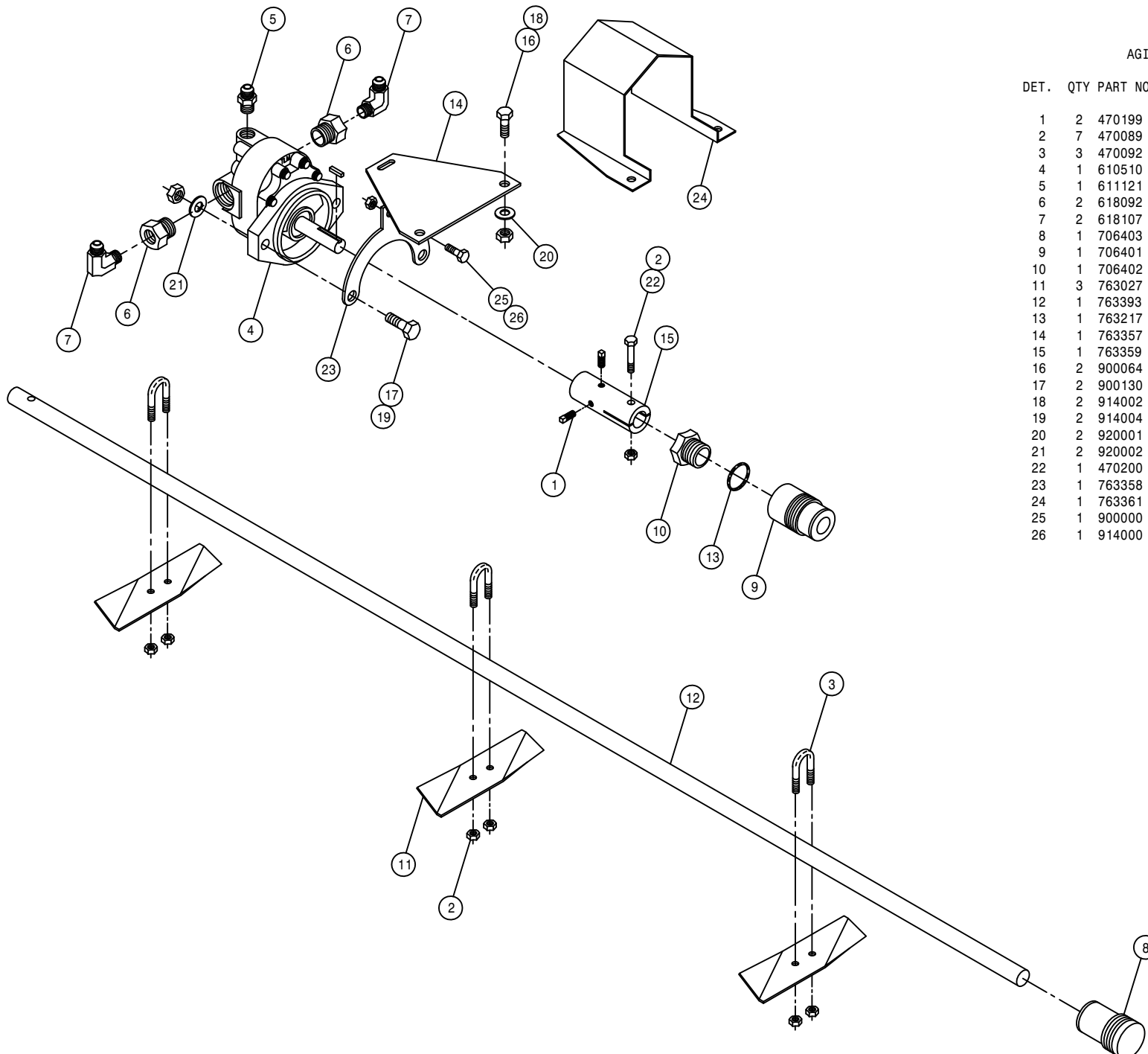
DET. QTY PART NO. DESCRIPTION

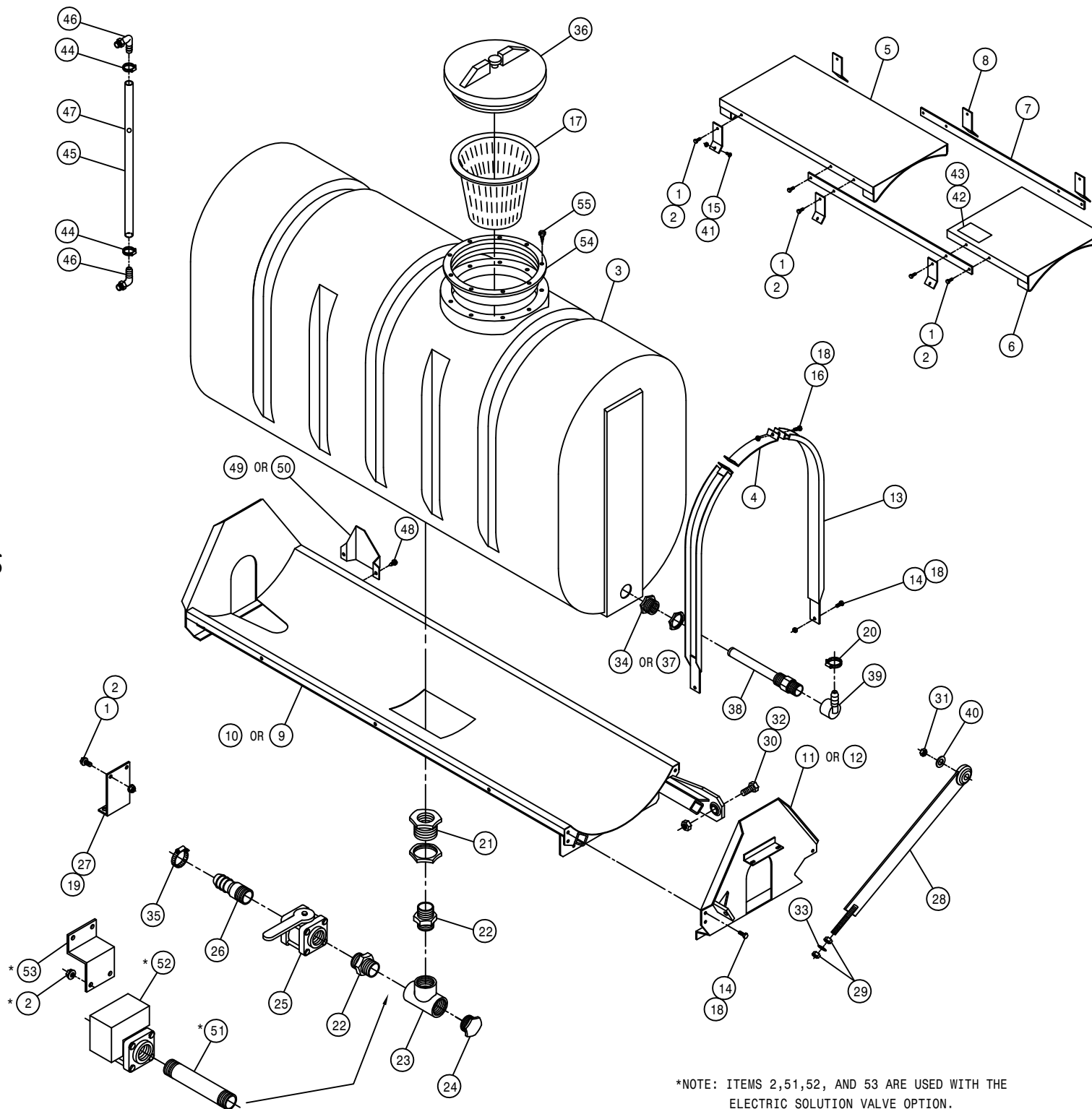
1	2	659868	FRONT TANK SHIELD 250	91
2	18	470118	1/4UNC X 3/4 FLANGE HEX BOLT	
3	18	470121	1/4UNC HEX FLANGE LOCK NUT	
4	2	659870	FRT TANK SHIELD MT 250	91
5	1	659831	LWR FRONT SHIELD 280	89

AGITATOR ASSEMBLY

DET. QTY PART NO. DESCRIPTION

DET.	QTY	PART NO.	DESCRIPTION
1	2	470199	1/4UNC X 3/8 SQHD CUP SET SCR
2	7	470089	1/4UNC HEX LOC NUT NYL INS SS
3	3	470092	1/4UNC-3/4ID-1 1/4 U-BOLT SS
4	1	610510	CESSNA GEAR MOTOR 1.48CI
5	1	611121	9/16MJIC-1/4MNPT ADPTR
6	2	618092	1 1/16MOR-1/2FNPT ADPTR
7	2	618107	9/16MJIC-90-1/2MNPT LBO
8	1	706403	FRT AGIT SHFT BRG, NYLON
9	1	706401	REAR AGIT SHFT BRG, NYLON
10	1	706402	AGIT SHFT GLAND NUT, NYLON
11	3	763027	AGIT IMPELLER
12	1	763393	AGIT SHAFT 250 91
13	1	763217	GLAND PACKING, 13 IN. LONG
14	1	763357	AGIT MTR MT PLT CES 280 91
15	1	763359	AGIT MTR CPLR 280 91
16	2	900064	5/16UNC X 3/4 HEX BOLT
17	2	900130	3/8UNC X 1 1/4 HEX BOLT
18	2	914002	5/16UNC HEX STOVER NUT
19	2	914004	3/8UNC HEX STOVER NUT
20	2	920001	5/16 SAE FLAT WASHER
21	2	920002	3/8 SAE FLAT WASHER
22	1	470200	1/4UNC X 1 3/4 HEX BOLT SS
23	1	763358	AGIT MTR MT YOKE CES 280 91
24	1	763361	AGIT CPLR SHIELD 280 91
25	1	900000	1/4UNC X 1/2 HEX BOLT
26	1	914000	1/4UNC HEX STOVER NUT



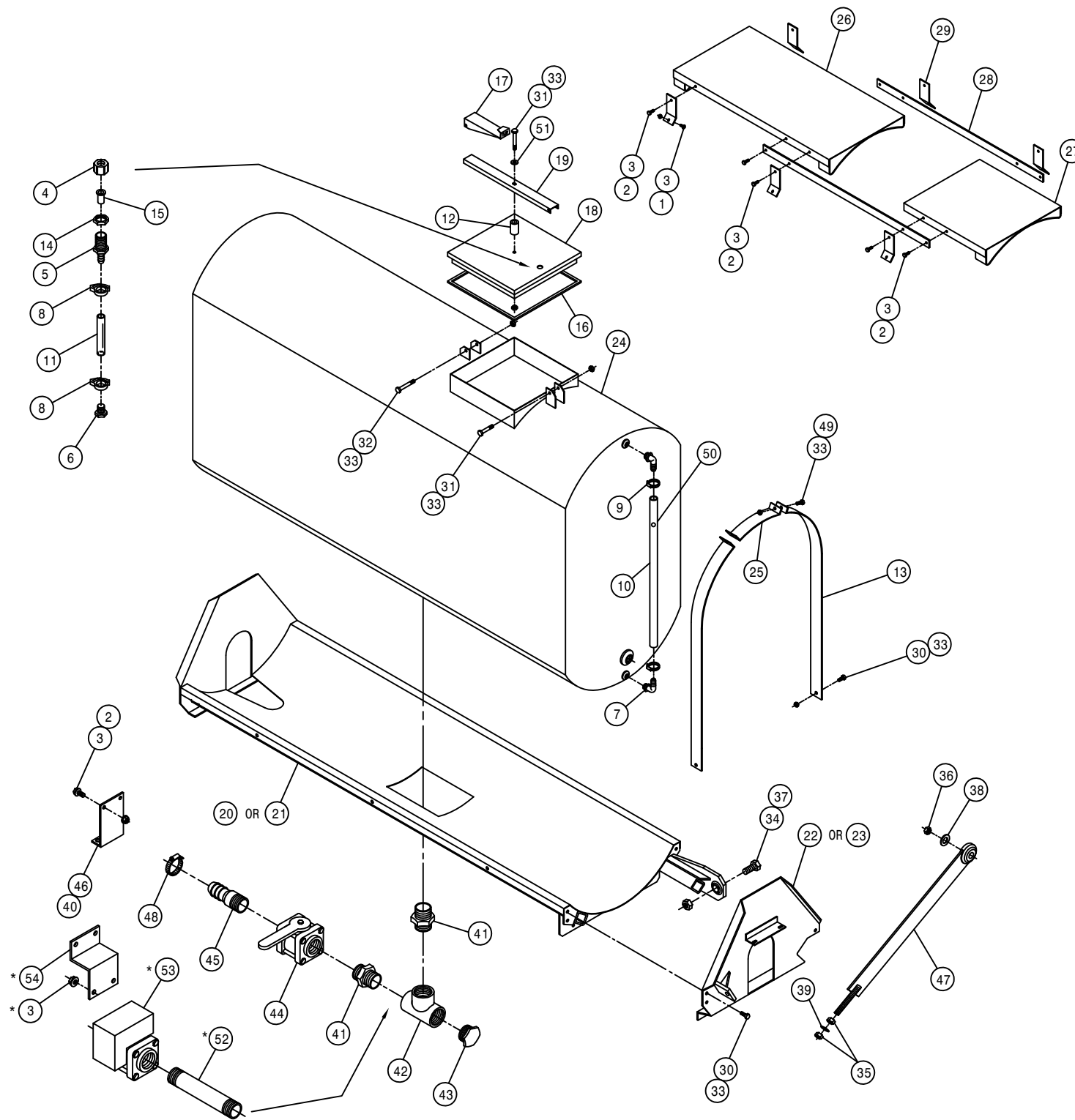


DET.	QTY	PART NO.	DESCRIPTION
1	12	470118	1/4UNC X 3/4 FLANGED HEX BOLT
2	14	470121	1/4UNC HEX FLANGED LOCK NUT
3	1	763439	250 GAL POLY SOLU TANK 94
4	3	763260	TOP STRAP 250 POLY TANK
5	1	763261	FRT CATWALK WLD 250 POLY 8250
6	1	763264	REAR CATWALK WLD 250 POLY8250
7	2	763266	CATWALK MTG STRAP 250POLY8250
8	6	763267	CATWALK MTG TAB 250 POLY 8250
9	1	763366	RH POLY TANK CRADLE WLD250 91
10	1	763367	LH POLY TANK CRADLE WLD250 91
11	1	763381	RH REAR CRADLE PLT WLD 250 91
12	1	763382	LH REAR CRADLE PLT WLD 250 91
13	6	763390	POLY TANK BAND WLD 250 91
14	12	900129	3/8UNC X 1 HEX BOLT
15	6	901064	5/16UNC X 3/4 CARR BOLT
16	6	906136	3/8UNC X 3 HEX BOLT FULL
17	1	763431	8" STRAINER BASKET, SOLU TANK
18	18	914004	3/8UNC HEX STOVER NUT
19	1	470154	CABLE TIE, 11.75" BLK PLASTIC
20	1	520070	HOSE CLAMP NO 8 PLATED
21	1	618604	1.50 PLASTIC FTG ASSY-POLYTNK
22	2	500028	1 1/2NPT PIPE NIPPLE, POLY
23	1	500030	1 1/2"NPT PIPE TEE, POLY
24	1	500031	1 1/2NPT PIPE PLUG, POLY
25	1	696110	BALL VALVE 1 1/2FNPT POLY
26	1	500032	1 1/2NPT X 1 1/2 H BARB, POLY
27	1	763363	SOLU HOSE SUPPORT 280 POLY 91
28	1	763387	POLY TANK CRADLE SUPP WLD 250
29	2	910012	3/4UNC HEX NUT
30	2	900534	1 UNC X 3 HEX BOLT
31	1	914010	5/8UNC HEX STOVER NUT
32	2	914016	1 UNC HEX STOVER NUT
33	1	920506	LOCK WASH 3/4
34	2	618548	1.25 PLASTIC FTG ASSY POLYTNK
35	1	520067	HOSE CLAMP NO 28 PLATED
36	1	763408	LID, THD'D W/VENT, POLY TANK
37	1	618549	.75 PLASTIC FTG ASSY POLY TNK
38	1	760066	JET AGITATOR
39	1	500025	3/4 FNPT-90-1/2 HOSE BARB NYL
40	2	920005	5/8 FLAT WASH SAE
41	6	914002	5/16UNC HEX STOVER NUT
42	1	342050	DECAL PLATE
43	4	472352	#10-24THD IN X 9/16 TEK TYP 3
44	2	520069	HOSE CLAMP NO 6 PLATED
45	1	601145	HOSE, 1/2 X 41 SIGHT GAUGE
46	2	618556	1/4NPT-90-1/2 HOSE BARB,POLY
47	1	763446	RED POLYPROPYLENE BALL 25/64"
48	2	472349	1/4 X 3/4 20THD-IN TEK TYPE
49	1	763451	RH SIGHT GAGE SHLD,POLY254 94
50	1	763452	LH SIGHT GAGE SHLD,POLY254 94
51	1	500029	1 1/2NPT X 6 PIPE NIPPLE,POLY
52	1	696161	1 1/2NPT ELECT SOLU VALVE
53	1	763445	ELECT SOLU VLV SUPPORT 94
54	1	763409	10" THD'D RING FOR TANK LID
55	8	763410	S.S.SCREWS FOR CAP RING,8/PKG

*NOTE: ITEMS 2,51,52, AND 53 ARE USED WITH THE ELECTRIC SOLUTION VALVE OPTION.

STAINLESS STEEL 250 GAL SOL TANK ASSEMBLY

DET. QTY PART NO. DESCRIPTION

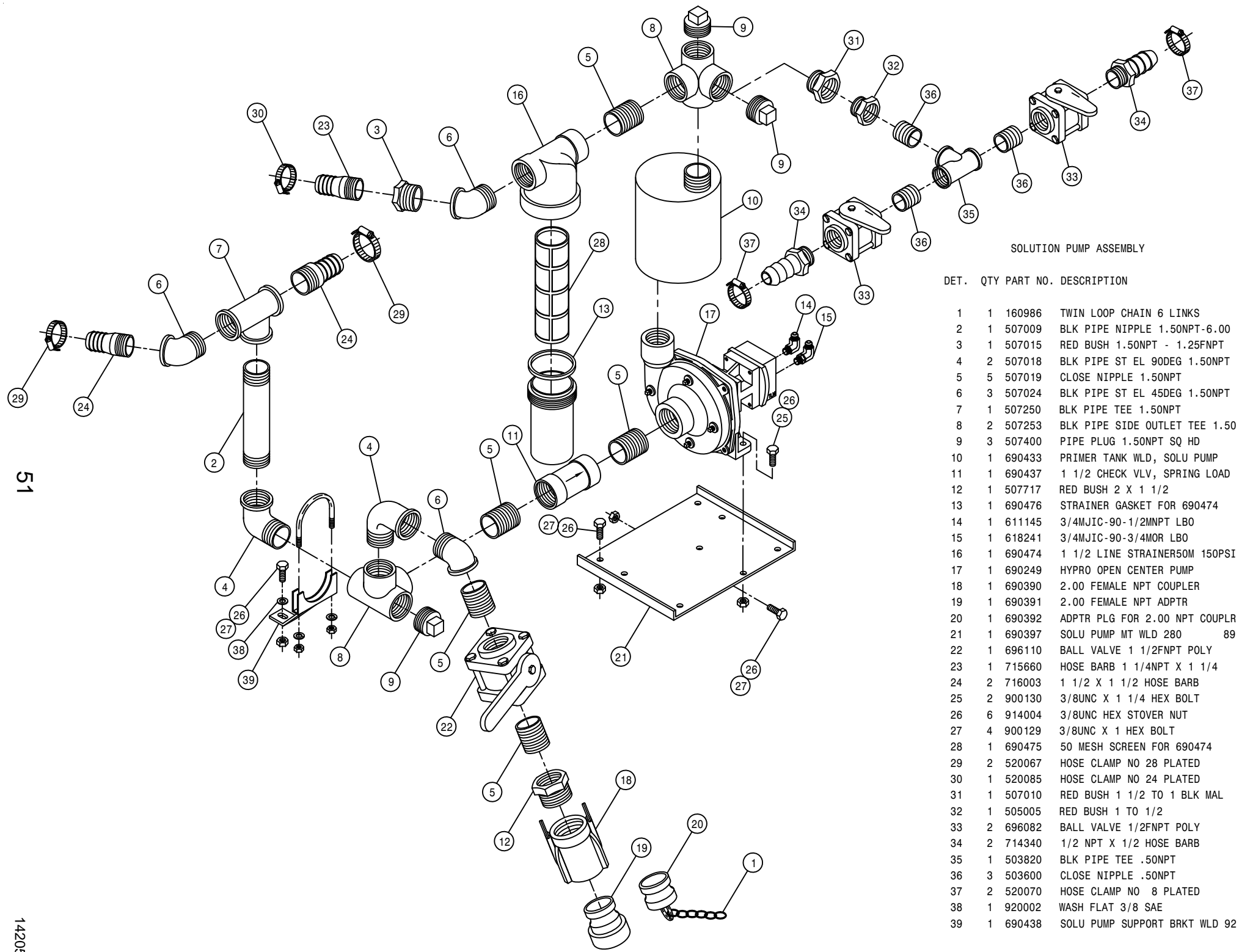


1	6	169072	1/4UNC X 5/8 CARR BOLT	
2	12	470118	1/4UNC X 3/4 FLANGED HEX BOLT	
3	20	470121	1/4UNC HEX FLANGED LOCK NUT	
4	1	500005	CAP NUT .688FPS NYLON	
5	1	500006	.38 H BARB X .69 MPS NYLON	
6	1	500007	FTG .12 MNPT HEX PLUG NYLON	
7	2	500017	.25NPT-.25 HOSE BARB 90 NYLON	
8	2	520003	HOSE CLAMP NO 6 PLASTIC SNAP	
9	2	520069	HOSE CLAMP NO 6 PLATED	
10	1	601146	HOSE, 1/2 X 38 CLEAR GREEN	
11	1	601216	SPRAY TNK VENT HOSE .38X3.50	
12	1	601231	HOSE, 3/4 X 2 HI PRESS EPDM	
13	6	763422	TANK BAND 250GAL SS	250
14	1	737858	TEE AND EL NUT .688 FPS	
15	1	738859	STRAINER 50 MESH NYLON	
16	1	760651	TANK LID GSKT	647
17	1	763163	SPRAY TANK LATCH HANDLE	647S
18	1	763164	SPRAY TANK LID WLD	647S
19	1	763166	TANK LID CHAN 647-S SIDE	
20	1	763366	RH POLY TANK CRADLE WLD250 91	
21	1	763367	LH POLY TANK CRADLE WLD250 91	
22	1	763381	RH REAR CRADLE PLT WLD 250 91	
23	1	763382	LH REAR CRADLE PLT WLD 250 91	
24	1	763412	SS SPRAY TANK WLD 250GAL	250
25	3	763423	TANK BAND BINDER 250SS	250
26	1	763424	FRT CATWALK WLD,250SS TNK	250
27	1	763425	REAR CATWALK WLD,250SS TNK	250
28	2	763428	CATWALK MTG STRIP 250SS	250
29	6	763429	CATWALK MTG TAB 250SS TNK	250
30	12	900129	3/8UNC X 1 HEX BOLT	
31	2	900134	3/8UNC X 2 1/2 HEX BOLT	
32	1	900138	3/8UNC X 3 1/2 HEX BOLT	
33	21	914004	3/8UNC HEX STOVER NUT	
34	2	900534	1 UNC X 3 HEX BOLT	
35	2	910012	3/4UNC HEX NUT	
36	1	914010	5/8UNC HEX STOVER NUT	
37	2	914016	1 UNC HEX STOVER NUT	
38	1	920005	5/8 FLAT WASH SAE	
39	1	920506	LOCK WASH 3/4	
40	1	470154	CABLE TIE, 11.75" BLK PLASTIC	
41	2	500028	1 1/2NPT PIPE NIPPLE, POLY	
42	1	500030	1 1/2" NPT PIPE TEE, POLY	
43	1	500031	1 1/2NPT PIPE PLUG, POLY	
44	1	696110	BALL VALVE 1 1/2FNPT POLY	
45	1	500032	1 1/2NPT X 1 1/2 H BARB, POLY	
46	1	763363	SOLU HOSE SUPPORT 280 POLY 91	
47	1	763387	POLY TANK CRADLE SUPP WLD 250	
48	1	520067	HOSE CLAMP NO 28 PLATED	
49	6	900131	3/8UNC X 1 1/2 HEX BOLT	
50	1	763446	RED POLYPROPYLENE BALL 25/64"	
51	1	920002	WASH FLAT 3/8 SAE	
52	1	500029	1 1/2NPT X 6 PIPE NIPPLE,POLY	
53	1	696161	1 1/2NPT ELECT SOLU VALVE	
54	1	763445	ELECT SOLU VLV SUPPORT	94

*NOTE: ITEMS 3,52,53, AND 54 ARE USED WITH THE ELECTRIC SOLUTION VALVE OPTION.

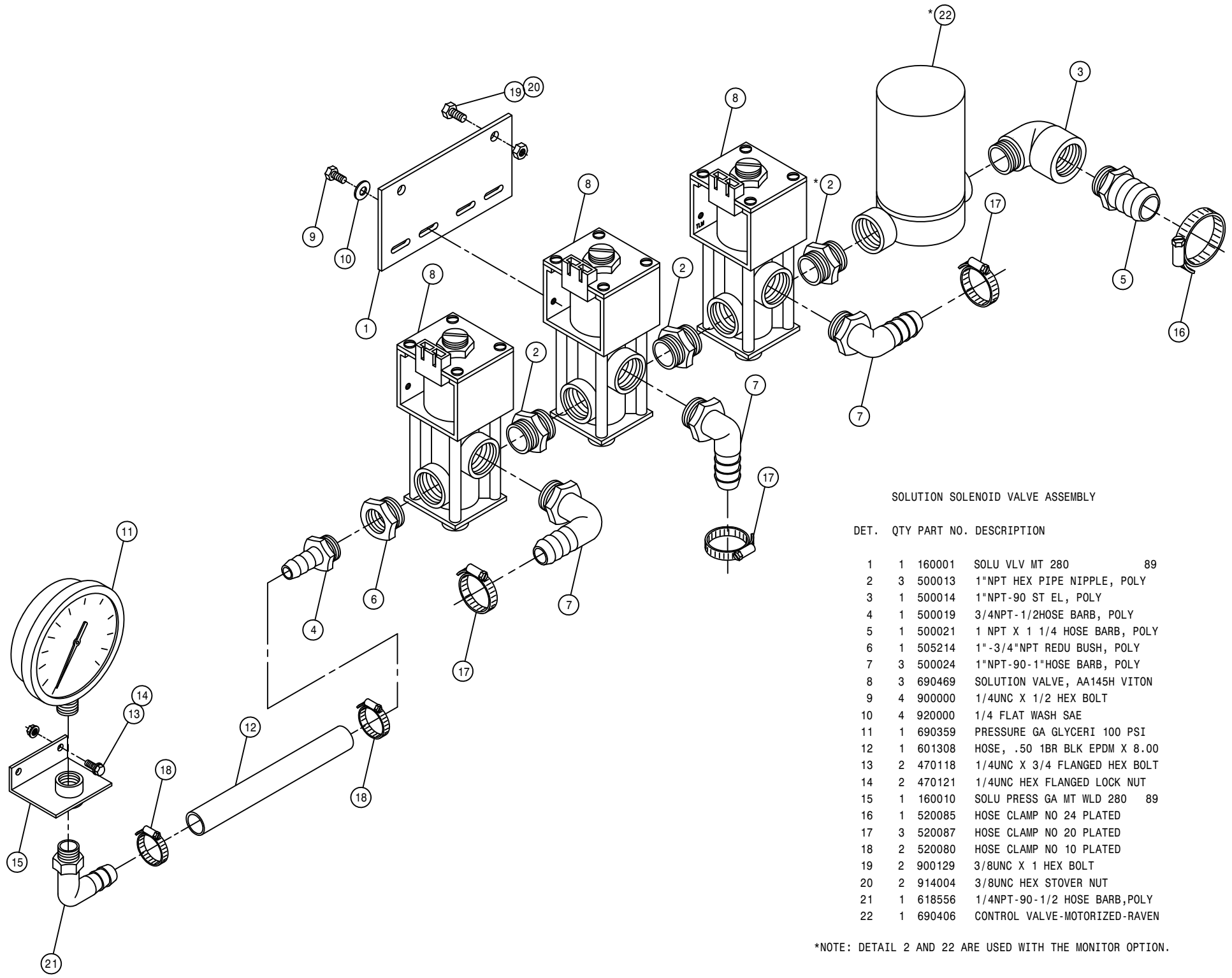
50

142050



SOLUTION PUMP ASSEMBLY

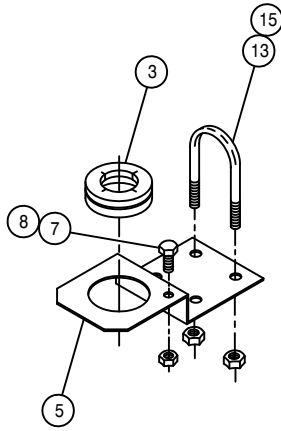
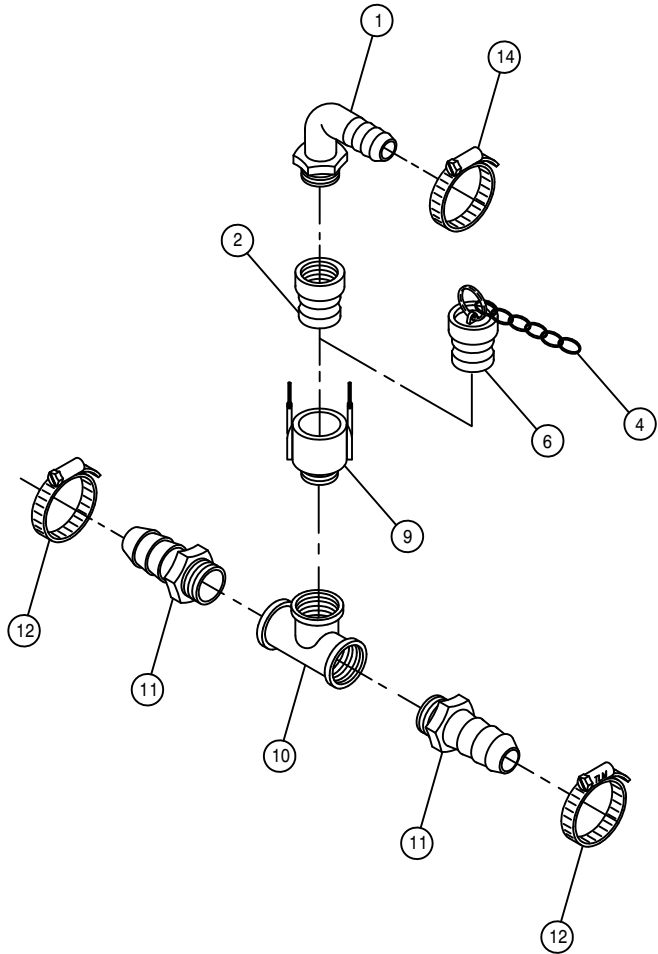
DET.	QTY	PART NO.	DESCRIPTION
	1	160986	TWIN LOOP CHAIN 6 LINKS
	1	507009	BLK PIPE NIPPLE 1.50NPT-6.00
	1	507015	RED BUSH 1.50NPT - 1.25FNPT
	2	507018	BLK PIPE ST EL 90DEG 1.50NPT
	5	507019	CLOSE NIPPLE 1.50NPT
	3	507024	BLK PIPE ST EL 45DEG 1.50NPT
	7	507250	BLK PIPE TEE 1.50NPT
	2	507253	BLK PIPE SIDE OUTLET TEE 1.50
	3	507400	PIPE PLUG 1.50NPT SQ HD
	1	690433	PRIMER TANK WLD, SOLU PUMP
	1	690437	1 1/2 CHECK VLV, SPRING LOAD
	1	507717	RED BUSH 2 X 1 1/2
	1	690476	STRAINER GASKET FOR 690474
	1	611145	3/4MJIC-90-1/2MNPT LBO
	1	618241	3/4MJIC-90-3/4MOR LBO
	1	690474	1 1/2 LINE STRAINER50M 150PSI
	1	690249	HYPRO OPEN CENTER PUMP
	1	690390	2.00 FEMALE NPT COUPLER
	1	690391	2.00 FEMALE NPT ADPTR
	1	690392	ADPTR PLG FOR 2.00 NPT COUPLR
	1	690397	SOLU PUMP MT WLD 280 89
	1	696110	BALL VALVE 1 1/2FNPT POLY
	1	715660	HOSE BARB 1 1/4NPT X 1 1/4
	2	716003	1 1/2 X 1 1/2 HOSE BARB
	2	900130	3/8UNC X 1 1/4 HEX BOLT
	6	914004	3/8UNC HEX STOVER NUT
	4	900129	3/8UNC X 1 HEX BOLT
	1	690475	50 MESH SCREEN FOR 690474
	2	520067	HOSE CLAMP NO 28 PLATED
	1	520085	HOSE CLAMP NO 24 PLATED
	1	507010	RED BUSH 1 1/2 TO 1 BLK MAL
	1	505005	RED BUSH 1 TO 1/2
	2	696082	BALL VALVE 1/2FNPT POLY
	1	714340	1/2 NPT X 1/2 HOSE BARB
	1	503820	BLK PIPE TEE .50NPT
	3	503600	CLOSE NIPPLE .50NPT
	2	520070	HOSE CLAMP NO 8 PLATED
	1	920002	WASH FLAT 3/8 SAE
	1	690438	SOLU PUMP SUPPORT BRKT WLD 92



SOLUTION SOLENOID VALVE ASSEMBLY

DET.	QTY	PART NO.	DESCRIPTION	
	1	160001	SOLU VLV MT 280	89
	2	500013	1"NPT HEX PIPE NIPPLE, POLY	
	3	500014	1"NPT-90 ST EL, POLY	
	4	500019	3/4NPT-1/2HOSE BARB, POLY	
	5	500021	1 NPT X 1 1/4 HOSE BARB, POLY	
	6	505214	1"-3/4"NPT REDU BUSH, POLY	
	7	500024	1"NPT-90-1"HOSE BARB, POLY	
	8	690469	SOLUTION VALVE, AA145H VITON	
	9	900000	1/4UNC X 1/2 HEX BOLT	
	10	920000	1/4 FLAT WASH SAE	
	11	690359	PRESSURE GA GLYCERI 100 PSI	
	12	601308	HOSE, .50 1BR BLK EPDM X 8.00	
	13	470118	1/4UNC X 3/4 FLANGED HEX BOLT	
	14	470121	1/4UNC HEX FLANGED LOCK NUT	
	15	160010	SOLU PRESS GA MT WLD 280	89
	16	520085	HOSE CLAMP NO 24 PLATED	
	17	520087	HOSE CLAMP NO 20 PLATED	
	18	520080	HOSE CLAMP NO 10 PLATED	
	19	900129	3/8UNC X 1 HEX BOLT	
	20	914004	3/8UNC HEX STOVER NUT	
	21	618556	1/4NPT-90-1/2 HOSE BARB,POLY	
	22	690406	CONTROL VALVE-MOTORIZED-RAVEN	

*NOTE: DETAIL 2 AND 22 ARE USED WITH THE MONITOR OPTION.



BOOM FEEDER TEE ASSEMBLY

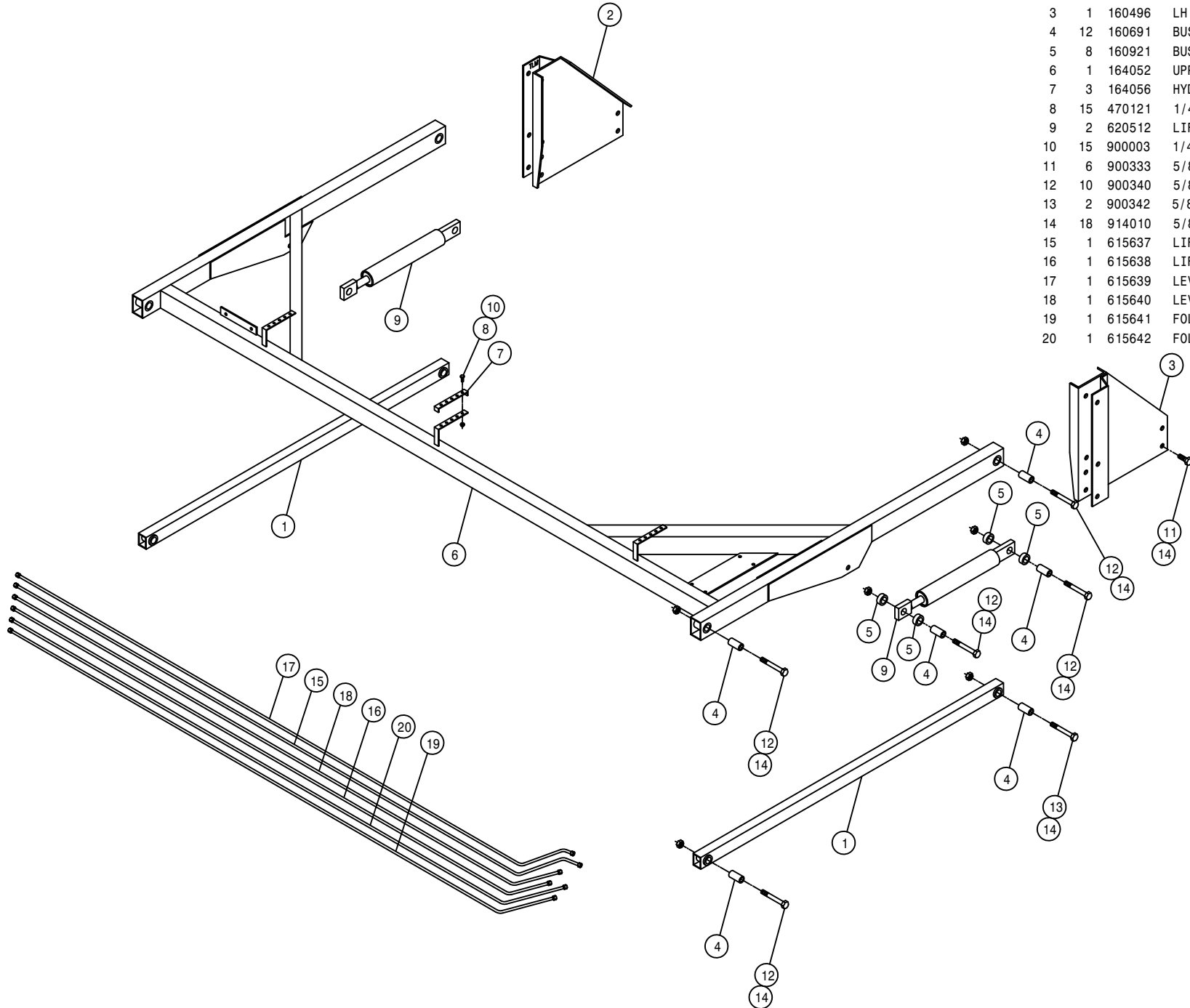
DET. QTY PART NO. DESCRIPTION

DET.	QTY	PART NO.	DESCRIPTION
1	1	500026	3/4NPT-90-1"HOSE BARB, POLY
2	1	696202	QUICK CONNECT FEM ADPTR 3/4NP
3	1	160015	2.06ID GROMMET SLIT
4	1	160986	TWIN LOOP CHAIN 6 LINKS
5	1	160987	FEEDER T MTG BRKT 470 647
6	1	696204	QUICK CONNECT PLUG, 3/4
7	1	900002	1/4UNC X 3/4 HEX BOLT
8	1	914000	1/4UNC HEX STOVER NUT
9	1	696203	QUICK CONNECT CPLR MALE 3/4
10	1	505218	NYL PIPE TEE .75NPT
11	2	500022	3/4NPT-3/4HOSE BARB, POLY
12	2	520055	HOSE CLAMP NO 12 PLATED
13	2	470094	5/16UNC-1 3/8ID-3 UBOLT
14	1	520087	HOSE CLAMP NO 20 PLATED
15	4	914002	5/16UNC HEX STOVER NUT

LIFTARM ASSEMBLY

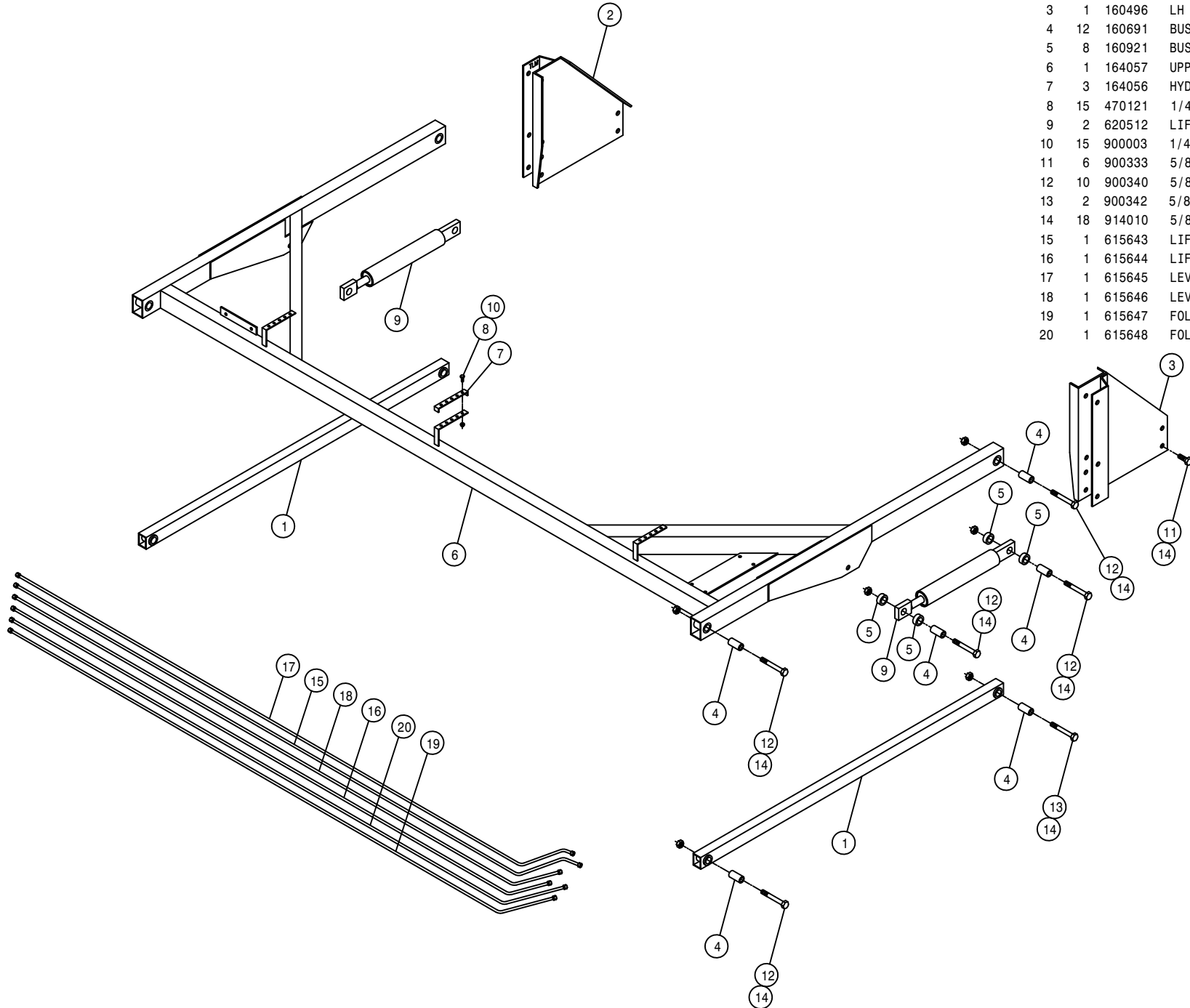
DET. QTY PART NO. DESCRIPTION

DET.	QTY	PART NO.	DESCRIPTION
1	2	160471	LWR LIFT ARM WLD 8540-8250 87
2	1	160495	RH LIFT ARM MT WLD 280 89
3	1	160496	LH LIFT ARM MT WLD 280 89
4	12	160691	BUSH LIFT ARM LONG 470
5	8	160921	BUSHING, CYL MT-LIFT ARMS5/8
6	1	164052	UPPER LIFT ARM WLD 254/284 94
7	3	164056	HYD TUBE KPR, UPR LIFT ARM 94
8	15	470121	1/4UNC HEX FLANGED LOCK NUT
9	2	620512	LIFT CYL ASSY W/FTGS 94
10	15	900003	1/4UNC X 1 HEX BOLT
11	6	900333	5/8UNC X 1 1/2 HEX BOLT
12	10	900340	5/8UNC X 3 1/2 HEX BOLT
13	2	900342	5/8UNC X 4 HEX BOLT
14	18	914010	5/8UNC HEX STOVER NUT
15	1	615637	LIFT HYD TUBE ASSY,UP 254/284
16	1	615638	LIFT HYD TUBE ASSY,DN 254/284
17	1	615639	LEVEL HYD TUBE ASSY,UP254/284
18	1	615640	LEVEL HYD TUBE ASSY,DN254/284
19	1	615641	FOLD HYD TUBE ASSY,IN 254/284
20	1	615642	FOLD HYD TUBE ASSY,OUT254/284



DET. QTY PART NO. DESCRIPTION

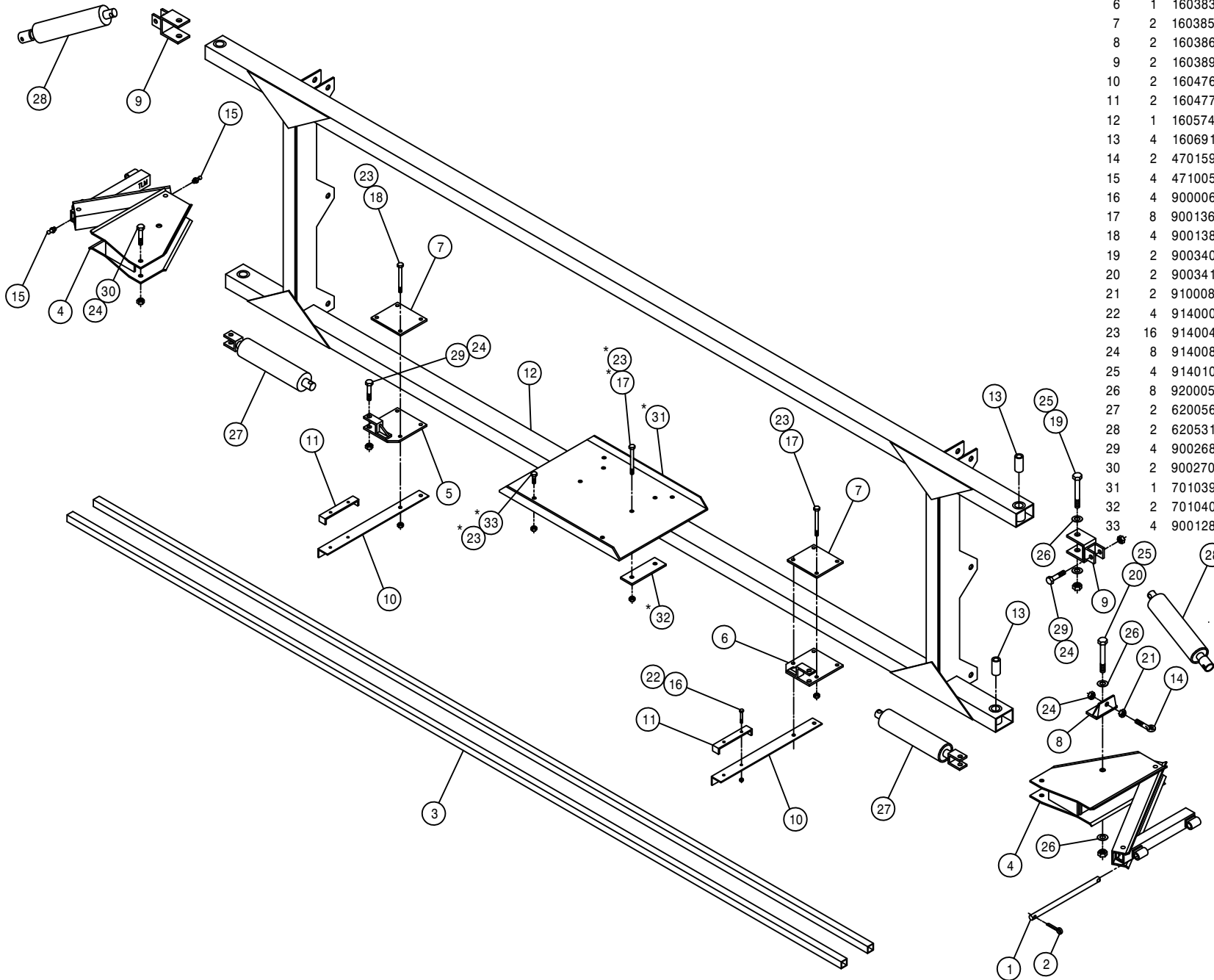
DET.	QTY	PART NO.	DESCRIPTION
1	2	160471	LWR LIFT ARM WLD 8540-8250 87
2	1	160495	RH LIFT ARM MT WLD 280 89
3	1	160496	LH LIFT ARM MT WLD 280 89
4	12	160691	BUSH LIFT ARM LONG 470
5	8	160921	BUSHING, CYL MT-LIFT ARMS5/8
6	1	164057	UPPER LIFT ARM WLD 254 X11 94
7	3	164056	HYD TUBE KPR, UPR LIFT ARM 94
8	15	470121	1/4UNC HEX FLANGED LOCK NUT
9	2	620512	LIFT CYL ASSY W/FTGS 94
10	15	900003	1/4UNC X 1 HEX BOLT
11	6	900333	5/8UNC X 1 1/2 HEX BOLT
12	10	900340	5/8UNC X 3 1/2 HEX BOLT
13	2	900342	5/8UNC X 4 HEX BOLT
14	18	914010	5/8UNC HEX STOVER NUT
15	1	615643	LIFT HYD TUBE ASSY,UP 254X11
16	1	615644	LIFT HYD TUBE ASSY,DN 254X11
17	1	615645	LEVEL HYD TUBE ASSY,UP 254X11
18	1	615646	LEVEL HYD TUBE ASSY,DN 254X11
19	1	615647	FOLD HYD TUBE ASSY,IN 254X11
20	1	615648	FOLD HYD TUBE ASSY,OUT 254X11



TRANSOM ASSEMBLY

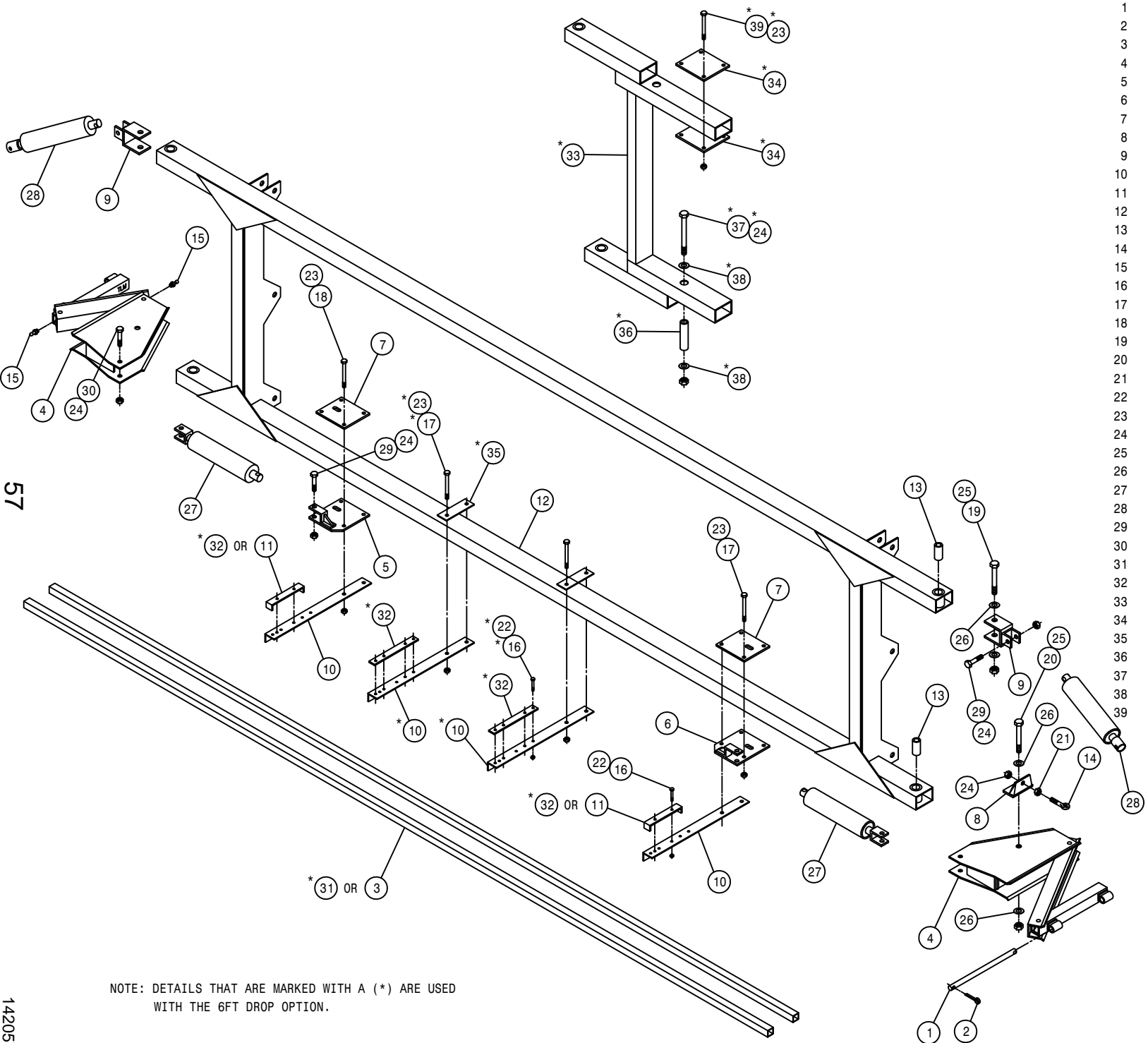
NOTE: DETAILS MARKED WITH A (*) ARE USED WITH THE FOAM MARKER OPTION.

DET.	QTY	PART NO.	DESCRIPTION
1	2	160351	BOOM PIVOT PIN 5/8 8540
2	4	475003	PIN COT 3/16 X 1 ZINC
3	2	160006	NOZL MT CENTER TUBE 120 TREAD
4	2	160350	BOOM BREAKAWAY WLD 8250 85
5	1	160382	RH FOLD CYL MT WLD 8540
6	1	160383	LH FOLD CYL MT WLD 8540
7	2	160385	FOLD CYL MT KPR 8540
8	2	160386	BRKWY SPRING BRKT WLD 8540
9	2	160389	LEVEL CYL PIVOT BRKT WLD 8540
10	2	160476	NOZL MT TUBE HANGER 8540 87
11	2	160477	NOZL MT TUBE CLAMP 8540 87
12	1	160574	TRANSOM WLD 280 89
13	4	160691	BUSH LIFT ARM LONG 470
14	2	470159	1/2UNC X 2 1/2 EYE BOLT
15	4	471005	1/4 28 X 1/2 GREASE ZERK
16	4	900006	1/4UNC X 1 3/4 HEX BOLT
17	8	900136	3/8UNC X 3 HEX BOLT
18	4	900138	3/8UNC X 3 1/2 HEX BOLT
19	2	900340	5/8UNC X 3 1/2 HEX BOLT
20	2	900341	5/8UNC X 3 3/4 HEX BOLT
21	2	910008	1/2UNC HEX NUT
22	4	914000	1/4UNC HEX STOVER NUT
23	16	914004	3/8UNC HEX STOVER NUT
24	8	914008	1/2UNC HEX STOVER NUT
25	4	914010	5/8UNC HEX STOVER NUT
26	8	920005	5/8 FLAT WASH SAE
27	2	620056	CYL ASSY W/FTGS & RESTR 2IN
28	2	620531	LEVEL CYL ASSY, 2 X 10 94
29	4	900268	1/2UNC X 2 1/2 HEX BOLT
30	2	900270	1/2UNC X 3 HEX BOLT
31	1	701039	FOAM MARKER BASE CHAN, TRANSOM
32	2	701040	FOAM MARKER BASE KPR, TRANSOM
33	4	900128	3/8UNC X 3/4 HEX BOLT



DET. QTY PART NO. DESCRIPTION

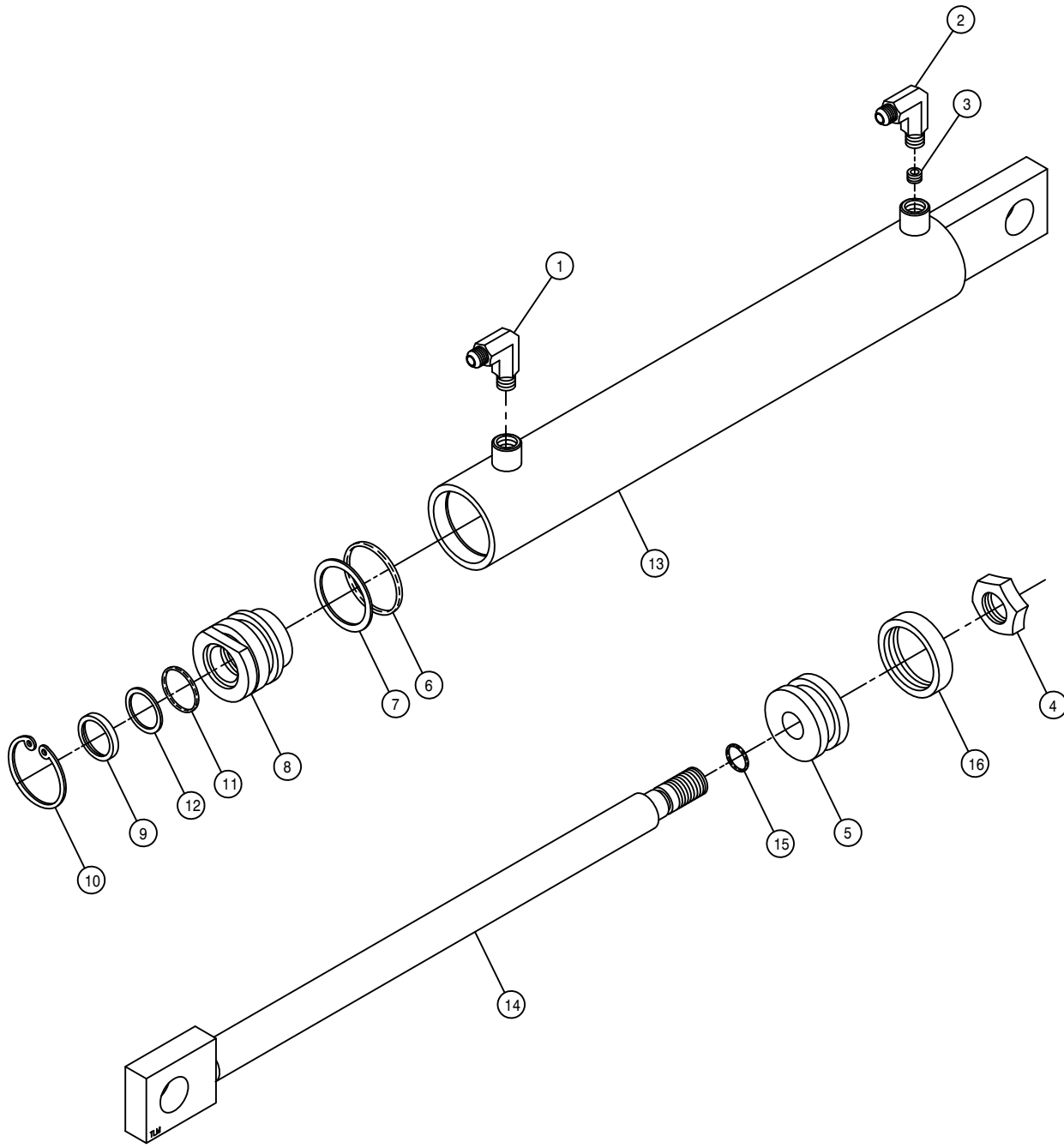
DET.	QTY	PART NO.	DESCRIPTION
1	2	160351	BOOM PIVOT PIN 5/8 8540
2	4	475003	PIN COT 3/16 X 1 ZINC
3	2	160006	NOZL MT CENTER TUBE 120 TREAD
4	2	160350	BOOM BREAKAWAY WLD 8250 85
5	1	160422	RH FOLD CYL MT WLD X-11
6	1	160423	LH FOLD CYL MT WLD X-11
7	2	160425	FOLD CYL MT KPR X-11
8	2	160386	BRKWY SPRING BRKT WLD 8540
9	2	160389	LEVEL CYL PIVOT BRKT WLD 8540
10	4	160426	NOZL MT TUBE HANGER X-11
11	2	160477	NOZL MT TUBE CLAMP 8540 87
12	1	164041	TRANSOM WLD 250 X-11 92
13	4	160691	BUSH LIFT ARM LONG 470
14	2	470159	1/2UNC X 2 1/2 EYE BOLT
15	4	471005	1/4 28 X 1/2 GREASE ZERK
16	16	900006	1/4UNC X 1 3/4 HEX BOLT
17	8	900136	3/8UNC X 3 HEX BOLT
18	4	900138	3/8UNC X 3 1/2 HEX BOLT
19	2	900340	5/8UNC X 3 1/2 HEX BOLT
20	2	900341	5/8UNC X 3 3/4 HEX BOLT
21	2	910008	1/2UNC HEX NUT
22	16	914000	1/4UNC HEX STOVER NUT
23	20	914004	3/8UNC HEX STOVER NUT
24	12	914008	1/2UNC HEX STOVER NUT
25	4	914010	5/8UNC HEX STOVER NUT
26	8	920005	5/8 FLAT WASH SAE
27	2	620056	CYL ASSY W/FTGS & RESTR 2IN
28	2	620531	LEVEL CYL ASSY, 2 X 10 94
29	4	900268	1/2UNC X 2 1/2 HEX BOLT
30	2	900270	1/2UNC X 3 HEX BOLT
31	1	160428	NOZL MT CENTER TUBE, 6 FT DROP
32	4	160321	DROP KEEPER 6FT DROP
33	1	164044	TRANSOM EXTENSION WLD X-11 92
34	4	160385	FOLD CYL MT KPR 8540
35	2	160427	NOZL MT TUBE HANGR KPR, 6' DROP
36	4	160319	BUSH, TRANSOM EXT 1 X 3.94 LG
37	4	900276	1/2UNC X 5 HEX BOLT
38	8	920004	1/2 FLAT WASHER SAE
39	8	900142	3/8UNC X 5 HEX BOLT



NOTE: DETAILS THAT ARE MARKED WITH A (*) ARE USED WITH THE 6FT DROP OPTION.

57

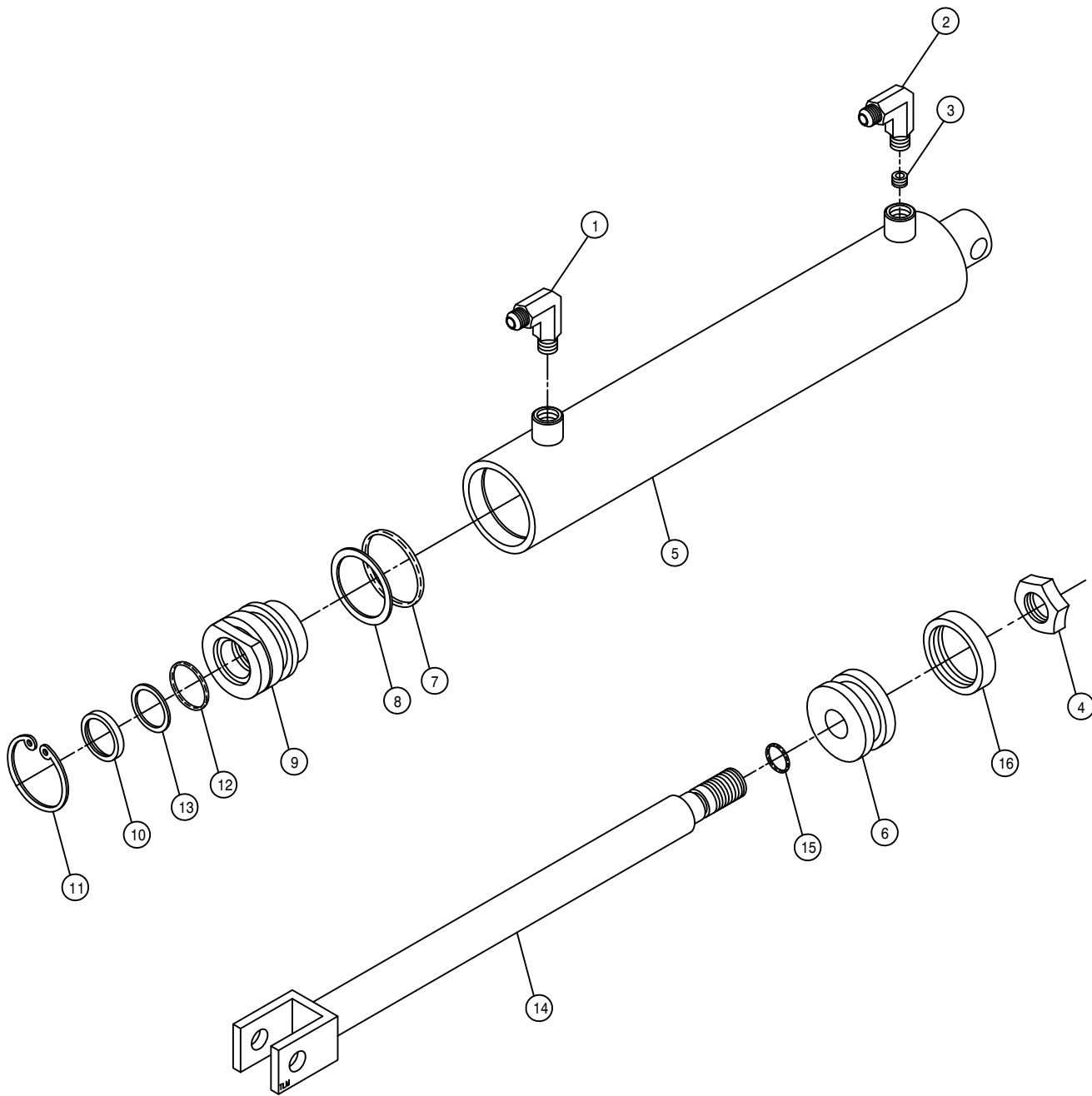
142057



LIFT CYLINDER ASSEMBLY

DET.	QTY	PART NO.	DESCRIPTION
1	1	611122	9/16MJIC-90-1/4MNPT LBO
2	1	440338	9/16 JIC W/90X1/4 NPT TAPPED
3	1	614366	RESTRICTOR SCREW, .042 DIA
4	1	472297	3/4UNF HEX STOVER NUT THIN
5	1	620081	PISTON 2 X 1 ZAMAC ORING TYPE
6	1	870326	BUNA ORING 1 5/8 X 2
7	1	890326	BACKUP WASH 1 5/8 X 2 LEATH
8	1	620082	GLAND 2 IN X 1 IN ZAMAC
9	1	629003	WIPER 1 X 1 1/4 X 1/8
10	1	629505	SNAP RING 2 IN INTRN
11	1	870214	BUNA ORING 1 X 1 1/4
12	1	890214	BACKUP WASH 1 X 1 1/4 HT2022
13	1	620514	LIFT CYL TUBE WLD 94
14	1	620516	LIFT CYL SHAFT WLD 94
15	1	870113	BUNA ORING 9/16 X 3/4
16	1	860326	CROWN SEAL, 2" PISTON, HYD

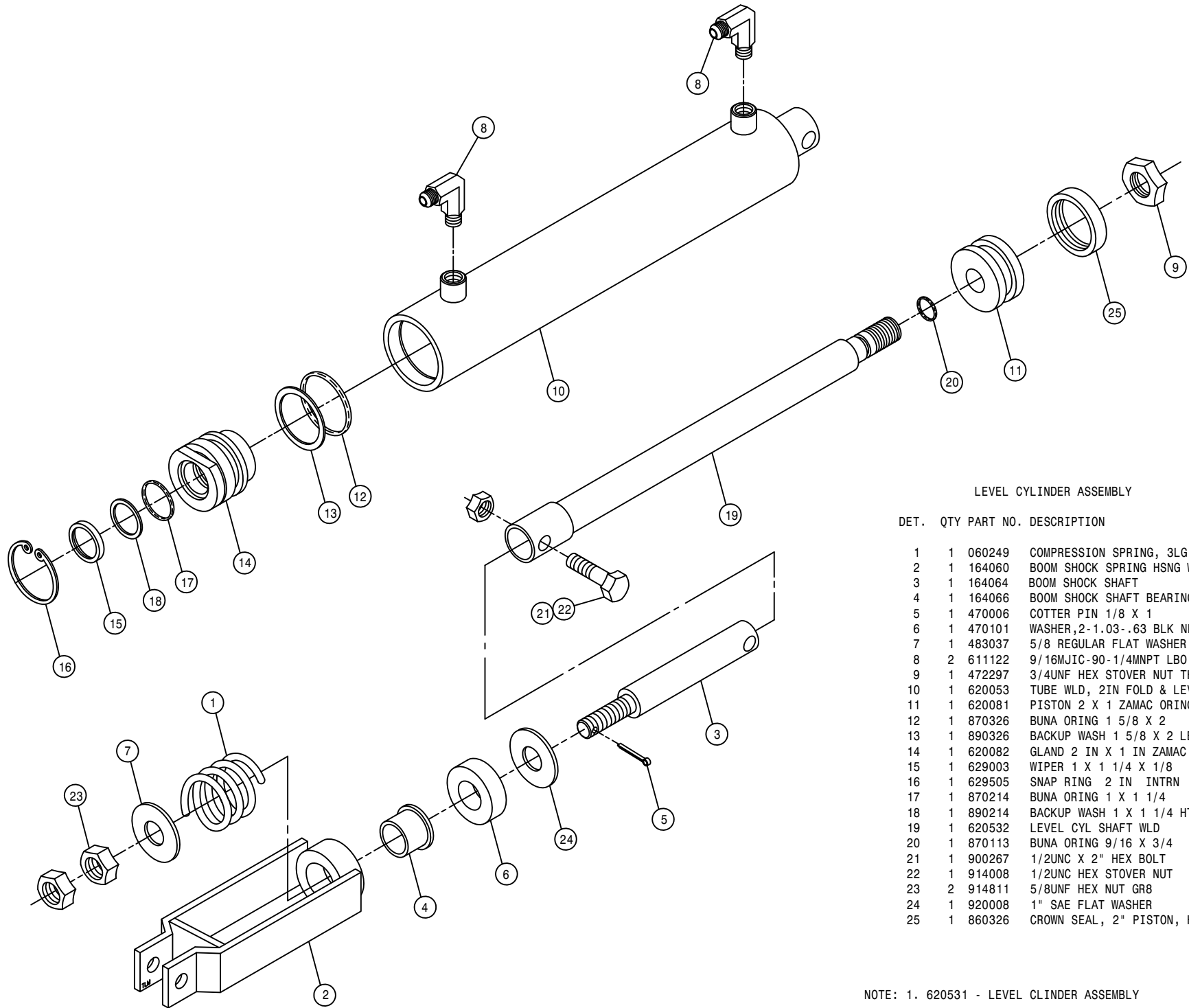
- NOTE: 1. 620513 - LIFT CYLINDER ASSEMBLY
 2. 620512 - LIFT CYLINDER ASSEMBLY WITH FITTINGS
 3. 614365 - RESTRICTOR ELBOW ASSEMBLY
 4. 620083 - SEAL KIT



FOLD CYLINDER ASSEMBLY

DET.	QTY	PART NO.	DESCRIPTION
1	1	611122	9/16MJIC-90-1/4MNPT LBO
2	1	440338	9/16 JIC W/90X1/4 NPT TAPPED
3	1	614366	RESTRICTOR SCREW, .042 DIA
4	1	472297	3/4UNF HEX STOVER NUT THIN
5	1	620053	TUBE WLD, 2IN FOLD & LEVEL
6	1	620081	PISTON 2 X 1 ZAMAC ORING TYPE
7	1	870326	BUNA ORING 1 5/8 X 2
8	1	890326	BACKUP WASH 1 5/8 X 2 LEATH
9	1	620082	GLAND 2 IN X 1 IN ZAMAC
10	1	629003	WIPER 1 X 1 1/4 X 1/8
11	1	629505	SNAP RING 2 IN INTRN
12	1	870214	BUNA ORING 1 X 1 1/4
13	1	890214	BACKUP WASH 1 X 1 1/4 HT2022
14	1	620093	SHAFT WLDMT, HAGIE BOOM CYL
15	1	870113	BUNA ORING 9/16 X 3/4
16	1	860326	CROWN SEAL, 2" PISTON, HYD

NOTE: 1. 620052 - FOLD CLINDER ASSEMBLY
 2. 620056 - FOLD CYLINDER ASSEMBLY WITH FITTINGS
 3. 614365 - RESTRICTOR ELBOW ASSEMBLY
 4. 620083 - SEAL KIT

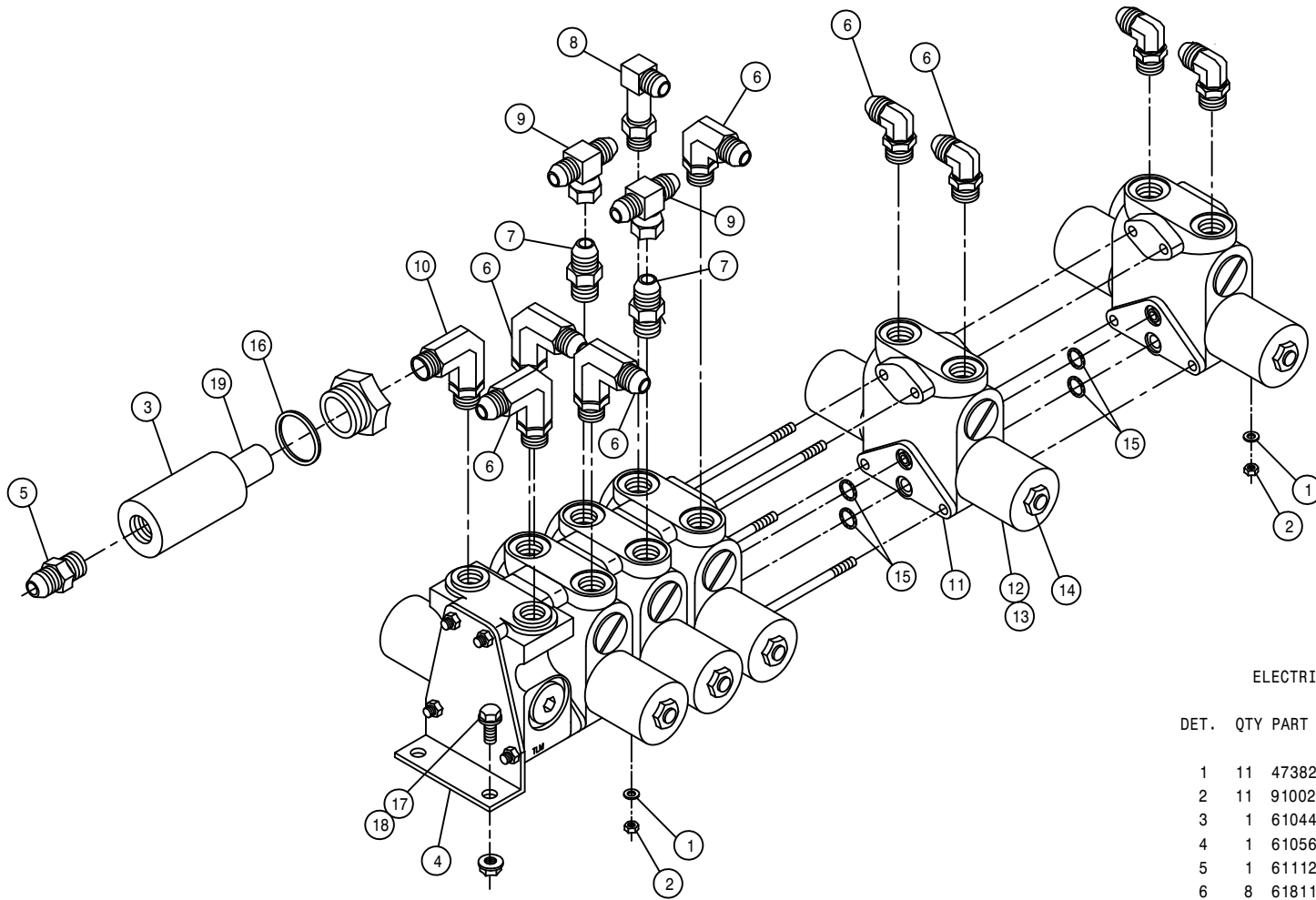


LEVEL CYLINDER ASSEMBLY

DET. QTY PART NO. DESCRIPTION

DET.	QTY	PART NO.	DESCRIPTION
1	1	060249	COMPRESSION SPRING, 3LG X 20D
2	1	164060	BOOM SHOCK SPRING HSNQ WLD 94
3	1	164064	BOOM SHOCK SHAFT 94
4	1	164066	BOOM SHOCK SHAFT BEARING 94
5	1	470006	COTTER PIN 1/8 X 1
6	1	470101	WASHER, 2-1.03-.63 BLK NEO 65D
7	1	483037	5/8 REGULAR FLAT WASHER
8	2	611122	9/16MJIC-90-1/4MNPT LBO
9	1	472297	3/4UNF HEX STOVER NUT THIN
10	1	620053	TUBE WLD, 2IN FOLD & LEVEL
11	1	620081	PISTON 2 X 1 ZAMAC ORING TYPE
12	1	870326	BUNA ORING 1 5/8 X 2
13	1	890326	BACKUP WASH 1 5/8 X 2 LEATH
14	1	620082	GLAND 2 IN X 1 IN ZAMAC
15	1	629003	WIPER 1 X 1 1/4 X 1/8
16	1	629505	SNAP RING 2 IN INTRN
17	1	870214	BUNA ORING 1 X 1 1/4
18	1	890214	BACKUP WASH 1 X 1 1/4 HT2022
19	1	620532	LEVEL CYL SHAFT WLD 94
20	1	870113	BUNA ORING 9/16 X 3/4
21	1	900267	1/2UNC X 2" HEX BOLT
22	1	914008	1/2UNC HEX STOVER NUT
23	2	914811	5/8UNF HEX NUT GR8
24	1	920008	1" SAE FLAT WASHER
25	1	860326	CROWN SEAL, 2" PISTON, HYD

NOTE: 1. 620531 - LEVEL CLINDER ASSEMBLY
 2. 620530 - LEVEL CYLINDER ASSEMBLY W/FTGS & SHOCK
 3. 620083 - SEAL KIT



ELECTRIC BOOM VALVE ASSEMBLY

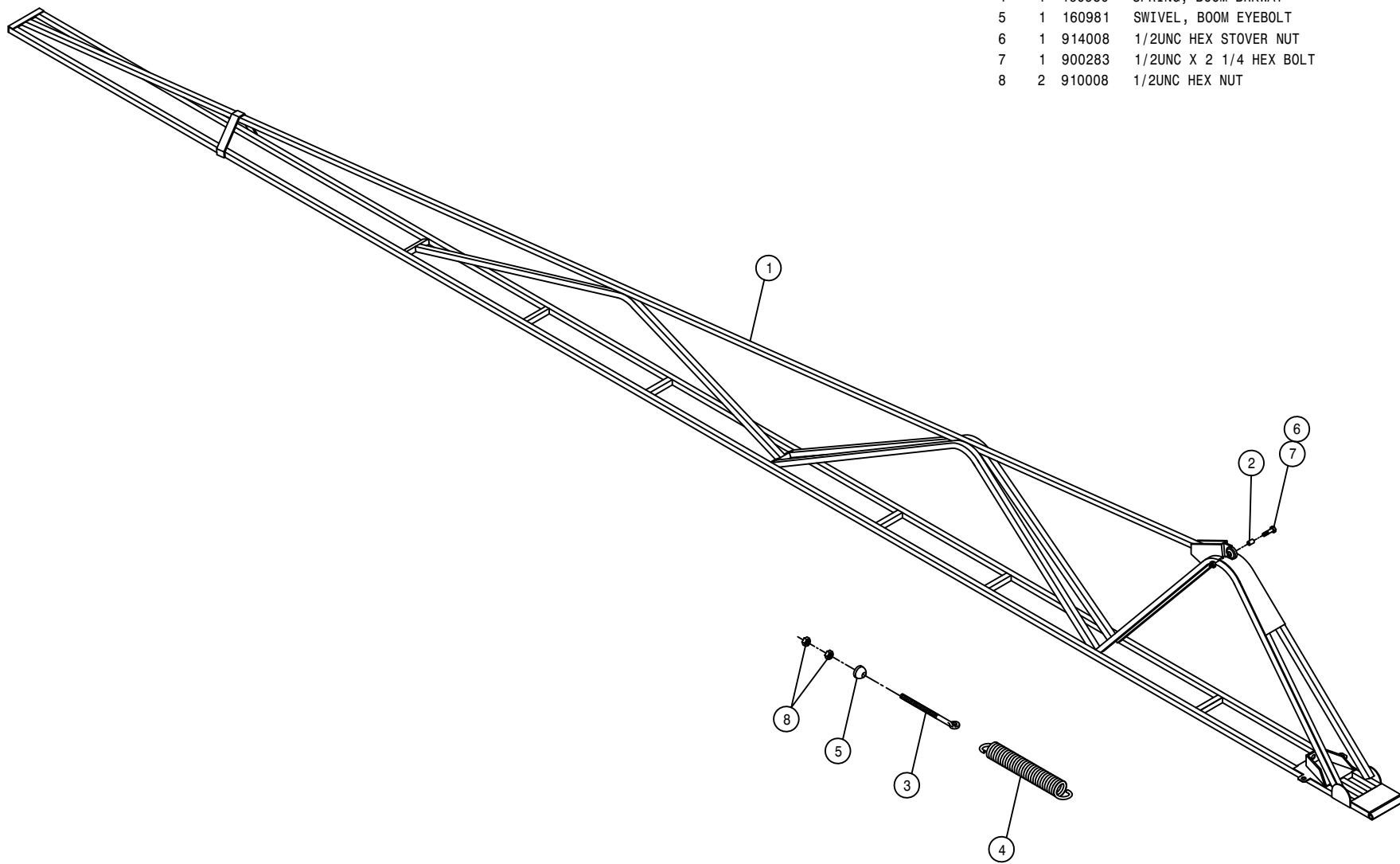
DET. QTY PART NO. DESCRIPTION

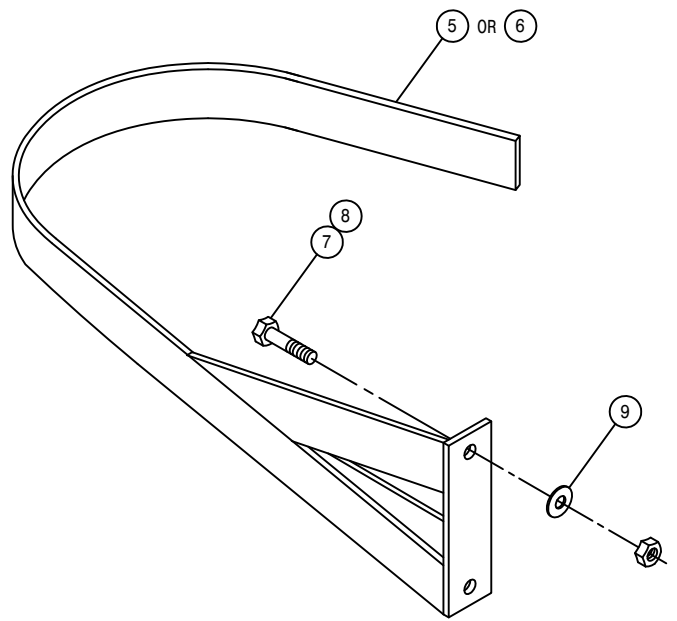
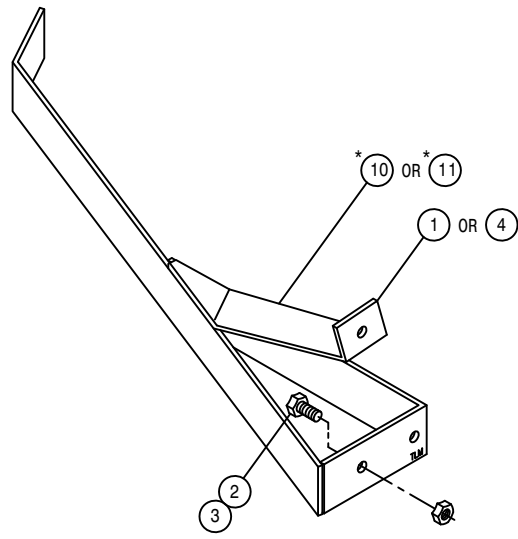
1	11	473821	WASHER, INT TOOTH #10
2	11	910027	#10-32 HEX NUT
3	1	610447	HYD FILTER, INLINE 1/4FNPT 90M
4	1	610569	6 SECT, 5 FUCTN HYD VLV, EATON
5	1	611121	9/16MJIC-1/4MNPT ADPTR
6	8	618119	9/16MJIC-90-9/16MOR LBO
7	2	618126	9/16MJIC-9/16MOR ADPTR
8	1	618440	9/16MJIC-90-9/16MOR EX LG LBO
9	2	618514	9/16FJ SW BRANCH TEE-9/16MJ
10	1	618562	9/16MOR-90-1/4MNPT LBO
11	1	610574	VALVE SECTION ASSY FOR 610569
12	1	610575	SOLENOID COIL ASSY FOR 610569
13	1	610576	SOLENOID CASE FOR 610569
14	1	610577	SOLENOID CASE NUT FOR 610569
15	4	610578	SECTION O-RING FOR 610569
16	1	610462	GASKET FOR 610447 ARROW FILT
17	4	470118	1/4UNC X 3/4 FLANGED HEX BOLT
18	4	470121	1/4UNC HEX FLANGED LOCK NUT
19	1	610459	FILTER ELEMENT FOR 610447 90M

BOOM ASSEMBLY

DET. QTY PART NO. DESCRIPTION

DET.	QTY	PART NO.	DESCRIPTION	
1	1	164067	BOOM WLD 254/284	94
2	1	160455	BUSH .625 OD X 18GA WA X .94	
3	1	160979	1/2UNC X 9 EYE BOLT	
4	1	160980	SPRING, BOOM BRKWAY	
5	1	160981	SWIVEL, BOOM EYEBOLT	
6	1	914008	1/2UNC HEX STOVER NUT	
7	1	900283	1/2UNC X 2 1/4 HEX BOLT	
8	2	910008	1/2UNC HEX NUT	





CROP GUIDES

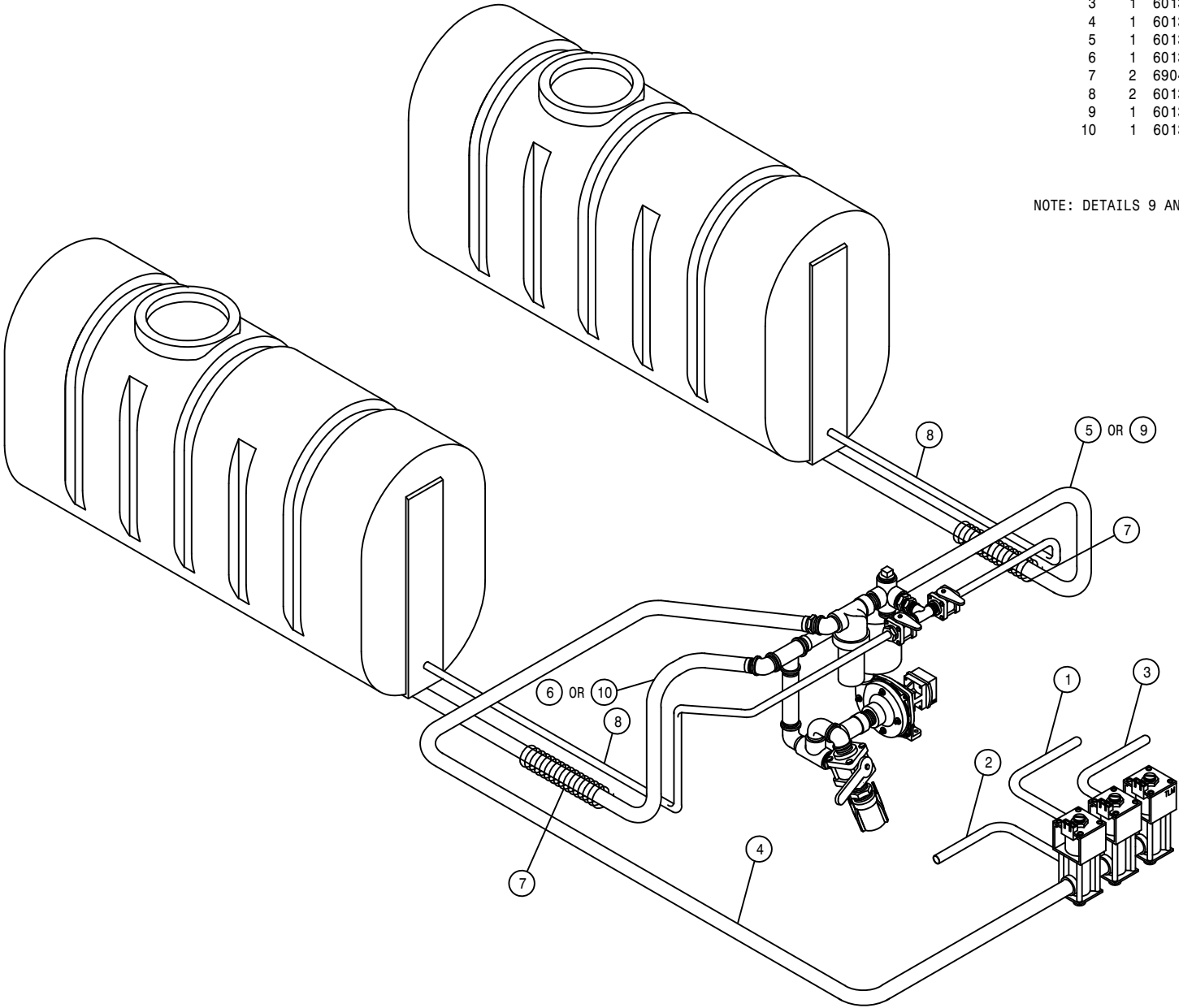
DET.	QTY	PART NO.	DESCRIPTION
1	1	662208	RH STALK GUIDE WLD 8200-8240
2	2	900129	3/8UNC X 1 HEX BOLT
3	2	914004	3/8UNC HEX STOVER NUT
4	1	662164	LH STALK GUIDE WLD 8200-8240
5	1	662150	RH STALK GUIDE WLD 8240
6	1	662151	LH STALK GUIDE WLD 8240
7	2	900264	1/2UNC X 1 1/4 HEX BOLT
8	2	914008	1/2UNC HEX STOVER NUT
9	2	920004	1/2 FLAT WASHER SAE
10	1	662218	LH REAR STALK GUIDE WLD280 89
11	1	662217	RH REAR STALK GUIDE WLD280 89

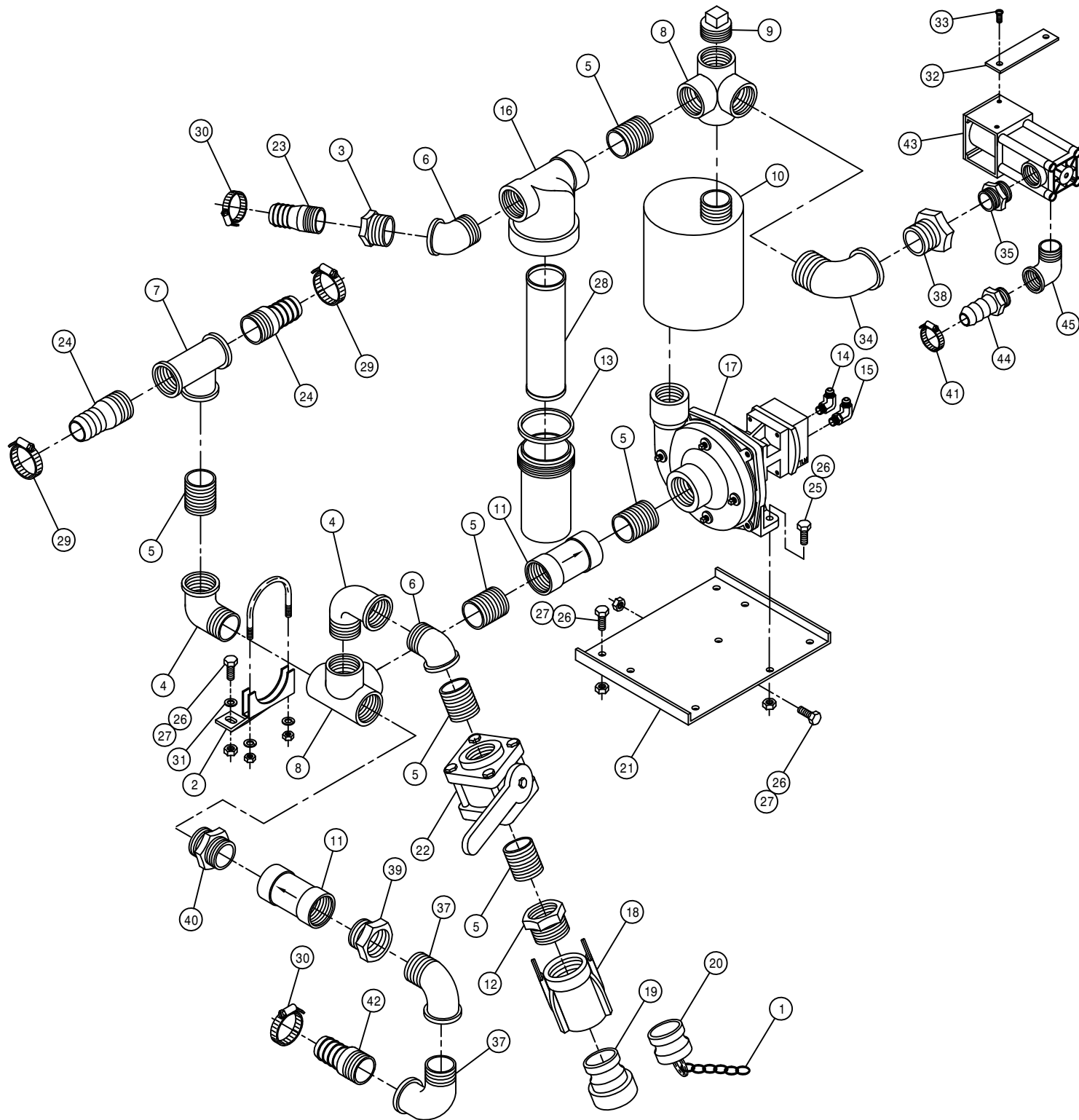
*NOTE: DETAILS 10 AND 11 ARE USED WITH THE X-11 MACHINES.
 DETAILS 5 AND 6 ARE USED WITH BOTH MACHINES.

SOLUTION HOISING

DET.	QTY	PART NO.	DESCRIPTION
1	1	601317	HOSE, 1 IN 1BR BLK EPDM X 93
2	1	601318	HOSE, 1 IN 1BR BLK EPDM X 254
3	1	601319	HOSE, 1 IN 1BR BLK EPDM X 336
4	1	601306	HOSE, 1.25 2BR BLK EPDM X 116
5	1	601328	HOSE, 1.50 2BR BLK EPDM X 112
6	1	601329	HOSE, 1.50 X 130 2F1W EPDM
7	2	690421	HOSE SPRING GUARD 2IN X 36 LG
8	2	601315	HOSE, 1/2 X 96 1BR BLK EPDM
9	1	601345	HOSE, 1 1/2X124 2FBR BLK EPDM
10	1	601346	HOSE, 1 1/2X142 2FBR BLK EPDM

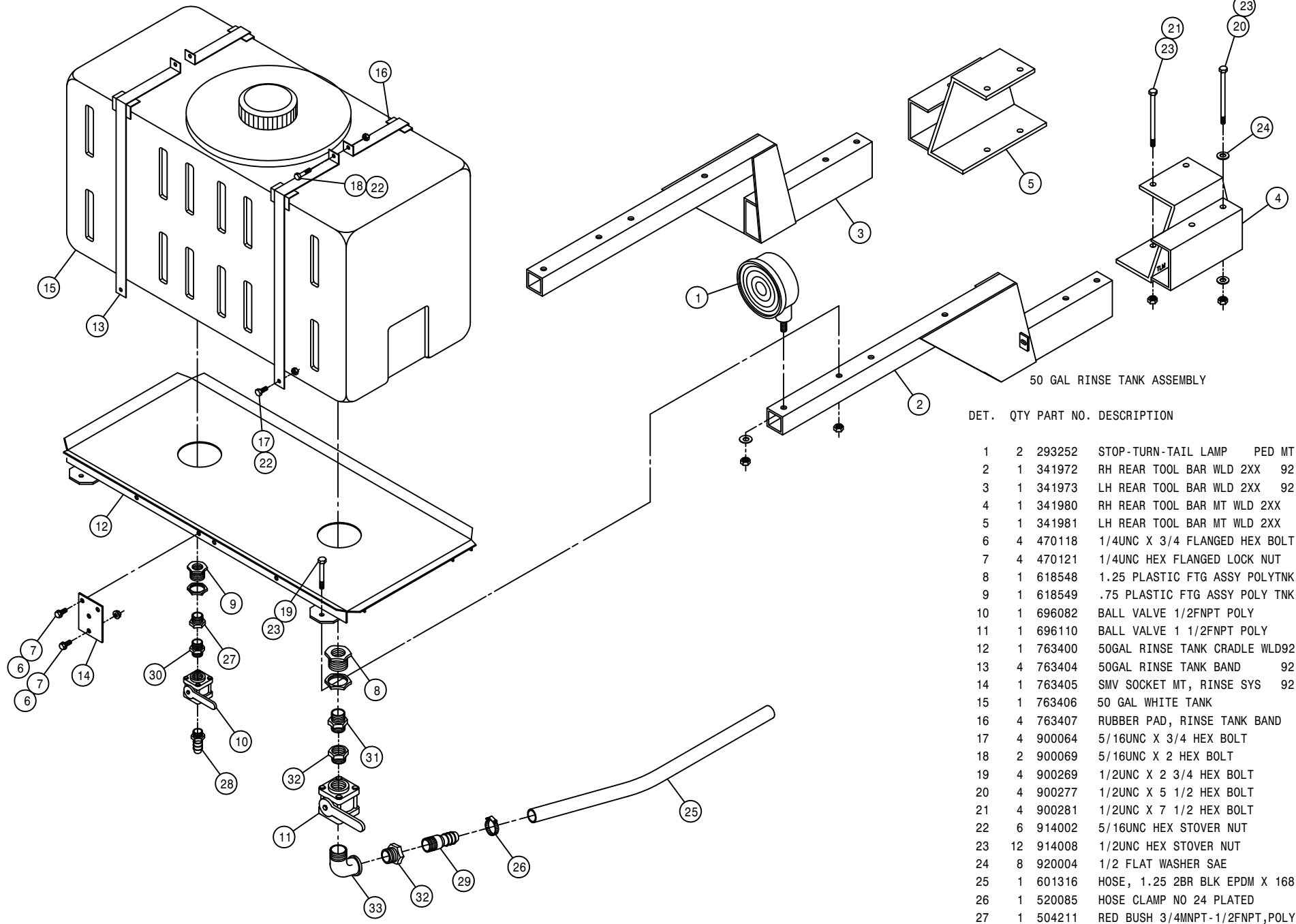
NOTE: DETAILS 9 AND 10 ARE USED WITH THE X-11 MACHINES.





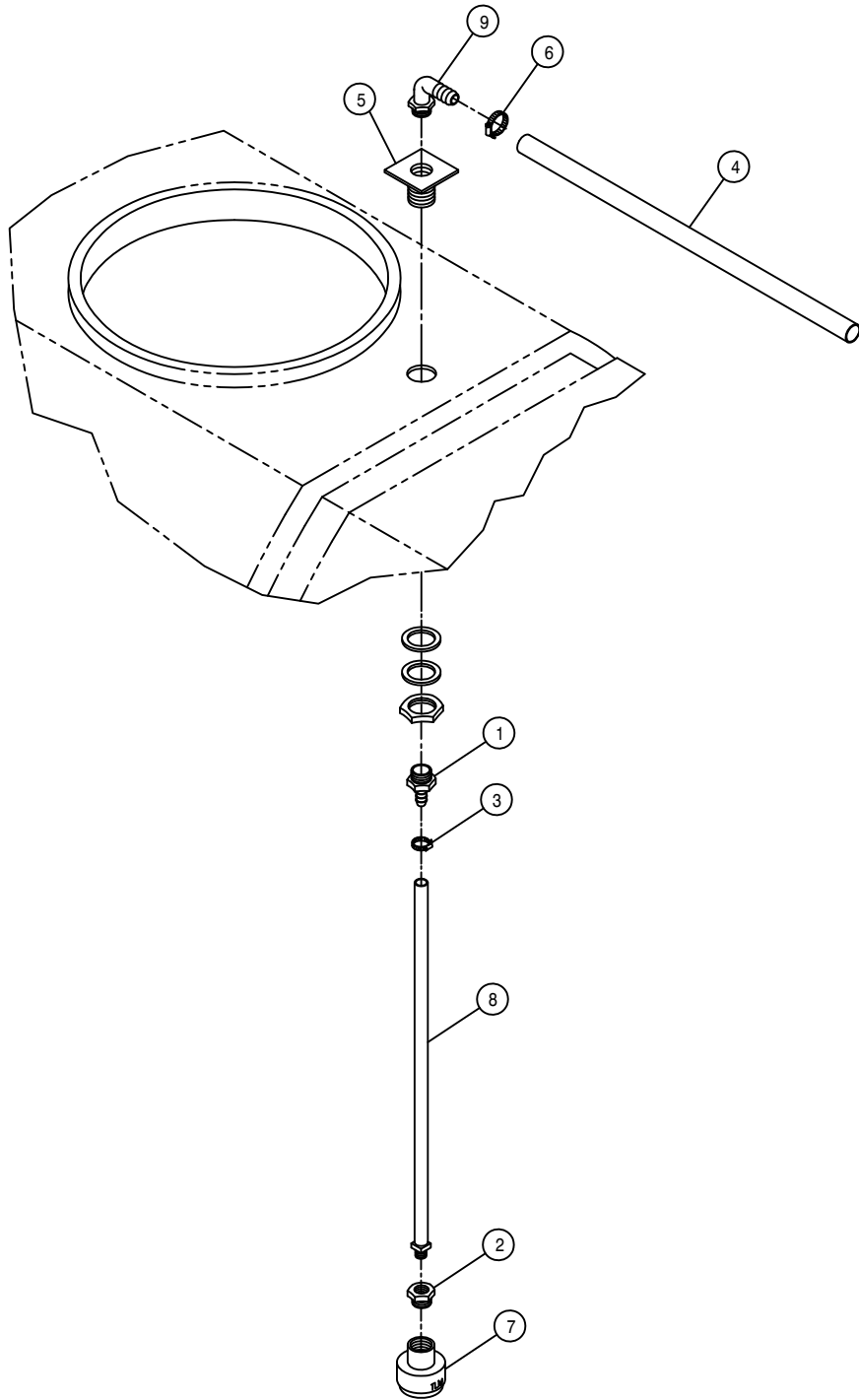
SOLUTION PUMP ASSEMBLY WITH RINSE OPTION

DET.	QTY	PART NO.	DESCRIPTION
1	1	160986	TWIN LOOP CHAIN 6 LINKS
2	1	690438	SOLU PUMP SUPPORT BRKT WLD 92
3	1	507015	RED BUSH 1.50NPT - 1.25FNPT
4	2	507018	BLK PIPE ST EL 90DEG 1.50NPT
5	6	507019	CLOSE NIPPLE 1.50NPT
6	2	507024	BLK PIPE ST EL 45DEG 1.50NPT
7	1	507250	BLK PIPE TEE 1.50NPT
8	2	507253	BLK PIPE SIDE OUTLET TEE 1.50
9	1	507400	PIPE PLUG 1.50NPT SQ HD
10	1	690433	PRIMER TANK WLD, SOLU PUMP
11	2	690437	1 1/2 CHECK VLV, SPRING LOAD
12	1	507717	RED BUSH 2 X 1 1/2
13	1	690476	STRAINER GASKET FOR 690474
14	1	611145	3/4MJIC-90-1/2MNPT LBO
15	1	618241	3/4MJIC-90-3/4MOR LBO
16	1	690474	1 1/2 LINE STRAINER50M 150PSI
17	1	690249	HYPRO OPEN CENTER PUMP
18	1	690390	2.00 FEMALE NPT COUPLER
19	1	690391	2.00 FEMALE NPT ADPTR
20	1	690392	ADPTR PLG FOR 2.00 NPT COUPLR
21	1	690397	SOLU PUMP MT WLD 280 89
22	1	696110	BALL VALVE 1 1/2FNPT POLY
23	1	715660	HOSE BARB 1 1/4NPT X 1 1/4
24	2	716003	1 1/2 X 1 1/2 HOSE BARB
25	2	900130	3/8UNC X 1 1/4 HEX BOLT
26	6	914004	3/8UNC HEX STOVER NUT
27	4	900129	3/8UNC X 1 HEX BOLT
28	1	690475	50 MESH SCREEN FOR 690474
29	2	520067	HOSE CLAMP NO 28 PLATED
30	2	520085	HOSE CLAMP NO 24 PLATED
31	1	920002	WASH FLAT 3/8 SAE
32	1	342014	SOLENOID KEEPER, RINSE SYS
33	2	472199	10-24 X 1/2 RD HD MACH SCR
34	1	500034	1 1/2NPT-90 ST EL, POLY
35	2	690098	3/4NPT CLOSE NIPPLE, POLY
36	1	500043	3/4NPT PIPE PLUG, POLY
37	2	500039	1 1/4NPT-90 ST EL, POLY
38	1	500040	1 1/2 X 3/4 NPT BUSH, POLY
39	1	500037	1 1/2" X 1 1/4NPT BUSH, POLY
40	1	500028	1 1/2NPT PIPE NIPPLE, POLY
41	2	520070	HOSE CLAMP NO 8 PLATED
42	1	500033	1 1/4NPT X 1 1/4 H BARB, POLY
43	2	695952	SOL VALVE NEW 640
44	2	713340	1/2NPT-1/2 HOSE BARB, POLY
45	2	500044	1/2 NPT-90 ST EL, POLY



50 GAL RINSE TANK ASSEMBLY

DET.	QTY	PART NO.	DESCRIPTION
1	2	293252	STOP-TURN-TAIL LAMP PED MT
2	1	341972	RH REAR TOOL BAR WLD 2XX 92
3	1	341973	LH REAR TOOL BAR WLD 2XX 92
4	1	341980	RH REAR TOOL BAR MT WLD 2XX
5	1	341981	LH REAR TOOL BAR MT WLD 2XX
6	4	470118	1/4UNC X 3/4 FLANGED HEX BOLT
7	4	470121	1/4UNC HEX FLANGED LOCK NUT
8	1	618548	1.25 PLASTIC FTG ASSY POLYTNK
9	1	618549	.75 PLASTIC FTG ASSY POLY TNK
10	1	696082	BALL VALVE 1/2FNPT POLY
11	1	696110	BALL VALVE 1 1/2FNPT POLY
12	1	763400	50GAL RINSE TANK CRADLE WLD92
13	4	763404	50GAL RINSE TANK BAND 92
14	1	763405	SMV SOCKET MT, RINSE SYS 92
15	1	763406	50 GAL WHITE TANK
16	4	763407	RUBBER PAD, RINSE TANK BAND
17	4	900064	5/16UNC X 3/4 HEX BOLT
18	2	900069	5/16UNC X 2 HEX BOLT
19	4	900269	1/2UNC X 2 3/4 HEX BOLT
20	4	900277	1/2UNC X 5 1/2 HEX BOLT
21	4	900281	1/2UNC X 7 1/2 HEX BOLT
22	6	914002	5/16UNC HEX STOVER NUT
23	12	914008	1/2UNC HEX STOVER NUT
24	8	920004	1/2 FLAT WASHER SAE
25	1	601316	HOSE, 1.25 2BR BLK EPDM X 168
26	1	520085	HOSE CLAMP NO 24 PLATED
27	1	504211	RED BUSH 3/4MNPT-1/2FNPT,POLY
28	1	714340	1/2 NPT X 1/2 HOSE BARB
29	1	500033	1 1/4NPT X 1 1/4 H BARB, POLY
30	1	503101	1/2NPT CLOSE NIPPLE, POLY
31	1	500042	1 1/4NPT CLOSE NIPPLE, POLY
32	2	500037	1 1/2" X 1 1/4NPT BUSH, POLY
33	1	500035	1 1/2NPT-45 ST EL, POLY

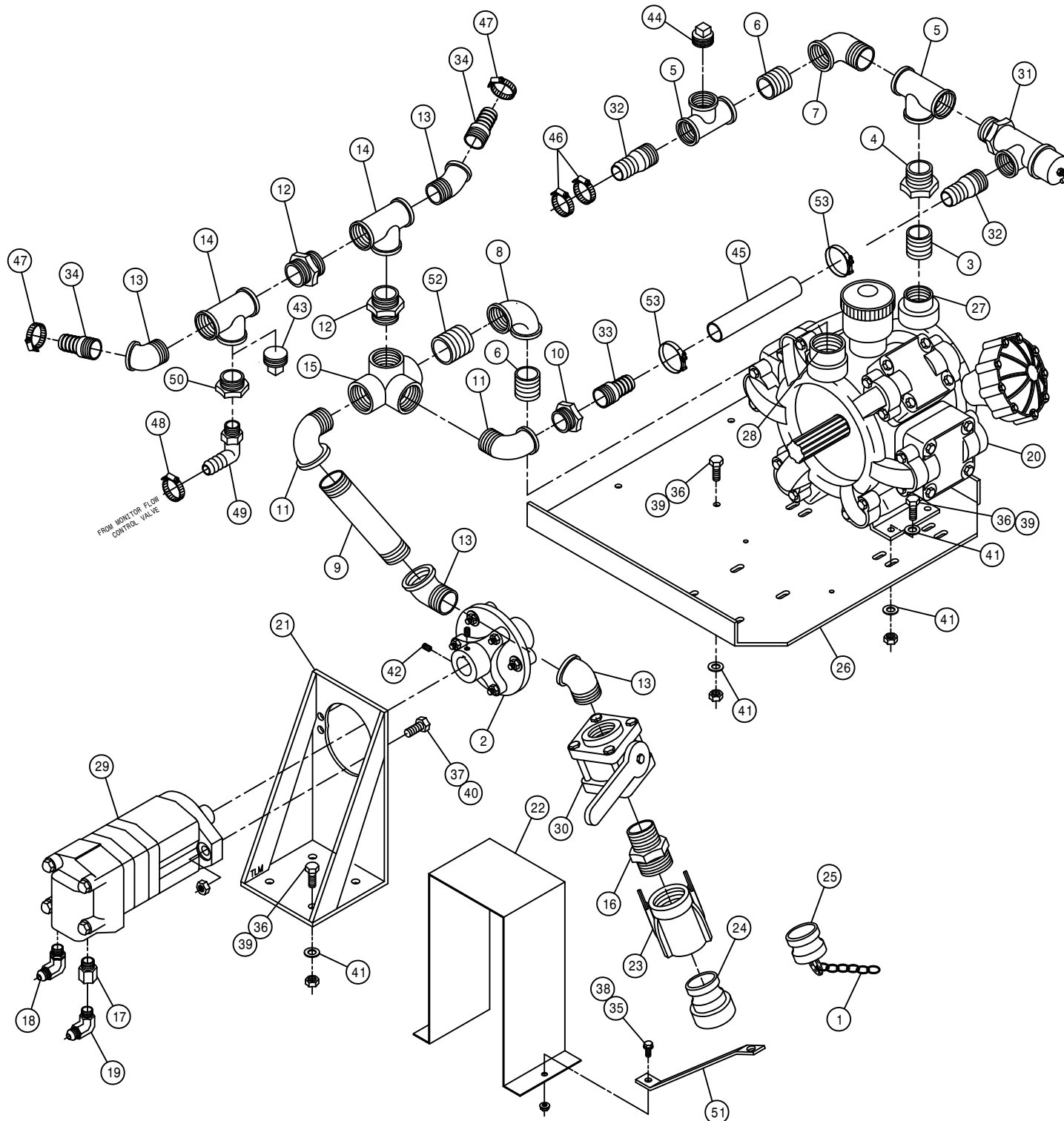


RINSE NOZZLE ASSEMBLY

DET. QTY PART NO. DESCRIPTION

1	1	500027	3/4NPT-3/8 HOSE BARB, POLY
2	1	504002	RED BUSH 3/4 TO 1/4, POLY
3	1	520120	HOSE CLAMP NO 4 PLATED MINI
4	1	601164	HOSE, 1/2 X 117 1BR BLK EPD
5	1	618549	.75 PLASTIC FTG ASSY POLY TNK
6	1	520070	HOSE CLAMP NO 8 PLATED
7	1	737873	ROTARY NOZZLE, TEFLON
8	1	737821	QUICK TEEJET HOSE DROP 24IN
9	1	500041	3/4NPT-90-1/2"HOSE BARB, POLY

DET. QTY PART NO. DESCRIPTION

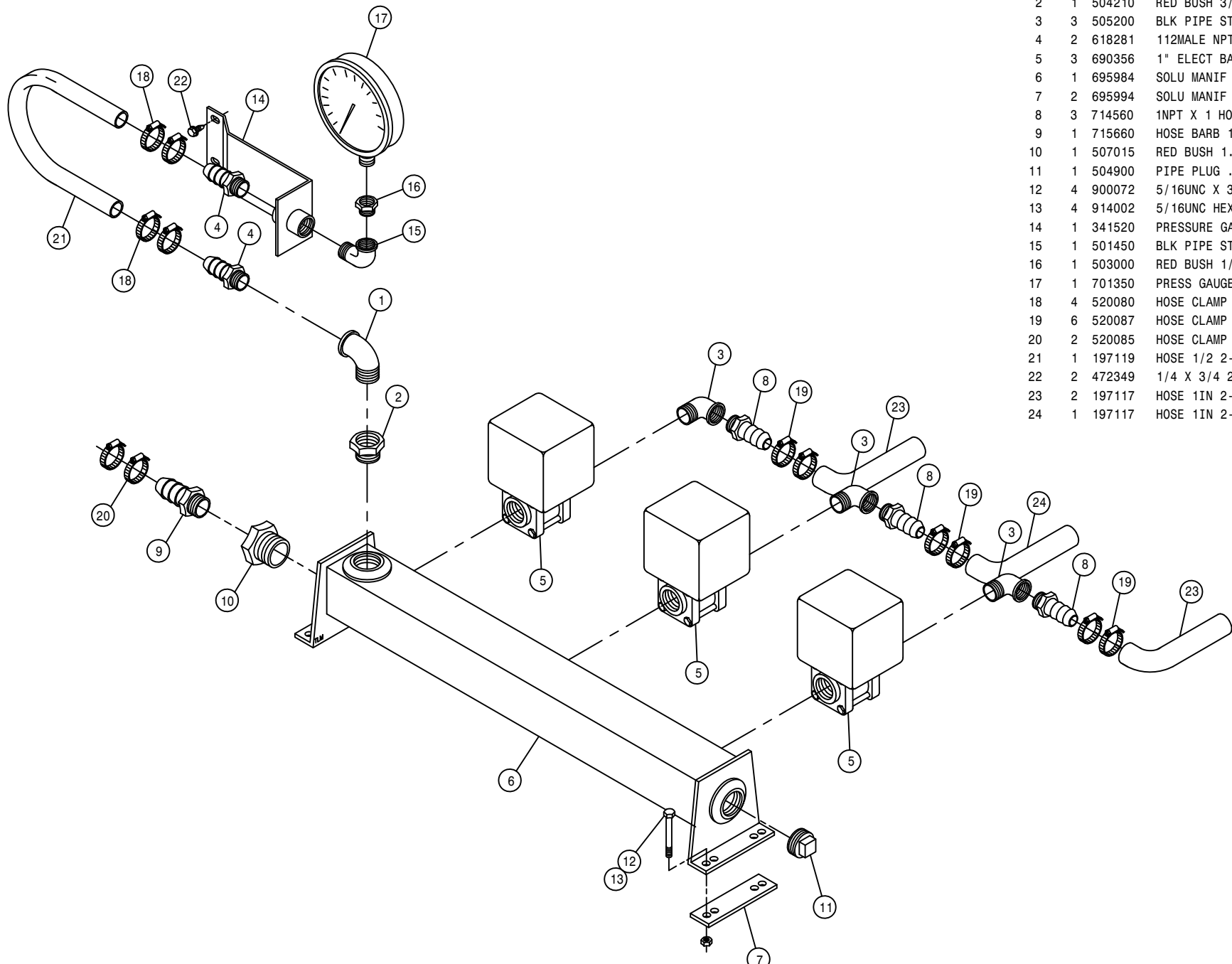


DET.	QTY	PART NO.	DESCRIPTION
1	1	160986	TWIN LOOP CHAIN 6 LINKS
2	1	314690	FLEX COUPLER, 6 IN DISC 1981
3	1	505201	CLOSE NIPPLE 1.00NPT
4	1	506005	1 1/4 TO 1 RED BUSH BLK MAL
5	2	506105	BLK PIPE TEE 1.25NPT
6	2	506200	CLOSE NIPPLE 1.25NPT
7	1	506410	BLK PIPE ST EL 90DEG 1.25NPT
8	1	506415	RED EL 90 1 1/2 TO 1 1/4 MAL
9	1	500029	1 1/2NPT X 6 PIPE NIPPLE, POLY
10	1	500037	1 1/2"X 1 1/4NPT BUSH, POLY
11	2	500034	1 1/2NPT-90 ST EL, POLY
12	2	500028	1 1/2NPT PIPE NIPPLE, POLY
13	4	500035	1 1/2NPT-45 ST EL, POLY
14	2	500030	1 1/2"NPT PIPE TEE, POLY
15	1	507253	BLK PIPE SIDE OUTLET TEE 1.50
16	1	500038	2"X 1 1/2NPT REDU NIPPLE, POLY
17	1	618171	7/8MOR-3/4FOR ADPTR
18	1	618183	3/4MJIC-90-7/8MOR LBO
19	1	618241	3/4MJIC-90-3/4MOR LBO
20	1	690339	HYPRO 230 DIAPHRAM PUMP
21	1	690353	D150-D230 PUMP MTR MT WLD
22	1	690364	D150-D230 PUMP CPLR SHLD
23	1	690390	2.00 FEMALE NPT COUPLER
24	1	690391	2.00 FEMALE NPT ADPTR
25	1	690392	ADPTR PLG FOR 2.00 NPT COUPLR
26	1	690414	230 HYPRO PUMP MT PLT 280 90
27	1	690417	1FNPT ADAPTER, HYPRO D230
28	1	690418	1 1/4FNPT ADAPTER, HYPRO D230
29	1	695985	CHAR LYNN 2000 SER HYD MTR 79
30	1	696110	BALL VALVE 1 1/2FNPT POLY
31	1	699702	HAMILTON RELIEF VLV 200PSI
32	2	715660	HOSE BARB 1 1/4NPT X 1 1/4
33	1	500033	1 1/4NPT X 1 1/4 H BARB, POLY
34	2	500032	1 1/2NPT X 1 1/2 H BARB, POLY
35	2	900003	1/4UNC X 1 HEX BOLT
36	12	900129	3/8UNC X 1 HEX BOLT
37	2	900265	1/2UNC X 1 1/2 HEX BOLT
38	2	914000	1/4UNC HEX STOVER NUT
39	12	914004	3/8UNC HEX STOVER NUT
40	2	914008	1/2UNC HEX STOVER NUT
41	16	920002	WASH FLAT 3/8 SAE
42	2	470076	SETSCREW 5/16-18 X 1/2ALHDCUP
43	1	500031	1 1/2NPT PIPE PLUG, POLY
44	1	506101	PIPE PLUG 1.25NPT SQ HD
45	1	197120	HOSE 1 1/4 2-FBR BR BLK EPDM
46	2	520085	HOSE CLAMP NO 24 PLATED
47	2	520067	HOSE CLAMP NO 28 PLATED
48	1	520087	HOSE CLAMP NO 20 PLATED
49	1	500024	1"NPT-90-1"HOSE BARB, POLY
50	1	500036	1 1/2"X 1"NPT REDU BUSH, POLY
51	1	690480	VLV/CPLR SUPPORT, D230 PUMP 94
52	1	507019	CLOSE NIPPLE 1.50NPT
53	2	520132	1.62/1.87 T-BOLT HOSE CLAMP

*NOTE: ITEMS 48, 49, AND 50 ARE USED WITH THE MONITOR OPTION.

DET. QTY PART NO. DESCRIPTION

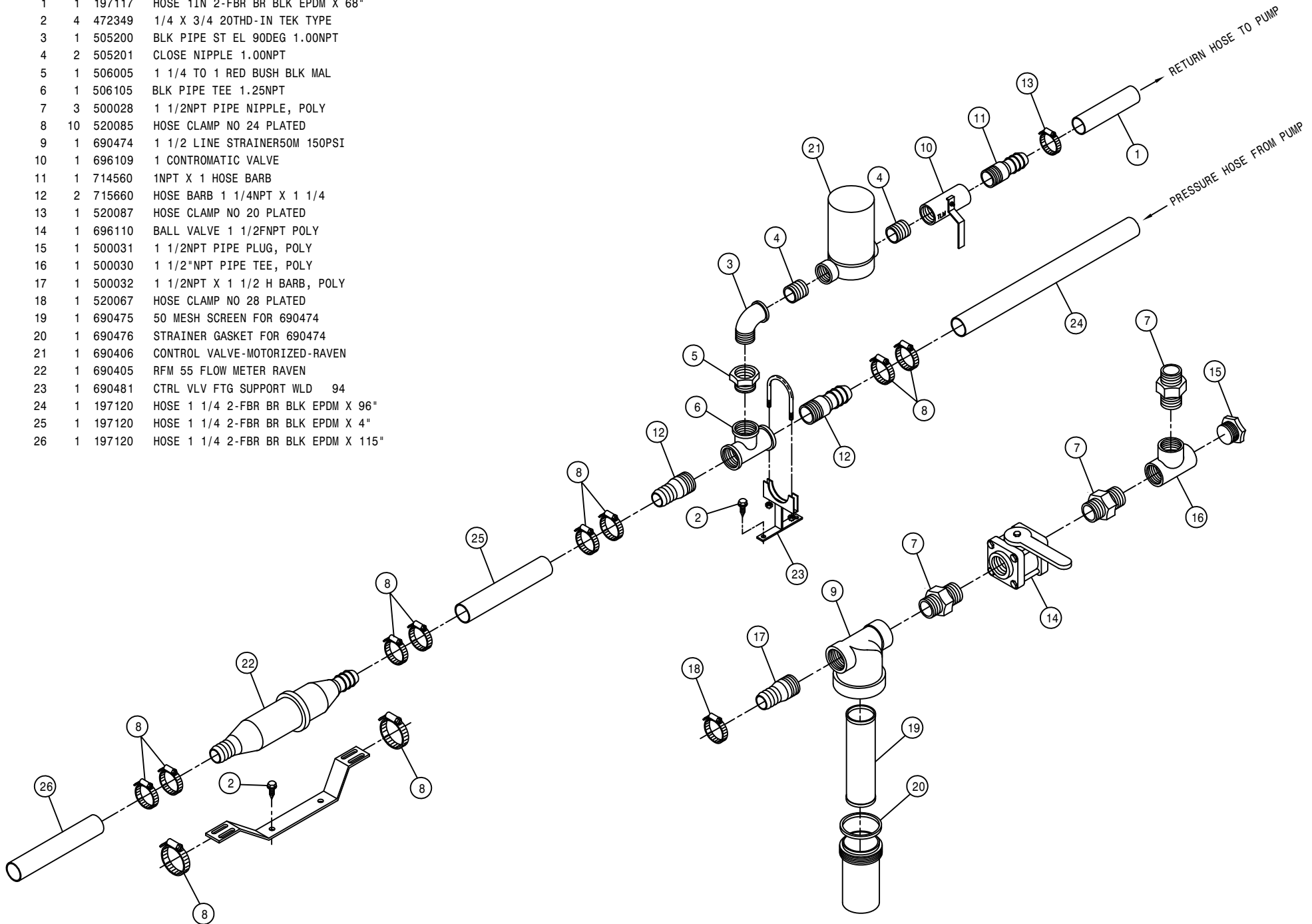
1	1	503400	BLK PIPE ST EL 90DEG .50NPT
2	1	504210	RED BUSH 3/4 NPT X 1/2 NPT
3	3	505200	BLK PIPE ST EL 90DEG 1.00NPT
4	2	618281	112MALE NPTX1/2 HOSE INSERT
5	3	690356	1" ELECT BALL VLV 344E-2-1
6	1	695984	SOLU MANIF WLD D150-D230
7	2	695994	SOLU MANIF KEEPER OPTION
8	3	714560	1NPT X 1 HOSE BARB
9	1	715660	HOSE BARB 1 1/4NPT X 1 1/4
10	1	507015	RED BUSH 1.50NPT - 1.25FNPT
11	1	504900	PIPE PLUG .75NPT SQ HD
12	4	900072	5/16UNC X 3 HEX BOLT
13	4	914002	5/16UNC HEX STOVER NUT
14	1	341520	PRESSURE GAUGE MT WLD 8240X11
15	1	501450	BLK PIPE ST EL 90DEG .25NPT
16	1	503000	RED BUSH 1/2 TO 1/4 BLK MAL
17	1	701350	PRESS GAUGE 300LB BOT FILL
18	4	520080	HOSE CLAMP NO 10 PLATED
19	6	520087	HOSE CLAMP NO 20 PLATED
20	2	520085	HOSE CLAMP NO 24 PLATED
21	1	197119	HOSE 1/2 2-FBR BR BLK EPDM X 206"
22	2	472349	1/4 X 3/4 20THD-IN TEK TYPE
23	2	197117	HOSE 1IN 2-FBR BR BLK EPDM X 288"
24	1	197117	HOSE 1IN 2-FBR BR BLK EPDM X 36"



MONITOR FITTING ASSEMBLY FOR D230 PUMP

DET. QTY PART NO. DESCRIPTION

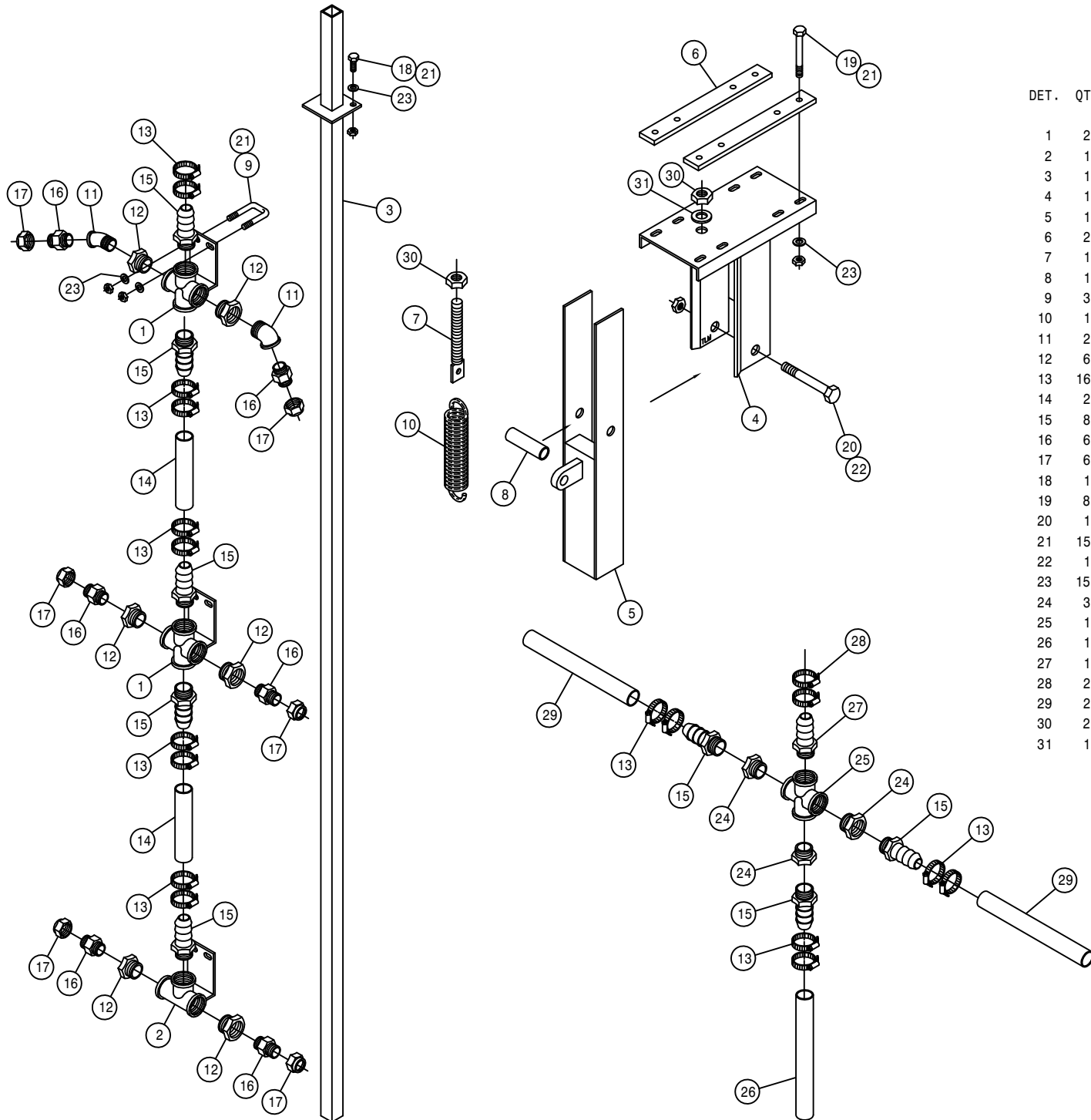
1	1	197117	HOSE 1IN 2-FBR BR BLK EPDM X 68"
2	4	472349	1/4 X 3/4 20THD-IN TEK TYPE
3	1	505200	BLK PIPE ST EL 90DEG 1.00NPT
4	2	505201	CLOSE NIPPLE 1.00NPT
5	1	506005	1 1/4 TO 1 RED BUSH BLK MAL
6	1	506105	BLK PIPE TEE 1.25NPT
7	3	500028	1 1/2NPT PIPE NIPPLE, POLY
8	10	520085	HOSE CLAMP NO 24 PLATED
9	1	690474	1 1/2 LINE STRAINER50M 150PSI
10	1	696109	1 CONTROMATIC VALVE
11	1	714560	1NPT X 1 HOSE BARB
12	2	715660	HOSE BARB 1 1/4NPT X 1 1/4
13	1	520087	HOSE CLAMP NO 20 PLATED
14	1	696110	BALL VALVE 1 1/2FNPT POLY
15	1	500031	1 1/2NPT PIPE PLUG, POLY
16	1	500030	1 1/2"NPT PIPE TEE, POLY
17	1	500032	1 1/2NPT X 1 1/2 H BARB, POLY
18	1	520067	HOSE CLAMP NO 28 PLATED
19	1	690475	50 MESH SCREEN FOR 690474
20	1	690476	STRAINER GASKET FOR 690474
21	1	690406	CONTROL VALVE-MOTORIZED-RAVEN
22	1	690405	RFM 55 FLOW METER RAVEN
23	1	690481	CTRL VLV FTG SUPPORT WLD 94
24	1	197120	HOSE 1 1/4 2-FBR BR BLK EPDM X 96"
25	1	197120	HOSE 1 1/4 2-FBR BR BLK EPDM X 4"
26	1	197120	HOSE 1 1/4 2-FBR BR BLK EPDM X 115"



6FT 6-NOZL DROP ASSEMBLY

DET. QTY PART NO. DESCRIPTION

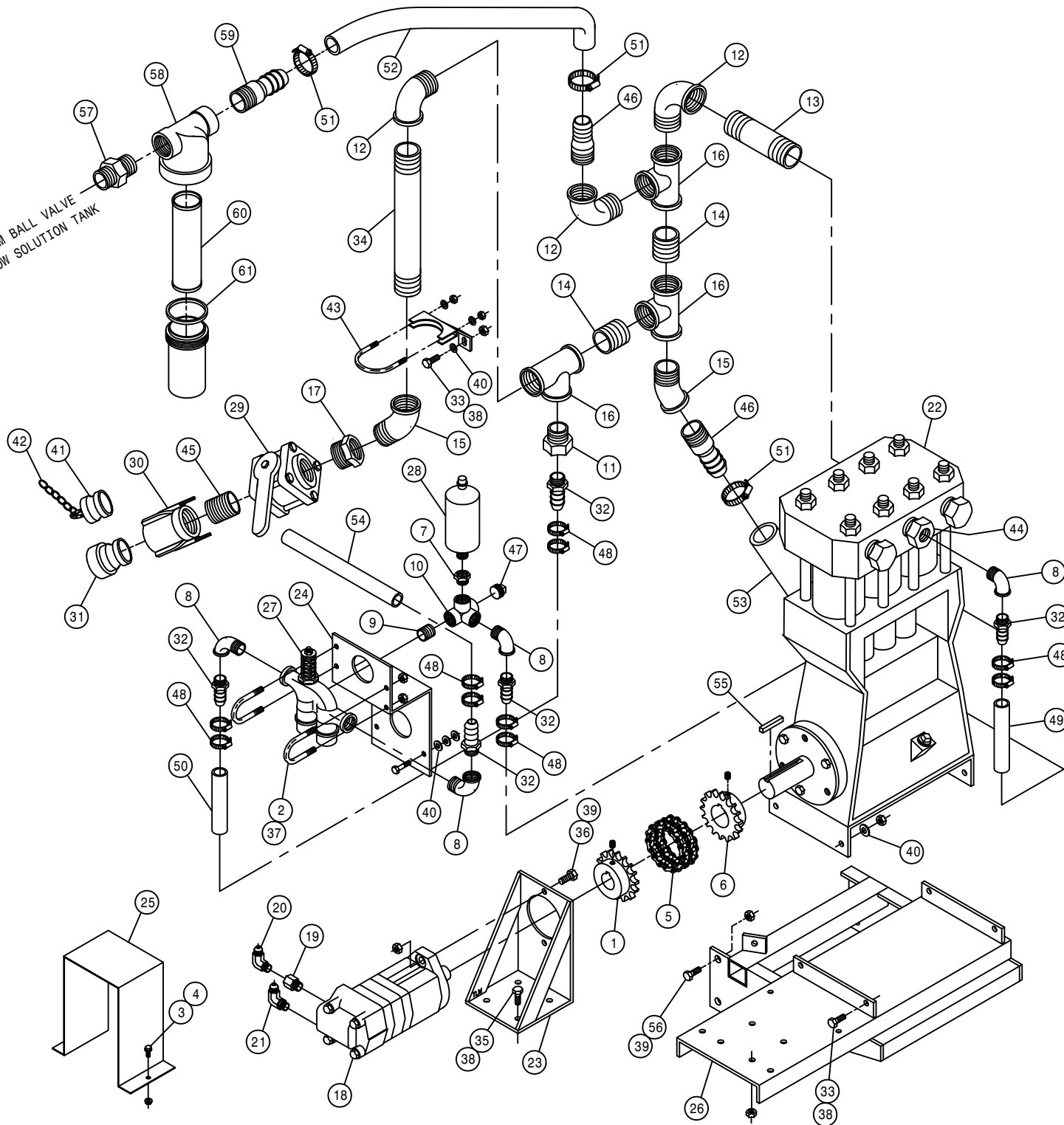
DET.	QTY	PART NO.	DESCRIPTION
1	2	160300	.50 PIPE CROSS WLD X-11 1981
2	1	160302	.50 PIPE TEE WLD X-11 1981
3	1	160307	DROP TUBE WLD X-11 1981
4	1	160310	6FT DROP MT WLD X-11 1981
5	1	160313	6FT DROP HANGER WLD X-11 81
6	2	160321	DROP KEEPER 6FT DROP
7	1	410032	SPRING HOOK BOLT WLD 473
8	1	437452	BUSH, .50 SCH 80 X 2.00
9	3	473926	1/4UNC-3/4ID-1 1/4 UBLOT SQ
10	1	482006	SPRING FOR 473 ROLLER4IN LONG
11	2	501400	BLK PIPE ST EL 45DEG .25NPT
12	6	503000	RED BUSH 1/2 TO 1/4 BLK MAL
13	16	520055	HOSE CLAMP NO 12 PLATED
14	2	601249	HOSE, .50 2BR BLK X 16.63 EPDM
15	8	618281	112MALE NPTX1/2 HOSE INSERT
16	6	737801	NOZL BODY .25NPT BRASS
17	6	738866	CAP NUT .688 FPS STEEL
18	1	900002	1/4UNC X 3/4 HEX BOLT
19	8	900007	1/4UNC X 2 HEX BOLT
20	1	900272	1/2UNC X 3 1/2 HEX BOLT
21	15	914000	1/4UNC HEX STOVER NUT
22	1	914008	1/2UNC HEX STOVER NUT
23	15	920000	1/4 FLAT WASH SAE
24	3	504210	RED BUSH 3/4 NPT X 1/2 NPT
25	1	504400	BLK PIPE CROSS .75NPT
26	1	601333	HOSE, 1/2 2FBR BLK EPDM X 48
27	1	715450	3/4NPTX3/4 HI HOSE BARB
28	2	520090	HOSE CLAMP NO 16 PLATED
29	2	601199	HOSE, 1/2 2BR BLK X 105 EPDM
30	2	910008	1/2UNC HEX NUT
31	1	920504	LOCK WASH 1/2



BEAN 35 PUMP ASSEMBLY

DET.	QTY	PART NO.	DESCRIPTION
1	1	220004	CHAIN CPLR 1 1/4 BORE .31 KWY
2	2	470094	5/16UNC-1 3/8ID-3 UBOLT
3	2	470118	1/4UNC X 3/4 FLANGED HEX BOLT
4	2	470121	1/4UNC HEX FLANGED LOCK NUT
5	1	492084	CHAIN FOR 492083 4016
6	1	492089	CHAIN CPLG HALF 1.375BORE4016
7	1	504210	RED BUSH 3/4 NPT X 1/2 NPT
8	4	504610	BLK PIPE ST EL 90DEG .75NPT
9	1	504702	CLOSE NIPPLE .75NPT
10	1	504960	BLK PIPE SIDE OUTLET TEE .75
11	1	507005	RED BUSH 1 1/2 TO 3/4 BLK MAL
12	3	507018	BLK PIPE ST EL 90DEG 1.50NPT
13	1	507007	BLK PIPE NIPPLE 1.50NPT-4.00
14	2	507019	CLOSE NIPPLE 1.50NPT
15	2	507024	BLK PIPE ST EL 45DEG 1.50NPT
16	3	507250	BLK PIPE TEE 1.50NPT
17	1	507717	RED BUSH 2 X 1 1/2
18	1	604006	MOTOR, HYD 7.7"
19	1	610305	3/4MJIC-90-3/4MNPT LBO
20	1	618131	7/8MOR-3/4FNPT ADPTR
21	1	618183	3/4MJIC-90-7/8MOR LBO
22	1	690250	35 GPM BEAN DOUBLE SHAFT PUMP
23	1	690291	HYD MTR BASE WLD BEAN 35GPM
24	1	690294	UNLOADER VLV MT BEAN 35GPM
25	1	690296	PUMP CPLR SHLD BEAN 35GPM
26	1	690442	250 X-11 BEAN 35 PUMP MT WLD
27	1	695943	UNLOADER VALVE, HYPRO 400-600
28	1	695944	SURGE TANK, HYPRO
29	1	696134	BALL VALVE 2IN FNPT POLY
30	1	690390	2.00 FEMALE NPT COUPLER
31	1	696201	ADAPTER, 2IN MALE FOR 696200
32	5	715450	3/4NPTX3/4 HI HOSE BARB
33	5	900129	3/8UNC X 1 HEX BOLT
34	1	506610	BLK PIPE NIPPLE 1.50NPT-10.00
35	4	900130	3/8UNC X 1 1/4 HEX BOLT
36	2	900266	1/2UNC X 1 3/4 HEX BOLT
37	4	914002	5/16UNC HEX STOVER NUT
38	9	914004	3/8UNC HEX STOVER NUT
39	6	914008	1/2UNC HEX STOVER NUT
40	14	920002	WASH FLAT 3/8 SAE
41	1	690392	ADPTR PLG FOR 2.00 NPT COUPLR
42	1	160986	TWIN LOOP CHAIN 6 LINKS
43	1	690438	SOLU PUMP SUPPORT BRKT WLD 92
44	1	506000	RED BUSH 1 1/4 TO 3/4 BLK MAL
45	1	507706	CLOSE NIPPLE 2.00NPT
46	2	716003	1 1/2 X 1 1/2 HOSE BARB
47	1	504900	PIPE PLUG .75NPT SQ HD
48	10	520090	HOSE CLAMP NO 16 PLATED
49	1	601336	HOSE, 3/4 2FBR BLK EPDM X 26
50	1	601335	HOSE, 3/4 2FBR BLK EPDM X 15
51	3	520067	HOSE CLAMP NO 28 PLATED
52	1	601236	HOSE, 1 1/2 X 228 2BR EPDM
53	1	601188	HOSE, 1 1/2 X 58 2BR BLK EPDM
54	1	601338	HOSE, 3/4 2FBR BLK EPDM X 204
55	1	470227	KEY, 5/16 SQ X 1 1/2 LG
56	4	900264	1/2UNC X 1 1/4 HEX BOLT
57	1	500028	1 1/2NPT PIPE NIPPLE, POLY
58	1	690474	1 1/2 LINE STRAINER50M 150PSI
59	1	500032	1 1/2NPT X 1 1/2 H BARB, POLY
60	1	690475	50 MESH SCREEN FOR 690474
61	1	690476	STRAINER GASKET FOR 690474

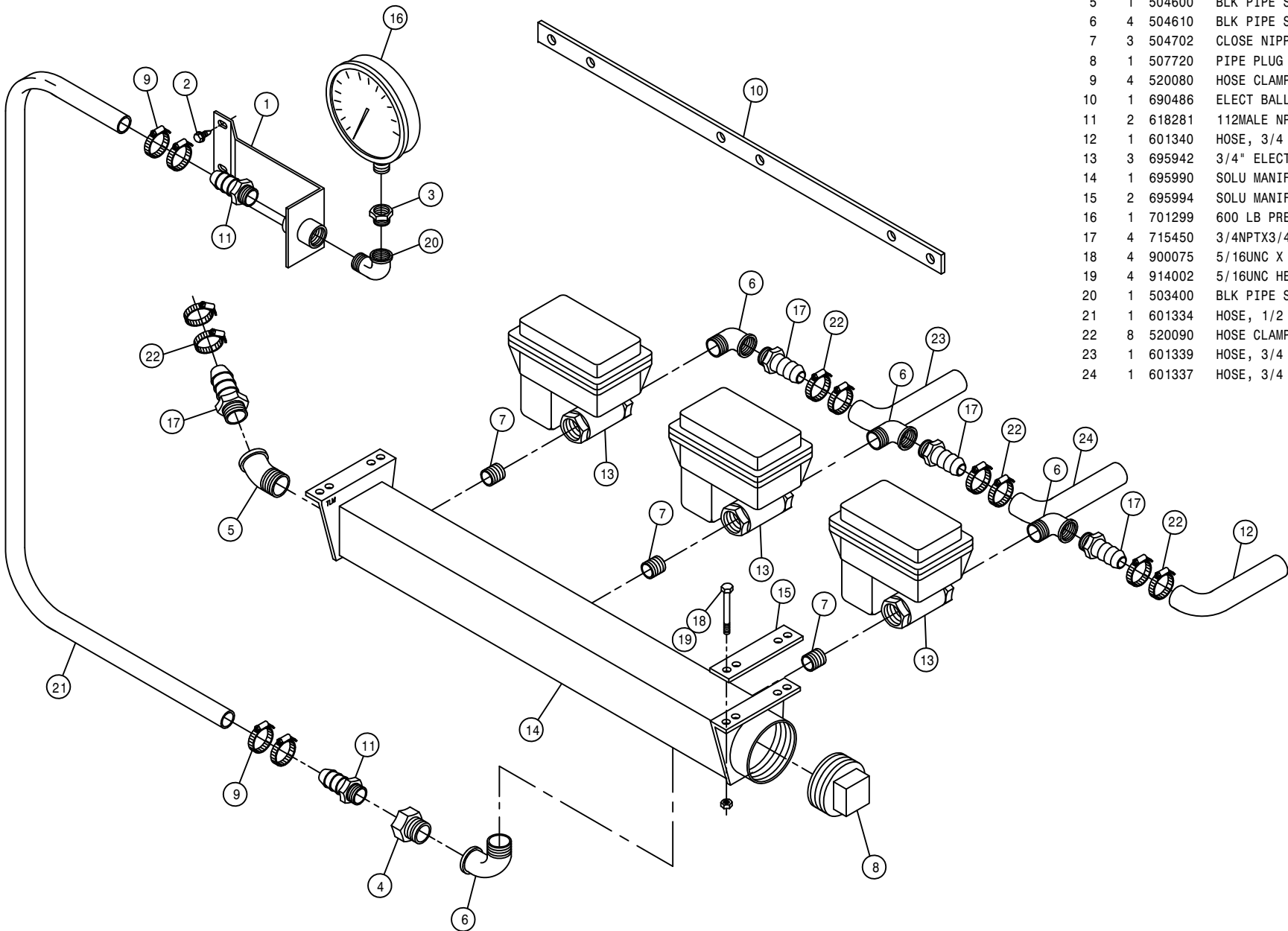
FROM BALL VALVE
BELOW SOLUTION TANK



BEAN 35 HP SOLUTION MANIFOLD ASSEMBLY

DET. QTY PART NO. DESCRIPTION

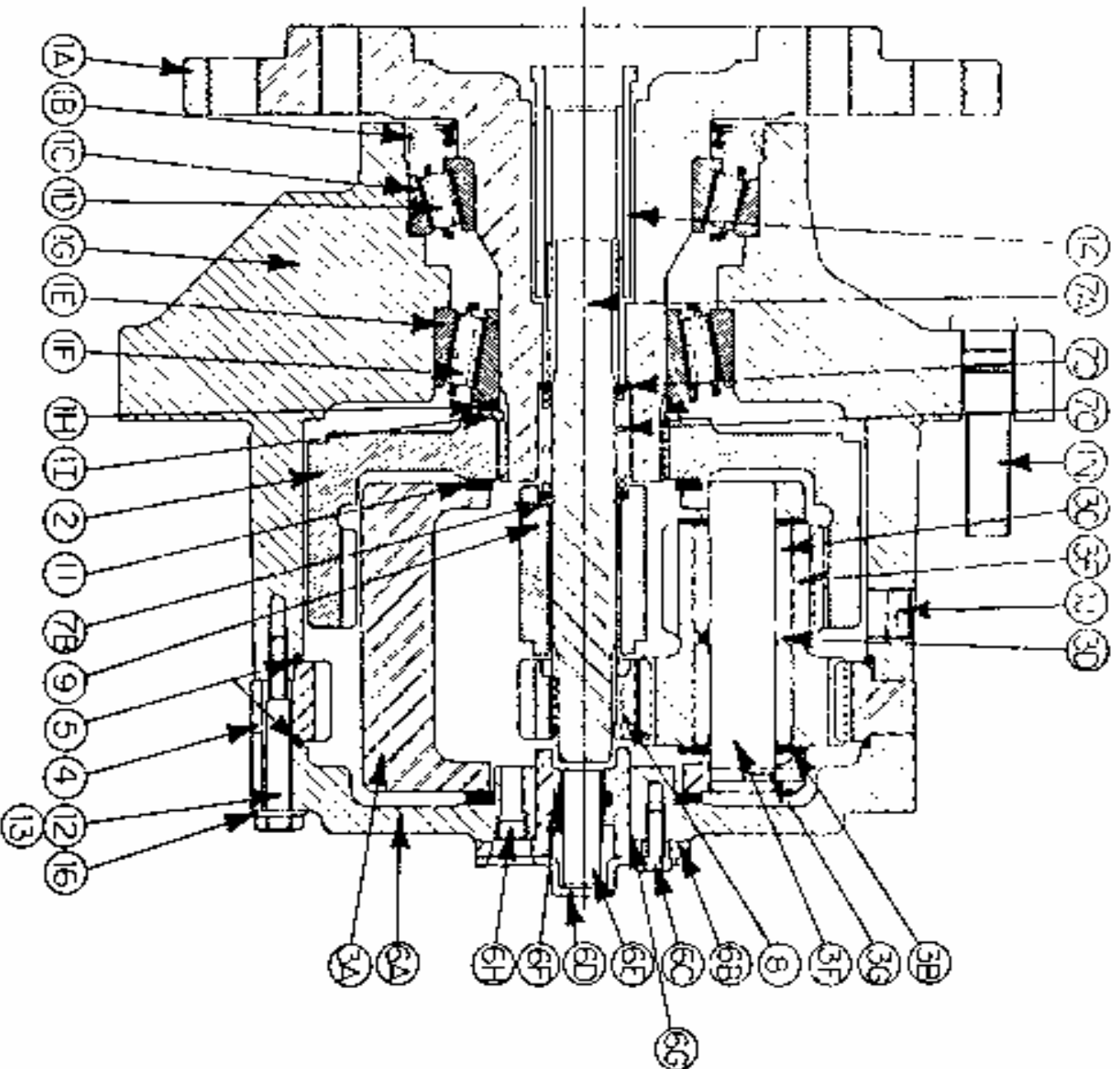
1	1	341520	PRESSURE GAUGE MT WLD 8240X11
2	2	472349	1/4 X 3/4 20THD-IN TEK TYPE
3	1	503000	RED BUSH 1/2 TO 1/4 BLK MAL
4	1	504210	RED BUSH 3/4 NPT X 1/2 NPT
5	1	504600	BLK PIPE ST EL 45DEG .75NPT
6	4	504610	BLK PIPE ST EL 90DEG .75NPT
7	3	504702	CLOSE NIPPLE .75NPT
8	1	507720	PIPE PLUG 2.00NPT SQ HD
9	4	520080	HOSE CLAMP NO 10 PLATED
10	1	690486	ELECT BALL VLV BRACE 94
11	2	618281	112MALE NPTX1/2 HOSE INSERT
12	1	601340	HOSE, 3/4 2FBR BLK EPDM X 276
13	3	695942	3/4" ELECT BALL VLV,KZCO EHII
14	1	695990	SOLU MANIF WLD JB2020-JB35
15	2	695994	SOLU MANIF KEEPER OPTION
16	1	701299	600 LB PRESS GAUGE BOT FILL
17	4	715450	3/4NPTX3/4 HI HOSE BARB
18	4	900075	5/16UNC X 3 3/4 HEX BOLT
19	4	914002	5/16UNC HEX STOVER NUT
20	1	503400	BLK PIPE ST EL 90DEG .50NPT
21	1	601334	HOSE, 1/2 2FBR BLK EPDM X 120
22	8	520090	HOSE CLAMP NO 16 PLATED
23	1	601339	HOSE, 3/4 2FBR BLK EPDM X 216
24	1	601337	HOSE, 3/4 2FBR BLK EPDM X 96



WHEEL DRIVE ASSEMBLY - 610516
W1BFNZ324

ITEMS	DESCRIPTION	PART NO.	QTY.
1	HUB-SPINDLE SUB-ASSEMBLY	-----	
1A	SPINDLE	610518	1
1B	SEAL	610519	1
1C	BEARING CUP	610520	1
1D	BEARING CONE	610521	1
1E	BEARING CUP	610907	1
1F	BEARING CONE	610908	1
1G	HUB	610522	1
1H	SPACER	610909	1
1I	RETAINER RING	610910	1
1J	PIPE PLUG	610147	2
1N	STUD	610523	9
2	INTERNAL GEAR	610148	1
3	CARRIER ASSEMBLY	610933	1
4	RING GEAR	610937	1
5	O-RING	610903	2
6	COVER ASSEMBLY	610155	1
6A	COVER	610149	1
6B	COVER CAP	610914	1
6C	BOLT	610150	4
6D	DISCONNECT CAP	610901	1
6E	DISCONNECT ROD	610915	1
6F	O-RING	610916	1
6G	O-RING	610917	1
6H	PIPE NIPPLE	610151	1
6I	ID PLATE	610152	1
7	INPUT SHAFT ASSEMBLY	610048	1
7A	INPUT SHAFT	610046	1
7B	RETAINING RING	610936	1
7C	SPRING	610145	1
7D	SPACER	610153	2
8	INPUT GEAR	610919	1
9	THRUST SPACER	610920	1
10	THRUST SPACER	610921	1
11	THRUST WASHER	610922	2
12	BOLT	610930	12
13	SHOULDER BOLT	610923	4
14	COUPLING	610037	1
16	FLAT WASHER	610049	16
NS	SEAL BOOT	610552	1

CROSS-SECTIONAL VIEW OF W1B TORQUE-HUB®



WHEEL DRIVE ASSEMBLY - 610515
W1BFNZ318

ITEMS	DESCRIPTION	PART NO.	QTY.
1	HUB-SPINDLE SUB-ASSEMBLY	-----	
1A	SPINDLE	610518	1
1B	SEAL	610519	1
1C	BEARING CUP	610520	1
1D	BEARING CONE	610521	1
1E	BEARING CUP	610907	1
1F	BEARING CONE	610908	1
1G	HUB	610522	1
1H	SPACER	610909	1
1I	RETAINER RING	610910	1
1J	PIPE PLUG	610147	2
1N	STUD	610523	9
2	INTERNAL GEAR	610148	1
3	CARRIER ASSEMBLY	610912	1
4	RING GEAR	610929	1
5	O-RING	610903	2
6	COVER ASSEMBLY	610155	1
6A	COVER	610149	1
6B	COVER CAP	610914	1
6C	BOLT	610150	4
6D	DISCONNECT CAP	610901	1
6E	DISCONNECT ROD	610915	1
6F	O-RING	610916	1
6G	O-RING	610917	1
6H	PIPE NIPPLE	610151	1
6I	ID PLATE	610152	1
7	INPUT SHAFT ASSEMBLY	610048	1
7A	INPUT SHAFT	610046	1
7B	RETAINING RING	610936	1
7C	SPRING	610145	1
7D	SPACER	610153	2
8	INPUT GEAR	610919	1
9	THRUST SPACER	610920	1
10	THRUST SPACER	610921	1
11	THRUST WASHER	610922	2
12	BOLT	610930	12
13	SHOULDER BOLT	610923	4
14	COUPLING	610037	1
16	FLAT WASHER	610049	16
NS	SEAL BOOT	610552	1

NOTICE

The following page contains decals for the model 254.

These decals can be obtained from Hagie Mfg. Co. and should be used whenever your machine is repainted or when the decals become worn, weathered, or faded.

Special attention should be paid to decals involving personal safety. They have been attached for your protection.

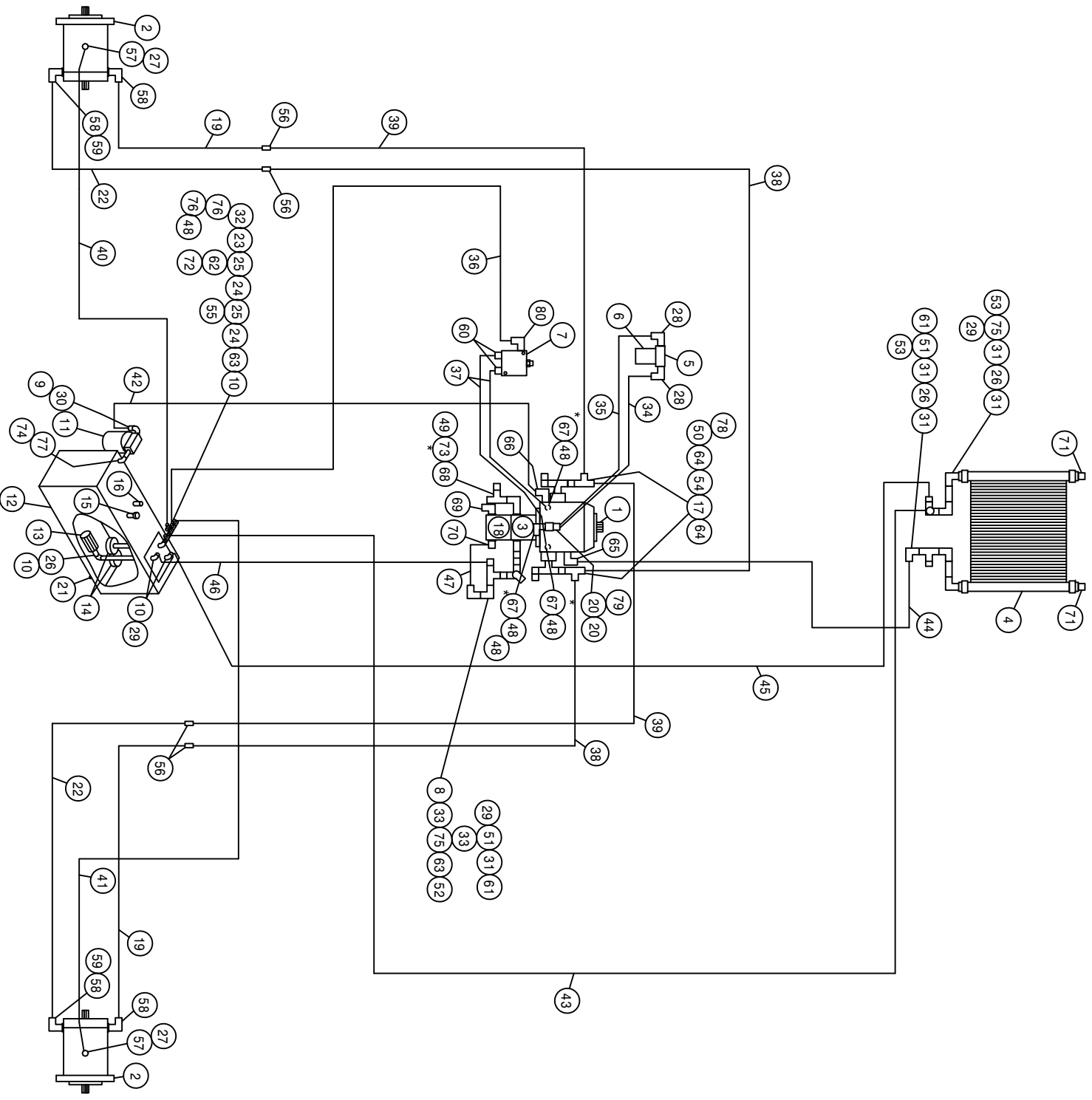
KEEP THEM IN PLACE.

Contact: Hagie Manufacturing Co.
Box 273
Clarion, Iowa 50525

254 DECALS

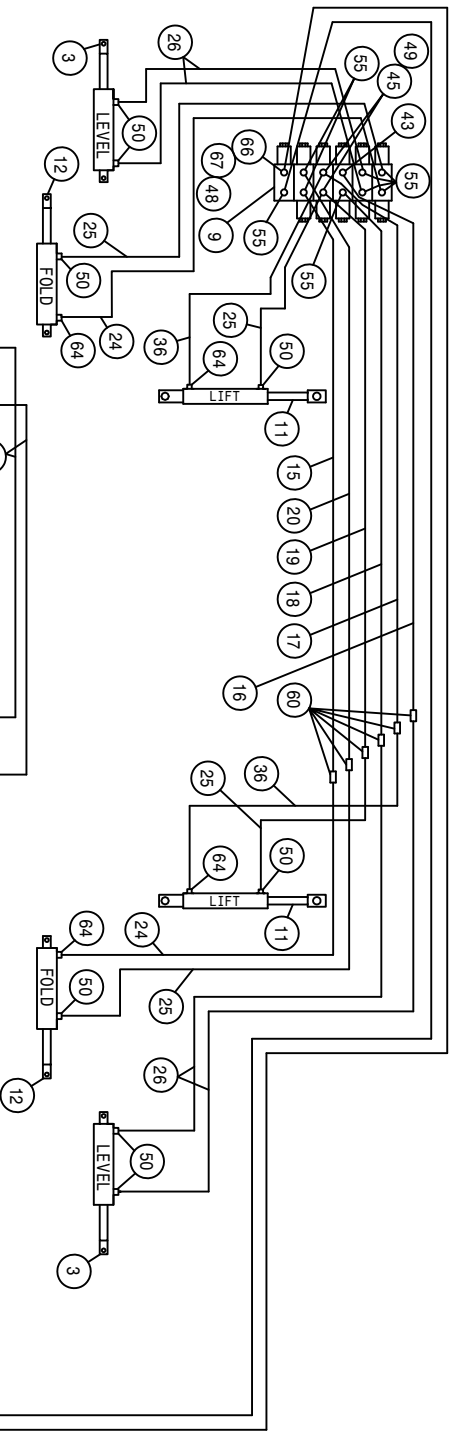
QTY.	PART NO.	DESCRIPTION	LOCATION
1	650831	EMERGENCY STOP DECAL	ON LOWER LH FRONT CAB FOAM
1	650320	EMERGENCY EXIT DECAL	ON LOWER REAR OF EXIT WINDOW
1	650328	CONSOLE COVER PANEL DECAL	ON CONSOLE SHEET METAL
1	650814	PARK BRAKE DECAL	NEAR PARK BRAKE
1	650822	SOLUTION PUMP DECAL	ON FRONT CROSSMEMBER
1	650847	NO PASSENGER DECAL	REAR CORNER OF CAB
4	650848	SLIP OR FALL DECAL	2-ON EACH FUEL TANK 2-ON EACH SPRAY TANK TOP
2	650849	ENGINE FUEL DECAL	NEAR EACH FUEL TANK NECK
2	650850	CHEMICAL DECAL	ON SOLUTION TANK LIDS
2	650851	SHIELDS DECAL	ON SIDE OF TOP ENGINE COVER
1	650852	READ MANUAL DECAL	ON LOWER LH FRONT CAB FOAM
2	650330	X-11 DECAL	ON EACH ENGINE HOOD
1	650326	HAGIE DECAL	ON FRONT MAINFRAME SHIELD
2	650954	DIESEL DECAL	NEAR EACH FUEL NECK
1	650981	COOLING SYSTEM DECAL	NEAR RADIATOR CAP
1	650982	ELECTRICAL DECAL	RIGHT HAND SIDE OF OIL TANK
4	650985	WHEEL BOLT TORQUE DECAL	ON EACH WHEEL RIM
2	650953	GASOLINE DECAL	NEAR EACH FUEL NECK
1	650322	DECAL SET, HAGIE 254 STRIPE	ON EACH ENGINE HOOD
1	650329	SPRAY CONTROL/TRAC VLV	ON INSTRUMENT PANEL
1	650327	254 SIGHT GAGE DECAL	ON EACH SOLUTION TANK
2	650324	RED STRIPE DECAL	ON EACH TANK SHIELD

*NOTE:
 REFER TO DETAIL 73 TO CHECK AUX. SYSTEM - 1850 PSI
 REFER TO DETAIL 67 TO CHECK LIMIT SETTING - 4500 PSI
 REFER TO DETAIL 67 TO CHECK CHARGE PRESSURE - 380 PSI

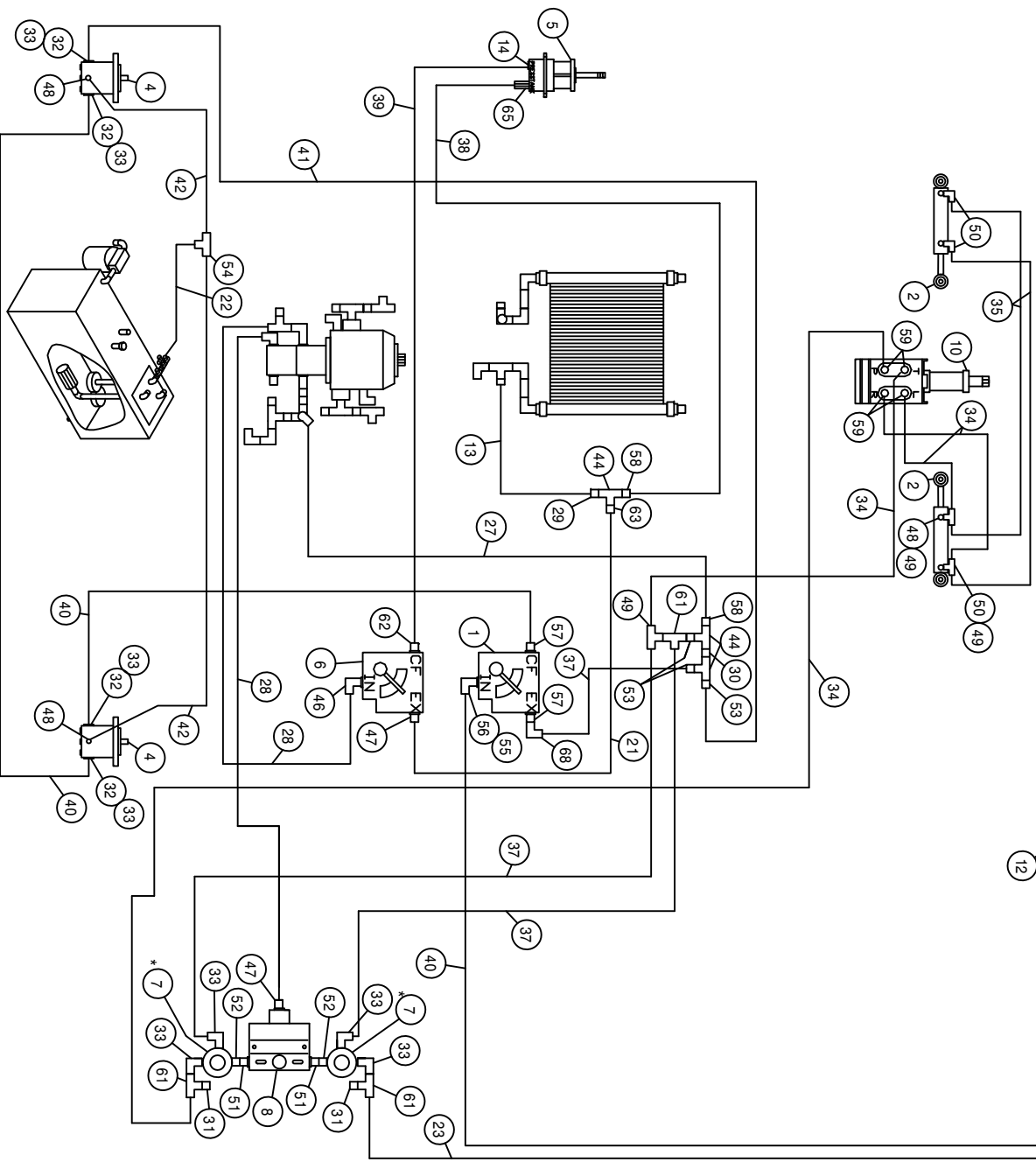


254 TWD WITH AGITATION HYD SCHEM 94
REFERENCE DRAWING NO. 498430S1

DET.	QTY	PART NO.	DESCRIPTION	DET.	QTY	PART NO.	DESCRIPTION
1	1	606911	SUND 75CC PUMP-B-MT W/FILT	41	1	615449	06C1T-06FJX-06FJX-126
2	2	610557	SUND M35-3102 WHL MTR W/SHFT	42	1	601256	HOSE, 1.00 2BR RED X 31 LG
3	1	606897	SUND GEAR PUMP 1.34CI SPLINED	43	1	601304	HOSE, 3/4 2BR RED X 100 LG
4	1	618606	OIL COOLER, BLISSFIELD 65027	44	1	601112	HOSE, 3/4 X 84 2BR RED
5	1	605606	FILTER HEAD, ZINZA HI-PRESS	45	1	601255	HOSE, 1.00 2BR RED X 104 LG
6	1	605607	FILTER,10 MICRON ZINGA,HIPRES	46	1	601344	HOSE, 1 X 39 2BR RED
7	1	610580	REMOTE FLUSHING VALVE, SUND	47	1	601311	HOSE, 3/4 X 8 2BR RED
8	1	618090	1 5/16MOR-1FNPT ADPTR	48	5	618531	9/16FJIC CAP NUT
9	1	506410	BLK PIPE ST EL 90DEG 1.25NPT	49	1	618328	7/8FJIC CAP NUT
10	4	505300	BLK PIPE EL 90DEG 1.00NPT	50	2	618487	1 1/16FJ SW RUN TEE-1 1/16MJ
11	1	605601	GRESEN FILTER 10 MICRON 40GPM	51	2	505101	BLK PIPE TEE 1.00NPT
12	1	760097	OIL TANK WLD 8240 1982	52	1	610300	3/4MJIC-3/4MNPT ADPTR
13	1	605600	MICHIGAN RESERVOIR FILTER	53	2	714331	1 NPT X 3/4 HOSE BARB
14	2	605603	LINE SUMP DIFFUSER	54	2	618599	1 5/16MOR BRANCH TEE-1 5/16MJ
15	1	611052	FILLER BREATHER 3/4NPT	55	4	713220	HOSE BARB 3/4 NPT X 3/4
16	1	614453	DIPSTICK, 8IN	56	1	618191	1 1/16MJ-90-1 1/16FJ SWIV LBO
17	2	618598	1 IN 4-BOLT FLG X 1 5/16FOR	57	2	618172	7/8MOR-9/16FOR ADPTR
18	1	606891	SUND GEAR PMP .52CI SPLINED	58	4	618248	1 1/16MJIC-90-1 1/16MOR LBO
19	2	614694	FRT HYD TUBE ASSY 250 REARLEG	59	2	618529	1 1/16MJ-45-1 1/16FJ SWIV LBO
20	2	618327	3/4MJIC-7/8MOR ADPTR	60	2	618126	9/16MJIC-9/16MOR ADPTR
21	1	501102	1/4 PIPE PLUG	61	2	716000	3/4 HOSE BARB-90-1MNPT
22	2	614695	REAR HYD TUBE ASSY 250REARLEG	62	1	504001	RED BUSH 3/4 X 1/4 BLK MAL
23	1	504210	RED BUSH 3/4 NPT X 1/2 NPT	63	2	505213	RED BUSH 1 X 3/4 BLK MAL
24	2	504702	CLOSE NIPPLE .75NPT	64	4	618541	1 5/16FJIC-1 1/16MJIC ADPTR
25	2	504955	BLK PIPE TEE .75NPT	65	1	618118	3/4 HOSE BARB-90-1 1/16MOR
26	3	505203	BLK PIPE NIPPLE 1.00NPT-4.00	66	1	618564	1IN HOSE BARB-90-1 5/16MOR
27	2	618425	9/16MJIC-45-9/16MOR LBO	67	3	618629	9/16MOR BRANCH TEE-9/16MJIC
28	2	618474	3/4MJIC-90-1 1/16MOR LBO	68	1	618535	7/8MJIC-90-1 1/16MOR LBO
29	4	714560	INPT X 1 HOSE BARB	69	1	611128	7/8MJIC-90-7/8MOR LBO
30	1	715664	1 1/4 NPT X 1 HOSE BARB	70	1	618075	3/4 HOSE BARB-1 1/16MOR
31	5	505200	BLK PIPE ST EL 90DEG 1.00NPT	71	2	505102	PIPE PLUG 1.00NPT SQ HD
32	1	618018	9/16MJIC-1/2MNPT ADPTR	72	1	618520	1/4MNPT RUN TEE-9/16MJIC
33	2	505105	1MNPT HEX PIPE NIPPLE STL	73	1	618333	7/8FJIC SW RUN TEE-7/8MJIC
34	1	616034	08C1T-08FJX-08FJX-17	74	1	506602	PIPE NIPPLE 1 1/4NPT-2 1/2
35	1	615633	08C1T-08FJX-08FJX-23	75	2	505098	SIDE OUTLET EL 90DEG 1.00NPT
36	1	616048	04C1T-06FJX-06FJX-35	76	2	618486	9/16FJIC SW RUN TEE-9/16MJIC
37	2	616043	04C1T-06FJX-06FJX-23	77	1	506303	BLK PIPE EL 90DEG 1.25NPT
38	2	614683	10C2AT-12MJ-12FJX90-60	78	2	618533	1 1/16FJIC CAP NUT
39	2	614684	10C2AT-12MJ-12FJX90-70	79	1	618609	3/4MJIC-90-3/4FJIC SMIV LBO
40	1	614549	06C1T-06FJX-06FJX-140	80	1	618119	9/16MJIC-90-9/16MOR LBO



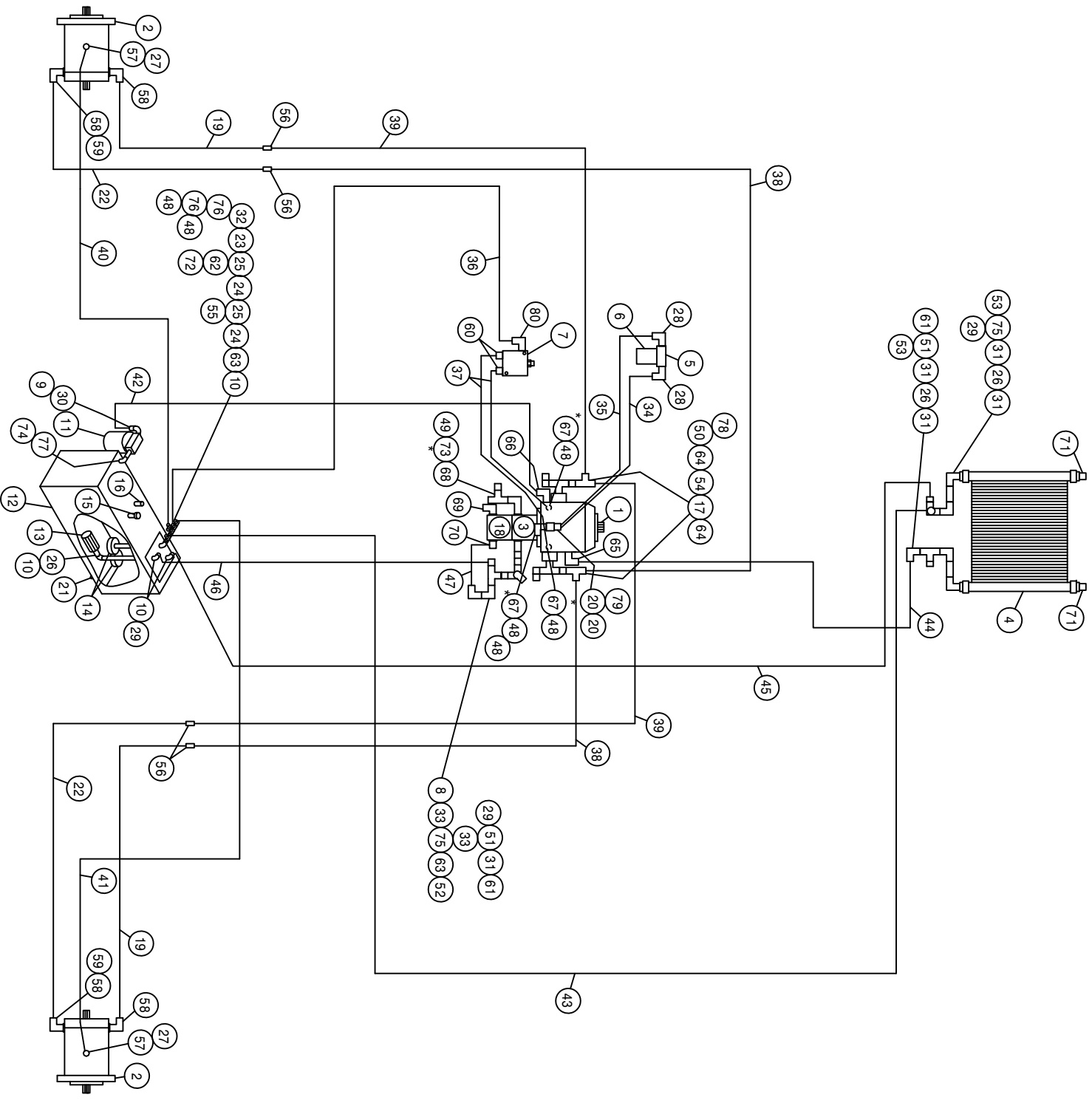
*NOTE:
REFER TO DETAIL 7 RELIEF PRESSURE SETTING - 1850 PSI



254 TMD WITH AGITATION HYD SCHEM 94
REFERENCE DRAWING NO. 498430S2

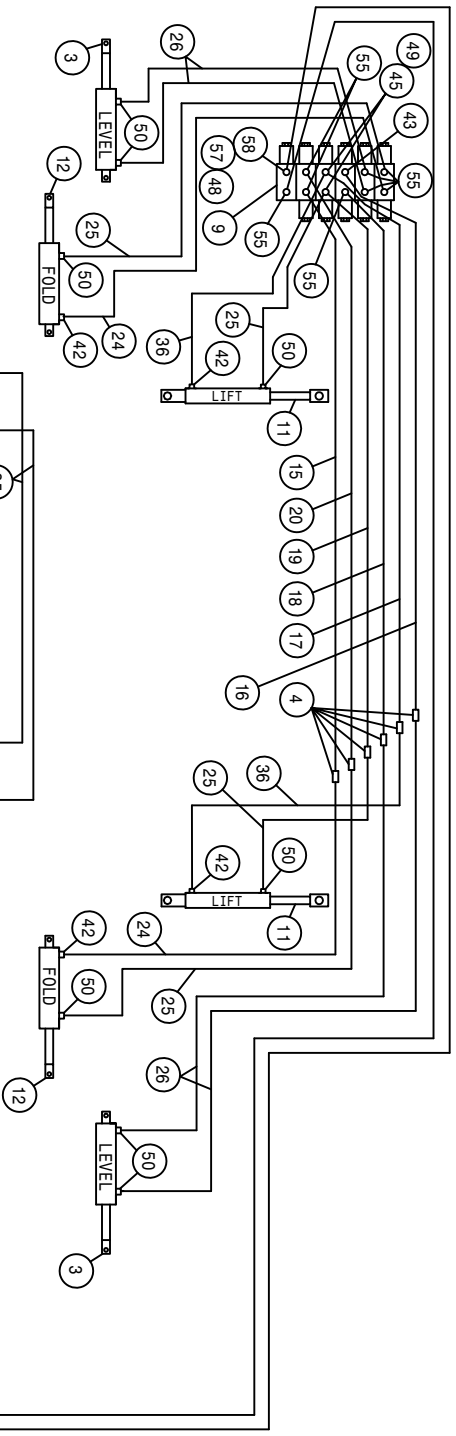
DET.	QTY	PART NO.	DESCRIPTION	DET.	QTY	PART NO.	DESCRIPTION
1	1	606827	FLO CONT FC51 0-3 VARI 7/8FOR	35	2	614663	04C1T-06FJX-06FJX-16
2	2	620080	STRG CYL ASSY 1.50 X 6.0 1985	36	2	615616	04C1T-06FJX-06FJX-65
3	2	620531	LEVEL CYL ASSY, 2 X 10	37	3	616026	04C1T-06FJX-06FJX-37
4	2	610510	CESSNA GEAR MOTOR 1.48CI	38	1	614382	08C1T-08FJX-08FJX-40
5	1	610319	HYD MTR HYPRO HMT PUMP	39	1	614662	08C1T-08FJX-08FJX-72
6	1	606818	FLO CONT FCR51 0-16GPM 7/8FOR	40	3	614693	06C1T-06FJX-06FJX-168
7	2	607512	RELIEF VALVE, RL50, 1850 PSI	41	1	614571	06RLA-06FJX-06FJX-126
8	1	607504	FLO DIV B50 2-8GPM 7/8 FOR	42	2	611208	04C1T-06FJX-06FJX-98
9	1	610569	6 SECT, 5 FUCTION HYD VLV, EATON	43	1	618440	9/16MJIC-90-9/16MOR EX LG LBO
10	1	749150	STRG MTR NON-LOAD REACT 1008	44	3	503820	BLK PIPE TEE .50NPT
11	2	620513	LIFT CYL ASSY, 2 X 14	45	2	618126	9/16MJIC-9/16MOR ADPTR
12	2	620052	HYD CYL, ZIN FOLD & LEVEL	46	1	611128	7/8MJIC-90-7/8MOR LBO
13	2	601332	HOSE, 3/4 X 40 2BR RED	47	2	611126	7/8MJIC-7/8MOR ADPTR
14	1	618241	3/4MJIC-90-3/4MOR LBO	48	4	611121	9/16MJIC-1/4NPT ADPTR
15	1	615641	FOLD HYD TUBE ASSY, IN 254/284	49	5	618514	9/16FJ SW BRANCH TEE-9/16MJ
16	1	615639	LEVEL HYD TUBE ASSY, UP254/284	50	11	611122	9/16MJIC-90-1/4NPT LBO
17	1	615637	LIFT HYD TUBE ASSY, UP 254/284	51	2	618072	7/8MOR-1/2FNPT ADPTR
18	1	615640	LEVEL HYD TUBE ASSY, DN254/284	52	2	500000	1/2MNP HEX PIPE NIPPLE STL
19	1	615638	LIFT HYD TUBE ASSY, DN 254/284	53	3	618018	9/16MJIC-1/2MNP ADPTR
20	1	615642	FOLD HYD TUBE ASSY, OUT254/284	54	1	618019	9/16MJIC UNION TEE
21	1	615521	10C1T-10FJX-10FJX-18	55	9	618119	9/16MJIC-90-9/16MOR LBO
22	1	615452	06C1T-06FJX-06FJX-16	56	1	618172	7/8MOR-9/16FOR ADPTR
23	1	614159	04C1T-06FJX-06FJX-169	57	2	618310	9/16MJIC-7/8MOR ADPTR
24	2	615442	04C1T-06FJX-06FJX-55	58	2	611147	3/4MJIC-1/2MNP ADPTR
25	4	616040	04C1T-06FJX-06FJX-67	59	4	618496	9/16MJIC-45-3/4MOR LBO
26	4	616028	04C1T-06FJX-06FJX-47	60	6	619010	9/16MJIC UNION
27	1	616057	08C1T-08FJX-08FJX-88	61	3	618486	9/16FJIC SW RUN TEE-9/16MJIC
28	2	614664	10C1T-10FJX-10FJX-98	62	1	618327	3/4MJIC-7/8MOR ADPTR
29	1	712440	1/2 NPT X 3/4 HOSE BARB	63	1	618325	7/8MJIC-1/2MNP ADPTR
30	1	503600	CLOSE NIPPLE .50NPT	64	4	614365	RESTRICTOR ELBOW ASSY .042DIA
31	2	618531	9/16FJIC CAP NUT	65	1	611145	3/4MJIC-90-1/2MNP LBO
32	4	618092	1 1/16MOR-1/2FNPT ADPTR	66	1	618562	9/16MOR-90-1/4NPT LBO
33	8	618107	9/16MJIC-90-1/2MNP LBO	67	1	610447	HYD FILTER, INLINE 1/4FNPT 90M
34	4	611204	04C1T-06FJX-06FJX-78	68	1	618618	9/16MJIC-90-9/16FJIC SWIV LBO

*NOTE:
 REFER TO DETAIL 73 TO CHECK AUX. SYSTEM - 1850 PSI
 REFER TO DETAIL 67 TO CHECK LIMIT SETTING - 4500 PSI
 REFER TO DETAIL 67 TO CHECK CHARGE PRESSURE - 380 PSI

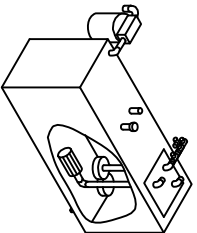
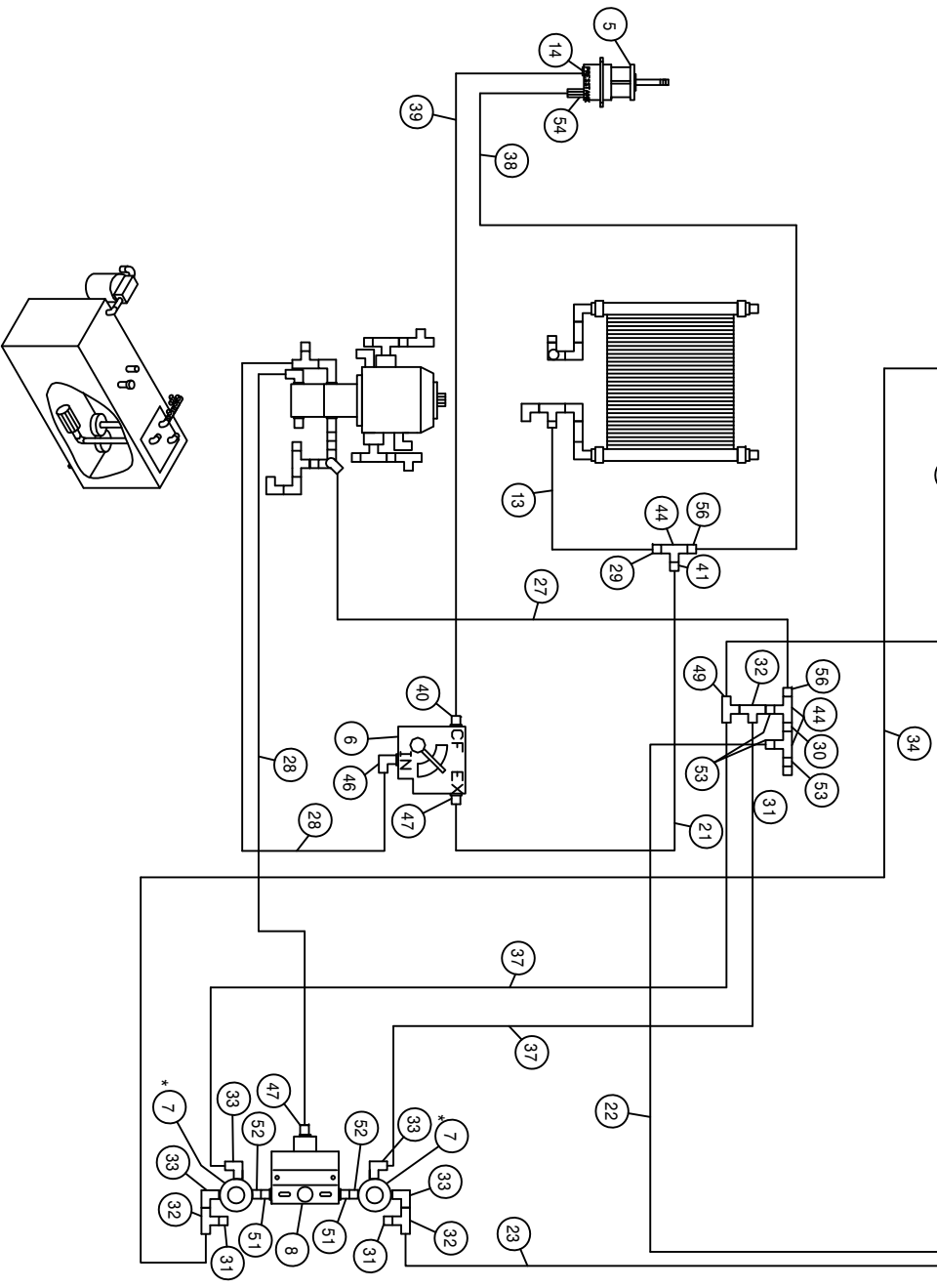


254 TWD W/O AGITATION HYD SCHEM 94
REFERENCE DRAWING NO. 498431SI

DET.	QTY	PART NO.	DESCRIPTION	DET.	QTY	PART NO.	DESCRIPTION
1	1	606911	SUND 75CC PUMP,B-MT W/FILT	41	1	615449	06C1T-06FCX-06FCX-126
2	2	610557	SUND M35-3102 WHL MTR W/SHFT	42	1	601256	HOSE, 1.00 2BR RED X 31 LG
3	1	606897	SUND GEAR PUMP 1.34CI SPLINED	43	1	601304	HOSE, 3/4 2BR RED X 100 LG
4	1	618606	OIL COOLER, BLISSFIELD 65027	44	1	601112	HOSE, 3/4 X 84 2BR RED
5	1	605606	FILTER HEAD, ZINZA HI-PRESS	45	1	601255	HOSE, 1.00 2BR RED X 104 LG
6	1	605607	FILTER, 10 MICRON ZINGA,HIPRES	46	1	601344	HOSE, 1 X 39 2BR RED
7	1	610380	REMOTE FLUSHING VALVE, SUND	47	1	601311	HOSE, 3/4 X 8 2BR RED
8	1	618090	1 5/16MOR-1FNPT ADPTR	48	6	618531	9/16FJIC CAP NUT
9	1	506410	BLK PIPE ST EL 90DEG 1.25NPT	49	1	618328	7/8FJIC CAP NUT
10	4	505300	BLK PIPE EL 90DEG 1.00NPT	50	2	618487	1 1/16FJ SW RUN TEE-1 1/16MJ
11	1	605601	GRESEN FILTER 10 MICRON 40GPM	51	2	505101	BLK PIPE TEE 1.00NPT
12	1	760097	OIL TANK WLD 8240 1982	52	1	610300	3/4MJIC-3/4MNPT ADPTR
13	1	605600	MICHIGAN RESERVOIR FILTER	53	2	714331	1 NPT X 3/4 HOSE BARB
14	2	605603	LINE SUMP DIFFUSER	54	2	618599	1 5/16MOR BRANCH TEE-1 5/16MJ
15	1	611052	FILLER BREATHER 3/4NPT	55	1	713220	HOSE BARB 3/4 NPT X 3/4
16	1	614453	DIPSTICK, 8IN	56	4	618191	1 1/16MJ-90-1 1/16FJ SWIV LBO
17	2	618598	1 IN 4-BOLT FLG X 1 5/16FOR	57	2	618172	7/8MOR-9/16FOR ADPTR
18	1	606891	SUND GEAR PMP .52CI SPLINED	58	4	618248	1 1/16MJIC-90-1 1/16MOR LBO
19	2	614694	FRT HYD TUBE ASSY 250 REARLEG	59	2	618529	1 1/16MJ-45-1 1/16FJ SWIV LBO
20	2	618327	3/4MJIC-7/8MOR ADPTR	60	2	618126	9/16MJIC-9/16MOR ADPTR
21	1	501102	1/4 PIPE PLUG	61	2	716000	3/4 HOSE BARB-90-1MNPT
22	2	614695	REAR HYD TUBE ASSY 250REARLEG	62	1	504001	RED BUSH 3/4 X 1/4 BLK MAL
23	1	504210	RED BUSH 3/4 NPT X 1/2 NPT	63	2	505213	RED BUSH 1 X 3/4 BLK MAL
24	2	504702	CLOSE NIPPLE .75NPT	64	4	618541	1 5/16FJIC-1 1/16MJIC ADPTR
25	2	504955	BLK PIPE TEE .75NPT	65	1	618118	3/4 HOSE BARB-90-1 1/16MOR
26	3	505203	BLK PIPE NIPPLE 1.00NPT-4.00	66	1	618564	1IN HOSE BARB-90-1 5/16MOR
27	2	618425	9/16MJIC-45-9/16MOR LBO	67	3	618629	9/16MOR BRANCH TEE-9/16MJIC
28	2	618474	3/4MJIC-90-1 1/16MOR LBO	68	1	618535	7/8MJIC-90-1 1/16MOR LBO
29	4	714560	1NPT X 1 HOSE BARB	69	1	611128	7/8MJIC-90-7/8MOR LBO
30	1	715664	1 1/4 NPT X 1 HOSE BARB	70	1	618075	3/4 HOSE BARB-1 1/16MOR
31	5	505200	BLK PIPE ST EL 90DEG 1.00NPT	71	1	505102	PIPE PLUG 1.00NPT SQ HD
32	1	618018	9/16MJIC-1/2MNPT ADPTR	72	1	618520	1/4MNPT RUN TEE-9/16MJIC
33	2	505105	1MNPT HEX PIPE NIPPLE STL	73	1	618333	7/8FJIC SW RUN TEE-7/8MJIC
34	1	616034	08C1T-08FJX-08FJX-17	74	1	506602	PIPE NIPPLE 1 1/4NPT-2 1/2
35	1	615633	08C1T-08FJX-08FJX-23	75	2	505098	SIDE OUTLET EL 90DEG 1.00NPT
36	1	616048	04C1T-06FJX-06FJX-35	76	2	618486	9/16FJIC SW RUN TEE-9/16MJIC
37	2	616043	04C1T-06FJX-06FJX-23	77	1	506303	BLK PIPE EL 90DEG 1.25NPT
38	2	614683	10C2AT-12MJ-12FJX90-60	78	2	618533	1 1/16FJIC CAP NUT
39	2	614684	10C2AT-12MJ-12FJX90-70	79	1	618609	3/4MJIC-90-3/4FJIC SMIV LBO
40	1	614549	06C1T-06FJX-06FJX-140	80	1	618119	9/16MJIC-90-9/16MOR LBO



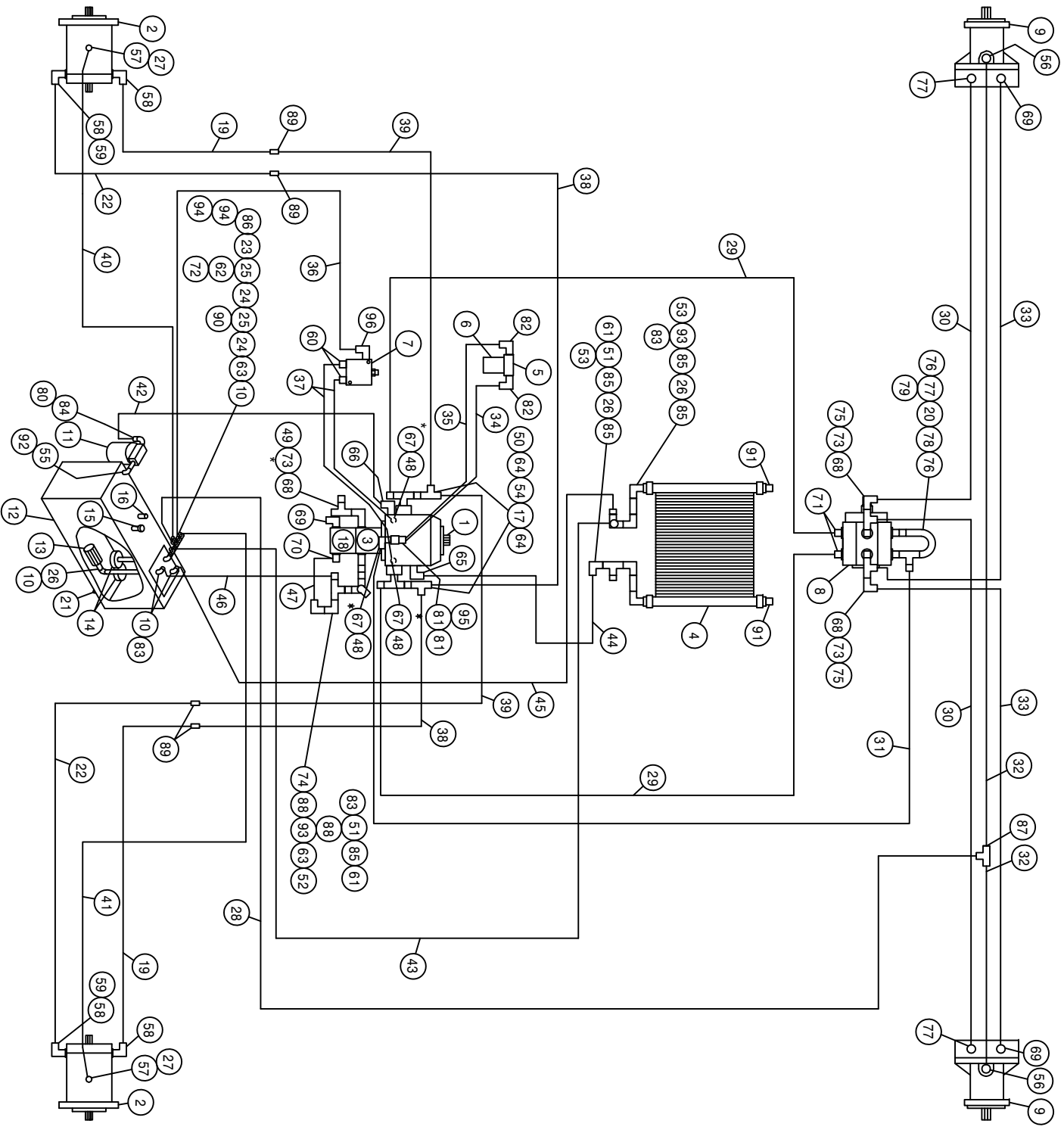
*NOTE:
REFER TO DETAIL 7 RELIEF PRESSURE SETTING - 1850 PSI



254 TWD W/O AGITATION HYD SCHEM 94
REFERENCE DRAWING NO. 498431S2

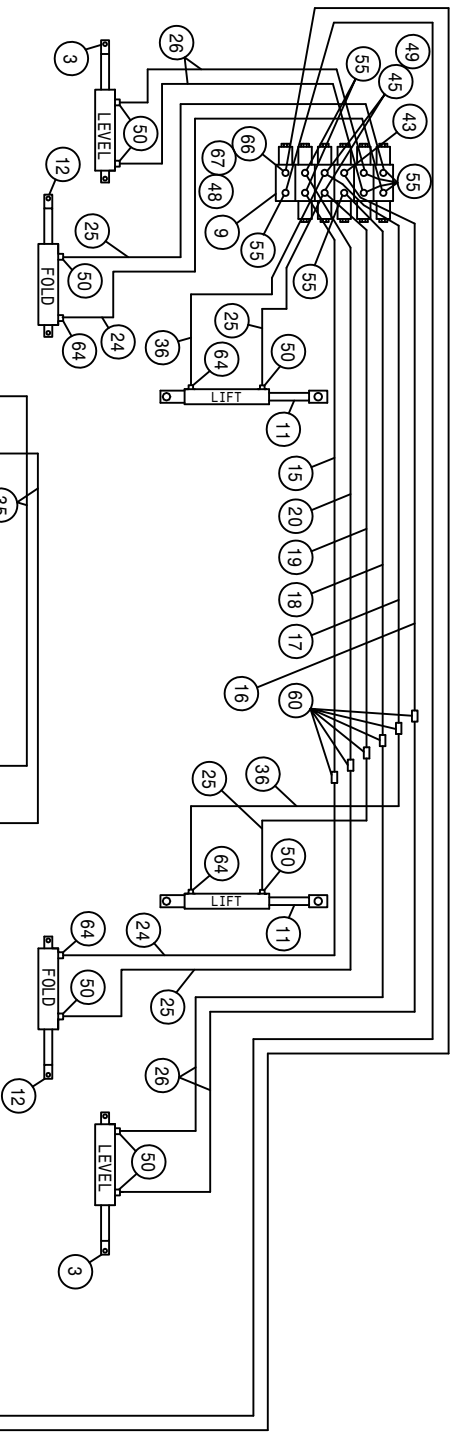
DET.	QTY	PART NO.	DESCRIPTION	DET.	QTY	PART NO.	DESCRIPTION
1	4	618496	9/16MJIC-.45-3/4MOR LBO	30	1	503600	CLOSE NIPPLE .50NPT
2	2	620080	STRG CYL ASSY 1.50 X 6.0 1985	31	3	618531	9/16FJIC CAP NUT
3	2	620531	LEVEL CYL ASSY, 2 X 10	32	3	618486	9/16FJIC SW RUN TEE-9/16MJIC
4	6	619010	9/16MJIC UNION	33	4	618107	9/16MJIC-90-1/2MNPT LBO
5	1	610319	HYD MTR HYPRO HMI PUMP	34	4	611204	04C1T-06FJX-06FJX-78
6	1	606818	FLO CONT FOR51 0-.16GPM 7/8FOR	35	2	614663	04C1T-06FJX-06FJX-16
7	2	607512	RELIEF VALVE, RL50, 1850 PSI	36	2	615616	04C1T-06FJX-06FJX-65
8	1	607504	FLO DIV B50 2-8GPM 7/8 FOR	37	2	616026	04C1T-06FJX-06FJX-37
9	1	610569	6 SECT,5 FUCTN HYD VLV, EATON	38	1	614382	08C1T-08FJX-08FJX-40
10	1	749150	STRG MTR NON-LOAD REACT 1008	39	1	614662	08C1T-08FJX-08FJX-72
11	2	620513	LIFT CYL ASSY, 2 X 14	40	1	618327	3/4MJIC-7/8MOR ADPTR
12	2	620052	HYD CYL, 2IN FOLD & LEVEL	41	1	618325	7/8MJIC-1/2MNPT ADPTR
13	1	601332	HOSE, 3/4 X 40 2BR RED	42	4	614365	RESTRICTOR ELBOW ASSY .042DIA
14	1	618241	3/4MJIC-90-3/4MOR LBO	43	1	618440	9/16MJIC-90-9/16MOR EX LG LBO
15	1	615641	FOLD HYD TUBE ASSY,IN 254/284	44	3	503820	BLK PIPE TEE .50NPT
16	1	615639	LEVEL HYD TUBE ASSY,UP254/284	45	2	618126	9/16MJIC-9/16MOR ADPTR
17	1	615637	LIFT HYD TUBE ASSY, 254/284	46	1	611128	7/8MJIC-90-7/8MOR LBO
18	1	615640	LEVEL HYD TUBE ASSY, DN254/284	47	2	611126	7/8MJIC-7/8MOR ADPTR
19	1	615638	LIFT HYD TUBE ASSY, DN 254/284	48	2	611121	9/16MJIC-1/4MNPT ADPTR
20	1	615642	FOLD HYD TUBE ASSY,OUT254/284	49	5	618514	9/16FJ SW BRANCH TEE-9/16MJ
21	1	615521	10C1T-10FJX-10FJX-18	50	11	611122	9/16MJIC-90-1/4MNPT LBO
22	1	614693	06C1T-06FJX-06FJX-168	51	2	618072	7/8MOR-1/2FNPT ADPTR
23	1	614159	04C1T-06FJX-06FJX-169	52	2	500000	1/2MNPT HEX PIPE NIPPLE STL
24	2	615442	04C1T-06FJX-06FJX-.55	53	3	618018	9/16MJIC-1/2MNPT ADPTR
25	4	616040	04C1T-06FJX-06FJX-67	54	1	611145	3/4MJIC-90-1/2MNPT LBO
26	4	616028	04C1T-06FJX-06FJX-47	55	8	618119	9/16MJIC-90-9/16MOR LBO
27	1	616057	08C1T-08FJX-08FJX-88	56	2	611147	3/4MJIC-1/2MNPT ADPTR
28	2	614664	10C1T-10FJX-10FJX-98	57	1	610447	HYD FILTER, INLINE 1/4FNPT 90M
29	1	712440	1/2 NPT X 3/4 HOSE BARB	58	1	618562	9/16MOR-90-1/4MNPT LBO

*NOTE:
 REFER TO DETAIL 73 TO CHECK AUX. SYSTEM - 1850 PSI
 REFER TO DETAIL 67 TO CHECK LIMIT SETTINGS - 4500 PSI
 REFER TO DETAIL 67 TO CHECK CHARGE PRESSURE - 380 PSI

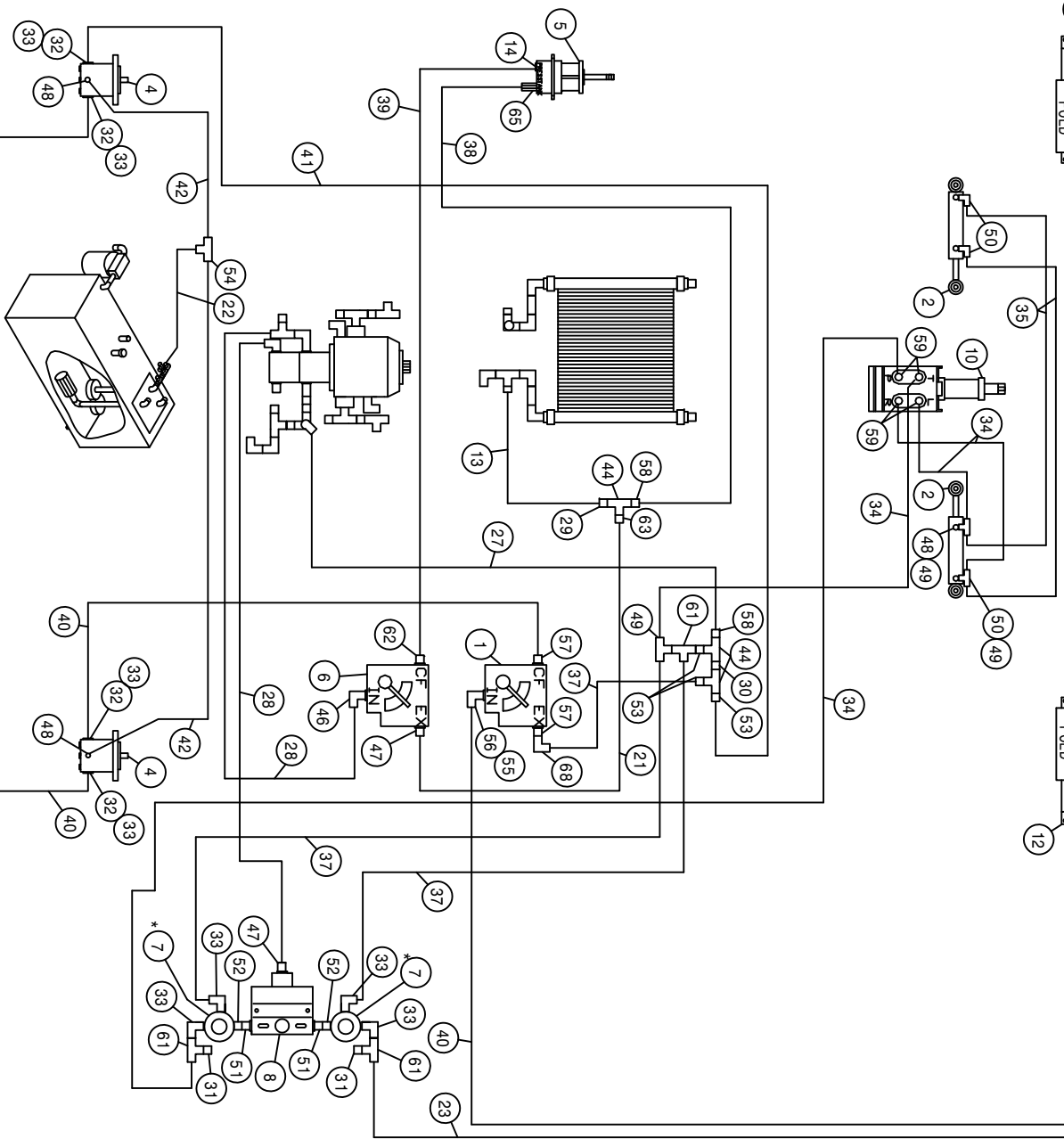


254 FWD WITH AGITATION HYD SCHEM 94
REFERENCE DRAWING NO. 498432S1

DET.	QTY	PART NO.	DESCRIPTION	DET.	QTY	PART NO.	DESCRIPTION
1	1	606911	SUND 75CC PUMP-B-MT W/FILT	49	1	618328	7/8FJIC CAP NUT
2	2	610557	SUND M35-3102 WHL MTR W/SHFT	50	2	618487	1 1/16FJ SW RUN TEE-1 1/16MJ
3	1	606897	SUND GEAR PUMP 1.34CI SPLINED	51	2	505101	BLK PIPE TEE 1.00NPT
4	1	618606	OIL COOLER, BLISSFIELD 65027	52	1	610300	3/4MJIC-3/4MNPT ADPTR
5	1	605606	FILTER HEAD, ZINZA HI-PRESS	53	2	714331	1 NPT X 3/4 HOSE BARB
6	1	605607	FILTER,10 MICRON ZINGA,HIPRES	54	2	618599	1 5/16MOR BRANCH TEE-1 5/16MJ
7	1	610580	REMOTE FLUSHING VALVE, SUND	55	1	506303	BLK PIPE EL 90DEG 1.25NPT
8	1	606003	GRESEN SELECTOR VALVE DS-12	56	2	618115	9/16MJIC-90-3/4MOR LBO
9	2	610567	SUND M25-3000 WHL MTR 1.5CI	57	2	618172	7/8MOR-9/16FOR ADPTR
10	4	505300	BLK PIPE EL 90DEG 1.00NPT	58	4	618248	1 1/16MJIC-90-1 1/16MOR LBO
11	1	605601	GRESEN FILTER 10 MICRON 40GPM	59	2	618529	1 1/16MJ-45-1 1/16FJ SWIV LBO
12	1	760097	OIL TANK WLD 8240 1982	60	2	618126	9/16MJIC-9/16MOR ADPTR
13	1	605600	MICHIGAN RESERVOIR FILTER	61	2	716000	3/4 HOSE BARB-90-1MNPT
14	2	605603	LINE SUMP DIFFUSER	62	1	504001	RED BUSH 3/4 X 1/4 BLK MAL
15	1	611052	FILLER BREATHER 3/4NPT	63	2	505213	RED BUSH 1 X 3/4 BLK MAL
16	1	614453	DIPSTICK, 8IN	64	4	618541	1 5/16FJIC-1 1/16MJIC ADPTR
17	2	618598	1 IN 4-BOLT FLG X 1 5/16FOR	65	1	618118	3/4 HOSE BARB-90-1 1/16MOR
18	1	606891	SUND GEAR PMP .52CI SPLINED	66	1	618564	1IN HOSE BARB-90-1 5/16MOR
19	2	614694	FRT HYD TUBE ASSY 250 REARLEG	67	3	618629	9/16MOR BRANCH TEE-9/16MJIC
20	1	614198	FWD VALVE U-TUBE ASSY	68	3	618535	7/8MJIC-90-1 1/16MOR LBO
21	1	501102	1/4 PIPE PLUG	69	3	611128	7/8MJIC-90-7/8MOR LBO
22	2	614695	REAR HYD TUBE ASSY 250REARLEG	70	1	618075	3/4 HOSE BARB-1 1/16MOR
23	1	504210	RED BUSH 3/4 NPT X 1/2 NPT	71	2	611127	1 1/16MJIC-1 1/16MOR ADPTR
24	2	504702	CLOSE NIPPLE .75NPT	72	1	618520	1/4MNPT RUN TEE-9/16MJIC
25	2	504955	BLK PIPE TEE .75NPT	73	3	618333	7/8FJIC SW RUN TEE-7/8MJIC
26	3	505203	BLK PIPE NIPPLE 1.00NPT-4.00	74	1	618090	1 5/16MOR-1FNPT ADPTR
27	2	618425	9/16MJIC-45-9/16MOR LBO	75	2	618301	7/8MJIC-90-7/8FJIC SWIV LBO
28	1	615619	06C1T-06FJX-06FJX-144	76	2	618132	1 1/16MOR-7/8FOR ADPTR
29	2	614685	08C2AT-12FJX-12FJX-106	77	3	611126	7/8MJIC-7/8MOR ADPTR
30	2	615617	08C2AT-10FJX-10FJX90-120	78	1	618130	7/8MOR RUN TEE-7/8MJIC
31	1	614101	04C1T-06FJX-06FJX-133	79	1	618557	7/8FJIC-9/16MJIC ADPTR
32	2	615450	06C1T-06FJX-06FJX45-112	80	1	506410	BLK PIPE ST EL 90DEG 1.25NPT
33	2	615618	08C2AT-10FJX-10FJX-120	81	2	618327	3/4MJIC-7/8MOR ADPTR
34	1	616034	08C1T-08FJX-08FJX-17	82	2	618474	3/4MJIC-90-1 1/16MOR LBO
35	1	615633	08C1T-08FJX-08FJX-23	83	4	714560	1 1/4 NPT X 1 HOSE BARB
36	1	616048	04C1T-06FJX-06FJX-35	84	1	715664	INPT X 1 HOSE BARB
37	2	616043	04C1T-06FJX-06FJX-23	85	5	505200	BLK PIPE ST EL 90DEG 1.00NPT
38	2	614683	10C2AT-12MJ-12FJX90-60	86	1	618018	9/16MJIC-1/2MNPT ADPTR
39	2	614684	10C2AT-12MJ-12FJX90-70	87	1	618019	9/16MJIC UNION TEE
40	1	614549	06C1T-06FJX-06FJX-140	88	2	505105	1MNPT HEX PIPE NIPPLE STL
41	1	615449	06C1T-06FJX-06FJX-126	89	4	618191	1 1/16MJ-90-1 1/16FJ SWIV LBO
42	1	601256	HOSE, 1.00 2BR RED X 31 LG	90	1	713220	HOSE BARB 3/4 NPT X 3/4
43	1	601304	HOSE, 3/4 2BR RED X 100 LG	91	2	505102	PIPE PLUG 1.00NPT SQ HD
44	1	601112	HOSE, 3/4 X 84 2BR RED	92	1	506602	PIPE NIPPLE 1 1/4NPT-2 1/2
45	1	601255	HOSE, 1.00 2BR RED X 104 LG	93	2	505098	SIDE OUTLET EL 90DEG 1.00NPT
46	1	601344	HOSE, 1 X 39 2BR RED	94	2	618486	9/16FJIC SW RUN TEE-9/16MJIC
47	1	601311	HOSE, 3/4 X 8 2BR RED	95	1	618609	3/4MJIC-90-3/4FJIC SWIV LBO
48	3	618531	9/16FJIC CAP NUT	96	1	618119	9/16MJIC-90-9/16MOR LBO



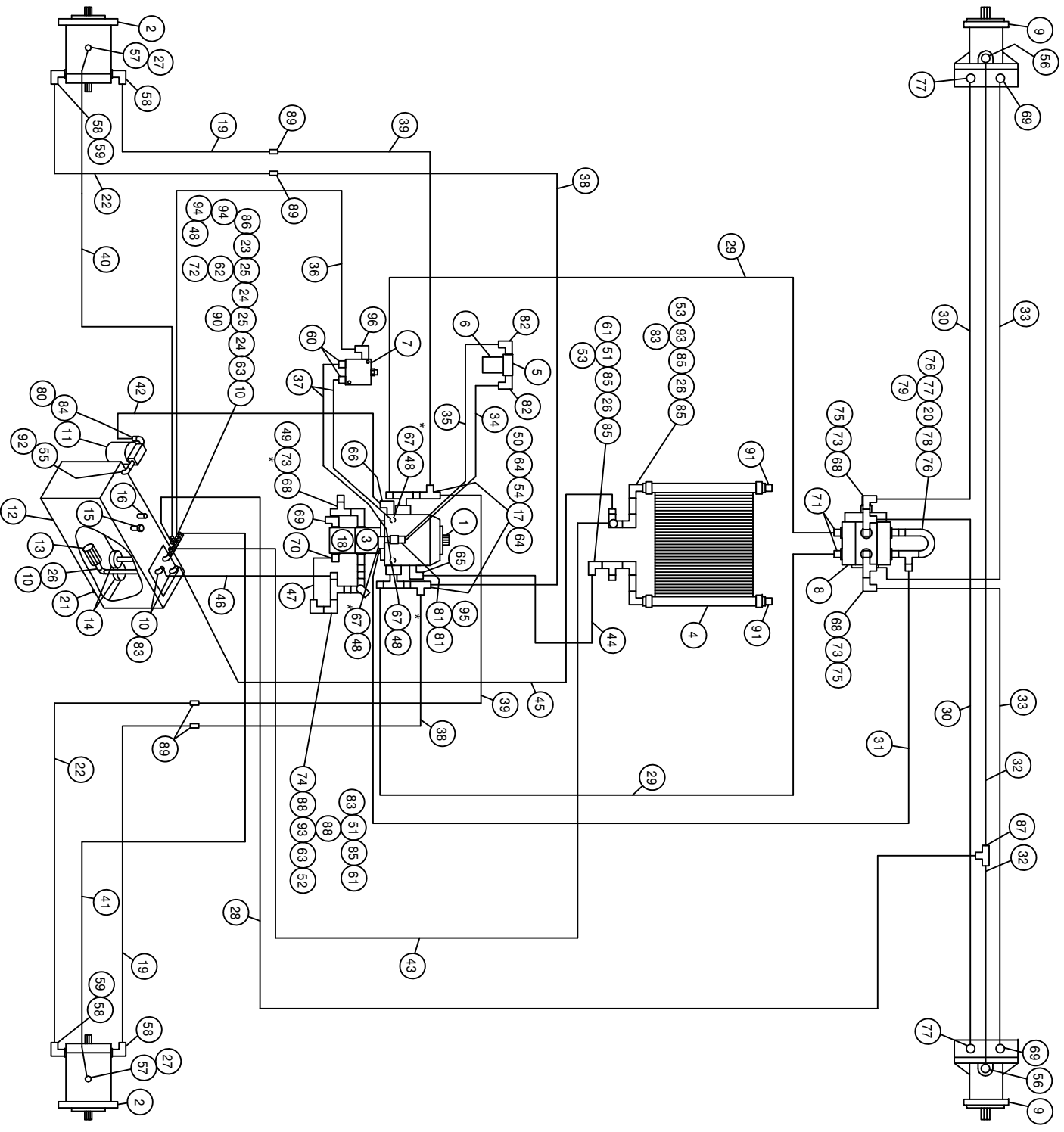
*NOTE:
REFER TO DETAIL 7 RELIEF PRESSURE SETTING - 1850 PSI



254 FWD WITH AGITATION HYD SCHEM 9/4
REFERENCE DRAWING NO. 498432S2

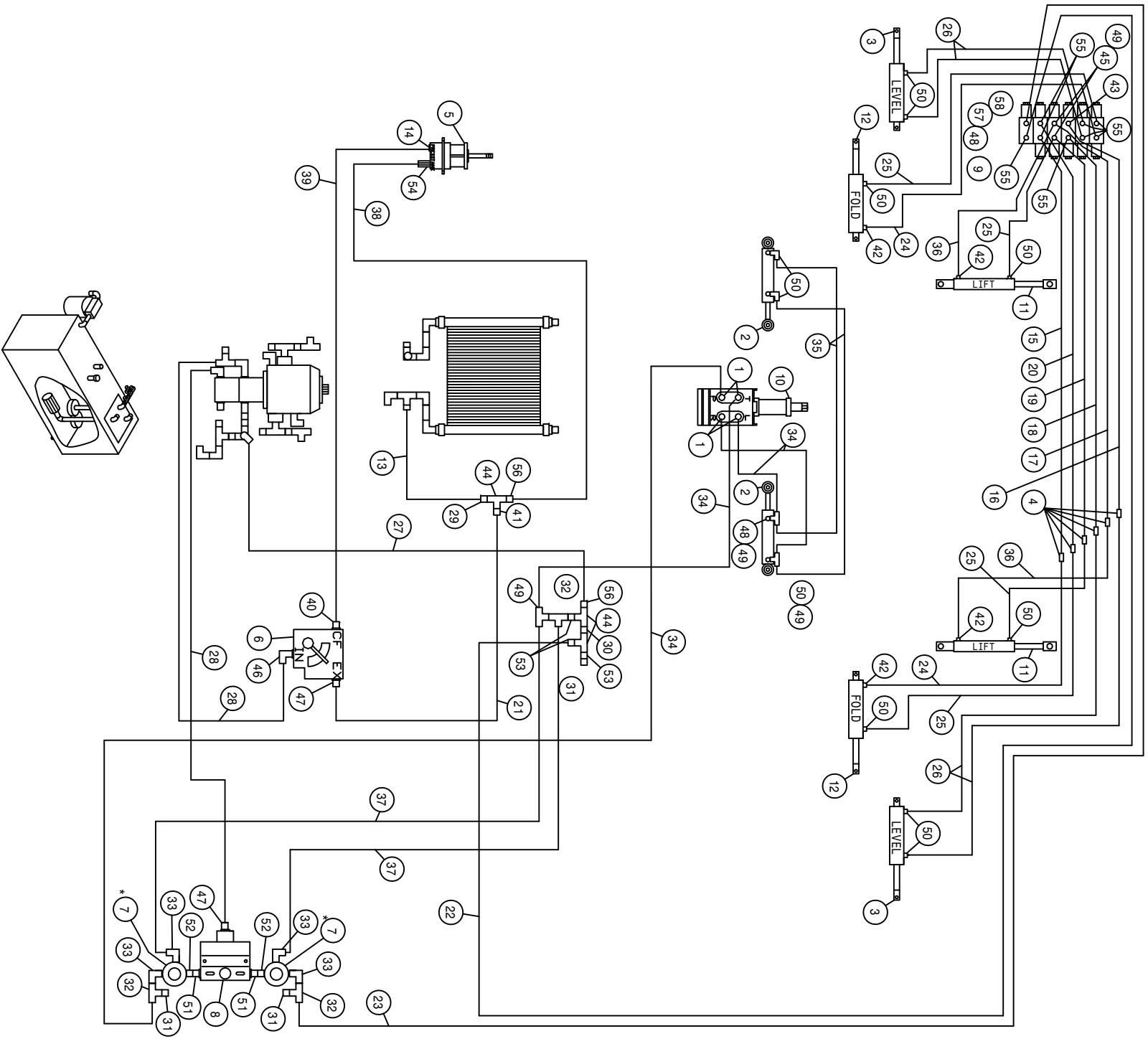
DET.	QTY	PART NO.	DESCRIPTION	DET.	QTY	PART NO.	DESCRIPTION	
1	1	606827	FLO CONT FC51 0-3 VARI 7/8FOR	35	2	614663	04C1T-06FJX-06FJX-16	H/A
2	2	620080	STRG CYL ASSY 1.50 X 6.0 1985	36	2	615616	04C1T-06FJX-06FJX-65	H/A
3	2	620531	LEVEL CYL ASSY, 2 X 10	37	3	616026	04C1T-06FJX-06FJX-37	H/A
4	2	610510	CESSNA GEAR MOTOR 1.48CI	38	1	614382	08C1T-08FJX-08FJX-40	H/A
5	1	610319	HYD MTR HYPRO HMI PUMP	39	1	614662	08C1T-08FJX-08FJX-72	H/A
6	1	606818	FLO CONT FCR51 0-16GPM 7/8FOR	40	3	614693	06C1T-06FJX-06FJX-168	H/A
7	2	607512	RELIEF VALVE, RL50, 1850 PSI	41	1	614571	06RLA-06FJX-06FJX-126	H/A
8	1	607504	FLO DIV B50 2-8GPM 7/8 FOR	42	2	611208	04C1T-06FJX-06FJX-98	H/A
9	1	610569	6 SECT, 5 FUCTN HYD VLV, EATON	43	1	618440	9/16MJIC-90-9/16MOR EX LG LBO	H/A
10	1	749150	STRG MTR NON-LOAD REACT 1008	44	3	503820	BLK PIPE TEE .50NPT	
11	2	620513	LIFT CYL ASSY, 2 X 14	45	2	618126	9/16MJIC-9/16MOR ADPTR	
12	2	620052	HYD CYL, 2IN FOLD & LEVEL	46	1	611128	7/8MJIC-90-7/8MOR LBO	
13	1	601332	HOSE, 3/4 X 40 2BR RED	47	2	611126	7/8MJIC-7/8MOR ADPTR	
14	1	618241	3/4MJIC-90-3/4MOR LBO	48	4	611121	9/16MJIC-1/4NPT ADPTR	
15	1	615641	FOLD HYD TUBE ASSY, IN 254/284	49	5	618514	9/16FJ SW BRANCH TEE-9/16MJ	
16	1	615639	LEVEL HYD TUBE ASSY, UP254/284	50	11	611122	9/16MJIC-90-1/4NPT LBO	
17	1	615637	LIFT HYD TUBE ASSY, UP 254/284	51	2	618072	7/8MOR-1/2FNPT ADPTR	
18	1	615640	LEVEL HYD TUBE ASSY, DN254/284	52	2	500000	1/2MNP HEX PIPE NIPPLE STL	
19	1	615638	LIFT HYD TUBE ASSY, DN 254/284	53	3	618018	9/16MJIC-1/2MNP LBO	
20	1	615642	FOLD HYD TUBE ASSY, OUT254/284	54	1	618019	9/16MJIC UNION TEE	
21	1	615521	10C1T-10FJX-10FJX-18	55	9	618119	9/16MJIC-90-9/16MOR LBO	
22	1	615452	06C1T-06FJX-06FJX-16	56	1	618172	7/8MOR-9/16FOR ADPTR	
23	1	614159	04C1T-06FJX-06FJX-169	57	2	618310	9/16MJIC-7/8MOR ADPTR	
24	2	615442	04C1T-06FJX-06FJX-55	58	2	611147	3/4MJIC-1/2MNP ADPTR	
25	4	616040	04C1T-06FJX-06FJX-67	59	4	618496	9/16MJIC-45-3/4MOR LBO	
26	4	616028	04C1T-06FJX-06FJX-47	60	6	619010	9/16MJIC UNION	
27	1	616057	08C1T-08FJX-08FJX-88	61	3	618486	9/16FJIC SW RUN TEE-9/16MJIC	
28	2	614664	10C1T-10FJX-10FJX-98	62	1	618327	3/4MJIC-7/8MOR ADPTR	
29	1	712440	1/2 NPT X 3/4 HOSE BARB	63	1	618325	7/8MJIC-1/2MNP ADPTR	
30	1	503600	CLOSE NIPPLE .50NPT	64	4	614365	RESTRICTOR ELBOW ASSY .042DIA	
31	2	618531	9/16FJIC CAP NUT	65	1	611145	3/4MJIC-90-1/2MNP LBO	
32	4	618092	1 1/16MOR-1/2FNPT ADPTR	66	1	618562	9/16MOR-90-1/4NPT LBO	
33	8	618107	9/16MJIC-90-1/2MNP LBO	67	1	610447	HYD FILTER, INLINE 1/4FNPT 90M	
34	4	611204	04C1T-06FJX-06FJX-78	68	1	618618	9/16MJIC-90-9/16FJIC SWIV LBO	

*NOTE:
 REFER TO DETAIL 73 TO CHECK AUX. SYSTEM - 1850 PSI
 REFER TO DETAIL 67 TO CHECK LIMIT SETTING - 4500 PSI
 REFER TO DETAIL 67 TO CHECK CHARGE PRESSURE - 380 PSI



254 FWD W/O AGITATION HYD SCHEM 94
REFERENCE DRAWING NO. 498433S1

DET.	QTY	PART NO.	DESCRIPTION	DET.	QTY	PART NO.	DESCRIPTION
1	1	606911	SUND 75CC PUMP,B-MT W/FILT	49	1	618328	7/8FJIC CAP NUT
2	2	610557	SUND M35-3102 WHL MTR W/SHFT	50	2	618487	1 1/16FJ SW RUN TEE-1 1/16MJ
3	1	606897	SUND GEAR PUMP 1.34CI SPLINED	51	2	505101	BLK PIPE TEE 1.00NPT
4	1	618606	OIL COOLER, BLISSFIELD 65027	52	1	610300	3/4MJIC-3/4MNPT ADPTR
5	1	605606	FILTER HEAD, ZINZA HI-PRESS	53	2	714331	1 NPT X 3/4 HOSE BARB
6	1	605607	FILTER,10 MICRON ZINGA,HIPRES	54	2	618599	1 5/16MOR BRANCH TEE-1 5/16MJ
7	1	610580	REMOTE FLUSHING VALVE, SUND	55	1	506303	BLK PIPE EL 90DEG 1.25NPT
8	2	606003	GRESN SELECTOR VALVE DS-12	56	2	618115	9/16MJIC-90-3/4MOR LBO
9	2	610567	SUND M25-3000 WHL MTR 1.5CI	57	2	618172	7/8MOR-9/16FOR ADPTR
10	4	505300	BLK PIPE EL 90DEG 1.00NPT	58	4	618248	1 1/16MJIC-90-1 1/16MOR LBO
11	1	605601	GRESN FILTER 10 MICRON 40GPM	59	2	618529	1 1/16MJ-45-1 1/16FJ SWIV LBO
12	1	760097	OIL TANK WLD 8240 1982	60	2	618126	9/16MJIC-9/16MOR ADPTR
13	1	605600	MICHIGAN RESERVOIR FILTER	61	2	716000	3/4 HOSE BARB-90-1MNPT
14	2	605603	LINE SUMP DIFFUSER	62	1	504001	RED BUSH 3/4 X 1/4 BLK MAL
15	1	611052	FILLER BREATHER 3/4NPT	63	2	505213	RED BUSH 1 X 3/4 BLK MAL
16	1	614453	DIPSTICK, 8IN	64	4	618541	1 5/16FJIC-1 1/16MJIC ADPTR
17	2	618598	1 IN 4-BOLT FLG X 1 5/16FOR	65	1	618118	3/4 HOSE BARB-90-1 1/16MOR
18	1	606891	SUND GEAR PMP .52CI SPLINED	66	1	618564	1IN HOSE BARB-90-1 5/16MOR
19	2	614694	FRT HYD TUBE ASSY 250 REARLEG	67	3	618629	9/16MOR BRANCH TEE-9/16MJIC
20	1	614198	FWD VALVE U-TUBE ASSY	68	3	618535	7/8MJIC-90-1 1/16MOR LBO
21	1	501102	1/4 PIPE PLUG	69	3	611128	7/8MJIC-90-7/8MOR LBO
22	2	614695	REAR HYD TUBE ASSY 250REARLEG	70	1	618075	3/4 HOSE BARB-1 1/16MOR
23	1	504210	RED BUSH 3/4 NPT X 1/2 NPT	71	2	611127	1 1/16MJIC-1 1/16MOR ADPTR
24	2	504702	CLOSE NIPPLE .75NPT	72	1	618520	1/4MNPT RUN TEE-9/16MJIC
25	2	504955	BLK PIPE TEE .75NPT	73	3	618333	7/8FJIC SW RUN TEE-7/8MJIC
26	3	505203	BLK PIPE NIPPLE 1.00NPT-4.00	74	1	618090	1 5/16MOR-1FNPT ADPTR
27	2	618425	9/16MJIC-45-9/16MOR LBO	75	2	618301	7/8MJIC-90-7/8FJIC SWIV LBO
28	1	615619	06C1T-06FJX-06FJX-144	76	2	618132	1 1/16MOR-7/8FOR ADPTR
29	2	614685	08C2AT-12FJX-12FJX-106	77	3	611126	7/8MJIC-7/8MOR ADPTR
30	2	615617	08C2AT-10FJX-10FJX90-120	78	1	618130	7/8MOR RUN TEE-7/8MJIC
31	1	614101	04C1T-06FJX-06FJX-133	79	1	618557	7/8FJIC-9/16MJIC ADPTR
32	2	615450	06C1T-06FJX-06FJX45-112	80	1	506410	BLK PIPE ST EL 90DEG 1.25NPT
33	2	615618	08C2AT-10FJX-10FJX-120	81	2	618327	3/4MJIC-90-1 1/16MOR LBO
34	1	616034	08C1T-08FJX-08FJX-17	82	2	618474	3/4MJIC-90-1 1/16MOR LBO
35	1	615633	08C1T-08FJX-08FJX-23	83	4	714560	1NPT X 1 HOSE BARB
36	1	616048	04C1T-06FJX-06FJX-35	84	1	715664	1 1/4 NPT X 1 HOSE BARB
37	2	616043	04C1T-06FJX-06FJX-23	85	5	505200	BLK PIPE ST EL 90DEG 1.00NPT
38	2	614683	10C2AT-12MJ-12FJX90-60	86	1	618018	9/16MJIC-1/2MNPT ADPTR
39	2	614684	10C2AT-12MJ-12FJX90-70	87	1	618019	9/16MJIC UNION TEE
40	1	614549	06C1T-06FJX-06FJX-140	88	2	505105	1MNPT HEX PIPE NIPPLE STL
41	1	615449	06C1T-06FJX-06FJX-126	89	4	618191	1 1/16MJ-90-1 1/16FJ SWIV LBO
42	1	601256	HOSE, 1.00 2BR RED X 31 LG	90	1	713220	HOSE BARB 3/4 NPT X 3/4
43	1	601304	HOSE, 3/4 2BR RED X 100 LG	91	2	505102	PIPE PLUG 1.00NPT SQ HD
44	1	601112	HOSE, 3/4 X 84 2BR RED	92	1	506602	PIPE NIPPLE 1 1/4NPT-2 1/2
45	1	601255	HOSE, 1.00 2BR RED X 104 LG	93	2	505098	SIDE OUTLET EL 90DEG 1.00NPT
46	1	601344	HOSE, 1 X 39 2BR RED	94	2	618486	9/16FJIC SW RUN TEE-9/16MJIC
47	1	601311	HOSE, 3/4 X 8 2BR RED	95	1	618609	3/4MJIC-90-3/4FJIC SWIV LBO
48	4	618531	9/16FJIC CAP NUT	96	1	618119	9/16MJIC-90-9/16MOR LBO

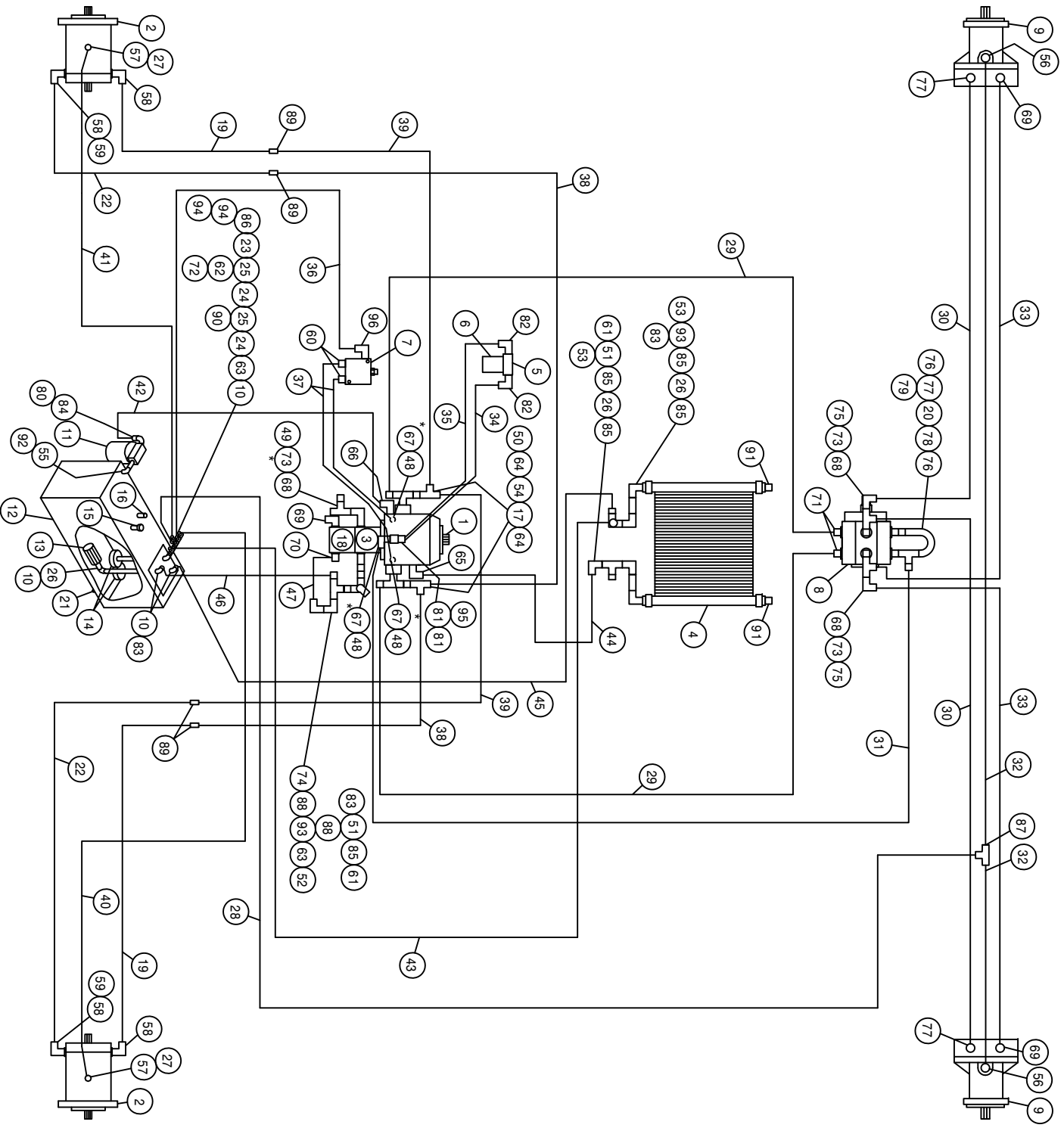


*NOTE:
REFER TO DETAIL 7 RELIEF PRESSURE SETTING - 1850 PSI

254 FWD W/O AGITATION HYD SCHEM 94
 REFERENCE DRAWING NO. 498433S2

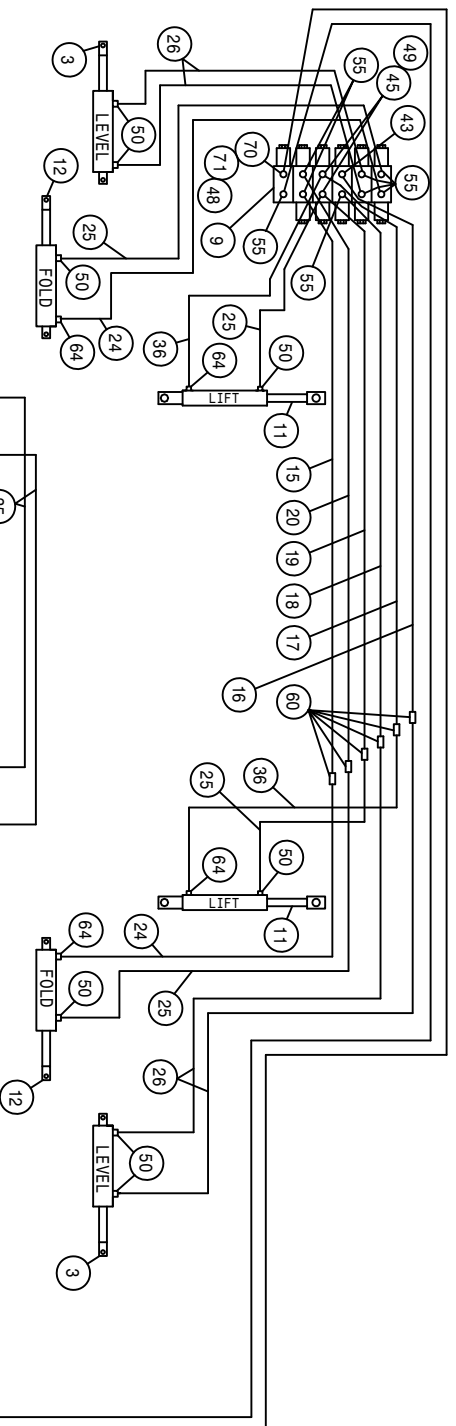
DET.	QTY	PART NO.	DESCRIPTION	DET.	QTY	PART NO.	DESCRIPTION
1	4	618496	9/16MJIC-45-3/4MOR LBO	30	1	503600	CLOSE NIPPLE .50NPT
2	2	620080	STRG CYL ASSY 1.50 X 6.0 1985	31	3	618531	9/16FJIC CAP NUT
3	2	620531	LEVEL CYL ASSY, 2 X 10	32	3	618486	9/16FJIC SW RUN TEE-9/16MJIC
4	6	619010	9/16MJIC UNION	33	4	618107	9/16MJIC-90-1/2MNP LBO
5	1	610319	HYD MTR HYPRO HMI PUMP	34	4	611204	04C1T-06FJX-06FJX-78
6	1	606818	FLO CONT FCR51 0-16GPM 7/8FOR	35	2	614663	04C1T-06FJX-06FJX-16
7	2	607512	RELIEF VALVE, RL50, 1850 PSI	36	2	615616	04C1T-06FJX-06FJX-65
8	1	607504	FLO DIV B50 2-.8GPM 7/8 FOR	37	2	616026	04C1T-06FJX-06FJX-37
9	1	610569	6 SECT,.5 FUCTN HYD VLV, EATON	38	1	614382	08C1T-08FJX-08FJX-40
10	1	749150	STRG MTR NON-LOAD REACT 1008	39	1	614662	08C1T-08FJX-08FJX-72
11	2	620513	LIFT CYL ASSY, 2 X 14	40	1	618327	3/4MJIC-7/8MOR ADPTR
12	2	620052	HYD CYL, 2IN FOLD & LEVEL	41	1	618325	7/8MJIC-1/2MNP ADPTR
13	1	601332	HOSE, 3/4 X 40 2BR RED	42	4	614365	RESTRICTOR ELBOW ASSY .042DIA
14	1	618241	3/4MJIC-90-3/4MOR LBO	43	1	618440	9/16MJIC-90-9/16MOR EX LG LBO
15	1	615639	FOLD HYD TUBE ASSY,IN 254/284	44	3	503820	BLK PIPE TEE .50NPT
16	1	615637	LEVEL HYD TUBE ASSY,UP254/284	45	2	618126	9/16MJIC-9/16MOR ADPTR
17	1	615637	LIFT HYD TUBE ASSY,UP 254/284	46	1	611128	7/8MJIC-90-7/8MOR LBO
18	1	615640	LEVEL HYD TUBE ASSY, DN254/284	47	2	611126	7/8MJIC-7/8MOR ADPTR
19	1	615638	LIFT HYD TUBE ASSY, DN 254/284	48	2	611121	9/16MJIC-1/4MNP ADPTR
20	1	615642	FOLD HYD TUBE ASSY,OUT254/284	49	5	618514	9/16FJ SW BRANCH TEE-9/16MJ
21	1	615521	10C1T-10FJX-10FJX-18	50	11	611122	9/16MJIC-90-1/4MNP LBO
22	1	614693	06C1T-06FJX-06FJX-168	51	2	618072	7/8MOR-1/2FNPT ADPTR
23	1	614159	04C1T-06FJX-06FJX-169	52	2	500000	1/2MNP HEX PIPE NIPPLE STL
24	2	615442	04C1T-06FJX-06FJX-55	53	3	618018	9/16MJIC-1/2MNP ADPTR
25	4	616040	04C1T-06FJX-06FJX-67	54	1	611145	3/4MJIC-90-1/2MNP LBO
26	4	616028	04C1T-06FJX-06FJX-47	55	8	618119	9/16MJIC-90-9/16MOR LBO
27	1	616057	08C1T-08FJX-08FJX-88	56	2	611147	3/4MJIC-1/2MNP ADPTR
28	2	614664	10C1T-10FJX-10FJX-98	57	1	610447	HYD FILTER, INLINE 1/4FNPT 90M
29	1	712440	1/2 NPT X 3/4 HOSE BARB	58	1	618562	9/16MOR-90-1/4MNP LBO

*NOTE :
 REFER TO DETAIL 73 TO CHECK AUX. SYSTEM - 1850 PSI
 REFER TO DETAIL 67 TO CHECK LIMIT SETTING - 4500 PSI
 REFER TO DETAIL 67 TO CHECK CHARGE PRESSURE - 380 PSI

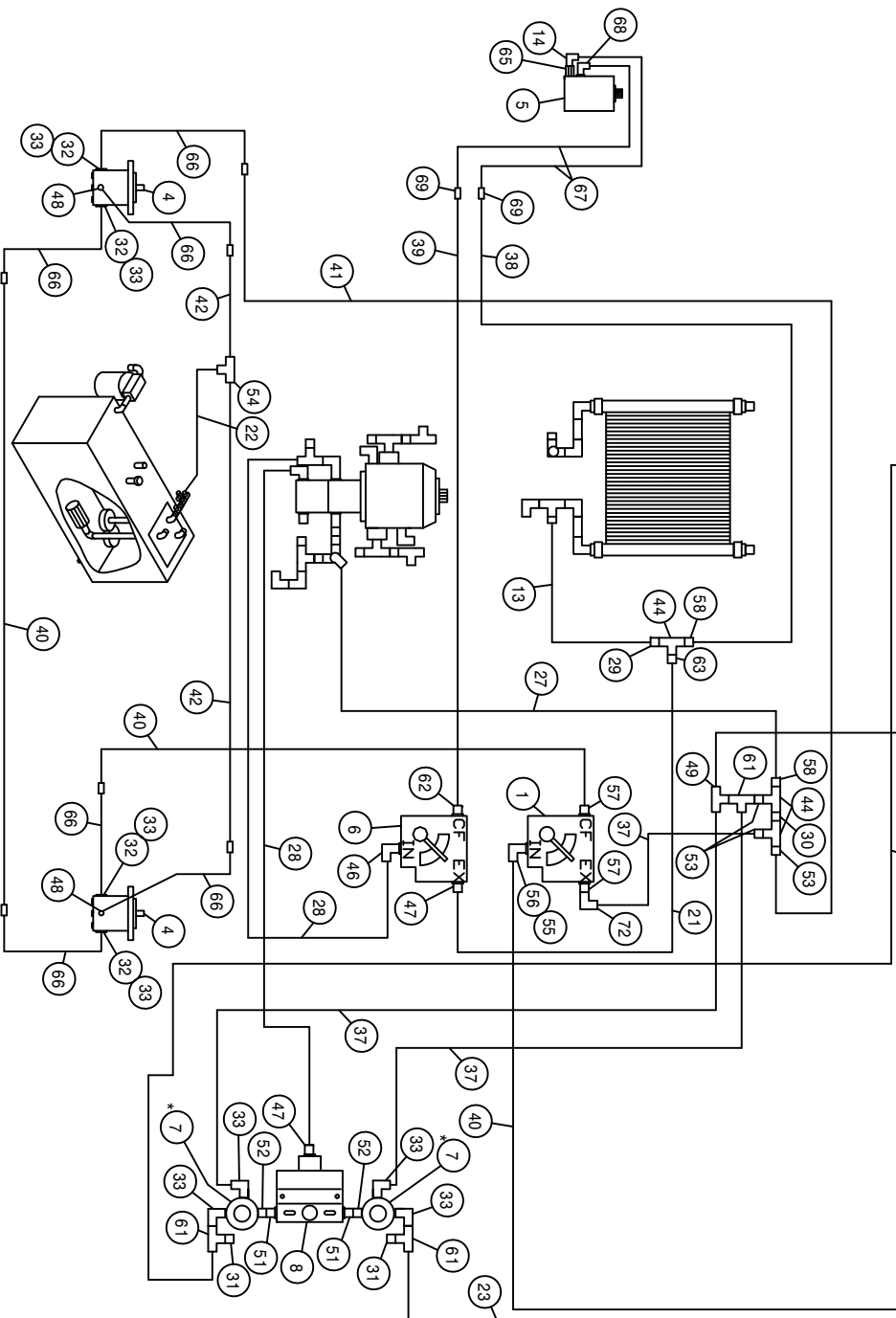


254 X-11 FWD WITH AGITATION HYD SCHEM 94
REFERENCE DRAWING NO. 498434S1

DET.	QTY	PART NO.	DESCRIPTION	DET.	QTY	PART NO.	DESCRIPTION
1	1	606911	SUND 75CC PUMP,B-MT W/FILT	49	1	618328	7/8FJIC CAP NUT
2	2	610557	SUND M35-3102 WHL MTR W/SFLT	50	2	618487	1 1/16FJ SW RUN TEE-1 1/16MJ
3	1	606897	SUND GEAR PUMP 1.34CI SPLINED	51	2	505101	BLK PIPE TEE 1.00NPT
4	1	618606	OIL COOLER, BLISSFIELD 65027	52	1	610300	3/4MJIC-3/4MNPT ADPTR
5	1	605606	FILTER HEAD, ZINZA HI-PRESS	53	2	714331	1 NPT X 3/4 HOSE BARB
6	1	605607	FILTER,10 MICRON ZINGA,HIPRES	54	2	618599	1 5/16MOR BRANCH TEE-1 5/16MJ
7	1	610580	REMOTE FLUSHING VALVE, SUND	55	1	506303	BLK PIPE EL 90DEG 1.25NPT
8	1	606003	GRESEN SELECTOR VALVE DS-12	56	2	618115	9/16MJIC-90-3/4MOR LBO
9	2	610567	SUND M25-3000 WHL MTR 1.5CI	57	2	618172	7/8MOR-9/16FOR ADPTR
10	4	505300	BLK PIPE EL 90DEG 1.00NPT	58	4	618248	1 1/16MJIC-90-1 1/16MOR LBO
11	1	605601	GRESEN FILTER 10 MICRON 40GPM	59	2	618529	1 1/16MJ-45-1 1/16FJ SWIV LBO
12	1	760097	OIL TANK WLD 8240 1982	60	2	618126	9/16MJIC-9/16MOR ADPTR
13	1	605600	MICHTGAN RESERVOIR FILTER	61	2	716000	3/4 HOSE BARB-90-1MNPT
14	2	605603	LINE SUMP DIFFUSER	62	1	504001	RED BUSH 3/4 X 1/4 BLK MAL
15	1	611052	FILLER BREATHER 3/4NPT	63	2	505213	RED BUSH 1 X 3/4 BLK MAL
16	1	614453	DIPSTICK, 81N	64	4	618541	1 5/16FJIC-1 1/16MJIC ADPTR
17	2	618598	1 IN 4-BOLT FLG X 1 5/16FOR	65	1	618118	3/4 HOSE BARB-90-1 1/16MOR
18	1	606891	SUND GEAR PMP .52CI SPLINED	66	1	618564	1IN HOSE BARB-90-1 5/16MOR
19	2	614700	FRT HYD TUBE ASSY 250 X-11 92	67	3	618629	9/16MOR BRANCH TEE-9/16MJIC
20	1	614198	FWD VALVE U-TUBE ASSY	68	3	618535	7/8MJIC-90-1 1/16MOR LBO
21	1	501102	1/4 PIPE PLUG	69	3	611128	7/8MJIC-90-7/8MOR LBO
22	2	614701	REAR HYD TUBE ASSY 250 X11 92	70	1	618075	3/4 HOSE BARB-1 1/16MOR
23	1	504210	RED BUSH 3/4 NPT X 1/2 NPT	71	2	611127	1 1/16MJIC-1 1/16MOR ADPTR
24	2	504702	CLOSE NIPPLE .75NPT	72	1	618520	1/4MNPT RUN TEE-9/16MJIC
25	2	504955	BLK PIPE TEE .75NPT	73	3	618333	7/8FJIC SW RUN TEE-7/8MJIC
26	3	505203	BLK PIPE NIPPLE 1.00NPT-4.00	74	1	618090	1 5/16MOR-1FNPT ADPTR
27	2	618425	9/16MJIC-45-9/16MOR LBO	75	2	618301	7/8MJIC-90-7/8FJIC SWIV LBO
28	1	615619	06C1T-06FJX-06FJX-144	76	2	618132	1 1/16MOR-7/8FOR ADPTR
29	2	614685	08C2AT-12FJX-12FJX-106	77	3	611126	7/8MJIC-7/8MOR ADPTR
30	2	614706	08TWM-10FJX90-10FJX-143	78	1	618130	7/8MOR RUN TEE-7/8MJIC
31	1	614101	04C1T-06FJX-06FJX-133	79	1	618557	7/8FJIC-9/16MJIC ADPTR
32	2	615449	06C1T-06FJX-06FJX-126	80	1	506410	BLK PIPE ST EL 90DEG 1.25NPT
33	2	614705	08TWM-10FJX-10FJX-143	81	2	618327	3/4MJIC-7/8MOR ADPTR
34	1	616034	08C1T-08FJX-08FJX-17	82	2	618474	3/4MJIC-90-1 1/16MOR LBO
35	1	615633	08C1T-08FJX-08FJX-23	83	4	714560	1NPT X 1 HOSE BARB
36	1	616048	04C1T-06FJX-06FJX-35	84	1	715664	1 1/4 NPT X 1 HOSE BARB
37	2	616043	04C1T-06FJX-06FJX-23	85	5	505200	BLK PIPE ST EL 90DEG 1.00NPT
38	2	614684	10C2AT-12MJ-12FJX90-60	86	1	618018	9/16MJIC-1/2MNPT ADPTR
39	2	614684	10C2AT-12MJ-12FJX90-70	87	1	618019	9/16MJIC UNION TEE
40	1	614549	06C1T-06FJX-06FJX-140	88	2	505105	1MNPT HEX PIPE NIPPLE STL
41	1	614704	06C1T-06FJX-06FJX-156	89	4	618191	1 1/16MJ-90-1 1/16FJ SWIV LBO
42	1	601256	HOSE, 1.00 2BR RED X 31 LG	90	1	713220	HOSE BARB 3/4 NPT X 3/4
43	1	601304	HOSE, 3/4 2BR RED X 100 LG	91	2	505102	PIPE PLUG 1.00NPT SQ HD
44	1	601112	HOSE, 3/4 X 84 2BR RED	92	1	506602	PIPE NIPPLE 1 1/4NPT-2 1/2
45	1	601255	HOSE, 1.00 2BR RED X 104 LG	93	2	505098	SIDE OUTLET EL 90DEG 1.00NPT
46	1	601344	HOSE, 1 X 39 2BR RED	94	2	618486	9/16FJIC SW RUN TEE-9/16MJIC
47	1	601311	HOSE, 3/4 X 8 2BR RED	95	1	618609	3/4MJIC-90-3/4FJIC SWIV LBO
48	3	618531	9/16FJIC CAP NUT	96	1	618119	9/16MJIC-90-9/16MOR LBO

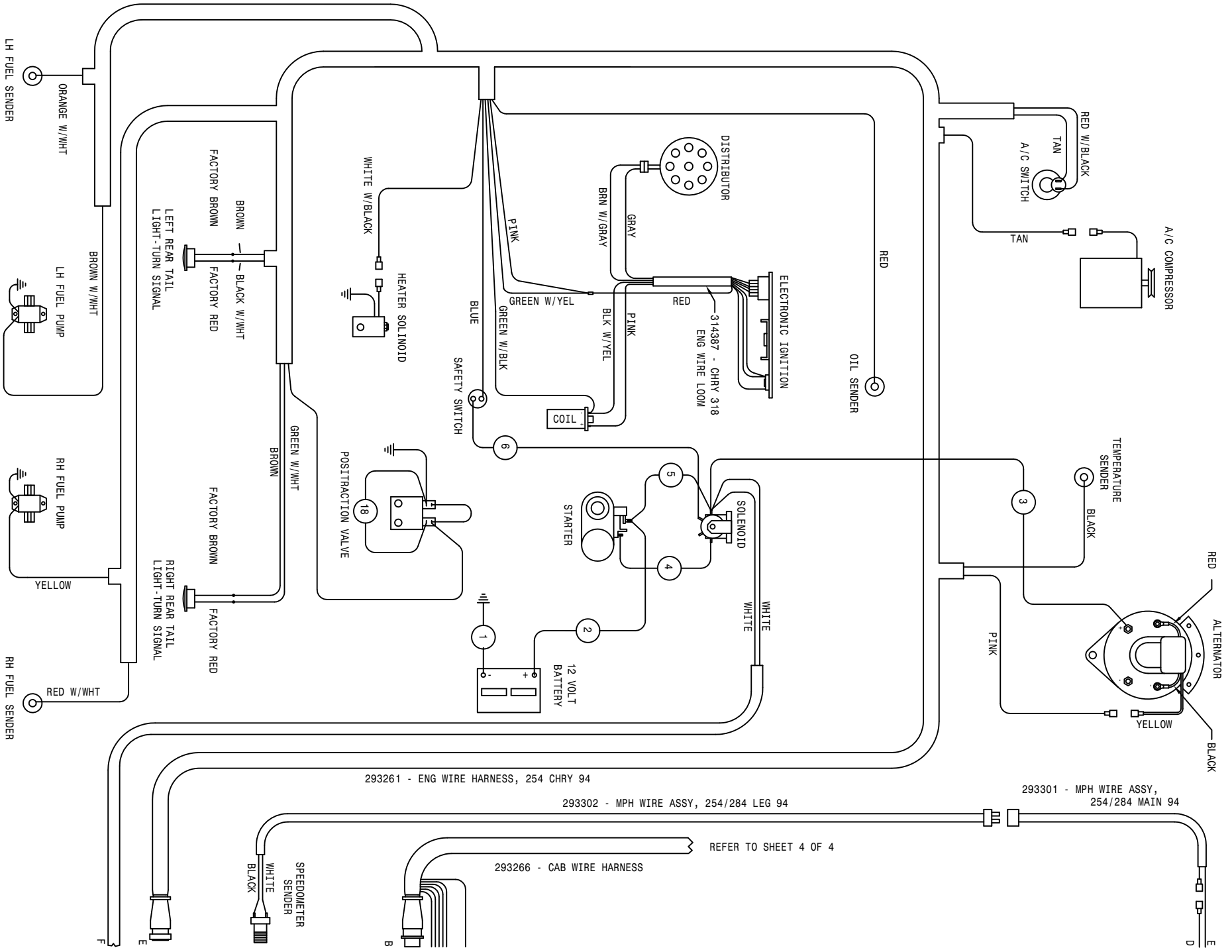


*NOTE:
REFER TO DETAIL 7 RELIEF PRESSURE SETTING - 1850 PSI



254 X-11 FWD WITH AGITATION HYD SCHEM 94
REFERENCE DRAWING NO. 498434S2

DET.	QTY	PART NO.	DESCRIPTION	DET.	QTY	PART NO.	DESCRIPTION
1	1	606827	FLO CONT FC51 0-3 VARI 7/8FOR	37	3	616026	04C1T-06FJX-06FJX-37
2	2	620080	STRG CYL ASSY 1.50 X 6.0 1985	38	1	614382	08C1T-08FJX-08FJX-40
3	2	620531	LEVEL CYL ASSY, 2 X 10	39	1	614662	08C1T-08FJX-08FJX-72
4	2	610510	CESSNA GEAR MOTOR 1.48CI	40	3	614693	06C1T-06FJX-06FJX-168
5	1	604006	MOTOR, HYD 7.7"	41	1	614571	06RLA-06FJX-06FJX-126
6	1	606818	FLO CONT FOR51 0-16GPM 7/8FOR	42	2	611208	04C1T-06FJX-06FJX-98
7	2	607512	RELIEF VALVE, RL50, 1850 PSI	43	1	618440	9/16MJIC-90-9/16MOR EX LG LBO
8	1	607504	FLO DIV B50 2-8GPM 7/8 FOR	44	3	503820	BLK PIPE TEE .50NPT
9	1	610569	6 SECT,5 FUCTION HYD VLV, EATON	45	2	618126	9/16MJIC-9/16MOR ADPTR
10	1	749150	STRG MTR NON-LOAD REACT 1008	46	1	611128	7/8MJIC-90-7/8MOR LBO
11	2	620513	LIFT CYL ASSY, 2 X 14	47	2	611126	7/8MJIC-7/8MOR ADPTR
12	2	620052	HYD CYL, 2IN FOLD & LEVEL	48	4	611121	9/16MJIC-1/4MNPT ADPTR
13	1	601332	HOSE, 3/4 X 40 2BR RED	49	5	618514	9/16FJ SW BRANCH TEE-9/16MJ
14	1	610305	3/4MJIC-90-3/4MNPT LBO	50	11	611122	9/16MJIC-90-1/4MNPT LBO
15	1	615647	FOLD HYD TUBE ASSY,IN 254X11	51	2	618072	7/8MOR-1/2FNPT ADPTR
16	1	615645	LEVEL HYD TUBE ASSY,UP 254X11	52	2	500000	1/2MNPT HEX PIPE NIPPLE STL
17	1	615643	LIFT HYD TUBE ASSY,UP 254X11	53	3	618018	9/16MJIC-1/2MNPT ADPTR
18	1	615646	LEVEL HYD TUBE ASSY, DN 254X11	54	1	618019	9/16MJIC UNION TEE
19	1	615644	LIFT HYD TUBE ASSY, DN 254X11	55	9	618119	9/16MJIC-90-9/16MOR LBO
20	1	615648	FOLD HYD TUBE ASSY,OUT 254X11	56	1	618172	7/8MOR-9/16FOR ADPTR
21	1	615521	10C1T-10FJX-10FJX-18	57	2	618310	9/16MJIC-7/8MOR ADPTR
22	1	615452	06C1T-06FJX-06FJX-16	58	2	611147	3/4MJIC-1/2MNPT ADPTR
23	1	614159	04C1T-06FJX-06FJX-169	59	4	618496	9/16MJIC-45-3/4MOR LBO
24	4	615442	04C1T-06FJX-06FJX-55	60	3	619010	9/16MJIC UNION
25	4	616040	04C1T-06FJX-06FJX-67	61	3	618486	9/16FJIC SW RUN TEE-9/16MJIC
26	4	616028	04C1T-06FJX-06FJX-47	62	1	618327	3/4MJIC-7/8MOR ADPTR
27	1	616057	08C1T-08FJX-08FJX-88	63	1	618325	7/8MJIC-1/2MNPT ADPTR
28	2	614664	10C1T-10FJX-10FJX-98	64	4	614365	RESTRICTOR ELBOW ASSY .042DIA
29	1	712440	1/2 NPT X 3/4 HOSE BARB	65	1	618131	7/8MOR-3/4FNPT ADPTR
30	1	503600	CLOSE NIPPLE .50NPT	66	6	614335	04C1T-06FJX-06MJ-24
31	2	618531	9/16FJIC CAP NUT	67	2	614622	08C1T-08FJX-08FJX-142
32	4	618092	1 1/16MOR-1/2FNPT ADPTR	68	1	618183	3/4MJIC-90-7/8MOR LBO
33	8	618107	9/16MJIC-90-1/2MNPT LBO	69	2	618314	3/4MJIC UNION
34	4	611204	04C1T-06FJX-06FJX-78	70	1	618562	9/16MOR-90-1/4MNPT LBO
35	2	614663	04C1T-06FJX-06FJX-16	71	1	610447	HYD FILTER, INLINE 1/4FNPT 90M
36	2	615616	04C1T-06FJX-06FJX-65	72	1	618618	9/16MJIC-90-9/16FJIC SWITV LBO



293261 - ENG WIRE HARNESS, 254 CHRY 94

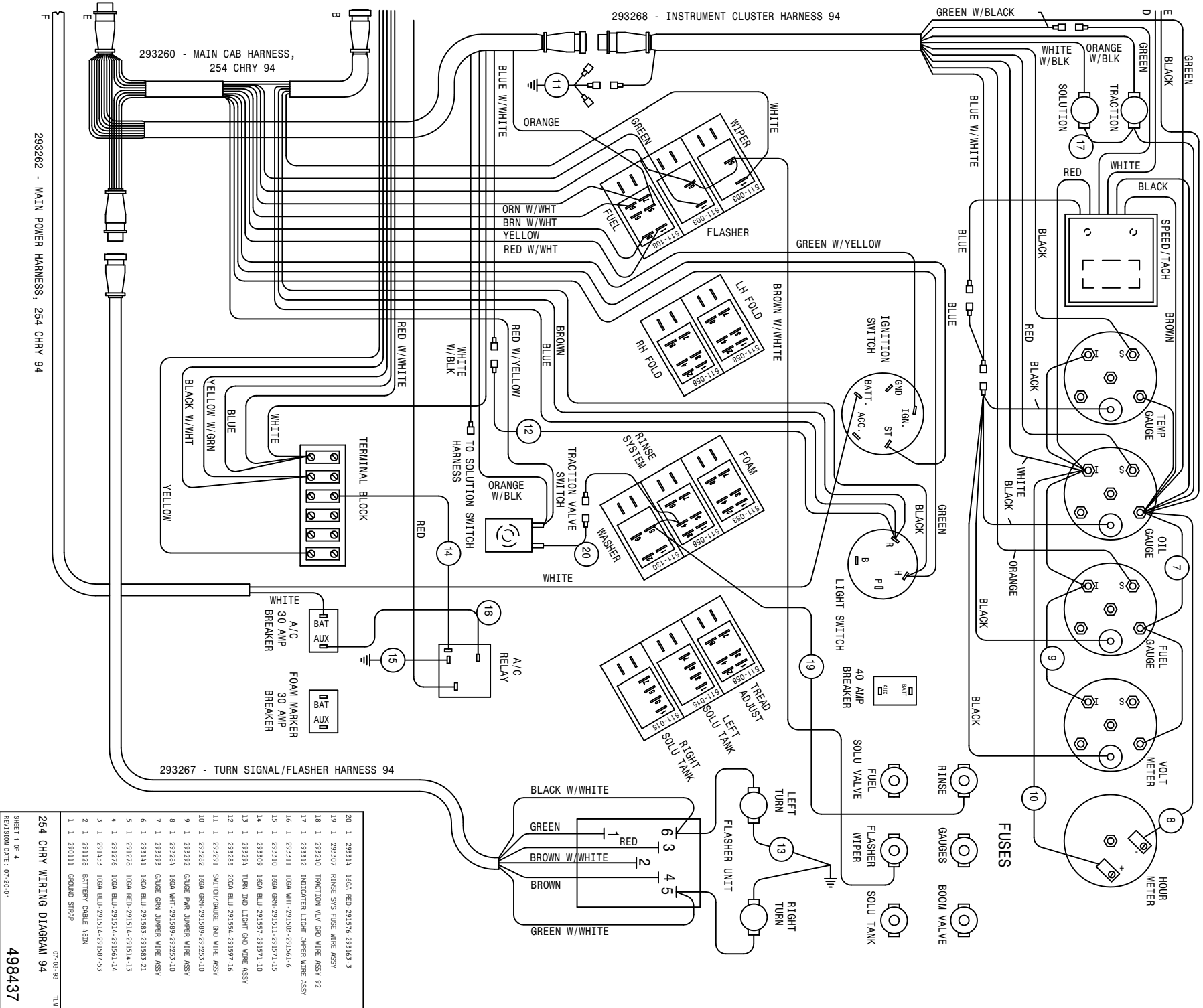
293302 - MPH WIRE ASSY, 254/284 LEG 94

293301 - MPH WIRE ASSY,
254/284 MAIN 94

REFER TO SHEET 4 OF 4

293266 - CAB WIRE HARNESS

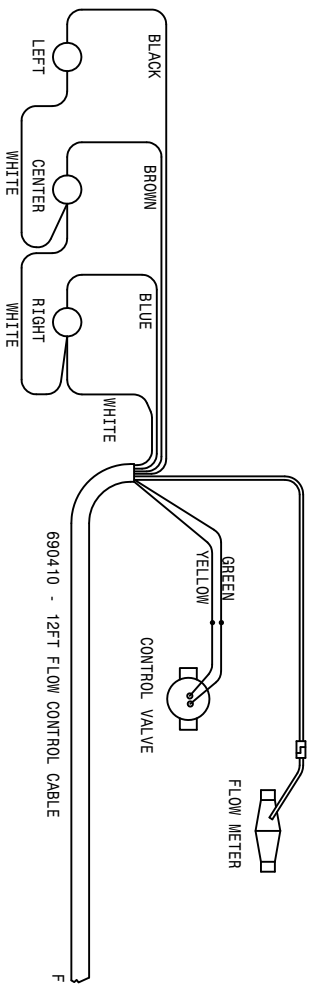
SPEEDOMETER
SENDER
WHITE
BLACK



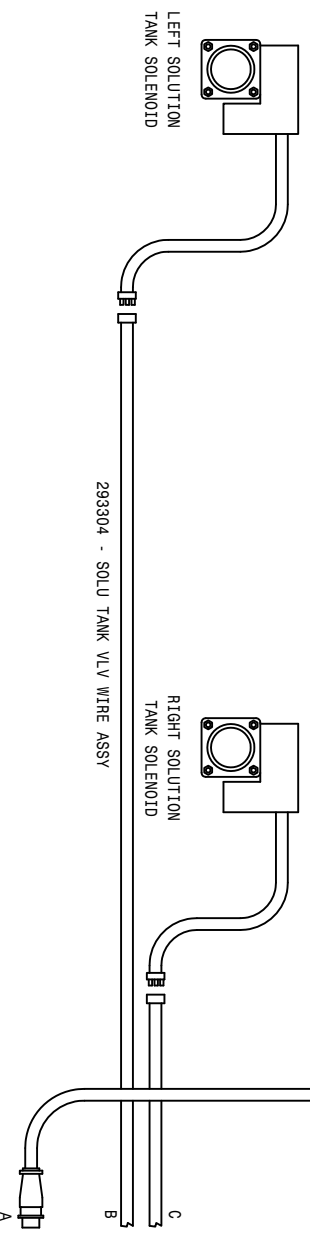
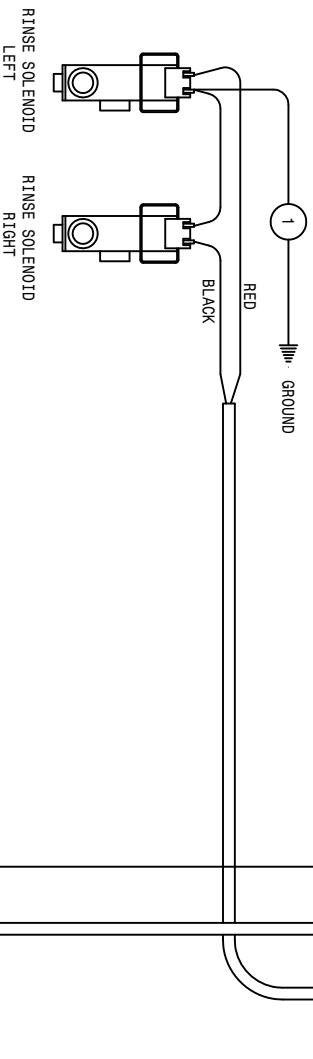
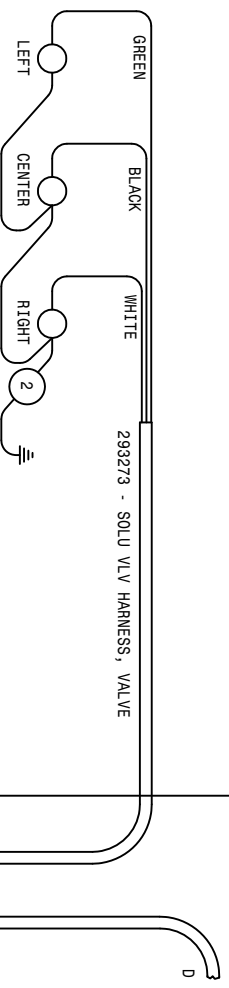
20	1	293314	16GA RED-291576-293163-3
19	1	293307	RINSE SYS FUSE ASSY
18	1	293240	TRACTION W/V GRN WIRE ASSY 92
17	1	293312	INDICATOR LIGHT JUMPER WIRE ASSY
16	1	293311	10GA WHT-291505-291561-6
15	1	293310	16GA GRN-291511-291571-15
14	1	293309	16GA BLU-291577-291571-10
13	1	293294	TURN IND LIGHT GRN WIRE ASSY
12	1	293285	20GA BLU-291554-291597-16
11	1	293291	SWITCH/GAUGE GRD WIRE ASSY
10	1	293282	16GA GRN-291589-293253-10
9	1	293292	GAUGE PWR JUMPER WIRE ASSY
8	1	293284	16GA WHT-291589-293253-10
7	1	293293	GAUGE GRN JUMPER WIRE ASSY
6	1	2931A1	16GA BLU-291583-291583-21
5	1	293278	10GA RED-291514-291514-13
4	1	293276	10GA BLU-291514-291561-14
3	1	291453	10GA BLU-291514-291587-53
2	1	291128	BATTERY CABLE A8RN
1	1	290111	GROUND STRAP

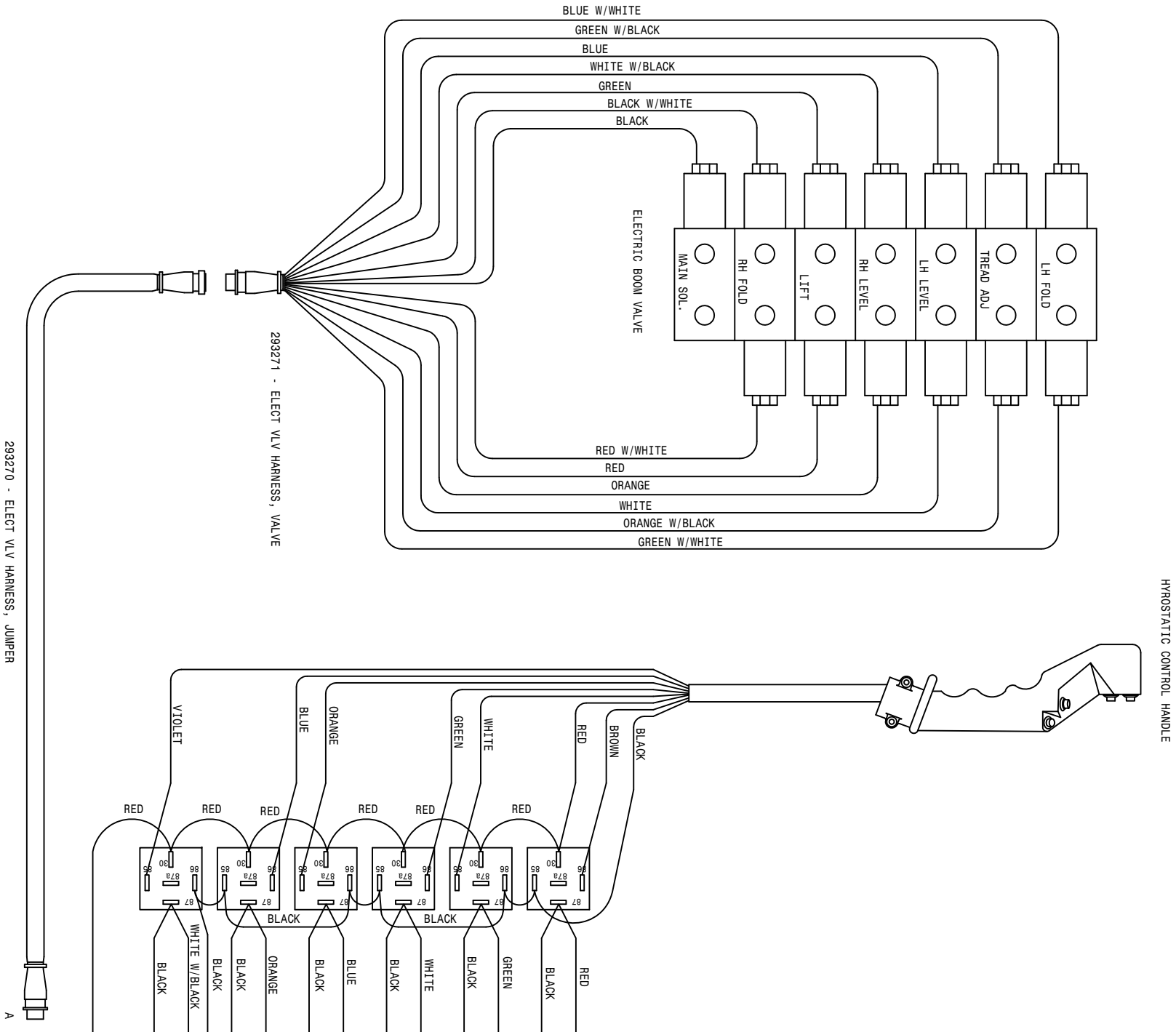
07-08-98 TLU
 498437
 SHEET 1 OF 4
 REVISION DATE: 07-20-01

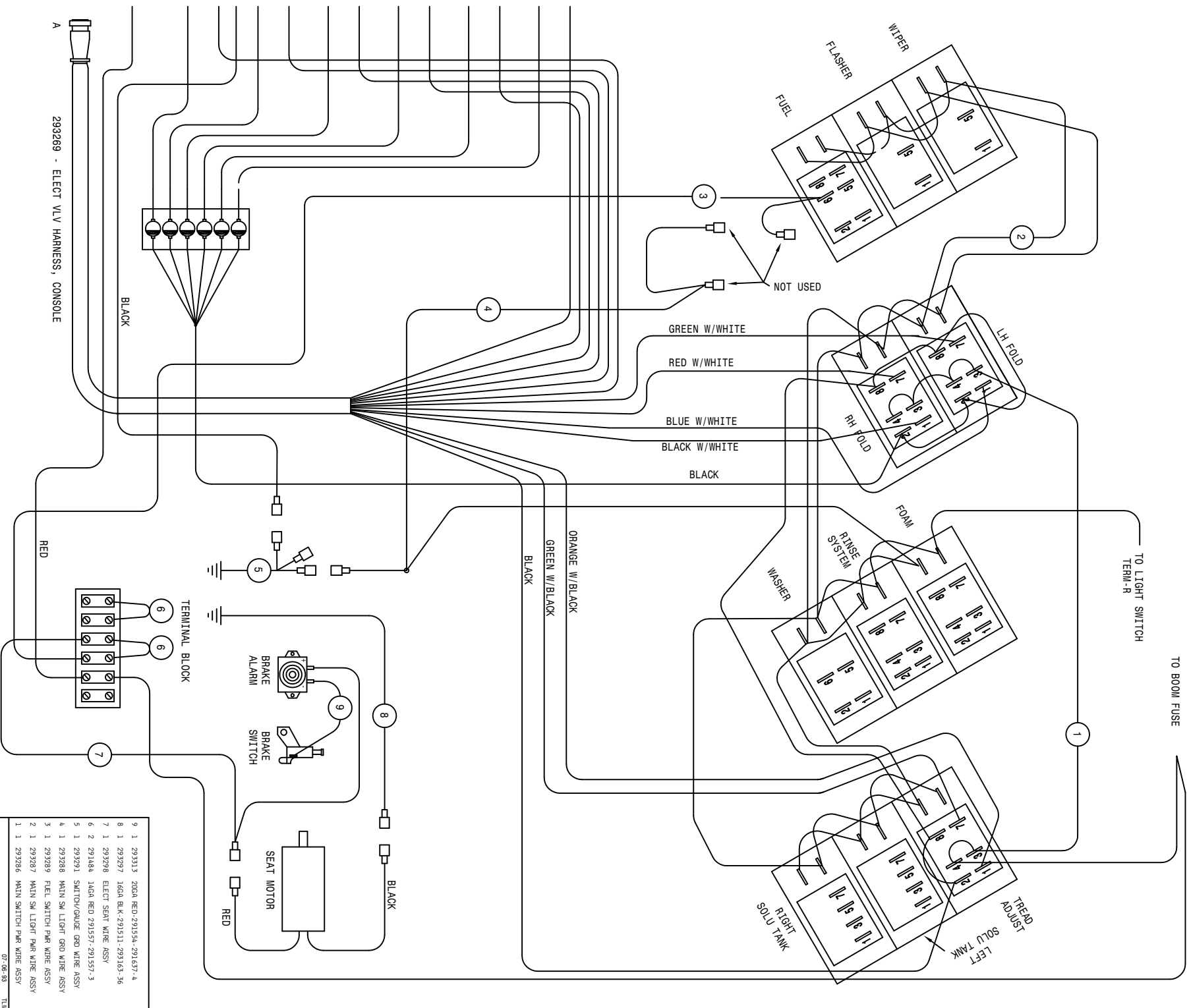
SOLUTION SOLENOID VALVES
WITH MONITOR



SOLUTION SOLENOID VALVES
WITHOUT MONITOR

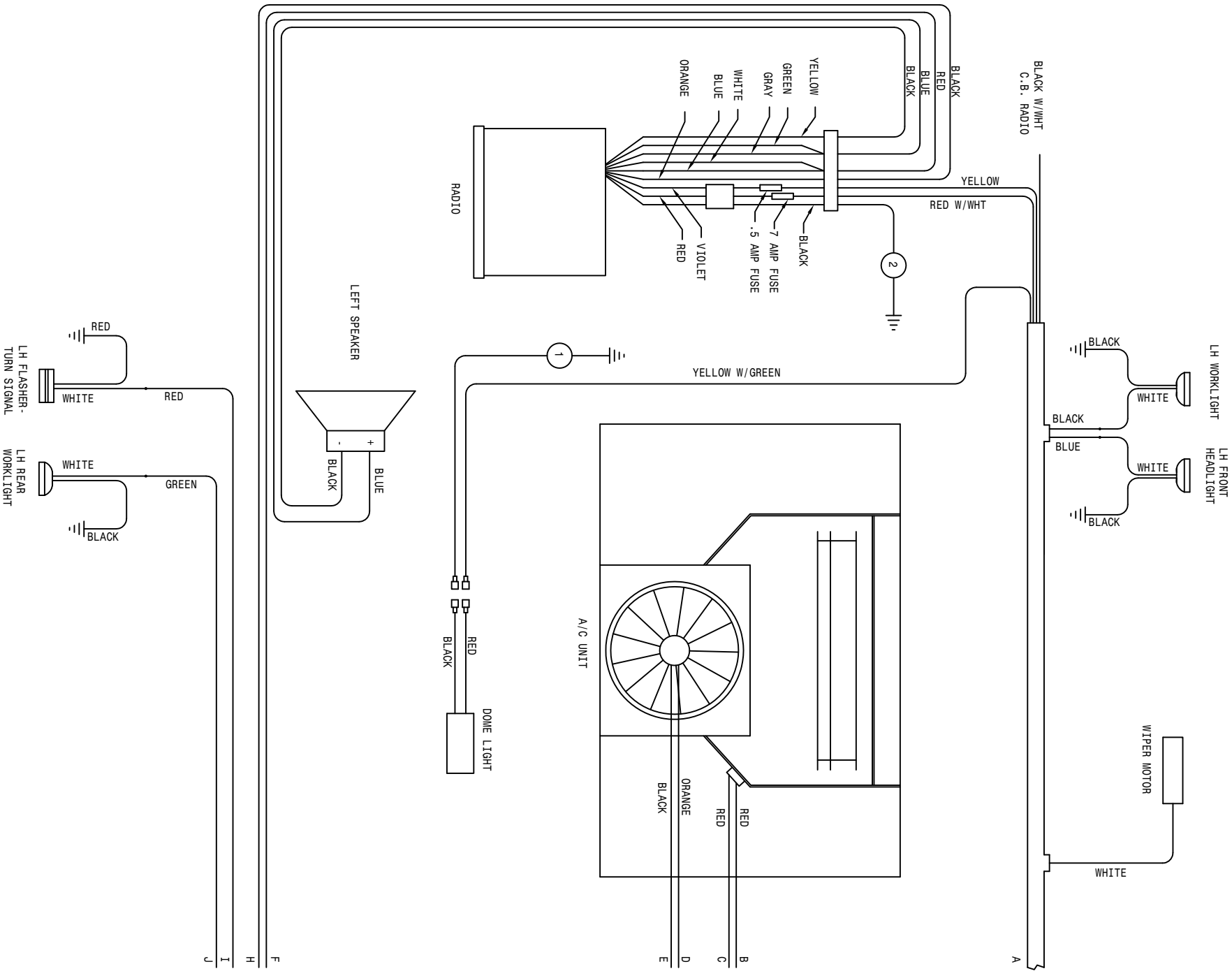


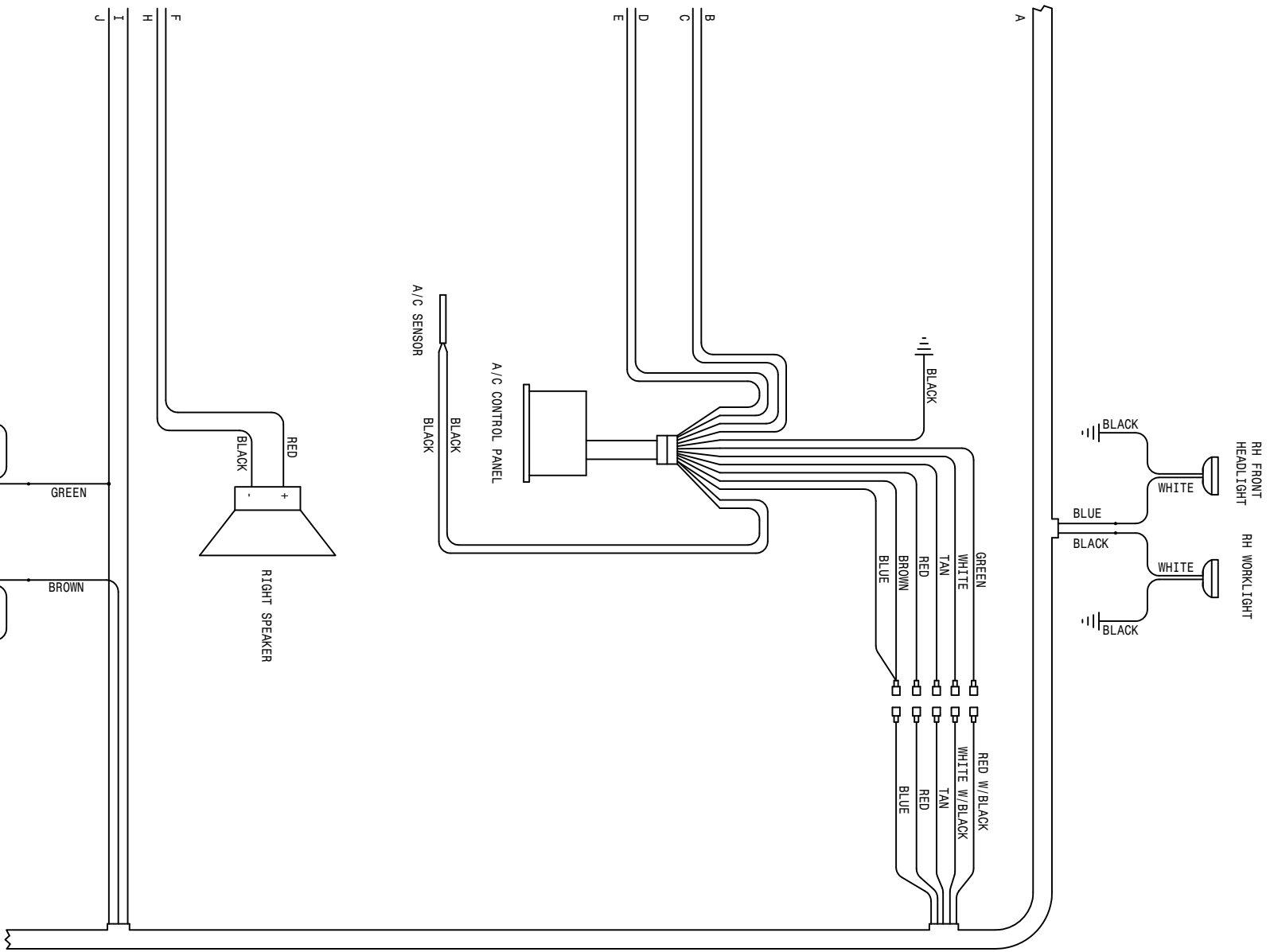




9	1	293313	206A	RED-291554-291637-4
8	1	293297	166A	BLK-291511-293163-36
7	1	293298		ELECT SEAT WIRE ASSY
6	2	291484	1A6A	RED 291557-291557-3
5	1	293291		SWITCH/CLQUE GND WIRE ASSY
4	1	293288		MAIN SW LIGHT GND WIRE ASSY
3	1	293289		FUEL SWITCH PWR WIRE ASSY
2	1	293287		MAIN SW LIGHT PWR WIRE ASSY
1	1	293286		MAIN SWITCH PWR WIRE ASSY

254 CHRY WIRING DIAGRAM 94
 SHEET 3 OF 4
 REVISION DATE: 11-06-89
 498437
 TLW

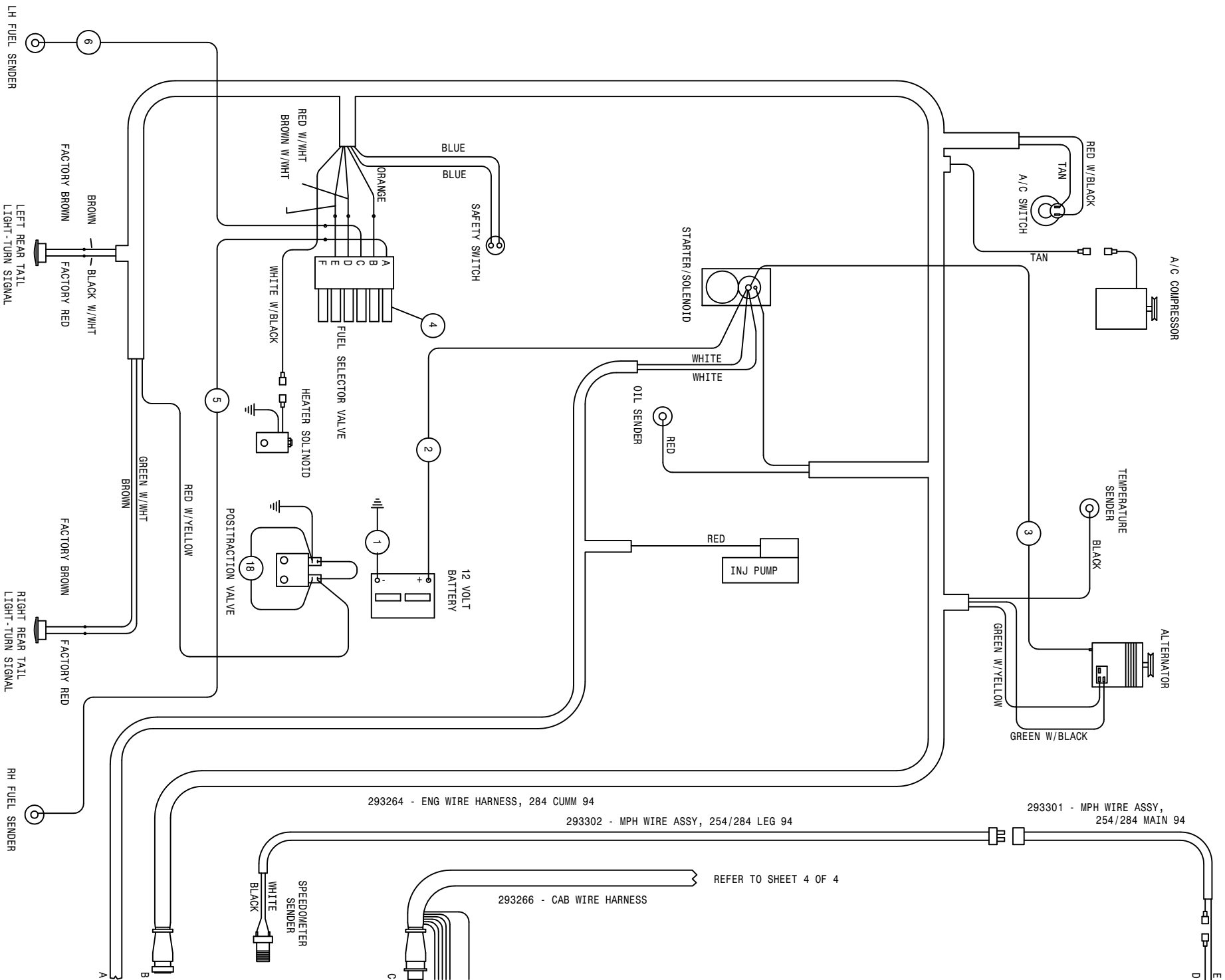


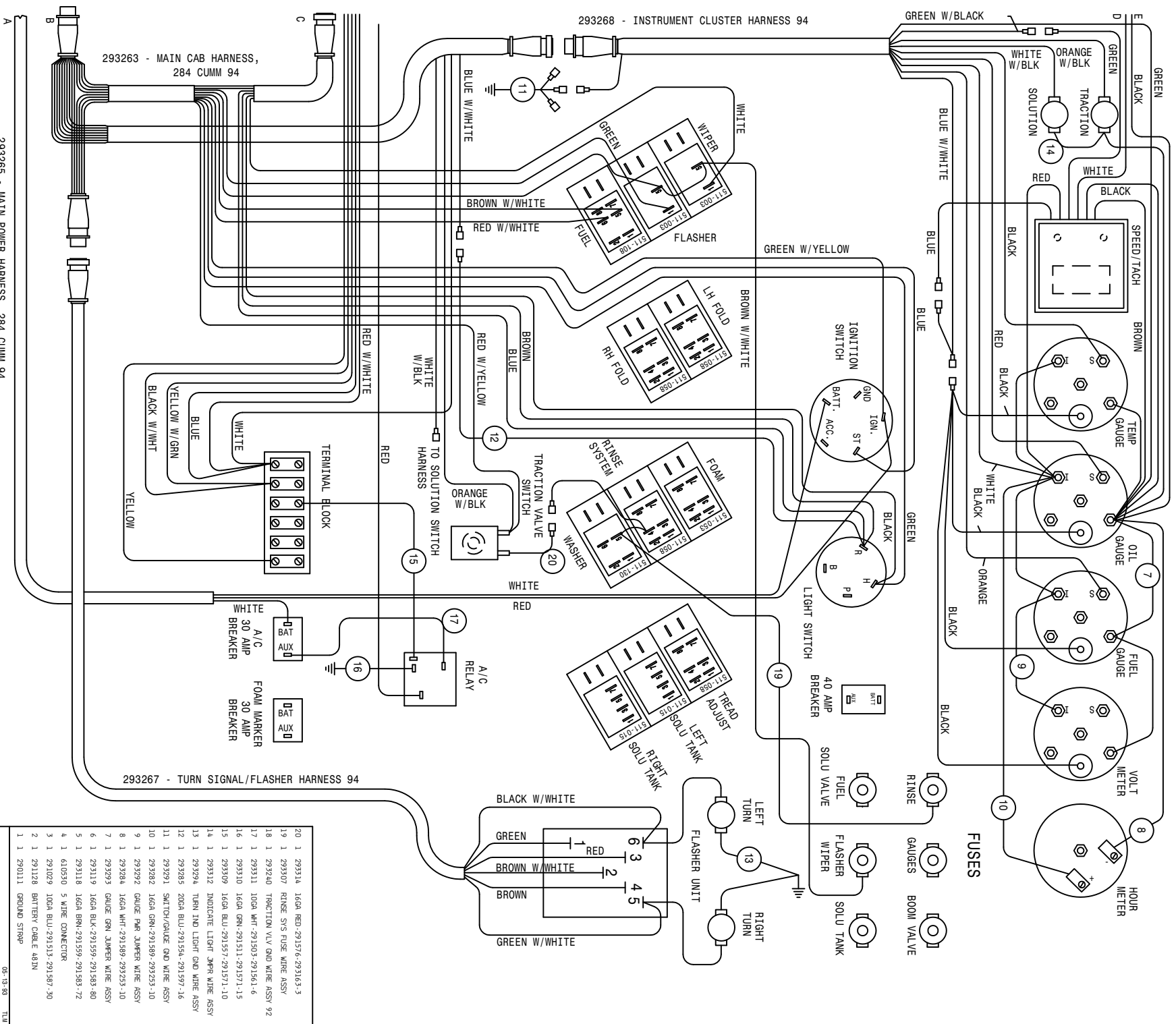


293266 - CAB WIRE HARNESS

REFER TO SHEET 1 OF 4

2	1	293300	16GA	BLK-291511-291571-18
1	1	293299	16GA	BLK-291511-291571-30
254 CHR'Y WIRING DIAGRAM 94				
SHEET 4 OF 4				
REVISION DATE:				
07-06-88 TUM				
498437				





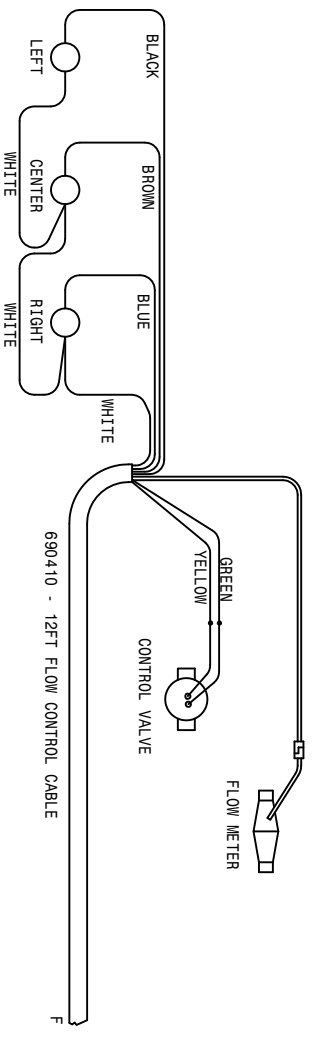
293265 - MAIN POWER HARNESS, 284 CUMM 94

20	1	293314	16GA RED-29157-6-293163-3
19	1	293307	RINSE SVS FUSE ASSY 92
18	1	293240	TRACTION VLV GND WIRE ASSY 92
17	1	293311	10GA WHT-291503-291561-6
16	1	293310	16GA GRN-291511-291571-15
15	1	293309	16GA BLU-291557-291571-10
14	1	293312	INDICATE LIGHT JKR WIRE ASSY
13	1	293294	TURN IND LIGHT GND WIRE ASSY
12	1	293285	20GA BLU-291534-291597-16
11	1	293291	SWITCH/GAUGE END WIRE ASSY
10	1	293282	16GA GRN-291589-293253-10
9	1	293292	GAUGE PMR JUMPER WIRE ASSY
8	1	293284	16GA WHT-291589-293253-10
7	1	293293	GAUGE GRN JUMPER WIRE ASSY
6	1	293119	16GA BLK-291559-291583-80
5	1	293318	16GA BRN-291599-291583-72
4	1	610530	5 WIRE CONNECTOR
3	1	291029	100A BLU-291513-291587-30
2	1	291128	BATTERY CBL.E 48IN
1	1	290111	GROUND STRAP

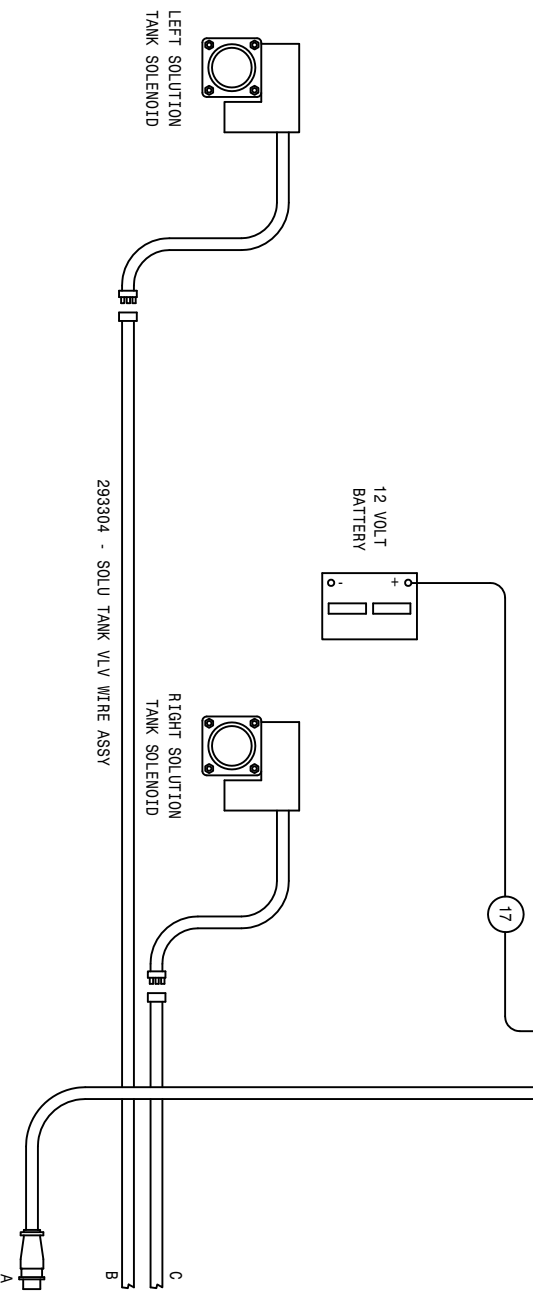
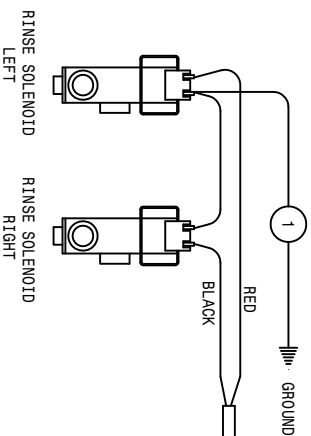
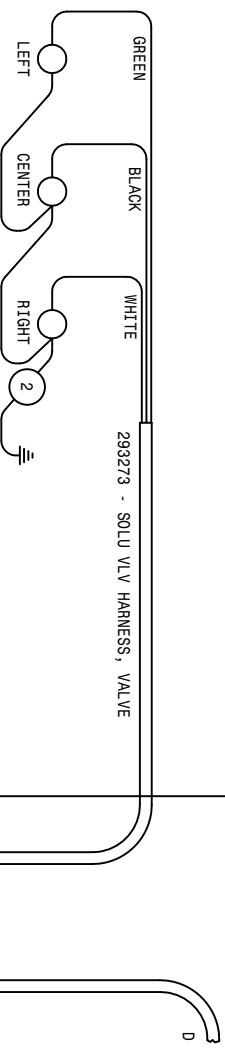
284 CUMM WIRING DIAGRAM 94
254

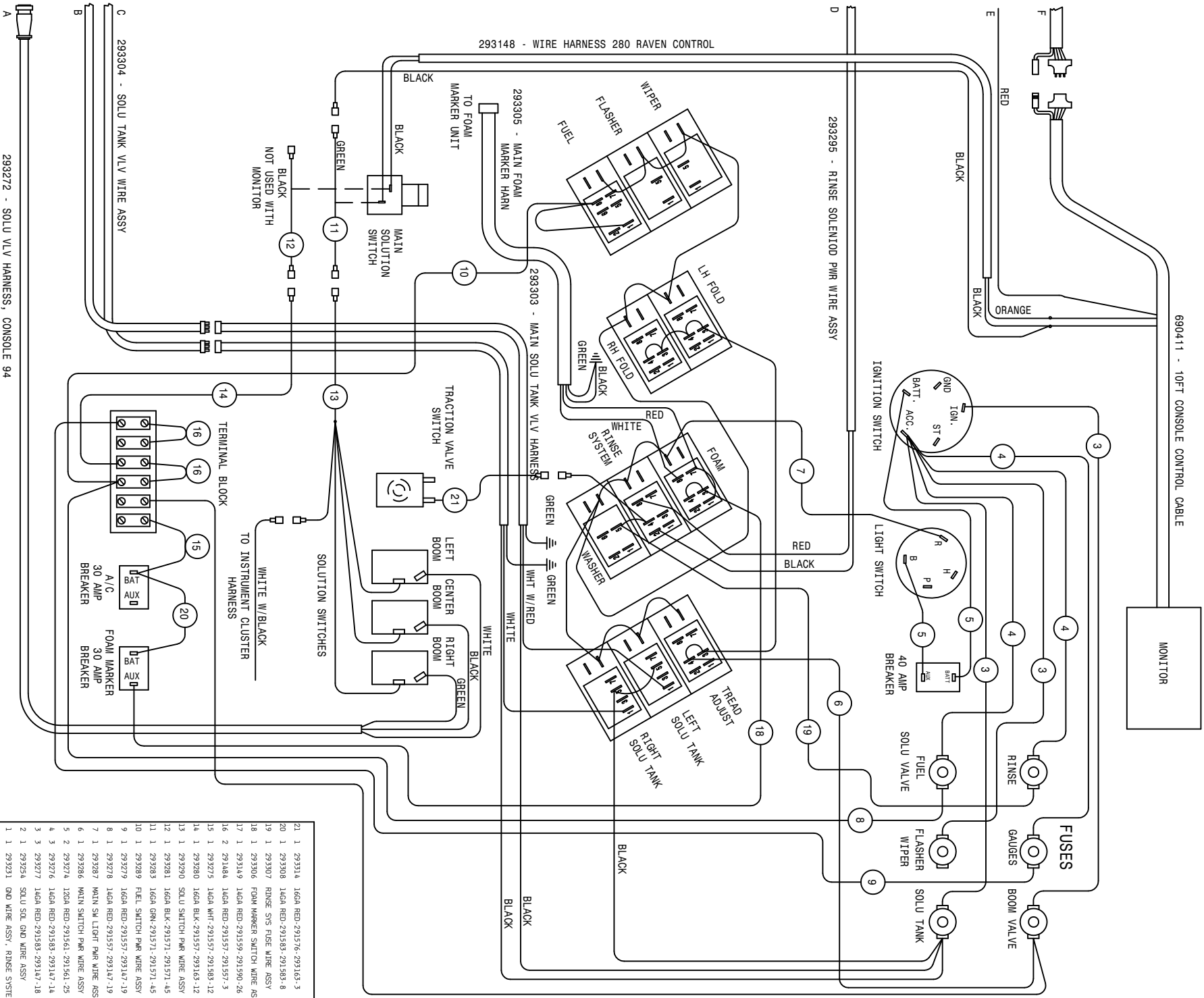
05-18-98 TLU
498438

SOLUTION SOLENOID VALVES
WITH MONITOR



SOLUTION SOLENOID VALVES
WITHOUT MONITOR



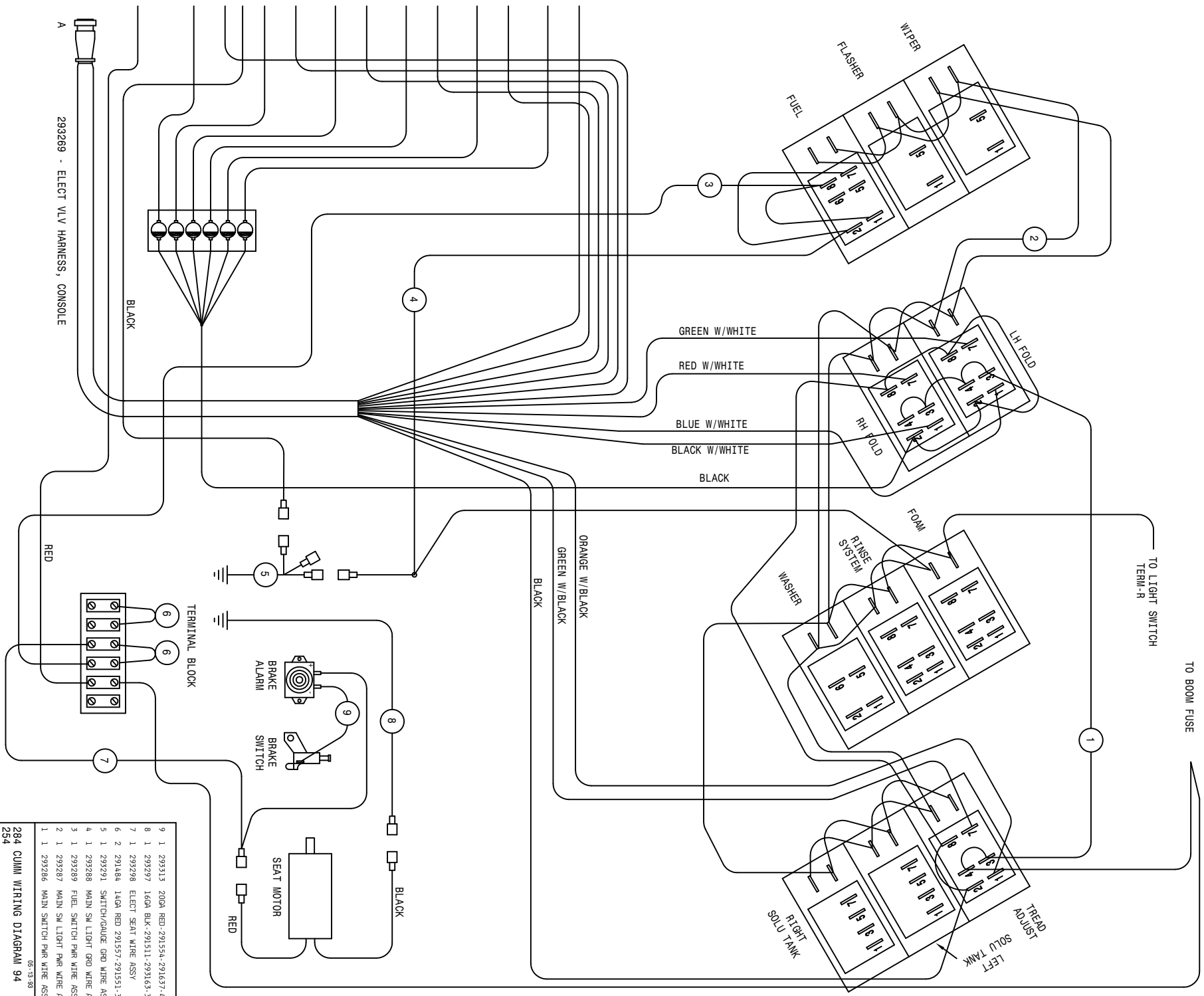


293148 - WIRE HARNESS 280 RAVEN CONTROL

293272 - SOLU VLV HARNESS, CONSOLE 94

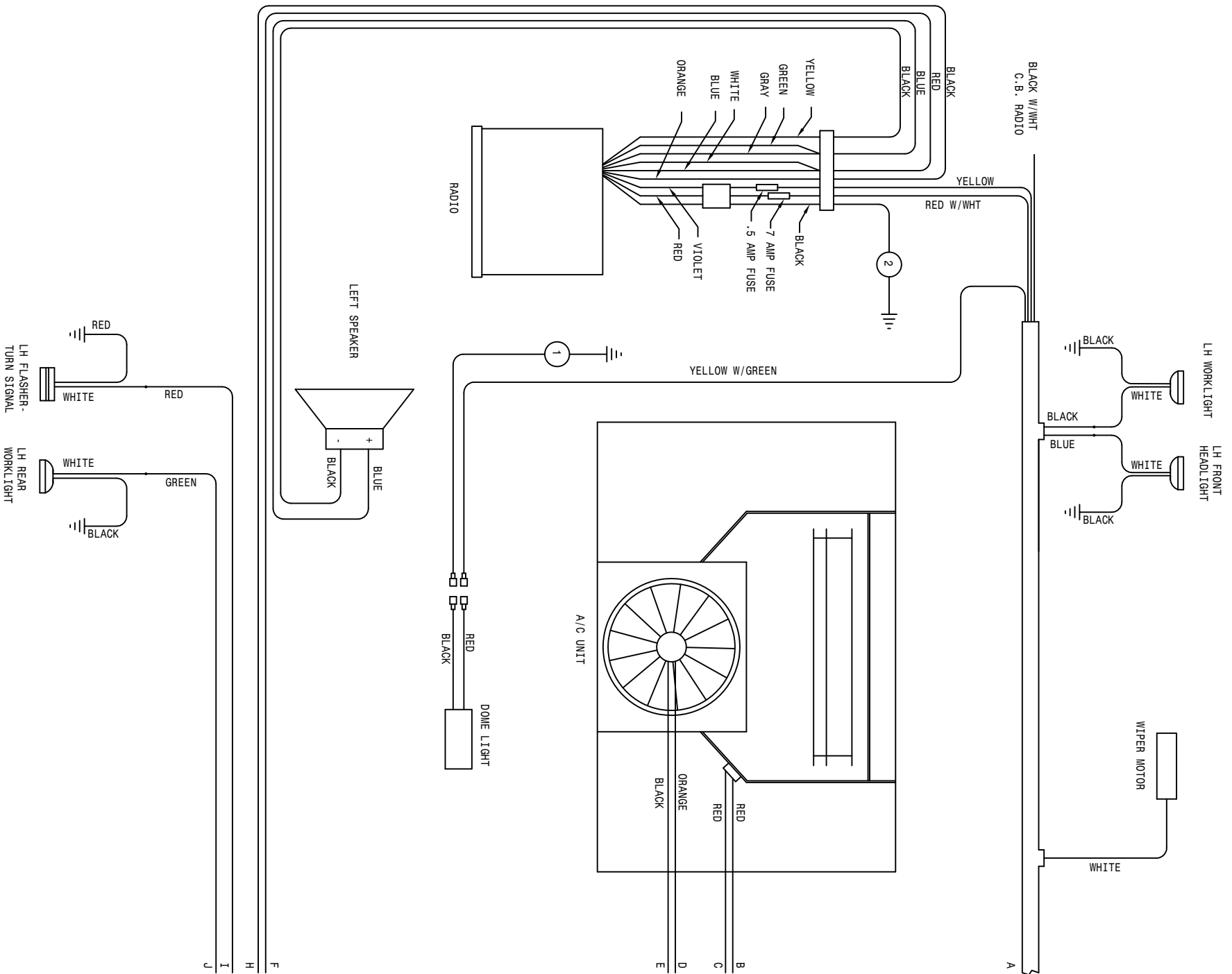
21	1	293314	16GA RED-291576-29163-3
20	1	293308	16GA RED-291503-291583-6
19	1	293307	RINSE SIS FUSE WIRE ASSY
18	1	293306	FOAM MARKER SWITCH WIRE ASSY
17	1	293149	16GA RED-291559-291590-26
16	2	291484	16GA RED-291571-291591-3
15	1	293275	16GA WHT-291571-291583-12
14	1	293280	16GA BLK-291571-291583-12
13	1	293290	SOLU SWITCH PWR WIRE ASSY
12	1	293281	16GA BLK-291571-291571-45
11	1	293283	16GA GRN-291571-291571-45
10	1	293289	FUEL SWITCH PWR WIRE ASSY
9	1	293279	16GA RED-291557-291561-19
8	1	293278	16GA RED-291557-291561-19
7	1	293287	MAIN SW LIGHT PWR WIRE ASSY 94
6	1	293286	MAIN SWITCH PWR WIRE ASSY 94
5	2	293274	12GA RED-291561-291561-25
4	3	293276	16GA RED-291583-291583-14
3	3	293277	16GA RED-291583-291583-18
2	1	293254	SOLU SOL GND WIRE ASSY
1	1	293251	GND WIRE ASSY, RINSE SYSTEM

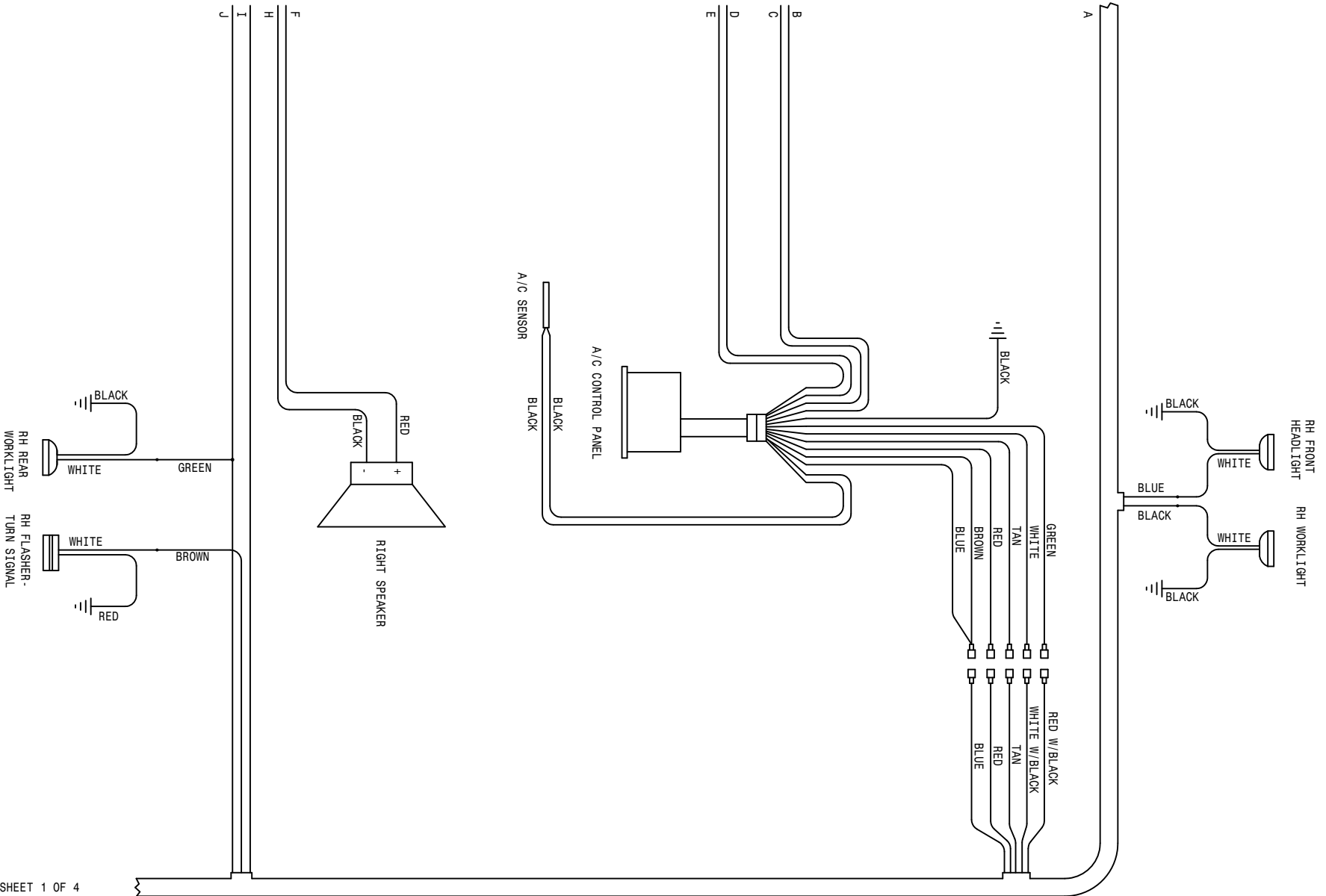
284 CUMM WIRING DIAGRAM 94
254
SHEET 2 OF 4
REVISION DATE: 11-22-93
498438
05-15-98 TLU



9	1	293213	200A	RED-291554-291637-4
8	1	293297	160A	BLK-291511-293163-36
7	1	293298	ELECT SEAT WIRE ASSY	
6	2	291484	140A	RED 291557-291551-3
5	1	293291	SWITCH/GAUGE GND WIRE ASSY	
4	1	293288	MAIN SW LIGHT GND WIRE ASSY	
3	1	293289	FUEL SWITCH PWR WIRE ASSY	
2	1	293287	MAIN SW LIGHT PWR WIRE ASSY	
1	1	293286	MAIN SWITCH PWR WIRE ASSY	

284 CUMM WIRING DIAGRAM 94
05-13-88 TLU
SHEET 3 OF 4
REVISION DATE: 11-06-93
498438





293266 - CAB WIRE HARNESS

2	1	293300	16GA BLK-291511-291571-18
1	1	293299	16GA BLK-291511-291571-30
05-18-98 TUL			
284 CUMM WIRING DIAGRAM 94			
SHEET 4 OF 4			
REVISION DATE:			
			498438

REFER TO SHEET 1 OF 4

ABBREVIATIONS

A/C - AIR CONDITIONER	MT - MOUNT
ADPTR - ADAPTER	MTR - MOTOR
AGI - AGITATOR	P/N - PART NUMBER
ALT - ALTERNATOR	PLT - PLATE
ASSY - ASSEMBLY	QTY - QUANTITY
BRKT - BRACKET	RED - REDUCER
DET - DETAIL	REF - REFERENCE
DISPL - DISPLACEMENT	REST - RESTRICTOR
EL - ELBOW	REQ - REQUIRED
EXT - EXTENSION	SHFT - SHAFT
FLO - FLOW	SOL - SOLUTION
FNPT - FEMALE NATIONAL PIPE THREAD	STRG - STEERING
FOR - FEMALE O-RING	ST - STREET
FRT - FRONT	SWIV - SWIVEL
HYD - HYDRAULIC	UNC - UNIFIED NATIONAL COURSE
HYDRO - HYDROSTATIC	UNF - UNIFIED NATIONAL FINE
LG - LONG	V - VOLT
LWR - LOWER	W/ - WITH
MJIC - MALE J.I.C.	WHL - WHEEL
MOR - MALE O-RING	WLD - WELDMENT

-A-

ABBREVIATIONS.....116
 AGITATOR.....48
 COUPLER.....48
 IMPELLER.....48
 JET.....49
 SHAFT.....48
 SHIELD.....48
 AIR CLEANER.....14,15
 BAND.....14,15
 CLAMP.....14,15
 FILTER.....14,15
 HOOD.....14,15
 HOSE.....14,15
 AIR CONDITIONER
 BELT.....12
 BLOWER.....34
 COMPRESSOR.....12
 CONDENSER.....12
 DRYER.....12
 FILTER.....34
 AIR INTAKE.....13
 SCREEN.....13
 TUBE.....7
 ALTERNATOR.....6
 ANTENNA.....34
 ARM,
 STEERING.....18,19
 STEERING PIVOT.....22
 WIPER.....32

-B-

BAND,
 AIR CLEANER.....14,15
 FUEL TANK.....26,27
 BASKET, STRAINER.....49
 BATTERY.....29
 BOX.....29
 CABLE.....29
 HOLDDOWN.....29
 BEAN 35 PUMP.....72
 BELT.....5,6,12
 BINARY SWITCH.....12
 BLADE, WIPER.....32
 BLOCK, TERMINAL.....39
 BRAKE
 CABLE.....19,42
 CABLE EXTENSION.....42
 CLIP RETAINER.....19
 DISC.....19
 LEVER.....42
 MOUNT.....19
 PAD.....19

BREAKAWAY.....56,57
 BREAKER, CIRCUIT.....39
 BREATHER.....30
 BOOM.....62
 VALVE.....61
 BUZZER.....42

-C-

CAB.....32
 ROOF.....32
 CABLE,
 BATTERY.....29
 BRACKET, THROTTLE.....7
 BRAKE.....19,42
 MOUNT.....31
 CAP,
 FUEL.....26,27
 RADIATOR.....13
 STEERING WHEEL.....36
 CATWALK.....49,50
 CHOKE CABLE.....39
 CIRCUIT BREAKER.....39
 COMPRESSOR.....12
 MOUNT.....12
 CONDENSOR COIL.....12
 CONSOLE.....39
 COOLER, OIL.....13
 CRADLE, TANK.....49,50
 CROP GUIDE.....18,63
 CROSSMEMBER, FRONT.....24
 CYLINDER,
 FOLD.....56,57,59
 LEVEL.....56,57,60
 LIFT.....54,55,58
 STEERING.....23

-D-

DECALS.....78
 DIFFUSER, LINE.....30
 DIMMER SWITCH.....32
 DIPSTICK.....30
 DISC,
 BRAKE.....19
 FRICTION.....41
 SENSOR.....19
 DOOR.....33
 HANDLE.....33
 LATCH.....33
 DRAIN COCK.....13
 DRYER, AIR CONDITIONER.....12
 DRINK HOLDER.....39
 DRIVE ASSEMBLY.....4
 DROP ASSEMBLY, 6FT.....71

-E-

ELECTRICAL SCHEMATIC.....100
ENGINE.....4,5,6,7
EXHAUST PIPE.....16,17
EXTENSION,
BRAKE CABLE.....42
TRANSOM.....57

-F-

FAN
BLADE.....5,6
SPACER.....5,6
FEEDER TEE.....53
FILTER,
AIR CLEANER.....14,15
AIR CONDITIONER.....34
FUEL.....4,5,28,30
MICHIGAN.....30
OIL.....5,6,11
FLASHER LIGHT.....32
FLOW DIVIDER.....9
FLUSHING VALVE.....10
FOAM.....35
FOAM MARKER PLATE.....56
FOLD CYLINDER.....56,57,59
FRICTION DISC.....41
FUEL
CAP.....26,27
GAUGE.....37
PUMP.....28
SELECTOR VALVE.....26,27
SENDER.....26,27
TANK.....26,27
FUSE.....38
HOLDER.....38

-G-

GAS SPRING.....33
GAUGE,
FUEL.....37
OIL PRESSURE.....37
PRESSURE.....52
TEMPERATURE.....37
VOLTMEETER.....37
GEAR PUMP.....8
GLASS.....32,33
GOVERNOR.....7
GRAB HANDLE.....32
GROMMET, RUBBER.....32
GROUND STRAP.....4,7,29,32
GUIDE, CROP.....18,63

-H-

HANDLE,
DOOR.....33
GRAB.....32
HANDRAIL.....44
HEADLAMP SWITCH.....38
HEADLIGHT.....32
HEATER SOLENOID.....25
HEAT SHIELD.....6,16,17
HOLDER,
DRINK.....39
FUSE.....38
HOOD,
AIR CLEANER.....14,15
ENGINE.....44
HOOK, RUBBER.....44,45
HOSE,
AIR CLEANER.....14,15
FUEL.....26,27,28
RADIATOR.....5,6
HOSING, SOLUTION.....64
HOUR METER.....37
HUB, TORQUE.....18,19,74
HYDROSTATIC
LEVER.....40
PUMP.....8
HYDRAULIC
SCHEMATIC.....80
TUBE.....19,54,55
HYPRO 230 PUMP.....68

-I-

IGNITION SWITCH.....38
IMPELLER, AGITATOR.....48
INDICATOR, MPH/RPM.....37
INNER TUBE.....21
INTERIOR LIGHT.....34

-K-

KICK PANEL.....32
KIT,
LIGHT.....37
SEAL.....23,58,59,60
KNOB.....36,41
SWITCH.....38

-L-

LADDER.....46
LATCH, DOOR.....33
LEG,
FRONT.....18,20
HYDRAULIC TUBE.....19
REAR.....19

LEVEL CYLINDER.....56, 57, 60
 LEVEL,
 BRAKE.....42
 HYDROSTATIC.....40
 THROTTLE.....41
 LIFTARM.....54, 55
 LIFT CYLINDER.....54, 55, 59
 LIGHT,
 FLASHER.....32
 INTERIOR.....34
 KIT.....37

-M-

MANIFOLD,
 BEAN 35.....73
 HYPRO D230.....69
 METAL, SHEET.....44, 45
 METER, HOUR.....37
 MIRROR.....32
 MODULATOR.....7
 MOTOR
 MOUNT.....4, 5, 6
 STEERING.....36
 WIPER.....32
 MOUNT,
 BRAKE.....19
 CABLE.....31
 FUEL TANK.....26, 27
 MONITOR.....39
 RUBBER.....4, 5, 6
 THROTTLE CABLE.....4
 MUFFLER.....16, 17

-N-

NOZZLE, RINSE.....67

-O-

OIL
 COOLER.....13
 FILTER.....5, 6, 11
 PRESSURE GAUGE.....37
 SENDER.....4, 7
 TANK.....30
 OUTPUT SHAFT.....7

-P-

PACKING, GLAND.....48
 PAD, BRAKE.....19
 PANEL, KICK.....32
 PIVOT PIN.....24
 PRESSURE GAUGE.....52
 PUMP,
 FUEL.....28
 HYDROSTATIC.....8

HYPRO D230.....68
 SOLUTION.....51, 65

-R-

RADIATOR.....13
 CAP.....13
 DRAIN COCK.....13
 HOSE.....5, 6
 SHROUD.....13
 RADIO.....34
 RECOVERY TANK.....13
 RELAY.....40
 RELIEF VALVE.....9
 RIM.....21
 RINSE
 NOZZLE.....67
 TANK.....66
 ROOF, CAB.....32
 RUBBER
 GROMMET.....32
 HOOK.....44, 45
 MOUNT.....4, 32

-S-

SCHEMATIC,
 ELECTRICAL.....100
 HYDRAULIC.....80
 SCREEN, AIR INTAKE.....13
 SEAL KIT.....23, 58, 59, 60
 SEAT.....32
 SELECTOR VALVE.....31
 SENDER,
 FUEL.....26, 27
 OIL.....4, 7
 TEMPERATURE.....5, 6
 SENSOR,
 DISC.....19
 SPEEDOMETER.....19
 SERVICE PLATFORM.....46
 SHAFT,
 AGITATOR.....48
 OUTPUT.....7
 SHEET METAL.....44, 45
 SHIELD,
 AGITATOR.....48
 HEAT.....6, 16, 17
 TANK.....47
 WHEEL MOTOR.....19
 SHROUD, RADIATOR.....13
 SIGHT GAUGE.....49, 50
 SMV SIGN.....45
 SOLENOID, HEATER.....25
 SOLUTION,
 HOISING.....64
 PUMP.....51, 65
 TANK.....49, 50
 VALVE.....49, 50, 52

SPACER, BATTERY BOX.....29
 FAN.....5,6
 RING.....7
 SPEAKER.....34
 SPRING, GAS.....33
 STABER SOLENOID.....7
 STEERING
 ARM.....18, 19
 CYLINDER.....23
 MOTOR.....36
 PIVOT ARM.....22
 POST.....36
 WHEEL.....36
 STRAINER, BASKET.....49
 STRAP, GROUND.....4,7,29,32
 SWITCH,
 BINARY.....12
 DIMMER.....32
 HEADLAMP.....38
 IGNITION.....38
 PARK BRAKE.....42
 TOGGLE.....38

-T-

TAILLIGHT.....66
 TANK
 CRADLE.....49,50
 FUEL.....26,27
 OIL.....30
 RECOVERY.....13
 RINSE.....66
 SHIELD.....47
 SOLUTION.....49,50
 TEE, FEEDER.....53
 TEMPERATURE
 GAUGE.....37
 SENDER.....5,6
 TERMINAL BLOCK.....39
 THROTTLE
 CABLE MT.....4
 LEVER.....41
 TIE PLATE.....16
 TIE ROD.....22
 TIRE.....21
 TOGGLE SWITCH.....38
 TORQUE HUB.....18,19,74
 TRACTION VALVE.....8
 TRANSOM.....56,57
 EXTENSION.....57
 TUBE, INNER.....21

-V-

VALVE,
 BOOM.....61
 FUEL SELECTOR.....26,27
 FLUSHING.....10
 RELIEF.....9
 SELECTOR.....31
 SOLUTION.....49,50,52
 TRACTION.....8
 VFC.....43
 VOLTMETER.....4

-W-

WHEEL MOTOR.....18,19
 SHIELD.....19
 WHEEL, STEERING.....36
 WIPER.....32
 ARM.....32
 BLADE.....32
 MOTOR.....32

