

PARTS MANUAL
FOR
HAGIE MODEL 280 HI-TRACTOR

HAGIE MANUFACTURING COMPANY

BOX 273 CLARION, IOWA 50525 (515) 532-2861

COVERS MACHINE SERIAL NUMBERS: 017519001 thru 017519100

03-91 493124
02-08

SPRAYER IDENTIFICATION

Each Hagie sprayer is identified by means of a frame serial number. This serial number denotes the model, the year in which it was built, and the number of the sprayer. As for further identification, the engine has a serial number and the planetary hubs have identification plates that describe the type of mount and gear ratio. To insure prompt, efficient service when ordering parts or requesting service repairs from Hagie Manufacturing Company, record the serial and identification numbers in the space provided below.

NOTE: Reference to left hand and right hand used throughout this manual refers to the position when seated in the operator's seat facing forward.

SPRAYER SERIAL NUMBER

ENGINE SERIAL NUMBER

PLANETARY HUB IDENTIFICATION NUMBERS

TABLE OF CONTENTS

ENGINE ASSEMBLIES 4-6

FLOW DIVIDER. 7

A/C AND RADIATOR. 8-9

AIR CLEANER AND EXHAUST PIPE.10

BATTERY11

LEG ASSEMBLIES. 12-13

TIE ROD ASSEMBLY.14

STEERING CYLINDER15

FUEL AND OIL TANKS. 16-17

OPERATOR STATION. 18-23

CONSOLE ASSEMBLY. 24-27

STEERING WHEEL ASSEMBLY28

INSTRUMENT PANEL ASSEMBLY29

FLOW DIVIDER AND SELECTOR VALVE 30-31

SHEET METAL 32-33

LADDER AND SERVICE PLATFORM ASSEMBLY.34

FRONT LEG CYLINDER.35

SOLUTION SYSTEM 36-41

TANK SHIELDS. 42-43

TIRE AND CROP GUIDES. 44-45

TRANSON, BOOM AND LIFT COMPONENTS 46-51

SOLUTION HOUSING DIAGRAM.52

WHEEL DRIVE ASSEMBLY. 53-55

HYDRAULIC SCHEMATIC 56-57

ELECTRICAL SCHEMATIC. 58-59

DECALS. 60-61

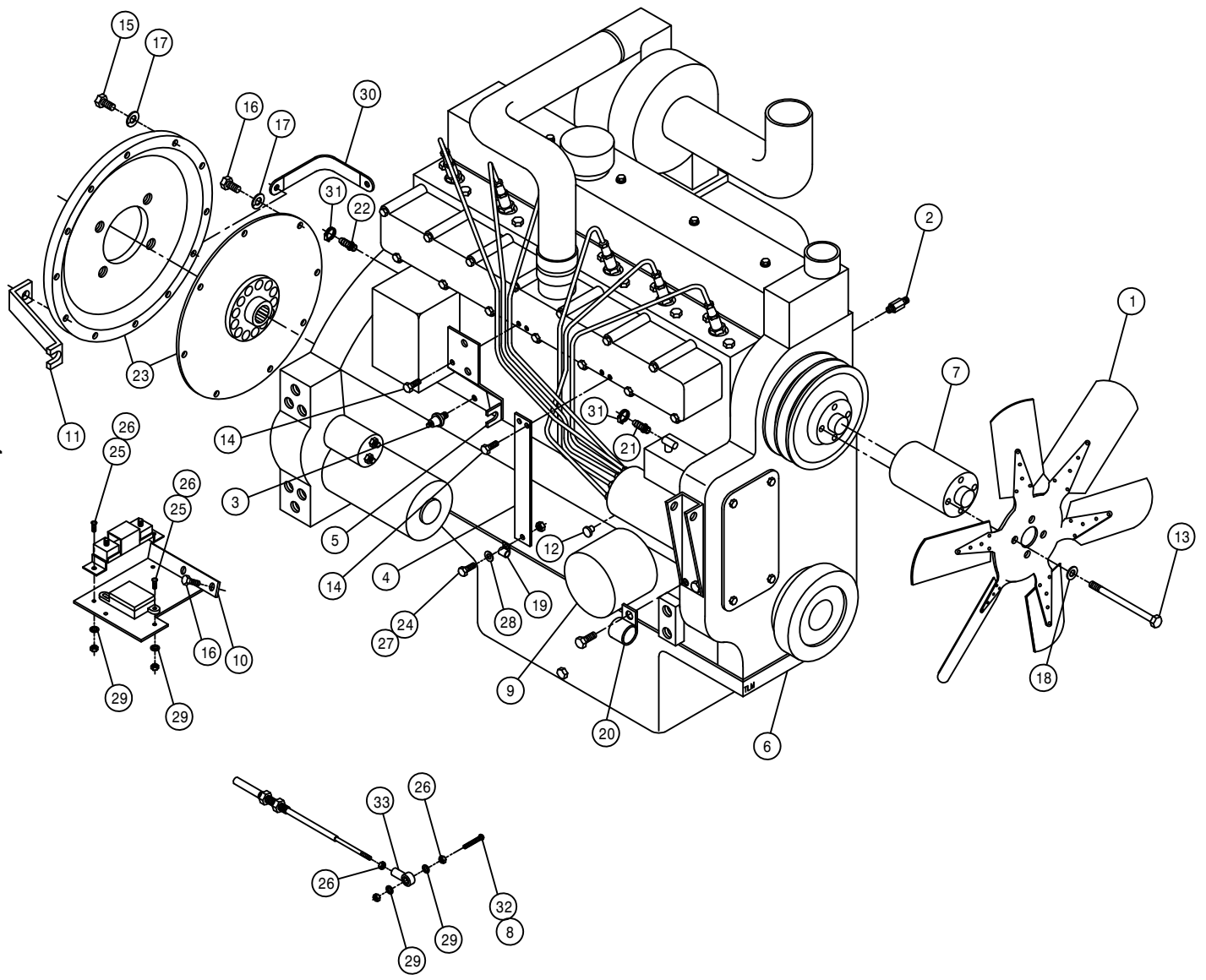
ABBREVIATIONS62

INDEX63

ENGINE ASSEMBLY

DET. QTY PART NO. DESCRIPTION

DET.	QTY	PART NO.	DESCRIPTION
1	1	316180	22 IN DIA 6 BLADE 2.25 PITCH
2	1	314471	TEMP SENDR 280D 3/8NPT FOR GA
3	1	314788	OIL SENDER .125NPT PERK6.3544
4	1	316123	FUEL SHUTOFF CABLE MT ONAN
5	1	316124	THROTTLE CABLE MT WLD ONAN
6	1	316139	CUMMINS ENGINE
7	1	316182	22IN FAN SPACER CUMM 91
8	1	914027	#10-32 HEX STOVER NUT
9	1	316141	OIL FILTER ONAN L634T ENG
10	1	316158	RESISTOR/FUSE MT 280 CUMM 89
11	1	316159	HYDST CABLE MT 280 CUMM 89
12	1	390486	THROT CABLE HOLDER
13	4	473825	08MM-1.25 X 90MM HEX BOLT
14	3	473781	06MM-1.00 X 12MM HEX BOLT
15	12	473792	10MM-1.50 X 30MM HEX BOLT
16	10	473793	10MM-1.50 X 20MM HEX BOLT
17	20	473798	LOCKWASHER 10MM PL TB2
18	4	473804	8MM LOCKWASHER
19	1	520119	CUSHION HOSE CLAMP 3/16 IN
20	1	520121	CUSHION HOSE CLAMP 1 IN DIA
21	1	711001	1/8 NPT X 5/16 HOSE BARB
22	1	783303	HOSE BARB 1/4 NPT X 5/16 HOSE
23	1	800494	CUMM TO SUND DRIVE ASSY 14T
24	1	900002	1/4UNC X 3/4 HEX BOLT
25	4	903883	10-32 X 1/2 SLTRD HD MACH SCR
26	6	910027	#10-32 HEX NUT
27	1	914000	1/4UNC HEX STOVER NUT
28	1	920000	1/4 FLAT WASH SAE
29	6	920510	LOCK WASH NO 10
30	1	290107	ENG TO GROUND STRAP 8 IN TB2
31	2	520120	HOSE CLAMP NO 4 MINIATURE PLT
32	1	903893	10 32 X 1 SLT RD HD MACH SCR
33	1	473921	BALL JOINT NO 10-32 THD



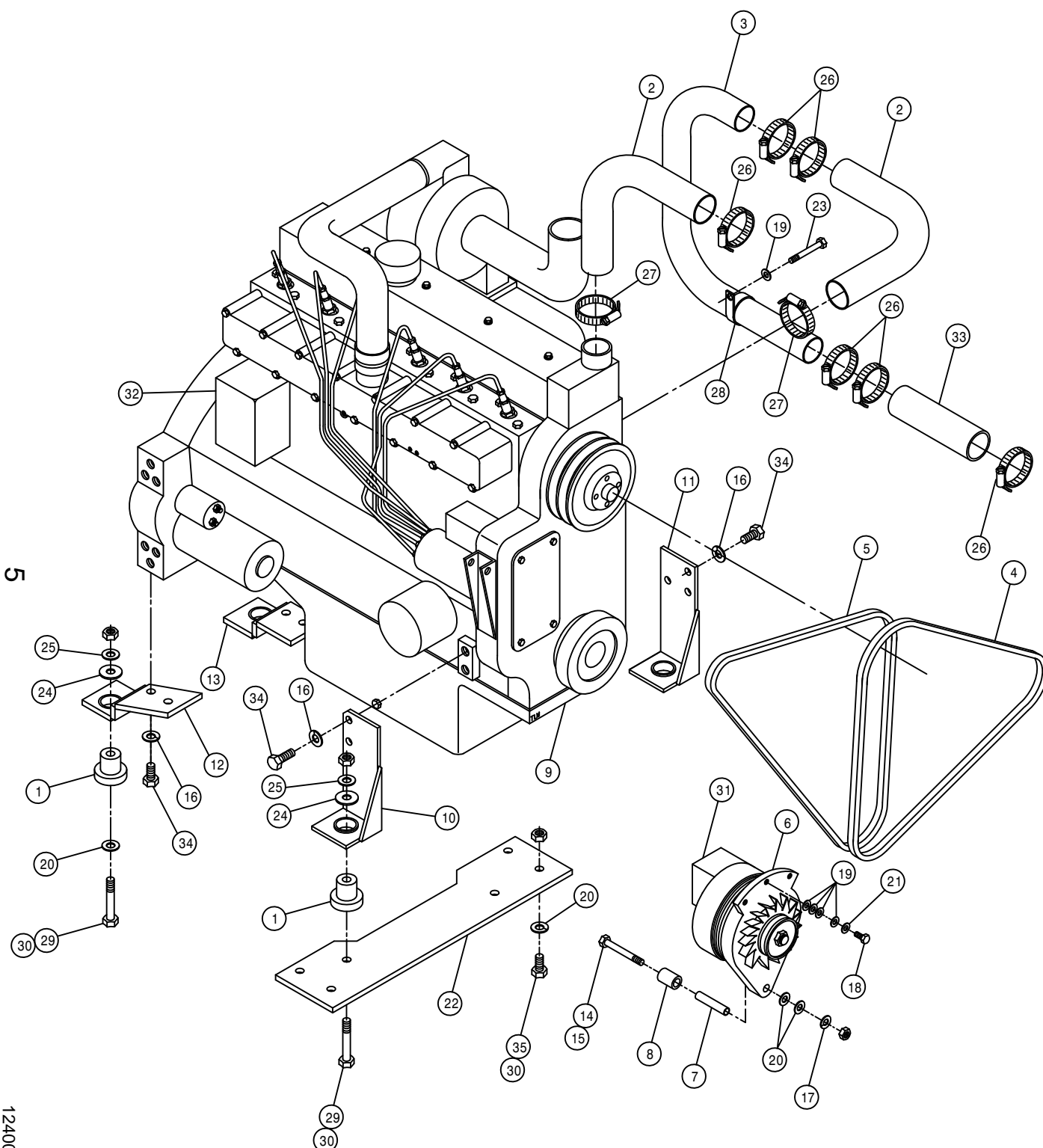
4

ENGINE ASSEMBLY

DET. QTY PART NO. DESCRIPTION

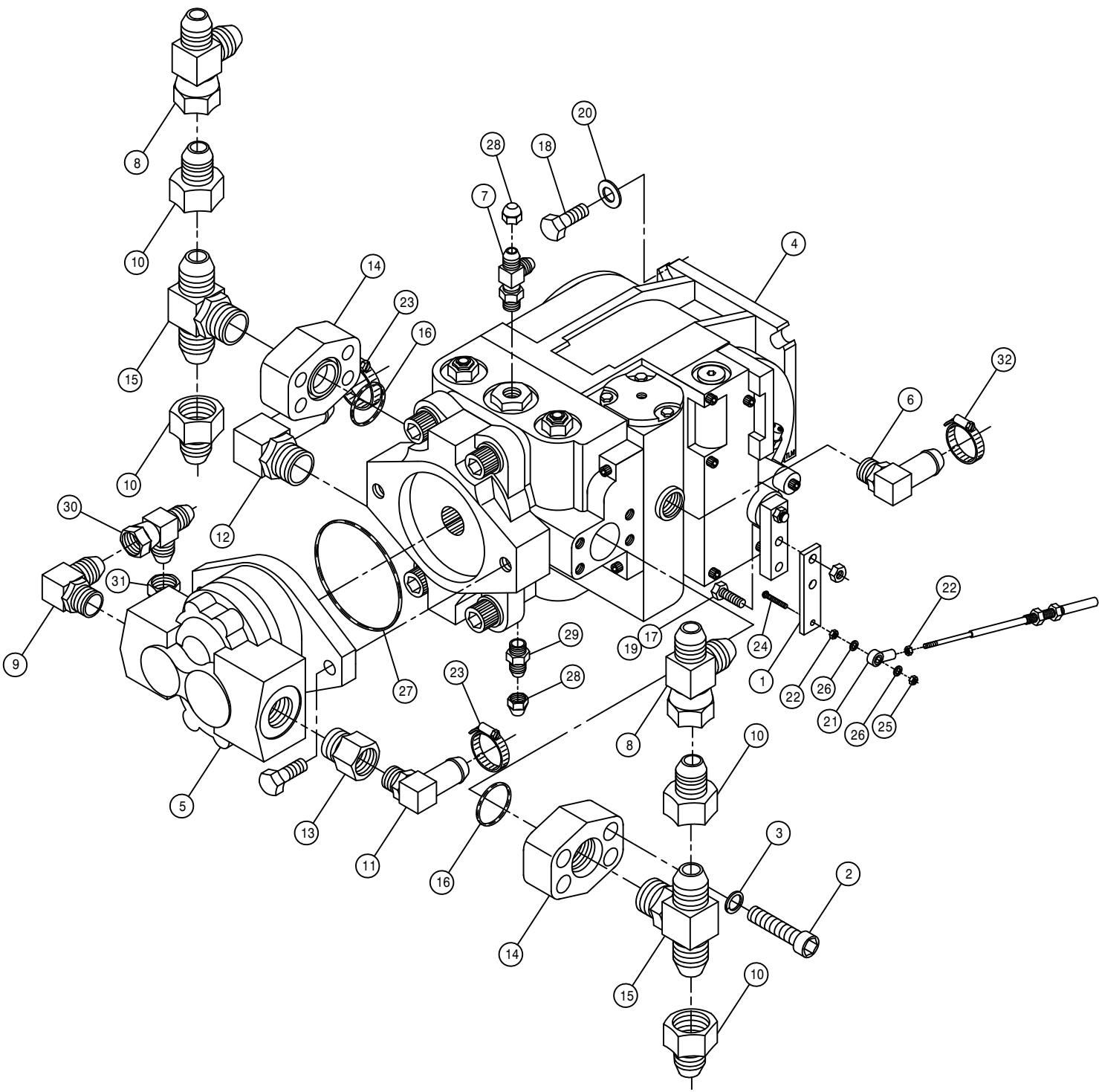
1	4	311032	ENG IS/LATOR 470 472 1978	
2	2	314801	RAD HOSE GATES 20271	
3	1	316144	LWR RAD TUBE ONAN	85
4	1	147018	BELT 7541 GATES	
5	1	147014	BELT 7508	
6	1	291487	72 AMP ALT W/ REGULATOR	
7	1	316137	TUBE .50 OD X .035WA X 2.50LG	
8	1	316138	TUBE .875 OD X .156 X 1.25LG	
9	1	316139	CUMMINS ENGINE	
10	1	316162	RH FRT MTR MT WLD CUMM 280 89	
11	1	316163	LH FRT MTR MT WLD CUMM 280 89	
12	1	316167	RH REAR MTR MT WLD CUMM 280	
13	1	316168	LH REAR MTR MT WLD CUMM 280	
14	1	473779	H NUT 10MM	
15	1	473780	HH BOLT 10MM X 1.50THD X 90MM	
16	9	473784	LOCKWASHER 12MM PL	
17	1	473798	LOCKWASHER 10MM PL TB2	
18	1	900065	5/16 UNC X 1 HEX BOLT	
19	5	920001	5/16 FLAT WASHER SAE PLT	
20	8	920004	1/2 FLAT WASHER SAE	
21	1	920501	LOCK WASH 5/16	
22	1	341773	MAINFRAME TIE PLATE CUMM 280	
23	1	473823	HH BOLT 8MM X 1.25THD X 90MM	
24	4	483037	FLAT WASH 5/8 REGULAR	
25	4	483041	1/2 REGULAR FLAT WASH PLT	
26	6	520067	HOSE CLAMP NO 28 PLATED	
27	2	520068	HOSE CLAMP NO 32 PLATED	
28	1	520123	CUSHION HOSE CLAMP 1 3/4 DIA	
29	4	900269	1/2X2 3/4 HH BOLT GR5 PLATED	
30	8	914008	1/2 UNC STOVER NUT	
31	1	291499	VOLTAGE REG FOR 72 AMP ALT	
32	1	316148	FUEL FILTER ONAN L643T ENG	
33	1	601251	HOSE, 1.75 X 6.00	
34	9	473783	HH BOLT 12MM X 1.75THD X 25MM	
35	4	900265	1/2 X 1 1/2 HH BOLT GR 5 PL	

5



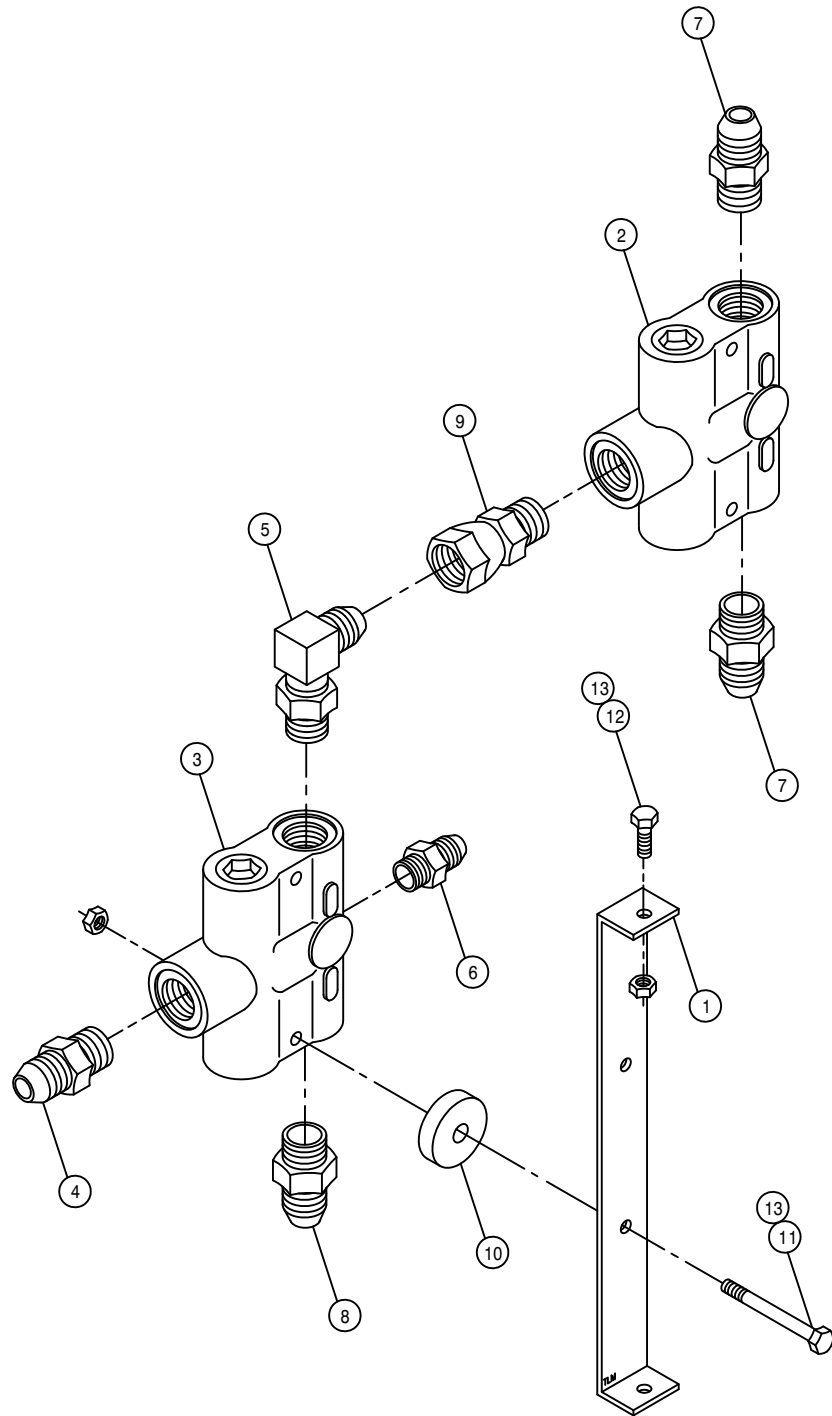
124005

9



SUNDSTRAND PUMP ASSEMBLY

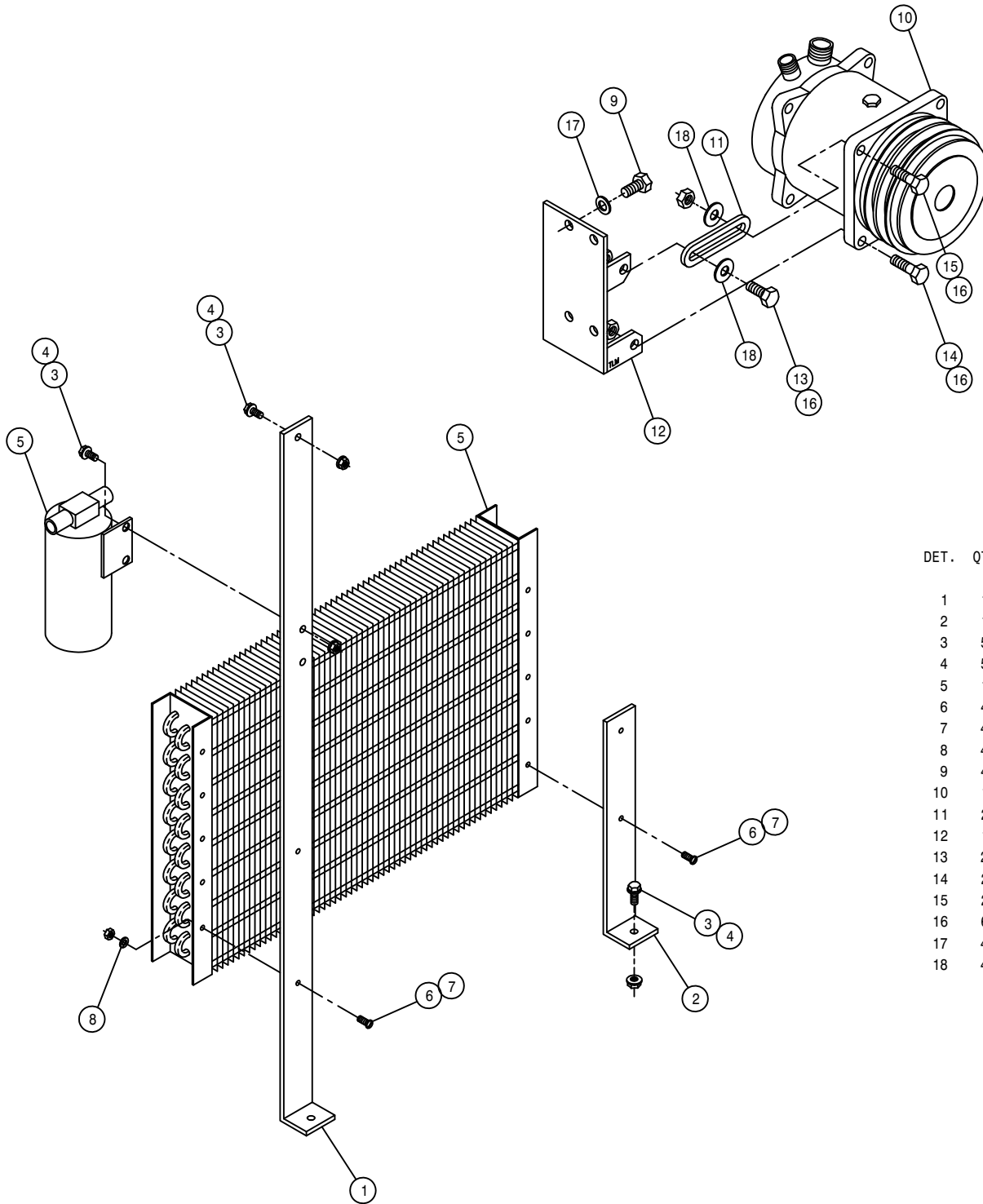
DET.	QTY	PART NO.	DESCRIPTION
1	1	316160	PUMP CONT LEVER EXT 280 CUMM
2	8	470188	7/16-14 X 1 1/2 SOCHD CAP SCR
3	8	470189	7/16 HC LOCK WASH FOR 618598
4	1	606884	SUND 75CC ECLIPSE PUMP B-MT
5	1	606885	CESSNA GEAR PUMP 1.78CI SPINE
6	1	618118	3/4 HOSE BARB-90-1 1/16MOR
7	1	618444	9/16MOR RUN TEE-9/16MJIC
8	2	618487	1 1/16FJ SW RUN TEE-1 1/16MJ
9	1	618535	7/8MJIC-90-1 1/16MOR LBO
10	4	618541	1 5/16FJIC-1 1/16MJIC ADPTR
11	1	618563	1IN HOSE BARB-90-1 1/16MOR
12	1	618564	1IN HOSE BARB-90-1 5/16MOR
13	1	618595	1 5/8MOR-1 1/16FOR ADPTR
14	2	618598	1 IN 4-BOLT FLG X 1 5/16FOR
15	2	618599	1 5/16MOR BRANCH TEE-1 5/16MJ
16	2	870219	BUNA ORING 1 5/16 X 1 9/16
17	2	900003	1/4UNC X 1 HEX BOLT
18	4	900265	1/2UNC X 1 1/2 HEX BOLT
19	2	914000	1/4UNC HEX STOVER NUT
20	4	920004	1/2 FLAT WASHER SAE
21	1	473921	BALL JOINT NO 10-32 THD
22	2	910027	#10-32 HEX NUT
23	2	520087	HOSE CLAMP NO 20 PLATED
24	1	903893	10 32 X 1 SLT RD HD MACH SCR
25	1	914027	#10-32 HEX STOVER NUT
26	2	920510	LOCK WASH NO 10
27	1	606870	O-RING FOR 606865 SUND B-MT
28	2	618531	9/16FJIC CAP NUT
29	1	618126	9/16MJIC-9/16MOR ADPTR
30	1	618333	7/8FJIC SW RUN TEE-7/8MJIC
31	1	618328	7/8FJIC CAP NUT
32	1	520055	HOSE CLAMP NO 12 PLATED



FLOW DIVIDER ASSEMBLY

DET. QTY PART NO. DESCRIPTION

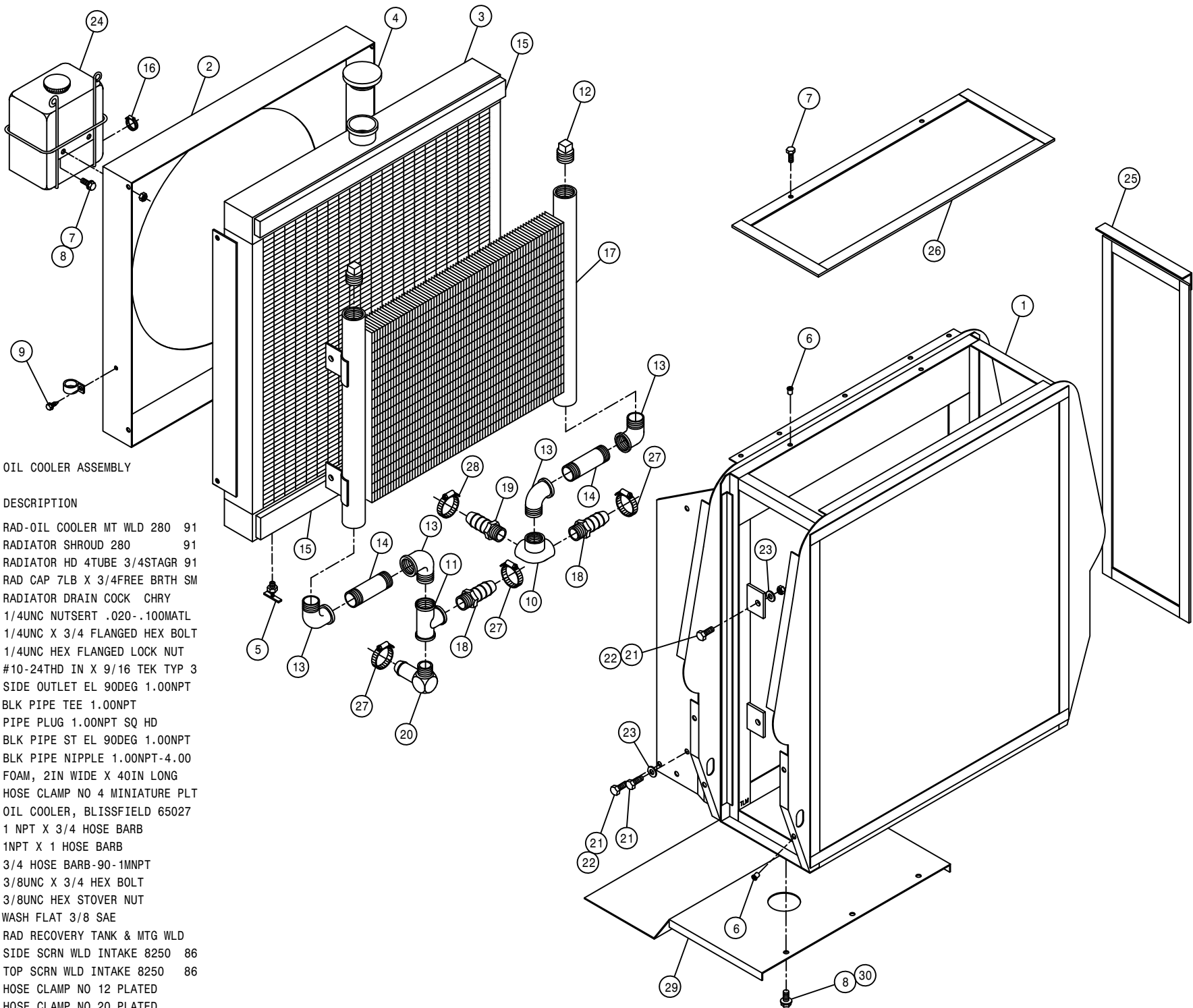
1	1	341774	FLOW DIVIDER MT 280	89
2	1	607504	FLO DIV B50 2-8GPM 7/8 FOR	
3	1	607518	FLO DIV BGR56 6GPM PRI 7/8FOR	
4	1	611126	7/8MJIC-7/8MOR ADPTR	
5	1	611128	7/8MJIC-90-7/8MOR LBO	
6	1	618011	9/16MJIC-3/8MNPT ADPTR	
7	2	618310	9/16MJIC-7/8MOR ADPTR	
8	1	618327	3/4MJIC-7/8MOR ADPTR	
9	1	618594	7/8FJIC SWIV-7/8MOR ADPTR	
10	2	748500	RUBER WASH 3/8X1/4IDX1 1/2 OD	
11	2	900008	1/4 UNC X 2 1/2 HEX BOLT	
12	2	900002	1/4 UNC X 3/4 H BOLT GR5 PLT	
13	4	914000	1/4 UNC STOVER NUT	



A/C COMPRESSOR PUMP ASSEMBLY

DET. QTY PART NO. DESCRIPTION

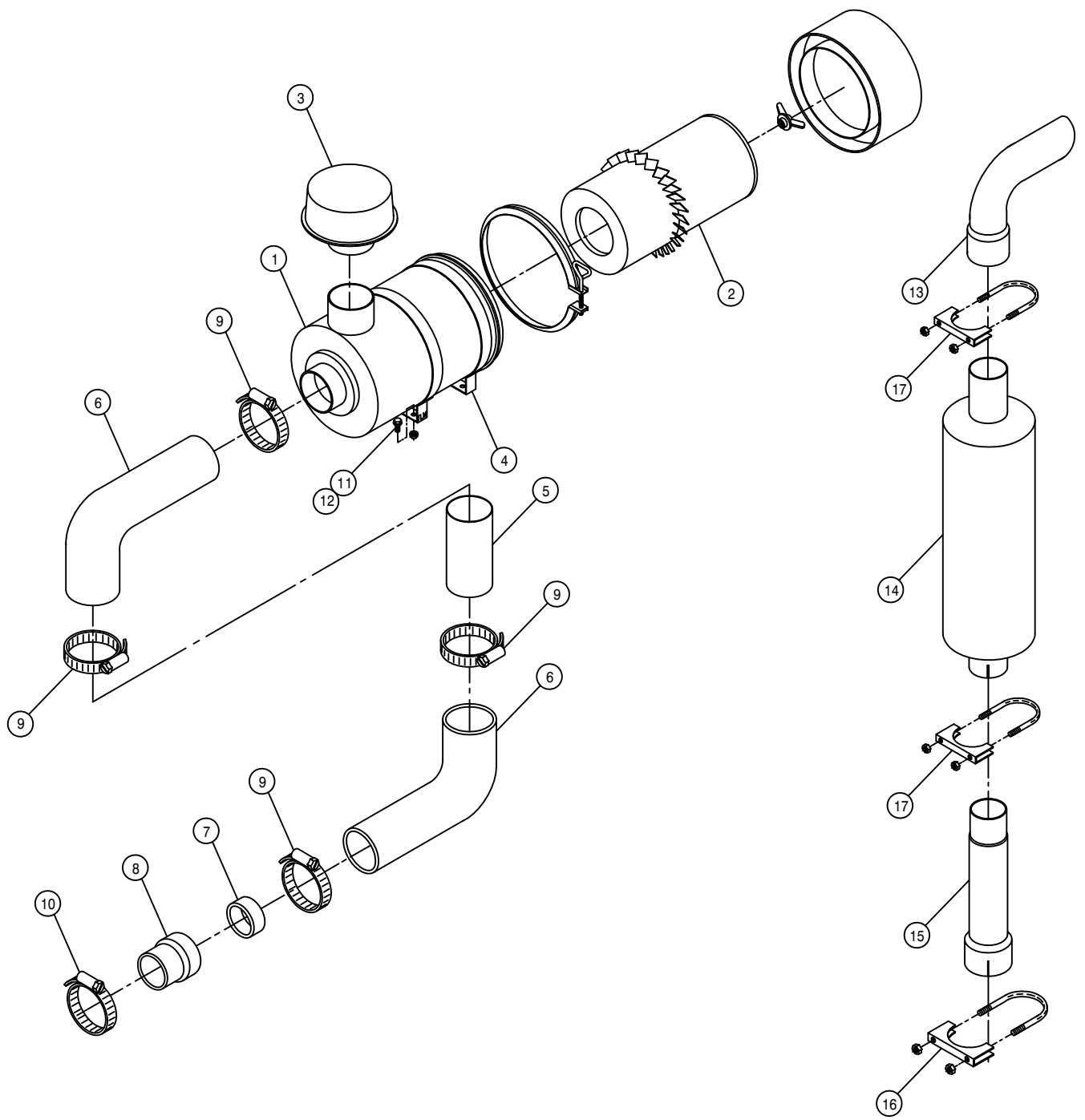
DET.	QTY	PART NO.	DESCRIPTION
1	1	314869	RH CONDENSOR MTG BRKT 280 91
2	1	314870	LH CONDENSOR MTG BRKT 280 91
3	5	470118	1/4UNC X 3/4 FLANGED HEX BOLT
4	5	470121	1/4UNC HEX FLANGED LOCK NUT
5	1	657309	CONDSR KIT,647S-SX,8240 1982
6	4	903883	10-32 X 1/2 SLTRD HD MACH SCR
7	4	910027	#10-32 HEX NUT
8	4	920510	LOCK WASH NO 10
9	4	473803	08MM-1.25 X 16MM HEX BOLT
10	1	657310	SANKYO A/C COMPRESSOR
11	2	657315	A/C COMPRESR ADJ TAB 8240
12	1	657330	A/C COMPRESR MT WLD ONAN 8250
13	2	900129	3/8UNC X 1 HEX BOLT
14	2	900130	3/8UNC X 1 1/4 HEX BOLT
15	2	900131	3/8UNC X 1 1/2 HEX BOLT
16	6	914004	3/8UNC HEX STOVER NUT
17	4	473804	8MM LOCKWASHER
18	4	920002	WASH FLAT 3/8 SAE



RADIATOR AND OIL COOLER ASSEMBLY

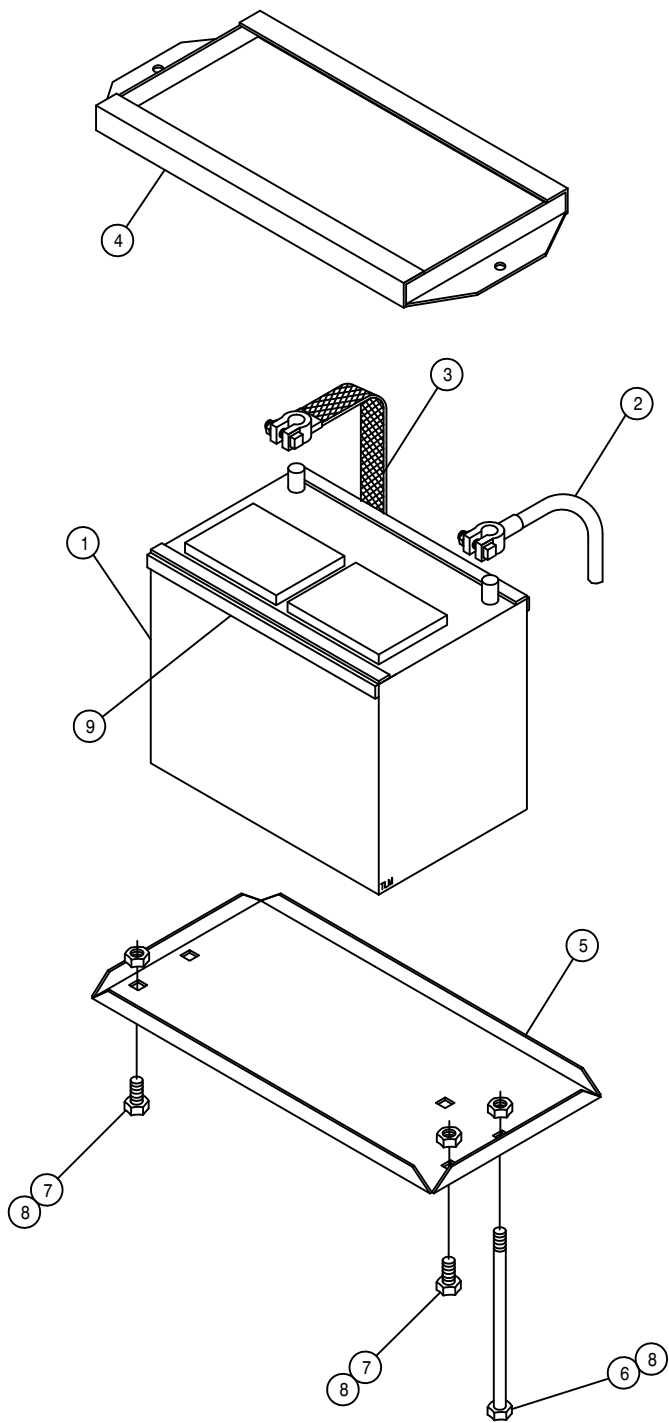
DET.	QTY	PART NO.	DESCRIPTION
1	1	314863	RAD-OIL COOLER MT WLD 280 91
2	1	314872	RADIATOR SHROUD 280 91
3	1	314855	RADIATOR HD 4TUBE 3/4STAGR 91
4	1	319257	RAD CAP 7LB X 3/4FREE BRTH SM
5	1	319559	RADIATOR DRAIN COCK CHRY
6	10	470086	1/4UNC NUTSERT .020-.100MATL
7	4	470118	1/4UNC X 3/4 FLANGED HEX BOLT
8	5	470121	1/4UNC HEX FLANGED LOCK NUT
9	1	472352	#10-24THD IN X 9/16 TEK TYP 3
10	1	505098	SIDE OUTLET EL 90DEG 1.00NPT
11	1	505101	BLK PIPE TEE 1.00NPT
12	2	505102	PIPE PLUG 1.00NPT SQ HD
13	4	505200	BLK PIPE ST EL 90DEG 1.00NPT
14	2	505203	BLK PIPE NIPPLE 1.00NPT-4.00
15	2	659579	FOAM, 2IN WIDE X 40IN LONG
16	1	520120	HOSE CLAMP NO 4 MINIATURE PLT
17	1	618606	OIL COOLER, BLISSFIELD 65027
18	2	714331	1 NPT X 3/4 HOSE BARB
19	1	714560	1NPT X 1 HOSE BARB
20	1	716000	3/4 HOSE BARB-90-1MNPT
21	12	900128	3/8UNC X 3/4 HEX BOLT
22	8	914004	3/8UNC HEX STOVER NUT
23	8	920002	WASH FLAT 3/8 SAE
24	1	314767	RAD RECOVERY TANK & MTG WLD
25	2	314490	SIDE SCR N WLD INTAKE 8250 86
26	1	314495	TOP SCR N WLD INTAKE 8250 86
27	3	520055	HOSE CLAMP NO 12 PLATED
28	1	520087	HOSE CLAMP NO 20 PLATED
29	1	314871	HEAT SHIELD 280 91
30	3	470122	1/4 UNC X 1/2 FLANGED HEX BOLT

10



AIR CLEANER AND EXHAUST PIPE ASSEMBLY

DET.	QTY	PART NO.	DESCRIPTION
1	1	314528	AIR CLEANER 647 PERK
2	1	314543	AIR CLEANER ELEMENT PERK 6
3	1	314529	AIR STACK CAP 3IN PERK 6CY
4	2	314536	AIR CLEANER BAND 8IN DONALDSO
5	1	314628	AIR CLEANER TUBE 3.00 X 6.00
6	2	314731	AIR CLEANER HOSE 8240
7	1	316146	HOSE INSERT, AIR INTK ONAN
8	1	319293	RUBBER ADPTR 2 1/4IDX2 1/2
9	4	520052	HOSE CLAMP NO 52 PLATED
10	1	520099	HOSE CLAMP NO 40 PLATED
11	4	470118	1/4UNC X 3/4 FLANGED HEX BOLT
12	4	470121	1/4UNC HEX FLANGED LOCK NUT
13	1	314877	MUFFLER PIPE 280 DIESEL 91
14	1	314554	PERK MUFFLER SAWED 647
15	1	316147	EXHAUST PIPE ONAN 1986
16	1	470160	MUFFLER CLAMP 3.00 IN
17	2	472216	2.50 MUFFLER CLAMP .31 UNC



BATTERY BOX ASSEMBLY

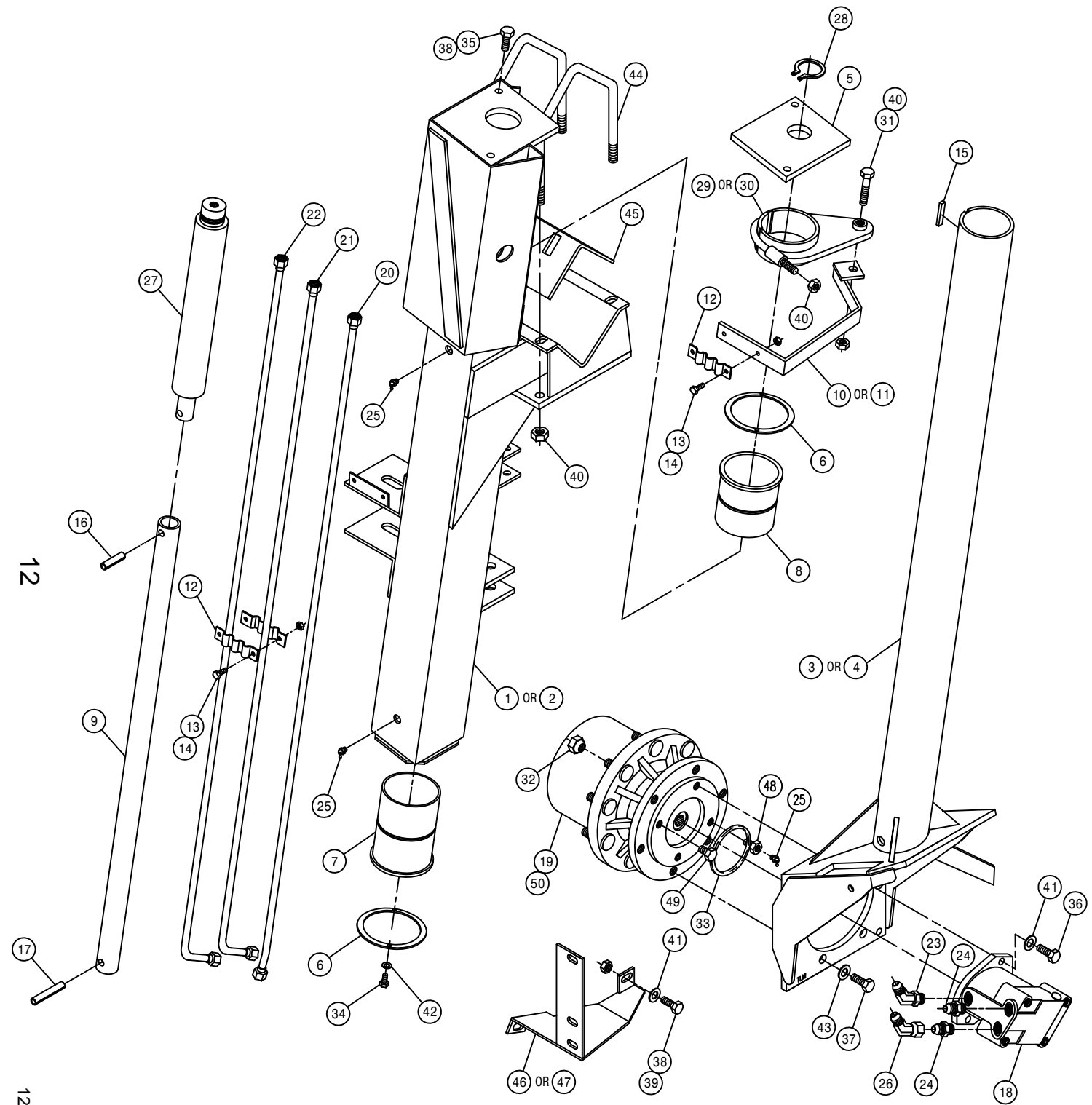
DET. QTY PART NO. DESCRIPTION

1	1	291122	BATTERY,575 AMP 160 RES
2	1	291128	BATTERY CABLE 48 IN
3	1	290111	GROUND STRAP
4	1	341322	BATTERY HOLD DOWN WLD 1981
5	1	361149	BATTERY BOX 8300-8400 1981
6	2	901150	3/8UNC X 9 CARR BOLT
7	2	900129	3/8UNC X 1 HEX BOLT
8	4	914004	3/8UNC HEX STOVER NUT
9	4	193022	STICKERTITE 1/4 X 3/4

FRONT LEG ASSEMBLY

DET. QTY PART NO. DESCRIPTION

DET.	QTY	PART NO.	DESCRIPTION	
1	1	358604	RH FRT OUTER LEG WLD 280	90
2	1	358605	LH FRT OUTER LEG WLD 280	90
3	1	358535	RH FRT INNER LEG WLD 280	89
4	1	358536	LH FRT INNER LEG WLD 280	89
5	1	358562	LEG CYL MTG PLATE 280	89
6	2	358563	FRT LEG BRG KPR 280	89
7	1	358564	FRT LEG LWR NYL SLEEVE 280	89
8	1	358565	FRT LEG UPR NYL SLEEVE 280	89
9	1	358566	LEG CYL SHAFT EXTENSION 280	89
10	1	358590	RH FRT LEG TUBE BRKT WLD 280	
11	1	358591	LH FRT LEG TUBE BRKT WLD 280	
12	3	358198	FT LEG CLAMP, 3 TUBE	647S
13	4	470118	1/4UNC X 3/4 FLANGED HEX BOLT	
14	4	470121	1/4UNC HEX FLANGED LOCK NUT	
15	1	470185	KEY .25 X .375 X 2.00 LG	
16	1	473903	SPIRAL PIN 1/2 X 2	640
17	1	473904	SPIRAL PIN 1/2 X 3	640
18	1	610512	SUND M23 WHL MTR	
19	1	610515	TORQ HUB 18 TO 1 B-MT W1BFNZ	
20	1	614677	FRT LEG INNER HYD TUBE ASY280	
21	1	614678	FRT LEG CNTR HYD TUBE ASY280	
22	1	614679	FRT LEG OUTER HYD TUBE ASY280	
23	1	618315	3/4MJIC-45-3/4MOR LBO	
24	2	618327	3/4MJIC-7/8MOR ADPTR	
25	3	471023	GREASE ZERK 1/4-28 X 45	
26	1	618590	3/4MJIC-45-3/4FJIC SWIV LBO	
27	1	620570	HYD CYL LEG LEVEL 2.00 X 12	
28	1	629515	SNAP RING 1 3/4 EXTRN HDUTY	
29	1	749250	RH STRG ARM WLD 280	89
30	1	749251	LH STRG ARM WLD 280	89
31	1	749269	STRG ARM BOLT 280	89
32	9	824052	1/2UNF 60 DEG WHL NUT	
33	1	870155	BUNA ORING 4 X 4 3/16	
34	4	900000	1/4UNC X 1/2 HEX BOLT	
35	2	900264	1/2UNC X 1 1/4 HEX BOLT	
36	2	900266	1/2UNC X 1 3/4 HEX BOLT	
37	6	900333	5/8UNC X 1 1/2 HEX BOLT	
38	5	914008	1/2UNC HEX STOVER NUT	
39	3	900265	1/2UNC X 1 1/2 HEX BOLT	
40	6	914010	5/8UNC HEX STOVER NUT	
41	5	920004	1/2 FLAT WASHER SAE	
42	4	920500	LOCK WASH 1/4	
43	6	920505	LOCK WASHER 5/8	
44	2	358426	5/8UNC X 7 9/16 CTR UBOLT TRI	
45	1	358567	UPPER LEG V-PLATE WLD 280	89
46	1	662157	RH FRT MTG WLD FOR CROP GUIDE	
47	1	662156	LH FRT MTG WLD FOR CROP GUIDE	
48	1	610556	1/2UNC X 1/2 ZERK BOLT T-HUB	
49	1	900260	1/2UNC X 1/2 HEX BOLT	
50	1	610552	SEAL BOOT FOR W1BFNZ TORQ HUB	

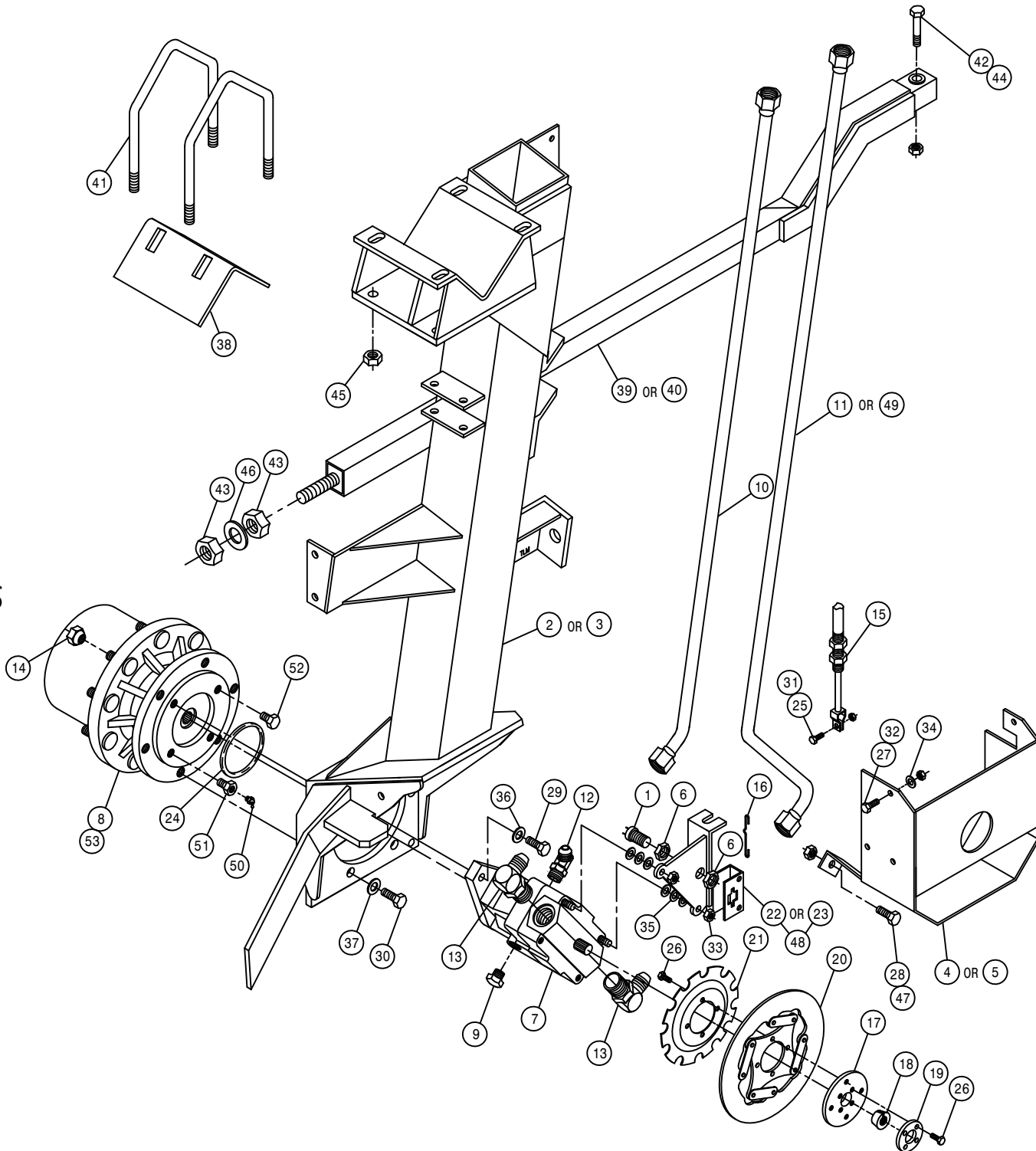


12

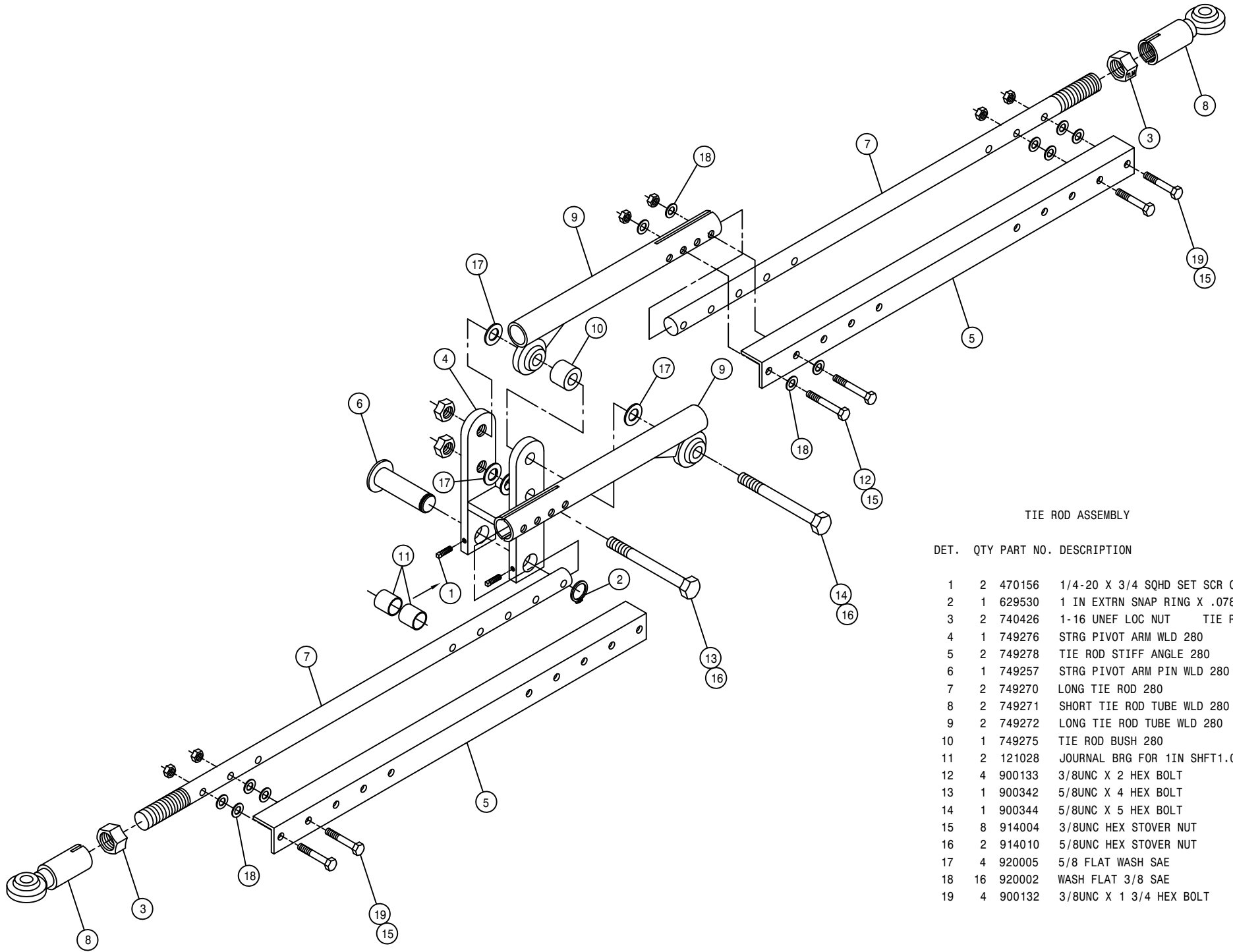
124012

REAR LEG ASSEMBLY

DET.	QTY	PART NO.	DESCRIPTION	
	1	291206	SENSOR SPEEDO TACH	640
	2	358613	RH REAR LEG WLD 280	90
	3	358614	LH REAR LEG WLD 280	90
	4	358596	RH REAR WHL MTR SHLD WLD 280	
	5	358597	LH REAR WHL MTR SHLD WLD 280	
	6	473061	3/4UNF TRUSEAL HEX NUT	
	7	610030	SUND WHL MTR EXTEN SHAFT 18	
	8	610516	TORQ HUB 24 TO 1 B-MT W1BFNZ	
	9	611159	3/4MOR PLUG	
	10	614680	REAR LEG HYD TUBE ASSY 280	
	11	614681	RH REAR LEG HYD TUBE ASSY 280	
	12	618115	9/16MJIC-90-3/4MOR LBO	
	13	618302	1 1/16MJIC-90-1 5/16MOR LBO	
	14	824052	1/2UNF 60 DEG WHL NUT	
	15	826926	190 IN BRAKE CABLE 470	
	16	826929	CLIP BRAKE RETAINER	
	17	826943	HUB, BRAKE MT	
	18	826944	HUB, TAPER LOCK 11 TEETH	
	19	826945	HUB MOUNT, BRAKE	
	20	826959	BRAKE DISC SUB ASSY	
	21	826983	SENSOR DISC, 280 BRAKE FORMED	
	22	828079	BRAKE SENSOR MT WLD LH	
	23	828080	BRAKE SENSOR MT WLD RH	
	24	870155	BUNA ORING 4 X 4 3/16	
	25	900002	1/4UNC X 3/4 HEX BOLT	
	26	900064	5/16UNC X 3/4 HEX BOLT	
	27	900130	3/8UNC X 1 1/4 HEX BOLT	
	28	900265	1/2UNC X 1 1/2 HEX BOLT	
	29	900267	1/2UNC X 2 HEX BOLT	
	30	900333	5/8UNC X 1 1/2 HEX BOLT	
	31	914000	1/4UNC HEX STOVER NUT	
	32	914004	3/8UNC HEX STOVER NUT	
	33	914006	7/16UNC HEX STOVER NUT	
	34	920002	WASH FLAT 3/8 SAE	
	35	920003	7/16 FLATWASHER SAE	
	36	920004	1/2 FLAT WASHER SAE	
	37	920505	LOCK WASHER 5/8	
	38	358567	UPPER LEG V-PLATE WLD 280	89
	39	358619	RH LEG BRACE WLD 280	90
	40	358620	LH LEG BRACE WLD 280	90
	41	358426	5/8UNC X 7 9/16 CTR UBOLT TRI	
	42	900410	3/4UNC X 4 HEX BOLT	
	43	910017	1 UNC HEX NUT	
	44	914012	3/4UNC HEX STOVER NUT	
	45	914010	5/8UNC HEX STOVER NUT	
	46	920508	LOCK WASH 1 IN	
	47	914008	1/2UNC HEX STOVER NUT	
	48	826918	PARK BRAKE STATOR	
	49	614682	LH REAR LEG HYD TUBE ASSY 280	
	50	471023	GREASE ZERK 1/4-28 X 45	
	51	610556	1/2UNC X 1/2 ZERK BOLT T-HUB	
	52	900260	1/2UNC X 1/2 HEX BOLT	
	53	610552	SEAL BOOT FOR W1BFNZ TORQ HUB	

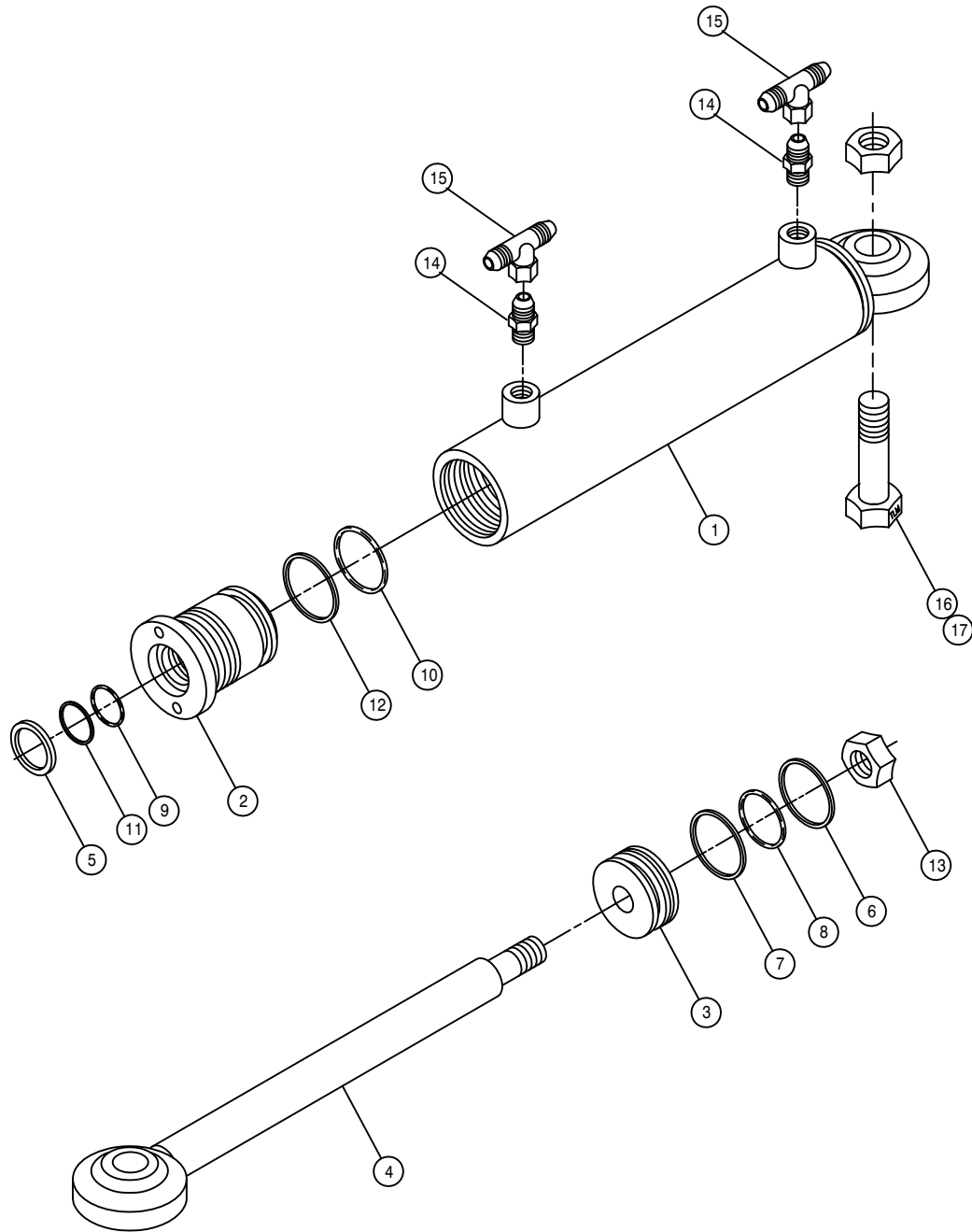


NOTE: ITEMS 1, 6, 21, AND 22 ARE USED ON THE RIGHT HAND LEG ASSEMBLY.



TIE ROD ASSEMBLY

DET.	QTY	PART NO.	DESCRIPTION
1	2	470156	1/4-20 X 3/4 SQHD SET SCR CUP
2	1	629530	1 IN EXTRN SNAP RING X .078
3	2	740426	1-16 UNEF LOC NUT TIE ROD
4	1	749276	STRG PIVOT ARM WLD 280 91
5	2	749278	TIE ROD STIFF ANGLE 280 91
6	1	749257	STRG PIVOT ARM PIN WLD 280 89
7	2	749270	LONG TIE ROD 280 90
8	2	749271	SHORT TIE ROD TUBE WLD 280 90
9	2	749272	LONG TIE ROD TUBE WLD 280 90
10	1	749275	TIE ROD BUSH 280 90
11	2	121028	JOURNAL BRG FOR 1IN SHFT1.0LG
12	4	900133	3/8UNC X 2 HEX BOLT
13	1	900342	5/8UNC X 4 HEX BOLT
14	1	900344	5/8UNC X 5 HEX BOLT
15	8	914004	3/8UNC HEX STOVER NUT
16	2	914010	5/8UNC HEX STOVER NUT
17	4	920005	5/8 FLAT WASH SAE
18	16	920002	WASH FLAT 3/8 SAE
19	4	900132	3/8UNC X 1 3/4 HEX BOLT



STEERING CYLINDER ASSEMBLY

DET.	QTY	PART NO.	DESCRIPTION
1	1	620089	STRG CYL TUBE WLD 1.5 X 6. 85
2	1	620109	GLAND HYD CYL 1.5 X .75 1985
3	1	620129	PISTON HYD CYL 1.5 X .5 1985
4	1	620148	STRG CYL SHAFT WLD
5	1	629028	WIPER, 10D X 3/4ID X 1/8
6	1	629616	SEAL, 1704-24 HT20550R POLYHON
7	1	629618	WEAR RING, 1.5" HYD CYL
8	1	870025	BUNA ORING 1 3/16 X 1 5/16
9	1	870210	BUNA ORING 3/4 X 1
10	1	870218	BUNA ORING 1 1/4 X 1 1/2
11	1	890210	BACKUP WASH 3/4 X1 HT2022
12	1	890218	BACKUP WASH1 1/4X1 1/2 HT2022
13	1	914009	1/2UNF HEX STOVER NUT
14	2	611121	9/16MJIC-1/4MNPT ADPTR
15	2	618514	9/16FJ SW BRANCH TEE-9/16MJ
16	1	900336	5/8UNC X 2 1/2 HEX BOLT
17	1	914010	5/8UNC HEX STOVER NUT

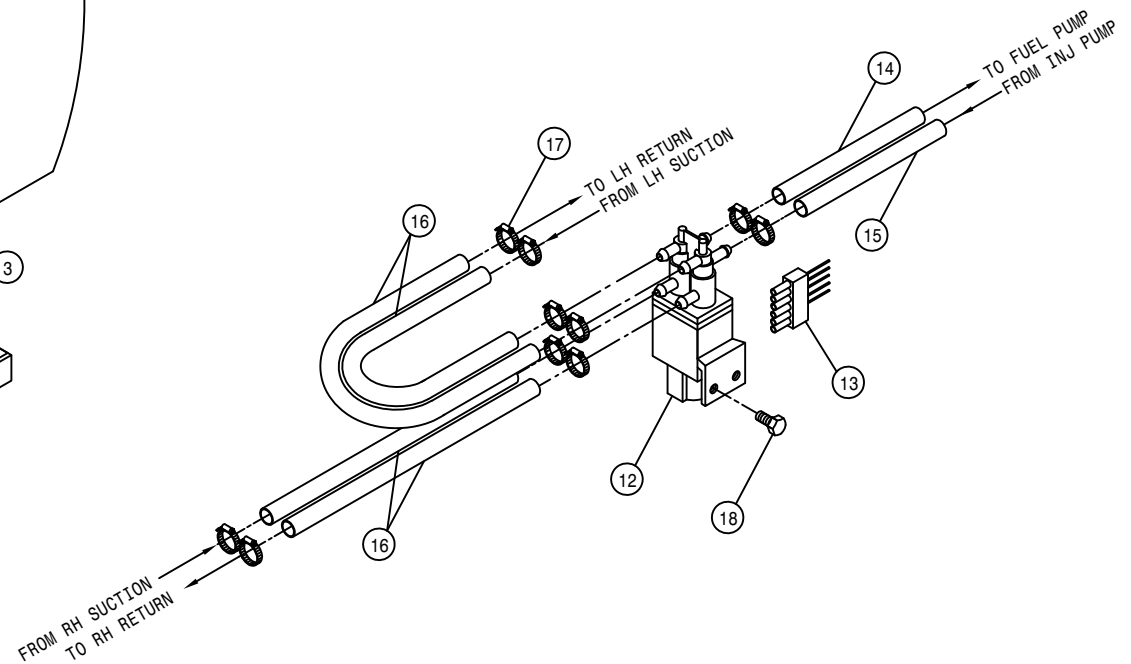
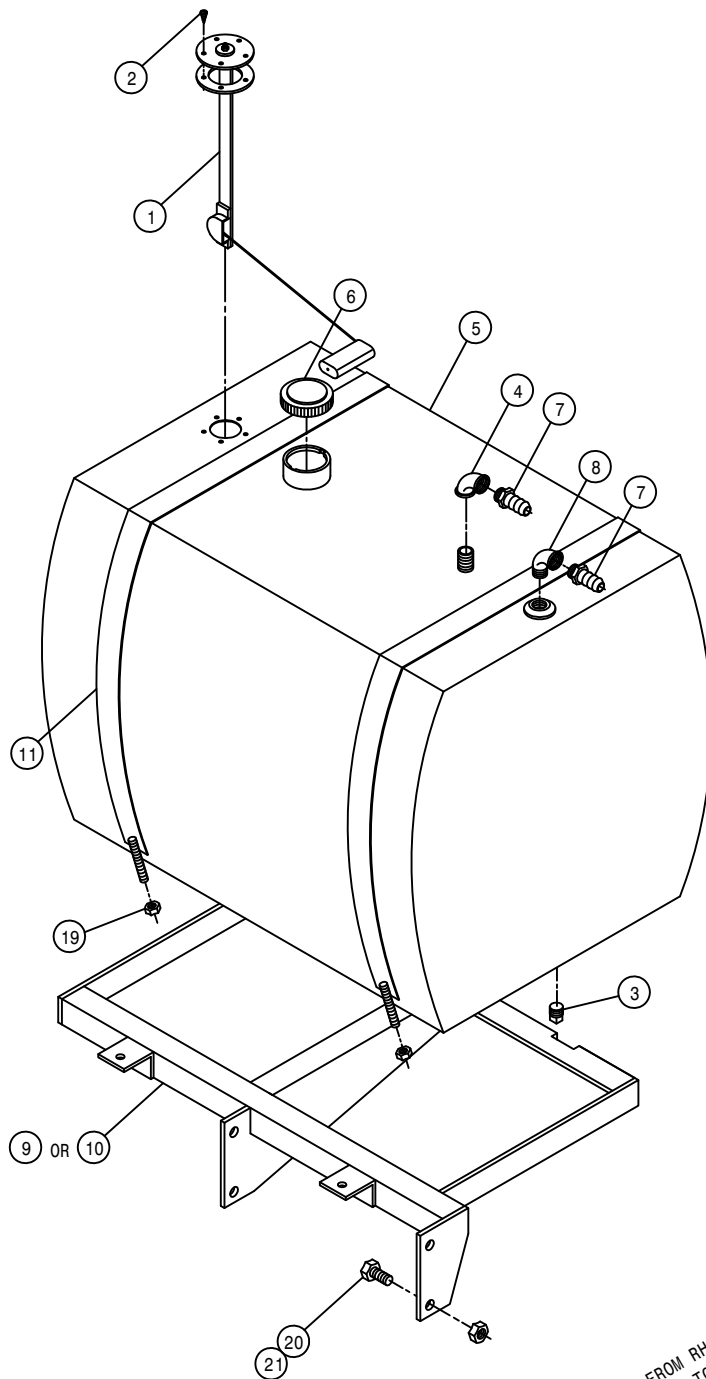
NOTE: 1. RIGHT CYLINDER ASSEMBLY IS SHOWN.
 FOR LEFT CYLINDER ASSEMBLY DELETE DETAIL
 14 AND 15 REPLACE WITH (2) 611122 - 9/16
 MJIC-90-1/4 MNPT ELBOW.

- 2 620080 - CYLINDER ASSEMBLY
- 3. 620998 - SEAL KIT

FUEL TANK ASSEMBLY

DET. QTY PART NO. DESCRIPTION

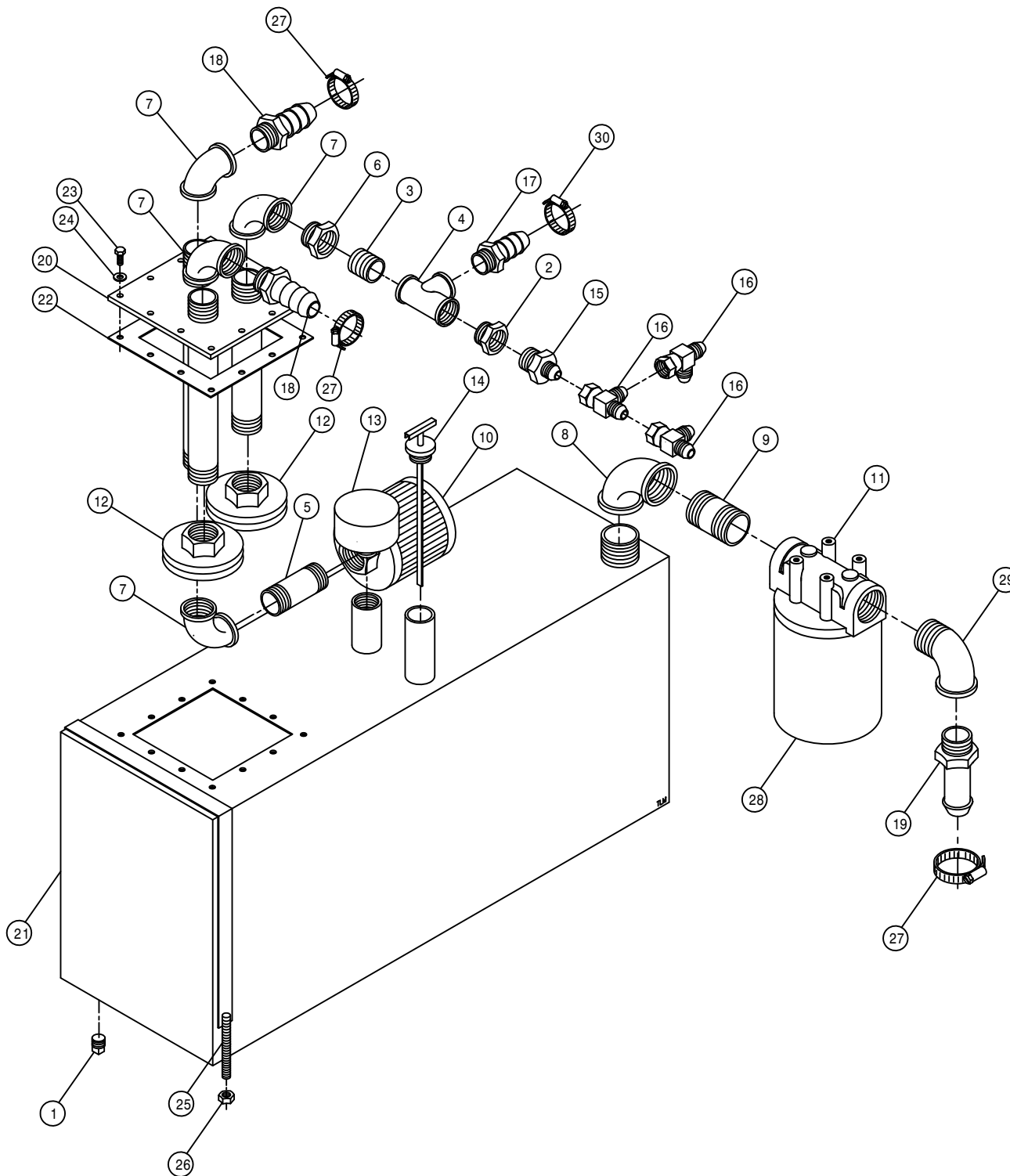
1	1	291428	FUEL SENDER 19 IN 470 PINTO
2	5	473902	NO 8 X 1/2 PAN HD MET SC 640
3	1	501102	1/4 PIPE PLUG
4	1	501451	BLK PIPE EL 90DEG .25NPT
5	1	760149	FUEL TANK WLD 200-280 90
6	1	761200	GAS CAP
7	2	783303	HOSE BARB 1/4 NPT X 5/16 HOSE
8	1	501450	BLK PIPE ST EL 90DEG .25NPT
9	1	760153	RH FUEL TNK MT WLD 200-280 90
10	1	760154	LH FUEL TNK MT WLD 200-280 90
11	2	760162	FUEL TANK BAND WLD 200-280 90
12	1	610529	FUEL SELECTOR VALVE W/RETURN
13	1	610530	5 WIRE CONNECTOR FOR 610529
14	1	601142	HOSE, 5/16 X 36 FUEL LINE
15	1	601191	HOSE, 5/16ID X 48 FUEL
16	4	601301	HOSE, 5/16 X 90IN FUEL LINE
17	10	520120	HOSE CLAMP NO 4 MINIATURE PLT
18	2	900064	5/16 UNC X 3/4 HEX BOLT
19	2	914004	3/8 UNC STOVER NUT
20	4	900264	1/2 UNC X 1 1/4 HEX BOLT
21	4	914008	1/2 UNC STOVER NUT



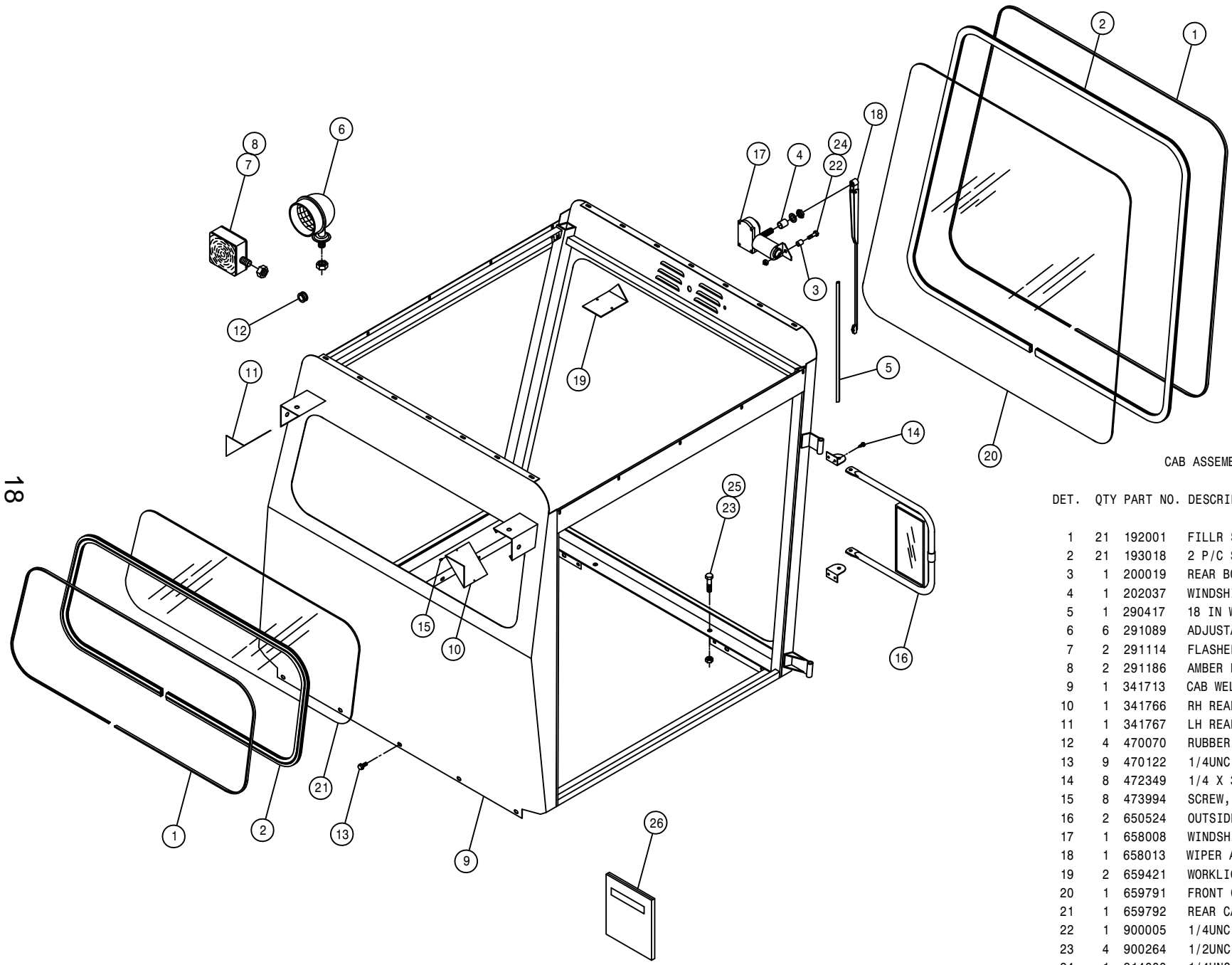
HYDRAULIC TANK ASSEMBLY

DET. QTY PART NO. DESCRIPTION

1	1	501102	1/4 PIPE PLUG
2	1	504210	RED BUSH 3/4 NPT X 1/2 NPT
3	1	504702	CLOSE NIPPLE .75NPT
4	1	504955	BLK PIPE TEE .75NPT
5	1	505203	BLK PIPE NIPPLE 1.00NPT-4.00
6	1	505213	RED BUSH 1 X 3/4 BLK MAL
7	4	505300	BLK PIPE EL 90DEG 1.00NPT
8	1	506303	BLK PIPE EL 90DEG 1.25NPT
9	1	506602	PIPE NIPPLE 1 1/4NPT-2 1/2
10	1	605600	MICHIGAN RESERVOIR FILTER
11	1	605601	GRESEN FILTER 10 MICRON 40GPM
12	2	605603	LINE SUMP DIFFUSER
13	1	611052	FILLER BREATHER 3/4NPT
14	1	614453	DIPSTICK, 8IN
15	1	618018	9/16MJIC-1/2MNPT ADPTR
16	3	618486	9/16FJIC SW RUN TEE-9/16MJIC
17	1	713220	HOSE BARB 3/4 NPT X 3/4
18	2	714560	1NPT X 1 HOSE BARB
19	1	715664	1 1/4 NPT X 1 HOSE BARB
20	1	760090	RECIEVER PLT WLD 8240
21	1	760097	OIL TANK WLD 8240 1982
22	1	763039	HYD MTR MTG PLT GSKT
23	12	900064	5/16UNC X 3/4 HEX BOLT
24	12	920001	5/16 FLAT WASHER SAE PLT
25	2	341360	OIL TANK STRAP WLD 8240 1982
26	4	914004	3/8UNC HEX STOVER NUT
27	3	520087	HOSE CLAMP NO 20 PLATED
28	1	605602	FILT ELEMENT 10MICRON 40GPM
29	1	506410	BLK PIPE ST EL 90DEG 1.25NPT
30	1	520055	HOSE CLAMP NO 12 PLATED



18



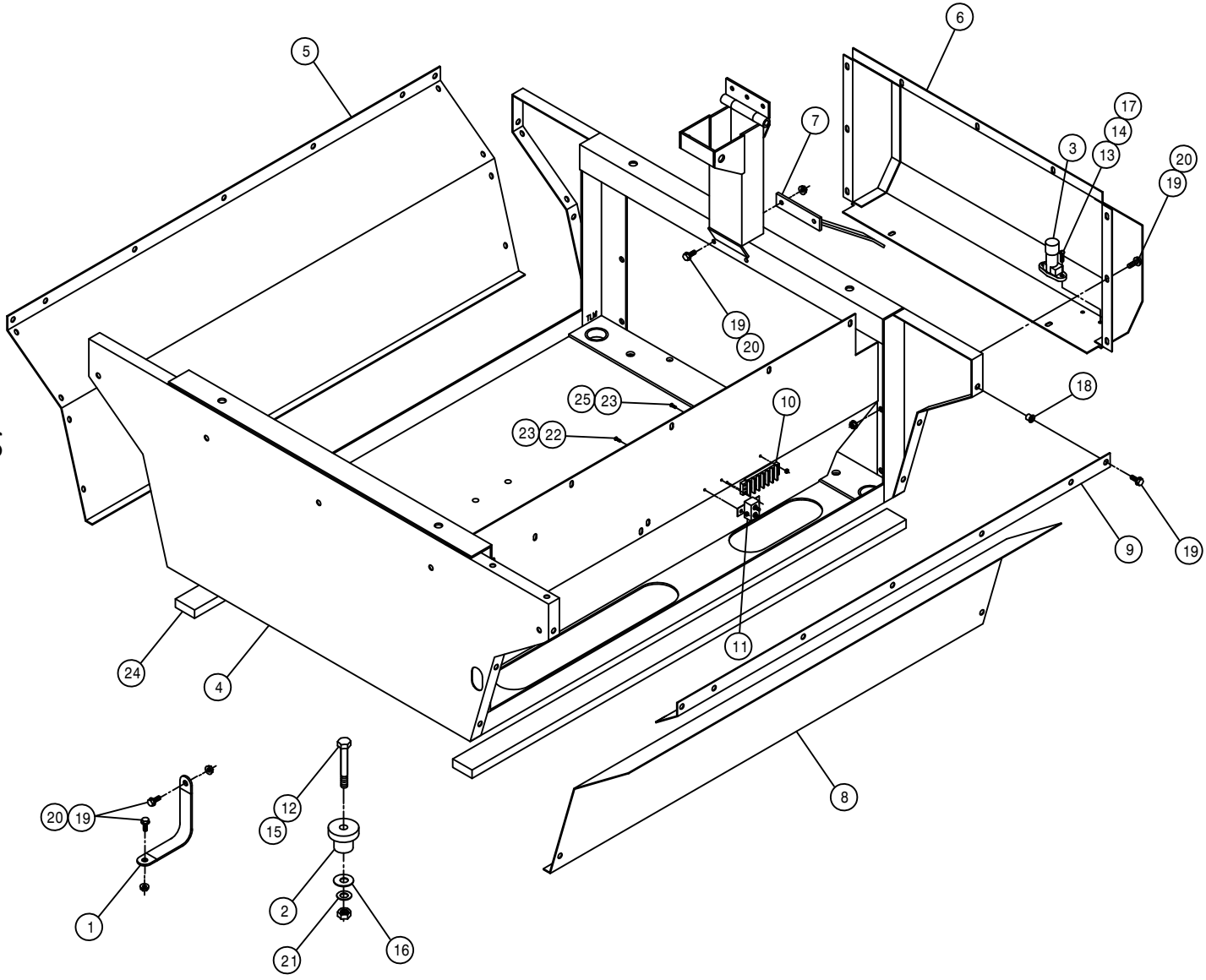
CAB ASSEMBLY

DET. QTY PART NO. DESCRIPTION

1	21	192001	FILLR STRIP FOR WEATHERSTRIP
2	21	193018	2 P/C SELF SEAL WEATHERSTRIP
3	1	200019	REAR BOOM SOL VALVE SPACER
4	1	202037	WINDSHIELD WIPER SPACER
5	1	290417	18 IN WIPER BLADE TB
6	6	291089	ADJUSTABLE LIGHT W/ GUARD
7	2	291114	FLASHER & SIDE MARKER LIGHT
8	2	291186	AMBER LENS FOR FLASHER 291114
9	1	341713	CAB WELDMENT 280 89
10	1	341766	RH REAR LIGHT BRKT COVER 280
11	1	341767	LH REAR LIGHT BRKT COVER 280
12	4	470070	RUBBER GROMMET 3/8 ID
13	9	470122	1/4UNC X 1/2 FLANGED HEX BOLT
14	8	472349	1/4 X 3/4 20THD-IN TEK TYPE
15	8	473994	SCREW, HH SHT MTL 6/32X 3/8AB
16	2	650524	OUTSIDE REAR VIEW MIRROR TB2
17	1	658008	WINDSHIELD WIPER MTR 640
18	1	658013	WIPER ARM 640
19	2	659421	WORKLIGHT BRKT COVER 8400
20	1	659791	FRONT CAB GLASS 280 89
21	1	659792	REAR CAB GLASS 280 89
22	1	900005	1/4UNC X 1 1/2 HEX BOLT
23	4	900264	1/2UNC X 1 1/4 HEX BOLT
24	1	914000	1/4UNC HEX STOVER NUT
25	4	914008	1/2UNC HEX STOVER NUT
26	1	341901	VINYL HANDBOOK TOTE

124018

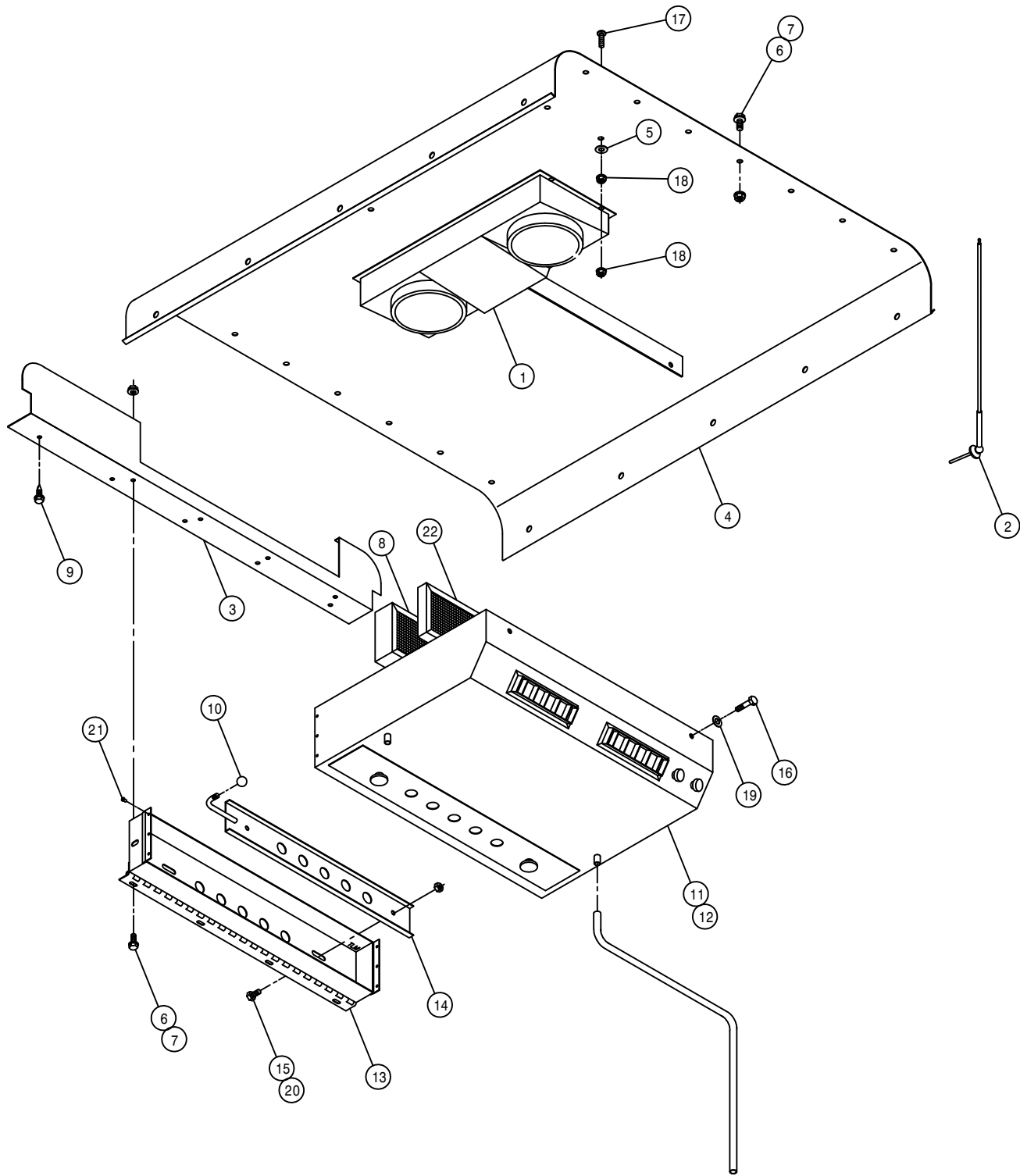
19



OPERATOR STATION ASSEMBLY

DET.	QTY	PART NO.	DESCRIPTION
1	1	290107	ENG TO GROUND STRAP 8 IN TB2
2	4	311032	ENG IS/LATOR 470 472 1978
3	1	290412	DIMMER SWITCH TB
4	1	341668	OP STN WLD 280 89
5	1	341699	OP STN OUTER PANEL 280 89
6	1	341700	OP STN BOOT WLD 280 89
7	1	341738	STRG POST BRACE WLD 280 89
8	1	341824	RH OP STN LOWER PANEL 200 89
9	1	341825	RH OP STN PANEL KPR WLD 200
10	1	293093	TERMINAL BLOCK 6 POS - 2 ROW
11	1	291197	CIRCUIT BREAKER, 30AMP
12	4	900269	1/2UNC X 2 3/4 HEX BOLT
13	2	903889	10-32 X 3/4 SLT RDHD MACH SCR
14	2	910027	#10-32 HEX NUT
15	4	914008	1/2UNC HEX STOVER NUT
16	4	483037	FLAT WASH 5/8 REGULAR
17	2	920510	LOCK WASH NO 10
18	29	470086	1/4UNC NUTSERT .020- .100MTL
19	40	470118	1/4UNC X 3/4 FLANGED HEX BOLT
20	13	470121	1/4UNC HEX FLANGED LOCK NUT
21	4	483041	1/2 REGULAR FLAT WASH PLT
22	2	903812	6-32 X 1/2 SLT RD HD MACH SCR
23	4	910022	#6-32 HEX NUT
24	1	659579	FOAM, 2IN WIDE X 40IN LONG
25	2	903814	6-32 X 3/4 SLT RD HD MACH SCR

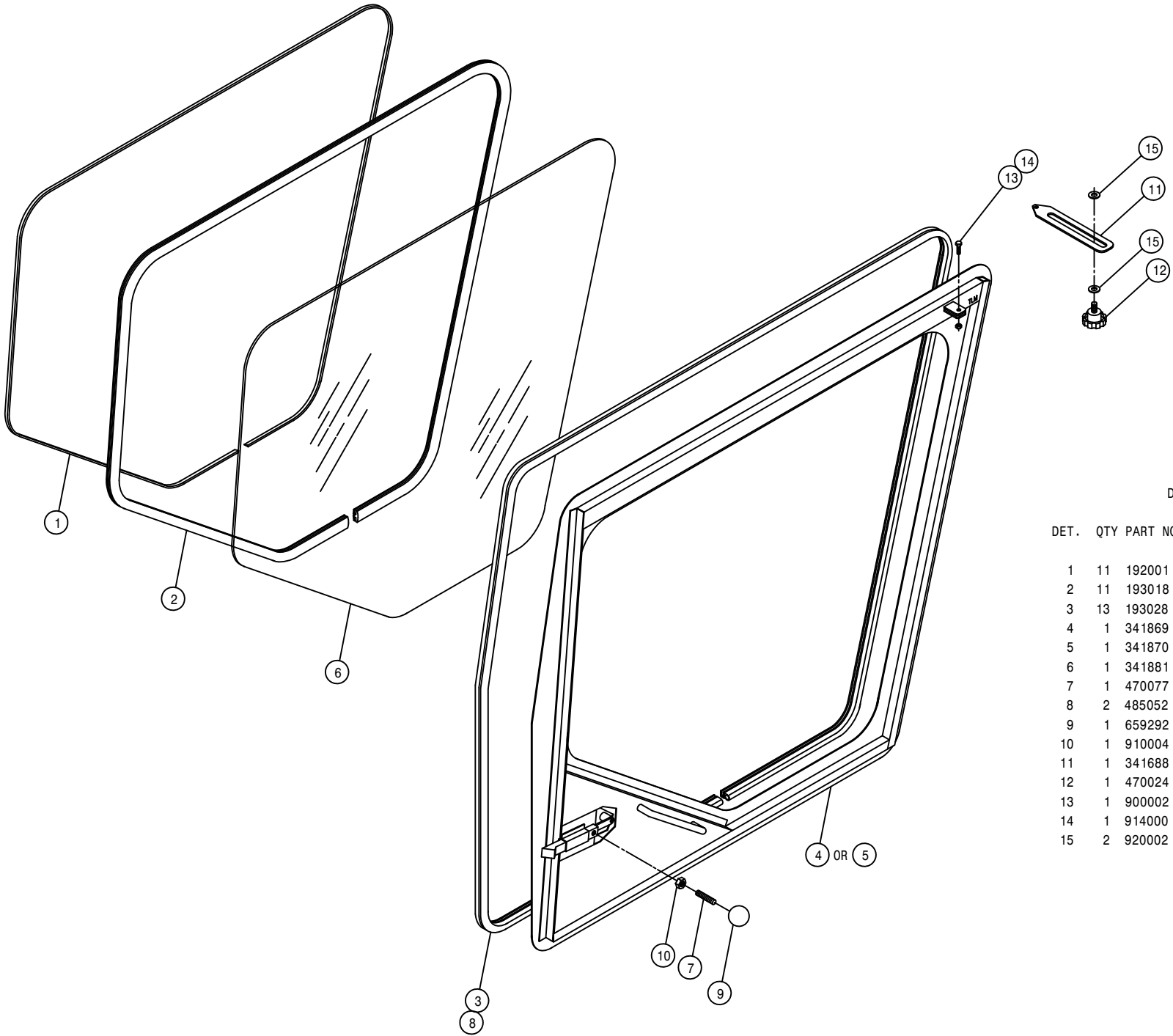
124019



AIR CONDITIONER ASSEMBLY AND ROOF

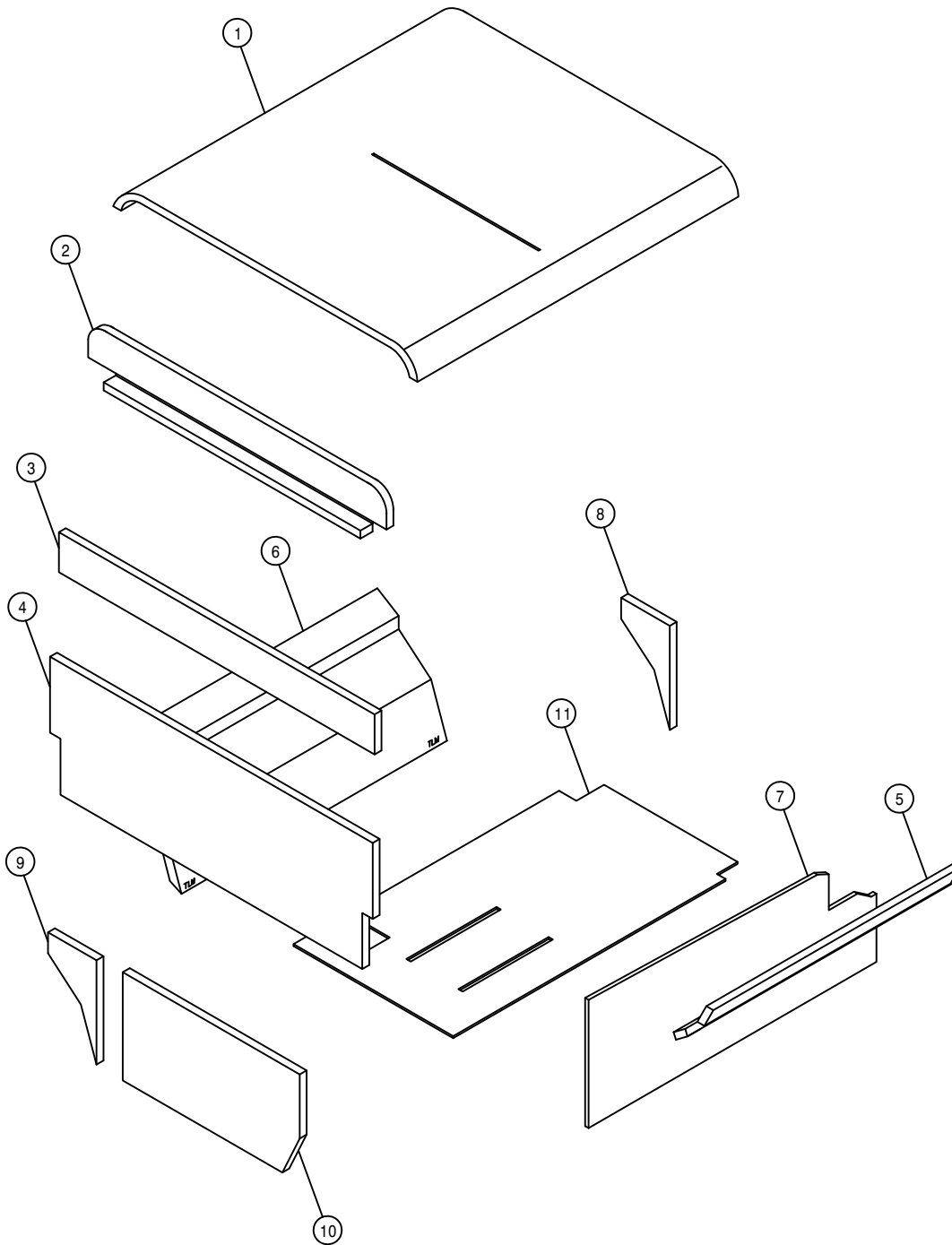
DET.	QTY	PART NO.	DESCRIPTION
	1	291078	AM/FM/CASSETTE RADIO MAJESTIC
	1	291080	AM FM RADIO ANTENNA
	1	341741	A/C BLOWER HSNG MT 280 89
	1	341768	CAB ROOF WLD 280 89
	4	470191	RUBBER WASHER
	28	470121	1/4-20 FLANGED WHIZ NUT
	28	470118	1/4 UNC X 3/4 FLANGED H BOLT
	1	657324	FRESH AIR FILTER EAGLE
	5	472349	1/4 X 3/4 20THD-IN TEK TYPE
	1	659291	1 DIA BALL KNOB 3/8-16INSERT
	1	657303	A/C EVAPORATOR INSTALL KIT
	1	657333	A/C BLOWER & EVAPORATOR EAGLE
	1	659439	A/C BLOWER HSNG MT WLD 8400
	1	659442	A/C OUTSIDE AIR SLIDE WLD8400
	2	900000	1/4 UNC X 1/2 HEX BOLT
	2	900170	3/8 UNC X 2 1/4 HH BOLT
	4	903996	10-32 X 1 1/4 RD HD MACH SCR
	8	470175	FLG WHIZ NUT 10-32
	2	920002	WASH FLAT 3/8 SAE
	2	914000	1/4 UNC STOVER NUT
	6	485053	POP RIVET 3/16 X 3/8
	1	657339	CHARCOAL FILTER FOR 657333

20



DOOR ASSEMBLY

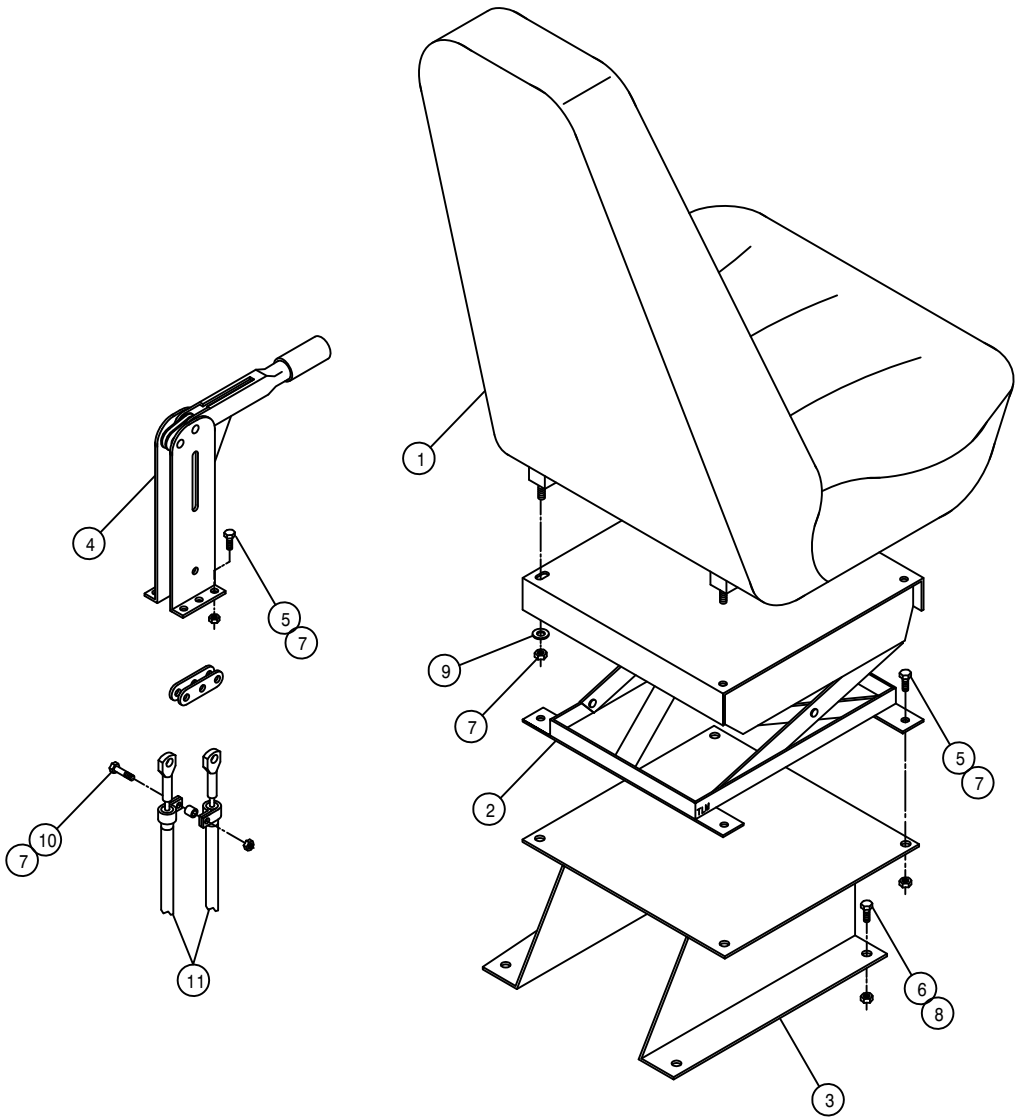
DET.	QTY	PART NO.	DESCRIPTION	
1	11	192001	FILLR STRIP FOR WEATHERSTRIP	
2	11	193018	2 P/C SELF SEAL WEATHERSTRIP	
3	13	193028	SNAPON SEAL ST20A	
4	1	341869	RH CAB DOOR WLD 280	90
5	1	341870	LH CAB DOOR WLD 280	90
6	1	341881	CAB DOOR GLASS 280	90
7	1	470077	3/8 UNC X 1 3/4 STUD GRSUNPLT	
8	2	485052	POP RIVET 1/8 X 3/8	
9	1	659292	1 7/8 DIA BALL KNOB 3/8-16	
10	1	910004	NUT, HEX, 3/8UNC GRS PLT	
11	1	341688	DOOR CATCH SLIDE 280	89
12	1	470024	BLK PLASTIC KNOB 3/8UNC	STD
13	1	900002	1/4UNC X 3/4 HEX BOLT	
14	1	914000	1/4 UNC STOVER NUT	
15	2	920002	WASH FLAT 3/8 SAE	



CAB FOAM

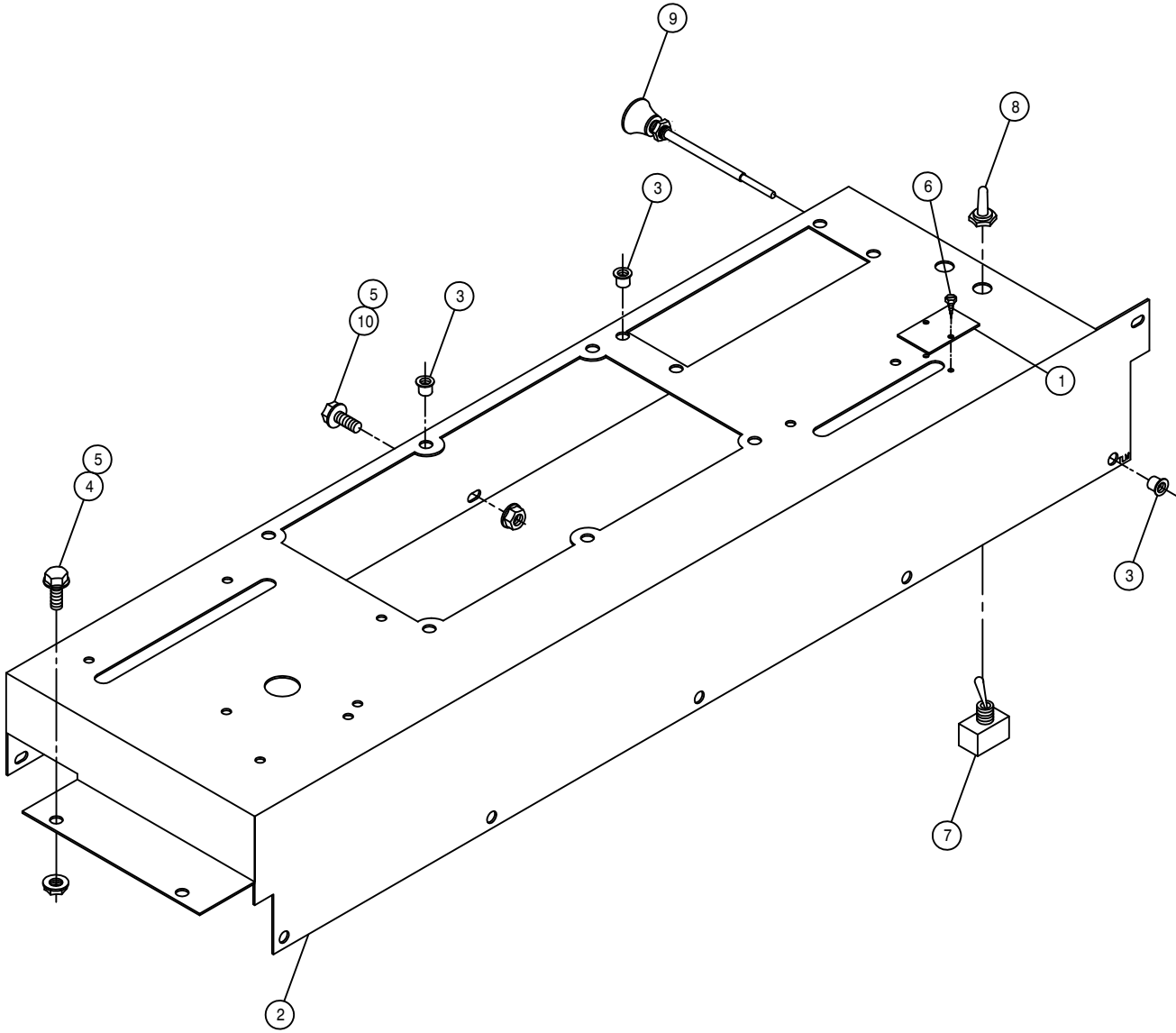
DET. QTY PART NO. DESCRIPTION

1	1	659836	CAB ROOF FOAM 280	89
2	1	659837	UPPER REAR CAB FOAM 280	89
3	1	659838	CNTR REAR CAB FOAM 280	89
4	1	659839	LWR REAR CAB FOAM 280	89
5	1	659840	RH SIDE PANEL FOAM 280	89
6	1	659841	LH SIDE PANEL FOAM 280	89
7	1	659842	CONSOLE SIDE PANEL FOAM280	89
8	1	659843	LWR LH FRT OP STN FOAM 280	89
9	1	659844	LWR LH REAR OP STN FOAM280	89
10	1	659845	REAR OP STN FOAM 280	89
11	1	659846	FLOOR MAT 280	89



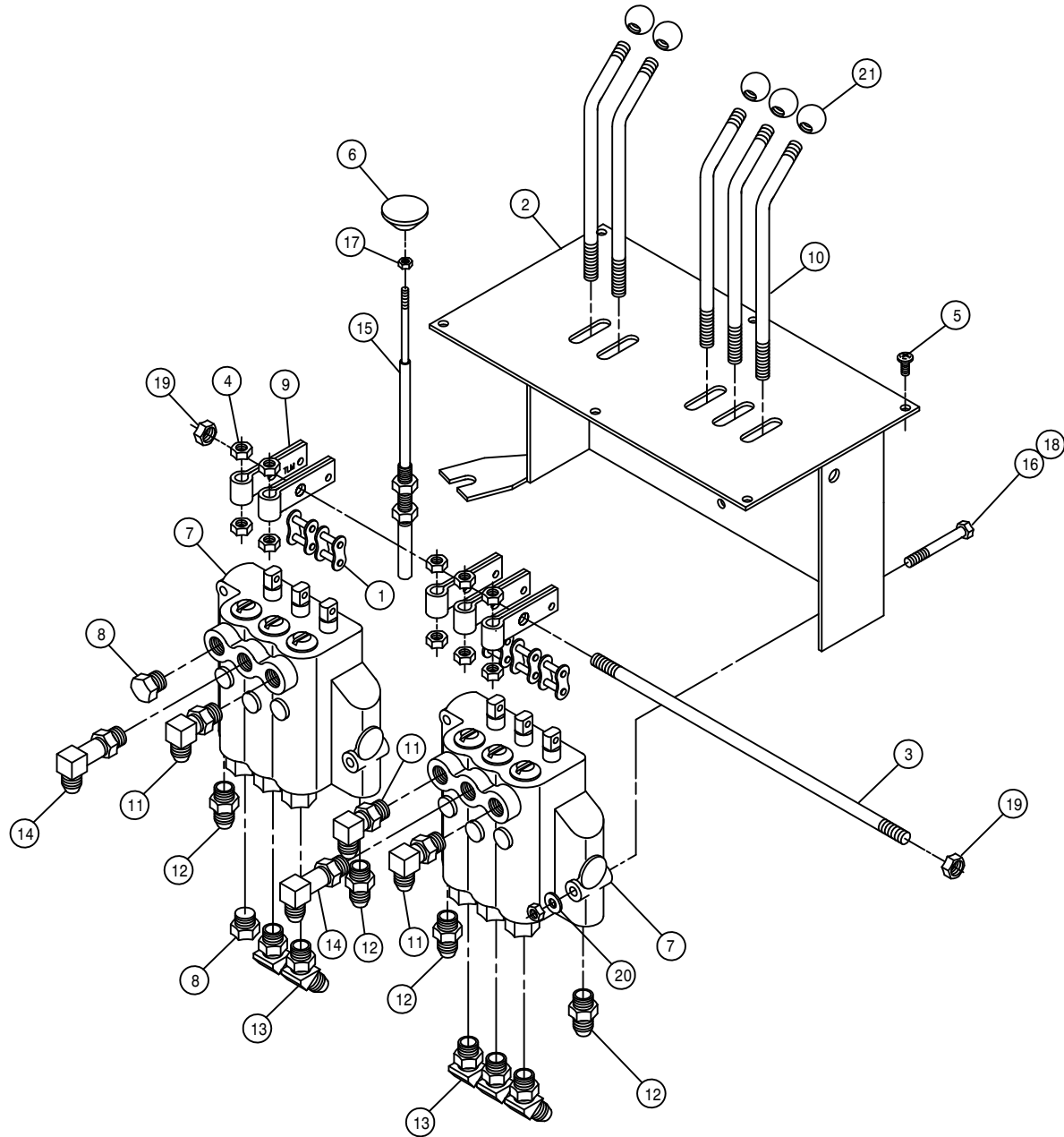
SEAT AND BRAKE ASSEMBLY

DET.	QTY	PART NO.	DESCRIPTION
	1	330014	TRIMLINE SEAT
	1	330015	SUSPENSION ASSY TRIMLINE SEAT
	1	341554	SEAT MT WLD TRIMLINE SEAT
	1	826108	BRAKE LEVER ASSY TB2
	8	900064	5/16 UNC X 3/4 HEX BOLT
	4	900129	3/8 UNC X1IN HH BOLT
	13	914002	5/16 UNC STOVER NUT
	4	914004	3/8 UNC STOVER NUT
	2	920001	5/16 FLAT WASHER SAE PLT
	1	900067	5/16UNCX1 1/2 HH BOLT
	2	826926	190 IN BRAKE CABLE 470



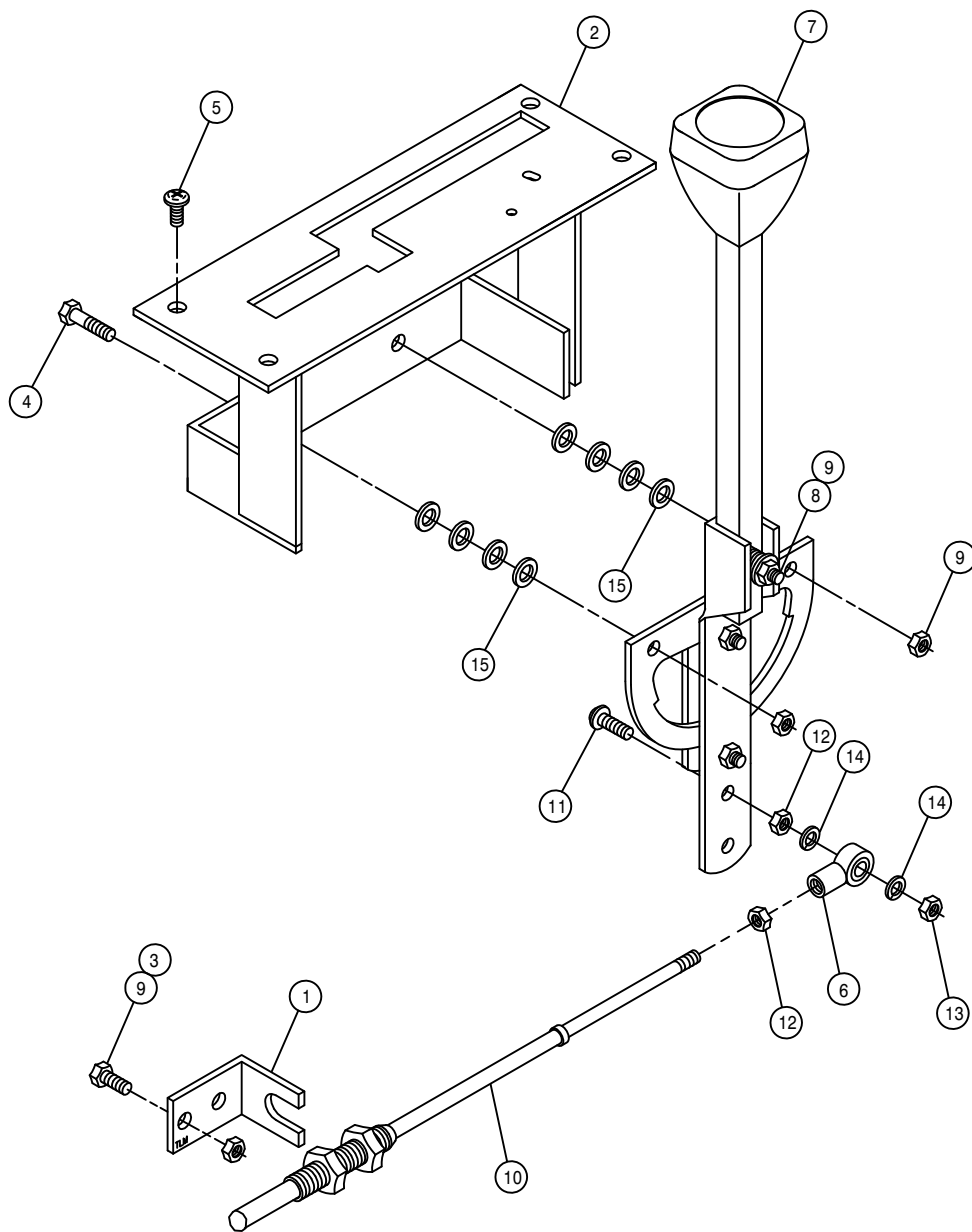
CONSOLE ASSEMBLY

DET.	QTY	PART NO.	DESCRIPTION
	1	341626	THROT STOP ONAN
	1	341704	CONSOLE WLDMT 280 89
	15	470086	NUTSERT, 1/4UNC .020-.100GR
	3	470118	1/4 UNC X 3/4 FLANGED H BOLT
	7	470121	1/4-20 FLANGED WHIZ NUT
	2	473994	SCREW, HH SHT MTL 6/32X 3/8AB
	1	610412	TOGGLE SWITCH FOR FUEL VLV
	1	470001	RUBBER BOOT W NUT FOR 298012
	1	780101	CHOKE CONTROL 144 IN TB2
	4	470122	1/4 - 20 X 1/2 FLANGED H BOLT



THREE SPOOL VALVE ASSEMBLY

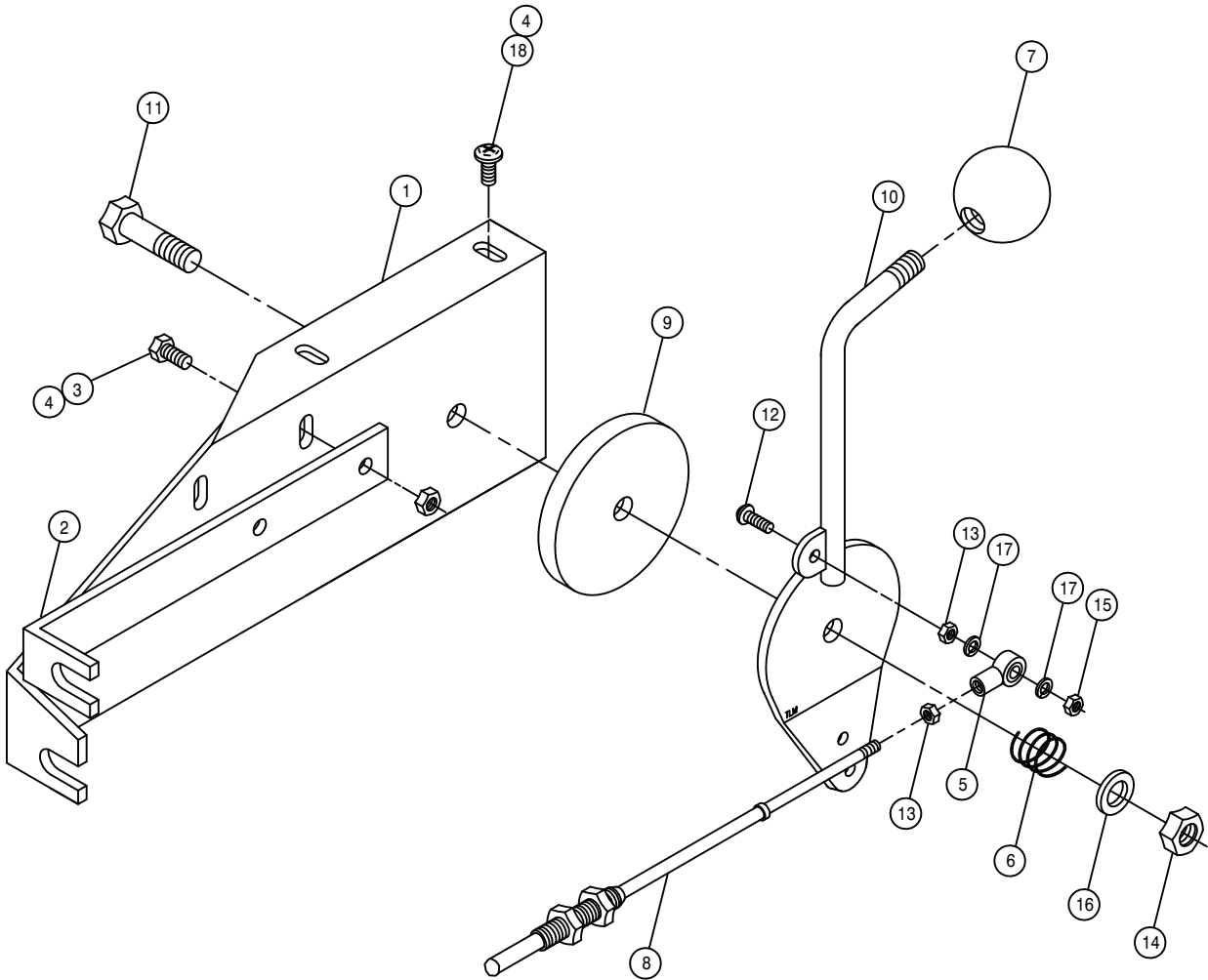
DET.	QTY	PART NO.	DESCRIPTION
1	5	221001	CONN LINK CLIP TYPE RC50
2	1	341706	VLV MT WLD 2-3SPL VLV 280 89
3	1	341710	3SPL VLV LEVER PIVOT ROD 280
4	10	470087	NUT, 3/8UNC WHIZ LOC
5	6	903708	MACH SCR 1/4-20X1/2 PHIL PNHD
6	1	470190	PUSH/PULL KNOB 10-32 1.38 DIA
7	2	606585	CESSNA 3SPL VALVE W/O RELIEF
8	2	610185	9/16MOR PLUG
9	5	615336	LINK, VALVE HANDLE, 2.35PL
10	5	615337	HANDLE, 2-3SPL VALVE, 647
11	3	618119	9/16MJIC-90-9/16MOR LBO
12	4	618126	9/16MJIC-9/16MOR ADPTR
13	5	618425	9/16MJIC-45-9/16MOR LBO
14	2	618440	9/16MJIC-90-9/16MOR EX LG LBO
15	1	785056	CTRL CABLE 10-32 4IN X 58 LG
16	4	900007	1/4 UNC X 2 HEX BOLT GR5 PLT
17	1	910027	HEX NUT NO 10 UNF
18	4	914000	1/4 UNC STOVER NUT
19	2	914004	3/8 UNC STOVER NUT
20	4	920000	1/4 FLAT WASH SAE
21	5	659291	1 DIA BALL KNOB 3/8-16INSERT



HYDROSTATIC LEVER ASSEMBLY

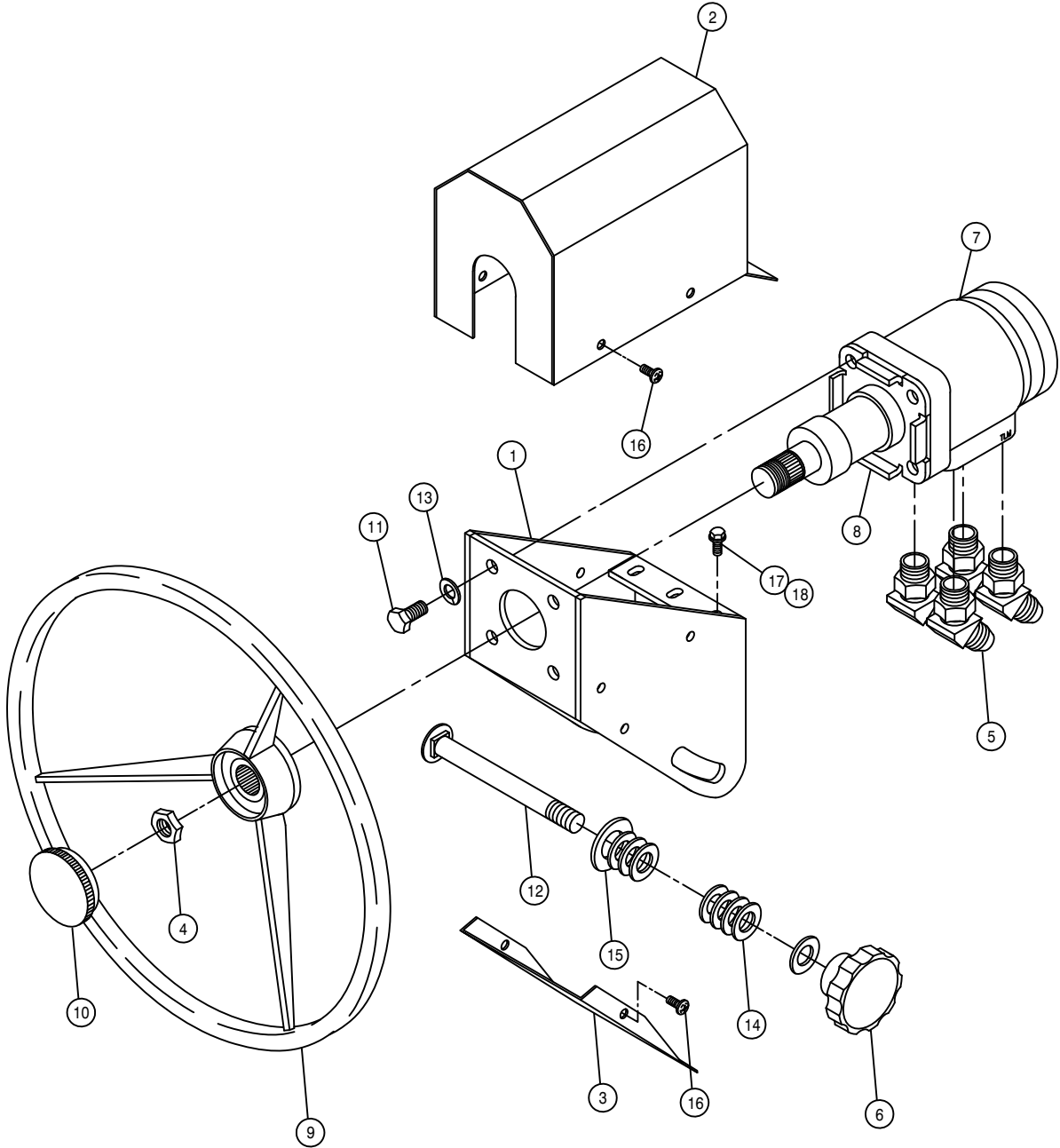
DET. QTY PART NO. DESCRIPTION

1	1	341188	CONSOLE THROT CABLE MT ANGLE
2	1	341501	HYDST CONT LEVER MT WLD 8540
3	2	900000	1/4 UNC X 1/2 HEX BOLT
4	2	900003	1/4 UNC X 1 HEX BOLT
5	4	903708	MACH SCR 1/4-20X1/2 PHIL PNHD
6	1	473921	BALL JOINT NO 10-32 THD
7	1	606864	HYDST CONTROL LEVER MODIFIED
8	1	900005	1/4 UNC X 1 1/2 HEX BOLT
9	5	914000	1/4 UNC STOVER NUT
10	1	785061	CTRL CABLE 10-32 4IN X 100 LG
11	1	903893	10 32 X 1 SLT RD HD MACH SCR
12	2	910027	HEX NUT NO 10 UNF
13	1	914027	NO 10-32 STOVER NUT
14	2	920510	LOCK WASH NO 10
15	8	920000	1/4 FLAT WASH SAE



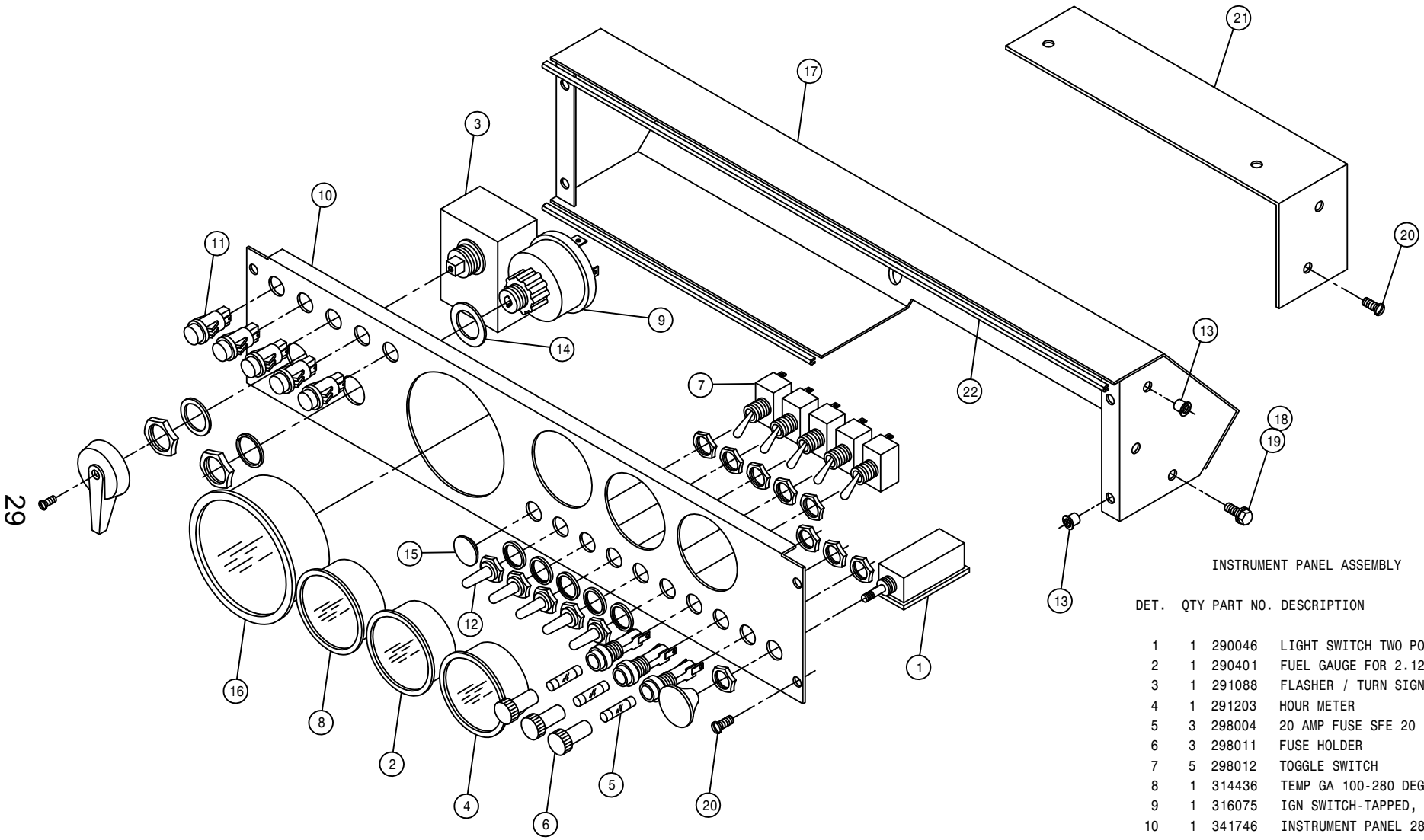
THROTTLE LEVER ASSEMBLY

DET.	QTY	PART NO.	DESCRIPTION	
	1	341689	THROTTLE LEVER MT 280	89
	1	341690	THROTTLE CABLE MT 280 ONAN	89
	2	470118	1/4 UNC X 3/4 FLANGED H BOLT	
	4	470121	1/4-20 FLANGED WHIZ NUT	
	1	473921	BALL JOINT NO 10-32 THD	
	1	499001	SPRING	
	1	659292	1 7/8DIA BALL KNOB 3/8-16	
	1	785003	CTRL CABLE 10-32 4IN X 112 LG	
	1	785046	FRICITION DISC 3-333 X .38	
	1	785060	THROTTLE LEVER WLD ONAN	85
	1	900170	3/8 UNC X 2 1/4 HH BOLT	
	1	903893	10 32 X 1 SLT RD HD MACH SCR	
	2	910027	HEX NUT NO 10 UNF	
	1	914004	3/8 UNC STOVER NUT	
	1	914027	NO 10-32 STOVER NUT	
	1	920002	WASH FLAT 3/8 SAE	
	2	920510	LOCK WASH NO 10	
	2	903711	MACH SCR 1/4-20X3/4 PHIL PNHD	



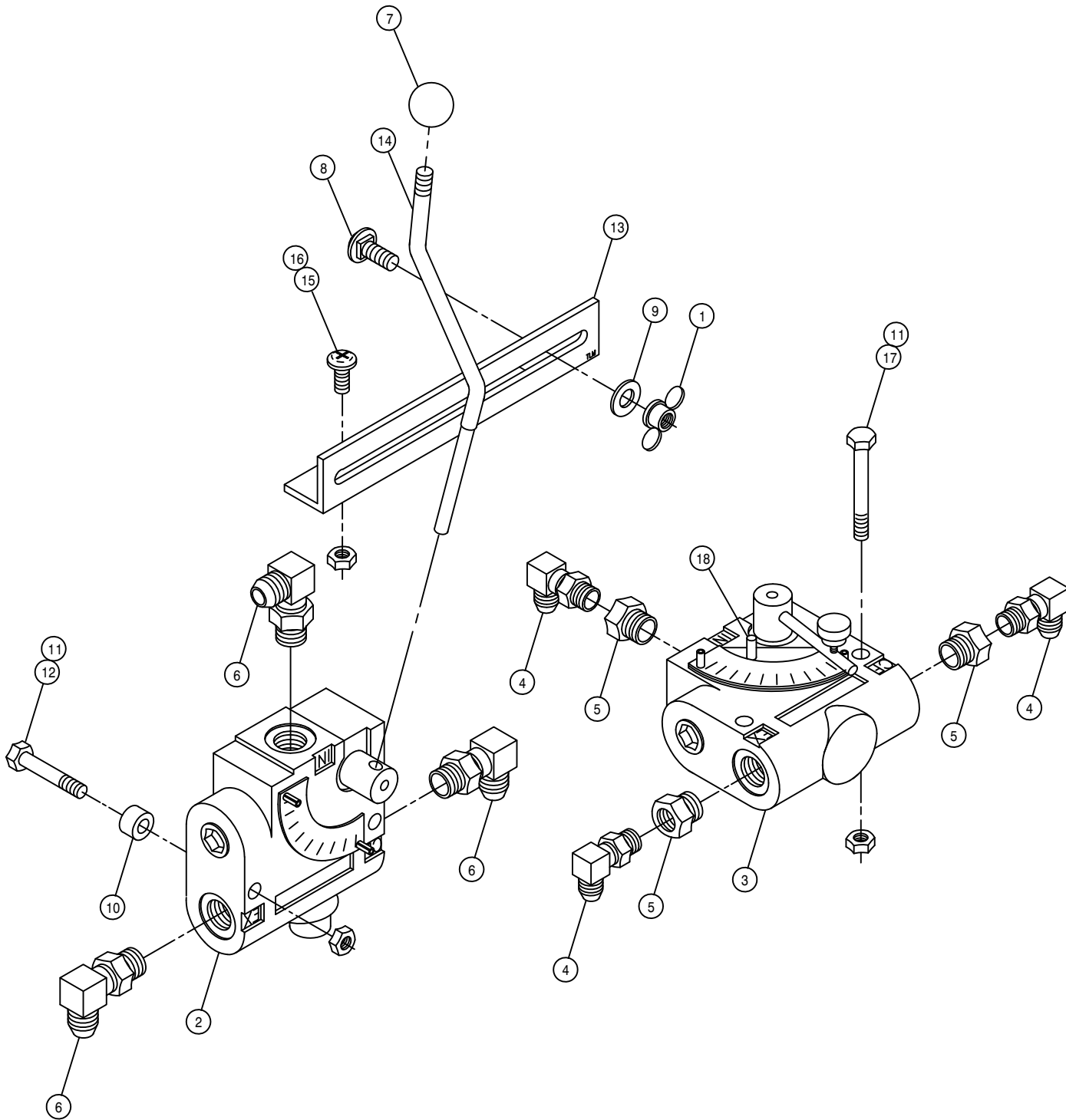
STEERING WHEEL ASSEMBLY

DET.	QTY	PART NO.	DESCRIPTION
	1	341691	STRG MTR PIVOT HSNG WLD 280
	1	341695	STRG MTR COVER WELD 280 89
	1	341705	STRG MTR LWR COVER 280 89
	1	470157	NUT 13/16-20 UNEF FOR 749245
	4	618496	9/16MJIC-45-3/4MOR LBO
	1	742502	STRG ADJ KNOB 440
	1	749150	STRG MTR NON-LOAD REACT 1008
	1	749178	STRG COLUMN 2.5IN LONG
	1	749245	STRG WHL 14.0 DIA W/CAP
	1	749244	STRG WHL CAP FOR 749245
	4	900130	3/8 UNC X 1 1/4 HEX BOLT
	1	901276	1/2 UNCX5 CARR HEAD BOLT
	4	920002	WASH FLAT 3/8 SAE
	8	920004	1/2 FLAT WASHER SAE
	1	920005	5/8 FLAT WASH SAE
	6	903708	MACH SCR 1/4-20X1/2 PHIL PNHD
	3	470118	1/4 UNC X 3/4 FLANGED H BOLT
	3	470121	1/4-20 FLANGED WHIZ NUT



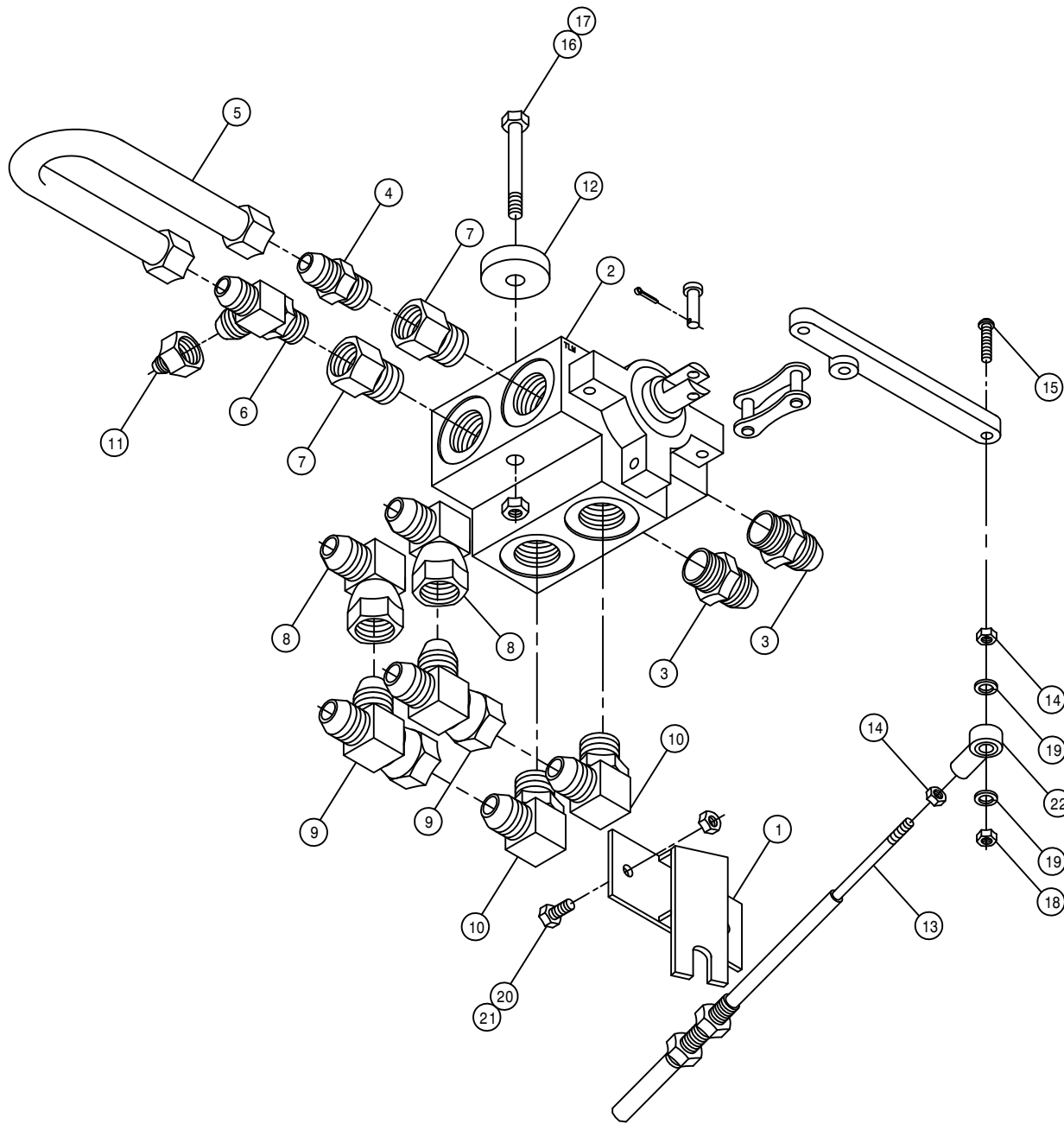
INSTRUMENT PANEL ASSEMBLY

DET.	QTY	PART NO.	DESCRIPTION	
	1	290046	LIGHT SWITCH TWO POSITION	
	1	290401	FUEL GAUGE FOR 2.125 DIA HOLE	
	1	291088	FLASHER / TURN SIGNAL SWITCH	
	1	291203	HOUR METER	640
	3	298004	20 AMP FUSE SFE 20	
	3	298011	FUSE HOLDER	
	5	298012	TOGGLE SWITCH	
	1	314436	TEMP GA 100-280 DEG LIGHTED	
	1	316075	IGN SWITCH-TAPPED, PERK	
	1	341746	INSTRUMENT PANEL 280	89
	5	390318	INDICATOR LIGHT RED SNAP-IN	
	5	470001	RUBBER BOOT W NUT FOR 298012	
	6	470165	NUTSERT 10-32 .020-100 GR	
	1	483031	MACH WASH 7/8 ID 1 3/8 OD	
	1	658174	BUMPER PLUG FOR 640 CAB	
	1	674000	MOTOROLA SPEEDOMETER	
	1	341742	INSTRUMENT PANEL HSNG WLD 280	
	1	470118	1/4 UNC X 3/4 FLANGED H BOLT	
	1	470121	1/4-20 FLANGED WHIZ NUT	
	6	903883	10-32 X 1/2 SLTRD HD MACH SCR	
	1	341822	RAVEN CONSOLE MOUNT	89
	2	193011	EDGE GUARD, BLK	



VARIABLE FLOW CONTROL ASSEMBLIES

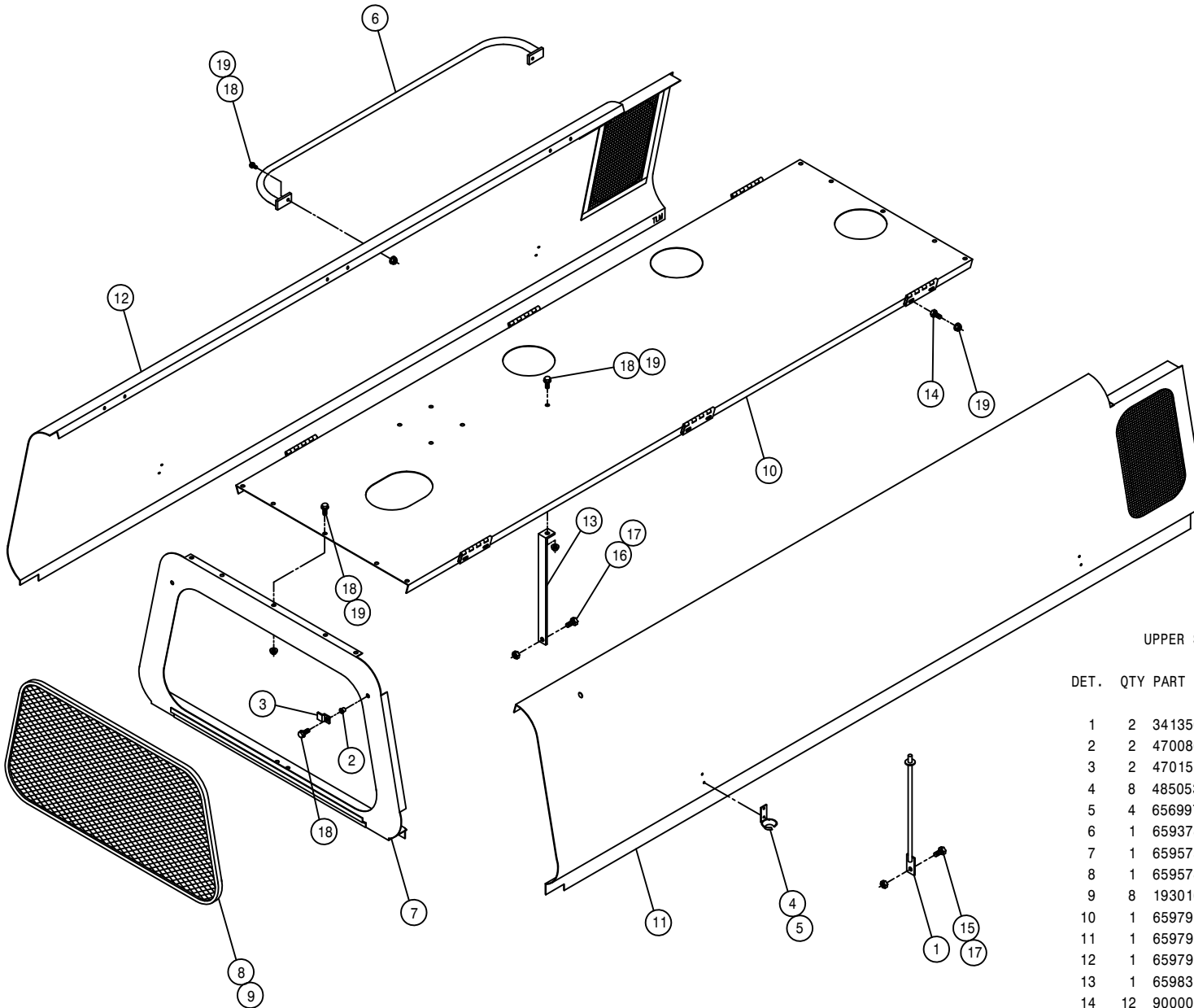
DET.	QTY	PART NO.	DESCRIPTION
1	1	473900	5/16 PLATED WING NUT 640
2	1	606818	FLO CONT FCR51 0-16GPM 7/8FOR
3	1	606827	FLO CONT FC51 0-3 VARI 7/8FOR
4	3	618119	9/16MJIC-90-9/16MOR LBO
5	3	618172	7/8MOR-9/16FOR ADPTR
6	3	618183	3/4MJIC-90-7/8MOR LBO
7	1	659291	1 DIA BALL KNOB 3/8-16INSERT
8	1	901064	5/16 UNC X 3/4 CARR BOLT
9	1	920002	WASH FLAT 3/8 SAE
10	2	310562	SAFETY SWITCH PLT BUSH
11	4	914000	1/4 UNC STOVER NUT
12	2	900009	1/4 UNC X 2 3/4 HEX BOLT
13	1	341711	VFC STOP BRKT 280 89
14	1	341712	SOLU PUMP VFC LEVER 280 89
15	2	903711	MACH SCR 1/4-20X3/4 PHIL PNHD
16	2	470121	1/4-20 FLANGED WHIZ NUT
17	2	900023	BOLT 1/4 UNC X 2 1/4 HH PLATED
18	1	341939	AGIT VFC STOP WLD



FOUR-WHEEL DRIVE SELECTOR VALVE ASSEMBLY

DET. QTY PART NO. DESCRIPTION

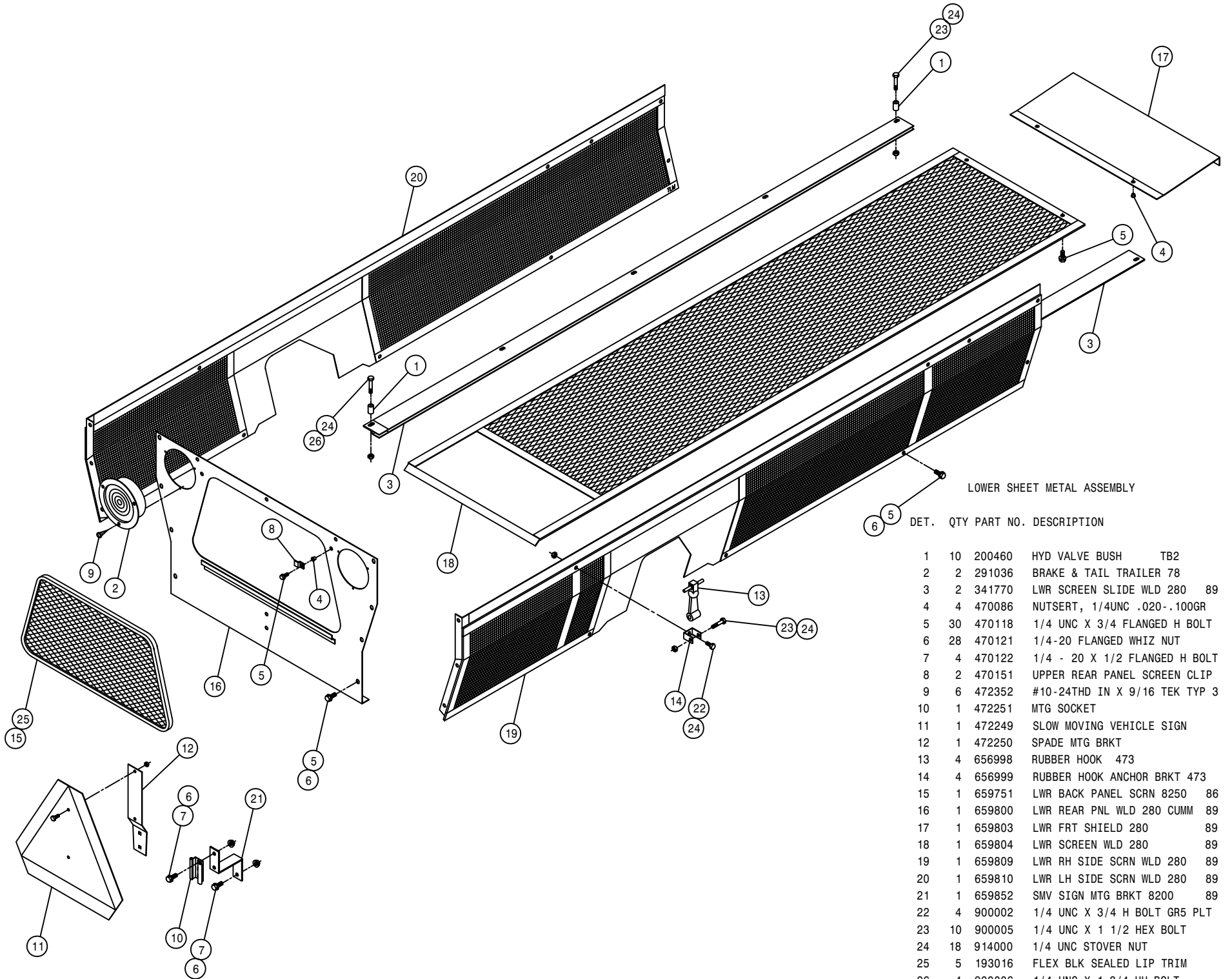
1	1	341861	FWD CABLE MT WLD 280	89
2	1	606003	GRESEN SELECTOR VALVE DS-12	
3	2	611127	1 1/16MJIC-1 1/16MOR ADPTR	
4	1	611126	7/8MJIC-7/8MOR ADPTR	
5	1	614198	FWD VALVE U-TUBE ASSY	
6	1	618130	7/8MOR RUN TEE-7/8MJIC	
7	2	618132	1 1/16MOR-7/8FOR ADPTR	
8	2	618301	7/8MJIC-90-7/8FJIC SWIV LBO	
9	2	618333	7/8FJIC SW RUN TEE-7/8MJIC	
10	2	618535	7/8MJIC-90-1 1/16MOR LBO	
11	1	618557	7/8FJIC-9/16MJIC ADPTR	
12	2	748501	RUBBER WASH .38 X .406 X 1.50	
13	1	785056	CTRL CABLE 10-32 4IN X 58 LG	
14	2	910027	HEX NUT NO 10 UNF	
15	1	903893	10 32 X 1 SLT RD HD MACH SCR	
16	2	900136	3/8 UNC X 3 HEX BOLT	
17	2	914004	3/8 UNC STOVER NUT	
18	1	914027	NO 10-32 STOVER NUT	
19	2	920510	LOCK WASH NO 10	
20	2	900002	1/4 UNC X 3/4 H BOLT GR5 PLT	
21	2	914000	1/4 UNC STOVER NUT	
22	1	473921	BALL JOINT NO 10-32 THD	



UPPER SHEET METAL ASSEMBLY

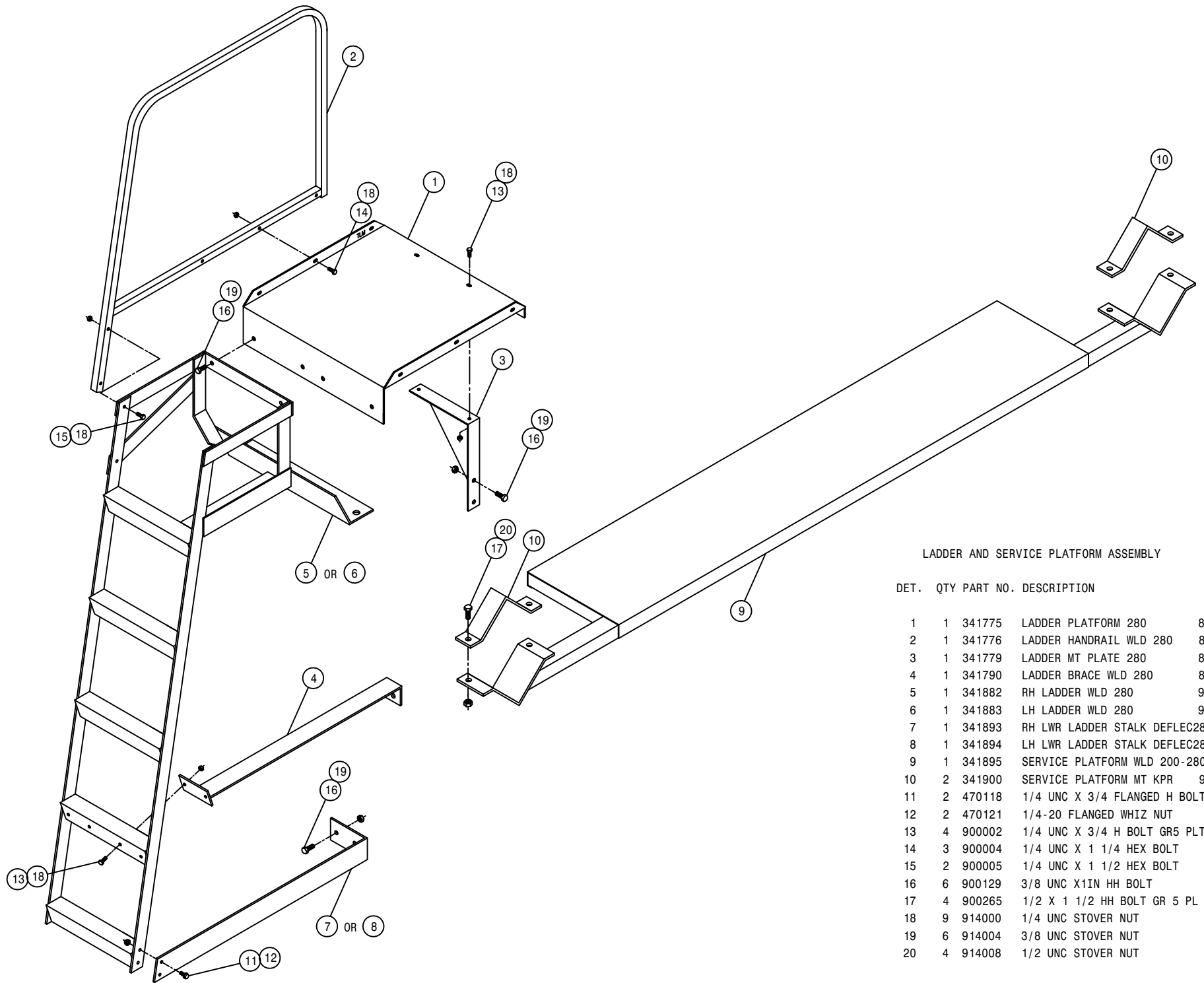
DET. QTY PART NO. DESCRIPTION

1	2	341356	ENGINE HOOD PROP WLD 8240	82
2	2	470086	NUTSERT, 1/4UNC .020-.100GR	
3	2	470151	UPPER REAR PANEL SCREEN CLIP	
4	8	485053	POP RIVET 3/16 X 3/8	
5	4	656997	RUBBER HOOK BRKT 473	
6	1	659378	RH ENG HOOD HANDRAIL WLD 647S	
7	1	659575	UPPER REAR PANEL WLD 8240 82	
8	1	659578	UPPER REAR PANEL SCREEN 8240	
9	8	193016	FLEX BLK SEALED LIP TRIM	
10	1	659794	MULLION WLD CUMM 280	89
11	1	659796	RH ENGINE HOOD WLD 280	89
12	1	659797	LH ENGINE HOOD WLD 280	89
13	1	659835	MULLION SUPPORT 200	89
14	12	900000	1/4 UNC X 1/2 HEX BOLT	
15	2	900128	3/8 UNCX3/4 HH BOLT	
16	1	900129	3/8 UNC X1IN HH BOLT	
17	3	914004	3/8 UNC STOVER NUT	
18	15	470118	1/4 UNC X 3/4 FLANGED H BOLT	
19	25	470121	1/4-20 FLANGED WHIZ NUT	



LOWER SHEET METAL ASSEMBLY

DET.	QTY	PART NO.	DESCRIPTION
1	10	200460	HYD VALVE BUSH TB2
2	2	291036	BRAKE & TAIL TRAILER 78
3	2	341770	LWR SCREEN SLIDE WLD 280 89
4	4	470086	NUTSERT, 1/4UNC .020-.100GR
5	30	470118	1/4 UNC X 3/4 FLANGED H BOLT
6	28	470121	1/4-20 FLANGED WHIZ NUT
7	4	470122	1/4 - 20 X 1/2 FLANGED H BOLT
8	2	470151	UPPER REAR PANEL SCREEN CLIP
9	6	472352	#10-24THD IN X 9/16 TEK TYP 3
10	1	472251	MTG SOCKET
11	1	472249	SLOW MOVING VEHICLE SIGN
12	1	472250	SPADE MTG BRKT
13	4	656998	RUBBER HOOK 473
14	4	656999	RUBBER HOOK ANCHOR BRKT 473
15	1	659751	LWR BACK PANEL SCR N 8250 86
16	1	659800	LWR REAR PNL WLD 280 CUMM 89
17	1	659803	LWR FRT SHIELD 280 89
18	1	659804	LWR SCREEN WLD 280 89
19	1	659809	LWR RH SIDE SCR N WLD 280 89
20	1	659810	LWR LH SIDE SCR N WLD 280 89
21	1	659852	SMV SIGN MTG BRKT 8200 89
22	4	900002	1/4 UNC X 3/4 H BOLT GR5 PLT
23	10	900005	1/4 UNC X 1 1/2 HEX BOLT
24	18	914000	1/4 UNC STOVER NUT
25	5	193016	FLEX BLK SEALED LIP TRIM
26	4	900006	1/4 UNC X 1 3/4 HH BOLT



LADDER AND SERVICE PLATFORM ASSEMBLY

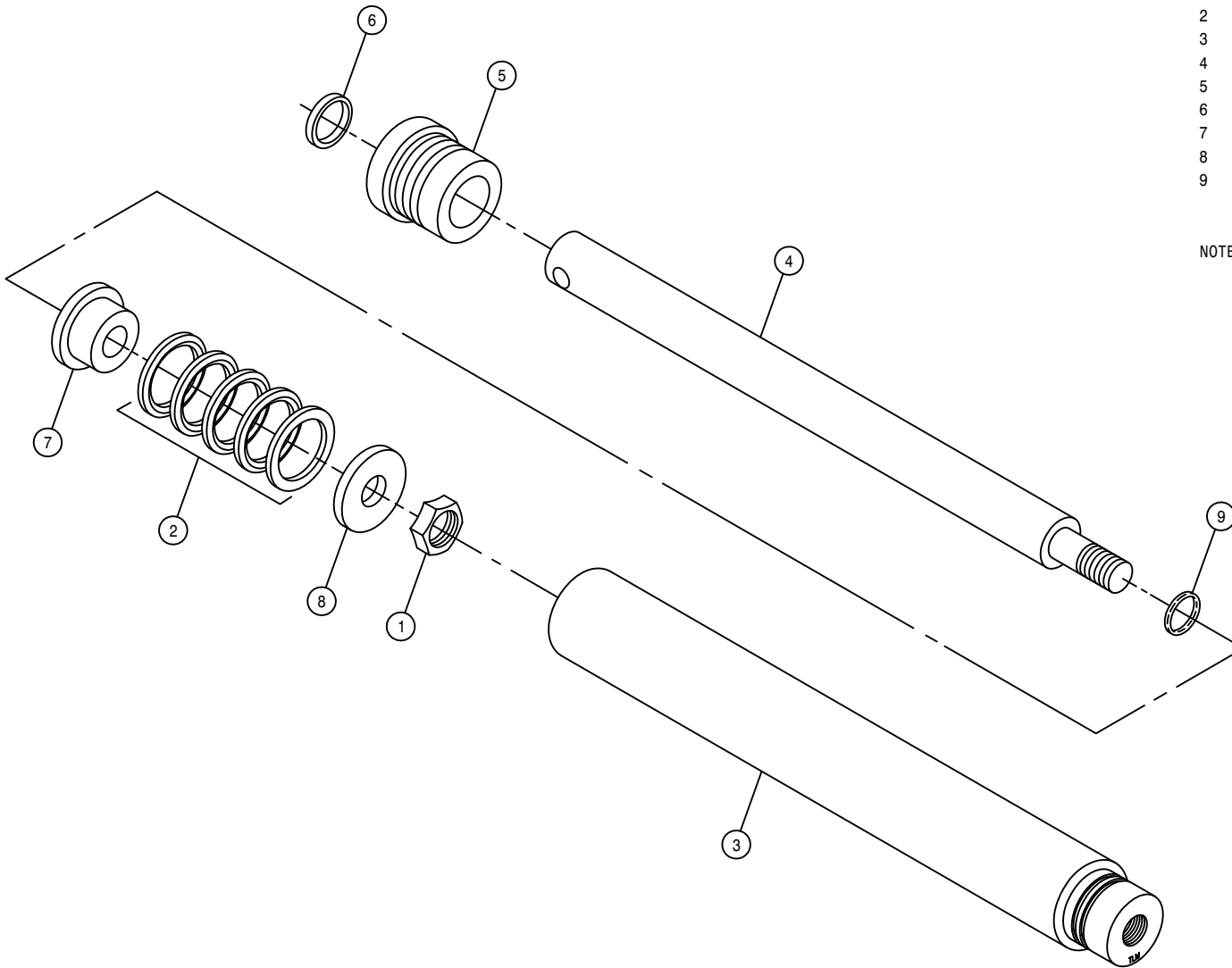
DET.	QTY	PART NO.	DESCRIPTION	
1	1	341775	LADDER PLATFORM 280	89
2	1	341776	LADDER HANDRAIL WLD 280	89
3	1	341779	LADDER MT PLATE 280	89
4	1	341790	LADDER BRACE WLD 280	89
5	1	341882	RH LADDER WLD 280	90
6	1	341883	LH LADDER WLD 280	90
7	1	341893	RH LWR LADDER STALK DEFLEC280	
8	1	341894	LH LWR LADDER STALK DEFLEC280	
9	1	341895	SERVICE PLATFORM WLD 200-280	
10	2	341900	SERVICE PLATFORM MT KPR	90
11	2	470118	1/4 UNC X 3/4 FLANGED H BOLT	
12	2	470121	1/4-20 FLANGED WHIZ NUT	
13	4	900002	1/4 UNC X 3/4 H BOLT GR5 PLT	
14	3	900004	1/4 UNC X 1 1/4 HEX BOLT	
15	2	900005	1/4 UNC X 1 1/2 HEX BOLT	
16	6	900129	3/8 UNC X1IN HH BOLT	
17	4	900265	1/2 X 1 1/2 HH BOLT GR 5 PL	
18	9	914000	1/4 UNC STOVER NUT	
19	6	914004	3/8 UNC STOVER NUT	
20	4	914008	1/2 UNC STOVER NUT	

FRONT LEG CYLINDER ASSEMBLY

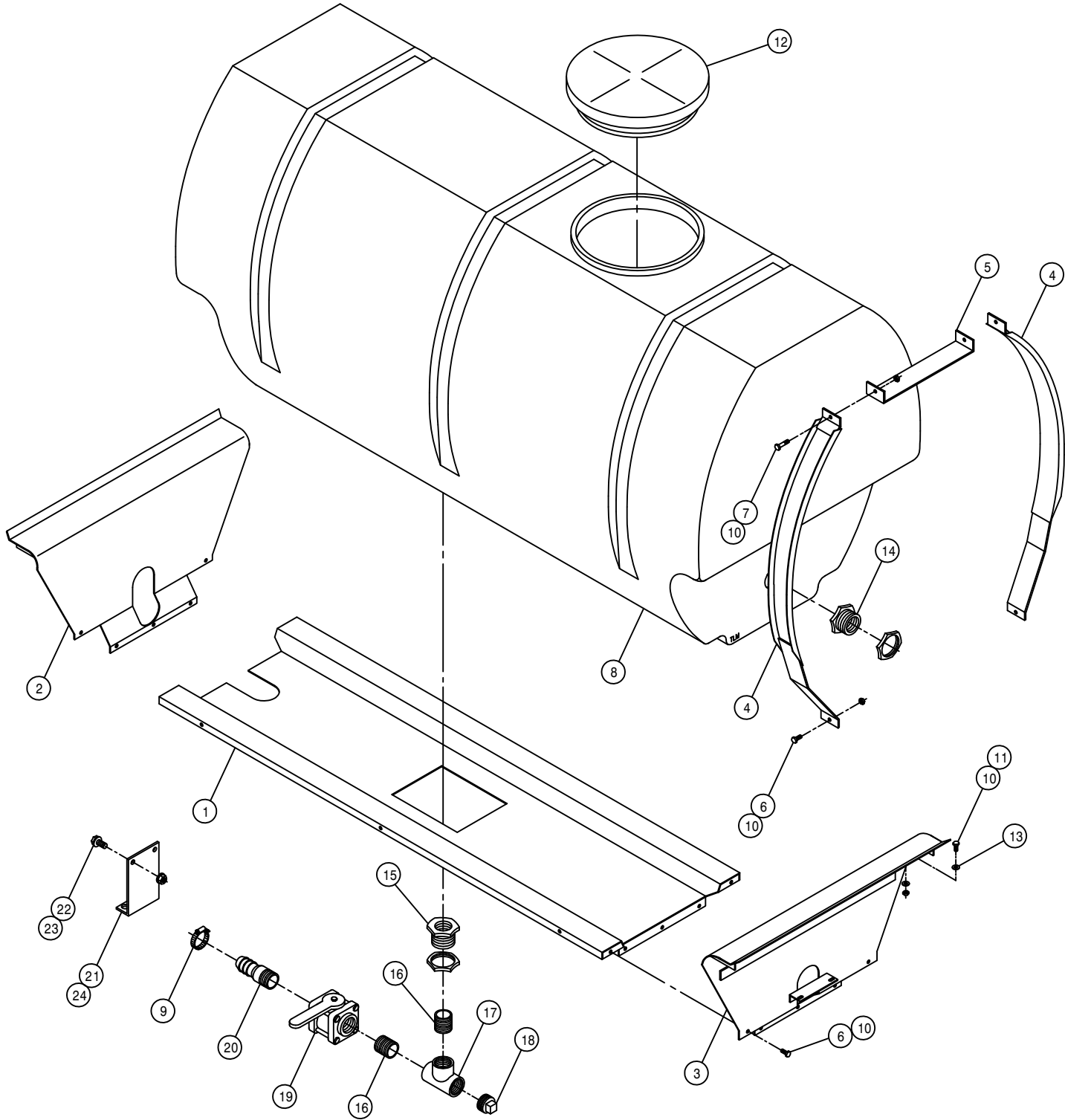
DET. QTY PART NO. DESCRIPTION

1	1	472297	3/4UNF HEX STOVER NUT THIN
2	1	620321	VEE PACK 1 1/2 X 2
3	1	620571	TUBE WLD
4	1	620573	SHAFT 1 1/4 X 17 3/8
5	1	620574	BRG HEAD 2 X 1 1/4
6	1	629002	WIPER 1 1/4 X 1 1/2 X 1/8
7	1	620578	PISTON 2 X 3/4 VPX
8	1	620579	RETAINER 2 X 3/4 X 1/4
9	1	870018	NEO ORING 3/4 X 7/8

NOTE: 620570 - CYLINDER ASSEMBLY
620575 - SEAL KIT

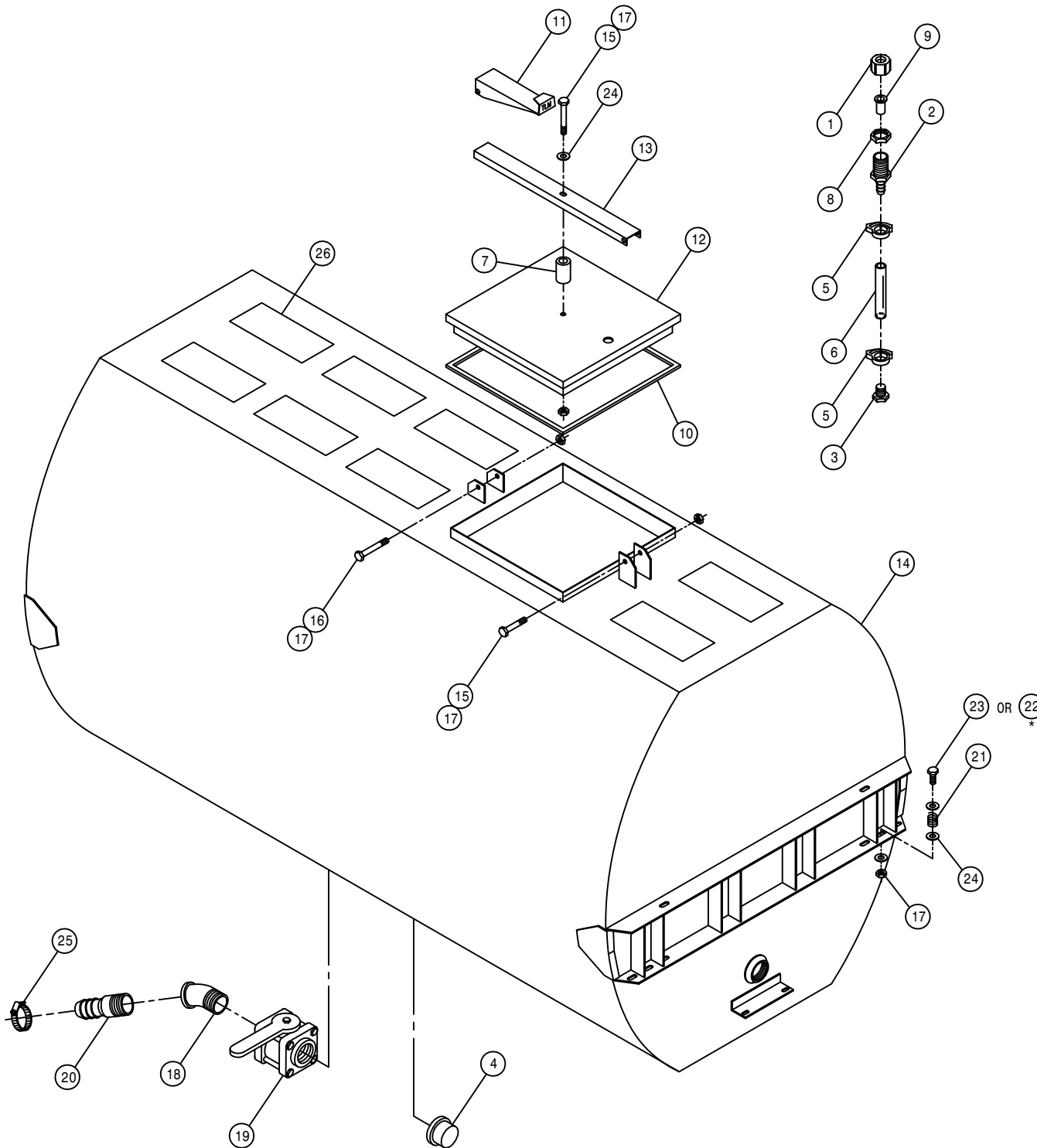


36



POLY 400 GALLON SOLUTION TANK ASSEMBLY

DET.	QTY	PART NO.	DESCRIPTION
	1	763335	POLY TANK CRADLE WLD 280 90
	2	763339	FRNT POLY CRADLE MT WLD280 90
	3	763340	REAR POLY CRADLE MT WLD280 90
	4	763349	TANK BAND WLD 280 400GAL POLY
	5	763353	TANK BAND BINDER 280 POLY
	6	900129	3/8 UNC X1IN HH BOLT
	7	900131	3/8 UNC X 1 1/2 HH BOLT GR 5
	8	763292	400 GALLON POLY TANK
	9	520067	HOSE CLAMP NO 28 PLATED
	10	914004	3/8 UNC STOVER NUT
	11	900128	3/8 UNC X 3/4 HH BOLT
	12	763259	LID, POLY SOLUTION TANK
	13	920002	WASH FLAT 3/8 SAE
	14	618548	1.25 PLASTIC FTG ASSY POLYTNK
	15	618604	1.50 PLASTIC FTG ASSY-POLYTNK
	16	507019	CLOSE NIPPLE 1.50NPT
	17	507250	BLK PIPE TEE 1.50NPT
	18	507400	PIPE PLUG 1.50NPT SQ HD
	19	696110	BALL VALVE 1 1/2FNPT POLY
	20	716003	1 1/2 X 1 1/2 HOSE BARB
	21	763363	SOLU HOSE SUPPORT 280 POLY 91
	22	470118	1/4UNC X 3/4 FLANGED HEX BOLT
	23	470121	1/4UNC HEX FLANGED LOCK NUT
	24	470154	RELEASABLE PLASTIC TIE11.88IN



STAINLESS STEEL SOLUTION TANK ASSEMBLY

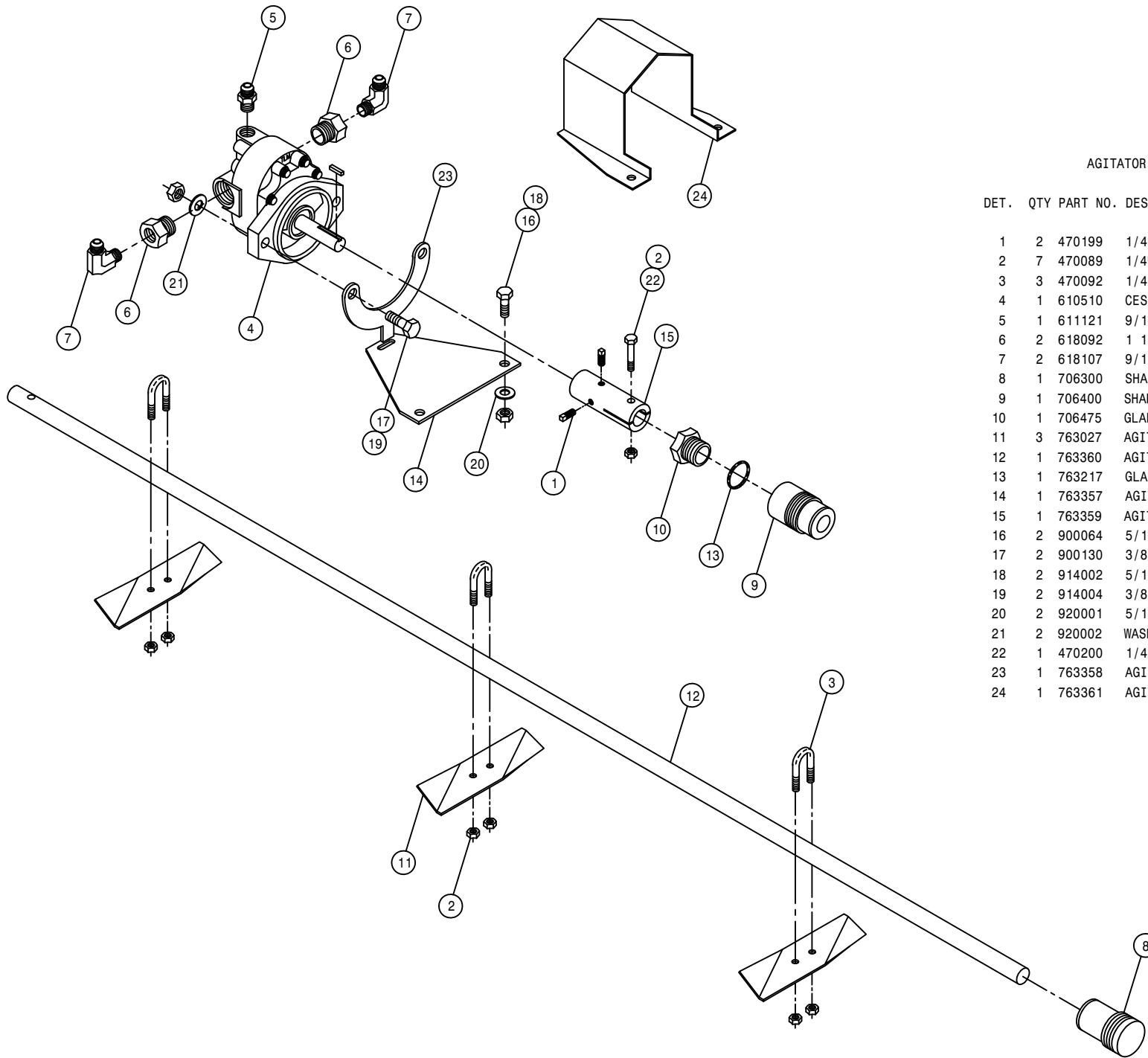
DET.	QTY	PART NO.	DESCRIPTION
1	1	500005	CAP NUT .688FPS NYLON
2	1	500006	.38 H BARB X .69 MPS NYLON
3	1	500007	FTG .12 MNPT HEX PLUG NYLON
4	1	507100	PIPE CAP 1.50NPT
5	2	520003	HOSE CLAMP NO 6 PLASTIC SNAP
6	1	601216	SPRAY TNK VENT HOSE .38X3.50
7	1	601231	HOSE, 3/4 X 2 HI PRESS EPDM
8	1	737858	TEE AND EL NUT .688 FPS
9	1	738859	STRAINER 50 MESH NYLON
10	1	760651	TANK LID GSKT 647
11	1	763163	SPRAY TANK LATCH HANDLE 647S
12	1	763164	SPRAY TANK LID WLD 647S
13	1	763166	TANK LID CHAN 647-S SIDE
14	1	763294	SS SPRAY TANK WLD 400 GAL 280
15	2	900134	3/8UNC X 2 1/2 HEX BOLT
16	1	900138	3/8UNC X 3 1/2 HEX BOLT
17	7	914004	3/8UNC HEX STOVER NUT
18	1	507024	BLK PIPE ST EL 45DEG 1.50NPT
19	1	696110	BALL VALVE 1 1/2FNPT POLY
20	1	716003	1 1/2 X 1 1/2 HOSE BARB
21	2	499001	SPRING HYDRO CONTROL
22	2	900129	3/8UNC X 1 HEX BOLT
23	2	900170	3/8UNC X 2 1/4 HEX BOLT
24	11	920002	WASH FLAT 3/8 SAE
25	1	520067	HOSE CLAMP NO 28 PLATED
26	8	659677	4X9 SAFETY WALK

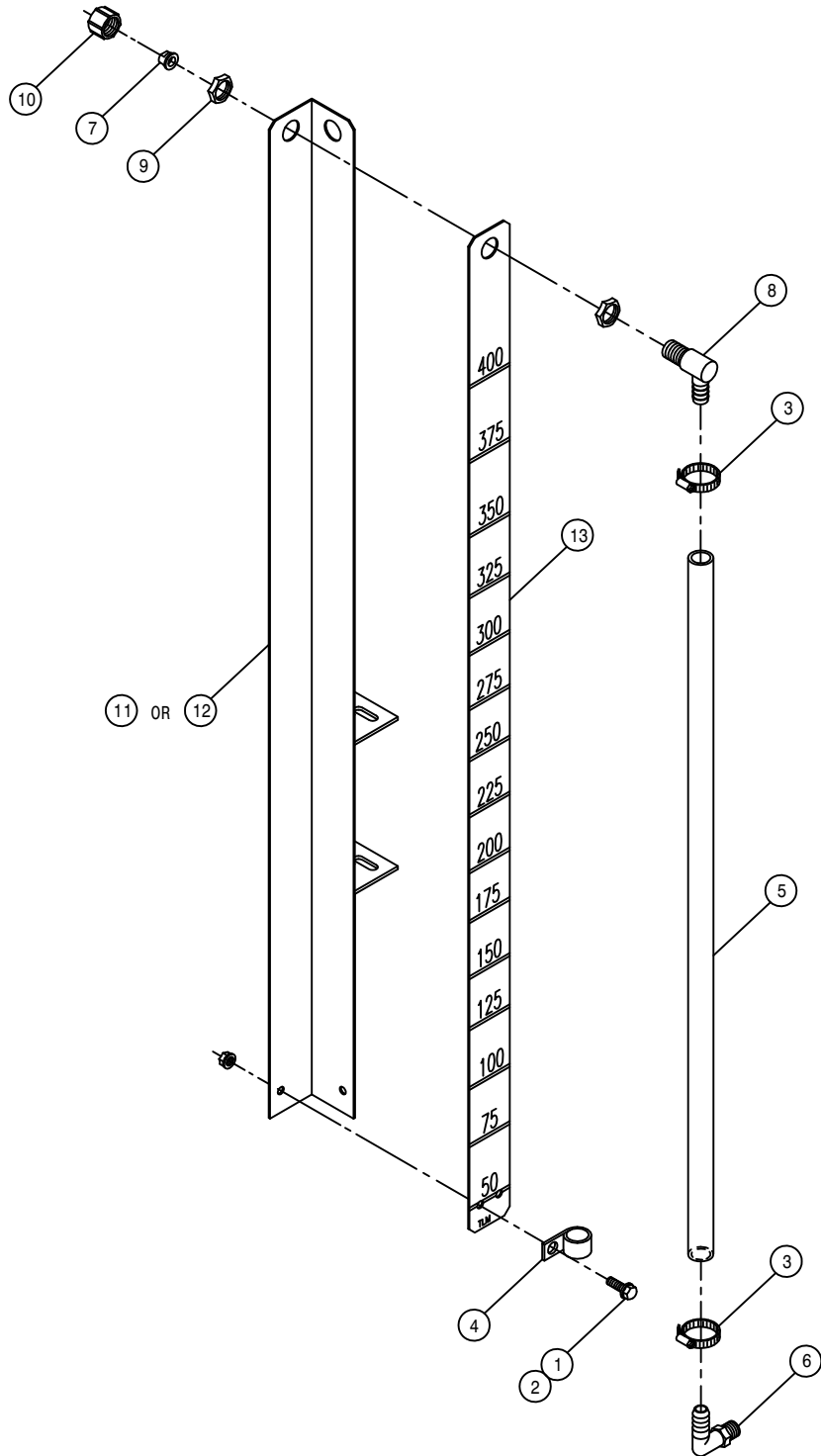
*NOTE: HARDWARE SHOWN IS FOR REAR OF SOLUTION TANK.
FRONT SIDE USES DETAIL 22 AND NO SPRINGS.

AGITATOR ASSEMBLY

DET. QTY PART NO. DESCRIPTION

1	2	470199	1/4-20 X 3/8 SQHD CUP SET SCR	
2	7	470089	1/4UNC HEX LOC NUT NYL INS SS	
3	3	470092	1/4UNC-3/4ID-1 1/4 BOLT SS	
4	1	610510	CESSNA GEAR MOTOR 1.48CI	
5	1	611121	9/16MJIC-1/4MNPT ADPTR	
6	2	618092	1 1/16MOR-1/2FNPT ADPTR	
7	2	618107	9/16MJIC-90-1/2MNPT LBO	
8	1	706300	SHAFT BRG HSNB ASSY BLIND END	
9	1	706400	SHAFT BRG HSNB	
10	1	706475	GLAND NUT	
11	3	763027	AGIT IMPELLER	
12	1	763360	AGIT SHAFT 280	91
13	1	763217	GLAND PACKING 12 IN. LONG	
14	1	763357	AGIT MTR MT PLT CES 280	91
15	1	763359	AGIT MTR CPLR 280	91
16	2	900064	5/16UNC X 3/4 HEX BOLT	
17	2	900130	3/8UNC X 1 1/4 HEX BOLT	
18	2	914002	5/16UNC HEX STOVER NUT	
19	2	914004	3/8UNC HEX STOVER NUT	
20	2	920001	5/16 FLAT WASHER SAE PLT	
21	2	920002	WASH FLAT 3/8 SAE	
22	1	470200	1/4UNC X 1 3/4 HEX BOLT SS	
23	1	763358	AGIT MTR MT YOKE CES 280	91
24	1	763361	AGIT CPLR SHIELD 280	91





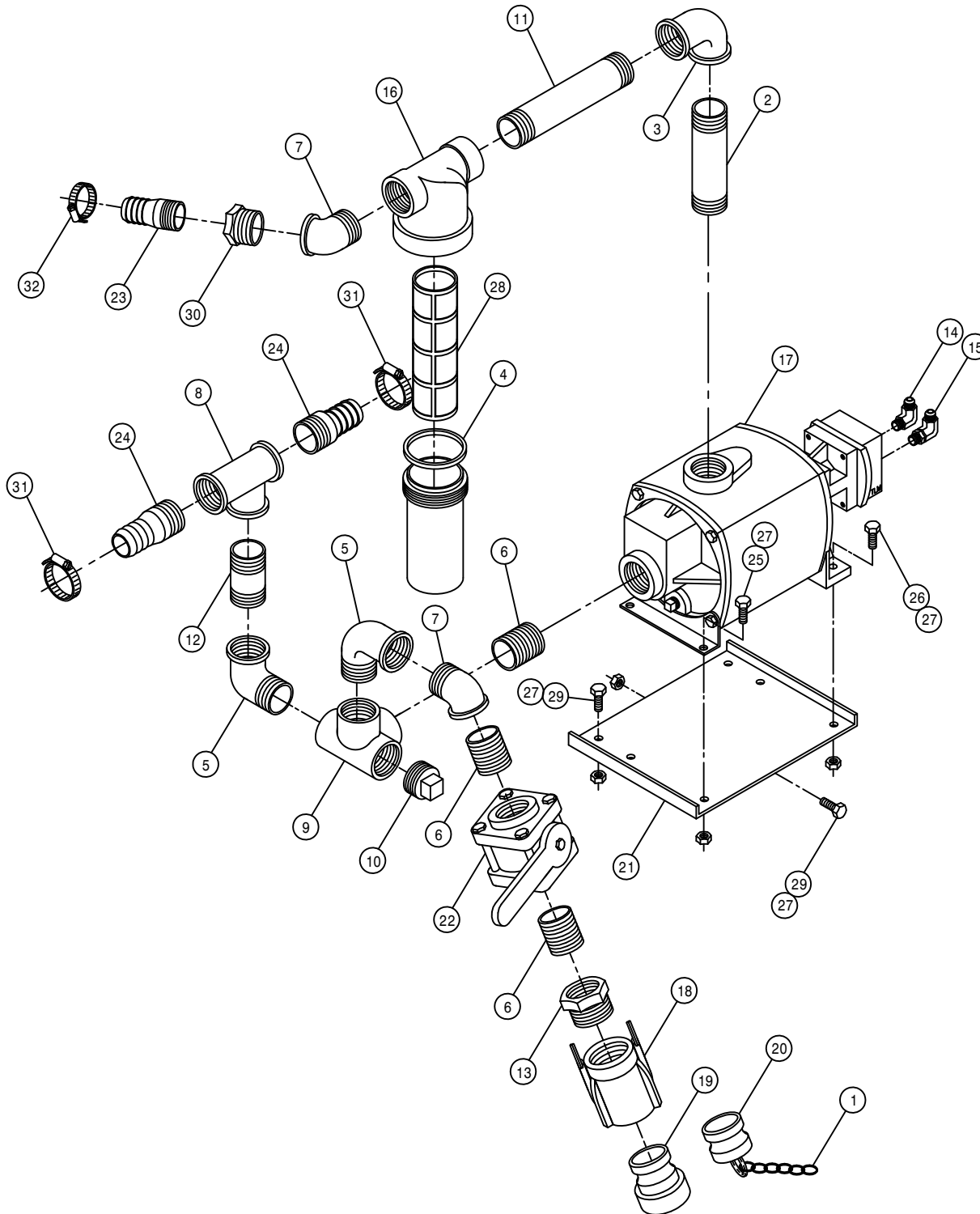
SIGHT GAUGE HOSE ASSEMBLY

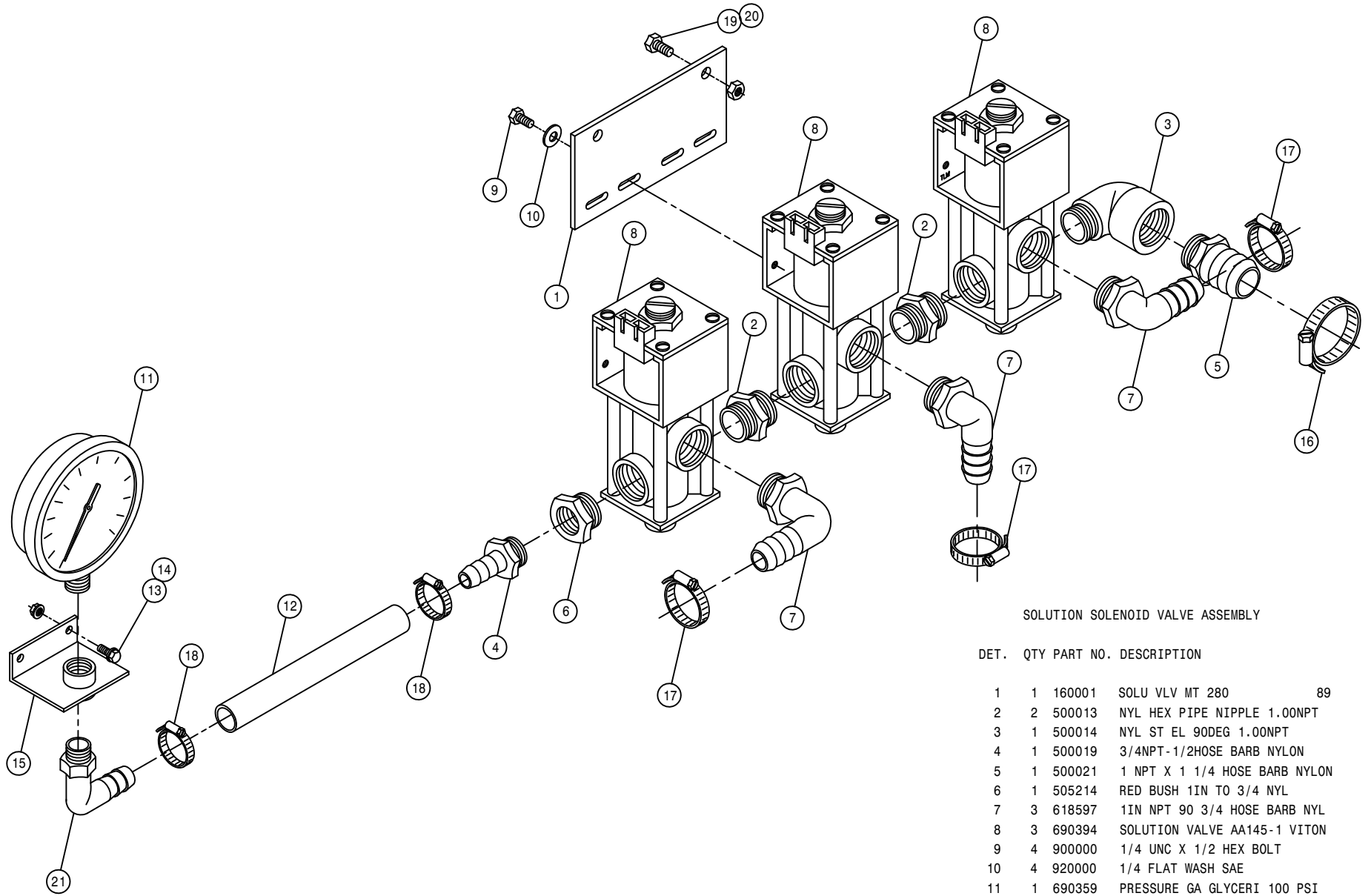
DET.	QTY	PART NO.	DESCRIPTION
1	1	470122	1/4 - 20 X 1/2 FLANGED H BOLT
2	1	470121	1/4-20 FLANGED WHIZ NUT
3	2	520069	HOSE CLAMP NO 6 PLATED
4	1	520117	CUSHION HOSE CLAMP 5/8 IN
5	1	601302	HOSE, 1/2 X 52 SIGHT GAUGE
6	1	618556	.25 NPT 90 X .50 HBARB NYLON
7	1	731109	TIP,FS-9 80DEG NYL SNGL ORF
8	1	737856	EL NOZL BODY .50 STEEL
9	1	737858	TEE AND EL NUT .688 FPS
10	1	738866	CAP NUT .688 FPS STEEL
11	1	763316	RH SIGHT GAUGE MT WLD 280 89
12	1	763317	LH SIGHT GAUGE MT WLD 280 89
13	1	763348	SIGHT GAUGE SCALE 280 SS 89

SOLUTION PUMP ASSEMBLY

DET. QTY PART NO. DESCRIPTION

1	1	160986	TWIN LOOP CHAIN 6 LINKS
2	1	507009	BLK PIPE NIPPLE 1.50NPT-6.00
3	1	507014	BLK PIPE EL 90DEG 1.50NPT
4	1	694021	GASKET FOR 690241 VITON
5	2	507018	BLK PIPE ST EL 90DEG 1.50NPT
6	3	507019	CLOSE NIPPLE 1.50NPT
7	2	507024	BLK PIPE ST EL 45DEG 1.50NPT
8	1	507250	BLK PIPE TEE 1.50NPT
9	1	507253	BLK PIPE SIDE OUTLET TEE 1.50
10	1	507400	PIPE PLUG 1.50NPT SQ HD
11	1	507610	BLK PIPE NIPPLE 1.50NPT-8.00
12	1	507613	BLK PIPE NIPPLE 1.50NPT-3.00
13	1	507717	RED BUSH 2 X 1 1/2
14	1	611145	3/4MJIC-90-1/2MNPT LBO
15	1	618241	3/4MJIC-90-3/4MOR LBO
16	1	690241	1 1/2 LINE STRAINER 50 MESH
17	1	690341	HYPRO CENTRIF PUMP 10GPM
18	1	690390	2.00 FEMALE NPT COUPLER
19	1	690391	2.00 FEMALE NPT ADPTR
20	1	690392	ADPTR PLG FOR 2.00 NPT COUPLR
21	1	690397	SOLU PUMP MT WLD 280 89
22	1	696110	BALL VALVE 1 1/2FNPT POLY
23	1	715660	HOSE BARB 1 1/4NPT X 1 1/4
24	2	716003	1 1/2 X 1 1/2 HOSE BARB
25	2	900128	3/8 UNCX3/4 HH BOLT
26	2	900130	3/8 UNC X 1 1/4 HEX BOLT
27	7	914004	3/8 UNC STOVER NUT
28	1	694120	SS LINE STRAINER SCREEN 50M
29	3	900129	3/8 UNC X1IN HH BOLT
30	1	507015	RED BUSH 1.50NPT - 1.25FNPT
31	2	520067	HOSE CLAMP NO 28 PLATED
32	1	520085	HOSE CLAMP NO 24 PLATED





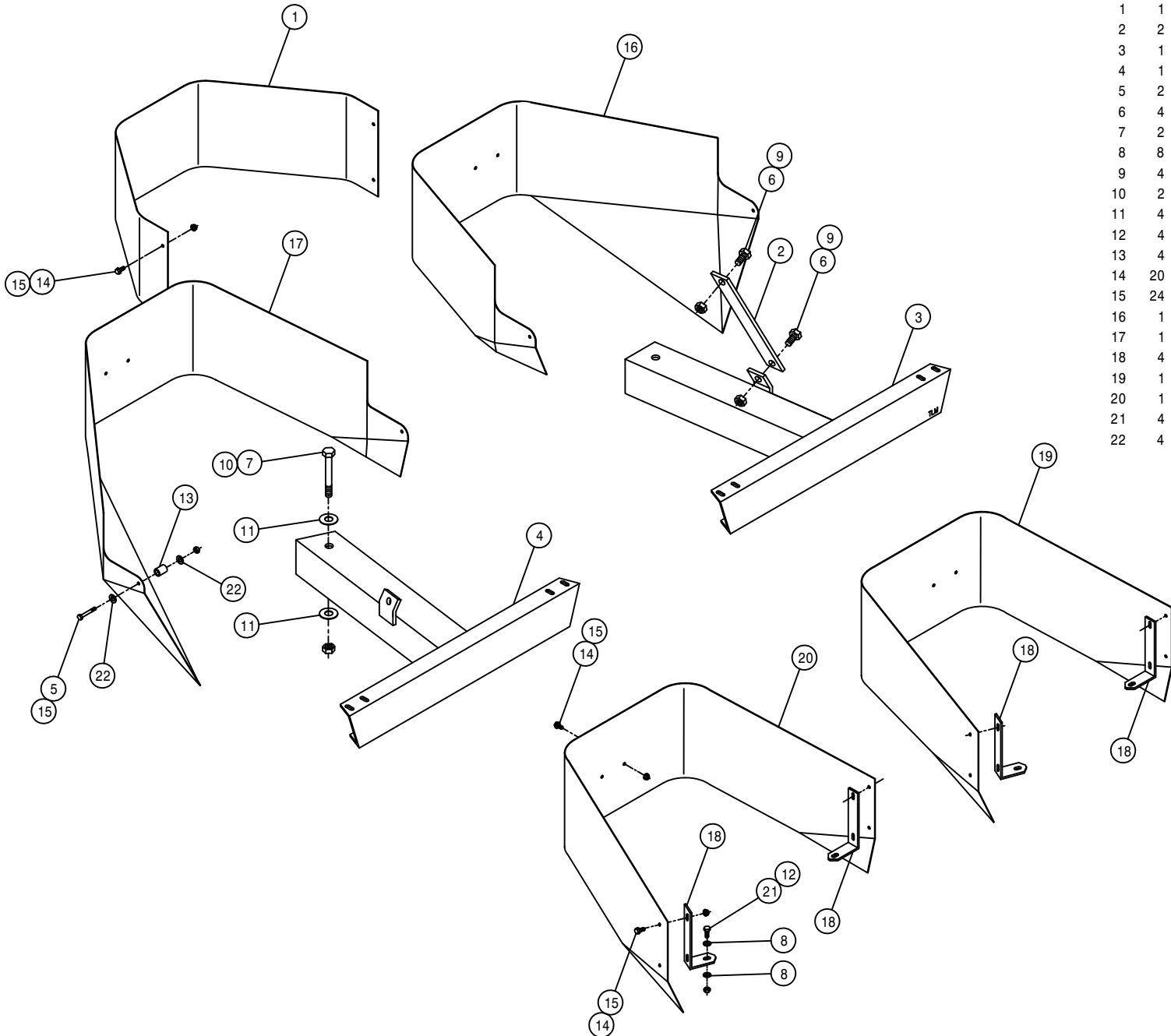
SOLUTION SOLENOID VALVE ASSEMBLY

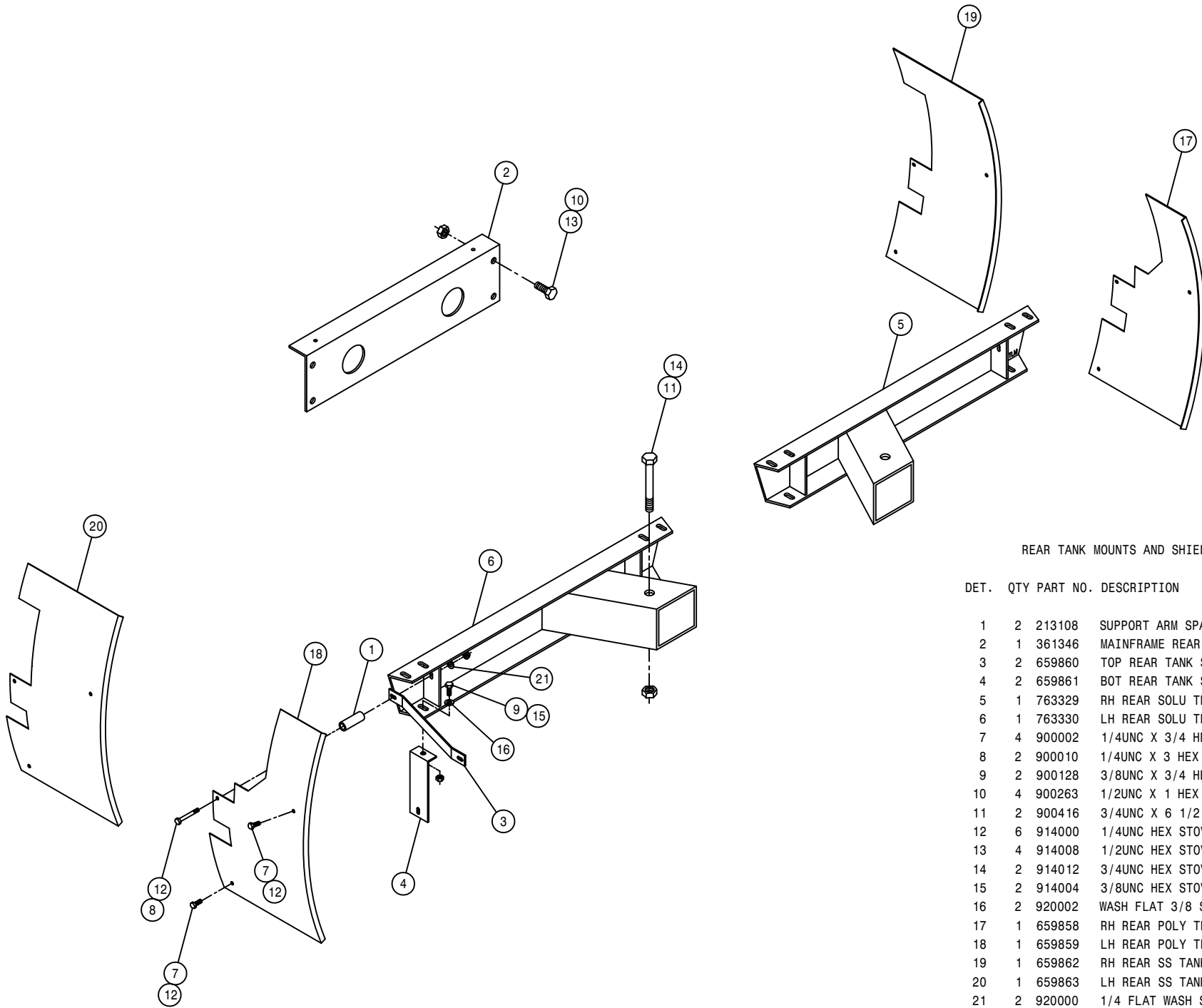
DET.	QTY	PART NO.	DESCRIPTION	
1	1	160001	SOLU VLV MT 280	89
2	2	500013	NYL HEX PIPE NIPPLE 1.00NPT	
3	1	500014	NYL ST EL 90DEG 1.00NPT	
4	1	500019	3/4NPT-1/2HOSE BARB NYLON	
5	1	500021	1 NPT X 1 1/4 HOSE BARB NYLON	
6	1	505214	RED BUSH 1IN TO 3/4 NYL	
7	3	618597	1IN NPT 90 3/4 HOSE BARB NYL	
8	3	690394	SOLUTION VALVE AA145-1 VITON	
9	4	900000	1/4 UNC X 1/2 HEX BOLT	
10	4	920000	1/4 FLAT WASH SAE	
11	1	690359	PRESSURE GA GLYCERI 100 PSI	
12	1	601308	HOSE, .50 1BR BLK EPDM X 8.00	
13	2	470118	1/4 UNC X 3/4 FLANGED H BOLT	
14	2	470121	1/4-20 FLANGED WHIZ NUT	
15	1	160010	SOLU PRESS GA MT WLD 280	89
16	1	520085	HOSE CLAMP NO 24 PLATED	
17	3	520055	HOSE CLAMP NO 12 PLATED	
18	2	520080	HOSE CLAMP NO 10 PLATED	
19	2	900129	3/8 UNC X1IN HH BOLT	
20	2	914004	3/8 UNC STOVER NUT	
21	1	618556	.25 NPT 90 X .50 HBARB NYLON	

FRONT TANK MOUNTS AND SHIELDS

DET. QTY PART NO. DESCRIPTION

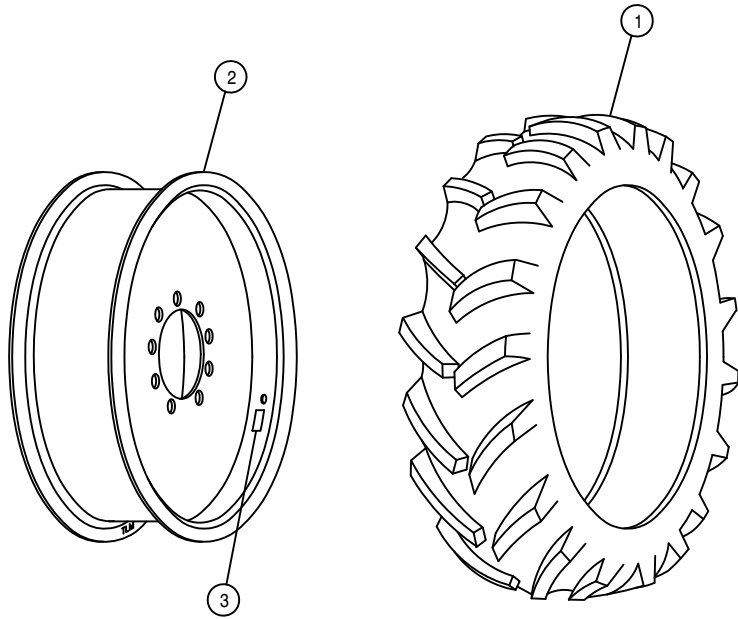
1	1	659831	LWR FRONT SHIELD 280	89
2	2	763315	TANK SUPPORT ARM 280	89
3	1	763326	RH FRT SOLU TANK MT WLD280	90
4	1	763327	LH FRT SOLU TANK MT WLD280	90
5	2	900006	1/4UNC X 1 3/4 HEX BOLT	
6	4	900333	5/8UNC X 1 1/2 HEX BOLT	
7	2	900416	3/4UNC X 6 1/2 HEX BOLT	
8	8	920002	WASH FLAT 3/8 SAE	
9	4	914010	5/8UNC HEX STOVER NUT	
10	2	914012	3/4UNC HEX STOVER NUT	
11	4	920006	3/4 FLAT WASH SAE	
12	4	914004	3/8UNC HEX STOVER NUT	
13	4	160621	SPRING TIGHTENER HOOK BUSH	
14	20	470118	1/4UNC X 3/4 FLANGED HEX BOLT	
15	24	470121	1/4UNC HEX FLANGED LOCK NUT	
16	1	659856	RH FRT POLY TANK SHLD WLD 280	
17	1	659857	LH FRT POLY TANK SHLD WLD 280	
18	4	659834	FRT LEG SHIELD MTG BRKT280	89
19	1	659854	RH FRT SS TANK SHIELD 280	90
20	1	659855	LH FRT SS TANK SHIELD 280	90
21	4	900130	3/8UNC X 1 1/4 HEX BOLT	
22	4	920000	1/4 FLAT WASH SAE	





REAR TANK MOUNTS AND SHIELDS

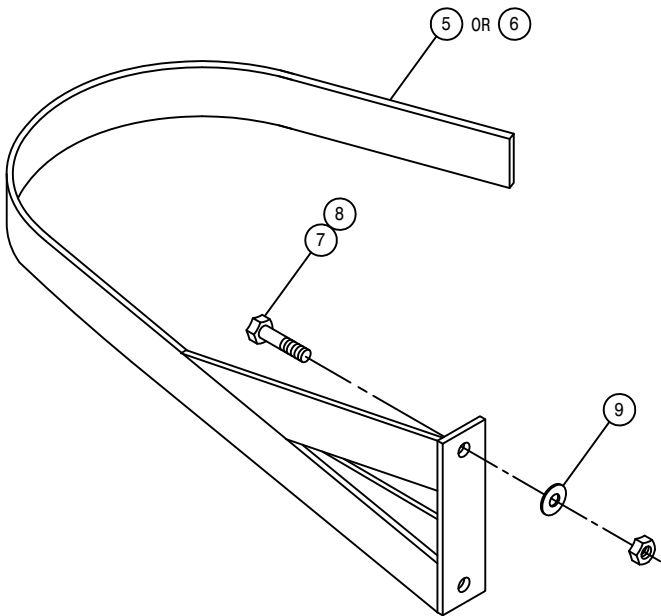
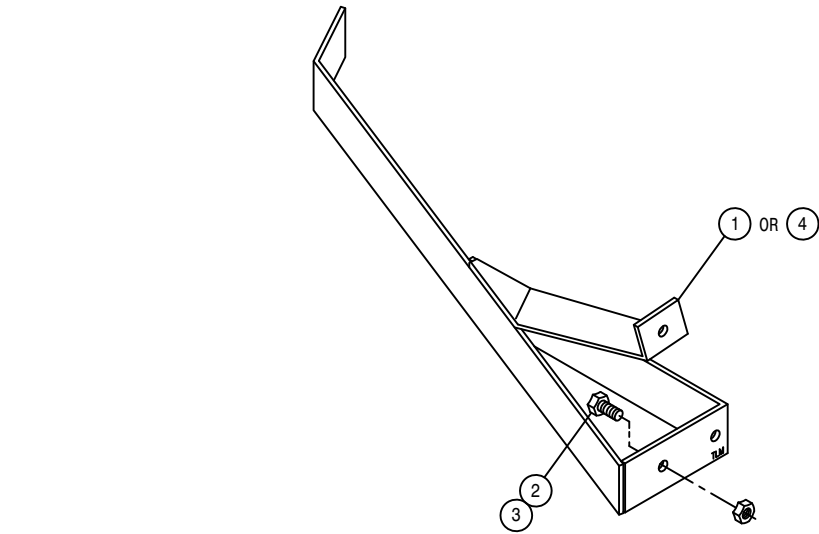
DET.	QTY	PART NO.	DESCRIPTION	
	1	2	213108	SUPPORT ARM SPACER
	2	1	361346	MAINFRAME REAR TIE ANGLE 280
	3	2	659860	TOP REAR TANK SHLD BRKT280 90
	4	2	659861	BOT REAR TANK SHLD BRKT280 90
	5	1	763329	RH REAR SOLU TNK MT WLD280 90
	6	1	763330	LH REAR SOLU TNK MT WLD280 90
	7	4	900002	1/4UNC X 3/4 HEX BOLT
	8	2	900010	1/4UNC X 3 HEX BOLT
	9	2	900128	3/8UNC X 3/4 HEX BOLT
	10	4	900263	1/2UNC X 1 HEX BOLT
	11	2	900416	3/4UNC X 6 1/2 HEX BOLT
	12	6	914000	1/4UNC HEX STOVER NUT
	13	4	914008	1/2UNC HEX STOVER NUT
	14	2	914012	3/4UNC HEX STOVER NUT
	15	2	914004	3/8UNC HEX STOVER NUT
	16	2	920002	WASH FLAT 3/8 SAE
	17	1	659858	RH REAR POLY TNK SHIELD280 90
	18	1	659859	LH REAR POLY TNK SHIELD280 90
	19	1	659862	RH REAR SS TANK SHIELD 280 90
	20	1	659863	LH REAR SS TANK SHIELD 280 90
	21	2	920000	1/4 FLAT WASH SAE



TIRE AND RIM ASSEMBLY

DET. QTY PART NO. DESCRIPTION

1	1	820001	12.4 X 28 4P TIRE TRACT F&R
2	1	820017	WHL WLD 12.4 X 28 SENSOR MT
3	1	650985	WHL BOLT TORQ DECAL 203854C



CROP GUIDES

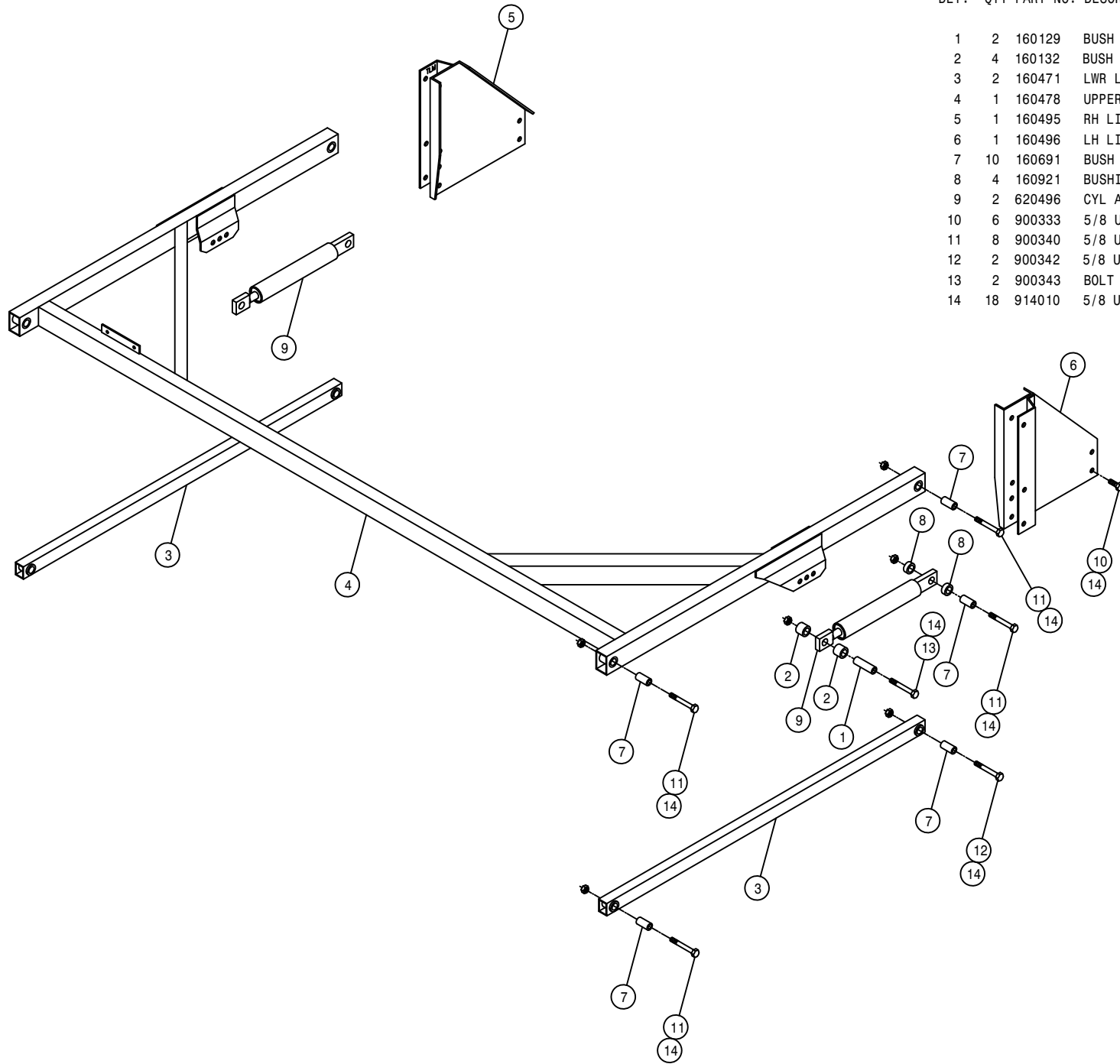
DET. QTY PART NO. DESCRIPTION

1	1	662217	RH REAR STALK GUIDE WLD280 89
2	2	900129	3/8 UNC X1IN HH BOLT
3	2	914004	3/8 UNC STOVER NUT
4	1	662218	LH REAR STALK GUIDE WLD280 89
5	1	662150	RH STALK GUIDE WLD 8240
6	1	662151	LH STALK GUIDE WLD 8240
7	2	900264	1/2 UNC X 1 1/4 HEX BOLT
8	2	914008	1/2 UNC STOVER NUT
9	2	920004	1/2 FLAT WASHER SAE

LIFTARM ASSEMBLY

DET. QTY PART NO. DESCRIPTION

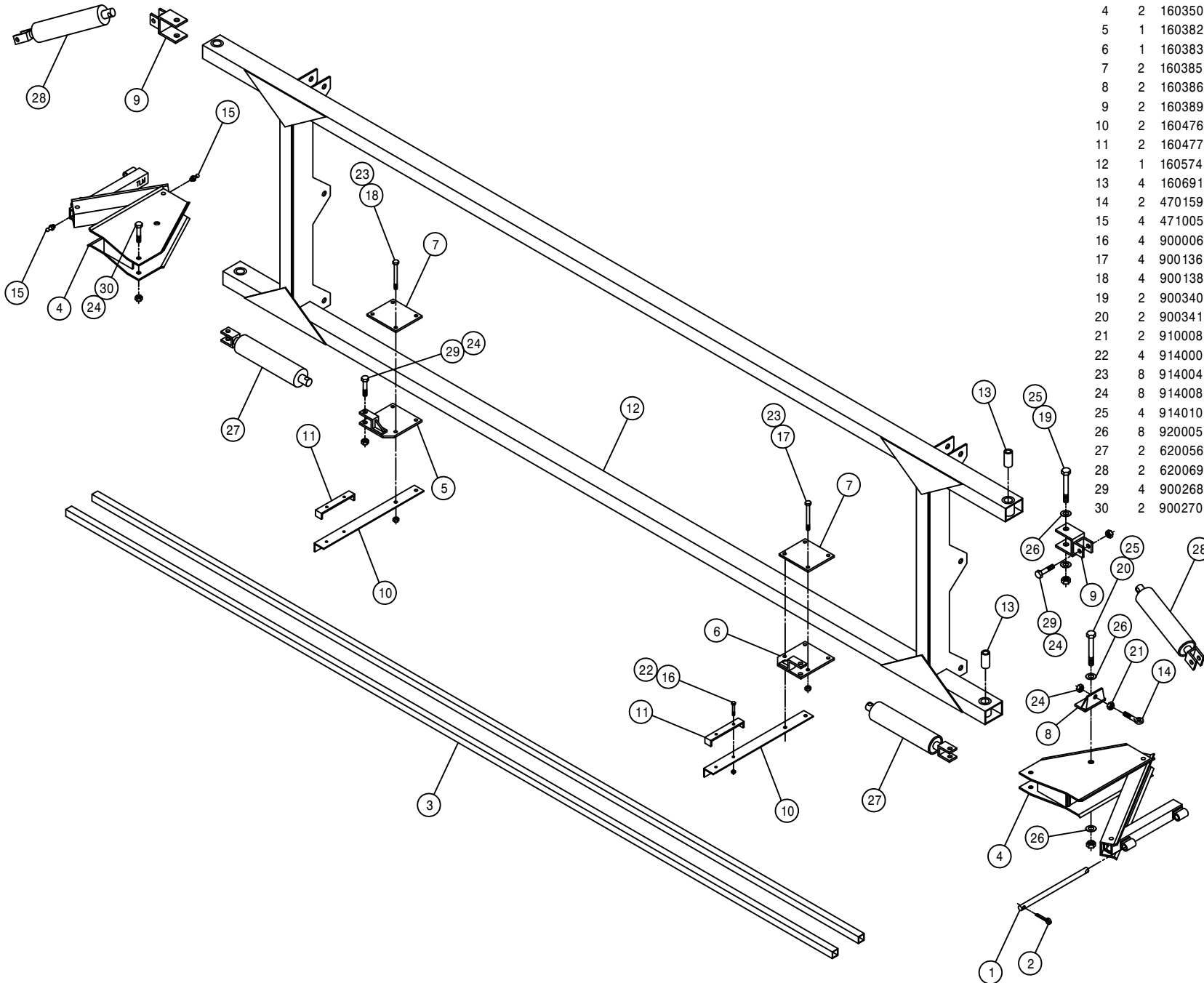
DET.	QTY	PART NO.	DESCRIPTION
1	2	160129	BUSH 1 OD X .63ID X 3.38
2	4	160132	BUSH 1 1/2OD X 1ID X 1 1/4
3	2	160471	LWR LIFT ARM WLD 8540-8250 87
4	1	160478	UPPER LIFT ARM WLD 280 89
5	1	160495	RH LIFT ARM MT WLD 280 89
6	1	160496	LH LIFT ARM MT WLD 280 89
7	10	160691	BUSH LIFT ARM LONG 470
8	4	160921	BUSHING, CYL MT-LIFT ARMS5/8
9	2	620496	CYL ASSY, BOOM LIFT W/RESTRIC
10	6	900333	5/8 UNC X 1 1/2 HEX BOLT
11	8	900340	5/8 UNC X 3 1/2 HEX BOLT
12	2	900342	5/8 UNC X 4 HEX BOLT
13	2	900343	BOLT 5/8 UNC X 4 1/2 HEX HD
14	18	914010	5/8 UNC STOVER NUT

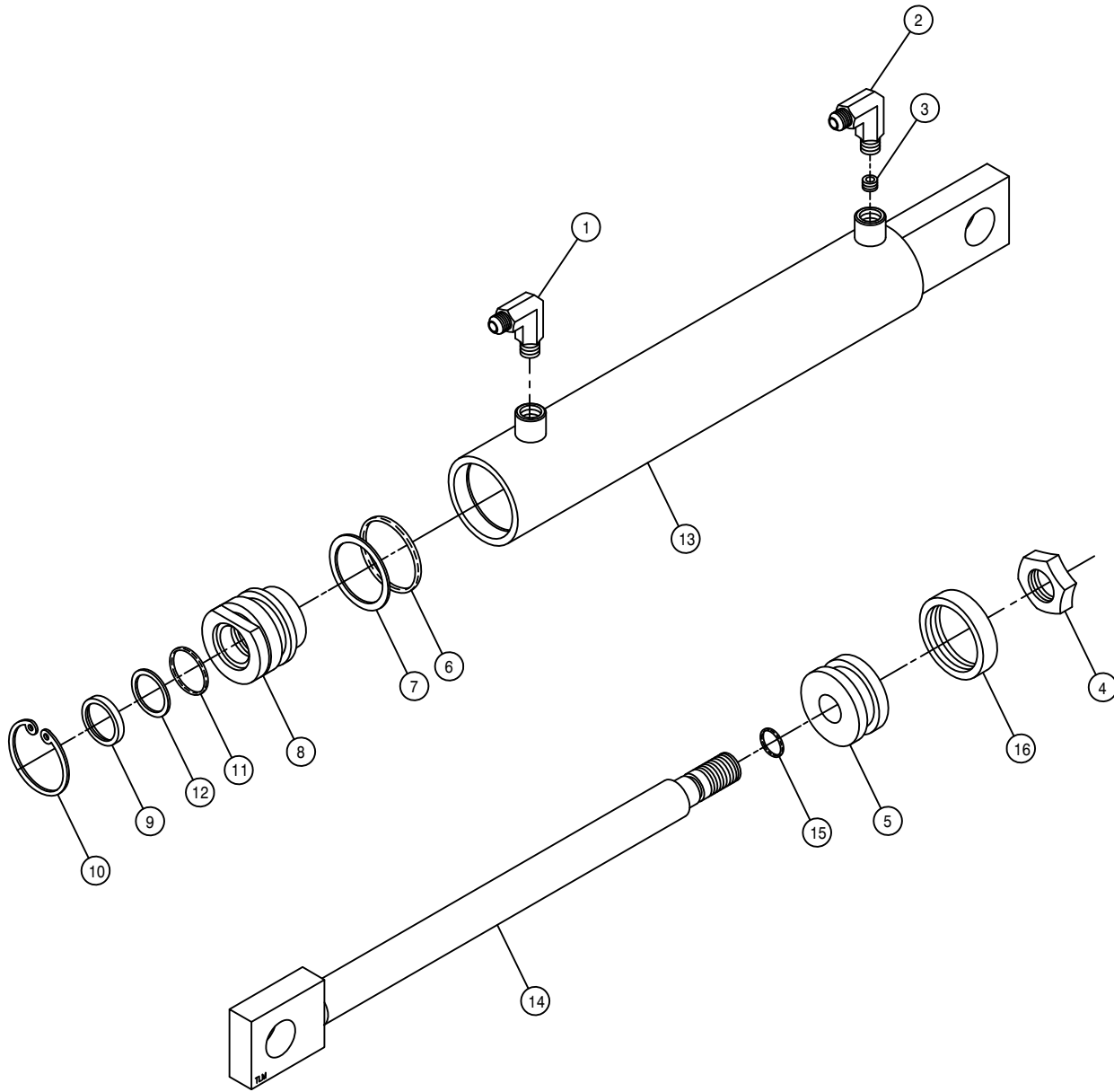


TRANSOM ASSEMBLY

DET. QTY PART NO. DESCRIPTION

DET.	QTY	PART NO.	DESCRIPTION
1	2	160351	BOOM PIVOT PIN 5/8 8540
2	4	475003	PIN COT 3/16 X 1 ZINC
3	2	160006	NOZL MT CENTER TUBE 120 TREAD
4	2	160350	BOOM BREAKAWAY WLD 8250 85
5	1	160382	RH FOLD CYL MT WLD 8540
6	1	160383	LH FOLD CYL MT WLD 8540
7	2	160385	FOLD CYL MT KPR 8540
8	2	160386	BRKWY SPRING BRKT WLD 8540
9	2	160389	LEVEL CYL PIVOT BRKT WLD 8540
10	2	160476	NOZL MT TUBE HANGER 8540 87
11	2	160477	NOZL MT TUBE CLAMP 8540 87
12	1	160574	TRANSOM WLD 280 89
13	4	160691	BUSH LIFT ARM LONG 470
14	2	470159	EYE BOLT, 1/2 UNC X 2 1/2
15	4	471005	1/4 28 X 1/2 GREASE ZERK
16	4	900006	1/4 UNC X 1 3/4 HH BOLT
17	4	900136	3/8 UNC X 3 HEX BOLT
18	4	900138	3/8 UNC X 3 1/2 HEX BOLT
19	2	900340	5/8 UNC X 3 1/2 HEX BOLT
20	2	900341	BOLT,5/8UNC X 3 3/4 HHD GR5
21	2	910008	1/2 UNC HEX NUT
22	4	914000	1/4 UNC STOVER NUT
23	8	914004	3/8 UNC STOVER NUT
24	8	914008	1/2 UNC STOVER NUT
25	4	914010	5/8 UNC STOVER NUT
26	8	920005	5/8 FLAT WASH SAE
27	2	620056	CYL ASSY W/FTGS & RESTR 2IN
28	2	620069	CYL ASSY W/FTGS W/O RESTR 2IN
29	4	900268	1/2 UNC X 2 1/2 HEX BOLT
30	2	900270	1/2 UNC X 3 HEX BOLT

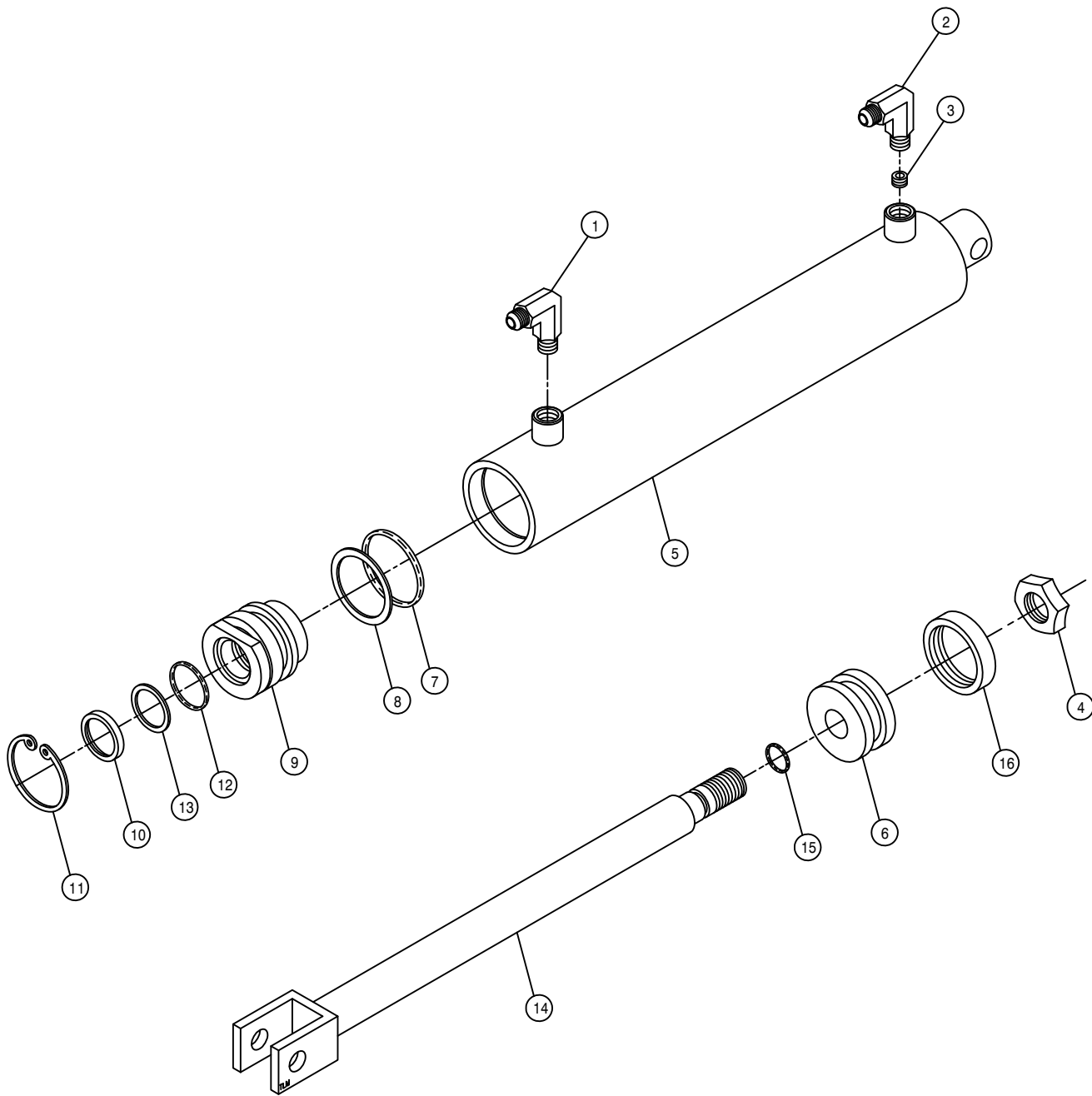




LIFT CYLINDER ASSEMBLY

DET.	QTY	PART NO.	DESCRIPTION
1	1	611122	9/16MJIC-90-1/4MNPT LBO
2	1	440338	9/16 JIC W/90X1/4 NPT TAPPED
3	1	614366	RESTRICTOR SCREW, .042 DIA
4	1	472297	3/4UNF HEX STOVER NUT THIN
5	1	620081	PISTON 2 X 1 ZAMAC ORING TYPE
6	1	870326	BUNA ORING 1 5/8 X 2
7	1	890326	BACKUP WASH 1 5/8 X 2 LEATH
8	1	620082	GLAND 2 IN X 1 IN ZAMAC
9	1	629003	WIPER 1 X 1 1/4 X 1/8
10	1	629505	SNAP RING 2 IN INTRN
11	1	870214	BUNA ORING 1 X 1 1/4
12	1	890214	BACKUP WASH 1 X 1 1/4 HT2022
13	1	620498	TUBE WLD LIFT CYL 1978
14	1	620505	SHAFT WLD LIFT CYL 640
15	1	870113	BUNA ORING 9/16 X 3/4
16	1	860326	CROWN SEAL, 2" PISTON, HYD

NOTE: 1. 620499 - CYLINDER ASSEMBLY
 2. 614365 - RESTRICTOR ELBOW ASSEMBLY
 3. 620083 - SEAL KIT



LEVEL AND FOLD CYLINDER ASSEMBLY

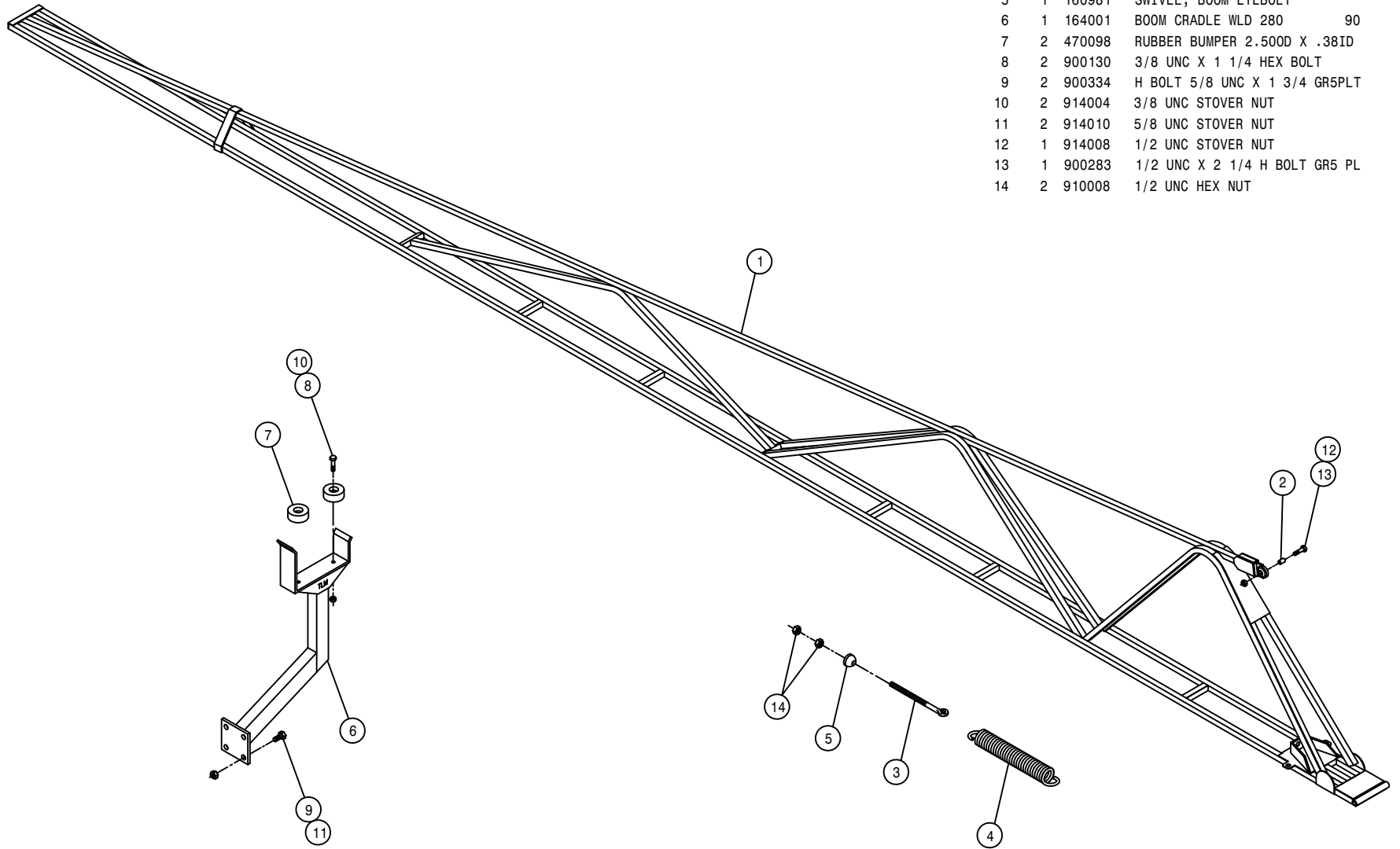
DET.	QTY	PART NO.	DESCRIPTION
1	1	611122	9/16MJIC-90-1/4MNPT LBO
2	1	440338	9/16 JIC W/90X1/4 NPT TAPPED
3	1	614366	RESTRICTOR SCREW, .042 DIA
4	1	472297	3/4UNF HEX STOVER NUT THIN
5	1	620053	TUBE WLD, 2IN FOLD & LEVEL
6	1	620081	PISTON 2 X 1 ZAMAC ORING TYPE
7	1	870326	BUNA ORING 1 5/8 X 2
8	1	890326	BACKUP WASH 1 5/8 X 2 LEATH
9	1	620082	GLAND 2 IN X 1 IN ZAMAC
10	1	629003	WIPER 1 X 1 1/4 X 1/8
11	1	629505	SNAP RING 2 IN INTRN
12	1	870214	BUNA ORING 1 X 1 1/4
13	1	890214	BACKUP WASH 1 X 1 1/4 HT2022
14	1	620093	SHAFT WLDMT, HAGIE BOOM CYL
15	1	870113	BUNA ORING 9/16 X 3/4
16	1	860326	CROWN SEAL, 2" PISTON, HYD

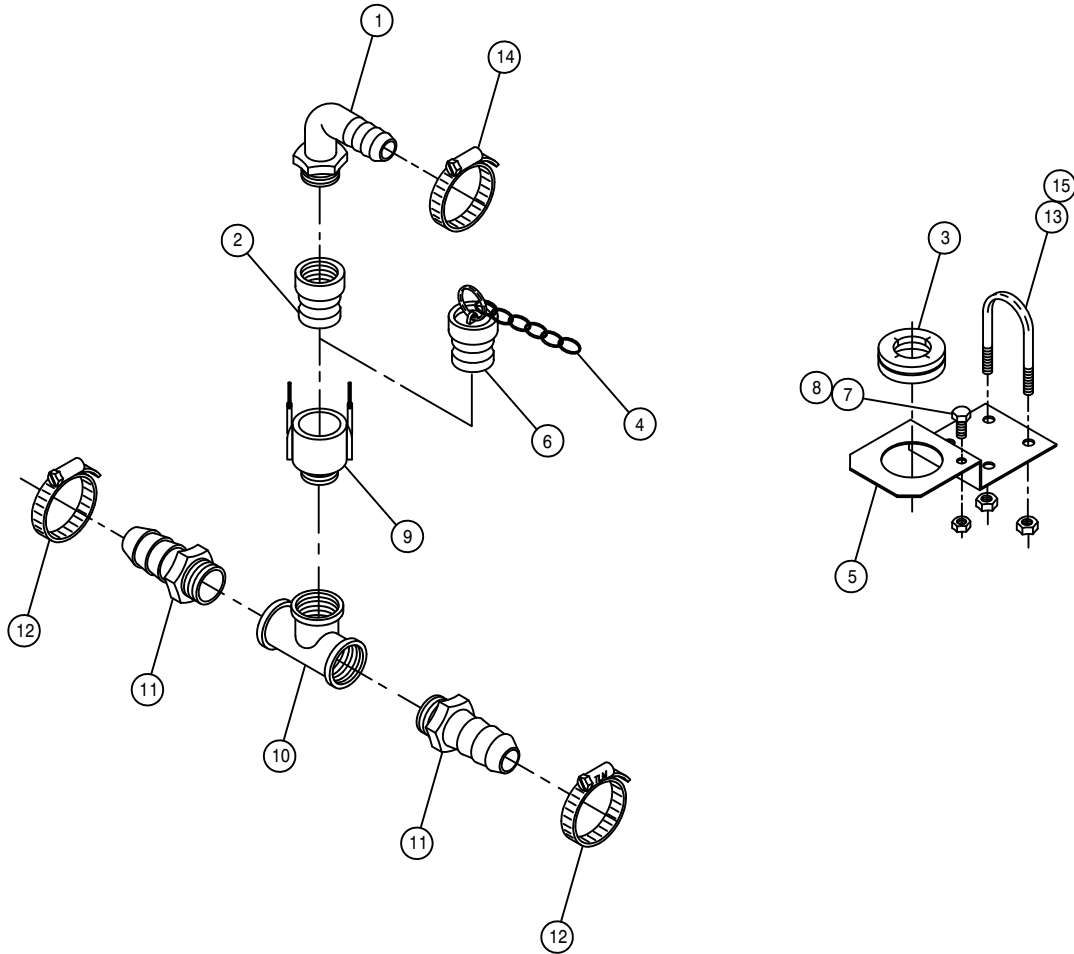
NOTE: 1. RESTRICTOR ELBOW ASSEMBLY USED WITH FOLD CYLINDER.
 2. 620052 - FOLD AND LEVEL CLINDER ASSEMBLY
 3. 620056 - FOLD CYLINDER ASSEMBLY WITH FITTINGS
 4. 620069 - LEVEL CYLINDER ASSEMBLY WITH FITTINGS
 5. 614365 - RESTRICTOR ELBOW ASSEMBLY
 6. 620083- SEAL KIT

BOOM AND CRADLE ASSEMBLY

DET. QTY PART NO. DESCRIPTION

1	1	160362	BOOM WLD 8540 - 8250
2	1	160455	BUSH .625 OD X 18GA WA X .94
3	1	160979	EYE BOLT, 1/2UNC X 9
4	1	160980	SPRING, BOOM BRKWAY
5	1	160981	SWIVEL, BOOM EYEBOLT
6	1	164001	BOOM CRADLE WLD 280 90
7	2	470098	RUBBER BUMPER 2.500D X .38ID
8	2	900130	3/8 UNC X 1 1/4 HEX BOLT
9	2	900334	H BOLT 5/8 UNC X 1 3/4 GR5PLT
10	2	914004	3/8 UNC STOVER NUT
11	2	914010	5/8 UNC STOVER NUT
12	1	914008	1/2 UNC STOVER NUT
13	1	900283	1/2 UNC X 2 1/4 H BOLT GR5 PL
14	2	910008	1/2 UNC HEX NUT





BOOM FEEDER TEE ASSEMBLY

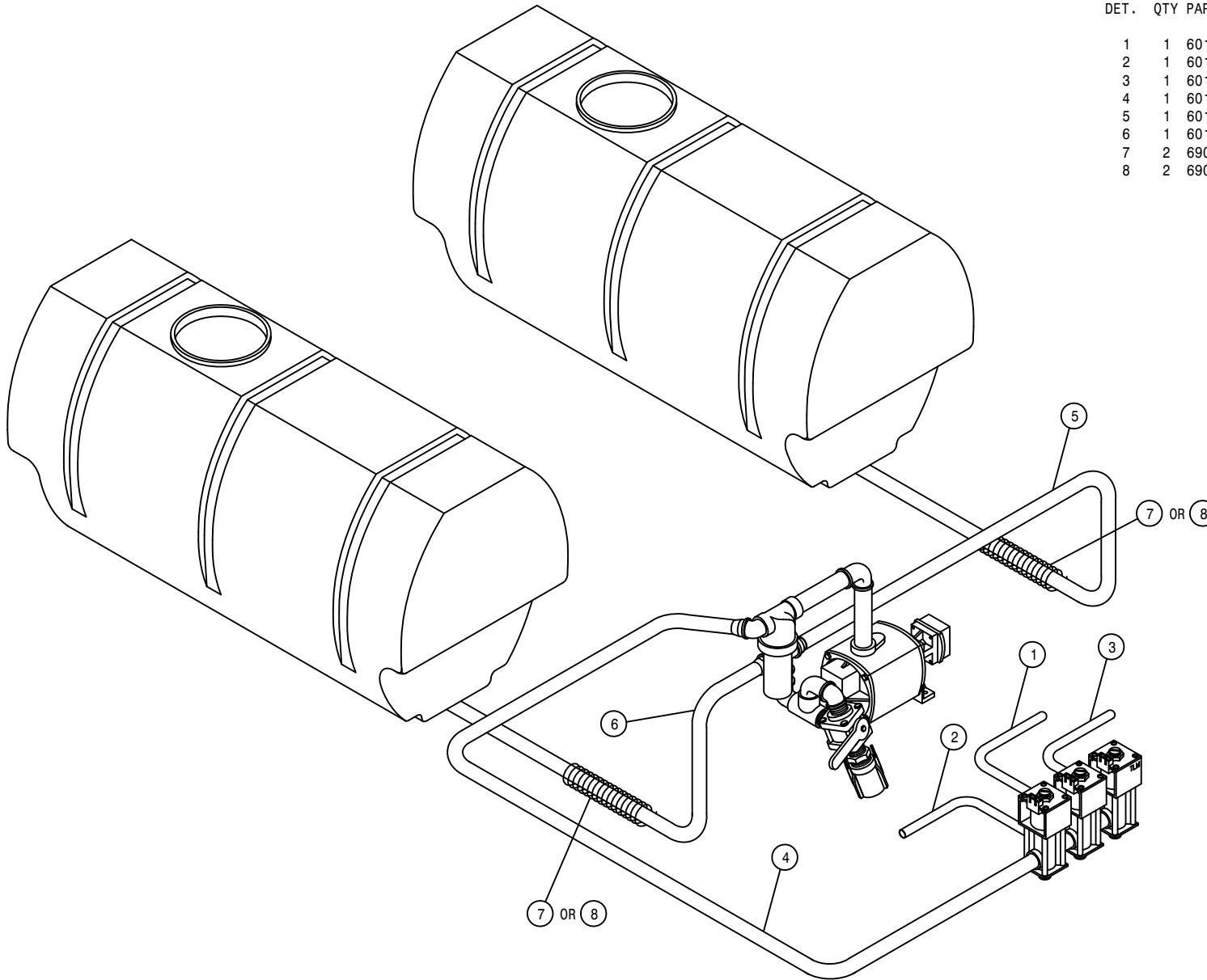
DET. QTY PART NO. DESCRIPTION

1	1	500020	3/4NPT-3/4HOSE BARB 90 NYLON
2	1	696202	QUICK CONNECT FEM ADPTR 3/4NP
3	1	160015	2.06ID GROMMET SLIT
4	1	160986	TWIN LOOP CHAIN 6 LINKS
5	1	160987	FEEDER T MTG BRKT 470 647
6	1	696204	QUICK CONNECT PLUG, 3/4
7	1	900002	1/4 UNC X 3/4 H BOLT GR5 PLT
8	1	914000	1/4 UNC STOVER NUT
9	1	696203	QUICK CONNECT CPLR MALE 3/4
10	1	505218	NYL PIPE TEE .75NPT
11	2	500019	3/4NPT-1/2HOSE BARB NYLON
12	2	520070	HOSE CLAMP NO 8 PLATED
13	2	470094	U BOLT .31UNC X 1.38BL X 3 LG
14	1	520055	HOSE CLAMP NO 12 PLATED
15	4	914002	5/16 UNC STOVER NUT

SOLUTION HOISING

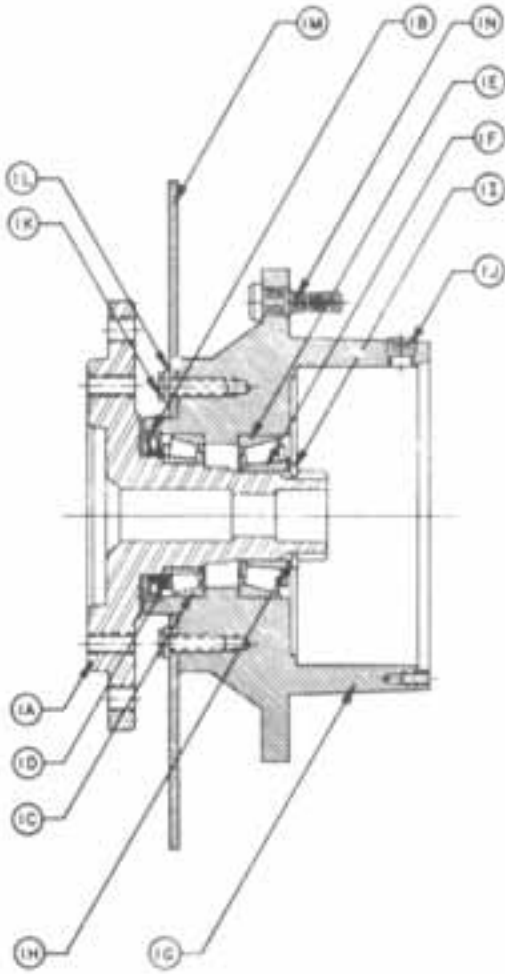
DET. QTY PART NO. DESCRIPTION

1	1	601172	HOSE, 3/4 X 75 1BR BLACK EPDM
2	1	601177	HOSE, 3/4 X 242 1BR BLK EPD
3	1	601239	HOSE, 3/4 X 324 1BR EPDM
4	1	601306	HOSE, 1.25 2BR BLK EPDM X 116
5	1	601307	HOSE, 1.50 X 118 2F1W EPDM
6	1	601310	HOSE, 1.50 2BR BLK EPDM X 100
7	2	690412	HOSE SPRING GUARD 2IN X 12 LG
8	2	690396	HOSE SPRING GUARD 2IN X 48 LG

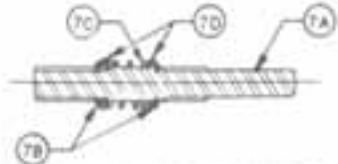


WHEEL DRIVE ASSEMBLY - 610516
W1BFNZ324

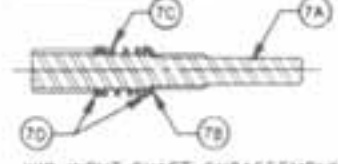
ITEMS	DESCRIPTION	PART NO.	QTY.
1	HUB-SPINDLE SUB-ASSEMBLY	-----	
1A	SPINDLE	610518	1
1B	SEAL	610519	1
1C	BEARING CUP	610520	1
1D	BEARING CONE	610521	1
1E	BEARING CUP	610907	1
1F	BEARING CONE	610908	1
1G	HUB	610522	1
1H	SPACER	610909	1
1I	RETAINER RING	610910	1
1J	PIPE PLUG	610147	2
1N	STUD	610523	9
2	INTERNAL GEAR	610148	1
3	CARRIER ASSEMBLY	610933	1
4	RING GEAR	610937	1
5	O-RING	610903	2
6	COVER ASSEMBLY	610155	1
6A	COVER	610149	1
6B	COVER CAP	610914	1
6C	BOLT	610150	4
6D	DISCONNECT CAP	610901	1
6E	DISCONNECT ROD	610915	1
6F	O-RING	610916	1
6G	O-RING	610917	1
6H	PIPE NIPPLE	610151	1
6I	ID PLATE	610152	1
7	INPUT SHAFT ASSEMBLY	610048	1
7A	INPUT SHAFT	610046	1
7B	RETAINING RING	610936	1
7C	SPRING	610145	1
7D	SPACER	610153	2
8	INPUT GEAR	610919	1
9	THRUST SPACER	610920	1
10	THRUST SPACER	610921	1
11	THRUST WASHER	610922	2
12	BOLT	610930	12
13	SHOULDER BOLT	610923	4
14	COUPLING	610037	1
16	FLAT WASHER	610049	16
NS	SEAL BOOT	610552	1



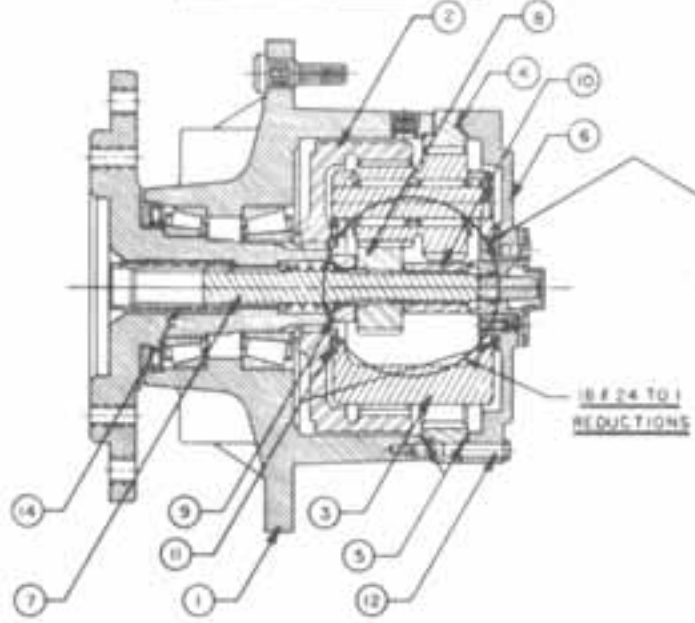
HUB-SPINDLE SUBASSEMBLY



WIA INPUT SHAFT SUBASSEMBLY



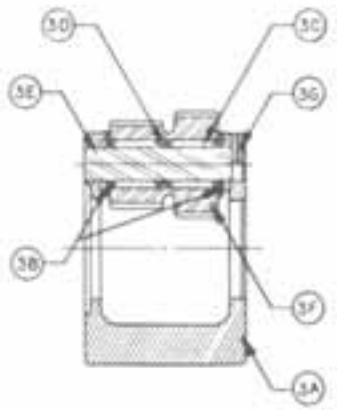
WIB INPUT SHAFT SUBASSEMBLY



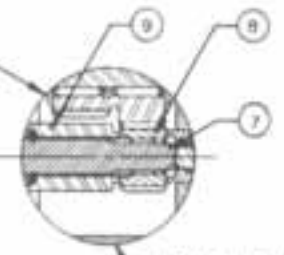
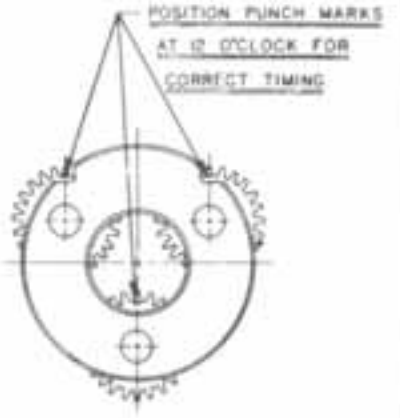
COMPLETE ASSEMBLY



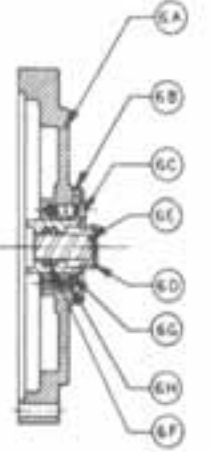
VIEW OF SHOULDER BOLT



CARRIER SUBASSEMBLY



10E35E8 TO 1 REDUCTIONS



COVER SUBASSEMBLY

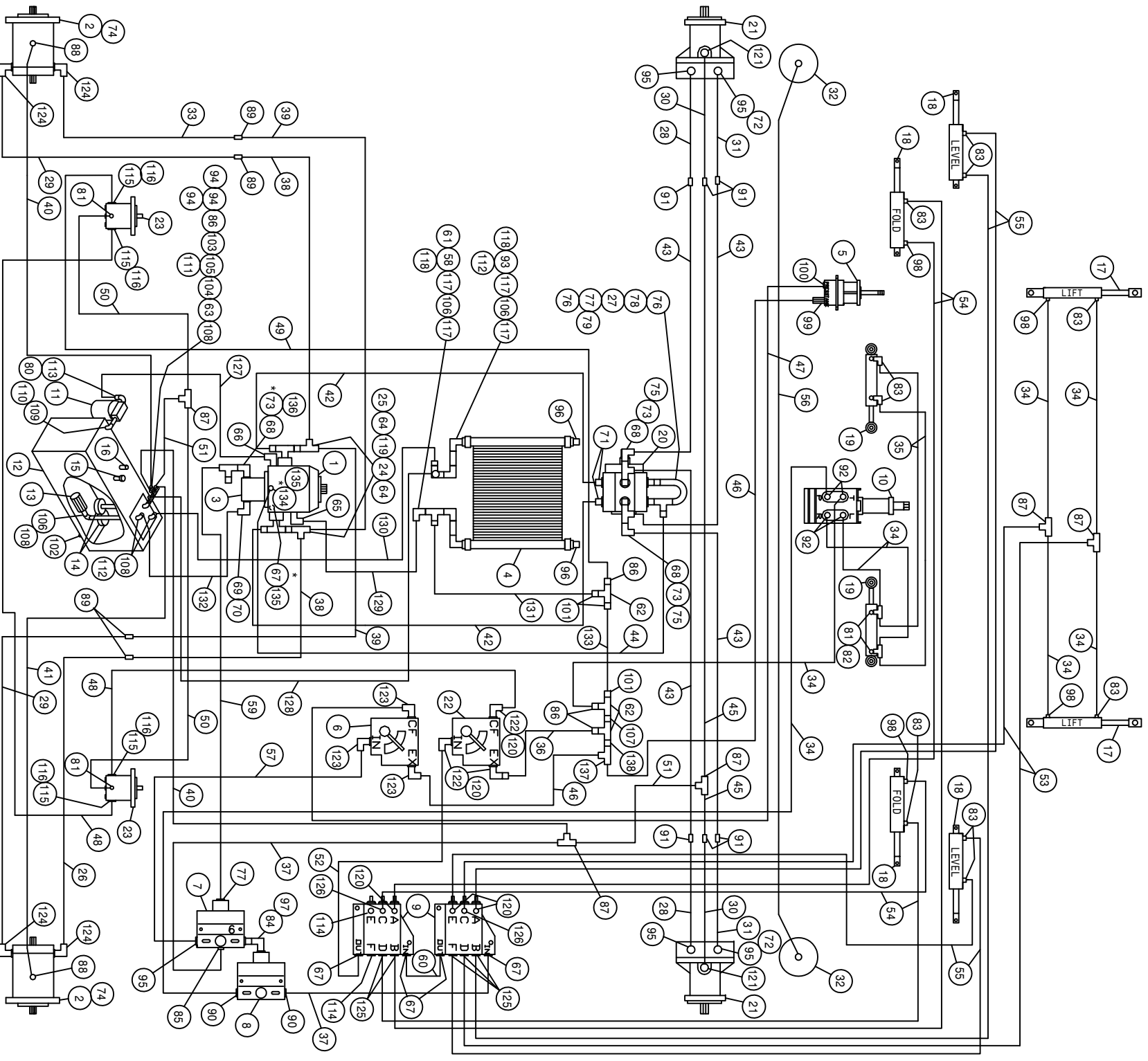
THIS DRAWING AND DESIGN IS THE PROPERTY OF / AND ALL PROPRIETARY RIGHTS ARE RESERVED TO / FAIRFIELD MFG. CO., INC. THE RECIPIENT AGREES NOT TO DISCLOSE TO ANY PERSON OR ORGANIZATION ANY INFORMATION REGARDING THE DESIGN OR MANUFACTURE OF THE ARTICLE REPRESENTED HEREON, OR USE SAME IN ANY WAY DETRIMENTAL TO THE INTERESTS OF FAIRFIELD MFG. CO., INC.

DRAFTERMAN Beck		DATE 10-8-73	FAIRFIELD MFG. Co., INC. LAFAYETTE, IND. 47305
CHECKER			
PROJECT ENG.			TITLE SERVICE LITERATURE
RELEASED			SCALE: DRAWING No. WIA & WIB

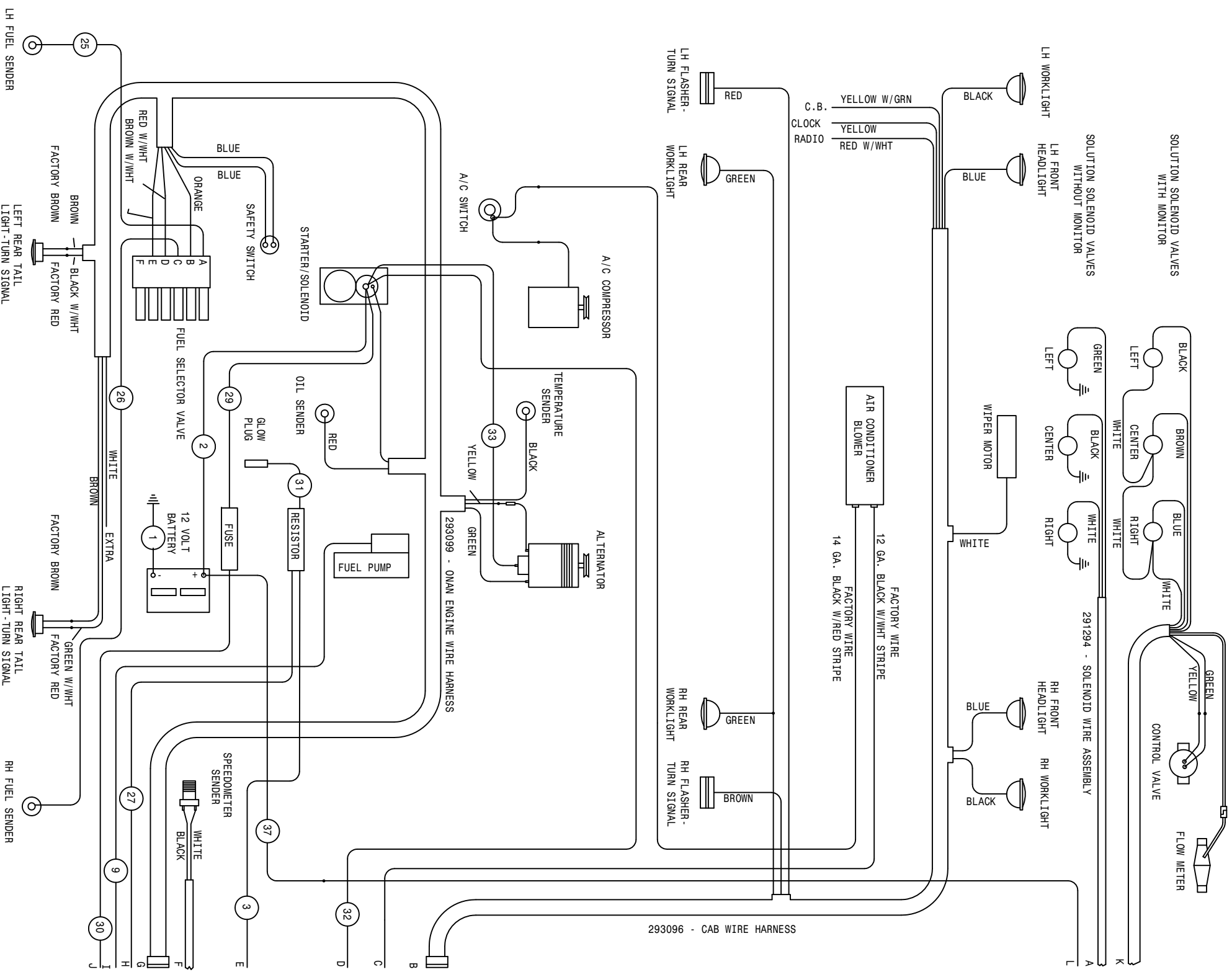
WHEEL DRIVE ASSEMBLY - 610515
W1BFNZ318

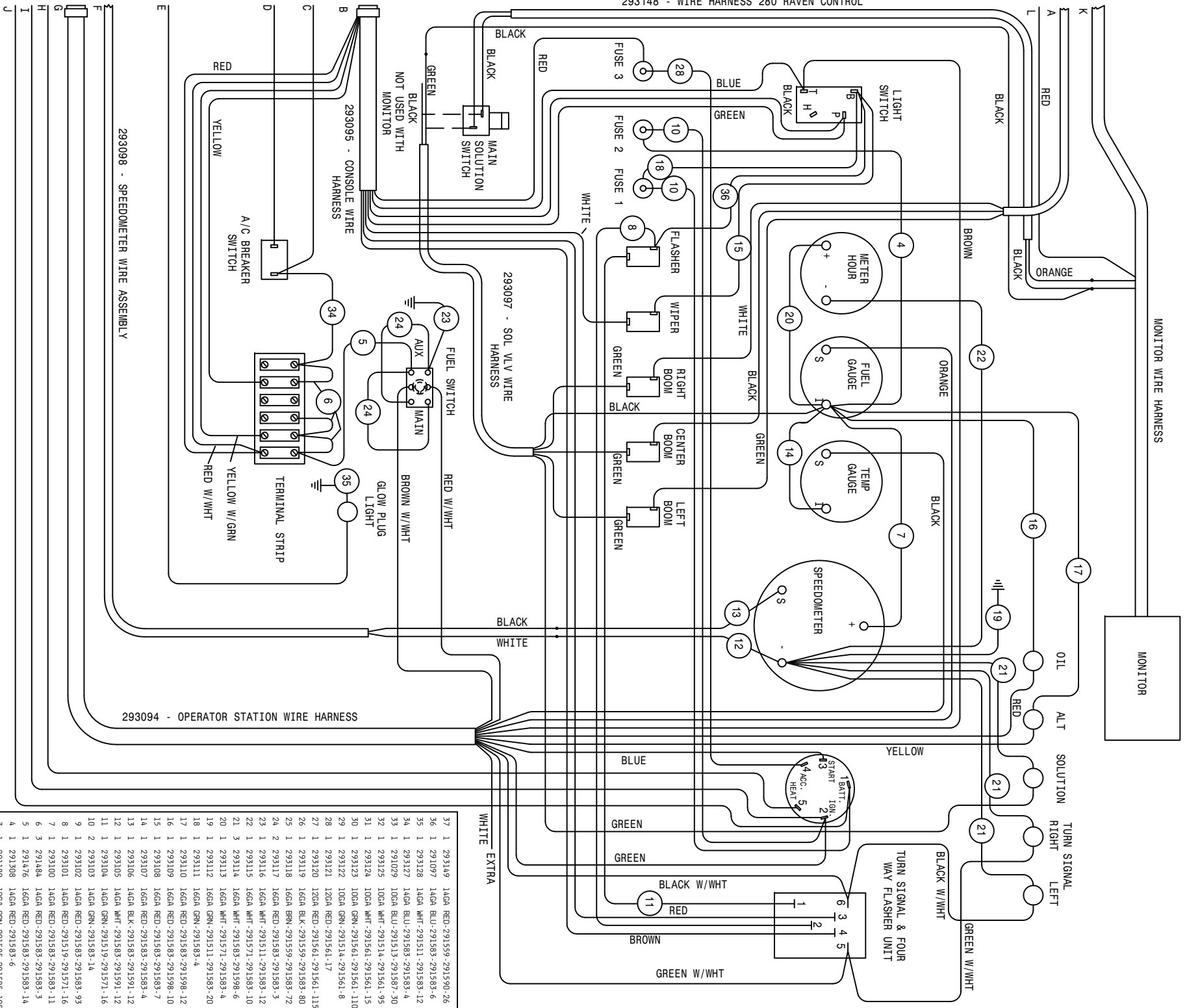
ITEMS	DESCRIPTION	PART NO.	QTY.
1	HUB-SPINDLE SUB-ASSEMBLY	-----	
1A	SPINDLE	610518	1
1B	SEAL	610519	1
1C	BEARING CUP	610520	1
1D	BEARING CONE	610521	1
1E	BEARING CUP	610907	1
1F	BEARING CONE	610908	1
1G	HUB	610522	1
1H	SPACER	610909	1
1I	RETAINER RING	610910	1
1J	PIPE PLUG	610147	2
1N	STUD	610523	9
2	INTERNAL GEAR	610148	1
3	CARRIER ASSEMBLY	610912	1
4	RING GEAR	610929	1
5	O-RING	610903	2
6	COVER ASSEMBLY	610155	1
6A	COVER	610149	1
6B	COVER CAP	610914	1
6C	BOLT	610150	4
6D	DISCONNECT CAP	610901	1
6E	DISCONNECT ROD	610915	1
6F	O-RING	610916	1
6G	O-RING	610917	1
6H	PIPE NIPPLE	610151	1
6I	ID PLATE	610152	1
7	INPUT SHAFT ASSEMBLY	610048	1
7A	INPUT SHAFT	610046	1
7B	RETAINING RING	610936	1
7C	SPRING	610145	1
7D	SPACER	610153	2
8	INPUT GEAR	610919	1
9	THRUST SPACER	610920	1
10	THRUST SPACER	610921	1
11	THRUST WASHER	610922	2
12	BOLT	610930	12
13	SHOULDER BOLT	610923	4
14	COUPLING	610037	1
16	FLAT WASHER	610049	16
NS	SEAL BOOT	610552	1

*NOTE:
REFER TO DETAIL 73 TO CHECK AUX. SYSTEM - 1850 PSI
REFER TO DETAIL 67 TO CHECK LIMIT SETTING - 4500 PSI
REFER TO DETAIL 134 TO CHECK CHARGE PRESSURE - 380 PSI



DET.	QTY	PART NO.	DESCRIPTION	DET.	QTY	PART NO.	DESCRIPTION
1	1	606884	SUND 75CC ECLIPSE PUMP B-MT	70	1	618563	1IN HOSE BARB-90-1 1/16MOR
2	2	610030	SUND WHL MTR EXTEN SHAFT 18	71	2	611127	1 1/16MJC-1 1/16MOR ADPTR
3	1	606885	CESSNA GEAR PUMP 1.78CI SPNE	72	2	618590	3/4MJC-45-3/4FJC SWIV LBO
4	1	618606	OIL COOLER BLISSFIELD 65027	73	3	618333	7/8FJC SW RUN TEE-7/8MJC
5	1	690341	HYPRO CENTRIF PUMP 10GPM	74	2	611159	3/4MOR PLUG
6	1	606818	FLO CONT FCR51 0-16GPM 7/8FOR	75	2	618301	7/8MJC-90-7/8FJC SWIV LBO
7	1	607518	FLO DIV BGR56 6GPM PRI 7/8FOR	76	2	618132	1 1/16MOR-7/8FOR ADPTR
8	1	607504	FLO DIV B50 2-8GPM 7/8 FOR	77	2	611126	7/8MJC-7/8MOR ADPTR
9	2	606585	CESSNA 3SPL VALVE W/O RELIEF	78	1	618130	7/8MOR RUN TEE-7/8MJC
10	1	749150	STRG MTR NON-LOAD REACT 1008	79	1	618557	7/8FJC-9/16MJC ADPTR
11	1	605601	GRESEN FILTER 10 MICRON 40GPM	80	1	506410	BLK PIPE ST EL 90DEG 1.25NPT
12	1	760097	OTL TANK WLD 8240 1982	81	4	611121	9/16MJC-1/4MNPT ADPTR
13	1	605600	MICHIGAN RESERVOIR FILTER	82	2	618514	9/16FJ SW BRANCH TEE-9/16MJ
14	2	605603	LINE SUMP DIFFUSER	83	10	611122	9/16MJC-90-1/4MNPT LBO
15	1	611052	FILLER BREATHER 3/4NPT	84	1	611128	7/8MJC-90-7/8MOR LBO
16	1	614453	DIPSTICK, 8IN	85	1	618011	9/16MJC-3/8MNPT ADPTR
17	2	620499	LIFT CYLINDER 2.00 X 10.00	86	4	618018	9/16MJC-1/2MNPT ADPTR
18	4	620052	HYD CYL, 2IN FOLD & LEVEL	87	5	618019	9/16MJC UNION TEE
19	2	620080	STRG CYL ASSY 1.50 X 6.0 1985	88	2	618115	9/16MJC-90-3/4MOR LBO
20	1	606003	GRESEN SELECTOR VALVE DS-12	89	4	618191	1 1/16MJ-90-1 1/16FJ SWIV LBO
21	2	610512	SUND M23 WHL MTR	90	2	618310	9/16MJC-7/8MOR ADPTR
22	1	606827	FLO CONT FCR51 0-3 VARI 7/8FOR	91	6	618314	3/4MJC UNION
23	2	610510	CESSNA GEAR MOTOR 1.48CI	92	4	618496	9/16MJC-45-3/4MOR LBO
24	2	618598	1 IN 4-BOLT FLG X 1 5/16FOR	93	1	505098	SIDE OUTLET EL 90DEG 1.00NPT
25	2	618487	1 1/16FJ SW RUN TEE-1 1/16MJ	94	3	618486	9/16FJC SW RUN TEE-9/16MJC
26	1	614681	RH REAR LEG TUBE ASSY 280	95	5	618327	3/4MJC-7/8MOR ADPTR
27	1	614198	FWD VALVE U-TUBE ASSY	96	2	505102	PIPE PLUG 1.00NPT SQ HD
28	2	614677	FRT LEG INNER HYD TUBE ASY280	97	1	618594	7/8FJC SWIV-7/8MOR ADPTR
29	2	614680	REAR LEG HYD TUBE ASSY 280	98	4	614365	RESTRICTOR ELBOW ASSY .042DIA
30	2	614679	FRT LEG OUTER HYD TUBE ASY280	99	1	611145	3/4MJC-90-1/2MNPT LBO
31	2	614678	FRT LEG CNTR HYD TUBE ASSY280	100	1	618241	3/4MJC-90-3/4MOR LBO
32	2	620570	HYD CYL LEG LEVEL 2.00 X 12	101	3	712440	1/2 NPT X 3/4 HOSE BARB
33	1	614682	LH REAR LEG HYD TUBE ASSY 280	102	1	501102	1/4 PIPE PLUG
34	8	611204	04C1T-06FJX-06FJX-78	103	1	504210	RED BUSH 3/4 NPT X 1/2 NPT
35	2	614663	04C1T-06FJX-06FJX-16	104	1	504702	CLOSE NIPPLE .75NPT
36	1	615442	04C1T-06FJX-06FJX-55	105	1	504955	BLK PIPE TEE .75NPT
37	2	616026	04C1A-06FJX-06FJX-37	106	3	505203	BLK PIPE NIPPLE 1.00NPT-4.00
38	2	614683	HOSE ASSY 60I M-F 4500P	107	1	503600	CLOSE NIPPLE .50NPT
39	2	614684	HOSE ASSY 70I M-F 4500P	108	4	505300	BLK PIPE EL 90DEG 1.00NPT
40	2	614549	06C1T-06FJX-06FJX-140	109	1	506303	BLK PIPE EL 90DEG 1.25NPT
41	1	615449	06C1T-06FJX-06FJX-126	110	1	506602	PIPE NIPPLE 1 1/4NPT-2 1/2
42	2	614685	HOSE ASSY 106I F-F 4500P	111	1	713220	HOSE BARB 3/4 NPT X 3/4
43	4	614686	08CZAT-8FJX90-10FJX-70	112	3	714560	1NPT X 1 HOSE BARB
44	1	614101	04C1A-06FJX-06FJX-133	113	1	715664	1 1/4 NPT X 1 HOSE BARB
45	2	615444	06C1T-06FJX-08FJX90-60	114	2	610185	9/16MOR PLUG
46	2	614382	08C1T-08FJX-08FJX-40	115	4	618092	1 1/16MOR-1/2FNPT ADPTR
47	1	614662	08C1T-08FJX-08FJX-72	116	4	618107	9/16MJC-90-1/2MNPT LBO
48	2	614693	06C1T-06FJX-06FJX-168	117	4	505200	BLK PIPE ST EL 90DEG 1.00NPT
49	1	614571	06RLA-06FJX-06FJX-126	118	2	714331	1 NPT X 3/4 HOSE BARB
50	2	6151208	04C1A-06FJX-06FJX-98	119	2	618599	1 5/16MOR BRANCH TEE-1 5/16MJ
51	2	615452	06C1T-06FJX-06FJX-16	120	6	618119	9/16MJC-90-9/16MOR LBO
52	1	615401	06C1T-06FJX-06FJX-22	121	2	618315	3/4MJC-45-3/4MOR LBO
53	2	611206	04C1T-6FJX-6FJX-66	122	3	618172	7/8MOR-9/16FOR ADPTR
54	4	614098	04C1A-06FJX-06FJX-201	123	3	618183	3/4MJC-90-7/8MOR LBO
55	4	614154	04C1T-06FJX-06FJX-221	124	4	618302	1 1/16MJC-90-1 5/16MOR LBO
56	1	615614	FRT LEG CYL JUMPER HOSE280 89	125	5	618425	9/16MJC-45-9/16MOR LBO
57	1	615465	08C1T-08FJX-08FJX-33	126	2	618440	9/16MJC-90-9/16MOR EX LG LBO
58	1	505101	BLK PIPE TEE 1.00NPT	127	1	601256	HOSE, 1.00 2BR RED X 31 LG
59	1	614664	10C1T-10FJX-10FJX-91	128	1	601304	HOSE, .75 2BR RED X 130 LG
60	1	616042	04C1A-06FJX-06FJX-13	129	1	601112	HOSE, 3/4 X 84 2BR RED
61	1	716000	3/4 HOSE BARB-90-1MNPT	130	1	601255	HOSE, 1.00 2BR RED X 104 LG
62	3	503820	BLK PIPE TEE .50NPT	131	1	601103	HOSE, 3/4 X 13 2BR RED
63	1	505213	RED BUSH 1 X 3/4 BLK MAL	132	1	601117	HOSE, 1 X 37 2BR RED
64	4	618541	1 5/16FJC-1 1/16MJC ADPTR	133	1	601107	HOSE, 3/4 X 23 2BR RED
65	1	618118	3/4 HOSE BARB-90-1 1/16MOR	134	1	618444	9/16MOR RUN TEE-9/16MJC
66	1	618564	1IN HOSE BARB-90-1 5/16MOR	135	2	618531	9/16FJC CAP NUT
67	5	618126	9/16MJC-9/16MOR ADPTR	136	1	618328	7/8FJC CAP NUT
68	3	618535	7/8MJC-90-1 1/16MOR LBO	137	1	618451	3/4FJC SW RUN TEE-3/4MJC
69	1	618595	1 5/8MOR-1 1/16FOR ADPTR	138	1	611147	3/4MJC-1/2MNPT ADPTR





37	1	293149	14GA RED-291559-291590-26
36	1	291097	14GA BLU-291583-291583-6
35	1	293128	14GA WHT-291511-291583-12
34	1	293127	14GA BLU-291583-291583-4
33	1	291029	10GA BLU-291513-291587-30
32	1	293125	10GA WHT-291514-291561-95
31	1	293124	10GA WHT-291561-291561-15
30	1	293123	10GA GRN-291561-291561-110
29	1	293122	10GA GRN-291514-291561-8
28	1	293121	12GA RED-291561-17
27	1	293120	12GA RED-291561-291561-115
26	1	293119	16GA BLK-291559-291583-80
25	1	293118	16GA BRN-291559-291583-72
24	2	293117	16GA RED-291583-291583-3
23	1	293116	16GA WHT-291511-291583-12
22	1	293115	16GA WHT-291571-291583-10
21	3	293114	16GA WHT-291583-291588-6
20	1	293113	16GA WHT-291571-291583-4
19	1	293112	16GA GRN-291511-291583-20
18	1	293111	16GA GRN-291583-4
17	1	293110	16GA RED-291583-291598-12
16	1	293109	16GA RED-291583-291598-10
15	1	293108	16GA RED-291583-291583-7
14	1	293107	16GA RED-291583-291583-4
13	1	293106	14GA BLK-291583-291591-12
12	1	293105	14GA WHT-291583-291591-12
11	1	293104	14GA GRN-291519-291571-16
10	2	293103	14GA GRN-291583-14
9	1	293102	14GA RED-291583-291583-99
8	1	293101	14GA RED-291519-291571-16
7	1	293100	14GA RED-291583-291583-11
6	3	291484	14GA RED-291583-291583-3
5	1	291476	16GA RED-291583-291583-14
4	1	291308	14GA RED-291583-6
3	1	291189	10GA GRN-291585-291585-105
2	1	291128	48" BATTERY CABLE
1	1	290111	GROUND STRAP

280 CUMM WIRING DIAGRAM 89

498310

REVISION DATE: 02-21-91

NOTICE

The following page contains decals for the model 280.

These decals can be obtained from Hagie Mfg. Co. and should be used whenever your machine is repainted or when the decals become worn, weathered, or faded.

Special attention should be paid to decals involving personal safety. They have been attached for your protection.

KEEP THEM IN PLACE.

Contact: Hagie Manufacturing Co.
Box 273
Clarion, Iowa 50525

280 DECALS

QTY.	PART NO.	DESCRIPTION	LOCATION
1	650831	EMERGENCY STOP DECAL	ON CONSOLE SHEET METAL
1	650861	VENT SLIDE DECAL	ON AIR CONDITIONER CONSOLE
1	650935	SPEEDOMETER DECAL	ON TACHOMETER
1	650814	PARK BRAKE DECAL	NEAR PARK BRAKE
1	650822	SOLUTION PUMP DECAL	ON FRONT CROSSMEMBER
1	650847	NO PASSENGER DECAL	REAR CORNER OF CAB
4	650848	SLIP OR FALL DECAL	ON EACH FUEL TANK
2	650849	ENGINE FUEL DECAL	NEAR EACH FUEL TANK NECK
2	650850	CHEMICAL DECAL	ON SOLUTION TANK LIDS
2	650851	SHIELDS DECAL	ON SIDE OF TOP ENGINE COVER
1	650852	READ MANUAL DECAL	ON FRONT CAB MOUNTING ANGLE
1	650858	DO NOT USE ETHER DECAL	NEAR AIR CLEANER TUBE
1	650893	DIESEL START DECAL	ON CONSOLE SHEET METAL
2	650954	DIESEL DECAL	NEAR EACH FUEL NECK
1	650981	COOLING SYSTEM DECAL	NEAR RADIATOR CAP
1	650982	ELECTRICAL DECAL	RIGHT HAND SIDE OF OIL TANK
4	650985	WHEEL BOLT TORQUE DECAL	ON EACH WHEEL RIM
1	650313	DECAL SET, HAGIE W/STRIPE	ON EACH ENGINE HOOD
1	650314	DECAL SET, CHOCOLATE STRIPE	ON EACH TANK SHIELD

ABBREVIATIONS

A/C - AIR CONDITIONER	MT - MOUNT
ADPTR - ADAPTER	MTR - MOTOR
AGI - AGITATOR	P/N - PART NUMBER
ALT - ALTERNATOR	PLT - PLATE
ASSY - ASSEMBLY	QTY - QUANTITY
BRKT - BRACKET	RED - REDUCER
DET - DETAIL	REF - REFERENCE
DISPL - DISPLACEMENT	REST - RESTRICTOR
EL - ELBOW	REQ - REQUIRED
EXT - EXTENSION	SHFT - SHAFT
FLO - FLOW	SOL - SOLUTION
FNPT - FEMALE NATIONAL PIPE THREAD	STRG - STEERING
FOR - FEMALE O-RING	ST - STREET
FRT - FRONT	SWIV - SWIVEL
HYD - HYDRAULIC	UNC - UNIFIED NATIONAL COURSE
HYDRO - HYDROSTATIC	UNF - UNIFIED NATIONAL FINE
LG - LONG	V - VOLT
LWR - LOWER	W/ - WITH
MJIC - MALE J.I.C.	WHL - WHEEL
MOR - MALE O-RING	WLD - WELDMENT

-A-

ABBREVIATIONS.....63

AGITATOR

 COUPLER.....38

 IMPELLER.....38

 SHAFT.....38

AIR CLEANER.....10

 BAND.....10

 CAP.....10

 CLAMP.....10

 FILTER.....10

 HOSE.....10

AIR CONDITIONER

 BLOWER.....20

 COMPRESSOR.....8

 CONDENSER.....8

 DRYER.....8

 EVAPORATOR.....20

 FILTER.....20

 AIR INTAKE.....9

 SCREEN.....9

ALTERNATOR.....5

ANTENNA, RADIO.....20

ARM

 STEERING.....12

 TANK SUPPORT.....42

 WIPER.....18

-B-

BALL VALVE.....36, 37, 40

BAND

 AIR CLEANER.....10

 FUEL TANK.....16

 POLY TANK.....36

BATTERY.....11

 BOX.....11

 CABLE.....11

 HOLD DOWN.....11

BELT.....5

BINDER, TANK BAND.....36

BLADE, WIPER.....18

BLOCK, TERMINAL.....19

BLOWER

 AIR CONDITIONER.....20

 HOUSING.....20

BRACE

 LEG.....13

 STREERING POST.....19

BRACKET, A/C DRYER.....8

BRAKE

 CABLE.....13, 23

 CLIP RETAINER.....13

 DISC.....13

 HUB.....13

LEVER.....23

BREAKAWAY, BOOM.....47

BREAKER, CIRCUIT.....19

BREATHER.....17

BOOM.....50

 CRADLE.....50

 FEEDER TEE.....51

BOOT.....19

BUMPER, BOOM.....50

-C-

CAB.....18

 ROOF.....20

CABLE

 BATTERY.....11

 BRAKE.....13, 23

 CHOKE.....24

 CONTROL.....27, 31

 MOUNT, THROTTLE.....26

 4WD.....25

CAP

 AIR STACK.....10

 FUEL.....16

 RADIATOR.....9

 STEERING.....28

CESSNA

 PUMP.....6

 3-SPOOL VALVE.....25

 CHANNEL, TANK.....37

 CHOKE CABLE.....24

 CIRCUIT BREAKER.....19

CLAMP

 LEG.....12

 MUFFLER.....10

 COMPRESSOR

 AIR CONDITIONER.....8

 MOUNT.....8

 CONDENSER.....8

 MOUNT.....8

 CONSOLE.....24

 CONTROL, FLOW.....30

 COUPLER, AGITATOR.....38

 COVER

 STEERING.....28

 WORK LIGHT.....18

CRADLE

 BOOM.....50

 POLY TANK.....36

 CROP GUIDE MOUNT.....12

 CYLINDER

 FOLD.....47, 49

 LEG.....35

 LEVEL.....47, 49

 LIFT.....46, 48

 STEERING.....15

-D-

DECALS.....	60,61
DEFLECTOR, STALK.....	34
DIFFUSER, LINE.....	17
DIMMER SWITCH.....	19
DIPSTICK.....	17
DISC	
BRAKE.....	13
FRICTION.....	27
SENSOR.....	13
DOOR.....	21
CATCH SLIDE.....	21
GLASS.....	21
DRAIN COCK.....	9
DRIVE ASSEMBLY.....	4
DRYER BRACKET.....	8

-E-

ELECTRICAL SCHEMATIC.....	60
ELEMENT	
AIR CLEANER.....	10
OIL FILTER.....	17
ENGINE.....	4,5
HOOD.....	32
EVAPORATOR, A/C.....	20
EXHAUST PIPE.....	10
EXTENSION, CYLINDER SHAFT.....	12

-F-

FAN.....	4
SPACER.....	4
FEEDER TEE, BOOM.....	51
FILTER	
AIR CONDITIONER.....	20
FUEL.....	5
GRESSEN.....	16
MICHIGAN.....	16
OIL.....	4
FLASHER.....	18
SWITCH.....	29
FLOW CONTROL.....	30
FLOW DIVIDER.....	7
MOUNT.....	7
FOAM.....	9, 19, 22
FOLD CYLINDER.....	47, 49
FRICTION DISC.....	27
FRONT SHIELD.....	33
FUEL	
CAP.....	16
GAUGE.....	29
SELECTOR VALVE.....	16
SHUT-OFF MOUNT.....	4
FUEL TANK.....	16
MOUNT.....	16
SENDER.....	16

FUSE.....	29
-----------	----

-G-

GASKET	
OIL TANK.....	17
TANK LID.....	37
GAUGE	
FUEL.....	29
PRESSURE.....	41
SIGHT.....	39
TEMPERATURE.....	29
GLAND PACKING.....	38
GLASS	
CAB.....	18
OIL TANK.....	17
GRESSEN FILTER.....	17
GROUND STRAP.....	4, 11, 19
GUIDE, STALK.....	45

-H-

HAND BOOK TOTE.....	18
HANDLE, 3-SPPOOL VALVE.....	25
HANDRAIL.....	32
LADDER.....	32
HANGER, NOZZLE.....	47
HEADLIGHT.....	18
HOLD DOWN, BATTERY.....	11
HOLDER, THROTTLE CABLE.....	4
HOOD	
ENGINE.....	32
PROP.....	32
HOOK, RUBBER.....	32, 33
HOSE	
AIR CLEANER.....	10
RADIATOR.....	5
HOSING, SOLUTION.....	52
HOUR METER.....	29
HOUSING, BLOWER.....	20
HUB	
BRAKE.....	13
TORQUE.....	12, 13
HYDRAULIC	
LEG CYLINDER.....	12
SCHEMATIC.....	58
TUBE, LEG.....	12
HYDROSTATIC	
CABLE MOUNT.....	4
LEVER.....	26

-I-

IMPELLER, AGITATOR.....	38
INDICATOR LIGHT.....	29
INSTRUMENT PANEL.....	29
ISOLATOR.....	5, 19

-K-
KNOB.....21,25,27,28

MULLION.....32
SUPPORT.....32

-L-

-N-

NOZZLE TUBE.....47

-O-

OIL
COOLER.....9
FILTER.....4,17
SENDER.....4
OIL TANK.....17
GASKET.....17
STRAP.....17
OPERATOR STATION.....19

-P-

LADDER.....34
HANDRAIL.....34
LATCH, TANK.....37
LEG
BRACE.....13
CLAMP.....12
CYLINDER, HYDRAULIC.....12,35
FRONT.....12
HYDRAULIC TUBE.....12
REAR.....13
U-BOLT.....12,13
LEVEL CYLINDER.....47,49
LEVER
HYDROSTATIC.....26
THROTTLE.....27
VARIABLE FLOW CONTROL.....30
LID, SOLUTION TANK.....36,37
LIFTARM.....46
MOUNT.....46
LIFT CYLINDER.....46,48
LIGHT.....18
SWITCH.....29
LINE DIFFUSER.....17
LINK HANDLE.....25

-M-

CESSNA.....6
SOLUTION.....40
SUNDBRAND.....6

-R-

MAINFRAME, TIE PLATE.....5
MICHIGAN FILTER.....17
MIRROR.....18
MOTOR
MOUNT.....5
STEERING.....28
WHEEL.....12
WINDSHIELD WIPER.....18
MOUNT
CONDENSER.....8
GRADLE.....36
CROP GUIDE.....12
FLOW DIVIDER.....7
FUEL SHUT OFF.....4
FUEL TANK.....16
HYDROSTATIC CABLE.....4
LIFTARM.....46
MOTOR.....5
RADIATOR.....8
RESISTOR.....4
SEAT.....23
SENSOR.....13
THROTTLE CABLE.....4,26
MUFFLER.....10
CLAMP.....10

RADIATOR.....9
CAP.....9
HOSE.....5
MOUNT.....9
RECOVERY TANK.....9
SHROUD.....9
RADIO.....20
ANTENNA.....20
RECEIVER PLATE.....17
REGULATOR, VOLTAGE.....5
RESISTOR MOUNT.....4
RETAINER, BRAKE.....13
RIM.....44
ROOF, CAB.....20
RUBBER HOOK.....32,33

-S-

SCHEMATIC
ELECTRICAL.....60
HYDRAULIC.....58

SCREEN
 AIR INTAKE.....9
 LOWER.....33
 UPPER.....32
 SEAT.....23
 MOUNT.....23
 SENDER
 FUEL TANK.....16
 OIL.....4
 TEMPERATURE.....4
 SENSOR
 DISC.....13
 MOUNT.....13
 SPEEDOMETER.....13
 SELECTOR VALVE
 FUEL.....16
 GRESEN.....31
 SERVICE PLATFORM.....34
 SHAFT
 AGITATOR.....38
 CYLINDER EXTENSION.....12
 SHEET METAL.....32
 SHIELD
 FRONT.....33
 LOWER FRONT.....42
 TANK.....42
 WHEEL MOTOR.....13
 SHROUD, RADIATOR.....9
 SIGHT GAUGE.....39
 SCALE.....39
 SLEEVE, NYLON.....12
 SLIDE DOOR CATCH.....21
 S M V SIGN.....33
 SOLUTION
 HOSING.....52
 PUMP.....40
 TANK.....37
 VALVE.....41
 SPACER, FAN.....4
 SPEEDOMETER.....29
 SENSOR.....13
 SPRING, THROTTLE LEVER.....27
 STALK
 DEFLECTOR.....34
 GUIDE.....45
 STATION, OPERATOR.....19
 STEERING
 ADJUSTMENT KNOB.....28
 ARM.....12
 CAP.....28
 COLUMN.....28
 COVER.....28
 CYLINDER.....15
 MOTOR.....28
 PIVOT.....14
 TIE ROD.....14
 WHEEL.....28
 STOP, THROTTLE.....24

STRAP
 GROUND.....4, 11, 19
 OIL TANK.....17
 SUNDSTRAND
 PUMP.....5
 WHEEL MOTOR.....12, 13
 SUPPORT, MULLION.....32
 SWITCH
 DIMMER.....19
 FLASHER.....29
 LIGHT.....29
 TOGGLE.....24, 29

-T-

TAILLIGHT.....33
 TANK
 BAND.....16, 36
 BAND BINDER.....36
 CRADLE, POLY.....36
 FUEL.....16
 LATCH.....37
 LID GASKET.....37
 OIL.....17
 POLY.....36
 RADIATOR RECOVERY.....9
 SHIELD.....42
 SOLUTION.....37
 SUPPORT ARM.....42
 TEMPERATURE
 GAUGE.....29
 SENDER.....4
 TERMINAL BLOCK.....19
 THROTTLE
 CABLE.....4
 CABLE HOLDER.....4
 LEVER.....27
 STOP.....24
 TIE PLATE, MAINFRAME.....5
 TIE ROD, STEERING.....14
 TIRE.....44
 TOGGLE SWITCH.....24, 29
 TORQUE HUB.....12, 13, 52
 TOTE, HANDBOOK.....18
 TRANSOM.....47
 TUBE
 FOUR WHEEL DRIVE.....31
 HYDRAULIC.....12, 13
 - V -
 VALVE
 BALL.....36, 37, 40
 GRESEN SELECTOR.....31
 HANDLE LINK.....25
 SOLUTION.....41
 3-SPOOL.....25
 VOLTAGE REGULATOR.....5

WHEEL MOTOR	
SHIELD.....	13
SUNDSTRAND.....	12, 13
WHEEL, STEERING.....	28
WIPER	
ARM.....	18
BLADE.....	18
MOTOR.....	18
WORKLIGHT COVER.....	18

MEMORANDA



PARTS ORDER FAX



Ph. 1 (800) 247-4885 Fx. 1 (515) 532-3553 Photocopy and fax to Hagie Customer Support Department

ORDERED BY/BILL TO:

Name _____
Co. Name _____
Street _____
City, St, Zip _____
Ph. _____ Fx. _____

SHIP TO:

Name _____
Co. Name _____
Street _____
City, St, Zip _____
Ph. _____ Fx. _____

HOW SHIP: UPS Ground Next Day 2 Day 3 Day Other _____

If "HOW SHIP" is left blank, parts will be sent UPS ground service. If part is over 150 pounds, an independent motor freight company will be used.

PAYMENT: Hagie Account #*** _____
 C.O.D

American Express Discover Visa Master Card
Signature: _____
name as appears on card: _____
card no. _____ exp. date _____

Year and Model No. _____
Serial No. _____

Item Serial No. (if necessary): _____

Engine (include type) _____
Hydrostatic Pump (s) _____
Torque Hub _____ LF RF LR RR
Wheel Motor _____ LF RF LR RR

HAGIE Part No.	Qty.	Description

Check here if you want phone confirmation of parts order.

* Orders received before 3:00 p.m., CST will be processed the same business day.
Regular business hours are Monday through Friday, 7:00 a.m. through 5:00 p.m..
** If you do not have a Hagie account number, contact the Hagie Customer Support Department and you will be issued one.



PARTS ORDER FAX



Ph. 1 (800) 247-4885 Fx. 1 (515) 532-3553

Photocopy and fax to Hagie Customer Support Department

ORDERED BY/BILL TO:

Name _____
 Co. Name _____
 Street _____
 City, St, Zip _____
 Ph. _____ Fx. _____

SHIP TO:

Name _____
 Co. Name _____
 Street _____
 City, St, Zip _____
 Ph. _____ Fx. _____

HOW SHIP: UPS Ground Next Day 2 Day 3 Day Other _____

If "HOW SHIP" is left blank, parts will be sent UPS ground service. If part is over 150 pounds, an independent motor freight company will be used.

PAYMENT: Hagie Account #*** _____

C.O.D

American Express Discover Visa Master Card
 Signature: _____
 name as appears on card: _____
 card no. _____ exp. date _____

Year and Model No. _____

Serial No. _____

Item Serial No. (if necessary): _____

Engine (include type) _____

Hydrostatic Pump (s) _____

Torque Hub _____ LF RF LR RR

Wheel Motor _____ LF RF LR RR

HAGIE Part No.	Qty.	Description

Check here if you want phone confirmation of parts order.

* Orders received before 3:00 p.m., CST will be processed the same business day.
 Regular business hours are Monday through Friday, 7:00 a.m. through 5:00 p.m..
 ** If you do not have a Hagie account number, contact the Hagie Customer Support Department and you will be issued one.