

PARTS MANUAL
FOR
HAGIE MODEL 284 HI-TRACTOR

HAGIE MANUFACTURING COMPANY

BOX 273 CLARION, IOWA 50525 (515) 532-2861

COVERS MACHINE SERIAL NUMBERS: 085689001 thru 085689100
085889001 thru 085889100

05-98 493181
02-08

SPRAYER IDENTIFICATION

Each Hagie sprayer is identified by means of a frame serial number. This serial number denotes the model, the year in which it was built, and the number of the sprayer. As for further identification, the engine has a serial number and the planetary hubs have identification plates that describe the type of mount and gear ratio. To insure prompt, efficient service when ordering parts or requesting service repairs from Hagie Manufacturing Company, record the serial and identification numbers in the space provided below.

NOTE: Reference to left hand and right hand used throughout this manual refers to the position when seated in the operator's seat facing forward.

SPRAYER SERIAL NUMBER

ENGINE SERIAL NUMBER

PLANETARY HUB IDENTIFICATION NUMBERS

TABLE OF CONTENTS

ENGINE ASSEMBLIES 4-6

FLOW DIVIDER AND FLUSHING VALVE 7-9

A/C AND RADIATOR 10-11

AIR CLEANER AND EXHAUST PIPE 12

BATTERY 13

LEG ASSEMBLIES 14-17

TIRE AND CROP GUIDES 18-19

LEG AND STEERING CYLINDER 20-21

TIE ROD ASSEMBLY 22-25

FUEL AND OIL TANKS 26-27

CAB ASSEMBLY 28-32

INSTRUMENT PANEL ASSEMBLY 33

SWITCH PANEL ASSEMBLY 34

CONSOLE ASSEMBLY 35-37

BRAKE SOLENOID AND SEAT 38-40

SELECTOR VALVE AND VFC 41-42

BOOM GRADLE 43

SHEET METAL 44-45

TANK SHIELDS 46-47

LADDER AND SERVICE PLATFORM ASSEMBLY 48

BOOM VALVE 49

TRANSOM, BOOM AND LIFT COMPONENTS 50-63

SOLUTION SYSTEM 64-73

RINSE OPTION 74-75

TREAD ADJUSTMENT OPTION 76-79

TRACTION VALVE 80

FOAMER OPTION 81-84

INJECTION PLATFORM 85

HYPRO D-230 OPTION 86-89

WINDSHIELD WASHER OPTION 90

CROPSHIELD 91

PRESSURE WASHER OPTION 92-93

SOLUTION HOSTING 94-95

INDUCTOR TANK AND 96-97

HYDRAULIC SCHEMATIC 98-103

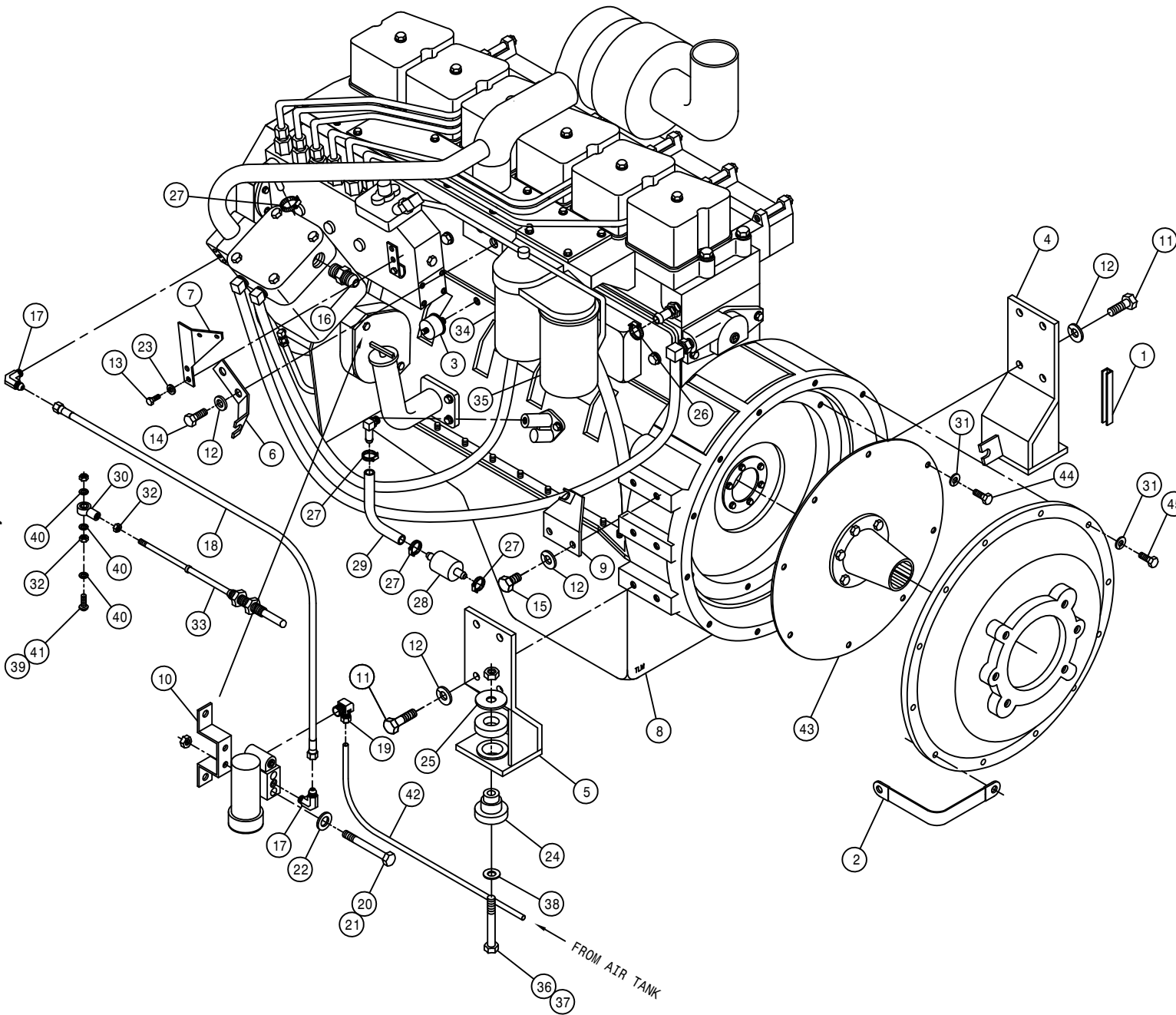
ELECTRICAL SCHEMATIC 104-113

DECALS 114-115

ABBREVIATIONS 116

INDEX 117

ENGINE ASSEMBLY

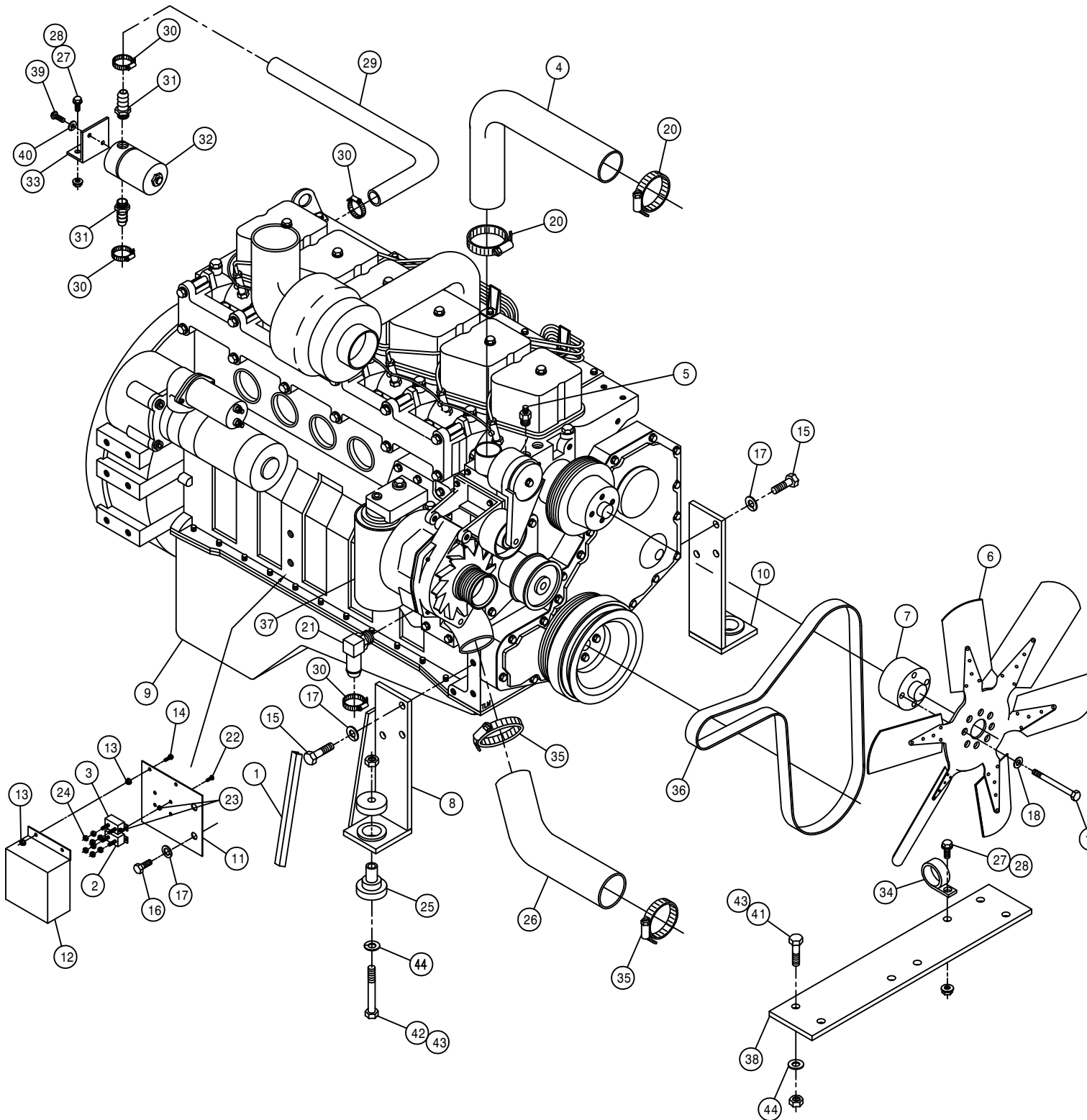


DET.	QTY	PART NO.	DESCRIPTION
1	1	193012	QUICKEDGE TRIM .135 TO .250
2	1	290107	GROUND STRAP 8 IN
3	1	291674	OIL PRESS SENDER,125PSI,1/8NPT
4	1	316252	RH REAR ENG MT WLD, CUMM 94
5	1	316253	LH REAR ENG MT WLD, CUMM 94
6	1	316303	THROTTLE CABLE MT,6CYL CUMM 97
7	1	316304	THROTTLE LEVER EXT,6CYL CUMM97
8	1	316312	CUMM ENG,6B5.9A 152@2500 CMPSR
9	1	316320	HYDST CABLE MT WLD,284 CUMM 98
10	1	316322	AIR REGULATOR BRKT 98
11	8	473775	12MM-1.75 X 30MM HEX BOLT
12	12	473784	12MM LOCK WASHER
13	2	473826	6MM-1.00 X 16MM HEX BOLT
14	2	473828	12MM-1.50 X 20MM HEX BOLT
15	2	473783	12MM-1.75 X 25MM HEX BOLT
16	1	611147	3/4MJIC-1/2MNPT ADPTR
17	2	618447	7/16MJIC-90-1/8MNPT LBO
18	1	611293	04P919-04FJX-04FJX-20 H/A
19	1	711026	1/8MNPT-90-1/4OD NYL TUBE FTG
20	2	900072	5/16UNC X 3" HEX BOLT
21	2	914002	5/16UNC HEX STOVER NUT
22	2	920001	5/16 SAE FLAT WASHER
23	2	920500	1/4 LOCK WASHER
24	2	311054	RUBBER MOUNT SET, CB-2202-4
25	2	311055	REBOUND WASHER FOR 311054
26	1	520055	HOSE CLAMP NO 12 STAINLESS
27	4	520120	HOSE CLAMP NO 4 STAINLESS
28	1	316281	FUEL STRAINER, IN-LINE, DIESEL
29	1	601347	HOSE, 3/8 X 10" FUEL LINE
30	1	473921	BALL JOINT NO 10-32 THD
31	20	473798	10MM LOCK WASHER
32	2	910027	10-32 HEX NUT
33	1	785066	CTRL CABLE 10-32 4IN X 129 IN
34	1	316208	FUEL FILTER, PRIMARY CUMM 92
35	1	316209	FUEL FILTER, SECONDARY CUMM92
36	2	900271	1/2UNC X 3 1/4 HEX BOLT
37	2	914008	1/2UNC HEX STOVER NUT
38	2	920004	1/2 SAE FLAT WASHER
39	1	914027	10-32 HEX STOVER NUT
40	3	920510	#10 LOCK WASHER
41	1	903893	10-32 X 1" SLT RD HD MACH SCR
42	1	601394	HOSE, 1/4"OD X 34" AIR
43	1	800501	DRIVE DISK ASSY, 284 97
44	8	473793	10MM-1.50 X 20MM HEX BOLT
45	12	473792	10MM-1.50 X 30MM HEX BOLT

ENGINE ASSEMBLY

DET. QTY PART NO. DESCRIPTION

1	1	193012	QUICKEDGE TRIM .135 TO .250
2	1	291197	CIRCUIT BREAKER,30AMP,INLINEMT
3	1	291556	CIRCUIT BREAKER,50AMP,INLINEMT
4	1	314832	RADIATOR HOSE 1.75 X 19
5	1	314836	TEMP SENDR 280D 1/2NPT FOR GA
6	1	316180	FAN, 22" 6 BLADE 30DEG 2.25PIT
7	1	316199	22IN FAN SPACER CUMM 92
8	1	316250	RH FRT ENG MT WLD, CUMM 94
9	1	316312	CUMM ENG,6B5.9A 152@2500 CMPSR
10	1	316313	LH FRT ENG MT WLD, 284 CUMM 98
11	1	316339	BREAKER MTG PLT, 2100 98
12	1	316340	BREAKER COVER, 2100 98
13	4	470175	10-32 HEX FLANGE LOCK NUT
14	2	470216	10-32 X 3/4 FLANGE HEX BOLT
15	6	473775	12MM-1.75 X 30MM HEX BOLT
16	2	473782	12MM-1.75 X 18MM HEX BOLT
17	8	473784	12MM LOCK WASHER
18	4	473804	8MM LOCK WASHER
19	4	473822	8MM-1.25 X 70MM HEX BOLT
20	2	520067	HOSE CLAMP NO 28 PLATED
21	1	618573	5/8 HOSE BARB-90-1/2MNPT
22	4	903812	6-32 X 1/2 SLT RD HD MACH SCR
23	8	910022	6-32 HEX NUT
24	4	910027	10-32 HEX NUT
25	2	311053	RUBBER MOUNT SET,SSB26-1000-1
26	1	314886	RADIATOR HOSE 2 1/4 20717
27	3	470118	1/4UNC X 3/4 FLANGE HEX BOLT
28	3	470121	1/4UNC HEX FLANGE LOCK NUT
29	1	601349	HOSE, 5/8 X 15" HEATER
30	4	520055	HOSE CLAMP NO 12 PLATED
31	2	711013	1/4 NPT X 1/2 HOSE BARB, BRS
32	1	657370	HEATER SOLENOID VLV W/O HBARB
33	1	657361	HEATER SOL VLV MT 94
34	1	520126	CUSH HOSE CLAMP 2IN X 5/8W
35	2	520099	HOSE CLAMP NO 40 PLATED
36	1	316206	POLY V BELT CUMMINS DIESEL 92
37	1	316207	LUBE FILTER CUMMINS DIESEL 92
38	1	341968	TIE PLT 250/280 CUMM 92
39	2	903710	10-32X5/8 PHIL PANHD MACH SCR
40	2	920510	#10 LOCK WASHER
41	4	900265	1/2UNC X 1 1/2 HEX BOLT
42	2	900271	1/2UNC X 3 1/4 HEX BOLT
43	6	914008	1/2UNC HEX STOVER NUT
44	6	920004	1/2 SAE FLAT WASHER

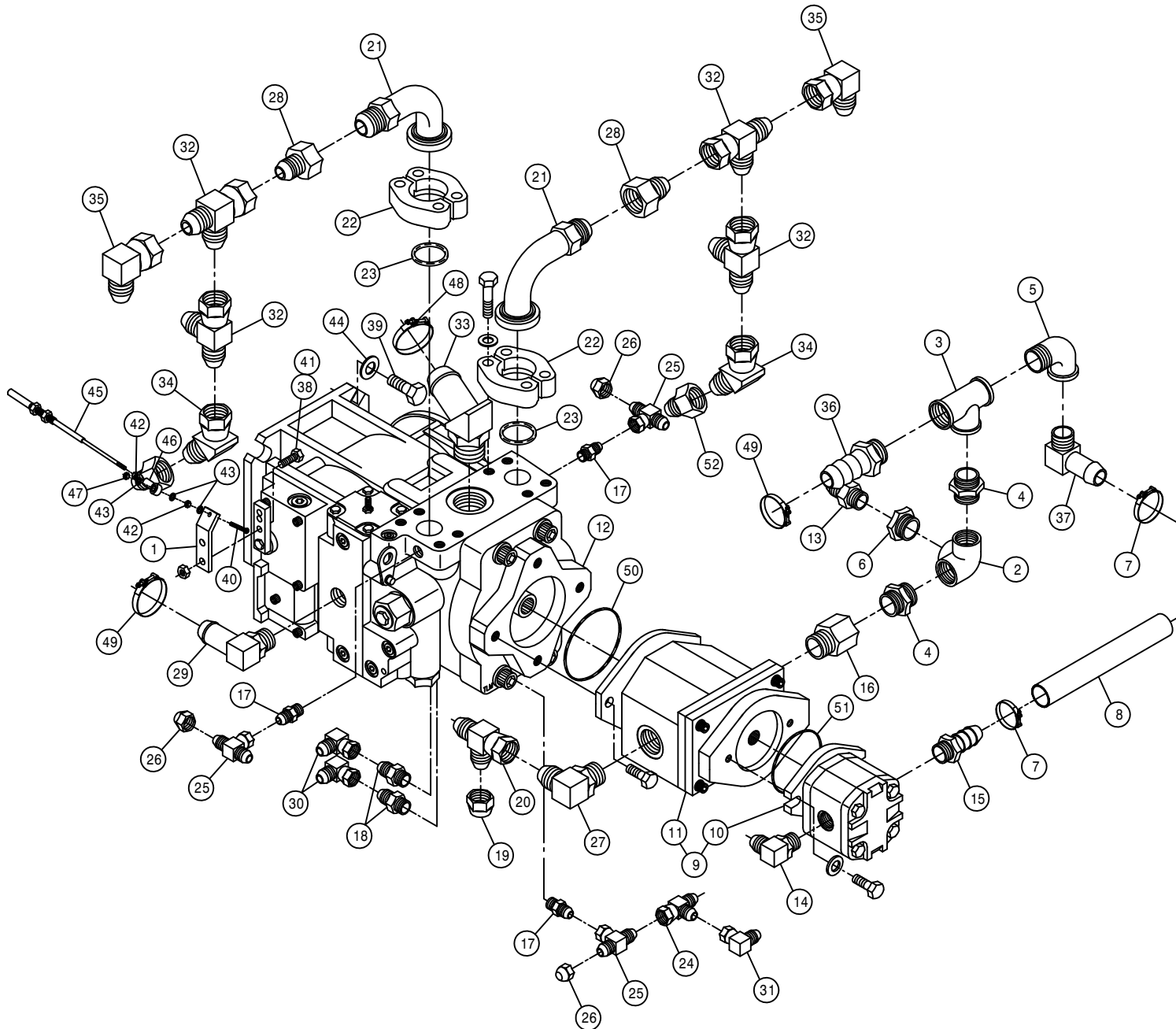


5

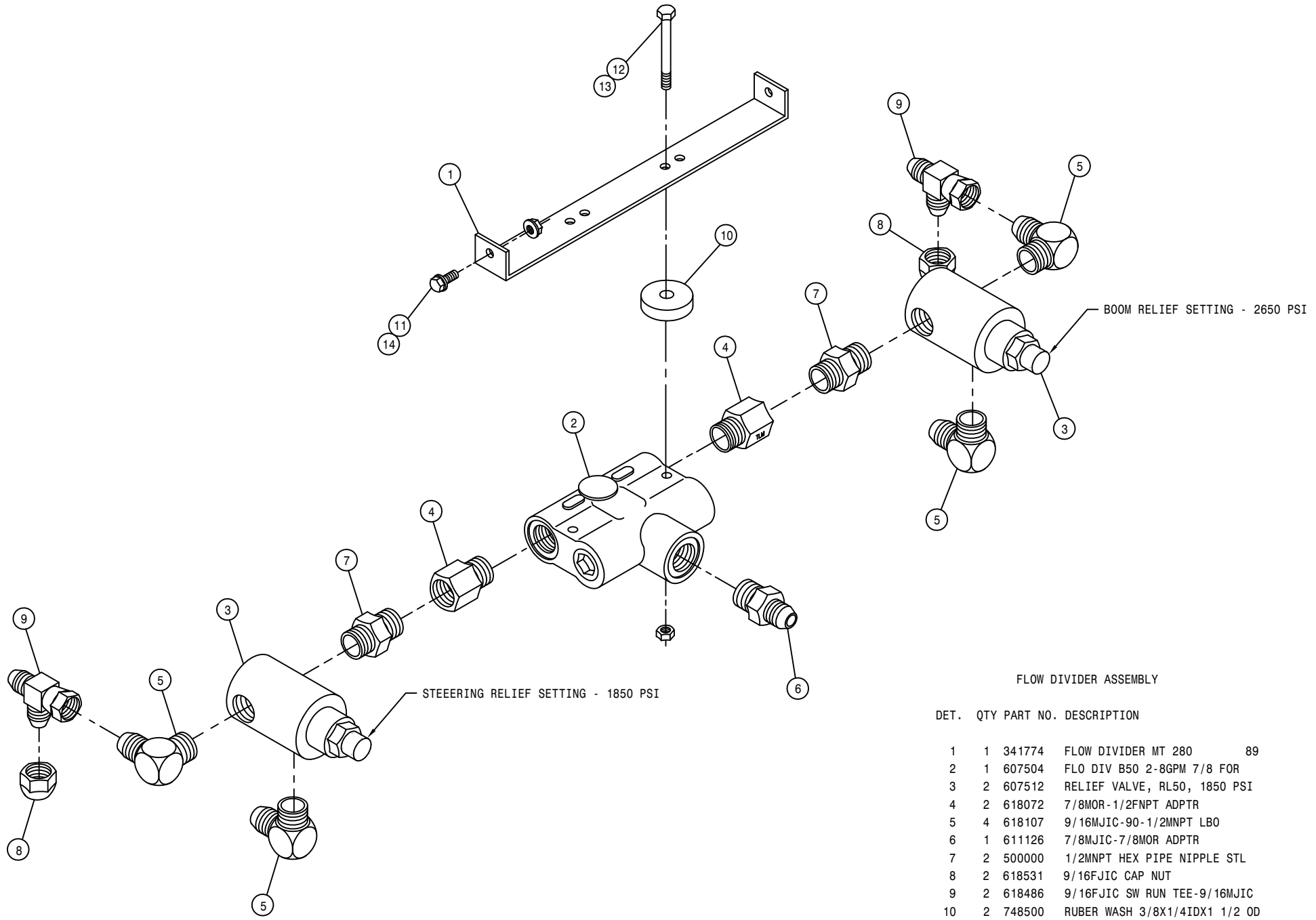
181005

SUNDSTRAND PUMP ASSEMBLY

DET.	QTY	PART NO.	DESCRIPTION
1	1	316319	PUMP CTRL LEVER EXT,284 CUMM98
2	1	505098	SIDE OUTLET EL 90DEG 1.00NPT
3	1	505101	BLK PIPE TEE 1.00NPT
4	2	505105	1MNPT HEX PIPE NIPPLE STL
5	1	505200	BLK PIPE ST EL 90DEG 1.00NPT
6	1	505213	RED BUSH 1 X 3/4 BLK MAL
7	2	520137	.75 T-BOLT HOSE CLAMP
8	1	601383	HOSE, 3/4 X 8 1FBR-1SPI
9	1	606941	TANDEM PUMP, 606929 & 606932
10	1	606929	SUND GEAR PUMP .66CI, SPLINED
11	1	606932	SUND GEAR PUMP,1.60CI,SPLINED
12	1	606954	SUND 130CC PUMP,B-MT 98
13	1	610300	3/4MJIC-3/4MNPT ADPTR
14	1	611128	7/8MJIC-90-7/8MOR LBO
15	1	618075	3/4 HOSE BARB-1 1/16MOR
16	1	618090	1 5/16MOR-1FNPT ADPTR
17	3	618126	9/16MJIC-9/16MOR ADPTR
18	2	618327	3/4MJIC-7/8MOR ADPTR
19	1	618328	7/8FJIC CAP NUT
20	1	618333	7/8FJIC SW RUN TEE-7/8MJIC
21	2	618459	1 1/4FLANGE-90-1 5/8MJIC
22	2	618461	1 1/4 SPLIT FLANGE KIT
23	2	870222	NEO ORING 1 1/2 X 1 3/4
24	1	618486	9/16FJIC SW RUN TEE-9/16MJIC
25	3	618514	9/16FJ SW BRANCH TEE-9/16MJ
26	3	618531	9/16FJIC CAP NUT
27	1	618535	7/8MJIC-90-1 1/16MOR LBO
28	2	618547	1 5/8FJIC-1 5/16MJIC ADPTR
29	1	618564	1IN HOSE BARB-90-1 5/16MOR
30	2	618609	3/4MJIC-90-3/4FJIC SWIV LBO
31	1	618618	9/16MJIC-90-9/16FJIC SWIV LBO
32	4	618619	1 5/16FJ SW RUN TEE-15/16MJ
33	1	618626	1 1/4 HOSE BARB-45-1 5/8MOR
34	2	618630	1 5/16MJ-45-1 5/16FJ SWIV LBO
35	2	618640	1 5/16MJ-90-1 5/16FJ SWIV LBO
36	1	714560	1NPT X 1 HOSE BARB
37	1	716000	3/4 HOSE BARB-90-1MNPT
38	2	900003	1/4UNC X 1" HEX BOLT
39	4	900401	3/4UNC X 1 1/2 HEX BOLT
40	1	903893	10-32 X 1" SLT RD HD MACH SCR
41	2	914000	1/4UNC HEX STOVER NUT
42	2	910027	10-32 HEX NUT
43	3	920510	#10 LOCK WASHER
44	4	920006	3/4 SAE FLAT WASHER
45	1	785062	CTRL CABLE 10-32 4IN X 120 LG
46	1	473921	BALL JOINT NO 10-32 THD
47	1	914027	10-32 HEX STOVER NUT
48	1	520132	1.62/1.87 T-BOLT HOSE CLAMP
49	2	520138	1.00 T-BOLT HOSE CLAMP
50	1	606870	O-RING FOR 606865 SUND B-MT
51	1	606924	O-RING FOR SUND A-MT
52	2	618541	1 5/16FJIC-1 1/16MJIC ADPTR



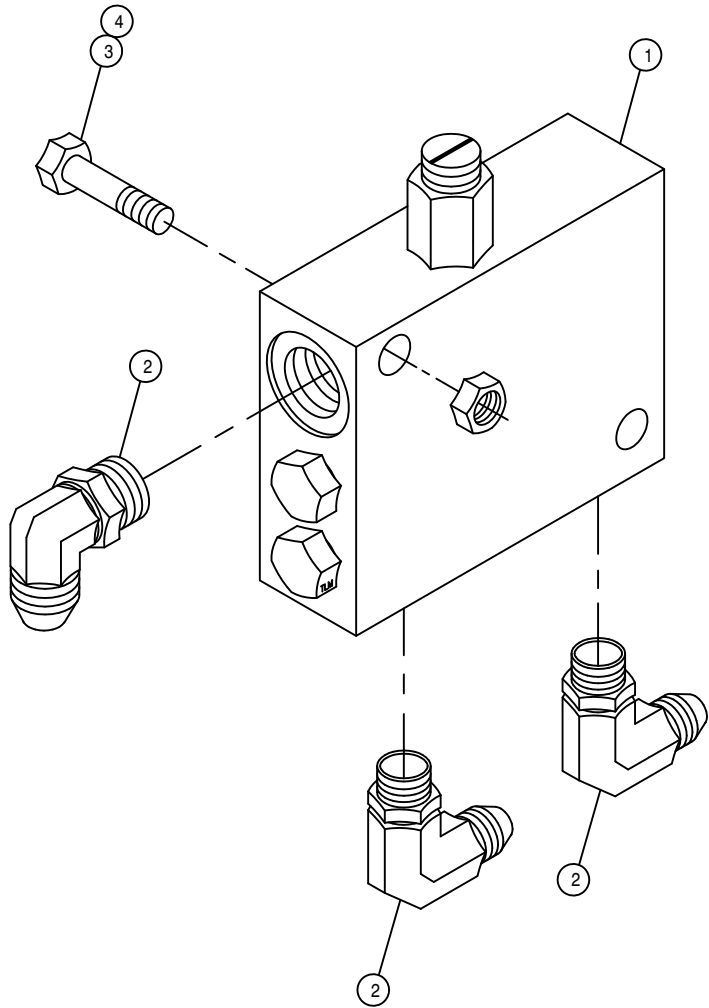
9



FLOW DIVIDER ASSEMBLY

DET. QTY PART NO. DESCRIPTION

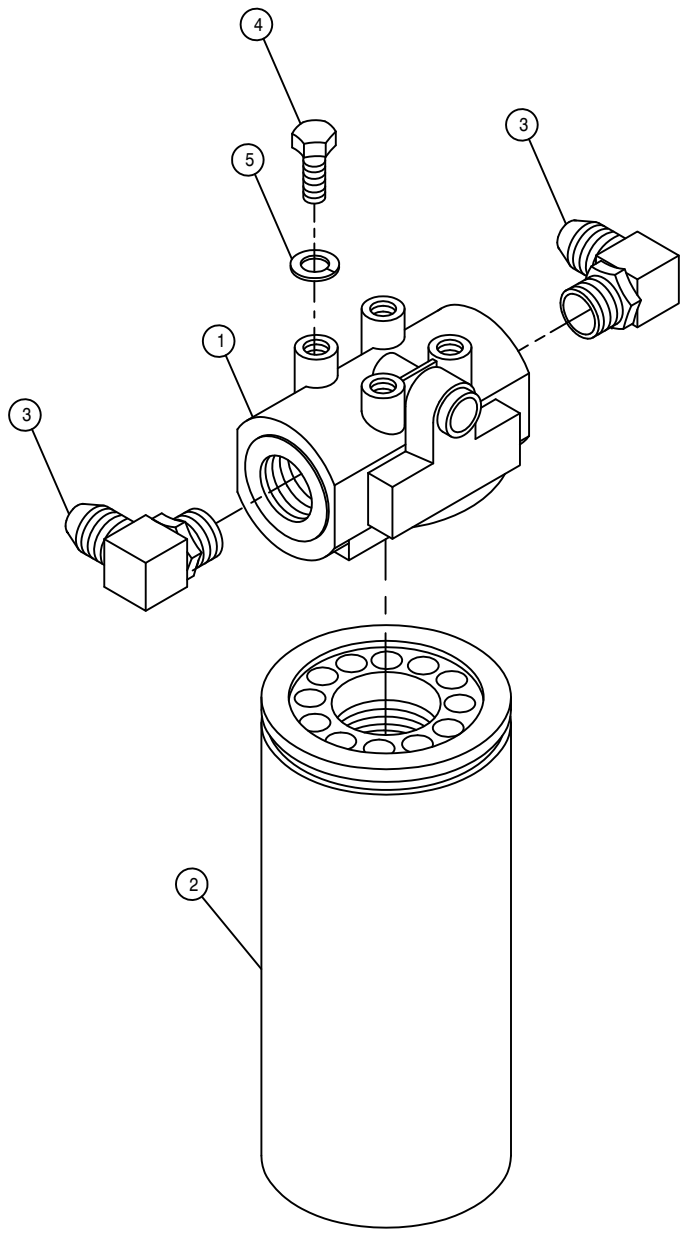
DET.	QTY	PART NO.	DESCRIPTION	
1	1	341774	FLOW DIVIDER MT 280	89
2	1	607504	FLO DIV B50 2-8GPM 7/8 FOR	
3	2	607512	RELIEF VALVE, RL50, 1850 PSI	
4	2	618072	7/8MOR-1/2FNPT ADPTR	
5	4	618107	9/16MJIC-90-1/2MNPT LBO	
6	1	611126	7/8MJIC-7/8MOR ADPTR	
7	2	500000	1/2MNPT HEX PIPE NIPPLE STL	
8	2	618531	9/16FJIC CAP NUT	
9	2	618486	9/16FJIC SW RUN TEE-9/16MJIC	
10	2	748500	RUBER WASH 3/8X1/4IDX1 1/2 OD	
11	2	470118	1/4UNC X 3/4 FLANGE HEX BOLT	
12	2	900008	1/4UNC X 2 1/2 HEX BOLT	
13	2	914000	1/4UNC HEX STOVER NUT	
14	2	470121	1/4UNC HEX FLANGE LOCK NUT	



LOOP FLUSHING VALVE ASSEMBLY

DET. QTY PART NO. DESCRIPTION

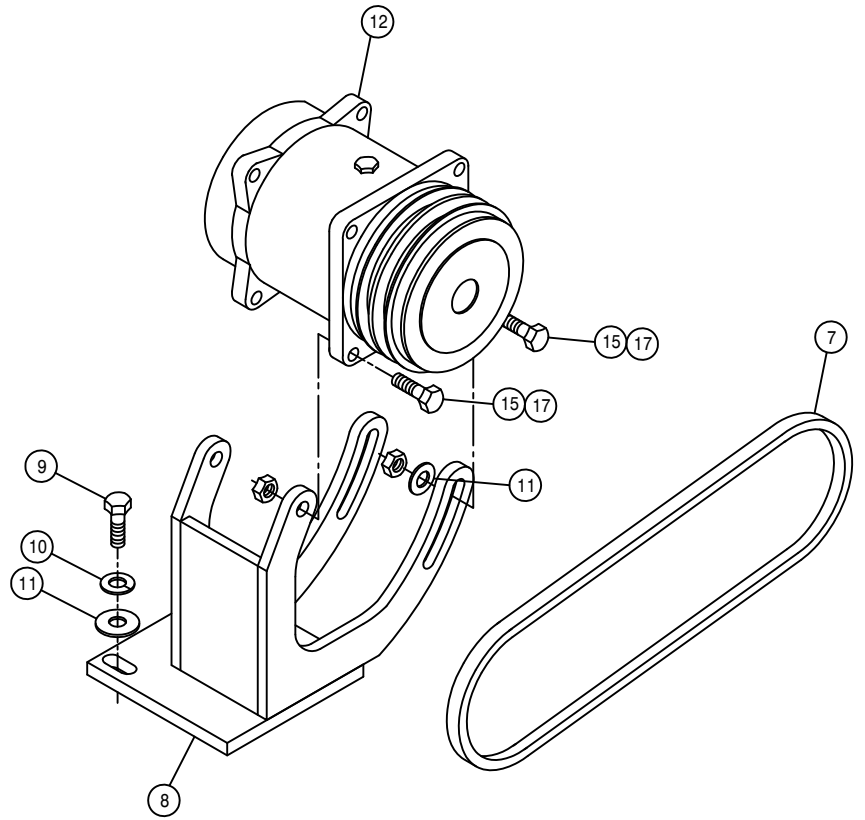
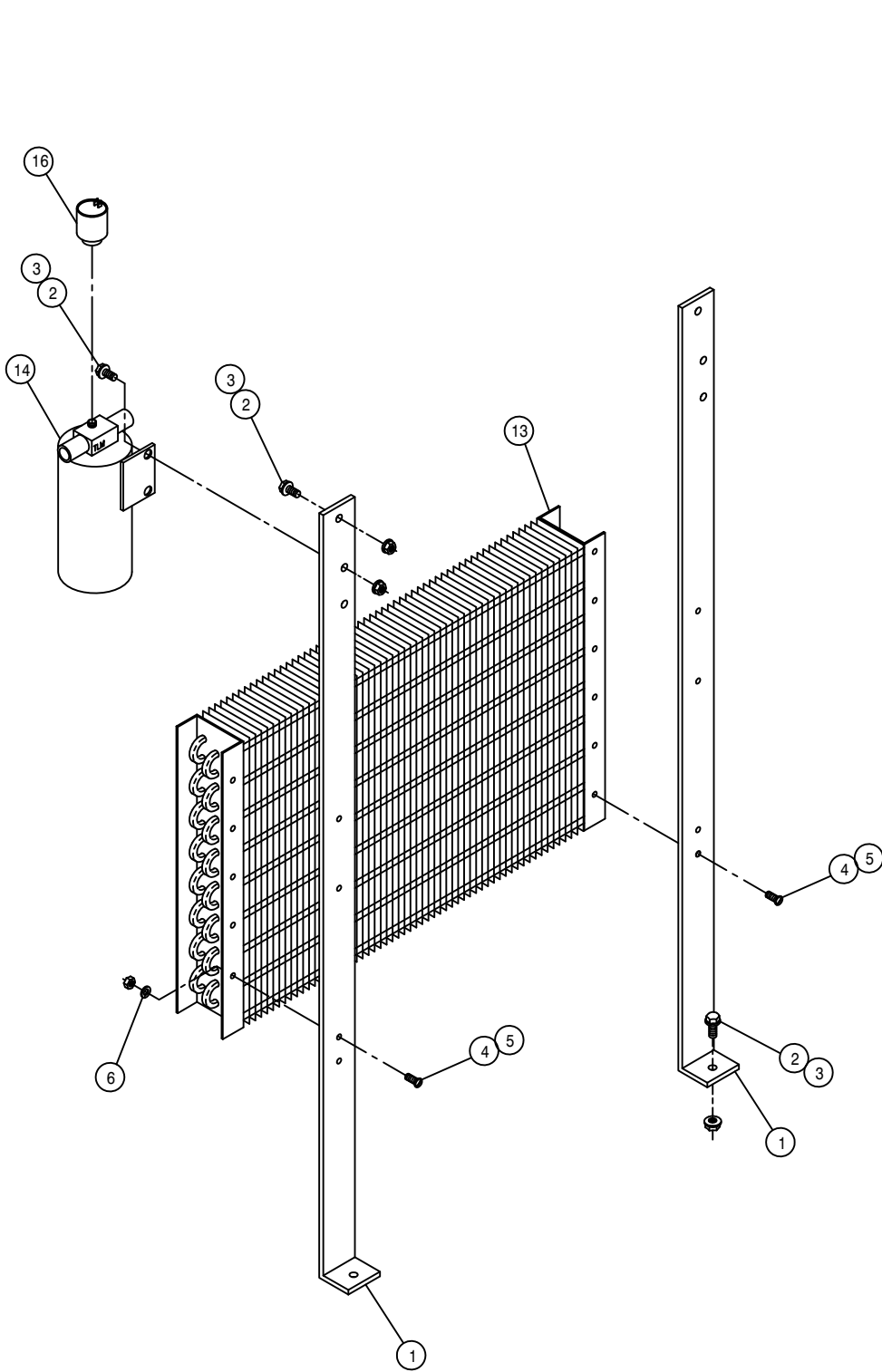
1	1	610580	REMOTE FLUSHING VALVE, SUND
2	3	618119	9/16MJCIC-90-9/16MOR LBO
3	2	900133	3/8UNC X 2" HEX BOLT
4	2	914004	3/8UNC HEX STOVER NUT



HI-PRESS FILTER ASSEMBLY

DET. QTY PART NO. DESCRIPTION

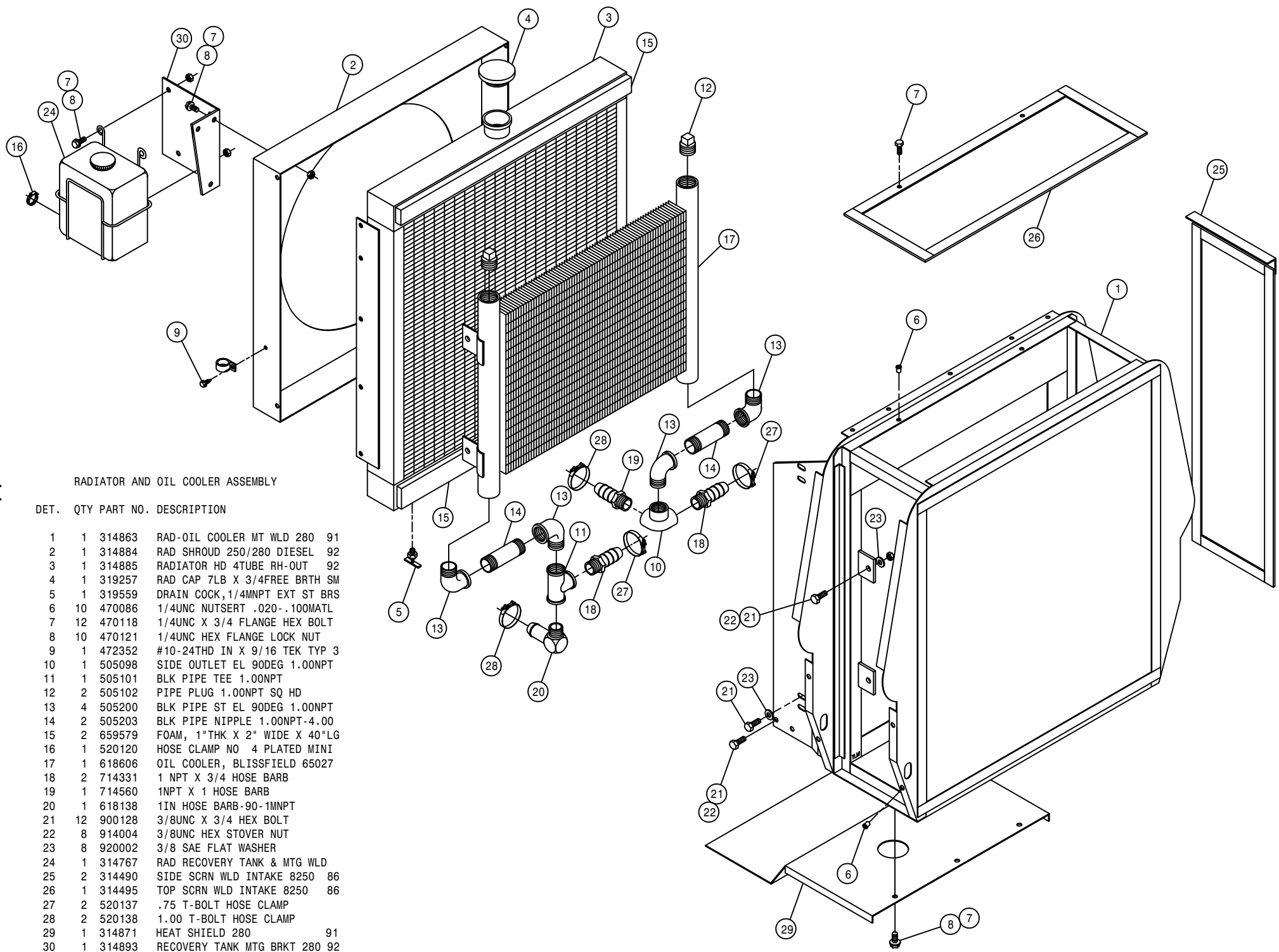
1	1	605608	HYD FILTER HEAD, DONALDSON
2	1	605609	HYD FILTER ELEMENT, DONALDSON
3	2	618474	3/4MJIC-90-1 1/16MOR LBO
4	4	900128	3/8UNC X 3/4 HEX BOLT
5	4	920502	3/8 LOCK WASHER



A/C COMPRESSOR PUMP ASSEMBLY

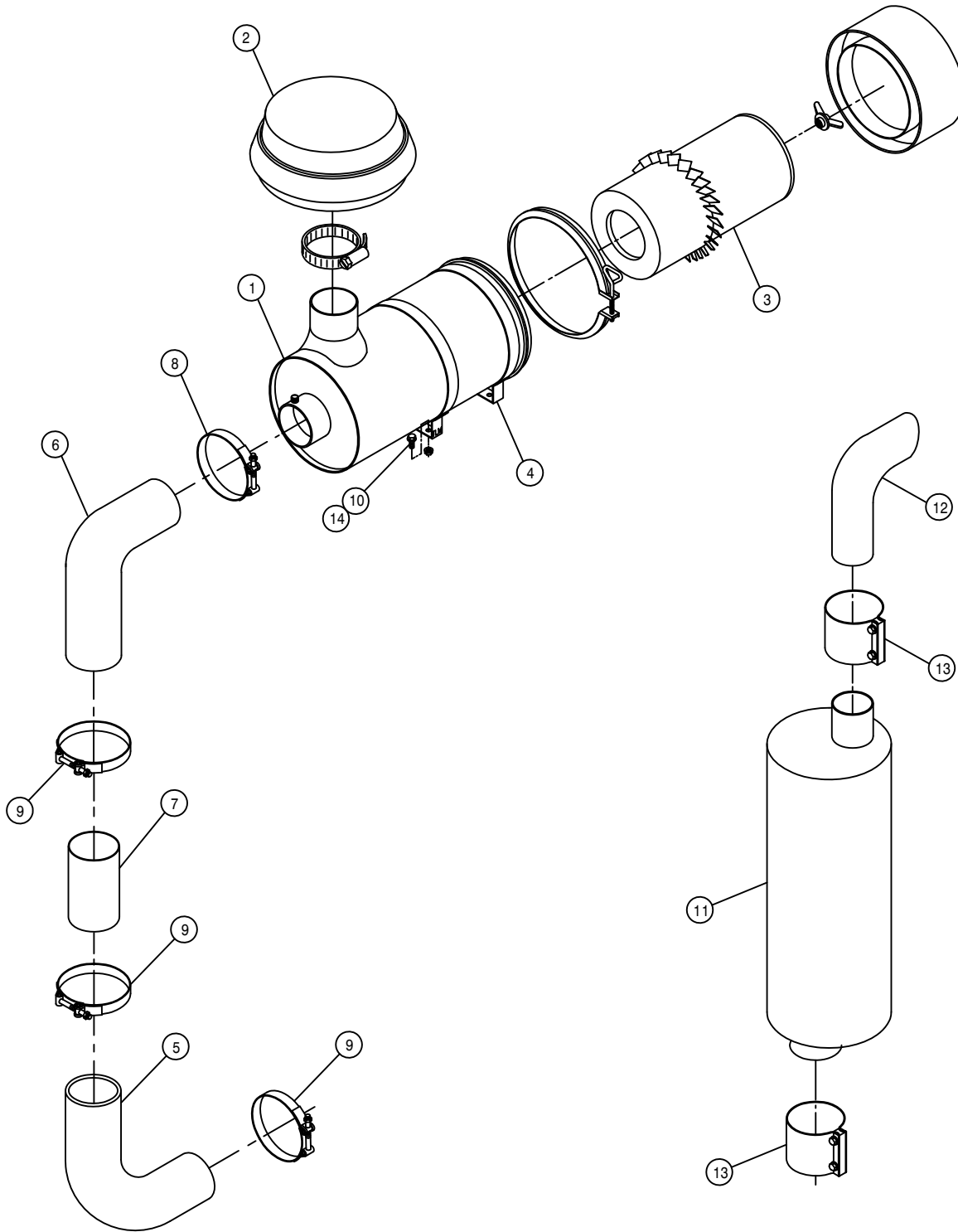
DET. QTY PART NO. DESCRIPTION

1	2	314869	CONDENSER MTG BRKT 280	91
2	6	470118	1/4UNC X 3/4 FLANGE HEX BOLT	
3	6	470121	1/4UNC HEX FLANGE LOCK NUT	
4	4	903883	10-32 X 1/2 SLT RDHD MACH SCR	
5	4	910027	10-32 HEX NUT	
6	4	920510	#10 LOCK WASHER	
7	1	147050	9455XL BELT, GATES	
8	1	316314	A/C COMPRSR MT WLD, 284	98
9	3	473792	10MM-1.50 X 30MM HEX BOLT	
10	3	473798	10MM LOCK WASHER	
11	5	483043	3/8 REGULAR FLAT WASHER	
12	1	657352	A/C COMPRESSOR, R134A	
13	1	657348	CONDR COIL FOR 657309	
14	1	657351	A/C DRIER, O-RING TYPE	
15	4	900131	3/8UNC X 1 1/2 HEX BOLT	
16	1	657350	A/C BINARY SWITCH	
17	4	914004	3/8UNC HEX STOVER NUT	



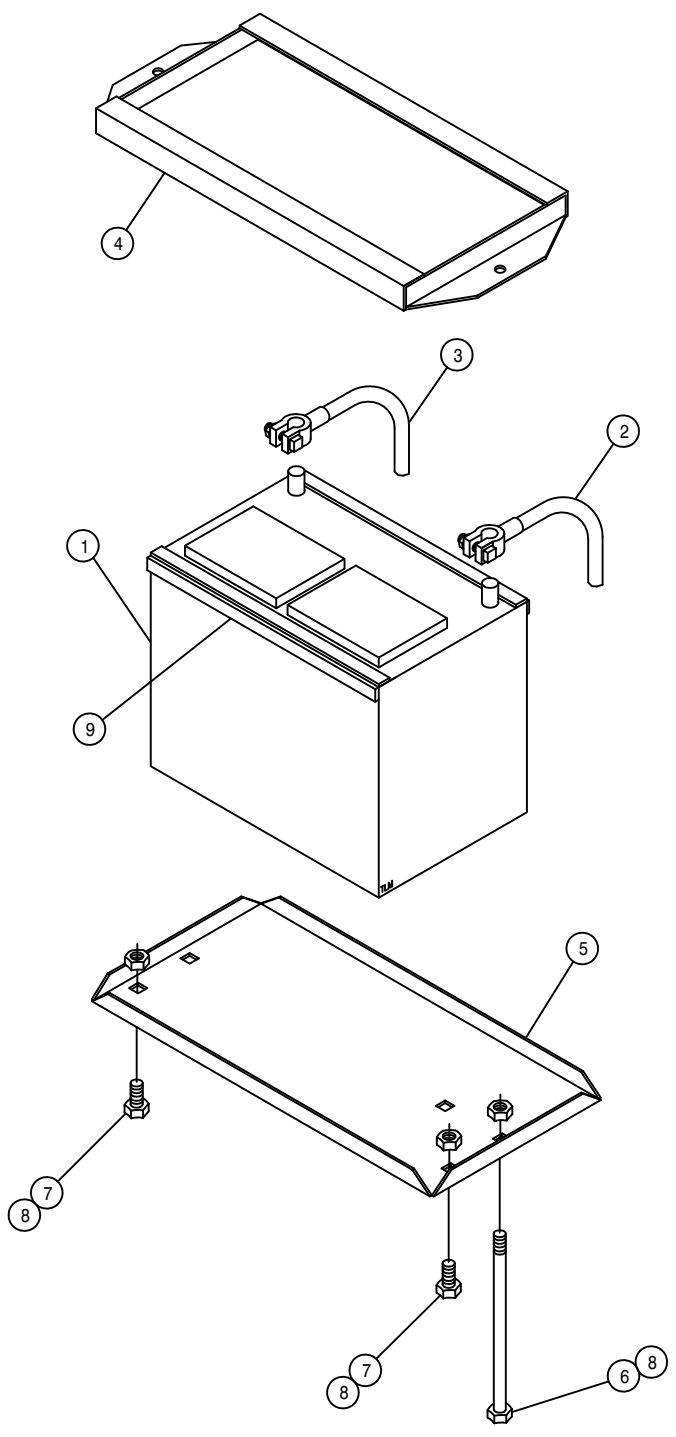
RADIATOR AND OIL COOLER ASSEMBLY

DET.	QTY	PART NO.	DESCRIPTION
	1	314863	RAD-OIL COOLER MT WLD 280 91
	2	314884	RAD SHROUD 250/280 DIESEL 92
	3	314885	RADIATOR HD 4TUBE RH-OUT 92
	4	319257	RAD CAP 7LB X 3/4FREE BRTH SM
	5	319559	DRAIN COCK, 1/4MNPT EXT ST BRS
	6	470086	1/4UNC NUTSERT .020-.100MATL
	7	12	470118 1/4UNC X 3/4 FLANGE HEX BOLT
	8	10	470121 1/4UNC HEX FLANGE LOCK NUT
	9	1	472352 #10-24THD IN X 9/16 TEK TYP 3
	10	1	505098 SIDE OUTLET EL 90DEG 1.00NPT
	11	1	505101 BLK PIPE TEE 1.00NPT
	12	2	505102 PIPE PLUG 1.00NPT SQ HD
	13	4	505200 BLK PIPE ST EL 90DEG 1.00NPT
	14	2	505203 BLK PIPE NIPPLE 1.00NPT-4.00
	15	2	659579 FOAM, 1"THK X 2" WIDE X 40"LG
	16	1	520120 HOSE CLAMP NO 4 PLATED MINI
	17	1	618606 OIL COOLER, BLISSFIELD 65027
	18	2	714331 1 NPT X 3/4 HOSE BARB
	19	1	714560 1NPT X 1 HOSE BARB
	20	1	618138 1IN HOSE BARB-90-1MNPT
	21	12	900128 3/8UNC X 3/4 HEX BOLT
	22	8	914004 3/8UNC HEX STOVER NUT
	23	8	920002 3/8 SAE FLAT WASHER
	24	1	314767 RAD RECOVERY TANK & MTG WLD
	25	2	314490 SIDE SCRIN WLD INTAKE 8250 86
	26	1	314495 TOP SCRIN WLD INTAKE 8250 86
	27	2	520137 .75 T-BOLT HOSE CLAMP
	28	2	520138 1.00 T-BOLT HOSE CLAMP
	29	1	314871 HEAT SHIELD 280 91
	30	1	314893 RECOVERY TANK MTG BRKT 280 92



AIR CLEANER AND EXHAUST PIPE

DET.	QTY	PART NO.	DESCRIPTION
1	1	314970	AIR CLEANER, 510 CFM
2	1	314971	AIR CLEANER HOOD FOR 314970
3	1	314973	AIR CLEANER ELEMENT FOR314970
4	2	314972	AIR CLEANER MT BAND FOR314970
5	1	316309	4" 90DEG ELBOW, RUBBER
6	1	316297	5" -4" 90DEG REDU ELBOW,RUBBER
7	1	316298	4" X 11.50" AIR INTAKE TUBE,97
8	1	520136	5.00 T-BOLT HOSE CLAMP
9	3	520134	4.00 T-BOLT HOSE CLAMP
10	4	470113	5/16UNC HEX FLANGE LOCK NUT
11	1	316299	MUFFLER, 3" DONALDSON 97
12	1	316300	3" EXHAUST STACK 97
13	2	470243	3" STRAP BAND EXHAUST CLAMP
14	4	470233	5/16UNC X 3/4 FLANGE HEX BOLT



BATTERY BOX ASSEMBLY

DET.	QTY	PART NO.	DESCRIPTION
1	1	291122	BATTERY, 950 C.C.A. 185 RES
2	1	291128	BATTERY CABLE 48 IN
3	1	291530	BATTERY GROUND CABLE, 23"
4	1	341322	BATTERY HOLD DOWN WLD 1981
5	1	361149	BATTERY BOX 8300-8400 1981
6	2	901150	3/8UNC X 9" CARR BOLT
7	2	900129	3/8UNC X 1" HEX BOLT
8	4	914004	3/8UNC HEX STOVER NUT
9	4	193022	STICKERTITE 1/4 X 3/4

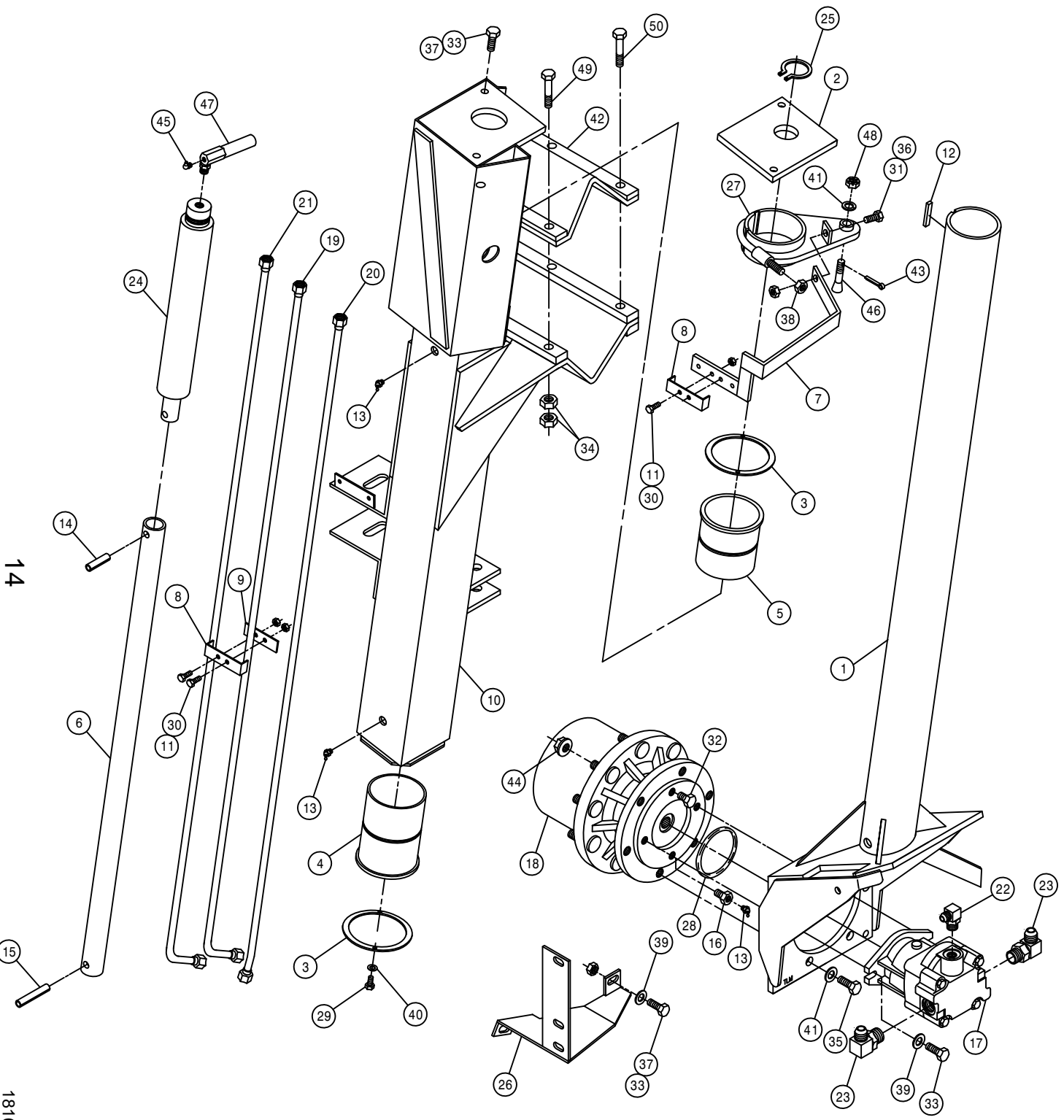
RIGHT FRONT LEG ASSEMBLY

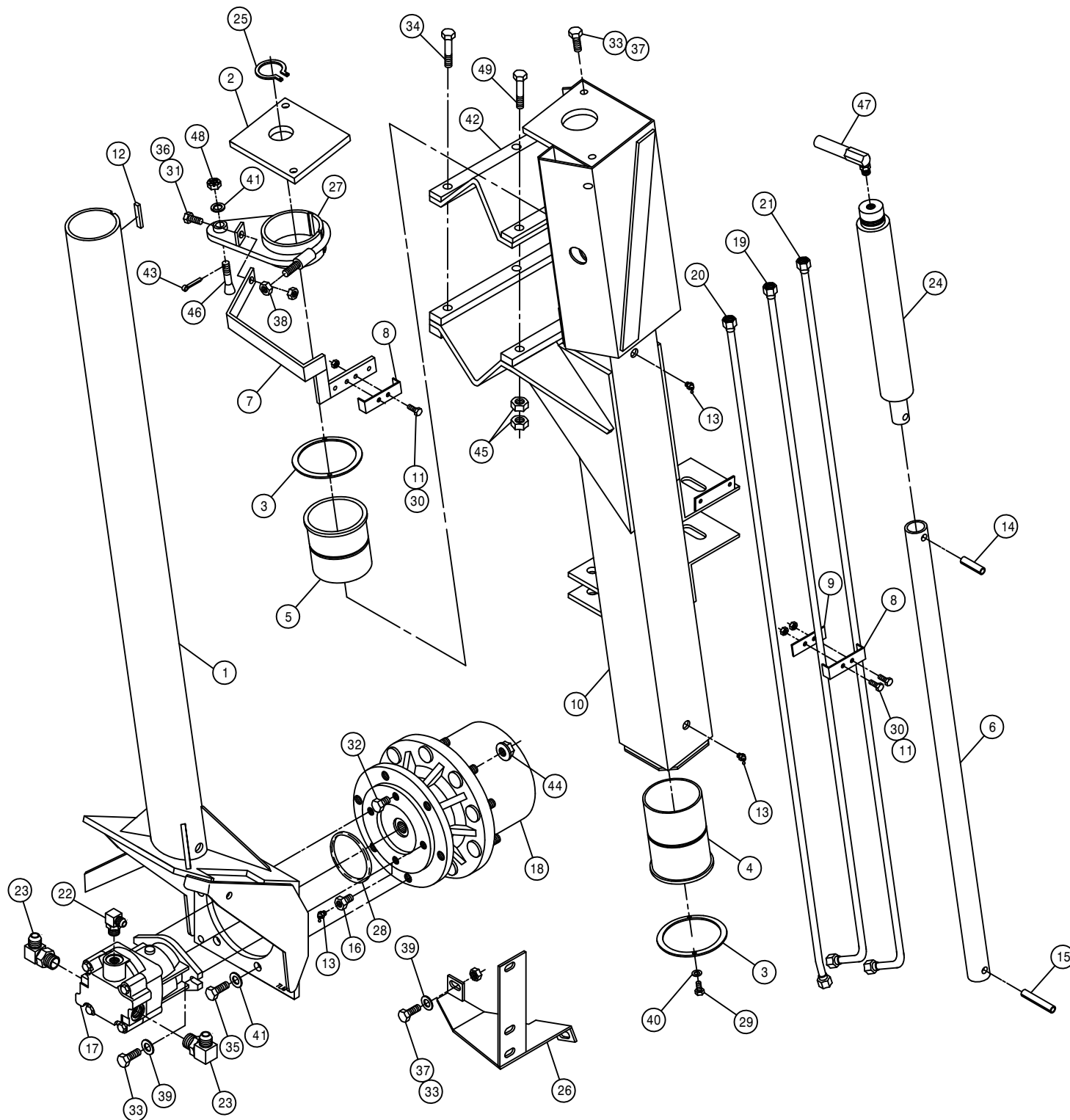
DET. QTY PART NO. DESCRIPTION

1	1	358535	RH FRT INNER LEG WLD 280	89
2	1	358562	LEG CYL MTG PLATE 280	89
3	2	358563	FRT LEG BRG KPR 280	89
4	1	358564	FRT LEG LWR NYL SLEEVE 280	89
5	1	358565	FRT LEG UPR NYL SLEEVE 280	89
6	1	358566	LEG CYL SHAFT EXTENSION 280	89
7	1	358707	RH FRT LEG TUBE BRKT WLD 280TA	
8	2	358739	FRT LEG HYD TUBE CLMP, 284 94	
9	1	358740	FRT LEG HYD TUBE KPR, 284 94	
10	1	358755	RH FRT OUTER LEG WLD, 284T 94	
11	4	470121	1/4UNC HEX FLANGE LOCK NUT	
12	1	470185	KEY .25 X .375 X 2.00 LG	
13	3	471023	GREASE ZERK 1/4-28 X 45	
14	1	473903	SPIRAL PIN 1/2 X 2	640
15	1	473904	SPIRAL PIN 1/2 X 3	640
16	1	610556	1/2UNC X 1/2 ZERK BOLT T-HUB	
17	1	610571	SUND M35-3002 WHL MTR	
18	1	610683	TORQ HUB, 15:1 B-MT MW3BA	
19	1	615656	FRT LEG CNTR HYD TUBE ASSY 284	
20	1	615702	FRT LEG INR HYD TUBE ASSY 28496	
21	1	615703	RH FRT LEG OUTHYD TUBE ASSY 28496	
22	1	618183	3/4MJIC-90-7/8MOR LBO	
23	2	618248	1 1/16MJIC-90-1 1/16MOR LBO	
24	1	620570	HYD CYL LEG LEVEL 2.00 X 12	
25	1	629515	SNAP RING 1 3/4 EXTRN HDUTY	
26	1	662157	RH FRT MTG WLD FOR CROP GUIDE	
27	1	749290	RH STRG ARM WLD, 280 TREAD ADJ	
28	1	870045	O-RING 4 1/8 OD X 4 ID	
29	4	900000	1/4UNC X 1/2 HEX BOLT	
30	4	900005	1/4UNC X 1 1/2 HEX BOLT	
31	1	900129	3/8UNC X 1" HEX BOLT	
32	1	900260	1/2UNC X 1/2 H BOLT GR2 UNPLT	
33	7	900265	1/2UNC X 1 1/2 HEX BOLT	
34	12	914811	5/8UNF HEX NUT GR8	
35	6	900333	5/8UNC X 1 1/2 HEX BOLT	
36	1	914004	3/8UNC HEX STOVER NUT	
37	5	914008	1/2UNC HEX STOVER NUT	
38	1	914010	5/8UNC HEX STOVER NUT	
39	5	920004	1/2 SAE FLAT WASHER	
40	4	920500	1/4 LOCK WASHER	
41	7	920505	5/8 LOCK WASHER	
42	1	358759	LEG MT V-PLT WLD, 284T	94
43	1	470035	COTTER PIN 5/32 X 1 1/2	
44	9	470140	5/8UNF HEX SMTH FLANGE NUT PLT	
45	1	471027	GREASE ZERK 1/8NPT 90DEG LP	
46	1	749293	STRG ARM BOLT, TAPERED	
47	1	615614	FRT LEG CYL JUMPER HOSE 280 89	
48	1	822040	5/8-18UNF SLOTTED HEX NUT	
49	3	900836	5/8UNF X 3 1/4 HEX BOLT GR8	
50	3	900837	5/8UNF X 3 1/2 HEX BOLT GR8	

14

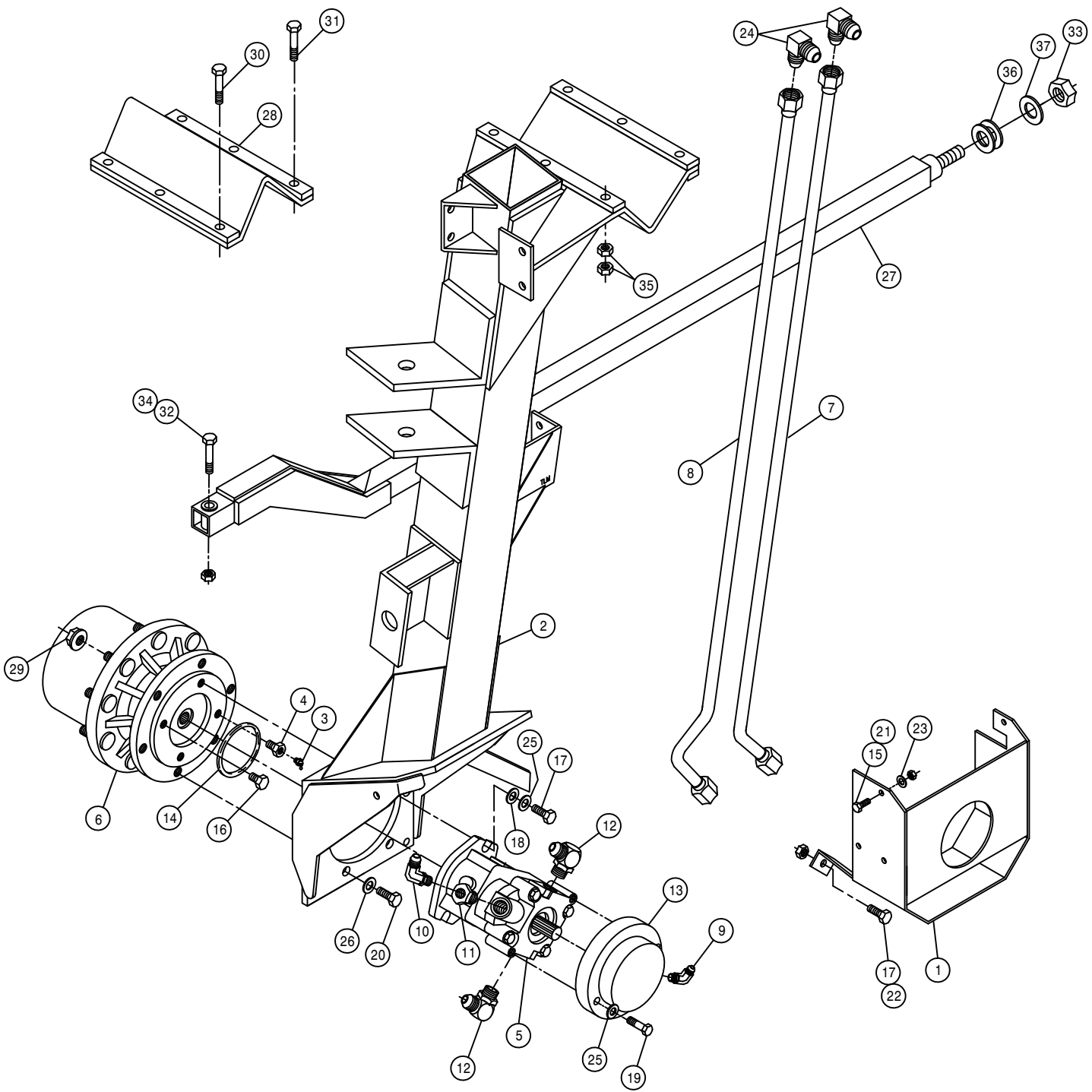
181014





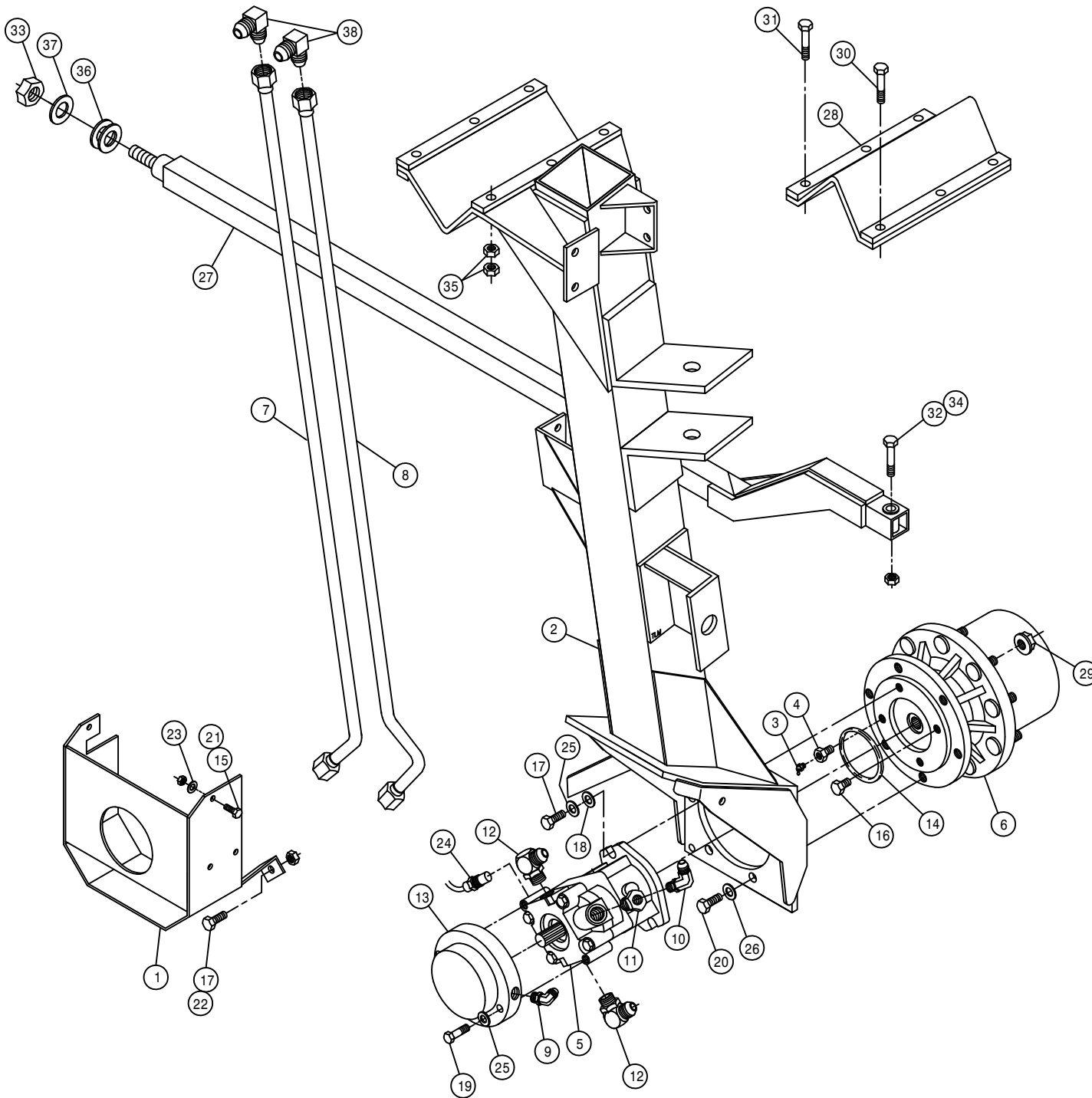
LEFT FRONT LEG ASSEMBLY

DET.	QTY	PART NO.	DESCRIPTION	
1	1	358536	LH FRT INNER LEG WLD 280	89
2	1	358562	LEG CYL MTG PLT 280	89
3	2	358563	FRT LEG BRG KPR 280	89
4	1	358564	FRT LEG LWR NYL SLEEVE 280	89
5	1	358565	FRT LEG UPR NYL SLEEVE 280	89
6	1	358566	LEG CYL SHAFT EXTENSION 280	89
7	1	358708	LH FRT LEG TUBE BRKT WLD 280TA	
8	2	358739	FRT LEG HYD TUBE CLMP, 284	94
9	1	358740	FRT LEG HYD TUBE KPR, 284	94
10	1	358756	LH FRT OUTER LEG WLD, 284T	94
11	4	470121	1/4UNC HEX FLANGE LOCK NUT	
12	1	470185	KEY .25 X .375 X 2.00 LG	
13	3	471023	GREASE ZERK 1/4-28 X 45	
14	1	473903	SPIRAL PIN 1/2 X 2	640
15	1	473904	SPIRAL PIN 1/2 X 3	640
16	1	610556	1/2UNC X 1/2 ZERK BOLT T-HUB	
17	1	610571	SUND M35-3002 WHL MTR	
18	1	610683	TORQ HUB, 15:1 B-MT MW3BA	
19	1	615656	FRT LEG CNTR HYD TUBE ASSY 284	
20	1	615702	FRT LEG INR HYD TUBE ASSY 28496	
21	1	615704	LH FRT LEG OUTR HYD TUBE ASSY 28496	
22	1	618183	3/4MJIC-90-7/8MOR LBO	
23	2	618248	1 1/16MJIC-90-1 1/16MOR LBO	
24	1	620570	HYD CYL LEG LEVEL 2.00 X 12	
25	1	629515	SNAP RING 1 3/4 EXTRN HDUTY	
26	1	662156	LH FRT MTG WLD FOR CROP GUIDE	
27	1	749291	LH STRG ARM WLD, 280 TREAD ADJ	
28	1	870045	O-RING 4 1/8 OD X 4 ID	
29	4	900000	1/4UNC X 1/2 HEX BOLT	
30	4	900005	1/4UNC X 1 1/2 HEX BOLT	
31	1	900129	3/8UNC X 1" HEX BOLT	
32	1	900260	1/2UNC X 1/2 H BOLT GR2 UNPLT	
33	7	900265	1/2UNC X 1 1/2 HEX BOLT	
34	3	900837	5/8UNF X 3 1/2 HEX BOLT GR8	
35	6	900333	5/8UNC X 1 1/2 HEX BOLT	
36	1	914004	3/8UNC HEX STOVER NUT	
37	5	914008	1/2UNC HEX STOVER NUT	
38	1	914010	5/8UNC HEX STOVER NUT	
39	5	920004	1/2 SAE FLAT WASHER	
40	4	920500	1/4 LOCK WASHER	
41	7	920505	5/8 LOCK WASHER	
42	1	358759	LEG MT V-PLT WLD, 284T	94
43	1	470035	COTTER PIN 5/32 X 1 1/2	
44	9	470140	5/8UNF HEX SMTH FLANGE NUT PLT	
45	12	914811	5/8UNF HEX NUT GR8	
46	1	749293	STRG ARM BOLT, TAPERED	
47	1	615614	FRT LEG CYL JUMPER HOSE 280	89
48	1	822040	5/8-18UNF SLOTTED HEX NUT	
49	3	900836	5/8UNF X 3 1/4 HEX BOLT GR8	



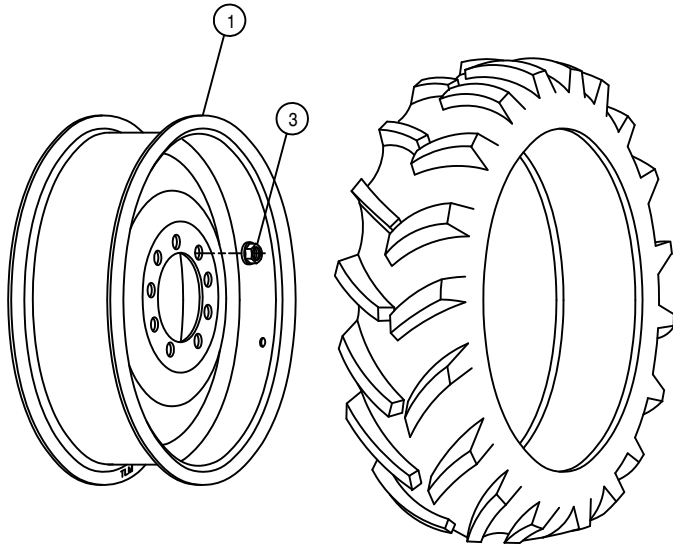
RIGHT REAR LEG ASSEMBLY

DET.	QTY	PART NO.	DESCRIPTION	
1	1	358823	RH REAR WHL MTR SHLD WLD	97
2	1	358827	RH REAR LEG WLD, 284	97
3	1	471023	GREASE ZERK 1/4-28 X 45	
4	1	610556	1/2UNC X 1/2 ZERK BOLT T-HUB	
5	1	610557	SUND M35-3102 WHL MTR W/SHFT	
6	1	610692	TORQ HUB, 30:1 B-MT MW3BA	
7	1	615705	REAR LEG HYD TUBE ASSY 284	97
8	1	615706	RH REAR LEG HYDTUBE ASSY284	97
9	1	618114	9/16MJIC-90-7/16MOR LBO	
10	1	618119	9/16MJIC-90-9/16MOR LBO	
11	1	618172	7/8MOR-9/16FOR ADPTR	
12	2	618576	1 5/16MJIC-90-1 1/16MOR LBO	
13	1	828092	MICO HYD BRAKE	
14	1	870045	O-RING 4 1/8 OD X 4 ID	
15	2	900130	3/8UNC X 1 1/4 HEX BOLT	
16	1	900260	1/2UNC X 1/2 H BOLT GR2 UNPLT	
17	4	900265	1/2UNC X 1 1/2 HEX BOLT	
18	2	920004	1/2 SAE FLAT WASHER	
19	2	900268	1/2UNC X 2 1/2 HEX BOLT	
20	6	900333	5/8UNC X 1 1/2 HEX BOLT	
21	2	914004	3/8UNC HEX STOVER NUT	
22	2	914008	1/2UNC HEX STOVER NUT	
23	2	920002	3/8 SAE FLAT WASHER	
24	2	618441	1 5/16MJIC-90-1 5/16MJIC LBO	
25	4	920504	1/2 LOCK WASHER	
26	6	920505	5/8 LOCK WASHER	
27	1	358670	RH LEG BRACE WLD 280	92
28	1	358759	LEG MT V-PLT WLD, 284T	94
29	9	470140	5/8UNF HEX SMTH FLANGE NUT PLT	
30	3	900836	5/8UNF X 3 1/4 HEX BOLT GR8	
31	3	900837	5/8UNF X 3 1/2 HEX BOLT GR8	
32	1	900410	3/4UNC X 4" HEX BOLT	
33	1	910017	1" UNC HEX NUT	
34	1	914012	3/4UNC HEX STOVER NUT	
35	12	914811	5/8UNF HEX NUT GR8	
36	2	920008	1" SAE FLAT WASHER	
37	1	920508	1" LOCK WASHER	

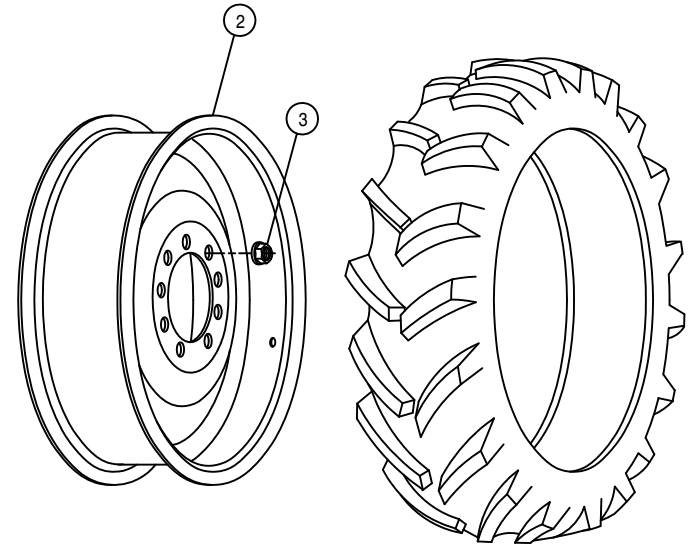


LEFT REAR LEG ASSEMBLY

DET.	QTY	PART NO.	DESCRIPTION	
	1	358824	LH REAR WHL MTR SHLD WLD	97
	2	358828	LH REAR LEG WLD, 284	97
	3	471023	GREASE ZERK 1/4-28 X 45	
	4	610556	1/2UNC X 1/2 ZERK BOLT T-HUB	
	5	610621	SUND HYD MOTOR	
	6	610692	TORQ HUB, 30:1 B-MT MW3BA	
	7	615705	REAR LEG HYD TUBE ASSY 284	97
	8	615707	LH REAR LEG HYDTUBE ASSY284	97
	9	618114	9/16MJIC-90-7/16MOR LBO	
	10	618119	9/16MJIC-90-9/16MOR LBO	
	11	618172	7/8MOR-9/16FOR ADPTR	
	12	618576	1 5/16MJIC-90-1 1/16MOR LBO	
	13	828092	MICO HYD BRAKE	
	14	870045	O-RING 4 1/8 OD X 4 ID	
	15	900130	3/8UNC X 1 1/4 HEX BOLT	
	16	900260	1/2UNC X 1/2 H BOLT GR2 UNPLT	
	17	900265	1/2UNC X 1 1/2 HEX BOLT	
	18	920004	1/2 SAE FLAT WASHER	
	19	900268	1/2UNC X 2 1/2 HEX BOLT	
	20	900333	5/8UNC X 1 1/2 HEX BOLT	
	21	914004	3/8UNC HEX STOVER NUT	
	22	914008	1/2UNC HEX STOVER NUT	
	23	920002	3/8 SAE FLAT WASHER	
	24	610625	SENSOR FOR SUND WHL MOTOR	
	25	920504	1/2 LOCK WASHER	
	26	920505	5/8 LOCK WASHER	
	27	358671	LH LEG BRACE WLD 280	92
	28	358759	LEG MT V-PLT WLD, 284T	94
	29	470140	5/8UNF HEX SMTH FLANGE NUT PLT	
	30	900836	5/8UNF X 3 1/4 HEX BOLT GR8	
	31	900837	5/8UNF X 3 1/2 HEX BOLT GR8	
	32	900410	3/4UNC X 4" HEX BOLT	
	33	910017	1" UNC HEX NUT	
	34	914012	3/4UNC HEX STOVER NUT	
	35	914811	5/8UNF HEX NUT GR8	
	36	920008	1" SAE FLAT WASHER	
	37	920508	1" LOCK WASHER	
	38	618441	1 5/16MJIC-90-1 5/16MJIC LBO	



13.6-28 RADIAL TIRE

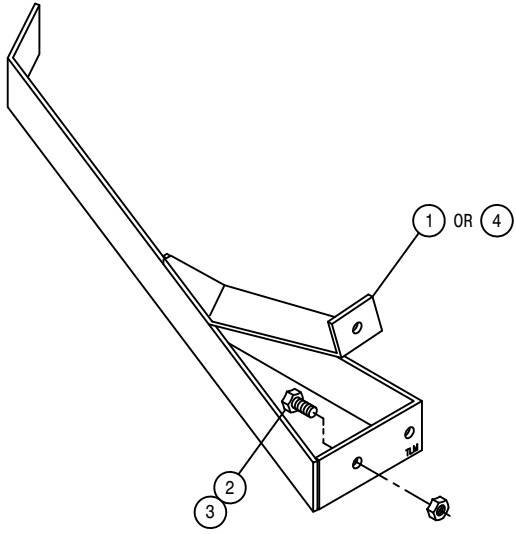


12.4-28 BIAS TIRE

TIRE AND RIM ASSEMBLIES

DET. QTY PART NO. DESCRIPTION

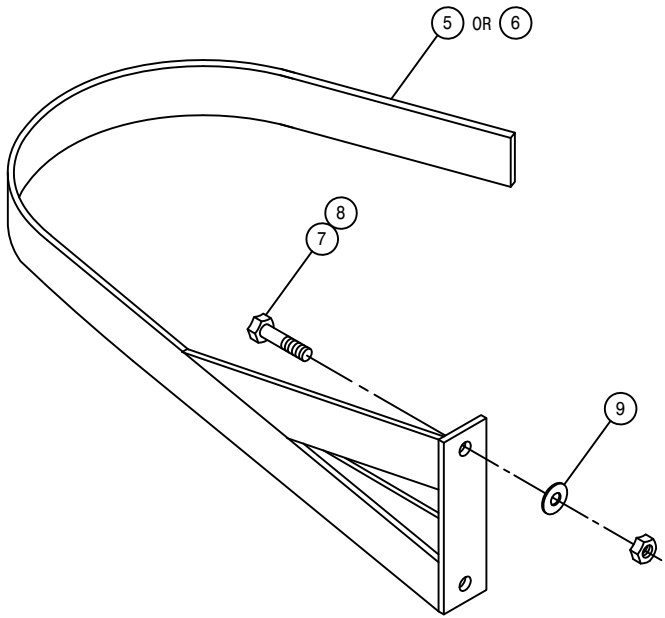
1	1	821045	RIM WLD, W12-28, 284	98
2	1	821047	RIM WLD, W10-28, 284	98
3	18	470140	5/8UNF HEX SMTH FLANGE NUT PLT	



CROP GUIDES

DET. QTY PART NO. DESCRIPTION

1	1	662217	RH REAR STALK GUIDE WLD280	89
2	2	900129	3/8UNC X 1 HEX BOLT	
3	2	914004	3/8UNC HEX STOVER NUT	
4	1	662218	LH REAR STALK GUIDE WLD280	89
5	1	662221	RH STALK GUIDE WLD 284	94
6	1	662222	LH STALK GUIDE WLD 284	94
7	2	900264	1/2UNC X 1 1/4 HEX BOLT	
8	2	914008	1/2UNC HEX STOVER NUT	
9	2	920004	1/2 FLAT WASHER SAE	

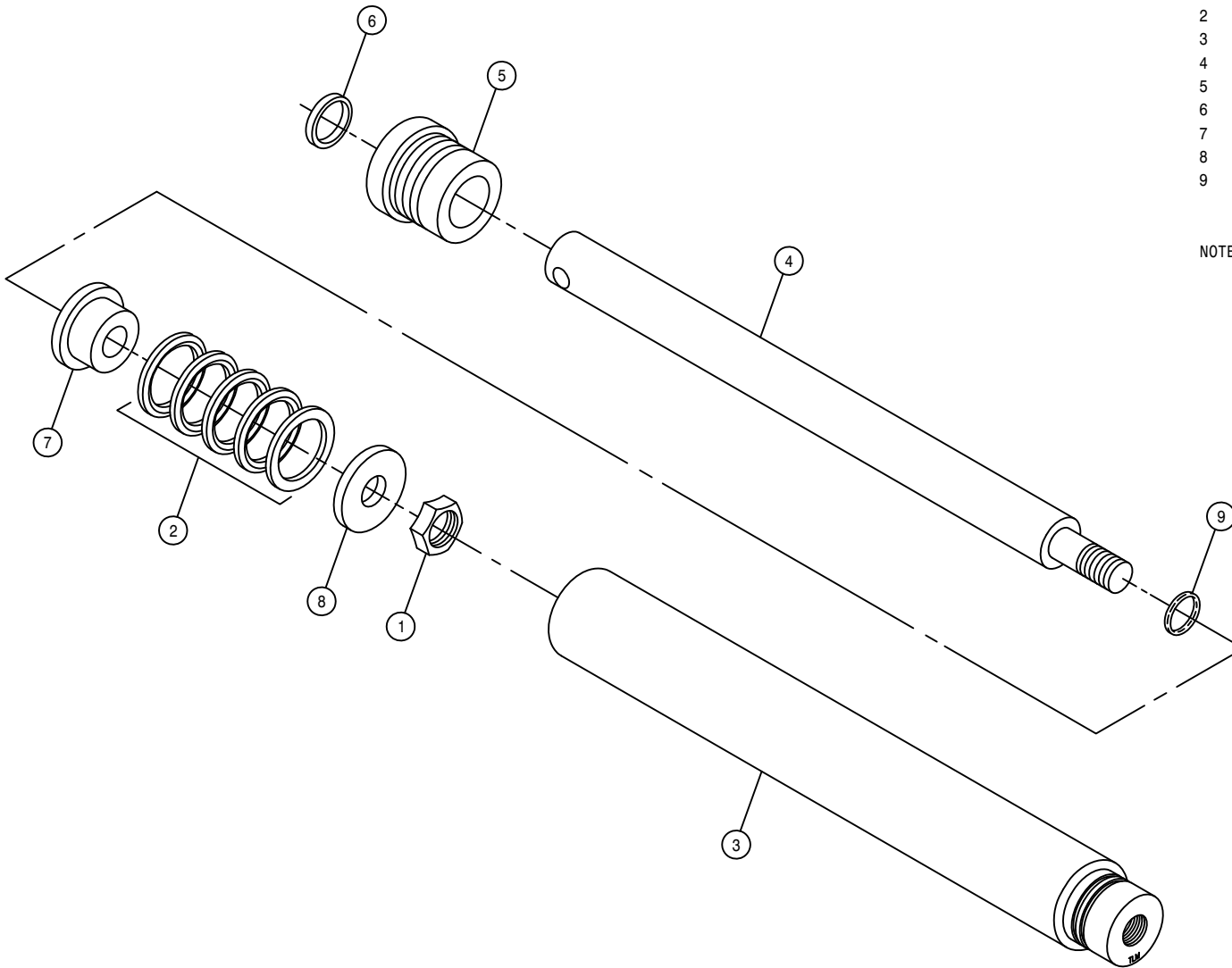


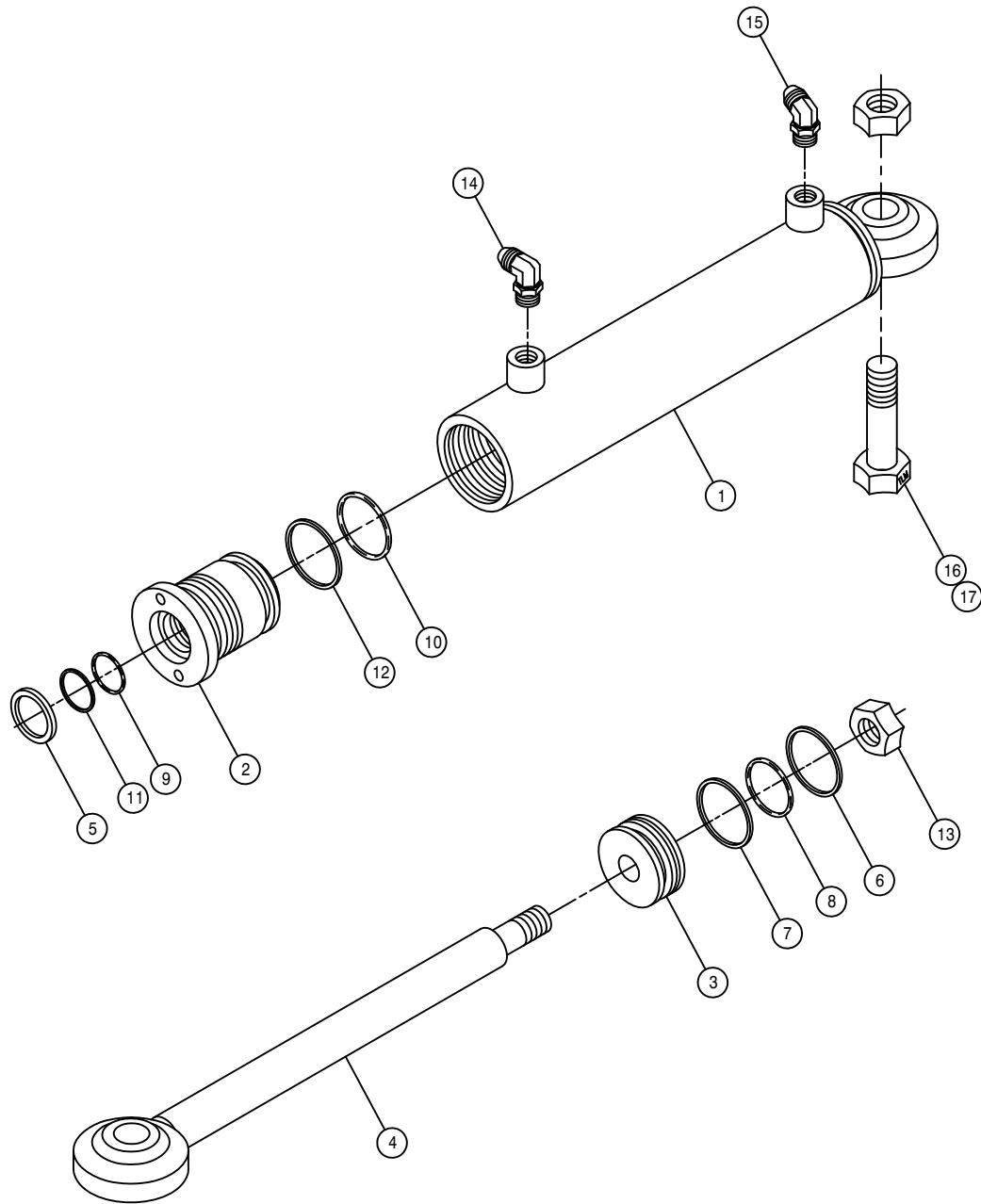
FRONT LEG CYLINDER ASSEMBLY

DET. QTY PART NO. DESCRIPTION

1	1	472297	3/4UNF HEX STOVER NUT THIN
2	1	620321	VEE PACK 1 1/2 X 2
3	1	620571	TUBE WLD
4	1	620573	SHAFT 1 1/4 X 17 3/8
5	1	620574	BRG HEAD 2 X 1 1/4
6	1	629002	WIPER 1 1/4 X 1 1/2 X 1/8
7	1	620578	PISTON 2 X 3/4 VPX
8	1	620579	RETAINER 2 X 3/4 X 1/4
9	1	870018	NEO ORING 3/4 X 7/8

NOTE: 620570 - CYLINDER ASSEMBLY
620575 - SEAL KIT





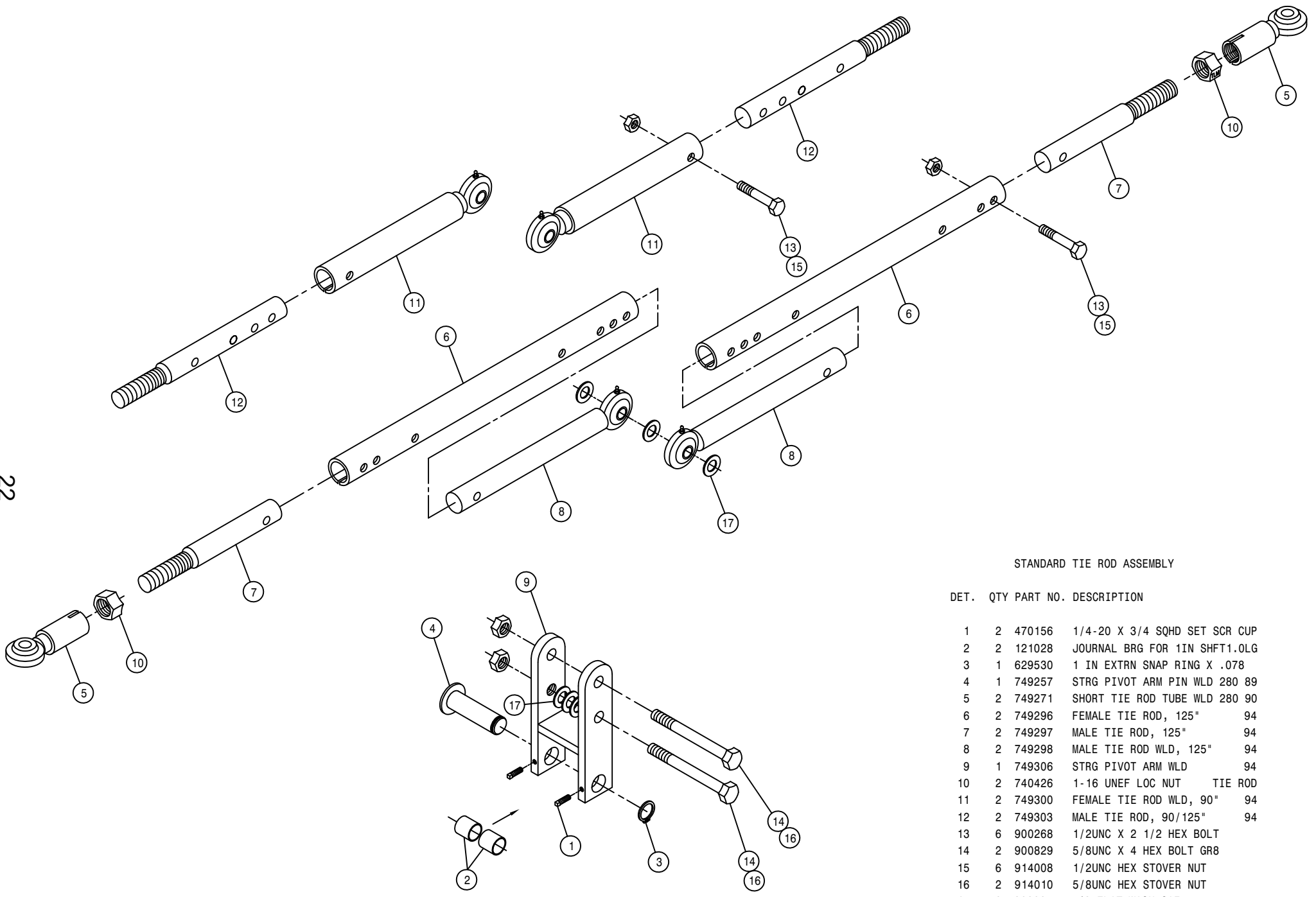
STEERING CYLINDER ASSEMBLY

DET. QTY PART NO. DESCRIPTION

1	1	620089	STRG CYL TUBE WLD 1.5 X 6. 85
2	1	620109	GLAND HYD CYL 1.5 X .75 1985
3	1	620129	PISTON HYD CYL 1.5 X .5 1985
4	1	620148	STRG CYL SHAFT WLD
5	1	629028	WIPER, 10D X 3/4ID X 1/8
6	1	629616	SEAL, 1704-24 HT20550R POLYHON
7	1	629618	WEAR RING, 1.5" HYD CYL
8	1	870025	BUNA ORING 1 3/16 X 1 5/16
9	1	870210	BUNA ORING 3/4 X 1
10	1	870218	BUNA ORING 1 1/4 X 1 1/2
11	1	890210	BACKUP WASH 3/4 X1 HT2022
12	1	890218	BACKUP WASH1 1/4X1 1/2 HT2022
13	1	914009	1/2UNF HEX STOVER NUT
14	1	611122	9/16MJIC-90-1/4MNPT LBO
15	1	618338	9/16MJIC-45-1/4MNPT LBO
16	1	900336	5/8UNC X 2 1/2 HEX BOLT
17	1	914010	5/8UNC HEX STOVER NUT

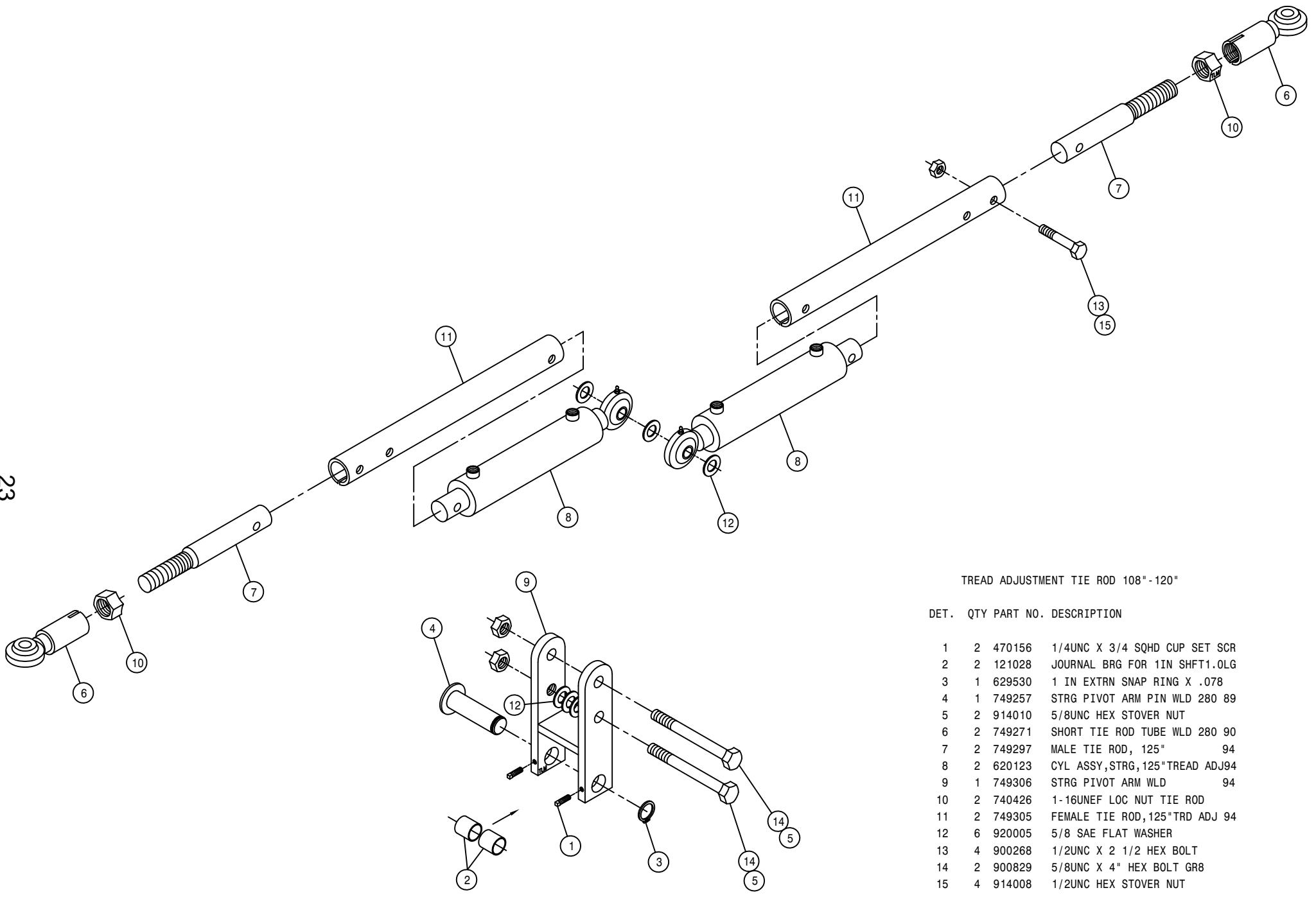
NOTE: 1. 620080 - CYLINDER ASSEMBLY

2. 620998 - SEAL KIT



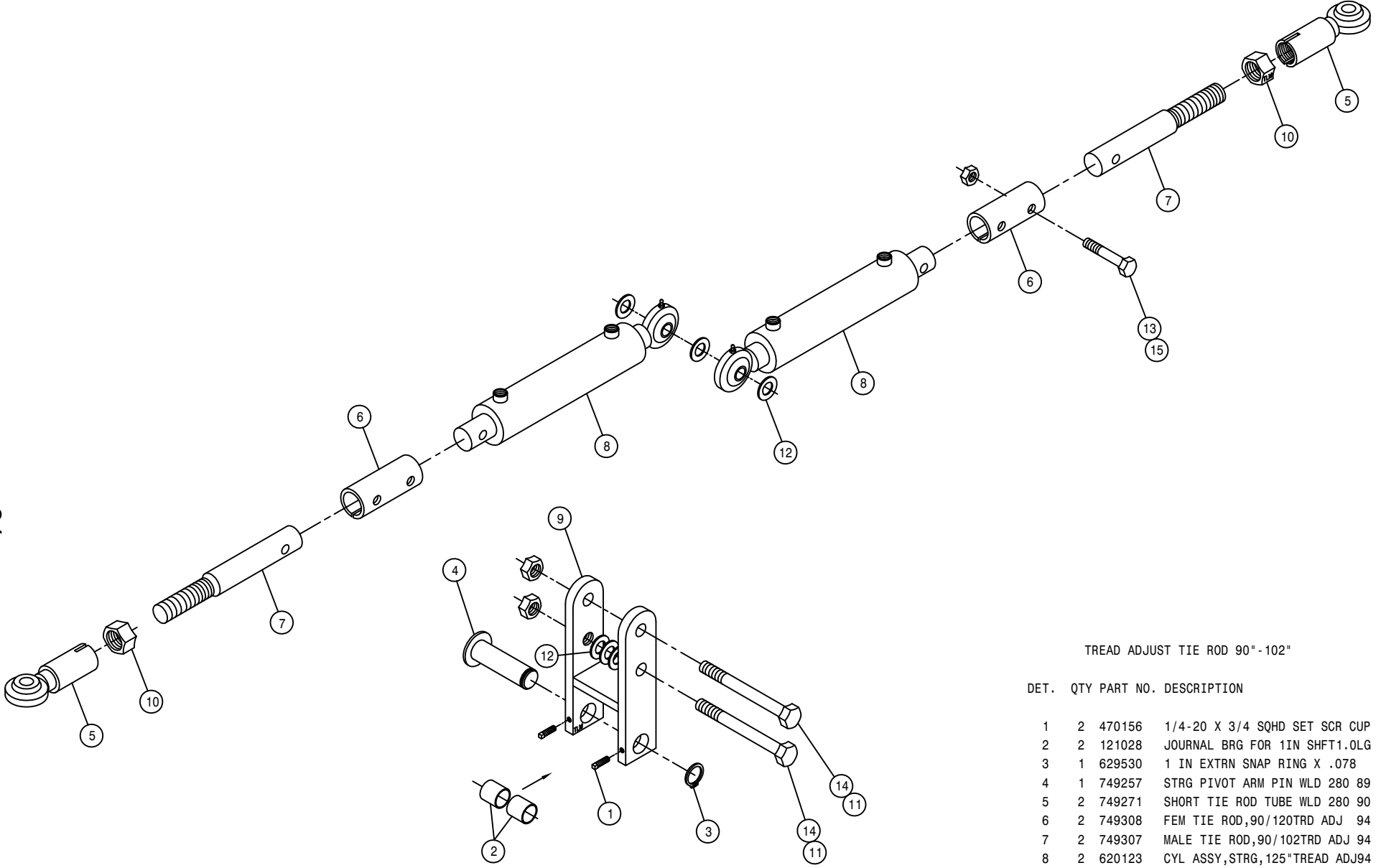
STANDARD TIE ROD ASSEMBLY

DET.	QTY	PART NO.	DESCRIPTION
1	2	470156	1/4-20 X 3/4 SQHD SET SCR CUP
2	2	121028	JOURNAL BRG FOR 1IN SHFT1.0LG
3	1	629530	1 IN EXTRN SNAP RING X .078
4	1	749257	STRG PIVOT ARM PIN WLD 280 89
5	2	749271	SHORT TIE ROD TUBE WLD 280 90
6	2	749296	FEMALE TIE ROD, 125" 94
7	2	749297	MALE TIE ROD, 125" 94
8	2	749298	MALE TIE ROD WLD, 125" 94
9	1	749306	STRG PIVOT ARM WLD 94
10	2	740426	1-16 UNEF LOC NUT TIE ROD
11	2	749300	FEMALE TIE ROD WLD, 90" 94
12	2	749303	MALE TIE ROD, 90/125" 94
13	6	900268	1/2UNC X 2 1/2 HEX BOLT
14	2	900829	5/8UNC X 4 HEX BOLT GR8
15	6	914008	1/2UNC HEX STOVER NUT
16	2	914010	5/8UNC HEX STOVER NUT
17	6	920005	5/8 FLAT WASH SAE



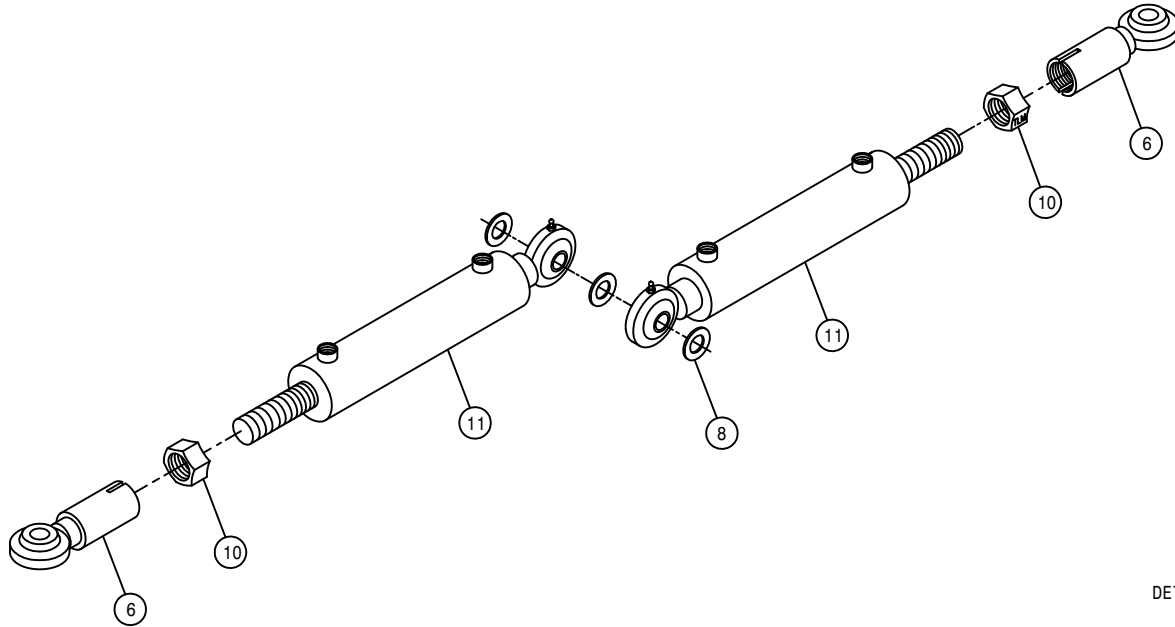
TREAD ADJUSTMENT TIE ROD 108" - 120"

DET.	QTY	PART NO.	DESCRIPTION
1	2	470156	1/4UNC X 3/4 SQHD CUP SET SCR
2	2	121028	JOURNAL BRG FOR 1IN SHFT1.0LG
3	1	629530	1 IN EXTRN SNAP RING X .078
4	1	749257	STRG PIVOT ARM PIN WLD 280 89
5	2	914010	5/8UNC HEX STOVER NUT
6	2	749271	SHORT TIE ROD TUBE WLD 280 90
7	2	749297	MALE TIE ROD, 125" 94
8	2	620123	CYL ASSY,STRG,125"TRD ADJ94
9	1	749306	STRG PIVOT ARM WLD 94
10	2	740426	1-16UNEF LOC NUT TIE ROD
11	2	749305	FEMALE TIE ROD,125"TRD ADJ 94
12	6	920005	5/8 SAE FLAT WASHER
13	4	900268	1/2UNC X 2 1/2 HEX BOLT
14	2	900829	5/8UNC X 4" HEX BOLT GR8
15	4	914008	1/2UNC HEX STOVER NUT



TREAD ADJUST TIE ROD 90"-102"

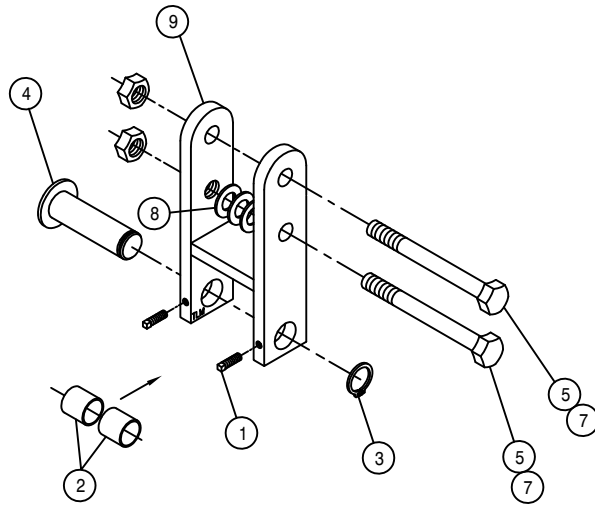
DET.	QTY	PART NO.	DESCRIPTION
	1	2 470156	1/4-20 X 3/4 SQHD SET SCR CUP
	2	121028	JOURNAL BRG FOR 1IN SHFT1.0LG
	3	629530	1 IN EXTRN SNAP RING X .078
	4	749257	STRG PIVOT ARM PIN WLD 280 89
	5	749271	SHORT TIE ROD TUBE WLD 280 90
	6	749308	FEM TIE ROD,90/120TRD ADJ 94
	7	749307	MALE TIE ROD,90/102TRD ADJ 94
	8	620123	CYL ASSY,STRG,125" TREAD ADJ94
	9	749306	STRG PIVOT ARM WLD
	10	740426	1-16 UNEF LOC NUT TIE ROD
	11	914010	5/8UNC HEX STOVER NUT
	12	920005	5/8 FLAT WASH SAE
	13	900268	1/2UNC X 2 1/2 HEX BOLT
	14	900829	5/8UNC X 4 HEX BOLT GR8
	15	914008	1/2UNC HEX STOVER NUT



TREAD ADJUST TIE ROD 78" -90"

DET. QTY PART NO. DESCRIPTION

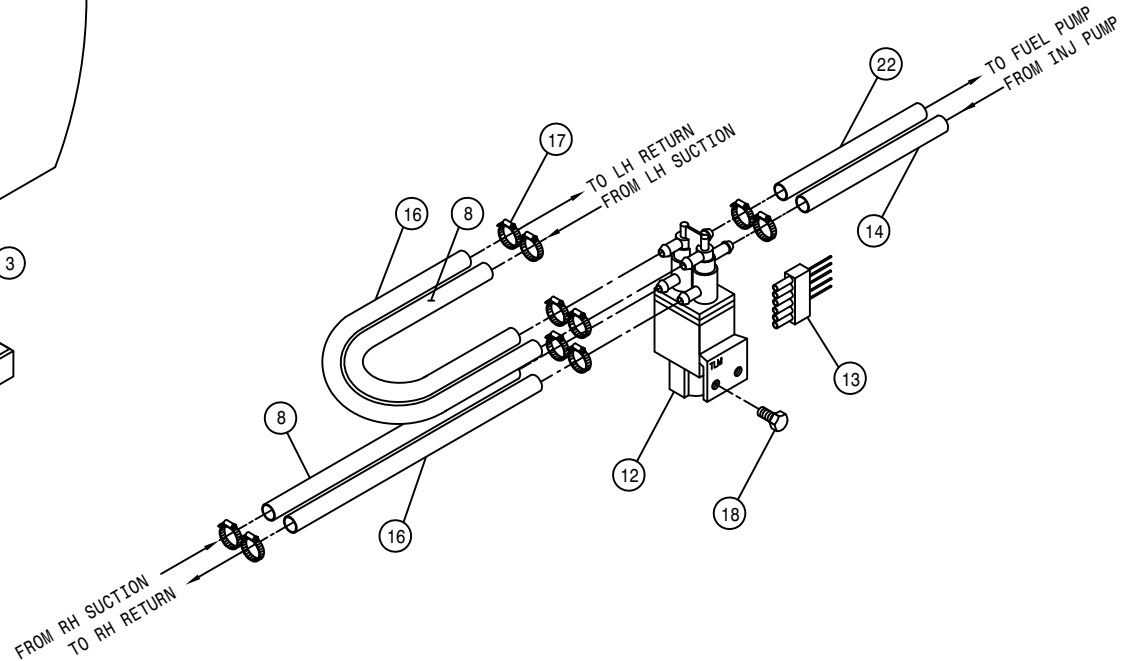
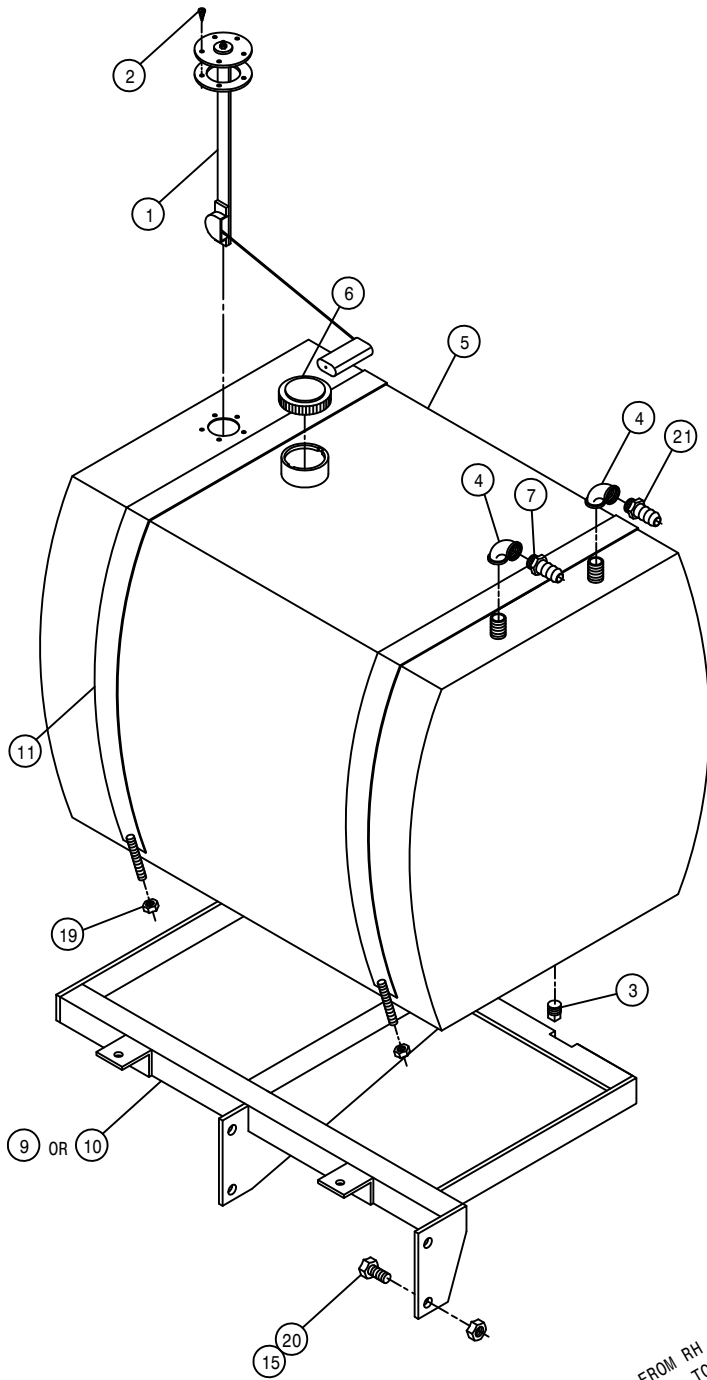
DET.	QTY	PART NO.	DESCRIPTION
1	2	470156	1/4-20 X 3/4 SQHD SET SCR CUP
2	2	121028	JOURNAL BRG FOR 1IN SHFT1.0LG
3	1	629530	1 IN EXTRN SNAP RING X .078
4	1	749257	STRG PIVOT ARM PIN WLD 280 89
5	2	900829	5/8UNC X 4 HEX BOLT GR8
6	2	749271	SHORT TIE ROD TUBE WLD 280 90
7	2	914010	5/8UNC HEX STOVER NUT
8	6	920005	5/8 FLAT WASH SAE
9	1	749306	STRG PIVOT ARM WLD 94
10	2	740426	1-16 UNEF LOC NUT TIE ROD
11	2	620122	CYL ASSY,STRG,90" TREAD ADJ 94

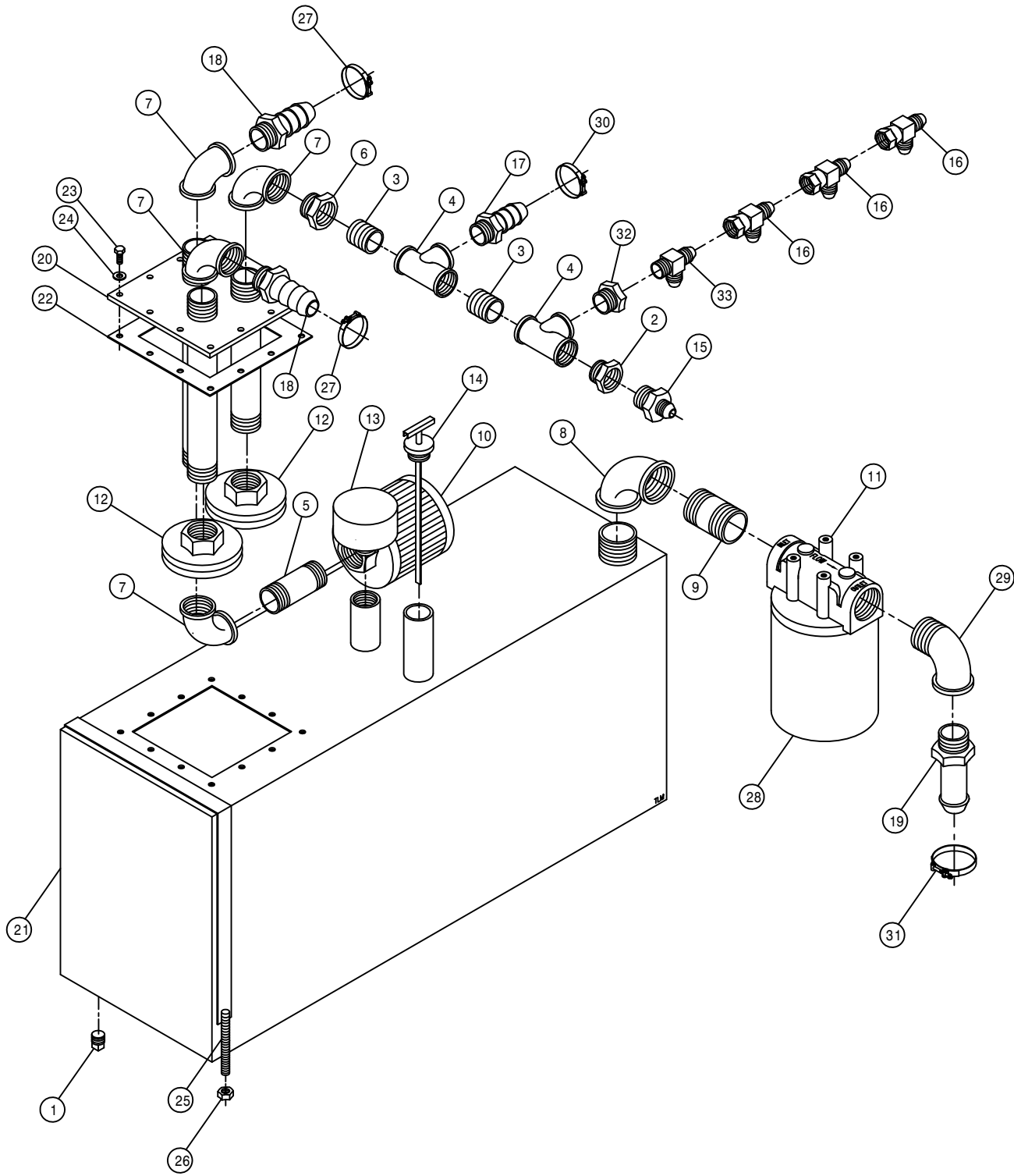


FUEL TANK ASSEMBLY

DET. QTY PART NO. DESCRIPTION

1	1	291428	FUEL SENDER 19 IN.
2	5	473902	NO 8 X 1/2 PAN HD MET SC
3	1	501102	1/4 PIPE PLUG
4	2	501451	BLK PIPE EL 90DEG .25NPT
5	1	760149	FUEL TANK WLD 200-280 90
6	1	761200	GAS CAP
7	1	783303	1/4 NPT X 5/16 HOSE BARB, BRS
8	2	601324	HOSE, 3/8 X 90" FUEL LINE
9	1	760153	RH FUEL TNK MT WLD 200-280 90
10	1	760154	LH FUEL TNK MT WLD 200-280 90
11	2	760162	FUEL TANK BAND WLD 200-280 90
12	1	610529	FUEL SELECTOR VALVE W/RETURN
13	1	610530	5 WIRE CONNECTOR FOR 610529
14	1	601421	HOSE, 5/16 X 50" FUEL LINE
15	4	914008	1/2UNC HEX STOVER NUT
16	2	601301	HOSE, 5/16 X 90" FUEL LINE
17	10	520120	HOSE CLAMP NO 4 PLATED MINI
18	2	900064	5/16UNC X 3/4 HEX BOLT
19	2	914004	3/8UNC HEX STOVER NUT
20	4	900264	1/2UNC X 1 1/4 HEX BOLT
21	1	783304	1/4 NPT X 3/8 HOSE BARB, BRS
22	1	601322	HOSE, 3/8 X 26" FUEL LINE





HYDRAULIC TANK ASSEMBLY

DET. QTY PART NO. DESCRIPTION

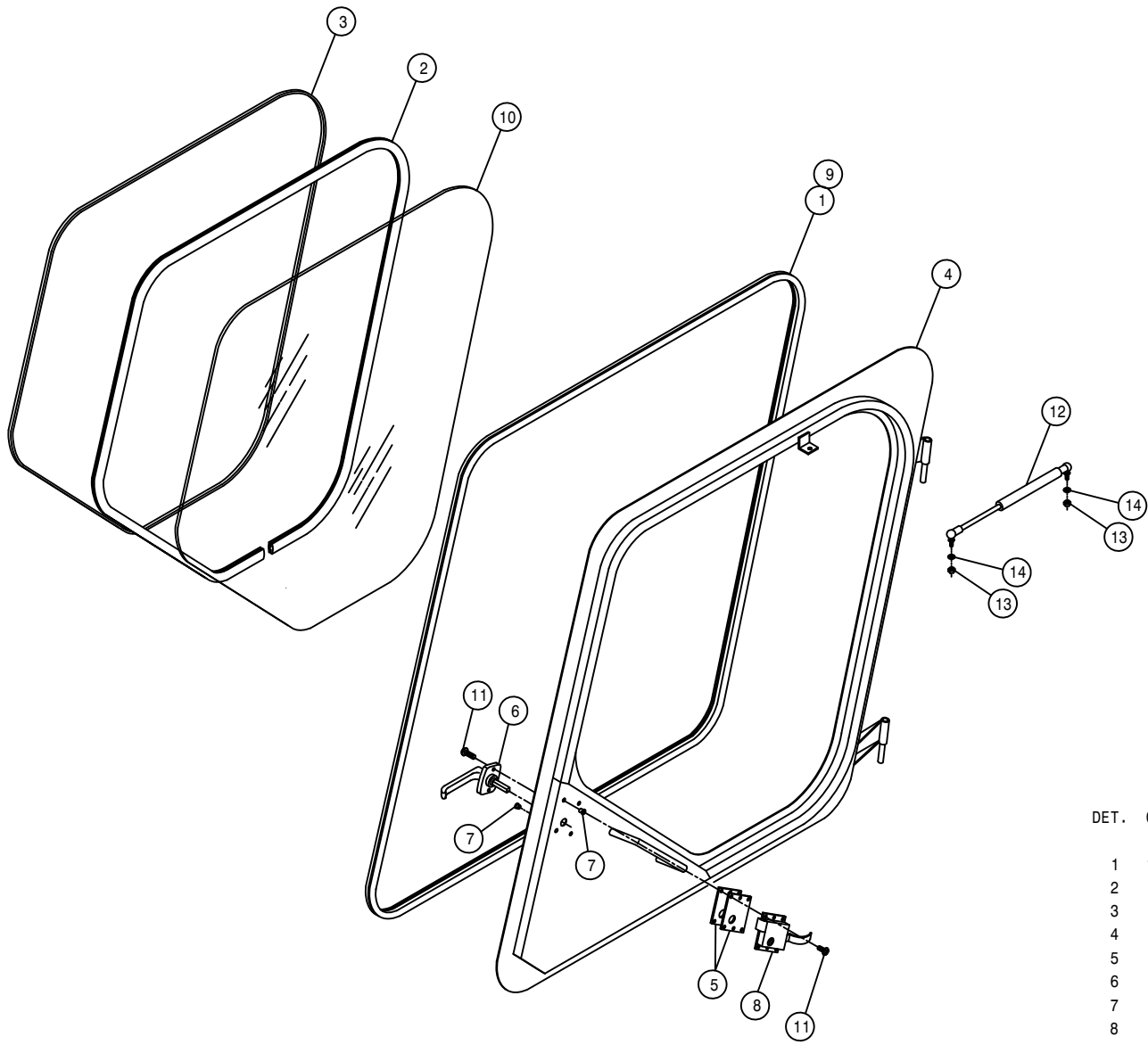
1	1	501102	1/4 PIPE PLUG
2	1	504210	RED BUSH 3/4 NPT X 1/2 NPT
3	2	504702	CLOSE NIPPLE .75NPT
4	2	504955	BLK PIPE TEE .75NPT
5	1	505203	BLK PIPE NIPPLE 1.00NPT-4.00
6	1	505213	RED BUSH 1 X 3/4 BLK MAL
7	4	505300	BLK PIPE EL 90DEG 1.00NPT
8	1	506303	BLK PIPE EL 90DEG 1.25NPT
9	1	506602	PIPE NIPPLE 1 1/4NPT-2 1/2
10	1	605600	MICHIGAN RESERVOIR FILTER
11	1	605601	GRESN FILTER 10 MICRON 40GPM
12	2	605603	LINE SUMP DIFFUSER
13	1	611052	FILLER BREATHER 3/4NPT
14	1	614453	DIPSTICK, 8IN
15	1	618018	9/16MJIC-1/2MNPT ADPTR
16	3	618486	9/16FJIC SW RUN TEE-9/16MJIC
17	1	713220	HOSE BARB 3/4 NPT X 3/4
18	2	714560	1NPT X 1 HOSE BARB
19	1	715660	HOSE BARB 1 1/4NPT X 1 1/4
20	1	760090	RECIEVER PLT WLD 8240
21	1	760097	OIL TANK WLD 8240 1982
22	1	763039	HYD MTR MTG PLT GSKT
23	12	900064	5/16UNC X 3/4 HEX BOLT
24	12	920001	5/16 SAE FLAT WASHER
25	2	341360	OIL TANK STRAP WLD 8240 1982
26	4	914004	3/8UNC HEX STOVER NUT
27	2	520138	1.00 T-BOLT HOSE CLAMP
28	1	605602	FILT ELEMENT 10MICRON 40GPM
29	1	506410	BLK PIPE ST EL 90DEG 1.25NPT
30	1	520137	.75 T-BOLT HOSE CLAMP
31	1	520132	1.62/1.87 T-BOLT HOSE CLAMP
32	1	504001	RED BUSH 3/4 X 1/4 BLK MAL
33	1	618520	1/4MNPT RUN TEE-9/16MJIC

CAB ASSEMBLY

DET. QTY PART NO. DESCRIPTION

1	1	290107	GROUND STRAP 8 IN	
2	4	311051	RUBBER MOUNT, RB3-350	
3	4	311052	SNUBBING WASHER FOR 311051	
4	24	193037	STICKERTITE 1/8 X 3/4	
5	25	193044	WINDOW WEATHERSTRIP	94
6	25	193045	LOCK STRIP FOR 193044	94
7	13	192001	FILLR STRIP FOR WEATHERSTRIP	
8	13	193018	2 P/C SELF SEAL WEATHERSTRIP	
9	1	200019	.25 SCH 40BP X 1.00 LG	C/L
10	1	202037	WINDSHIELD WIPER SPACER	
11	1	290412	DIMMER SWITCH	
12	1	290417	18" WIPER BLADE	
13	4	900343	5/8UNC X 4 1/2 HEX BOLT	
14	1	342330	CAB WELDMT, 284	97
15	1	342146	KICK PANEL WLD, 284 CAB	94
16	1	342150	CAB ROOF WLD, 284	94
17	1	342180	HEADLINER KPR ANGLE,284CAB	94
18	4	470067	RUBBER GROMMET 1/4 ID	
19	2	470070	RUBBER GROMMET 3/8 ID	
20	4	914010	5/8UNC HEX STOVER NUT	
21	1	470229	IDENTIFICATION TIE, 3/4"	
22	6	470100	3/8 INT TOOTH LOCK WASHER	
23	13	470121	1/4UNC HEX FLANGE LOCK NUT	
24	12	470122	1/4UNC X 1/2 FLANGE HEX BOLT	
25	16	470212	1/4 X 5/8 BONDED SEALING WASH	
26	16	470218	1/4UNC NUT J-TYPE CAGE CLIP	
27	1	470222	GRAB HANDLE, BLACK MOULDED	
28	12	472349	1/4 X 3/4 20THD-IN TEK TYPE	
29	6	473779	10MM-1.50 HEX NUT	
30	2	473910	1/4 X 1 1/2 PHIL HD SHT MTL S	
31	2	650524	OUTSIDE REAR VIEW MIRROR	
32	1	658008	WINDSHIELD WIPER MOTOR	
33	1	658013	WIPER ARM	
34	1	658014	FRONT CAB GLASS	94
35	1	658015	FRONT SIDE CAB/DOOR GLASS	94
36	2	658016	REAR SIDE CAB GLASS	94
37	1	658017	REAR CAB GLASS	94
38	8	900002	1/4UNC X 3/4 HEX BOLT	
39	1	900005	1/4UNC X 1 1/2 HEX BOLT	
40	6	291603	WORKLAMP, SIDE MT 12V HALOGEN	
41	2	903883	10-32 X 1/2 SLT RDHD MACH SCR	
42	2	903889	10-32 X 3/4 SLT RDHD MACH SCR	
43	2	470175	10-32 HEX FLANGE LOCK NUT	
44	2	910027	10-32 HEX NUT	
45	1	914000	1/4UNC HEX STOVER NUT	
46	1	914004	3/8UNC HEX STOVER NUT	
47	2	920510	#10 LOCK WASHER	
48	1	629728	FINISH PLUG FOR 2.12 HOLE	
49	9	470118	1/4UNC X 3/4 FLANGE HEX BOLT	
50	2	659704	FOAM, 2" THK X 2" WIDE X 42" LG	
51	1	290003	WINDSHIELD WASHER NOZZLE KIT	
52	1	291569	3/8 X 6" HEAT SHRINK TUBE	
53	14	195913	1/8 WINDSHIELD WASHER HOSE	
54	2	342333	NYL HOSE SLEEVE,2.64ID X 12.00	

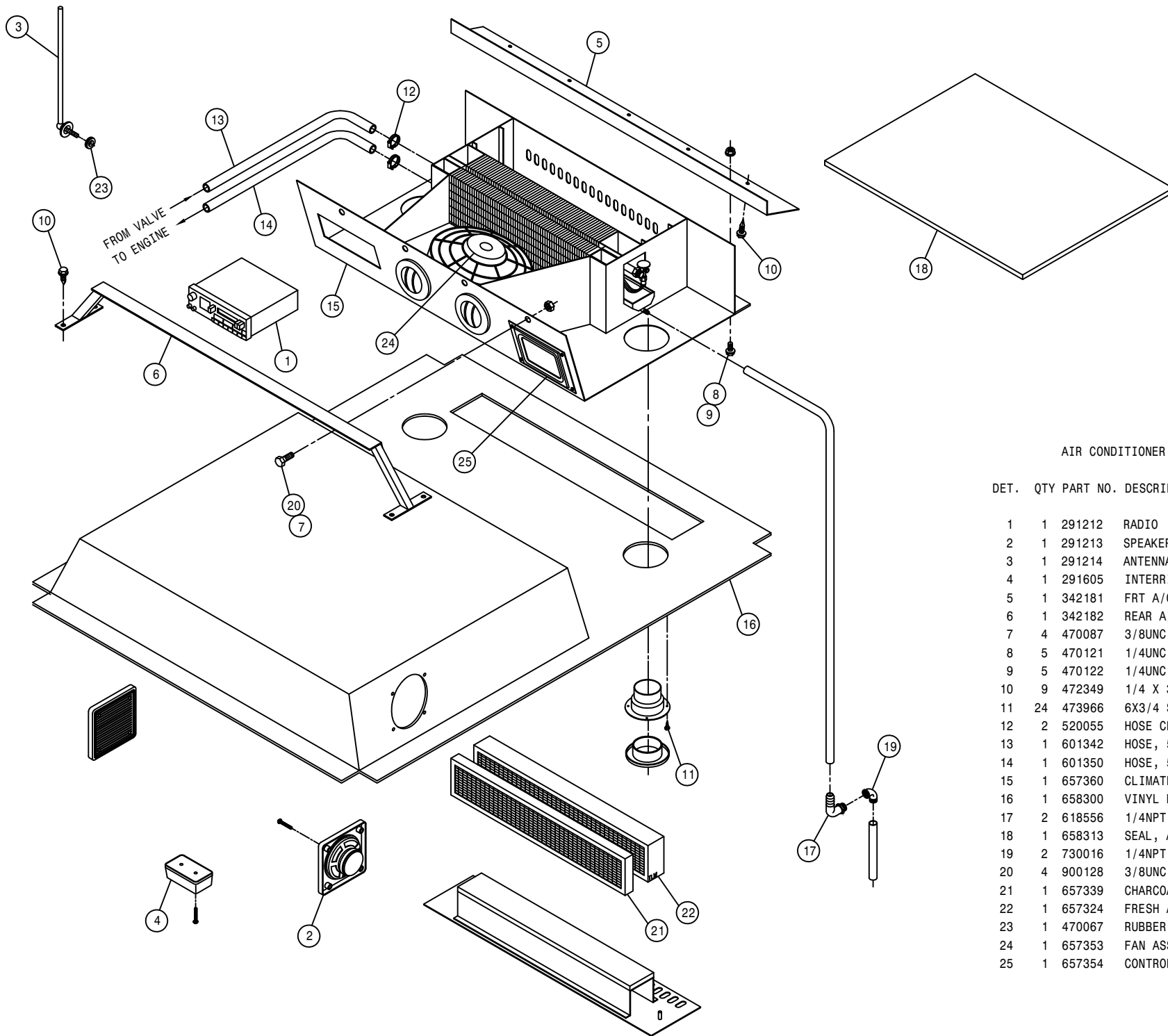
*NOTE: DETAILS 18,51,52 AND 53 ARE USED WITH THE WINDSHIELD WASHER OPTION.



DOOR ASSEMBLY

DET. QTY PART NO. DESCRIPTION

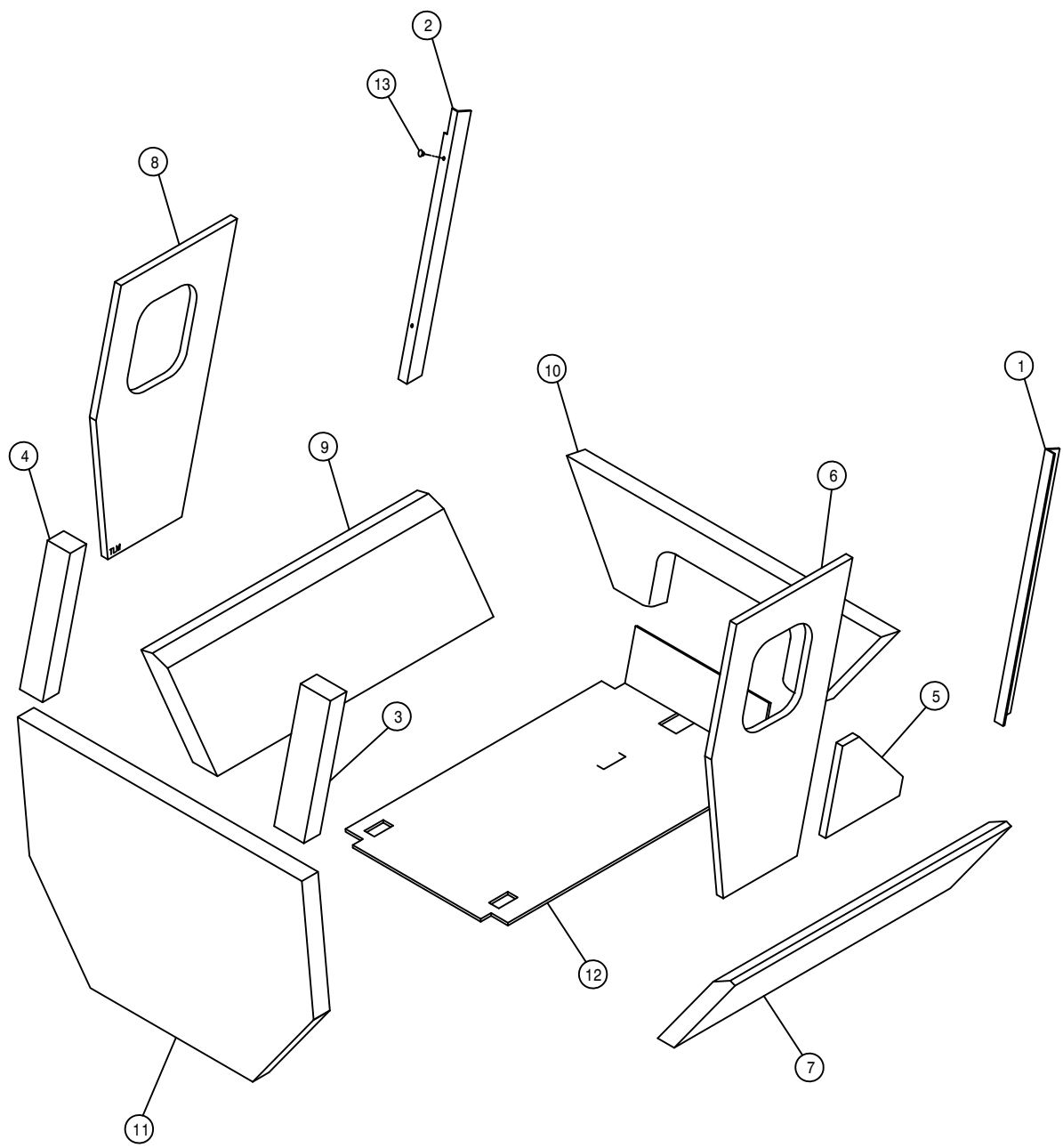
1	12	193028	PUSH-ON TRIM SEAL RS-130-FX
2	9	193044	WINDOW WEATHERSTRIP 94
3	9	193045	LOCK STRIP FOR 193044 94
4	1	342153	LH DOOR WLD, 284 CAB 94
5	2	342163	CAB DOOR LATCH SHIM, .06 94
6	1	342217	DOOR HANDLE, 254/284 CAB 94
7	6	470165	10-32 NUTSERT .020-.100 MATL
8	1	470219	CAB LOCK, LH #55
9	2	485052	POP RIVET 1/8 X 3/8
10	1	658015	FRONT SIDE CAB/DOOR GLASS 94
11	6	903710	10-32X1/2 PHIL PANHD MACH SCR
12	1	470221	GAS SPRING, 60LB 3.5 STROKE
13	2	910002	5/16UNC HEX NUT
14	2	920501	5/16 LOCK WASHER



AIR CONDITIONER ASSEMBLY

DET. QTY PART NO. DESCRIPTION

1	1	291212	RADIO	94
2	1	291213	SPEAKERS (PAIR)	94
3	1	291214	ANTENNA	94
4	1	291605	INTERIOR LIGHT W/SWITCH	
5	1	342181	FRT A/C BLOWER MT ANG, CAB 94	
6	1	342182	REAR A/C BLOWER MT WLD, CAB 94	
7	4	470087	3/8UNC HEX FLANGED LOCK NUT	
8	5	470121	1/4UNC HEX FLANGED LOCK NUT	
9	5	470122	1/4UNC X 1/2 FLANGED HEX BOLT	
10	9	472349	1/4 X 3/4 20THD-IN TEK TYPE	
11	24	473966	6X3/4 SHT MTL SCR,FLT HD PHIL	
12	2	520055	HOSE CLAMP NO 12 PLATED	
13	1	601342	HOSE, 5/8 X 192 HEATER	
14	1	601350	HOSE, 5/8 X 160" HEATER	
15	1	657360	CLIMATE CTRL, A/C & HTR R134A	
16	1	658300	VINYL HEAD LINER	94
17	2	618556	1/4NPT-90-1/2 HOSE BARB,POLY	
18	1	658313	SEAL, AIR CONDITIONER	94
19	2	730016	1/4NPT ST EL, 90 DEG POLY	
20	4	900128	3/8UNC X 3/4 HEX BOLT	
21	1	657339	CHARCOAL FILTER FOR 657333	
22	1	657324	FRESH AIR FILTER EAGLE	
23	1	470067	RUBBER GROMMET 1/4 ID	
24	1	657353	FAN ASSY, CLIMATE CTRL R134A	
25	1	657354	CONTROLLER ASSY, CLIMATE CTRL	



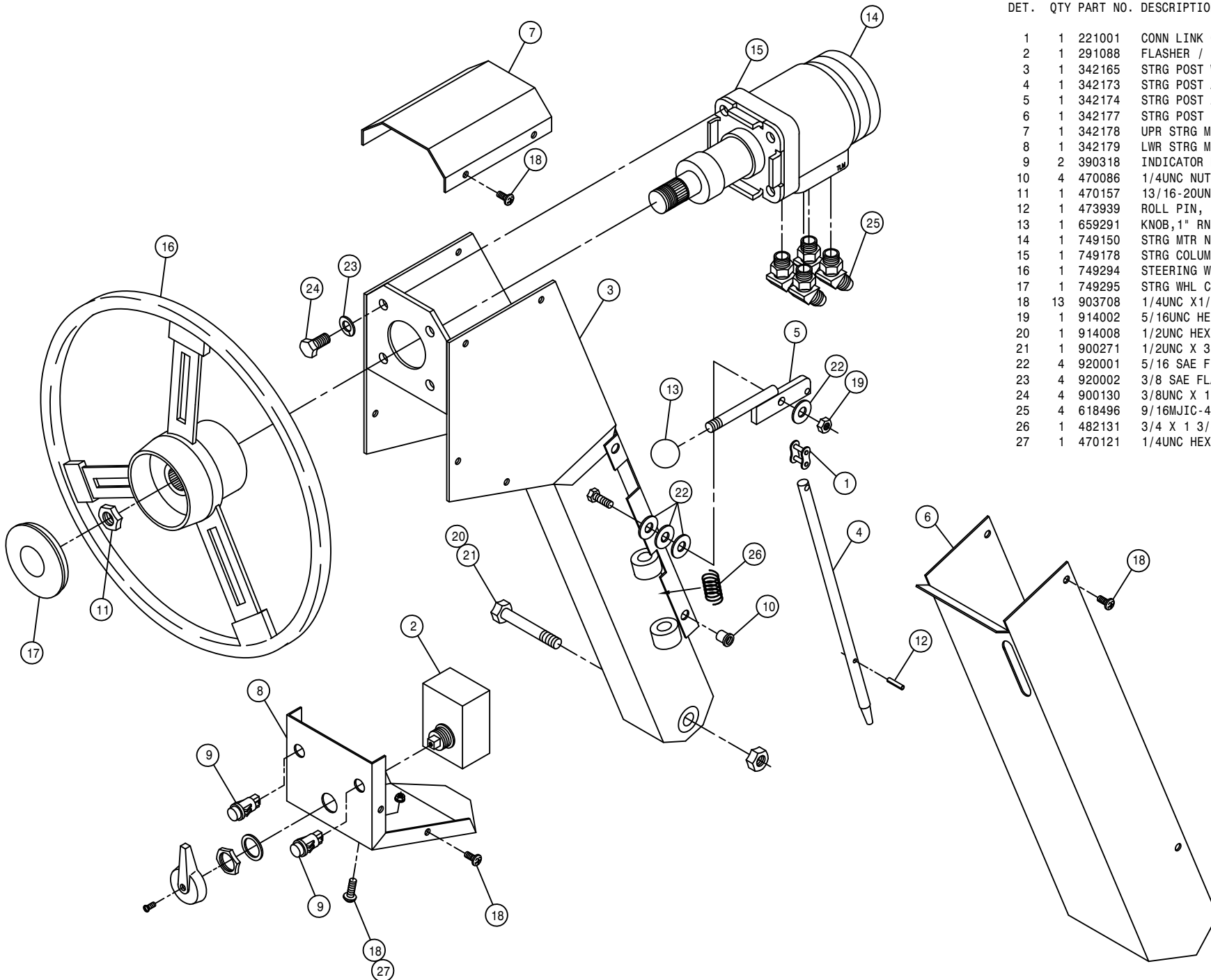
CAB FOAM

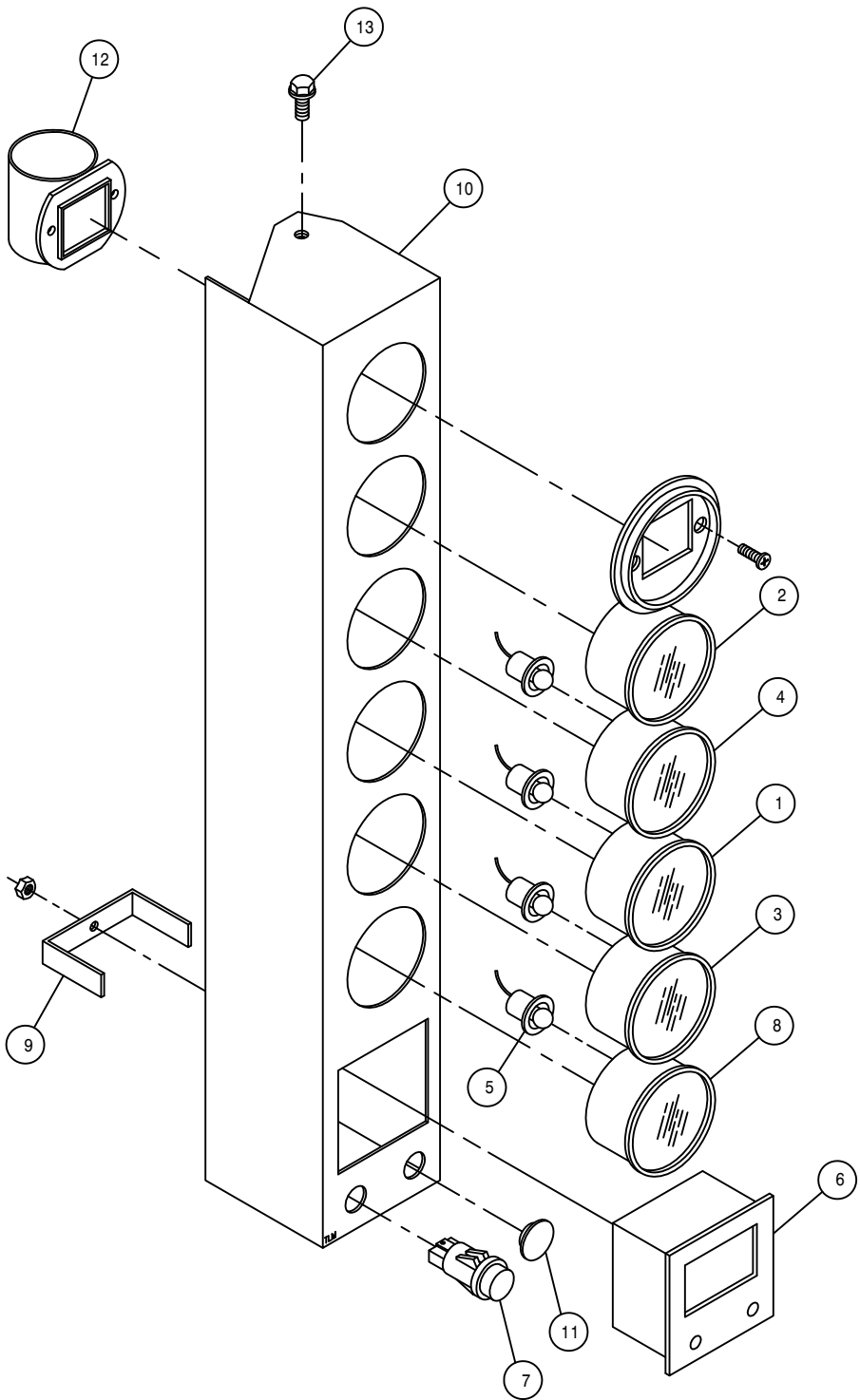
DET.	QTY	PART NO.	DESCRIPTION
1	1	658301	VINYL POST COVER, RH FRONT 94
2	1	658302	VINYL POST COVER, LH FRONT 94
3	1	658303	VINYL POST COVER, RH REAR 94
4	1	658304	VINYL POST COVER, LH REAR 94
5	1	658305	VINYL SIDE PANEL, RH 94
6	1	658306	VINYL SIDE PANEL, RH UPPER 94
7	1	658307	VINYL SIDE PANEL, RH LOWER 94
8	1	658308	VINYL SIDE PANEL, LH UPPER 94
9	1	658309	VINYL SIDE PANEL, LH LOWER 94
10	1	658310	VINYL FRONT COVER PANEL 94
11	1	658311	VINYL REAR COVER PANEL 94
12	1	658316	CAB FLOORMAT, 284 97
13	2	470225	TRIM CLIP, 11/16 BLK NYL HEAD

STEERING POST ASSEMBLY

DET. QTY PART NO. DESCRIPTION

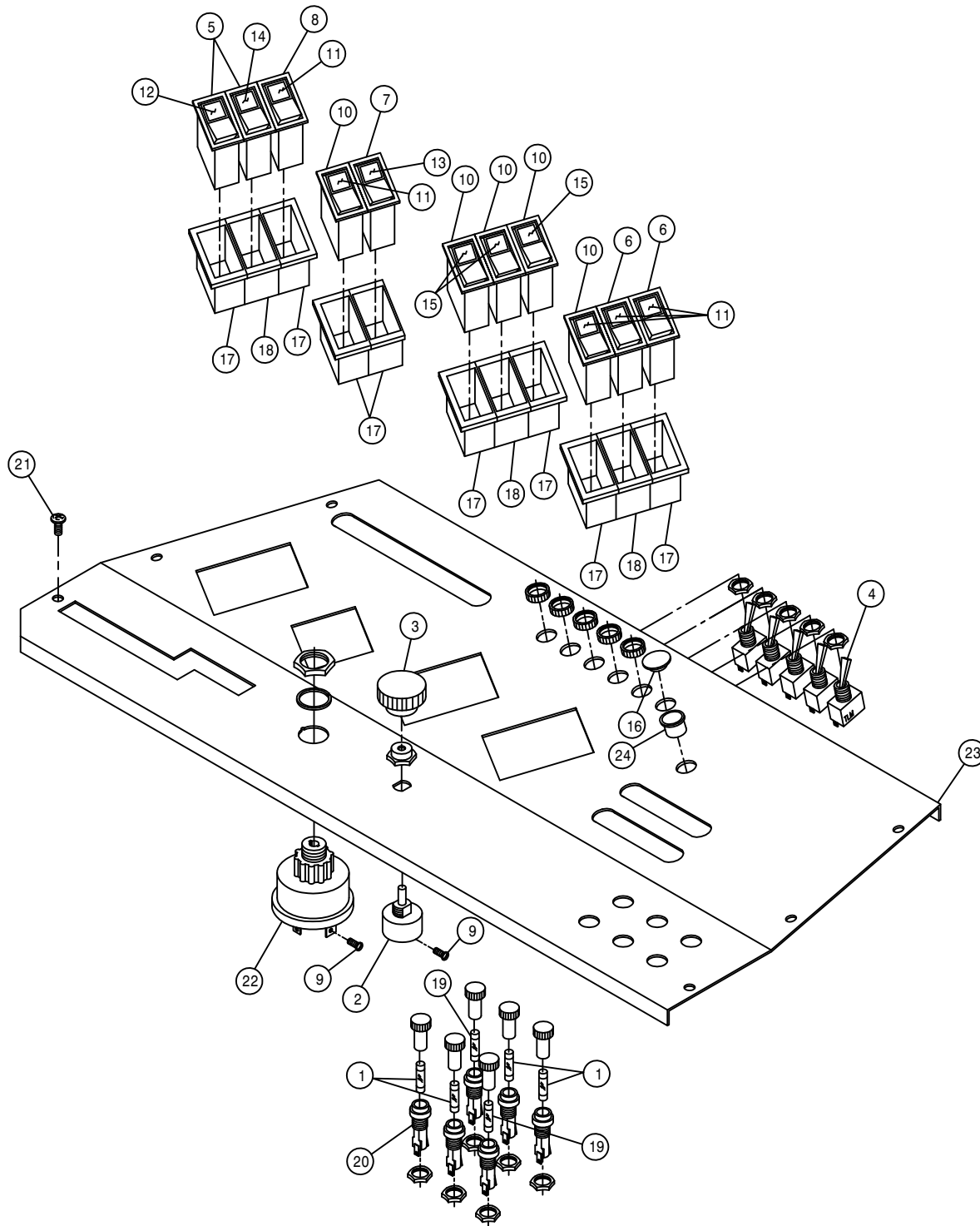
1	1	221001	CONN LINK CLIP TYPE RC50
2	1	291088	FLASHER / TURN SIGNAL SWITCH
3	1	342165	STRG POST WLD, 284 CAB 94
4	1	342173	STRG POST ADJ PIN, 284 CAB 94
5	1	342174	STRG POST ADJ PIN LEVER WLD94
6	1	342177	STRG POST COVER, 284 CAB 94
7	1	342178	UPR STRG MTR HSNG COVER 94
8	1	342179	LWR STRG MTR HSNG COVER 94
9	2	390318	INDICATOR LIGHT, RED
10	4	470086	1/4UNC NUTSERT .020-.100MATL
11	1	470157	13/16-20UNEF HEX NUT STRG WHL
12	1	473939	ROLL PIN, 3/16DIA X 7/8
13	1	659291	KNOB, 1" RND, BLK, 3/8-16
14	1	749150	STRG MTR NON-LOAD REACT 1008
15	1	749178	STRG COLUMN 2.5IN LONG
16	1	749294	STEERING WHEEL, VIP 14"
17	1	749295	STRG WHL CAP W/HAGIE EMBLEM
18	13	903708	1/4UNC X 1/2 PHIL PNHD MACHSCR
19	1	914002	5/16UNC HEX STOVER NUT
20	1	914008	1/2UNC HEX STOVER NUT
21	1	900271	1/2UNC X 3 1/4 HEX BOLT
22	4	920001	5/16 SAE FLAT WASHER
23	4	920002	3/8 SAE FLAT WASHER
24	4	900130	3/8UNC X 1 1/4 HEX BOLT
25	4	618496	9/16MJIC-45-3/4MOR LBO
26	1	482131	3/4 X 1 3/4 COMPRN SPRING
27	1	470121	1/4UNC HEX FLANGE LOCK NUT





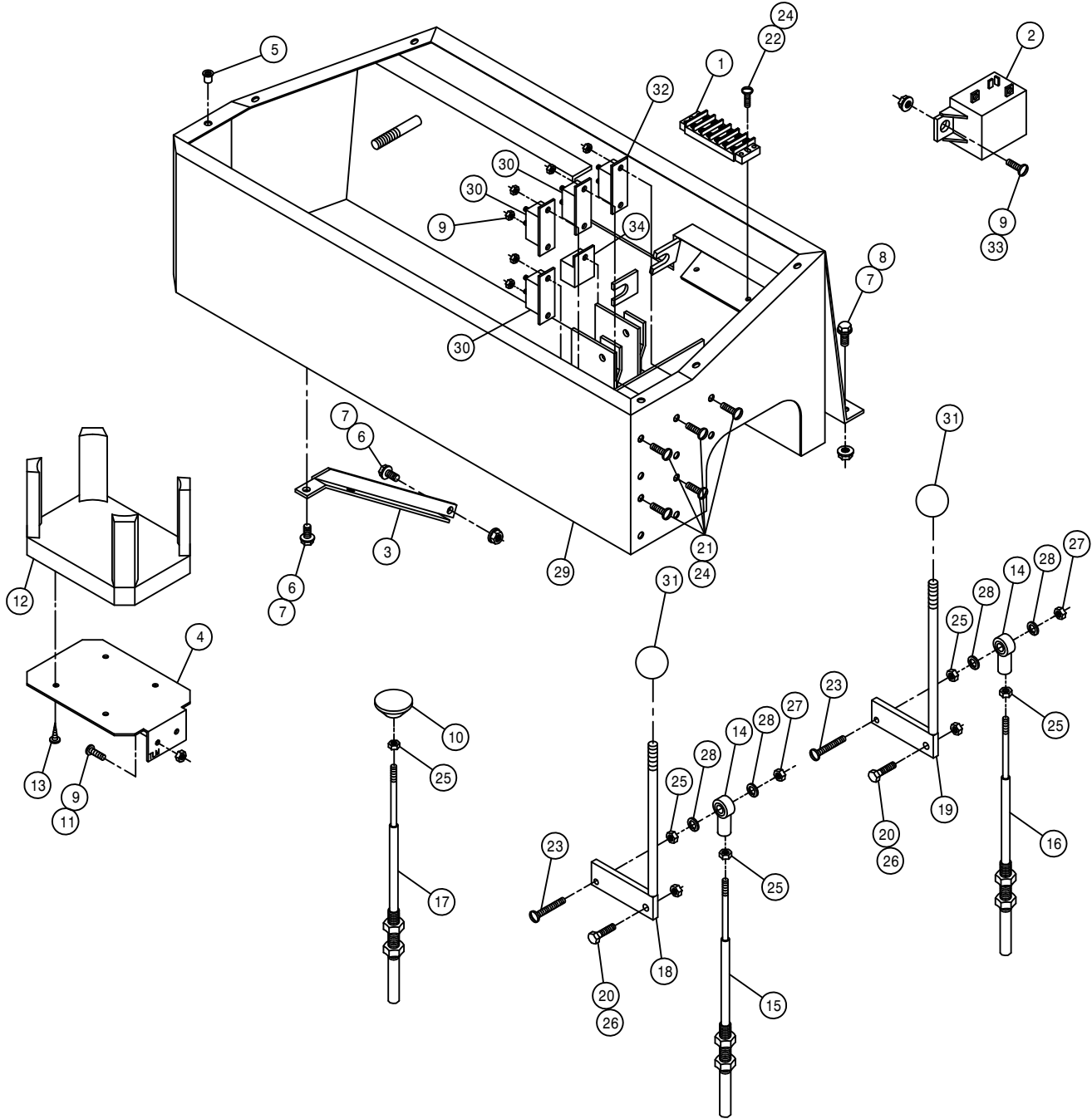
INSTRUMENT PANEL ASSEMBLY

DET.	QTY	PART NO.	DESCRIPTION
	1	290401	FUEL GAUGE FOR 2.125 DIA HOLE
	1	291203	HOUR METER, 12/24VDC BLACK BEZ
	3	291673	OIL PRESS GAUGE, 125PSI
	4	291611	VOLTMETER, 8V TO 18V DC
	5	291612	LIGHT KIT FOR 2" GAUGE
	6	291635	DIGITAL MPH/RPM INDICATOR
	7	291638	INDICATOR LIGHT, GREEN
	8	314436	TEMP GA 100-280 DEG LIGHTED
	9	342068	DIGITAL MPH/RPM IND KEEPER 94
	10	342186	INSTRU HSNG WLD, 284 CAB 94
	11	658174	RUBBER BUMPER, 1.0000D .500GD
	12	314901	FILTER MINDER AIR RESTRICT GA
	13	2	470122 1/4UNC X 1/2 FLANGE HEX BOLT



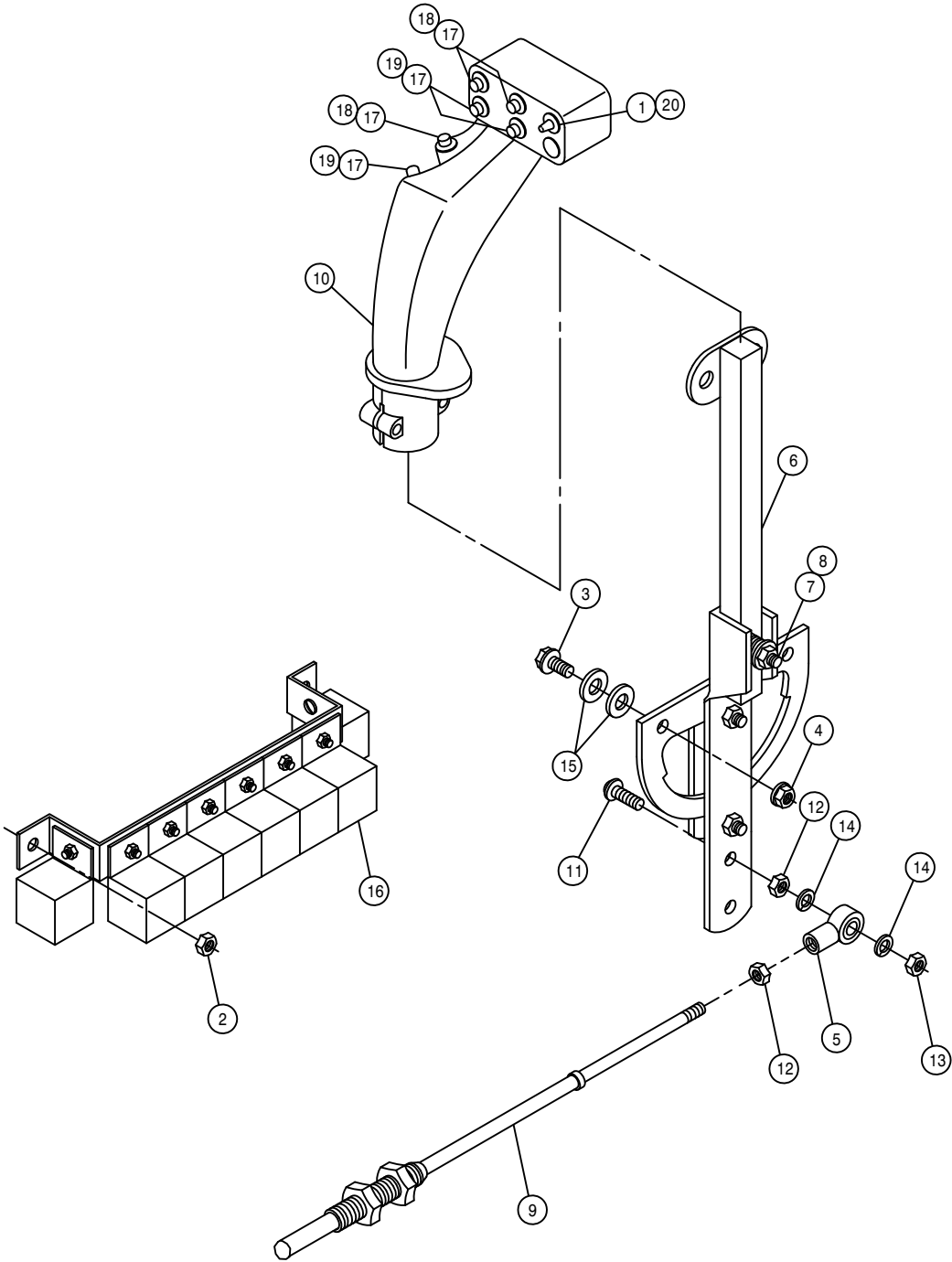
CONSOLE PANEL ASSEMBLY

DET.	QTY	PART NO.	DESCRIPTION
	4	291602	FUSE 10 AMP
	1	291606	ROTARY HEADLAMP SWITCH
	1	291607	SWITCH KNOB FOR 291606
	5	291608	TOGGLE SWITCH, ON-OFF, UNLIT
	2	291622	SWITCH, 1P ON/OFF 511-003
	2	291623	SWITCH, 2P ON/OFF 511-015
	1	291624	SWITCH, 2P(ON)/OFF 511-130
	1	291625	SWITCH, 2P ON/ON 511-108
	2	903844	8-32 X 1/2 SLT RD HD MACH SCR
	5	291627	SWITCH, 2P(ON)OFF(ON) 511-058
	5	291628	LENS, GREEN
	1	291629	LENS, WIPER
	1	291630	LENS, WINDSHIELD WASHER
	1	291631	LENS, HAZARD
	3	291632	LENS, DIRECTION INDICATOR
	1	658174	RUBBER BUMPER, 1.0000D .500GD
	8	293246	END BEZEL
	3	293247	CENTER BEZEL
	2	298004	20 AMP FUSE SFE 20
	6	298011	FUSE HOLDER
	6	903708	1/4UNC X1/2 PHIL PNHD MACHSCR
	1	321020	IGN SWITCH, SEALED 5 POLE
	1	342189	CONSOLE COVER PNL, 284 CAB 94
	1	470223	SNAP BUSHING, BLK NYL, .50DIA



CONSOLE ASSEMBLY

DET.	QTY	PART NO.	DESCRIPTION
1	1	293093	TERMINAL BLOCK 6 POS - 2 ROW
2	1	657371	RELAY, 12 VOLT 75 AMP
3	1	342282	CONSOLE BRACE 254/284 95
4	1	342216	DRINK HOLDER MT BRKT 94
5	6	470086	1/4UNC NUTSERT .020-.100MATL
6	3	470118	1/4UNC X 3/4 FLANGE HEX BOLT
7	5	470121	1/4UNC HEX FLANGE LOCK NUT
8	2	470122	1/4UNC X 1/2 FLANGE HEX BOLT
9	8	470175	10-32 HEX FLANGE LOCK NUT
10	1	470190	KNOB, 1 3/8" LIFT, BLK 10-32
11	2	903710	10-32X5/8 PHIL PANHD MACH SCR
12	1	470214	SPILLMASTER DRINK HOLDER
13	4	473902	NO 8 X 1/2 PAN HD MET SC
14	2	473921	BALL JOINT NO 10-32 THD
15	1	785063	CTRL CABLE 10-32 2IN X 42 LG
16	1	785064	CTRL CABLE 10-32 2IN X 53 LG
17	1	785065	CTRL CABLE 10-32 4IN X 68 LG
18	1	785070	SOLU PRESS CTRL LEVER WLD 94
19	1	785073	AGIT CTRL LEVER WLD 94
20	2	900003	1/4UNC X 1" HEX BOLT
21	9	903812	6-32 X 1/2 SLT RD HD MACH SCR
22	2	903814	6-32 X 3/4 SLT RD HD MACH SCR
23	2	903893	10-32 X 1" SLT RD HD MACH SCR
24	11	910022	6-32 HEX NUT
25	5	910027	10-32 HEX NUT
26	2	914000	1/4UNC HEX STOVER NUT
27	2	914027	10-32 HEX STOVER NUT
28	4	920510	#10 LOCK WASHER
29	1	342191	CONSOLE WLD, 284 CAB 94
30	3	291197	CIRCUIT BREAKER, 30AMP, INLINEM
31	2	659291	KNOB, 1" RND, BLK, 3/8-16
32	1	291024	CIRCUIT BREAKER, 40AMP, INLINEM
33	2	903883	10-32 X 1/2 SLT RDHD MACH SCR
34	1	291640	RELAY, 12V 20/30AMP BOSCH



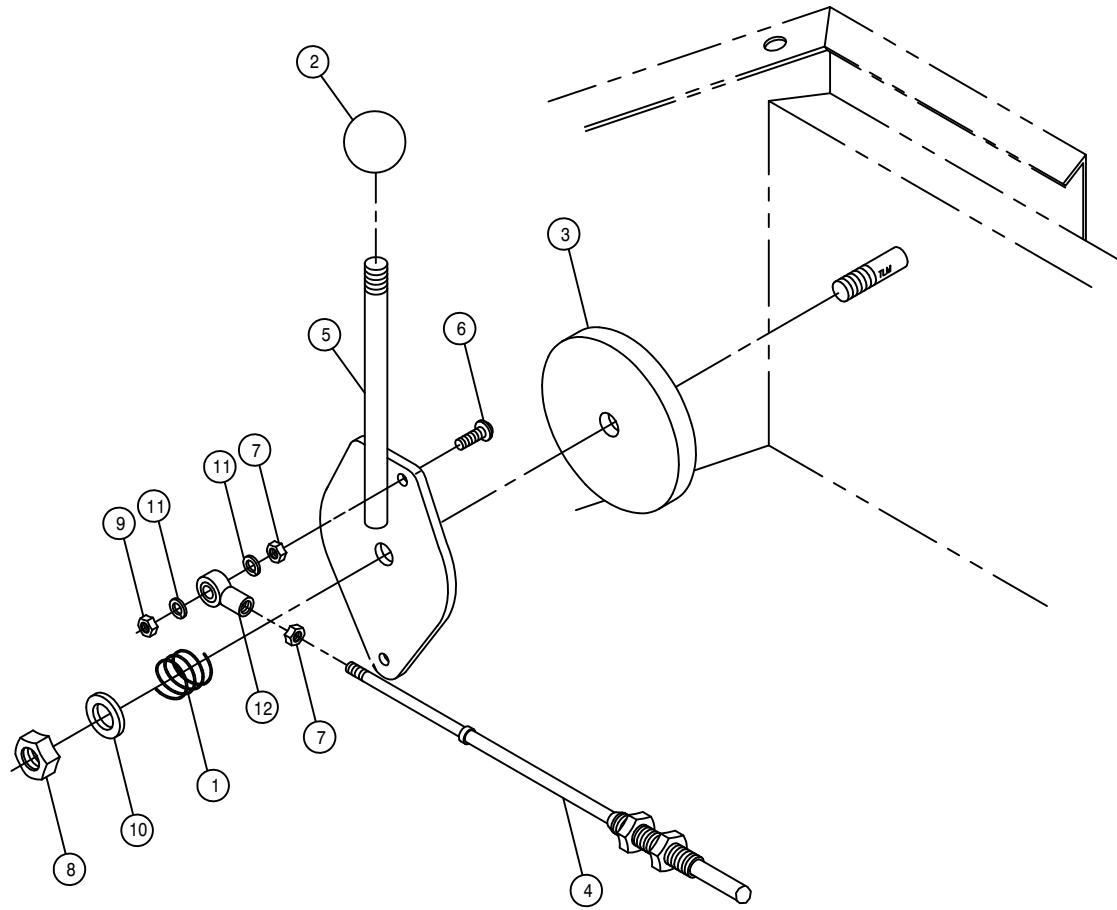
HYDROSTATIC LEVER ASSEMBLY

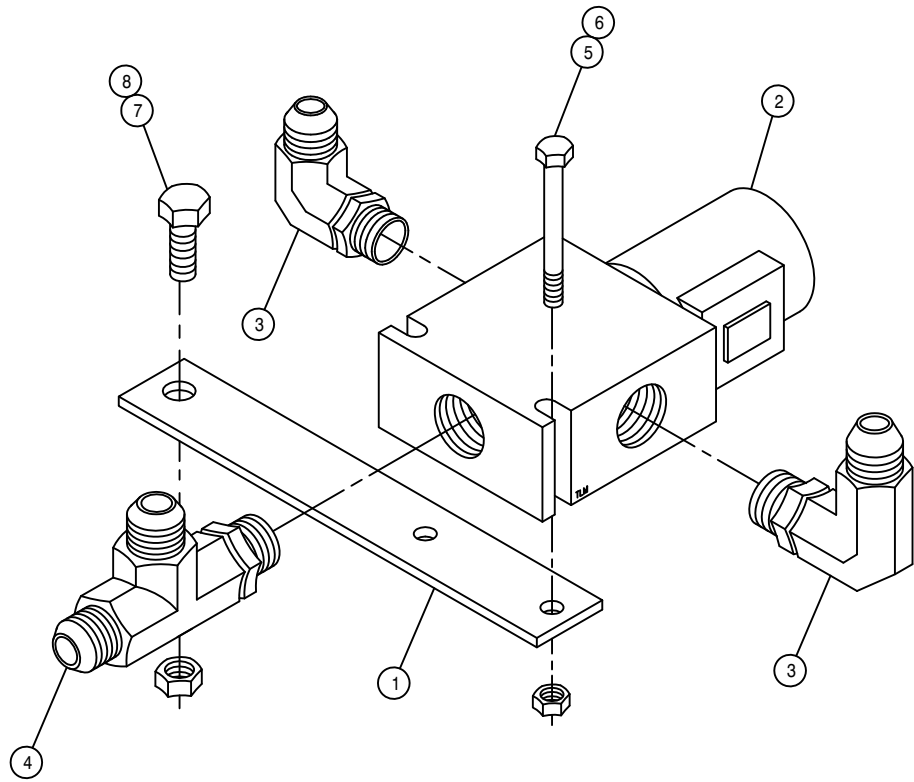
DET.	QTY	PART NO.	DESCRIPTION
1	1	291653	SWITCH, TOG SPDT 3POS STAT
2	2	470175	10-32 HEX FLANGE LOCK NUT
3	2	470118	1/4UNC X 3/4 FLANGE HEX BOLT
4	2	470121	1/4UNC HEX FLANGE LOCK NUT
5	1	473921	BALL JOINT NO 10-32 THD
6	1	606907	HYDST CTRL LEVER ASSY 204-284
7	1	900005	1/4UNC X 1 1/2 HEX BOLT
8	1	914000	1/4UNC HEX STOVER NUT
9	1	785062	CTRL CABLE 10-32 4IN X 120 LG
10	1	785078	FASSE EZ-3 CTRL HANDLE,284 96
11	1	903893	10-32 X 1" SLT RD HD MACH SCR
12	2	910027	10-32 HEX NUT
13	1	914027	10-32 HEX STOVER NUT
14	2	920510	#10 LOCK WASHER
15	4	920000	1/4 SAE FLAT WASHER
16	6	291640	RELAY, 12V 20/30AMP BOSCH
17	6	291650	SWITCH,SPDT MOM MICRO
18	3	291651	SWITCH BOOT, GRAY -FOR 291650
19	3	291652	SWITCH BOOT, RED -FOR 291650
20	1	291654	SWITCH BOOT, BLACK-FOR 291653

THROTTLE LEVER ASSEMBLY

DET. QTY PART NO. DESCRIPTION

1	1	499001	SPRING HYDRO CONTROL
2	1	785007	KNOB,1 3/16" BALL,RED,3/8-16
3	1	785046	FRICTION DISC 3-333 X .38
4	1	785066	CTRL CABLE 10-32 4IN X 129 IN
5	1	785067	THROT LEVER WLD,GAS/DIESEL 94
6	1	903893	10-32 X 1" SLT RD HD MACH SCR
7	2	910027	10-32 HEX NUT
8	1	914004	3/8UNC HEX STOVER NUT
9	1	914027	10-32 HEX STOVER NUT
10	1	920002	3/8 SAE FLAT WASHER
11	2	920510	#10 LOCK WASHER
12	1	473921	BALL JOINT NO 10-32 THD

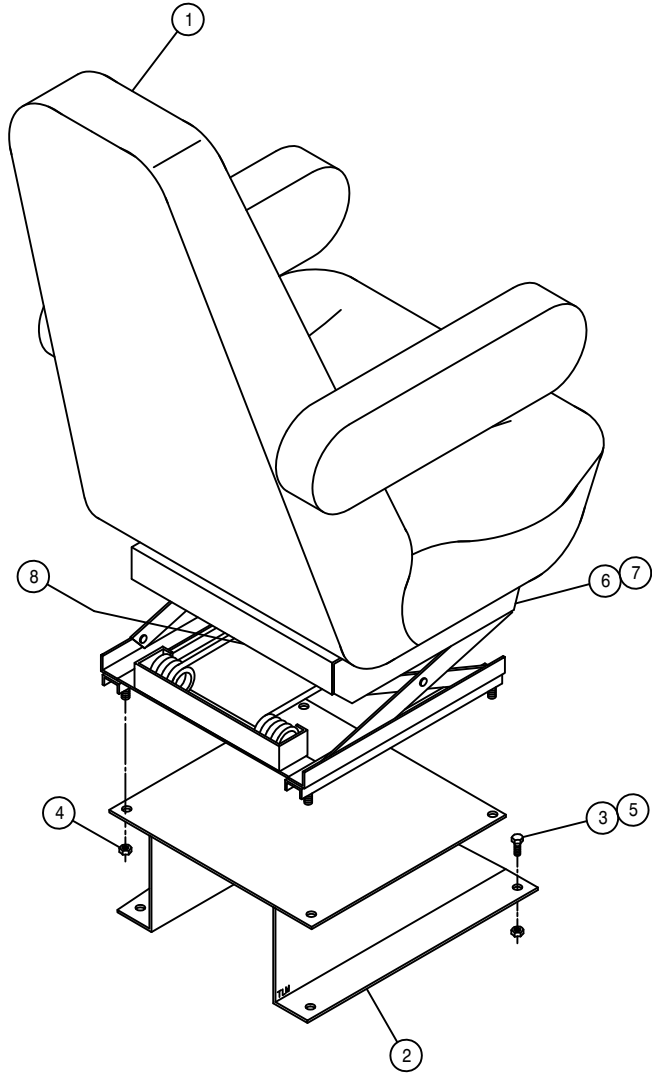




BRAKE SOLENOID ASSEMBLY

DET. QTY PART NO. DESCRIPTION

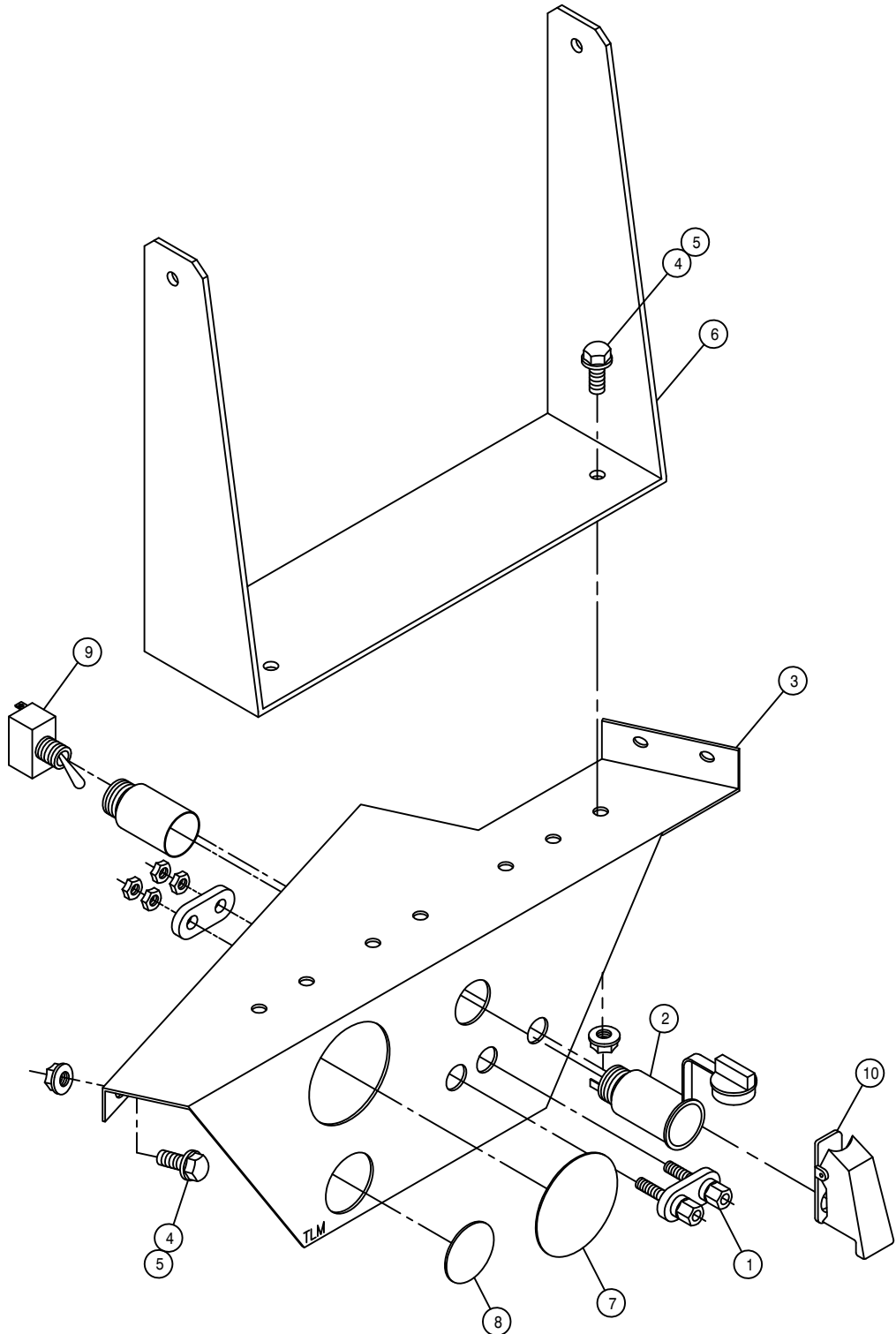
1	1	342332	PARK BRAKE SOL VLV MT	97
2	1	610318	HYD SOLE VLV, 2P-3W, 9/16FOR, 12V	
3	2	618119	9/16MJIC-90-9/16MOR LBO	
4	1	618444	9/16MOR RUN TEE-9/16MJIC	
5	2	900006	1/4UNC X 1 3/4 HEX BOLT	
6	2	914000	1/4UNC HEX STOVER NUT	
7	1	900129	3/8UNC X 1" HEX BOLT	
8	1	914004	3/8UNC HEX STOVER NUT	



SEAT ASSEMBLY

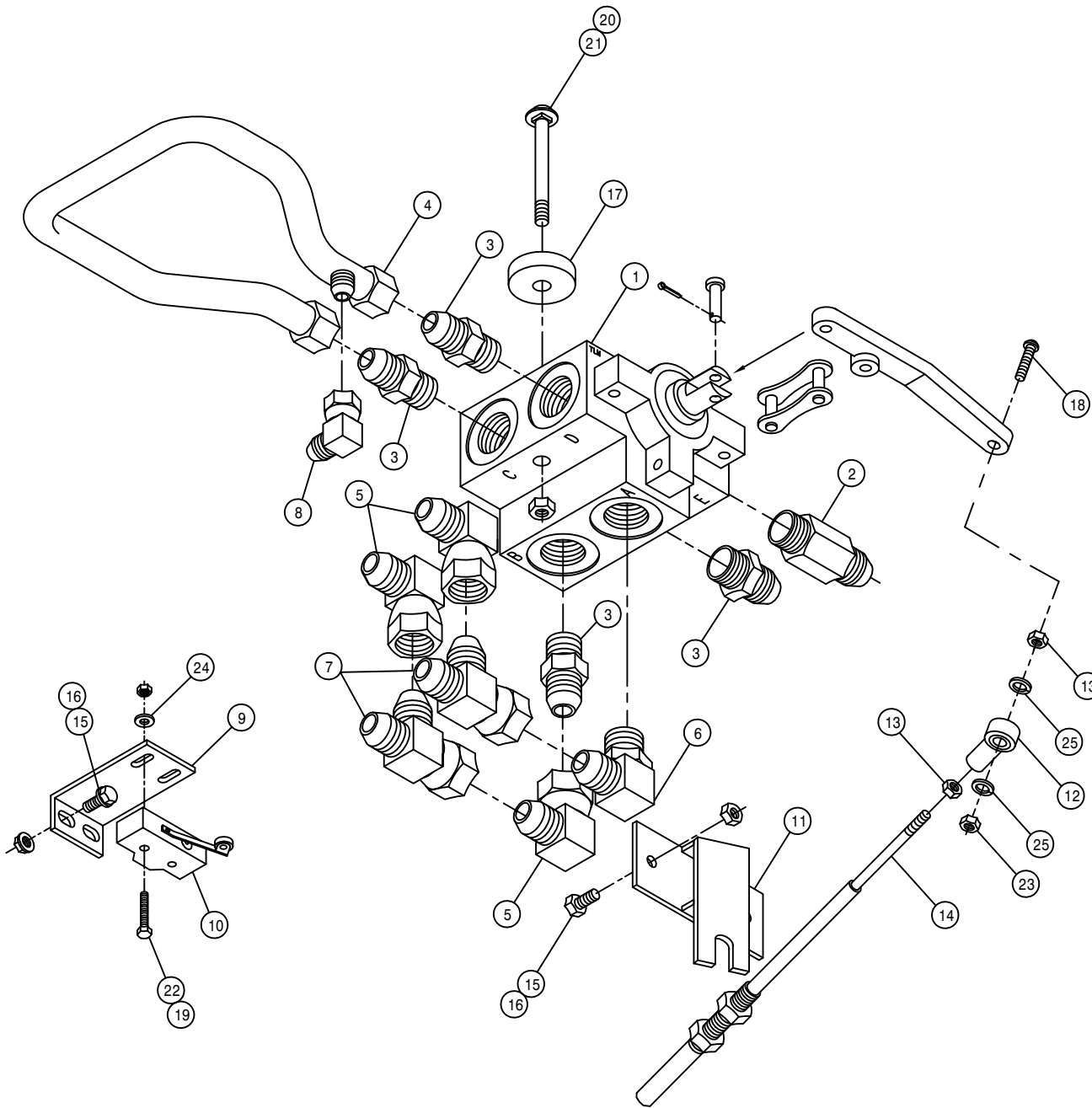
DET. QTY PART NO. DESCRIPTION

1	1	330022	SEAT, MAGNUM-100 AIR SUSPEND95
2	1	342090	SEAT MT WELD, 254/284 95
3	4	900129	3/8UNC X 1" HEX BOLT
4	4	914002	5/16UNC HEX STOVER NUT
5	4	914004	3/8UNC HEX STOVER NUT
6	1	330024	HEIGHT ADJ LATCH, SEAT 330022
7	1	330025	ADJ LATCH SPRING, SEAT 330022
8	1	330023	AIR BAG PKG, SEAT 330022



MONITOR MOUNTING BRACKET ASSEMBLY

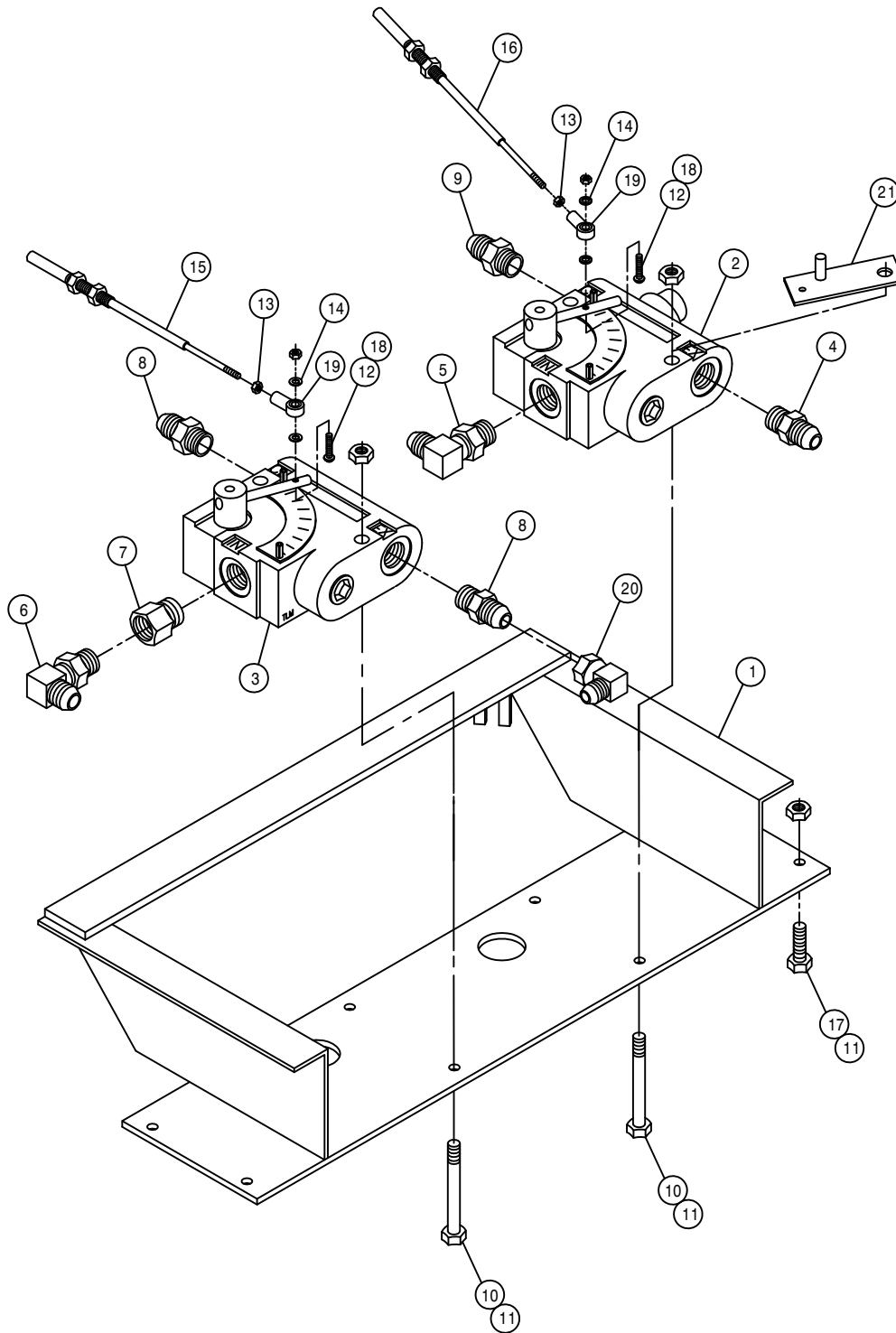
DET.	QTY	PART NO.	DESCRIPTION
	1	291647	DUAL BINDING POSTS
	1	291648	POWER POINT RECEPTACLE
	1	342215	MONITOR MT, 284 CAB 94
	6	470121	1/4UNC HEX FLANGE LOCK NUT
	6	470122	1/4UNC X 1/2 FLANGE HEX BOLT
	1	690498	CONSOLE MT, RAVEN 460 95
	1	629728	FINISH PLUG FOR 2.12 HOLE
	1	629730	FINISH PLUG FOR 1.25 HOLE
	1	298012	TOGGLE SWITCH
	1	291655	AIRCRAFT TOGGLE SWITCH GUARD



FOUR-WHEEL DRIVE SELECTOR VALVE ASSEMBLY

DET. QTY PART NO. DESCRIPTION

1	1	606003	GRESEN SELECTOR VALVE DS-12
2	1	607527	FLOW CTRL VALVE,32GPM IN-LINE
3	4	611127	1 1/16MJIC-1 1/16MOR ADPTR
4	1	614290	FWD UTUBE 472 P/C 1977 18WHMT
5	3	618191	1 1/16MJ-90-1 1/16FJ SWIV LBO
6	1	618248	1 1/16MJIC-90-1 1/16MOR LBO
7	2	618487	1 1/16FJ SW RUN TEE-1 1/16MJ
8	1	618618	9/16MJIC-90-9/16FJIC SWIV LBO
9	1	291646	TRACT VLV MICRO SWITCH MT
10	1	293006	MICRO SWITCH #BZ-2RL25551-A2
11	1	341861	FWD CABLE MT WLD 280 89
12	1	473921	BALL JOINT NO 10-32 THD
13	2	910027	10-32 HEX NUT
14	1	785065	CTRL CABLE 10-32 4IN X 68 LG
15	4	470118	1/4UNC X 3/4 FLANGE HEX BOLT
16	4	470121	1/4UNC HEX FLANGE LOCK NUT
17	2	748501	RUBBER WASH .38 X .406 X 1.50
18	1	903893	10-32 X 1" SLT RD HD MACH SCR
19	2	910022	6-32 HEX NUT
20	2	914004	3/8UNC HEX STOVER NUT
21	2	901136	3/8UNC X 3" CARR BOLT
22	2	473993	6-32 X 1 1/8 HH MACH SCR
23	1	914027	10-32 HEX STOVER NUT
24	2	920011	# 6 SAE FLAT WASHER
25	2	920510	#10 LOCK WASHER

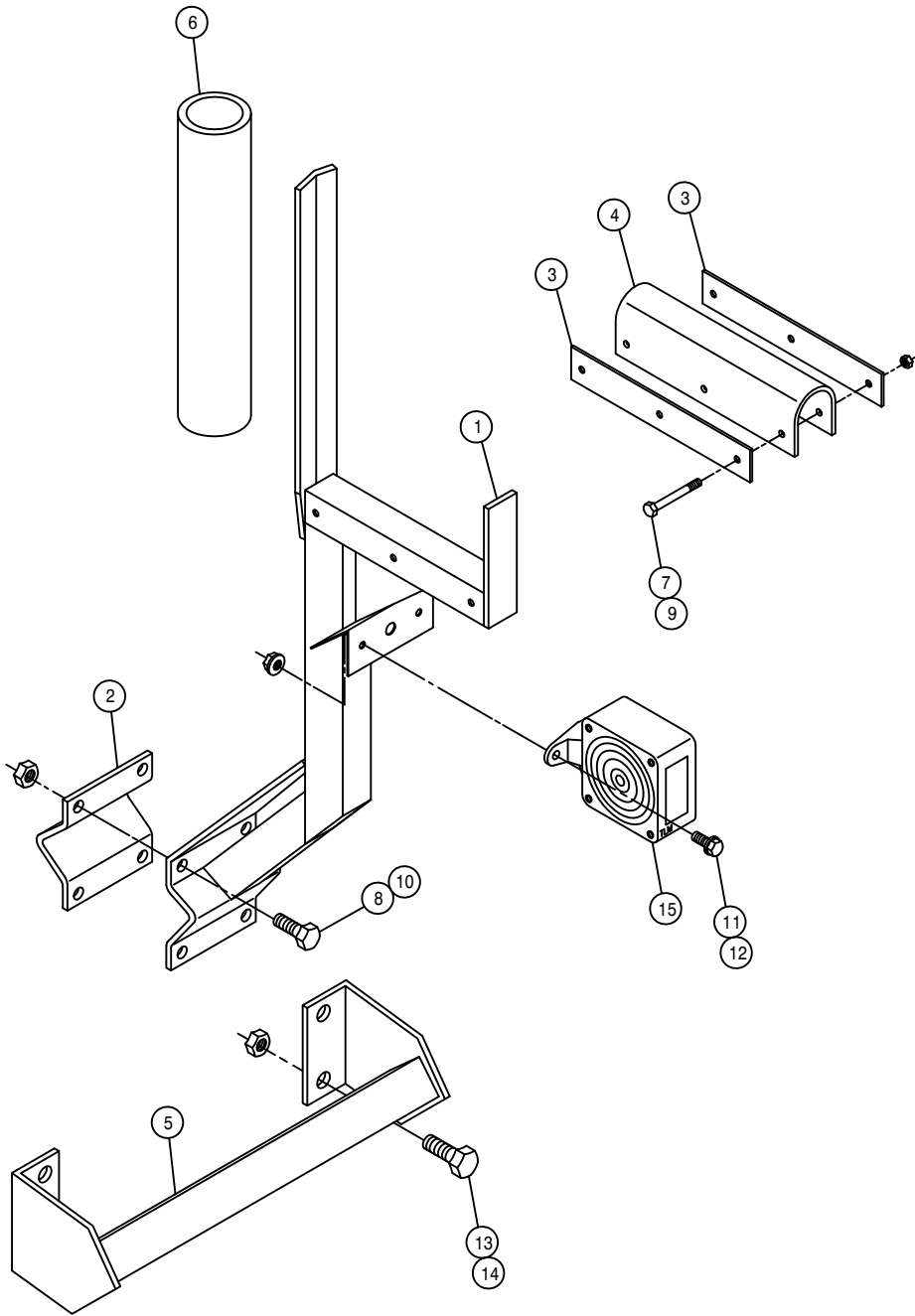


VARIABLE FLOW CONTROL ASSEMBLY

DET. QTY PART NO. DESCRIPTION

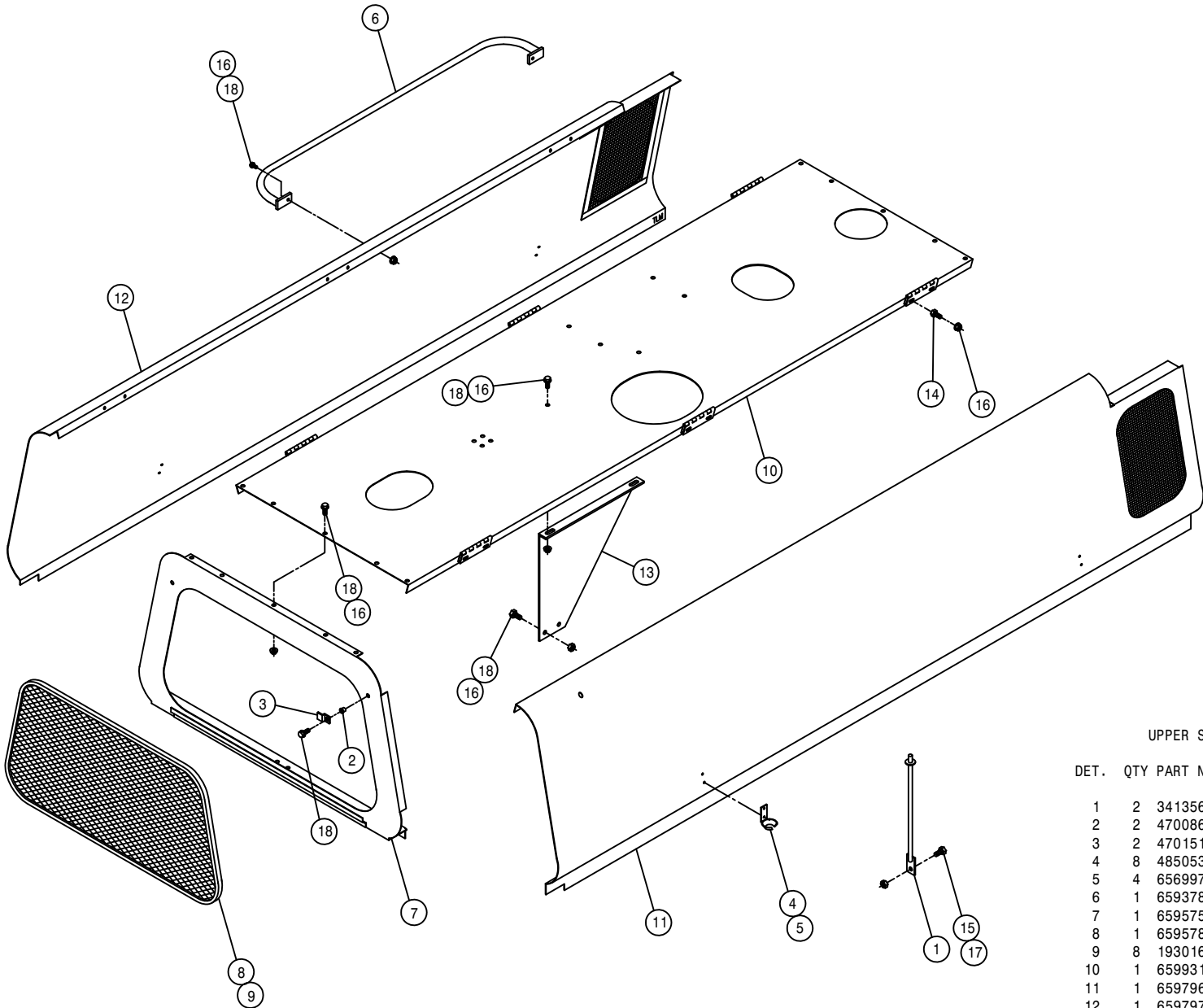
1	1	342209	SOLU VFC MT WLD	94
2	1	606818	FLO CONT FCR51 0-16GPM 7/8FOR	
3	1	606827	FLO CONT FC51 0-3 VARI 7/8FOR	
4	1	611126	7/8MJIC-7/8MOR ADPTR	
5	1	611128	7/8MJIC-90-7/8MOR LBO	
6	1	618119	9/16MJIC-90-9/16MOR LBO	
7	1	618172	7/8MOR-9/16FOR ADPTR	
8	2	618310	9/16MJIC-7/8MOR ADPTR	
9	1	618327	3/4MJIC-7/8MOR ADPTR	
10	4	900008	1/4UNC X 2 1/2 HEX BOLT	
11	8	914000	1/4UNC HEX STOVER NUT	
12	2	903893	10-32 X 1" SLT RD HD MACH SCR	
13	2	910027	10-32 HEX NUT	
14	4	920510	#10 LOCK WASHER	
15	1	785064	CTRL CABLE 10-32 2IN X 53 LG	
16	1	785063	CTRL CABLE 10-32 2IN X 42 LG	
17	4	470118	1/4UNC X 3/4 FLANGE HEX BOLT	
18	2	914027	10-32 HEX STOVER NUT	
19	2	473921	BALL JOINT NO 10-32 THD	
20	1	618618	9/16MJIC-90-9/16FJIC SWIV LBO	
21	1	342306	SOLU PUMP VFC STOP WLD,9G 96	

NOTE: DETAIL 21 IS USED WITH THE FLOMAX PUMP ASSEMBLY.



BOOM CRADLE ASSEMBLY

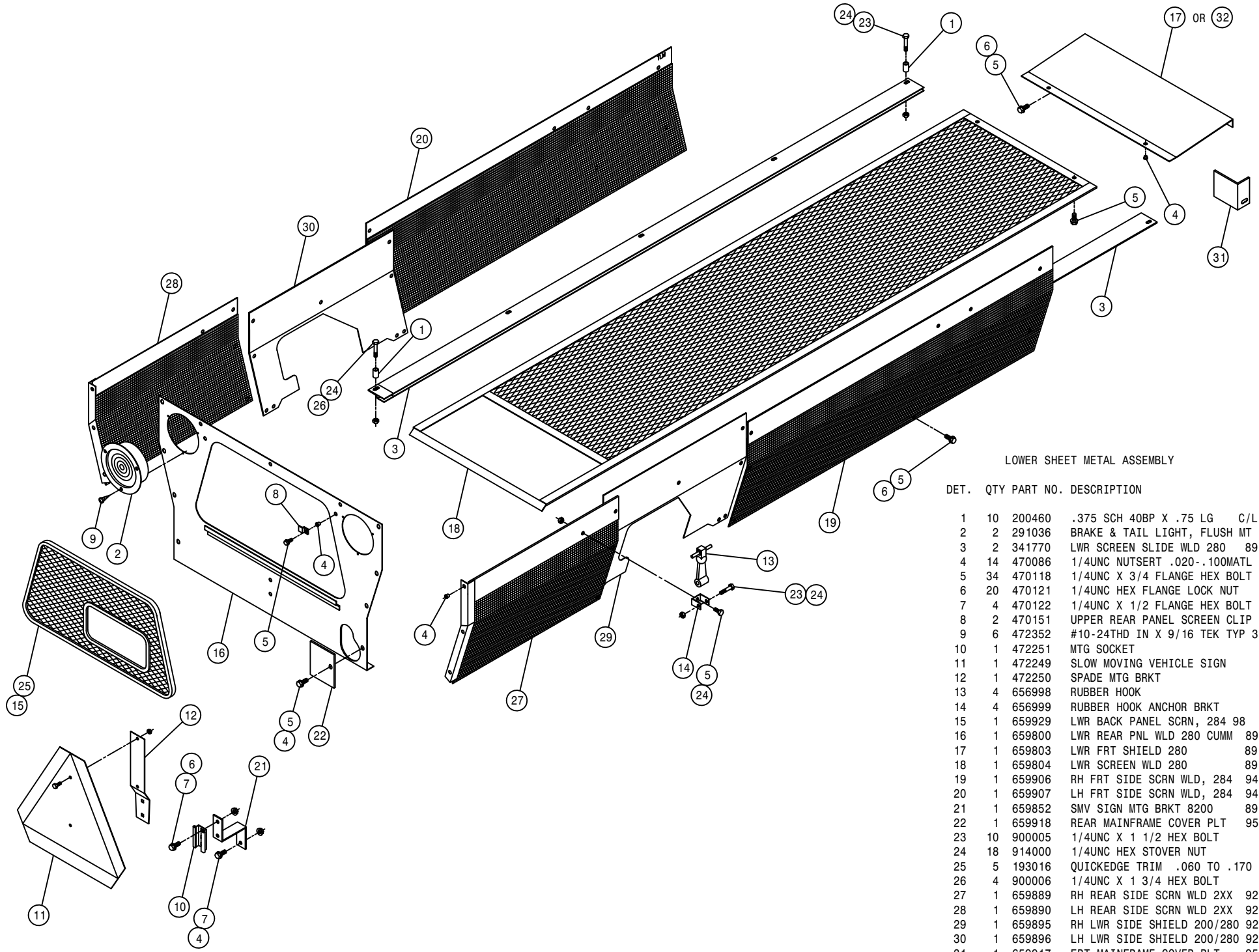
DET.	QTY	PART NO.	DESCRIPTION	
1	1	164245	BOOM CRADLE WLD	96
2	1	164253	BOOM CRADLE V-PLATE KEEPER	96
3	2	164254	CRADLE CUSHION KEEPER	96
4	1	164256	BOOM CRADLE CUSHION	96
5	1	164258	BOOM CRADLE MT WLD	96
6	1	601184	HOSE, 1 1/2 X 14 2BR BLK EPDM	
7	3	900008	1/4UNC X 2 1/2 HEX BOLT	
8	4	900265	1/2UNC X 1 1/2 HEX BOLT	
9	3	914000	1/4UNC HEX STOVER NUT	
10	4	914008	1/2UNC HEX STOVER NUT	
11	2	470121	1/4UNC HEX FLANGE LOCK NUT	
12	2	470118	1/4UNC X 3/4 FLANGE HEX BOLT	
13	4	900334	5/8UNC X 1 3/4 HEX BOLT	
14	4	914010	5/8UNC HEX STOVER NUT	
15	1	291604	TURN SIGNAL LIGHT,PED MT, YEL	



UPPER SHEET METAL ASSEMBLY

DET. QTY PART NO. DESCRIPTION

1	2	341356	ENGINE HOOD PROP WLD 8240	82
2	2	470086	1/4UNC NUTSERT .020-.100MATL	
3	2	470151	UPPER REAR PANEL SCREEN CLIP	
4	8	485053	POP RIVET 3/16 X 3/8	
5	4	656997	RUBBER HOOK BRKT 473	
6	1	659378	RH ENG HOOD HANDRAIL WLD 647S	
7	1	659575	UPPER REAR PANEL WLD 8240	82
8	1	659578	UPPER REAR PANEL SCREEN 8240	
9	8	193016	QUICKEDGE TRIM .060 TO .170	
10	1	659931	MULLION WLD, 204 CUMM	97
11	1	659796	RH ENGINE HOOD WLD 280	89
12	1	659797	LH ENGINE HOOD WLD 280	89
13	1	659930	MULLION SUPPORT BRKT, 284	97
14	12	900000	1/4UNC X 1/2 HEX BOLT	
15	2	900128	3/8UNC X 3/4 HEX BOLT	
16	28	470121	1/4UNC HEX FLANGE LOCK NUT	
17	2	914004	3/8UNC HEX STOVER NUT	
18	18	470118	1/4UNC X 3/4 FLANGE HEX BOLT	



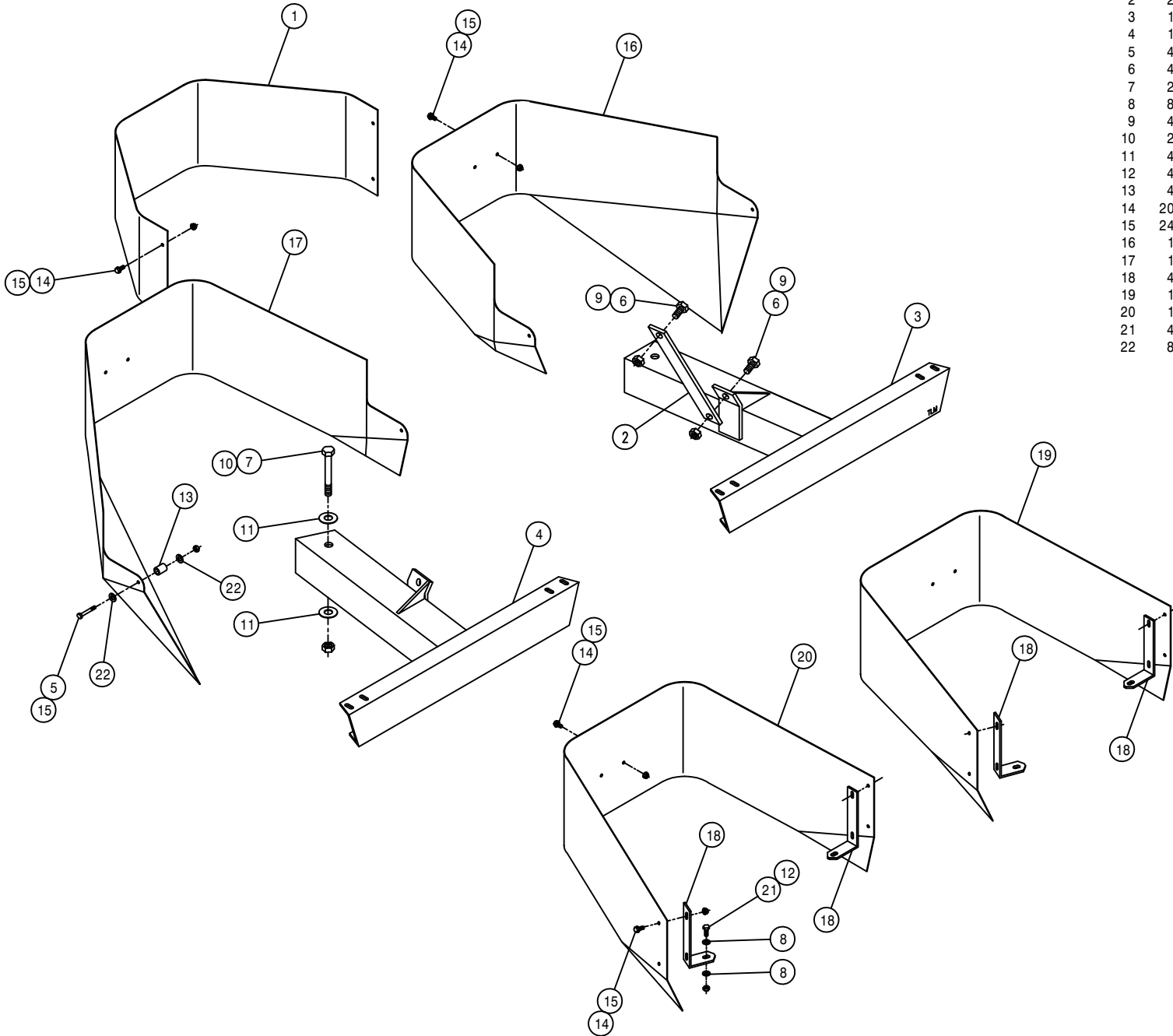
LOWER SHEET METAL ASSEMBLY

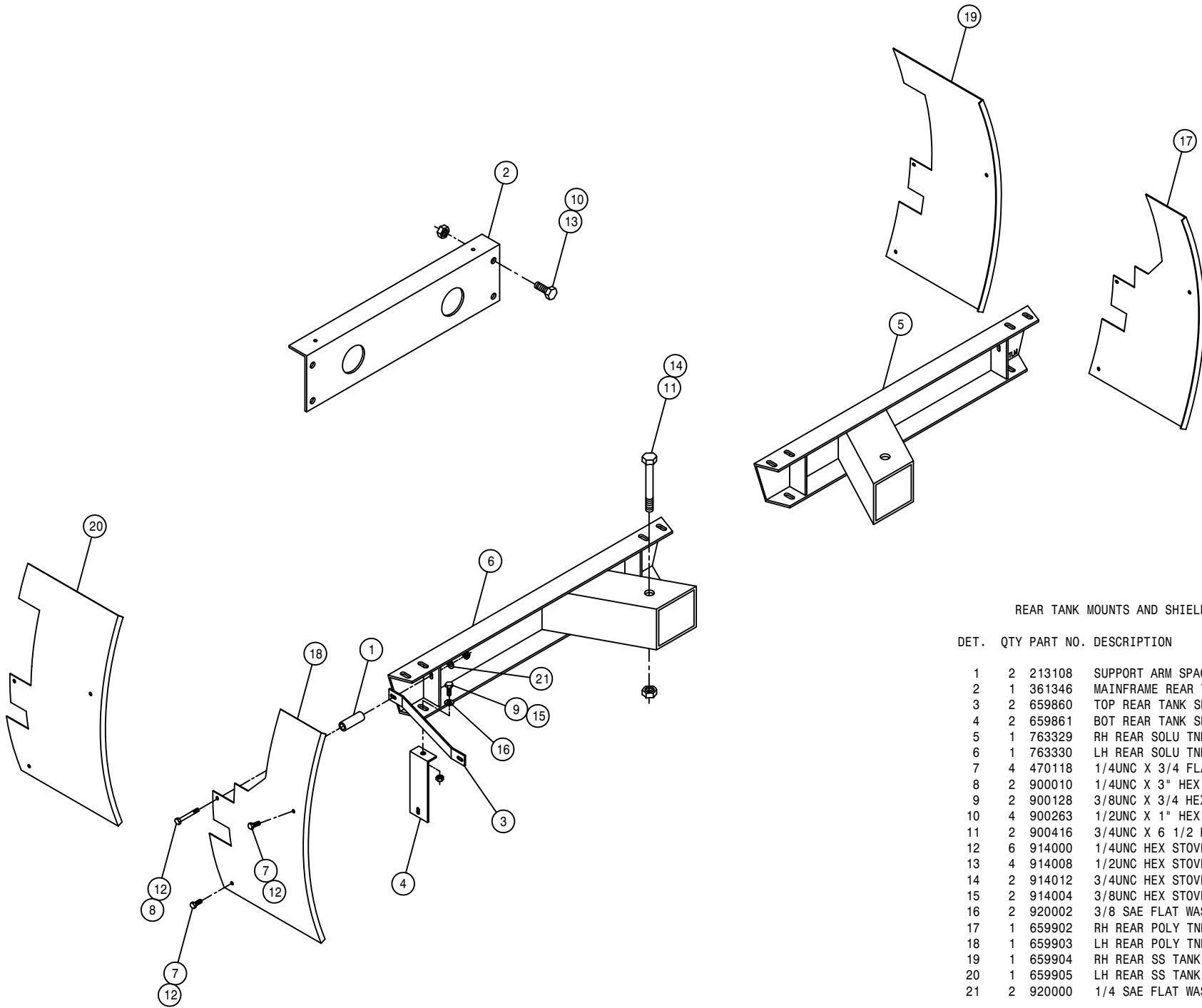
DET.	QTY	PART NO.	DESCRIPTION
1	10	200460	.375 SCH 40BP X .75 LG C/L
2	2	291036	BRAKE & TAIL LIGHT, FLUSH MT
3	2	341770	LWR SCREEN SLIDE WLD 280 89
4	14	470086	1/4UNC NUTSERT .020-.100MATL
5	34	470118	1/4UNC X 3/4 FLANGE HEX BOLT
6	20	470121	1/4UNC HEX FLANGE LOCK NUT
7	4	470122	1/4UNC X 1/2 FLANGE HEX BOLT
8	2	470151	UPPER REAR PANEL SCREEN CLIP
9	6	472352	#10-24THD IN X 9/16 TEK TYP 3
10	1	472251	MTG SOCKET
11	1	472249	SLOW MOVING VEHICLE SIGN
12	1	472250	SPADE MTG BRKT
13	4	656998	RUBBER HOOK
14	4	656999	RUBBER HOOK ANCHOR BRKT
15	1	659929	LWR BACK PANEL SCRNL, 284 98
16	1	659800	LWR REAR PNL WLD 280 CUMM 89
17	1	659803	LWR FRT SHIELD 280 89
18	1	659804	LWR SCREEN WLD 280 89
19	1	659906	RH FRT SIDE SCRNL WLD, 284 94
20	1	659907	LH FRT SIDE SCRNL WLD, 284 94
21	1	659852	SMV SIGN MTG BRKT 8200 89
22	1	659918	REAR MAINFRAME COVER PLT 95
23	10	900005	1/4UNC X 1 1/2 HEX BOLT
24	18	914000	1/4UNC HEX STOVER NUT
25	5	193016	QUICKEDGE TRIM .060 TO .170
26	4	900006	1/4UNC X 1 3/4 HEX BOLT
27	1	659889	RH REAR SIDE SCRNL WLD 2XX 92
28	1	659890	LH REAR SIDE SCRNL WLD 2XX 92
29	1	659895	RH LWR SIDE SHIELD 200/280 92
30	1	659896	LH LWR SIDE SHIELD 200/280 92
31	1	659917	FRT MAINFRAME COVER PLT 95
32	1	659908	LWR FRT SHIELD, 284 COMBO 94

FRONT TANK MOUNTS AND SHIELDS

DET. QTY PART NO. DESCRIPTION

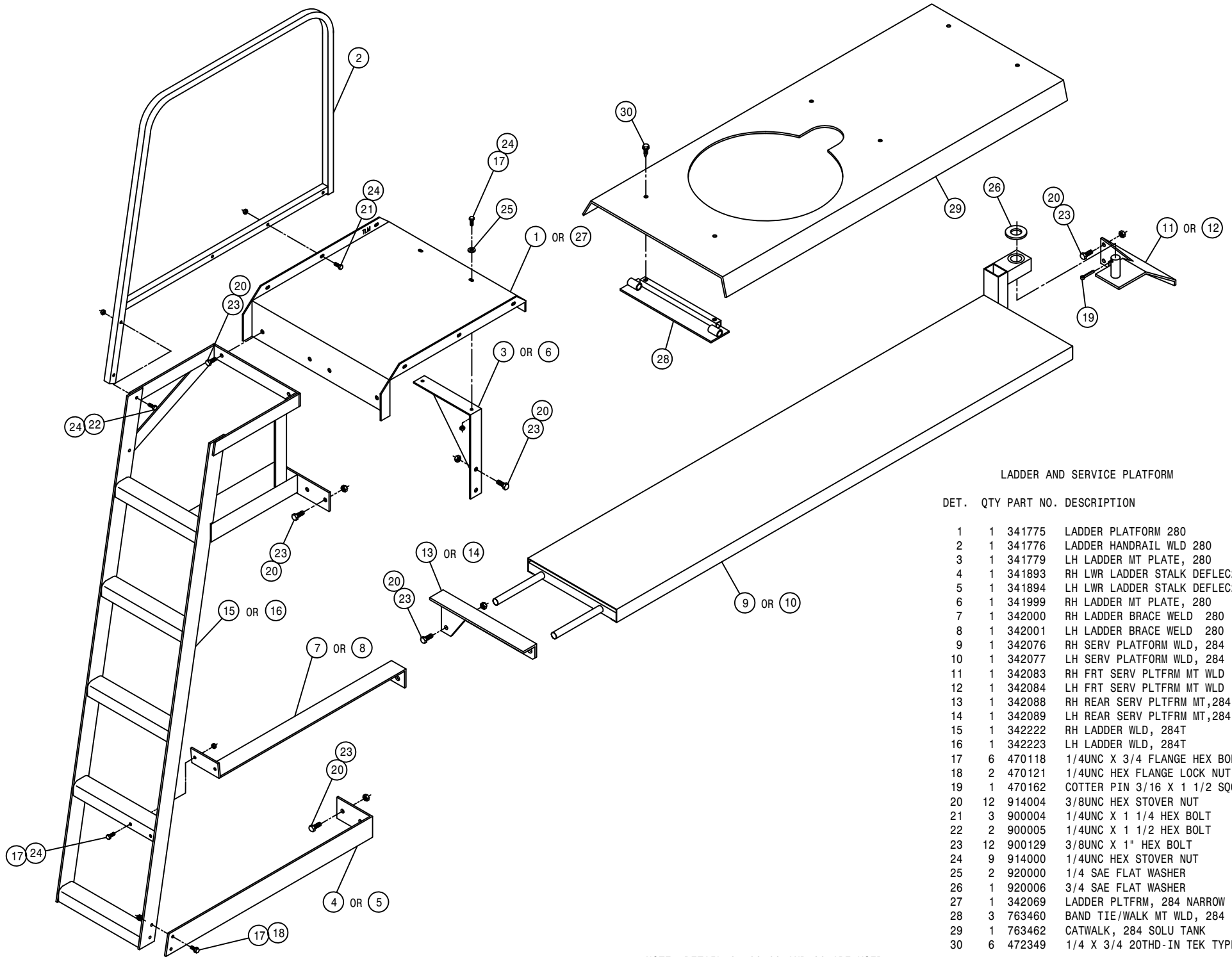
1	1	659831	LWR FRONT SHIELD 280	89
2	2	763453	TANK SUPPORT ARM, 284T	94
3	1	763447	RH FRT SOLU TANK MT WLD284	94
4	1	763448	LH FRT SOLU TANK MT WLD284	94
5	4	900006	1/4UNC X 1 3/4 HEX BOLT	
6	4	900333	5/8UNC X 1 1/2 HEX BOLT	
7	2	900416	3/4UNC X 6 1/2 HEX BOLT	
8	8	920002	3/8 SAE FLAT WASHER	
9	4	914010	5/8UNC HEX STOVER NUT	
10	2	914012	3/4UNC HEX STOVER NUT	
11	4	920006	3/4 SAE FLAT WASHER	
12	4	914004	3/8UNC HEX STOVER NUT	
13	4	160621	SPRING TIGHTENER HOOK BUSH	
14	20	470118	1/4UNC X 3/4 FLANGE HEX BOLT	
15	24	470121	1/4UNC HEX FLANGE LOCK NUT	
16	1	659856	RH FRT POLY TANK SHLD WLD 280	
17	1	659857	LH FRT POLY TANK SHLD WLD 280	
18	4	659834	FRT LEG SHIELD MTG BRKT280	89
19	1	659854	RH FRT SS TANK SHIELD 280	90
20	1	659855	LH FRT SS TANK SHIELD 280	90
21	4	900130	3/8UNC X 1 1/4 HEX BOLT	
22	8	920000	1/4 SAE FLAT WASHER	





REAR TANK MOUNTS AND SHIELDS

DET.	QTY	PART NO.	DESCRIPTION
1	2	213108	SUPPORT ARM SPACER
2	1	361346	MAINFRAME REAR TIE ANGLE 280
3	2	659860	TOP REAR TANK SHLD BRKT280 90
4	2	659861	BOT REAR TANK SHLD BRKT280 90
5	1	763329	RH REAR SOLU TNK MT WLD280 90
6	1	763330	LH REAR SOLU TNK MT WLD280 90
7	4	470118	1/4UNC X 3/4 FLANGE HEX BOLT
8	2	900010	1/4UNC X 3" HEX BOLT
9	2	900128	3/8UNC X 3/4 HEX BOLT
10	4	900263	1/2UNC X 1" HEX BOLT
11	2	900416	3/4UNC X 6 1/2 HEX BOLT
12	6	914000	1/4UNC HEX STOVER NUT
13	4	914008	1/2UNC HEX STOVER NUT
14	2	914012	3/4UNC HEX STOVER NUT
15	2	914004	3/8UNC HEX STOVER NUT
16	2	920002	3/8 SAE FLAT WASHER
17	1	659902	RH REAR POLY TNK SHIELD284 94
18	1	659903	LH REAR POLY TNK SHIELD284 94
19	1	659904	RH REAR SS TANK SHIELD 284 94
20	1	659905	LH REAR SS TANK SHIELD 284 94
21	2	920000	1/4 SAE FLAT WASHER



LADDER AND SERVICE PLATFORM

DET.	QTY	PART NO.	DESCRIPTION	
	1	341775	LADDER PLATFORM 280	89
	2	341776	LADDER HANDRAIL WLD 280	89
	3	341779	LH LADDER MT PLATE, 280	89
	4	341893	RH LWR LADDER STALK DEFLEC280	
	5	341894	LH LWR LADDER STALK DEFLEC280	
	6	341999	RH LADDER MT PLATE, 280	89
	7	342000	RH LADDER BRACE WELD 280	92
	8	342001	LH LADDER BRACE WELD 280	92
	9	342076	RH SERV PLATFORM WLD, 284	95
	10	342077	LH SERV PLATFORM WLD, 284	95
	11	342083	RH FRT SERV PLTFRM MT WLD 95	
	12	342084	LH FRT SERV PLTFRM MT WLD 95	
	13	342088	RH REAR SERV PLTFRM MT, 284	95
	14	342089	LH REAR SERV PLTFRM MT, 284	95
	15	342222	RH LADDER WLD, 284T	94
	16	342223	LH LADDER WLD, 284T	94
	17	470118	1/4UNC X 3/4 FLANGE HEX BOLT	
	18	470121	1/4UNC HEX FLANGE LOCK NUT	
	19	470162	COTTER PIN 3/16 X 1 1/2 SQCUT	
	20	914004	3/8UNC HEX STOVER NUT	
	21	900004	1/4UNC X 1 1/4 HEX BOLT	
	22	900005	1/4UNC X 1 1/2 HEX BOLT	
	23	900129	3/8UNC X 1" HEX BOLT	
	24	914000	1/4UNC HEX STOVER NUT	
	25	920000	1/4 SAE FLAT WASHER	
	26	920006	3/4 SAE FLAT WASHER	
	27	342069	LADDER PLTFRM, 284 NARROW	94
	28	763460	BAND TIE/WALK MT WLD, 284	95
	29	763462	CATWALK, 284 SOLU TANK	95
	30	472349	1/4 X 3/4 20THD-IN TEK TYPE	

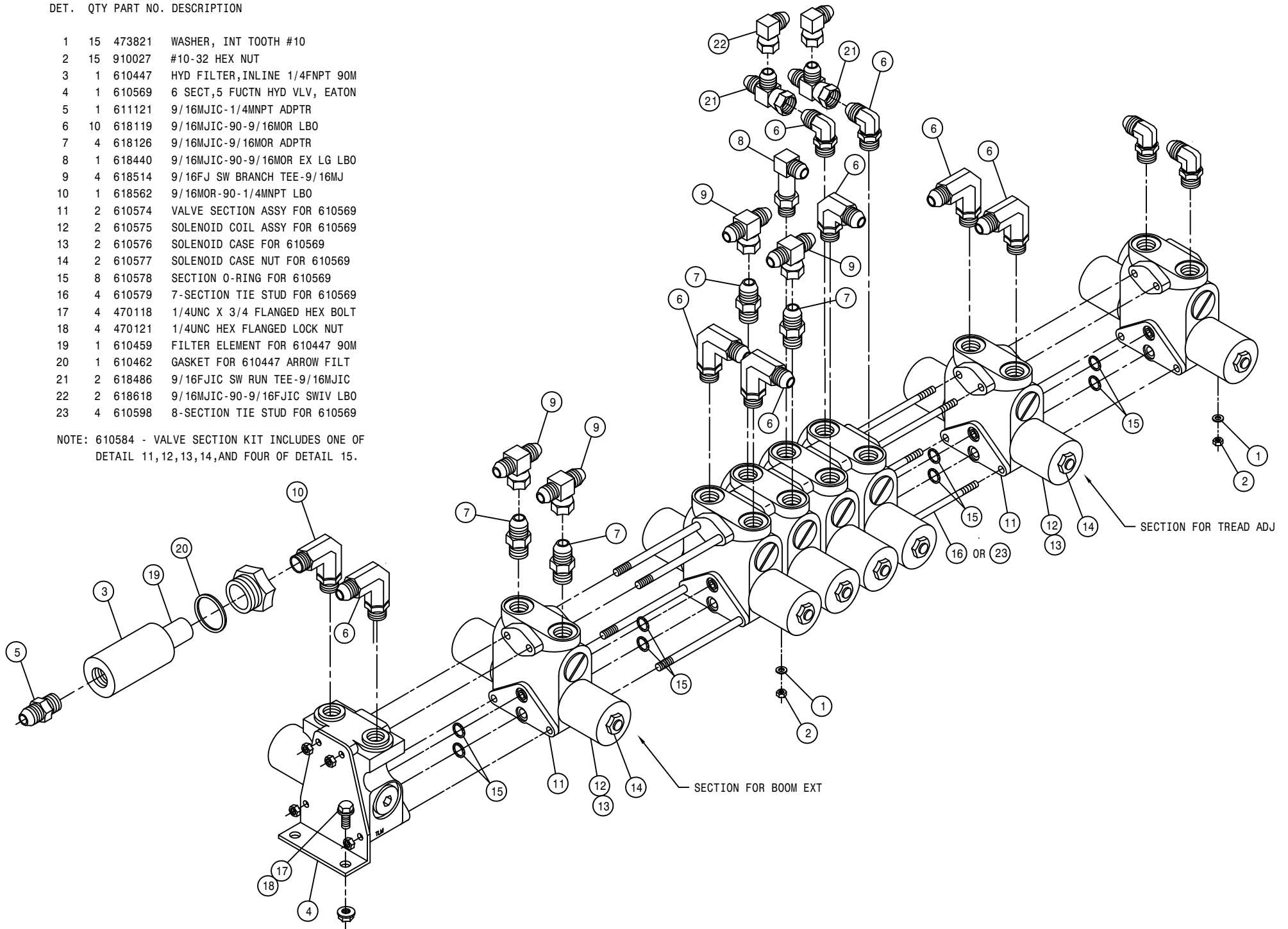
NOTE: DETAIL 27,28,29 AND 30 ARE USED WITH THE NARROW TREAD OPTION.

ELECTRIC BOOM VALVE ASSEMBLY

DET. QTY PART NO. DESCRIPTION

1	15	473821	WASHER, INT TOOTH #10
2	15	910027	#10-32 HEX NUT
3	1	610447	HYD FILTER, INLINE 1/4FNPT 90M
4	1	610569	6 SECT, 5 FUCTN HYD VLV, EATON
5	1	611121	9/16MJIC-1/4MNPT ADPTR
6	10	618119	9/16MJIC-90-9/16MOR LBO
7	4	618126	9/16MJIC-9/16MOR ADPTR
8	1	618440	9/16MJIC-90-9/16MOR EX LG LBO
9	4	618514	9/16FJ SW BRANCH TEE-9/16MJ
10	1	618562	9/16MOR-90-1/4MNPT LBO
11	2	610574	VALVE SECTION ASSY FOR 610569
12	2	610575	SOLENOID COIL ASSY FOR 610569
13	2	610576	SOLENOID CASE FOR 610569
14	2	610577	SOLENOID CASE NUT FOR 610569
15	8	610578	SECTION O-RING FOR 610569
16	4	610579	7-SECTION TIE STUD FOR 610569
17	4	470118	1/4UNC X 3/4 FLANGED HEX BOLT
18	4	470121	1/4UNC HEX FLANGED LOCK NUT
19	1	610459	FILTER ELEMENT FOR 610447 90M
20	1	610462	GASKET FOR 610447 ARROW FILT
21	2	618486	9/16FJIC SW RUN TEE-9/16MJIC
22	2	618618	9/16MJIC-90-9/16FJIC SWIV LBO
23	4	610598	8-SECTION TIE STUD FOR 610569

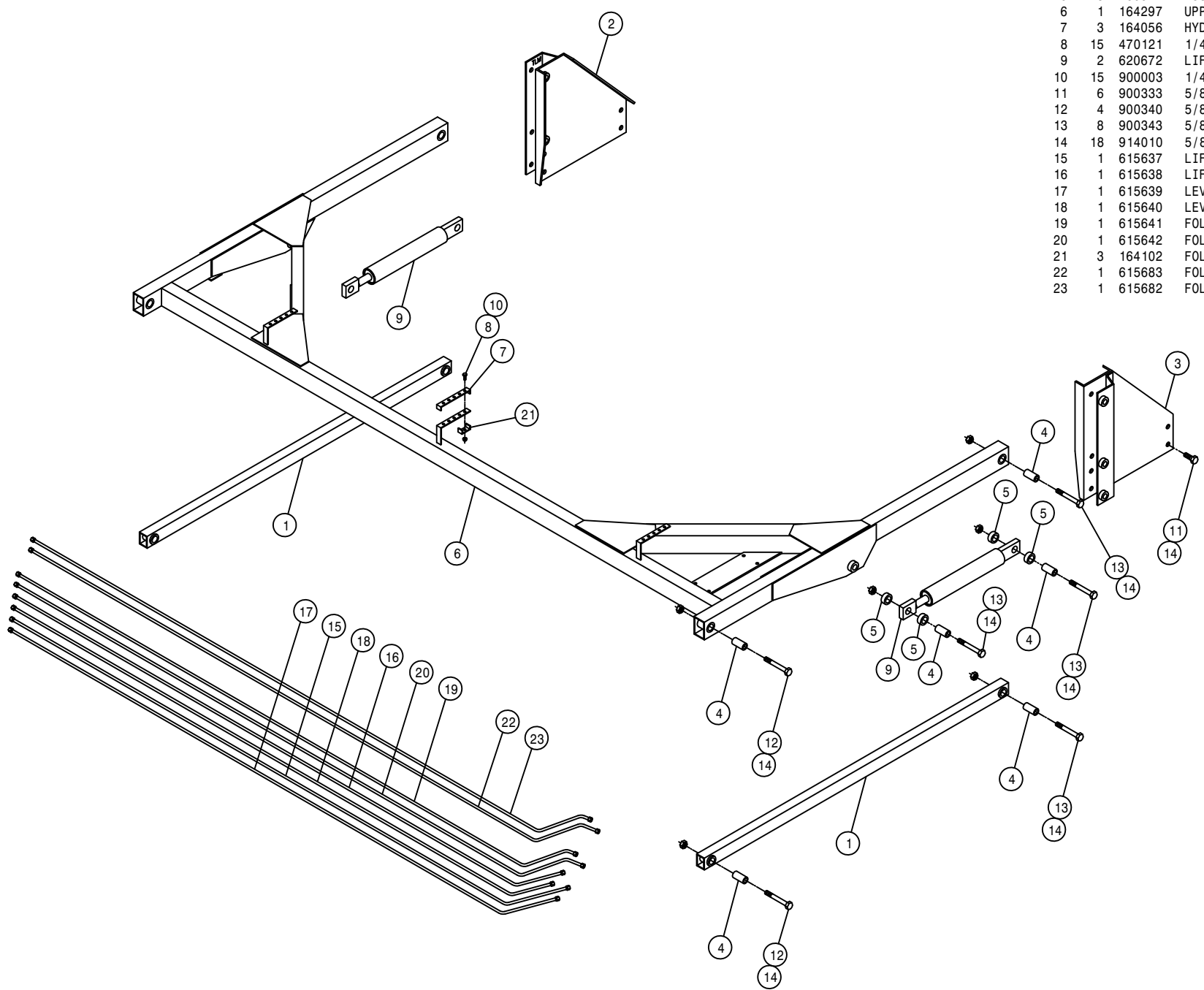
NOTE: 610584 - VALVE SECTION KIT INCLUDES ONE OF
DETAIL 11, 12, 13, 14, AND FOUR OF DETAIL 15.



LIFTARM ASSEMBLY

DET. QTY PART NO. DESCRIPTION

DET.	QTY	PART NO.	DESCRIPTION
1	2	160471	LWR LIFT ARM WLD 8540-8250 87
2	1	160495	RH LIFT ARM MT WLD 280 89
3	1	160496	LH LIFT ARM MT WLD 280 89
4	12	160691	BUSH LIFT ARM LONG 470
5	8	160921	BUSHING, CYL MT-LIFT ARMS5/8
6	1	164297	UPPER LIFT ARM WLD, 284 97
7	3	164056	HYD TUBE KPR, UPR LIFT ARM 94
8	15	470121	1/4UNC HEX FLANGE LOCK NUT
9	2	620672	LIFT CYL ASSY W/FTGS 2.50"
10	15	900003	1/4UNC X 1" HEX BOLT
11	6	900333	5/8UNC X 1 1/2 HEX BOLT
12	4	900340	5/8UNC X 3 1/2 HEX BOLT
13	8	900343	5/8UNC X 4 1/2 HEX BOLT
14	18	914010	5/8UNC HEX STOVER NUT
15	1	615637	LIFT HYD TUBE ASSY,UP 254/284
16	1	615638	LIFT HYD TUBE ASSY,DN 254/284
17	1	615639	LEVEL HYD TUBE ASSY,UP254/284
18	1	615640	LEVEL HYD TUBE ASSY,DN254/284
19	1	615641	FOLD HYD TUBE ASSY,IN 254/284
20	1	615642	FOLD HYD TUBE ASSY,OUT254/284
21	3	164102	FOLD BOOM HYD TUBE KPR 96
22	1	615683	FOLD BOOM HYD TUBE ASSY, OUT
23	1	615682	FOLD BOOM HYD TUBE ASSY, IN



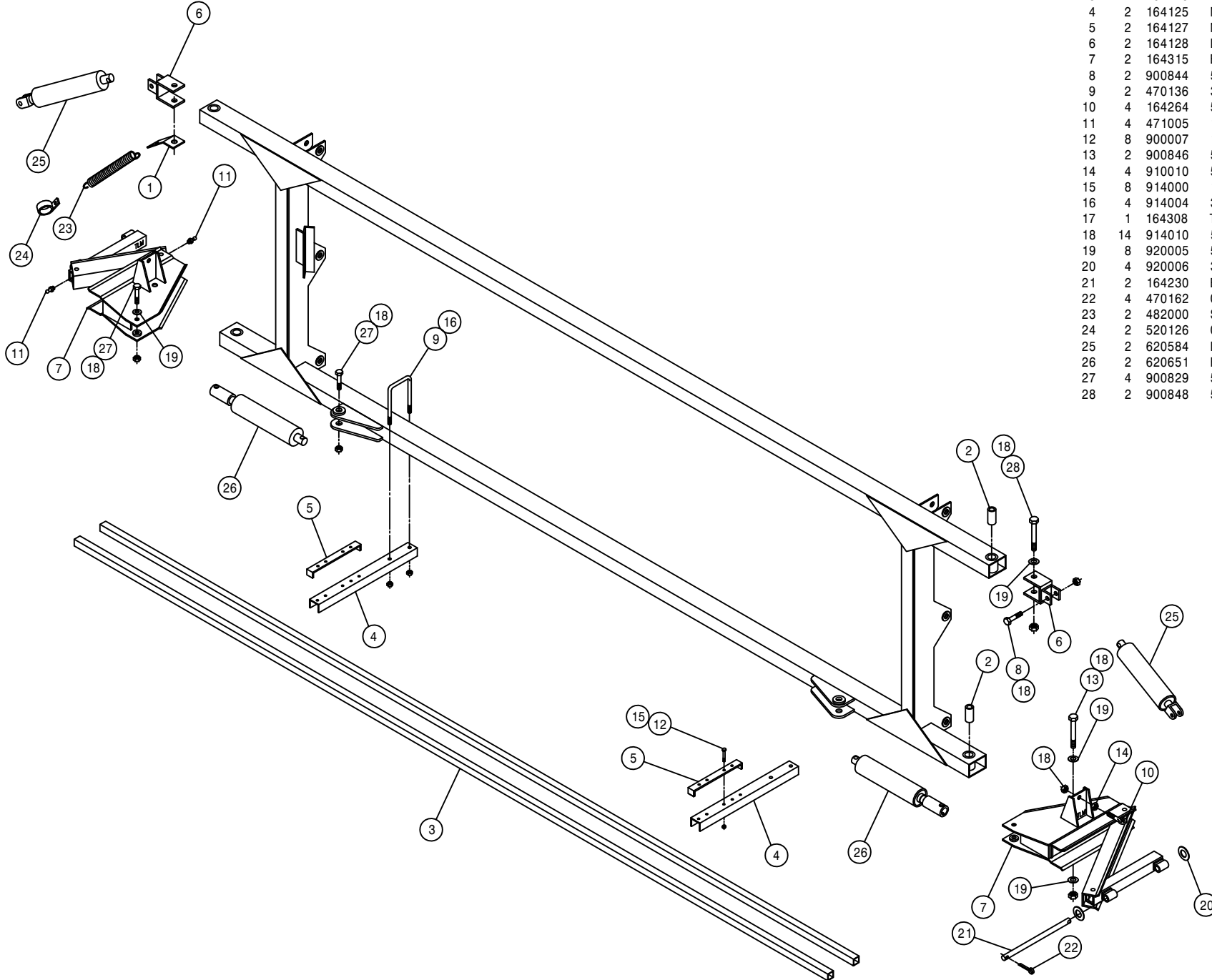
50

181050

TRANSOM ASSEMBLY

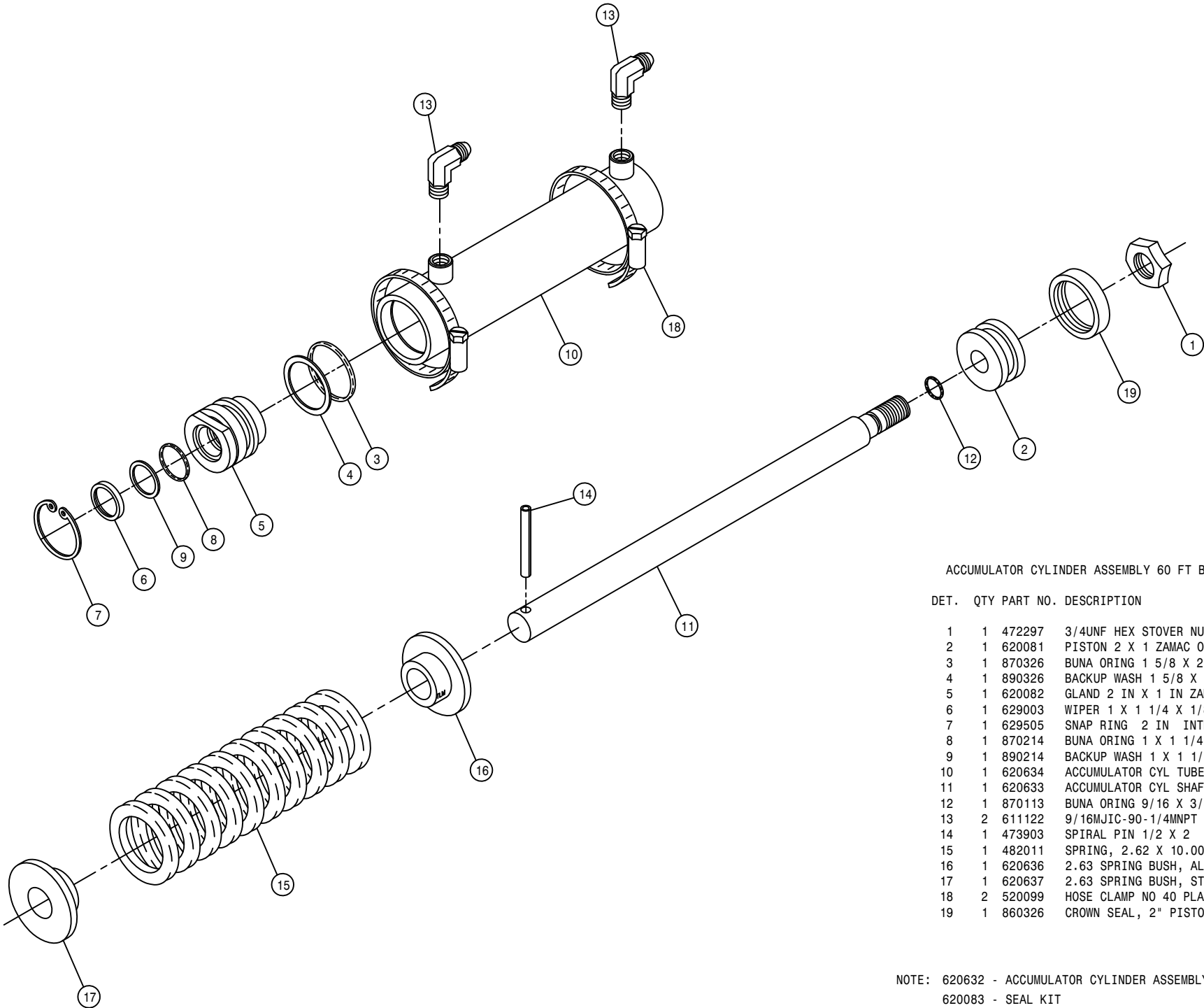
DET. QTY PART NO. DESCRIPTION

DET.	QTY	PART NO.	DESCRIPTION
1	2	160429	FEEDER HOSE SUPPORT SPRING MT
2	4	160691	BUSH LIFT ARM LONG 470
3	2	164123	NOZL MT TUBE, 254/284 96
4	2	164125	NOZL MT TUBE HANGER CHAN 96
5	2	164127	NOZL MT TUBE CLAMP 96
6	2	164128	LEVEL CYL PIVOT BRKT WLD 96
7	2	164315	BOOM BREAKAWAY WLD 97
8	2	900844	5/8UNC X 2 3/4 HEX BOLT GR8
9	2	470136	3/8UNC-3 1/16ID-3 SQ U-BOLT
10	4	164264	5/8UNC X 3" EYE BOLT
11	4	471005	1/4 28 X 1/2 GREASE ZERK
12	8	900007	1/4UNC X 2" HEX BOLT
13	2	900846	5/8UNC X 4 1/4 HEX BOLT GR8
14	4	910010	5/8UNC HEX NUT
15	8	914000	1/4UNC HEX STOVER NUT
16	4	914004	3/8UNC HEX STOVER NUT
17	1	164308	TRANSOM WLD, 284 97
18	14	914010	5/8UNC HEX STOVER NUT
19	8	920005	5/8 SAE FLAT WASHER
20	4	920006	3/4 SAE FLAT WASHER
21	2	164230	BOOM PIVOT PIN, .75 X 13.31 96
22	4	470162	COTTER PIN 3/16 X 1 1/2 SQ CUT
23	2	482000	SPRING, .930D X 8.5LG, .072WIRE
24	2	520126	CUSH HOSE CLAMP 2IN X 5/8W
25	2	620584	LEVEL CYL ASSY W/FTGS 96
26	2	620651	FOLD CYL ASSY W/FTGS 97
27	4	900829	5/8UNC X 4" HEX BOLT GR8
28	2	900848	5/8UNC X 4 3/4 HEX BOLT GR8



51

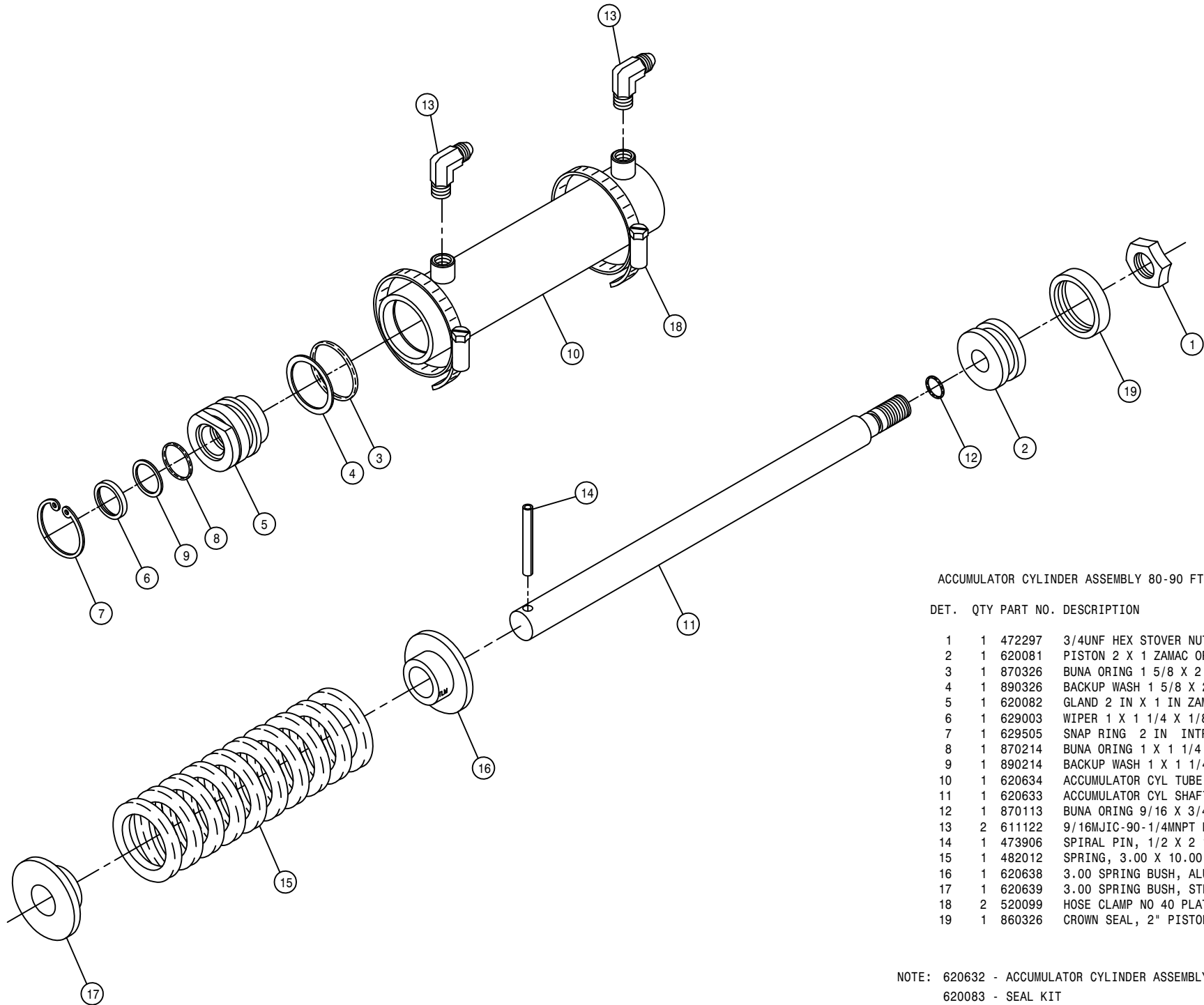
181051



ACCUMULATOR CYLINDER ASSEMBLY 60 FT BOOM

DET.	QTY	PART NO.	DESCRIPTION
1	1	472297	3/4UNF HEX STOVER NUT THIN
2	1	620081	PISTON 2 X 1 ZAMAC ORING TYPE
3	1	870326	BUNA ORING 1 5/8 X 2
4	1	890326	BACKUP WASH 1 5/8 X 2 LEATH
5	1	620082	GLAND 2 IN X 1 IN ZAMAC
6	1	629003	WIPER 1 X 1 1/4 X 1/8
7	1	629505	SNAP RING 2 IN INTRN
8	1	870214	BUNA ORING 1 X 1 1/4
9	1	890214	BACKUP WASH 1 X 1 1/4 HT2022
10	1	620634	ACCUMULATOR CYL TUBE WLD 96
11	1	620633	ACCUMULATOR CYL SHAFT 96
12	1	870113	BUNA ORING 9/16 X 3/4
13	2	611122	9/16MJIC-90-1/4MNPT LBO
14	1	473903	SPIRAL PIN 1/2 X 2 640
15	1	482011	SPRING, 2.62 X 10.00 COMPRSN
16	1	620636	2.63 SPRING BUSH, ALUM 96
17	1	620637	2.63 SPRING BUSH, STEEL 96
18	2	520099	HOSE CLAMP NO 40 PLATED
19	1	860326	CROWN SEAL, 2" PISTON, HYD

NOTE: 620632 - ACCUMULATOR CYLINDER ASSEMBLY 1-12
 620083 - SEAL KIT



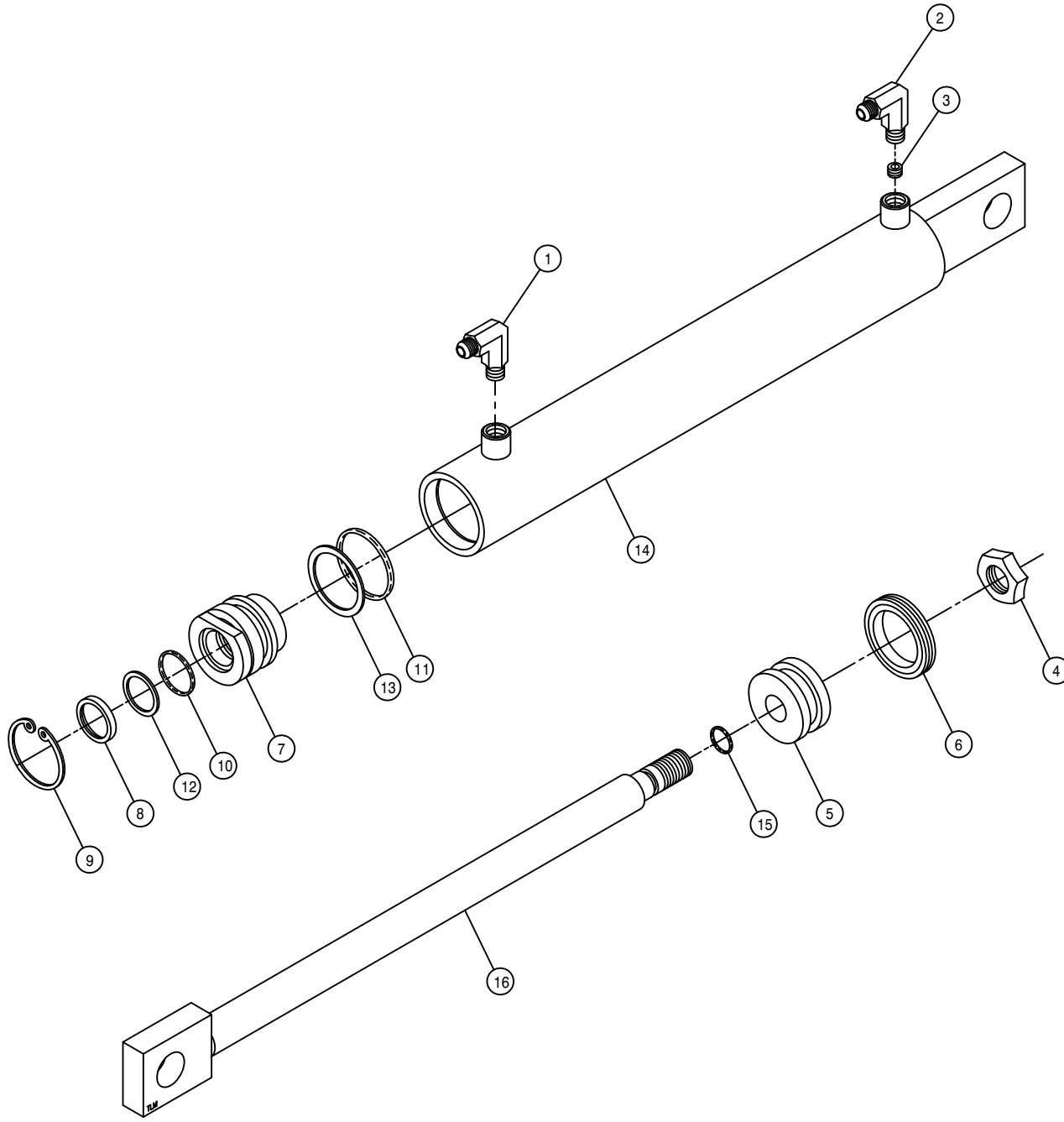
ACCUMULATOR CYLINDER ASSEMBLY 80-90 FT BOOM

DET. QTY PART NO. DESCRIPTION

1	1	472297	3/4UNF HEX STOVER NUT THIN
2	1	620081	PISTON 2 X 1 ZAMAC ORING TYPE
3	1	870326	BUNA ORING 1 5/8 X 2
4	1	890326	BACKUP WASH 1 5/8 X 2 LEATH
5	1	620082	GLAND 2 IN X 1 IN ZAMAC
6	1	629003	WIPER 1 X 1 1/4 X 1/8
7	1	629505	SNAP RING 2 IN INTRN
8	1	870214	BUNA ORING 1 X 1 1/4
9	1	890214	BACKUP WASH 1 X 1 1/4 HT2022
10	1	620634	ACCUMULATOR CYL TUBE WLD 96
11	1	620633	ACCUMULATOR CYL SHAFT 96
12	1	870113	BUNA ORING 9/16 X 3/4
13	2	611122	9/16MJIC-90-1/4MNPT LBO
14	1	473906	SPIRAL PIN, 1/2 X 2 1/2 LG
15	1	482012	SPRING, 3.00 X 10.00 COMPRSN
16	1	620638	3.00 SPRING BUSH, ALUM 96
17	1	620639	3.00 SPRING BUSH, STEEL 96
18	2	520099	HOSE CLAMP NO 40 PLATED
19	1	860326	CROWN SEAL, 2" PISTON, HYD

NOTE: 620632 - ACCUMULATOR CYLINDER ASSEMBLY 1-12

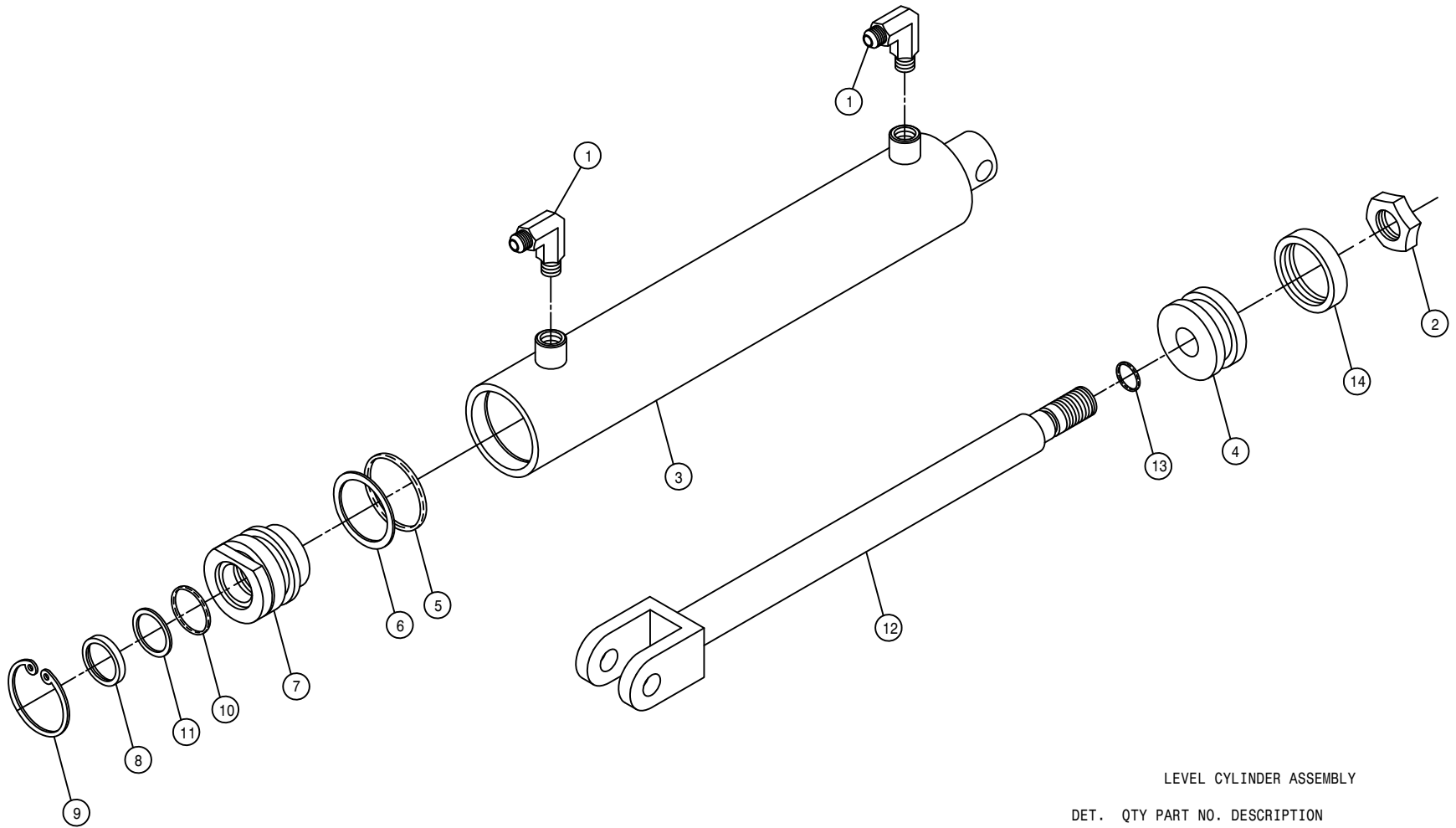
620083 - SEAL KIT



LIFT CYLINDER ASSEMBLY

DET.	QTY	PART NO.	DESCRIPTION
1	1	611122	9/16MJIC-90-1/4MNPT LBO
2	1	440338	9/16 JIC W/90X1/4 NPT TAPPED
3	1	614366	RESTRICTOR SCREW, .042 DIA
4	1	472297	3/4UNF HEX STOVER NUT THIN
5	1	620666	PISTON, 2.50" T-SEAL TYPE
6	1	860330	T-SEAL, 2.50 OD W/BACKUPS
7	1	620675	GLAND, 2.500D X 1.25ID, ALUM
8	1	629002	WIPER 1 1/4 X 1 1/2 X 1/8
9	1	629504	SNAP RING 2 1/2 IN INTRN
10	1	870218	BUNA ORING 1 1/4 X 1 1/2
11	1	870330	NEO ORING 2 1/8 X 2 1/2
12	1	890218	BACKUP WASH1 1/4X1 1/2 HT2022
13	1	890330	BACKUP WASH 2 1/8 X 2 1/2
14	1	620676	LIFT CYL TUBE WLD, 2.50ID
15	1	870113	BUNA ORING 9/16 X 3/4
16	1	620582	LIFT CYL SHAFT WLD HD 96

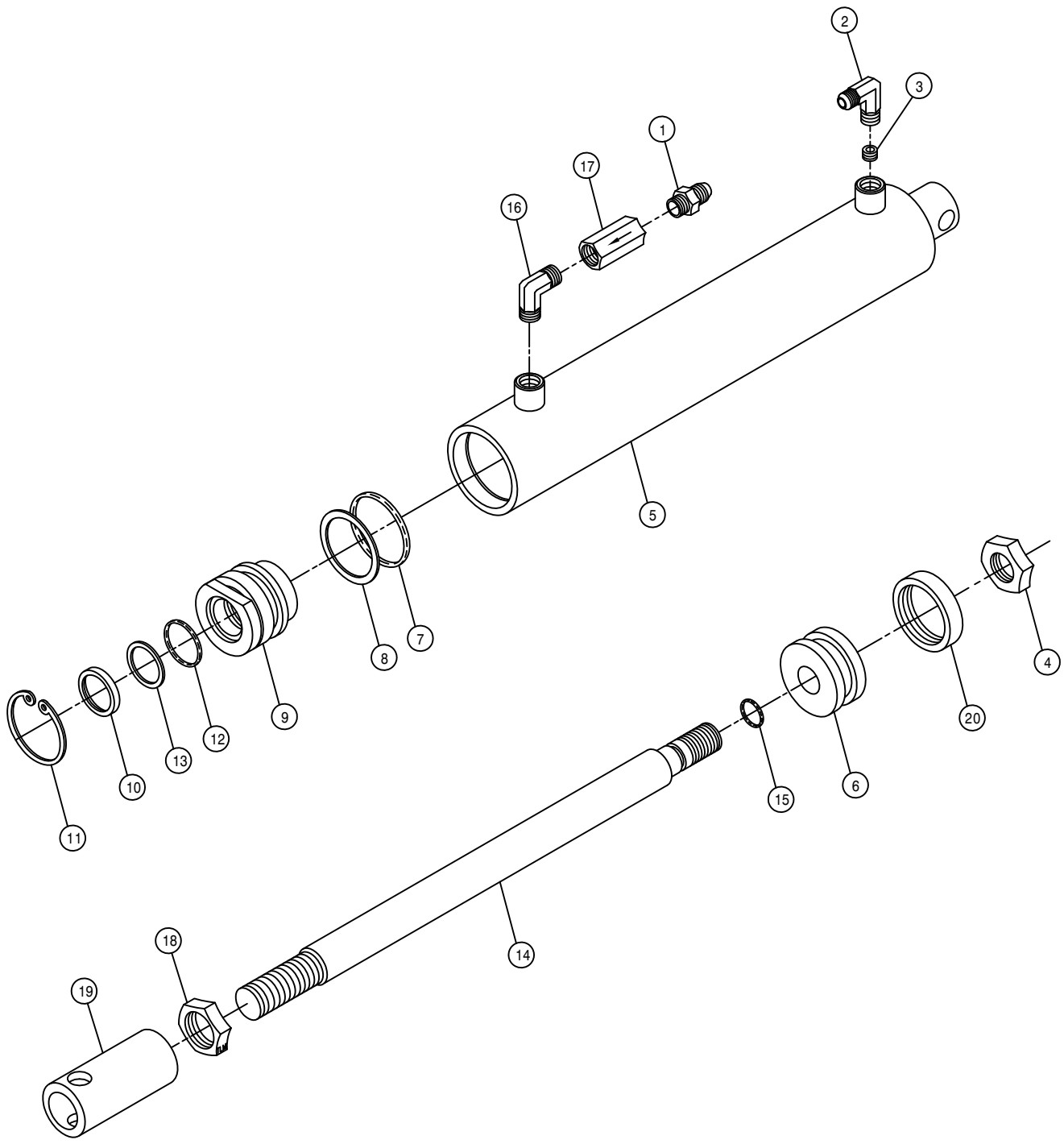
NOTE: 1. 620673 - LIFT CYLINDER ASSEMBLY
 2. 620672 - LIFT CYLINDER ASSEMBLY WITH FITTINGS
 3. 614365 - RESTRICTOR ELBOW ASSEMBLY
 4. 620687 - SEAL KIT



LEVEL CYLINDER ASSEMBLY

DET.	QTY	PART NO.	DESCRIPTION
1	2	611122	9/16MJIC-90-1/4MNPT LBO
2	1	472297	3/4UNF HEX STOVER NUT THIN
3	1	620586	LEVEL CYL TUBE WLD 96
4	1	620081	PISTON 2 X 1 ZAMAC ORING TYPE
5	1	870326	BUNA ORING 1 5/8 X 2
6	1	890326	BACKUP WASH 1 5/8 X 2 LEATH
7	1	620082	GLAND 2 IN X 1 IN ZAMAC
8	1	629003	WIPER 1 X 1 1/4 X 1/8
9	1	629505	SNAP RING 2 IN INTRN
10	1	870214	BUNA ORING 1 X 1 1/4
11	1	890214	BACKUP WASH 1 X 1 1/4 HT2022
12	1	620591	LEVEL CYL SHAFT WLD 96
13	1	870113	BUNA ORING 9/16 X 3/4
14	1	860326	CROWN SEAL, 2" PISTON, HYD

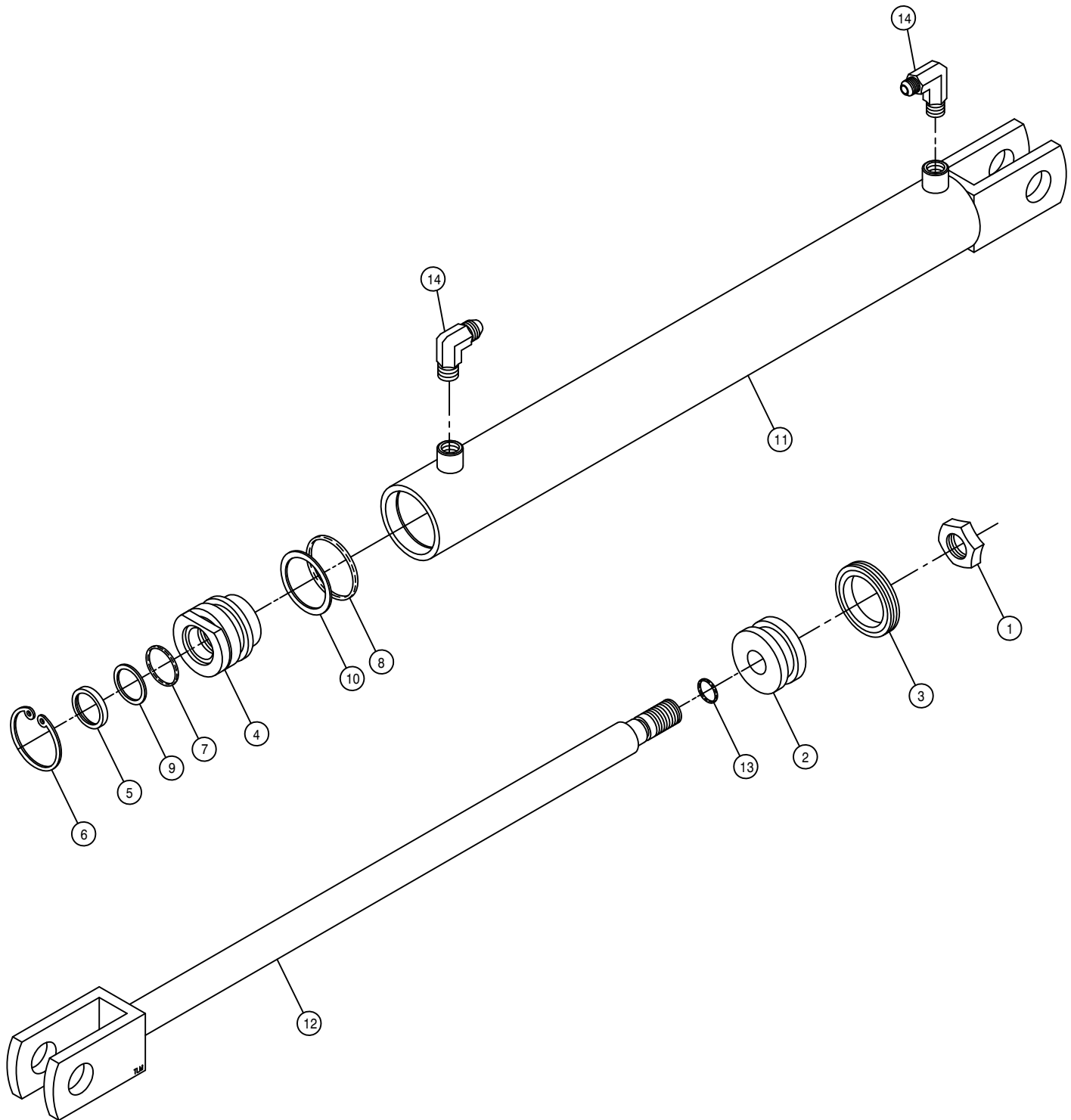
NOTE: 1. 620585 - LEVEL CLINDER ASSEMBLY
 2. 620584 - LEVEL CYLINDER ASSEMBLY W/FTGS
 3. 620083 - SEAL KIT



FOLD CYLINDER ASSEMBLY

DET.	QTY	PART NO.	DESCRIPTION
1	1	618018	9/16MJIC-1/2MNPT ADPTR
2	1	440338	9/16 JIC W/90X1/4 NPT TAPPED
3	1	614366	RESTRICTOR SCREW, .042 DIA
4	1	472297	3/4UNF HEX STOVER NUT THIN
5	1	620586	LEVEL CYL TUBE WLD 96
6	1	620081	PISTON 2 X 1 ZAMAC ORING TYPE
7	1	870326	BUNA ORING 1 5/8 X 2
8	1	890326	BACKUP WASH 1 5/8 X 2 LEATH
9	1	620082	GLAND 2 IN X 1 IN ZAMAC
10	1	629003	WIPER 1 X 1 1/4 X 1/8
11	1	629505	SNAP RING 2 IN INTRN
12	1	870214	BUNA ORING 1 X 1 1/4
13	1	890214	BACKUP WASH 1 X 1 1/4 HT2022
14	1	620596	FOLD CYL SHAFT 96
15	1	870113	BUNA ORING 9/16 X 3/4
16	1	618633	1/2MNPT-90-1/4MNPT REDU LBO
17	1	610450	RESTRICTOR .025 1-WAY, 1/2FNPT
18	1	472322	7/8UNF HEX JAM NUT
19	1	620653	FOLD CYL ADJ SLEEVE 97
20	1	860326	CROWN SEAL, 2" PISTON, HYD

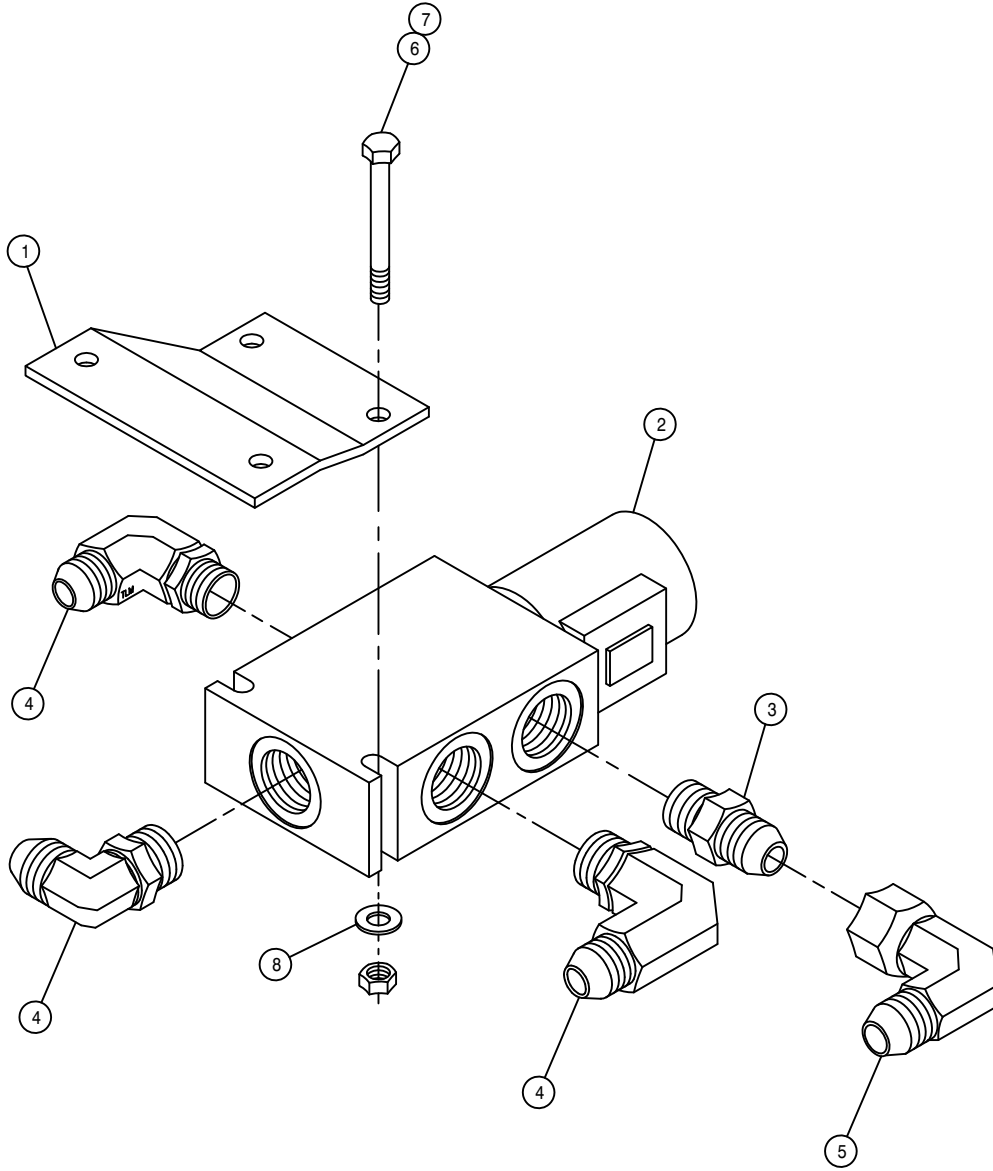
NOTE: 1. 620652 - FOLD CLINDER ASSEMBLY
 2. 620651 - FOLD CYLINDER ASSEMBLY WITH FITTINGS
 3. 614365 - RESTRICTOR ELBOW ASSEMBLY
 4. 620083 - SEAL KIT



BOOM EXTENSION FOLD CYLINDER ASSEMBLY

DET.	QTY	PART NO.	DESCRIPTION	
	1	472297	3/4UNF HEX STOVER NUT THIN	
	2	620666	PISTON, 2.50" T-SEAL TYPE	
	3	860330	T-SEAL, 2.50 OD W/BACKUPS	
	4	620668	GLAND, 2.500D X 1.00ID O-RING	
	5	629003	WIPER 1 X 1 1/4 X 1/8	
	6	629504	SNAP RING 2 1/2 IN INTRN	
	7	870214	BUNA ORING 1 X 1 1/4	
	8	870330	NEO ORING 2 1/8 X 2 1/2	
	9	890214	BACKUP WASH 1 X 1 1/4 HT2022	
	10	890330	BACKUP WASH 2 1/8 X 2 1/2	
	11	620669	CYL TUBE WLD, BOOM FOLD	98
	12	620688	CYL SHAFT WLD, BOOM FOLD	98
	13	870113	BUNA ORING 9/16 X 3/4	
	14	2 614365	RESTRICTOR ELBOW ASSY .042DIA	

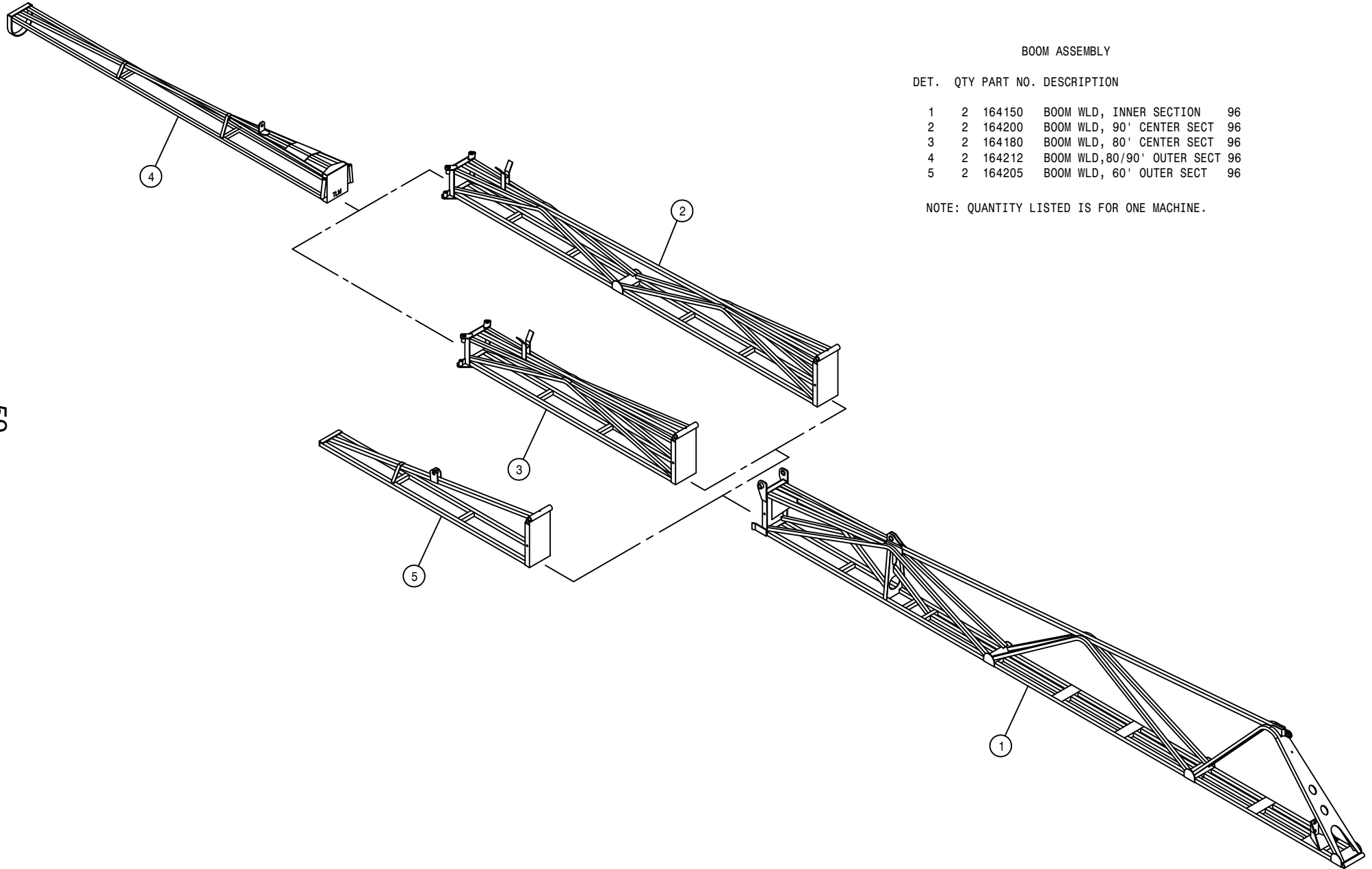
NOTE: 620664 - LIFT CYLINDER INCLUDES ITEMS 1-13.
 620671 - SEAL KIT



LIFT CYLINDER LOCK SOLENOID VALVE ASSEMBLY

DET. QTY PART NO. DESCRIPTION

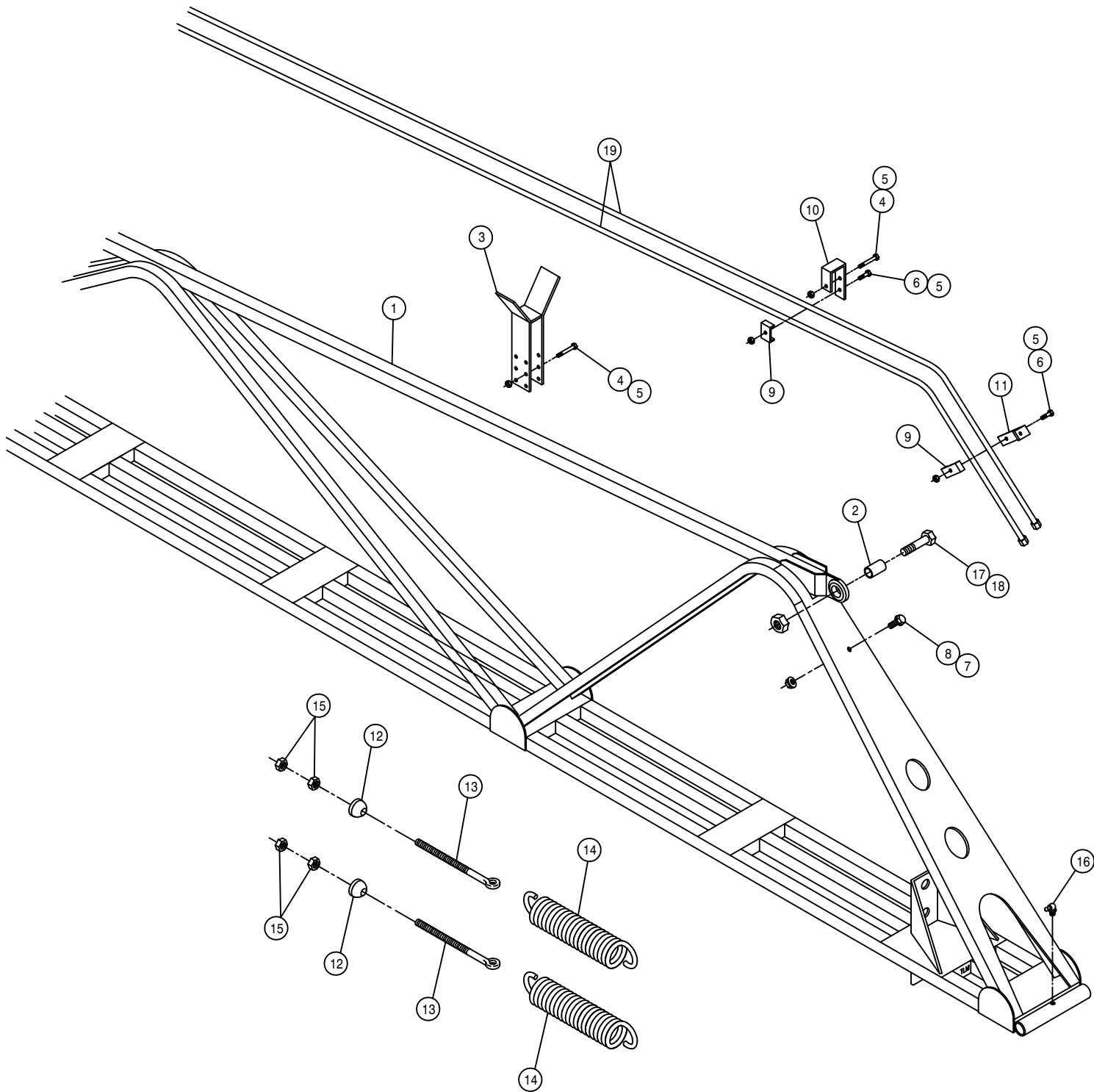
1	1	164305	LIFT CYL LOCK SOL VLV MT	97
2	1	610628	4-WAY, 2-POSITION SOL VLV	
3	1	618109	9/16MJIC-3/4MOR ADPTR	
4	3	618115	9/16MJIC-90-3/4MOR LBO	
5	1	618618	9/16MJIC-90-9/16FJIC SWIV LBO	
6	2	900006	1/4UNC X 1 3/4 HEX BOLT	
7	2	914000	1/4UNC HEX STOVER NUT	
8	2	920000	1/4 SAE FLAT WASHER	



BOOM ASSEMBLY

DET.	QTY	PART NO.	DESCRIPTION	
1	2	164150	BOOM WLD, INNER SECT	96
2	2	164200	BOOM WLD, 90' CENTER SECT	96
3	2	164180	BOOM WLD, 80' CENTER SECT	96
4	2	164212	BOOM WLD,80/90' OUTER SECT	96
5	2	164205	BOOM WLD, 60' OUTER SECT	96

NOTE: QUANTITY LISTED IS FOR ONE MACHINE.



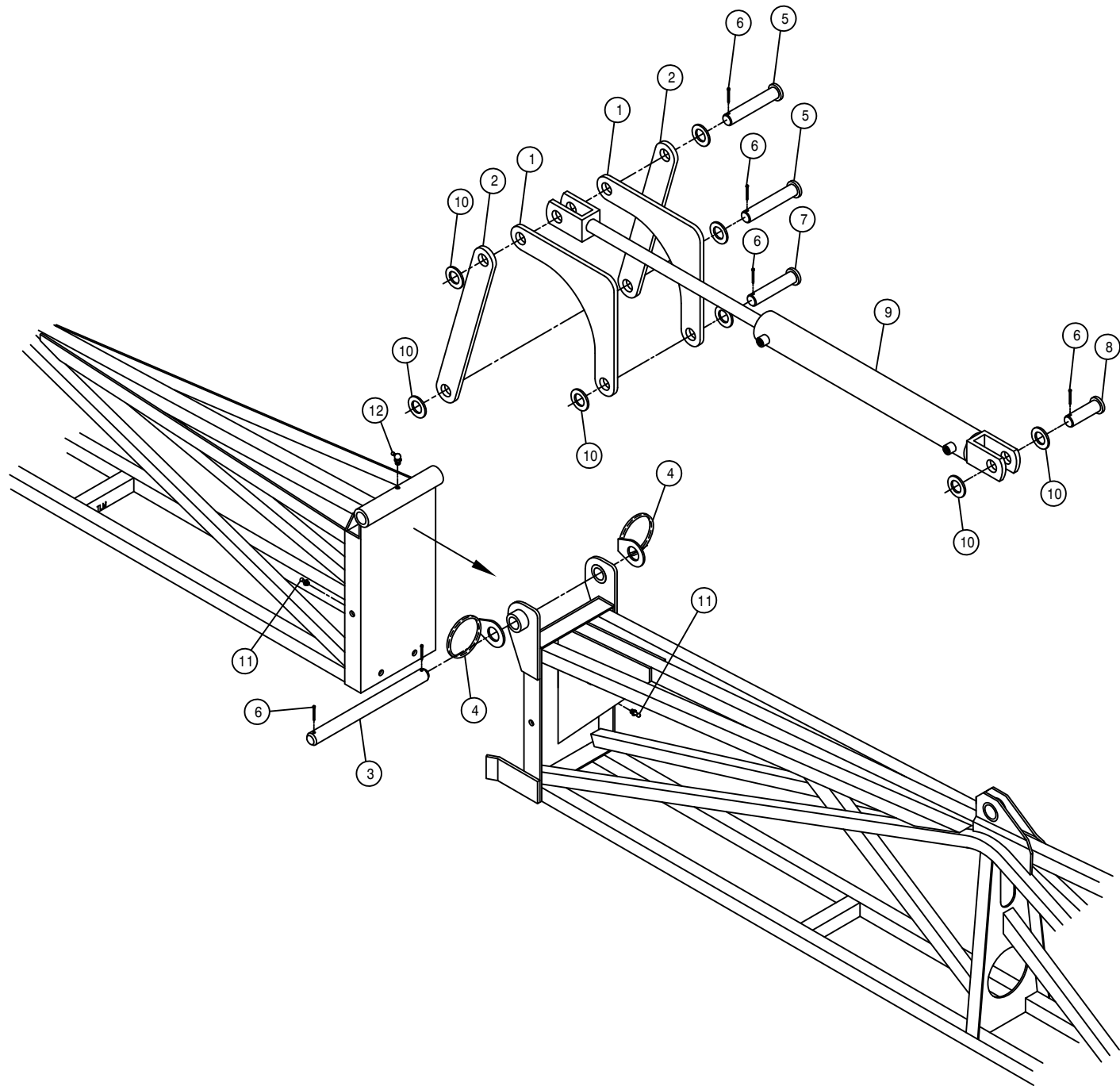
INNER BOOM ASSEMBLY

DET.	QTY	PART NO.	DESCRIPTION	
1	1	164150	BOOM WLD, INNER SECTION	96
2	1	164227	BOOM BALL JOINT BUSH	96
3	1	164266	OUTER BOOM SUPP WLD,80/90'	96
4	7	900007	1/4UNC X 2" HEX BOLT	
5	11	914000	1/4UNC HEX STOVER NUT	
6	4	900003	1/4UNC X 1" HEX BOLT	
7	1	470121	1/4UNC HEX FLANGE LOCK NUT	
8	1	470118	1/4UNC X 3/4 FLANGE HEX BOLT	
9	4	164102	FOLD BOOM HYD TUBE KPR	96
10	3	164242	HYD TUBE HANGER CLEVIS,BOOM96	
11	1	164243	HYD TUBE HANGER ANGLE,BOOM 96	
12	2	164263	SWIVEL, 5/8 BOOM EYEBOLT	
13	2	164265	5/8UNC X 7 1/2 EYE BOLT	
14	2	482014	SPRING,3.25 X 11.50 EXTENSION	
15	4	910010	5/8UNC HEX NUT	
16	1	471028	GREASE ZERK, 1/4-28 90DEG	
17	1	900844	5/8UNC X 2 3/4 HEX BOLT GR8	
18	1	914010	5/8UNC HEX STOVER NUT	
19	2	615684	HYD TUBE ASSY,BOOM EXT FOLD96	

NOTE: 60 FOOT BOOM USES ONE SPRING

60

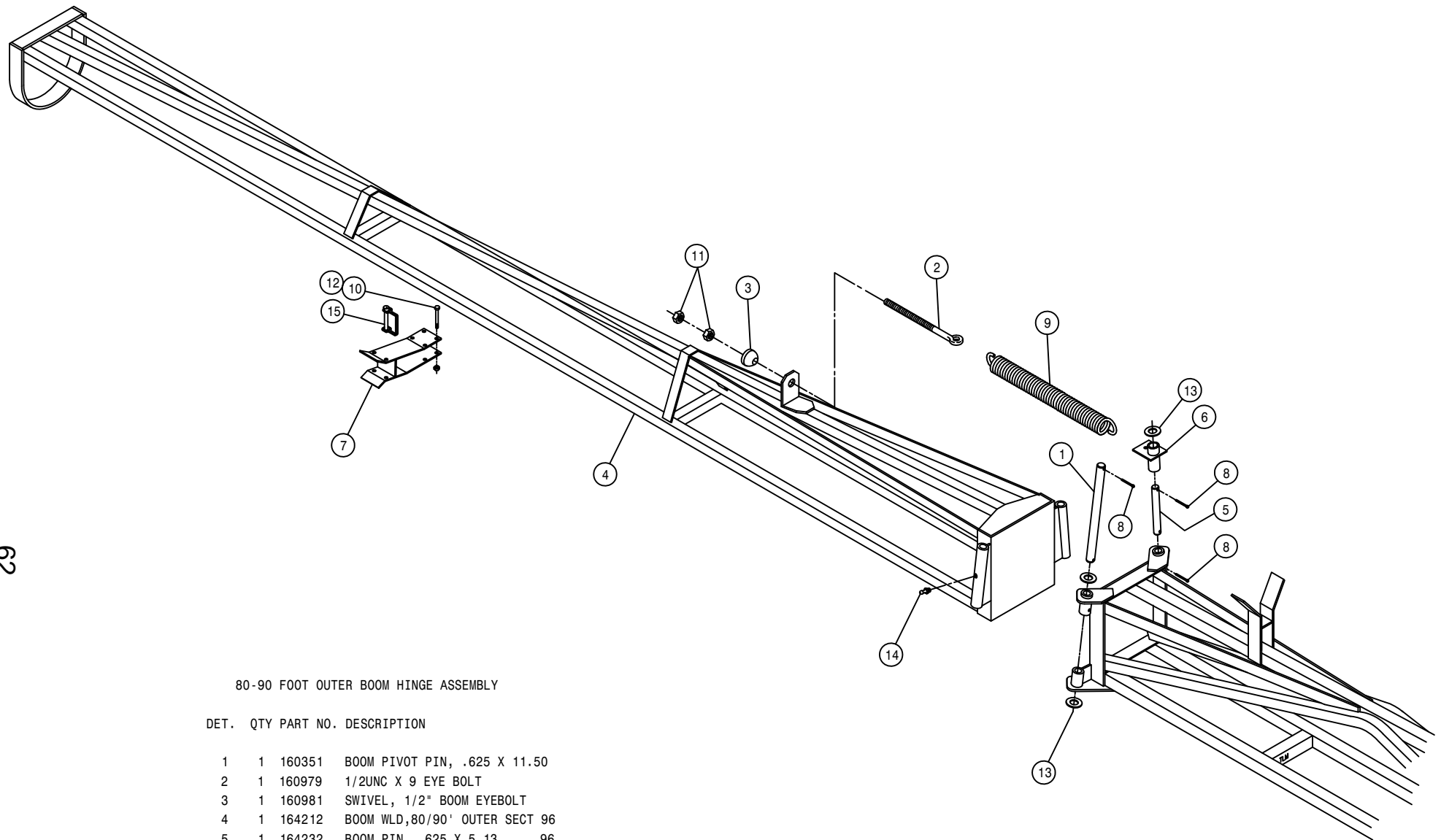
181060



80-90 FOOT BOOM HINGE PIVOT ASSEMBLY

DET. QTY PART NO. DESCRIPTION

1	2	164228	FOLDING LINK, INNER BOOM	96
2	2	164229	FOLDING LINK, BOOM CNTR SECT96	
3	1	164231	BOOM PIN, 1.00 X 11.75	96
4	2	438302	HOSE SUPPORT RING WLD W/WASHER	
5	2	470155	CLEVIS PIN, 1.00 X 4.00	PLT
6	6	470162	COTTER PIN 3/16 X 1 1/2 SQ CUT	
7	1	472012	CLEVIS PIN, 1.00 X 3.25	PLT
8	1	472270	CLEVIS PIN, 1.00 X 2.50	PLT
9	1	620664	CYL ASSY, BOOM FOLD 2.50X18"	9
10	8	920008	1" SAE FLAT WASHER	
11	2	471005	1/4 28 X 1/2 GREASE ZERK	
12	1	471028	GREASE ZERK, 1/4-28 90DEG	



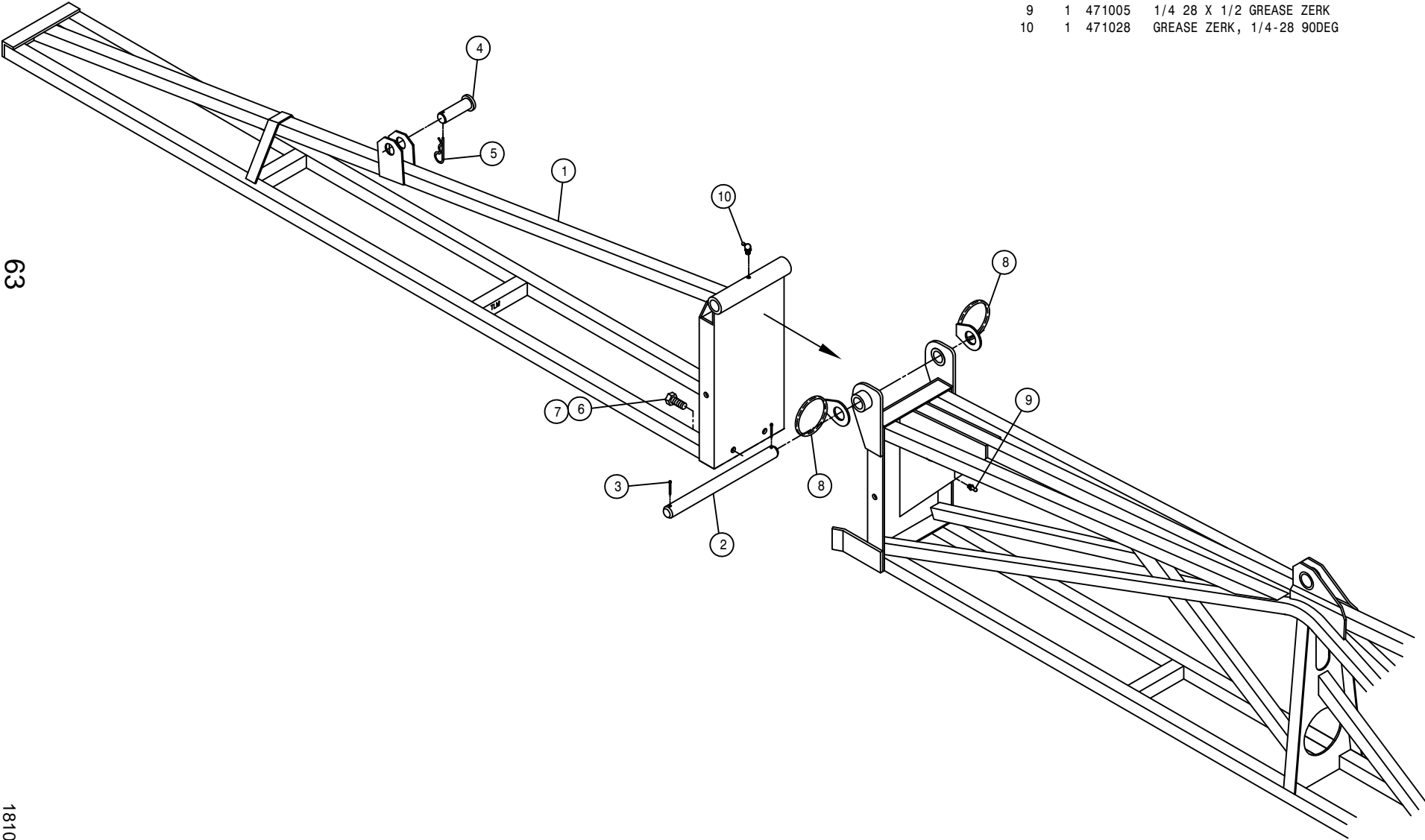
80-90 FOOT OUTER BOOM HINGE ASSEMBLY

DET. QTY PART NO. DESCRIPTION

1	1	160351	BOOM PIVOT PIN, .625 X 11.50
2	1	160979	1/2UNC X 9 EYE BOLT
3	1	160981	SWIVEL, 1/2" BOOM EYEBOLT
4	1	164212	BOOM WLD,80/90' OUTER SECT 96
5	1	164232	BOOM PIN, .625 X 5.13 96
6	1	164233	SPRING HOOK WLD,OUTER BOOM 96
7	1	164236	OUTER BOOM SUPPORT WLD 96
8	4	470162	COTTER PIN 3/16 X 1 1/2 SQCUT
9	1	482013	SPRING,2.50 X 17.00 EXTENSION
10	4	900006	1/4UNC X 1 3/4 HEX BOLT
11	2	910008	1/2UNC HEX NUT
12	4	914000	1/4UNC HEX STOVER NUT
13	3	920005	5/8 FLAT WASH SAE
14	1	471005	1/4 28 X 1/2 GREASE ZERK
15	1	473895	1/4 X 1 3/4 LYNCH PIN

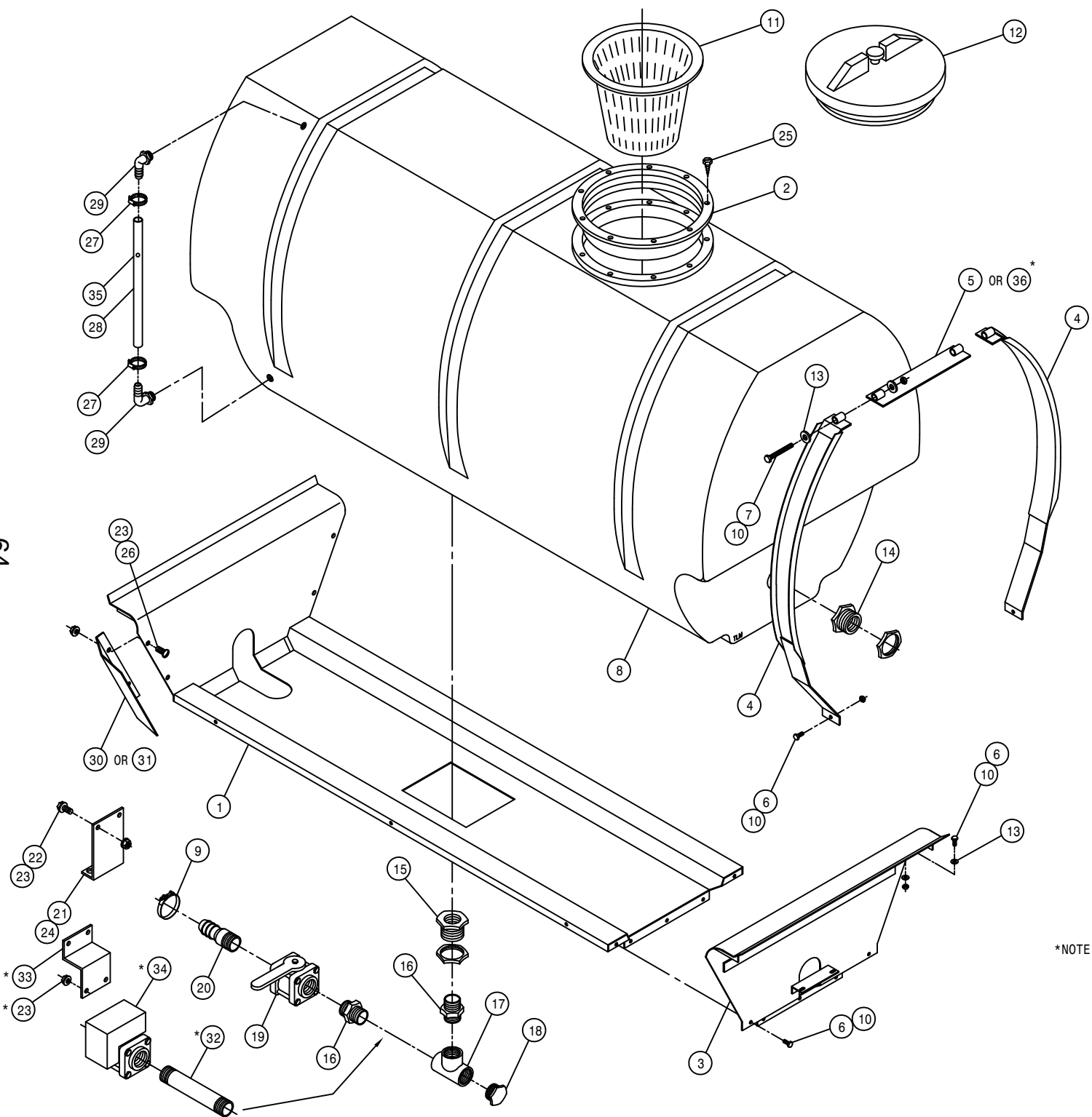
60 FOOT BOOM HINGE PIVOT ASSEMBLY

DET.	QTY	PART NO.	DESCRIPTION
1	1	164205	BOOM WLD, 60' OUTER SECT 96
2	1	164231	BOOM PIN, 1.00 X 11.75 96
3	2	470162	COTTER PIN 3/16 X 1 1/2 SQCUT
4	1	472276	CLEVIS PIN, 1.00 X 2.00 PLT
5	1	611016	HAIR PIN #6
6	2	900128	3/8UNC X 3/4 HEX BOLT
7	2	914004	3/8UNC HEX STOVER NUT
8	2	438302	HOSE SUPPORT RING WLD W/WASHER
9	1	471005	1/4 28 X 1/2 GREASE ZERK
10	1	471028	GREASE ZERK, 1/4-28 90DEG



63

181063



POLY 400 GALLON SOLUTION TANK ASSEMBLY

DET.	QTY	PART NO.	DESCRIPTION
	1	763434	POLY TANK CRADLE WELD, 284 94
	2	763409	10" THD'D RING FOR TANK LID
	3	763340	REAR POLY CRADLE MT WLD280 90
	4	763454	TANK BAND WLD, 284 POLY 95
	5	763456	TANK BAND TIE WLD,284 POLY 95
	6	900129	3/8UNC X 1 HEX BOLT
	7	906138	3/8UNC X 3 1/2 HEX BOLT FULL
	8	763440	400 GAL POLY SOLU TANK 94
	9	520133	1.81/2.06 T-BOLT HOSE CLAMP
	10	914004	3/8UNC HEX STOVER NUT
	11	763431	8" STRAINER BASKET, SOLU TANK
	12	763408	LID, THD'D W/VENT, POLY TANK
	13	920002	WASH FLAT 3/8 SAE
	14	618548	1.25 PLASTIC FTG ASSY POLYTNK
	15	618604	1.50 PLASTIC FTG ASSY-POLYTNK
	16	500028	1 1/2NPT PIPE NIPPLE, POLY
	17	500030	1 1/2"NPT PIPE TEE, POLY
	18	500031	1 1/2NPT PIPE PLUG, POLY
	19	696110	BALL VALVE 1 1/2FNPT POLY
	20	500032	1 1/2NPT X 1 1/2 H BARB, POLY
	21	763363	SOLU HOSE SUPPORT 280 POLY 91
	22	470118	1/4UNC X 3/4 FLANGED HEX BOLT
	23	470121	1/4UNC HEX FLANGED LOCK NUT
	24	470000	CABLE TIE, 21" BLACK PLASTIC
	25	763410	S.S. SCREW FOR CAP RING
	26	472269	1/4UNCX1/2 FLT HD MACH SCREW
	27	520069	HOSE CLAMP NO 6 PLATED
	28	601245	HOSE, .50 X 42.00 SIGHT GAUGE
	29	618556	1/4NPT-90-1/2 HOSE BARB,POLY
	30	763436	RH SIGHT GAGE SHLD,POLY284 94
	31	763437	LH SIGHT GAGE SHLD,POLY284 94
	32	500029	1 1/2NPT X 6 PIPE NIPPLE,POLY
	33	763445	ELECT SOLU VLV SUPPORT 94
	34	696161	1 1/2NPT ELECT SOLU VALVE
	35	763446	RED POLYPROPYLENE BALL 25/64"
	36	763460	BAND TIE/WALK MT WLD, 284 95

*NOTE: ITEMS 23,32,33, AND 34 ARE USED WITH THE ELECTRIC SOLUTION VALVE OPTION.

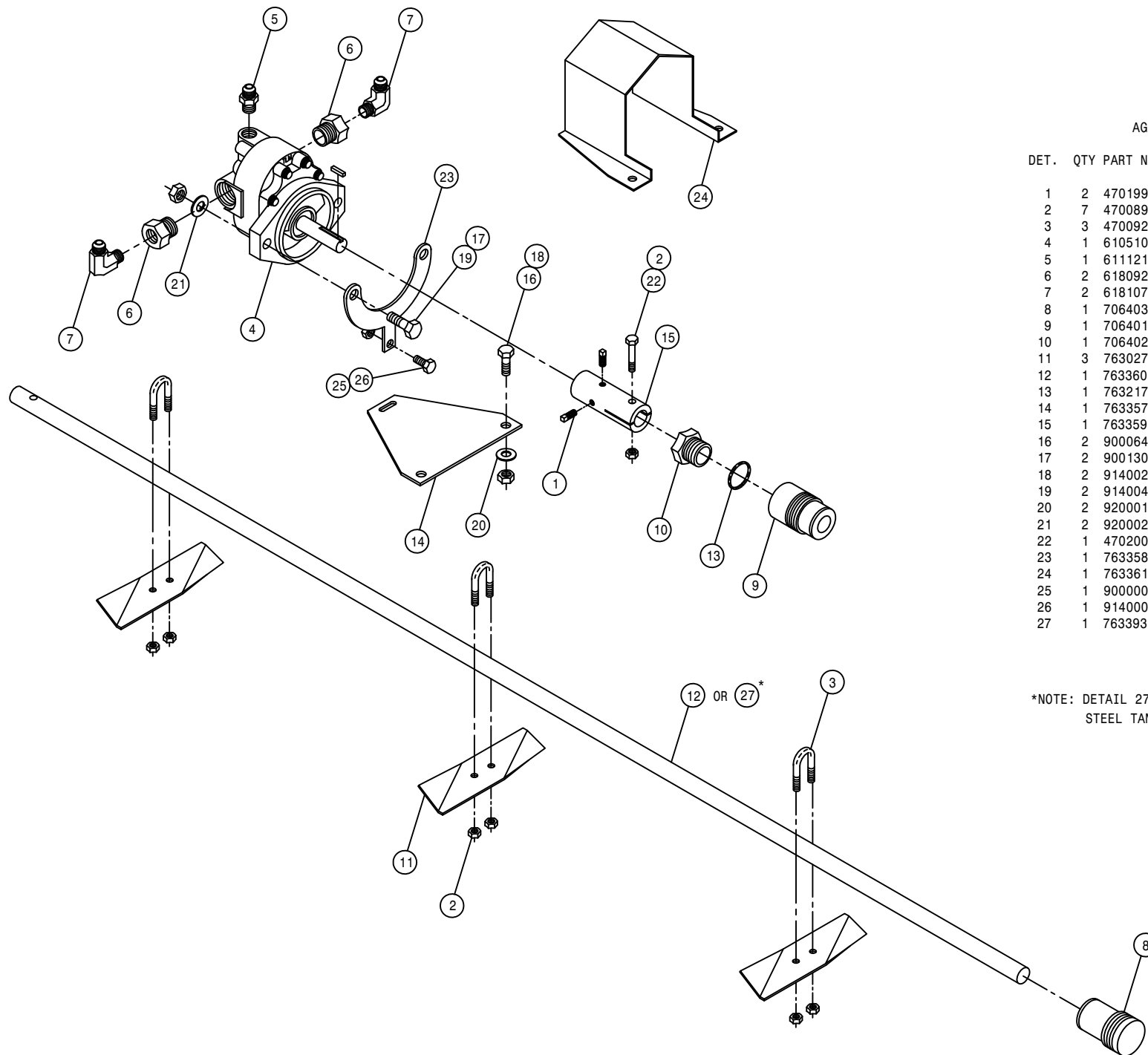
ITEM 36 IS USED WITH THE NARROW TREAD OPTION.

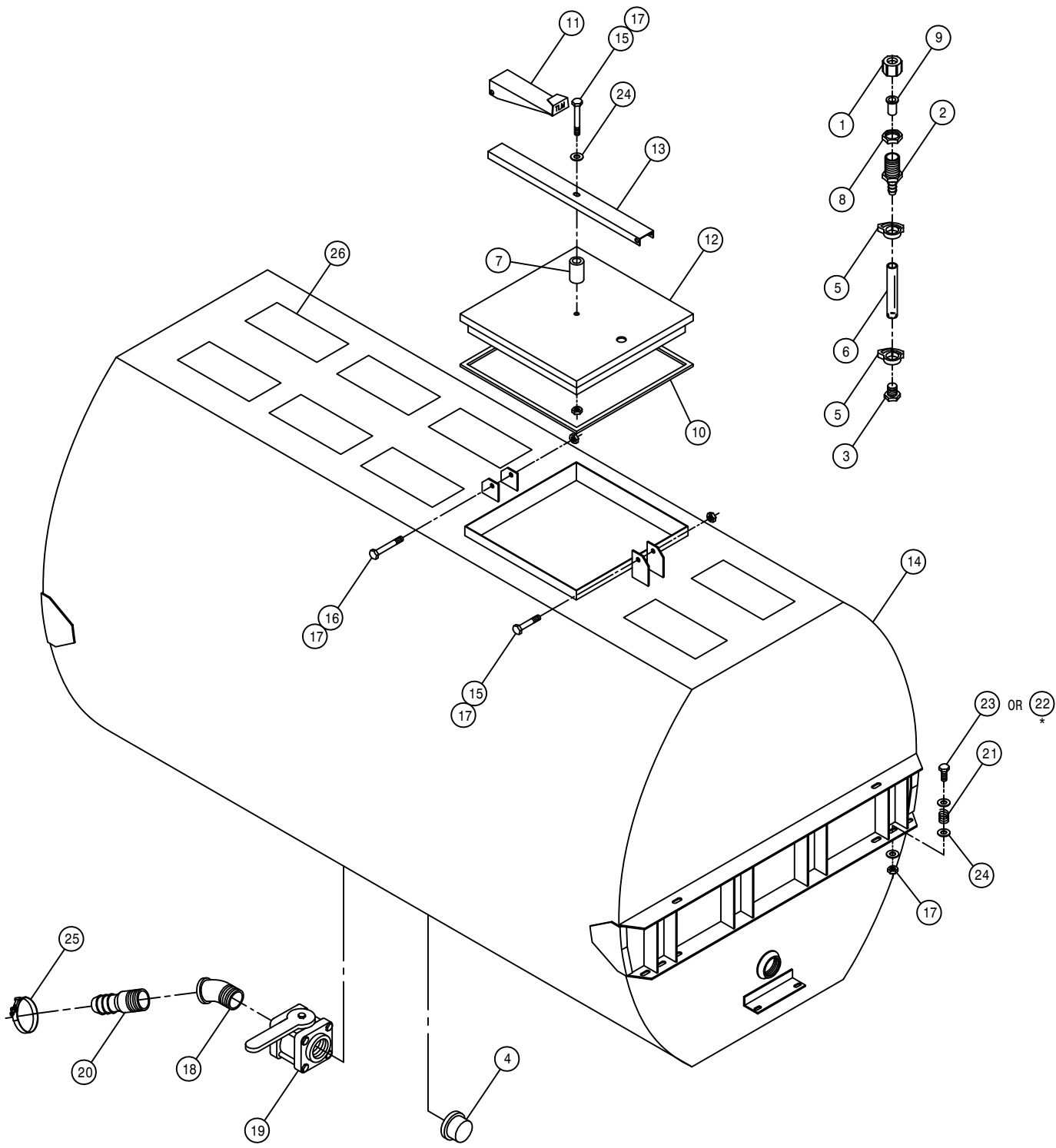
AGITATOR ASSEMBLY

DET. QTY PART NO. DESCRIPTION

1	2	470199	1/4UNC X 3/8 SQHD CUP SET SCR	
2	7	470089	1/4UNC HEX LOC NUT NYL INS SS	
3	3	470092	1/4UNC-3/4ID-1 1/4 U-BOLT SS	
4	1	610510	CESSNA GEAR MOTOR 1.48CI	
5	1	611121	9/16MJIC-1/4MNPT ADPTR	
6	2	618092	1 1/16MOR-1/2FNPT ADPTR	
7	2	618107	9/16MJIC-90-1/2MNPT LBO	
8	1	706403	FRT AGIT SHFT BRG, NYLON	
9	1	706401	REAR AGIT SHFT BRG, NYLON	
10	1	706402	AGIT SHFT GLAND NUT, NYLON	
11	3	763027	AGIT IMPELLER	
12	1	763360	AGIT SHAFT 280	91
13	1	763217	GLAND PACKING, 13 IN. LONG	
14	1	763357	AGIT MTR MT PLT CES 280	91
15	1	763359	AGIT MTR CPLR 280	91
16	2	900064	5/16UNC X 3/4 HEX BOLT	
17	2	900130	3/8UNC X 1 1/4 HEX BOLT	
18	2	914002	5/16UNC HEX STOVER NUT	
19	2	914004	3/8UNC HEX STOVER NUT	
20	2	920001	5/16 SAE FLAT WASHER	
21	2	920002	3/8 SAE FLAT WASHER	
22	1	470200	1/4UNC X 1 3/4 HEX BOLT SS	
23	1	763358	AGIT MTR MT YOKE CES 280	91
24	1	763361	AGIT CPLR SHIELD 280	91
25	1	900000	1/4UNC X 1/2 HEX BOLT	
26	1	914000	1/4UNC HEX STOVER NUT	
27	1	763393	AGIT SHAFT 250	91

*NOTE: DETAIL 27 IS USED WITH THE STAINLESS STEEL TANK OPTION.

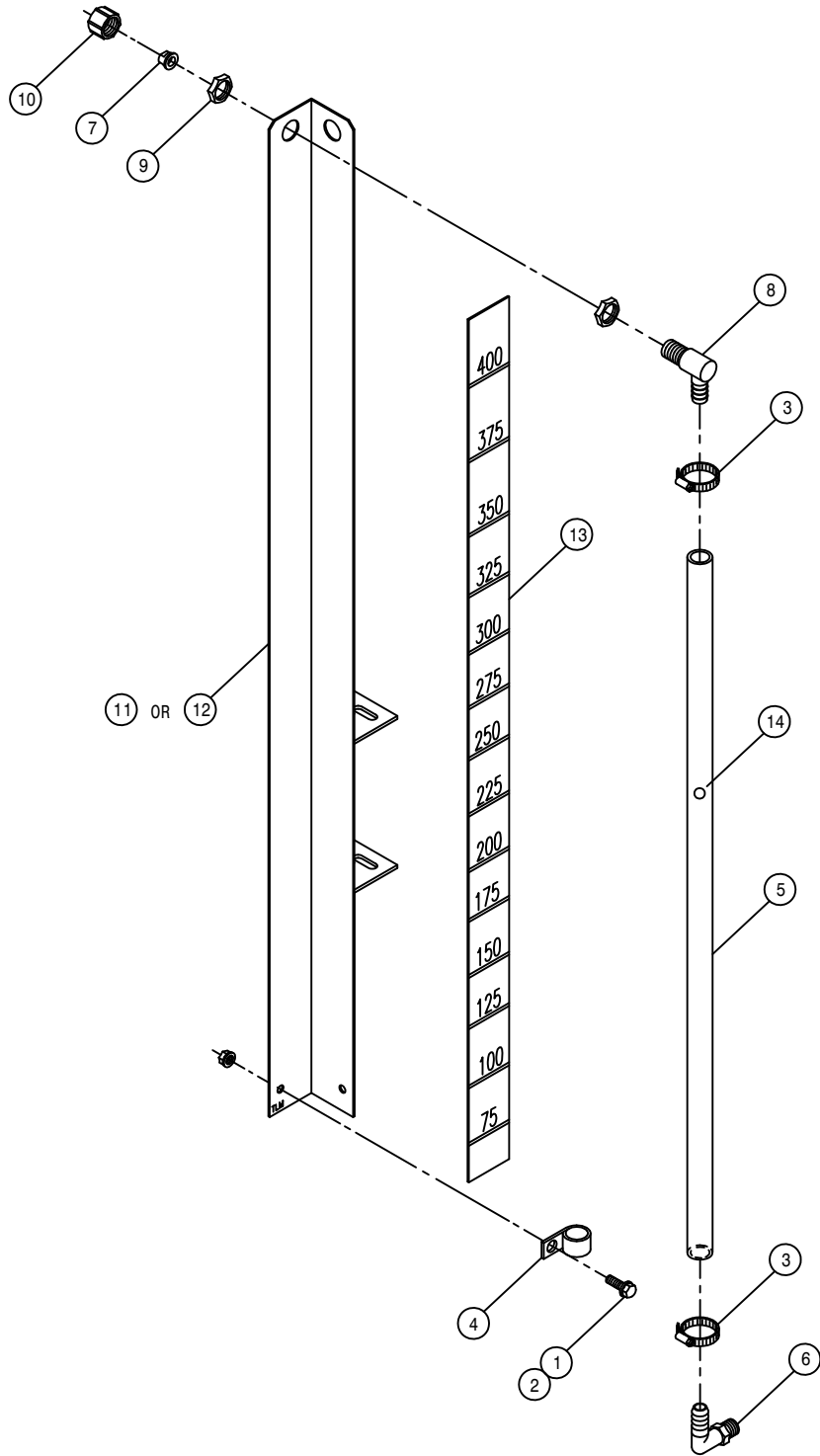




STAINLESS STEEL SOLUTION TANK ASSEMBLY

DET.	QTY	PART NO.	DESCRIPTION
1	1	500005	CAP NUT .688FPS NYLON
2	1	500006	.38 H BARB X .69 MPS NYLON
3	1	500007	FTG .12 MNPT HEX PLUG NYLON
4	1	507100	PIPE CAP 1.50NPT
5	2	520003	HOSE CLAMP NO 6 PLASTIC SNAP
6	1	601216	SPRAY TNK VENT HOSE .38X3.50
7	1	601231	HOSE, 3/4 X 2 HI PRESS EPDM
8	1	737858	TEE AND EL NUT .688 FPS
9	1	738859	STRAINER 50 MESH NYLON
10	1	760651	TANK LID GSKT 647
11	1	763163	SPRAY TANK LATCH HANDLE 647S
12	1	763164	SPRAY TANK LID WLD 647S
13	1	763166	TANK LID CHAN 647-S SIDE
14	1	763294	SS SPRAY TANK WLD 400 GAL 280
15	2	900134	3/8UNC X 2 1/2 HEX BOLT
16	1	900138	3/8UNC X 3 1/2 HEX BOLT
17	7	914004	3/8UNC HEX STOVER NUT
18	1	507024	BLK PIPE ST EL 45DEG 1.50NPT
19	1	696110	BALL VALVE 1 1/2FNPT POLY
20	1	716003	1 1/2 X 1 1/2 HOSE BARB
21	2	499001	SPRING HYDRO CONTROL
22	2	900129	3/8UNC X 1 HEX BOLT
23	2	900170	3/8UNC X 2 1/4 HEX BOLT
24	11	920002	WASH FLAT 3/8 SAE
25	1	520133	1.81/2.06 T-BOLT HOSE CLAMP
26	8	659677	4X9 SAFETY WALK

*NOTE: HARDWARE SHOWN IS FOR REAR OF SOLUTION TANK.
FRONT SIDE USES DETAIL 22 AND NO SPRINGS.



SIGHT GAUGE HOSE ASSEMBLY

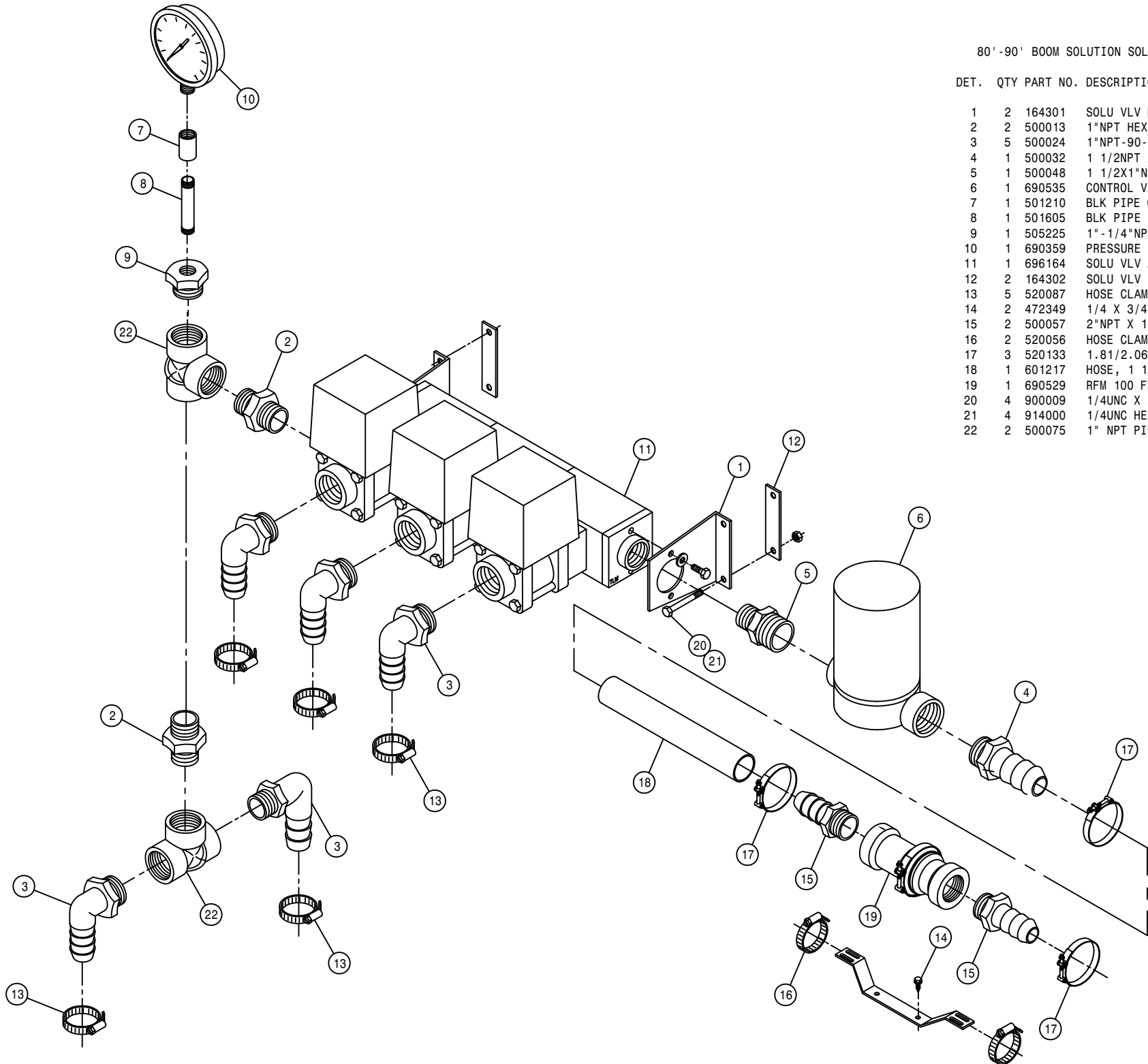
DET. QTY PART NO. DESCRIPTION

1	1	470122	1/4UNC X 1/2 FLANGED HEX BOLT
2	1	470121	1/4UNC HEX FLANGED LOCK NUT
3	2	520069	HOSE CLAMP NO 6 PLATED
4	1	520117	CUSH HOSE CLAMP 5/8D X 1/2W
5	1	601302	HOSE, 1/2 X 52 SIGHT GAUGE
6	1	618556	1/4NPT-90-1/2 HOSE BARB,POLY
7	1	731109	TIP,FS-9 80DEG NYL SNGL ORF
8	1	737856	EL NOZL BODY .50 STEEL
9	1	737858	TEE AND EL NUT .688 FPS
10	1	738866	CAP NUT .688 FPS STEEL
11	1	763316	RH SIGHT GAUGE MT WLD 280 89
12	1	763317	LH SIGHT GAUGE MT WLD 280 89
13	1	650334	DECAL,SS TANK SIGHT GAUGE 280
14	1	763446	RED POLYPROPYLENE BALL 25/64"

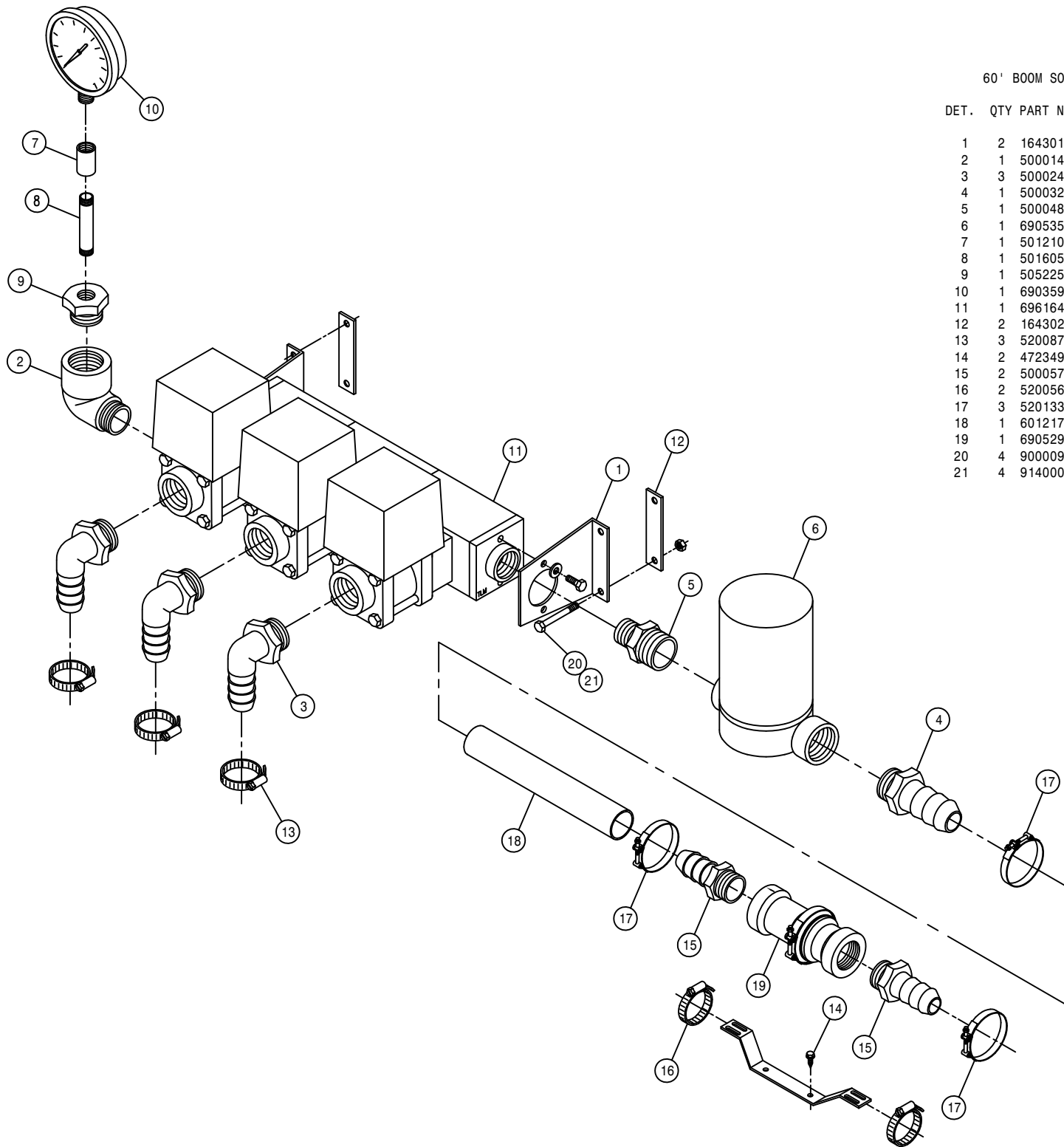
80' -90' BOOM SOLUTION SOLENOID ASSEMBLY

DET. QTY PART NO. DESCRIPTION

DET.	QTY	PART NO.	DESCRIPTION
1	2	164301	SOLU VLV MANIFOLD MT 97
2	2	500013	1"NPT HEX PIPE NIPPLE, POLY
3	5	500024	1"NPT-90-1"HOSE BARB, POLY
4	1	500032	1 1/2NPT X 1 1/2 H BARB, POLY
5	1	500048	1 1/2X1"NPT REDU NIPPLE, POLY
6	1	690535	CONTROL VALVE,1 1/2"POLY,RAVN
7	1	501210	BLK PIPE CPLG .25NPT
8	1	501605	BLK PIPE NIPPLE .25NPT-3.00
9	1	505225	1"-1/4"NPT REDU BUSH, POLY
10	1	690359	PRESSURE GA GLYCERI 100 PSI
11	1	696164	SOLU VLV ASSY,3-SECT 1"NPT
12	2	164302	SOLU VLV MANIFOLD MT KEEPER97
13	5	520087	HOSE CLAMP NO 20 STAINLESS
14	2	472349	1/4 X 3/4 20THD-IN TEK TYPE
15	2	500057	2"NPT X 1 1/2 H BARB, POLY
16	2	520056	HOSE CLAMP NO 56 STAINLESS
17	3	520133	1.81/2.06 T-BOLT HOSE CLAMP
18	1	601217	HOSE, 1 1/2 X 24 2F-1W EPDM
19	1	690529	RFM 100 FLOW METER, RAVEN
20	4	900009	1/4UNC X 2 3/4 HEX BOLT
21	4	914000	1/4UNC HEX STOVER NUT
22	2	500075	1" NPT PIPE TEE, POLY



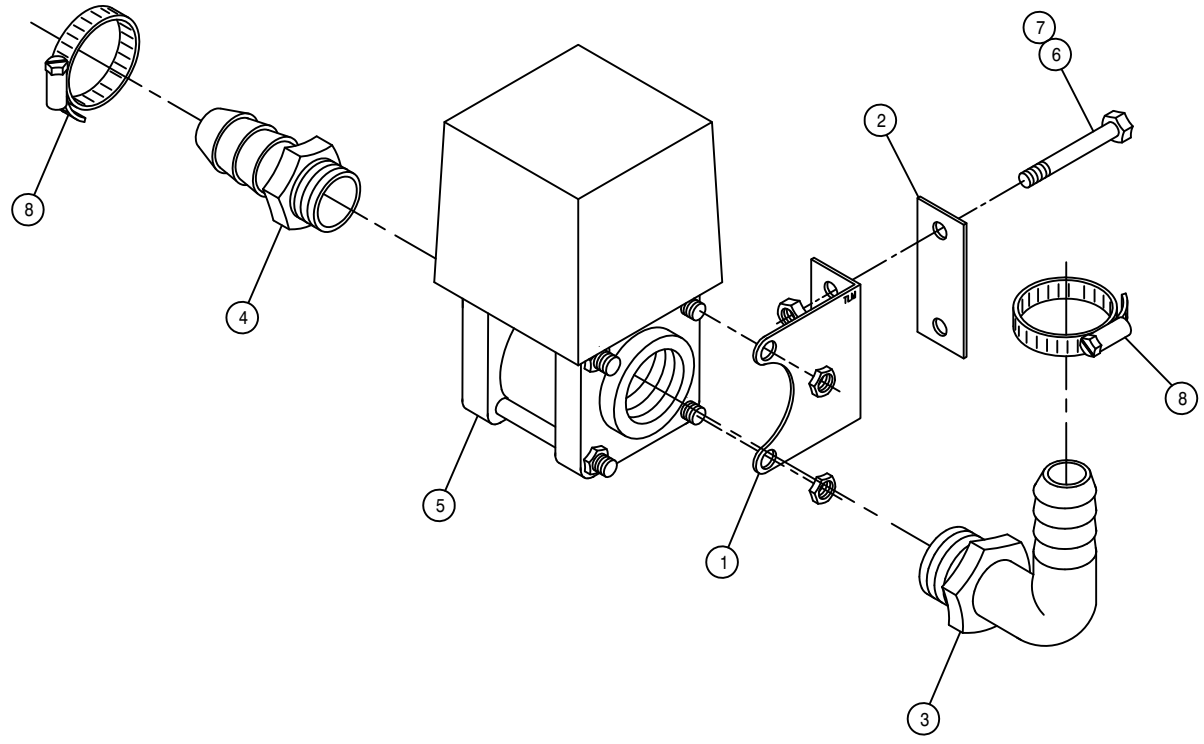
60' BOOM SOLUTION SOLENOID ASSEMBLY



DET.	QTY	PART NO.	DESCRIPTION		
	1	2	164301	SOLU VLV MANIFOLD MT	97
	2	1	500014	1"NPT-90 ST EL, POLY	
	3	3	500024	1"NPT-90-1"HOSE BARB, POLY	
	4	1	500032	1 1/2NPT X 1 1/2 H BARB, POLY	
	5	1	500048	1 1/2X1"NPT REDU NIPPLE, POLY	
	6	1	690535	CONTROL VALVE,1 1/2"POLY,RAVN	
	7	1	501210	BLK PIPE CPLG .25NPT	
	8	1	501605	BLK PIPE NIPPLE .25NPT-3.00	
	9	1	505225	1"-1/4"NPT REDU BUSH, POLY	
	10	1	690359	PRESSURE GA GLYCERI 100 PSI	
	11	1	696164	SOLU VLV ASSY,3-SECT 1"NPT	
	12	2	164302	SOLU VLV MANIFOLD MT KEEPER97	
	13	3	520087	HOSE CLAMP NO 20 STAINLESS	
	14	2	472349	1/4 X 3/4 20THD-IN TEK TYPE	
	15	2	500057	2"NPT X 1 1/2 H BARB, POLY	
	16	2	520056	HOSE CLAMP NO 56 STAINLESS	
	17	3	520133	1.81/2.06 T-BOLT HOSE CLAMP	
	18	1	601217	HOSE, 1 1/2 X 24 2F-1W EPDM	
	19	1	690529	RFM 100 FLOW METER, RAVEN	
	20	4	900009	1/4UNC X 2 3/4 HEX BOLT	
	21	4	914000	1/4UNC HEX STOVER NUT	

80'-90' OUTER BOOM SOLUTION SOLENOID

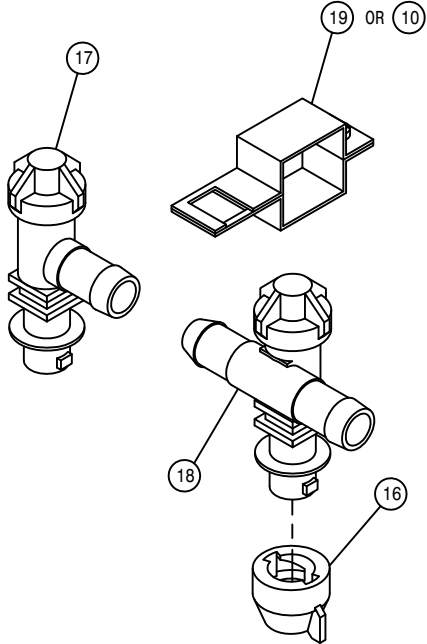
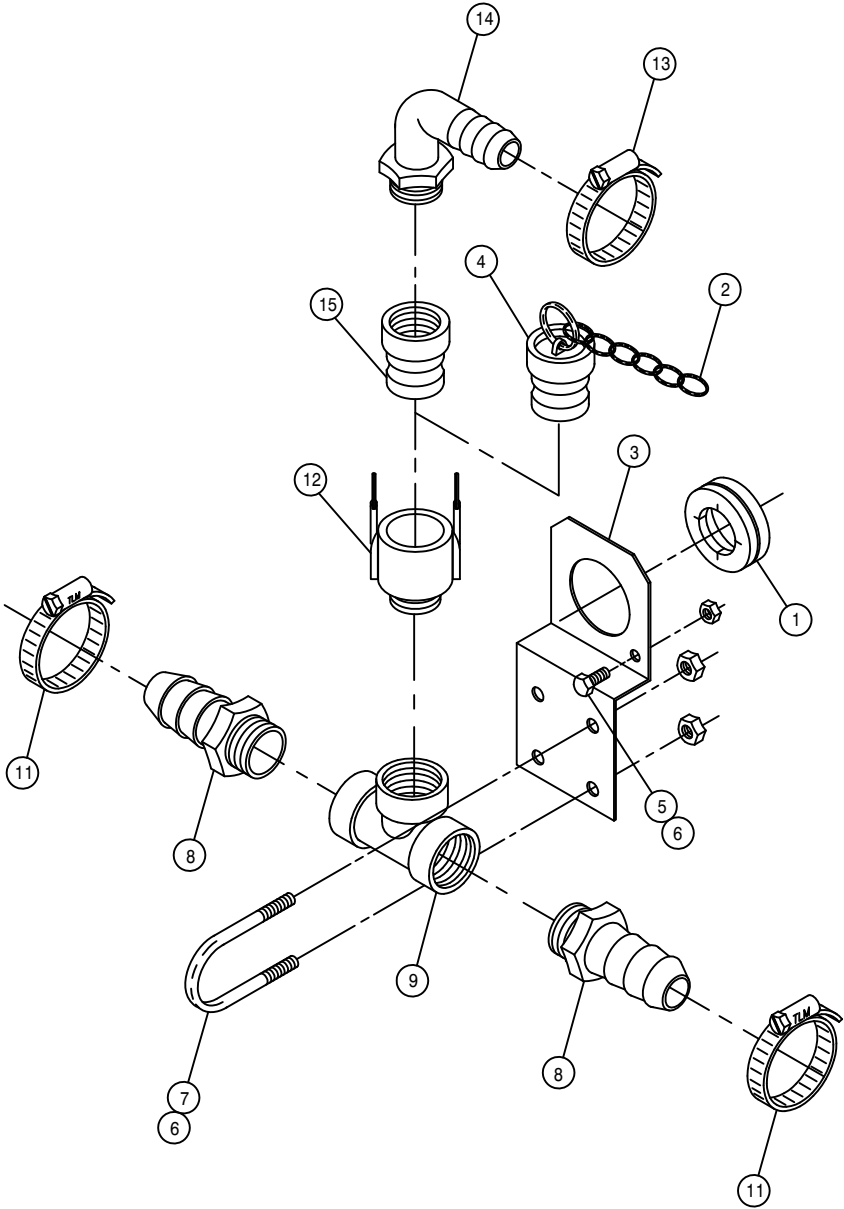
DET.	QTY	PART NO.	DESCRIPTION	
1	1	164303	SOLU VLV MT	97
2	1	164304	SOLU VLV MT KEEPER	97
3	1	500024	1"NPT-90-1"HOSE BARB, POLY	
4	1	500074	1"NPT-1" HOSE BARB, POLY	
5	1	696162	1" ELECT BALL VLV 344EC-2-1	
6	2	900007	1/4UNC X 2" HEX BOLT	
7	2	914000	1/4UNC HEX STOVER NUT	
8	2	520087	HOSE CLAMP NO 20 PLATED	

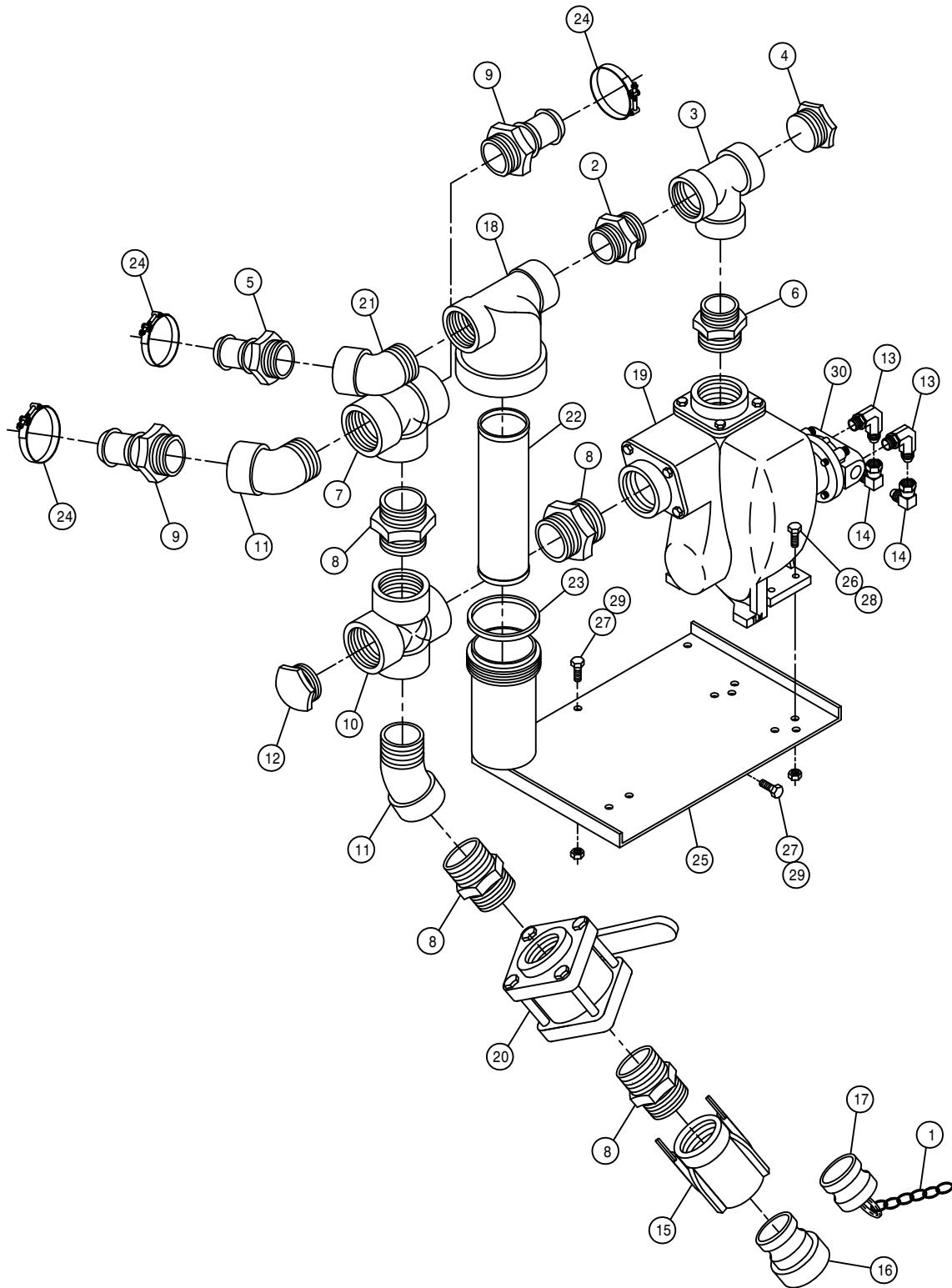


BOOM FEEDER TEE ASSEMBLY

DET. QTY PART NO. DESCRIPTION

1	1	160015	2.06ID GROMMET SLIT
2	1	160986	CHAIN, 12.00 LONG
3	1	164262	FEEDER T MTG BRKT
4	1	696204	QUICK CONNECT PLUG, 3/4
5	1	900002	1/4UNC X 3/4 HEX BOLT
6	5	914000	1/4UNC HEX STOVER NUT
7	2	470237	1/4UNC-1 1/2ID-3 1/4 U-BOLT
8	2	500022	3/4NPT-3/4HOSE BARB, POLY
9	1	505218	3/4 NPT PIPE TEE, POLY
10	1	737817	NOZL MT CLMP,1.00 SQ SS,Q-TJET
11	2	520055	HOSE CLAMP NO 12 STAINLESS
12	1	696203	QUICK CONNECT CPLR MALE 3/4
13	1	520087	HOSE CLAMP NO 20 STAINLESS
14	1	500026	3/4NPT-90-1"HOSE BARB, POLY
15	1	696202	QUICK CONNECT FEM ADPTR 3/4NP
16	1	737822	QUICK TEEJET CAP YELLOW 19115
17	1	737829	QUICK TJET EL BODY DIAPH .75
18	1	737830	QUICK TJET TEE BODY DIAPH .75
19	1	737832	NOZL MT CLMP,1.25 SQ,SS Q-TJET

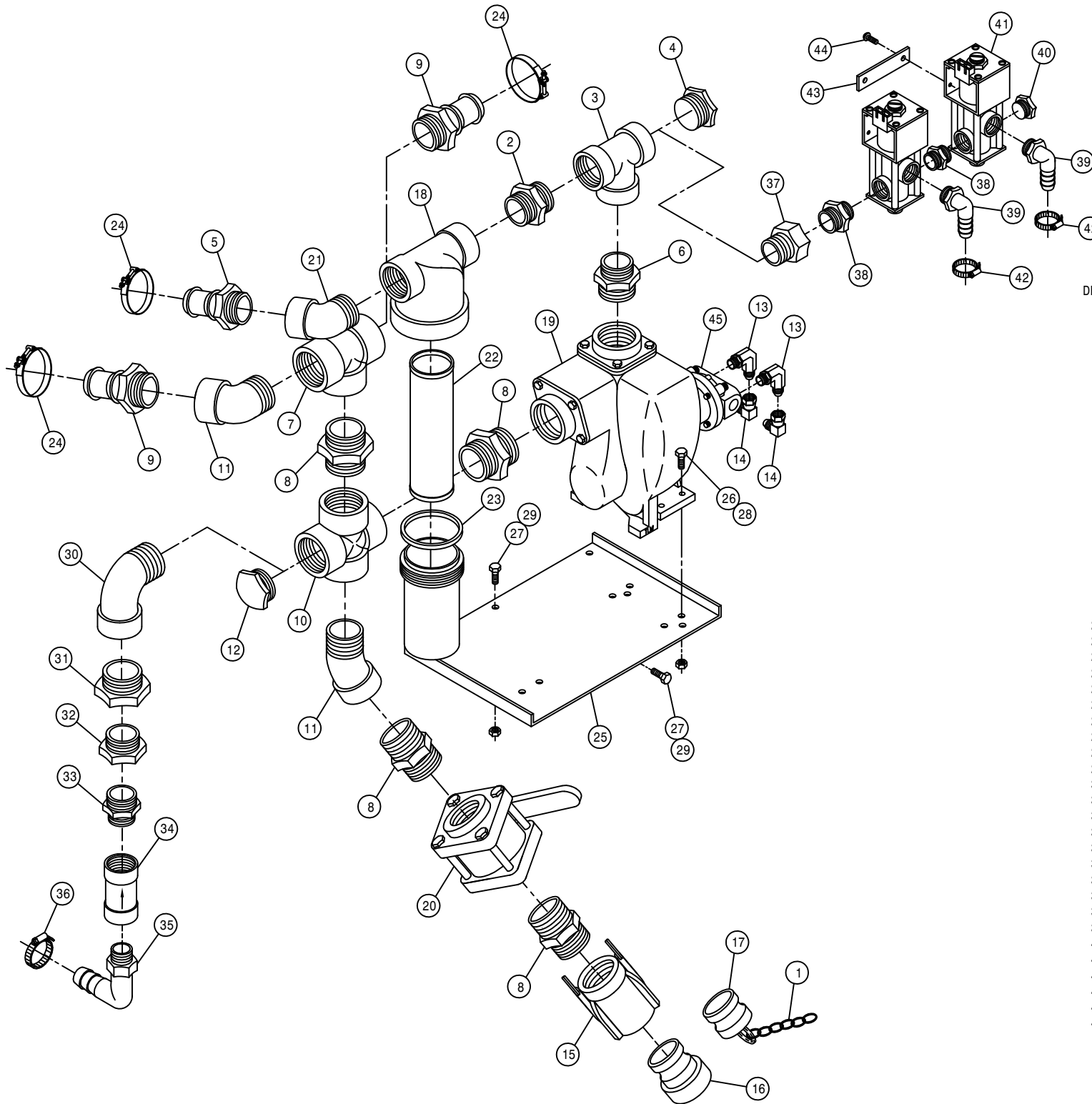




FLOMAX SOLUTION PUMP ASSEMBLY

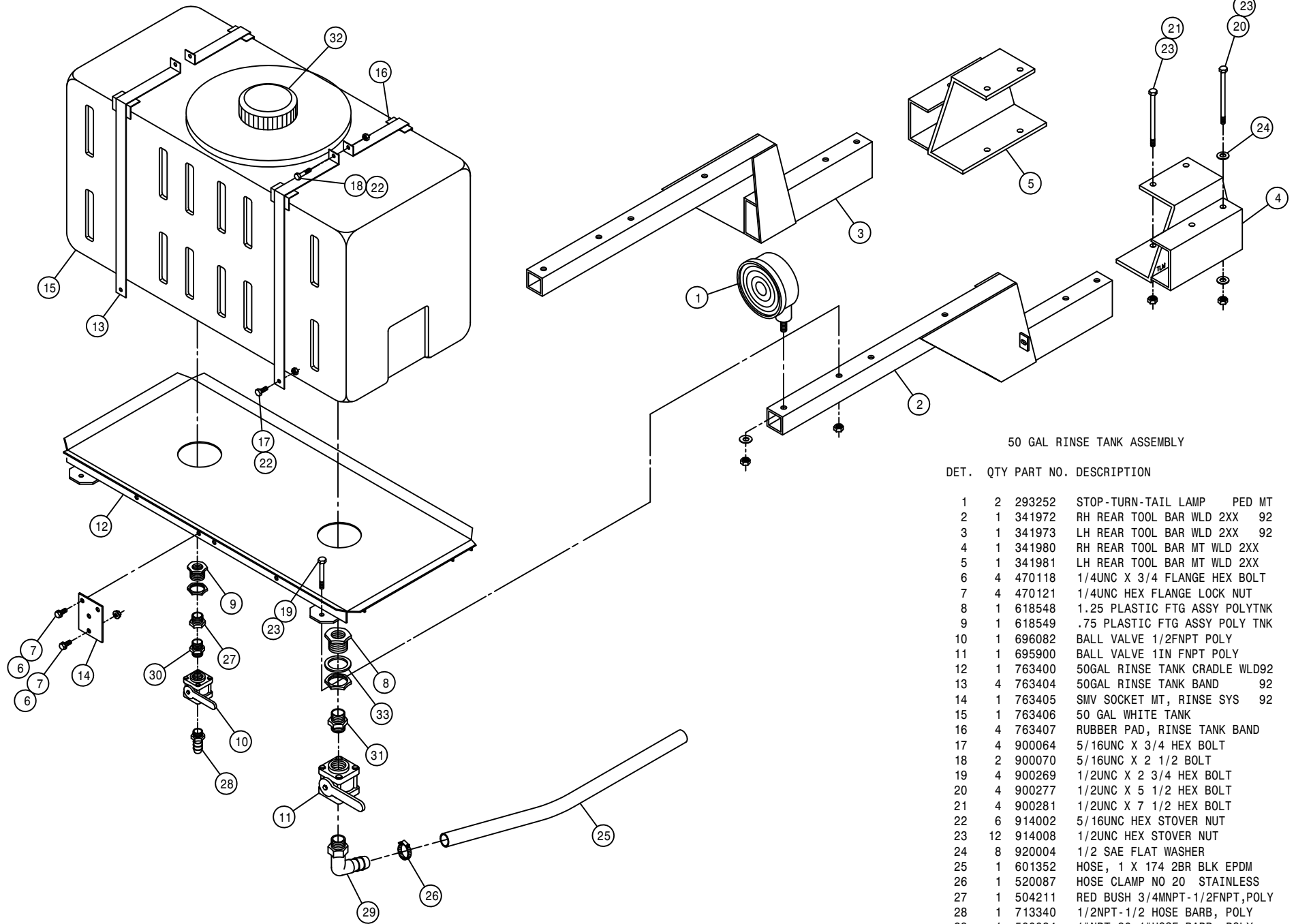
DET. QTY PART NO. DESCRIPTION

1	1	160986	CHAIN, 12.00 LONG
2	1	500028	1 1/2NPT PIPE NIPPLE, POLY
3	1	500030	1 1/2"NPT PIPE TEE, POLY
4	1	500031	1 1/2NPT PIPE PLUG, POLY
5	1	500032	1 1/2NPT X 1 1/2 H BARB, POLY
6	1	500038	2" X 1 1/2NPT REDU NIPPLE,POLY
7	1	500055	2" NPT PIPE TEE, POLY
8	4	500056	2" NPT CLOSE HEX NIPPLE, POLY
9	2	500057	2"NPT X 1 1/2 H BARB, POLY
10	1	500060	2"FNPT CROSS, POLY
11	2	500061	2"NPT-45 ST EL, POLY
12	1	500065	2"NPT PIPE PLUG, POLY
13	2	618241	3/4MJIC-90-3/4MOR LBO
14	2	618609	3/4MJIC-90-3/4FJIC SWIV LBO
15	1	690390	2.00 FEMALE NPT COUPLER
16	1	690391	2.00 FEMALE NPT ADPTR
17	1	690392	ADPTR PLG FOR 2.00 NPT COUPLR
18	1	690474	1 1/2 LINE STRAINER50M 150PSI
19	1	690552	FLOMAX 8, 2" PUMP
20	1	696134	BALL VALVE 2IN FNPT POLY
21	1	500035	1 1/2NPT-45 ST EL, POLY
22	1	690475	50 MESH SCREEN FOR 690474
23	1	690476	STRAINER GASKET FOR 690474
24	3	520133	1.81/2-.06 T-BOLT HOSE CLAMP
25	1	690530	2" SOLU PUMP MT WLD
26	4	900066	5/16UNC X 1 1/4 HEX BOLT
27	3	900129	3/8UNC X 1" HEX BOLT
28	4	914002	5/16UNC HEX STOVER NUT
29	3	914004	3/8UNC HEX STOVER NUT
30	1	690573	HYD MOTOR, FLOMAX HI-SPEED



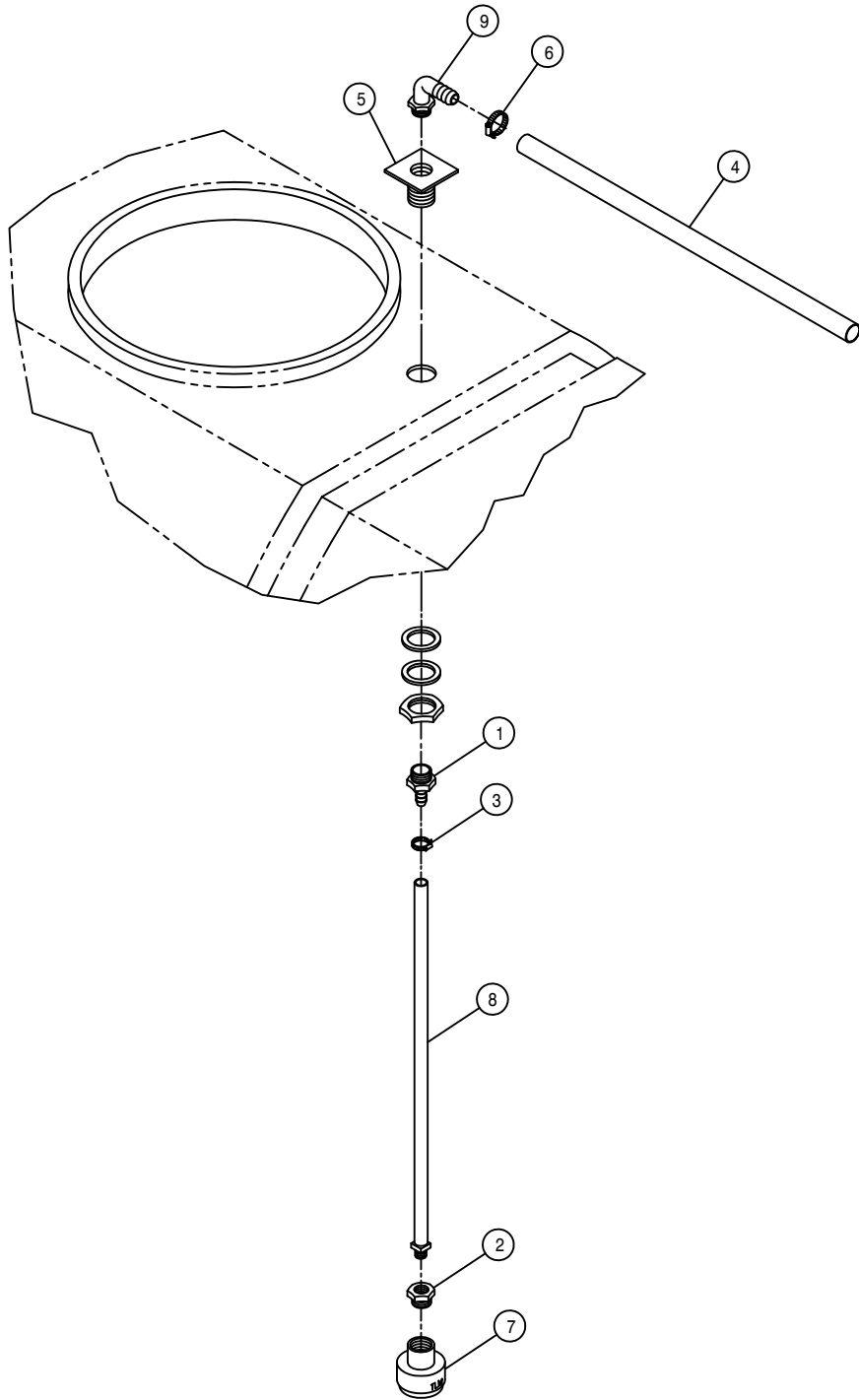
FLOMAX SOLUTION PUMP ASSEMBLY WITH RINSE

DET.	QTY	PART NO.	DESCRIPTION
1	1	160986	CHAIN, 12.00 LONG
2	1	500028	1 1/2NPT PIPE NIPPLE, POLY
3	1	500030	1 1/2"NPT PIPE TEE, POLY
4	1	500031	1 1/2NPT PIPE PLUG, POLY
5	1	500032	1 1/2NPT X 1 1/2 H BARB, POLY
6	1	500038	2" X 1 1/2NPT REDU NIPPLE, POLY
7	1	500055	2" NPT PIPE TEE, POLY
8	4	500056	2" NPT CLOSE HEX NIPPLE, POLY
9	2	500057	2"NPT X 1 1/2 H BARB, POLY
10	1	500060	2"FNPT CROSS, POLY
11	2	500061	2"NPT-45 ST EL, POLY
12	1	500065	2"NPT PIPE PLUG, POLY
13	2	618241	3/4MJIC-90-3/4MOR LBO
14	2	618609	3/4MJIC-90-3/4FJIC SWIV LBO
15	1	690390	2.00 FEMALE NPT COUPLER
16	1	690391	2.00 FEMALE NPT ADPTR
17	1	690392	ADPTR PLG FOR 2.00 NPT COUPLR
18	1	690474	1 1/2 LINE STRAINER50M 150PSI
19	1	690552	FLOMAX 8, 2" PUMP
20	1	696134	BALL VALVE 2IN FNPT POLY
21	1	500035	1 1/2NPT-45 ST EL, POLY
22	1	690475	50 MESH SCREEN FOR 690474
23	1	690476	STRAINER GASKET FOR 690474
24	3	520133	1.81/2.06 T-BOLT HOSE CLAMP
25	1	690530	2" SOLU PUMP MT WLD 95
26	4	900066	5/16UNC X 1 1/4 HEX BOLT
27	3	900129	3/8UNC X 1" HEX BOLT
28	4	914002	5/16UNC HEX STOVER NUT
29	3	914004	3/8UNC HEX STOVER NUT
30	1	500053	2"NPT-90 ST EL, POLY
31	1	500071	2" X 1 1/2NPT REDU BUSH, POLY
32	1	500037	1 1/2"X 1 1/4NPT BUSH, POLY
33	1	500052	1 1/4 X 1NPT REDU NIPPLE, POLY
34	1	690488	1.00 CHECK VLV, SPRING LOADED
35	1	500024	1"NPT-90-1"HOSE BARB, POLY
36	1	520087	HOSE CLAMP NO 20 STAINLESS
37	1	500040	1 1/2 X 3/4 NPT BUSH, POLY
38	2	690098	3/4NPT CLOSE NIPPLE, POLY
39	2	500047	1/2NPT-90-1/2 HOSE BARB, POLY
40	1	500043	3/4NPT PIPE PLUG, POLY
41	2	695952	SOLUTION VALVE, AA144-1 VITON
42	2	520070	HOSE CLAMP NO 8 STAINLESS
43	1	342014	SOLENOID KEEPER, RINSE SYS
44	2	472199	10-24 X 1/2 RD HD MACH SCR
45	1	690573	HYD MOTOR, FLOMAX HI-SPEED



50 GAL RINSE TANK ASSEMBLY

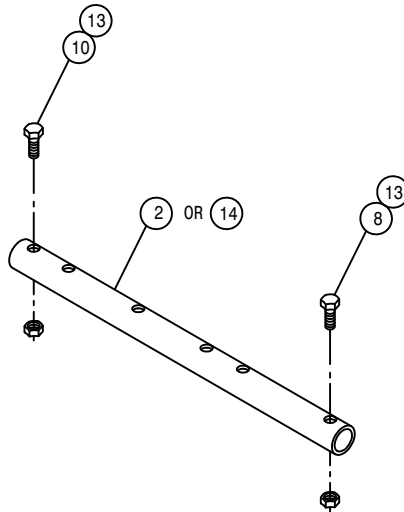
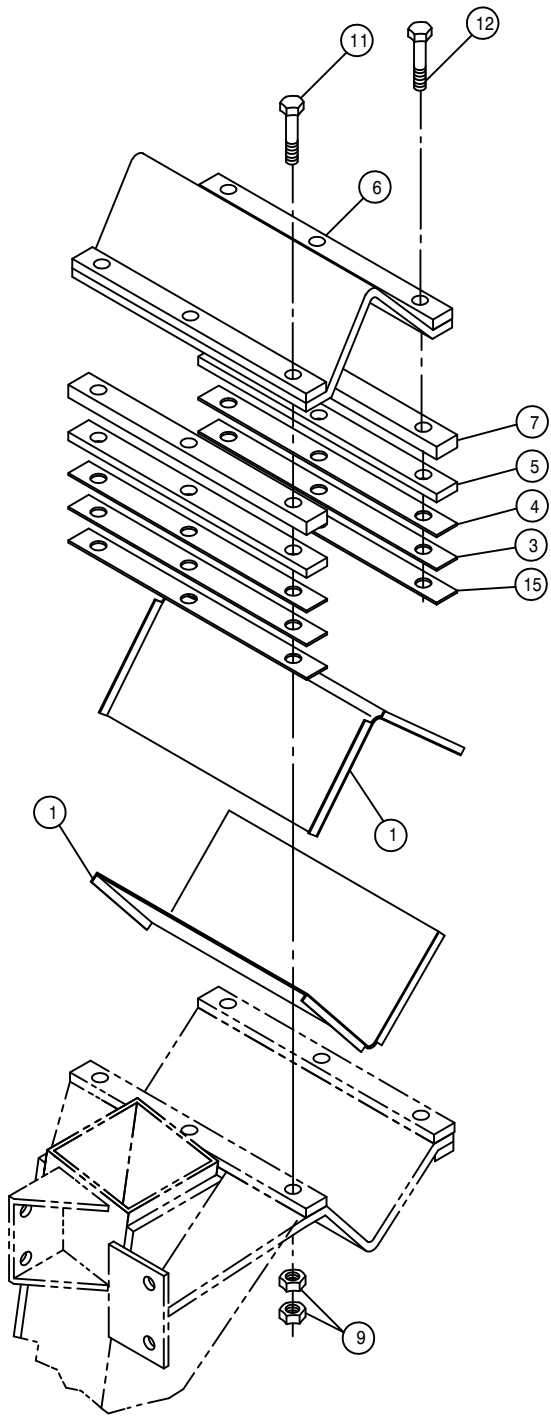
DET.	QTY	PART NO.	DESCRIPTION
1	2	293252	STOP-TURN-TAIL LAMP PED MT
2	1	341972	RH REAR TOOL BAR WLD 2XX 92
3	1	341973	LH REAR TOOL BAR WLD 2XX 92
4	1	341980	RH REAR TOOL BAR MT WLD 2XX
5	1	341981	LH REAR TOOL BAR MT WLD 2XX
6	4	470118	1/4UNC X 3/4 FLANGE HEX BOLT
7	4	470121	1/4UNC HEX FLANGE LOCK NUT
8	1	618548	1.25 PLASTIC FTG ASSY POLYTNK
9	1	618549	.75 PLASTIC FTG ASSY POLY TNK
10	1	696082	BALL VALVE 1/2FNPT POLY
11	1	695900	BALL VALVE 1IN FNPT POLY
12	1	763400	50GAL RINSE TANK CRADLE WLD92
13	4	763404	50GAL RINSE TANK BAND 92
14	1	763405	SMV SOCKET MT, RINSE SYS 92
15	1	763406	50 GAL WHITE TANK
16	4	763407	RUBBER PAD, RINSE TANK BAND
17	4	900064	5/16UNC X 3/4 HEX BOLT
18	2	900070	5/16UNC X 2 1/2 BOLT
19	4	900269	1/2UNC X 2 3/4 HEX BOLT
20	4	900277	1/2UNC X 5 1/2 HEX BOLT
21	4	900281	1/2UNC X 7 1/2 HEX BOLT
22	6	914002	5/16UNC HEX STOVER NUT
23	12	914008	1/2UNC HEX STOVER NUT
24	8	920004	1/2 SAE FLAT WASHER
25	1	601352	HOSE, 1 X 174 2BR BLK EPDM
26	1	520087	HOSE CLAMP NO 20 STAINLESS
27	1	504211	RED BUSH 3/4MNPT-1/2FNPT,POLY
28	1	713340	1/2NPT-1/2 HOSE BARB, POLY
29	1	500024	1"NPT-90-1"HOSE BARB, POLY
30	1	503101	1/2NPT CLOSE NIPPLE, POLY
31	1	500052	1 1/4 X 1NPT REDU NIPPLE,POLY
32	1	690511	LID, RAVEN RINSE TANK 763406
33	1	763430	1 1/4 TANK FLANGE RUBBER SEAL



RINSE NOZZLE ASSEMBLY

DET. QTY PART NO. DESCRIPTION

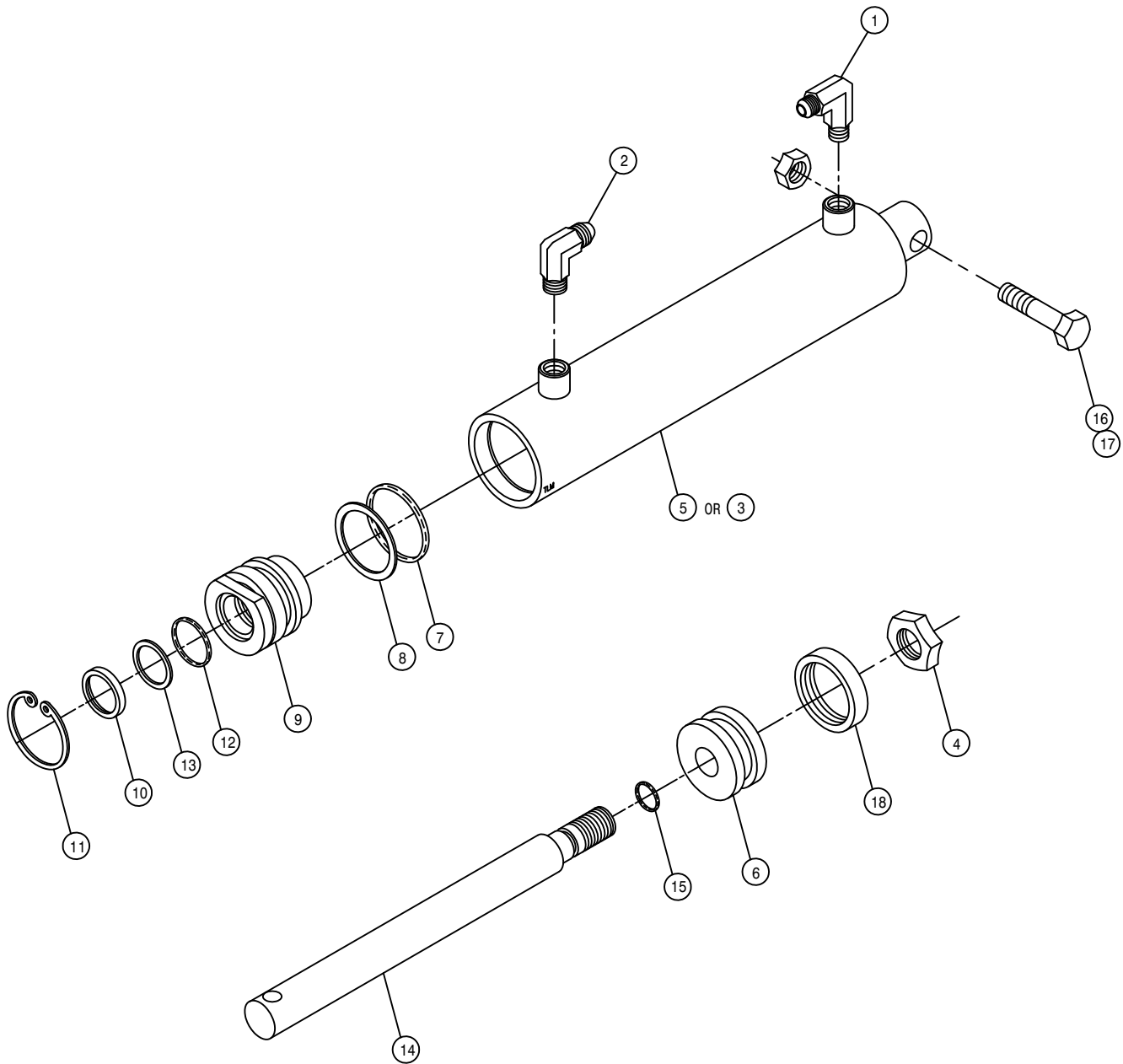
1	1	500027	3/4NPT-3/8 HOSE BARB, POLY
2	1	504002	RED BUSH 3/4 TO 1/4, POLY
3	1	520120	HOSE CLAMP NO 4 PLATED MINI
4	1	601164	HOSE, 1/2 X 117 1BR BLK EPD
5	1	618549	.75 PLASTIC FTG ASSY POLY TNK
6	1	520070	HOSE CLAMP NO 8 PLATED
7	1	737873	ROTARY NOZZLE, TEFLON
8	1	737821	QUICK TEEJET HOSE DROP 24IN
9	1	500041	3/4NPT-90-1/2"HOSE BARB, POLY



TREAD ADJUSTMENT ASSEMBLY

DET. QTY PART NO. DESCRIPTION

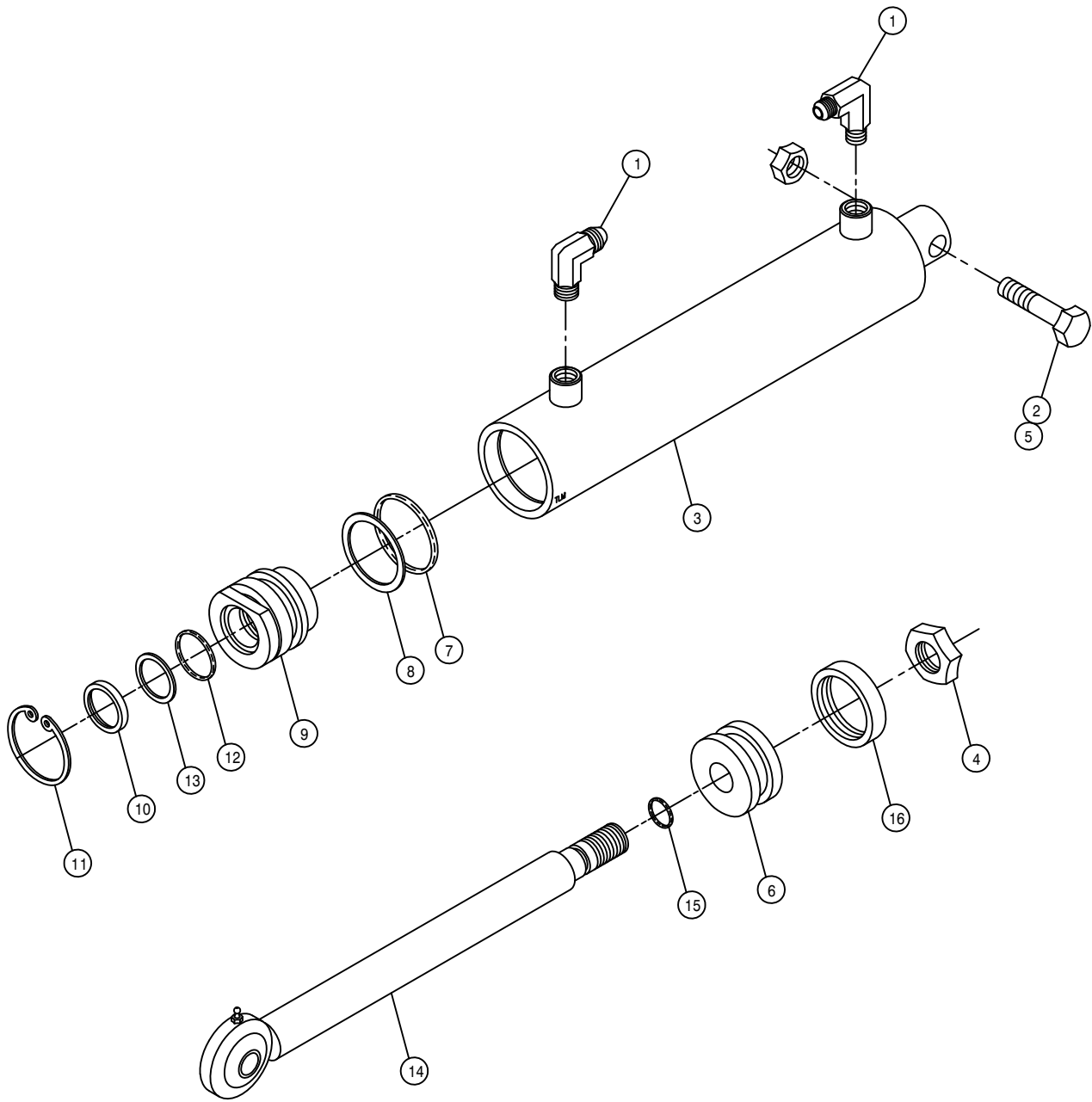
1	2	358703	TREAD ADJ XMBR BEARING ASSY	
2	1	358747	TREAD ADJ CYL EXT TUBE	94
3	2	358767	.025 LEG MT SHIM, 284T	94
4	2	358752	.074 LEG MT SHIM, 284T	94
5	2	358769	.250 LEG MT SHIM, 284T	94
6	1	358759	LEG MT V-PLT WLD, 284T	94
7	2	358766	.375 LEG MT SPACER, 284T	94
8	1	900268	1/2UNC X 2 1/2 HEX BOLT	
9	12	914811	5/8UNF HEX NUT GR8	
10	1	900267	1/2UNC X 2" HEX BOLT	
11	3	900837	5/8UNF X 3 1/2 HEX BOLT GR8	
12	3	900838	5/8UNF X 4" HEX BOLT GR8	
13	2	914008	1/2UNC HEX STOVER NUT	
14	1	358802	TREAD ADJ CYL EXT TUBE, 284W95	
15	2	358768	.037 LEG MT SHIM, 284T	94



TREAD ADJUSTMENT LEG CYLINDER ASSEMBLY

DET.	QTY	PART NO.	DESCRIPTION
1	1	614710	RESTRICTOR ELBOW ASSY .025DIA
2	1	611122	9/16MJIC-90-1/4MNPT LBO
3	1	620119	LH CYL TUBE WLD,LEG,TREAD ADJ
4	1	472297	3/4UNF HEX STOVER NUT THIN
5	1	620118	RH CYL TUBE WLD,LEG,TREAD ADJ
6	1	620081	PISTON 2 X 1 ZAMAC ORING TYPE
7	1	870326	BUNA ORING 1 5/8 X 2
8	1	890326	BACKUP WASH 1 5/8 X 2 LEATH
9	1	620082	GLAND 2 IN X 1 IN ZAMAC
10	1	629003	WIPER 1 X 1 1/4 X 1/8
11	1	629505	SNAP RING 2 IN INTRN
12	1	870214	BUNA ORING 1 X 1 1/4
13	1	890214	BACKUP WASH 1 X 1 1/4 HT2022
14	1	620111	TREAD ADJ HYD LEG CYL SHAFT
15	1	870113	BUNA ORING 9/16 X 3/4
16	1	900268	1/2UNC X 2 1/2 HEX BOLT
17	1	914008	1/2UNC HEX STOVER NUT
18	1	860326	CROWN SEAL, 2" PISTON, HYD

NOTE: 1. 620120 - RH LEG TREAD ADJ CYLINDER ASSEMBLY
 2. 620121 - LH LEG TREAD ADJ CYLINDER ASSEMBLY
 3. 620083 - SEAL KIT

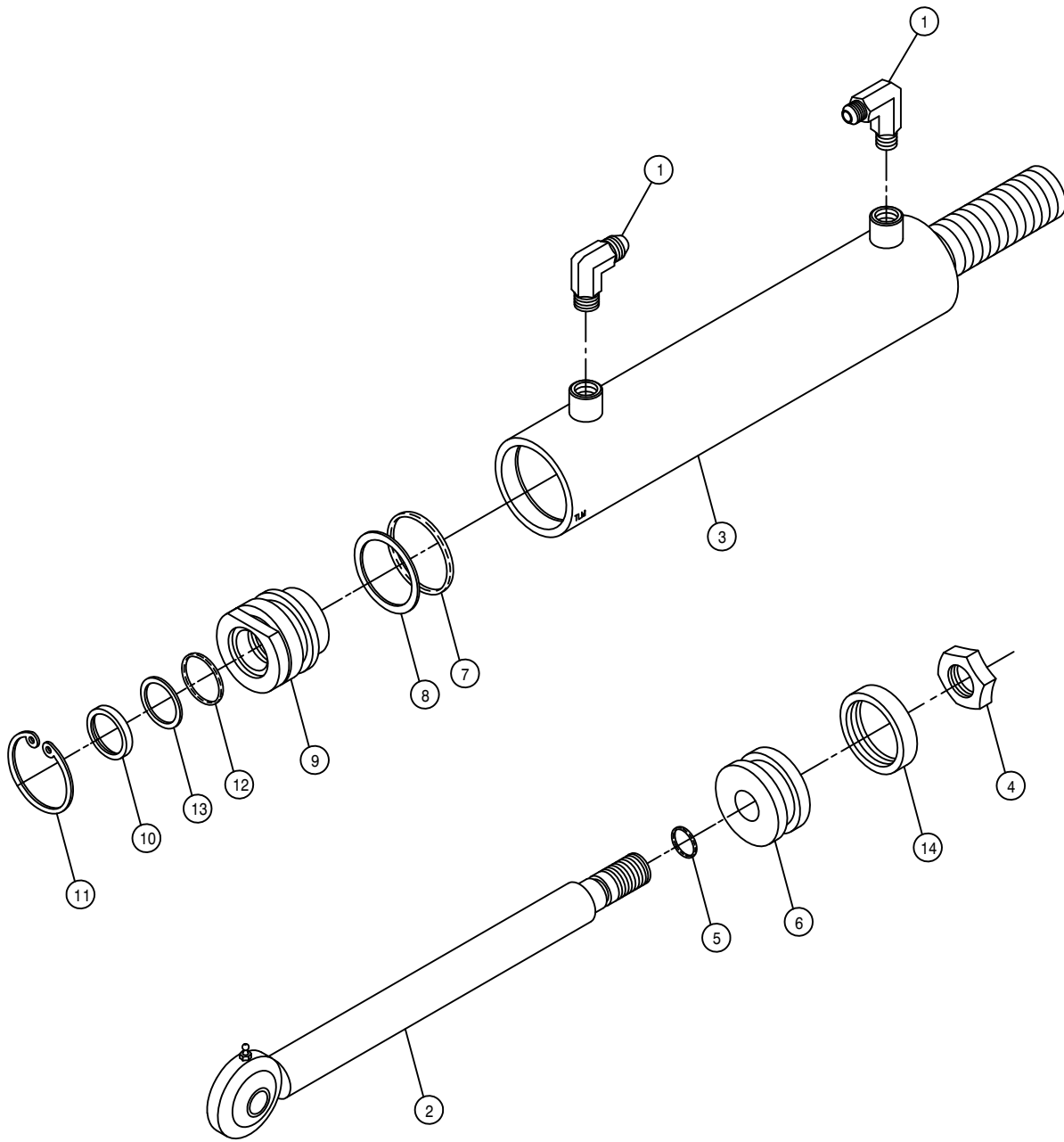


125" TIE ROD TREAD ADJ CYLINDER ASSEMBLY

DET. QTY PART NO. DESCRIPTION

1	2	614710	RESTRICTOR ELBOW ASSY .025DIA
2	1	900268	1/2UNC X 2 1/2 HEX BOLT
3	1	620124	CYL TUBE WLD,STRG, 125" TA 94
4	1	472297	3/4UNF HEX STOVER NUT THIN
5	1	914008	1/2UNC HEX STOVER NUT
6	1	620081	PISTON 2 X 1 ZAMAC ORING TYPE
7	1	870326	BUNA ORING 1 5/8 X 2
8	1	890326	BACKUP WASH 1 5/8 X 2 LEATH
9	1	620126	GLAND 2.00 OD X 1.25 ID, ALUM
10	1	629002	WIPER 1 1/4 X 1 1/2 X 1/8
11	1	629505	SNAP RING 2 IN INTRN
12	1	870218	BUNA ORING 1 1/4 X 1 1/2
13	1	890218	BACKUP WASH1 1/4X1 1/2 HT2022
14	1	620130	CYL SHAFT WLD,STRG,TREADADJ94
15	1	870113	BUNA ORING 9/16 X 3/4
16	1	860326	CROWN SEAL, 2" PISTON, HYD

NOTE: 1. 620123 - 125" TREAD ADJ STEERING CYLINDER ASSEMBLY
 2. 620132 - SEAL KIT



90" TIE ROD TREAD ADJ CYLINDER ASSEMBLY

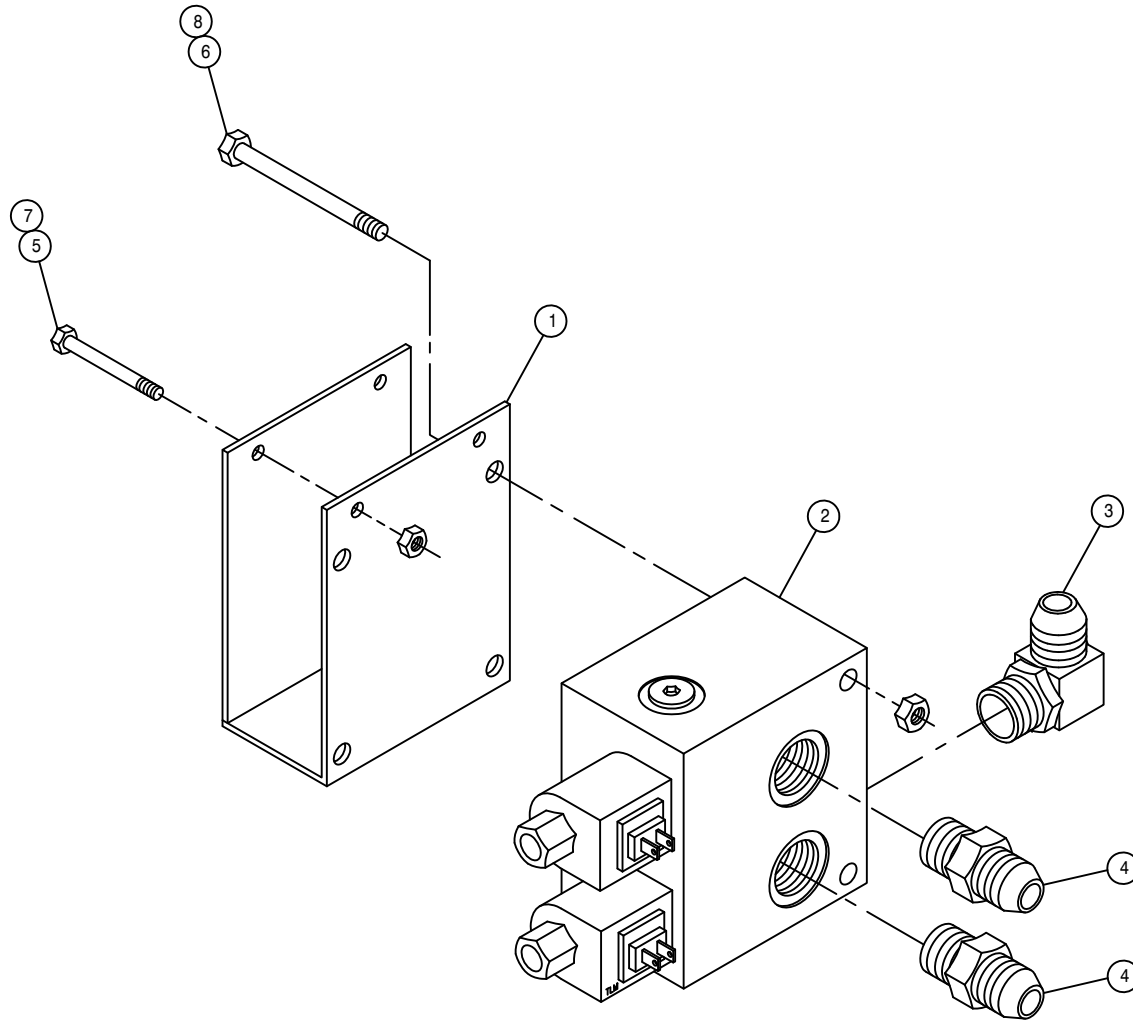
DET.	QTY	PART NO.	DESCRIPTION
1	2	614710	RESTRICTOR ELBOW ASSY .025DIA
2	1	620130	CYL SHAFT WLD, STRG, TREADADJ94
3	1	620116	TREAD ADJ STRG CYL TUBE WLD
4	1	472297	3/4UNF HEX STOVER NUT THIN
5	1	870113	BUNA ORING 9/16 X 3/4
6	1	620081	PISTON 2 X 1 ZAMAC ORING TYPE
7	1	870326	BUNA ORING 1 5/8 X 2
8	1	890326	BACKUP WASH 1 5/8 X 2 LEATH
9	1	620126	GLAND 2.00 OD X 1.25 ID, ALUM
10	1	629002	WIPER 1 1/4 X 1 1/2 X 1/8
11	1	629505	SNAP RING 2 IN INTRN
12	1	870218	BUNA ORING 1 1/4 X 1 1/2
13	1	890218	BACKUP WASH 1 1/4 X 1 1/2 HT2022
14	1	860326	CROWN SEAL, 2" PISTON, HYD

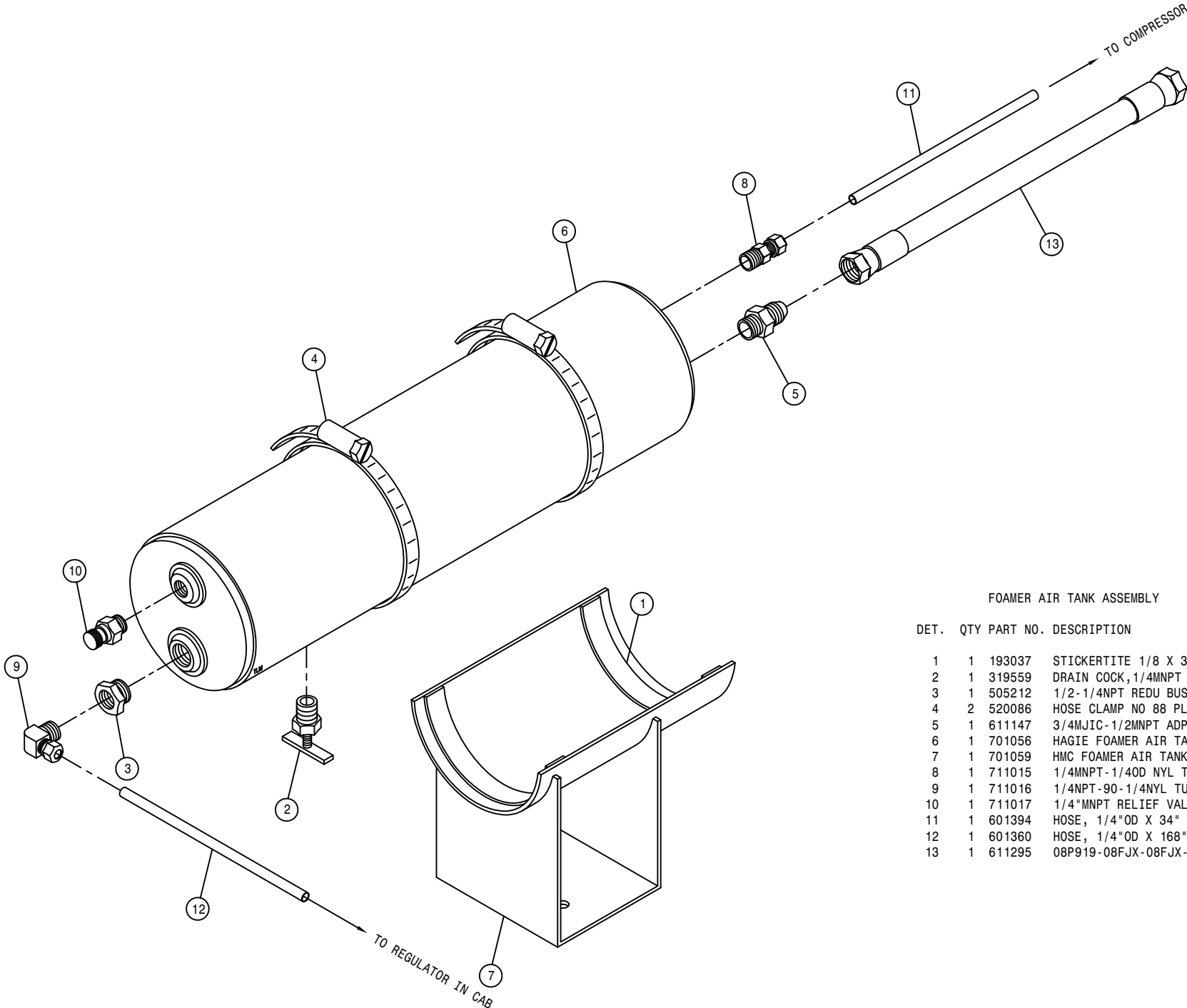
NOTE: 1. 620122 - 90" TREAD ADJ STEERING CYLINDER ASSEMBLY
 2. 620132 - SEAL KIT

TRACTION VALVE ASSEMBLY

DET. QTY PART NO. DESCRIPTION

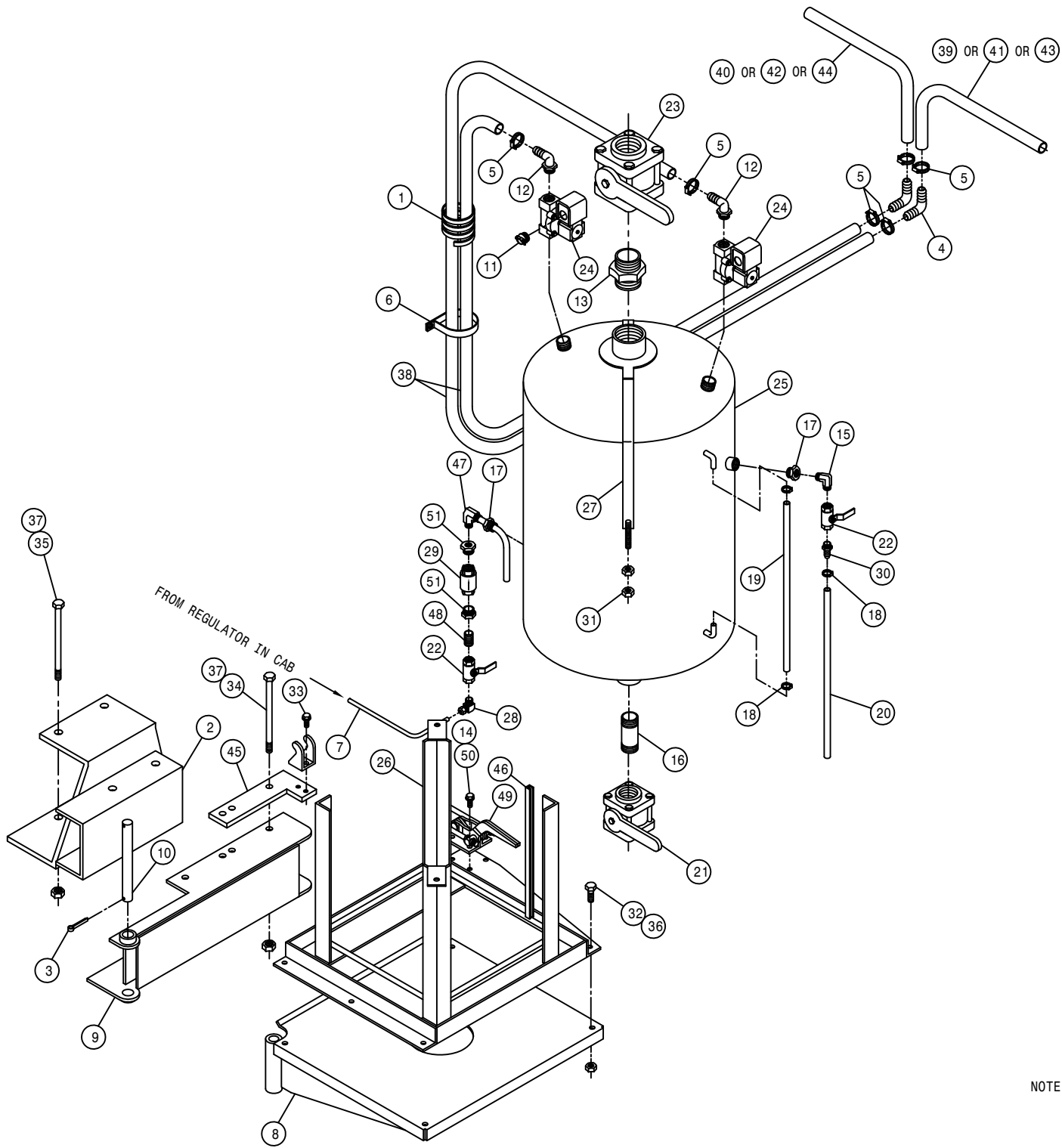
1	1	342311	TRACT VLV MT WLD,284 COMBO 96
2	1	610618	POSITRACTION VLV,STL,88SP 60G
3	1	618178	1 5/16MJIC-90-1 5/16MOR LBO
4	2	618308	1 1/16MJIC-1 5/16MOR ADPTR
5	2	900010	1/4UNC X 3" HEX BOLT
6	2	900075	5/16UNC X 3 3/4 HEX BOLT
7	2	914000	1/4UNC HEX STOVER NUT
8	2	914002	5/16UNC HEX STOVER NUT





FOAMER AIR TANK ASSEMBLY

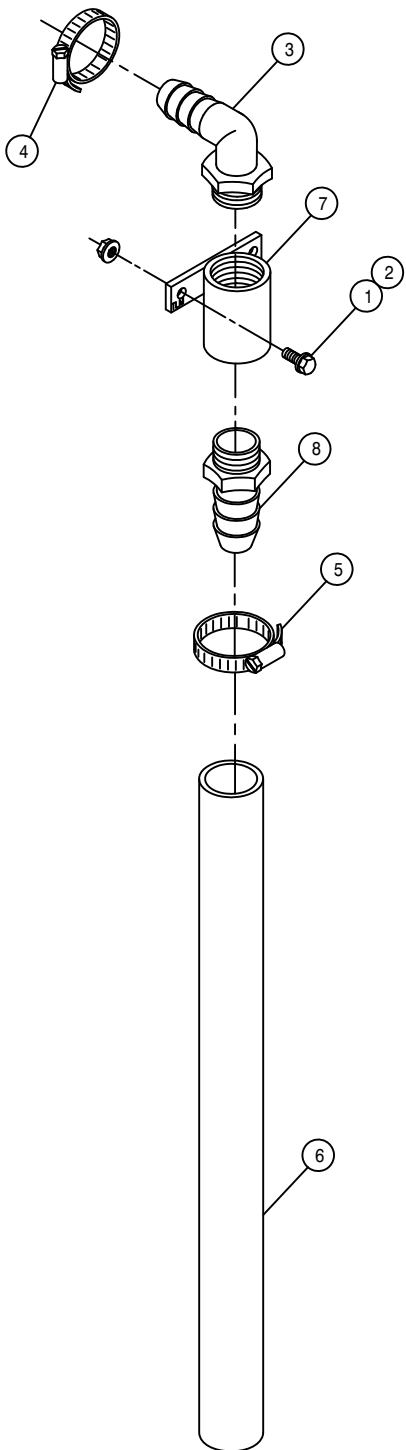
DET.	QTY	PART NO.	DESCRIPTION
1	1	193037	STICKERTITE 1/8 X 3/4
2	1	319559	DRAIN COCK, 1/4MNPT EXT ST BRS
3	1	505212	1/2-1/4NPT REDU BUSH, BRS
4	2	520086	HOSE CLAMP NO 88 PLATED
5	1	611147	3/4MJIC-1/2MNPT ADPTR
6	1	701056	HAGIE FOAMER AIR TANK WLD 95
7	1	701059	HMC FOAMER AIR TANK MT WLD 95
8	1	711015	1/4MNPT-1/4OD NYL TUBE FTGBRS
9	1	711016	1/4NPT-90-1/4NYL TUBE FTG BRS
10	1	711017	1/4"MNPT RELIEF VALVE
11	1	601394	HOSE, 1/4"OD X 34" AIR
12	1	601360	HOSE, 1/4"OD X 168" AIR
13	1	611295	08P919-08FJX-08FJX-28 H/A



FOAMER TANK ASSEMBLY

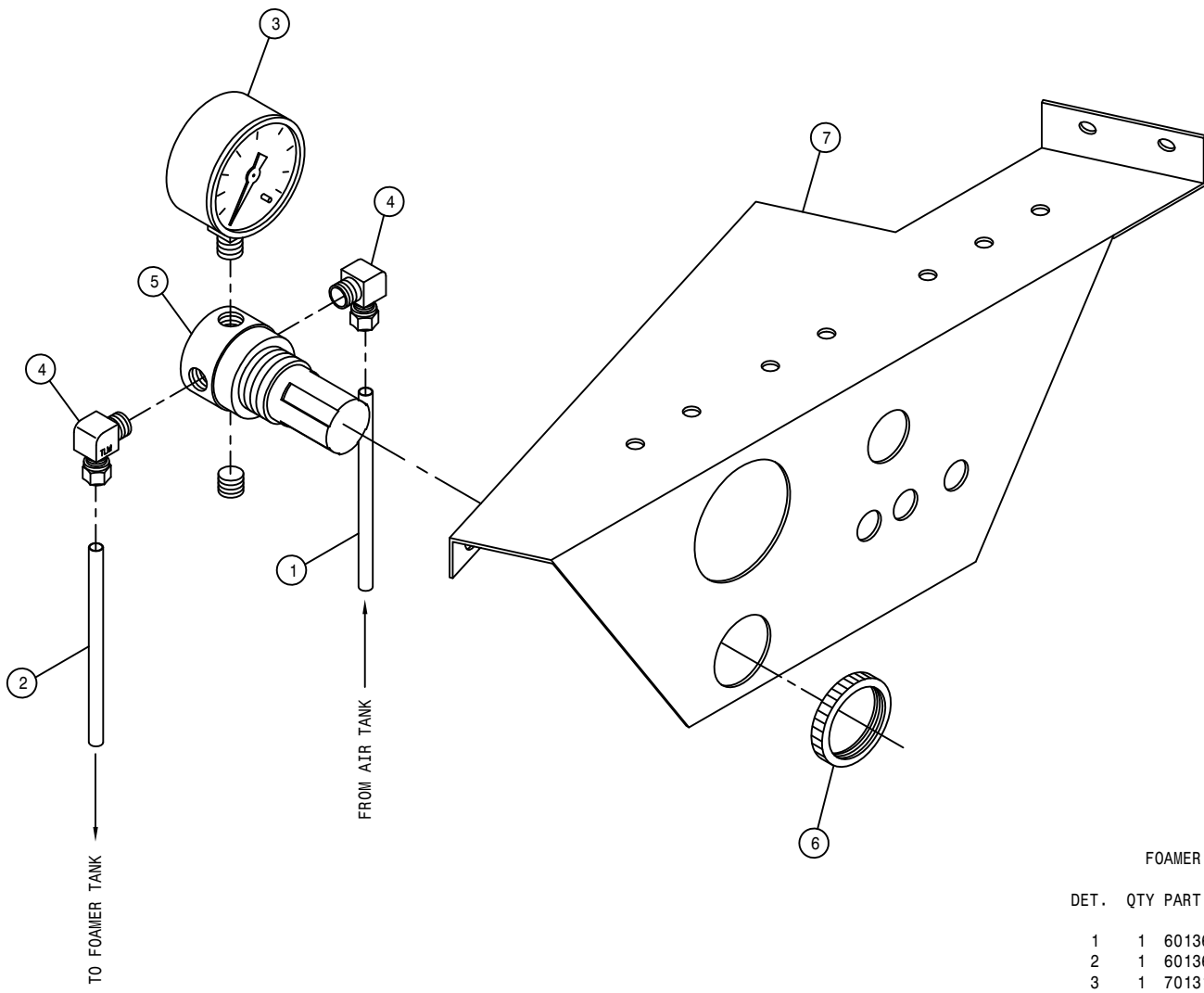
DET.	QTY	PART NO.	DESCRIPTION
1	2	193002	SPIRAL PROTECTIVE WRAP, BLACK
2	1	341980	RH REAR TOOL BAR MT WLD 2XX
3	2	470039	COTTER PIN 3/16 X 1 1/4 SQCUT
4	2	500069	3/4-90-3/4 HOSE BARB, POLY
5	6	520055	HOSE CLAMP NO 12 STAINLESS
6	1	520126	CUSH HOSE CLAMP 2IN X 5/8W
7	1	601366	HOSE, 1/4 X 192 AIR
8	1	701043	HAGIE FOAMER BASE WLD 95
9	1	701048	HAGIE FOAMER BASE MT WLD 95
10	1	701055	HMC FOAMER BASE PIVOT PIN 95
11	3	293056	ROMEX CONNECTOR .50IN 2-SCR
12	2	500054	3/4NPT-90-3/4 HOSE BARB, POLY
13	1	500056	2" NPT CLOSE HEX NIPPLE, POLY
14	4	470233	5/16UNC X 3/4 FLANGE HEX BOLT
15	1	502705	1/4NPT-90-1/4NPT LBO, BRS
16	1	505202	BLK PIPE NIPPLE 1.00NPT-2.00
17	2	505211	3/8-1/4NPT REDU BUSH, BRS
18	3	520120	HOSE CLAMP NO 4 STAINLESS
19	1	601364	HOSE, 3/8 X 16 CLEAR VINYL
20	1	601370	HOSE, 3/8 X 30 CLEAR VINYL
21	1	695900	BALL VALVE 1IN FNPT POLY
22	2	696120	BALL VALVE, 1/4NPT, STEEL
23	1	696134	BALL VALVE 2IN FNPT POLY
24	2	696163	3/4" ELECT SOLENOID VALVE
25	1	701091	FOAM MARKER TANK, 20 GAL SS
26	1	701093	FOAM MARKER TANK MT WLD
27	1	701099	FOAM MARKER TANK STRAP WLD
28	1	711016	1/4NPT-90-1/4NYL TUBE FTG BRS
29	1	711050	3/4"FNPT CHECK VALVE S.S.
30	1	783304	1/4 NPT X 3/8 HOSE BARB, BRS
31	4	910004	3/8UNC HEX NUT
32	4	900129	3/8UNC X 1" HEX BOLT
33	2	470232	5/16UNC X 1/2 FLANGE HEX BOLT
34	2	900278	1/2UNC X 6" HEX BOLT
35	2	900281	1/2UNC X 7 1/2 HEX BOLT
36	4	914004	3/8UNC HEX STOVER NUT
37	4	914008	1/2UNC HEX STOVER NUT
38	2	195908	HOSE, 3/4ID-1/8W CLEAR VINYL X 168.00
39	1	195908	HOSE, 3/4ID-1/8W CLEAR VINYL X 588.00
40	1	195908	HOSE, 3/4ID-1/8W CLEAR VINYL X 612.00
41	1	195908	HOSE, 3/4ID-1/8W CLEAR VINYL X 708.00
42	1	195908	HOSE, 3/4ID-1/8W CLEAR VINYL X 732.00
43	1	195908	HOSE, 3/4ID-1/8W CLEAR VINYL X 768.00
44	1	195908	HOSE, 3/4ID-1/8W CLEAR VINYL X 792.00
45	1	701105	FOAM MARKER TANK LATCH MT
46	8	193016	QUICKEDGE TRIM .060 TO .170
47	1	701109	SUB>701142:FOAMR DROP TUBE WLD
48	1	502707	PIPE NIP, 1/4NPT HEX CLOSE, BRS
49	1	470238	DE-STA-CO CLAMP, TC-341 LATCH
50	4	470113	5/16UNC HEX FLANGE LOCK NUT
51	2	507724	REDU BUSH 3/4MNPT X 1/4FNPT, SS

NOTE: 1. DETAIL 39 AND 40 ARE USED WITH THE 60 FT BOOM.
 2. DETAIL 41 AND 42 ARE USED WITH THE 80 FT BOOM.
 3. DETAIL 43 AND 44 ARE USED WITH THE 90 FT BOOM.



FOAMER DROP END ASSEMBLY

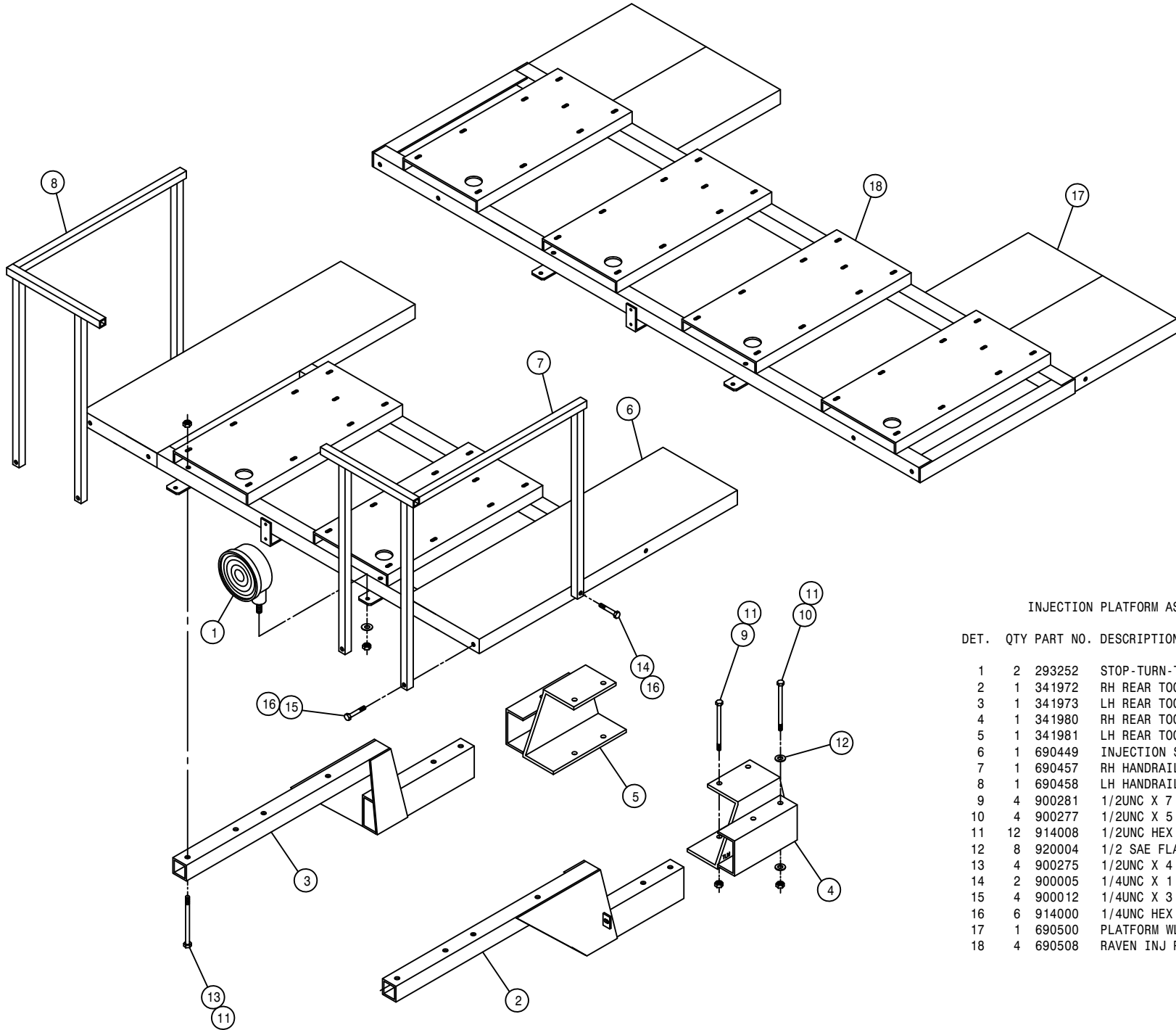
DET.	QTY	PART NO.	DESCRIPTION
1	2	470118	1/4UNC X 3/4 FLANGE HEX BOLT
2	2	470121	1/4UNC HEX FLANGE LOCK NUT
3	1	500067	1 NPT-90-3/4 HOSE BARB, POLY
4	1	520055	HOSE CLAMP NO 12 STAINLESS
5	1	520085	HOSE CLAMP NO 24 STAINLESS
6	1	601367	HOSE, 1 1/4 X 24 2BR BLK EPDM
7	1	701102	FOAM MARKER DROP CPLR WELD
8	1	714561	1.00NPT-1.25 HOSE BARB



FOAMER AIR REGULATOR ASSEMBLY

DET. QTY PART NO. DESCRIPTION

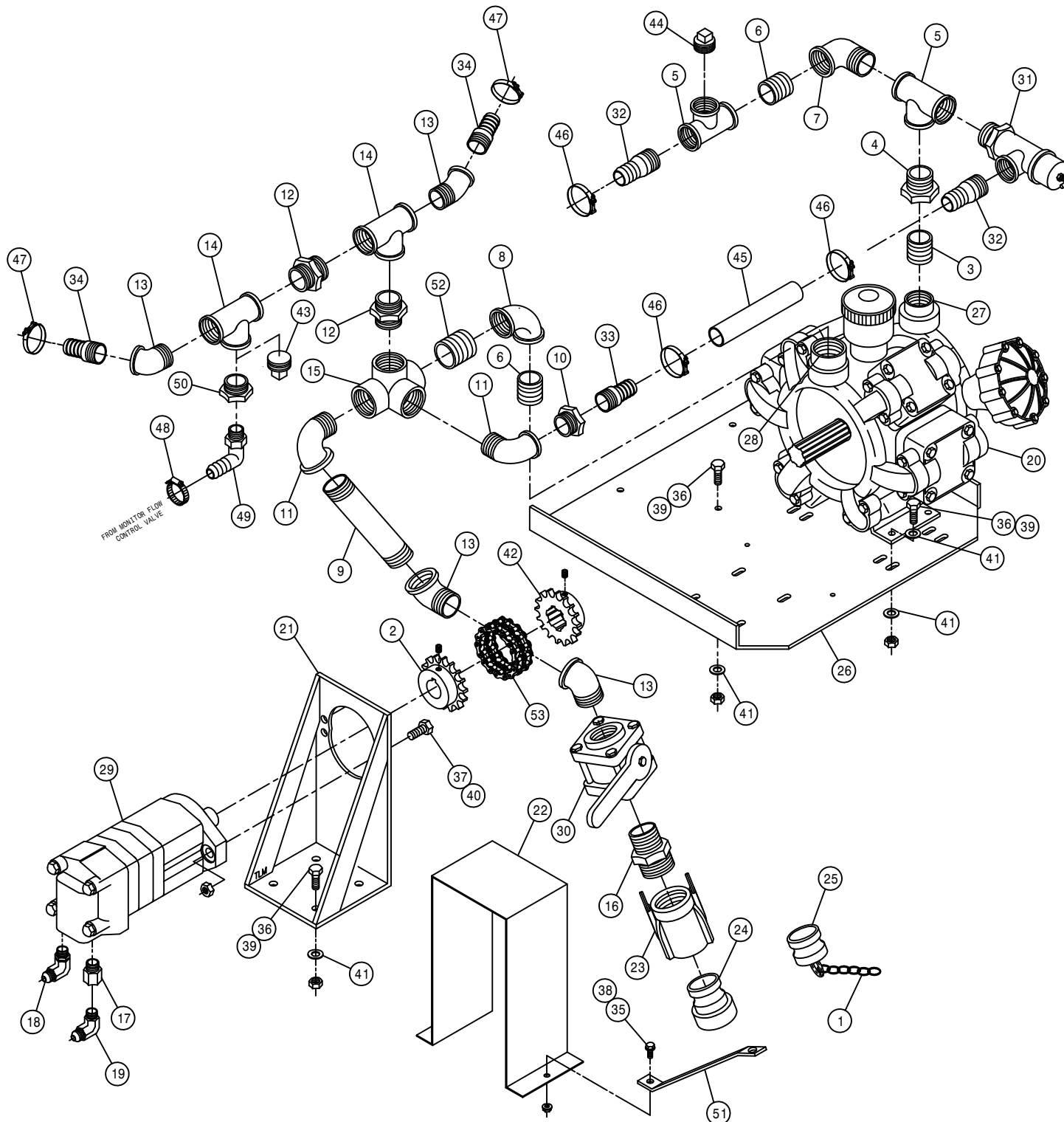
1	1	601360	HOSE, 1/4"OD X 168" AIR
2	1	601366	HOSE, 1/4"OD X 192" AIR
3	1	701310	AIR PRESS GAUGE, 1/8"BOT
4	2	711016	1/4NPT-90-1/4NYL TUBE FTG BRS
5	1	711019	1/4"MNPT AIR REGULATOR
6	1	711021	1 1/4-18 NUT,AIR REGULATOR MT
7	1	342215	MONITOR MT, 284 CAB



INJECTION PLATFORM ASSEMBLY

DET.	QTY	PART NO.	DESCRIPTION
1	2	293252	STOP-TURN-TAIL LAMP PED MT
2	1	341972	RH REAR TOOL BAR WLD 2XX 92
3	1	341973	LH REAR TOOL BAR WLD 2XX 92
4	1	341980	RH REAR TOOL BAR MT WLD 2XX
5	1	341981	LH REAR TOOL BAR MT WLD 2XX
6	1	690449	INJECTION SYS MT/PLATFORM WLD
7	1	690457	RH HANDRAIL WLD, INJ PLATFORM
8	1	690458	LH HANDRAIL WLD, INJ PLATFORM
9	4	900281	1/2UNC X 7 1/2 HEX BOLT
10	4	900277	1/2UNC X 5 1/2 HEX BOLT
11	12	914008	1/2UNC HEX STOVER NUT
12	8	920004	1/2 SAE FLAT WASHER
13	4	900275	1/2UNC X 4 1/2 HEX BOLT
14	2	900005	1/4UNC X 1 1/2 HEX BOLT
15	4	900012	1/4UNC X 3 1/2 HEX BOLT
16	6	914000	1/4UNC HEX STOVER NUT
17	1	690500	PLATFORM WLD, 3 & 4 UNIT SYS
18	4	690508	RAVEN INJ PUMP/TANK MT CHAN

HYPRO D230 PUMP ASSEMBLY



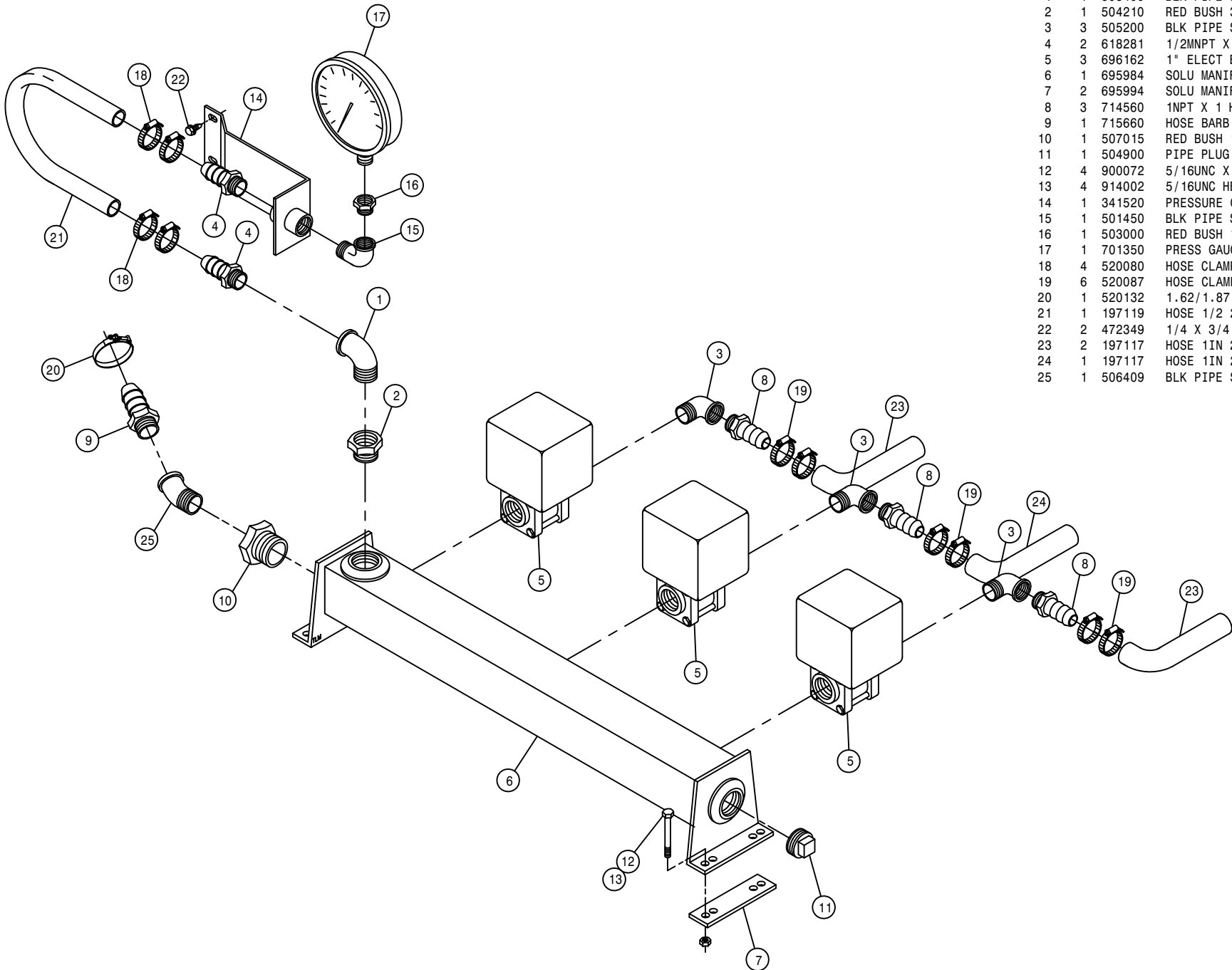
DET.	QTY	PART NO.	DESCRIPTION
1	1	160986	CHAIN, 12.00 LONG
2	1	220026	SPROCKET,40BS16,1.25ID,.312KE
3	1	505201	CLOSE NIPPLE 1.00NPT
4	1	506005	1 1/4 TO 1 RED BUSH BLK MAL
5	2	506105	BLK PIPE TEE 1.25NPT
6	2	506200	CLOSE NIPPLE 1.25NPT
7	1	506410	BLK PIPE ST EL 90DEG 1.25NPT
8	1	506415	RED EL 90 1 1/2 TO 1 1/4 MAL
9	1	500029	1 1/2NPT X 6 PIPE NIPPLE,POLY
10	1	500037	1 1/2"X 1 1/4NPT BUSH, POLY
11	2	500034	1 1/2NPT-90 ST EL, POLY
12	2	500028	1 1/2NPT PIPE NIPPLE, POLY
13	4	500035	1 1/2NPT-45 ST EL, POLY
14	2	500030	1 1/2"NPT PIPE TEE, POLY
15	1	507253	BLK PIPE SIDE OUTLET TEE 1.50
16	1	500038	2"X 1 1/2NPT REDU NIPPLE,POLY
17	1	618171	7/8MOR-3/4FOR ADPTR
18	1	618183	3/4MJIC-90-7/8MOR LBO
19	1	618241	3/4MJIC-90-3/4MOR LBO
20	1	690339	HYPRO D230 DIAPHRAM PUMP
21	1	690353	D150-D230 PUMP MTR MT WLD
22	1	690364	D150-D230 PUMP CPLR SHLD
23	1	690390	2.00 FEMALE NPT COUPLER
24	1	690391	2.00 FEMALE NPT ADPTR
25	1	690392	ADPTR PLG FOR 2.00 NPT COUPLR
26	1	690414	230 HYPRO PUMP MT PLT 280 90
27	1	690417	1FNPT ADAPTER, HYPRO D230
28	1	690418	1 1/4FNPT ADAPTER, HYPRO D230
29	1	695985	CHAR LYNN 2000 SER HYD MTR 79
30	1	696110	BALL VALVE 1 1/2FNPT POLY
31	1	699702	HAMILTON RELIEF VLV 200PSI
32	2	715660	HOSE BARB 1 1/4NPT X 1 1/4
33	1	500033	1 1/4NPT X 1 1/4 H BARB, POLY
34	2	500032	1 1/2NPT X 1 1/2 H BARB, POLY
35	2	900003	1/4UNC X 1" HEX BOLT
36	12	900129	3/8UNC X 1" HEX BOLT
37	2	900265	1/2UNC X 1 1/2 HEX BOLT
38	2	914000	1/4UNC HEX STOVER NUT
39	12	914004	3/8UNC HEX STOVER NUT
40	2	914008	1/2UNC HEX STOVER NUT
41	16	920002	3/8 SAE FLAT WASHER
42	1	220027	SPROCKET WLD,4016-1.375-6SPL
43	1	500031	1 1/2NPT PIPE PLUG, POLY
44	1	506101	PIPE PLUG 1.25NPT SQ HD
45	1	197120	HOSE 1 1/4 2-FBR BR BLK EPDM
46	3	520132	1.62/1.87 T-BOLT HOSE CLAMP
47	2	520133	1.81/2.06 T-BOLT HOSE CLAMP
48	1	520087	HOSE CLAMP NO 20 PLATED
49	1	500024	1"NPT-90-1"HOSE BARB, POLY
50	1	500036	1 1/2"X 1"NPT REDU BUSH, POLY
51	1	690480	VLV/CPLR SUPPORT,D230 PUMP 94
52	1	507019	CLOSE NIPPLE 1.50NPT
53	1	492084	CHAIN FOR 492083 4016

*NOTE: ITEMS 48,49, AND 50 ARE USED WITH THE MONITOR OPTION.

HYPRO D230 HP MANIFOLD ASSEMBLY

DET. QTY PART NO. DESCRIPTION

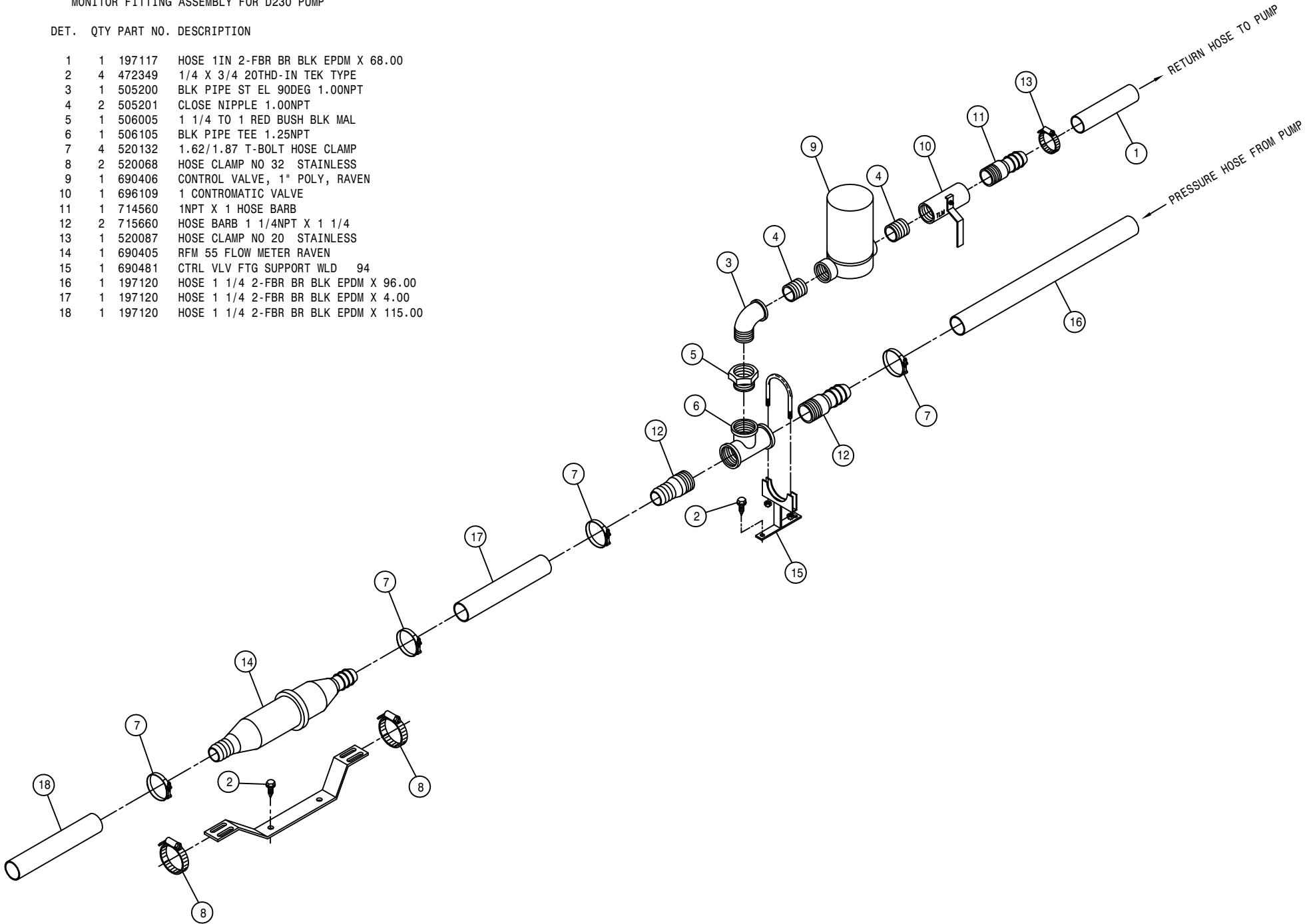
DET.	QTY	PART NO.	DESCRIPTION
1	1	503400	BLK PIPE ST EL 90DEG .50NPT
2	1	504210	RED BUSH 3/4 NPT X 1/2 NPT
3	3	505200	BLK PIPE ST EL 90DEG 1.00NPT
4	2	618281	1/2MNPT X 1/2 HOSE INSERT
5	3	696162	1" ELECT BALL VLV, 344AEC-2-1
6	1	695984	SOLU MANIF WLD D150-D230
7	2	695994	SOLU MANIF KEEPER OPTION
8	3	714560	1NPT X 1 HOSE BARB
9	1	715660	HOSE BARB 1 1/4NPT X 1 1/4
10	1	507015	RED BUSH 1.50NPT - 1.25FNPT
11	1	504900	PIPE PLUG .75NPT SQ HD
12	4	900072	5/16UNC X 3" HEX BOLT
13	4	914002	5/16UNC HEX STOVER NUT
14	1	341520	PRESSURE GAUGE MT WLD 8240X11
15	1	501450	BLK PIPE ST EL 90DEG .25NPT
16	1	503000	RED BUSH 1/2 TO 1/4 BLK MAL
17	1	701350	PRESS GAUGE 300LB BOT FILL
18	4	520080	HOSE CLAMP NO 10 STAINLESS
19	6	520087	HOSE CLAMP NO 20 STAINLESS
20	1	520132	1.62/1.87 T-BOLT HOSE CLAMP
21	1	197119	HOSE 1/2 2-FBR BR BLK EPDM X 206"
22	2	472349	1/4 X 3/4 20THD-IN TEK TYPE
23	2	197117	HOSE 1IN 2-FBR BR BLK EPDM X 288"
24	1	197117	HOSE 1IN 2-FBR BR BLK EPDM X 36"
25	1	506409	BLK PIPE ST EL 45DEG 1.25NPT

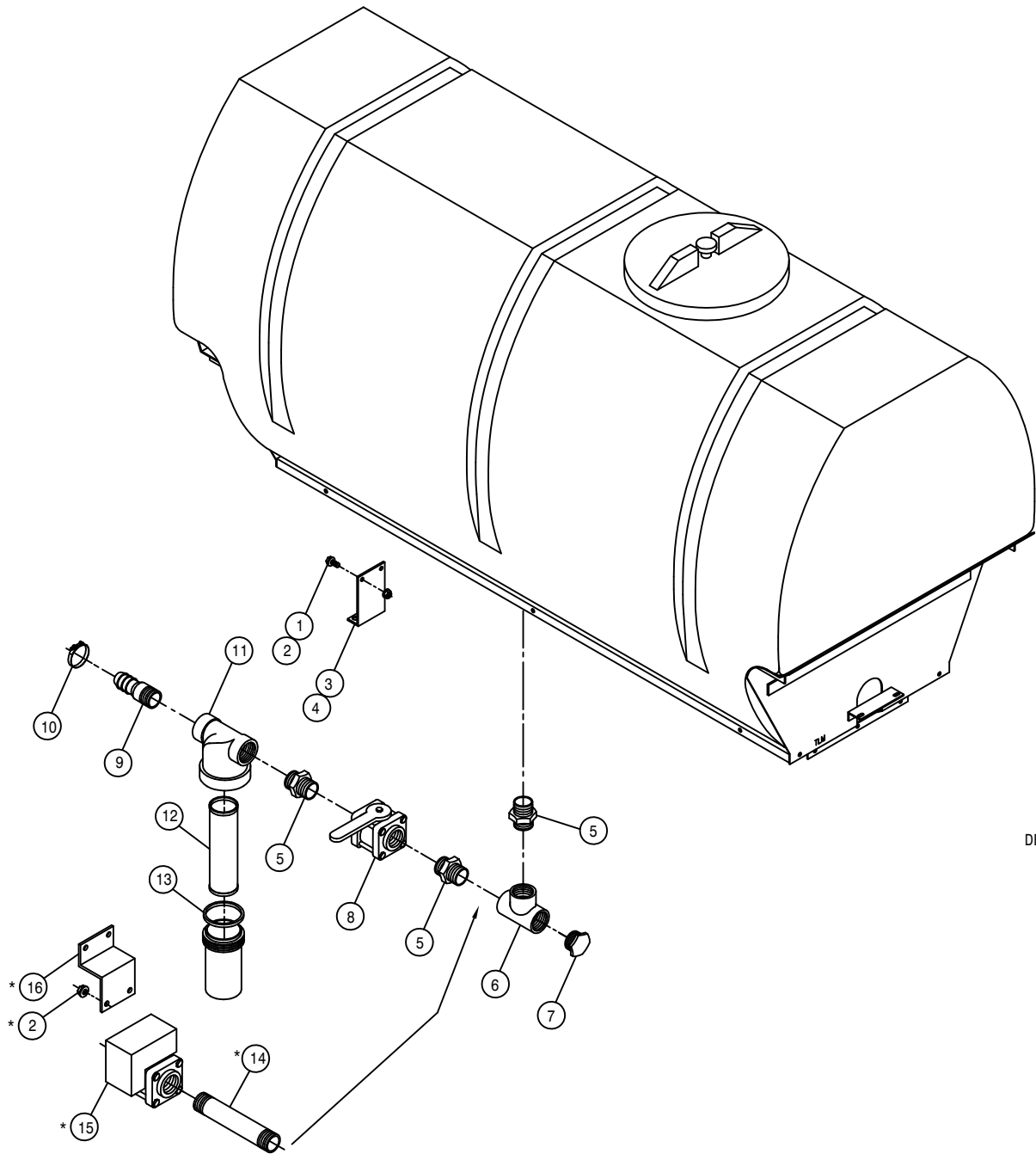


MONITOR FITTING ASSEMBLY FOR D230 PUMP

DET. QTY PART NO. DESCRIPTION

1	1	197117	HOSE 1IN 2-FBR BR BLK EPDM X 68.00
2	4	472349	1/4 X 3/4 20THD-IN TEK TYPE
3	1	505200	BLK PIPE ST EL 90DEG 1.00NPT
4	2	505201	CLOSE NIPPLE 1.00NPT
5	1	506005	1 1/4 TO 1 RED BUSH BLK MAL
6	1	506105	BLK PIPE TEE 1.25NPT
7	4	520132	1.62/1.87 T-BOLT HOSE CLAMP
8	2	520068	HOSE CLAMP NO 32 STAINLESS
9	1	690406	CONTROL VALVE, 1" POLY, RAVEN
10	1	696109	1 CONTROMATIC VALVE
11	1	714560	1NPT X 1 HOSE BARB
12	2	715660	HOSE BARB 1 1/4NPT X 1 1/4
13	1	520087	HOSE CLAMP NO 20 STAINLESS
14	1	690405	RFM 55 FLOW METER RAVEN
15	1	690481	CTRL VLV FTG SUPPORT WLD 94
16	1	197120	HOSE 1 1/4 2-FBR BR BLK EPDM X 96.00
17	1	197120	HOSE 1 1/4 2-FBR BR BLK EPDM X 4.00
18	1	197120	HOSE 1 1/4 2-FBR BR BLK EPDM X 115.00

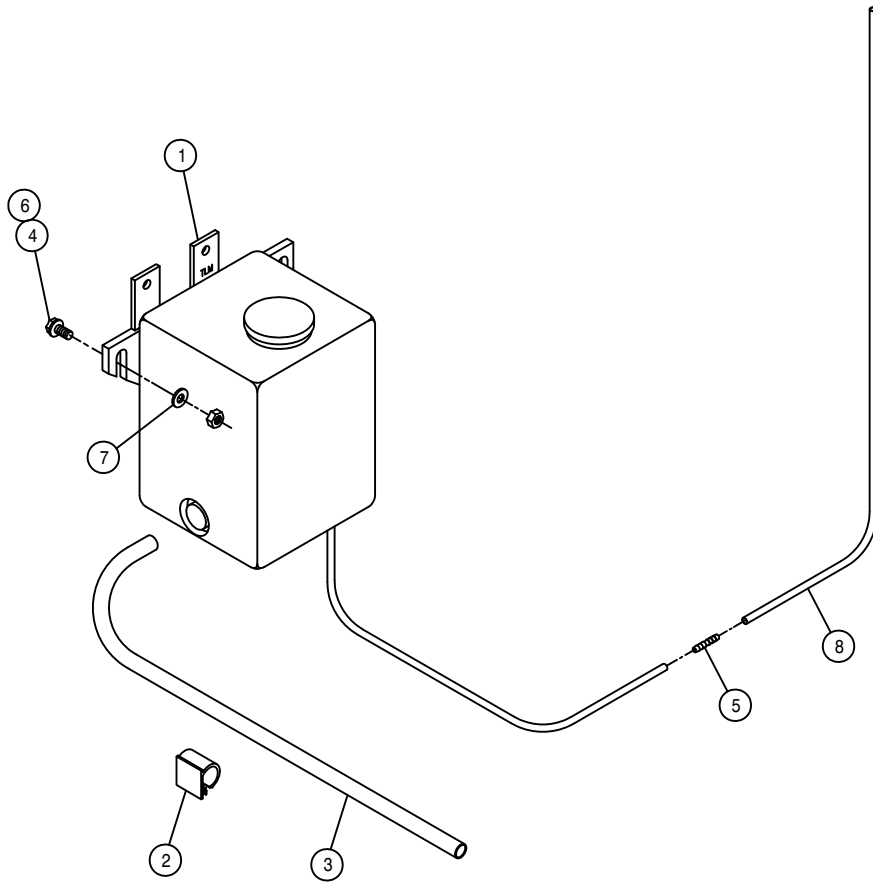




SOLUTION FILTER ASSEMBLY FOR D230 HP PUMP

DET.	QTY	PART NO.	DESCRIPTION
	1	2	470118 1/4UNC X 3/4 FLANGE HEX BOLT
	2	4	470121 1/4UNC HEX FLANGE LOCK NUT
	3	1	763363 SOLU HOSE SUPPORT 280 POLY 91
	4	1	470000 CABLE TIE, 21" BLACK PLASTIC
	5	3	500028 1 1/2NPT PIPE NIPPLE, POLY
	6	1	500030 1 1/2"NPT PIPE TEE, POLY
	7	1	500031 1 1/2NPT PIPE PLUG, POLY
	8	1	696110 BALL VALVE 1 1/2FNPT POLY
	9	1	500032 1 1/2NPT X 1 1/2 H BARB, POLY
	10	1	520133 1.81/2.06 T-BOLT HOSE CLAMP
	11	1	690474 1 1/2 LINE STRAINERSOM 150PSI
	12	1	690475 50 MESH SCREEN FOR 690474
	13	1	690476 STRAINER GASKEN FOR 690474
	14	1	500029 1 1/2NPT X 6 PIPE NIPPLE,POLY
	15	1	696161 1 1/2NPT ELECT SOLU VALVE
	16	1	763445 ELECT SOLU VLV SUPPORT 94

*NOTE: ITEMS 2, 14, 15, AND 16 ARE USED WITH ELECTRIC VALVE OPTION.



WINDSHIELD WASHER ASSEMBLY

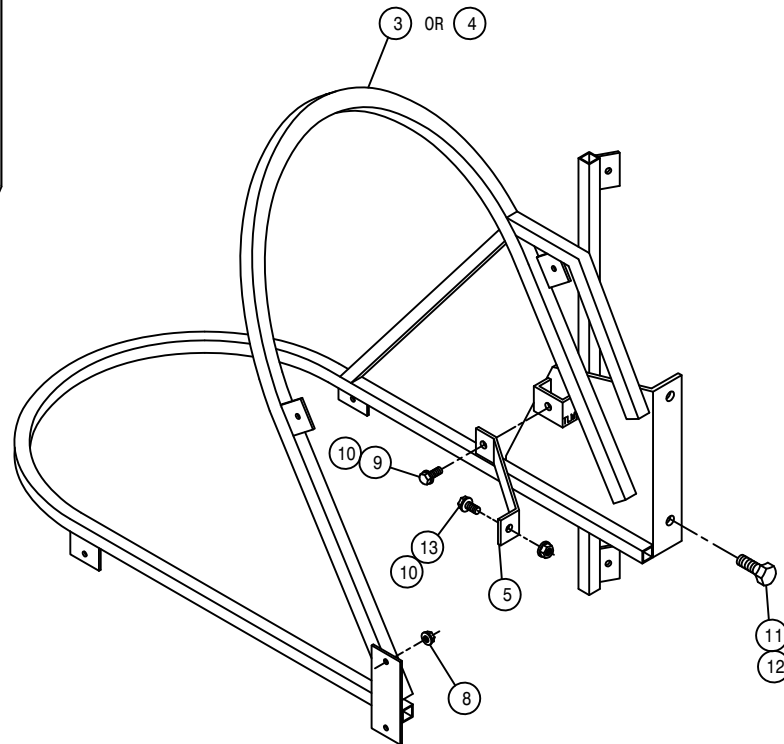
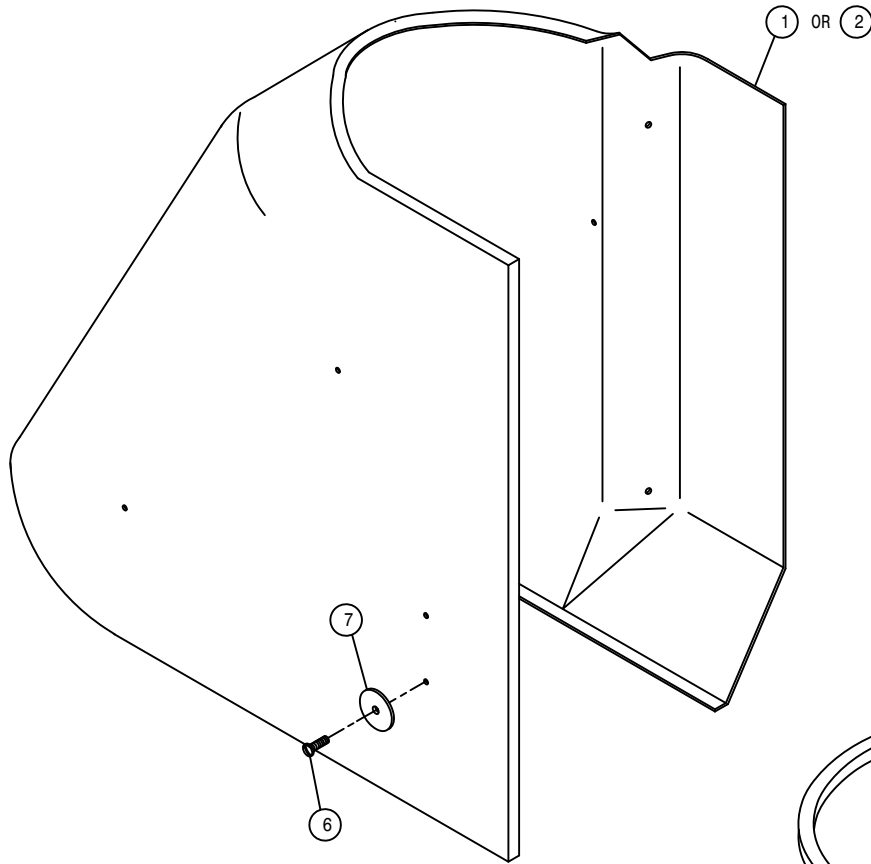
DET. QTY PART NO. DESCRIPTION

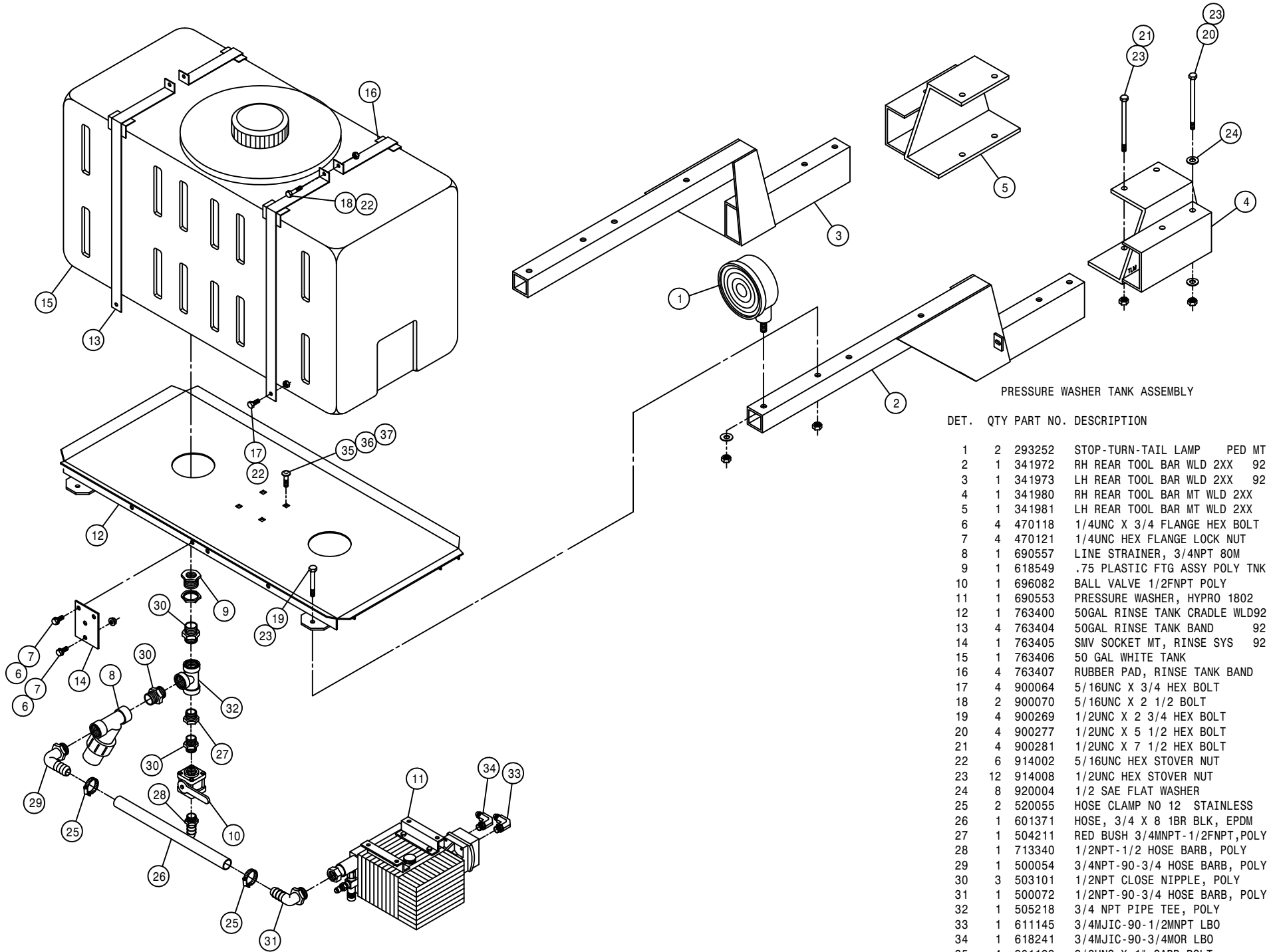
1	1	290002	WINDSHIELD WASHER KIT
2	3	291645	3/8 WIRE CLAMP, ADHESIVE BACK
3	5	299110	WIRE FLEX GUARD .35 ID
4	3	470231	1/4UNC X 1" FLANGE HEX BOLT
5	1	711033	3/16-1/8 HOSE BARB REDU UNION
6	3	914000	1/4UNC HEX STOVER NUT
7	3	920000	1/4 SAE FLAT WASHER
8	14	195913	1/8 WINDSHIELD WASHER HOSE

CROP SHIELD ASSEMBLY

DET. QTY PART NO. DESCRIPTION

DET.	QTY	PART NO.	DESCRIPTION
1	1	662232	RH POLY CROP SHIELD, 284
2	1	662233	LH POLY CROP SHIELD, 284
3	1	662234	RH POLY CROP SHIELD MT WLD284
4	1	662235	LH POLY CROP SHIELD MT WLD284
5	1	662248	POLY SHIELD MT BRACE, 284
6	8	472261	1/4UNC X 3/4 TRUSS HD BOLT
7	8	483013	1 1/2 X 1/4 X 16 GA WASHER
8	8	470121	1/4UNC HEX FLANGE LOCK NUT
9	1	900128	3/8UNC X 3/4 HEX BOLT
10	2	470087	3/8UNC HEX FLANGE LOCK NUT
11	2	900264	1/2UNC X 1 1/4 HEX BOLT
12	2	914008	1/2UNC HEX STOVER NUT
13	1	900130	3/8UNC X 1 1/4 HEX BOLT





PRESSURE WASHER TANK ASSEMBLY

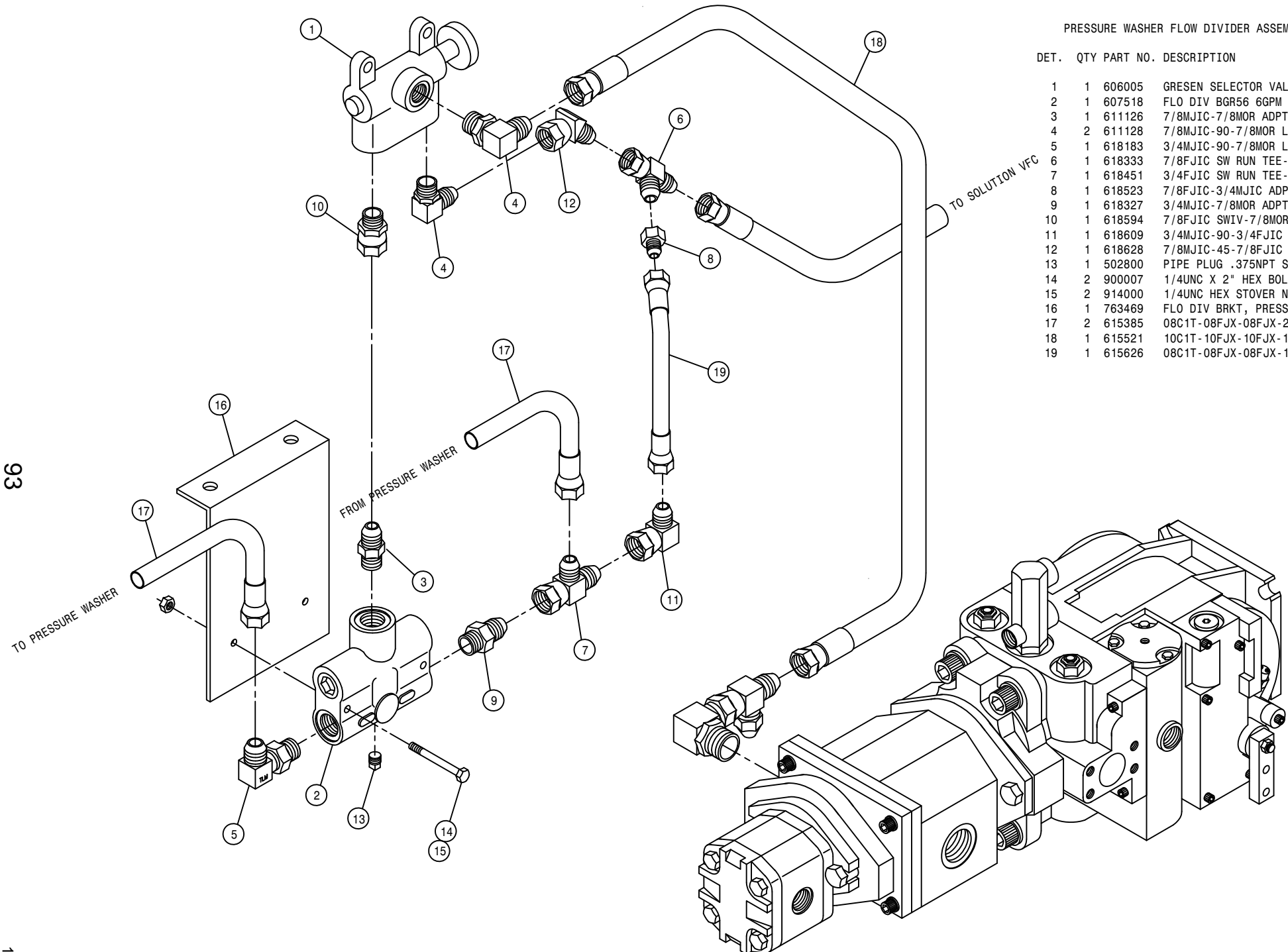
DET.	QTY	PART NO.	DESCRIPTION
1	2	293252	STOP-TURN-TAIL LAMP PED MT
2	1	341972	RH REAR TOOL BAR WLD 2XX 92
3	1	341973	LH REAR TOOL BAR WLD 2XX 92
4	1	341980	RH REAR TOOL BAR MT WLD 2XX
5	1	341981	LH REAR TOOL BAR MT WLD 2XX
6	4	470118	1/4UNC X 3/4 FLANGE HEX BOLT
7	4	470121	1/4UNC HEX FLANGE LOCK NUT
8	1	690557	LINE STRAINER, 3/4NPT 80M
9	1	618549	.75 PLASTIC FTG ASSY POLY TNK
10	1	696082	BALL VALVE 1/2FNPT POLY
11	1	690553	PRESSURE WASHER, HYPRO 1802
12	1	763400	50GAL RINSE TANK CRADLE WLD92
13	4	763404	50GAL RINSE TANK BAND 92
14	1	763405	SMV SOCKET MT, RINSE SYS 92
15	1	763406	50 GAL WHITE TANK
16	4	763407	RUBBER PAD, RINSE TANK BAND
17	4	900064	5/16UNC X 3/4 HEX BOLT
18	2	900070	5/16UNC X 2 1/2 BOLT
19	4	900269	1/2UNC X 2 3/4 HEX BOLT
20	4	900277	1/2UNC X 5 1/2 HEX BOLT
21	4	900281	1/2UNC X 7 1/2 HEX BOLT
22	6	914002	5/16UNC HEX STOVER NUT
23	12	914008	1/2UNC HEX STOVER NUT
24	8	920004	1/2 SAE FLAT WASHER
25	2	520055	HOSE CLAMP NO 12 STAINLESS
26	1	601371	HOSE, 3/4 X 8 1BR BLK, EPDM
27	1	504211	RED BUSH 3/4MNPT-1/2FNPT,POLY
28	1	713340	1/2NPT-1/2 HOSE BARB, POLY
29	1	500054	3/4NPT-90-3/4 HOSE BARB, POLY
30	3	503101	1/2NPT CLOSE NIPPLE, POLY
31	1	500072	1/2NPT-90-3/4 HOSE BARB, POLY
32	1	505218	3/4 NPT PIPE TEE, POLY
33	1	611145	3/4MJIC-90-1/2MNPT LBO
34	1	618241	3/4MJIC-90-3/4MOR LBO
35	4	901129	3/8UNC X 1" CARR BOLT
36	4	910004	3/8UNC HEX NUT
37	4	920502	3/8 LOCK WASHER

PRESSURE WASHER FLOW DIVIDER ASSEMBLY

DET. QTY PART NO. DESCRIPTION

DET.	QTY	PART NO.	DESCRIPTION
1	1	606005	GRESEN SELECTOR VALVE S-10
2	1	607518	FLO DIV BGR56 6GPM PRI 7/8FOR
3	1	611126	7/8MJIC-7/8MOR ADPTR
4	2	611128	7/8MJIC-90-7/8MOR LBO
5	1	618183	3/4MJIC-90-7/8MOR LBO
6	1	618333	7/8FJIC SW RUN TEE-7/8MJIC
7	1	618451	3/4FJIC SW RUN TEE-3/4MJIC
8	1	618523	7/8FJIC-3/4MJIC ADPTR
9	1	618327	3/4MJIC-7/8MOR ADPTR
10	1	618594	7/8FJIC SWIV-7/8MOR ADPTR
11	1	618609	3/4MJIC-90-3/4FJIC SWIV LBO
12	1	618628	7/8MJIC-45-7/8FJIC SWIV LBO
13	1	502800	PIPE PLUG .375NPT SQ HD
14	2	900007	1/4UNC X 2" HEX BOLT
15	2	914000	1/4UNC HEX STOVER NUT
16	1	763469	FLO DIV BRKT, PRESS WASHER
17	2	615385	08C1T-08FJX-08FJX-29
18	1	615521	10C1T-10FJX-10FJX-18
19	1	615626	08C1T-08FJX-08FJX-15

93

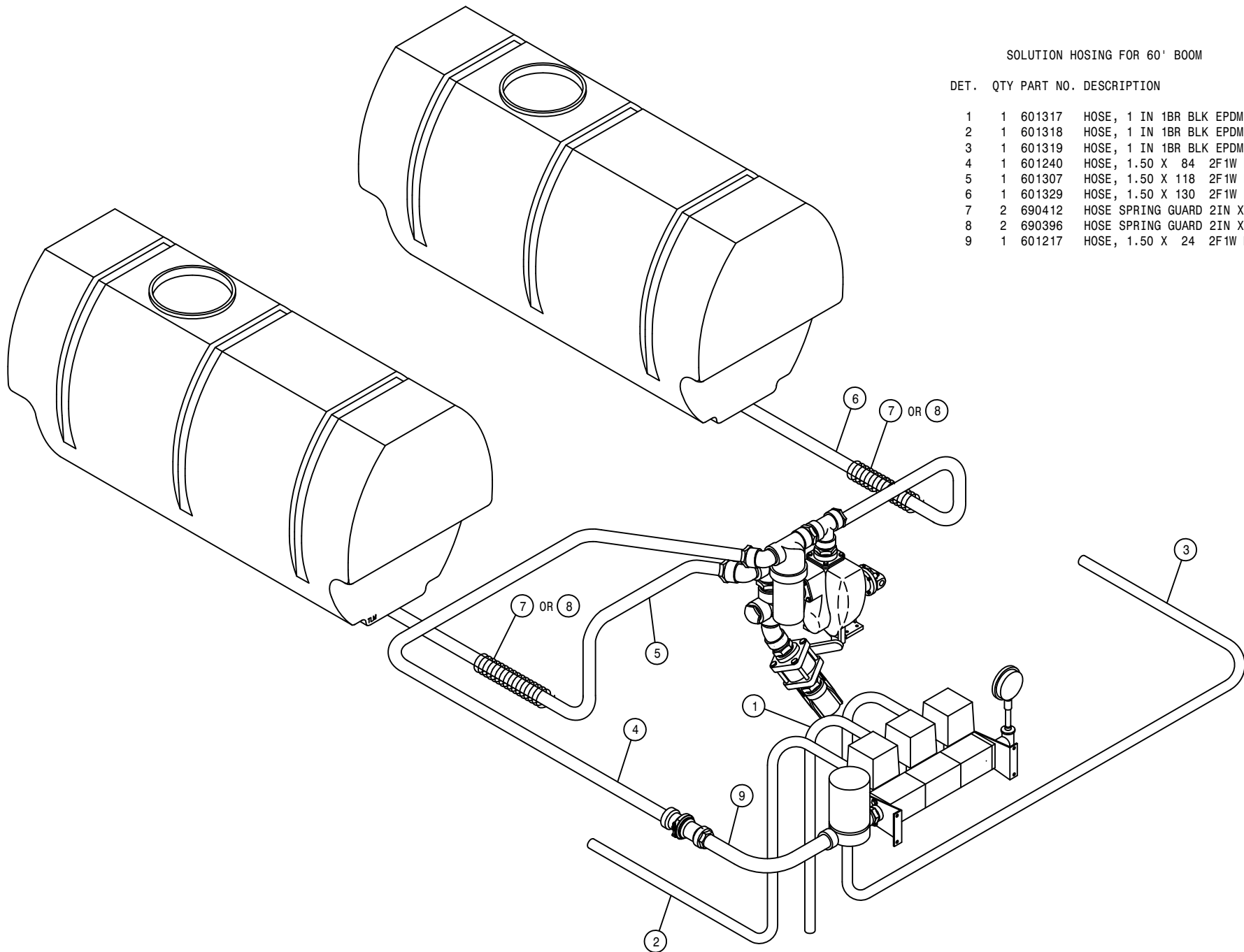


181093

SOLUTION HOISING FOR 60' BOOM

DET. QTY PART NO. DESCRIPTION

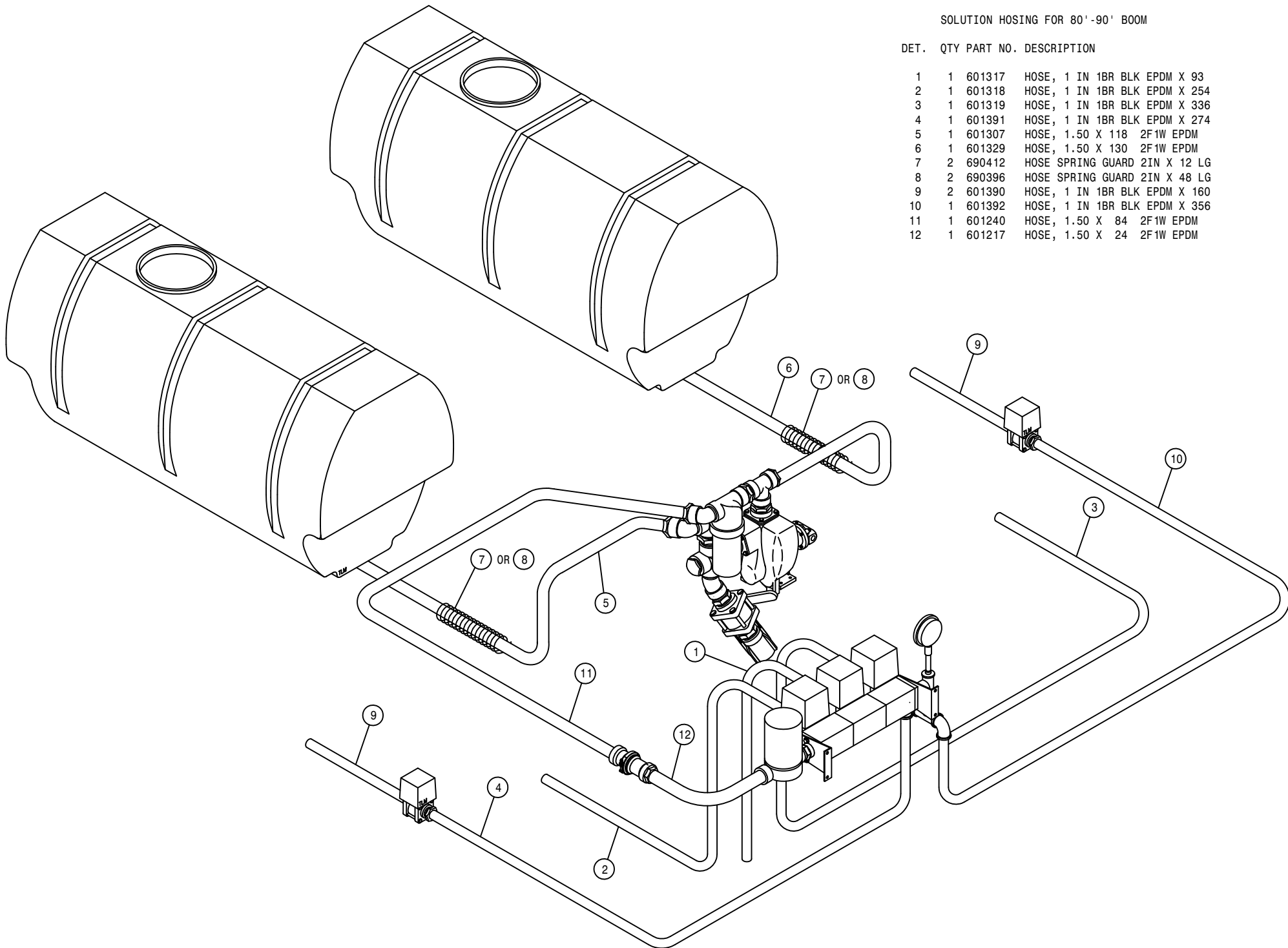
DET.	QTY	PART NO.	DESCRIPTION
1	1	601317	HOSE, 1 IN 1BR BLK EPDM X 93
2	1	601318	HOSE, 1 IN 1BR BLK EPDM X 254
3	1	601319	HOSE, 1 IN 1BR BLK EPDM X 336
4	1	601240	HOSE, 1.50 X 84 2F1W EPDM
5	1	601307	HOSE, 1.50 X 118 2F1W EPDM
6	1	601329	HOSE, 1.50 X 130 2F1W EPDM
7	2	690412	HOSE SPRING GUARD 2IN X 12 LG
8	2	690396	HOSE SPRING GUARD 2IN X 48 LG
9	1	601217	HOSE, 1.50 X 24 2F1W EPDM

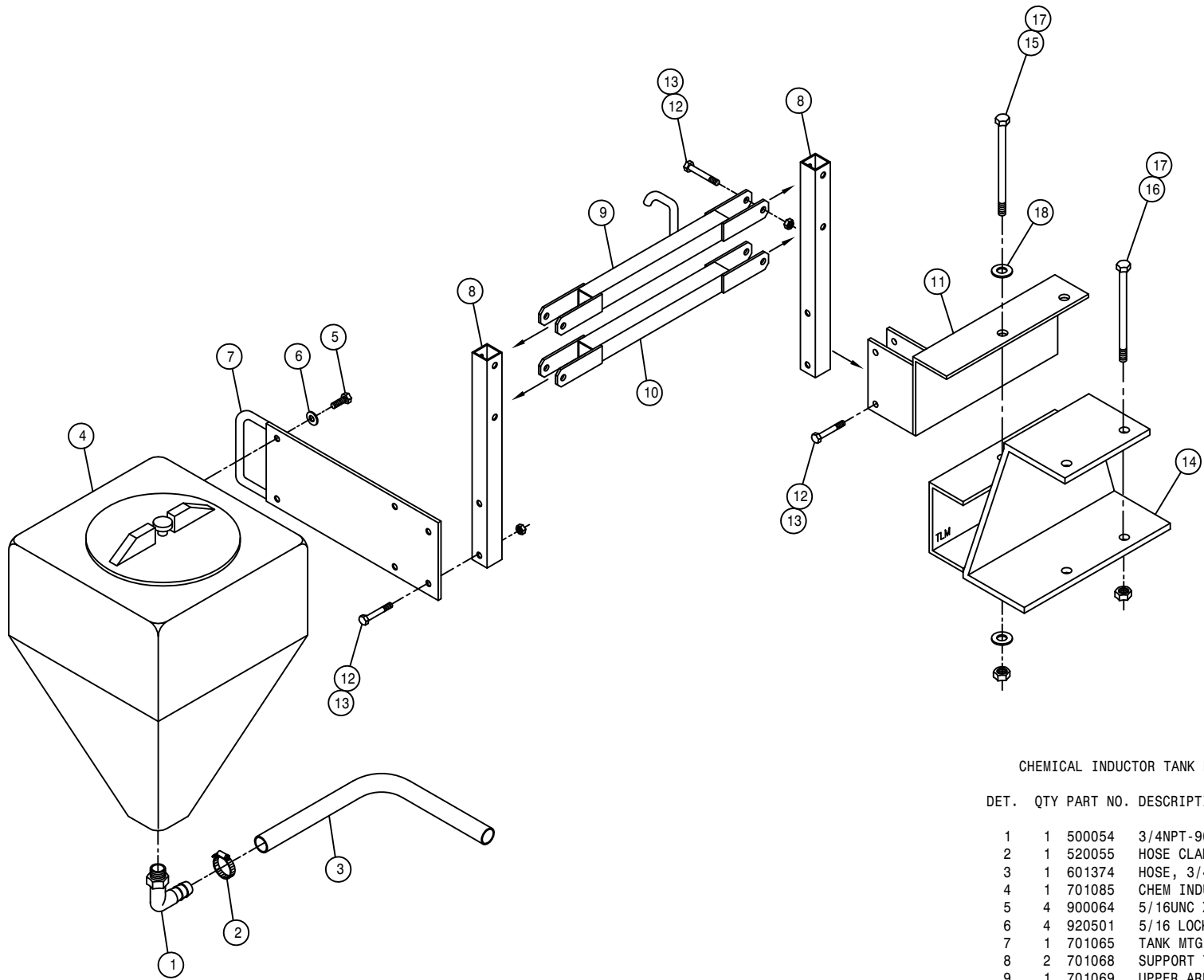


SOLUTION HOISING FOR 80' -90' BOOM

DET. QTY PART NO. DESCRIPTION

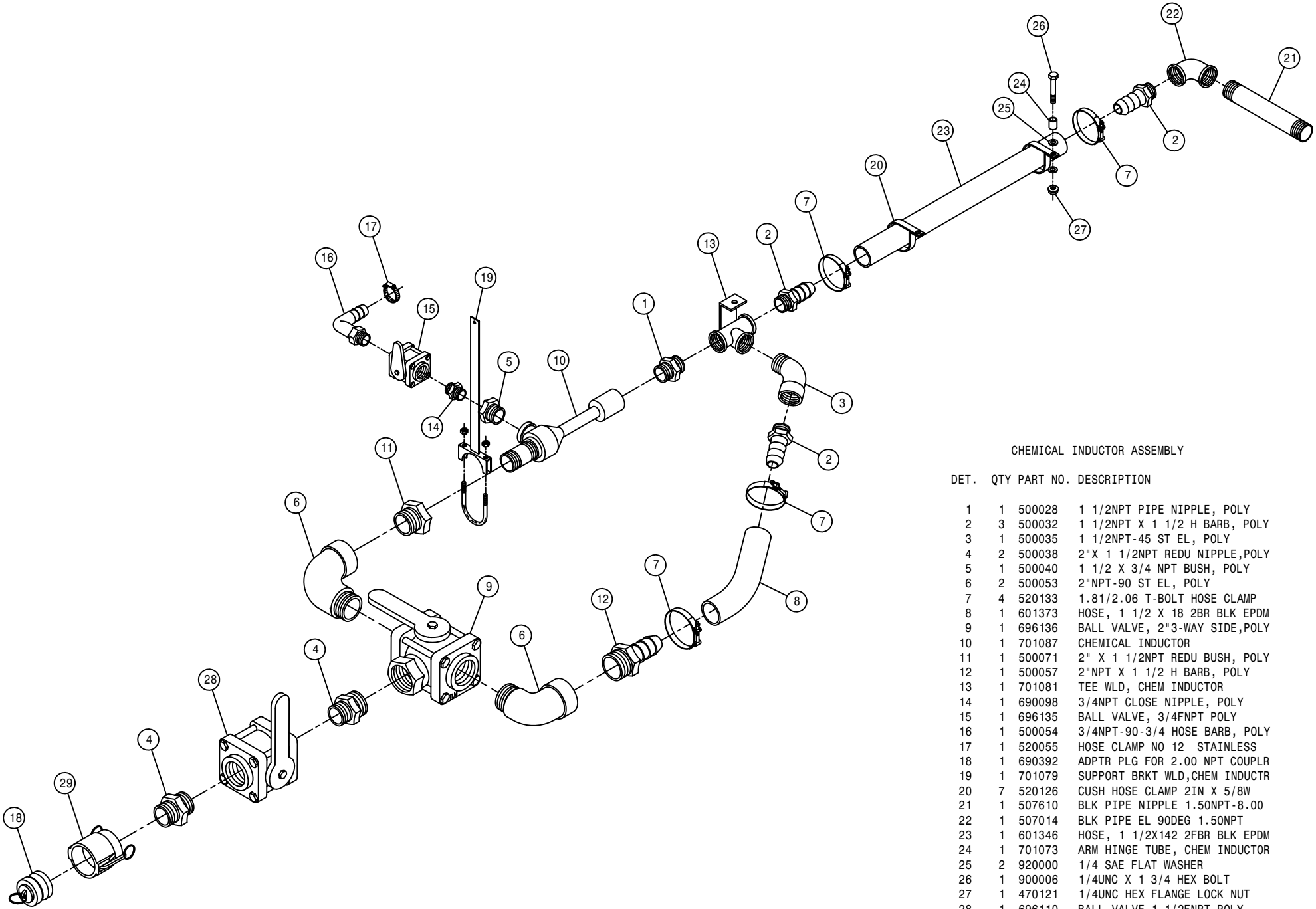
DET.	QTY	PART NO.	DESCRIPTION
1	1	601317	HOSE, 1 IN 1BR BLK EPDM X 93
2	1	601318	HOSE, 1 IN 1BR BLK EPDM X 254
3	1	601319	HOSE, 1 IN 1BR BLK EPDM X 336
4	1	601391	HOSE, 1 IN 1BR BLK EPDM X 274
5	1	601307	HOSE, 1.50 X 118 2F1W EPDM
6	1	601329	HOSE, 1.50 X 130 2F1W EPDM
7	2	690412	HOSE SPRING GUARD 2IN X 12 LG
8	2	690396	HOSE SPRING GUARD 2IN X 48 LG
9	2	601390	HOSE, 1 IN 1BR BLK EPDM X 160
10	1	601392	HOSE, 1 IN 1BR BLK EPDM X 356
11	1	601240	HOSE, 1.50 X 84 2F1W EPDM
12	1	601217	HOSE, 1.50 X 24 2F1W EPDM





CHEMICAL INDUCTOR TANK MOUNT ASSEMBLY

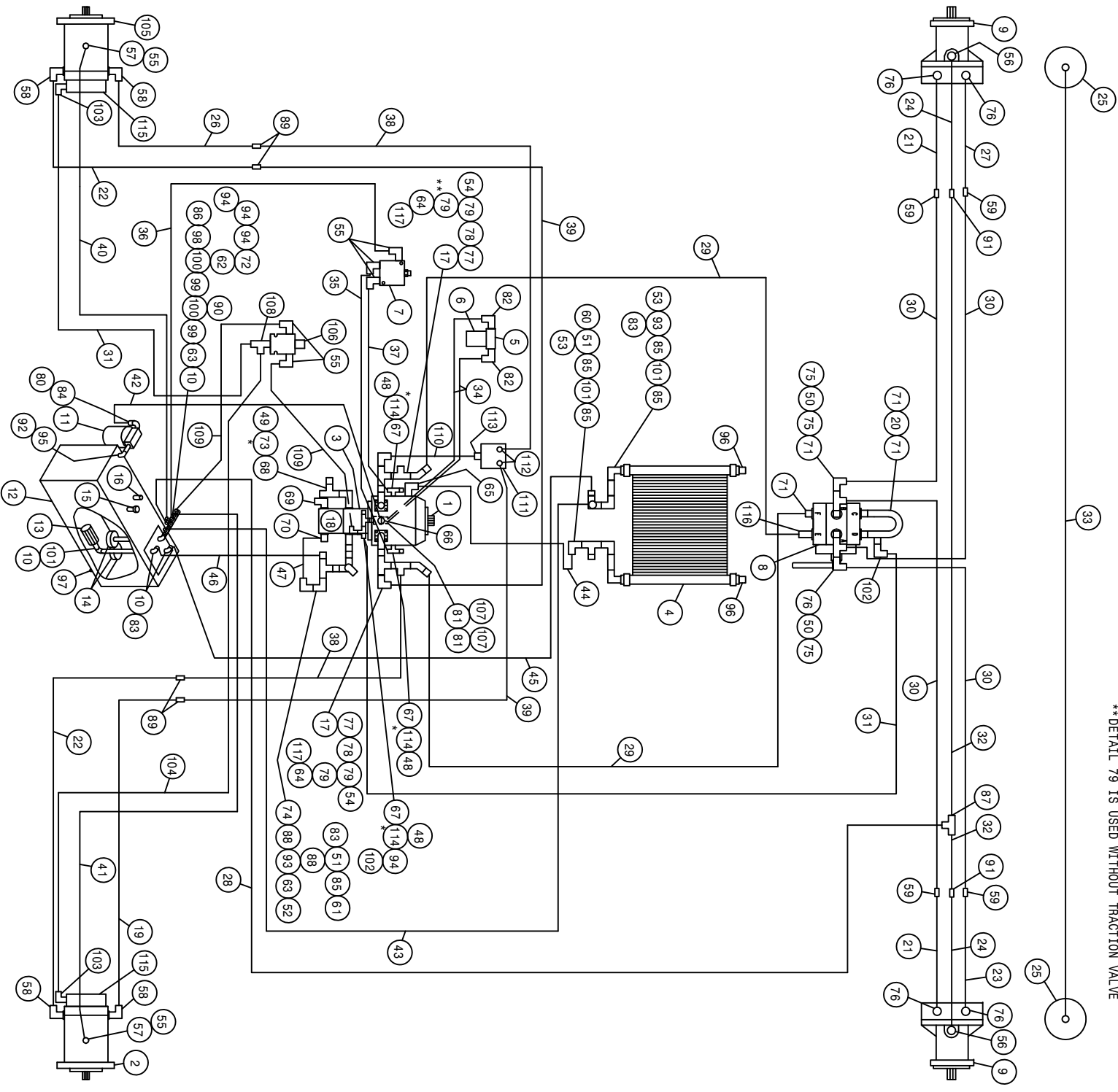
DET.	QTY	PART NO.	DESCRIPTION
1	1	500054	3/4NPT-90-3/4 HOSE BARB, POLY
2	1	520055	HOSE CLAMP NO 12 STAINLESS
3	1	601374	HOSE, 3/4 2FBR BLK EPDM X 35
4	1	701085	CHEM INDUCTOR TANK, 4 GAL, SQ
5	4	900064	5/16UNC X 3/4 HEX BOLT
6	4	920501	5/16 LOCK WASHER
7	1	701065	TANK MTG PLT WLD, CHEM INDUCTR
8	2	701068	SUPPORT TUBE, CHEM INDUCTOR
9	1	701069	UPPER ARM WLD, CHEM INDUCTOR
10	1	701070	LWR ARM WLD, CHEM INDUCTOR
11	1	701076	ARM MT WLD, CHEM INDUCTOR
12	8	900068	5/16UNC X 1 3/4 HEX BOLT
13	8	914002	5/16UNC HEX STOVER NUT
14	1	341981	LH REAR TOOL BAR MT WLD 2XX
15	2	900277	1/2UNC X 5 1/2 HEX BOLT
16	2	900281	1/2UNC X 7 1/2 HEX BOLT
17	4	914008	1/2UNC HEX STOVER NUT
18	4	920004	1/2 SAE FLAT WASHER



CHEMICAL INDUCTOR ASSEMBLY

DET. QTY PART NO. DESCRIPTION

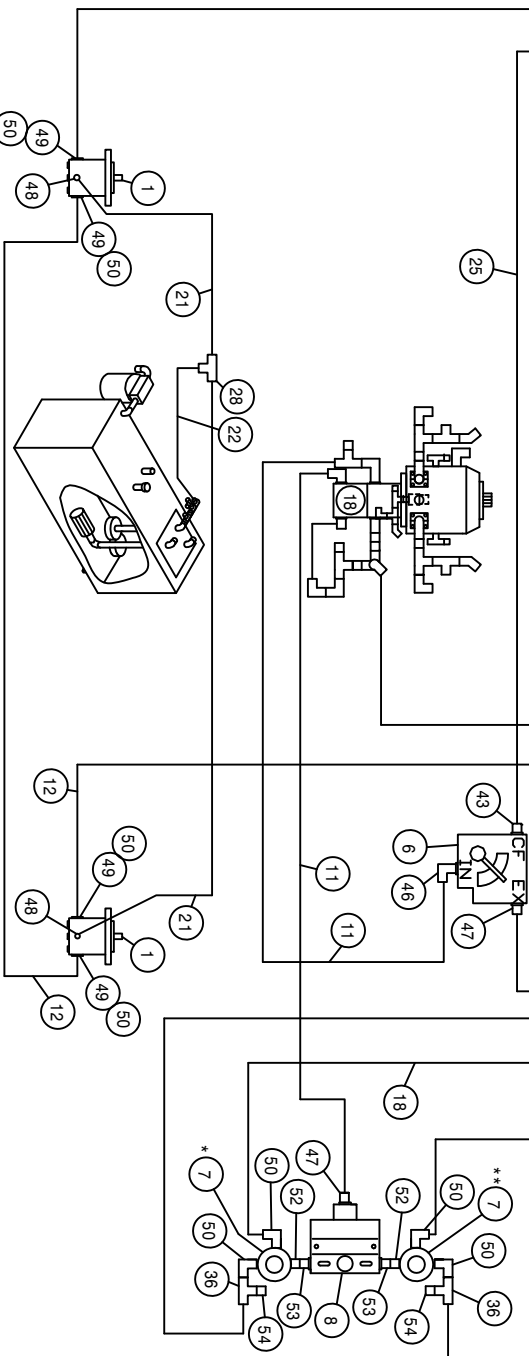
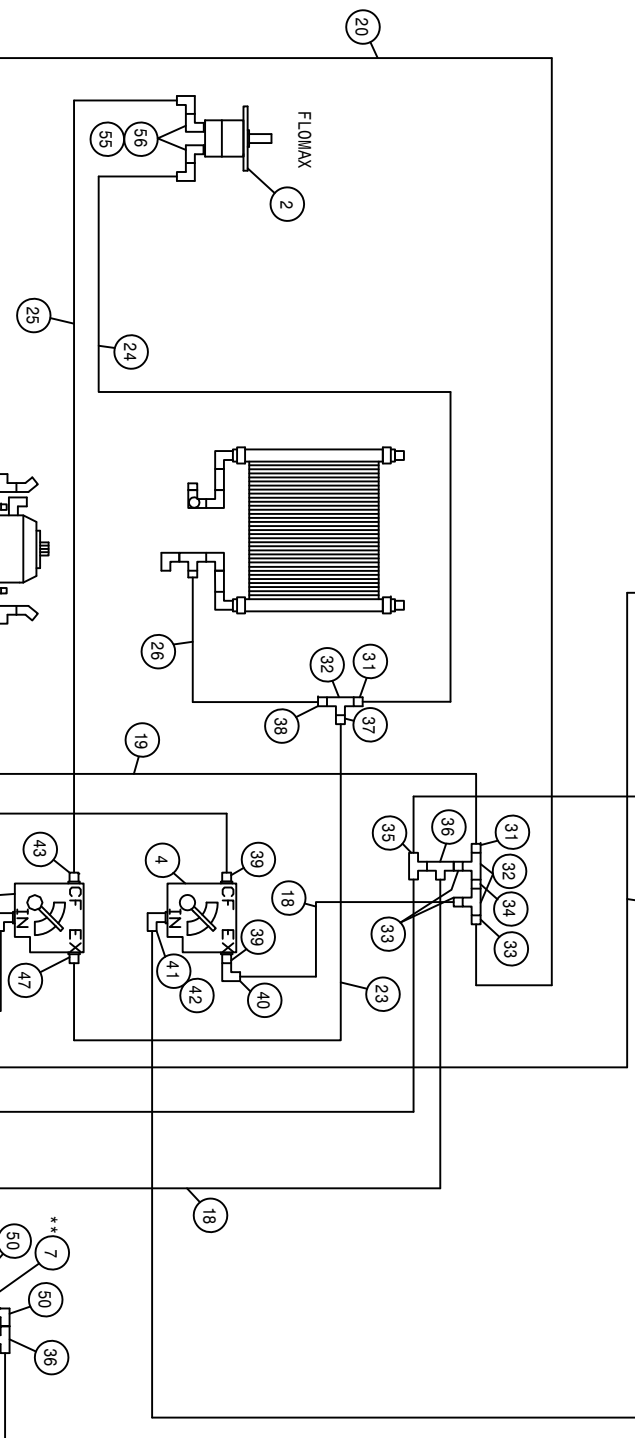
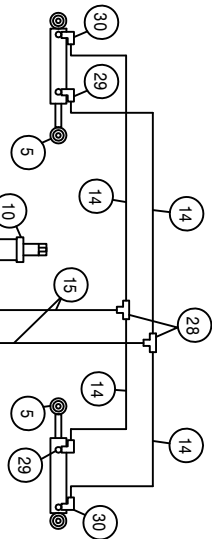
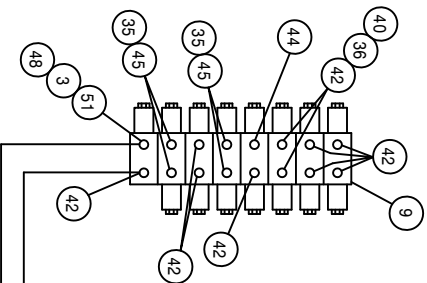
1	1	500028	1 1/2NPT PIPE NIPPLE, POLY
2	3	500032	1 1/2NPT X 1 1/2 H BARB, POLY
3	1	500035	1 1/2NPT-45 ST EL, POLY
4	2	500038	2" X 1 1/2NPT REDU NIPPLE, POLY
5	1	500040	1 1/2 X 3/4 NPT BUSH, POLY
6	2	500053	2" NPT-90 ST EL, POLY
7	4	520133	1.81/2.06 T-BOLT HOSE CLAMP
8	1	601373	HOSE, 1 1/2 X 18 2BR BLK EPDM
9	1	696136	BALL VALVE, 2" 3-WAY SIDE, POLY
10	1	701087	CHEMICAL INDUCTOR
11	1	500071	2" X 1 1/2NPT REDU BUSH, POLY
12	1	500057	2" NPT X 1 1/2 H BARB, POLY
13	1	701081	TEE WLD, CHEM INDUCTOR
14	1	690098	3/4NPT CLOSE NIPPLE, POLY
15	1	696135	BALL VALVE, 3/4FNPT POLY
16	1	500054	3/4NPT-90-3/4 HOSE BARB, POLY
17	1	520055	HOSE CLAMP NO 12 STAINLESS
18	1	690392	ADPTR PLG FOR 2.00 NPT COUPLR
19	1	701079	SUPPORT BRKT WLD, CHEM INDUCTR
20	7	520126	CUSH HOSE CLAMP 2IN X 5/8W
21	1	507610	BLK PIPE NIPPLE 1.50NPT-8.00
22	1	507014	BLK PIPE EL 90DEG 1.50NPT
23	1	601346	HOSE, 1 1/2X142 2FBR BLK EPDM
24	1	701073	ARM HINGE TUBE, CHEM INDUCTOR
25	2	920000	1/4 SAE FLAT WASHER
26	1	900006	1/4UNC X 1 3/4 HEX BOLT
27	1	470121	1/4UNC HEX FLANGE LOCK NUT
28	1	696110	BALL VALVE 1 1/2FNPT POLY
29	1	690390	2.00 FEMALE NPT COUPLER



*NOTE:
 REFER TO DETAIL 73 TO CHECK AUX. SYSTEM - 1850 PSI
 REFER TO DETAIL 114 TO CHECK LIMIT SETTING - 4500 PSI
 REFER TO DETAIL 114 TO CHECK CHARGE PRESSURE - 380 PSI
 **DETAIL 79 IS USED WITHOUT TRACTION VALVE

284 HYDRAULIC SCHEMATIC- 98
REFERENCE DRAWING NO. 498523S1

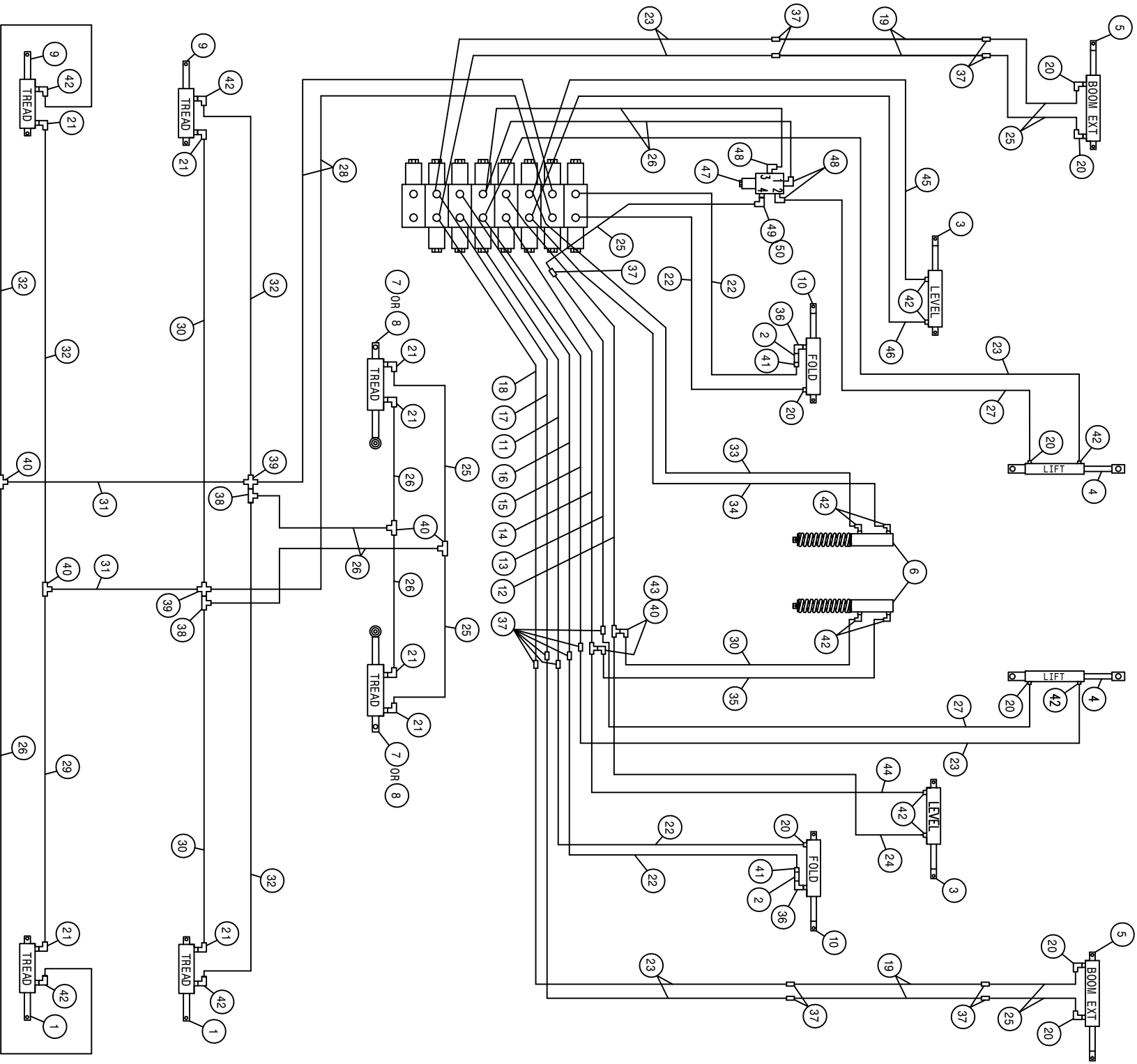
DET.	QTY	PART NO.	DESCRIPTION	DET.	QTY	PART NO.	DESCRIPTION
1	1	606954	SUND 130CC PUMP, B-MT	98	60	618138	1IN HOSE BARB-90-1MNP
2	1	610557	SUND M35-3102 WHL MTR W/SHT	61	1	716000	3/4 HOSE BARB-90-1MNP
3	1	606932	SUND GEAR PUMP, 1.60CI, SPLINED	62	1	504001	RED BUSH 3/4 X 1/4 BLK MAL
4	1	618606	OIL COOLER, BLISSFIELD 65027	63	2	505213	RED BUSH 1 X 3/4 BLK MAL
5	1	605608	HYD FILTER HEAD, DONALDSON	64	2	618630	1 5/16MJ-45-1 5/16FJ SWIV LBO
6	1	605609	HYD FILTER ELEMENT, DONALDSON	65	1	618564	1IN HOSE BARB-90-1 5/16MOR
7	1	610580	REMOTE FLUSHING VALVE, SUND	66	1	618126	1 1/4 HOSE BARB-45-1 5/8MOR
8	1	606003	GRESEN SELECTOR VALVE, DS-12	67	3	618182	9/16MJIC-9/16MOR ADPTR
9	2	610571	SUND M35-3002 WHL MTR	68	1	618535	7/8MJIC-90-1 1/16MOR LBO
10	4	505300	BLK PIPE EL 90DEG 1.00NPT	69	1	611128	7/8MJIC-90-7/8MOR LBO
11	1	605601	GRESEN FILTER 10 MICRON 40GPM	70	1	618075	3/4 HOSE BARB-1 1/16MOR
12	1	760097	OIL TANK WLD 8240 1982	71	4	611127	1 1/16MJIC-1 1/16MOR ADPTR
13	1	605600	MICHIGAN RESERVOIR FILTER	72	1	618520	1/4MNP RUN TEE-9/16MJIC
14	2	605603	LINE SUMP DIFFUSER	73	1	618333	7/8FJIC SW RUN TEE-7/8MJIC
15	1	611052	FILLER BREATHER 3/4NPT	74	1	618090	1 5/16MOR-1FNPT ADPTR
16	1	614453	DIPSTICK, 8IN	75	3	618191	1 1/16MJ-90-1 1/16FJ SWIV LBO
17	2	618461	1 1/4 SPLIT FLANGE KIT	76	5	618248	1 1/16MJIC-90-1 1/16MOR LBO
18	1	606929	SUND GEAR PUMP .66CI, SPLINED	77	2	618459	1 1/4FLANGE-90-1 5/8MJIC
19	1	615706	RH REAR LEG HYDTUBE ASSY284 97	78	2	618547	1 5/8FJIC-1 5/16MJIC ADPTR
20	1	614290	FWD UTUBE 472 P/C 1977 18MHMT	79	4	618619	1 5/16FJ SW RUN TEE-15/16MJ
21	2	615702	FRT LEG INR HYD TUBE ASSY28496	80	1	506410	BLK PIPE ST EL 90DEG 1.25NPT
22	2	615705	REAR LEG HYD TUBE ASSY 284 97	81	2	618327	3/4MJIC-7/8MOR ADPTR
23	1	615703	RH FRTLEG OUTHYDTUBE ASY28496	82	2	618474	3/4MJIC-90-1 1/16MOR LBO
24	2	615656	FRT LEG CNTR HYD TUBE ASSY284	83	4	714560	1NPT X 1 HOSE BARB
25	2	620570	HYD CYL LEG LEVEL 2.00 X 12	84	1	715660	HOSE BARB 1 1/4NPT X 1 1/4
26	1	615707	LH REAR LEG HYDTUBE ASSY284 97	85	5	505200	BLK PIPE ST EL 90DEG 1.00NPT
27	1	615704	LH FRTLEG OUTHYDTUBE ASY28496	86	1	618018	9/16MJIC-1/2MNP ADPTR
28	1	614704	06C1T-06FJX-06FJX-156 H/A	87	1	618019	9/16MJIC UNION TEE
29	2	614724	12TWM-12FJX-12FJX-106 H/A	88	2	505105	1MNP HEX PIPE NIPPLE STL
30	4	614725	12C2AT-12FJX-12FJX-70 H/A	89	4	618441	1 5/16MJIC-90-1 5/16MJIC LBO
31	2	614101	04C1T-06FJX-06FJX-133 H/A	90	1	713220	HOSE BARB 3/4 NPT X 3/4
32	2	615444	06C1T-06FJX-08FJX90-.60 H/A	91	2	618314	3/4MJIC UNION
33	1	615614	FRT LEG CYL JUMPER HOSE280 89	92	1	506602	PIPE NIPPLE 1 1/4NPT-2 1/2
34	2	615465	08C1T-08FJX-08FJX-33 H/A	93	2	505098	SIDE OUTLET EL 90DEG 1.00NPT
35	1	616042	04C1T-06FJX-06FJX-13 H/A	94	4	618486	9/16FJIC SW RUN TEE-9/16MJIC
36	1	616048	04C1T-06FJX-06FJX-35 H/A	95	1	506303	BLK PIPE EL 90DEG 1.25NPT
37	1	616043	04C1T-06FJX-06FJX-23 H/A	96	2	505102	PIPE PLUG 1.00NPT SQ HD
38	2	614727	12TWM-16FJX-16FJX-50 H/A	97	1	501102	1/4 PIPE PLUG
39	2	614729	12TWM-16FJX-16FJX-65 H/A	98	1	504210	RED BUSH 3/4 NPT X 1/2 NPT
40	1	614549	06C1T-06FJX-06FJX-140 H/A	99	2	504702	CLOSE NIPPLE .75NPT
41	1	615449	06C1T-06FJX-06FJX-126 H/A	100	2	504955	BLK PIPE TEE .75NPT
42	1	601380	HOSE, 1 1/4 X 35 1FBR-1SPI	101	3	505203	BLK PIPE NIPPLE 1.00NPT-4.00
43	1	601401	HOSE, 3/4 X 88 1FBR-1SPI	102	2	618618	9/16MJIC-90-9/16FJIC SWIV LBO
44	1	601403	HOSE, 1 X 72 1FBR-1SPI	103	2	618114	9/16MJIC-90-7/16MOR LBO
45	1	601404	HOSE, 1 X 87 1FBR-1SPI	104	1	614639	04C1T-06FJX-06FJX-126 H/A
46	1	601402	HOSE, 1 X 53 1FBR-1SPI	105	1	610621	SUND HYD MOTOR
47	1	601383	HOSE, 3/4 X 8 1FBR-1SPI	106	1	610318	HYD SOLE VLV, 2P-3M, 9/16FOR, 12V
48	3	618531	9/16FJIC CAP NUT	107	2	618609	3/4MJIC-90-3/4FJIC SWIV LBO
49	1	618328	7/8FJIC CAP NUT	108	1	618444	9/16MOR RUN TEE-9/16MJIC
50	2	618487	1 1/16FJ SW RUN TEE-1 1/16MJ	109	2	616056	04C1T-06FJX-06FJX-32 H/A
51	2	505101	BLK PIPE TEE 1.00NPT	110	1	615263	16TWM-16FJX-16FJX90L-18 H/A
52	1	610300	3/4MJIC-3/4MNP ADPTR	111	1	610618	POSITION ACTION VLV, STL, 88SP 60G
53	2	714331	1 NPT X 3/4 HOSE BARB	112	2	618186	1 5/16MJIC-1 5/16MOR ADPTR
54	2	618640	1 5/16MJ-90-1 5/16FJ SWIV LBO	113	1	618178	1 5/16MJIC-90-1 5/16MOR LBO
55	7	618119	9/16MJIC-90-9/16MOR LBO	114	3	618514	9/16FJ SW BRANCH TEE-9/16MJ
56	2	618183	3/4MJIC-90-7/8MOR LBO	115	2	828092	MICO HYD BRAKE
57	2	618172	7/8MOR-9/16FOR ADPTR	116	1	607527	FLOW CTRL VALVE, 32GPM IN-LINE
58	4	618576	1 5/16MJIC-90-1 1/16MOR LBO	117	2	618541	1 5/16FJIC-1 1/16MJIC ADPTR
59	4	618448	1 1/16MJIC-90-1 1/16MJIC LBO				



NOTE: REFER TO DETAIL 7 RELIEF PRESSURE SETTING.
 *STEERING RELIEF SETTING - 1850 PSI
 **BOOM RELIEF SETTING - 2650 PSI

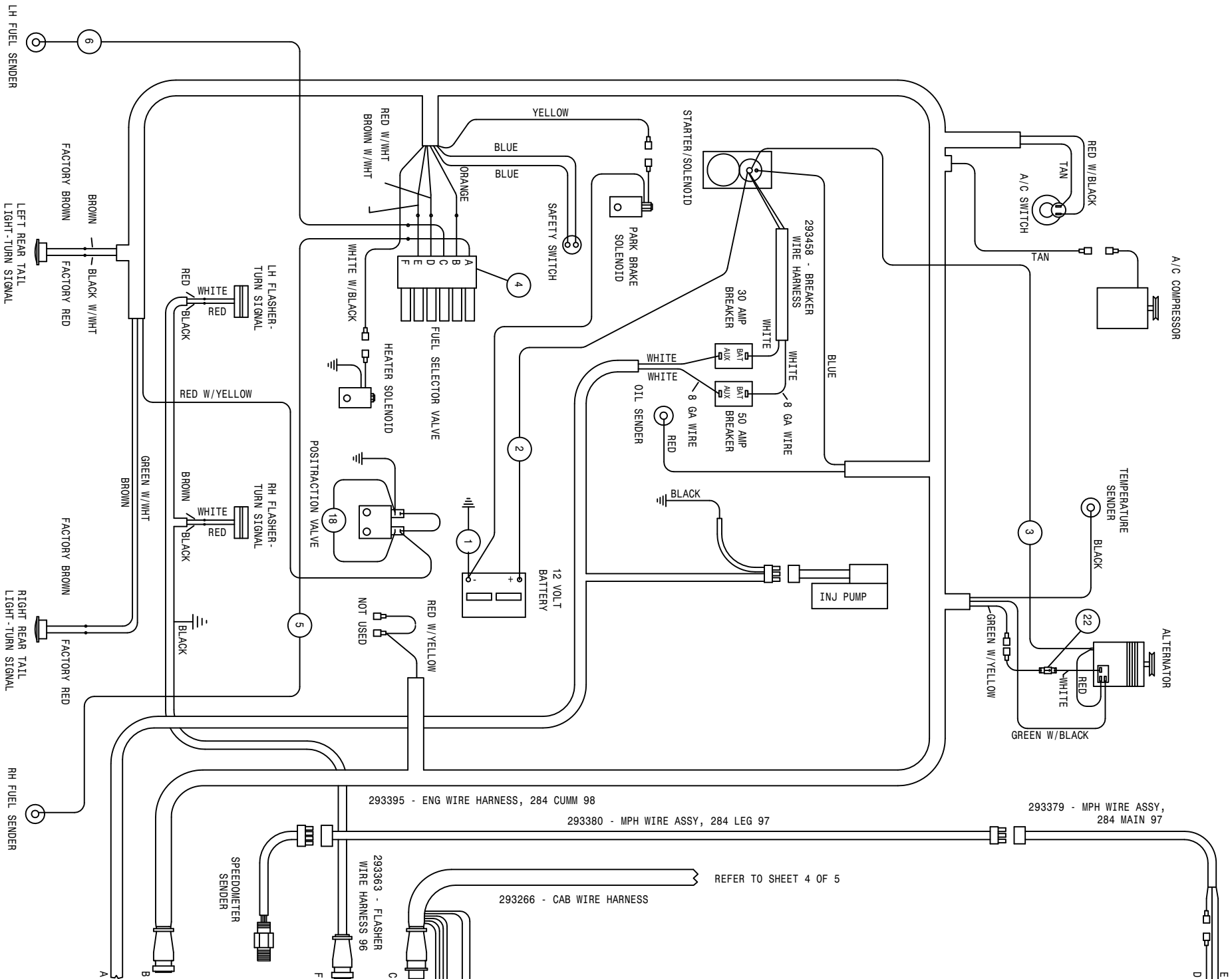
284 HYDRAULIC SCHEMATIC 98
REFERENCE DRAWING NO. 498523S2

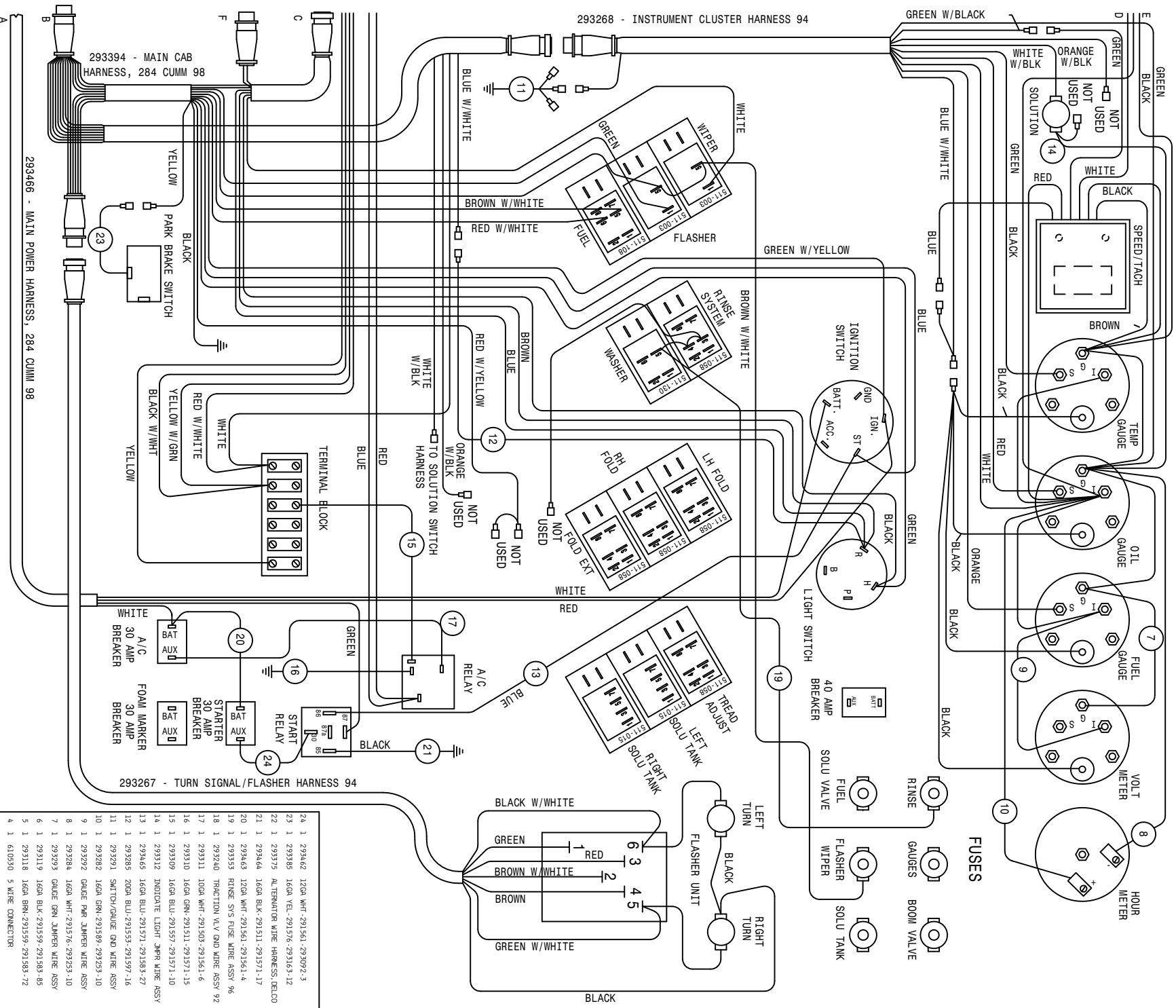
DET.	QTY	PART NO.	DESCRIPTION	DET.	QTY	PART NO.	DESCRIPTION
1	2	610510	CESSNA GEAR MOTOR 1.48CI	29	2	611122	9/16MJIC-90-1/4MNPT LBO
2	1	690573	HYD MOTOR, FLOWMAX HI-SPEED	30	2	618338	9/16MJIC-45-1/4MNPT LBO
3	1	610447	HYD FILTER, INLINE 1/4FNPT 90M	31	2	611147	3/4MJIC-1/2MNPT ADPTR
4	1	606827	FLO CONT FCS1 0-3 VARI 7/8FOR	32	3	503820	BLK PIPE TEE .50NPT
5	2	620080	STRG CYL ASSY 1.50 X 6.0 1985	33	3	618018	9/16MJIC-1/2MNPT ADPTR
6	1	606818	FLO CONT FCR51 0-16GPM 7/8FOR	34	1	503600	CLOSE NIPPLE .50NPT
7	2	607512	RELIEF VALVE, RL50, 1850 PSI	35	5	618514	9/16FJ SW BRANCH TEE-9/16MJ
8	1	607504	FLO DIV B50 2-8GPM 7/8 FOR	36	5	618486	9/16FJIC SW RUN TEE-9/16MJIC
9	1	610569	6 SECT. 5 FUNCTN HYD VLV, EATON	37	1	618325	7/8MJIC-1/2MNPT ADPTR
10	1	749150	STRG MTR NON-LOAD REACT 1008	38	1	712440	1/2 NPT X 3/4 HOSE BARB
11	2	614664	10C1T-10FJX-10FJX-98	39	2	618310	9/16MJIC-7/8MOR ADPTR
12	3	614693	06C1T-06FJX-06FJX-168	40	3	618618	9/16MJIC-90-9/16FJIC SWIV LBO
13	1	614159	04C1T-06FJX-06FJX-169	41	1	618172	7/8MOR-9/16FOR ADPTR
14	4	614663	04C1T-06FJX-06FJX-16	42	11	618119	9/16MJIC-90-9/16MOR LBO
15	2	616028	04C1T-06FJX-06FJX-47	43	1	618327	3/4MJIC-7/8MOR ADPTR
16	1	611204	04C1T-06FJX-06FJX-78	44	1	618440	9/16MJIC-90-9/16MOR EX LG LBO
17	1	616040	04C1T-06FJX-06FJX-67	45	4	618126	9/16MJIC-9/16MOR ADPTR
18	3	616026	04C1T-06FJX-06FJX-37	46	1	611128	7/8MJIC-90-7/8MOR LBO
19	1	616057	08C1T-08FJX-08FJX-88	47	2	611126	7/8MJIC-7/8MOR ADPTR
20	1	614571	06C1T-06FJX-06FJX-126	48	3	611121	9/16MJIC-1/4MNPT ADPTR
21	2	611208	04C1T-06FJX-06FJX-98	49	4	618092	1 1/16MOR-1/2FNPT ADPTR
22	1	615452	06C1T-06FJX-06FJX-16	50	8	618107	9/16MJIC-90-1/2MNPT LBO
23	1	615521	10C1T-10FJX-10FJX-18	51	1	618562	9/16MOR-90-1/4MNPT LBO
24	1	615465	08C1T-08FJX-08FJX-33	52	2	500000	1/2MNPT HEX PIPE NIPPLE STL
25	1	614662	08C1T-08FJX-08FJX-72	53	2	618072	7/8MOR-1/2FNPT ADPTR
26	1	601384	HOSE, 3/4 X 40 1FBR-1SPI	54	2	618531	9/16FJIC CAP NUT
27	4	618496	9/16MJIC-45-3/4MOR LBO	55	2	618609	3/4MJIC-90-3/4FJIC SWIV LBO
28	3	618019	9/16MJIC UNION TEE	56	2	618241	3/4MJIC-90-3/4MOR LBO



284 HYDRAULIC SCHEMATIC 98
REFERENCE DRAWING NO. 498523S3

DET.	QTY	PART NO.	DESCRIPTION	DET.	QTY	PART NO.	DESCRIPTION
1	2	620120	CYL ASSY, RH LEG, TREAD ADJ 94	26	7	614663	04C1T-06FJX-06FJX-16
2	2	610450	RESTRICTOR .025 1-WAY,1/2FNPT	27	2	615616	04C1T-06FJX-06FJX-65
3	2	620585	LEVEL CYL ASSY, 2 X 10 96	28	2	611210	04C1T-06FJX-06FJX-156
4	2	620673	LIFT CYL ASSY, 2.50 X 14.00"	29	1	616042	04C1T-06FJX-06FJX-13
5	2	620652	CYL ASSY, BOOM FOLD 2.50X18" 9	30	3	616049	04C1T-06FJX-06FJX-26
6	2	620664	ACCUMULATOR CYL ASSY	30	2	614308	04C1T-06FJX-06FJX-109
7	2	620123	CYL ASSY,STRG,125"TTREAD ADJ94	31	2	616026	04C1T-06FJX-06FJX-37
8	2	620122	CYL ASSY,STRG,90"TTREAD ADJ 94	32	4	616037	04C1T-06FJX-06FJX-29
9	2	620121	CYL ASSY, LH LEG, TREAD ADJ 94	33	1	614713	04C1T-06FJX-06FJX-24
10	2	620652	FOLD CYL ASSY, 2 X 10 IN 97	34	1	614712	04C1T-06FJX-06FJX-20
11	1	615641	FOLD HYD TUBE ASSY, IN 254/284	35	2	618633	1/2MNPt-90-1/4MNPt REDU LBO
12	1	615639	LEVEL HYD TUBE ASSY,UP254/284	36	15	619010	9/16MJIC UNION
13	1	615637	LIFT HYD TUBE ASSY,UP 254/284	37	2	618486	9/16FJIC SW RUN TEE-9/16MJIC
14	1	615640	LEVEL HYD TUBE ASSY, DN254/284	38	2	618320	9/16MJIC UNION CROSS
15	1	615638	LIFT HYD TUBE ASSY, DN 254/284	39	2	618019	9/16MJIC UNION TEE
16	1	615642	FOLD HYD TUBE ASSY,OUT254/284	40	6	618019	9/16MJIC UNION TEE
17	1	615683	FOLD BOOM HYD TUBE ASSY, OUT	41	2	618018	9/16MJIC-1/2MNPt ADPTR
18	1	615682	FOLD BOOM HYD TUBE ASSY, IN	42	14	611122	9/16MJIC-90-1/4MNPt LBO
19	4	615684	HYD TUBE ASSY,BOOM EXT FOLD96	43	2	618618	9/16MJIC-90-9/16FJIC SWIV LBO
20	8	614365	RESTRICTOR ELBOW ASSY .042DIA	44	1	614714	04C1T-06FJX-06FJX-34
21	8	614710	RESTRICTOR ELBOW ASSY .025DIA	45	1	614715	04C1T-06FJX-06FJX-43
22	4	615442	04C1T-06FJX-06FJX-55 H/A	46	1	616059	04C1T-06FJX-06FJX-33
23	6	616040	04C1T-06FJX-06FJX-67 H/A	47	1	610628	4-WAY, 2-POSITION SOL VLV
24	1	616028	04C1T-06FJX-06FJX-47 H/A	48	3	618115	9/16MJIC-90-3/4MOR LBO
25	7	616043	04C1T-06FJX-06FJX-23 H/A	49	1	618109	9/16MJIC-3/4MOR ADPTR
				50	1	618618	9/16MJIC-90-9/16FJIC SWIV LBO

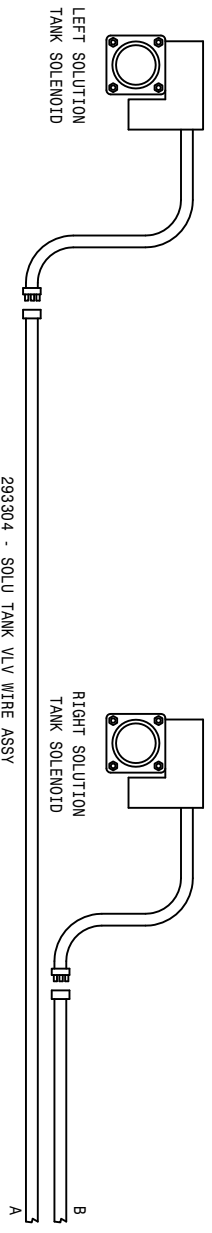
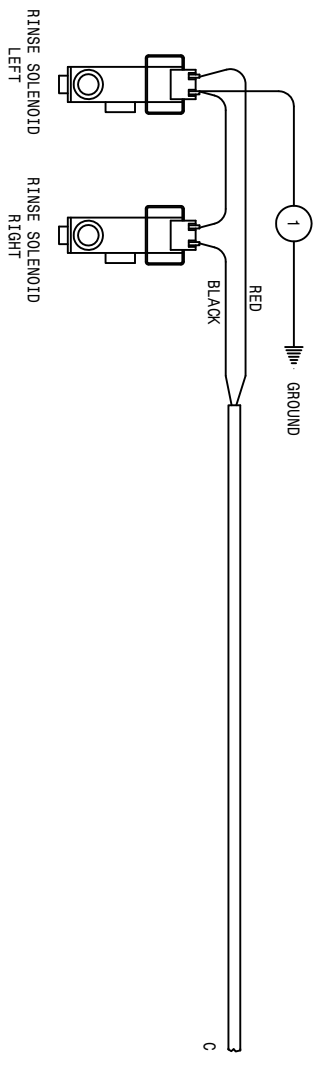


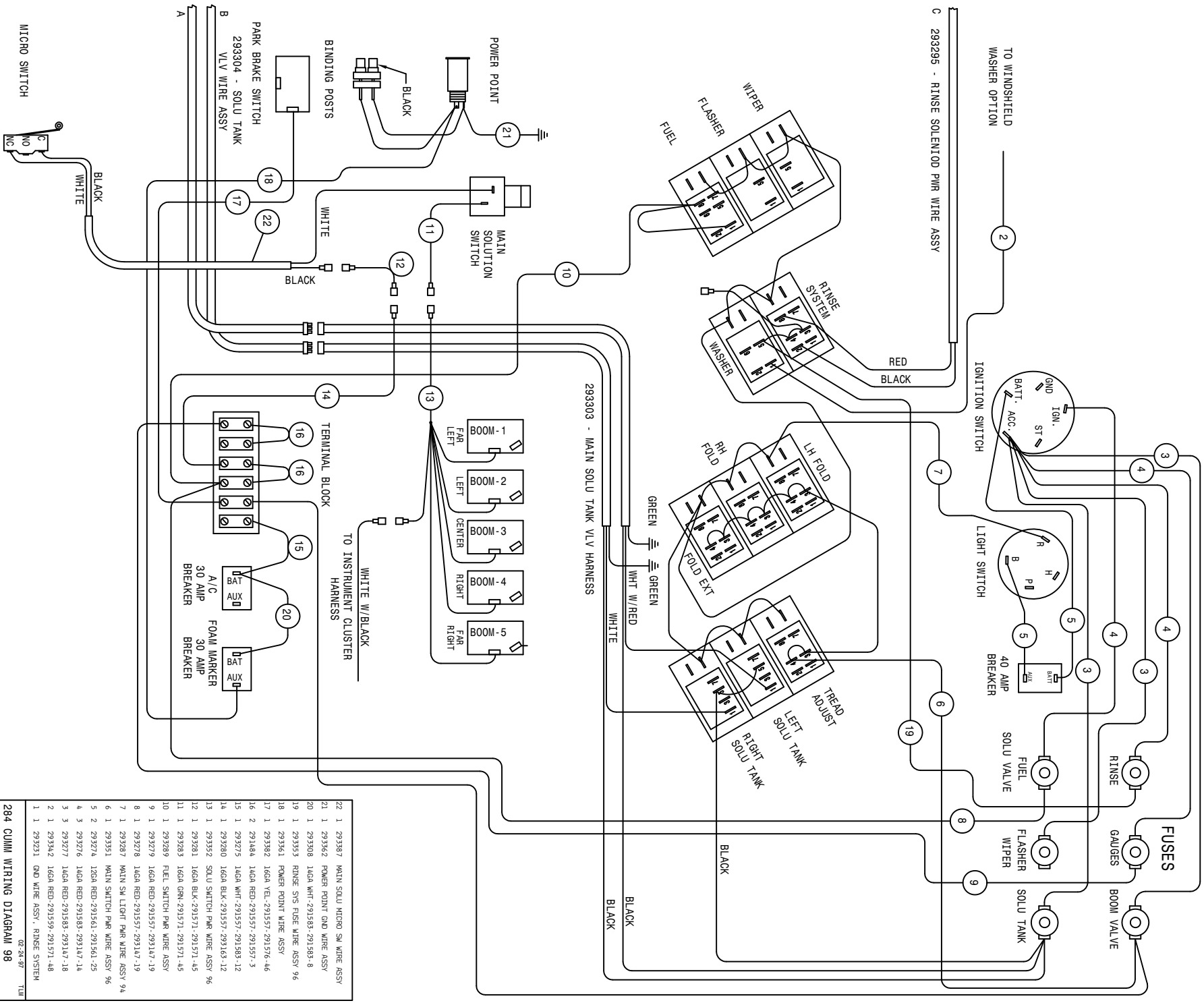


24	1	293462	12GA WHF-291561-293092-3
23	1	293385	16GA YEL-291576-293165-12
22	1	293375	ALTERNATOR WIRE HARNESS, DELCO
21	1	293464	16GA BLK-291511-291571-17
20	1	293463	12GA WHF-291561-291561-4
19	1	293353	RINSE SYS FUSE WIRE ASSY 96
18	1	293240	TRACTION VLV GND WIRE ASSY 92
17	1	293311	10GA WHF-291505-291561-6
16	1	293310	16GA GRN-291571-291583-15
15	1	293309	16GA BLU-291557-291571-10
14	1	293312	INDICATE LIGHT JMR WIRE ASSY
13	1	293465	16GA BLU-291571-291583-27
12	1	293265	20GA BLU-291553-291597-16
10	1	293282	16GA GRN-291589-29253-10
9	1	293292	GAUGE PWR JUMPER WIRE ASSY
8	1	293284	16GA WHF-291576-293253-10
7	1	293293	GAUGE GRN JUMPER WIRE ASSY
6	1	293119	16GA BLK-291559-291585-85
5	1	293118	16GA BRN-291559-291585-72
4	1	610530	5 WIRE CONNECTOR
3	1	291029	10GA BLU-291513-291587-30
2	1	291128	BATTERY CABLE 48IN
1	1	291530	BATTERY GROUND CABLE 23

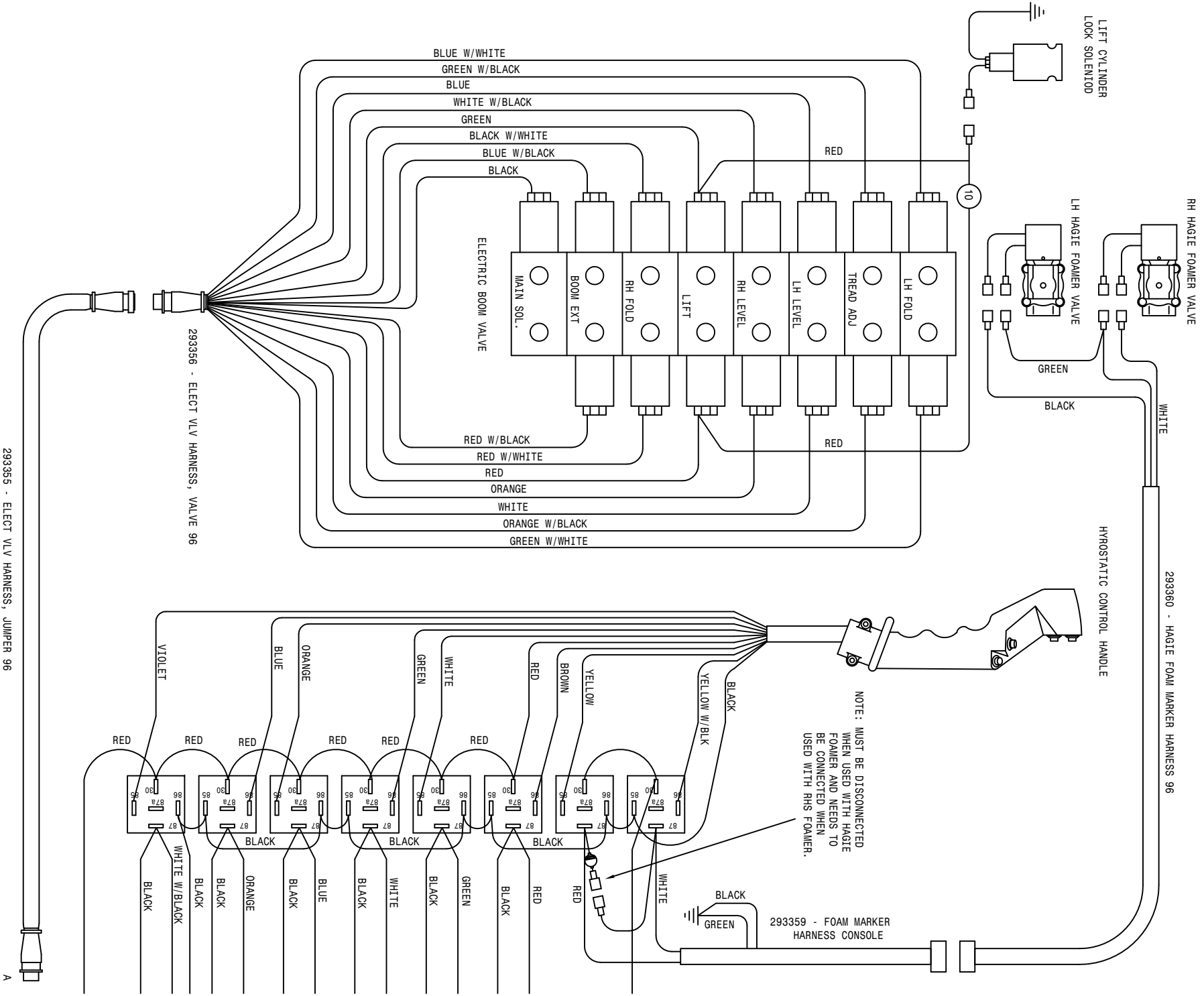
284 CUMM WIRING DIAGRAM 98
 SHEET 1 OF 5
 REVISION DATE: 07/20/01
 498526
 02-24-97 TLM

SOLUTION SOLENOID VALVES



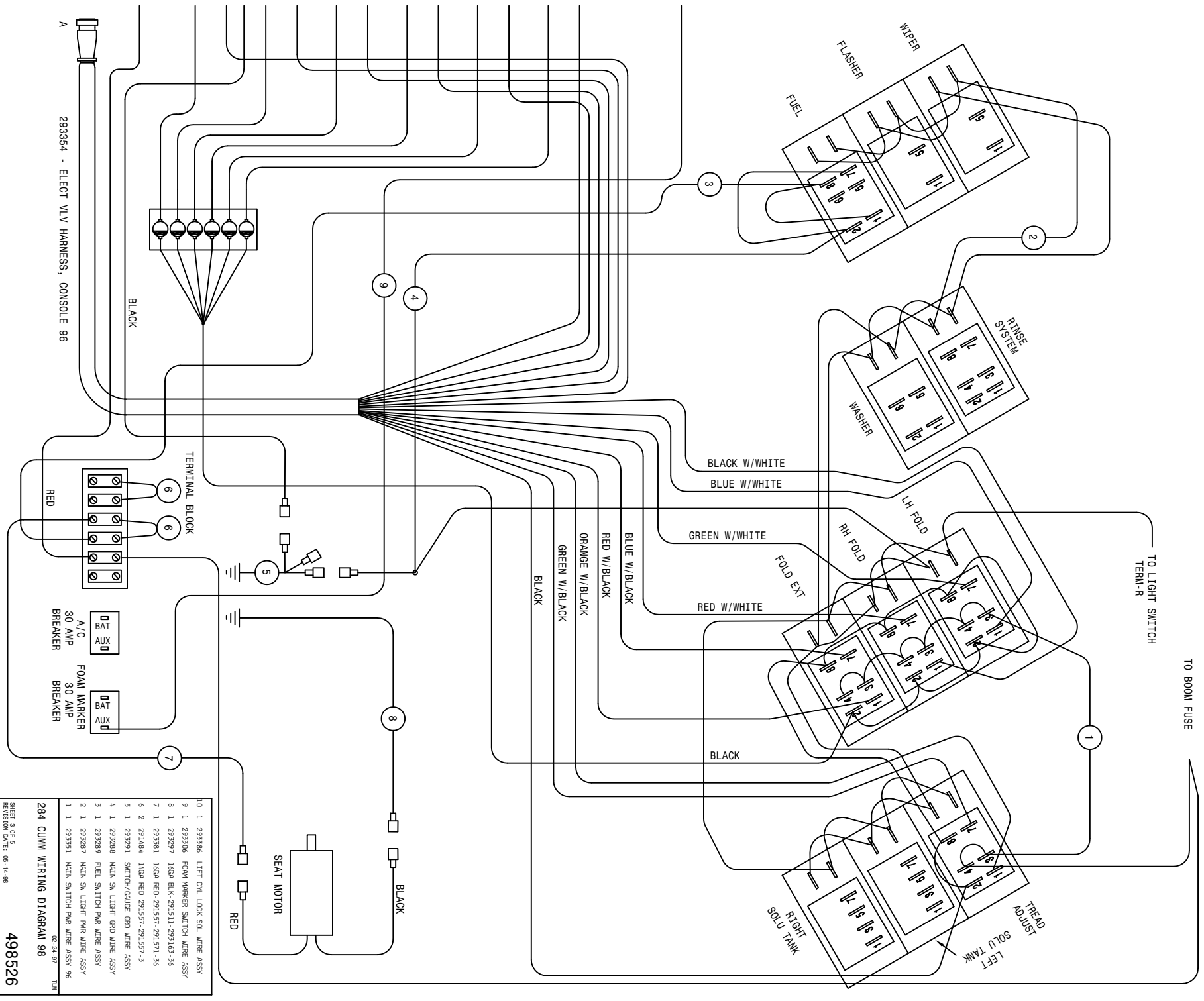


284 CUMM WIRING DIAGRAM 98
 02-24-97 TDM
 498526
 SHEET 7 OF 8
 REVISION DATE: 04-23-91



293355 - ELECT VLV HARNESS, JUMPER 96

A



293354 - ELECT VLV HARNESS, CONSOLE 96

BLACK

TERMINAL BLOCK

RED

A/C

BAT

AUX

30 AMP

BREAKER

FOAM MARKER

BAT

AUX

30 AMP

BREAKER

SEAT MOTOR

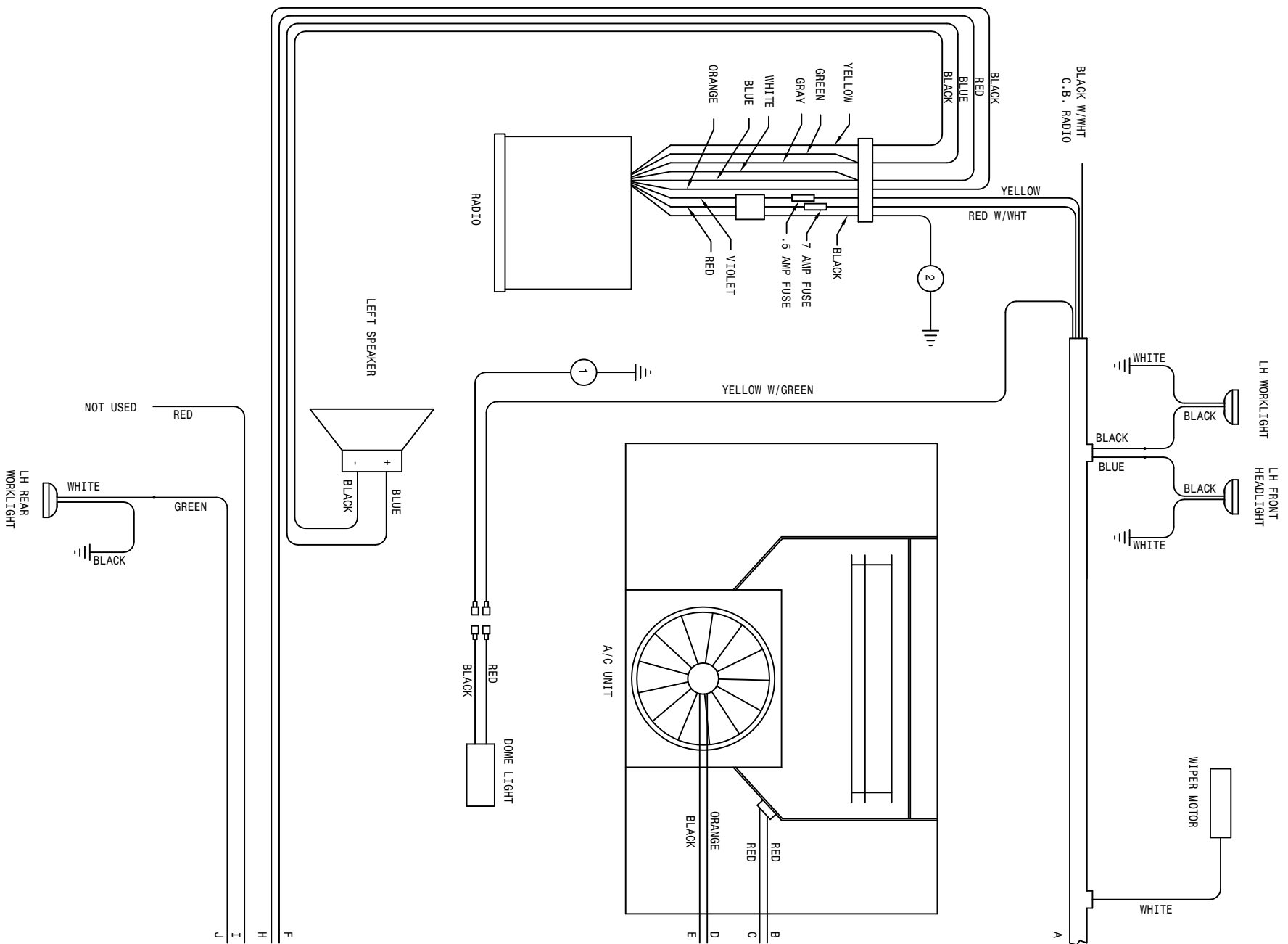
BLACK

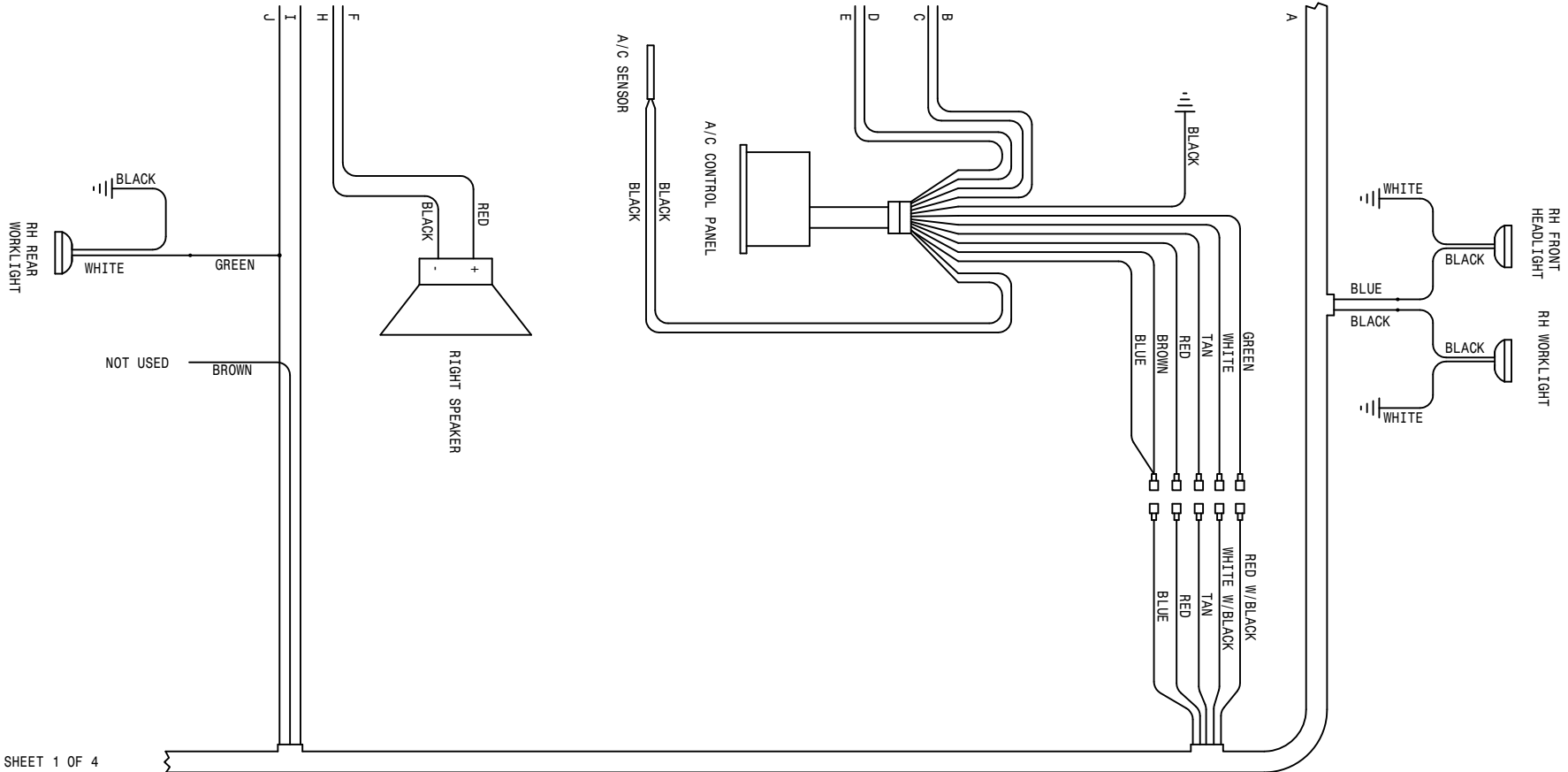
RED

TO BOOM FUSE

TO LIGHT SWITCH
TERM-R

SHEET 3 OF 5
REVISION DATE: 05-14-98
284 CUMM WIRING DIAGRAM 98
02-24-97
498526
TUM

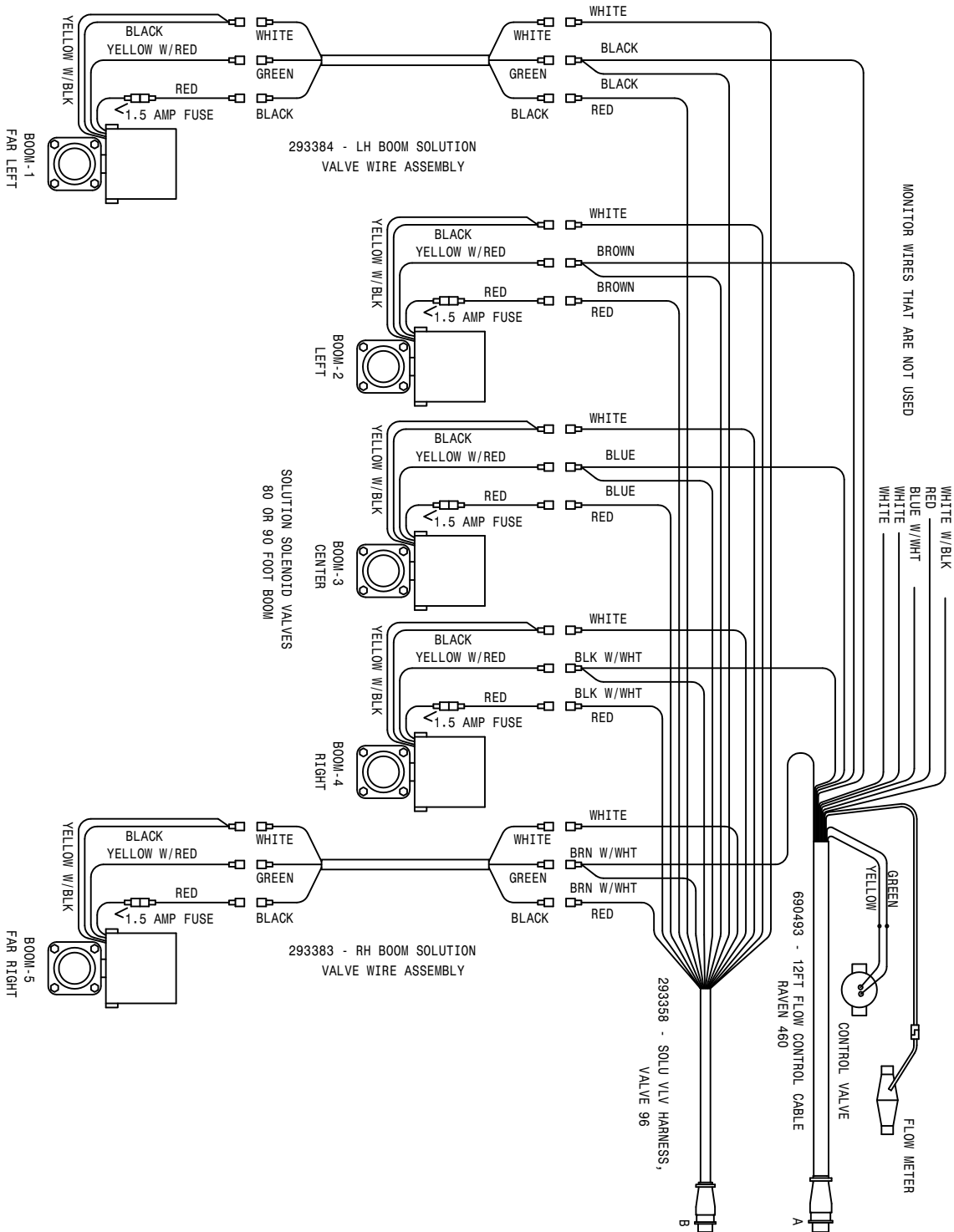
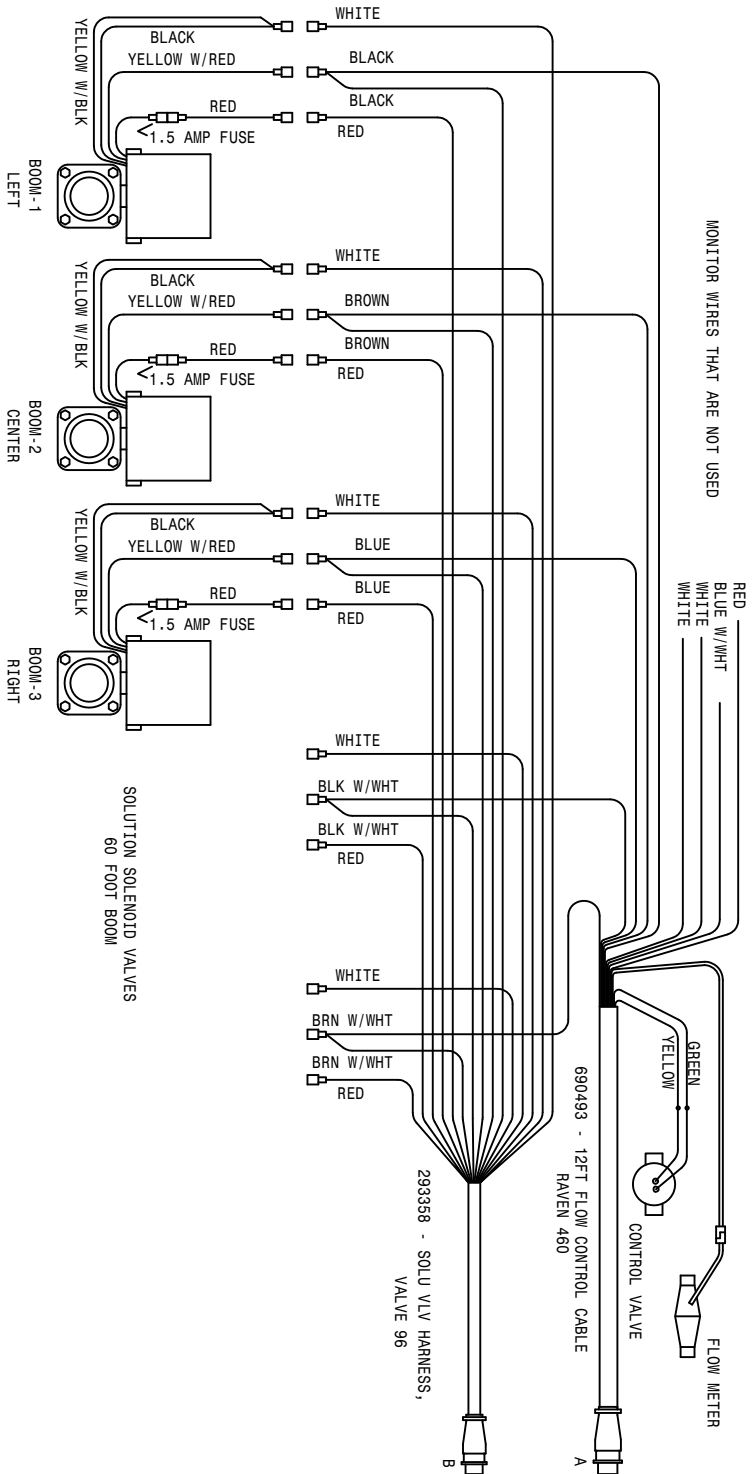




293266 - CAB WIRE HARNESS

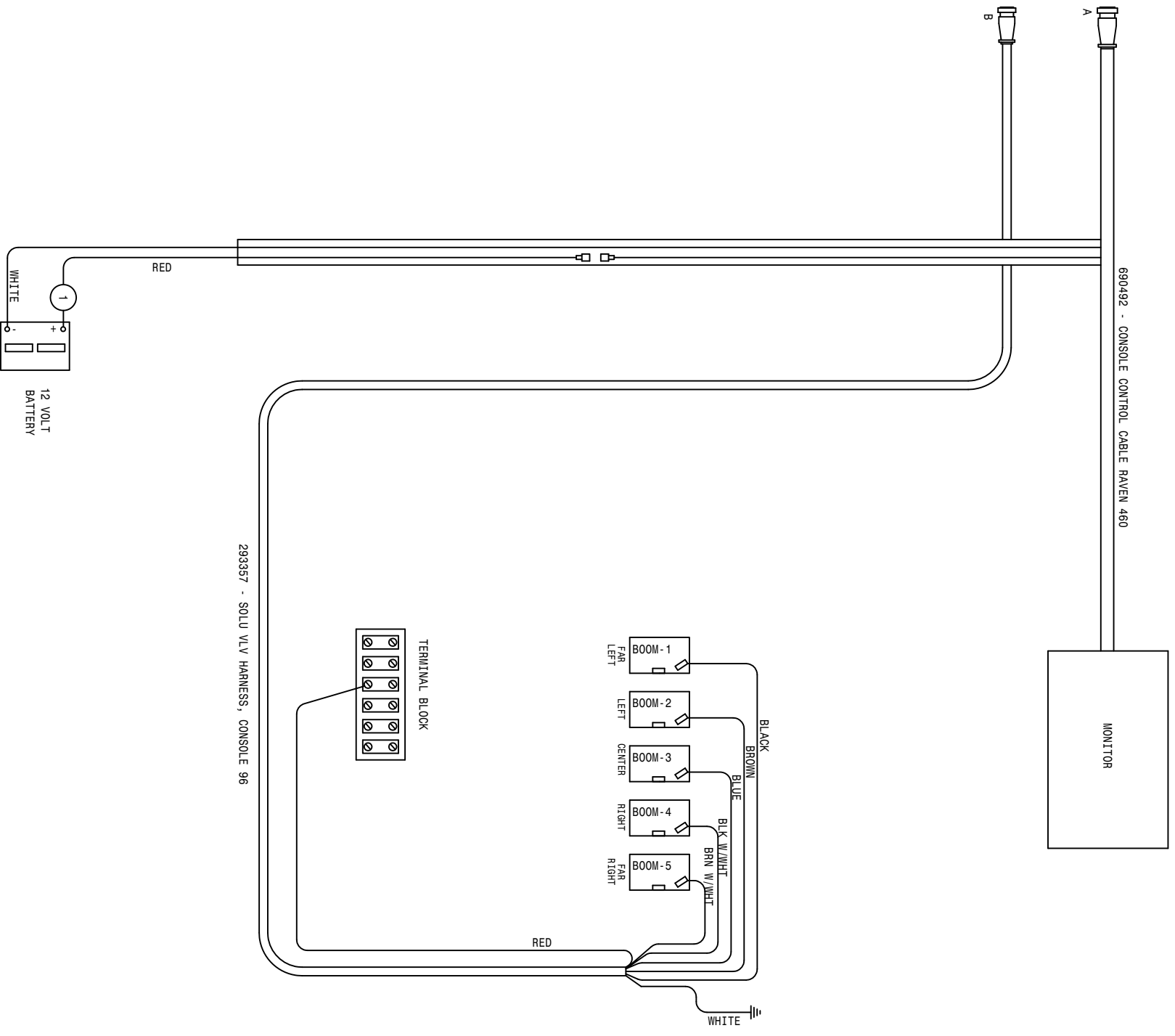
REFER TO SHEET 1 OF 4

2	1	293300	16GA BLK-291511-291571-18
1	1	293299	16GA BLK-291511-291571-20
02-24-97 TLU			
284 CUMM WIRING DIAGRAM 98			
SHEET 4 OF 5			
REVISION DATE: 05-14-98			
498526			



MONITOR WIRES THAT ARE NOT USED

MONITOR WIRES THAT ARE NOT USED



1 1 293149 14GA RED-291559-291590-26
 284 CUMM WIRING DIAGRAM 98 02-24-97 TLM
 SHEET 5 OF 5
 REVISION DATE: 05-14-98
498526

NOTICE

The following page contains decals for the model 284.

These decals can be obtained from Hagie Mfg. Co. and should be used whenever your machine is repainted or when the decals become worn, weathered, or faded.

Special attention should be paid to decals involving personal safety. They have been attached for your protection.

KEEP THEM IN PLACE.

Contact: Hagie Manufacturing Co.
Box 273
Clarion, Iowa 50525

284 DECALS

QTY.	PART NO.	DESCRIPTION	LOCATION
1	650831	EMERGENCY STOP DECAL	ON LOWER LH FRONT CAB FOAM
1	650320	EMERGENCY EXIT DECAL	ON LOWER REAR OF EXIT WINDOW
1	650335	CONSOLE COVER PANEL DECAL	ON CONSOLE SHEET METAL
1	650340	PARK BRAKE DECAL	NEAR PARK SWITCH
1	650822	SOLUTION PUMP DECAL	ON FRONT CROSSMEMBER
1	650847	NO PASSENGER DECAL	REAR CORNER OF CAB
2	650848	SLIP OR FALL DECAL	2-ON EACH FUEL TANK
2	650849	ENGINE FUEL DECAL	NEAR EACH FUEL TANK NECK
2	650850	CHEMICAL DECAL	ON SOLUTION TANK LIDS
2	650851	SHIELDS DECAL	ON SIDE OF TOP ENGINE COVER
1	650852	READ MANUAL DECAL	ON LOWER LH FRONT CAB FOAM
1	650319	NOTICE-FRT LEG CYL OIL	ON TOP LH FRONT LEG
1	650326	HAGIE DECAL	ON FRONT MAINFRAME SHIELD
2	650954	DIESEL DECAL	NEAR EACH FUEL NECK
1	650981	COOLING SYSTEM DECAL	NEAR RADIATOR CAP
1	650982	ELECTRICAL DECAL	RIGHT HAND SIDE OF OIL TANK
4	650985	WHEEL BOLT TORQUE DECAL	ON EACH WHEEL RIM
1	650323	DECAL SET, HAGIE 284 STRIPE	ON EACH ENGINE HOOD
2	650324	DECAL STRIPE, 3 X 72	ON EACH TANK SHIELD
1	650329	SPRAY CONTROL/TRAC DECAL	ON INSTRUMENT PANEL
1	650334	SS SIGHT GAUGE DECAL	ON SIGHT GAUGE MOUNT
1	650336	FOLD BOOM WARNING DECAL	ON LOWER REAR OF EXIT WINDOW
1	650337	ELECTROCUTION HAZARD DECAL	ON LOWER REAR OF EXIT WINDOW
1	650339	HYDRAULIC OIL INJ. DECAL	ON LOWER REAR OF EXIT WINDOW

ABBREVIATIONS

A/C - AIR CONDITIONER	MT - MOUNT
ADPTR - ADAPTER	MTR - MOTOR
AGI - AGITATOR	P/N - PART NUMBER
ALT - ALTERNATOR	PLT - PLATE
ASSY - ASSEMBLY	QTY - QUANTITY
BRKT - BRACKET	RED - REDUCER
DET - DETAIL	REF - REFERENCE
DISPL - DISPLACEMENT	REST - RESTRICTOR
EL - ELBOW	REQ - REQUIRED
EXT - EXTENSION	SHFT - SHAFT
FLO - FLOW	SOL - SOLUTION
FNPT - FEMALE NATIONAL PIPE THREAD	STRG - STEERING
FOR - FEMALE O-RING	ST - STREET
FRT - FRONT	SWIV - SWIVEL
HYD - HYDRAULIC	UNC - UNIFIED NATIONAL COURSE
HYDRO - HYDROSTATIC	UNF - UNIFIED NATIONAL FINE
LG - LONG	V - VOLT
LWR - LOWER	W/ - WITH
MJIC - MALE J.I.C.	WHL - WHEEL
MOR - MALE O-RING	WLD - WELDMENT

INDEX

-A-

ABBREVIATIONS.....116
 ACCUMULATOR CYLINDER.....52,53
 ADJUSTMENT, TREAD.....76
 AGITATOR
 IMPELLER.....65
 SHAFT.....65
 SHIELD.....65
 SOLUTION.....65
 AIR CLEANER.....12
 BAND.....12
 FILTER.....12
 HOOD.....12
 HOSE.....12
 AIR CONDITIONER
 BLOWER MOUNT.....30
 COMPRESSOR.....10
 COMPRESSOR MOUNT.....10
 CONDENSOR.....10
 CONTROL.....30
 DRYER.....10
 FILTER.....30
 AIR SEAT.....28
 ANTENNA, RADIO.....30
 ARM,
 TANK SUPPORT.....47
 WIPER.....28

-B-

BALL VALVE.....64,66
 BAND,
 AIR CLEANER.....12
 FUEL TANK.....26
 TANK.....64
 BATTERY.....13
 BOX.....13
 CABLE.....13,38
 BELT.....5,10
 BINDING POST.....40
 BLADE,
 FAN.....5
 WIPER.....28
 BLOCK, TERMINAL.....35
 BOOM.....58,59,60,61,62,63
 CONTROL VALVE.....49
 CRADLE.....43
 PIVOT PIN.....51
 SPRING.....59,61
 BRACE,
 LADDER.....48
 LEG.....16,17

BRAKE SOLENOID.....38
 BREAKAWAY.....51
 BREAKER, CIRCUIT.....35
 BREATHER.....27

-C-

CAB.....28
 ROOF.....28
 CABLE,
 BATTERY.....13
 CONTROL.....35,36,37,38,42
 THRITTLE.....4
 4WD.....41
 CAP,
 FUEL.....26
 RADIATOR.....11
 STEERING.....32
 CATWALK.....48
 CHECK VALVE.....73
 CIRCUIT BREAKER.....35
 COMPRESSOR, A/C.....10
 CONDENSOR.....10
 MOUNT.....10
 CONSOLE.....35
 COVER.....34
 CONTROL HANDLE.....36
 COOLER, OIL.....11
 CRADLE.....64
 BOOM.....43
 CROP GUIDE.....14,15,18
 CROPSHIELD.....91
 CYLINDER,
 ACCUMULATOR.....52,53
 FOLD.....56
 FRONT LEG.....26
 LEVEL.....55
 LIFT.....54
 STEERING.....21
 TREAD ADJUSTMENT.....77,78,79

-D-

DECAL S.....114,115
 DIAGRAM, WIRING.....104
 DIFFUSER, LINE SUMP.....27
 DIMMER SWITCH.....28
 DIPSTICK.....27

DOOR.....29
 HANDLE.....29
 DRINK HOLDER.....35
 DRIVE ASSEMBLY.....4
 DRYER, A/C.....10

-E-

ELECTRIC SOLENOID VALVE..68,69,70
 ENGINE.....4,5
 HOOD.....44
 MOUNTS.....4,5
 EXHAUST PIPE.....12

-F-

FAN
 BLADE.....5
 SPACER.....5
 FILTER,
 AIR CLEANER.....12
 AIR CONDITIONER.....30
 FUEL.....4
 HI-PRESS.....9
 INLINE HYDRAULIC.....49
 MICHIGAN.....27
 MINDER.....33
 OIL.....5,27
 FLASHER LIGHT.....43
 FLASHER SWITCH.....32
 FLOORMAT.....31
 FLOW CONTROL
 VALVE.....68,69
 VARIABLE.....42
 FLOW DIVIDER.....7
 FLOW METER.....68,69
 FLUSHING VALVE.....8
 FOAM.....11,31
 FOAMER TANK.....82
 FOLD CYLINDER.....51,56,57
 FUEL
 CAP.....26
 GAUGE.....33
 SELECTOR VALVE.....26
 SENDER.....26
 TANK.....26
 FUSE.....34
 HOLDER.....34

GLASS.....28,29
 GLAND PACKING.....65
 GRAB HANDLE.....28
 GROUND STRAP.....4,13,28
 GUARD, SPRING.....94,95
 GUIDE, CROP.....18

-H-

HANDLE,
 CONTROL.....36
 DOOR.....29
 GRAB.....28
 HANDRAIL.....44
 HEADLIGHT.....28
 HEADLINER.....30
 HEATER SOLENOID.....5
 HEAT SHIELD.....11
 HI-PRESS
 FILTER.....9
 MANIFOLD.....87
 HOLDER, DRINK.....35
 HOOD,
 AIR CLEANER.....12
 ENGINE.....44
 HOOK, RUBBER.....44
 HOSE, AIR CLEANER.....12
 HOISING, SOLUTION.....94,95
 HOUR METER.....33
 HUB, TORQUE.....14,15,16,17
 HYDRAULIC
 SCHEMATIC.....98
 TANK.....27
 TUBE.....14,15,16,17,51,59
 HYPRO D-230 PUMP.....86

-I-

IMPELLER.....65
 INDICATOR, MPH-RPM.....33
 INLINE HYDRAULIC FILTER.....49
 INTERIOR LIGHT.....30

-K-

KICK PANEL.....28
 KNOB.....34,35

-G-

GAUGE,
 FUEL.....33
 OIL PRESSURE.....33
 PRESSURE.....68,69
 SIGHT.....64,68
 TEMPERATURE.....33
 GAS SPRING.....29

-L-

LADDER.....48
 BRACE.....48
 LEG,
 BRACE.....16,17
 CYLINDER.....22
 FRONT.....14,15
 REAR.....16,17
 LEVEL CYLINDER.....51,55

LEVER, HYDROSTATIC.....36
 THROTTLE.....37
 LID.....64,66
 LIFTARM.....50
 MOUNT.....50
 SOLENOID, LOCK.....58
 LIFT CYLINDER.....50,54
 LIGHT,
 HEAD.....28
 INTERIOR.....30
 SWITCH.....34
 TURN SIGNAL.....43
 LINE SUMP DIFFUSER.....27

-M-

MANIFOLD, HI-PRESS.....87
 METER, HOUR.....33
 MIRROR.....28
 MOTOR
 STEERING.....32
 WHEEL.....14,15,16,17
 WIPER.....28
 MOUNT,
 A/C BLOWER.....30
 CONDENSOR.....10
 ENGINE.....4,5
 FLOW DIVIDER.....7
 LIFTARM.....50
 MONITOR.....35
 RADIATOR.....11
 RUBBER.....4,5,28
 SOLUTION VFC.....42
 TANK.....46
 MUFFLER.....12
 MULLION.....44

-N-

NOZZLE, RINSE.....75
 NYLON SLEEVE.....14,15

-O-

OIL
 COOLER.....11
 FILTER.....5
 PRESSURE GAUGE.....33
 SENDER.....4
 TANK.....27

-P-

PANEL, KICK.....28
 PARK BRAKE SWITCH.....40

PIVOT PIN, BOOM.....51
 PLATFORM, SERVICE.....48
 POSITRACTION VALVE.....6,80
 POWER POINT.....40
 PRESSURE GAUGE.....68,69
 PRESSURE WASHER.....92
 PUMP,
 HYPRO D-230.....86
 SOLUTION.....72,73
 SUNDSTRAND.....6

-R-

RADIATOR.....11
 CAP.....11
 HOSE.....5
 MOUNT.....11
 SCREEN.....11
 SHROUD.....11
 RADIO.....30
 RECOVERY.....11
 RELAY.....36
 RELIEF VALVE.....7
 RIM.....18
 RINSE,
 NOZZLE.....75
 TANK.....74
 ROOF, CAB.....28
 RUBBER,
 HOOK.....45
 MOUNT.....4,5,28
 WASHER.....7,41

-S-

SCHEMATIC, HYDRAULIC.....98
 SCREEN.....45
 RADIATOR.....11
 SEAL BOOT.....14,15,16,17
 SEAT.....39
 SELECTOR VALVE, FUEL.....26
 SENDER,
 FUEL.....26
 OIL.....4
 TEMPERATURE.....5
 SERVICE PLATFORM.....48
 SHAFT, AGITATOR.....65
 SHEETMETAL.....44,45
 SHIELD,
 AGITATOR.....65
 HEAT.....11
 SIDE.....45
 TANK.....46,47
 WHEEL MOTOR.....14,15,16,17
 SHROUD, RADIATOR.....11

SIGHT GAUGE.....64, 67
 SMV SIGN.....45
 SOLENOID, HEATER.....5
 SOLUTION
 AGITATOR.....65
 HOISING.....94, 95
 PUMP.....72, 73
 TANK.....64, 66
 SPACER, FAN.....5
 SPEAKER.....30
 SPRING.....37
 BOOM.....59, 61
 GUARD.....94, 95
 STALK GUIDE.....18
 STEERING
 ARM.....14, 15
 CAB.....32
 CYLINDER.....21
 MOTOR.....32
 PIVOT.....24, 25
 POST.....32
 WHEEL.....32
 STRAINER.....64
 STRAP, GROUND.....4, 13, 28
 SUNDSTRAND PUMP.....6
 SUPPORT ARM.....47
 SWITCH
 DIMMER.....28
 FLASHER.....32
 LIGHT.....34
 PARK BRAKE.....40
 TOGGLE.....34

-T-

TAILLIGHT.....45
 TANK,
 BAND.....64
 FUEL.....26
 HYDRAULIC OIL.....27
 LID.....64, 66
 MOUNTS.....46, 47
 RECOVERY.....11
 RINSE.....74
 SHIELD.....46, 47
 SOLUTION.....64, 66
 TEMPERATURE
 GAUGE.....33
 SENDER.....5
 TERMINAL BLOCK.....35
 THROTTLE
 CABLE.....4
 LEVER.....37
 TIE ANGLE.....47
 TIE ROD.....24, 25
 TIRE.....18

TOGGLE SWITCH.....34
 TORQUE HUB.....14, 15, 16, 17
 TRANSOM.....51
 TREAD ADJUSTMENT.....76
 CYLINDER.....77, 78, 79
 TUBE,
 HYDRAULIC.....50, 59
 4WD.....41
 TURN SIGNAL LIGHT.....28

-V-

VALVE,
 BALL.....64, 66
 BOOM CONTROL.....68, 69
 CHECK.....73
 ELECTRIC SOLUTION.....64, 66
 FLOW CONTROL.....68, 69, 88
 FLUSHING.....8
 POSITRACTION.....6
 RELIEF.....7
 SOLUTION SOLENOID.....68, 69, 70
 TRACTION.....80
 4WD.....41
 VARIABLE FLOW CONTROL.....42
 VOLTMETER.....33

-W-

WASHER, PRESSURE.....92
 WEATHER STRIP, WINDOW.....28, 29
 WHEEL MOTOR.....14, 15, 16, 17
 SHIELD.....16, 17
 WHEEL, STEERING.....32
 WINDSHIELD WASHER.....90
 WIPER
 ARM.....28
 BLADE.....28
 MOTOR.....28
 WIRING DIAGRAM.....104



PARTS ORDER FAX



Ph. 1 (800) 247-4885

Fx. 1 (515) 532-3553

Photocopy and fax to Hagie Customer Support Department

ORDERED BY/BILL TO:

Name _____

Co. Name _____

Street _____

City, St, Zip _____

Ph. _____ Fx. _____

SHIP TO:

Name _____

Co. Name _____

Street _____

City, St, Zip _____

Ph. _____ Fx. _____

HOW SHIP: UPS Ground Next Day 2 Day 3 Day Other _____

If "HOW SHIP" is left blank, parts will be sent UPS ground service. If part is over 150 pounds, an independent motor freight company will be used.

PAYMENT: Hagie Account #*** _____

C.O.D

American Express Discover Visa Master Card

Signature: _____
 name as appears on card: _____
 card no. _____ exp. date _____

Year and Model No. _____

Serial No. _____

Item Serial No. (if necessary): _____

Engine (include type) _____

Hydrostatic Pump (s) _____

Torque Hub _____ LF RF LR RR

Wheel Motor _____ LF RF LR RR

HAGIE Part No.	Qty.	Description

Check here if you want phone confirmation of parts order.

* Orders received before 3:00 p.m., CST will be processed the same business day.
 Regular business hours are Monday through Friday, 7:00 a.m. through 5:00 p.m..
 ** If you do not have a Hagie account number, contact the Hagie Customer Support Department and you will be issued one.



PARTS ORDER FAX

Fax
24 hours
a day
7 days
a week™

Ph. 1 (800) 247-4885 Fx. 1 (515) 532-3553

Photocopy and fax to Hagie Customer Support Department

ORDERED BY/BILL TO:

Name _____
Co. Name _____
Street _____
City, St, Zip _____
Ph. _____ Fx. _____

SHIP TO:

Name _____
Co. Name _____
Street _____
City, St, Zip _____
Ph. _____ Fx. _____

HOW SHIP: UPS Ground Next Day 2 Day 3 Day Other _____

If "HOW SHIP" is left blank, parts will be sent UPS ground service. If part is over 150 pounds, an independent motor freight company will be used.

PAYMENT: Hagie Account #*** _____

C.O.D

American Express Discover Visa Master Card
Signature: _____
name as appears on card: _____
card no. _____ exp. date _____

Year and Model No. _____
Serial No. _____

Item Serial No. (if necessary): _____

Engine (include type) _____
Hydrostatic Pump (s) _____
Torque Hub _____ LF RF LR RR
Wheel Motor _____ LF RF LR RR

HAGIE Part No.	Qty.	Description

Check here if you want phone confirmation of parts order.

* Orders received before 3:00 p.m., CST will be processed the same business day.
Regular business hours are Monday through Friday, 7:00 a.m. through 5:00 p.m..
** If you do not have a Hagie account number, contact the Hagie Customer Support Department and you will be issued one.