

PARTS MANUAL
FOR
HAGIE MODEL 284 HI-TRACTOR
DETAASSELLER OPTION

HAGIE MANUFACTURING COMPANY

BOX 273 CLARION, IOWA 50525 (515) 532-2861

COVERS MACHINE SERIAL NUMBERS: 085889001 thru 085889200

05-98 493182
02-08

SPRAYER IDENTIFICATION

Each Hagie sprayer is identified by means of a frame serial number.

This serial number denotes the model, the year in which it was built, and the number of the sprayer. As for further identification, the engine has a serial number and the planetary hubs have identification plates that describe the type of mount and gear ratio. To insure prompt, efficient service when ordering parts or requesting service repairs from Hagie Manufacturing Company, record the serial and identification numbers in the space provided below.

NOTE: Reference to left hand and right hand used throughout this manual refers to the position when seated in the operator's seat facing forward.

SPRAYER SERIAL NUMBER

ENGINE SERIAL NUMBER

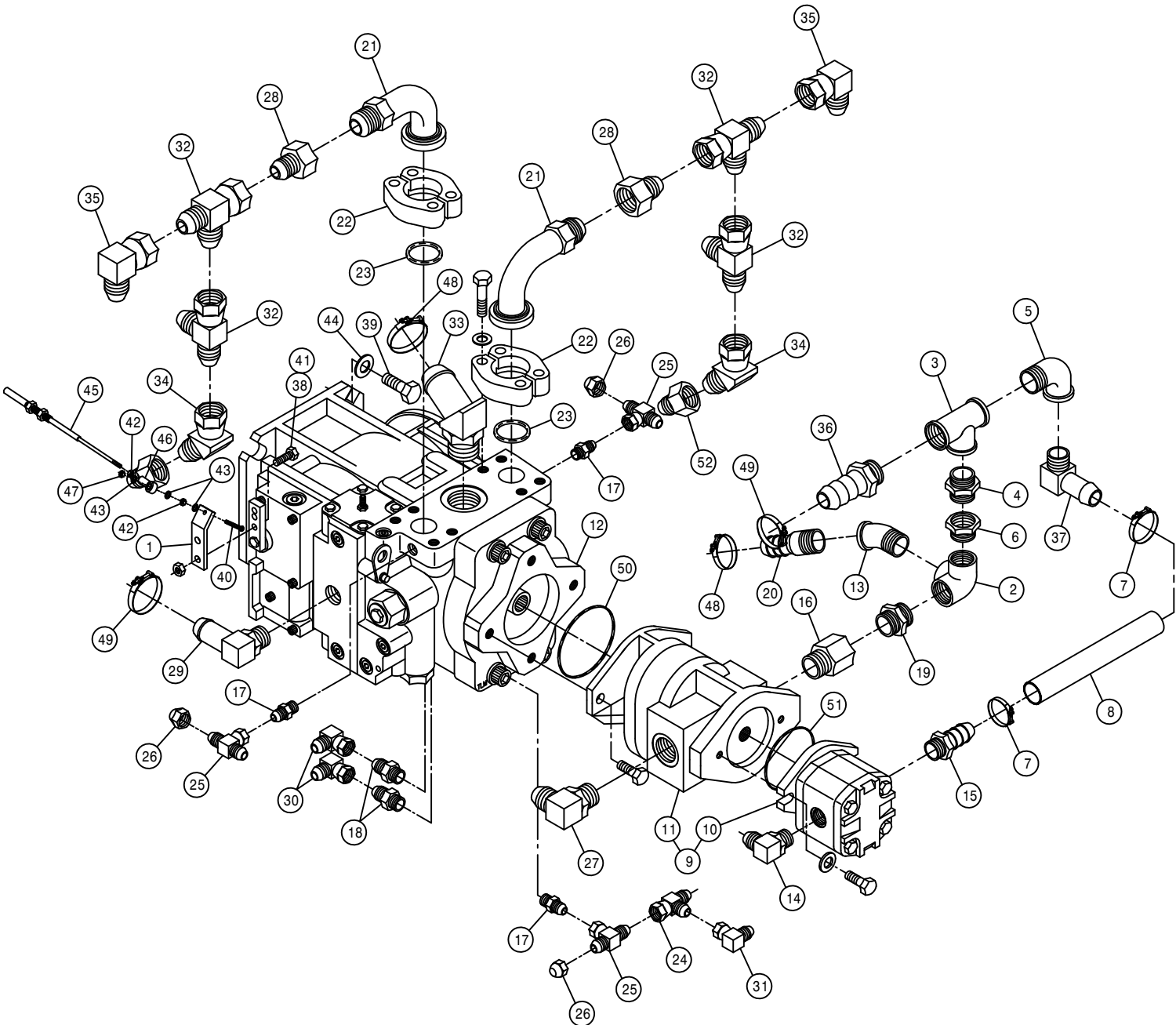
PLANETARY HUB IDENTIFICATION NUMBERS

TABLE OF CONTENTS

HYDRAULIC PUMP ASSEMBLY	4
FLOW DIVIDER AND VFC VALVE.	5
HYDRAULIC TANK.	6
FILTER ASSEMBLY	7
OUTRIGGER ASSEMBLY.8-11
CUTTER HEAD ASSEMBLY.	12-13
QUAD HEAD ASSEMBLY.14
LIFT CYLINDER ASSEMBLY.15
LS CONTROL ASSEMBLY	16-19
MOTOR CONTROL VALVE ASSEMBLY.	20-21
ELECTRIC VALVE ASSEMBLY	22-25
TRACTION VALVE.26
DEPTH COMMAND	27-29
HYDRAULIC SCHEMATIC	30-51
ELECTRIC SCHEMATIC.	52-69
ABBREVIATIONS70
INDEX71

SUNDSTRAND PUMP ASSEMBLY

DET.	QTY	PART NO.	DESCRIPTION
1	1	316319	PUMP CTRL LEVER EXT,284 CUMM98
2	1	506701	SIDE OUTLET EL 90DEG 1.25NPT
3	1	505101	BLK PIPE TEE 1.00NPT
4	1	505105	1MNPT HEX PIPE NIPPLE STL
5	1	505200	BLK PIPE ST EL 90DEG 1.00NPT
6	1	506005	1 1/4 TO 1 RED BUSH BLK MAL
7	2	520137	.75 T-BOLT HOSE CLAMP
8	1	601383	HOSE, 3/4 X 8 1FBR-1SPI
9	1	606937	TANDEM PUMP, 606929 & 606938
10	1	606929	SUND GEAR PUMP .66CI, SPLINED
11	1	606938	SUND GEAR PUMP,4.00CIR SPLINED
12	1	606954	SUND 130CC PUMP,B-MT 98
13	1	506409	BLK PIPE ST EL 45DEG 1.25NPT
14	1	611128	7/8MJIC-90-7/8MOR LBO
15	1	618075	3/4 HOSE BARB-1 1/16MOR
16	1	618596	1 5/8MOR-1 1/4FNPT ADPTR
17	3	618126	9/16MJIC-9/16MOR ADPTR
18	2	618327	3/4MJIC-7/8MOR ADPTR
19	1	507026	1 1/4MNPT HEX PIPE NIPPLE STL
20	1	715660	HOSE BARB 1 1/4NPT X 1 1/4
21	2	618459	1 1/4FLANGE-90-1 5/8MJIC
22	2	618461	1 1/4 SPLIT FLANGE KIT
23	2	870222	NEO ORING 1 1/2 X 1 3/4
24	1	618486	9/16FJIC SW RUN TEE-9/16MJIC
25	3	618514	9/16FJ SW BRANCH TEE-9/16MJ
26	3	618531	9/16FJIC CAP NUT
27	1	618178	1 5/16MJIC-90-1 5/16MOR LBO
28	2	618547	1 5/8FJIC-1 5/16MJIC ADPTR
29	1	618564	1IN HOSE BARB-90-1 5/16MOR
30	2	618609	3/4MJIC-90-3/4FJIC SWIV LBO
31	1	618618	9/16MJIC-90-9/16FJIC SWIV LBO
32	4	618619	1 5/16FJ SW RUN TEE-15/16MJ
33	1	618626	1 1/4 HOSE BARB-45-1 5/8MOR
34	2	618630	1 5/16MJ-45-1 5/16FJ SWIV LBO
35	2	618640	1 5/16MJ-90-1 5/16FJ SWIV LBO
36	1	714560	1NPT X 1 HOSE BARB
37	1	716000	3/4 HOSE BARB-90-1MNPT
38	2	900003	1/4UNC X 1" HEX BOLT
39	4	900401	3/4UNC X 1 1/2 HEX BOLT
40	1	903893	10-32 X 1" SLT RD HD MACH SCR
41	2	914000	1/4UNC HEX STOVER NUT
42	2	910027	10-32 HEX NUT
43	3	920510	#10 LOCK WASHER
44	4	920006	3/4 SAE FLAT WASHER
45	1	785062	CTRL CABLE 10-32 4IN X 120 LG
46	1	473921	BALL JOINT NO 10-32 THD
47	1	914027	10-32 HEX STOVER NUT
48	2	520132	1.62/1.87 T-BOLT HOSE CLAMP
49	2	520138	1.00 T-BOLT HOSE CLAMP
50	1	606870	O-RING FOR 606865 SUND B-MT
51	1	606924	O-RING FOR SUND A-MT
52	2	618541	1 5/16FJIC-1 1/16MJIC ADPTR

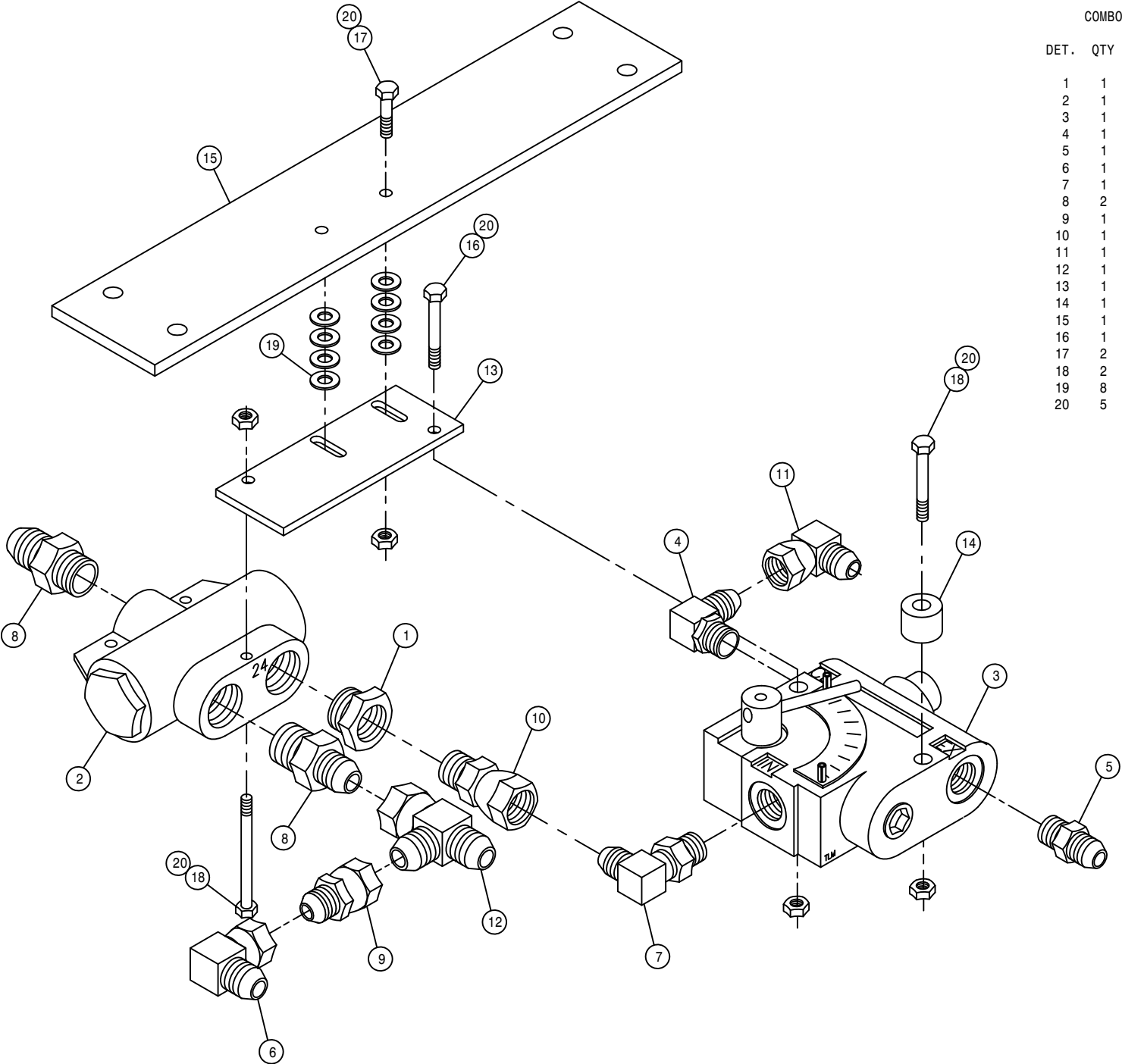


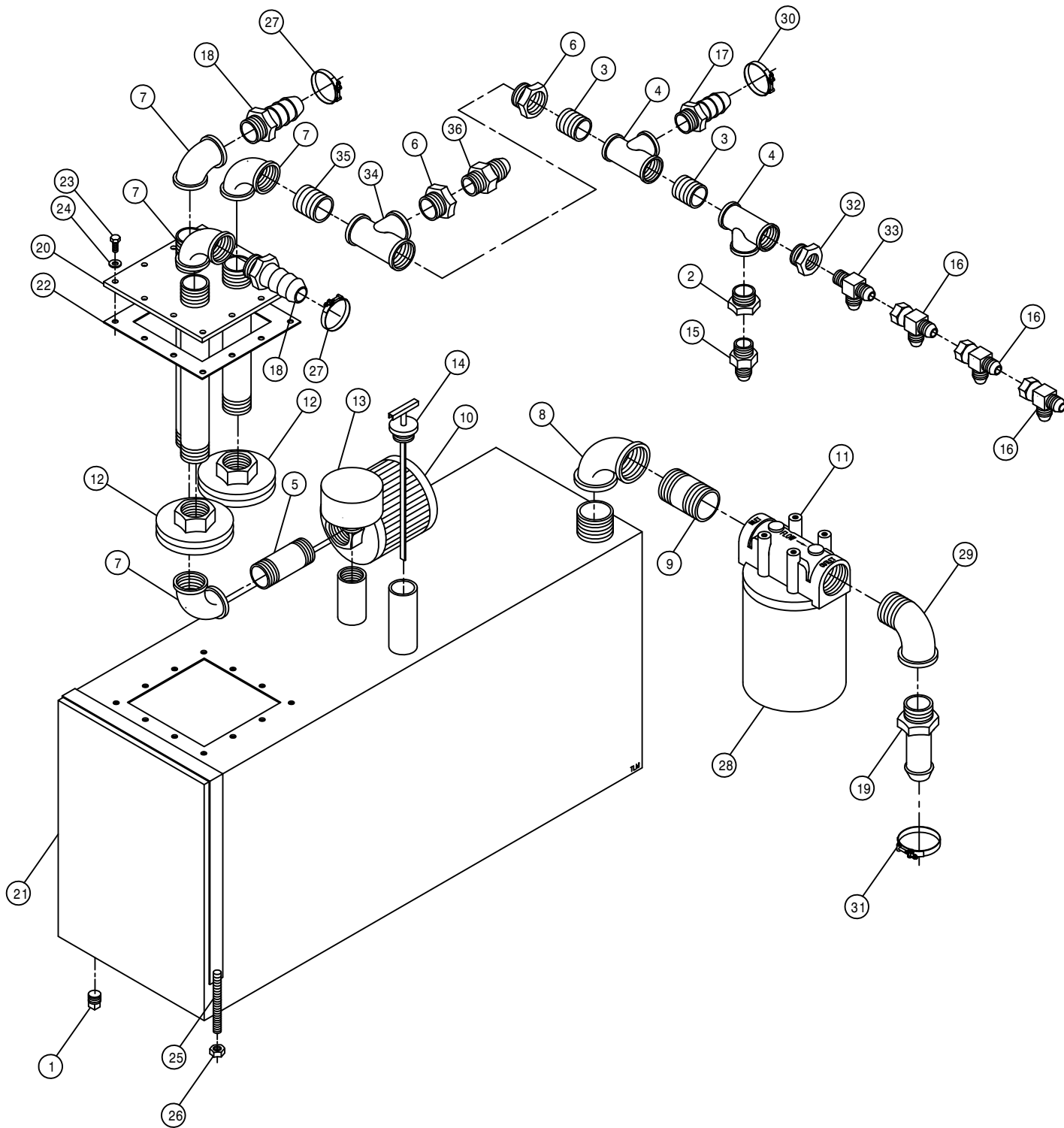
4

COMBO FLOW DIVIDER AND VFC ASSEMBLY

DET. QTY PART NO. DESCRIPTION

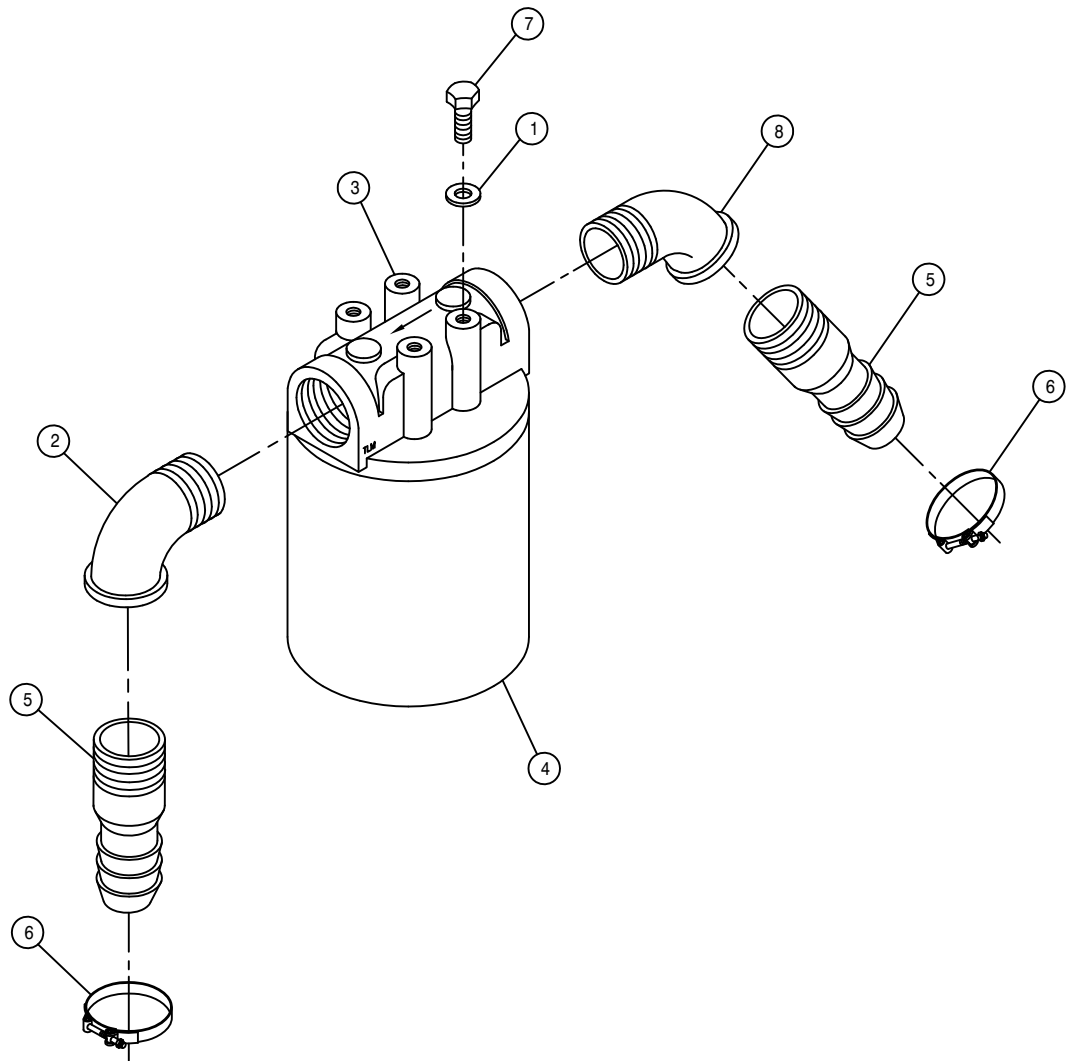
1	1	505213	RED BUSH 1 X 3/4 BLK MAL	
2	1	606836	FLO DIV BG424 24GPM PRI 1NPT	
3	1	607510	FLO CONT FCR51 0-30VARI 7/8OR	
4	1	618183	3/4MJIC-90-7/8MOR LBO	
5	1	618189	1 1/16MJIC-7/8MOR ADPTR	
6	1	618191	1 1/16MJ-90-1 1/16FJ SWIV LBO	
7	1	618279	1 1/16MJIC-90-7/8MOR LBO	
8	2	618322	1 5/16MJIC-1MNPT ADPTR	
9	1	618541	1 5/16FJIC-1 1/16MJIC ADPTR	
10	1	618579	1 1/16FJIC SWIV-3/4MNPT	
11	1	618609	3/4MJIC-90-3/4FJIC SWIV LBO	
12	1	618619	1 5/16FJ SW RUN TEE-15/16MJ	
13	1	438452	VFC/BG424 MTG BRKT 280 COMBO	
14	1	438453	VFC STOP, 280 COMBO	92
15	1	341968	TIE PLT 250/280 CUMM	92
16	1	900008	1/4UNC X 2 1/2 HEX BOLT	
17	2	900004	1/4UNC X 1 1/4 HEX BOLT	
18	2	900010	1/4UNC X 3" HEX BOLT	
19	8	920000	1/4 SAE FLAT WASHER	
20	5	914000	1/4UNC HEX STOVER NUT	





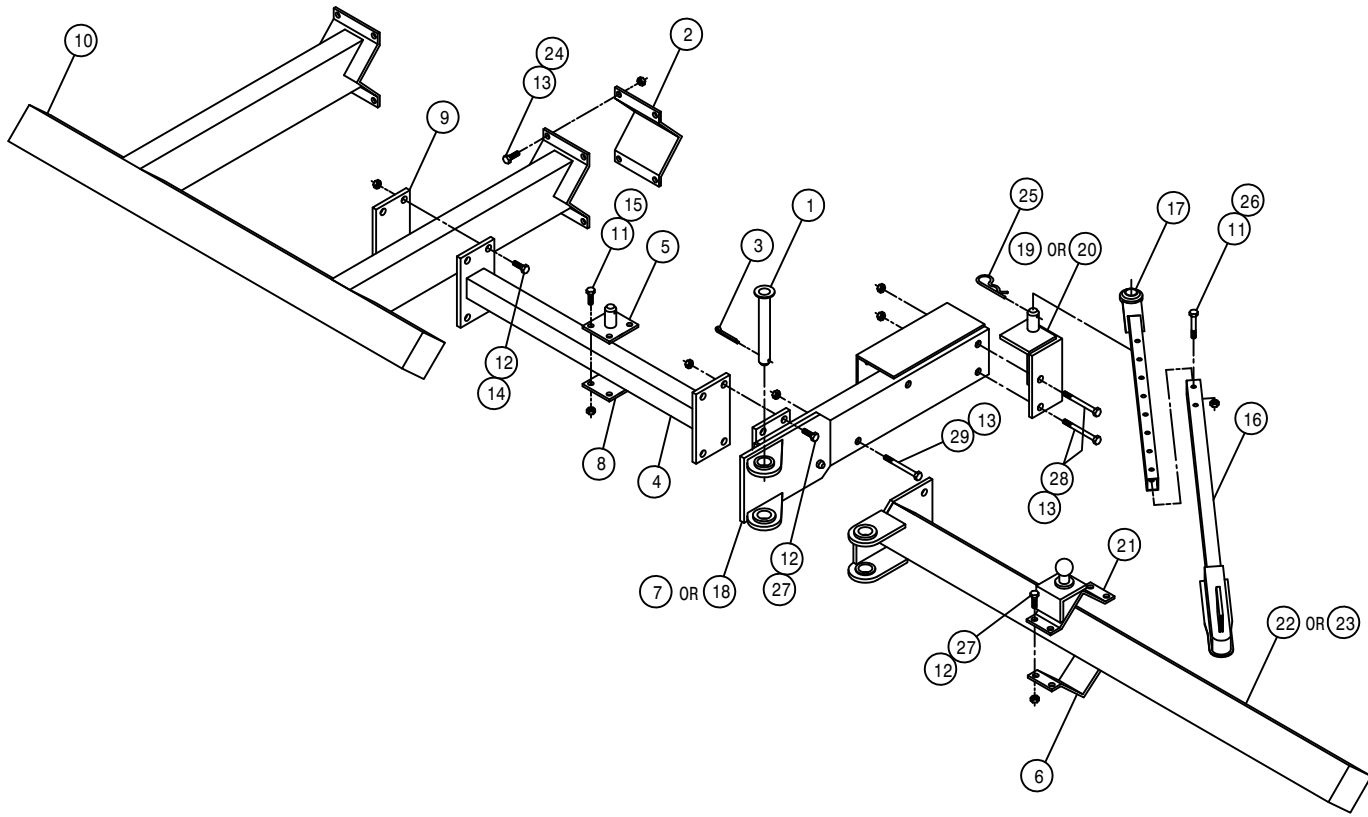
COMBO HYDRAULIC TANK ASSEMBLY

DET.	QTY	PART NO.	DESCRIPTION
1	1	501102	1/4 PIPE PLUG
2	1	504210	RED BUSH 3/4 NPT X 1/2 NPT
3	2	504702	CLOSE NIPPLE .75NPT
4	2	504955	BLK PIPE TEE .75NPT
5	1	505203	BLK PIPE NIPPLE 1.00NPT-4.00
6	2	505213	RED BUSH 1 X 3/4 BLK MAL
7	4	505300	BLK PIPE EL 90DEG 1.00NPT
8	1	506303	BLK PIPE EL 90DEG 1.25NPT
9	1	506602	PIPE NIPPLE 1 1/4NPT-2 1/2
10	1	605600	MICHIGAN RESERVOIR FILTER
11	1	605601	GRESEN FILTER 10 MICRON 40GPM
12	2	605603	LINE SUMP DIFFUSER
13	1	611052	FILLER BREATHER 3/4NPT
14	1	614453	DIPSTICK, 8IN
15	1	618018	9/16MJIC-1/2MNPT ADPTR
16	3	618486	9/16FJIC SW RUN TEE-9/16MJIC
17	1	713220	HOSE BARB 3/4 NPT X 3/4
18	2	714560	1NPT X 1 HOSE BARB
19	1	715660	HOSE BARB 1 1/4NPT X 1 1/4
20	1	760090	RECIEVER PLT WLD 8240
21	1	760097	OIL TANK WLD 8240 1982
22	1	763039	HYD MTR MTG PLT GSKT
23	12	900064	5/16UNC X 3/4 HEX BOLT
24	12	920001	5/16 SAE FLAT WASHER
25	2	341360	OIL TANK STRAP WLD 8240 1982
26	4	914004	3/8UNC HEX STOVER NUT
27	2	520138	1.00 T-BOLT HOSE CLAMP
28	1	605602	FILT ELEMENT 10MICRON 40GPM
29	1	506410	BLK PIPE ST EL 90DEG 1.25NPT
30	1	520137	.75 T-BOLT HOSE CLAMP
31	1	520132	1.62/1.87 T-BOLT HOSE CLAMP
32	1	504001	RED BUSH 3/4 X 1/4 BLK MAL
33	1	618520	1/4MNPT RUN TEE-9/16MJIC
34	1	505101	BLK PIPE TEE 1.00NPT
35	1	505201	CLOSE NIPPLE 1.00NPT
36	1	610300	3/4MJIC-3/4MNPT ADPTR



DETASSELER OPTION FILTER ASSEMBLY

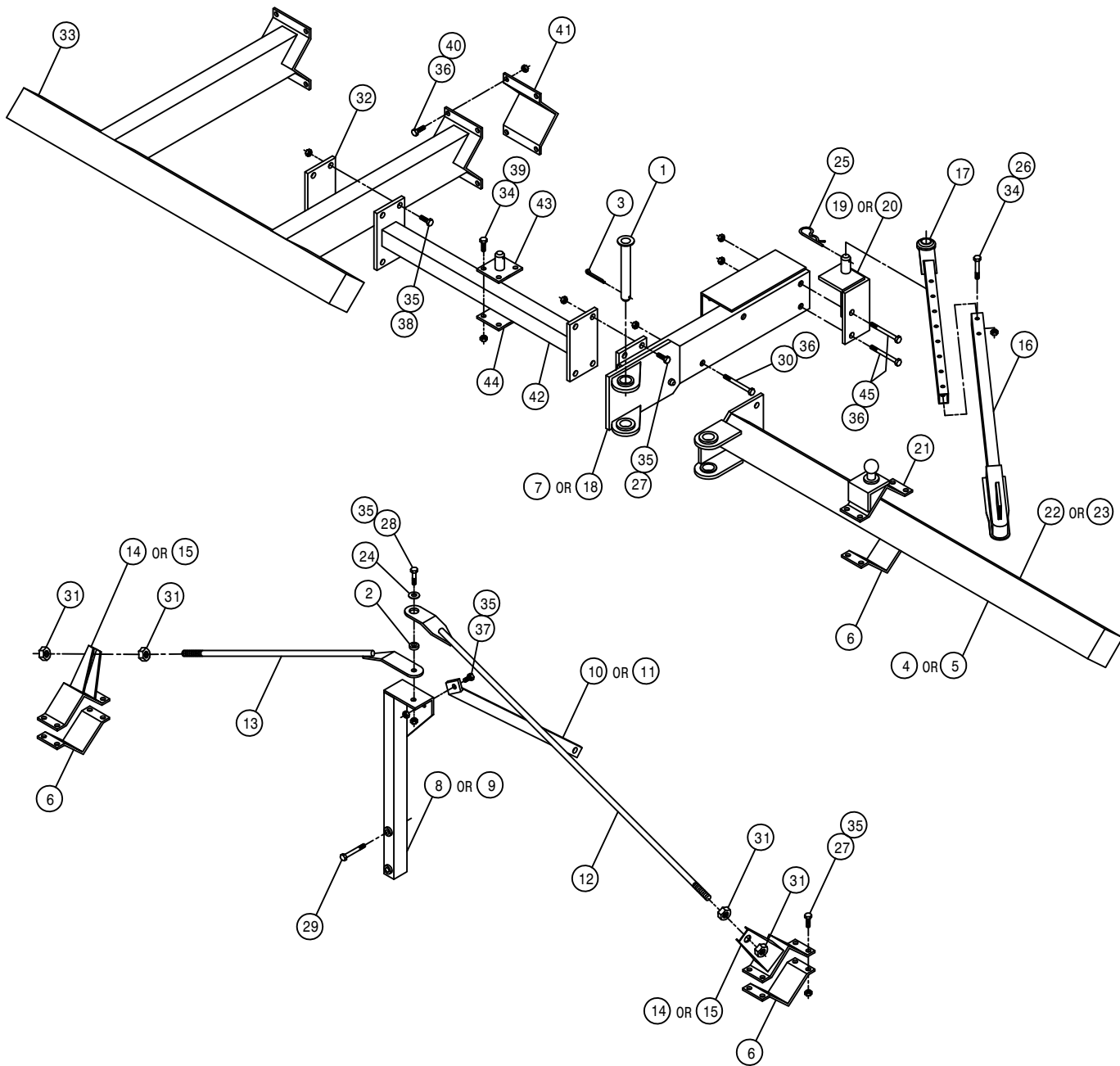
DET.	QTY	PART NO.	DESCRIPTION
1	4	920501	5/16 LOCK WASHER
2	1	506410	BLK PIPE ST EL 90DEG 1.25NPT
3	1	605601	GRESEN FILTER 10 MICRON 40GPM
4	1	605602	FILT ELEMENT 10MICRON 40GPM
5	2	715660	HOSE BARB 1 1/4NPT X 1 1/4
6	2	520132	1.62/1.87 T-BOLT HOSE CLAMP
7	4	900062	5/16UNC X 1/2 HEX BOLT
8	1	506409	BLK PIPE ST EL 45DEG 1.25NPT



6-ROW 3-LIFT COMBO OUTRIGGER ASSEMBLY

DET. QTY PART NO. DESCRIPTION

1	1	438283	OUTRGR PIVOT PIN WLD 8200	86
2	2	438444	CTR TOOL BAR CLMP PLT COMBO92	
3	1	470117	COTTER PIN 3/16 1 3/4 SQ CUT	
4	1	438445	OUTRGR MT SUPP WLD COMBO 92	
5	1	438449	STABILIZER PIN MT WLD COMBO92	
6	1	438324	75IN OUTRGR BRACE CLAMP	
7	1	438523	RH OUTRGR MT WLD,284 COMBO 95	
8	1	438451	STABILIZER MT PLATE COMBO 92	
9	1	438439	OUTRGR MT SUPP PLT	92
10	1	438441	CTR TOOL BAR WLD 280 COMBO 92	
11	6	914004	3/8UNC HEX STOVER NUT	
12	12	914008	1/2UNC HEX STOVER NUT	
13	12	914010	5/8UNC HEX STOVER NUT	
14	4	900272	1/2UNC X 3 1/2 HEX BOLT	
15	4	900138	3/8UNC X 3 1/2 HEX BOLT	
16	1	438390	OUTER STABILIZER TUBE WLD	90
17	1	438393	INNER STABILIZER TUBE WLD	90
18	1	438524	LH OUTRGR MT WLD,284 COMBO 95	
19	1	438400	RH STABILIZER PIN MT WLD	90
20	1	438403	LH STABILIZER PIN MT WLD	90
21	1	438405	STABILIZER BALL MT WLD	90
22	1	438277	RH 32IN OUTRGR WLD8200-850086	
23	1	438282	LH 32IN OUTRGR WLD8200-850086	
24	8	900334	5/8UNC X 1 3/4 HEX BOLT	
25	1	611016	HAIR PIN #6	
26	2	900133	3/8UNC X 2" HEX BOLT	
27	8	900265	1/2UNC X 1 1/2 HEX BOLT	
28	2	900382	5/8UNC X 7" HEX BOLT	
29	2	900347	5/8UNC X 6 1/2 HEX BOLT	



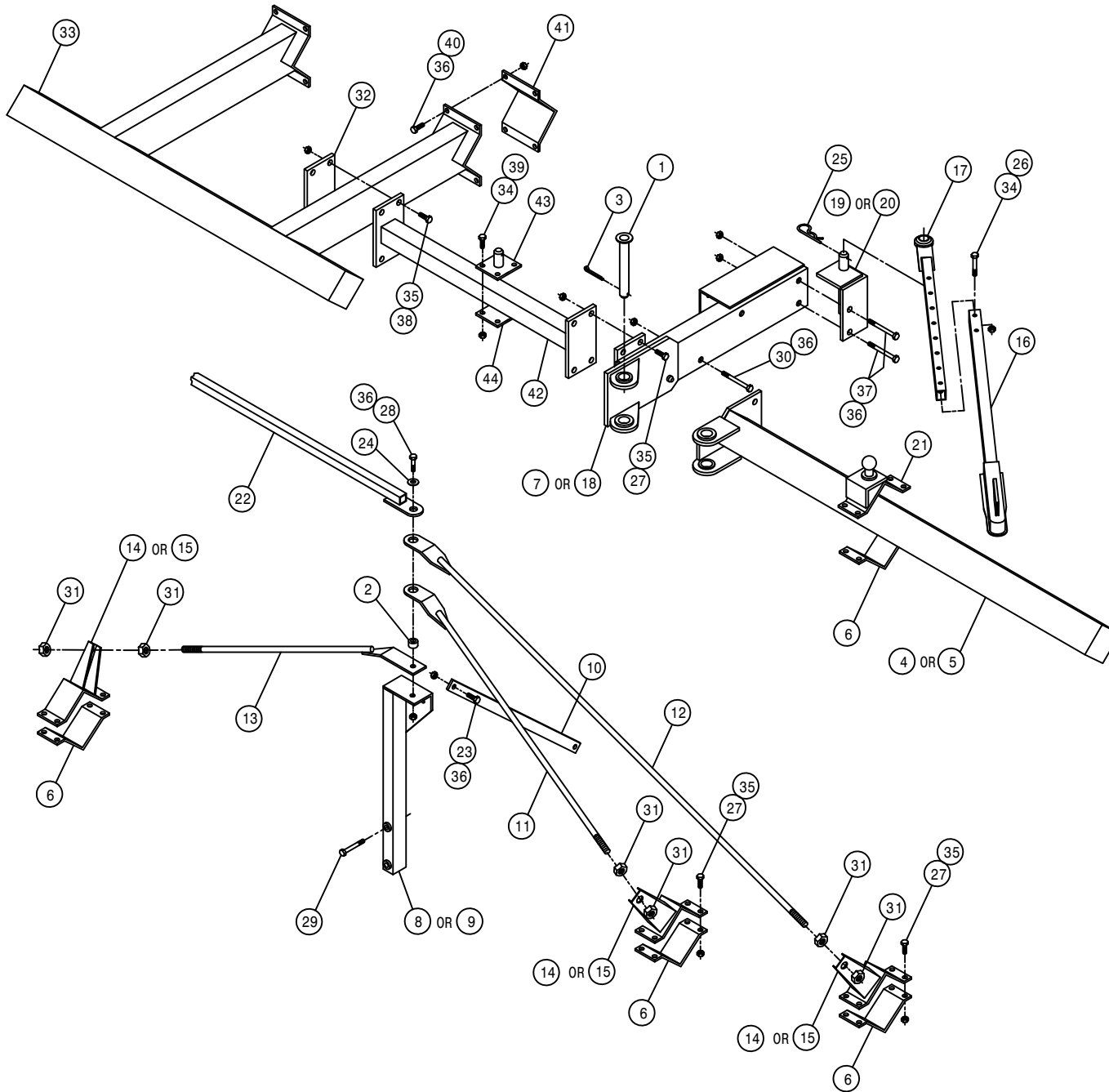
8-10 ROW 4-LIFT COMBO OUTRIGGER ASSEMBLY

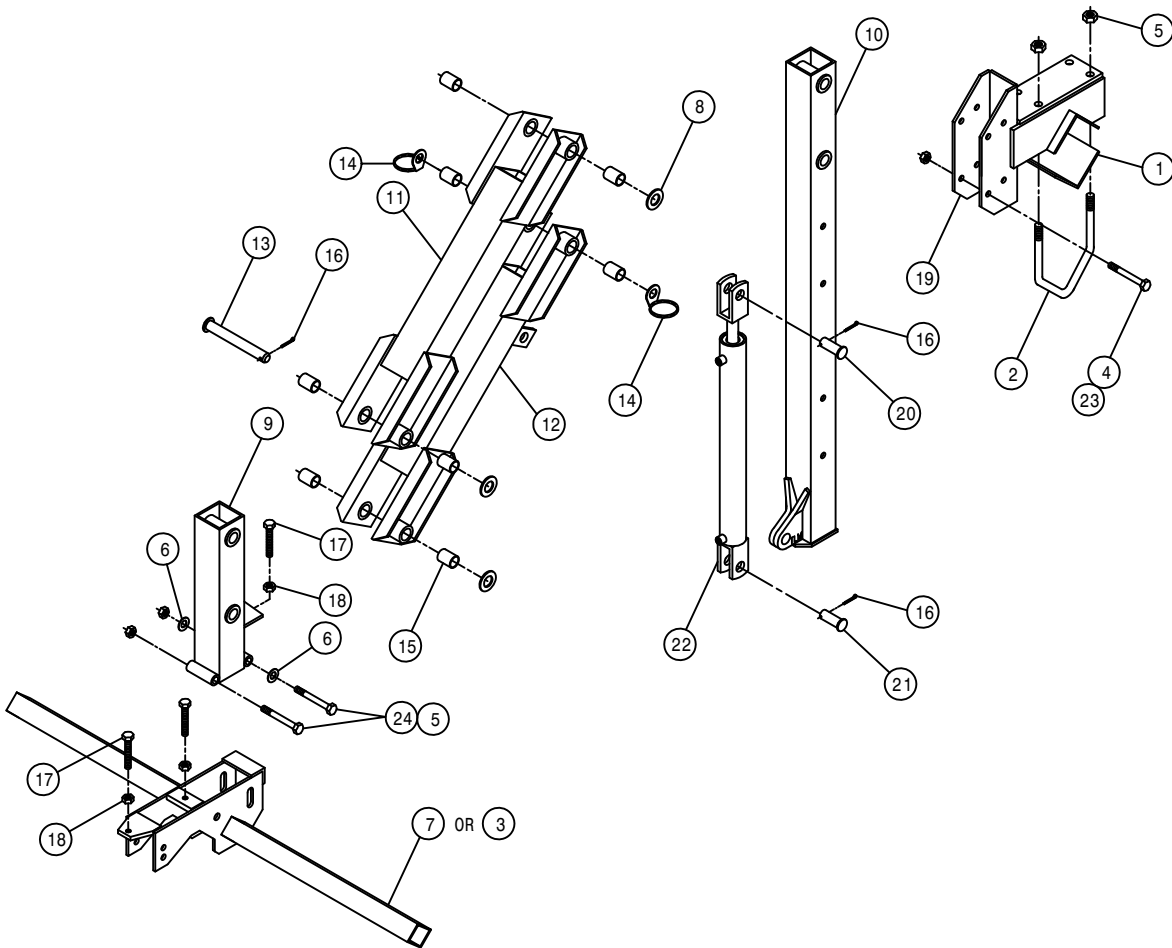
DET.	QTY	PART NO.	DESCRIPTION
1	1	438283	OUTRGR PIVOT PIN WLD 8200 86
2	1	438320	BUSH 1.00 OD X .531ID X.28LG
3	1	470117	COTTER PIN 3/16 1 3/4 SQ CUT
4	1	438307	RH 75IN OUTRGR WLD8200-850086
5	1	438309	LH 75IN OUTRGR WLD8200-850086
6	3	438324	75IN OUTRGR BRACE CLAMP
7	1	438523	RH OUTRGR MT WLD,284 COMBO 95
8	1	438349	RH OUTRGR SUPP POST WLD200 89
9	1	438350	LH OUTRGR SUPP POST WLD200 89
10	1	438447	RH OUTRGR SUPP BRACE COMBO 92
11	1	438448	LH OUTRGR SUPP BRACE COMBO 92
12	1	438357	OUTRGR SUPP ROD WLD 200 89
13	1	438359	OUTRGR TIE BAR WLD 200 89
14	1	438362	RH OUTRGR CLAMP WLD 200 89
15	1	438363	LH OUTRGR CLAMP WLD 200 89
16	1	438390	OUTER STABILIZER TUBE WLD 90
17	1	438393	INNER STABILIZER TUBE WLD 90
18	1	438524	LH OUTRGR MT WLD,284 COMBO 95
19	1	438400	RH STABILIZER PIN MT WLD 90
20	1	438403	LH STABILIZER PIN MT WLD 90
21	1	438405	STABILIZER BALL MT WLD 90
22	1	438458	RH 101IN OUTRGR WLD 10-12R 92
23	1	438459	LH 101IN OUTRGR WLD 10-12R 92
24	1	483041	1/2 REGULAR FLAT WASHER
25	1	611016	HAIR PIN #6
26	2	900133	3/8UNC X 2" HEX BOLT
27	16	900265	1/2UNC X 1 1/2 HEX BOLT
28	1	900266	1/2UNC X 1 3/4 HEX BOLT
29	2	900271	1/2UNC X 3 1/4 HEX BOLT
30	2	900347	5/8UNC X 6 1/2 HEX BOLT
31	4	910012	3/4UNC HEX NUT
32	1	438439	OUTRGR MT SUPP PLT 92
33	1	438441	CTR TOOL BAR WLD 280 COMBO 92
34	6	914004	3/8UNC HEX STOVER NUT
35	18	914008	1/2UNC HEX STOVER NUT
36	8	914010	5/8UNC HEX STOVER NUT
37	1	900264	1/2UNC X 1 1/4 HEX BOLT
38	4	900272	1/2UNC X 3 1/2 HEX BOLT
39	4	900138	3/8UNC X 3 1/2 HEX BOLT
40	8	900334	5/8UNC X 1 3/4 HEX BOLT
41	2	438444	CTR TOOL BAR CLMP PLT COMBO92
42	1	438445	OUTRGR MT SUPP WLD COMBO 92
43	1	438449	STABILIZER PIN MT WLD COMBO92
44	1	438451	STABILIZER MT PLATE COMBO 92
45	2	900382	5/8UNC X 7" HEX BOLT

12-ROW 6-LIFT COMBO OUTRIGGER ASSEMBLY

DET. QTY PART NO. DESCRIPTION

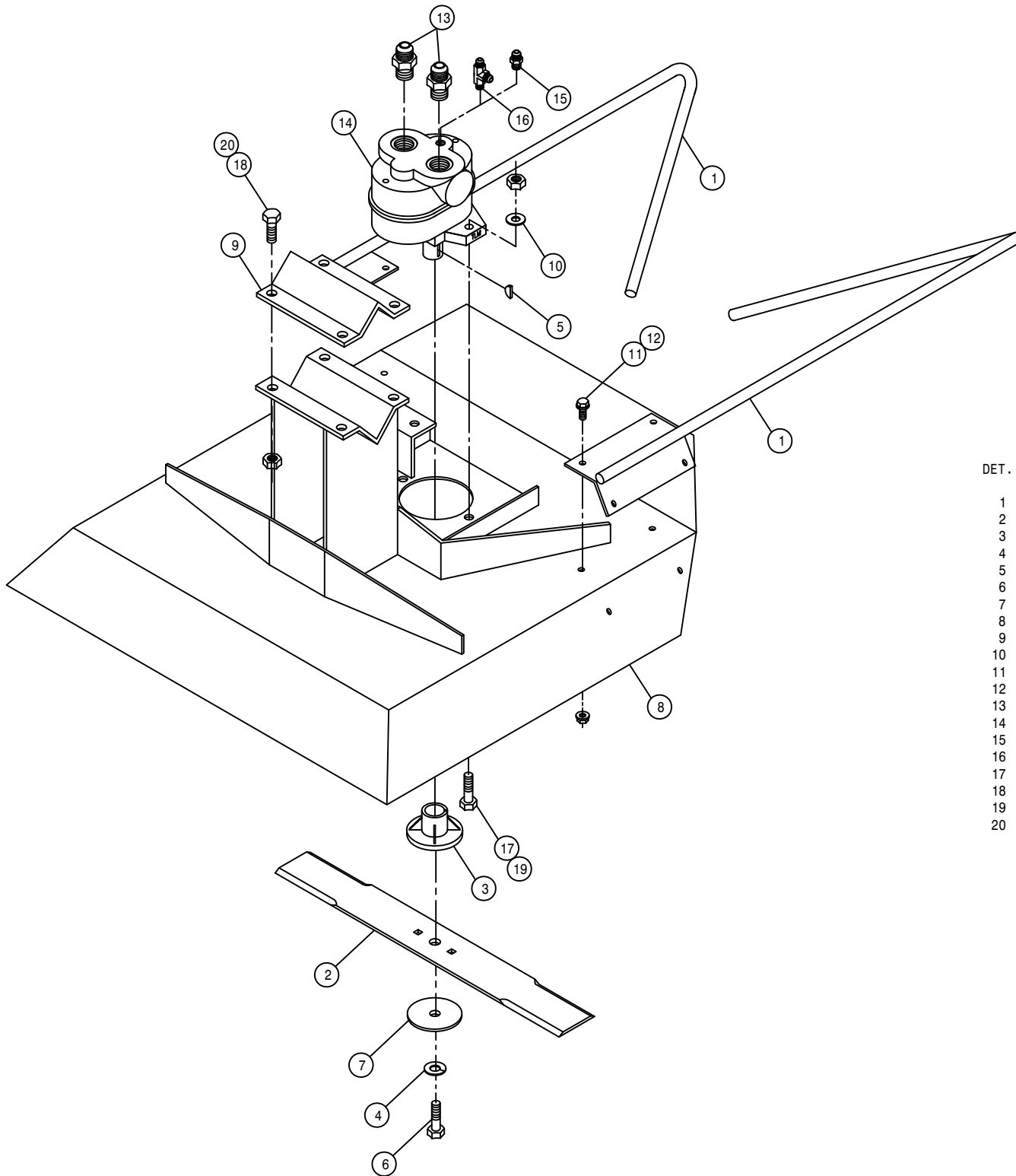
DET.	QTY	PART NO.	DESCRIPTION
1	1	438283	OUTRGR PIVOT PIN WLD 8200 86
2	1	438541	BUSH, 1.00 OD X .656ID X .53
3	1	470117	COTTER PIN 3/16 1 3/4 SQ CUT
4	1	438533	RH 133" OUTRGR WLD, 10/12R 96
5	1	438534	LH 133" OUTRGR WLD, 10/12R 96
6	4	438324	75IN OUTRGR BRACE CLAMP
7	1	438523	RH OUTRGR MT WLD,284 COMBO 95
8	1	438595	RH OUTRGR SUPP POST WLD284C 97
9	1	438596	LH OUTRGR SUPP POST WLD284C 97
10	1	438543	OUTRGR SUPP BRACE,10/12R 96
11	1	438544	OUTRGR SUPP ROD WLD 50" 10/12R
12	1	438471	OUTRGR SUPP ROD WLD 10-12R
13	1	438664	OUTRGR TIE BAR WLD 72"2100/STS
14	3	438362	RH OUTRGR CLAMP WLD 200 89
15	3	438363	LH OUTRGR CLAMP WLD 200 89
16	1	438390	OUTER STABILIZER TUBE WLD 90
17	1	438393	INNER STABILIZER TUBE WLD 90
18	1	438524	RH OUTRGR MT WLD,284 COMBO 95
19	1	438400	LH STABILIZER PIN MT WLD 90
20	1	438403	LH STABILIZER PIN MT WLD 90
21	1	438405	STABILIZER BALL MT WLD 90
22	1	438599	OUTRGR TIE TUBE WLD,284C 97
23	1	900333	5/8UNC X 1 1/2 HEX BOLT
24	1	483037	5/8 REGULAR FLAT WASHER
25	1	611016	HAIR PIN #6
26	2	900133	3/8UNC X 2" HEX BOLT
27	20	900265	1/2UNC X 1 1/2 HEX BOLT
28	1	900352	5/8UNC X 2 1/4 HEX BOLT
29	2	900271	1/2UNC X 3 1/4 HEX BOLT
30	2	900347	5/8UNC X 6 1/2 HEX BOLT
31	6	910012	3/4UNC HEX NUT
32	1	438439	OUTRGR MT SUPP PLT 92
33	1	438441	CTR TOOL BAR WLD 280 COMBO 92
34	6	914004	3/8UNC HEX STOVER NUT
35	24	914008	1/2UNC HEX STOVER NUT
36	14	914010	5/8UNC HEX STOVER NUT
37	2	900382	5/8UNC X 7" HEX BOLT
38	4	900272	1/2UNC X 3 1/2 HEX BOLT
39	4	900138	3/8UNC X 3 1/2 HEX BOLT
40	8	900334	5/8UNC X 1 3/4 HEX BOLT
41	2	438444	CTR TOOL BAR CLMP PLT COMBO92
42	1	438445	OUTRGR MT SUPP WLD COMBO 92
43	1	438449	STABILIZER PIN MT WLD COMBO92
44	1	438451	STABILIZER MT PLATE COMBO 92





COMBO DETASSLER LIFT ASSEMBLY

DET.	QTY	PART NO.	DESCRIPTION
1	1	438292	TOOL BAR V-PLT WLD 8200 86
2	2	438293	5/8UNC X 6 1/4 CTR U-BOLT TRI
3	1	438478	TOOL BAR WLD 10-12R DETASSLR
4	4	914008	1/2UNC HEX STOVER NUT
5	6	914010	5/8UNC HEX STOVER NUT
6	2	920005	5/8 SAE FLAT WASHER
7	1	438194	TOOL BAR WLD DETAS 4-6R 83
8	3	920008	1" SAE FLAT WASHER
9	1	438177	TOOL BAR MT WLD DETAS 83
10	1	438184	HOIST COL WLD DETAS LIFT 83
11	1	438294	UPPER LIFT ARM WLD 8200 86
12	1	438297	LWR LIFT ARM WLD 8200 86
13	4	438300	LIFT ARM PIVOT PIN WLD8200 86
14	2	438302	HOSE SUPPORT RING WLD W/WASHER
15	8	121025	JOURNAL BRG FOR 1IN SHFT1.5LG
16	6	470162	COTTER PIN 3/16 X 1 1/2 SQCUT
17	2	900538	1/2UNC X 3 1/2 HEX BOLT FULL
18	2	910008	1/2UNC HEX NUT
19	1	438367	HOIST COL MT BRKT WLD 200 90
20	1	472012	CLEVIS PIN, 1.00 X 3.25 PLT
21	1	472206	PICKER PIN 1 DIA X 2 1/4
22	1	620900	CYL ASSY CC2016 D00 SRG 180
23	4	900275	1/2UNC X 4 1/2 HEX BOLT
24	2	900343	5/8UNC X 4 1/2 HEX BOLT



CUTTER HEAD ASSEMBLY

DET. QTY PART NO. DESCRIPTION

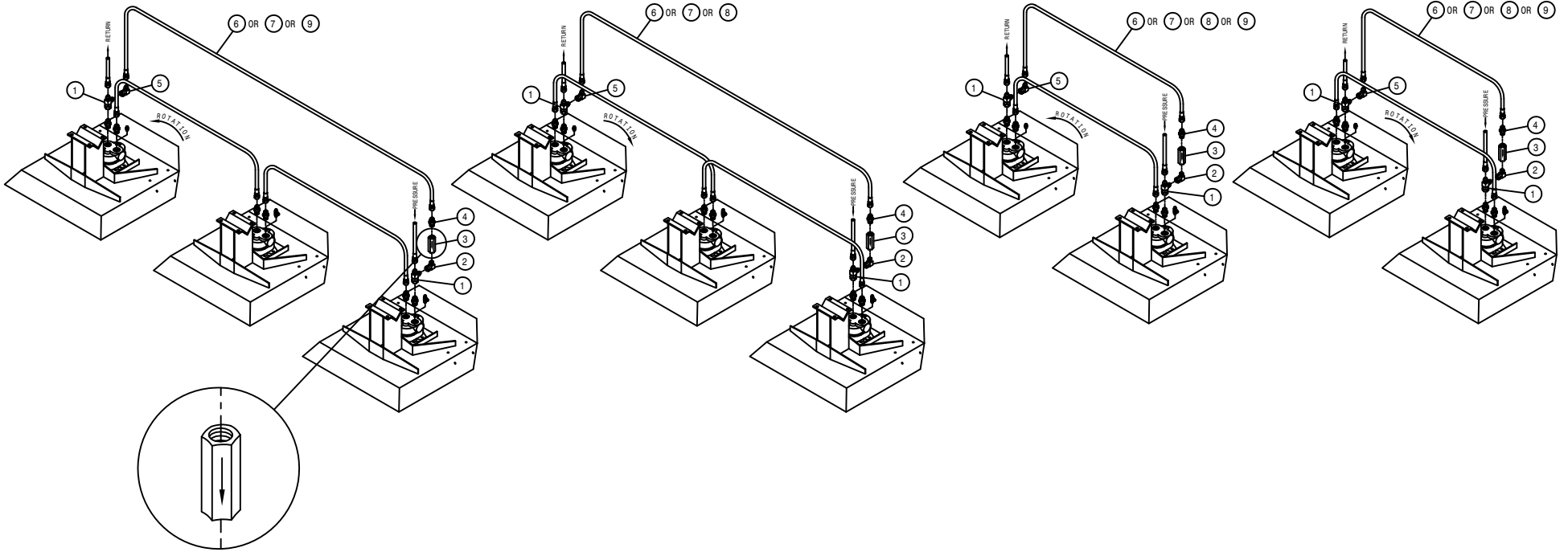
1	2	002215	CUTR STALK GUIDE WLD 8200	85
2	1	002103	CUTR BLADE 18 IN	
3	1	002104	CLUTCH BODY BLADE	
4	1	002105	STEEL LOCK WASH CUTR BLADE	
5	1	002106	WOODRUFF KEY #6 .156 X .625	
6	1	002107	3/8UNF X 1 1/2 HEX BOLT CUTR	
7	1	002108	STEEL WASHER CUTTER BLADE	
8	1	002210	CUTR TOP WLD 8200	85
9	1	410016	RLR HANGER V 473	
10	2	920002	3/8 SAE FLAT WASHER	
11	8	470118	1/4UNC X 3/4 FLANGE HEX BOLT	
12	8	470121	1/4UNC HEX FLANGE LOCK NUT	
13	2	611125	3/4MJIC-3/4MOR ADPTR	
14	1	610590	SUB>610755:BARNES HYD MOTOR	
15	1	618530	9/16MJIC-1/8MNPT ADPTR	
16	1	618546	1/8MNPT RUN TEE-9/16MJIC	
17	2	900130	3/8UNC X 1 1/4 HEX BOLT	
18	4	900265	1/2UNC X 1 1/2 HEX BOLT	
19	2	914004	3/8UNC HEX STOVER NUT	
20	4	914008	1/2UNC HEX STOVER NUT	

LEFT SIDE OF OPERATOR

RIGHT SIDE OF OPERATOR

LEFT SIDE OF OPERATOR

RIGHT SIDE OF OPERATOR

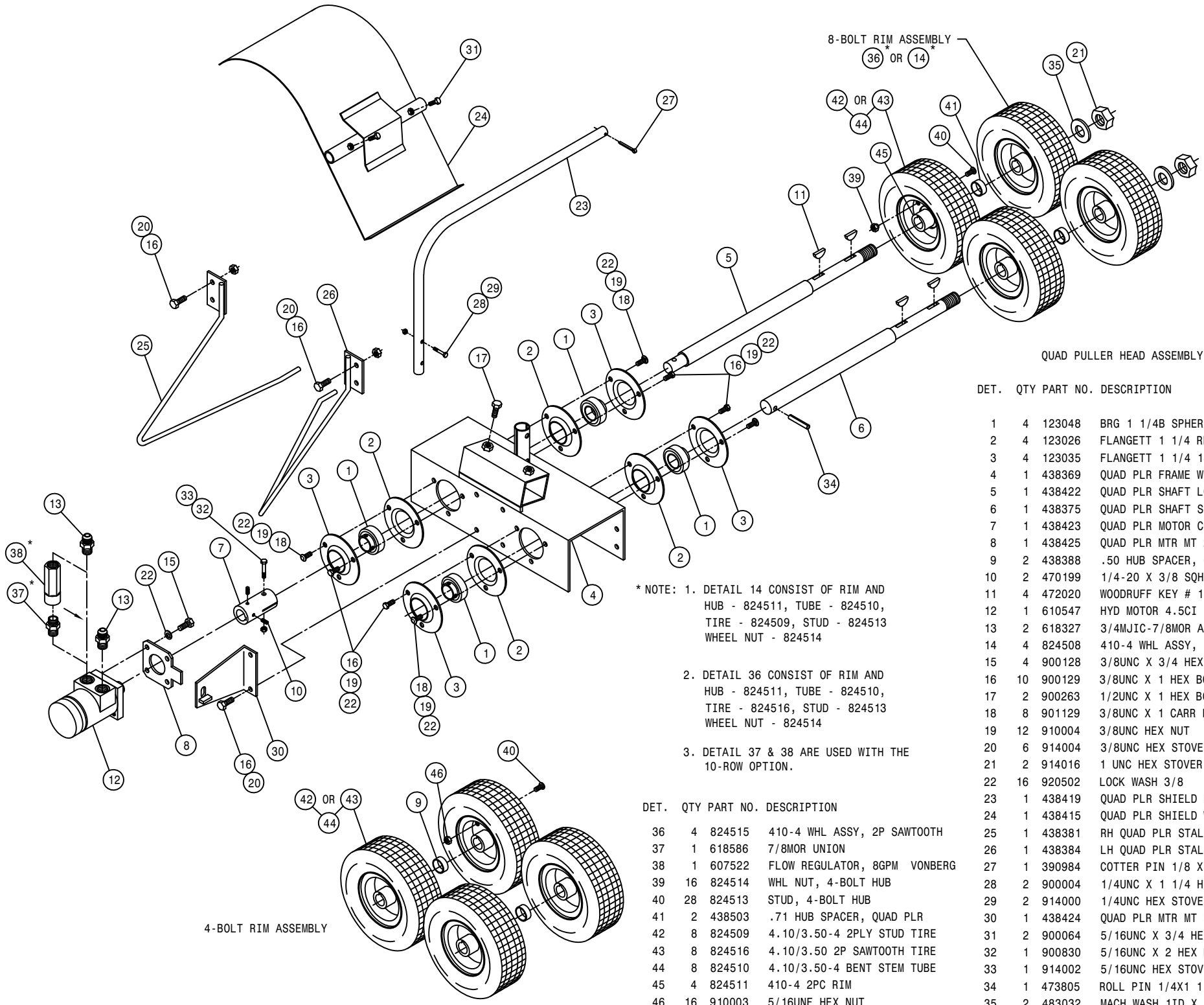


CUTTER CHECK VALVE HYDRAULIC SCHEMATIC

DET. QTY PART NO. DESCRIPTION

1	2	618451	3/4FJIC SW RUN TEE-3/4MJIC	
2	1	618620	3/4FJX-90-1/2MNPT ADPTR	
3	1	690338	LINE CHECK VALVE HYD .50NPT	
4	1	611147	3/4MJIC-1/2MNPT ADPTR	
5	1	618609	3/4MJIC-90-3/4FJIC SWIV LBO	
6	1	614375	08C1T-08FJX-08FJX-177	H/A
7	1	616057	08C1T-08FJX-08FJX-88	H/A
8	1	614368	08C1T-08FJX-08FJX-60	H/A
9	1	614384	08C1T-08FJX-08FJX-237	H/A

NOTE: LISTING IS FOR ONE GROUP OF CUTTER HEADS.



QUAD PULLER HEAD ASSEMBLY

DET.	QTY	PART NO.	DESCRIPTION
1	4	123048	BRG 1 1/4B SPHER RELUB SCRLOC
2	4	123026	FLANGETT 1 1/4 RELUBE
3	4	123035	FLANGETT 1 1/4 180 DEG ZERK
4	1	438369	QUAD PLR FRAME WLD 200 90
5	1	438422	QUAD PLR SHAFT LONG 200 91
6	1	438375	QUAD PLR SHAFT SHORT 200 90
7	1	438423	QUAD PLR MOTOR COUPLER 200 91
8	1	438425	QUAD PLR MTR MT 200 91
9	2	438388	.50 HUB SPACER, QUAD PLR
10	2	470199	1/4-20 X 3/8 SQHD CUP SET SCR
11	4	472020	WOODRUFF KEY # 18 1/4 X 1 1/8
12	1	610547	HYD MOTOR 4.5CI 1IN SHFT
13	2	618327	3/4MJIC-7/8MOR ADPTR
14	4	824508	410-4 WHL ASSY, 2P STUD
15	4	900128	3/8UNC X 3/4 HEX BOLT
16	10	900129	3/8UNC X 1 HEX BOLT
17	2	900263	1/2UNC X 1 HEX BOLT
18	8	901129	3/8UNC X 1 CARR BOLT
19	12	910004	3/8UNC HEX NUT
20	6	914004	3/8UNC HEX STOVER NUT
21	2	914016	1 UNC HEX STOVER NUT
22	16	920502	LOCK WASH 3/8
23	1	438419	QUAD PLR SHIELD MT TUBE 91
24	1	438415	QUAD PLR SHIELD WLD 200 91
25	1	438381	RH QUAD PLR STALK GUIDE WLD90
26	1	438384	LH QUAD PLR STALK GUIDE WLD90
27	1	390984	COTTER PIN 1/8 X 1 1/4
28	2	900004	1/4UNC X 1 1/4 HEX BOLT
29	2	914000	1/4UNC HEX STOVER NUT
30	1	438424	QUAD PLR MTR MT PLT WLD
31	2	900064	5/16UNC X 3/4 HEX BOLT
32	1	900830	5/16UNC X 2 HEX BOLT GR8
33	1	914002	5/16UNC HEX STOVER NUT
34	1	473805	ROLL PIN 1/4X1 1/2
35	2	483032	MACH WASH 1ID X 1.50D X.134TH

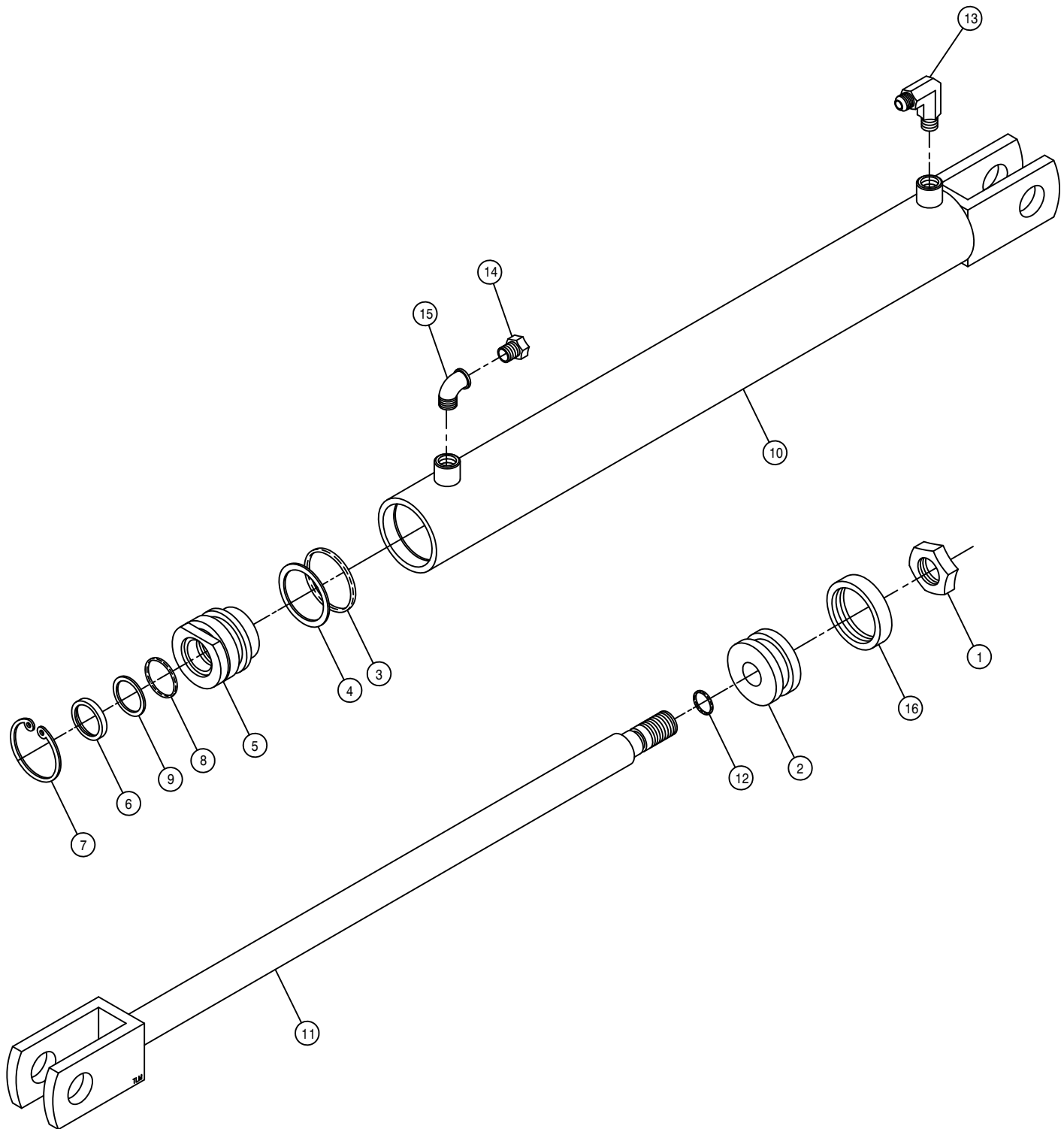
* NOTE: 1. DETAIL 14 CONSIST OF RIM AND HUB - 824511, TUBE - 824510, TIRE - 824509, STUD - 824513 WHEEL NUT - 824514

2. DETAIL 36 CONSIST OF RIM AND HUB - 824511, TUBE - 824510, TIRE - 824516, STUD - 824513 WHEEL NUT - 824514

3. DETAIL 37 & 38 ARE USED WITH THE 10-ROW OPTION.

4-BOLT RIM ASSEMBLY

DET.	QTY	PART NO.	DESCRIPTION
36	4	824515	410-4 WHL ASSY, 2P SAWTOOTH
37	1	618586	7/8MOR UNION
38	1	607522	FLOW REGULATOR, 8GPM VONBERG
39	16	824514	WHL NUT, 4-BOLT HUB
40	28	824513	STUD, 4-BOLT HUB
41	2	438503	.71 HUB SPACER, QUAD PLR
42	8	824509	4.10/3.50-4 2PLY STUD TIRE
43	8	824516	4.10/3.50 2P SAWTOOTH TIRE
44	8	824510	4.10/3.50-4 BENT STEM TUBE
45	4	824511	410-4 2PC RIM
46	16	910003	5/16UNF HEX NUT



COMBO LIFT CYLINDER ASSEMBLY WITH T-TROL

DET. QTY PART NO. DESCRIPTION

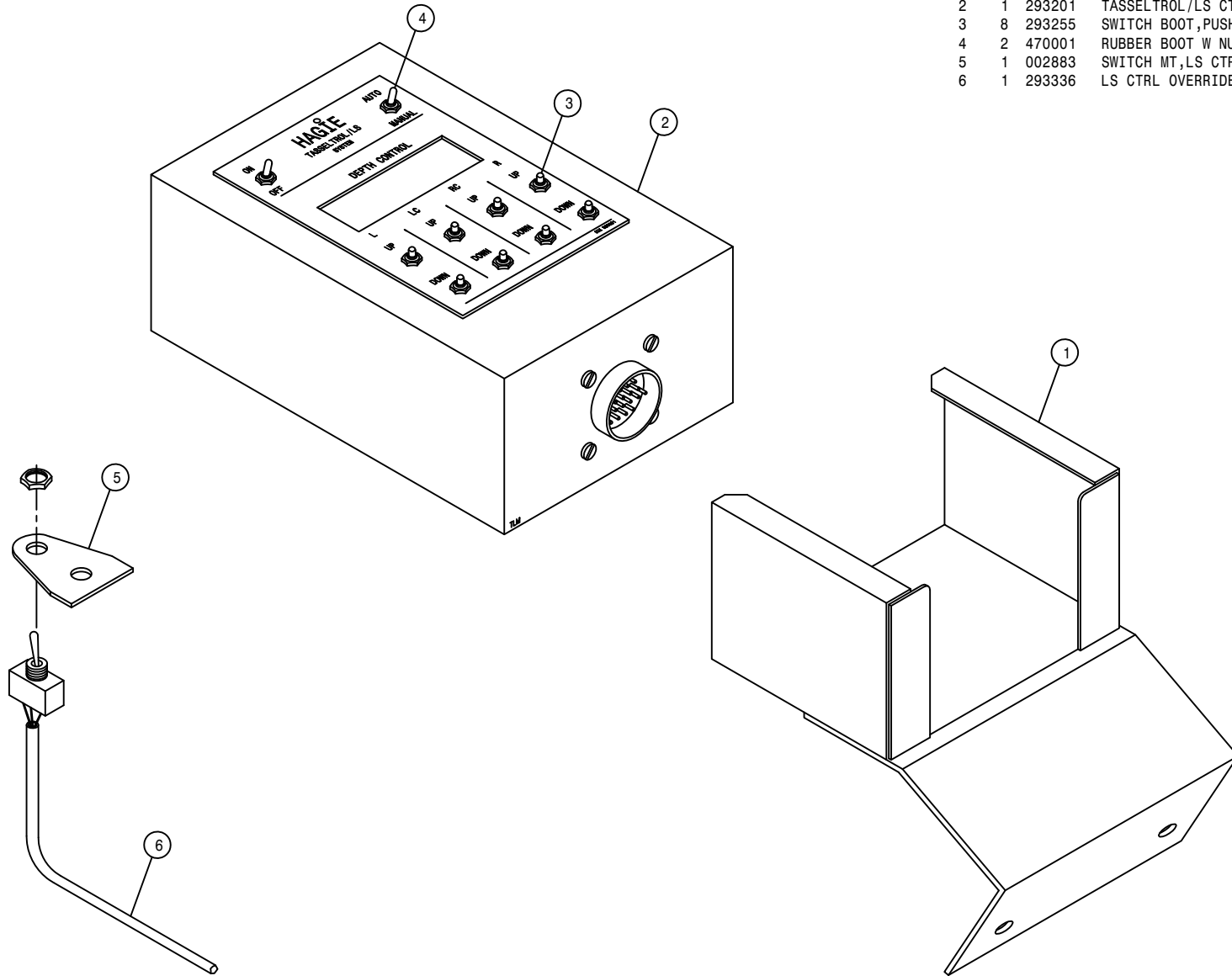
1	1	472297	3/4UNF HEX STOVER NUT THIN
2	1	620081	PISTON 2 X 1 ZAMAC ORING TYPE
3	1	870326	BUNA ORING 1 5/8 X 2
4	1	890326	BACKUP WASH 1 5/8 X 2 LEATH
5	1	620082	GLAND 2 IN X 1 IN ZAMAC
6	1	629003	WIPER 1 X 1 1/4 X 1/8
7	1	629505	SNAP RING 2 IN INTRN
8	1	870214	BUNA ORING 1 X 1 1/4
9	1	890214	BACKUP WASH 1 X 1 1/4 HT2022
10	1	620901	TUBE WLD CC2016 D00 SRG 180
11	1	620905	SHAFT WLD CC2016 D00 SRG180
12	1	870113	BUNA ORING 9/16 X 3/4
13	1	611122	9/16MJIC-90-1/4MNPT LBO
14	1	470114	BREATHER FILTER VENT, 1/4 NPT
15	1	501452	ST EL 90DEG .25NPT, STEEL,PLT
16	1	860326	CROWN SEAL, 2" PISTON, HYD

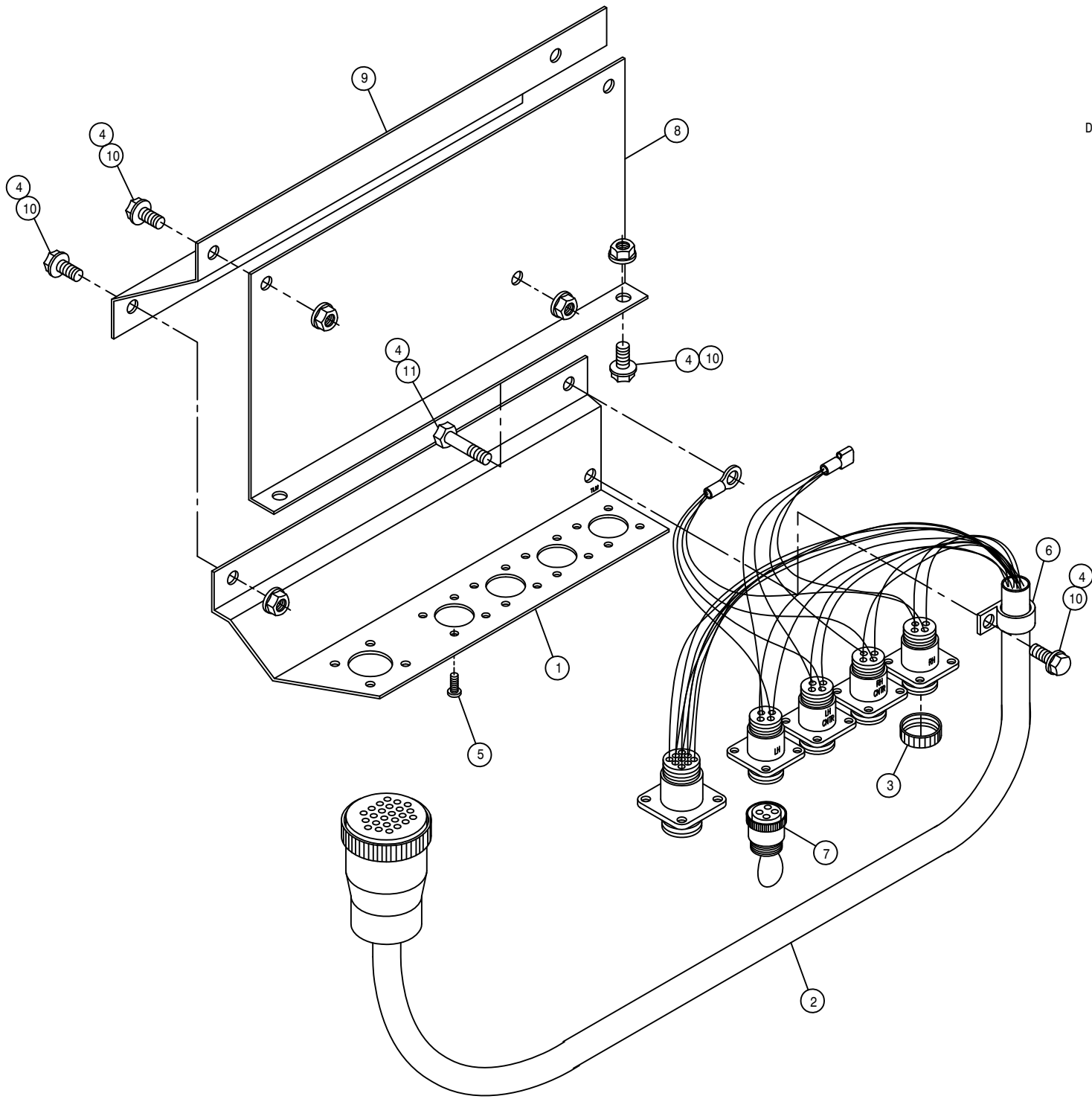
NOTE: 620900 - LIFT CYLINDER INCLUDES ITEMS 1-12.
620083 - SEAL KIT

COMBO TASSELTRON/LS BOX CONTROL ASSEMBLY

DET. QTY PART NO. DESCRIPTION

1	1	002869	LS CTRL BOX MT WLD, COMBO 94
2	1	293201	TASSELTRON/LS CTRL BOX ASSY
3	8	293255	SWITCH BOOT,PUSHBUTTON,1/4-40
4	2	470001	RUBBER BOOT W NUT FOR 298012
5	1	002883	SWITCH MT,LS CTRL OVERRIDE284
6	1	293336	LS CTRL OVERRIDE WIRE ASSY284

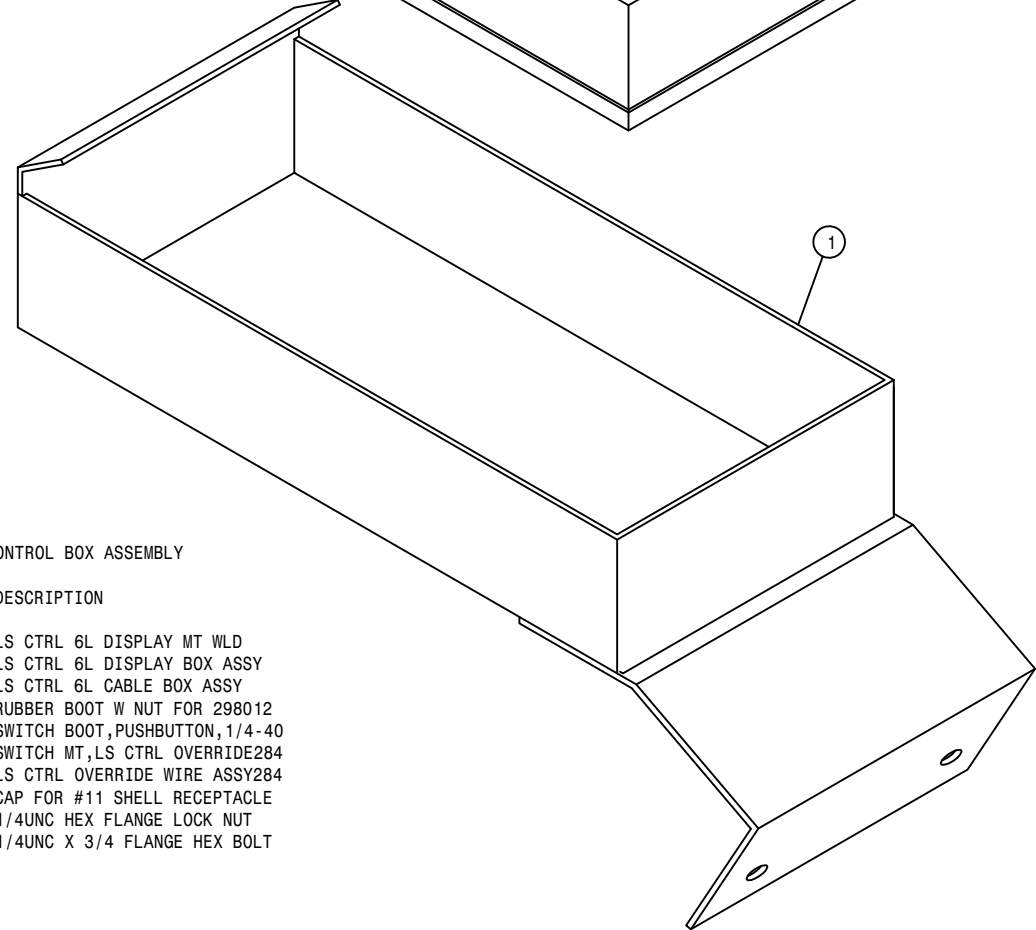
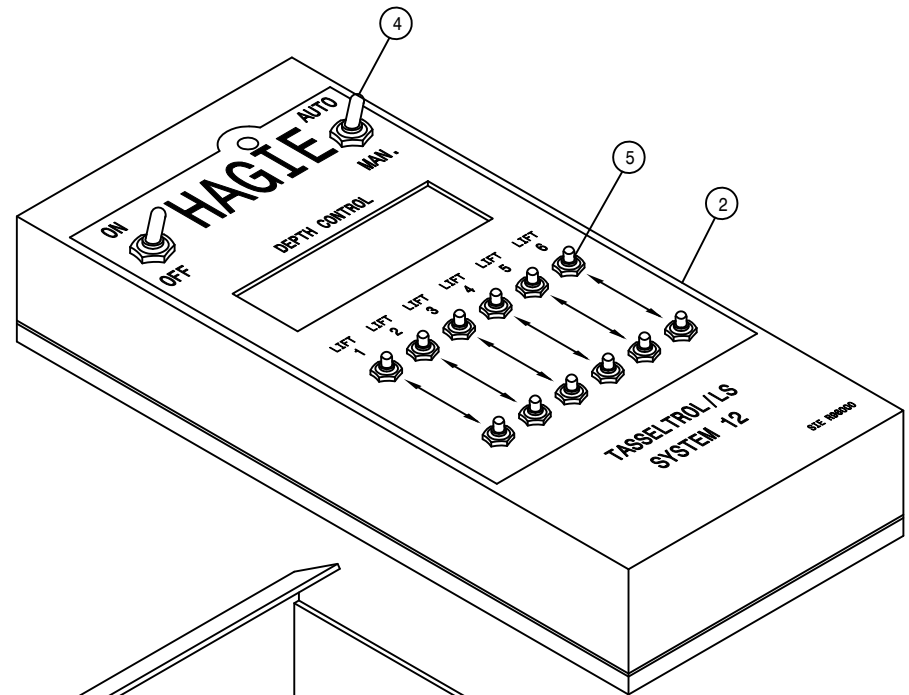
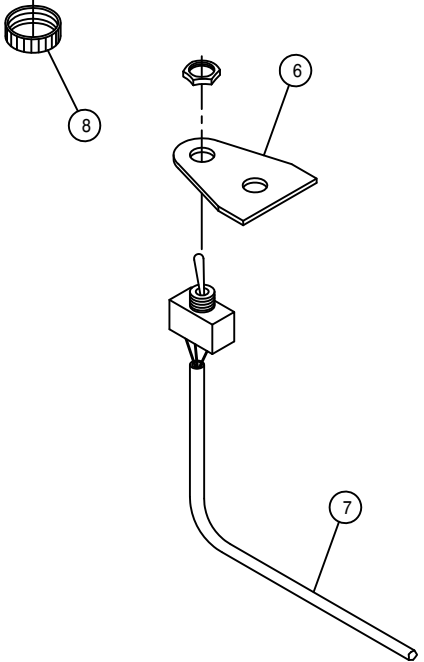
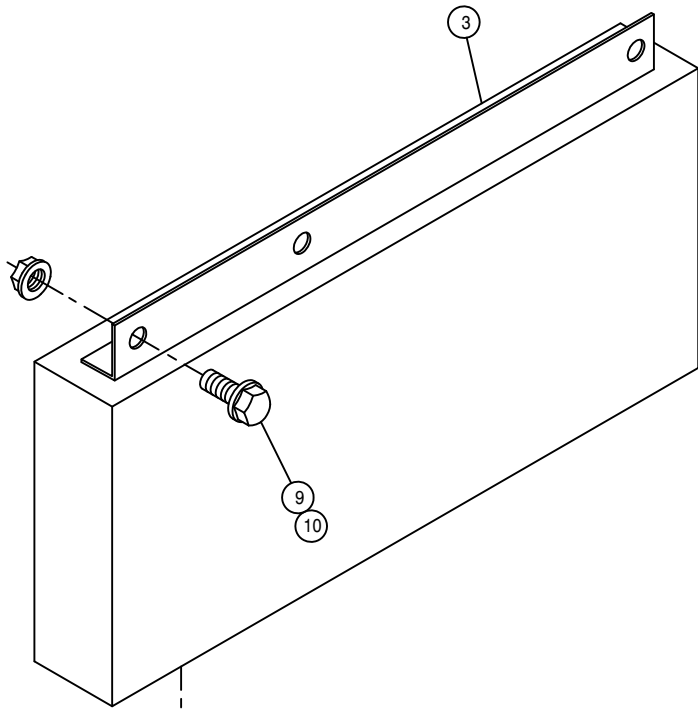




COMBO T-TROL/LS RECEPTACLE ASSEMBLY

DET.	QTY	PART NO.	DESCRIPTION
	1	002777	T-TROL/LS RECEPTACLE MT
	1	293200	MAIN CONTROL WIRE ASSY LS 90
	3	293046	CAP FOR #11 SHELL RECEPTACLE
	4	470121	1/4UNC HEX FLANGED LOCK NUT
	8	470121	1/4UNC HEX FLANGED LOCK NUT
	20	473932	SCREW, SELF TAP 6/32 X 3/8PAN
	6	520118	CUSH HOSE CLAMP 1/2D X 1/2W
	7	293211	JUMPER PLUG, T-TROL/LS SYS
	8	002874	LS RECPTCL MT PLT 284COMBO 94
	9	002875	LS RECPTCL MT COVR,284 COMBO
	10	470122	1/4UNC X 1/2 FLANGED HEX BOLT
	7	470122	1/4UNC X 1/2 FLANGED HEX BOLT
	1	900004	1/4UNC X 1 1/4 HEX BOLT

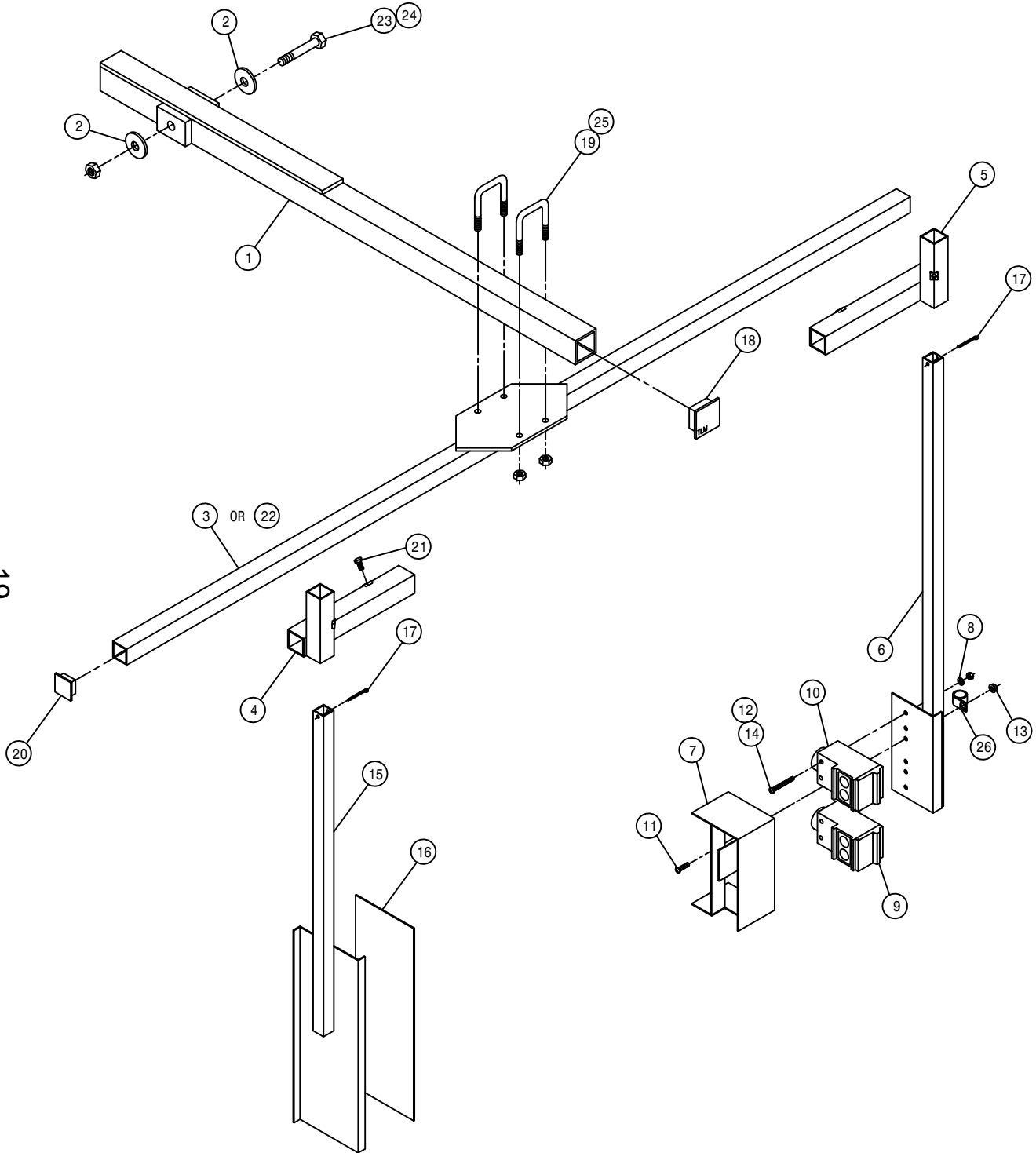
NOTE: DETAIL 7 IS USED (1) WITH 3-LIFT OPTION
AND (2) WITH 2-LIFT OPTION.



6-LIFT, LS CONTROL BOX ASSEMBLY

DET.	QTY	PART NO.	DESCRIPTION
	1	002902	LS CTRL 6L DISPLAY MT WLD
	1	293373	LS CTRL 6L DISPLAY BOX ASSY
	1	293374	LS CTRL 6L CABLE BOX ASSY
	2	470001	RUBBER BOOT W NUT FOR 298012
	12	293255	SWITCH BOOT,PUSHBUTTON,1/4-40
	1	002883	SWITCH MT,LS CTRL OVERRIDE284
	1	293336	LS CTRL OVERRIDE WIRE ASSY284
	6	293046	CAP FOR #11 SHELL RECEPTACLE
	2	470121	1/4UNC HEX FLANGE LOCK NUT
	2	470118	1/4UNC X 3/4 FLANGE HEX BOLT

19



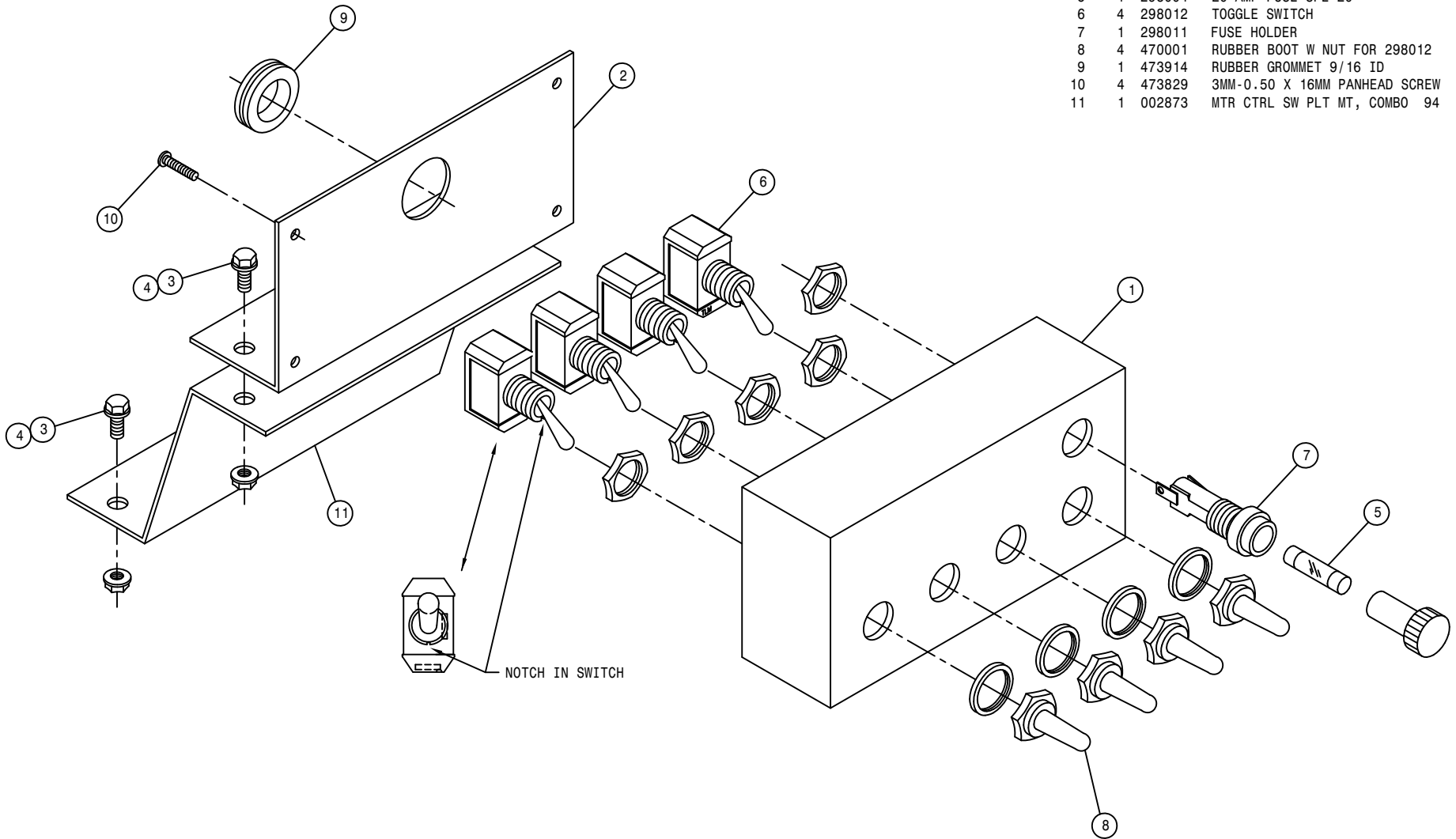
TASSELTROL SENSOR ASSEMBLY

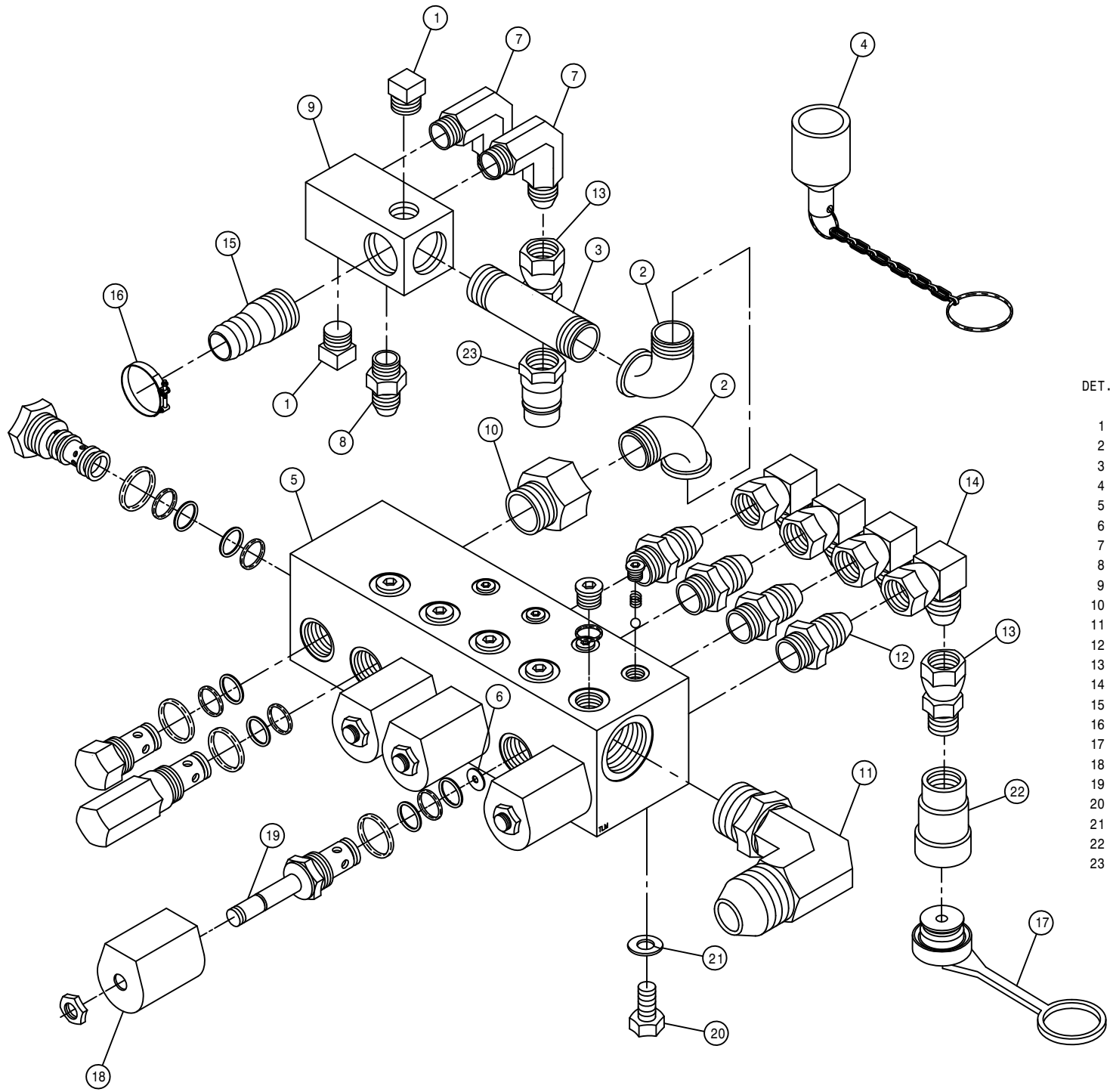
DET.	QTY	PART NO.	DESCRIPTION	
1	1	002813	SENSOR ARM WELD 200 DET	92
2	2	002815	SENSOR ARM WASH, NYL	
3	1	002709	LS CROSTUBE WLD	90
4	1	002712	LS REFLECTOR SLIDE MT WLD	90
5	1	002713	LS SENSOR SLIDE MT WLD	90
6	1	002839	LS 42GRU PHOTOSW SENSR MT WLD	
7	1	002841	LS 42GRU SENSOR SHIELD WLD	
8	4	920510	#10 LOCK WASHER	
9	1	293258	LWR LS 9000 SENSOR ASSY, FEM	
10	1	293259	UPR LS 9000 SENSOR ASSY, MALE	
11	2	903883	10-32 X 1/2 SLT RDHD MACH SCR	
12	4	910027	10-32 HEX NUT	
13	2	470175	10-32 HEX FLANGE LOCK NUT	
14	4	903902	10-32 X 2" SLT RD HD MACH SCR	
15	1	002723	LS REFLECTOR MT WLD	90
16	1	650310	LS REFLECTOR 4 X 12	90
17	2	390984	COTTER PIN 1/8 X 1 1/4	
18	1	473943	FINISH PLUG 1 1/2 SQ	
19	2	473949	5/16UNC-1 9/16ID-1 15/16U-BOLT	
20	2	629727	FINISH PLUG FOR 1 IN X 16 GA	
21	4	900000	1/4UNC X 1/2 HEX BOLT	
22	1	002834	LS CROSTUBE WLD 10-12R	92
23	1	900275	1/2UNC X 4 1/2 HEX BOLT	
24	1	914008	1/2UNC HEX STOVER NUT	
25	4	914002	5/16UNC HEX STOVER NUT	
26	1	520117	CUSH HOSE CLAMP 5/8D X 1/2W	

COMBO MOTOR CONTROL VALVE SWITCH ASSEMBLY

DET. QTY PART NO. DESCRIPTION

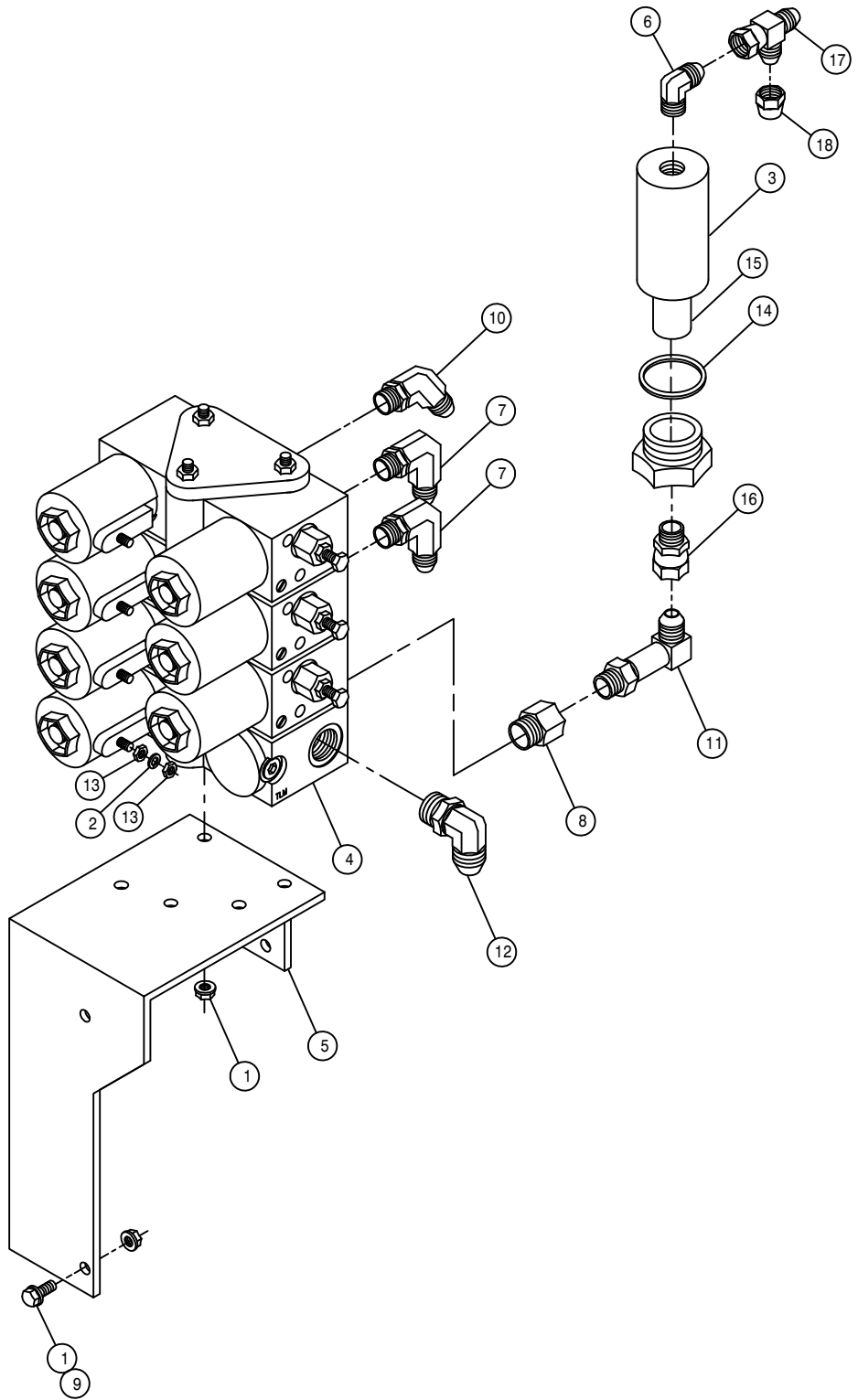
DET.	QTY	PART NO.	DESCRIPTION
1	1	002744	SWITCH BOX, DEPTH CMD
2	1	002745	SWITCH BOX MT, DEPTH CMD
3	4	470121	1/4UNC HEX FLANGE LOCK NUT
4	4	470122	1/4UNC X 1/2 FLANGE HEX BOLT
5	1	298004	20 AMP FUSE SFE 20
6	4	298012	TOGGLE SWITCH
7	1	298011	FUSE HOLDER
8	4	470001	RUBBER BOOT W NUT FOR 298012
9	1	473914	RUBBER GROMMET 9/16 ID
10	4	473829	3MM-0.50 X 16MM PANHEAD SCREW
11	1	002873	MTR CTRL SW PLT MT, COMBO 94





COMBO MOTOR CONTROL VALVE ASSEMBLY

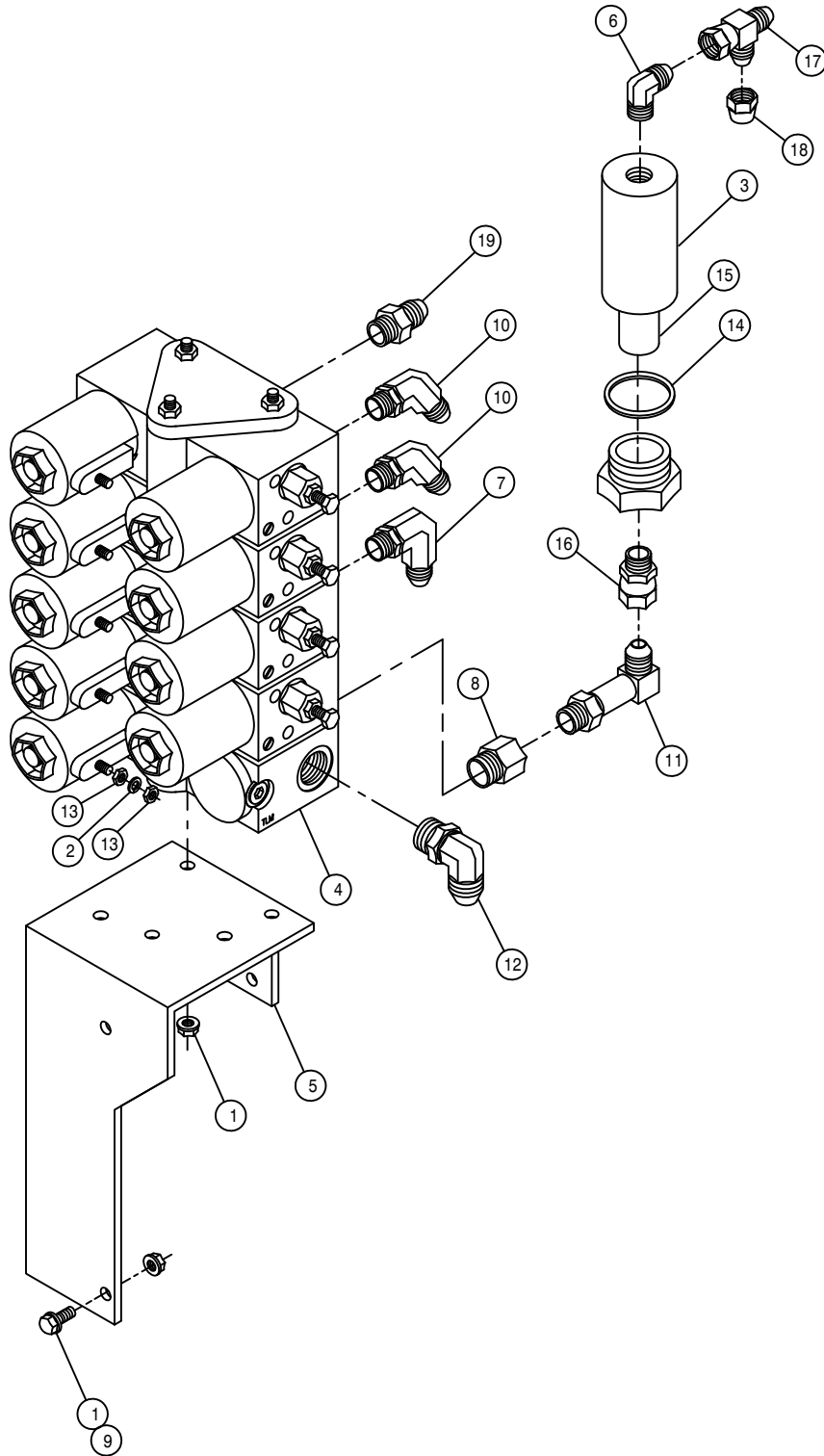
DET.	QTY	PART NO.	DESCRIPTION
1	2	503700	PIPE PLUG .50NPT SQ HD
2	2	505200	BLK PIPE ST EL 90DEG 1.00NPT
3	1	505210	BLK PIPE NIPPLE 1.00NPT-3.00
4	3	618636	RUBBER DUST CAP FOR 618622
5	1	610467	MODULAR MTR CONTROL ELECT VLV
6	4	610478	DISK .182 ORIFICE MOD CTRL
7	2	611145	3/4MJIC-90-1/2MNPT LBO
8	1	611147	3/4MJIC-1/2MNPT ADPTR
9	1	614633	HYD MANIF 8200 86
10	1	618090	1 5/16MOR-1FNPT ADPTR
11	1	618178	1 5/16MJIC-90-1 5/16MOR LBO
12	4	618469	3/4MJIC-1 1/16MOR ADPTR
13	7	618623	3/4FJIC-SWIV-1/2MNPT
14	4	618609	3/4MJIC-90-3/4FJIC SWIV LBO
15	1	714561	1.00NPT-1.25 HOSE BARB
16	1	520132	1.62/1.87 T-BOLT HOSE CLAMP
17	4	618635	RUBBER DUST PLUG FOR 618621
18	4	610480	SOLENOID COIL FOR610476REPAIR
19	4	610481	SOLENOID VLV FOR 610476REPAIR
20	2	900128	3/8UNC X 3/4 HEX BOLT
21	2	920502	3/8 LOCK WASHER
22	4	618621	HYD QUICK CPLR, FEMALE, .50FNPS
23	3	618622	HYD QUICK CPLR, MALE, .50FNPS



3-SECTION ELECTRIC VALVE ASSEMBLY

DET. QTY PART NO. DESCRIPTION

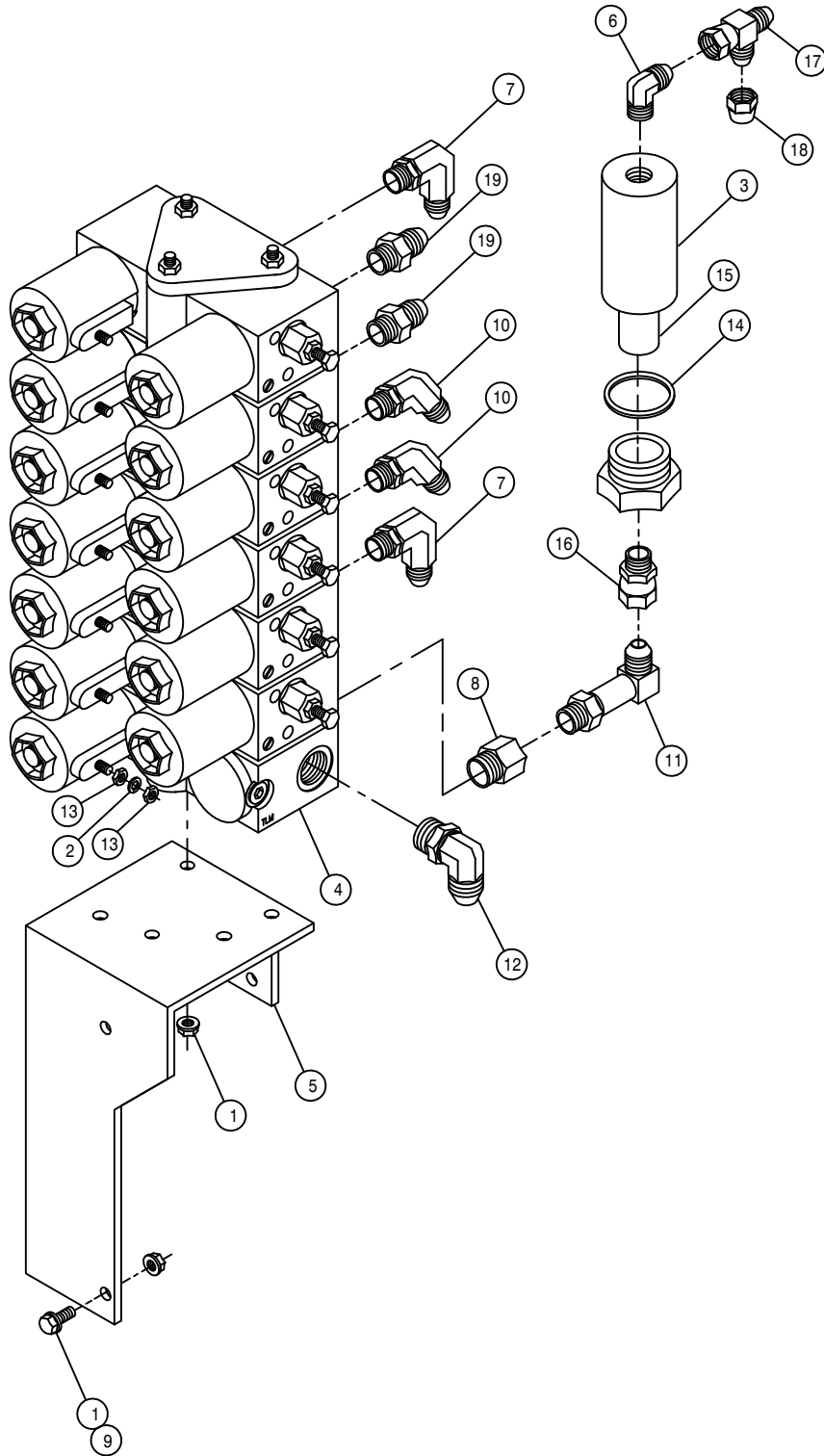
1	6	470121	1/4UNC HEX FLANGE LOCK NUT
2	7	473821	#10 INT TOOTH WASHER
3	1	610447	HYD FILTER, INLINE 1/4FNPT 90M
4	1	610532	ELECT HYD STACK VLV, 3 SECT
5	1	610602	284 ELECT VLV MT WLD, LS SYS94
6	1	611122	9/16MJIC-90-1/4MNPT LBO
7	2	618119	9/16MJIC-90-9/16MOR LBO
8	1	618170	3/4MOR-9/16FOR ADPTR
9	3	470118	1/4UNC X 3/4 FLANGE HEX BOLT
10	1	618425	9/16MJIC-45-9/16MOR LBO
11	1	618440	9/16MJIC-90-9/16MOR EX LG LBO
12	1	618600	9/16MJIC-90-7/8MOR LBO
13	14	910027	10-32 HEX NUT
14	1	610462	GASKET FOR 610447 ARROW FILT
15	1	610459	90M FILTER & GASKET FOR610447
16	1	618608	9/16FJIC SWIV-1/4MNPT
17	1	618486	9/16FJIC SW RUN TEE-9/16MJIC
18	1	618531	9/16FJIC CAP NUT



4-SECTION ELECTRIC VALVE ASSEMBLY

DET. QTY PART NO. DESCRIPTION

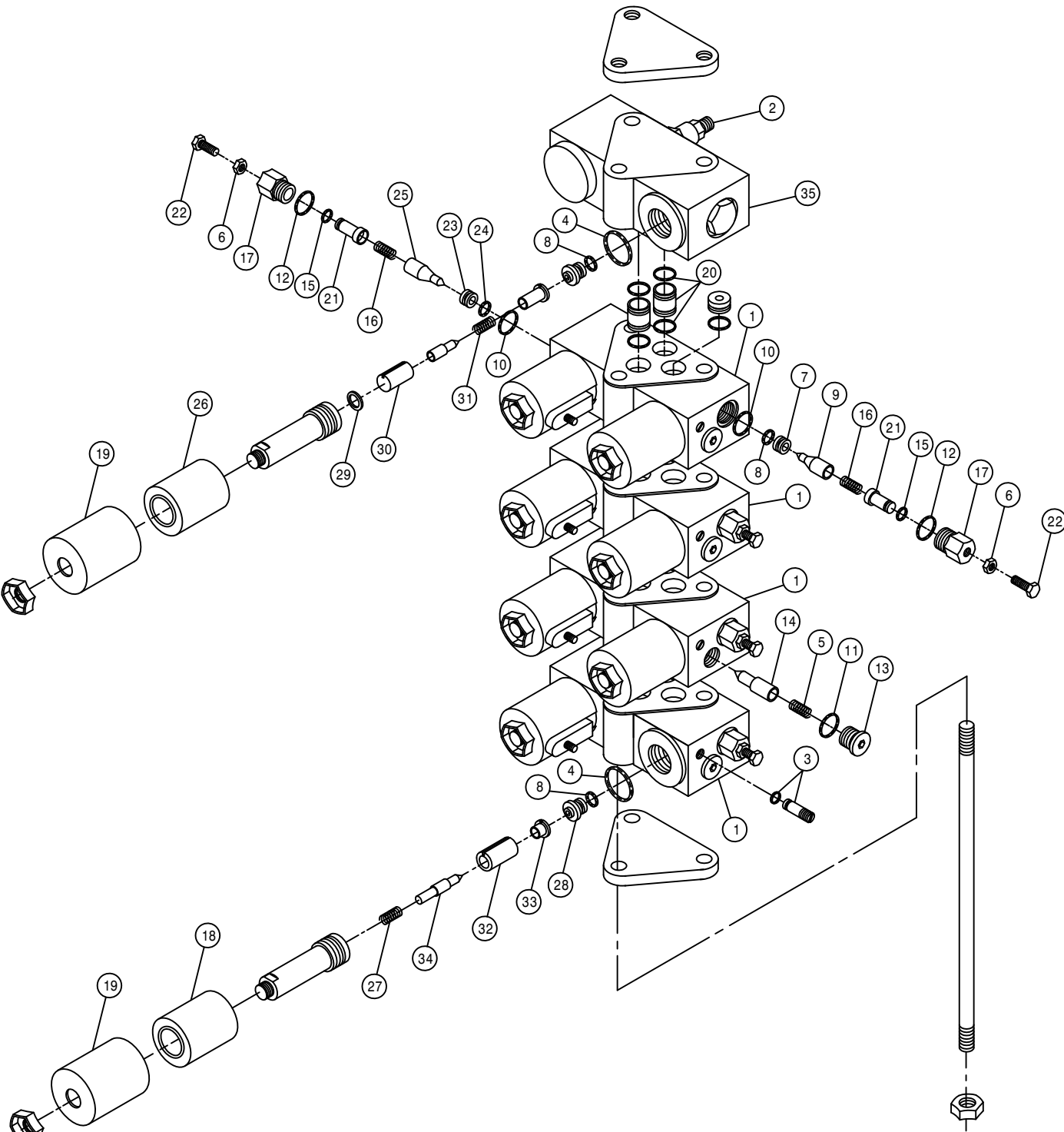
1	6	470121	1/4UNC HEX FLANGE LOCK NUT
2	9	473821	#10 INT TOOTH WASHER
3	1	610447	HYD FILTER, INLINE 1/4FNPT 90M
4	1	610613	ELECT HYD STACT VLV, 4 SECT
5	1	610602	284 ELECT VLV MT WLD, LS SYS94
6	1	611122	9/16MJIC-90-1/4MNPT LBO
7	1	618119	9/16MJIC-90-9/16MOR LBO
8	1	618170	3/4MOR-9/16FOR ADPTR
9	3	470118	1/4UNC X 3/4 FLANGE HEX BOLT
10	2	618425	9/16MJIC-45-9/16MOR LBO
11	1	618440	9/16MJIC-90-9/16MOR EX LG LBO
12	1	618600	9/16MJIC-90-7/8MOR LBO
13	18	910027	10-32 HEX NUT
14	1	610462	GASKET FOR 610447 ARROW FILT
15	1	610459	90M FILTER & GASKET FOR610447
16	1	618608	9/16FJIC SWIV-1/4MNPT
17	1	618486	9/16FJIC SW RUN TEE-9/16MJIC
18	1	618531	9/16FJIC CAP NUT
19	1	618126	9/16MJIC-9/16MOR ADPTR



6-SECTION ELECTRIC VALVE ASSEMBLY

DET.	QTY	PART NO.	DESCRIPTION
1	6	470121	1/4UNC HEX FLANGE LOCK NUT
2	13	473821	#10 INT TOOTH WASHER
3	1	610447	HYD FILTER, INLINE 1/4FNPT 90M
4	1	610615	ELECT HYD STACT VLV, 6 SECT
5	1	610602	284 ELECT VLV MT WLD, LS SYS94
6	1	611122	9/16MJIC-90-1/4MNPT LBO
7	2	618119	9/16MJIC-90-9/16MOR LBO
8	1	618170	3/4MOR-9/16FOR ADPTR
9	3	470118	1/4UNC X 3/4 FLANGE HEX BOLT
10	2	618425	9/16MJIC-45-9/16MOR LBO
11	1	618440	9/16MJIC-90-9/16MOR EX LG LBO
12	1	618600	9/16MJIC-90-7/8MOR LBO
13	26	910027	10-32 HEX NUT
14	1	610462	GASKET FOR 610447 ARROW FILT
15	1	610459	90M FILTER & GASKET FOR610447
16	1	618608	9/16FJIC SWIV-1/4MNPT
17	1	618486	9/16FJIC SW RUN TEE-9/16MJIC
18	1	618531	9/16FJIC CAP NUT
19	2	618126	9/16MJIC-9/16MOR ADPTR

25



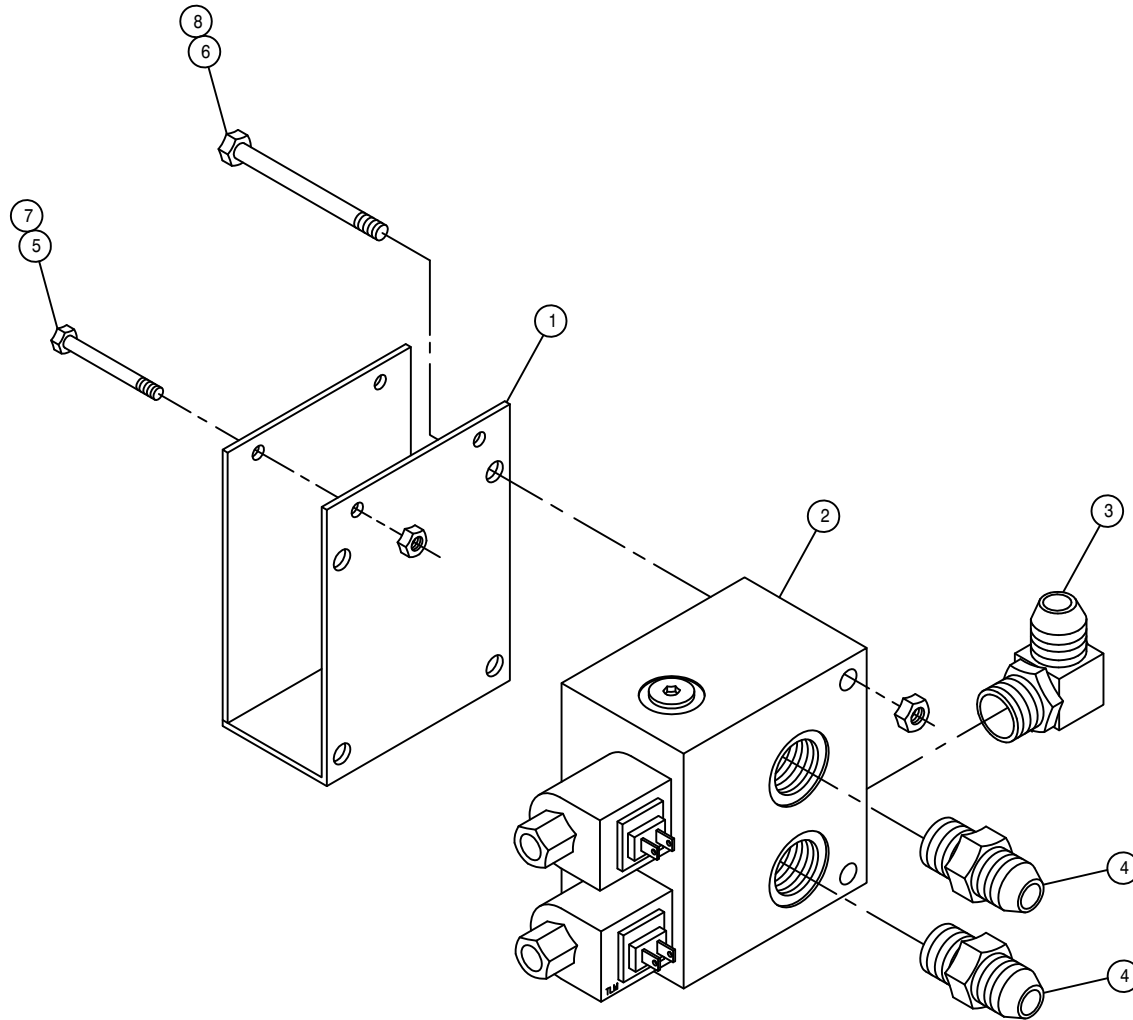
ELECTROHYDRAULIC VALVE

DET.	QTY	PART NO.	DESCRIPTION	
1	4	610533	UNBALANCED LOAD VALVE	89
2	1	610551	R.V. CARTRIDGE FOR 610532	90
3	8	610267	SEAL PLUG ASSY FOR 610257	
4	9	871019	ORING, 13/16 X 15/16 NEO 90D	
5	4	610491	SPRING AM-501-3-035 FOR610485	
6	8	910000	1/4UNC HEX NUT	
7	4	610488	ORIFICE PRESSED IN BLACK	
8	13	871010	ORING 1/4 X 3/8 VITON 90D	
9	4	610129	POPPET,ELECT VALVE,UNBAL LOAD	
10	8	870013	ORING, 7/16 X 9/16 NEO 70D	
11	4	871904	ORING, .351 X .072CS NEO 90D	
12	8	871906	ORING, .468ID X .078CS NEO 90D	
13	4	610130	PLUG, SAE4,ELECT VALVE,UNBAL	
14	4	610489	CHECK VLV POPPET	
15	8	871008	O-RING 3/16 X 5/16 90D	
16	8	610492	SPRING AM-570-3-126 FOR610485	
17	8	610453	VLV CAP	
18	8	610493	COIL FOR 610485	86
19	9	610113	COVER, ELECT VALVE, NON ADJ	
20	8	610534	THRU TUBE ASSY ELEC VLV	89
21	8	610452	ADJ VLV STOP	
22	8	900003	1/4UNC X 1" HEX BOLT	
23	4	610494	ORIFICE FOR 610485	
24	4	871056	O-RING	90D
25	4	610495	POPPET FOR 610485AM-570-3-654	
26	1	610076	COIL, ELECT STACK VALVE	
27	8	610127	SPRING,ELECT VALVE,UNBAL LOAD	
28	8	610108	ORIFICE 040, ELECT VALVE	
29	1	610084	WASHER, ELECT-HYD VALVE	
30	1	610112	ARMATURE, ELECT VALVE	
31	1	610110	SPRING, ELECT VALVE, NON ADJ	
32	8	610126	ARMATURE, ELECT VALVE, UNBAL	
33	8	610133	POLE PIECE,ELECT VALVE, UNBAL	
34	8	610490	POPPET FOR 610485AM-501-3-033	
35	1	610679	UNLOAD RELIEF VALVE	

TRACTION VALVE ASSEMBLY

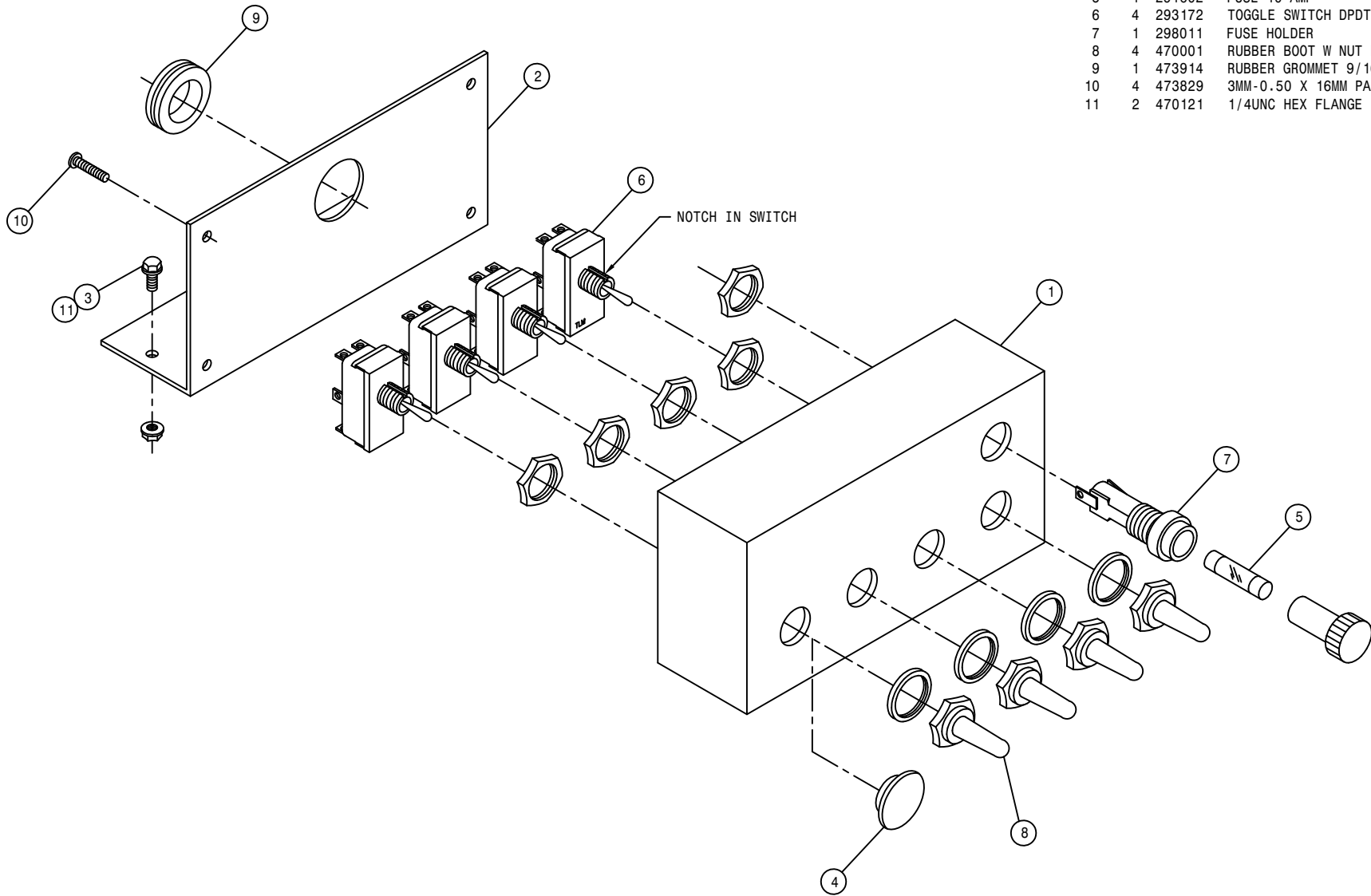
DET. QTY PART NO. DESCRIPTION

1	1	342311	TRACT VLV MT WLD,284 COMBO 96
2	1	610618	POSITRACTION VLV,STL,88SP 60G
3	1	618178	1 5/16MJIC-90-1 5/16MOR LBO
4	2	618186	1 5/16MJIC-1 5/16MOR ADPTR
5	2	900010	1/4UNC X 3" HEX BOLT
6	2	900075	5/16UNC X 3 3/4 HEX BOLT
7	2	914000	1/4UNC HEX STOVER NUT
8	2	914002	5/16UNC HEX STOVER NUT



2-3-4 LIFT, DEPTH COMMAND SWITCH ASSEMBLY

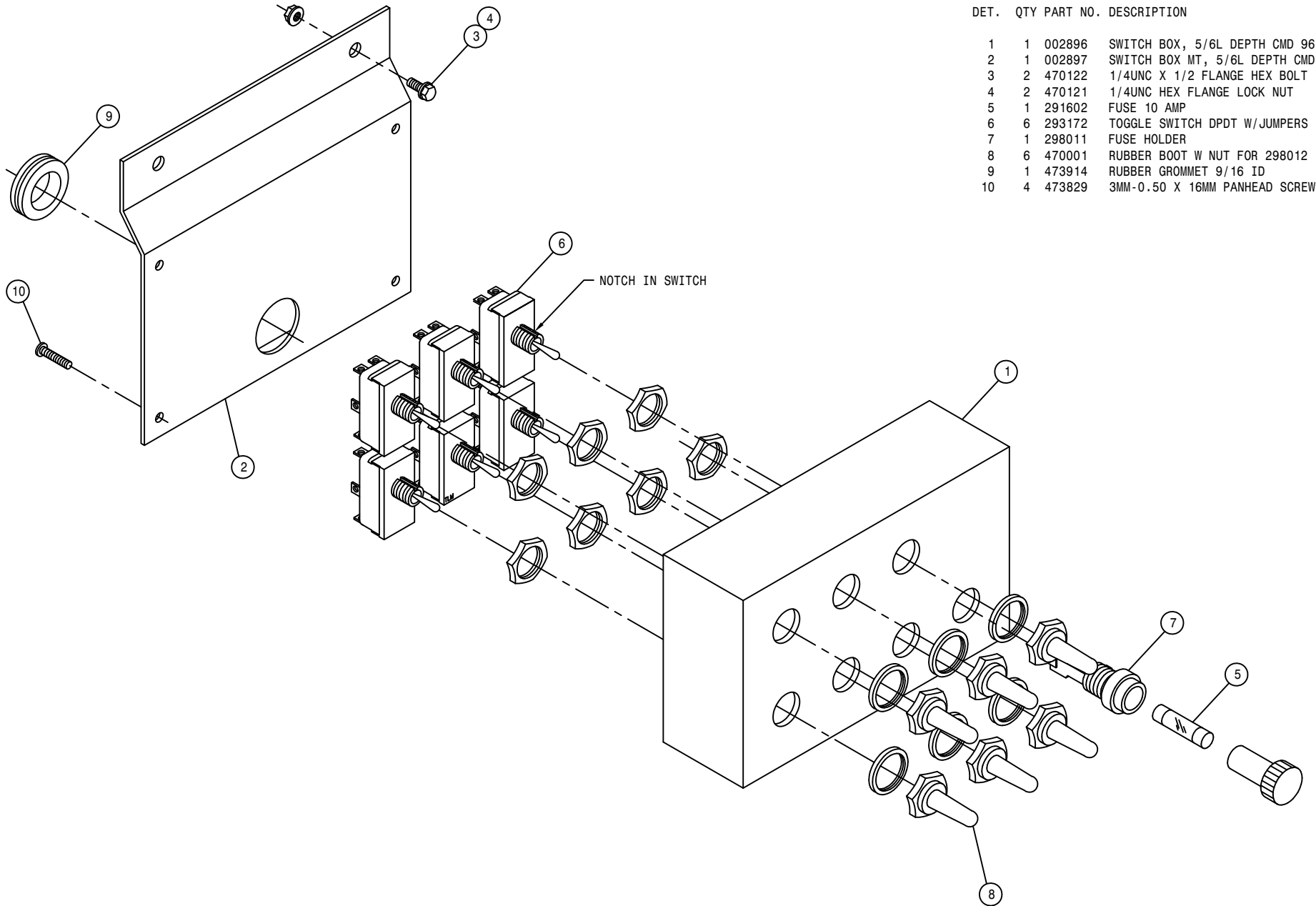
DET.	QTY	PART NO.	DESCRIPTION
	1	002744	SWITCH BOX, DEPTH CMD
	2	002745	SWITCH BOX MT, DEPTH CMD
	3	470122	1/4UNC X 1/2 FLANGE HEX BOLT
	4	658174	BUMPER PLUG FOR 1/2 HOLE
	5	291602	FUSE 10 AMP
	6	293172	TOGGLE SWITCH DPDT W/JUMPERS
	7	298011	FUSE HOLDER
	8	470001	RUBBER BOOT W NUT FOR 298012
	9	RUBBER GROMMET 9/16 ID	
	10	473829	3MM-0.50 X 16MM PANHEAD SCREW
	11	470121	1/4UNC HEX FLANGE LOCK NUT



6-LIFT, DEPTH COMMAND SWITCH ASSEMBLY

DET. QTY PART NO. DESCRIPTION

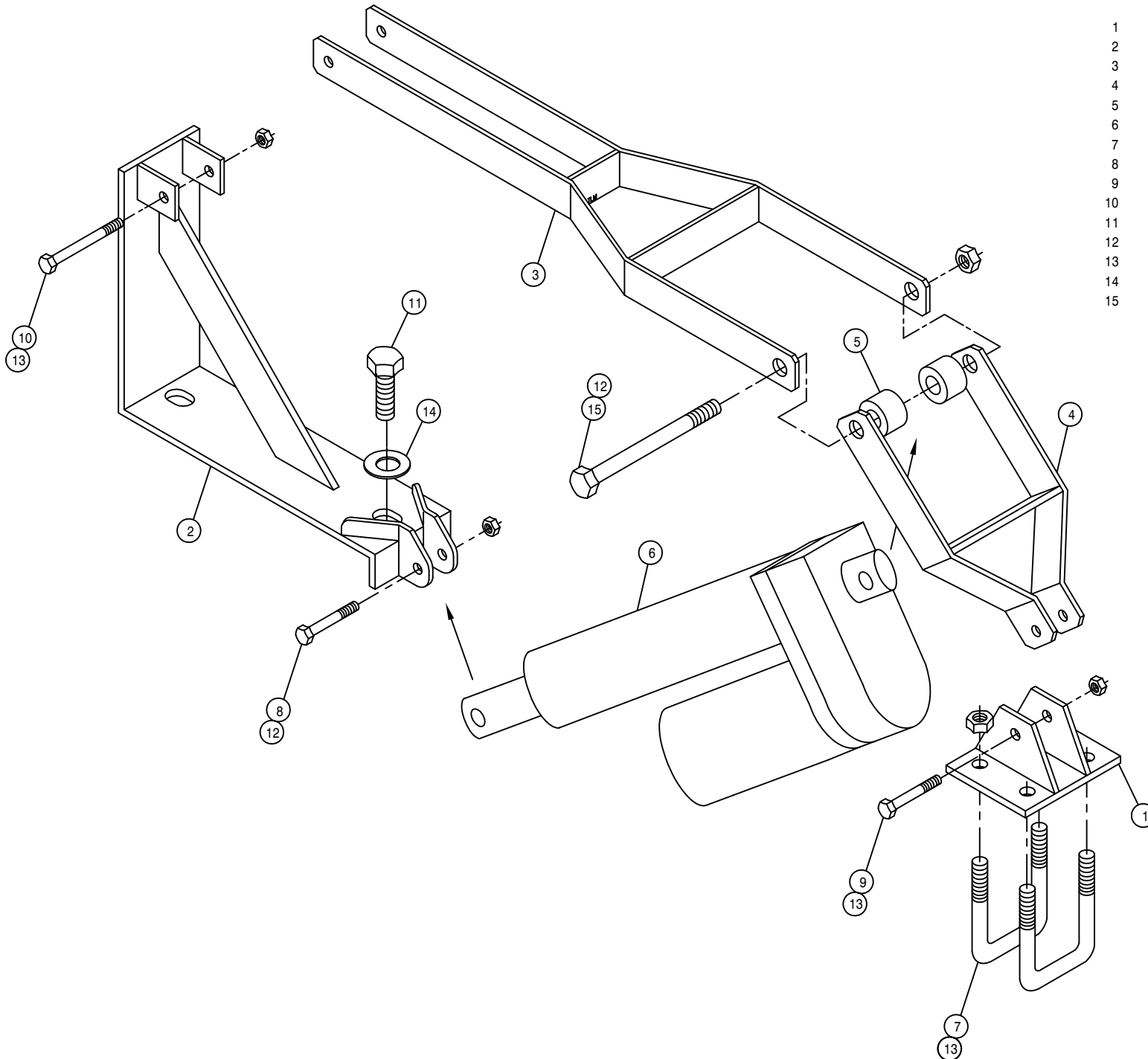
DET.	QTY	PART NO.	DESCRIPTION
1	1	002896	SWITCH BOX, 5/6L DEPTH CMD 96
2	1	002897	SWITCH BOX MT, 5/6L DEPTH CMD
3	2	470122	1/4UNC X 1/2 FLANGE HEX BOLT
4	2	470121	1/4UNC HEX FLANGE LOCK NUT
5	1	291602	FUSE 10 AMP
6	6	293172	TOGGLE SWITCH DPDT W/JUMPERS
7	1	298011	FUSE HOLDER
8	6	470001	RUBBER BOOT W NUT FOR 298012
9	1	473914	RUBBER GROMMET 9/16 ID
10	4	473829	3MM-0.50 X 16MM PANHEAD SCREW



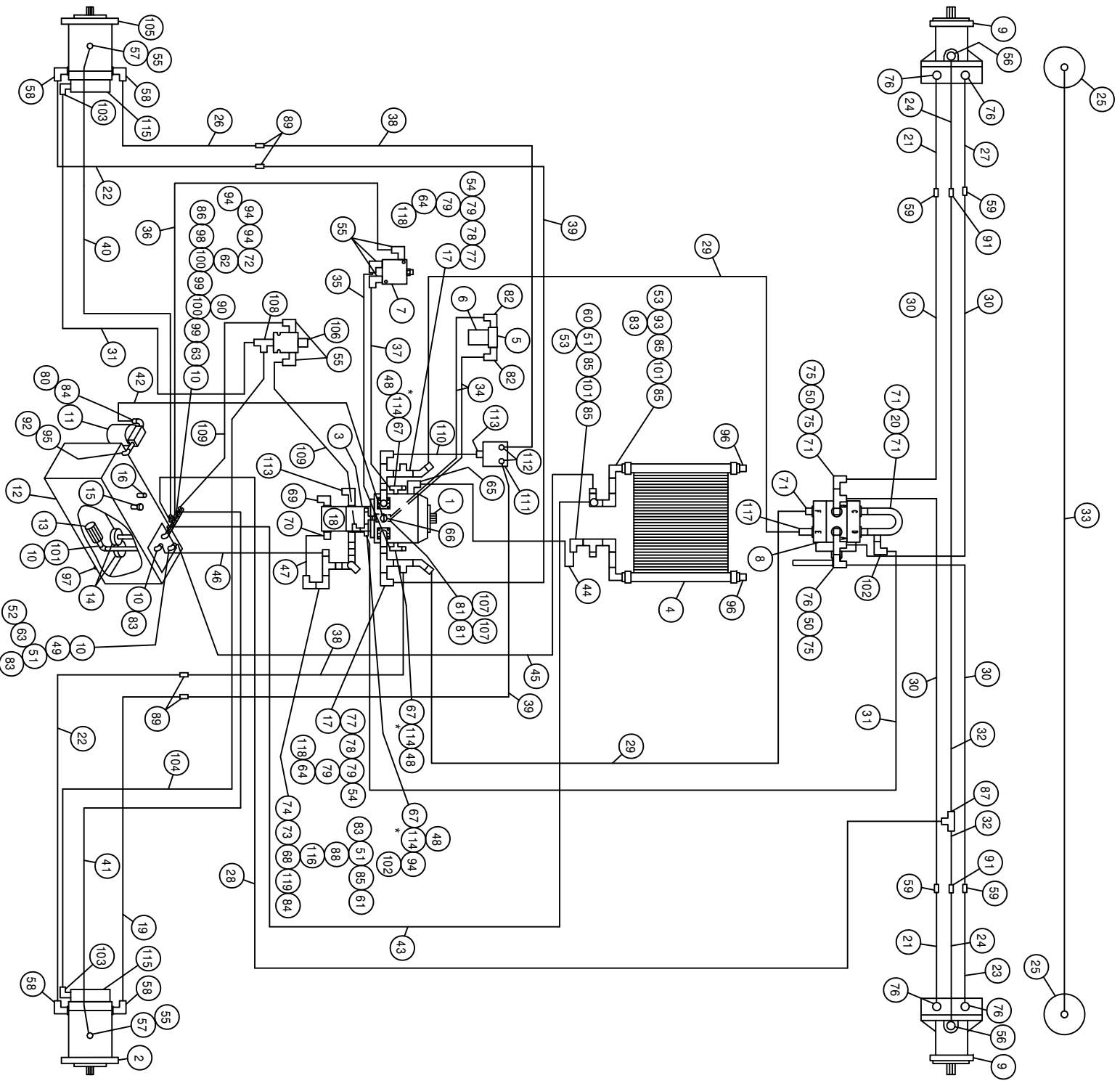
DEPTH COMMAND ACTUATOR ASSEMBLY

DET. QTY PART NO. DESCRIPTION

1	1	002849	HD DEPTH CMD ARM MT WLD	94
2	1	002846	HD DEPTH CMD MTG BRKT WLD	94
3	1	002851	HD DEPTH CMD UPR ARM WLD	94
4	1	002855	HD DEPTH CMD LWR ARM WLD	94
5	2	002858	HD DEPTH CMD ARM BUSH	94
6	1	291634	LINEAR ACTUATOR, 12V 4" 250LB	
7	2	473949	5/16UNC-1 9/16ID-1 15/16BOLT	
8	1	900267	1/2UNC X 2 HEX BOLT	
9	1	900069	5/16UNC X 2 HEX BOLT	
10	1	900070	5/16UNC X 2 1/2 BOLT	
11	2	900263	1/2UNC X 1 HEX BOLT	
12	2	914008	1/2UNC HEX STOVER NUT	
13	6	914002	5/16UNC HEX STOVER NUT	
14	2	920004	1/2 FLAT WASHER SAE	
15	1	900275	1/2UNC X 4 1/2 HEX BOLT	

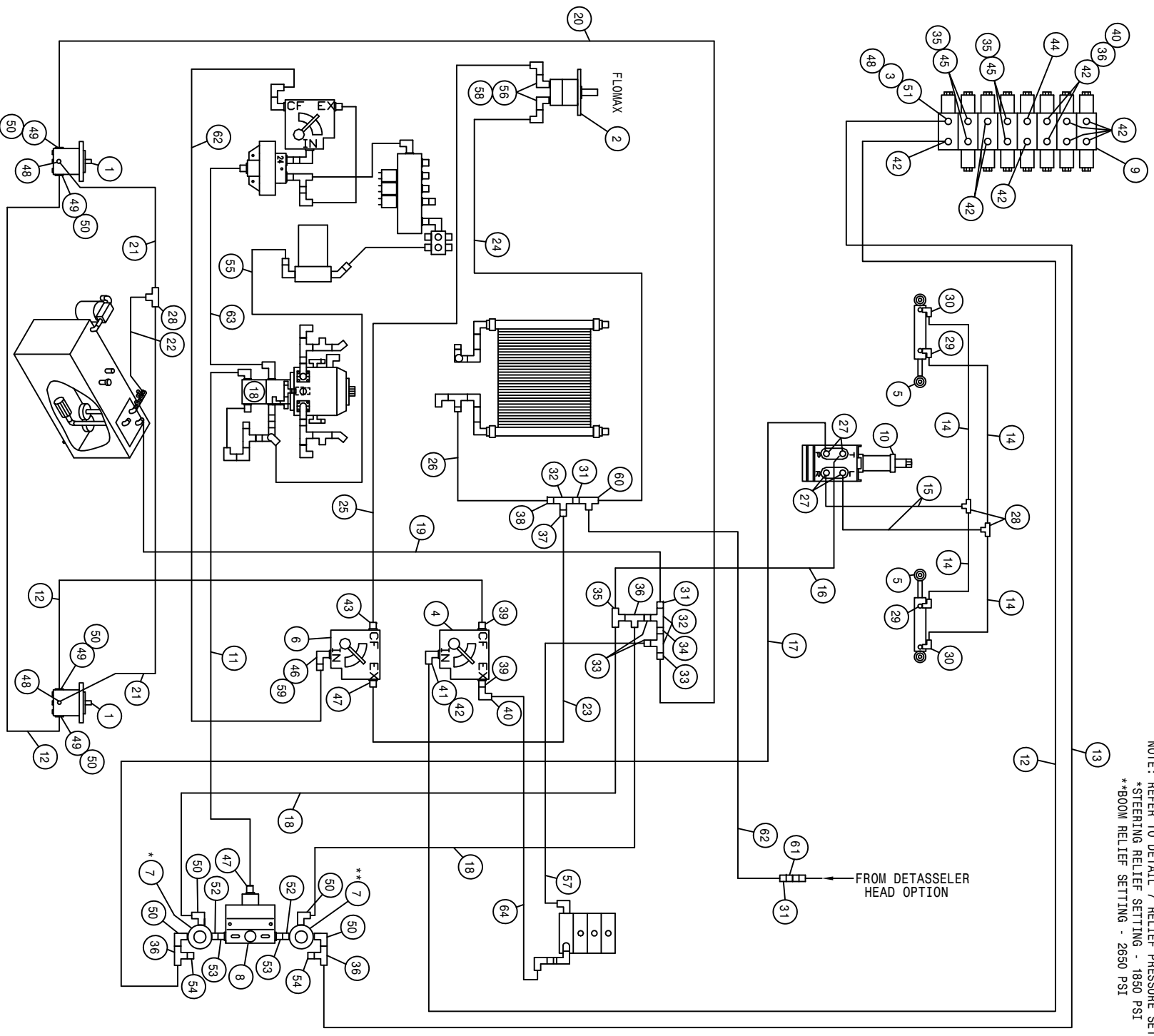


*NOTE:
 REFER TO DETAIL 114 TO CHECK LIMIT SETTING - 4500 PSI
 REFER TO DETAIL 114 TO CHECK CHARGE PRESSURE - 380 PSI



284 COMBO HYD SCHEM 98
REFERENCE DRAWING NO. 498525S1

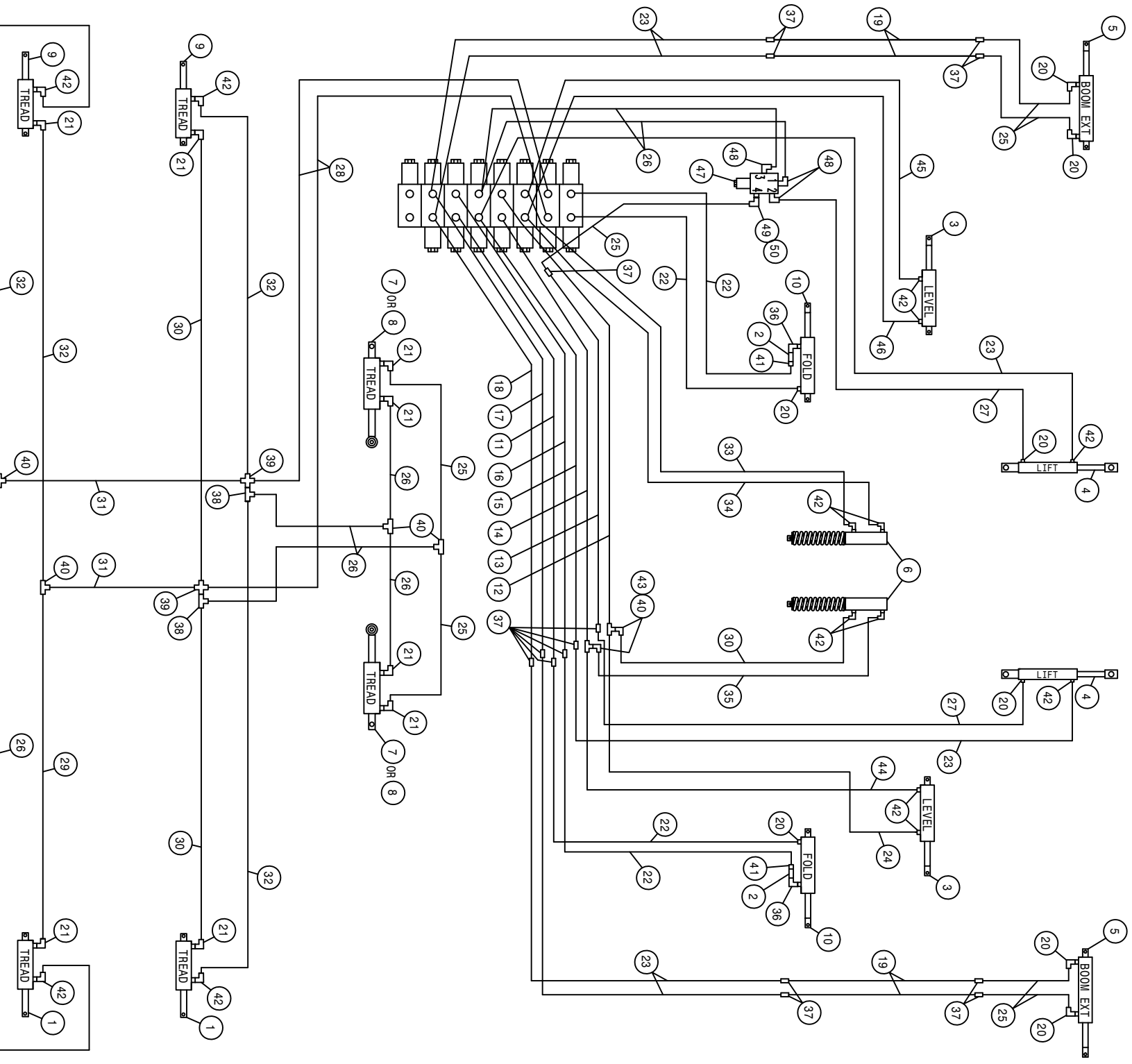
DET.	QTY	PART NO.	DESCRIPTION	DET.	QTY	PART NO.	DESCRIPTION	
1	1	606954	SUND 130CC PUMP-B-MT	98	61	1	716000	3/4 HOSE BARB-90-1MNP
2	1	610557	SUND M35-3102 WHL MTR W/SHFT	62	1	504001	RED BUSH 3/4 X 1/4 BLK MAL	
3	1	606938	SUND GEAR PUMP,4.00CIR SPLINED	63	2	505213	RED BUSH 1 X 3/4 BLK MAL	
4	1	618606	OTL COOLER, BLISSFIELD 65027	64	2	618630	1 5/16MJ-45-1 5/16FJ SWIV LBO	
5	1	605608	HYD FILTER HEAD, DONALDSON	65	1	618564	IIN HOSE BARB-90-1 5/16MOR	
6	1	605609	HYD FILTER ELEMENT, DONALDSON	66	1	618626	1 1/4 HOSE BARB-45-1 5/8MOR	
7	1	610580	REMOTE FLUSHING VALVE, SUND	67	3	618126	9/16MJIC-9/16MOR ADPTR	
8	1	606003	GRESEN SELECTOR VALVE DS-12	68	1	506701	SIDE OUTLET EL 90DEG 1.25NPT	
9	2	610571	SUND M35-3002 WHL MTR	69	1	611128	7/8MJIC-90-7/8MOR LBO	
10	4	505300	BLK PIPE EL 90DEG 1.00NPT	70	1	618075	3/4 HOSE BARB-1 1/16MOR	
11	1	605601	GRESEN FILTER 10 MICRON 40GPM	71	4	611127	1 1/16MJIC-1 1/16MOR ADPTR	
12	1	760097	OTL TANK WLD 8240 1982	72	1	618520	1/4MNP RT RUN TEE-9/16MJIC	
13	1	605600	MICHIGAN RESERVOIR FILTER	73	1	507026	1 1/4MNP RT HEX PIPE NIPPLE STL	
14	2	605603	LINE SUMP DIFFUSER	74	1	618596	1 5/8MOR-1 1/4FNPT ADPTR	
15	1	611052	FILLER BREATHER 3/4NPT	75	3	618191	1 1/16MJ-90-1 1/16FJ SWIV LBO	
16	1	614453	DIPSTICK, 8IN	76	5	618248	1 1/16MJIC-90-1 1/16MOR LBO	
17	2	618461	1 1/4 SPLIT FLANGE KIT	77	2	618459	1 1/4FLANGE-90-1 5/8MJIC	
18	1	606929	SUND GEAR PUMP .66CI, SPLINED	78	2	618547	1 5/8FJIC-1 5/16MJIC ADPTR	
19	1	615706	RH REAR LEG HYDTUBE ASSY284 97	79	4	618619	1 5/16FJ SW RUN TEE-.15/16MJ	
20	1	614290	FWD UTUBE 472 P/C 1977 18WHMT	80	1	506410	BLK PIPE ST EL 90DEG 1.25NPT	
21	2	615702	FRT LEG INR HYD TUBE ASSY28496	81	2	618327	3/4MJIC-7/8MOR ADPTR	
22	2	615705	REAR LEG HYD TUBE ASSY 284 97	82	2	618474	3/4MJIC-90-1 1/16MOR LBO	
23	1	615703	RH FRTLEG OUTRHDTUBE ASY28496	83	4	714560	INPT X 1 HOSE BARB	
24	2	615656	FRT LEG CNTR HYD TUBE ASSY284	84	4	715660	HOSE BARB 1 1/4NPT X 1 1/4	
25	2	620570	HYD CYL LEG LEVEL 2.00 X 12	85	5	505200	BLK PIPE ST EL 90DEG 1.00NPT	
26	1	615707	LH REAR LEG HYDTUBE ASSY284 97	86	1	618018	9/16MJIC-1/2MNP RT ADPTR	
27	1	615704	LH FRTLEG OUTRHDTUBE ASY28496	87	1	618019	9/16MJIC UNION TEE	
28	1	614704	06C1T-06FJX-06FJX-156	H/A	88	1	505105	1MNP RT HEX PIPE NIPPLE STL
29	2	614724	12TWM-12FJX-12FJX-106	H/A	89	4	618441	1 5/16MJIC-90-1 5/16MJIC LBO
30	4	614725	12C2AT-12FJX-12FJX-70	H/A	90	1	713220	HOSE BARB 3/4 NPT X 3/4
31	2	614101	04C1T-06FJX-06FJX-133	H/A	91	2	618314	3/4MJIC UNION
32	2	615444	06C1T-06FJX-08FJX90-60	H/A	92	1	506602	PIPE NIPPLE 1 1/4NPT-2 1/2
33	1	615614	FRT LEG CYL JUMPER HOSE280 89	93	1	505098	SIDE OUTLET EL 90DEG 1.00NPT	
34	1	615465	08C1T-08FJX-08FJX-33	H/A	94	4	618486	9/16FJIC SW RUN TEE-9/16MJIC
35	2	616042	04C1T-06FJX-06FJX-13	H/A	95	1	506303	BLK PIPE EL 90DEG 1.25NPT
36	1	616048	04C1T-06FJX-06FJX-35	H/A	96	2	505102	PIPE PLUG 1.00NPT SQ HD
37	1	616043	04C1T-06FJX-06FJX-23	H/A	97	1	501102	1/4 PIPE PLUG
38	2	614727	12TWM-16FJX-16FJX-50	H/A	98	1	504210	RED BUSH 3/4 NPT X 1/2 NPT
39	2	614729	12TWM-16FJX-16FJX-65	H/A	99	2	504702	CLOSE NIPPLE .75NPT
40	1	614549	06C1T-06FJX-06FJX-140	H/A	100	2	504955	BLK PIPE TEE .75NPT
41	1	615449	06C1T-06FJX-06FJX-126	H/A	101	3	505203	BLK PIPE NIPPLE 1.00NPT-4.00
42	1	601380	HOSE, 1 1/4 X 35 1FBR-1SPI	102	2	618618	9/16MJIC-90-9/16FJIC SWIV LBO	
43	1	601401	HOSE, 3/4 X 88 1FBR-1SPI	103	2	618114	9/16MJIC-90-7/16MOR LBO	
44	1	601403	HOSE, 1 X 72 1FBR-1SPI	104	1	614639	04C1T-06FJX-06FJX-126	
45	1	601404	HOSE, 1 X 87 1FBR-1SPI	105	1	610621	SUND HYD MOTOR	
46	1	601402	HOSE, 1 X 53 1FBR-1SPI	106	1	610318	HYD SOLE VLV.-2P-3W, 9/16FOR, 12V	
47	1	601383	HOSE, 3/4 X 8 1FBR-1SPI	107	2	618609	3/4MJIC-90-3/4FJIC SWIV LBO	
48	3	618531	9/16FJIC CAP NUT	108	1	618444	9/16MOR RUN TEE-9/16MJIC	
49	1	505201	CLOSE NIPPLE 1.00NPT	109	2	616056	04C1T-06FJX-06FJX-32	
50	2	618487	1 1/16FJ SW RUN TEE-1 1/16MJ	110	1	615263	16TWM-16FJX-16FJX90L-18	
51	3	505101	BLK PIPE TEE 1.00NPT	111	1	610618	POSITRACTION VLV,STL, 88SP 60G	
52	1	610300	3/4MJIC-3/4MNP RT ADPTR	112	2	618186	1 5/16MJIC-1 5/16MOR ADPTR	
53	2	714331	1 NPT X 3/4 HOSE BARB	113	2	618178	1 5/16MJIC-90-1 5/16MOR LBO	
54	2	618640	1 5/16MJ-90-1 5/16FJ SWIV LBO	114	3	618514	9/16FJ SW BRANCH TEE-9/16MJ	
55	7	618119	9/16MJIC-90-9/16MOR LBO	115	2	828092	MICO HYD BRAKE	
56	2	618183	3/4MJIC-90-7/8MOR LBO	116	1	506005	1 1/4 TO 1 RED BUSH BLK MAL	
57	2	618172	7/8MOR-9/16FOR ADPTR	117	1	607527	FLOW CTRL VALVE, 32GPM IN-LINE	
58	4	618576	1 5/16MJIC-90-1 1/16MOR LBO	118	2	618541	1 5/16FJIC-1 1/16MJIC ADPTR	
59	4	618448	1 1/16MJIC-90-1 1/16MJIC LBO	119	1	506409	BLK PIPE ST EL 45DEG 1.25NPT	
60	1	618138	IIN HOSE BARB-90-1MNP					



NOTE : REFER TO DETAIL 7 RELIEF PRESSURE SETTING.
 **STEERING RELIEF SETTING - 1850 PSI
 **BOOM RELIEF SETTING - 2650 PSI

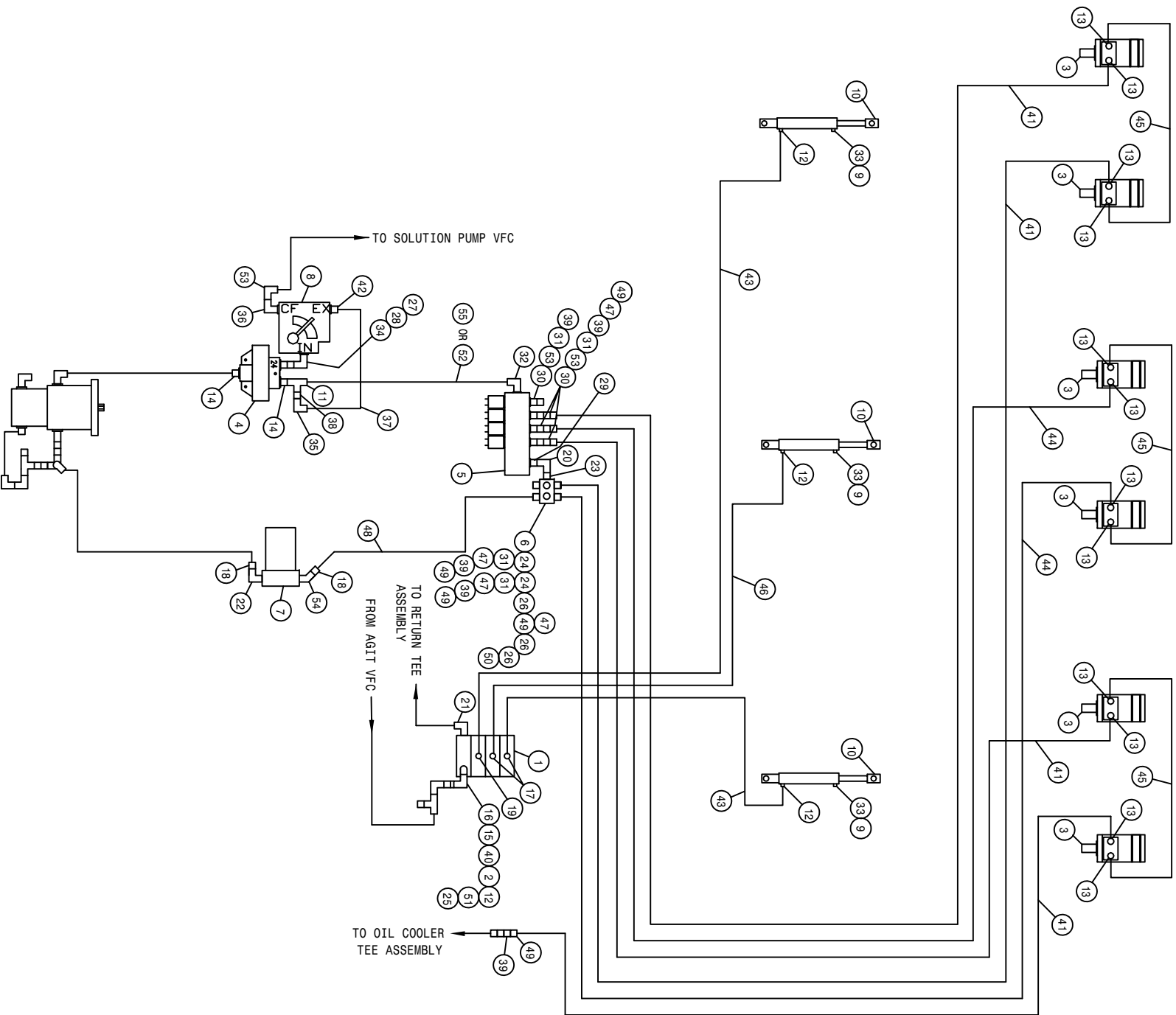
284 COMBO HYD SCHEM 98
REFERENCE DRAWING NO. 498525S2

DET.	QTY	PART NO.	DESCRIPTION	DET.	QTY	PART NO.	DESCRIPTION
1	2	610510	CESSNA GEAR MOTOR 1.48CI	33	3	618018	9/16MJIC-1/2MNPT ADPTR
2	1	690573	HYD MOTOR, FLOWMAX HI-SPEED	34	1	503600	CLOSE NIPPLE .50NPT
3	1	610447	HYD FILTER, INLINE 1/4FNPT 90M	35	5	618514	9/16FJ SW BRANCH TEE-9/16MJ
4	1	606827	FLO CONT FC51 0-3 VARI 7/8FOR	36	5	618486	9/16FJIC SW RUN TEE-9/16MJIC
5	2	620080	STRG CYL ASSY 1.50 X 6.0 1985	37	1	618325	7/8MJIC-1/2MNPT ADPTR
6	1	606818	FLO CONT FCR51 0-16GPM 7/8FOR	38	1	712440	1/2 NPT X 3/4 HOSE BARB
7	2	607512	RELIEF VALVE, RL50, 1850 PSI	39	2	618310	9/16MJIC-7/8MOR ADPTR
8	1	607504	FLO DIV B50 2-8GPM 7/8 FOR	40	3	618618	9/16MJIC-90-9/16FJIC SWIV LBO
9	1	610569	6 SECT,5 FUCTION HYD VLV, EATON	41	1	618172	7/8MOR-9/16FOR ADPTR
10	1	749150	STRG MTR NON-LOAD REACT 1008	42	11	618119	9/16MJIC-90-9/16MOR LBO
11	1	614664	10C1T-10FJX-10FJX-98	43	1	618327	3/4MJIC-7/8MOR ADPTR
12	3	614693	06C1T-06FJX-06FJX-168	44	1	618440	9/16MJIC-90-9/16MOR EX LG LBO
13	3	614159	04C1T-06FJX-06FJX-169	45	4	618126	9/16MJIC-9/16MOR ADPTR
14	4	614663	04C1T-06FJX-06FJX-16	46	1	611128	7/8MJIC-90-7/8MOR LBO
15	2	616028	04C1T-06FJX-06FJX-47	47	2	611126	7/8MJIC-7/8MOR ADPTR
16	1	611204	04C1T-06FJX-06FJX-78	48	3	611121	9/16MJIC-1/4MNPT ADPTR
17	1	616040	04C1T-06FJX-06FJX-67	49	4	618092	1 1/16MOR-1/2FNPT ADPTR
18	2	616026	04C1T-06FJX-06FJX-37	50	8	618107	9/16MJIC-90-1/2MNPT LBO
19	1	616057	08C1T-08FJX-08FJX-88	51	1	618562	9/16MOR-90-1/4MNPT LBO
20	1	614571	06C1T-06FJX-06FJX-126	52	2	500000	1/2MNPT HEX PIPE NIPPLE STL
21	2	611208	04C1T-06FJX-06FJX-98	53	2	618072	7/8MOR-1/2FNPT ADPTR
22	1	615452	06C1T-06FJX-06FJX-16	54	2	618531	9/16FJIC CAP NUT
23	1	615521	10C1T-10FJX-10FJX-18	55	1	601388	HOSE, 1 1/4 X 33 1FBR-1SP1
24	1	615465	08C1T-08FJX-08FJX-33	56	2	618241	3/4MJIC-90-3/4MOR LBO
25	1	614662	08C1T-08FJX-08FJX-72	57	1	614621	06C1T-06FJX-06FJX-78
26	1	601384	HOSE, 3/4 X 40 1FBR-1SP1	58	2	618609	3/4MJIC-90-3/4FJIC SWIV LBO
27	4	618496	9/16MJIC-45-3/4MOR LBO	59	1	618523	7/8FJIC-3/4MJIC ADPTR
28	3	618019	9/16MJIC UNION TEE	60	1	618451	3/4FJIC SW RUN TEE-3/4MJIC
29	2	611122	9/16MJIC-90-1/4MNPT LBO	61	1	618622	HYD QUICK CPLR, MALE, .50FNPS
30	2	618338	9/16MJIC-45-1/4MNPT LBO	62	2	614382	08C1T-08FJX-08FJX-40
31	3	611147	3/4MJIC-1/2MNPT ADPTR	63	1	614350	16C2AT-16FJX-16FJX-55
32	3	503820	BLK PIPE TEE .50NPT	64	1	615442	04C1T-06FJX-06FJX-55



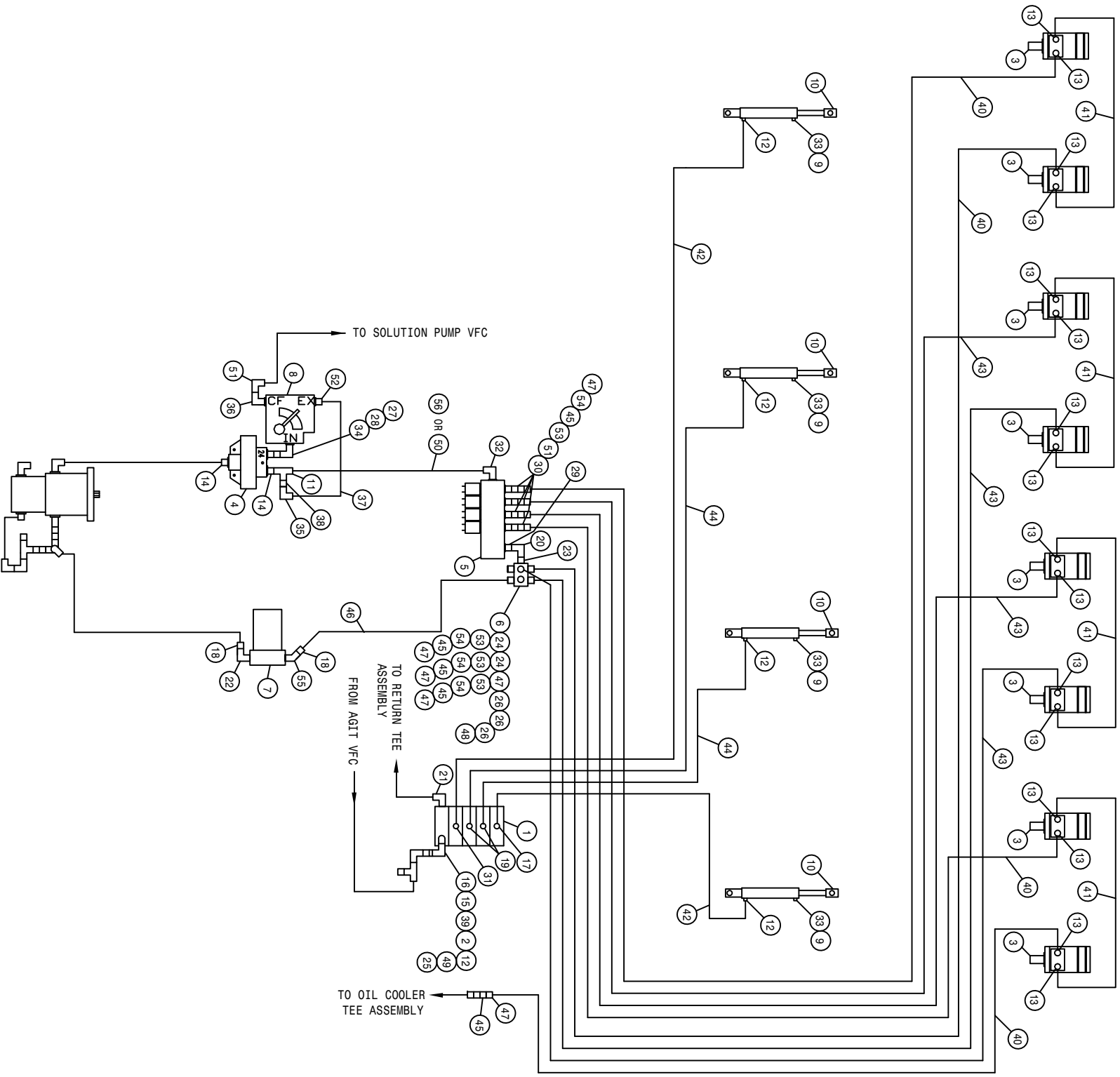
284 COMBO HYD SCHEM 98
REFERENCE DRAWING NO. 498525S3

DET.	QTY	PART NO.	DESCRIPTION	DET.	QTY	PART NO.	DESCRIPTION
1	2	620120	CYL ASSY, RH LEG, TREAD ADJ 94	26	7	614663	04C1T-06FJX-06FJX-16
2	2	610450	RESTRICTOR .025 1-WAY, 1/2FNPT	27	2	615616	04C1T-06FJX-06FJX-65
3	2	620585	LEVEL CYL ASSY, 2 X 10 96	28	2	611210	04C1T-06FJX-06FJX-156
4	2	620673	LIFT CYL ASSY, 2.50 X 14.00"	29	1	616042	04C1T-06FJX-06FJX-13
5	2	620664	CYL ASSY, BOOM FOLD 2.50X18" 9	30	3	616049	04C1T-06FJX-06FJX-26
6	2	620632	ACCUMULATOR CYL ASSY 96	31	2	614308	04C1T-06FJX-06FJX-109
7	2	620123	CYL ASSY, STRG, 125" TREAD ADJ 94	32	4	616026	04C1T-06FJX-06FJX-37
8	2	620122	CYL ASSY, STRG, 90" TREAD ADJ 94	33	1	616037	04C1T-06FJX-06FJX-29
9	2	620121	CYL ASSY, LH LEG, TREAD ADJ 94	34	1	614713	04C1T-06FJX-06FJX-24
10	2	620652	FOLD CYL ASSY, 2 X 10 IN 97	35	1	614712	04C1T-06FJX-06FJX-20
11	1	615641	FOLD HYD TUBE ASSY, IN 254/284	36	2	618633	1/2MNPT-90-1/4MNPT REDU LBO
12	1	615639	LEVEL HYD TUBE ASSY, UP254/284	37	15	619010	9/16MJIC UNION
13	1	615637	LIFT HYD TUBE ASSY, UP 254/284	38	2	618486	9/16FJIC SW RUN TEE-9/16MJIC
14	1	615640	LEVEL HYD TUBE ASSY, DN254/284	39	2	618320	9/16MJIC UNION CROSS
15	1	615638	LIFT HYD TUBE ASSY, DN 254/284	40	6	618019	9/16MJIC UNION TEE
16	1	615642	FOLD HYD TUBE ASSY, OUT254/284	41	2	618018	9/16MJIC-1/2MNPT ADPTR
17	1	615683	FOLD BOOM HYD TUBE ASSY, OUT	42	14	611122	9/16MJIC-90-1/4MNPT LBO
18	1	615682	FOLD BOOM HYD TUBE ASSY, IN	43	2	618618	9/16MJIC-90-9/16FJIC SWIV LBO
19	4	615684	HYD TUBE ASSY, BOOM EXT FOLD96	44	1	614714	04C1T-06FJX-06FJX-34
20	8	614365	RESTRICTOR ELBOW ASSY .042DIA	45	1	614715	04C1T-06FJX-06FJX-43
21	8	614710	RESTRICTOR ELBOW ASSY .025DIA	46	1	616059	04C1T-06FJX-06FJX-33
22	4	615442	04C1T-06FJX-06FJX-55	47	1	610628	4-WAY, 2-POSITION SOL VLV
23	6	616040	04C1T-06FJX-06FJX-67	48	3	618115	9/16MJIC-90-3/4MOR LBO
24	1	616028	04C1T-06FJX-06FJX-47	49	1	618109	9/16MJIC-3/4MOR ADPTR
25	7	616043	04C1T-06FJX-06FJX-23	50	1	618618	9/16MJIC-90-9/16FJIC SWIV LBO



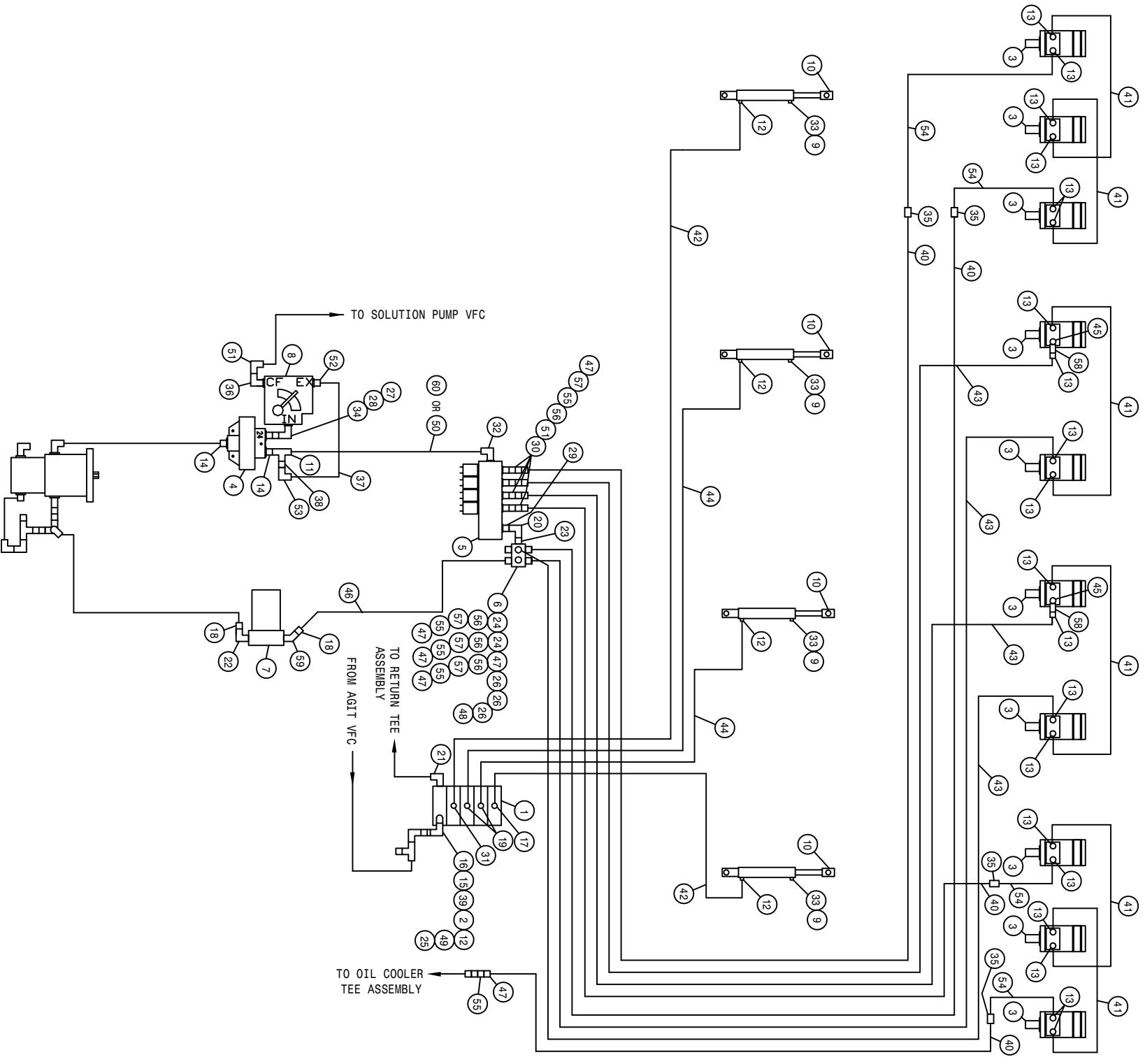
280 COMB 6R QUAD 3L W/T-TROL HYD SCHEM 92
REFERENCE DRAWING NO. 498408

DET.	QTY	PART NO.	DESCRIPTION	DET.	QTY	PART NO.	DESCRIPTION
1	1	610532	ELECT HYD STACK VLV, 3 SECT	29	1	618090	1 5/16MOR-1FNPT ADPTR
2	1	610447	HYD FILTER, INLINE 1/4FNPT 90M	30	4	618469	3/4MJIC-1 1/16MOR ADPTR
3	6	610547	HYD MOTOR 4.5CI 1IN SHFT	31	6	618623	3/4FJIC-SWIV-1/2MNPT
4	1	606836	FLO DIV BG424 24GPM PRI INPT	32	1	618178	1 5/16MJIC-90-1 5/16MOR LBO
5	1	610467	MODULAR MTR CONTROL ELECT VLV	33	3	501452	ST EL 90DEG .25NPT, STEEL,PLT
6	1	614633	HYD MANIF 8200 86	34	1	505213	RED BUSH 1 X 3/4 BLK MAL
* 7	1	605601	GRESEN FILTER 10 MICRON 40GPM	35	1	618191	1 1/16MJ-90-1 1/16FJ SWIV LBO
8	1	607510	FLO CONT FCR51 0-30VARI 7/8OR	36	1	618183	3/4MJIC-90-7/8MOR LBO
9	3	470114	BREATHER FILTER VENT, 1/4 NPT	*37	1	610357	12C2AT-12FJX-12FJX-33
10	3	620900	CYL ASSY CC2016 D00 SRG 180	38	1	618541	1 5/16FJIC-1 1/16MJIC ADPTR
11	1	618619	1 5/16FJ SW RUN TEE-15/16MJ	39	7	618621	HYD QUICK CPLR,FEMALE,.50FNPS
12	4	611122	9/16MJIC-90-1/4MNPT LBO	40	1	618608	9/16FJIC SWIV-1/4MNPT
13	12	618327	3/4MJIC-7/8MOR ADPTR	41	4	614690	08CIT-08FJX-08FJX-192
14	2	618322	1 5/16MJIC-1MNPT ADPTR	42	1	618189	1 1/16MJIC-7/8MOR ADPTR
15	1	618440	9/16MJIC-90-9/16MOR EX LG LBO	43	2	614101	04CIT-06FJX-06FJX-133
16	1	618170	3/4MOR-9/16FOR ADPTR	44	2	614688	08CIT-08FJX-08FJX-108
17	2	618119	9/16MJIC-90-9/16MOR LBO	45	3	616025	08CIT-08FJX-08FJX-50
*18	2	715660	HOSE BARB 1 1/4NPT X 1 1/4	46	1	614077	04CIT-06FJX-06FJX-88
19	1	618425	9/16MJIC-45-9/16MOR LBO	47	5	618622	HYD QUICK CPLR, MALE, .50FNPS
20	1	505200	BLK PIPE ST EL 90DEG 1.00NPT	*48	1	601378	HOSE, 1 1/4 X 156 1FBR-1SPI
21	1	618600	9/16MJIC-90-7/8MOR LBO	49	7	611147	3/4MJIC-1/2MNPT ADPTR
*22	1	506410	BLK PIPE ST EL 90DEG 1.25NPT	50	1	714561	1.00NPT-1.25 HOSE BARB
23	1	505210	BLK PIPE NIPPLE 1.00NPT-3.00	51	1	618486	9/16FJIC SW RUN TEE-9/16MJIC
24	2	611145	3/4MJIC-90-1/2MNPT LBO	*52	1	614702	HYD TUBE ASSY, 280 COMBO 92
25	1	618531	9/16FJIC CAP NUT	53	5	618609	3/4MJIC-90-3/4FJIC SWIV LBO
26	3	503700	PIPE PLUG .50NPT SQ HD	*54	1	506409	BLK PIPE ST EL 45DEG 1.25NPT
27	1	618279	1 1/16MJIC-90-7/8MOR LBO	*55	1	614731	16C2AT-16FJX-16FJX-83
28	1	618579	1 1/16FJIC SWIV-3/4MNPT				H/A



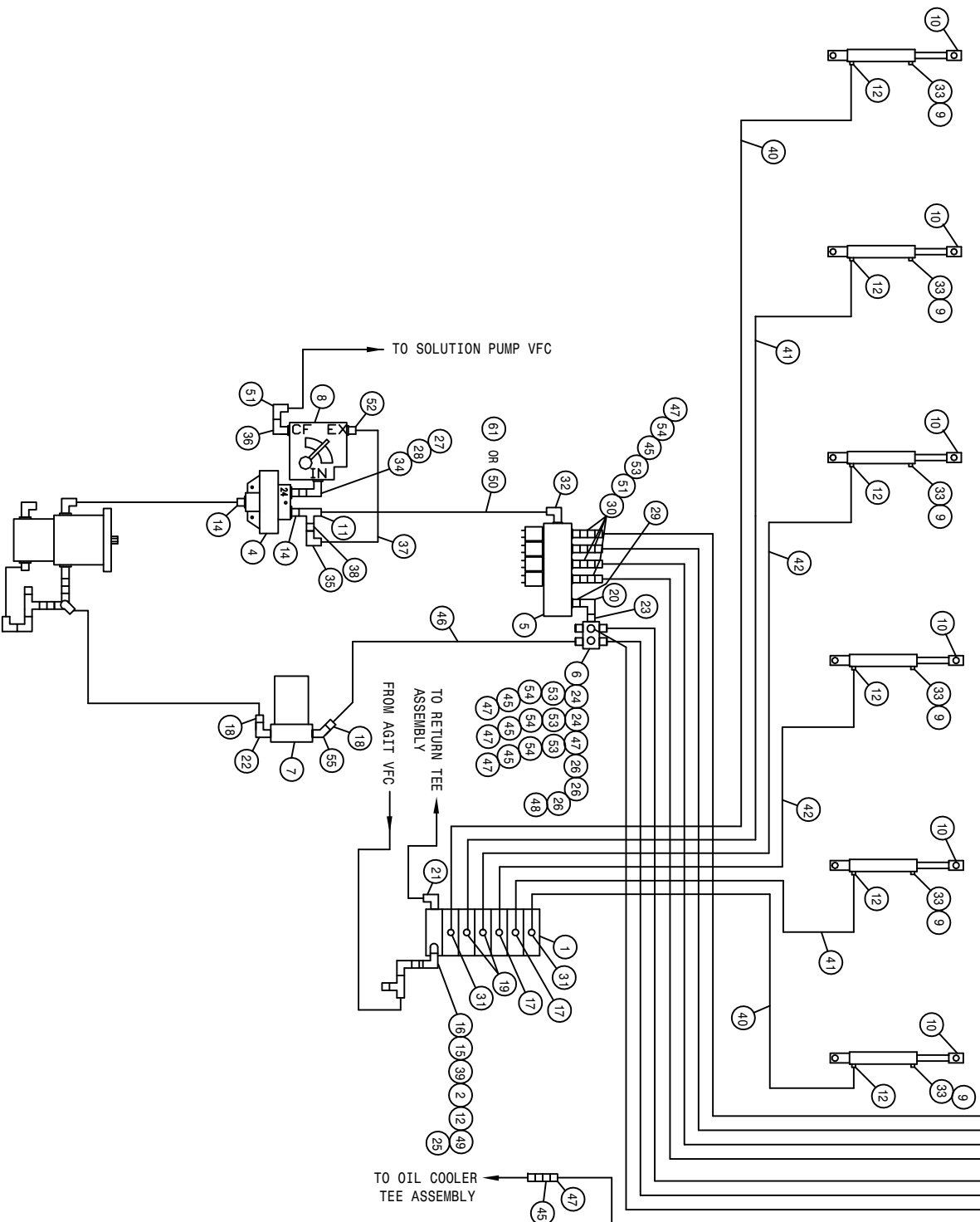
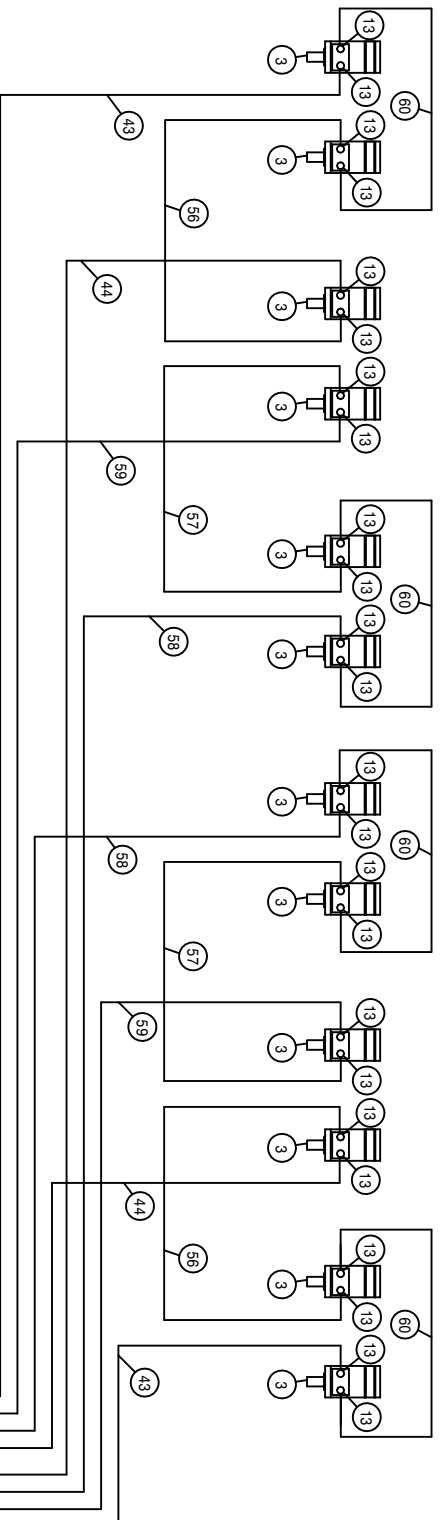
280 COMBO 8R QUAD 4L W/T-TROL HYD SCHEM 92
REFERENCE DRAWING NO. 498409

DET.	QTY	PART NO.	DESCRIPTION	DET.	QTY	PART NO.	DESCRIPTION
1	1	610613	ELECT HYD STACT VLV, 4 SECT	29	1	618090	1 5/16MOR-1FNPT ADPTR
2	1	610447	HYD FILTER, INLINE 1/4FNPT 90M	30	4	618469	3/4MJIC-1 1/16MOR ADPTR
3	8	610547	HYD MOTOR 4.5CI 1IN SHFT	31	1	618126	9/16MJIC-9/16MOR ADPTR
4	1	608636	FLO DIV BG424 24GPM PRI INPT	32	1	618178	1 5/16MJIC-90-1 5/16MOR LBO
5	1	610467	MODULAR MTR CONTROL ELECT VLV	33	4	501452	ST EL 90DEG, .25NPT, STEEL,PLT
6	1	614633	HYD MANIF 8200 86	34	1	505213	RED BUSH 1 X 3/4 BLK MAL
* 7	1	605601	GRESEN FILTER 10 MICRON 40GPM	35	1	618191	1 1/16MJ-90-1 1/16FJ SWIV LBO
8	1	607510	FLO CONT FCR51 0-30VARI 7/8OR	36	1	618183	3/4MJIC-90-7/8MOR LBO
9	4	470114	BREATHER FILTER VENT, 1/4 NPT	*37	1	610357	12C2AT-12FCJX-12FCJX-33
10	4	620900	CYL ASSY CC2016 D00 SRG 180	38	1	618541	1 5/16FJIC-1 1/16MJIC ADPTR
11	1	618619	1 5/16FJ SW RUN TEE-15/16MJ	39	1	618608	9/16FJIC SWIV-1/4MNPT
12	5	611122	9/16MJIC-90-1/4MNPT LBO	40	4	614691	08CIT-08FJX-08FJX-220
13	16	618327	3/4MJIC-7/8MOR ADPTR	41	4	616025	08CIT-08FJX-08FJX-50
14	2	618322	1 5/16MJIC-1MNPT ADPTR	42	2	611246	04CIT-06FJX-06FJX-174
15	1	618440	9/16MJIC-90-9/16MOR EX LG LBO	43	4	614689	08CIT-08FJX-08FJX-120
16	1	618170	3/4MOR-9/16FOR ADPTR	44	2	614101	04CIT-06FJX-06FJX-133
17	1	618119	9/16MJIC-90-9/16MOR LBO	45	8	618621	HYD QUICK CPLR,FEMALE,.50FNPS
*18	2	715660	HOSE BARB 1 1/4NPT X 1 1/4	*46	1	601378	HOSE, 1 1/4 X 156 1FBR-1SPI
19	2	618425	9/16MJIC-45-9/16MOR LBO	47	9	611147	3/4MJIC-1/2MNPT ADPTR
20	1	505200	BLK PIPE ST EL 90DEG 1.00NPT	48	1	714561	1.00NPT-1.25 HOSE BARB
21	1	618600	9/16MJIC-90-7/8MOR LBO	49	1	618486	9/16FJIC SW RUN TEE-9/16MJIC
*22	1	506410	BLK PIPE ST EL 90DEG 1.25NPT	*50	1	614702	HYD TUBE ASSY, 280 COMBO 92
23	1	505210	BLK PIPE NIPPLE 1.00NPT-3.00	51	5	618609	3/4MJIC-90-3/4FJIC SWIV LBO
24	2	611145	3/4MJIC-90-1/2MNPT LBO	52	1	618189	1 1/16MJIC-7/8MOR ADPTR
25	1	618531	9/16FJIC CAP NUT	53	7	618623	3/4FJIC-SWIV-1/2MNPT
26	3	503700	PIPE PLUG .50NPT SQ HD	54	7	618622	HYD QUICK CPLR, MALE, .50FNPS
27	1	618279	1 1/16MJIC-90-7/8MOR LBO	*55	1	506409	BLK PIPE ST EL 45DEG 1.25NPT
28	1	618579	1 1/16FJIC SWIV-3/4MNPT	*56	1	614731	16C2AT-16FJX-16FJX-83



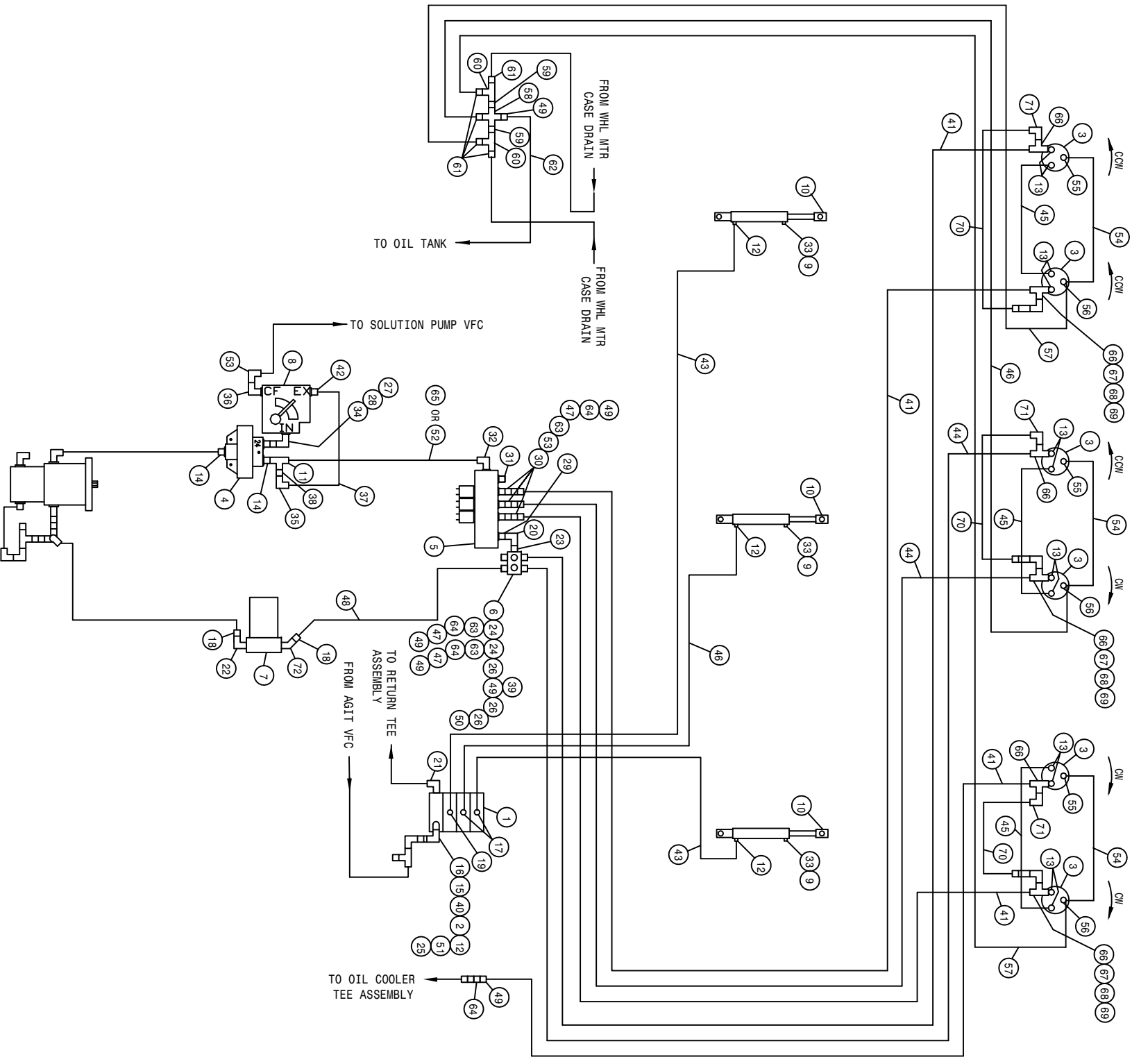
280 COMBO 10R QUAD 4L W/T-TROL HYD SCHEM 93
REFERENCE DRAWING NO. 498426

DET.	QTY	PART NO.	DESCRIPTION	DET.	QTY	PART NO.	DESCRIPTION
1	1	610613	ELECT HYD STACT VLV, 4 SECT	31	1	618126	9/16MJIC-9/16MOR ADPTR
2	1	610447	HYD FILTER, INLINE 1/4FNPT 90M	32	1	618178	1 5/16MJIC-90-1 5/16MOR LBO
3	10	610547	HYD MOTOR 4.5CI 1IN SHFT	33	4	501452	ST EL 90DEG .25NPT, STEEL, PLT
4	1	606836	FLO DIV BG424 24GPM PRI 1NPT	34	1	505213	RED BUSH 1 X 3/4 BLK MAL
5	1	610467	MODULAR MTR CONTROL ELECT VLV	35	4	618314	3/4MJIC UNION
6	1	614633	HYD MANIF 8200 86	36	1	618183	3/4MJIC-90-7/8MOR LBO
*7	1	605601	GRESEN FILTER 10 MICRON 40GPM	*37	1	610357	12C2AT-12FJX-12FJX-33
8	1	607510	FLO CONT FCR51 0-30VARI 7/8OR	38	1	618541	1 5/16FJIC-1 1/16MJIC ADPTR
9	4	470114	BREATHER FILTER VENT, 1/4 NPT	39	1	618608	9/16FJIC SWIV-1/4MNP
10	4	620900	CYL ASSY CC2016 DOD SRG 180	40	4	614691	08C1T-08FJX-08FJX-220
11	1	618619	1 5/16FJ SW RUN TEE-15/16MJ	41	6	616025	08C1T-08FJX-08FJX-50
12	5	611122	9/16MJIC-90-1/4MNP LBO	42	2	611246	04C1T-06FJX-06FJX-174
13	20	618327	3/4MJIC-7/8MOR ADPTR	43	4	614689	08C1T-08FJX-08FJX-120
14	2	618322	1 5/16MJIC-1MNP ADPTR	44	2	614101	04C1T-06FJX-06FJX-133
15	1	618440	9/16MJIC-90-9/16MOR EX LG LBO	45	2	618586	7/8MOR UNION
16	1	618170	3/4MOR-9/16FOR ADPTR	*46	1	601378	HOSE, 1 1/4 X 156 1FBR-1SPI
17	1	618119	9/16MJIC-90-9/16MOR LBO	47	9	611147	3/4MJIC-1/2MNP ADPTR
*18	2	715660	HOSE BARB 1 1/4NPT X 1 1/4	48	1	714561	1.00NPT-1.25 HOSE BARB
19	2	618425	9/16MJIC-45-9/16MOR LBO	49	1	618486	9/16FJIC SW RUN TEE-9/16MJIC
20	1	505200	BLK PIPE ST EL 90DEG 1.00NPT	*50	1	614702	HYD TUBE ASSY, 280 COMBO 92
21	1	618600	9/16MJIC-90-7/8MOR LBO	51	5	618609	3/4MJIC-90-3/4FJIC SWIV LBO
*22	1	506410	BLK PIPE ST EL 90DEG 1.25NPT	52	1	618189	1 1/16MJIC-7/8MOR ADPTR
23	1	505210	BLK PIPE NIPPLE 1.00NPT-3.00	53	1	618191	1 1/16MJ-90-1 1/16FJ SWIV LBO
24	2	611145	3/4MJIC-90-1/2MNP LBO	54	4	615385	08C1T-08FJX-08FJX-29
25	1	618531	9/16FJIC CAP NUT	55	8	618621	HYD QUICK CPLR, FEMALE, .50FNPS
26	3	503700	PIPE PLUG .50NPT SQ HD	56	7	618623	3/4FJIC-SWIV-1/2MNP
27	1	618279	1 1/16MJIC-90-7/8MOR LBO	57	7	618622	HYD QUICK CPLR, MALE, .50FNPS
28	1	618579	1 1/16FJIC SWIV-3/4MNP	58	2	607522	FLOW REGULATOR, 8GPM VONBERG
29	1	618090	1 5/16MOR-1FNPT ADPTR	*59	1	506409	BLK PIPE ST EL 45DEG 1.25NPT
30	4	618469	3/4MJIC-1 1/16MOR ADPTR	*60	1	614731	16C2AT-16FJX-16FJX-83 H/A



284 COMBO 12R QUAD 6L W/T-TROL HYD SCHEM 96
REFERENCE DRAWING NO. 498542

DET.	QTY	PART NO.	DESCRIPTION	DET.	QTY	PART NO.	DESCRIPTION
1	1	610615	ELECT HYD STACT VLV, 6 SECT	32	1	618178	1 5/16MJIC-90-1 5/16MOR LBO
2	1	610447	HYD FILTER,INLINE 1/4FNPT 90M	33	6	501452	ST EL 90DEG .25NPT, STEEL,PLT
3	12	610547	HYD MOTOR 4.5CI 1IN SHFT	34	1	505213	RED BUSH 1 X 3/4 BLK MAL
4	1	606836	FLO DIV BG424 24GPM PRI 1NPT	35	1	618191	1 1/16MJ-90-1 1/16FJ SWIV LBO
5	1	610467	MODULAR MTR CONTROL ELECT VLV	36	1	618183	3/4MJIC-90-7/8MOR LBO
6	1	614633	HYD MANIF 8200 86	*37	1	610357	12C2AT-12FJX-12FJX-33
*7	1	605601	GRESEN FILTER 10 MICRON 40GPM	38	1	618541	1 5/16FJIC-1 1/16MJIC ADPTR
8	1	607510	FLO CONT FGR51 0-30VARI 7/8OR	39	1	618608	9/16FJIC SWIV-1/4MNPT
9	6	470114	BREATHER FILTER VENT, 1/4 NPT	40	2	614377	04C1T-06FJX-06FJX-258
10	6	620900	CYL ASSY CC2016 D00 SRG 180	41	2	611246	04C1T-06FJX-06FJX-174
11	1	618619	1 5/16FJ SW RUN TEE-15/16MJ	42	2	614101	04C1T-06FJX-06FJX-133
12	7	611122	9/16MJIC-90-1/4MNPT LBO	43	2	614387	08C1T-08FJX-08FJX-267
13	24	618327	3/4MJIC-7/8MOR ADPTR	44	2	614378	08C1T-08FJX-08FJX-207
14	2	618322	1 5/16MJIC-1MNPT ADPTR	45	8	618621	HYD QUICK CPLR,FEMALE, .50FNPS
15	1	618440	9/16MJIC-90-9/16MOR EX LG LBO	*46	1	601378	HOSE, 1 1/4 X 156 1FBR-1SPI
16	1	618170	3/4MOR-9/16FOR ADPTR	47	9	611147	3/4MJIC-1/2MNPT ADPTR
17	2	618119	9/16MJIC-90-9/16MOR LBO	48	1	714561	1.00NPT-1.25 HOSE BARB
*18	2	715660	HOSE BARB 1 1/4NPT X 1 1/4	49	1	618486	9/16FJIC SW RUN TEE-9/16MJIC
19	2	618425	9/16MJIC-45-9/16MOR LBO	*50	1	614702	HYD TUBE ASSY, 280 COMBO 92
20	1	505200	BLK PIPE ST EL 90DEG 1.00NPT	51	5	618609	3/4MJIC-90-3/4FJIC SWIV LBO
21	1	618600	9/16MJIC-90-7/8MOR LBO	52	1	618189	1 1/16MJIC-7/8MOR ADPTR
*22	1	506410	BLK PIPE ST EL 90DEG 1.25NPT	53	7	618623	3/4FJIC-SWIV-1/2MNPT
23	1	505210	BLK PIPE NIPPLE 1.00NPT-3.00	54	7	618622	HYD QUICK CPLR, MALE, .50FNPS
24	2	611145	3/4MJIC-90-1/2MNPT LBO	*55	1	506409	BLK PIPE ST EL 45DEG 1.25NPT
25	1	618531	9/16FJIC CAP NUT	56	2	614690	08C1T-08FJX-08FJX-192
26	3	503700	PIPE PLUG .50NPT SQ HD	57	2	614384	08C1T-08FJX-08FJX-237
27	1	618279	1 1/16MJIC-90-7/8MOR LBO	58	2	614689	08C1T-08FJX-08FJX-120
28	1	618579	1 1/16FJIC SWIV-3/4MNPT	59	2	614691	08C1T-08FJX-08FJX-220
29	1	618090	1 5/16MOR-1FNPT ADPTR	60	4	616025	08C1T-08FJX-08FJX-50
30	4	618469	3/4MJIC-1 1/16MOR ADPTR	*61	1	614731	16C2AT-16FJX-16FJX-83
31	2	618126	9/16MJIC-9/16MOR ADPTR				H/A

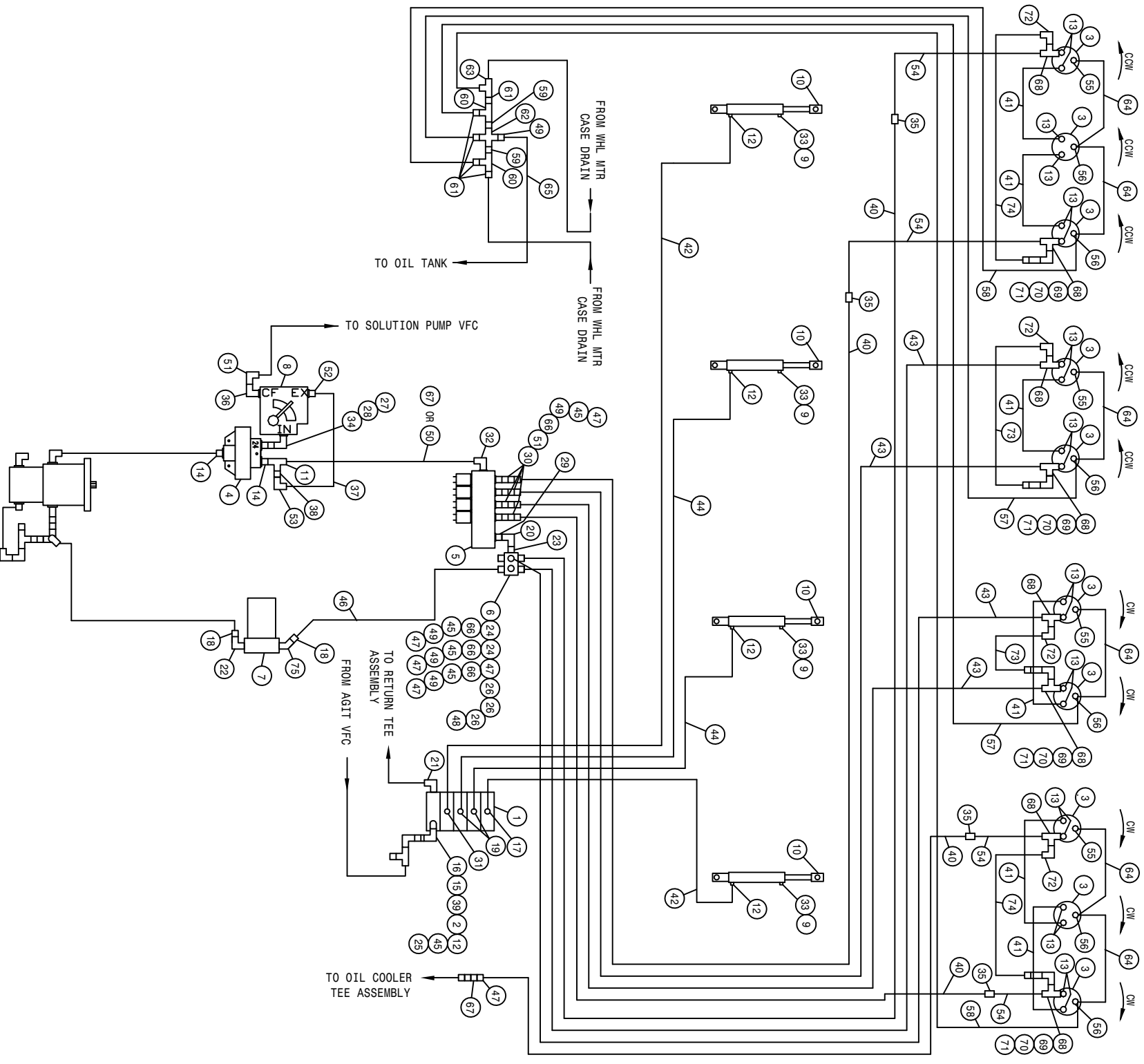


284 COMBO 6R CUTR 3L W/T-TROL HYD SCHEM 94
REFERENCE DRAWING NO. 498444

DET.	QTY	PART NO.	DESCRIPTION	DET.	QTY	PART NO.	DESCRIPTION
1	1	610532	ELECT HYD STACK VLV, 3 SECT	*37	1	610357	12C2A1-12FJX-12FJX-33
2	1	610447	HYD FILTER, INLINE 1/4FNPT 90M	38	1	618541	1 5/16FJIC-1 1/16MJIC ADPTR
3	6	610590	BARNES HYD MOTOR	39	1	618532	3/4FJIC CAP NUT
4	1	606836	FLO DIV BG424 24GPM PRI 1NPT	40	1	618608	9/16FJIC SWIV-1/4MNPT
5	1	610467	MODULAR MTR CONTROL ELECT VLV	41	4	614608	08C1T-08FJX-08FJX-192
6	1	614633	HYD MANIF 8200 86	42	1	618189	1 1/16MJIC-7/8MOR ADPTR
* 7	1	605601	GRESEN FILTER 10 MICRON 40GPM	43	2	614101	04C1T-06FJX-06FJX-133
8	1	607510	FLO CONT FCR51 0-30VARI 7/8OR	44	2	614688	08C1T-08FJX-08FJX-108
9	3	470114	BREATHER FILTER VENT, 1/4 NP	45	3	614368	08C1T-08FJX-08FJX-60
10	3	620900	CYL ASSY CC2016 DOO SRG 180	46	2	614077	04C1T-06FJX-06FJX-88
11	1	618619	1 5/16FJ SW RUN TEE-15/16MJ	47	5	618621	HYD QUITCK CPLR,FEMALE,.50FNPS
12	4	611122	9/16MJIC-90-1/4MNPT LBO	*48	1	601378	HOSE, 1 1/4 X 156 1FBR-15PT
13	12	611125	3/4MJIC-3/4MOR ADPTR	49	8	611147	3/4MJIC-1/2MNPT ADPTR
14	2	618322	1 5/16MJIC-1MNPT ADPTR	50	1	714561	1.00NPT-1.25 HOSE BARB
15	2	618440	9/16MJIC-90-9/16MOR EX LG LBO	51	1	618486	9/16FJIC SW RUN TEE-9/16MJIC
16	1	618170	3/4MOR-9/16FOR ADPTR	*52	1	614702	HYD TUBE ASSY, 280 COMBO
17	2	618119	9/16MJIC-90-9/16MOR LBO	53	4	618609	3/4MJIC-90-3/4FJIC SWIV LBO
*18	2	715660	HOSE BARB 1 1/4NPT X 1 1/4	54	3	611206	04C1T-06FJX-06FJX-66
19	1	618425	9/16MJIC-45-9/16MOR LBO	55	3	618530	9/16MJIC-1/8MNPT ADPTR
20	1	505200	BLK PIPE ST EL 90DEG 1.00NPT	56	3	618546	1/8MNPT RUN TEE-9/16MJIC
21	1	618600	9/16MJIC-90-7/8MOR LBO	57	2	611210	04C1T-06FJX-06FJX-156
*22	1	506410	BLK PIPE ST EL 90DEG 1.25NPT	58	1	503824	BLK PIPE CROSS .50NPT
23	1	505210	BLK PIPE NIPPLE 1.00NPT-3.00	59	2	503600	CLOSE NIPPLE .50NPT
24	2	611145	3/4MJIC-90-1/2MNPT LBO	60	2	503820	BLK PIPE TEE .50NPT
25	1	618531	9/16FJIC CAP NUT	61	5	618018	9/16MJIC-1/2MNPT ADPTR
26	3	503700	PIPE PLUG .50NPT SQ HD	62	1	614376	08C1T-08FJX-08FJX-177
27	1	618279	1 1/16MJIC-90-7/8MOR LBO	63	5	618623	3/4FJIC-SWIV-1/2MNPT
28	1	618579	1 1/16FJIC SWIV-3/4MNPT	64	6	618622	HYD QUITCK CPLR, MALE, .50FNPS
29	1	618090	1 5/16MOR-1FNPT ADPTR	*65	1	614731	16C2A1-16FJX-16FJX-83
30	3	618469	3/4MJIC-1 1/16MOR ADPTR	66	6	618451	3/4FJIC SW RUN TEE-3/4MJIC
31	1	610186	1 1/16MOR PLUG	67	3	618620	3/4FJX-90-1/2MNPT ADPTR
32	1	618178	1 5/16MJIC-90-1 5/16MOR LBO	68	3	690338	LINE CHECK VALVE HYD .50NPT
33	3	501452	ST EL 90DEG .25NPT, STEEL,PLT	69	3	611147	3/4MJIC-1/2MNPT ADPTR
34	1	505213	RED BUSH 1 X 3/4 BLK MAL	70	3	614368	08C1T-08FJX-08FJX-60
35	1	618191	1 1/16MJ-90-1 1/16FJ SWIV LBO	71	3	618609	3/4MJIC-90-3/4FJIC SWIV LBO
36	1	618183	3/4MJIC-90-7/8MOR LBO	72	1	506409	BLK PIPE ST EL 45DEG 1.25NPT

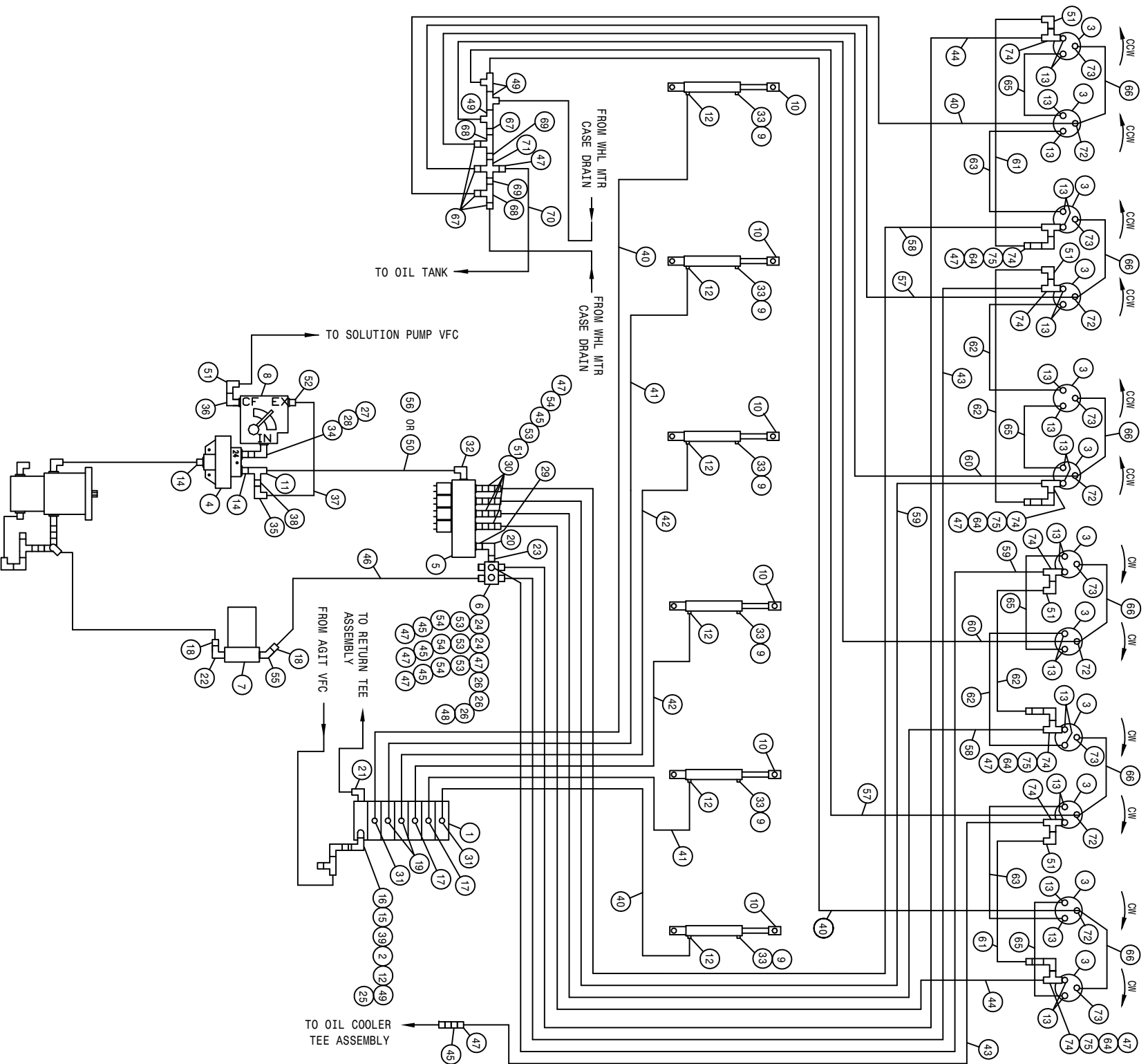
284 COMBO 8R CUTR 4L W/T-TROL HYD SCHEM 94
 REFERENCE DRAWING NO. 498445

DET.	QTY	PART NO.	DESCRIPTION	DET.	QTY	PART NO.	DESCRIPTION
1	1	610613	ELECT HYD STACT VLV, 4 SECT	*37	1	610357	12C2AT-12FCJX-12FCJX-33
2	1	610447	HYD FILTER, INLINE 1/4FNPT 90M	38	1	618541	1 5/16FJIC-1 1/16MJIC ADPTR
3	8	610590	BARNES HYD MOTOR	39	1	618608	9/16FJIC SWIV-1/4MNPT
4	1	606836	FLO DIV BG424 24GPM PRI INPT	40	4	614691	08C1T-08FCJX-08FCJX-220
5	1	610467	MODULAR MTR CONTROL ELECT VLV	41	4	614368	08C1T-08FCJX-08FCJX-60
6	1	614633	HYD MANIF 8200 86	42	2	611246	04C1T-06FCJX-06FCJX-174
* 7	1	605601	GRESEN FILTER 10 MICRON 40GPM	43	4	614689	08C1T-08FCJX-08FCJX-120
8	1	607510	FLO CONT FCR51 0-30VARI 7/8OR	44	2	614101	04C1T-06FCJX-06FCJX-133
9	4	470114	BREATHER FILTER VENT, 1/4 NPT	45	8	618622	HYD QUICK CPLR, MALE, .50FNPS
10	4	620900	CYL ASSY CC2016 D00 SRG 180	*46	1	601378	HOSE, 1 1/4 X 156 IFBR-1SP1
11	1	618619	1 5/16FJ SW RUN TEE-15/16MJ	47	9	611147	3/4MJIC-1/2MNPT ADPTR
12	5	611122	9/16MJIC-90-1/4MNPT LBO	48	1	714561	1.00NPT-1.25 HOSE BARB
13	16	611125	3/4MJIC-3/4MOR ADPTR	49	7	618621	HYD QUICK CPLR, FEMALE, .50FNPS
14	2	618322	1 5/16MJIC-1MNPT ADPTR	*50	1	614702	HYD TUBE ASSY, 280 COMBO 92
15	1	618440	9/16MJIC-90-9/16MOR EX LG LBO	51	4	618609	3/4MJIC-90-3/4FJIC SWIV LBO
16	1	618170	3/4MOR-9/16FOR ADPTR	52	1	618189	1 1/16MJIC-7/8MOR ADPTR
17	1	618119	9/16MJIC-90-9/16MOR LBO	53	4	611206	04C1T-06FCJX-06FCJX-66
*18	2	715660	HOSE BARB 1 1/4NPT X 1 1/4	54	1	614376	08C1T-08FCJX-08FCJX-177
19	2	618425	9/16MJIC-45-9/16MOR LBO	55	4	618530	9/16MJIC-1/8MNPT ADPTR
20	1	505200	BLK PIPE ST EL 90DEG 1.00NPT	56	3	618546	1/8MNPT RUN TEE-9/16MJIC
21	1	618600	9/16MJIC-90-7/8MOR LBO	57	2	611212	04C1T-06FCJX-06FCJX-164
*22	1	506410	BLK PIPE ST EL 90DEG 1.25NPT	58	2	614154	04C1T-06FCJX-06FCJX-221
23	1	505210	BLK PIPE NIPPLE 1.00NPT-3.00	59	2	503600	CLOSE NIPPLE .50NPT
24	2	611145	3/4MJIC-90-1/2MNPT LBO	60	2	503820	BLK PIPE TEE .50NPT
25	1	618531	9/16FJIC CAP NUT	61	5	618018	9/16MJIC-1/2MNPT ADPTR
26	3	503700	PIPE PLUG .50NPT SQ HD	62	1	503824	BLK PIPE CROSS .50NPT
27	1	618279	1 1/16MJIC-90-7/8MOR LBO	63	2	618486	9/16FJIC SW RUN TEE-9/16MJIC
28	1	618579	1 1/16FJIC SWIV-3/4MNPT	64	7	618623	3/4FJIC-SWIV-1/2MNPT
29	1	618090	1 5/16MOR-1FNPT ADPTR	*65	1	614731	16C2AT-16FCJX-16FCJX-83
30	4	618469	3/4MJIC-1 1/16MOR ADPTR	66	8	618451	3/4FJIC SW RUN TEE-3/4MJIC
31	1	618126	9/16MJIC-9/16MOR ADPTR	67	4	618620	3/4FCJX-90-1/2MNPT ADPTR
32	1	618178	1 5/16MJIC-90-1 5/16MOR LBO	68	4	690338	LINE CHECK VALVE HYD .50NPT
33	4	501452	ST EL 90DEG .25NPT, STEEL, PLT	69	4	611147	3/4MJIC-1/2MNPT ADPTR
34	1	505213	RED BUSH 1 X 3/4 BLK MAL	70	4	614368	08C1T-08FCJX-08FCJX-60
35	1	618191	1 1/16MJ-90-1 1/16FJ SWIV LBO	71	4	618609	3/4MJIC-90-3/4FJIC SWIV LBO
36	1	618183	3/4MJIC-90-7/8MOR LBO	72	1	506409	BLK PIPE ST EL 45DEG 1.25NPT



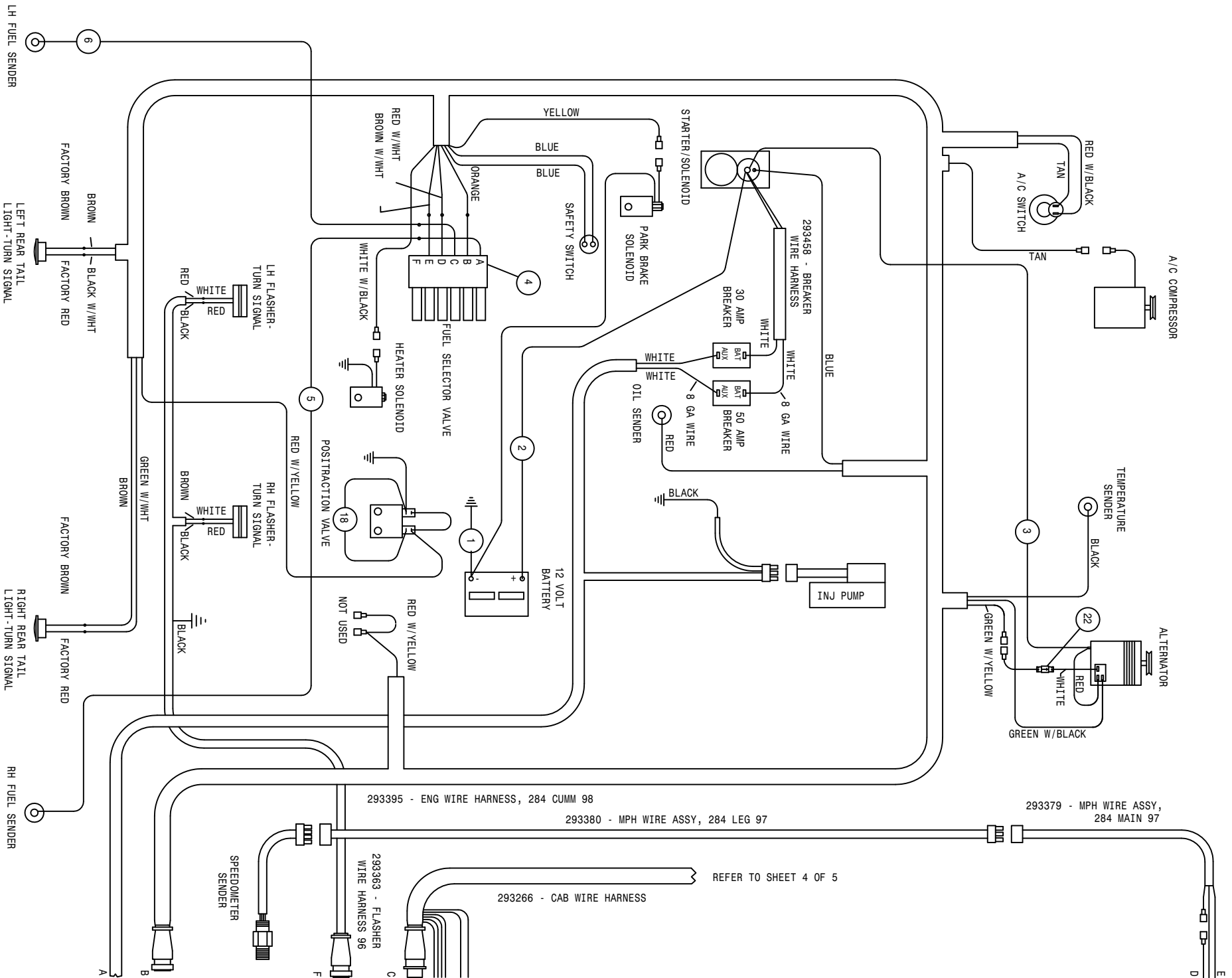
284 COMBO 10R CUTR 4L W/T-TROL HYD SCHEM 94
REFERENCE DRAWING NO. 498446

DET.	QTY	PART NO.	DESCRIPTION	DET.	QTY	PART NO.	DESCRIPTION
1	1	610613	ELECT HYD STACT VLV, 4 SECT	39	1	618608	9/16FJIC SWIV-1/4MNPT
2	1	610447	HYD FILTER, INLINE 1/4FNPT 90M	40	4	614691	08C1T-08FJX-08FJX-220
3	10	610590	BARNES HYD MOTOR	41	6	614368	08C1T-08FJX-08FJX-60
4	1	606836	FLO DIV BG424 24GPM PRI INPT	42	2	611246	04C1T-06FJX-06FJX-174
5	1	610467	MODULAR MTR CONTROL ELECT VLV	43	4	614689	08C1T-08FJX-08FJX-120
6	1	614633	HYD MANIF 8200 86	44	2	614101	04C1T-06FJX-06FJX-133
*7	1	605601	GRESEN FILTER 10 MICRON 40GPM	45	8	618622	HYD QUICK CPLR, MALE, .50FNPS
8	1	607510	FLO CONT FCR51 0-30VARI 7/8OR	*46	1	601378	HOSE, 1 1/4 X 156 1FBR-1SPI
9	4	470114	BREATHER FILTER VENT, 1/4 NPT	47	9	611147	3/4MJIC-1/2MNPT ADPTR
10	4	620900	CYL ASSY CC2016 D00 SRG 180	48	1	714561	1.00NPT-1.25 HOSE BARB
11	1	618619	1 5/16FJ SW RUN TEE-15/16MJ	49	7	618621	HYD QUICK CPLR,FEMALE,.50FNPS
12	5	611122	9/16MJIC-90-1/4MNPT LBO	*50	1	614702	HYD TUBE ASSY, 280 COMBO 92
13	20	611125	3/4MJIC-3/4MOR ADPTR	51	5	618609	3/4MJIC-90-3/4FJIC SWIV LBO
14	2	618322	1 5/16MJIC-1MNPT ADPTR	52	1	618189	1 1/16MJIC-7/8MOR ADPTR
15	1	618440	9/16MJIC-90-9/16MOR EX LG LBO	53	1	618191	1 1/16W-90-1 1/16FJ SWIV LBO
16	1	618170	3/4MOR-9/16FOR ADPTR	54	4	615624	06C1T-08FJX-08FJX-28
17	1	618119	9/16MJIC-90-9/16MOR LBO	55	4	618530	9/16MJIC-1/8MNPT ADPTR
*18	2	715660	HOSE BARB 1 1/4NPT X 1 1/4	56	6	618546	1/8MNPT RUN TEE-9/16MJIC
19	2	618425	9/16MJIC-45-9/16MOR LBO	57	2	611212	04C1T-06FJX-06FJX-164
20	1	505200	BLK PIPE ST EL 90DEG 1.00NPT	58	2	614154	04C1T-06FJX-06FJX-221
21	1	618600	9/16MJIC-90-7/8MOR LBO	59	2	503600	CLOSE NIPPLE .50NPT
*22	1	506410	BLK PIPE ST EL 90DEG 1.25NPT	60	2	503820	BLK PIPE TEE .50NPT
23	1	505210	BLK PIPE NIPPLE 1.00NPT-3.00	61	5	618018	9/16MJIC-1/2MNPT ADPTR
24	2	611145	3/4MJIC-90-1/2MNPT LBO	62	1	503824	BLK PIPE CROSS .50NPT
25	1	618531	9/16FJIC CAP NUT	63	2	618486	9/16FJIC SW RUN TEE-9/16MJIC
26	3	503700	PIPE PLUG .50NPT SQ HD	64	4	611206	04C1T-06FJX-06FJX-66
27	1	618279	1 1/16MJIC-90-7/8MOR LBO	65	1	614376	08C1T-08FJX-08FJX-177
28	1	618579	1 1/16FJIC SWIV-3/4MNPT	66	7	618623	3/4FJIC-SWIV-1/2MNPT
29	1	618090	1 5/16MOR-1FNPT ADPTR	*67	1	614731	16C2AT-16FJX-16FJX-83
30	4	618469	3/4MJIC-1 1/16MOR ADPTR	68	8	618451	3/4FJIC SW RUN TEE-3/4MJIC
31	1	618126	9/16MJIC-9/16MOR ADPTR	69	4	618620	3/4FJX-90-1/2MNPT ADPTR
32	1	618178	1 5/16MJIC-90-1 5/16MOR LBO	70	4	690338	LINE CHECK VALVE HYD .50NPT
33	4	501452	ST EL 90DEG .25NPT, STEEL,PLT	71	4	611147	3/4MJIC-1/2MNPT ADPTR
34	1	505213	RED BUSH 1 X 3/4 BLK MAL	72	4	618609	3/4MJIC-90-3/4FJIC SWIV LBO
35	4	618314	3/4MJIC UNION	73	2	614368	08C1T-08FJX-08FJX-60
36	1	618183	3/4MJIC-90-7/8MOR LBO	74	2	616057	08C1T-08FJX-08FJX-88
*37	1	610357	12C2AT-12FJX-12FJX-33	H/A			H/A
38	1	618541	1 5/16FJIC-1 1/16MJIC ADPTR	75	1	506409	BLK PIPE ST EL 45DEG 1.25NPT



284 COMBO 12R CUTR 6L W/T-TROL HYD SCHEM 96
REFERENCE DRAWING NO. 498541

DET.	QTY	PART NO.	DESCRIPTION	DET.	QTY	PART NO.	DESCRIPTION
1	1	610615	ELECT HYD STACT VLV, 6 SECT	39	1	618608	9/16FJIC SWIV-1/4MNPT
2	1	610447	HYD FILTER, INLINE 1/4FNPT 90M	40	4	614377	04C1T-06FJX-06FJX-258
3	12	610590	BARNES HYD MOTOR	41	2	611246	04C1T-06FJX-06FJX-174
4	1	606836	FLO DIV BGA.24 24GPM PRI 1NPT	42	2	614101	04C1T-06FJX-06FJX-133
5	1	610467	MODULAR MTR CONTROL ELECT VLV	43	2	614691	08C1T-08FJX-08FJX-220
6	1	614633	HYD MANIF 8200 86	44	2	614387	08C1T-08FJX-08FJX-267
*7	1	605601	GRESEN FILTER 10 MICRON 40GPM	45	8	618621	HYD QUICK CPLR,FEMALE, .50FNPS
8	1	607510	FLO CONT FFR51 0-30VARI 7/8OR	*46	1	601378	HOSE, 1 1/4 X 156 1FBR-1SPI
9	6	470114	BREATHER FILTER VENT, 1/4 NPT	47	14	611147	3/4MJIC-1/2MNPT ADPTR
10	6	620900	CYL ASSY GC2016 D00 SRG 180	48	1	714561	1.00NPT-1.25 HOSE BARB
11	1	618619	1 5/16FJ SW RUN TEE-15/16MJ	49	4	618486	9/16FJIC SW RUN TEE-9/16MJIC
12	7	611122	9/16MJIC-90-1/4MNPT LBO	*50	1	614702	HYD TUBE ASSY, 280 COMBO 92
13	24	611125	3/4MJIC-3/4MOR ADPTR	51	9	618609	3/4MJIC-90-3/4FJIC SWIV LBO
14	2	618322	1 5/16MJIC-1MNPT ADPTR	52	1	618189	1 1/16MJIC-7/8MOR ADPTR
15	1	618440	9/16MJIC-90-9/16MOR EX LG LBO	53	7	618623	3/4FJIC-SWIV-1/2MNPT
16	1	618170	3/4MOR-9/16FOR ADPTR	54	7	618622	HYD QUICK CPLR, MALE, .50FNPS
17	2	618119	9/16MJIC-90-9/16MOR LBO	*55	1	506409	BLK PIPE ST EL 45DEG 1.25NPT
*18	2	715660	HOSE BARB 1 1/4NPT X 1 1/4	*56	1	614731	16C2AT-16FJX-16FJX-83
19	2	618425	9/16MJIC-45-9/16MOR LBO	57	2	614100	04C1T-06FJX-06FJX-211
20	1	505200	BLK PIPE ST EL 90DEG 1.00NPT	58	2	614378	08C1T-08FJX-08FJX-207
21	1	618600	9/16MJIC-90-7/8MOR LBO	59	2	614689	08C1T-08FJX-08FJX-120
*22	1	506410	BLK PIPE ST EL 90DEG 1.25NPT	60	2	614076	04C1T-06FJX-06FJX-119
23	1	505210	BLK PIPE NIPPLE 1.00NPT-3.00	61	2	614375	08C1T-08FJX-08FJX-177
24	2	611145	3/4MJIC-90-1/2MNPT LBO	62	4	614384	08C1T-08FJX-08FJX-237
25	1	618531	9/16FJIC CAP NUT	63	2	614690	08C1T-08FJX-08FJX-192
26	3	503700	PIPE PLUG .50NPT SQ HD	64	4	690338	LINE CHECK VALVE HYD .50NPT
27	1	618279	1 1/16MJIC-90-7/8MOR LBO	65	4	614368	08C1T-08FJX-08FJX-60
28	1	618579	1 1/16FJIC SWIV-3/4MNPT	66	6	611206	04C1T-06FJX-06FJX-66
29	1	618090	1 5/16MOR-1FNPT ADPTR	67	5	618018	9/16MJIC-1/2MNPT ADPTR
30	4	618469	3/4MJIC-1 1/16MOR ADPTR	68	2	503820	BLK PIPE TEE .50NPT
31	2	618126	9/16MJIC-9/16MOR ADPTR	69	2	503600	CLOSE NIPPLE .50NPT
32	1	618178	1 5/16MJIC-90-1 5/16MOR LBO	70	1	614376	08C1T-08FJX-08FJX-177
33	6	501452	ST EL 90DEG .25NPT, STEEL,PLT	71	1	503824	BLK PIPE CROSS .50NPT
34	1	505213	RED BUSH 1 X 3/4 BLK MAL	72	6	618546	1/8MNPT RUN TEE-9/16MJIC
35	1	618191	1 1/16MJ-90-1 1/16FJ SWIV LBO	73	6	618530	9/16MJIC-1/8MNPT ADPTR
36	1	618183	3/4MJIC-90-7/8MOR LBO	74	8	618451	3/4FJIC SW RUN TEE-3/4MJIC
*37	1	610357	12C2AT-12FJX-12FJX-33	75	4	618620	3/4FJX-90-1/2MNPT ADPTR
38	1	618541	1 5/16FJIC-1 1/16MJIC ADPTR				



REFER TO SHEET 4 OF 5

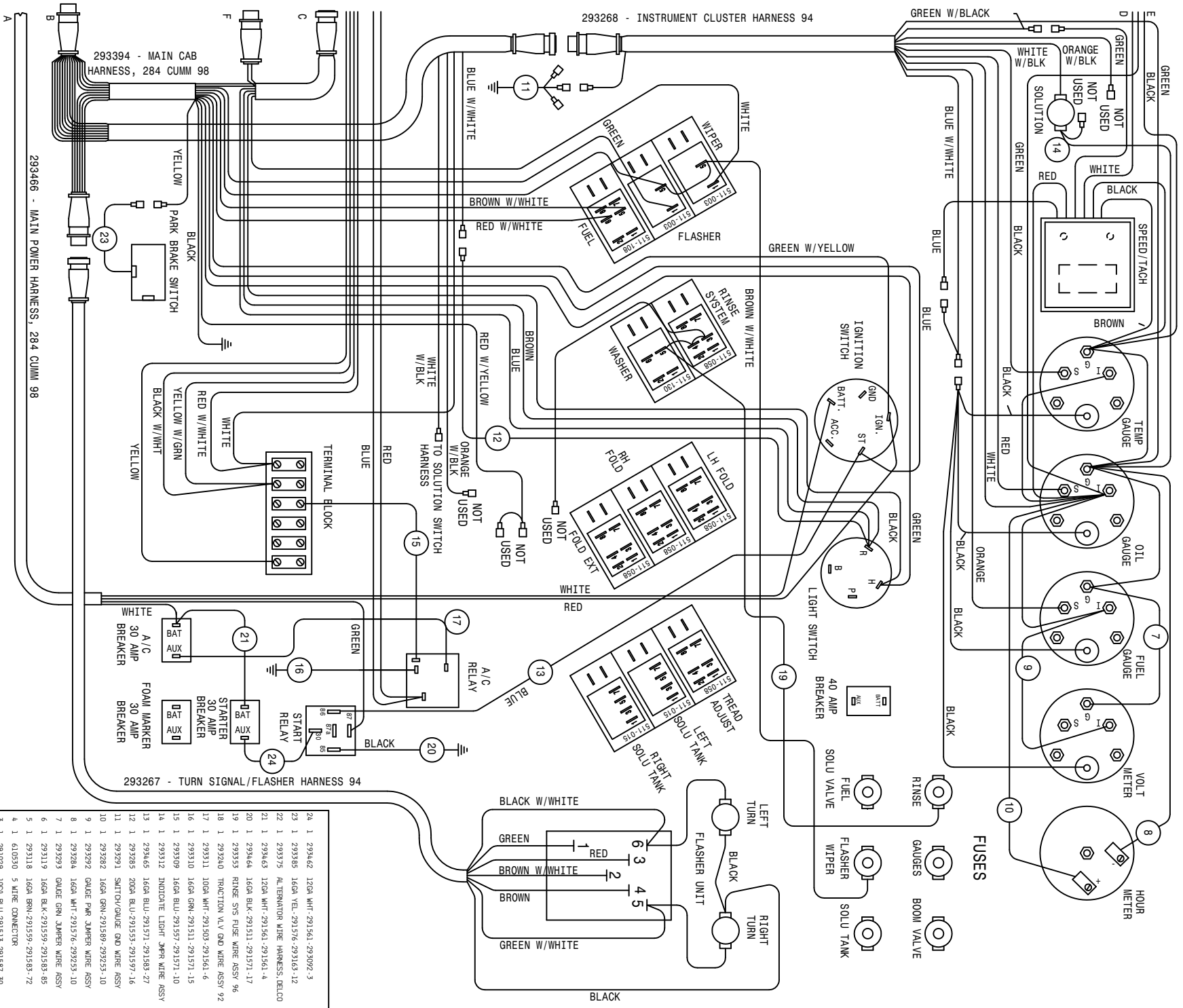
293395 - ENG WIRE HARNESS, 284 CUMM 98

293380 - MPH WIRE ASSY, 284 LEG 97

293379 - MPH WIRE ASSY,
284 MAIN 97

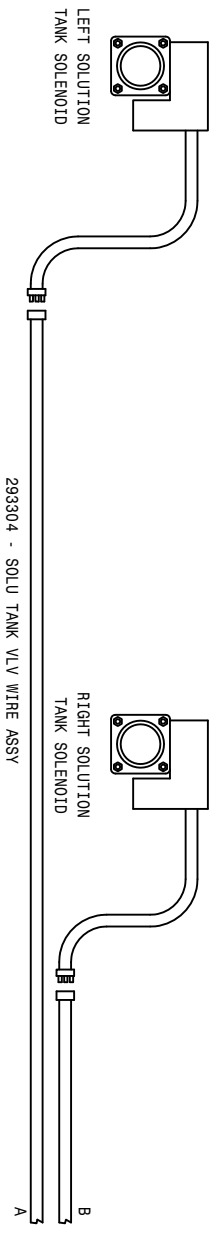
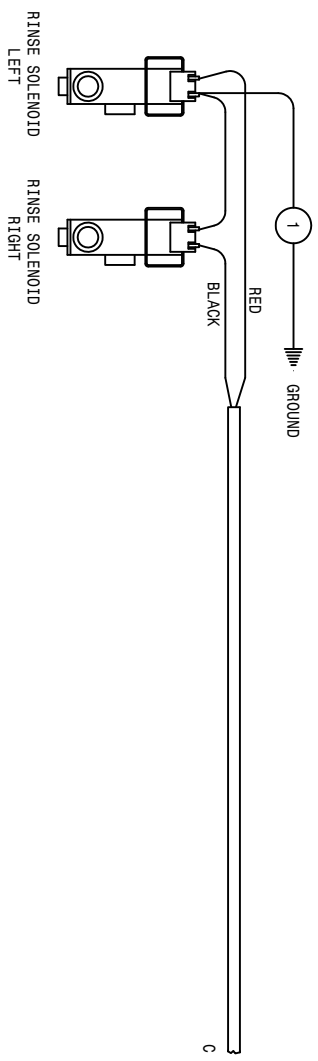
293266 - CAB WIRE HARNESS

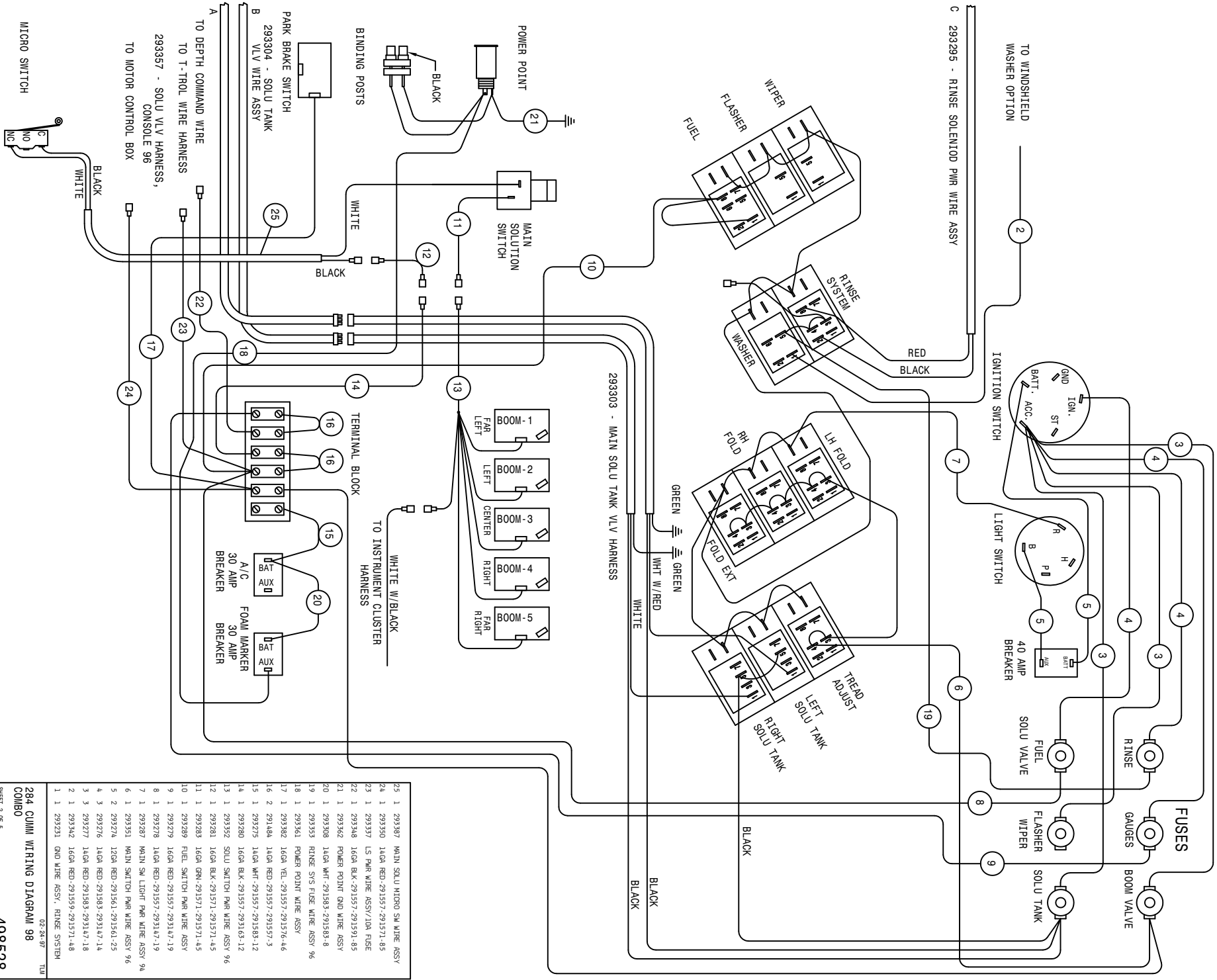
293363 - FLASHER
WIRE HARNESS 96



24	1	293462	12GA WHT-291561-293092-3
23	1	293385	16GA VEL-291576-293163-12
22	1	293375	ALTERNATION WIRE HARNESS, DELEO
21	1	293463	12GA WHT-291561-291561-4
20	1	293464	16GA BLK-291511-291571-17
19	1	293353	RINSE SYS FUSE WIRE ASSY 96
18	1	293240	TRACTION VLV GND WIRE ASSY 92
17	1	293311	10GA WHT-291505-291561-6
16	1	293310	16GA GRN-291511-291571-15
15	1	293309	16GA BLU-291557-291571-10
14	1	293311	INDICATE LIGHT 3MR WIRE ASSY
13	1	293465	16GA GRN-291571-291583-27
12	1	293285	20GA BLU-291555-291597-16
11	1	293291	SWITCH/GAUGE GND WIRE ASSY
10	1	293292	GAUGE PWR JUMPER WIRE ASSY
9	1	293294	16GA WHT-291576-293253-10
8	1	293293	GAUGE GRN JUMPER WIRE ASSY
7	1	293293	GAUGE GRN JUMPER WIRE ASSY
6	1	293119	16GA BLK-291559-291583-85
5	1	293118	16GA BRN-291559-291583-72
4	1	610530	5 WIRE CONNECTOR
3	1	291029	10GA BLU-291513-291587-30
2	1	291128	BATTERY CABLE 48IN
1	1	291510	BATTERY GROUND STRAP 23"

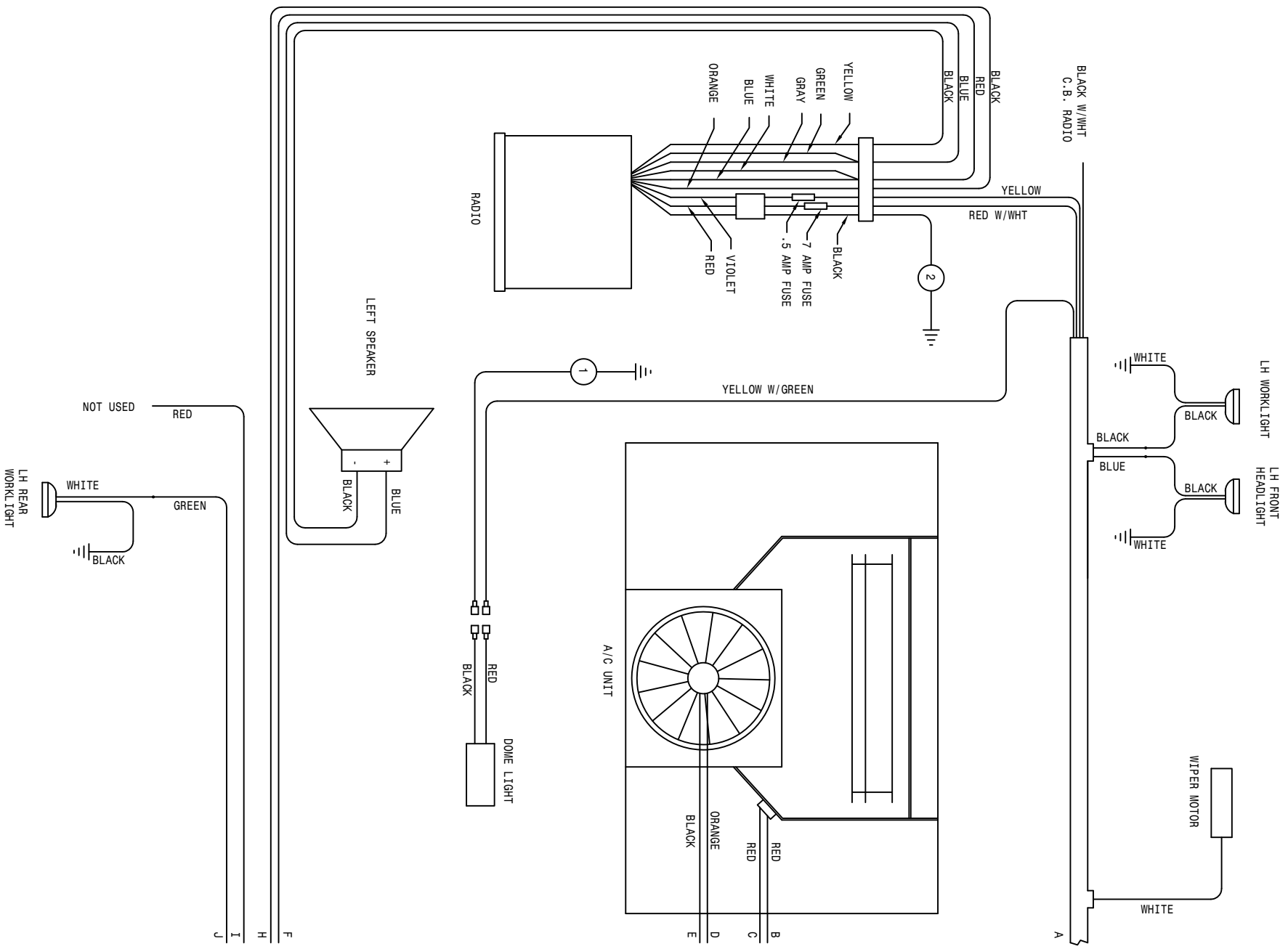
284 CUMM WIRING DIAGRAM 98
COMBO
REVISION DATE: 07-20-01
498528

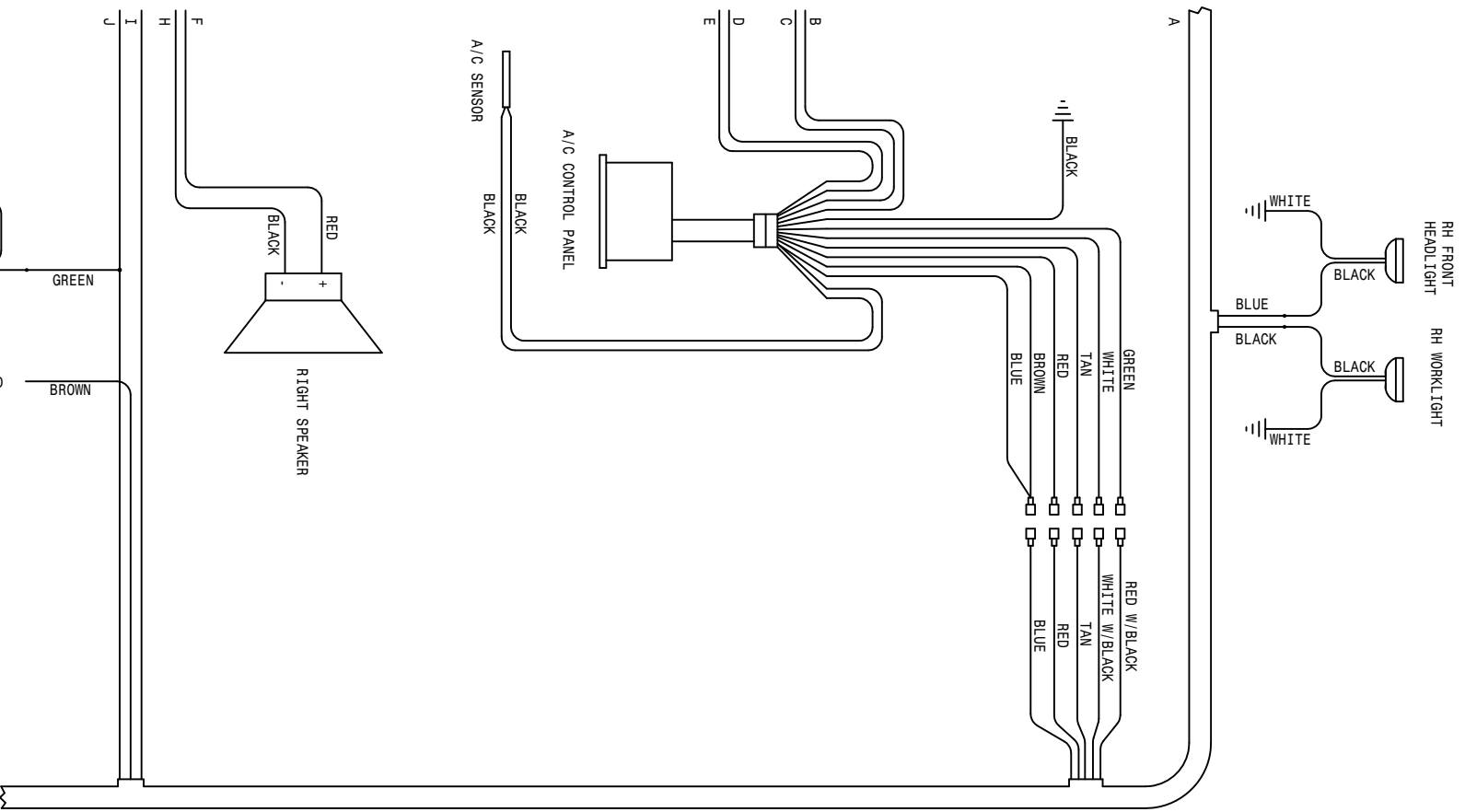




25	1	293367	MAIN SOLU TANK SW WIRE ASSY
24	1	293350	16GA RED-291571-85
23	1	293337	LS PWR WIRE ASSY/10A FUSE
22	1	293348	16GA BLK-291557-291571-85
21	1	293362	POWER POINT GND WIRE ASSY
20	1	293308	16GA WHT-291583-291583-8
19	1	293353	RINSE SVS FUSE WIRE ASSY 96
18	1	293361	POWER POINT WIRE ASSY
17	1	293382	16GA YEL-291557-291576-46
16	2	291484	16GA RED-291557-291573
15	1	293275	16GA WHT-291557-291583-12
14	1	293280	16GA BLK-291557-29163-12
13	1	293332	SOLU SWITCH PWR WIRE ASSY 96
12	1	293281	16GA BLK-291571-291571-45
11	1	293283	16GA GRN-291571-291571-45
10	1	293289	FUEL SWITCH PWR WIRE ASSY
9	1	293279	16GA RED-291557-293147-19
8	1	293278	16GA RED-291557-293147-19
7	1	293287	MAIN SW LIGHT PWR WIRE ASSY 94
6	1	293351	MAIN SWITCH PWR WIRE ASSY 96
5	2	293274	12GA RED-291561-291561-25
4	3	293276	16GA RED-291583-293147-14
3	3	293277	16GA RED-291583-293147-18
2	1	293342	16GA RED-291559-291571-48
1	1	293231	GND WIRE ASSY, RINSE SYSTEM

284 CUMM WIRING DIAGRAM 98
 COMBO
 SHEET 2 OF 5
 REVISION DATE: 04-24-01
 498528
 02-24-97 TLM

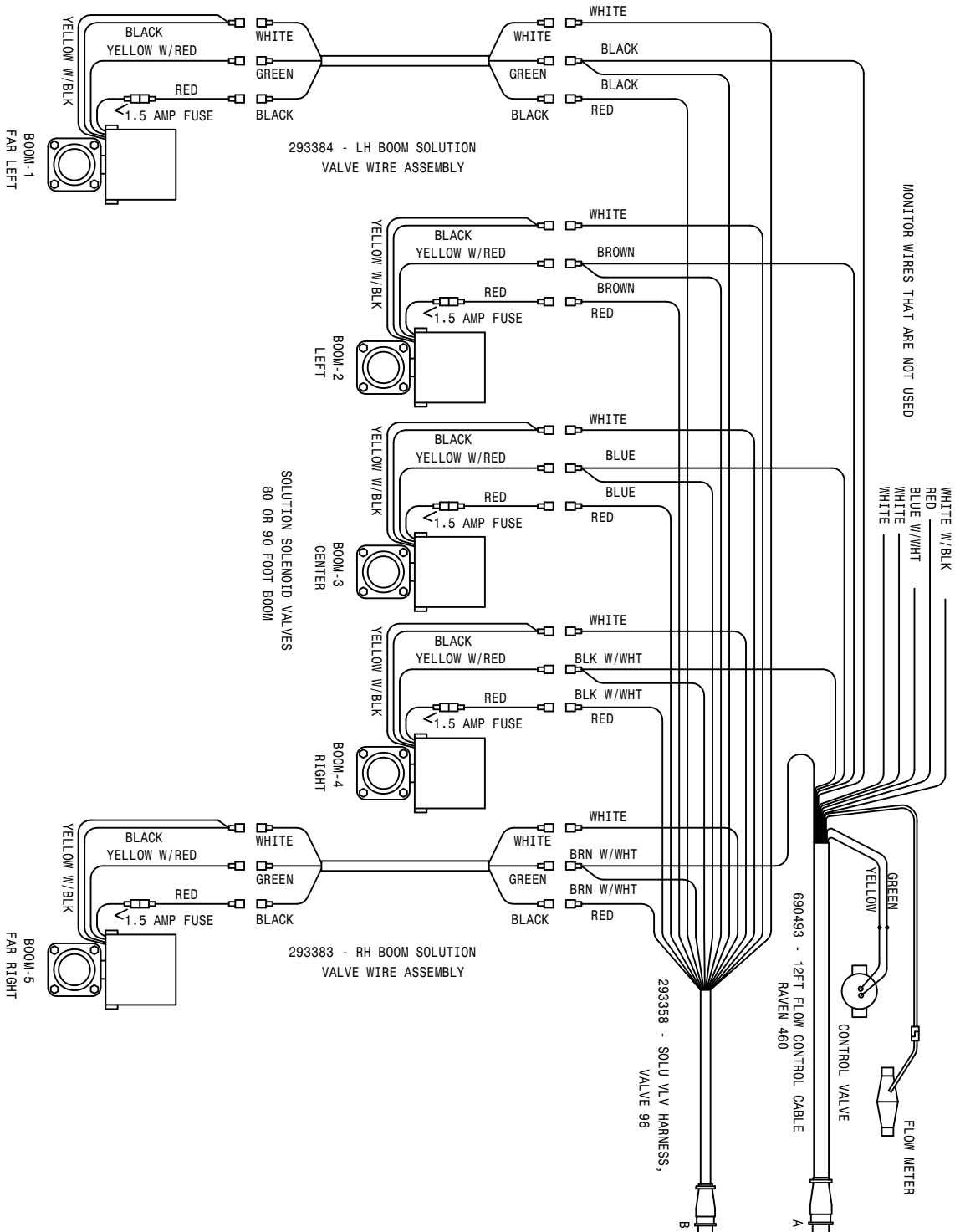
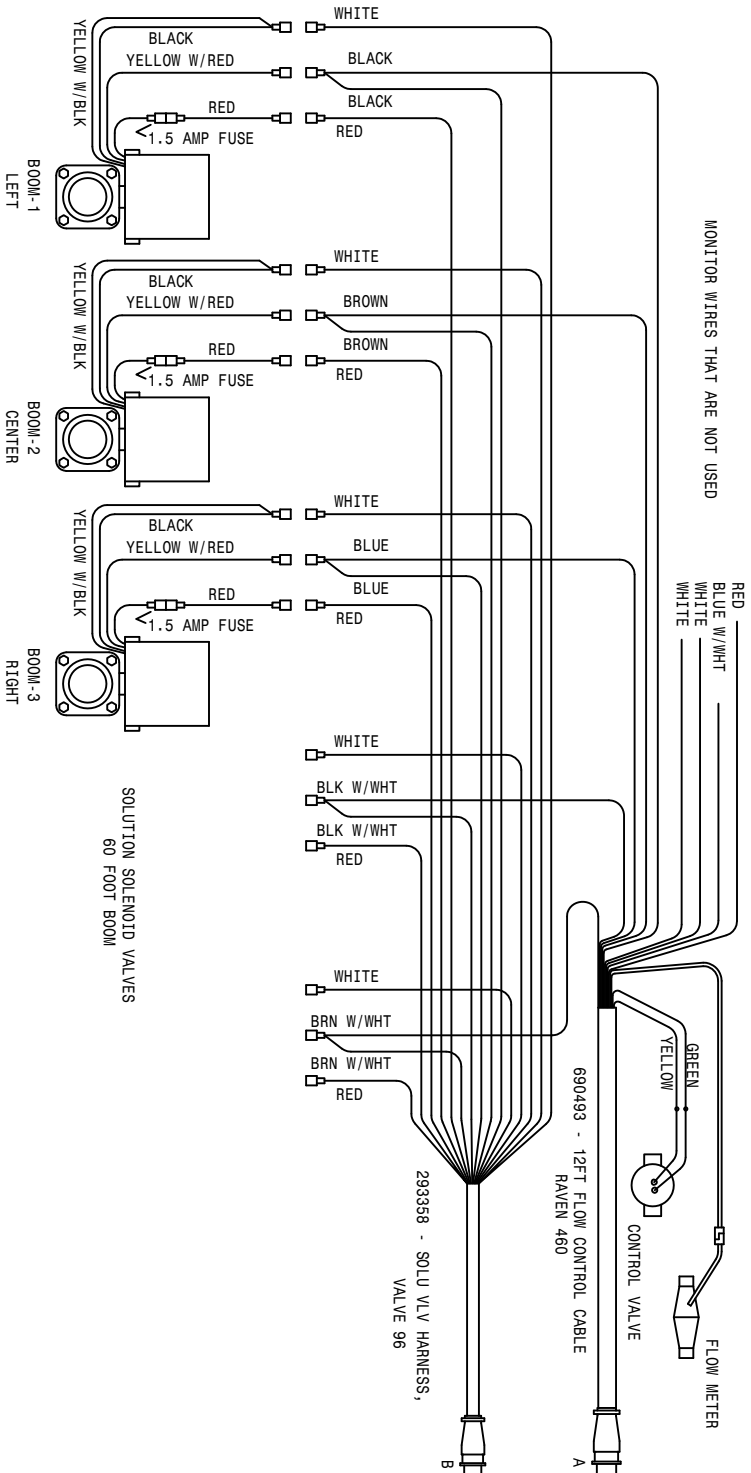


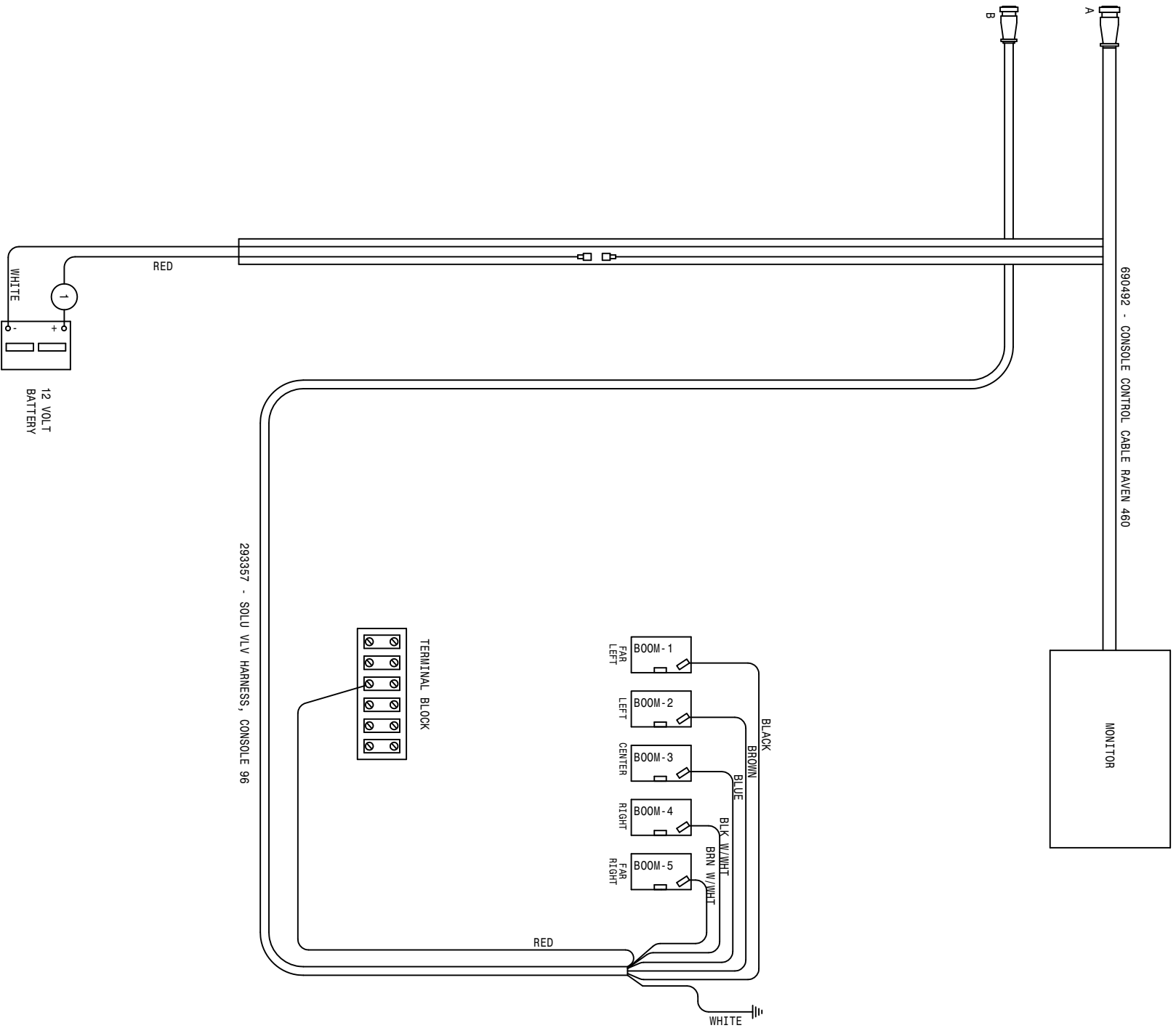


293266 - CAB WIRE HARNESS

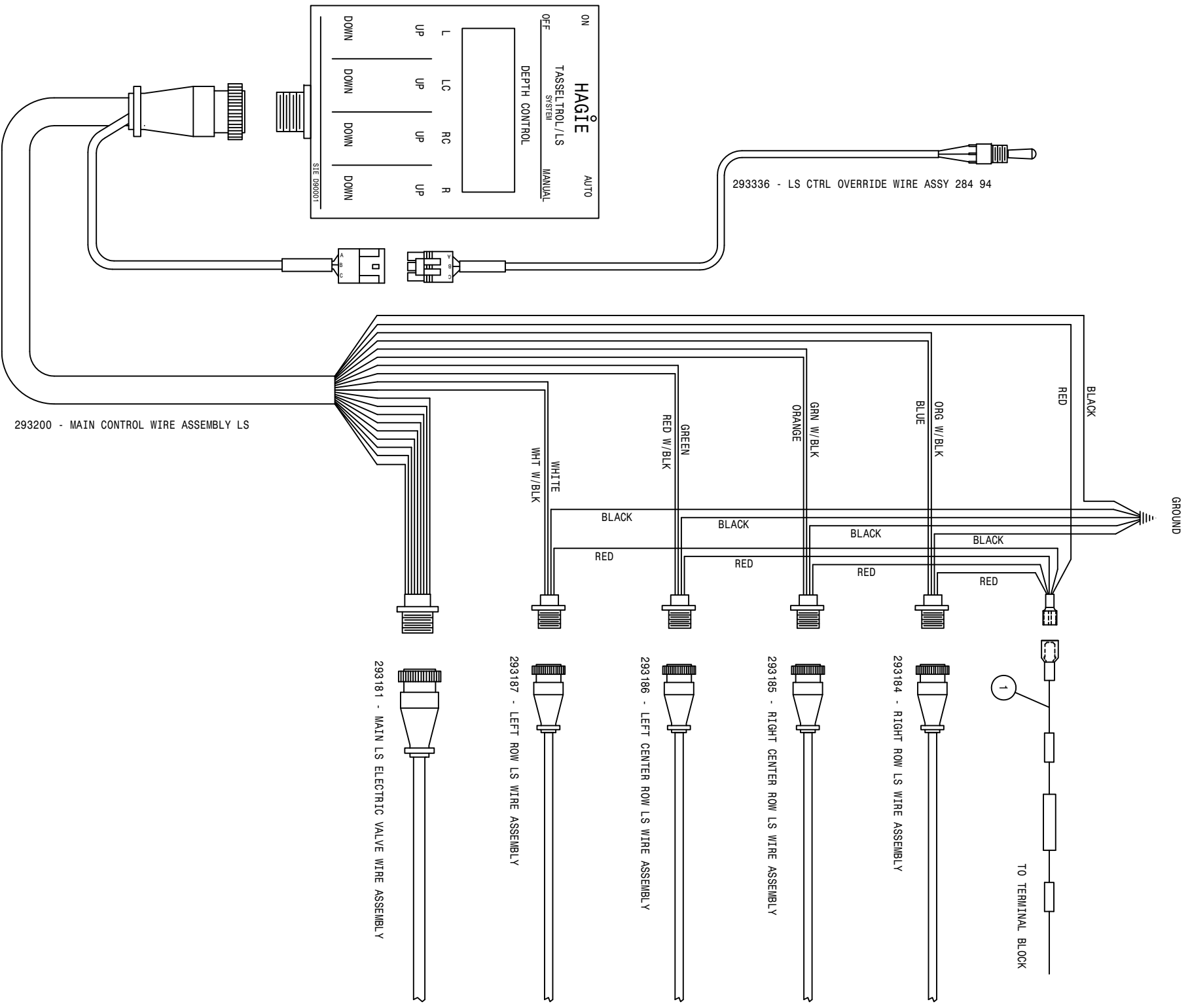
REFER TO SHEET 1 OF 4

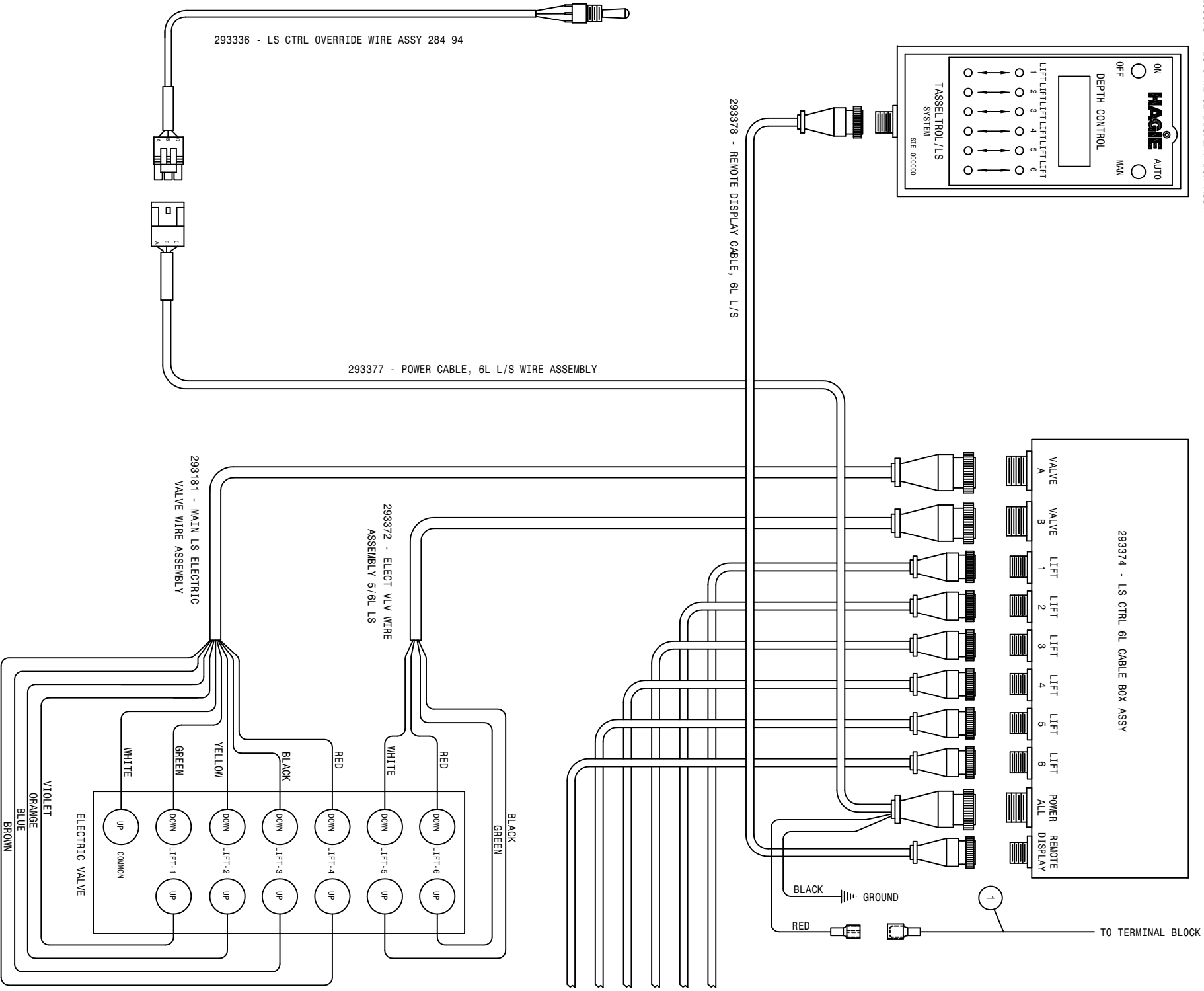
2	1	293300	16GA BLK-291511-291571-18
1	1	293299	16GA BLK-291511-291571-30
284 CUMM WIRING DIAGRAM 98			
COMBO			
SHEET 4 OF 5			
REVISION DATE: 05-14-98			
498528			

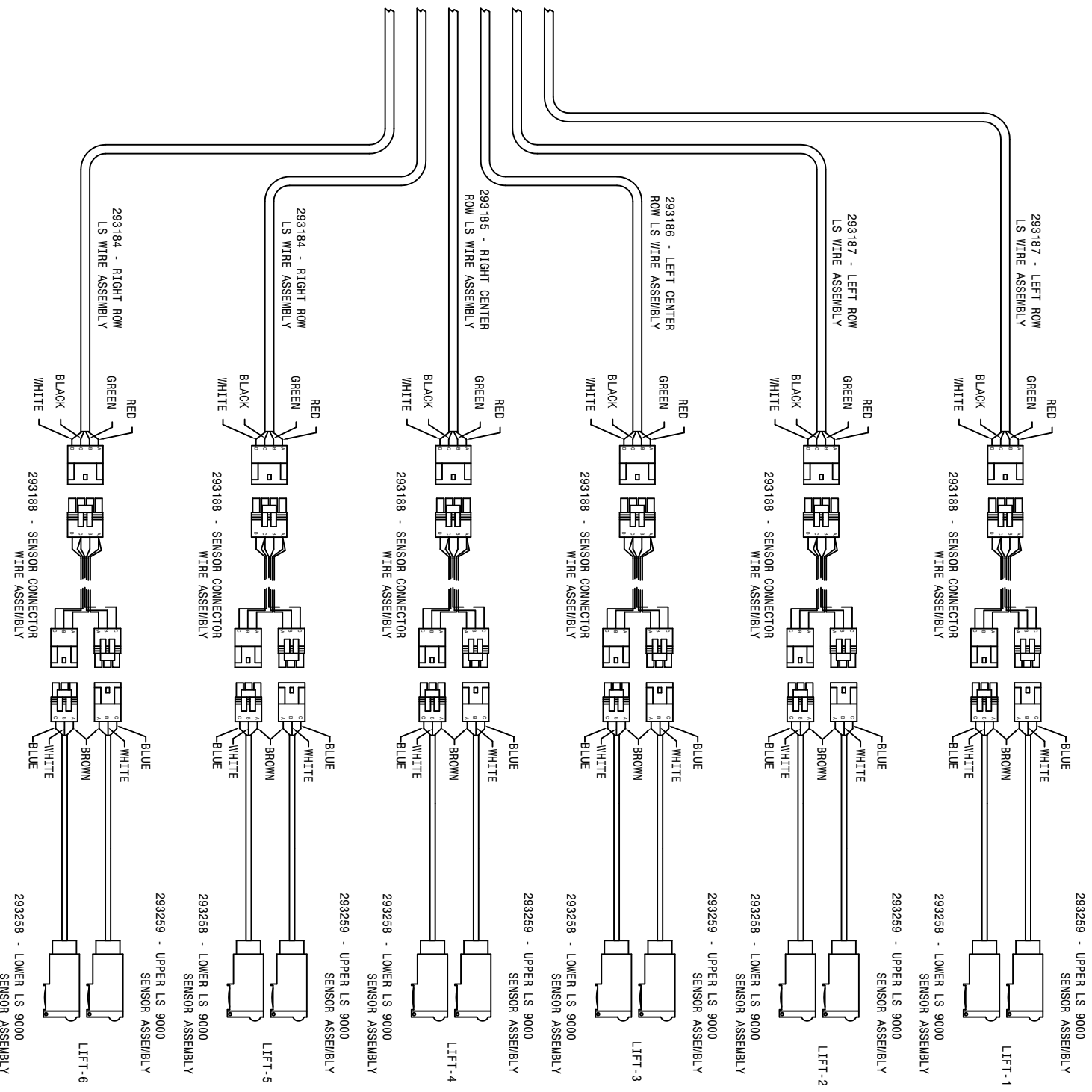




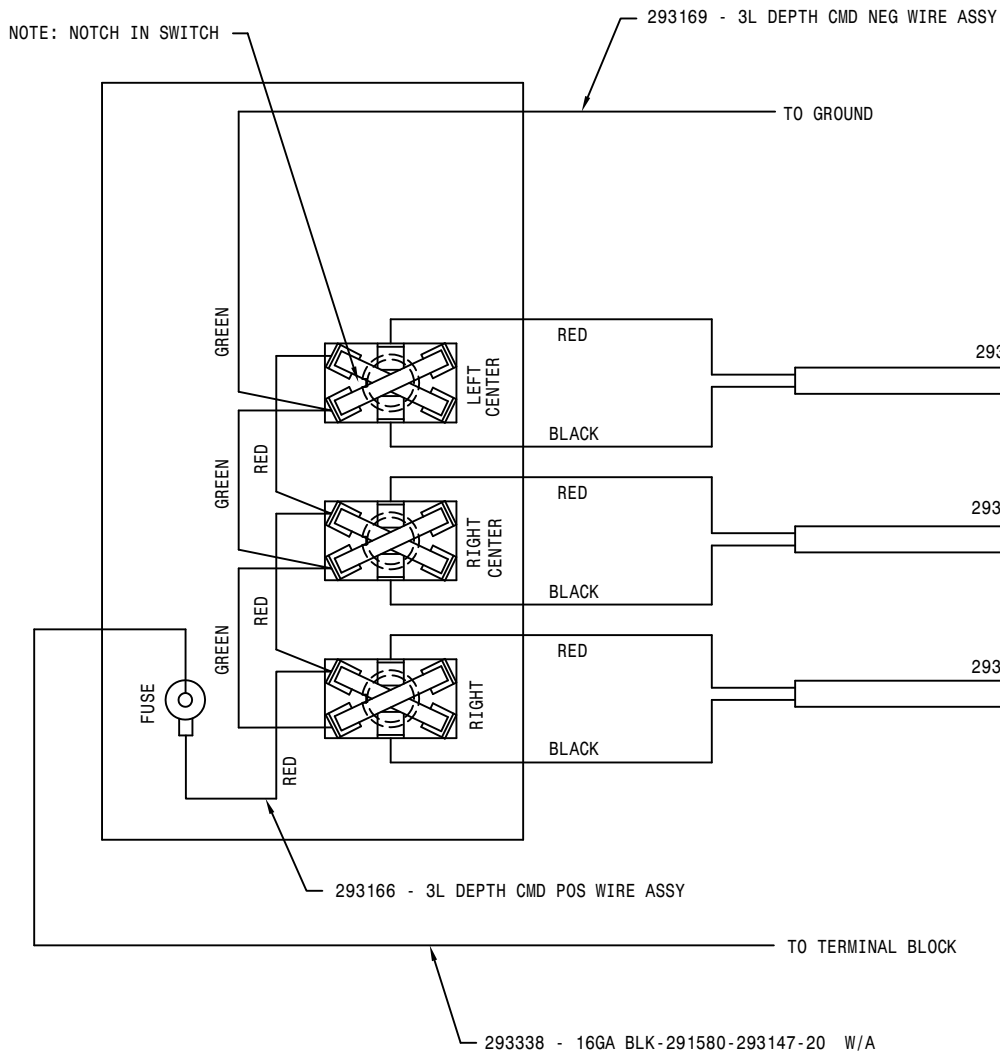
1	1	293149	14GH RED-291559-291590-26	02-24-97	TUW
284 CUMM WIRING DIAGRAM 98					
COMBO					
SHEET 5 OF 5					
REVISION DATE: 05-14-98					
498528					







1	1	293259	16GA BLK 291557-293163-14	DESCRIPTION
DET	REQ			
HAGIE MANUFACTURING COMPANY				
CLARKSON, IOWA 50225				
REMOVE ALL SHAWM CORPINGS & BURNS				
TOLERANCE UNLESS OTHERWISE SPECIFIED				
FRACTION	± 1/32	DECIMALS	X.XX	1/8
		DECIMALS	X.XXX	1/16
		DECIMALS	X.XXXX	1/32
DESCRIPTION				
LS 9000 - LOWER LS 9000 SENSOR ASSEMBLY				
DATE: 05-14-98				
DRAWN BY: [Signature]				
CHECKED BY: [Signature]				
APPROVED BY: [Signature]				
QUANTITY ORDERED				498543
SHEET				OF

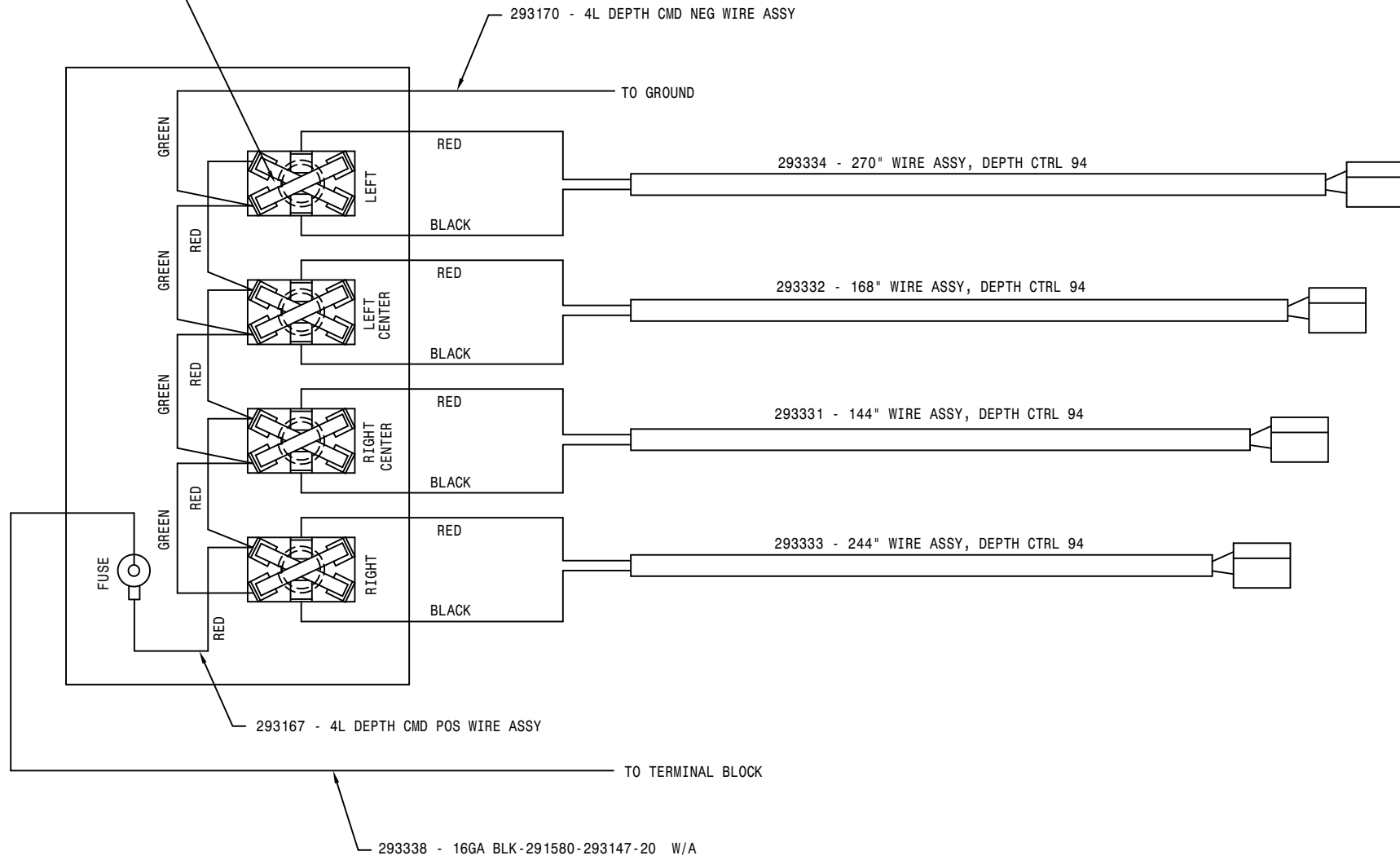


66

DET	REQ	DESCRIPTION
HAGIE HAGIE MANUFACTURING COMPANY CLARION, IOWA 50525		
REMOVE ALL SHARP CORNERS & BURRS		
TOLERANCE UNLESS OTHERWISE SPECIFIED		
FRACTION	DECIMALS	ANGLES
1/32	X.XX X.XXX	°.03 °.005
DESCRIPTION		
WIRE DIAG, 3-LIFT DEPTH CMD 94		
DRAWN BY	SCALE	
T. MARKER	NONE	
CHECKED BY	APPROVED BY	
DATE	DRAWING NUMBER	
03-29-94	498451	
SHEET	OF	

182066

NOTE: NOTCH IN SWITCH

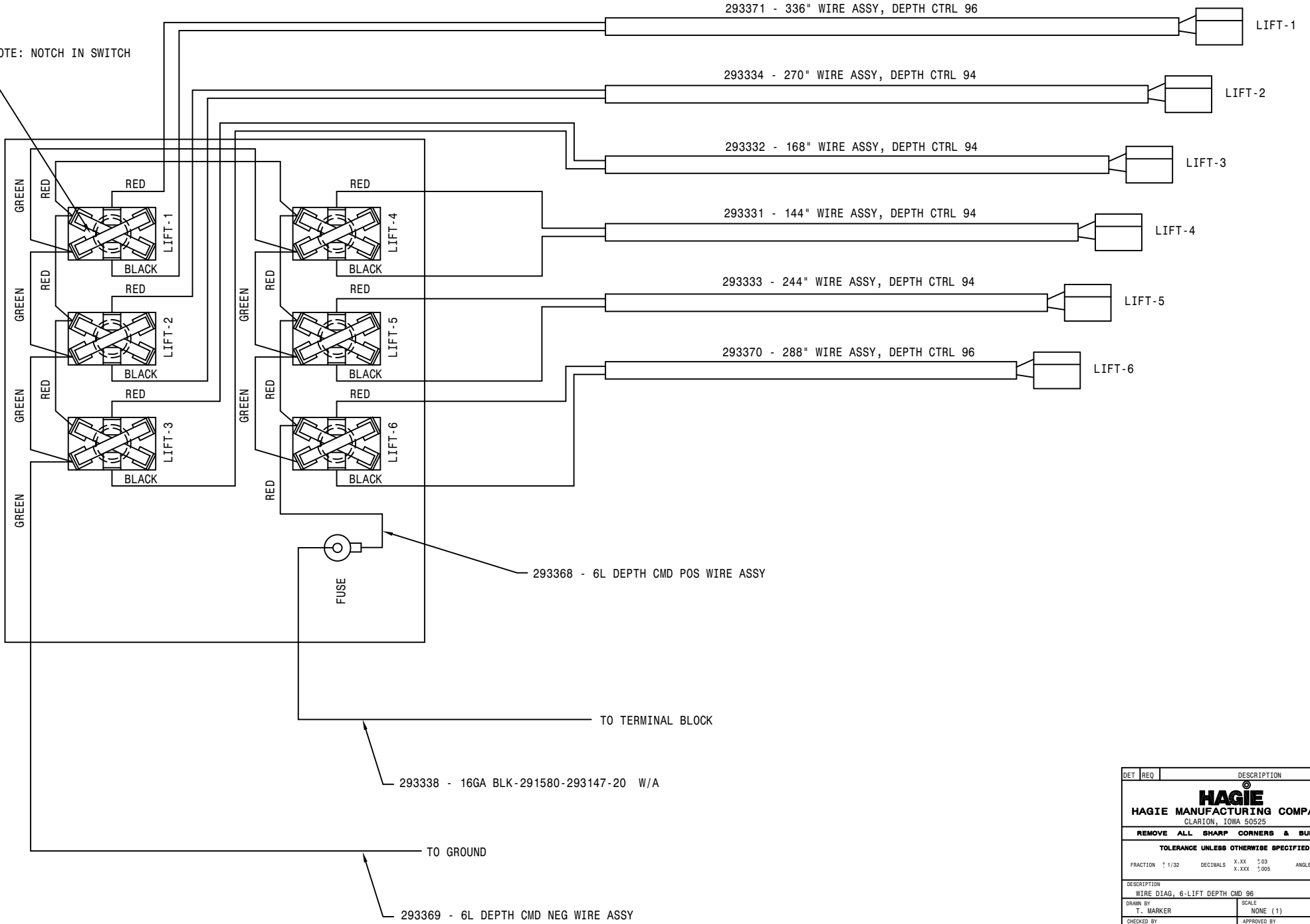


67

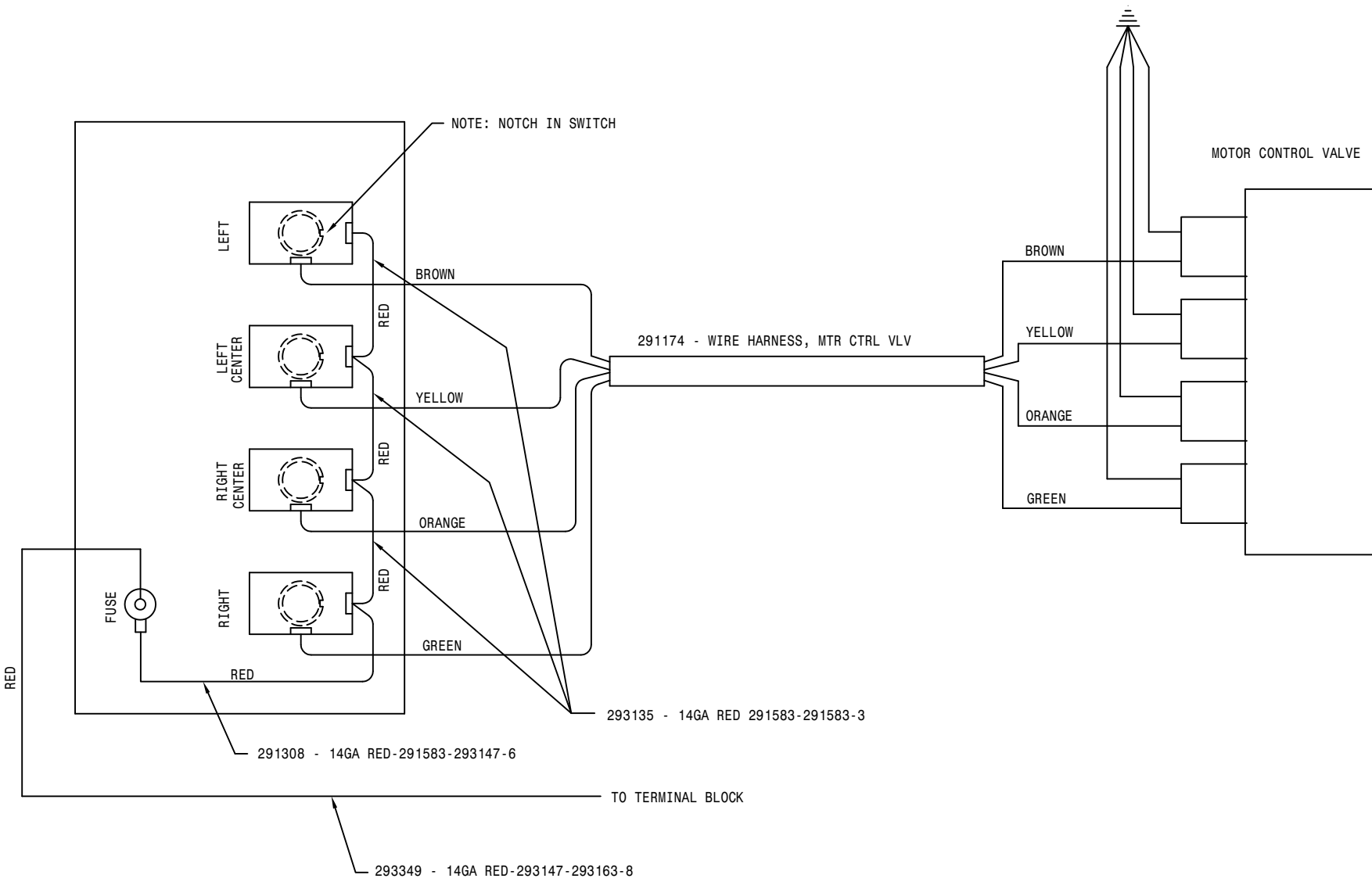
DET	REQ	DESCRIPTION		
HAGIE HAGIE MANUFACTURING COMPANY CLARION, IOWA 50525				
REMOVE ALL SHARP CORNERS & BURRS				
TOLERANCE UNLESS OTHERWISE SPECIFIED				
FRACTION	1/32	DECIMALS	X.XX X.XXX	° 03 ° 005
DESCRIPTION				
WIRE DIAG, 4-LIFT DEPTH CMD 94				
DRAWN BY		SCALE		
T. MARKER		NONE		
CHECKED BY		APPROVED BY		
DATE		DRAWING NUMBER		
03-29-94		498452		
SHEET OF				

182067

NOTE: NOTCH IN SWITCH



DET	REQ	DESCRIPTION
HAGIE HAGIE MANUFACTURING COMPANY CLARION, IOWA 50525		
REMOVE ALL SHARP CORNERS & BURRS		
TOLERANCE UNLESS OTHERWISE SPECIFIED		
FRACTION	DECIMALS	ANGLES
1/32	.03125	1°
	.0005	
DESCRIPTION		
WIRE DIAG, 6-LIFT DEPTH CMD 96		
DRAWN BY	SCALE	
T. MARKER	NONE (1)	
CHECKED BY	APPROVED BY	
DATE	DRAWING NUMBER	
02-26-96	498479	
SHEET	OF	



DET	REQ	DESCRIPTION	
 HAGIE MANUFACTURING COMPANY CLARION, IOWA 50525			
REMOVE ALL SHARP CORNERS & BURRS			
TOLERANCE UNLESS OTHERWISE SPECIFIED			
FRACTION	1/32	DECIMALS	X.XX ±.03 X.XXX ±.005
DESCRIPTION	WIRE DIAG 284 COMBO MTR CTRL		
DRAWN BY	T. MARKER	SCALE	NONE
CHECKED BY		APPROVED BY	
DATE	01-18-94	DRAWING NUMBER	498443
SHEET	OF		

ABBREVIATIONS

ADPTR - ADAPTER	P/N - PART NUMBER
ASSY - ASSEMBLY	PLT - PLATE
BRKT - BRACKET	QTY - QUANTITY
DET - DETAIL	RED - REDUCER
EL - ELBOW	REF - REFERENCE
EXT - EXTENSION	REST - RESTRICTOR
FLO - FLOW	REQ - REQUIRED
FNPT - FEMALE NATIONAL PIPE THREAD	SHFT - SHAFT
FOR - FEMALE O-RING	STRG - STEERING
FRT - FRONT	ST - STREET
HYD - HYDRAULIC	SWIV - SWIVEL
HYDRO - HYDROSTATIC	UNC - UNIFIED NATIONAL COURSE
LG - LONG	UNF - UNIFIED NATIONAL FINE
LWR - LOWER	V - VOLT
MJIC - MALE J.I.C.	VFC - VARIABLE FLOW CONTROL
MOR - MALE O-RING	W/ - WITH
MT - MOUNT	WHL - WHEEL
MTR - MOTOR	WLD - WELDMENT

INDEX

-A-	ABBREVIATIONS.....	70			
	ACTUATOR.....	29			
	ARM,				
	SENSOR.....	19			
	STABILIZER.....	8,9,10			
-B-					
	BEARING,.....	14			
	JOURNAL.....	11			
	BLADE, CUTTER.....	12			
	BOOT, SWITCH.....	16,18,20,27,28			
	BOX,				
	CONTROL.....	16,18			
	SWITCH.....	20,27,28			
	BRACKET, VFC.....	5			
	BREATHER.....	6			
-C-					
	COIL, VALVE.....	25			
	CONTROL BOX.....	16,18			
	CYLINDER, LIFT.....	15			
	CUTTER HEAD.....	12			
-D-					
	DEPTH COMMAND.....	29			
	DIAGRAM, WIRING.....	52,62,66			
	DIFFUSER, SUMP.....	6			
	DIPSTICK.....	6			
-F-					
	FILTER,.....	6,7,22,23,24			
	VENT.....	15			
	FLOW DIVIDER.....	5			
	FUSE.....	20,27,28			
	HOLDER.....	20,27,28			
-G-					
	GUIDE STALK.....	12,14			
-H-					
	HOLDER, FUSE.....	20,27,28			
	HYDRAULIC				
	MANIFOLD.....	21			
	MOTOR.....	12,14			
	PUMP.....	4			
	SCHEMATIC.....	30			
	JOURNAL BEARING.....	11			
-J-					
	KIT, SEAL.....	15			
-L-					
	LIFT CYLINDER.....	15			
-M-					
	MANIFOLD, HYDRAULIC.....	21			
	MOTOR, HYDRAULIC.....	14			
	MOUNT, RECRPTACLE.....	17			
-O-					
	OIL TANK.....	6			
	OUTRIGGER.....	9,9,10			
-P-					
	PIVOT PIN.....	8,9,10,11			
	PLUG.....	27			
	POSITRACTION VALVE.....	4			
	PULLER,				
	QUAD.....	14			
	SHIELD.....	14			
	PUMP, HYDRAULIC.....	4			
-Q-					
	QUAD PULLER.....	14			
-R-					
	RECEPTACLE MT.....	17			
	REFLECTOR.....	19			
	RIM.....	14			
-S-					
	SCHEMATIC, HYDRAULIC.....	30			
	SEAL KIT.....	15			
	SENSOR.....	19			
	ARM.....	19			
	SHAFT, PULLER.....	14			
	SHIELD, PULLER.....	14			
	STABILIZER ARM.....	8,9,10			
	STALK VALVE.....	20,21,22,23			
	STALK GUIDE.....	12,14			

SUMP DIFFUSER.....	6
SWITCH	
BOX.....	20,27
TOGGLE.....	20,27

-T-

TANK, OIL.....	6
TIE PLATE.....	5
TIRE.....	14
TOGGLE SWITCH.....	20,21
TOOL BAR.....	8,9,10,11
TRACTION VALVE.....	26

-V-

VALVE,	
MOTOR CONTROL.....	21
POSITRACTION.....	4
STALK.....	22,23
TRACTION.....	26
VARIABLE FLOW CONTROL.....	5
VENT FILTER.....	15

-W-

WIRING DIAGRAM.....	52,62,66
---------------------	----------

