

**PARTS MANUAL**  
**FOR**  
**HAGIE MODEL 284 HI-TRACTOR**  
**SPRAYER – DETASSELER**

**HAGIE MANUFACTURING COMPANY**

BOX 273 CLARION, IOWA 50525 (515) 532-2861

COVERS MACHINE SERIAL NUMBERS: U1250000001 thru U1250000100

12-99 493204  
02-08

## SPRAYER IDENTIFICATION

Each Hagie sprayer is identified by means of a frame serial number. This serial number denotes the model, the year in which it was built, and the number of the sprayer. As for further identification, the engine has a serial number and the planetary hubs have identification plates that describe the type of mount and gear ratio. To insure prompt, efficient service when ordering parts or requesting service repairs from Hagie Manufacturing Company, record the serial and identification numbers in the space provided below.

NOTE: Reference to left hand and right hand used throughout this manual refers to the position when seated in the operator's seat facing forward.

SPRAYER SERIAL NUMBER

---

ENGINE SERIAL NUMBER

---

PLANETARY HUB IDENTIFICATION NUMBERS

---

TABLE OF CONTENTS

HYDRAULIC PUMP ASSEMBLY . . . . . 4

FLOW DIVIDER AND VFC VALVE. . . . . 5

HYDRAULIC TANK. . . . . 6

FILTER ASSEMBLY . . . . . 7

OUTRIGGER ASSEMBLY. . . . . 8-11

CUTTER HEAD ASSEMBLY. . . . . 12-13

QUAD HEAD ASSEMBLY. . . . . 14

LIFT CYLINDER ASSEMBLY. . . . . 15

LS CONTROL ASSEMBLY . . . . . 16-19

MOTOR CONTROL VALVE ASSEMBLY. . . . . 20-21

ELECTRIC VALVE ASSEMBLY . . . . . 22-25

DEPTH COMMAND . . . . . 26-29

HYDRAULIC SCHEMATIC . . . . . 30-51

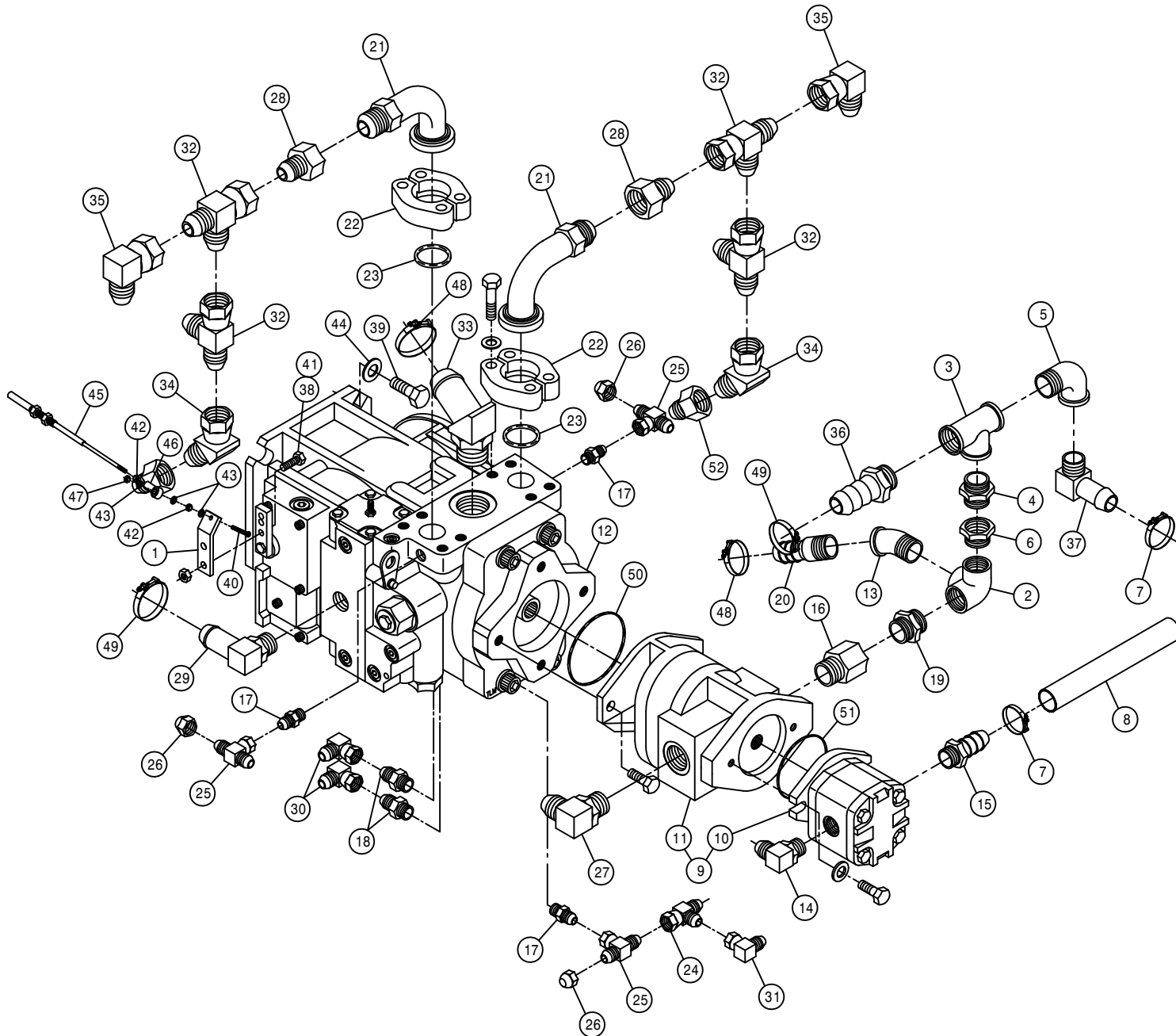
ELECTRIC SCHEMATIC. . . . . 52-69

ABBREVIATIONS . . . . . 70

INDEX . . . . . 71

SUNDSTRAND PUMP ASSEMBLY

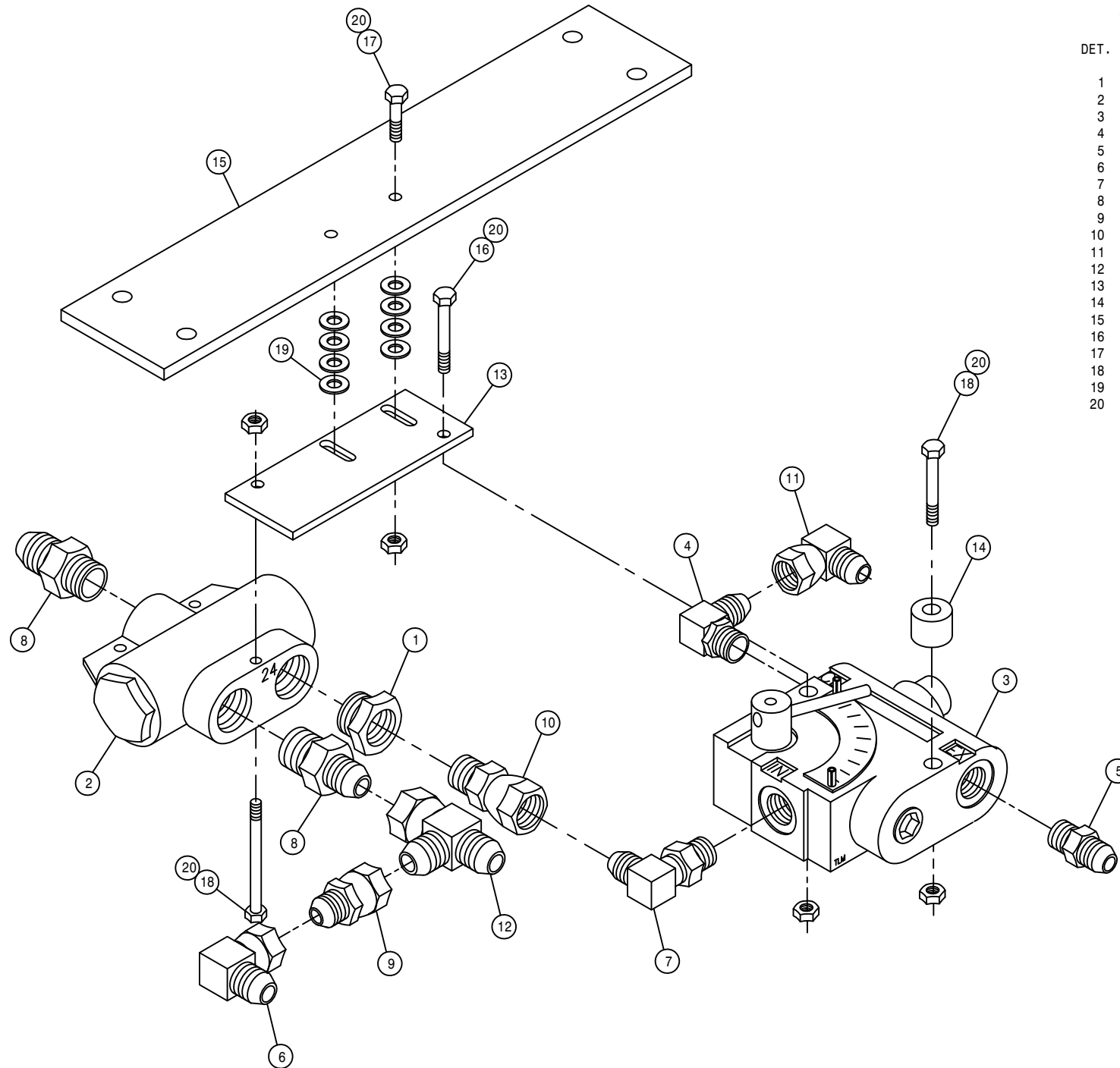
DET.	QTY	PART NO.	DESCRIPTION
1	1	316319	PUMP CTRL LEVER EXT,284 CUMM98
2	1	506701	SIDE OUTLET EL 90DEG 1.25NPT
3	1	505101	BLK PIPE TEE 1.00NPT
4	1	505105	1MNPT HEX PIPE NIPPLE STL
5	1	505200	BLK PIPE ST EL 90DEG 1.00NPT
6	1	506005	1 1/4 TO 1 RED BUSH BLK MAL
7	2	520137	1.19/1.37 T-BOLT HOSE CLAMP
8	1	601383	HOSE, 3/4 X 8 1FBR-1SPI
9	1	606937	TANDEM PUMP, 606929 & 606938
10	1	606929	SUND GEAR PUMP .66CI, SPLINED
11	1	606938	SUND GEAR PUMP,4.00CIR SPLNED
12	1	606954	SUND 130CC PUMP,B-MT 98
13	1	506409	BLK PIPE ST EL 45DEG 1.25NPT
14	1	611128	7/8MJIC-90-7/8MOR LBO
15	1	618075	3/4 HOSE BARB-1 1/16MOR
16	1	618596	1 5/8MOR-1 1/4FNPT ADPTR
17	3	618126	9/16MJIC-9/16MOR ADPTR
18	2	618327	3/4MJIC-7/8MOR ADPTR
19	1	507026	1 1/4MNPT HEX PIPE NIPPLE STL
20	1	715660	HOSE BARB 1 1/4NPT X 1 1/4
21	2	618459	1 1/4FLANGE-90-1 5/8MJIC
22	2	618461	1 1/4 SPLIT FLANGE KIT
23	2	870222	NEO ORING 1 1/2 X 1 3/4
24	1	618486	9/16FJIC SW RUN TEE-9/16MJIC
25	3	618514	9/16FJ SW BRANCH TEE-9/16MJ
26	3	618531	9/16FJIC CAP NUT
27	1	618178	1 5/16MJIC-90-1 5/16MOR LBO
28	2	618547	1 5/8FJIC-1 5/16MJIC ADPTR
29	1	618564	1IN HOSE BARB-90-1 5/16MOR
30	2	618609	3/4MJIC-90-3/4FJIC SWIV LBO
31	1	618618	9/16MJIC-90-9/16FJIC SWIV LBO
32	4	618619	1 5/16FJ SW RUN TEE-15/16MJ
33	1	618626	1 1/4 HOSE BARB-45-1 5/8MOR
34	2	618630	1 5/16MJ-45-1 5/16FJ SWIV LBO
35	2	618640	1 5/16MJ-90-1 5/16FJ SWIV LBO
36	1	714560	1NPT X 1 HOSE BARB
37	1	716000	3/4 HOSE BARB-90-1MNPT
38	2	900003	1/4UNC X 1" HEX BOLT
39	4	900401	3/4UNC X 1 1/2 HEX BOLT
40	1	903893	10-32 X 1" SLT RD HD MACH SCR
41	2	914000	1/4UNC HEX STOVER NUT
42	2	910027	10-32 HEX NUT
43	3	920510	#10 LOCK WASHER
44	4	920006	3/4 SAE FLAT WASHER
45	1	785062	CTRL CABLE 10-32 4IN X 120 LG
46	1	473921	BALL JOINT NO 10-32 THD
47	1	914027	10-32 HEX STOVER NUT
48	2	520132	1.62/1.87 T-BOLT HOSE CLAMP
49	2	520138	1.38/1.56 T-BOLT HOSE CLAMP
50	1	606870	O-RING FOR 606865 SUND B-MT
51	1	606924	O-RING FOR SUND A-MT
52	2	618541	1 5/16FJIC-1 1/16MJIC ADPTR

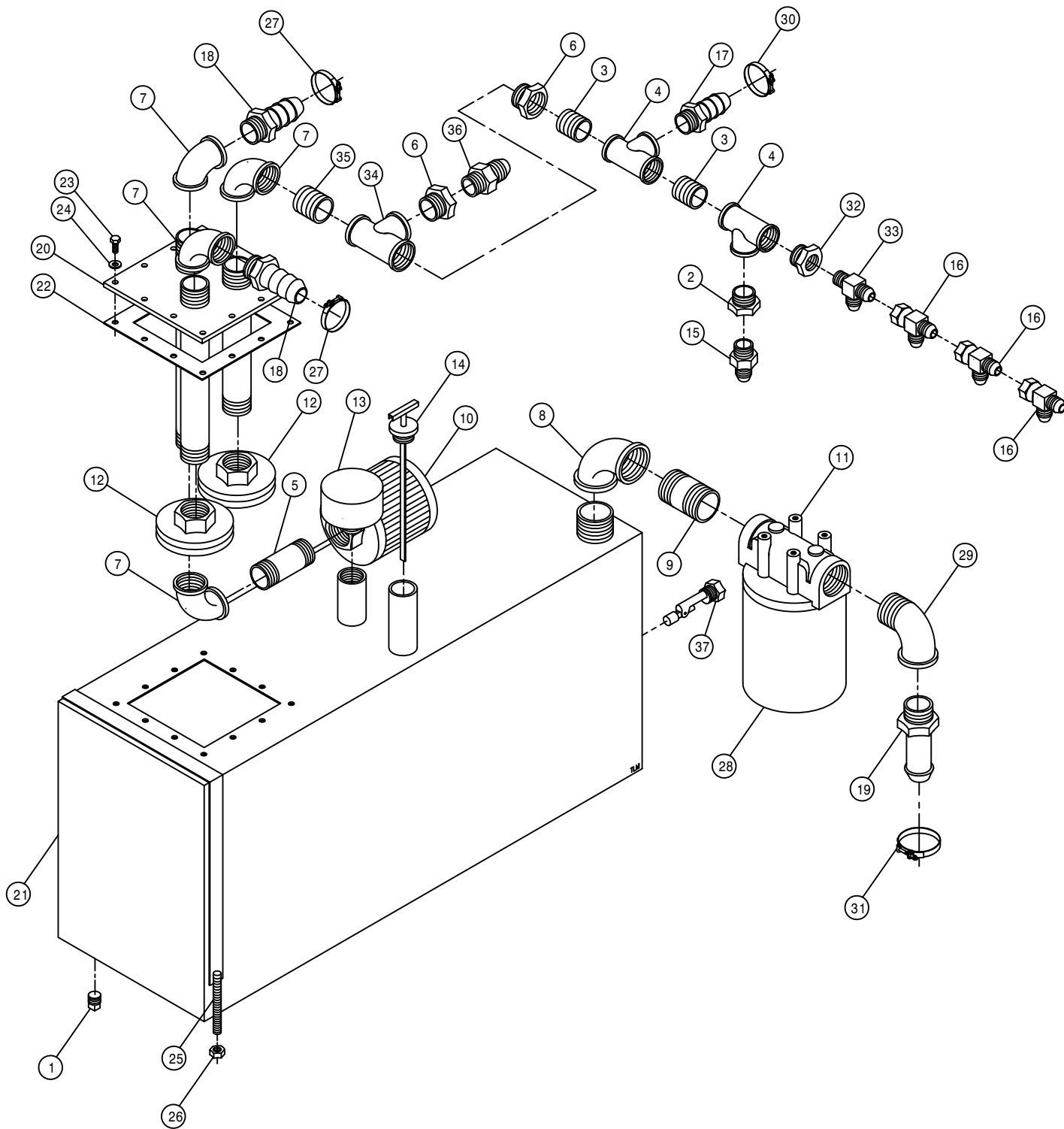


COMBO FLOW DIVIDER AND VFC ASSEMBLY

DET. QTY PART NO. DESCRIPTION

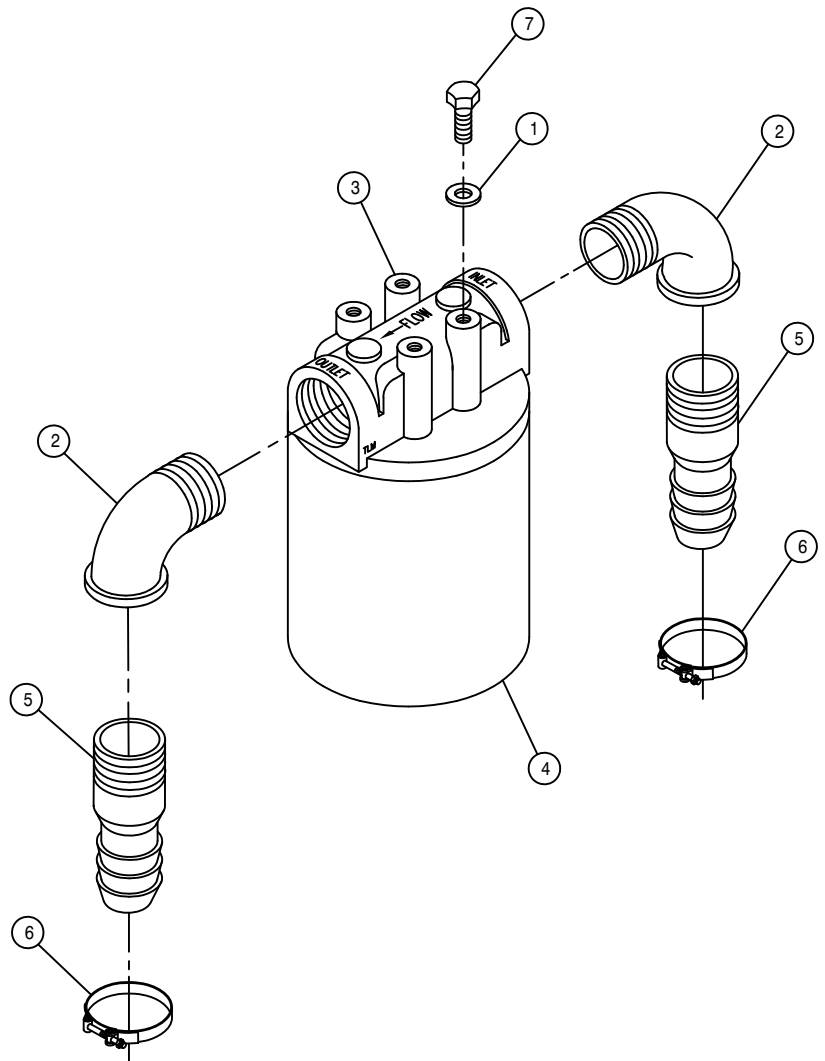
1	1	505213	RED BUSH 1 X 3/4 BLK MAL	
2	1	606836	FLO DIV BG424 24GPM PRI 1NPT	
3	1	607510	FLO CONT FCR51 0-30VARI 7/8OR	
4	1	618183	3/4MJIC-90-7/8MOR LBO	
5	1	618189	1 1/16MJIC-7/8MOR ADPTR	
6	1	618191	1 1/16MJ-90-1 1/16FJ SWIV LBO	
7	1	618279	1 1/16MJIC-90-7/8MOR LBO	
8	2	618322	1 5/16MJIC-1MNPT ADPTR	
9	1	618541	1 5/16FJIC-1 1/16MJIC ADPTR	
10	1	618579	1 1/16FJIC SWIV-3/4MNPT	
11	1	618609	3/4MJIC-90-3/4FJIC SWIV LBO	
12	1	618619	1 5/16FJ SW RUN TEE-15/16MJ	
13	1	438452	VFC/BG424 MTG BRKT 280 COMBO	
14	1	438453	VFC STOP, 280 COMBO	92
15	1	341968	TIE PLT 250/280 CUMM	92
16	1	900008	1/4UNC X 2 1/2 HEX BOLT	
17	2	900004	1/4UNC X 1 1/4 HEX BOLT	
18	2	900010	1/4UNC X 3" HEX BOLT	
19	8	920000	1/4 SAE FLAT WASHER	
20	5	914000	1/4UNC HEX STOVER NUT	





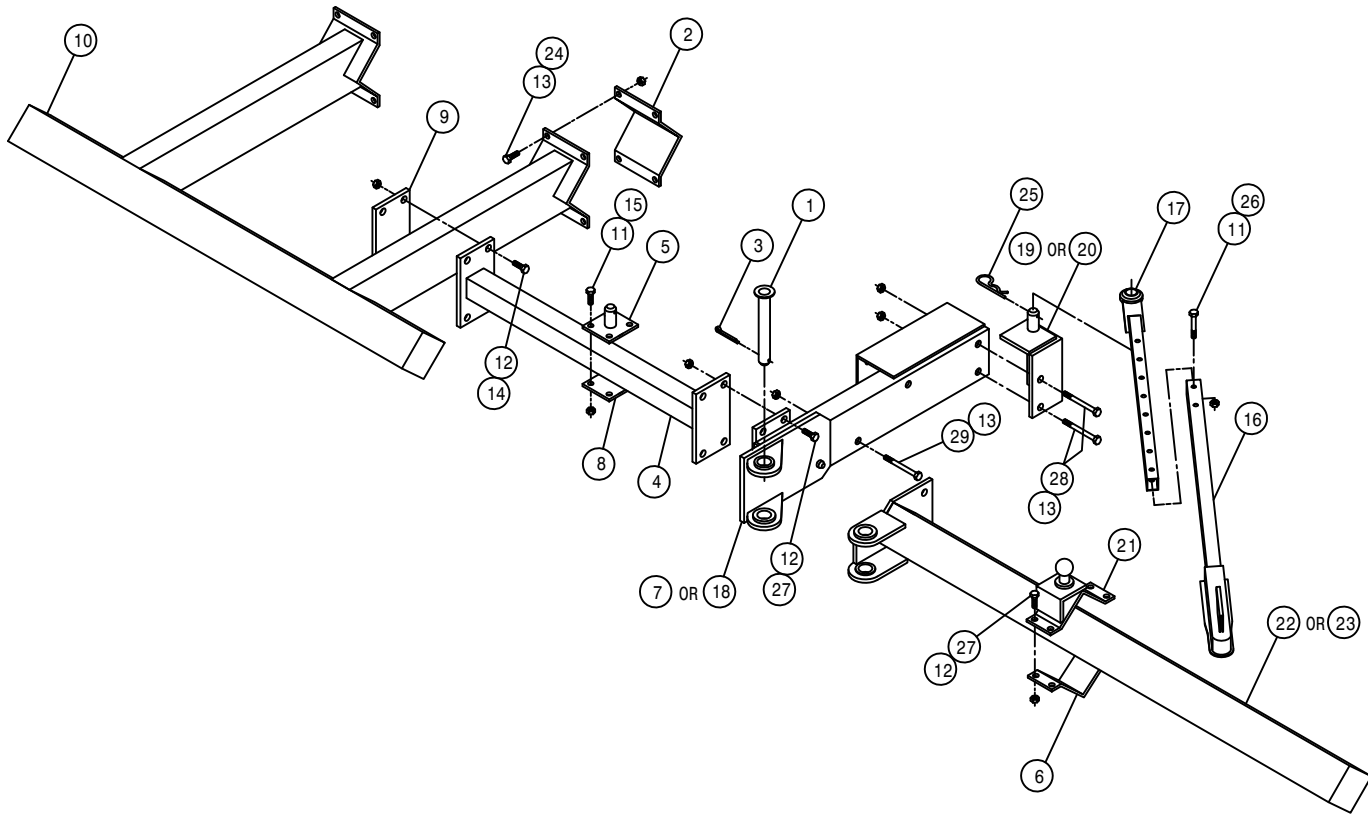
COMBO HYDRAULIC TANK ASSEMBLY

DET.	QTY	PART NO.	DESCRIPTION
1	1	501102	1/4 PIPE PLUG
2	1	504210	RED BUSH 3/4 NPT X 1/2 NPT
3	2	504702	CLOSE NIPPLE .75NPT
4	2	504955	BLK PIPE TEE .75NPT
5	1	505203	BLK PIPE NIPPLE 1.00NPT-4.00
6	2	505213	RED BUSH 1 X 3/4 BLK MAL
7	4	505300	BLK PIPE EL 90DEG 1.00NPT
8	1	506303	BLK PIPE EL 90DEG 1.25NPT
9	1	506602	PIPE NIPPLE 1 1/4NPT-2 1/2
10	1	605600	MICHIGAN RESERVOIR FILTER
11	1	605601	GRESEN FILTER 10 MICRON 40GPM
12	2	605603	LINE SUMP DIFFUSER
13	1	611052	FILLER BREATHER 3/4NPT
14	1	614453	DIPSTICK, 8IN
15	1	618018	9/16MJIC-1/2MNPT ADPTR
16	3	618486	9/16FJIC SW RUN TEE-9/16MJIC
17	1	713220	HOSE BARB 3/4 NPT X 3/4
18	2	714560	1NPT X 1 HOSE BARB
19	1	715660	HOSE BARB 1 1/4NPT X 1 1/4
20	1	760090	RECEIVER PLT WLD 8240
21	1	760097	OIL TANK WLD 8240 1982
22	1	763039	HYD MTR MTG PLT GSKT
23	12	900064	5/16UNC X 3/4 HEX BOLT
24	12	920001	5/16 SAE FLAT WASHER
25	2	341360	OIL TANK STRAP WLD 8240 1982
26	4	914004	3/8UNC HEX STOVER NUT
27	2	520138	1.38/1.56 T-BOLT HOSE CLAMP
28	1	605602	FILT ELEMENT 10MICRON 40GPM
29	1	506410	BLK PIPE ST EL 90DEG 1.25NPT
30	1	520137	1.19/1.37 T-BOLT HOSE CLAMP
31	1	520132	1.62/1.87 T-BOLT HOSE CLAMP SS
32	1	504001	RED BUSH 3/4 X 1/4 BLK MAL
33	1	618520	1/4MNPT RUN TEE-9/16MJIC
34	1	505101	BLK PIPE TEE 1.00NPT
35	1	505201	CLOSE NIPPLE 1.00NPT
36	1	610300	3/4MJIC-3/4MNPT ADPTR
37	1	470290	LIQUID LEVEL SWITCH, 1/2MNPT



DETASSELER OPTION FILTER ASSEMBLY

DET.	QTY	PART NO.	DESCRIPTION
1	4	920501	5/16 LOCK WASHER
2	2	506410	BLK PIPE ST EL 90DEG 1.25NPT
3	1	605601	GRESEN FILTER 10 MICRON 40GPM
4	1	605602	FILT ELEMENT 10MICRON 40GPM
5	2	715660	HOSE BARB 1 1/4NPT X 1 1/4
6	2	520132	1.62/1.87 T-BOLT HOSE CLAMP SS
7	4	900062	5/16UNC X 1/2 HEX BOLT

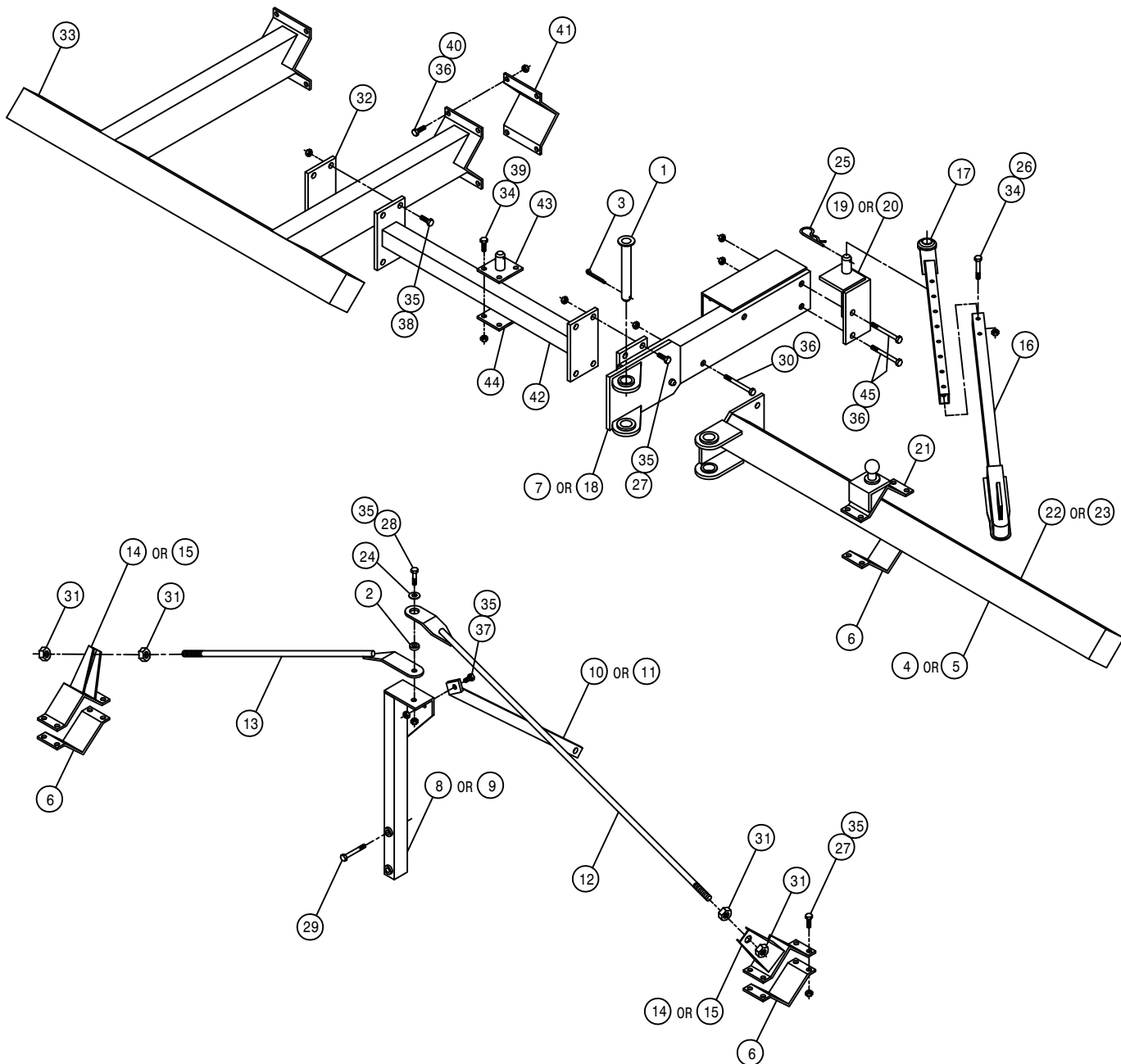


6-ROW 3-LIFT COMBO OUTRIGGER ASSEMBLY

DET.	QTY	PART NO.	DESCRIPTION
1	2	438283	OUTRGR PIVOT PIN WLD 8200 86
2	2	438444	CTR TOOL BAR CLMP PLT COMBO92
3	2	470117	COTTER PIN 3/16 1 3/4 SQ CUT
4	2	438445	OUTRGR MT SUPP WLD COMBO 92
5	2	438449	STABILIZER PIN MT WLD COMBO92
6	2	438324	75IN OUTRGR BRACE CLAMP
7	1	438523	RH OUTRGR MT WLD,284 COMBO 95
8	2	438451	STABILIZER MT PLATE COMBO 92
9	2	438439	OUTRGR MT SUPP PLT 92
10	1	438441	CTR TOOL BAR WLD 280 COMBO 92
11	12	914004	3/8UNC HEX STOVER NUT
12	24	914008	1/2UNC HEX STOVER NUT
13	16	914010	5/8UNC HEX STOVER NUT
14	8	900272	1/2UNC X 3 1/2 HEX BOLT
15	8	900138	3/8UNC X 3 1/2 HEX BOLT
16	2	438390	OUTER STABILIZER TUBE WLD 90
17	2	438393	INNER STABILIZER TUBE WLD 90
18	1	438524	LH OUTRGR MT WLD,284 COMBO 95
19	1	438400	RH STABILIZER PIN MT WLD 90
20	1	438403	LH STABILIZER PIN MT WLD 90
21	2	438405	STABILIZER BALL MT WLD 90
22	1	438277	RH 32IN OUTRGR WLD8200-850086
23	1	438282	LH 32IN OUTRGR WLD8200-850086
24	8	900334	5/8UNC X 1 3/4 HEX BOLT
25	2	611016	HAIR PIN #6
26	4	900133	3/8UNC X 2" HEX BOLT
27	16	900265	1/2UNC X 1 1/2 HEX BOLT
28	4	900383	5/8UNC X 7 1/2" HEX BOLT
29	4	900347	5/8UNC X 6 1/2 HEX BOLT

NOTE: QUANTITY LISTED IS FOR ONE MACHINE.

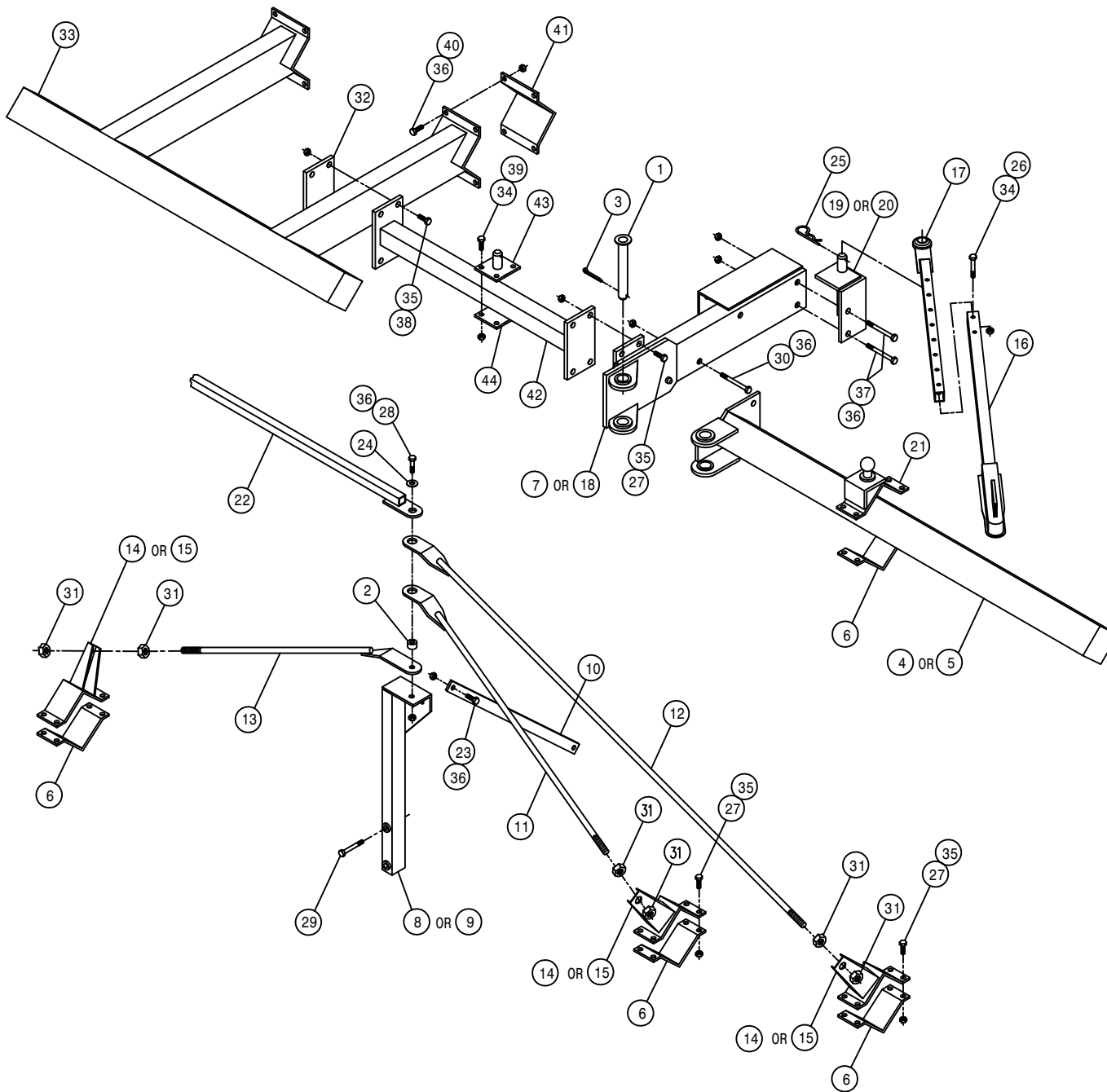




8-10 ROW 4-LIFT COMBO OUTRIGGER ASSEMBLY

DET.	QTY	PART NO.	DESCRIPTION
1	2	438283	OUTRGR PIVOT PIN WLD 8200 86
2	2	438320	BUSH 1.00 OD X .531ID X.28LG
3	2	470117	COTTER PIN 3/16 1 3/4 SQ CUT
4	1	438307	RH 75IN OUTRGR WLD8200-850086
5	1	438309	LH 75IN OUTRGR WLD8200-850086
6	6	438324	75IN OUTRGR BRACE CLAMP
7	1	438523	RH OUTRGR MT WLD,284 COMBO 95
8	1	438349	RH OUTRGR SUPP POST WLD200 89
9	1	438350	LH OUTRGR SUPP POST WLD200 89
10	1	438447	RH OUTRGR SUPP BRACE COMBO 92
11	1	438448	LH OUTRGR SUPP BRACE COMBO 92
12	2	438357	OUTRGR SUPP ROD WLD 200 89
13	2	438359	OUTRGR TIE BAR WLD 200 89
14	2	438362	RH OUTRGR CLAMP WLD 200 89
15	2	438363	LH OUTRGR CLAMP WLD 200 89
16	2	438390	OUTER STABILIZER TUBE WLD 90
17	2	438393	INNER STABILIZER TUBE WLD 90
18	1	438524	LH OUTRGR MT WLD,284 COMBO 95
19	1	438400	RH STABILIZER PIN MT WLD 90
20	1	438403	LH STABILIZER PIN MT WLD 90
21	2	438405	STABILIZER BALL MT WLD 90
22	1	438458	RH 101IN OUTRGR WLD 10-12R 92
23	1	438459	LH 101IN OUTRGR WLD 10-12R 92
24	2	483041	1/2 REGULAR FLAT WASHER
25	2	611016	HAIR PIN #6
26	4	900133	3/8UNC X 2" HEX BOLT
27	32	900265	1/2UNC X 1 1/2 HEX BOLT
28	2	900266	1/2UNC X 1 3/4 HEX BOLT
29	4	900271	1/2UNC X 3 1/4 HEX BOLT
30	4	900347	5/8UNC X 6 1/2 HEX BOLT
31	8	910012	3/4UNC HEX NUT
32	2	438439	OUTRGR MT SUPP PLT 92
33	1	438441	CTR TOOL BAR WLD 280 COMBO 92
34	12	914004	3/8UNC HEX STOVER NUT
35	44	914008	1/2UNC HEX STOVER NUT
36	16	914010	5/8UNC HEX STOVER NUT
37	2	900264	1/2UNC X 1 1/4 HEX BOLT
38	8	900272	1/2UNC X 3 1/2 HEX BOLT
39	8	900138	3/8UNC X 3 1/2 HEX BOLT
40	8	900334	5/8UNC X 1 3/4 HEX BOLT
41	2	438444	CTR TOOL BAR CLMP PLT COMBO92
42	2	438445	OUTRGR MT SUPP WLD COMBO 92
43	2	438449	STABILIZER PIN MT WLD COMBO92
44	2	438451	STABILIZER MT PLATE COMBO 92
45	4	900383	5/8UNC X 7 1/2" HEX BOLT

NOTE: QUANTITY LISTED IS FOR ONE MACHINE.

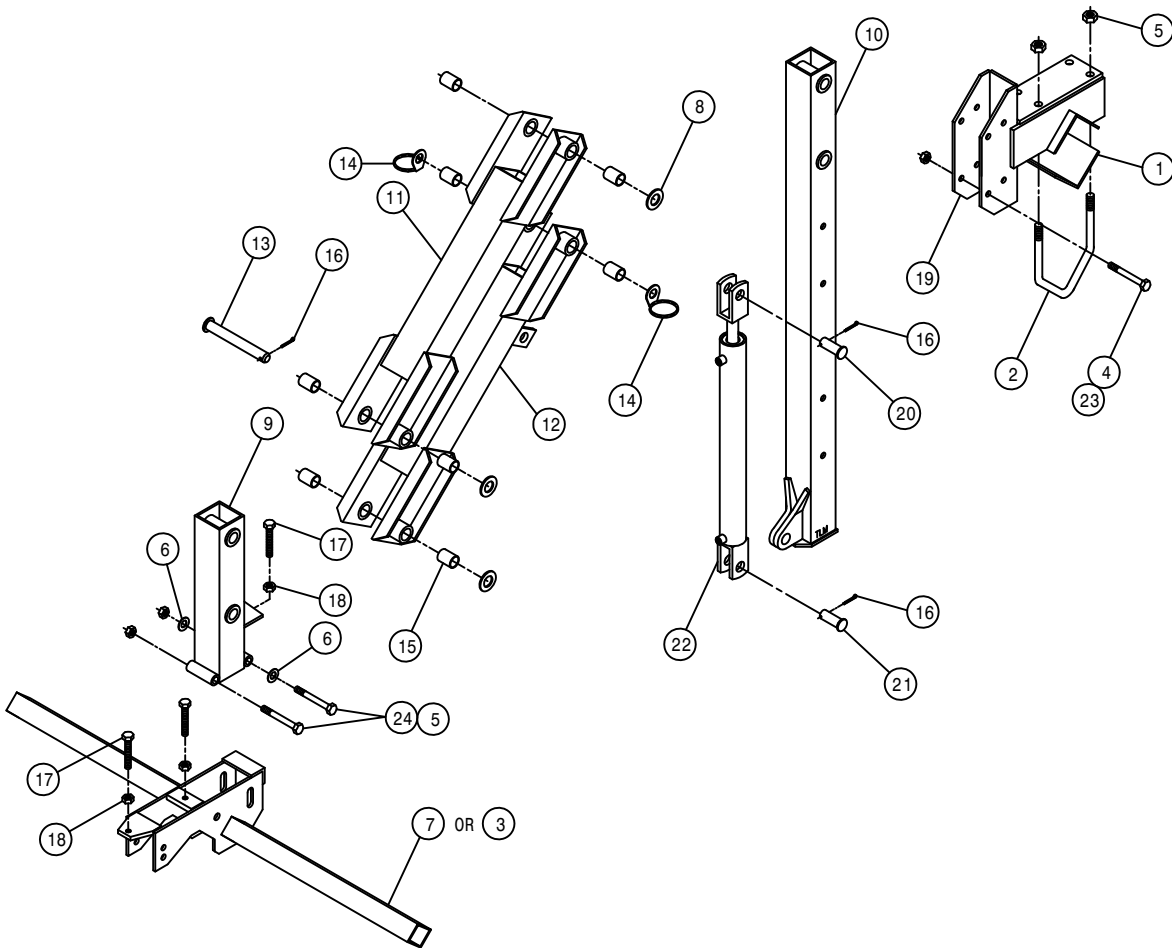


12-ROW 6-LIFT COMBO OUTRIGGER ASSEMBLY

DET. QTY PART NO. DESCRIPTION

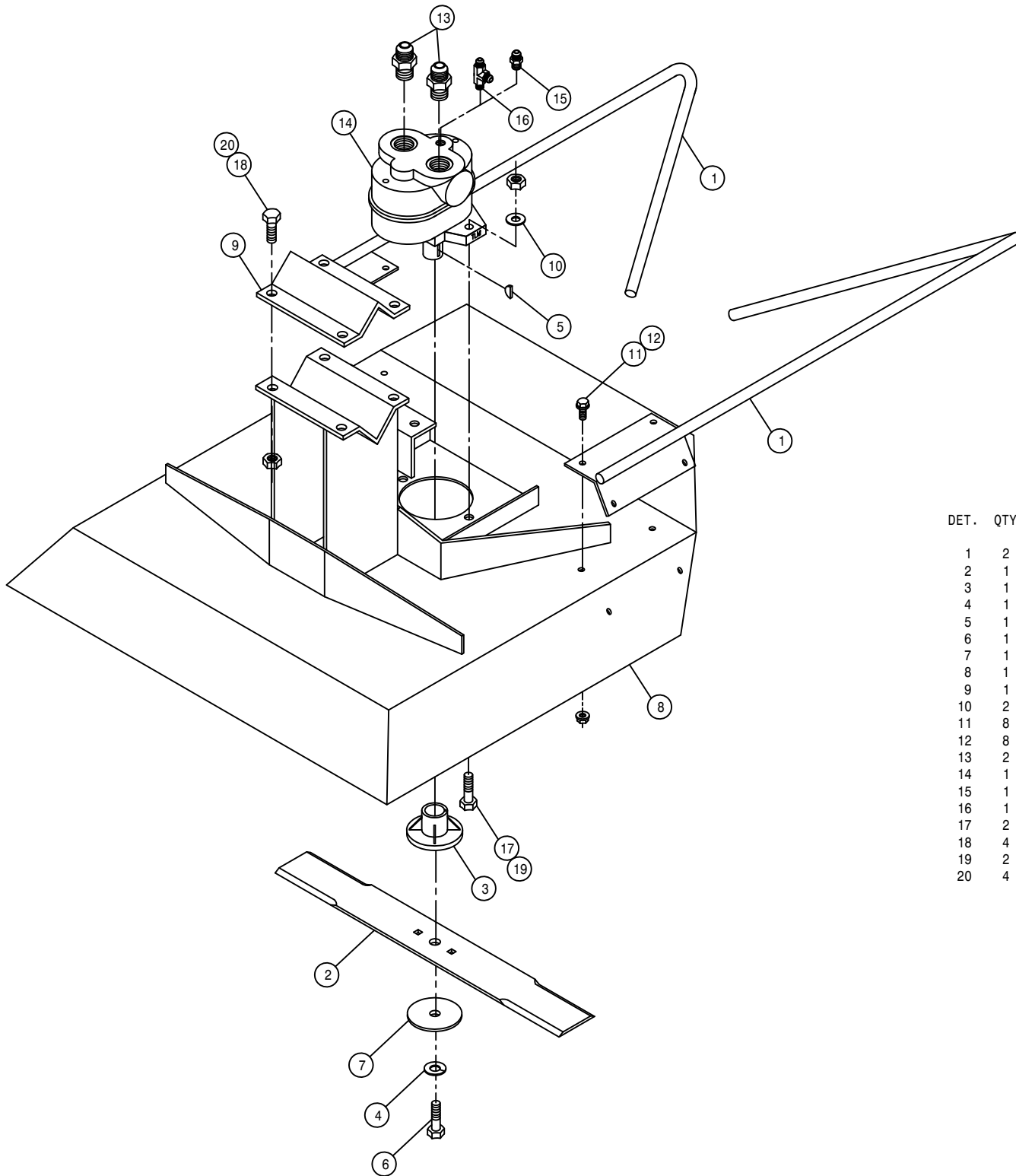
1	2	438283	OUTRGR PIVOT PIN WLD 8200	86
2	2	438541	BUSH, 1.00 OD X .656ID X .53	
3	2	470117	COTTER PIN 3/16 1 3/4 SQ CUT	
4	1	438533	RH 133" OUTRGR WLD, 10/12R	96
5	1	438534	LH 133" OUTRGR WLD, 10/12R	96
6	8	438324	75IN OUTRGR BRACE CLAMP	
7	1	438523	RH OUTRGR MT WLD,284 COMBO	95
8	1	438595	RH OUTRGR SUPP POST WLD284C	97
9	1	438596	LH OUTRGR SUPP POST WLD284C	97
10	2	438543	OUTRGR SUPP BRACE, 10/12R	96
11	2	438544	OUTRGR SUPP ROD WLD 50"10/12R	
12	2	438471	OUTRGR SUPP ROD WLD 10-12R	
13	2	438664	OUTRGR TIE BAR WLD 72"2100/STS	
14	3	438362	RH OUTRGR CLAMP WLD 200	89
15	3	438363	LH OUTRGR CLAMP WLD 200	89
16	2	438390	OUTER STABILIZER TUBE WLD	90
17	2	438393	INNER STABILIZER TUBE WLD	90
18	1	438524	LH OUTRGR MT WLD,284 COMBO	95
19	1	438400	RH STABILIZER PIN MT WLD	90
20	1	438403	LH STABILIZER PIN MT WLD	90
21	2	438405	STABILIZER BALL MT WLD	90
22	1	438599	OUTRGR TIE TUBE WLD,284C	97
23	2	900333	5/8UNC X 1 1/2 HEX BOLT	
24	2	483037	5/8 REGULAR FLAT WASHER	
25	2	611016	HAIR PIN #6	
26	4	900133	3/8UNC X 2" HEX BOLT	
27	40	900265	1/2UNC X 1 1/2 HEX BOLT	
28	2	900352	5/8UNC X 2 1/4 HEX BOLT	
29	4	900271	1/2UNC X 3 1/4 HEX BOLT	
30	4	900347	5/8UNC X 6 1/2 HEX BOLT	
31	12	910012	3/4UNC HEX NUT	
32	2	438439	OUTRGR MT SUPP PLT	92
33	1	438441	CTR TOOL BAR WLD 280 COMBO	92
34	12	914004	3/8UNC HEX STOVER NUT	
35	48	914008	1/2UNC HEX STOVER NUT	
36	20	914010	5/8UNC HEX STOVER NUT	
37	4	900383	5/8UNC X 7 1/2" HEX BOLT	
38	8	900272	1/2UNC X 3 1/2 HEX BOLT	
39	8	900138	3/8UNC X 3 1/2 HEX BOLT	
40	8	900334	5/8UNC X 1 3/4 HEX BOLT	
41	2	438444	CTR TOOL BAR CLMP PLT COMBO	92
42	2	438445	OUTRGR MT SUPP WLD COMBO	92
43	2	438449	STABILIZER PIN MT WLD COMBO	92
44	2	438451	STABILIZER MT PLATE COMBO	92

NOTE: QUANTITY LISTED IS FOR ONE MACHINE.



COMBO DETASSLER LIFT ASSEMBLY

DET.	QTY	PART NO.	DESCRIPTION
1	1	438292	TOOL BAR V-PLT WLD 8200 86
2	2	438293	5/8UNC X 6 1/4 CTR U-BOLT TRI
3	1	438478	TOOL BAR WLD 10-12R DETASSLR
4	4	914008	1/2UNC HEX STOVER NUT
5	6	914010	5/8UNC HEX STOVER NUT
6	2	920005	5/8 SAE FLAT WASHER
7	1	438194	TOOL BAR WLD DETAS 4-6R 83
8	3	920008	1\" SAE FLAT WASHER
9	1	438177	TOOL BAR MT WLD,1-POS DETAS
10	1	438184	HOIST COL WLD DETAS LIFT 83
11	1	438294	UPPER LIFT ARM WLD 8200 86
12	1	438297	LWR LIFT ARM WLD 8200 86
13	4	438300	LIFT ARM PIVOT PIN WLD8200 86
14	2	438302	HOSE SUPPORT RING WLD W/WASHER
15	8	121025	JOURNAL BRG, 1.00 ID X 1.50 LG
16	6	470162	COTTER PIN 3/16 X 1 1/2 SQCUT
17	2	900538	1/2UNC X 3 1/2 HEX BOLT FULL
18	2	910008	1/2UNC HEX NUT
19	1	438367	HOIST COL MT BRKT WLD 200 90
20	1	472012	CLEVIS PIN, 1.00 X 3.25 PLT
21	1	472206	PICKER PIN 1 DIA X 2 1/4
22	1	620810	LIFT CYL ASSY, DETASSELER
23	4	900275	1/2UNC X 4 1/2 HEX BOLT
24	2	900343	5/8UNC X 4 1/2 HEX BOLT



CUTTER HEAD ASSEMBLY

DET. QTY PART NO. DESCRIPTION

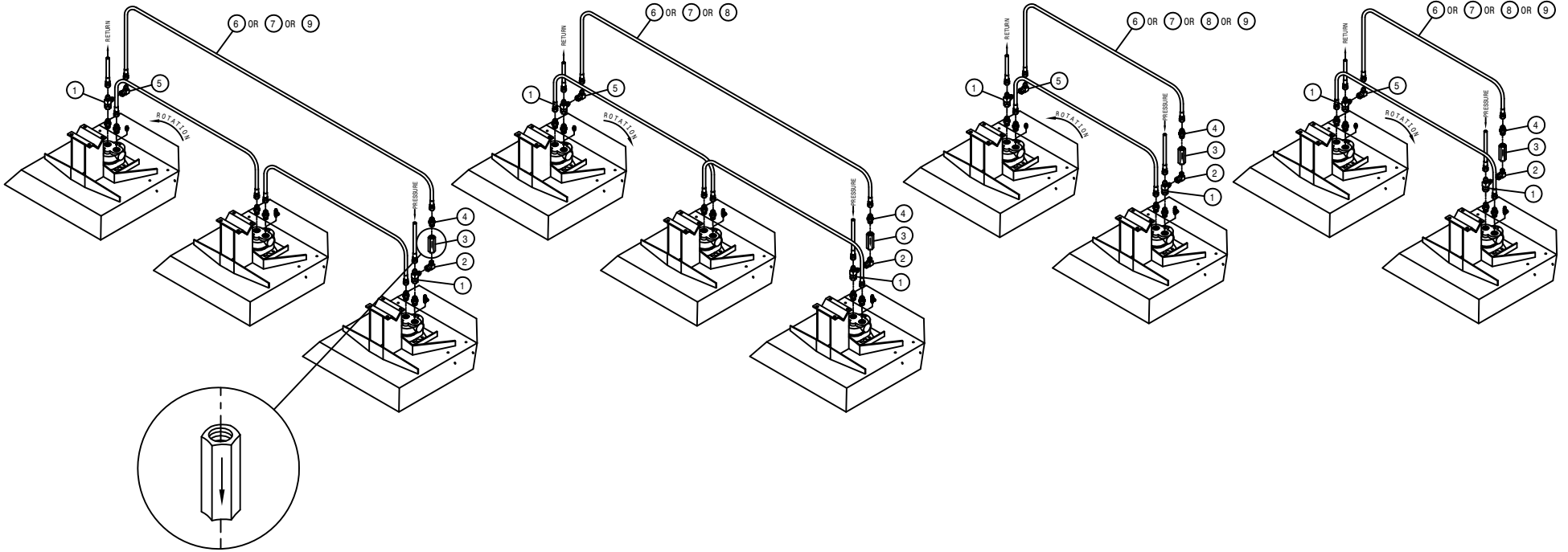
DET.	QTY	PART NO.	DESCRIPTION
1	2	002215	CUTR STALK GUIDE WLD 8200 85
2	1	002103	CUTR BLADE 18 IN
3	1	002104	CLUTCH BODY BLADE
4	1	002105	STEEL LOCK WASH CUTR BLADE
5	1	002106	WOODRUFF KEY #6 .156 X .625
6	1	002107	3/8UNC X 1 1/2 HEX BOLT CUTR
7	1	002108	STEEL WASHER CUTTER BLADE
8	1	002210	CUTR TOP WLD 8200 85
9	1	410016	RLR HANGER V 473
10	2	920002	3/8 SAE FLAT WASHER
11	8	470118	1/4UNC X 3/4 FLANGE HEX BOLT
12	8	470121	1/4UNC HEX FLANGE LOCK NUT
13	2	611125	3/4MJIC-3/4MOR ADPTR
14	1	610590	SUB>610755:BARNES HYD MOTOR
15	1	618530	9/16MJIC-1/8MNPT ADPTR
16	1	618546	1/8MNPT RUN TEE-9/16MJIC
17	2	900130	3/8UNC X 1 1/4 HEX BOLT
18	4	900265	1/2UNC X 1 1/2 HEX BOLT
19	2	914004	3/8UNC HEX STOVER NUT
20	4	914008	1/2UNC HEX STOVER NUT

LEFT SIDE OF OPERATOR

RIGHT SIDE OF OPERATOR

LEFT SIDE OF OPERATOR

RIGHT SIDE OF OPERATOR

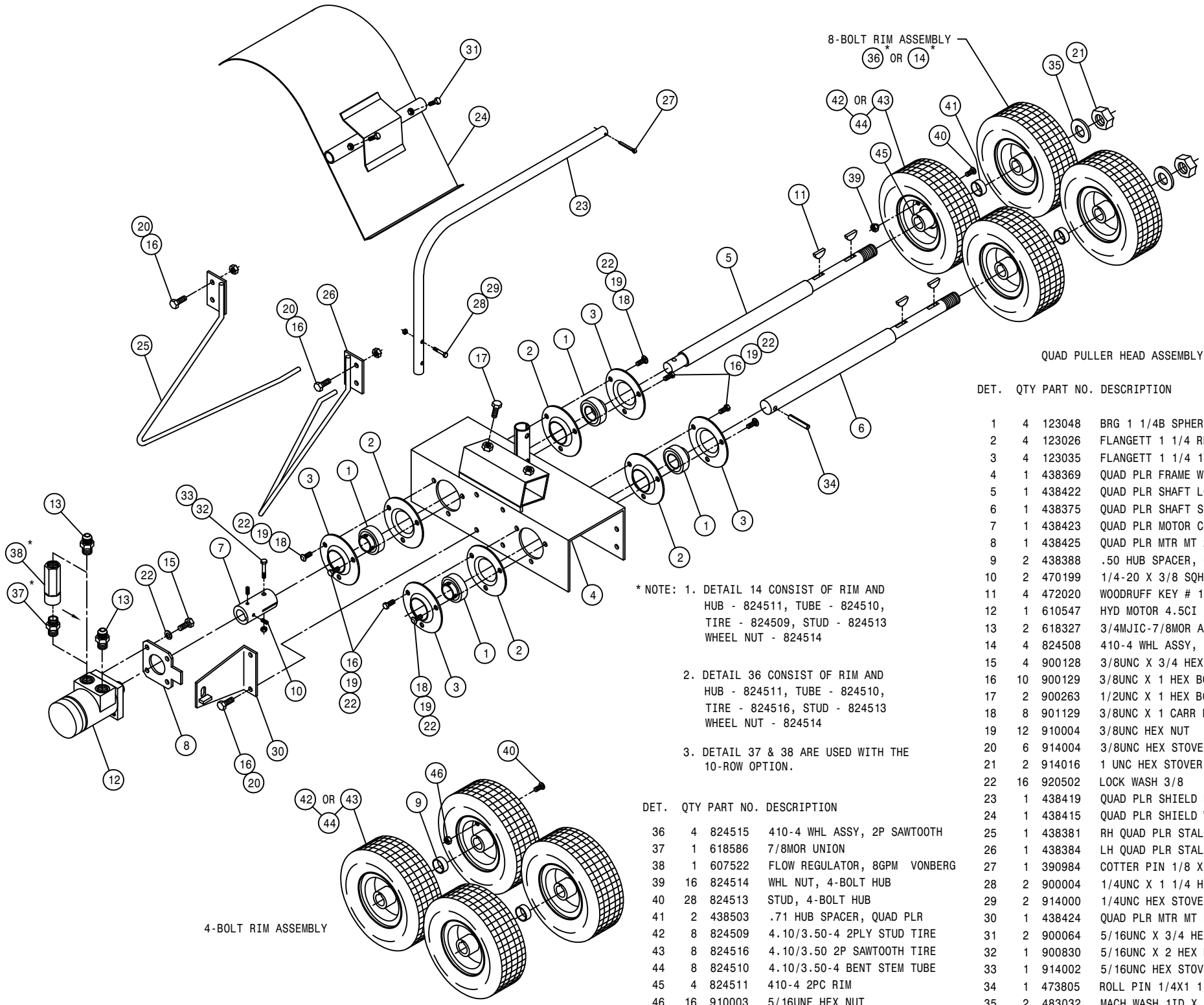


CUTTER CHECK VALVE HYDRAULIC SCHEMATIC

DET. QTY PART NO. DESCRIPTION

1	2	618451	3/4FJIC SW RUN TEE-3/4MJIC	
2	1	618620	3/4FJX-90-1/2MNPT ADPTR	
3	1	690338	LINE CHECK VALVE HYD .50NPT	
4	1	611147	3/4MJIC-1/2MNPT ADPTR	
5	1	618609	3/4MJIC-90-3/4FJIC SWIV LBO	
6	1	614375	08C1T-08FJX-08FJX-177	H/A
7	1	616057	08C1T-08FJX-08FJX-88	H/A
8	1	614368	08C1T-08FJX-08FJX-60	H/A
9	1	614384	08C1T-08FJX-08FJX-237	H/A

NOTE: LISTING IS FOR ONE GROUP OF CUTTER HEADS.



QUAD PULLER HEAD ASSEMBLY

DET.	QTY	PART NO.	DESCRIPTION
1	4	123048	BRG 1 1/4B SPHER RELUB SCRLOC
2	4	123026	FLANGETT 1 1/4 RELUBE
3	4	123035	FLANGETT 1 1/4 180 DEG ZERK
4	1	438369	QUAD PLR FRAME WLD 200 90
5	1	438422	QUAD PLR SHAFT LONG 200 91
6	1	438375	QUAD PLR SHAFT SHORT 200 90
7	1	438423	QUAD PLR MOTOR COUPLER 200 91
8	1	438425	QUAD PLR MTR MT 200 91
9	2	438388	.50 HUB SPACER, QUAD PLR
10	2	470199	1/4-20 X 3/8 SQHD CUP SET SCR
11	4	472020	WOODRUFF KEY # 18 1/4 X 1 1/8
12	1	610547	HYD MOTOR 4.5CI 1IN SHFT
13	2	618327	3/4MJIC-7/8MOR ADPTR
14	4	824508	410-4 WHL ASSY, 2P STUD
15	4	900128	3/8UNC X 3/4 HEX BOLT
16	10	900129	3/8UNC X 1 HEX BOLT
17	2	900263	1/2UNC X 1 HEX BOLT
18	8	901129	3/8UNC X 1 CARR BOLT
19	12	910004	3/8UNC HEX NUT
20	6	914004	3/8UNC HEX STOVER NUT
21	2	914016	1 UNC HEX STOVER NUT
22	16	920502	LOCK WASH 3/8
23	1	438419	QUAD PLR SHIELD MT TUBE 91
24	1	438415	QUAD PLR SHIELD WLD 200 91
25	1	438381	RH QUAD PLR STALK GUIDE WLD90
26	1	438384	LH QUAD PLR STALK GUIDE WLD90
27	1	390984	COTTER PIN 1/8 X 1 1/4
28	2	900004	1/4UNC X 1 1/4 HEX BOLT
29	2	914000	1/4UNC HEX STOVER NUT
30	1	438424	QUAD PLR MTR MT PLT WLD
31	2	900064	5/16UNC X 3/4 HEX BOLT
32	1	900830	5/16UNC X 2 HEX BOLT GR8
33	1	914002	5/16UNC HEX STOVER NUT
34	1	473805	ROLL PIN 1/4X1 1/2
35	2	483032	MACH WASH 1ID X 1.50D X.134TH

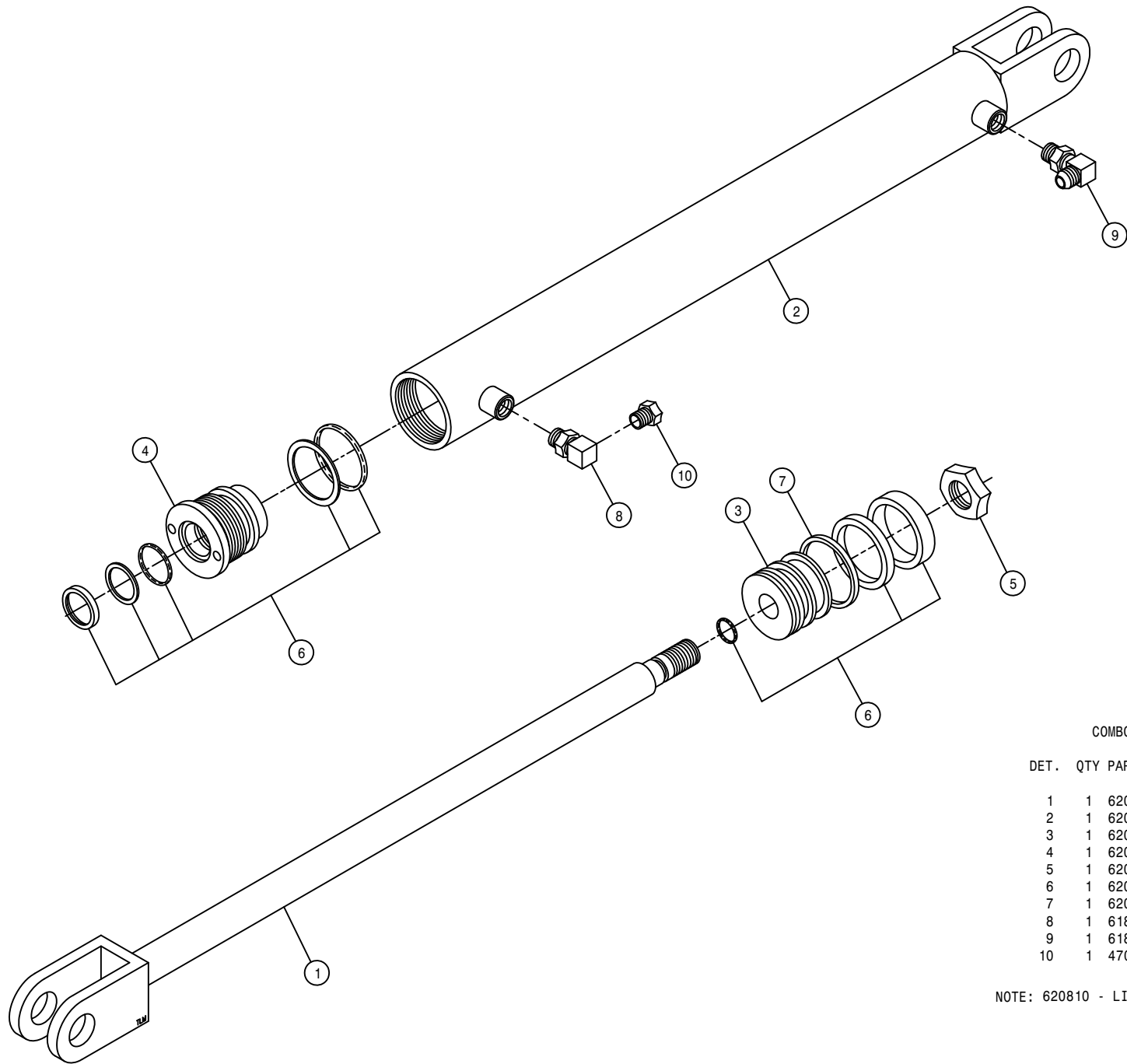
\* NOTE: 1. DETAIL 14 CONSIST OF RIM AND HUB - 824511, TUBE - 824510, TIRE - 824509, STUD - 824513 WHEEL NUT - 824514

2. DETAIL 36 CONSIST OF RIM AND HUB - 824511, TUBE - 824510, TIRE - 824516, STUD - 824513 WHEEL NUT - 824514

3. DETAIL 37 & 38 ARE USED WITH THE 10-ROW OPTION.

DET.	QTY	PART NO.	DESCRIPTION
36	4	824515	410-4 WHL ASSY, 2P SAWTOOTH
37	1	618586	7/8MOR UNION
38	1	607522	FLOW REGULATOR, 8GPM VONBERG
39	16	824514	WHL NUT, 4-BOLT HUB
40	28	824513	STUD, 4-BOLT HUB
41	2	438503	.71 HUB SPACER, QUAD PLR
42	8	824509	4.10/3.50-4 2PLY STUD TIRE
43	8	824516	4.10/3.50 2P SAWTOOTH TIRE
44	8	824510	4.10/3.50-4 BENT STEM TUBE
45	4	824511	410-4 2PC RIM
46	16	910003	5/16UNF HEX NUT

4-BOLT RIM ASSEMBLY



COMBO LIFT CYLINDER ASSEMBLY

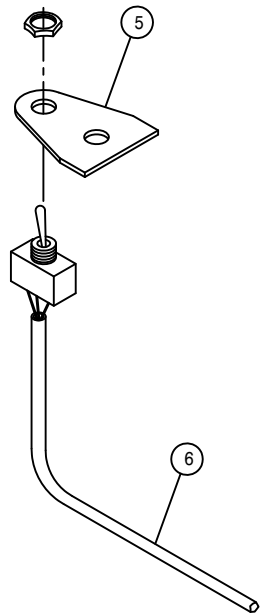
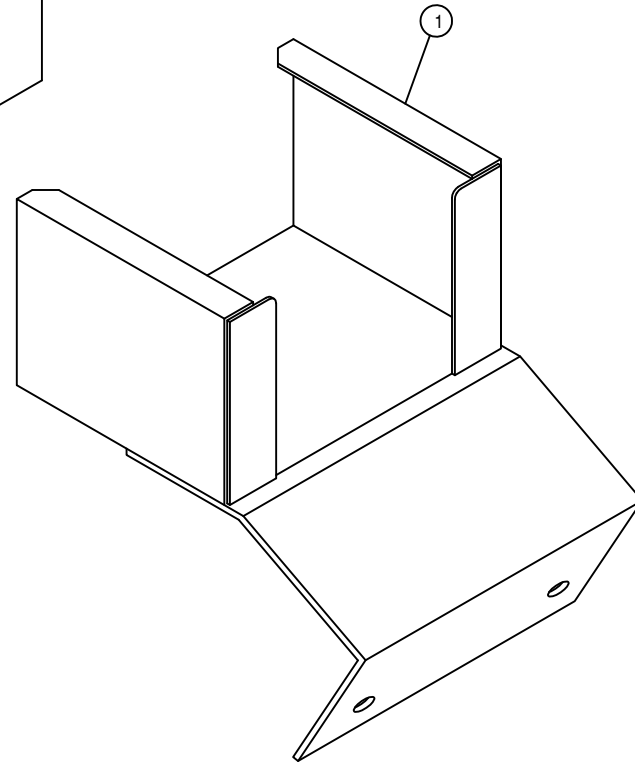
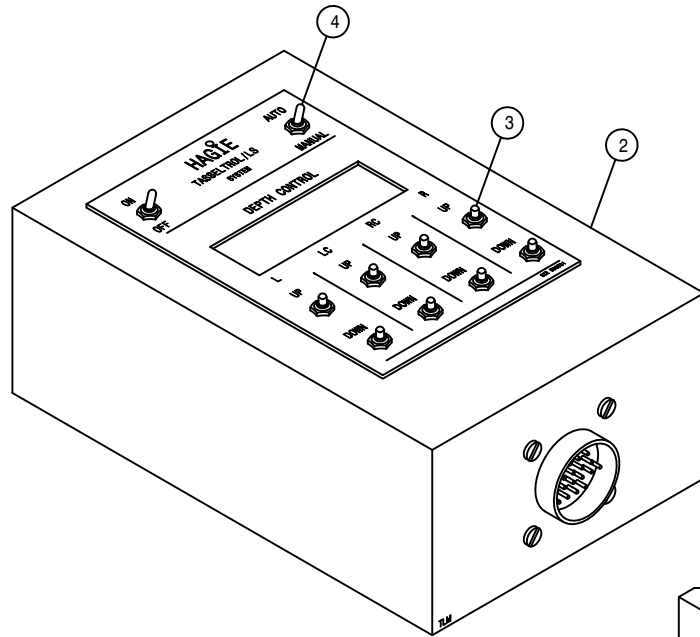
DET.	QTY	PART NO.	DESCRIPTION
	1	620813	SHAFT, LIFT CYL,DETASS 620810
	1	620814	BARREL,LIFT CYL,DETASS 620810
	1	620754	PISTON, P-2.00-120
	1	620758	HEAD, H-2.00-345
	1	620757	NUT, N-0.75-02
	1	620778	REPAIR KIT, RK-2.00-800
	1	620753	STEEL PISTON RING,R-2.00-01
	1	618116	9/16MOR-90-1/4FNPT LBO
	1	618119	9/16MJIC-90-9/16MOR LBO
	1	470114	BREATHER FILTER VENT, 1/4 NPT

NOTE: 620810 - LIFT CYLINDER INCLUDES ITEMS 1-7.

COMBO TASSELTR0L/LS BOX CONTROL ASSEMBLY

DET. QTY PART NO. DESCRIPTION

1	1	002869	LS CTRL BOX MT WLD, COMBO	94
2	1	293201	TASSELTR0L/LS CTRL BOX ASSY	
3	8	293255	SWITCH BOOT,PUSHBUTTON,1/4-40	
4	2	470001	RUBBER BOOT W NUT FOR 298012	
5	1	002883	SWITCH MT,LS CTRL OVERRIDE284	
6	1	293336	LS CTRL OVERRIDE WIRE ASSY284	

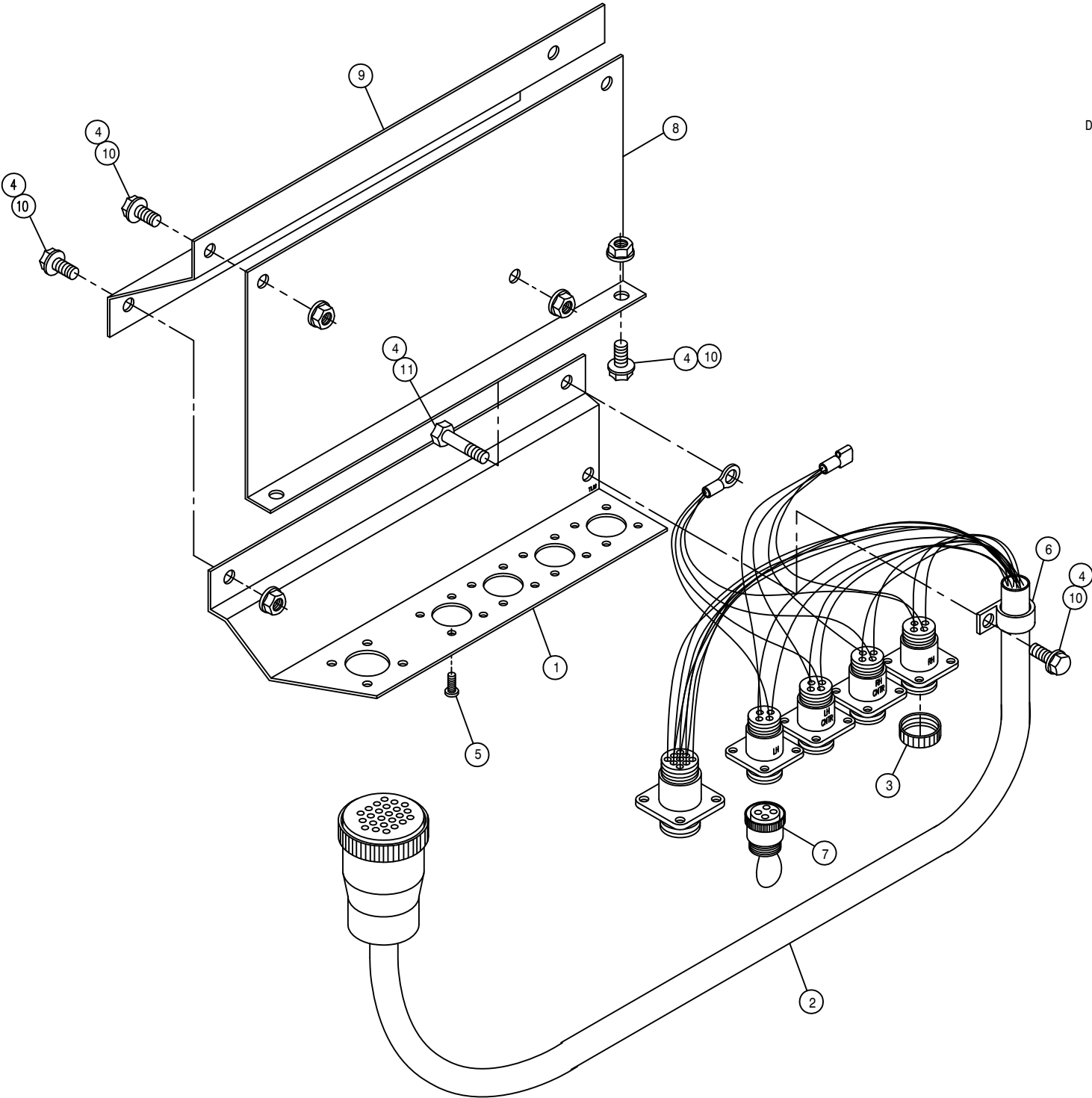


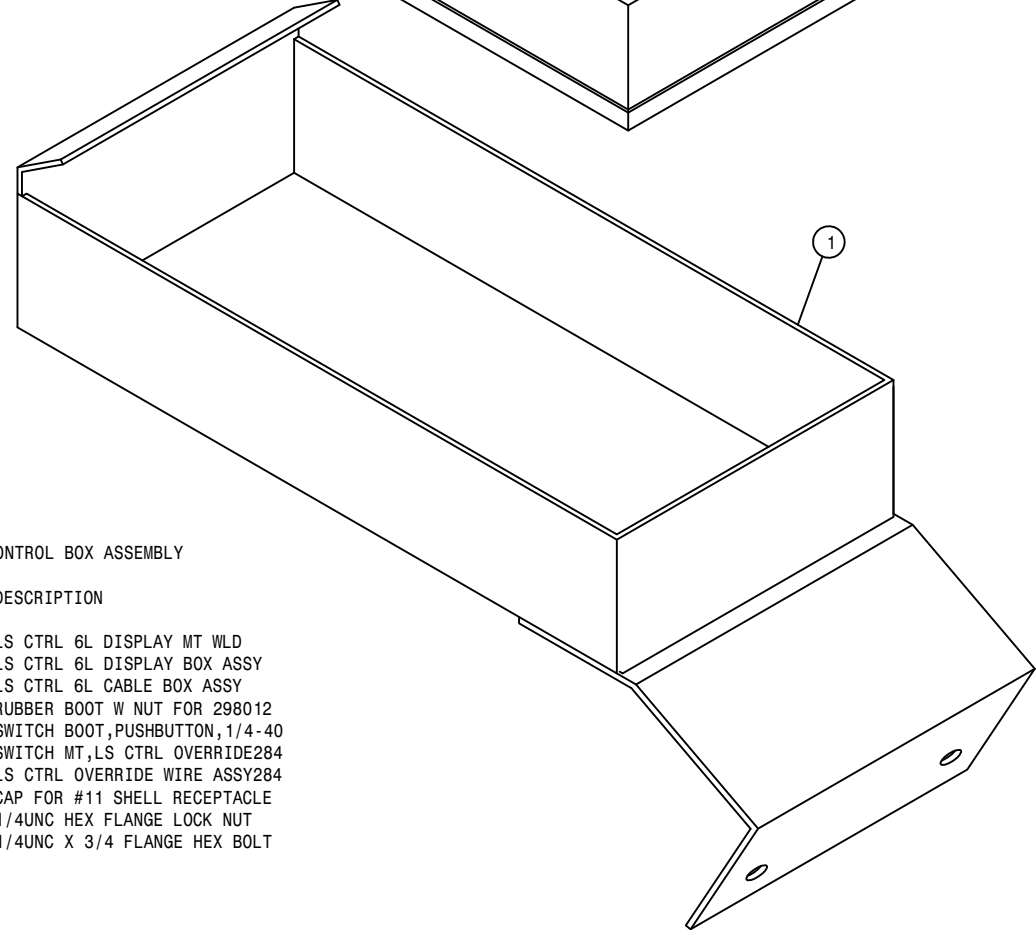
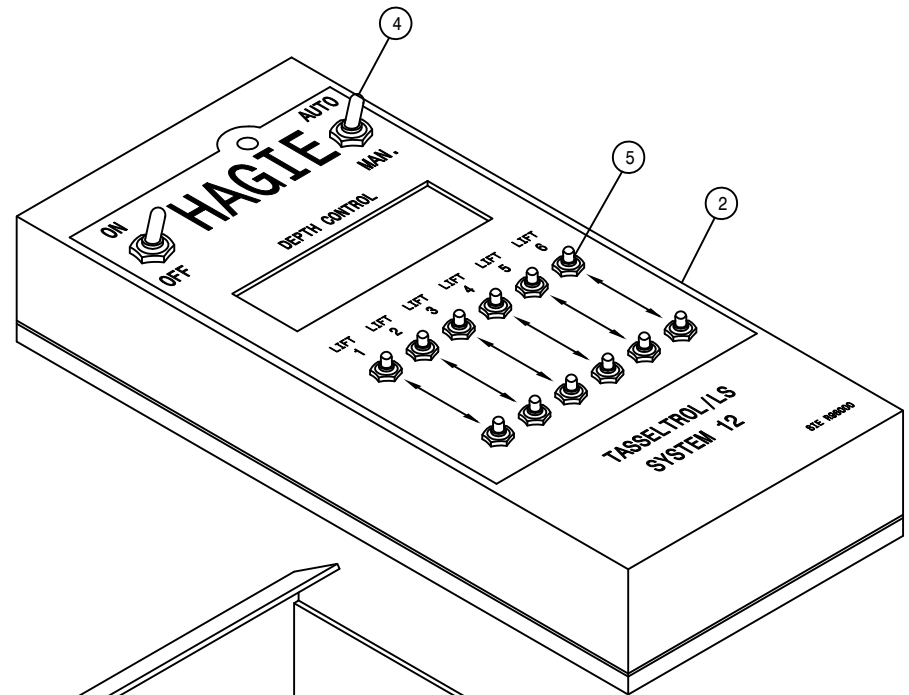
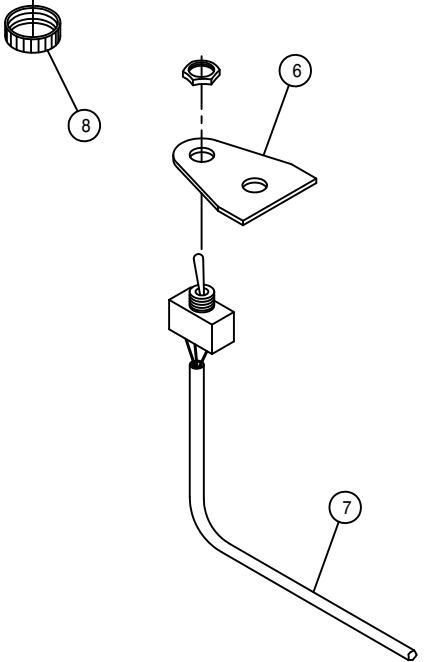
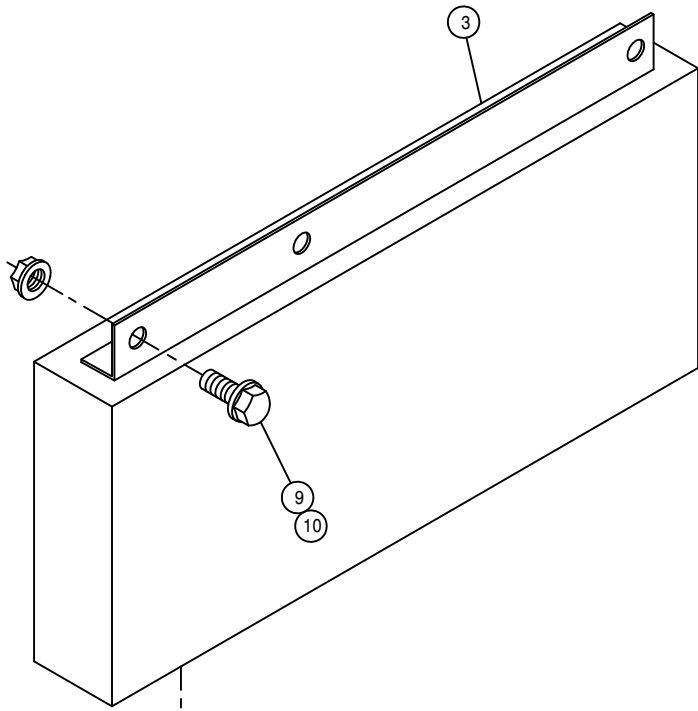


COMBO T-TROL/LS RECEPTACLE ASSEMBLY

DET.	QTY	PART NO.	DESCRIPTION
1	1	002777	T-TROL/LS RECEPTACLE MT
2	1	293200	MAIN CONTROL WIRE ASSY LS 90
3	4	293046	CAP FOR #11 SHELL RECEPTACLE
4	8	470121	1/4UNC HEX FLANGED LOCK NUT
5	20	473932	SCREW, SELF TAP 6/32 X 3/8PAN
6	1	520118	CUSH HOSE CLAMP 1/2D X 1/2W
7	1	293211	JUMPER PLUG, T-TROL/LS SYS
8	1	002874	LS RECP TCL MT PLT 284COMBO 94
9	1	002875	LS RECP TCL MT COVR, 284 COMBO
10	7	470122	1/4UNC X 1/2 FLANGED HEX BOLT
11	1	900004	1/4UNC X 1 1/4 HEX BOLT

NOTE: DETAIL 7 IS USED (1) WITH 3-LIFT OPTION AND (2) WITH 2-LIFT OPTION.

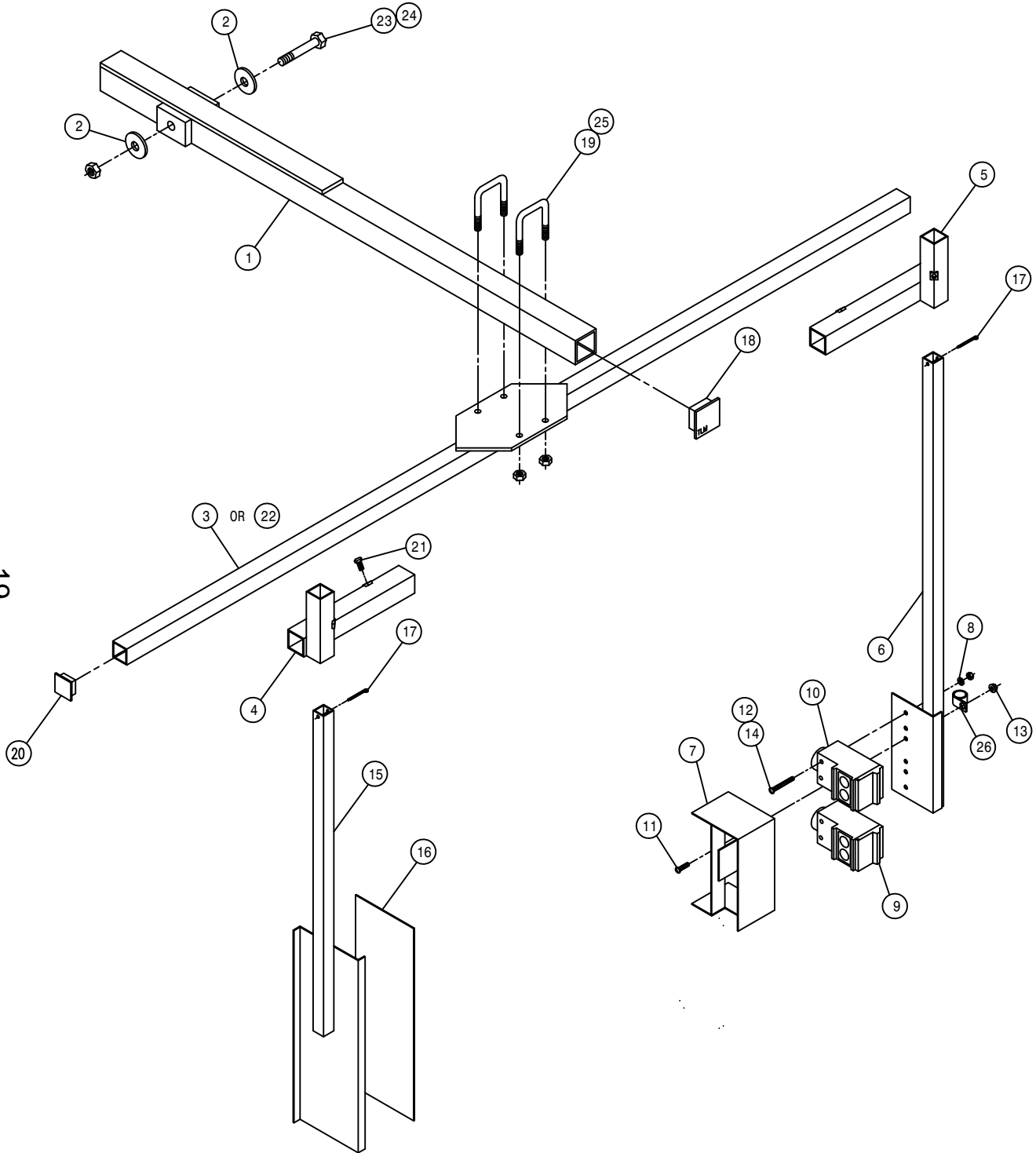




6-LIFT, LS CONTROL BOX ASSEMBLY

DET.	QTY	PART NO.	DESCRIPTION
	1	002902	LS CTRL 6L DISPLAY MT WLD
	1	293373	LS CTRL 6L DISPLAY BOX ASSY
	1	293374	LS CTRL 6L CABLE BOX ASSY
	2	470001	RUBBER BOOT W NUT FOR 298012
	12	293255	SWITCH BOOT,PUSHBUTTON,1/4-40
	1	002883	SWITCH MT,LS CTRL OVERRIDE284
	1	293336	LS CTRL OVERRIDE WIRE ASSY284
	6	293046	CAP FOR #11 SHELL RECEPTACLE
	2	470121	1/4UNC HEX FLANGE LOCK NUT
	2	470118	1/4UNC X 3/4 FLANGE HEX BOLT

19



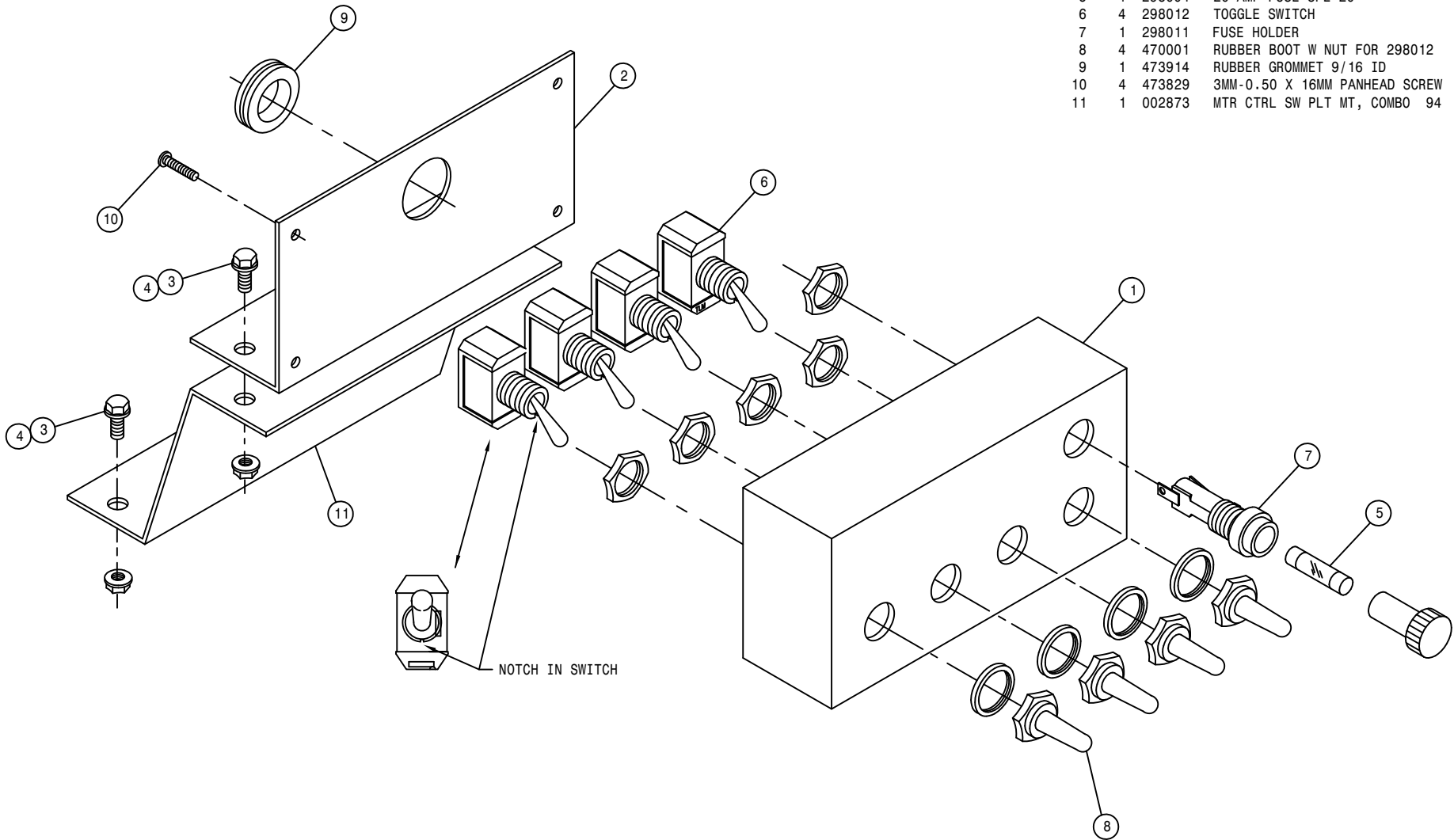
TASSELTROL SENSOR ASSEMBLY

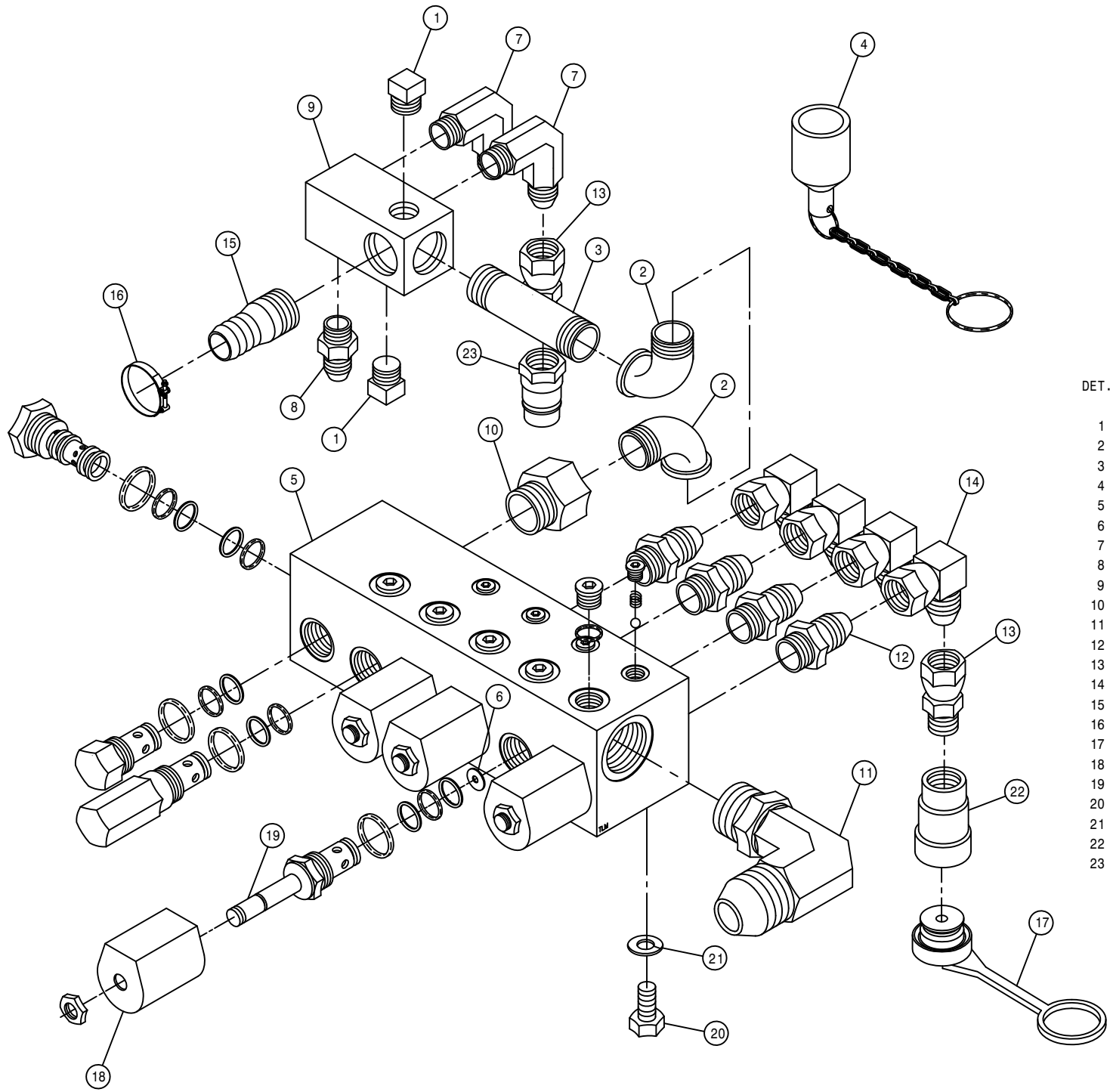
DET.	QTY	PART NO.	DESCRIPTION	
1	1	002813	SENSOR ARM WELD 200 DET	92
2	2	002815	SENSOR ARM WASH, NYL	
3	1	002709	LS CROSSTUBE WLD	90
4	1	002712	LS REFLECTOR SLIDE MT WLD	90
5	1	002713	LS SENSOR SLIDE MT WLD	90
6	1	002839	LS 42GRU PHOTOSW SENSR MT WLD	
7	1	002841	LS 42GRU SENSOR SHIELD WLD	
8	4	920510	#10 LOCK WASHER	
9	1	293258	LWR LS 9000 SENSOR ASSY, FEM	
10	1	293259	UPR LS 9000 SENSOR ASSY, MALE	
11	2	903883	10-32 X 1/2 SLT RDHD MACH SCR	
12	4	910027	10-32 HEX NUT	
13	2	470175	10-32 HEX FLANGE LOCK NUT	
14	4	903902	10-32 X 2" SLT RD HD MACH SCR	
15	1	002723	LS REFLECTOR MT WLD	90
16	1	650310	LS REFLECTOR 4 X 12	90
17	2	390984	COTTER PIN 1/8 X 1 1/4	
18	1	473943	FINISH PLUG 1 1/2 SQ	
19	2	473949	5/16UNC-1 9/16ID-1 15/16U-BOLT	
20	2	629727	FINISH PLUG FOR 1 IN X 16 GA	
21	4	900000	1/4UNC X 1/2 HEX BOLT	
22	1	002834	LS CROSSTUBE WLD 10-12R	92
23	1	900275	1/2UNC X 4 1/2 HEX BOLT	
24	1	914008	1/2UNC HEX STOVER NUT	
25	4	914002	5/16UNC HEX STOVER NUT	
26	1	520117	CUSH HOSE CLAMP 5/8D X 1/2W	

COMBO MOTOR CONTROL VALVE SWITCH ASSEMBLY

DET. QTY PART NO. DESCRIPTION

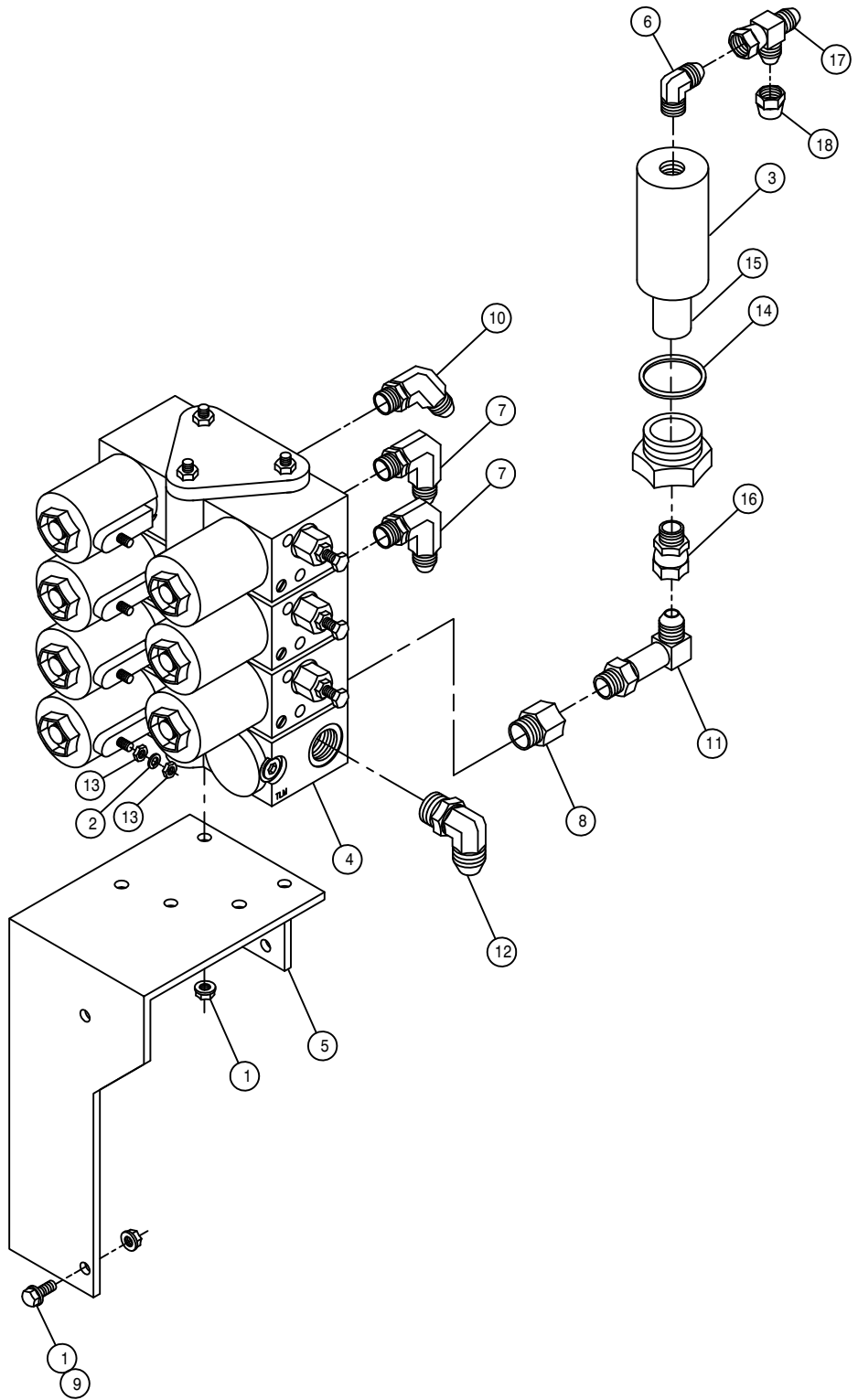
DET.	QTY	PART NO.	DESCRIPTION
1	1	002744	SWITCH BOX, DEPTH CMD
2	1	002745	SWITCH BOX MT, DEPTH CMD
3	4	470121	1/4UNC HEX FLANGE LOCK NUT
4	4	470122	1/4UNC X 1/2 FLANGE HEX BOLT
5	1	298004	20 AMP FUSE SFE 20
6	4	298012	TOGGLE SWITCH
7	1	298011	FUSE HOLDER
8	4	470001	RUBBER BOOT W NUT FOR 298012
9	1	473914	RUBBER GROMMET 9/16 ID
10	4	473829	3MM-0.50 X 16MM PANHEAD SCREW
11	1	002873	MTR CTRL SW PLT MT, COMBO 94





COMBO MOTOR CONTROL VALVE ASSEMBLY

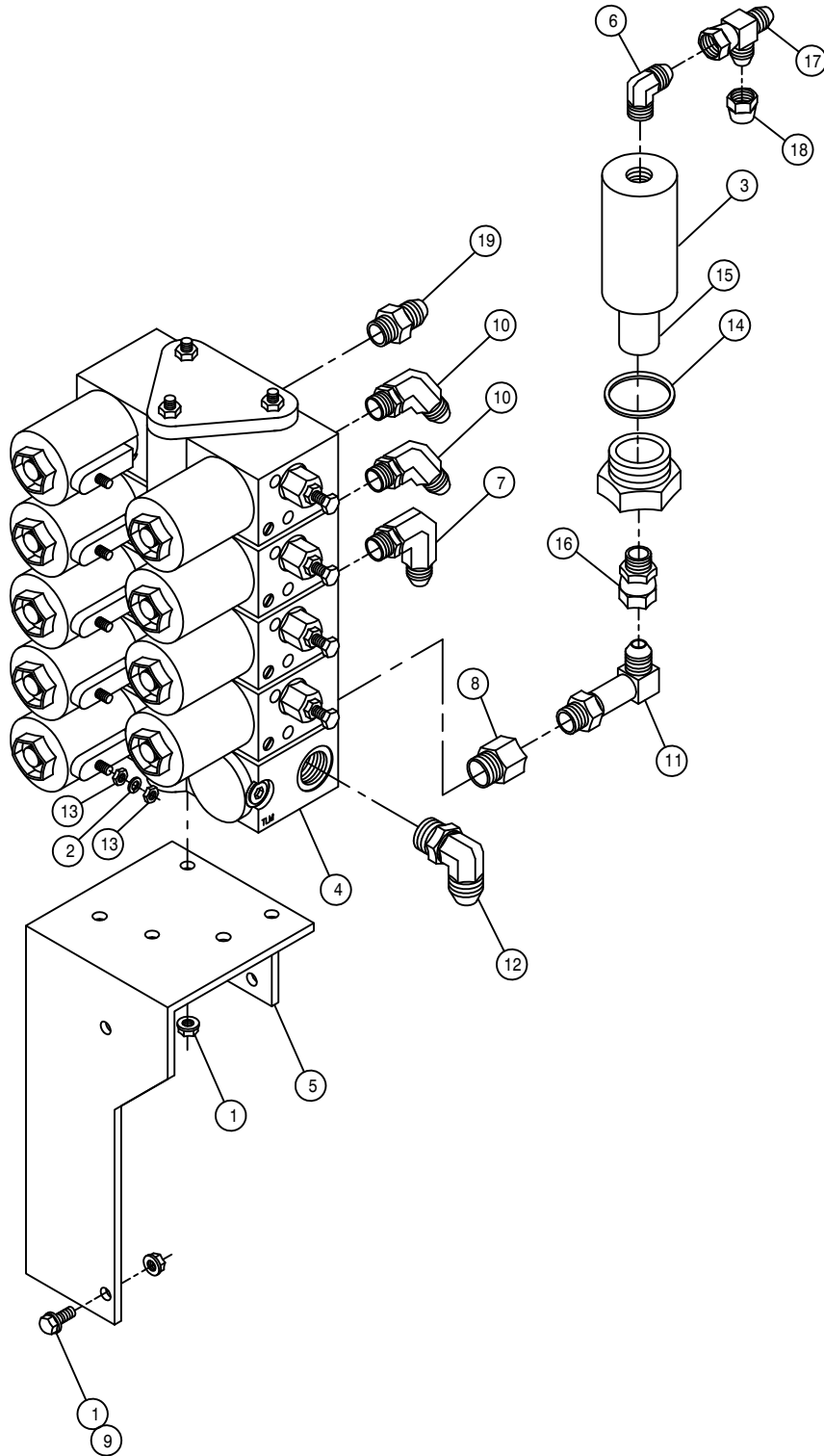
DET.	QTY	PART NO.	DESCRIPTION
1	2	503700	PIPE PLUG .50NPT SQ HD
2	2	505200	BLK PIPE ST EL 90DEG 1.00NPT
3	1	505210	BLK PIPE NIPPLE 1.00NPT-3.00
4	3	618636	RUBBER DUST CAP FOR 618622
5	1	610467	MODULAR MTR CONTROL ELECT VLV
6	4	610478	DISK .182 ORIFICE MOD CTRL
7	2	611145	3/4MJIC-90-1/2MNPT LBO
8	1	611147	3/4MJIC-1/2MNPT ADPTR
9	1	614633	HYD MANIF 8200 86
10	1	618090	1 5/16MOR-1FNPT ADPTR
11	1	618178	1 5/16MJIC-90-1 5/16MOR LBO
12	4	618469	3/4MJIC-1 1/16MOR ADPTR
13	7	618623	3/4FJIC-SWIV-1/2MNPT
14	4	618609	3/4MJIC-90-3/4FJIC SWIV LBO
15	1	714561	1.00NPT-1.25 HOSE BARB
16	1	520132	1.62/1.87 T-BOLT HOSE CLAMP
17	4	618635	RUBBER DUST PLUG FOR 618621
18	4	610480	SOLENOID COIL FOR610476REPAIR
19	4	610481	SOLENOID VLV FOR 610476REPAIR
20	2	900128	3/8UNC X 3/4 HEX BOLT
21	2	920502	3/8 LOCK WASHER
22	4	618621	HYD QUICK CPLR, FEMALE, .50FNPS
23	3	618622	HYD QUICK CPLR, MALE, .50FNPS



3-SECTION ELECTRIC VALVE ASSEMBLY

DET. QTY PART NO. DESCRIPTION

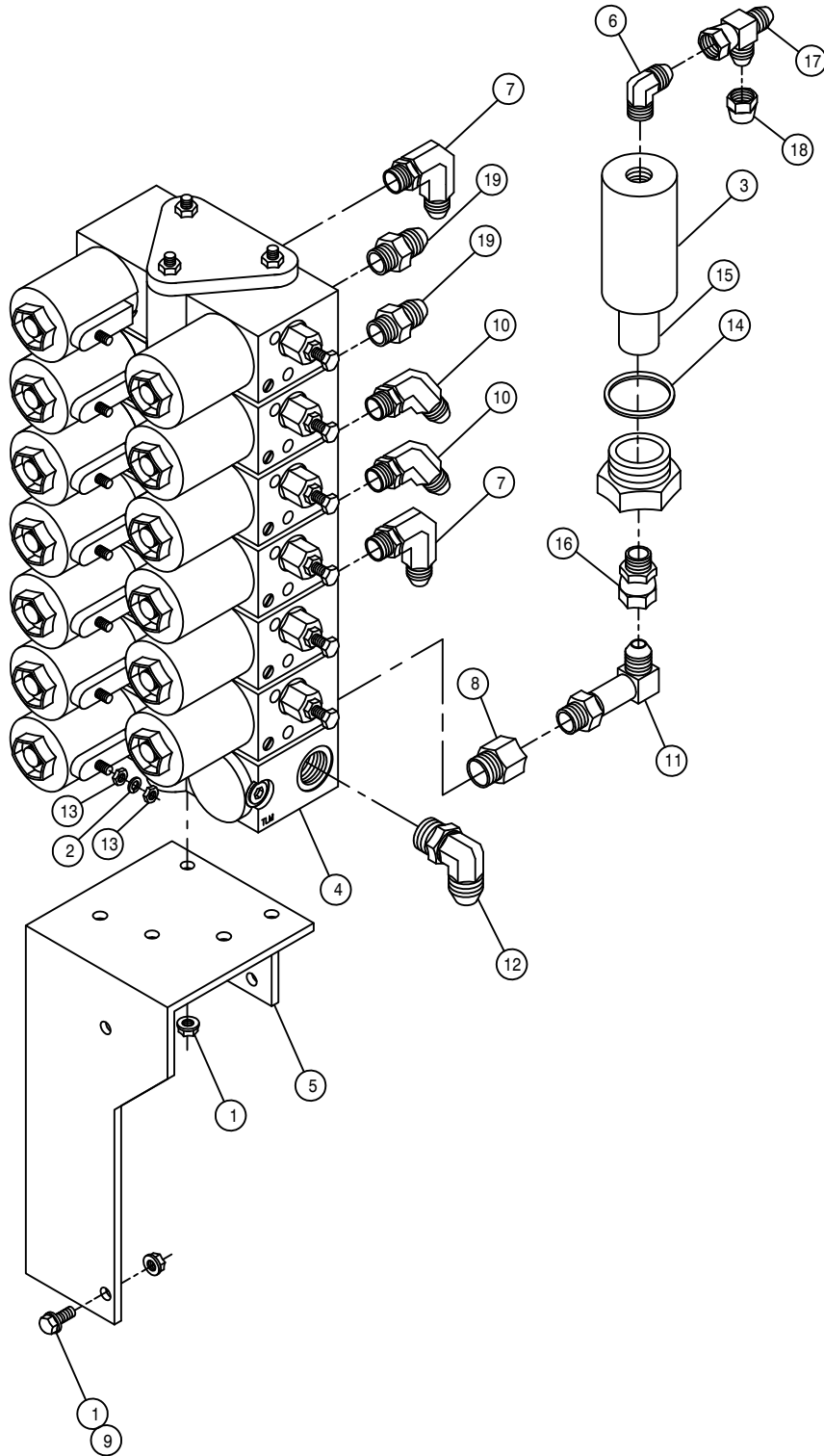
1	6	470121	1/4UNC HEX FLANGE LOCK NUT
2	7	473821	#10 INT TOOTH WASHER
3	1	610447	HYD FILTER, INLINE 1/4FNPT 90M
4	1	610532	ELECT HYD STACK VLV, 3 SECT
5	1	610602	284 ELECT VLV MT WLD, LS SYS94
6	1	611122	9/16MJIC-90-1/4MNPT LBO
7	2	618119	9/16MJIC-90-9/16MOR LBO
8	1	618170	3/4MOR-9/16FOR ADPTR
9	3	470118	1/4UNC X 3/4 FLANGE HEX BOLT
10	1	618425	9/16MJIC-45-9/16MOR LBO
11	1	618440	9/16MJIC-90-9/16MOR EX LG LBO
12	1	618600	9/16MJIC-90-7/8MOR LBO
13	14	910027	10-32 HEX NUT
14	1	610462	GASKET FOR 610447 ARROW FILT
15	1	610459	90M FILTER & GASKET FOR610447
16	1	618608	9/16FJIC SWIV-1/4MNPT
17	1	618486	9/16FJIC SW RUN TEE-9/16MJIC
18	1	618531	9/16FJIC CAP NUT



4-SECTION ELECTRIC VALVE ASSEMBLY

DET. QTY PART NO. DESCRIPTION

1	6	470121	1/4UNC HEX FLANGE LOCK NUT
2	9	473821	#10 INT TOOTH WASHER
3	1	610447	HYD FILTER, INLINE 1/4FNPT 90M
4	1	610613	ELECT HYD STACT VLV, 4 SECT
5	1	610602	284 ELECT VLV MT WLD, LS SYS94
6	1	611122	9/16MJIC-90-1/4MNPT LBO
7	1	618119	9/16MJIC-90-9/16MOR LBO
8	1	618170	3/4MOR-9/16FOR ADPTR
9	3	470118	1/4UNC X 3/4 FLANGE HEX BOLT
10	2	618425	9/16MJIC-45-9/16MOR LBO
11	1	618440	9/16MJIC-90-9/16MOR EX LG LBO
12	1	618600	9/16MJIC-90-7/8MOR LBO
13	18	910027	10-32 HEX NUT
14	1	610462	GASKET FOR 610447 ARROW FILT
15	1	610459	90M FILTER & GASKET FOR 610447
16	1	618608	9/16FJIC SWIV-1/4MNPT
17	1	618486	9/16FJIC SW RUN TEE-9/16MJIC
18	1	618531	9/16FJIC CAP NUT
19	1	618126	9/16MJIC-9/16MOR ADPTR

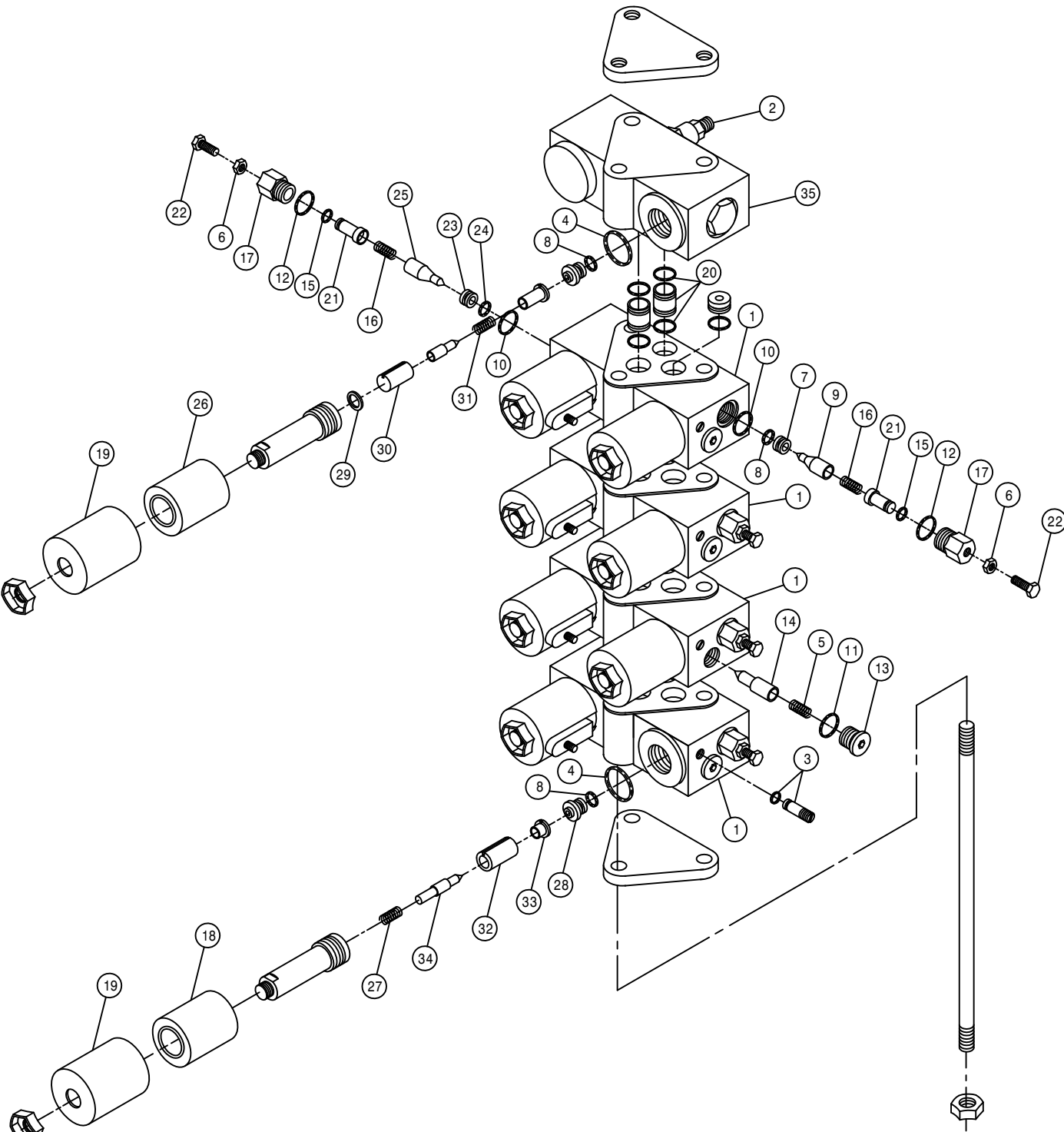


6-SECTION ELECTRIC VALVE ASSEMBLY

DET.	QTY	PART NO.	DESCRIPTION
1	6	470121	1/4UNC HEX FLANGE LOCK NUT
2	13	473821	#10 INT TOOTH WASHER
3	1	610447	HYD FILTER, INLINE 1/4FNPT 90M
4	1	610615	ELECT HYD STACT VLV, 6 SECT
5	1	610602	284 ELECT VLV MT WLD, LS SYS94
6	1	611122	9/16MJIC-90-1/4MNPT LBO
7	2	618119	9/16MJIC-90-9/16MOR LBO
8	1	618170	3/4MOR-9/16FOR ADPTR
9	3	470118	1/4UNC X 3/4 FLANGE HEX BOLT
10	2	618425	9/16MJIC-45-9/16MOR LBO
11	1	618440	9/16MJIC-90-9/16MOR EX LG LBO
12	1	618600	9/16MJIC-90-7/8MOR LBO
13	26	910027	10-32 HEX NUT
14	1	610462	GASKET FOR 610447 ARROW FILT
15	1	610459	90M FILTER & GASKET FOR610447
16	1	618608	9/16FJIC SWIV-1/4MNPT
17	1	618486	9/16FJIC SW RUN TEE-9/16MJIC
18	1	618531	9/16FJIC CAP NUT
19	2	618126	9/16MJIC-9/16MOR ADPTR



25



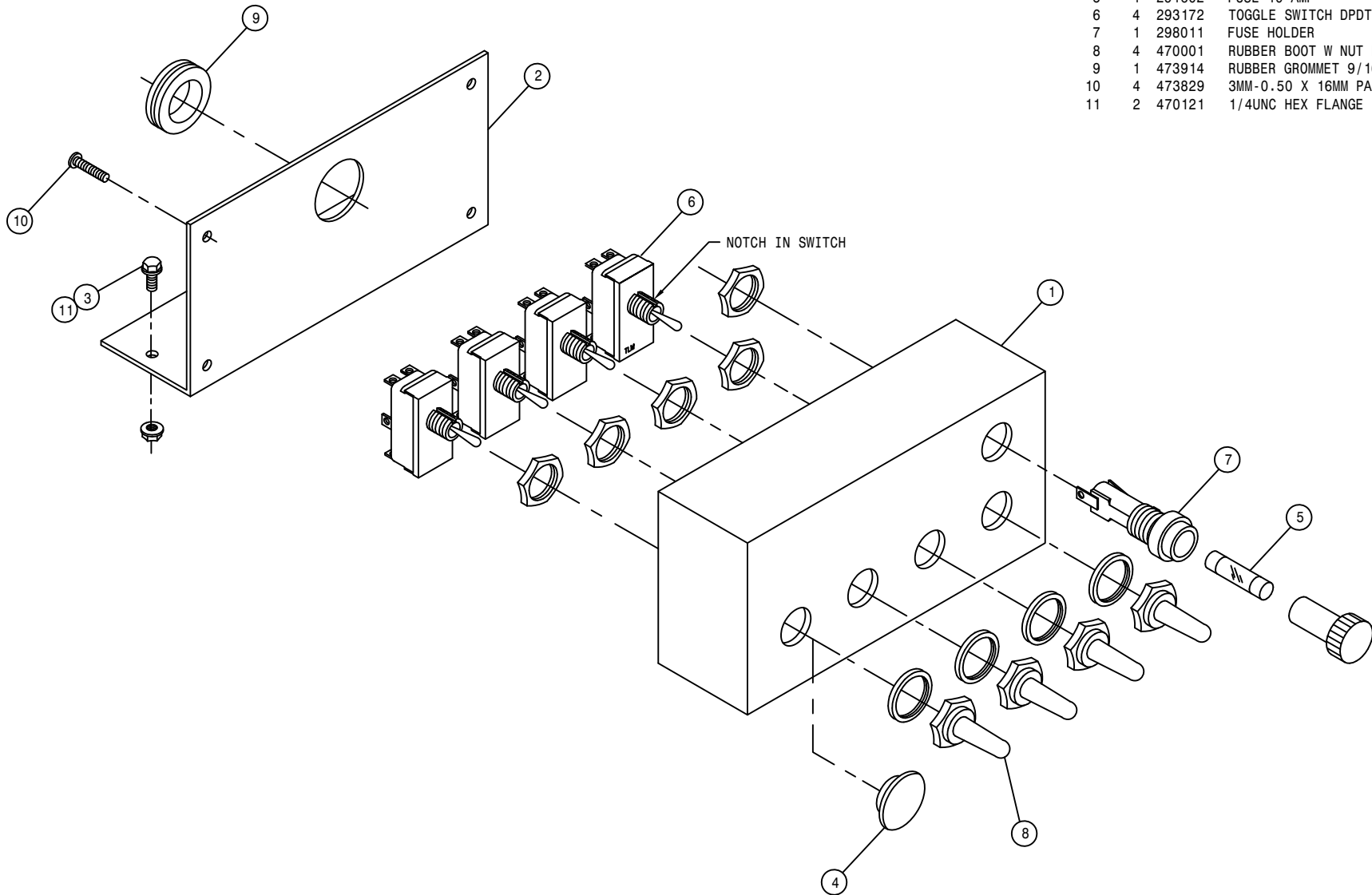
ELECTROHYDRAULIC VALVE

DET.	QTY	PART NO.	DESCRIPTION	
1	4	610533	UNBALANCED LOAD VALVE	89
2	1	610551	R.V. CARTRIDGE FOR 610532	90
3	8	610267	SEAL PLUG ASSY FOR 610257	
4	9	871019	ORING, 13/16 X 15/16 NEO 90D	
5	4	610491	SPRING AM-501-3-035 FOR610485	
6	8	910000	1/4UNC HEX NUT	
7	4	610488	ORIFICE PRESSED IN BLACK	
8	13	871010	ORING 1/4 X 3/8 VITON 90D	
9	4	610129	POPPET,ELECT VALVE,UNBAL LOAD	
10	8	870013	ORING, 7/16 X 9/16 NEO 70D	
11	4	871904	ORING, .351 X .072CS NEO 90D	
12	8	871906	ORING, .468ID X .078CS NEO 90D	
13	4	610130	PLUG, SAE4,ELECT VALVE,UNBAL	
14	4	610489	CHECK VLV POPPET	
15	8	871008	O-RING 3/16 X 5/16 90D	
16	8	610492	SPRING AM-570-3-126 FOR610485	
17	8	610453	VLV CAP	
18	8	610493	COIL FOR 610485	86
19	9	610113	COVER, ELECT VALVE, NON ADJ	
20	8	610534	THRU TUBE ASSY ELEC VLV	89
21	8	610452	ADJ VLV STOP	
22	8	900003	1/4UNC X 1" HEX BOLT	
23	4	610494	ORIFICE FOR 610485	
24	4	871056	O-RING	90D
25	4	610495	POPPET FOR 610485AM-570-3-654	
26	1	610076	COIL, ELECT STACK VALVE	
27	8	610127	SPRING,ELECT VALVE,UNBAL LOAD	
28	8	610108	ORIFICE 040, ELECT VALVE	
29	1	610084	WASHER, ELECT-HYD VALVE	
30	1	610112	ARMATURE, ELECT VALVE	
31	1	610110	SPRING, ELECT VALVE, NON ADJ	
32	8	610126	ARMATURE, ELECT VALVE, UNBAL	
33	8	610133	POLE PIECE,ELECT VALVE, UNBAL	
34	8	610490	POPPET FOR 610485AM-501-3-033	
35	1	610679	UNLOAD RELIEF VALVE	

204025

2-3-4 LIFT, DEPTH COMMAND SWITCH ASSEMBLY

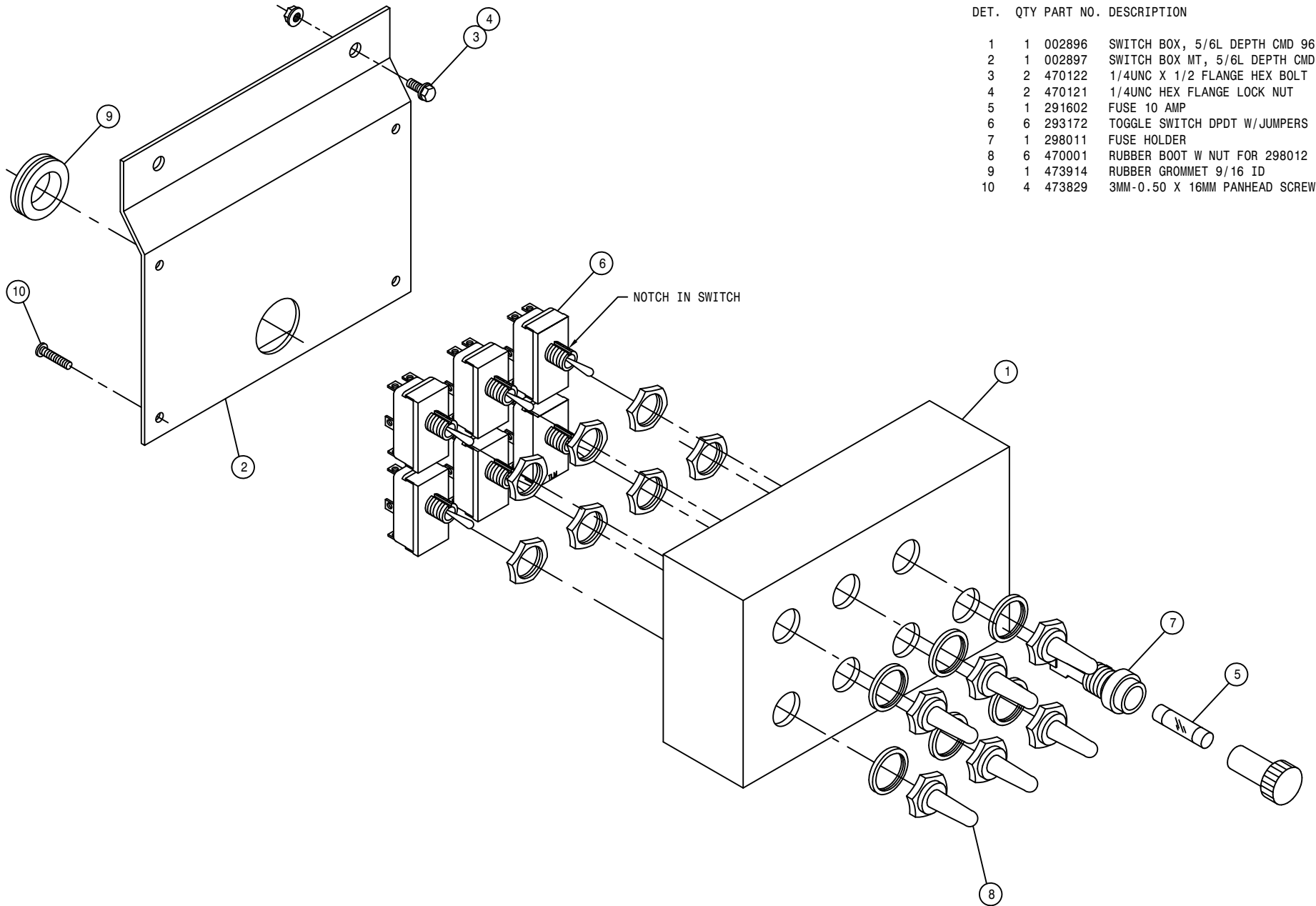
DET.	QTY	PART NO.	DESCRIPTION
1	1	002744	SWITCH BOX, DEPTH CMD
2	1	002745	SWITCH BOX MT, DEPTH CMD
3	2	470122	1/4UNC X 1/2 FLANGE HEX BOLT
4	1	658174	BUMPER PLUG FOR 1/2 HOLE
5	1	291602	FUSE 10 AMP
6	4	293172	TOGGLE SWITCH DPDT W/JUMPERS
7	1	298011	FUSE HOLDER
8	4	470001	RUBBER BOOT W NUT FOR 298012
9	1	473914	RUBBER GROMMET 9/16 ID
10	4	473829	3MM-0.50 X 16MM PANHEAD SCREW
11	2	470121	1/4UNC HEX FLANGE LOCK NUT



6-LIFT, DEPTH COMMAND SWITCH ASSEMBLY

DET. QTY PART NO. DESCRIPTION

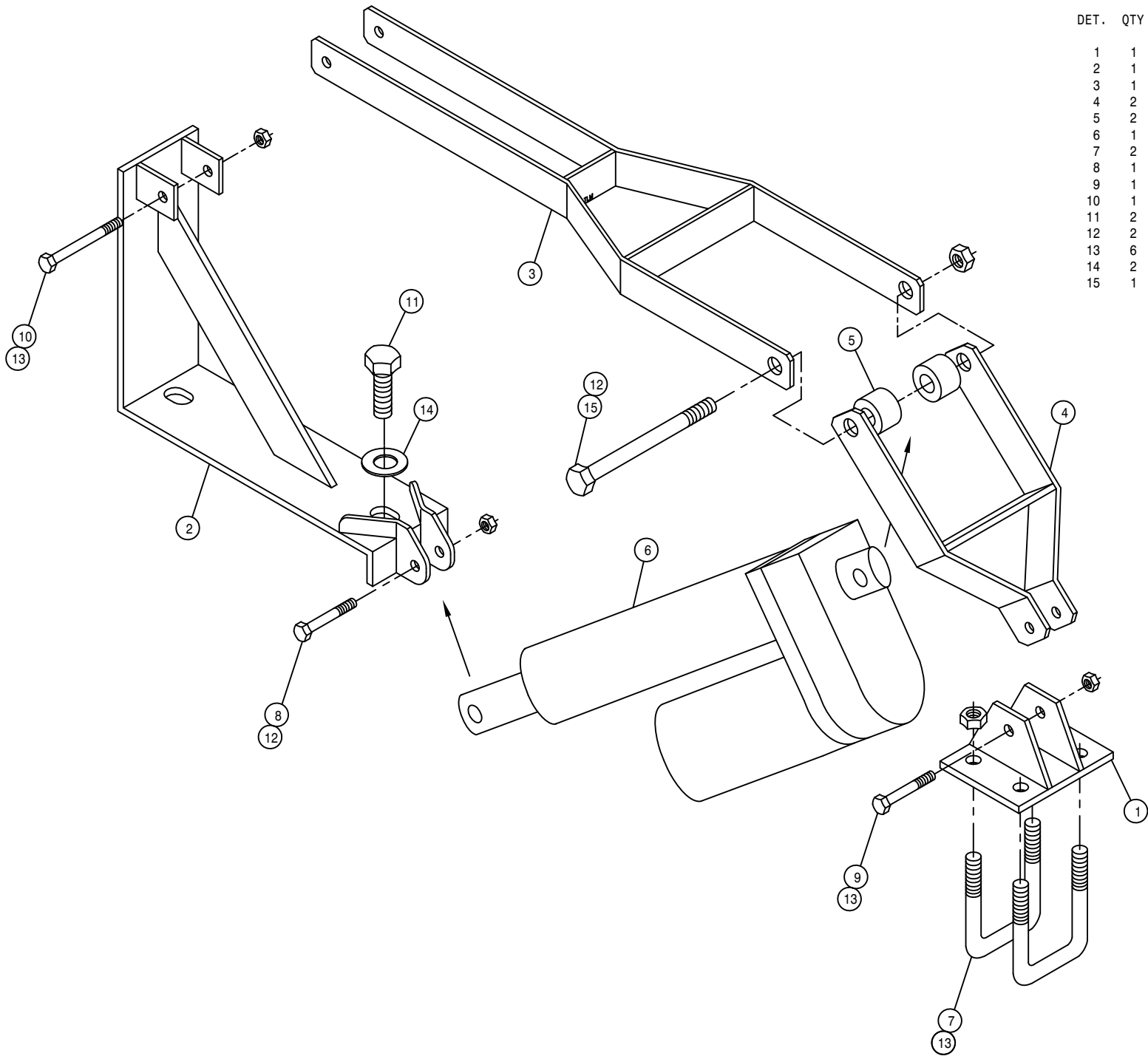
DET.	QTY	PART NO.	DESCRIPTION
1	1	002896	SWITCH BOX, 5/6L DEPTH CMD 96
2	1	002897	SWITCH BOX MT, 5/6L DEPTH CMD
3	2	470122	1/4UNC X 1/2 FLANGE HEX BOLT
4	2	470121	1/4UNC HEX FLANGE LOCK NUT
5	1	291602	FUSE 10 AMP
6	6	293172	TOGGLE SWITCH DPDT W/JUMPERS
7	1	298011	FUSE HOLDER
8	6	470001	RUBBER BOOT W NUT FOR 298012
9	1	473914	RUBBER GROMMET 9/16 ID
10	4	473829	3MM-0.50 X 16MM PANHEAD SCREW



DEPTH COMMAND ACTUATOR ASSEMBLY

DET. QTY PART NO. DESCRIPTION

DET.	QTY	PART NO.	DESCRIPTION	
1	1	002849	HD DEPTH CMD ARM MT WLD	94
2	1	002846	HD DEPTH CMD MTG BRKT WLD	94
3	1	002851	HD DEPTH CMD UPR ARM WLD	94
4	2	002855	HD DEPTH CMD LWR ARM WLD	94
5	2	002858	HD DEPTH CMD ARM BUSH	94
6	1	291634	LINEAR ACTUATOR, ELECTRAK 2	
7	2	473949	5/16UNC-1 9/16ID-1 15/16U-BOLT	
8	1	900267	1/2UNC X 2" HEX BOLT	
9	1	900069	5/16UNC X 2" HEX BOLT	
10	1	900070	5/16UNC X 2 1/2 BOLT	
11	2	900263	1/2UNC X 1" HEX BOLT	
12	2	914008	1/2UNC HEX STOVER NUT	
13	6	914002	5/16UNC HEX STOVER NUT	
14	2	920004	1/2 SAE FLAT WASHER	
15	1	900275	1/2UNC X 4 1/2 HEX BOLT	

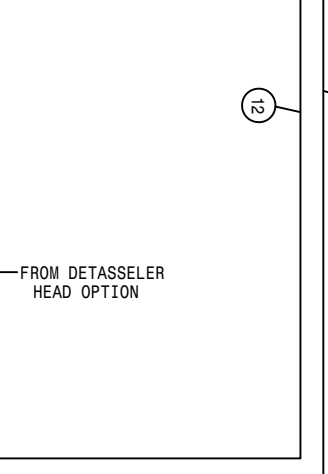
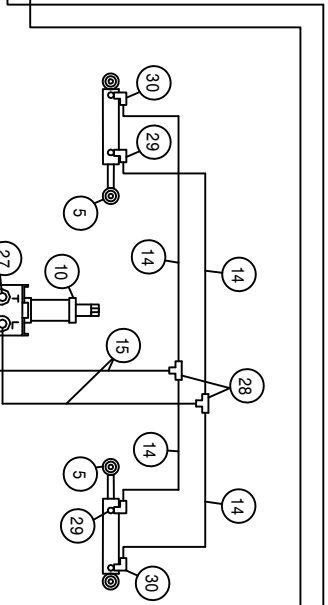
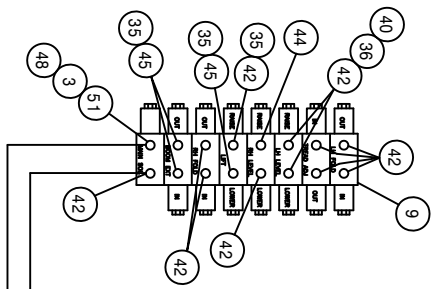


This Page Intentionally Blank

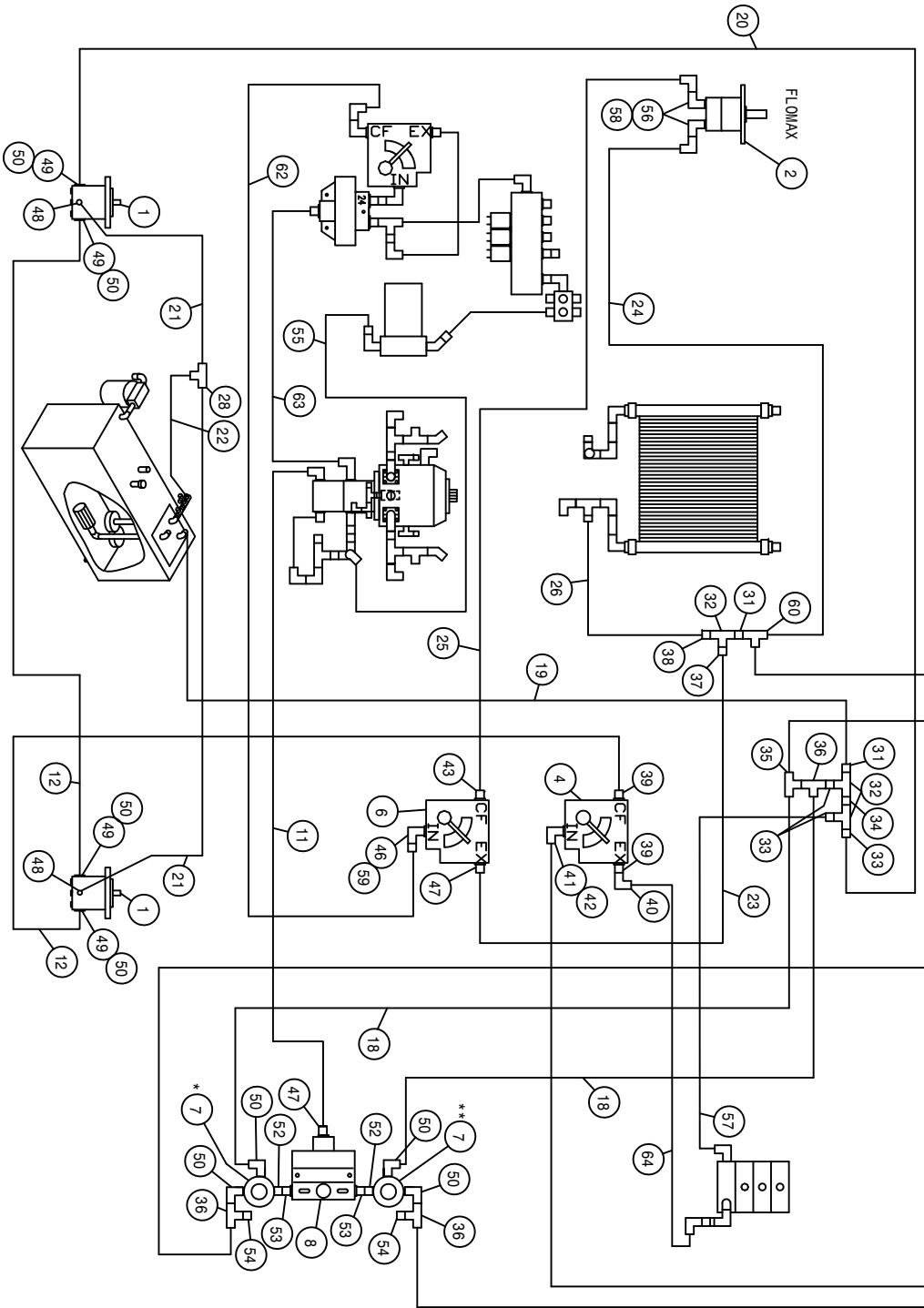


284 COMBO HYD SCHEM 00  
REFERENCE DRAWING NO. 498583S1

DET.	QTY	PART NO.	DESCRIPTION	DET.	QTY	PART NO.	DESCRIPTION
1	1	606954	SUND 130CC PUMP, B-MT	98	59	618448	1 1/16MJC-90-1 1/16MJC LBO
2	1	610557	SUND M35-3102 WHL MTR W/SHFT	60	1	618138	1IN HOSE BARB-90-1MNP
3	1	606938	SUND GEAR PUMP, 4.00CIR SPLINED	61	1	716000	3/4 HOSE BARB-90-1MNP
4	1	618606	OIL COOLER, BLISSFIELD 65027	62	1	504001	RED BUSH 3/4 X 1/4 BLK MAL
5	1	605608	HYD FILTER HEAD, DONALDSON	63	2	505213	RED BUSH 1 X 3/4 BLK MAL
6	1	605609	HYD FILTER ELEMENT, DONALDSON	64	2	618630	1 5/16MJ-45-1 5/16FJ SWIV LBO
7	1	610580	REMOTE FLUSHING VALVE, SUND	65	1	618564	1IN HOSE BARB-90-1 5/16MOR
8	1	606003	GRESEN SELECTOR VALVE DS-12	66	1	618626	1 1/4 HOSE BARB-45-1 5/8MOR
9	2	610571	SUND M35-3002 WHL MTR	67	3	618126	9/16MJC-9/16MOR ADPTR
10	4	505300	BLK PIPE EL 90DEG 1.00NPT	68	1	506701	SIDE OUTLET EL 90DEG 1.25NPT
11	1	605601	GRESEN FILTER 10 MICRON 40GPM	69	1	611128	7/8MJC-90-7/8MOR LBO
12	1	760097	OIL TANK WLD 8240 1982	70	1	618075	3/4 HOSE BARB-1 1/16MOR
13	1	605600	MICHIGAN RESERVOIR FILTER	71	4	611127	1 1/16MJC-1 1/16MOR ADPTR
14	2	605603	LINE SUMP DIFFUSER	72	1	618520	1/4MNP RUN TEE-9/16MJC
15	1	611052	FILLER BREATHER 3/4MNP	73	1	507026	1 1/4MNP HEX PIPE NIPPLE STL
16	1	614453	DIPSTICK, 8IN	74	1	618596	1 5/8MOR-1 1/4FNPT ADPTR
17	2	618461	1 1/4 SPLIT FLANGE KIT	75	3	618191	1 1/16MJ-90-1 1/16FJ SWIV LBO
18	1	606929	SUND GEAR PUMP .66CT, SPLINED	76	5	618248	1 1/16MJC-90-1 1/16MOR LBO
19	1	615706	RH REAR LEG HYDTUBE ASSY284 97	77	2	618547	1 1/4FLANGE-90-1 5/8MJC
20	1	614290	FWD UTUBE 472 P/C 1977 18MHMT	78	2	618547	1 5/8FJIC-1 5/16MJC ADPTR
21	2	615702	FRT LEG INR HYD TUBE ASSY28496	79	4	618619	1 5/16FJ SW RUN TEE-15/16MJ
22	2	615705	REAR LEG HYD TUBE ASSY 284 97	80	1	506410	BLK PIPE ST EL 90DEG 1.25NPT
23	1	615703	RH FRTLEG OUTRHYDTUBE ASY28496	81	2	618327	3/4MJC-7/8MOR ADPTR
24	2	615656	FRT LEG CNTR HYD TUBE ASSY284	82	2	618474	3/4MJC-90-1 1/16MOR LBO
25	2	620805	LEG LEVEL CYL ASSY, 2.00 X 12.0	83	4	714560	INPT X 1 HOSE BARB
26	1	615707	LH REAR LEG HYDTUBE ASSY284 97	84	2	715660	HOSE BARB 1 1/4NPT X 1 1/4
27	1	615704	LH FRTLEG OUTRHYDTUBE ASY28496	85	5	505200	BLK PIPE ST EL 90DEG 1.00NPT
28	1	614704	06C1T-.06FJX-.06FJX-156	86	1	618018	9/16MJC-1/2MNP ADPTR
29	2	614724	12TWM-12FJX-12FJX-106	87	1	618019	9/16MJC UNION TEE
30	4	614725	12C2AT-12FJX-12FJX-70	88	1	505105	1MNP HEX PIPE NIPPLE STL
31	2	614101	04C1T-.06FJX-.06FJX-133	89	4	618441	1 5/16MJC-90-1 5/16MJC LBO
32	2	615444	06C1T-.06FJX-.08FJX90-.60	90	1	713220	HOSE BARB 3/4 NPT X 3/4
33	1	615614	FRT LEG CYL JUMPER HOSE280	91	2	618314	3/4MJC UNION
34	2	615465	08C1T-.08FJX-.08FJX-33	92	1	506602	PIPE NIPPLE 1 1/4NPT-2 1/2
35	1	616042	04C1T-.06FJX-.06FJX-13	93	1	505098	SIDE OUTLET EL 90DEG 1.00NPT
36	1	616048	04C1T-.06FJX-.06FJX-35	94	4	618486	9/16FJIC SW RUN TEE-9/16MJC
37	1	616043	04C1T-.06FJX-.06FJX-23	95	1	506302	BLK PIPE EL 90DEG 1.25NPT
38	2	614727	12TWM-16FJX-16FJX-50	96	2	505105	PIPE PLUG 1.00NPT SQ HD
39	2	614729	12TWM-16FJX-16FJX-65	97	1	501102	1/4 PIPE PLUG
40	1	614549	06C1T-.06FJX-.06FJX-140	98	1	504210	RED BUSH 3/4 NPT X 1/2 NPT
41	1	615449	06C1T-.06FJX-.06FJX-126	99	2	504702	CLOSE NIPPLE .75NPT
42	1	601380	HOSE, 1 1/4 X 35 1FBR-1SPI	100	2	504955	BLK PIPE TEE .75NPT
43	1	601401	HOSE, 3/4 X 88 1FBR-1SPI	101	3	505203	BLK PIPE NIPPLE 1.00NPT-4.00
44	1	601403	HOSE, 1 X 72 1FBR-1SPI	102	2	618618	9/16MJC-90-9/16FJIC SWIV LBO
45	1	601404	HOSE, 1 X 87 1FBR-1SPI	103	2	618114	9/16MJC-90-7/16MOR LBO
46	1	601402	HOSE, 1 X 53 1FBR-1SPI	104	1	614639	04C1T-.06FJX-.06FJX-126
47	1	601383	HOSE, 3/4 X 8 1FBR-1SPI	105	1	610621	SUND M35-3102 WHL MTR
48	3	618531	9/16FJIC CAP NUT	106	1	610318	HYD SOLE VLV, 2P-3W, 9/16FOR, 12V
49	1	505201	CLOSE NIPPLE 1.00NPT	107	2	618609	3/4MJC-90-3/4FJIC SWIV LBO
50	2	618487	1 1/16FJ SW RUN TEE-1 1/16MJ	108	1	618444	9/16MOR RUN TEE-9/16MJC
51	3	505101	BLK PIPE TEE 1.00NPT	109	2	616056	04C1T-.06FJX-.06FJX-32
52	1	610300	3/4MJC-3/4MNP ADPTR	110	1	607527	FLOW CTRL VALVE, 32GPM IN-LINE
53	2	714531	1 NPT X 3/4 HOSE BARB	111	2	618541	1 5/16FJIC-1 1/16MJC ADPTR
54	2	618640	1 5/16MJ-90-1 5/16FJ SWIV LBO	112	1	506409	BLK PIPE ST EL 45DEG 1.25NPT
55	7	618119	9/16MJC-90-9/16MOR LBO	113	1	618178	1 5/16MJC-90-1 5/16MOR LBO
56	2	618183	3/4MJC-90-7/8MOR LBO	114	3	618514	9/16FJ SW BRANCH TEE-9/16MJ
57	2	618172	7/8MOR-9/16FOR ADPTR	115	2	828092	MICO HYD BRAKE
58	4	618576	1 5/16MJC-90-1 1/16MOR LBO	116	1	506005	1 1/4 TO 1 RED BUSH BLK MAL



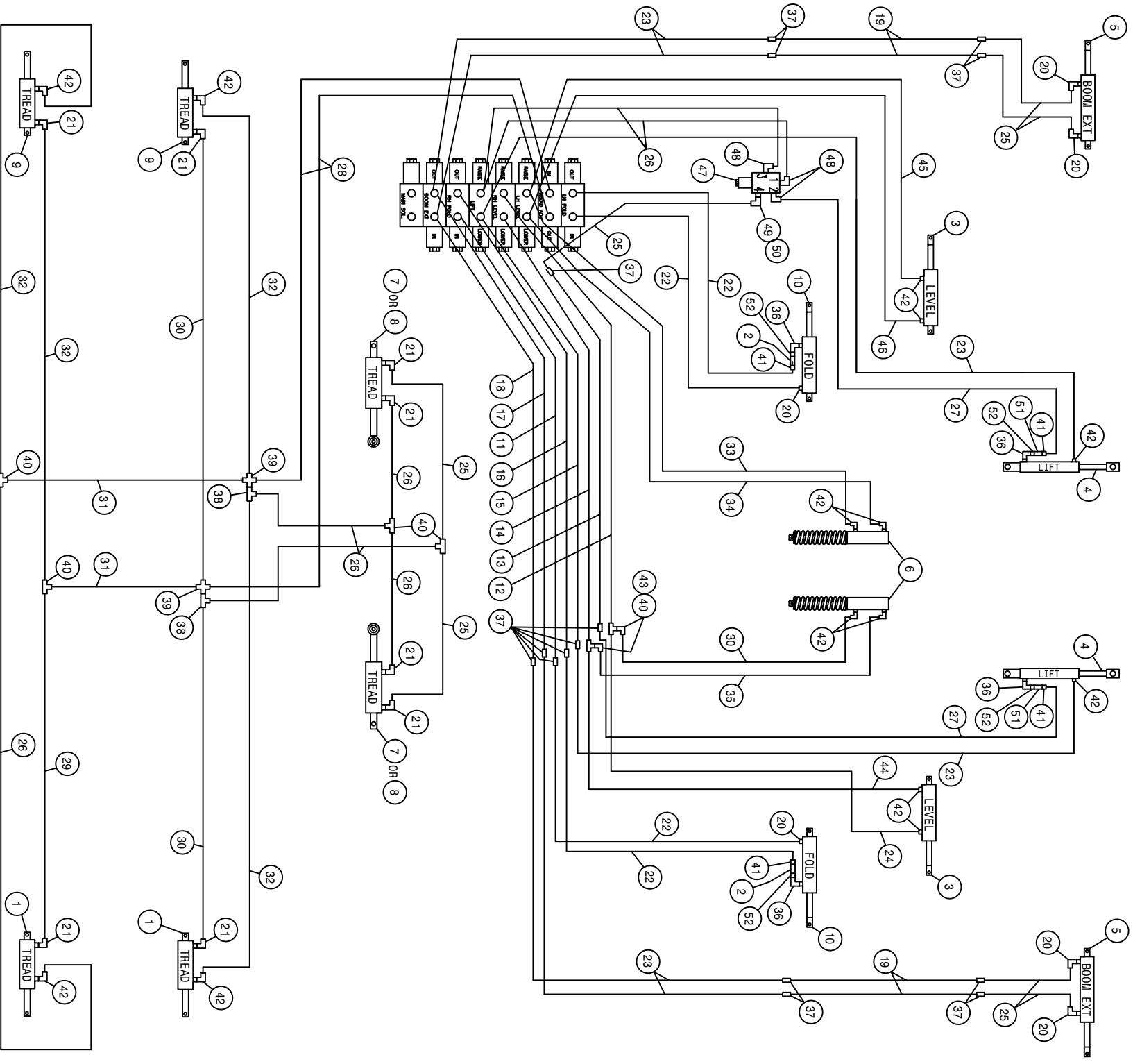
NOTE: REFER TO DETAIL 7 RELIEF PRESSURE SETTING.  
 \*\*STEERING RELIEF SETTING - 1850 PSI  
 \*\*BOOM RELIEF SETTING - 2650 PSI





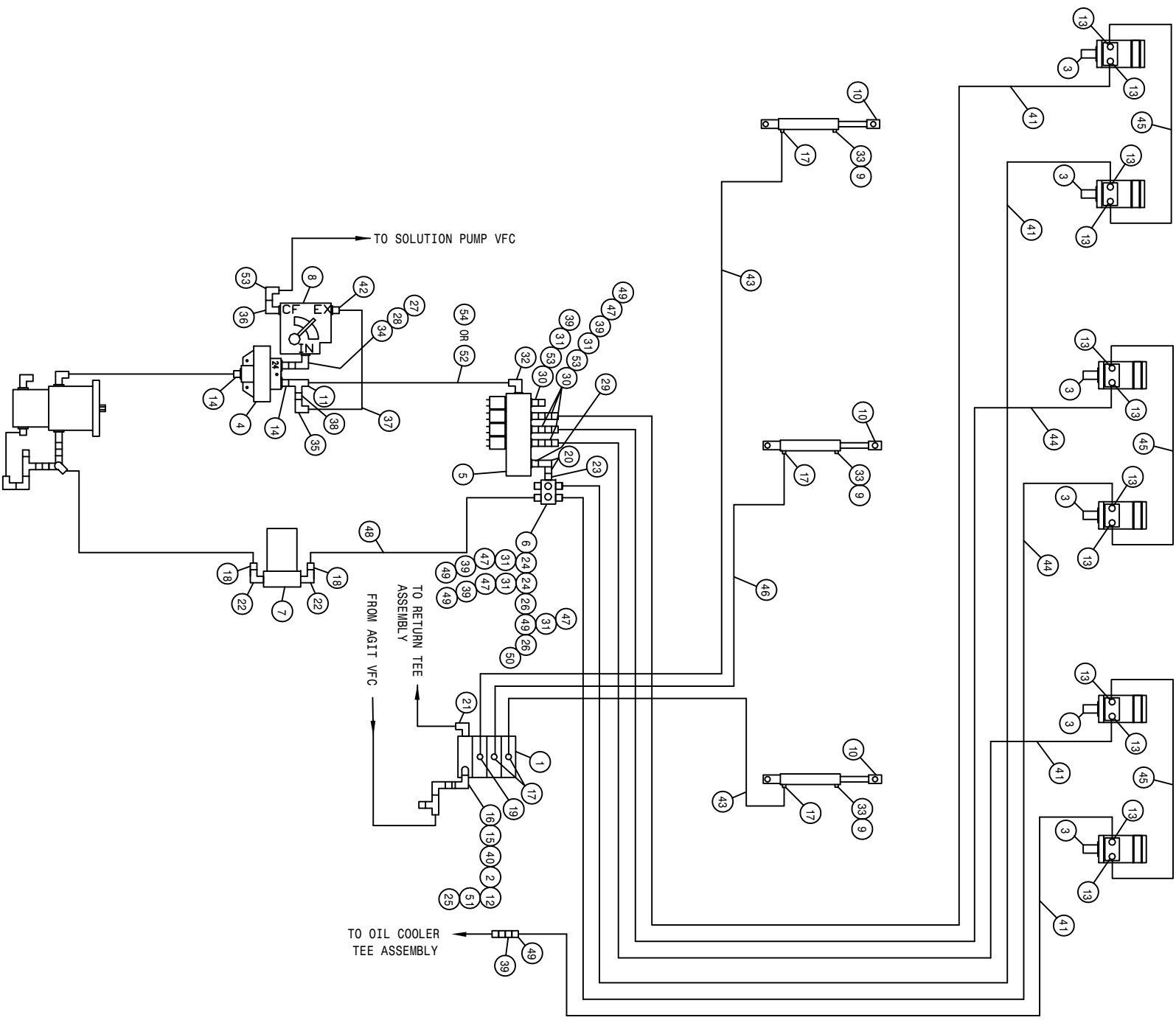
284 COMBO HYD SCHEM 00  
REFERENCE DRAWING NO. 49858352

DET.	QTY	PART NO.	DESCRIPTION	DET.	QTY	PART NO.	DESCRIPTION
1	2	610510	CESSNA GEAR MOTOR 1.48CI	33	618018	9/16MJIC-1/2MNPT ADPTR	
2	1	690573	HYD MOTOR, FLOWMAX HI-SPEED	34	503600	CLOSE NIPPLE .50NPT	
3	1	610447	HYD FILTER, INLINE 1/4FNPT 90M	35	618514	9/16FJ SW BRANCH TEE-9/16MJ	
4	1	606827	FLO CONT FCS1 0-3 VARI 7/8FOR	36	618486	9/16FJIC SW RUN TEE-9/16MJIC	
5	2	620800	STRG CYL ASSY, 2XX	37	618325	7/8MJIC-1/2MNPT ADPTR	
6	1	606818	FLO CONT FCR51 0-16GPM 7/8FOR	38	712440	1/2 NPT X 3/4 HOSE BARB	
7	2	607512	RELIEF VALVE, RL50, 1850 PSI	39	618310	9/16MJIC-7/8MOR ADPTR	
8	1	607504	FLO DIV B50 2-8GPM 7/8 FOR	40	618618	9/16MJIC-90-9/16FJIC SMIV LBO	
9	1	610668	7 SECT, 6 FUNCNTN HYD VLV, EATON	41	618172	7/8MOR-9/16FOR ADPTR	
10	1	749150	STRG MTR NON-LOAD REACT 1008	42	618119	9/16MJIC-90-9/16MOR LBO	
11	1	614664	10C1T-10FJX-10FJX-98	43	618327	3/4MJIC-7/8MOR ADPTR	
12	3	614693	06C1T-06FJX-06FJX-168	44	618440	9/16MJIC-90-9/16MOR EX LG LBO	
13	1	614159	04C1T-06FJX-06FJX-169	45	618126	9/16MJIC-9/16MOR ADPTR	
14	4	614663	04C1T-06FJX-06FJX-16	46	611128	7/8MJIC-90-7/8MOR LBO	
15	2	616028	04C1T-06FJX-06FJX-47	47	611126	7/8MJIC-7/8MOR ADPTR	
16	1	611204	04C1T-06FJX-06FJX-78	48	611121	9/16MJIC-1/4MNPT ADPTR	
17	1	616040	04C1T-06FJX-06FJX-67	49	618092	1 1/16MOR-1/2FNPT ADPTR	
18	2	616026	04C1T-06FJX-06FJX-37	50	618107	9/16MJIC-90-1/2MNPT LBO	
19	1	616057	08C1T-08FJX-08FJX-88	51	618562	9/16MOR-90-1/4MNPT LBO	
20	1	614571	06C1T-06FJX-06FJX-126	52	500000	1/2MNPT HEX PIPE NIPPLE STL	
21	1	611208	04C1T-06FJX-06FJX-98	53	618072	7/8MOR-1/2FNPT ADPTR	
22	1	615452	06C1T-06FJX-06FJX-16	54	618531	9/16FJIC CAP NUT	
23	1	615521	10C1T-10FJX-10FJX-18	55	601388	HOSE, 1 1/4 X 33 1FBR-1SPI	
24	1	615465	08C1T-08FJX-08FJX-33	56	618241	3/4MJIC-90-3/4MOR LBO	
25	1	614662	08C1T-08FJX-08FJX-72	57	614621	06C1T-06FJX-06FJX-78	
26	1	601384	HOSE, 3/4 X 40 1FBR-1SPI	58	618609	3/4MJIC-90-3/4FJIC SMIV LBO	
27	4	618496	9/16MJIC-45-3/4MOR LBO	59	618523	7/8FJIC-3/4MJIC ADPTR	
28	3	618019	9/16MJIC UNION TEE	60	618451	3/4FJIC SW RUN TEE-3/4MJIC	
29	2	618119	9/16MJIC-90-9/16MOR LBO	61	618622	HYD QUICK CPLR, MALE, .50FNPS	
30	2	618425	9/16MJIC-45-9/16MOR LBO	62	614382	08C1T-08FJX-08FJX-40	
31	3	611147	3/4MJIC-1/2MNPT ADPTR	63	614350	16C2AT-16FJX-16FJX-55	
32	3	503820	BLK PIPE TEE .50NPT	64	615442	04C1T-06FJX-06FJX-55	



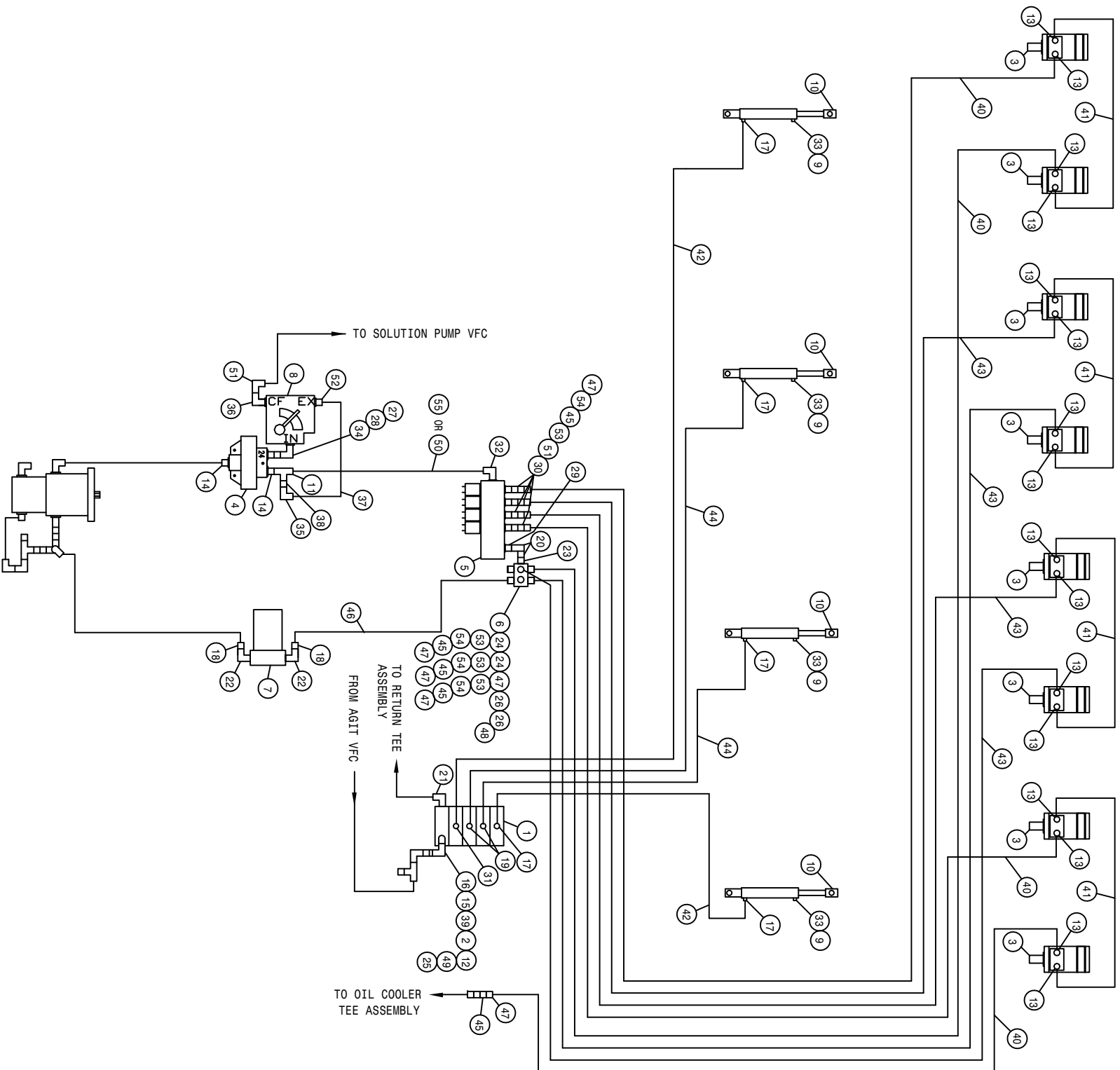
284 COMBO HYD SCHEM 00  
REFERENCE DRAWING NO. 498583S3

DET.	QTY	PART NO.	DESCRIPTION	DET.	QTY	PART NO.	DESCRIPTION
1	2	620865	LEG CYL ASSY, RH TREAD ADJ,284	27	2	615616	04C1T-06FJX-06FJX-65
2	2	610450	RESTRICTOR .025 1-WAY,1/2FNPT	28	2	611210	04C1T-06FJX-06FJX-156
3	2	620850	BOOM LEVEL CYL ASSY	29	1	616042	04C1T-06FJX-06FJX-13
4	2	620840	TRANSOM LIFT CYL ASSY	30	3	616049	04C1T-06FJX-06FJX-26
5	2	620860	BOOM CNTR SECT FOLD CYL ASSY	31	2	614508	04C1T-06FJX-06FJX-109
6	2	620855	ACCUMULATOR CYL ASSY	32	4	616026	04C1T-06FJX-06FJX-37
7	2	620825	STRG CYL ASSY, 125" TRD ADJ,284	33	1	616037	04C1T-06FJX-06FJX-29
8	2	620820	STRG CYL ASSY, 90" TRD ADJ,284	34	1	614713	04C1T-06FJX-06FJX-24
9	2	620870	LEG CYL ASSY, LH TREAD ADJ,284	35	1	614712	04C1T-06FJX-06FJX-20
10	2	620845	BOOM HINGE FOLD CYL ASSY	36	4	618651	9/16MJIC-90-3/8MNPT LBO
11	1	615641	FOLD HYD TUBE ASSY, IN 254/284	37	15	619010	9/16MJIC UNION
12	1	615639	LEVEL HYD TUBE ASSY,UP254/284	38	2	618486	9/16FJIC SW RUN TEE-9/16MJIC
13	1	615637	LIFT HYD TUBE ASSY,UP 254/284	39	2	618320	9/16MJIC UNION CROSS
14	1	615640	LEVEL HYD TUBE ASSY, DN254/284	40	6	618019	9/16MJIC UNION TEE
15	1	615638	LIFT HYD TUBE ASSY, DN 254/284	41	4	618018	9/16MJIC-1/2MNPT ADPTR
16	1	615642	FOLD HYD TUBE ASSY,OUT254/284	42	14	618119	9/16MJIC-90-9/16MOR LBO
17	1	615683	FOLD BOOM HYD TUBE ASSY, OUT	43	2	618618	9/16MJIC-90-9/16FJIC SWIV LBO
18	1	615682	FOLD BOOM HYD TUBE ASSY, IN	44	1	614714	04C1T-06FJX-06FJX-34
19	4	615684	HYD TUBE ASSY,BOOM EXT FOLD96	45	1	614715	04C1T-06FJX-06FJX-43
20	6	614750	.042 ELBOW ASSY,9/16MOR 90D	46	1	616059	04C1T-06FJX-06FJX-33
21	8	614747	.025 ELBOW ASSY,9/16MOR 90D	47	1	610628	4-WAY, 2-POSITION SOL VLV
22	4	615442	04C1T-06FJX-06FJX-55	48	3	618115	9/16MJIC-90-3/4MOR LBO
23	6	616040	04C1T-06FJX-06FJX-67	49	1	618109	9/16MJIC-3/4MOR ADPTR
24	1	616028	04C1T-06FJX-06FJX-47	50	1	618618	9/16MJIC-90-9/16FJIC SWIV LBO
25	7	616043	04C1T-06FJX-06FJX-23	51	2	610675	RESTRICTOR,.042 1-WAY, 1/2FNPT
26	7	614663	04C1T-06FJX-06FJX-16	52	4	503010	RED BUSH 1/2MNPT-3/8FNPT,STEEL



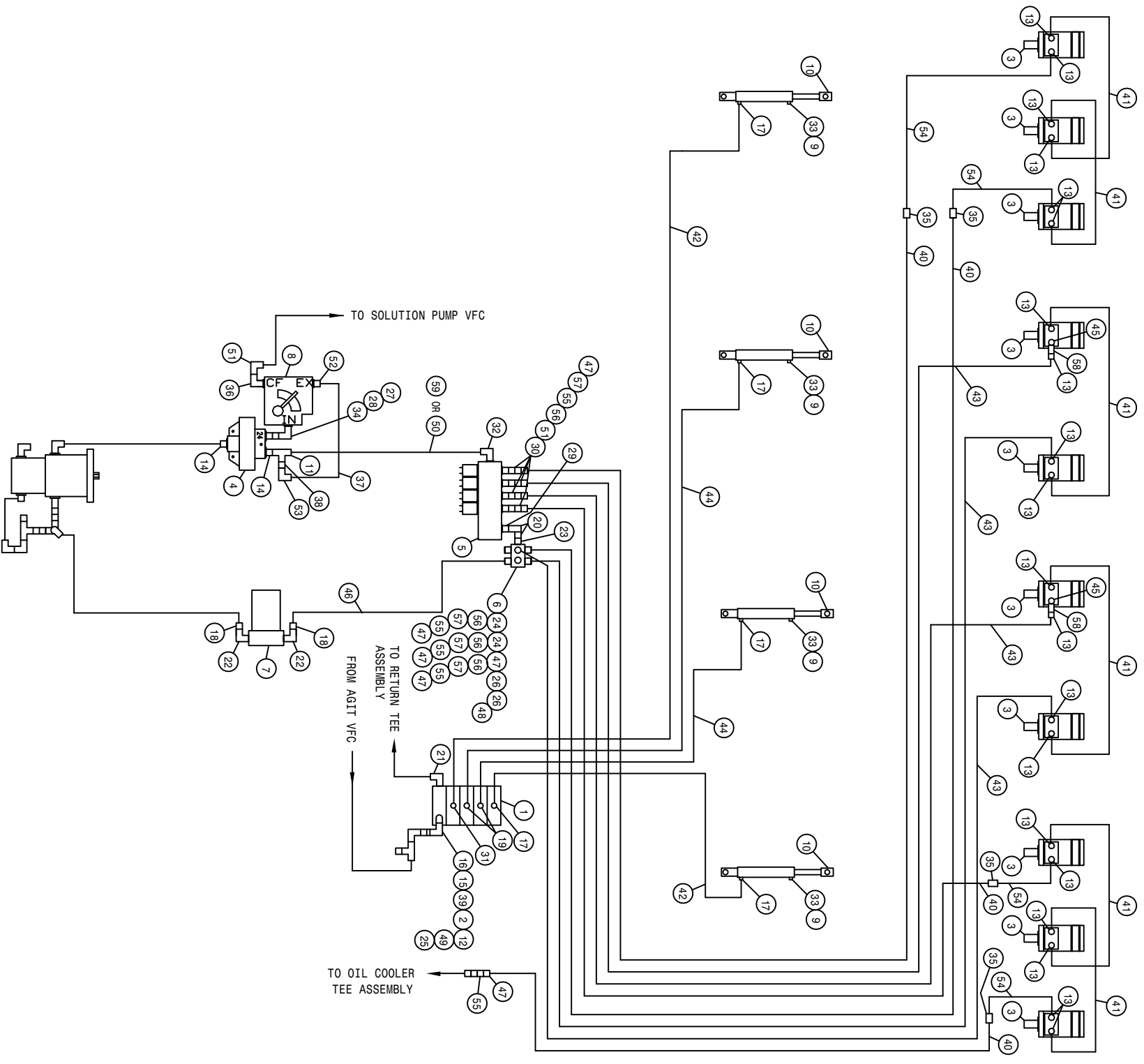
280 COMB 6R QUAD 3L W/T-TROL HYD SCHEM 92  
REFERENCE DRAWING NO. 498408

DET.	QTY	PART NO.	DESCRIPTION	DET.	QTY	PART NO.	DESCRIPTION
1	1	610532	ELECT HYD STACK VLV, 3 SECT	*28	1	618579	1 1/16FJIC SWIV-3/4MNPT
2	1	610447	HYD FILTER, INLINE 1/4FNPT 90M	*29	1	618090	1 5/16MOR-1FNPT ADPTR
3	6	610547	HYD MOTOR 4.5CI 1IN SHFT	*30	4	618469	3/4MJIC-1 1/16MOR ADPTR
*4	1	606836	FLO DIV BG424 24GPM PRI INPT	*31	7	618623	3/4FJIC-SWIV-1/2MNPT
*5	1	610467	MODULAR MTR CONTROL ELECT VLV	*32	1	618178	1 5/16MJIC-90-1 5/16MOR LBO
*6	1	614633	HYD MANIF 8200 86	33	3	618116	9/16MOR-90-1/4FNPT LBO
*7	1	605601	GRESEN FILTER 10 MICRON 40GPM	*34	1	505213	RED BUSH 1 X 3/4 BLK MAL
*8	1	607510	FLO CONT FOR51 0-30VARI 7/8OR	*35	1	618191	1 1/16MJ-90-1 1/16FJ SWIV LBO
9	3	470114	BREATHER FILTER VENT, 1/4 NPT	*36	1	618183	3/4MJIC-90-7/8MOR LBO
10	3	620810	LIFT CYL ASSY, DETASSELER	*37	1	610357	12C2AT-12FJX-12FJX-33
*11	1	618619	1 5/16FJ SW RUN TEE-15/16MJ	*38	1	618541	1 5/16FJIC-1 1/16MJIC ADPTR
12	1	611122	9/16MJIC-90-1/4MNPT LBO	*39	7	618621	HYD QUICK CPLR, FEMALE, .50FNPS
13	12	618327	3/4MJIC-7/8MOR ADPTR	40	1	618608	9/16FJIC SWIV-1/4MNPT
*14	2	618322	1 5/16MJIC-1MNPT ADPTR	41	4	614690	08C1T-08FJX-08FJX-192
15	1	618440	9/16MJIC-90-9/16MOR EX LG LBO	*42	1	618189	1 1/16MJIC-7/8MOR ADPTR
16	1	618170	3/4MOR-9/16FOR ADPTR	43	2	614101	04C1T-06FJX-06FJX-133
17	5	618119	9/16MJIC-90-9/16MOR LBO	44	2	614688	08C1T-08FJX-08FJX-108
*18	2	715660	HOSE BARB 1 1/4NPT X 1 1/4	45	3	616025	08C1T-08FJX-08FJX-50
19	1	618425	9/16MJIC-45-9/16MOR LBO	46	1	614077	04C1T-06FJX-06FJX-88
*20	2	505200	BLK PIPE ST EL 90DEG 1.00NPT	*47	6	618622	HYD QUICK CPLR, MALE, .50FNPS
21	1	618600	9/16MJIC-90-7/8MOR LBO	*48	1	601378	HOSE, 1 1/4 X 156 1FBR-1SPI
*22	2	506410	BLK PIPE ST EL 90DEG 1.25NPT	*49	7	611147	3/4MJIC-1/2MNPT ADPTR
*23	1	505210	BLK PIPE NIPPLE 1.00NPT-3.00	*50	1	714561	1.00NPT-1.25 HOSE BARB
*24	2	611145	3/4MJIC-90-1/2MNPT LBO	51	1	618486	9/16FJIC SW RUN TEE-9/16MJIC
25	1	618531	9/16FJIC CAP NUT	*52	1	614702	HYD TUBE ASSY, 280 COMBO 92
*26	2	503700	PIPE PLUG .50NPT SQ HD	*53	5	618609	3/4MJIC-90-3/4FJIC SWIV LBO
*27	1	618279	1 1/16MJIC-90-7/8MOR LBO	*54	1	614731	16C2AT-16FJX-16FJX-83



280 COMBO 8R QUAD 4L W/T-TROL HYD SCHEM 92  
REFERENCE DRAWING NO. 498409

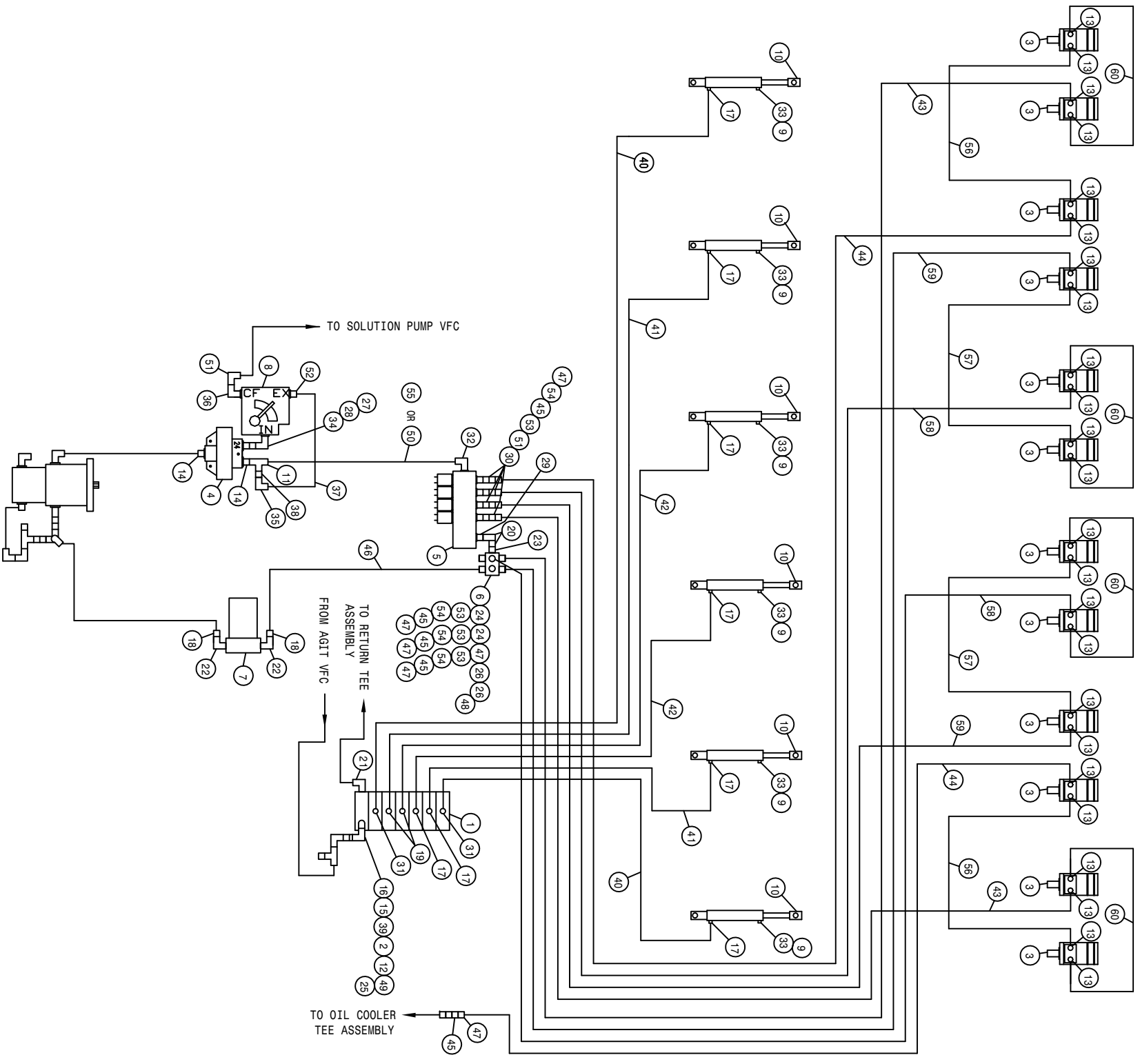
DET.	QTY	PART NO.	DESCRIPTION	DET.	QTY	PART NO.	DESCRIPTION
1	1	610613	ELECT HYD STACT VLV, 4 SECT	*29	1	618090	1 5/16MOR-1FNPT ADPTR
2	1	610447	HYD FILTER, INLINE 1/4FNPT 90M	*30	4	618469	3/4MJIC-1 1/16MOR ADPTR
3	8	610547	HYD MOTOR 4.5CI 1IN SHFT	31	1	618126	9/16MJIC-9/16MOR ADPTR
*4	1	606836	FLO DIV BG424 24GPM PRI 1NPT	*32	1	618178	1 5/16MJIC-90-1 5/16MOR LBO
*5	1	610467	MODULAR MTR CONTROL ELECT VLV	33	4	618116	9/16MOR-90-1/4FNPT LBO
*6	1	614633	HYD MANIF 8200 86	*34	1	505213	RED BUSH 1 X 3/4 BLK MAL
*7	1	605601	GRESEN FILTER 10 MICRON 40GPM	*35	1	618191	1 1/16MJ-90-1 1/16FJ SWIV LBO
*8	1	607510	FLO CONT FCOR51 0-30VARI 7/8OR	*36	1	618183	3/4MJIC-90-7/8MOR LBO
9	4	4270114	BREATHER FILTER VENT, 1/4 NPT	*37	1	610357	12C2AT-12FJX-12FJX-33
10	4	620810	LIFT CYL ASSY, DETASSELER	*38	1	618541	1 5/16FJIC-1 1/16MJIC ADPTR
*11	1	618619	1 5/16FJ SW RUN TEE-15/16MJ	39	1	618608	9/16FJIC SWIV-1/4MNPT
12	1	611122	9/16MJIC-90-1/4MNPT LBO	40	4	614691	08C1T-08FJX-08FJX-220
13	16	618327	3/4MJIC-7/8MOR ADPTR	41	4	616025	08C1T-08FJX-08FJX-50
*14	2	618322	1 5/16MJIC-1MNPT ADPTR	42	2	611246	04C1T-06FJX-06FJX-174
15	1	618440	9/16MJIC-90-9/16MOR EX LG LBO	43	4	614689	08C1T-08FJX-08FJX-120
16	1	618170	3/4MOR-9/16FOR ADPTR	44	2	614101	04C1T-06FJX-06FJX-133
17	5	618119	9/16MJIC-90-9/16MOR LBO	*45	8	618621	HYD QUITCK CPLR, FEMALE, .50FNPS
*18	2	715660	HOSE BARB 1 1/4NPT X 1 1/4	*46	1	601378	HOSE, 1 1/4 X 156 1FBR-1SPI
19	2	618425	9/16MJIC-45-9/16MOR LBO	*47	9	611147	3/4MJIC-1/2MNPT ADPTR
*20	2	505200	BLK PIPE ST EL 90DEG 1.00NPT	*48	1	714561	1.00NPT-1.25 HOSE BARB
21	1	618600	9/16MJIC-90-7/8MOR LBO	49	1	618486	9/16FJIC SW RUN TEE-9/16MJIC
*22	2	506410	BLK PIPE ST EL 90DEG 1.25NPT	*50	1	614702	HYD TUBE ASSY, 280 COMBO 92
*23	1	505210	BLK PIPE NIPPLE 1.00NPT-3.00	*51	5	618609	3/4MJIC-90-3/4FJIC SWIV LBO
*24	2	611145	3/4MJIC-90-1/2MNPT LBO	*52	1	618189	1 1/16MJIC-7/8MOR ADPTR
25	1	618531	9/16FJIC CAP NUT	*53	7	618623	3/4FJIC-SWIV-1/2MNPT
*26	2	503700	PIPE PLUG .50NPT SQ HD	*54	7	618622	HYD QUITCK CPLR, MALE, .50FNPS
*27	1	618279	1 1/16MJIC-90-7/8MOR LBO	*55	1	614731	16C2AT-16FJX-16FJX-83
*28	1	618579	1 1/16FJIC SWIV-3/4MNPT				H/A





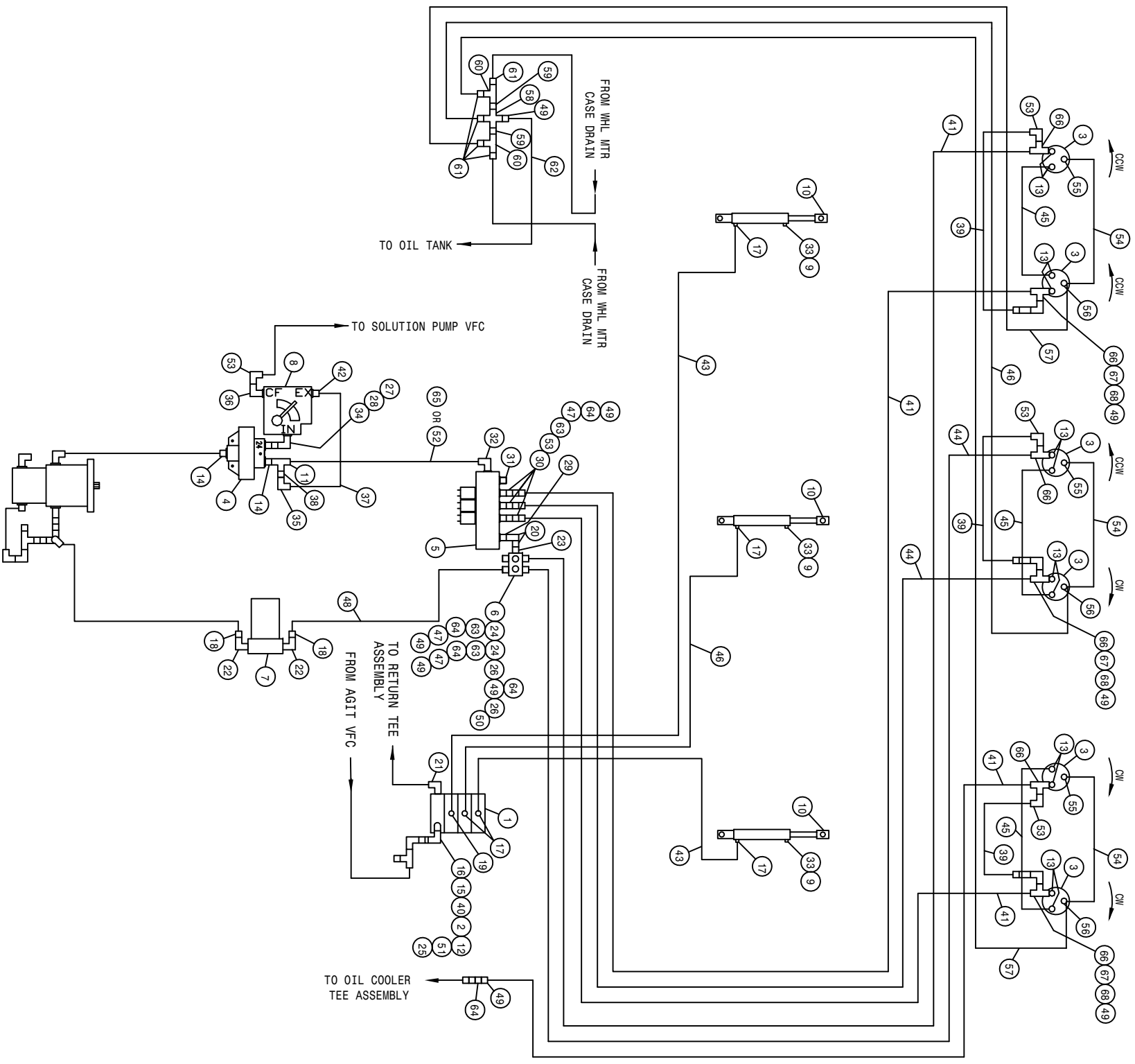
280 COMBO 10R QUAD 4L W/T-TROL HYD SCHEM 93  
REFERENCE DRAWING NO. 498426

DET.	QTY	PART NO.	DESCRIPTION	DET.	QTY	PART NO.	DESCRIPTION
1	1	610613	ELECT HYD STACT VLV, 4 SECT	31	1	618126	9/16MJIC-9/16MOR ADPTR
2	1	610447	HYD FILTER, INLINE 1/4FNPT 90M	*32	1	618178	1 5/16MJIC-90-1 5/16MOR LBO
3	10	610547	HYD MOTOR 4.5CI 1IN SHFT	33	4	618116	9/16MOR-90-1/4FNPT LBO
*4	1	606836	FLO DIV BG424 24GPM PRI 1NPT	*34	1	505213	RED BUSH 1 X 3/4 BLK MAL
*5	1	610467	MODULAR MTR CONTROL ELECT VLV	35	4	618314	3/4MJIC UNION
*6	1	614633	HYD MANIF 8200 86	*36	1	618183	3/4MJIC-90-7/8MOR LBO
*7	1	605601	GRESEN FILTER 10 MICRON 40GPM	*37	1	610357	12C2AT-12FJX-12FJX-33
*8	1	607510	FLO CONT FCR51 0-30VARI 7/8OR	*38	1	618541	1 5/16FJIC-1 1/16MJIC ADPTR
9	4	470114	BREATHER FILTER VENT, 1/4 NPT	39	1	618608	9/16FJIC SWIV-1/4MNPT
10	4	620810	LIFT CYL ASSY, DETASSELER	40	4	614691	08CI1T-08FJX-08FJX-220
*11	1	618619	1 5/16FJ SW RUN TEE-15/16MJ	41	6	616025	08CI1T-08FJX-08FJX-50
12	1	611122	9/16MJIC-90-1/4MNPT LBO	42	2	611246	04CI1T-06FJX-06FJX-174
13	20	618327	3/4MJIC-7/8MOR ADPTR	43	4	614689	08CI1T-08FJX-08FJX-120
*14	2	618322	1 5/16MJIC-1MNPT ADPTR	44	2	614101	04CI1T-06FJX-06FJX-133
15	1	618440	9/16MJIC-90-9/16MOR EX LG LBO	45	2	618586	7/8MOR UNION
16	1	618170	3/4MOR-9/16FOR ADPTR	*46	1	601378	HOSE, 1 1/4 X 156 1FBR-1SPT
17	5	618119	9/16MJIC-90-9/16MOR LBO	*47	9	611147	3/4MJIC-1/2MNPT ADPTR
*18	2	715660	HOSE BARB 1 1/4NPT X 1 1/4	*48	1	714561	1.00NPT-1.25 HOSE BARB
19	2	618425	9/16MJIC-45-9/16MOR LBO	49	1	618486	9/16FJIC SW RUN TEE-9/16MJIC
*20	2	505200	BLK PIPE ST EL 90DEG 1.00NPT	*50	1	614702	HYD TUBE ASSY, 280 COMBO 92
21	1	618600	9/16MJIC-90-7/8MOR LBO	*51	5	618609	3/4MJIC-90-3/4FJIC SWIV LBO
*22	1	506410	BLK PIPE ST EL 90DEG 1.25NPT	*52	1	618189	1 1/16MJIC-7/8MOR ADPTR
*23	1	505210	BLK PIPE NIPPLE 1.00NPT-3.00	*53	1	618191	1 1/16MJ-90-1 1/16FJ SWIV LBO
*24	2	611145	3/4MJIC-90-1/2MNPT LBO	54	4	615385	08CI1T-08FJX-08FJX-29
25	1	618531	9/16FJIC CAP NUT	*55	8	618621	HYD QUICK CPLR, FEMALE, .50FNPS
*26	2	503700	PIPE PLUG .50NPT SQ HD	*56	7	618623	3/4FJIC-SWIV-1/2MNPT
*27	1	618279	1 1/16MJIC-90-7/8MOR LBO	*57	7	618622	HYD QUICK CPLR, MALE, .50FNPS
*28	1	618579	1 1/16FJIC SWIV-3/4MNPT	58	2	607522	FLOW REGULATOR, 8GPM VONBERG
*29	1	618090	1 5/16MOR-1FNPT ADPTR	*59	1	614731	16C2AT-16FJX-16FJX-83
*30	4	618469	3/4MJIC-1 1/16MOR ADPTR				H/A



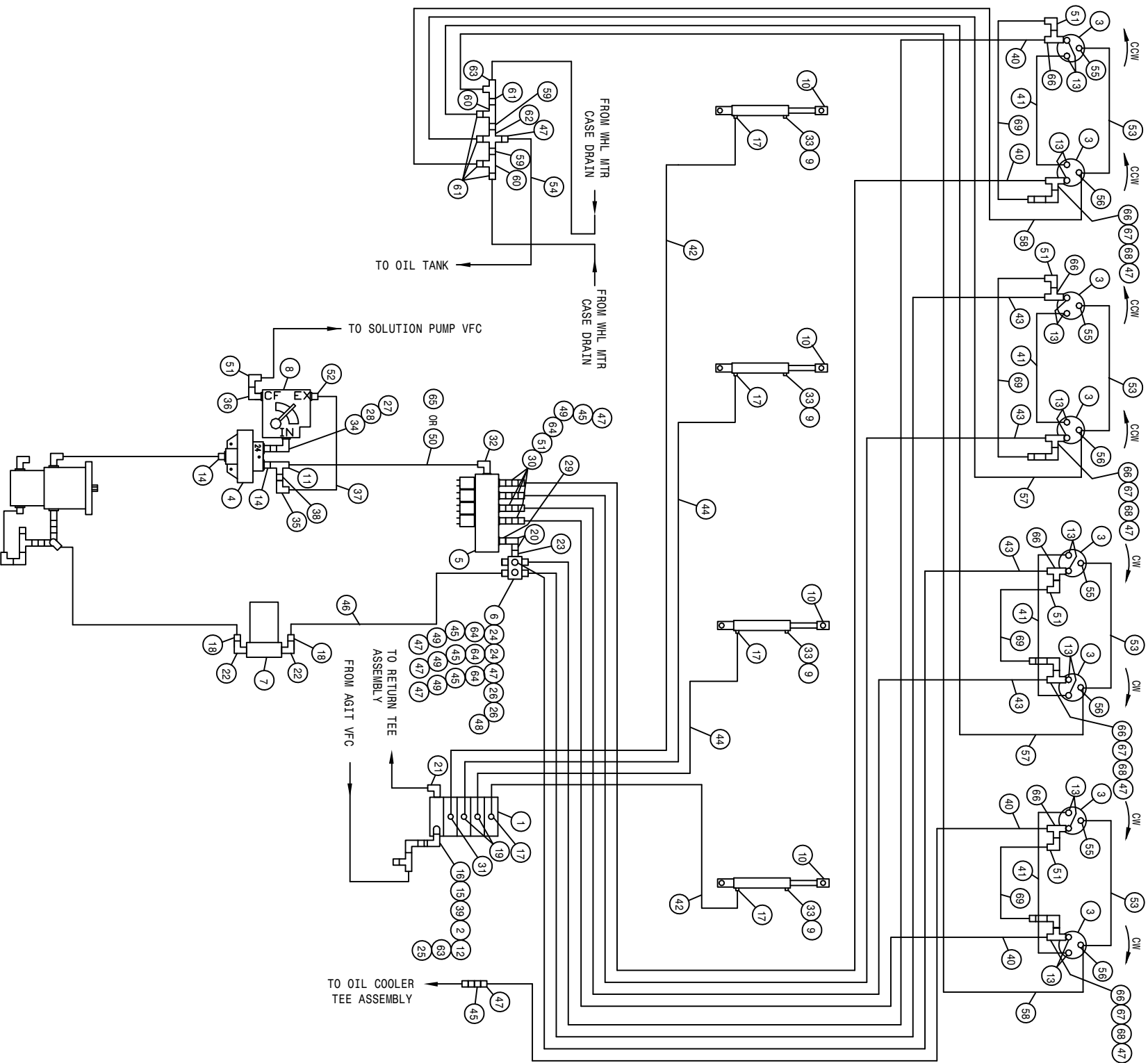
284 COMBO 12R QUAD 6L W/T-TROL HYD SCHEM 96  
REFERENCE DRAWING NO. 498542

DET.	QTY	PART NO.	DESCRIPTION	DET.	QTY	PART NO.	DESCRIPTION
1	1	610615	ELECT HYD STACT VLV, 6 SECT	31	2	618126	9/16MJIC-9/16MOR ADPTR
2	1	610447	HYD FILTER, INLINE 1/4FNPT 90M	*32	1	618178	1 5/16MJIC-90-1 5/16MOR LBO
3	12	610547	HYD MOTOR 4.5CI 1IN SHFT	33	6	618116	9/16MOR-90-1/4FNPT LBO
*4	1	606836	FLO DIV BG424 24GPM PRI 1NPT	34	1	505213	RED BUSH 1 X 3/4 BLK MAL
*5	1	610467	MODULAR MTR CONTROL ELECT VLV	*35	1	618191	1 1/16MJ-90-1 1/16FJ SWIV LBO
*6	1	614633	HYD MANIF 8200 86	*36	1	618183	3/4MJIC-90-7/8MOR LBO
*7	1	605601	GRESEN FILTER 10 MICRON 40GPM	*37	1	610357	12C2AT-12FCX-12FCX-33
*8	1	607510	FLO CONT FCR51 0-30VARI 7/8OR	*38	1	618541	1 5/16FJIC-1 1/16MJIC ADPTR
9	6	470114	BREATHER FILTER VENT, 1/4 NPT	39	1	618608	9/16FJIC SWIV-1/4MNPT
10	6	620810	LIFT CYL ASSY, DETASSELER	40	2	614377	04C1T-06FJX-06FJX-258
*11	1	618619	1 5/16FJ SW RUN TEE-15/16MJ	41	2	611246	04C1T-06FJX-06FJX-174
12	1	611122	9/16MJIC-90-1/4MNPT LBO	42	2	614101	04C1T-06FJX-06FJX-133
13	24	618327	3/4MJIC-7/8MOR ADPTR	43	2	614387	08C1T-08FJX-08FJX-267
*14	2	618322	1 5/16MJIC-1MNPT ADPTR	44	2	614378	08C1T-08FJX-08FJX-207
15	1	618440	9/16MJIC-90-9/16MOR EX LG LBO	*45	8	618621	HYD QUICK CPLR, FEMALE, .50FNPS
16	1	618170	3/4MOR-9/16FOR ADPTR	*46	1	601378	HOSE, 1 1/4 X 156 IFBR-1SPI
17	8	618119	9/16MJIC-90-9/16MOR LBO	*47	9	611147	3/4MJIC-1/2MNPT ADPTR
*18	2	715660	HOSE BARB 1 1/4NPT X 1 1/4	*48	1	714561	1.00NPT-1.25 HOSE BARB
19	2	618425	9/16MJIC-45-9/16MOR LBO	49	1	618486	9/16FJIC SW RUN TEE-9/16MJIC
*20	2	505200	BLK PIPE ST EL 90DEG 1.00NPT	*50	1	614702	HYD TUBE ASSY, 280 COMBO 92
21	1	618600	9/16MJIC-90-7/8MOR LBO	*51	5	618609	3/4MJIC-90-3/4FJIC SWIV LBO
*22	2	506410	BLK PIPE ST EL 90DEG 1.25NPT	*52	1	618189	1 1/16MJIC-7/8MOR ADPTR
*23	1	505210	BLK PIPE NIPPLE 1.00NPT-3.00	*53	7	618623	3/4FJIC-SWIV-1/2MNPT
*24	2	611145	3/4MJIC-90-1/2MNPT LBO	*54	7	618622	HYD QUICK CPLR, MALE, .50FNPS
25	1	618531	9/16FJIC CAP NUT	*55	1	614731	16C2AT-16FJX-16FJX-83
*26	2	503700	PIPE PLUG .50NPT SQ HD	56	2	614690	08C1T-08FJX-08FJX-192
*27	1	618279	1 1/16MJIC-90-7/8MOR LBO	57	2	614384	08C1T-08FJX-08FJX-237
*28	1	618579	1 1/16FJIC SWIV-3/4MNPT	58	2	614689	08C1T-08FJX-08FJX-120
*29	1	618090	1 5/16MOR-1FNPT ADPTR	59	2	614691	08C1T-08FJX-08FJX-220
*30	4	618469	3/4MJIC-1 1/16MOR ADPTR	60	4	616025	08C1T-08FJX-08FJX-50



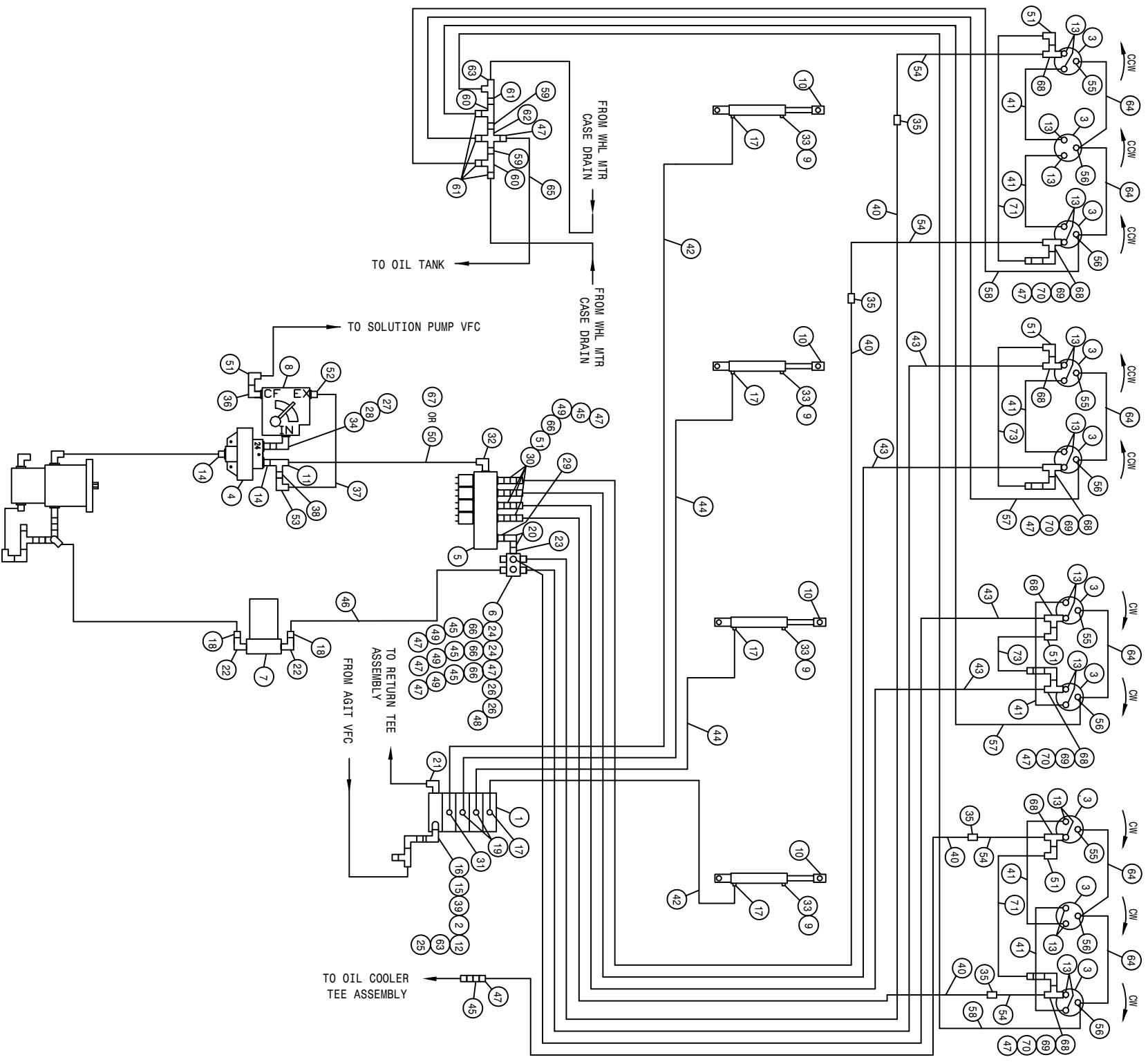
284 COMBO 6R CUTR 3L W/T-TROL HYD SCHEM 94  
REFERENCE DRAWING NO. 498444

DET.	QTY	PART NO.	DESCRIPTION	DET.	QTY	PART NO.	DESCRIPTION
1	1	610532	ELECT HYD STACK VLV, 3 SECT	*35	1	618191	1 1/16MJ-90-1 1/16FJ SWIV LBO
2	1	610447	HYD FILTER, INLINE 1/4FNPT 90M	*36	1	618183	3/4MJIC-90-7/8MOR LBO
3	6	610590	BARNES HYD MOTOR	*37	1	610357	12C2AT-12FCJX-12FCJX-33
*4	1	606836	FLO DIV BG424 24GPM PRI INPT	*38	1	618541	1 5/16FJIC-1 1/16MJIC ADPTR
*5	1	610467	MODULAR MTR CONTROL ELECT VLV	39	3	614368	08C1T-08FCJX-08FCJX-60
*6	1	614633	HYD MANIF 8200 86	40	1	618608	9/16FJIC SWIV-1/4MNPT
*7	1	605601	GRESEN FILTER 10 MICRON 40GPM	41	4	614690	08C1T-08FCJX-08FCJX-192
*8	1	607510	FLO CONT FCR51 0-30VARI 7/8OR	*42	1	618189	1 1/16MJIC-7/8MOR ADPTR
9	3	470114	BREATHER FILTER VENT, 1/4 NPT	43	2	614101	04C1T-06FCJX-06FCJX-133
10	3	620810	LIFT CYL ASSY, DETASSELER	44	2	614688	08C1T-08FCJX-08FCJX-108
*11	1	618619	1 5/16FJ SW RUN TEE-15/16MJ	45	3	614368	08C1T-08FCJX-08FCJX-60
12	1	611122	9/16MJIC-90-1/4MNPT LBO	46	2	614077	04C1T-06FCJX-06FCJX-88
13	12	611125	3/4MJIC-3/4MOR ADPTR	47	5	618621	HYD QUICK CPLR, FEMALE, .50FNPS
*14	2	618322	1 5/16MJIC-1MNPT ADPTR	*48	1	601378	HOSE, 1 1/4 X 156 1FBR-1SPI
15	1	618440	9/16MJIC-90-9/16MOR EX LG LBO	*49	12	611147	3/4MJIC-1/2MNPT ADPTR
16	1	618170	3/4MOR-9/16FOR ADPTR	*50	1	714561	1.00NPT-1.25 HOSE BARB
17	5	618119	9/16MJIC-90-9/16MOR LBO	51	1	618486	9/16FJIC SW RUN TEE-9/16MJIC
*18	2	715660	HOSE BARB 1 1/4NPT X 1 1/4	*52	1	614702	HYD TUBE ASSY, 280 COMBO 92
19	1	618425	9/16MJIC-45-9/16MOR LBO	*53	7	618609	3/4MJIC-90-3/4FJIC SWIV LBO
*20	2	505200	BLK PIPE ST EL 90DEG 1.00NPT	54	3	611206	04C1T-06FCJX-06FCJX-66
21	1	618600	9/16MJIC-90-7/8MOR LBO	55	3	618530	9/16MJIC-1/8MNPT ADPTR
*22	2	506410	BLK PIPE ST EL 90DEG 1.25NPT	56	2	618546	1/8MNPT RUN TEE-9/16MJIC
*23	1	505210	BLK PIPE NIPPLE 1.00NPT-3.00	57	2	611210	04C1T-06FCJX-06FCJX-156
*24	2	611145	3/4MJIC-90-1/2MNPT LBO	58	1	503824	BLK PIPE CROSS .50NPT
25	1	618531	9/16FJIC CAP NUT	59	2	503600	CLOSE NIPPLE .50NPT
*26	2	503700	PIPE PLUG .50NPT SQ HD	60	2	503820	BLK PIPE TEE .50NPT
*27	1	618279	1 1/16MJIC-90-7/8MOR LBO	61	5	618018	9/16MJIC-1/2MNPT ADPTR
*28	1	618579	1 1/16FJIC SWIV-3/4MNPT	62	1	614376	08C1T-08FCJX-08FCJX-177
*29	1	618090	1 5/16MOR-1FNPT ADPTR	*63	5	618623	3/4FJIC-SWIV-1/2MNPT
*30	3	618469	3/4MJIC-1 1/16MOR ADPTR	*64	6	618622	HYD QUICK CPLR, MALE, .50FNPS
*31	1	610186	1 1/16MOR PLUG	*65	1	614731	16C2AT-16FCJX-16FCJX-83
*32	1	618178	1 5/16MJIC-90-1 5/16MOR LBO	66	6	618451	3/4FJIC SW RUN TEE-3/4MJIC
33	3	618116	9/16MOR-90-1/4FNPT LBO	67	3	618620	3/4FCJX-90-1/2MNPT ADPTR
*34	1	505213	RED BUSH 1 X 3/4 BLK MAL	68	3	690338	LINE CHECK VALVE HYD .50NPT



284 COMBO 8R CUTR 4L W/T-TROL HYD SCHEM 94  
REFERENCE DRAWING NO. 498445

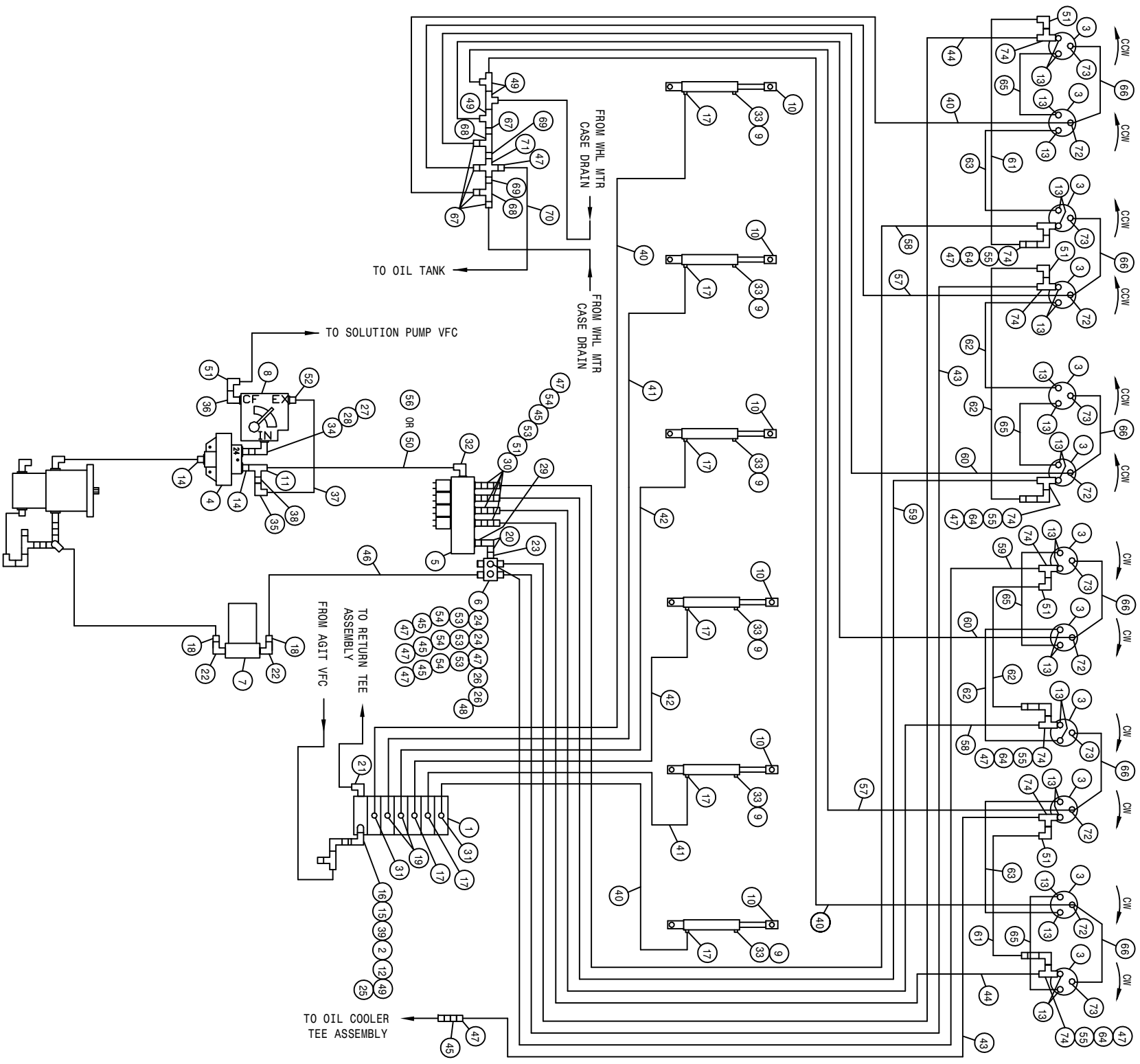
DET.	QTY	PART NO.	DESCRIPTION	DET.	QTY	PART NO.	DESCRIPTION
1	1	610613	ELECT HYD STACT VL.V, 4 SECT	*36	1	618183	3/4MJIC-90-7/8MOR LBO
2	1	610447	HYD FILTER, INLINE 1/4FNPT 90M	*37	1	610357	12C2AT-12FJX-12FJX-33
3	8	610590	BARNES HYD MOTOR	*38	1	618541	1 5/16FJIC-1 1/16MJIC ADPTR
*4	1	606836	FLO DIV BG424 24GPM PRI 1NPT	39	1	618608	9/16FJIC SWIV-1/4MNPT
*5	1	610467	MODULAR MTR CONTROL ELECT VL.V	40	4	614691	08C1T-08FJX-08FJX-220
*6	1	614633	HYD MANIF 8200 86	41	4	614368	08C1T-08FJX-08FJX-60
*7	1	605601	GRESEN FILTER 10 MICRON 40GPM	42	2	611246	04C1T-06FJX-06FJX-174
*8	1	607510	FLO CONT FOR51 0-30VARI 7/8OR	43	4	614689	08C1T-08FJX-08FJX-120
9	4	470114	BREATHER FILTER VENT, 1/4 NPT	44	2	614101	04C1T-06FJX-06FJX-133
10	4	620810	LIFT CYL ASSY, DETASSELER	*45	8	618622	HYD QUICK CPLR, MALE, .50FNPS
*11	1	618619	1 5/16FJ SW RUN TEE-15/16MJ	*46	1	601378	HOSE, 1 1/4 X 156 1FBR-15PI
12	1	611122	9/16MJIC-90-1/4MNPT LBO	47	13	611147	3/4MJIC-1/2MNPT ADPTR
13	1	611125	3/4MJIC-3/4MOR ADPTR	*48	1	714561	1.00NPT-1.25 HOSE BARB
*14	16	618322	1 5/16MJIC-1MNPT ADPTR	*49	7	618621	HYD QUICK CPLR, FEMALE, .50FNPS
15	1	618440	9/16MJIC-90-9/16MOR EX LG LBO	*50	1	614702	HYD TUBE ASSY, 280 COMBO 92
16	1	618170	3/4MOR-9/16FOR ADPTR	*51	9	618609	3/4MJIC-90-3/4FJIC SWIV LBO
*17	5	618119	9/16MJIC-90-9/16MOR LBO	*52	1	618189	1 1/16MJIC-7/8MOR ADPTR
*18	2	715660	HOSE BARB 1 1/4NPT X 1 1/4	53	4	611206	04C1T-06FJX-06FJX-66
19	2	618425	9/16MJIC-45-9/16MOR LBO	54	1	614376	08C1T-08FJX-08FJX-177
*20	2	505200	BLK PIPE ST EL 90DEG 1.00NPT	55	4	618530	9/16MJIC-1/8MNPT ADPTR
21	1	618600	9/16MJIC-90-7/8MOR LBO	56	3	618546	1/8MNPT RUN TEE-9/16MJIC
*22	2	506410	BLK PIPE ST EL 90DEG 1.25NPT	57	2	611212	04C1T-06FJX-06FJX-164
*23	1	505210	BLK PIPE NIPPLE 1.00NPT-3.00	58	2	614154	04C1T-06FJX-06FJX-221
*24	2	611145	3/4MJIC-90-1/2MNPT LBO	59	2	503600	CLOSE NIPPLE .50NPT
25	1	618531	9/16FJIC CAP NUT	60	2	503820	BLK PIPE TEE .50NPT
*26	2	503700	PIPE PLUG .50NPT SQ HD	61	5	618018	9/16MJIC-1/2MNPT ADPTR
*27	1	618279	1 1/16MJIC-90-7/8MOR LBO	62	1	503824	BLK PIPE CROSS .50NPT
*28	1	618579	1 1/16FJIC SWIV-3/4MNPT	63	2	618486	9/16FJIC SW RUN TEE-9/16MJIC
*29	1	618090	1 5/16MOR-1FNPT ADPTR	*64	7	618623	3/4FJIC-SWIV-1/2MNPT
*30	4	618469	3/4MJIC-1 1/16MOR ADPTR	*65	1	614731	16C2AT-16FJX-16FJX-83
31	1	618126	9/16MJIC-9/16MOR ADPTR	66	8	618451	3/4FJIC SW RUN TEE-3/4MJIC
*32	1	618178	1 5/16MJIC-90-1 5/16MOR LBO	67	4	618620	3/4FJX-90-1/2MNPT ADPTR
33	4	618116	9/16MOR-90-1/4FNPT LBO	68	4	690338	LINE CHECK VALVE HYD .50NPT
*34	1	505213	RED BUSH 1 X 3/4 BLK MAL	69	4	614368	08C1T-08FJX-08FJX-60
*35	1	618191	1 1/16MJ-90-1 1/16FJ SWIV LBO				H/A





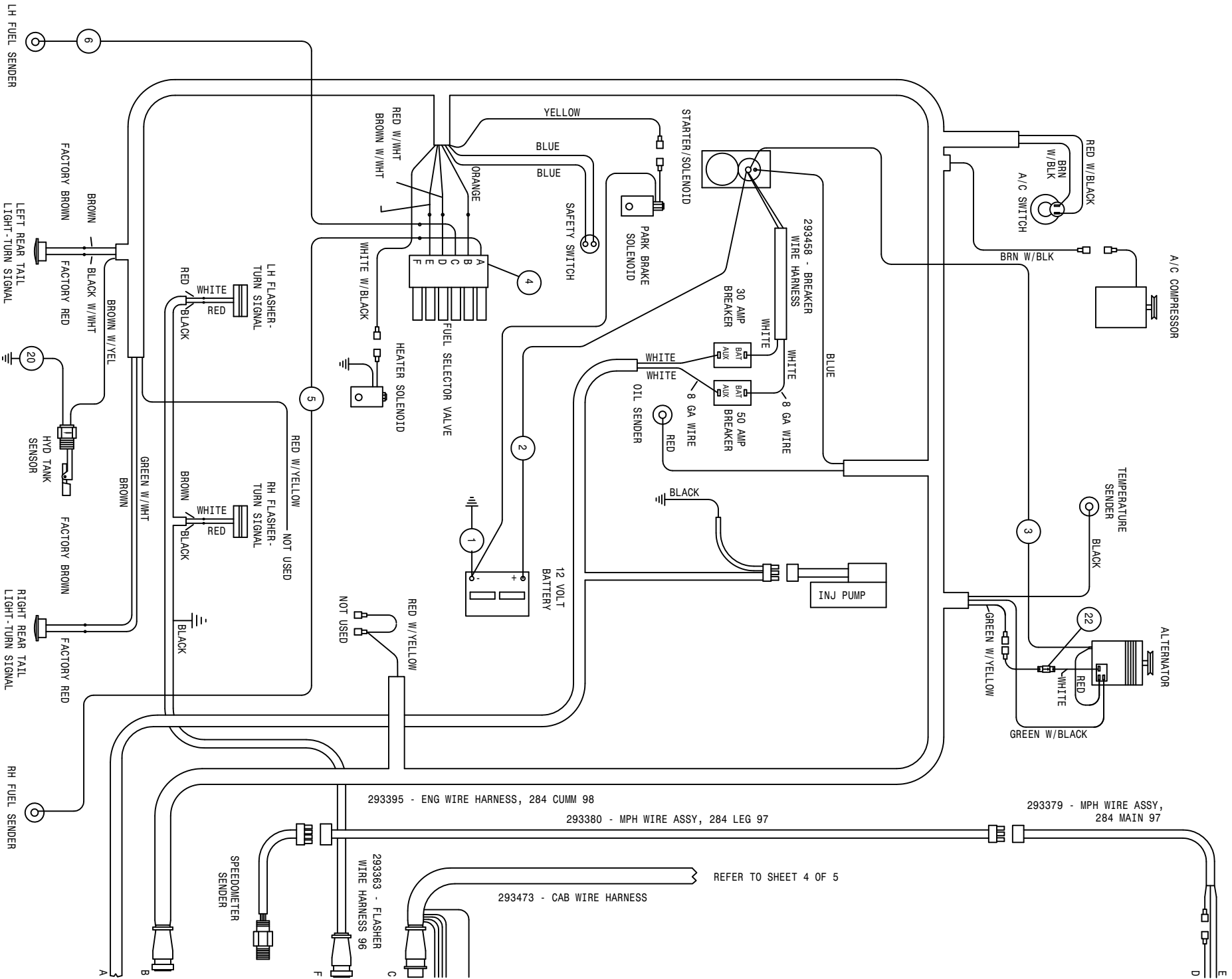
284 COMBO 10R CUTR 4L W/T-TROL HYD SCHEM 94  
REFERENCE DRAWING NO. 498446

DET.	QTY	PART NO.	DESCRIPTION	DET.	QTY	PART NO.	DESCRIPTION
1	1	610613	ELECT HYD STACT VLV, 4 SECT	*37	1	610357	12C2AT-12FJX-12FJX-33
2	1	610447	HYD FILTER, INLINE 1/4FNPT 90M	*38	1	618541	1 5/16FJIC-1 1/16MJIC ADPTR
3	10	610590	BARNES HYD MOTOR	39	1	618608	9/16FJIC SWIV-1/4MNPT
*4	1	606836	FLO DIV BG424 24GPM PRI 1NPT	40	4	614691	08C1T-08FJX-08FJX-220
*5	1	610467	MODULAR MTR CONTROL ELECT VLV	41	6	614368	08C1T-08FJX-08FJX-60
*6	1	614633	HYD MANIF 8200 86	42	2	611246	04C1T-06FJX-06FJX-174
*7	1	605601	GRESEN FILTER 10 MICRON 40GPM	43	4	614689	08C1T-08FJX-08FJX-120
*8	1	607510	FLO CONT FCR51 0-30VARI 7/8OR	44	2	614101	04C1T-06FJX-06FJX-133
9	4	470114	BREATHER FILTER VENT, 1/4 NPT	*45	8	618622	HYD QUICK CPLR, MALE, .50FNPS
10	4	620810	LIFT CYL ASSY, DETASSELER	*46	1	601378	HOSE, 1 1/4 X 156 1FBR-1SP1
*11	1	618619	1 5/16FJ SW RUN TEE-15/16MJ	47	14	611147	3/4MJIC-1/2MNPT ADPTR
12	1	611122	9/16MJIC-90-1/4MNPT LBO	*48	1	714561	1.00NPT-1.25 HOSE BARB
13	20	611125	3/4MJIC-3/4MOR ADPTR	*49	7	618621	HYD QUICK CPLR, FEMALE, .50FNPS
*14	2	618322	1 5/16MJIC-1MNPT ADPTR	*50	1	614702	HYD TUBE ASSY, 280 COMBO 92
15	1	618440	9/16MJIC-90-9/16MOR EX LG LBO	*51	9	618609	3/4MJIC-90-3/4FJIC SWIV LBO
16	1	618170	3/4MOR-9/16FOR ADPTR	*52	1	618189	1 1/16MJIC-7/8MOR ADPTR
17	5	618119	9/16MJIC-90-9/16MOR LBO	*53	1	618191	1 1/16MJ-90-1 1/16FJ SWIV LBO
*18	2	715660	HOSE BARB 1 1/4NPT X 1 1/4	54	4	615385	08C1T-08FJX-08FJX-29
19	2	618425	9/16MJIC-45-9/16MOR LBO	55	4	618530	9/16MJIC-1/8MNPT ADPTR
*20	2	505200	BLK PIPE ST EL 90DEG 1.00NPT	56	6	618546	1/8MNPT RUN TEE-9/16MJIC
21	1	618600	9/16MJIC-90-7/8MOR LBO	57	2	611212	04C1T-06FJX-06FJX-164
*22	2	506410	BLK PIPE ST EL 90DEG 1.25NPT	58	2	614154	04C1T-06FJX-06FJX-221
*23	1	505210	BLK PIPE NIPPLE 1.00NPT-3.00	59	2	503600	CLOSE NIPPLE .50NPT
*24	2	611145	3/4MJIC-90-1/2MNPT LBO	60	2	503820	BLK PIPE TEE .50NPT
25	1	618531	9/16FJIC CAP NUT	61	5	618018	9/16MJIC-1/2MNPT ADPTR
*26	2	503700	PIPE PLUG .50NPT SQ HD	62	1	503824	BLK PIPE CROSS .50NPT
*27	1	618279	1 1/16MJIC-90-7/8MOR LBO	63	2	618486	9/16FJIC SW RUN TEE-9/16MJIC
*28	1	618579	1 1/16FJIC SWIV-3/4MNPT	64	6	611206	04C1T-06FJX-06FJX-66
*29	1	618090	1 5/16MOR-1FNPT ADPTR	65	1	614376	08C1T-08FJX-08FJX-177
*30	4	618469	3/4MJIC-1 1/16MOR ADPTR	*66	7	618623	3/4FJIC-SWIV-1/2MNPT
31	1	618126	9/16MJIC-9/16MOR ADPTR	*67	1	614731	16C2AT-16FJX-16FJX-83
*32	1	618178	1 5/16MJIC-90-1 5/16MOR LBO	68	8	618451	3/4FJIC SW RUN TEE-3/4MJIC
33	4	618116	9/16MOR-90-1/4FNPT LBO	69	4	618620	3/4FJX-90-1/2MNPT ADPTR
*34	1	505213	RED BUSH 1 X 3/4 BLK MAL	70	4	690338	LINE CHECK VALVE HYD .50NPT
35	4	618314	3/4MJIC UNION	71	2	616057	08C1T-08FJX-08FJX-88
*36	1	618183	3/4MJIC-90-7/8MOR LBO				H/A

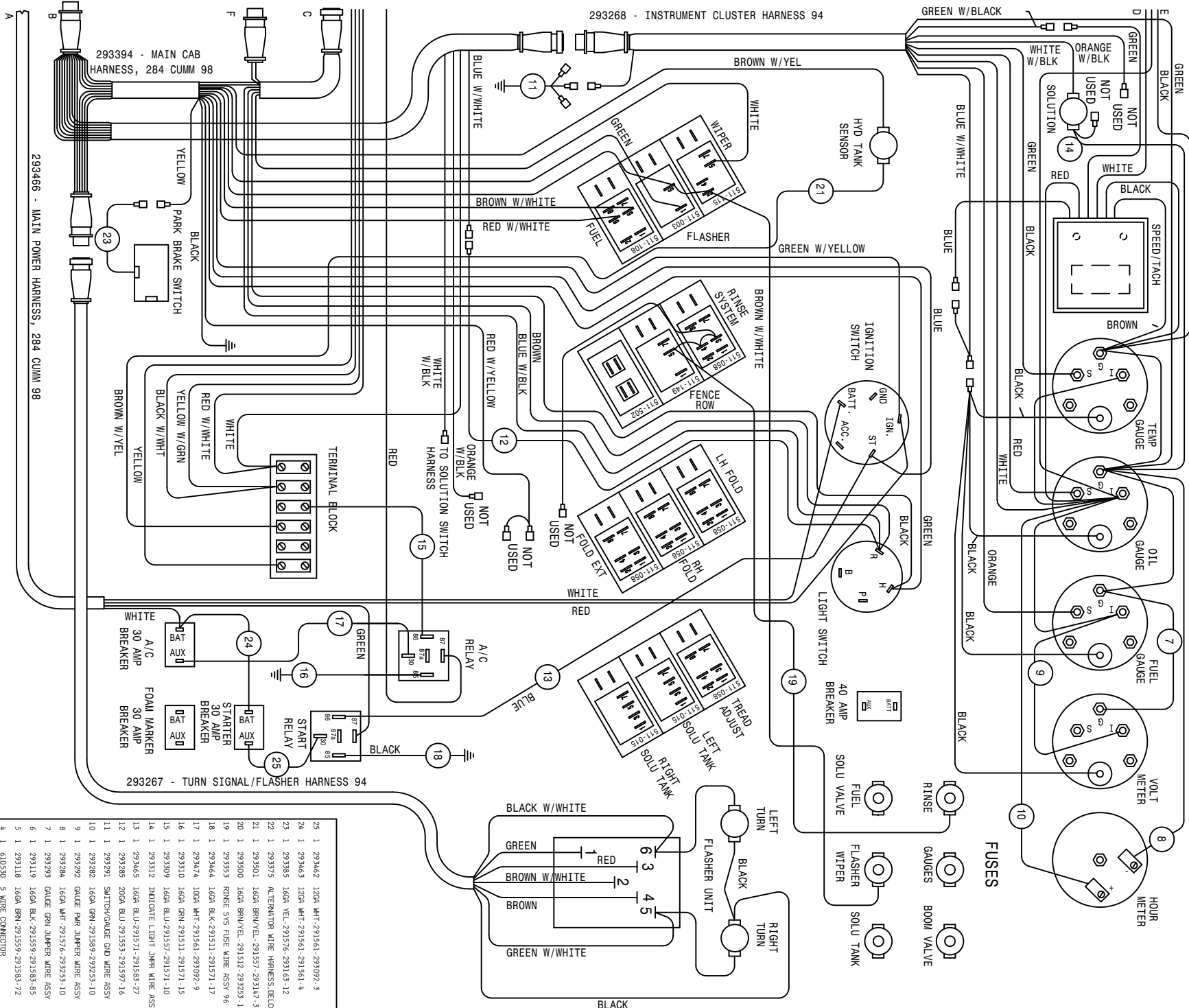


284 COMBO 12R CUTR 6L W/T-TROL HYD SCHEM 96  
REFERENCE DRAWING NO. 498541

DET.	QTY	PART NO.	DESCRIPTION	DET.	QTY	PART NO.	DESCRIPTION
1	1	610615	ELECT HYD STACT VLV, 6 SECT	*38	1	618541	1 5/16FJIC-1 1/16MJIC ADPTR
2	1	610447	HYD FILTER, INLINE 1/4FNPT 90M	39	1	618608	9/16FJIC SWIV-1/4MNPT
3	12	610590	BARNES HYD MOTOR	40	4	614377	04C1T-06FJX-06FJX-258
*4	1	606836	FLO DIV BG424 24GPM PRI 1NPT	41	2	611246	04C1T-06FJX-06FJX-174
*5	1	610467	MODULAR MTR CONTROL ELECT VLV	42	2	614101	04C1T-06FJX-06FJX-133
*6	1	614633	HYD MANIF 8200 86	43	2	614691	08C1T-08FJX-08FJX-220
*7	1	605601	GRESEN FILTER 10 MICRON 40GPM	44	2	614387	08C1T-08FJX-08FJX-267
*8	1	607510	FLO CONT FCR51 0-30VARI 7/8OR	*45	8	618621	HYD QUITCK CPLR, FEMALE, .50FNPS
9	6	470114	BREATHER FILTER VENT, 1/4 NPT	*46	1	601378	HOSE, 1 1/4 X 156 1FBR-1SPI
10	6	620810	LIFT CYL ASSY, DETASSELER	*47	14	611147	3/4MJIC-1/2MNPT ADPTR
*11	1	618619	1 5/16FJ SW RUN TEE-15/16MJ	*48	1	714561	1.00NPT-1.25 HOSE BARB
12	1	611122	9/16MJIC-90-1/4MNPT LBO	49	4	618486	9/16FJIC SW RUN TEE-9/16MJIC
13	24	618125	3/4MJIC-3/4MOR ADPTR	*50	1	614702	HYD TUBE ASSY, 280 COMBO
*14	2	618322	1 5/16MJIC-1MNPT ADPTR	*51	9	618609	3/4MJIC-90-3/4FJIC SWIV LBO
15	1	618440	9/16MJIC-90-9/16MOR EX LG LBO	*52	1	618189	1 1/16MJIC-7/8MOR ADPTR
16	1	618170	3/4MOR-9/16FOR ADPTR	*53	7	618623	3/4FJIC-SWIV-1/2MNPT
17	8	618119	9/16MJIC-90-9/16MOR LBO	*54	7	618622	HYD QUITCK CPLR, MALE, .50FNPS
*18	2	715660	HOSE BARB 1 1/4NPT X 1 1/4	55	4	618620	3/4FJX-90-1/2MNPT ADPTR
19	2	618425	9/16MJIC-45-9/16MOR LBO	*56	1	614731	16C2AT-16FJX-16FJX-83
*20	2	505200	BLK PIPE ST EL 90DEG 1.00NPT	57	2	614100	04C1T-06FJX-06FJX-211
21	1	618600	9/16MJIC-90-7/8MOR LBO	58	2	614378	08C1T-08FJX-08FJX-207
*22	1	506410	BLK PIPE ST EL 90DEG 1.25NPT	59	2	614689	08C1T-08FJX-08FJX-120
*23	1	505210	BLK PIPE NIPPLE 1.00NPT-3.00	60	2	614076	04C1T-06FJX-06FJX-119
*24	2	611145	3/4MJIC-90-1/2MNPT LBO	61	2	614375	08C1T-08FJX-08FJX-177
25	1	618531	9/16FJIC CAP NUT	62	4	614384	08C1T-08FJX-08FJX-237
*26	2	503700	PIPE PLUG .50NPT SQ HD	63	2	614690	08C1T-08FJX-08FJX-192
*27	1	618279	1 1/16MJIC-90-7/8MOR LBO	64	4	690338	LINE CHECK VALVE HYD .50NPT
*28	1	618579	1 1/16FJIC SWIV-3/4MNPT	65	4	614368	08C1T-08FJX-08FJX-60
*29	1	618090	1 5/16MOR-1FNPT ADPTR	66	6	611206	04C1T-06FJX-06FJX-66
*30	4	618469	3/4MJIC-1 1/16MOR ADPTR	67	5	618018	9/16MJIC-1/2MNPT ADPTR
31	2	618126	9/16MJIC-9/16MOR ADPTR	68	2	503820	BLK PIPE TEE .50NPT
*32	1	618178	1 5/16MJIC-90-1 5/16MOR LBO	69	2	503600	CLOSE NIPPLE .50NPT
33	6	618116	9/16MOR-90-1/4FNPT LBO	70	1	614376	08C1T-08FJX-08FJX-177
*34	1	505213	RED BUSH 1 X 3/4 BLK MAL	71	1	503824	BLK PIPE CROSS .50NPT
*35	1	618191	1 1/16MJ-90-1 1/16FJ SWIV LBO	72	6	618546	1/8MNPT RUN TEE-9/16MJIC
*36	1	618183	3/4MJIC-90-7/8MOR LBO	73	6	618530	9/16MJIC-1/8MNPT ADPTR
*37	1	610357	12C2AT-12FJX-12FJX-33	74	8	618451	3/4FJIC SW RUN TEE-3/4MJIC



REFER TO SHEET 4 OF 5



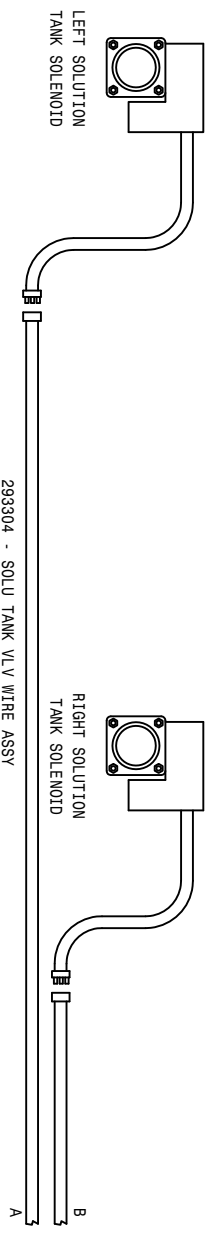
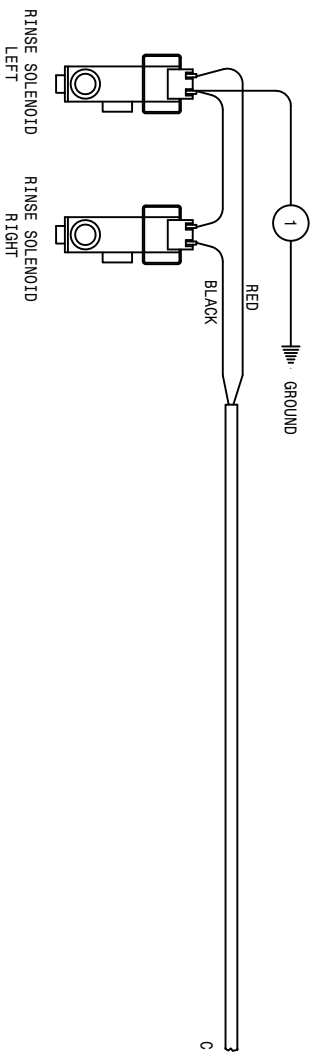
293394 - MAIN CAB HARNESS, 284 CUMM 98

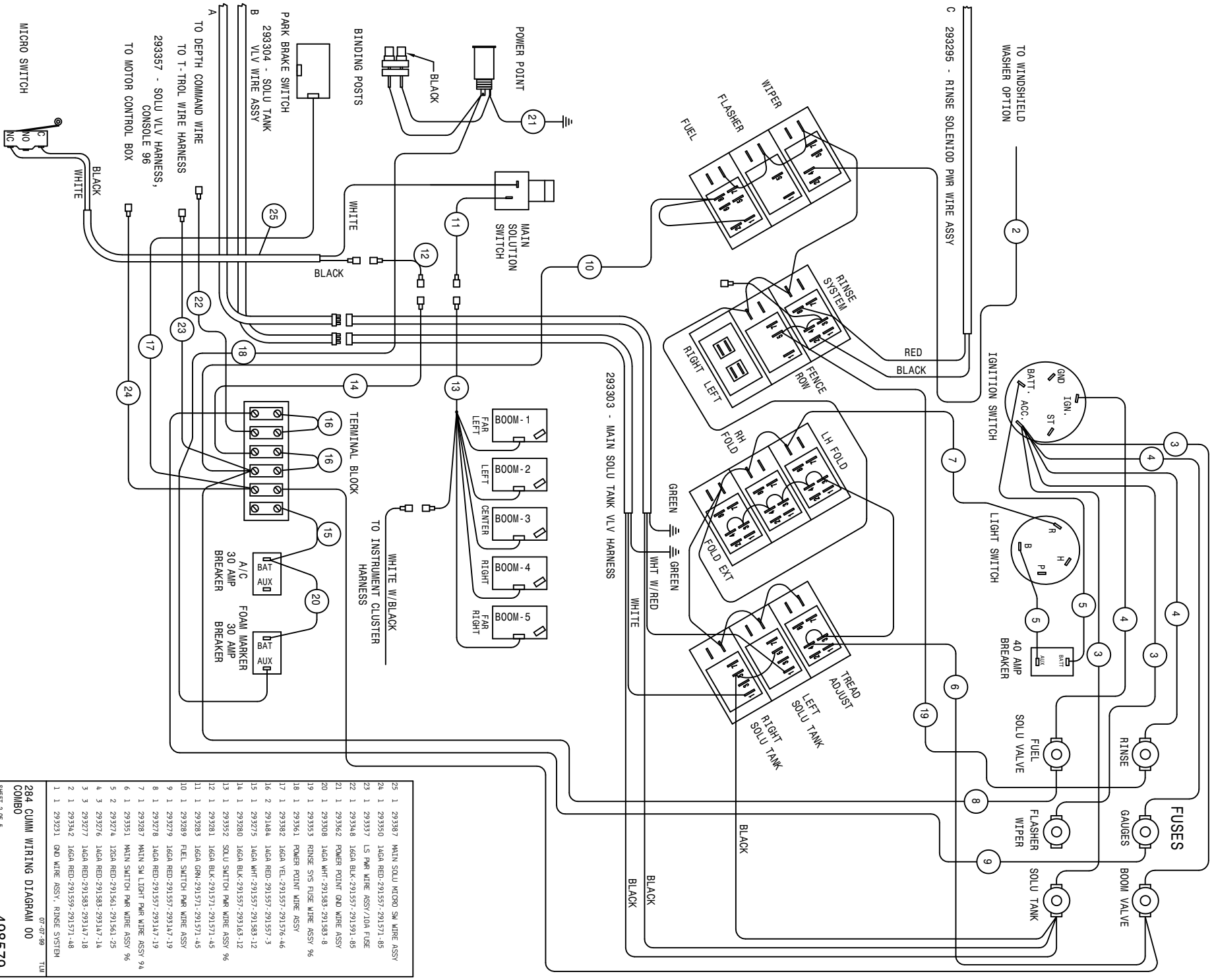
293466 - MAIN POWER HARNESS, 284 CUMM 98

293267 - TURN SIGNAL/FLASHER HARNESS 94

25	1	293462	16GA WHT-291564-293092-3
26	1	293463	12GA WHT-291564-291564-4
23	1	293385	16GA YEL-291576-293163-12
22	1	293375	ALTERNATOR WIRE HARNESS/DELOD
21	1	293501	16GA BRN/YEL-291571-17
20	1	293500	16GA BRN/YEL-291512-293293-16
19	1	293353	RINSE SYS FUSE WIRE ASSY 96
18	1	293464	16GA BRN/YEL-291571-17
17	1	293474	10GA WHT-291564-293092-9
16	1	293310	16GA GRN-291511-291571-15
15	1	293309	16GA BLU-291571-291571-10
14	1	293312	INDICATE LIGHT JMR WIRE ASSY
13	1	293465	16GA BLU-291571-291583-27
12	1	293285	20GA BLU-291553-291597-16
11	1	293291	SWITCH/GAUGE GND WIRE ASSY
10	1	293282	16GA GRN-291589-293253-10
9	1	293282	GAUGE FMR JUMPER WIRE ASSY
8	1	293284	16GA WHT-291576-293253-10
7	1	293293	GAUGE GRN JUMPER WIRE ASSY
6	1	293119	16GA BRN-291559-291583-85
5	1	293118	16GA BRN-291559-291583-72
4	1	610530	5 WIRE CONNECTOR
3	1	291029	10GA BLU-291513-291587-30
2	1	291128	BATTERY CABLE 48IN
1	1	291530	BATTERY GROUND STRAP 23"

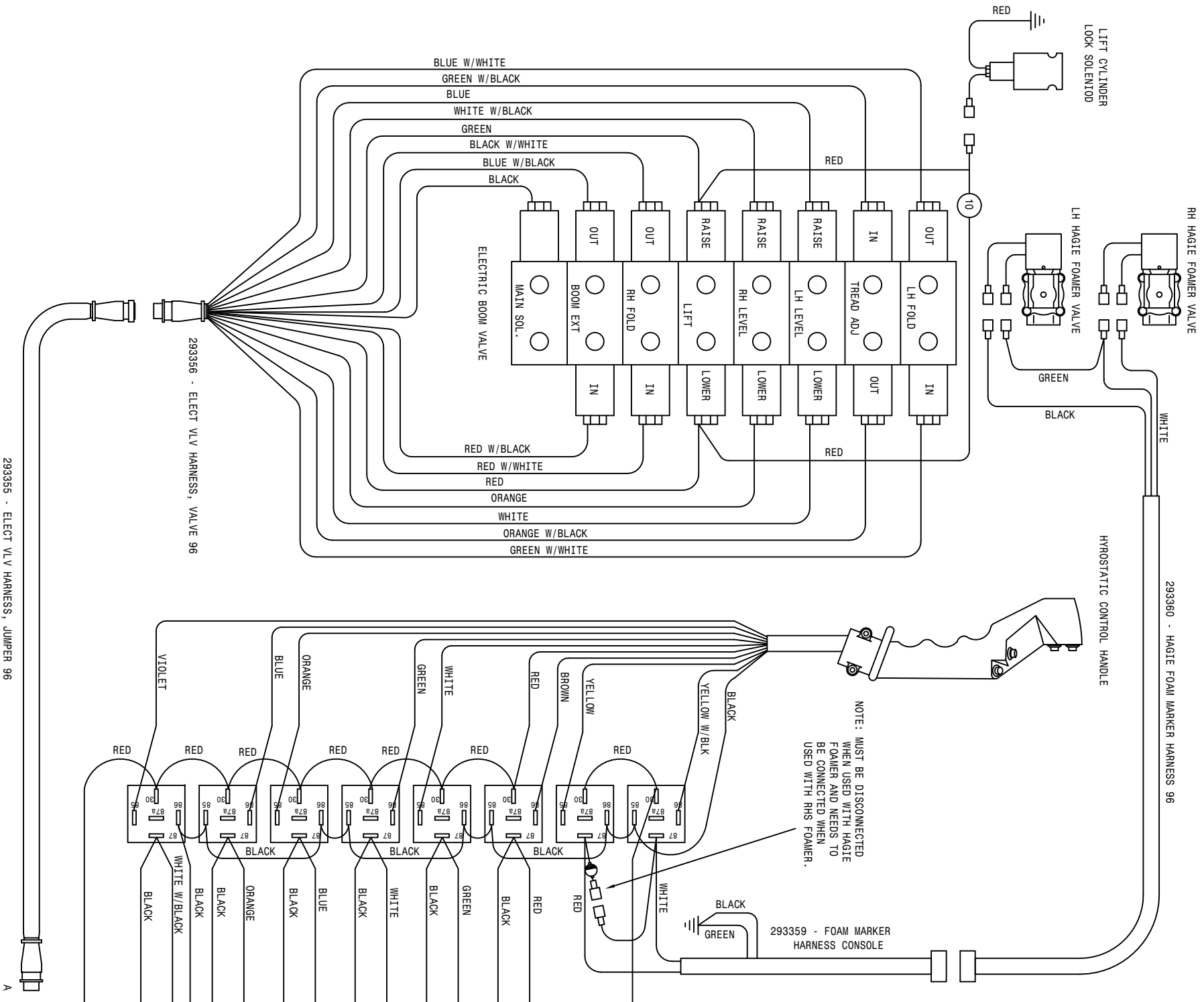
284 CUMM WIRING DIAGRAM 00 COMBO  
 07-07-99 TUL  
 SHEET 1 OF 5  
 REVISION DATE: 07-20-01  
 498579





25	1	293387	MAIN SOLU MICRO SW WIRE ASSY
24	1	293350	16GA RED-291557-291571-45
23	1	293337	LS PWR WIRE ASSY/10A FUSE
22	1	293348	16GA BLK-291557-291591-85
21	1	293362	POWER POINT GND WIRE ASSY
20	1	293308	16GA WHT-291583-291583-8
19	1	293353	RINSE SYS FUSE WIRE ASSY 96
18	1	293361	POWER POINT WIRE ASSY
17	1	293382	16GA VEL-291557-291576-46
16	2	291484	16GA RED-291557-291557-3
15	1	293275	16GA WHT-291557-291583-12
14	1	293280	16GA BLK-291571-291571-45
13	1	293352	SOLU SWITCH PWR WIRE ASSY 96
12	1	293281	16GA GRN-291571-291571-45
11	1	293283	16GA GRN-291571-291571-45
10	1	293289	FUEL SWITCH PWR WIRE ASSY
9	1	293279	16GA RED-291557-29147-19
8	1	293278	16GA RED-291557-29147-19
7	1	293287	MAIN SW LIGHT PWR WIRE ASSY 96
6	1	293351	MAIN SWITCH PWR WIRE ASSY 96
5	2	293274	12GA RED-291561-291561-25
4	3	293276	16GA RED-291583-29147-14
3	3	293277	16GA RED-291583-29147-18
2	1	293342	16GA RED-291559-291571-48
1	1	293231	GND WIRE ASSY, RINSE SYSTEM

284 CUUMI WIRING DIAGRAM 00  
COMBO  
07-07-98 TLU  
498579  
REVISION DATE: 04-24-01



293360 - HAGIE FOAM MARKER HARNESS 96

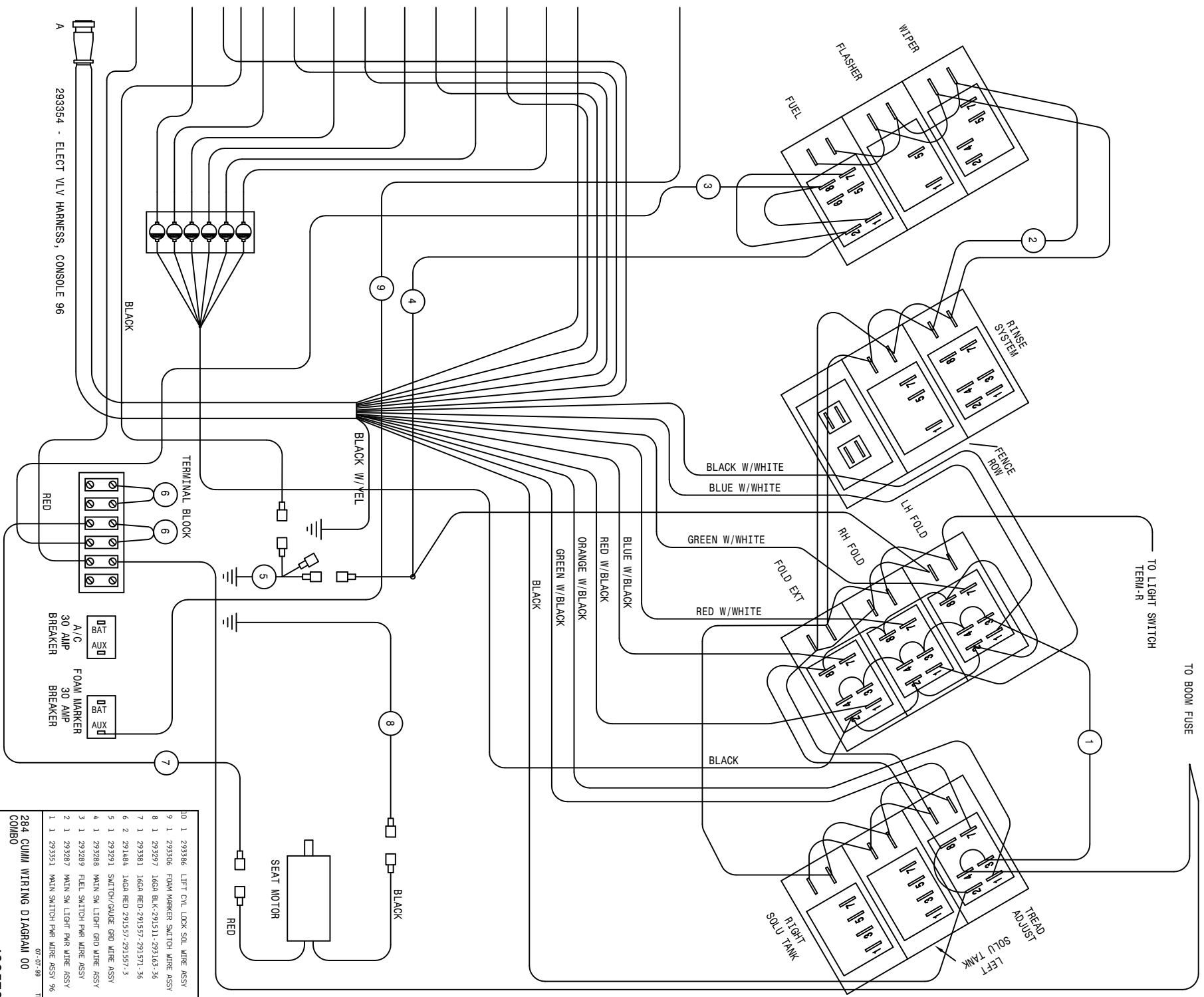
293355 - ELECT VLV HARNESS, JUMPER 96

293356 - ELECT VLV HARNESS, VALVE 96

293359 - FOAM MARKER HARNESS CONSOLE

A



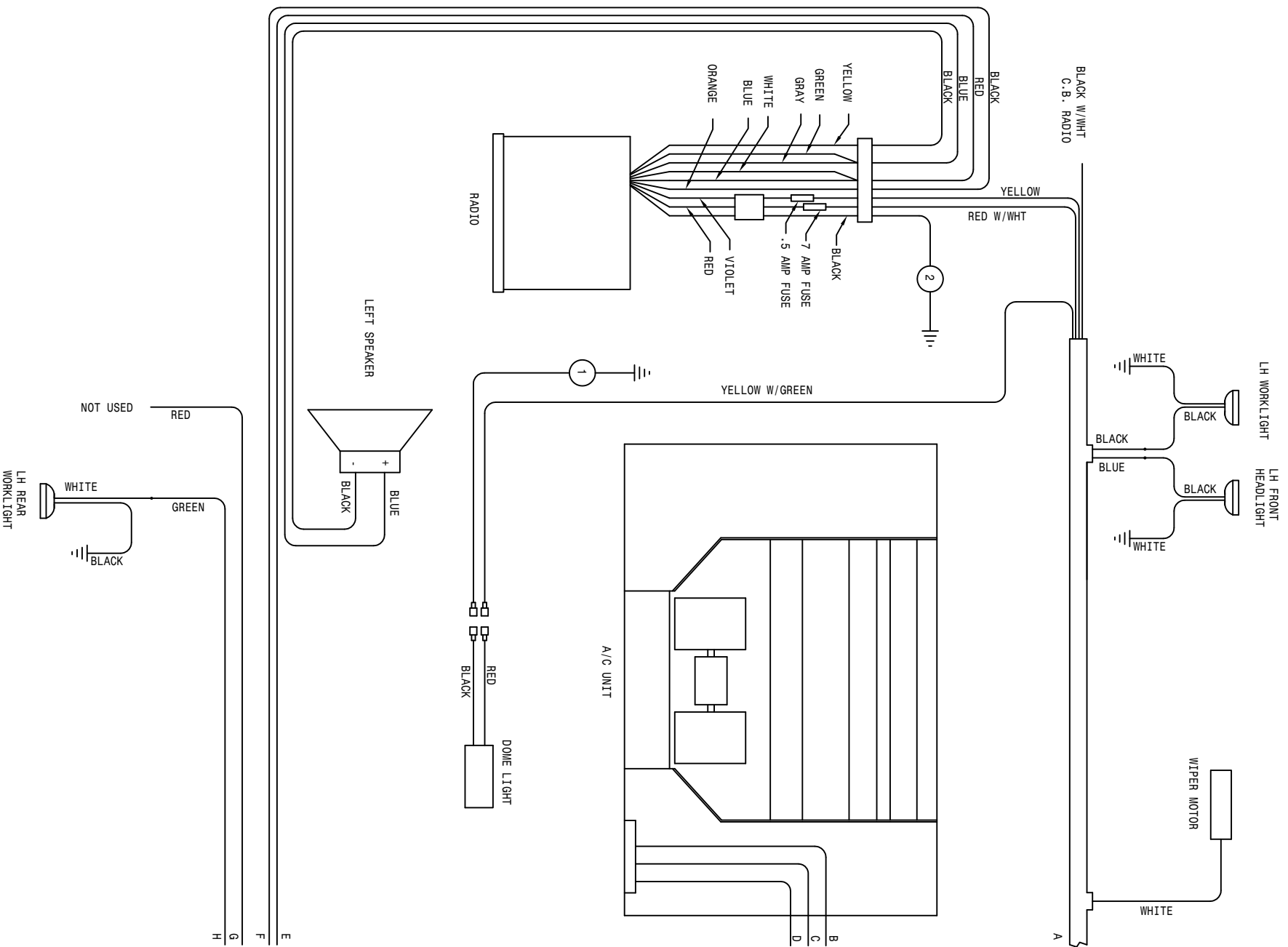


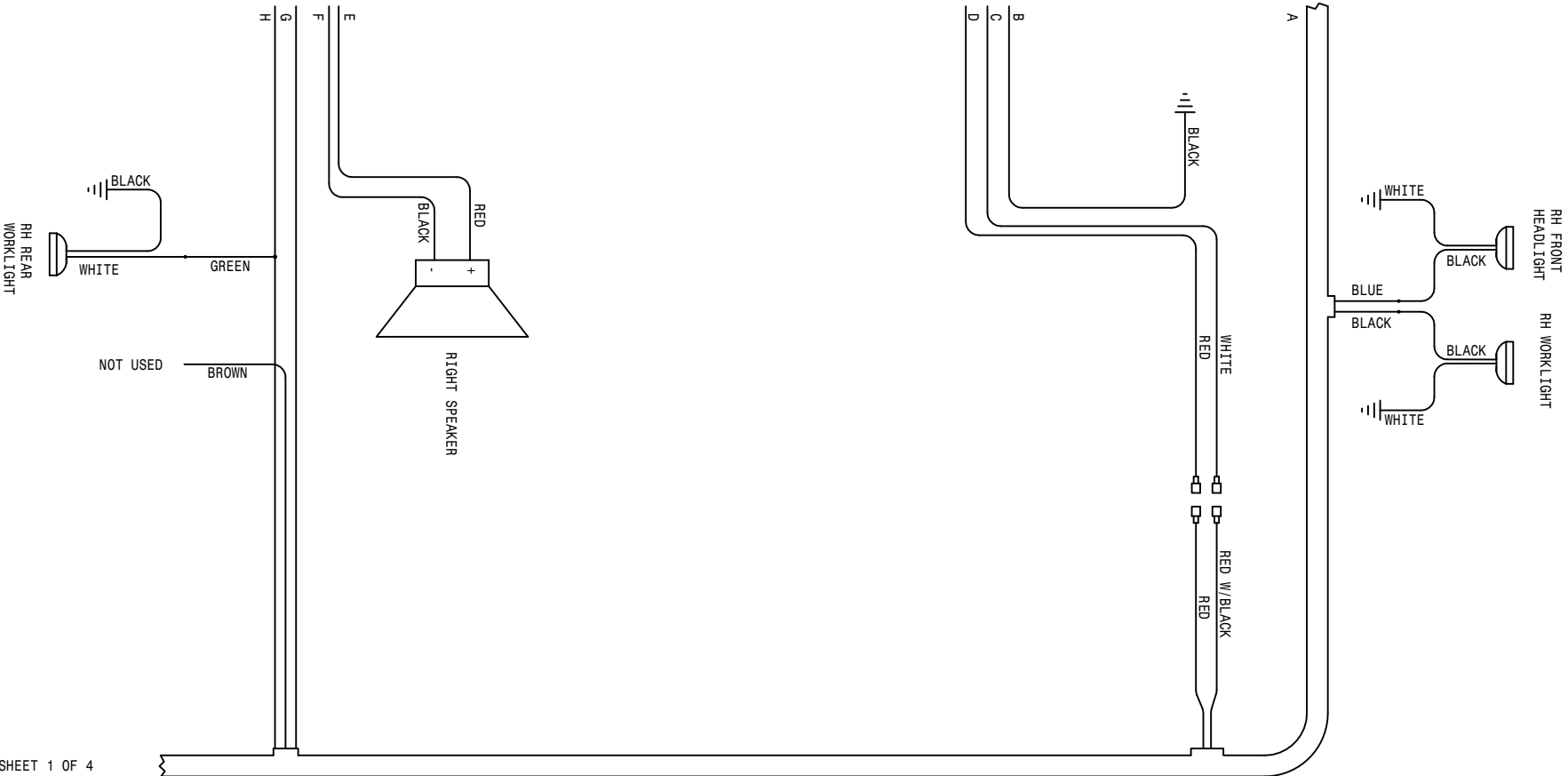
293354 - ELECT VLV HARNESS, CONSOLE 96

10	1	293386	LEFT CYL LOCK SOL. WIRE ASSY
9	1	293306	FOAM MARKER SWITCH WIRE ASSY
8	1	293297	16GA BLK-291511-293163-36
7	1	293381	16GA RED-291557-291571-36
6	2	291484	14GA RED 291557-291557-3
5	1	293291	SWITCH/CONDUIT WIRE ASSY
4	1	293288	MAIN SW LIGHT GRD WIRE ASSY
3	1	293289	FUEL SWITCH PAR WIRE ASSY
2	1	293287	MAIN SW LIGHT PAR WIRE ASSY
1	1	293351	MAIN SWITCH PAR WIRE ASSY 96

284 CUMMINS WIRING DIAGRAM 00  
COMBO

498579

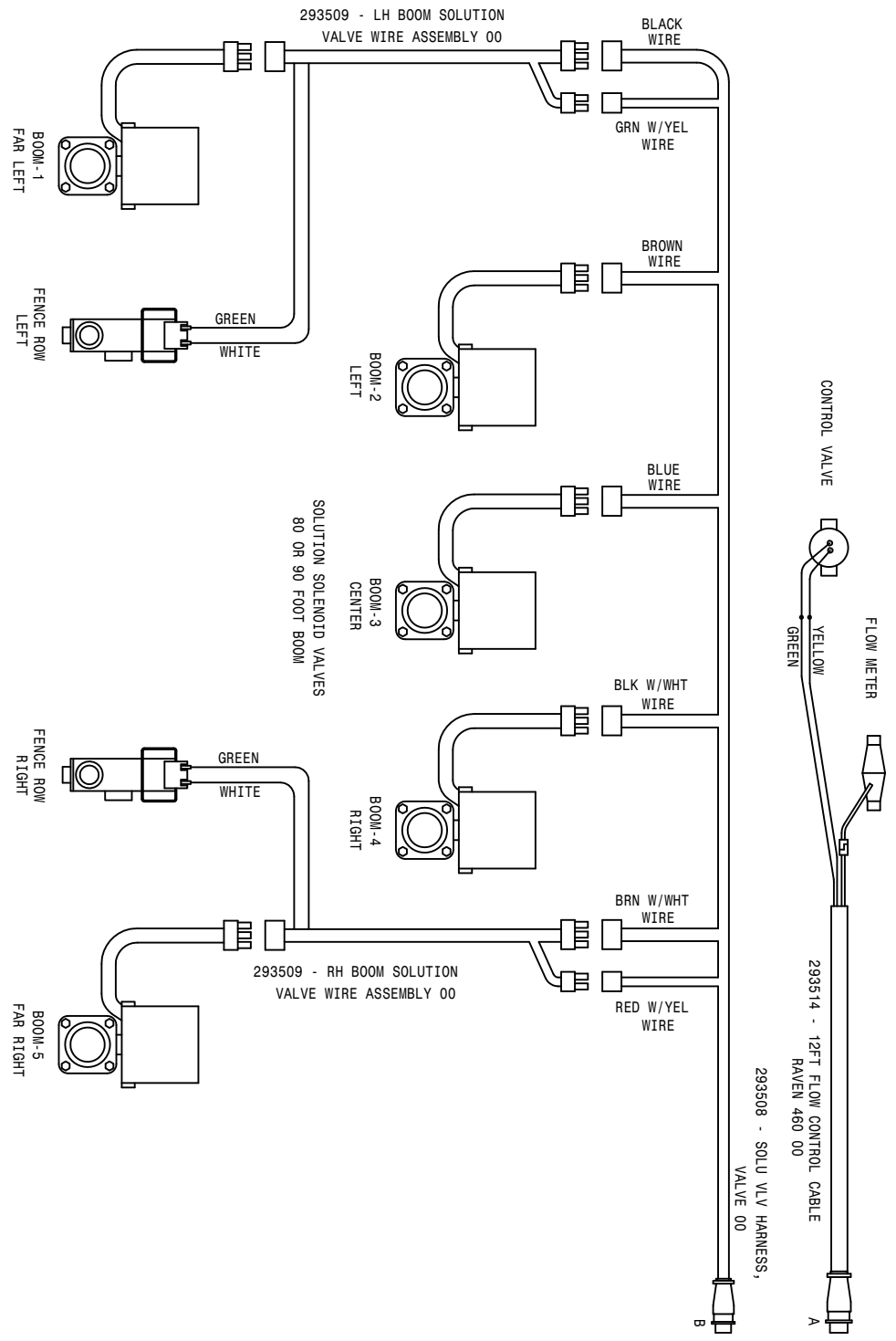
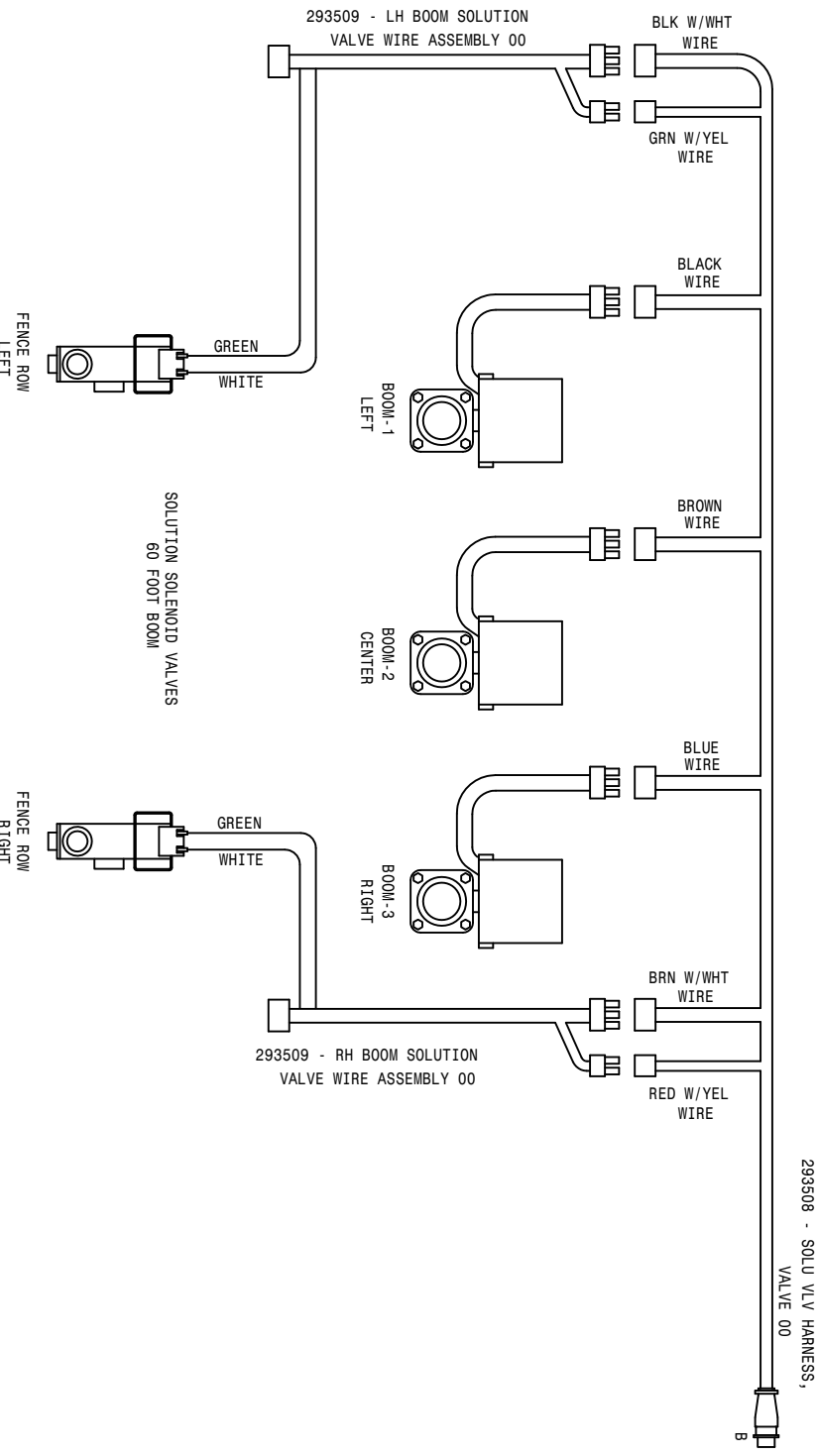


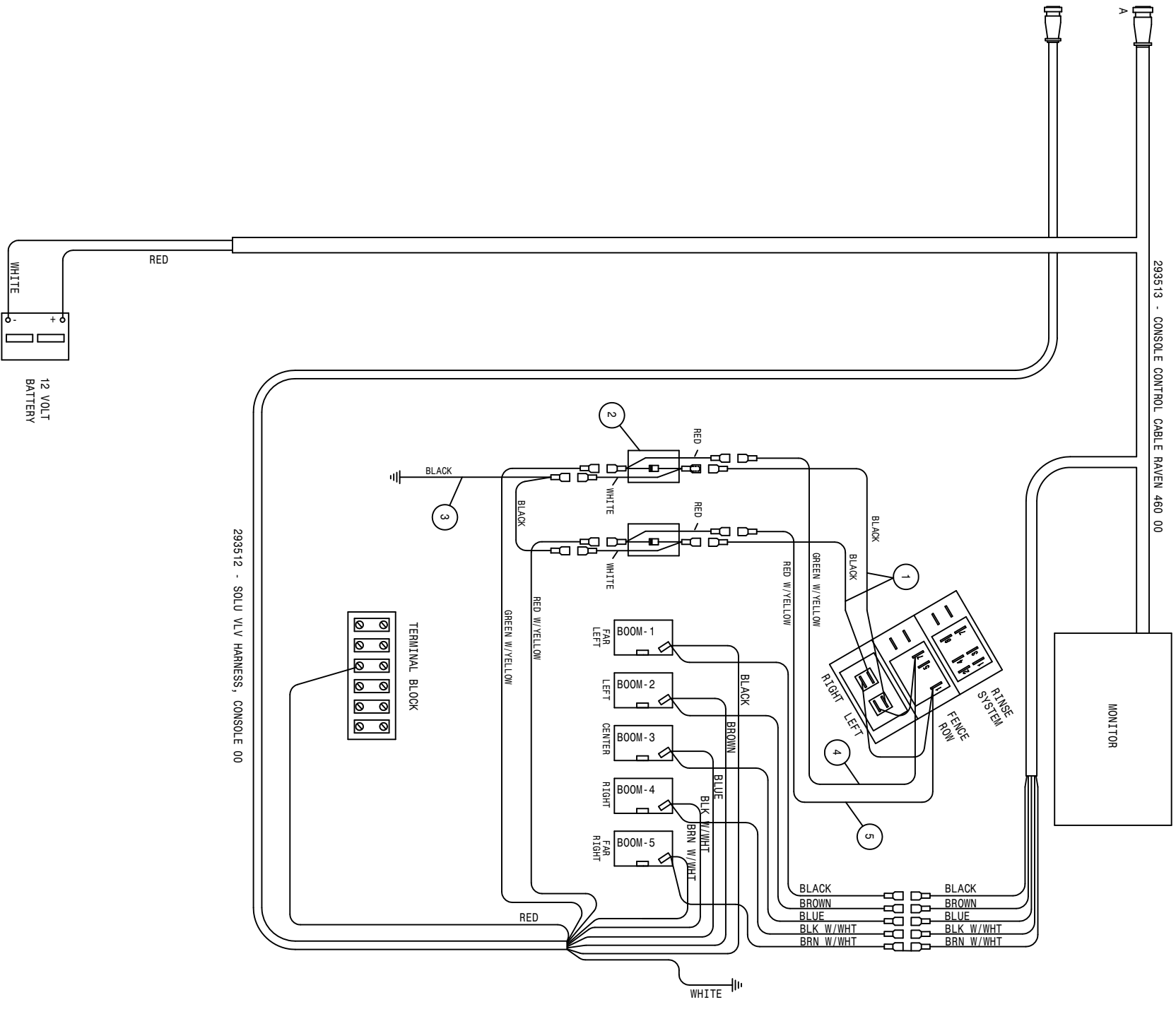


293473 - CAB WIRE HARNESS

REFER TO SHEET 1 OF 4

2	1	293300	16GA BLK-291511-291571-18	07-07-89	TJM
1	1	293299	16GA BLK-291511-291571-30		
<b>284 CUMM WIRING DIAGRAM 00</b>					
COMBO					
SHEET 4 OF 5					
REVISION DATE:					
<b>498579</b>					



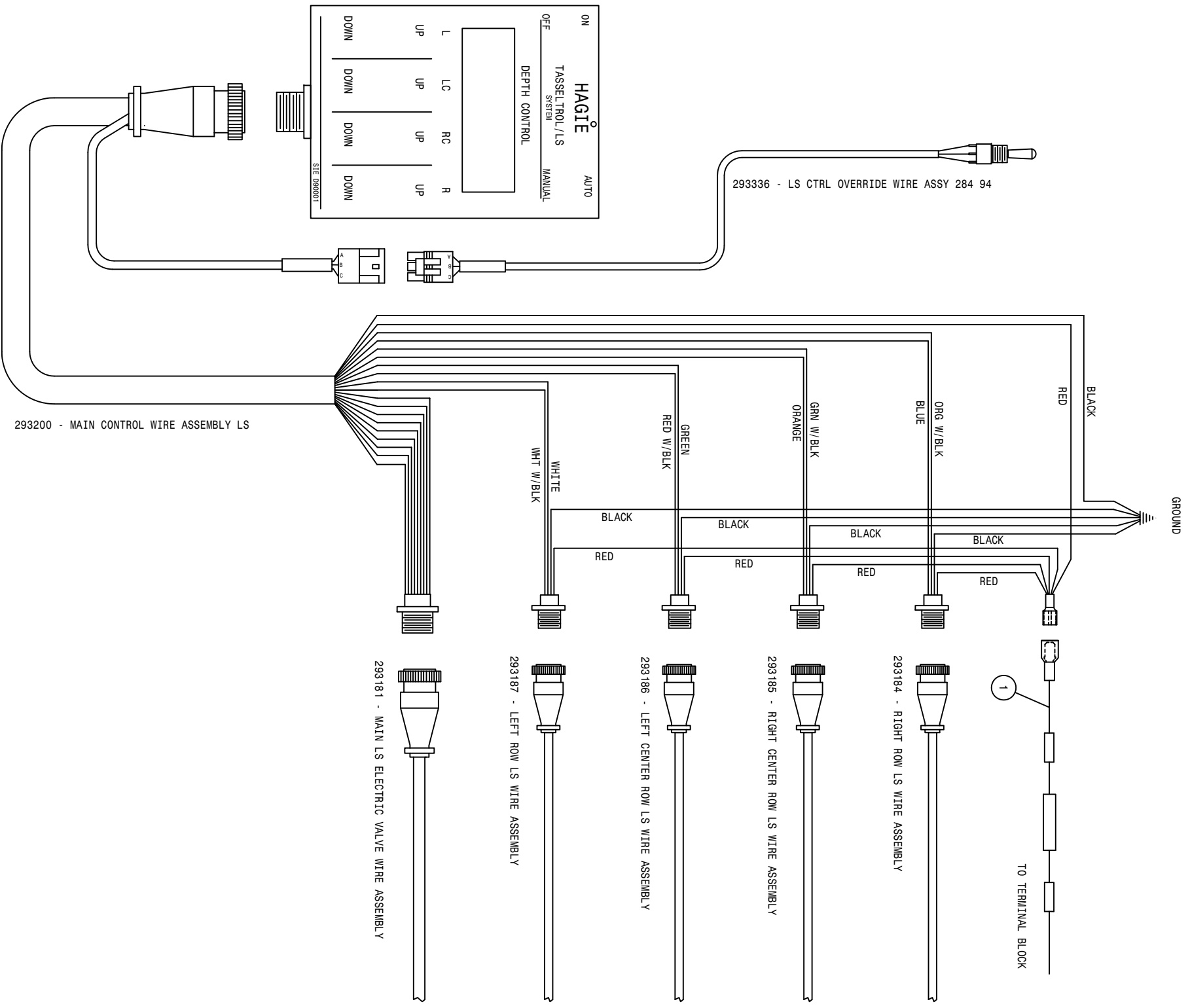


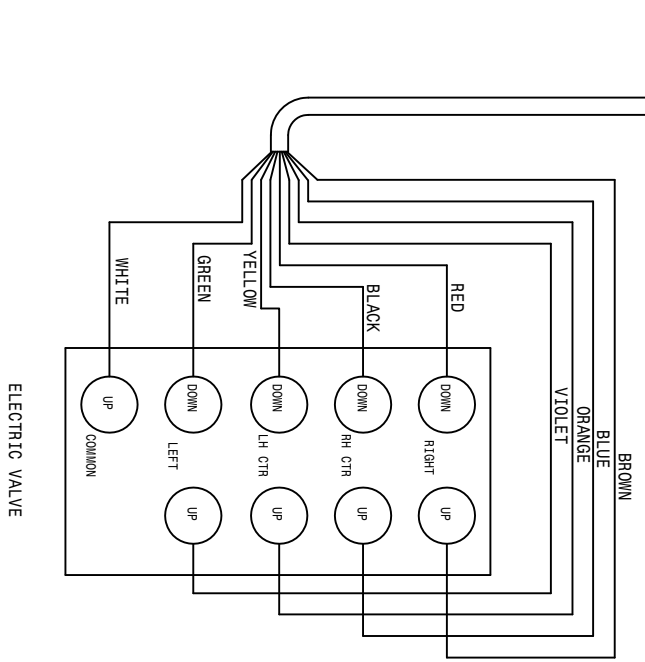
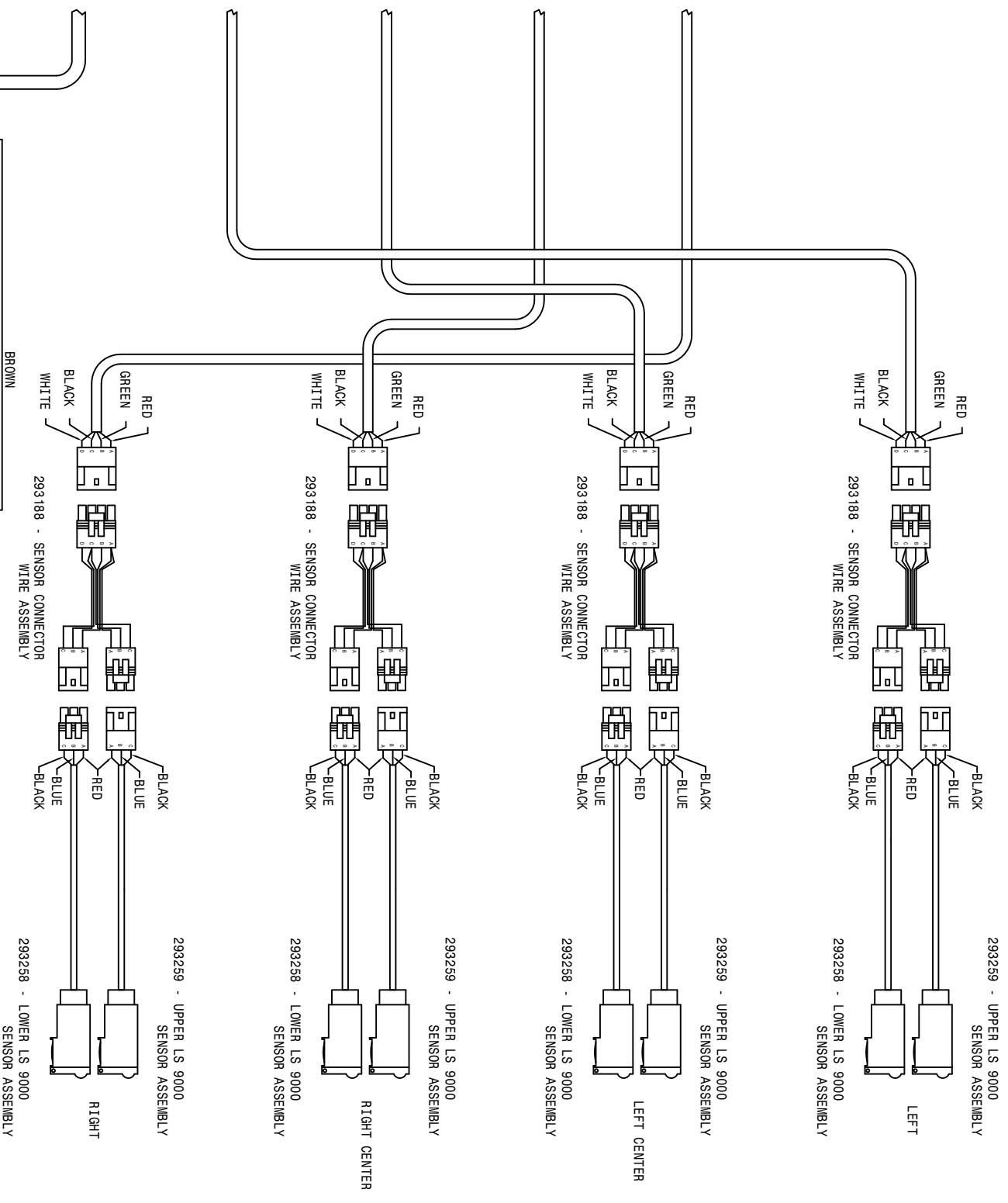
5	1	293470	RI FENCE ROW SWITCH WIRE
4	1	293471	LH FENCE ROW SWITCH WIRE
3	1	293472	FENCE ROW SWITCH GND WIRE
2	2	293317	DIODE SHUNT CABLE ASSY
1	2	293469	16GA BLK-291571-291571-11

284 CUMM WIRING DIAGRAM 00  
COMBO

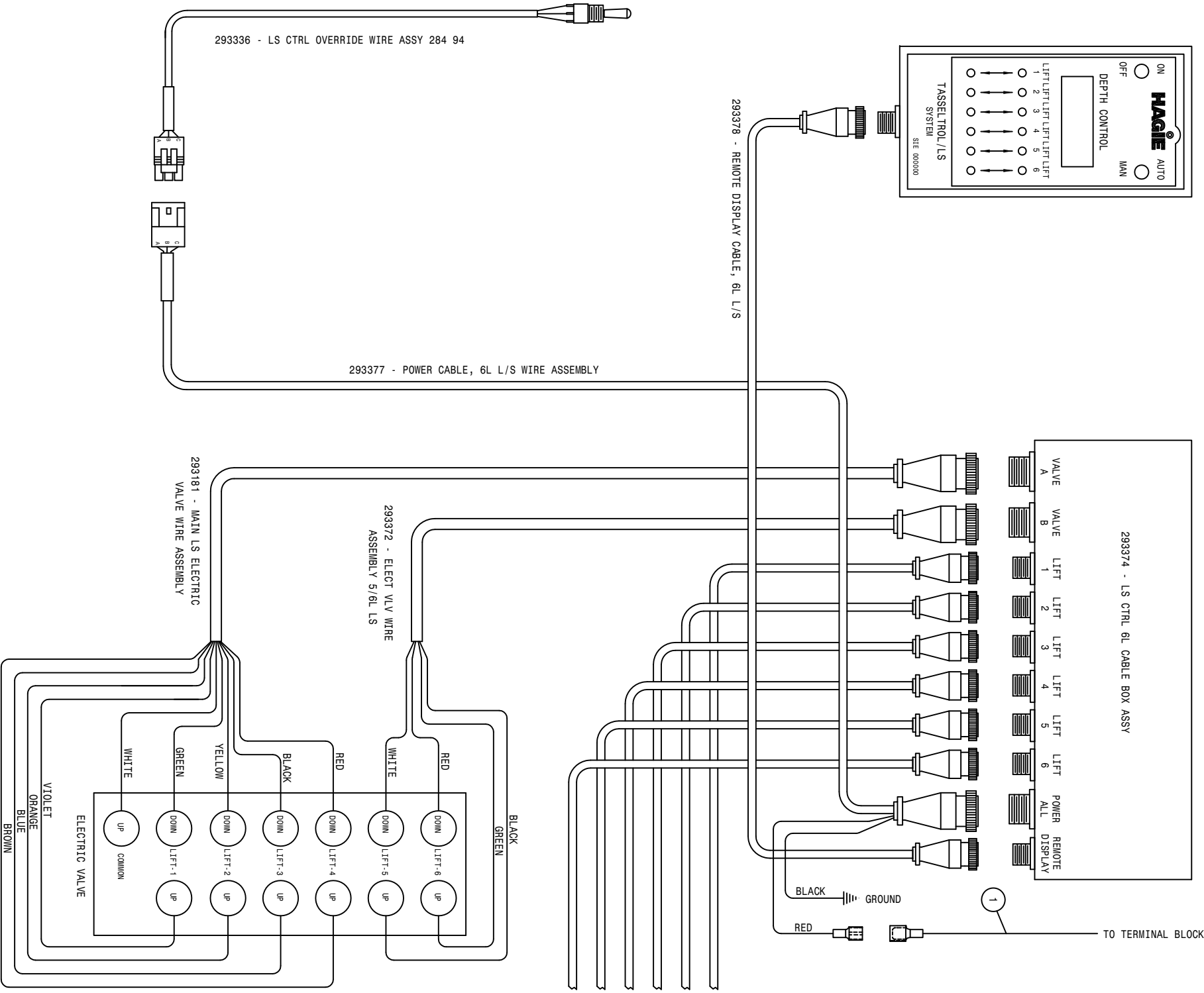
07-07-99 TUM  
498579

SHEET 5 OF 5  
REVISED WIRE:

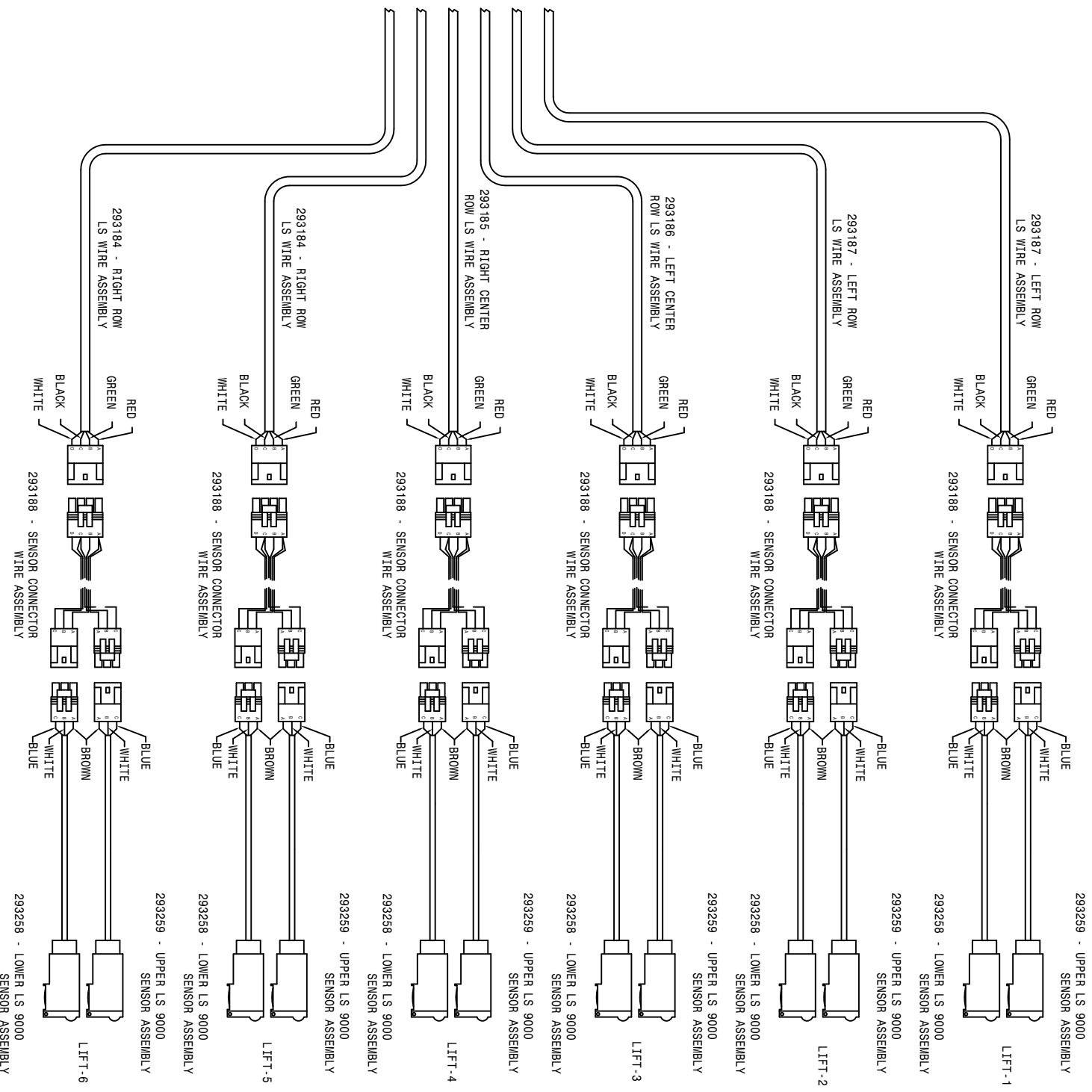




2	1	293337	LS PWR WIRE ASSY W/FUSE 284
DET REQ			DESCRIPTION
<b>HAGIE MANUFACTURING COMPANY</b>			
<small>CLARION, IOWA 50525</small>			
<b>REMOVE ALL SHARP CORNERS &amp; BURRS</b>			
<b>TOLERANCE UNLESS OTHERWISE SPECIFIED</b>			
FINISHES		UNLESS OTHERWISE SPECIFIED	UNLESS OTHERWISE SPECIFIED
FRACTION : 1/32		DECIMALS : X.XX	MILS : 1.00
LS SYS WERE DIAG. 284 84		SCALE	HALF
DRAWN BY : T. WANKER		SCALE	HALF
CHECKED BY :		APPROVED BY :	
DATE : 03-30-94		DRAWING NUMBER	498453
SHEET : 08			





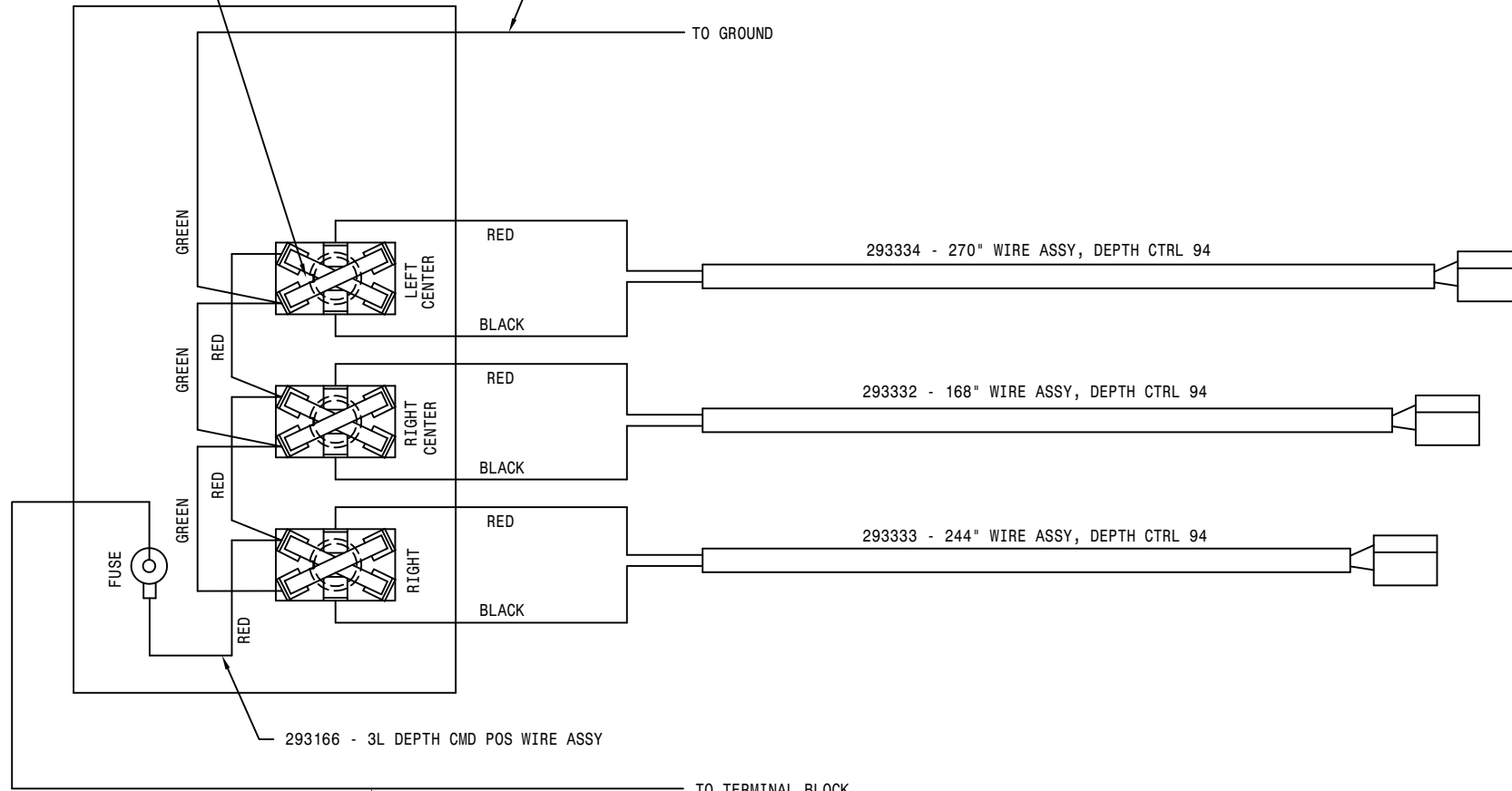


1	1	293259	16GA BLK 291557-293163-44	DESCRIPTION
DET	REQ			
<b>HAGIE MANUFACTURING COMPANY</b>				
CLARKSON, IOWA 50625				
REMOVE ALL SHAWP COMMENTS & NUMBS				
TOLERANCE UNLESS OTHERWISE SPECIFIED				
FRACTION	± 1/32	DECIMALS	X.XX	1/8
			X.XXX	1/16
			X.XXXX	1/32
DESCRIPTION				ANGLES ± .1°
LS STR WIRE DIA: .284 COMPD				
DATE: 06-14-98	SCALE:			
DRAWN BY: JH	CHECKED BY:			
DESIGNED BY:	APPROVED BY:			
	QUANTITY NUMBER			
SHEET	OF			498543

NOTE: NOTCH IN SWITCH

293169 - 3L DEPTH CMD NEG WIRE ASSY

TO GROUND



293166 - 3L DEPTH CMD POS WIRE ASSY

TO TERMINAL BLOCK

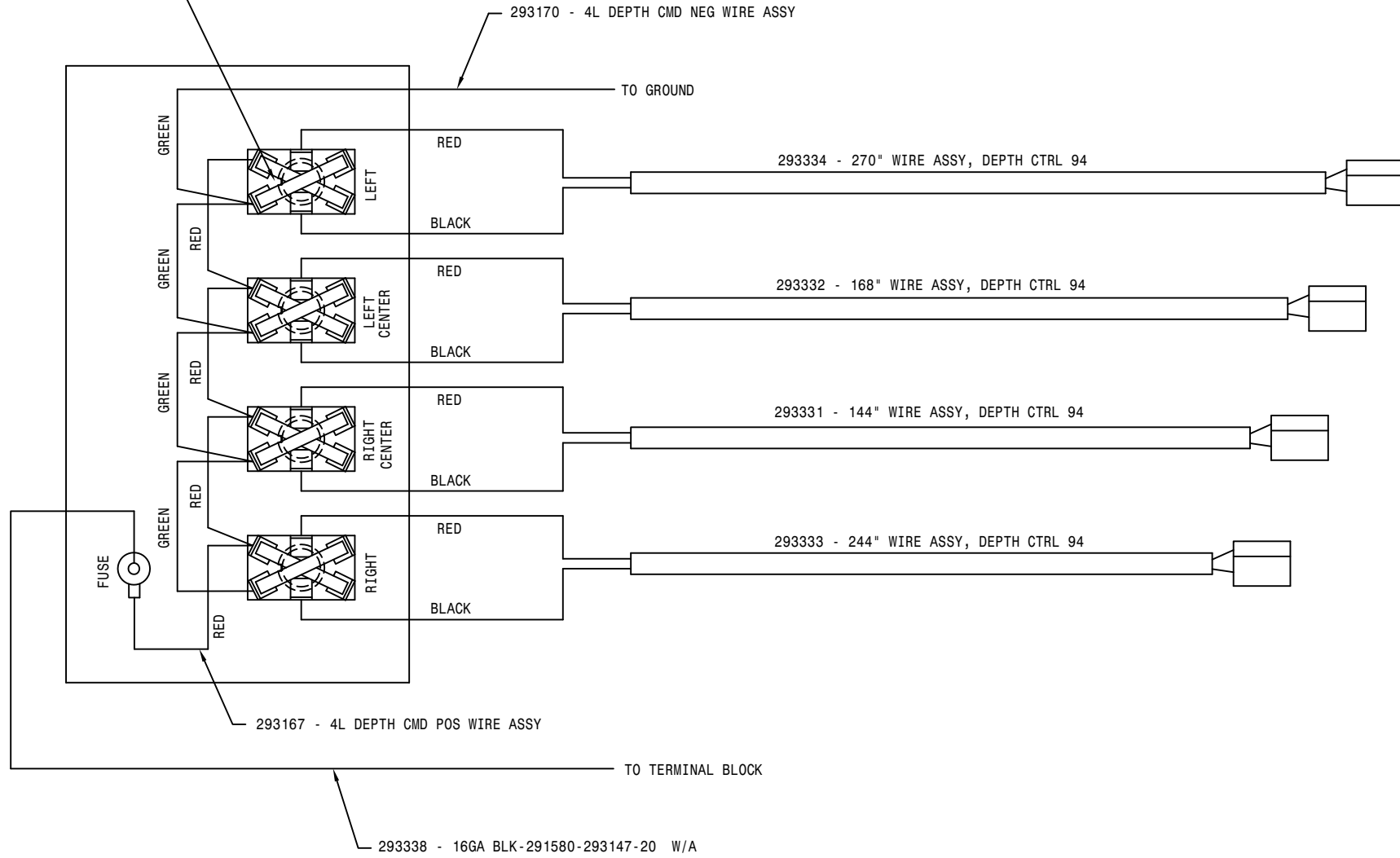
293338 - 16GA BLK-291580-293147-20 W/A

66

DET	REQ	DESCRIPTION
<b>HAGIE</b> <b>HAGIE MANUFACTURING COMPANY</b> <small>CLARION, IOWA 50525</small>		
<b>REMOVE ALL SHARP CORNERS &amp; BURRS</b>		
<b>TOLERANCE UNLESS OTHERWISE SPECIFIED</b>		
FRACTION	DECIMALS	ANGLES
1/32	.03125	1/2°
	.005	1/4°
DESCRIPTION		
WIRE DIAG, 3-LIFT DEPTH CMD 94		
DRAWN BY	SCALE	
T. MARKER	NONE	
CHECKED BY	APPROVED BY	
DATE	DRAWING NUMBER	
03-29-94	498451	
SHEET	OF	

204066

NOTE: NOTCH IN SWITCH

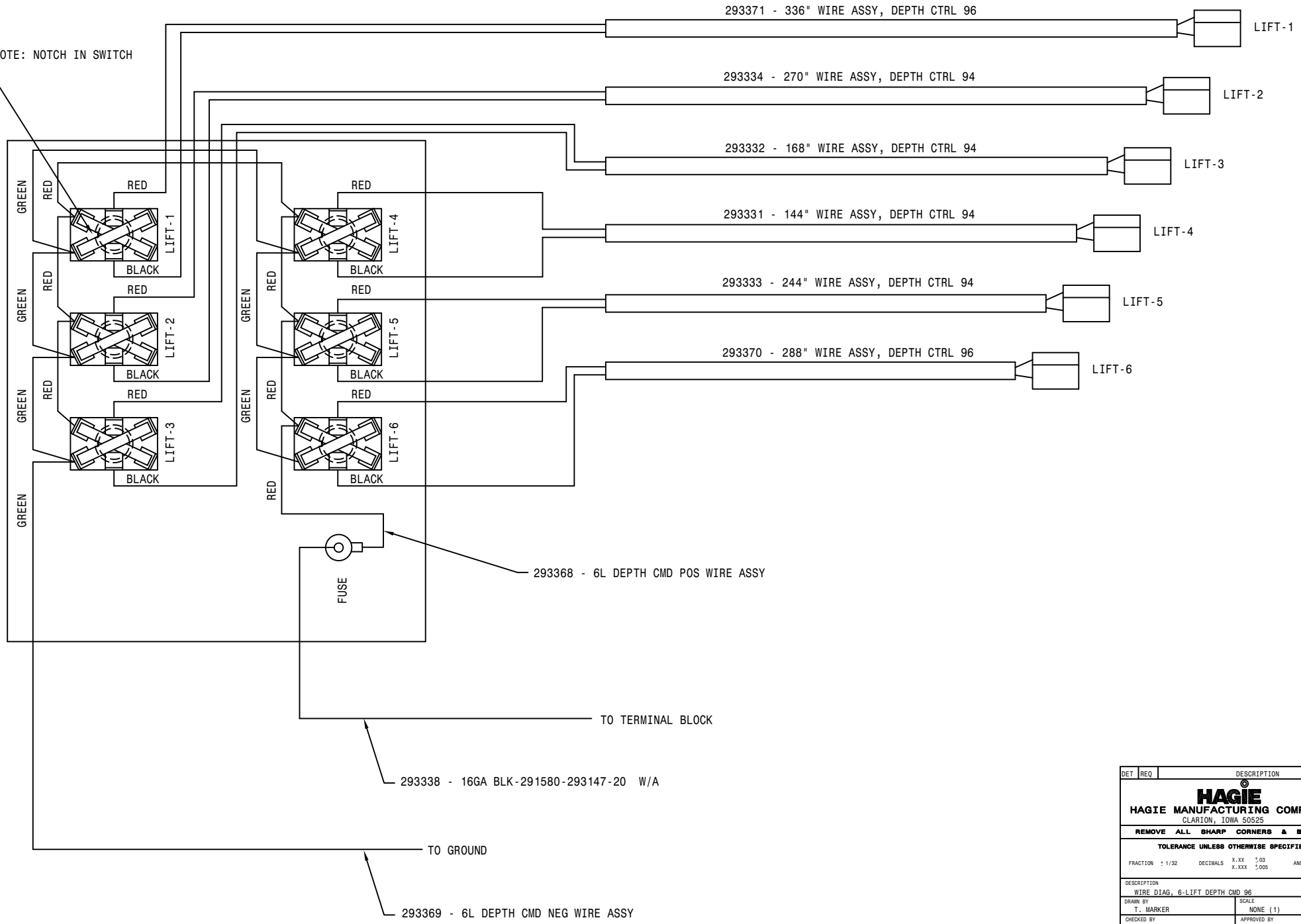


67

DET	REQ	DESCRIPTION		
<b>HAGIE</b> <b>HAGIE MANUFACTURING COMPANY</b> CLARION, IOWA 50525				
<b>REMOVE ALL SHARP CORNERS &amp; BURRS</b> <b>TOLERANCE UNLESS OTHERWISE SPECIFIED</b>				
FRACTION	1/32	DECIMALS	X.XX X.XXX	ANGLES
			.03 .005	1°
DESCRIPTION				
WIRE DIAG, 4-LFT DEPTH CMD 94				
DRAWN BY		SCALE		
T. MARKER		NONE		
CHECKED BY		APPROVED BY		
DATE		DRAWING NUMBER		
03-29-94		498452		
SHEET OF				

204067

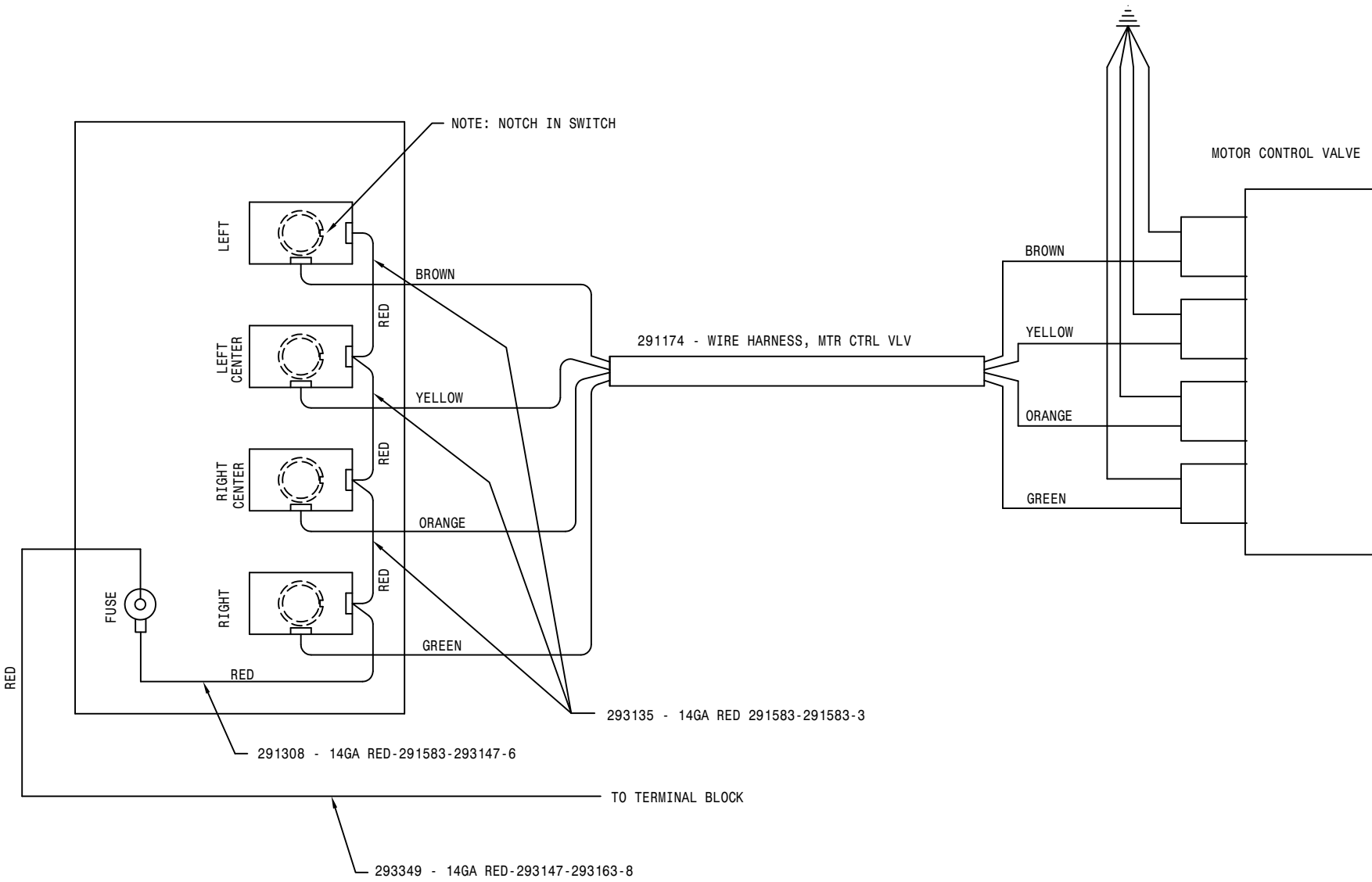
NOTE: NOTCH IN SWITCH



293338 - 16GA BLK-291580-293147-20 W/A

293369 - 6L DEPTH CMD NEG WIRE ASSY

DET	REQ	DESCRIPTION
<b>HAGIE</b> HAGIE MANUFACTURING COMPANY CLARION, IOWA 50525		
<b>REMOVE ALL SHARP CORNERS &amp; BURRS</b>		
<b>TOLERANCE UNLESS OTHERWISE SPECIFIED</b>		
FRACTION	DECIMALS	ANGLES
1/32	.001	1/2°
	.005	1/4°
DESCRIPTION		
WIRE DIAG, 6-LIFT DEPTH CMD 96		
DRAWN BY	SCALE	
T. MARKER	NONE (1)	
CHECKED BY	APPROVED BY	
DATE	DRAWING NUMBER	
02-26-96	498479	
SHEET	OF	



DET	REQ	DESCRIPTION	
 <b>HAGIE MANUFACTURING COMPANY</b> CLARION, IOWA 50525			
REMOVE ALL SHARP CORNERS & BURRS			
TOLERANCE UNLESS OTHERWISE SPECIFIED			
FRACTION	± 1/32	DECIMALS	X.XX ±.03 X.XXX ±.005
DESCRIPTION	WIRE DIAG 284 COMBO MTR CTRL		
DRAWN BY	T. MARKER	SCALE	NONE
CHECKED BY		APPROVED BY	
DATE	01-18-94	DRAWING NUMBER	498443
SHEET	OF		

ABBREVIATIONS

ADPTR - ADAPTER	P/N - PART NUMBER
ASSY - ASSEMBLY	PLT - PLATE
BRKT - BRACKET	QTY - QUANTITY
DET - DETAIL	RED - REDUCER
EL - ELBOW	REF - REFERENCE
EXT - EXTENSION	REST - RESTRICTOR
FLO - FLOW	REQ - REQUIRED
FNPT - FEMALE NATIONAL PIPE THREAD	SHFT - SHAFT
FOR - FEMALE O-RING	STRG - STEERING
FRT - FRONT	ST - STREET
HYD - HYDRAULIC	SWIV - SWIVEL
HYDRO - HYDROSTATIC	UNC - UNIFIED NATIONAL COURSE
LG - LONG	UNF - UNIFIED NATIONAL FINE
LWR - LOWER	V - VOLT
MJIC - MALE J.I.C.	VFC - VARIABLE FLOW CONTROL
MOR - MALE O-RING	W/ - WITH
MT - MOUNT	WHL - WHEEL
MTR - MOTOR	WLD - WELDMENT

INDEX

-A-	ABBREVIATIONS.....	70	-J-	JOURNAL BEARING.....	11
	ACTUATOR.....	28	-K-	KIT, SEAL.....	15
	ARM,		-L-	LIFT CYLINDER.....	15
	SENSOR.....	19			
	STABILIZER.....	8,9,10			
-B-					
	BEARING.....	14			
	JOURNAL.....	11			
	BLADE, CUTTER.....	12	-M-	MANIFOLD, HYDRAULIC.....	21
	BOOT, SWITCH.....	16,18,20,26,27		MOTOR, HYDRAULIC.....	14
	BOX,			MOUNT, RECRPTACLE.....	17
	CONTROL.....	16,18			
	SWITCH.....	20,26,27	-O-	OIL TANK.....	6
	BRACKET, VFC.....	5		OUTRIGGER.....	9,9,10
	BREATHER.....	6			
-C-					
	COIL, VALVE.....	25	-P-	PIVOT PIN.....	8,9,10,11
	CONTROL BOX.....	16,18		PLUG.....	26
	CYLINDER, LIFT.....	15		POSITRACTION VALVE.....	4
	CUTTER HEAD.....	12		PULLER,	
-D-				QUAD.....	14
	DEPTH COMMAND.....	28		SHIELD.....	14
	DIAGRAM, WIRING.....	52,62,66		PUMP, HYDRAULIC.....	4
	DIFFUSER, SUMP.....	6			
	DIPSTICK.....	6	-Q-	QUAD PULLER.....	14
-F-					
	FILTER.....	6,7,22,23,24	-R-	RECEPTACLE MT.....	17
	VENT.....	15		REFLECTOR.....	19
	FLOW DIVIDER.....	5		RIM.....	14
	FUSE.....	20,26,27			
	HOLDER.....	20,26,27			
-G-					
	GUIDE STALK.....	12,14	-S-	SCHEMATIC, HYDRAULIC.....	30
-H-				SEAL KIT.....	15
	HOLDER, FUSE.....	20,26,27		SENSOR.....	19
	HYDRAULIC			ARM.....	19
	MANIFOLD.....	21		SHAFT, PULLER.....	14
	MOTOR.....	12,14		SHIELD, PULLER.....	14
	PUMP.....	4		STABILIZER ARM.....	8,9,10
	SCHEMATIC.....	30		STALK VALVE.....	20,21,22,23
				STALK GUIDE.....	12,14

SUMP DIFFUSER.....6  
SWITCH  
BOX.....20,26  
TOGGLE.....20,26

-T-

TANK, OIL.....6  
TIE PLATE.....5  
TIRE.....14  
TOGGLE SWITCH.....20,21  
TOOL BAR.....8,9,10,11

-V-

VALVE,  
MOTOR CONTROL.....21  
POSITION.....4  
STALK.....22,23  
VARIABLE FLOW CONTROL.....5  
VENT FILTER.....15

-W-

WIRING DIAGRAM.....52,62,66





# PARTS ORDER FAX



Ph. 1 (800) 247-4885    Fx. 1 (515) 532-3553

Photocopy and fax to Hagie Customer Support Department

**ORDERED BY/BILL TO:**

Name \_\_\_\_\_  
 Co. Name \_\_\_\_\_  
 Street \_\_\_\_\_  
 City, St, Zip \_\_\_\_\_  
 Ph. \_\_\_\_\_ Fx. \_\_\_\_\_

**SHIP TO:**

Name \_\_\_\_\_  
 Co. Name \_\_\_\_\_  
 Street \_\_\_\_\_  
 City, St, Zip \_\_\_\_\_  
 Ph. \_\_\_\_\_ Fx. \_\_\_\_\_

HOW SHIP:    UPS Ground    Next Day    2 Day    3 Day    Other \_\_\_\_\_

If "HOW SHIP" is left blank, parts will be sent UPS ground service. If part is over 150 pounds, an independent motor freight company will be used.

**PAYMENT:**    Hagie Account #\*\*\* \_\_\_\_\_

C.O.D

American Express    Discover    Visa    Master Card

Signature: \_\_\_\_\_  
 name as appears on card: \_\_\_\_\_  
 card no. \_\_\_\_\_ exp. date \_\_\_\_\_

Year and Model No. \_\_\_\_\_

Serial No. \_\_\_\_\_

Item Serial No. (if necessary): \_\_\_\_\_

Engine (include type) \_\_\_\_\_

Hydrostatic Pump (s) \_\_\_\_\_

Torque Hub \_\_\_\_\_       LF    RF    LR    RR

Wheel Motor \_\_\_\_\_       LF    RF    LR    RR

HAGIE Part No.	Qty.	Description

Check here if you want phone confirmation of parts order.

\* Orders received before 3:00 p.m., CST will be processed the same business day.  
 Regular business hours are Monday through Friday, 7:00 a.m. through 5:00 p.m..  
 \*\* If you do not have a Hagie account number, contact the Hagie Customer Support Department and you will be issued one.



# PARTS ORDER FAX

**Fax**  
24 hours  
a day  
7 days  
a week\*\*

Ph. 1 (800) 247-4885

Fx. 1 (515) 532-3553

Photocopy and fax to Hagie Customer Support Department

ORDERED BY/BILL TO:

Name \_\_\_\_\_  
Co. Name \_\_\_\_\_  
Street \_\_\_\_\_  
City, St, Zip \_\_\_\_\_  
Ph. \_\_\_\_\_ Fx. \_\_\_\_\_

SHIP TO:

Name \_\_\_\_\_  
Co. Name \_\_\_\_\_  
Street \_\_\_\_\_  
City, St, Zip \_\_\_\_\_  
Ph. \_\_\_\_\_ Fx. \_\_\_\_\_

HOW SHIP:  UPS Ground  Next Day  2 Day  3 Day  Other \_\_\_\_\_

If "HOW SHIP" is left blank, parts will be sent UPS ground service. If part is over 150 pounds, an independent motor freight company will be used.

PAYMENT:  Hagie Account #\*\*\* \_\_\_\_\_

C.O.D

American Express  Discover  Visa  Master Card  
Signature: \_\_\_\_\_  
name as appears on card: \_\_\_\_\_  
card no. \_\_\_\_\_ exp. date \_\_\_\_\_

Year and Model No. \_\_\_\_\_

Serial No. \_\_\_\_\_

Item Serial No. (if necessary): \_\_\_\_\_

Engine (include type) \_\_\_\_\_

Hydrostatic Pump (s) \_\_\_\_\_

Torque Hub \_\_\_\_\_  LF  RF  LR  RR

Wheel Motor \_\_\_\_\_  LF  RF  LR  RR

HAGIE Part No.	Qty.	Description

Check here if you want phone confirmation of parts order.

\* Orders received before 3:00 p.m., CST will be processed the same business day.  
Regular business hours are Monday through Friday, 7:00 a.m. through 5:00 p.m..  
\*\* If you do not have a Hagie account number, contact the Hagie Customer Support Department and you will be issued one.