

CALIFORNIA

Proposition 65 Warning

WARNING: Diesel engine exhaust and some of its constituents are known to the State of California to cause cancer and birth defects or other reproductive harm.

WARNING: Battery posts, terminals, and related accessories contain lead and lead compounds, chemicals known to the State of California to cause cancer and birth defects or other reproductive harm.



ANY PICTURES CONTAINED WITHIN THIS OPERATOR'S MANUAL THAT DEPICT SITUATIONS WITH SHIELDS, GUARDS, RAILS, OR LIDS REMOVED ARE FOR DEMONSTRATION PURPOSES ONLY. HAGIE MANUFACTURING COMPANY STRONGLY URGES THE OPERATOR TO KEEP ALL SHIELDS AND SAFETY DEVICES IN PLACE AT ALL TIMES.

HAGIE

UpFront

DTS 8



OPERATOR'S MANUAL FOR HAGIE MODEL DTS 8 HI-TRACTOR

HAGIE MANUFACTURING COMPANY

BOX 273 CLARION, IOWA 50525

(515) 532-2861

COVERS MACHINE SERIAL NUMBERS: U1210770001 thru U1210770100

10-06 493377

© 2006 Hagie Manufacturing Company. Clarion, Iowa USA

ABBREVIATIONS

A/C	AIR CONDITIONING	M/F	MAINFRAME
ACCUM	ACCUMULATOR	MPH	MILES PER HOUR
ADJ	ADJUST	MT	MOUNT
ADPTR	ADAPTER	MTH	MONTH
AGI	AGITATOR	MTR	MOTOR
ALT	ALTERNATOR	NO	NUMBER
AMP	AMPERE	OD	OUTSIDE DIAMETER
APPROX	APPROXIMATELY	PLT	PLATE
ASSY	ASSEMBLY	POLY	POLYETHYLENE
AUX	AUXILIARY	PRESS	PRESSURE
BRKT	BRACKET	PRKNG	PARKING
BTRY	BATTERY	PSI	POUNDS PER SQUARE INCH
C	CELSIUS	QT	QUART
CAL	CALIBRATION	RAD	RADIATOR
CCA	COLD CRANKING AMPS	REC	RECOMMENDED
CHEM	CHEMICAL	REQ	REQUIRED
CYL	CYLINDER	RPM	REVOLUTIONS PER MINUTE
DIA	DIAGRAM	SEC	SECOND
DISPL	DISPLACEMENT	SERV	SERVICE
EA	EACH	SLCTR	SELECTOR
ELECT	ELECTRIC	SMV	SLOW MOVING VEHICLE
F	FAHRENHEIT	SOLE	SOLENOID
FIG	FIGURE	SOLU	SOLUTION
FLO	FLOW	SPCNG	SPACING
FRT	FRONT	SPEC	SPECIFICATION
FT	FOOT OR FEET	STRG	STEERING
GA	GAUGE	SQ	SQUARE
GAL	GALLON	TACH	TACHOMETER
GPA	GALLONS PER ACRE	TEMP	TEMPERATURE
GPM	GALLONS PER MINUTE	TERM	TERMINAL
GPS	GLOBAL POSITIONING SATELLITE	TRD	TREAD
HAL	HALOGEN	TT	TUBE-TYPE
HR	HOUR	TU	TUBELESS
HYD	HYDRAULIC	VAR	VARIABLE
HYDRO	HYDROSTATIC	V	VOLT
ID	INSIDE DIAMETER	VFC	VARIABLE FLOW CONTROL
IN	INCH	VLV	VALVE
INFO	INFORMATION	W/	WITH
Km/H	KILOMETERS PER HOUR	W/O	WITHOUT
LB	POUND	W	WEIGHT
MAINT	MAINTENANCE	WD	WHEEL DRIVE
MIN	MINUTE	WHL	WHEEL

TO THE OWNER



A WORD FROM HAGIE MANUFACTURING COMPANY

Congratulations on your selection of a Hagie Model DTS 8 sprayer. We recommend that you study this Operator's Manual and become acquainted with the adjustments and operating procedures before attempting to operate your new sprayer. As with any piece of equipment, certain operating procedures, service, and maintenance are required to keep it in top running condition.

We have attempted herein to cover all of the adjustments required to fit varying conditions. However, there may be times when special care must be considered.

Hagie Manufacturing Company reserves the right to make changes in the design and material of any subsequent sprayer without obligation to existing units.

We thank you for choosing a Hagie sprayer and assure you of our continued interest in its satisfactory operation for you. If we might be of assistance to you, please call us.

We are proud to have you as a customer.

CAUTION

READ OPERATOR'S MANUAL. BE ALERT. LEARN TO OPERATE THIS MACHINE SAFELY. OBSERVE ALL SAFETY PRACTICES. MACHINES CAN BE HAZARDOUS IN THE HANDS OF AN UNFAMILIAR, UNTRAINED, OR COMPLACENT OPERATOR. SHUT OFF ENGINE BEFORE SERVICING. WHEN MECHANISM BECOMES CLOGGED, SHUT OFF ENGINE BEFORE CLEANING. DON'T RISK INJURY OR DEATH.

TO THE OPERATOR

The following pages and illustrations will help you operate and service your new sprayer. It is the responsibility of the user to read the Operator's Manual and comply with the safe correct operating procedures and lubricate and maintain the product according to the maintenance schedule.

The user is responsible for inspecting the machine and having parts repaired or replaced when continued use of the product causes damage

or excessive wear to other parts.

Keep this manual in a convenient place for easy reference when problems arise. This manual is considered a permanent fixture with this machine. In the event of resale, this manual should accompany the sprayer. If you do not understand any part of the manual or require additional information or service, contact the Hagie Customer Support Department:

Hagie Manufacturing Company
Box 273, Clarion, IA 50525
(515) 532-2861

The following symbols, found throughout this manual, alert you to potentially dangerous conditions to the operator, service personnel, or the equipment.



This symbol indicates an immanently hazardous situation which, if not avoided, will result in death or serious injury.



This symbol indicates a potentially hazardous situation which, if not avoided, could result in death or injury.



This symbol indicates a potentially hazardous situation which, if not avoided, may result in minor or moderate injury. It may also be used to alert against unsafe practices.

TABLE OF CONTENTS

I.	SAFETY/DECALS.....	4-13
II.	SPRAYER IDENTIFICATION.....	14-15
III.	SPECIFICATIONS.....	16-21
IV.	PREPARING TO OPERATE.....	22-26
V.	OPERATING INFORMATION.....	27-66
VI.	CALIBRATION.....	67-68
VII.	TRANSPORTING.....	69-70
VIII.	SERVICE AND MAINTENANCE.....	71-101
IX.	STORAGE.....	102-103
X.	TROUBLE SHOOTING.....	104-112
XI.	LIMITED WARRANTY.....	113
	INDEX.....	114-116

I. SAFETY/DECALS

SAFETY PRECAUTIONS

Most accidents occur as the result of failure to follow simple and fundamental safety rules. For this reason, most accidents can be prevented by recognizing the real cause and doing something about it before the accident occurs.

Many conditions cannot be completely safeguarded against without interfering with efficient operation and/or reasonable accessibility.

Therefore, you must study this Operator's Manual and learn how to use the sprayer controls for safe operation. Likewise, do not let anyone operate without instruction.

Do not make modifications such as weldments, add-ons, adaptations, or changes from the original design of sprayer. Such changes and/or modifications may become safety hazards to you and to others and will void all warranties.



DRIVING

- Before moving sprayer, make sure no persons or obstructions are in path of travel.
- Do not permit passengers on sprayer when it is moving; they may fall off or obstruct operator's view.
- Never drive near ditches, embankments, holes, mounds, or other obstacles.
- Never drive on hills too steep for safe operation.
- Always drive at a reasonable field speed.
- Reduce sprayer's speed before turning.
- Come to a complete stop before reversing direction.
- Pull over to side of road before stopping.
- Additional weight caused from partially full or full solution tanks may cause erratic or increased stopping distance. Do not drive on road with full tanks
- Do not activate parking brake while machine is in motion or damage may occur to sprayer.
- Use flashing/hazard warning lights when traveling on public roads, day or night, unless prohibited by local law.
- Make sure SMV emblem is in place and visible from rear when traveling on public roads.

I. SAFETY/DECALS

OPERATING

TREAD WIDTH

- Select widest tread setting to fit between crop rows.
- Never manually adjust the tread width on sprayer until wheels have been properly blocked. Loosen leg clamp bolts only enough for leg to slide on frame.
- If equipped with hydraulic tread adjust, never loosen leg mounting bolts to adjust bearing clearance. Add additional shims only to gain clearance.
- Only adjust in or out while moving.

SPRAYER BOOMS

- Cradle booms when leaving sprayer unattended.
- Make sure booms are folded when cradled.
- Select a safe area before unfolding booms. Avoid power lines and overhead structures.

GENERAL OPERATION SAFETY

- Do not adjust factory engine RPM settings.
- Operate engine at one bump up or 1800 RPMs' to assure proper charge pressure for brakes to work properly .
- Start engine from the operator's seat only. Do not by-pass safety-start switch.
- Starting fluid is not recommended for use.
- Never run sprayer engine in a closed building. Proper exhaust ventilation is required.
- If equipped with ground speed sensing radar, do not look directly into radar beam. It emits a very low intensity microwave signal which may cause possible eye damage.

I. SAFETY/DECALS

REPAIR/MAINTENANCE

HYDRAULICS

- Use caution when working with hydraulic fluid under pressure. Escaping hydraulic fluid can have sufficient force to penetrate your skin, causing serious injury. This fluid may also be hot enough to burn.
- Always lower load or relieve hydraulic pressure before repairing a hydraulic oil leak.
- Avoid torching, welding, and soldering near pressurized hydraulic lines.

FUELING

- Always turn the engine off and allow it to cool before refueling.
- Do not smoke while refueling.
- Do not fill fuel tank completely. Fuel may expand and run over.

GENERAL REPAIR/MAINTENANCE

- Turn off engine before checking, adjusting, repairing, lubricating, or cleaning any part of sprayer.
- When servicing radiator, let engine cool before removing pressurized cap.
- Disconnect battery ground cable before servicing electrical system or welding on machine.
- When charging battery, connect positive cable to positive terminal and negative cable to negative terminal. Failure to do so may result in an explosion and cause injury. Likewise, avoid battery acid contact and incurring injuries.

I. SAFETY/DECALS

CHEMICAL HANDLING

- Never allow chemicals to come in contact with skin or eyes. Wear protective clothing or respirators as recommended by chemical manufacturer. Store this clothing outside cab so as not to contaminate filtered cab environment. Also, clean your boots to remove soil or other contaminated particles prior to entering cab.
- Never pour chemicals into an empty tank, fill tank half full of water first.
- Follow chemical manufacturer's instructions for mixing chemicals.
- Dispose of empty chemical containers properly.
- Wash spilled chemicals or spray residue from sprayer to prevent corrosion and deterioration.
- Select a safe area to fill, flush, calibrate, and clean sprayer where the chemicals will not drift or run off to contaminate people, animals, vegetation, or water supply.
- Never place nozzle tips or other parts to one's lips in an attempt to unclog spray tip.
- Do not spray when wind is in excess of chemical manufacturer's recommended speed.
- Store pesticides in their original containers with label intact. Keep them in a separate, locked building.

GENERAL SAFETY

- Keep a fire extinguisher close at all times.
- Keep all shields in place.
- Keep clear of all moving parts and keep others away when operating.
- Do not wear loose fitting clothing that may be blown or drawn into moving parts.

WARNING DECALS 

I. SAFETY/DECALS

WARNING DECALS

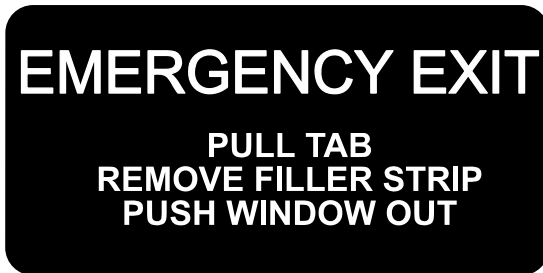
Decals warning you of avoidable danger are located on various parts of the sprayer. They are there for your personal safety and protection. DO NOT remove them. They will fracture upon attempted removal and therefore must be replaced.

Following are locations of important safety decals. Replace them if they are torn or missing. All

warning decals and other instructional Hagie decals or machine striping may be purchased through the Hagie Customer Support Department.

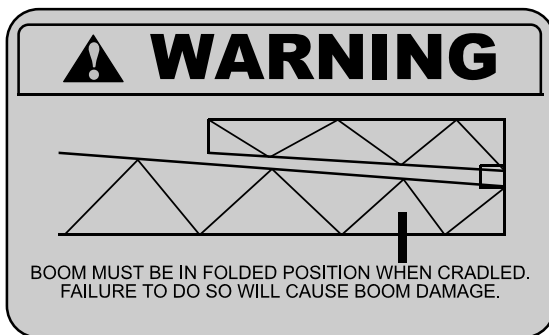
To replace decals, be sure that the installation area is clean and dry; decide on exact position before you remove the backing paper.

DECAL LOCATION



650320

Rear of right cab window.

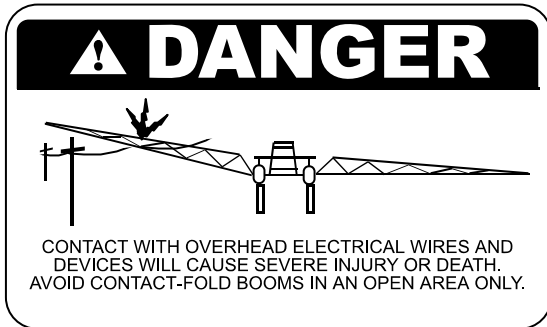


650336

On cab insulation above control panel.

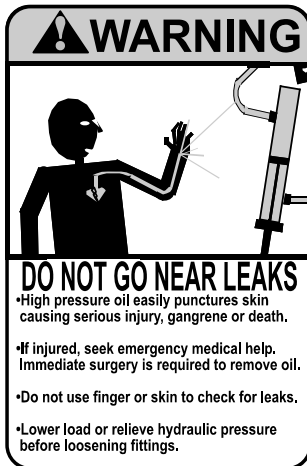


I. SAFETY/DECALS



650337

On cab insulation above control panel.



650339

On steering column.



650340

Above brake switch below spray monitor.



I. SAFETY/DECALS

⚠ CAUTION
FOR EMERGENCY STOP;
1. MOVE CONTROL LEVER TO THE N/S (NEUTRAL STOP) POSITION.
2. APPLY BRAKES.
3. TURN ENGINE OFF.
FOLLOW THESE STEPS TO PREVENT INJURY OR DAMAGE.

Steering column.

650831



⚠ WARNING
THIS MACHINE WAS NOT DESIGNED TO CARRY PASSENGERS. FAILURE TO KEEP PASSENGERS OFF MAY RESULT IN THEIR INJURY OR DEATH.

Outside, left-hand, rear panel of cab

650847



⚠ CAUTION
DON'T RISK INJURY BY SLIPPING OR FALLING
BE CAREFUL
WATCH YOUR STEP

Top of left-hand ladder.

650848

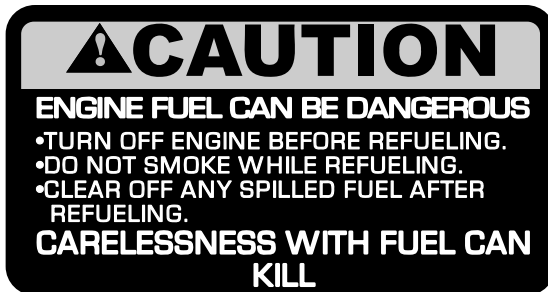


I. SAFETY/DECALS



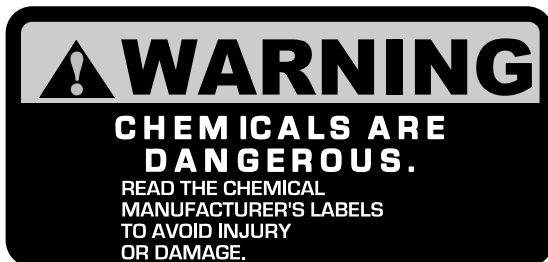
650848

Rear of right-hand fuel tank.



650849

Top of each fuel tank.



650850

Top of each solution tank.



I. SAFETY/DECALS



650851

Left rear mainframe



650851

Right rear mainframe.



650852

Inside cab door.

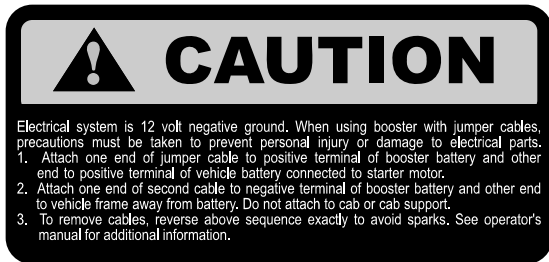


I. SAFETY/DECALS



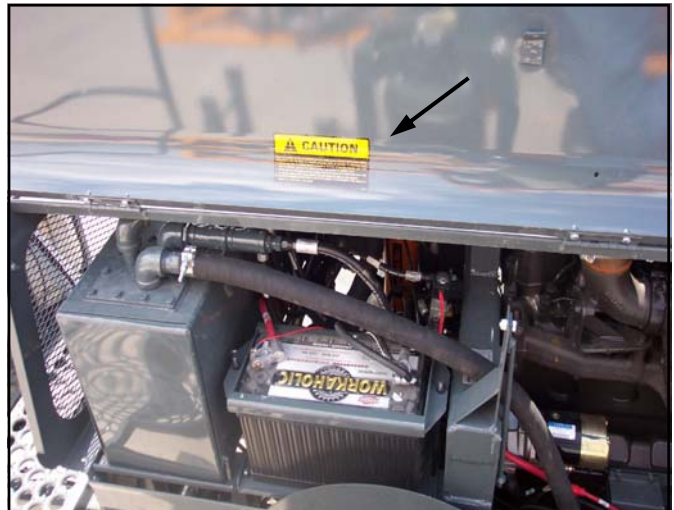
650981

Front of mullion to left of radiator cap.



650982

Above battery on engine hood.



II. IDENTIFICATION NUMBERS

SPRAYER IDENTIFICATION

Each Hagie sprayer is identified by means of a frame serial number. This serial number denotes the model, year in which it was built, and the number of the sprayer. For further identification, the engine has a serial number, the hydrostatic pumps have serial numbers, the wheel motors have identification tags, and the planetary hubs have

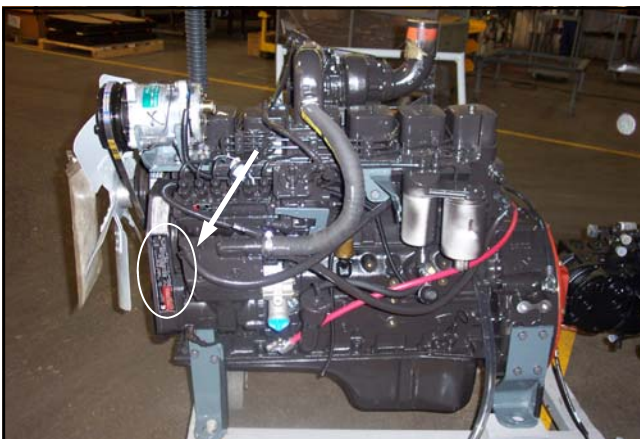
identification plates that describe the type of mount and gear ratio. To ensure prompt, efficient service when ordering parts or requesting service repairs from Hagie Manufacturing Company, record the serial and identification numbers in the space provided below.

NOTE:
Reference to left-hand and right-hand used throughout this manual refers to the position when seated in the operator's seat facing forward.



Sprayer

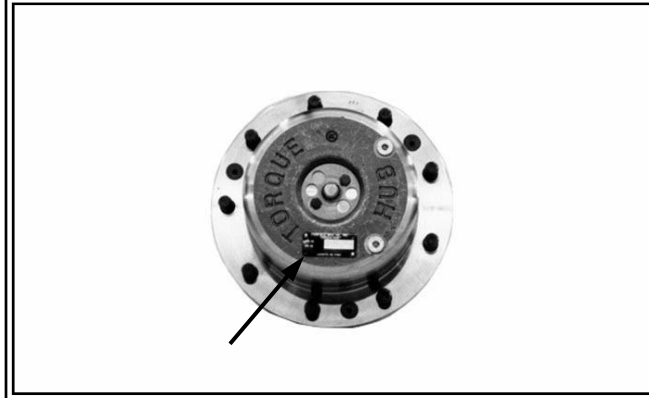
NOTE: Sprayer serial number stamped in the frame on right rear corner.



Engine

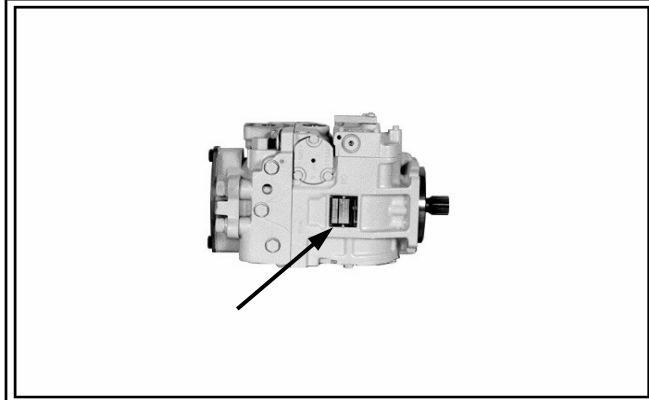
NOTE: Diesel engine serial number located on the side of the front left gear housing.

II. IDENTIFICATION NUMBERS

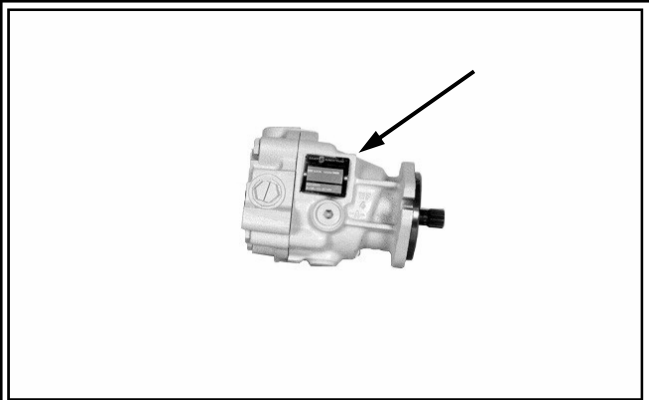


Planetary Hubs

	Left	Right
Front:	_____	_____
	_____	_____
Rear:	_____	_____
	_____	_____



Hydrostatic Pump

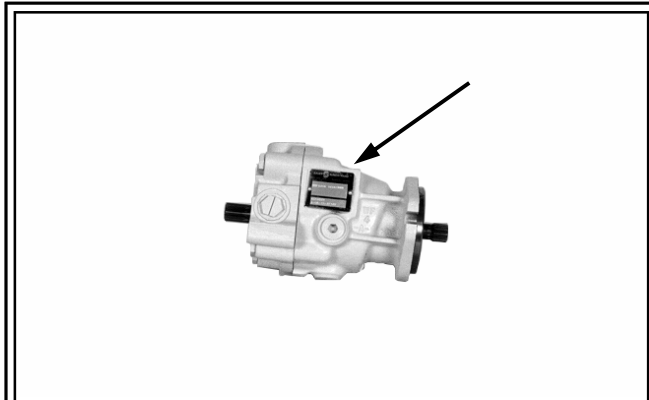


Front Wheel Motors

Left: _____

Right: _____

Refer to parts manual.



Rear Wheel Motors

Left - w/
Sensor: _____

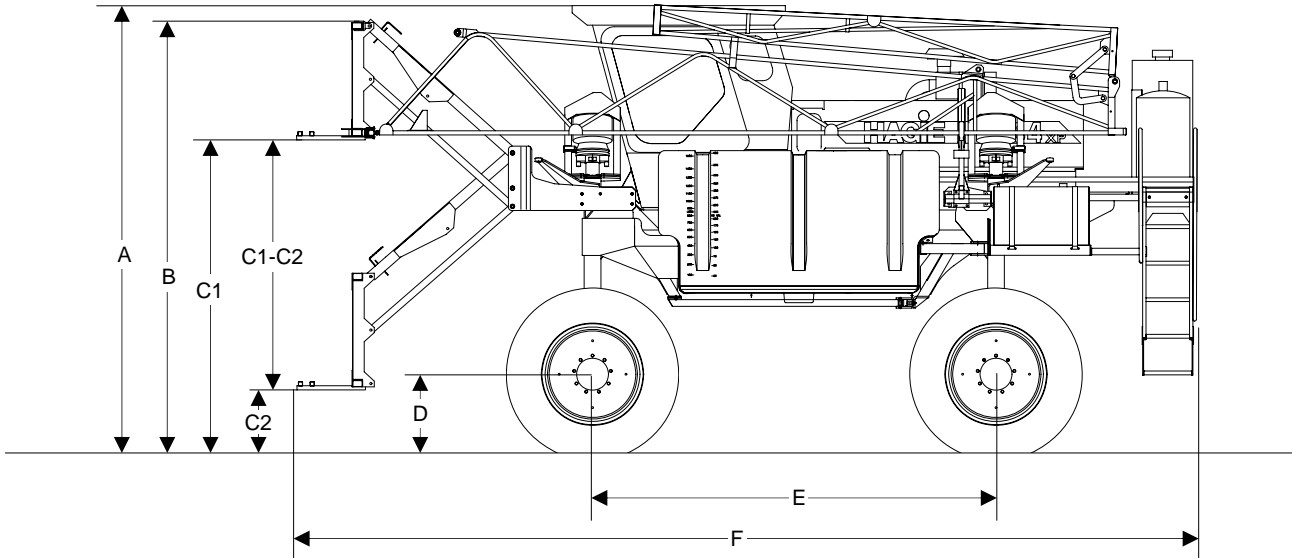
Right - w/o
Sensor: _____

Refer to parts manual.

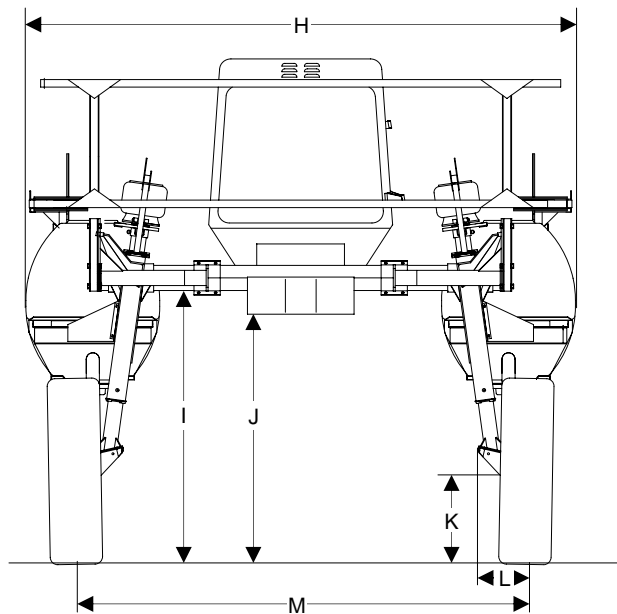
III. SPECIFICATIONS

SPRAYER DIMENSIONS

- | | | | |
|---------------------------------|--------------------------|-------------------------|-------|
| A. Overall tractor height | 134.5" | D. Axle height..... | 25.8" |
| B. Raised transom height..... | 132" | E. Wheel base | 120" |
| C. Transom lift range..... | 27.5"-104" (76.5" range) | F. Sprayer length | 247" |



- | | |
|---|---------------------------|
| H. Width (booms folded, 120" tread)..... | 143" |
| I. Frame clearance | 72" |
| J. Center clearance..... | 66" |
| K. Lower leg clearance | 18.5" (rear) |
| L. Tire center to inside of lower leg | 13.0" (rear) |
| M. Tread width* | Adjustable
108" - 120" |



*NOTE: Measure tread width at 1/2 tire height.

GENERAL SPRAYER INFORMATION

- | | | | |
|--------------------------------|---------------------------------------|---------------------|-----------------------------|
| ◆ Frame type..... | Rigid, 4 wheel
independent air bag | ◆ Ladders (2) | Rear |
| ◆ Approximate dry weight | 12,270 lb. | Primary | Side mounted,
stationary |
| ◆ Shipping width | 143" | Secondary | Folding,
service access |

III. SPECIFICATIONS

ENGINE

Manufacturer and model	Cummins
Model	6B5.9A Turbocharged
Type	In line, liquid cooled
Number of cylinders	6
Displacement	5.9 liter
Horsepower	152 @ 2500 RPM
Peak torque.....	415 lb-ft @ 1700 RPM
Type of fuel	Number 1 or number 2 diesel
Fuel system.....	Filtered, direct-injected
Air cleaner.....	Dry-type, single element
Slow idle.....	800 RPM
Fast idle.....	2730 RPM (no load)

POWER TRAIN

Drive

Hydrostatic pump	Sauer-Danfoss 90 series
Range.....	113 cc variable displacement
Drive train.....	Selectable two or four wheel drive
Speed - 2 wheel drive.....	0-20 mph
- 4 wheel drive.....	0-14 mph
Hydrostatic wheel motor - front and rear.....	Sauer-Danfoss M35
Final drives	
Type	Planetary gear reduction hubs
- front and rear	Torque Hub [®] MW3B1
Lubrication	Oil bath

Brakes

Type	Multiple disc Spring applied Hydraulically released
------------	---

Steering System

Type	Hydraulic, priority on demand
Control.....	Full-time power
Steering cylinders.....	Double action
Turning radius (120" tread setting).....	19' 2"

III. SPECIFICATIONS

AUXILIARY HYDRAULIC SYSTEM

Type Open
Pump type Tandem gear
Pressure setting 2600 PSI

SPRAY SYSTEM

Booms

Type Dry, with variable row spacing
Standard 60 ft. (3 spray sections)
Optional 60/80 or 90 ft. (5 spray sections)
Controls Electro-hydraulic: fold/lift/level
Hydraulic level shock absorber Hagie boom level accumulator

Hoses

Front fill connection (female w/ adapter for male) 2" I.D.
Solution hose from tank 1 ½" I.D.
Boom section feeder hose 1" I.D.
Boom nozzle hose ¾" I.D.

Solution Tanks

Standard Two 400 gal. polyethylene with sight gauge

Agitation Mechanical - hydraulically driven with variable speed control

General Spray System

Pump Centrifugal - hydraulically driven with variable speed control
Solution valves Electric ball valves
Pressure gauge 100 PSI glycerin filled
Monitor Raven 460 (GPS-ready)
Fence row nozzle Optional

FOAM MARKING SYSTEM

Make Hagie Foam Marker
Type Live air

RINSE SYSTEMS

Fresh water system rinse (solution tanks, pump, and booms) Standard
High pressure washing system Optional

III. SPECIFICATIONS

ELECTRICAL SYSTEM

General Electrical System

Battery	Single 12V, negative ground
Alternator.....	130 AMP, voltage regulated
Starter	12V with solenoid

Circuit Breakers

Front and rear cab lights (see below).....	40 AMP
Foam marker and auxiliary power points	30 AMP
A/C	30 AMP
Starter relay.....	30 AMP
Wire harness from engine	30 AMP
Wire harness from engine	50 AMP

Fuses

Rinse system , windshield washer, and traction valve	10 AMP
Gauges, AM/FM radio, dome light, and C.B. radio	10 AMP
Boom hydraulic controls, tread adjust valve, parking brake.....	20 AMP
Fuel switch, boom solution valves, and seat motor.....	20 AMP
Hazard/warning lights, turn signal, and wiper	10 AMP
Solution tank shutoff valves	10 AMP

Lights

Front of cab.....	4 halogen field lights
Rear of cab.....	2 halogen work lights

Auxiliary Power Supplies

Monitor mount panel	12V binding post-type 12V cigarette lighter-type
---------------------------	---

III. SPECIFICATIONS

CAB AND INSTRUMENTS

Cab

General cab.....	Tilt steering Windshield wiper Flashing/hazard warning lights Turn signals Side mirrors Dome light Tinted glass
Temperature control.....	Full-range
A/C charge type	R-134a
Fresh air filtration	Paper and charcoal filter
Seat.....	Air ride with adjustment for: Fore-aft Backrest Height Ride firmness Armrest tilt
Windshield washer	Standard
Stereo.....	AM/FM stereo cassette with dual speakers

Instruments

Dial gauges	Hour meter Fuel Temperature Alternator Oil pressure
Digital gauge	Speedometer (MPH-Km/H) Tachometer (RPM)
Engine air filter monitor	Filter Minder®

III. SPECIFICATIONS

TIRES/RIMS

Rims (front and rear)

Standard..... W 10x34

Tires (front and rear)

Standard..... 320/85R34 (Radial TU)

Air pressure 30 PSI

Tire width 12.6"

Load capacity (at 20 MPH)..... 4540 lbs.

Overall diameter 55.4"

Static load radius (suggested—will vary with load) 25.8"

Rolling circumference 166.9"

CAPACITIES

Solution tanks (2) 400 gallons each

Fuel tanks (2) 40 gallons each

Cooling system..... 7 gallons

Hydraulic reservoir 20 gallons

Rinse system tank (optional) 45 gallons

Foam marker stainless steel tank (optional) 20 gallons

Engine crankcase (including filter) 17 quarts

Torque Hub® (4) 26 oz. each (approx.)

IV. PREPARING TO OPERATE

WHEEL TREAD AND ROW SPACING

With hydraulic tread adjust

See pages 32 for information about hydraulic tread adjust operation.

Without hydraulic tread adjust

Knowing the row spacing of the field one intends to spray, follow the steps below to properly obtain the desired tread setting.



FIG 4.1

1. To adjust the tread width in or out, park the sprayer on level ground and shut off the engine.
2. Loosen the leg mounting bolts on both the front and rear legs on one side of the sprayer only.

CAUTION

Loosen leg mounting bolts only enough to allow for free movement of leg on mainframe. DO NOT remove bolts under any condition.

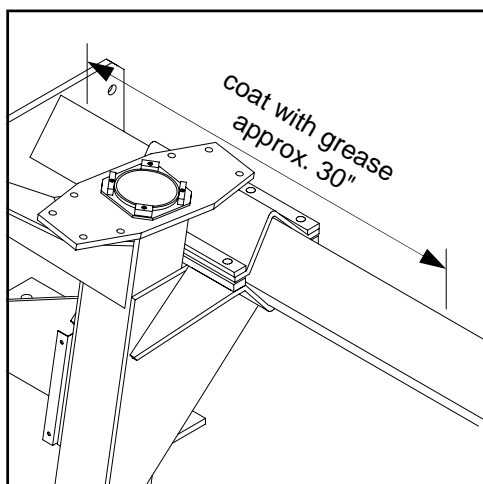


FIG 4.2

3. Loosen the rear lock nut on the leg brace (fig. 4.1). This will allow one leg to move further than the other without binding while adjusting the tread setting.
4. Lubricate the slide path the leg mount will travel along mainframe (fig. 4.2).

IV. PREPARING TO OPERATE



FIG 4.3

5. Place a suitable block under the air bag mounting plate before raising the sprayer (fig. 4.3). This will prevent the suspension from telescoping.
6. Raise the sprayer until the tires on the side being adjusted are just touching the ground.



FIG 4.4

7. To adjust the tread out, place a suitable prying tool under the center of the tire and pry out at the same time that you push out at the top of the leg (fig. 4.4). Carefully lower the sprayer to the ground which, in turn will allow the leg to slide outward. Repeat the procedure until the desired tread is obtained.
8. To adjust the tread in, raise the sprayer until the tires on the side being adjusted are just off the ground. Carefully lower the sprayer which, in turn will allow the top of the leg to slide in on the mainframe.
9. Retighten the leg mounting bolts following the torque specs and sequence on page 95.
10. Retighten the leg brace lock nut.
11. Repeat the above procedures to adjust and set the opposite side legs. When finished, all four legs should be same distance from the mainframe.

NOTES

IV. PREPARING TO OPERATE

1. Install the transom weldment (fig. 4.6, item 17).

NOTE:

An overhead hoist or fork lift is very useful when installing the transom.

2. After the transom is securely fastened, install the outer booms.

NOTE:

Before attaching outer booms, park the sprayer in an open area.

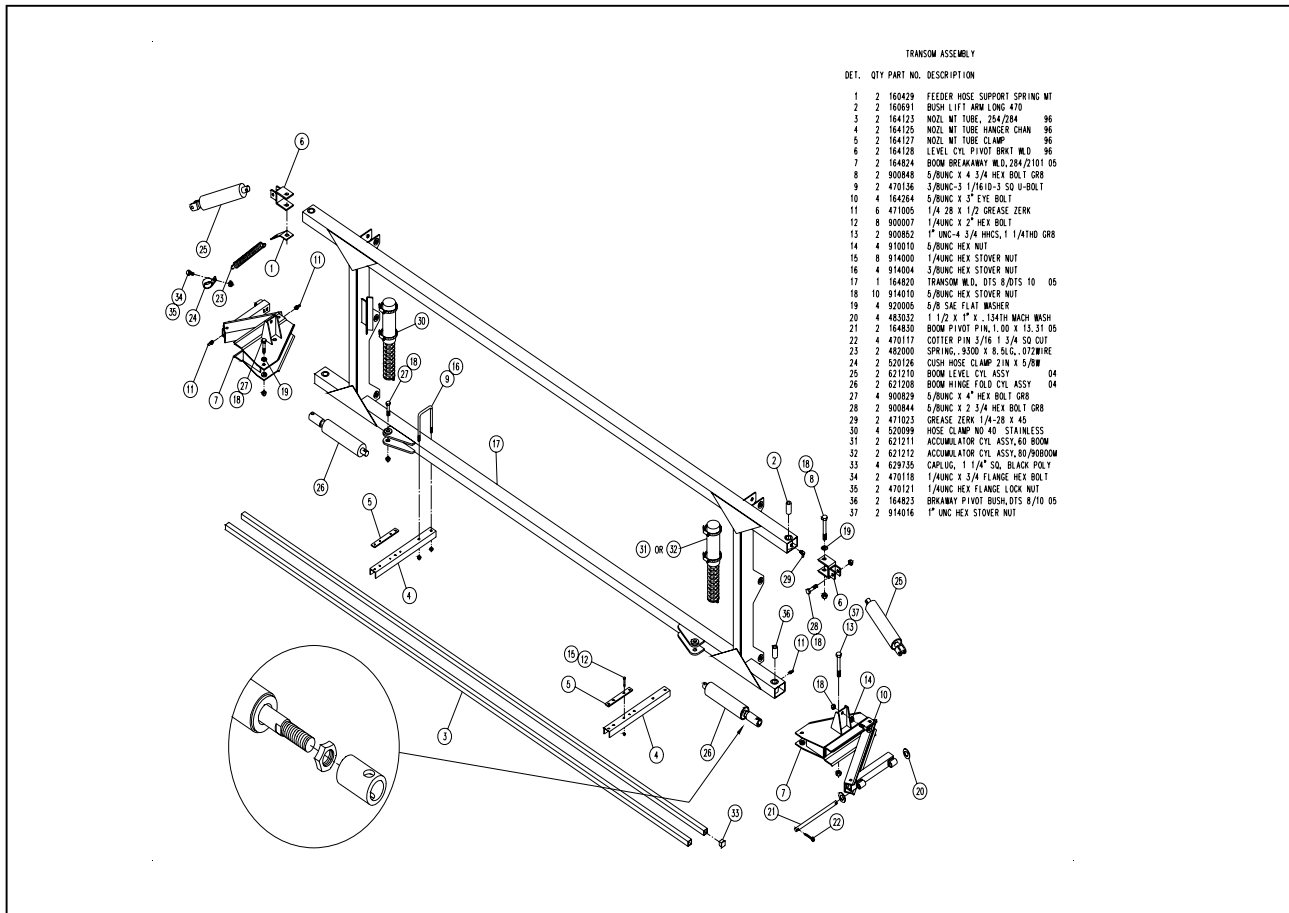


FIG 4.6

IV. PREPARING TO OPERATE

- The booms come in 60', 80', or 90' lengths (fig. 4.7). Refer to the parts manual for detailed drawings for the correct hardware and hydraulic components when attaching to the transom.

NOTE:

Tighten the boom springs until daylight shows between the coils. Do not overtighten.

- After the outer booms have been installed, adjust the fold cylinder sleeve (page 25, fig. 4.6, item A) until the booms are parallel with the transom. Then use this same adjustment to allow the boom to fold in far enough to locate in the boom cradle. Lock the cylinder sleeve in place with the jam nut (page 25, fig. 4.6, item B).
- After step 4 has been completed, mount the nozzle spacings to the outer booms and transom.

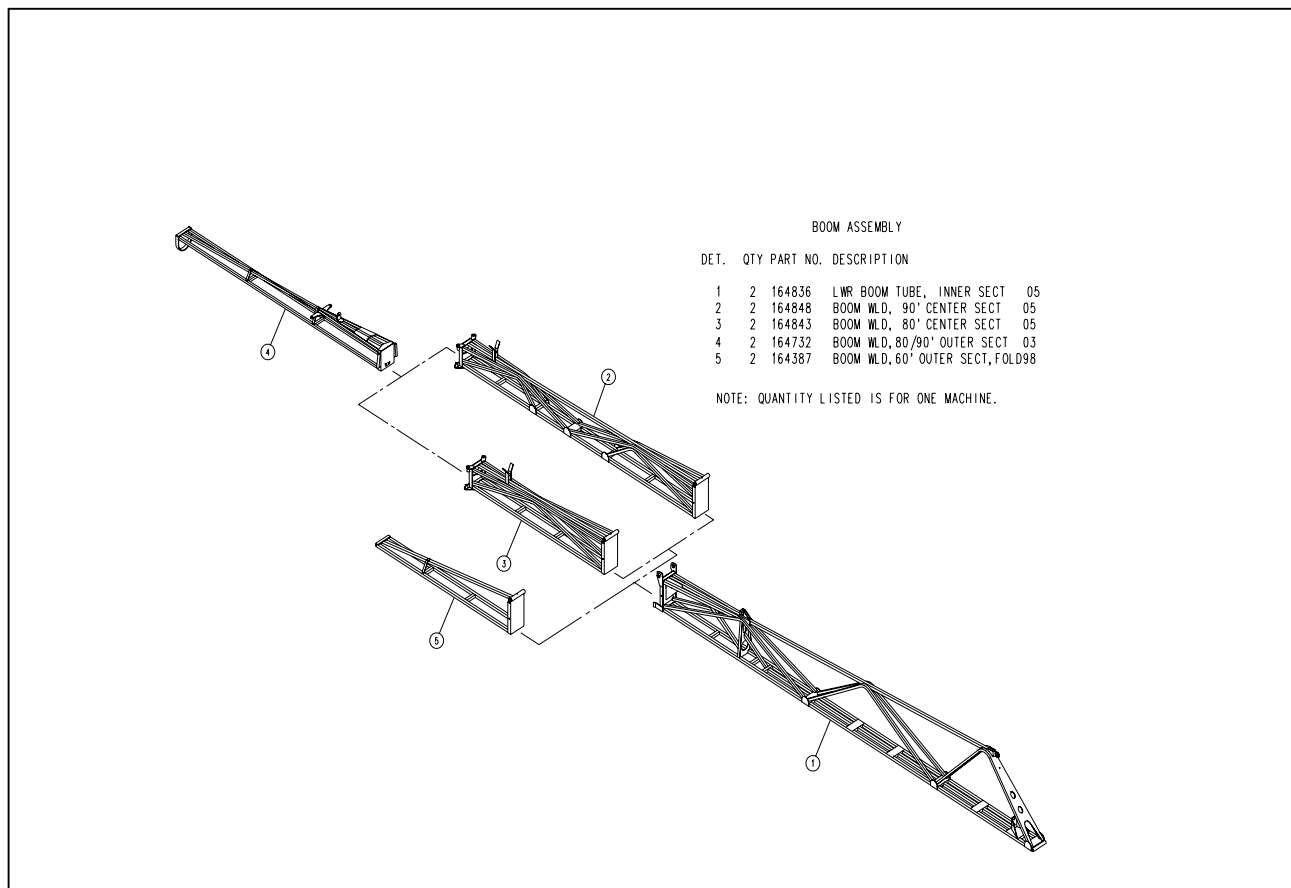


FIG 4.7

V. OPERATING INFORMATION

OPERATING THE ENGINE

Pre-operational Checks	Page Reference
1. Check the engine oil level. Do not operate the engine when oil is below the low mark on dipstick.	75
2. Check the coolant level in the radiator and the coolant overflow reservoir.	77-78
3. Check the hydraulic oil reservoir level.	75
4. Check cooling air intake screens.	81
5. Check engine drive belt.	92
6. Drain fuel/water separator.	83
7. Check the Filter Minder [®] .	80
8. Check for any oil or fuel leaks and correct if needed.	

Starting the Engine



1. Position hydrostatic control lever to "N" (neutral) position.
2. Put the parking brake switch to the "ON" position (see page 30). When starting procedure is complete, return switch to "OFF" position.
3. Turn key to the "ON" position to check instruments.

V. OPERATING INFORMATION

5. Turn the ignition key switch to the start position to engage the starter. If the engine fails to start after 15 seconds, turn key to "OFF", wait one minute and repeat the procedure. If the engine does not start after three attempts, check fuel supply system. Absence of blue or white exhaust smoke during cranking indicates no fuel is being delivered.
6. When engine starts, immediately reduce throttle lever setting to 1/3.
7. Inspect indicator lights and gauges for correct operation. If any lights or gauges do not operate, shut off engine and determine cause.
8. Always allow at least a five minute warm-up period before operating the engine at high RPM. This means the engine must reach operating temperature and oil pressure must stabilize in the normal operating range before it is run faster than an idle (1000 RPM or less). Cold oil may not flow in quantities adequate to prevent pump cavitation.

COLD WEATHER STARTING

Using starting fluid is not recommended.

Do not move the sprayer until the other person is off the sprayer and a safe distance away.

NOTE:

Do not use starting fluid when starting an engine. The use of too much starting fluid will cause engine damage.



CAUTION

When using jumper cables to start engine, make sure to connect the cables in parallel: positive (+) to positive and negative (-) to negative. When using an external electrical source to start the engine, turn the disconnect switch to the "OFF" position. Remove the key before attaching the jumper cables to prevent unintentional starter engagement.

V. OPERATING INFORMATION

HYDROSTATIC SYSTEM

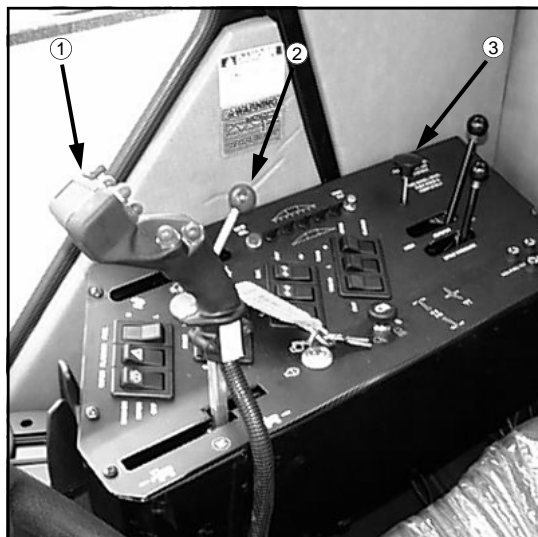


FIG 5.1

Hydrostatic Drive

1. Increase engine RPM with the throttle lever (fig. 5.1, item 2) to the maximum recommended engine speed setting.

NOTE:

Never operate the sprayer at anything less than full recommended throttle.

2. To move forward, slowly push the hydrostatic control lever (fig. 5.1, item 1) forward. The farther the control lever is moved, the faster the sprayer will travel. To stop, slowly pull the lever to the "N" (neutral) position.
3. To reverse the machine, slowly pull the hydrostatic control lever back. To stop, slowly push the lever to the "N" (neutral) position.
4. To engage the hydrostatic system in four wheel drive, pull up on the control knob (fig. 5.1, item 3). To return to two wheel drive, push the control knob down.

V. OPERATING INFORMATION

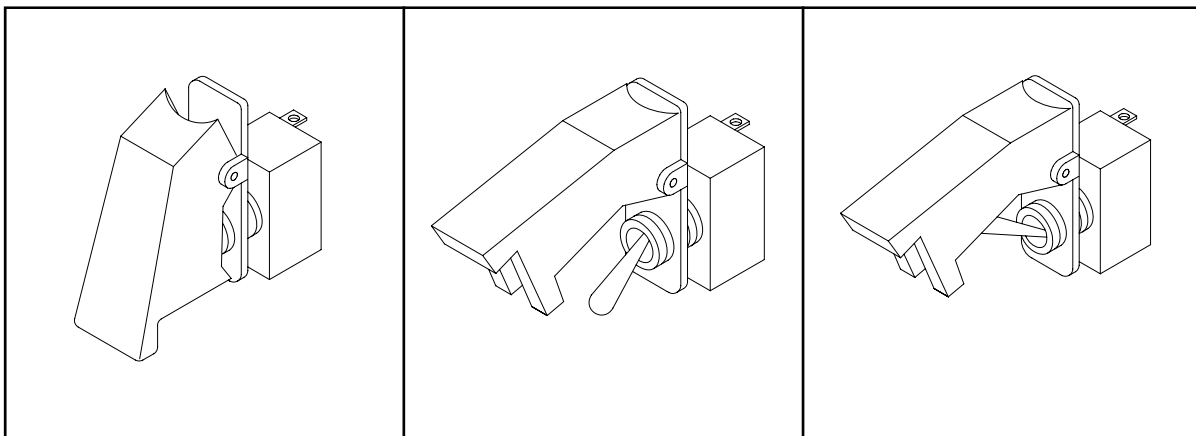
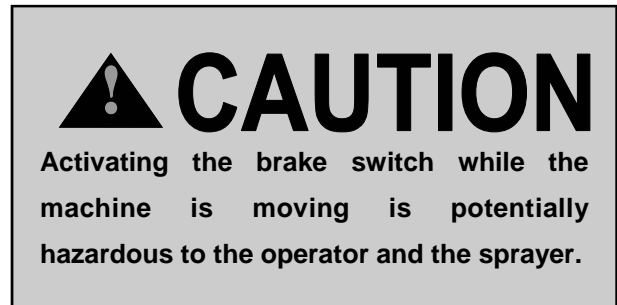


FIG 5.2

Parking Brake

The brakes are controlled by charge pressure. When the engine is shut off or if the charge pressure is below 150 PSI the brakes will become activated. To set the brakes while the engine is running, activate the switch located below the spray system monitor (fig. 5.2).

Lift the RED switch cover as shown in figure 5.3B. To engage the brakes, flip the switch up to the "ON" position as shown in figure 5.3C. To release the brakes, close the RED cover and this in turn will flip the brake switch to the "OFF" position. Always return the brake switch to the "OFF" position before moving the sprayer.



A

B

C

FIG 5.3

V. OPERATING INFORMATION

HYDRAULIC SYSTEM

The auxiliary hydraulic system is an open type directly mounted behind the heavy duty variable displacement pump. This system consists of dual gear pumps that supply the required hydraulics to operate the full time power steering unit, boom control cylinders (lift, level, fold), the solution pump,

mechanical agitation, and if equipped, hydraulic tread adjust.

After supplying each of these systems, the hydraulic oil is sent to the oil cooler in front of the engine coolant radiator. Here it is cooled and then sent back to the hydraulic oil reservoir.



FIG 5.4

NOTE:

Immediately shut down engine if low level hydraulic oil light comes on in cab (fig. 5.4).

CAUTION

DO NOT GO NEAR LEAKS. High pressure oil easily punctures skin causing injury, gangrene, or death. If injured, seek emergency medical help. Immediate surgery is required to remove oil. Do not use finger or skin to check for leaks. Lower load or relieve hydraulic pressure before loosening fittings.

V. OPERATING INFORMATION

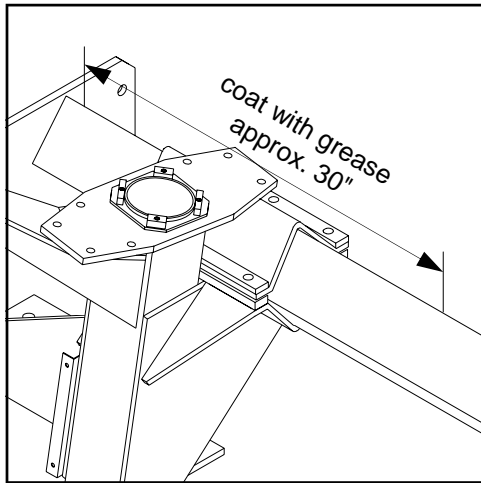


FIG 5.5

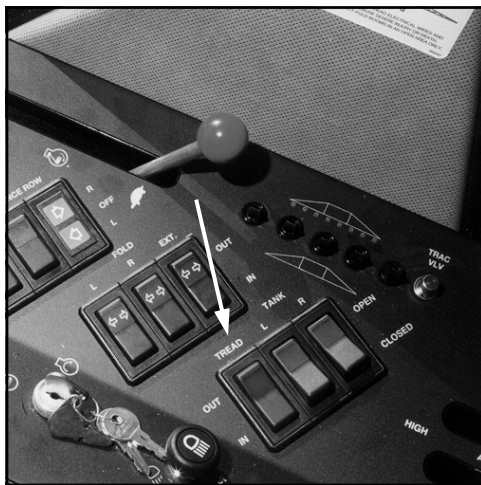


FIG 5.6

NOTE:
When operating the hydraulic tread adjust you will notice a squealing-type noise. This noise is the hydraulic fluid reaching the relief setting. Do not be alarmed of this noise during adjustment.

Operating the Hydraulic Tread Adjust

CAUTION
Never adjust the hydraulic tread on a public roadway. Make sure the sprayer is on level ground where there are no ditches or valleys to interfere when you perform the adjustment.

NOTE:
The hydraulic tread adjust bearing clearance has been factory set. If further adjustment is required for more or less clearance, additional shims will need to be added or removed (see page 96).

Before you hydraulically adjust the tread:

1. Make sure the nylon material on the tread adjustment brackets on both the front and rear legs have an adequately lubricated surface to slide on during adjustment (fig. 5.5).
2. Survey the surroundings and allow yourself enough room to adjust tread between one and two mph either in forward or reverse.
3. Locate the hydraulic tread adjust switch on the console panel (fig. 5.6). To adjust the tread in or out, depress and hold the corresponding side of the switch.
4. When all of the tread cylinders have stroked completely, release the hydraulic tread adjust switch and resume operation.
5. To recalibrate toe-in: while driving forward slowly, turn the steering wheel all the way one way until the steering cylinder bottoms out; continue turning the wheel a little more to let fluid bypass the cylinder. Then turn the steering wheel all the other way and repeat the process. When wheels are then straightened, steering cylinders should be recentered and correct toe-in should be obtained.

V. OPERATING INFORMATION

SPRAY BOOMS

Spray booms are available in three different lengths: 60 ft., 80 ft., and 90 ft. Folding and locking the outer breakaway and turning off the two outer boom solution valves essentially makes an 80 ft. boom into a 60 ft. boom (see page 39).

The spray booms are controlled by an electro-hydraulic system. This system consists of operator manipulated switches located in the sprayer's cab

and hydraulic cylinders attached to the booms. It provides control of lift (page 34), level (page 35), and horizontal and vertical fold (pages 36 and 37).

All DTS 8 spray booms are equipped with a main boom two-way, spring-loaded breakaway. Eighty and ninety foot spray booms are also equipped with a one-way spring-loaded breakaway on the outer boom section.

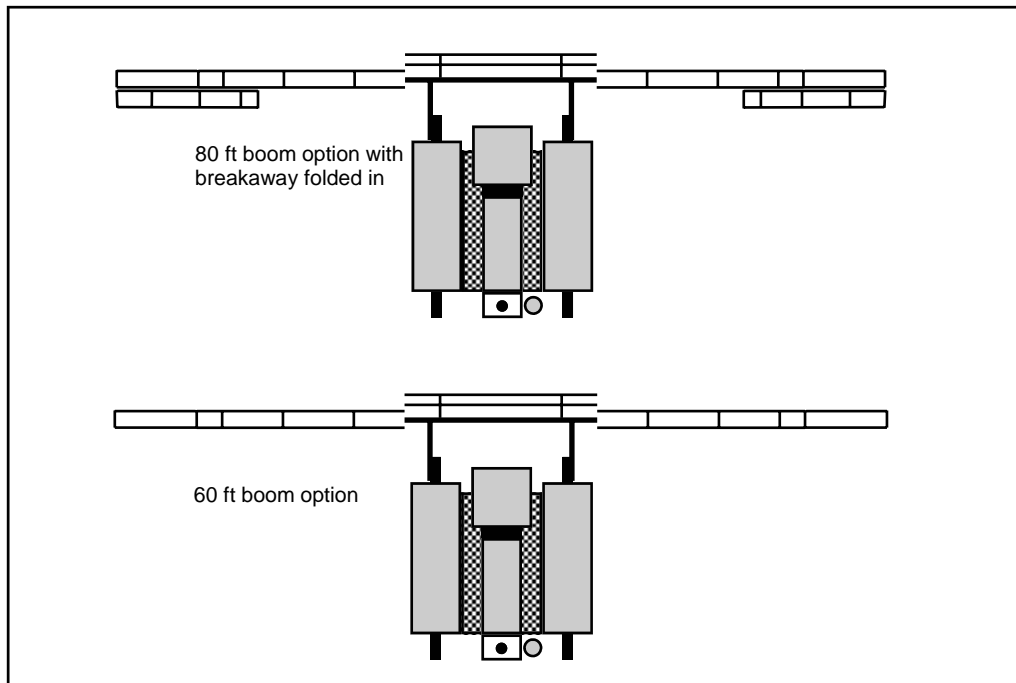


FIG 5.7

V. OPERATING INFORMATION

Lift



FIG 5.8

To raise and lower the transom/boom assembly, depress the “GRAY” (UP) or the “RED” (DOWN) buttons on the hydrostatic drive handle (fig. 5.9, item 1 & 2). While depressed, either button activates the transom lift cylinders (fig. 5.8).

See your spray tip manufacturer’s guide for information regarding spray tip height (fig. 5.10).

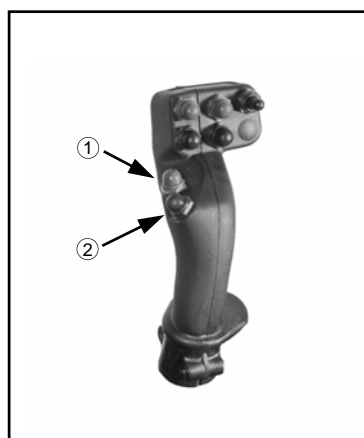


FIG 5.9

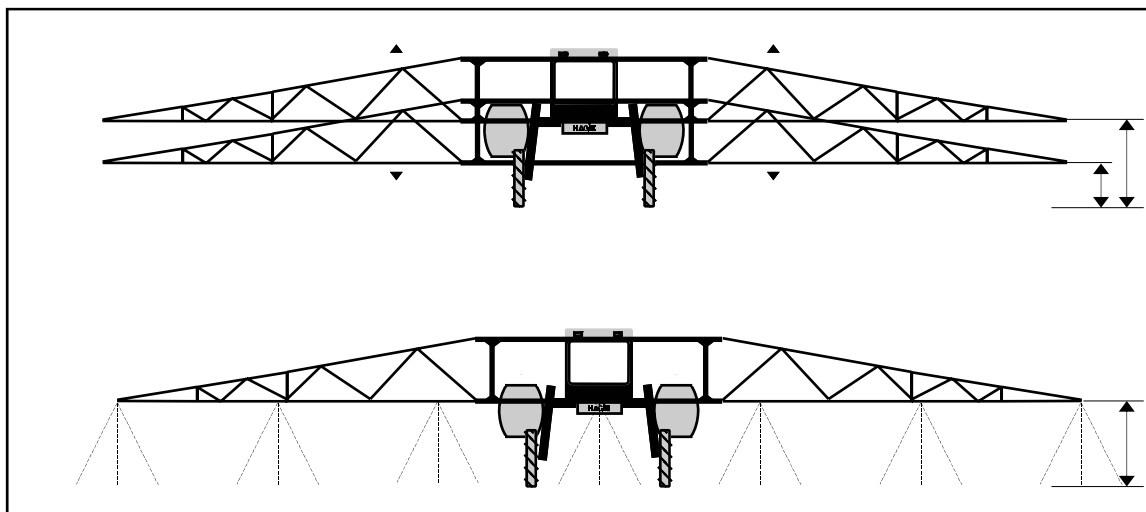


FIG 5.10

V. OPERATING INFORMATION

Level



FIG 5.11

To increase or decrease the angle of each individual boom level, depress the left or right “GRAY” (UP) or the left or right “RED” (DOWN) buttons on the hydrostatic drive handle (fig. 5.12, items 1 thru 4). While depressed, these buttons activate the level cylinders connecting either boom to the transom (fig. 5.11).

This adjustment also aids in placing the booms correctly in the cradles for transporting and storing.

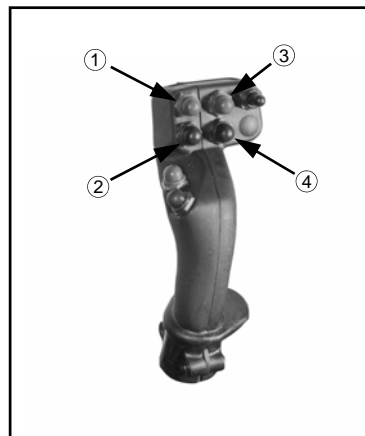


FIG 5.12

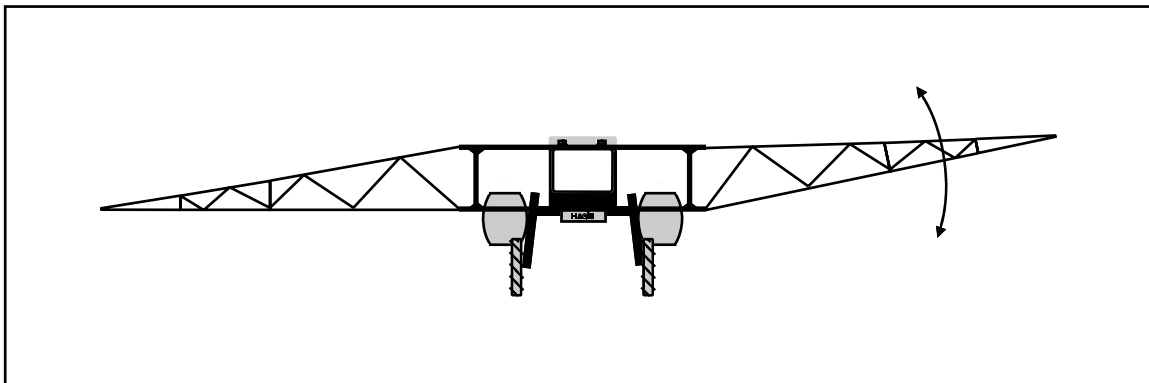


FIG 5.13

V. OPERATING INFORMATION

Fold



FIG 5.14

HORIZONTAL BOOM FOLD - To fold either boom horizontally in toward the machine or out away from the machine, depress the “IN” or “OUT” of either or both “BOOM FOLD” switches (fig. 5.15, items 1 & 2). While depressed, these switches activate cylinders connecting either boom breakaway mount to the transom (fig. 5.14).

Fold or unfold the booms in an open area only. Make sure no one is standing in the path of the boom fold’s travel path.

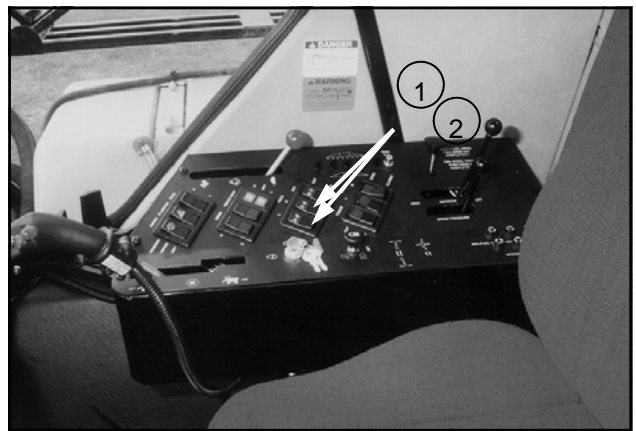


FIG 5.15

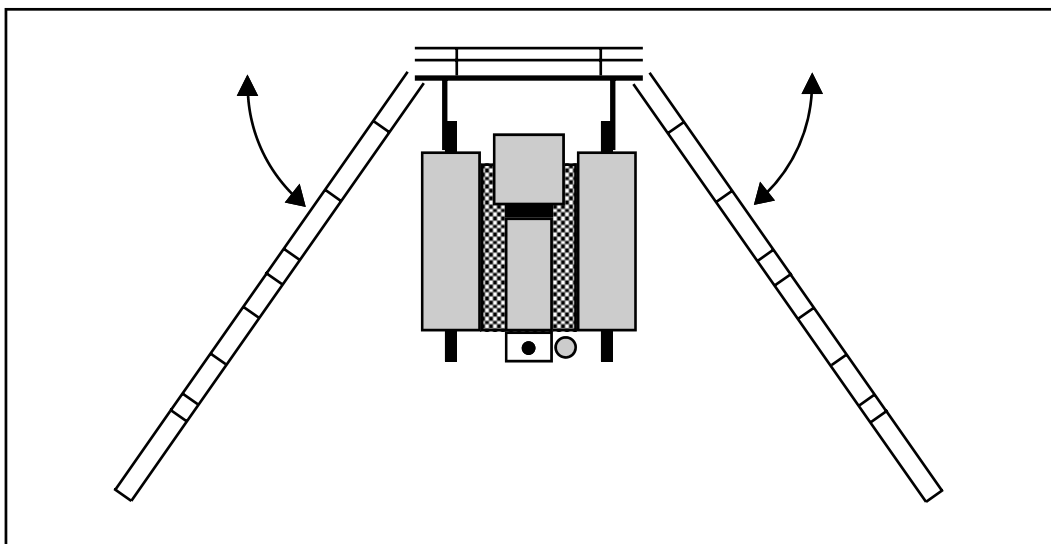


FIG 5.16

V. OPERATING INFORMATION

Fold



FIG 5.17

VERTICAL EXTENSION FOLD - To fold the boom extensions of an eighty or ninety foot boom vertically in or out, depress the “IN” or “OUT” of the “EXTENSION” switch (fig. 5.18). This activates both extension cylinders connecting the inner boom section and the center boom section (fig. 5.17).

Fold or unfold the booms in an open area only. Make sure there are no overhead obstructions or wires to interfere with extension folding. Make sure machine is in the neutral position before folding booms over.

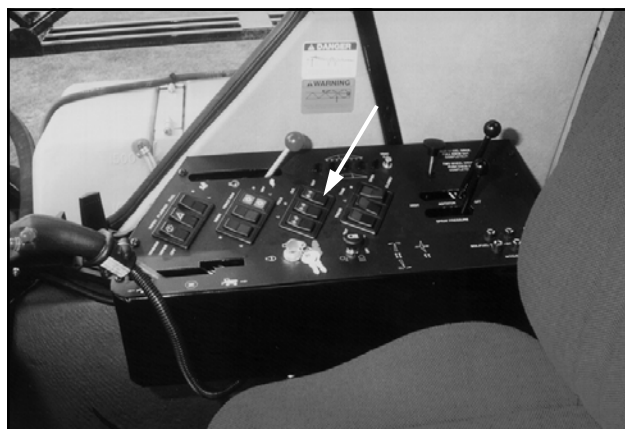
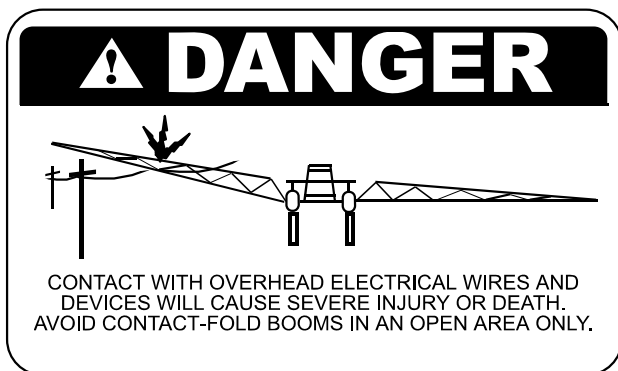


FIG 5.18

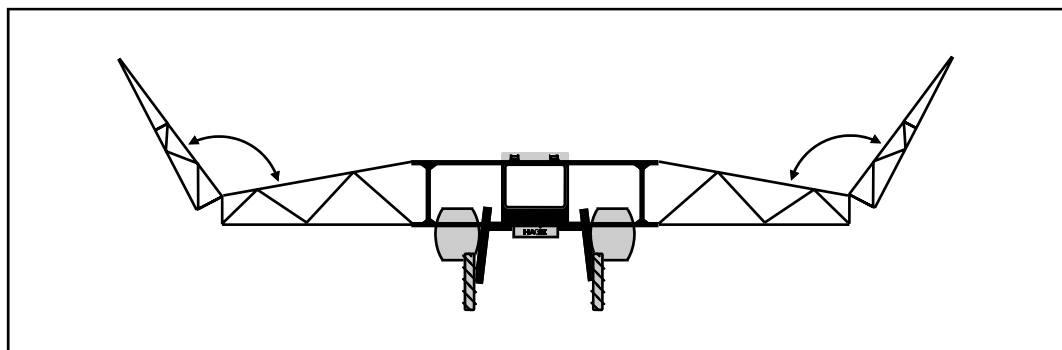


FIG 5.19

V. OPERATING INFORMATION



FIG 5.20



FIG 5.21

Cradling Booms

The booms should always be cradled when traveling, transporting, or parking for an extended period of time. The booms must be folded when cradled. To cradle the booms, fold the boom extensions in, raise the transom, and fold the booms in toward the machine. The closer the booms get to the cradle, the more careful you need to be while making adjustments to avoid damage. Raise each individual boom level until it clears the outer cradle stop (fig. 5.20). Fold the boom in toward the cradle back-stop. When it touches the back-stop, lower the boom level until the full weight of the boom rests in the cradle (fig. 5.21). If the boom does not fold in far enough, the fold cylinder sleeve may need to be adjusted (see page 25).

NOTE:

Booms must be in folded position when cradled. Failure to do so may cause boom damage.

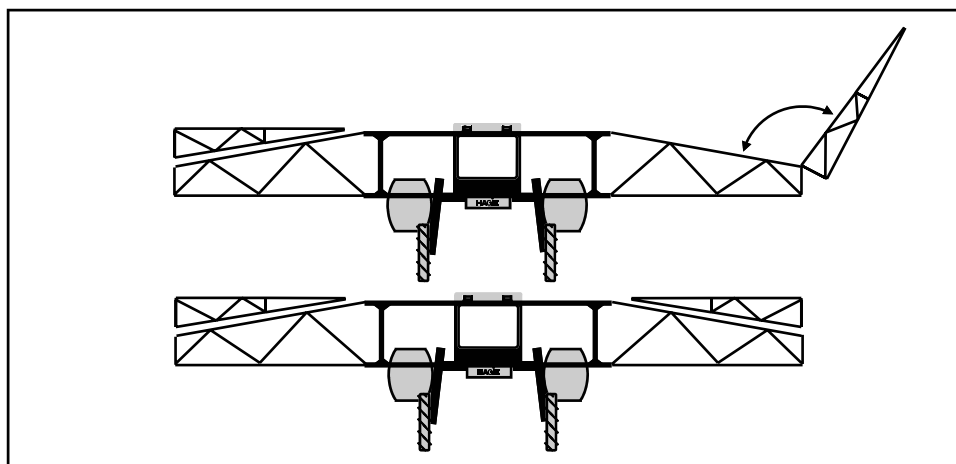


FIG 5.22

V. OPERATING INFORMATION



FIG 5.23

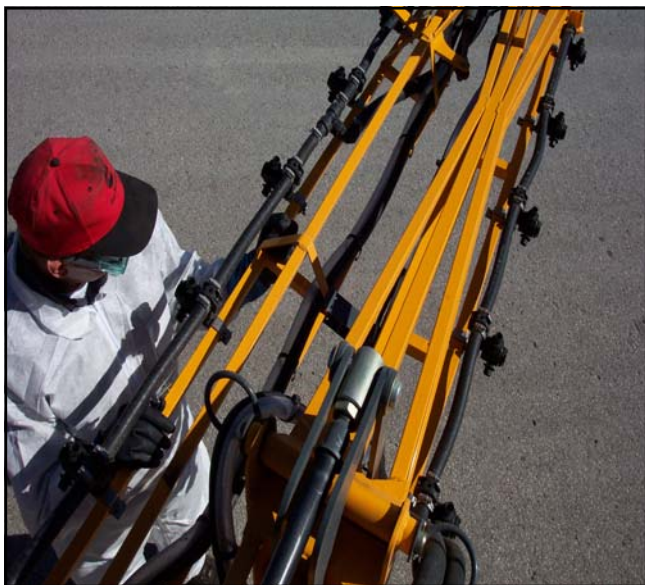


FIG 5.24

Folding 80' Boom to 60' Boom

To convert an 80 foot boom to a 60 foot boom, close the solution supply valves to the outer sections (see page 42). Manually fold each outer boom section backward (fig. 5.23) and lock in place with lock pin (fig. 5.24).

NOTE:

The outer boom section should be locked down if in the folded position to prevent boom damage.

V. OPERATING INFORMATION

SPRAY SYSTEM

The spraying system is a constantly-monitored and continuously-adjusted computer-controlled system. The cab-mounted digital monitor receives information from various inputs to help determine GPM (gallons per minute) and GPA (gallons per acre).

SPRAY SYSTEM OPERATION INSTRUCTIONS

OPERATION	PAGE REFERENCE
1. Calibrate spraying system monitor.	67
2. Check contents and quantity in spray tank.	
NOTE: Never attempt to operate the spray system without solution in the spray tank. Operating the spray system with no solution in the tank will cause severe damage and void the warranty.	
3. Completely open the tank valves.	44
4. Start engine and maintain a relatively low engine RPM setting (1,000 RPM). Increase engine RPM slowly until full recommended operating RPM is reached.	27-28
5. If desired, activate the agitation system.	46
6. Turn on the solution pump switch.	41
7. Turn on main spray power.	42
8. Place individual boom solution valve switches to the "ON" position.	42
9. Slowly move the hydrostatic control lever forward to obtain the desired ground speed.	29
10. Frequently observe the pressure gauge. When it drops to zero, or spray pattern deteriorates, shut off main spray power, solution pump, and agitation system until refilling solution.	41, 42, 41, 46, 45

V. OPERATING INFORMATION

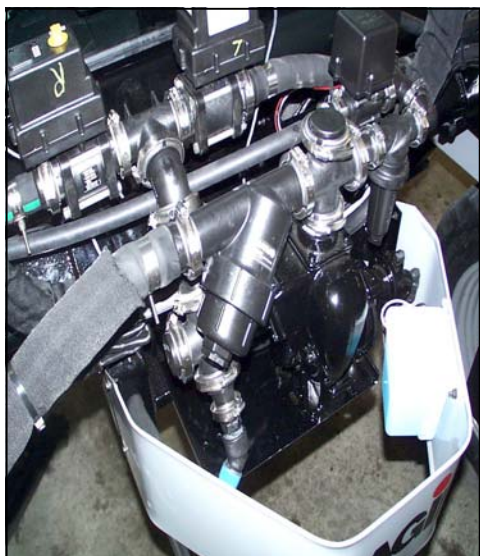


FIG 5.25

Solution Pump

The solution pump is a hydraulically driven centrifugal pump (fig. 5.25) with variable speed control. Engage the solution pump while at a relatively low engine RPM setting (1,000 RPM). Increase engine RPM slowly and maintain full recommended throttle RPM for field operation. To activate the solution pump, push the solution pump lever forward (fig. 5.26).

NOTE:

DO NOT allow the pump to continue running when the boom switches are turned off. Failure to do so will generate over-heating and cause severe pump damage and void the warranty.

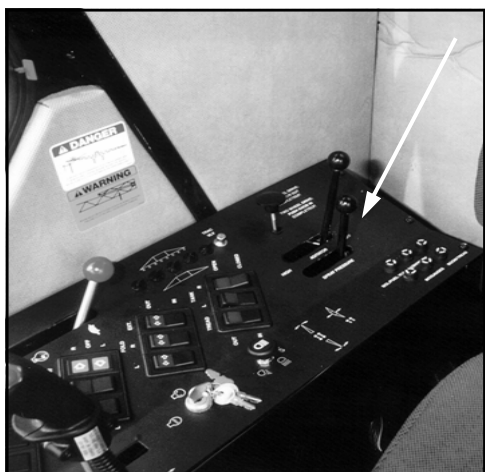


FIG 5.26

Solution Pressure Gauge

The solution pressure gauge (fig. 5.27) gives the operator a constant visual display of the amount of solution being applied (measured in PSI). The pressure (as determined by the monitor-controlled butterfly valve) will vary according to ground speed. If applying solution manually, the solution pressure gauge visually informs the operator of needed manual adjustments.



FIG 5.27

V. OPERATING INFORMATION



FIG 5.28

Electric Solution Valves

The spray booms are divided into sections that are independently supplied with solution and can therefore independently be shut off or turned on. The number and location of solution valves varies with boom length. Sixty foot booms are divided into three sections and the valves are mounted on the transom. Eighty and ninety foot booms are divided into five sections with three valves mounted on the transom and one mounted on each boom.

Boom Valve Switches

The electronic boom solution valves are controlled by a panel of switches mounted under the spraying system's monitor (fig. 5.28). When the switches are in the "UP" position they are on and when they are in the "DOWN" position they are off.



FIG 5.29

Main Solution Switch

The main solution switch is a floor-mounted "dimmer-style" switch (fig. 5.29, item 2). It controls the power supply to the panel of boom solution valve switches. The main floor switch must be on to supply the panel switches with voltage. This way you can turn all of the boom solution valves "ON" or "OFF" all at once in a hands-free execution such as turning the main solution switch "OFF" as you arrive at the end rows of a field and turn it back "ON" as you enter the field again.

When the main solution switch is "ON" a "GREEN" indicator light mounted at the bottom of the instrument panel will light up (fig. 5.29, item 1). When the light is not lit, the main solution switch is "OFF."

V. OPERATING INFORMATION



FIG 5.30

Fence Row Applicator

To operate the optional fence row nozzle, locate the fence row switch at the front of the switch control panel (fig. 5.30). If you wish to turn on either the right or left fence row nozzle, depress the corresponding “RIGHT” or “LEFT” side of the fence row switch. To turn either fence row nozzle off, return the fence row switch back to the center (“OFF”) position.

As you engage either fence row nozzle you may notice a drop in solution pressure.

A lighted indicator mounted next to the fence row switch will inform the operator of fence row status. If the right fence row nozzle is on, the right indicator arrow is lit (fig. 5.31, item 2). If the left fence row nozzle is on, the left indicator arrow is lit (fig. 5.31, item 1). If neither indicator arrow is lit, no solution is being applied through the fence row nozzles.

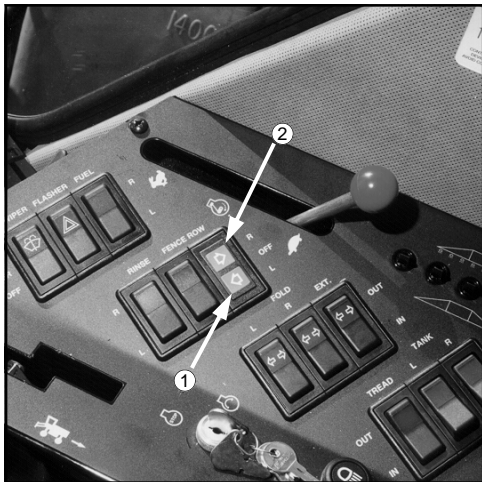


FIG 5.31

SIXTY FOOT BOOM – The fence row nozzle on a sixty foot boom is supplied by an electric valve mounted in-line with the left or right boom solution supply hose. In order to operate the fence row nozzle on a sixty foot boom, the corresponding boom section (left or right) must already be on.

EIGHTY OR NINETY FOOT BOOM – The fence row nozzle on an eighty or ninety foot boom is supplied by an electric valve attached to the outer boom electric solution valve. The fence row nozzle on an eighty or ninety foot boom may be operated by itself.

V. OPERATING INFORMATION

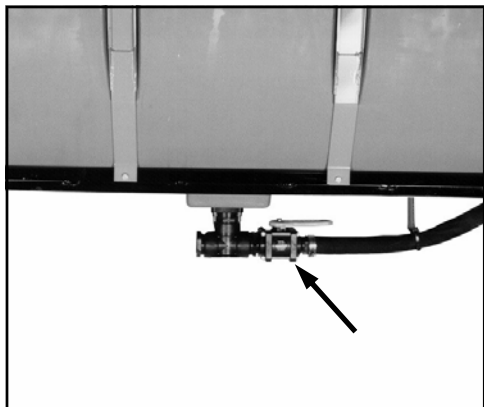


FIG 5.32

Tank Shutoff Valves

To shutoff either or both solution tank sumps, manually close either or both 1½” ball valve(s) located under each solution tank (fig. 5.32). Your sprayer may be equipped with optional 1½” electric tank shutoff valves (fig. 5.33, item 3).

To operate the electric tank shutoff valves, locate the solution tank switches in the console. To open or close the left solution tank, depress the “OPEN” or “CLOSED” side of the left switch (fig. 5.33, item 1). To open or close the right solution tank, depress the “OPEN” or “CLOSED” side of the right switch (fig. 5.33, item 2).

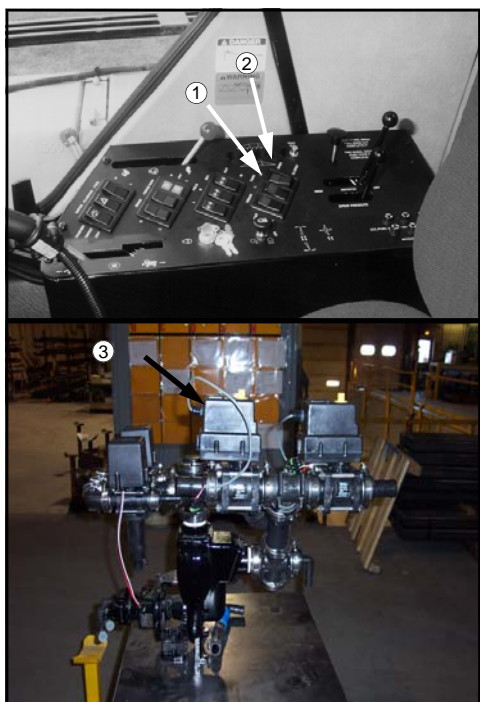


FIG 5.33

Utilize the tank shutoff valves when: 1 - you wish to draw solution from only one tank or the other; 2 - you are operating on unlevel ground such as a hillside or terrace and you don't want solution to siphon from one tank to the other (fig. 5.34); or 3 - you operate the rinse system (see pages 51-53).

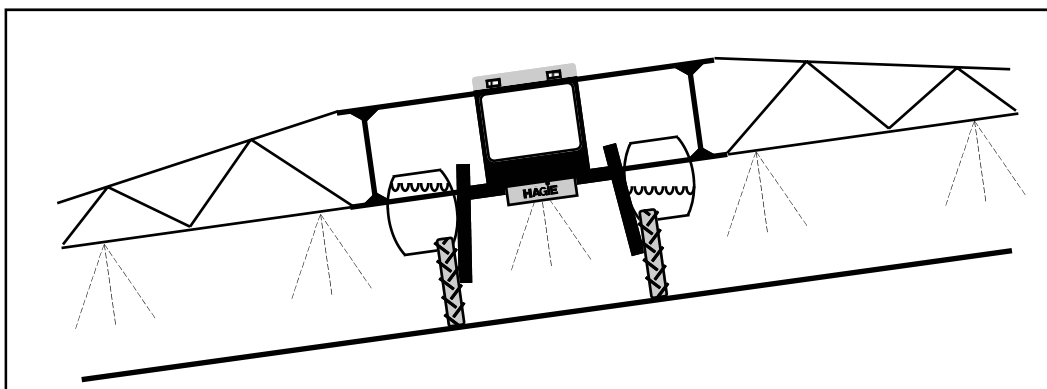


FIG 5.34

V. OPERATING INFORMATION

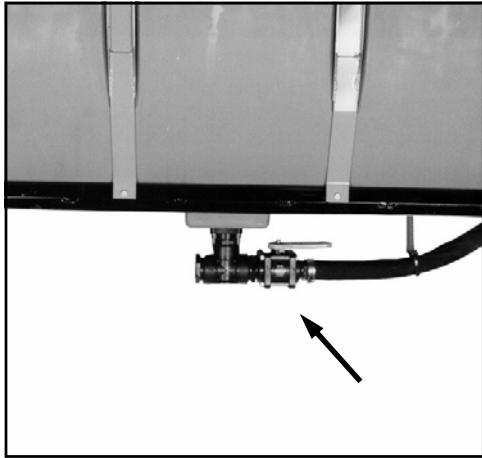


FIG 5.35

Quick Fill

To fill the solution tanks, make sure the tank shutoff valve (fig. 5.35) under the tank and the electric valve (fig. 5.36, item1), you want to fill is open (you may fill both at the same time). Open the valve on the quick fill attachment (fig. 5.36, item2).

Connect your solution supply and fill to the desired level (fig. 5.37). When done, close the quick fill valve.



FIG 5.36



FIG 5.37

V. OPERATING INFORMATION

AGITATION SYSTEM



FIG 5.38

The Hagie DTS 8 comes standard with a hydraulically-driven mechanical agitation system to maintain suspension of solution in the sprayer's tanks.

To activate the system push the "TANK AGITATION" lever (fig. 5.38) forward, opening the hydraulic variable flow control valve (fig. 5.39). This will deliver hydraulic fluid to agitator motors on both solution tanks (fig. 5.40) turning the agitator shaft assemblies clockwise. The further you push the lever ahead, the faster the agitation assembly shafts will rotate.

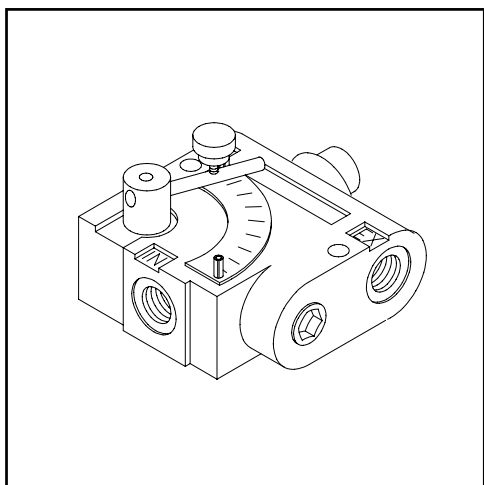


FIG 5.39

NOTE:

Operation of the agitation system with no solution in the spray tanks will void the warranty on the agitation system.

To turn the agitation system off, return the "TANK AGITATION" lever back to its original position.



FIG 5.40

V. OPERATING INFORMATION

The gland packing (fig. 5.41, item 1) may require adjustment during start-up. If adjustment is required, shut off the agitation system and adjust the gland nut (fig. 5.41, item 2).

CAUTION

DO NOT adjust the gland nut with the agitation system running.

When replacing the packing, be sure to wrap the packing clockwise on the agitator shaft

(reference to direction when seated in the operator's seat facing forward).

The agitator motors for the polyethylene tanks are held in place with a motor mount yoke (fig. 5.41, item 3). The yoke tap must extend through the motor mounting plate (fig. 5.41, item 4). This allows the motor to float with the agitator shaft.

NOTE:

Damage will occur to the agitator system if the motor mounting yoke is not properly installed in the motor mounting plate.

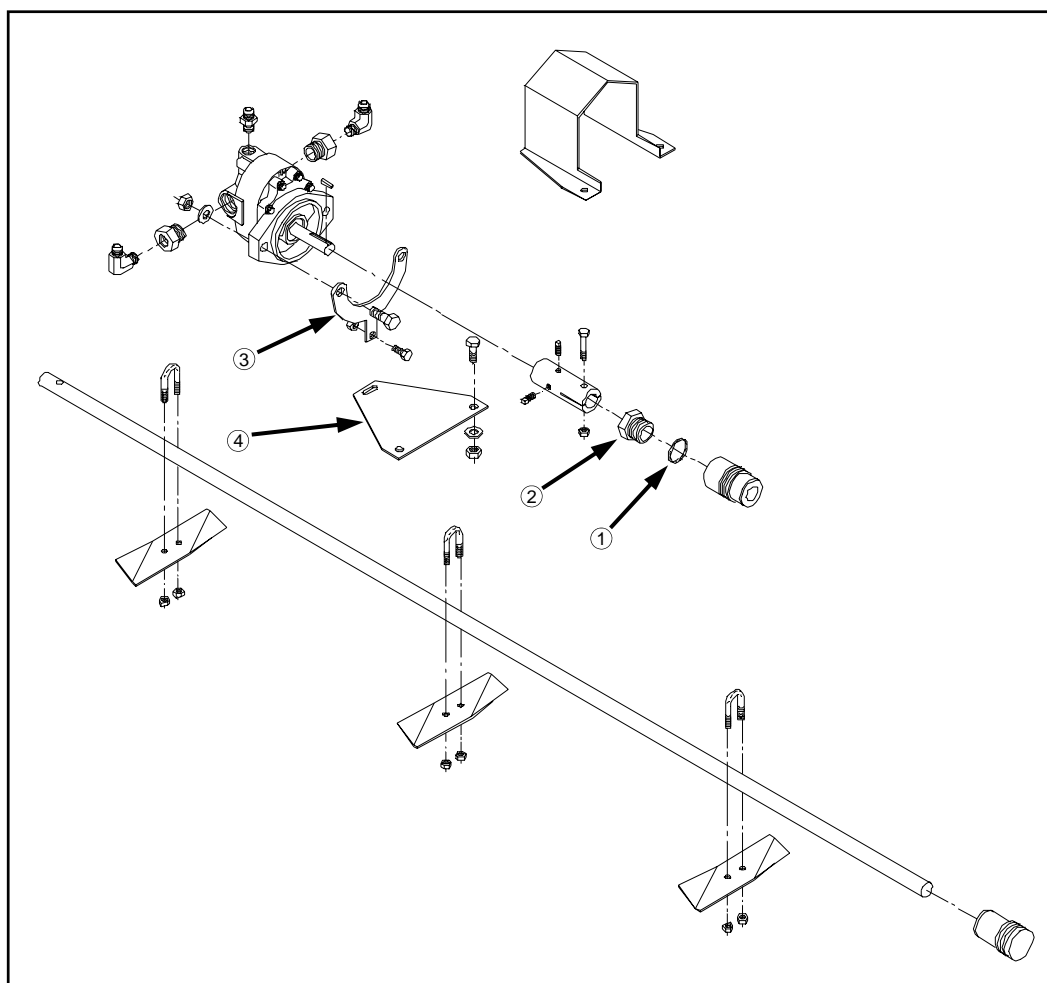
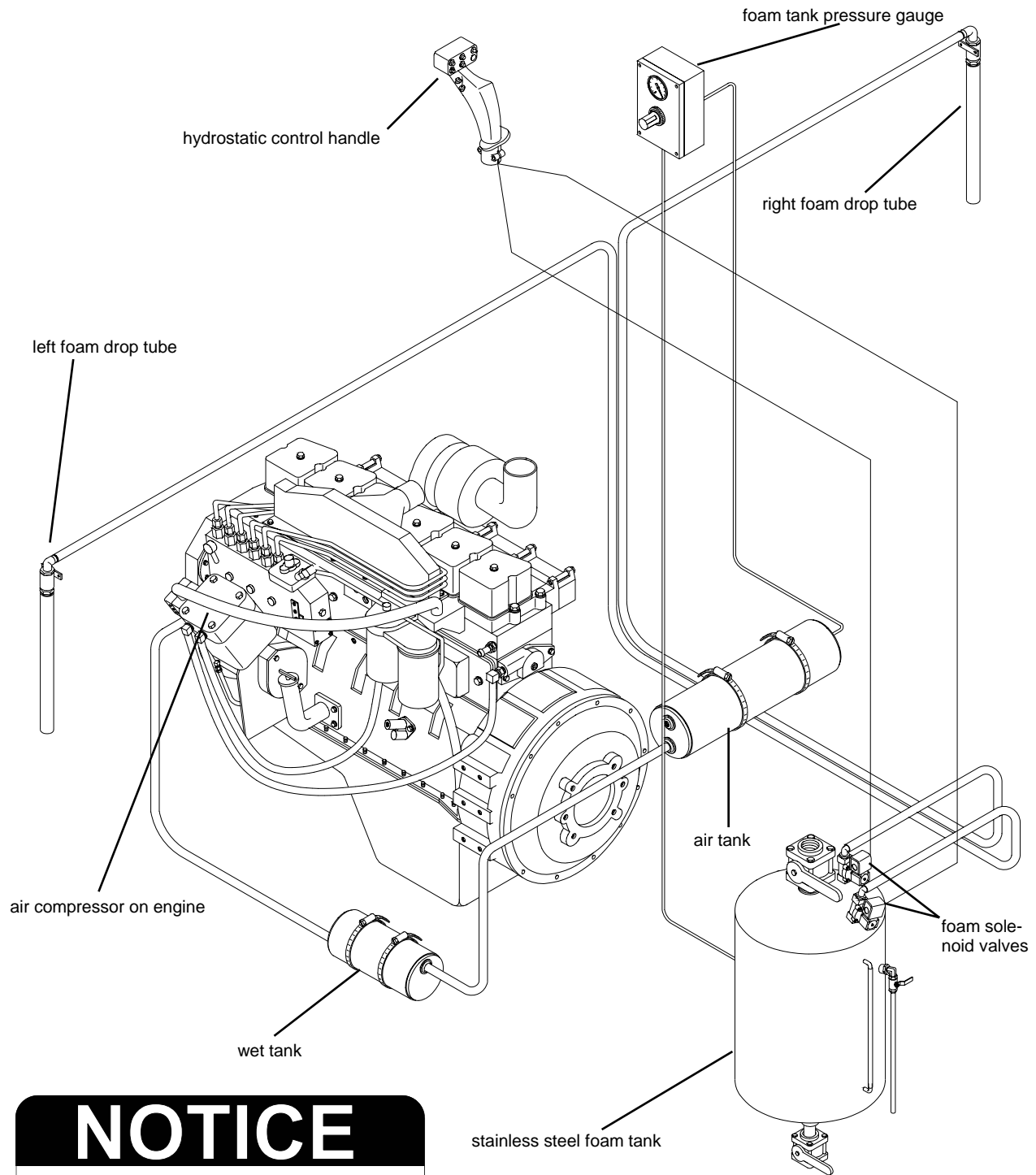


FIG 5.41

V. OPERATING INFORMATION

FOAM MARKER SYSTEM



NOTICE

DRAIN WET TANK DAILY TO REMOVE CONTAMINATION

V. OPERATING INFORMATION



FIG 5.42

Foamer Operation

To operate the foam marking system, locate the toggle switch on the hydrostat control handle (fig. 5.43). It controls a pair of valves on the pressurized stainless steel foam tank (fig. 5.42) which force foam to the foam drop tubes on the end of each outer boom.

Push the toggle switch to the left if foam is desired from the left boom tip. Push the toggle switch to the right if foam is desired from the right boom tip. Return the toggle switch to the middle position if no foam is desired.



FIG 5.43

System pressure is indicated by a pressure gauge on the regulator which is mounted next to the foam tank (fig. 5.44). To adjust the air pressure in the foam tank, turn the knob on the regulator clockwise for more pressure, and counterclockwise for less pressure. To correctly decrease the pressure in the foam tank, you must first open either the left or right foam valve for a moment to relieve system pressure. Then adjust regulator accordingly. For maintenance of the foam marker system see page 99.



FIG 5.44

V. OPERATING INFORMATION

Filling Foam Marker System

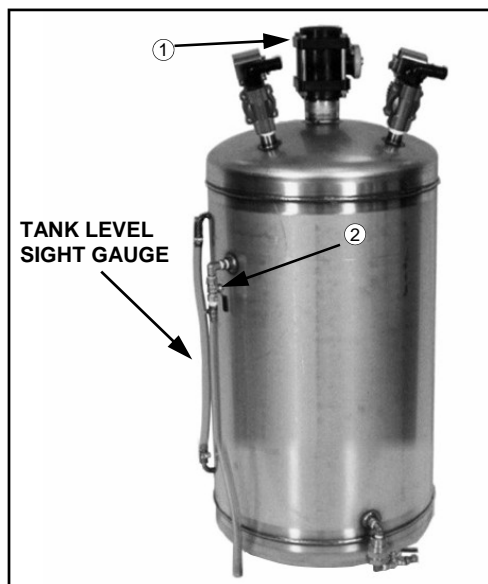


FIG 5.45

CAUTION

Before performing any service or refilling of the foam marker, shut the engine off and relieve system pressure from the tank.

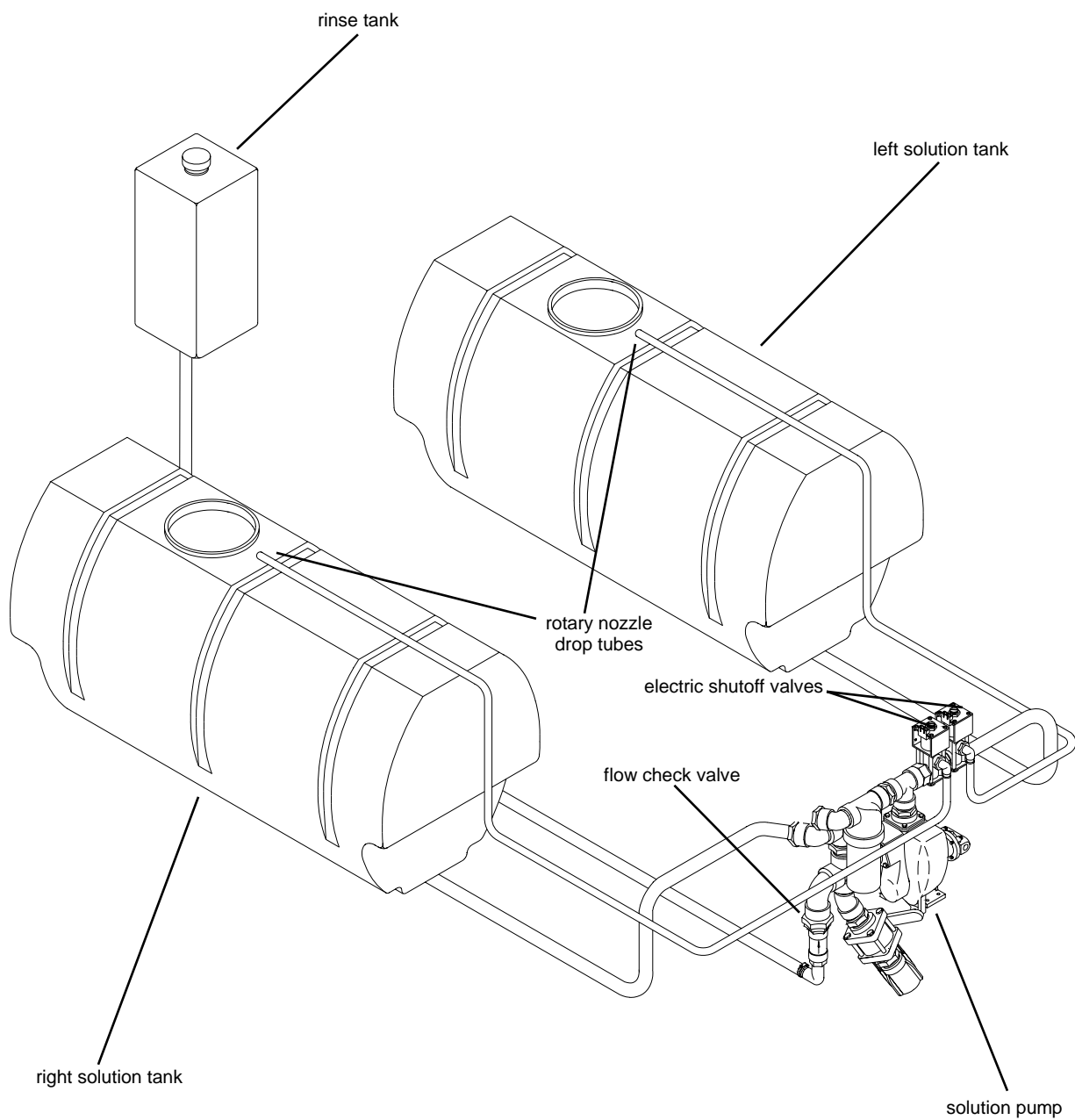
WARNING

DO NOT stand directly over or in front of valves when opening.

Relieve pressure from the tank by opening the 1/4" ball valve on the side of the foam tank (fig. 5.45, item 2). Close the ball valve after pressure is relieved. Open the top 2" ball valve (fig. 5.45, item 1). Add water to the tank, leaving enough room for the foam concentrate. Next add the foam concentrate according to the label on the container. After filling is complete, close the 2" ball valve on top of the tank. Start the sprayer's engine and adjust the air pressure accordingly.

V. OPERATING INFORMATION

RINSE SYSTEM



V. OPERATING INFORMATION



FIG 5.46

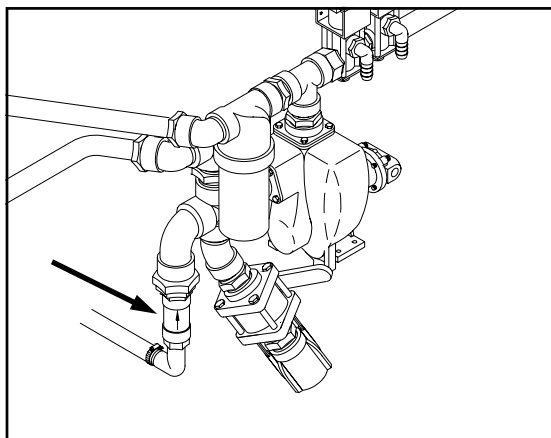


FIG 5.47

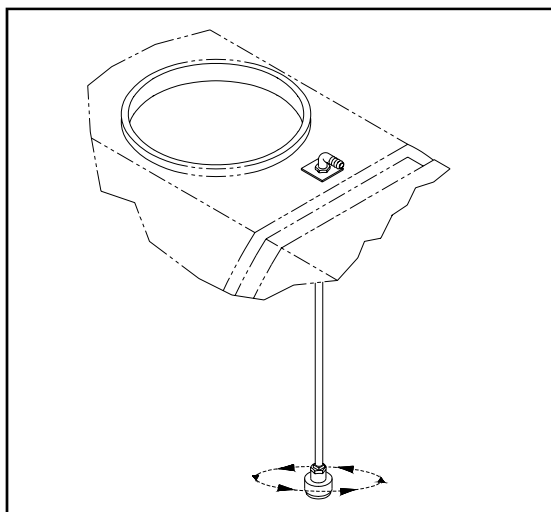


FIG 5.48

The Hagie DTS 8 comes standard with a rinse system for flushing the spray system (tanks, solution pump, and booms). The rinse tank, located on the rear of the machine (fig. 5.46), has a holding capacity of 55 gallons.

Rinse solution flows from the rinse tank to the solution pump. The rinse passes through a flow-check valve (fig. 5.47). The valve keeps the rinse line clean from spray solution when the rinse system is idle. The solution pump pumps the rinse through a rotary nozzle into either solution tank (fig. 5.48).

Refer to chemical manufacturer's guide for types of cleaning solution combinations (plain water, cleaning agents, etc.). See the next page for operation of the rinse system.

NOTE:

Select a safe area to rinse spray system and clean sprayer where the chemicals will not drift off to contaminate people, animals, vegetation, or water supply.

V. OPERATING INFORMATION

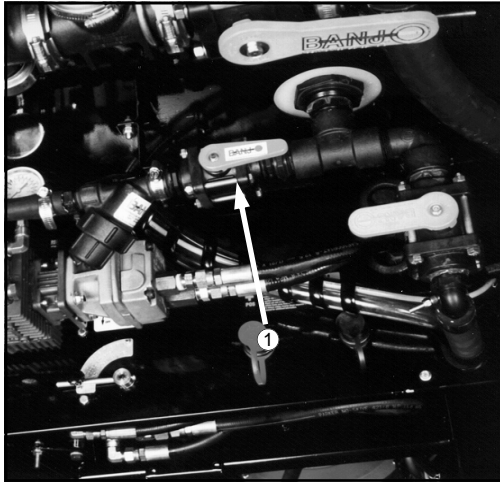


FIG 5.49

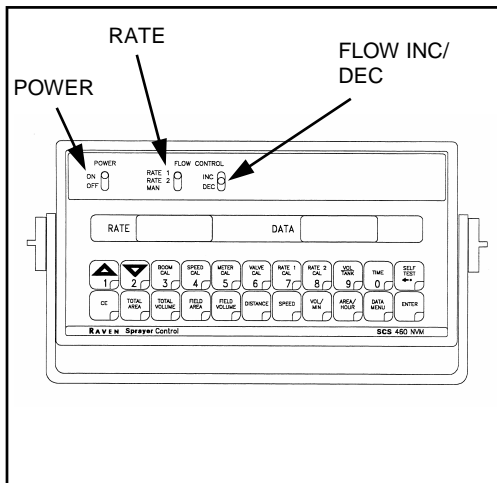


FIG 5.50



FIG 5.51

Rinse System Operation

To activate the rinse system after the solution tanks are empty:

1. If equipped with pressure washing system option, close rinse supply valve to washer pump (fig. 5.49, item 1).
2. Close the solution tank shutoff valves (see page 44).
3. Activate the solution pump by pushing the solution pump lever forward to increase solution pressure to maximum PSI. (Do not exceed 150 PSI).

4. Locate the rinse switch on the console in the cab (fig. 5.51). To rinse the right tank, depress the switch to the "RIGHT" position. To rinse the left tank, depress the switch to the "LEFT" position.

5. When finished rinsing the solution tanks, return rinse switch back to the neutral "OFF" position.

6. To rinse the booms, open the solution tank shutoff valves (see page 44), turn on the "floor" solution switch (see page 42), and open the boom solution valves (see page 42).

7. Turn on the spray system monitor (fig. 5.50). Turn the rate switch to the "MANUAL" position. Using the flow increase/decrease lever, increase the flow rate to the maximum gallons per minute.

8. When finished rinsing the booms, turn the spraying system off (including solution pump lever, monitor, boom solution valves, and "floor" solution switch).

9. Be sure to close the rinse tank valve before refilling.

V. OPERATING INFORMATION

PRESSURE WASHING SYSTEM

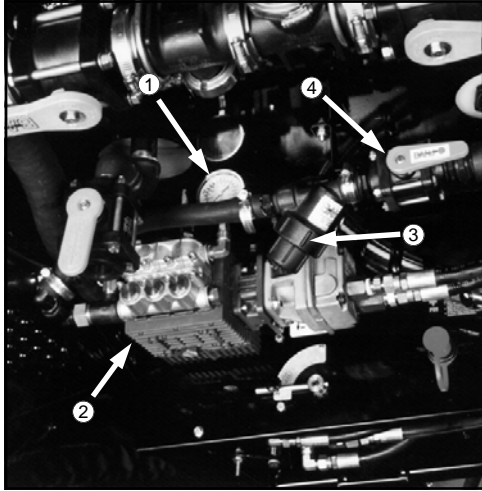


FIG 5.52

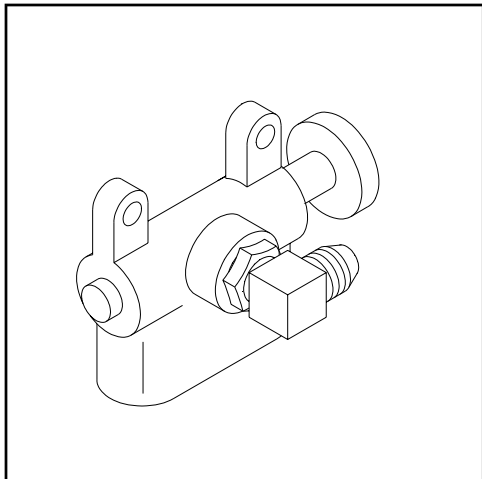


FIG 5.53

OPERATING – To operate the pressure washing system, leave the engine running between 1000 and 1200 RPM. Turn the parking brake on (see page 30). The rinse supply valve for the pressure washer (fig. 5.52, item 4) may remain open unless operating the solution tank rinse system. Close it before you activate the rinse system (see page 53). Activate the pressure washing pump (fig. 5.52, item 2) with hydraulic valve (fig. 5.53) mounted next to the hydraulic gear pumps.

DO NOT operate the pressure washing system while any other system is engaged, i.e. solution pump, hydraulic tread adjust, hydrostatic drive, etc. DO NOT allow the pump to run dry.

Spray pressure is indicated by the gauge mounted above the pressure pump (fig. 5.52, item 1).

MAINTENANCE – Remove and inspect in-line filter (fig. 5.52, item 3) occasionally and clean it as required.

NOTE:

For further information regarding operation and maintenance of the pressure washing system, refer to your HYPRO® pump's owner's manual.

V. OPERATING INFORMATION

LIGHTS

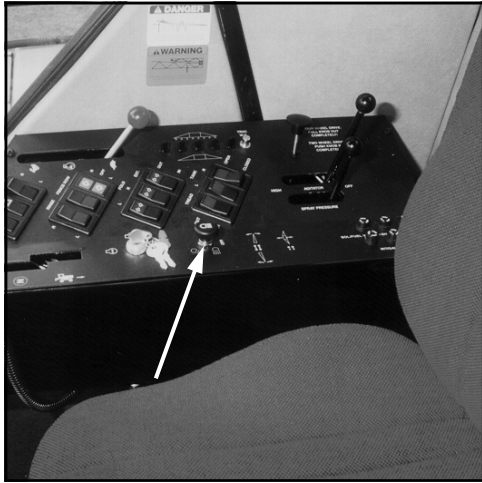


FIG 5.54

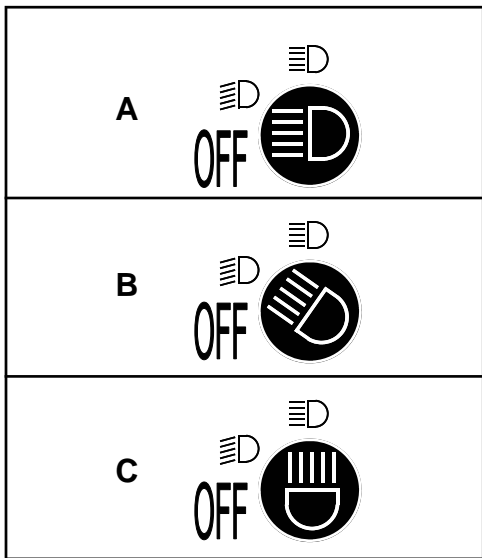


FIG 5.55



FIG 5.56

CAB LIGHTS – The front of the cab houses four halogen field lamps (fig. 5.57) and the rear houses two halogen work lamps (fig. 5.56). Locate the light switch on the console panel (fig. 5.54). Rotating the switch clockwise to the first “ON” position (fig. 5.55B) will activate two of the front cab lights. Rotating the switch clockwise to the second “ON” position (fig. 5.55C) will activate the other two front cab lights in addition to the two rear cab lights.

The ignition key does not have to be on in order to operate any of the cab lights, but extended use without the engine operating to charge the battery is not recommended.



FIG 5.57

V. OPERATING INFORMATION



FIG 5.58

Running Lights

Activating any of the cab lights (see page 55) will also turn on the “RED” running lights on the rear of the machine (fig. 5.58).

Interior Lighting

Interior lighting is provided by a ceiling mounted dome light (fig. 5.59). The ignition key must be in the “OPERATING” position for the interior light to operate.



FIG 5.59

V. OPERATING INFORMATION



Turn Signals

To activate the front (fig. 5.62, item 1) and rear turning signals (fig. 5.62, item 2), move the turn signal lever (fig. 5.60) right during a right-hand turn and left during a left-hand turn. Steering column-mounted turn signal indicators will correspondingly flash when either side of the turn signal is activated. The turn signal lever is not a self-centering switch; you must return it to the “OFF” position by hand after completing your turn.

Hazard/Warning Lights

To activate the flashing hazard/warning lights (fig. 5.62, item 1), depress the “FLASHER” switch to the “ON” position (fig. 5.61). Activate the hazard/warning lights anytime traveling on a public road, day or night, unless prohibited by law.



FIG 5.61



FIG 5.62

V. OPERATING INFORMATION

HAGIE DTS 8 CAB



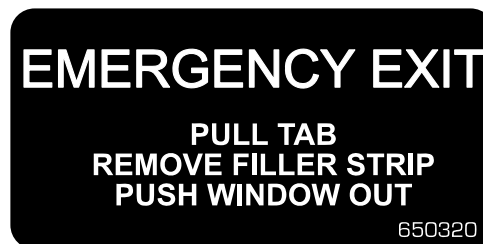
FIG 5.63

Emergency Exit.....	59
Climate Controls	60
Windshield Wiper/Washer.....	61
Fuel Tank Selector.....	61
Instrumentation	62
Air Suspended Seat.....	65
Steering Column	66
Auxiliary Power Supplies	66

V. OPERATING INFORMATION



FIG 5.64



Emergency Exit

The right window in the cab is removable in the event that an emergency exit is required. To remove the right-side window:

1. Grasp and pull the tag of the nylon ring next to the emergency exit decal (fig. 5.65) to remove the extrusion cord (fig. 5.66, item 1).
2. Push window outward until clear of window opening.
3. Climb out through window and away from hazardous situation.



FIG 5.65

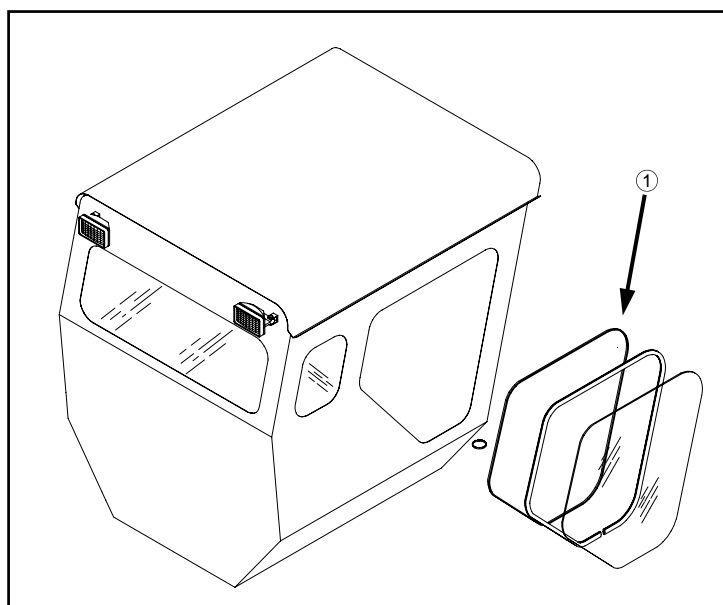


FIG 5.66

V. OPERATING INFORMATION

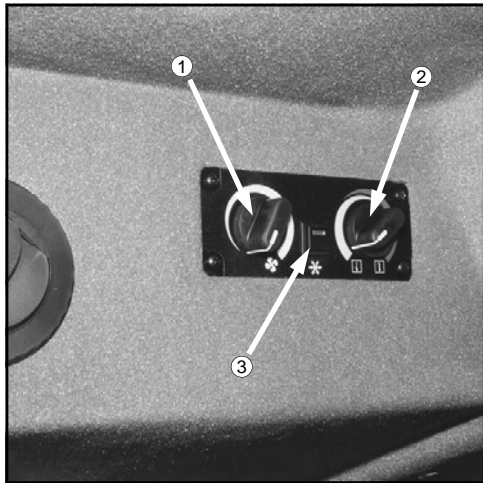


FIG 5.67

Climate Controls

ADJUSTING FAN BLOWER SPEED - Fan blower speed is controlled by the left rotary dial on the cab climate control panel (fig. 5.67, item 1). The fan blower speed is a continuously variable adjustment. To increase fan speed, rotate fan blower dial clockwise. To reduce fan speed, rotate fan blower dial counterclockwise. To shut fan blower off, rotate fan blower dial all the way counterclockwise.

ADJUSTING TEMPERATURE SETTING - Forced air temperature adjustments are controlled by the right rotary dial on the cab climate control panel (fig. 5.67, item 2). Temperature control is a continuously variable adjustment. To increase forced air temperature, rotate temperature dial clockwise. To decrease forced air temperature, rotate temperature dial counterclockwise.

OPERATING AIR CONDITIONING - To activate the air conditioner, depress the air conditioning switch (fig. 5.67, item 3). Adjust fan speed and temperature accordingly.

ADJUSTING VENTS - Air vents may be adjusted by rotating them for desired direction (fig. 5.68) or individually turned on or off with the directional fins (fig. 5.69).

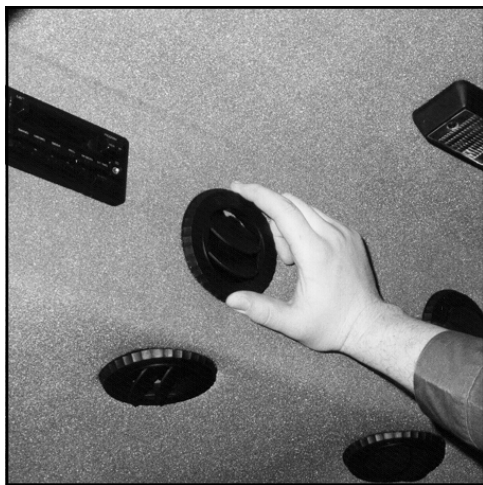
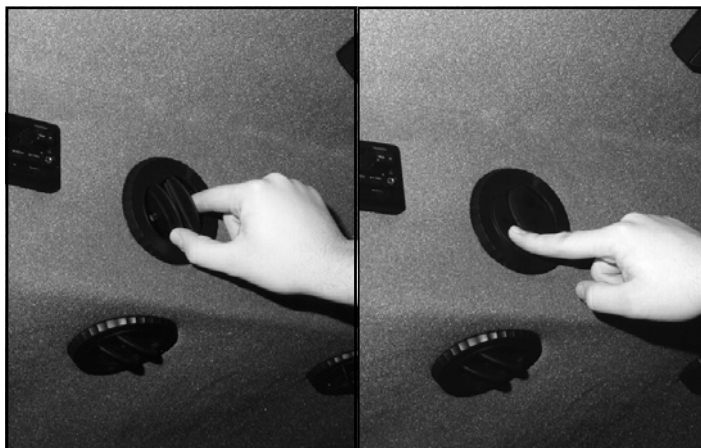


FIG 5.68

SERVICING A/C SYSTEM - See page 79

and page 92 for service information.



A

B

FIG 5.69

V. OPERATING INFORMATION



FIG 5.70

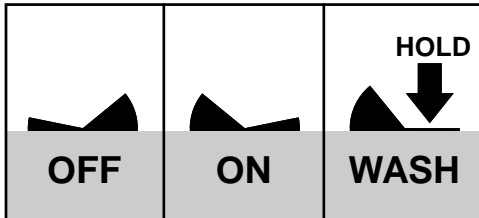


FIG 5.71



FIG 5.72

Windshield Wiper

To turn the windshield wiper on, locate the windshield switch toward the front of the console panel (fig. 5.70). Depress the switch to the “ON” position. The wiper will continue to operate until the switch is returned to the “OFF” position.

Windshield Washer

To activate the windshield washer pump, depress the windshield wiper/washer switch and hold the switch down (fig. 5.71) until the desired amount of washing solution has been applied and then release the switch. Turn the wiper switch to the “OFF” position when the washing solution has been completely wiped away.

Fuel Tank Selector

To draw engine fuel from the right fuel tank, depress the fuel selector switch (fig. 5.72) to the “R” position. To switch to the left tank, depress the fuel selector switch to the “L” position. You may operate from either tank until the “YELLOW” low level indicator light illuminates. Then you must either switch to the other tank or refuel.

V. OPERATING INFORMATION

Gauge Panel



FIG 5.73

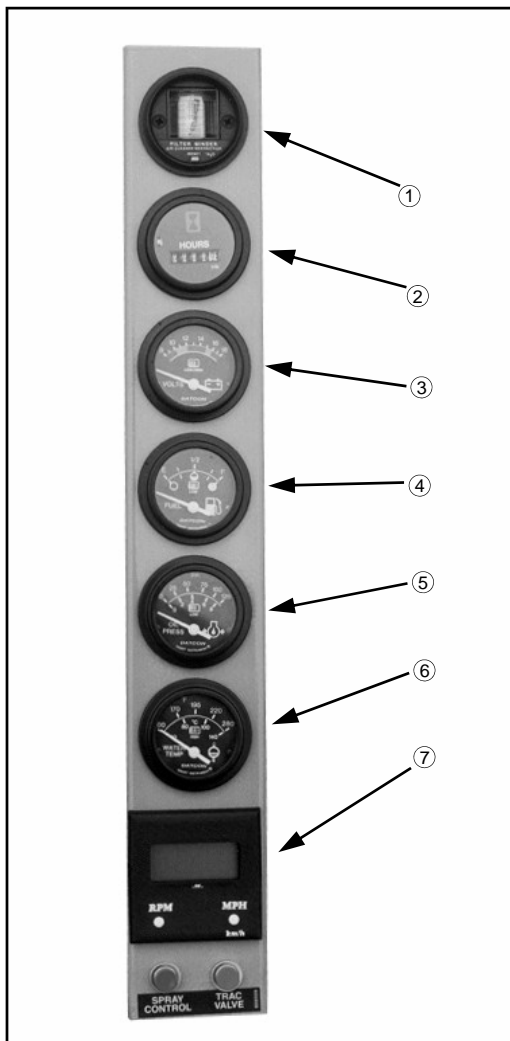


FIG 5.74

Filter Minder[®] - (fig. 5.74, item 1) The Filter Minder[®] is an engine air filter restriction monitoring device. For more information, see page 80.

Hour Meter - (fig. 5.74, item 2) The hour meter progressively records elapsed time of sprayer operation. It is useful for determining service intervals.

Volt Meter - (fig. 5.74, item 3) The volt meter measures voltage from the alternator on the diesel engine. A “RED” indicator light will alert the operator if the system is operating either too low or too high.

Fuel Gauge - (fig. 5.74, item 4) The fuel gauge measures the amount of fuel in either fuel tank, depending on the tank selected with the fuel switch. A “YELLOW” indicator light alerts operator of low level operation.

Engine Oil Pressure - (fig. 5.74, item 5) The oil pressure gauge monitors pressure of the engine lubricating system. A “RED” indicator light alerts the operator of low level operation.

Water Temperature - (fig. 5.74, item 6) The water temperature gauge monitors the engine cooling system. A “RED” indicator light alerts the operator of unsafe operating temperatures.

Speedometer/Tachometer - (fig. 5.74, item 7) Unit will display either engine RPM or speed of travel depending on operator’s selection. See next page for more information on the speedometer/tachometer.

NOTE:

Immediately reduce engine speed and shut off ignition if any of the above “RED” indicator lights illuminate. Determine cause and correct before continuing operation.

V. OPERATING INFORMATION

Speedometer/Tachometer

The speed/tach unit is programmable with a digital read-out indicating MPH or RPM. The parameters have been factory set.

Turn the ignition key to the "ON" position. The display will show "0000", which indicates RPM. Press the MPH button; the readout will display "00.0" which indicates MPH.

To check the parameter settings, press the desired button and hold until four "8"s are shown, then release (fig. 5.75B). The parameter setting will be displayed for four seconds.

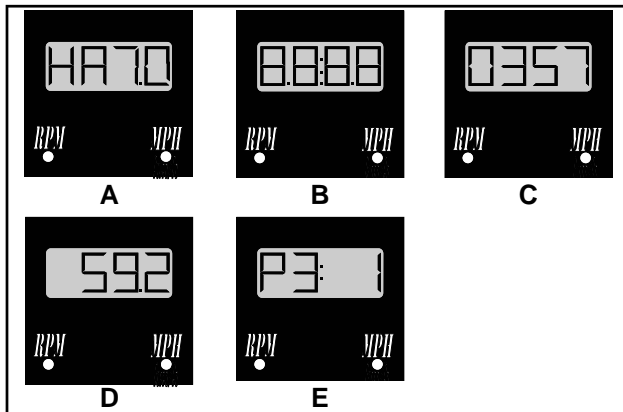


FIG 5.75

A = Torque-Hub® reduction	$\frac{168 \times A \times B}{C} = X$
B = speedometer ring pick-up	
C = loaded circumference	
Y = MPH parameter setting	$\frac{600,000}{X} = Y$

FIG 5.76

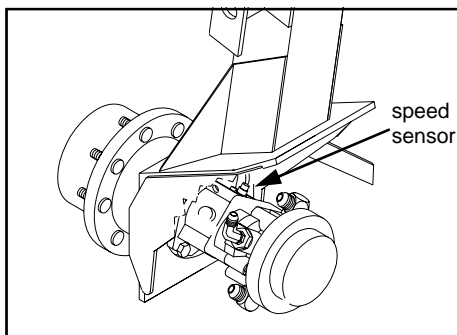


FIG 5.77

PARAMETER SETTING

RPM.....	357 (fig. 5.75C)
MPH.....	(320/85R34 tire)- 78.2 (290/95R34 tire)-77.0

To change or re-enter the parameters, press the desired button and hold in until the four "8"s are displayed. Release the button and the parameter setting will appear. If you want to increase the setting, press the RPM button. To decrease, press the MPH button.

PROGRAMMING MPH - To program the MPH, use the formula from figure 5.76. Example (13.6R28 tires): **168** divided by the loaded circumference times Torque Hub® reduction of **25.59** times number of speedometer ring pick-up sensors on wheel motor (fig. 5.77) of **46** equals **7665**; **10,135** divided into **600,000** equals parameter setting of **78.2** (fig. 5.75D).

This parameter setting should be checked when you receive your sprayer.

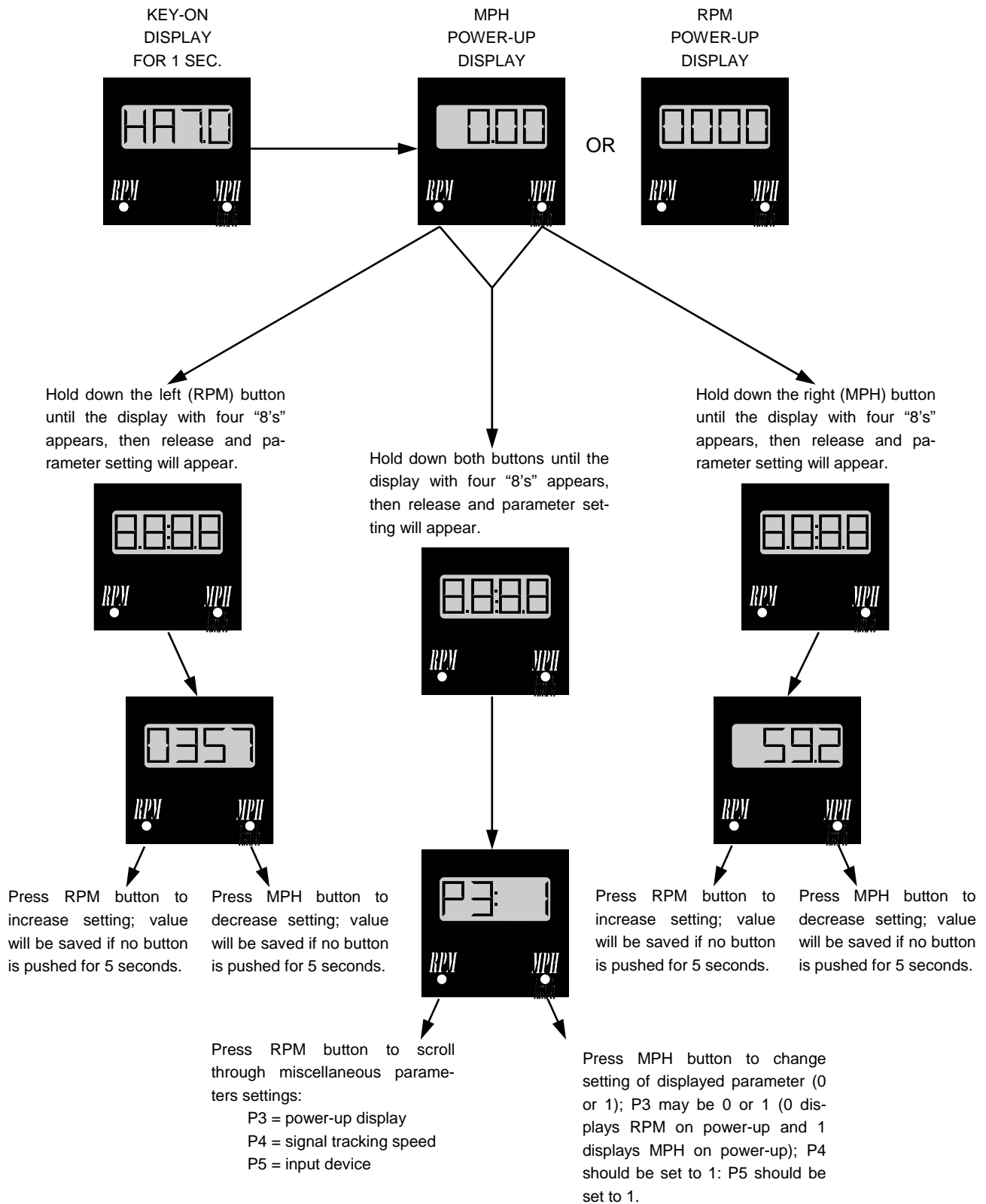
ADDITIONAL PARAMETERS – To access the miscellaneous parameters screen (fig. 5.75E), hold down both buttons at the same time until the screen with four "8's" appears.

Use the RPM button to scroll the parameter settings (P3 = power-up display, P4 = signal tracking speed, P5 = input device). Use the MPH button to change the setting of the displayed parameter (either 0 or 1).

See the next page for more information.

V. OPERATING INFORMATION

Speedometer/Tachometer Display Screen Quick Reference Chart



V. OPERATING INFORMATION

Air Suspended Cab Seat

- 1- **Ride Firmness.** Pull knob out to release air and “soften” ride. Push knob in to pump air and “stiffen” ride. (Ignition key must be in the “ON” position in order to activate the seat pump.)
- 2- **Fore-Aft Adjustment.** Release fore-aft lock by pulling lever out. Slide forward or back to desired position. Release lever to lock.
- 3- **Height Adjustment.** Release height lock by pulling lever up. Apply body weight slowly to lower seat position or remove body weight slowly to raise seat position. When at desired height release lever to lock.
- 4- **Back Angle Adjustment.** Rotate knob counter-clockwise to tilt backrest forward and clockwise to tilt backrest back.
- 5- **Armrest Adjustment.** Unzip either armrest to expose the armrest adjustment bolt. Turn bolt in to raise armrest tilt and out to lower arm rest tilt (fig. 5.78, item 6).



FIG 5.78

V. OPERATING INFORMATION

Steering Column



FIG 5.79

To adjust the upper tilt, locate the tilt lock lever on the right-hand side of the steering column (fig. 5.79); rotate the lever counterclockwise to release steering column tilt lock. Move steering column to desired position and rotate lever clockwise to lock column in place.

To ease cab exit and entry, the entire steering column tilts out of the driver's way. To operate the column base tilt, locate the foot pedal at the base of the steering column (fig. 5.81); push down on the foot pedal to release the column base lock. Pull or push the column to the desired position and release the foot pedal to re-lock the column base.



FIG 5.80

Auxiliary Power Supplies

The Hagie DTS 8 has two auxiliary power supplies in the cab for powering 12 volt accessories. They are both "hot" regardless of ignition key position. Turn the accessory off if the engine is not running for an extended period of time.

The cigarette lighter-type (fig. 5.81, item 1) and the binding post-type (fig. 5.81, item 2) power supplies are located in the panel below the spray system monitor. Replace the insulated plug when not using the cigarette lighter-type power supply.

Auxiliary power supplies are protected by a 30 AMP circuit breaker (see page 90).



FIG 5.81



FIG 5.82

VI. CALIBRATION

CALIBRATING YOUR SPRAYING SYSTEM

It is important to apply chemicals as recommended by the manufacturers of the product. In order to do so, the spraying system must be properly calibrated. Determine the speed at which the sprayer will be driven while applying chemicals.

To select the best speed, consider the lay of the land, the condition of the soil, the type of crops, the height of the crops, etc. Select the nozzle spacing (distance between each nozzle on the spray boom) best suited for the intended spraying job.

For help in determining the nozzle spacing and height of boom, refer to the spray product catalog that accompanies this manual. There are several types and sizes of nozzles. Select (as recommended by the catalog) and install the type and size of nozzles best suited for the intended spraying job. The type and size of nozzles selected will depend upon the speed the sprayer will travel, the nozzle spacing, and the number of gallons one intends to apply per acre.

IMPORTANT:

**DO NOT ADD CHEMICALS UNTIL
CALIBRATION IS COMPLETED.**

VERIFYING CALIBRATION

Check with manufacturer on recommended spray pressure. To test your system, fill the solution tanks with clean water. Do not add chemicals until calibrated and verified.

With brakes applied, start the engine of the sprayer; throttle the engine to operating speed and remain parked. Turn on all boom section solution

switches. Make sure there are no leaks and that all nozzles are spraying a desirable pattern. Continue spraying in the stationary position for at least 10 minutes for proper warm-up of the sprayer and its system. Catch one nozzle's spray for one minute in an adequately sized and marked container.

VI. CALIBRATION

The measured flow rate should be the same as the flow rate shown on the chart below. The chart shows rate of discharge in gallons per minute for various field speeds and row spacings to apply 10 gallons per acre.*

If the measured flow rate is not the same as that on the calibration tube's chart, consult the

trouble shooting guide in the service manual for the spray system's monitor.

All nozzles should be spraying at about the same flow rate. If one drives the sprayer at the proper speed and maintains the right pressure setting while spraying, the desired gallons per acre will be applied.

RATE OF DISCHARGE

Tip Spacing	GALLONS PER MINUTE**				
	4 mph	5 mph	6 mph	7 mph	8 mph
15"	.101	.126	.151	.176	.202
16"	.107	.133	.160	.187	.214
17"	.114	.142	.171	.199	.228
18"	.121	.151	.181	.211	.242
19"	.127	.158	.190	.222	.254
20"	.134	.167	.201	.234	.268
30"	.201	.251	.303	.351	.403
36"	.242	.302	.363	.423	.484
38"	.255	.318	.382	.446	.510
40"	.269	.336	.403	.470	.538

* Divide by 10 to get 1 gallon per acre rate

** At a rate of 10 gallons per acre

VII. TRANSPORTING

A. DRIVING

When driving the sprayer on a public road or highway, drive carefully and follow these steps.

1. Always have the booms in the folded position and cradled when driving or transporting. Adjusting level cylinders, so the full weight of the boom rests in the cradle.
2. Flashing hazard/warning lights have been placed on the sprayer to warn other drivers.
3. A SMV (Slow Moving Vehicle) emblem has been mounted on the sprayer to warn other drivers that one is moving slowly. Keep it properly displayed, unless prohibited by law.
4. Know and obey all state laws for driving farm equipment on a public road or highway.
5. Adjust the sprayer's speed to suit the conditions.
6. Slow down and use turn signals before turning.
7. Pull over to side of road before stopping.
8. Keep a proper lookout, and maintain control of the sprayer.
9. Do not drive under trees, bridges, wires, or other obstructions unless there is clearance.
10. Use extra care before entering or leaving a public road or highway
11. Do not drive or highway machine on road when loaded.

B. TRAILERING:

NOTE:

Extra care should be taken when loading the sprayer onto any trailer. Consider

1. Loading:



WARNING

**Never load or unload a sprayer
with solution in the tanks.**

NOTE:

Be sure to read and understand the trailer's owner and operator manual. Hitch the trailer to the pulling vehicle as shown in the trailer's owner and operator manual.

VII. TRANSPORTING

When moving the sprayer onto a trailer, follow these steps completely:

- a. Pull the trailer to flat ground. Apply the pulling vehicle's parking brake and turn off the engine. Use tire chocks to keep the trailer from moving.
- b. Fold in the sprayer's booms and lower to the boom cradle.
- c. Lower the trailer ramps and set the ramp spacing for the sprayer's tread setting.
- d. Get someone to help guide you onto the trailer. Keep everyone a safe distance from the sprayer.



- e. Allow enough room between the sprayer and the pulling vehicle for turning.
- f. Secure the sprayer to the trailer with chains. See the trailer's owner and operator manual for instructions.
- g. Cover or remove the SMV (Slow Moving Vehicle) emblem when traveling over 25 miles per hour.

NOTE:
The loaded height and width of the trailer must conform to the law of the state in which it is being used.

2. Unloading:

When moving the sprayer off the trailer, follow these steps completely:

- a. Pull the trailer to flat ground. Apply the pulling vehicle's parking brake and turn off the engine. Use tire chocks to keep the trailer from moving.
- b. Lower the trailer ramps and set ramp spacing for the sprayer's tread setting.
- c. Release securing restraints carefully.
- d. Get someone to help guide off the trailer. Keep everyone a safe distance from the sprayer.
- e. Uncover or replace the SMV (Slow Moving Vehicle) emblem.

NOTE:
It is not recommended that the Model 284 XP be towed.

VIII. SERVICE AND MAINTENANCE

PAGE NO	Service Point	CLEAN	CHANGE	CHECK	GREASE	DRAIN
75	ENGINE OIL		A	DAILY		
77	RADIATOR COOLANT LEVEL			DAILY		
78	COOLANT OVERFLOW RESERVOIR LEVEL			DAILY		
77	COOLANT CONCENTRATION		AS REQ	500 HRS*		
81	RADIATOR GRILLE SCREENS	AS REQ				
92	ENGINE DRIVE BELT		AS REQ	DAILY		
92	A/C COMPRESSOR BELT		AS REQ	250 HRS		
79	A/C COMPRESSOR		B			
82	A/C DRYER		AS REQ			
83	PRIMARY FUEL FILTER (WATER SEPARATOR)		500 HRS*			DAILY
83	SECONDARY FUEL FILTER		500 HRS*			
83	IN-LINE FUEL PRE-FILTER		AS REQ			
80	AIR INTAKE FILTER	NOT REC	C			
80	FILTER MINDER®		D	DAILY		
75	HYDRAULIC RESERVOIR OIL LEVEL		500HRS**	DAILY		
81	HYDRAULIC SUCTION FILTER		E*			
81	HYDROSTATIC CHARGE PRESSURE FILTER		E*			
93	NEUTRAL SETTING OF HYDROSTATIC PUMP		AS REQ	DAILY		
82	HIGH-PRESSURE IN-LINE FILTER (BOOM CTRL VALVES)	AS REQ				
82	SOLUTION LINE STRAINER	AS REQ		DAILY		
76	TORQUE HUB® OIL LEVEL		F	DAILY		
85	TORQUE HUB® ZERK (4 PLACES - 1 EACH)				50 HRS	
99	WET TANK					DAILY
84	LEG BEARING ZERKS (4 PLACES - 2 EACH FRT LEG)				DAILY	
86	TRANSOM, LIFT ARM, AND LIFT CYL ZERKS (16 PLACES)				AS REQ	
87	BOOM/BREAKAWAY ZERKS (60 12-6EA OR 80/90 14-7EA)				AS REQ	
85	TREAD ADJUST SLIDE-PATH ON MAINFRAME				AS REQ	
95	LEG MOUNT BOLT TORQUE			DAILY		
88	BATTERY	100 HRS	AS REQ	DAILY		
94	LUG NUT TORQUE			G		
100	TIRE PRESSURE			50 HRS		
83	FRESH AIR CAB FILTER	AS REQ*	AS REQ			
83	CHARCOAL CAB FILTER		AS REQ			
83	RECIRCULATION FILTER	AS REQ				
89-90	FUSES/CIRCUIT BREAKERS		AS REQ			
99	SPRAY NOZZLE DIAPHRAGMS & SPRAY TIPS			500HRS**		

*OR YEARLY, WHICHEVER COMES FIRST; OR AS REQUIRED

**OR AT THE BEGINNING OF THE SEASON, WHICHEVER COMES FIRST; OR AS REQUIRED

NOTE A: SEE ENGINE MANUFACTURER'S HAND BOOK

NOTE B: CHARGE AS REQ; USE PROPER EQUIPMENT

NOTE C: FOLLOW FILTER MINDER READINGS

NOTE D: RESET EACH TIME YOU SERVICE AIR FILTER

NOTE E: 1ST 50 HRS, THEN 250 HRS THEREAFTER

NOTE F: 1ST 50 HRS, THEN 100 hrs.

NOTE G: IMMEDIATELY, THEN 50 HRS THEREAFTER

NOTE H: ADJUST FLUID LEVEL ACCORDINGLY

VIII. SERVICE AND MAINTENANCE

SERVICE INTERVALS

Initial checks after receiving machine

IMMEDIATELY  then 

- 1) Check lug nut torque, then every 50 hours (page 94)

FIRST 50 HOURS  then  or 

- 1) Change Torque Hub[®] oil, 50 hrs. then 250 hrs. (page 76)
- 2) Change hydrostatic charge pressure filter, then every 250 hours (page 81)
- 3) Change hydraulic suction filter, then every 250 hours (page 81)

Daily

- 1) Check engine oil (page 75)
- 2) Drain primary fuel filter (water separator) (page 83)
- 3) Check radiator coolant level (page 77)
- 4) Check radiator coolant overflow reservoir level (page 78)
- 5) Check engine drive belt (page 92)
- 6) Check Filter Minder[®] (page 80)
- 7) Check hydraulic oil reservoir level (page 75)
- 8) Check for neutral setting of hydrostatic pump (page 93)
- 9) Check solution line strainer (page 82)
- 10) Drain wet tank (page 99)
- 11) Grease all leg bearings daily (page 84)
- 12) Check leg mount bolts (page 95)
- 13) Check battery (page 88)

Every Other Day

- 1) Grease transom, lift arm, and lift cylinder zerks (page 86)

VIII. SERVICE AND MAINTENANCE

As Required



- 1) Change coolant concentration (page 77)
- 2) Clean radiator grille screens (page 81)
- 3) Change engine drive belt (page 92)
- 4) Change A/C compressor belt (page 92)
- 5) Change A/C dryer (page 82)
- 6) Charge A/C compressor (page 79)
- 7) Change primary fuel filter (water separator) (page 83)
- 8) Change secondary fuel filter (page 83)
- 9) Change in-line fuel pre-filter (page 83)
- 10) Change hydraulic reservoir oil (page 75)
- 11) Adjust neutral setting of hydrostatic pump (page 93)
- 12) Clean high-pressure in-line filter on boom control stack valve (page 82)
- 13) Clean solution line strainer (page 82)
- 14) Grease all boom folding and breakaway zerks (page 87)
- 15) Grease tread adjust slide path on mainframe (page 85)
- 16) Change battery (page 88)
- 17) Clean fresh air intake cab filter (page 83)
- 18) Change fresh air intake cab filter (page 83)
- 19) Change charcoal cab filter (page 83)
- 20) Clean recirculating cab filter (page 83)
- 21) Replace fuses and circuit breakers (pages 89-90)
- 22) Check and replace spray nozzle diaphragms and spray tips (page 99)

VIII. SERVICE AND MAINTENANCE

Every 25 HOURS

- 1) Grease transom, lift arm, and lift cylinder zerks (page 86)

Every 50 HOURS

- 1) Check tire pressure (page 100)
- 2) Check lug nut torque (page 94)
- 3) Grease Torque Hub[®] seal boot (page 85)

Every 100 HOURS

- 1) Check Torque Hub[®] oil level (page 76)
- 2) Clean battery (page 88)

Every 250 HOURS

- 1) Check A/C compressor belt (page 92)
- 2) Change hydrostatic charge pressure filter (page 81)
- 3) Change hydraulic suction filter (page 81)

Every 500 HOURS or

- 1) Check coolant concentration (page 77)
- 2) Change primary fuel filter (water separator) (page 83)
- 3) Change secondary fuel filter (page 83)
- 4) Change hydraulic reservoir oil (page 78)
- 5) Change Torque Hub[®] oil (page 76)
- 6) Check spray nozzle diaphragms and spray tips (page 99)

VIII. SERVICE AND MAINTENANCE

FLUIDS

Engine oil



FIG 8.1

OIL LEVEL - The engine oil level dipstick is located on the left-hand side of the engine (fig. 8.1, item 1). Never operate the engine with the oil level below the “L” (low) mark or above the “H” (high) mark. Wait at least five minutes after shutting off the engine to check the oil level; this allows time for the oil to drain to the oil pan. Check the engine oil level daily.

CAPACITY - Low to high mark capacity is 2.0 quarts. Engine oil pan capacity is 15 quarts. Refer to Engine Operation and Maintenance manual for maintenance schedule.

NOTE:

The engine must be level when checking the oil level to make sure the measurement is correct.



FIG 8.2

Hydraulic Oil Reservoir

OIL LEVEL - Check the hydraulic oil level in the reservoir daily (fig. 8.2). Add just enough fluid so the level reaches the bottom tip of the dipstick. Always check the hydraulic oil level when it is cool. Hydraulic oil will expand when heated in a system and measuring the reservoir by these levels allows for expansion.

TYPE - Premium hydraulic fluids containing high quality rust/oxidation/and foam inhibitors are required. Hydraulic oil must conform to one of the following types: anti-wear hydraulic oil, type F automatic transmission fluid, or agricultural hydraulic transmission fluid. Replace the oil in the hydraulic reservoir at 500 hours or at the beginning of each spraying season, whichever comes first.

NOTE:

Cleanliness is standard: Keep area clean when changing filters and oils.

VIII. SERVICE AND MAINTENANCE

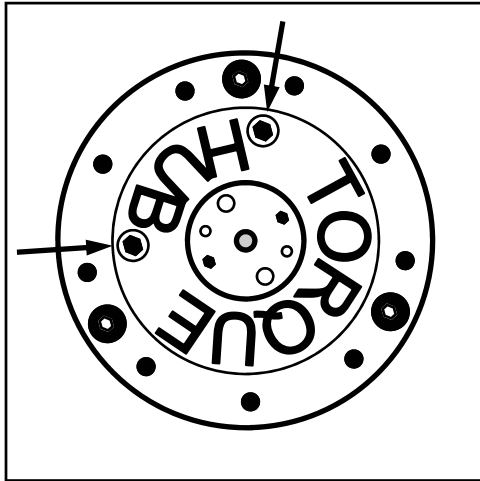


FIG 8.3

Torque Hub[®] Oil

OIL LEVEL - Each Torque Hub[®] should maintain an oil level of half full at all times. Less than that would limit lubrication, and over half full could cause overheating and damage. To check oil level, position Torque Hub[®] so one of the face plugs is positioned at 12 O'clock (fig. 8.3). The other plug will be either at 9 O'clock or 3 O'clock. Remove the lower plug: if no oil comes out, oil level is too low. Check Torque Hub[®] oil level daily.

If 85-140 oil is needed, remove the top plug and fill just until it starts to come out the lower hole. With the oil at a satisfactory level, re-install plugs.

CHANGE - The Torque Hub[®] oil should be changed after the first 50 hours of operation, preferably in a loaded condition. Subsequently, it should be changed every 100 hours after that, or once a year whichever comes first.

To change the Torque Hub[®] oil, position one of the plugs at 6 O'clock, and the other at either 3 O'clock or 9 O'clock. Remove the bottom plug to drain the oil. Once all of the oil is drained, re-install the bottom plug and remove the top plug. Refill Torque Hub[®] with 85-140 oil as described above.

GENERAL MAINTENANCE - If your sprayer is going to sit for an extended period of time, occasionally rotate the hubs by driving the sprayer forward or backward a few feet to adequately coat all internal hub parts. This will prevent rusting if moisture inadvertently entered the hub during an oil change. Failure to rotate hub and disperse oil may cause rusting and internal damage.

VIII. SERVICE AND MAINTENANCE



FIG 8.4

Cooling System

COOLANT TYPE - Your cooling system should always be sufficiently charged with an adequate mixture of antifreeze and water, regardless of the climate, in order to maintain a broad operating temperature range. Your cooling system has been factory-charged with an ethylene glycol-based antifreeze.

NOTE:

Ethylene glycol-based antifreeze and propylene glycol-based antifreeze should never be mixed.

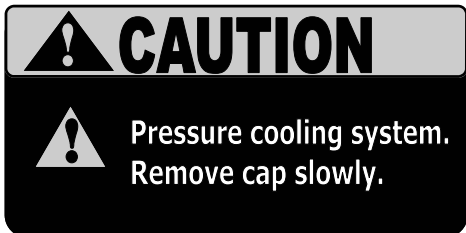


FIG 8.5

CHECKING CONCENTRATION - The radiator cap is located immediately behind the rear of the cab (fig. 8.4). Never remove a cap from a hot engine. Always allow the engine to cool before servicing cooling system.

A 50/50 antifreeze/water mixture is a conservative mixture which allows good protection against both overheating and freezing. If a stronger antifreeze mixture is required, be sure not to exceed the engine manufacturer's guidelines for antifreeze mixing. The table in figure 8.6 gives a few examples of ethylene glycol antifreeze/water mixture protection values. Consult the engine manufacturer's handbook for further information.

Ethylene Glycol		
40%	-23°C	-10°F
50%	-37°C	-34°F
60%	-54°C	-65°F

FIG 8.6

Concentration should be checked every 500 hours or at the beginning of each winter, whichever comes first. It should be checked using a refractometer; "floating ball"-type density testers or hydrometers are not accurate enough for use with heavy duty diesel cooling systems.

VIII. SERVICE AND MAINTENANCE



FIG 8.7

COOLANT RESERVOIR - The coolant reservoir is located under the right-hand hood behind the radiator (fig. 8.7). Check its level everyday while the engine is cold. Maintain the coolant reservoir level within the normal cold range marks.

CHANGING COOLANT - Your coolant should periodically be changed to eliminate the buildup of harmful chemicals. Drain and replace the coolant every other spraying season or every 1,000 hours of operation, whichever comes first. Refill only with ethylene glycol coolant. Antifreeze should be mixed only with soft water because hard water contains minerals which break down the anti-corrosion properties of antifreeze.



FIG 8.8

Fuel

TYPE - No. 2 diesel fuel is recommended for the best economy and performance under most operating conditions. In operating conditions under 32° F, use a blend of No. 1 and No. 2 diesel fuel. The addition of No. 1 diesel fuel may cause loss of power and/or fuel economy.

STORING - See section 9 on sprayer storage.

REFILLING - Always turn off the engine and allow it to cool before refueling. Never smoke while fueling. Keep a fire extinguisher within reach while refueling.

Each tank holds 40 gallons - do not fill them completely: fuel can expand and run over. Wipe up all spilled fuel and clean with detergent and water before starting the engine.

PRIMING - If the fuel system should happen to run dry and lose its prime, there is a priming bulb located on the left side of the engine for use in filling the engine fuel filters (fig. 8.9).



FIG 8.9

VIII. SERVICE AND MAINTENANCE

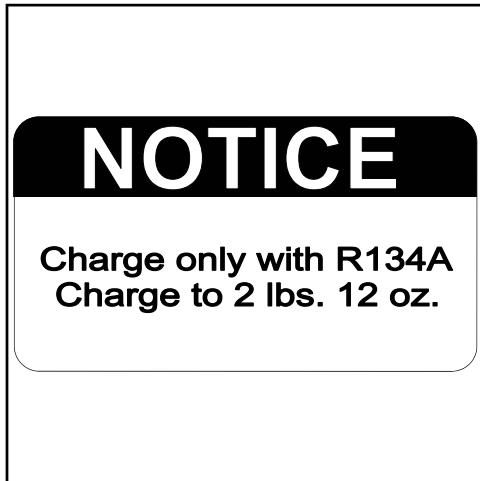


FIG 8.10

Air Conditioning

TYPE - The cab on your sprayer is equipped with a R-134a air conditioning system.

RECHARGING - Recharge it only with R-134a refrigerant. If your air conditioning system is mistakenly charged with R-12 refrigerant, serious problems, such as compressor seizure, may result. Therefore, confirm refrigerant before recharging system.

If you do not have the proper recharging equipment, it is recommended that you allow an independent service agent service your air conditioning system.

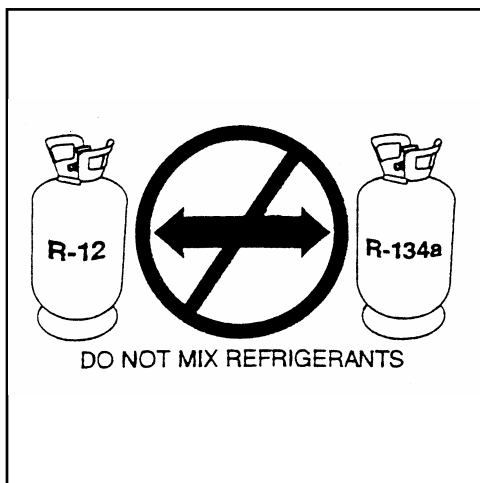


FIG 8.11

Windshield Washer Fluid

The windshield washer reservoir is located toward the front of the sprayer behind the center front shield (fig. 8.12). Check it occasionally and refill it with non-freezing automotive windshield cleaner as required.

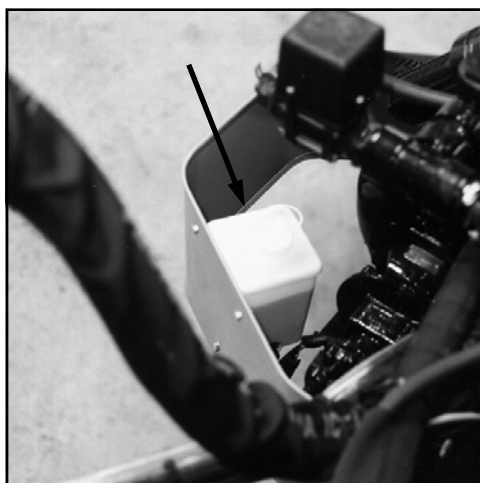


FIG 8.12

FLUID CAPACITIES AND TYPES

Engine oil pan, including filter	17 quarts SAE 15W-40
Engine oil dipstick, L-H mark	2 quarts
Hydraulic oil reservoir	20 gallons anti-wear hydraulic oil
Torque Hub® oil level (4)	approx. 26 oz. ea. EP-90 or 85-140
Engine cooling system	10 gallons ethylene glycol
Fuel tanks (2)	40 gallons ea. No. 1 or 2 diesel

VIII. SERVICE AND MAINTENANCE

FILTERS

Engine Air Intake



FIG 8.14 A



FIG 8.14 B



FIG 8.15

REMOVAL - The engine air intake filter element should only be removed if it is going to be replaced. After loosening the air cleaner clamp and removing the end cap, carefully remove the filter so as to not knock any dust off the filter and into the air intake passage (fig. 8.14 A and B).

REPLACEMENT - Your sprayer is equipped with a Filter Minder® to notify you of filter element efficiency. Follow its guidelines for servicing. (See below.) At appropriate service time, install the new element carefully to ensure proper sealing.

CLEANING - It is not recommended to clean the air filter element. However, a clean damp cloth should be used to wipe dust and foreign material from the air cleaner housing before a new element is installed.

Filter Minder®

LOCATION - The Filter Minder® is an air restriction monitoring system that progressively and constantly indicates how much air filter capacity remains. It is mounted at the top of the instrument panel in the cab (fig. 8.15). Check its reading daily.

SERVICE - Service the air cleaner when the Filter Minder® reads 20" (80% of average dirt holding capacity). Reset the Filter Minder® to zero each time you replace the air filter element.

NOTE:

Service the air cleaner before the yellow indicator reaches the red line of the Filter Minder®.

VIII. SERVICE AND MAINTENANCE

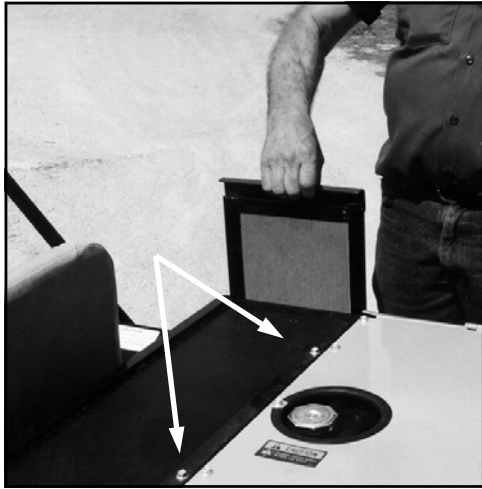


FIG 8.16

Grille Screens

In order to maintain maximum air flow through the engine cooling system's radiator, oil cooler, and air conditioning condenser, the cooling air intake grille screens must be inspected often and periodically removed for cleaning.

REMOVAL - The side grille screens are easily removed by sliding them up out of their housings (fig. 8.16). The top screen is held in place by two bolts (fig. 8.16) and may also be removed for cleaning.

CLEANING - Compressed air will dislodge most large trash or loose dirt after the screens have been removed. Blow out the screens away from the machine. Water from a pressurized hose may also be used, or if necessary the screens may be soaked in soapy water and scrubbed with a brush.

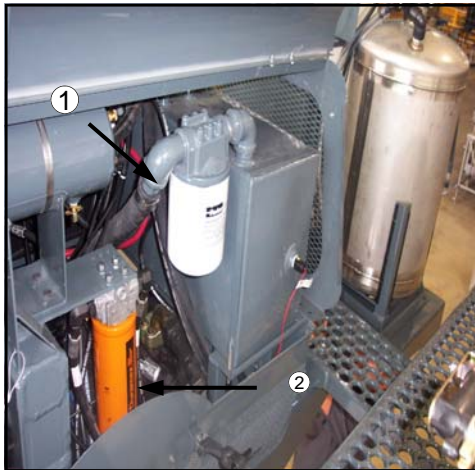


FIG 8.17

NOTE:

When cleaning cooling fins of the radiator, oil cooler, or A/C condenser with compressed air or water, be careful not to damage cooling fins which may impair cooling capabilities.

Hydraulic Suction Filter

Remove and install a new 10 Micron rated suction filter (fig. 8.17, item 1) at the end of the first 50 hours of use; subsequently, replace the filter every 250 hours, or once a year, whichever comes first.

Hydrostatic Charge Pressure Filter

Remove and install a new 4 Micron rated charge pressure filter (fig. 8.17, item 2) at the end of the first 50 hours of use; subsequently, replace the filter every 250 hours, or once a year, whichever comes first.

VIII. SERVICE AND MAINTENANCE



FIG 8.18



FIG 8.19



FIG 8.20

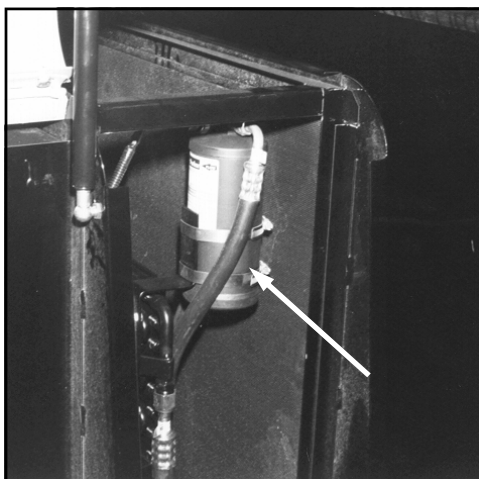


FIG 8.21

High Pressure In-line Filter

STACK VALVES - The valves on the boom control stack valve are protected by a 90 Micron in-line sintered bronze filter (fig. 8.18). When the filter element is removed for cleaning, caution should be taken so the gasket is in the proper place when re-installing (fig. 8.19). Also, re-install filter paying attention to direction of flow so the end marked "OUT" is oriented correctly.

Solution Line Strainer

To help maintain consistent application rates, check the solution line strainer (fig. 8.20) daily for blockage. To remove the strainer, close the tank shutoff valves. Clean the strainer screen as required. Be sure to wear the appropriate clothing while removing and cleaning the line strainer screen. Confirm the gasket is in place before re-installing the screen. Line strainers for the high pressure pumps are located under each solution tank. Remove and clean them in the same manner.

Air Conditioning System Dryer

The A/C system receiver/dryer (fig. 8.21) should be replaced if the A/C loop is ever opened such as replacing a compressor or condenser line, etc.

VIII. SERVICE AND MAINTENANCE

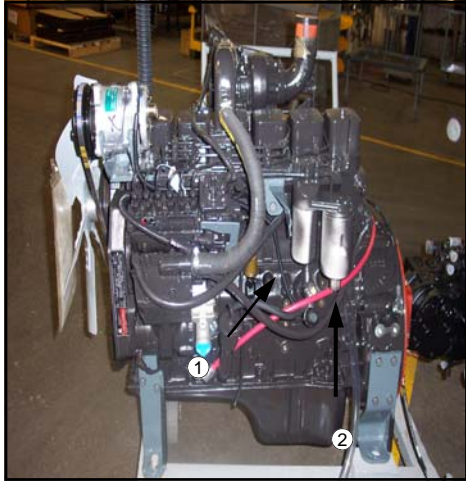


FIG 8.22

Fuel Filters

PRIMARY (WATER SEPARATOR) - (fig. 8.22, item 1) Drain water and sediment from the separator daily. Replace every 500 hours or once a year, whichever comes first.

SECONDARY - (fig. 8.22, item 2) Replace every 500 hours or once a year, whichever comes first.

IN-LINE STRAINER - (fig. 8.22, item 3) Note direction of fuel flow arrow when replacing.

Fresh Air Cab Filters

PAPER FILTER - (fig. 8.23, item 1) The paper filter should be cleaned once a year, or more often if necessary. Remove the paper element and gently tap it against a flat surface. Direct low

pressure compressed air through the filter to remove larger particles. Replace the paper filter if necessary.

CHARCOAL FILTER - (fig. 8.23, item 2) Remove and replace at the first sign of chemical odor entering the cab.

RECIRCULATING FILTER - (fig. 8.23, item 3) The recirculating filter may be cleaned with soap and water. Replace if it becomes worn.

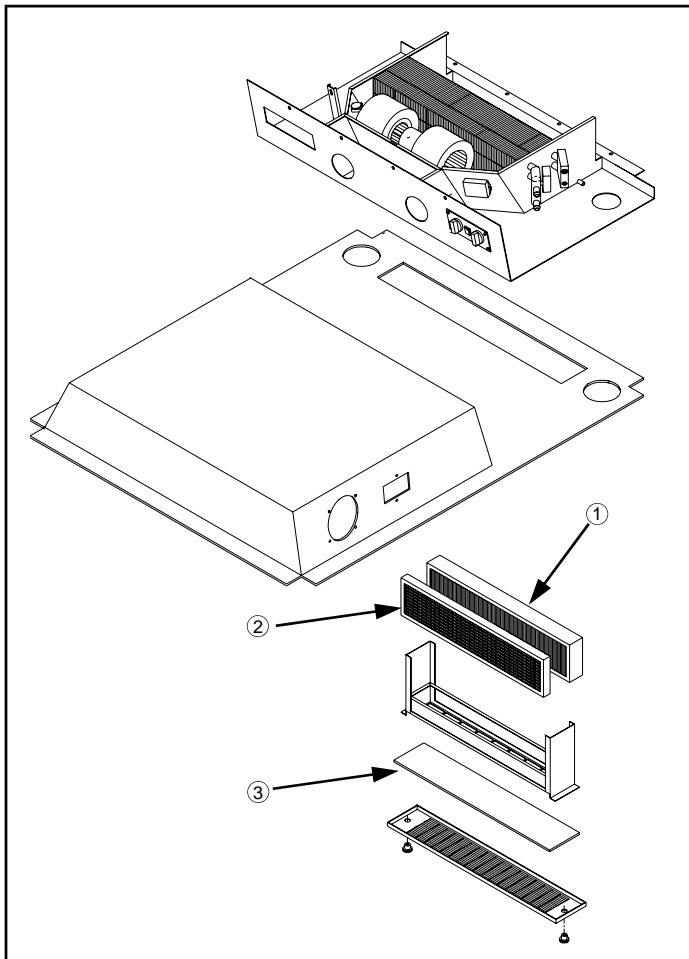


FIG 8.23



CAB FILTER LOCATION
FIG 8.24

VIII. SERVICE AND MAINTENANCE

LUBRICATION

Leg Bearings

Hagie DTS 8 leg assemblies are constructed with upper and lower nylon bearings for suspension telescoping between the inner and outer leg weldments. These bearings must be lubricated to avoid bearing failure and ensure optimal ride quality. There are grease zerks located on the sides of the leg assemblies, one for the upper bearing (fig. 8.25, item 1) and two for the lower bearing (fig. 8.25, item 2). Greasing all bearings on all four legs daily is very important.

In late season crop applications, the grease may possibly be wiped off by passing crop leaves, so the bearing should be greased at least twice a day. Suggested times are in the morning and at noon. If the crop is mature enough, or plant population is high enough, more frequent leg bearing grease application may be required. This will ensure proper lubrication allowing optimal performance.

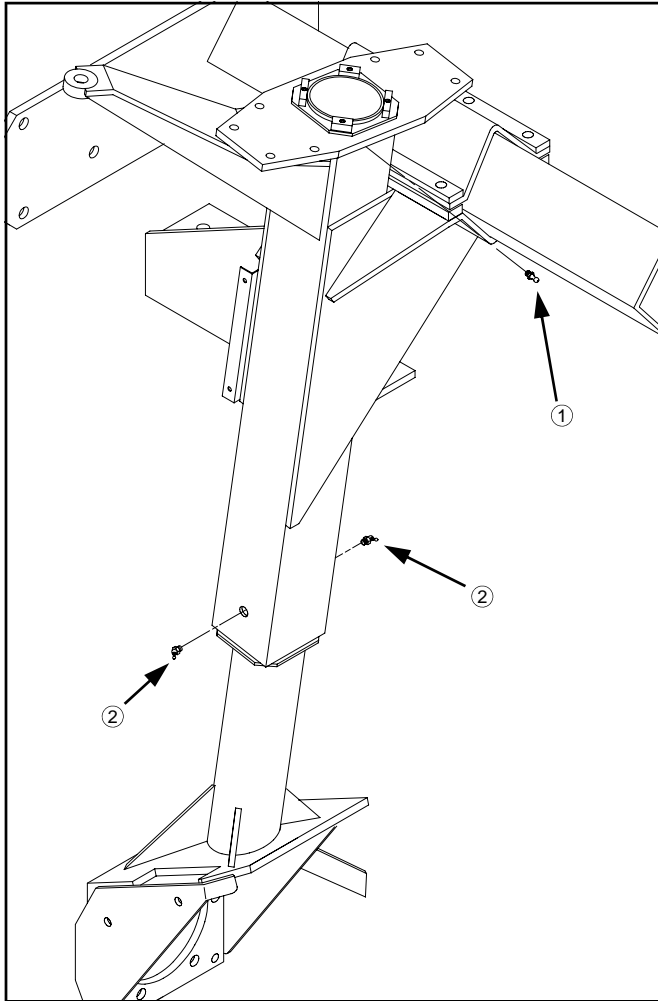


FIG 8.25

VIII. SERVICE AND MAINTENANCE



FIG 8.26

Torque Hub[®] Seal Boot

Each leg has a seal boot located between the wheel motor and Torque Hub[®]. Grease the zerk on the wheel motor (fig. 8.26) every 50 hours.

An over-greased seal boot will leak some grease out around the seal and when heated may cause the appearance of a failed wheel motor leaking hydraulic fluid. Wipe off any excess grease after servicing.

Hydraulic Tread Adjust Bearing Slide-Path

The slide-path (fig. 8.27) for the hydraulic tread adjust nylon bearings should be generously coated with an appropriate lubricant. Standard grease applied by hand over the entire length of the bearing's range of travel should suffice.

Inspect this area often and lubricate as required. Failure to do so may cause one of the legs to hang up while the other is still sliding during adjustment. This will cause damage to the machine. Bear in mind that late season or taller crops may wipe off some or all of the exposed grease on the under-side of the mainframe.

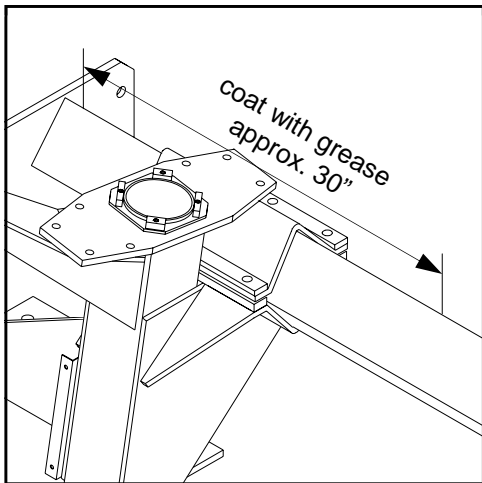


FIG 8.27

VIII. SERVICE AND MAINTENANCE

Transom/Lift Arm/Lift Cylinders

The transom, lift arm, and lift cylinders are fitted with grease zerks that should be lubricated every other day or 25 hours, whichever comes first. They are located as follows:

Lift arm lift pivots: eight places (fig. 8.28, items 1)

Lift cylinder pivots: four places (fig. 8.28, items 2)

Boom fold pivots on transom: four places (fig. 8.28, items 3)

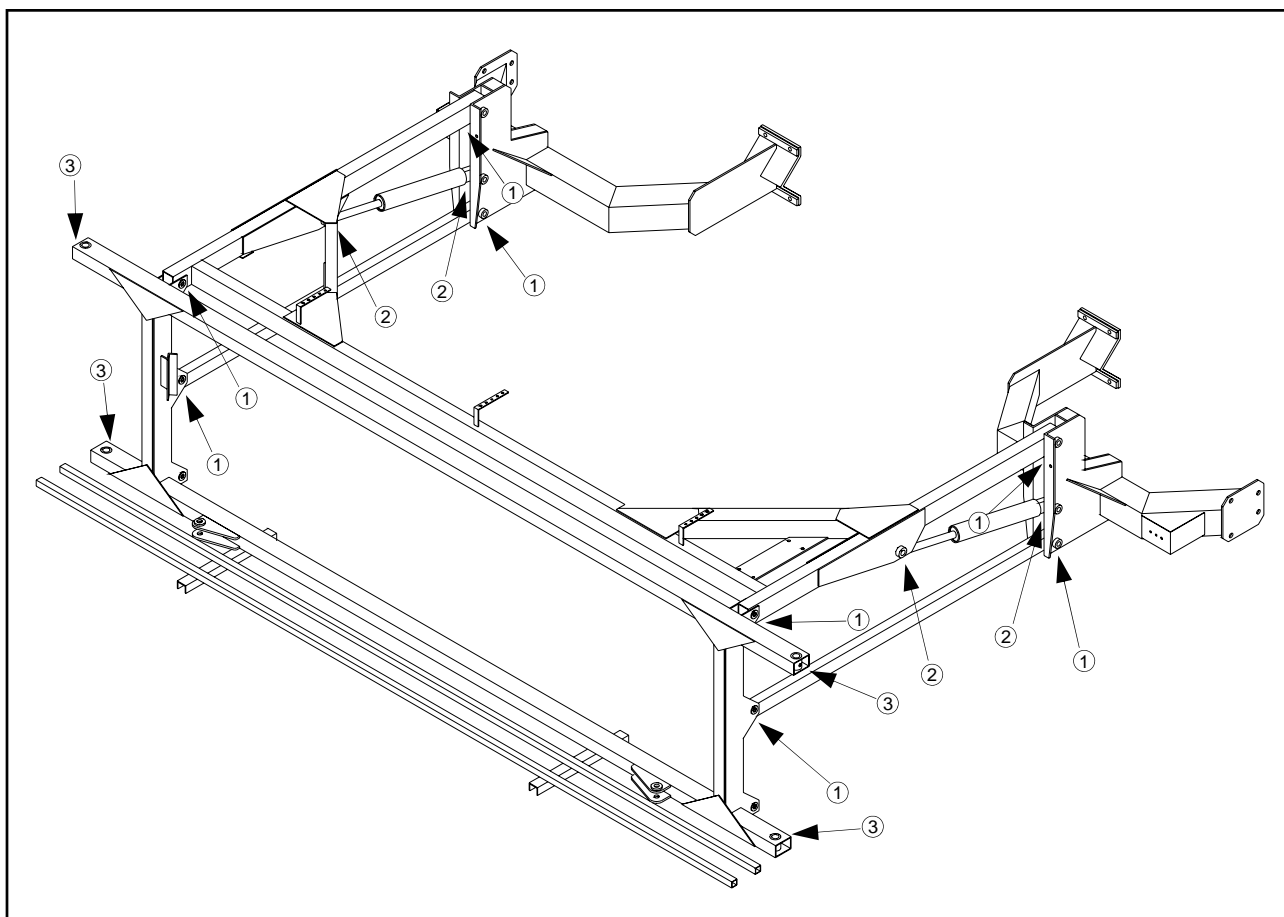


FIG 8.28

VIII. SERVICE AND MAINTENANCE

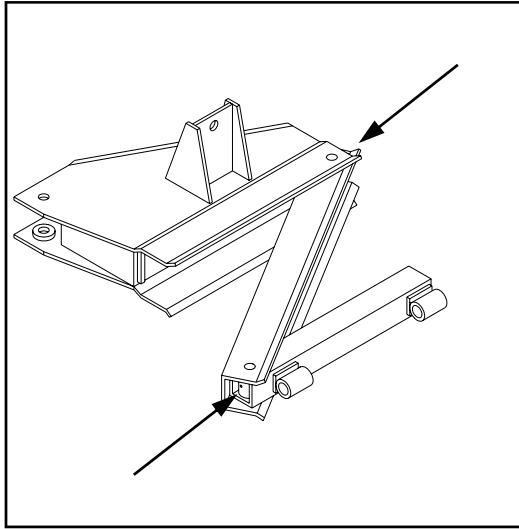


FIG 8.29

Boom Hinge and Breakaway Pivots

Each breakaway located between the transom and each inner boom section has two zerks (four total) that need to be greased as required (fig. 8.29).

Sixty foot boom options have a grease zerk on the boom level pivot point connected to the breakaway (fig. 8.30, item 1) and the boom extension vertical folding pivot point (fig. 8.30, item 2). Eighty and ninety foot boom options also have these zerks in addition to zerks for the boom folding link clevis pins (fig. 8.30, item 3) and the folding pivot of the outer boom breakaway (fig. 8.30, item 4). Check all and grease as required.

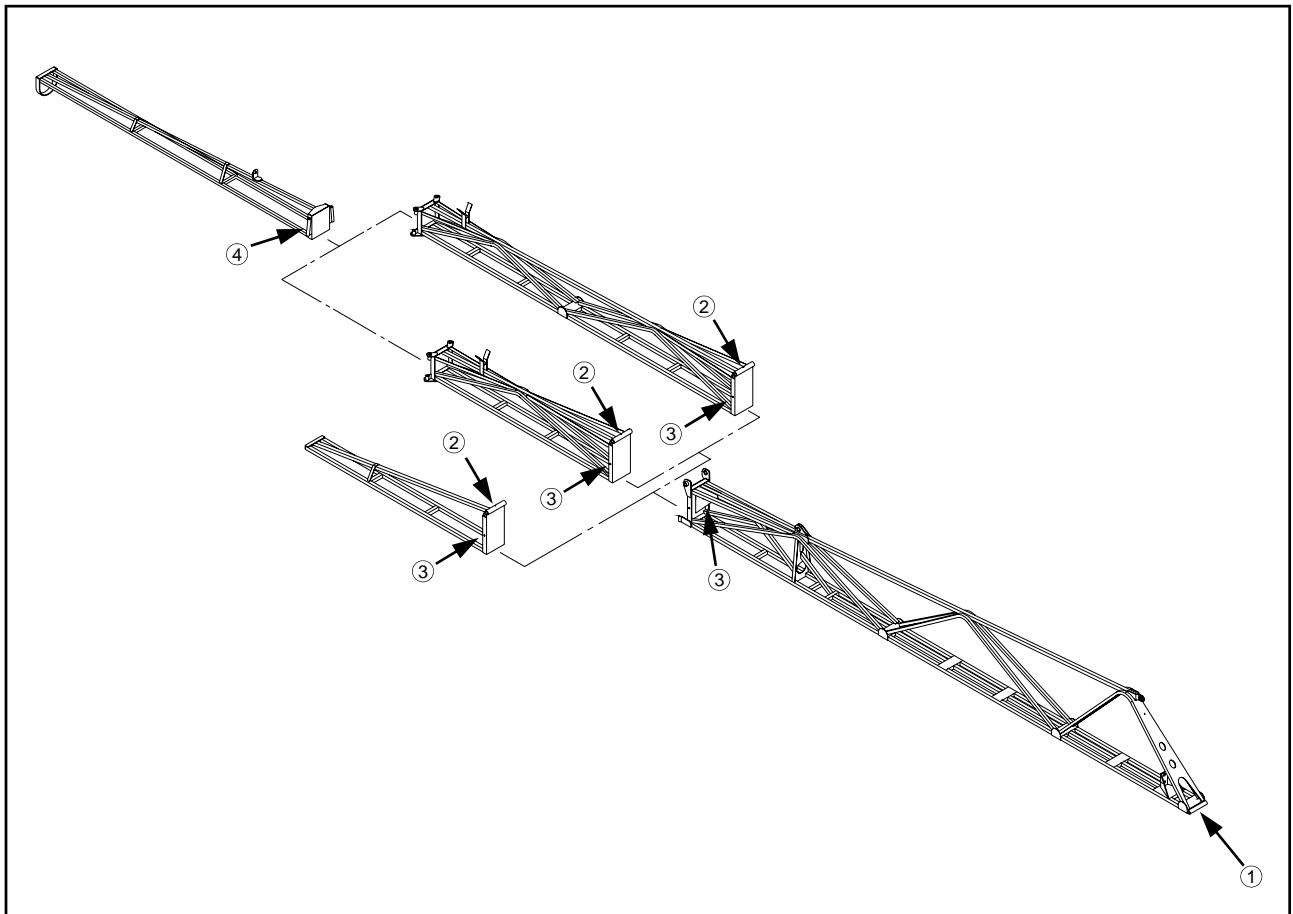


FIG 8.30

VIII. SERVICE AND MAINTENANCE

ELECTRICAL

Battery

SAFETY



FIG 8.31

VOLTAGE 12 V (only)

COLD CRANKING AMPS
(30 sec. at 0° F)..... 950 CCA

RESERVE
CAPACITY 185 min.
at 25 amps

FIG 8.32

CAUTION

Batteries contain sulfuric acid. Avoid contact with skin, eyes, or clothing. Do not inhale fumes or ingest liquid. Batteries contain gases which can explode. Keep sparks and flame away while servicing.

NOTE:

When servicing electrical system always disconnect the battery. Remove ground cable first and connect it last.

CLEANING - Disconnect battery cables from battery. Remove all corrosion with a wire brush or battery post brush. Wash the cable connections and battery posts with a weak solution of baking soda or ammonia. Apply petroleum jelly or grease to prevent future corrosion. Reconnect the cables to the battery making sure they are tight. Clean every 100 hours.



CAUTION

Electrical system is 12 volt negative ground. When using booster with jumper cables, precautions must be taken to prevent personal injury or damage to electrical parts.

1. Attach one end of jumper cable to positive terminal of booster battery and other end to positive terminal of vehicle battery connected to starter motor.
2. Attach one end of second cable to negative terminal of booster battery and other end to vehicle frame away from battery. Do not attach to cab or cab support.
3. To remove cables, reverse above sequence exactly to avoid sparks. See operator's manual for additional information.

STORAGE - See page 102 for proper battery storage.

REPLACEMENT - When replacing the battery, install a battery with ratings equivalent to or higher than the specs listed in figure 8.32.

VIII. SERVICE AND MAINTENANCE



FIG 8.33

Fuses

Fuses protect individual lighter duty electrical circuits. They are located toward the rear of the console panel to the right of the operator's seat (fig. 8.33).

If a fuse blows, remove it by rotating the fuse cap counterclockwise as you push down. Then pull the fuse straight out (fig. 8.35). Replace each blown fuse with the same amperage fuse only.

Correct fuse location and amperage is shown in figure 8.34. If the fuse continues to blow, determine the cause and correct it.

Rinse system, windshield washer (opt), and Traction valve (opt).....	10 AMP
Gauges, AM/FM radio, dome light, and C.B. radio.....	10 AMP
Boom hydraulic controls, tread adjust valve, and Parking brake.....	20 AMP
Fuel selector switch, boom solution valves, and Seat motor	20 AMP
Hazard/warning lights, turn signal, and Windshield wiper.....	10 AMP







 RINSE WASHER TRACT VLV	 GAUGES AM/FM RADIO DOME LIGHT C.B. RADIO	 BOOM CTRLS TRD ADJ VLV PRKNG BRAKE
 FUEL SWITCH BOOM SOL VLVS SEAT	 FLASHER TURN SIGNAL WIPER	 SOL TANK SHUTOFF VALVES

FIG 8.34

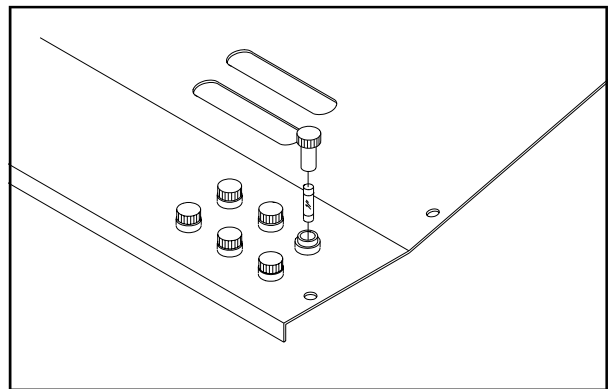


FIG 8.35

VIII. SERVICE AND MAINTENANCE

Circuit Breakers

MOUNTED IN CAB

Circuit breakers handle the functions of the heavier duty electrical circuits on the sprayer. They trip when overloaded and automatically reset themselves after they cool down. They will continue to trip and reset as long as the overload or short exists. If the circuit breaker does not reset, replace it with the same amperage breaker only. Correct circuit breaker location and amperage is shown in figure 8.38.

To access the circuit breakers remove the hydrostatic handle (fig. 8.36, item 1), engine throttle knob (fig. 8.36, item 2), VFC lever knobs (fig. 8.36, item 3), four wheel drive knob (fig. 8.36, item 4), and panel screws (fig. 8.36, item 5).

The circuit breakers are located toward the rear of the console. If a circuit breaker does not reset and continues to trip, determine the cause and correct it.

MOUNTED ON ENGINE

The wire harnesses are protected by circuit breakers mounted on the engine (fig. 5.37). If the breakers do not reset and continue to trip, determine the cause and correct it.

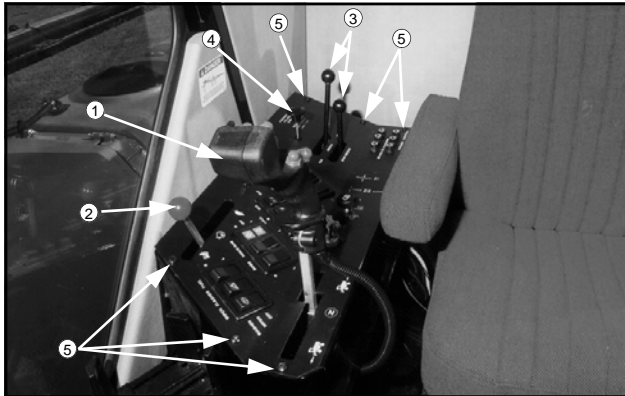


FIG 8.36



FIG 8.37

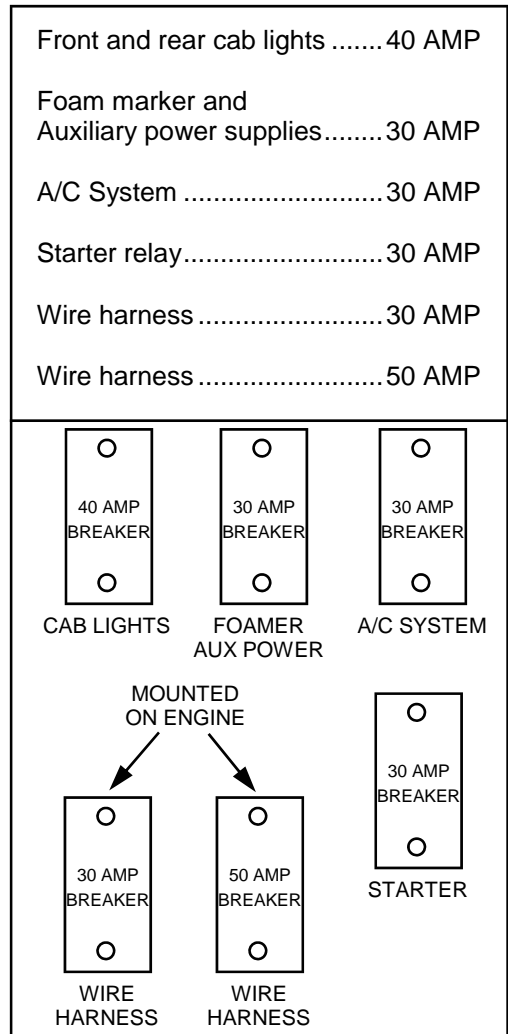


FIG 8.38

VIII. SERVICE AND MAINTENANCE

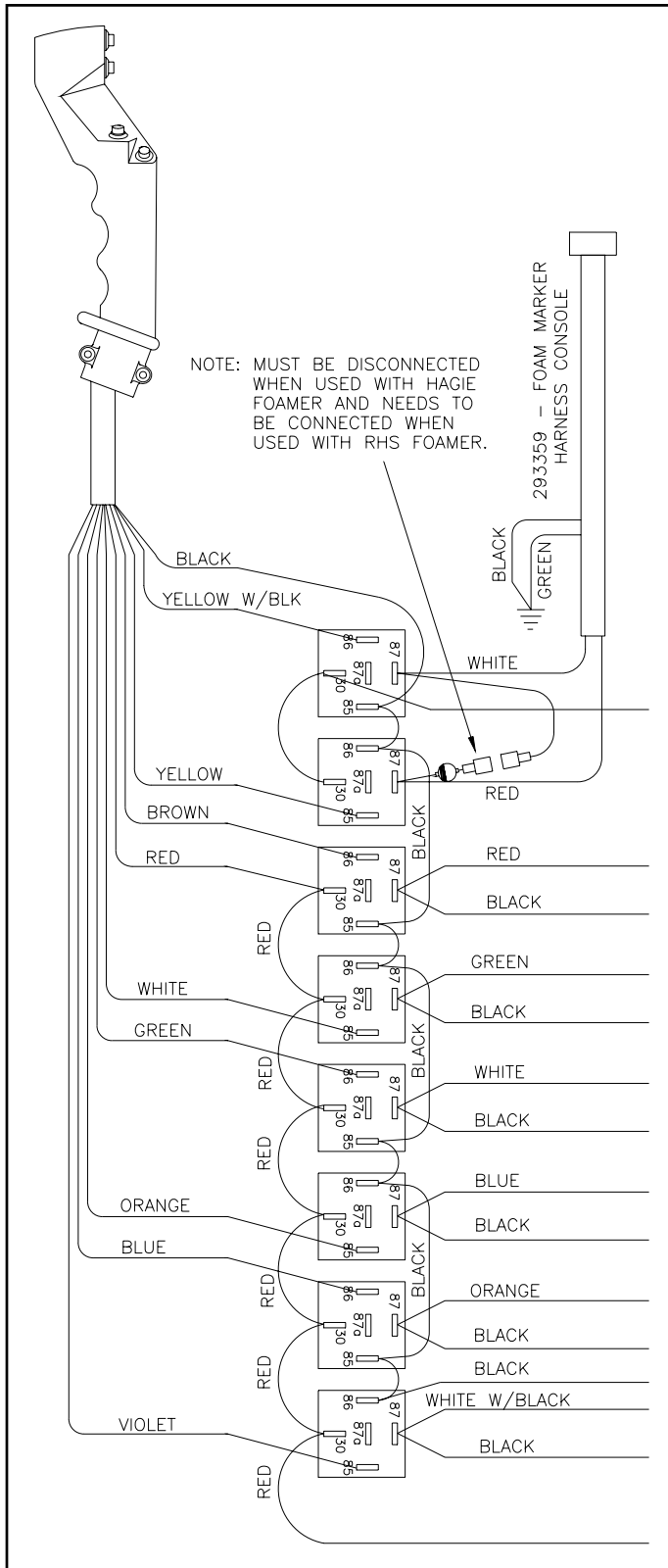


FIG 8.39

Circuit Relays

Relays carry large electrical loads and are controlled by switches. They can be replaced, if necessary. It is recommended to contact the Hagie Customer Support Department or your local authorized Hagie Service Technician when servicing electrical relays. This will ensure maintaining proper wire location on the relay panel (fig.8.39).

Remove the console panel as described on page 90 to access the relay panel (fig. 8.40). If it is necessary to remove a relay, tag all the wires going to that relay.

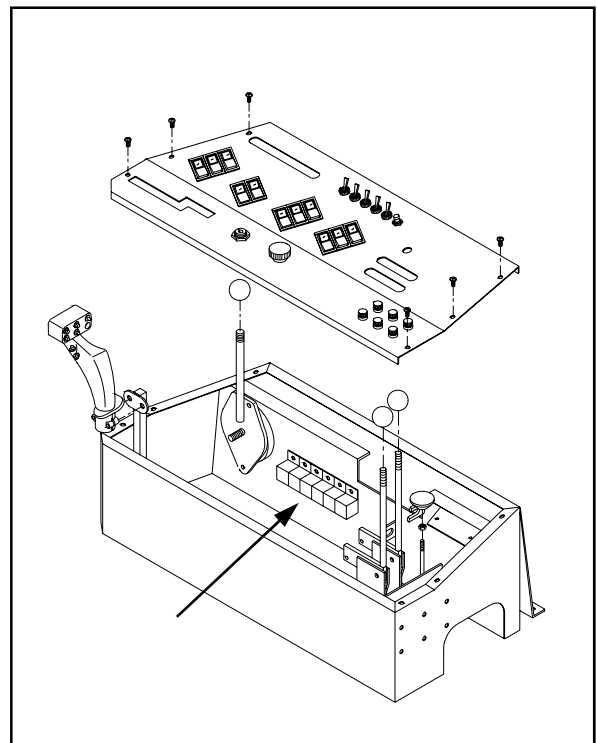


FIG 8.40

VIII. SERVICE AND MAINTENANCE

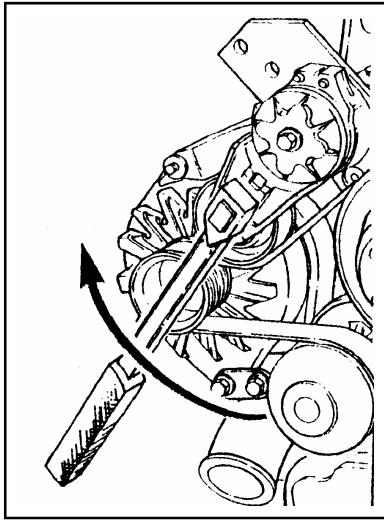


FIG 8.41

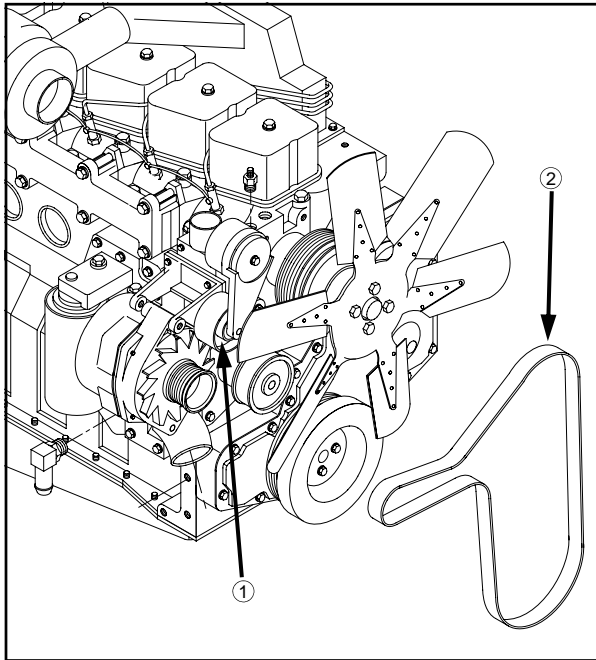


FIG 8.42

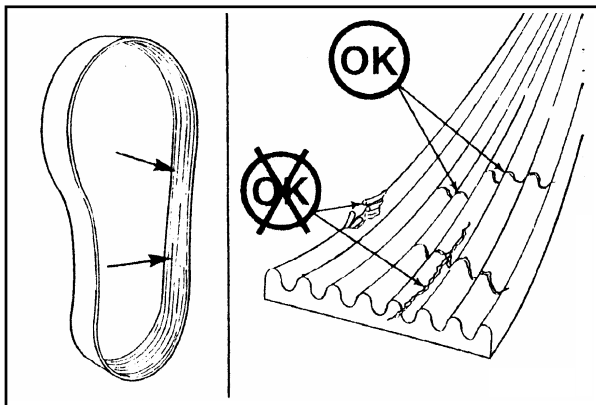


FIG 8.43

BELTS

Engine Drive Belt

REMOVAL - Insert a 3/8 inch square ratchet drive (fig. 8.41) into the belt tensioner (fig. 8.42, item 1) and lift upward to remove the belt (fig. 8.42, item 2).

INSPECTION - Visually inspect the belt daily. Check the belt for intersecting cracks (fig. 8.43). Transverse (across the belt width) cracks are acceptable. Longitudinal (direction of belt length) cracks that intersect with transverse cracks are not acceptable. Replace the belt if it is frayed or has pieces of material missing.

A/C Compressor Belt

To tighten air conditioner compressor belt, loosen the two pivot bolts (fig. 8.44, item 1) and the two slide bolts (fig. 8.44, item 2). Using a suitable prying tool, adjust tension on belt to desired tautness. While maintaining tension, re-tighten all four bolts. Inspect belt every 250 hours.

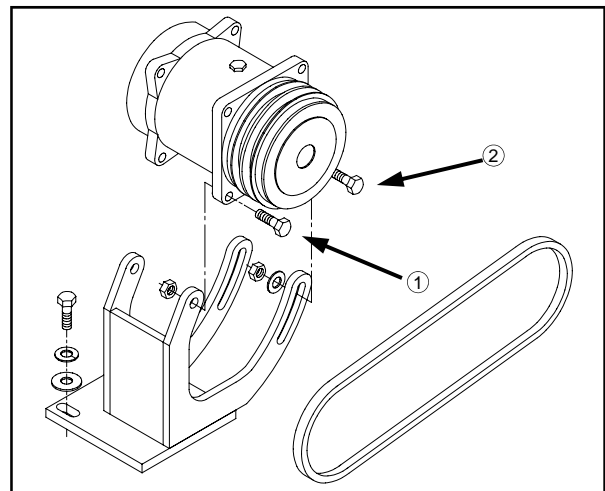


FIG 8.44

VIII. SERVICE AND MAINTENANCE

DRIVE TRAIN

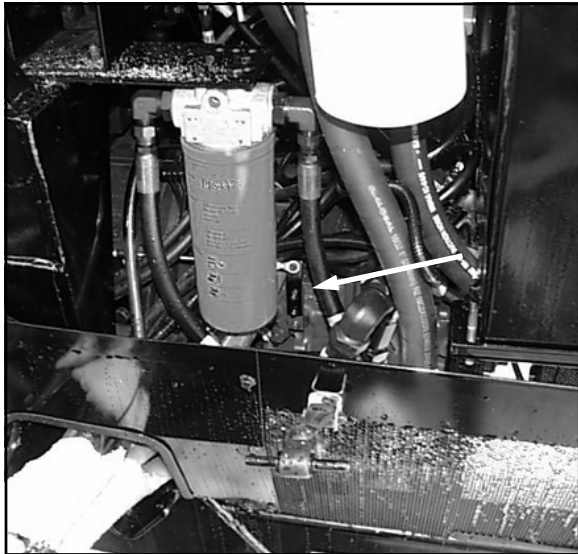


FIG 8.45

Hydrostatic Pump

NEUTRAL SETTING - When the hydrostatic lever is in the neutral position, the machine should not be moving in either direction. If it does, the neutral setting of the hydrostatic pump lever below the hydraulic suction filter (fig. 8.45) needs to be adjusted.

REPAIR/REPLACEMENT - Hydrostatic pumps are available as a core exchange item from Hagie Manufacturing Customer Support Department.

Auxiliary Gear Pumps

REPAIR/REPLACEMENT - . Gear pumps available from the Hagie Manufacturing Customer Support Department.

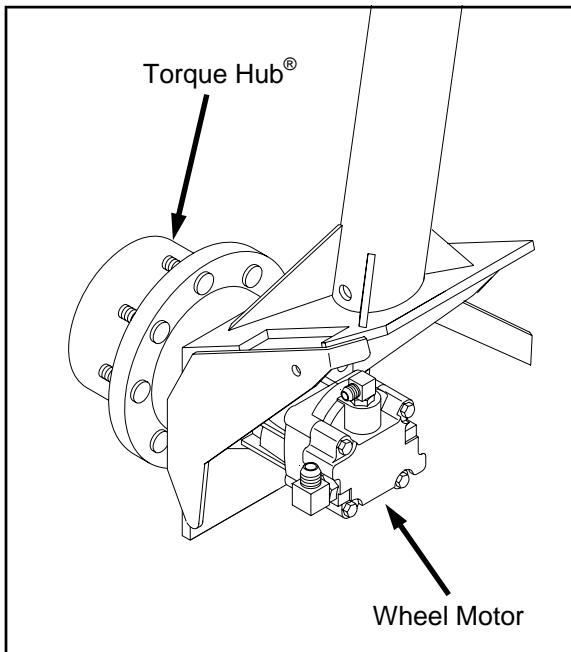


FIG 8.46

Wheel Motors

REPAIR/REPLACEMENT- Wheel motors are available as core exchange item from Hagie Manufacturing Customer Support Department.

Torque Hubs®

GREASE - Grease seal boot according to page 85.

OIL - Maintain oil level according to page 76.

REPLACEMENT - Torque Hubs® are available as a core exchange item from Hagie Manufacturing Customer Support Department.

VIII. SERVICE AND MAINTENANCE



FIG 8.47

BOLT TORQUE

Wheel Bolts

Keep wheel bolts tight. See owner's manual for torque specifications.

To install wheel and tire assembly on the Torque Hub[®], lubricate studs with anti-seize grease. Align the wheel bolt holes with the Torque Hub[®] studs and mount the wheel on the hub.

NOTE:

To achieve even torquing consistency, the tire should be completely off the ground.

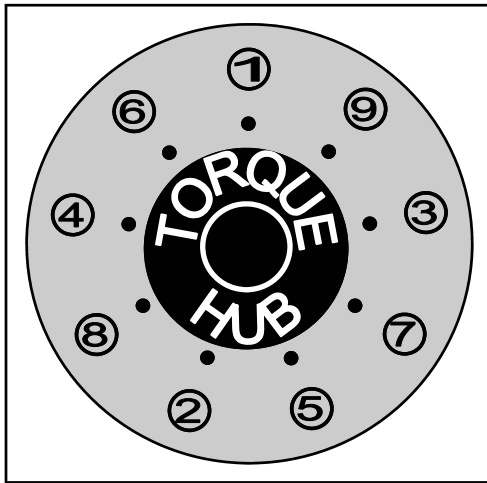


FIG 8.48

Start all of the lug nuts on and tighten them until they are just snug. Following the torque sequence in figure 8.48, first turn each lug nut to a torque value of 120 dry foot-pounds. Use slow, even pressure on the torque-wrench. Quick or jerky movements cause inaccurate values. Repeat the same sequence to 150 dry foot-pounds and again finally to 180 dry foot-pounds.

If the wheel turns during lug nut torquing, lower the machine



CAUTION

Check lug nut torque immediately after receiving machine and every 50 hours thereafter.

to the ground just enough for the tire to touch and prevent rotation or preferably, place a suitable wedge between the tire and the ground.

Lower the machine and resume operation. Recheck torque after 30 minutes of operation. For torquing purposes the wheel studs should be clean and lubed.

VIII. SERVICE AND MAINTENANCE

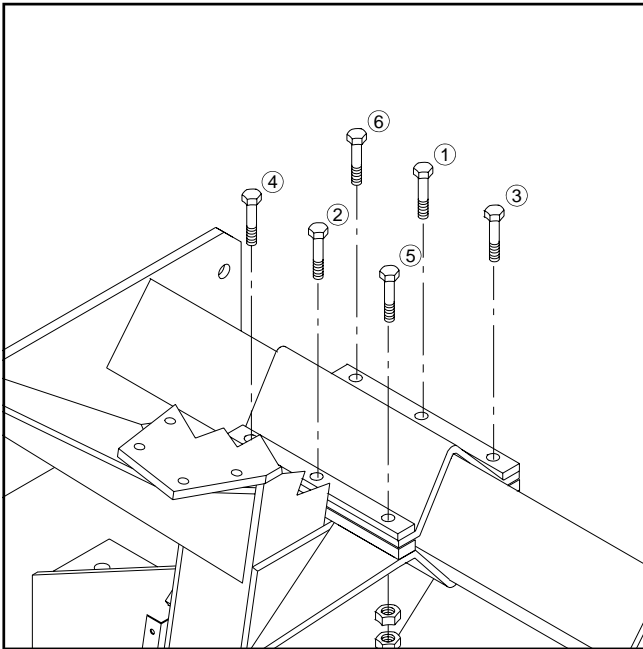


FIG 8.49 A

Leg Mounting Bolts

See page 97 for additional information regarding leg mounting bolts.

After changing hydraulic tread adjust bearings or adding or removing mounting shims, follow these procedures for torquing the leg mounting bolts:



CAUTION

Never remove more than three leg mounting bolts from any single leg mount.

Start the nuts on the mounting bolts and tighten them until they are just snug. Following the torque sequence in figure 8.49A, turn each lug nut to a torque value of 100 dry foot-pounds. Use slow, even pressure on the torque wrench. Quick or jerky movements cause inaccurate values.

Lower the sprayer to the ground and repeat the same sequence to 130 dry foot-pounds and again finally to 160 dry foot-pounds.

Resume operation and recheck torque



FIG 8.49 B

Jack Mount

Mounts to front or rear of the four legs, using two 1/2 x 2 1/2 inch bolts. Use a jack to lift machine up to remove the tire and wheel (Fig 8.49B).

VIII. SERVICE AND MAINTENANCE

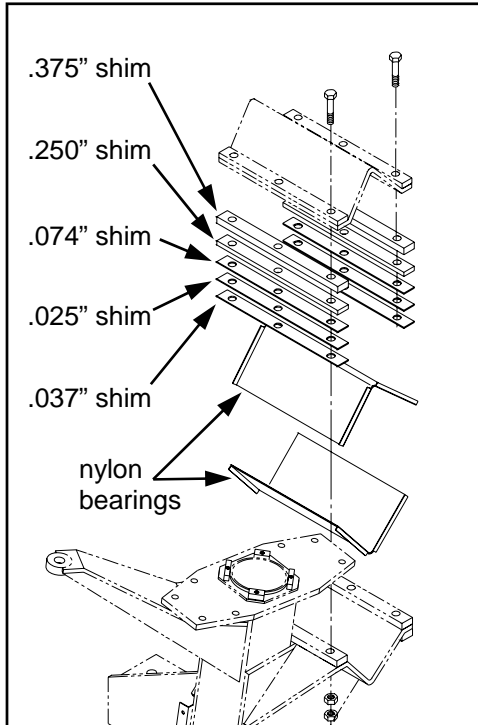


FIG 8.50

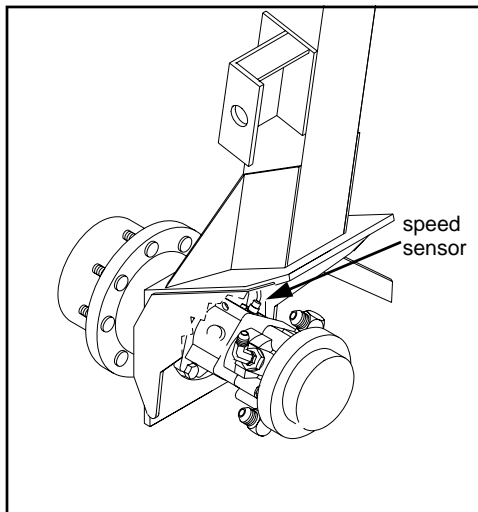


FIG 8.51

TREAD ADJUST SHIM ADJUSTMENT

NOTE:

If the leg mount bolts have been tightened to the proper torque and the mount is loose, it may be that the bearing has worn and needs to be replaced. Check the bearing before you remove shims.

When adjusting for more or less bearing clearance, park the sprayer on level ground and shut off the engine. Block the wheel of the opposite side, both front and rear. Remove only three of the six leg mounting bolts at one time when removing or adding shims to the leg assembly. Refer to page 95 for leg mount bolt torque values and sequence.

WARNING

DO NOT loosen the leg mounting bolts to obtain more clearance for the leg to slide on the frame. Follow the above directions only for bearing clearance adjustment.

SPEED SENSOR ADJUSTMENT

(Left rear wheel motor - fig. 8.51) When installing or adjusting sensor, turn sensor in by hand until contact is made with speed ring. Back out one half turn (.030 gap). Rotate sensor until the wrench flats on housing are positioned at a 22 degree angle to motor shaft. Lock in place with lock nut. For further adjustment, see Sauer-Danfoss service manual.

VIII. SERVICE AND MAINTENANCE

TOE-IN

To correctly gauge toe-in, use a tape measure placed at one-half tire height on the front center seam of the front tire compared to the same measurement of the rear of the front tire (subtract the front measurement from the rear measurement - it must be a positive number). Correct toe-in should fall somewhere between one half and three quarters of an inch.

Toe-in is pre-set at the factory and should not have to be adjusted unless the steering cylinders

are removed.

Difficulty steering one way versus the other may also indicate incorrect toe-in and may require adjustment. For further assistance regarding toe-in measurement and adjustment, contact the Hagie Customer Support Department.

NOTE:

See page 98 for instructions on adjusting toe-in. See also page 32 for information on recalibrating self-centering cylinders.

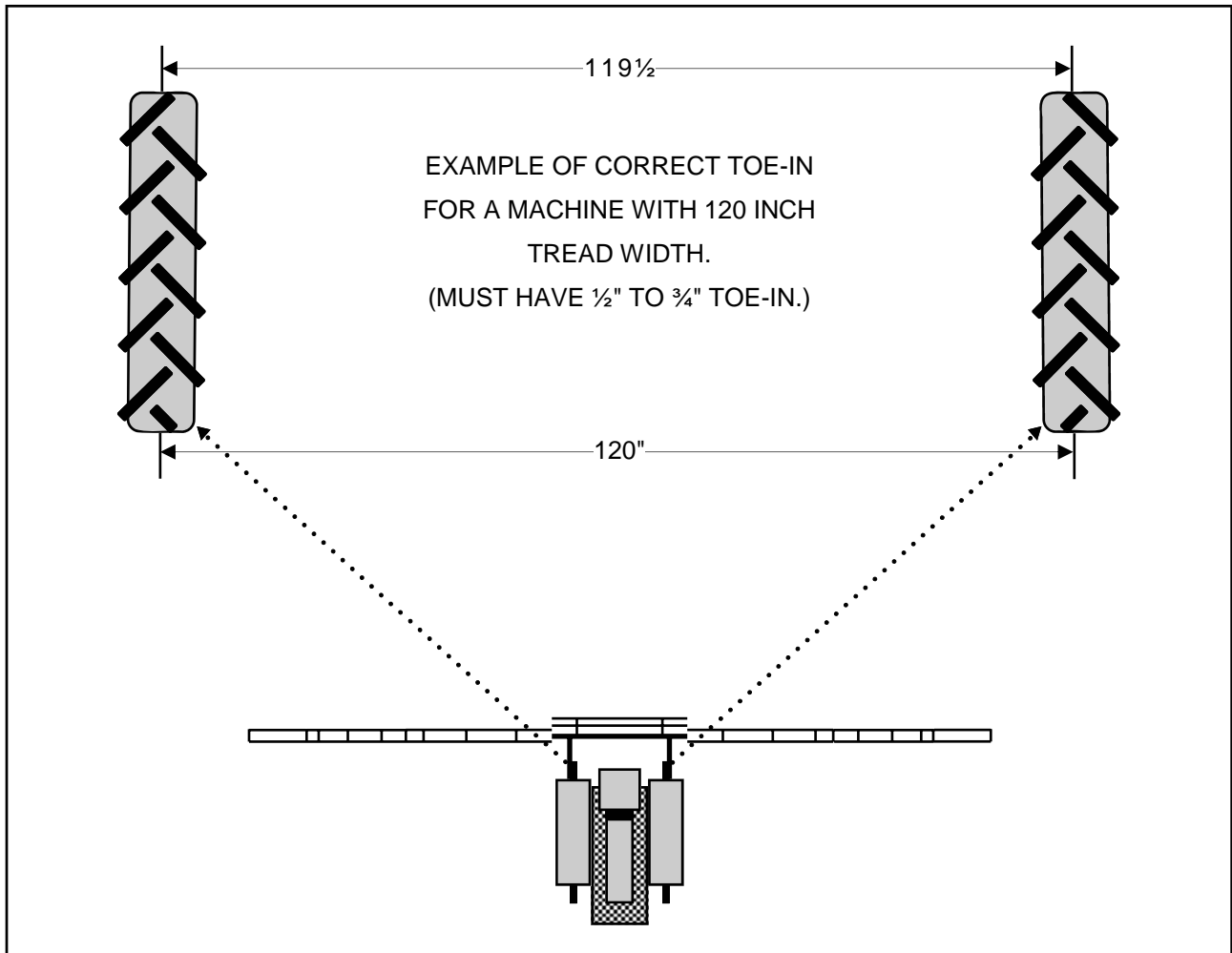


FIG 8.52

VIII. SERVICE AND MAINTENANCE

TOE-IN ADJUSTMENT



FIG 8.53

To adjust the toe-in of the front tires follow these instructions for both front steering cylinders carefully:

1. Remove cotter pin (fig. 8.54, item 5), castle nut (fig. 8.54, item 3), and lock washer (fig. 8.54, item 4).
2. Loosen lock collar bolt and nut (fig. 8.54, item 2).
3. Lightly tap swivel assembly (fig. 8.54, item 1) out of steering arm.
4. Move left and right tires evenly until difference in dimension "A" and "B" (fig. 8.55) are within specified range.

NOTE:

Dimension "A" should be $\frac{1}{2}$ " to $\frac{3}{4}$ " less than dimension "B." For more information regarding toe-in, see page 97.

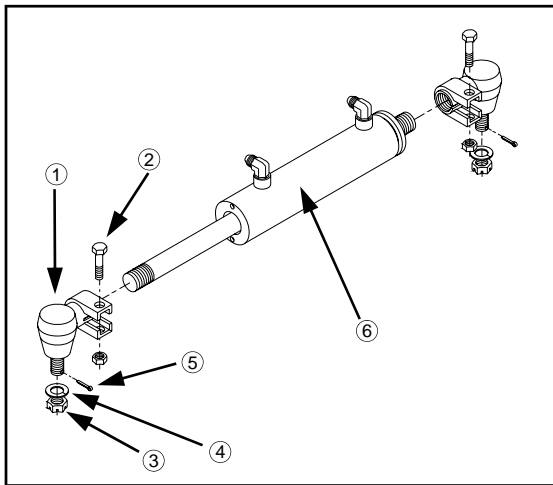


FIG 8.54

5. Screw swivel assembly in or out on steering cylinder (fig 8.54, item 6) until the treaded part lines up with steering arm.
6. Insert swivel assembly into steering arm.
7. Install lock washer and castle nut and tighten.
8. Install cotter pin.
9. Tighten lock collar bolt and nut.

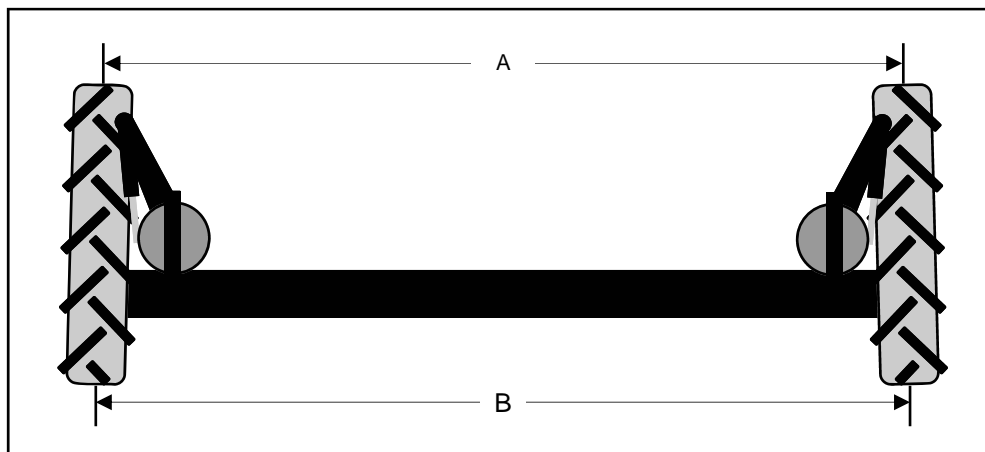


FIG 8.55

VIII. SERVICE AND MAINTENANCE

SPRAY SYSTEM



FIG 8.56

Solution Pump

REBUILDING - Refer to the solution pump handbook accompanying this operator's manual.

Line strainer

See page 82 for more information.

Spray Tips

At the beginning of each season, or as required, remove a random sample of spray tip caps (fig. 8.57, item 3) and inspect the nozzle tips. If they are plugged or worn, clean or replace them.

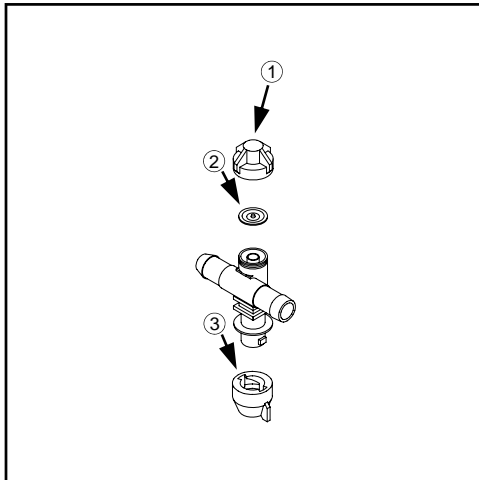


FIG 8.57

Nozzle Diaphragms

At the beginning of each spray season, remove nozzle body cap (fig. 8.57, item 1) and inspect the diaphragm for wear or fit (fig. 8.57, item 2). Replace if necessary. Refer to accompanying manual containing nozzle information.

Calibration

See pages 67-68, section six on spray system calibration.

Storage

See page 103 on cold weather storage of spray system.

FOAM MARKER SYSTEM

Wet Tank

To prevent system condensation from contaminating the engine air compressor, remove moisture from the wet tank daily by pulling on its drain cord (fig. 8.58).

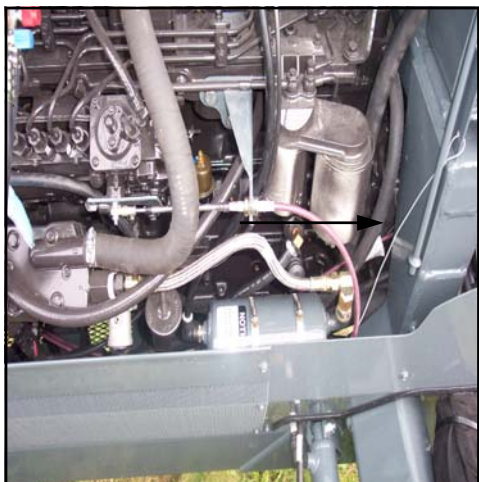


FIG 8.58

Winter Storage

See page 103 on cold weather storage of foamer system.

VIII. SERVICE AND MAINTENANCE



FIG 8.59



FIG 8.60

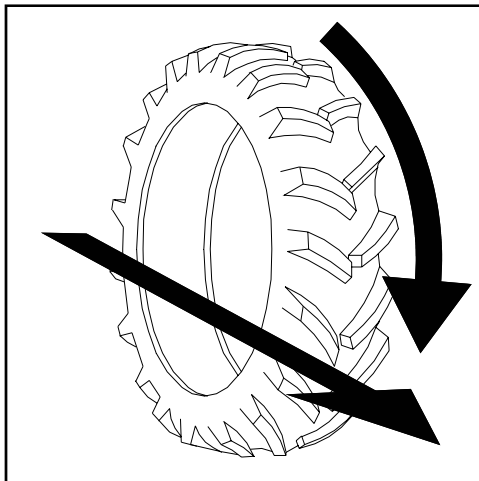


FIG 8.61

TIRES

Air Pressure

Check tire pressure once a week or every 50 hours of operation (fig. 8.59). Never inflate a tire more than the recommended maximum air pressure. Use an air line with a locking air chuck and stand behind tire tread while filling (fig. 8.60).

NOTE:

Tire pressure will depend on load quantity and type in solution tanks. Refer to page 21 for tire specifications.

! WARNING

When inflating tire use extension hose with in-line air gauge and clip-on air chuck, which allow operator to stand clear of tire side wall explosion trajectory.

Wheel Bolts

See page 94 for recommended wheel bolt torque specifications and torquing pattern.

Mounting

If you do not have proper mounting equipment, let your local qualified tire sales/service dealer mount the tire for you. Tire should be mounted on rim according to figure 8.61 for best traction and tread cleaning action.

Toe-In

See pages 97 and 98 for information regarding toe-in measurement and adjustment.

VIII. SERVICE AND MAINTENANCE

DAILY INSPECTION

Inspection Point	Action (if necessary)
Check	
Engine oil level.....	Add oil
Radiator coolant level.....	Add antifreeze solution
Coolant overflow reservoir level.....	Add antifreeze solution
Engine drive belt.....	Replace belt
Filter Minder®.....	Replace air filter element
Hydraulic reservoir oil level.....	Add hydraulic oil
Neutral setting of hydrostatic pumps.....	Adjust setting
Solution line strainer.....	Remove and clean
Visual inspection of leg mounting bolts.....	Tighten
Battery.....	Clean and/or tighten
Radiator grille screens.....	Remove and clean
Look for loose or missing items such as shields.....	Tighten or replace
Look for any fluid leaks pooled on machine or ground.....	Determine cause and correct

Grease

Upper and lower leg bearings.....See page 84

Drain

Wet tank.....See page 99

Fuel/water separator.....See page 83

IX. STORAGE

A. Preparing the sprayer for storage.

1. Perform daily level checks, lubrication, and bolt and linkage inspections as required in this manual in section eight on maintenance.
2. Every other season, drain the coolant from the engine and radiator. Probe the drain holes during draining to ensure they are not clogged by sludge, scale, or other deposits. Fill the cooling system to the top with a 50/50 water/antifreeze mixture. Run engine to operating temperature and re-check level.

NOTE:

If antifreeze is added, make sure the engine is then run to operating temperature to assure proper mixing of solution.

3. Add a fuel stabilizer to the fuel and fill fuel tank.
4. Run the engine until it is at operating temperature, then drain the engine oil. Refill with fresh oil of recommended weight and install a new lubricating oil filter element.
5. With the engine at normal operating temperature, cycle all hydraulic functions including the steering.
6. Release tension on all belts. For more detailed information, consult the manufacturer's handbook that accompanies this manual.
7. Use plastic bags and water-resistant adhesive tape to seal the air intake opening, all exhaust manifold openings, engine oil filler cap, hydraulic oil tank breather cap, and fuel tank caps.
8. Disconnect and remove battery or batteries. Completely clean and charge the battery. Coat the terminals with petroleum jelly and store battery in cool, dry place.
9. Thoroughly clean the sprayer. Touch up any painted surfaces that are scratched or chipped. For touch-up paint recommendations contact the Hagie Manufacturing Customer Support Department.
10. Replace worn or missing decals. See pages 8-13 for proper location of warning decals and their corresponding part number. Warning decals and all other Hagie decals are available through the Hagie Manufacturing Customer Support Department.

NOTE:

For replacement decals contact:
Hagie Manufacturing Company
Box 273, Clarion, IA 50525
Ph. 1-800-247-4885

IX. STORAGE

11. Use a multi-purpose grease to coat exposed hydraulic cylinder rods to prevent rusting which could result in cylinder damage.
12. To winterize the spray system, it is recommended that you use an environmentally-safe type antifreeze and water mixture that will give you adequate protection to minus 30 degrees below zero. Drain any remaining solution in the system and run the antifreeze mixture through the spray system until it comes out all boom openings. Repeat the above process with both the foam marker and rinse systems.
13. If the sprayer must be stored outside, cover it with a waterproof cover.

B. Removing the sprayer from storage.

1. Inspect the condition, and test the air pressure, of all tires. Please see page 100 for information regarding proper tire maintenance.
2. Carefully unseal all openings that were sealed in the storage process.
3. Clean and reinstall the battery. Be sure to attach the battery cables to the proper terminals.
4. Tighten all belts. Inspect and replace any worn belts. For information on belts, see page 92.
5. Check engine oil, hydraulic oil, and engine coolant levels; add, if necessary. A mixture of 50/50 antifreeze and water will cool adequately in summer as well as protect in winter.

NOTE:

Protective compounds such as grease can harden under exposure to weather conditions.

6. Completely clean the sprayer.
7. Review section eight on maintenance (pages 71-101), and perform all needed services as instructed.
8. For starting instructions, see pages 27-28 in section five on operating information.

NOTE:

See Warranty on page 113 concerning **improper storage**.

X. TROUBLE SHOOTING

A. ENGINE



CAUTION

Start engine from operator's seat only. When running engine in a building, be sure there is adequate ventilation.

PROBLEM	POSSIBLE CAUSE	SUGGESTED REMEDY
Engine won't crank	Dead battery Poor battery connections Neutral safety switch (located in the Sauer/Sundstrand pump) Starter or starter relay	Recharge or replace battery Clean and tighten Adjust and/or replace if needed Test; rebuild or replace
Engine won't start	Out of fuel Clogged fuel filters Cold weather Low starter speed	Fill fuel tank Replace fuel filters Refer to engine manual for cold weather starting information Check starter and battery

X. TROUBLE SHOOTING

PROBLEM	POSSIBLE CAUSE	SUGGESTED REMEDY
Engine overheats	<p>Engine overloaded</p> <p>Dirty radiator core or dirty grill screens</p> <p>Faulty radiator cap</p> <p>Loose or faulty fan belt</p> <p>Faulty thermostat</p> <p>Low coolant level</p>	<p>Reduce load</p> <p>Remove all foreign material and clean all items</p> <p>Replace cap</p> <p>Tighten or replace fan belt</p> <p>Replace thermostat</p> <p>Refill to proper level with recommended coolant</p>
Engine misfires: runs uneven, low power	<p>Water in fuel</p> <p>Dirty air cleaner element</p> <p>Poor grade of fuel</p> <p>Fuel tank vent clogged</p> <p>Clogged fuel filter</p>	<p>Drain, flush, replace filter, fill system</p> <p>Replace element</p> <p>Drain system; change to good grade</p> <p>Open fuel tank vent in cap</p> <p>Replace fuel filter</p>
Engine knocks	<p>Low oil level in crankcase</p> <p>Cold engine</p>	<p>Add oil to full mark</p> <p>Allow proper warm-up period; refer to engine owner's handbook</p>

NOTE:

For additional engine information, consult, Engine manufacturer's manual.

X. TROUBLE SHOOTING

B. SPRAY SYSTEM



WARNING

CHEMICALS ARE DANGEROUS

Read The Chemical manufacturer's labels to avoid injury or damage.

PROBLEM	POSSIBLE CAUSE	SUGGESTED REMEDY
Solution pump will not prime	Low water level in pump Air leak in suction line Solution valves turned off	If solution tanks are empty, fill through front quick-fill to prime the pump; solution pump is normally self-priming once filled Inspect and tighten all fittings on suction line Turn solution valves to open position, allowing air to leave the system
Erratic reading on pressure gauge	Orifice in back of gauge clogged Faulty gauge Air leak in suction line Glycerin leaking from gauge	Remove gauge; clean orifice; re-install Replace gauge Inspect and tighten all fittings in suction line Replace gauge

X. TROUBLE SHOOTING


PROBLEM	POSSIBLE CAUSE	SUGGESTED REMEDY
Solution pump not producing normal pressure	Clogged line strainer screen	Remove screen; clean thoroughly; tighten strainer cap to avoid air leak
	Air leak in suction flow to pump	Inspect and tighten all fittings on suction line
	Restricted solution flow to pump	Main solution tank shut-off valve or valves not completely open
	Suction hose collapsed	Obstruction at inlet end of hose, causing high vacuum on hose
	Faulty hydraulic pump	Replace hydraulic pump
	Faulty hydraulic motor on solution pump	Replace motor
	Internal restriction of diaphragm such as build up of chemical	Disassemble; inspect; clean; reassemble
Malfunction of electric solution valve	Blown fuse	Replace fuse
	Faulty ground	Clean and tighten ground
	Dirty contact terminals	Clean contact terminals
	Separation in wire	Check continuity and replace wire
	Faulty switch	Replace switch
	Short in solenoid coil	Replace valve
	Bad valve	Replace valve

NOTE:

If your unit is equipped with a high-pressure system, call the Hagie Manufacturing Customer Support Department for possible causes and suggested remedies.

X. TROUBLE SHOOTING

C. HYDROSTATIC SYSTEM



CAUTION

DO NOT GO NEAR LEAKS. High pressure oil easily punctures skin causing injury, gangrene, or death. If injured, seek emergency medical help. Immediate surgery is required to remove oil. Do not use finger or skin to check for leaks. Lower load or relieve hydraulic pressure before loosening fittings.

PROBLEM	POSSIBLE CAUSE	SUGGESTED REMEDY
Machine won't move in either direction	Engine speed too low Oil level in reservoir low Control linkage Clogged filter Hydrostatic pump not turning Faulty hydrostatic pump Air leak in suction line Low charge pressure	Set engine at operating RPM before trying to move machine Fill reservoir to proper level w/ approved oil; see section on Service and Maintenance Repair or replace Replace filter Check drive coupling Replace pump Inspect and tighten all fittings on suction line See section under charge pressure
Machine will move in only one direction	Faulty high pressure relief valve	Switch relief valves from side to side; If problem reverses, replace multi-function valve (Call Hagie Customer Support and refer to parts manual)

X. TROUBLE SHOOTING

PROBLEM	POSSIBLE CAUSE	SUGGESTED REMEDY
Hydrostatic system responding slowly	<p>Engine speed too low</p> <p>Oil level in reservoir low</p> <p>Cold oil</p> <p>Plugged filter</p> <p>Partially restricted suction line</p> <p>Internal damage</p>	<p>Set engine at operating RPM before trying to move machine</p> <p>Fill reservoir to proper level with approved oil; see section on Service and Maintenance</p> <p>Allow for adequate warm-up period</p> <p>Check and replace filter</p> <p>Inspect for collapsed suction hose</p> <p>Replace hydrostatic pump or motor</p>
Noisy hydrostatic system	<p>Cold oil</p> <p>Low engine speed</p> <p>Oil level in reservoir low</p> <p>Air in system</p> <p>Internal damage to pump</p>	<p>Allow for adequate warm-up period</p> <p>Increase engine speed</p> <p>Fill reservoir to proper level with approved oil; see section on Service and Maintenance</p> <p>Inspect and tighten all fittings on suction line</p> <p>Replace pump</p>
External oil leaks	<p>Loose or faulty fittings</p> <p>Damaged O-ring</p> <p>Faulty hose</p>	<p>Tighten or replace</p> <p>Inspect; if damaged replace</p> <p>Replace hose</p>

X. TROUBLE SHOOTING

D. HYDRAULIC SYSTEM



DO NOT GO NEAR LEAKS. High pressure oil easily punctures skin causing injury, gangrene, or death. If injured, seek emergency medical help. Immediate surgery is required to remove oil. Do not use finger or skin to check for leaks. Lower load or relieve hydraulic pressure before loosening fittings.

PROBLEM	POSSIBLE CAUSE	SUGGESTED REMEDY
Entire hydraulic system fails to function	Oil level in reservoir low Oil not reaching pump Faulty hydraulic pump	Fill reservoir to proper level with approved oil; see section on Service and Maintenance Prime the pump by removing suction hose from reservoir; hold removed end higher than pump; hand feed two quarts approved oil through suction hose by bumping engine w/starter (careful not to start engine); re-install hose; tighten all fittings Replace hydraulic pump
Noisy hydraulic pump	Collapsed suction hose caused by cold oil Oil level in reservoir low Air leak in suction line	Allow for adequate warm-up period Fill reservoir to proper level with approved oil; see section on Service and Maintenance Inspect and tighten all fittings on suction hose

X. TROUBLE SHOOTING

E. ELECTRICAL

CAUTION

Batteries contain sulfuric acid. Avoid contact with skin, eyes, or clothing. Do not inhale fumes or ingest liquid. Batteries contain gases which can explode. Keep sparks and flame away while servicing.

NOTE:

Disconnect battery when servicing any part of electrical system to prevent system damage.

PROBLEM	POSSIBLE CAUSE	SUGGESTED REMEDY
Entire electrical system is dead	Dead battery Poor battery connection Low charging rate No charging rate	Charge or replace Clean and tighten Tighten alternator belt Replace alternator
All gauges on instrument panel not working	Blown fuse Poor ground	Replace fuse Clean and tighten ground
Tachometer/MPH Indicator not working	Blown fuse Loose connections at sensor/alternator Faulty sensor	Replace fuse Tighten or replace connectors Replace sensor
Light system does not function	Blown fuse Poor ground Burned-out bulb Separation or short in wire Faulty switch	Replace fuse Clean and tighten ground Replace bulb Check continuity and replace wire Replace switch

X. TROUBLE SHOOTING

NOTES

XI. LIMITED WARRANTY

1. The Warranty

- a. This warranty gives you specific legal rights. You may also have other rights which may vary from state to state.
- b. Hagie makes this warranty only to the original purchaser of its new equipment.
- c. The warranty period ends 12 months from the date of delivery of equipment to the original purchaser. When requesting warranty service, the original purchaser must present evidence of the date of delivery of the equipment.
- d. Parts or rebuilt assemblies furnished under the terms of this warranty are not warranted beyond the original warranty period.
- e. Exceptions to this warranty must be covered by separate warranty agreements.

2. Items not covered by Hagie Warranty

- a. Used equipment.
- b. Tires, tubes, engines, and batteries (under separate manufacturer's warranty).
- c. Depreciation or damage caused by normal wear, accident, improper maintenance, improper storage, or improper use.
- d. Service calls and transporting the equipment to and from the place where the warranty work is performed.

3. Unapproved service or modification

NOTE:

All obligations of Hagie Manufacturing Company under this warranty shall be terminated if:

- a. . . . service is performed by someone other than Hagie authorized personnel.
or
- b. . . . the equipment is modified or altered without Hagie approval.

4. No commercial loss coverage

- a. Hagie shall not be liable for incidental or consequential damages or injuries (damage and repairs of equipment itself, loss of profits, rental or substitute equipment, loss of good will, etc.).
- b. SOME STATES DO NOT ALLOW THE EXCLUSION OR LIMITATION OF INCIDENTAL OR CONSEQUENTIAL DAMAGES, SO THE ABOVE LIMITATION MAY NOT APPLY TO YOU.

5. Merger clause

- a. The entire warranty agreement is included in this writing.
- b. Any oral agreements that are made by the selling persons about the equipment are not warranties, and are not to be relied upon by the purchaser.

6. No representations or implied warranty

- a. The parties agree that the implied warranties of merchantability and fitness for a particular purpose and all other warranties expressed or implied, are excluded from this transaction and shall not apply to the equipment sold.

INDEX

	PAGE		PAGE
A		E	
Air Conditioning System		Electrical System	
Belt	92	Battery	88
Cab Filters		Circuit Breakers	90
Fresh Air Intake	83	Fuses	89
Charcoal	83	Relays	91
Recirculation	83	Engine	
Charging System	79	Cold Weather Starting	28
Climate Controls	60	Fuel	78
Dryer	82	Filters	83
Agitation System	46-47	Oil	75
Antifreeze	77	Operation	27-28
Attaching		Engine Oil Pressure Gauge	62
Boom Options	26	F	
Lift Arm Assembly	24	Fence Row	
Transom Assembly	25	L.E.D. Indicator	43
Auxiliary Power Supplies	66	Operation	43
B		Filter Minder®	80
Battery	88	Filters	
Belts	92	Air Conditioning Dryer	82
Binding Post Power Supply	66	Cab	
Binding Post Power Supply	66	Charcoal Filter	83
Bolt Torque Values		Fresh Air Intake Filter	83
Leg Mounting Bolts	95	Recirculation Filter	83
Wheel Lug Nuts	94	Engine Air Intake Filter	80
Boom		Fuel Filters	83
Cradling	38	Hydraulic Charge Pressure Filter	81
Lubrication	86-87	Hydraulic High-Pressure In-Line Filters	82
Operation		Hydraulic Suction Filter	81
Fold		Solution Line Strainer	82
Horizontal	36	Radiator Grille Screens	81
Vertical Extension	37	Fresh Air Intake Filter, Cab	83
Level	35	Fluid Capacities	79
Lift	34	Fluids	
C		Air Conditioning Charge	79
Cab	58	Cooling System Coolant	77
Auxiliary Power Supplies	66	Engine Oil	75
Climate Controls	60	Fuel	78
Emergency Exit	59	Hydraulic Oil	75
Filters		Torque Hub® Oil	76
Charcoal Filter	83	Windshield Washer	79
Fresh Air Intake Filter	83	Foam Marking System	
Recirculation Filter	83	Adjusting System Pressure	49
Seat Operation	65	Draining Wet Tank	99
Calibration	67-68	Filling	50
Charcoal Filter, Cab	83	Operation	49
Charge Pressure Filter	81	System Pressure Gauge	49
Cigarette Lighter-Type Power Supply	66	Wet Tank	99
Circuit Breakers	90	Fuel Filters	83
Climate Controls, Cab	60	Fuel Gauge	62
Cold Weather Starting	28	Fuel Tank Selector Switch	61
Cooling System		Fuses	89
Coolant	77		
Radiator Grille Screens	81		

INDEX

	PAGE		PAGE
G			
Gauges	62	Programming	
H			
High Pressure In-Line Filter	82	Speedometer	63
Hour Meter	62	Tachometer	63
Hydraulic Tread Adjust		Q	
Bearings	85	Quick Fill	45
Shim Adjustment	96	R	
Operation	32	Radiator Grille Screens	81
Hydrostatic Drive System		Radio	61
Operation	29	Recirculation Filter, Cab	83
Neutral Setting	93	Relays	91
I			
Instrument Panel Gauges	62	Rinse System	51-53
J			
Jack Mount	95	S	
L			
Lift Arm Assembly		Safety	4-7
Lubricating	86	Seat	65
Mounting	24	Seal Boot, Torque Hub®	85
Lights		Serial Number Locations	14-15
Field Lights	55	Service/Maintenance	71-101
Hazard/Warning Lights	57	Solution Line Strainer	82
Interior Lights	56	Solution Pump	41
Running Lights	56	Solution Tank Shutoff Valves	44
Turn Signals	57	Specifications	16-21
Work Lights	55	Speedometer	63
Lubrication		Parameter Quick Reference Chart	64
Boom Hinge	87	Spray Booms	
Breakaway	87	Cradling	38
Leg Bearings	84	Operation	
Torque Hub® Seal Boot	85	Fold	
Transom, Lift Arm, & Lift Cylinder Assembly	86	Horizontal	36
Tread Adjust Bearing Slide Path	85	Vertical Extension	37
Limited Warranty	113	Level	35
Lug Nuts	94	Lift	34
M			
Maintenance Schedule	71-74	Sprayer Dimensions	16
O			
Operating Information	27-66	Spray System	
Oil Pressure Gauge, Engine	62	Boom Solution Valves	42
P			
Parking Brake	30	Maintenance	
Parameters, Speedometer/Tachometer	63	Nozzle Inspection	
Preparing to Operate	22-26	Diaphragm	99
Pressure Washing System	54	Spray Tip	99
Pressure Gauges		Operating Instruction	40
Foamer System Air Pressure	49	Solution Pump	41
Pressure Washing System Pressure	54	Solution Switches	
Solution Spray System Pressure	41	Boom Solution Switches	42
		Main Solution Switch	42
		Solution Tank Shutoff Valves	44

INDEX

	PAGE		PAGE
Steering Column Tilt	66	Transporting Sprayer	69-70
Suction Filter	81	Tread Width	
T			
Table of Contents	3	Adjusting	
Tachometer	63	Hydraulically	32
Parameter Quick Reference Chart	64	Manually	22-23
Tires		Trouble Shooting Guide	104-112
Air Pressure	100	V	
Filling	100	Volt Meter	62
Mounting	100	W	
Specifications.....	21	Warning Decal Location	8-13
Toe-In		Warning Symbol Definitions	2
Adjusting.....	98	Warranty	113
Checking.....	97	Water Temperature Gauge	62
Torque Hubs®		Wheel Lug Nuts	94
Oil Level.....	76	Windshield Washer/Wiper	
Seal Boot Lubrication.....	85	Operation	61
Torque Values		Reservoir	79
Leg Mount Bolts	95	Winter Storage Directions	102-103
Wheel Lug Nuts	94		
Transom Assembly			
Lubricating	86		
Mounting.....	25		

NOTES
