



PARTS MANUAL FOR HAGIE GST 20

HAGIE MANUFACTURING COMPANY

721 CENTRAL AVENUE WEST
BOX 273
CLARION, IOWA 50525-0273

COVERS MACHINE SERIAL NUMBERS: GST20 17001-17500

09-16 493696
10-16, 03-17,
01-18, 06-18

**To obtain the most current parts manual for your machine,
please visit www.hagie.com.**

© 2016-18 Hagie Manufacturing Company. Clarion, Iowa USA



SPRAYER IDENTIFICATION

Each Hagie sprayer is identified by means of a frame serial number. This serial number denotes the model, the year in which it was built, and the number of the sprayer. As for further identification, the engine has a serial number and the planetary hubs have an identification plate that describe the type of mount and gear ratio. To ensure prompt, efficient service when ordering parts or requesting service repairs from your local John Deere dealer, record the serial and identification numbers in the spaces provided below.

NOTE: Reference to left hand and right hand used throughout this manual refers to the position when seated in the operator's seat facing forward.

This manual is not intended to be a complete guide for machine maintenance and repairs. If you are not properly trained to perform service on this machine, contact your local John Deere dealer for assistance. Improper maintenance or repair may result in property damage, personal injury, or death.

SPRAYER SERIAL NUMBER

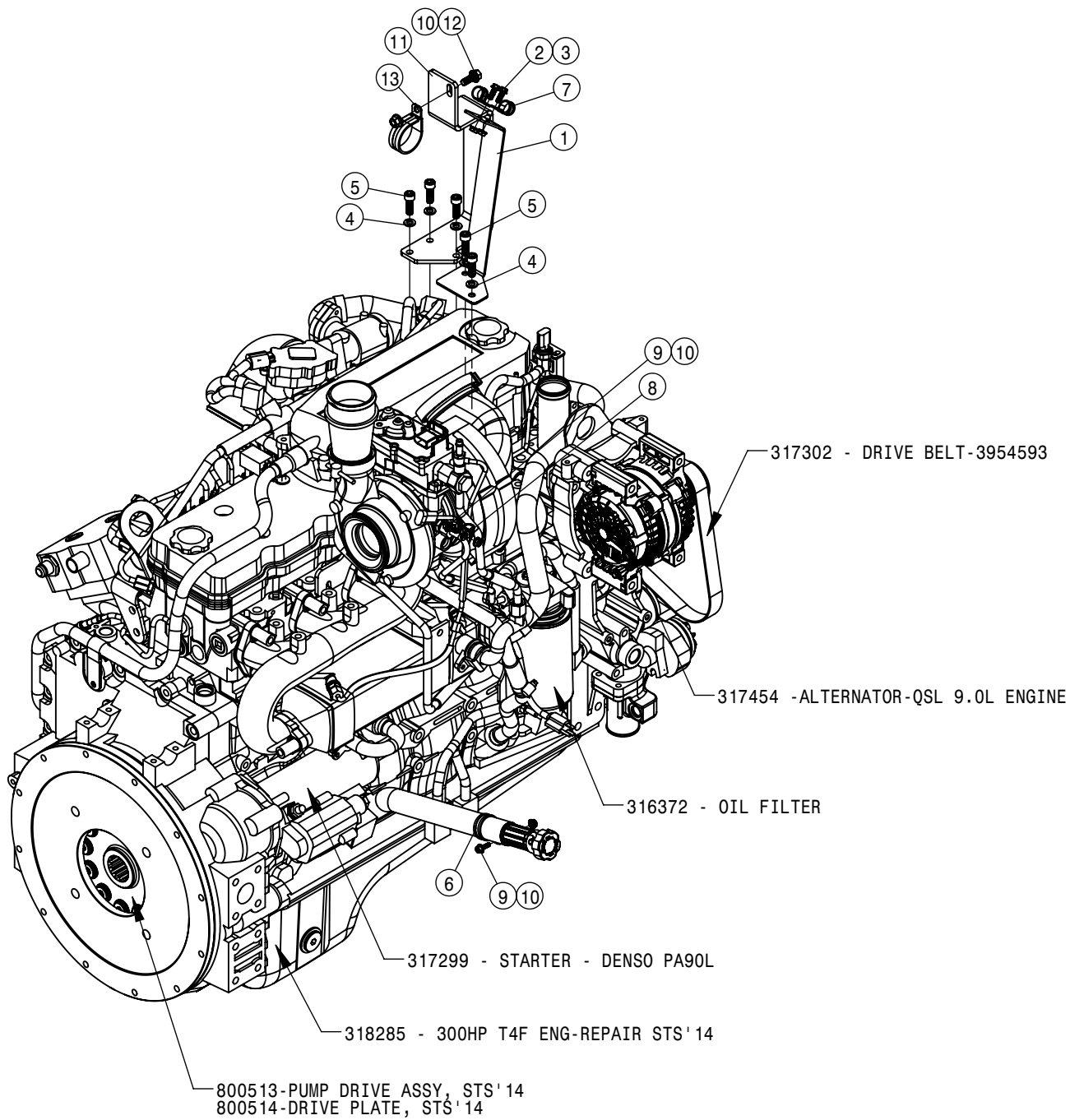
ENGINE SERIAL NUMBER

FILTER QUICK REFERENCE

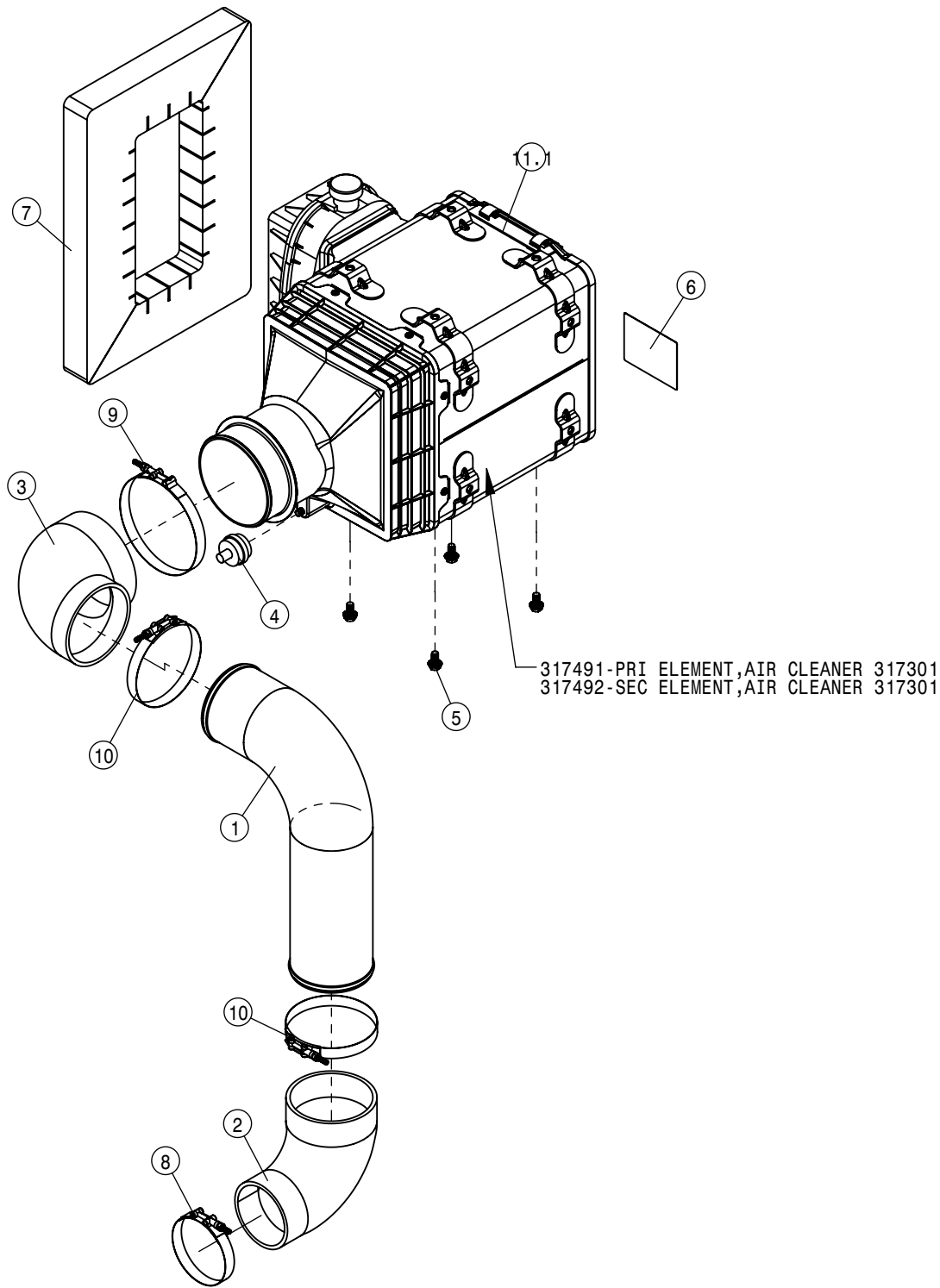
<u>QTY</u>	<u>P/N</u>	<u>DESCRIPTION</u>
1	605657	HYD OIL FILTER, CHARGE PUMP
1	605659	HYD TANK OIL FILTER
1	605663	CASE DRAIN OIL FILTER
1	605661	STEERING MOTOR OIL FILTER
1	657557	CAB PRECLEANER AIR FILTER
1	657558	CAB CHARCOAL FILTER
1	657559	CAB PAPER FILTER
		<u>T4F ENGINE</u>
1	317491	ENGINE AIR FILTER, PRIMARY
1	317492	ENGINE AIR FILTER, SECONDARY
1	316372	ENGINE OIL FILTER T3,T4I,T4F
1	317400	FUEL/WATER SEPERATOR T4F
1	317399	PRIMARY FUEL FILTER T4I,T4F

TABLE OF CONTENTS

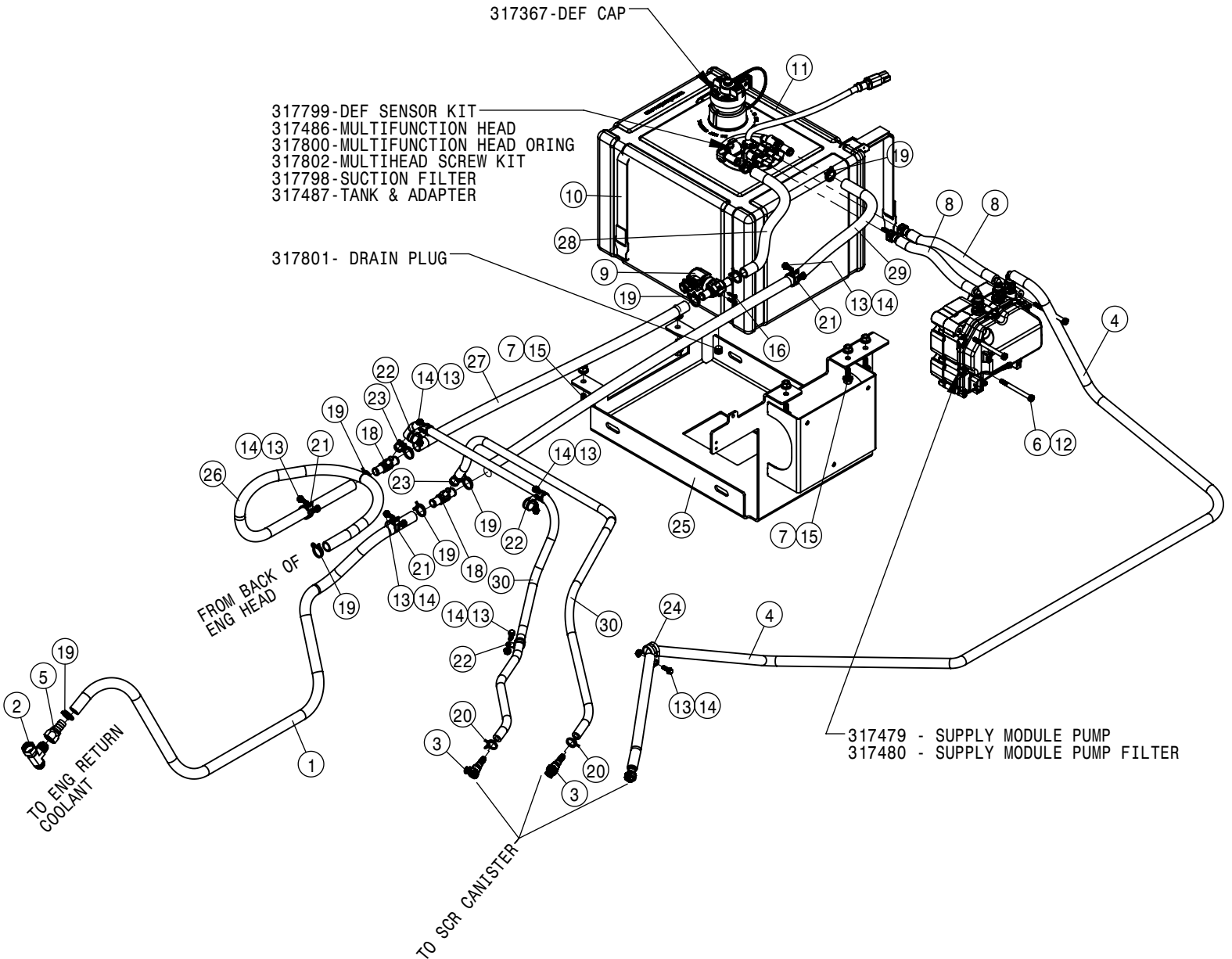
ENGINE ASSEMBLY T4F.....	4-10
CHASSIS ELECTRICAL.....	11
A/C AND HEATER LINES.....	12-13
HYDRAULIC HOISING.....	14-17
HYDRAULIC PUMP ASSEMBLY.....	18
WHEEL MOTOR ASSEMBLY.....	19-20
COMBO AUX OIL COOLER ASSEMBLY.....	21
HYDRAULIC TANK ASSEMBLY.....	22
HYDRAULIC COMPONETS.....	23-33
FUEL SYSTEM.....	34
LEG ASSEMBLIES.....	35-38
STEERING CYLINDER AND TIE ROD ASSEMBLY.....	39-43
TIRE ASSEMBLY.....	44
AIR BAG AND AIR SYSTEM.....	45-49
TREAD ADJUST ASSEMBLY.....	50-52
CAB ASSEMBLY.....	53-64
TOOLBOX OPTION.....	65
QUICK ATTACH.....	66
BULKHEAD AND BELLY PAN.....	67-68
ENGINE HOOD.....	69
BACK-UP CAMERA.....	70-71
SERVICE PLATFORM AND LADDER.....	72-73
SOLUTION SYSTEM.....	74-78
DELUGE SYSTEM.....	79-80
FENDER OPTION.....	81
BOOM CRADLE OPTION.....	82-83
BATTERY TENDER OPTION.....	84
SNOW PLOW ADAPTER.....	85-86
WIRING DIAGRAM.....	88-89
HYDRAULIC DIAGRAM.....	90-93
ABBREVIATIONS.....	94
INDEX.....	95



TIER-4F 300 HP ENGINE ASSEMBLY			
DET	QTY	P/N	DESCRIPTION
1	1	317380	T4I/T4F VENT HOSE BRACKET
2	2	470118	1/4 UNC X 3/4 SER FLG BOLT
3	2	470121	1/4 UNC SERR FLG LOCK NUT
4	5	473798	10MM LOCK WASHER
5	5	473844	10MM-1.50 X 30 SOC HD CAP SCR
6	1	520100	CUSH HOSE CLAMP,#24, 1 1/2D X 1/2W
7	2	520104	CUSH HOSE CLMP,#12, 3/4D x 1/2W
8	1	520118	CUSH CLAMP,#8 1/2D X 1/2W
9	2	470460	3/8UNC X 1 HHSFB GR5 MC
10	3	910106	3/8-16UNC CTRLK FLG NUT MC GR5
11	1	317280	PIPE SUPP
12	1	470460	3/8 X 1" SERR FLG BOLT
13	1	520161	CUSH CLAMP,#32 2"D-3/4W LOOP

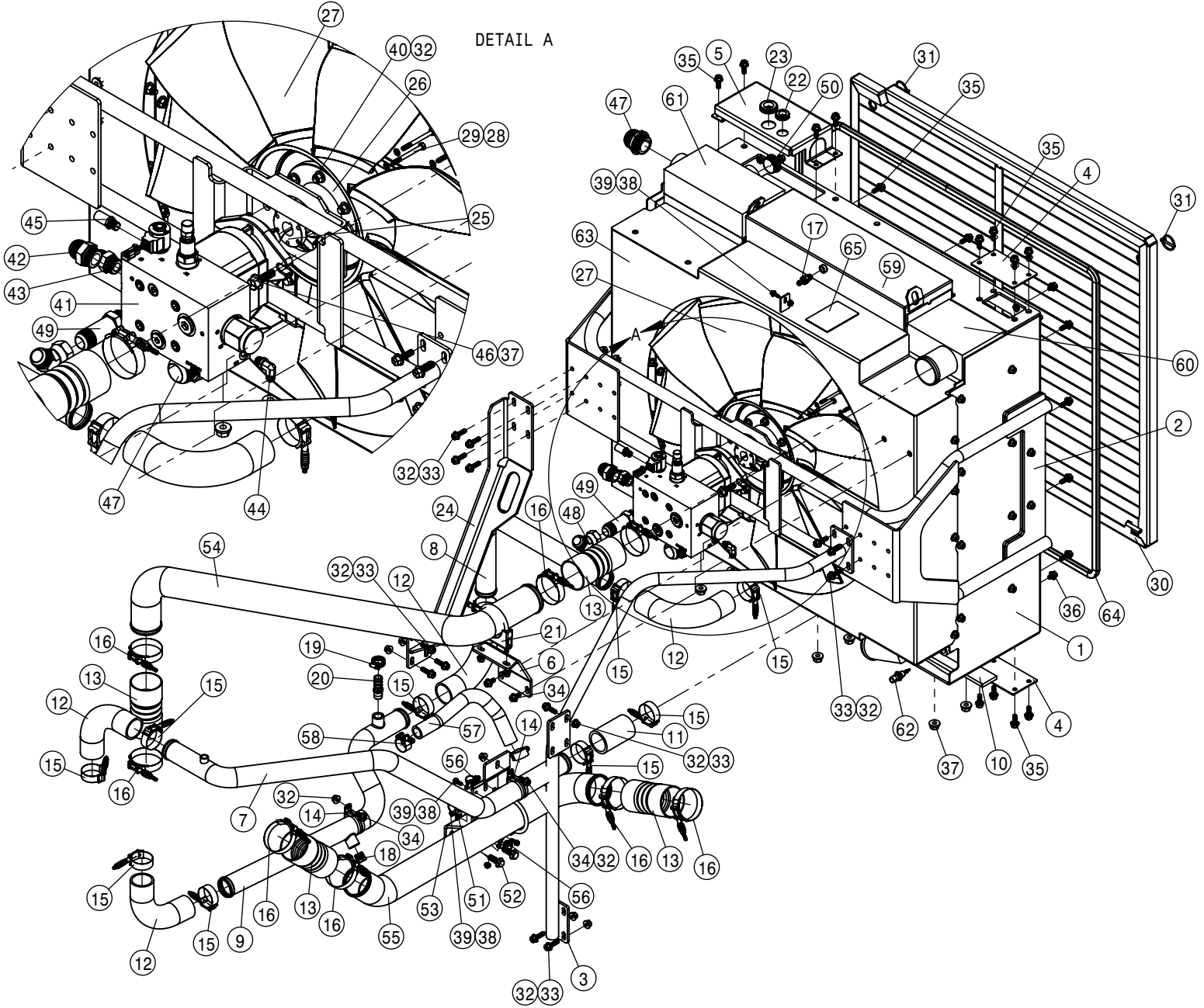


TIER-4F AIR CLEANER ASSEMBLY			
DET	QTY	P/N	DESCRIPTION
1	1	317267	AIR INTAKE PIPE
2	1	317287	ELBOW, 90 DEG 5" -4" (90L50R40)
3	1	317288	ELBOW 90L60R50SR
4	1	317355	AIR FILTER MINDER SWITCH
5	4	473875	10MM-1.5 X 20MM FLG SER BLT YZ
6	1	650367	AIR FILTER INSTRUCTION DECAL
7	1	660560	INTAKE AIR SEAL HOOD STS' 14
8	1	520134	4.31/4.59 T-BOLT HOSE CLAMP SS
9	1	520147	6.38/6.69 T-BOLT HOSE CLAMP
10	2	520148	5.38/5.69 T-BOLT HOSE CLAMP SS



TIER-4F DEF TANK ASSEMBLY			
DET	QTY	P/N	DESCRIPTION
1	1	601052	HOSE, MAIN RETURN
2	1	618333	7/8FJIC SW RUN TEE-7/8MJIC
3	2	618880	3/8 J2044 QUICK CONNECT
4	1	317330	PRESSURE HOSE ASMY
5	1	711101	5/8 HOSE BARB-7/8FJX ADPTR,BRS
6	3	900539	5/16UNC X 3 1/2 HHCS GR5 MC
7	5	910106	3/8-16UNC CTRLK FLG NUT MC GR5
8	2	317329	DEF SUCTION/THROTTLE HOSE ASSY
9	1	317359	COOLANT VALVE STS *14
10	2	317395	DEF TIE DOWN STRAP
11	1	317488	DEF TANK 10 GALLON
12	3	470113	5/16-18UNC HEX FLG NUT SER MC GR5
13	7	470118	1/4 UNC X 3/4 SER FLG BOLT
14	7	470121	1/4 UNC SERR FLG LOCK NUT
15	5	470460	3/8UNC X 1 HHSFB GR5 MC

TIER-4F DEF TANK ASSEMBLY			
DET	QTY	P/N	DESCRIPTION
16	2	472235	#10-32 UNF X 3/4 PHMS PH ZN
NS	5	490522	DEF FLUID 1 GAL
18	2	500285	3/8 x 5/8 x 5/8 MOLDED TEE
19	10	520081	HOSE CLAMP NO 14 DBL WIRE
20	2	520083	HOSE CLAMP NO 11.5 DBL WIRE
21	3	520101	CUSH HOSE CLAMP,#16, 1"D X 1/2W
22	5	520104	CUSH HOSE CLMP,#12, 3/4D X 1/2W
23	2	520120	HOSE CLAMP NO 4 STAINLESS
24	1	520121	CUSH CLAMP,#16 1IN X 3/4W
25	1	343950	DEF TANK CRADLE ASM
26	1	601039	HOSE, 5/8 X 39.4 HEATER
27	1	601040	DEF TANK SUPPLY HOSE 1
28	1	601041	DEF TANK SUPPLY HOSE 2
29	1	601042	DEF TANK RETURN HOSE
30	2	601051	HOSE, 3/8 X 46.00 HEATER

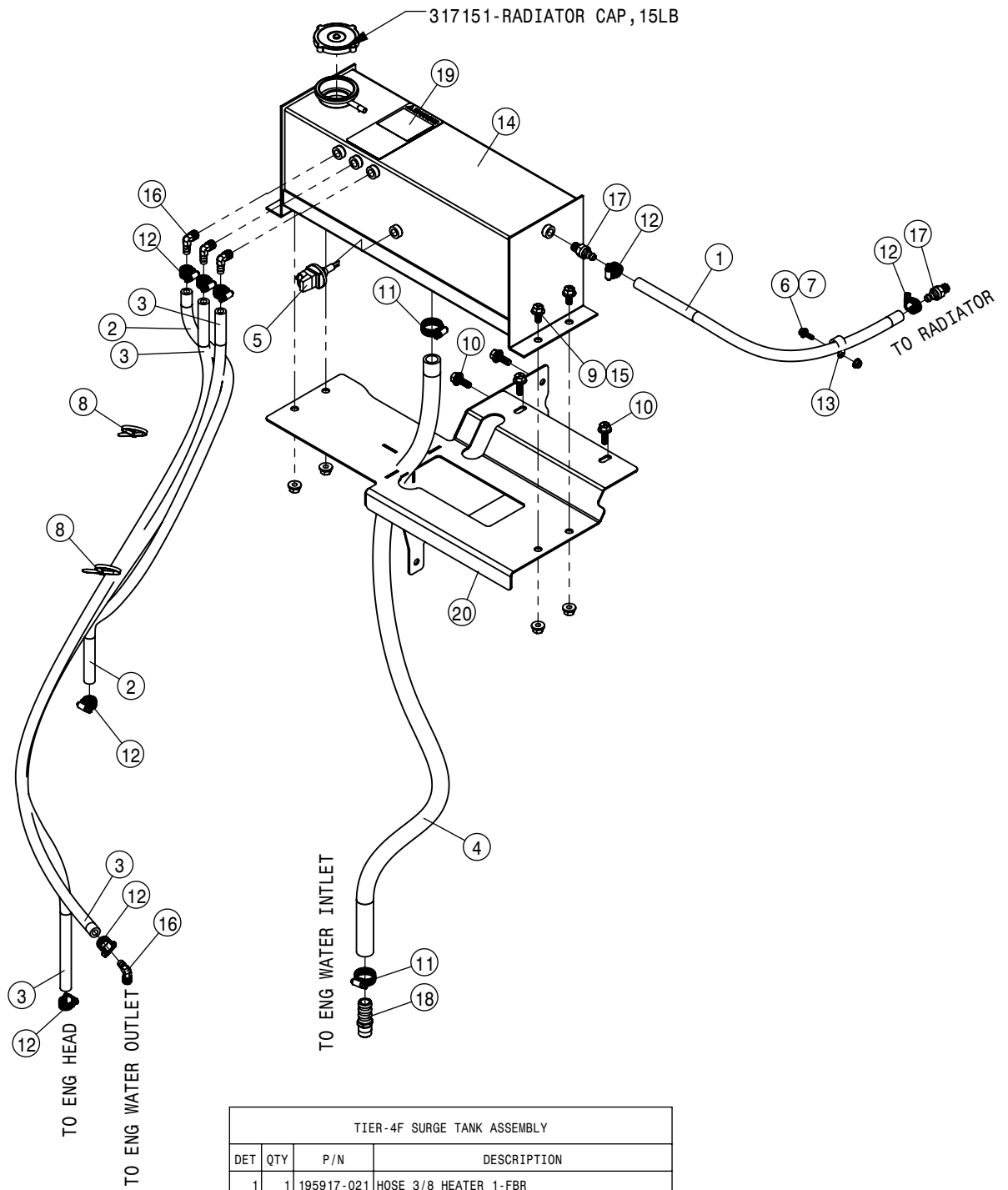


DETAIL A

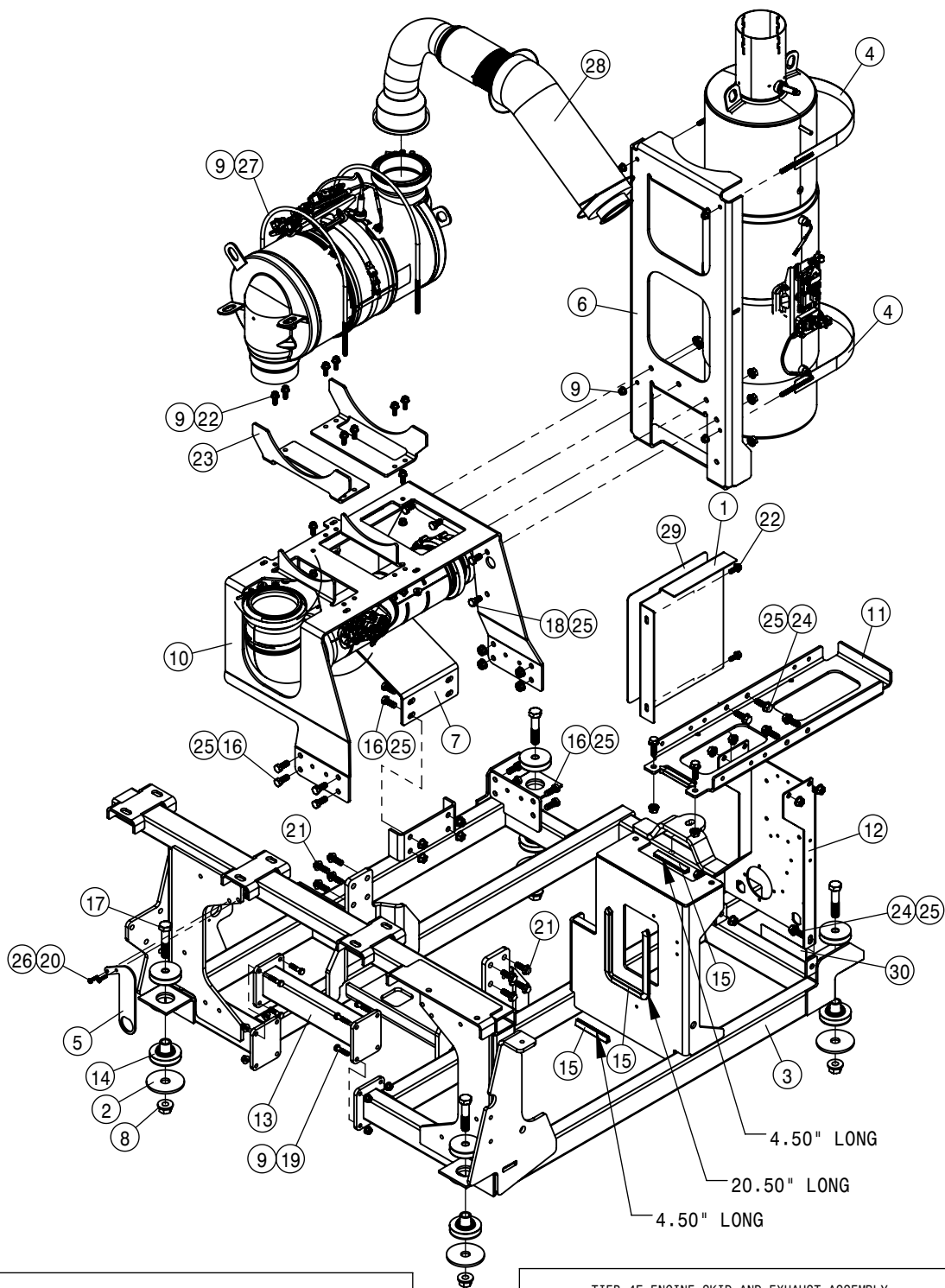
TIER-4F RADIATOR ASSEMBLY			
DET	QTY	P/N	DESCRIPTION
1	1	317771	QSB COOLING PKG FRM WLD, STS
2	1	317181	FAN FRAME WLD
3	1	317194	RH COOLING PKG SUPP WLD
4	2	317341	COOLING PKG FRAME COVER
5	1	317342	CONDENSATOR ACCESS COVER
6	1	317206	CAC PIPE SUPP
7	1	317199	PIPE - WATER OUTLET TO RAD
8	1	317200	PIPE - RAD TO WATER INLET 1
9	1	317201	PIPE - RAD TO WATER INLET 2
10	1	317202	COOLING PACKAGE ISOLATOR
11	1	317203	COOLANT HOSE
12	4	317204	COOLANT ELBOW
13	4	311592	3.00 X 6.00 CAC HOSE
14	2	520161	CUSH CLAMP,#32 2"D-3/4W LOOP
15	10	520177	2.13/2.44 CONT TEN CLAMP SS
16	8	520146	3.06/3.38 T-BOLT HOSE CLAMP SS
17	1	712100	1/4NPT X 3/8 HOSE FTG,PUSHLOCK
18	1	505231	PIPE PLUG .50NPT HEX HD BRS
19	1	520055	HOSE CLAMP NO 12 STAINLESS
20	1	712440	1/2 NPT X 3/4 HOSE BARB
21	2	470160	MUFFLER CLAMP 3.00 IN
22	1	470203	GROMMET, .750ID .125GW 1.062GD

TIER-4F RADIATOR ASSEMBLY			
DET	QTY	P/N	DESCRIPTION
23	1	470204	GROMMET,1.000ID .125GW 1.375GD
24	1	317390	SUPPORT BRACE COOLING PACK
25	1	317536	SPLIT BUSHING ADPTR
26	1	317537	FAN HUB
27	1	317535	32" ENGINE FAN
28	3	920500	1/4 LOCK WASHER
29	3	900009	1/4UNC X 2 3/4 HEX BOLT
30	1	317774	INTAKE SCREEN WLD, STS '17
31	2	470335	LINCHPIN, 3/16 X 1 1/4 GRIP
32	48	910106	3/8-16UNC CTRLK FLG NUT MC GR5
33	15	470329	3/8UNC X 1 1/4 HHSFB GR5 MC
34	4	470409	3/8UNC X 3/4 HHSFB GR5 MC
35	56	470460	3/8UNC X 1 HHSFB GR5 MC
36	2	470319	3/8UNC X 1/2 HHSFB GR5 MC
37	8	914015	1/2-13UNC CTRLK FLG NUT MC GR5
38	4	470118	1/4 UNC X 3/4 SER FLG BOLT
39	4	470121	1/4 UNC SERR FLG LOCK NUT
40	6	900517	1/2UNC X 1 1/4 HHSFB GR5 MC
41	1	606613	35CC FAN MOTOR ASSY
42	1	618186	1 5/16MJIC-1 5/16MOR ADPTR
43	1	611127	1 1/16MJIC-1 1/16MOR ADPTR
44	1	618119	9/16MJIC-90-9/16MOR LBO

TIER-4F RADIATOR ASSEMBLY			
DET	QTY	P/N	DESCRIPTION
45	1	619023	9/16 MOR DIAGNOSTIC FITTING
46	2	470431	1/2UNC X 1 1/2 HHSFB GR5 MC
47	2	618682	1 7/8MOR-1 7/8MJIC ADPTR
48	1	618630	1 5/16MJ-45-1 5/16FJ SWIV LBO
49	1	618610	1 5/16MJIC-1 5/16MOR LG ADPTR
50	1	618759	1 5/8MOR PLUG, HEX SOCKET
51	1	520121	CUSH CLAMP,#16 1IN X 3/4W
52	2	473855	12MM-1.75 X 35MM SM FLG BOLT
53	1	317327	CAC / RAD PIPE SUPP
54	1	317392	PIPE T4F CAC HOT SIDE
55	1	317490	PIPE - CAC TO INTAKE
56	2	520104	CUSH HOSE CLMP,#12, 3/4D X 1/2W
57	1	601992	HOSE, 1" SAE J20R2-D1 EPDM
58	2	520138	1.38/1.56 T-BOLT HOSE CLAMP
59	1	317169	RADIATOR STS'14
60	1	317170	CHARGE AIR COOLER STS'14
61	1	317171	HYD OIL COOLER STS'14
62	1	290098	TEMP SENDER - CAC
63	1	318318	FAN SHROUD WLD W/DECAL
64	1	193070-157	SEAL - ACCESS PANEL
65	1	T188283	LABEL, WARNING,FAN GUARD,ENG

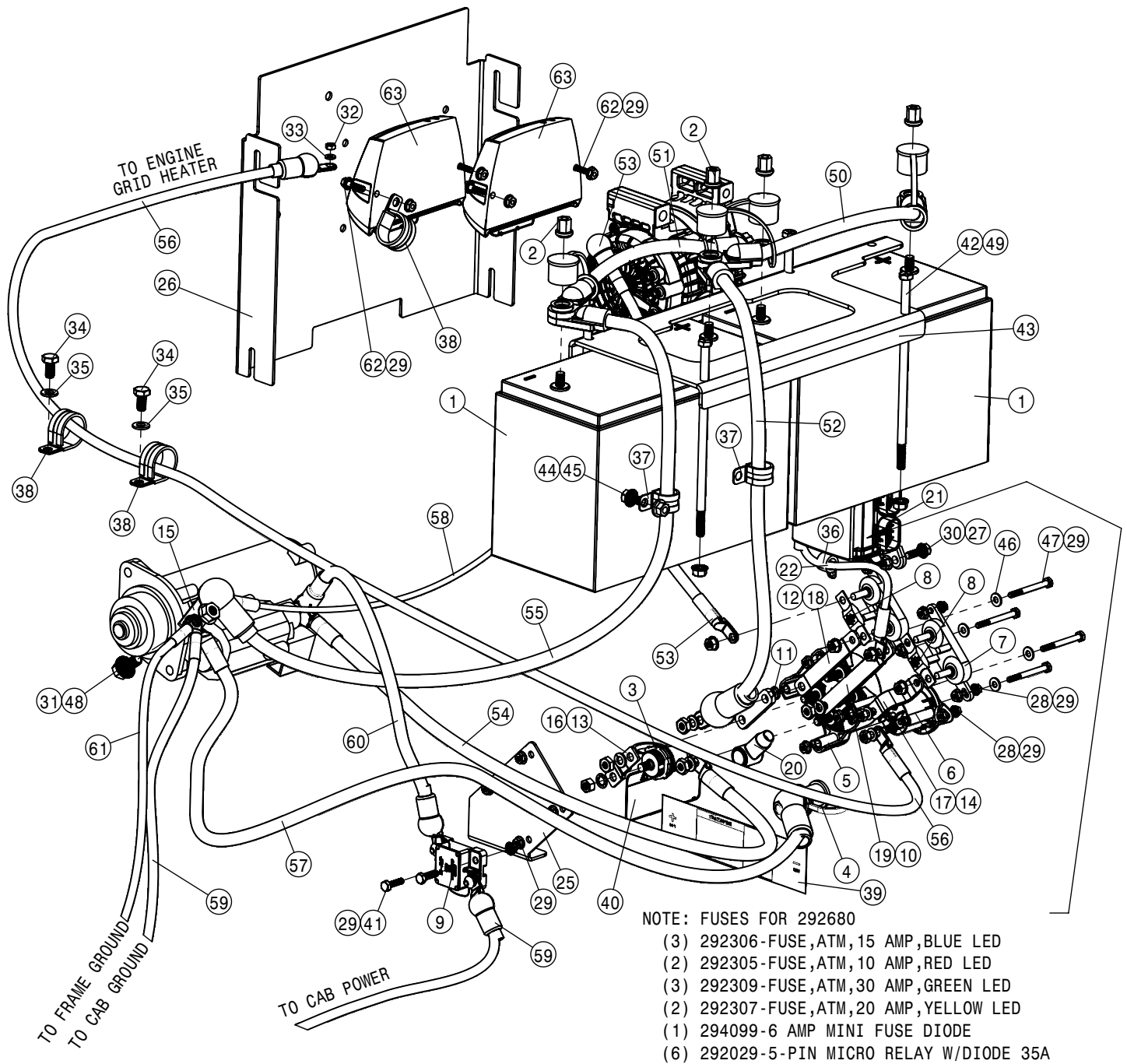


TIER-4F SURGE TANK ASSEMBLY			
DET	QTY	P/N	DESCRIPTION
	1	317151-RADIATOR CAP, 15LB	
1	1	195917-021	HOSE 3/8 HEATER 1-FBR
2	1	195917-031	HOSE 3/8 HEATER 1-FBR
3	2	195917-049	HOSE 3/8 HEATER 1-FBR
4	1	195924-048	HOSE 3/4 HEATER 1-FBR BR 20R3
5	1	317157	SENSOR, LOW COOLANT T4I STS
6	1	470118	1/4UNC X 3/4 HHSFB GR5 MC
7	1	470121	1/4-20UNC HEX FLG NUT SER MC GR5
8	2	470154	CABLE TIE, 11.00" BLK NYLON
9	4	470409	3/8UNC X 3/4 HHSFB GR5 MC
10	6	470460	3/8UNC X 1 HHSFB GR5 MC
11	2	520055	HOSE CLAMP NO 12 STAINLESS
12	8	520069	HOSE CLAMP NO 6 STAINLESS
13	1	520117	CUSH HOSE CLAMP, #10, 5/8D X 1/2W
14	1	318317	RESERVOIR TANK STS W/DECAL
15	4	910106	3/8-16UNC CTRLK FLG NUT MC GR5
16	4	711104	1/4MNPT-90-3/8 HOSE BARB, BRS
17	2	712100	1/4NPT X 3/8 HOSE FTG,PUSHLOCK
18	1	712440	1/2 NPT X 3/4 HOSE BARB
19	1	H228964	LABEL, PRESSURE COOLING SYSTEM
20	1	317795	SURGE TANK SUPP WLD



TIER-4F ENGINE SKID AND EXHAUST ASSEMBLY			
DET	QTY	P/N	DESCRIPTION
1	1	317254	BATTERY HEAT SHIELD
2	4	311091	SNUBBING WASHER FOR 311090
3	1	318164	ENG SKID FRAME T4F W/DECAL
4	2	317531	SCR SUPPORT STRAP WELD
5	1	317368	WIRE HARNESS BLKHD
6	1	317314	SCR MOUNT
7	1	317313	SCR SUPP STIFFNER
8	4	910111	3/4-10UNC CTRLK FLG NUT MC GR5
9	26	910106	3/8-16UNC CTRLK FLG NUT MC GR5
10	1	317312	SCR PLATE
11	1	317253	BATT MOUNT
12	1	317249	BATTERY STAND
13	1	317248	FRAME SPACER WLD
14	4	311057	RUBBER MT SET,SSB33-1000-4
15	3.14	193012	QUICKEDGE TRIM .135 TO .250

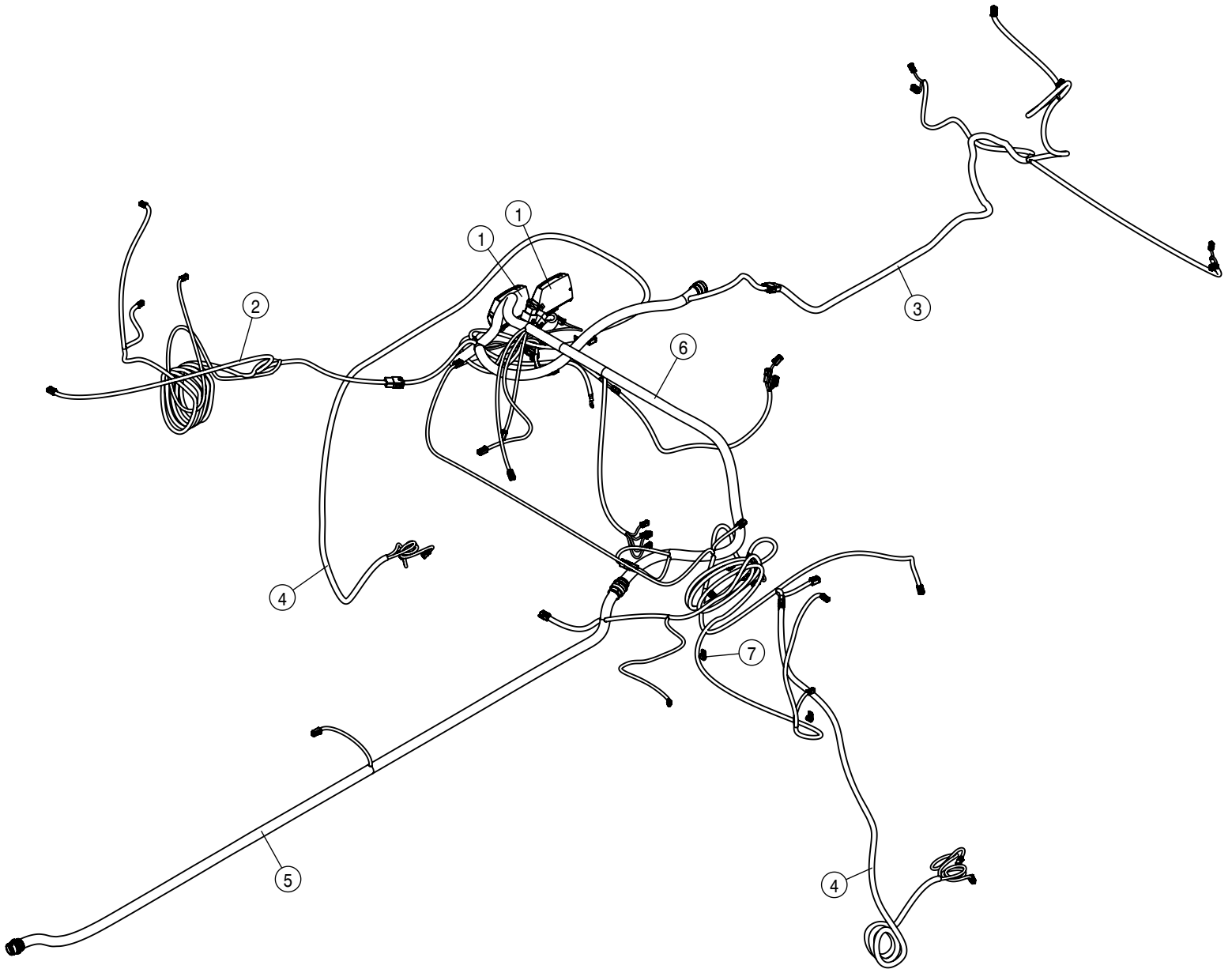
TIER-4F ENGINE SKID AND EXHAUST ASSEMBLY			
DET	QTY	P/N	DESCRIPTION
16	12	900264	1/2UNC X 1 1/4 HEX BOLT
17	4	900408	3/4UNC X 3 1/2 HEX BOLT
18	5	900263	1/2UNC X 1" HEX BOLT
19	8	900131	3/8UNC X 1 1/2 HEX BOLT
20	2	900003	1/4UNC X 1 HHCS GR5 MC
21	8	473855	12MM-1.75 X 35MM SM FLG BOLT
22	12	470460	3/8UNC X 1 HHSFB GR5 MC
23	2	317321	DOC INNER REST STS'14
24	8	470431	1/2UNC X 1 1/2 SERR FLG BOLT
25	25	470360	1/2UNC SERR FLG HEX NUT
26	2	470121	1/4-20UNC HEX FLG NUT SER MC GR5
27	2	317322	3/8UNC-11.63ID-14.5 UBOLT
28	1	317244	PIPE, T4F - TURBO - DOC
29	1	317256	REFLECTIVE HEAT SHIELD
30	1	650517	BTRY DISCONNECT PANEL DECAL



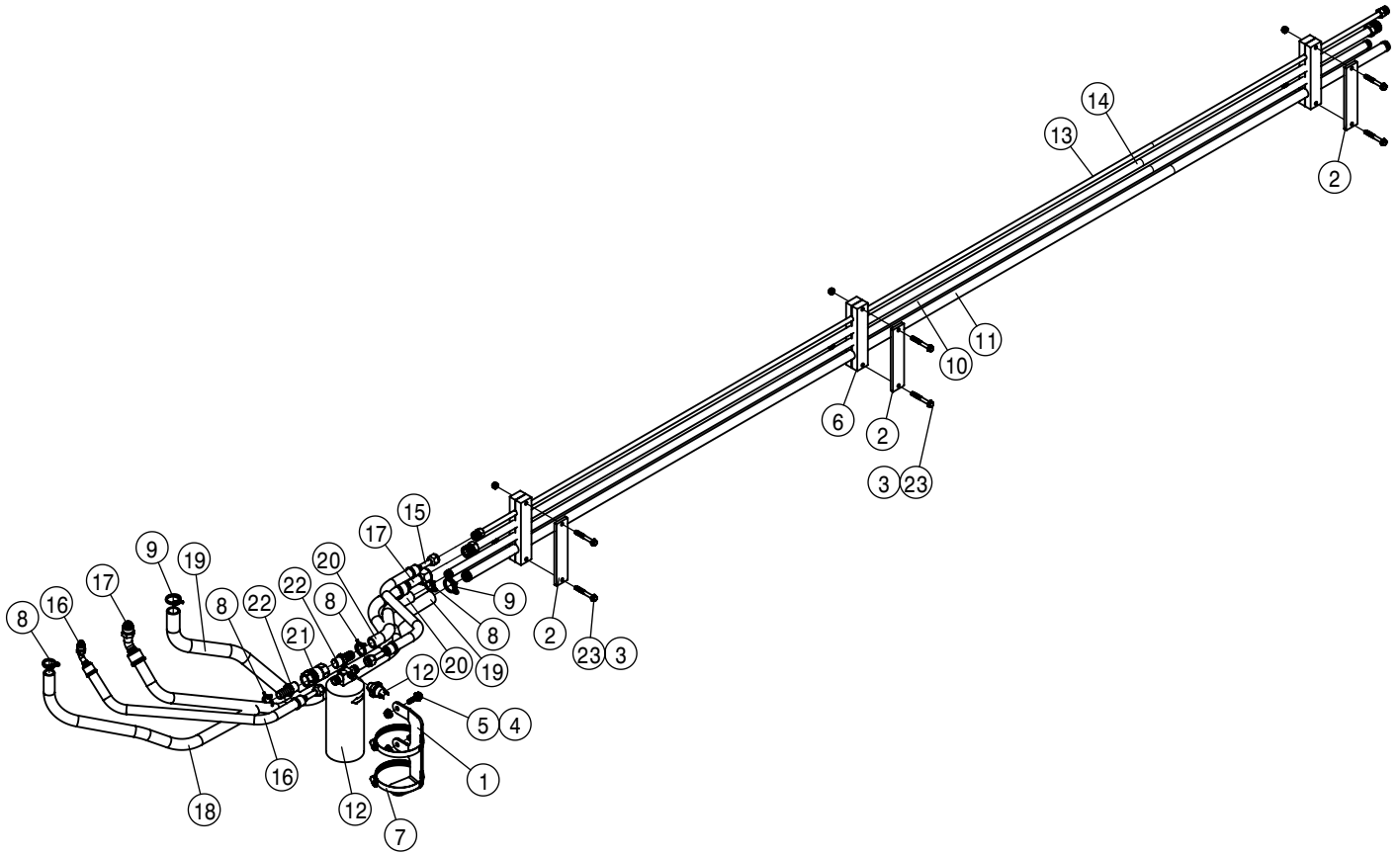
TIER-4F BATTERY AND CABLE ASSEMBLY			
DET	QTY	P/N	DESCRIPTION
1	2	291196	BATTERY,12V 900CCA, SS STUD
2	4	291205	BATTERY NUT,3/8-16 SS CLSD CAP
3	1	291680	POSITIVE JUMPER STUD, RED
4	1	291681	NEGATIVE JUMPER STUD, BLACK
5	1	291957	BATTERY SWITCH, DUAL CIRCUIT
6	1	292505	MCR
7	2	292578	HIGH AMP FUSE HOLDER W/COVER
8	2	292641	FUSE, 250 AMP 32 VOLT DC
9	1	292642	CIRCUIT BREAKER,150 AMP BUSS
10	1	292651	BUSBAR, MD TO GRID HEAT FUSE
11	1	292652	BUSBAR, MASTER DISC. JUMPER
12	1	292653	BUSBAR, MD TO ALT. FUSE
13	1	292654	BUSBAR, POST TO MD
14	1	292655	BUSBAR, MCR TO FUSE
15	1	292671	BUSBAR, GND EXT
16	1	292673	HEAT SHRINK, RED .75 X .03 X 1 1/2"
17	1	292674	HEAT SHRINK, RED .75 X .03 X 2 1/2"
18	1	292675	HEAT SHRINK, RED .75 X .03 X 3 1/2"
19	1	292676	HEAT SHRINK, RED .75 X .03 X 4 1/2"
20	1	292677	RUBBER BOOT (RED) 2 TO 2/0 GAUGE
21	1	292680	VEC

TIER-4F BATTERY AND CABLE ASSEMBLY			
DET	QTY	P/N	DESCRIPTION
22	1	292683	VEC POWER CABLE
NS	1	294226	TIER 4F HARNESS ASSY
NS	1	294253	AFTERTREATMENT HARNESS
25	1	317345	MST DISC. COVER
26	1	362037	MODULE BOX REMOVABLE COVER
27	4	470113N	5/16UNC SERR FLG LOCK NUT SS
28	6	470118	1/4 UNC X 3/4 SER FLG BOLT
29	20	470121	1/4-20UNC HEX FLG NUT SER MC GR5
30	4	470234N	5/16UNC X 1" SERR FLG BOLT SS
31	1	470360	1/2UNC SERR FLG HEX NUT
32	1	473767	6MM-1.00 HEX NUT
33	1	473768	6MM LOCK WASHER
34	2	473793	10MM-1.50 X 20MM HEX BOLT GR8
35	2	473799	10MM FLAT WASHER
36	1	520117	CUSH HOSE CLAMP,#10, 5/8D X 1/2W
37	2	520121	CUSH CLAMP,#16 1IN X 3/4W
38	3	520160	CUSH CLAMP,#24 1 1/2D-3/4WLOOP
39	1	650295	IMPORTANT/ NEG/ POS DECAL
40	1	650296	CAUTION DECAL
41	2	900003	1/4UNC X 1" HEX BOLT
42	4	900150	3/8UNC X 9 1/2 HHCS GR5 MC

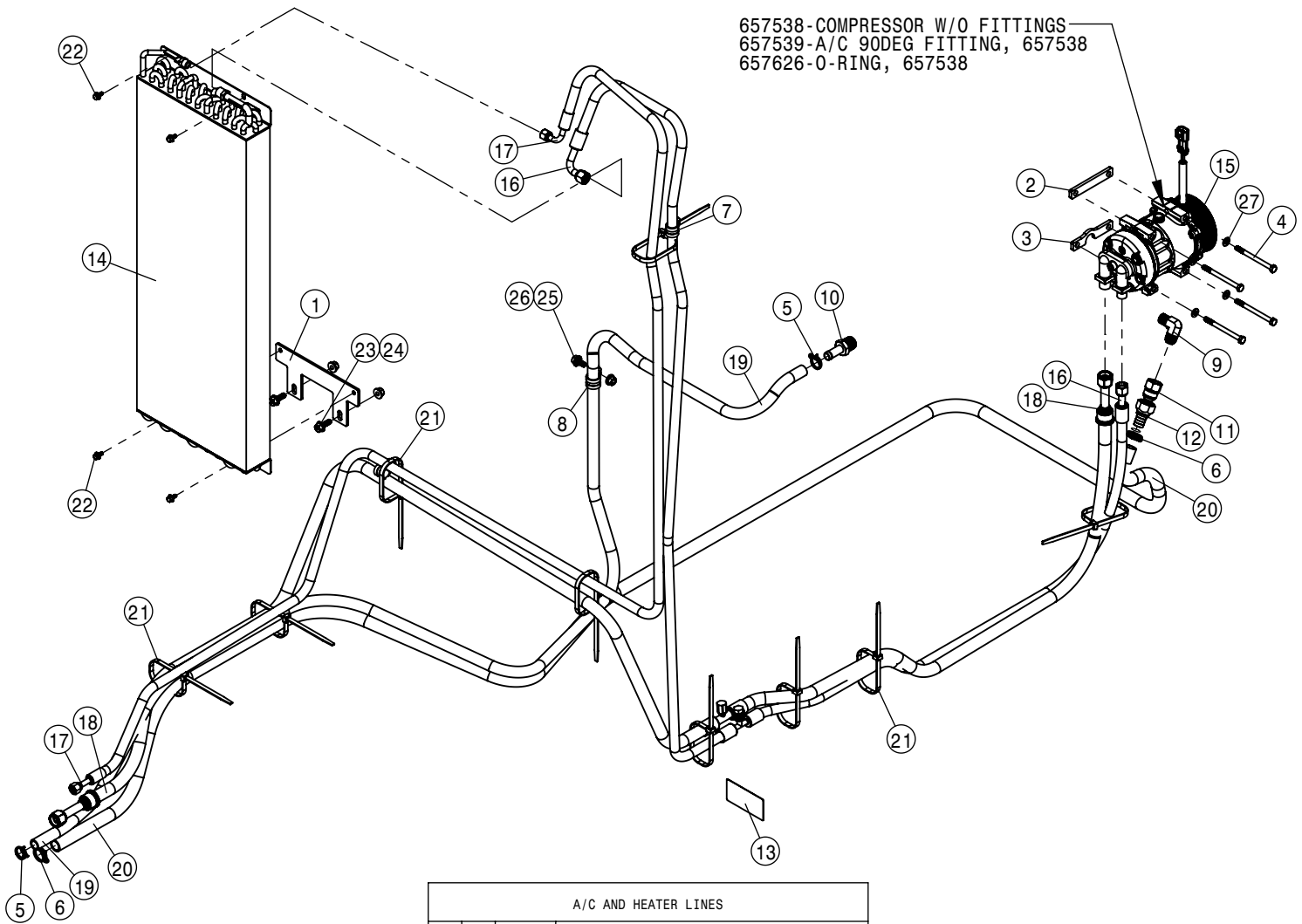
TIER-4F BATTERY AND CABLE ASSEMBLY			
DET	QTY	P/N	DESCRIPTION
43	1	317446	BATTERY CLAMP
44	1	910106	3/8-16UNC CTRLK FLG NUT MC GR5
45	1	470409	3/8UNC X 3/4 HHSFB GR5 MC
46	4	910112	SAE FLAT WASHER 1/4 SS
47	4	900465	1/4UNC X 2 1/2 HHCS SS
48	1	900516	1/2UNC X 1 HHSFB GR5 MC
49	4	470087	3/8-16UNC HEX FLG NUT SER MC GR5
50	1	292660	BATT CABLE,RED 18"2/0 3/8-3/8
51	1	292659	BATT CABLE, BLK 16"2/0 3/8-3/8
52	1	292661	BATT CABLE,RED 34"2/0 3/8-3/8
53	1	292656	BATT CABLE,RED 20" 1/0 5/16-5/16
54	1	292665	BATT CABLE, RED 42"2/0 1/2-3/8
55	1	292662	BATT CABLE,BLK 47"2/0 3/8-1/2
56	1	292670	BATT CABLE,RED 94"2GA 1/4-5/16
57	1	292664	BATT CABLE,BLK 45"2/0 1/2-3/8
58	1	292657	BATT CABLE,BLK 35"2GA 1/2-1/4
59	1	292668	CAB PWR,GND CABLE ASY
60	1	292669	BATT CABLE,RED 21"1/0 1/2-1/4
61	1	292658	BATT CABLE,BLK 75"2GA 3/8-1/2
62	4	470231	1/4UNC X 1 HHSFB GR5 MC
63	2	292086	IQAN-XA2 MODULE->611



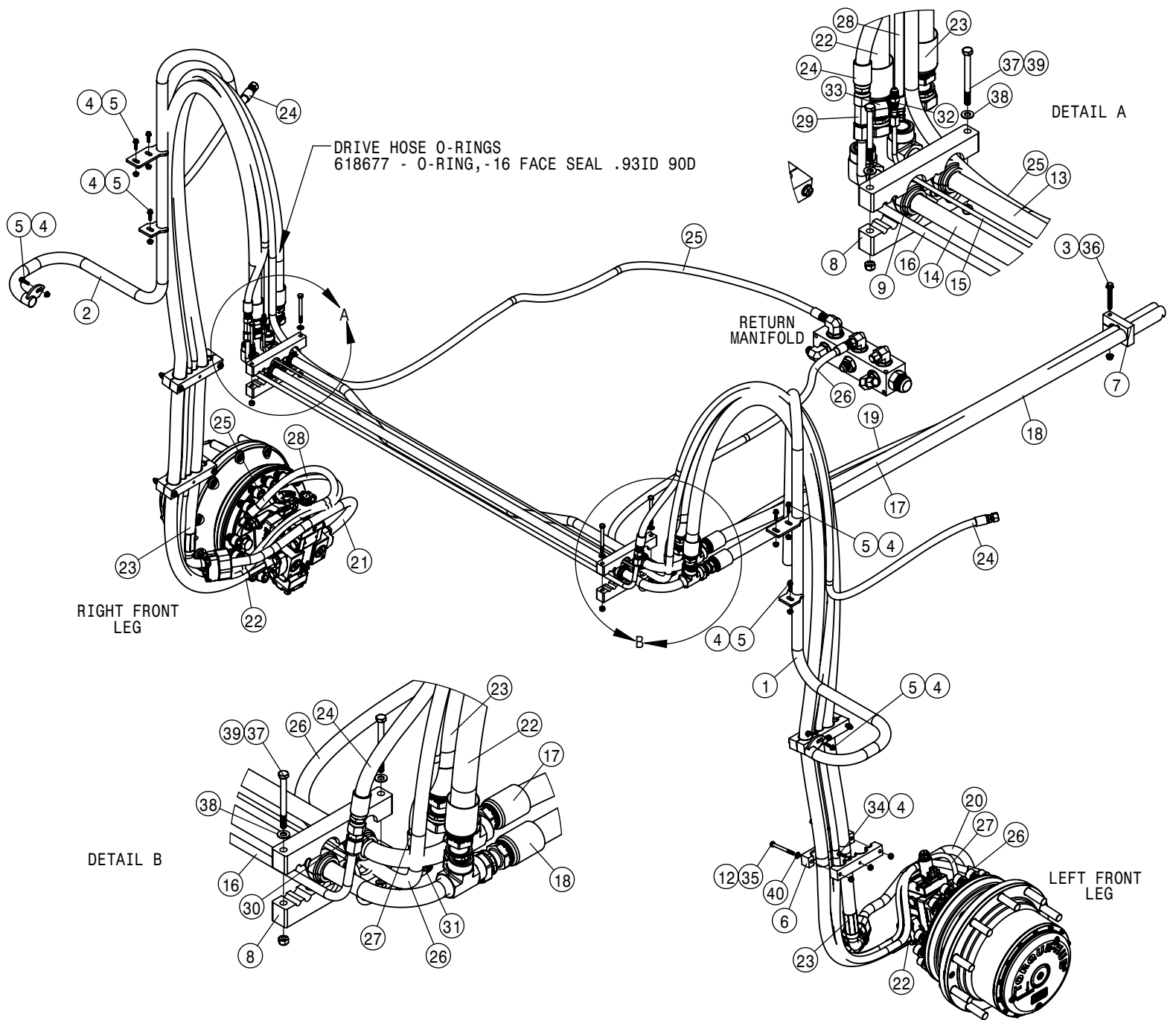
CHASSIS ELECTRICAL HARNESS			
DET	QTY	P/N	DESCRIPTION
1	2	292086	IQAN-XA2 MODULE->611
2	1	294223	REAR/MID RIGHT HARNESS STS '14
3	1	294227	REAR LIGHT HARNESS STS '14
4	2	294229	WHEEL MOTOR HARNESS STS '14
5	1	294243	FRT/BACK HARNESS, L/F STS '14
6	1	294356	HARNESS,REAR MODULE STS '17
7	2	520167	CUSH CLAMP,#6 3/8D X 3/4W



A/C AND HEATER LINES			
DET	QTY	P/N	DESCRIPTION
1	1	317145	A/C DRYER MT
2	3	342718	HYD TUBE CLAMP KEEPER, 6.00
3	6	470089	1/4UNC HEX NYL-LOC NUT
4	2	470113	5/16UNC SERR FLG LOCK NUT
5	2	470234	5/16UNC X 1" SERR FLG HEX BOLT
6	3	470695	TUBE CLAMP BODY,4HOLE.375-.750
7	2	520052	HOSE CLAMP NO 52 STAINLESS
8	4	520081	HOSE CLAMP NO 14 DBL WIRE
9	2	520082	HOSE CLAMP NO 16 DBL WIRE
10	1	615919	M/F TUBE ASSY 103" L/F
11	1	615922	M/F TUBE ASSY 103" L/F
12	1	657438	RECEIVER DRIER W/SWITCH
13	1	657481	A/C TUBE ASSY, .375OD,STS16
14	1	657483	A/C TUBE ASSY, .625OD,STS16
15	1	657586	A/C HOSE,06-06F-06F-21.5
16	1	657587	A/C HOSE, 06-06F-06M45-23.9
17	1	657588	A/C HOSE, 10-10F-10M45-41
18	1	657592	HOSE, 5/8 x 23 HEATER
19	1	657610	HOSE, 3/4 x 36 HEATER
20	1	657618	HOSE, 5/8 x 10 HEATER
21	1	696011	1/2 NPT FEMALE BALL VALVE
22	2	716007	1/2 x 5/8 HOSE BARB
23	6	900007N	1/4 UNC X 2 SER FLG BOLT SS

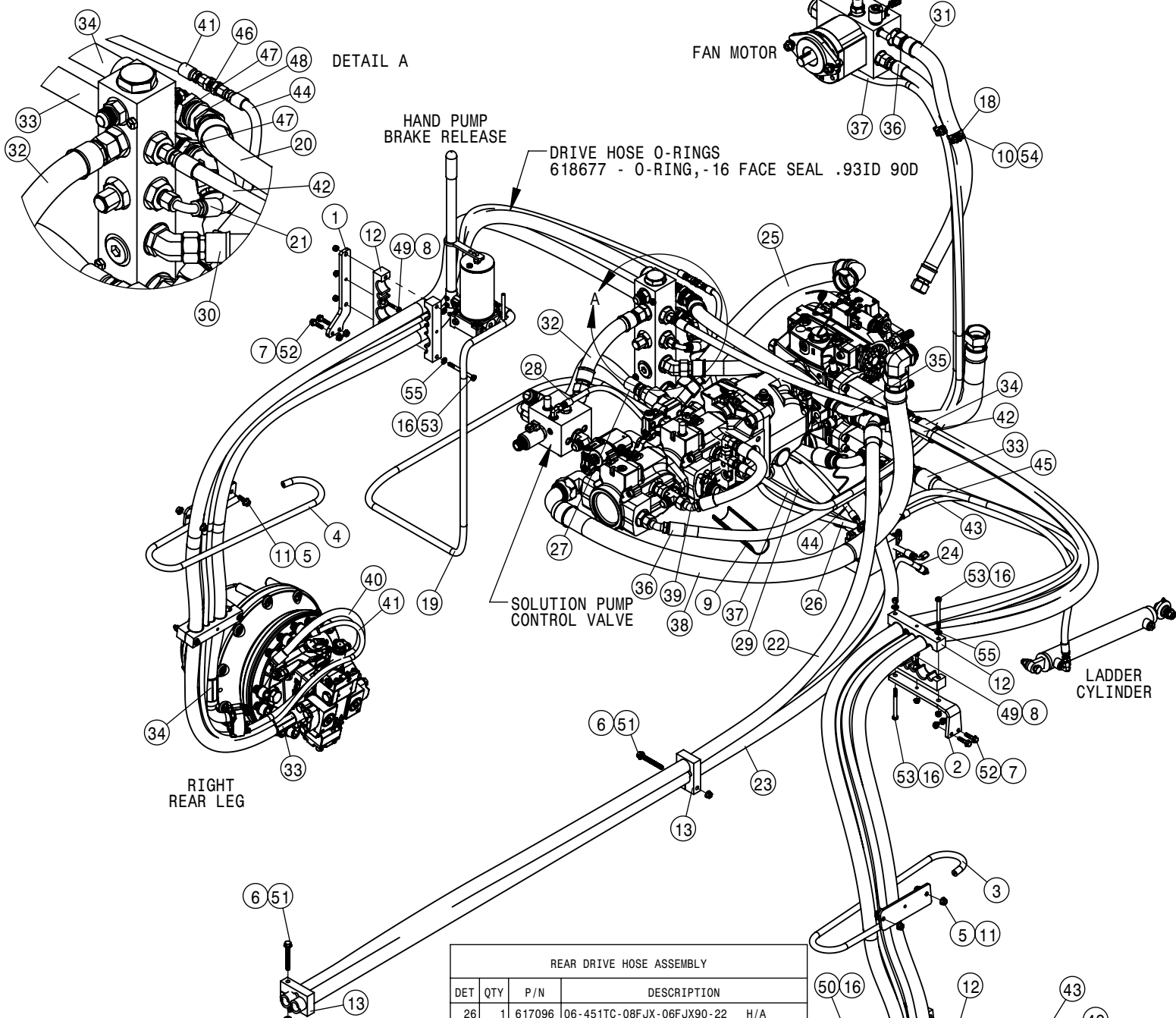


A/C AND HEATER LINES			
DET	QTY	P/N	DESCRIPTION
1	1	317450	A/C COND BRKT WLD
2	1	317673	SPACER-A/C COMPRESSOR (TOP)
3	1	317674	SPACER-A/C COMPRESSOR (BOTTOM)
4	4	473868	8MM-1.25 X 100MM HEX BOLT
5	2	520081	HOSE CLAMP NO 14 DBL WIRE
6	2	520082	HOSE CLAMP NO 16 DBL WIRE
7	2	520115	CUSH CLAMP,#12 0.75"D-3/4W LOOP
8	1	520121	CUSH CLAMP,#16 1IN X 3/4W
9	1	611124	7/8MJIC-90-1/2MNPT LBO
10	1	618949	5/8 HOSE BARB - 3/4MNPT
11	1	618954	7/8FJIC-1 1/16MJIC
12	1	618955	3/4 HOSE BARB-1 1/16FJX ADPTR
13	1	650542	DECAL, NOTICE R134A, 4.00LB
14	1	657457	COIL, COND 12 X 31.6
15	1	657537	A/C COMPRESSOR
16	1	657579	A/C HOSE,08-08F-SV-08F90-138
17	1	657581	A/C HOSE,06-06F-06F90-136
18	1	657589	A/C HOSE,12-10F-SV-10F-148"
19	1	657593	HOSE, 5/8 x 112 HEATER
20	1	657611	HOSE, 3/4 x 135 HEATER
21	9	470555	CABLE TIE, 1/2 X 15" BLACK NYLON
22	4	910122	1/4UNC X 1/2 HHSFB SS
23	2	470460	3/8UNC X 1 HHSFB GR5 MC
24	2	472043	OBS USE 910042
25	1	470409	3/8UNC X 3/4 HHSFB GR5 MC
26	1	910106	3/8-16UNC CTRLK FLG NUT MC GR5
27	4	910113	SAE FLAT WASHER 5/16 SS



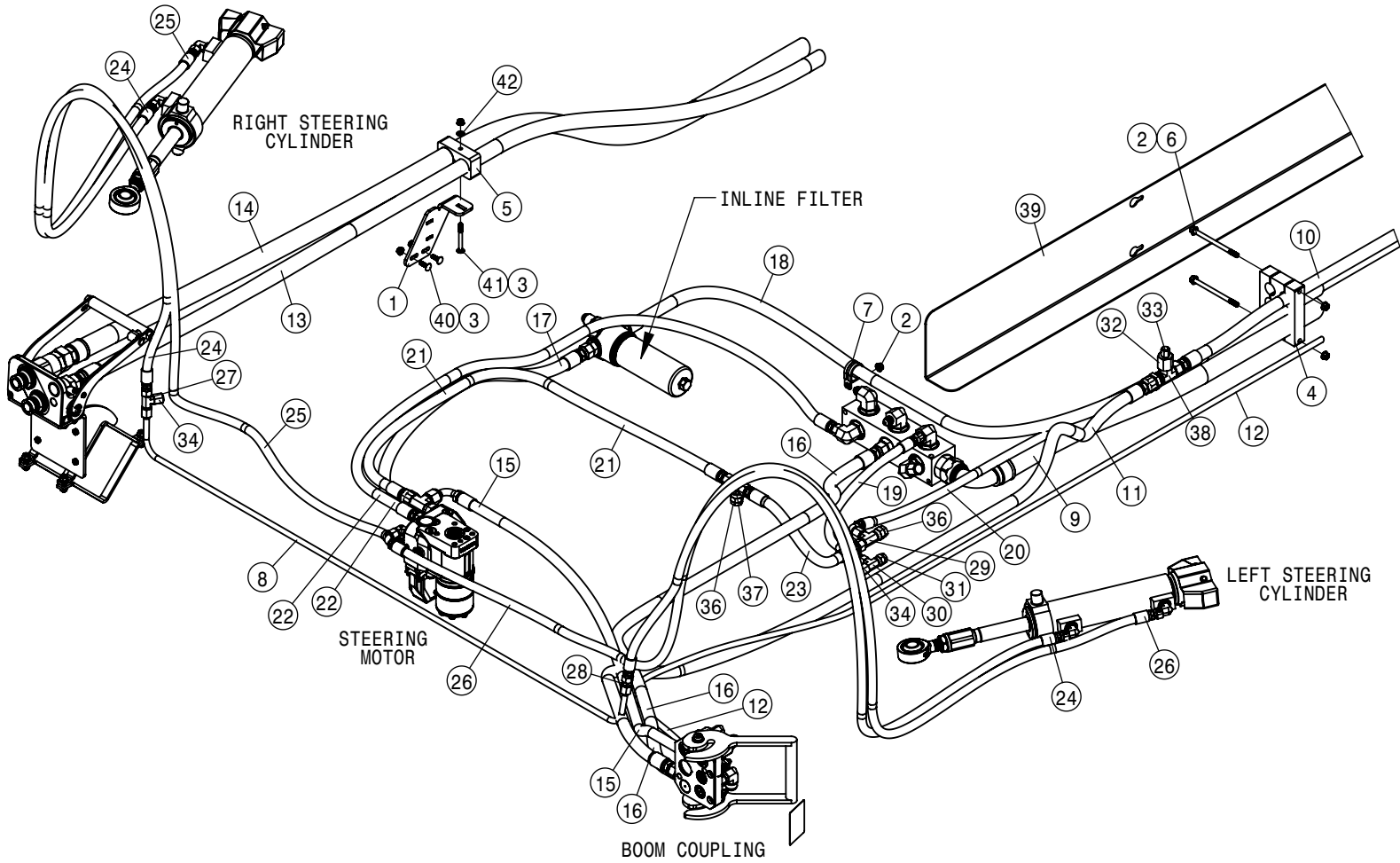
FRONT DRIVE HOSE ASSEMBLY			
DET	QTY	P/N	DESCRIPTION
1	1	362590	LH WEAR BAR WLD
2	1	362591	RH WEAR BAR WLD
3	1	470087N	3/8UNC HEX SERR FLG NUT YZ
4	12	470121	1/4-20UNC HEX FLG NUT SER MC GR5
5	8	470231	1/4UNC X 1 HHSFB GR5 MC
6	4	470672	HOSE CLAMP, 5-HOLE
7	1	470673	HOSE CLAMP, 4-HOLE
8	2	470685	HOSE CLAMP
9	4	470686	RUBBER INSERT, CLAMP
NS	1	470762	SIDEWINDER SLEEVE RH
NS	1	470763	SIDEWINDER SLEEVE LH
12	8	473001	5/16-18UNC NYLOCK NUT MC GR5
13	1	615913	TUBE ASSY 1"OD 16-ORFS
14	1	615914	TUBE ASSY 1"OD 16-ORFS
15	1	615916	TUBE ASSY 1/4"OD 4-FJIC
16	1	615917	TUBE ASSY 1/2"OD 8-FJIC
17	1	617081	16-797TC-16FFOX-16FFOX45-213 H/A
18	1	617082	16-797TC-16FFOX-16FFOX45-217 H/A
19	1	617083	04-451TC-04FJX-06FJX90-208 H/A
20	1	617456	LFT DRV TUBE 1.00"X 0.120"WT

FRONT DRIVE HOSE ASSEMBLY			
DET	QTY	P/N	DESCRIPTION
21	1	617457	RGT DRV TUBE 1.00"X 0.120"WT
22	2	617462	16-797TC-16FFOX-16C62F-126 H/A
23	2	617463	16-797TC-16FFOX-16C62F90-112 H/A
24	2	617478	08-451TC-08FJX-08FJX-80 H/A
25	1	617481	08-451TC-08FJX-08FJX90-231 H/A
26	1	617482	08-451TC-08FJX-08FJX90-207 H/A
27	1	617483	04-451TC-04FJX-04FJX45-149 H/A
28	1	617484	04-451TC-04FJX-04FJX45-145 H/A
29	1	618311	3/4MJIC UNION TEE
30	1	618314	3/4MJIC UNION
31	1	618488	7/16MJIC UNION TEE
32	1	618524	7/16MJIC UNION
33	1	618532	3/4FJIC CAP NUT
34	4	900003	1/4UNC X 1 HHCS GR5 MC
35	8	900073	5/16UNC X 3 1/4 HHCS GR5 MC
36	1	900136N	3/8UNC X 3" SERR FLANGE BOLT
37	4	900521	5/16UNC X 3 1/2 HHCS SS
38	4	910113	SAE FLAT WASHER 5/16 SS
39	4	910132	5/16-18UNC NYLOCK NUT SS
40	8	920001	SAE FLAT WASHER 5/16 MC



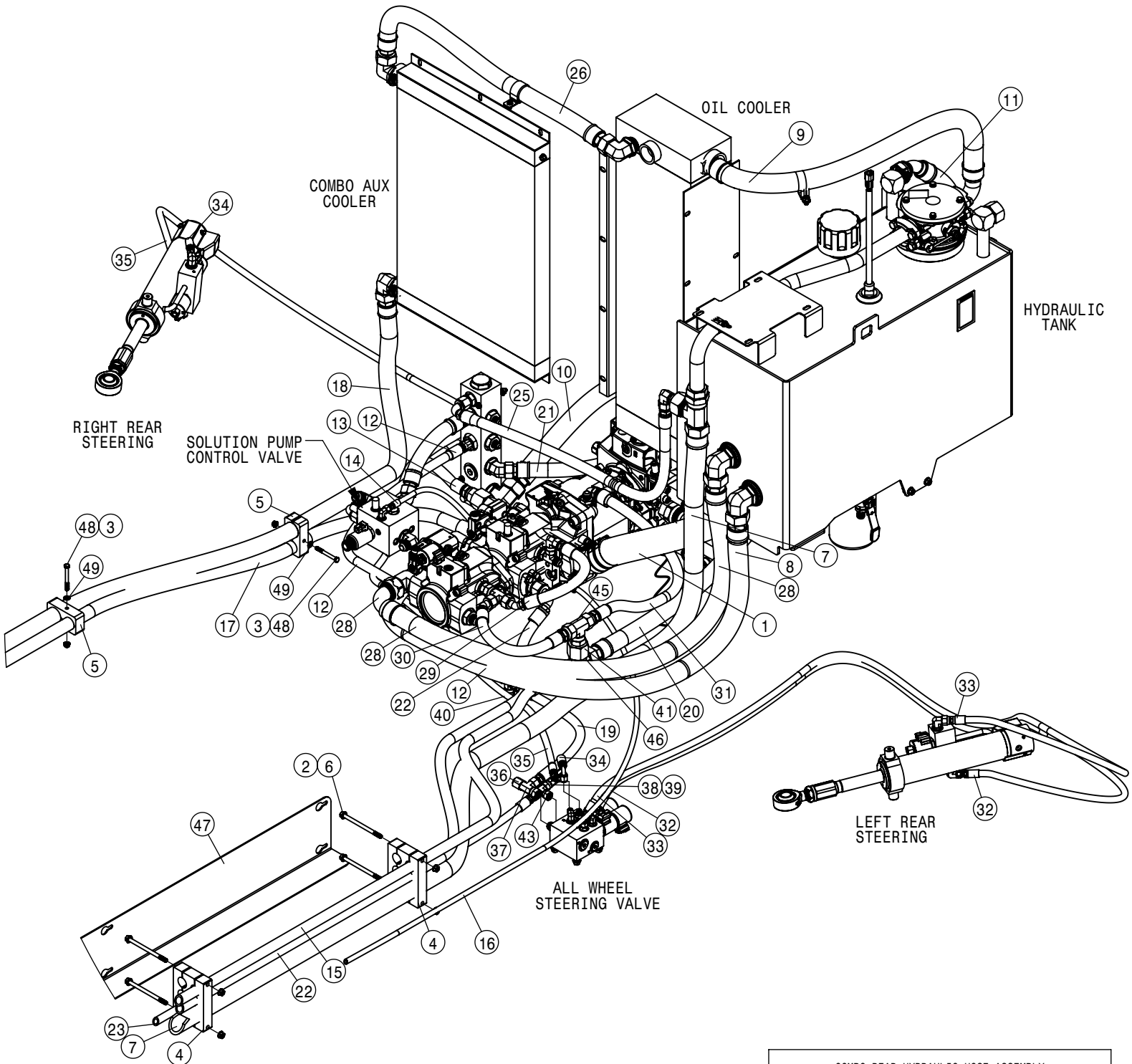
REAR DRIVE HOSE ASSEMBLY			
DET	QTY	P/N	DESCRIPTION
1	1	360065	RIGHT REAR LEG HOSE BRKT
2	1	360066	LFT REAR LEG HOSE BRKT
3	1	362095	LFT REAR HOSE BRKT TOP WLDMENT
4	1	362096	RGT REAR TOP HOSE BRKT
5	4	470087	3/8-16UNC HEX FLG NUT SER MC GR5
6	2	470087N	3/8UNC HEX SERR FLG NUT YZ
7	4	470113	5/16-18UNC HEX FLG NUT SER MC GR5
8	4	470121	1/4-20UNC HEX FLG NUT SER MC GR5
9	1	470369	HOSE PROTECTOR, 8" BLACK
10	2	470409	3/8UNC X 3/4 HHSFB GR5 MC
11	4	470460	3/8UNC X 1 HHSFB GR5 MC
12	4	470672	HOSE CLAMP, 5-HOLE
13	2	470673	HOSE CLAMP, 4-HOLE
NS	1	470762	SIDEWINDER SLEEVE RH
NS	1	470763	SIDEWINDER SLEEVE LH
16	8	473001	5/16-18UNC NYLOCK NUT MC GR5
17	1	473874	12MM-1.75X 40MM SOG HD CAP SCR
18	2	520160	CUSH CLAMP,#24 1 1/2D-3/4WLOOP
19	1	616595	06-451TC-06FJX-06FJX-132 H/A
20	2	617067	16-797TC-16FFOX-16FFOX90-31 H/A
21	1	617077	08-451TC-08FJX-08FJX90-15 H/A
22	1	617081	16-797TC-16FFOX-16FFOX45-213 H/A
23	1	617082	16-797TC-16FFOX-16FFOX45-217 H/A
24	1	617083	04-451TC-04FJX-06FJX90-208 H/A
25	1	617094	24-811-24FJX-24FJX90-31 H/A

REAR DRIVE HOSE ASSEMBLY			
DET	QTY	P/N	DESCRIPTION
26	1	617096	06-451TC-08FJX-06FJX90-22 H/A
27	1	617101	12-451TC-16FJX-12FJX90-23 H/A
28	1	617102	04-451TC-06FJX-04FJX90-29 H/A
29	1	617121	04-451TC-06FJX-04FJX90-34 H/A
30	1	617123	16-811-16FJX-16FJX90-22 H/A
31	1	617126	16-811-16FJX-16FJX-34 H/A
32	1	617139	16-811-16FJX-16FJX-12 H/A
33	2	617464	16-797TC-16FFOX-16C62F-138 H/A
34	2	617465	16-797TC-16FFOX-16C62FX90-120 H/A
35	1	617466	24-811-24FJX-24FJX45-20 H/A
36	1	617471	12-451TC-12FJX-12FJX45-83 H/A
37	1	617472	06-451TC-10FJX-06FJX90-87 H/A
38	1	617473	24-811-24FJX-24FJX90-61 H/A
39	1	617474	12-451TC-10FJX-12FJX45-16 H/A
40	1	617485	08-451TC-08FJX-08FJX90-161 H/A
41	1	617486	04-451TC-04FJX-04FJX45-155 H/A
42	1	617487	08-451TC-08FJX-08FJX90-176 H/A
43	1	617488	04-451TC-06FJX-04FJX45-155 H/A
44	1	617490	04-451TC-04FJX-06FJX45-42 H/A
45	1	617491	06-451TC-06FJX-06FJX-40 H/A
46	1	618511	7/16MJIC-7/16MJIC BLKHD UNION
47	2	618930	1 7/16 MFOR-45-BLKHD UNION LBO
48	1	618931	3/4" MJIC-45-BLKHD UNION LBO
49	4	900004	1/4UNC X 1 1/4 HHCS GR5 MC
50	4	900073	5/16UNC X 3 1/4 HHCS GR5 MC
51	2	900136N	3/8UNC X 3" SERR FLANGE BOLT
52	4	900490	5/16UNC X 1 1/4 HHSFB SS
53	4	900539	5/16UNC X 3 1/2 HHCS GR5 MC
54	2	910106	3/8-16UNC CTRLK FLG NUT MC GR5
55	8	920001	SAE FLAT WASHER 5/16 MC



FRONT AUX HYDRAULIC HOSE ASSEMBLY			
DET	QTY	P/N	DESCRIPTION
1	1	362035	COMBO SUPPORT BRKT
2	3	470087	3/8UNC HEX SERR FLANGE NUT
3	3	470113N	5/16UNC SERR FLG LOCK NUT SS
4	1	470671	HOSE CLAMP, 6-HOLE
5	1	470674	HOSE CLAMP, 2-HOLE
6	2	470683	3/8UNC X5 1/2SMTH FLG HEX BOLT
7	1	520160	CUSH CLAMP, #24 1 1/2D-3/4WLOOP
8	1	615917	TUBE ASSY 1/2"OD 8-FJIC
9	1	617087	24-811-24FJX-24FJX90-177 H/A
10	1	617105	12-451TC-12FJX-12FJX-115 H/A
11	1	617111	12-451TC-12FJX-12FJX-93 H/A
12	1	617112	04-451TC-04FJX-04FJX45-239 H/A
13	1	617113	16-451TC-16FJX-20FJX90-215 H/A
14	1	617114	20-811-20FJX-20-FJX-229 H/A
15	1	617129	10-451TC-10FJX-12FJX90-55 H/A
16	1	617130	12-451TC-12FJX-12FJX90-78 H/A
17	1	617131	12-451TC-12FJX-12FJX-44 H/A
18	1	617133	12-451TC-12FJX-16FJX90-187 H/A
19	1	617134	08-451TC-08FJX-08FJX-22 H/A
20	1	617135	08-451TC-08FJX-10FJX90-141 H/A
21	1	617136	10-451TC-10FJX-12FJX-53 H/A

FRONT AUX HYDRAULIC HOSE ASSEMBLY			
DET	QTY	P/N	DESCRIPTION
22	1	617137	10-451TC-10FJX-10FJX-79 H/A
23	1	617138	10-451TC-10FJX-10FJX-16 H/A
24	2	617478	08-451TC-08FJX-08FJX-80 H/A
25	1	617479	08-451TC-08FJX-08FJX-119 H/A
26	1	617480	08-451TC-08FJX-08FJX90-127 H/A
27	1	618311	3/4MJIC UNION TEE
28	1	618314	3/4MJIC UNION
29	1	618333	7/8FJIC SW RUN TEE-7/8MJIC
30	1	618451	3/4FJIC SW RUN TEE-3/4MJIC
31	1	618457	3/4MJIC PLUG
32	1	618483	1 1/16FJIC-9/16MJIC ADPTR
33	1	618531	9/16FJIC CAP NUT
34	1	618532	3/4FJIC CAP NUT
35	1	618533	1 1/16FJIC CAP NUT
36	2	618543	7/8MJIC PLUG
37	1	618593	7/8FJ SW BRANCH TEE-7/8MJ
38	1	618750	1 1/16MJIC BLKHD RUN TEE
39	1	660290	HOSE GUARD - L/F
40	2	901064	5/16UNC X 1 CARR BOLT
41	1	901073	5/16UNC X 3 CARR BOLT
42	1	920001N	5/16 SAE FLAT WASHER SS

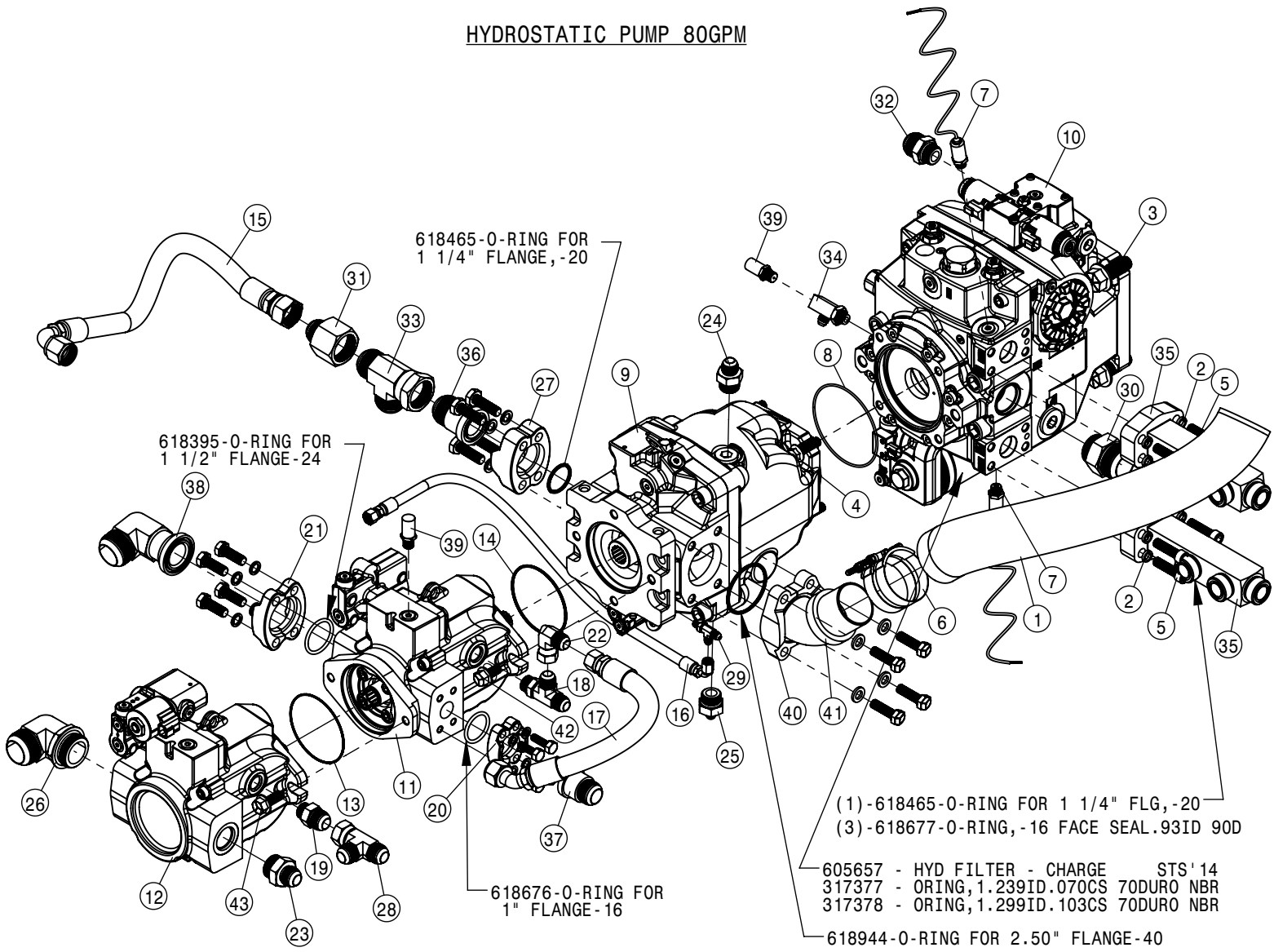


COMBO REAR HYDRAULIC HOSE ASSEMBLY			
DET	QTY	P/N	DESCRIPTION
1	1	195418-019	HOSE, 7219-40 2.50 75P
2	5	470087	3/8UNC HEX SERR FLANGE NUT
3	2	470113N	5/16UNC SERR FLG LOCK NUT SS
4	2	470671	HOSE CLAMP, 6-HOLE
5	2	470674	HOSE CLAMP, 2-HOLE
6	4	470683	3/8UNC X5 1/2SMTH FLG HEX BOLT
7	1	617087	24-811-24FJX-24FJX90-177 H/A
8	1	617091	24-811-24FJX-24FJX-71 H/A
9	1	617093	24-811-24FJX-24FLG90-48 H/A
10	1	617094	24-811-24FJX-24FJX90-31 H/A
11	1	617095	20-811-20FJX-20FJX45-47 H/A
12	1	617097	10-451TC-10FJX-10FJX-47 H/A
13	1	617101	12-451TC-16FJX-12FJX90-23 H/A
14	1	617102	04-451TC-06FJX-04FJX90-29 H/A
15	1	617105	12-451TC-12FJX-12FJX-115 H/A
16	1	617112	04-451TC-04FJX-04FJX45-239 H/A

COMBO REAR HYDRAULIC HOSE ASSEMBLY			
DET	QTY	P/N	DESCRIPTION
17	1	617113	16-451TC-16FJX-20FJX90-215 H/A
18	1	617114	20-811-20FJX-20-FJX-229 H/A
19	1	617119	10-451TC-10FJX-10FJX-18 H/A
20	1	617120	20-811-20FJX-20FJX-37 H/A
21	1	617123	16-811-16FJX-16FJX90-22 H/A
22	1	617133	12-451TC-12FJX-16FJX90-187 H/A
23	1	617135	08-451TC-08FJX-10FJX90-141 H/A
24	1	617139	16-811-16FJX-16FJX-12 H/A
25	1	617171	12-451TC-12FJX-12FJX90-43 H/A
26	1	617173	20-811-20FJX-20FJX-39 H/A
27	1	617466	24-811-24FJX-24FJX45-20 H/A
28	1	617473	24-811-24FJX-24FJX90-61 H/A
29	1	617474	12-451TC-10FJX-12FJX45-16 H/A
30	1	617475	12-451TC-16FJX-12FJX45-18 H/A
31	1	617476	12-451TC-10FJX90-16FJX-30 H/A
32	1	617495	06-451TC-06FJX-06FJX-104 H/A

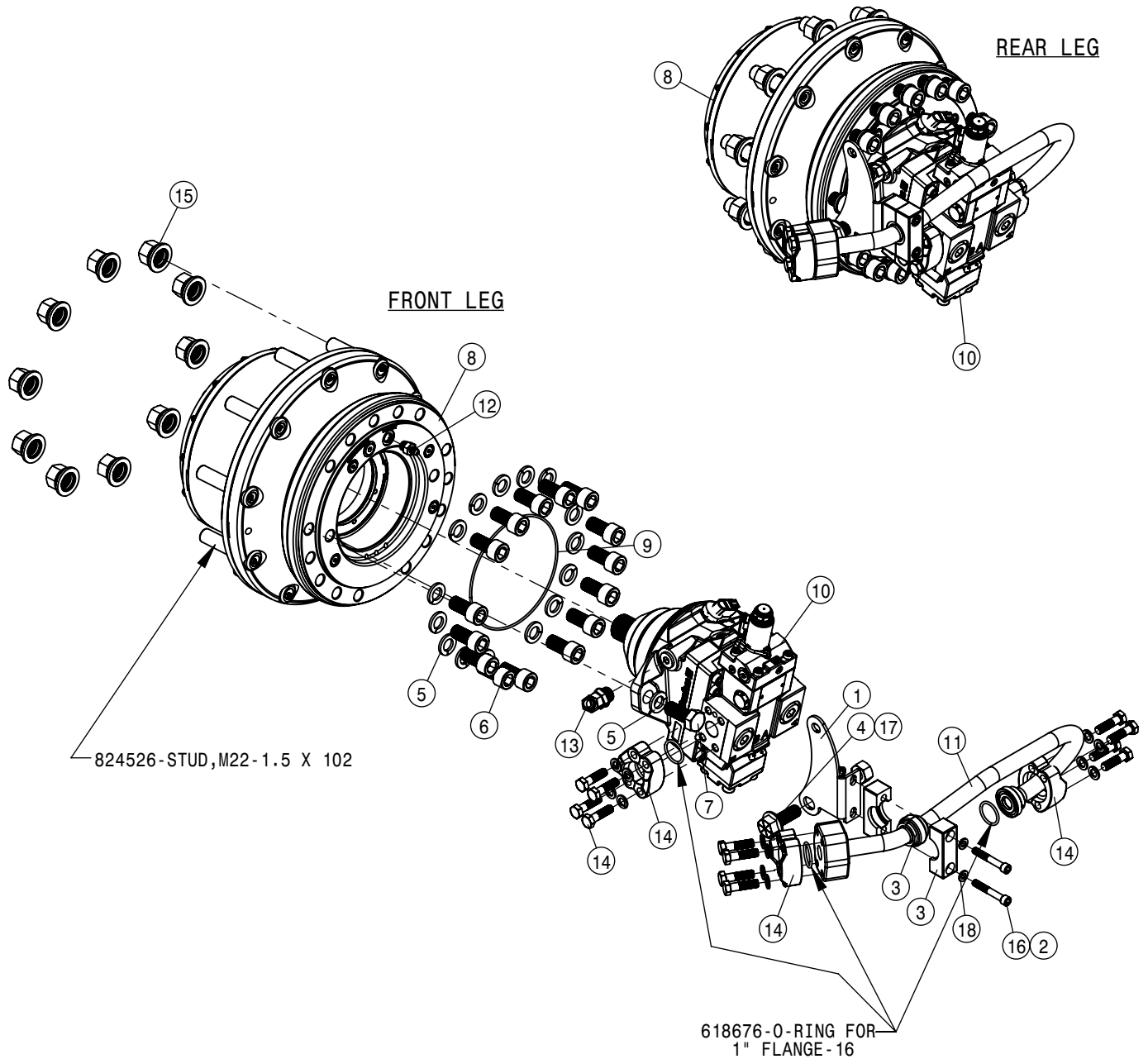
COMBO REAR HYDRAULIC HOSE ASSEMBLY			
DET	QTY	P/N	DESCRIPTION
33	1	617496	06-451TC-08FJX-06FJX45-108 H/A
34	1	617497	06-451TC-06FJX-06FJX90-143 H/A
35	1	617498	06-451TC-06FJX-08FJX-139 H/A
36	1	618328	7/8FJIC CAP NUT
37	1	618333	7/8FJIC SW RUN TEE-7/8MJIC
38	1	618451	3/4FJIC SW RUN TEE-3/4MJIC
39	2	618532	3/4FJIC CAP NUT
40	1	618543	7/8MJIC PLUG
41	1	618547	1 5/8FJIC-1 5/16MJIC ADPTR
42	1	618593	7/8FJ SW BRANCH TEE-7/8MJ
43	1	618643	3/4FJ SW BRANCH TEE-3/4MJ
44	1	618665	1 5/8FJIC-1 1/16MJIC ADPTR
45	1	618717	1 5/16FJX BRANCH TEE-1 5/16MJ
46	1	618752	1 5/8MJIC BLKHD RUN TEE
47	1	660290	HOSE GUARD - L/F
48	2	900072N	5/16UNC X 3" HEX BOLT SS
49	2	920001N	5/16 SAE FLAT WASHER SS

HYDROSTATIC PUMP 80GPM



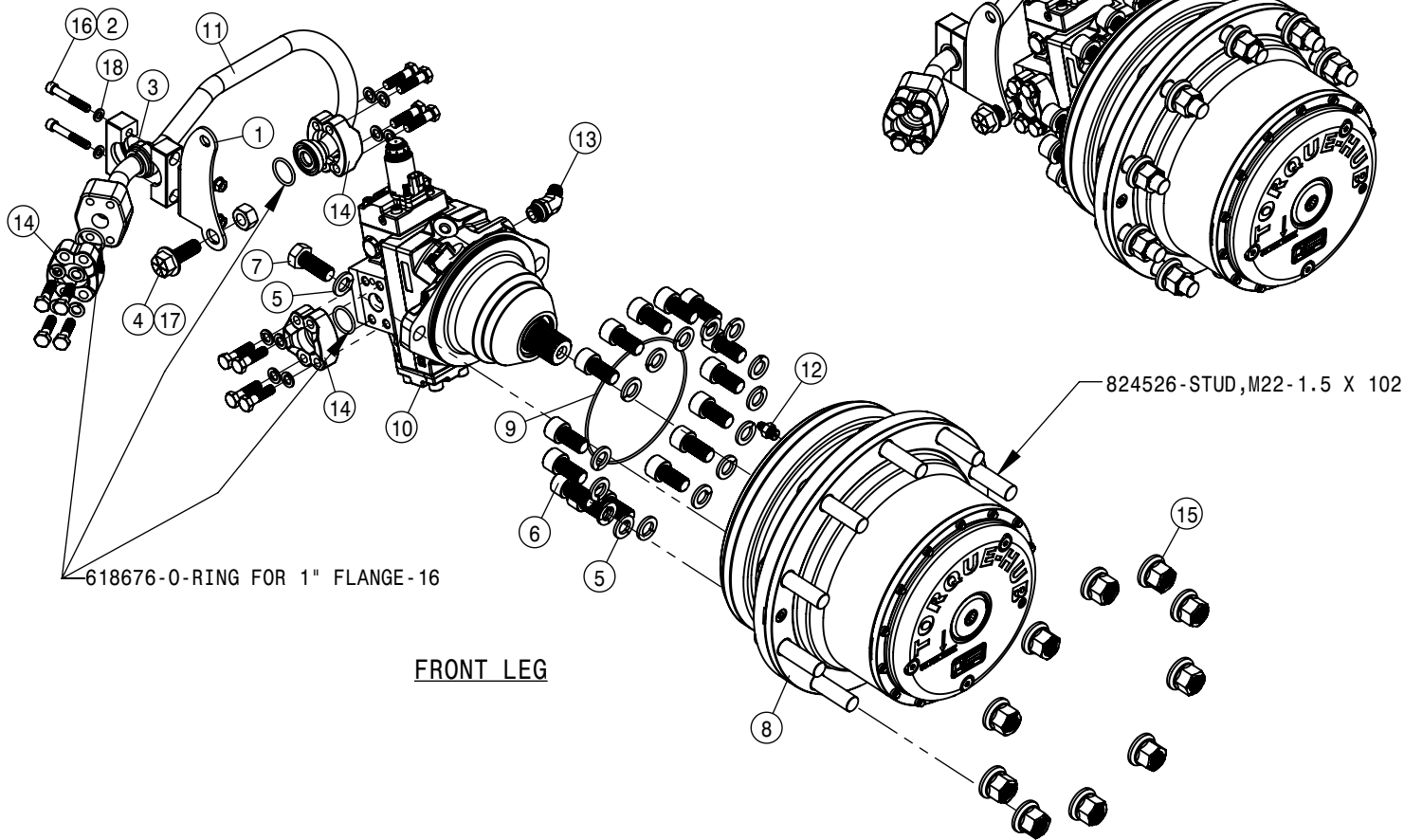
HYDROSTATIC PUMP WITH 80GPM PUMP ASSEMBLY			
DET	QTY	P/N	DESCRIPTION
1	1	195418-019	HOSE, 7219-40 2.50 75P
2	8	470189	7/16 HC LOCK WASH FOR 618598
3	4	472367	3/4UNC X 2 HHFB GR8 MC
4	4	473856	12MM-1.75 X 40MM SM FLANGED BOLT
5	8	473874	12MM-1.75X 40MM SOC HD CAP SCR
6	2	520143	2.87/3.18 T-BOLT HOSE CLAMP SS
7	2	606196	PRESSURE TRANSDUCER, 9000 PSI
8	2	606197	O-RING, 4.73ID-.103CS-4.9430D
9	1	606429	LS PUMP, 147CC
10	1	606522	H1 PUMP, 165CC, D/C MT, ISL
11	1	606523	PUMP-38CC BB/B MNT
12	1	606606	PUMP-45CC SAE B MNT
13	1	606870	O-RING FOR 606865 SUND B-MT
14	1	606977	O-RING, B-MT, 3.989ID X .103CS
15	1	617101	12-451TC-16FJX-12FJX90-23 H/A
16	1	617102	04-451TC-06FJX-04FJX90-29 H/A
17	1	617474	12-451TC-10FJX-12FJX45-16 H/A
18	1	618130	7/8MOR RUN TEE-7/8MJIC
19	1	618189	1 1/16MJIC-7/8MOR ADPTR
20	1	618297	1.00 SPLIT FLANGE KIT #61
21	1	618299	1.50 SPLIT FLANGE KIT #61
22	1	618301	7/8MJIC-90-7/8FJIC SWIV LBO

HYDROSTATIC PUMP WITH 80GPM PUMP ASSEMBLY			
DET	QTY	P/N	DESCRIPTION
23	1	618308	1 1/16MJIC-1 5/16MOR ADPTR
24	1	618309	7/8MJIC-1 1/16MOR ADPTR
25	1	618344	9/16MJIC-1 1/16MOR ADPTR
26	1	618432	1 7/8MJIC-90-1 7/8MOR LBO
27	1	618461	1 1/4 SPLIT FLANGE KIT
28	1	618487	1 1/16FJ SW RUN TEE-1 1/16MJ
29	1	618509	7/16MOR RUN TEE-7/16MJIC
30	1	618527	1 7/8MJIC-1 5/8MOR ADPTR
31	1	618547	1 5/8FJIC-1 5/16MJIC ADPTR
32	1	618558	1 5/16MJIC-1 1/16MOR ADPTR
33	1	618726	1 5/8FJ SW RUN TEE-1 5/8MJ
34	1	618782	9/16MOR-9/16FOR-9/16MJIC BRNCH
35	2	618876	DRIVE PUMP MANIFOLD BLK
36	1	618894	1 5/8MJIC-1 1/4FLG C62
37	1	618899	1 5/16MJ-1"FLANGE C61 ADPTR
38	1	619020	1 1/2 FLG-90-1 7/8 MJIC LBO
39	2	619023	9/16 MOR DIAGNOSTIC FITTING
40	1	760834	2.50 SPLIT FLANGE CODE 61
41	1	760837	1788-40-40 3.34CA
42	2	900516	1/2UNC X 1 HHSFB GR5 MC
43	2	900517	1/2UNC X 1 1/4 HHSFB GR5 MC



RIGHT WHEEL MOTOR ASSEMBLY			
DET	QTY	P/N	DESCRIPTION
1	2	360212	RGT LEG TUBE BRKT
2	4	470087	3/8-16UNC HEX FLG NUT SER MC GR5
3	2	470693	CLAMP ASSY W/ 1" RUBBER INS
4	2	472367	3/4UNC X 2 HHFB GR8 MC
5	34	473854	20MM LOCK WASHER
6	30	473885	20MM-2.50 X 40 MM SHCS
7	4	473886	20MM-2.50 X 50MM HEX BOLT
8	2	606129	HUB, C017, 30:1
9	2	606190	O-RING, WHL MTR HSNQ SAUER
10	2	606632	H1-B 80cc WHL MTR W40SFT SAUER
11	2	617457	RGT DRV TUBE 1.00" X 0.120" WT
12	1	618468	7/16MJIC-9/16MOR ADPTR
13	2	618602	3/4MJIC-45-7/8MOR LBO
14	6	618933	M12 SPLIT FLANGE KIT #62 (-16)
15	20	824055	22MM-1.50 SMTH FLG WHEEL NUT
16	4	900398	3/8UNC X 2 1/2" SOC HD CAP SCR
17	2	910012	3/4-10UNC HEX NUT MC GR5
18	4	920502	HLOCK WASHER 3/8 MC

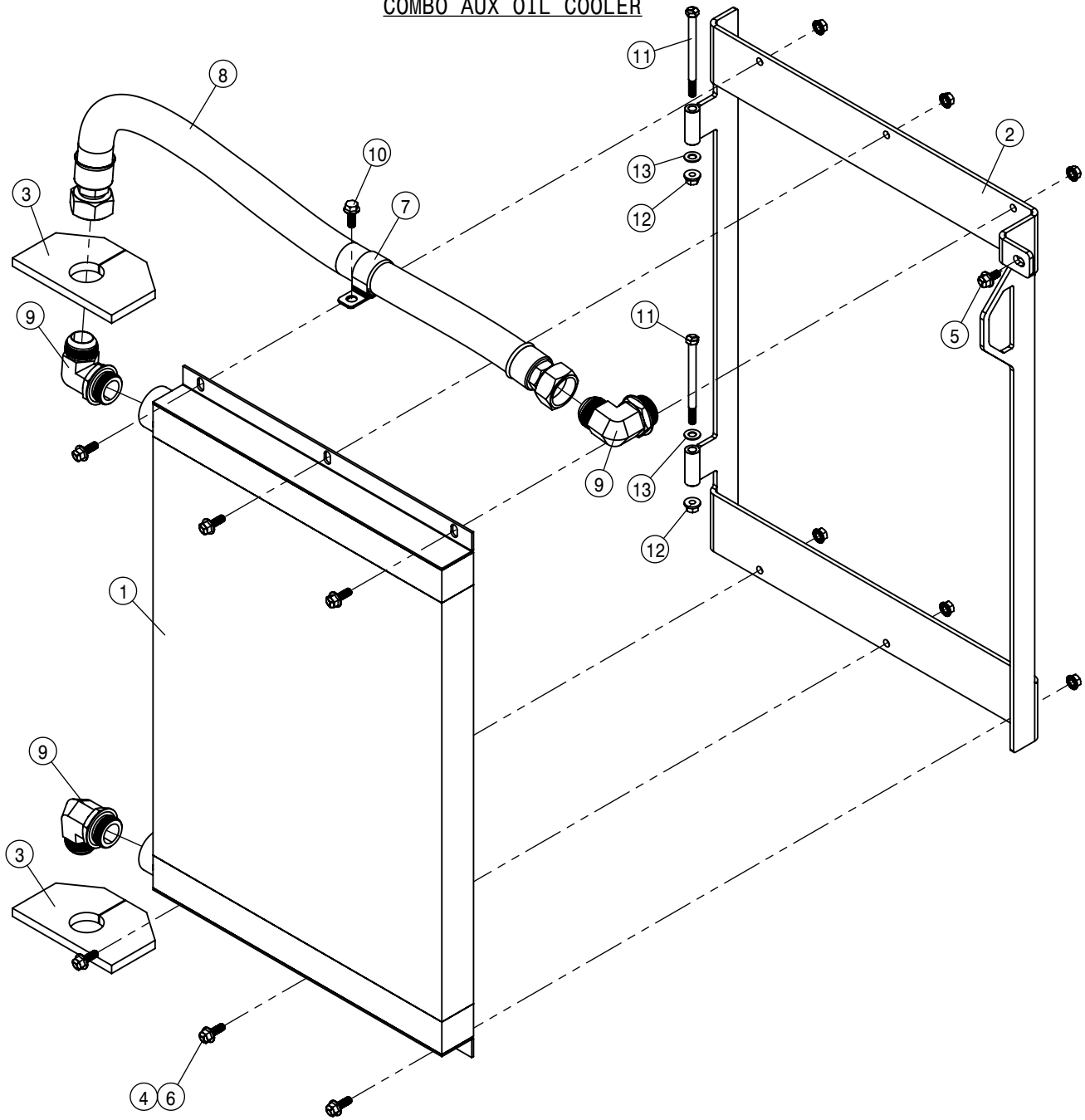
REAR LEG



FRONT LEG

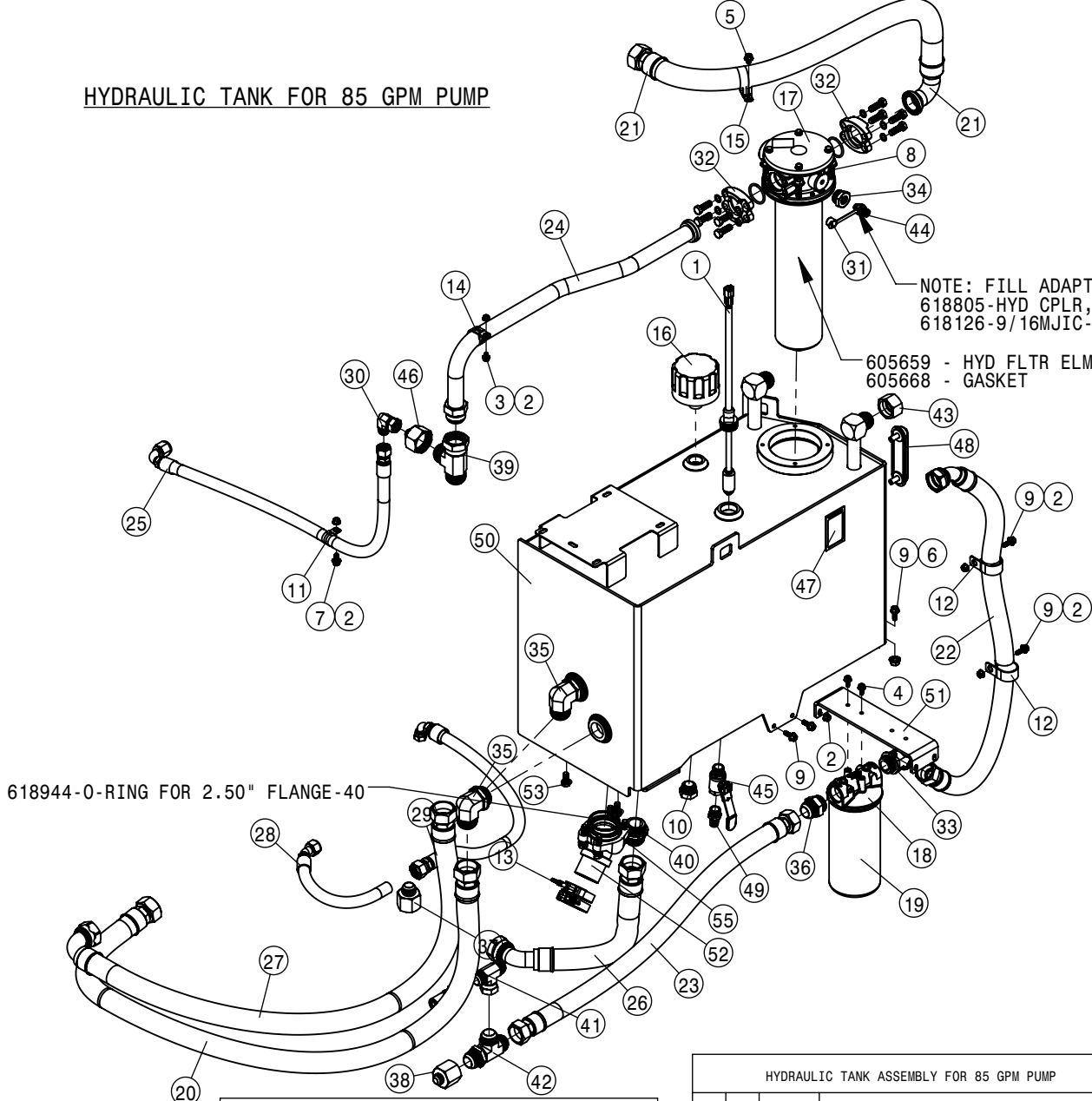
LEFT WHEEL MOTOR ASSEMBLY			
DET	QTY	P/N	DESCRIPTION
1	2	360209	LFT LEG TUBE BRKT
2	4	470087	3/8-16UNC HEX FLG NUT SER MC GR5
3	2	470693	CLAMP ASSY W/ 1" RUBBER INS
4	2	472367	3/4UNC X 2 HHFB GR8 MC
5	34	473854	20MM LOCK WASHER
6	30	473885	20MM-2.50 X 40 MM SHCS
7	4	473886	20MM-2.50 X 50MM HEX BOLT
8	2	606129	HUB, C017, 30:1
9	2	606190	O-RING,WHL MTR HSNG SAUER
10	2	606632	H1-B 80cc WHL MTR W40SFT SAUER
11	2	617456	LFT DRV TUBE 1.00"X 0.120"WT
12	2	618468	7/16MJIC-9/16MOR ADPTR
13	2	618602	3/4MJIC-45-7/8MOR LBO
14	6	618933	M12 SPLIT FLANGE KIT #62 (-16)
15	20	824055	22MM-1.50 SMTH FLG WHEEL NUT
16	4	900398	3/8UNC X 2 1/2" SOC HD CAP SCR
17	2	910012	3/4-10UNC HEX NUT MC GR5
18	4	920502	HLOCK WASHER 3/8 MC

COMBO AUX OIL COOLER



COMBO AUX OIL COOLER ASSEMBLY			
DET	QTY	P/N	DESCRIPTION
	1	317356	OIL COOLER
	1	317804	COMBO COOLER WLD, STS '17
	2	362126	COMBO COOLER FOAM SEAL
	4	470087	3/8-16UNC HEX FLG NUT SER MC GR5
	5	470409	3/8UNC X 3/4 HHSFB GR5 MC
	6	470460	3/8UNC X 1 HHSFB GR5 MC
	7	520124	CUSH HOSE CLAMP,#28, 1 3/4 X 1 W
	8	617173	20-811-20FJX-20FJX-39 H/A
	9	618477	1 5/8MJIC-90-1 5/8MOR LBO
	10	900129N	3/8UNC X 1" SERR FLANGE BOLT
	11	900142	3/8UNC X 5 HHCS GR5 MC
	12	910106	3/8-16UNC CTRLK FLG NUT MC GR5
	13	920002	SAE FLAT WASHER 3/8 MC

HYDRAULIC TANK FOR 85 GPM PUMP



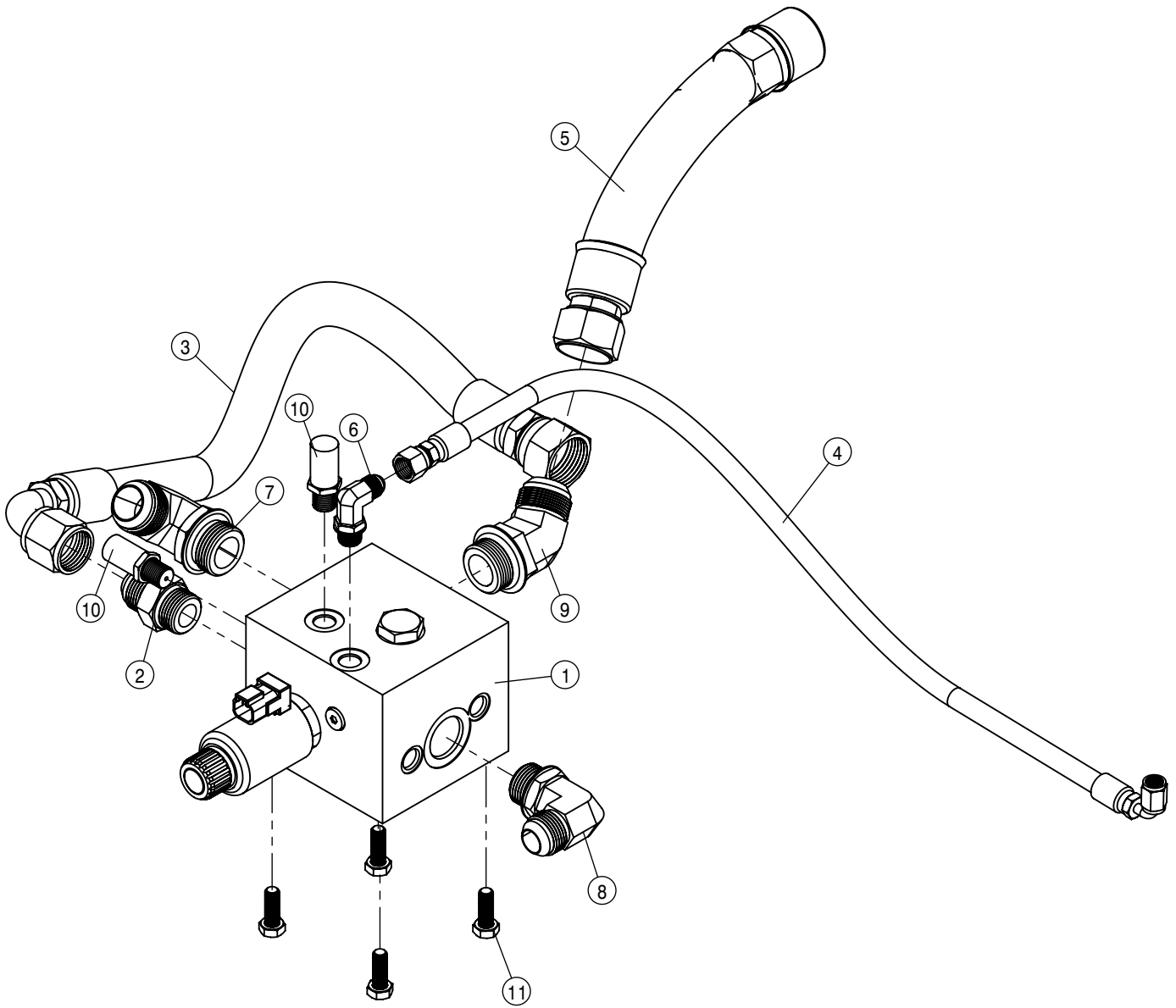
NOTE: FILL ADAPTOR
618805-HYD CPLR, FEM #14,9/16FOR
618126-9/16MJIC-9/16MOR ADPTR

605659 - HYD FLTR ELMNT FOR 605658
605668 - GASKET

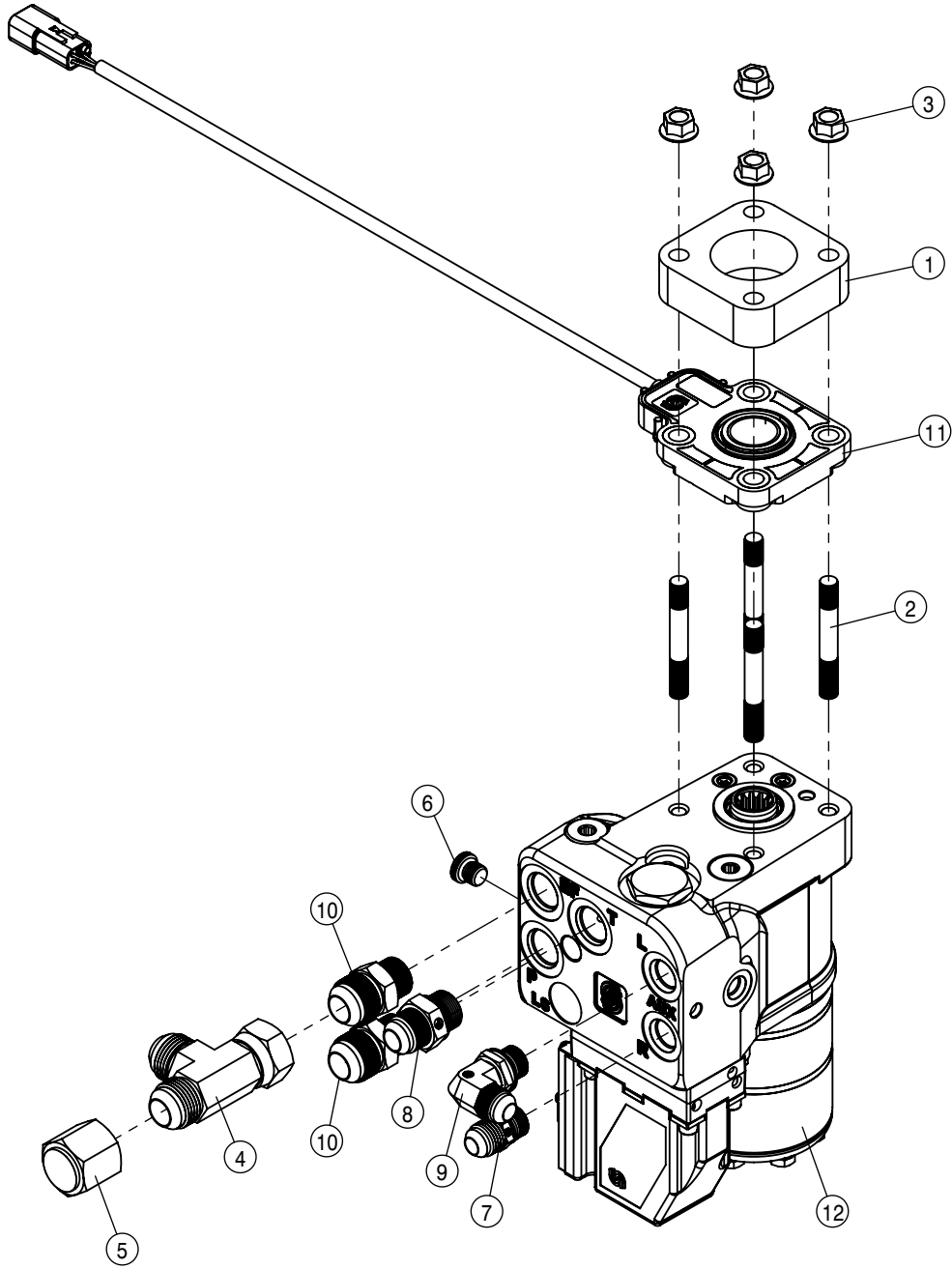
618944-0-RING FOR 2.50" FLANGE-40

HYDRAULIC TANK ASSEMBLY FOR 85 GPM PUMP			
DET	QTY	P/N	DESCRIPTION
1	1	294069	TEMPERATURE/OIL LEVEL SENSOR
2	7	470087	3/8-16UNC HEX FLG NUT SER MC GR5
3	1	470232	5/16UNC X 1/2 HHSFB GR5 MC
4	2	470233	5/16UNC X 3/4 HHSFB GR5 MC
5	1	470319	3/8UNC X 1/2 HHSFB GR5 MC
6	2	470360	1/2-13UNC HEX FLG NUT SER MC GR5
7	1	470409	3/8UNC X 3/4 HHSFB GR5 MC
8	4	470431	1/2UNC X 1 1/2 HHSFB GR5 MC
9	8	470460	3/8UNC X 1 HHSFB GR5 MC
10	1	470471	1 5/16MOR PLUG, MAGNETIC
11	1	520121	CUSH CLAMP,#16 1IN X 3/4W
12	2	520124	CUSH HOSE CLAMP,#28, 1 3/4D X 1 W
13	2	520143	2.87/3.18 T-BOLT HOSE CLAMP SS
14	1	520160	CUSH CLAMP,#24 1 1/2D-3/4WLOOP
15	1	520161	CUSH CLAMP,#32 2"D-3/4W LOOP
16	1	605656	T.R.A.P. BREATHER 1" NPT
17	1	605658	HYD TANK RETURN FILTER
18	1	605662	CASE DRAIN FILTER HEAD
19	1	605663	CASE DRAIN FILTER ELEMENT
20	1	617091	24-811-24FJX-24FJX-71 H/A
21	1	617093	24-811-24FJX-24FLG90-48 H/A
22	1	617095	20-811-20FJX-20FJX45-47 H/A
23	1	617120	20-811-20FJX-20FJX-37 H/A
24	1	617151	HYD TANK TUBE
25	1	617171	12-451TC-12FJX-12FJX90-43 H/A
26	1	617466	24-811-24FJX-24FJX45-20 H/A
27	1	617473	24-811-24FJX-24FJX90-61 H/A

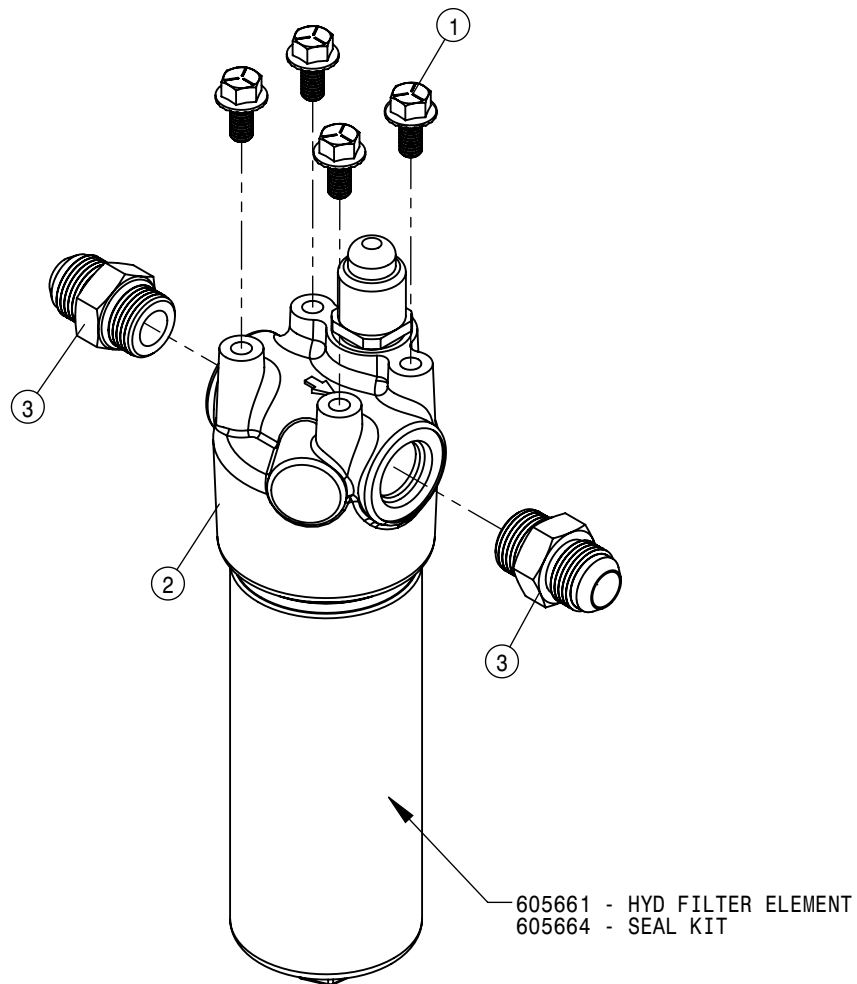
HYDRAULIC TANK ASSEMBLY FOR 85 GPM PUMP			
DET	QTY	P/N	DESCRIPTION
28	1	617475	12-451TC-16FJX-12FJX45-18 H/A
29	1	617476	12-451TC-10FJX90-16FJX-30 H/A
30	1	618191	1 1/16MJ-90-1 1/16FJ SWIV LBO
31	1	618255	DUST CAP/PLUG FOR 618804/805
32	2	618299	1.50 SPLIT FLANGE KIT #61
33	1	618396	1 5/8MJIC-45-1 5/8MOR LBO
34	1	618397	1 5/16MOR-9/16FOR ADPTR
35	2	618432	1 7/8MJIC-90-1 7/8MOR LBO
36	1	618472	1 5/8MJIC-1 5/8MOR ADPTR
37	1	618547	1 5/8FJIC-1 5/16MJIC ADPTR
38	1	618665	1 5/8FJIC-1 1/16MJIC ADPTR
39	1	618681	1 7/8FJ SW RUN TEE-1 7/8MJ
40	1	618682	1 7/8MOR-1 7/8MJIC ADPTR
41	1	618717	1 5/16FJX BRANCH TEE-1 5/16MJ
42	1	618752	1 5/8MJIC BLKHD RUN TEE
43	1	618828	1 5/8FJIC CAP NUT
44	1	618870	HYD CPLR, MALE #14 9/16MOR
45	1	618881	3/4 NPT BALL VLV BRS LOCK
46	1	618936	1 7/8FJIC-1 1/16MJIC ADPTR
47	1	650430	HYDRAULIC OIL DECAL
48	1	701367	SIGHT GAUGE
49	1	711102	3/4NPT X 3/4 HOSE BARB, BRS
50	1	760823	HYDRAULIC RESERVOIR, GST
51	1	760833	GST HYD RES FILTER MT
52	1	760837	1788-40-40 3.34CA
53	2	900263	1/2UNC X 1 HHCS GR5 MC
54	1	910119	5/16-18UNC HEX FLG NUT SER SS
55	1	760834	2.50 SPLIT FLANGE CODE 61
56	4	900264	1/2UNC X 1 1/4 HHCS GR5 MC



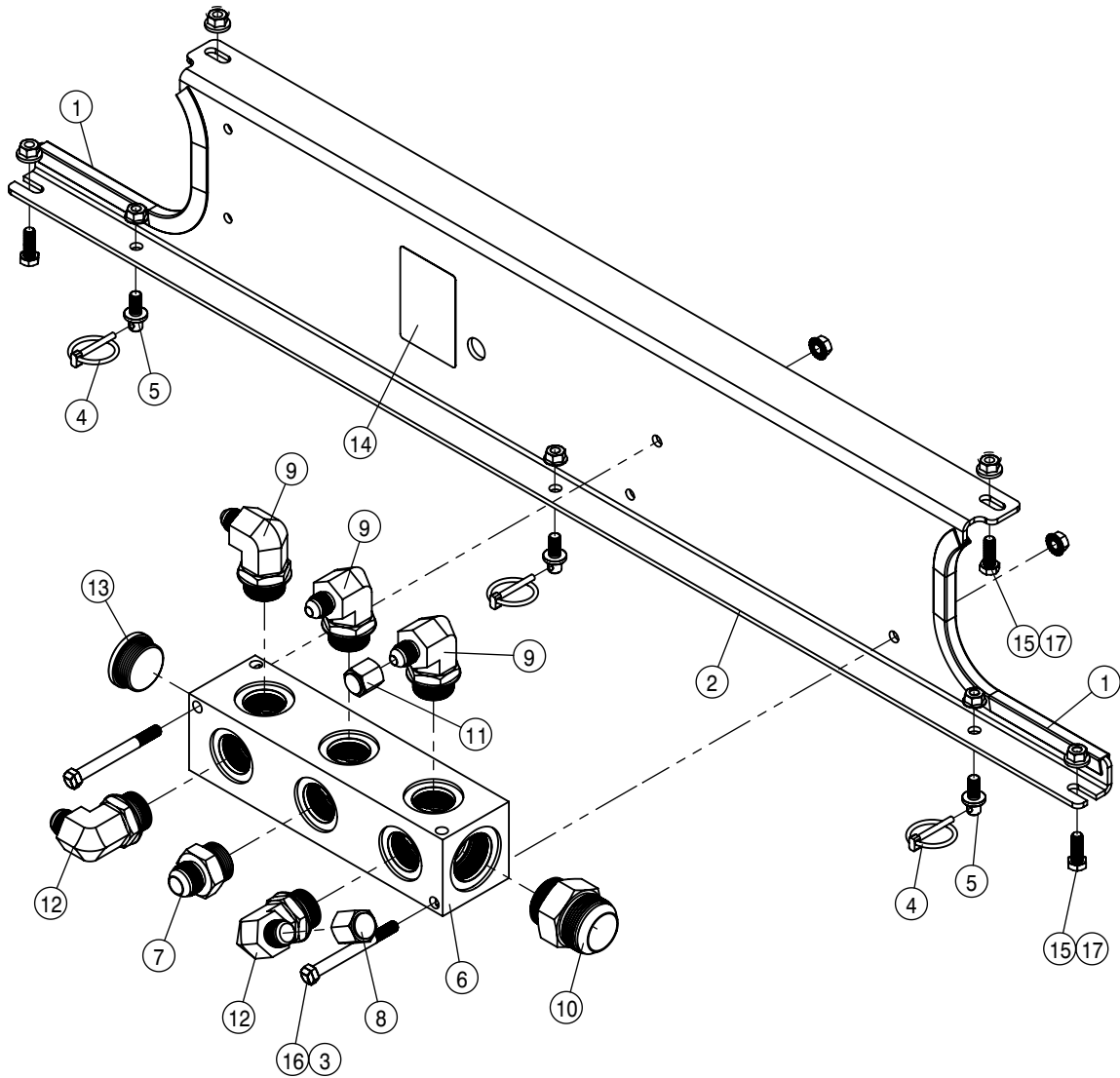
SOLUTION CONTROL VALVE ASSEMBLY				
DET	QTY	P/N	DESCRIPTION	
1	1	606253	CTRL VALVE, SOLU PUMP SAUER	
2	1	611127	1 1/16MJIC-1 1/16MOR ADPTR	
3	1	617101	12-451TC-16FJX-12FJX90-23	H/A
4	1	617102	04-451TC-06FJX-04FJX90-29	H/A
5	1	617139	16-811-16FJX-16FJX-12	H/A
6	1	618119	9/16MJIC-90-9/16MOR LBO	
7	1	618178	1 5/16MJIC-90-1 5/16MOR LBO	
8	1	618248	1 1/16MJIC-90-1 1/16MOR LBO	
9	1	618901	1 5/16MJIC-45-1 5/16MOR LBO	
10	2	619023	9/16 MOR DIAGNOSTIC FITTING	
11	4	900129	3/8UNC X 1 HHCS	GR5 MC



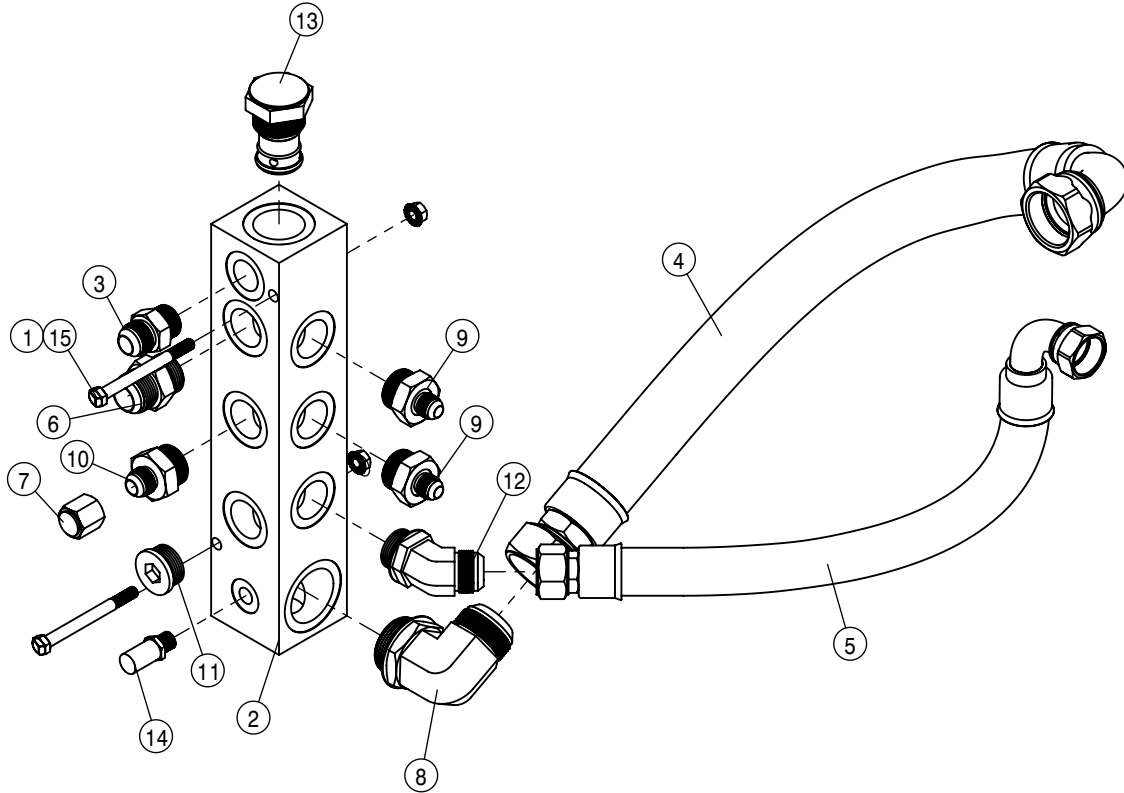
STEERING MOTOR ASSEMBLY			
DET	QTY	P/N	DESCRIPTION
1	1	345017	STEERING VALVE SPACER BLOCK
2	4	472340	M10 X 1.5 X 3" STUD BOLT, DBL END
3	4	473866	M10 X 1.5 HEX SERR FLG NUT
4	1	618487	1 1/16FJ SW RUN TEE-1 1/16MJ
5	1	618533	1 1/16FJIC CAP NUT
6	1	618909	M12 MOR PLUG, HEX SOCKET
7	1	618910	3/4MJIC-M18MOR ADPTR
8	1	618911	7/8MJIC-M22 MOR ADPTR
9	1	618912	3/4MJIC-90-M18MOR LBO
10	2	619019	1 1/16MJIC-M22 MOR ADPTR
11	1	749341	BEI STEERING ANGLE SENSOR
12	1	749343	VALVE ASM-STEERING,AUTO



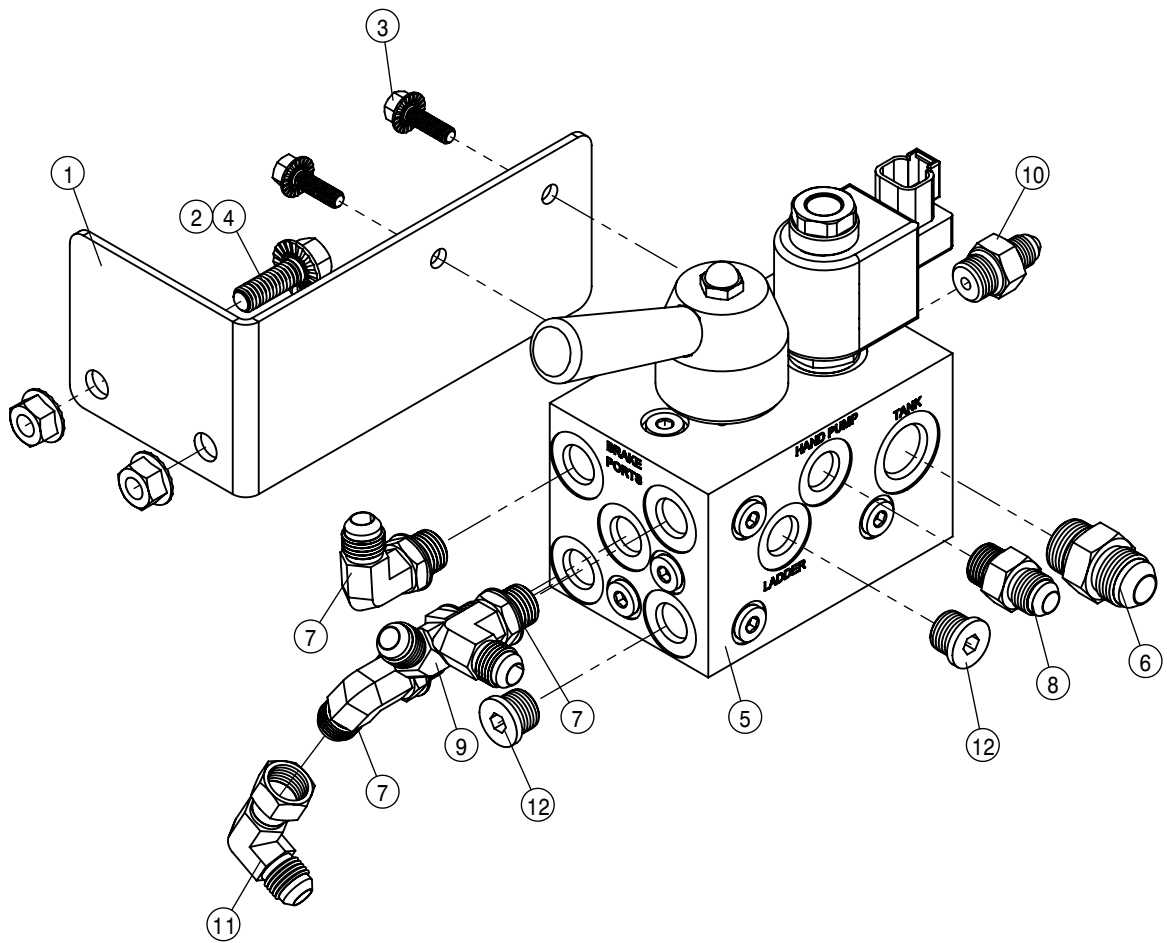
STEERING MOTOR INLINE FILTER			
DET	QTY	P/N	DESCRIPTION
1	4	470409	3/8UNC X 3/4 HHSFB GR5 MC
2	1	605660	HYD FILTER 5M SAE12
3	2	611127	1 1/16MJIC-1 1/16MOR ADPTR



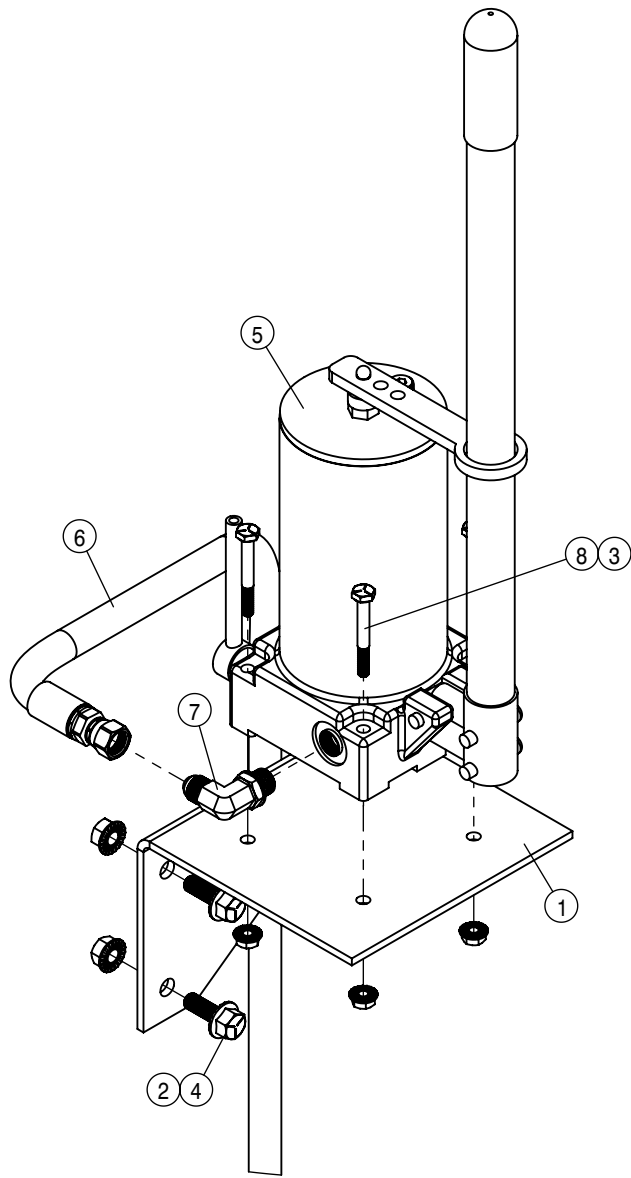
RETURN MANIFOLD AND BULKHEAD ASSEMBLY			
DET	QTY	P/N	DESCRIPTION
1	0.5	193012	QUICKEDGE TRIM .135 TO .250
2	1	362113	FRONT BULKHEAD, STS
3	5	470087	3/8-16UNC HEX FLG NUT SER MC GR5
4	3	470335	LINCHPIN, 3/16 X 1 1/4 GRIP
5	3	470520	HANGER PIN,3/8UNC x.437Dx.500L
6	1	606246	MANIFOLD, 1 5/16FOR
7	1	618308	1 1/16MJIC-1 5/16MOR ADPTR
8	1	618328	7/8FJIC CAP NUT
9	3	618475	3/4MJIC-90-1 5/16MOR LBO
10	1	618527	1 7/8MJIC-1 5/8MOR ADPTR
11	1	618532	3/4FJIC CAP NUT
12	2	618589	7/8MJIC-90-1 5/16MOR LBO
13	1	618759	1 5/8MOR PLUG, HEX SOCKET
14	1	650339	DECAL, WARNING, HYD. OIL INJ
15	4	900129	3/8UNC X 1 HHCS GR5 MC
16	2	900139	3/8UNC X 3 3/4 HHCS GR5 MC
17	4	910106	3/8-16UNC CTRLK FLG NUT MC GR5



REAR RETURN MANIFOLD ASSEMBLY			
DET	QTY	P/N	DESCRIPTION
1	2	470087	3/8-16UNC HEX FLG NUT SER MC GR5
2	1	607574	MANIFOLD, #16, # 24 ends
3	1	611127	1 1/16MJIC-1 1/16MOR ADPTR
4	1	617094	24-811-24FJX-24FJX90-31 H/A
5	1	617123	16-811-16FJX-16FJX90-22 H/A
6	1	618186	1 5/16MJIC-1 5/16MOR ADPTR
7	1	618328	7/8FJIC CAP NUT
8	1	618432	1 7/8MJIC-90-1 7/8MOR LBO
9	2	618470	3/4MJIC-1 5/16MOR ADPTR
10	1	618601	7/8MJIC-1 5/16MOR ADPT
11	1	618758	1 5/16MOR PLUG, HEX SOCKET
12	1	618901	1 5/16MJIC-45-1 5/16MOR LBO
13	1	618935	20 SIZE CHECK VALVE
14	1	619023	9/16 MOR DIAGNOSTIC FITTING
15	2	900140	3/8UNC X 4 HHCS GR5 MC

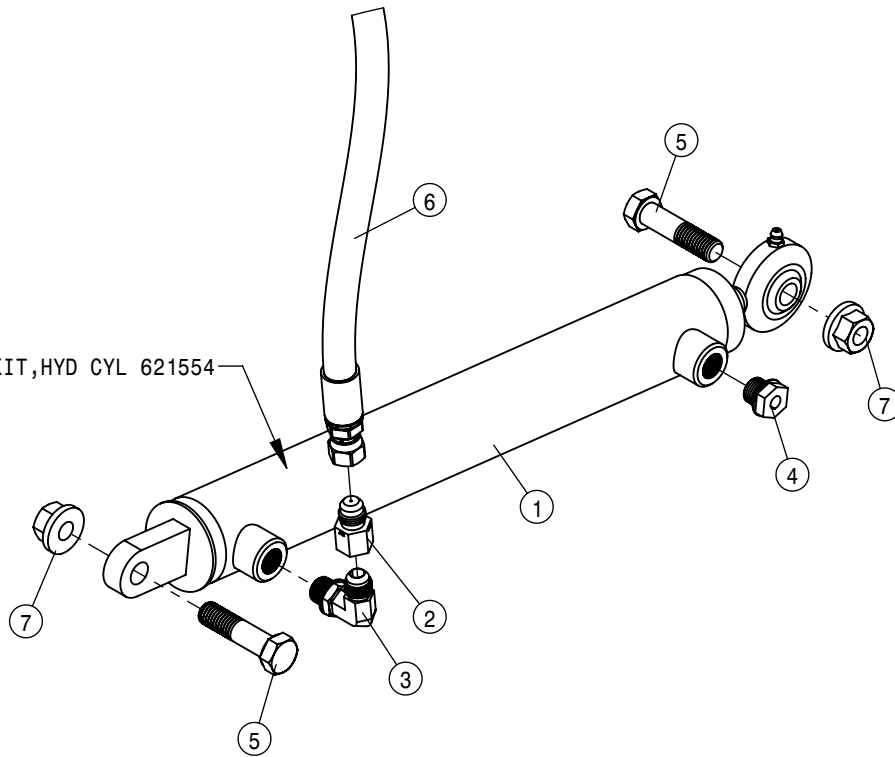


BRAKE RELEASE AND LADDER VALVE ASSEMBLY			
DET	QTY	P/N	DESCRIPTION
1	1	301003	GST BRAKE VALVE MNT
2	2	470087	3/8-16UNC HEX FLG NUT SER MC GR5
3	2	470118	1/4UNC X 3/4 HHSFB GR5 MC
4	2	470460	3/8UNC X 1 HHSFB GR5 MC
5	1	606268	BRAKE RELEASE VALVE, SAUER
6	1	611125	3/4MJIC-3/4MOR ADPTR
7	3	618119	9/16MJIC-90-9/16MOR LBO
8	1	618126	9/16MJIC-9/16MOR ADPTR
9	1	618425	9/16MJIC-45-9/16MOR LBO
10	1	618468	7/16MJIC-9/16MOR ADPTR
11	1	618618	9/16MJIC-90-9/16FJIC SWIV LBO
12	2	618754	9/16 MOR PLUG, HEX SOCKET

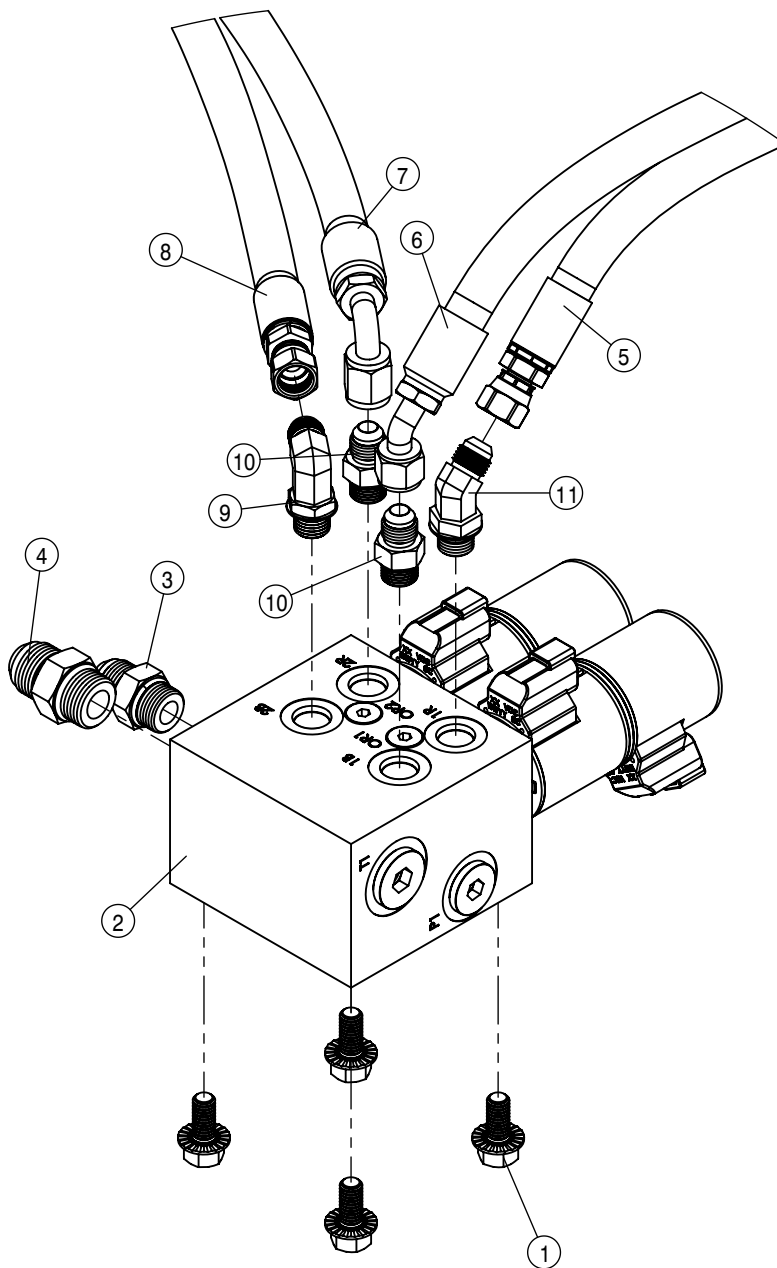


HAND HYDRAULIC PUMP ASSEMBLY			
DET	QTY	P/N	DESCRIPTION
1	1	301004	HYDRAULIC HANDPUMP MNT
2	2	470087	3/8-16UNC HEX FLG NUT SER MC GR5
3	4	470121	1/4-20UNC HEX FLG NUT SER MC GR5
4	2	470460	3/8UNC X 1 HHSFB GR5 MC
5	1	606269	HYD PUMP,HAND OP,400 PSI BRAND
6	1	616595	06-451TC-06FJX-06FJX-132 H/A
7	1	618119	9/16MJIC-90-9/16MOR LBO
8	4	900007	1/4UNC X 2 HHCS GR5 MC

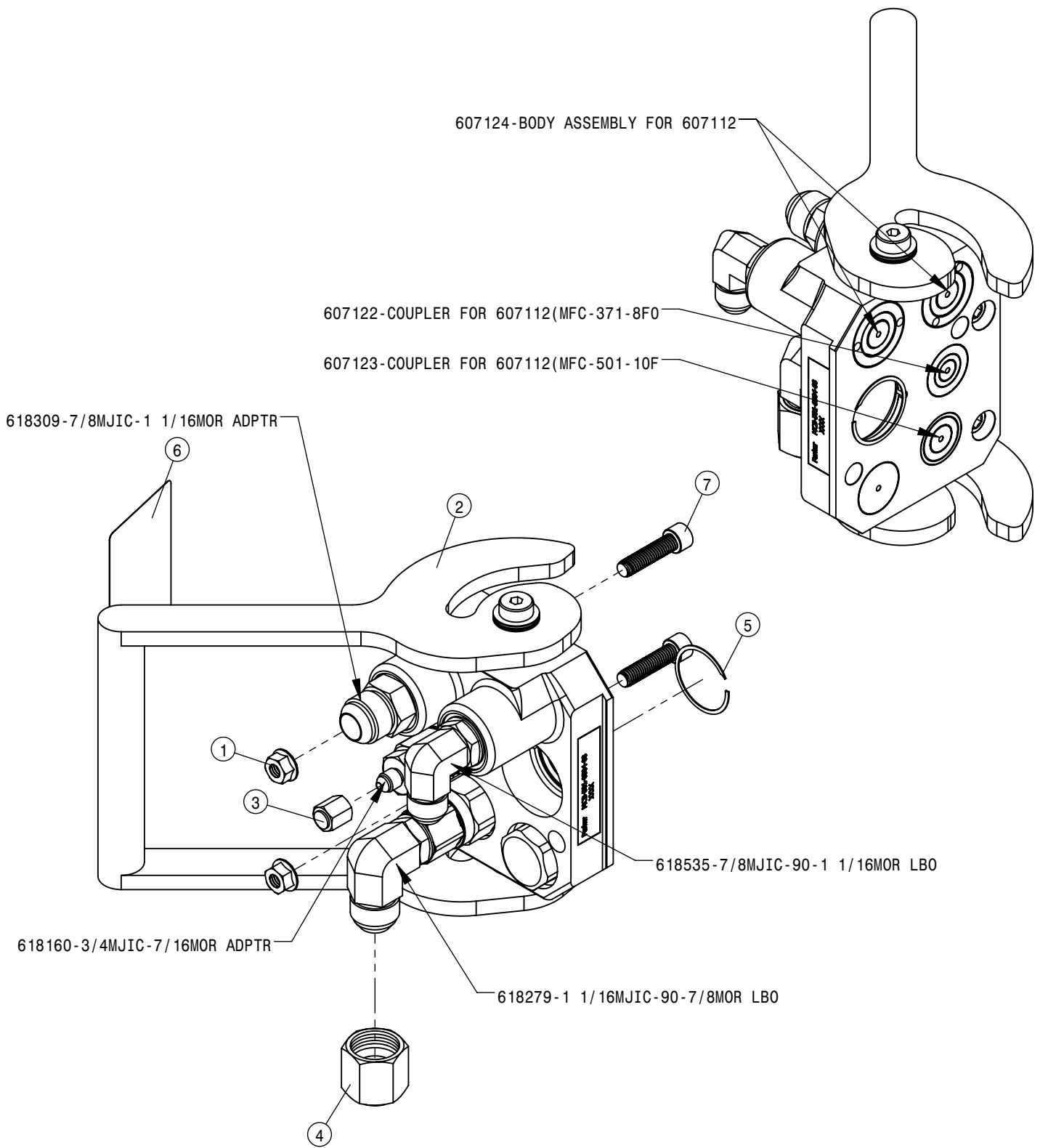
621555-REPAIR KIT, HYD CYL 621554



LADDER CYLINDER ASSEMBLY			
DET	QTY	P/N	DESCRIPTION
1	1	621554	HYD CYL, 1.50" X 12.25" X 0.75"
2	1	618733	9/16JIC .042 ORIFICE ADPTR
3	1	618119	9/16MJIC-90-9/16MOR LBO
4	1	362036	SAE 6 BRASS BREATHER
5	2	900267	1/2UNC X 2" HEX BOLT
6	1	617491	06-451TC-06FJX-06FJX-40 H/A
7	2	914015	1/2-13UNC CTRLK FLG NUT MC GR5

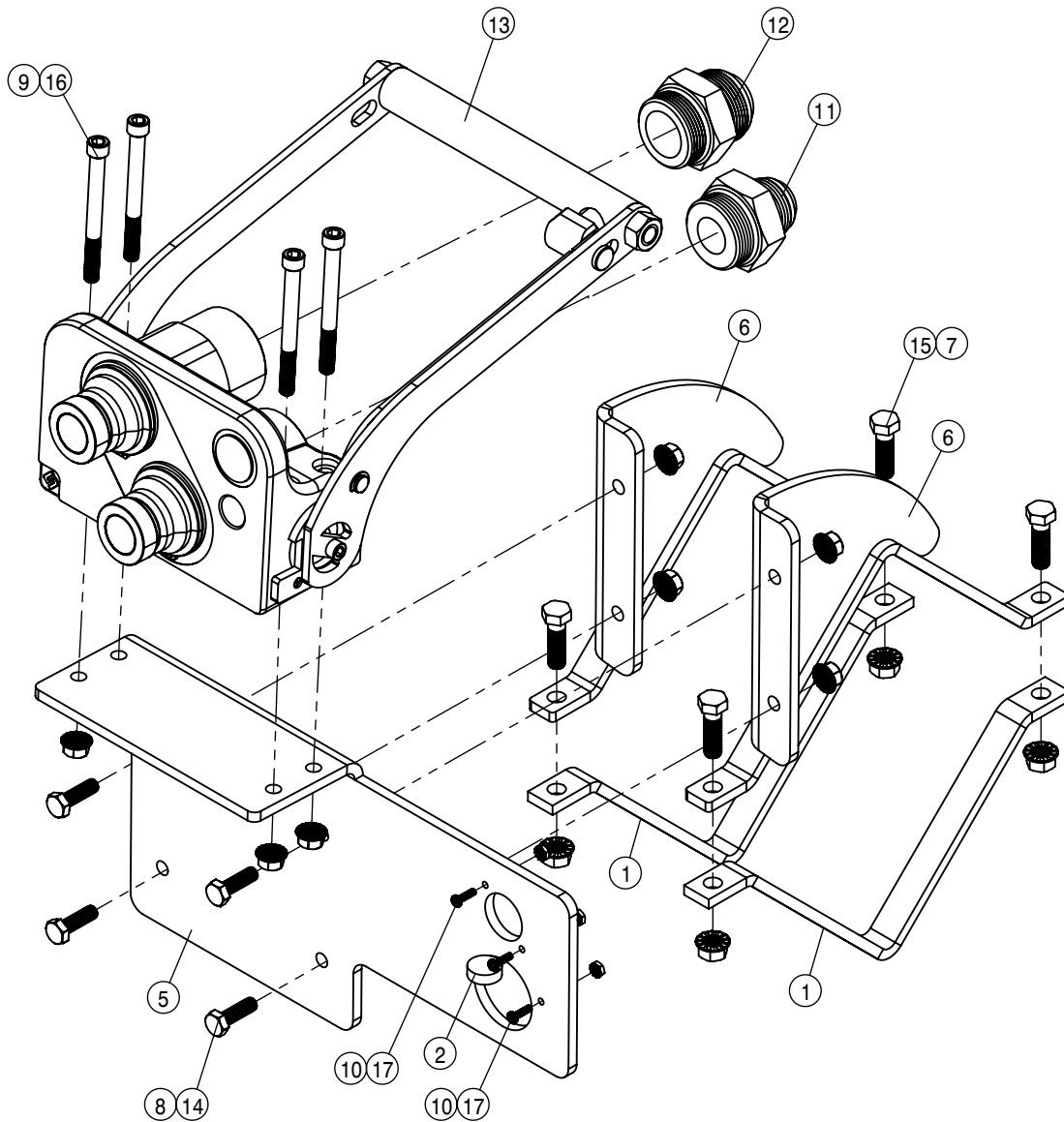


ALL WHEEL STEER HYDRAULIC VALVE ASSEMBLY			
DET	QTY	P/N	DESCRIPTION
1	4	470409	3/8UNC X 3/4 HHSFB GR5 MC
2	1	606542	AWS VLV, STS PWRSYS 14
3	1	611125	3/4MJIC-3/4MOR ADPTR
4	1	611126	7/8MJIC-7/8MOR ADPTR
5	1	617495	06-451TC-06FJX-06FJX-104 H/A
6	1	617496	06-451TC-08FJX-06FJX45-108 H/A
7	1	617497	06-451TC-06FJX-06FJX90-143 H/A
8	1	617498	06-451TC-06FJX-08FJX-139 H/A
9	1	618119	9/16MJIC-90-9/16MOR LBO
10	2	618126	9/16MJIC-9/16MOR ADPTR
11	1	618425	9/16MJIC-45-9/16MOR LBO



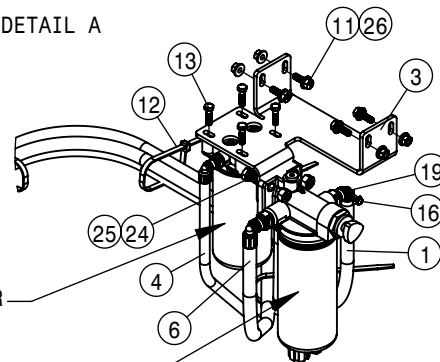
BOOM HYDRAULIC QUICK COUPLER ASSEMBLY			
DET	QTY	P/N	DESCRIPTION
1	2	470087	3/8UNC HEX SERR FLANGE NUT
2	1	607112	FIX HALF COUPLER ASSY
3	1	618363	7/16FJIC CAP NUT
4	1	618533	1 1/16FJIC CAP NUT
5	1	629547	VS-150-S16 RETAINING RING
6	1	650339	DECAL, WARNING, HYD. OIL INJ
7	2	900174	3/8UNC x 1 1/2" SOC HD CAP SCR

COMBO OPTION QUICK ATTACH



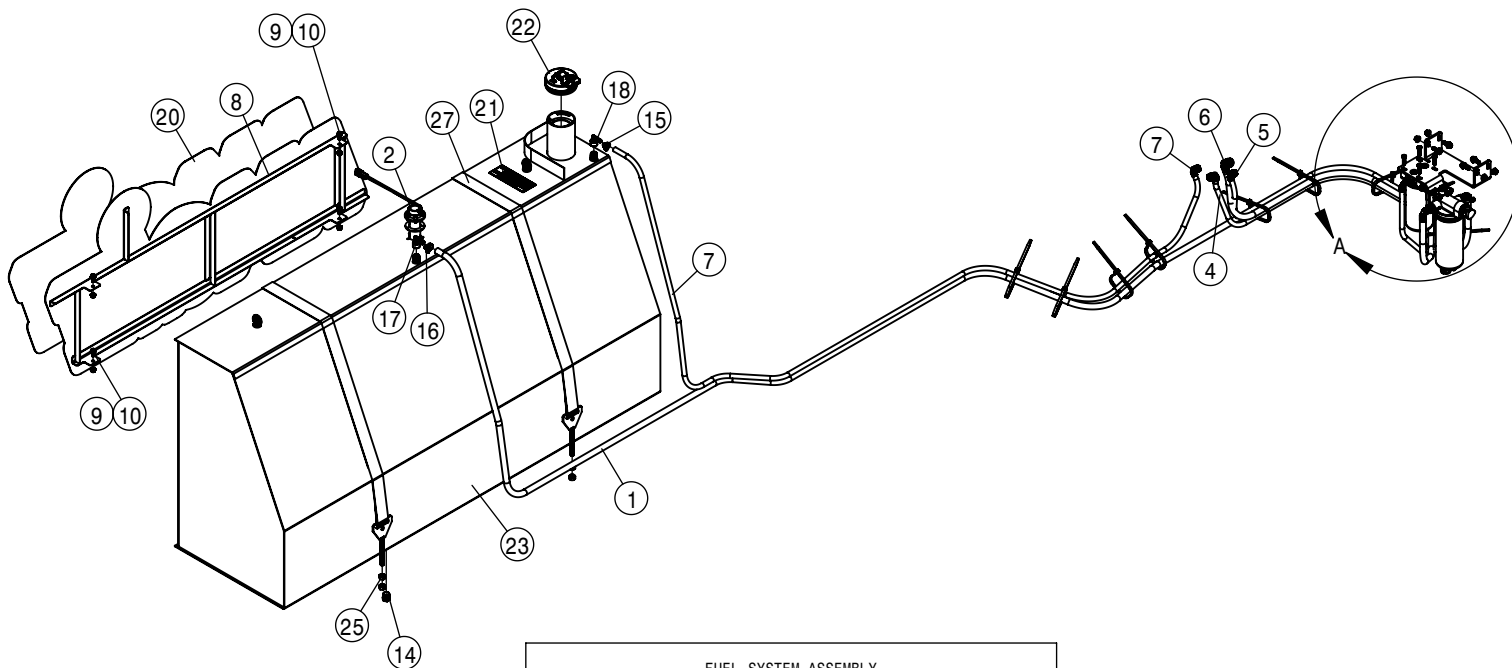
COMBO OPTION HYDRAULIC QUICK COUPLER ASSEMBLY			
DET	QTY	P/N	DESCRIPTION
1	2	003078	RECEPT MTG BRKT, PAINTED STS 07
2	1	291754	AMP CAP, 17 SHELL
NS	1	293866	POWER HARNESS, MAIN STSC 05
NS	1	294047	STS COMBO CHASSIS TO BAR HARNESS
5	1	362043	SOLUTION COMBO MOUNT
6	2	362047	RECEPT SCM BRKT WLD LFT
7	4	470087	3/8UNC HEX SERR FLANGE NUT
8	4	470113	5/16UNC SERR FLG LOCK NUT
9	4	470113N	5/16UNC SERR FLG LOCK NUT SS
10	3	470467	6-32 KEP NUT
11	1	618455	1 5/16MJIC-1 5/8 MOR ADPTR
12	1	618472	1 5/8MJIC-1 5/8MOR ADPTR
13	1	618877	COMBO MULT CPLR MACHINE
14	4	900065	5/16UNC X 1" HEX BOLT
15	4	900127	3/8UNC X 1 1/4 HEX BOLT
16	4	900175	5/16UNC X 3 1/4 SKT HD CAP SCR
17	3	903812	6-32 X 1/2 PHIL PAN MACH SCR

DETAIL A

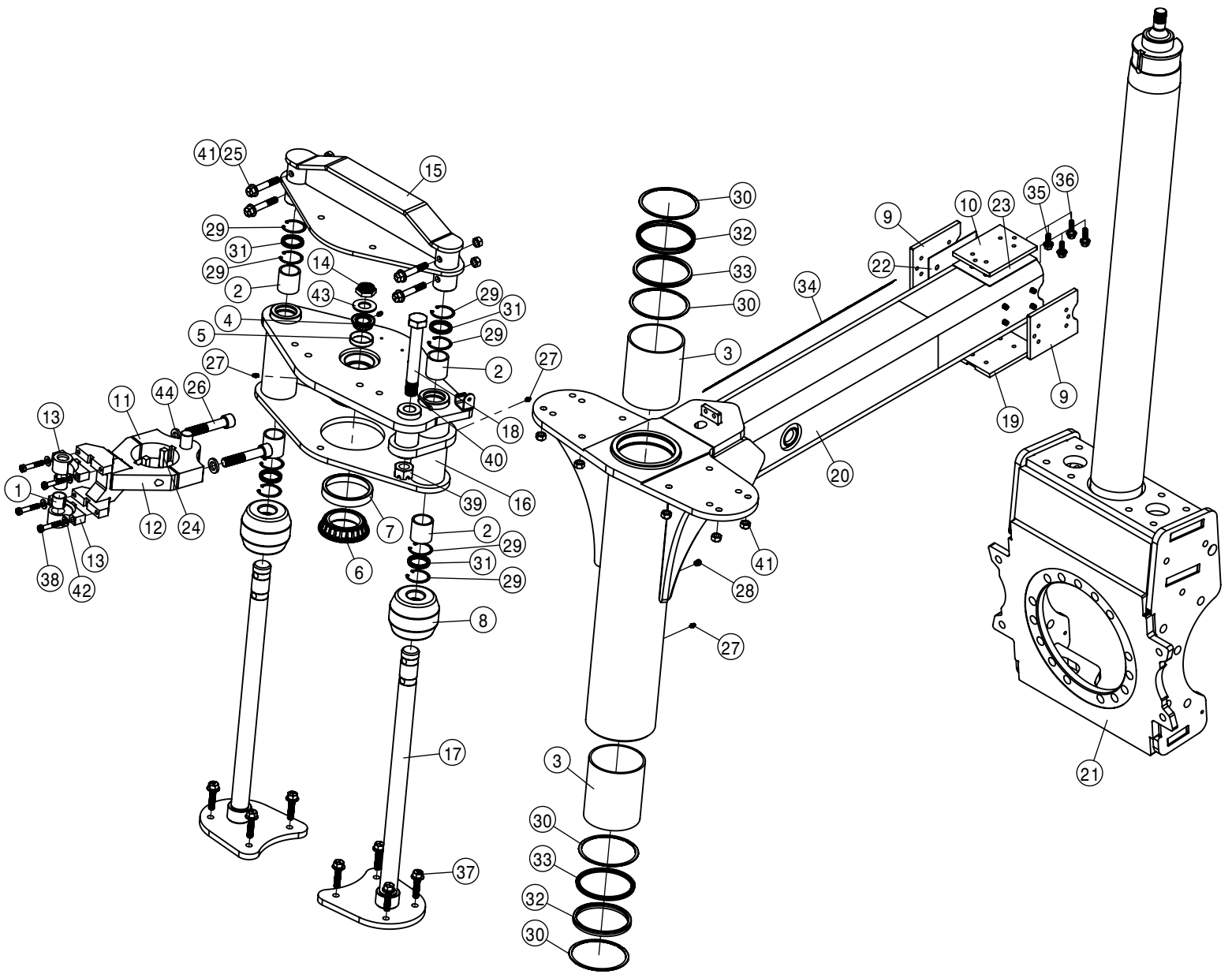


(TIER-4F) 317399-PRIMARY FUEL FILTER

(TIER-4F) 317400-FUEL/WATER SEPERATOR T4F

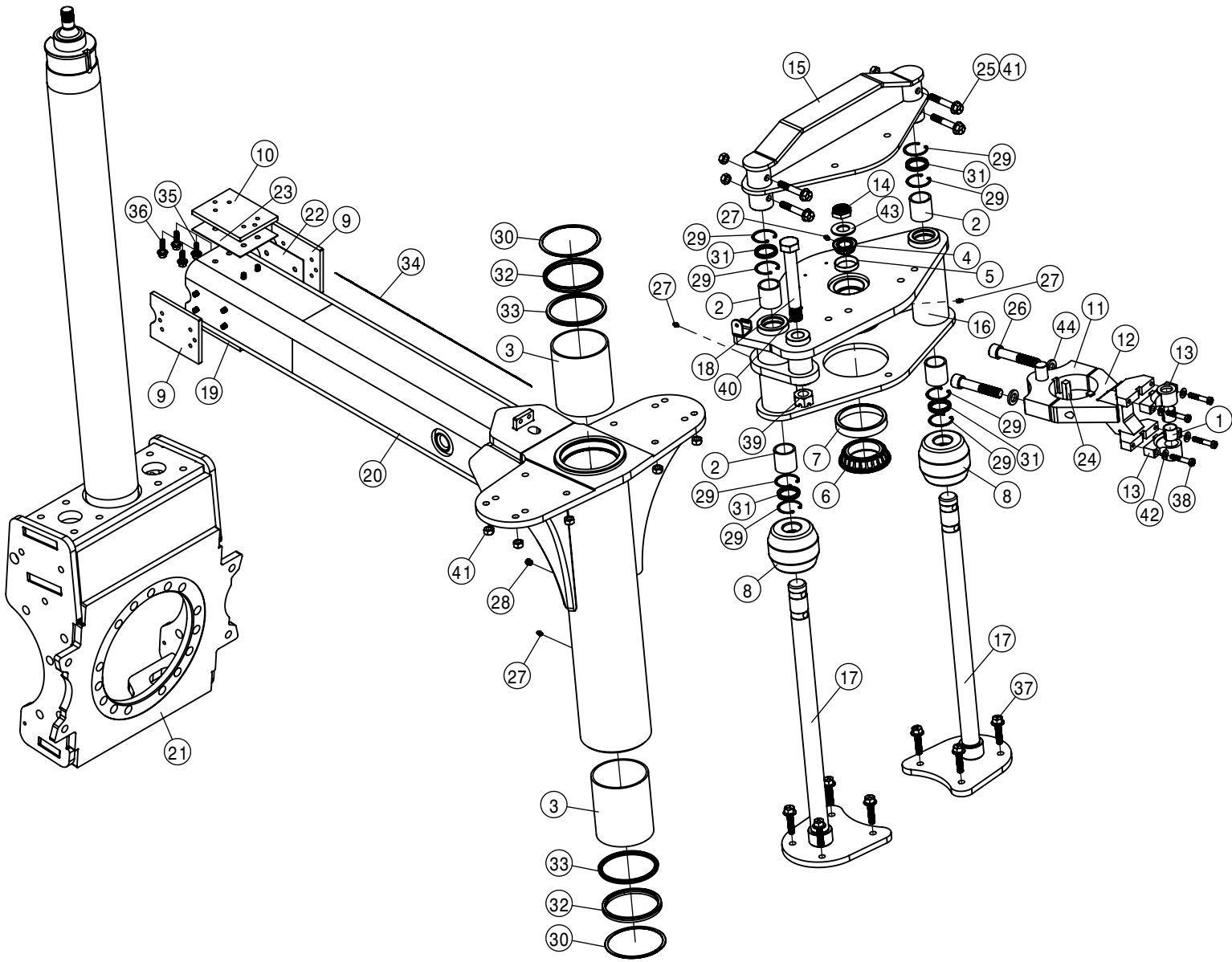


FUEL SYSTEM ASSEMBLY			
DET	QTY	P/N	DESCRIPTION
1	1	195971-233	HOSE 1/2 ID BIO FUEL SAE J30R7
2	1	291355	FUEL SENSOR STS16
3	1	317271	FILTER MT PLT
4	1	317421	FUEL HOSE,FILTER TO RAIL
5	1	317422	FUEL HOSE, PUMP TO FILTER
6	1	317423	FUEL HOSE, STRAINER TO PUMP
7	1	317737	FUEL RETURN HOSE
8	1	362549	FUEL TANK SIGN BRACKET WLD '16
9	4	470113	5/16UNC SERR FLG LOCK NUT
10	4	470233	5/16UNC X 3/4 SERR FLG HEX BOLT
11	4	470460	3/8UNC X 1 HHSFB GR5 MC
12	9	470555	CABLE TIE, 1/2 X 15" BLACK NYLON
13	4	473790	8MM-1.25 X 30MM HEX BOLT
14	1	503703	PIPE PLUG .50NPT SKT HD
15	1	520174	HOSE D-CLAMP .630 DIA
16	2	520175	HOSE D-CLAMP .830 DIA
17	1	618262	1/2 HOSE BARB-90-1/2 FNPT BR
18	1	618263	3/8 HOSE BARB-90-1/2 FNPT BR
19	1	618980	1/2 J2044 QUICK CONNECT, 90°
20	1	650179	DECAL,HAGIE, 26 X 60
21	1	650849	DECAL,CAUTION, ENG FUEL
22	1	760469	FUEL TANK CAP,3.50" VENTED
23	1	760486	FUEL TANK WLDMT,STS16 07
24	2	900264	1/2UNC X 1 1/4 HEX BOLT
25	10	910008	1/2UNC HEX NUT
26	4	910106	3/8-16UNC CTRLK FLG NUT MC GR5
27	2	A52308	FUEL TANK STRAP ASSY



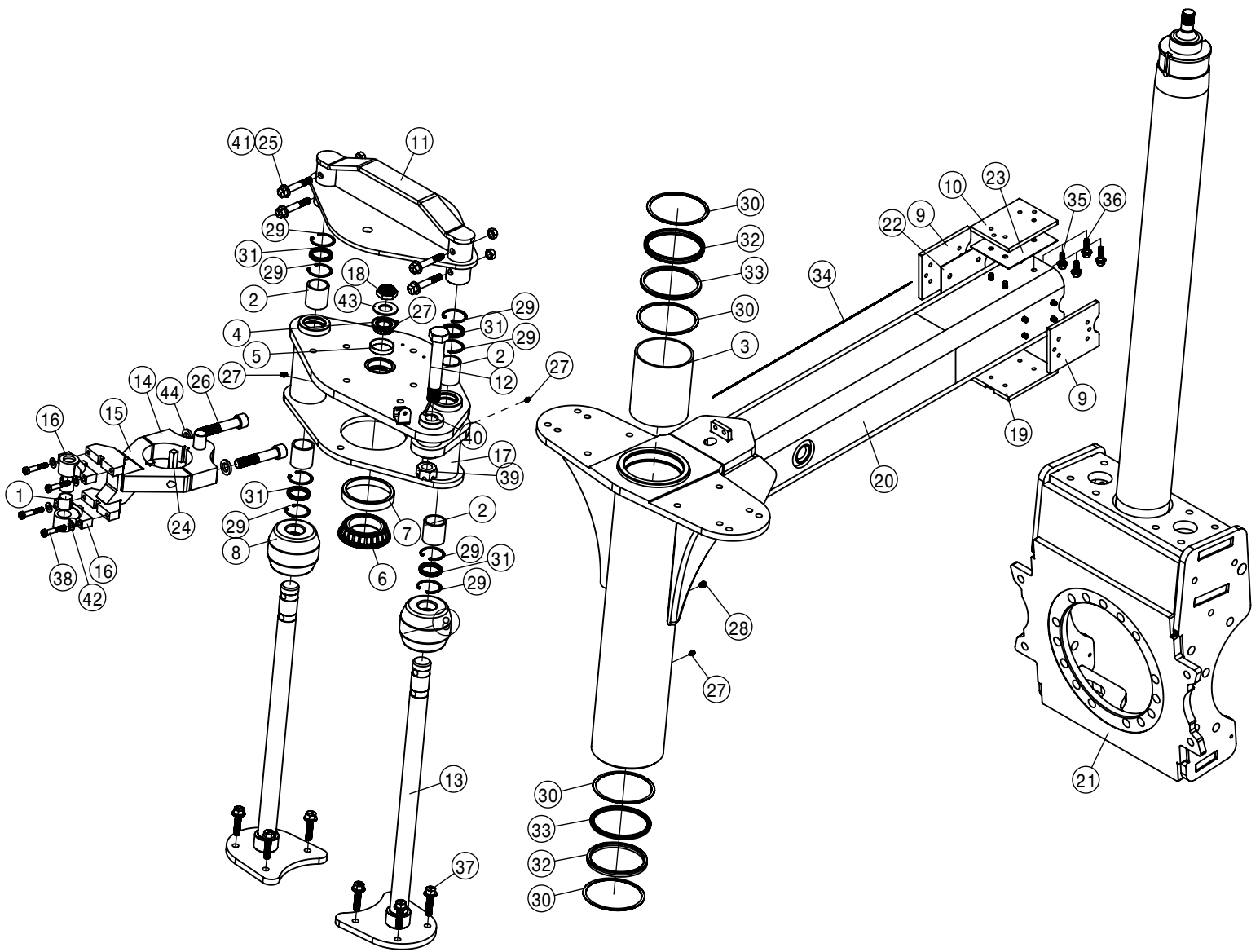
RIGHT FRONT LEG ASSEMBLY			
DET	QTY	P/N	DESCRIPTION
1	2	121029	JOURNAL BRG, 1.00 ID x 1.00 LG
2	4	121113	TOWER SLEEVE BRG (POLYGON) 05
3	2	121125	BEARING-POLY 4.50 ID X 5.74 LG
4	1	125050	BRG CONE, 1.00 ID W/FACE SEAL
5	1	125051	BRG CUP FOR 125050
6	1	125052	BRG CONE, 2.687 ID W/FACE SEAL
7	1	125053	BRG CUP FOR 125052
8	2	311058	RUBBER SPRING
9	2	343189	MAN TRD NOTCHED PLATE, TAPPED
10	1	343190	MAN TRD PLATE, TAPPED
11	1	359683	STEERING ARM WLDMT-STS
12	1	359684	STEERING TRUN MNT WLD - STS
13	2	359687	TRUNNION-STEERING CYLINDER
14	1	360561	1-14 UNS THIN HEX NUT LCK
15	1	360780	AIR BAG TOWER TOP MT WLD
16	1	360786	RH AIR BAG LWR PLT WLD
17	2	360795	NITRO TOWER WLD
18	1	360797	STRG CYL BOLT
19	1	360853	TRD ADJ BRONZE BEARING, TAPPED
20	1	360860	OUTER LEG WELDMENT STS
21	1	360861	INR LEG WLD-STS, SDS LEG
22	1	360864	NOTCHED SHIM - TRD ADJ BEARING

RIGHT FRONT LEG ASSEMBLY			
DET	QTY	P/N	DESCRIPTION
23	1	360865	SHIM - TRD ADJ BEARING
24	2	470447	KEY .50 SQ X 1.69 LONG
25	4	470461	1/2UNC X 3 HHSFB GR5 MC
26	2	470904	3/4UNC X 4" SOC HD CAP SCR GR8
27	4	471005	GREASE ZERK, 1/4-28 X 1/2
28	1	471030	PRESSURE RELIEF VALVE-GREASE 45-80 PSI
29	8	629537	187RRH00Z SNAP RING
30	4	629538	4.5 SPIROLOX RING
31	4	629620	SEAL, 1.500 ROD DIA
32	2	629621	SEAL, 4.500 ROD DIA
33	2	629625	SEAL, 4.500 ROD DIA
34	1	650486	DECAL,TREAD ADJ INDICATOR DTS
35	16	900163	3/8UNF X 1 HHSFB GR5 MC
36	16	900164	3/8UNF X 1 1/4 HHSFB GR5 MC
37	8	900519	1/2UNC X 2 HHSFB GR5 MC FT
38	4	900821	3/8UNF X 2 HHCS GR8 MC
39	1	910020	1-8UNC HEX SLTTD NUT MC GR5
40	1	910120	3/16 X 1 3/4 COTTER PIN SS
41	12	914008	1/2-13UNC STOVER NUT MC GR5
42	4	920002	SAE FLAT WASHER 3/8 MC
43	1	920008	1" SAE FLAT WASHER
44	2	920506	HLOCK WASHER 3/4 MC



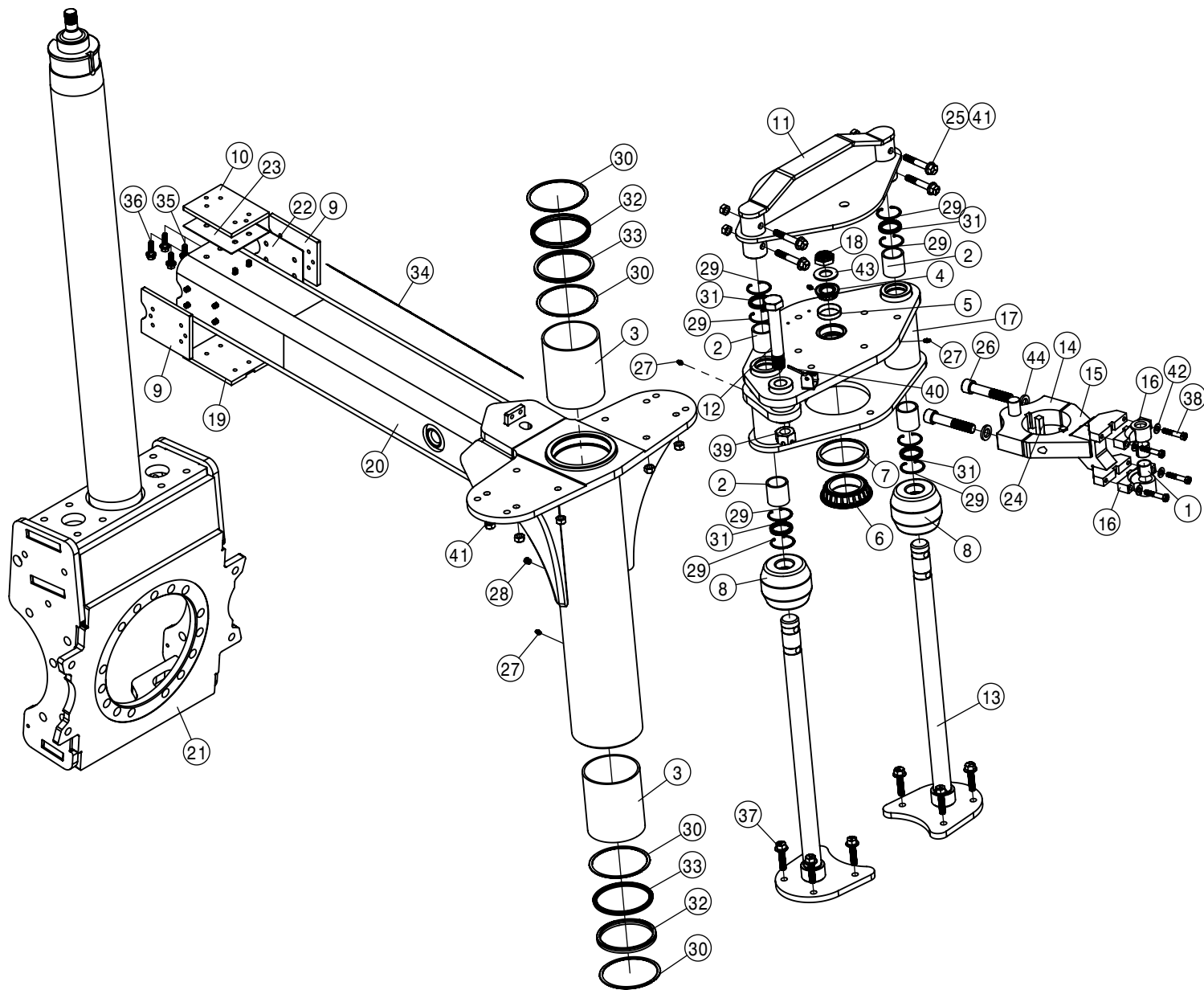
LEFT FRONT LEG ASSEMBLY				
DET	QTY	P/N	DESCRIPTION	
1	2	121029	JOURNAL BRG, 1.00 ID x 1.00 LG	
2	4	121113	TOWER SLEEVE BRG (POLYGON) 05	
3	2	121125	BEARING-POLY 4.50 ID X 5.74 LG	
4	1	125050	BRG CONE, 1.00 ID W/FACE SEAL	
5	1	125051	BRG CUP FOR 125050	
6	1	125052	BRG CONE, 2.687 ID W/FACE SEAL	
7	1	125053	BRG CUP FOR 125052	
8	2	311058	RUBBER SPRING	
9	2	343189	MAN TRD NOTCHED PLATE, TAPPED	
10	1	343190	MAN TRD PLATE, TAPPED	
11	1	359683	STEERING ARM WLDMT-STS	
12	1	359684	STEERING TRUN MNT WLD - STS	
13	2	359687	TRUNNION-STEERING CYLINDER	
14	1	360561	1-14 UNS THIN HEX NUT LCK	
15	1	360780	AIR BAG TOWER TOP MT WLD	
16	1	360785	LH AIR BAG LWR PLT WLD	
17	2	360795	NITRO TOWER WLD	
18	1	360797	STRG CYL BOLT	
19	1	360853	TRD ADJ BRONZE BEARING, TAPPED	
20	1	360860	OUTER LEG WELDMENT STS	
21	1	360861	INR LEG WLD-STS, SDS LEG	
22	1	360864	NOTCHED SHIM - TRD ADJ BEARING	

LEFT FRONT LEG ASSEMBLY				
DET	QTY	P/N	DESCRIPTION	
23	1	360865	SHIM - TRD ADJ BEARING	
24	2	470447	KEY .50 SQ X 1.69 LONG	
25	4	470461	1/2UNC X 3 HHSFB GR5 MC	
26	2	470904	3/4UNC X 4" SOC HD CAP SCR GR8	
27	4	471005	GREASE ZERK, 1/4-28 X 1/2	
28	1	471030	PRESSURE RELIEF VALVE-GREASE 45-80 PSI	
29	8	629537	187RRRHOZ SNAP RING	
30	4	629538	4.5 SPIROLOX RING	
31	4	629620	SEAL, 1.500 ROD DIA	
32	2	629621	SEAL, 4.500 ROD DIA	
33	2	629625	SEAL, 4.500 ROD DIA	
34	1	650486	DECAL, TREAD ADJ INDICATOR DTS	
35	16	900163	3/8UNF X 1 HHSFB GR5 MC	
36	16	900164	3/8UNF X 1 1/4 HHSFB GR5 MC	
37	8	900519	1/2UNC X 2 HHSFB GR5 MC FT	
38	4	900821	3/8UNF X 2 HHCS GR8 MC	
39	1	910020	1-8UNC HEX SLTDD NUT MC GR5	
40	1	910120	3/16 X 1 3/4 COTTER PIN SS	
41	12	914008	1/2-13UNC STOVER NUT MC GR5	
42	4	920002	SAE FLAT WASHER 3/8 MC	
43	1	920008	1" SAE FLAT WASHER	
44	2	920506	HLOCK WASHER 3/4 MC	



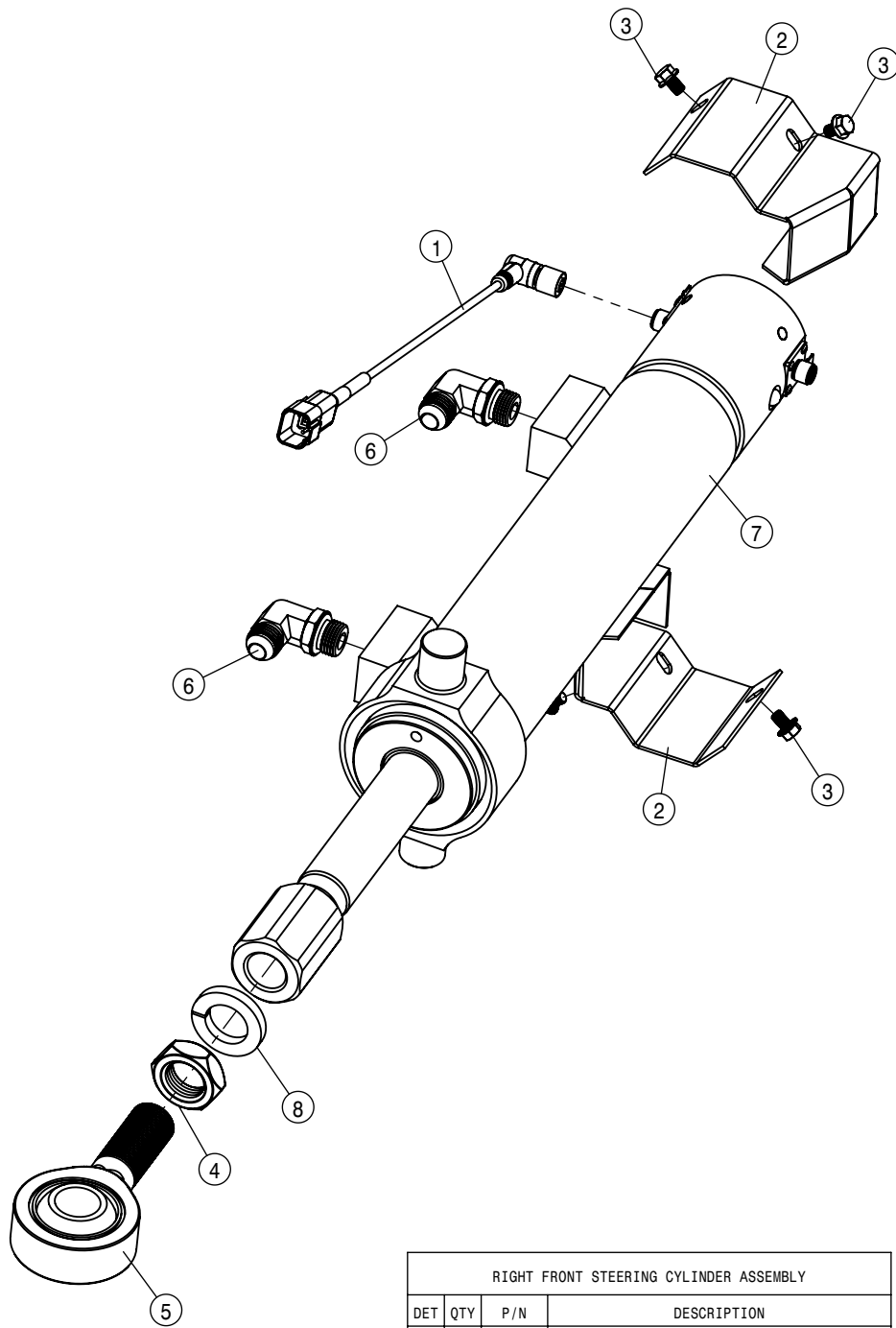
RIGHT REAR LEG ASSEMBLY			
DET	QTY	P/N	DESCRIPTION
1	2	121029	JOURNAL BRG, 1.00 ID x 1.00 LG
2	4	121113	TOWER SLEEVE BRG (POLYGON) 05
3	2	121125	BEARING-POLY 4.50 ID X 5.74 LG
4	1	125050	BRG CONE, 1.00 ID W/FACE SEAL
5	1	125051	BRG CUP FOR 125050
6	1	125052	BRG CONE, 2.687 ID W/FACE SEAL
7	1	125053	BRG CUP FOR 125052
8	2	311058	RUBBER SPRING
9	2	343189	MAN TRD NOTCHED PLATE, TAPPED
10	1	343190	MAN TRD PLATE, TAPPED
11	1	359333	AIR BAG TOWER TOP MT WLD
12	1	359546	STRG CYL BOLT, STS AWS LRG 09
13	2	359654	NITRO TOWER WLD, STS AWS 13
14	1	359683	STEERING ARM WLDMT-STS
15	1	359684	STEERING TRUN MNT WLD - STS
16	2	359687	TRUNNION-STEERING CYLINDER
17	1	360148	RH AIR BAG LWR PLT WLD, STS 15
18	1	360561	1-14 UNS THIN HEX NUT LCK
19	1	360853	TRD ADJ BRONZE BEARING, TAPPED
20	1	360860	OUTER LEG WELDMENT STS
21	1	360861	INR LEG WLD-STS, SDS LEG
22	1	360864	NOTCHED SHIM - TRD ADJ BEARING

RIGHT REAR LEG ASSEMBLY			
DET	QTY	P/N	DESCRIPTION
23	1	360865	SHIM - TRD ADJ BEARING
24	2	470447	KEY .50 SQ X 1.69 LONG
25	4	470461	1/2UNC X 3 HHSFB GR5 MC
26	2	470904	3/4UNC X 4" SOC HD CAP SCR GR8
27	4	471005	GREASE ZERK, 1/4-28 X 1/2
28	1	471030	PRESSURE RELIEF VALVE-GREASE 45-80 PSI
29	8	629537	187RRHOZ SNAP RING
30	4	629538	4.5 SPIROLOX RING
31	4	629620	SEAL, 1.500 ROD DIA
32	2	629621	SEAL, 4.500 ROD DIA
33	2	629625	SEAL, 4.500 ROD DIA
34	1	650486	DECAL,TREAD ADJ INDICATOR DTS
35	16	900163	3/8UNF X 1 HHSFB GR5 MC
36	16	900164	3/8UNF X 1 1/4 HHSFB GR5 MC
37	8	900519	1/2UNC X 2 HHSFB GR5 MC FT
38	4	900821	3/8UNF X 2 HHCS GR8 MC
39	1	910020	1-8UNC HEX SLTTD NUT MC GR5
40	1	910120	3/16 X 1 3/4 COTTER PIN SS
41	12	914008	1/2-13UNC STOVER NUT MC GR5
42	4	920002	SAE FLAT WASHER 3/8 MC
43	1	920008	1" SAE FLAT WASHER
44	2	920506	HLOCK WASHER 3/4 MC

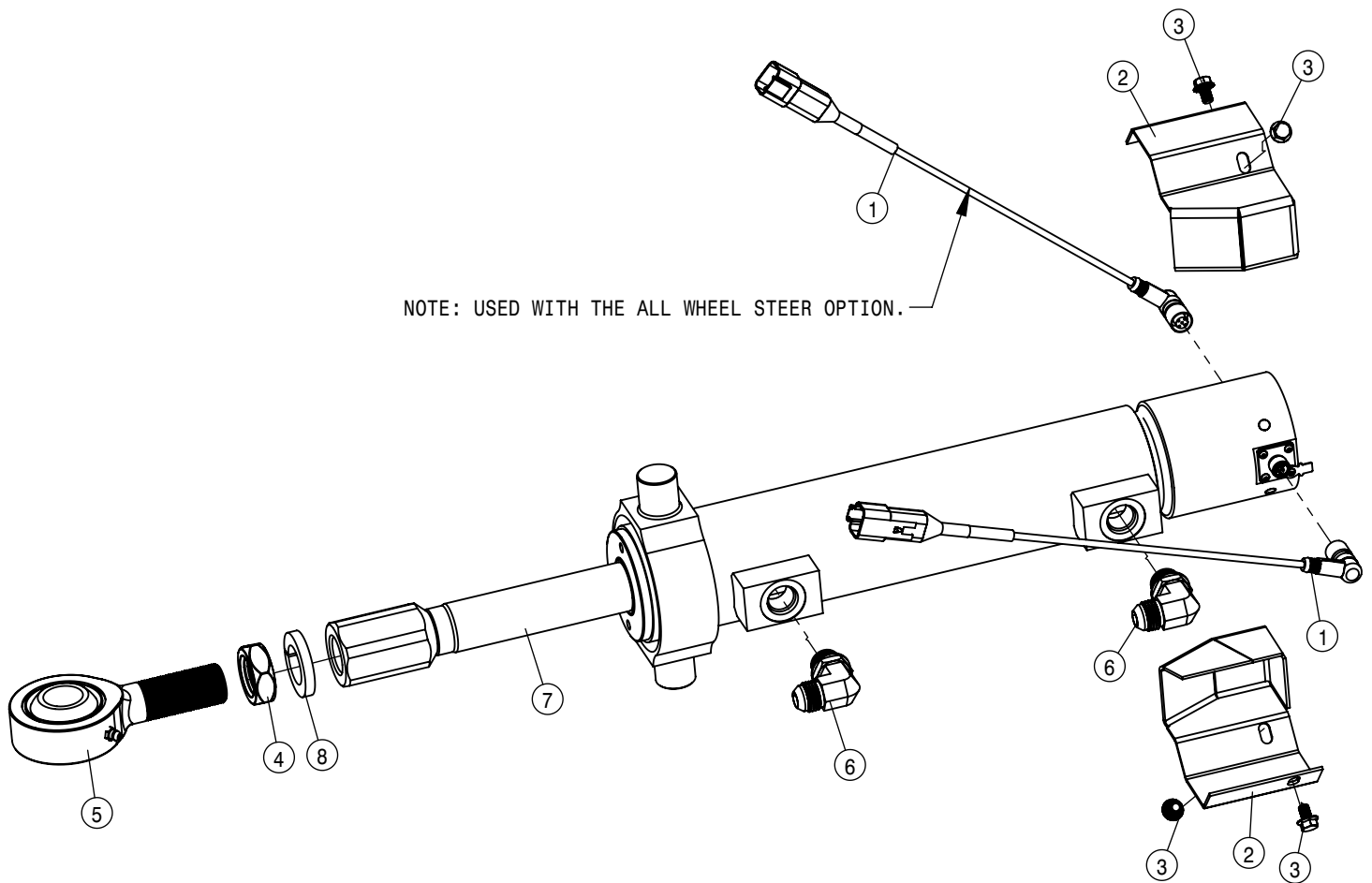


LEFT REAR LEG ASSEMBLY			
DET	QTY	P/N	DESCRIPTION
1	2	121029	JOURNAL BRG, 1.00 ID x 1.00 LG
2	4	121113	TOWER SLEEVE BRG (POLYGON) 05
3	2	121125	BEARING-POLY 4.50 ID X 5.74 LG
4	1	125050	BRG CONE, 1.00 ID W/FACE SEAL
5	1	125051	BRG CUP FOR 125050
6	1	125052	BRG CONE, 2.687 ID W/FACE SEAL
7	1	125053	BRG CUP FOR 125052
8	2	311058	RUBBER SPRING
9	2	343189	MAN TRD NOTCHED PLATE, TAPPED
10	1	343190	MAN TRD PLATE, TAPPED
11	1	359333	AIR BAG TOWER TOP MT WLD
12	1	359546	STRG CYL BOLT, STS AWS LRG 09
13	2	359654	NITRO TOWER WLD, STS AWS 13
14	1	359683	STEERING ARM WLDMT-STS
15	1	359684	STEERING TRUN MNT WLD - STS
16	2	359687	TRUNNION-STEERING CYLINDER
17	1	360149	LH AIR BAG LWR PLT WLD, STS 15
18	1	360561	1-14 UNS THIN HEX NUT LCK
19	1	360853	TRD ADJ BRONZE BEARING, TAPPED
20	1	360860	OUTER LEG WELDMENT STS
21	1	360861	INR LEG WLD-STS, SDS LEG
22	1	360864	NOTCHED SHIM - TRD ADJ BEARING

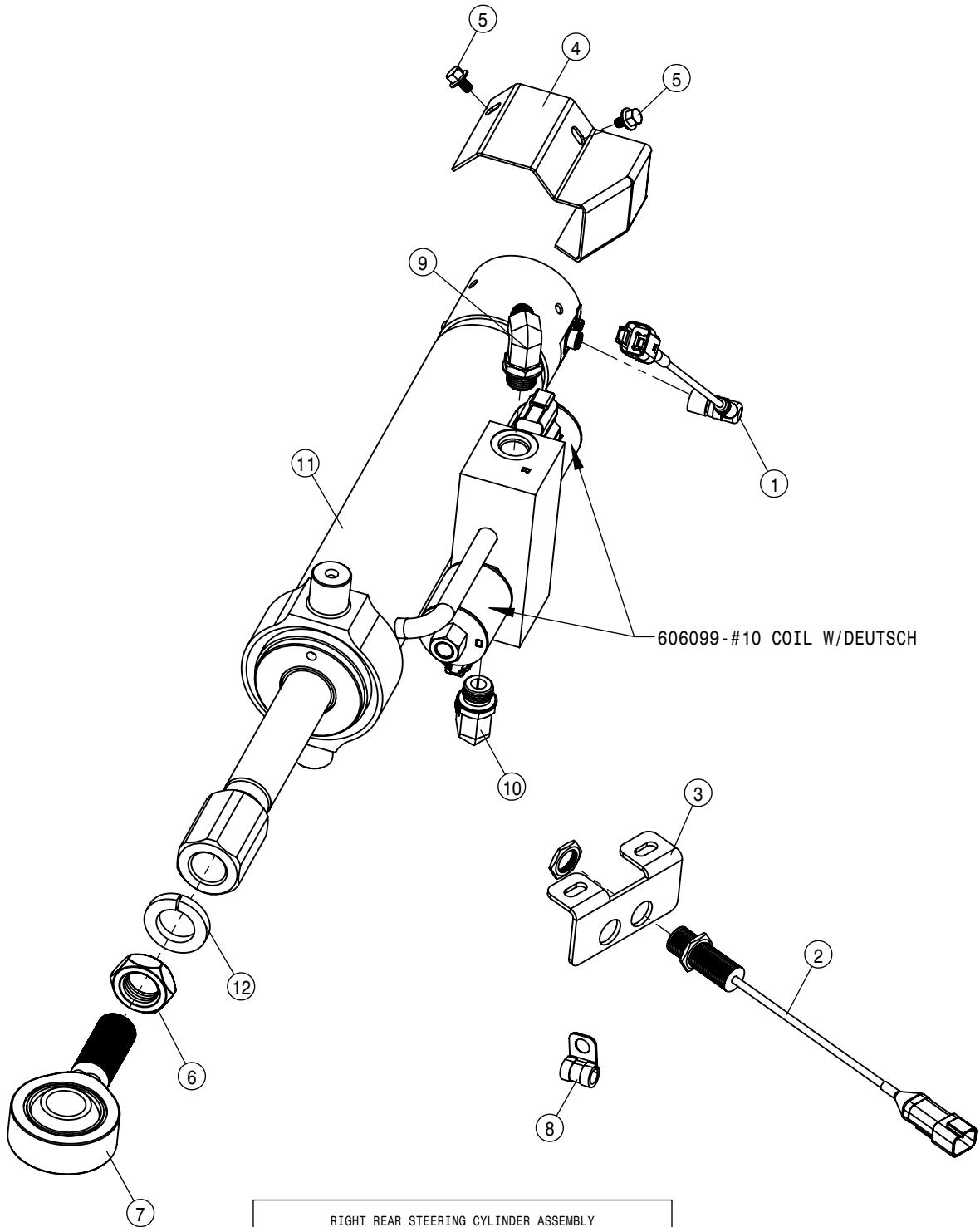
LEFT REAR LEG ASSEMBLY			
DET	QTY	P/N	DESCRIPTION
23	1	360865	SHIM - TRD ADJ BEARING
24	2	470447	KEY .50 SQ X 1.69 LONG
25	4	470461	1/2UNC X 3 HHSFB GR5 MC
26	2	470904	3/4UNC X 4" SOC HD CAP SCR GR8
27	4	471005	GREASE ZERK, 1/4-28 X 1/2
28	1	471030	PRESSURE RELIEF VALVE-GREASE 45-80 PSI
29	8	629537	187RRH00Z SNAP RING
30	4	629538	4.5 SPIROLOX RING
31	4	629620	SEAL, 1.500 ROD DIA
32	2	629621	SEAL, 4.500 ROD DIA
33	2	629625	SEAL, 4.500 ROD DIA
34	1	650486	DECAL, TREAD ADJ INDICATOR DTS
35	16	900163	3/8UNF X 1 HHSFB GR5 MC
36	16	900164	3/8UNF X 1 1/4 HHSFB GR5 MC
37	8	900519	1/2UNC X 2 HHSFB GR5 MC FT
38	4	900821	3/8UNF X 2 HHCS GR8 MC
39	1	910020	1-8UNC HEX SLTDT NUT MC GR5
40	1	910120	3/16 X 1 3/4 COTTER PIN SS
41	12	914008	1/2-13UNC STOVER NUT MC GR5
42	4	920002	SAE FLAT WASHER 3/8 MC
43	1	920008	1" SAE FLAT WASHER
44	2	920506	HLOCK WASHER 3/4 MC



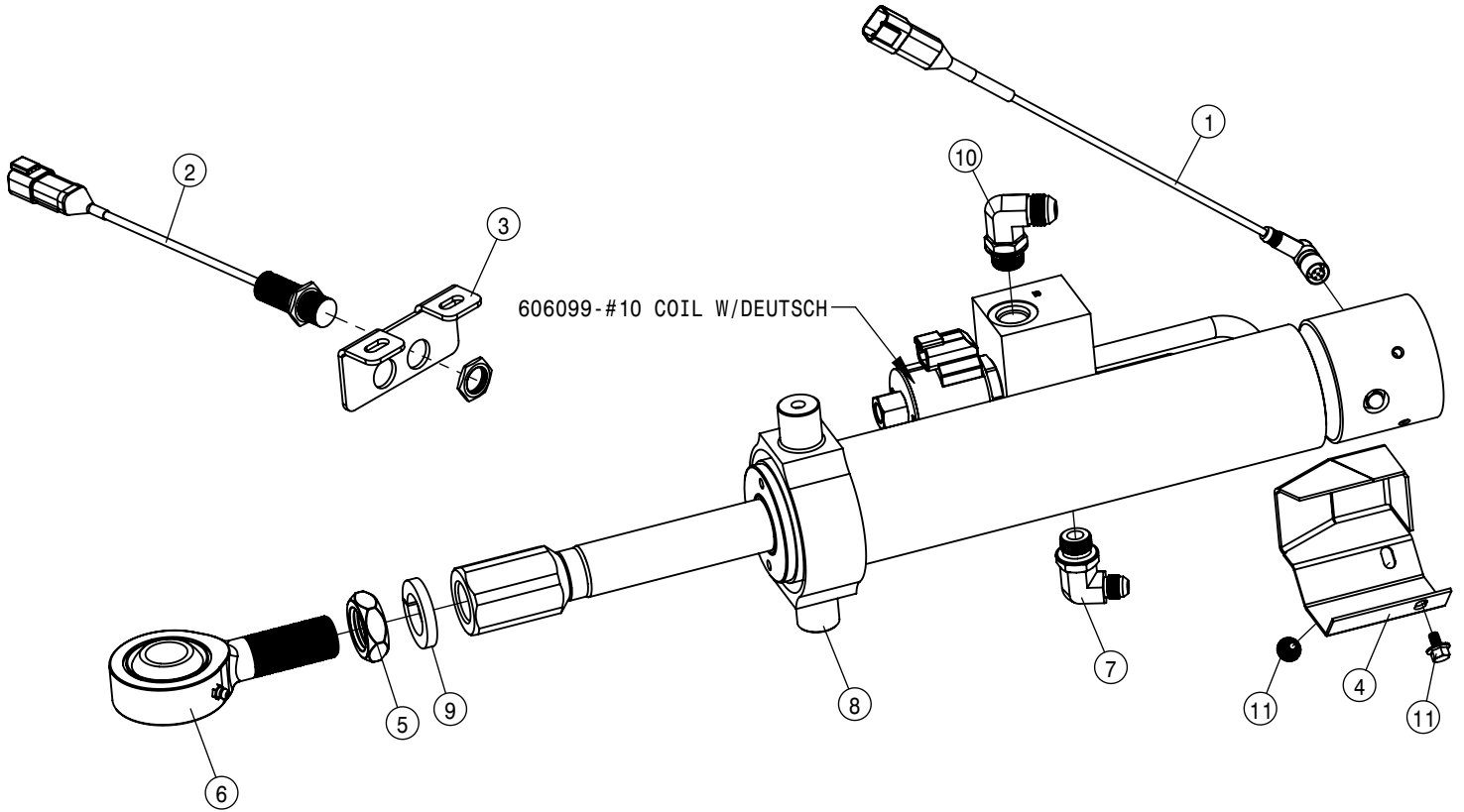
RIGHT FRONT STEERING CYLINDER ASSEMBLY			
DET	QTY	P/N	DESCRIPTION
1	1	291994	SENSOR HARNESS FOR AWS
2	2	359645	STRG CYL SENSOR GUARD
3	4	470883	1/4UNC X 3/8 SERR FLG BOLT SS
4	1	472328	1" - 12 HEX JAM NUT
5	1	474004	ROD END, 1.00 BORE, 1- 12 RH MALE
6	2	618241	3/4MJIC-90-3/4MOR LBO
7	1	621654	HYD CYL, 2.50 X 8.81 PHASE/SENS
8	1	920508	1" LOCK WASHER



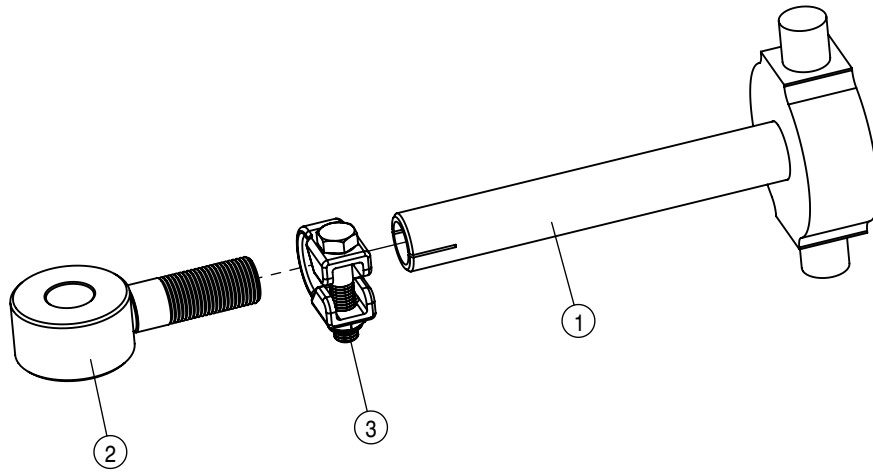
LEFT FRONT STEERING CYLINDER ASSEMBLY			
DET	QTY	P/N	DESCRIPTION
1	2	291994	SENSOR HARNESS FOR AWS
2	2	359645	STRG CYL SENSOR GUARD
3	4	470883	1/4UNC X 3/8 SERR FLG BOLT SS
4	1	472328	1" - 12 HEX JAM NUT
5	1	474004	ROD END, 1.00 BORE, 1-12 RH MALE
6	2	618241	3/4MJIC-90-3/4MOR LBO
7	1	621654	HYD CYL, 2.50 X 8.81 PHASE/SENS
8	1	920508	1" LOCK WASHER



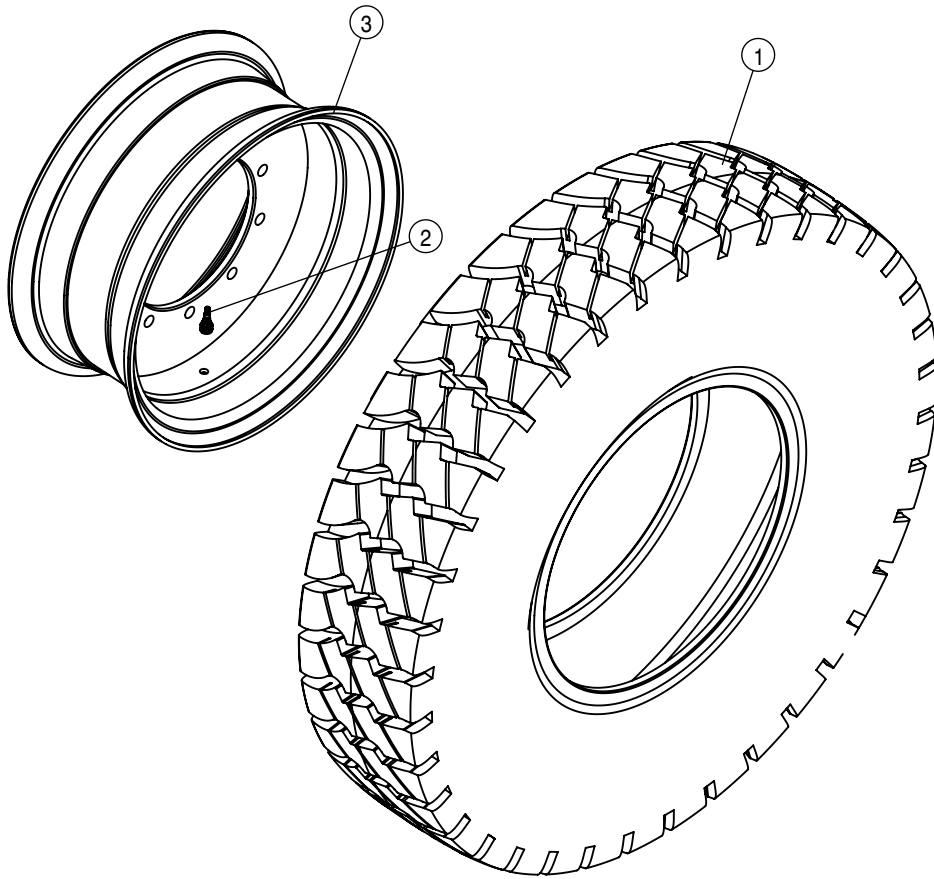
RIGHT REAR STEERING CYLINDER ASSEMBLY			
DET	QTY	P/N	DESCRIPTION
1	1	291994	SENSOR HARNESS FOR AWS
2	1	292926	INDUCTIVE PROX SENSOR, 18MM
3	1	359555	SENSOR BRKT, STS AWS 09
4	1	359645	STRG CYL SENSOR GUARD
5	2	470883	1/4UNC X 3/8 HHSFB SS
6	1	472328	1" -12 HEX JAM NUT
7	1	474004	ROD END, 1.00 BORE, 1-12 RH MALE
8	1	520167	CUSH CLAMP, #6 3/8D X 3/4W
9	1	618115	9/16MJIC-90-3/4MOR LBO
10	1	618241	3/4MJIC-90-3/4MOR LBO
11	1	621653	HYD CYL, 2.50 X 8.81 X 1.25
12	1	920508	1" LOCK WASHER



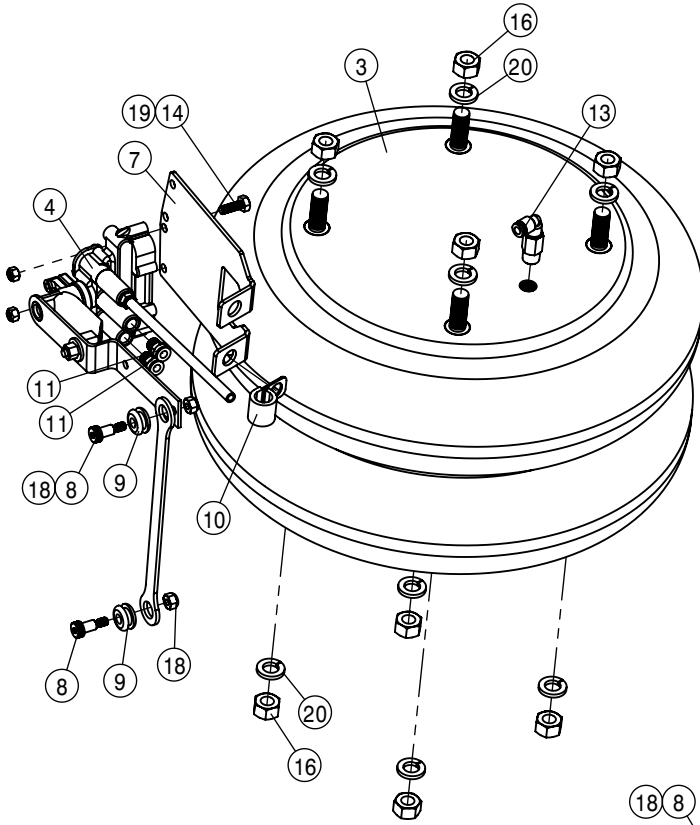
LEFT REAR STEERING CYLINDER ASSEMBLY			
DET	QTY	P/N	DESCRIPTION
1	1	291994	SENSOR HARNESS FOR AWS
2	1	292926	INDUCTIVE PROX SENSOR, 18MM
3	1	359555	SENSOR BRKT, STS AWS 09
4	1	359645	STRG CYL SENSOR GUARD
5	1	472328	1" - 12 HEX JAM NUT
6	1	474004	ROD END, 1.00 BORE, 1-12 RH MALE
7	1	618115	9/16MJIC-90-3/4MOR LBO
8	1	621653	HYD CYL, 2.50 X 8.81 X 1.25
9	1	920508	1" LOCK WASHER
10	1	618241	3/4MJIC-90-3/4MOR LBO
11	2	470409	3/8UNC X 3/4 HHSFB GR5 MC



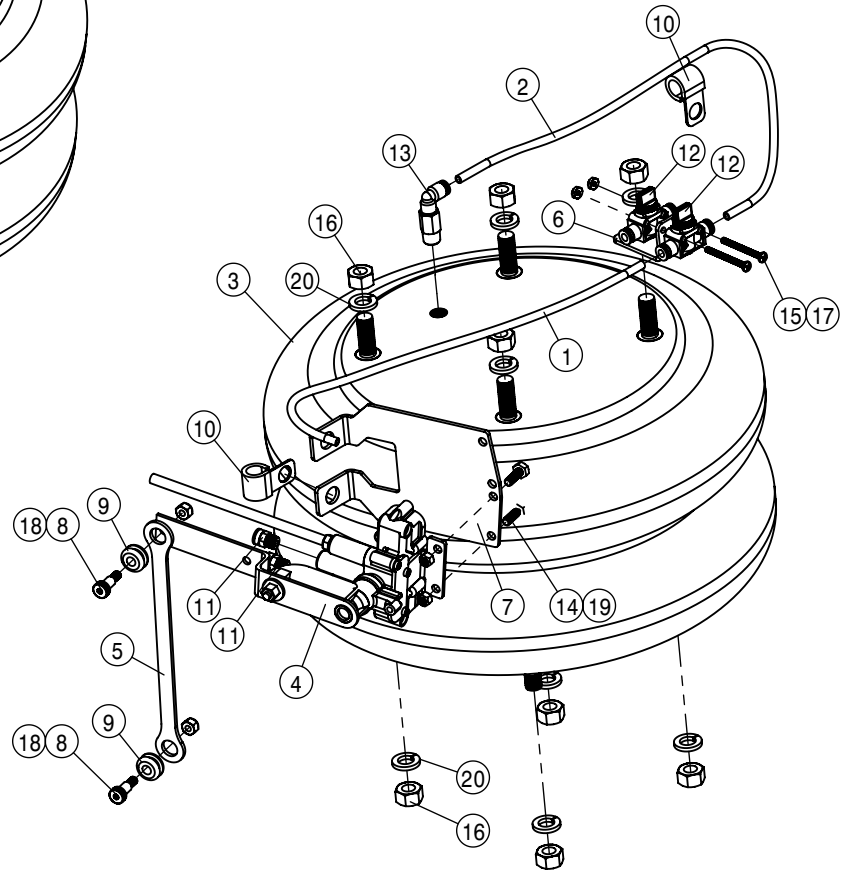
REAR STANDARD TIE ROD ASSEMBLY			
DET	QTY	P/N	DESCRIPTION
1	1	359086	REAR TIE ROD SHAFT WLD
2	1	359089	TIE ROD STUD WLD
3	1	749322	STEERING TUBE CLAMP & BOLT ASSY



TIRE AND RIM ASSEMBLY				
DET	QTY	P/N	DESCRIPTION	
1	1	820080	14.00 R25 TIRE, GDYR RL-4L	
2	1	821252	VALVE STEM, TR-618A, STAINLESS	
3	1	821296	RIM 10.00-1.4IN 3 PIECE STS'17	

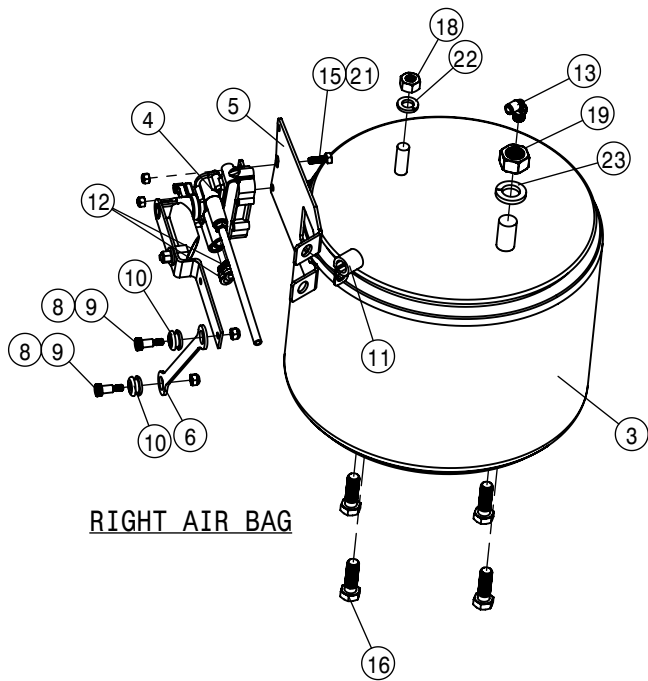


RIGHT AIR BAG

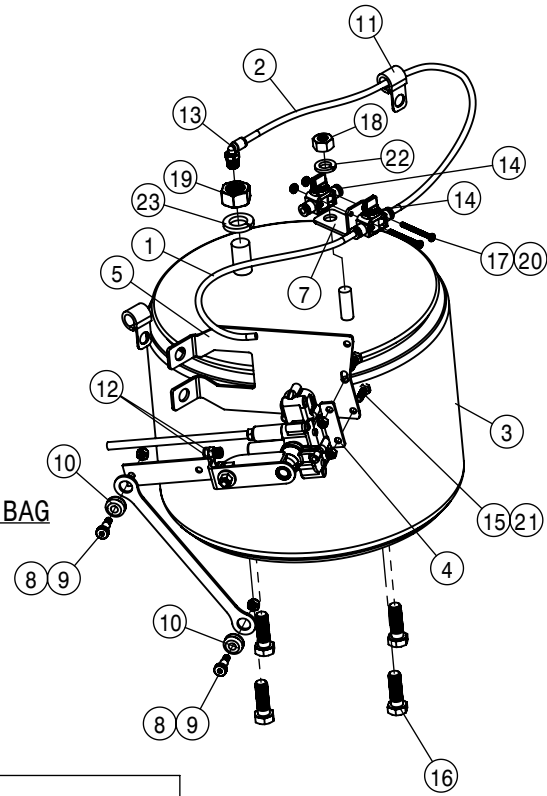


LEFT AIR BAG

FRONT AIR BAG ASSEMBLY			
DET	QTY	P/N	DESCRIPTION
1	1	195906-018	1/40D AIR BRAKE TUBING J844-A
2	1	195906-021	1/40D AIR BRAKE TUBING J844-A
3	2	311100	AIR RIDE SPRING
4	2	358832	AIRIDE SPRING CTRL VALVE 98
5	2	360141	LINK-AIR VALVE, FRONT MOUNT
6	1	360147	AIR DUMP VLV BRKT,STS 15
7	2	360798	AIRIDE VALVE BRACKET
8	4	470607	1/4UNC-5/16 X .50 SHLDR SCR SS
9	4	470608	GROMMET-.31 ID X .56 PD X .19 PG
10	3	520164	CUSH HOSE CLAMP,#9, 9/16D X 3/4W
11	4	711036	1/8MNPT-1/4 NYL TUBE FTG
12	2	711053	AIR VALVE, 1/4 NYL TUBE
13	2	711098	1/4 NPT QUICK CONNECT FITTING
14	4	900002	1/4UNC x 3/4 HEX BOLT
15	2	903854	8-32 X 1 3/4 PHIL PN MACH SCR SS
16	16	910008	1/2-13UNC HEX NUT MC GR5
17	2	910024	8-32 HEX NUT
18	4	910118	1/4-20UNC NYLOCK NUT SS
19	4	914000	1/4UNC HEX STOVER NUT
20	16	920504	1/2 LOCK WASHER



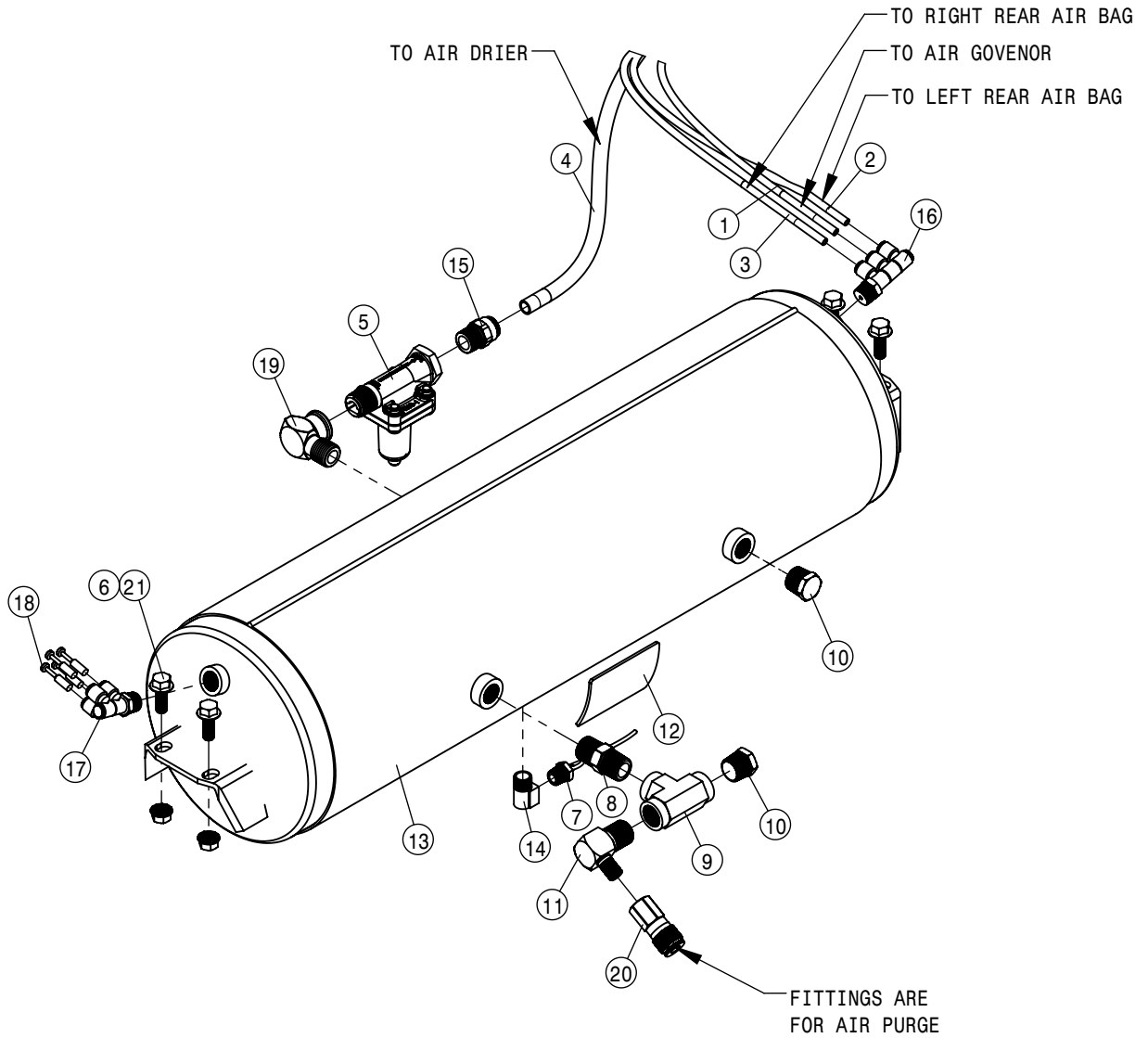
RIGHT AIR BAG



LEFT AIR BAG

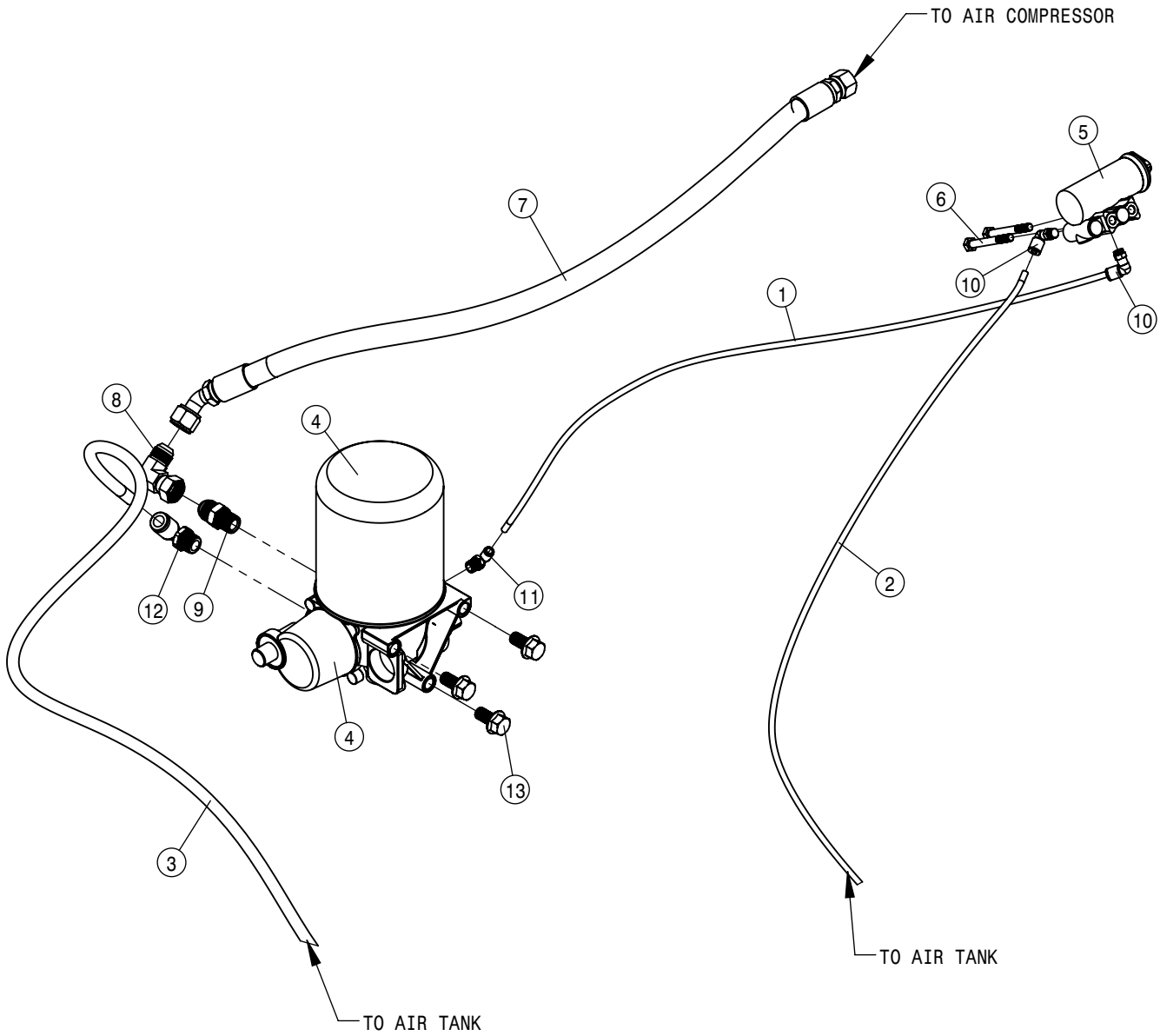
AIR BAG ASSEMBLY			
DET	QTY	P/N	DESCRIPTION
1	1	195906-011	1/40D AIR BRAKE TUBING J844-A
2	1	195906-022	1/40D AIR BRAKE TUBING J844-A
3	2	311080	AIRIDE SPRING, 11.81 BASE
4	2	358832	AIRIDE SPRING CTRL VALVE 98
5	2	360140	AIRIDE VALVE BRACKET
6	2	360141	LINK-AIR VALVE, FRONT MOUNT
7	1	360147	AIR DUMP VLV BRKT,STS 15
8	4	470089N	1/4UNC HEX NYLOC NUT, 316 SS
9	4	470607	1/4UNC-5/16 X .50 SHLDR SCR SS
10	4	470608	GROMMET-.31 ID X .56 PD X .19 PG
11	3	520164	CUSH HOSE CLAMP,#9, 9/16D X 3/4W
12	4	711036	1/8MNPT-1/4 NYL TUBE FTG
13	2	711040	1/4MNPT-90-1/4 NYL TUBE LBO
14	2	711053	AIR VALVE, 1/4 NYL TUBE
15	4	900002	1/4UNC x 3/4 HEX BOLT
16	8	900265	1/2UNC X 1 1/2 HEX BOLT
17	2	903854	8-32 X 1 3/4 PHIL PN MACH SCR SS
18	2	910008	1/2UNC HEX NUT
19	2	910013	3/4UNF HEX NUT
20	2	910024	8-32 HEX NUT
21	4	914000	1/4UNC HEX STOVER NUT
22	2	920504	1/2 LOCK WASHER
23	2	920506	3/4 LOCK WASHER

BULK HOSE
 195906-1/40D AIR BRAKE TUBING
 195914-1/20D AIR BRAKE TUBING
 195963-1/40D NYLON TUBING, YELLOW



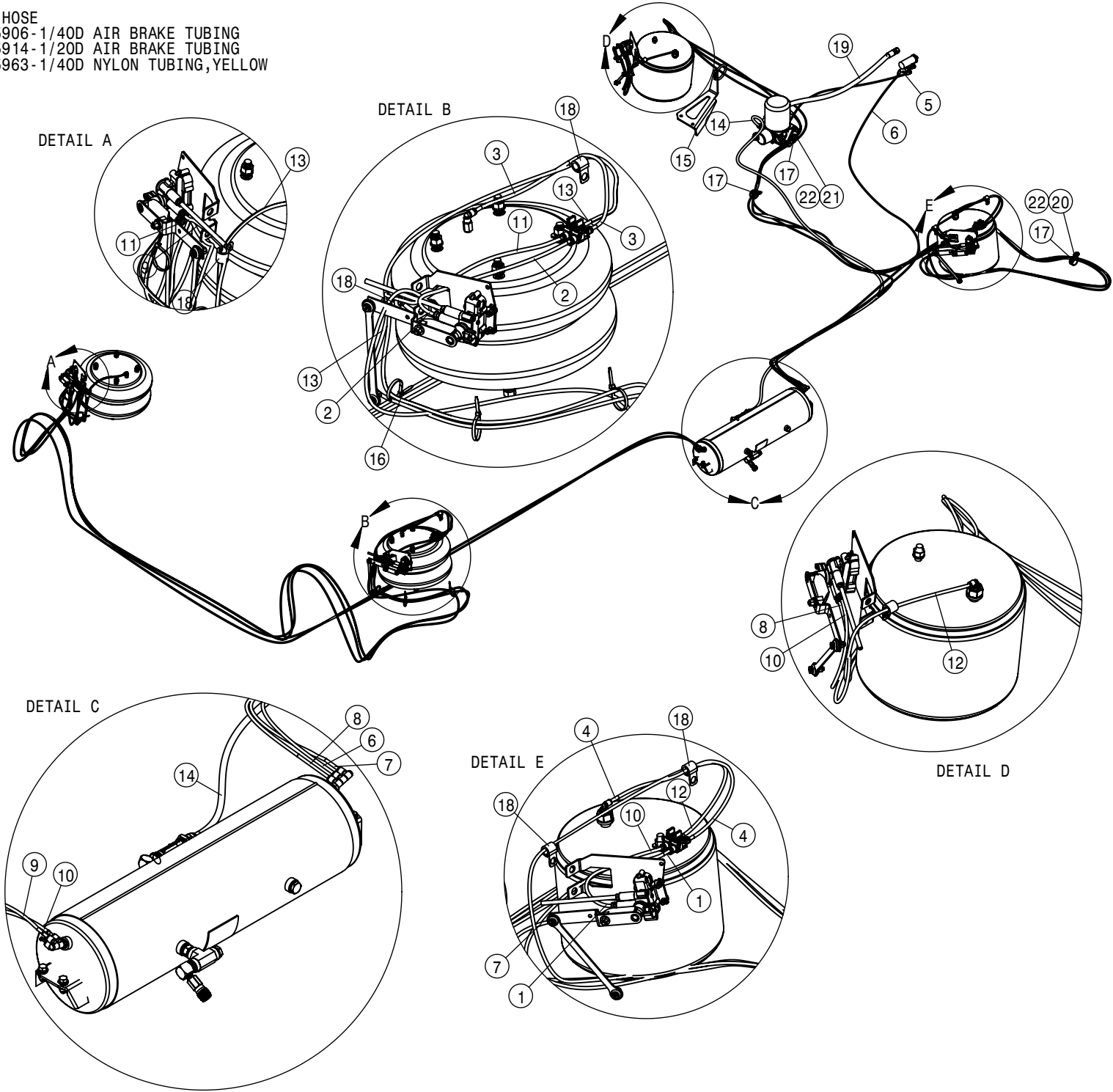
AIR TANK ASSEMBLY			
DET	QTY	P/N	DESCRIPTION
1	1	195906-123	1/40D AIR BRAKE TUBING J844-A
2	1	195906-181	1/40D AIR BRAKE TUBING J844-A
3	1	195906-226	1/40D AIR BRAKE TUBING J844-A
4	1	195914-128	1/20D AIR BRAKE TUBING J844-B
5	1	311086	CHECK VALVE, PRESS CRTL, WABCO
6	4	470087N	3/8UNC HEX SERR FLG NUT YZ
7	1	470266	DRAIN VALVE KIT, 1/4NPT
8	1	500000	1/2MNPT HEX PIPE NIPPLE STL
9	1	503819	1/2FNPT PIPE TEE STL
10	2	505231	PIPE PLUG .50NPT HEX HD BRS
11	1	618633	1/2MNPT-90-1/4MNPT REDU LBO
12	1	650348	DECAL, NOTICE, DRAIN AIR TANK
13	1	701365	AIR TANK
14	1	711027	1/4 NPT ST EL BRS
15	1	711037	1/2MNPT-1/2 NYL TUBE FTG
16	1	711046	3/8MNPT-1/4 NYL TUBE TRPL LBO
17	1	711047	3/8MNPT-1/4NYL TUBE, DBL BRANCH
18	4	711063	RUBBER PLUG FOR 1/4 PISCO CPLR7
19	1	711079	1/2NPT ST EL BRS
20	1	711083	1/4 NPTF SLV LOCK SOCKET BRS
21	4	900129N	3/8UNC X 1" SERR FLANGE BOLT

BULK HOSE
 195906-1/40D AIR BRAKE TUBING
 195914-1/20D AIR BRAKE TUBING



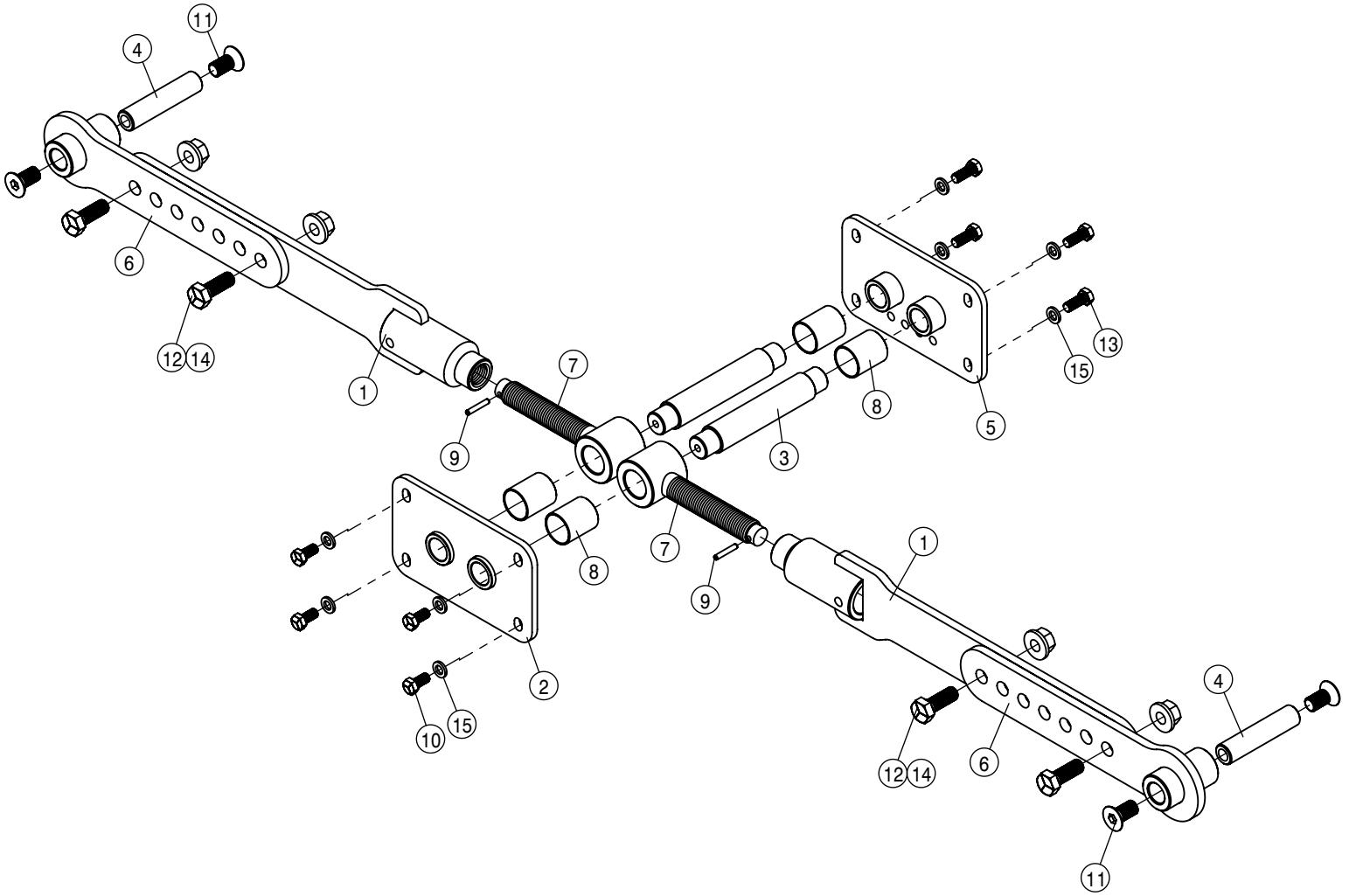
AIR DRIER AND GOVERNOR ASSEMBLY			
DET	QTY	P/N	DESCRIPTION
1	1	195906-032	1/40D AIR BRAKE TUBING J844-A
2	1	195906-123	1/40D AIR BRAKE TUBING J844-A
3	1	195914-128	1/20D AIR BRAKE TUBING J844-B
4	1	311084	AIR DRYER, SYSTEM SAVER 1200
5	1	316277	AIR COMPRESSOR GOVERNOR KIT
6	2	473822	8MM-1.25 X 70MM HEX BOLT GR8
7	1	601941	10-451TC-10FJX-10FJX45-36
8	1	618301	7/8MJIC-90-7/8FJIC SWIV LBO
9	1	618325	7/8MJIC-1/2MNPT ADPTR
10	2	711039	1/8MNPT-90-1/4 NYL TUBE LBO
11	1	711040	1/4MNPT-90-1/4 NYL TUBE LBO
12	1	711042	1/2MNPT-1/2 NYL TUBE LBO
13	3	900263N	1/2UNC X 1" SER FLANGE BOLT

BULK HOSE
 195906-1/40D AIR BRAKE TUBING
 195914-1/20D AIR BRAKE TUBING
 195963-1/40D NYLON TUBING, YELLOW

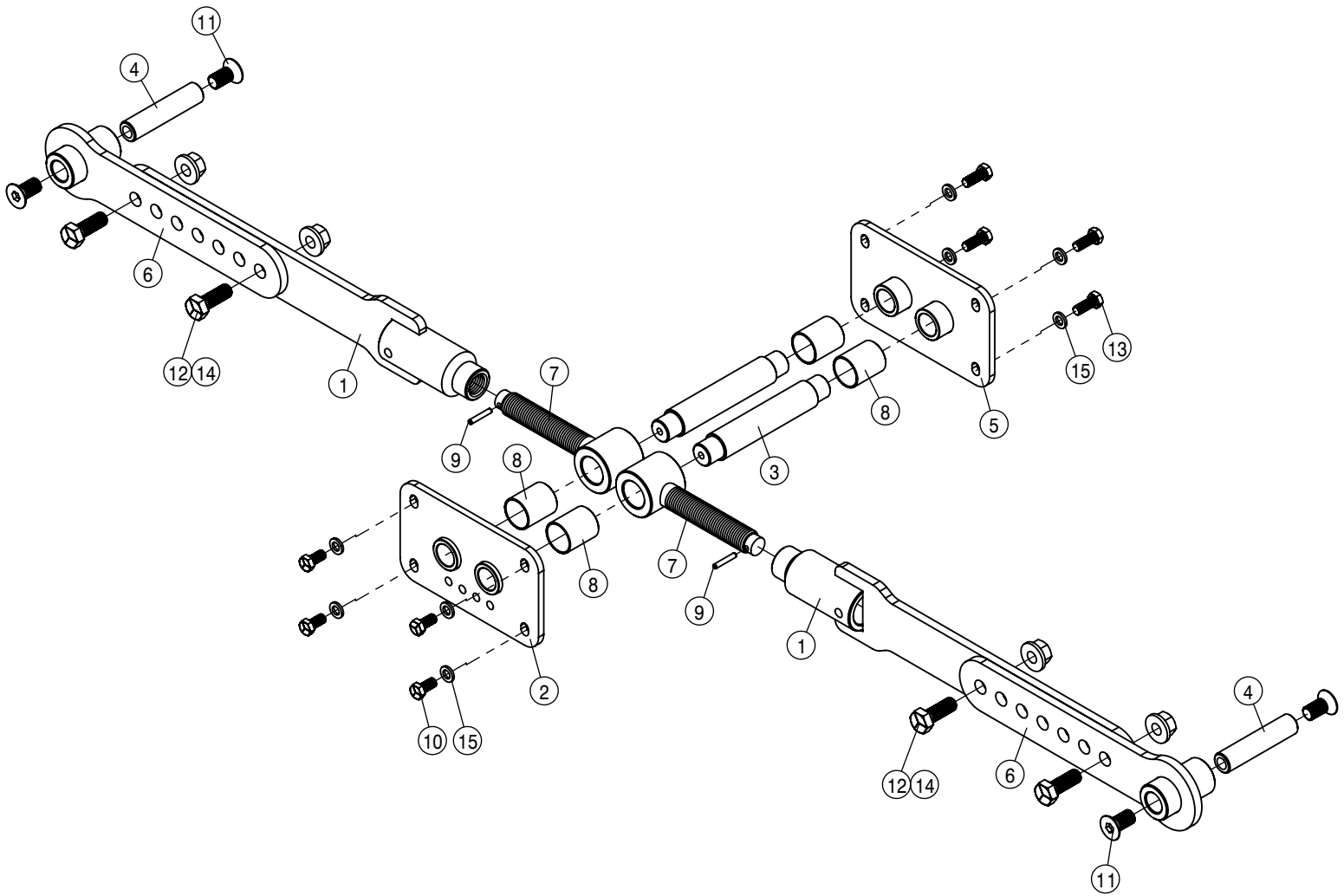


AIR LINE ASSEMBLY			
DET	QTY	P/N	DESCRIPTION
1	1	195906-011	1/40D AIR BRAKE TUBING J844-A
2	1	195906-018	1/40D AIR BRAKE TUBING J844-A
3	1	195906-021	1/40D AIR BRAKE TUBING J844-A
4	1	195906-022	1/40D AIR BRAKE TUBING J844-A
5	1	195906-032	1/40D AIR BRAKE TUBING J844-A
6	1	195906-123	1/40D AIR BRAKE TUBING J844-A
7	1	195906-181	1/40D AIR BRAKE TUBING J844-A
8	1	195906-226	1/40D AIR BRAKE TUBING J844-A
9	1	195906-238	1/40D AIR BRAKE TUBING J844-A
10	2	195906-300	1/40D AIR BRAKE TUBING J844-A
11	1	195906-303	1/40D AIR BRAKE TUBING J844-A

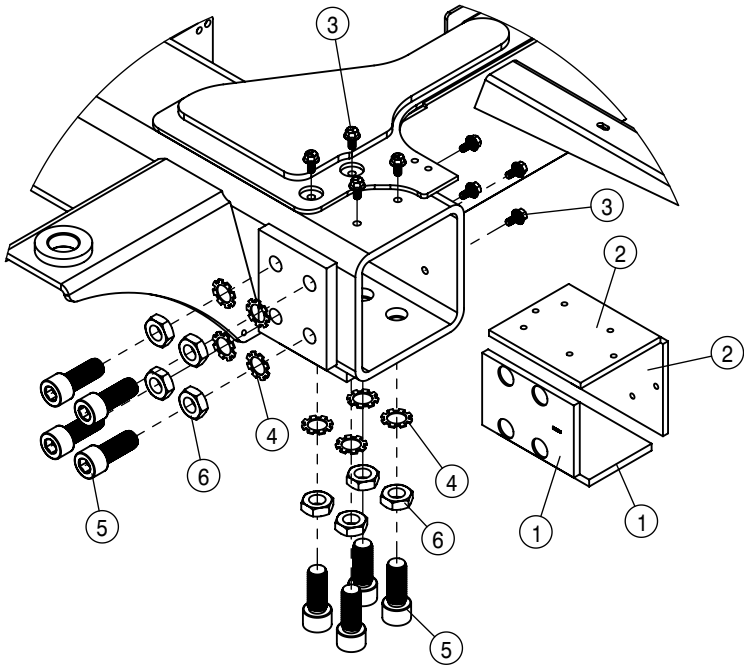
AIR LINE ASSEMBLY			
DET	QTY	P/N	DESCRIPTION
12	1	195906-330	1/40D AIR BRAKE TUBING J844-A
13	1	195906-331	1/40D AIR BRAKE TUBING J844-A
14	1	195914-128	1/20D AIR BRAKE TUBING J844-B
15	1	362115	REAR RGT LEG HOSE BRKT
16	6	470154	CABLE TIE, 11.00" BLK NYLON
17	4	520160	CUSH CLAMP,#24 1 1/2D-3/4WLOOP
18	3	520164	CUSH HOSE CLAMP,#9, 9/16D X 3/4W
19	1	601941	10-451TC-10FJX-10FJX45-36
20	1	900128N	3/8UNC X 3/4 SER FLANGE BOLT
21	1	900129N	3/8UNC X 1" SERR FLANGE BOLT
22	2	910004N	3/8UNC FLANGE CNTR LOCK NUT



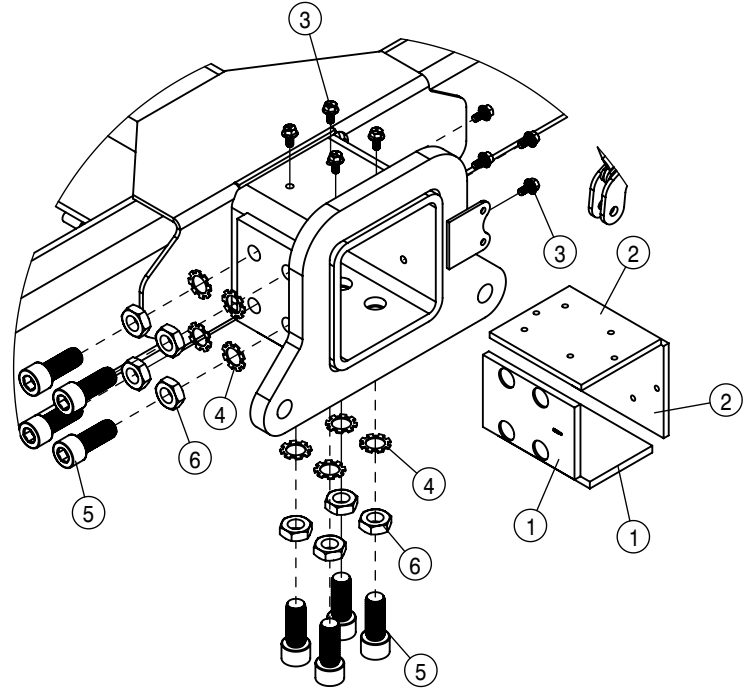
FRONT NO TREAD ADJUST ASSEMBLY			
DET	QTY	P/N	DESCRIPTION
1	2	343192	MAN TRD TIE ROD CON BAR WLD
2	1	361576	FRT TRD ADJ ACCESS PLT WLD
3	2	361581	TRD ADJ CYL PIVOT PIN, M/F
4	2	361582	TREAD ADJ CYL PIN, OUTER LEG
5	1	361689	REAR TRD ADJ ACCESS PLT WLD 04
6	2	361964	TREAD ADJ TIE ROD LEG BAR WLDT
7	2	361970	TREAD ADJ TIE ROD ADJ BAR WLDT
8	4	361973	TRD ADJ TIE ROD SPACER
9	2	473805	ROLL PIN, 1/4 X 1 1/2
10	4	900301	1/2UNF X 1 HHCS GR5 MC
11	4	900391	3/4UNC X 1 1/2 FLT SOC CAP SCR
12	4	900403	3/4UNC X 2 HHCS GR5 MC
13	4	900522	1/2UNF X 1 1/4 HHCS GR5 MC
14	4	910111	3/4-10UNC CTRLK FLG NUT MC GR5
15	8	920504	HLOCK WASHER 1/2 MC



REAR NO TREAD ADJUST ASSEMBLY			
DET	QTY	P/N	DESCRIPTION
1	2	343192	MAN TRD TIE ROD CON BAR WLD
2	1	361579	REAR TRD ADJ ACCESS PLT WLD
3	2	361581	TRD ADJ CYL PIVOT PIN, M/F
4	2	361582	TREAD ADJ CYL PIN, OUTER LEG
5	1	361697	FRT TREAD ADJ ACCESS PLT WLD
6	2	361964	TREAD ADJ TIE ROD LEG BAR WLDT
7	2	361970	TREAD ADJ TIE ROD ADJ BAR WLDT
8	4	361973	TRD ADJ TIE ROD SPACER
9	2	473805	ROLL PIN, 1/4 X 1 1/2
10	4	900301	1/2UNF X 1 HHCS GR5 MC
11	4	900391	3/4UNC X 1 1/2 FLT SOC CAP SCR
12	4	900403	3/4UNC X 2 HHCS GR5 MC
13	4	900522	1/2UNF X 1 1/4 HHCS GR5 MC
14	4	910111	3/4-10UNC CTRLK FLG NUT MC GR5
15	8	920504	HLOCK WASHER 1/2 MC



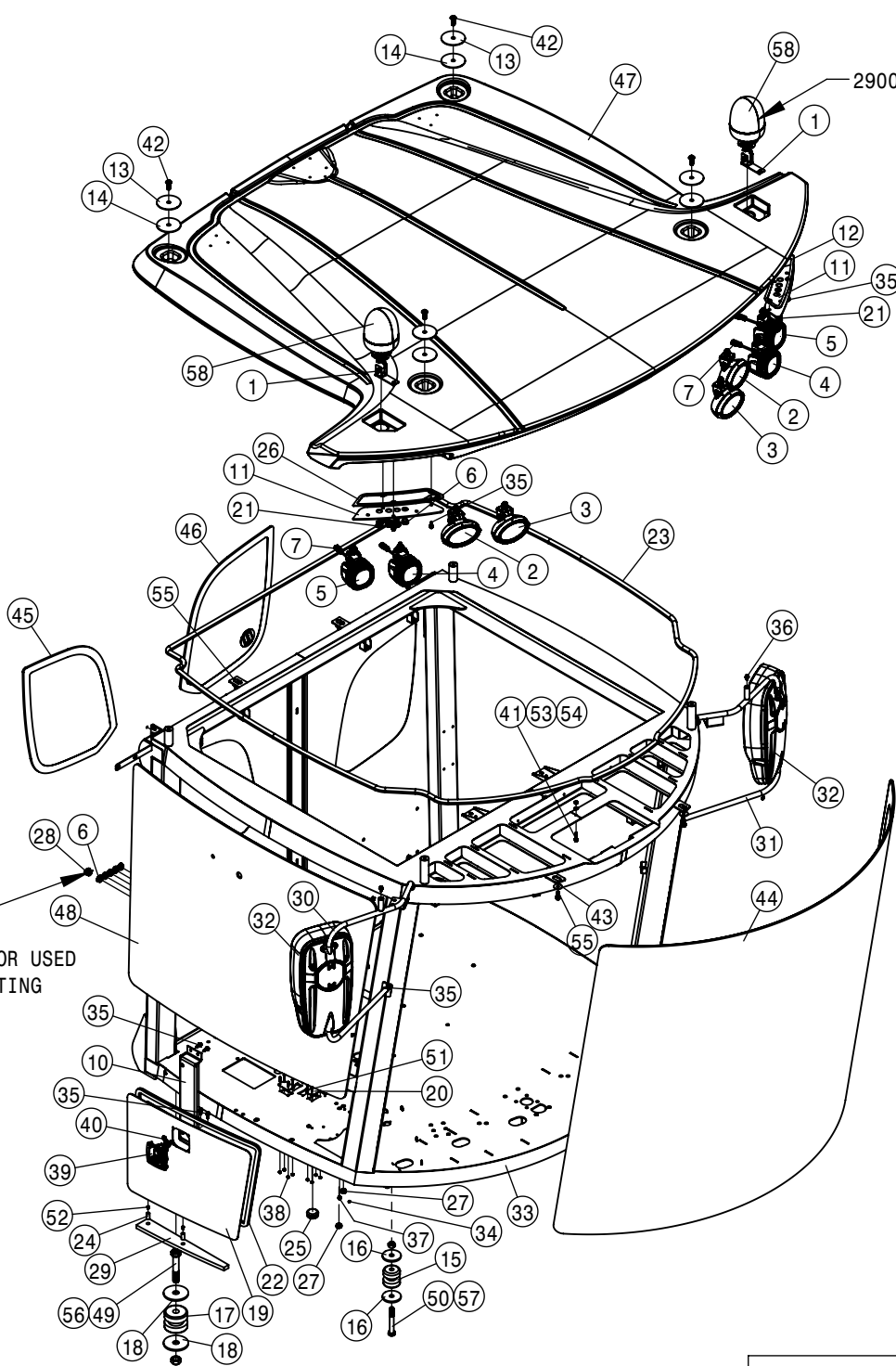
FRONT MAINFRAME



REAR MAINFRAME

NO TREAD MAINFRAME PLATE ASSEMBLY			
DET	QTY	P/N	DESCRIPTION
1	4	342721	TRD ADJ BRONZE BRG
2	4	342917	TREAD ADJ PLATE, TAPPED, STS 10
3	16	470409	3/8UNC X 3/4 HHSFB GR5 MC
4	16	483018	EXT TOOTH LOCK WASHER 1 MC
5	16	900395	1"UNC X 2 1/2 SOCKET CAP SCR
6	16	910101	1-8UNC HEX JAM NUT MC GR5

290006-REPLACEMENT BULB

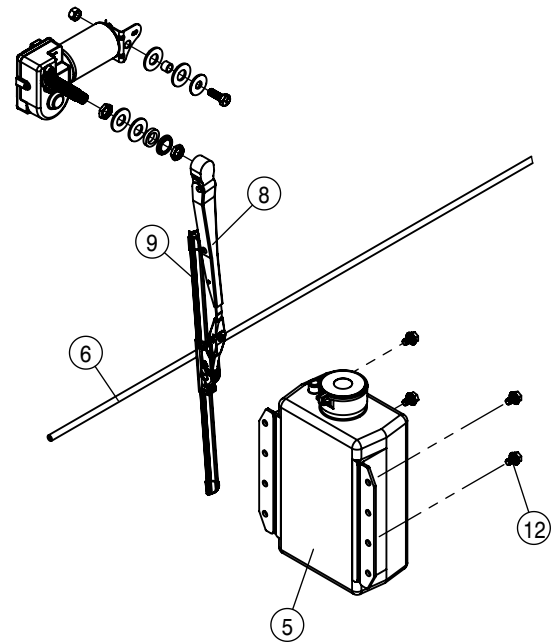
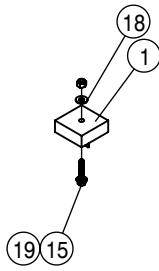
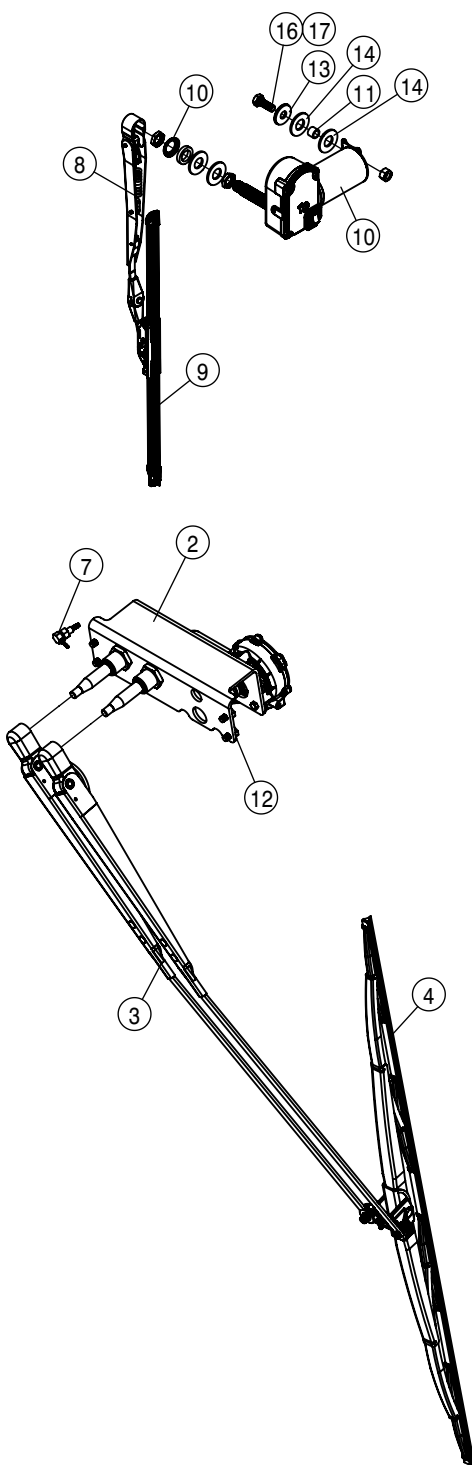


NOTE:
WIRE PROTECTOR USED
FOR WIRE EXITING
THE CAB.

EXTERNAL CAB ASSEMBLY			
DET	QTY	P/N	DESCRIPTION
1	2	290060	BEACON TILT SURFACE MT,QK CHG
2	2	292614	WORKLIGHT - HALOGEN CLOSE RANGE
3	2	292615	WorkLight - Oval 100 Long Range
4	2	292618	WORKLIGHT-TYRI LED FLOOD
5	2	292619	WORKLIGHT-TYRI LED TRAP
6	7	292634	HOLE PLUG
7	4	294299	TYRI JUMPER HARNESS
NS	1	294321	HARNESS, HEATED MIRROR EXT
NS	2	294329	HEATED MIRROR HARNESS
10	1	344299	ACCESS PANEL SEALING SURFACE WLDT
11	2	344357	ROOF LIGHT MNT PLT, STSCAB '14
12	1	344358	ROOF LIGHT MNT PLT GASKET, STSCAB '14
13	4	344359	ROOF RETAINER WASHER, STSCAB '14
14	4	344360	ROOF RETAINER WASHER SEAL, STSCAB '14
15	2	344393	ISO MOUNT
16	4	344394	ISO MT WASHER FRNT, STS' 14
17	2	344395	ISO MOUNT
18	4	344396	ISO MT WASHER REAR, STS' 14
19	1	344452	FRT ACCESS PNL WLDT, STS' 14

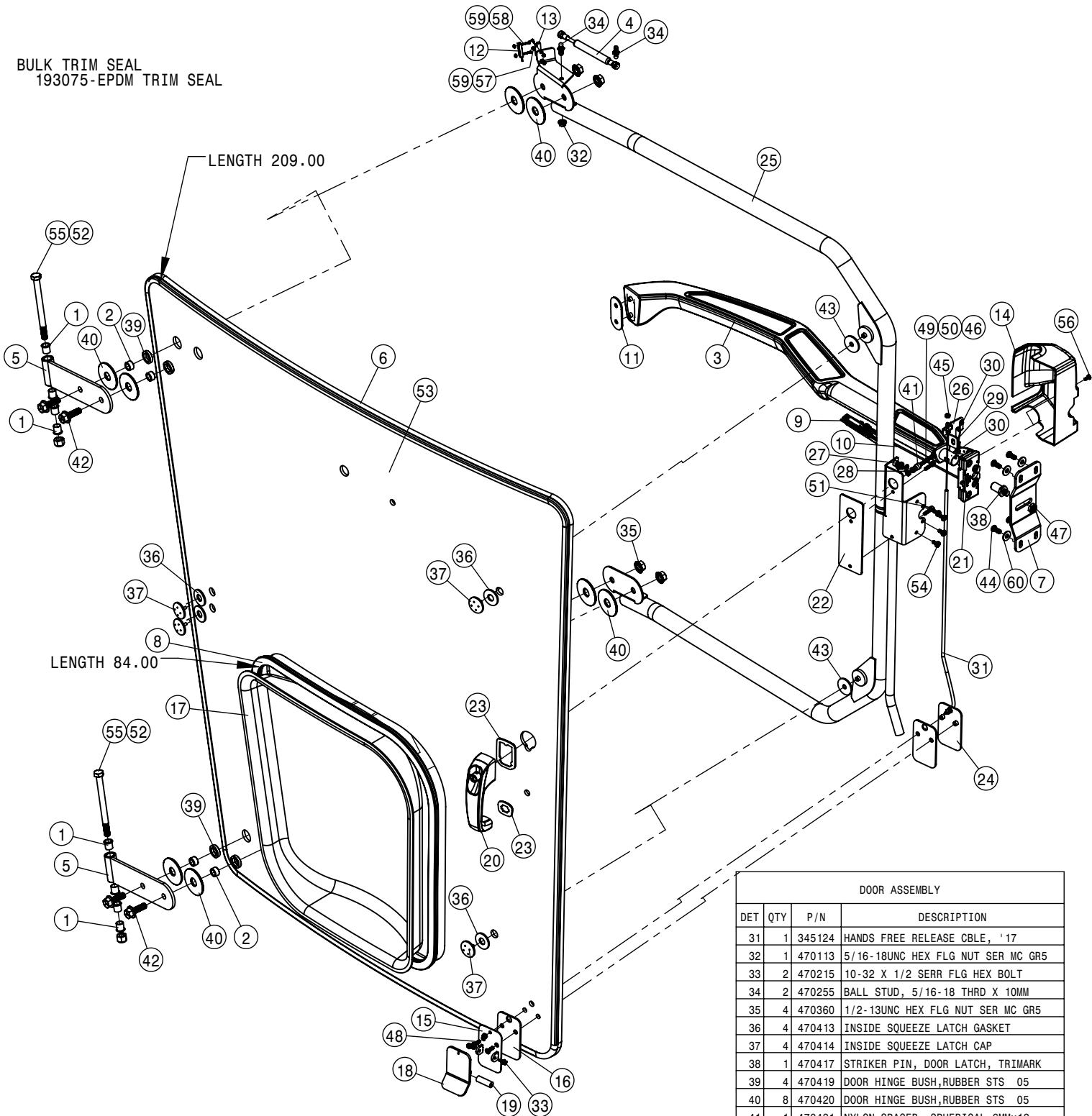
EXTERNAL CAB ASSEMBLY			
DET	QTY	P/N	DESCRIPTION
20	2	344477	PLATE - 12 PIN COVER
21	8	344478	BUSHING - STRAIN RELIEF
22	1	344479	SEAL - ACCESS PANEL
23	1	344481	SEAL - CAB ROOF STS
24	2	344497	THREADED NYLN SPCR , STS' 14
25	1	344509	HOLE PLUG - 24 SERIES
26	1	344513	ROOF LIGHT MT PLT RH GASKET, STS' 14
27	2	344554	HOSE GROMMET, STS' 14
28	1	344572	BUSHING - ANTENNA STRAIGHT
29	1	344579	ACCESS PANEL SEAL LWR, STS' 14
30	1	344783	MIRR BRKT WLDT RH, GST
31	1	344784	MIRROR BRKT WLDT LH, GTS' 15
32	2	344790	GST MIRROR
33	1	344814	CAB WLDT STS' 17
34	7	470053	1/4-20X1/4 AL HD SET SCR CUP
35	16	470118	1/4UNC X 3/4 HHSFB GR5 MC
36	2	470122	1/4UNC X 1/2 HHSFB GR5 MC
37	3	470143	3/8UNC X 1/2 SKT HD SET SCR
38	8	470467	#6-32UNC KEP NUT MC GR5

EXTERNAL CAB ASSEMBLY			
DET	QTY	P/N	DESCRIPTION
39	1	470660	LATCH ASSY, STS' 14
40	1	470661	CAM LATCH, STS' 14
41	1	473836	1/4UNC X 1 1/4 HHSFB SS FT
42	4	474001	1/2-13 UNC X 1 1/4 BHCS SS
43	4	483024	FENDER WASHER 5/16 MC
44	1	658100	WINDOW - FRT 2014 STS
45	1	658103	WINDOW - REAR RH 2014 STS CAB
46	1	658104	WINDOW - REAR LH 2014 STS CAB
47	1	658140	CAB ROOF W/HOLES, STS/DTS '17
48	1	658350	WINDOW - RH SIDE 2016 GST CAB
49	2	900481	7/8UNC X 5 HHCS GR8 MC
50	2	900847	5/8UNC X 4 1/2 HHCS GR8 MC
51	8	903814	#6-32 UNC X 3/4 PHMS PH BZ
52	2	903884	#10-32 UNF X 3/8 PHMS PH BZ
53	1	910112	SAE FLAT WASHER 1/4 SS
54	1	910118	1/4-20UNC NYLOCK NUT SS
55	4	910126	5/16UNC X 1 HHSFB SS
56	2	914014	7/8-9UNC STOVER NUT MC GR8
57	2	914810	5/8-11UNC STOVER NUT MC GR8
58	2	AZ101891	BEACON, 12V AMBER HALOGEN



WIPER ASSEMBLY			
DET	QTY	P/N	DESCRIPTION
1	1	290094	TIMER - WIPER
2	1	344367	WIPER MOTOR STS
3	1	344379	WIPER ARM STS
4	1	344380	WIPER BLADE STS
5	1	344382	WASHER BOTTLE
6	1	344383	HOSE - WASHER STS
7	1	344483	WASHER BULKHEAD, STS' 14
8	2	344766	GST '15 WIPER ARM
9	2	344767	18" BEAM WIPER BLADE
10	2	344768	SERIES 11 WIPER MOTOR 2"
11	2	344808	.375X.375ID NYLON BUSHING
12	8	470232	5/16UNC X 1/2 SERR FLG HEX BOLT
13	2	470377	3/8 X 1 3/16 BONDED SS WASHER
14	8	470507	RUBBER WASH, 1.310D-.615ID-.086
15	1	473836	1/4UNC X 1 1/4 HHSFB SS FT
16	2	900129	3/8UNC X 1 HHCS GR5 MC
17	2	910004	3/8-16UNC HEX NUT MC GR5
18	1	910112	SAE FLAT WASHER 1/4 SS
19	1	910118	1/4-20UNC NYLOCK NUT SS

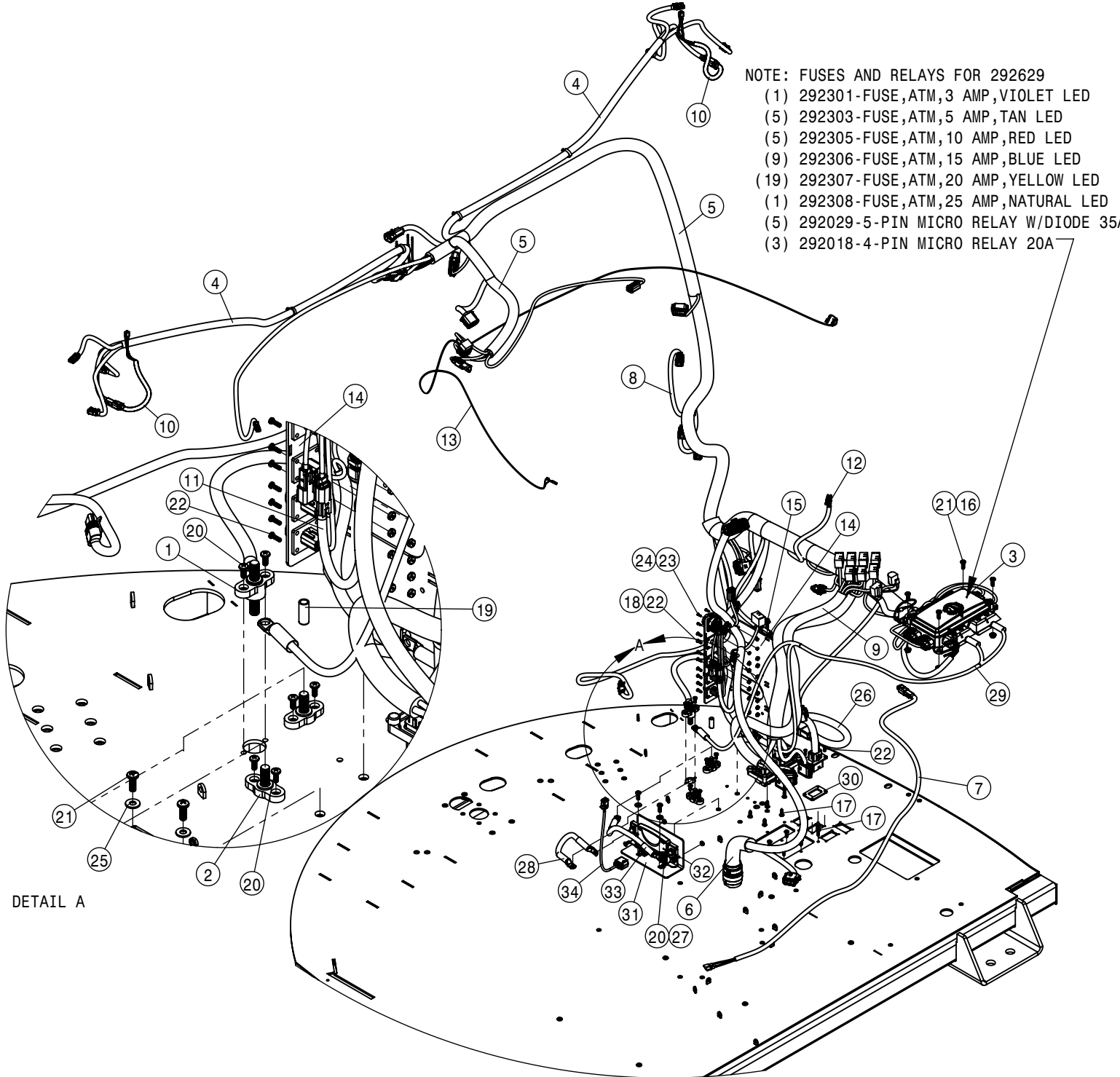
BULK TRIM SEAL
193075-EPDM TRIM SEAL



DOOR ASSEMBLY			
DET	QTY	P/N	DESCRIPTION
1	8	127506	NYLON FLANGE BRG, STS
2	4	343335	DOOR HINGE GLASS BUSH, CAB 05
3	1	344331	DOOR LATCH TUBE MOLDED, STSCAB' 14
4	1	344335	GAS CYLINDER 40LB 2.0 STROKE
5	2	344336	DOOR HINGE WLDT, STSCAB' 14
6	1	344423	BULB SEAL - DOOR, CAB
7	1	344428	DOOR LATCH STRKR PIN MT PLT ' 14
8	1	344482	TRIM SEAL - BUBBLE STS
9	1	344508	DOOR LOCK KIT, STS' 14
10	1	344510	DOOR LATCH ROD, STS' 14
11	1	344551	GASKET - DOOR ARM REST MOUNT
12	1	344560	DOOR SWITCH, STS' 14
13	1	344561	DOOR SWITCH MAGNET, STS' 14
14	1	344589	DOOR LATCH COVER, STS' 15
15	1	344592	FOOT PEDAL BASE WLDT, STS' 15

DOOR ASSEMBLY			
DET	QTY	P/N	DESCRIPTION
16	2	344600	FOOT PEDAL MT GASKET, STS' 15
17	1	344610	DOOR BUBBLE INSERT, STS' 15
18	1	344611	FOOT PEDAL WLDT, STS' 15
19	1	344618	FOOT PEDAL PIVOT PIN, STS' 15
20	1	344620	DOOR HANDLE PUSH BUTTON' 15
21	1	344621	DOOR LATCH, STS' 15
22	1	344625	DOOR HANDLE MT GASKET, STS' 15
23	1	344627	DOOR HANDLE GASKET, STS' 15
24	1	344628	FOOT PEDAL MT WLDT, STS' 15
25	1	345050	DOOR FRAME WLD, STS/DTS
26	1	345056	DOOR HINGE BRKT
27	1	345057	DOOR LATCH SPRING
28	1	345058	E-STYLE RETAINING RING, .375
29	1	345060	DOOR CABLE ' 17
30	2	345120	.19 X .5 GRVED CLEXIS PIN ASSY

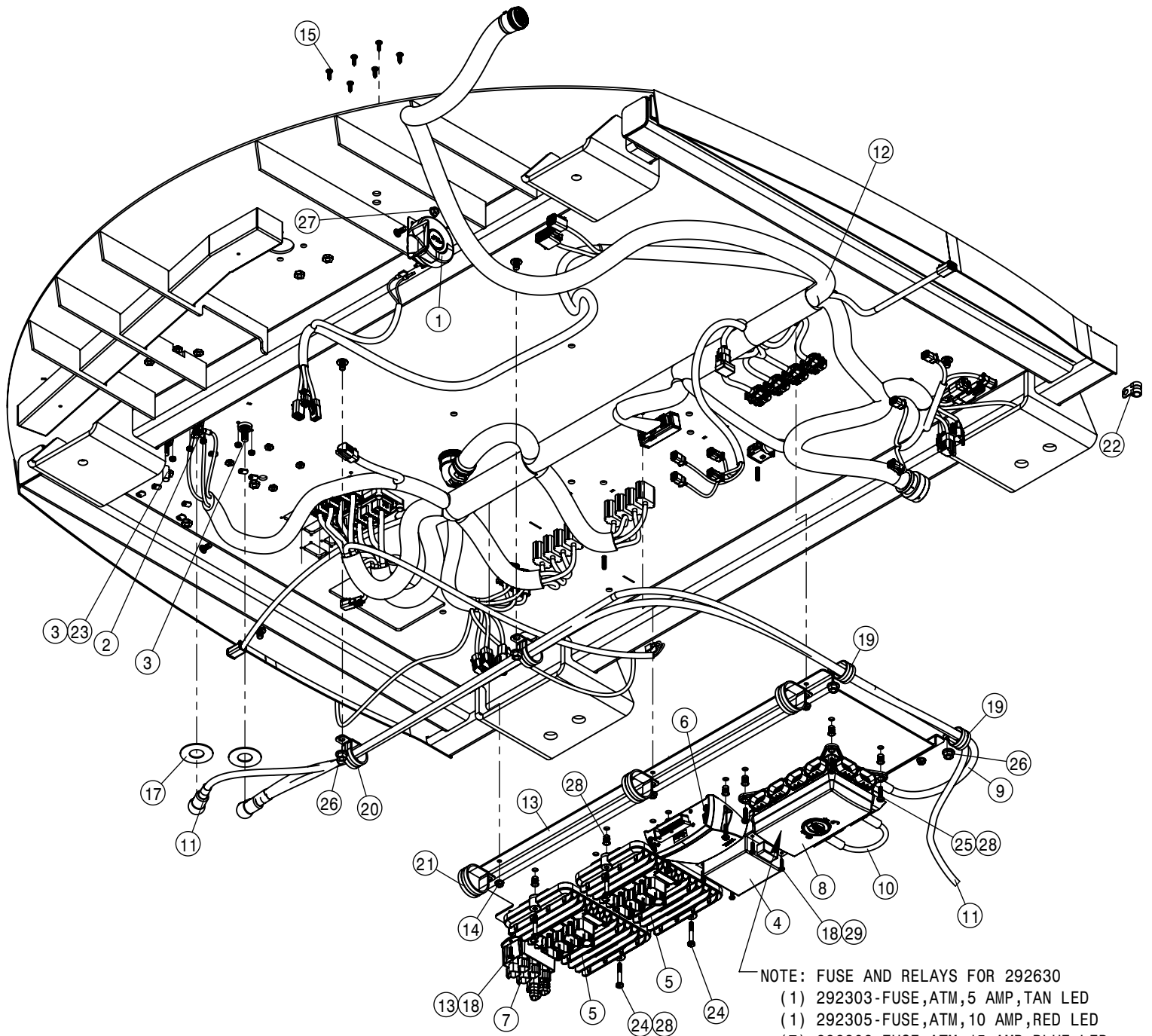
DOOR ASSEMBLY			
DET	QTY	P/N	DESCRIPTION
31	1	345124	HANDS FREE RELEASE CBLE, ' 17
32	1	470113	5/16-18UNC HEX FLG NUT SER MC GR5
33	2	470215	10-32 X 1/2 SERR FLG HEX BOLT
34	2	470255	BALL STUD, 5/16-18 THRD X 10MM
35	4	470360	1/2-13UNC HEX FLG NUT SER MC GR5
36	4	470413	INSIDE SQUEEZE LATCH GASKET
37	4	470414	INSIDE SQUEEZE LATCH CAP
38	1	470417	STRIKER PIN, DOOR LATCH, TRIMARK
39	4	470419	DOOR HINGE BUSH,RUBBER STS 05
40	8	470420	DOOR HINGE BUSH,RUBBER STS 05
41	1	470421	NYLON SPACER, SPHERICAL 6MMx12
42	4	470431	1/2UNC X 1 1/2 HHSFB GR5 MC
43	2	470489	GASKET, DOOR HANDLE STIFFENER
44	4	472375	5/16UNC X 3/4 BUTN CAP SCR BLK
45	1	473004	#10-32UNC NYLOCK NUT MC GR5
46	1	473758	6MM X 1.00 NYLON-LOCK HEX NUT
47	1	473759	12MM-1.75 HEX JAM NUT YZ
48	2	473761	6MM-1.00 X 20MM FLT HD SCREW
49	1	473762	6MM-1.00 X 45 PAN HD PHL SCREW
50	1	473767	6MM-1.00 HEX NUT
51	2	473787	6MM-1.00 X 25MM HEX BOLT GR8
52	2	473988	1/2-13UNC NYLOCK NUT SS
53	1	658349	GLASS DOOR, GST ' 16
54	4	900000	1/4UNC X 1/2 HHCS GR5 MC
55	2	900348	1/2UNC X 6 HHCS SS
56	1	903706	10-32X1/2 PHIL PAN MACH SCR
57	2	903904	4-40 X 3/8 PHIL PAN MACH SCR
58	2	903906	#4-40 X 5/8 PHIL PAN HD SCREW
59	4	910031	#4-40UNC NYLOCK NUT MC GR2
60	4	910133	USS FLAT WASHER 5/16 BZ



DETAIL A

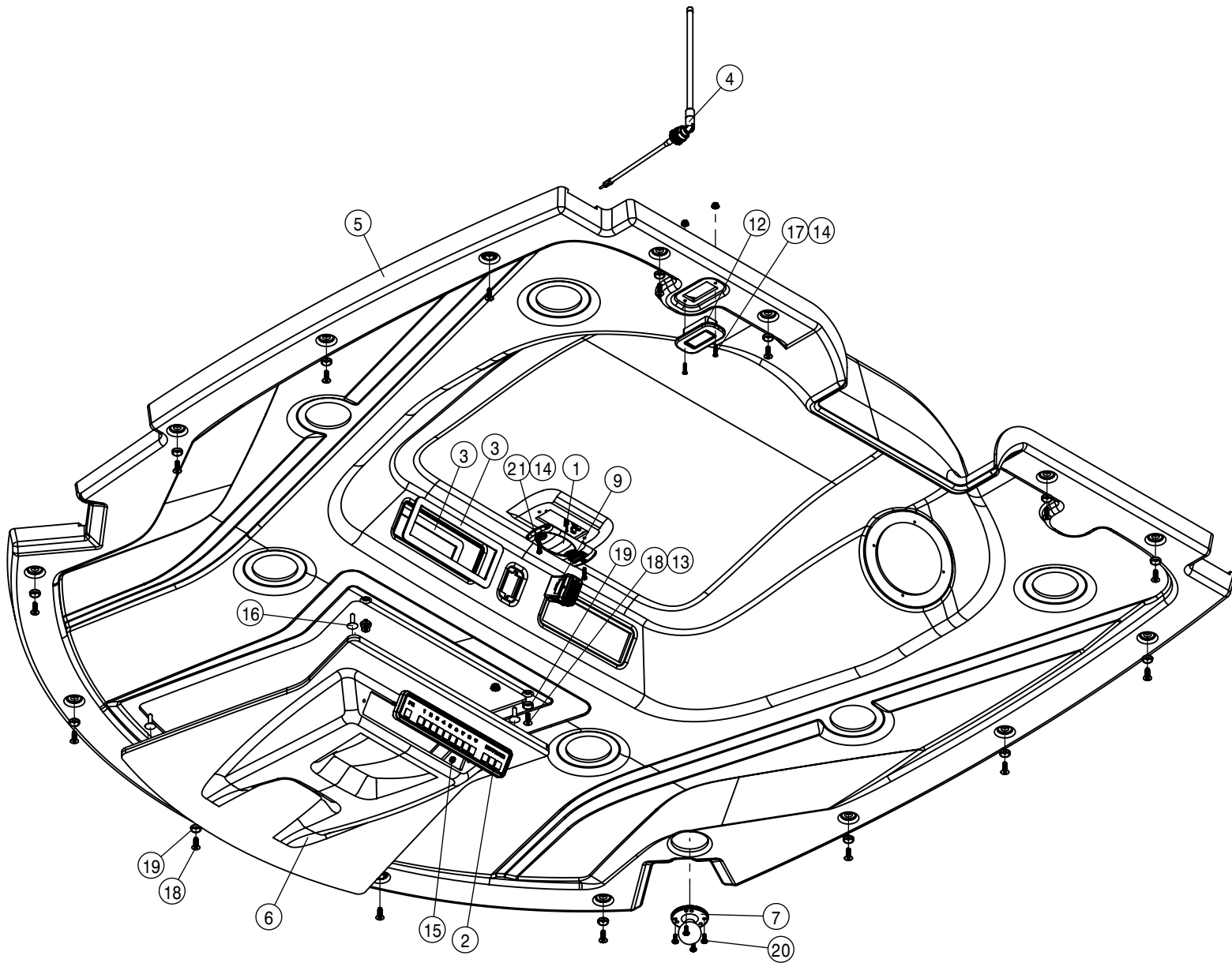
CAB ELECTRICAL-TOP ASSEMBLY			
DET	QTY	P/N	DESCRIPTION
1	1	291749	TERM BLOCK,BLACK,3/8-16 THRU
2	2	291750	TERM BLOCK,RED,3/8-16 THRU
3	1	292629	DVEC - INTERIOR
4	2	294201	HARNESS - ROOF STS
5	1	294201	HARNESS - MAIN CAB INT STS
6	1	294203	HARNESS - SEAT POD STS
7	1	294204	HARNESS - 12V POWER PLUG STS
8	1	294205	HARNESS - A-POST GAUGE STS
9	1	294206	HARNESS - CAB SWITCH STS
10	2	294207	HARNESS - BEACON STS
11	1	294210	HARNESS - PRES SWITCH STS
12	1	294211	HARNESS - E-STOP STS
13	1	294212	HARNESS - SPEAKER STS
14	1	344310	CAB ELEC BRKT '15
15	2	470118	1/4UNC X 3/4 HHSFB GR5 MC
16	4	470121	1/4-20UNC HEX FLG NUT SER MC GR5
17	12	470465	#12 X 3/4 PHIL PAN SHT MTL SCR

CAB ELECTRICAL-TOP ASSEMBLY			
DET	QTY	P/N	DESCRIPTION
18	20	470467	#6-32UNC KEP NUT MC GR5
19	1	629736	CAPPLUGS CAP,-.312 X 1.00 VINYL
20	8	903706	10-32X1/2 PHIL PAN MACH SCR
21	6	903711	1/4UNC X3/4PHIL PANHD MACH SCR
22	20	903812	6-32 X 1/2 PHIL PAN MACH SCR
23	4	903904	4-40 X 3/8 PHIL PAN MACH SCR
24	4	910029	#4-40UNC HEX NUT MC GR5
25	2	910112	SAE FLAT WASHER 1/4 SS
26	1	294369	HARNESS - AUTO STEER CAB
27	2	470542	#10-32UNF KEP NUT MC GR5
28	1	292647	CABLE - BATTERY POWER STS
29	1	292648	CABLE - DVEC POWER STS
30	1	292120	DEUTSCH GASKET, DT12-L012
31	1	345233	MCR MT BRKT
32	1	292761	SOLID STATE MCR
33	1	292762	CABLE - SWITCH POWER STS
34	1	294425	HARNESS, SOLID STATE MCR

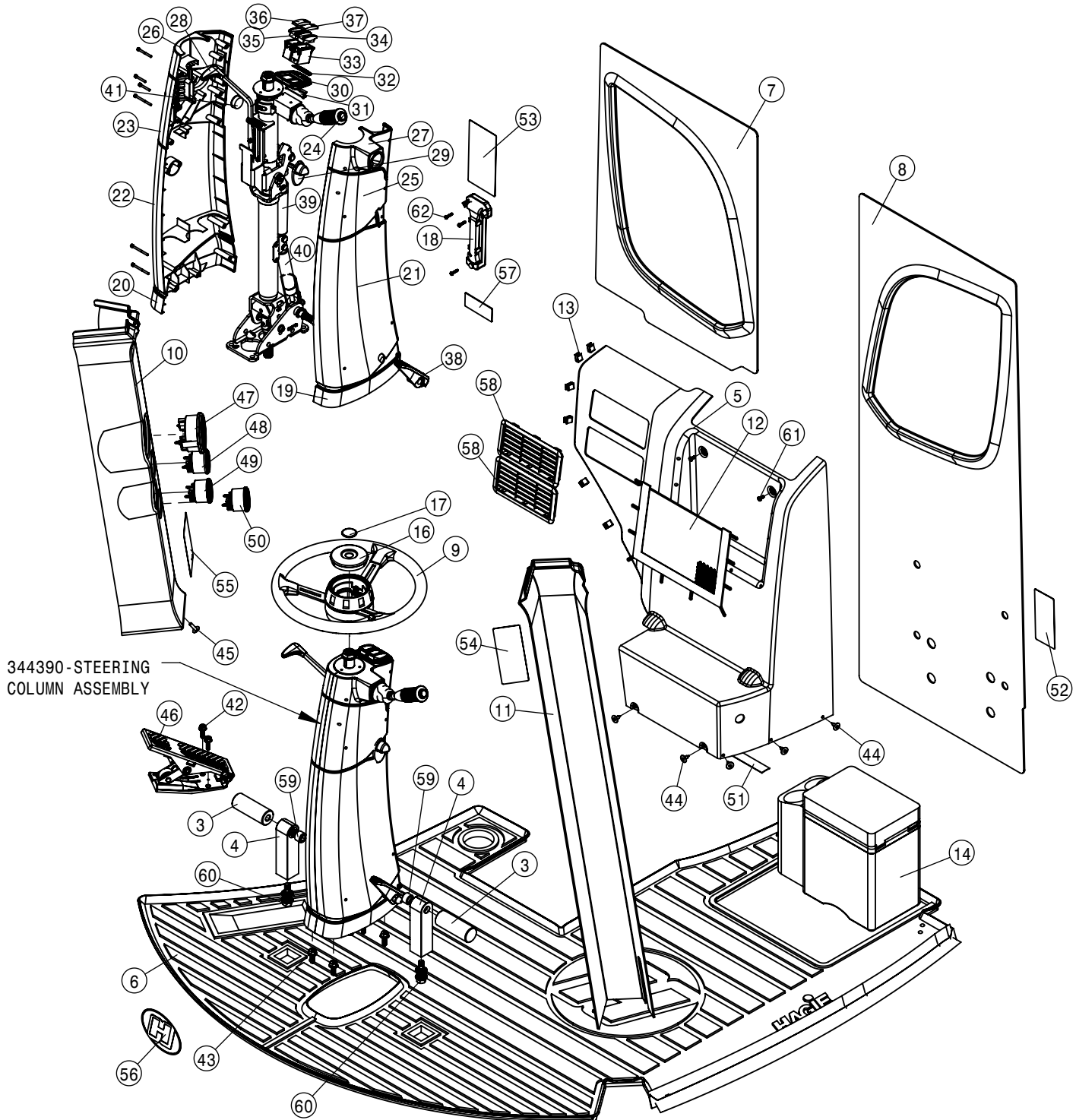


CAB ELECTRICAL-BOTTOM ASSEMBLY			
DET	QTY	P/N	DESCRIPTION
1	1	290062	HORN
2	1	291749	TERM BLOCK,BLACK,3/8-16 THRU
3	2	291750	TERM BLOCK,RED,3/8-16 THRU
4	1	291910	FLASHER, SOLID STATE, 12V
5	2	292009	IQAN-MC3 CONTROLLER
6	1	292087	IQAN-XS2 MODULE>611
7	1	292406	J1939 JUNCTION MODULE
8	1	292630	DVEC - EXTERIOR
9	1	292645	CABLE - SSDVEC POWER CABLE
10	1	292650	CABLE - SSDVEC JUMPER
11	1	292668	CAB PWR,GND CABLE ASY
12	1	294085	HARNESS - MAIN CAB EXT STS
13	1	344541	BRKT-CAB ELEC MODULE MOUT
14	6	470121	1/4-20UNC HEX FLG NUT SER MC GR5
15	6	470465	#12 X 3/4 PHIL PAN SHT MTL SCR

CAB ELECTRICAL-BOTTOM ASSEMBLY			
DET	QTY	P/N	DESCRIPTION
16	6	470542	#10-32UNF KEP NUT MC GR5
17	2	470677	NYLON WASHER 1"ID, 2-1/4"OD, .075"W
18	6	472235	#10-32 UNF X 3/4 PHMS PH ZN
19	2	520108	CUSH HOSE CLAMP,#20, 1 1/4D X 3/4W
20	2	520160	CUSH CLAMP,#24 1 1/2D-3/4W LOOP
21	3	520161	CUSH CLAMP,#32 2"D-3/4W LOOP
22	1	520163	CUSH HOSE CLAMP,#8, 1/2D X 3/4W
23	1	629736	CAPPLUGS CAP,.312 X 1.00 VINYL
24	4	900006	1/4UNC X 1 3/4 HHCS GR5 MC
25	6	903701	1/4-20 UNC X 1 PHMS PH ZN
26	4	910106	3/8-16UNC CTRLK FLG NUT MC GR5
27	1	910119	5/16-18UNC HEX FLG NUT SER SS
28	10	910127	1/4-20 NUTSERT .027-1.65 STL
29	6	910130	10-32 NUTSERT .020-.130 STL



HEADLINER ASSEMBLY			
DET	QTY	P/N	DESCRIPTION
1	1	292620	DOMELIGHT
2	1	292678	LIGHT BAR - SECTION INDICATOR
3	2	343331	RADIO BEZEL,CAB, BLK PLASIC 05
4	1	344177	ANTENNA - RADIO
5	1	344349	HEADLINER
6	1	344350	HEADLINER ACCESS PANEL
7	1	344384	1.5" RAM BALL MNT BASE 2.50"DIA
NS	1	344416	RADIO - PREMIUM
9	1	344417	BLUETOOTH MIC
NS	1	344418	HARNES - BLUETOOTH MIC
NS	2	344419	SPEAKER
12	1	344459	GARMENT HOOK
13	2	470121	1/4-20UNC HEX FLG NUT SER MC GR5
14	4	470463	#8-32UNC HEX FLG NUT SER MC GR5
15	2	470541	#8-32UNC KEP NUT MC GR5
16	4	470545	PUSH TREE FASTENER 1/4 X 1
17	2	472376	#8-32 X 3/4 FLT HD PHIL SCREW
18	17	472378	1/4-20 X 3/4 FLT HD SOCKET SCREW ZN BLK
19	17	472380	1/4 CNTR SNK WASH, NYLON
20	4	903706	10-32X1/2 PHIL PAN MACH SCR
21	2	903850	8-32 X 3/4 PHIL PAN MACH SCR BZ

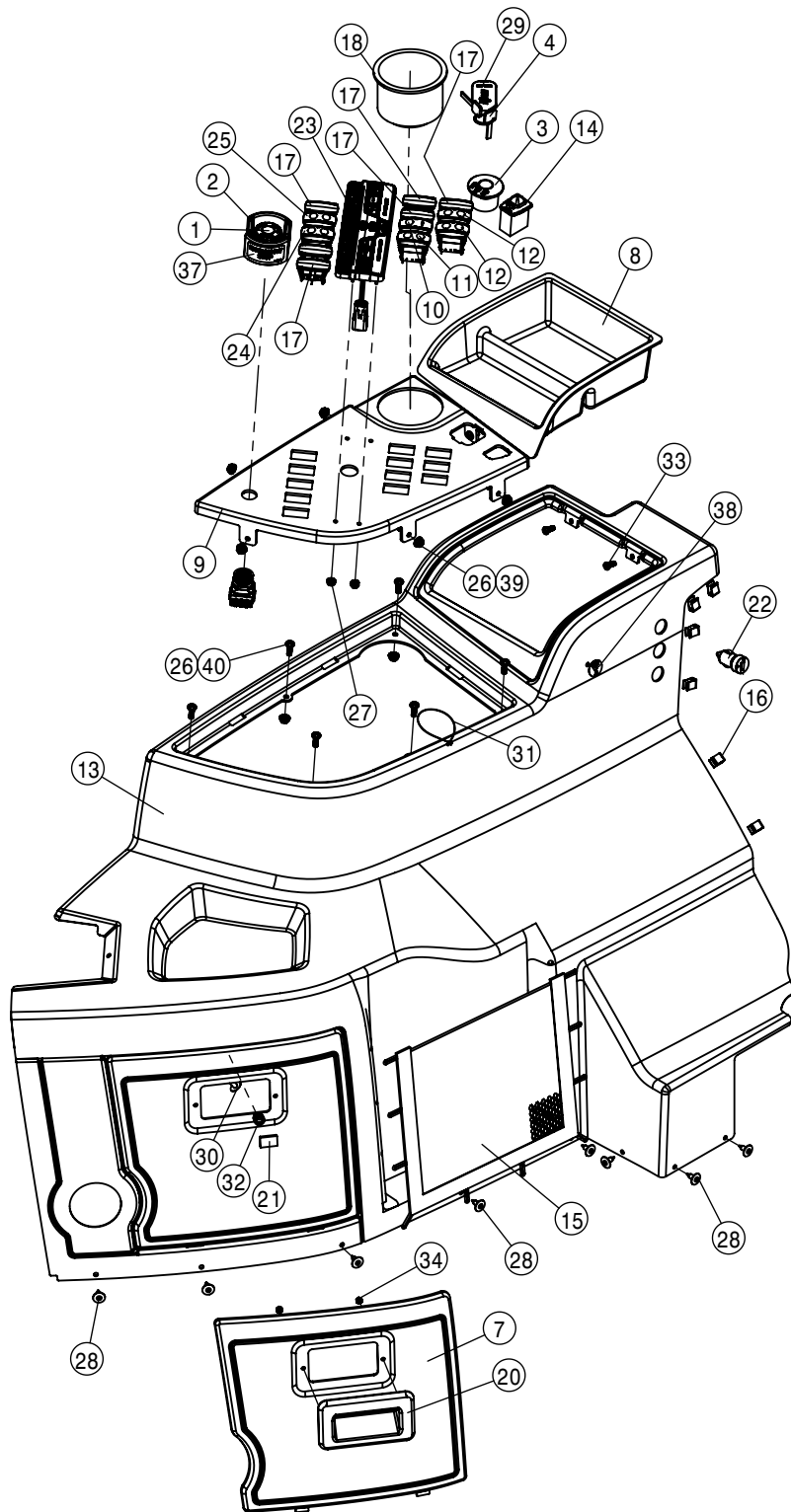


344390-STEERING
COLUMN ASSEMBLY

CAB INTERIOR ASSEMBLY			
DET	QTY	P/N	DESCRIPTION
NS	1	294321	HARNES, HEATED MIRROR EXT
NS	2	294329	HEATED MIRROR HARNES
3	2	344284	STS CAB FOOT PEG '14
4	2	344286	STS CAB FOOT PEG RISER
5	1	344308	REAR CONSOLE
6	1	344339	FLOORMAT - MOLDED
7	1	344347	RH REAR WALL LINER
8	1	344348	LH REAR WALL LINER
9	1	344392	STEERING WHEEL - PREMIUM
10	1	344397	RH A POST COVER
11	1	344398	LH A POST COVER
12	1	344411	CARGO NET - REAR CONSOLE
13	6	344413	"U" CLIP
14	1	344420	ELEC COOLER
NS	4	344464	POWER OUTLET 12V
16	1	344573	CTR CAP, STEERING WHEEL-PREMIUM
17	1	344575	DECAL - STEERING WHEEL CENTER
18	1	344646	WINDOW BREAKING TOOL, STS'15
19	1	344686	LH SIDE-LWR COVER, STRG COLUMN
20	1	344687	RH SIDE-LWR COVER, STRG COLUMN
21	1	344688	LH SIDE-MID COVER, STRG COLUMN

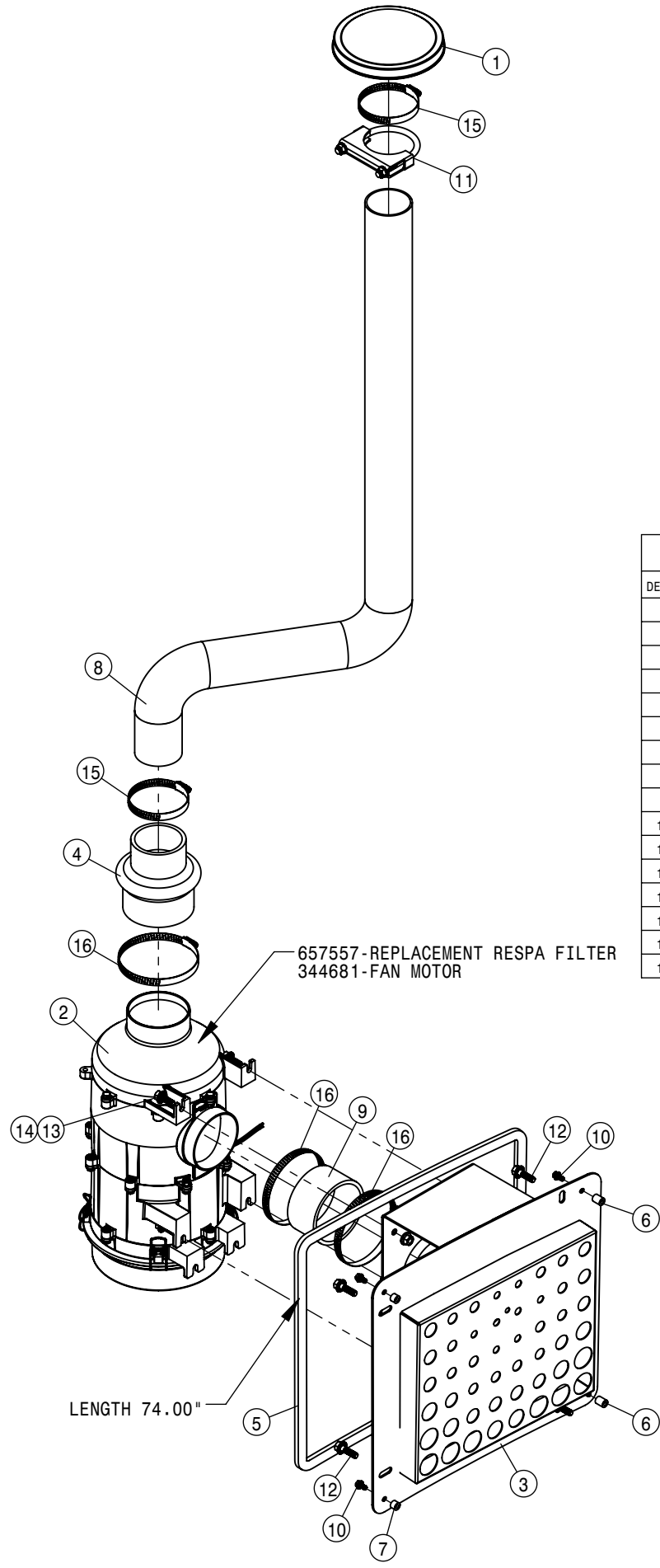
CAB INTERIOR ASSEMBLY			
DET	QTY	P/N	DESCRIPTION
22	1	344689	RH SIDE-MID COVER, STRG COLUMN
23	1	344690	RH SIDE-UPR COVER, STRG COLUMN
24	1	344691	LH SWITCH, WIPER/LIGHTS, STRG
25	1	344692	LH SIDE-UPR COVER, STRG COLUMN
26	1	344693	RH SIDE-TOP COVER, STRG COLUMN
27	1	344694	LH SIDE-TOP COVER, STRG COLUMN
28	1	344695	UPR HANDLE RAL, STRG COLUMN
29	1	344696	LH UPR HANDLE RAL, STRG COLUMN
30	1	344697	SWITCH HOUSING, STRG COLUMN
31	1	344698	LIGHT 4LED 12V, STRG COLUMN
32	1	344699	INDICATOR PAD, STRG COLUMN
33	2	344700	SWITCH BASE, STRG COLUMN
34	1	344701	SWITCH ON/OFF SERIES 533
35	1	344702	SWITCH ON/OFF SERIES 533
36	1	344703	BLUE COVER, LIGHTS, 1-LED
37	1	344704	RED COVER, HAZARD SERIES 533
38	1	344705	LEFT PEDAL, STRG COLUMN
39	1	344707	GAS SPRING 400N, STRG COLUMN
40	1	344708	GAS SPRING 500N, STRG COLUMN
41	1	344734	RH CAP, STRG COLUMN
42	2	470234	5/16UNC X 1 HHSFB GR5 MC

CAB INTERIOR ASSEMBLY			
DET	QTY	P/N	DESCRIPTION
43	4	470460	3/8UNC X 1 HHSFB GR5 MC
44	5	470466	1/4 X 3/4 PLTC LCK RIVET
45	1	470545	PUSH TREE FASTENER 1/4 X 1
46	1	470649	PEDAL - DECEL
47	1	470650	GAUGE - 3" RPM
48	1	470651	GAUGE - 2" FUEL
49	1	470652	GAUGE - 2" COOLANT TEMP
50	1	470654	GAUGE, DEF 2" '14
51	1	490645	VHB TAPE 5952, BLACK
52	1	650164	DECAL, NO PASSNGR/NOT NEAR LEAK
53	1	650176	DECAL, CAUTION, CAB CHEM EXPOSUR
54	1	650474	DECAL, PWR LINE/BM FOLD
55	1	650479	JOYSTICK DECAL, STS'15
56	1	651008	DECAL - H-DOT FRONT GLASS 5.00"
57	1	651009	ROPS DECAL, STS'14
58	2	657549	2412, 4"X8" Louver Grill
59	2	900396	5/8UNC X 2 SOCKET CAP SCR
60	4	900516	1/2UNC X 1 HHSFB GR5 MC
61	2	903706	10-32X1/2 PHIL PAN MACH SCR
62	3	903850	8-32 X 3/4 PHIL PAN MACH SCR BZ

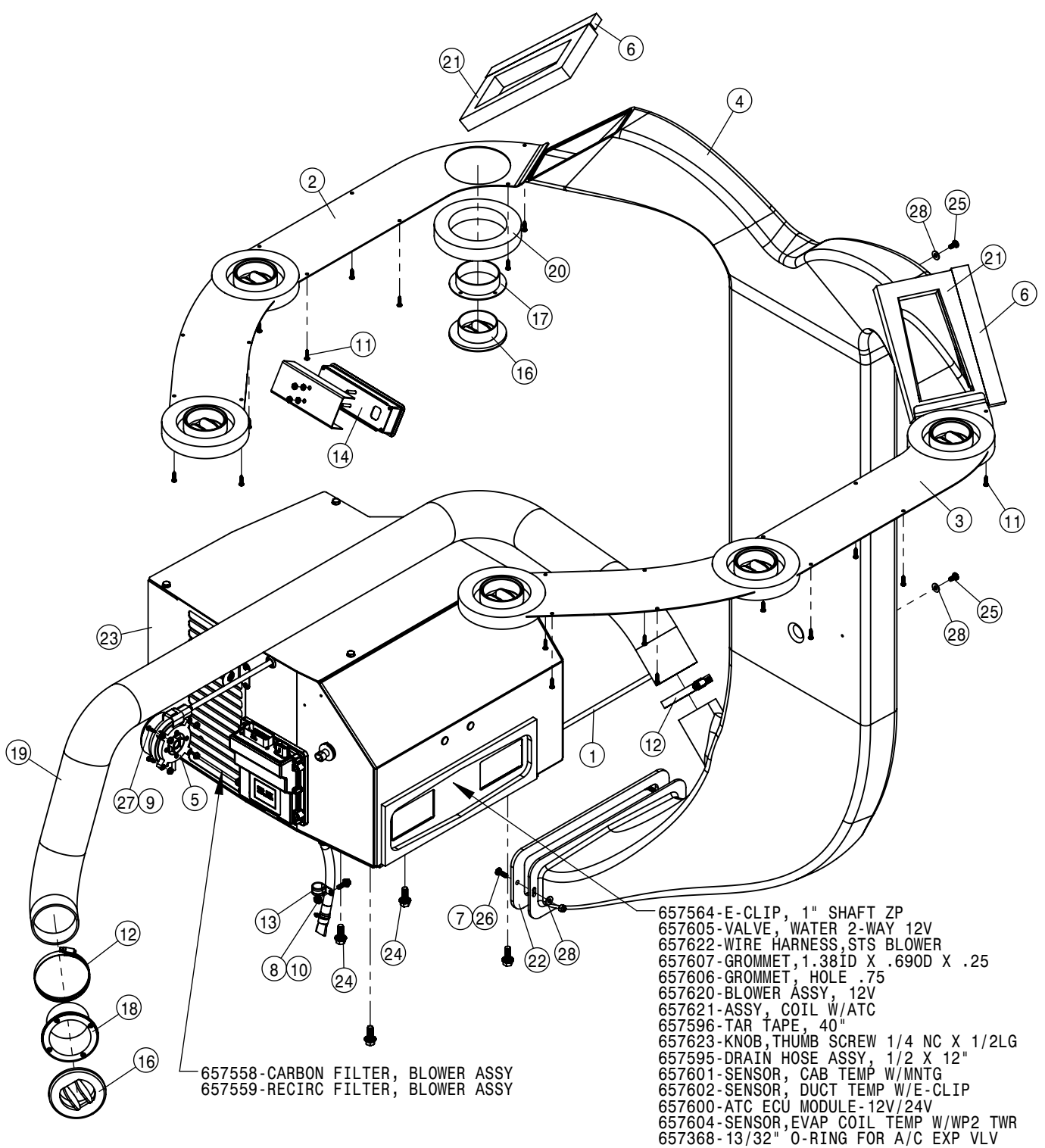


CONSOLE ASSEMBLY			
DET	QTY	P/N	DESCRIPTION
1	1	290081	E-STOP SWITCH,LED MUSHROOM
2	1	290089	E-STOP SHROUD, STS '11
3	1	291916	IGNITION SWITCH
4	2	291917	IGNITION KEY FOR 291916
NS	1	294321	HARNES, HEATED MIRROR EXT
NS	2	294329	HEATED MIRROR HARNES
7	1	344306	CONSOLE DOOR
8	1	344307	CONSOLE TRAY
9	1	344309	CONSOLE SWITCH PANEL
10	1	344312	SWITCH - SOLUTION PUMP
11	1	344313	SWITCH - MAIN TANK
12	2	344314	SWITCH - BOOM FOLD
13	1	344407	CONSOLE BODY
14	1	344409	SWITCH - POWER MIRROR
15	1	344410	CARGO NET - SIDE CONSOLE
16	6	344413	"U" CLIP
17	6	344461	HOLE PLUG - CONTURA V
18	1	344462	CUP HOLDER - LARGE
NS	4	344464	POWER OUTLET 12V
20	1	344465	DOOR HANDLE
21	1	344514	PLATE - CONSOLE DOOR
22	1	344555	USB CHARGING ADAPTER - DC
23	1	344556	SECTION KEYPAD STS '15
24	1	344799	SWITCH - HEATED MIRROR
25	1	344800	SWITCH - DELUGE
26	12	470121	1/4-20UNC HEX FLG NUT SER MC GR5
27	4	470175	#10-32UNF HEX FLG NUT SER MC GR5
28	8	470466	1/4 X 3/4 PLTC LCK RIVET
29	1	470544	HAGIE KEY CHAIN
30	1	470545	PUSH TREE FASTENER 1/4 X 1
31	1	470609	8" BEAD CHAIN
32	1	470676	MORTISE MOUNT-PULL MAG CATCH
33	2	472344	1/4UNCX5/8 ALHD BUTTON CAP SCR
34	2	473870	M5 HEX NUT
NS	1	493626	STS QUICK START GUIDE
NS	1	493662	STS TOOL INSTRUCTION SHEET
37	1	650278	DECAL, E-STOP, STS '11
38	1	650467	DECAL - AUX 2
39	6	903708	1/4UNC X1/2PHIL PANHD MACH SCR
40	6	903711	1/4UNC X3/4PHIL PANHD MACH SCR

BULK TRIM SEAL
 193070-SEAL, .63 X .63 D-SECT EDPM

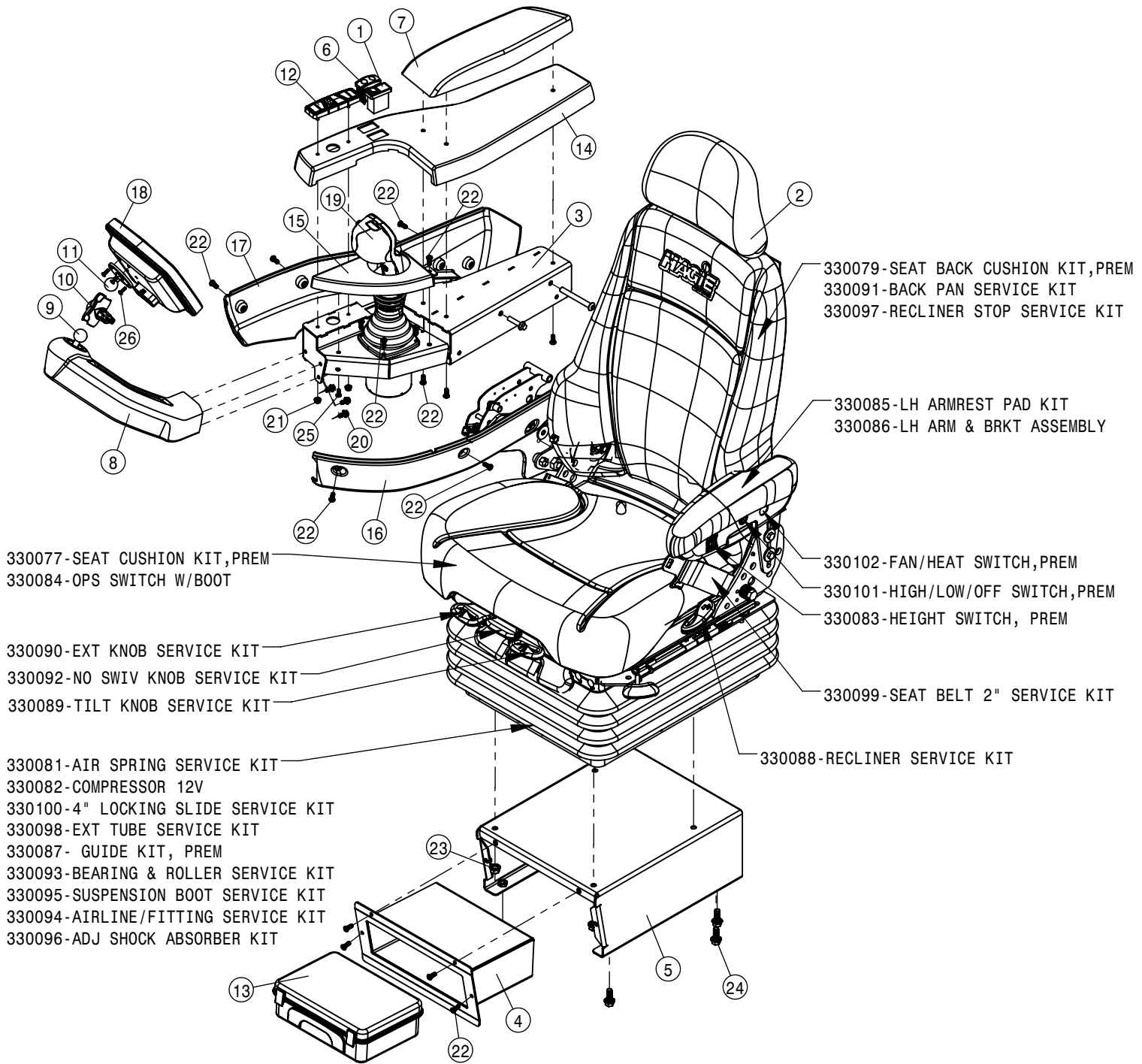


AIR INTAKE ASSEMBLY			
DET	QTY	P/N	DESCRIPTION
1	1	311534	RAIN CAP, 3" INLET, POLY
2	1	343863	HVAC FILTRATION UNIT, DTS
3	1	343903	TALL CROP MT WLD, DTS
4	1	343909	AIR INTAKE COUPLING, DTS
5	1	344480	SEAL - RESPA PANEL
6	2	344557	STAND OFF 5/8" LG, STS' 14
7	2	344558	STAND OFF 3/8" LG, STS' 14
8	1	344667	TALL CROP INTAKE TUBE, STS' 16
9	1	344669	TC HVAC DUCT, STS' 15
10	4	470122	1/4 UNC X 1/2 SERR FLG BOLT
11	1	470160	MUFFLER CLAMP 3.00 IN
12	4	470329	3/8UNC X 1 1/4 HHSFB GR5 MC
13	4	470460	3/8UNC X 1 HHSFB GR5 MC
14	4	472043	3/8-16UNC CTRLK FLG NUT MC GR8
15	2	520052	HOSE CLAMP NO 52 STAINLESS
16	3	520072	HOSE CLAMP NO 72 STAINLESS



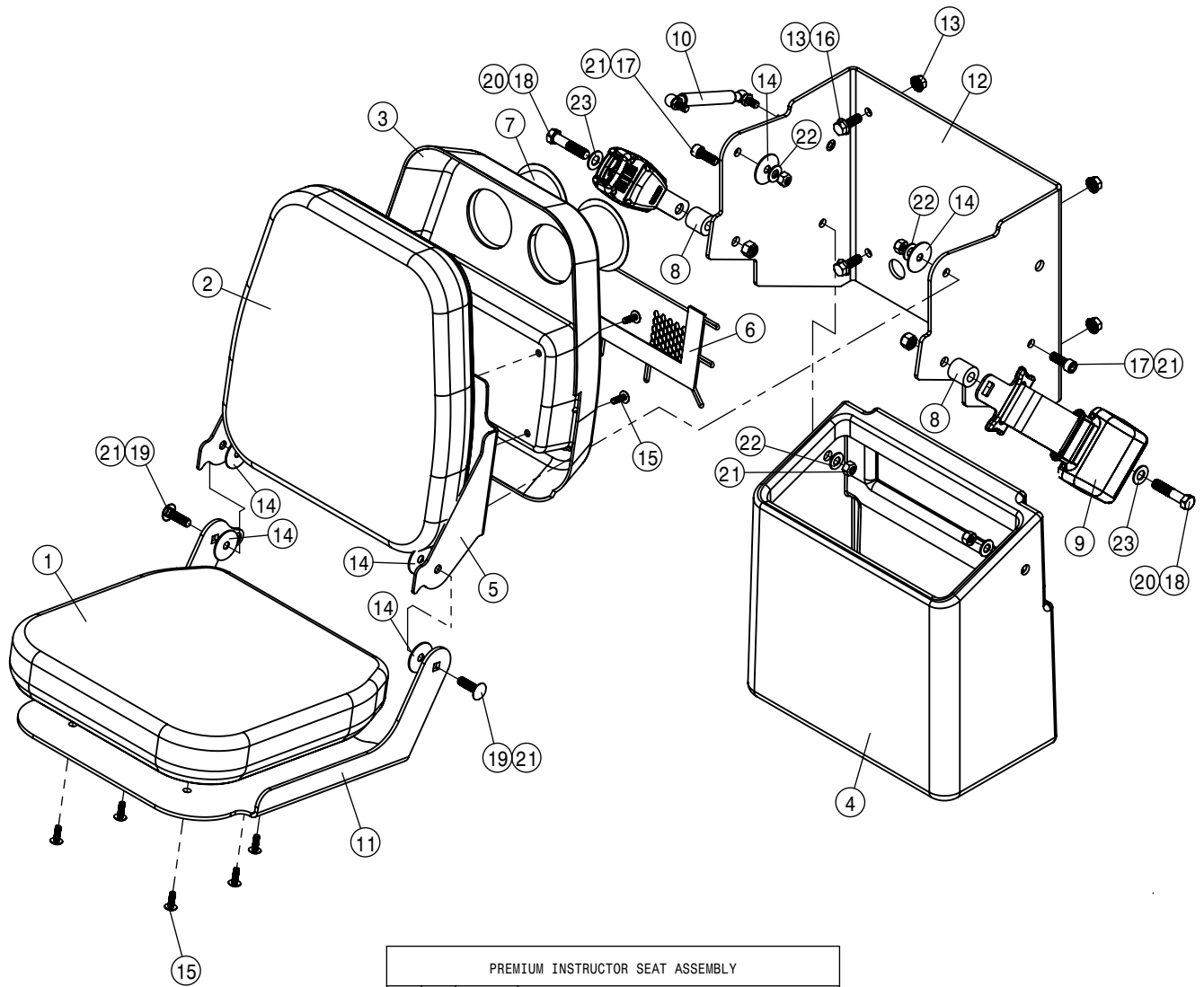
PREMIUM HVAC ASSEMBLY			
DET	QTY	P/N	DESCRIPTION
1	1	317315	HOSE - HVAC PRESSURE
2	1	344361	PLATE, ROOF DUCT COVER RH, STSCAB' 14
3	1	344362	PLATE, ROOF DUCT COVER LH, STSCAB' 14
4	1	344366	DUCT HVAC - STS CAB
5	1	344425	PRESSURE SWITCH - HVAC
6	2	344576	TEMP SEAL DUCT, STS'14
7	2	470089	1/4UNC HEX NYL-LOC NUT
8	1	470121N	1/4 UNC SERR FLG LOCK NUT SS
9	4	470463	8-32 SERR FLANGE NUT
10	1	473834	1/4UNC X 3/4 SER FLG BOLT SS
11	20	473990N	#8 X 3/4 PHIL PAN SMS TY-A BZ
12	2	520052	HOSE CLAMP NO 52 STAINLESS
13	1	520104	CUSH HOSE CLMP,#12, 3/4D x 1/2W
14	1	657543	HVAC-CTRL-AUTO,CAB

PREMIUM HVAC ASSEMBLY			
DET	QTY	P/N	DESCRIPTION
NS	1	657545	HARNESS-HVAC AUTO CTRL STS'14
16	7	657546	LOUVER, 4" W/O MNT
17	6	657547	PANEL MNT, LOUVER (THK PANEL)
18	1	657548	PANEL MNT, LOUVER (THK PANEL)
19	1	657550	HOSE - 3IN HVAC
20	6	657552	GASKET SEAL ROOF LOUVER
21	2	657553	GASKET SEAL ROOF LOUVER
22	1	657556	GASKET SEAL ROOF LOUVER
23	1	657561	BLOWER UNIT-AUT TMP CTRL STS'15
24	4	900129N	3/8UNC X 1" SERR FLANGE BOLT
25	2	903708N	1/4UNC X1/2PHIL PAN MACH SCR BZ
26	2	903711	1/4UNC X3/4PHIL PANHD MACH SCR
27	4	903844	8-32 X 1/2 PHIL PANHD MACH SCR
28	4	920000	1/4 SAE FLAT WASHER

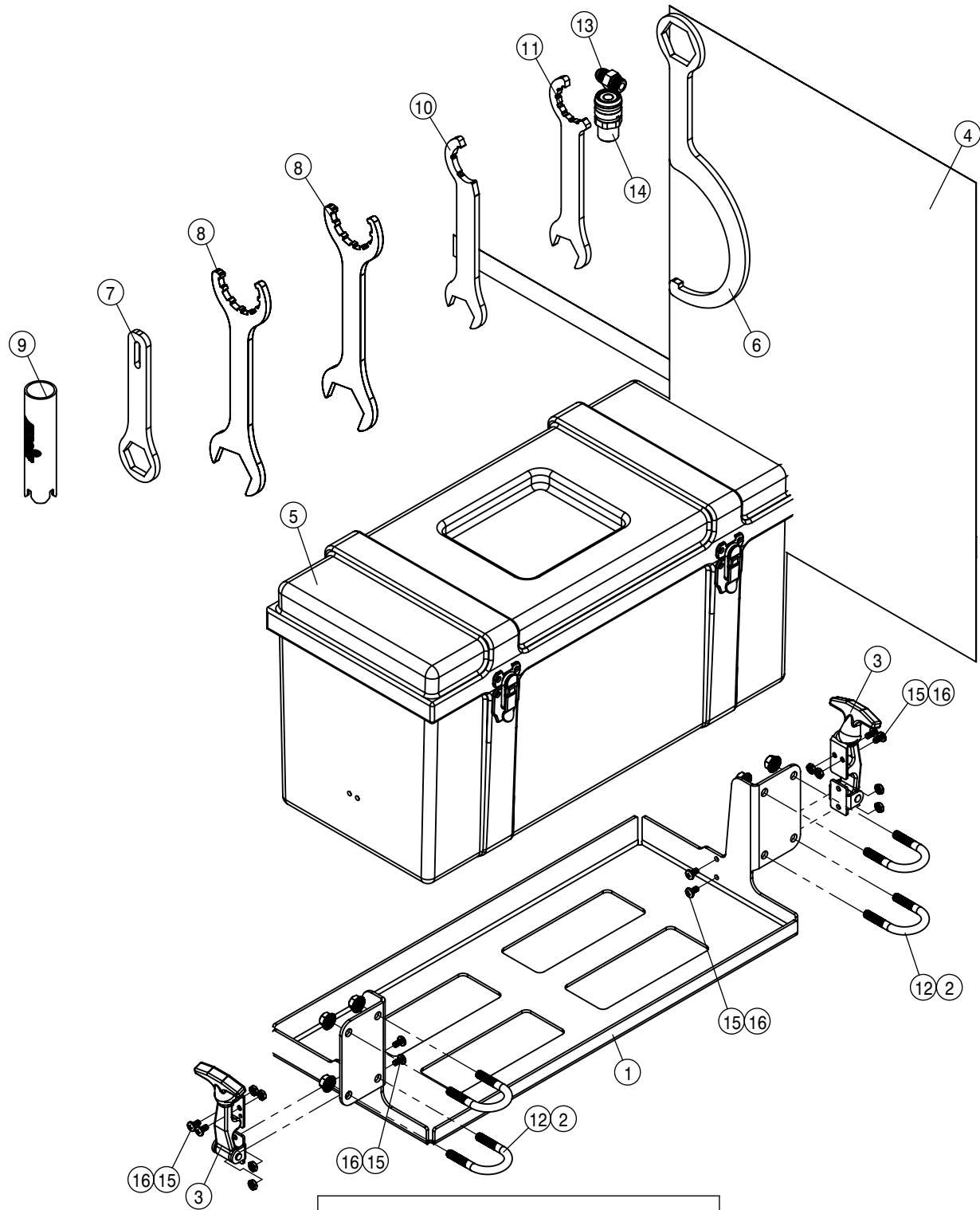


PREMIUM SEAT ASSEMBLY			
DET	QTY	P/N	DESCRIPTION
1	1	292201	SWITCH, BRAKE, STS
2	1	330068	SEAT - PREMIUM, CAB STS' 14
3	1	344167	POD STRUCTURE WLDMT
4	1	344279	STS CAB FIRST AID WLDMNT ' 14
5	1	344280	STS CAB SEAT RSR WLDMNT ' 14
6	1	344311	SWITCH - THROTTLE
7	1	344340	ARMREST POD, ASSY, STSCAB' 14
8	1	344342	POD DISPLAY MNT ASSY MOLDED, STSCAB' 14
9	1	344363	1" RAM BALL MNT 1/4UNC THRD HOLE
10	1	344364	1" RAM BALL MNT 2.00"DBL SOC ARM
11	1	344365	1" RAM BALL MNT BASE 2.50"DIA
12	1	344399	RADIO KEYPAD
13	1	344427	MEDICAL KIT

PREMIUM SEAT ASSEMBLY			
DET	QTY	P/N	DESCRIPTION
14	1	344516	POD UPPER, CAB
15	1	344517	POD MIDDLE, CAB
16	1	344518	POD INNER, CAB
17	1	344519	POD OUTER
18	1	344612	MACHINE DISPLAY ASSEMBLY, 2014
19	1	344656	JOYSTICK, CAB
20	4	470122	1/4 UNC X 1/2 SERR FLG BOLT
21	2	470175	#10-32UNF HEX FLG NUT SER MC GR5
22	19	472344	1/4UNCX5/8 ALHD BUTTON CAP SCR
23	4	473866	M10 X 1.5 HEX SERR FLG NUT
24	6	900129N	3/8UNC X 1" SERR FLANGE BOLT
25	1	903706	10-32X1/2 PHIL PAN MACH SCR
26	4	903844	8-32 X 1/2 PHIL PANHD MACH SCR

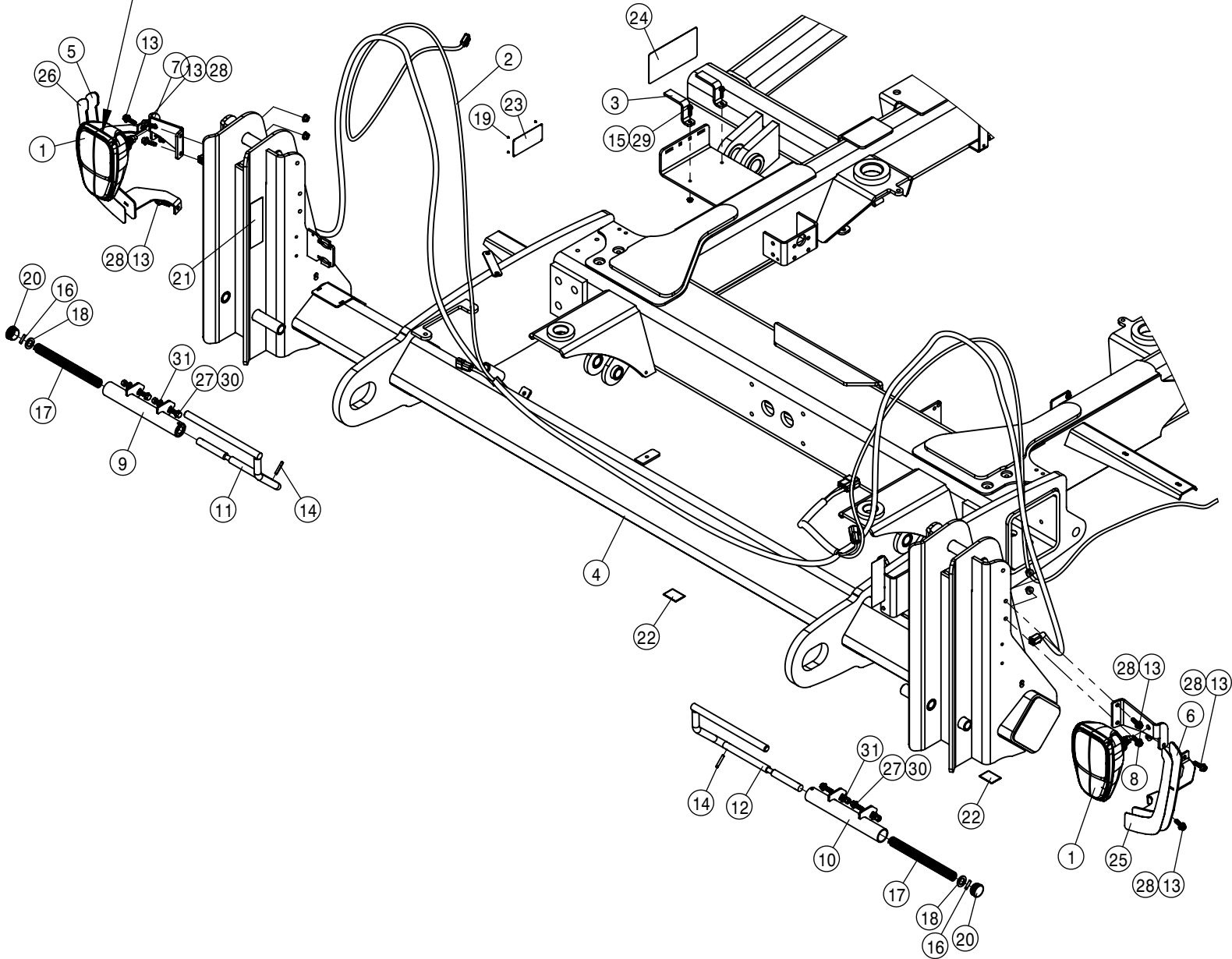


PREMIUM INSTRUCTOR SEAT ASSEMBLY			
DET	QTY	P/N	DESCRIPTION
1	1	330070	CUSH BASE INST SEAT PREM
2	1	330071	CUSH BACK INST SEAT PREM
3	1	344162	PANEL BACK INSTRUCTOR SEAT BACK
4	1	344163	BIN STORAGE INSTRUCTOR SEAT
5	1	344166	BRKT BACK INSTRUCTOR SEAT MOUNT
6	1	344412	CARGO NET - INSTRUCTOR SEAT
7	2	344463	CUP HOLDER - SMALL
8	2	344489	INST SEAT BELT BUSHING, STS' 14
9	1	344493	INST SEAT BELT ASSY, STS' 14
10	1	344559	INST SEAT GAS SPRING, STS' 14
11	1	344564	BRKT BASE INST SEAT WLDT, STS' 14
12	1	344566	BRKT INST SEAT MT WLDT, STS' 14
13	4	470087	3/8UNC HEX SERR FLANGE NUT
14	6	470657	3/8 PTFE LOW-FRICT WASHER
15	10	472261	1/4UNC X 3/4 TRUSS HD BOLT
16	4	900129N	3/8UNC X 1" SERR FLANGE BOLT
17	2	900172	3/8UNC X 1" SOC HD CAP SCR, ZINC
18	2	900235	7/16-20 HEX HEAD BOLT, GR 5
19	2	901130	3/8UNC X 1 1/4 CARR BOLT
20	2	910030	7/16UNF HEX NUT, NYLOC GR5
21	4	914004	3/8UNC HEX STOVER NUT
22	4	920002	3/8 SAE FLAT WASHER
23	2	920003	7/16 SAE FLAT WASHER



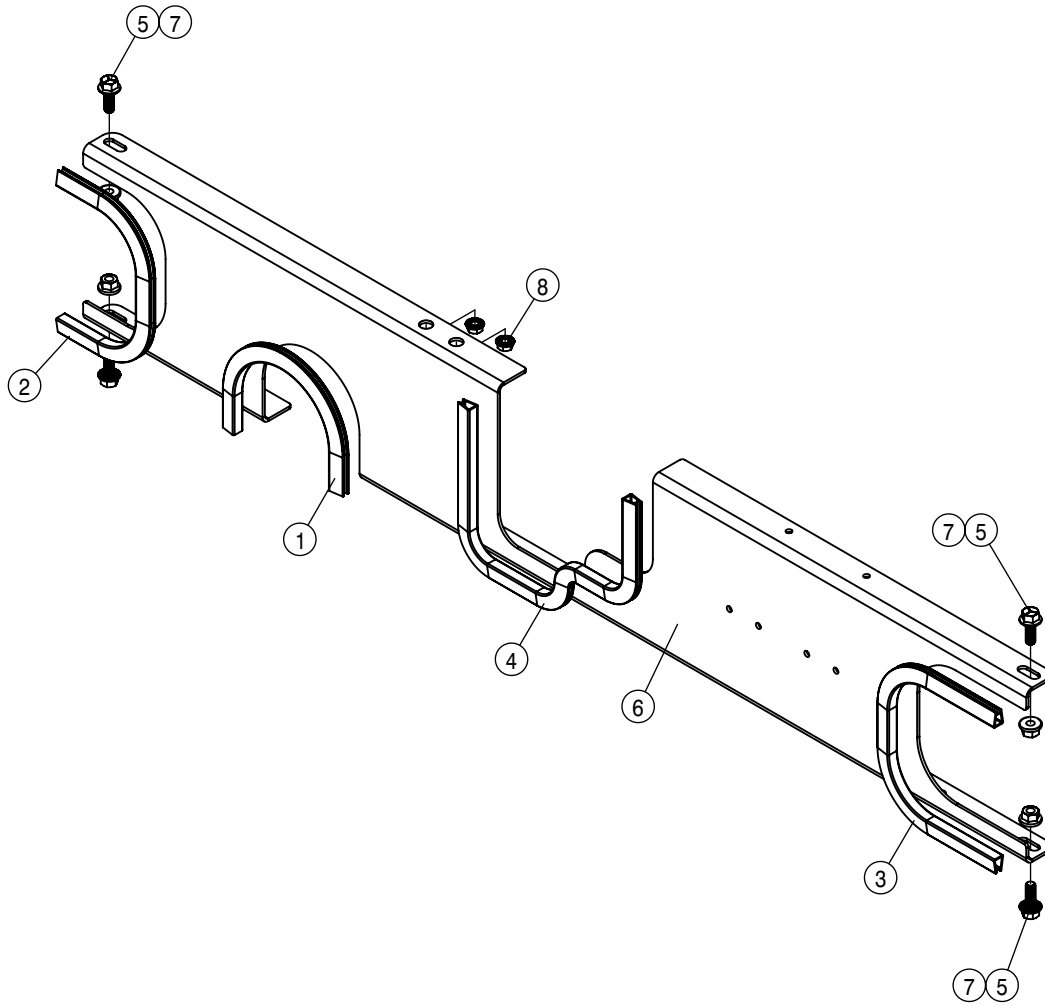
TOOL BOX ASSEMBLY			
DET	QTY	P/N	DESCRIPTION
1	1	345042	TOOLBOX MNT BASE, STS '12
2	8	470113	5/16UNC SERR FLG LOCK NUT
3	2	470643	RUBBER DRAW LATCH
4	1	470758	STS/DTS TOOL POUCH
5	1	470841	TOOL BOX w/TRAY
6	1	470893	BANJO MLS222 SERIES SPNR WRNH
7	1	470894	BANJO MLST100 SERIES WRENCH
8	2	470895	EASY FIT T5 FITTING WRENCH
9	1	470896	TEEJET NOZZEL REMOVAL SOCKET
10	1	470899	EASY FIT T3 FITTING SPEED WRNH
11	1	470900	EASY FIT T3 FITTING WRENCH
12	4	473911	5/16UNC-1.31ID-2.00 U-BOLT ZINC
13	1	618126	9/16MJIC-9/16MOR ADPTR
14	1	618805	HYD CPLR, FEM #14,9/16FOR
15	8	903884	10-32X3/8 PHIL PN MACH SCR
16	8	914027	10-32 HEX STOVER NUT

290007-REPLACEMENT BULB 12V/55W
 290008-REPLACEMENT BULB 12V/4W
 290010-REPLACEMENT BULB 12V/55W
 290011-REPLACEMENT BULB 12V/21W

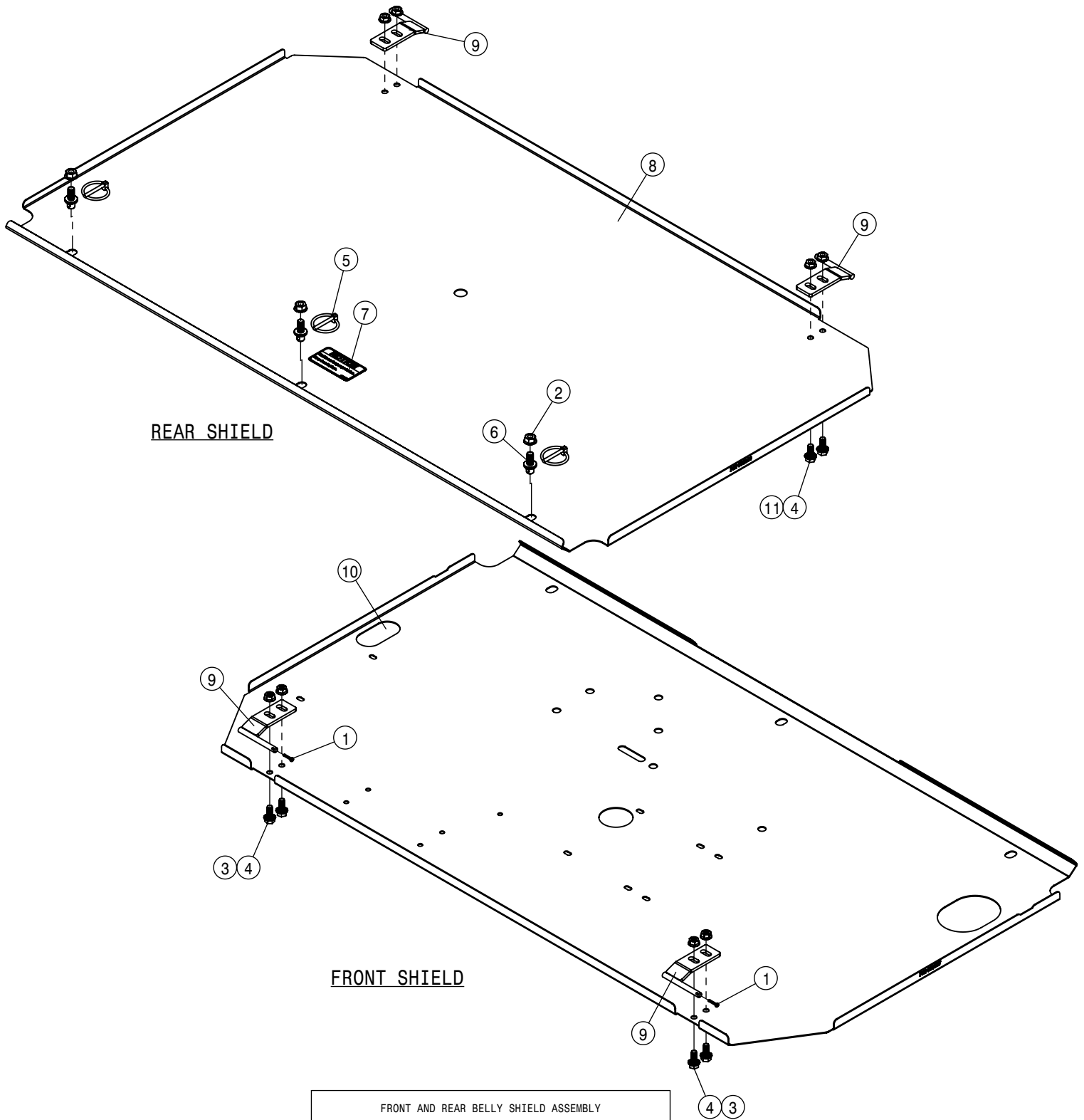


QUICK ATTACK LEVER ASSEMBLY			
DET	QTY	P/N	DESCRIPTION
1	2	292556	HEAD/FLASHER LIGHT
2	1	294228	FRT LIGHT/WHLMTR HARNESS '14
3	2	345016	RETAINER STRAP-MIXER
4	1	360819	MIANFRAME WLD-GST20
5	1	360911	REFLECTOR WLD STS RH FRT
6	1	360912	REFLECTOR WLD STS LH FRT
7	1	360917	RT FT STS LIGHT BRKT
8	1	360918	STS LT FT LIGHT BRKT
9	1	361665	RH Q-ATTACH LOCK WLD, STS 04
10	1	361666	LH Q-ATTACH LOCK WLD, STS 04
11	1	361670	RH Q-ATTACH LOCK PIN WLD,STS04
12	1	361671	LH Q-ATTACH LOCK PIN WLD,STS04
13	8	470329	3/8UNC X 1 1/4 HHSFB GR5 MC
14	2	473805	ROLL PIN, 1/4 X 1 1/2
15	2	473832	1/4-20UNC HEX FLG NUT SER SS
16	2	473850	ROLL PIN, 1/4 X 1"

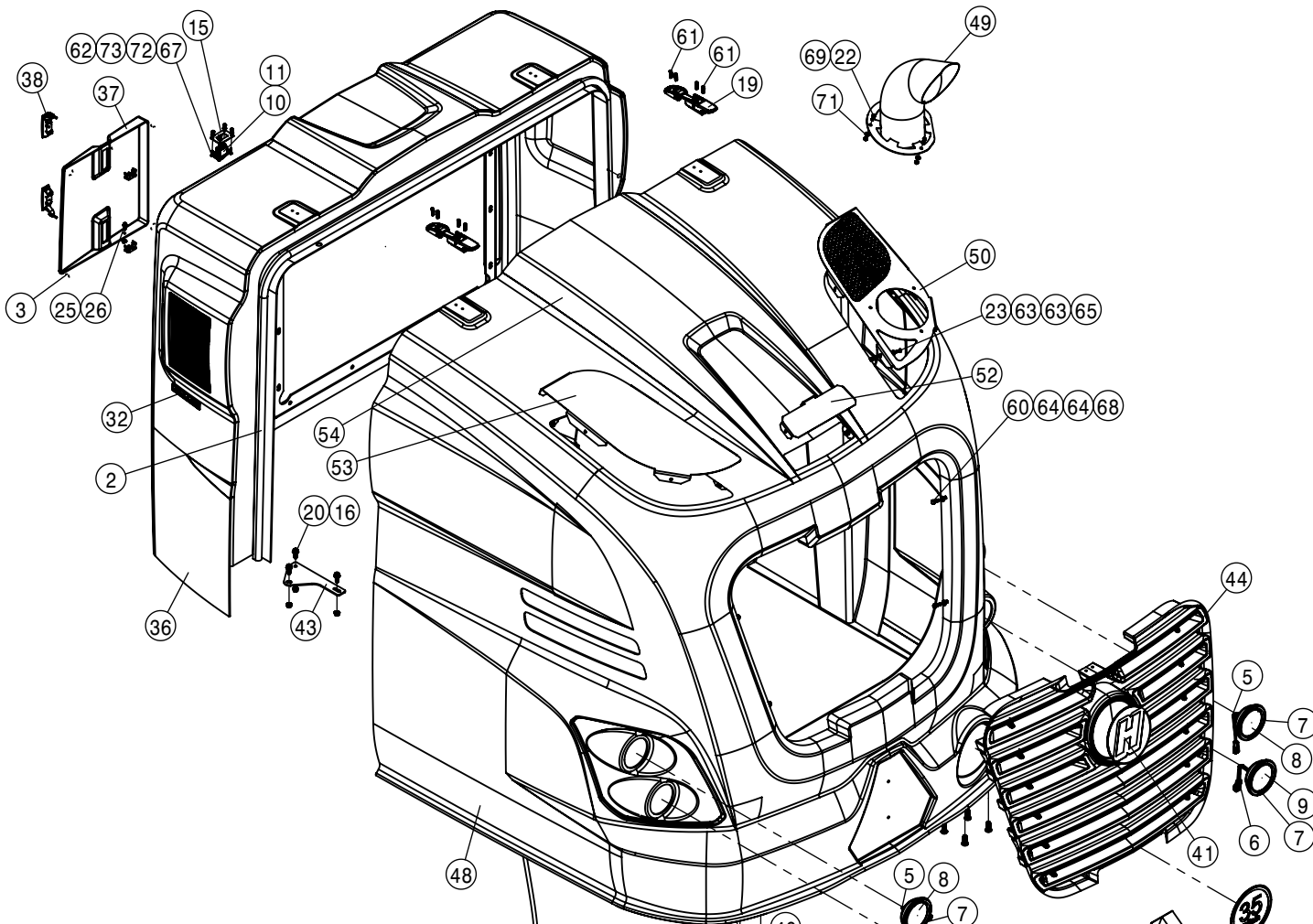
QUICK ATTACK LEVER ASSEMBLY			
DET	QTY	P/N	DESCRIPTION
17	2	482018	SPRING, 1.00 X 12.00 COMPRSN
18	2	483055	.771ID-1.2500D-.135T MACH WASH
19	4	485073	METAL-TACK GRIP .02/.03,3/16HD
20	2	629765	CAPLUG, 1 1/2" RD, BLACK POLY
21	2	650178	DECAL,CAUTION QUICK ATTACH LOC
22	4	650277	DECAL,LIFT POINT
23	1	650315	HAGIE NAMEPLATE
24	1	650466	DECAL, FLUIDS FOR ALL MODELS
25	1	650513	LH FRONT REFLECTOR, DTS
26	1	650514	RH FRONT REFLECTOR, DTS
27	4	900127N	3/8UNC X 1 1/4 SER FLANGE BOLT
28	8	910106	3/8-16UNC CTRLK FLG NUT MC GR5
29	2	910124	1/4UNC X 1 HHSFB SS
30	4	914004N	3/8UNC HEX STOVER NUT
31	4	920002N	3/8 SAE FLAT WASHER



REAR BULKHEAD ASSEMBLY			
DET	QTY	P/N	DESCRIPTION
1	1	193012-011	QUICKEDGE TRIM .135 TO .250
2	1	193012-012	QUICKEDGE TRIM .135 TO .250
3	1	193012-014	QUICKEDGE TRIM .135 TO .250
4	1	193012-019	QUICKEDGE TRIM .135 TO .250
5	4	470460	3/8UNC X 1 HHSFB GR5 MC
6	1	660297	REAR BULKHEAD 2015
7	4	910106	3/8-16UNC CTRLK FLG NUT MC GR5
8	2	910119	5/16-18UNC HEX FLG NUT SER SS

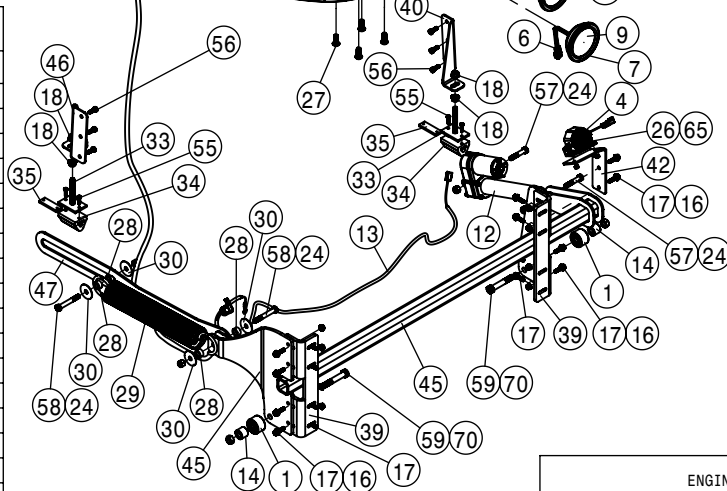


FRONT AND REAR BELLY SHIELD ASSEMBLY			
DET	QTY	P/N	DESCRIPTION
1	2	470075	1/8 X 3/4 COTTER PIN
2	3	470087	3/8-16UNC HEX FLG NUT SER MC GR5
3	4	470113	5/16UNC SERR FLG LOCK NUT
4	8	470233	5/16UNC X 3/4 SERR FLG HEX BOLT
5	3	470335	LINCHPIN, 3/16 X 1 1/4 GRIP
6	3	470520	HANGER PIN, 3/8UNC x .437Dx .500L
7	1	650851	DECAL, NOTICE, SHIELD PROTECT
8	1	660289	REAR BELLY SHIELD, STS 13
9	4	660578	HINGE - BELLY PAN, WLD
10	1	660597	BELLY SHIELD - FRONT
11	4	910119	5/16-18UNC HEX FLG NUT SER SS



ENGINE HOOD ASSEMBLY

DET	QTY	P/N	DESCRIPTION
1	2	125056	TRACK ROLLER,2.00 OD,.625 BORE
2	1	193081-163	1.0" X 1.0" D-PROFILE RUB SEAL
3	1	193082-066	.38" X .22" D-PROFILE RUB SEAL
4	1	290061	ALARM,BACKUP 107DBA LT DUTY
5	2	290103	AMBER LIGHT PIGTAIL
6	2	290104	RED LIGHT PIGTAIL
7	4	290204	4" GROMMET FR 290200 & 290201
8	2	290205	OPTRONICS, 3 DIODE AMBER LED
9	2	290206	OPTRONICS, 3 DIODE RED LED
10	1	292220	SWITCH,DPDT, MOM-OFF-MOM ON
11	1	292221	SWITCH ACUATOR FOR 292220
12	1	292313	HOOD ACTUATOR
13	1	294053	HOOD ACTUATOR HARNESS
14	2	361679	BUMPER PIVOT BRG SPACER,STS 04
15	1	362116	HOOD SWITCH MT PLATE
16	11	470087	3/8-16UNC HEX FLG NUT SER MC GR5
17	16	470329	3/8UNC X 1 1/4 HHSFB GR5 MC
18	4	470360	1/2-13UNC HEX FLG NUT SER MC GR5
19	2	470368	LATCH W/KEEPER, FLEXIBLE LEVER
20	3	470460	3/8UNC X 1 HHSFB GR5 MC
21	1	472249	SLOW MOVING VEHICLE SIGN
22	3	472345	1/4-20 UNC X 1 BHCS GR5 MC
23	13	472379	1/4-20 UNC X 3/4 BHCS SS
24	4	473007	1/2-13UNC NYLOCK NUT MC GR5
25	1	473832	1/4-20UNC HEX FLG NUT SER SS
26	3	473834	1/4UNC X 3/4 HHSFB SS
27	8	473987	1/2UNC X 1 1/4BUT SKTHD SCR
28	4	482029	SPACER, 1.0 OD, .53 ID
29	1	482030	EXT. SPRING OD-2.95" LG-20"
30	4	483082	1/2" X 2" FENDER WASHER
31	1	650224	DECAL,35MPH ID SYMBOL, VINYL
32	2	650426	AWS DECAL
33	2	660224	ENG HOOD BUMPER WLD, STS 04
34	2	660226	ENG HOOD BUMPER, STS 04
35	2	660227	ENG HOOD BUMPER KEEPER, STS 04
36	1	660503	ENGINE HOOD FRONT ASSY STS' 14
37	1	660510	ENGINE HOOD ACS PANEL STS' 14

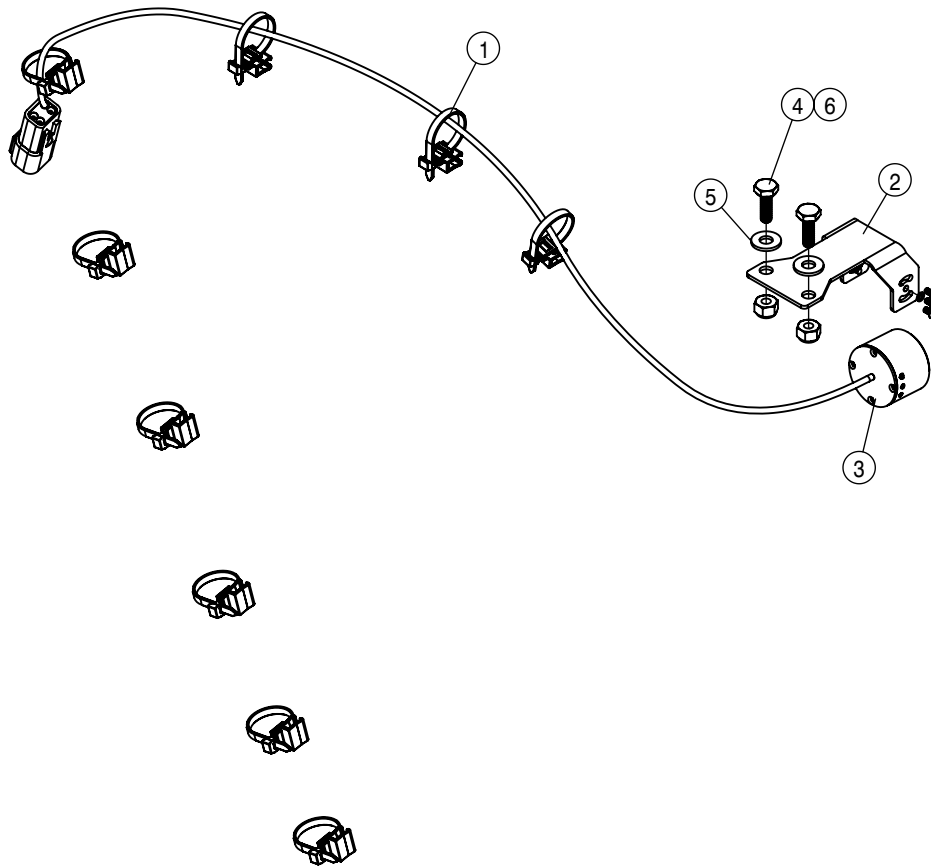


ENGINE HOOD ASSEMBLY

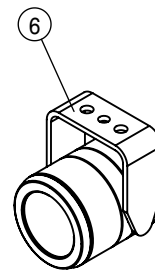
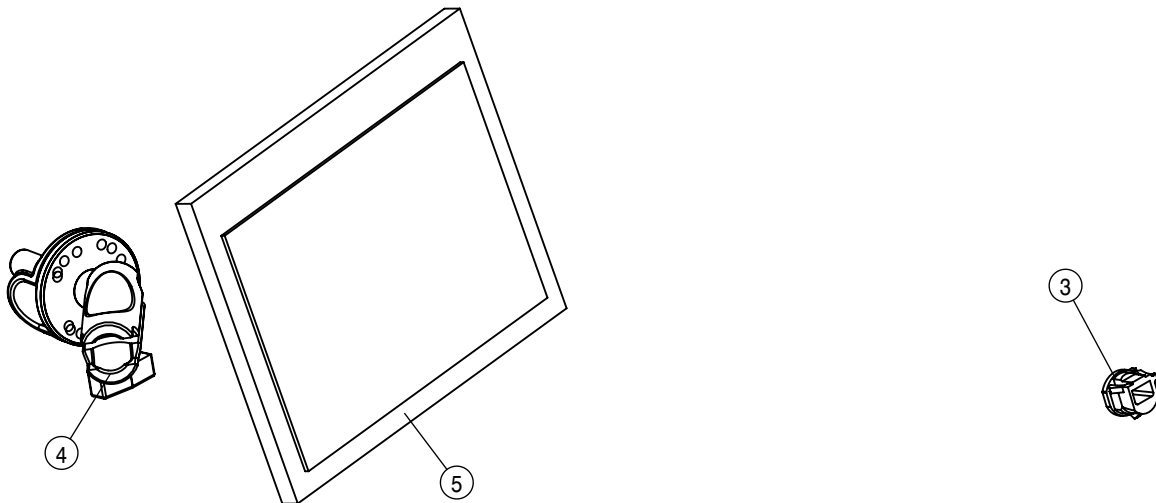
DET	QTY	P/N	DESCRIPTION
38	2	660525	LATCH ACS PNL RETAINER STS' 14
39	2	660526	ENGINE HOOD BLKHD MNT BRKT STS' 14
40	1	660532	ENGINE HOOD BMPR MNT BRKT STS' 14
41	1	660559	DECAL HAGIE DOT 8.25"DIA GRILLE
42	1	660562	B-UP ALARM BRKT
43	1	660815	FRONT HOOD TIE BRKT, STS
44	1	660822	STS GRILL ASSY '17
45	1	660828	HOOD HINGE WLD QSB STS' 17
46	1	660832	LH HOOD BMPR MT BRKT STS' 17
47	1	660833	HOOD STOP LINKAGE BAR
48	1	660836	ENG HOOD REAR ASSY, STS' 17
49	1	660837	6" EXHAUST STACK WLD, STS
50	1	660842	RH HOOD SCREEN, STS '17
NS	1	660843	MACHINE MODEL DECAL SHEET
52	1	660844	CNTR HOOD SCREEN, STS
53	1	660845	LH HOOD SCREEN, STS '17
54	1	660847	STS HOOD DECAL SHEET '17

ENGINE HOOD ASSEMBLY

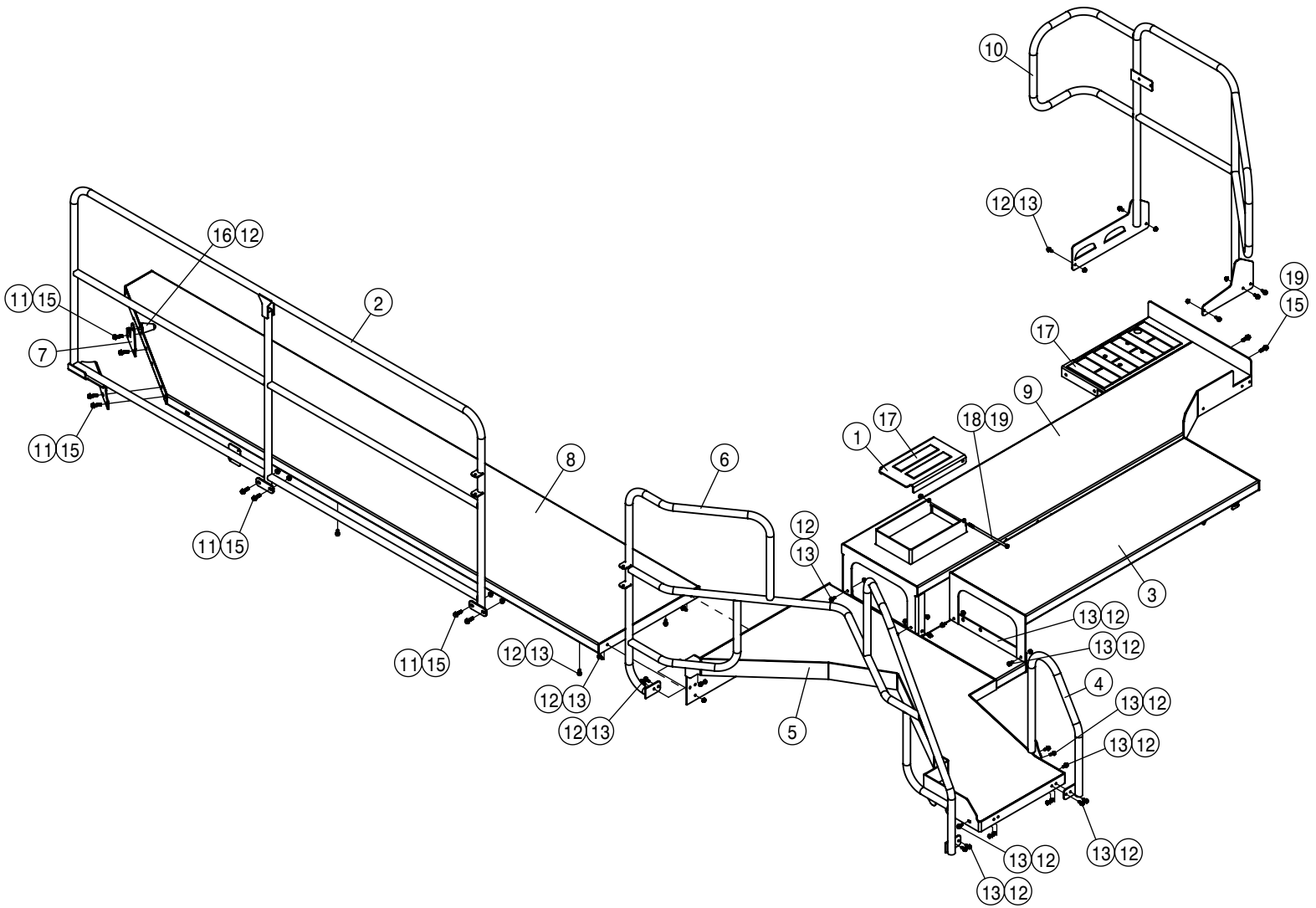
DET	QTY	P/N	DESCRIPTION
55	4	900003	1/4UNC X 1 HHCS GR5 MC
56	9	900129	3/8UNC X 1 HHCS GR5 MC
57	2	900268	1/2UNC X 2 1/2 HHCS GR5 MC
58	2	900272	1/2UNC X 3 1/2 HHCS GR5 MC
59	2	900341	5/8UNC X 3 3/4 HHCS GR5 MC
60	4	900489	5/16UNC X 1 HHCS SS
61	8	903893	10-32 X 1" PHIL PAN MACH SCR
62	4	910027	#10-32UNF HEX NUT MC GR5
63	26	910112	SAE FLAT WASHER 1/4 SS
64	8	910113	SAE FLAT WASHER 5/16 SS
65	15	910118	1/4-20UNC NYLOCK NUT SS
66	2	910124	1/4UNC X 1 HHSFB SS
67	4	910131	#10-32 UNF X 3/4 PHMS PH BZ
68	4	910132	5/16-18UNC NYLOCK NUT SS
69	3	914000	1/4-20UNC STOVER NUT MC GR5
70	2	914010	5/8-11UNC STOVER NUT MC GR5
71	3	920000	SAE FLAT WASHER 1/4 MC
72	4	920010	SAE FLAT WASHER #10 MC
73	4	920510	HLCKO WASHER #10 MC



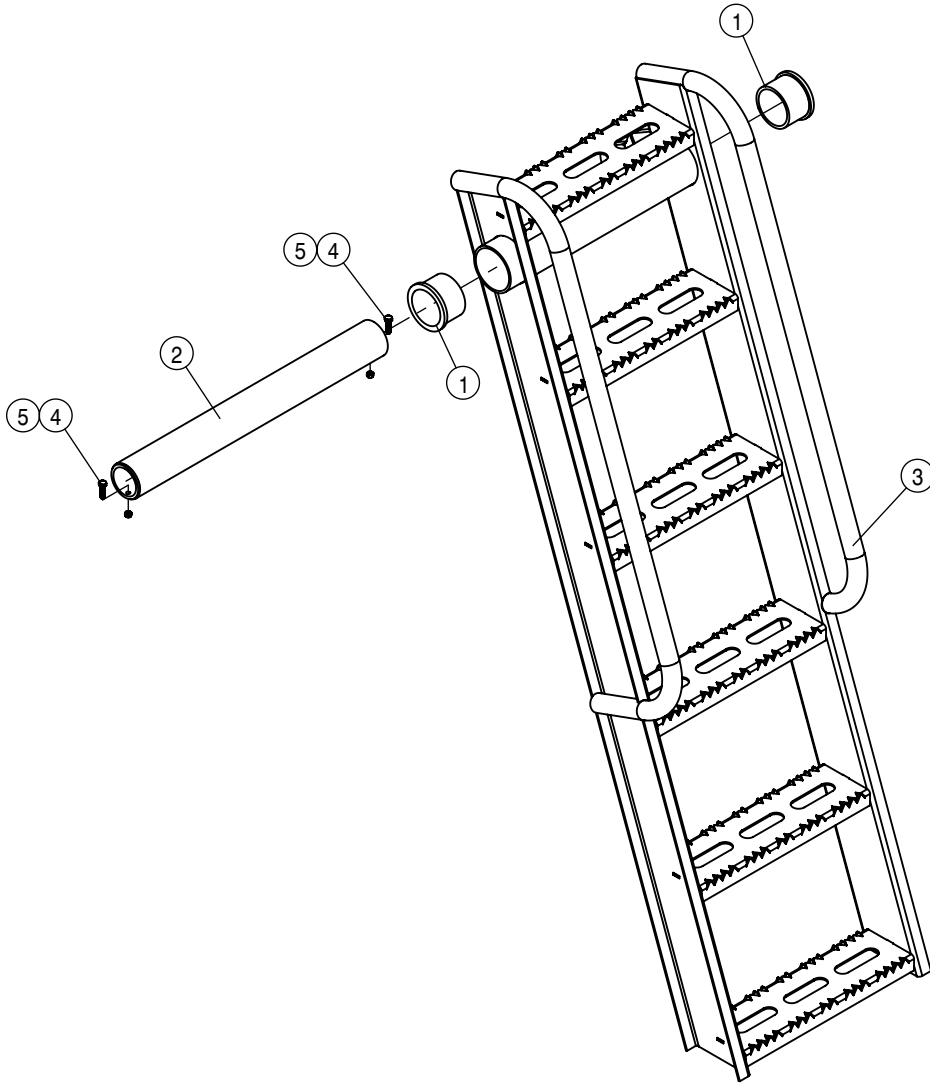
BACK-UP CAMERA ASSEMBLY			
DET	QTY	P/N	DESCRIPTION
1	9	470680	CABLE TIE/CLIP .04"-.12"W
2	1	660861	STS B-UP CAMERA BRKT
3	1	694028	B-UP CAMERA
4	2	900448	1/4UNC X 3/4 HHCS SS
5	2	910112	SAE FLAT WASHER 1/4 SS
6	2	910118	1/4-20UNC NYLOCK NUT SS



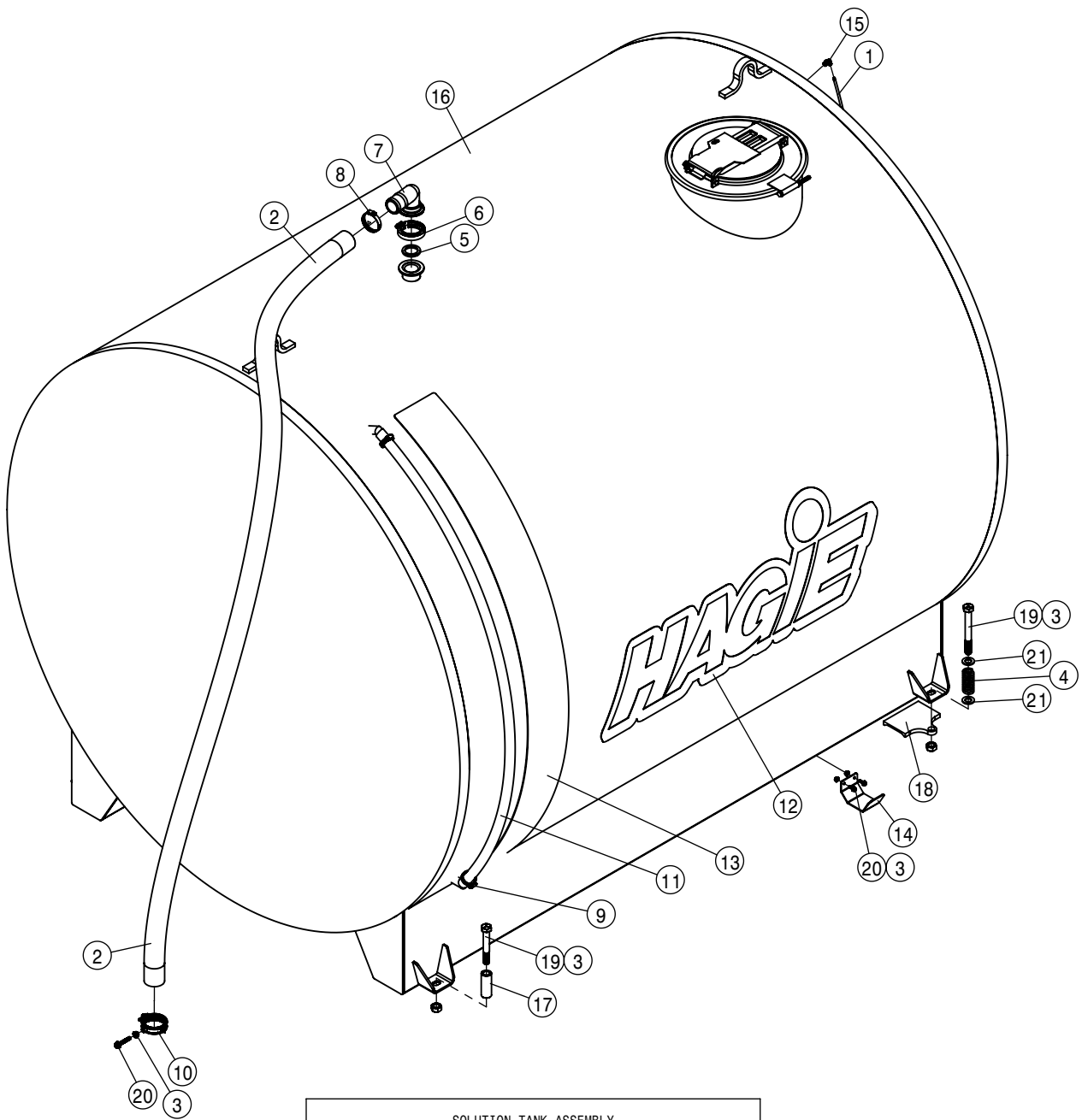
AGCAM CAMERA SYSTEM			
DET	QTY	P/N	DESCRIPTION
NS	1	294060	POWER CABLE WEATHER STN '14
NS	1	344365	1" RAM BALL MNT BASE 2.50"DIA
	3	344572	BUSHING - ANTENNAT STRAIGHT
	4	693071	ADPTR KIT,RAM233 RAIL MT,NORAC
	5	693517	AG CAM 7"MONITOR
	6	693518	B-UP CAMERA
NS	1	693519	VIDEO CABLE, 60 FT WITH CLIPS
NS	1	693520	PANAVISE PEDISTAL MONITOR BASE



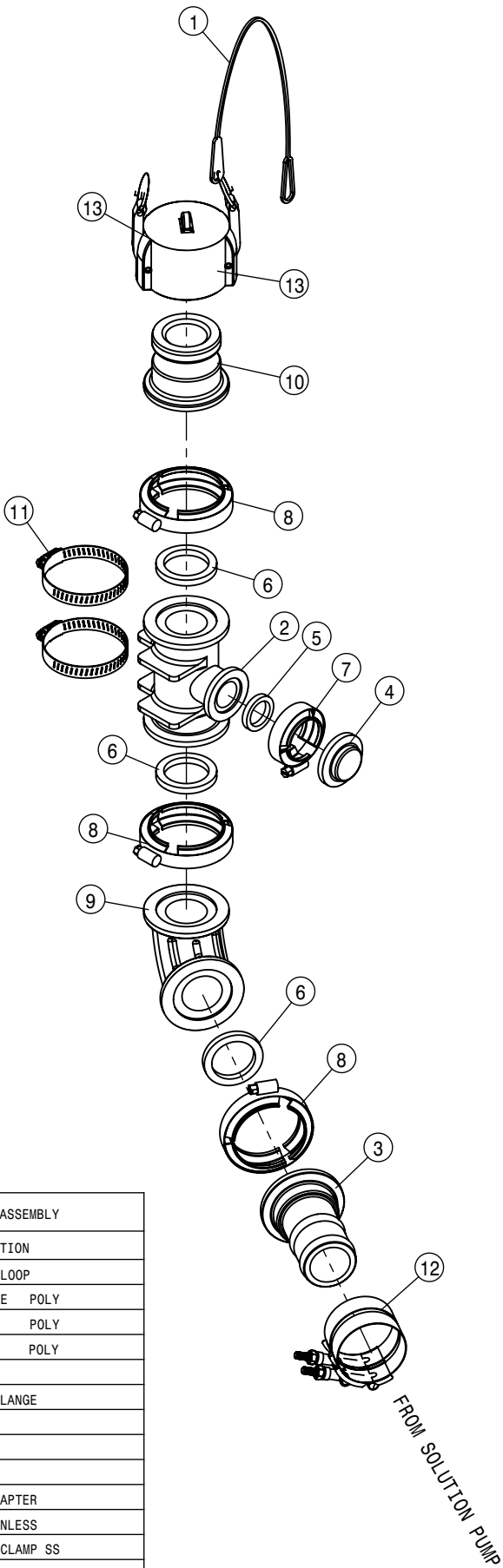
SERVICE PLATFORM ASSEMBLY			
DET	QTY	P/N	DESCRIPTION
1	1	317326	DEF FILL COVER
2	1	343514	LH FRT HANDRAIL WLD, STS16 05
3	1	344473	CNTR SERV PLATFORM WLD, STS '14
4	1	344520	RH HANDRAIL WLD,LH PLTFRM '14
5	1	344521	PLTFRM, LH REAR SERV
6	1	344522	LH REAR HANDRAIL WLD
7	1	344578	BRACKET-DOOR STOP STS 2014
8	1	344797	LH SIDE PLATFORM WLD, GST20
9	1	344903	REAR CENTER PLATFORM T4F
10	1	345101	HAND RAIL WLD ASSY, '17
11	8	470087	3/8-16UNC HEX FLG NUT SER MC GR5
12	34	470113	5/16-18UNC HEX FLG NUT SER MC GR5
13	31	470233	5/16UNC X 3/4 HHSFB GR5 MC
14	1	470234	5/16UNC X 1" SERR FLG HEX BOLT
15	10	470329	3/8UNC X 1 1/4 SERR FLG HEX BOLT
16	1	470571	BUMPER,MALE STUD 2.375 X 1.75
17	7	490670	SAFETY TREAD TAPE, 2" X 9"
18	1	900152	3/8UNC X 9" HEX BOLT YZ
19	3	910004N	3/8UNC FLANGE CNTR LOCK NUT



LADDER ASSEMBLY			
DET	QTY	P/N	DESCRIPTION
1	2	121102	LADDER PIVOT BEARING, POLYGON
2	1	344534	LADDER MT TUBE, STS '14
3	1	344792	LADDER WLD - GST20
4	2	900003	1/4UNC X 1" HEX BOLT
5	2	914000	1/4UNC HEX STOVER NUT



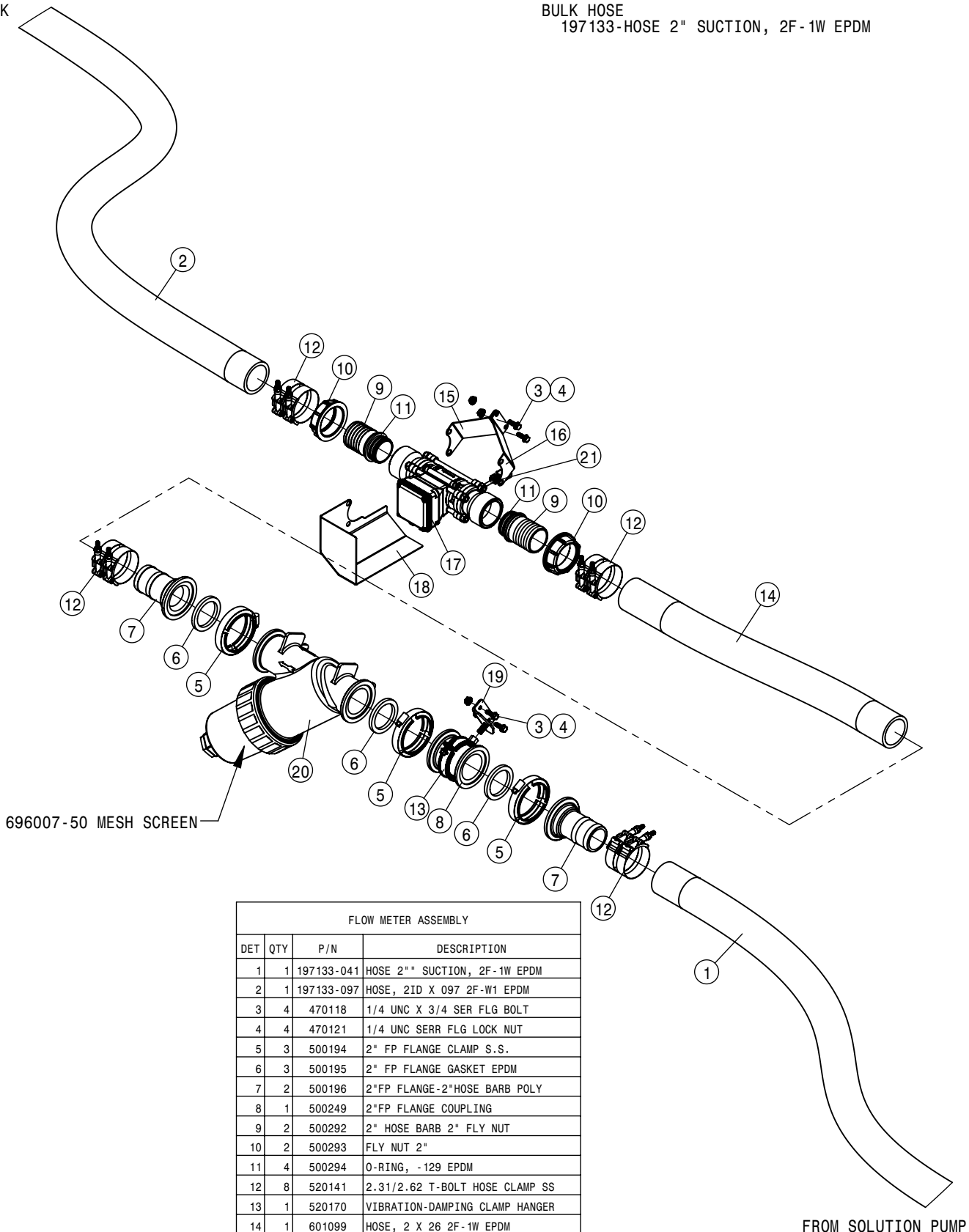
SOLUTION TANK ASSEMBLY			
DET	QTY	P/N	DESCRIPTION
1	1	195906-087	1/40D AIR BRAKE TUBING J844-A
2	1	197133-127	HOSE 2" SUCTION, 2F-1W EPDM
3	7	470087	3/8-16UNC HEX FLG NUT SER MC GR5
4	2	482016	SPRING, 1.4 X 3.00 COMPRSN
5	1	500158	1 1/2" GASKET FOR 2" FLANGE
6	1	500160	2" FLANGE CLAMP S.S.
7	1	500191	2" FLANGE-90-2" HOSE BARB POLY
8	1	520068	HOSE CLAMP NO 32 STAINLESS
9	2	520087	HOSE CLAMP NO 20 STAINLESS
10	1	520170	VIBRATION-DAMPING CLAMP HANGER
11	1	601471	HOSE, 1" X 60 CLEAR VINYL
12	1	650144	DECAL, LOGO, SOLU TANK STS12
13	1	650172	DECAL, 2000G SS TANK GAUGE, GST
14	1	701471	HOSE SUPPORT STS 14/16
15	1	711040	1/4MNPT-90-1/4 NYL TUBE LBO
16	1	763569	2000 GAL SS TANK
17	2	763840	TANK MNT BUSHING
18	2	763841	TANK ISOLATOR
19	4	900416	3/4UNC X 6 1/2 HHCS GR5 MC
20	3	900506	3/8UNC X 2 HHSFB GR5 MC FT
21	4	920006	3/4 SAE FLAT WASHER



FRONT SOLUTION QUICK ATTACH ASSEMBLY			
DET	QTY	P/N	DESCRIPTION
1	1	470322	LANYARD 8" NYLON LOOP/LOOP
2	1	500150	2" FLANGE-1" BRANCH TEE POLY
3	1	500154	2" FLANGE-2" HOSE BARB POLY
4	1	500155	1" FLANGE CAP PLUG POLY
5	1	500157	1" FLANGE GASKET EPDM
6	3	500158	1 1/2" GASKET FOR 2" FLANGE
7	1	500159	1" FLANGE CLAMP S.S.
8	3	500160	2" FLANGE CLAMP S.S.
9	1	500266	2" FLANGE SWEEP 90
10	1	500276	2" FLANGE X 2" MALE ADAPTER
11	2	520099	HOSE CLAMP NO 40 STAINLESS
12	2	520141	2.31/2.62 T-BOLT HOSE CLAMP SS
13	1	690623	CAP FOR 2.00 MALE COUPLER POLY

TO BOOM QUICK
COUPLER

BULK HOSE
197133-HOSE 2" SUCTION, 2F-1W EPDM

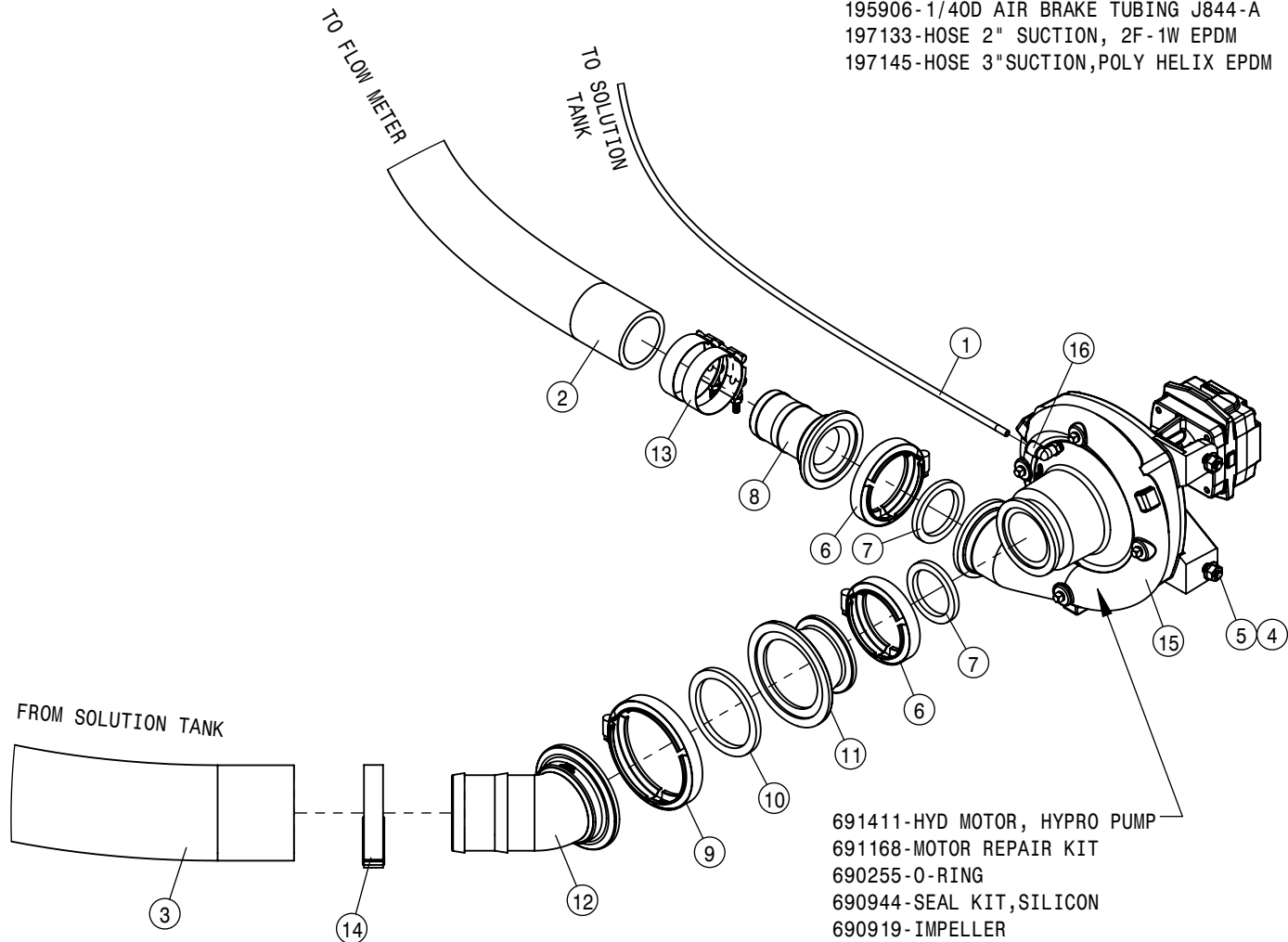


696007-50 MESH SCREEN

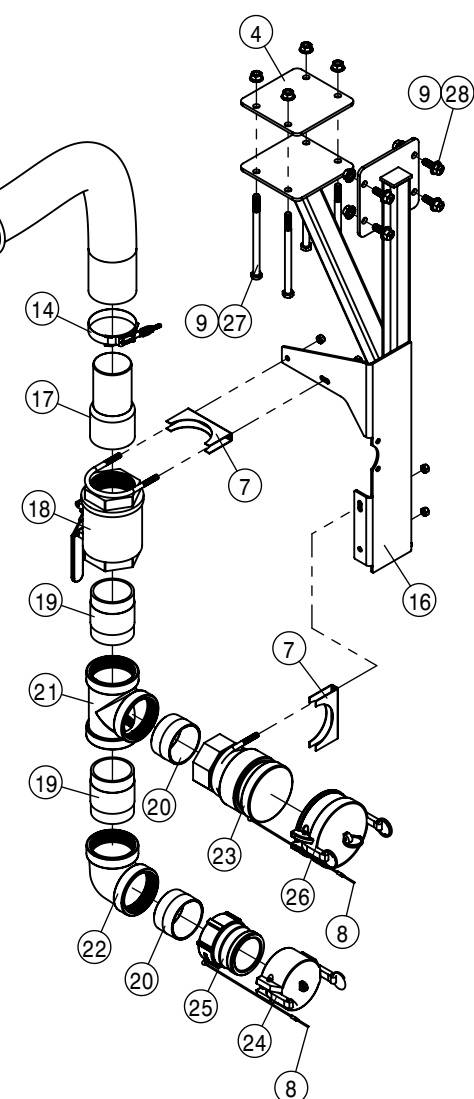
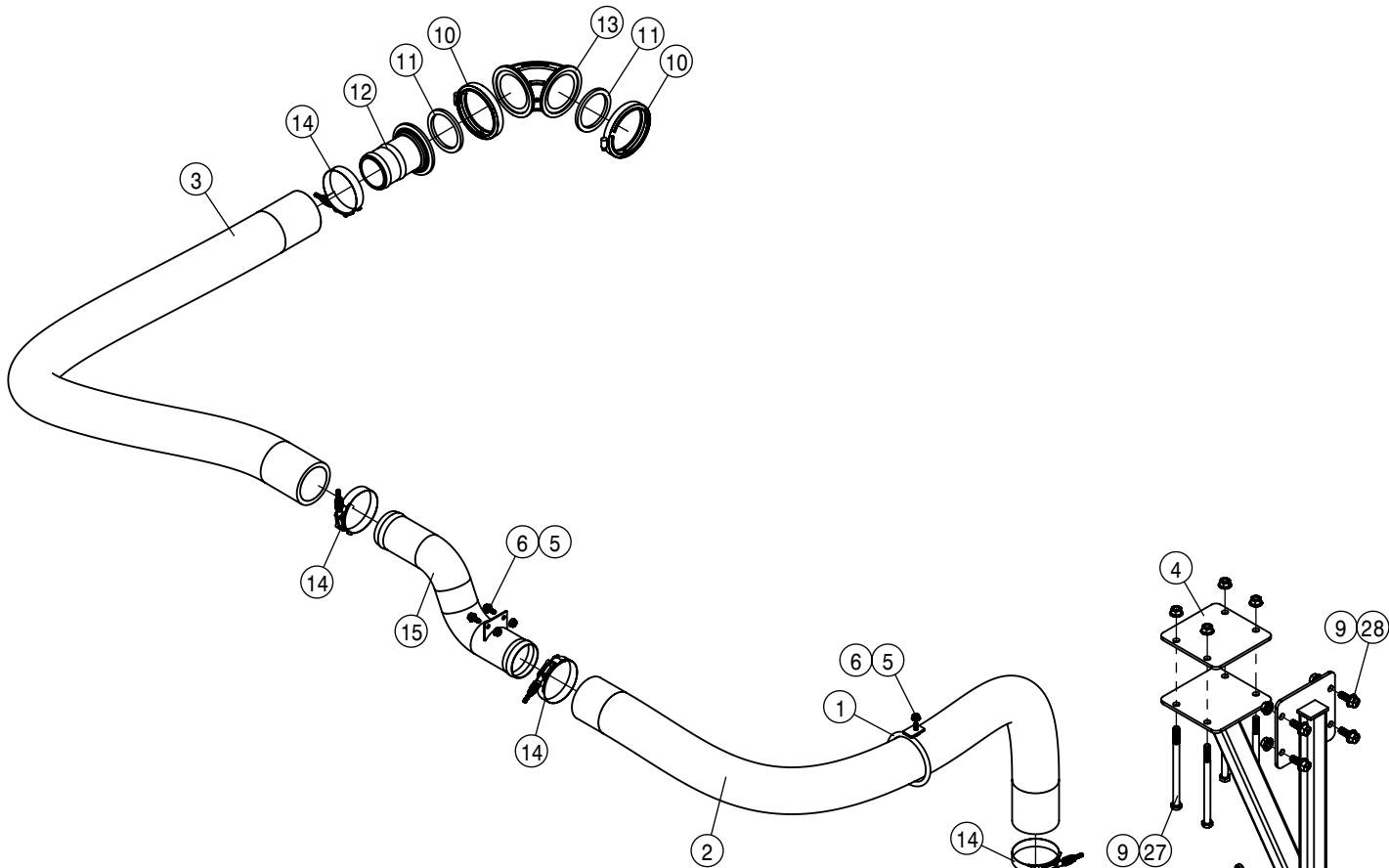
FROM SOLUTION PUMP

FLOW METER ASSEMBLY			
DET	QTY	P/N	DESCRIPTION
1	1	197133-041	HOSE 2" SUCTION, 2F-1W EPDM
2	1	197133-097	HOSE, 2ID X 097 2F-W1 EPDM
3	4	470118	1/4 UNC X 3/4 SER FLG BOLT
4	4	470121	1/4 UNC SERR FLG LOCK NUT
5	3	500194	2" FP FLANGE CLAMP S.S.
6	3	500195	2" FP FLANGE GASKET EPDM
7	2	500196	2"FP FLANGE-2"HOSE BARB POLY
8	1	500249	2"FP FLANGE COUPLING
9	2	500292	2" HOSE BARB 2" FLY NUT
10	2	500293	FLY NUT 2"
11	4	500294	O-RING, -129 EPDM
12	8	520141	2.31/2.62 T-BOLT HOSE CLAMP SS
13	1	520170	VIBRATION-DAMPING CLAMP HANGER
14	1	601099	HOSE, 2 X 26 2F-1W EPDM
15	1	691302	ORION FLOW METER MNT FRONT
16	1	691303	ORION FLOW METER MNT REAR
17	1	691327	MAG FLOWMETER 2" FLYNUT
18	1	691332	STS Flowmeter Shield
19	1	691337	STRAINER CLAMP MNT WLD
20	1	696006	LINE "Y" STRAINER,2"FP FLG 50M
21	1	734046	ADPTR HARNESS FOR 691327

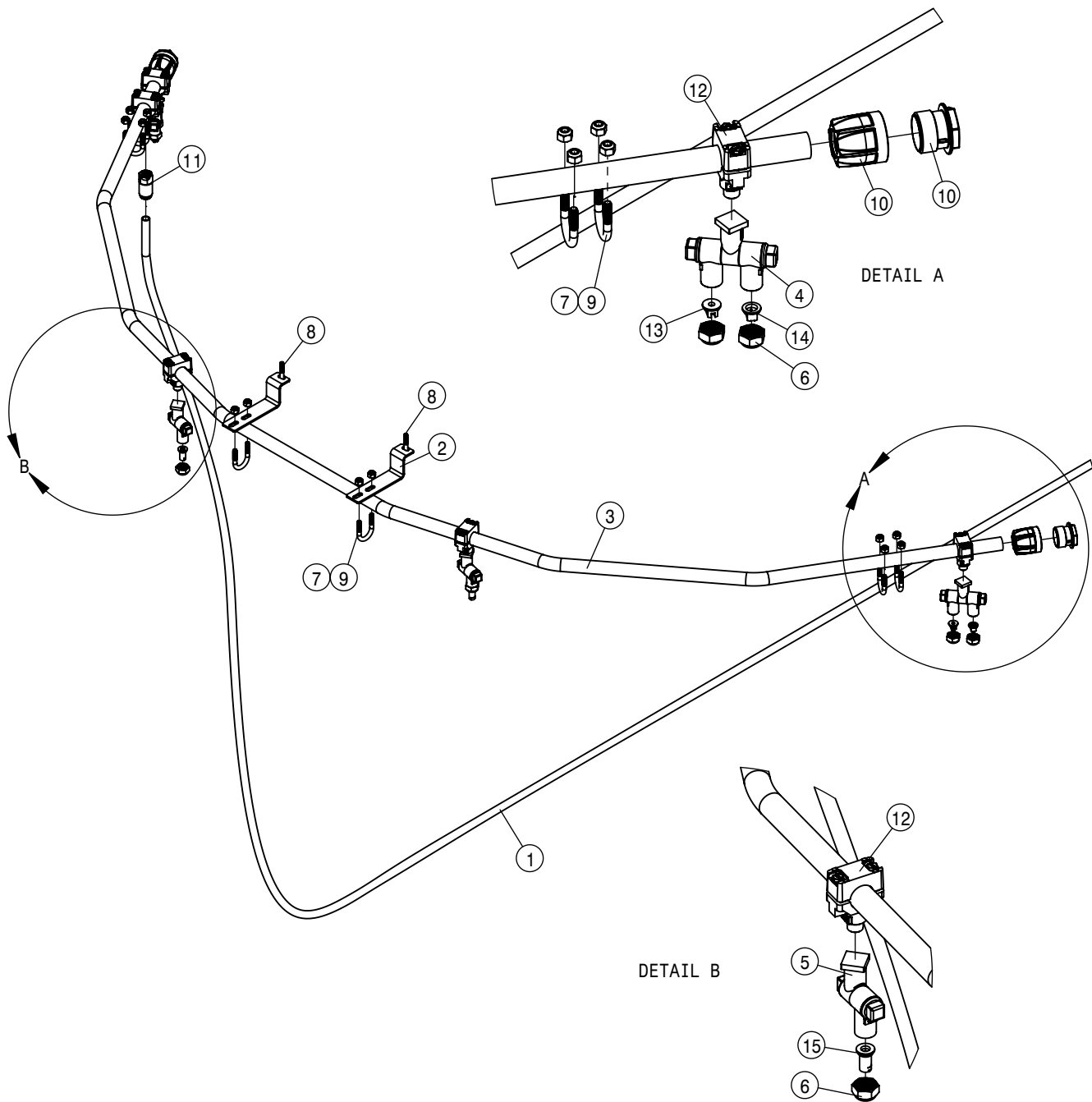
BULK HOSE
 195906-1/40D AIR BRAKE TUBING J844-A
 197133-HOSE 2" SUCTION, 2F-1W EPDM
 197145-HOSE 3" SUCTION, POLY HELIX EPDM



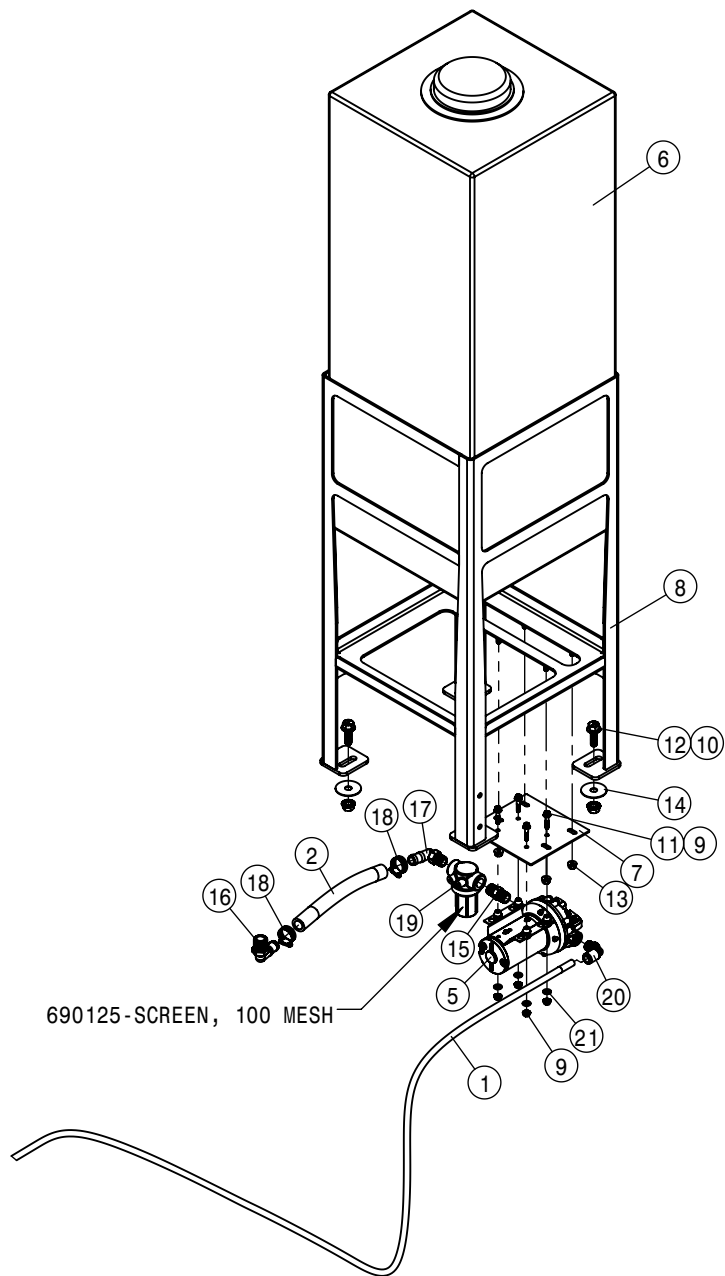
SOLUTION PUMP ASSEMBLY			
DET	QTY	P/N	DESCRIPTION
1	1	195906-087	1/40D AIR BRAKE TUBING J844-A
2	1	197133-041	HOSE 2" SUCTION, 2F-1W EPDM
3	1	197145-068	HOSE 3" SUCTION, POLY HELIX EPDM
4	2	470087	3/8-16UNC HEX FLG NUT SER MC GR5
5	2	470329	3/8UNC X 1 1/4 HHSFB GR5 MC
6	2	500194	2" FP FLANGE CLAMP S.S.
7	2	500195	2" FP FLANGE GASKET EPDM
8	1	500196	2" FP FLANGE-2" HOSE BARB POLY
9	1	500208	3" FLANGE CLAMP S.S.
10	1	500209	3" FLANGE GASKET EPDM
11	1	500212	3" FLANGE - 2" FP FLANGE ADPTR
12	1	500258	3" FLANGE-45-3" HOSE BARB, POLY
13	2	520141	2.31/2.62 T-BOLT HOSE CLAMP SS
14	1	520145	3.56/3.88 T-BOLT HOSE CLAMP SS
15	1	691249	HYPRO PUMP, 9306C-HM5C-BU-001
16	1	711039	1/8MNPT-90-1/4 NYL TUBE LBO



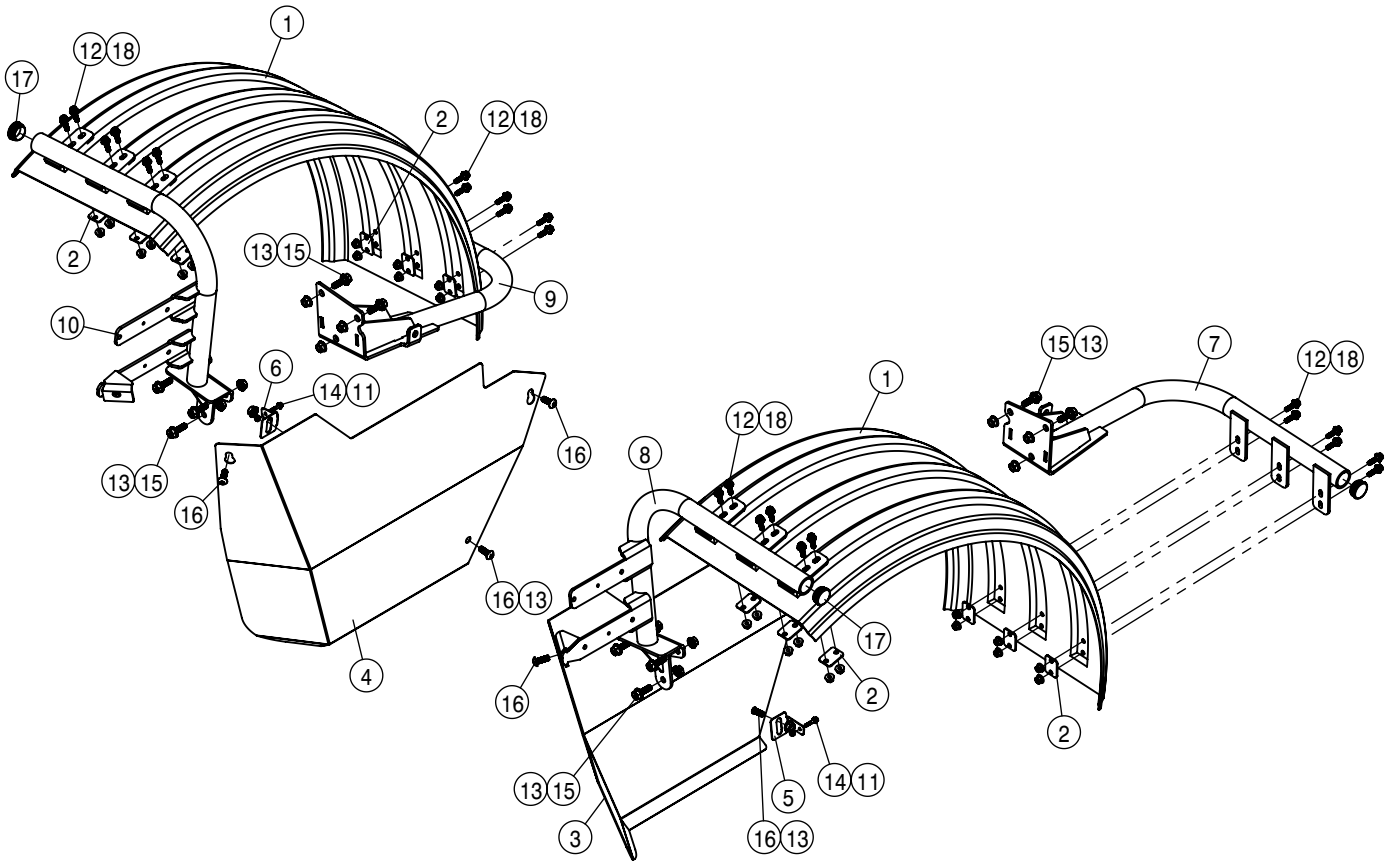
SIDE FILL ASSEMBLY			
DET	QTY	P/N	DESCRIPTION
1	1	165954	HOSE RING WLD
2	1	197145-063	HOSE 3" SUCTION, POLY HELIX EPDM
3	1	197145-066	HOSE 3" SUCTION, POLY HELIX EPDM
4	1	361766	SIDEFILL MOUNT PLAT, GST 20 06
5	3	470113	5/16-18UNC HEX FLG NUT SER MC GR5
6	3	470233	5/16UNC X 3/4 HHSFB GR5 MC
7	2	470327	MUFFLER CLAMP, 3.50 IN HD
8	2	470352	LANYARD, 11" POLY
9	8	470360	1/2-13UNC HEX FLG NUT SER MC GR5
10	2	500208	3" FLANGE CLAMP S.S.
11	2	500209	3" FLANGE GASKET EPDM
12	1	500210	3" FLANGE-3" HOSE BARB POLY
13	1	500262	3" FLANGE-90-3" FLG SWEEP LBO
14	4	520145	3.56/3.88 T-BOLT HOSE CLAMP SS
15	1	690731	SOLU TUBE, 3.00 S.S. SIDE FILL
16	1	691439	GST SIDEFILL WELD
17	1	691713	NIPPLE, 3" BARB, 3" MNPT, 316 SS
18	1	691714	BALL VLV, 316SS, 3" NPT FEM
19	2	691716	NPLE, 3" THRD ENDS, 4" 316 SS
20	2	691717	CLOSE NIPPLE, 3" THRD ENDS, 316
21	1	691718	TEE, THREADED PIPE 316 SS
22	1	691719	90 DEG ELBOW, THRD PIPE 316 SS
23	1	691720	ADAPTER, 3" STAINLESS STEEL
24	1	691721	CAP FOR 3" MALE COUPLER SS
25	1	696083	3.00 FNPT-MALE COUPLER SS
26	1	696084	CAP FOR 4.00 MALE COUPLER POLY
27	4	900281	1/2UNC X 7 1/2 HHCS GR5 MC
28	4	900517	1/2UNC X 1 1/4 HHSFB GR5 MC



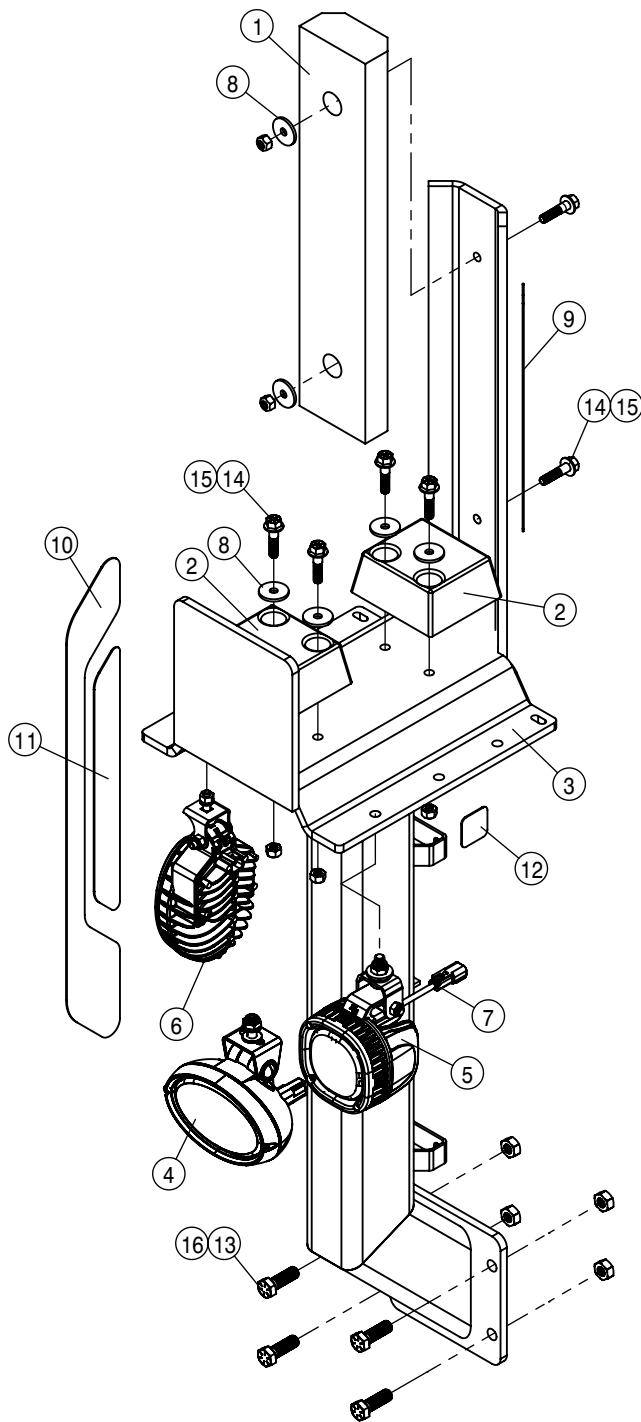
FRONT DELUGE SYSTEM ASSEMBLY			
DET	QTY	P/N	DESCRIPTION
1	1	195914-279	1/20D AIR BRAKE TUBING J844-B
2	2	344770	DELUGE CENTER SUPPORT
3	1	344777	DELUGE WET BOOM
4	2	344802	DOUBLE SWIVEL NOZZLE
5	2	344803	SINGLE SWIVEL NOZZLE
6	6	344804	TEEJET CAP, NYLON
7	12	470089	1/4-20UNC NYLOCK NUT MC GR5
8	2	470407	1/4UNC X 1 1/4 HHSFB GR5 MC
9	6	472280	1/4 UNC - 7/8 ID - 1 1/2 RD U-BOLT
10	2	500332	1/2" PIPE BOOM END
11	1	500359	.5FNPT TO .5 AIRHOSE STRAIGHT
12	5	500361	SPLIT EYELET NOZZLE BODY
13	2	737942	EVEN FLOW FAN NOZZEL
14	2	737943	SIDE DISCHARGE NOZZEL
15	2	737944	FLOODJET NOZZEL



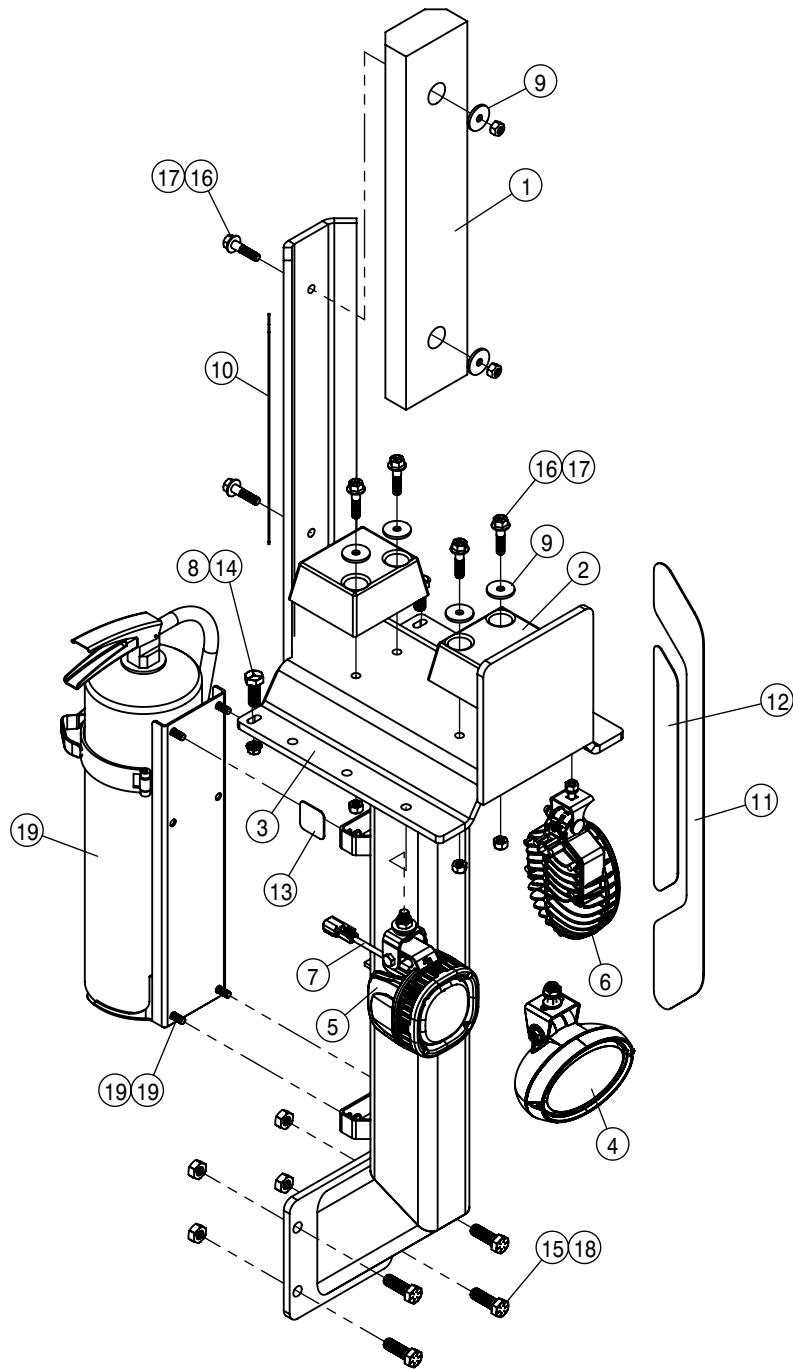
REAR DELUGE SYSTEM ASSEMBLY			
DET	QTY	P/N	DESCRIPTION
	1	195914-279	1/20D AIR BRAKE TUBING J844-B
	1	197121-011	HOSE 3/4 2-FBR BR BLK EPDM
NS	1	294311	HARNESS,DELU/MIRROR/SIDEWIPER
NS	1	294312	HARNESS,DELUGE OUTPUT
	1	344780	5850-201C DIAPHRAGM PUMP
	1	344787	GST DELUGE FLUID TANK
	1	344788	GST DELUGE PUMP BRKT.
	1	344805	INJECTION STAND WLD
	4	470121	1/4-20UNC HEX FLG NUT SER MC GR5
	4	470360	1/2-13UNC HEX FLG NUT SER MC GR5
	4	470407	1/4UNC X 1 1/4 HHSFB GR5 MC
	4	470431	1/2UNC X 1 1/2 HHSFB GR5 MC
	4	470570	5/16-18UNC CTRLK FLG NUT MC GR5
	4	483082	1/2" X 2" FENDER WASHER
	1	500000	1/2MNPT HEX PIPE NIPPLE STL
	1	500054	3/4NPT-90-3/4 HOSE BARB, POLY
	1	500072	1/2 NPT-90- 3/4 HOSE BARB, POLY
	2	520055	HOSE CLAMP NO 12 STAINLESS
	1	690124	LINE STRAINER,100 MESH,1/2FNPT
	1	711042	1/2MNPT-1/2 NYL TUBE LBO
	4	920000	SAE FLAT WASHER 1/4 MC



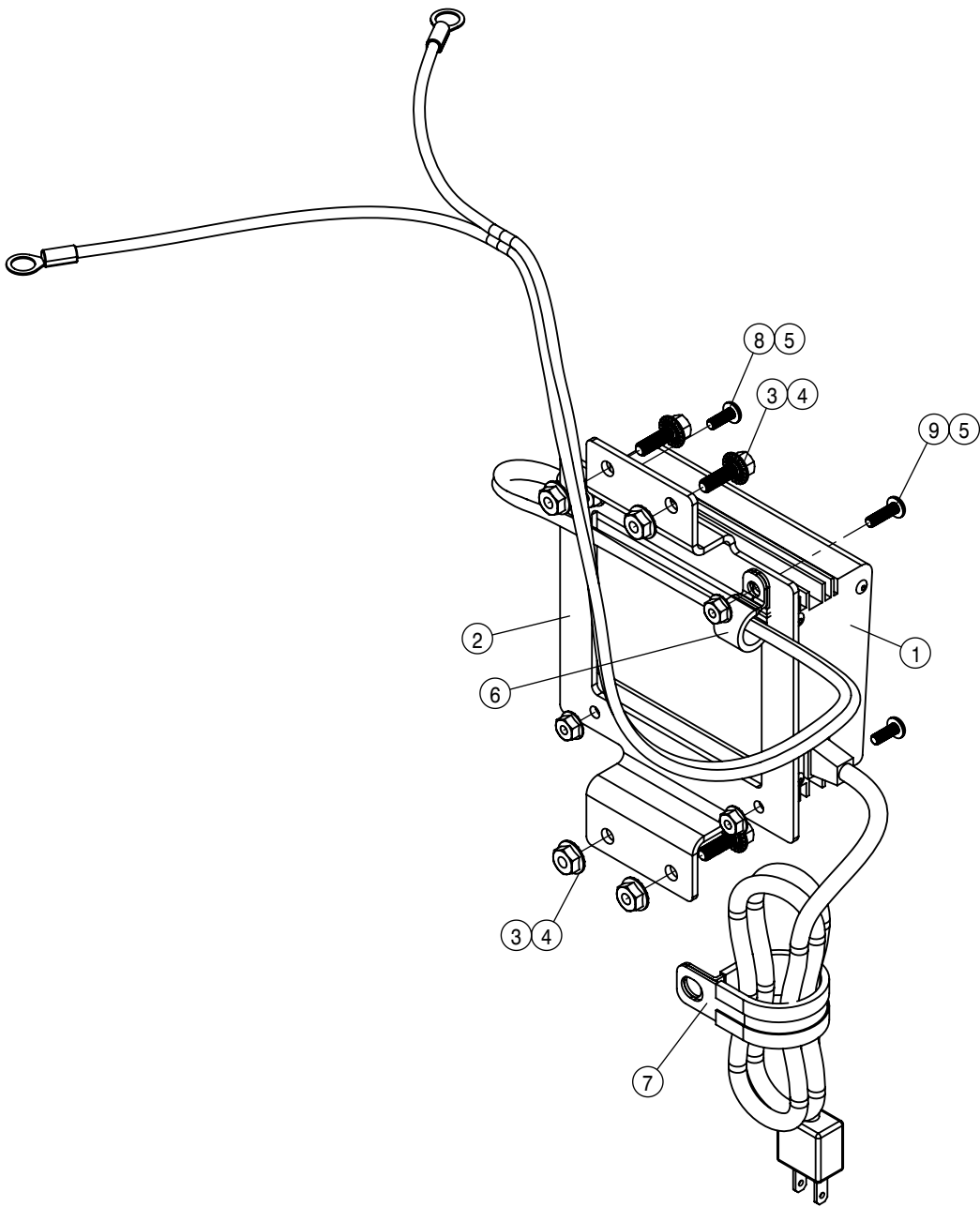
FRONT/REAR FENDER ASSEMBLY			
DET	QTY	P/N	DESCRIPTION
1	2	359461	FENDER,DRILLED,GST20 07
2	12	359469	FENDER MT PLATE,GST20 07
3	1	360868	CROP SHIELD WLD-LH SDS LEG
4	1	360869	CROP SHIELD WLD - RH SDS LEG
5	1	360870	SDS CROP SHIELD LH MT BRKT
6	1	360871	SDS CROP SHIELD RH MT BRKT
7	1	360921	FENDER BRKT WLD-LH LWR, GST20
8	1	360922	FENDER BRKT WLD-LH TOP, GST20
9	1	360923	FENDER BRKT WLD-RH LWR, GST20
10	1	360924	FENDER BRKT WLD-RH TOP, GST20
11	2	470089	1/4-20UNC NYLOCK NUT MC GR5
12	24	470329	3/8UNC X 1 1/4 HHSFB GR5 MC
13	16	470360	1/2-13UNC HEX FLG NUT SER MC GR5
14	2	470407	1/4UNC X 1 1/4 HHSFB GR5 MC
15	12	470431	1/2UNC X 1 1/2 HHSFB GR5 MC
16	6	474001	1/2-13 UNC X 1 1/4 BHCS SS
17	4	629772	CAPPLUGS PLUG,1 3/4" RD, BLACK POLY
18	24	910106	3/8-16UNC CTRLK FLG NUT MC GR5



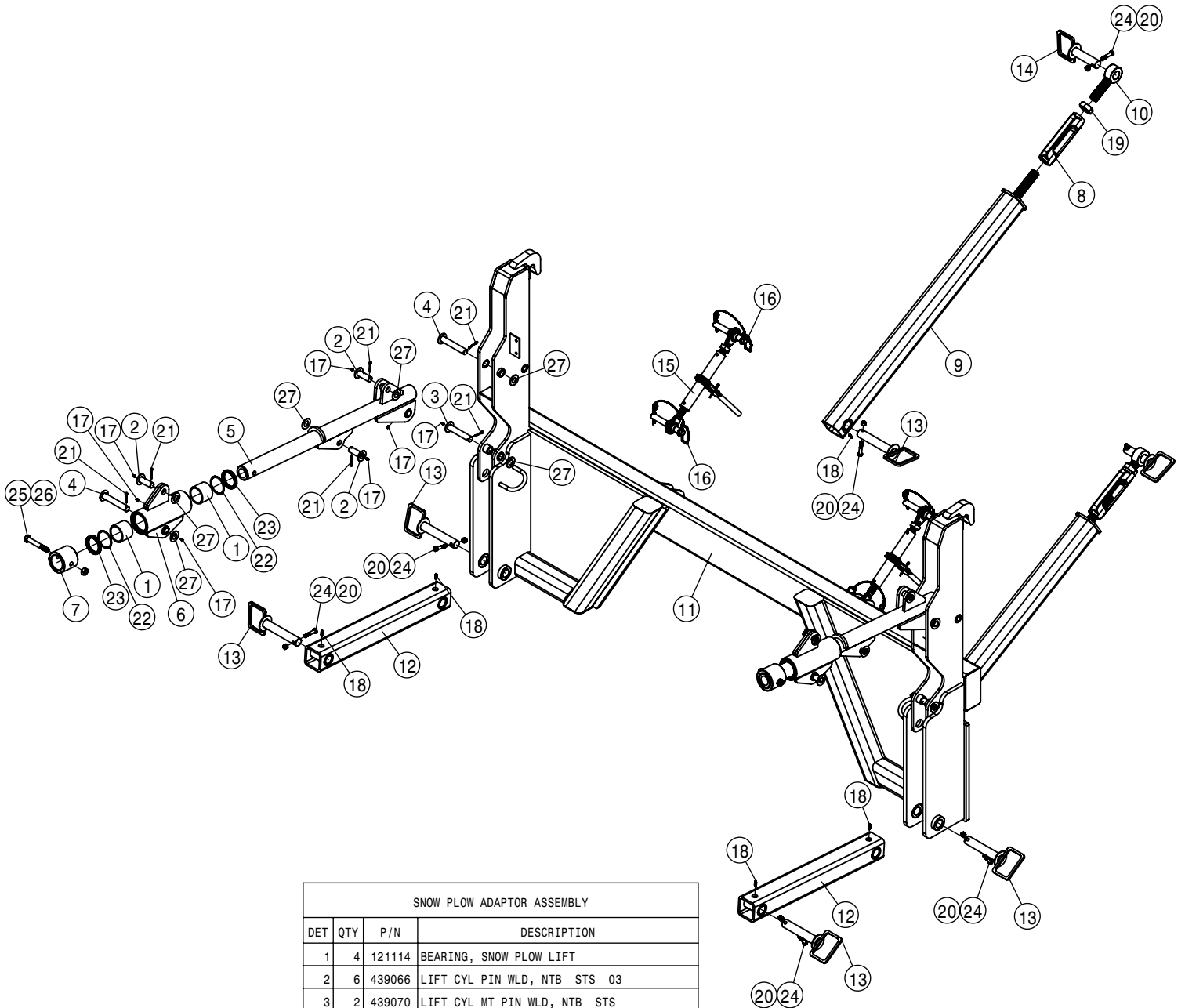
RH 90/100' BOOM CRADLE ASSEMBLY			
DET	QTY	P/N	DESCRIPTION
1	1	164512	RUBBER BUMPER, BOOM CRADLE
2	2	164513	BOOM CRADLE PAD
3	1	165041	BOOM CRADLE WLD 07
4	1	292614	WORKLIGHT - HALOGEN CLOSE RANGE
5	1	292618	WORKLIGHT-TYRI LED FLOOD
6	1	292917	LED LIGHT, AMBER
7	1	294299	TYRI JUMPER HARNESS
8	6	483024	FENDER WASHER 5/16 MC
9	1	650508	BOOM CRADLE REFLECTOR, DTS
10	1	650553	STS REFLECTOR RH 90-100 BOOM
11	1	650554	STS REFLECT REAR ORANGE 90/100
12	1	650555	BOOM CRADLE DECAL, STS' 17
13	4	900804	1/2UNC X 1 1/2 HEX BOLT GR8 YZ
14	6	910044	3/8UNC X 1 1/2 HHFB GR8 MC
15	6	914004	3/8UNC HEX STOVER NUT
16	4	914808	1/2UNC HEX STOVER NUT GR8



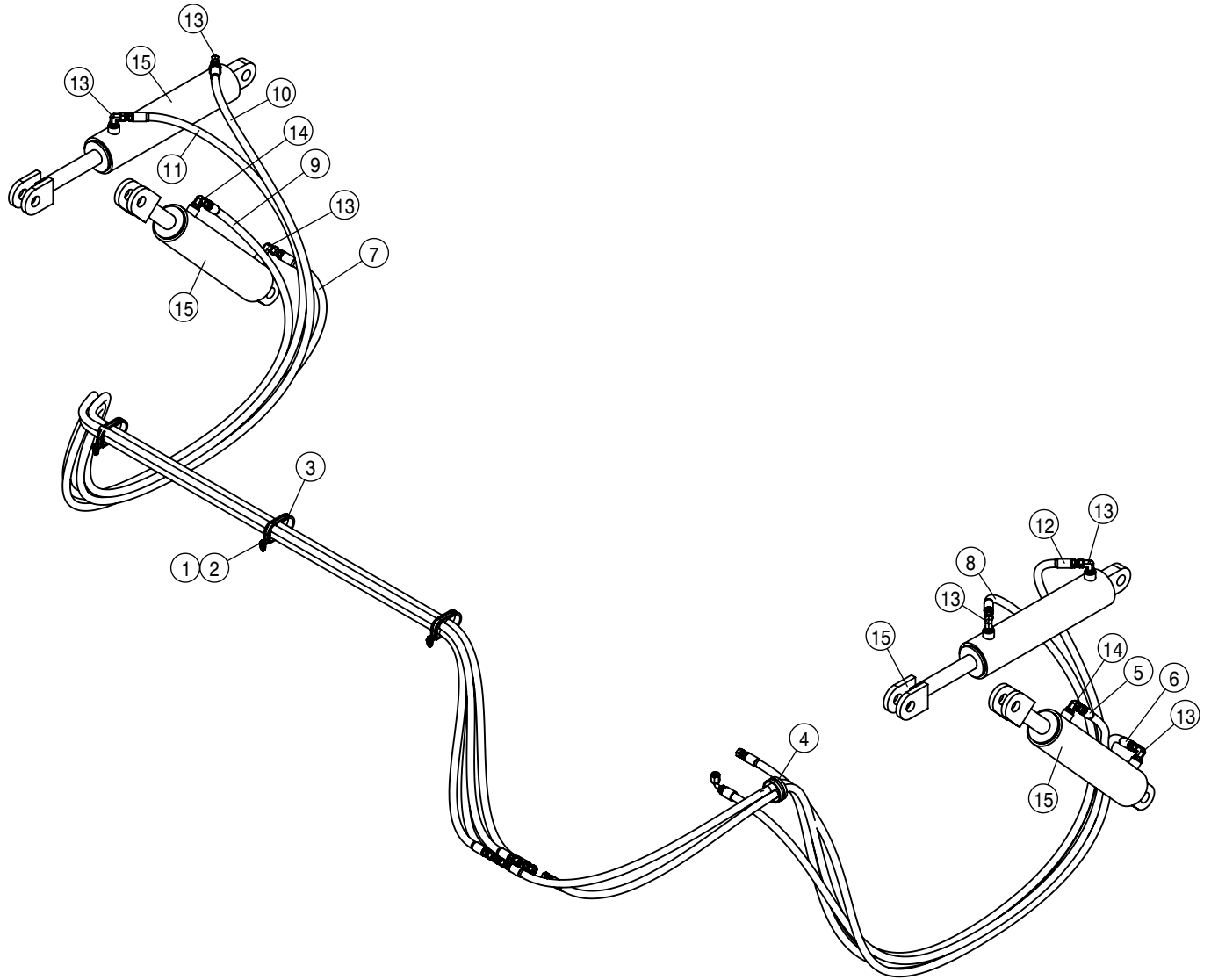
LH 90/100' BOOM CRADLE ASSEMBLY			
DET	QTY	P/N	DESCRIPTION
1	1	164512	RUBBER BUMPER, BOOM CRADLE
2	2	164513	BOOM CRADLE PAD
3	1	165041	BOOM CRADLE WLD 07
4	1	292614	WORKLIGHT - HALOGEN CLOSE RANGE
5	1	292618	WORKLIGHT-TYRI LED FLOOD
6	1	292917	LED LIGHT, AMBER
7	1	294299	TYRI JUMPER HARNESS
8	2	470113	5/16UNC SERR FLG LOCK NUT
9	6	483024	FENDER WASHER 5/16 MC
10	1	650508	BOOM CRADLE REFLECTOR, DTS
11	1	650552	STS REFLECTOR LH 90-100 BOOM
12	1	650554	STS REFLECT REAR ORANGE 90/100
13	1	650555	BOOM CRADLE DECAL, STS' 17
14	2	900522	1/2UNF X 1 1/4 HHCS GR5 MC
15	4	900804	1/2UNC X 1 1/2 HEX BOLT GR8 YZ
16	6	910044	3/8UNC X 1 1/2 HHFB GR8 MC
17	6	914004	3/8UNC HEX STOVER NUT
18	4	914808	1/2UNC HEX STOVER NUT GR8
19	1	SS04031	FIRE EXTINGUISHER STS2014



BATTERY TENDER OPTION			
DET	QTY	P/N	DESCRIPTION
1	1	292722	BATTERY TENDER, STS' 17
2	1	317806	BATTERY TENDER MT BRKT
3	4	470118	1/4UNC X 3/4 HHSFB GR5 MC
4	4	470121	1/4-20UNC HEX FLG NUT SER MC GR5
5	4	470175	#10-32UNF HEX FLG NUT SER MC GR5
6	1	520125	CUSH HOSE CLAMP,#5, 5/16D X 1/2W
7	1	520160	CUSH CLAMP,#24 1 1/2D-3/4WLOOP
8	3	903706	#10-32 UNF X 1/2 PHMS PH BZ
9	1	903710	#10-32 UNF X 5/8 PHMS PH BZ

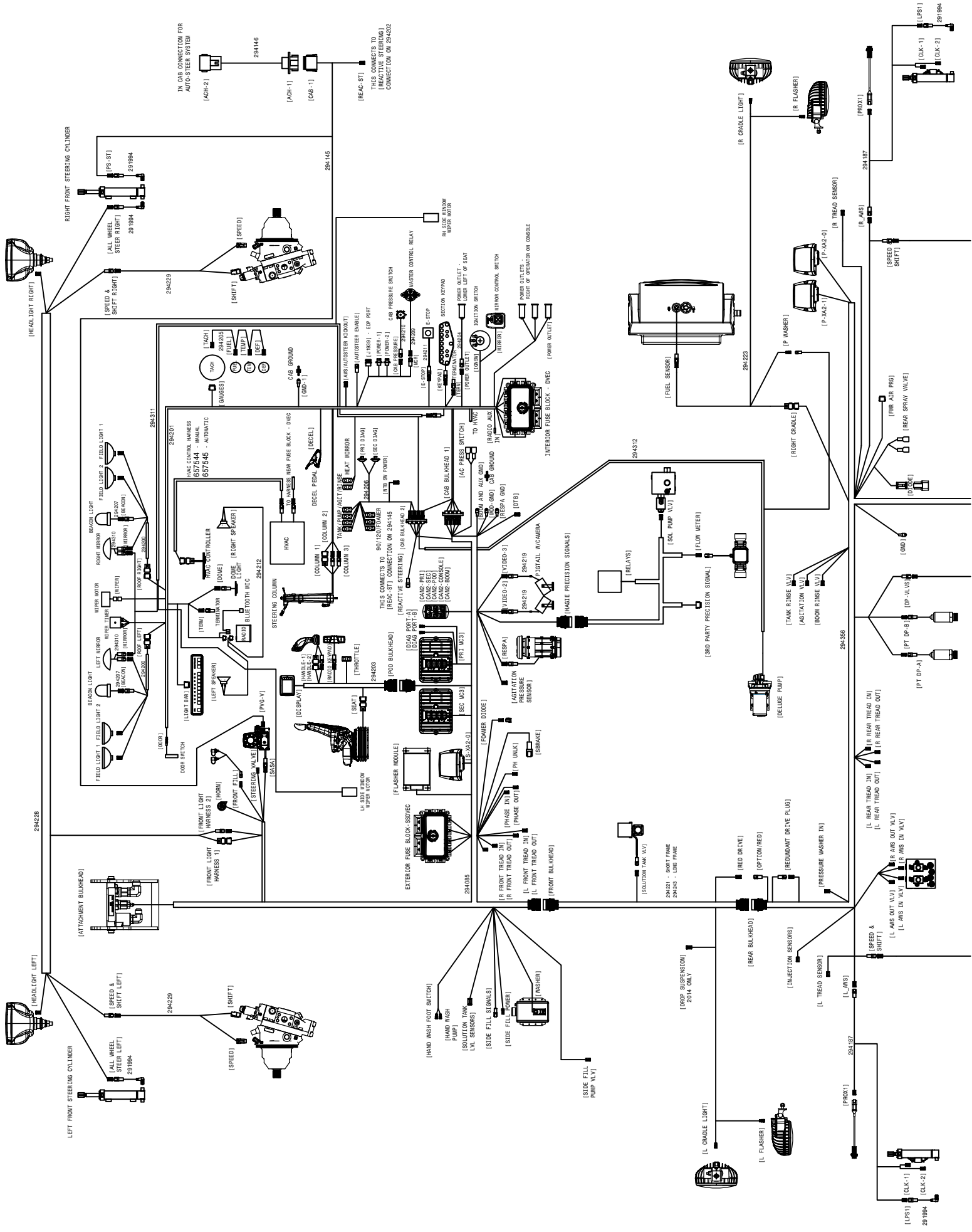


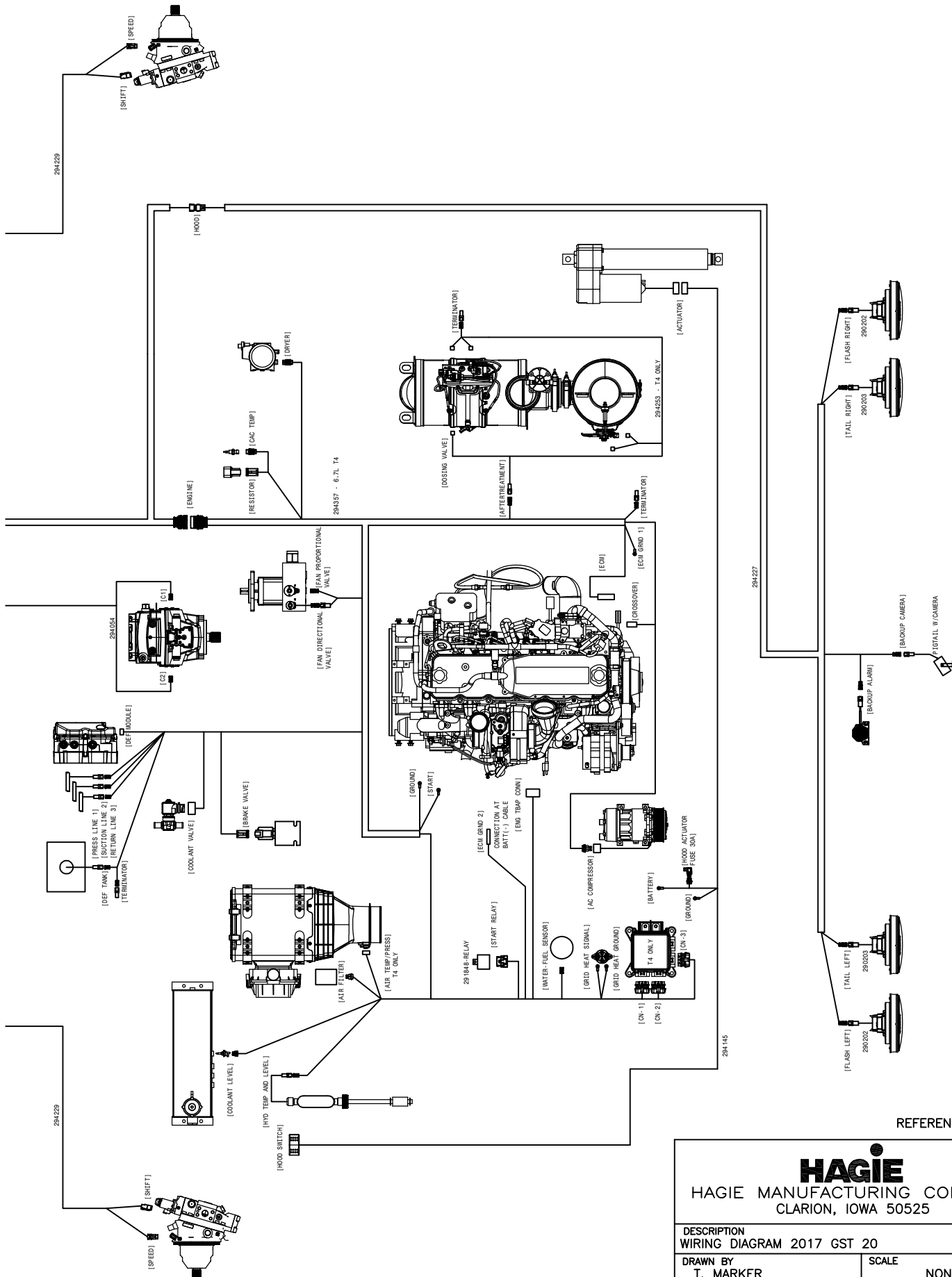
SNOW PLOW ADAPTOR ASSEMBLY			
DET	QTY	P/N	DESCRIPTION
1	4	121114	BEARING, SNOW PLOW LIFT
2	6	439066	LIFT CYL PIN WLD, NTB STS 03
3	2	439070	LIFT CYL MT PIN WLD, NTB STS
4	4	439072	LIFT ARM PIN WLD, NTB STS 03
5	2	439320	WLD, INNER PLOW LIFT ARM 07
6	2	439327	WLD, OUTER PLOW LIFT ARM 07
7	2	439331	SLIDE STOP, SNOW PLOW LIFT
8	2	440869	TURNBUCKLE BODY, 1 1/2 X 6
9	2	440870	LWR LIFT ARM WLD GST ADPTR
10	2	440876	EYEBOLT, 1 1/2-6
11	1	440880	GST ADPTR WLD
12	2	440881	LWR LIFT ARM WLD GST
13	6	440883	LIFT ARM PIN WLD, GST
14	2	440885	LIFT ARM PIN WLD, GST
15	2	470488	RATCHET JACK 20-28" BALL END
16	4	470499	1" HITCH PIN, W/HANDLE,HAIRPIN
17	14	471005	GREASE ZERK, 1/4-28 X 1/2
18	6	471026	GREASE ZERK 1/4 28 X 1 1/8
19	2	472381	1-1/2-6UNC HEX JAM NUT MC GR5
20	8	473007	1/2-13UNC NYLOCK NUT MC GR5
21	12	475015	1/4 X 1 1/2 COTTER PIN
22	4	629539	SPIRAL RETAINING RING, 3.04
23	4	629622	SPECTRA SEAL, 2.75 X 3.50 X .375
24	8	900268	1/2UNC X 2 1/2 HHCS GR5 MC
25	2	900412	3/4UNC X 5 HHCS GR5 MC
26	2	914012	3/4-10UNC STOVER NUT MC GR5
27	12	920008	1" SAE FLAT WASHER



SNOW PLOW HYDRAULIC HOISING			
DET	QTY	P/N	DESCRIPTION
1	3	470089	1/4UNC HEX NYL-LOC NUT
2	3	470118	1/4 UNC X 3/4 SER FLG BOLT
3	3	520005	1.50" DOUBLE TUBE CUSH CLAMP
4	1	520161	CUSH CLAMP,#32 2"D-3/4W LOOP
5	1	616611	06-451TC-06FJX-06FJX-91 H/A
6	1	616612	06-451TC-06FJX-06FJX-109 H/A
7	1	616614	06-451TC-06FJX-06FJX-145 H/A
8	1	616615	06-451TC-06FJX-06FJX-153 H/A
9	1	616616	06-451TC-06FJX-06FJX-159 H/A
10	1	616618	06-451TC-06FJX-06FJX-183 H/A
11	1	616619	06-451TC-06FJX-06FJX-191 H/A
12	1	616624	06-451TC-06FJX-06FJX90-116 H/A
13	6	618119	9/16MJIC-90-9/16MOR LBO
14	2	618689	9/16MOR-90-9/16MJ .042 CHK VLV
15	4	621558	3.00 X 11.00 X 1.38 LEVEL CYL.

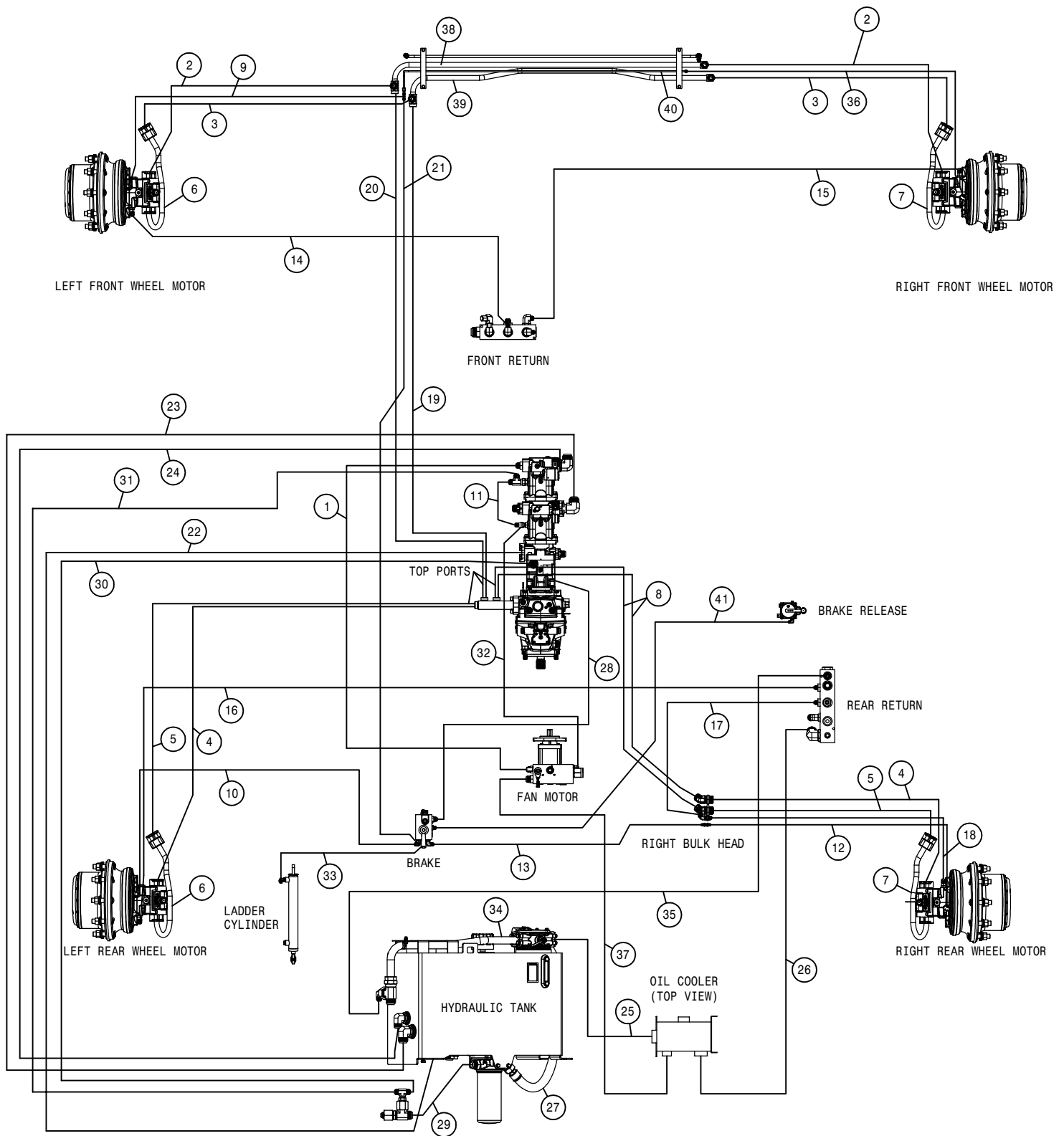
This Page Intentionally Blank





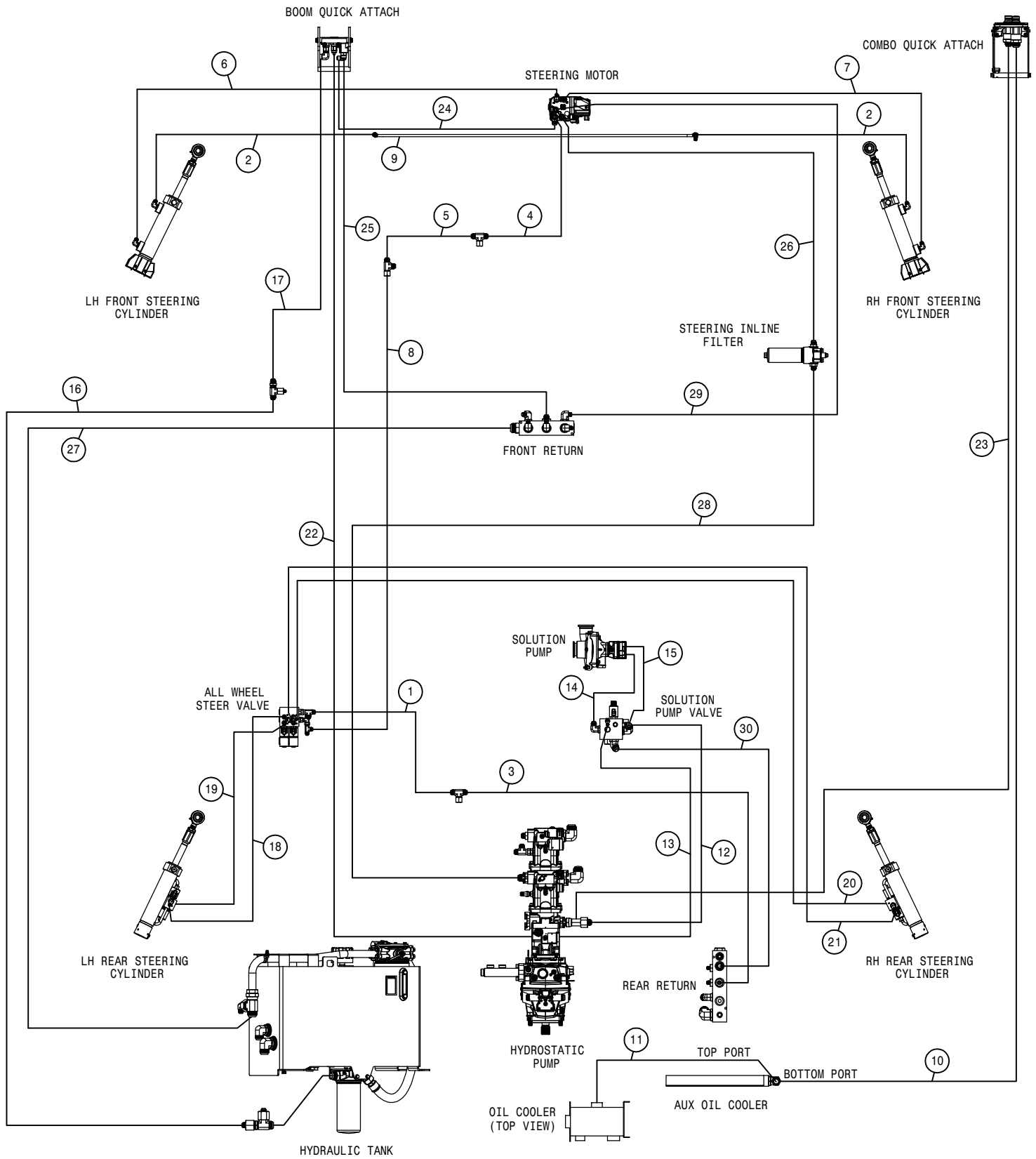
REFERENCE ONLY

 HAGIE HAGIE MANUFACTURING COMPANY CLARION, IOWA 50525		
DESCRIPTION WIRING DIAGRAM 2017 GST 20		
DRAWN BY T. MARKER	SCALE NONE	
CHECKED BY	APPROVED BY	
DATE 9/9/2016	DRAWING NUMBER 499375	REV A
SHEET 1 OF 1		



GST 20 HYDRAULIC DIAGRAM 2017
REFERENCE DRAWING NO. 499374s1_RevA

DET.	QTY	PART NO.	DESCRIPTION	DET.	QTY	PART NO.	DESCRIPTION
1	1	617471	12-451TC-12FJX-12FJX45-83 H/A	22	1	195418-019	HOSE, 7219-40 2.50 75P
2	2	617462	16-797TC-16FFOX-16C62F-126 H/A	23	1	617091	24-811-24FJX-24FJX-71 H/A
3	2	617463	16-797TC-16FFOX-16C62F90-112 H	24	1	617473	24-811-24FJX-24FJX90-61 H/A
4	2	617464	16-797TC-16FFOX-16C62F-138 H/A	25	1	617093	24-811-24FJX-24FLG90-48 H/A
5	2	617465	16-797TC-16FFOX-16C62FX90-120H	26	1	617094	24-811-24FJX-24FJX90-31 H/A
6	2	617456	LFT DRV TUBE 1.00" X 0.120" WT	27	1	617095	20-811-20FJX-20FJX45-47 H/A
7	2	617457	RGT DRV TUBE 1.00" X 0.120" WT	28	1	617096	06-451TC-08FJX-06FJX90-22 H/A
8	2	617067	16-797TC-16FFOX-16FFOX90-31H/A	29	1	617120	20-811-20FJX-20FJX-37 H/A
9	1	617483	04-451TC-04FJX-04FJX45-149 H/A	30	1	617476	12-451TC-10FJX90-16FJX-30 H/A
10	1	617488	04-451TC-06FJX-04FJX45-155 H/A	31	1	617475	12-451TC-16FJX-12FJX45-18 H/A
11	1	617474	12-451TC-10FJX-12FJX45-16 H/A	32	1	617472	06-451TC-10FJX-06FJX90-87 H/A
12	1	617486	04-451TC-04FJX-04FJX45-155 H/A	33	1	617491	06-451TC-06FJX-06FJX-40 H/A
13	1	617490	04-451TC-04FJX-06FJX45-42 H/A	34	1	617151	HYD TANK TUBE
14	1	617482	08-451TC-08FJX-08FJX90-207 H/A	35	1	617171	12-451TC-12FJX-12FJX90-43 H/A
15	1	617481	08-451TC-08FJX-08FJX90-231 H/A	36	1	617484	04-451TC-04FJX-04FJX45-145 H/A
16	1	617487	08-451TC-08FJX-08FJX90-176 H/A	37	1	617126	16-811-16FJX-16FJX-34 H/A
17	1	617077	08-451TC-08FJX-08FJX90-15 H/A	38	1	615914	TUBE ASSY, 1" OD 16-ORFS
18	1	617485	08-451TC-08FJX-08FJX90-161 H/A	39	1	615913	TUBE ASSY, 1" OD 16-ORFS
19	1	617081	16-797TC-16FFOX-16FFOX45-213H/	40	1	615916	TUBE ASSY, 1/4" OD FJIC
20	1	617082	16-797TC-16FFOX-16FFOX45-217H/	41	1	616595	06-451TC-06FJX-06FJX-132 H/A
21	1	617083	04-451TC-04FJX-06FJX90-208 H/A				



GST 20 HYDRAULIC DIAGRAM 2017
REFERENCE DRAWING NO. 499374s2_RevA

DET.	QTY	PART NO.	DESCRIPTION		DET.	QTY	PART NO.	DESCRIPTION	
1	1	617119	10-451TC-10FJX-10FJX-18	H/A	16	1	617105	12-451TC-12FJX-12FJX-115	H/A
2	2	617478	08-451TC-08FJX-08FJX-80	H/A	17	1	617111	12-451TC-12FJX-12FJX-93	H/A
3	1	617097	10-451TC-10FJX-10FJX-47	H/A	18	1	617496	06-451TC-08FJX-06FJX45-108	H/A
4	1	617136	10-451TC-10FJX-12FJX-53	H/A	19	1	617495	06-451TC-06FJX-06FJX-104	H/A
5	1	617138	10-451TC-10FJX-10FJX-16	H/A	20	1	617498	06-451TC-06FJX-08FJX-139	H/A
6	1	617480	08-451TC-08FJX-08FJX90-127	H/A	21	1	617497	06-451TC-06FJX-06FJX90-143	H/A
7	1	617479	08-451TC-08FJX-08FJX-119	H/A	22	1	617112	04-451TC-04FJX-04FJX45-239	H/A
8	1	617135	08-451TC-08FJX-10FJX90-141	H/A	23	1	617113	16-451TC-16FJX-20FJX90-215	H/A
9	1	615917	TUBE ASSY, 1/2" OD 8-FJIC		24	1	617129	10-451TC-10FJX-12FJX90-55	H/A
10	1	617114	20-811-20FJX-20FJX-229	H/A	25	1	617130	12-451TC-12FJX-12FJX90-78	H/A
11	1	617173	20-811-20FJX-20FJX-39	H/A	26	1	617131	12-451TC-12FJX-12FJX-44	H/A
12	1	617101	12-451TC-16FJX-12FJX90-23	H/A	27	1	617087	24-811-24FJX-24FJX90-177	H/A
13	1	617102	04-451TC-06FJX-04FJX90-29	H/A	28	1	617133	12-451TC-12FJX-16FJX90-187	H/A
14	1	617103	12-451TC-12FJX-12FJX90-22	H/A	29	1	617137	10-451TC-10FJX-10FJX-79	H/A
15	1	617104	16-811-16FJX-16FJX90-26	H/A	30	1	617139	16-811-16FJX-16FJX-12	H/A

ABBREVIATIONS

A/C - AIR CONDITIONER	MT - MOUNT
ADPTR - ADAPTER	MTR - MOTOR
AGI - AGITATOR	P/N - PART NUMBER
ALT - ALTERNATOR	PLT - PLATE
ASSY - ASSEMBLY	QTY - QUANTITY
BRKT - BRACKET	RED - REDUCER
DET - DETAIL	REF - REFERENCE
DISPL - DISPLACEMENT	REST - RESTRICTOR
EL - ELBOW	REQ - REQUIRED
EXT - EXTENSION	SHFT - SHAFT
FLO - FLOW	SOL - SOLUTION
FNPT - FEMALE NATIONAL PIPE THREAD	STRG - STEERING
FOR - FEMALE O-RING	ST - STREET
FRT - FRONT	SV - STANDARD VOLUME
HV - HI-VOLUME	SWIV - SWIVEL
HYD - HYDRAULIC	UNC - UNIFIED NATIONAL COURSE
HYDRO - HYDROSTATIC	UNF - UNIFIED NATIONAL FINE
LG - LONG	V - VOLT
LWR - LOWER	W/ - WITH
MJIC - MALE J.I.C.	WHL - WHEEL
MOR - MALE O-RING	WLD - WELDMENT

-A-

ABBREVIATIONS.....94
 AIR BAG.....46
 AIR CLEANER.....5
 AIR CONDITIONER
 BLOWER.....62
 COMPRESSOR.....13
 DRIER.....12
 HOSE.....12
 TUBES.....12
 AIR COOLER, CHARGE.....7
 AIR DRIER.....48
 AIR FILTER, CAB.....62
 AIR GOVERNOR.....48
 AIR LINES.....47,48,49
 AIR TANK.....47
 AIR VALVE.....46,47
 ALTERNATOR.....4
 ANTENNA.....58
 ARMREST.....63
 AUX OIL COOLER.....21

-B-

BACKUP ALARM.....69
 BATTERY.....10
 CABLE.....10
 STAND.....9
 SWITCH.....84
 TENDER.....84
 BEACON.....53
 BELLY SHIELD.....68
 BELT, DRIVE.....4
 BLOWER, A/C.....62
 BOOM CRADLE.....82,83
 BRAKE VALVE.....28
 BREATHER.....22
 BULKHEAD.....26,67
 BUSBAR.....10

-C-

CAB.....53
 ELECTRICAL.....57
 MOUNTS.....53
 CAMERA.....70,71
 CIRCUIT BREAKER.....10
 CLAMP, TUBE.....12
 COMBO
 AUX COOLER.....21
 COMPRESSOR, A/C.....13
 CONDENSOR, A/C.....13
 CONSOLE.....60
 REAR.....59

CONTROL VALVE, SOLUTION.....23
 COOLANT SENSOR.....7
 COOLER.....59
 CHARGE AIR.....7
 OIL.....7
 CRADLE,
 BOOM.....82,83
 FUEL TANK.....35
 CYLINDER,
 LADDER.....30
 STEERING.....39,40,41,42

-D-

DIAGRAM,
 ELECTRICAL.....88
 HYDRAULIC.....90
 DELUGE SYSTEM.....79,80
 DOOR.....55
 DRIVE BELT.....4

-E-

ELECTRICAL, CAB.....59
 ELECTRICAL, CHASSIS.....11
 ENGINE.....4
 HOOD.....69
 SKID.....9

-F-

FAN
 SHROUD.....7
 FENDERS.....81
 FILTERS,
 AIR DRIER.....48
 FUEL.....25
 MINDER.....5
 OIL.....4,22,25
 FIRE EXTINGUISHER.....83
 FLASHER.....82,83
 FLOORMAT.....59
 FLOWMETER.....76
 FUEL SENSOR.....34
 FUEL TANK.....34
 FUSE.....10

-G-

GAUGE.....59
 SIGHT.....74
 GLASS.....53,55

-H-

HANDRAIL.....	72
HAND PUMP.....	29
HEAD LINER.....	58
HEAT SHIELD, BATTERY.....	9
HOOD, ENGINE.....	69
HOSE GUARD.....	16,17
HOSE SLEEVE.....	14,15
HOSING, HYDRAULIC.....	14,15,16,17
HUB, WHEEL.....	19,20
HYDRAULIC	
DIAGRAM.....	90
QUICK CONNNECT.....	32,33
OIL COOLER.....	7
TANK.....	22
HYDROSTATIC PUMP.....	18
	-I-
INSTRUCTINAL SEAT.....	64
INTAKE SCREEN.....	7
	-J-
JOYSTICK.....	63
	-L-
LADDER.....	73
CYLINDER.....	30
LATCH.....	53,69
LEG.....	35,36
LEVEL SENSOR.....	22
LIFT ARM, PLOW.....	85
LIGHTS.....	53,66,82,83
LINE STRAINER.....	76
	-M-
MANIFOLD, RETURN.....	26,27
MIRROR.....	53
MOTOR,	
STEERING.....	24
WHEEL.....	19,20
MOUNT,	
CAB.....	53
RUBBER.....	9
MUFFLER.....	9
	-O-
OIL COOLER.....	7
OIL FILTER.....	4,22
	-P-
PLATFORM, SERVICE.....	72
PLOW LIFTARM.....	85

PUMP,	
HAND.....	29
HYDROSTATIC.....	18
	-Q-
QUICK ATTACH,	
LIFTARM.....	66
SOLUTION.....	75
QUICK CONNECT, HYDRAULIC.....	32,33
	-R-
RADIATOR.....	7
RADIO.....	57
RETURN MANIFOLD.....	26,27
ROOF.....	53
RUBBER MOUNT.....	9
	-S-
SCREEN, INTAKE.....	7
SEAT.....	63,64
SENSOR	
COOLANT.....	8
FUEL.....	34
LEVEL.....	22
SHIELD	
BELLY.....	68
WHEEL MOTOR.....	81
SHROUD, FAN.....	7
SIGHT GUAGE.....	72
SKID, ENGINE.....	9
SMV SIGN.....	69
SOLUTION	
PUMP.....	77
TANK.....	74
SPEAKER, RADIO.....	58
STARTER.....	4
STEERING	
COLUMN.....	59
CYLINDER.....	39,40,41,42
MOTOR.....	24
WHEEL.....	59
STRAINER, LINE.....	74,76
SURGE TANK.....	8
SWITCH,	
BATTERY.....	10
	-T-
TANK	
AIR.....	47
DEF.....	6
FUEL.....	34
HYDRAULIC.....	22

SOLUTION.....	74
SURGE.....	8
TIE ROD.....	43
TIRE.....	44
TOOLBOX.....	65
TREAD ADJUST.....	50,51,52
TUBE CLAMP.....	12

-V-

VALVE,	
ALL WHEEL STEER.....	31
BRAKE.....	28

-W-

WHEEL HUB.....	19,20
WHEEL MOTOR.....	19,20
WIPER.....	54
WIRING DIAGRAM.....	88

Notes: