



**PARTS MANUAL
FOR
HAGIE STS NITROGEN TOOLBAR**

HAGIE MANUFACTURING COMPANY

721 CENTRAL AVENUE WEST
BOX 273
CLARION, IOWA 50525-0273

COVERS TOOLBAR SERIAL NUMBERS:

08-15 493648
03-17, 01-18

U80031616001-100
U80041616001-100
U80011616001-100
U80021616001-100
U80071616001-100

To obtain the most current parts manual for your machine, please visit www.hagie.com.

© 2015-18 Hagie Manufacturing Company. Clarion, Iowa USA

NITROGEN TOOLBAR IDENTIFICATION

Each Hagie toolbar is identified by means of a frame serial number. This serial number denotes the model, the year in which it was built, and the number of the toolbar. To ensure prompt, efficient service when ordering parts or requesting service repairs from Hagie Manufacturing Company, record the serial number in the space provided below.

NOTE: Reference to left hand and right hand used throughout this manual refers to the position when seated in the operator's seat facing forward.

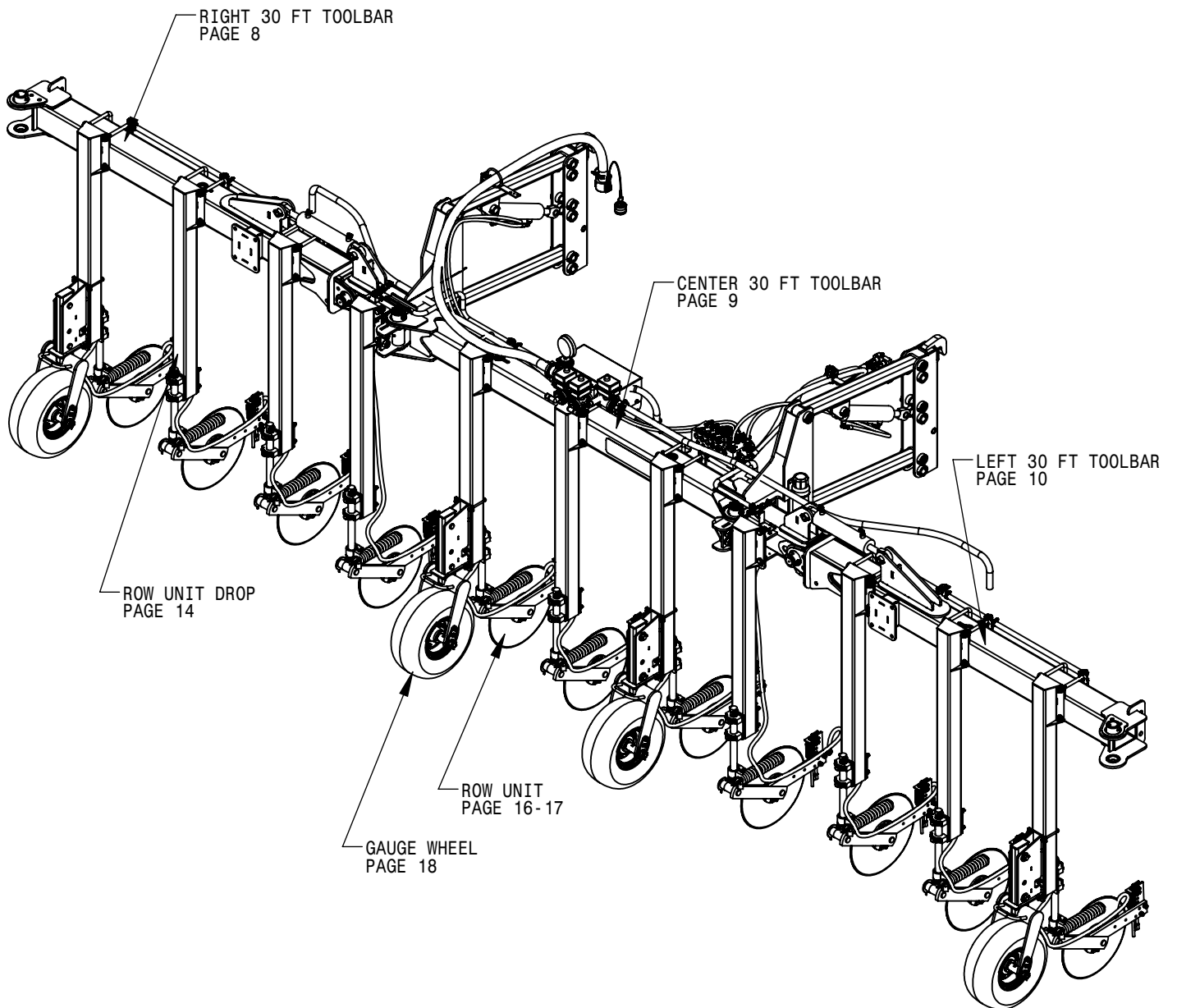
This manual is not intended to be a complete guide for machine maintenance and repairs. If you are not properly trained to perform service on this machine, contact Hagie Customer Support for assistance. Improper maintenance or repair may result in property damage, personal injury, or death.

NITROGEN TOOLBAR SERIAL NUMBER

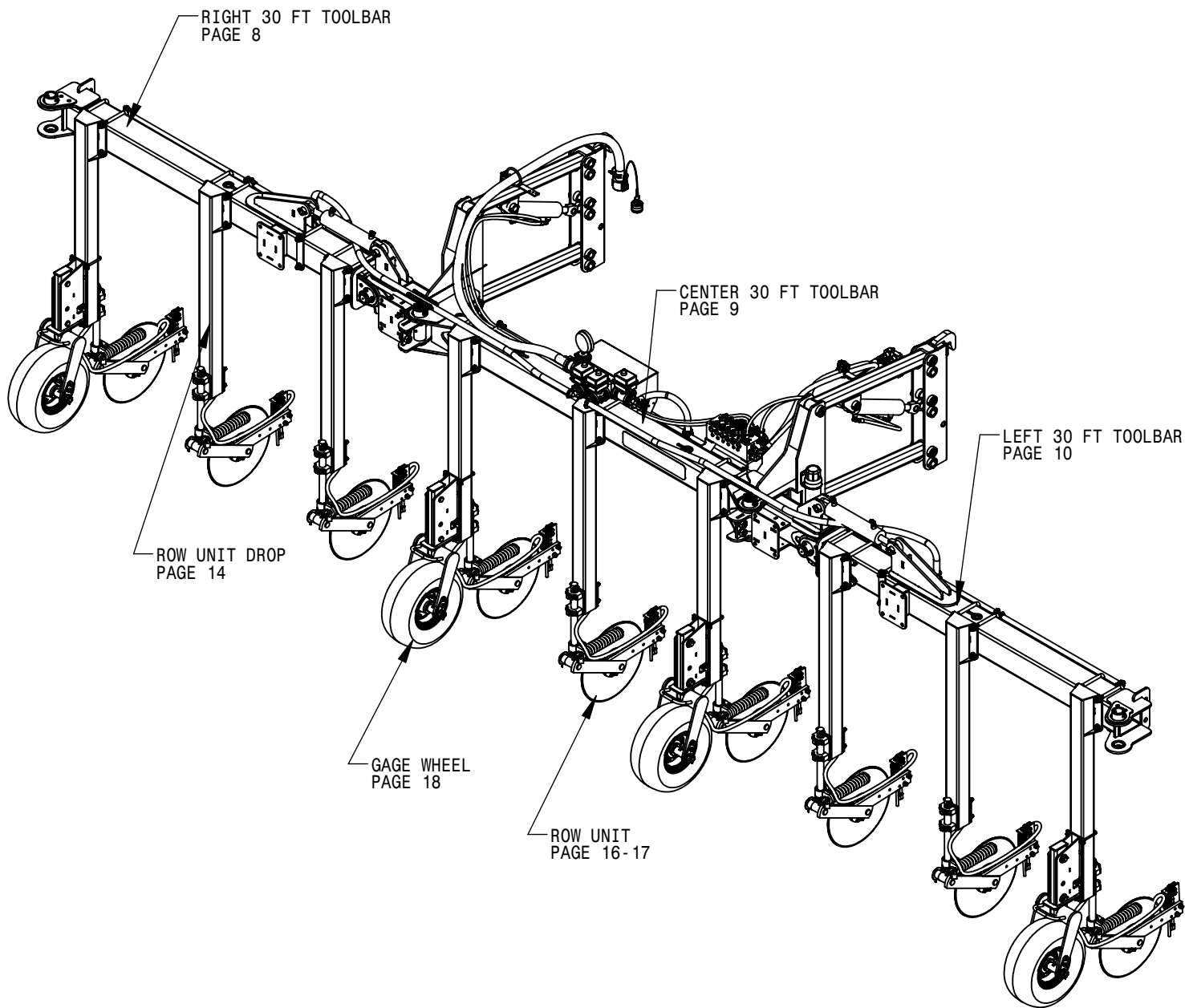
TABLE OF CONTENTS

| | |
|---------------------------------------------------|-------|
| TOOLBAR ASSEMBLY 30-40 FT | 4-13 |
| ROW UNIT DROP ASSEMBLY 30-40 FT. | 14 |
| BUMPER ASSEMBLY 30-40 FT | 15 |
| COULTER ASSEMBLY 30-40 FT. | 16-17 |
| GAUGE WHEEL 30-40 FT | 18 |
| FOAMER DROP AND HOSE ASSEMBLY 30-40 FT | 19-20 |
| CONNECTION KITS 30-40 FT | 21-22 |
| SOLUTION CONTROL VALVE ASSEMBLY 30-40 FT. | 23 |
| CONTROL VALVE ASSEMBLY 30 FT. | 24 |
| CONTROL VALVE ASSEMBLY 40 FT. | 25 |
| SOLUTION HOSING 30-40 FT | 26-29 |
| TOOLBAR ASSEMBLY 60 FT | 30-35 |
| GAUGE WHEEL 60 FT | 36 |
| COULTER ASSEMBLY 60 FT. | 37 |
| HYDRAULIC VALVE 60FT | 38 |
| HYDRAULIC HOSING 60 FT | 39 |
| ELECTRICAL WIRING 60 FT | 40 |
| SOLUTION VALVE ASSEMBLY 60 FT. | 41 |
| SOLUTION HOSING 60 FT | 42 |
| HYDRAULIC DIAGRAM 30-40 FT. | 44-47 |
| WIRING DIAGRAM 30-40 FT | 48-49 |

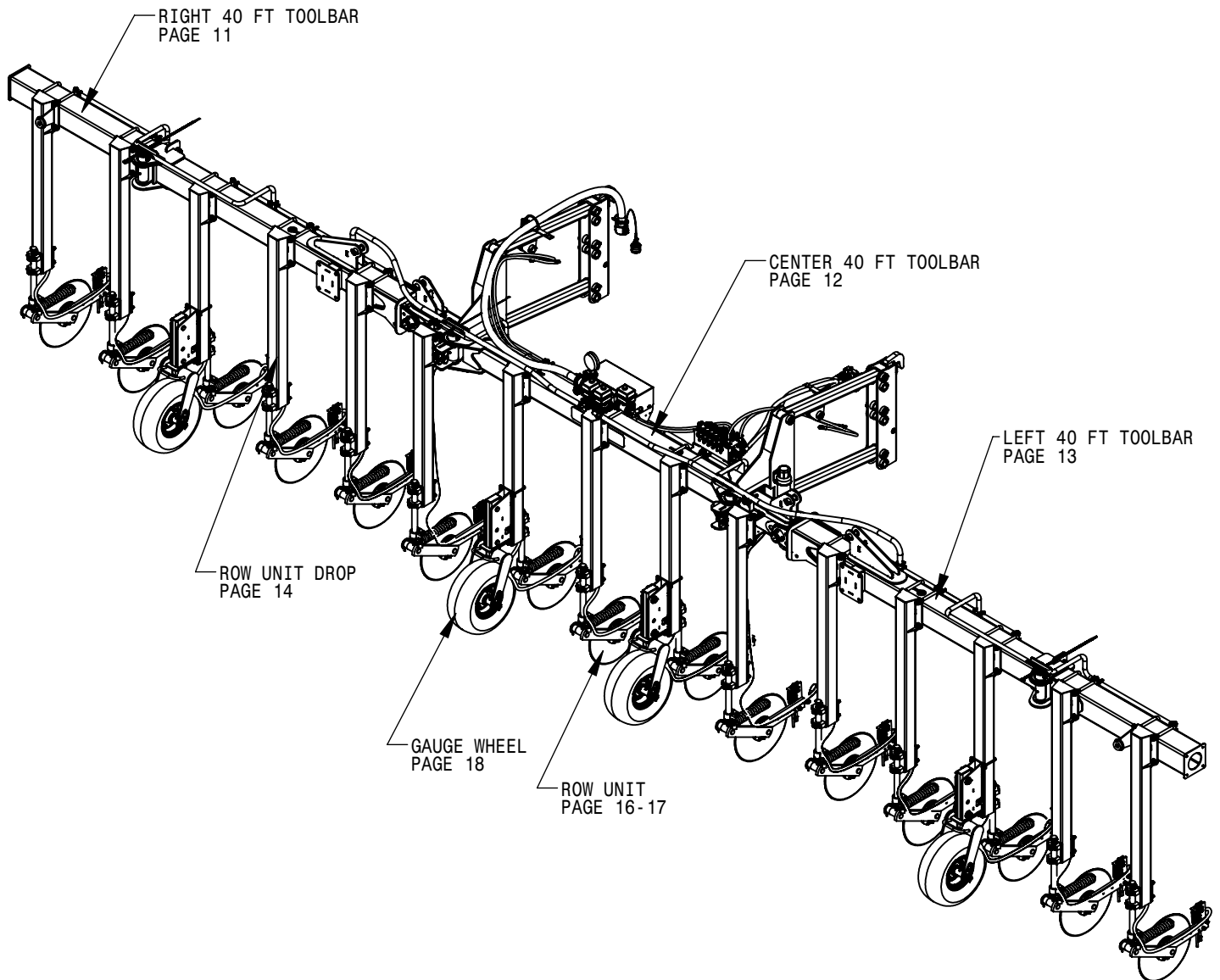
30 FT TOOLBAR
12 ROW 30" SPACING



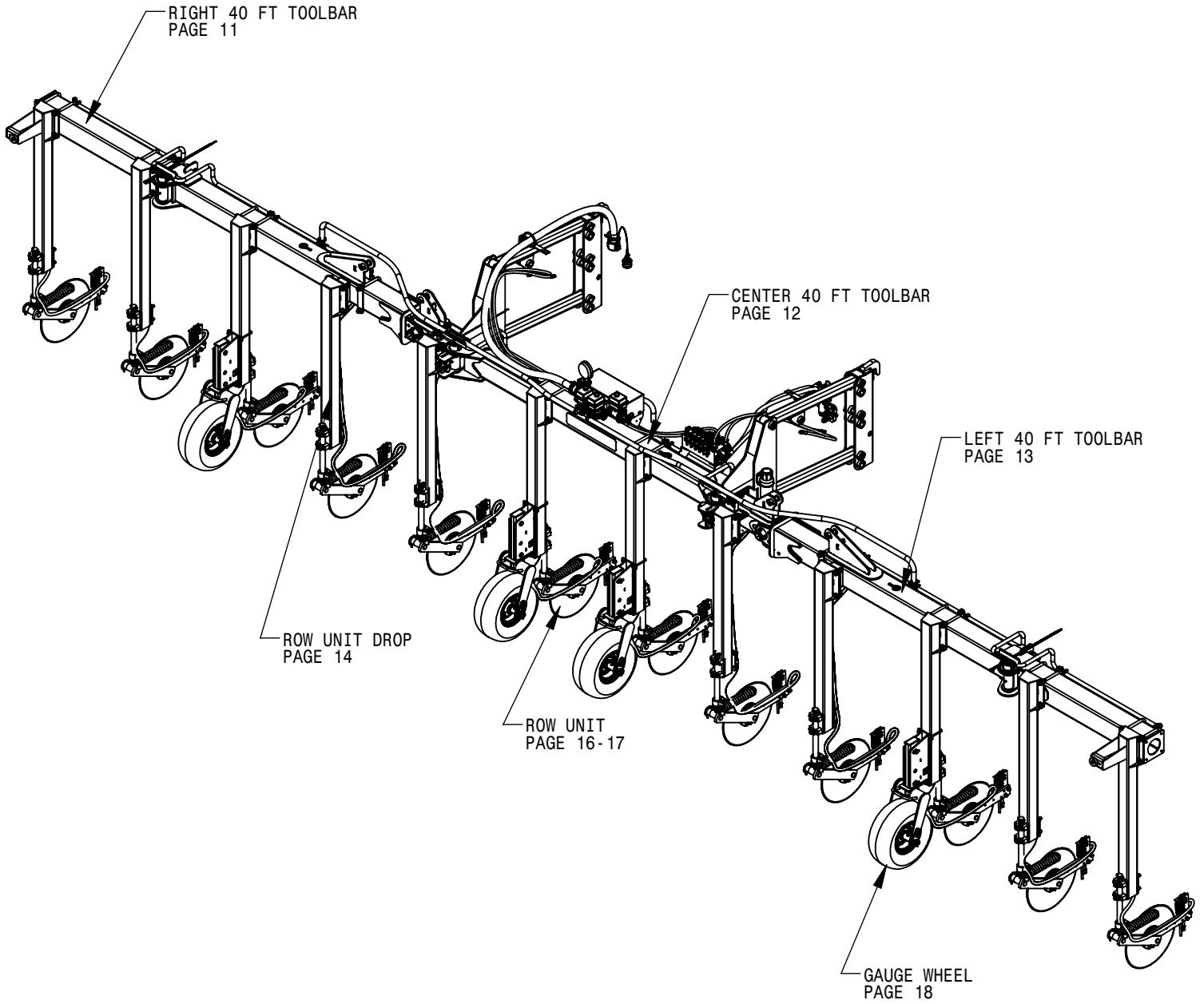
30 FT TOOLBAR
18 ROW SKIP 20" SPACING

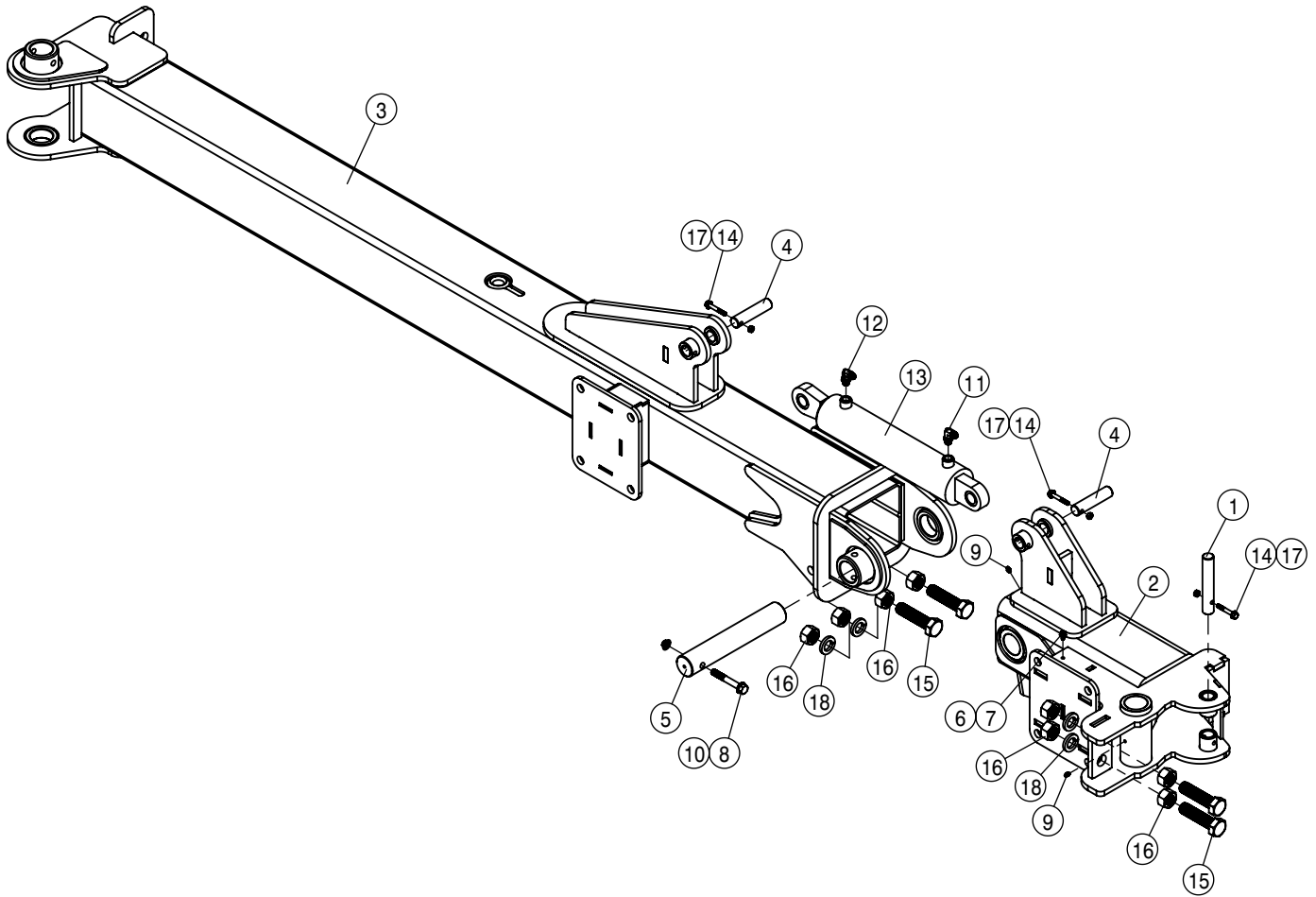


40 FT TOOLBAR
16 ROW 30" SPACING

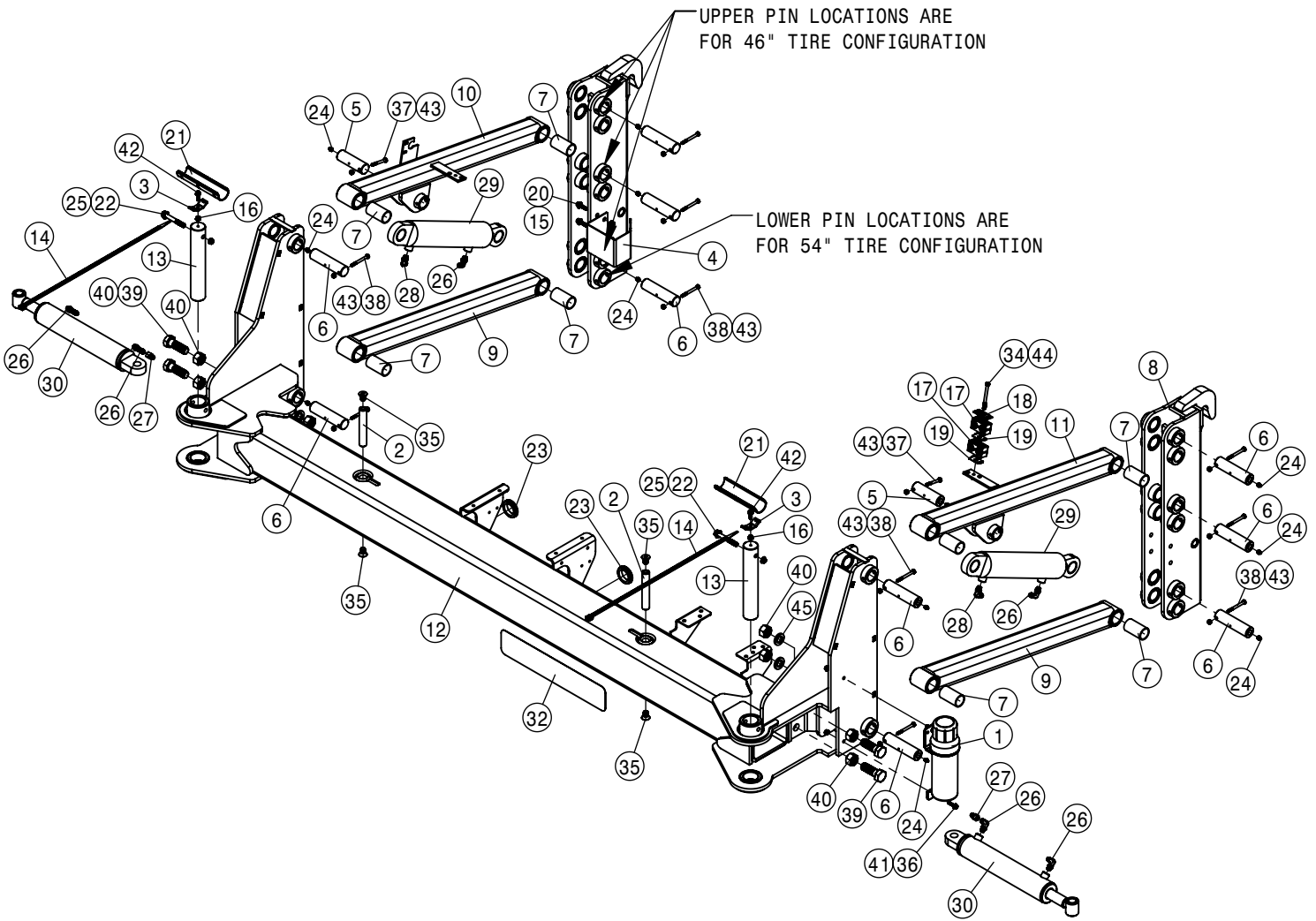


40 FT TOOLBAR
24 ROW SKIP 20" SPACING



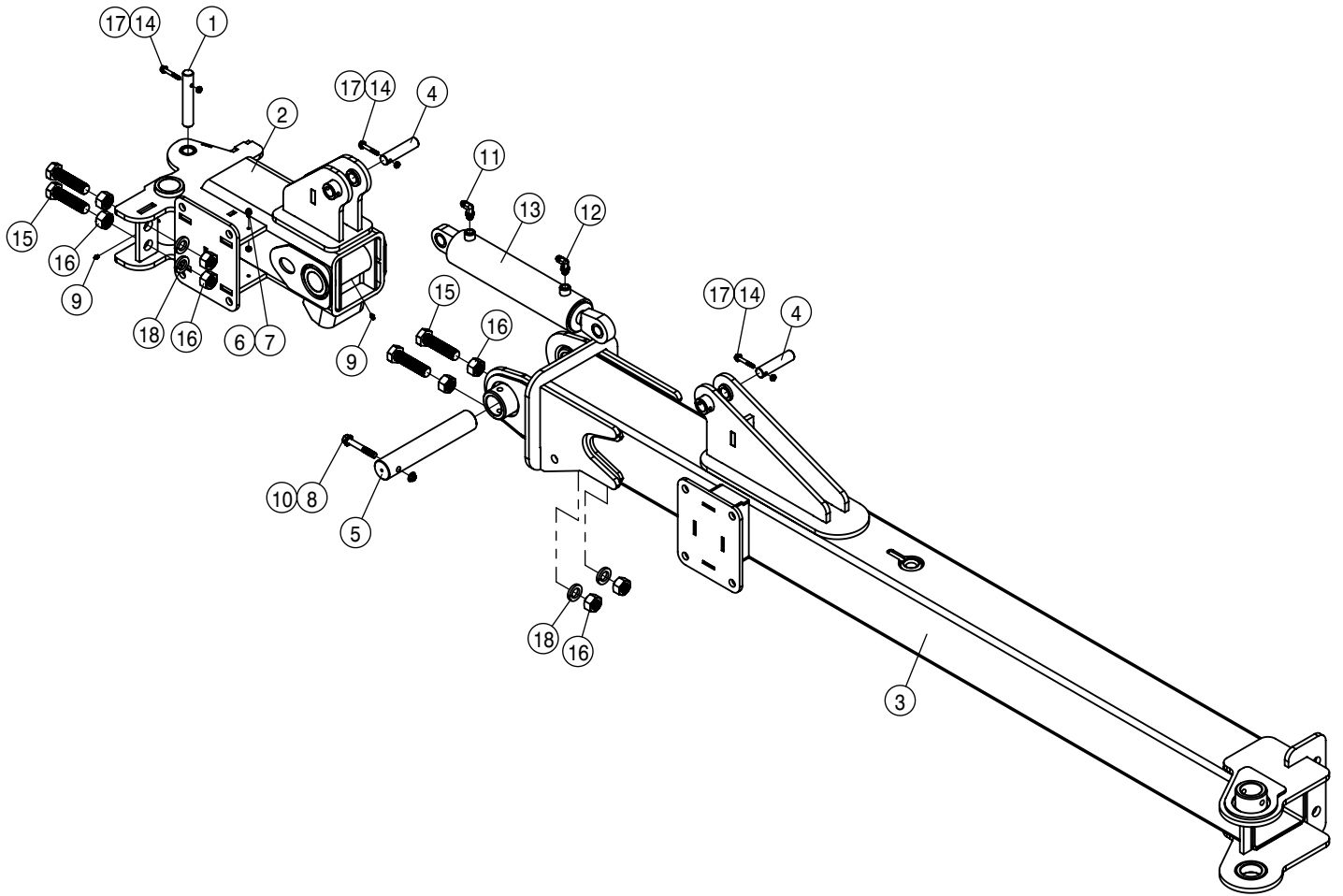


| RIGHT 30FT TOOLBAR ASSEMBLY | | | |
|-----------------------------|-----|--------|----------------------------------|
| DET | QTY | P/N | DESCRIPTION |
| 1 | 1 | 439386 | ARTICULATOR FLD CYL PIN,NTB '10 |
| 2 | 1 | 439948 | RH OUTRGR ARTICULAR WLD, NTB '13 |
| 3 | 1 | 440086 | RH OUTRGR WLD NTB 13 |
| 4 | 2 | 440106 | OUTRGR CYL PIN, NTB 13 |
| 5 | 1 | 440275 | PIN, 2.00 OD, 11.75 LG |
| 6 | 1 | 470089 | 1/4UNC HEX NYL-LOC NUT |
| 7 | 1 | 470122 | 1/4UNC X 1/2 HHSFB GR5 MC |
| 8 | 1 | 470546 | 1/2UNC X 3-1/2" SER FLANGE BOLT |
| 9 | 2 | 471005 | GREASE ZERK, 1/4-28 X 1/2 |
| 10 | 1 | 472029 | 3/8-16UNC HEX FLG NUT SER SS |
| 11 | 1 | 618119 | 9/16MJIC-90-9/16MOR LBO |
| 12 | 1 | 618689 | 9/16MOR-90-9/16MJ .042 CHK VLV |
| 13 | 1 | 621153 | 3.00 X 11.00 X 1.38 LEVEL CYL. |
| 14 | 3 | 900493 | 5/16UNC X 2 HHSFB SS |
| 15 | 4 | 900536 | 1" UNC X 4" HEX BOLT FULL THREAD |
| 16 | 8 | 910017 | 1" UNC HEX NUT |
| 17 | 3 | 914017 | 5/16-18UNC STOVER NUT SS |
| 18 | 4 | 920508 | 1" LOCK WASHER |

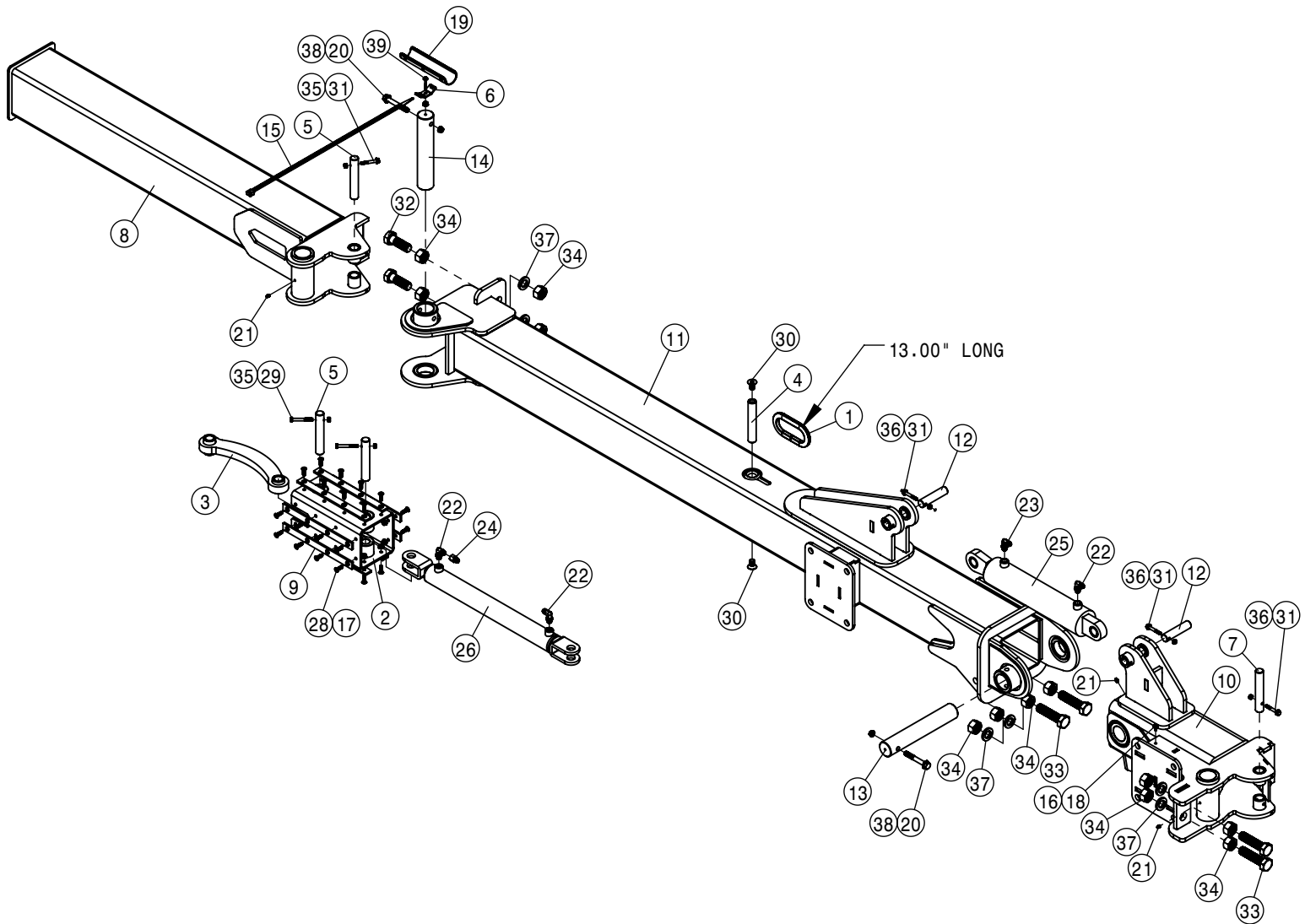


| CENTER 30FT TOOLBAR ASSEMBLY | | | |
|------------------------------|-----|--------|---------------------------------------|
| DET | QTY | P/N | DESCRIPTION |
| 1 | 1 | 344017 | MANUAL CANISTER W/NEOPREN SEAL |
| 2 | 2 | 439077 | OUTRGR FOLD CYL MT PIN, NTB 03 |
| 3 | 2 | 439113 | HOSE RETAINER STS NTB |
| 4 | 1 | 439396 | RECEPTACLE QUICK ATTACH BRKT, NTB '13 |
| 5 | 2 | 440257 | PIN, 1.50 OD, 4.75 LG, DRILLED |
| 6 | 10 | 440258 | PIN, 1.50 OD, 6.00 LG, DRILLED |
| 7 | 8 | 440263 | BEARING, COMPOSITE |
| 8 | 2 | 440266 | QUICK ATTACH MT WLD |
| 9 | 2 | 440269 | WELDMENT, LOWER LIFT ARM |
| 10 | 1 | 440270 | WELDMENT, RH UPPER LIFT ARM |
| 11 | 1 | 440271 | WELDMENT, LH UPPER LIFT ARM |
| 12 | 1 | 440274 | CTR TOOLBAR WLD |
| 13 | 2 | 440275 | PIN, 2.00 OD, 11.75 LG |
| 14 | 2 | 470000 | .50 X 28" CABLE TIE - UV BLACK NYLON |
| 15 | 2 | 470087 | 3/8-16UNC HEX FLG NUT SER MC GR5 |
| 16 | 2 | 470113 | 5/16UNC SERR FLG LOCK NUT |
| 17 | 2 | 470275 | TUBE CLAMP BODY, 1.00-1.000 |
| 18 | 1 | 470276 | CLAMP COVER PLATE, SNGL, 2.55LG |
| 19 | 2 | 470281 | STACK BOLT SAFETY LOCK PLATE |
| 20 | 2 | 470329 | 3/8UNC X 1 1/4 HHSFB GR5 MC |
| 21 | 2 | 470369 | HOSE PROTECTOR, 8" BLACK |
| 22 | 2 | 470546 | 1/2UNC X 3-1/2" SER FLANGE BOLT |
| 23 | 2 | 470552 | GROMMET, 1.75ID .250GW 2.00GD |

| CENTER 30FT TOOLBAR ASSEMBLY | | | |
|------------------------------|-----|--------|-------------------------------|
| DET | QTY | P/N | DESCRIPTION |
| 24 | 12 | 471021 | GREASE ZERK 1/8 NPT STRAIGHT |
| 25 | 2 | 472029 | 3/8-16UNC HEX FLG NUT SER SS |
| 26 | 6 | 618119 | 9/16MJIC-90-9/16MOR LBO |
| 27 | 2 | 618732 | 9/16JIC .031 ORIFICE ADPTR |
| 28 | 2 | 618738 | 9/16MJIC-90-9/16MOR .055 CHK |
| 29 | 2 | 621159 | 3.00 X 11.00 X 1.38 CYLINDER |
| 30 | 2 | 621566 | OUTRGR FOLD CYL, 2.50 X 11.00 |
| NS | 1 | 621567 | REPAIR KIT, HYD CYL 621566 |
| 32 | 1 | 650450 | DECAL, NTB 30' |
| NS | 1 | 650451 | DECAL SHEET, 30' NTB '13 |
| 34 | 1 | 900075 | 5/16UNC X 3 3/4 HEX BOLT |
| 35 | 4 | 900393 | 5/8UNC X 1" FLT SOC CAP SCR |
| 36 | 2 | 900490 | 5/16UNC X 1 1/4 HHSFB SS |
| 37 | 2 | 900494 | 5/16UNC X 2 1/2 HHCS SS |
| 38 | 10 | 900496 | 5/16UNC X 3 HHCS SS |
| 39 | 4 | 900534 | 1" UNC X 3" HEX BOLT |
| 40 | 8 | 910017 | 1" UNC HEX NUT |
| 41 | 2 | 910119 | 5/16-18UNC HEX FLG NUT SER SS |
| 42 | 2 | 910126 | 5/16UNC X 1 HHSFB SS |
| 43 | 12 | 910132 | 5/16-18UNC NYLOCK NUT SS |
| 44 | 1 | 914002 | 5/16UNC HEX STOVER NUT |
| 45 | 4 | 920508 | 1" LOCK WASHER |

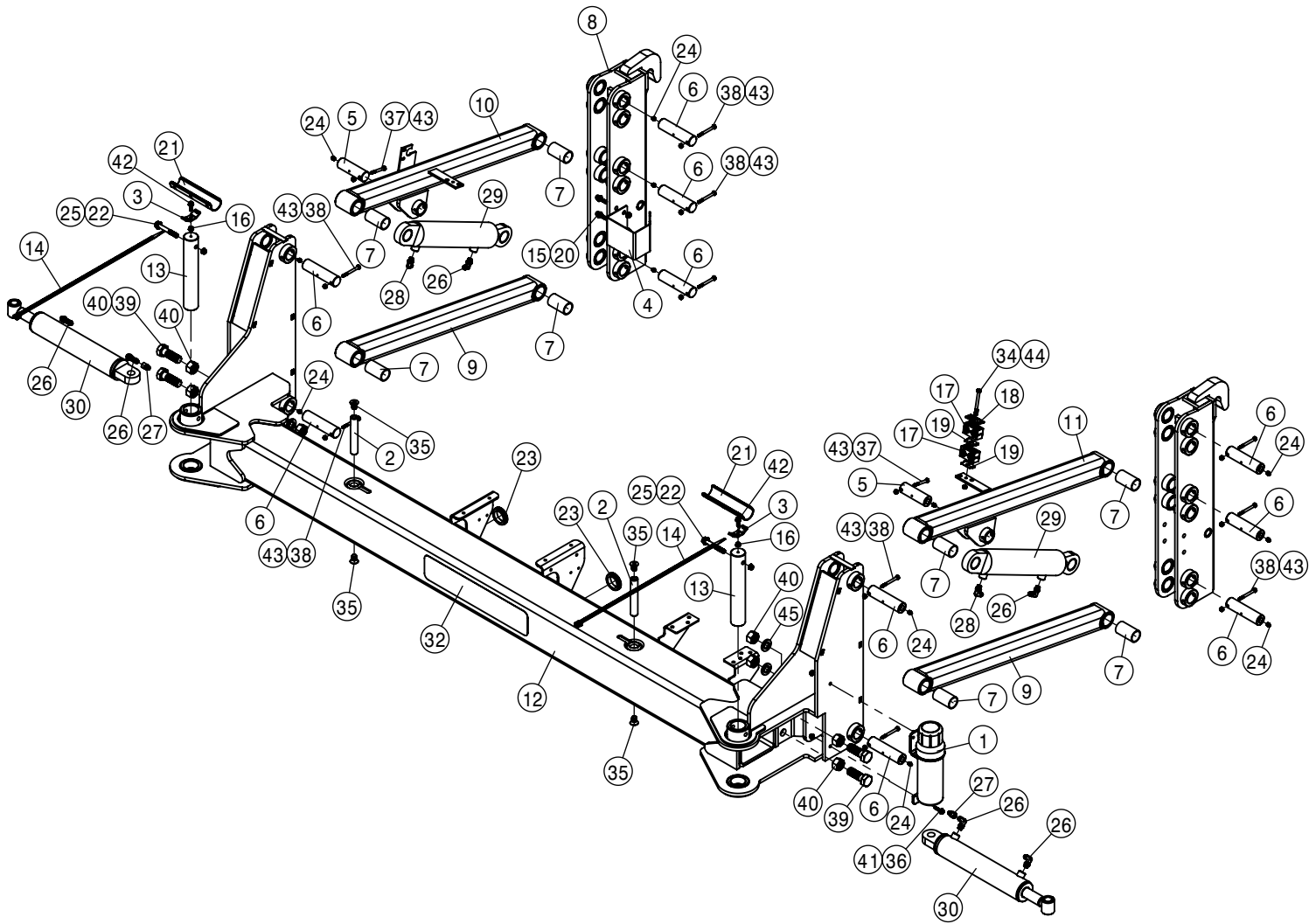


| LEFT 30FT TOOLBAR ASSEMBLY | | | |
|----------------------------|-----|--------|----------------------------------|
| DET | QTY | P/N | DESCRIPTION |
| 1 | 1 | 439386 | ARTICULATOR FLD CYL PIN,NTB' 10 |
| 2 | 1 | 439949 | LH OUTGRG ARTICULAR WLD, NTB '12 |
| 3 | 1 | 440087 | LH OUTGRG WLD NTB 13 |
| 4 | 2 | 440106 | OUTGRG CYL PIN, NTB 13 |
| 5 | 1 | 440275 | PIN, 2.00 OD, 11.75 LG |
| 6 | 1 | 470089 | 1/4UNC HEX NYL-LOC NUT |
| 7 | 1 | 470122 | 1/4UNC X 1/2 HHSFB GR5 MC |
| 8 | 1 | 470546 | 1/2UNC X 3-1/2" SER FLANGE BOLT |
| 9 | 2 | 471005 | GREASE ZERK, 1/4-28 X 1/2 |
| 10 | 1 | 472029 | 3/8-16UNC HEX FLG NUT SER SS |
| 11 | 1 | 618119 | 9/16MJIC-90-9/16MOR LBO |
| 12 | 1 | 618689 | 9/16MOR-90-9/16MJ .042 CHK VLV |
| 13 | 1 | 621153 | 3.00 X 11.00 X 1.38 LEVEL CYL. |
| 14 | 3 | 900493 | 5/16UNC X 2 HHSFB SS |
| 15 | 4 | 900536 | 1" UNC X 4" HEX BOLT FULL THREAD |
| 16 | 8 | 910017 | 1" UNC HEX NUT |
| 17 | 3 | 914017 | 5/16-18UNC STOVER NUT SS |
| 18 | 4 | 920508 | 1" LOCK WASHER |



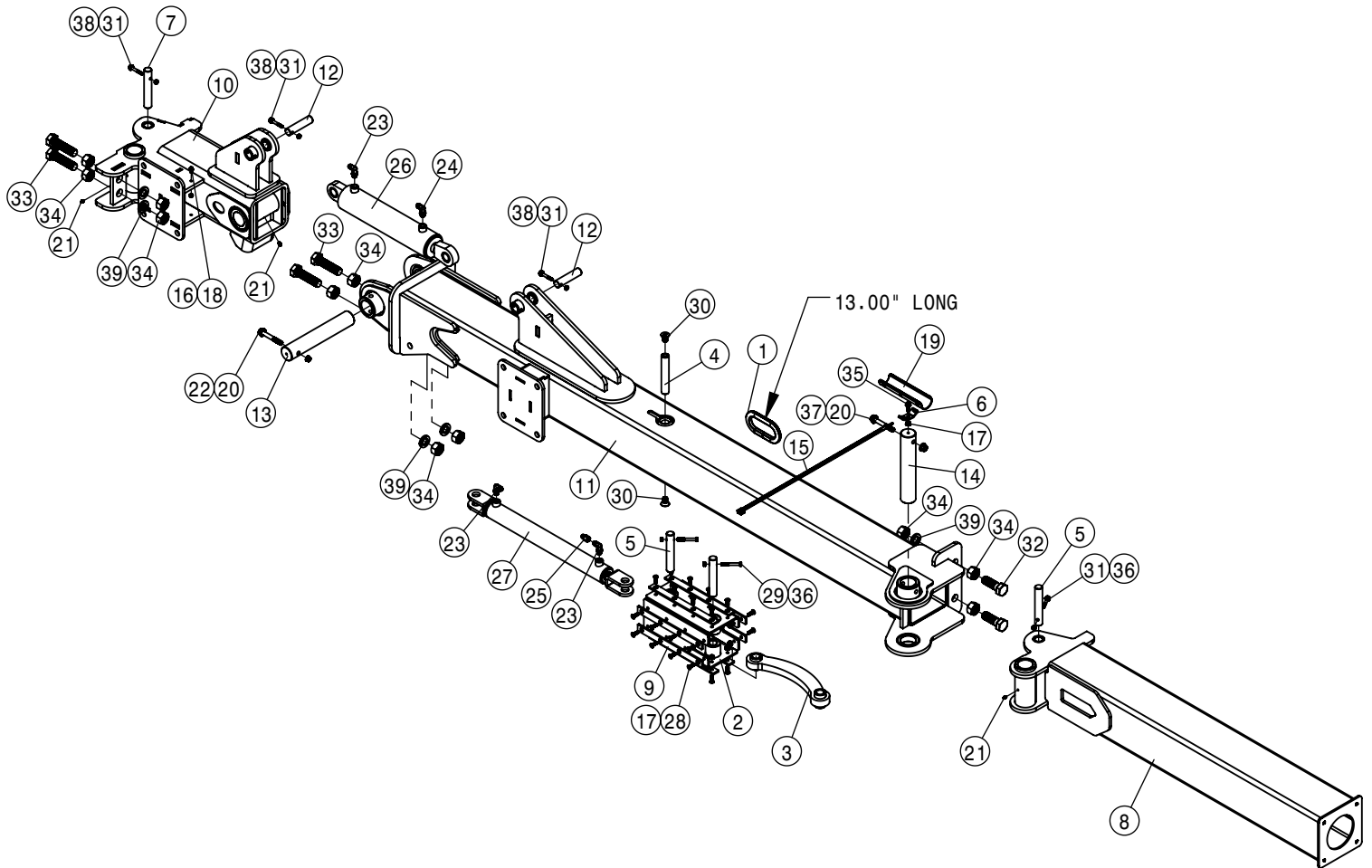
| RIGHT 40FT TOOLBAR ASSEMBLY | | | |
|-----------------------------|------|--------|--------------------------------------|
| DET | QTY | P/N | DESCRIPTION |
| 1 | 0.33 | 193012 | QUICKEDGE TRIM .135 TO .250 |
| 2 | 1 | 439054 | OUTRGR EXT FOLD SLIDE WLD, NTB |
| 3 | 1 | 439060 | OUTRGR EXT FOLD ARM WLD, NTB 03 |
| 4 | 1 | 439077 | OUTRGR FOLD CYL MT PIN, NTB 03 |
| 5 | 3 | 439078 | ARTICULAR FOLD CYL PIN, NTB |
| 6 | 1 | 439113 | HOSE RETAINER STS NTB |
| 7 | 1 | 439386 | ARTICULATOR FLD CYL PIN, NTB 10 |
| 8 | 1 | 439400 | OUTER FOLD WELDMNT, NTB40' 12 |
| 9 | 8 | 439450 | FOLD SIDE WEAR STRIP, 16R NTB |
| 10 | 1 | 439948 | RH OUTRGR ARTICULAR WLD, NTB '13 |
| 11 | 1 | 440086 | RH OUTRGR WLD NTB 13 |
| 12 | 2 | 440106 | OUTRGR CYL PIN, NTB 13 |
| 13 | 1 | 440275 | PIN, 2.00 OD, 11.75 LG |
| 14 | 1 | 440276 | PIN, 2.00 OD, 10.75 LG |
| 15 | 1 | 470000 | .50 X 28" CABLE TIE - UV BLACK NYLON |
| 16 | 1 | 470089 | 1/4UNC HEX NYL-LOC NUT |
| 17 | 33 | 470113 | 5/16UNC SERR FLG LOCK NUT |
| 18 | 1 | 470122 | 1/4UNC X 1/2 HHSFB GR5 MC |
| 19 | 1 | 470369 | HOSE PROTECTOR, 8" BLACK |
| 20 | 2 | 470546 | 1/2UNC X 3-1/2" SER FLANGE BOLT |

| RIGHT 40FT TOOLBAR ASSEMBLY | | | |
|-----------------------------|-----|--------|----------------------------------|
| DET | QTY | P/N | DESCRIPTION |
| 21 | 3 | 471005 | GREASE ZERK, 1/4-28 X 1/2 |
| 22 | 3 | 618119 | 9/16MJIC-90-9/16MOR LBO |
| 23 | 1 | 618689 | 9/16MOR-90-9/16MJ .042 CHK VLV |
| 24 | 1 | 618732 | 9/16JIC .031 ORIFICE ADPTR |
| 25 | 1 | 621153 | 3.00 X 11.00 X 1.38 LEVEL CYL. |
| 26 | 1 | 621568 | OUTRGR FOLD CYL, 2.00 X 18 |
| NS | 1 | 621569 | REPAIR KIT, HYD CYL 621568 |
| 28 | 32 | 900060 | 5/16UNC X 1" FLT SOC CAP SCR BO |
| 29 | 3 | 900070 | 5/16UNC X 2 1/2 BOLT |
| 30 | 2 | 900393 | 5/8UNC X 1" FLT SOC CAP SCR |
| 31 | 4 | 900493 | 5/16UNC X 2 HHSFB SS |
| 32 | 2 | 900534 | 1" UNC X 3" HEX BOLT |
| 33 | 4 | 900536 | 1" UNC X 4" HEX BOLT FULL THREAD |
| 34 | 12 | 910017 | 1" UNC HEX NUT |
| 35 | 4 | 914002 | 5/16UNC HEX STOVER NUT |
| 36 | 3 | 914017 | 5/16-18UNC STOVER NUT SS |
| 37 | 6 | 920508 | 1" LOCK WASHER |
| 38 | 2 | 472029 | 3/8-16UNC HEX FLG NUT SER SS |
| 39 | 1 | 470767 | 10-32UNF X 1 1/2 HHSFB MC |



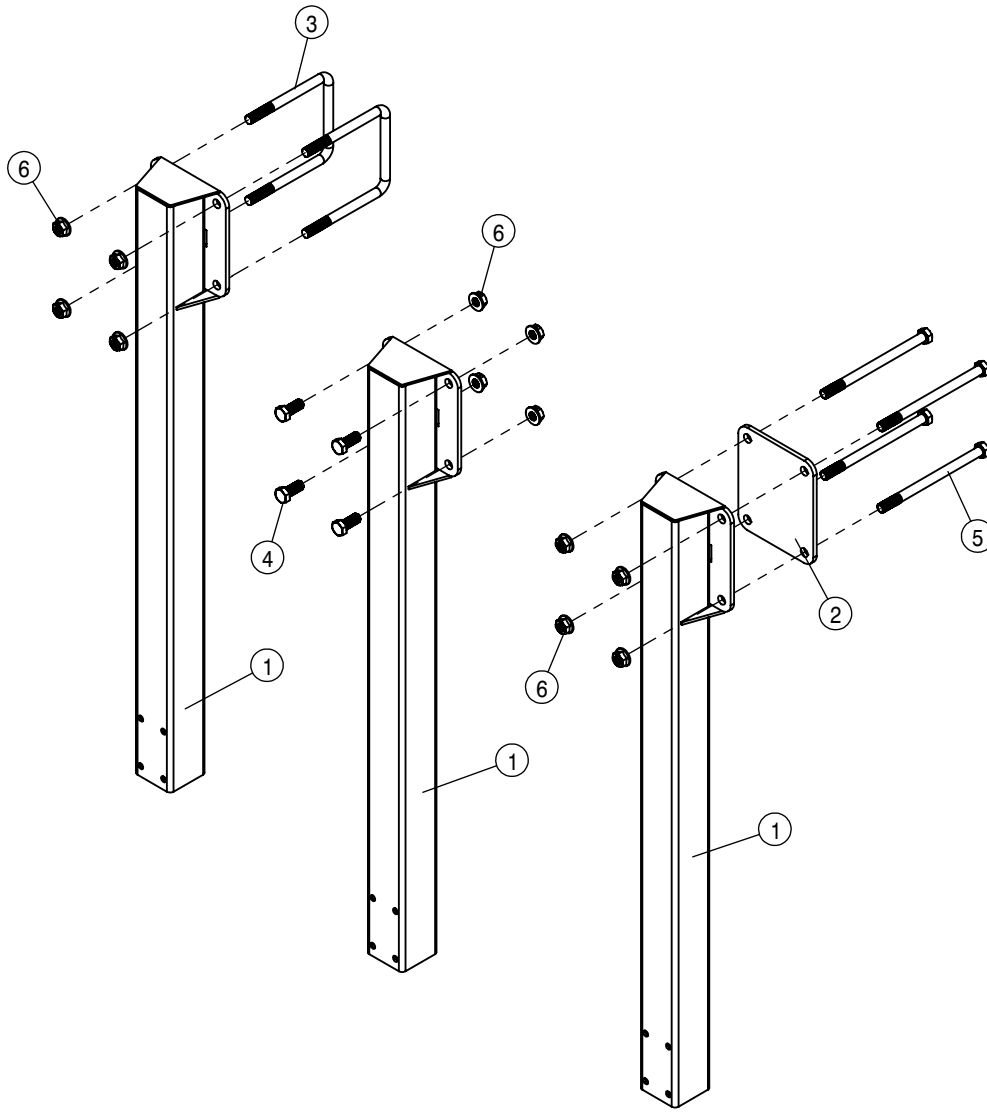
| CENTER 40FT TOOLBAR ASSEMBLY | | | |
|------------------------------|-----|--------|---------------------------------------|
| DET | QTY | P/N | DESCRIPTION |
| 1 | 1 | 344017 | MANUAL CANISTER W/NEOPREN SEAL |
| 2 | 2 | 439077 | OUTRGR FOLD CYL MT PIN, NTB 03 |
| 3 | 2 | 439113 | HOSE RETAINER STS NTB |
| 4 | 1 | 439396 | RECEPTACLE QUICK ATTACH BRKT, NTB '13 |
| 5 | 2 | 440257 | PIN, 1.50 OD, 4.75 LG, DRILLED |
| 6 | 10 | 440258 | PIN, 1.50 OD, 6.00 LG, DRILLED |
| 7 | 8 | 440263 | BEARING, COMPOSITE |
| 8 | 2 | 440266 | QUICK ATTACH MT WLD |
| 9 | 2 | 440269 | WELDMENT, LOWER LIFT ARM |
| 10 | 1 | 440270 | WELDMENT, RH UPPER LIFT ARM |
| 11 | 1 | 440271 | WELDMENT, LH UPPER LIFT ARM |
| 12 | 1 | 440274 | CTR TOOLBAR WLD |
| 13 | 2 | 440275 | PIN, 2.00 OD, 11.75 LG |
| 14 | 2 | 470000 | .50 X 28" CABLE TIE - UV BLACK NYLON |
| 15 | 2 | 470087 | 3/8-16UNC HEX FLG NUT SER MC GR5 |
| 16 | 2 | 470113 | 5/16UNC SERR FLG LOCK NUT |
| 17 | 2 | 470275 | TUBE CLAMP BODY, 1.00-1.000 |
| 18 | 1 | 470276 | CLAMP COVER PLATE, SNGL, 2.55LG |
| 19 | 2 | 470281 | STACK BOLT SAFETY LOCK PLATE |
| 20 | 2 | 470329 | 3/8UNC X 1 1/4 HHSFB GR5 MC |
| 21 | 2 | 470369 | HOSE PROTECTOR, 8" BLACK |
| 22 | 2 | 470546 | 1/2UNC X 3-1/2" SER FLANGE BOLT |
| 23 | 2 | 470552 | GROMMET, 1.75ID .250GW 2.00GD |

| CENTER 40FT TOOLBAR ASSEMBLY | | | |
|------------------------------|-----|--------|-------------------------------|
| DET | QTY | P/N | DESCRIPTION |
| 24 | 12 | 471021 | GREASE ZERK 1/8 NPT STRAIGHT |
| 25 | 2 | 472029 | 3/8-16UNC HEX FLG NUT SER SS |
| 26 | 6 | 618119 | 9/16MJIC-90-9/16MOR LBO |
| 27 | 2 | 618732 | 9/16JIC .031 ORIFICE ADPTR |
| 28 | 2 | 618738 | 9/16MJIC-90-9/16MOR .055 CHK |
| 29 | 2 | 621159 | 3.00 X 11.00 X 1.38 CYLINDER |
| 30 | 2 | 621566 | OUTRGR FOLD CYL, 2.50 X 11.00 |
| NS | 1 | 621567 | REPAIR KIT, HYD CYL 621566 |
| 32 | 1 | 650449 | DECAL, NTB 40' |
| NS | 1 | 650452 | DECAL SHEET, 40' NTB' 13 |
| 34 | 1 | 900075 | 5/16UNC X 3 3/4 HEX BOLT |
| 35 | 4 | 900393 | 5/8UNC X 1" FLT SOC CAP SCR |
| 36 | 2 | 900490 | 5/16UNC X 1 1/4 HHSFB SS |
| 37 | 2 | 900494 | 5/16UNC X 2 1/2 HHCS SS |
| 38 | 10 | 900496 | 5/16UNC X 3 HHCS SS |
| 39 | 4 | 900534 | 1" UNC X 3" HEX BOLT |
| 40 | 8 | 910017 | 1" UNC HEX NUT |
| 41 | 2 | 910119 | 5/16-18UNC HEX FLG NUT SER SS |
| 42 | 2 | 910126 | 5/16UNC X 1 HHSFB SS |
| 43 | 12 | 910132 | 5/16-18UNC NYLOCK NUT SS |
| 44 | 1 | 914002 | 5/16UNC HEX STOVER NUT |
| 45 | 4 | 920508 | 1" LOCK WASHER |

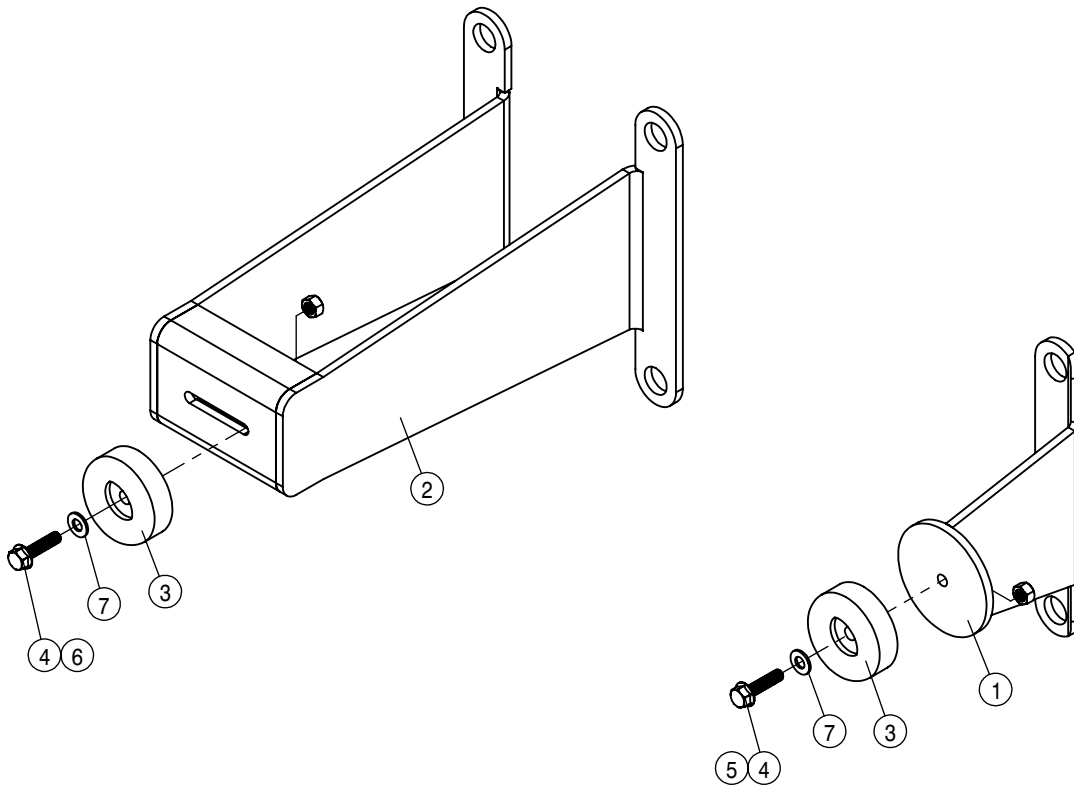


| LEFT 40FT TOOLBAR ASSEMBLY | | | |
|----------------------------|------|--------|--------------------------------------|
| DET | QTY | P/N | DESCRIPTION |
| 1 | 0.33 | 193012 | QUICKEDGE TRIM .135 TO .250 |
| 2 | 1 | 439054 | OUTRGR EXT FOLD SLIDE WLD, NTB |
| 3 | 1 | 439060 | OUTRGR EXT FOLD ARM WLD,NTB 03 |
| 4 | 1 | 439077 | OUTRGR FOLD CYL MT PIN, NTB 03 |
| 5 | 3 | 439078 | ARTICULAR FOLD CYL PIN, NTB |
| 6 | 1 | 439113 | HOSE RETAINER STS NTB |
| 7 | 1 | 439386 | ARTICULATOR FLD CYL PIN,NTB' 10 |
| 8 | 1 | 439400 | OUTER FOLD WELDMNT, NTB40' 12 |
| 9 | 8 | 439450 | FOLD SIDE WEAR STRIP, 16R NTB |
| 10 | 1 | 439949 | LH OUTRGR ARTICULAR WLD, NTB ' 12 |
| 11 | 1 | 440087 | LH OUTRGR WLD NTB 13 |
| 12 | 2 | 440106 | OUTRGR CYL PIN, NTB 13 |
| 13 | 1 | 440275 | PIN, 2.00 OD, 11.75 LG |
| 14 | 1 | 440276 | PIN, 2.00 OD, 10.75 LG |
| 15 | 1 | 470000 | .50 X 28" CABLE TIE - UV BLACK NYLON |
| 16 | 1 | 470089 | 1/4UNC HEX NYL-LOC NUT |
| 17 | 33 | 470113 | 5/16UNC SERR FLG LOCK NUT |
| 18 | 1 | 470122 | 1/4UNC X 1/2 HHSFB GR5 MC |
| 19 | 1 | 470369 | HOSE PROTECTOR, 8" BLACK |
| 20 | 2 | 470546 | 1/2UNC X 3-1/2" SER FLANGE BOLT |

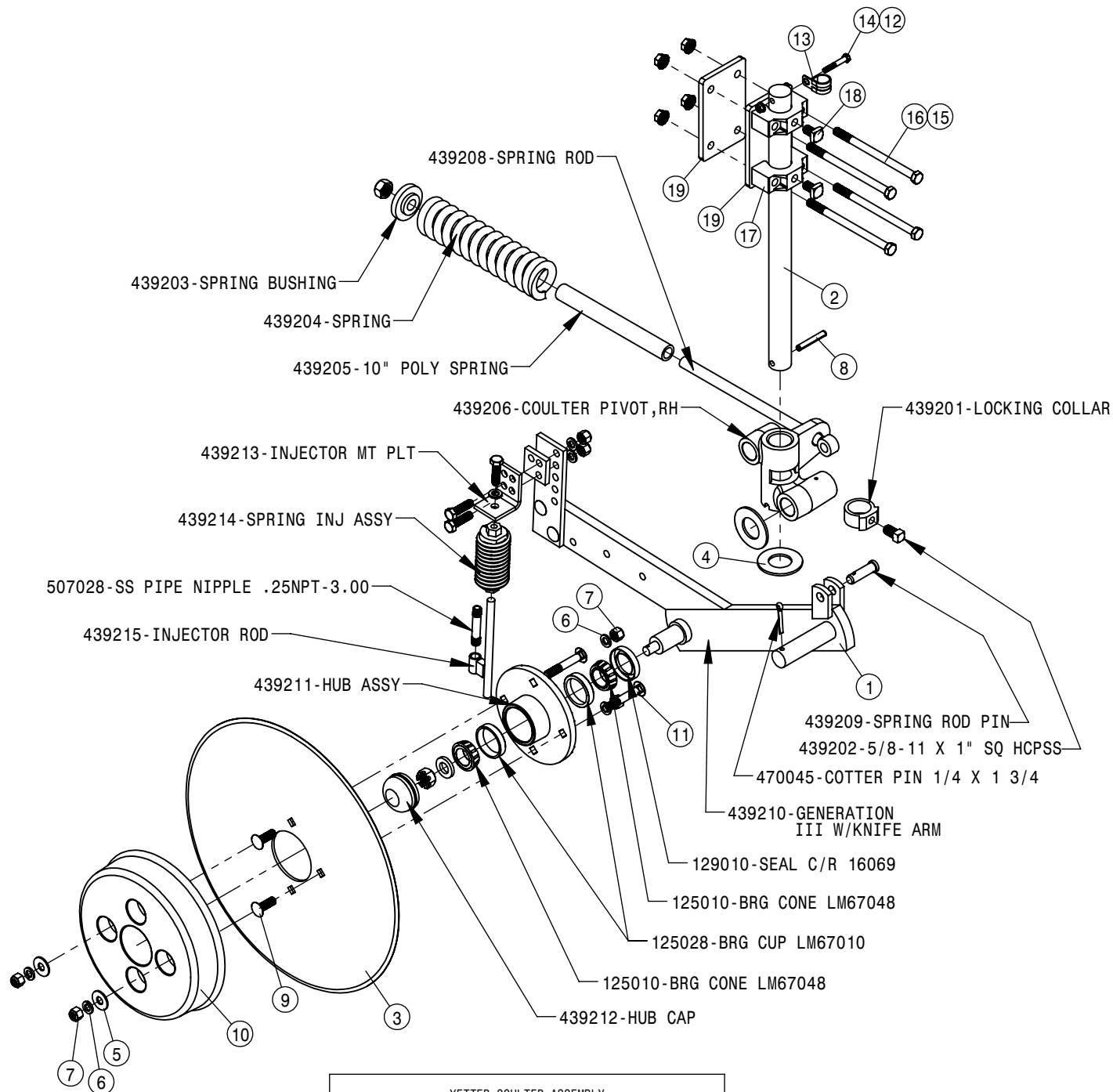
| LEFT 40FT TOOLBAR ASSEMBLY | | | |
|----------------------------|-----|--------|----------------------------------|
| DET | QTY | P/N | DESCRIPTION |
| 21 | 3 | 471005 | GREASE ZERK, 1/4-28 X 1/2 |
| 22 | 1 | 472029 | 3/8-16UNC HEX FLG NUT SER SS |
| 23 | 3 | 618119 | 9/16MJIC-90-9/16MOR LBO |
| 24 | 1 | 618689 | 9/16MOR-90-9/16MJ .042 CHK VLV |
| 25 | 1 | 618732 | 9/16JIC .031 ORIFICE ADPTR |
| 26 | 1 | 621153 | 3.00 X 11.00 X 1.38 LEVEL CYL. |
| 27 | 1 | 621568 | OUTRGR FOLD CYL, 2.00 X 18 |
| 28 | 32 | 900060 | 5/16UNC X 1" FLT SOC CAP SCR BO |
| 29 | 2 | 900070 | 5/16UNC X 2 1/2 BOLT |
| 30 | 2 | 900393 | 5/8UNC X 1" FLT SOC CAP SCR |
| 31 | 4 | 900493 | 5/16UNC X 2 HHSFB SS |
| 32 | 2 | 900534 | 1" UNC X 3" HEX BOLT |
| 33 | 4 | 900536 | 1" UNC X 4" HEX BOLT FULL THREAD |
| 34 | 12 | 910017 | 1" UNC HEX NUT |
| 35 | 1 | 910126 | 5/16UNC X 1 HHSFB SS |
| 36 | 3 | 914002 | 5/16UNC HEX STOVER NUT |
| 37 | 1 | 914015 | 1/2-13UNC CTRLK FLG NUT MC GR5 |
| 38 | 3 | 914017 | 5/16-18UNC STOVER NUT SS |
| 39 | 6 | 920508 | 1" LOCK WASHER |



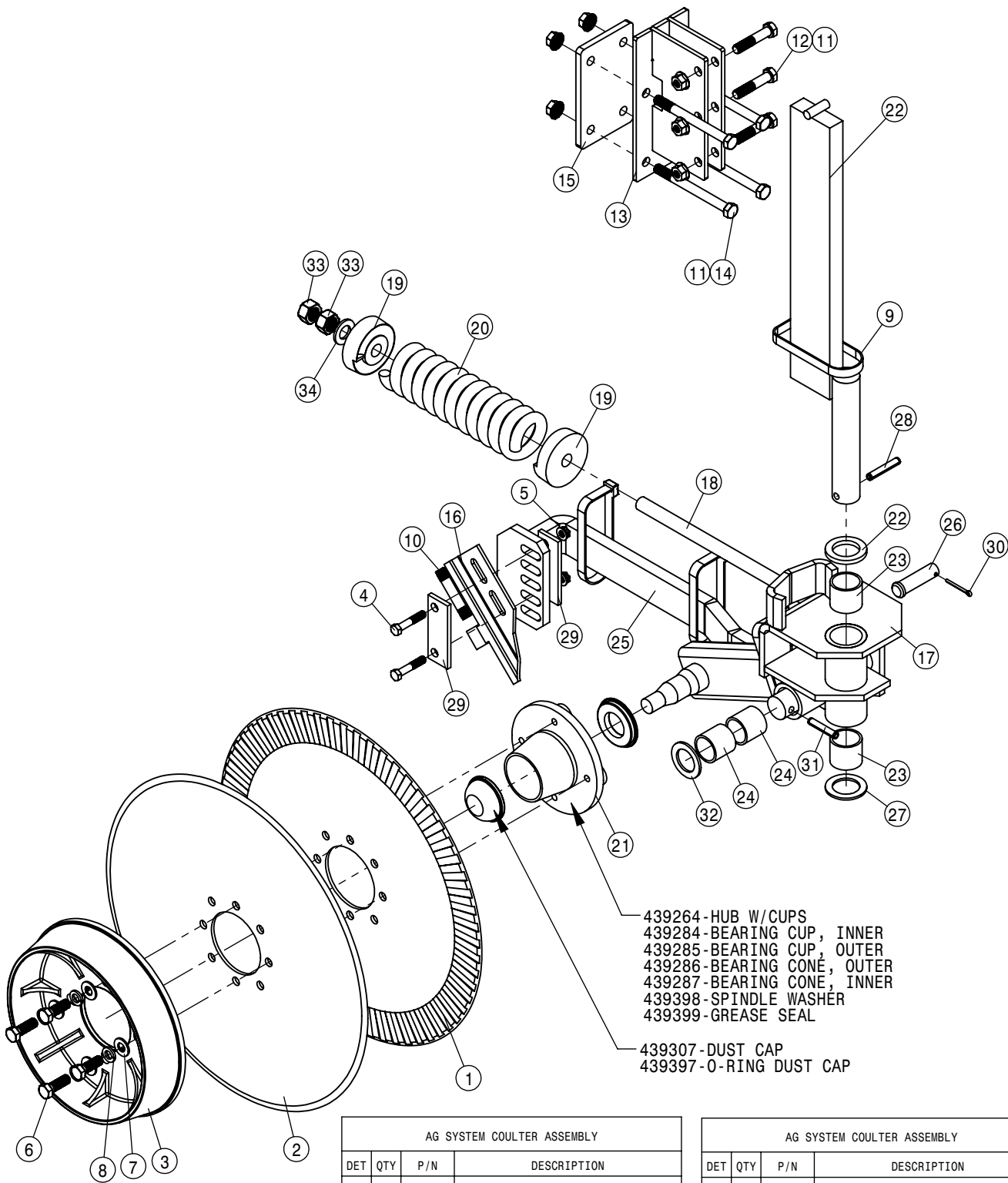
| ROW UNIT DROP ASSEMBLY | | | |
|------------------------|-----|---------|----------------------------------|
| DET | QTY | P/N | DESCRIPTION |
| 1 | 3 | 439080 | ROW DROP WLD, NTB STS 03 |
| 2 | 1 | 439082 | ROW DROP MT PLATE, NTB STS 03 |
| 3 | 2 | 473981 | .750UNC-7.00ID-8.50 U-BOLT SQ YZ |
| 4 | 4 | 900402 | 3/4UNC X 1 3/4 HEX BOLT |
| 5 | 4 | 900422 | 3/4UNC X 11.00" HEX BOLT |
| 6 | 12 | 914012N | 3/4UNC CNTLCK SM FLG HEX NUT |



| BUMPER ASSEMBLY | | | |
|-----------------|-----|---------|-----------------------------------|
| DET | QTY | P/N | DESCRIPTION |
| 1 | 1 | 439110 | RUBBER BUMPER MT WLD, NTB 03 |
| 2 | 1 | 439117 | RUBBER BUMPER MT EXT WLD,NTB |
| 3 | 2 | 470098 | RUBBER BUMPER 2.500 OD X .375 ID |
| 4 | 2 | 900066N | 5/16UNC X 1 1/4 SERR.FLG.HEX BOLT |
| 5 | 1 | 914002 | 5/16UNC HEX STOVER NUT |
| 6 | 1 | 914002N | 5/16UNC HEX STOVER NUT YZ |
| 7 | 2 | 920001N | 5/16 SAE FLAT WASHER SS |



| YETTER COULTER ASSEMBLY | | | |
|-------------------------|-----|---------|-------------------------------------|
| DET | QTY | P/N | DESCRIPTION |
| 1 | 1 | 439105 | YETTER COULTER, 20" GEN III |
| 2 | 1 | 439108 | 22" SHANK, YETTER |
| 3 | 1 | 439106 | 20" SMOOTH BLADE, YETTER |
| 4 | 1 | 920013 | 1 1/2 SAE FLAT WASHER |
| 5 | 2 | 483041 | 1/2 REGULAR FLAT WASHER |
| 6 | 4 | 920504 | 1/2 LOCK WASHER |
| 7 | 4 | 473007 | 1/2UNC HEX NUT, NYLOC |
| 8 | 1 | 473937 | ROLL PIN, 3/8DIA X 2 1/2 |
| 9 | 2 | 901255 | 1/2UNC X 1 1/2 CARR BOLT |
| 10 | 1 | 439107 | POLY GAUGE WHEEL, YETTER |
| 11 | 2 | 901271 | 1/2UNC X 3 1/4" CARR BOLT |
| 12 | 1 | 470570 | 5/16UNC HEX FLG CNTR LOCK NUT |
| 13 | 1 | 520121 | CUSH CLAMP, #16 1IN X 3/4W |
| 14 | 1 | 900069 | 5/16UNC X 2" HEX BOLT |
| 15 | 4 | 470360N | 1/2UNC SERR FLG HEX NUT YZ |
| 16 | 4 | 900281N | 1/2UNC X 7 1/2 HEX BOLT |
| 17 | 2 | 440076 | MT CLAMP, COULTER ASSY, NTB' 12 |
| 18 | 2 | 470855 | 9/16UNC X .75 SQUARE HEAD SET SCREW |
| 19 | 2 | 439915 | BACK PLATE MOUNT |

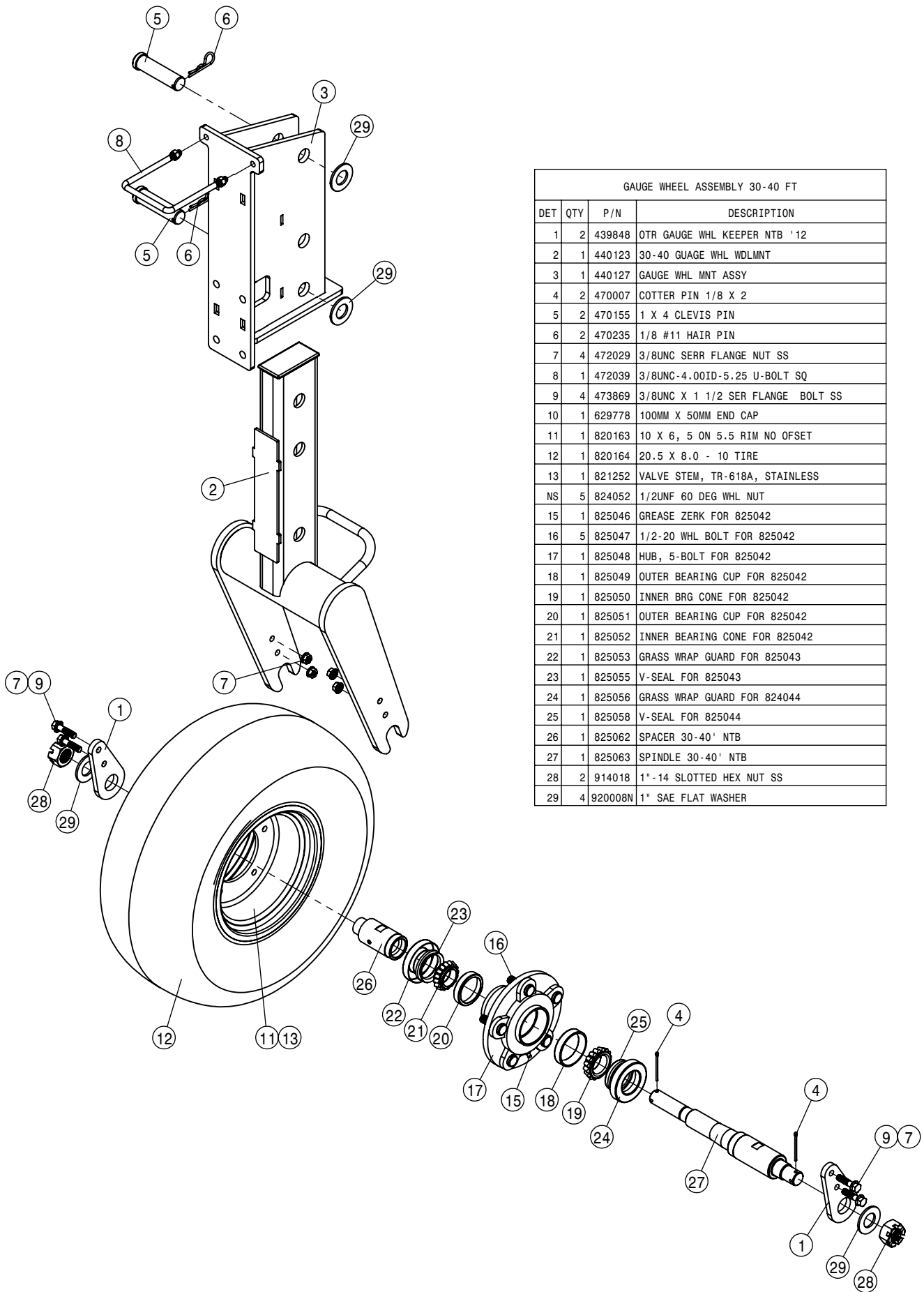


439264-HUB W/CUPS
 439284-BEARING CUP, INNER
 439285-BEARING CUP, OUTER
 439286-BEARING CONE, OUTER
 439287-BEARING CONE, INNER
 439398-SPINDLE WASHER
 439399-GREASE SEAL

439307-DUST CAP
 439397-O-RING DUST CAP

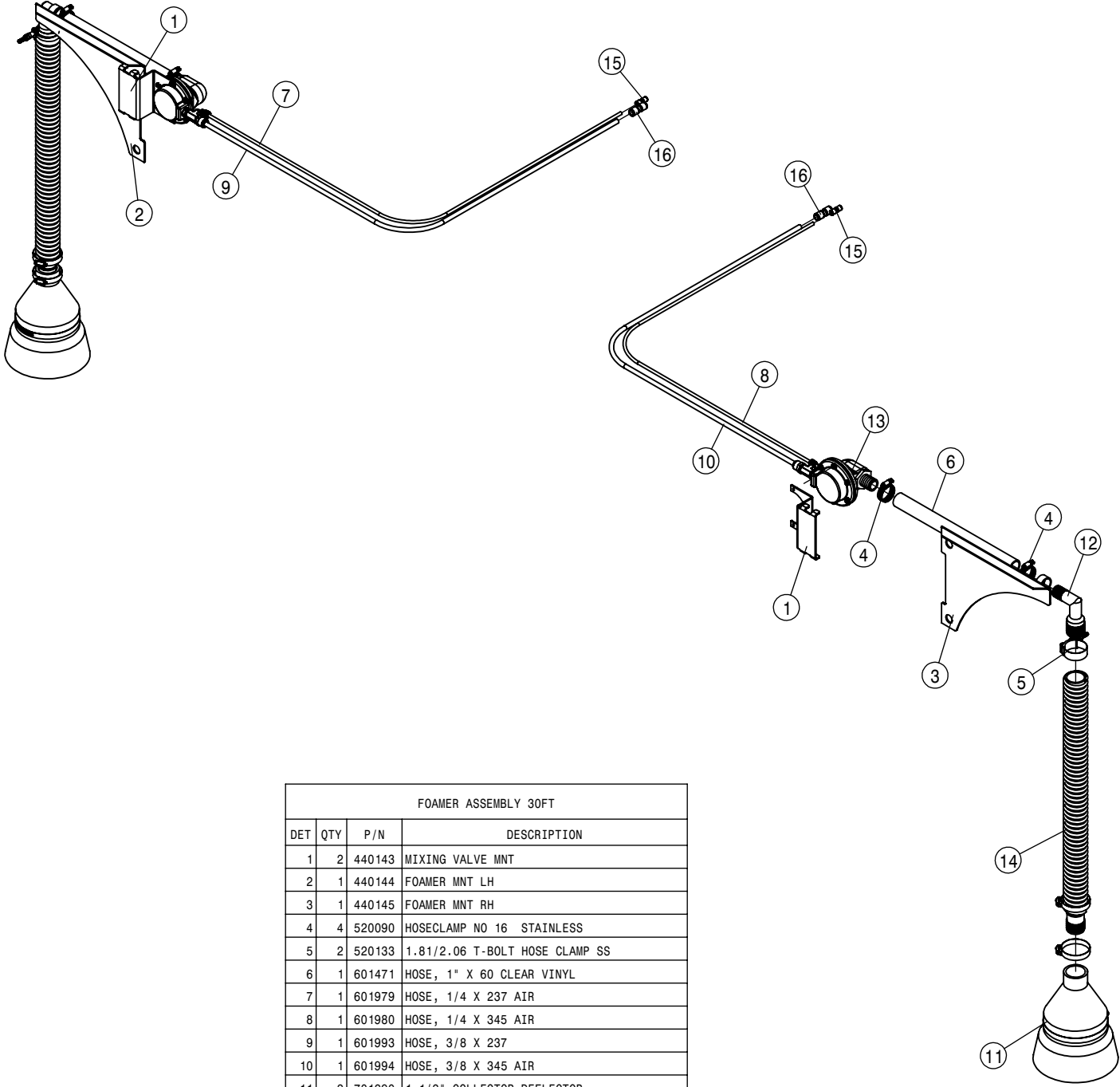
| AG SYSTEM COULTER ASSEMBLY | | | |
|----------------------------|-----|---------|--------------------------------|
| DET | QTY | P/N | DESCRIPTION |
| 1 | 2 | 440081 | COULTER BLADE, 20" FLUTED |
| 2 | 1 | 439790 | COULTER BLADE, 20" SMOOTH |
| 3 | 1 | 439224 | DEPTH WHEEL |
| 4 | 2 | 900133 | 3/8UNC X 2" HEX BOLT |
| 5 | 2 | 472043 | 3/8 UNC FLG CNTR LOCK NUT GR8 |
| 6 | 4 | 900303 | 1/2UNF X 1 1/2 HEX BOLT |
| 7 | 4 | 920004 | 1/2 SAE FLAT WASHER |
| 8 | 4 | 920504 | 1/2 LOCK WASHER |
| 9 | 4 | 470555 | CABLE TIE, 1/2 X 15" BLACK NYL |
| 10 | 1 | 507028 | SS PIPE NIPPLE .25NPT-3.00 |
| 11 | 7 | 470360N | 1/2UNC SERR FLG HEX NUT YZ |
| 12 | 3 | 900268 | 1/2UNC X 2 1/2 HEX BOLT |
| 13 | 1 | 440186 | AG SYSTEMS COULTER MNT BRKT |
| 14 | 4 | 900277 | 1/2UNC X 5 1/2 HEX BOLT |
| 15 | 1 | 439915 | BACK PLATE MOUNT |
| 16 | 1 | 439219 | SPRAY NOZZLE BRKT |
| 17 | 1 | 439225 | CENTER MOUNT HOUSING |

| AG SYSTEM COULTER ASSEMBLY | | | |
|----------------------------|-----|--------|--------------------------------|
| DET | QTY | P/N | DESCRIPTION |
| 18 | 1 | 439226 | EYE BOLT, SPRING RETAINER |
| 19 | 2 | 439227 | SPRING STOP |
| 20 | 1 | 439229 | COMPRESSION SPRING |
| 21 | 1 | 439264 | HUB WITH CUP |
| 22 | 1 | 439789 | COULTER SWIVEL BAR |
| 23 | 2 | 440176 | SWIVEL BUSHING |
| 24 | 2 | 440177 | PIVOT BUSHING |
| 25 | 1 | 440178 | PIVOT ARM |
| 26 | 1 | 440179 | SPRING PIVOT PIN |
| 27 | 1 | 440180 | 1.5" WASHER |
| 28 | 1 | 440181 | ROLL PIN, 3/8DIA X 2 1/4 |
| 29 | 2 | 440184 | HOSE LOOP BRKT |
| 30 | 1 | 470035 | COTTER PIN 5/32 1 3/4 LG |
| 31 | 1 | 473962 | ROLL PIN, 3/8 X 2 |
| 32 | 1 | 483022 | 1.375 X 2.125 X .134 MACH WASH |
| 33 | 2 | 910012 | 3/4UNC HEX NUT |
| 34 | 1 | 920006 | 3/4 SAE FLAT WASHER |



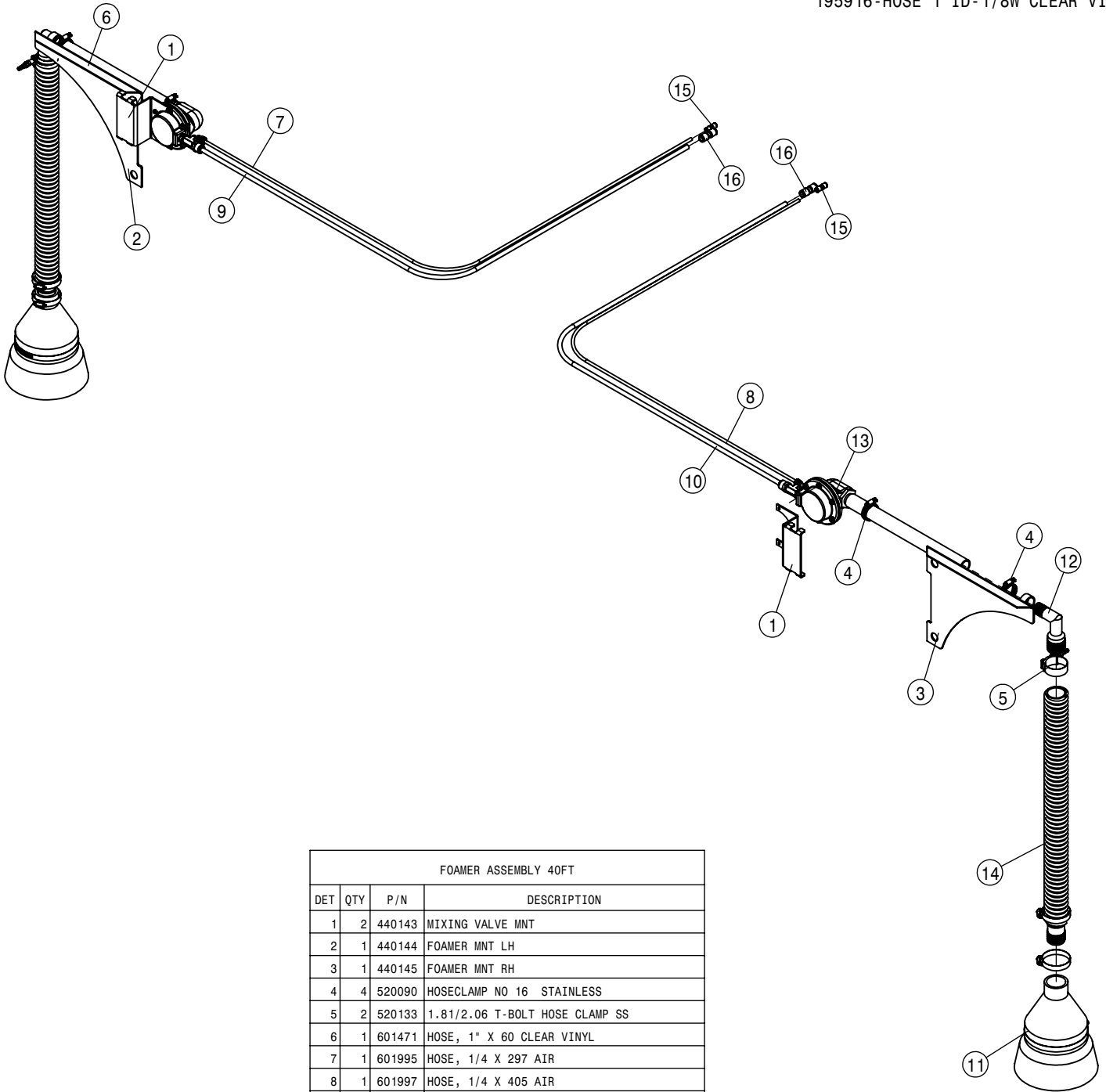
| GAUGE WHEEL ASSEMBLY 30-40 FT | | | |
|-------------------------------|-----|---------|-----------------------------------|
| DET | QTY | P/N | DESCRIPTION |
| 1 | 2 | 439848 | OTR GAUGE WHL KEEPER NTB '12 |
| 2 | 1 | 440123 | 30-40 GAUGE WHL WDMNT |
| 3 | 1 | 440127 | GAUGE WHL MNT ASSY |
| 4 | 2 | 470007 | COTTER PIN 1/8 X 2 |
| 5 | 2 | 470155 | 1 X 4 CLEVIS PIN |
| 6 | 2 | 470235 | 1/8 #11 HAIR PIN |
| 7 | 4 | 472029 | 3/8UNC SERR FLANGE NUT SS |
| 8 | 1 | 472039 | 3/8UNC-4.00ID-5.25 U-BOLT SQ |
| 9 | 4 | 473869 | 3/8UNC X 1 1/2 SER FLANGE BOLT SS |
| 10 | 1 | 629778 | 100MM X 50MM END CAP |
| 11 | 1 | 820163 | 10 X 6, 5 ON 5.5 RIM NO OFSET |
| 12 | 1 | 820164 | 20.5 X 8.0 - 10 TIRE |
| 13 | 1 | 821252 | VALVE STEM, TR-618A, STAINLESS |
| NS | 5 | 824052 | 1/2UNF 60 DEG WHL NUT |
| 15 | 1 | 825046 | GREASE ZERK FOR 825042 |
| 16 | 5 | 825047 | 1/2-20 WHL BOLT FOR 825042 |
| 17 | 1 | 825048 | HUB, 5-BOLT FOR 825042 |
| 18 | 1 | 825049 | OUTER BEARING CUP FOR 825042 |
| 19 | 1 | 825050 | INNER BRG CONE FOR 825042 |
| 20 | 1 | 825051 | OUTER BEARING CUP FOR 825042 |
| 21 | 1 | 825052 | INNER BEARING CONE FOR 825042 |
| 22 | 1 | 825053 | GRASS WRAP GUARD FOR 825043 |
| 23 | 1 | 825055 | V-SEAL FOR 825043 |
| 24 | 1 | 825056 | GRASS WRAP GUARD FOR 824044 |
| 25 | 1 | 825058 | V-SEAL FOR 825044 |
| 26 | 1 | 825062 | SPACER 30-40' NTB |
| 27 | 1 | 825063 | SPINDLE 30-40' NTB |
| 28 | 2 | 914018 | 1"-14 SLOTTED HEX NUT SS |
| 29 | 4 | 920008N | 1" SAE FLAT WASHER |

BULK HOSE
 195906-1/40D AIR BRAKE TUBING
 195915-3/80D AIR BRAKE TUBING
 195916-HOSE 1"ID-1/8W CLEAR VINYL

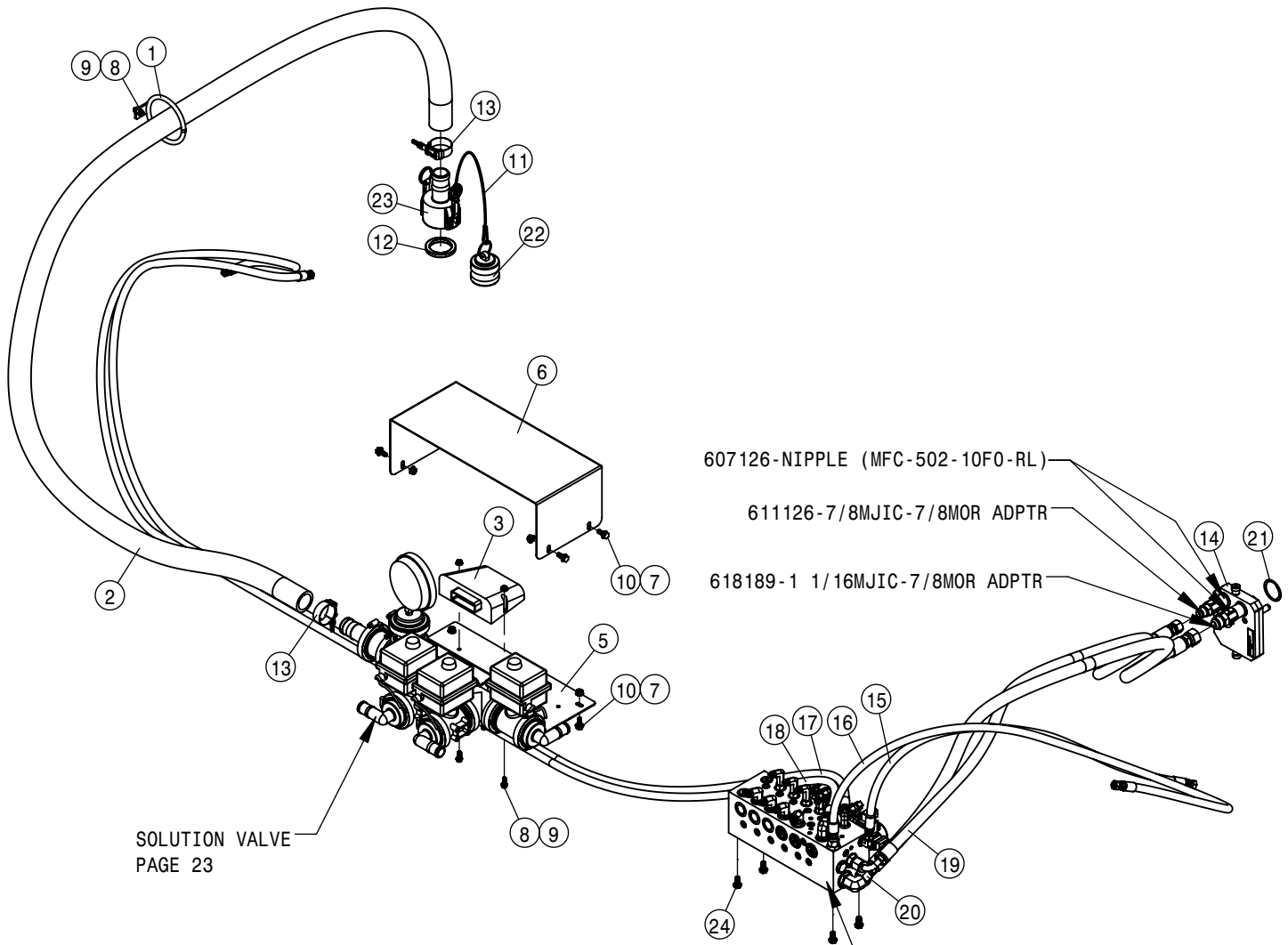


| FOAMER ASSEMBLY 30FT | | | |
|----------------------|-----|--------|--------------------------------|
| DET | QTY | P/N | DESCRIPTION |
| 1 | 2 | 440143 | MIXING VALVE MNT |
| 2 | 1 | 440144 | FOAMER MNT LH |
| 3 | 1 | 440145 | FOAMER MNT RH |
| 4 | 4 | 520090 | HOSECLAMP NO 16 STAINLESS |
| 5 | 2 | 520133 | 1.81/2.06 T-BOLT HOSE CLAMP SS |
| 6 | 1 | 601471 | HOSE, 1" X 60 CLEAR VINYL |
| 7 | 1 | 601979 | HOSE, 1/4 X 237 AIR |
| 8 | 1 | 601980 | HOSE, 1/4 X 345 AIR |
| 9 | 1 | 601993 | HOSE, 3/8 X 237 |
| 10 | 1 | 601994 | HOSE, 3/8 X 345 AIR |
| 11 | 2 | 701290 | 1 1/2" COLLECTOR DEFLECTOR |
| 12 | 2 | 701291 | 1" X 1.5" BOOM END ELBOW |
| 13 | 2 | 701298 | RICHWAY FOAMHEAD ASSEMBLY |
| 14 | 2 | 701334 | 2' DROP HOSE 1 1/2" |
| 15 | 2 | 711054 | 1/4 NYL TUBE UNION, STRAIGHT |
| 16 | 2 | 711055 | 3/8 NYL TUBE UNION, STRAIGHT |

BULK HOSE
 195906-1/40D AIR BRAKE TUBING
 195915-3/80D AIR BRAKE TUBING
 195916-HOSE 1"ID-1/8W CLEAR VINYL



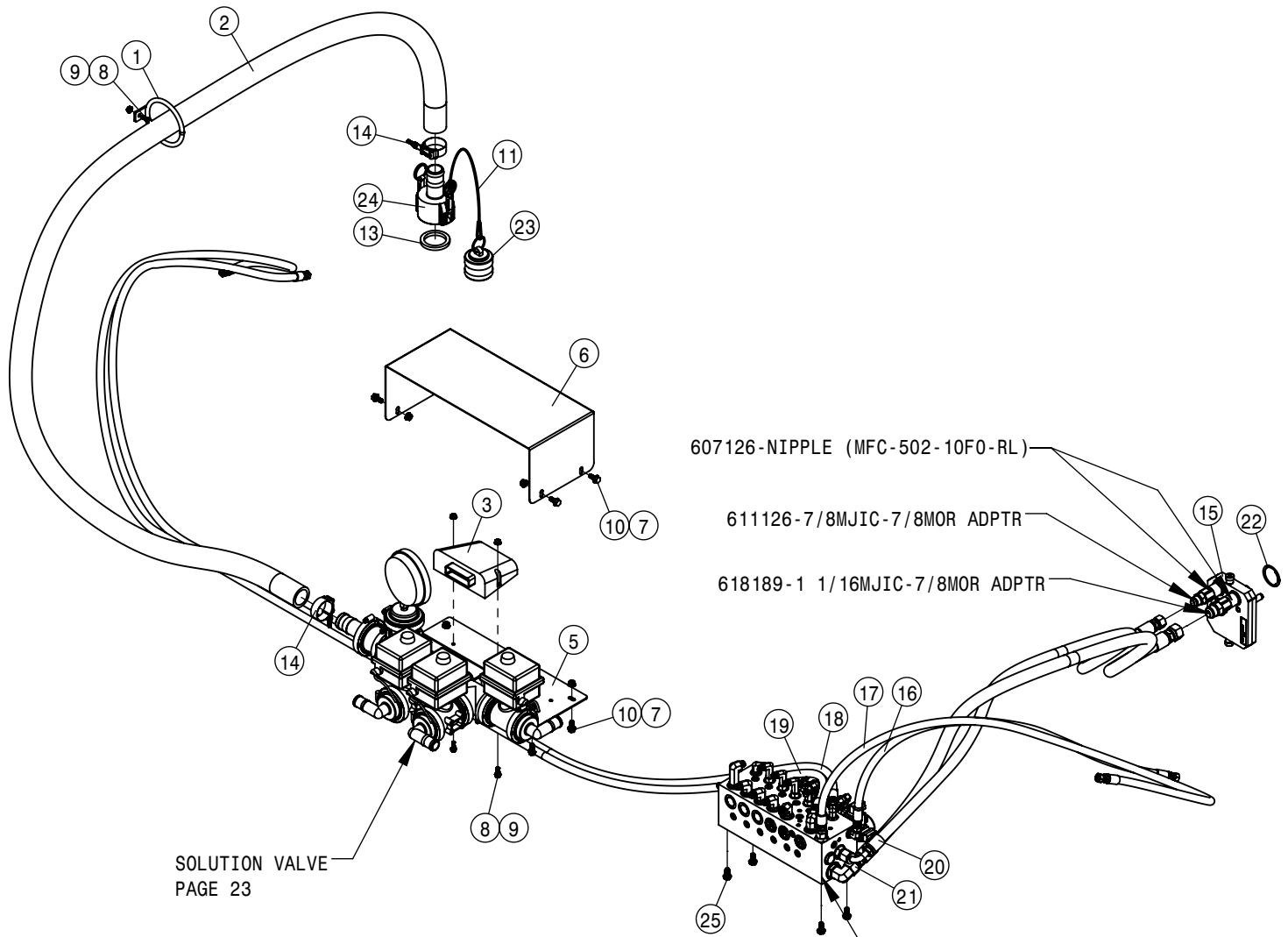
| FOAMER ASSEMBLY 40FT | | | |
|----------------------|-----|--------|--------------------------------|
| DET | QTY | P/N | DESCRIPTION |
| 1 | 2 | 440143 | MIXING VALVE MNT |
| 2 | 1 | 440144 | FOAMER MNT LH |
| 3 | 1 | 440145 | FOAMER MNT RH |
| 4 | 4 | 520090 | HOSECLAMP NO 16 STAINLESS |
| 5 | 2 | 520133 | 1.81/2.06 T-BOLT HOSE CLAMP SS |
| 6 | 1 | 601471 | HOSE, 1" X 60 CLEAR VINYL |
| 7 | 1 | 601995 | HOSE, 1/4 X 297 AIR |
| 8 | 1 | 601997 | HOSE, 1/4 X 405 AIR |
| 9 | 1 | 602001 | HOSE, 3/8 X 297 AIR |
| 10 | 1 | 602002 | HOSE, 3/8 X 405 AIR |
| 11 | 2 | 701290 | 1 1/2" COLLECTOR DEFLECTOR |
| 12 | 2 | 701291 | 1" X 1.5" BOOM END ELBOW |
| 13 | 2 | 701298 | RICHWAY FOAMHEAD ASSEMBLY |
| 14 | 2 | 701334 | 2' DROP HOSE 1 1/2" |
| 15 | 2 | 711054 | 1/4 NYL TUBE UNION, STRAIGHT |
| 16 | 2 | 711055 | 3/8 NYL TUBE UNION, STRAIGHT |



SOLUTION VALVE
PAGE 23

HYDRAULIC VALVE
PAGE 24

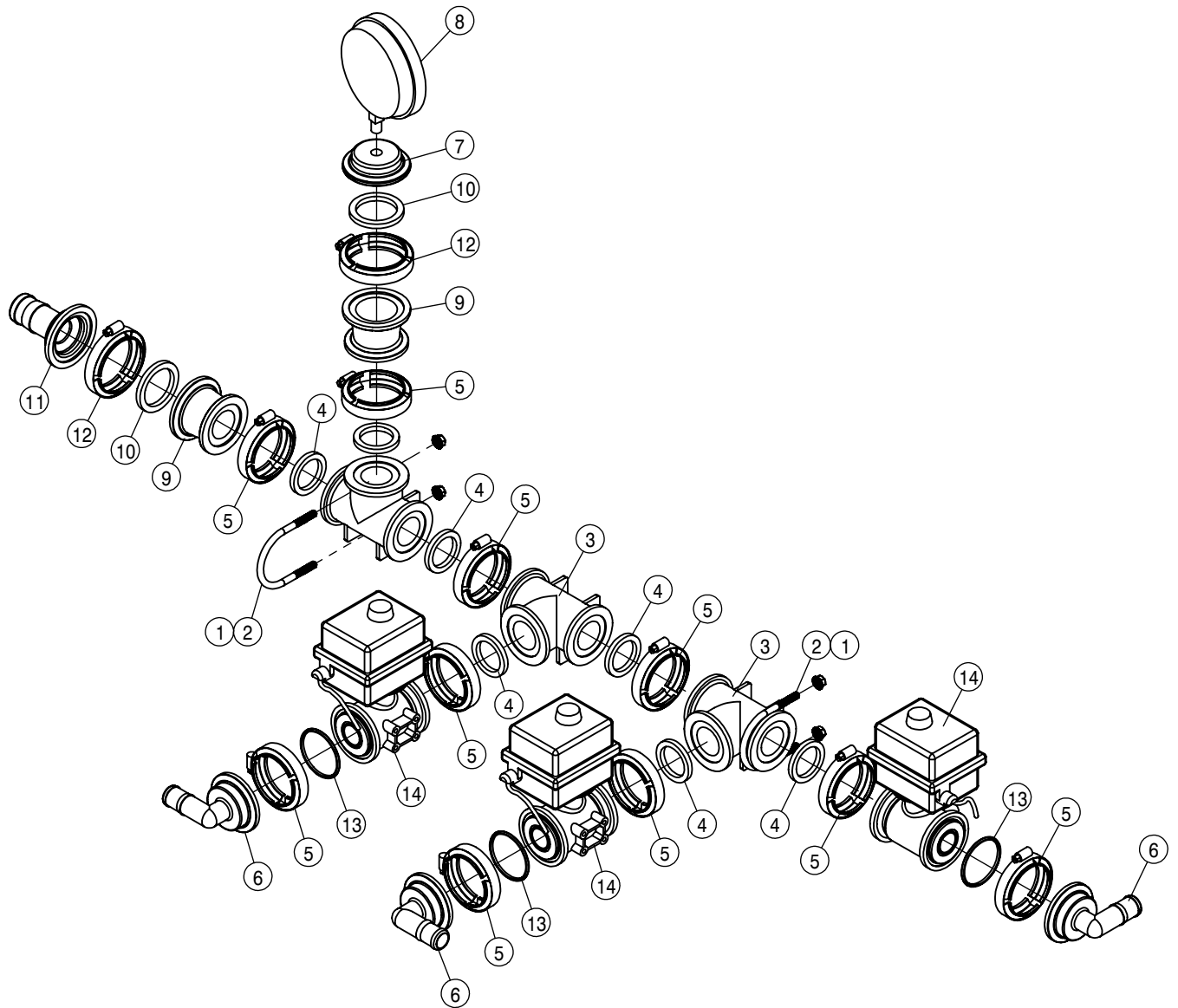
| 30 FT CONNECTION KIT ASSEMBLY | | | |
|-------------------------------|-----|------------|--------------------------------------|
| DET | QTY | P/N | DESCRIPTION |
| 1 | 1 | 165954 | HOSE RING WLD |
| 2 | 1 | 197124-110 | HOSE 1 1/2 2-FBR BR BLK EPDM |
| 3 | 1 | 292015 | IQAN-MC2 MODULE |
| NS | 1 | 294292 | 30-40 NTB HARNESS |
| 5 | 1 | 439194 | ELECT CTRL MT PANEL, NTB 05 |
| 6 | 1 | 439195 | ELECT CTRL BOX COVER, NTB 05 |
| 7 | 8 | 470113 | 5/16UNC SERR FLG LOCK NUT |
| 8 | 3 | 470118 | 1/4 UNC X 3/4 SER FLG BOLT |
| 9 | 3 | 470121 | 1/4 UNC SERR FLG LOCK NUT |
| 10 | 8 | 470233 | 5/16UNC X 3/4 SERR FLG HEX BOLT |
| 11 | 1 | 470322 | LANYARD 8" NYLON LOOP/LOOP |
| 12 | 1 | 500231 | 2"FP FLANGE GASKET,EXTRA THICK |
| 13 | 2 | 520133 | 1.81/2.06 T-BOLT HOSE CLAMP SS |
| 14 | 1 | 607114 | MOBILE HALF COUPLER ASSY, 0502 |
| 15 | 1 | 617392 | 06-451TC-06FJX-06FJX-47 H/A |
| 16 | 1 | 617393 | 06-451TC-08FJX-06FJX-67 H/A |
| 17 | 1 | 617394 | 06-451TC-06FJX-06FJX-140 H/A |
| 18 | 1 | 617395 | 06-451TC-08FJX-06FJX-153 H/A |
| 19 | 1 | 617396 | 10-451TC-10FJX90-10FJX-67 H/A |
| 20 | 1 | 617397 | 12-451TC-12FJX-12FJX-70 H/A |
| 21 | 1 | 629546 | SNAP RING, 1.637 EXTERNAL |
| 22 | 1 | 690392 | PLUG FOR 2.00 FEMALE COUPLER |
| 23 | 1 | 696243 | 2" FEMALE CAM CPLR - 1 1/2" HOSE BRB |
| 24 | 4 | 900128 | 3/8UNC X 3/4 HEX BOLT |



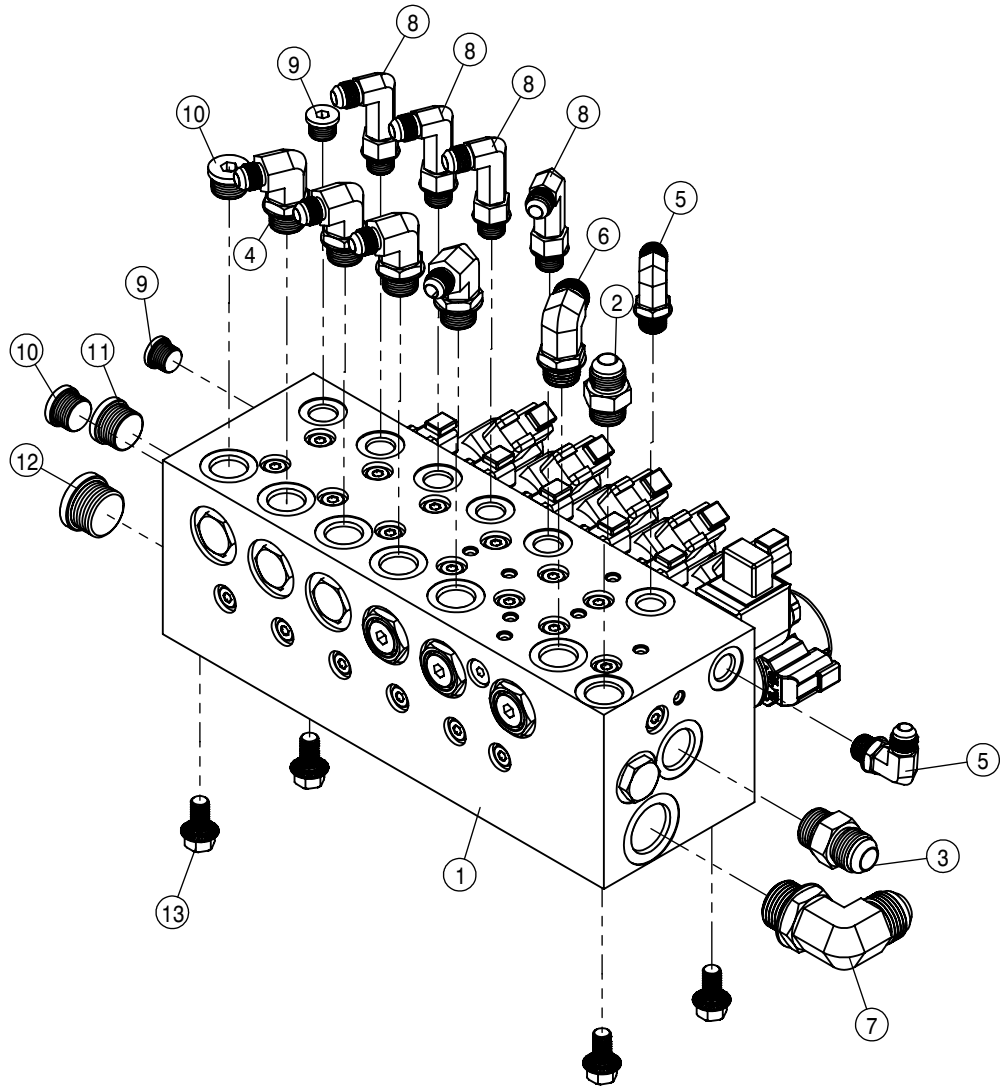
SOLUTION VALVE
PAGE 23

HYDRAULIC VALVE
PAGE 25

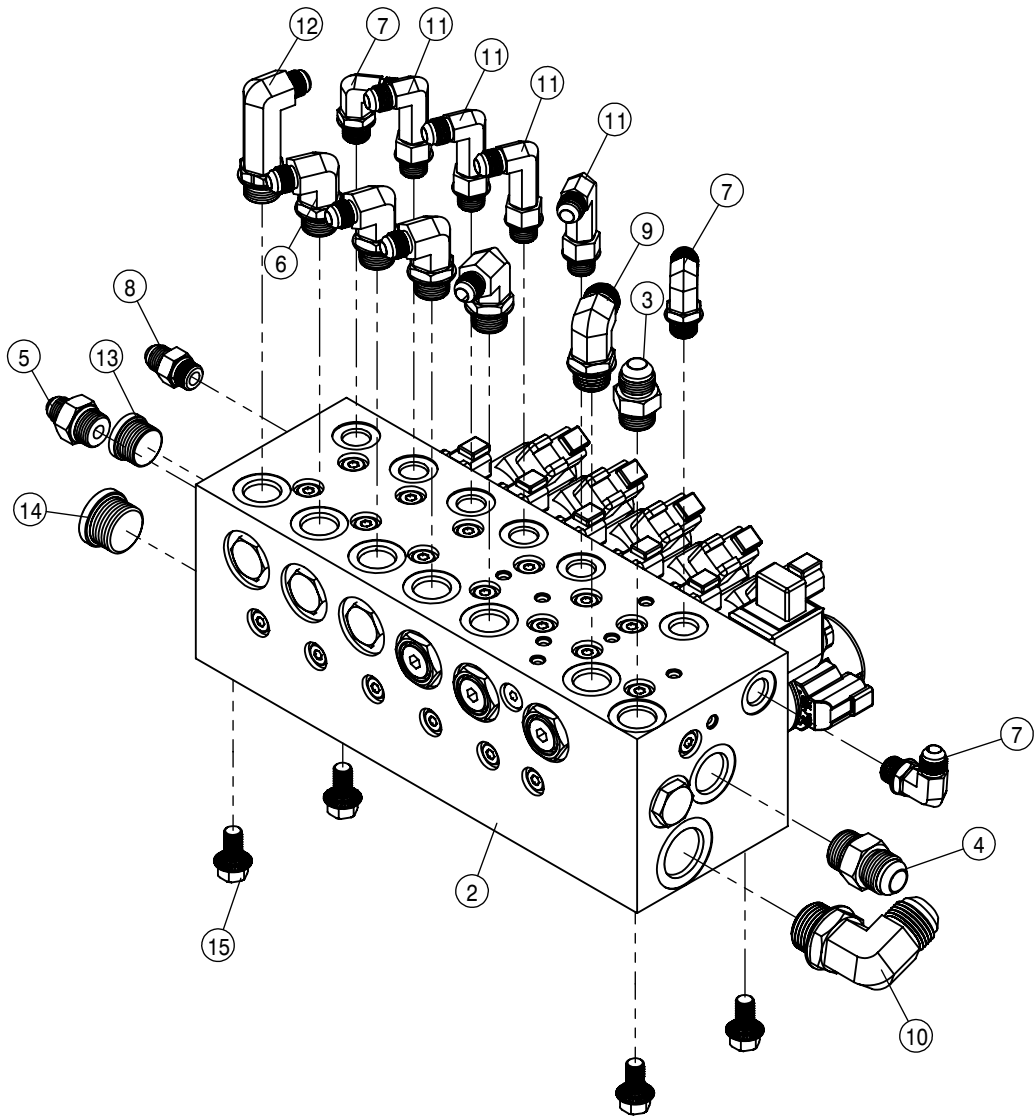
| 40 FT CONNECTION KIT ASSEMBLY | | | |
|-------------------------------|-----|------------|--------------------------------------|
| DET | QTY | P/N | DESCRIPTION |
| 1 | 1 | 165954 | HOSE RING WLD |
| 2 | 1 | 197124-110 | HOSE 1 1/2 2-FBR BR BLK EPDM |
| 3 | 1 | 292015 | IQAN-MC2 MODULE |
| NS | 1 | 294292 | 30-40 NTB HARNESS |
| 5 | 1 | 439194 | ELECT CTRL MT PANEL, NTB 05 |
| 6 | 1 | 439195 | ELECT CTRL BOX COVER, NTB 05 |
| 7 | 8 | 470113 | 5/16UNC SERR FLG LOCK NUT |
| 8 | 3 | 470118 | 1/4 UNC X 3/4 SER FLG BOLT |
| 9 | 3 | 470121 | 1/4 UNC SERR FLG LOCK NUT |
| 10 | 8 | 470233 | 5/16UNC X 3/4 SERR FLG HEX BOLT |
| 11 | 1 | 470322 | LANYARD 8" NYLON LOOP/LOOP |
| NS | 1 | 499366 | STS NTB WIRING DIAGRAM 16 |
| 13 | 1 | 500231 | 2"FP FLANGE GASKET,EXTRA THICK |
| 14 | 2 | 520133 | 1.81/2.06 T-BOLT HOSE CLAMP SS |
| 15 | 1 | 607114 | MOBILE HALF COUPLER ASSY, 0502 |
| 16 | 1 | 617392 | 06-451TC-06FJX-06FJX-47 H/A |
| 17 | 1 | 617393 | 06-451TC-08FJX-06FJX-67 H/A |
| 18 | 1 | 617394 | 06-451TC-06FJX-06FJX-140 H/A |
| 19 | 1 | 617395 | 06-451TC-08FJX-06FJX-153 H/A |
| 20 | 1 | 617396 | 10-451TC-10FJX90-10FJX-67 H/A |
| 21 | 1 | 617397 | 12-451TC-12FJX-12FJX-70 H/A |
| 22 | 1 | 629546 | SNAP RING, 1.637 EXTERNAL |
| 23 | 1 | 690392 | PLUG FOR 2.00 FEMALE COUPLER |
| 24 | 1 | 696243 | 2" FEMALE CAM CPLR - 1 1/2" HOSE BRB |
| 25 | 4 | 900128 | 3/8UNC X 3/4 HEX BOLT |



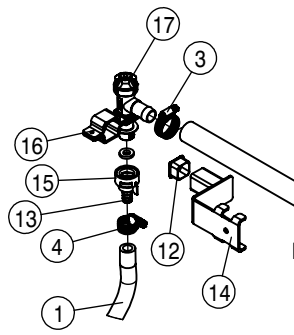
| SOLUTION CONTROL VALVE ASSEMBLY | | | |
|---------------------------------|-----|--------|------------------------------------|
| DET | QTY | P/N | DESCRIPTION |
| 1 | 5 | 470113 | 5/16UNC SERR FLG LOCK NUT |
| 2 | 2 | 472195 | 5/16UNC-2 11/16ID-3 9/16U-BOLT |
| 3 | 3 | 500151 | 2" FLANGE TEE, POLY |
| 4 | 7 | 500158 | 1 1/2" GASKET FOR 2" FLANGE |
| 5 | 10 | 500160 | 2" FLANGE CLAMP S.S. |
| 6 | 3 | 500189 | 2" FLANGE-90-1" HOSE BARB POLY |
| 7 | 1 | 500229 | 2"FP FLANGE PLUG,1/4FNPT POLY |
| 8 | 1 | 690359 | PRESSURE GA GLYCERI 100 PSI |
| 9 | 2 | 500199 | 2"FP FLANGE-2"FLAGE REDU POLY |
| 10 | 2 | 500195 | 2" FP FLANGE GASKET EPDM |
| 11 | 1 | 500230 | 2" FP FLANGE PLUG-1 1/2" HOSE BARB |
| 12 | 2 | 500194 | 2" FP FLANGE CLAMP S.S. |
| 13 | 3 | 696254 | O-RING, KZCO FLANGED VALVE |
| 14 | 3 | 696256 | VALVE, KZCO C2F-60B-M-S9 |



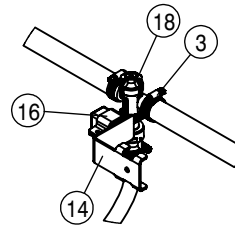
| 30 FT TOOLBAR CONTROL VALVE ASSEMBLY | | | |
|--------------------------------------|-----|---------|-------------------------------|
| DET | QTY | P/N | DESCRIPTION |
| 1 | 1 | 606402 | HYD VLV 6 SEC W/FLOAT |
| 2 | 1 | 611125 | 3/4MJIC-3/4MOR ADPTR |
| 3 | 1 | 611126 | 7/8MJIC-7/8MOR ADPTR |
| 4 | 4 | 618115 | 9/16MJIC-90-3/4MOR LBO |
| 5 | 2 | 618119 | 9/16MJIC-90-9/16MOR LBO |
| 6 | 1 | 618241 | 3/4MJIC-90-3/4MOR LBO |
| 7 | 1 | 618248 | 1 1/16MJIC-90-1 1/16MOR LBO |
| 8 | 4 | 618440 | 9/16MJIC-90-9/16MOR EX LG LBO |
| 9 | 2 | 618754 | 9/16 MOR PLUG, HEX SOCKET |
| 10 | 2 | 618755 | 3/4MOR PLUG, HEX SOCKET |
| 11 | 1 | 618756 | 7/8 MOR PLUG, HEX SOCKET |
| 12 | 1 | 618757 | 1 1/16MOR PLUG, HEX SOCKET |
| 13 | 4 | 900128N | 3/8UNC X 3/4 SER FLANGE BOLT |



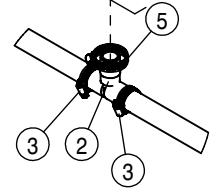
| 40 FT TOOLBAR CONTROL VALVE ASSEMBLY | | | |
|--------------------------------------|-----|---------|-------------------------------|
| DET | QTY | P/N | DESCRIPTION |
| 1 | 1 | 499194 | HYD SCHEM, NTB STS '16 |
| 2 | 1 | 606402 | HYD VLV 6 SEC W/FLOAT |
| 3 | 1 | 611125 | 3/4MJIC-3/4MOR ADPTR |
| 4 | 1 | 611126 | 7/8MJIC-7/8MOR ADPTR |
| 5 | 1 | 618109 | 9/16MJIC-3/4MOR ADPTR |
| 6 | 4 | 618115 | 9/16MJIC-90-3/4MOR LBO |
| 7 | 3 | 618119 | 9/16MJIC-90-9/16MOR LBO |
| 8 | 1 | 618126 | 9/16MJIC-9/16MOR ADPTR |
| 9 | 1 | 618241 | 3/4MJIC-90-3/4MOR LBO |
| 10 | 1 | 618248 | 1 1/16MJIC-90-1 1/16MOR LBO |
| 11 | 4 | 618440 | 9/16MJIC-90-9/16MOR EX LG LBO |
| 12 | 1 | 618709 | 9/16MJIC-90-3/4MOR EX LG LBO |
| 13 | 1 | 618756 | 7/8 MOR PLUG, HEX SOCKET |
| 14 | 1 | 618757 | 1 1/16MOR PLUG, HEX SOCKET |
| 15 | 4 | 900128N | 3/8UNC X 3/4 SER FLANGE BOLT |



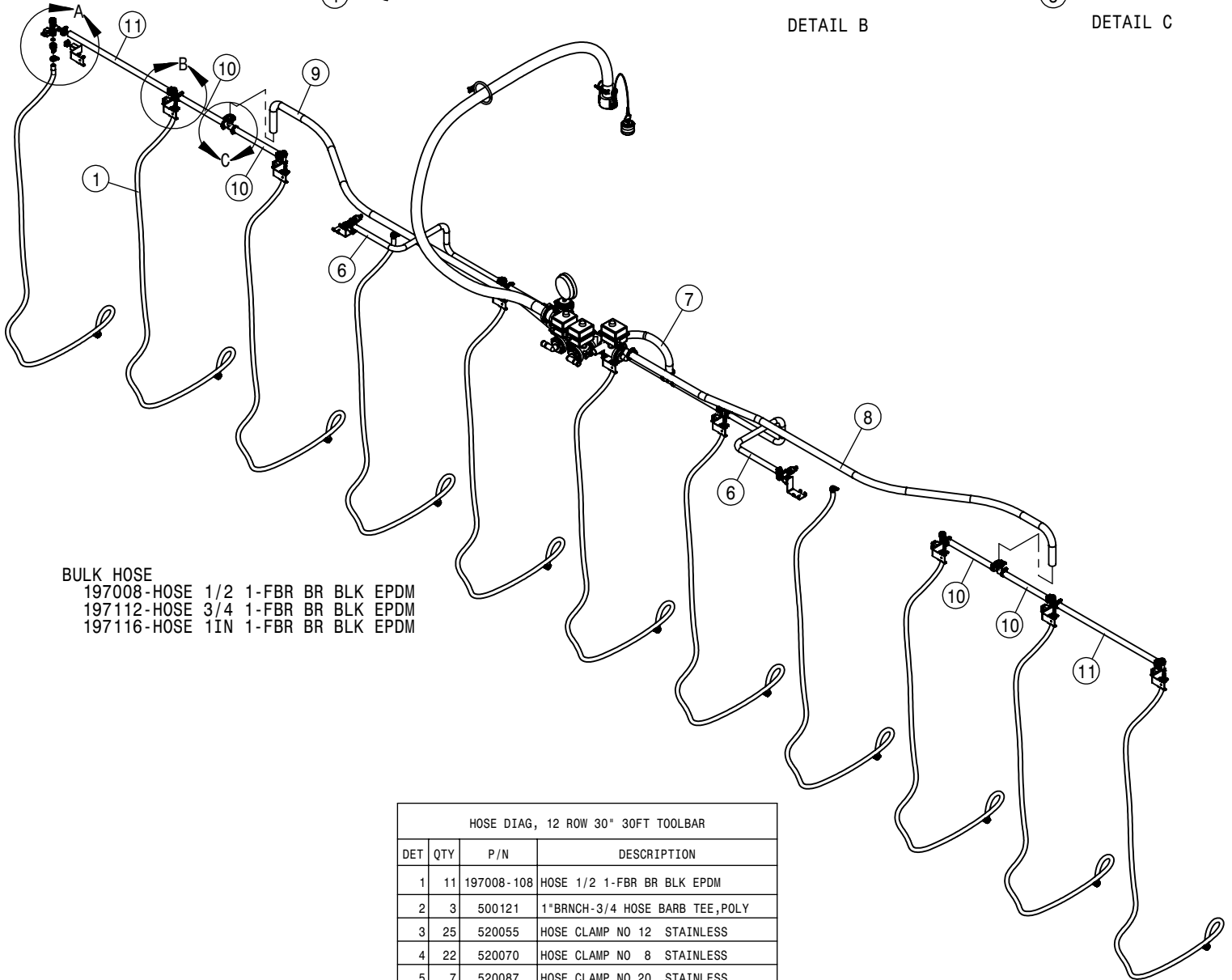
DETAIL A



DETAIL B

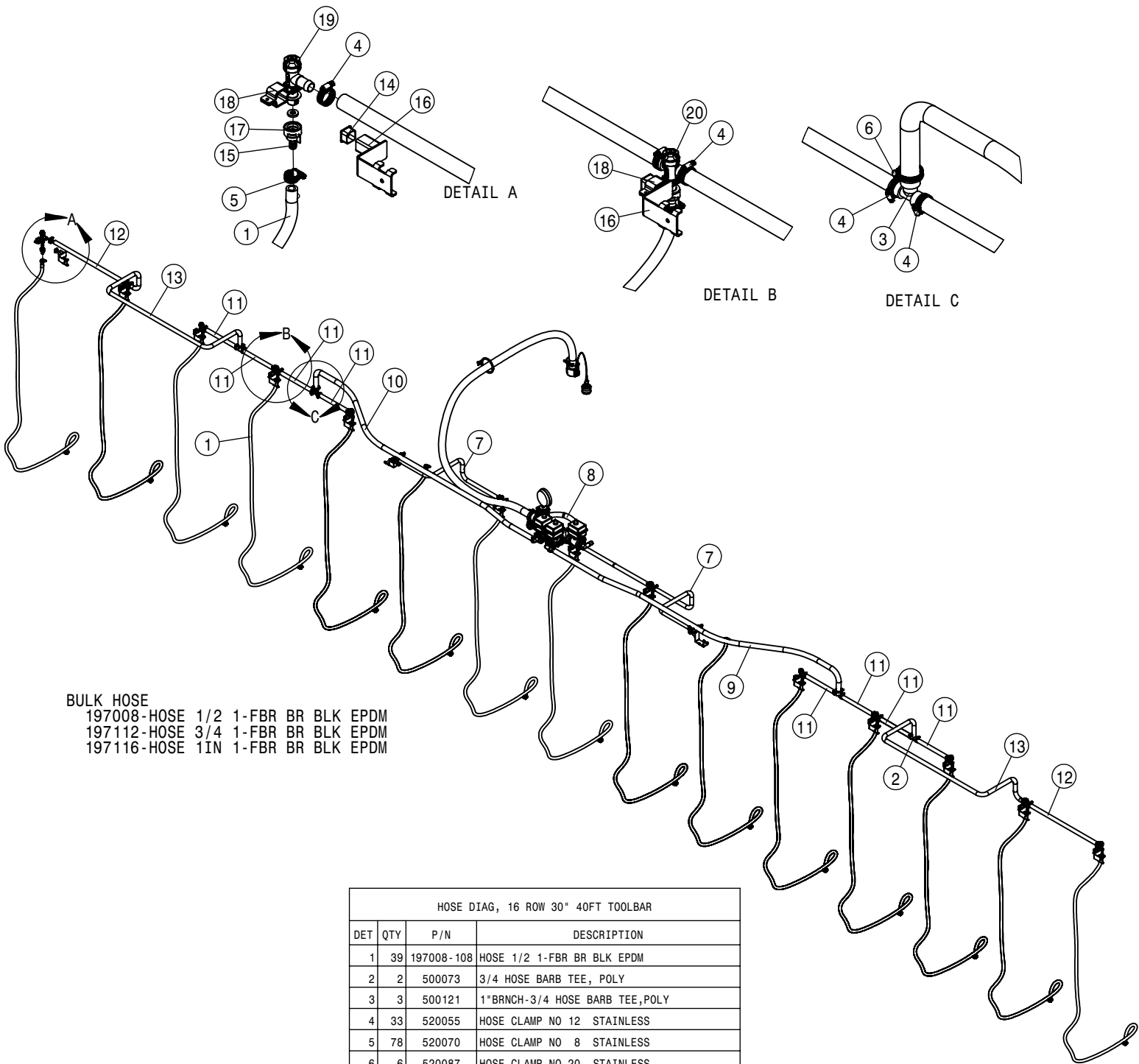


DETAIL C

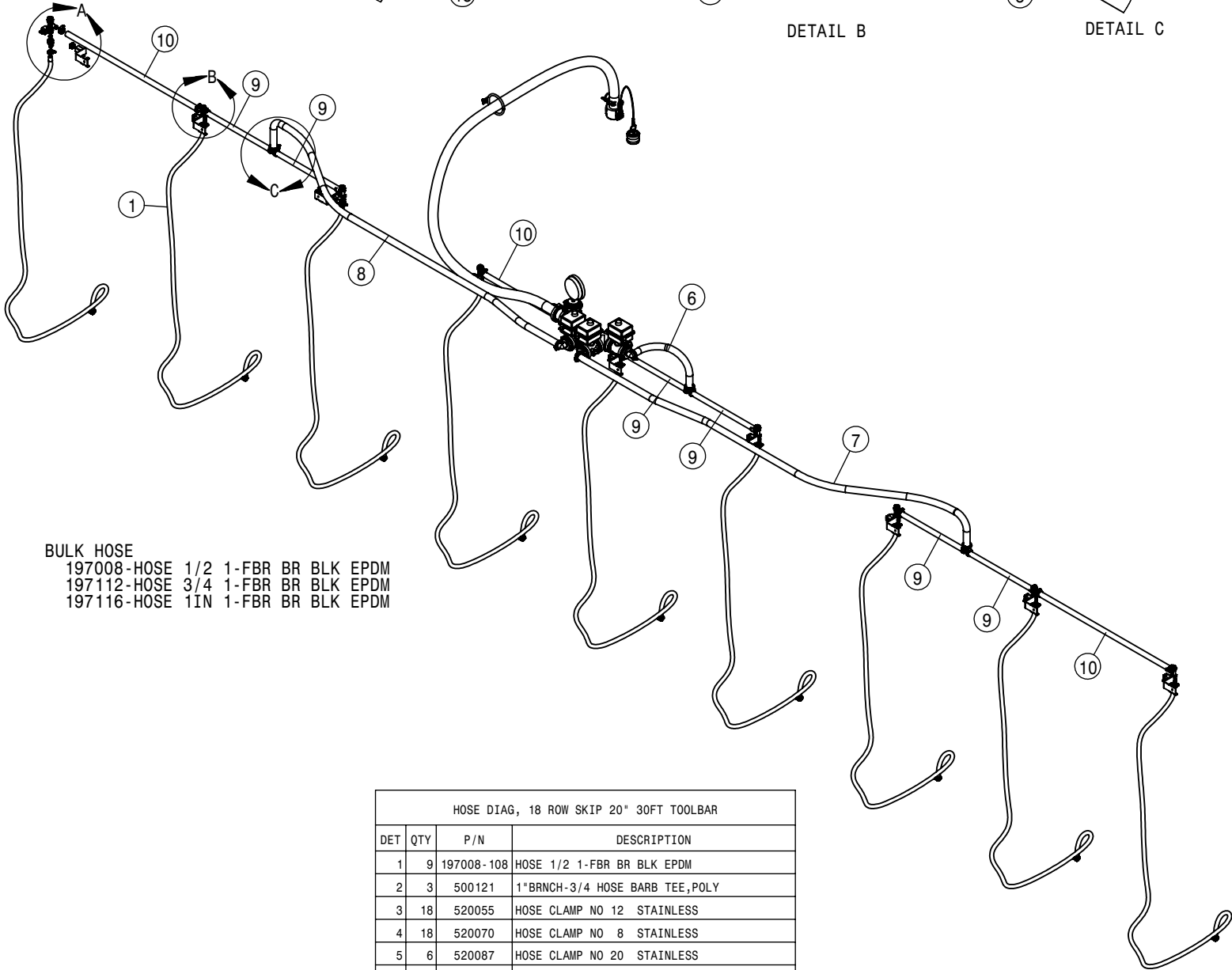
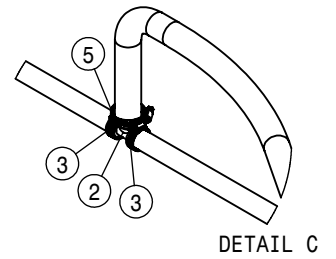
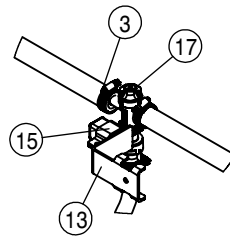
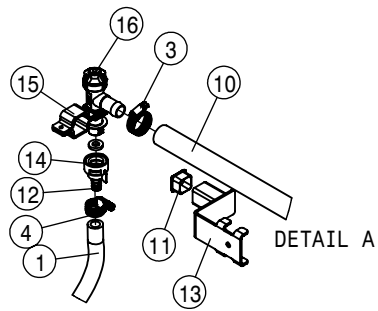


BULK HOSE
 197008-HOSE 1/2 1-FBR BR BLK EPDM
 197112-HOSE 3/4 1-FBR BR BLK EPDM
 197116-HOSE 1IN 1-FBR BR BLK EPDM

| HOSE DIAG, 12 ROW 30" 30FT TOOLBAR | | | |
|------------------------------------|-----|------------|--------------------------------|
| DET | QTY | P/N | DESCRIPTION |
| 1 | 11 | 197008-108 | HOSE 1/2 1-FBR BR BLK EPDM |
| 2 | 3 | 500121 | 1"BRNCH-3/4 HOSE BARB TEE,POLY |
| 3 | 25 | 520055 | HOSE CLAMP NO 12 STAINLESS |
| 4 | 22 | 520070 | HOSE CLAMP NO 8 STAINLESS |
| 5 | 7 | 520087 | HOSE CLAMP NO 20 STAINLESS |
| 6 | 2 | 601174 | HOSE, 3/4 X 60 1BR BLK EPDM |
| 7 | 1 | 601491 | HOSE, 1 X 30 1BR BLK EPDM |
| 8 | 1 | 601495 | HOSE, 1 X 110 1BR BLK EPDM |
| 9 | 1 | 601496 | HOSE, 1 X 120 1BR BLK EPDM |
| 10 | 6 | 601582 | HOSE, 3/4 X 14 1BR BLK EPDM |
| 11 | 3 | 601583 | HOSE, 3/4 X 28 1BR BLK EPDM |
| 12 | 11 | 629727 | FINISH PLUG 1" SQ 16 GA |
| 13 | 11 | 737791 | 1/2" TEEJET HOSE SHANK, NYLON |
| 14 | 11 | 439096 | TIP MT BRKT WLD, NTB STS 03 |
| 15 | 11 | 737790 | CAP SET,ROUND,RED QUICK TEEJET |
| 16 | 11 | 737817 | NOZZLE BRACKET |
| 17 | 6 | 737829 | QUICK TJET LBO,1-TIP BODY .75 |
| 18 | 5 | 737830 | QUICK TJET TEE,1-TIP BODY .75 |



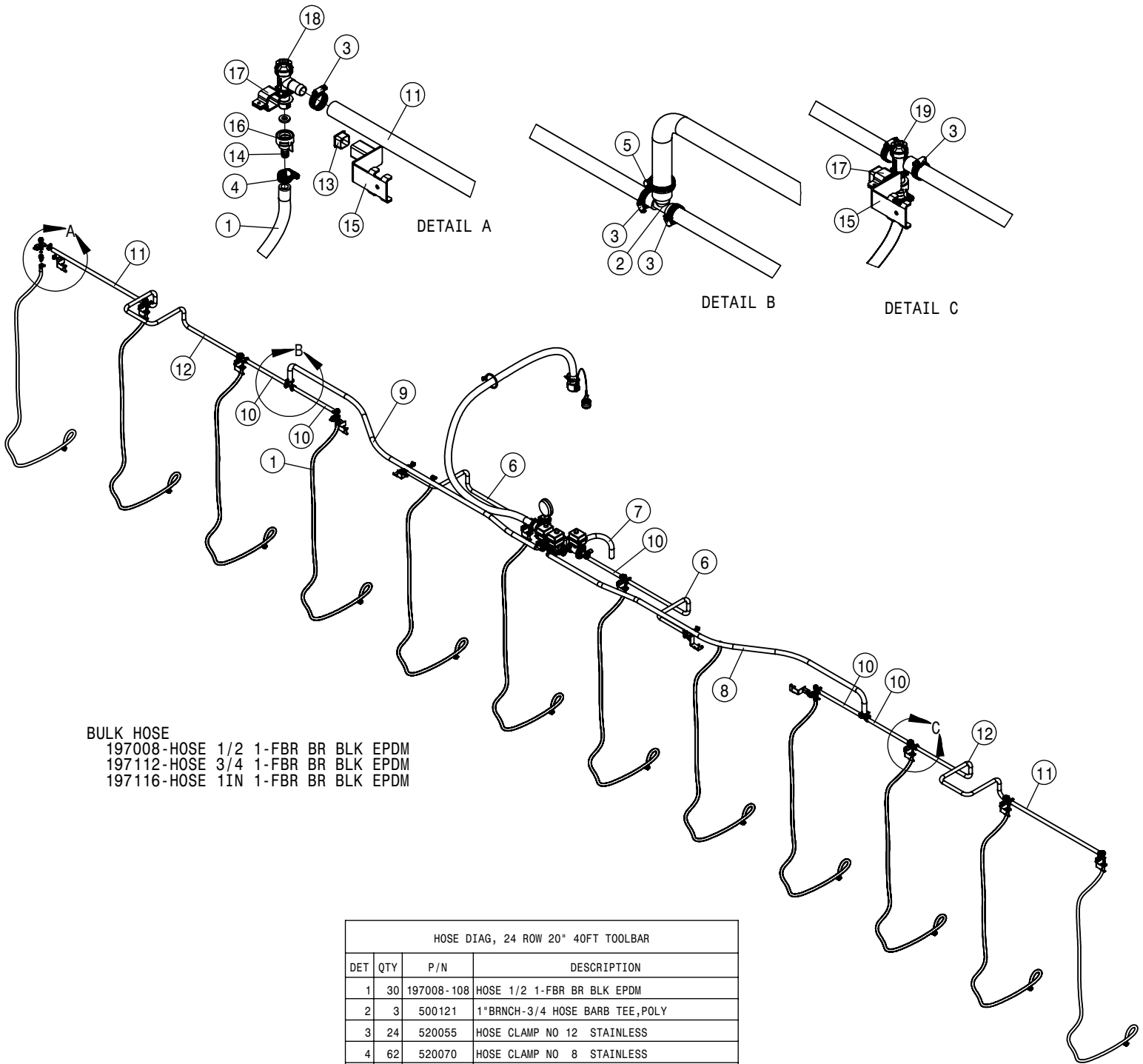
| HOSE DIAG, 16 ROW 30" 40FT TOOLBAR | | | |
|------------------------------------|-----|------------|--------------------------------|
| DET | QTY | P/N | DESCRIPTION |
| 1 | 39 | 197008-108 | HOSE 1/2 1-FBR BR BLK EPDM |
| 2 | 2 | 500073 | 3/4 HOSE BARB TEE, POLY |
| 3 | 3 | 500121 | 1"BRNCH-3/4 HOSE BARB TEE,POLY |
| 4 | 33 | 520055 | HOSE CLAMP NO 12 STAINLESS |
| 5 | 78 | 520070 | HOSE CLAMP NO 8 STAINLESS |
| 6 | 6 | 520087 | HOSE CLAMP NO 20 STAINLESS |
| 7 | 2 | 601174 | HOSE, 3/4 X 60 1BR BLK EPDM |
| 8 | 1 | 601491 | HOSE, 1 X 30 1BR BLK EPDM |
| 9 | 1 | 601495 | HOSE, 1 X 110 1BR BLK EPDM |
| 10 | 1 | 601496 | HOSE, 1 X 120 1BR BLK EPDM |
| 11 | 11 | 601582 | HOSE, 3/4 X 14 1BR BLK EPDM |
| 12 | 4 | 601583 | HOSE, 3/4 X 28 1BR BLK EPDM |
| 13 | 2 | 601794 | HOSE, 3/4 X 70 1BR BLK EPDM |
| 14 | 15 | 629727 | FINISH PLUG 1" SQ 16 GA |
| 15 | 15 | 737791 | 1/2" TEEJET HOSE SHANK, NYLON |
| 16 | 15 | 439096 | TIP MT BRKT WLD, NTB STS 03 |
| 17 | 15 | 737790 | CAP SET,ROUND,RED QUICK TEEJET |
| 18 | 15 | 737817 | NOZZLE BRACKET |
| 19 | 8 | 737829 | QUICK TJET LBO,1-TIP BODY .75 |
| 20 | 7 | 737830 | QUICK TJET TEE,1-TIP BODY .75 |



BULK HOSE

- 197008-HOSE 1/2 1-FBR BR BLK EPDM
- 197112-HOSE 3/4 1-FBR BR BLK EPDM
- 197116-HOSE 1IN 1-FBR BR BLK EPDM

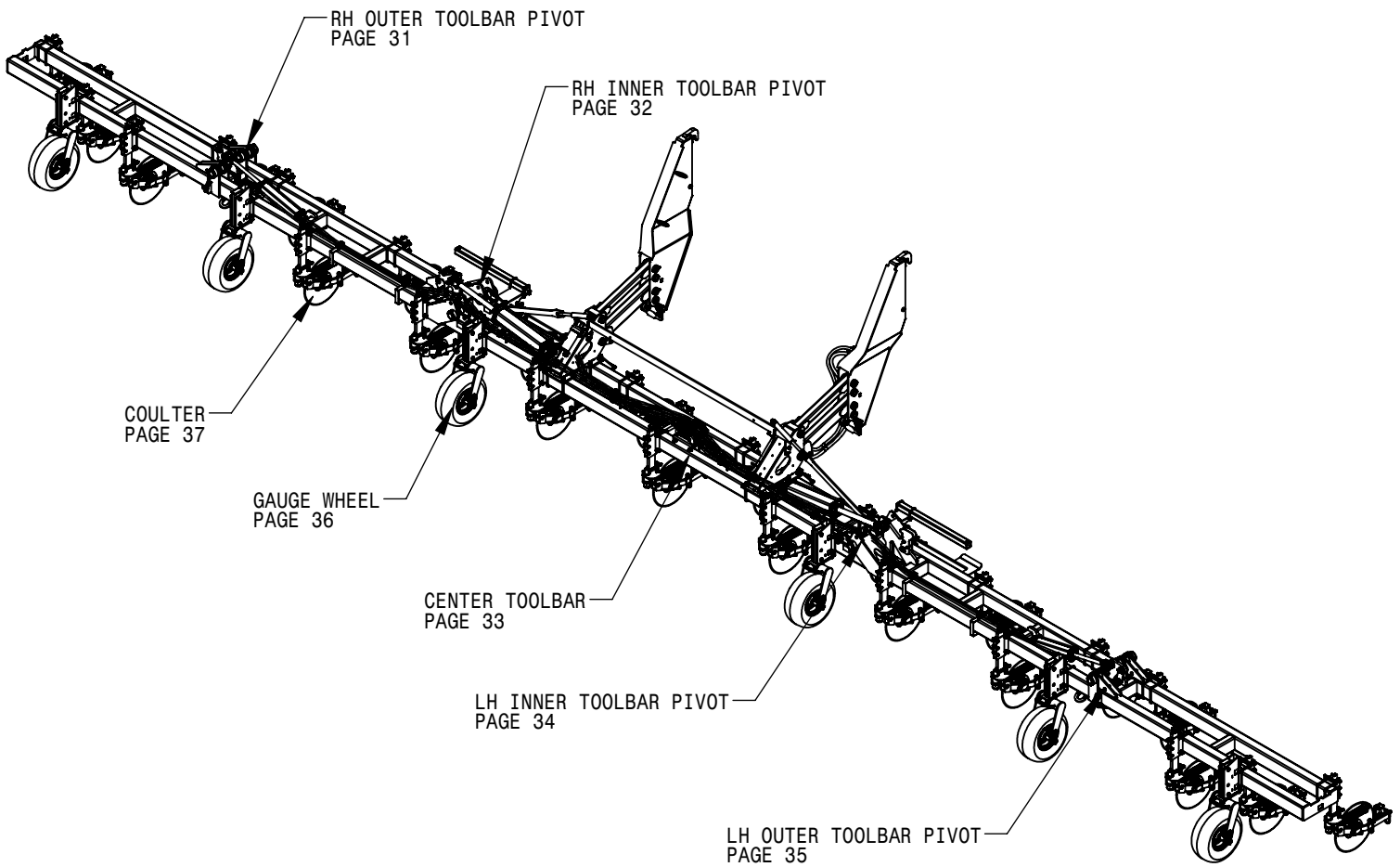
| HOSE DIAG, 18 ROW SKIP 20" 30FT TOOLBAR | | | | |
|-----------------------------------------|-----|------------|--------------------------------|--|
| DET | QTY | P/N | DESCRIPTION | |
| 1 | 9 | 197008-108 | HOSE 1/2 1-FBR BR BLK EPDM | |
| 2 | 3 | 500121 | 1"BRNCH-3/4 HOSE BARB TEE,POLY | |
| 3 | 18 | 520055 | HOSE CLAMP NO 12 STAINLESS | |
| 4 | 18 | 520070 | HOSE CLAMP NO 8 STAINLESS | |
| 5 | 6 | 520087 | HOSE CLAMP NO 20 STAINLESS | |
| 6 | 1 | 601491 | HOSE, 1 X 30 1BR BLK EPDM | |
| 7 | 1 | 601495 | HOSE, 1 X 110 1BR BLK EPDM | |
| 8 | 1 | 601496 | HOSE, 1 X 120 1BR BLK EPDM | |
| 9 | 6 | 601603 | HOSE, 3/4 X 19 1BR BLK EPDM | |
| 10 | 3 | 601605 | HOSE, 3/4 X 38 1BR BLK EPDM | |
| 11 | 9 | 629727 | FINISH PLUG 1" SQ 16 GA | |
| 12 | 9 | 737791 | 1/2" TEEJET HOSE SHANK, NYLON | |
| 13 | 9 | 439096 | TIP MT BRKT WLD, NTB STS 03 | |
| 14 | 9 | 737790 | CAP SET,ROUND,RED QUICK TEEJET | |
| 15 | 9 | 737817 | NOZZLE BRACKET | |
| 16 | 6 | 737829 | QUICK TJET LBO,1-TIP BODY .75 | |
| 17 | 3 | 737830 | QUICK TJET TEE,1-TIP BODY .75 | |

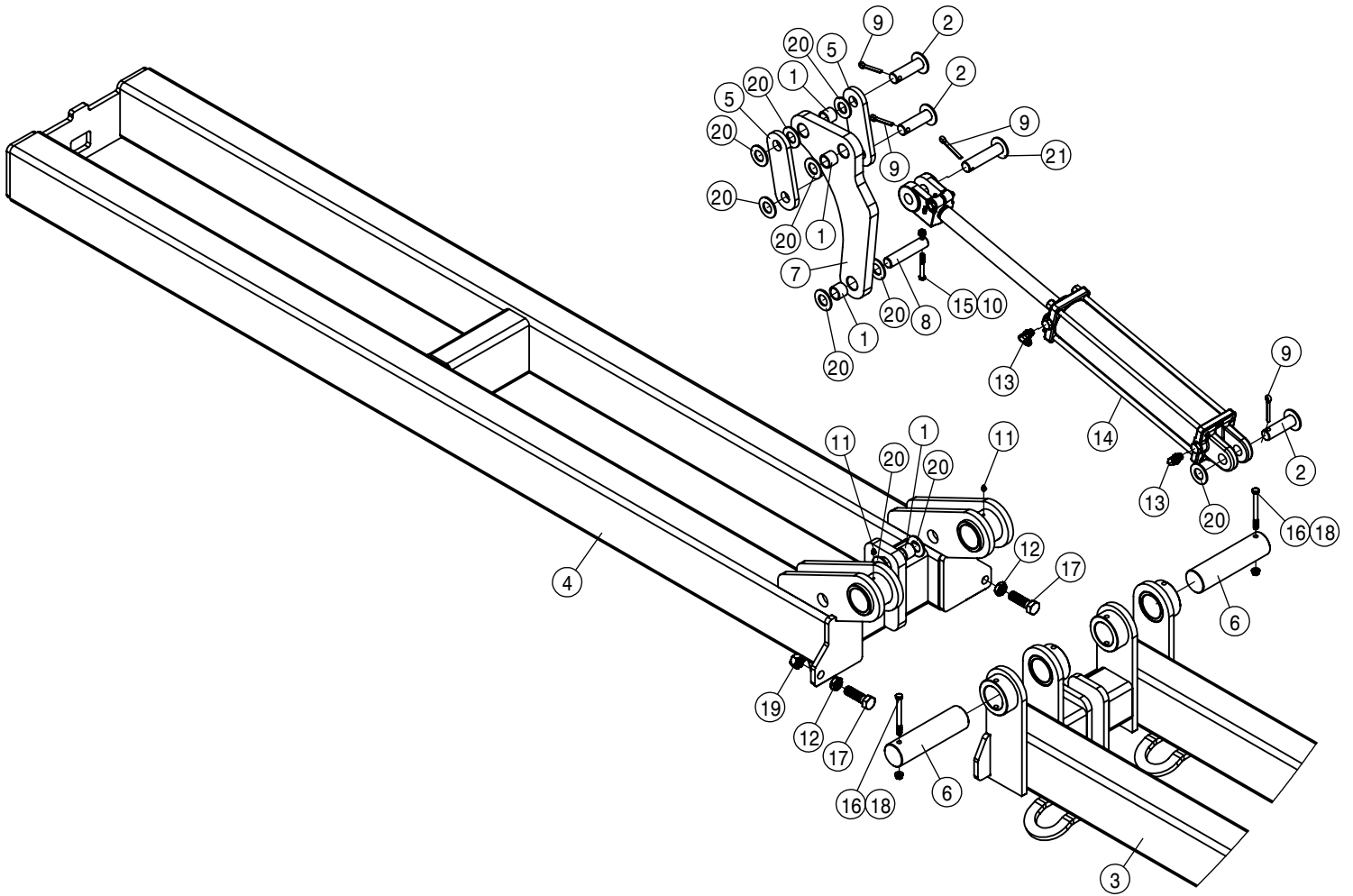


BULK HOSE
 197008-HOSE 1/2 1-FBR BR BLK EPDM
 197112-HOSE 3/4 1-FBR BR BLK EPDM
 197116-HOSE 1IN 1-FBR BR BLK EPDM

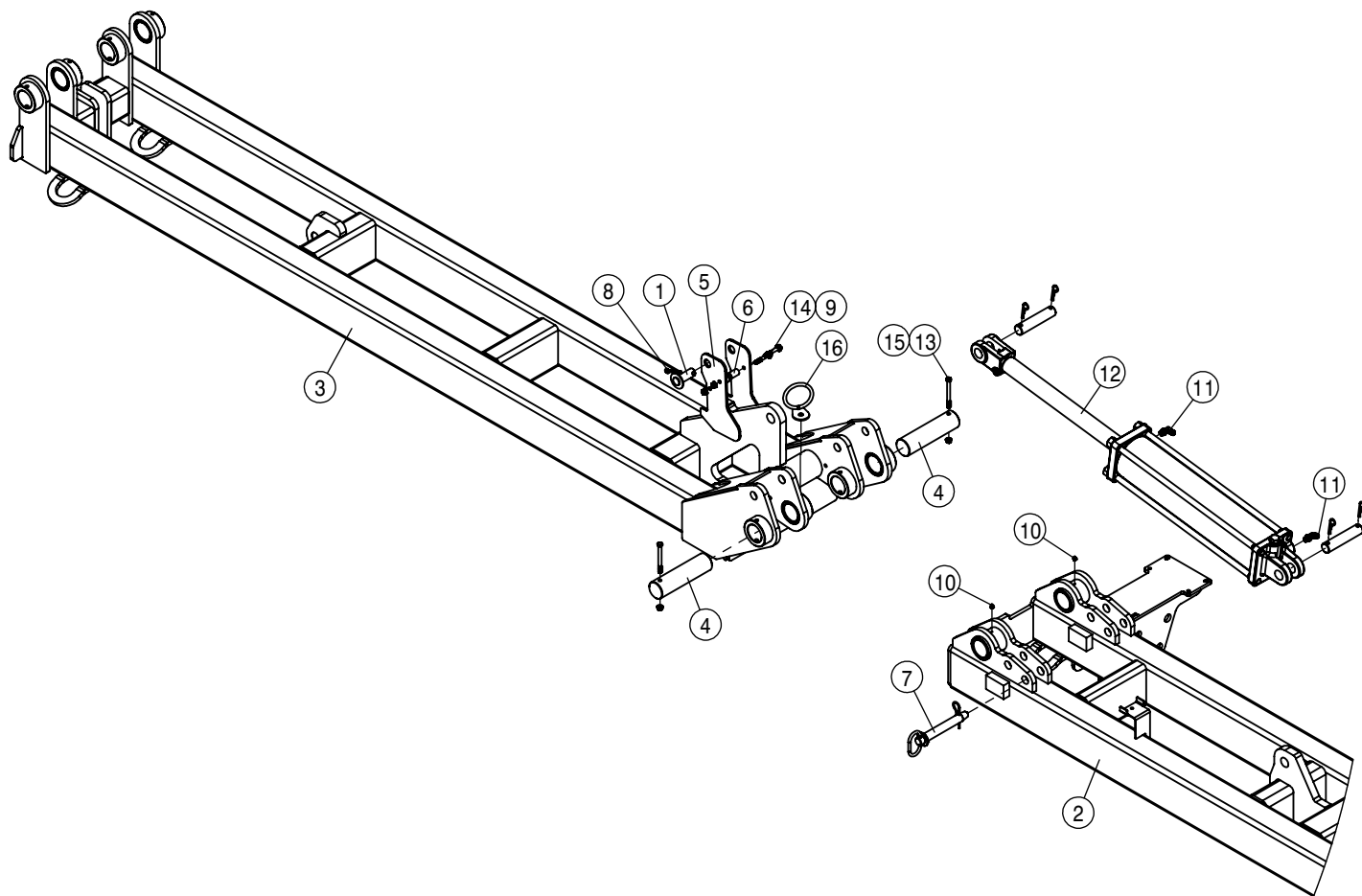
| HOSE DIAG, 24 ROW 20" 40FT TOOLBAR | | | |
|------------------------------------|-----|------------|--------------------------------|
| DET | QTY | P/N | DESCRIPTION |
| 1 | 30 | 197008-108 | HOSE 1/2 1-FBR BR BLK EPDM |
| 2 | 3 | 500121 | 1"BRNCH-3/4 HOSE BARB TEE,POLY |
| 3 | 24 | 520055 | HOSE CLAMP NO 12 STAINLESS |
| 4 | 62 | 520070 | HOSE CLAMP NO 8 STAINLESS |
| 5 | 6 | 520087 | HOSE CLAMP NO 20 STAINLESS |
| 6 | 2 | 601174 | HOSE, 3/4 X 60 1BR BLK EPDM |
| 7 | 1 | 601491 | HOSE, 1 X 30 1BR BLK EPDM |
| 8 | 1 | 601495 | HOSE, 1 X 110 1BR BLK EPDM |
| 9 | 1 | 601496 | HOSE, 1 X 120 1BR BLK EPDM |
| 10 | 6 | 601603 | HOSE, 3/4 X 19 1BR BLK EPDM |
| 11 | 2 | 601605 | HOSE, 3/4 X 38 1BR BLK EPDM |
| 12 | 2 | 601794 | HOSE, 3/4 X 70 1BR BLK EPDM |
| 13 | 12 | 629727 | FINISH PLUG 1" SQ 16 GA |
| 14 | 12 | 737791 | 1/2" TEEJET HOSE SHANK, NYLON |
| 15 | 12 | 439096 | TIP MT BRKT WLD, NTB STS 03 |
| 16 | 12 | 737790 | CAP SET,ROUND,RED QUICK TEEJET |
| 17 | 12 | 737817 | NOZZLE BRACKET |
| 18 | 6 | 737829 | QUICK TJET LBO,1-TIP BODY .75 |
| 19 | 6 | 737830 | QUICK TJET TEE,1-TIP BODY .75 |

60 FT TOOLBAR
24-ROW 30" SPACING

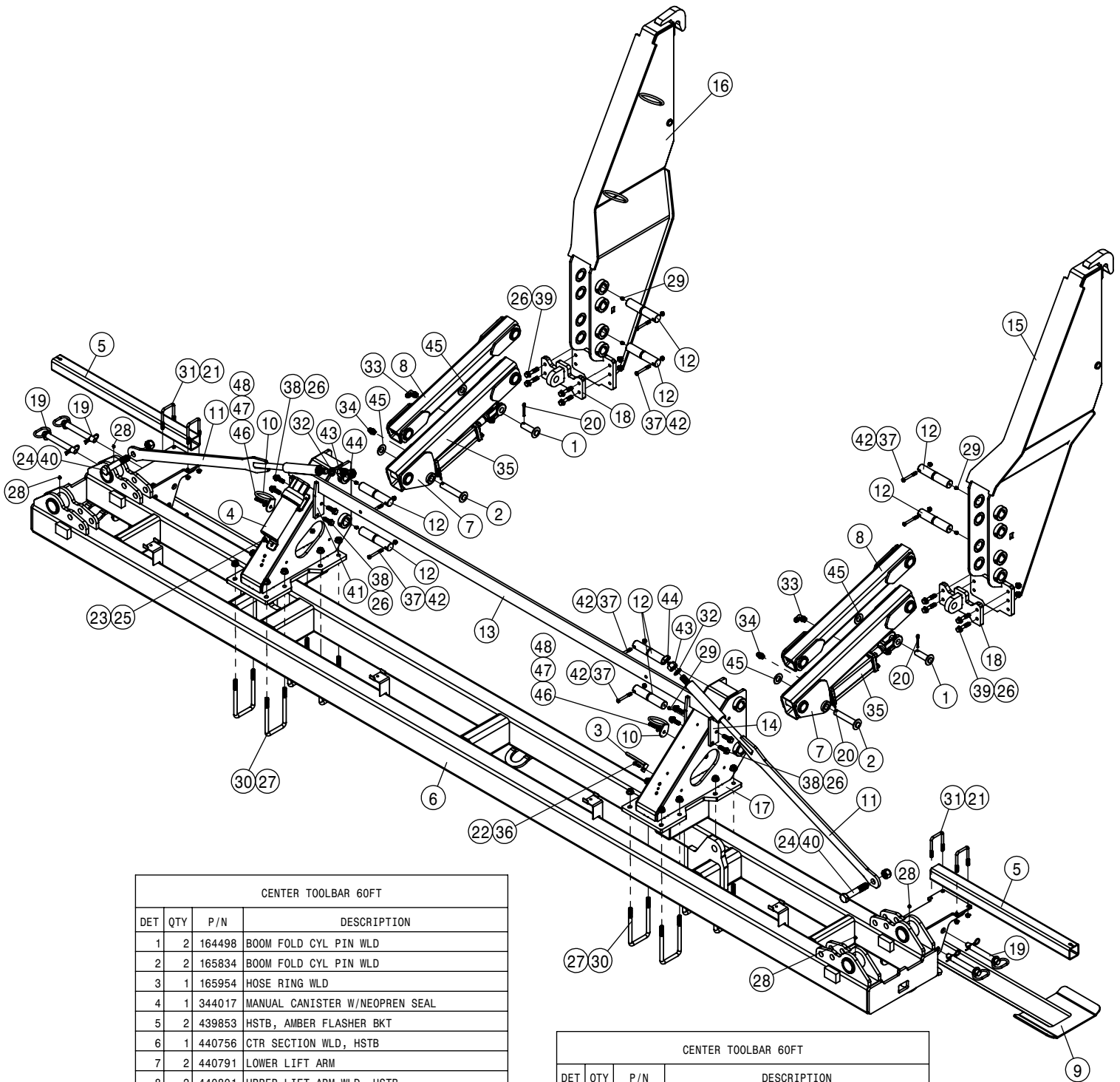




| RIGHT OUTER TOOLBAR PIVOT 60FT | | | |
|--------------------------------|-----|---------|-------------------------------------|
| DET | QTY | P/N | DESCRIPTION |
| 1 | 5 | 121126 | BEARING 1.00 x 1.25 x 1.00, POLYGON |
| 2 | 3 | 164498 | BOOM FOLD CYL PIN WLD |
| 3 | 1 | 440773 | INR WING WLD, HSTB '15 |
| 4 | 1 | 440790 | OUTER WING WLD, HSTB '15 |
| 5 | 2 | 440814 | OUTER FOLD LINK, HSTB '15 |
| 6 | 2 | 440815 | FOLD PIN, HSTB '15 |
| 7 | 1 | 440819 | INNER/OUTER FOLD LINK HSTB '15 |
| 8 | 1 | 440849 | FOLD CYL PIN, HSTB |
| 9 | 4 | 470012N | 5/16 X 2 COTTER PIN SS |
| 10 | 1 | 470570 | 5/16UNC HEX FLG CNTR LOCK NUT |
| 11 | 2 | 471005N | GREASE ZERK, 1/4-28 X 1/2 YZ |
| 12 | 2 | 472334 | 3/4UNC HEX JAM NUT |
| 13 | 2 | 618972 | 9/16MOR-90-9/16MJ .031 CHK VLV |
| 14 | 1 | 621038 | HYD CYL 3.50 X 16.00 X 1.375 |
| 15 | 1 | 900070 | 5/16UNC X 2 1/2 BOLT |
| 16 | 2 | 900140N | 3/8UNC X 4" HEX BOLT |
| 17 | 2 | 900404 | 3/4UNC X 2 1/2 HEX BOLT |
| 18 | 2 | 910004N | 3/8UNC FLANGE CNTR LOCK NUT |
| 19 | 2 | 910012N | 3/4UNC HEX NUT |
| 20 | 10 | 920008N | 1" SAE FLAT WASHER |
| 21 | 1 | A53623 | LEVEL CYL PIN WLD, TRANSOM END |

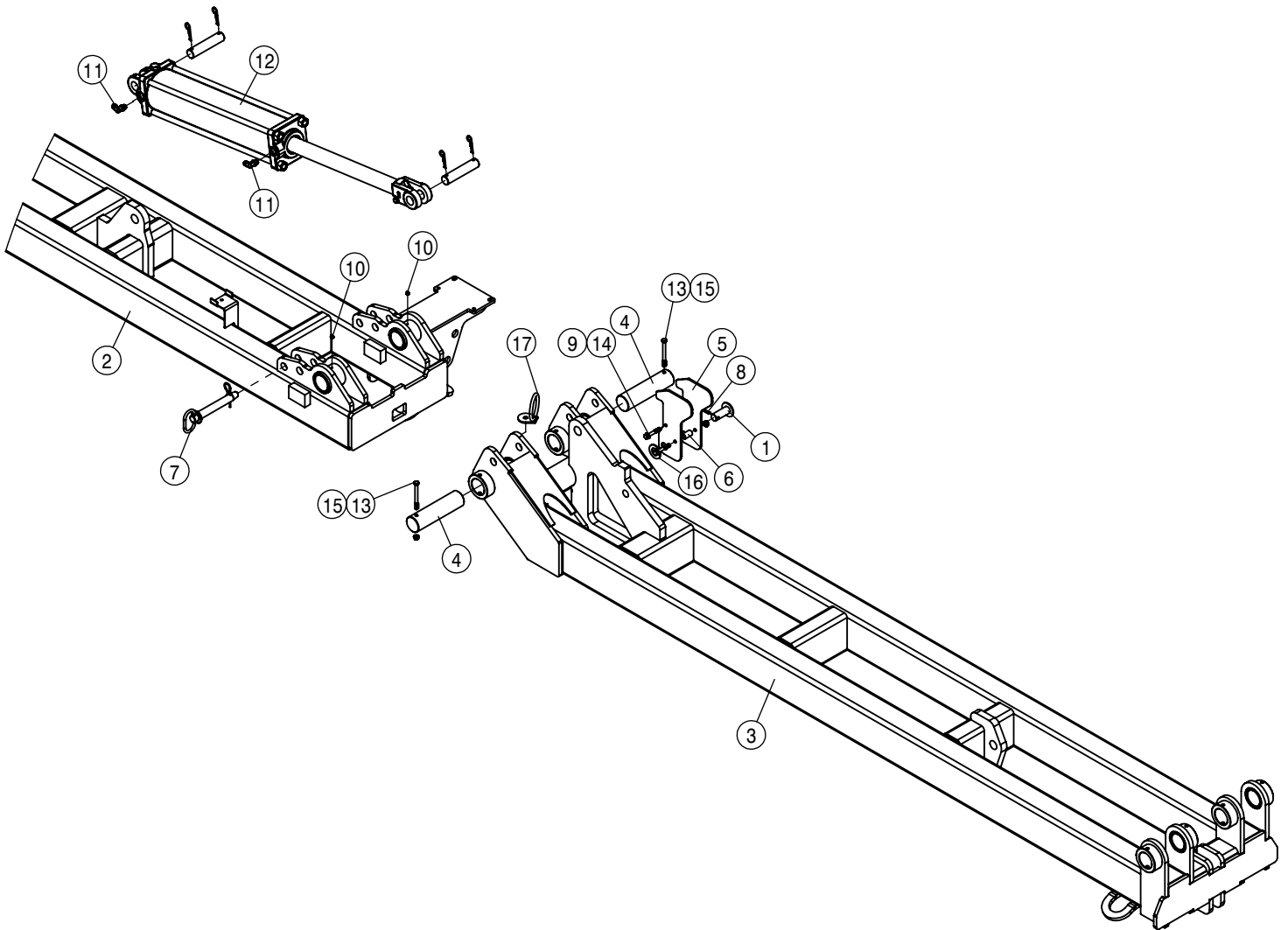


| RIGHT INNER TOOLBAR PIVOT 60FT | | | |
|--------------------------------|-----|---------|--------------------------------|
| DET | QTY | P/N | DESCRIPTION |
| 1 | 1 | 164524 | BOOMERANG CNTR PIVOT PIN WLD |
| 2 | 1 | 440756 | CTR SECTION WLD, HSTB |
| 3 | 1 | 440773 | INR WING WLD, HSTB '15 |
| 4 | 2 | 440815 | FOLD PIN, HSTB '15 |
| 5 | 2 | 440823 | WING LATCH, HSTB |
| 6 | 2 | 440824 | .750 OD X 11 GA X 1.25 TUBE |
| 7 | 1 | 440850 | HITCH PIN 1.00X6.00 WITH CLIP |
| 8 | 1 | 470012N | 5/16 X 2 COTTER PIN SS |
| 9 | 2 | 470087N | 3/8UNC HEX SERR FLG NUT YZ |
| 10 | 2 | 471005N | GREASE ZERK, 1/4-28 X 1/2 YZ |
| 11 | 2 | 618739 | 9/16MJIC-90-9/16MOR .065 CHK |
| 12 | 1 | 621039 | HYD CYL 5.00 X 20.00 X 2.00 |
| 13 | 2 | 900140N | 3/8UNC X 4" HEX BOLT |
| 14 | 2 | 900170N | 3/8UNC X 2 1/4 SER FLANGE BOLT |
| 15 | 2 | 910004N | 3/8UNC FLANGE CNTR LOCK NUT |
| 16 | 1 | 166983 | HOSE SUPPORT RING WLD |

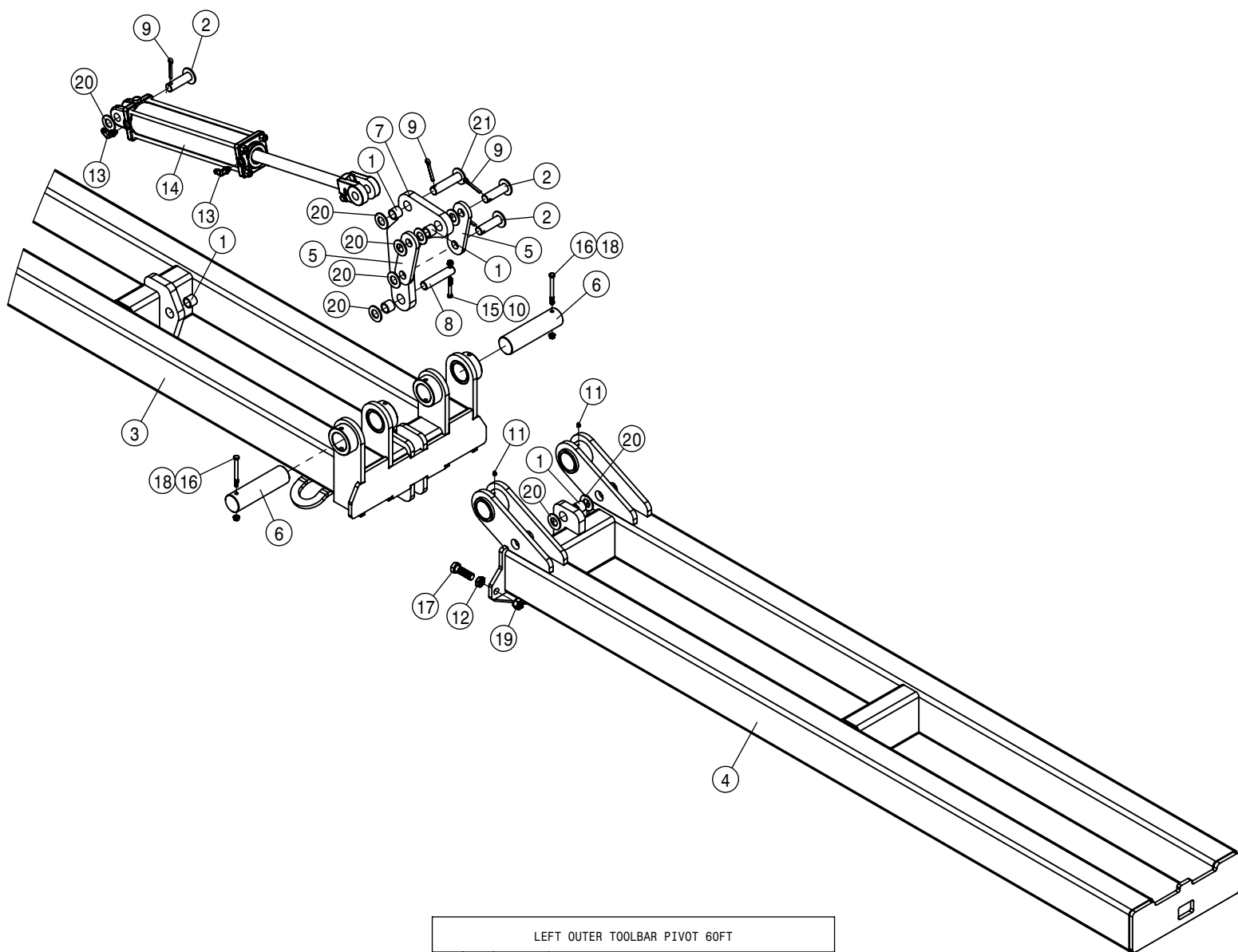


| CENTER TOOLBAR 60FT | | | |
|---------------------|-----|---------|-----------------------------------|
| DET | QTY | P/N | DESCRIPTION |
| 1 | 2 | 164498 | BOOM FOLD CYL PIN WLD |
| 2 | 2 | 165834 | BOOM FOLD CYL PIN WLD |
| 3 | 1 | 165954 | HOSE RING WLD |
| 4 | 1 | 344017 | MANUAL CANISTER W/NEOPREN SEAL |
| 5 | 2 | 439853 | HSTB, AMBER FLASHER BKT |
| 6 | 1 | 440756 | CTR SECTION WLD, HSTB |
| 7 | 2 | 440791 | LOWER LIFT ARM |
| 8 | 2 | 440801 | UPPER LIFT ARM WLD, HSTB |
| 9 | 2 | 440809 | STAND WLD, HSTB '15 |
| 10 | 2 | 166983 | HOSE SUPPORT RING WLD |
| 11 | 2 | 440822 | TENSION BAR WLD, HSTB |
| 12 | 8 | 440826 | GREASABLE PIN, MAIN LIFT HSTB '15 |
| 13 | 1 | 440827 | CNTR TIE BAR WLD, HSTB |
| 14 | 2 | 440817 | OUTER SUPPORT, CNTR TIE BAR |
| 15 | 1 | 440841 | LH QUICK ATTACH WLD, HSNTB |
| 16 | 1 | 440842 | RH QUICK ATTACH WLD, HSNTB |
| 17 | 2 | 440846 | TOOL BAR ADPTR WLD, HSNTB |
| 18 | 2 | 440848 | MAIN LIFT ADJ MNT WLD, HSTB '15 |
| 19 | 4 | 440850 | HITCH PIN 1.00X6.00 WITH CLIP |
| 20 | 4 | 470012N | 5/16 X 2 COTTER PIN SS |
| 21 | 8 | 470087N | 3/8UNC HEX SERR FLG NUT YZ |
| 22 | 1 | 470113 | 5/16UNC SERR FLG LOCK NUT |
| 23 | 2 | 470113N | 5/16UNC SERR FLG LOCK NUT SS |
| 24 | 2 | 470144 | 1" UNC HEX NYLOCK NUT YZ |
| 25 | 2 | 470234N | 5/16UNC X 1" SERR FLG BOLT SS |
| 26 | 16 | 470360N | 1/2UNC SERR FLG HEX NUT YZ |
| 27 | 16 | 470682 | 5/8UNC HEX FLG CNTR LOCK NUT |
| 28 | 4 | 471005N | GREASE ZERK, 1/4-28 X 1/2 YZ |

| CENTER TOOLBAR 60FT | | | |
|---------------------|-----|---------|---------------------------------|
| DET | QTY | P/N | DESCRIPTION |
| 29 | 8 | 471021N | GREASE ZERK 1/8 NPT STRAIGHT YZ |
| 30 | 8 | 474006 | 5/8 UNC-4.00ID-8.00 U-BOLT SQ |
| 31 | 4 | 474008 | 3/8UNC-2.50ID-3 1/2 U-BOLT SQ |
| 32 | 2 | 483070 | 1.00-1.500D-10GA MACH BUSH |
| 33 | 2 | 618241 | 3/4MJIC-90-3/4MOR LBO |
| 34 | 2 | 618973 | 3/4MJIC-3/4MOR ADPTR |
| 35 | 2 | 621037 | HYD CYL 3.00 X 8.00 X 1.375 |
| 36 | 1 | 900066 | 5/16UNC X 1 1/4 HEX BOLT |
| 37 | 8 | 900137 | 3/8UNC X 3 1/4 HEX BOLT |
| 38 | 8 | 900266N | 1/2UNC X 1 3/4 SERR FLANGE BOLT |
| 39 | 8 | 900268N | 1/2UNC X 2 1/2 SERR FLG BOLT |
| 40 | 2 | 900817 | 1" UNC X 5 1/2" HEX BOLT GR8 YZ |
| 41 | 2 | 440830 | INNER SUPPORT, CNTR TIE BAR |
| 42 | 8 | 910004N | 3/8UNC FLANGE CNTR LOCK NUT |
| 43 | 2 | 910017N | 1" UNC HEX NUT |
| 44 | 2 | 910101N | 1" UNC HEX JAM NUT |
| 45 | 4 | 920008N | 1" SAE FLAT WASHER |
| 46 | 2 | 900130 | 3/8UNC X 1 1/4 HEX BOLT |
| 47 | 2 | 483043 | 3/8 REGULAR FLAT WASHER |
| 48 | 2 | 470087 | 3/8UNC HEX SERR FLANGE NUT |

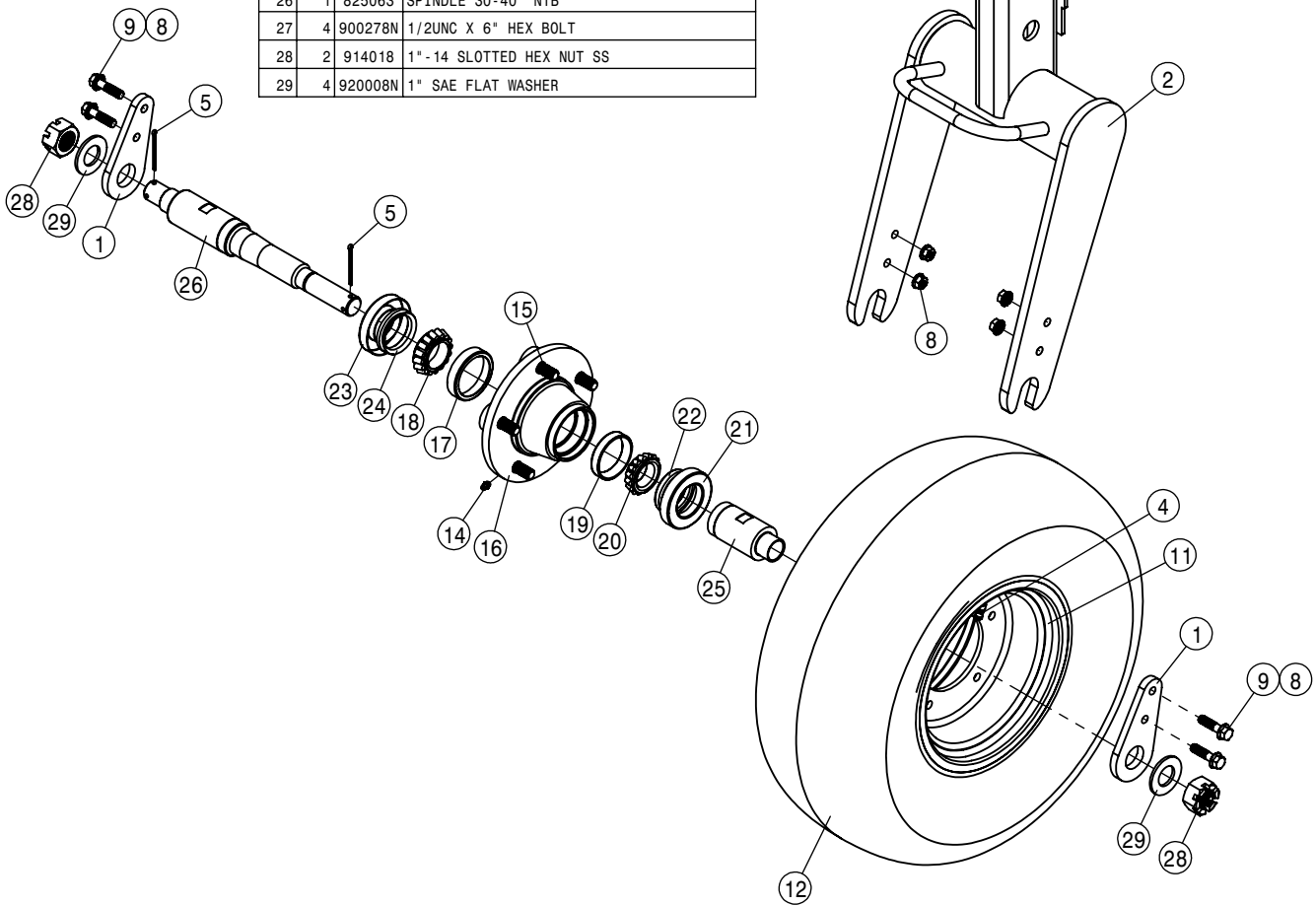


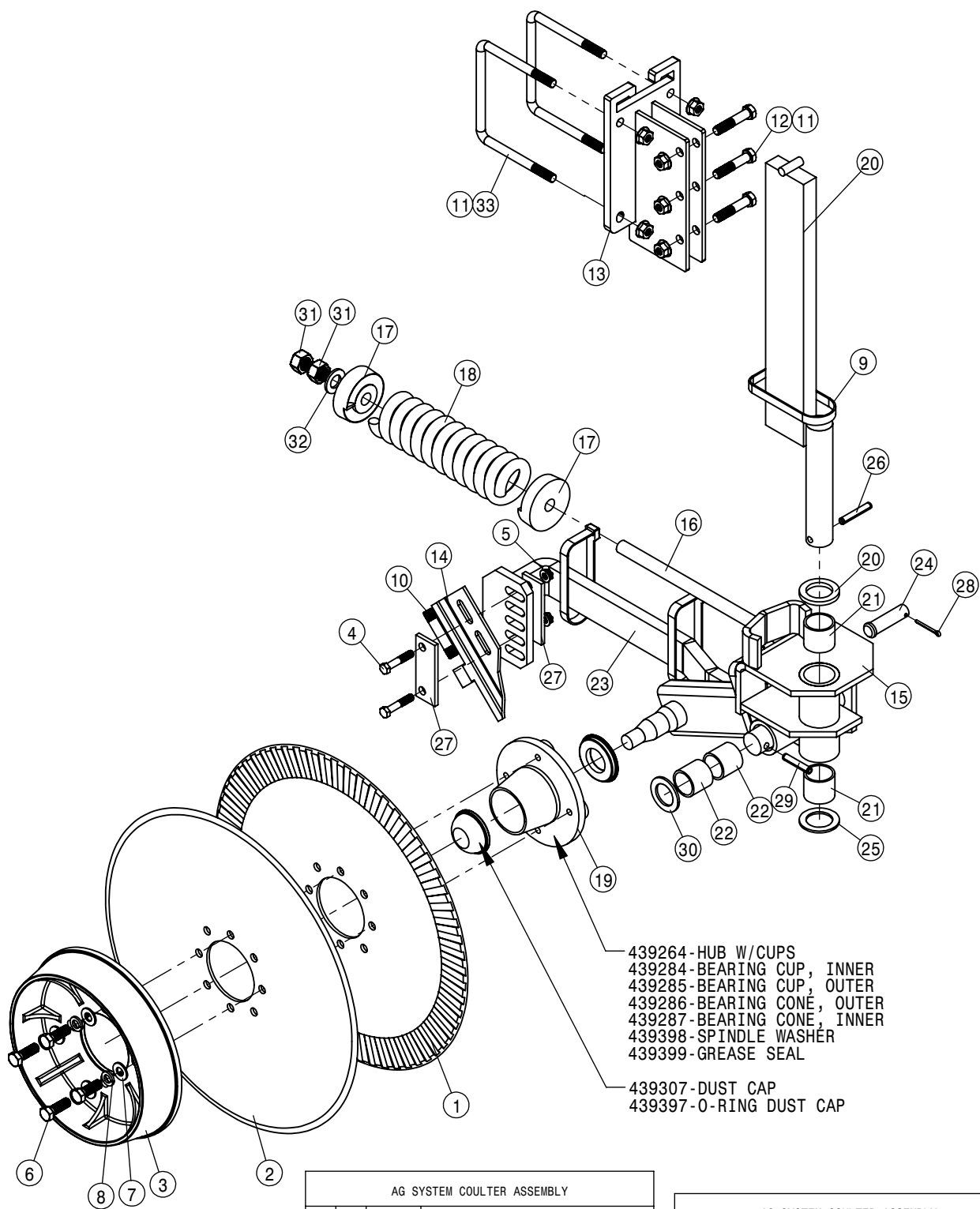
| LEFT INNER TOOLBAR PIVOT 60FT | | | |
|-------------------------------|-----|---------|--------------------------------|
| DET | QTY | P/N | DESCRIPTION |
| 1 | 1 | 164524 | BOOMERANG CNTR PIVOT PIN WLD |
| 2 | 1 | 440756 | CTR SECTION WLD, HSTB |
| 3 | 1 | 440773 | INR WING WLD, HSTB '15 |
| 4 | 2 | 440815 | FOLD PIN, HSTB '15 |
| 5 | 2 | 440823 | WING LATCH, HSTB |
| 6 | 2 | 440824 | .750 OD X 11 GA X 1.25 TUBE |
| 7 | 1 | 440850 | HITCH PIN 1.00X6.00 WITH CLIP |
| 8 | 1 | 470012N | 5/16 X 2 COTTER PIN SS |
| 9 | 2 | 470087N | 3/8UNC HEX SERR FLG NUT YZ |
| 10 | 2 | 471005N | GREASE ZERK, 1/4-28 X 1/2 YZ |
| 11 | 2 | 618739 | 9/16MJIC-90-9/16MOR .065 CHK |
| 12 | 1 | 621039 | HYD CYL 5.00 X 20.00 X 2.00 |
| 13 | 2 | 900140N | 3/8UNC X 4" HEX BOLT |
| 14 | 2 | 900170N | 3/8UNC X 2 1/4 SER FLANGE BOLT |
| 15 | 2 | 910004N | 3/8UNC FLANGE CNTR LOCK NUT |
| 16 | 1 | 920008N | 1" SAE FLAT WASHER |
| 17 | 1 | 166983 | HOSE SUPPORT RING WLD |



| LEFT OUTER TOOLBAR PIVOT 60FT | | | |
|-------------------------------|-----|---------|-------------------------------------|
| DET | QTY | P/N | DESCRIPTION |
| 1 | 5 | 121126 | BEARING 1.00 x 1.25 x 1.00, POLYGON |
| 2 | 3 | 164498 | BOOM FOLD CYL PIN WLD |
| 3 | 1 | 440773 | INR WING WLD, HSTB '15 |
| 4 | 1 | 440790 | OUTER WING WLD, HSTB '15 |
| 5 | 2 | 440814 | OUTER FOLD LINK, HSTB '15 |
| 6 | 2 | 440815 | FOLD PIN, HSTB '15 |
| 7 | 1 | 440819 | INNER/OUTER FOLD LINK HSTB '15 |
| 8 | 1 | 440849 | FOLD CYL PIN, HSTB |
| 9 | 4 | 470012N | 5/16 X 2 COTTER PIN SS |
| 10 | 1 | 470570 | 5/16UNC HEX FLG CNTR LOCK NUT |
| 11 | 2 | 471005N | GREASE ZERK, 1/4-28 X 1/2 YZ |
| 12 | 2 | 472334 | 3/4UNC HEX JAM NUT |
| 13 | 2 | 618972 | 9/16MOR-90-9/16MJ .031 CHK VLV |
| 14 | 2 | 621038 | HYD CYL 3.50 X 16.00 X 1.375 |
| 15 | 1 | 900070 | 5/16UNC X 2 1/2 BOLT |
| 16 | 2 | 900140N | 3/8UNC X 4" HEX BOLT |
| 17 | 2 | 900404 | 3/4UNC X 2 1/2 HEX BOLT |
| 18 | 2 | 910004N | 3/8UNC FLANGE CNTR LOCK NUT |
| 19 | 2 | 910012N | 3/4UNC HEX NUT |
| 20 | 10 | 920008N | 1" SAE FLAT WASHER |
| 21 | 1 | A53623 | LEVEL CYL PIN WLD, TRANSOM END |

| GAUGE WHEEL ASSEMBLY 60FT | | | |
|---------------------------|-----|---------|-----------------------------------|
| DET | QTY | P/N | DESCRIPTION |
| 1 | 2 | 439848 | OTR GAUGE WHL KEEPER NTB '12 |
| 2 | 1 | 440123 | 30-40 GAUGE WHL WDLMNT |
| 3 | 1 | 440743 | GAUGE WHL MNT ASSY, HSNTB |
| 4 | 1 | 821252 | VALVE STEM, TR-618A, STAINLESS |
| 5 | 2 | 470007 | COTTER PIN 1/8 X 2 |
| 6 | 2 | 470155 | 1 X 4 CLEVIS PIN |
| 7 | 2 | 470235 | 1/8 #11 HAIR PIN |
| 8 | 4 | 472029 | 3/8UNC SERR FLANGE NUT SS |
| 9 | 4 | 473869 | 3/8UNC X 1 1/2 SER FLANGE BOLT SS |
| 10 | 1 | 629778 | 100MM X 50MM END CAP |
| 11 | 1 | 820163 | 10 X 6, 5 ON 5.5 RIM NO OFFSET |
| 12 | 1 | 820164 | 20.5 X 8.0 - 10 TIRE |
| NS | 5 | 824052 | 1/2UNF 60 DEG WHL NUT |
| 14 | 1 | 825046 | GREASE ZERK FOR 825042 |
| 15 | 5 | 825047 | 1/2-20 WHL BOLT FOR 825042 |
| 16 | 1 | 825048 | HUB, 5-BOLT FOR 825042 |
| 17 | 1 | 825049 | OUTER BEARING CUP FOR 825042 |
| 18 | 1 | 825050 | INNER BRG CONE FOR 825042 |
| 19 | 1 | 825051 | OUTER BEARING CUP FOR 825042 |
| 20 | 1 | 825052 | INNER BEARING CONE FOR 825042 |
| 21 | 1 | 825053 | GRASS WRAP GUARD FOR 825043 |
| 22 | 1 | 825055 | V-SEAL FOR 825043 |
| 23 | 1 | 825056 | GRASS WRAP GUARD FOR 824044 |
| 24 | 1 | 825058 | V-SEAL FOR 825044 |
| 25 | 1 | 825062 | SPACER 30-40' NTB |
| 26 | 1 | 825063 | SPINDLE 30-40' NTB |
| 27 | 4 | 900278N | 1/2UNC X 6" HEX BOLT |
| 28 | 2 | 914018 | 1" - 14 SLOTTED HEX NUT SS |
| 29 | 4 | 920008N | 1" SAE FLAT WASHER |



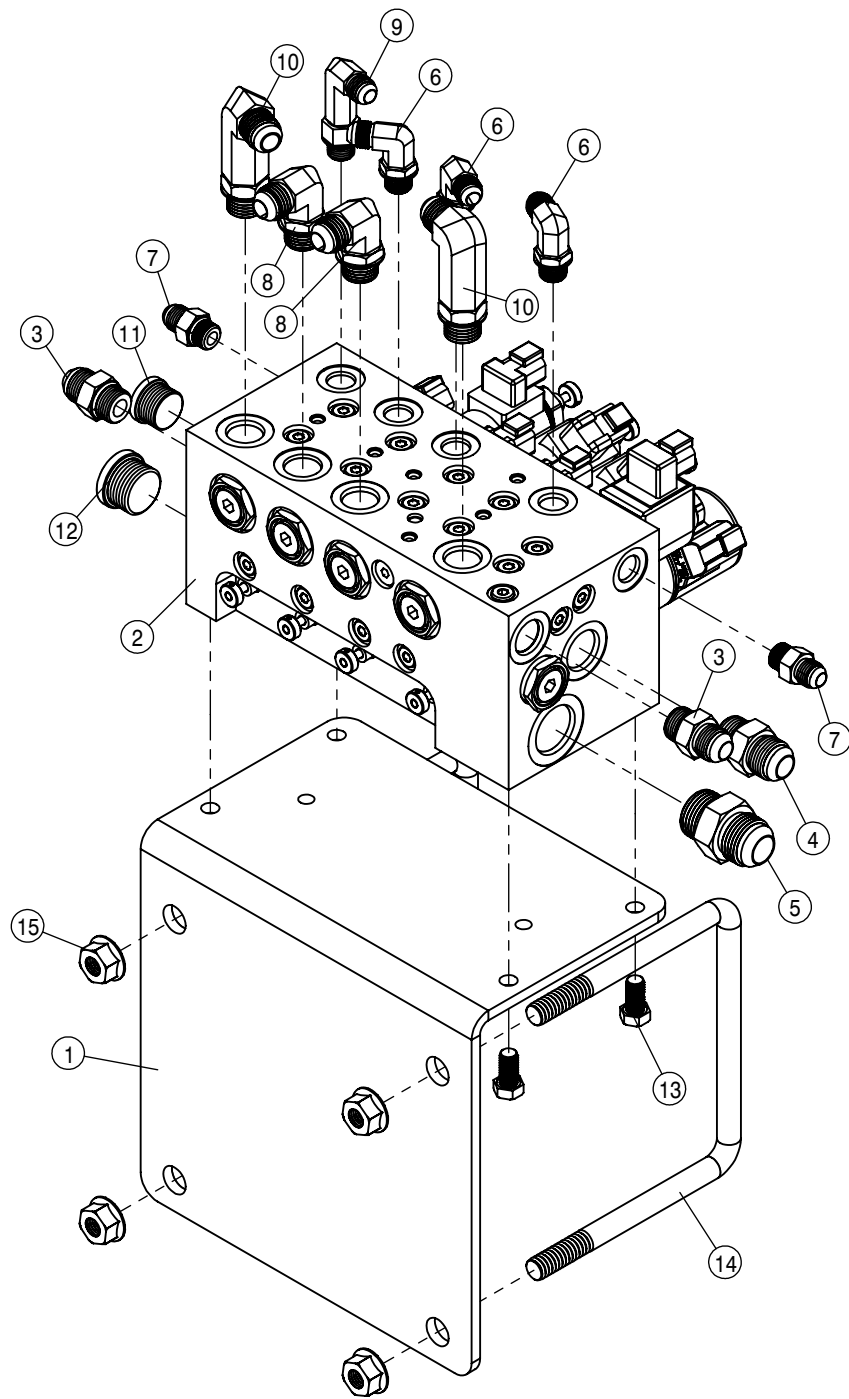


439264-HUB W/CUPS
 439284-BEARING CUP, INNER
 439285-BEARING CUP, OUTER
 439286-BEARING CONE, OUTER
 439287-BEARING CONE, INNER
 439398-SPINDLE WASHER
 439399-GREASE SEAL

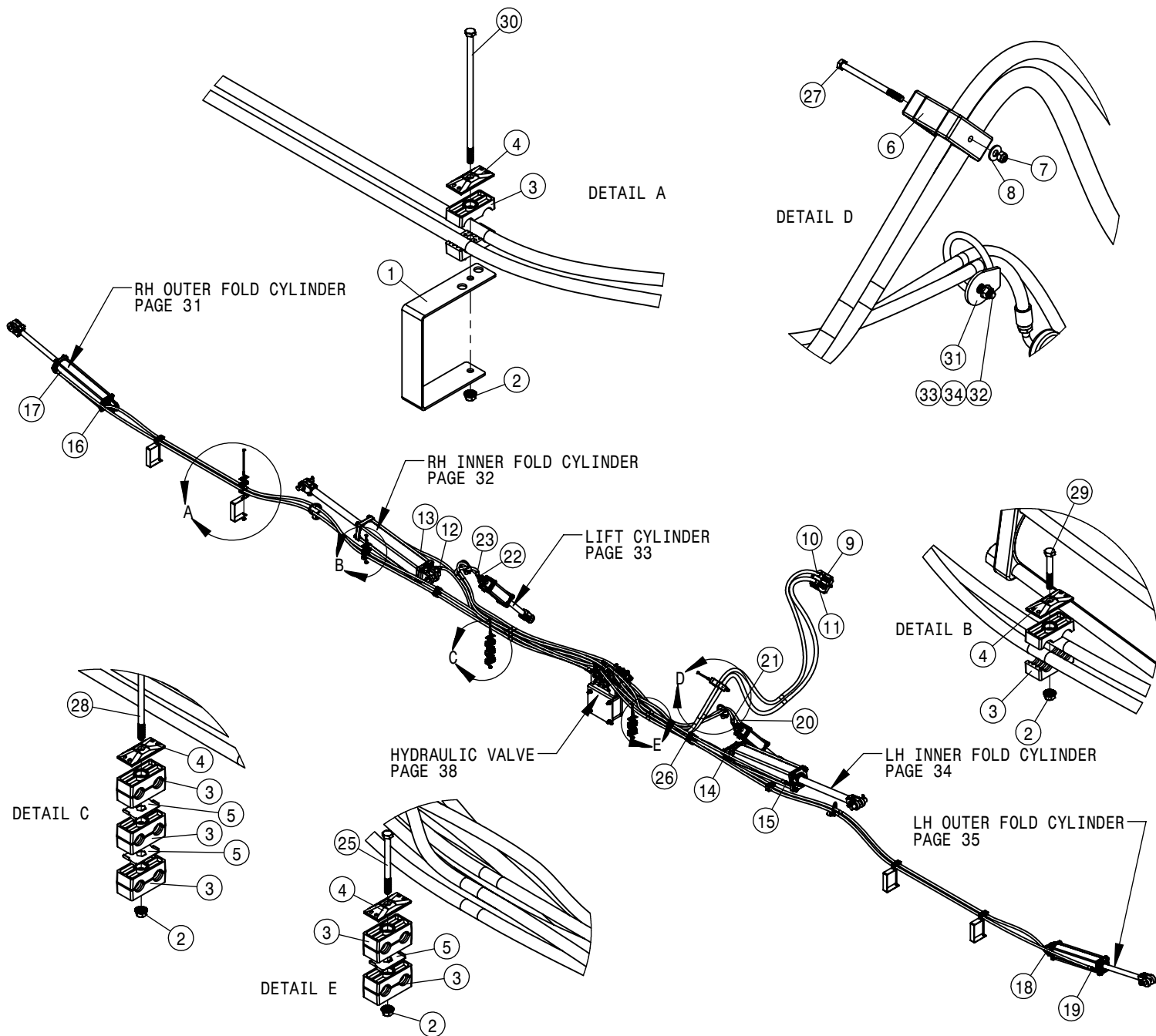
439307-DUST CAP
 439397-O-RING DUST CAP

| AG SYSTEM COULTER ASSEMBLY | | | |
|----------------------------|-----|---------|--------------------------------|
| DET | QTY | P/N | DESCRIPTION |
| 1 | 1 | 440081 | COULTER BLADE, 20" FLUTED |
| 2 | 1 | 439790 | COULTER BLADE, 20" SMOOTH |
| 3 | 1 | 439224 | DEPTH WHEEL |
| 4 | 2 | 900133 | 3/8UNC X 2" HEX BOLT |
| 5 | 2 | 472043 | 3/8 UNC FLG CNTR LOCK NUT GR8 |
| 6 | 4 | 900303 | 1/2UNF X 1 1/2 HEX BOLT |
| 7 | 4 | 920004 | 1/2 SAE FLAT WASHER |
| 8 | 4 | 920504 | 1/2 LOCK WASHER |
| 9 | 4 | 470555 | CABLE TIE, 1/2 X 15" BLACK NYL |
| 10 | 1 | 507028 | SS PIPE NIPPLE .25NPT-3.00 |
| 11 | 7 | 470360N | 1/2UNC SERR FLG HEX NUT YZ |
| 12 | 3 | 900268 | 1/2UNC X 2 1/2 HEX BOLT |
| 13 | 1 | 440831 | COULTER MNT BRKT WLD HSTB '15 |
| 14 | 1 | 439219 | SPRAY NOZZLE BRKT |
| 15 | 1 | 439225 | CENTER MOUNT HOUSING |
| 16 | 1 | 439226 | EYE BOLT, SPRING RETAINER |
| 17 | 2 | 439227 | SPRING STOP |

| AG SYSTEM COULTER ASSEMBLY | | | |
|----------------------------|-----|--------|--------------------------------|
| DET | QTY | P/N | DESCRIPTION |
| 18 | 1 | 439229 | COMPRESSION SPRING |
| 19 | 1 | 439264 | HUB WITH CUP |
| 20 | 1 | 439789 | COULTER SWIVEL BAR |
| 21 | 2 | 440176 | SWIVEL BUSHING |
| 22 | 2 | 440177 | PIVOT BUSHING |
| 23 | 1 | 440178 | PIVOT ARM |
| 24 | 1 | 440179 | SPRING PIVOT PIN |
| 25 | 1 | 440180 | 1.5" WASHER |
| 26 | 1 | 440181 | ROLL PIN, 3/8DIA X 2 1/4 |
| 27 | 2 | 440184 | HOSE LOOP BRKT |
| 28 | 1 | 470035 | COTTER PIN 5/32 1 3/4 LG |
| 29 | 1 | 473962 | ROLL PIN, 3/8 X 2 |
| 30 | 1 | 483022 | 1.375 X 2.125 X .134 MACH WASH |
| 31 | 2 | 910012 | 3/4UNC HEX NUT |
| 32 | 1 | 920006 | 3/4 SAE FLAT WASHER |
| 33 | 2 | 474007 | 1/2 UNC-6.00ID-5.50 U-BOLT SQ |

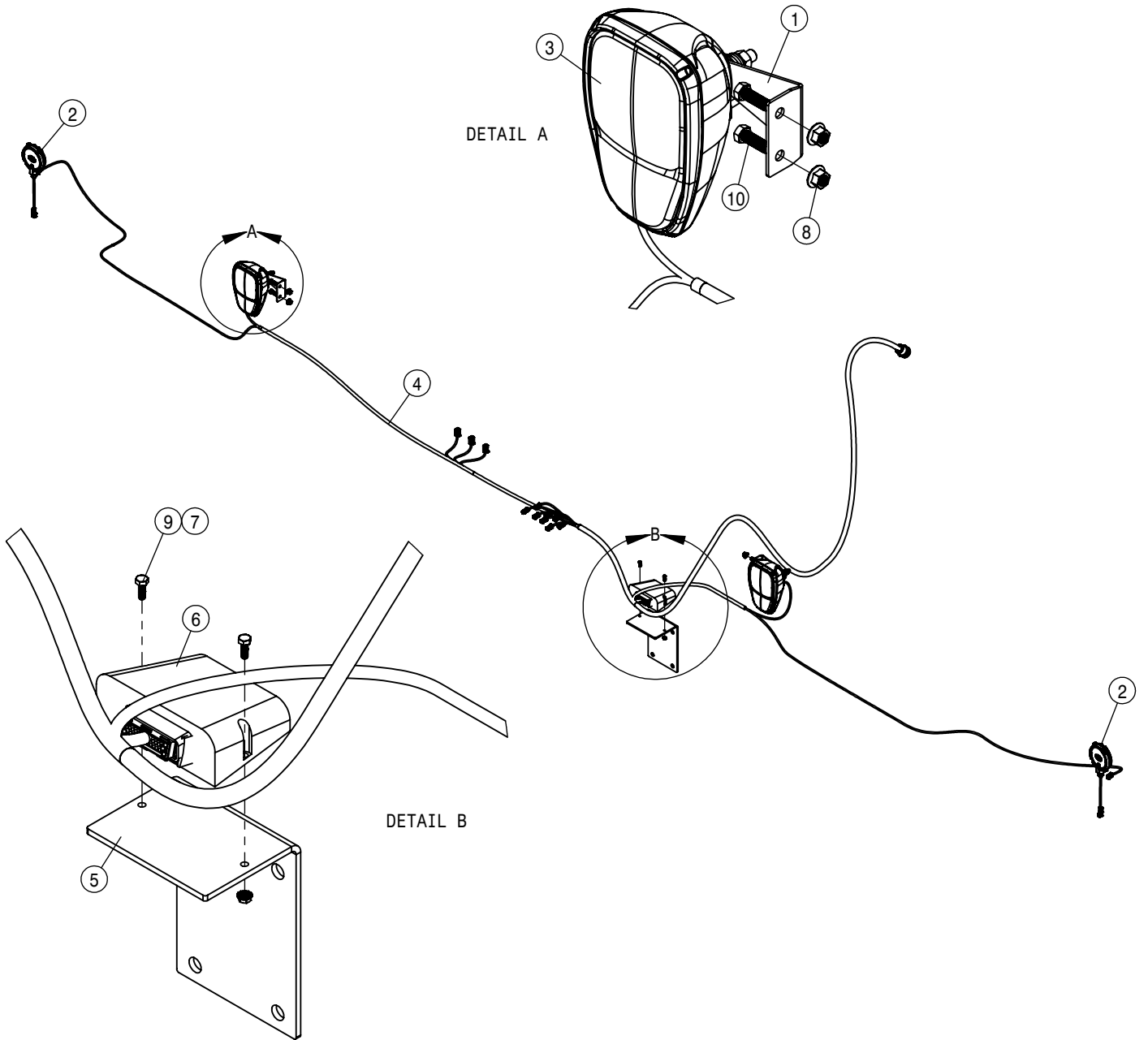


| HYDRAULIC VALVE ASSEMBLY 60FT | | | |
|-------------------------------|-----|--------|-------------------------------|
| DET | QTY | P/N | DESCRIPTION |
| 1 | 1 | 439852 | VALVE BRKT HSTB '15 |
| 2 | 1 | 606453 | HYD VALVE, COMATROL, LCNTB |
| 3 | 2 | 611125 | 3/4MJIC-3/4MOR ADPTR |
| 4 | 1 | 611126 | 7/8MJIC-7/8MOR ADPTR |
| 5 | 1 | 611127 | 1 1/16MJIC-1 1/16MOR ADPTR |
| 6 | 3 | 618119 | 9/16MJIC-90-9/16MOR LBO |
| 7 | 2 | 618126 | 9/16MJIC-9/16MOR ADPTR |
| 8 | 2 | 618241 | 3/4MJIC-90-3/4MOR LBO |
| 9 | 1 | 618440 | 9/16MJIC-90-9/16MOR EX LG LBO |
| 10 | 2 | 618443 | 3/4MJIC-90-3/4MOR EX LG LBO |
| 11 | 1 | 618756 | 7/8 MOR PLUG, HEX SOCKET |
| 12 | 1 | 618757 | 1 1/16MOR PLUG, HEX SOCKET |
| 13 | 4 | 900128 | 3/8UNC X 3/4 HEX BOLT |
| 14 | 2 | 474007 | 1/2 UNC-6.00ID-5.50 U-BOLT SQ |
| 15 | 4 | 470360 | 1/2UNC SERR FLG HEX NUT |

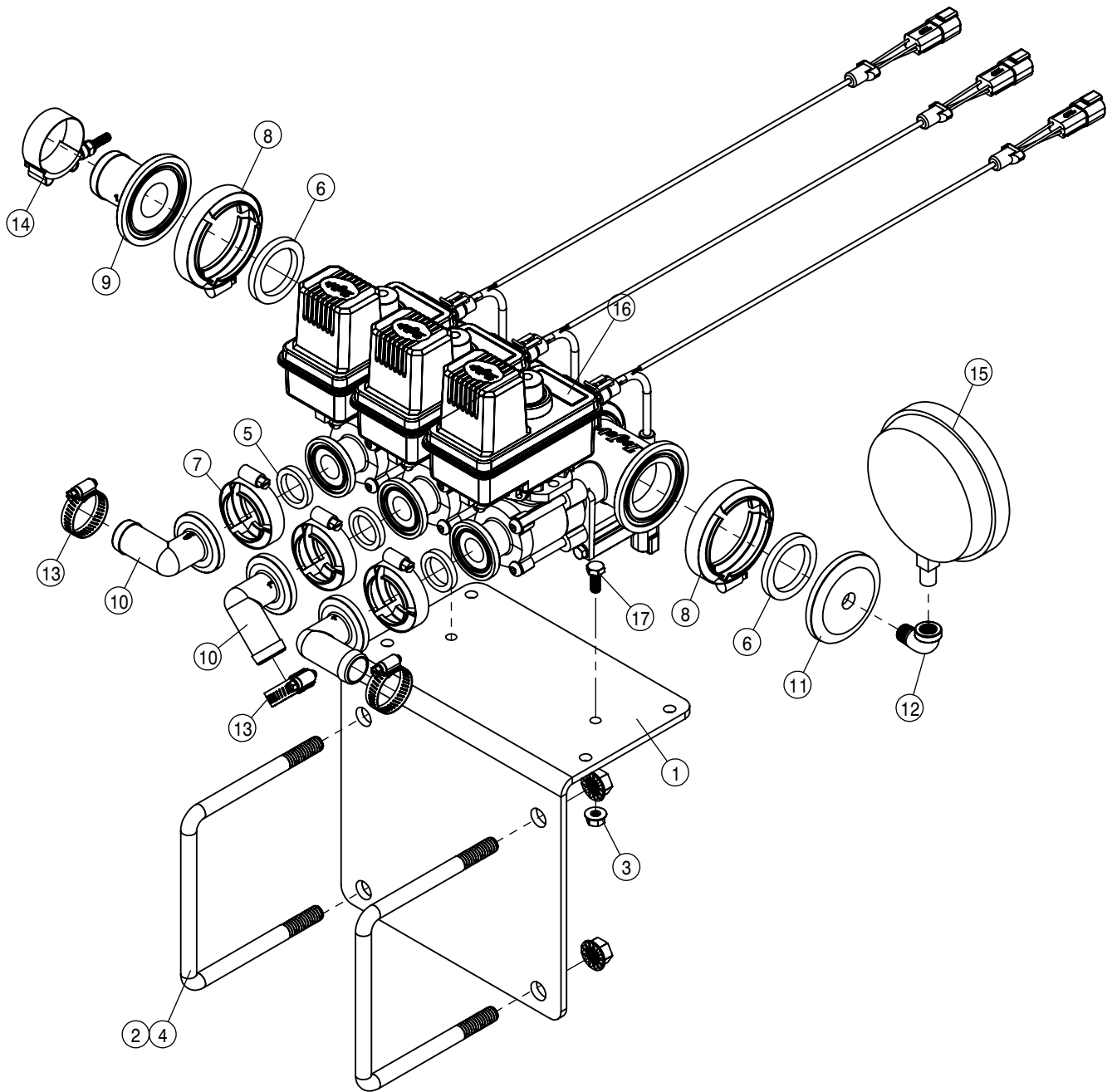


| HYDRAULIC HOISING 60FT | | | |
|------------------------|-----|--------|----------------------------------|
| DET | QTY | P/N | DESCRIPTION |
| 1 | 4 | 439887 | HSTB C CLAMP HOSE BKT |
| 2 | 10 | 470113 | 5/16UNC SERR FLG LOCK NUT |
| 3 | 14 | 470274 | TUBE CLAMP BODY, .750-.750 |
| 4 | 10 | 470276 | CLAMP COVER PLATE, SINGL, 2.55LG |
| 5 | 10 | 470281 | STACK BOLT SAFETY LOCK PLATE |
| 6 | 1 | 470705 | HSTB QUICK ATTACH CLAMP |
| 7 | 1 | 473001 | 5/16UNC HEX NUT, NYLOC |
| 8 | 1 | 483040 | 5/16 REGULAR FLAT WASHER |
| 9 | 1 | 607114 | MOBILE HALF COUPLER ASSY, 0502 |
| 10 | 1 | 617292 | 10-451TC-10FJX-10FJX-145 H/A |
| 11 | 1 | 617293 | 12-451TC-12FJX-12FJX-144 H/A |
| 12 | 1 | 617294 | 06-451TC-06FJX-08FJX90-76 H/A |
| 13 | 1 | 617295 | 06-451TC-06FJX-06FJX-100 H/A |
| 14 | 1 | 617296 | 06-451TC-06FJX-08FJX90-55 H/A |
| 15 | 1 | 617297 | 06-451TC-06FJX-06FJX-78 H/A |
| 16 | 1 | 617298 | 06-451TC-06FJX-08FJX-202 H/A |
| 17 | 1 | 617299 | 06-451TC-06FJX-06FJX-220 H/A |

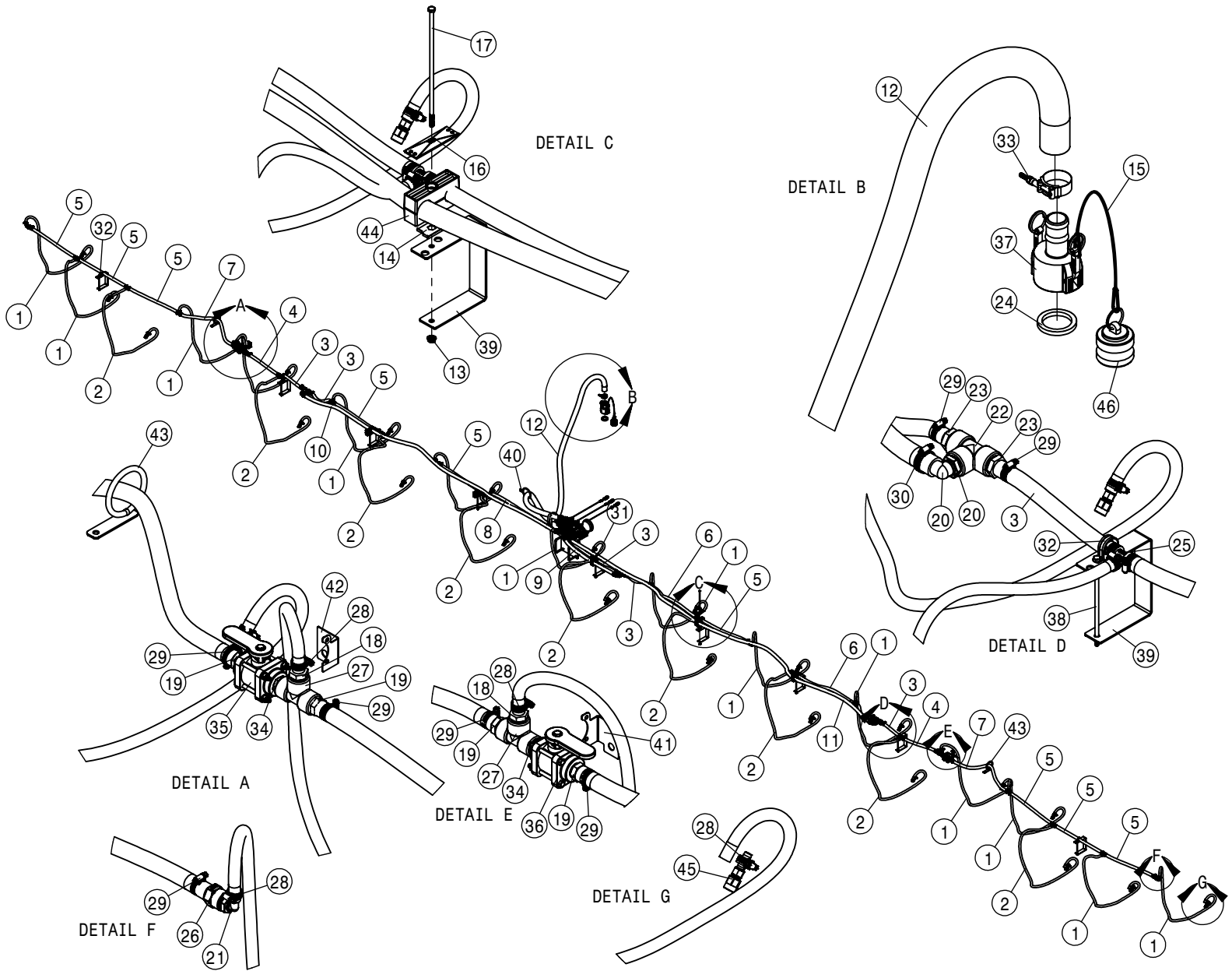
| HYDRAULIC HOISING 60FT | | | |
|------------------------|-----|--------|-------------------------------|
| DET | QTY | P/N | DESCRIPTION |
| 18 | 1 | 617300 | 06-451TC-06FJX-08FJX-187 H/A |
| 19 | 1 | 617301 | 06-451TC-06FJX-06FJX-205 H/A |
| 20 | 1 | 617302 | 06-451TC-06FJX-08FJX-59 H/A |
| 21 | 1 | 617303 | 06-451TC-08FJX90-08FJX-50 H/A |
| 22 | 1 | 617304 | 06-451TC-06FJX-08FJX-102 H/A |
| 23 | 1 | 617305 | 06-451TC-08FJX90-08FJX-93 H/A |
| 24 | 1 | 900070 | 5/16UNC X 2 1/2 BOLT |
| 25 | 1 | 900075 | 5/16UNC X 3 3/4 HEX BOLT |
| 26 | 1 | 900076 | 5/16UNC X 4" HEX BOLT |
| 27 | 1 | 900078 | 5/16UNC X 4 1/2 HEX BOLT |
| 28 | 1 | 900081 | 5/16UNC X 5 1/4 HEX BOLT YZ |
| 29 | 2 | 900086 | 5/16UNC X 2 1/4 HEX BOLT |
| 30 | 4 | 900087 | 5/16UNC X 8 1/2 HEX BOLT |
| 31 | 4 | 166983 | HOSE SUPPORT RING WLD |
| 32 | 2 | 900130 | 3/8UNC X 1 1/4 HEX BOLT |
| 33 | 2 | 483043 | 3/8 REGULAR FLAT WASHER |
| 34 | 2 | 470087 | 3/8UNC HEX SERR FLANGE NUT |



| ELECTRICAL WIRING 60FT | | | |
|------------------------|-----|--------|---------------------------|
| DET | QTY | P/N | DESCRIPTION |
| 1 | 2 | 439889 | HSTB HEADLIGHT BKT |
| 2 | 2 | 292246 | LIGHT, AMBER FLASHER, LED |
| 3 | 2 | 292556 | HEAD/FLASHER LIGHT |
| 4 | 1 | 294290 | 60FT HSNTB ELEC. HARNESS |
| 5 | 1 | 439890 | HSNTB MODULE BRKT |
| 6 | 1 | 292015 | IQAN-MC2 MODULE |
| 7 | 2 | 470121 | 1/4 UNC SERR FLG LOCK NUT |
| 8 | 4 | 470325 | 7/16 UNC SERR FLG HEX NUT |
| 9 | 2 | 900002 | 1/4UNC x 3/4 HEX BOLT |
| 10 | 4 | 900196 | 7/16UNC X 1 1/4 HEX BOLT |



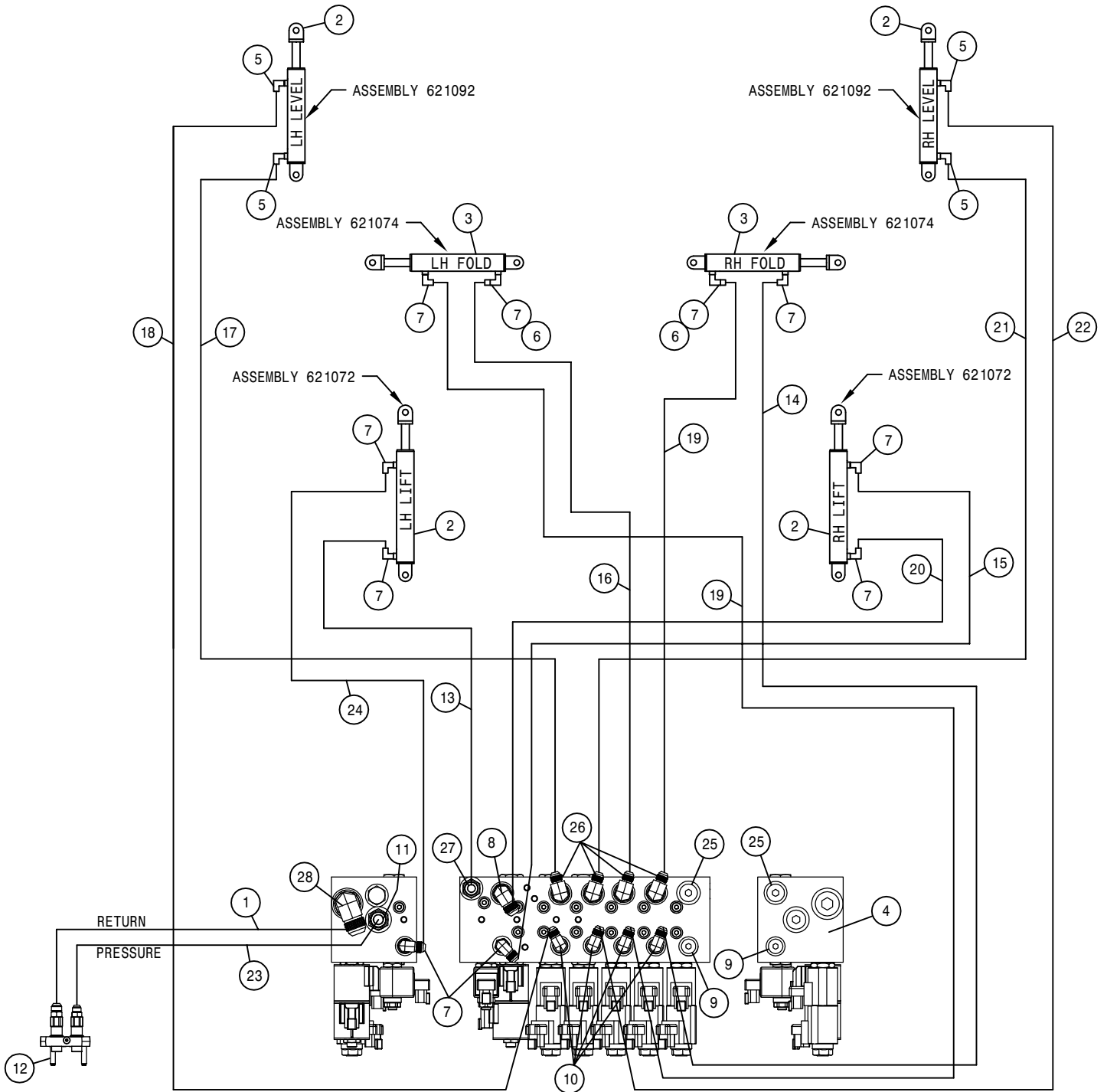
| SOLUTION VALVE ASSEMBLY 60FT | | | |
|------------------------------|-----|---------|--------------------------------|
| DET | QTY | P/N | DESCRIPTION |
| 1 | 1 | 439852 | VALVE BRKT HSTB '15 |
| 2 | 4 | 470360 | 1/2UNC SERR FLG HEX NUT |
| 3 | 2 | 470570 | 5/16UNC HEX FLG CNTR LOCK NUT |
| 4 | 2 | 474007 | 1/2 UNC-6.00ID-5.50 U-BOLT SQ |
| 5 | 3 | 500157 | 1" FLANGE GASKET EPDM |
| 6 | 4 | 500158 | 1 1/2" GASKET FOR 2" FLANGE |
| 7 | 3 | 500159 | 1" FLANGE CLAMP S.S. |
| 8 | 4 | 500160 | 2" FLANGE CLAMP S.S. |
| 9 | 1 | 500162 | 2" FLANGE-1 1/2 HOSE BARB POLY |
| 10 | 3 | 500173 | 1" FLANGE-90-1" HOSE BARB POLY |
| 11 | 1 | 500181 | 2" FLANGE PLUG W/1/4"FNPT POLY |
| 12 | 1 | 505116 | SS PIPE ST EL 90DEG .25NPT |
| 13 | 3 | 520090 | HOSECLAMP NO 16 STAINLESS |
| 14 | 1 | 520133 | 1.81/2.06 T-BOLT HOSE CLAMP SS |
| 15 | 1 | 690359 | PRESSURE GA GLYCERI 100 PSI |
| 16 | 3 | 691433 | 3/4" MANF VLV SS 2"SP, 1" FLG |
| 17 | 2 | 900064S | 5/16UNC X 3/4" HEX BOLT SS |



| SOLUTION HOSEING 60FT | | | |
|-----------------------|-----|------------|---------------------------------------|
| DET | QTY | P/N | DESCRIPTION |
| 1 | 14 | 197008-070 | HOSE 1/2 1-FBR BR BLK EPDM |
| 2 | 9 | 197008-081 | HOSE 1/2 1-FBR BR BLK EPDM |
| 3 | 6 | 197112-013 | HOSE 3/4 1-FBR BR BLK EPDM |
| 4 | 2 | 197112-019 | HOSE 3/4 1-FBR BR BLK EPDM |
| 5 | 10 | 197112-028 | HOSE 3/4 1-FBR BR BLK EPDM |
| 6 | 2 | 197112-034 | HOSE 3/4 1-FBR BR BLK EPDM |
| 7 | 2 | 197112-037 | HOSE 3/4 1-FBR BR BLK EPDM |
| 8 | 1 | 197112-041 | HOSE 3/4 1-FBR BR BLK EPDM |
| 9 | 1 | 197116-033 | HOSE 1IN 1-FBR BR BLK EPDM |
| 10 | 1 | 197116-150 | HOSE 1IN 1-FBR BR BLK EPDM |
| 11 | 1 | 197116-183 | HOSE 1IN 1-FBR BR BLK EPDM |
| 12 | 1 | 197124-130 | HOSE 1 1/2 2-FBR BR BLK EPDM |
| 13 | 9 | 470121 | 1/4 UNC SERR FLG LOCK NUT |
| 14 | 5 | 470281 | STACK BOLT SAFETY LOCK PLATE |
| 15 | 1 | 470322 | LANYARD 8" NYLON LOOP/LOOP |
| 16 | 5 | 470722 | 4 x 1 DUAL CLAMP COVER PLATE |
| 17 | 5 | 473884 | 1/4-20 UNC X 9 1/2 HEX BOLT |
| 18 | 2 | 500019 | 3/4NPT-1/2HOSE BARB, POLY |
| 19 | 4 | 500022 | 3/4NPT-3/4HOSE BARB, POLY |
| 20 | 3 | 500024 | 1"NPT-90-1"HOSE BARB, POLY |
| 21 | 6 | 500041 | 3/4NPT-90-1/2" HOSE BARB, POLY |
| 22 | 3 | 500075 | 1" NPT PIPE TEE, POLY |
| 23 | 6 | 500108 | STRAIGHT-POLY, 1" MPT X 3/4 HOSE BARB |

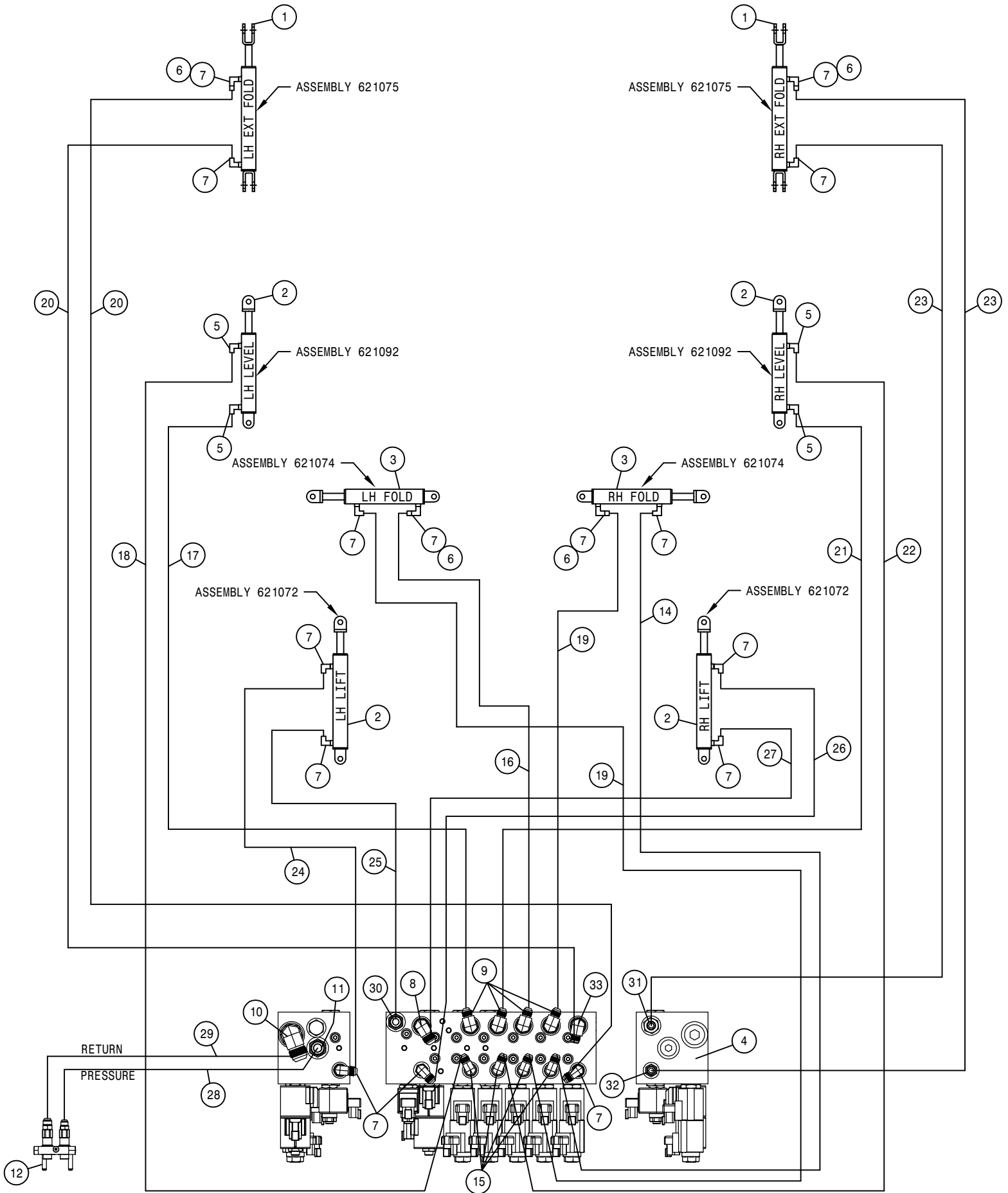
| SOLUTION HOSEING 60FT | | | |
|-----------------------|-----|--------|---------------------------------------|
| DET | QTY | P/N | DESCRIPTION |
| 24 | 1 | 500231 | 2"FP FLANGE GASKET,EXTRA THICK |
| 25 | 15 | 500284 | "3/4 X 3/4 X 1/2" HOSE BARB, POLY |
| 26 | 6 | 500290 | "3/4NPT-3/4" HOSE BARB POLY |
| 27 | 2 | 505218 | 3/4 NPT PIPE TEE, POLY |
| 28 | 46 | 520070 | HOSE CLAMP NO 8 STAINLESS |
| 29 | 46 | 520080 | HOSE CLAMP NO 10 STAINLESS |
| 30 | 3 | 520090 | HOSECLAMP NO 16 STAINLESS |
| 31 | 1 | 520100 | CUSH HOSE CLAMP, #24, 1 1/2D X 1 1/2W |
| 32 | 4 | 520102 | CUSH HOSE CLAMP, #20, 1 1/4D X 1 1/2W |
| 33 | 1 | 520133 | 1.81/2.06 T-BOLT HOSE CLAMP SS |
| 34 | 2 | 690098 | 3/4NPT CLOSE NIPPLE, POLY |
| 35 | 1 | 696135 | BALL VALVE, 3/4FNPT POLY |
| 36 | 1 | 696135 | BALL VALVE, 3/4FNPT POLY |
| 37 | 1 | 696243 | 2" FEMALE CAM CPLR - 1 1/2" HOSE BRB |
| 38 | 4 | 900034 | 1/4UNC X 7" HEX BOLT |
| 39 | 9 | 439887 | HSTB C CLAMP HOSE BKT |
| 40 | 2 | 440847 | HOSE RING WLD |
| 41 | 1 | 440851 | MAN SHUT OFF VLV BRKT HSTB '15 |
| 42 | 1 | 440852 | MAN SHUT OFF VLV BRKT HSTB '15 |
| 43 | 2 | 440854 | 3" X .41 MTNG HOLE, HOSE KEEPER WLD |
| 44 | 5 | 470724 | TUBE CLAMP BODY, 1.18 X 1.38 |
| 45 | 23 | 696012 | TEE-JET HOSE SHANK CHECK VALVE SS |
| 46 | 1 | 690392 | PLUG FOR 2.00 FEMALE COUPLER |

This Page Intentionally Blank



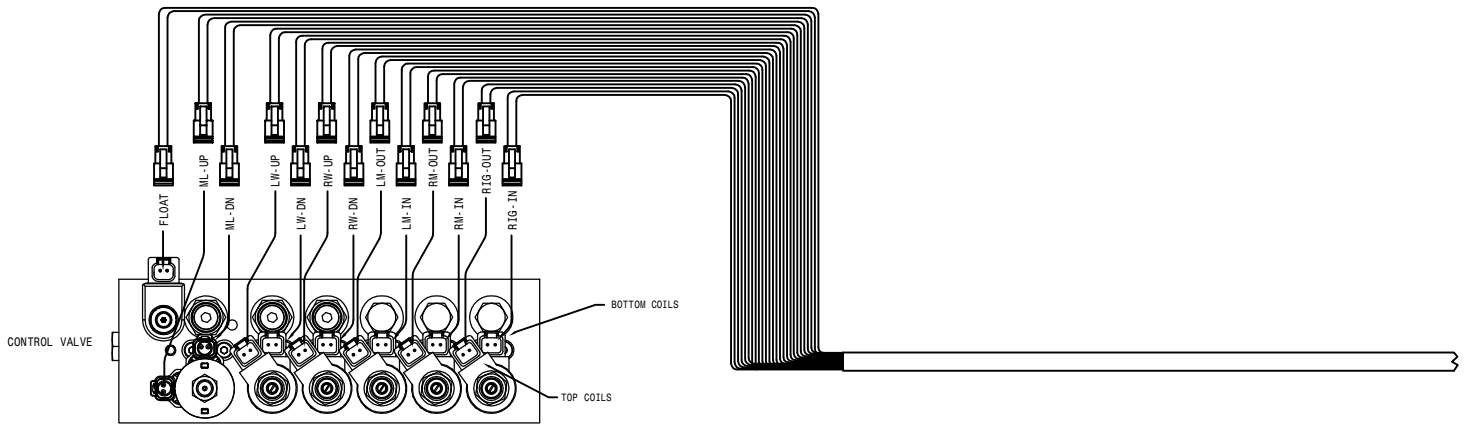
NITROGEN T-BAR 30FT HYD DIAGRAM 2016
 REFERENCE DRAWING NO. 499367_RevA

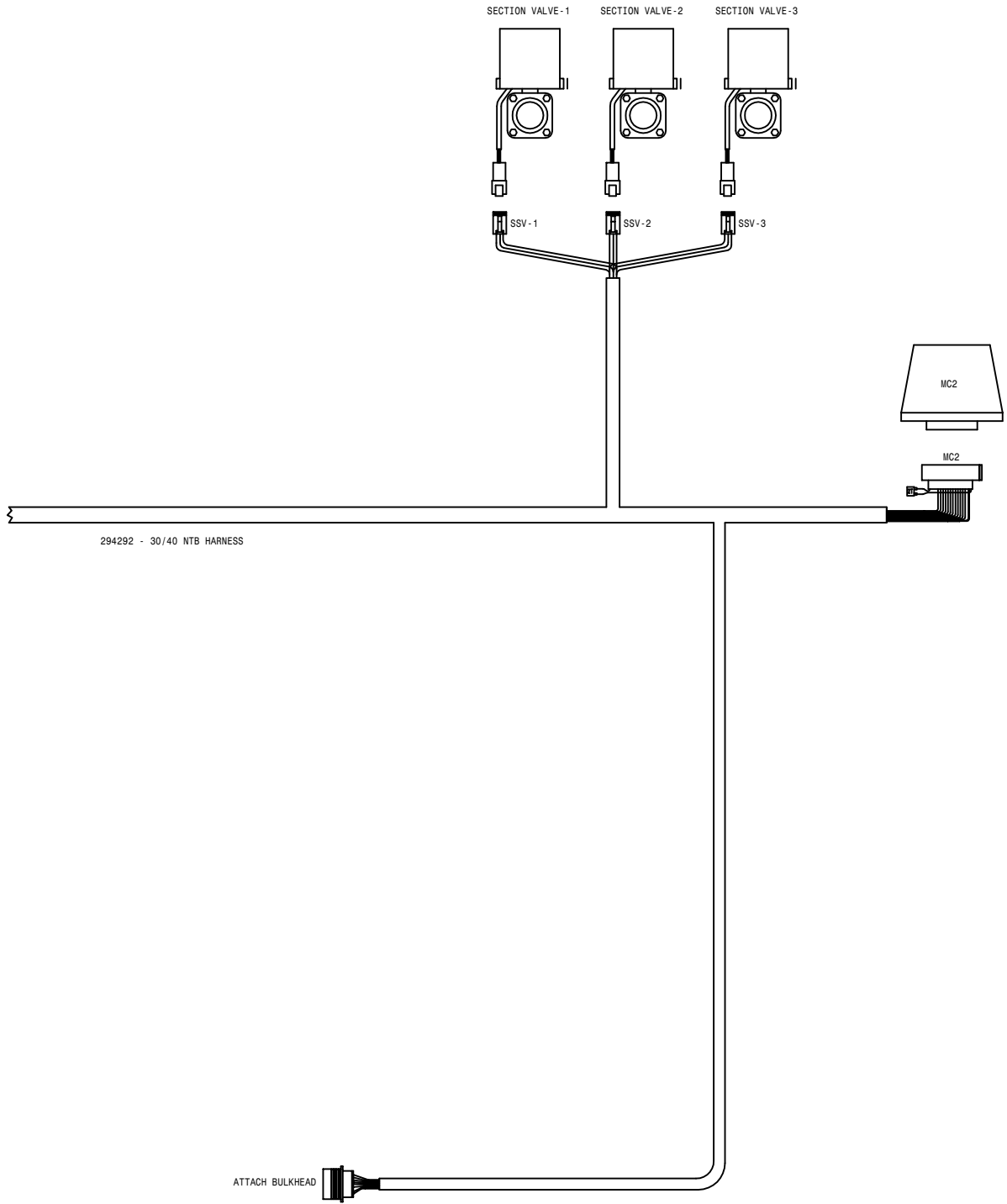
| DET. | QTY | PART NO. | DESCRIPTION | DET. | QTY | PART NO. | DESCRIPTION |
|------|-----|----------|--------------------------------|------|-----|----------|-------------------------------|
| 1 | 1 | 617397 | 12-451TC-12FJX-12FJX-70 H/A | 15 | 1 | 617294 | 06-451TC-06FJX-08FJX90-76 H/A |
| 2 | 4 | 621153 | 3.00 X 11.00 X 1.38 LEVEL CYL | 16 | 1 | 616209 | 04-451TC-06FJX-06FJX-64 H/A |
| 3 | 2 | 621566 | HYD CYL, 2.50 X 11.00 X 1.375 | 17 | 1 | 616084 | 04-451TC-06FJX-06FJX-46 H/A |
| 4 | 1 | 606402 | HYD VLV 6 SEC W/FLOAT | 18 | 1 | 616176 | 04-451TC-06FJX-06FJX-58 H/A |
| 5 | 4 | 618689 | 9/16MJ-90-9/16MOR .042 CHK VLV | 19 | 2 | 616177 | 04-451TC-06FJX-06FJX-74 H/A |
| 6 | 2 | 618732 | 9/16JIC .031 ORIFICE ADPTR | 20 | 1 | 617395 | 06-451TC-08FJX-06FJX-153 H/A |
| 7 | 10 | 618119 | 9/16MJIC-90-9/16MOR LBO | 21 | 1 | 616561 | 04-451TC-06FJX-06FJX-132 H/A |
| 8 | 1 | 618241 | 3/4MJIC-90-3/4MOR LBO | 22 | 1 | 616180 | 04-451TC-06FJX-06FJX-143 H/A |
| 9 | 2 | 618754 | 9/16MOR PLUG, HEX SOCKET | 23 | 1 | 617396 | 10-451TC-10FJX90-10FJX-67 H/A |
| 10 | 4 | 618440 | 9/16MJIC-90-9/16MOR EX LG LBO | 24 | 1 | 617393 | 06-451TC-08FJX-06FJX-67 H/A |
| 11 | 1 | 611126 | 7/8MJIC-7/8MOR ADPTR | 25 | 2 | 618755 | 3/4MOR PLUG, HEX SOCKET |
| 12 | 1 | 607114 | MOBILE HALF COUPLER ASSY, 0502 | 26 | 4 | 618115 | 9/16MJIC-90-3/4MOR LBO |
| 13 | 1 | 617392 | 06-451TC-06FJX-06FJX-47 H/A | 27 | 1 | 611125 | 3/4MJIC-3/4MOR ADPTR |
| 14 | 1 | 616560 | 04-451TC-06FJX-06FJX-87 H/A | 28 | 1 | 618248 | 1 1/16MJIC-90-1 1/16MOR LBO |



NITROGEN T-BAR 40FT HYD DIAGRAM 2016
 REFERENCE DRAWING NO. 499368_RevA

| DET. | QTY | PART NO. | DESCRIPTION | DET. | QTY | PART NO. | DESCRIPTION | |
|------|-----|----------|--------------------------------|------|-----|----------|------------------------------|-----|
| 1 | 2 | 621568 | HYD CYL, 2.00 X 18.00 X 1.125 | 18 | 1 | 616176 | 04-451TC-06FJX-06FJX-58 | H/A |
| 2 | 4 | 621153 | 3.00 X 11.00 X 1.38 LEVEL CYL | 19 | 2 | 616177 | 04-451TC-06FJX-06FJX-74 | H/A |
| 3 | 2 | 621566 | HYD CYL, 2.50 X 11.00 X 1.375 | 20 | 2 | 616414 | 04-451TC-06FJX-06FJX-126 | H/A |
| 4 | 1 | 606402 | HYD VLV 6 SEC W/FLOAT | 21 | 1 | 616561 | 04-451TC-06FJX-06FJX-132 | H/A |
| 5 | 4 | 618689 | 9/16MJ-90-9/16MOR .042 CHK VLV | 22 | 1 | 616180 | 04-451TC-06FJX-06FJX-143 | H/A |
| 6 | 4 | 618732 | 9/16JIC .031 ORIFICE ADPTR | 23 | 2 | 616260 | 04-451TC-06FJX-06FJX-200 | H/A |
| 7 | 15 | 618119 | 9/16MJIC-90-9/16MOR LBO | 24 | 1 | 617393 | 06-451TC-08FJX-06FJX-67 | H/A |
| 8 | 1 | 618241 | 3/4MJIC-90-3/4MOR LBO | 25 | 1 | 617392 | 06-451TC-06FJX-06FJX-47 | H/A |
| 9 | 4 | 618115 | 9/16MJIC-90-3/4MOR LBO | 26 | 1 | 617294 | 06-451TC-06FJX-08FJX90-76 | H/A |
| 10 | 1 | 618248 | 1 1/16MJIC-90-1 1/16MOR LBO | 27 | 1 | 617395 | 06-451TC-08FJX-06FJX-153 | H/A |
| 11 | 1 | 611126 | 7/8MJIC-7/8MOR ADPTR | 28 | 1 | 617396 | 10-451TC-10FJX90-10FJX-67 | H/A |
| 12 | 1 | 607114 | MOBILE HALF COUPLER ASSY, 0502 | 29 | 1 | 617397 | 12-451TC-12FJX-12FJX-70 | H/A |
| 13 | 1 | 618754 | 9/16MOR PLUG, HEX SOCKET | 30 | 1 | 611125 | 3/4MJIC-3/4MOR ADPTR | |
| 14 | 1 | 616560 | 04-451TC-06FJX-06FJX-87 | 31 | 1 | 618109 | 9/16MJIC-3/4MOR ADPTR | |
| 15 | 4 | 618440 | 9/16MJIC-90-9/16MOR EX LG LBO | 32 | 1 | 618126 | 9/16MJIC-9/16MOR ADPTR | |
| 16 | 1 | 616209 | 04-451TC-06FJX-06FJX-64 | 33 | 1 | 618709 | 9/16MJIC-90-3/4MOR EX LG LBO | |
| 17 | 1 | 616084 | 04-451TC-06FJX-06FJX-46 | | | | | |





294292 - 30/40 NTB HARNESS

ATTACH BULKHEAD

SECTION VALVE-1 SECTION VALVE-2 SECTION VALVE-3

SSV-1 SSV-2 SSV-3

MC2

MC2

| | |
|---------------------------|--------|
| 03-04-16 TLM | |
| STS NTB WIRING DIAGRAM 16 | |
| REV_A 03-04-16 | 499366 |

Notes: