



**PARTS MANUAL  
FOR  
HAGIE MODEL STS 10 HI-TRACTOR  
SPRAYER- DETASSELER**

**HAGIE MANUFACTURING COMPANY**

721 CENTRAL AVE WEST  
BOX 273  
CLARION, IOWA 50525-0273

COVERS MACHINE SERIAL NUMBERS: U1660990001 thru U1660990100

07-08 493446  
01-09, 02-16, 03-17

To obtain the most current parts manual for your machine, please visit [www.hagiehelp.com](http://www.hagiehelp.com).

© 2008-09, 2016-17 Hagie Manufacturing Company, Clarion, Iowa USA

SPRAYER IDENTIFICATION

Each Hagie sprayer is identified by means of a frame serial number. This serial number denotes the model, the year in which it was built, and the number of the sprayer. As for further identification, the engine has a serial number and the planetary hubs have identification plates that describe the type of mount and gear ratio. To insure prompt, efficient service when ordering parts or requesting service repairs from Hagie Manufacturing Company, record the serial and identification numbers in the space provided below.

NOTE: Reference to left hand and right hand used throughout this manual refers to the position when seated in the operator's seat facing forward.

SPRAYER SERIAL NUMBER

ENGINE SERIAL NUMBER

PLANETARY HUB IDENTIFICATION NUMBERS

FILTER QUICK REFERENCE

<u>QTY.</u>	<u>PART NO.</u>	<u>DESCRIPTION</u>
1	311543	ENGINE AIR FILTER, PRIMARY
1	311544	ENGINE AIR FILTER, SECONDARY
1	316281	FUEL STRAINER IN LINE
1	316372	ENGINE OIL FILTER
1	316683	FUEL FILTER
1	316684	REMOTE FUEL FILTER
1	605626	HYDRAULIC OIL FILTER
1	657463	CAB PAPER FILTER
1	657464	CAB CHARCOAL FILTER

TABLE OF CONTENTS

ENGINE ASSEMBLY . . . . . 4-8

RADIATOR AND OIL COOLER ASSEMBLY . . . . . 9

AIR CLEANER AND EXHAUST ASSEMBLY . . . . . 10-11

FUEL AND OIL TANK ASSEMBLY . . . . . 12-13

BATTERY . . . . . 14

TIRE ASSEMBLY . . . . . 15

LEG ASSEMBLY . . . . . 16-23

TREAD ADJUST ASSEMBLY . . . . . 24-27

HYDRAULIC TUBING . . . . . 28-29

HYDRAULIC MANIFOLDS . . . . . 30-33

SOLUTION CONTROL AND QUICK COUPLER . . . . . 34-37

LADDER AND BRAKE VALVE ASSEMBLY . . . . . 38

LADDER ASSEMBLY . . . . . 39

SERVICE PLATFORM . . . . . 40

AIR DRIER AND AIR TANK ASSEMBLY . . . . . 41-43

CAB ASSEMBLY . . . . . 44-59

COMBO SWITCH BOX AND RECEPTACLE PANEL . . . . . 60-61

FLASHER AND LIGHT RELAY . . . . . 62

REAR ELECTRICAL AND ENGINE BOX ASSEMBLY . . . . . 63-64

BUMPER AND ENGINE HOOD . . . . . 65-67

SOLUTION TANK . . . . . 68-70

SOLUTION PUMP AND ELECTRIC VALVES . . . . . 71-97

REAR WHEEL NOZZLE . . . . . 98

TRANSOM, BOOM, AND LIFT COMPONENTS . . . . . 99-116

FOAMER AND FRESH WATER TANK . . . . . 117-123

PRESSURE WASHER OPTION . . . . . 124-126

SIDE FILL/CHEMICAL INDUCTOR OPTION . . . . . 127-129

FRONT FILL OPTION . . . . . 130

RADAR OPTION . . . . . 131

FENDER OPTION . . . . . 132-133

FLOW MAX 110 MONITOR . . . . . 134

BOOM STAND OPTION . . . . . 135

WET BOOM OPTION . . . . . 136-151

DETASSELER OPTION . . . . . 152-165

ALL WHEEL STEER OPTION . . . . . 166-167

DECALS . . . . . 168-169

AIR LINE DIAGRAM . . . . . 170

HYDRAULIC DIAGRAM . . . . . 171-191

ELECTRICAL DIAGRAM . . . . . 192-219

ABBREVIATIONS . . . . . 220

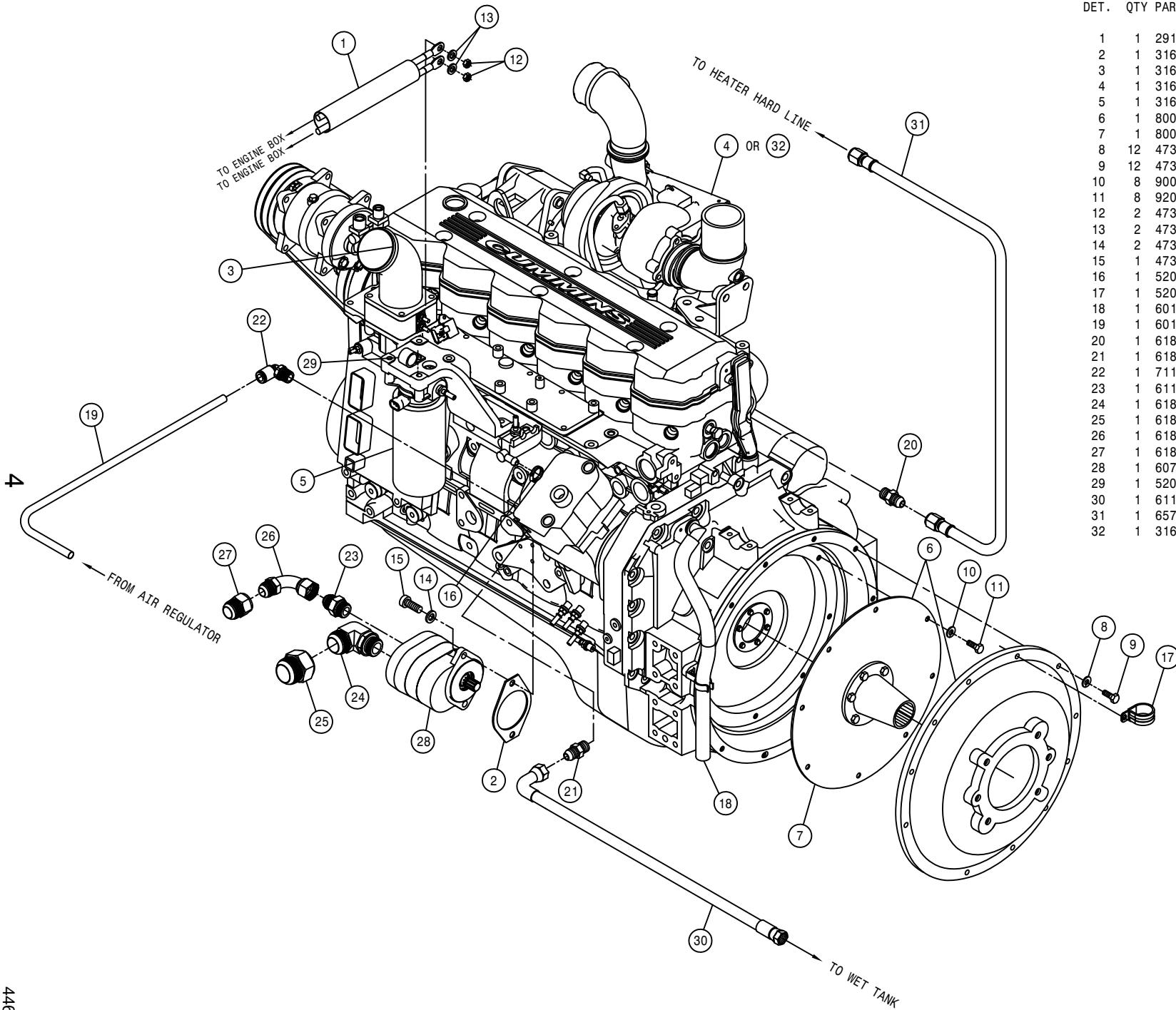
INDEX . . . . . 221

PARTS ORDER FORM . . . . . 225

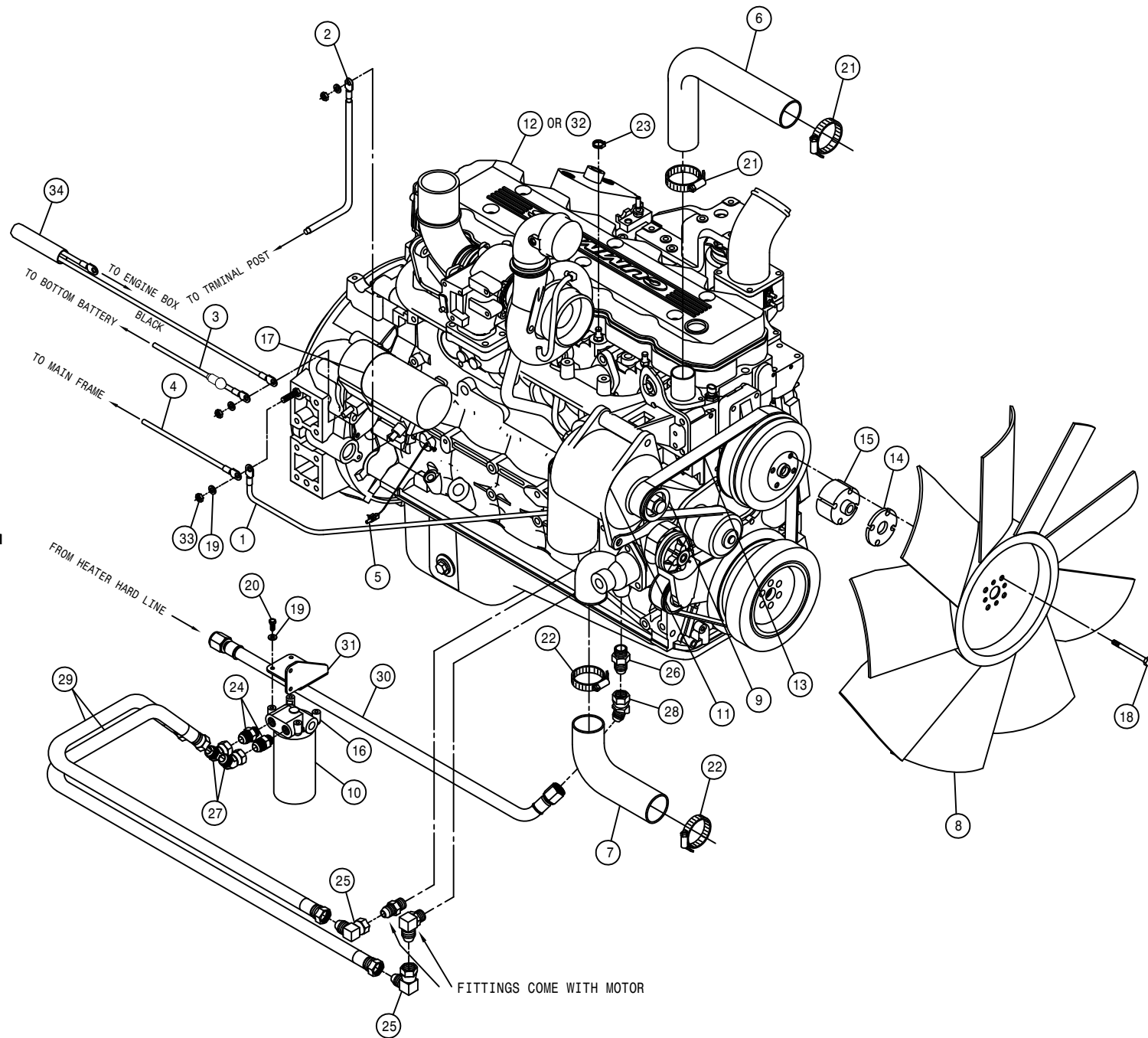
ENGINE ASSEMBLY

DET. QTY PART NO. DESCRIPTION

DET.	QTY	PART NO.	DESCRIPTION
1	1	291867	ENG HEATER CABLE ASSY,RED 6GA
2	1	316371	GASKET, AUX DRIVE CUMM 154916
3	1	316662	AIR INTAKE PIPE W/FLG,T3 ENG
4	1	316666	CUMM ENG,QSB6.7C,275HP 130A 07
5	1	316683	FUEL FILTER, ENG, TIER 3 07
6	1	800502	PUMP DRIVE,DIRECT SAE#3/C 23T
7	1	800503	DRIVE DISK ASSY,11.5" 23T SPL
8	12	473798	10MM LOCK WASHER
9	12	473818	10MM-1.50 X 40MM HEX BOLT (H)
10	8	900128	3/8UNC X 3/4 HEX BOLT
11	8	920502	3/8 LOCK WASHER
12	2	473767	6MM-1.00 HEX NUT
13	2	473768	6MM LOCK WASHER
14	2	473799	10MM FLAT WASHER
15	1	473844	10MM-1.50 X 30 SOC HD CAP SCR
16	1	520120	HOSE CLAMP NO 4 STAINLESS
17	1	520160	CUSH CLAMP,#24 1 1/2D-3/4WLOOP
18	1	601537	HOSE, 3/4 X 24 CLEAR VINYL
19	1	601625	HOSE, 1/4 X 14 AIR
20	1	618059	7/8MJIC-3/4MNPT ADPTR
21	1	618699	1 1/16MJIC-M27X2.0MOR ADPTR
22	1	711039	1/8MNPT-90-1/4 NYL TUBE LBO
23	1	611127	1 1/16MJIC-1 1/16MOR ADPTR
24	1	618476	1 5/8MJIC-90-1 5/16MOR LBO
25	1	618762	1 5/8FJIC-1 7/8MJIC ADPTR
26	1	618763	1 1/16FJX-90-1 1/16MJIC TUBE
27	1	618641	1 1/16FJIC-1 5/16MJIC ADPTR
28	1	607001	SAUER GEAR PUMP 29CC DE1L
29	1	520101	CUSH CLAMP,#16 1"D X 1/2W
30	1	611306	12-P919J-12FJX-12FJX90-42 H/A
31	1	657485	10-213-10FJX-10FJX-62 H/A
32	1	316665	CUMM ENG,QSB6.7C,215HP, 07







ENGINE ASSEMBLY

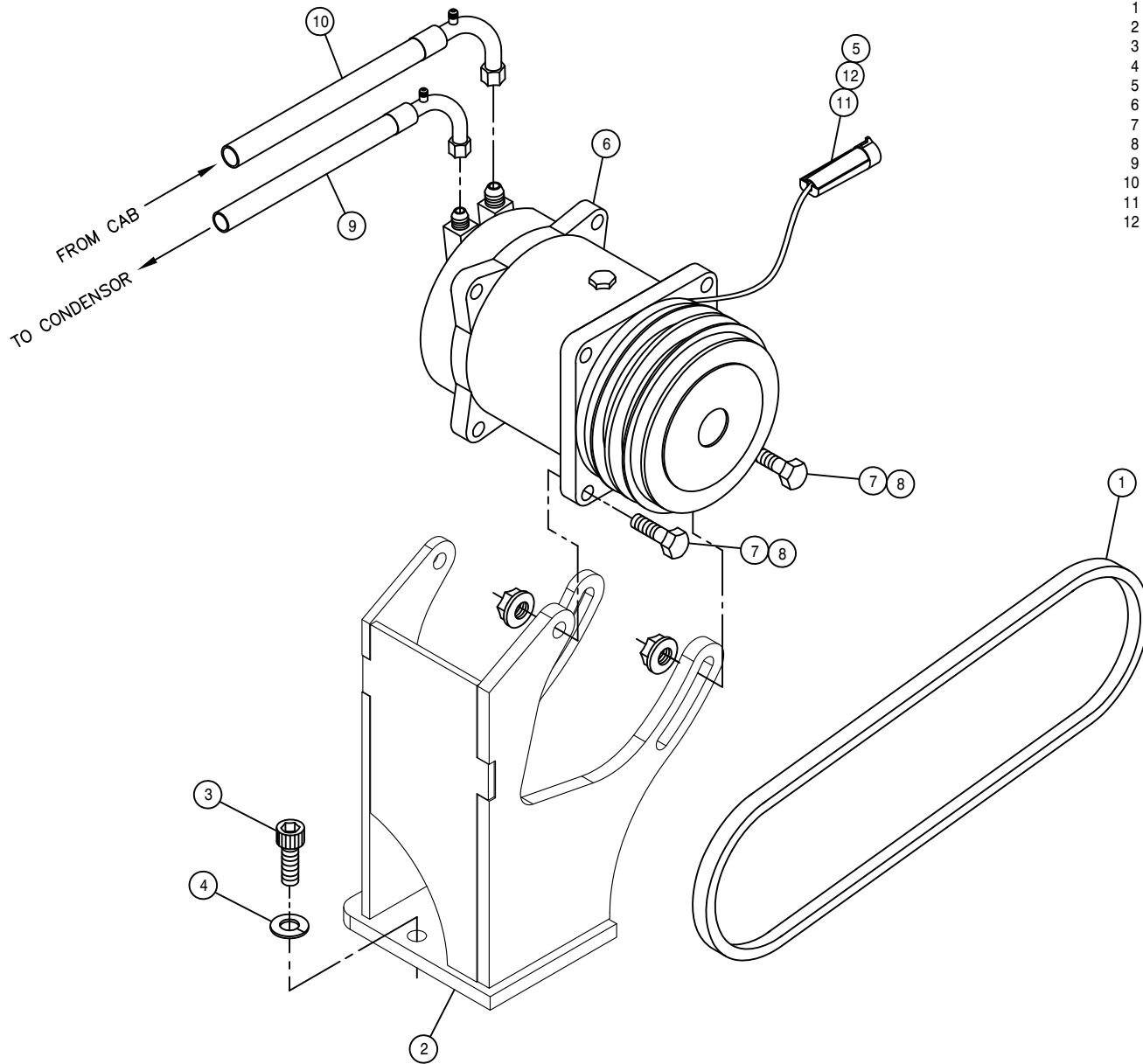
DET.	QTY	PART NO.	DESCRIPTION
1	1	291358	BATT CABLE,BLK 56"2GA.281-.406
2	1	291359	BATT CABLE,RED 26"2/0 3/8-3/8
3	1	291708	BATT CABLE,BLK 73"2/0 3/8-3/8
4	1	291892	BATT CABLE,BLK 42"4GA.406-.406
5	1	293631	STARTER WIRE ASSY
6	1	314832	RADIATOR HOSE 1.75 X 19(52423)
7	1	314987	LWR RADIATOR HOSE STS-12
8	1	316524	FAN, 28" CUMM QSB5.9C, STS 02
9	1	316370	ALT PULLEY, 2.76 OD, 8-GROOVE
10	1	316372	LUBE FILTER (CUMM ENG 316360)
11	1	316391	DELCO ALTERNATOR,130 AMP 24SI
12	1	316666	CUMM ENG,QSB6.7C,275HP 130A 07
13	1	316680	FAN BELT, TIER 3 ENGINE 07
14	1	316681	FAN SPACER,6.4MM,TIER 3 ENG 07
15	1	316682	FAN SPACER,63.5MM,TIER3 ENG 07
16	1	316685	REMOTE OIL FILTER HEAD,T3 07
17	1	316686	STARTER, CUMM TIER 3 07
18	4	473780	10MM-1.50 X 90MM FLANGE BOLT
19	5	473804	8MM LOCK WASHER
20	4	473827	8MM-1.25 X 20MM HEX BOLT
21	2	520067	HOSE CLAMP NO 28 STAINLESS
22	2	520099	HOSE CLAMP NO 40 STAINLESS
23	1	520069	HOSE CLAMP NO 6 STAINLESS
24	2	618189	1 1/16MJIC-7/8MOR ADPTR
25	2	618191	1 1/16MJ-90-1 1/16FJ SWIV LBO
26	1	618325	7/8MJIC-1/2MNPT ADPTR
27	2	618529	1 1/16MJ-45-1 1/16FJ SWIV LBO
28	1	618628	7/8MJIC-45-7/8FJIC SWIV LBO
29	2	616299	12-426-12FJX-12FJX-61 H/A
30	1	657484	10-213-10FJX-10FJX-89 H/A
31	1	316800	REMOTE FILTER HEAD BRKT,T3
32	1	316665	CUMM ENG,QSB6.7C,215HP, 07
33	1	473778	8MM-1.25 HEX NUT
34	1	291888	CAB PWR CABLE ASSY,STS10/12 05

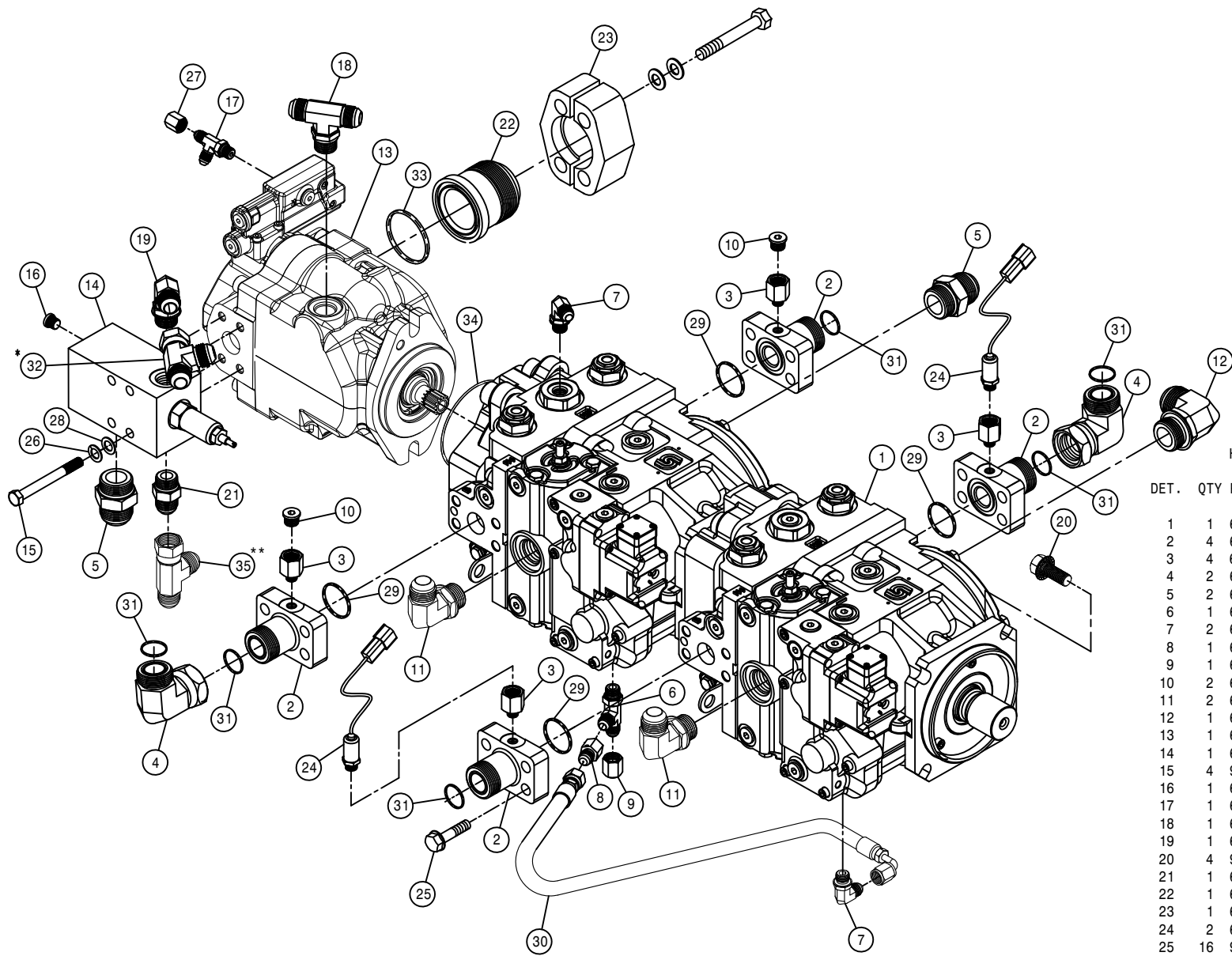
5

A/C COMPRESSOR PUMP ASSEMBLY

DET. QTY PART NO. DESCRIPTION

1	1	147052	BELT, 17470 GOODYEAR
2	1	316591	A/C MTG BRKT WLD, STS 2004
3	3	473844	10MM-1.50 X 30 SOC HD CAP SCR
4	3	473798	10MM LOCK WASHER
5	1	291675	MALE TERMINAL, 16-14GA PACKARD
6	1	657450	A/C COMP SR, 90D PORT TM15/12
7	4	900131	3/8UNC X 1 1/2 HEX BOLT
8	4	910004N	3/8UNC FLANGE CNTR LOCK NUT
9	1	657446	A/C HOSE, 08-08F90-08F90SV-65"
10	1	657447	A/C HOSE, 10-10F90-10F90SV-92"
11	1	291593	PACKARD CONNECT, 1-WIRE SHROUD
12	1	291620	PACKARD CABLE SEAL, GRN 20-18GA

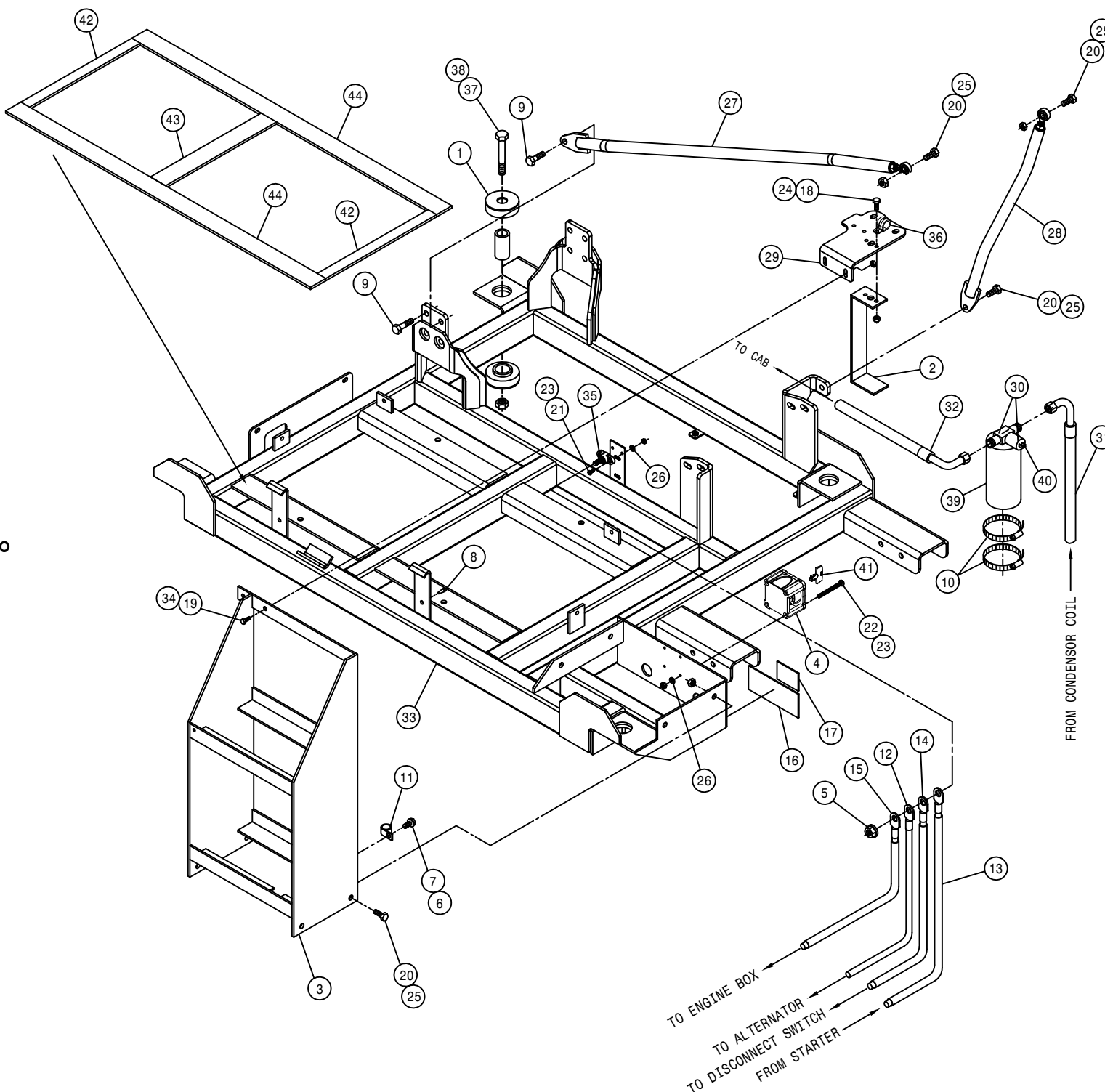




HYDROSTATIC PUMP ASSEMBLY

DET.	QTY	PART NO.	DESCRIPTION
1	1	606170	TANDEM PUMP,606173 & 606176 05
2	4	618742	1"FLG-1 7/16"ORFS ADPTR W/7/16
3	4	618361	7/16MOR-9/16FOR ADPTR
4	2	618362	1 7/16MFOR-90-1 7/16FFOR LBO
5	2	618186	1 5/16MJIC-1 5/16MOR ADPTR
6	1	618444	9/16MOR RUN TEE-9/16MJIC
7	2	618119	9/16MJIC-90-9/16MOR LBO
8	1	618734	9/16JIC .047 ORIFICE ADPTR
9	1	618531	9/16FJIC CAP NUT
10	2	618754	9/16MOR PLUG, HEX SOCKET
11	2	618248	1 1/16MJIC-90-1 1/16MOR LBO
12	1	618178	1 5/16MJIC-90-1 5/16MOR LBO
13	1	607004	SAUER PISTON PUMP JRRO60B
14	1	606258	REFIEF, LS PUMP SAUER
15	4	900138	3/8UNC X 3 1/2 HEX BOLT
16	1	618753	7/16MOR PLUG, HEX SOCKET
17	1	618509	7/16MOR RUN TEE-7/16MJIC
18	1	618637	7/8MOR BRANCH TEE-7/8MJIC
19	1	618183	3/4MJIC-90-7/8MOR LBO
20	4	900264	1/2UNC X 1 1/4 HEX BOLT
21	1	611126	7/8MJIC-7/8MOR ADPTR
22	1	618765	2" FLANGE-2 1/2MJIC ADPTR #61
23	1	618766	2" SPLIT FLANGE KIT #61
24	2	606196	PRESSURE TRANSDUCER, 9000 PSI
25	16	900197	7/16UNC X 1 1/2 HEX BOLT
26	4	920502	3/8 LOCK WASHER
27	1	618363	7/16FJIC CAP NUT
28	4	920002	3/8 SAE FLAT WASHER
29	4	870219	BUNA ORING 1 5/16 X 1 9/16 90D
30	1	616038	04-471TC-06FJX-06FJX90-15 H/A
31	6	618677	O-RING, -16 FACE SEAL .93ID 90D
32	1	618451	3/4FJIC SW RUN TEE-3/4MJIC
33	1	618394	O-RING FOR 2" FLANGE -32
34	1	606357	O-RING,3.737ID-.103CS-3.94 BMT
35	1	618333	7/8FJIC SW RUN TEE-7/8MJIC

NOTE: 1. (\*) USED WITH THE TREAD ADJUST OPTION.  
 2. (\*\*) USED WITH THE PRESSURE WASHER OPTION.

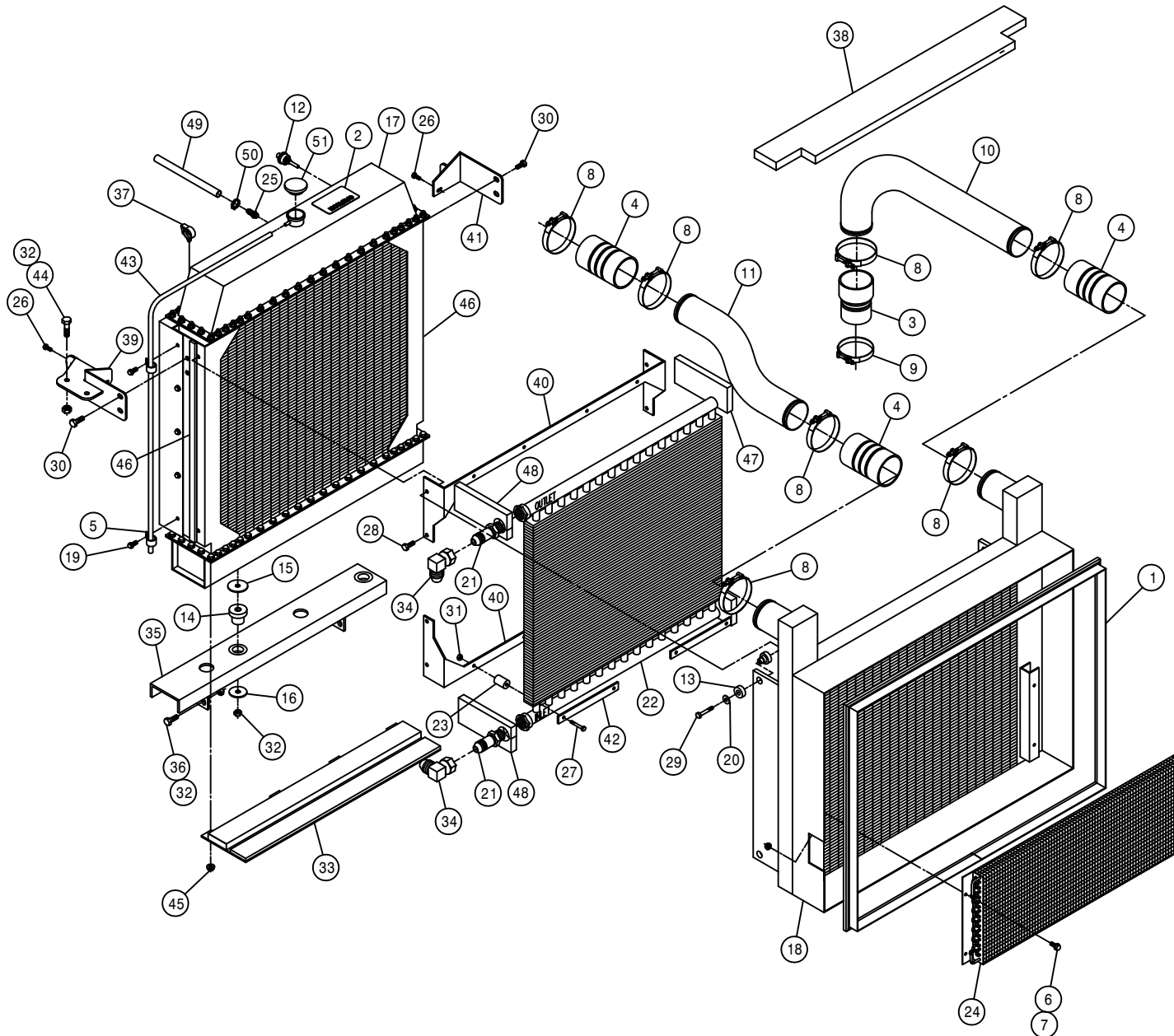


ENGINE SKID ASSEMBLY

DET.	QTY	PART NO.	DESCRIPTION
1	4	311057	RUBBER MT SET,SSB33-1000-4
2	1	316432	A/C DRIER MT
3	1	316637	BATTERY BOX WLD STS 05
4	1	291962	BATTERY SWITCH,ON/OFF(KEY)6005
5	1	910004N	3/8UNC FLANGE CNTR LOCK NUT
6	1	470121	1/4UNC HEX FLANGE LOCK NUT
7	1	470122	1/4UNC X 1/2 FLANGE HEX BOLT
8	6	470313	GROMMET BUMPER,1/4T X 1/4D MT
9	12	473855	12MM-1.75 X 35MM FLANGE BOLT
10	2	520052	HOSE CLAMP NO 52 STAINLESS
11	1	520121	CUSH CLAMP,#16 1IN X 3/4W
12	1	291357	BATT CABLE,RED 23"2GA.343-.406
13	1	291359	BATT CABLE,RED 26"2/0 3/8-3/8
14	1	291360	BATT CABLE,RED 40"2/0 3/8-3/8
15	1	291361	BATT CABLE,RED 72"2/0 3/8-3/8
16	1	650107	DECAL, CAUTION BOOSTER STS12
17	1	650372	DECAL,MAIN ELECTRIC DISCONNECT
18	2	900065	5/16UNC X 1" HEX BOLT
19	2	900129	3/8UNC X 1" SERR FLANGE BOLT
20	7	900264	1/2UNC X 1 1/4 HEX BOLT
21	2	903706	10-32X1/2 PHIL PANHD MACH SCR
22	4	903897	10-32X2 1/2 SLT RD HD MACH SCR
23	6	910027	10-32 HEX NUT
24	2	914002	5/16UNC HEX STOVER NUT
25	7	914008	1/2UNC HEX STOVER NUT
26	6	920510	#10 LOCK WASHER
27	1	316731	LH RAD BRACE ASSY,STS 10/12 07
28	1	316730	RH RAD BRACE ASSY,STS 10/12 07
29	1	316729	RAD MT PLT, STS T3 QSB 07
30	1	657438	RECEIVER DRIER W/SWITCH
31	1	657443	A/C HOSE,06-06F90-06F90-34"
32	1	657474	A/C HOSE,06-06F-06F90-128"
33	1	316650	SKID WLD, STS LS TIER 3 06
34	2	470087	3/8UNC HEX FLANGE LOCK NUT
35	1	291936	TERM BLOCK,RED, 3/8-16 SINGLE
36	1	520121	CUSH CLAMP,#16 1IN X 3/4W
37	4	900408	3/4UNC X 3 1/2 HEX BOLT
38	4	914012	3/4UNC HEX STOVER NUT
39	1	657421	A/C RECEIVER/DRIER
40	1	657422	A/C BINARY SWITCH
41	1	291963	KEY,BATTERY SWITCH 291962
42	2	470561	IND BELT, 1.00 X 15.00 .203THK
43	1	470562	IND BELT, 2.00 X 15.00 .203THK
44	2	470563	IND BELT, 2.00 X 40.00 .203THK

RADIATOR AND OIL COOLER ASSEMBLY

DET. QTY PART NO. DESCRIPTION

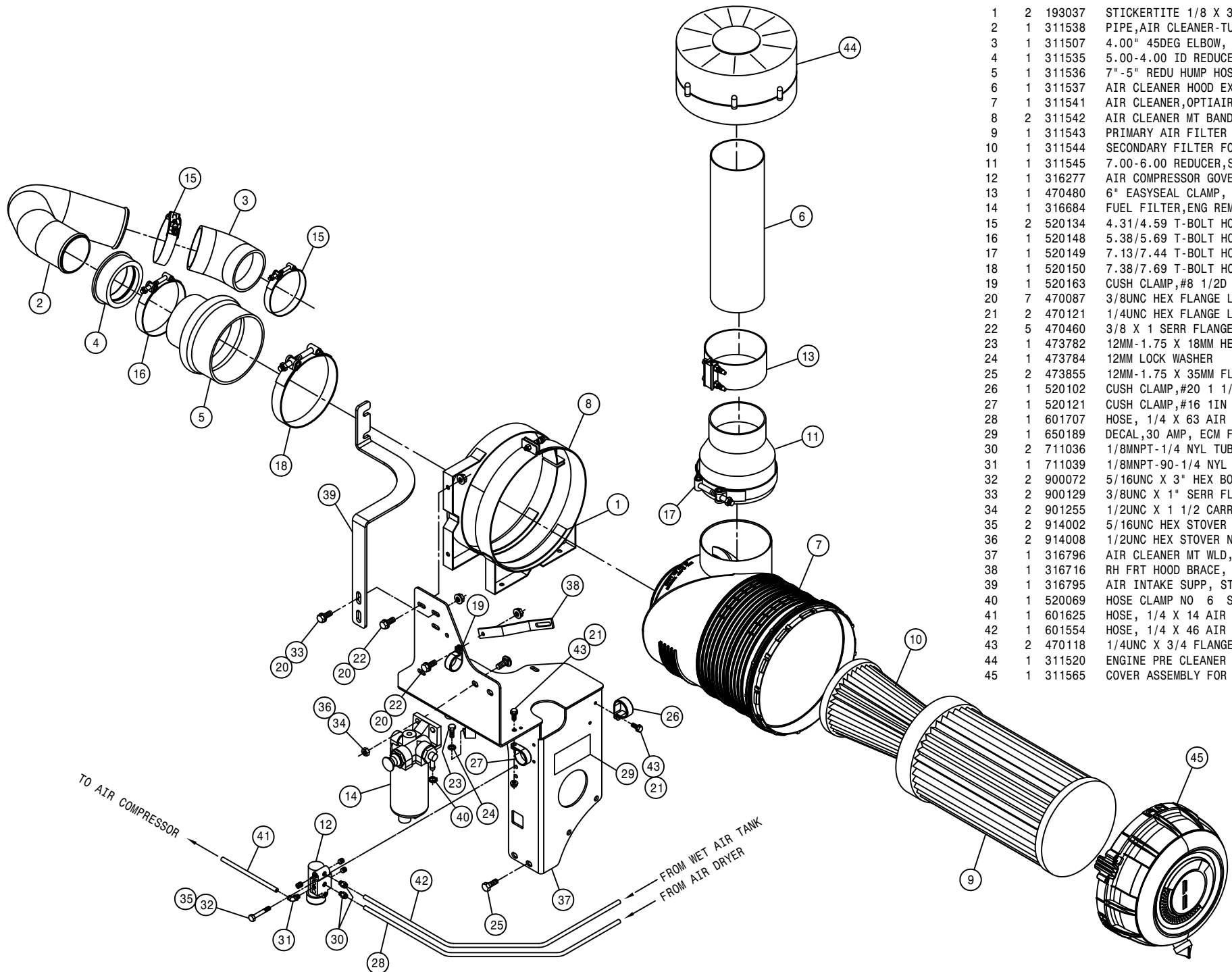


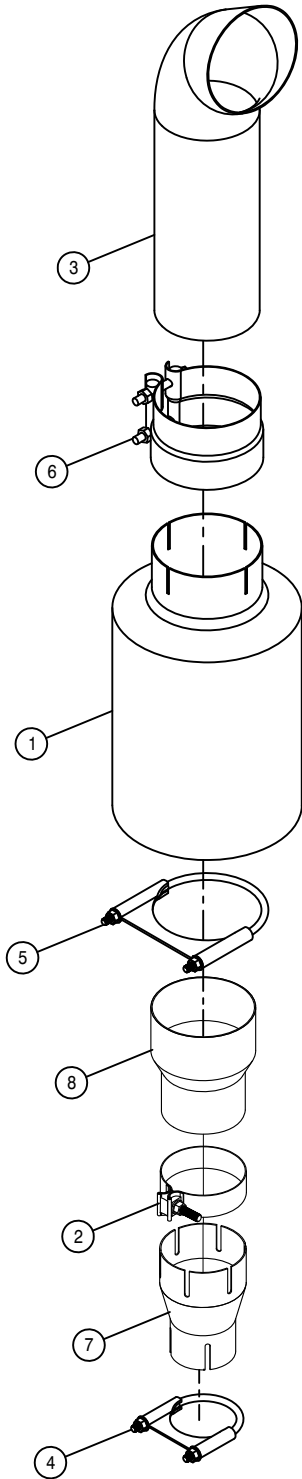
1	1	316612	CAC LIP SEAL, STS	03
2	1	650174	DECAL,CAUTION RADIATOR,STS	07
3	1	311500	3.00-3.50 CAC HOSE, AIR INTAKE	
4	3	311501	3.50 CAC HOSE, AIR INTAKE	
5	2	520128	CUSH CLAMP,#9 9/16D X 3/4W	
6	4	470121	1/4UNC HEX FLANGE LOCK NUT	
7	4	470122	1/4UNC X 1/2 FLANGE HEX BOLT	
8	7	520145	3.56/3.88 T-BOLT HOSE CLAMP SS	
9	1	520146	3.06/3.38 T-BOLT HOSE CLAMP SS	
10	1	311540	PIPE,CAC TO ENG, STS T3	07
11	1	311539	PIPE,TURBO TO CAC, STS T3	07
12	1	291935	RAD WATER LEVEL SENSOR,T3 ENG	
13	4	311056	RUBBER MOUNT SET,2-PC CB 2320	
14	2	311060	RUBBER MOUNT,1-PC CB-1122-2	
15	2	311061	HEAD WASHER FOR 311060	
16	2	311062	TAIL WASHER FOR 311060	
17	1	316364	RADIATOR, STS12	2000
18	1	316660	CHARGE AIR COOLER,STS TIER3 O6	
19	10	470319	3/8UNC X 1/2 SERR FLANGE BOLT	
20	4	483043	3/8 REGULAR FLAT WASHER	
21	2	618610	1 5/16MJIC-1 5/16MOR LG ADPTR	
22	1	618800	OIL COOLER STS12	2000
23	8	618801	MOUNTING KIT FOR 618800 COOLER	
24	1	657434	A/C CONDENSER COIL 21-0302	
25	1	783304	1/4 NPT X 3/8 HOSE BARB, BRS	
26	2	900064	5/16UNC X 3/4 HEX BOLT	
27	8	900071	5/16UNC X 2 3/4 HEX BOLT	
28	4	900128	3/8UNC X 3/4 HEX BOLT	
29	4	900133	3/8UNC X 2" SERR FLANGE BOLT	
30	4	900264	1/2UNC X 1 1/4 HEX BOLT	
31	8	473001	5/16UNC HEX NUT,NY-LOC 316 SS	
32	8	914008	1/2UNC HEX STOVER NUT	
33	1	316490	LWR RADIATOR FILLER PANEL ASSY	
34	2	618640	1 5/16MJ-90-1 5/16FJ SWIV LBO	
35	1	316594	RADIATOR MT CHAN WLD, STS	04
36	4	900264	1/2UNC X 1 1/4 HEX BOLT	
37	4	291008	ROSEBUD CLIP FOR .350 CONDUIT	
38	1	316588	FOAM, STS	04
39	1	316727	UPPER LH RAD MT WLD,STS T3	07
40	2	316452	RAD TO OIL COOLER MT	
41	1	316446	UPPER RH RAD MT WLD	2000
42	4	316453	RAD TO OIL COOLER KEEPER	
43	1	601614	HOSE, 5/16 X 64 EPDM	
44	2	900264	1/2UNC X 1 1/4 HEX BOLT	
45	4	470113	5/16UNC HEX FLANGE LOCK NUT	
46	2	316493	SIDE FOAM,RAD/CAC	
47	2	316494	RH UPR/LWR FOAM,OIL CLR/RAD O0	
48	2	316495	LH UPR/LWR FOAM,OIL CLR/RAD O0	
49	1	601668	HOSE, 3/8 X 30 HEATER	
50	1	520069	HOSE CLAMP NO 6 STAINLESS	
51	1	316377	RAD CAP, 10LB 10237	

AIR CLEANER ASSEMBLY

DET. QTY PART NO. DESCRIPTION

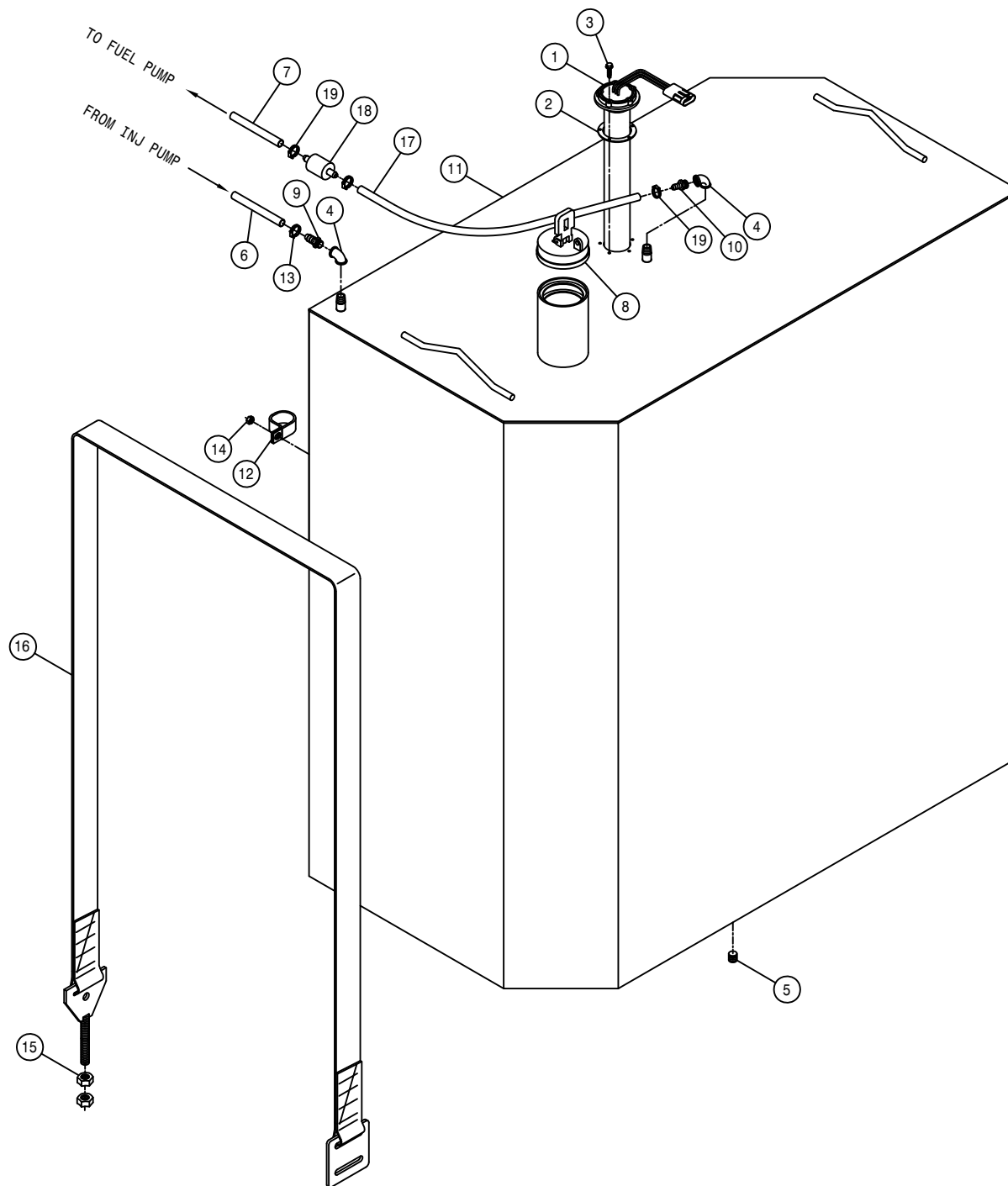
1	2	193037	STICKERTITE 1/8 X 3/4
2	1	311538	PIPE,AIR CLEANER-TURBO,STS 07
3	1	311507	4.00" 45DEG ELBOW, RUBBER
4	1	311535	5.00-4.00 ID REDUCER BUSHING
5	1	311536	7" -5" REDU HUMP HOSE, RUBBER
6	1	311537	AIR CLEANER HOOD EXT,14"STS 07
7	1	311541	AIR CLEANER,OPTIAIR 1300
8	2	311542	AIR CLEANER MT BAND FOR 311541
9	1	311543	PRIMARY AIR FILTER FOR 311541
10	1	311544	SECONDARY FILTER FOR 311541
11	1	311545	7.00-6.00 REDUCER,STEEL W/CLMP
12	1	316277	AIR COMPRESSOR GOVERNOR KIT
13	1	470480	6" EASYSEAL CLAMP, SS
14	1	316684	FUEL FILTER,ENG REMOTE,T3 07
15	2	520134	4.31/4.59 T-BOLT HOSE CLAMP SS
16	1	520148	5.38/5.69 T-BOLT HOSE CLAMP SS
17	1	520149	7.13/7.44 T-BOLT HOSE CLAMP SS
18	1	520150	7.38/7.69 T-BOLT HOSE CLAMP SS
19	1	520163	CUSH CLAMP,#8 1/2D X 3/4W
20	7	470087	3/8UNC HEX FLANGE LOCK NUT
21	2	470121	1/4UNC HEX FLANGE LOCK NUT
22	5	470460	3/8 X 1 SERR FLANGE BOLT
23	1	473782	12MM-1.75 X 18MM HEX BOLT
24	1	473784	12MM LOCK WASHER
25	2	473855	12MM-1.75 X 35MM FLANGE BOLT
26	1	520102	CUSH CLAMP,#20 1 1/4D X 1/2W
27	1	520121	CUSH CLAMP,#16 1IN X 3/4W
28	1	601707	HOSE, 1/4 X 63 AIR
29	1	650189	DECAL,30 AMP, ECM FUSE, STS 07
30	2	711036	1/8MNPT-1/4 NYL TUBE FTG
31	1	711039	1/8MNPT-90-1/4 NYL TUBE LBO
32	2	900072	5/16UNC X 3" HEX BOLT
33	2	900129	3/8UNC X 1" SERR FLANGE BOLT
34	2	901255	1/2UNC X 1 1/2 CARR BOLT
35	2	914002	5/16UNC HEX STOVER NUT
36	2	914008	1/2UNC HEX STOVER NUT
37	1	316796	AIR CLEANER MT WLD, STS T3 07
38	1	316716	RH FRT HOOD BRACE, STS T3 07
39	1	316795	AIR INTAKE SUPP, STS10/12 07
40	1	520069	HOSE CLAMP NO 6 STAINLESS
41	1	601625	HOSE, 1/4 X 14 AIR
42	1	601554	HOSE, 1/4 X 46 AIR
43	2	470118	1/4UNC X 3/4 FLANGE HEX BOLT
44	1	311520	ENGINE PRE CLEANER
45	1	311565	COVER ASSEMBLY FOR 311541





MUFFLER ASSEMBLY

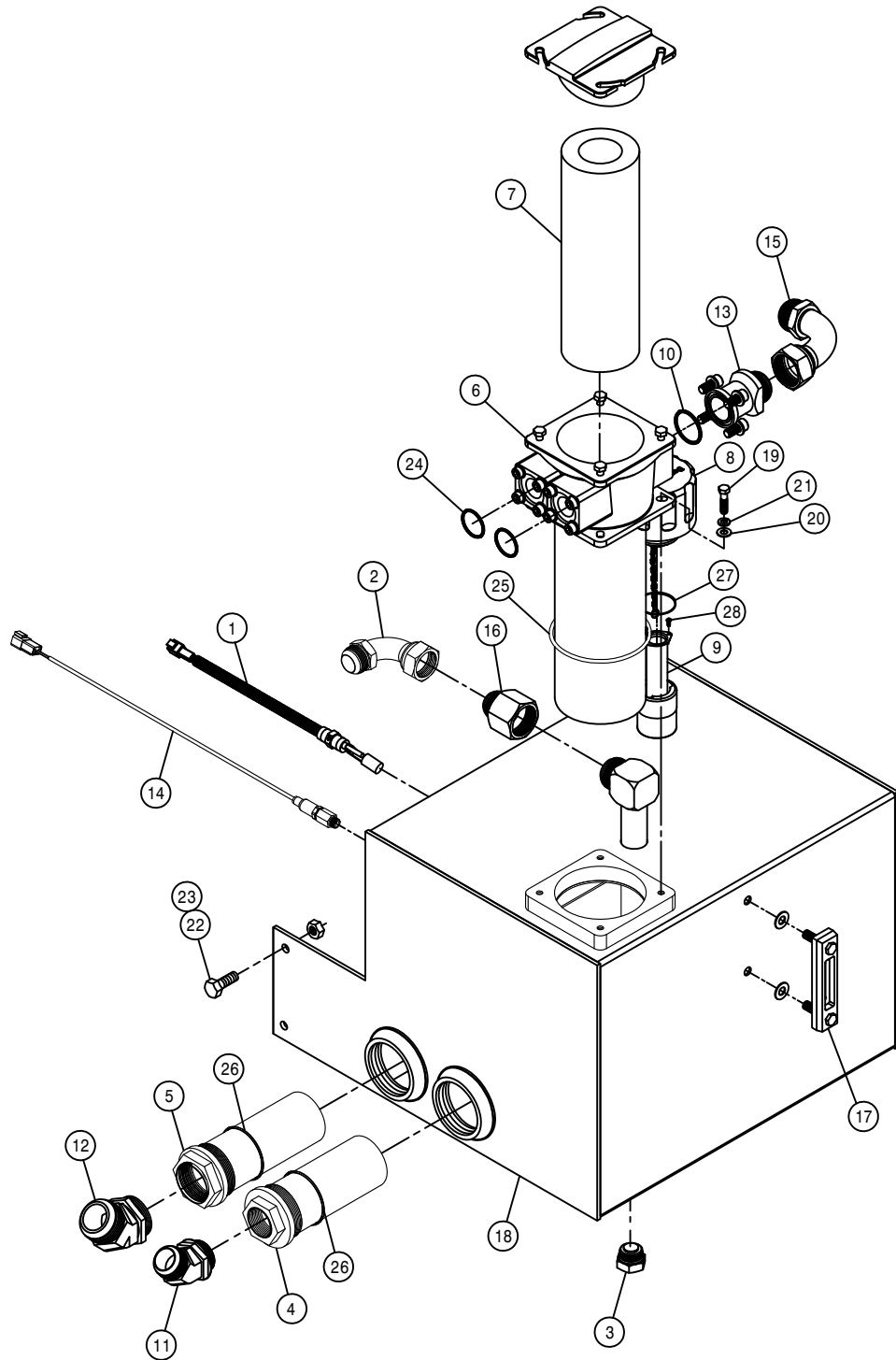
DET.	QTY	PART NO.	DESCRIPTION
1	1	316657	MUFFLER 5"
2	1	470519	MUFFLER CLAMP, 4.00 ACCUSEAL
3	1	316669	EXHAUST STACK, 5" X 21" BLK
4	1	470475	3" EXHAUST CLAMP
5	1	470476	5" EXHAUST CLAMP
6	1	470477	5" LAP EXHAUST CLAMP
7	1	311550	4" ID-3" ID REDUCER, EXHAUST PIPE
8	1	311552	5" OD-4" OD REDUCER, EXHAUST PIPE



FUEL TANK ASSEMBLY

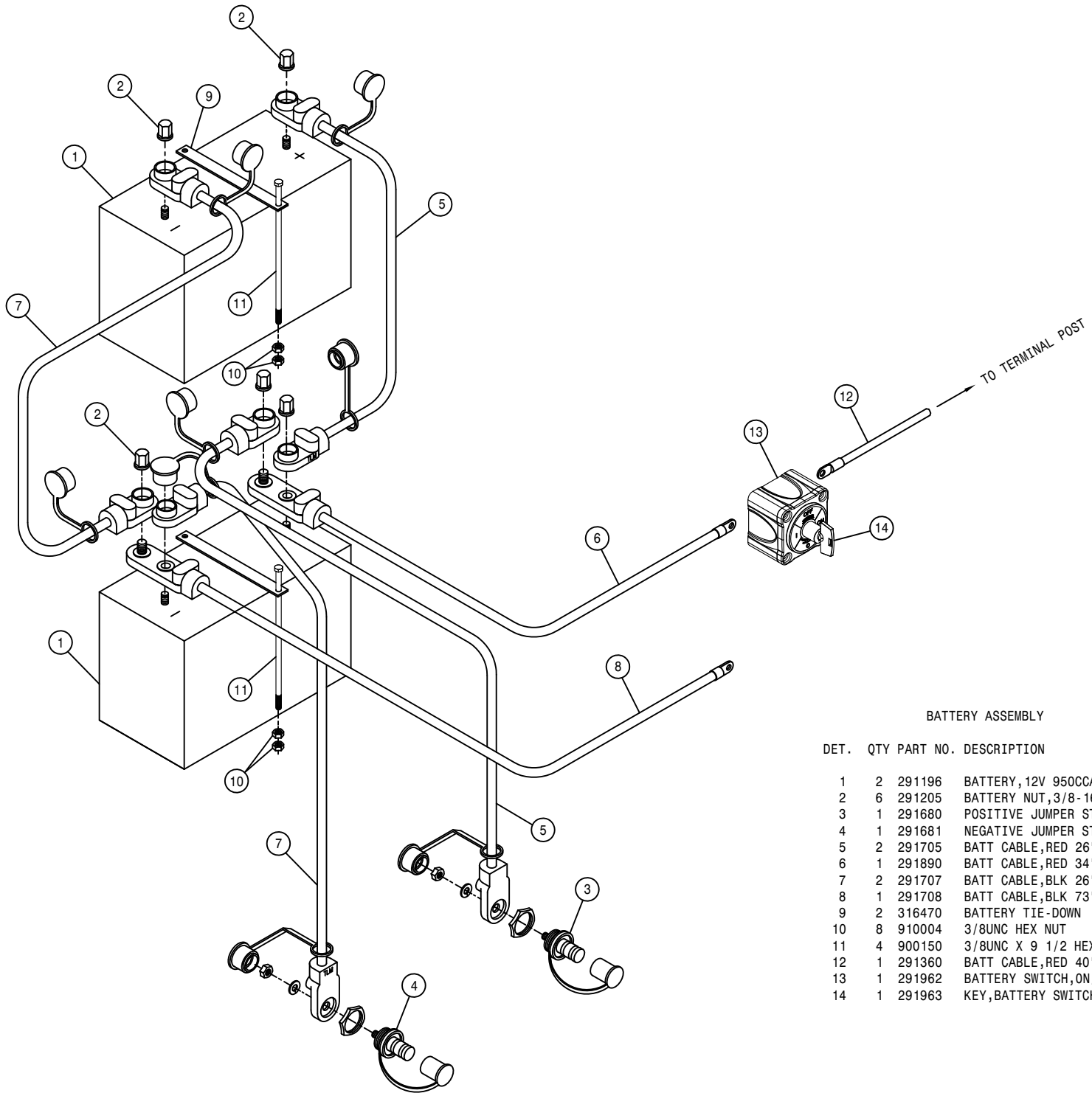
DET.	QTY	PART NO.	DESCRIPTION
			05
1	1	291354	FUEL LEVEL SENDER
2	1	291789	GASKET FOR FUEL SENDER 291788
3	5	903905	10-32X1 1/2 PHIL PAN MACH SCR
4	2	501451	BLK PIPE EL 90DEG .25NPT
5	1	470308	1/2MNPT DRAIN PLUG,AL HD,MAG
6	1	601666	HOSE, 5/16 X 68 FUEL LINE
7	1	601667	HOSE, 3/8 X 40 FUEL LINE
8	1	760469	FUEL TANK CAP,3.50" VENTED
9	1	783303	1/4 NPT X 5/16 HOSE BARB, BRS
10	1	783304	1/4 NPT X 3/8 HOSE BARB, BRS
11	1	760473	FUEL TANK WLD
12	1	520126	CUSH CLAMP,#32 2IN X 5/8W
13	1	520120	HOSE CLAMP NO 4 STAINLESS
14	1	914000	1/4UNC HEX STOVER NUT
15	4	910008	1/2UNC HEX NUT
16	2	316575	FUEL TANK STRAP ASSY, STS 04
17	1	601323	HOSE, 3/8 X 36 FUEL LINE
18	1	316281	FUEL STRAINER, IN-LINE, DIESEL
19	3	520069	HOSE CLAMP NO 6 STAINLESS





HYDRAULIC TANK ASSEMBLY

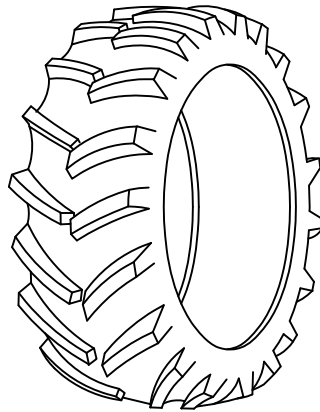
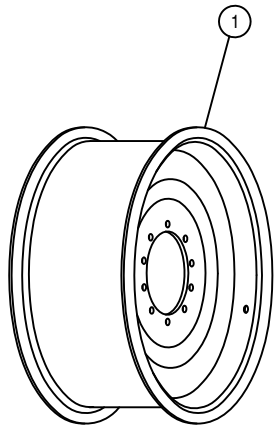
DET.	QTY	PART NO.	DESCRIPTION
1	1	293815	LIQUID LEV SWITCH ASSY,1/2NP05
2	1	618768	1 5/8FJX-90-1 5/8MJIC TUBE
3	1	470471	1 5/16MOR PLUG, MAGNETIC
4	1	605622	SUCTION STRAINER,21GPM 100M 24
5	1	605623	SUCTION STRAINER,39GPM 100M 32
6	1	605625	IN-TANK RETURN FILTER, 10M
7	1	605626	FILTER ELEMENT FOR 605625 10M
8	1	605642	T.R.A.P. BREATHER, DONALDSON
9	1	605629	FILL SCREEN, 30 MESH
10	1	618395	O-RING FOR 1 1/2" FLANGE -24
11	1	618745	1 7/8MJIC-45-1 7/8MOR LBO
12	1	618746	2 1/2MJIC-45-2 1/2MOR LBO
13	1	618747	1 1/2 FLANGE-1 7/8MJIC ADPTR
14	1	291943	TEMPERATURE TRANSDUCER
15	1	618764	1 7/8FJX-90-1 7/8MJIC TUBE LBO
16	1	618767	1 7/8FJIC-1 5/8MJIC ADPTR
17	1	760177	SIGHT GAUGE W/TEMP, HYD TANK
18	1	760351	HYD TANK WLD, STSLs 07
19	4	900131	3/8UNC X 1 1/2 HEX BOLT
20	4	920002	3/8 SAE FLAT WASHER
21	4	920502	3/8 LOCK WASHER
22	4	900264	1/2UNC X 1 1/4 HEX BOLT
23	4	914008	1/2UNC HEX STOVER NUT
24	2	618465	O-RING FOR 1 1/4" FLANGE, -20
25	1	605632	O-RING FOR FILTER HEAD 605625
26	2	605638	O-RING, -48 3.228ID-.118W
27	1	605641	SPRING RETAINER FOR 605628 CAP
28	2	903808	6-32 X 3/8 PHIL PANHD MACH SCR



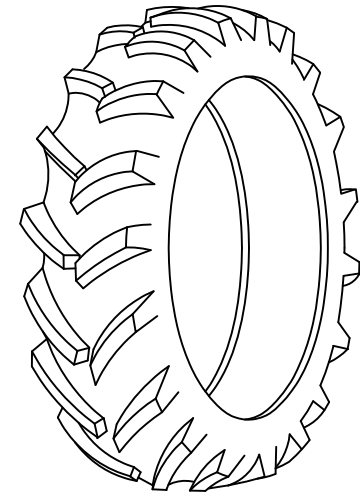
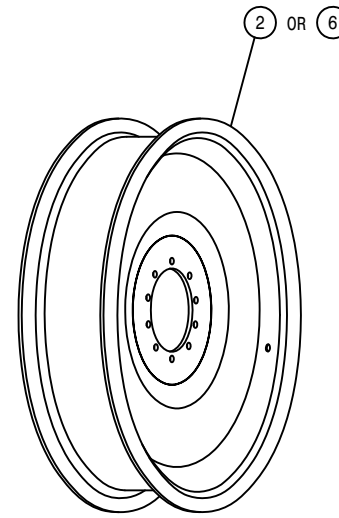
BATTERY ASSEMBLY

DET. QTY PART NO. DESCRIPTION

DET.	QTY	PART NO.	DESCRIPTION
1	2	291196	BATTERY, 12V 950CCA, SS STUD
2	6	291205	BATTERY NUT, 3/8-16 SS CLSD CAP
3	1	291680	POSITIVE JUMPER STUD, RED
4	1	291681	NEGATIVE JUMPER STUD, BLACK
5	2	291705	BATT CABLE, RED 26*2/0 3/8-3/8
6	1	291890	BATT CABLE, RED 34*2/0 3/8-3/8
7	2	291707	BATT CABLE, BLK 26*2/0 3/8-3/8
8	1	291708	BATT CABLE, BLK 73*2/0 3/8-3/8
9	2	316470	BATTERY TIE-DOWN
10	8	910004	3/8UNC HEX NUT
11	4	900150	3/8UNC X 9 1/2 HEX BOLT
12	1	291360	BATT CABLE, RED 40*2/0 3/8-3/8
13	1	291962	BATTERY SWITCH, ON/OFF (KEY) 6005
14	1	291963	KEY, BATTERY SWITCH 291962



580/70 R38 RADIAL TIRE



380/85 R46 RADIAL TIRE

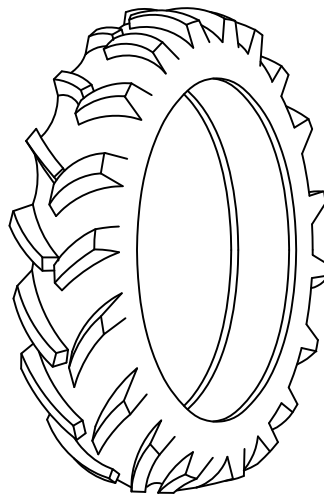
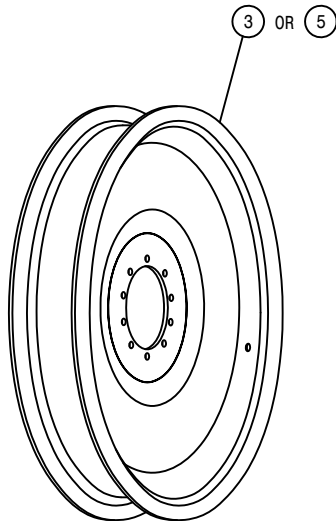
520/85 R46 RADIAL TIRE

TIRE AND RIM ASSEMBLY

DET. QTY PART NO. DESCRIPTION

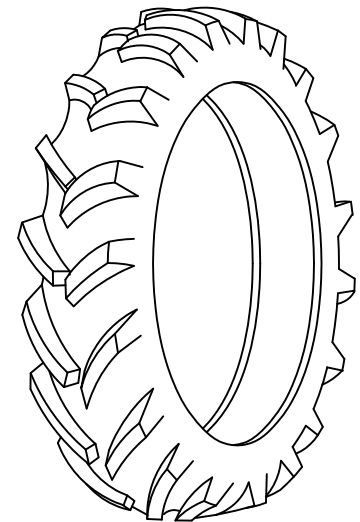
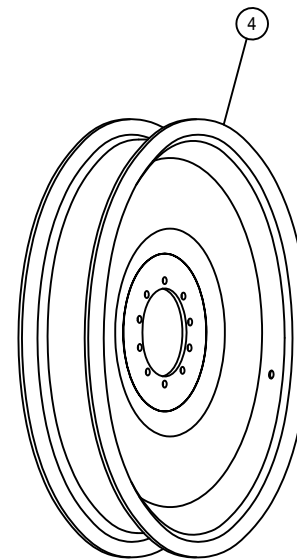
1	1	821055	RIM WLD, 38 X W18A
2	1	821054	RIM WLD, 46 X W13A
3	1	821053	RIM WLD, 50 X DW10
4	1	821058	RIM WLD, 54 X W10A
5	1	821059	RIM WLD, 54 X W12
6	1	821061	RIM WLD, 46 X W16

STS12  
STS12  
STS



320/90 R50 RADIAL TIRE

380/90 R54 RADIAL TIRE



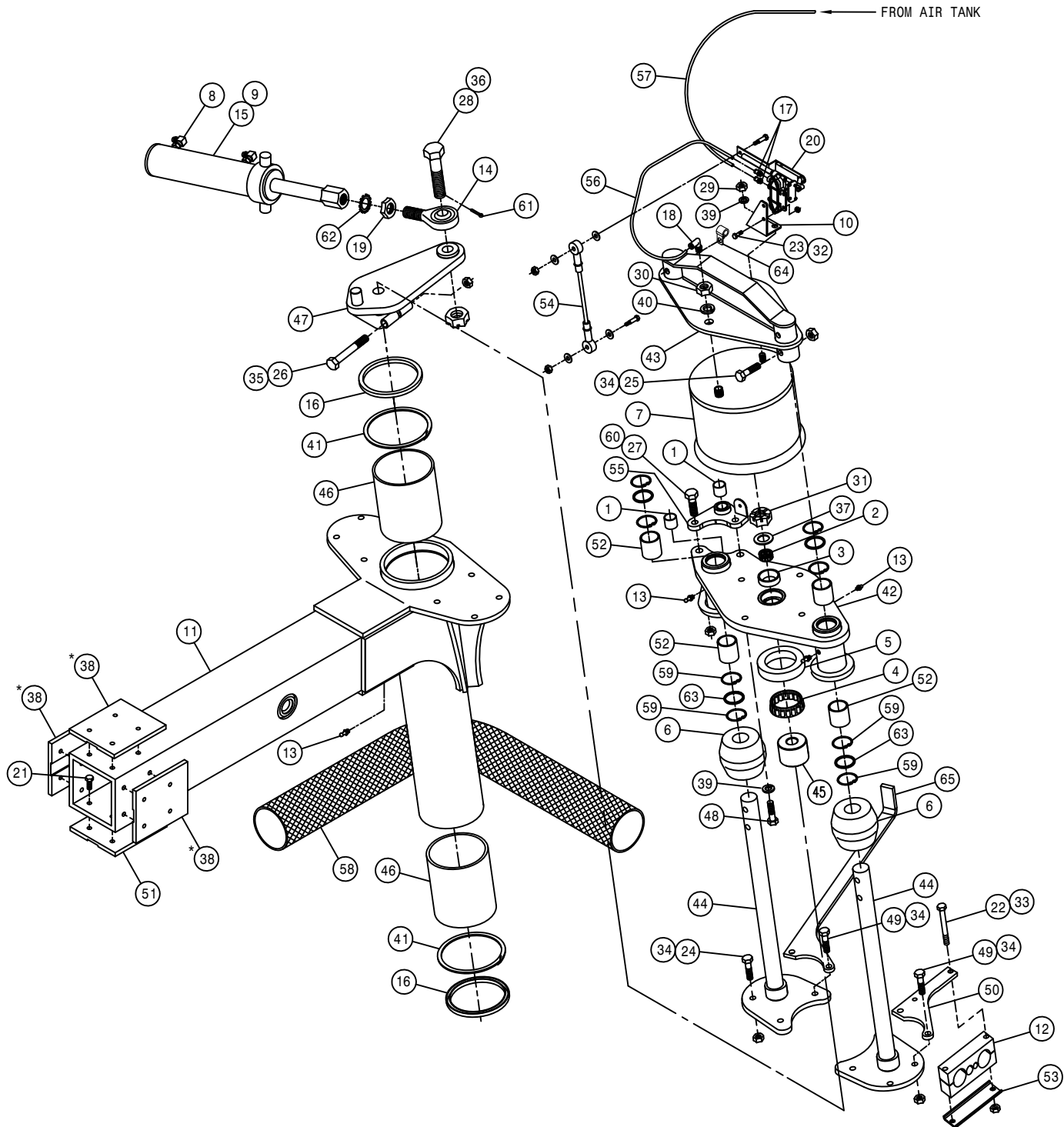
320/105 R54 RADIAL TIRE

RIGHT FRONT OUTER LEG ASSEMBLY

DET. QTY PART NO. DESCRIPTION

DET.	QTY	PART NO.	DESCRIPTION
1	2	121029	JOURNAL BRG, 1.00 ID X 1.00 LG
2	1	125050	BRG CONE,1.00 ID W/FACE SEAL
3	1	125051	BRG CUP FOR 125050
4	1	125052	BRG CONE, 2.687 ID W/FACE SEAL
5	1	125053	BRG CUP FOR 125052
6	2	311058	RUBBER SPRING
7	1	311066	AIRIDE SPRING, 9.75 BASE
8	2	618249	3/4MJIC-90-9/16MOR LBO
9	1	621551	REPAIR KIT,HYD CYL,STRG 621550
10	1	359369	RH LEG AIR VALVE MT, STS16 05
11	1	359328	OUTER LEG WLD, STS 05
12	1	470305	HOSE CLAMP, 4-HOLE
13	4	471005	1/4 28 X 1/2 GREASE ZERK
14	1	473975	ROD END,1.00 BORE,1-12 RH MALE
15	1	621550	STEERING CYL,2.50 X 8.81 STS
16	2	629621	SEAL, 4.500 ROD DIA
17	2	711036	1/8MNPT-1/4 NYL TUBE FTG
18	1	711040	1/4MNPT-90-1/4 NYL TUBE LBO
19	1	472328	1"-12 HEX JAM NUT
20	1	358832	AIRIDE SPRING CTRL VALVE 98
21	16	900128	3/8UNC X 3/4 HEX BOLT
22	2	900138	3/8UNC X 3 1/2 HEX BOLT
23	2	900002	1/4UNC X 3/4 HEX BOLT
24	4	900267	1/2UNC X 2" HEX BOLT
25	4	900269	1/2UNC X 2 3/4 HEX BOLT
26	1	900343	5/8UNC X 4 1/2 HEX BOLT
27	2	900352P	5/8UNC X 2 1/4 HEX BOLT
28	1	359085	STEERING ARM BOLT, 1"-8THD STS
29	1	910008	1/2UNC HEX NUT
30	1	910013	3/4UNF HEX NUT
31	1	910021	1"-14 SLOT JAM NUT
32	2	914000	1/4UNC HEX STOVER NUT
33	2	914004	3/8UNC HEX STOVER NUT
34	12	914008	1/2UNC HEX STOVER NUT
35	1	914010	5/8UNC HEX STOVER NUT
36	1	910020	1" UNC HEX SLOTTED NUT
37	1	920008	1" SAE FLAT WASHER
38	3	342917	TREAD ADJ PLATE, STEEL, THD
39	5	920504	1/2 LOCK WASHER
40	1	920506	3/4 LOCK WASHER
41	2	629538	4.5 SPIROLOX RING
42	1	359337	RH AIR BAG LWR PLT WLD, STS 05
43	1	359333	AIRBAG TOWER TOP MT WLD,STS 05
44	2	359077	NITRO TOWER SHAFT WLD STS
45	1	359082	STEERING ARM BRG SPACER
46	2	121112	LEG SLEEVE BEARING (POLYGON)04
47	1	359070	RH STEERING ARM WLD
48	4	900265	1/2UNC X 1 1/2 HEX BOLT
49	4	900268	1/2UNC X 2 1/2 HEX BOLT
50	1	359081	UPPER LEG HOSE MT PLT
51	4	342719	TRD ADJ BRONZE BEARING,THD-GRV
52	4	121113	TOWER SLEEVE BRG (POLYGON) 05
53	1	359094	HYD TUBE CLAMP KEEPER, 5.75
54	1	359095	LEG HEIGHT CTRL LINKAGE, STS12
55	1	359435	RH LEG UPR TRUNNION MT WLD 07
56	1	601473	HOSE, 1/4 X 22 AIR
57	1	601480	HOSE, 1/4 X 230 AIR
58	1	470310	SIDEWINDER SLEEVE,14.06 X 45"
59	8	629537	187RRHOZ SNAP RING
60	2	914010P	5/8UNC HEX STOVER NUT
61	1	470117	COTTER PIN 3/16 1 3/4 SQ CUT
62	1	483018	1" EXTERNAL TOOTH LOCK WASHER
63	4	629620	SEAL, 1.500 ROD DIA
64	1	520164	CUSH CLAMP,9/16D-3/4W-.531MT
65	1	359350	RH EXTENDED HOSE SUPPORT, STS

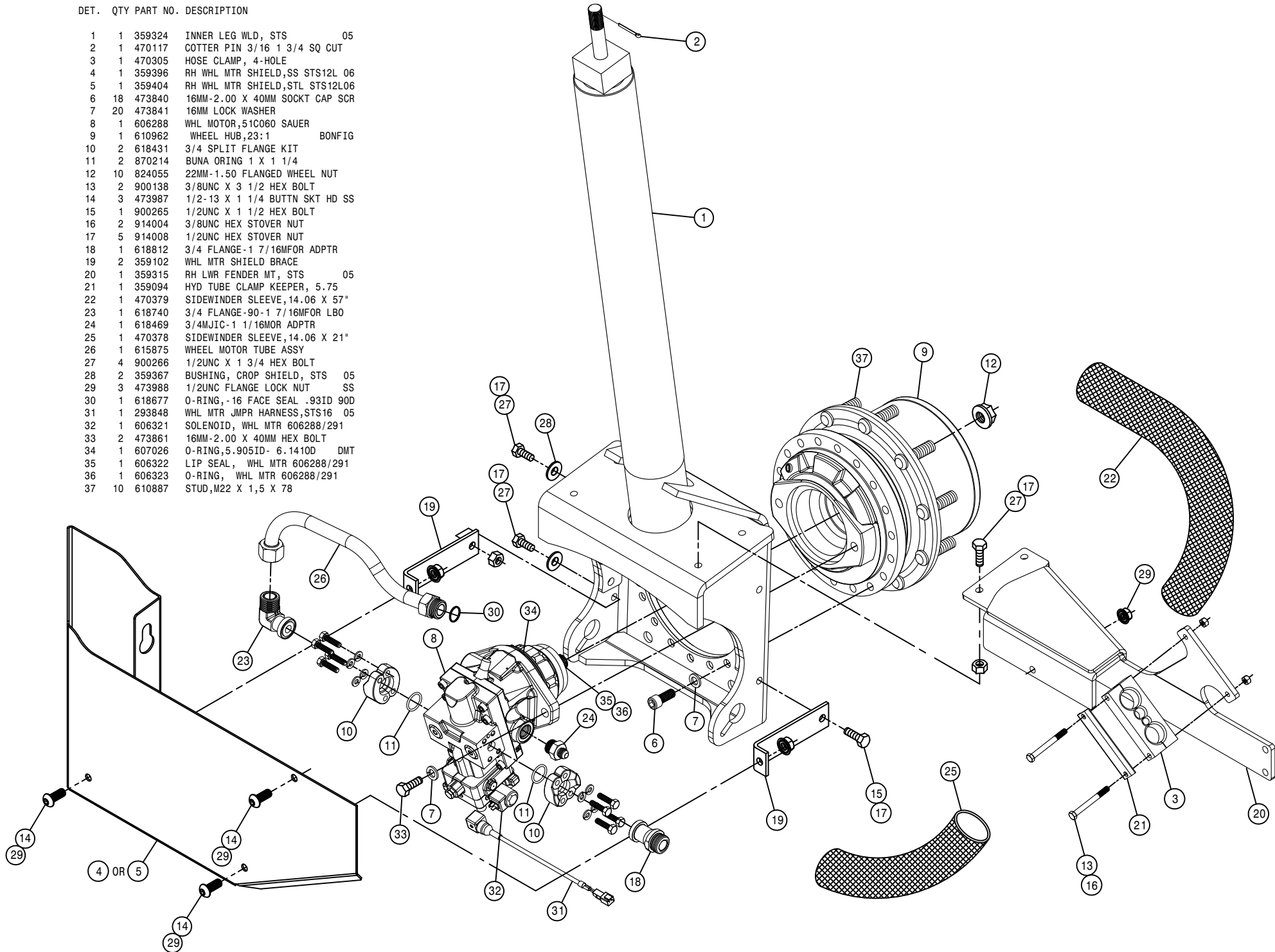
\*NOTE: FOR TREAD ADJUST OPTION REPLACE ITEM 38 WITH THREE OF ITEM 51.



RH FRONT INNER LEG ASSEMBLY (BONFIGLIOLI HUB)

DET. QTY PART NO. DESCRIPTION

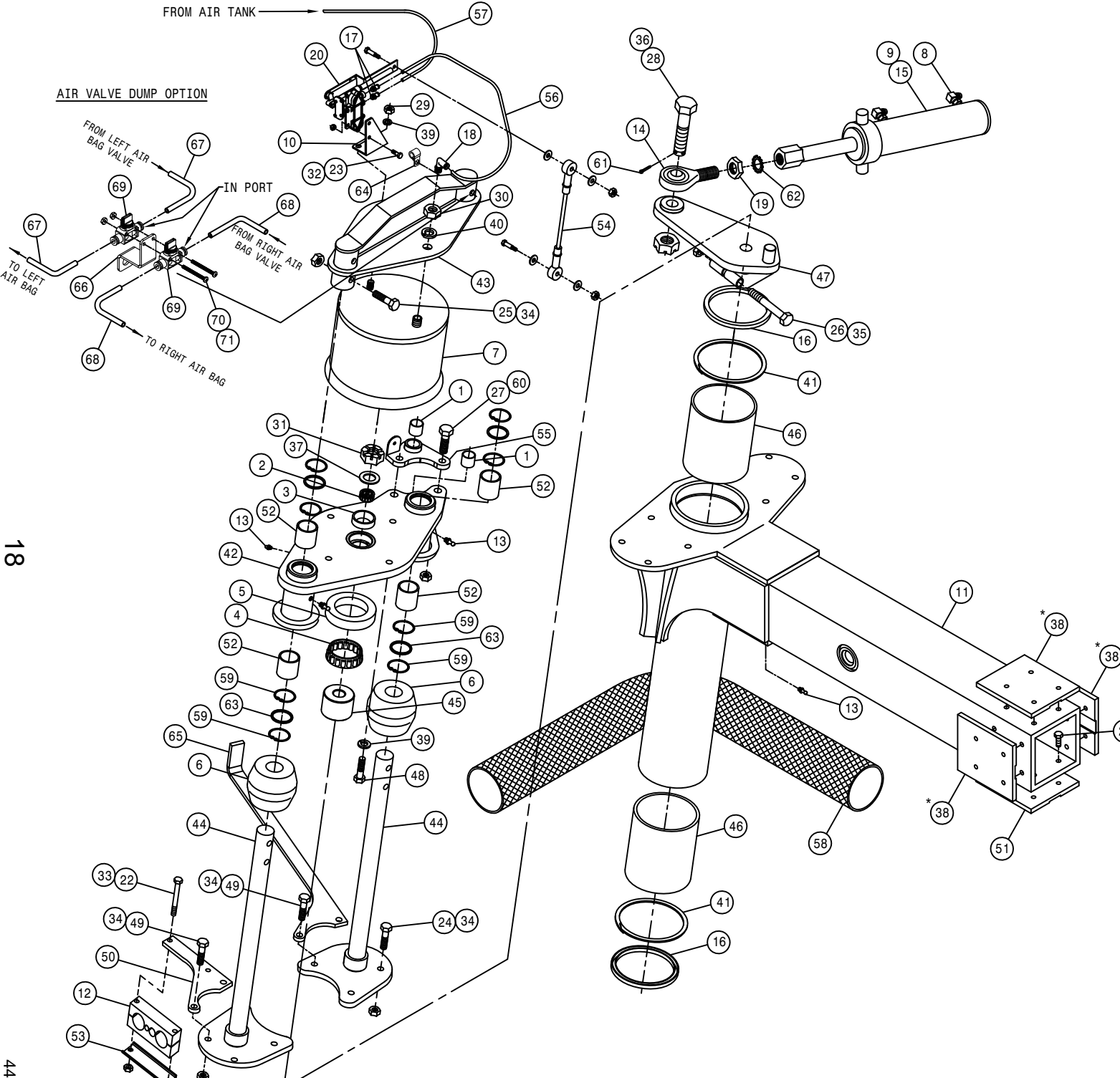
1	1	359324	INNER LEG WLD, STS	05
2	1	470117	COTTER PIN 3/16 1 3/4 SQ CUT	
3	1	470305	HOSE CLAMP, 4-HOLE	
4	1	359396	RH WHL MTR SHIELD,SS STS12L 06	
5	1	359404	RH WHL MTR SHIELD,STL STS12L06	
6	18	473840	16MM-2.00 X 40MM SOCKET CAP SCR	
7	20	473841	16MM LOCK WASHER	
8	1	606288	WHL MOTOR,51C060 SAUER	
9	1	610962	WHEEL HUB,23:1	BONFIG
10	2	618431	3/4 SPLIT FLANGE KIT	
11	2	870214	BUNA ORING 1 X 1 1/4	
12	10	824055	22MM-1.50 FLANGED WHEEL NUT	
13	2	900138	3/8UNC X 3 1/2 HEX BOLT	
14	3	473987	1/2-13 X 1 1/4 BUTTN SKT HD SS	
15	1	900265	1/2UNC X 1 1/2 HEX BOLT	
16	2	914004	3/8UNC HEX STOVER NUT	
17	5	914008	1/2UNC HEX STOVER NUT	
18	1	618812	3/4 FLANGE-1 7/16MFOR ADPTR	
19	2	359102	WHL MTR SHIELD BRACE	
20	1	359315	RH LWR FENDER MT, STS	05
21	1	359094	HYD TUBE CLAMP KEEPER, 5.75	
22	1	470379	SIDEWINDER SLEEVE,14.06 X 57"	
23	1	618740	3/4 FLANGE-90-1 7/16MFOR LBO	
24	1	618469	3/4MJIC-1 1/16MOR ADPTR	
25	1	470378	SIDEWINDER SLEEVE,14.06 X 21"	
26	1	615875	WHEEL MOTOR TUBE ASSY	
27	4	900266	1/2UNC X 1 3/4 HEX BOLT	
28	2	359367	BUSHING, CROP SHIELD, STS	05
29	3	473988	1/2UNC FLANGE LOCK NUT	SS
30	1	618677	O-RING, -16 FACE SEAL .93ID 90D	
31	1	293848	WHL MTR JMPR HARNESS,STS16	05
32	1	606321	SOLENOID, WHL MTR 606288/291	
33	2	473861	16MM-2.00 X 40MM HEX BOLT	
34	1	607026	O-RING,5.905ID- 6.141OD	DMT
35	1	606322	LIP SEAL, WHL MTR 606288/291	
36	1	606323	O-RING, WHL MTR 606288/291	
37	10	610887	STUD,M22 X 1,5 X 78	



LEFT FRONT OUTER LEG ASSEMBLY

DET.	QTY	PART NO.	DESCRIPTION
1	2	121029	JOURNAL BRG, 1.00 ID X 1.00 LG
2	1	125050	BRG CONE, 1.00 ID W/FACE SEAL
3	1	125051	BRG CUP FOR 125050
4	1	125052	BRG CONE, 2.687 ID W/FACE SEAL
5	1	125053	BRG CUP FOR 125052
6	2	311058	RUBBER SPRING
7	1	311066	AIRIDE SPRING, 9.75 BASE
8	2	618249	3/4MJIC-90-9/16MOR LBO
9	1	621551	REPAIR KIT, HYD CYL, STRG 621550
10	1	359370	LH LEG AIR VALVE MT, STS16 05
11	1	359328	OUTER LEG WLD, STS 05
12	1	470305	HOSE CLAMP, 4-HOLE
13	4	471005	1/4 28 X 1/2 GREASE ZERK
14	1	473975	ROD END, 1.00 BORE, 1-12 RH MALE
15	1	621550	STEERING CYL, 2.50 X 8.81 STS
16	2	629621	SEAL, 4.500 ROD DIA
17	2	711036	1/8MPT-1/4 NYL TUBE FTG
18	1	711040	1/4MPT-90-1/4 NYL TUBE LBO
19	1	472328	1"-12 HEX JAM NUT
20	1	358832	AIRIDE SPRING CTRL VALVE 98
21	16	900128	3/8UNC X 3/4 HEX BOLT
22	2	900138	3/8UNC X 3 1/2 HEX BOLT
23	2	900002	1/4UNC X 3/4 HEX BOLT
24	4	900267	1/2UNC X 2" HEX BOLT
25	4	900269	1/2UNC X 2 3/4 HEX BOLT
26	1	900343	5/8UNC X 4 1/2 HEX BOLT
27	2	900352P	5/8UNC X 2 1/4 HEX BOLT
28	1	359085	STEERING ARM BOLT, 1"-8THD STS
29	1	910008	1/2UNC HEX NUT
30	1	910013	3/4UNF HEX NUT
31	1	910021	1"-14 SLOT JAM NUT
32	2	914000	1/4UNC HEX STOVER NUT
33	2	914004	3/8UNC HEX STOVER NUT
34	12	914008	1/2UNC HEX STOVER NUT
35	1	914010	5/8UNC HEX STOVER NUT
36	1	910020	1" UNC HEX SLOTTED NUT
37	1	920008	1" SAE FLAT WASHER
38	3	342917	TREAD ADJ PLATE, STEEL, THD
39	5	920504	1/2 LOCK WASHER
40	1	920506	3/4 LOCK WASHER
41	2	629538	4.5 SPIROLOX RING
42	1	359338	LH AIR BAG LWR PLT WLD, STS 05
43	1	359333	AIRBAG TOWER SHP MT WLD, STS 05
44	2	359077	NITRO TOWER SHAFT WLD STS
45	1	359082	STEERING ARM BRG SPACER
46	2	121112	LEG SLEEVE BEARING (POLYGON)04
47	1	359071	LH STEERING ARM WLD
48	4	900265	1/2UNC X 1 1/2 HEX BOLT
49	4	900268	1/2UNC X 2 1/2 HEX BOLT
50	1	359081	UPPER LEG HOSE MT PLT
51	4	342719	TRD ADJ BRONZE BEARING, THD-GRV
52	4	121113	TOWER SLEEVE BRG (POLYGON) 05
53	1	359094	HYD TUBE CLAMP KEEPER, 5.75
54	1	359095	LEG HEIGHT CTRL LINKAGE, STS12
55	1	359436	LH LEG UPR TRUNNION MT WLD 07
56	1	601473	HOSE, 1/4 X 22 AIR
57	1	601479	HOSE, 1/4 X 196 AIR
58	1	470310	SIDEWINDER SLEEVE, 14.06 X 45"
59	8	629537	187RRHOZ SNAP RING
60	2	914010P	5/8UNC HEX STOVER NUT
61	1	470117	COTTER PIN 3/16 1 3/4 SQ CUT
62	1	483018	1" EXTERNAL TOOTH LOCK WASHER
63	4	629620	SEAL, 1.500 ROD DIA
64	1	520164	CUSH CLAMP, 9/16D-3/4W-.531MT
65	1	359351	LH EXTENDED HOSE SUPPORT, STS
66	1	359219	AIR DUMP VLV BRKT, STS 04
67	2	601625	HOSE, 1/4 X 14 AIR
68	2	601626	HOSE, 1/4 X 254 AIR
69	2	711053	AIR VALVE, 1/4 NYL TUBE
70	2	903854	8-32 X 1 3/4 PHIL HD MACH SCR
71	2	910024	8-32 HEX NUT

\*NOTE: FOR TREAD ADJUST OPTION REPLACE ITEM 38 WITH THREE OF ITEM 51.

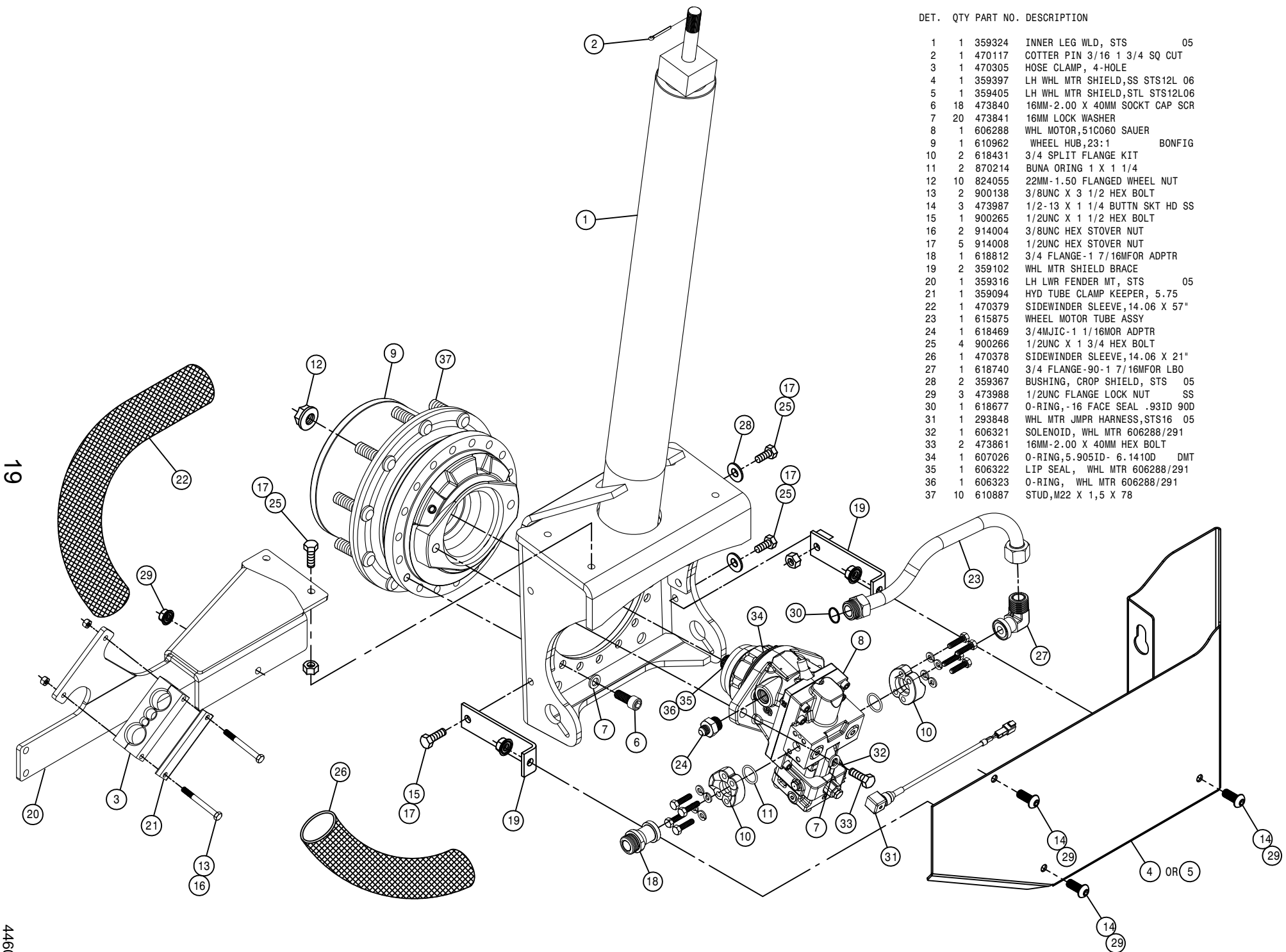


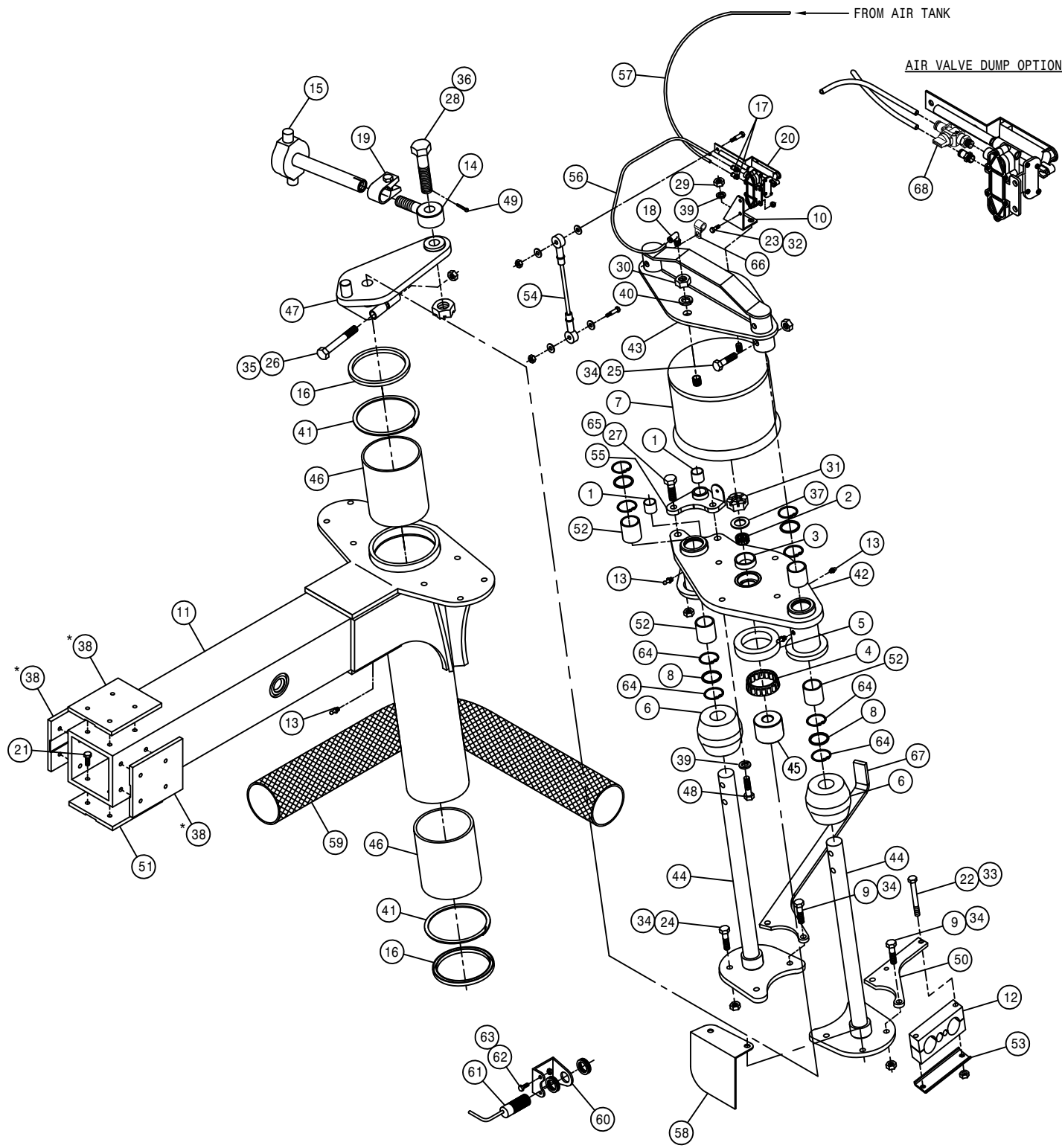
LH FRONT INNER LEG ASSEMBLY (BONIFIGLIOLI HUB)

DET. QTY PART NO. DESCRIPTION

1	1	359324	INNER LEG WLD, STS	05
2	1	470117	COTTER PIN 3/16 1 3/4 SQ CUT	
3	1	470305	HOSE CLAMP, 4-HOLE	
4	1	359397	LH WHL MTR SHIELD,SS STS12L 06	
5	1	359405	LH WHL MTR SHIELD,STL STS12L06	
6	18	473840	16MM-2.00 X 40MM SOCKET CAP SCR	
7	20	473841	16MM LOCK WASHER	
8	1	606288	WHL MOTOR,51C060 SAUER	
9	1	610962	WHEEL HUB,23:1	BONFIG
10	2	618431	3/4 SPLIT FLANGE KIT	
11	2	870214	BUNA ORING 1 X 1 1/4	
12	10	824055	22MM-1.50 FLANGED WHEEL NUT	
13	2	900138	3/8UNC X 3 1/2 HEX BOLT	
14	3	473987	1/2-13 X 1 1/4 BUTTN SKT HD SS	
15	1	900265	1/2UNC X 1 1/2 HEX BOLT	
16	2	914004	3/8UNC HEX STOVER NUT	
17	5	914008	1/2UNC HEX STOVER NUT	
18	1	618812	3/4 FLANGE-1 7/16MFOR ADPTR	
19	2	359102	WHL MTR SHIELD BRACE	
20	1	359316	LH LWR FENDER MT, STS	05
21	1	359094	HYD TUBE CLAMP KEEPER, 5.75	
22	1	470379	SIDEWINDER SLEEVE,14.06 X 57"	
23	1	615875	WHEEL MOTOR TUBE ASSY	
24	1	618469	3/4MJIC-1 1/16MOR ADPTR	
25	4	900266	1/2UNC X 1 3/4 HEX BOLT	
26	1	470378	SIDEWINDER SLEEVE,14.06 X 21"	
27	1	618740	3/4 FLANGE-90-1 7/16MFOR LBO	
28	2	359367	BUSHING, CROP SHIELD, STS	05
29	3	473988	1/2UNC FLANGE LOCK NUT	SS
30	1	618677	O-RING, -16 FACE SEAL .93ID 90D	
31	1	293848	WHL MTR JMPR HARNESS,STS16	05
32	1	606321	SOLENOID, WHL MTR 606288/291	
33	2	473861	16MM-2.00 X 40MM HEX BOLT	
34	1	607026	O-RING,5.905ID- 6.141OD DMT	
35	1	606322	LIP SEAL, WHL MTR 606288/291	
36	1	606323	O-RING, WHL MTR 606288/291	
37	10	610887	STUD,M22 X 1,5 X 78	

19





RIGHT REAR OUTER LEG ASSEMBLY

DET.	QTY	PART NO.	DESCRIPTION
1	2	121029	JOURNAL BRG, 1.00 ID X 1.00 LG
2	1	125050	BRG CONE, 1.00 ID W/FACE SEAL
3	1	125051	BRG CUP FOR 125050
4	1	125052	BRG CONE, 2.687 ID W/FACE SEAL
5	1	125053	BRG CUP FOR 125052
6	2	311058	RUBBER SPRING
7	1	311066	AIRIDE SPRING, 9.75 BASE
8	4	629620	SEAL, 1.500 ROD DIA
9	4	900268	1/2UNC X 2 1/2 HEX BOLT
10	1	359369	RH LEG AIR VALVE MT, STS16 05
11	1	359328	OUTER LEG WLD, STS 05
12	1	470305	HOSE CLAMP, 4-HOLE
13	4	471005	1/4 28 X 1/2 GREASE ZERK
14	1	359089	TIE ROD STUD WLD
15	1	359086	REAR TIE ROD SHAFT WLD
16	2	629621	SEAL, 4.500 ROD DIA
17	2	711036	1/8MNPT-1/4 NYL TUBE FTG
18	1	711040	1/4MNPT-90-1/4 NYL TUBE LBO
19	1	749322	STEERING TUBE CLAMP & BOLT ASSY
20	1	358832	AIRIDE SPRING CTRL VALVE 98
21	16	900128	3/8UNC X 3/4 HEX BOLT
22	2	900138	3/8UNC X 3 1/2 HEX BOLT
23	2	900002	1/4UNC X 3/4 HEX BOLT
24	6	900267	1/2UNC X 2" HEX BOLT
25	4	900269	1/2UNC X 2 3/4 HEX BOLT
26	1	900343	5/8UNC X 4 1/2 HEX BOLT
27	2	900352P	5/8UNC X 2 1/4 HEX BOLT
28	1	359085	STEERING ARM BOLT, 1"-8THD STS
29	1	910008	1/2UNC HEX NUT
30	1	910013	3/4UNC HEX NUT
31	1	910021	1"-14 SLOT JAM NUT
32	2	914000	1/4UNC HEX STOVER NUT
33	4	914004	3/8UNC HEX STOVER NUT
34	12	914008	1/2UNC HEX STOVER NUT
35	1	914010	5/8UNC HEX STOVER NUT
36	1	910020	1" UNC HEX SLOTTED NUT
37	1	920008	1" SAE FLAT WASHER
38	3	342917	TREAD ADJ PLATE, STEEL, THD
39	5	920504	1/2 LOCK WASHER
40	1	920506	3/4 LOCK WASHER
41	2	629538	4.5 SPIROLOX RING
42	1	359337	RH AIR BAG LWR PLT WLD, STS 05
43	1	359333	AIR BAG TOWER TOP MT WLD, STS 05
44	2	359077	NITRO TOWER SHAFT WLD STS
45	1	359082	STEERING ARM BRG SPACER
46	2	121112	LEG SLEEVE BEARING (POLYGON)04
47	1	359070	RH STEERING ARM WLD
48	4	900265	1/2UNC X 1 1/2 HEX BOLT
49	1	470117	COTTER PIN 3/16 1 3/4 SQ CUT
50	1	359081	UPPER LEG HOSE MT PLT
51	4	342719	TRD ADJ BRONZE BEARING, THD-GRV
52	4	121113	TOWER SLEEVE BRG (POLYGON) 05
53	1	359094	HYD TUBE CLAMP KEEPER, 5.75
54	1	359095	LEG HEIGHT CTRL LINKAGE, STS12
55	1	359435	RH LEG UPR TRUNNION MT WLD 07
56	1	601473	HOSE, 1/4 X 22 AIR
57	1	601478	HOSE, 1/4 X 175 AIR
58	1	359092	RH SENSOR REFLECTOR
59	1	470311	SIDEWINDER SLEEVE, 14.06 X 60"
60	1	342856	TREAD SENSOR MT
61	1	293827	SENSOR W/SHROUD ASSY (SERV) 05
62	2	900064	5/16UNC X 3/4 HEX BOLT
63	2	914002	5/16UNC HEX STOVER NUT
64	8	629537	187RRHOOD SNAP RING
65	2	914010P	5/8UNC HEX STOVER NUT
66	1	520164	CUSH CLAMP, 9/16D-3/4W-.531MT
67	1	359350	RH EXTENDED HOSE SUPPORT, STS
68	1	711067	AIR VALVE, 1/4 NYL TUBE, 1/8MNPT

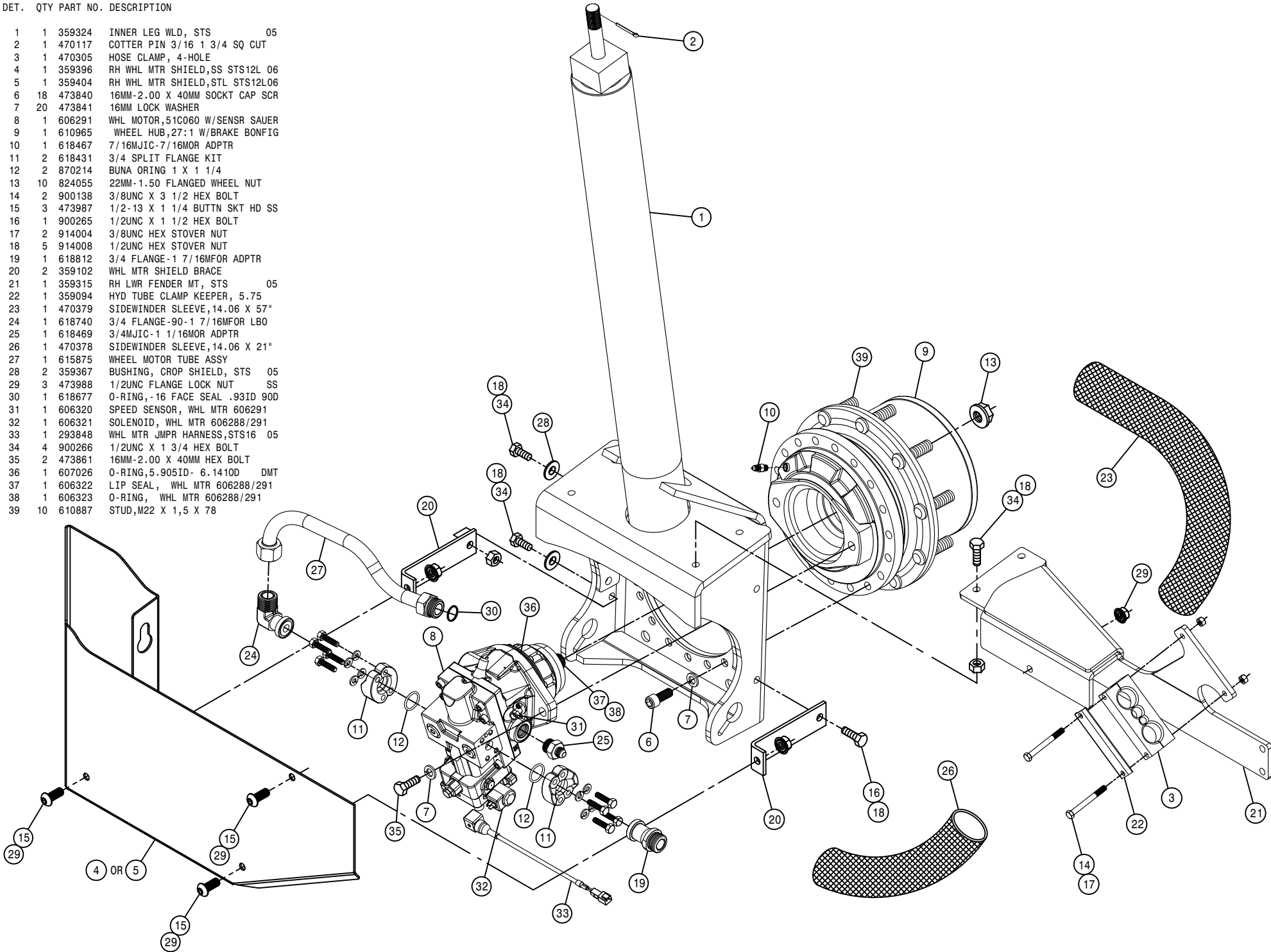
\*NOTE: FOR TREAD ADJUST OPTION REPLACE ITEM 38 WITH THREE OF ITEM 51.



RH REAR INNER LEG ASSEMBLY (BONFIGLIOLI HUB)

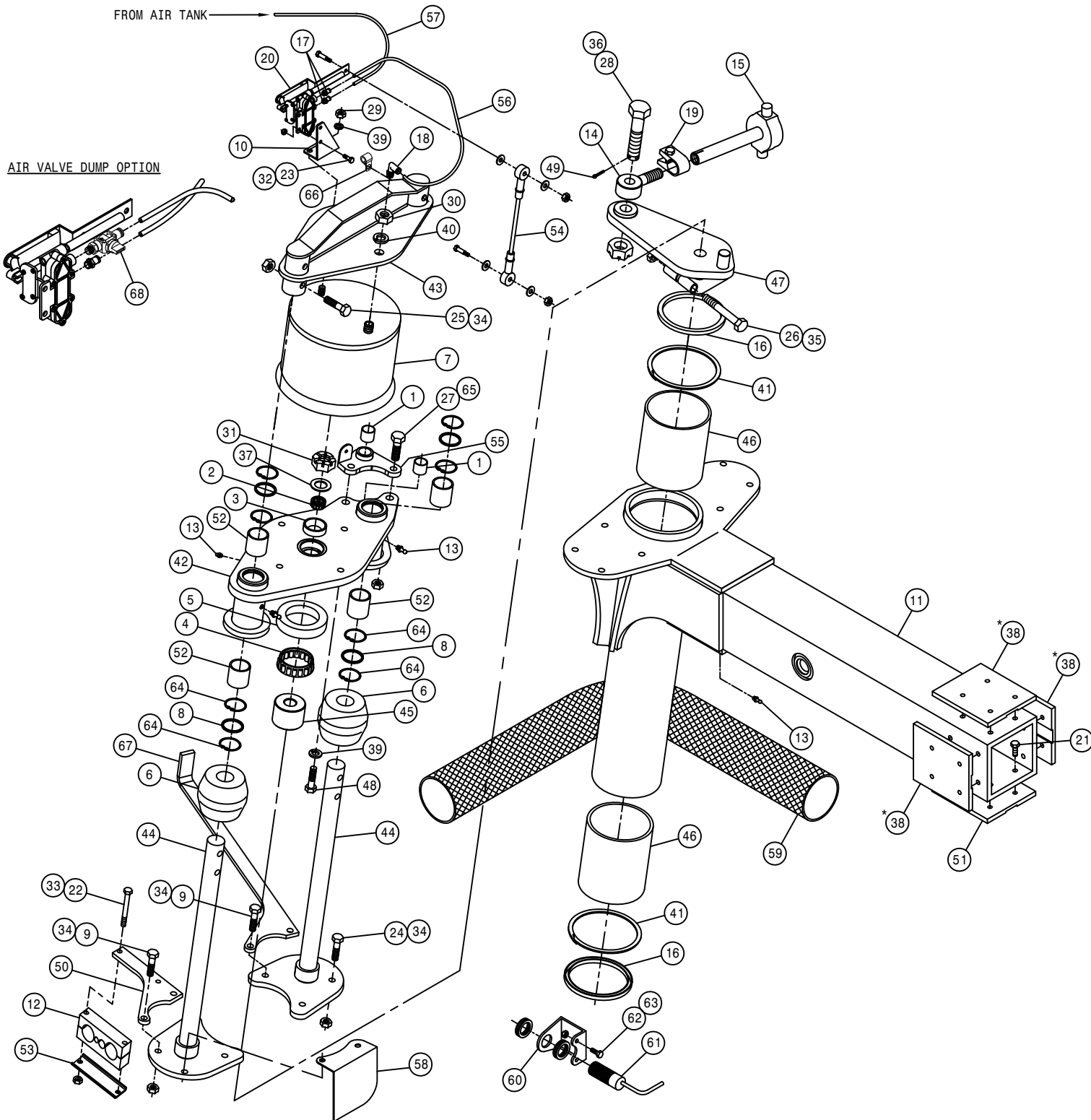
DET. QTY PART NO. DESCRIPTION

1	1	359324	INNER LEG WLD, STS	05
2	1	470117	COTTER PIN 3/16 1 3/4 SQ CUT	
3	1	470305	HOSE CLAMP, 4-HOLE	
4	1	359396	RH WHL MTR SHIELD,SS STS12L 06	
5	1	359404	RH WHL MTR SHIELD,STL STS12L06	
6	18	473840	16MM-2.00 X 40MM SOCKT CAP SCR	
7	20	473841	16MM LOCK WASHER	
8	1	606291	WHL MOTOR,51C060 W/SENSR SAUER	
9	1	610965	WHEEL HUB,27:1 W/BRAKE BONFIG	
10	1	618467	7/16MJIC-7/16MOR ADPTR	
11	2	618431	3/4 SPLIT FLANGE KIT	
12	2	870214	BUNA ORING 1 X 1 1/4	
13	10	824055	22MM-1.50 FLANGED WHEEL NUT	
14	2	900138	3/8UNC X 3 1/2 HEX BOLT	
15	3	473987	1/2-13 X 1 1/4 BUTTN SKT HD SS	
16	1	900265	1/2UNC X 1 1/2 HEX BOLT	
17	2	914004	3/8UNC HEX STOVER NUT	
18	5	914008	1/2UNC HEX STOVER NUT	
19	1	618812	3/4 FLANGE-1 7/16MFOR ADPTR	
20	2	359102	WHL MTR SHIELD BRACE	
21	1	359315	RH LWR FENDER MT, STS	05
22	1	359094	HYD TUBE CLAMP KEEPER, 5.75	
23	1	470379	SIDEWINDER SLEEVE,14.06 X 57"	
24	1	618740	3/4 FLANGE-90-1 7/16MFOR LBO	
25	1	618469	3/4MJIC-1 1/16MOR ADPTR	
26	1	470378	SIDEWINDER SLEEVE,14.06 X 21"	
27	1	615875	WHEEL MOTOR TUBE ASSY	
28	2	359367	BUSHING, CROP SHIELD, STS	05
29	3	473988	1/2UNC FLANGE LOCK NUT	SS
30	1	618677	O-RING, -16 FACE SEAL .93ID 90D	
31	1	606320	SPEED SENSOR, WHL MTR 606291	
32	1	606321	SOLENOID, WHL MTR 606288/291	
33	1	293848	WHL MTR JMPR HARNESS,STS16	05
34	4	900266	1/2UNC X 1 3/4 HEX BOLT	
35	2	473861	16MM-2.00 X 40MM HEX BOLT	
36	1	607026	O-RING,5.905ID- 6.1410D DMT	
37	1	606322	LIP SEAL, WHL MTR 606288/291	
38	1	606323	O-RING, WHL MTR 606288/291	
39	10	610887	STUD,M22 X 1,5 X 78	



FROM AIR TANK

AIR VALVE DUMP OPTION



LEFT REAR OUTER LEG ASSEMBLY

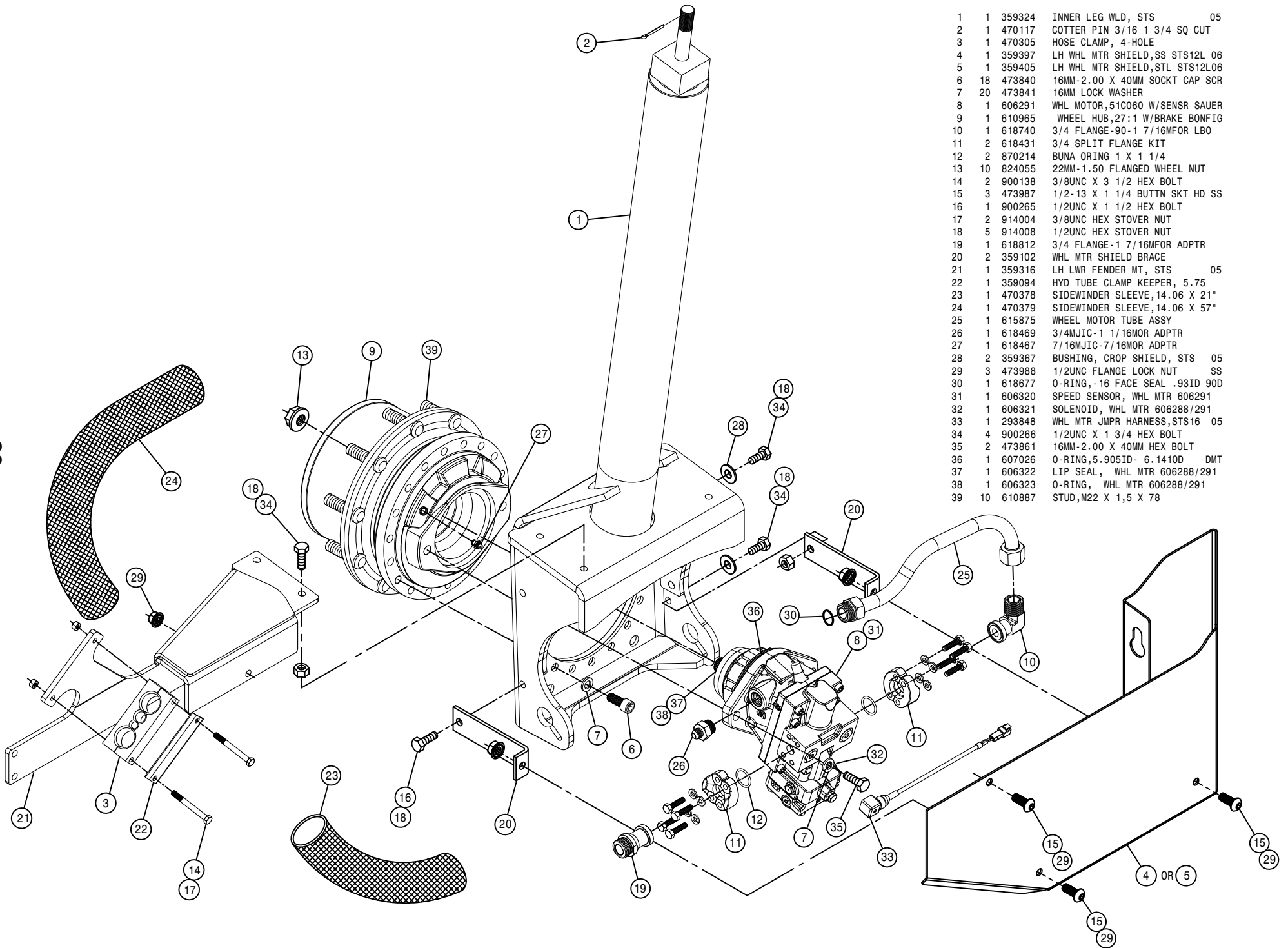
DET.	QTY	PART NO.	DESCRIPTION
1	2	121029	JOURNAL BRG, 1.00 ID X 1.00 LG
2	1	125050	BRG CONE, 1.00 ID W/FACE SEAL
3	1	125051	BRG CUP FOR 125050
4	1	125052	BRG CONE, 2.687 ID W/FACE SEAL
5	1	125053	BRG CUP FOR 125052
6	2	311058	RUBBER SPRING
7	1	311066	AIRIDE SPRING, 9.75 BASE
8	4	629620	SEAL, 1.500 ROD DIA
9	4	900268	1/2UNC X 2 1/2 HEX BOLT
10	1	359370	LH LEG AIR VALVE MT, STS16 05
11	1	359328	OUTER LEG WLD, STS 05
12	1	470305	HOSE CLAMP, 4-HOLE
13	4	471005	1/4 28 X 1/2 GREASE ZERK
14	1	359089	TIE ROD STUD WLD
15	1	359086	REAR TIE ROD SHAFT WLD
16	2	629621	SEAL, 4.500 ROD DIA
17	2	711036	1/8MNPT-1/4 NYL TUBE FTG
18	1	711040	1/4MNPT-90-1/4 NYL TUBE LBO
19	1	749322	STEERING TUBE CLAMP & BOLT ASSY
20	1	358832	AIRIDE SPRING CTRL VALVE 98
21	16	900128	3/8UNC X 3/4 HEX BOLT
22	2	900138	3/8UNC X 3 1/2 HEX BOLT
23	2	900002	1/4UNC X 3/4 HEX BOLT
24	4	900267	1/2UNC X 2" HEX BOLT
25	4	900269	1/2UNC X 2 3/4 HEX BOLT
26	1	900343	5/8UNC X 4 1/2 HEX BOLT
27	2	900352P	5/8UNC X 2 1/4 HEX BOLT
28	1	359085	STEERING ARM BOLT, 1"-8THD STS
29	1	910008	1/2UNC HEX NUT
30	1	910013	3/4UNF HEX NUT
31	1	910021	1" -14 SLOT JAM NUT
32	2	914000	1/4UNC HEX STOVER NUT
33	2	914004	3/8UNC HEX STOVER NUT
34	12	914008	1/2UNC HEX STOVER NUT
35	1	914010	5/8UNC HEX STOVER NUT
36	1	910020	1" UNC HEX SLOTTED NUT
37	1	920008	1" SAE FLAT WASHER
38	3	342917	TREAD ADJ PLATE, STEEL, THD
39	5	920504	1/2 LOCK WASHER
40	1	920506	3/4 LOCK WASHER
41	2	629538	4.5 SPIROLOX RING
42	1	359338	LH AIR BAG LWR PLT WLD, STS 05
43	1	359333	AIRBAG TOWER TOP MT WLD, STS 05
44	2	359077	NITRO TOWER SHAFT WLD STS
45	1	359082	STEERING ARM BRG SPACER
46	2	121112	LEG SLEEVE BEARING (POLYGON)04
47	1	359071	LH STEERING ARM WLD
48	4	900265	1/2UNC X 1 1/2 HEX BOLT
49	1	470117	COTTER PIN 3/16 1 3/4 SQ CUT
50	1	359081	UPPER LEG HOSE MT PLT
51	4	342719	TRD ADJ BRONZE BEARING, THD-GRV
52	4	121113	TOWER SLEEVE BRG (POLYGON) 05
53	1	359094	HYD TUBE CLAMP KEEPER, 5.75
54	1	359095	LEG HEIGHT CTRL LINKAGE, STS12
55	1	359436	LH LEG UPR TRUNNION MT WLD 07
56	1	601473	HOSE, 1/4 X 22 AIR
57	1	601476	HOSE, 1/4 X 120 AIR
58	1	359093	LH SENSOR REFLECTOR
59	1	470311	SIDEWINDER SLEEVE, 14.06 X 60"
60	1	342856	TREAD SENSOR MT
61	1	293827	SENSOR W/SHROUD ASSY (SERV) 05
62	2	900064	5/16UNC X 3/4 HEX BOLT
63	2	914002	5/16UNC HEX STOVER NUT
64	8	629537	187RRH00Z SNAP RING
65	2	914010P	5/8UNC HEX STOVER NUT
66	1	520164	CUSH CLAMP, 9/16D-3/4W-.531MT
67	1	359351	LH EXTENDED HOSE SUPPORT, STS
68	1	711067	AIR VALVE, 1/4 NYL TUBE, 1/8MNPT

\*NOTE: FOR TREAD ADJUST OPTION REPLACE ITEM 38 WITH THREE OF ITEM 51.

LH REAR INNER LEG ASSEMBLY (BONFIGLIOLI HUB)

DET. QTY PART NO. DESCRIPTION

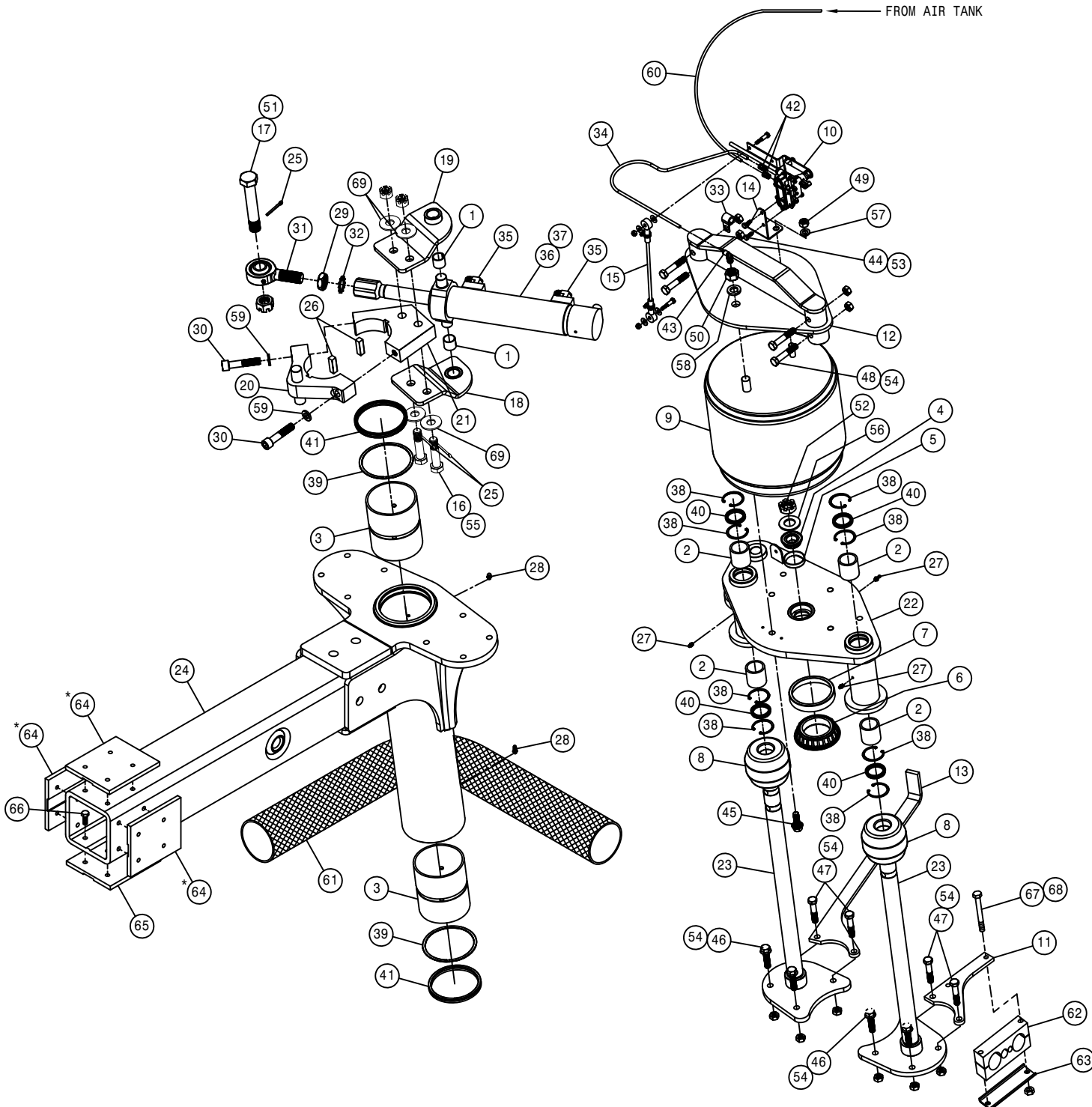
1	1	359324	INNER LEG WLD, STS	05
2	1	470117	COTTER PIN 3/16 1 3/4 SQ CUT	
3	1	470305	HOSE CLAMP, 4-HOLE	
4	1	359397	LH WHL MTR SHIELD,SS STS12L 06	
5	1	359405	LH WHL MTR SHIELD,STL STS12L06	
6	18	473840	16MM-2.00 X 40MM SOCKT CAP SCR	
7	20	473841	16MM LOCK WASHER	
8	1	606291	WHL MOTOR,51C060 W/SENSR SAUER	
9	1	610965	WHEEL HUB,27:1 W/BRAKE BONFIG	
10	1	618740	3/4 FLANGE-90-1 7/16MFOR LBO	
11	2	618431	3/4 SPLIT FLANGE KIT	
12	2	870214	BUNA ORING 1 X 1 1/4	
13	10	824055	22MM-1.50 FLANGED WHEEL NUT	
14	2	900138	3/8UNC X 3 1/2 HEX BOLT	
15	3	473987	1/2-13 X 1 1/4 BUTTN SKT HD SS	
16	1	900265	1/2UNC X 1 1/2 HEX BOLT	
17	2	914004	3/8UNC HEX STOVER NUT	
18	5	914008	1/2UNC HEX STOVER NUT	
19	1	618812	3/4 FLANGE-1 7/16MFOR ADPTR	
20	2	359102	WHL MTR SHIELD BRACE	
21	1	359316	LH LWR FENDER MT, STS	05
22	1	359094	HYD TUBE CLAMP KEEPER, 5.75	
23	1	470378	SIDEWINDER SLEEVE,14.06 X 21"	
24	1	470379	SIDEWINDER SLEEVE,14.06 X 57"	
25	1	615875	WHEEL MOTOR TUBE ASSY	
26	1	618469	3/4MJIC-1 1/16MOR ADPTR	
27	1	618467	7/16MJIC-7/16MOR ADPTR	
28	2	359367	BUSHING, CROP SHIELD, STS	05
29	3	473988	1/2UNC FLANGE LOCK NUT	SS
30	1	618677	O-RING,-16 FACE SEAL .93ID 90D	
31	1	606320	SPEED SENSOR, WHL MTR 606291	
32	1	606321	SOLENOID, WHL MTR 606288/291	
33	1	293848	WHL MTR JMPR HARNESS,STS16	05
34	4	900266	1/2UNC X 1 3/4 HEX BOLT	
35	2	473861	16MM-2.00 X 40MM HEX BOLT	
36	1	607026	O-RING,5.905ID- 6.1410D DMT	
37	1	606322	LIP SEAL, WHL MTR 606288/291	
38	1	606323	O-RING, WHL MTR 606288/291	
39	10	610887	STUD,M22 X 1,5 X 78	



23

446023

23A



AWS RIGHT FRONT OUTER LEG ASSEMBLY

DET.	QTY	PART NO.	DESCRIPTION
1	2	121029	JOURNAL BRG, 1.00 ID X 1.00 LG
2	4	121113	TOWER SLEEVE BRG (POLYGON) 05
3	2	121120	LEG SLEEVE BRG,AWS (POLYGON)09
4	1	125050	BRG CONE,1.00 ID W/FACE SEAL
5	1	125051	BRG CUP FOR 125050
6	1	125052	BRG CONE, 2.687 ID W/FACE SEAL
7	1	125053	BRG CUP FOR 125052
8	2	311058	RUBBER SPRING
9	1	311080	AIRIDE SPRING, 11.81 BASE
10	1	358832	AIRIDE SPRING CTRL VALVE 98
11	1	359081	UPPER LEG HOSE MT PLT
12	1	359333	AIRBAG TOWER TOP MT WLD,STS 05
13	1	359350	RH EXTENDED HOSE SUPPORT, STS
14	1	359369	RH LEG AIR VALVE MT, STS16 05
15	1	359544	LEG HEIGHT CTRL LINK,AWS STS09
16	2	359545	TRUNION MT BOLT, AWS STS 09
17	1	359546	STRG CYL BOLT, AWS STS 09
18	1	359547	TOP TRUNION MT WLD, AWS STS 09
19	1	359548	BTM TRUNION MT WLD, AWS STS 09
20	1	359551	STRG ARM CLAMP WLD, AWS STS 09
21	1	359554	STEERING ARM PLT, AWS STS 09
22	1	359556	RH AIR BAG LWR PLT WLD,AWS STS
23	2	359563	NOTRO TOWER WLD, AWS STS 09
24	1	359568	OUTER LEG WLDMT, AWS STS 09
25	3	470117	COTTER PIN 3/16 1 3/4 SQ CUT
26	2	470447	KEY, .50 SQ X 1.69 LG
27	3	471005	GREASE ZERK, 1/4 28 X 1/2
28	2	471028	GREASE ZERK, 1/4-28 90DEG
29	1	472328	1"-12 HEX JAM NUT
30	2	472337	5/8 X 3" SOCKET HD CAP SCR
31	1	473975	ROD END,1.00 BORE,1-12 RH MALE
32	1	483018	1" EXTERNAL TOOTH LOCK WASHER
33	1	520164	CUSH CLAMP,9/16D-3/4W-.531MT
34	1	601473	HOSE, 1/4 X 22 AIR
35	2	618241	3/4MJIC-90-3/4MOR LBO
36	1	621602	HYD CYL,2.50 X 8.81 PHASE/SENS
37	1	621604	REPAIR KIT, HYD CYL 621602/603
38	8	629537	187RRHOZ SNAP RING
39	2	629538	4.5 SPIROLOX RING
40	4	629620	SEAL, 1.500 ROD DIA
41	2	629621	SEAL, 4.500 ROD DIA
42	2	711036	1/8MNPT-1/4 NYL TUBE FTG
43	1	711040	1/4MNPT-90-1/4 NYL TUBE LBO
44	2	900002	1/4UNC X 3/4 HEX BOLT
45	4	900265	1/2UNC X 1 1/2 HEX BOLT
46	4	900267	1/2UNC X 2" HEX BOLT
47	4	900268	1/2UNC X 2 1/2 HEX BOLT
48	4	900269	1/2UNC X 2 3/4 HEX BOLT
49	1	910008	1/2UNC HEX NUT
50	1	910013	3/4UNF HEX NUT
51	1	910020	1" UNC HEX SLOTTED NUT
52	1	910021	1"-14 SLOT JAM NUT
53	2	914000	1/4UNC HEX STOVER NUT
54	12	914008	1/2UNC HEX STOVER NUT
55	2	910102	3/4UNC SLOT HEX NUT, GR8
56	1	920008	1" SAE FLAT WASHER
57	1	920504	1/2 LOCK WASHER
58	1	920506	3/4 LOCK WASHER
59	2	473841	16MM LOCK WASHER
60	1	601480	HOSE, 1/4 X 230 AIR
61	1	470310	SIDEWINDER SLEEVE,14.06 X 45"
62	1	470305	HOSE CLAMP, 4-HOLE
63	1	359094	HYD TUBE CLAMP KEEPER, 5.75
64	3	342917	TREAD ADJ PLATE, STEEL, THD
65	4	342719	TRD ADJ BRONZE BEARING,THD-GRV
66	16	900128	3/8UNC X 3/4 HEX BOLT
67	2	900138	3/8UNC X 3 1/2 HEX BOLT
68	2	914004	3/8UNC HEX STOVER NUT
69	4	483048	3/4 REG FLAT WASH,THRU-HARD

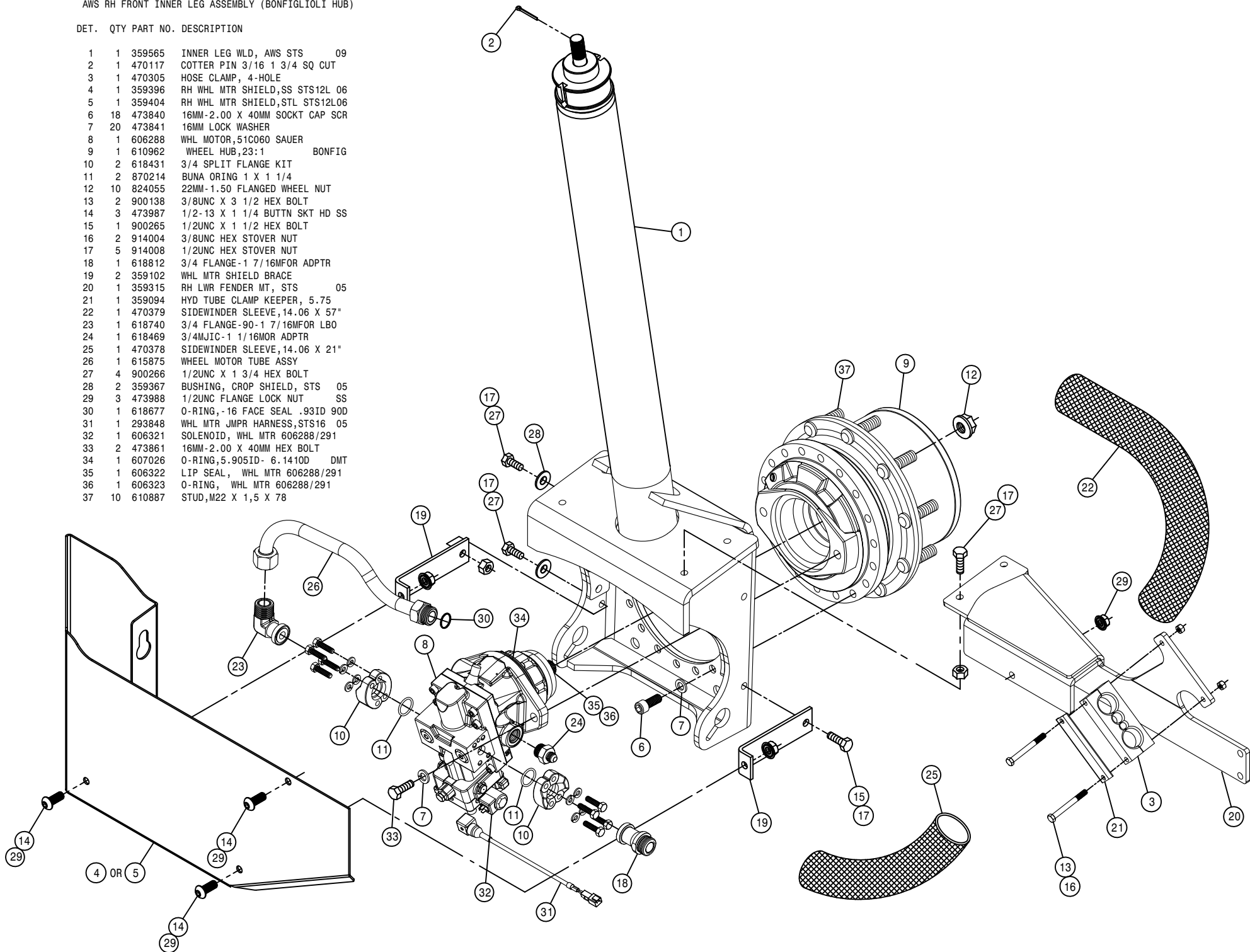
\*NOTE: FOR TREAD ADJUST OPTION REPLACE ITEM 64 WITH THREE OF ITEM 65.

446023A

AWS RH FRONT INNER LEG ASSEMBLY (BONFIGLIOLI HUB)

DET. QTY PART NO. DESCRIPTION

1	1	359565	INNER LEG WLD, AWS STS	09
2	1	470117	COTTER PIN 3/16 1 3/4 SQ CUT	
3	1	470305	HOSE CLAMP, 4-HOLE	
4	1	359396	RH WHL MTR SHIELD,SS STS12L 06	
5	1	359404	RH WHL MTR SHIELD,STL STS12L06	
6	18	473840	16MM-2.00 X 40MM SOCKET CAP SCR	
7	20	473841	16MM LOCK WASHER	
8	1	606288	WHL MOTOR,51C060 SAUER	
9	1	610962	WHEEL HUB,23:1	BONFIG
10	2	618431	3/4 SPLIT FLANGE KIT	
11	2	870214	BUNA ORING 1 X 1 1/4	
12	10	824055	22MM-1.50 FLANGED WHEEL NUT	
13	2	900138	3/8UNC X 3 1/2 HEX BOLT	
14	3	473987	1/2-13 X 1 1/4 BUTTN SKT HD SS	
15	1	900265	1/2UNC X 1 1/2 HEX BOLT	
16	2	914004	3/8UNC HEX STOVER NUT	
17	5	914008	1/2UNC HEX STOVER NUT	
18	1	618812	3/4 FLANGE-1 7/16MFOR ADPTR	
19	2	359102	WHL MTR SHIELD BRACE	
20	1	359315	RH LWR FENDER MT, STS	05
21	1	359094	HYD TUBE CLAMP KEEPER, 5.75	
22	1	470379	SIDEWINDER SLEEVE,14.06 X 57"	
23	1	618740	3/4 FLANGE-90-1 7/16MFOR LBO	
24	1	618469	3/4MJIC-1 1/16MOR ADPTR	
25	1	470378	SIDEWINDER SLEEVE,14.06 X 21"	
26	1	615875	WHEEL MOTOR TUBE ASSY	
27	4	900266	1/2UNC X 1 3/4 HEX BOLT	
28	2	359367	BUSHING, CROP SHIELD, STS	05
29	3	473988	1/2UNC FLANGE LOCK NUT	SS
30	1	618677	O-RING, -16 FACE SEAL .93ID 90D	
31	1	293848	WHL MTR JMPR HARNESS,STS16	05
32	1	606321	SOLENOID, WHL MTR 606288/291	
33	2	473861	16MM-2.00 X 40MM HEX BOLT	
34	1	607026	O-RING,5.905ID- 6.141OD	DMT
35	1	606322	LIP SEAL, WHL MTR 606288/291	
36	1	606323	O-RING, WHL MTR 606288/291	
37	10	610887	STUD,M22 X 1,5 X 78	



23B

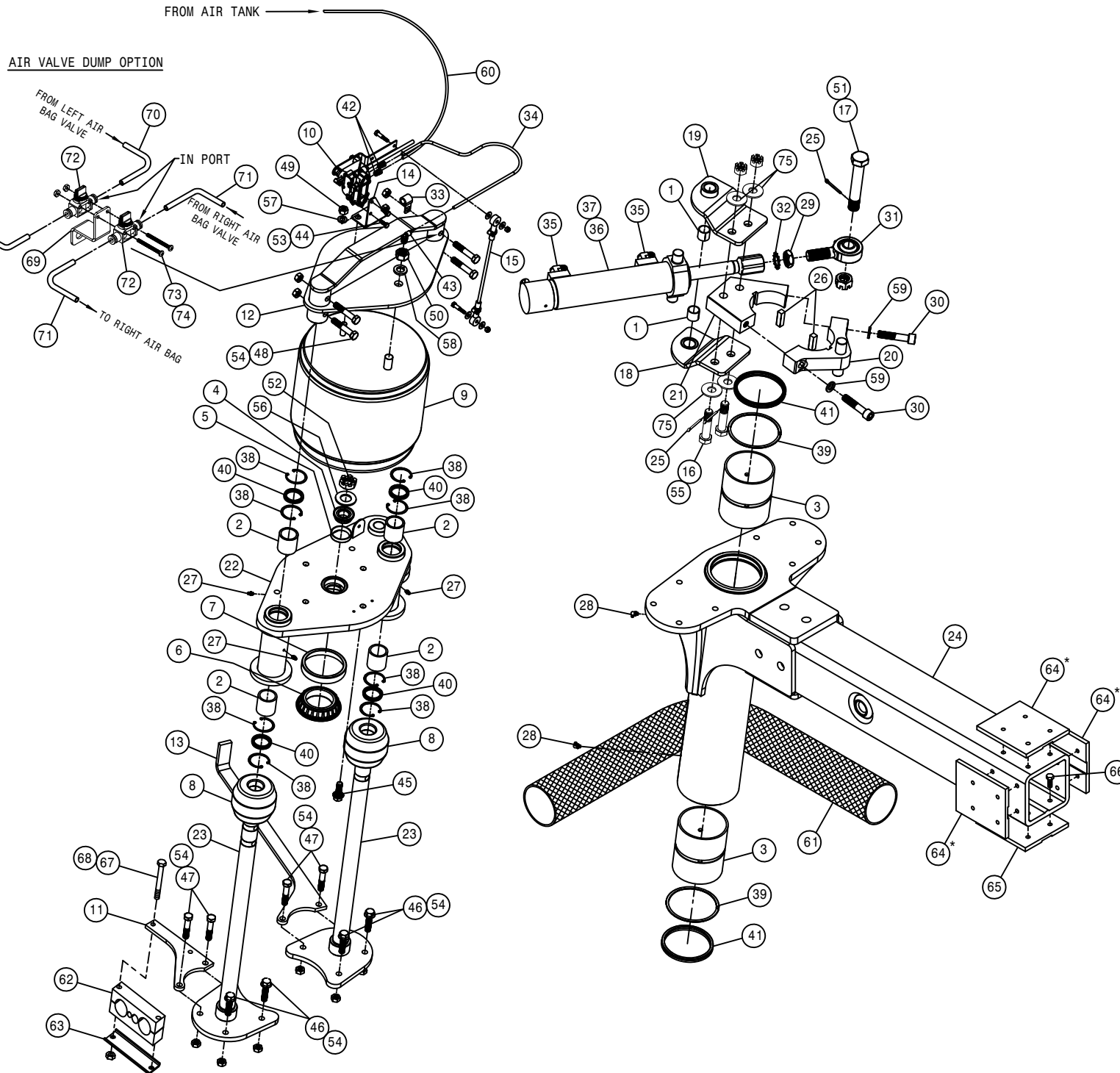
446023B

AWS LEFT FRONT OUTER LEG ASSEMBLY

DET. QTY PART NO. DESCRIPTION

DET.	QTY	PART NO.	DESCRIPTION
1	2	121029	JOURNAL BRG, 1.00 ID X 1.00 LG
2	4	121113	TOWER SLEEVE BRG (POLYGON) 05
3	2	121120	LEG SLEEVE BRG,AWS (POLYGON)09
4	1	125050	BRG CONE,1.00 ID W/FACE SEAL
5	1	125051	BRG CUP FOR 125050
6	1	125052	BRG CONE, 2.687 ID W/FACE SEAL
7	1	125053	BRG CUP FOR 125052
8	2	311058	RUBBER SPRING
9	1	311080	AIRIDE SPRING, 11.81 BASE
10	1	358832	AIRIDE SPRING CTRL VALVE
11	1	359081	UPPER LEG HOSE MT PLT
12	1	359333	AIRBAG TOWER TOP MT WLD,STS 05
13	1	359351	LH EXTENDED HOSE SUPPORT, STS
14	1	359370	LH LEG AIR VALVE MT, STS16 05
15	1	359544	LEG HEIGHT CTRL LINK,AWS STS09
16	2	359545	TRUNION MT BOLT, AWS STS 09
17	1	359546	STRG CYL BOLT, AWS STS 09
18	1	359547	TOP TRUNION MT WLD, AWS STS 09
19	1	359548	BTM TRUNION MT WLD, AWS STS 09
20	1	359551	STRG ARM CLAMP WLD, AWS STS 09
21	1	359554	STEERING ARM PLT, AWS STS 09
22	1	359557	LH AIR BAG LWR PLT WLD,AWS STS
23	2	359563	NOTRO TOWER WLD, AWS STS 09
24	1	359568	OUTER LEG WLDMT, AWS STS 09
25	3	470117	COTTER PIN 3/16 1 3/4 SQ CUT
26	2	470447	KEY, .50 SQ X 1.69 LG
27	3	471005	GREASE ZERK, 1/4 28 X 1/2
28	2	471028	GREASE ZERK, 1/4-28 90DEG
29	1	472328	1"-12 HEX JAM NUT
30	2	472337	5/8 X 3" SOCKET HD CAP SCR
31	1	473975	ROD END,1.00 BORE,1-12 RH MALE
32	1	483018	1" EXTERNAL TOOTH LOCK WASHER
33	1	520164	CUSH CLAMP,9/16D-3/4W-.531MT
34	1	601473	HOSE, 1/4 X 22 AIR
35	2	618241	3/4MJIC-90-3/4MOR LBO
36	1	621602	HYD CYL,2.50 X 8.81 PHASE/SENS
37	1	621604	REPAIR KIT, HYD CYL 621602/603
38	8	629537	187RRHOOD SNAP RING
39	2	629538	4.5 SPIROLOX RING
40	4	629620	SEAL, 1.500 ROD DIA
41	2	629621	SEAL, 4.500 ROD DIA
42	2	711036	1/8MNPT-1/4 NYL TUBE FTG
43	1	711040	1/4MNPT-90-1/4 NYL TUBE LBO
44	2	900002	1/4UNC X 3/4 HEX BOLT
45	4	900265	1/2UNC X 1 1/2 HEX BOLT
46	4	900267	1/2UNC X 2" HEX BOLT
47	4	900268	1/2UNC X 2 1/2 HEX BOLT
48	4	900269	1/2UNC X 2 3/4 HEX BOLT
49	1	910008	1/2UNC HEX NUT
50	1	910013	3/4UNF HEX NUT
51	1	910020	1" UNC HEX SLOTTED NUT
52	1	910021	1"-14 SLOT JAM NUT
53	2	914000	1/4UNC HEX STOVER NUT
54	12	914008	1/2UNC HEX STOVER NUT
55	2	910102	3/4UNC SLOT HEX NUT, GR8
56	1	920008	1" SAE FLAT WASHER
57	1	920504	1/2 LOCK WASHER
58	1	920506	3/4 LOCK WASHER
59	2	473841	16MM LOCK WASHER
60	1	601479	HOSE, 1/4 X 196 AIR
61	1	470310	SIDEWINDER SLEEVE,14.06 X 45"
62	1	470305	HOSE CLAMP, 4-HOLE
63	1	359094	HYD TUBE CLAMP KEEPER, 5.75
64	3	342917	TREAD ADJ PLATE, STEEL, THD
65	4	342719	TRD ADJ BRONZE BEARING,THD-GRV
66	16	900128	3/8UNC X 3/4 HEX BOLT
67	2	900138	3/8UNC X 3 1/2 HEX BOLT
68	2	914004	3/8UNC HEX STOVER NUT
69	1	359219	AIR DUMP VLV BRKT,STS 04
70	2	601625	HOSE, 1/4 X 14 AIR
71	2	601626	HOSE, 1/4 X 254 AIR
72	2	711053	AIR VALVE, 1/4 NYL TUBE
73	2	903854	8-32 X 1 3/4 PHIL HD MACH SCR
74	2	910024	8-32 HEX NUT
75	4	483048	3/4 REG FLAT WASH,THRU-HARD

\*NOTE: FOR TREAD ADJUST OPTION REPLACE ITEM 64 WITH THREE OF ITEM 65.



23C

446023C

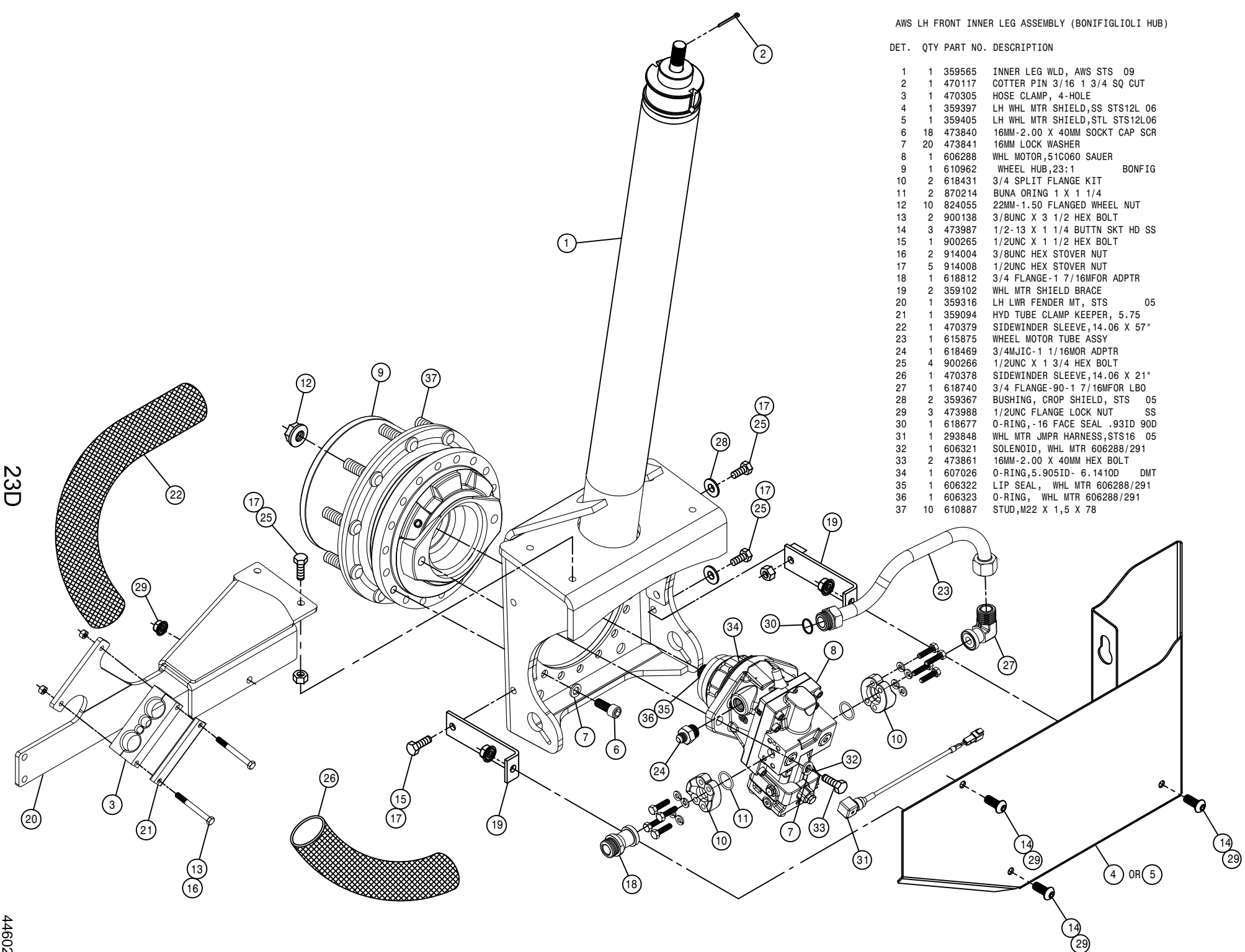
AWS LH FRONT INNER LEG ASSEMBLY (BONIFIGLIOLI HUB)

DET. QTY PART NO. DESCRIPTION

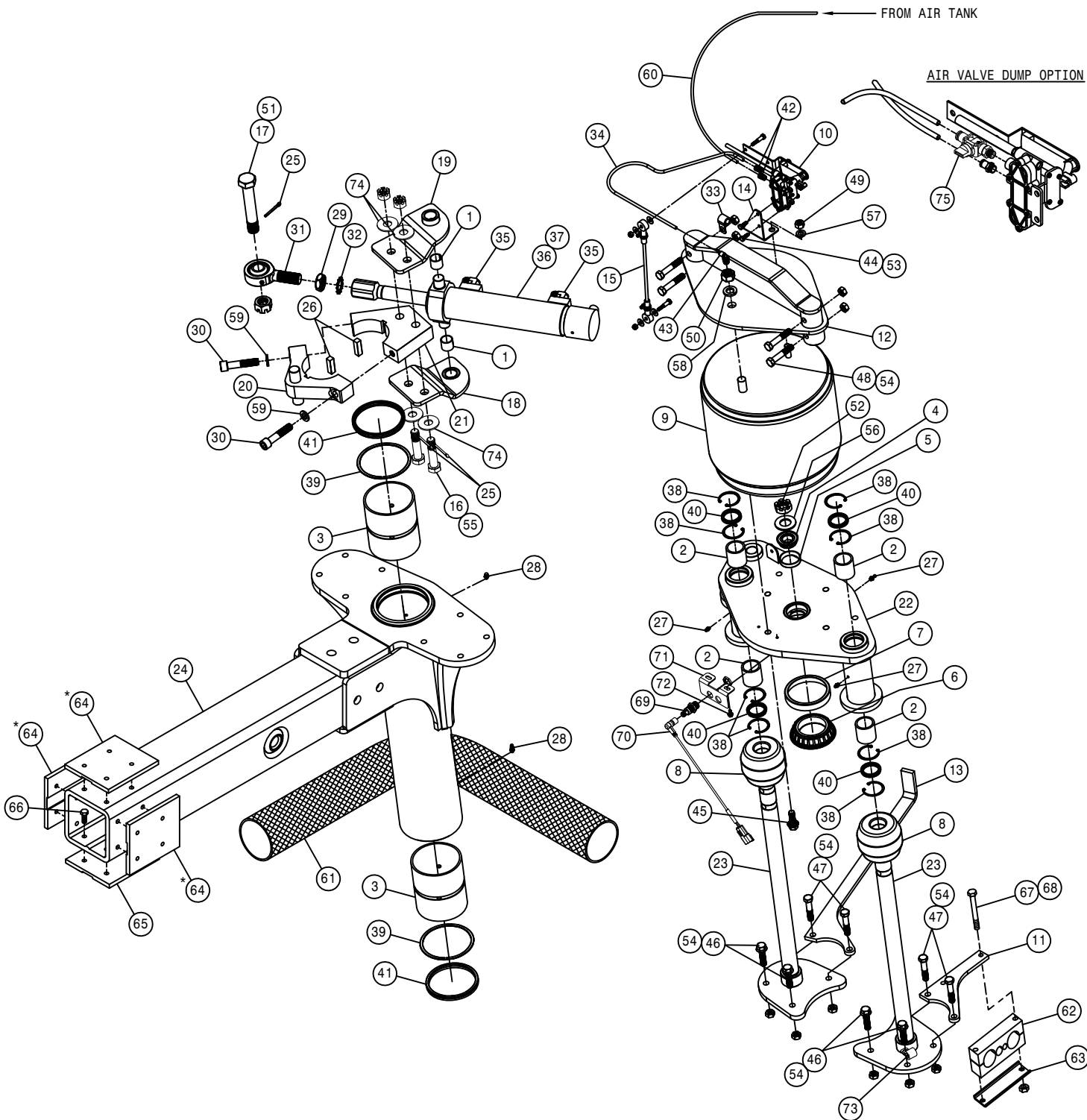
DET.	QTY	PART NO.	DESCRIPTION
1	1	359565	INNER LEG WLD, AWS STS 09
2	1	470117	COTTER PIN 3/16 1 3/4 SQ CUT
3	1	470305	HOSE CLAMP, 4-HOLE
4	1	359397	LH WHL MTR SHIELD,SS STS12L 06
5	1	359405	LH WHL MTR SHIELD,STL STS12L06
6	18	473840	16MM-2.00 X 40MM SOCKET CAP SCR
7	20	473841	16MM LOCK WASHER
8	1	606288	WHL MOTOR,51C060 SAUER
9	1	610962	WHEEL HUB,23:1
			BONFIG
10	2	618431	3/4 SPLIT FLANGE KIT
11	2	870214	BUNA ORING 1 X 1 1/4
12	10	824055	22MM-1.50 FLANGED WHEEL NUT
13	2	900138	3/8UNC X 3 1/2 HEX BOLT
14	3	473987	1/2-13 X 1 1/4 BUTTN SKT HD SS
15	1	900265	1/2UNC X 1 1/2 HEX BOLT
16	2	914004	3/8UNC HEX STOVER NUT
17	5	914008	1/2UNC HEX STOVER NUT
18	1	618812	3/4 FLANGE-1 7/16MFOR ADPTR
19	2	359102	WHL MTR SHIELD BRACE
20	1	359316	LH LWR FENDER MT, STS 05
21	1	359094	HYD TUBE CLAMP KEEPER, 5.75
22	1	470379	SIDEWINDER SLEEVE,14.06 X 57"
23	1	615875	WHEEL MOTOR TUBE ASSY
24	1	618469	3/4MJIC-1 1/16MOR ADPTR
25	4	900266	1/2UNC X 1 3/4 HEX BOLT
26	1	470378	SIDEWINDER SLEEVE,14.06 X 21"
27	1	618740	3/4 FLANGE-90-1 7/16MFOR LBO
28	2	359367	BUSHING, CROP SHIELD, STS 05
29	3	473988	1/2UNC FLANGE LOCK NUT SS
30	1	618677	O-RING, -16 FACE SEAL .93ID 90D
31	1	293848	WHL MTR JMPR HARNESS,STS16 05
32	1	606321	SOLENOID, WHL MTR 606288/291
33	2	473861	16MM-2.00 X 40MM HEX BOLT
34	1	607026	O-RING,5.905ID- 6.1410D DMT
35	1	606322	LIP SEAL, WHL MTR 606288/291
36	1	606323	O-RING, WHL MTR 606288/291
37	10	610887	STUD,M22 X 1,5 X 78

23D

446023D



DET. QTY PART NO. DESCRIPTION



1	2	121029	JOURNAL BRG, 1.00 ID X 1.00 LG
2	4	121113	TOWER SLEEVE BRG (POLYGON) 05
3	2	121120	LEG SLEEVE BRG,AWS (POLYGON)09
4	1	125050	BRG CONE,1.00 ID W/FACE SEAL
5	1	125051	BRG CUP FOR 125050
6	1	125052	BRG CONE, 2.687 ID W/FACE SEAL
7	1	125053	BRG CUP FOR 125052
8	2	311058	RUBBER SPRING
9	1	311080	AIRIDE SPRING, 11.81 BASE
10	1	358832	AIRIDE SPRING CTRL VALVE
11	1	359081	UPPER LEG HOSE MT PLT
12	1	359333	AIRBAG TOWER TOP MT WLD,STS 05
13	1	359350	RH EXTENDED HOSE SUPPORT, STS
14	1	359369	RH LEG AIR VALVE MT, STS16 05
15	1	359544	LEG HEIGHT CTRL LINK,AWS STS09
16	2	359545	TRUNION MT BOLT, AWS STS 09
17	1	359546	STRG CYL BOLT, AWS STS 09
18	1	359547	TOP TRUNION MT WLD, AWS STS 09
19	1	359548	BTM TRUNION MT WLD, AWS STS 09
20	1	359551	STRG ARM CLAMP WLD, AWS STS 09
21	1	359554	STEERING ARM PLT, AWS STS 09
22	1	359556	RH AIR BAG LWR PLT WLD,AWS STS
23	2	359563	NOTRO TOWER WLD, AWS STS 09
24	1	359568	OUTER LEG WLDMT, AWS STS 09
25	3	470117	COTTER PIN 3/16 1 3/4 SQ CUT
26	2	470447	KEY, .50 SQ X 1.69 LG
27	3	471005	GREASE ZERK, 1/4 28 X 1/2
28	2	471028	GREASE ZERK, 1/4-28 90DEG
29	1	472328	1"-12 HEX JAM NUT
30	2	472337	5/8 X 3" SOCKET HD CAP SCR
31	1	473975	ROD END,1.00 BORE,1-12 RH MALE
32	1	483018	1" EXTERNAL TOOTH LOCK WASHER
33	1	520164	CUSH CLAMP,9/16D-3/4W-.531MT
34	1	601473	HOSE, 1/4 X 22 AIR
35	2	618115	9/16MJIC-90-3/4MOR LBO
36	1	621603	HYD CYL,2.50 X 8.81 W/SENSOR
37	1	621604	REPAIR KIT, HYD CYL 621602/603
38	8	629537	187RRHOZ SNAP RING
39	2	629538	4.5 SPIROLOX RING
40	4	629620	SEAL, 1.500 ROD DIA
41	2	629621	SEAL, 4.500 ROD DIA
42	2	711036	1/8MNPT-1/4 NYL TUBE FTG
43	1	711040	1/4MNPT-90-1/4 NYL TUBE LBO
44	2	900002	1/4UNC X 3/4 HEX BOLT
45	4	900265	1/2UNC X 1 1/2 HEX BOLT
46	4	900267	1/2UNC X 2" HEX BOLT
47	4	900268	1/2UNC X 2 1/2 HEX BOLT
48	4	900269	1/2UNC X 2 3/4 HEX BOLT
49	1	910008	1/2UNC HEX NUT
50	1	910013	3/4UNF HEX NUT
51	1	910020	1" UNC HEX SLOTTED NUT
52	1	910021	1"-14 SLOT JAM NUT
53	2	914000	1/4UNC HEX STOVER NUT
54	12	914008	1/2UNC HEX STOVER NUT
55	2	910102	3/4UNC SLOT HEX NUT, GR8
56	1	920008	1" SAE FLAT WASHER
57	1	920504	1/2 LOCK WASHER
58	1	920506	3/4 LOCK WASHER
59	2	473841	16MM LOCK WASHER
60	1	601478	HOSE, 1/4 X 175 AIR
61	1	470311	SIDEWINDER SLEEVE,14.06 X 60"
62	1	470305	HOSE CLAMP, 4-HOLE
63	1	359094	HYD TUBE CLAMP KEEPER, 5.75
64	3	342917	TREAD ADJ PLATE, STEEL, THD
65	4	342719	TRD ADJ BRONZE BEARING,THD-GRV
66	16	900128	3/8UNC X 3/4 HEX BOLT
67	2	900138	3/8UNC X 3 1/2 HEX BOLT
68	2	914004	3/8UNC HEX STOVER NUT
69	1	291919	INDUCTIVE SENSOR
70	1	291994	SENSOR HARNESS FOR AWS
71	1	359555	SENSOR BRKT, AWS STS 09
72	2	470122	1/4UNC X 1/2 FLANGE HEX BOLT
73	1	520164	CUSH CLAMP,9/16D-3/4W-.531MT
74	4	483048	3/4 REG FLAT WASH,THRU-HARD
75	1	711067	AIR VALVE,1/4 NYL TUBE,1/8MNPT

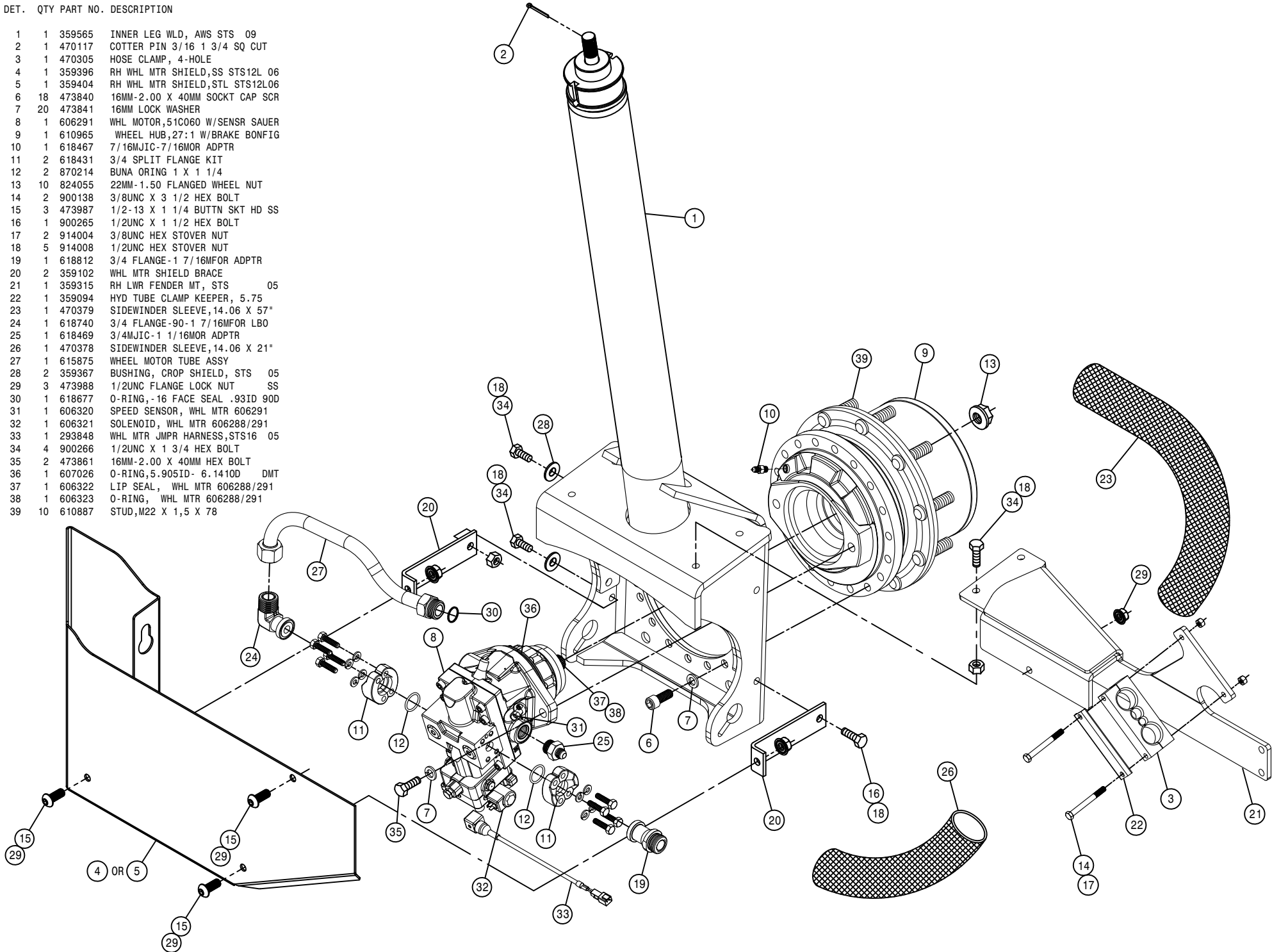
\*NOTE: FOR TREAD ADJUST OPTION REPLACE ITEM 64 WITH THREE OF ITEM 65.



AWS RH REAR INNER LEG ASSEMBLY (BONFIGLIOLI HUB)

DET. QTY PART NO. DESCRIPTION

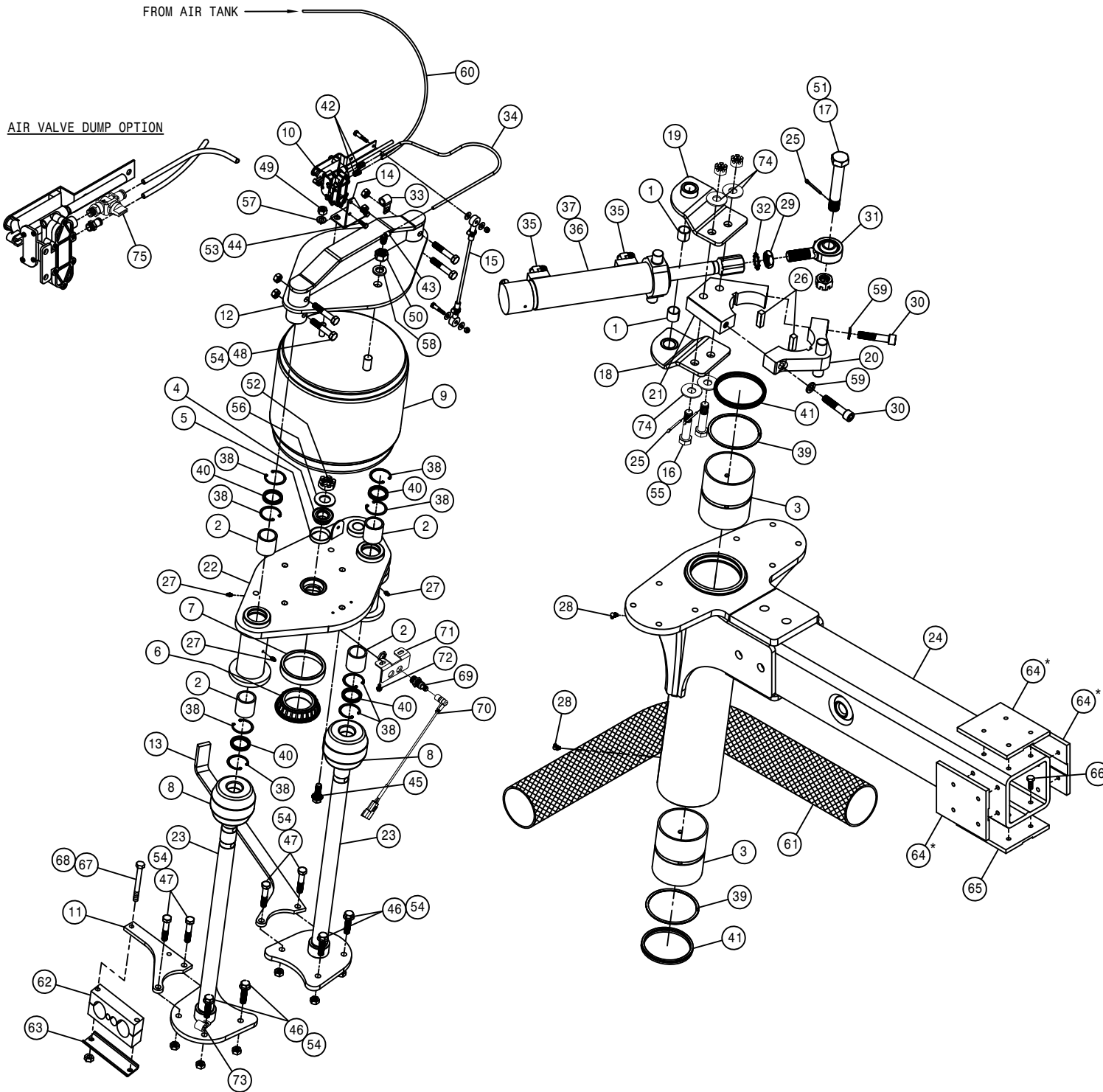
1	1	359565	INNER LEG WLD, AWS STS 09
2	1	470117	COTTER PIN 3/16 1 3/4 SQ CUT
3	1	470305	HOSE CLAMP, 4-HOLE
4	1	359396	RH WHL MTR SHIELD,SS STS12L 06
5	1	359404	RH WHL MTR SHIELD,STL STS12L06
6	18	473840	16MM-2.00 X 40MM SOCKT CAP SCR
7	20	473841	16MM LOCK WASHER
8	1	606291	WHL MOTOR,51C060 W/SENSR SAUER
9	1	610965	WHEEL HUB,27:1 W/BRAKE BONFIG
10	1	618467	7/16MJIC-7/16MOR ADPTR
11	2	618431	3/4 SPLIT FLANGE KIT
12	2	870214	BUNA ORING 1 X 1 1/4
13	10	824055	22MM-1.50 FLANGED WHEEL NUT
14	2	900138	3/8UNC X 3 1/2 HEX BOLT
15	3	473987	1/2-13 X 1 1/4 BUTTN SKT HD SS
16	1	900265	1/2UNC X 1 1/2 HEX BOLT
17	2	914004	3/8UNC HEX STOVER NUT
18	5	914008	1/2UNC HEX STOVER NUT
19	1	618812	3/4 FLANGE-1 7/16MFOR ADPTR
20	2	359102	WHL MTR SHIELD BRACE
21	1	359315	RH LWR FENDER MT, STS 05
22	1	359094	HYD TUBE CLAMP KEEPER, 5.75
23	1	470379	SIDEWINDER SLEEVE,14.06 X 57"
24	1	618740	3/4 FLANGE-90-1 7/16MFOR LBO
25	1	618469	3/4MJIC-1 1/16MOR ADPTR
26	1	470378	SIDEWINDER SLEEVE,14.06 X 21"
27	1	615875	WHEEL MOTOR TUBE ASSY
28	2	359367	BUSHING, CROP SHIELD, STS 05
29	3	473988	1/2UNC FLANGE LOCK NUT SS
30	1	618677	O-RING, -16 FACE SEAL .93ID 90D
31	1	606320	SPEED SENSOR, WHL MTR 606291
32	1	606321	SOLENOID, WHL MTR 606288/291
33	1	293848	WHL MTR JMPR HARNESS,STS16 05
34	4	900266	1/2UNC X 1 3/4 HEX BOLT
35	2	473861	16MM-2.00 X 40MM HEX BOLT
36	1	607026	O-RING,5.905ID- 6.1410D DMT
37	1	606322	LIP SEAL, WHL MTR 606288/291
38	1	606323	O-RING, WHL MTR 606288/291
39	10	610887	STUD,M22 X 1,5 X 78



23F

446023F

DET. QTY PART NO. DESCRIPTION



1	2	121029	JOURNAL BRG, 1.00 ID X 1.00 LG
2	4	121113	TOWER SLEEVE BRG (POLYGON) 05
3	2	121120	LEG SLEEVE BRG,AWS (POLYGON)09
4	1	125050	BRG CONE,1.00 ID W/FACE SEAL
5	1	125051	BRG CUP FOR 125050
6	1	125052	BRG CONE, 2.687 ID W/FACE SEAL
7	1	125053	BRG CUP FOR 125052
8	2	311058	RUBBER SPRING
9	1	311080	AIRIDE SPRING, 11.81 BASE
10	1	358832	AIRIDE SPRING CTRL VALVE
11	1	359081	UPPER LEG HOSE MT PLT
12	1	359333	AIRBAG TOWER TOP MT WLD,STS 05
13	1	359351	LH EXTENDE HOSE SUPPRT, STS
14	1	359370	LH LEG AIR VALVE MT, STS16 05
15	1	359544	LEG HEIGHT CTRL LINK,AWS STS09
16	2	359545	TRUNION MT BOLT, AWS STS 09
17	1	359546	STRG CYL BOLT, AWS STS 09
18	1	359547	TOP TRUNION MT WLD, AWS STS 09
19	1	359548	BTM TRUNION MT WLD, AWS STS 09
20	1	359551	STRG ARM CLAMP WLD, AWS STS 09
21	1	359554	STEERING ARM PLT, AWS STS 09
22	1	359557	LH AIR BAG LWR PLT WLD,AWS STS
23	2	359563	NOTRO TOWER WLD, AWS STS 09
24	1	359568	OUTER LEG WLDMT, AWS STS 09
25	3	470117	COTTER PIN 3/16 1 3/4 SQ CUT
26	2	470447	KEY, .50 SQ X 1.69 LG
27	3	471005	GREASE ZERK, 1/4 28 X 1/2
28	2	471028	GREASE ZERK, 1/4-28 90DEG
29	1	472328	1"-12 HEX JAM NUT
30	2	472337	5/8 X 3" SOCKET HD CAP SCR
31	1	473975	ROD END,1.00 BORE,1-12 RH MALE
32	1	483018	1" EXTERNAL TOOTH LOCK WASHER
33	1	520164	CUSH CLAMP,9/16D-3/4W-.531MT
34	1	601473	HOSE, 1/4 X 22 AIR
35	2	618115	9/16MJIC-90-3/4MOR LBO
36	1	621603	HYD CYL,2.50 X 8.81 W/SENSOR
37	1	621604	REPAIR KIT, HYD CYL 621602/603
38	8	629537	187RRHOZ SNAP RING
39	2	629538	4.5 SPIROLOX RING
40	4	629620	SEAL, 1.500 ROD DIA
41	2	629621	SEAL, 4.500 ROD DIA
42	2	711036	1/8MNPT-1/4 NYL TUBE FTG
43	1	711040	1/4MNPT-90-1/4 NYL TUBE LBO
44	2	900002	1/4UNC X 3/4 HEX BOLT
45	4	900265	1/2UNC X 1 1/2 HEX BOLT
46	4	900267	1/2UNC X 2" HEX BOLT
47	4	900268	1/2UNC X 2 1/2 HEX BOLT
48	4	900269	1/2UNC X 2 3/4 HEX BOLT
49	1	910008	1/2UNC HEX NUT
50	1	910013	3/4UNC HEX NUT
51	1	910020	1" UNC HEX SLOTTED NUT
52	1	910021	1"-14 SLOT JAM NUT
53	2	914000	1/4UNC HEX STOVER NUT
54	12	914008	1/2UNC HEX STOVER NUT
55	2	910102	3/4UNC SLOT HEX NUT, GR8
56	1	920008	1" SAE FLAT WASHER
57	1	920504	1/2 LOCK WASHER
58	1	920506	3/4 LOCK WASHER
59	2	473841	16MM LOCK WASHER
60	1	601476	HOSE, 1/4 X 120 AIR
61	1	470311	SIDEWINDER SLEEVE,14.06 X 60"
62	1	470305	HOSE CLAMP, 4-HOLE
63	1	359094	HYD TUBE CLAMP KEEPER, 5.75
64	3	342917	TREAD ADJ PLATE, STEEL, THD
65	4	342719	TRD ADJ BRONZE BEARING,THD-GRV
66	16	900128	3/8UNC X 3/4 HEX BOLT
67	2	900138	3/8UNC X 3 1/2 HEX BOLT
68	2	914004	3/8UNC HEX STOVER NUT
69	1	291919	INDUCTIVE SENSOR
70	1	291994	SENSOR HARNESS FOR AWS
71	1	359555	SENSOR BRKT, AWS STS 09
72	2	470122	1/4UNC X 1/2 FLANGE HEX BOLT
73	1	520164	CUSH CLAMP,9/16D-3/4W-.531MT
74	4	483048	3/4 REG FLAT WASH,THRU-HARD
75	1	711067	AIR VALVE,1/4 NYL TUBE,1/8MNPT

\*NOTE: FOR TREAD ADJUST OPTION REPLACE ITEM 64 WITH THREE OF ITEM 65.

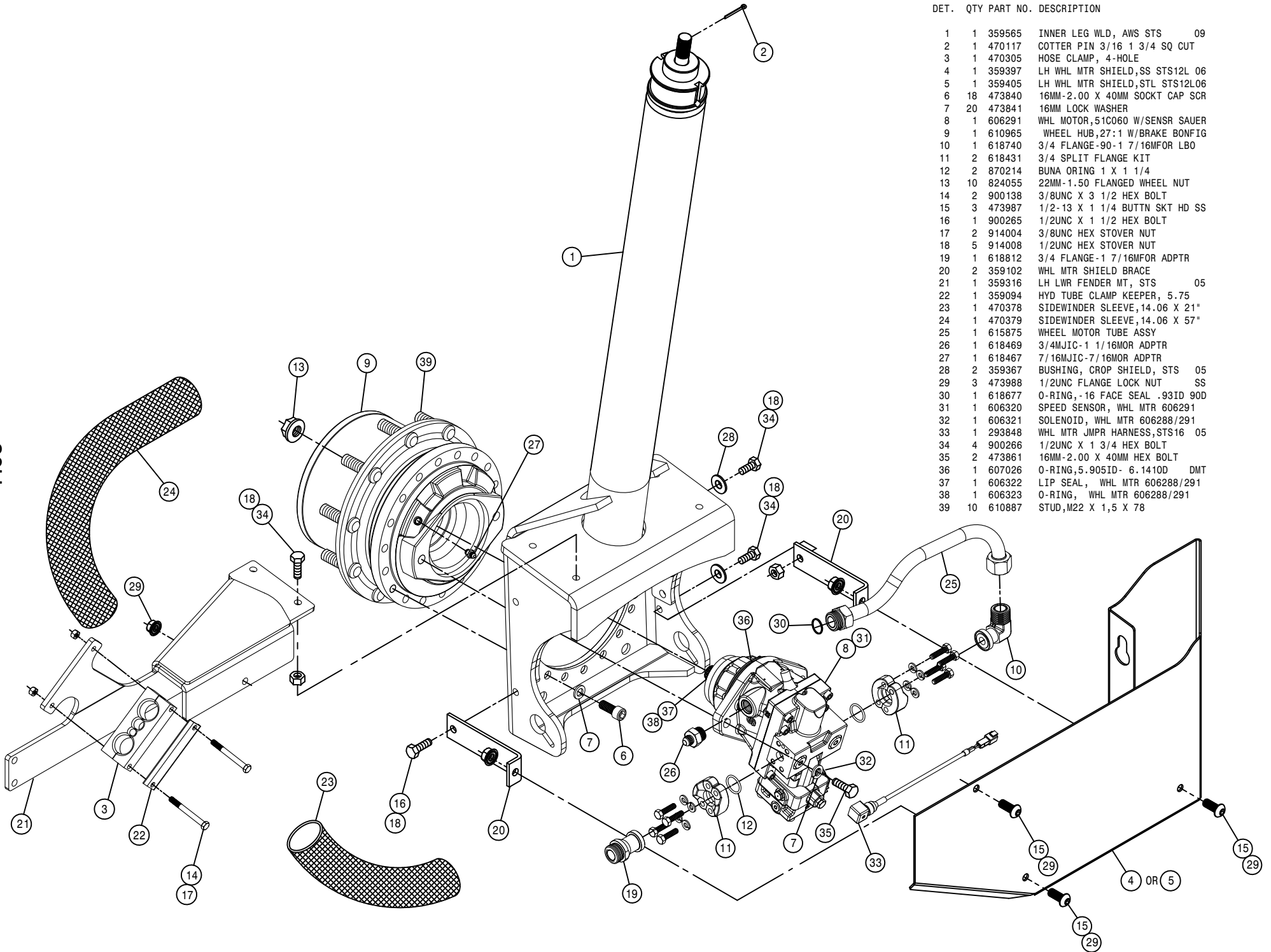
23G

446023G

AWS LH REAR INNER LEG ASSEMBLY (BONFIGLIOLI HUB)

DET. QTY PART NO. DESCRIPTION

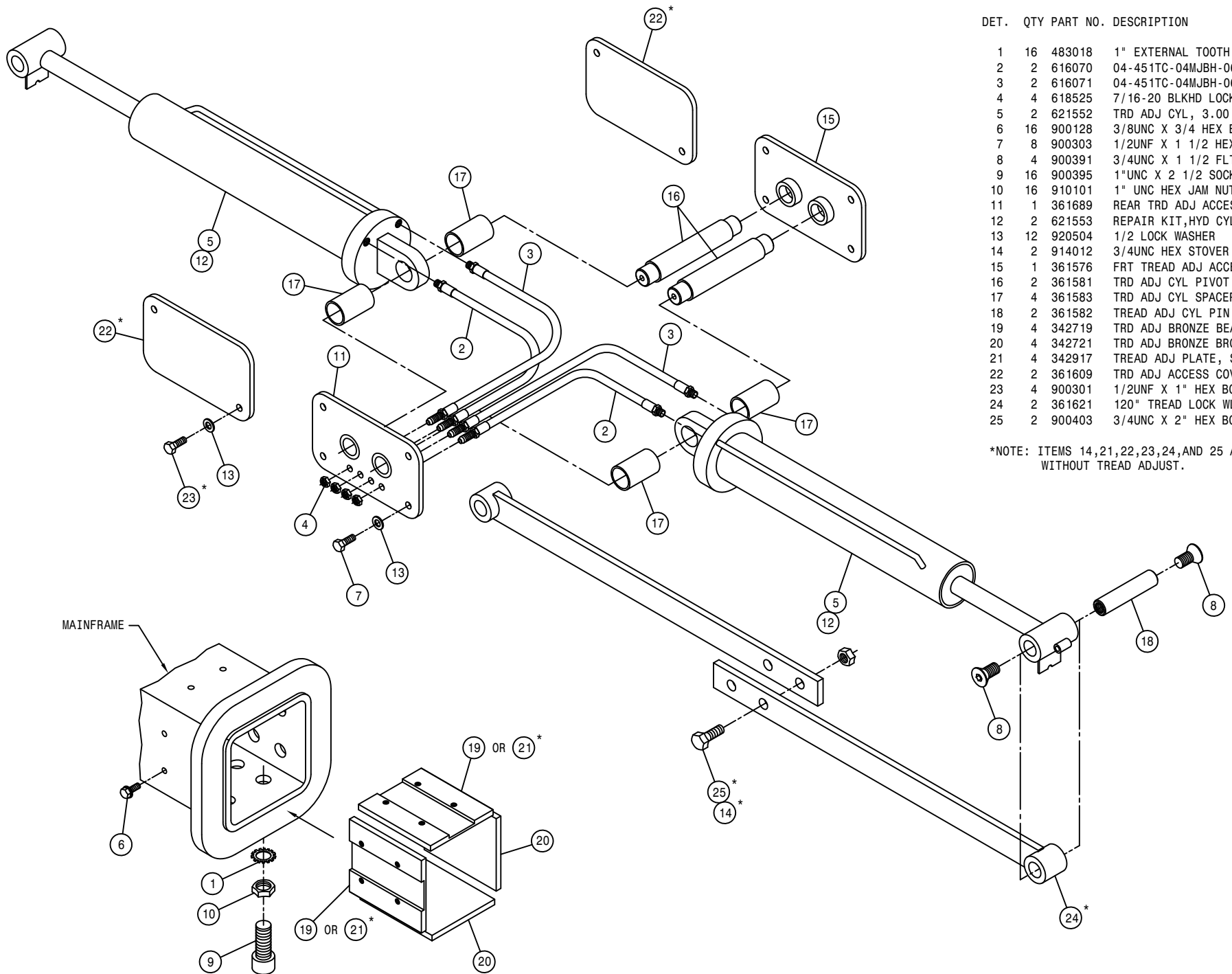
1	1	359565	INNER LEG WLD, AWS STS	09
2	1	470117	COTTER PIN 3/16 1 3/4 SQ CUT	
3	1	470305	HOSE CLAMP, 4-HOLE	
4	1	359397	LH WHL MTR SHIELD,SS STS12L 06	
5	1	359405	LH WHL MTR SHIELD,STL STS12L06	
6	18	473840	16MM-2.00 X 40MM SOCKT CAP SCR	
7	20	473841	16MM LOCK WASHER	
8	1	606291	WHL MOTOR,51C060 W/SENSR SAUER	
9	1	610965	WHEEL HUB,27:1 W/BRAKE BONFIG	
10	1	618740	3/4 FLANGE-90-1 7/16MFOR LBO	
11	2	618431	3/4 SPLIT FLANGE KIT	
12	2	870214	BUNA ORING 1 X 1 1/4	
13	10	824055	22MM-1.50 FLANGED WHEEL NUT	
14	2	900138	3/8UNC X 3 1/2 HEX BOLT	
15	3	473987	1/2-13 X 1 1/4 BUTTN SKT HD SS	
16	1	900265	1/2UNC X 1 1/2 HEX BOLT	
17	2	914004	3/8UNC HEX STOVER NUT	
18	5	914008	1/2UNC HEX STOVER NUT	
19	1	618812	3/4 FLANGE-1 7/16MFOR ADPTR	
20	2	359102	WHL MTR SHIELD BRACE	
21	1	359316	LH LWR FENDER MT, STS	05
22	1	359094	HYD TUBE CLAMP KEEPER, 5.75	
23	1	470378	SIDEWINDER SLEEVE,14.06 X 21"	
24	1	470379	SIDEWINDER SLEEVE,14.06 X 57"	
25	1	615875	WHEEL MOTOR TUBE ASSY	
26	1	618469	3/4MJIC-1 1/16MOR ADPTR	
27	1	618467	7/16MJIC-7/16MOR ADPTR	
28	2	359367	BUSHING, CROP SHIELD, STS	05
29	3	473988	1/2UNC FLANGE LOCK NUT	SS
30	1	618677	O-RING,-16 FACE SEAL .93ID 90D	
31	1	606320	SPEED SENSOR, WHL MTR 606291	
32	1	606321	SOLENOID, WHL MTR 606288/291	
33	1	293848	WHL MTR JMPR HARNESS,STS16	05
34	4	900266	1/2UNC X 1 3/4 HEX BOLT	
35	2	473861	16MM-2.00 X 40MM HEX BOLT	
36	1	607026	O-RING,5.905ID- 6.1410D DMT	
37	1	606322	LIP SEAL, WHL MTR 606288/291	
38	1	606323	O-RING, WHL MTR 606288/291	
39	10	610887	STUD,M22 X 1,5 X 78	



23H

446023H

FRONT TREAD ADJUST ASSEMBLY



DET.	QTY	PART NO.	DESCRIPTION
1	16	483018	1" EXTERNAL TOOTH LOCK WASHER
2	2	616070	04-451TC-04MJBH-06MOR-11.00H/A
3	2	616071	04-451TC-04MJBH-06MOR-13.00H/A
4	4	618525	7/16-20 BLKHD LOCKNUT
5	2	621552	TRD ADJ CYL, 3.00 X 16.00 STS
6	16	900128	3/8UNC X 3/4 HEX BOLT
7	8	900303	1/2UNF X 1 1/2 HEX BOLT
8	4	900391	3/4UNC X 1 1/2 FLT SOC CAP SCR
9	16	900395	1"UNC X 2 1/2 SOCKET CAP SCR
10	16	910101	1" UNC HEX JAM NUT
11	1	361689	REAR TRD ADJ ACCESS PLT WLD 04
12	2	621553	REPAIR KIT, HYD CYL 621552
13	12	920504	1/2 LOCK WASHER
14	2	914012	3/4UNC HEX STOVER NUT
15	1	361576	FRT TREAD ADJ ACCESS PLT WLD
16	2	361581	TRD ADJ CYL PIVOT PIN, M/F
17	4	361583	TRD ADJ CYL SPACER, M/F
18	2	361582	TREAD ADJ CYL PIN, OUTER LEG
19	4	342719	TRD ADJ BRONZE BEARING, THD-GRV
20	4	342721	TRD ADJ BRONZE BRG W/DIMPLES
21	4	342917	TREAD ADJ PLATE, STEEL, THD
22	2	361609	TRD ADJ ACCESS COVER, M/F STS10
23	4	900301	1/2UNF X 1" HEX BOLT
24	2	361621	120" TREAD LOCK WLD, STS10 03
25	2	900403	3/4UNC X 2" HEX BOLT

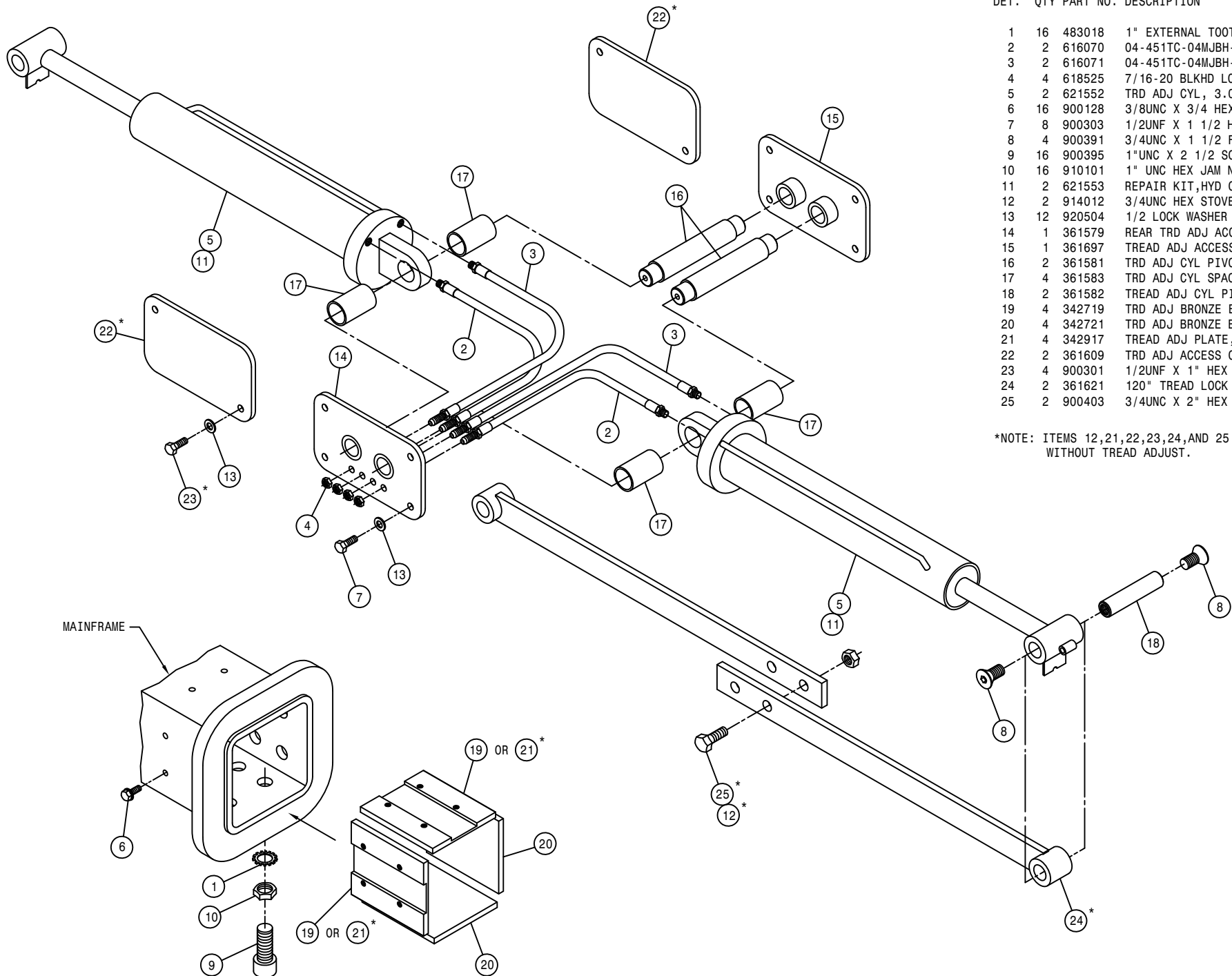
\*NOTE: ITEMS 14, 21, 22, 23, 24, AND 25 ARE USED WITHOUT TREAD ADJUST.

REAR TREAD ADJUST ASSEMBLY

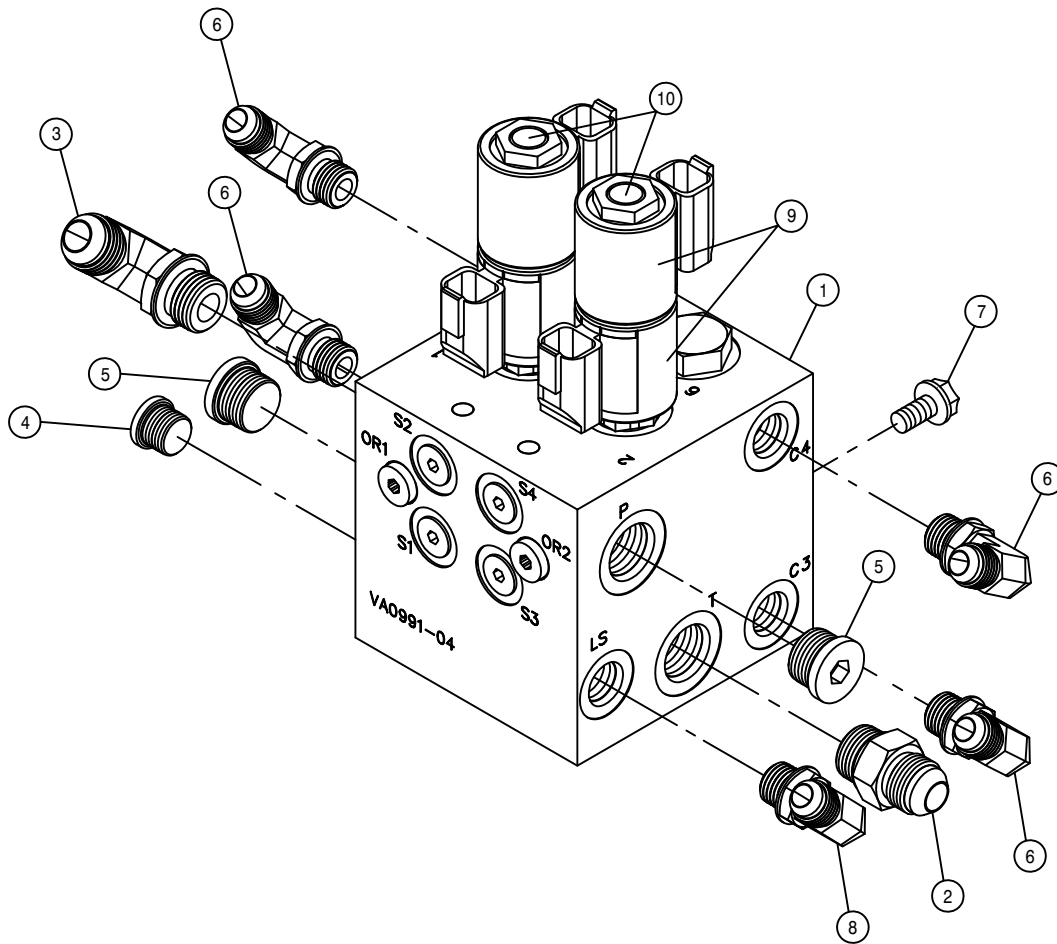
DET. QTY PART NO. DESCRIPTION

DET.	QTY	PART NO.	DESCRIPTION
1	16	483018	1" EXTERNAL TOOTH LOCK WASHER
2	2	616070	04-451TC-04MJBH-06MOR-11.00H/A
3	2	616071	04-451TC-04MJBH-06MOR-13.00H/A
4	4	618525	7/16-20 BLKHD LOCKNUT
5	2	621552	TRD ADJ CYL, 3.00 X 16.00 STS
6	16	900128	3/8UNC X 3/4 HEX BOLT
7	8	900303	1/2UNF X 1 1/2 HEX BOLT
8	4	900391	3/4UNC X 1 1/2 FLT SOC CAP SCR
9	16	900395	1"UNC X 2 1/2 SOCKET CAP SCR
10	16	910101	1" UNC HEX JAM NUT
11	2	621553	REPAIR KIT, HYD CYL 621552
12	2	914012	3/4UNC HEX STOVER NUT
13	12	920504	1/2 LOCK WASHER
14	1	361579	REAR TRD ADJ ACCESS PLT WLD 00
15	1	361697	TREAD ADJ ACCESS PLT WLD 07
16	2	361581	TRD ADJ CYL PIVOT PIN, M/F
17	4	361583	TRD ADJ CYL SPACER, M/F
18	2	361582	TREAD ADJ CYL PIN, OUTER LEG
19	4	342719	TRD ADJ BRONZE BEARING, THD-GRV
20	4	342721	TRD ADJ BRONZE BRG W/DIMPLES
21	4	342917	TREAD ADJ PLATE, STEEL, THD
22	2	361609	TRD ADJ ACCESS COVER, M/F STS10
23	4	900301	1/2UNF X 1" HEX BOLT
24	2	361621	120" TREAD LOCK WLD, STS10 03
25	2	900403	3/4UNC X 2" HEX BOLT

\*NOTE: ITEMS 12, 21, 22, 23, 24, AND 25 ARE USED WITHOUT TREAD ADJUST.

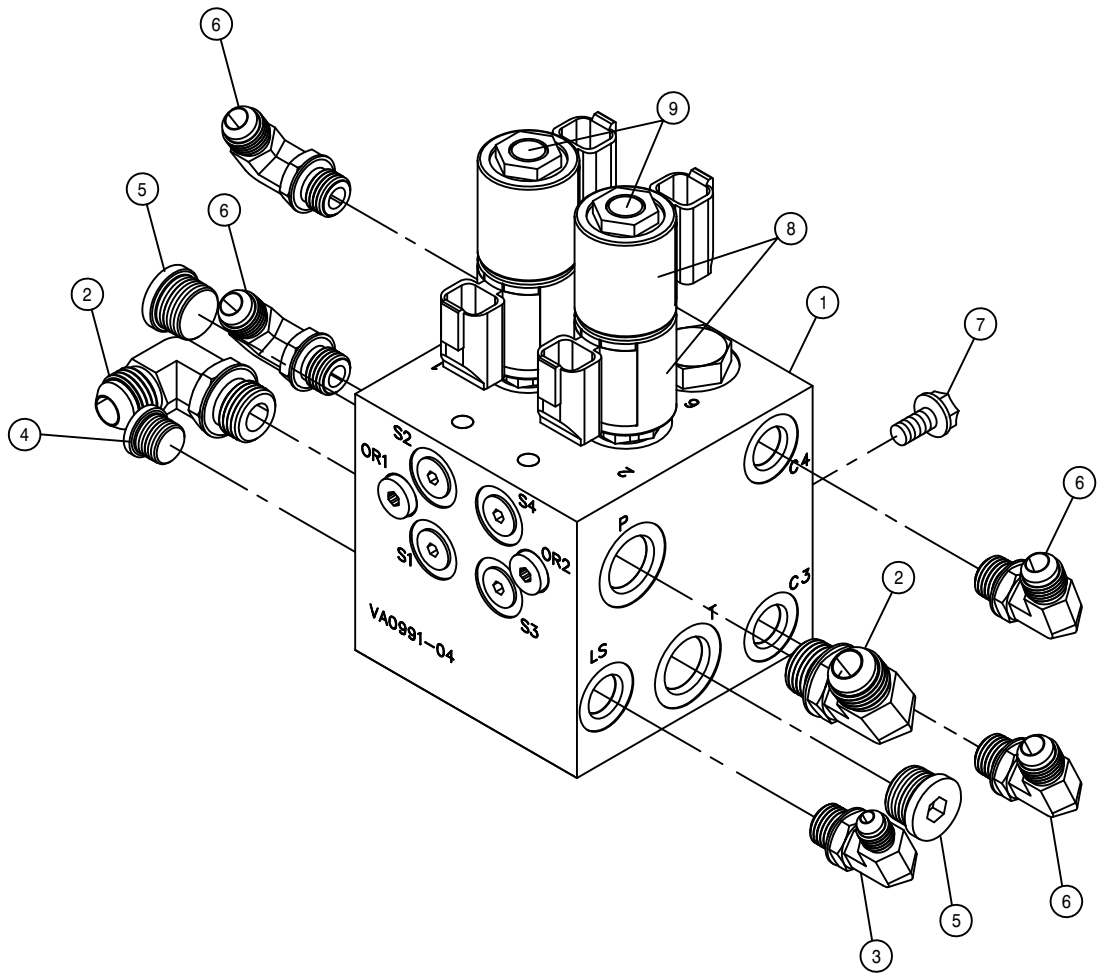


MAINFRAME



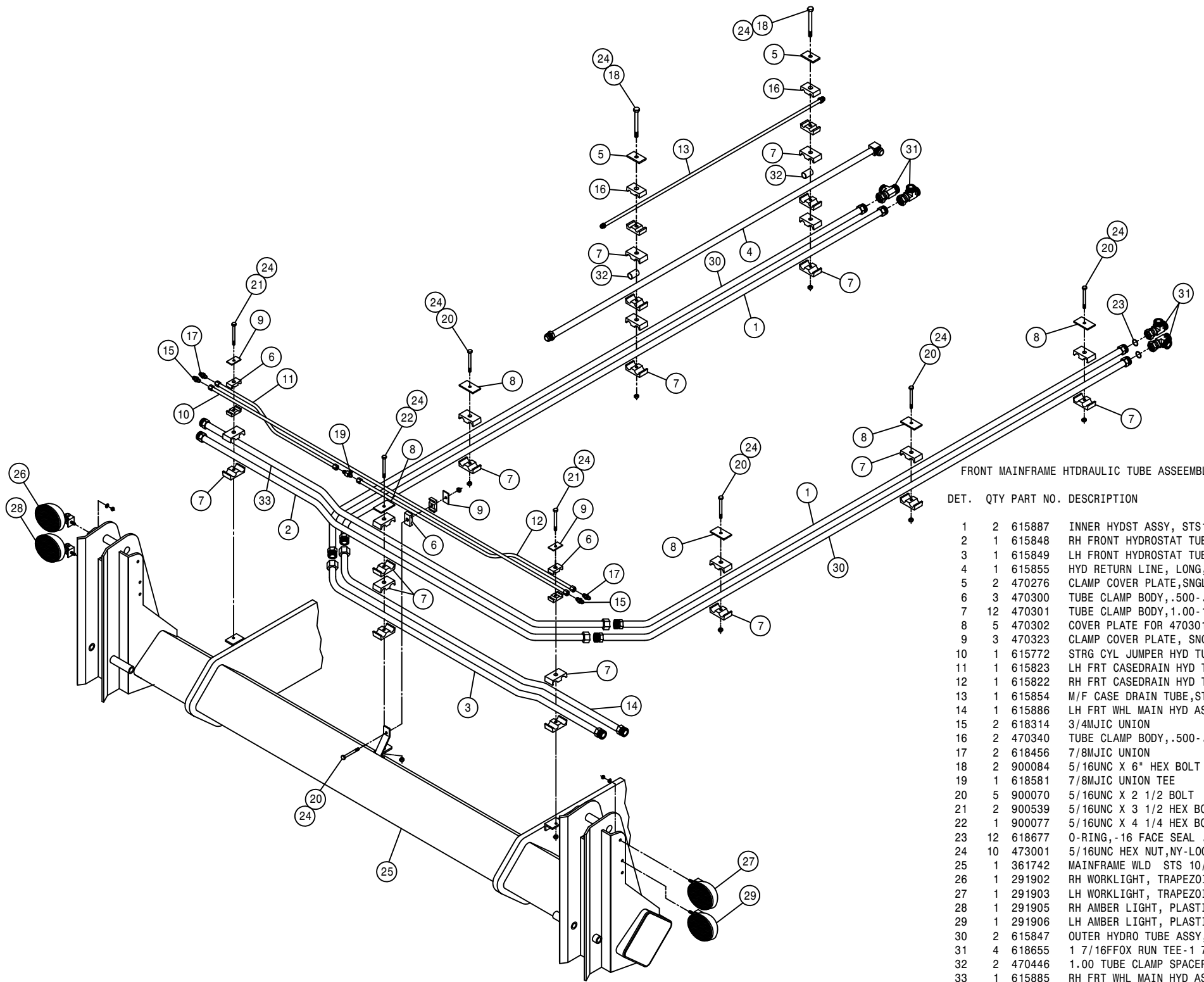
FRONT TREAD ADJUST VALVE ASSEMBLY

DET.	QTY	PART NO.	DESCRIPTION	
	1	606249	MANIFOLD, TRD ADJ	PWRSYS
	2	611125	3/4MJIC-3/4MOR ADPTR	
	3	618241	3/4MJIC-90-3/4MOR LBO	
	4	618754	9/16MOR PLUG, HEX SOCKET	
	5	618755	3/4MOR PLUG, HEX SOCKET	
	6	618119	9/16MJIC-90-9/16MOR LBO	
	7	900064	5/16UNC X 3/4 HEX BOLT	
	8	618499	7/16MJIC-90-9/16MOR LBO	
	9	606266	#8 COIL W/DEUTSCH	
	10	606358	CARTRIDGE SP08-47D, PROP, 3POS	



REAR TREAD ADJUST VALVE ASSEMBLY

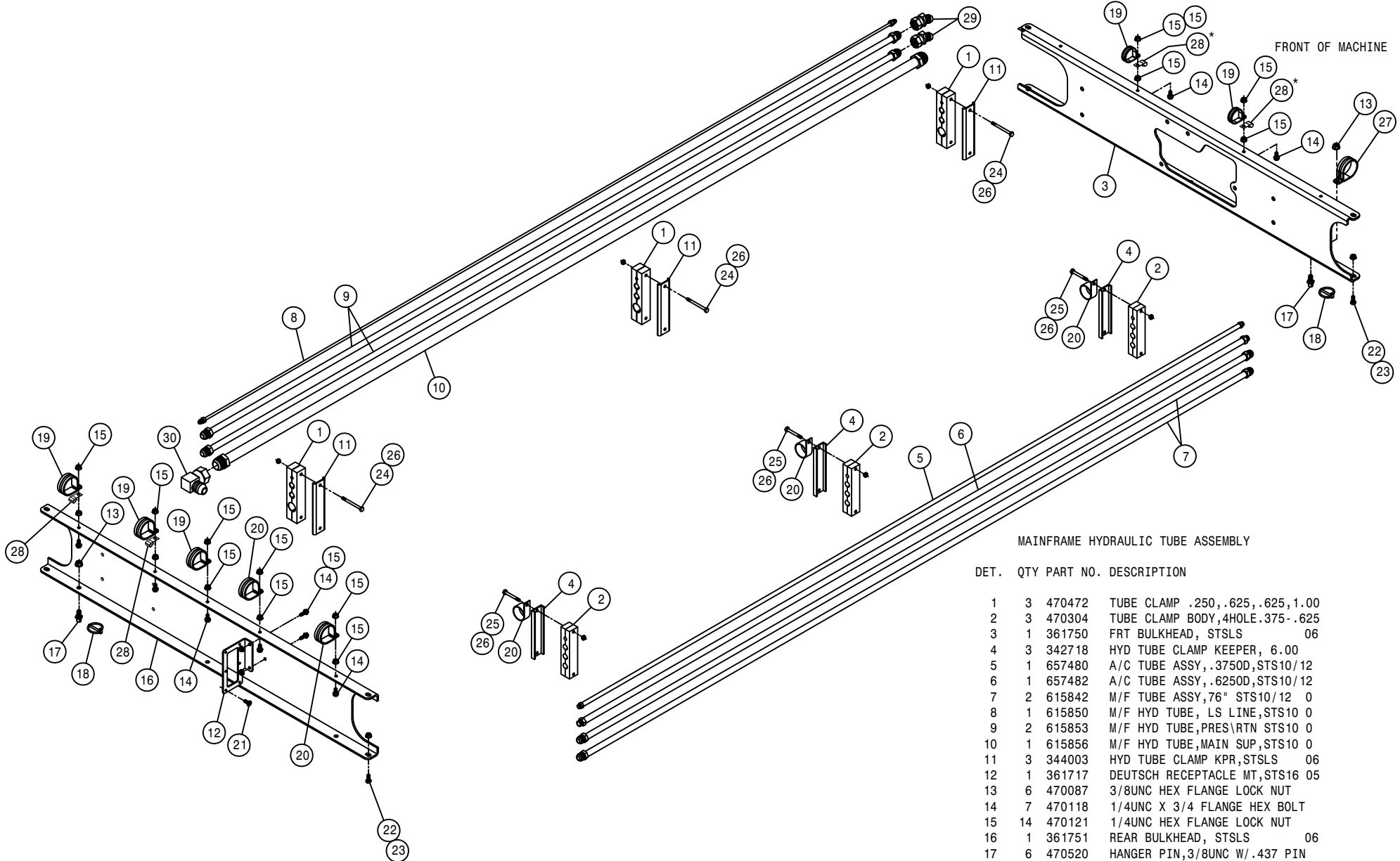
DET.	QTY	PART NO.	DESCRIPTION	PWRSYS
	1	606249	MANIFOLD, TRD ADJ	PWRSYS
	2	618241	3/4MJIC-90-3/4MOR LBO	
	3	618499	7/16MJIC-90-9/16MOR LBO	
	4	618754	9/16MOR PLUG, HEX SOCKET	
	5	618755	3/4MOR PLUG, HEX SOCKET	
	6	618119	9/16MJIC-90-9/16MOR LBO	
	7	900064	5/16UNC X 3/4 HEX BOLT	
	8	606266	#8 COIL W/DEUTSCH	
	9	606358	CARTRIDGE SP08-47D, PROP, 3POS	



FRONT MAINFRAME HTDRAULIC TUBE ASSEMBLY

DET.	QTY	PART NO.	DESCRIPTION
1	2	615887	INNER HYDST ASSY, STS10/12 09
2	1	615848	RH FRONT HYDROSTAT TUBE ASSY
3	1	615849	LH FRONT HYDROSTAT TUBE ASSY
4	1	615855	HYD RETURN LINE, LONG, STS10 07
5	2	470276	CLAMP COVER PLATE, SNGL, 2.55LG
6	3	470300	TUBE CLAMP BODY, .500-.625
7	12	470301	TUBE CLAMP BODY, 1.00-1.00
8	5	470302	COVER PLATE FOR 470301
9	3	470323	CLAMP COVER PLATE, SNGL 2.04LG
10	1	615772	STRG CYL JUMPER HYD TUBE ASSY
11	1	615823	LH FRT CASEDRAIN HYD TUBE ASSY
12	1	615822	RH FRT CASEDRAIN HYD TUBE ASSY
13	1	615854	M/F CASE DRAIN TUBE, STS10 07
14	1	615886	LH FRT WHL MAIN HYD ASSY, STS09
15	2	618314	3/4MJIC UNION
16	2	470340	TUBE CLAMP BODY, .500-.750
17	2	618456	7/8MJIC UNION
18	2	900084	5/16UNC X 6" HEX BOLT
19	1	618581	7/8MJIC UNION TEE
20	5	900070	5/16UNC X 2 1/2 BOLT
21	2	900539	5/16UNC X 3 1/2 HEX BOLT
22	1	900077	5/16UNC X 4 1/4 HEX BOLT
23	12	618677	O-RING, -16 FACE SEAL .93ID 90D
24	10	473001	5/16UNC HEX NUT, NY-LOC 316 SS
25	1	361742	MAINFRAME WLD STS 10/12 07
26	1	291902	RH WORKLIGHT, TRAPEZOID GLASS
27	1	291903	LH WORKLIGHT, TRAPEZOID GLASS
28	1	291905	RH AMBER LIGHT, PLASTIC OVAL
29	1	291906	LH AMBER LIGHT, PLASTIC OVAL
30	2	615847	OUTER HYDRO TUBE ASSY, STS10 07
31	4	618655	1 7/16FFOX RUN TEE-1 7/16MFOR
32	2	470446	1.00 TUBE CLAMP SPACER
33	1	615885	RH FRT WHL MAIN HYD ASSY, STS09

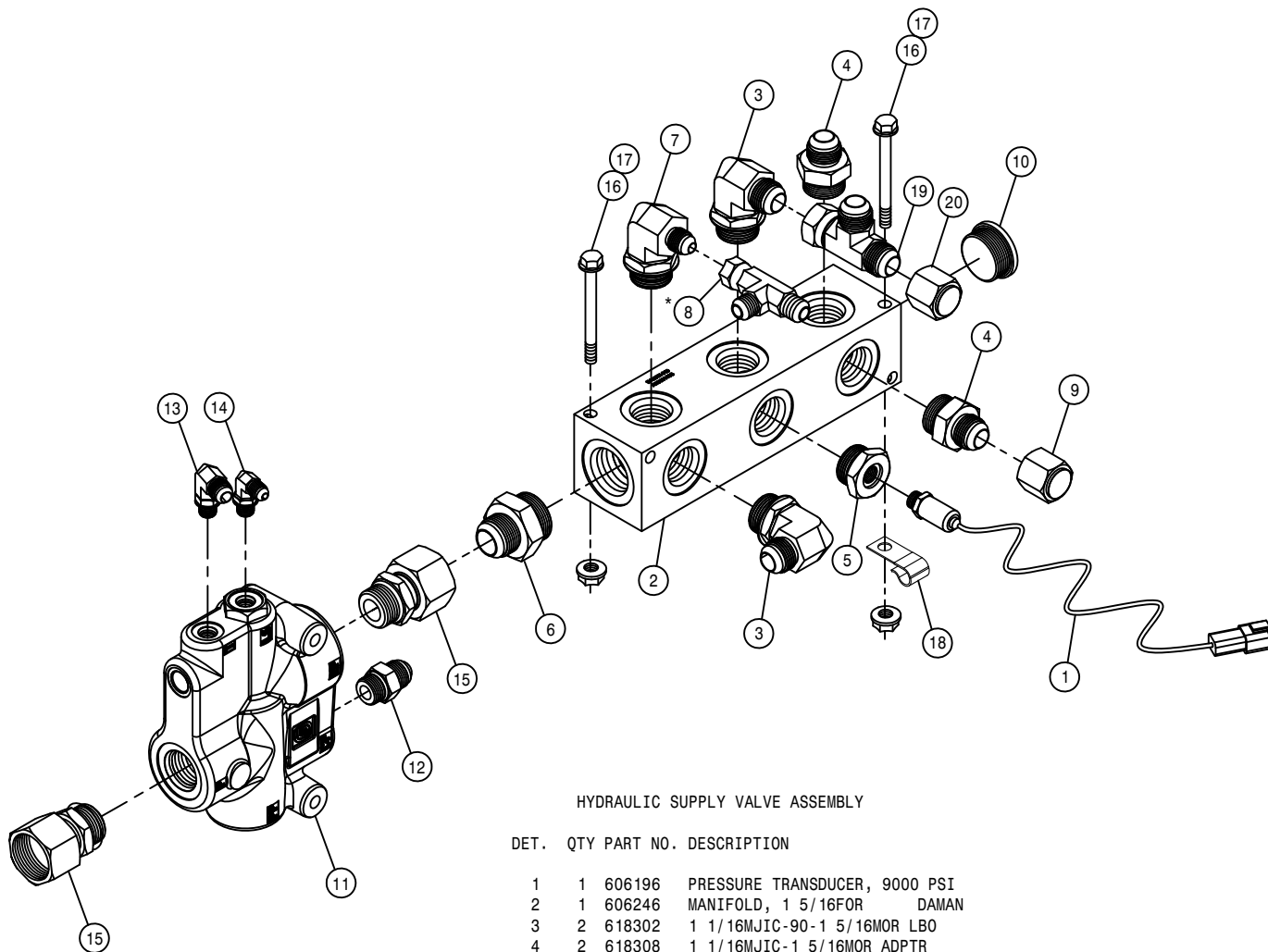




MAINFRAME HYDRAULIC TUBE ASSEMBLY

DET.	QTY	PART NO.	DESCRIPTION
1	3	470472	TUBE CLAMP .250, .625, .625, 1.00
2	3	470304	TUBE CLAMP BODY, 4HOLE .375- .625
3	1	361750	FRT BULKHEAD, STSLS 06
4	3	342718	HYD TUBE CLAMP KEEPER, 6.00
5	1	657480	A/C TUBE ASSY, .3750D, STS10/12
6	1	657482	A/C TUBE ASSY, .6250D, STS10/12
7	2	615842	M/F TUBE ASSY, 76" STS10/12 0
8	1	615850	M/F HYD TUBE, LS LINE, STS10 0
9	2	615853	M/F HYD TUBE, PRES\RTN STS10 0
10	1	615856	M/F HYD TUBE, MAIN SUP, STS10 0
11	3	344003	HYD TUBE CLAMP KPR, STSLS 06
12	1	361717	DEUTSCH RECEPTACLE MT, STS16 05
13	6	470087	3/8UNC HEX FLANGE LOCK NUT
14	7	470118	1/4UNC X 3/4 FLANGE HEX BOLT
15	14	470121	1/4UNC HEX FLANGE LOCK NUT
16	1	361751	REAR BULKHEAD, STSLS 06
17	6	470520	HANGER PIN, 3/8UNC W/.437 PIN
18	6	470335	LINCHPIN, 3/16 X 1 1/4 GRIP
19	5	520102	CUSH CLAMP, #20 1 1/4D X 1/2W
20	5	520126	CUSH CLAMP, #32 2IN X 5/8W
21	6	470465	#12-14X3/4 PHL PAN SHT MTL SRW
22	8	900129	3/8UNC X 1" SERR FLANGE BOLT
23	8	910004N	3/8UNC FLANGE CNTR LOCK NUT
24	6	900008	1/4UNC X 2 1/2 HEX BOLT
25	6	900007	1/4UNC X 2" HEX BOLT
26	12	470089	1/4UNC HEX NYL-LOC NUT, 316 S
27	1	520161	CUSH CLAMP, #32 2"D-3/4W LOOP
28	4	520128	CUSH J CLAMP, #9 9/16D X 3/4W
29	2	618628	7/8MJIC-45-7/8FJIC SWIV LBO
30	1	618640	1 5/16MJ-90-1 5/16FJ SWIV LBO

NOTE: ITEMS WITH (\*) ARE USED WITH THE SIDE FILL OPTION.

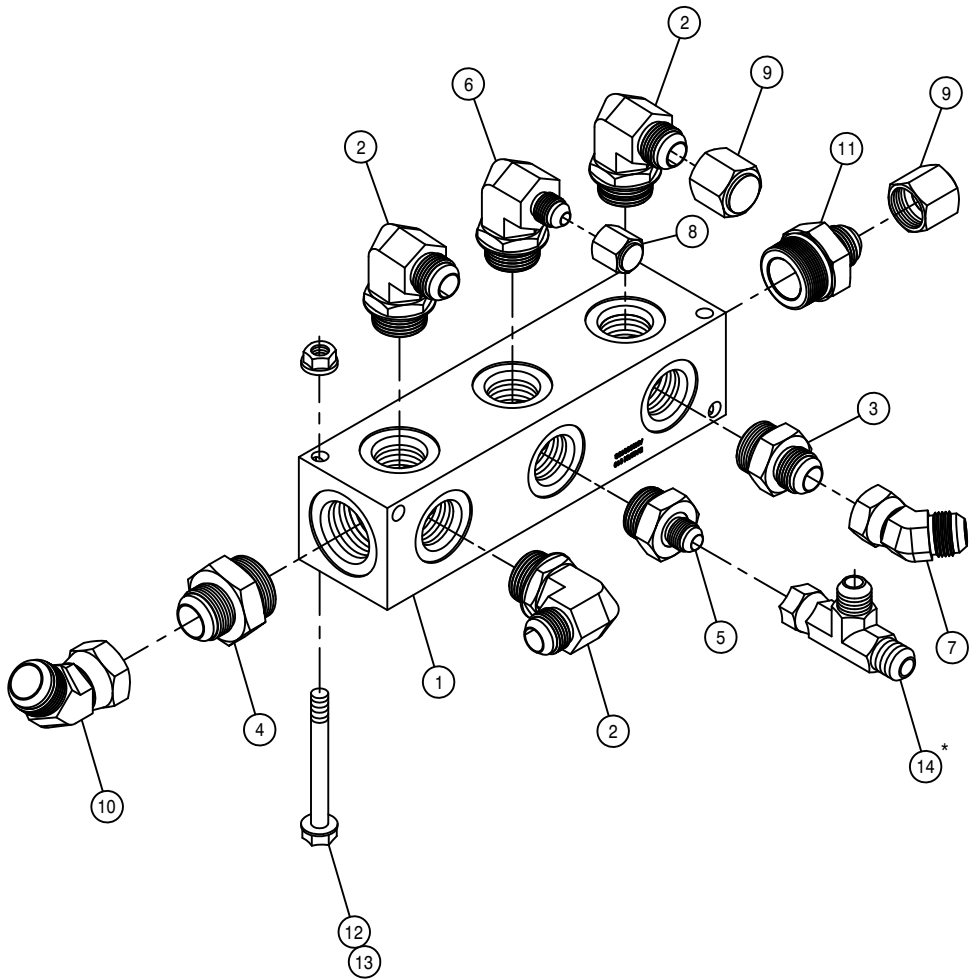


HYDRAULIC SUPPLY VALVE ASSEMBLY

DET. QTY PART NO. DESCRIPTION

DET.	QTY	PART NO.	DESCRIPTION
1	1	606196	PRESSURE TRANSDUCER, 9000 PSI
2	1	606246	MANIFOLD, 1 5/16FOR DAMAN
3	2	618302	1 1/16MJIC-90-1 5/16MOR LBO
4	2	618308	1 1/16MJIC-1 5/16MOR ADPTR
5	1	618397	1 5/16MOR-9/16FOR ADPTR
6	1	618455	1 5/16MJIC-1 5/8MOR ADPTR
7	1	618475	3/4MJIC-90-1 5/16MOR LBO
8	1	618451	3/4FJIC SW RUN TEE-3/4MJIC
9	1	618533	1 1/16FJIC CAP NUT
10	1	618759	1 5/8MOR PLUG, HEX SOCKET
11	1	606254	FLOW DIVIDER, OLS160 SAUER
12	1	611125	3/4MJIC-3/4MOR ADPTR
13	1	618114	9/16MJIC-90-7/16MOR LBO
14	1	618473	7/16MJIC-90-7/16MOR LBO
15	2	618761	1 5/16FJX-1 1/16MOR ADPTR
16	2	900140	3/8UNC X 4" HEX BOLT
17	2	470087	3/8UNC HEX FLANGE LOCK NUT
18	1	520128	CUSH J CLAMP,#9 9/16D X 3/4W
19	1	618487	1 1/16FJ SW RUN TEE-1 1/16MJ
20	1	618533	1 1/16FJIC CAP NUT

\*NOTE: USED WITH THE SIDE FILL OPTION.

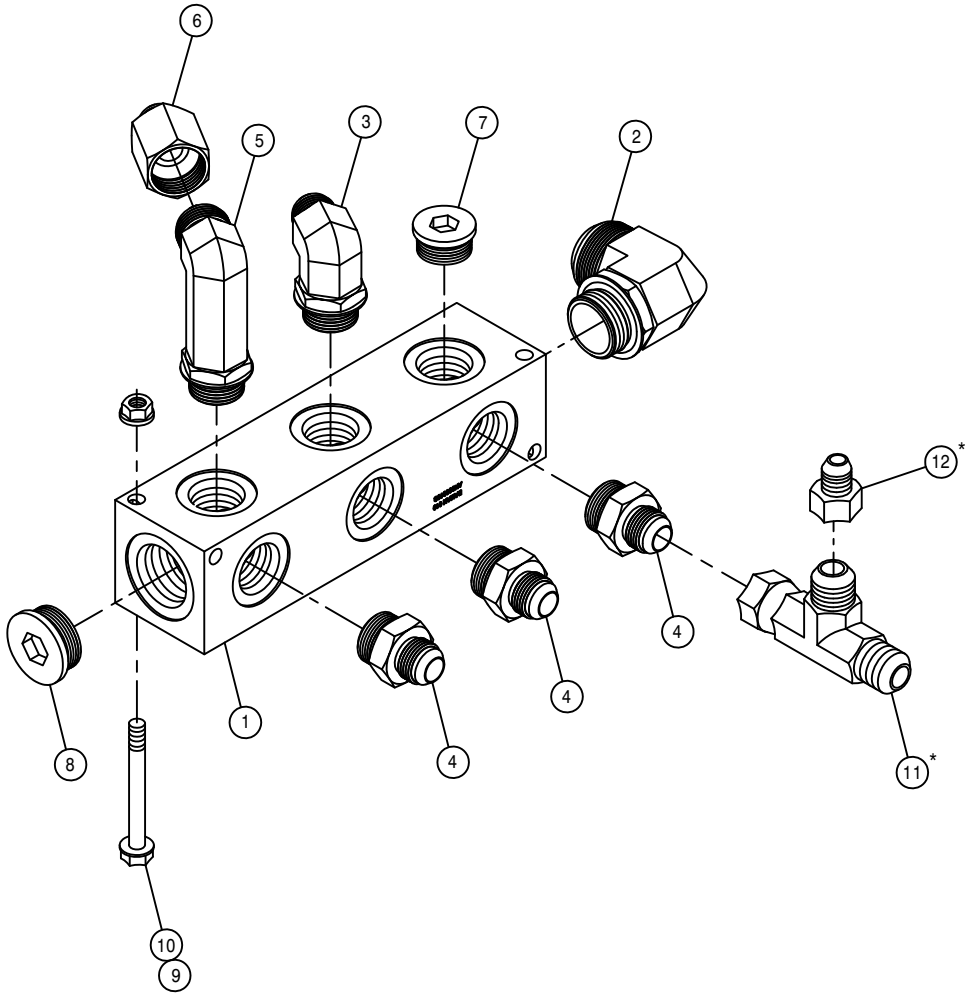


FRONT RETURN MANIFOLD ASSEMBLY

DET. QTY PART NO. DESCRIPTION

1	1	606246	MANIFOLD, 1 5/16FOR	DAMAN
2	3	618302	1 1/16MJIC-90-1 5/16MOR LBO	
3	1	618308	1 1/16MJIC-1 5/16MOR ADPTR	
4	1	618455	1 5/16MJIC-1 5/8MOR ADPTR	
5	1	618470	3/4MJIC-1 5/16MOR ADPTR	
6	1	618475	3/4MJIC-90-1 5/16MOR LBO	
7	1	618529	1 1/16MJ-45-1 1/16FJ SWIV LBO	
8	1	618532	3/4FJIC CAP NUT	
9	2	618533	1 1/16FJIC CAP NUT	
10	1	618630	1 5/16MJ-45-1 5/16FJ SWIV LBO	
11	1	618819	1 1/16MJIC-1 5/8MOR ADPTR	
12	2	470087	3/8UNC HEX FLANGE LOCK NUT	
13	2	900139	3/8UNC X 3 3/4 HEX BOLT	
14	1	618451	3/4FJIC SW RUN TEE-3/4MJIC	

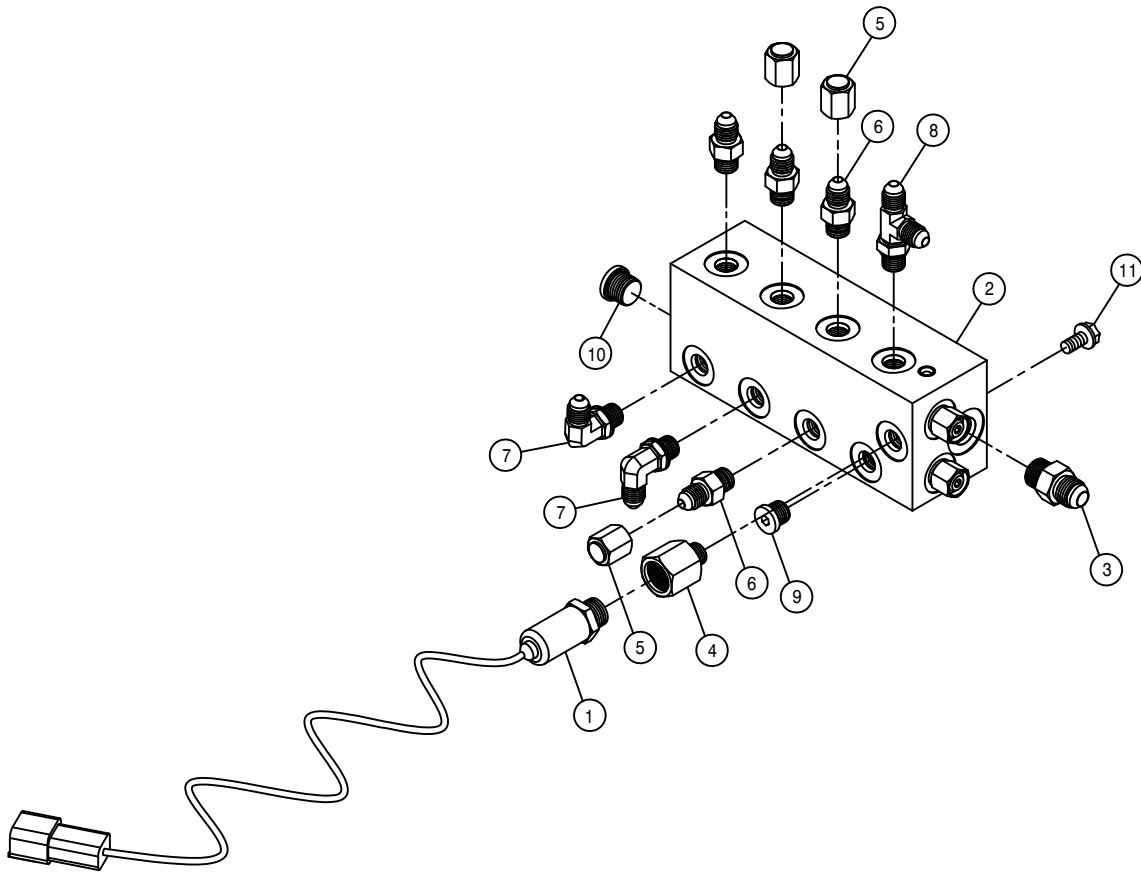
\*NOTE: USED WITH TREAD ADJUST OPTION OR SIDE FILL OPTION.



CASE DRAIN MANIFOLD ASSEMBLY

DET.	QTY	PART NO.	DESCRIPTION
1	1	606246	MANIFOLD, 1 5/16FOR DAMAN
2	1	618477	1 5/8MJIC-90-1 5/8MOR LBO
3	1	618302	1 1/16MJIC-90-1 5/16MOR LBO
4	3	618308	1 1/16MJIC-1 5/16MOR ADPTR
5	1	618463	1 5/16MJIC-90-1 5/16MOR XL LBO
6	1	618541	1 5/16FJIC-1 1/16MJIC ADPTR
7	1	618758	1 5/16 MOR PLUG, HEX SOCKET
8	1	618759	1 5/8MOR PLUG, HEX SOCKET
9	2	470087	3/8UNC HEX FLANGE LOCK NUT
10	2	900139	3/8UNC X 3 3/4 HEX BOLT
11	1	618487	1 1/16FJ SW RUN TEE-1 1/16MJ
12	1	618483	1 1/16FJIC-9/16MJIC ADPTR

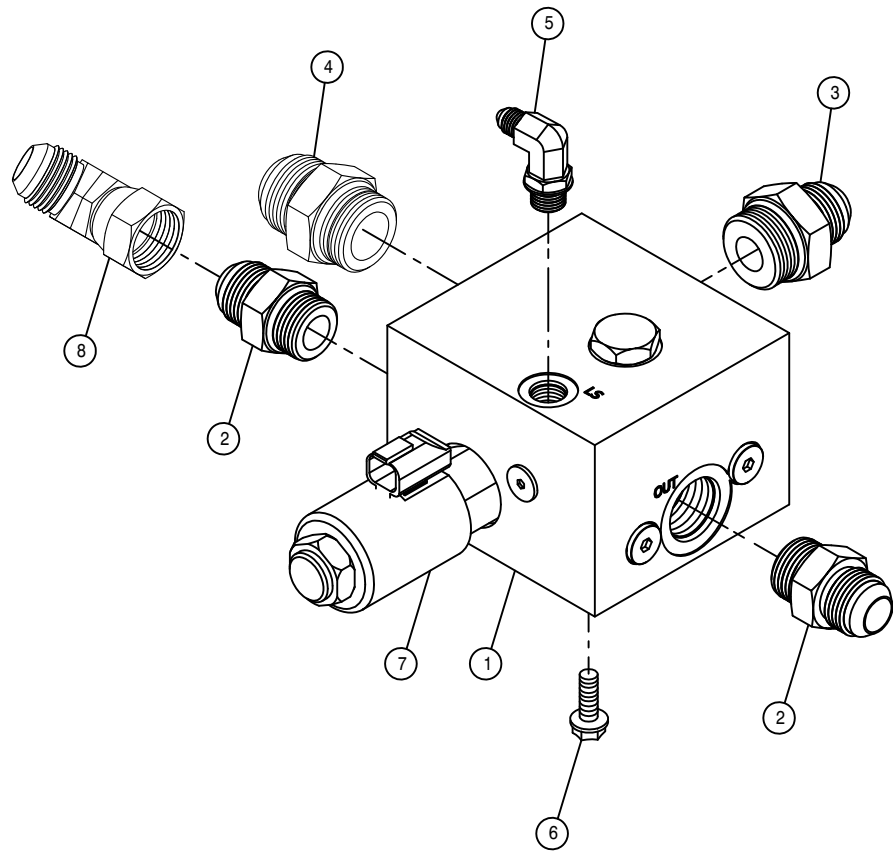
\*NOTE: USED WITH PRESSURE WASHER OPTION.



LS MANIFOLD ASSEMBLY

DET. QTY PART NO. DESCRIPTION

1	1	606196	PRESSURE TRANSDUCER, 9000 PSI
2	1	606247	MANIFOLD W/CHK VLV SAUER
3	1	618126	9/16MJIC-9/16MOR ADPTR
4	1	618361	7/16MOR-9/16FOR ADPTR
5	3	618363	7/16FJIC CAP NUT
6	4	618467	7/16MJIC-7/16MOR ADPTR
7	2	618473	7/16MJIC-90-7/16MOR LBO
8	1	618509	7/16MOR RUN TEE-7/16MJIC
9	1	618753	7/16MOR PLUG, HEX SOCKET
10	1	618754	9/16MOR PLUG, HEX SOCKET
11	2	900128	3/8UNC X 3/4 HEX BOLT

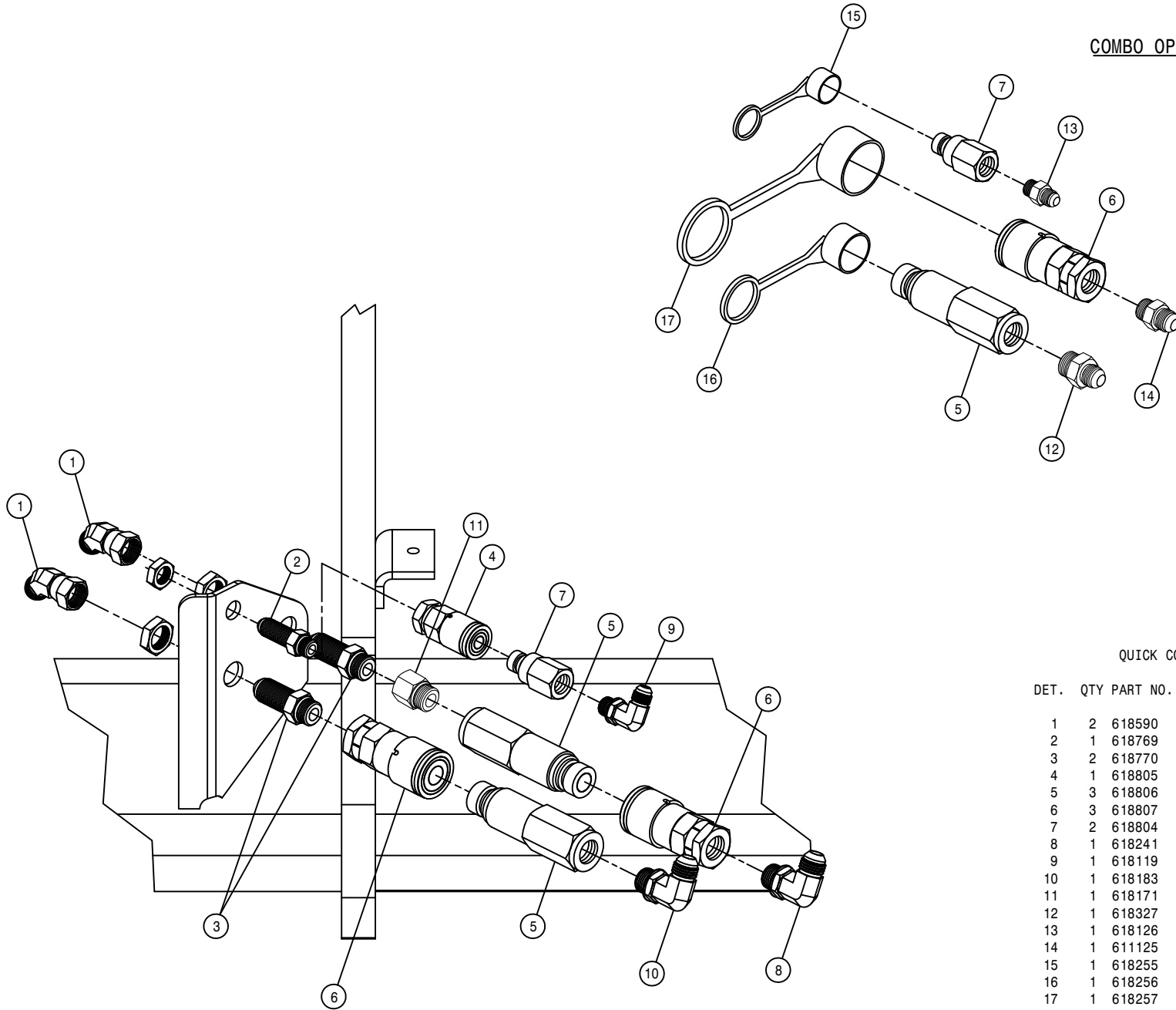


SOLUTION PUMP CONTROL VALVE ASSEMBLY

DET. QTY PART NO. DESCRIPTION

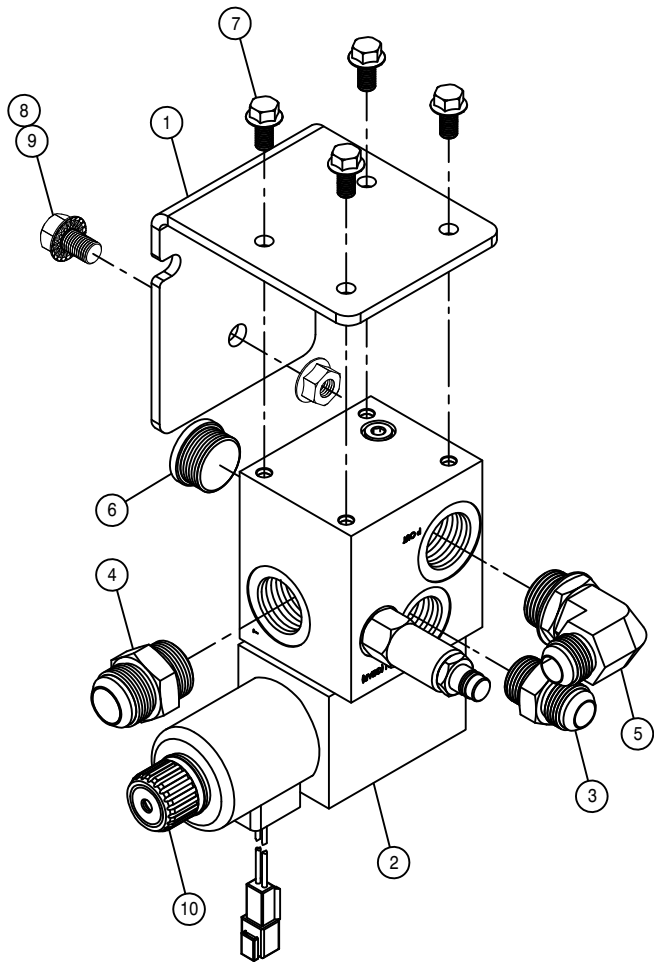
DET.	QTY	PART NO.	DESCRIPTION
1	1	606253	CTRL VALVE,SOLU PUMP SAUER
2	2	611127	1 1/16MJC-1 1/16MOR ADPTR
3	1	618308	1 1/16MJC-1 5/16MOR ADPTR
4	1	618186	1 5/16MJC-1 5/16MOR ADPTR
5	1	618499	7/16MJC-90-9/16MOR LBO
6	4	900129	3/8UNC X 1" SERR FLANGE BOLT
7	1	606308	COIL FOR VLV 606253
8	1	618529	1 1/16MJ-45-1 1/16FJ SWIV LBO

COMBO OPTION



QUICK CONNECT ASSEMBLY

DET.	QTY	PART NO.	DESCRIPTION
1	2	618590	3/4MJIC-45-3/4FJIC SWIV LBO
2	1	618769	9/16MJIC-9/16MOR BLKHD ADPT
3	2	618770	3/4MJIC-3/4MOR BLKHD ADPT
4	1	618805	HYD CPLR, FEM #14,9/16FOR
5	3	618806	HYD CPLR, MALE #12,7/8FOR
6	3	618807	HYD CPLR, FEM #12,3/4FOR
7	2	618804	HYD CPLR, MALE #14,9/16FOR
8	1	618241	3/4MJIC-90-3/4MOR LBO
9	1	618119	9/16MJIC-90-9/16MOR LBO
10	1	618183	3/4MJIC-90-7/8MOR LBO
11	1	618171	7/8MOR-3/4FOR ADPTR
12	1	618327	3/4MJIC-7/8MOR ADPTR
13	1	618126	9/16MJIC-9/16MOR ADPTR
14	1	611125	3/4MJIC-3/4MOR ADPTR
15	1	618255	DUST CAP/PLUG FOR 618804/805
16	1	618256	DUST CAP FOR 618806
17	1	618257	DUST PLUG FOR 618807



PUMP RELIEF CONTROL VALVE ASSEMBLY

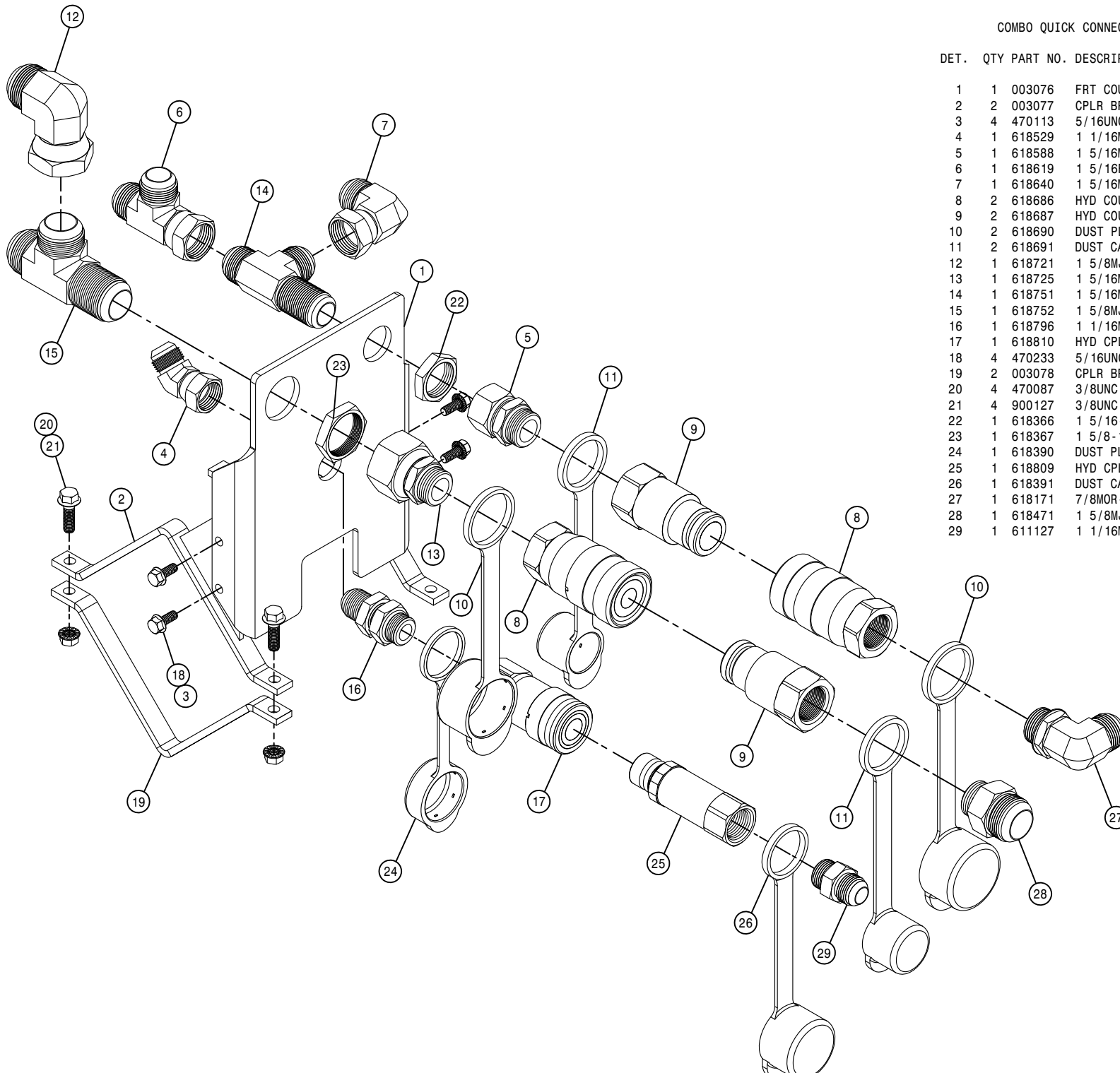
DET. QTY PART NO. DESCRIPTION

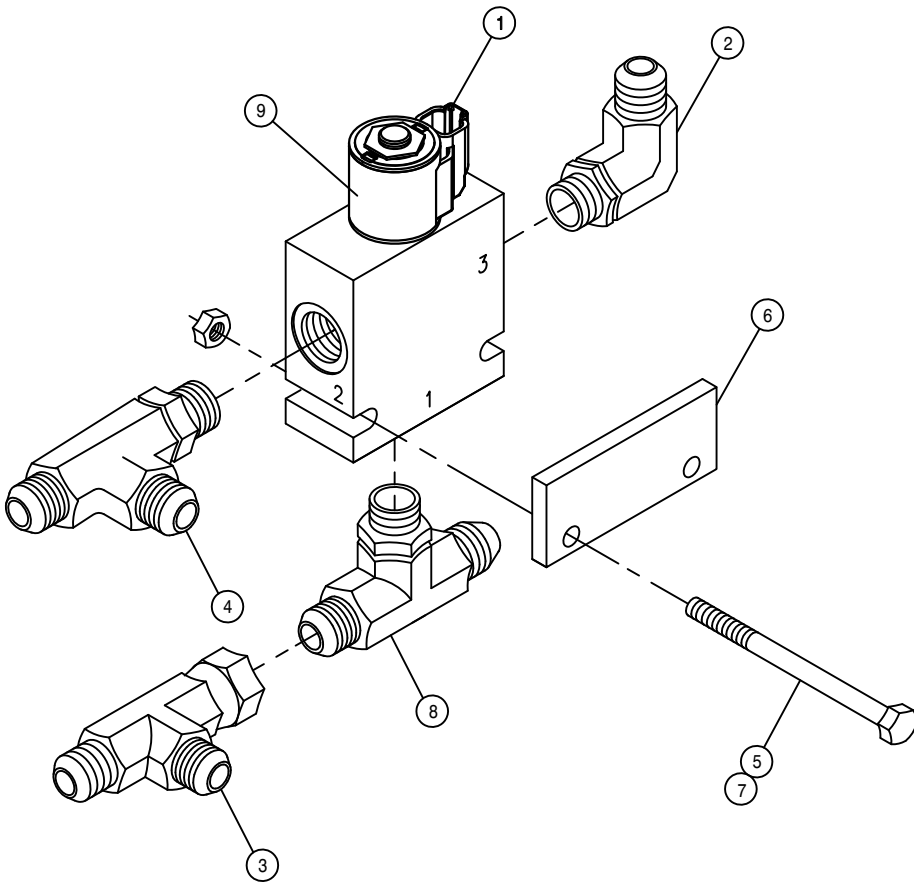
1	1	003080	GEAR PUMP RELF VLV MT,STSC 07
2	1	606284	GEAR PUMP RELIEF CTRL, SAUER
3	1	611127	1 1/16MJIC-1 1/16MOR ADPTR
4	1	618186	1 5/16MJIC-1 5/16MOR ADPTR
5	1	618302	1 1/16MJIC-90-1 5/16MOR LBO
6	1	618758	1 5/16 MOR PLUG, HEX SOCKET
7	4	900128	3/8UNC X 3/4 HEX BOLT
8	3	470360	1/2UNC HEX FLANGE LOCK NUT
9	3	900262	1/2UNC X 3/4 HEX BOLT
10	1	606287	COIL FOR 606284



COMBO QUICK CONNECT ASSEMBLY

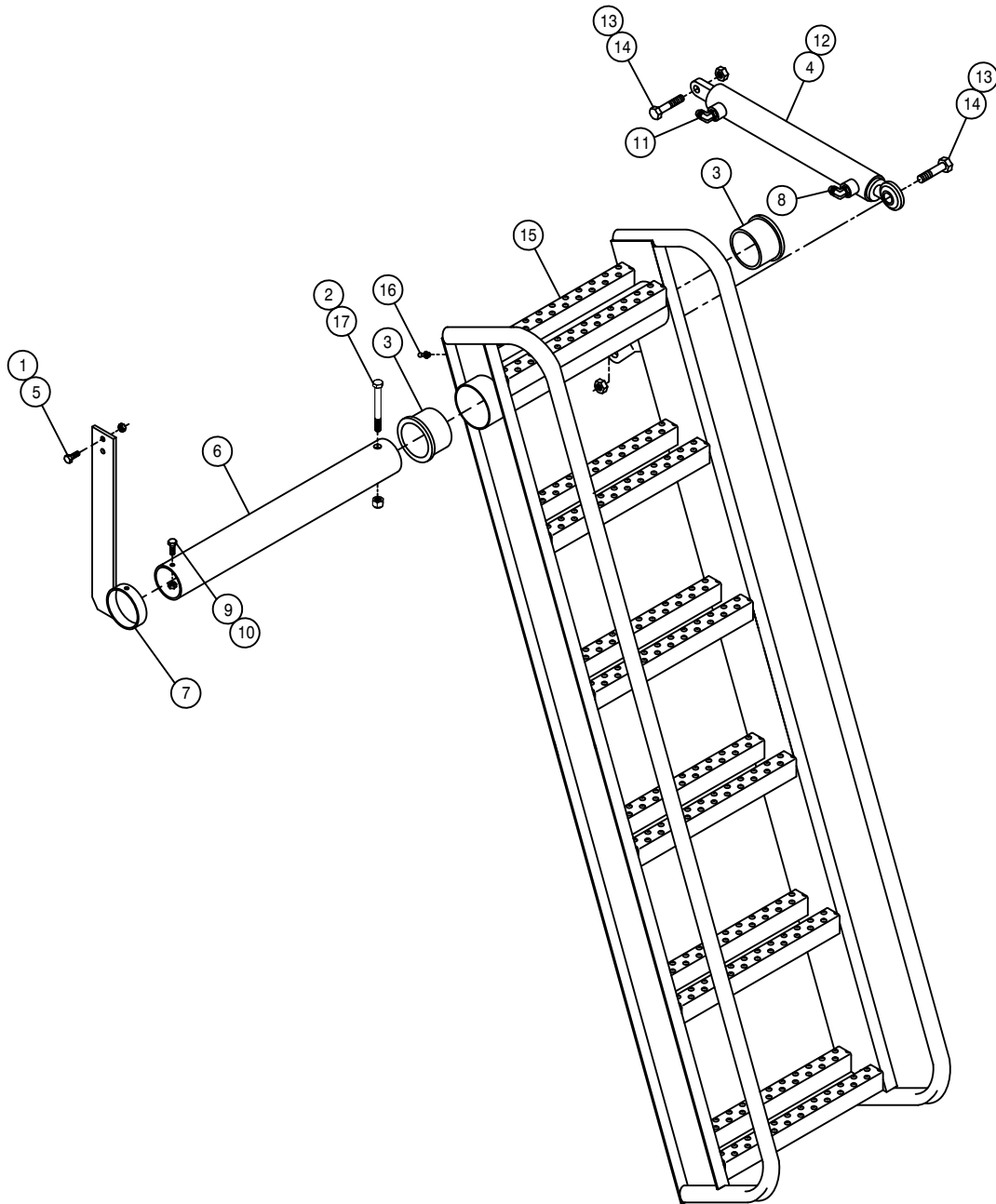
DET.	QTY	PART NO.	DESCRIPTION
1	1	003076	FRT COUPLER BRKT, STS COMBO 07
2	2	003077	CPLR BRKT WLD, STS COMBO 07
3	4	470113	5/16UNC HEX FLANGE LOCK NUT
4	1	618529	1 1/16MJ-45-1 1/16FJ SWIV LBO
5	1	618588	1 5/16MOR-1 5/16FJIC SWIV
6	1	618619	1 5/16FJ SW RUN TEE-1 5/16MJ
7	1	618640	1 5/16MJ-90-1 5/16FJ SWIV LBO
8	2	618686	HYD COUPLER, FEM 1"B, 1 5/16FOR
9	2	618687	HYD COUPLER, MALE 1"B, 1 5/16FOR
10	2	618690	DUST PLUG FOR COUPLER 618686
11	2	618691	DUST CAP FOR COUPLER 618687
12	1	618721	1 5/8MJ-90-1 5/8FJ SWIV LBO
13	1	618725	1 5/16MOR-1 5/8FJIC SWIV
14	1	618751	1 5/16MJIC BLKHD RUN TEE
15	1	618752	1 5/8MJIC BLKHD RUN TEE
16	1	618796	1 1/16MJ-1 1/16MOR BLKHD ADPT
17	1	618810	HYD CPLR, FEM #12, 12FOR
18	4	470233	5/16UNC X 3/4 FLANGE HEX BOLT
19	2	003078	CPLR BRKT KEEPER, STS COMBO 07
20	4	470087	3/8UNC HEX FLANGE LOCK NUT
21	4	900127	3/8UNC X 1 1/4 SER FLANGE BOLT
22	1	618366	1 5/16-12 BULKHEAD LOCKNUT
23	1	618367	1 5/8-12 BULKHEAD LOCKNUT
24	1	618390	DUST PLUG FOR COUPLER 618810
25	1	618809	HYD CPLR, MALE #12, 12FOR
26	1	618391	DUST CAP FOR COUPLER 618809
27	1	618171	7/8MOR-3/4FOR ADPTR
28	1	618471	1 5/8MJIC-1 5/16MOR ADPTR
29	1	611127	1 1/16MJIC-1 1/16MOR ADPTR





LADDER AND BRAKE VALVE ASSEMBLY

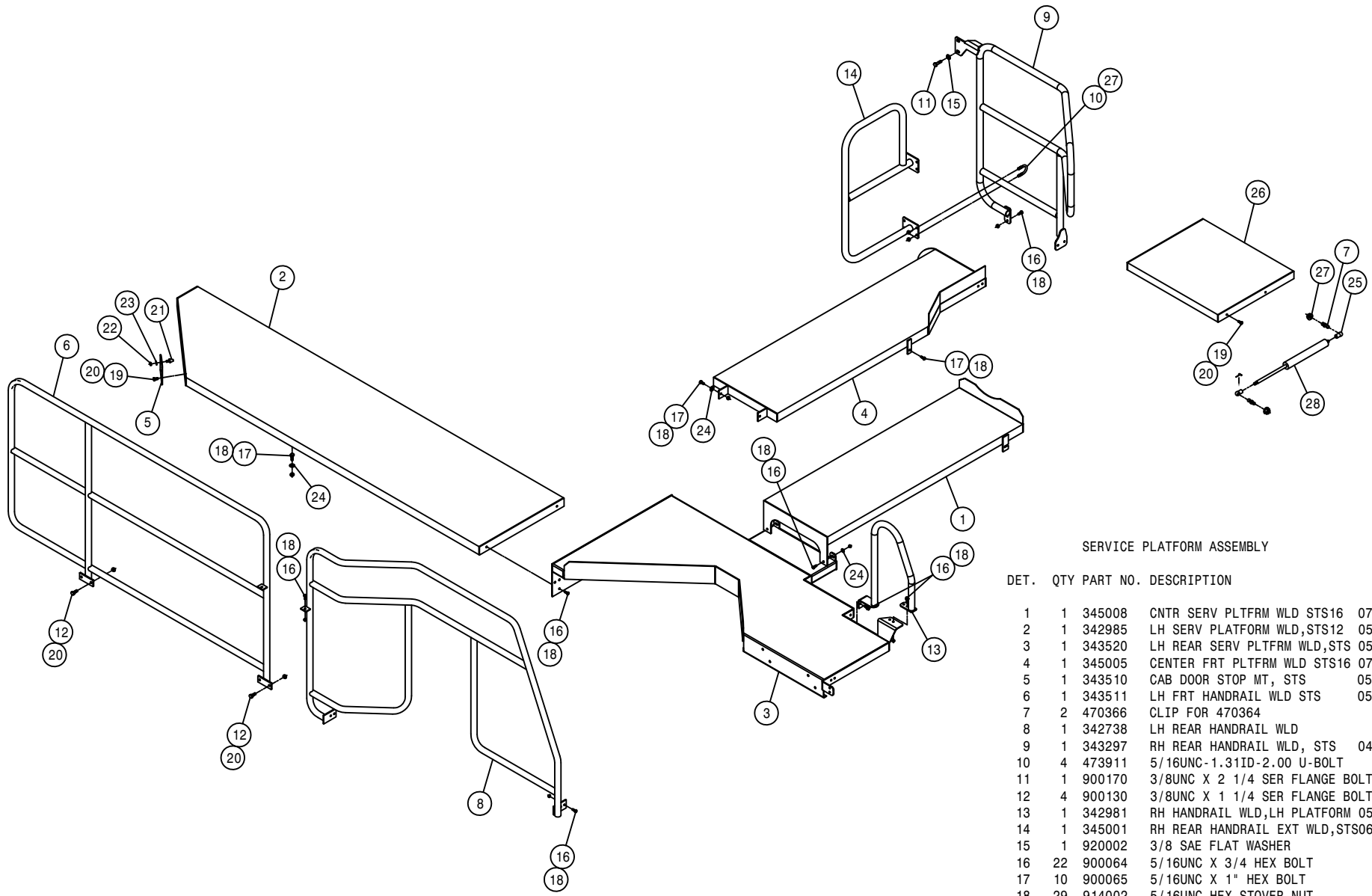
DET.	QTY	PART NO.	DESCRIPTION
1	1	606213	HYD SOLE VLV,2P-3W,9/16FOR 05
2	1	618119	9/16MJIC-90-9/16MOR LBO
3	1	618486	9/16FJIC SW RUN TEE-9/16MJIC
4	1	618444	9/16MOR RUN TEE-9/16MJIC
5	2	900007	1/4UNC X 2" HEX BOLT
6	1	342826	SOLE VLV SPACER
7	2	914000	1/4UNC HEX STOVER NUT
8	1	618629	9/16MOR BRANCH TEE-9/16MJIC
9	1	606266	#8 COIL W/DEUTSCH



LADDER ASSEMBLY

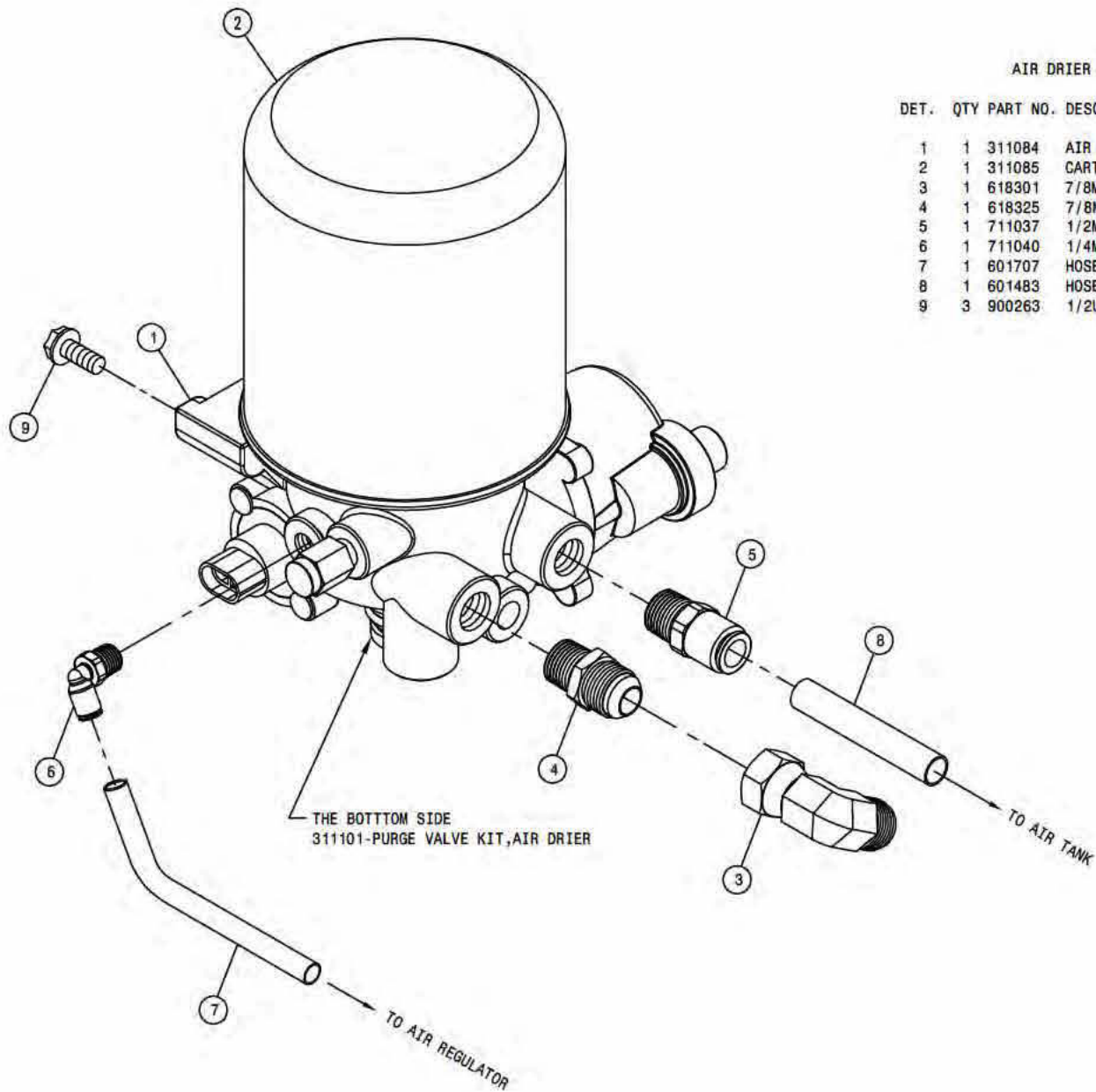
DET. QTY PART NO. DESCRIPTION

1	2	914002	5/16UNC HEX STOVER NUT
2	1	473007	1/2UNC HEX NUT, NYLOC
3	2	121102	LADDER PIVOT BEARING, POLYGON
4	1	621554	LADR/SF/BRKWAY CYL, 1.50 X12.25
5	2	900065	5/16UNC X 1" HEX BOLT
6	1	342805	LADDER MT TUBE
7	1	342806	LH PLTFRM SUPP BRKT WLD, STS12
8	1	618688	9/16MOR-90-9/16MJ .025 CHK VLV
9	1	914000	1/4UNC HEX STOVER NUT
10	1	900003	1/4UNC X 1" HEX BOLT
11	1	618119	9/16MJIC-90-9/16MOR LBO
12	1	621555	REPAIR KIT, HYD CYL 621554
13	2	914008	1/2UNC HEX STOVER NUT
14	2	900267	1/2UNC X 2" HEX BOLT
15	1	343530	LADDER WLD, STS12 & STS16 05
16	1	471005	1/4 28 X 1/2 GREASE ZERK
17	1	900275	1/2UNC X 4 1/2 HEX BOLT



SERVICE PLATFORM ASSEMBLY

DET.	QTY	PART NO.	DESCRIPTION
1	1	345008	CNTR SERV PLTFRM WLD STS16 07
2	1	342985	LH SERV PLATFORM WLD,STS12 05
3	1	343520	LH REAR SERV PLTFRM WLD,STS 05
4	1	345005	CENTER FRT PLTFRM WLD STS16 07
5	1	343510	CAB DOOR STOP MT, STS 05
6	1	343511	LH FRT HANDRAIL WLD STS 05
7	2	470366	CLIP FOR 470364
8	1	342738	LH REAR HANDRAIL WLD
9	1	343297	RH REAR HANDRAIL WLD, STS 04
10	4	473911	5/16UNC-1.31ID-2.00 U-BOLT
11	1	900170	3/8UNC X 2 1/4 SER FLANGE BOLT
12	4	900130	3/8UNC X 1 1/4 SER FLANGE BOLT
13	1	342981	RH HANDRAIL WLD,LH PLATFORM 05
14	1	345001	RH REAR HANDRAIL EXT WLD,STS06
15	1	920002	3/8 SAE FLAT WASHER
16	22	900064	5/16UNC X 3/4 HEX BOLT
17	10	900065	5/16UNC X 1" HEX BOLT
18	29	914002	5/16UNC HEX STOVER NUT
19	6	900129	3/8UNC X 1" SERR FLANGE BOLT
20	8	914004	3/8UNC HEX STOVER NUT
21	1	470314	RUBBER BUMPER,BULLET W/3/8-16S
22	1	470087	3/8UNC HEX FLANGE LOCK NUT
23	1	920502	3/8 LOCK WASHER
24	12	920001	5/16 SAE FLAT WASHER
25	2	470365	BALL STUD,5/16-18, FOR 470364
26	1	343304	ENG CMPRTMNT PLTFRM WLD,STS 04
27	10	470113	5/16UNC HEX FLANGE LOCK NUT
28	1	470364	GAS SPRING, 90LB, 3.5 STROKE



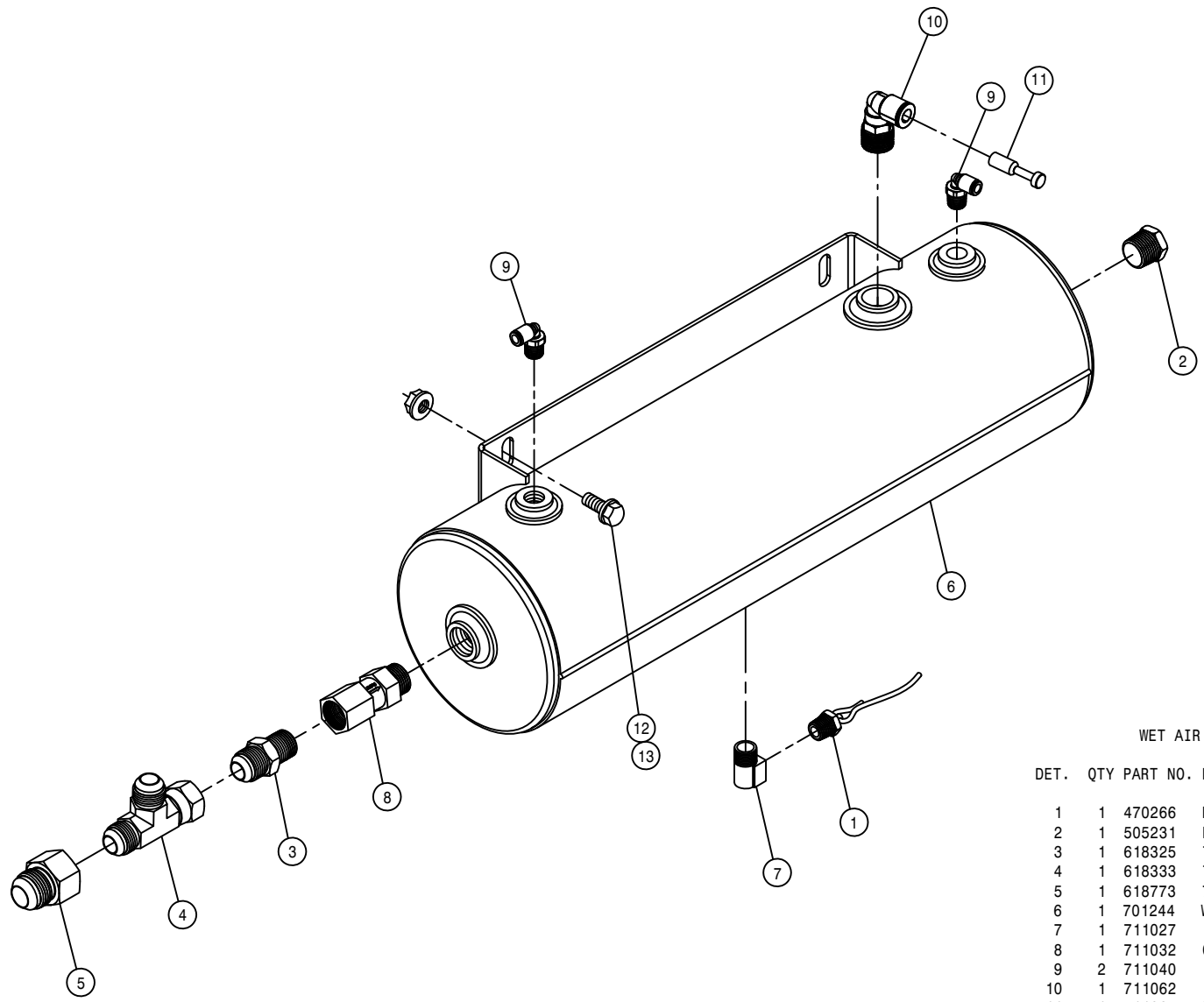
AIR DRIER ASSEMBLY

DET.	QTY	PART NO.	DESCRIPTION
1	1	311084	AIR DRIER, SYSTEM SAVER 1200
2	1	311085	CARTRIDGE KIT FOR 311084 DRIER
3	1	618301	7/8MJIC-90-7/8FJIC SWIV LBO
4	1	618325	7/8MJIC-1/2MNPT ADPTR
5	1	711037	1/2MNPT-1/2 NYL TUBE FTG
6	1	711040	1/4MNPT-90-1/4 NYL TUBE LBO
7	1	601707	HOSE, 1/4 X 63 AIR
8	1	601483	HOSE, 1/2 X 84 AIR
9	3	900263	1/2UNC X 1* HEX BOLT

THE BOTTOM SIDE  
311101-PURGE VALVE KIT, AIR DRIER

TO AIR TANK

TO AIR REGULATOR



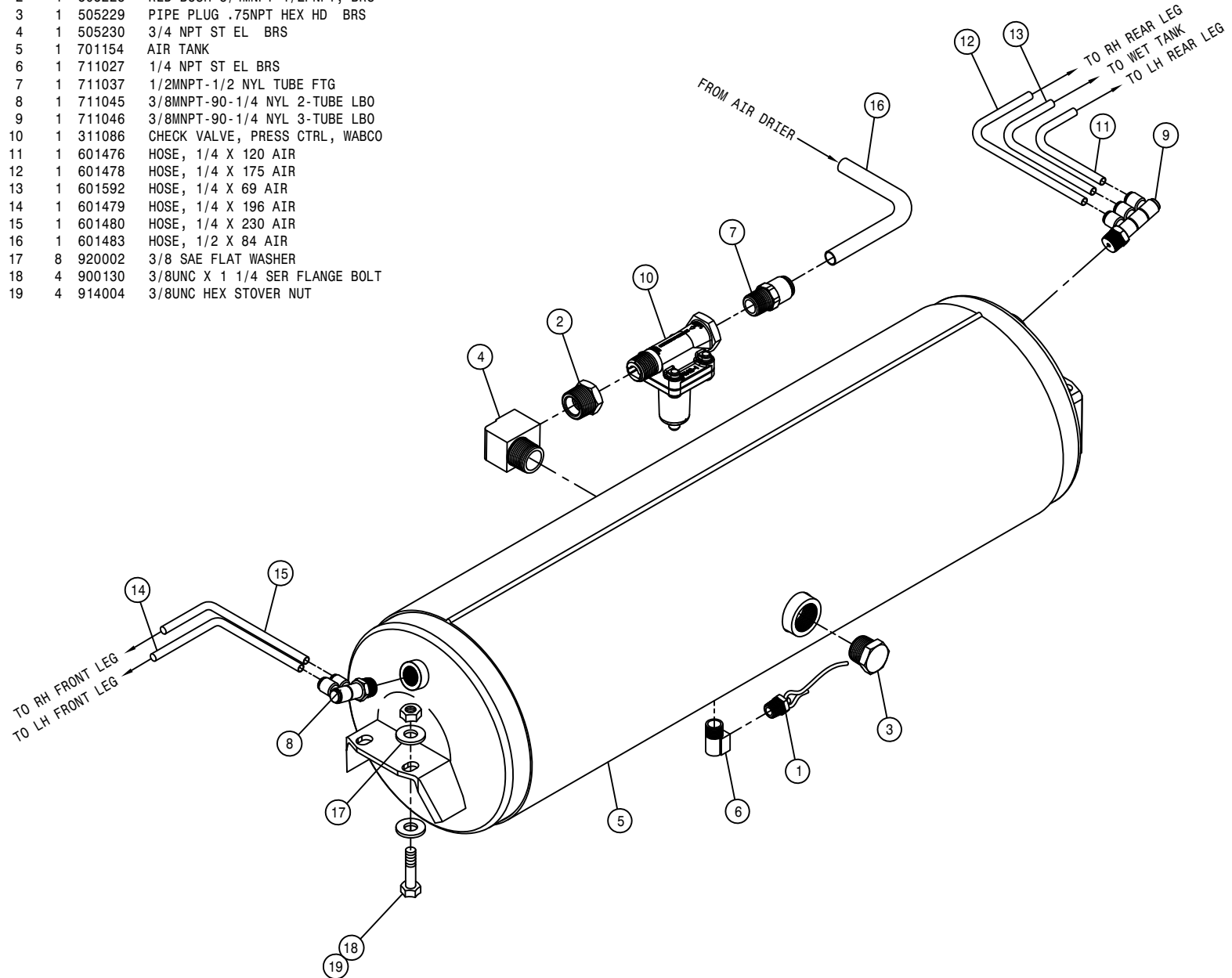
WET AIR TANK ASSEMBLY

DET.	QTY	PART NO.	DESCRIPTION
1	1	470266	DRAIN VALVE KIT, 1/4NPT
2	1	505231	PIPE PLUG .50NPT HEX HD BRS
3	1	618325	7/8MJIC-1/2MNPT ADPTR
4	1	618333	7/8FJIC SW RUN TEE-7/8MJIC
5	1	618773	7/8FJIC-1 1/16MJIC ADPTR
6	1	701244	WET AIR TANK STSLS 16 06
7	1	711027	1/4 NPT ST EL BRS
8	1	711032	CHECK VALVE, 1/2"FNPT-1/2"MNPT
9	2	711040	1/4MNPT-90-1/4 NYL TUBE LBO
10	1	711062	1/2MNPT-90-3/8 NYL 1-TUBE LBO
11	1	711064	RUBBER PLUG FOR 3/8 PISCO CPLR
12	2	900128	3/8UNC X 3/4 HEX BOLT
13	2	470087	3/8UNC HEX FLANGE LOCK NUT

AIR TANK ASSEMBLY

DET. QTY PART NO. DESCRIPTION

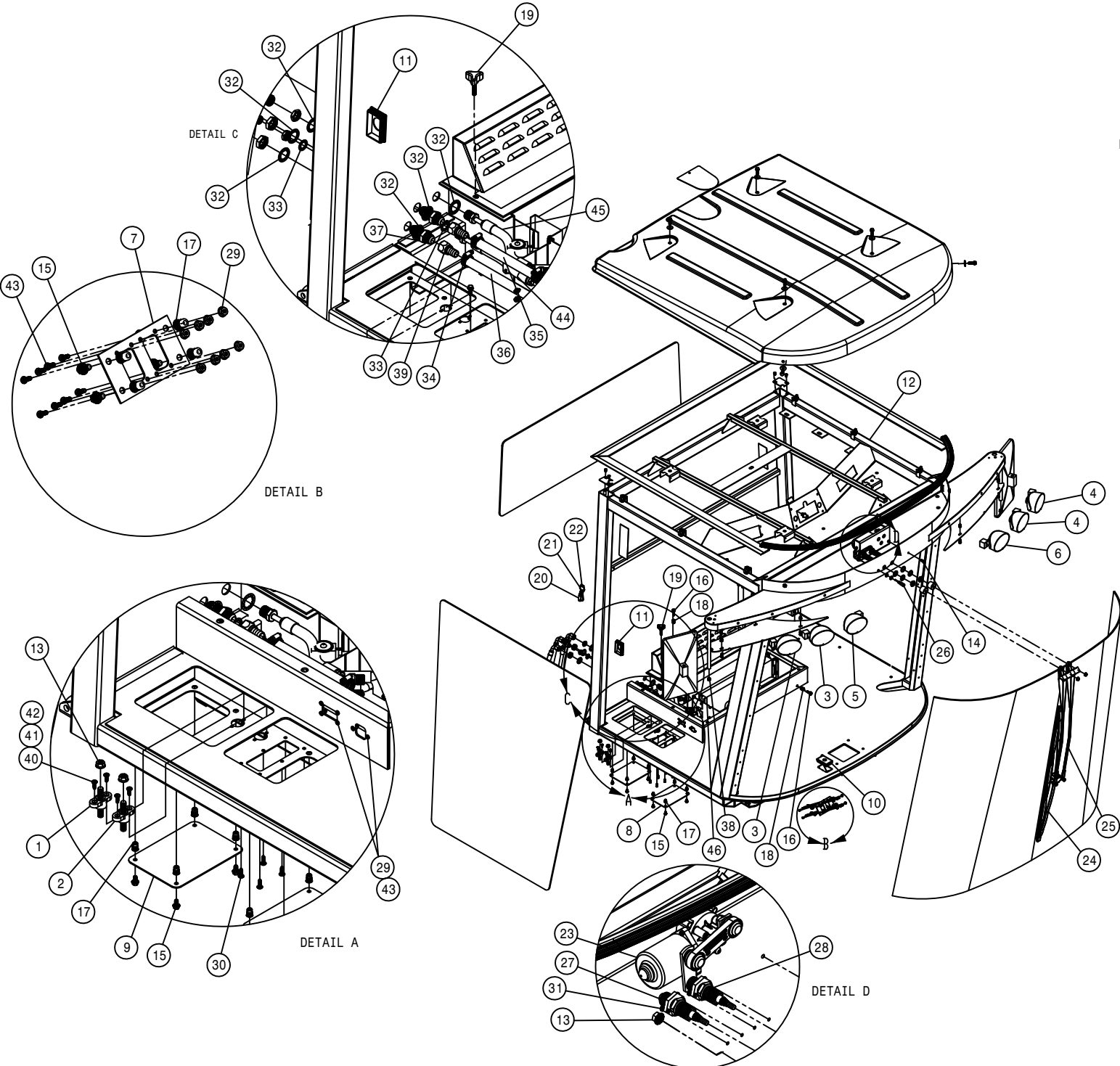
1	1	470266	DRAIN VALVE KIT, 1/4NPT
2	1	505228	RED BUSH 3/4MNPT-1/2FNPT, BRS
3	1	505229	PIPE PLUG .75NPT HEX HD BRS
4	1	505230	3/4 NPT ST EL BRS
5	1	701154	AIR TANK
6	1	711027	1/4 NPT ST EL BRS
7	1	711037	1/2MNPT-1/2 NYL TUBE FTG
8	1	711045	3/8MNPT-90-1/4 NYL 2-TUBE LBO
9	1	711046	3/8MNPT-90-1/4 NYL 3-TUBE LBO
10	1	311086	CHECK VALVE, PRESS CTRL, WABCO
11	1	601476	HOSE, 1/4 X 120 AIR
12	1	601478	HOSE, 1/4 X 175 AIR
13	1	601592	HOSE, 1/4 X 69 AIR
14	1	601479	HOSE, 1/4 X 196 AIR
15	1	601480	HOSE, 1/4 X 230 AIR
16	1	601483	HOSE, 1/2 X 84 AIR
17	8	920002	3/8 SAE FLAT WASHER
18	4	900130	3/8UNC X 1 1/4 SER FLANGE BOLT
19	4	914004	3/8UNC HEX STOVER NUT



CAB ASSEMBLY (FRONT VIEW)

DET. QTY PART NO. DESCRIPTION

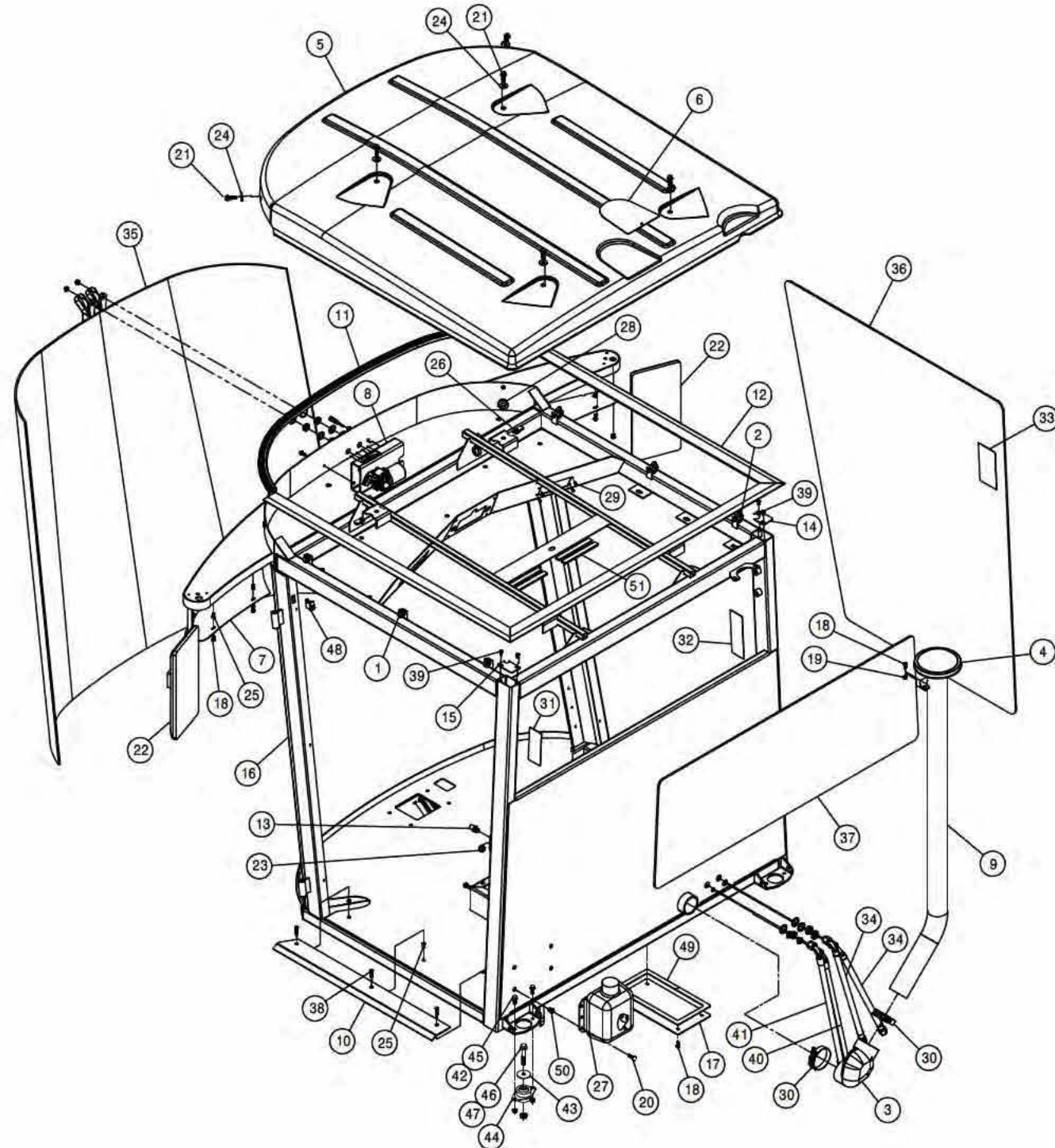
1	1	291749	TERM BLOCK, BLACK, 3/8-16 THRU
2	1	291750	TERM BLOCK, RED, 3/8-16 THRU
3	2	291900	RH WORKLIGHT, FLOOD GLASS
4	2	291901	LH WORKLIGHT, FLOOD GLASS
5	1	291902	RH WORKLIGHT, TRAPEZOID GLASS
6	1	291903	LH WORKLIGHT, TRAPEZOID GLASS
7	1	343431	STRG COLUMN ELECT PANEL, STS 05
8	1	343663	AUX. ACCESS COVER, STS 08
9	1	343433	AUX. ACCESS COVER, STS 05
10	1	343552	CAPLUG, 2X3 W/.75 HOLE, STS 05
11	1	343553	CAPLUG, 2X3 W/1.31 HOLE, STS 05
12	1	343638	CAB WELDMENT, STS 08
13	3	470087	3/8UNC HEX FLANGE LOCK NUT
14	1	470118	1/4UNC X 3/4 FLANGE HEX BOLT
15	12	470122	1/4UNC X 1/2 FLANGE HEX BOLT
16	4	470234	5/16UNC X 1" FLANGE HEX BOLT
17	12	470380	1/4-20 NUTSERT .027-.165 STL
18	4	470381	5/16-18 NUTSERT .027-.150 STL
19	2	470393	KNOB, 3-BLADE BLK, 5/16-18X1 1/2
20	1	470397	RES-Q-ME TOOL
21	1	470398	BEAD CHAIN, #10 X 4" LONG
22	1	470400	BEAD CHAIN CONNECTOR #10 WHITE
23	1	470426	MOTOR, WINDSHIELD WIPER, STS 05
24	1	470427	BLADE, WINDSHIELD WIPER, STS 05
25	1	470428	ARM, WINDSHLD WIPER BLADE, STS 05
26	1	470429	SPRAY JET, WINDSHLD WIPER, STS 05
27	1	470503	SLAVE SHAFT, WINDSHIELD WIPER
28	1	470504	PIVOT SHAFT, 2.337 BALL STUD
29	14	470463	8-32 SERR. FLANGE NUT
30	6	470465	#12-14X3/4 PHL PAN SHT MTL SRW
31	4	472238	12-24 X 1/2 PHIL PAN HD SCR
32	6	483019	7/8" INTERNAL TOOTH LOCK WASHER
33	2	483020	5/8" INTERNAL TOOTH LOCK WASHER
34	4	520080	HOSE CLAMP NO 10 STAINLESS
35	1	601678	HOSE, 5/8 X 8 HEATER
36	1	601679	HOSE, 5/8 X 13 HEATER
37	2	618497	7/8MJIC-7/8MJIC BLKHD UNION
38	2	629762	CAPLUG, 5/8" RD, BLACK POLY
39	2	711101	5/8 HOSE BARB-7/8FJX ADPTR, BRS
40	4	903706	10-32X1/2 PHIL PANHD MACH SCR
41	4	920510	#10 LOCK WASHER
42	4	910027	10-32 HEX NUT
43	14	903844	8-32 X 1/2 PHIL PANHD MACH SCR
44	1	657475	A/C HOSE ASSY, 5/16X12.50 BLKHD
45	1	657476	A/C HOSE ASSY, 1/2X12.50 BLKHD
46	1	657500	A/C & HEATER BLOWER SYS, STS 07





CAB ASSEMBLY (REAR VIEW)

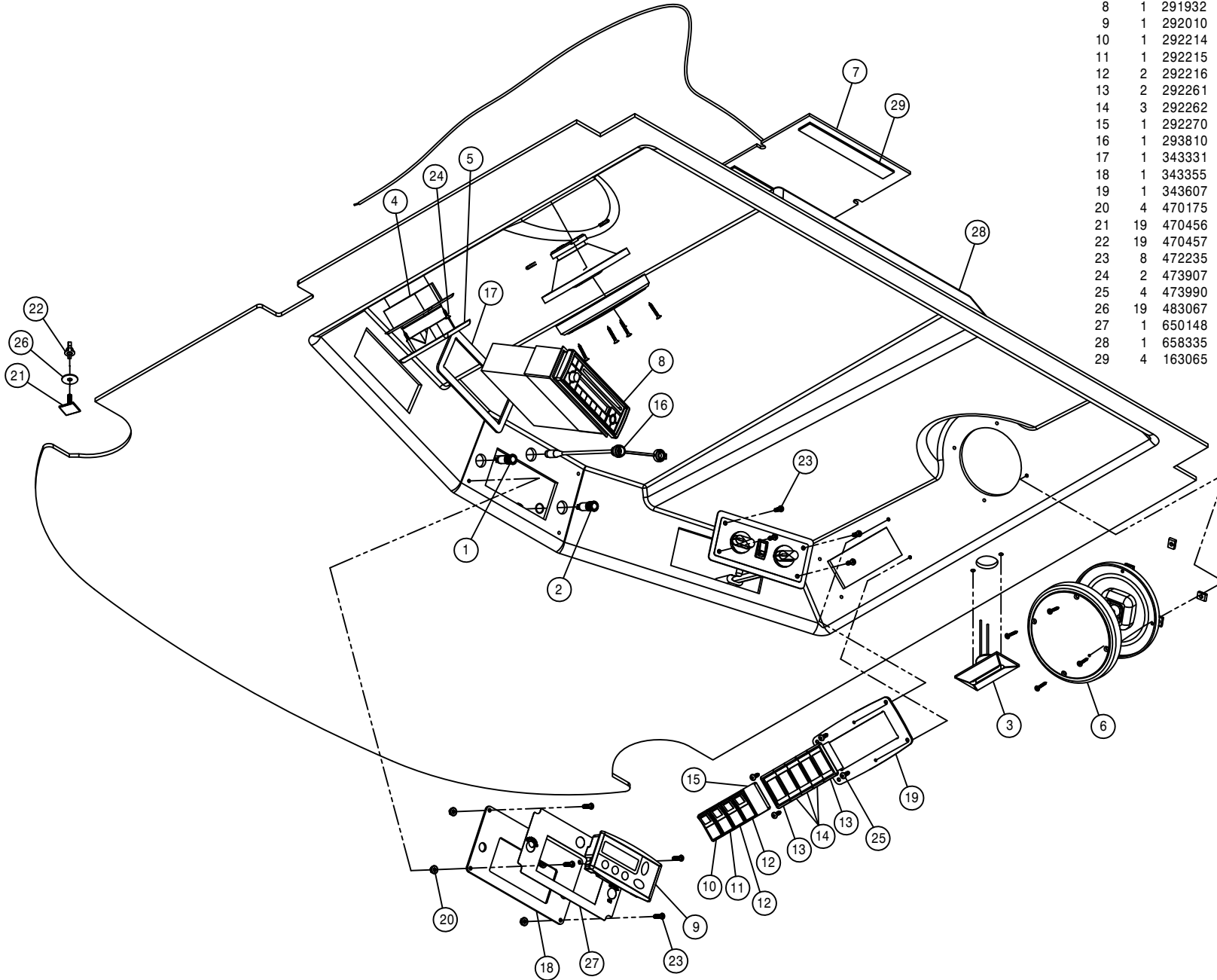
DET. QTY PART NO. DESCRIPTION



1	4	291009	ROSEBUD CLIP FOR .625 CONDUIT	
2	4	291010	ROSEBUD CLIP FOR 1.000 CONDUIT	
3	1	311533	3.00 90 DEG COBRA ELBOW RUBBER	
4	1	311534	RAIN CAP, 3.00 PLASTIC	
5	1	343350	CAB ROOF, STS	05
6	1	343351	GPS MTG PLATE, STS CAB	05
7	2	343352	LWR LIGHT MT COVER, STS CAB	05
8	1	343353	WIPER MTR MT BRKT, STS CAB	05
9	1	343422	HVAC INTAKE TUBE WLD, STS CAB05	
10	1	343434	CAB ENTRY STEP PLATE, STS	05
11	1	343582	FRT CAB ROOF SEAL, STS CAB	06
12	1	343583	CAB ROOF SEAL, STS CAB	06
13	1	470417	STRIKER PIN ASSY	
14	1	343605	RH REAR CORNER POST CAP, STS	07
15	1	343606	LH REAR CORNER POST CAP, STS	07
16	1	343638	CAB WELDMENT, STS	08
17	1	343642	HVAC ACCESS COVER, STS	08
18	14	470118	1/4UNC X 3/4 HHSFB GR5 MC	
19	2	470121	1/4UNC SER FLG LOCK NUT	
20	4	470234	5/16UNC X 1" SER FLG HEX BOLT	
21	6	470329	3/8UNC X 1 1/4 SER FLG HEX BOLT	
22	2	470348	MIRROR STS10 & STS12	
23	1	473852	12MM-1.75 SERR FLANGE NUT, ZINC	
24	6	470377	3/8 X 1 3/16 BONDED WASHER SS	
25	11	910127	1/4-20 NUTSERT .027-.165YZ	
26	4	470526	3/8UNC U-NUT, 1.125 CLIP ON	
27	1	470440	WINDSHIELD WASHER TANK ASSY	05
28	2	470491	GROMMET, .75ID .125GW 1.25GD	
29	4	910130	10-32 NUTSERT .020-.130 YZ	
30	2	520130	3.31/3.59 T-BOLT HOSE CLAMP SS	
31	1	650164	DECAL, NO PASSNGR, NOT NEAR LEAK	
32	1	650165	DECAL, PWR LINE/BM FOLD/GLASS	
33	1	650176	DECAL, CAUTION, CAB CHEM EXPOSUR	
34	2	657479	10-213-10FJX-10FJX90-22	H/A
35	1	658035	WINDSHIELD, STS CAB	05
36	1	658036	RH CAB GLASS, STS	05
37	1	658038	REAR CAB GLASS, STS	05
38	3	900050	1/4UNC X 1 1/4 PH FLHD MAC SCR	
39	4	903708	1/4UNCX1/2 PHL PNHD MCH SCR BZ	
40	1	657477	A/C HOSE ASSY, 5/16 X 24"	
41	1	657478	A/C HOSE, 10-10F-10F90-24	
42	8	470087	3/8UNC HEX SER FLG NUT	
43	4	311078	SNUBBING WASHER FOR 311077	05
44	4	311077	ISOLATION MOUNT, LF1.5 SER	05
45	8	470460	3/8UNC X 1 SER FLG BOLT	
46	4	470461	1/2UNC X 3 SER FLG BOLT	
47	4	470345	1/2UNC HEX SMTH FLG LOCK NUT	
48	1	291915	SWITCH, PANEL MT PUSH BUTTON	
49	1	193037	STICKERTITE 1/8 X 3/4	
50	4	910128	5/16-18 NUTSERT .027-.150 YZ	
51	4	193022	STICKERTITE 1/4 X 3/4	

HEADLINER ASSEMBLY

DET.	QTY	PART NO.	DESCRIPTION
1	1	291740	RED LED IND LIGHT,12V 10MM
2	1	291741	GREEN LED IND LIGHT,12V 10MM
3	1	291909	L.E.D. COURTESY LIGHT W/LEADS
4	1	291912	DOME LIGHT
5	1	291913	TRIM RING, DOME LIGHT 291912
6	2	291922	SPEAKERS,PAIR
7	1	291924	ANTENNA AM/FM/WB HEADLINER MT
8	1	291932	RADIO CQ-5335U STS 06
9	1	292010	IQAN MDM MINI DISPLAY
10	1	292214	SWITCH, WASHER, STS
11	1	292215	SWITCH, WIPER, STS
12	2	292216	SWITCH,WORK/FIELD LIGHTS, STS
13	2	292261	MOUNTING TRIM,END VME
14	3	292262	MOUNTING TRIM, MIDDLE VMM
15	1	292270	SWITCH BLANK, VH2
16	1	293810	HR12 EXTENSION CABLE, PANEL MT
17	1	343331	RADIO BEZEL,CAB, BLK PLASIC 05
18	1	343355	MDM BEZEL, STS CAB 05
19	1	343607	BEZEL,LIGHT/WIPER GST20 07
20	4	470175	10-32 HEX FLANGE LOCK NUT
21	19	470456	1/4-20 X 1.00 STUD,SQ BASE,NYL
22	19	470457	1/4-20 WING NUT, NYLON
23	8	472235	10-32 X 3/4 PHIL HD MACH SCR
24	2	473907	#10X5/8 OPHIL 8 SHT MTL SCR
25	4	473990	8-15 X 3/4 PHIL PAN SMS TY-A
26	19	483067	1/4 X 1.00 OD FENDER WASHER
27	1	650148	DECAL, MDM BEZEL, STS
28	1	658335	HEADLINER, GST 20 07
29	4	163065	VELCRO HOOK & LOOP,3/4" 90081



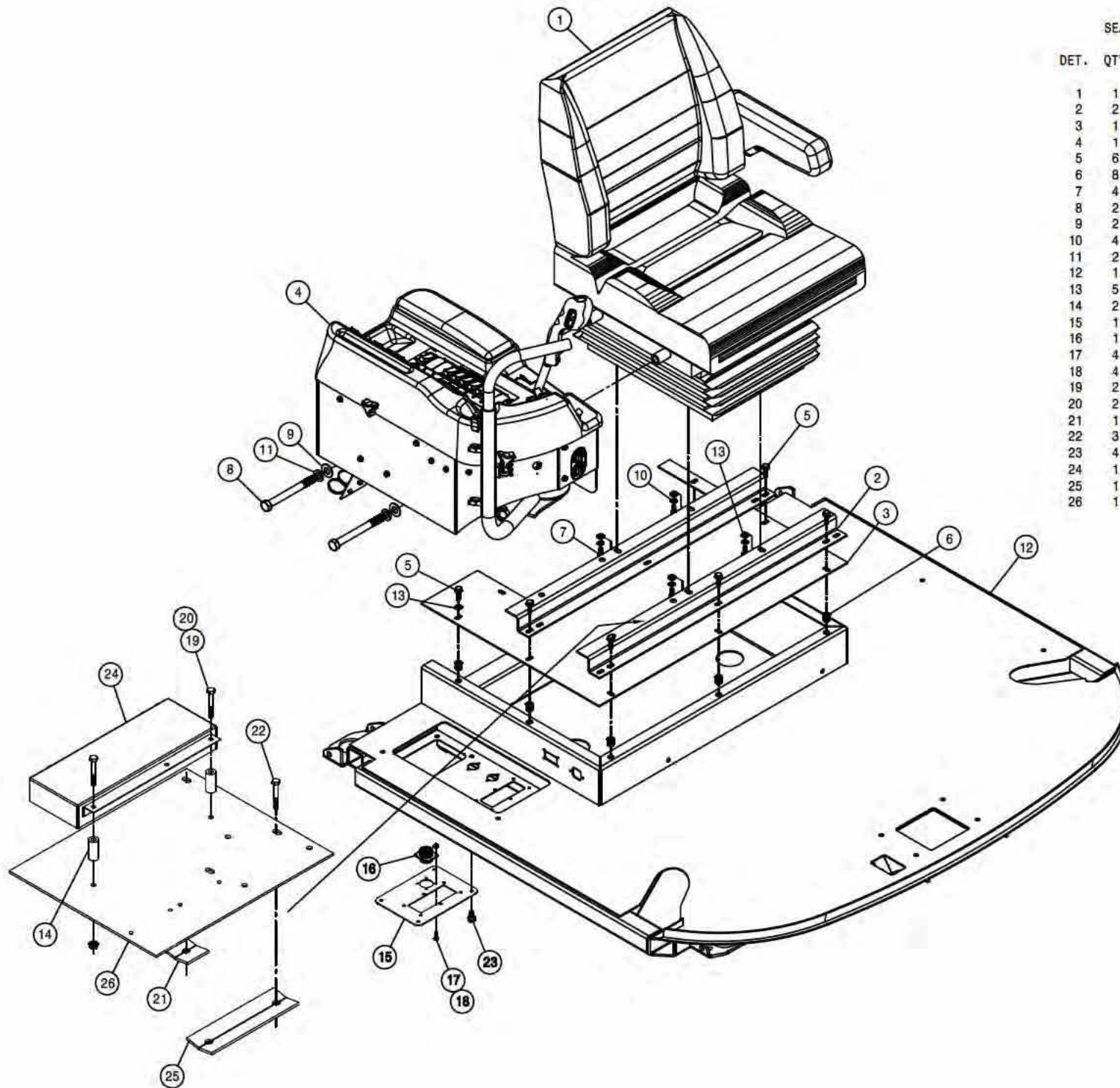
46

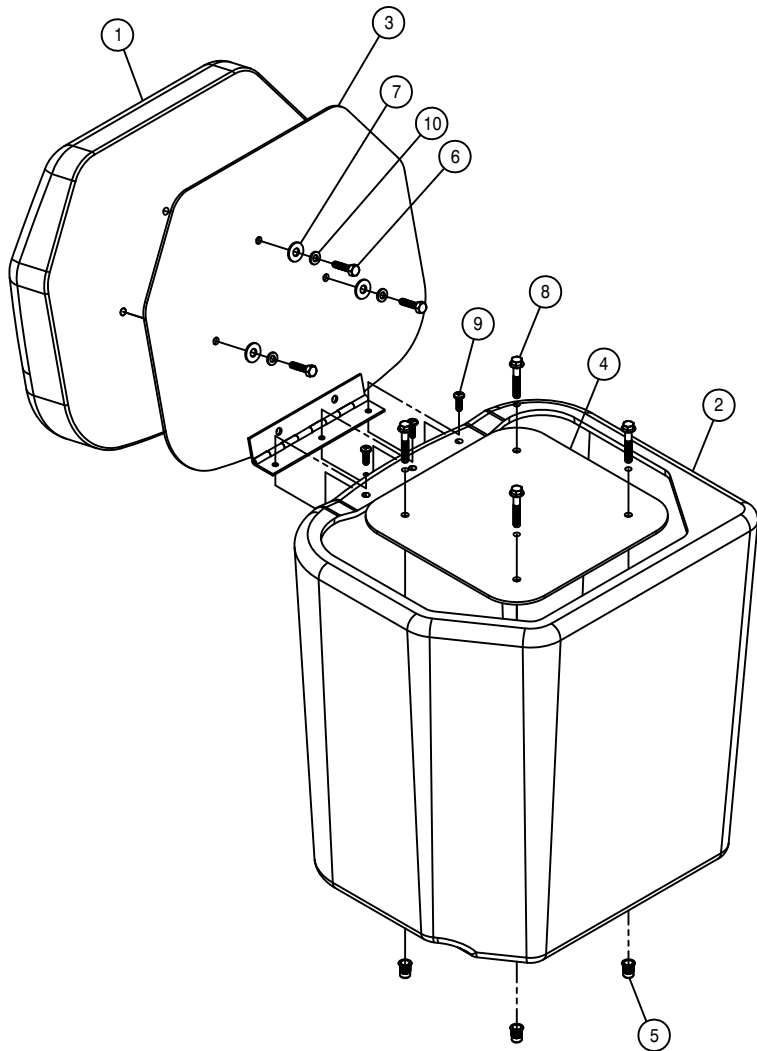
446046



SEAT AND LS CONTROL BOX ASSEMBLY

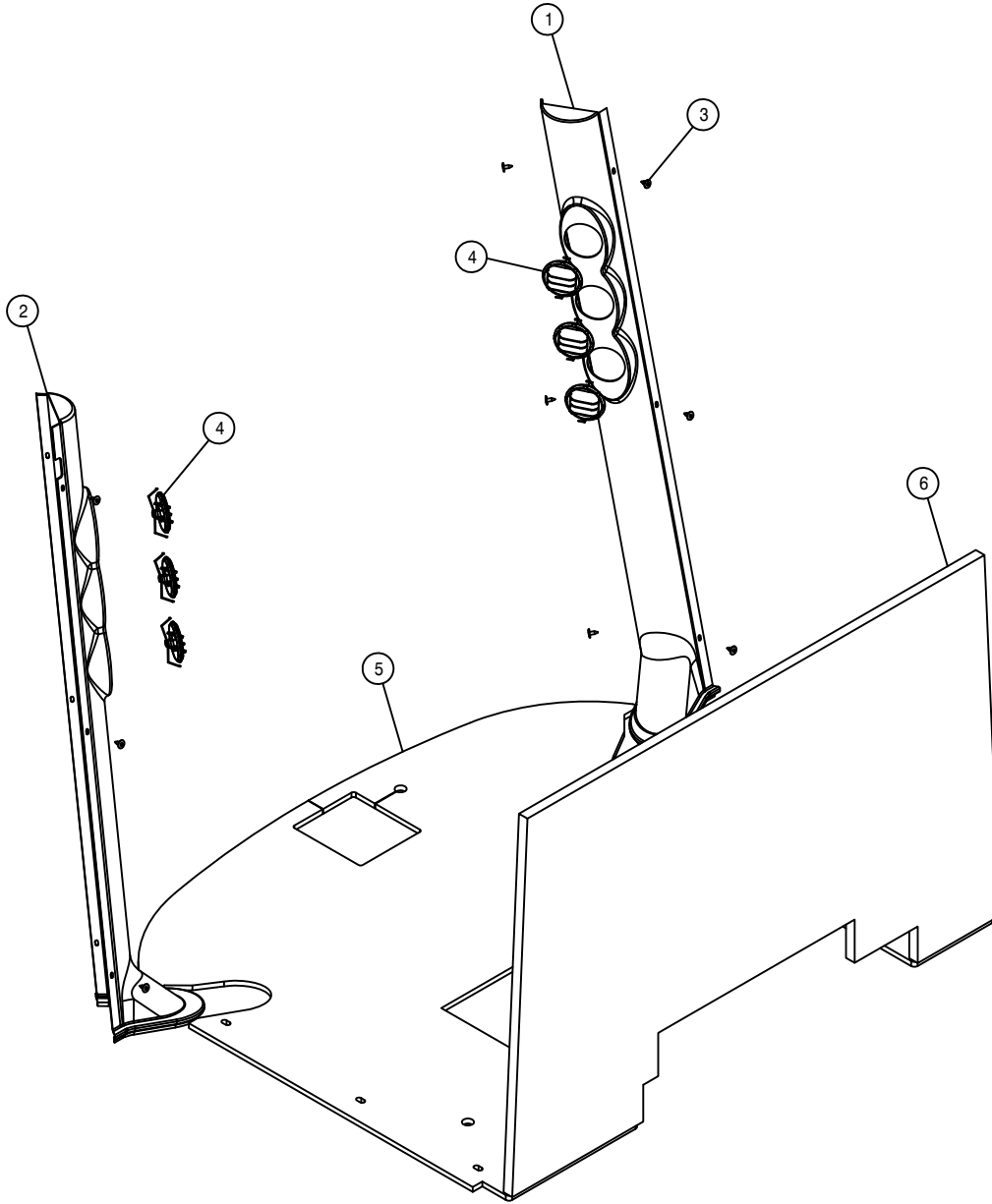
DET.	QTY	PART NO.	DESCRIPTION	
1	1	330034	SEAT & AIR RIDE ASSY, STS	05
2	2	343429	SEAT BASE STIFF, STS CAB	05
3	1	343430	HVAC LTD, STS CAB	05
4	1	343622	SIDE CONSOLE ASSY, STS	08
5	6	470233	5/16UNC X 3/4 FLANGE HEX BOLT	
6	8	470381	5/16-18 NUTSERT .027-.150 STL	
7	4	473827	BMM-1.25 X 20MM HEX BOLT	
8	2	900346	5/8UNC X 6" HEX BOLT	
9	2	920005	5/8 SAE FLAT WASHER	
10	4	920501	5/16 LOCK WASHER	
11	2	920505	5/8 LOCK WASHER	
12	1	343638	CAB WELDMENT, STS	08
13	5	920001	5/16 SAE FLAT WASHER	
14	2	003081	TASSEL CABLE BOX SPACER	
15	1	003205	ACCESS COVER, CAB, STS COMBO	05
16	1	291841	AMP RECEPTCL, 17-16 THRU, SQ FLG	
17	4	903812	6-32 X 1/2 PHIL PAN MACH SCR	
18	4	470467	6-32 KEP NUT	
19	2	900086	5/16UNC X 2 1/4 HEX BOLT	
20	2	470113	5/16UNC HEX FLANGE LOCK NUT	
21	1	003082	CTRL BOX SHRT CLMP WLD, STSC	08
22	3	900130	3/8UNC X 1 1/4 SER FLANGE BOLT	
23	4	470122	1/4UNC X 1/2 FLANGE HEX BOLT	
24	1	293906	TASSEL TROL CABLE BOX ASSY 2008	
25	1	003084	CTRL BOX LONG CLMP WLD, STSC	08
26	1	003075	CTRL BOX MTG PLT, STS COMBO	07





BUDDY SEAT ASSEMBLY

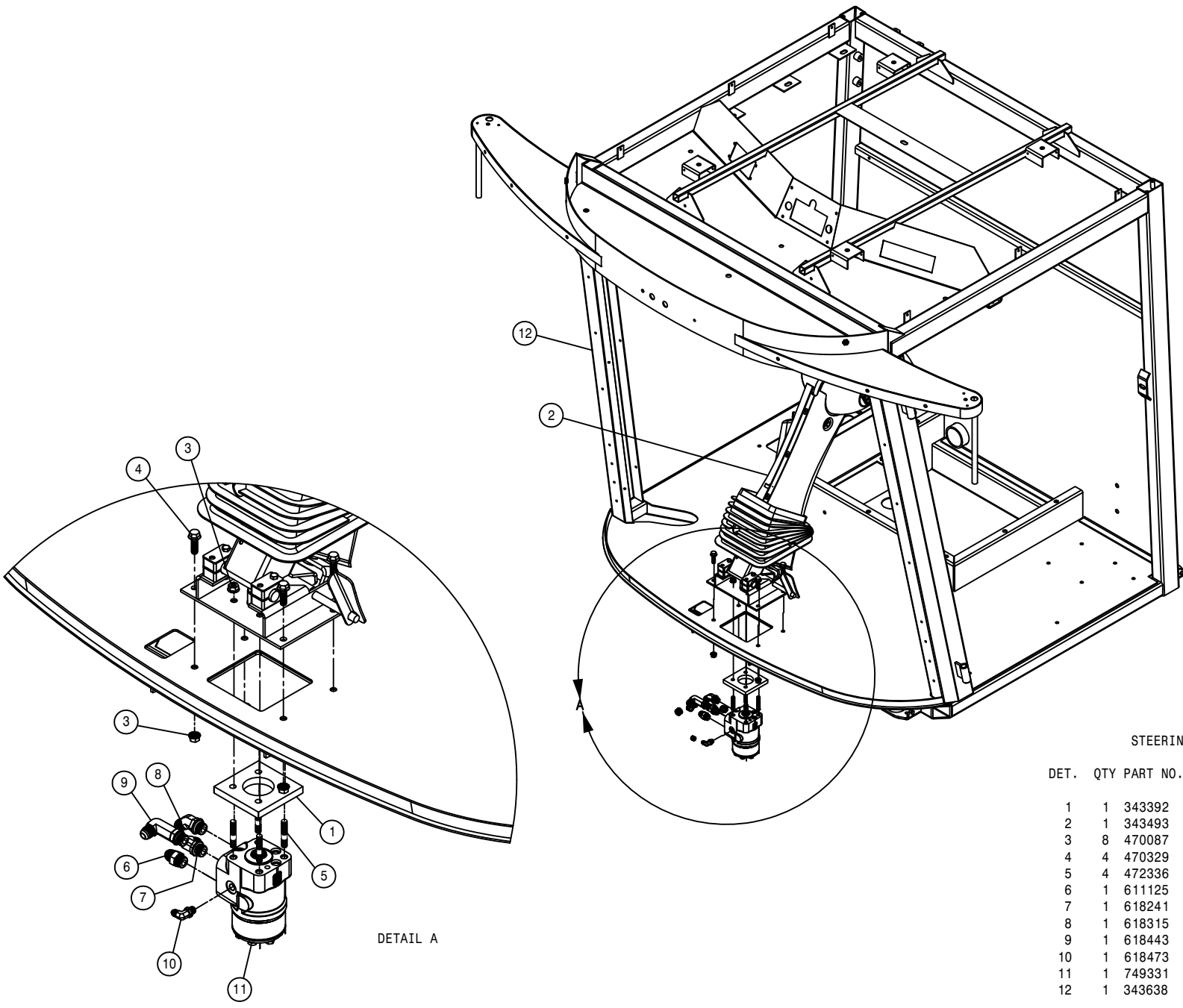
DET.	QTY	PART NO.	DESCRIPTION	
	1	330036	BUDDY SEAT CUSHION	05
	1	330037	BUDDY SEAT BASE, POLY	05
	1	343425	BUDDY SEAT MT WLD, STS CAB	05
	1	343428	BUDDY SEAT MT PANEL, STS CAB	05
	4	470380	1/4-20 NUTSERT .027-.165	STL
	3	473787	6MM-1.00 X 25MM HEX BOLT	
	3	483038	1/4 REGULAR FLAT WASHER	
	4	900005	1/4UNC X 1 1/2 HEX BOLT	
	3	903710	10-32X5/8 PHIL PANHD MACH SCR	
	3	920500	1/4 LOCK WASHER	



AIR DUCT AND FOAM ASSEMBLY

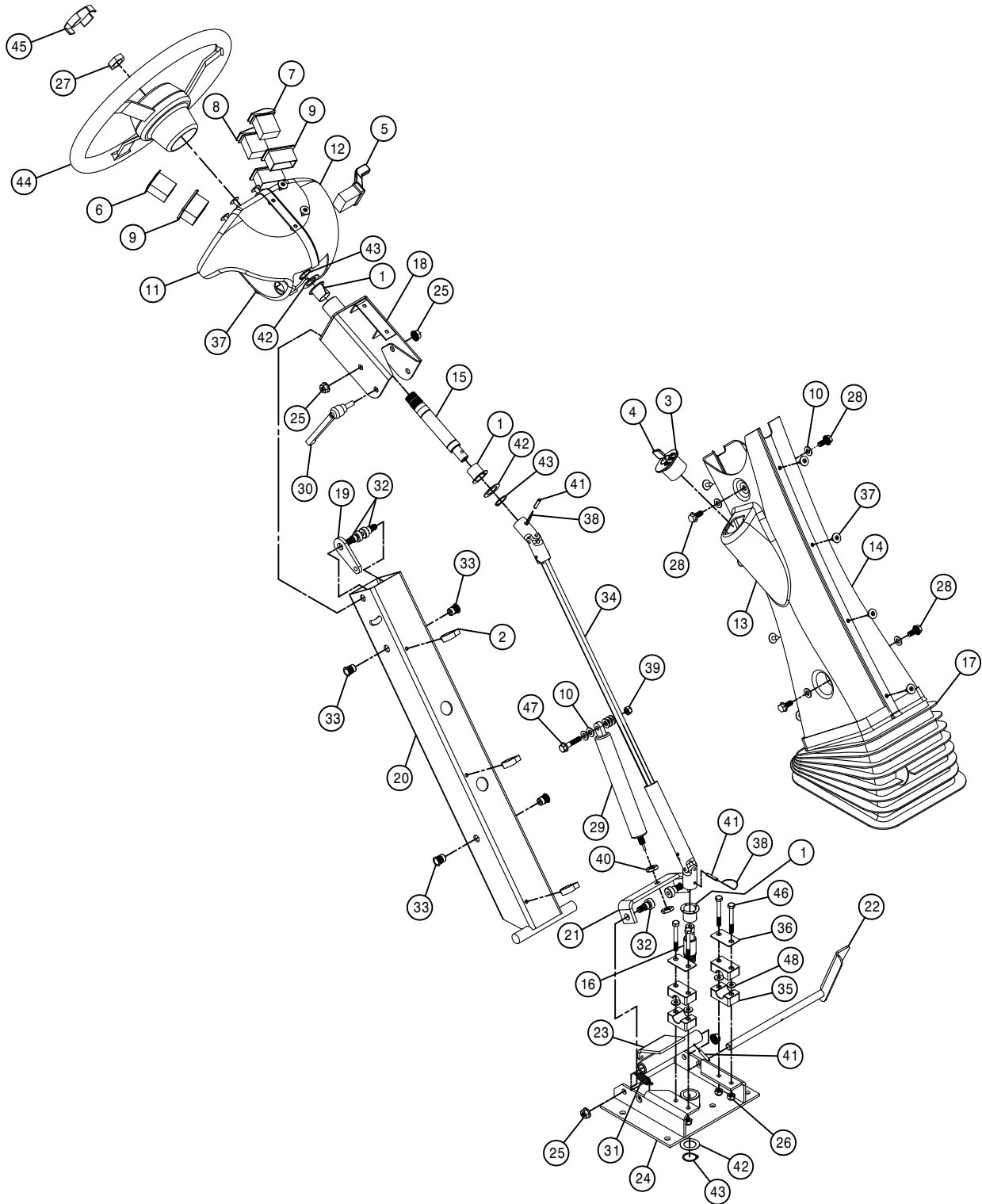
DET. QTY PART NO. DESCRIPTION

1	1	343356	RH AIR DUCT COVERS,STS CAB	05
2	1	343357	LH AIR DUCT COVERS,STS CAB	05
3	12	470466	1/4 X 3/4 PLTC LCK RIVET	
4	6	657469	LOUVER, ROUND	
5	1	658330	FLOORMAT, STS CAB	05
6	1	658333	FOAM, REAR CAB STS	05



STEERING MOTOR ASSEMBLY

DET.	QTY	PART NO.	DESCRIPTION
1	1	343392	.500 STRG MTR SPACER, STS CAB05
2	1	343493	STRG COLUMN ASSY, STS CAB 06
3	8	470087	3/8UNC HEX FLANGE LOCK NUT
4	4	470329	3/8UNC X 1 1/4 SER FLANGE BOLT
5	4	472336	3/8UNC X 2" STUD BOLT, DBL END
6	1	611125	3/4MJIC-3/4MOR ADPTR
7	1	618241	3/4MJIC-90-3/4MOR LBO
8	1	618315	3/4MJIC-45-3/4MOR LBO
9	1	618443	3/4MJIC-90-3/4MOR EX LG LBO
10	1	618473	7/16MJIC-90-7/16MOR LBO
11	1	749331	STEERING CTRL VALVE, LS SAUER
12	1	343638	CAB WELDMENT, STS 08



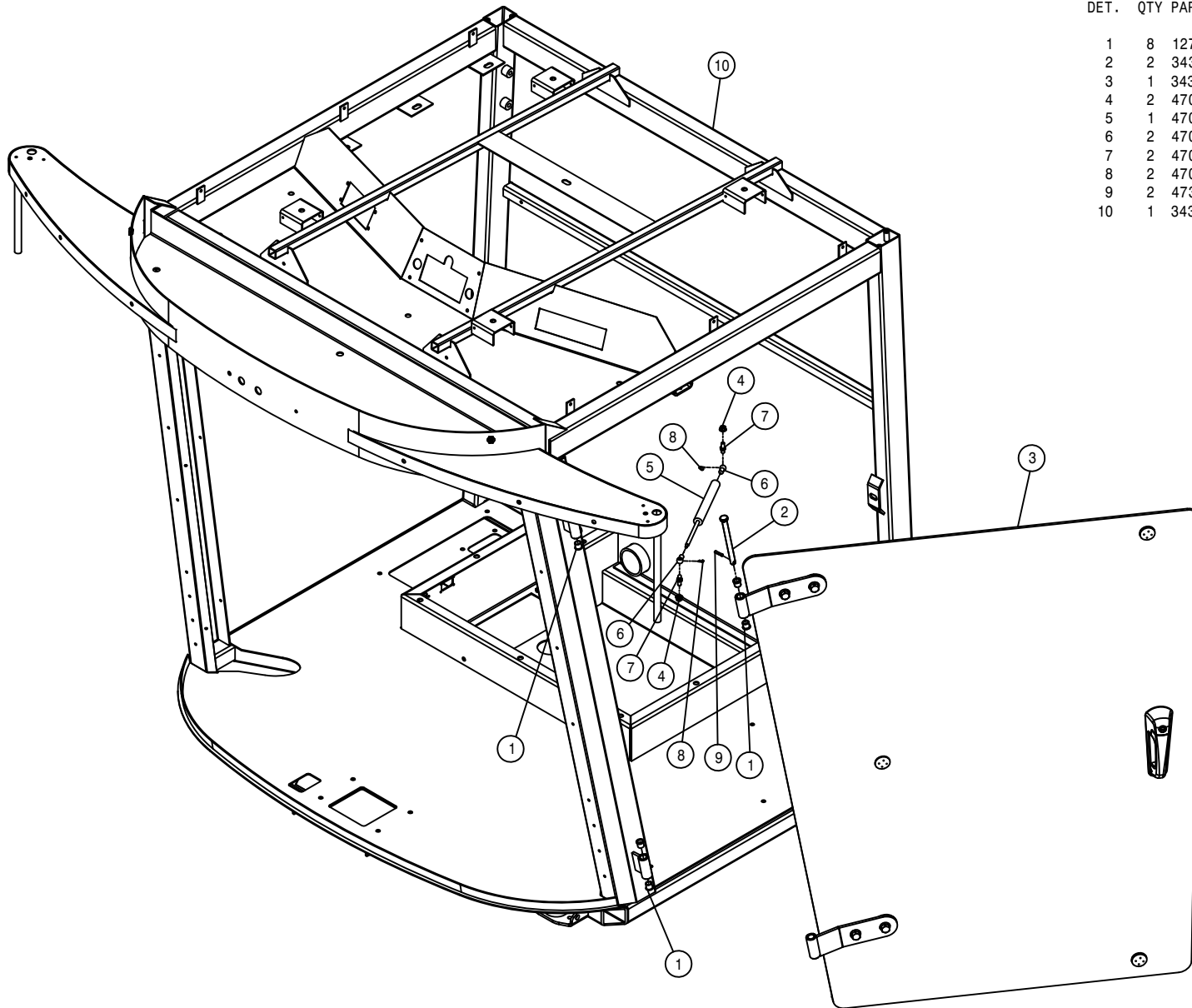
STEERING COLUMN ASSEMBLY

DET.	QTY	PART NO.	DESCRIPTION
	1	3 127503	NYLINER FLG BRG, .875 ID
	2	3 291006	ROSEBUD CLIP FOR .500 CONDUIT
	3	1 291916	IGNITION SWITCH
	4	2 291917	IGNITION KEY FOR 291916
	5	1 292210	SWITCH, TURN SIGNAL, STS
	6	1 292211	TURN INDICATOR W/GREEN LED, STS
	7	1 292212	SWITCH, HAZARD, STS
	8	1 292213	SWITCH, HEADLIGHTS, STS
	9	3 292260	MOUNTING TRIM, SINGLE VMS
	10	9 920001	5/16 SAE FLAT WASHER
	11	1 343359	RH UPR STRG CLMN COVERS, STS 05
	12	1 343360	LH UPR STRG CLMN COVERS, STS 05
	13	1 343361	RH LWR STRG CLMN COVERS, STS 05
	14	1 343362	LH LWR STRG CLMN COVERS, STS 05
	15	1 343364	STRG SHAFT, UPPER COLUMN, STS 05
	16	1 343365	STRG SHAFT, LOWER COLUMN, STS 05
	17	1 343366	BELLOWS, STEERING COLUMN, STS 05
	18	1 343367	STEERING SUPP WELD, STS CAB 05
	19	1 343372	STRG COLUMN TOP LOCK, STS CAB
	20	1 343373	STEERING COLUMN WLD, STS CAB 05
	21	1 343385	GAS SHOCK PIVOT MT, STS CAB 05
	22	1 343386	TILT PEDAL WELD, STS CAB 05
	23	1 343389	TILT RELEASE WLD, STS CAB 05
	24	1 343614	STEERING BASE WELD, STS CAB 07
	25	4 910004	3/8UNC HEX SMTH FLG NUT
	26	4 470089	1/4UNC HEX NYLOC NUT, 316 SS
	27	1 470157	13/16-20UNEF HEX NUT STRG WHL
	28	4 470233	5/16UNC X 3/4 FLANGE HEX BOLT
	29	1 470252	GAS SPRING, LOCKING 0350N
	30	1 470257	ADJ HANDLE, 3/8-16 STUD, BLACK
	31	1 470268	SPRING, EXTENSION, .50 X 1.75
	32	4 470283	3/8UNC 1/2 SCKT SHLDR BOLT
	33	4 470381	5/16-18 NUTSERT .027-.150 STL
	34	1 470401	DRIVE SHAFT ASSY, .625 U-JOINTS
	35	2 470405	CLAMP PAIR, 19MM SMOOTH BORE
	36	2 470406	TOP CLAMP, SIZE #3 FOR 470405
	37	16 470466	1/4 X 3/4 PLTC LCK RIVET
	38	4 470479	5" SAFETY LOCK WIRE, 304SS .0510
	39	1 473001	5/16UNC HEX NUT, NYLOC 316 SS
	40	2 473830	10MM-1.00 HEX JAM NUT
	41	3 473928	ROLL PIN, 3/16 X 1
	42	3 483031	1 3/8 X 7/8 X 18GA MACH WASHER
	43	3 629533	SNAP RING, 7/8 EXTRN
	44	1 749294	STEERING WHEEL, VIP 14"
	45	1 749295	STRG WHL CAP W/HAGIE EMBLEM
	46	4 900023	1/4UNC X 2 1/4 HEX BOLT
	47	1 900067	5/16UNC X 1 1/2 HEX BOLT
	48	4 920022	1/4 FLAT WASH, AN960-416 SS

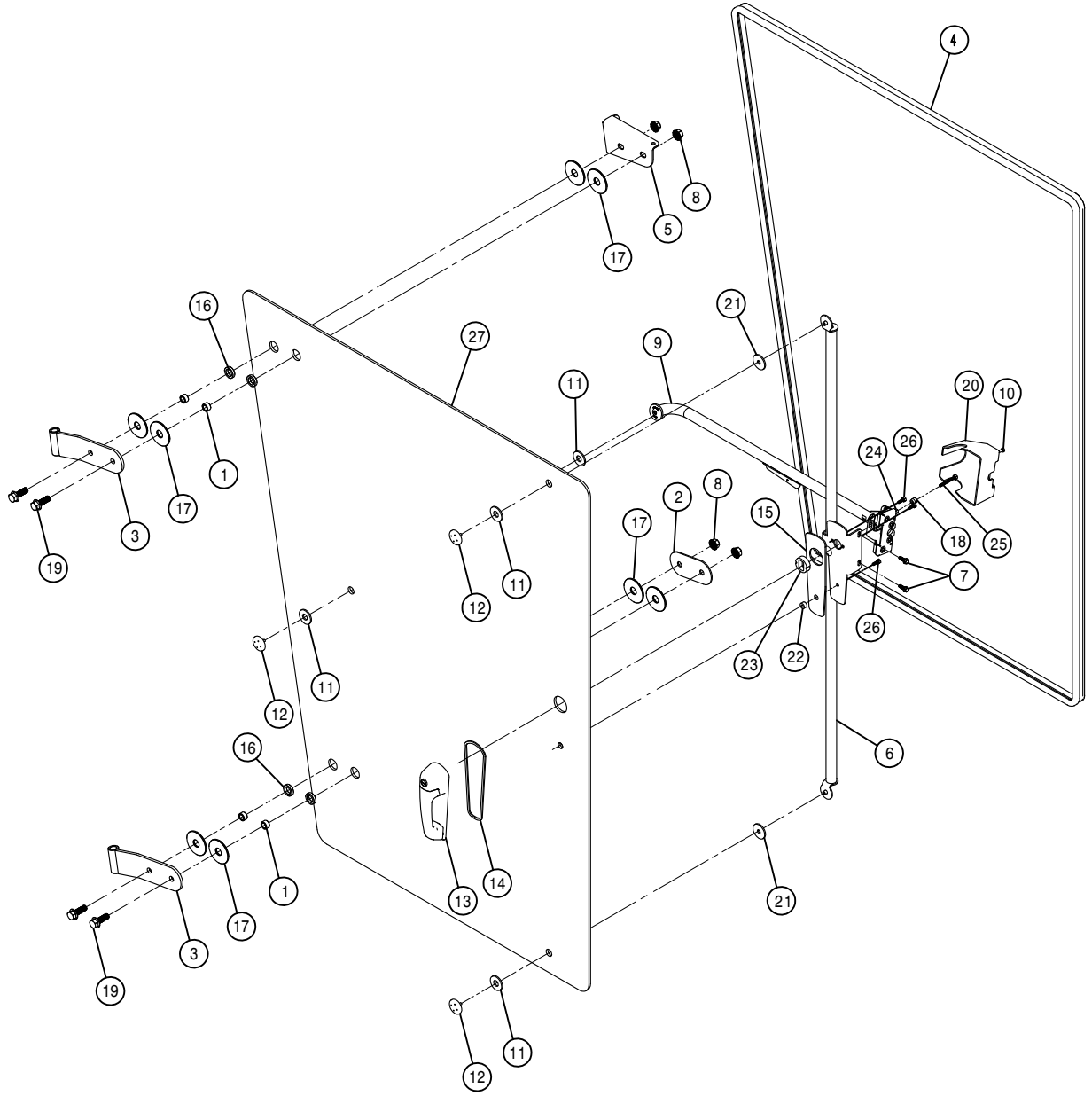
CAB DOOR ASSEMBLY

DET. QTY PART NO. DESCRIPTION

1	8	127502	NYLON FLANGE BRG	
2	2	343332	CAB DOOR HINGE PIN,SS	05
3	1	343588	DOOR ASSY, STS CAB	07
4	2	470113	5/16UNC HEX FLANGE LOCK NUT	
5	1	470253	HYD DAMPER,100LB,4"STROKE 1084	
6	2	470254	BALL SOCKET, M6 THD X 10MM	
7	2	470255	BALL STUD,5/16-18 THD X 10MM	
8	2	470256	SAFTY CLIP, 10MM BALL SOCKET	
9	2	473928	ROLL PIN, 3/16 X 1	
10	1	343638	CAB WELDMNT, STS	08

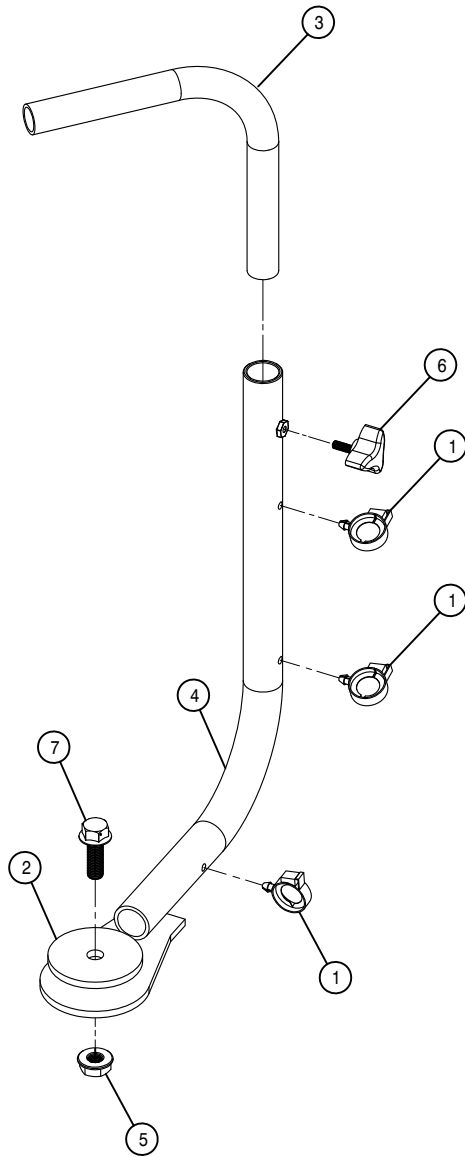
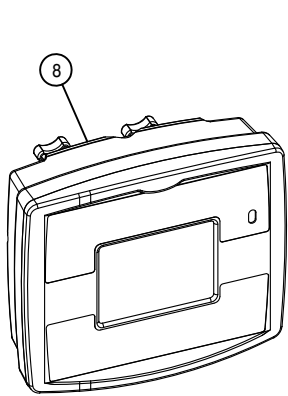






DOOR ASSEMBLY

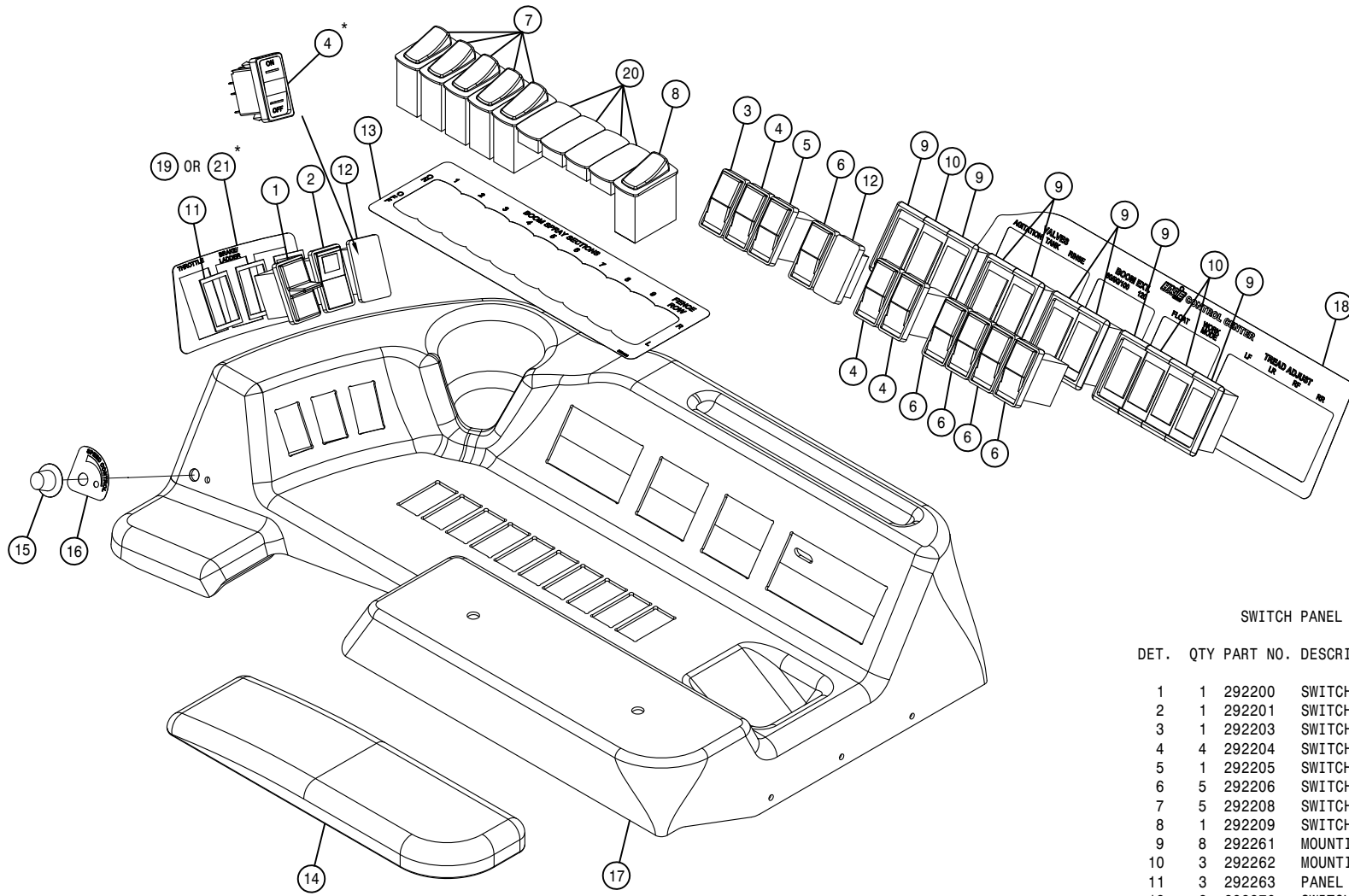
DET.	QTY	PART NO.	DESCRIPTION	
1	4	343335	DOOR HINGE GLASS BUSH, CAB	05
2	1	343337	LWR DOOR HINGE BACK PLT,	05
3	2	343338	HINGE WELD,CAB	05
4	1	343346	DOOR SEAL, STS CAB	05
5	1	343421	TOP DOOR HINGE PLT, STS	05
6	1	343598	CAB DOOR STIFF WLD, STS	05
7	2	470118	1/4UNC X 3/4 FLANGE HEX BOLT	
8	4	470360	1/2UNC HEX FLANGE LOCK NUT	
9	1	470410	INSIDE SQUEEZE LATCH ASSY	
10	1	470412	INSIDE SQUEEZE LATCH SCREWS	
11	4	470413	INSIDE SQUEEZE LATCH GASKET	
12	3	470414	INSIDE SQUEEZE LATCH CAP	
13	1	470415	OUTSIDE PULL HANDLE ASSY	
14	1	470416	OUTSIDE PULL HANDLE GASKET	
15	1	470418	DOOR HANDLE MT GASKET, STS CAB	
16	4	470419	DOOR HINGE BUSH, RUBBER STS	05
17	8	470420	DOOR HINGE WASH, RUBBER, STS	05
18	1	470421	NYLON SPACER, SPHERICAL 6MMX12	
19	4	470431	1/2UNC X 1 1/2 FLANGE BOLT	
20	1	470485	INSIDE SQUEEZE LATCH COVER	07
21	2	470489	GASKET, DOOR HANDLE STIFFENER	
22	1	470496	SPACER, BTM, DOOR HANDLE 470415	
23	1	470497	SPACER, TOP, DOOR HANDLE 470415	
24	1	473764	6MM-1.00 HEX HIGH NUT	
25	1	473794	6MM-1.00 X 50MM HEX BOLT	
26	3	473826	6MM-1.00 X 16MM HEX BOLT	
27	1	658039	DOOR GLASS, STS CAB	07



MONITOR ASSEMBLY

DET. QTY PART NO. DESCRIPTION

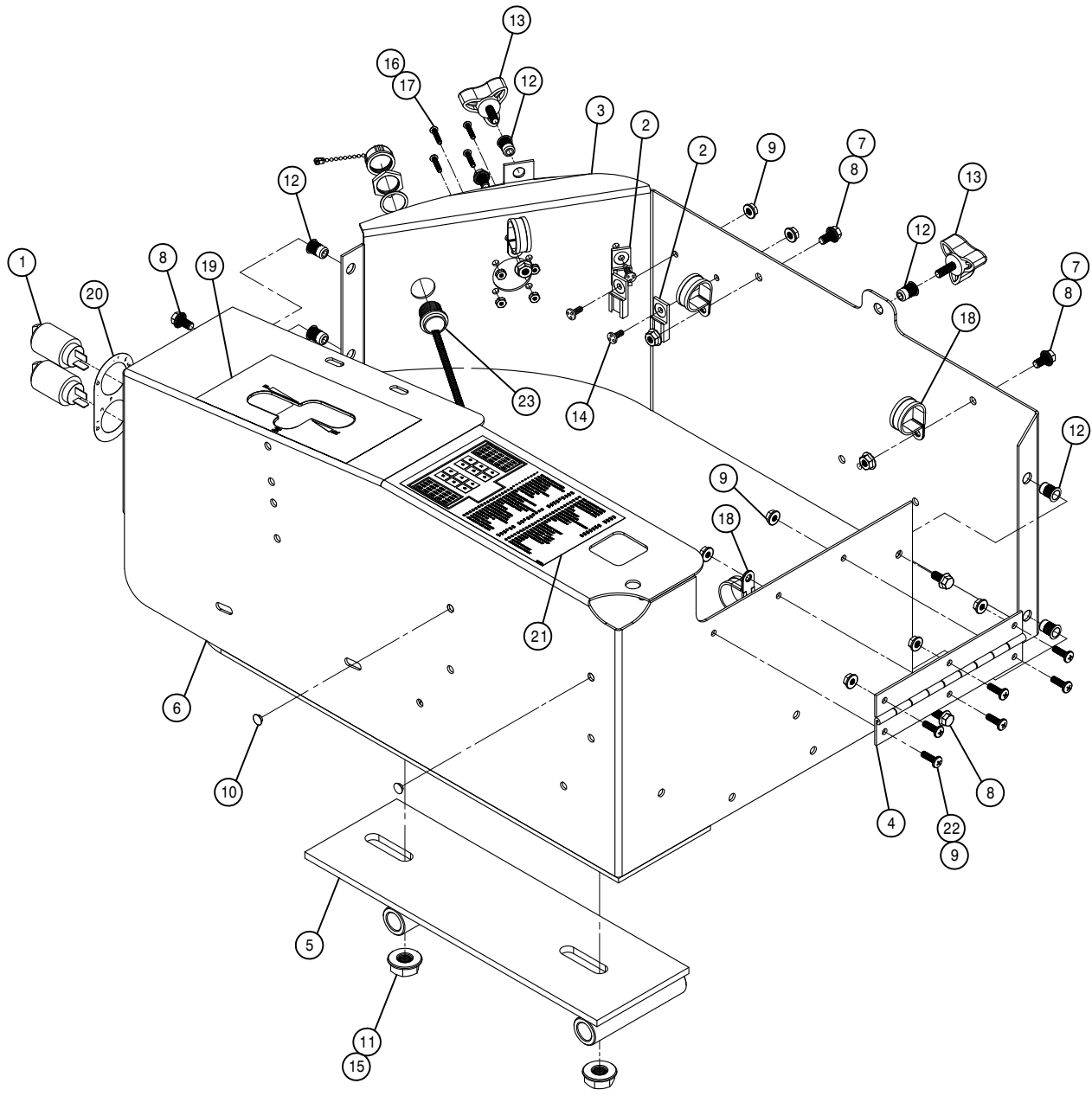
1	3	291007	ROSEBUD CLIP FOR .750 CONDUIT
2	1	343415	WASHER,3.00 X .531 X .25T UHMW
3	1	343416	MONITOR MT TUBE, STS 05
4	1	343417	MONITOR MT WELD, STS CAB 05
5	1	470345	1/2UNC HEX SMTH FLNG LOCK NUT
6	1	470392	KNOB,3-BLADE BLK,1/4-20 X 3/4
7	1	470431	1/2UNC X 1 1/2 FLANGE BOLT
8	1	690986	CONSOLE, RAVEN SCS 4600



SWITCH PANEL ASSEMBLY

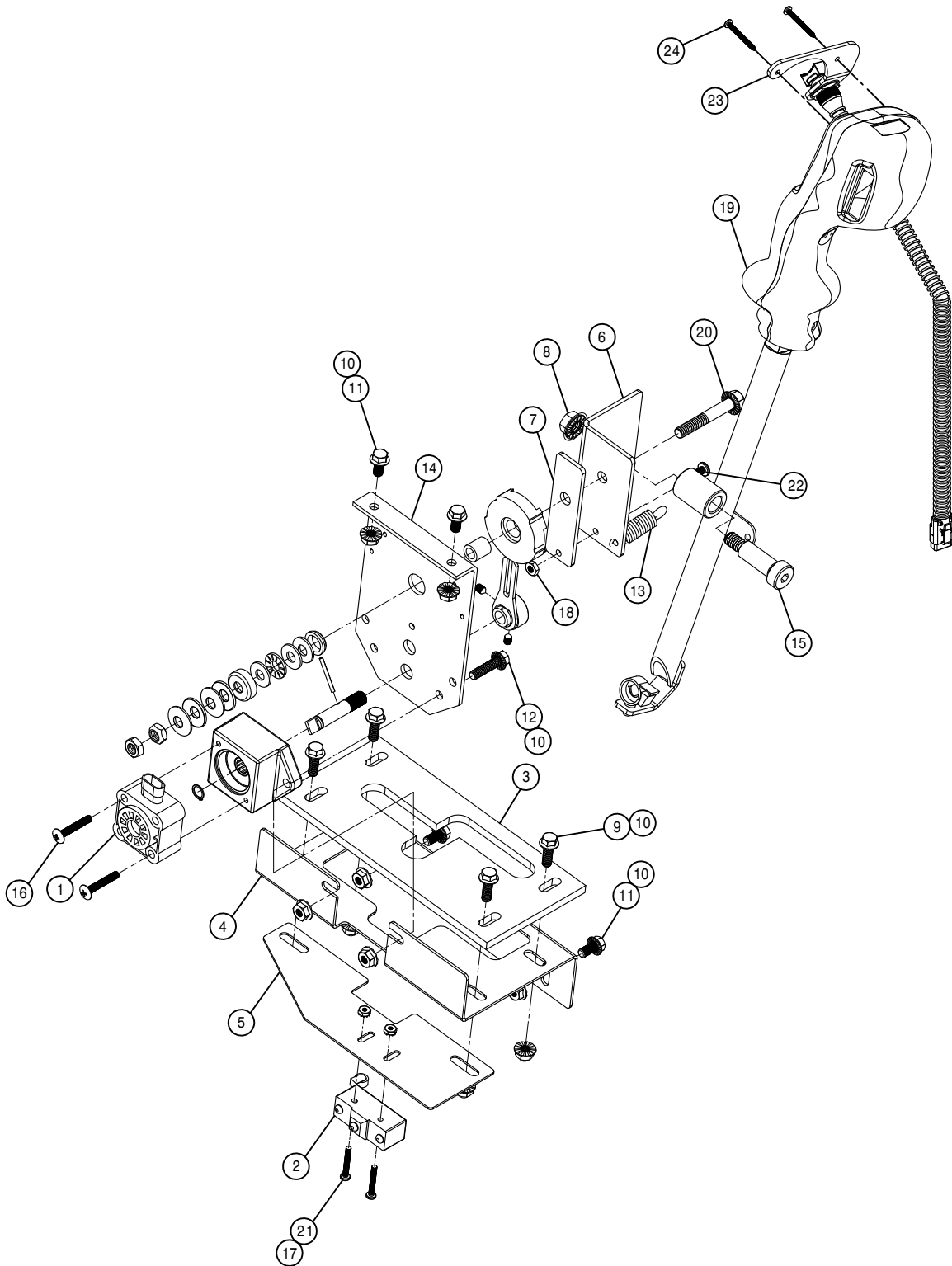
DET.	QTY	PART NO.	DESCRIPTION
	1	292200	SWITCH, THROTTLE, STS
	1	292201	SWITCH, BRAKE, STS
	1	292203	SWITCH, AGITATION, STS
	4	292204	SWITCH, SOLU TANK/NTB FLOAT, STS
	1	292205	SWITCH, RINSE, STS
	5	292206	SWITCH, TREAD/90' FOLD, STS
	7	292208	SWITCH, SPRAY SWITCH, STS
	8	292209	SWITCH, FENCE ROW, STS
	8	292261	MOUNTING TRIM, END VME
	10	292262	MOUNTING TRIM, MIDDLE VMM
	3	292263	PANEL GASKET, SWITCH
	12	292270	SWITCH BLANK, VH2
	13	650196	DECAL, SPRAY SELECT STS 08
	14	343397	ARM REST W/MTS, STS CAB 05
	15	470395	DIAL KNOB W/ARROW FOR .25 SHFT
	16	650158	DECAL, SPEED CONTROL STS CAB 05
	17	343624	SIDE CONSOLE, STS/GST 08
	18	650161	DECAL, BOOM FLT-TRD ADJ STS 05
	19	650177	DECAL, THROTTLE & BRAKE STS 07
	20	4 292271	SWITCH BLANK, LH2-01
	21	1 650222	DECAL, THROTT, BRAKE, AWS STS 09

NOTE: ITEMS MARKED WITH (\*) IS USED WITH THE ALL WHEEL STEER OPTION.



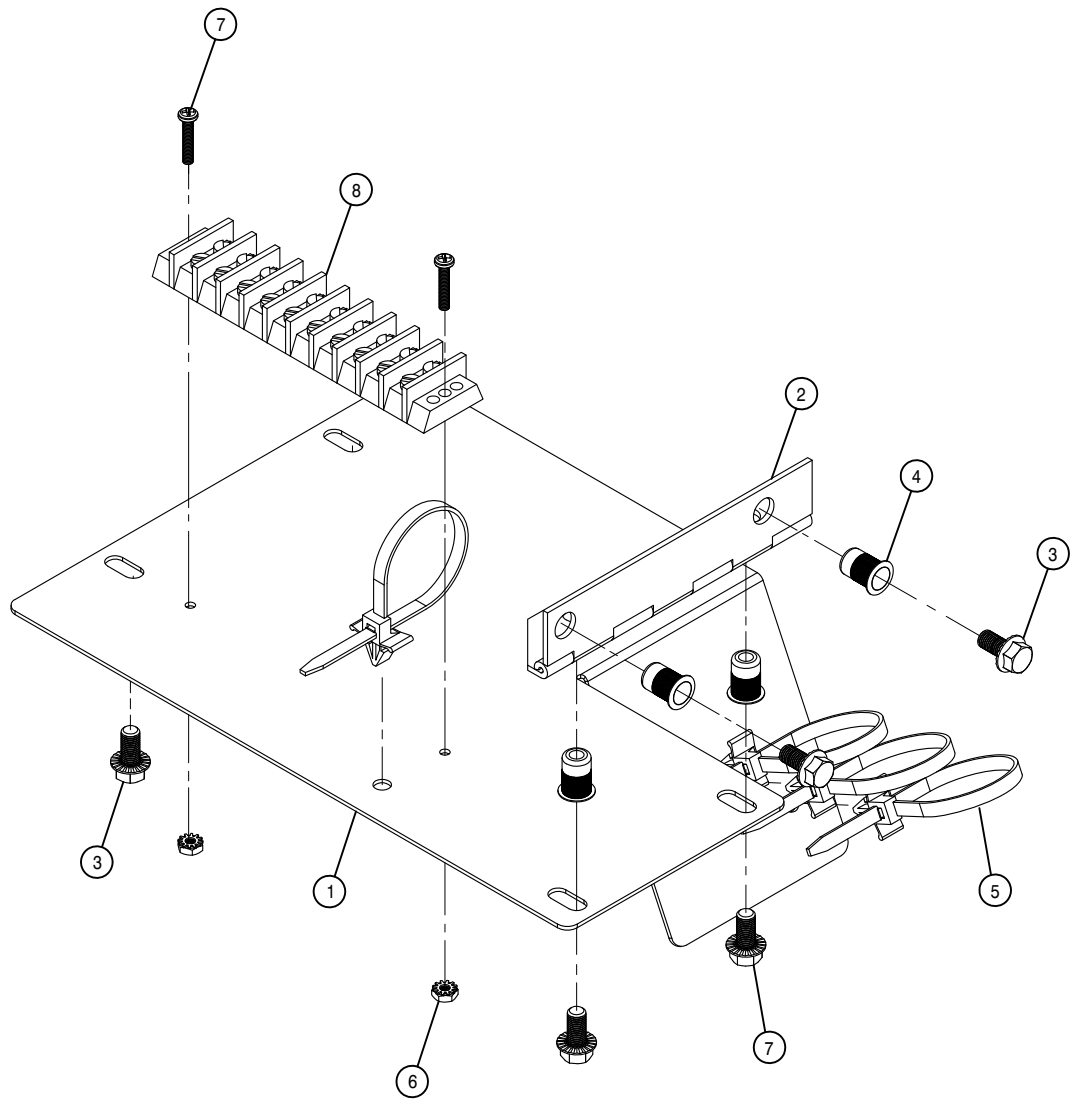
CONSOLE ASSEMBLY

DET.	QTY	PART NO.	DESCRIPTION
1	2	291648	POWER POINT RECEPTACLE
2	3	292125	DEUTSCH MTG CLIP
3	1	343403	SIDE CONSOLE OUTER WRAP,STS 05
4	1	343405	SIDE CONSOLE REAR HINGE,STS 05
5	1	343406	CONSOLE SEAT BASE WLD,STS 05
6	1	343488	CONSOLE WELD, STS CAB 06
7	3	470121	1/4UNC HEX FLANGE LOCK NUT
8	7	470122	1/4UNC X 1/2 FLANGE HEX BOLT
9	9	470175	10-32 HEX FLANGE LOCK NUT
10	2	470339	SNAP PLUG, BLK NYL, .250 DIA
11	2	470345	1/2UNC HEX SMTH FLNG LOCK NUT
12	6	470380	1/4-20 NUTSERT .027-.165 STL
13	2	470392	KNOB,3-BLADE BLK,1/4-20 X 3/4
14	3	470423	10-32 X 1/2 WELD STUD
15	2	470431	1/2UNC X 1 1/2 FLANGE BOLT
16	4	470467	6-32 KEP NUT
17	4	903814	6-32 X 3/4 BUTTON SOC CAP SCR
18	4	520101	CUSH CLAMP,#16 1"D X 1/2W
19	1	650157	DECAL,HYDRASTAT STS CAB 05
20	1	650163	DECAL,POWER POINT, STS CAB 05
21	1	650186	DECAL,FUSE & RELAY,STS CAB 07
22	6	903710	10-32X5/8 PHIL PANHD MACH SCR
23	1	293903	HARNNESS, USB



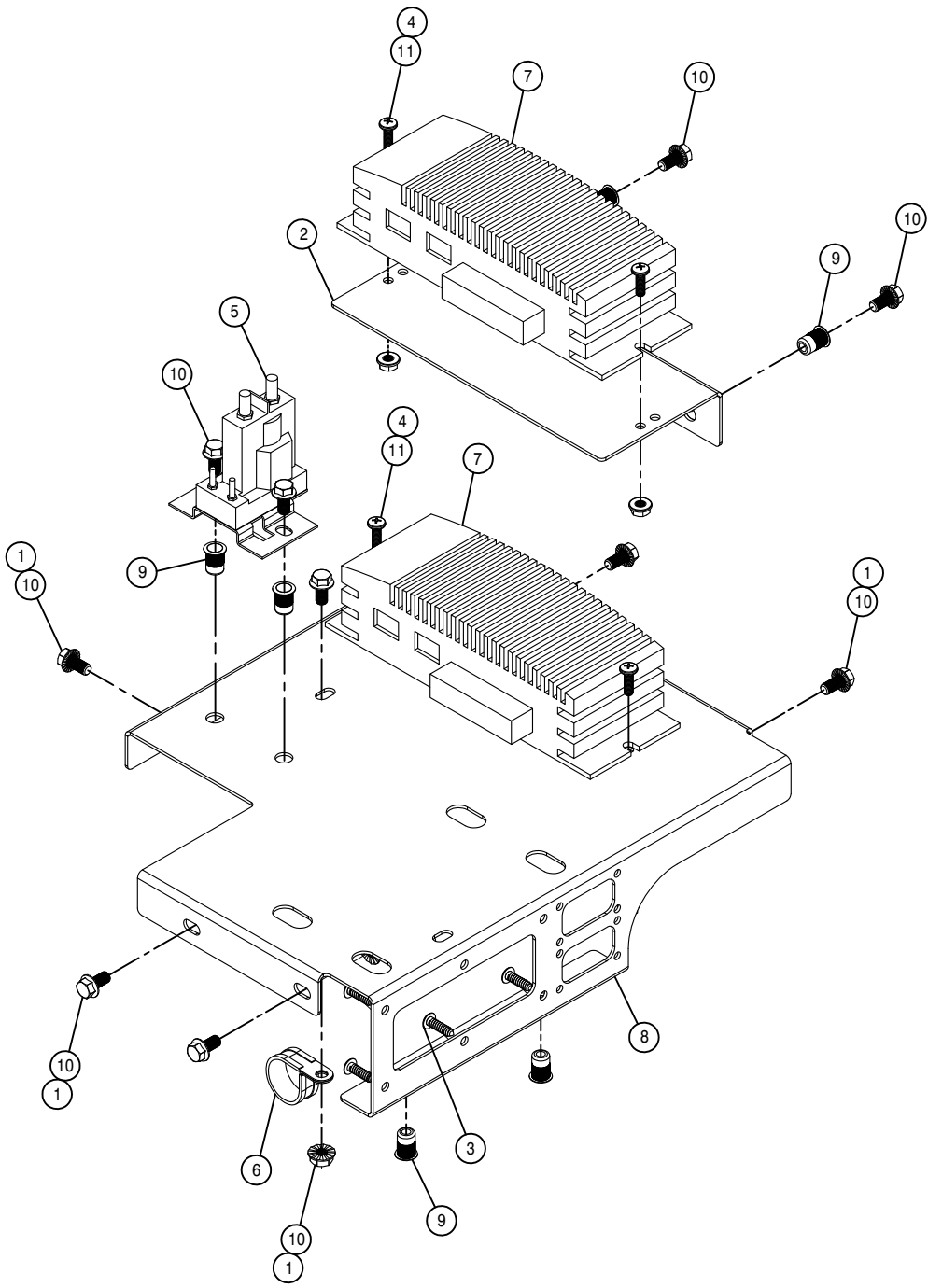
HYDROSTATIC LEVER ASSEMBLY

DET.	QTY	PART NO.	DESCRIPTION
	1	291918	POTENTIOMETER, DZ1045
	1	293006	MICRO SWITCH, SPDT BZ-2RL-A2
	1	343408	SHIFT GUIDE,CAB CONSOLE STS 05
	4	343409	Z-GATE GUIDE SUPP, STS CAB 05
	1	343410	NEUTRAL SWITCH MT,STS CAB 05
	6	343411	ADJ U-LINK,HYD STAT CTRL,STS
	7	343412	HYD STAT CTRL STRAP,STS CAB 05
	8	470087	3/8UNC HEX FLANGE LOCK NUT
	9	470118	1/4UNC X 3/4 FLANGE HEX BOLT
	10	470121	1/4UNC HEX FLANGE LOCK NUT
	11	470122	1/4UNC X 1/2 FLANGE HEX BOLT
	12	470231	1/4UNC X 1" FLANGE HEX BOLT
	13	470268	SPRING, EXTENSION, .50 X 1.75
	14	470396	FRICTION CONTROL, QUADRASTAT
	15	470462	1/2 X 1 1/4 SKT HD SHLDR BOLT
	16	470464	10-32 X 1 1/4 SS TRUSS PHIL HD
	17	470467	6-32 KEP NUT
	18	910027	10-32 HEX NUT
	19	785090	FASSE CTRL HANDLE
	20	900069	5/16UNC X 2" HEX BOLT
	21	903814	6-32 X 3/4 PHIL PAN MACH SCR
	22	903710	10-32X5/8 PHIL PANHD MACH SCR
	23	293667	ALL UP/DN HARNESS,STS COMBO 07
	24	473985	#6 X 1 1/4 PAN HD SHT MTL SCR



TERMINAL STRIP DOOR ASSEMBLY

DET.	QTY	PART NO.	DESCRIPTION
	1	343413	CONSOLE BOTTOM DOOR,CAB STS 05
	1	343414	CONSOLE BTM DOOR HINGE,CAB STS
	6	470122	1/4UNC X 1/2 FLANGE HEX BOLT
	4	470380	1/4-20 NUTSERT .027-.165 STL
	4	470445	CABLE TIE,PUSH MT 7.8" BLK NYL
	2	470467	6-32 KEP NUT
	2	903814	6-32 X 3/4 SLT RD HD MACH SCR
	1	291886	TERMINAL BLOCK,10 POS-2ROW 20A

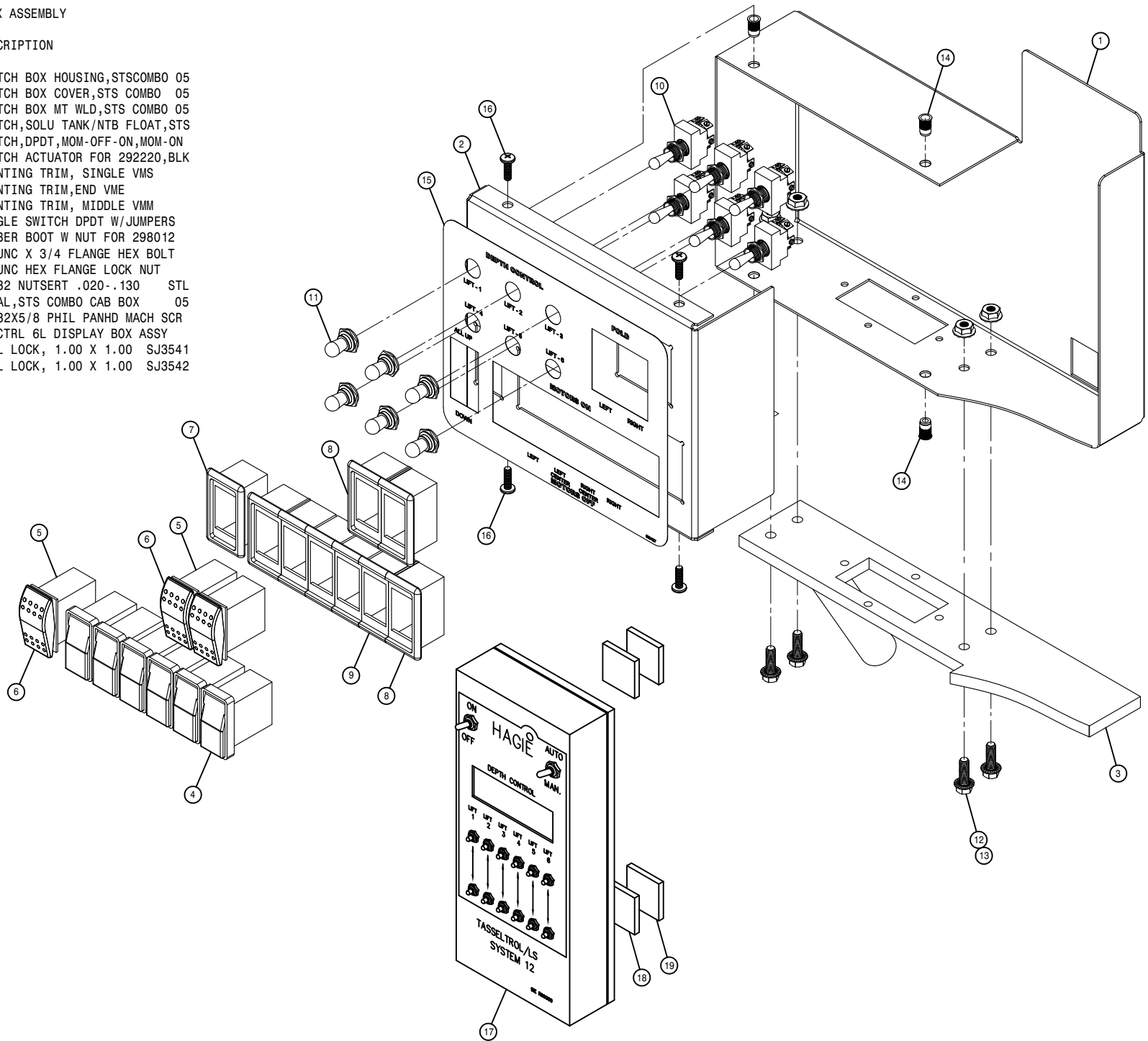


MODULE MOUNT ASSEMBLY

DET.	QTY	PART NO.	DESCRIPTION
1	7	470121	1/4UNC HEX FLANGE LOCK NUT
2	1	343491	MODULE MT BRKT, STS 06
3	6	470465	#12-14X3/4 PHL PAN SHT MTL SRW
4	4	470175	10-32 HEX FLANGE LOCK NUT
5	1	291833	CONTACTOR RELAY,15VDC 100A
6	1	520101	CUSH CLAMP,#16 1"D X 1/2W
7	2	292013	IQAN-XS SIGNAL MODULE
8	1	343490	MODULE MT, CAB CONSOLE STS 06
9	6	470380	1/4-20 NUTSERT .027-.165 STL
10	11	470122	1/4UNC X 1/2 FLANGE HEX BOLT
11	4	903710	10-32X5/8 PHIL PANHD MACH SCR

SWITCH BOX ASSEMBLY

DET.	QTY	PART NO.	DESCRIPTION
1	1	003200	SWITCH BOX HOUSING, STSCOMBO 05
2	1	003201	SWITCH BOX COVER, STS COMBO 05
3	1	003202	SWITCH BOX MT WLD, STS COMBO 05
4	6	292204	SWITCH, SOLU TANK/NTB FLOAT, STS
5	3	292220	SWITCH, DPDT, MOM-OFF-ON, MOM-ON
6	3	292221	SWITCH ACTUATOR FOR 292220, BLK
7	1	292260	MOUNTING TRIM, SINGLE VMS
8	4	292261	MOUNTING TRIM, END VME
9	4	292262	MOUNTING TRIM, MIDDLE VMM
10	6	293172	TOGGLE SWITCH DPDT W/JUMPERS
11	6	470001	RUBBER BOOT W NUT FOR 298012
12	4	470118	1/4UNC X 3/4 FLANGE HEX BOLT
13	4	470121	1/4UNC HEX FLANGE LOCK NUT
14	4	470384	10-32 NUTSERT .020-.130 STL
15	1	650127	DECAL, STS COMBO CAB BOX 05
16	4	903710	10-32X5/8 PHIL PANHD MACH SCR
17	1	293373	LS CTRL 6L DISPLAY BOX ASSY
18	2	471100	DUAL LOCK, 1.00 X 1.00 SJ3541
19	2	471101	DUAL LOCK, 1.00 X 1.00 SJ3542

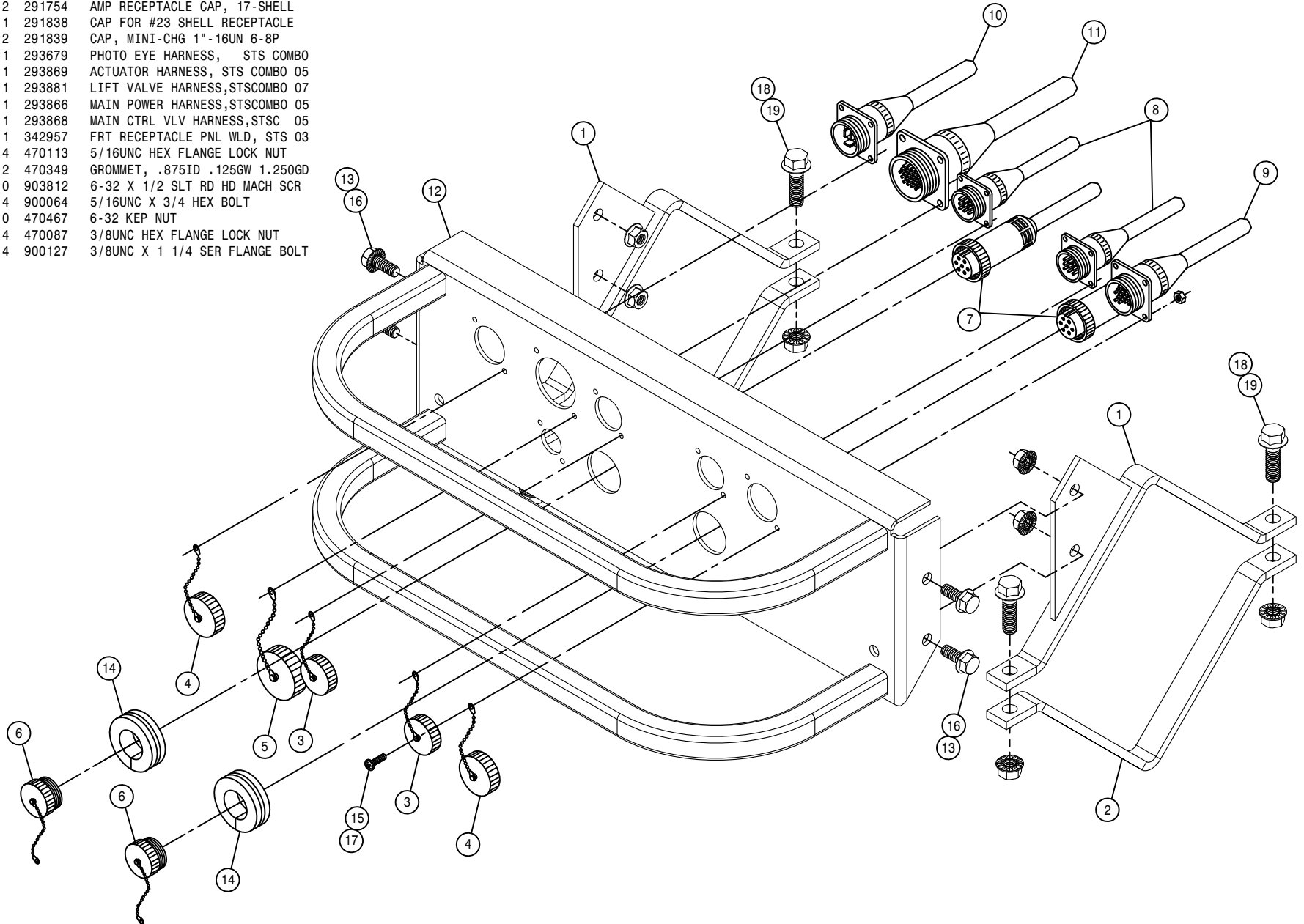


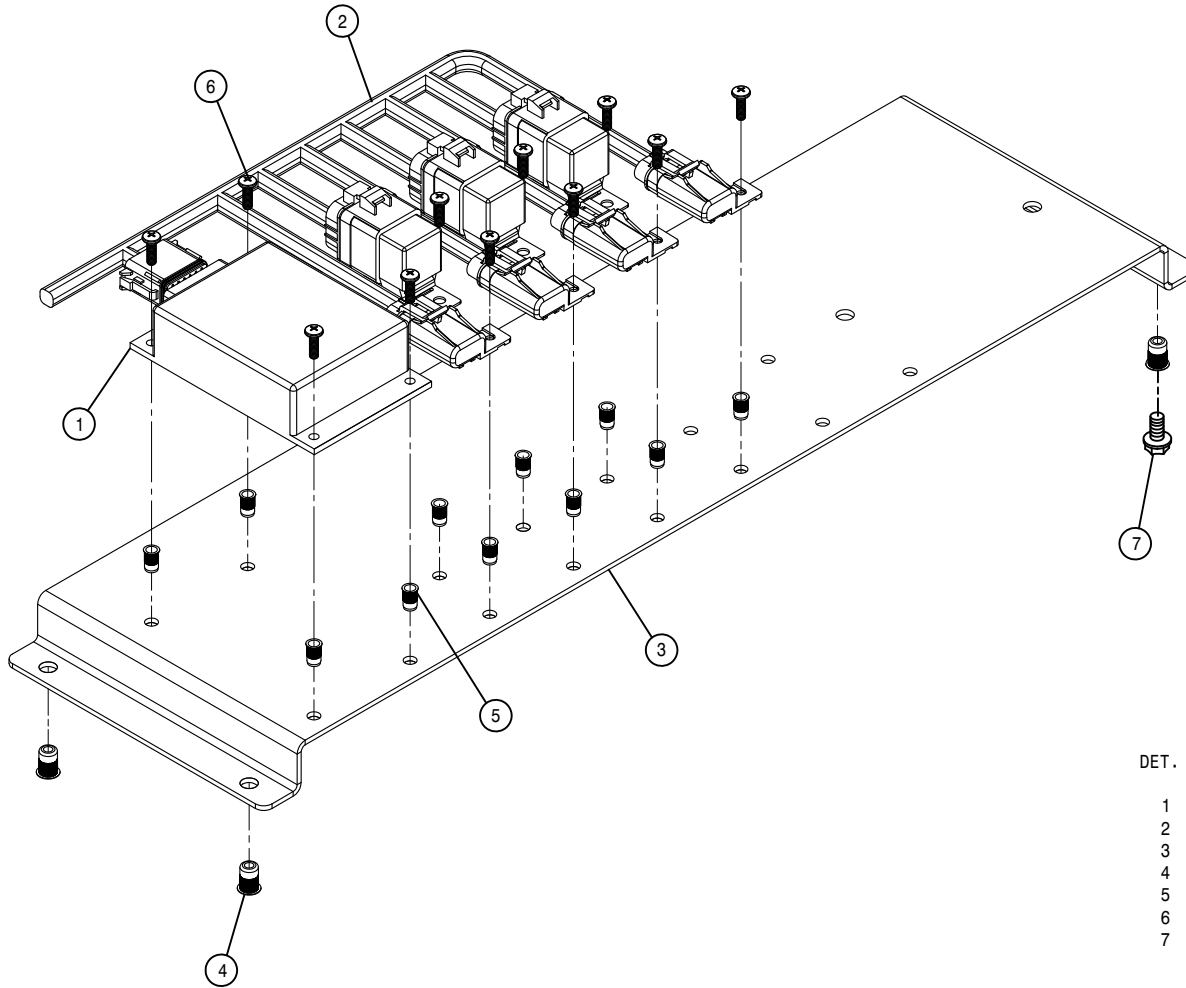


RECEPTACLE PANEL ASSEMBLY

DET. QTY PART NO. DESCRIPTION

1	2	003077	CPLR BRKT WLD,STS COMBO	07
2	2	003078	CPLR BRKT KEEPER,STS COMBO	07
3	2	291688	CAP FOR #13 SHELL RECEPTACLE	
4	2	291754	AMP RECEPTACLE CAP, 17-SHELL	
5	1	291838	CAP FOR #23 SHELL RECEPTACLE	
6	2	291839	CAP, MINI-CHG 1"-16UN 6-8P	
7	1	293679	PHOTO EYE HARNESS, STS COMBO	
8	1	293869	ACTUATOR HARNESS, STS COMBO	05
9	1	293881	LIFT VALVE HARNESS,STSCOMBO	07
10	1	293866	MAIN POWER HARNESS,STSCOMBO	05
11	1	293868	MAIN CTRL VLV HARNESS,STSC	05
12	1	342957	FRT RECEPTACLE PNL WLD, STS	03
13	4	470113	5/16UNC HEX FLANGE LOCK NUT	
14	2	470349	GROMMET, .875ID .125GW 1.250GD	
15	10	903812	6-32 X 1/2 SLT RD HD MACH SCR	
16	4	900064	5/16UNC X 3/4 HEX BOLT	
17	10	470467	6-32 KEP NUT	
18	4	470087	3/8UNC HEX FLANGE LOCK NUT	
19	4	900127	3/8UNC X 1 1/4 SER FLANGE BOLT	

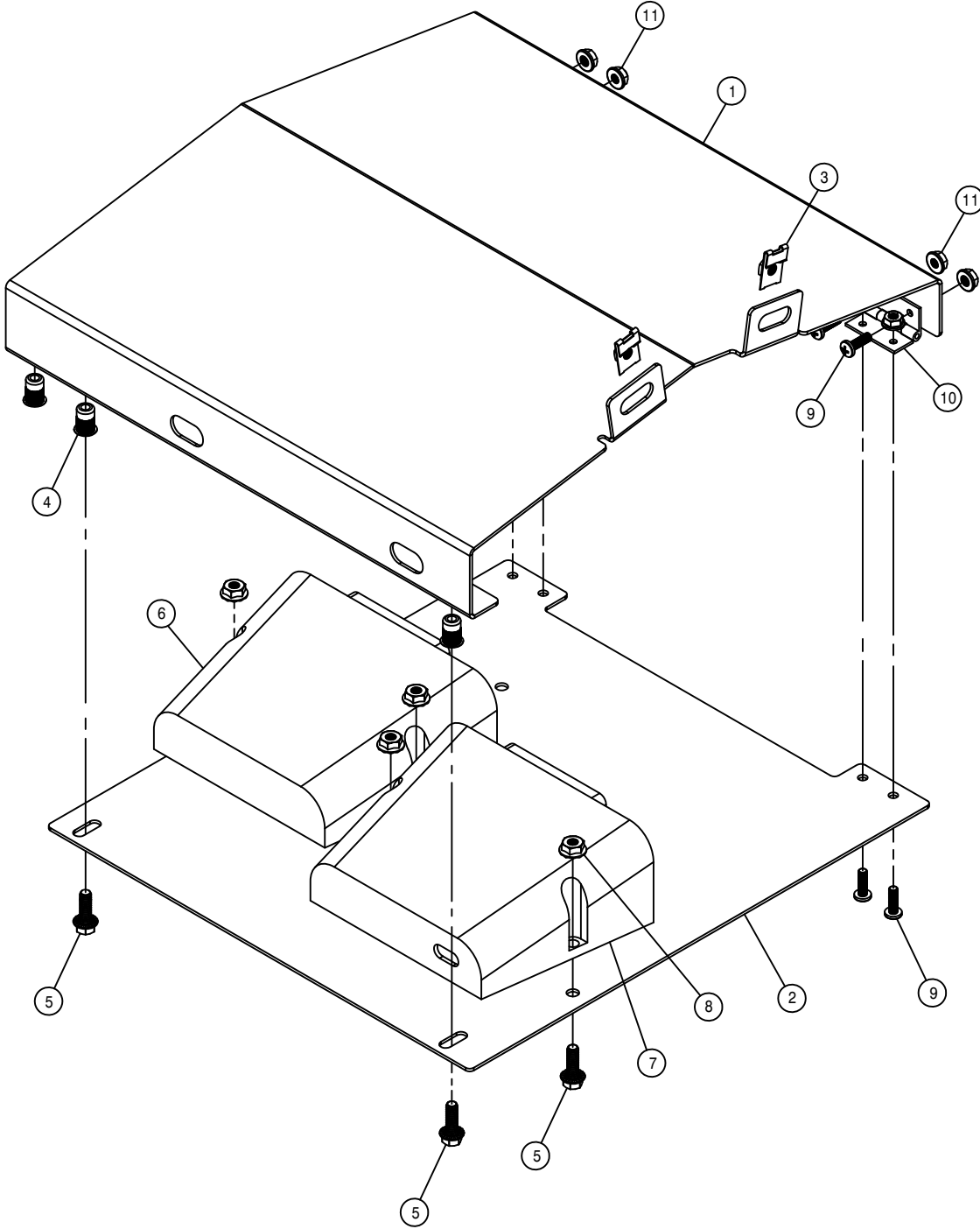




FLASHER AND LIGHT RELAY PANEL

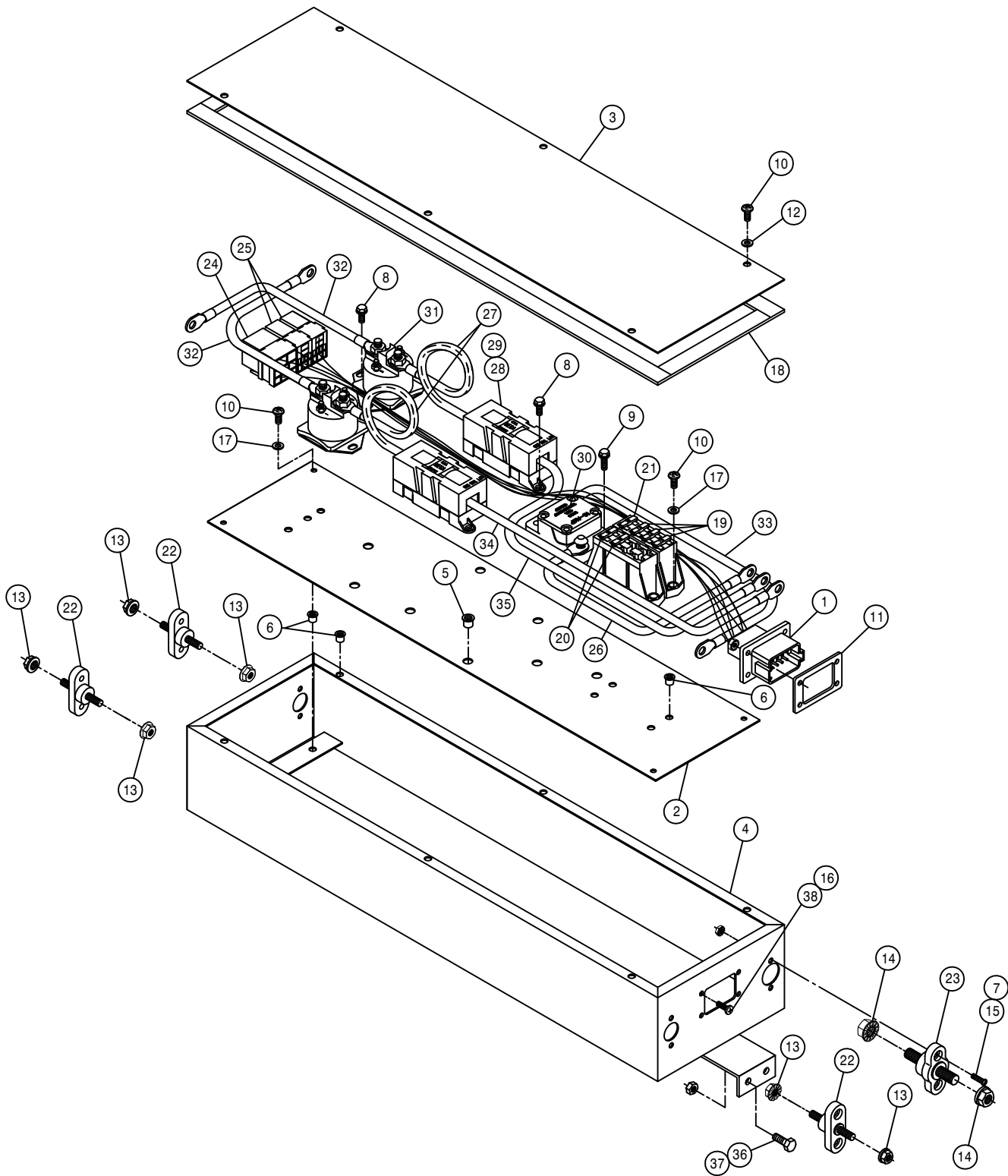
DET. QTY PART NO. DESCRIPTION

1	1	291910	FLASHER, SOLID STATE, 12V
2	1	293586	LIGHT/FLASHER HARNESS, 10/12 07
3	1	343637	FLASHER/LIGHT RELAY PNL STS 08
4	4	470380	1/4-20 NUTSERT .027-.165 STL
5	11	470384	10-32 NUTSERT .020-.130 STL
6	11	903710	10-32X5/8 PHIL PANHD MACH SCR
7	4	470118	1/4UNC X 3/4 FLANGE HEX BOLT



REAR ELECTRICAL BOX ASSEMBLY

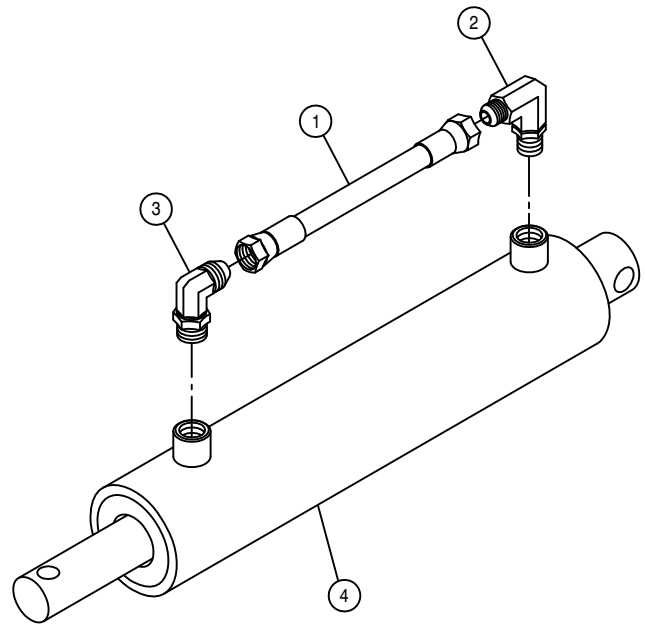
DET.	QTY	PART NO.	DESCRIPTION
	1	343577	TOP LH REAR ELECT BOX, STS 06
	1	343578	BOT LH REAR ELECT BOX, STS 06
	2	470218	1/4UNC NUT J-TYPE CAGE CLIP
	4	470380	1/4-20 NUTSERT .027-.165 STL
	6	470118	1/4UNC X 3/4 FLANGE HEX BOLT
	1	292014	IQAN-XT2 TRANSMISSION MODULE
	1	292012	IQAN-XP2 POWER MODULE
	4	470121	1/4UNC HEX FLANGE LOCK NUT
	8	903710	10-32X5/8 PHIL PANHD MACH SCR
	2	470198	HINGE 146-035
	8	470175	10-32 HEX FLANGE LOCK NUT



ENGINE ELECTRICAL BOX ASSEMBLY

DET. QTY PART NO. DESCRIPTION

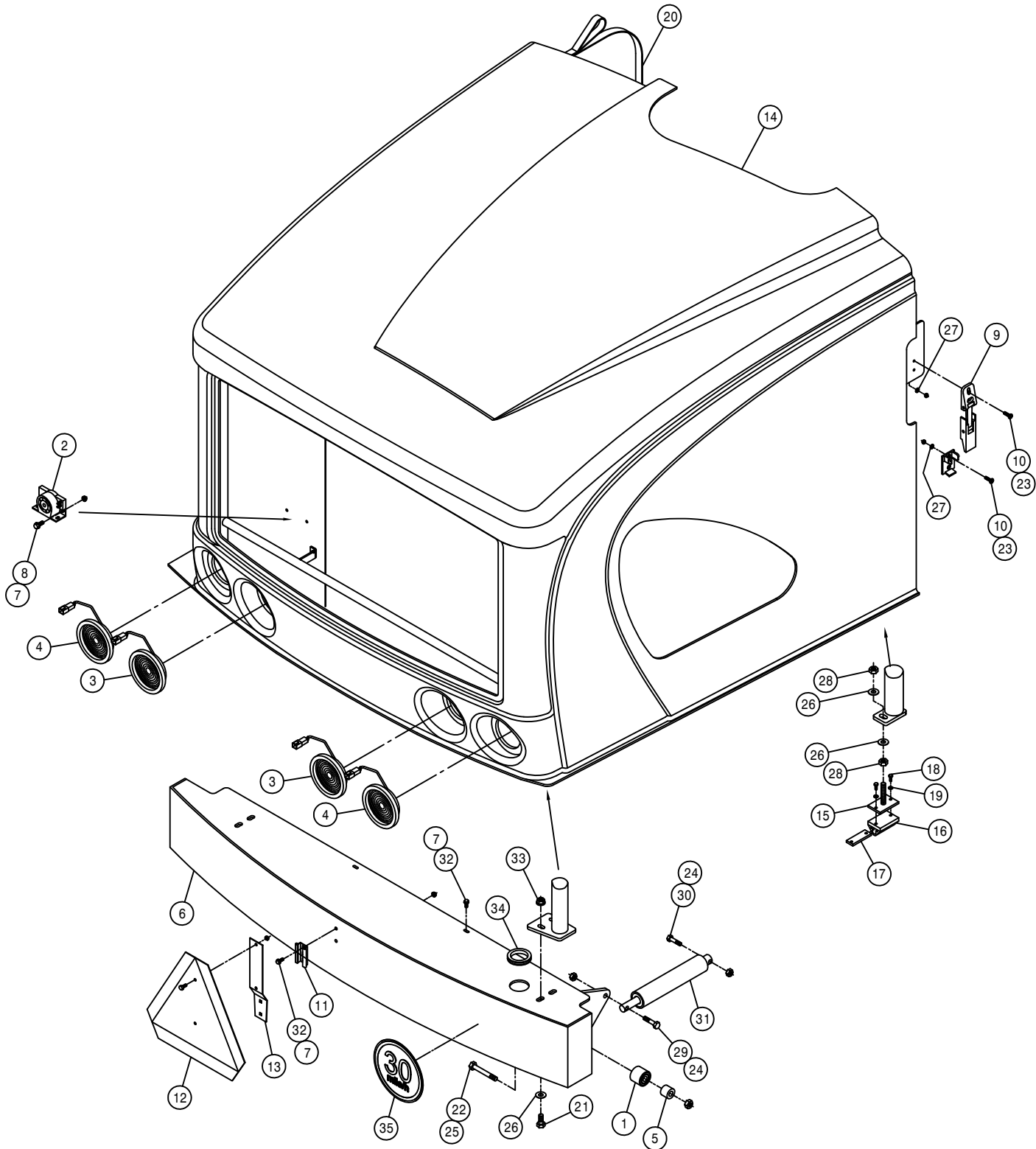
1	1	293802	ENG BOX HARNESS,STS (293803)05
2	1	342960	ENG BOX MT PANEL, STS 04
3	1	342961	ENG BOX COVER, STS 04
4	1	343501	ENG BOX WLD, STS 05
5	10	470380	1/4-20 NUTSERT .027-.165 STL
6	17	470384	10-32 NUTSERT .020-.130 STL
7	8	470542	10-32 KEP NUT
8	8	470122	1/4UNC X 1/2 FLANGE HEX BOLT
9	2	470118	1/4UNC X 3/4 FLANGE HEX BOLT
10	17	903710	10-32X5/8 PHIL PANHD MACH SCR
11	1	292120	DEUTSCH GASKET, DT12-L012
12	6	470351	#10 X 1/2 BONDED SEALING WASH
13	6	470121	1/4UNC HEX FLANGE LOCK NUT
14	2	470087	3/8UNC HEX FLANGE LOCK NUT
15	8	903706	10-32X1/2 PHIL PAN MACH SCR
16	4	470541	8-32 KEP NUT
17	11	920510	#10 LOCK WASHER
18	6	193037	STICKERTITE 1/8 X 3/4
19	3	291027	7.5 AMP FUSE,1/4"BLADE ATO/ATC
20	2	291545	10 AMP FUSE,1/4"BLADE ATO/ATC
21	1	291547	20 AMP FUSE,1/4"BLADE ATO/ATC
22	3	291748	TERM BLOCK,BLACK,1/4-20 THRU
23	1	291750	TERM BLOCK,RED,3/8-16 THRU
24	1	291751	RELAY, SPST 12V 40A-NO, DIODE
25	2	291781	MICRO RELAY, BOSCH 12V SPDT
26	1	291805	BATT CABLE,RED 12"6GA.281-.406
27	2	291806	BATT CABLE,RED 11"6GA.343-.343
28	2	291813	FUSE, 125 AMP 32V DC
29	2	291814	FUSE HOLDER, HIGH AMP
30	1	291815	CIRCUIT BREAKER,100 AMP BUSS
31	2	291816	SOLENOID, STS 00
32	2	291872	BATT CABLE,RED 10"6GA.281-.343
33	2	291873	BATT CABLE,RED 15"6GA.281-.281
34	1	291874	BATT CABLE,RED 15"6GA.343-.406
35	1	291875	BATT CABLE,RED 19"6GA.343-.406
36	4	900002	1/4UNC X 3/4 HEX BOLT
37	4	914000	1/4UNC HEX STOVER NUT
38	4	903844	8-32 X 1/2 PHIL PANHD MACH SCR



HOOD HYDRAULIC CYLINDER ASSEMBLY

DET.	QTY	PART NO.	DESCRIPTION	
	1	616246	04-451TC-06FJX-06FJX-10	H/A
	1	618119	9/16MJIC-90-9/16MOR LBO	
	1	618689	9/16MOR-90-9/16MJ .042 CHK VLV	
	1	621530	LH TRD ADJ CYL, DTS8	04
NS	1	621531	REPAIR KIT, HYD CYL 621530	

NOTE: 1. 621077 - HOOD HYDRAULIC CYLINDER ASSEMBLY



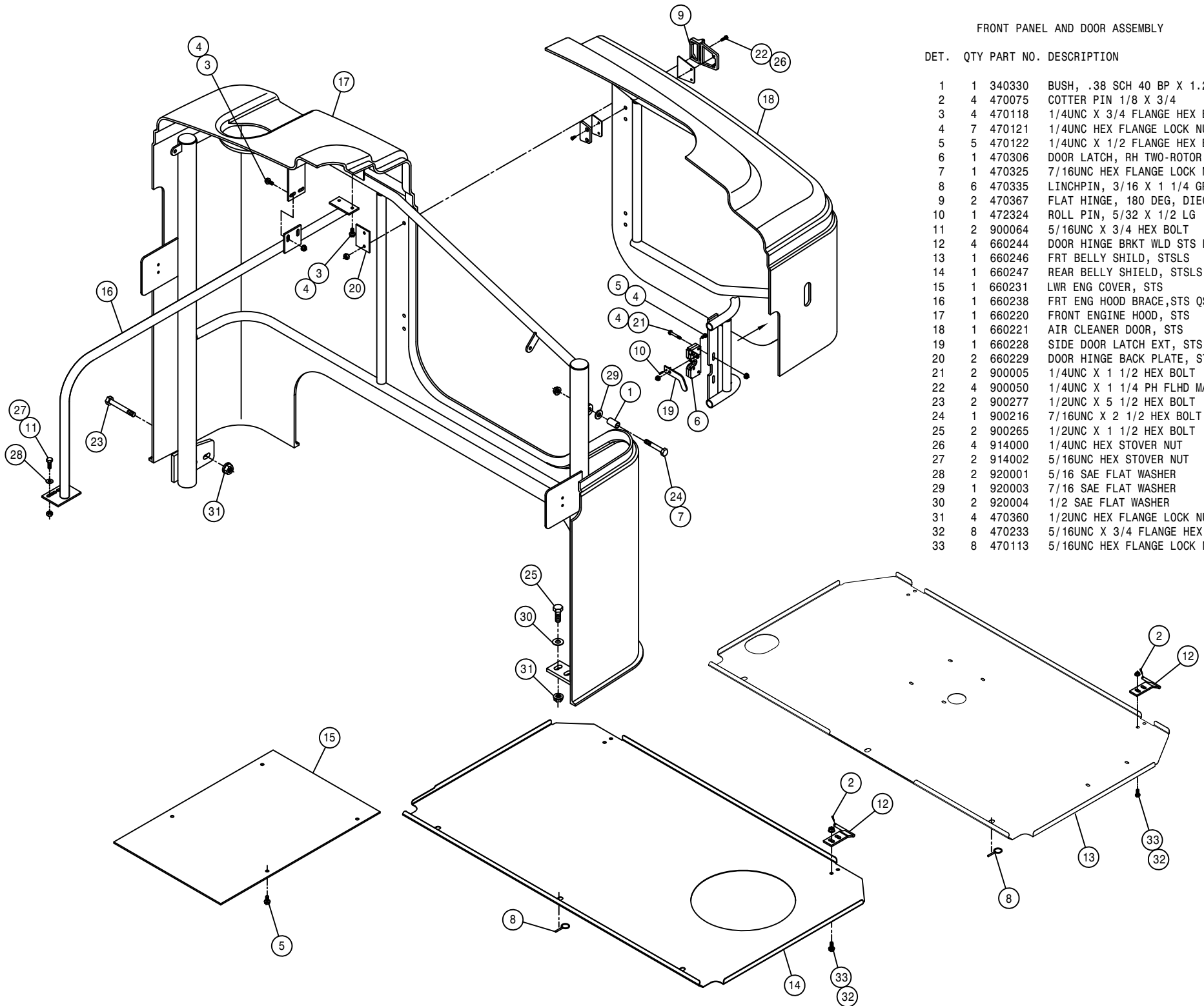
BUMPER AND REAR HOOD ASSEMBLY

DET.	QTY	PART NO.	DESCRIPTION
1	2	125056	TRACK ROLLER,2.00 OD,.625 BORE
2	1	291759	BACK-UP WARNING BEEPER, 112DB
3	2	293813	RED LIGHT ASSY, STS 05
4	2	293814	AMBER LIGHT ASSY, STS 05
5	2	361679	BUMPER PIVOT BRG SPACER,STS 04
6	1	361680	REAR BUMPER WLD, STS 04
7	6	470121	1/4UNC HEX FLANGE LOCK NUT
8	2	470122	1/4UNC X 1/2 FLANGE HEX BOLT
9	2	470368	LATCH, FLEXIBLE LEVER DRAW
10	8	903710	10-32X5/8 PHIL PANHD MACH SCR
11	1	472251	MTG SOCKET FOR 472249 SMV SIGN
12	1	472249	SLOW MOVING VEHICLE SIGN
13	1	472250	SPADE MTG BRKT FOR 472249 SMV
14	1	660222	REAR ENGINE HOOD, STS 04
15	2	660224	ENG HOOD BUMPER WLD, STS 04
16	2	660226	ENG HOOD BUMPER, STS 04
17	2	660227	ENG HOOD BUMPER KEEPER, STS 04
18	4	900003	1/4UNC X 1" HEX BOLT
19	4	920500	1/4 LOCK WASHER
20	1	660230	ENG HOOD PULL STRAP ASSY,STS04
21	4	900265	1/2UNC X 1 1/2 HEX BOLT
22	2	900341	5/8UNC X 3 3/4 HEX BOLT
23	8	910027	10-32 HEX NUT
24	2	914008	1/2UNC HEX STOVER NUT
25	2	914010	5/8UNC HEX STOVER NUT
26	8	920004	1/2 SAE FLAT WASHER
27	8	920510	#10 LOCK WASHER
28	4	910008	1/2UNC HEX NUT
29	1	900267	1/2UNC X 2" HEX BOLT
30	1	900268	1/2UNC X 2 1/2 HEX BOLT
31	1	621077	HOOD HYD CYL ASSY, STS 04
32	4	470118	1/4UNC X 3/4 FLANGE HEX BOLT
33	4	470360	1/2UNC HEX FLANGE LOCK NUT
34	1	470441	GROMMET, .500ID .250GW 2.190GD
35	1	650223	DECAL,30MPH ID SYMBOL, VINYL

FRONT PANEL AND DOOR ASSEMBLY

DET. QTY PART NO. DESCRIPTION

DET.	QTY	PART NO.	DESCRIPTION
1	1	340330	BUSH, .38 SCH 40 BP X 1.25 LG
2	4	470075	COTTER PIN 1/8 X 3/4
3	4	470118	1/4UNC X 3/4 FLANGE HEX BOLT
4	7	470121	1/4UNC HEX FLANGE LOCK NUT
5	5	470122	1/4UNC X 1/2 FLANGE HEX BOLT
6	1	470306	DOOR LATCH, RH TWO-ROTOR
7	1	470325	7/16UNC HEX FLANGE LOCK NUT
8	6	470335	LINCHPIN, 3/16 X 1 1/4 GRIP
9	2	470367	FLAT HINGE, 180 DEG, DIECAST
10	1	472324	ROLL PIN, 5/32 X 1/2 LG
11	2	900064	5/16UNC X 3/4 HEX BOLT
12	4	660244	DOOR HINGE BRKT WLD STS LS 06
13	1	660246	FRT BELLY SHIELD, STSLS 06
14	1	660247	REAR BELLY SHIELD, STSLS 06
15	1	660231	LWR ENG COVER, STS 04
16	1	660238	FRT ENG HOOD BRACE, STS QSB 0
17	1	660220	FRONT ENGINE HOOD, STS 04
18	1	660221	AIR CLEANER DOOR, STS 04
19	1	660228	SIDE DOOR LATCH EXT, STS 04
20	2	660229	DOOR HINGE BACK PLATE, STS 04
21	2	900005	1/4UNC X 1 1/2 HEX BOLT
22	4	900050	1/4UNC X 1 1/4 PH FLHD MAC SCR
23	2	900277	1/2UNC X 5 1/2 HEX BOLT
24	1	900216	7/16UNC X 2 1/2 HEX BOLT
25	2	900265	1/2UNC X 1 1/2 HEX BOLT
26	4	914000	1/4UNC HEX STOVER NUT
27	2	914002	5/16UNC HEX STOVER NUT
28	2	920001	5/16 SAE FLAT WASHER
29	1	920003	7/16 SAE FLAT WASHER
30	2	920004	1/2 SAE FLAT WASHER
31	4	470360	1/2UNC HEX FLANGE LOCK NUT
32	8	470233	5/16UNC X 3/4 FLANGE HEX BOLT
33	8	470113	5/16UNC HEX FLANGE LOCK NUT

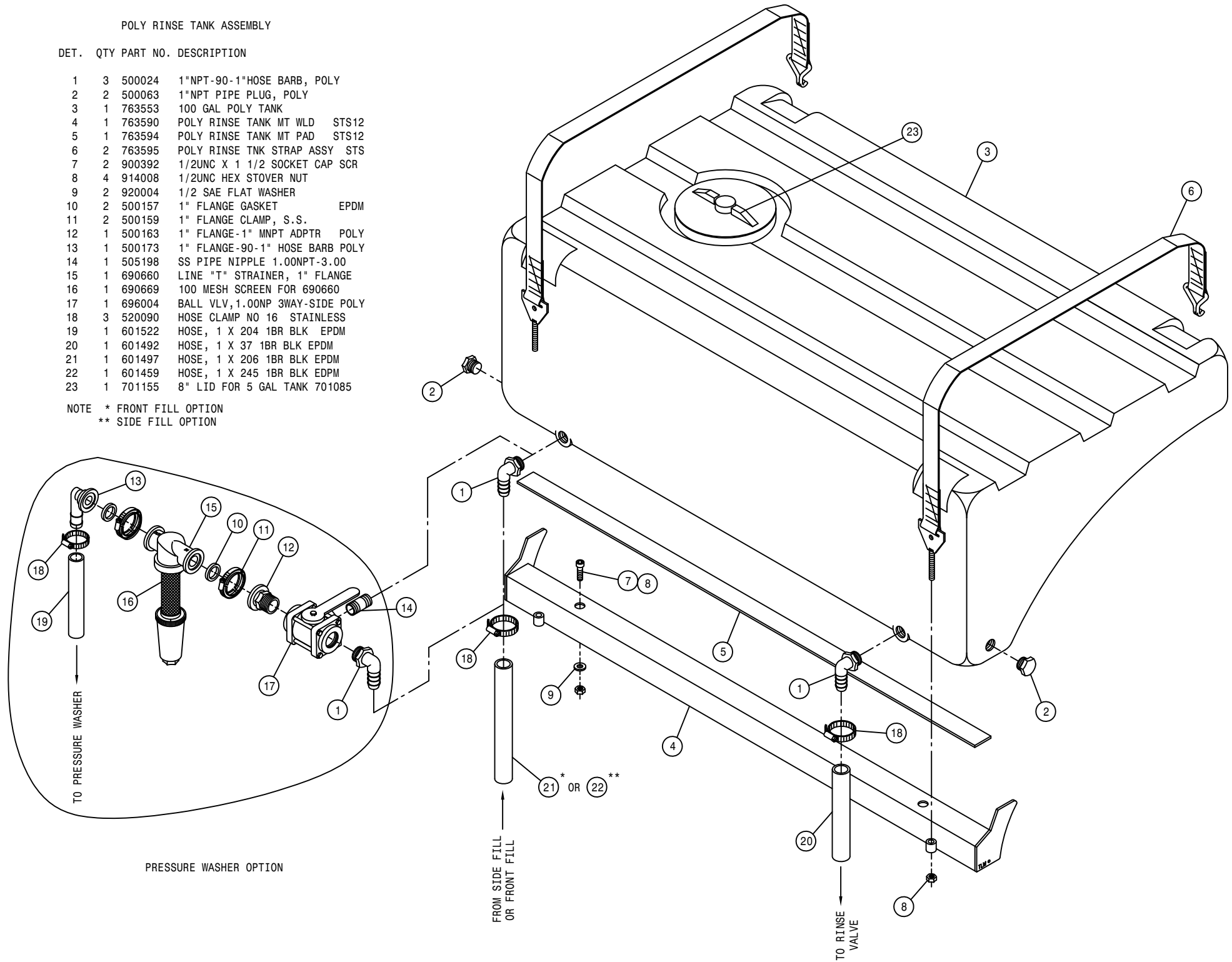


POLY RINSE TANK ASSEMBLY

DET. QTY PART NO. DESCRIPTION

1	3	500024	1"NPT-90-1"HOSE BARB, POLY
2	2	500063	1"NPT PIPE PLUG, POLY
3	1	763553	100 GAL POLY TANK
4	1	763590	POLY RINSE TANK MT WLD STS12
5	1	763594	POLY RINSE TANK MT PAD STS12
6	2	763595	POLY RINSE TNK STRAP ASSY STS
7	2	900392	1/2UNC X 1 1/2 SOCKET CAP SCR
8	4	914008	1/2UNC HEX STOVER NUT
9	2	920004	1/2 SAE FLAT WASHER
10	2	500157	1" FLANGE GASKET EPDM
11	2	500159	1" FLANGE CLAMP, S.S.
12	1	500163	1" FLANGE-1" MNPT ADPTR POLY
13	1	500173	1" FLANGE-90-1" HOSE BARB POLY
14	1	505198	SS PIPE NIPPLE 1.00NPT-3.00
15	1	690660	LINE "T" STRAINER, 1" FLANGE
16	1	690669	100 MESH SCREEN FOR 690660
17	1	696004	BALL VLV,1.00NP 3WAY-SIDE POLY
18	3	520090	HOSE CLAMP NO 16 STAINLESS
19	1	601522	HOSE, 1 X 204 1BR BLK EPDM
20	1	601492	HOSE, 1 X 37 1BR BLK EPDM
21	1	601497	HOSE, 1 X 206 1BR BLK EPDM
22	1	601459	HOSE, 1 X 245 1BR BLK EPDM
23	1	701155	8" LID FOR 5 GAL TANK 701085

NOTE \* FRONT FILL OPTION  
 \*\* SIDE FILL OPTION



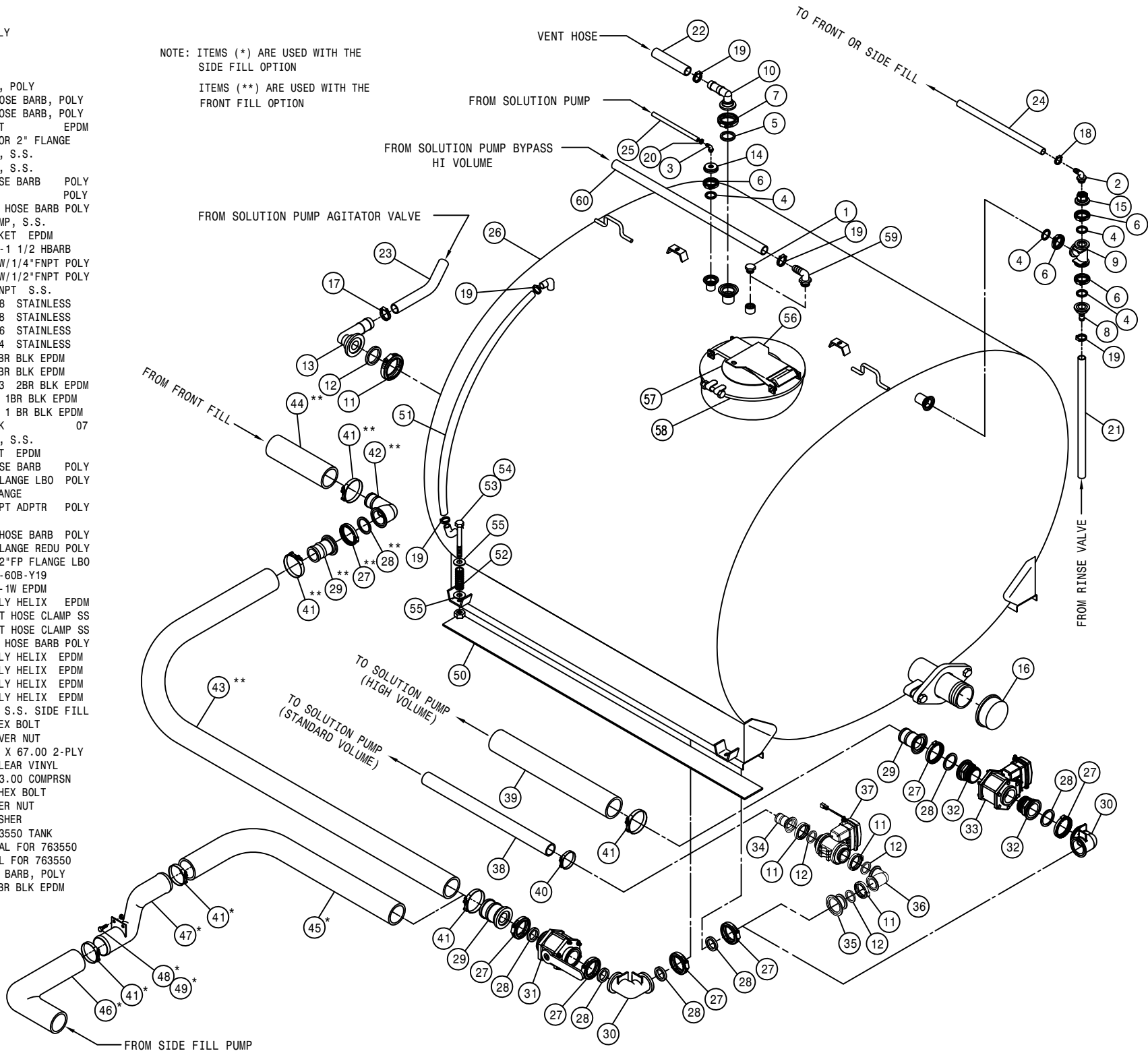
PRESSURE WASHER OPTION



1000 GALLON SS TANK ASSEMBLY

DET.	QTY	PART NO.	DESCRIPTION
1	1	500063	1"NPT PIPE PLUG, POLY
2	1	500047	1/2NPT-90-1/2 HOSE BARB, POLY
3	1	500104	1/4NPT-90-1/4 HOSE BARB, POLY
4	4	500157	1" FLANGE GASKET EPDM
5	1	500158	1 1/2" GASKET FOR 2" FLANGE
6	4	500159	1" FLANGE CLAMP, S.S.
7	1	500160	2" FLANGE CLAMP, S.S.
8	1	500171	1" FLANGE-1" HOSE BARB POLY
9	1	500175	1" FLANGE TEE POLY
10	1	500189	2" FLANGE-90-1" HOSE BARB POLY
11	4	500194	2"FP FLANGE CLAMP, S.S.
12	4	500195	2"FP FLANGE GASKET EPDM
13	1	500197	2" FP FLANGE-90-1 1/2 HBARB
14	1	500226	1" FLANGE PLUG W/1/4"FNPT POLY
15	1	500238	1" FLANGE PLUG W/1/2"FNPT POLY
16	1	507103	PIPE CAP, 2.00FNPT S.S.
17	1	520067	HOSE CLAMP NO 28 STAINLESS
18	1	520070	HOSE CLAMP NO 8 STAINLESS
19	5	520090	HOSE CLAMP NO 16 STAINLESS
20	1	520120	HOSE CLAMP NO 4 STAINLESS
21	1	601704	HOSE, 1 X 140 1BR BLK EPDM
22	1	601496	HOSE, 1 X 120 1BR BLK EPDM
23	1	601591	HOSE, 1 1/2 X 53 2BR BLK EPDM
24	1	601676	HOSE, 1/2 X 270 1BR BLK EPDM
25	1	601674	HOSE, 1/4 X 120 1 BR BLK EPDM
26	1	763575	1000 GAL SS TANK 07
27	7	500208	3" FLANGE CLAMP, S.S.
28	7	500209	3" FLANGE GASKET EPDM
29	3	500210	3" FLANGE-3" HOSE BARB POLY
30	2	500213	3"FLANGE-90-3"FLANGE LBO POLY
31	1	696149	BALL VLV, 3" FLANGE
32	2	500164	3" FLANGE-3" MNPT ADPTR POLY
33	1	696268	VALVE, 3" KZCO
34	1	500196	2"FP FLANGE-2" HOSE BARB POLY
35	1	500212	3"FLANGE-2"FP FLANGE REDU POLY
36	1	500219	2"FP FLANGE-90-2"FP FLANGE LBO
37	1	696258	VALVE, KZCO C2I-60B-Y19
38	1	601573	HOSE, 2 X 48 2F-1W EPDM
39	1	601663	HOSE, 3 X 50 POLY HELIX EPDM
40	1	520141	2.31/2.62 T-BOLT HOSE CLAMP SS
41	6	520145	3.56/3.88 T-BOLT HOSE CLAMP SS
42	1	500211	3" FLANGE-90-3" HOSE BARB POLY
43	1	601508	HOSE, 3 X 64 POLY HELIX EPDM
44	1	601680	HOSE, 3 X 91 POLY HELIX EPDM
45	1	601574	HOSE, 3 X 36 POLY HELIX EPDM
46	1	601506	HOSE, 3 X 74 POLY HELIX EPDM
47	1	690731	SOLU TUBE, 3.00 S.S. SIDE FILL
48	2	900064	5/16UNC X 3/4 HEX BOLT
49	2	914002	5/16UNC HEX STOVER NUT
50	2	470321	BALER BELT,4.00 X 67.00 2-PLY
51	1	601471	HOSE, 1" X 60 CLEAR VINYL
52	4	482016	SPRING, 1.40 X 3.00 COMPRSN
53	4	900416	3/4UNC X 6 1/2 HEX BOLT
54	4	914012	3/4UNC HEX STOVER NUT
55	8	920006	3/4 SAE FLAT WASHER
56	1	763561	LID ASSY FOR 763550 TANK
57	1	763562	10" FILL LID SEAL FOR 763550
58	1	763563	16" MANHOLE SEAL FOR 763550
59	1	500024	1"NPT-90-1"HOSE BARB, POLY
60	1	601682	HOSE, 1 X 111 2BR BLK EPDM

NOTE: ITEMS (\*) ARE USED WITH THE SIDE FILL OPTION  
 ITEMS (\*\*) ARE USED WITH THE FRONT FILL OPTION

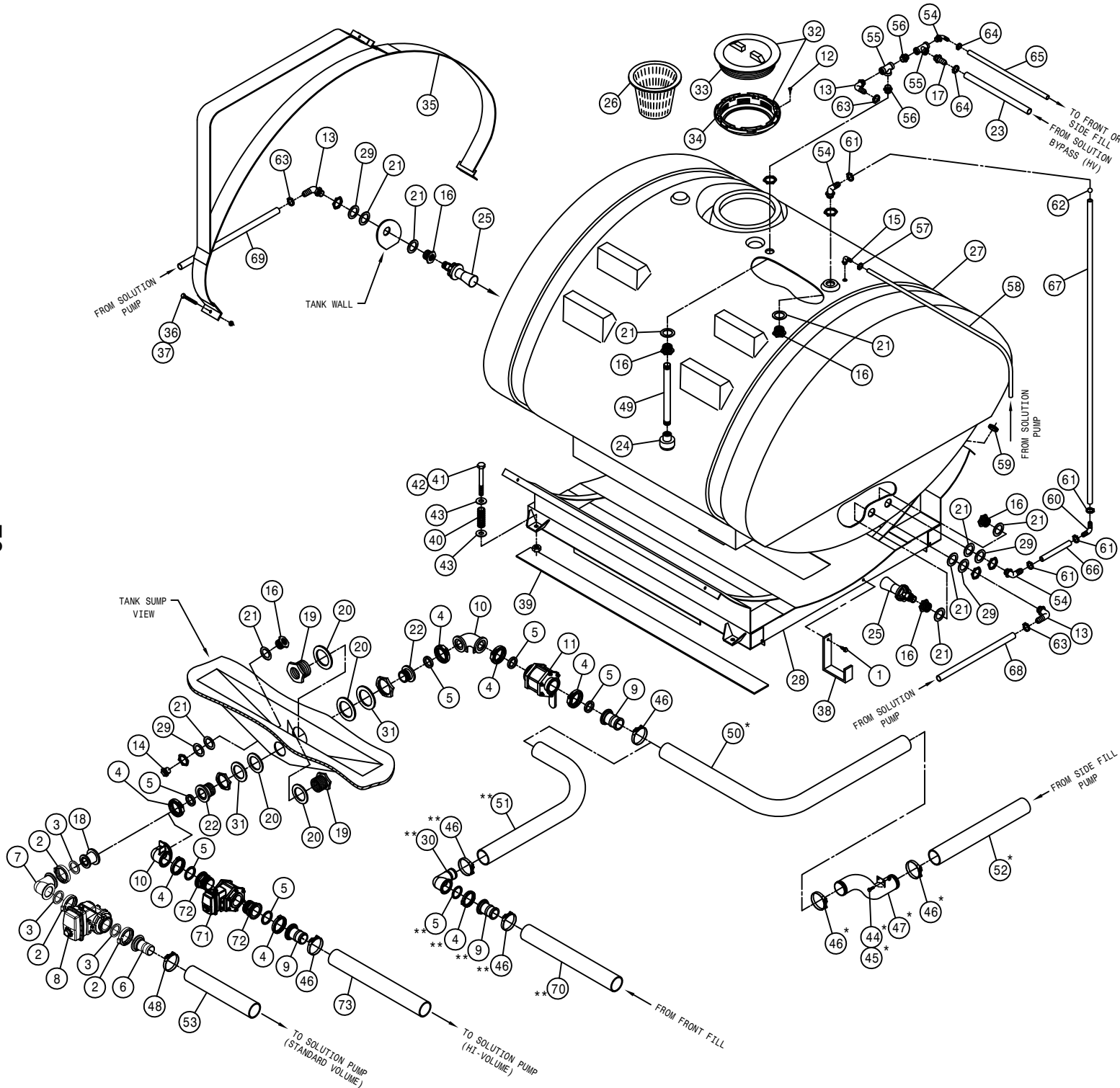


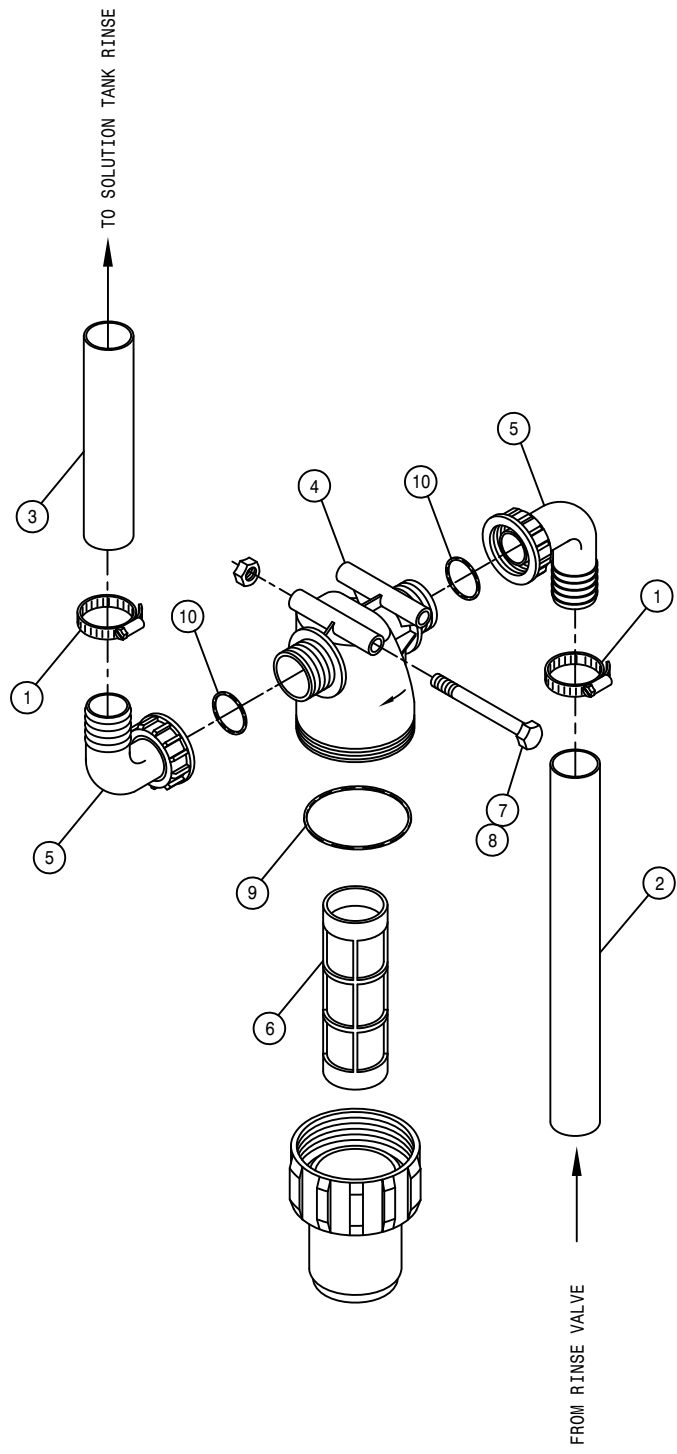
1000 GALLON POLY TANK ASSEMBLY

DET. QTY PART NO. DESCRIPTION

1	1	472349	1/4 X 3/4 20THD-IN TEK TYPE
2	3	500194	2"FP FLANGE CLAMP, S.S.
3	3	500195	2"FP FLANGE GASKET EPDM
4	7	500208	3" FLANGE CLAMP, S.S.
5	7	500209	3" FLANGE GASKET EPDM
6	1	500196	2"FP FLANGE-2" HOSE BARB POLY
7	1	500219	2"FP FLANGE-90-2"FP FLANGE LBO
8	1	696258	VALVE, KZCO C21-60B-Y19
9	3	500210	3" FLANGE-3" HOSE BARB POLY
10	2	500213	3"FLANGE-90-3"FLANGE LBO POLY
11	1	696149	BALL VLV, 3" FLANGE
12	8	473847	10-12 X 1 PHIL FLAT HD SCR SS
13	3	500026	3/4NPT-90-1"HOSE BARB, POLY
14	1	500043	3/4NPT PIPE PLUG, POLY
15	1	500104	1/4NPT-90-1/4 HOSE BARB, POLY
16	6	500110	3/4NPT BLKHD TANK FITTING POLY
17	1	500123	3/4NPT-1"HOSE BARB, POLY
18	1	500212	3"FLANGE-2"FP FLANGE REDU POLY
19	2	500127	3" TANK FITTING W/.50 FLG POLY
20	4	500115	3"NPT BLKHD FITTING GASKET
21	10	500158	1 1/2" GASKET FOR 2" FLANGE
22	2	500164	3" FLANGE-3" MNPT ADPTR POLY
23	1	601682	HOSE, 1 X 111 2BR BLK EPDM
24	1	737873	ROTARY NOZZLE, TEFLON
25	2	737879	EDUCTOR NOZZLE, 3/4MNPT TEEJET
26	1	763431	8" STRAINER BASKET, SOLU TANK
27	1	763571	1000 GAL POLY TANK
28	1	763601	POLY TANK CRADLE WELDMT STS10
29	4	763612	1.625 X 2.375 X 16GA WASHER
30	1	500211	3" FLANGE-90-3" HOSE BARB POLY
31	2	763614	4.500 X 5.500 X 16GA WASHER
32	2	763624	10" TANK LID W/RING ASSY, POLY
33	1	763625	10" TANK LID, POLY
34	1	763626	10" TANK LID RING, POLY
35	2	763630	POLY TANK STRAP ASSY STS10
36	6	900538	1/2UNC X 3 1/2 HEX BOLT FULL
37	6	914008	1/2UNC HEX STOVER NUT
38	1	763621	SOLU HOSE SUPP,POLY TANK STS10
39	2	470321	BALER BELT,4.00 X 67.00 2-PLY
40	4	482016	SPRING, 1.40 X 3.00 COMPRNS
41	4	900416	3/4UNC X 6 1/2 HEX BOLT
42	4	914012	3/4UNC HEX STOVER NUT
43	8	920006	3/4 SAE FLAT WASHER
44	2	914002	5/16UNC HEX STOVER NUT
45	2	900064	5/16UNC X 3/4 HEX BOLT
46	6	520145	3.56/3.88 T-BOLT HOSE CLAMP SS
47	1	690731	SOLU TUBE, 3.00 S.S. SIDE FILL
48	1	520141	2.31/2.62 T-BOLT HOSE CLAMP SS
49	1	504850	CPVC PIPE NIPPLE .75NPT-24.00
50	1	601574	HOSE, 3 X 36 POLY HELIX EPDM
51	1	601508	HOSE, 3 X 64 POLY HELIX EPDM
52	1	601506	HOSE, 3 X 74 POLY HELIX EPDM
53	1	601573	HOSE, 2 X 48 2F-1W EPDM
54	3	500041	3/4NPT-90-1/2"HOSE BARB, POLY
55	2	505218	3/4 NPT PIPE TEE, POLY
56	2	690098	3/4NPT CLOSE NIPPLE, POLY
57	1	520120	HOSE CLAMP NO 4 STAINLESS
58	1	601674	HOSE, 1/4 X 120 1 BR BLK EPDM
59	1	470203	GROMMET, .750ID .125GW 1.062GD
60	1	500098	1/2HB-90-1/2 HOSE BARB, POLY
61	4	520069	HOSE CLAMP NO 6 STAINLESS
62	1	763446	RED POLYPROPYLENE BALL 25/64"
63	4	520090	HOSE CLAMP NO 16 STAINLESS
64	1	520070	HOSE CLAMP NO 8 STAINLESS
65	1	601166	HOSE, 1/2 X 216 1BR BLK EPDM
66	1	601629	HOSE, 1/2 X 36 CLEAR VINYL
67	1	601630	HOSE, 1/2 X 80 CLEAR VINYL
68	1	601577	HOSE, 1 X 53 1BR BLK EPDM
69	1	601578	HOSE, 1 X 125 1BR BLK EPDM
70	1	601680	HOSE, 3 X 91 POLY HELIX EPDM
71	1	696268	VALVE, 3" KZCO
72	2	500164	3" FLANGE-3" MNPT ADPTR POLY
73	1	601663	HOSE, 3 X 50 POLY HELIX EPDM

NOTE: ITEMS (\*) ARE USED WITH THE SIDE FILL OPTION.  
ITEMS (\*\*) ARE USED WITH THE FRONT FILL OPTION.





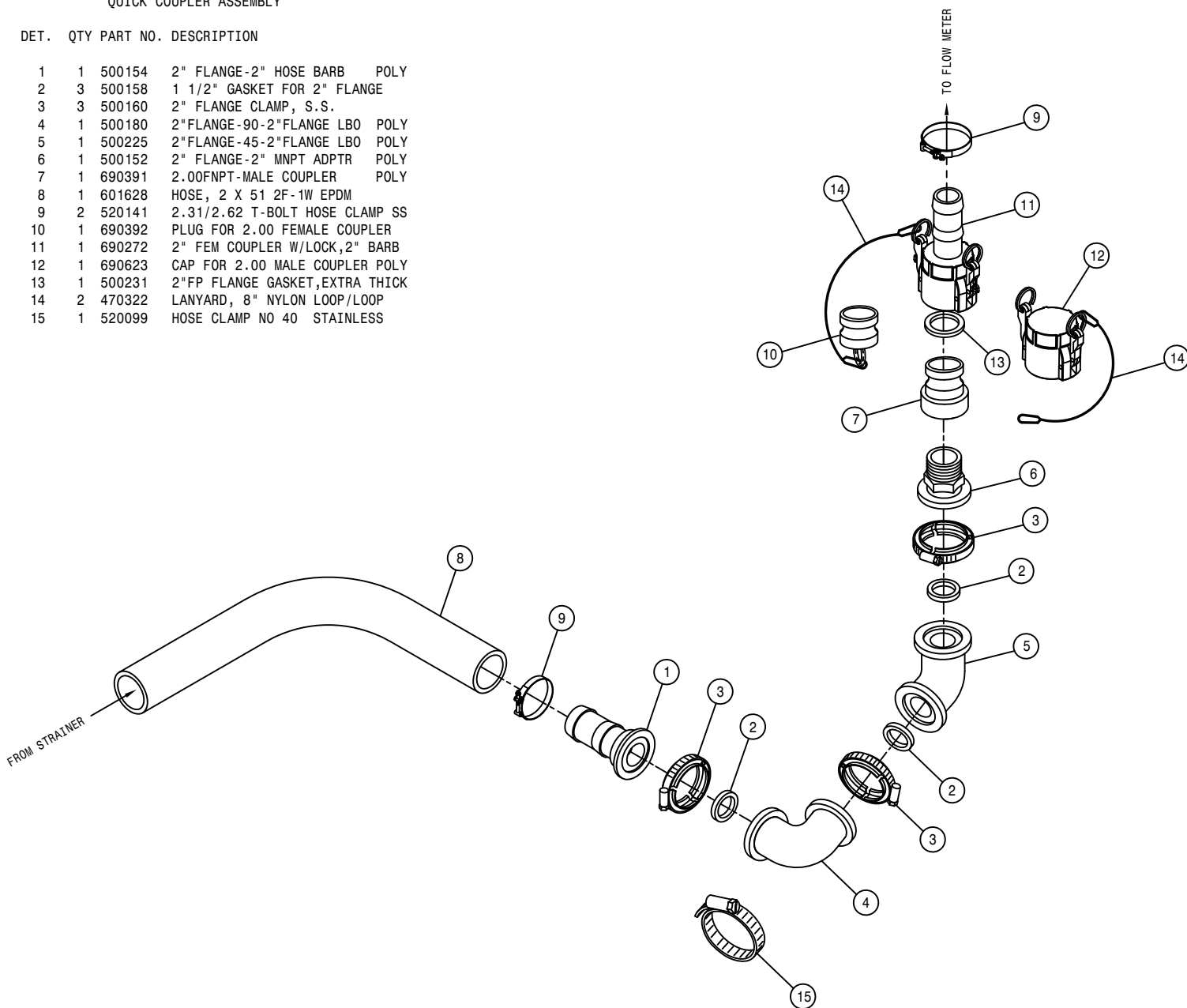
RINSE STRAINER ASSEMBLY

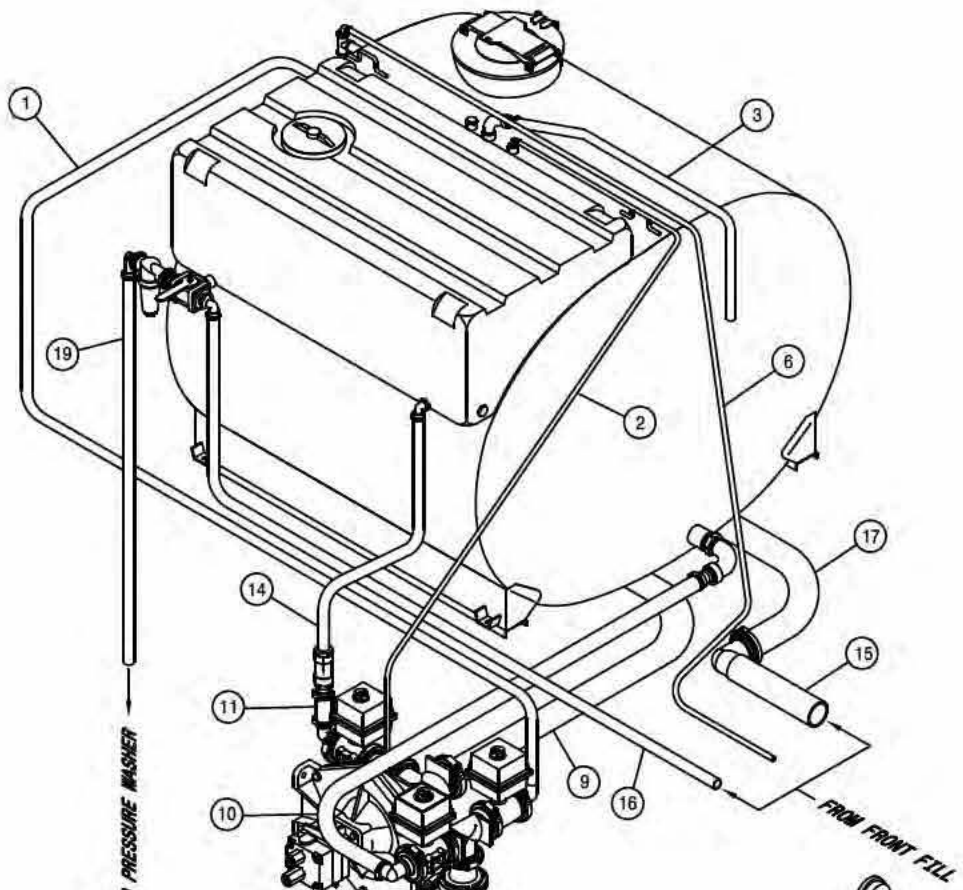
DET.	QTY	PART NO.	DESCRIPTION
1	2	520090	HOSE CLAMP NO 16 STAINLESS
2	1	601635	HOSE, 1 X 35 1BR BLK EPDM
3	1	601636	HOSE, 1 X 100 1BR BLK EPDM
4	1	690071	LINE STRAINER,32 MESH,150PSI
5	2	690072	1" -90D HOSE BARB KIT,STRAINER
6	1	690073	SCREEN,32 MESH,STRANER 690071
7	2	900073	5/16UNC X 3 1/4 HEX BOLT
8	2	470113	5/16UNC HEX FLANGE LOCK NUT
9	1	690006	O-RING FOR STRAINER 690071
10	2	690007	O-RING FOR STRAINER FTG 690072

QUICK COUPLER ASSEMBLY

DET. QTY PART NO. DESCRIPTION

1	1	500154	2" FLANGE-2" HOSE BARB	POLY
2	3	500158	1 1/2" GASKET FOR 2" FLANGE	
3	3	500160	2" FLANGE CLAMP, S.S.	
4	1	500180	2"FLANGE-90-2"FLANGE LBO	POLY
5	1	500225	2"FLANGE-45-2"FLANGE LBO	POLY
6	1	500152	2" FLANGE-2" MNPT ADPTR	POLY
7	1	690391	2.00FNPT-MALE COUPLER	POLY
8	1	601628	HOSE, 2 X 51 2F-1W EPDM	
9	2	520141	2.31/2.62 T-BOLT HOSE CLAMP SS	
10	1	690392	PLUG FOR 2.00 FEMALE COUPLER	
11	1	690272	2" FEM COUPLER W/LOCK,2" BARB	
12	1	690623	CAP FOR 2.00 MALE COUPLER POLY	
13	1	500231	2"FP FLANGE GASKET,EXTRA THICK	
14	2	470322	LANYARD, 8" NYLON LOOP/LOOP	
15	1	520099	HOSE CLAMP NO 40 STAINLESS	

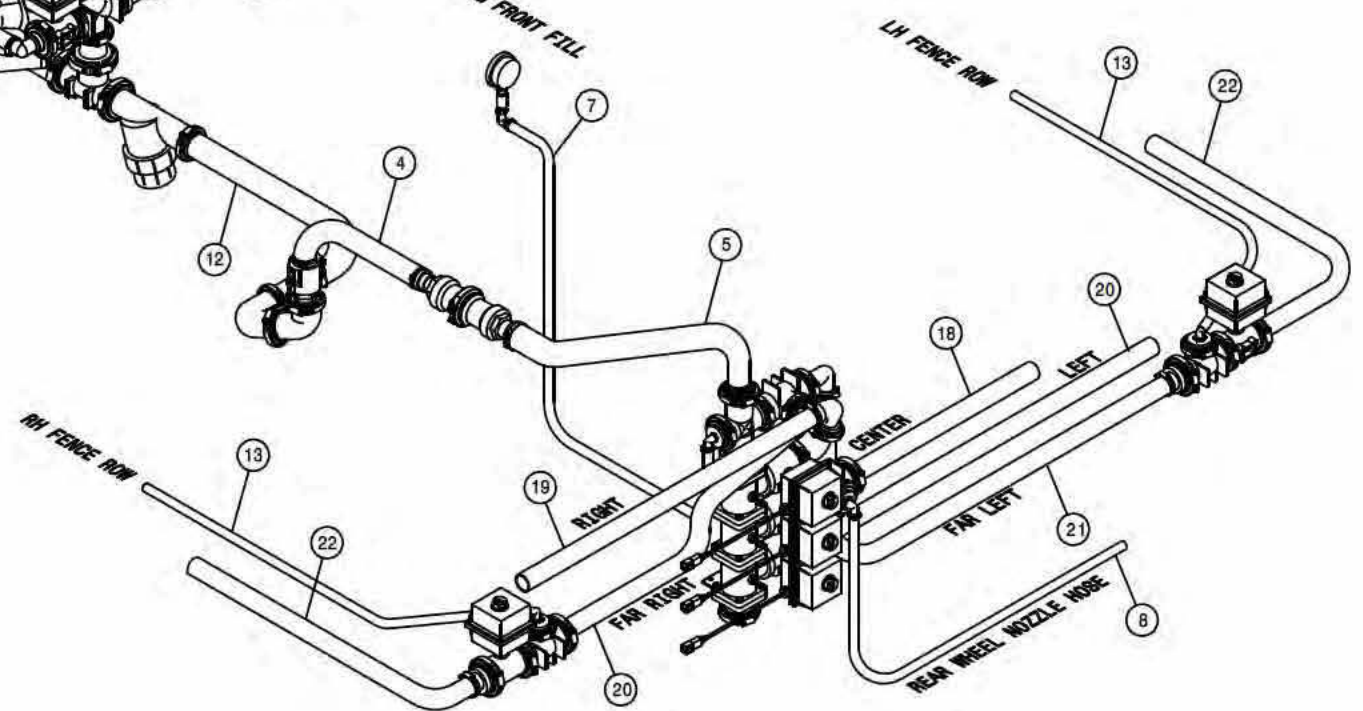




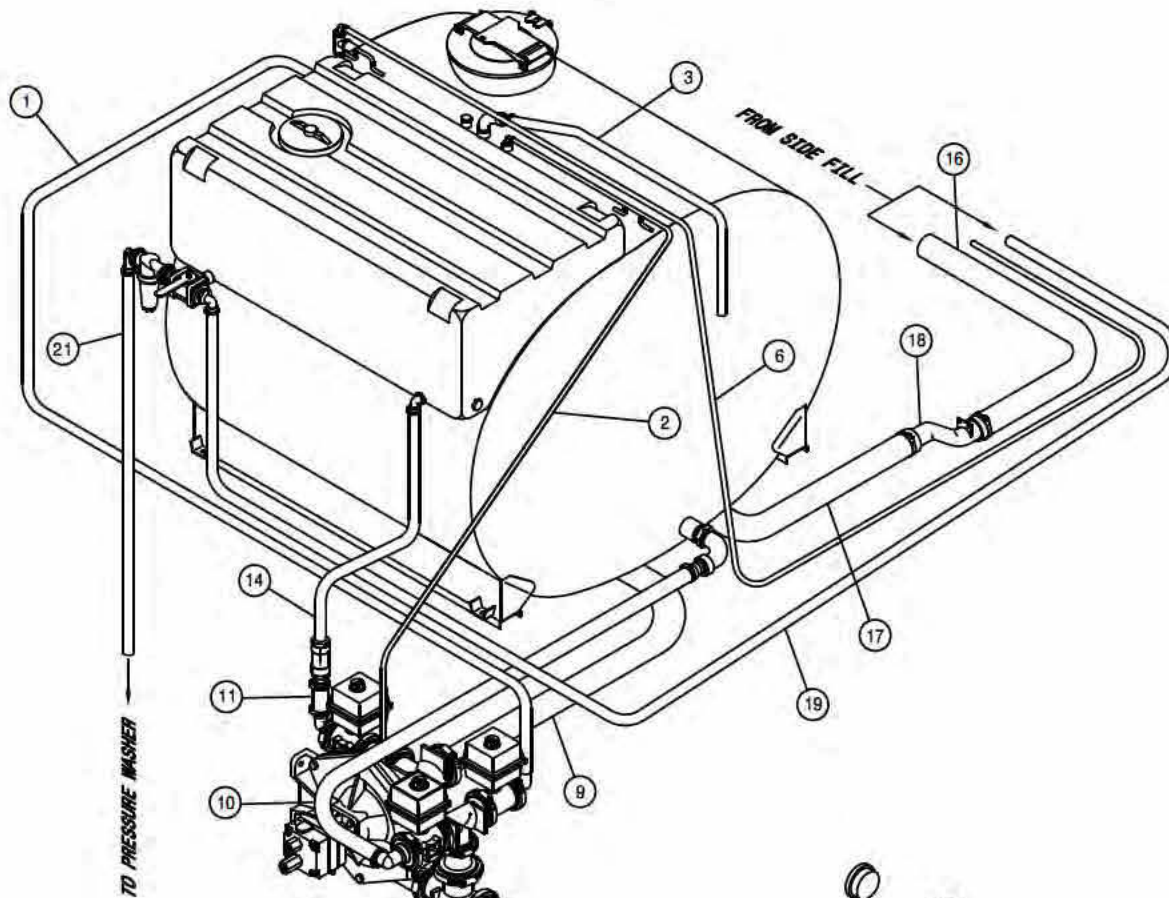
FRONT FILL SOLUTION HOSE (SV)

DET. QTY PART NO. DESCRIPTION

DET.	QTY	PART NO.	DESCRIPTION
1	1	601704	HOSE, 1 X 140 1BR BLK EPDM
2	1	601674	HOSE, 1/4 X 120 1 BR BLK EPDM
3	1	601496	HOSE, 1 X 120 1BR BLK EPDM
4	1	601613	HOSE, 2 X 43 2F-1W EPDM
5	1	601502	HOSE, 2 X 56 2F-1W EPDM
6	1	601676	HOSE, 1/2 X 270 1BR BLK EPDM
7	1	601634	HOSE, 1/2 X 78 1BR BLK EPDM
8	1	601677	HOSE, 1/2 X 100 1BR BLK EPDM
9	1	601573	HOSE, 2 X 48 2F-1W EPDM
10	1	601591	HOSE, 1 1/2 X 53 2BR BLK EPDM
11	1	601590	HOSE, 1 X 6 1BR BLK EPDM
12	1	601628	HOSE, 2 X 51 2F-1W EPDM
13	2	601566	HOSE, 1/2 X 252 1BR BLK EPDM
14	1	601492	HOSE, 1 X 37 1BR BLK EPDM
15	1	601680	HOSE, 3 X 91 POLY HELIX EPDM
16	1	601497	HOSE, 1 X 206 1BR BLK EPDM
17	1	601508	HOSE, 3 X 64 POLY HELIX EPDM
18	1	601521	HOSE, 1 X 72 1BR BLK EPDM
19	2	601522	HOSE, 1 X 204 1BR BLK EPDM
20	2	601523	HOSE, 1 X 300 1BR BLK EPDM
21	1	601524	HOSE, 1 X 396 1BR BLK EPDM
22	2	601525	HOSE, 1 X 84 1BR BLK EPDM



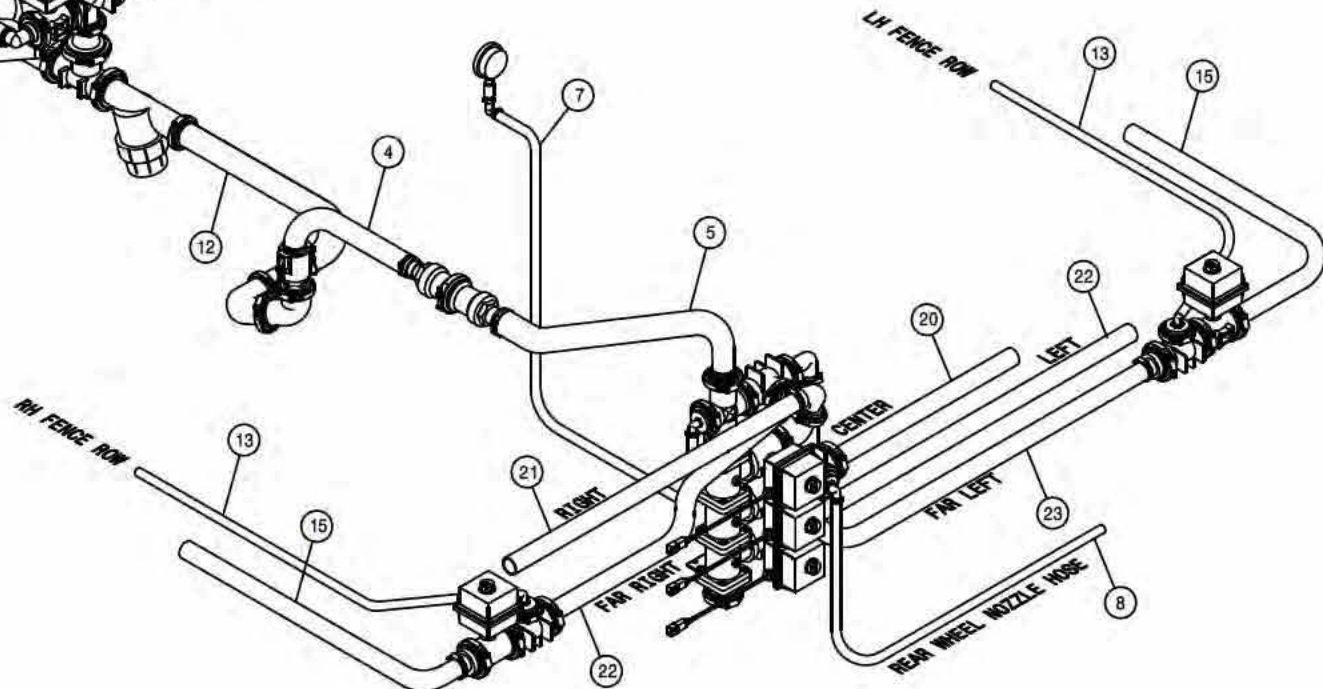




SIDE FILL SOLUTION HOSE (SV)

DET. QTY PART NO. DESCRIPTION

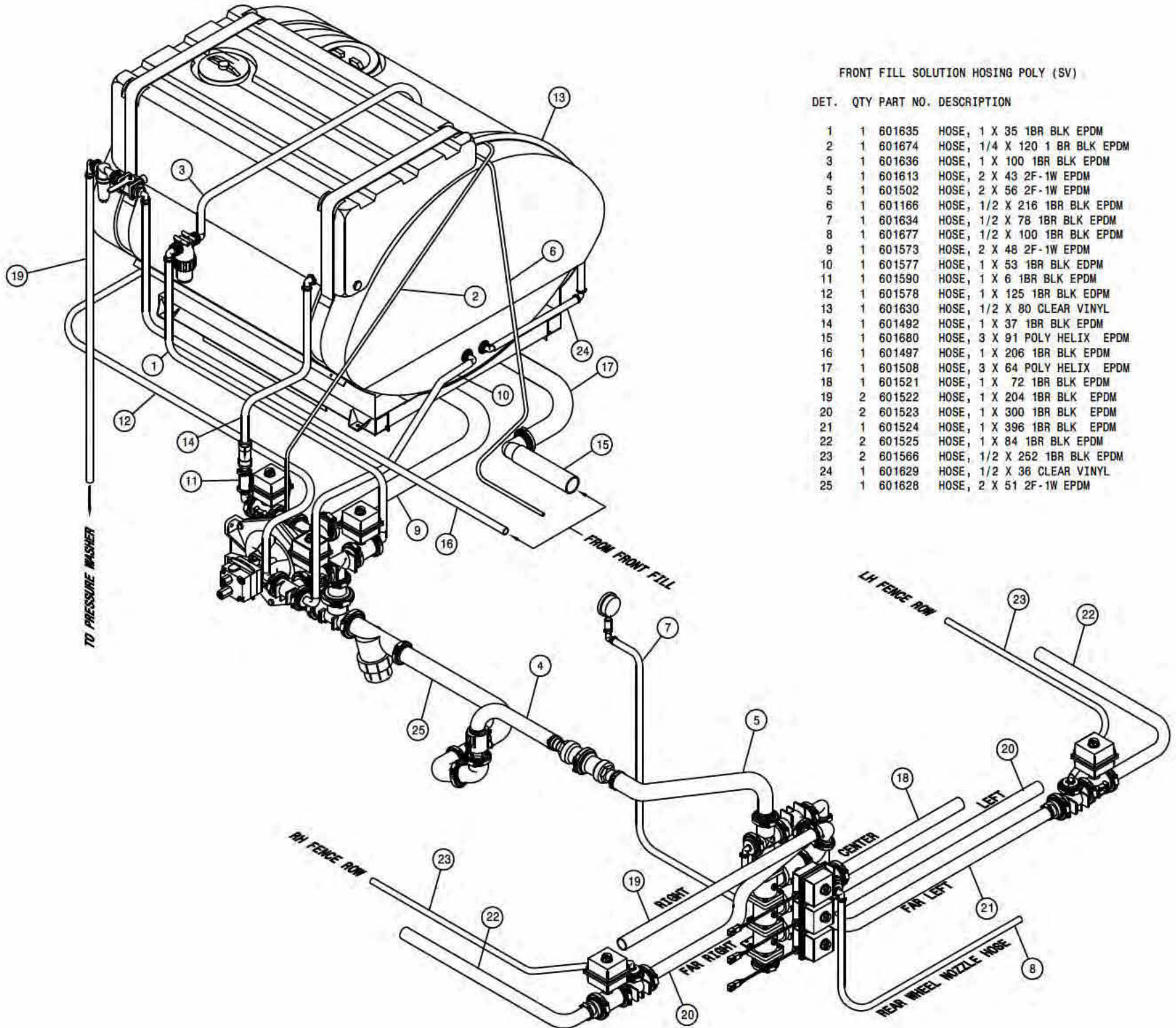
DET.	QTY	PART NO.	DESCRIPTION
1	1	601704	HOSE, 1 X 140 1BR BLK EPDM
2	1	601674	HOSE, 1/4 X 120 1 BR BLK EPDM
3	1	601496	HOSE, 1 X 120 1BR BLK EPDM
4	1	601613	HOSE, 2 X 43 2F-1W EPDM
5	1	601502	HOSE, 2 X 56 2F-1W EPDM
6	1	601676	HOSE, 1/2 X 270 1BR BLK EPDM
7	1	601634	HOSE, 1/2 X 78 1BR BLK EPDM
8	1	601677	HOSE, 1/2 X 100 1BR BLK EPDM
9	1	601573	HOSE, 2 X 48 2F-1W EPDM
10	1	601591	HOSE, 1 1/2 X 53 2BR BLK EPDM
11	1	601590	HOSE, 1 X 6 1BR BLK EPDM
12	1	601628	HOSE, 2 X 51 2F-1W EPDM
13	2	601566	HOSE, 1/2 X 252 1BR BLK EPDM
14	1	601492	HOSE, 1 X 37 1BR BLK EPDM
15	2	601525	HOSE, 1 X 84 1BR BLK EPDM
16	1	601506	HOSE, 3 X 74 POLY HELIX EPDM
17	1	601574	HOSE, 3 X 36 POLY HELIX EPDM
18	1	690731	SOLU TUBE, 3.00 S.S. SIDE FILL
19	1	601459	HOSE, 1 X 245 1BR BLK EPDM
20	1	601521	HOSE, 1 X 72 1BR BLK EPDM
21	2	601522	HOSE, 1 X 204 1BR BLK EPDM
22	2	601523	HOSE, 1 X 300 1BR BLK EPDM
23	1	601524	HOSE, 1 X 396 1BR BLK EPDM



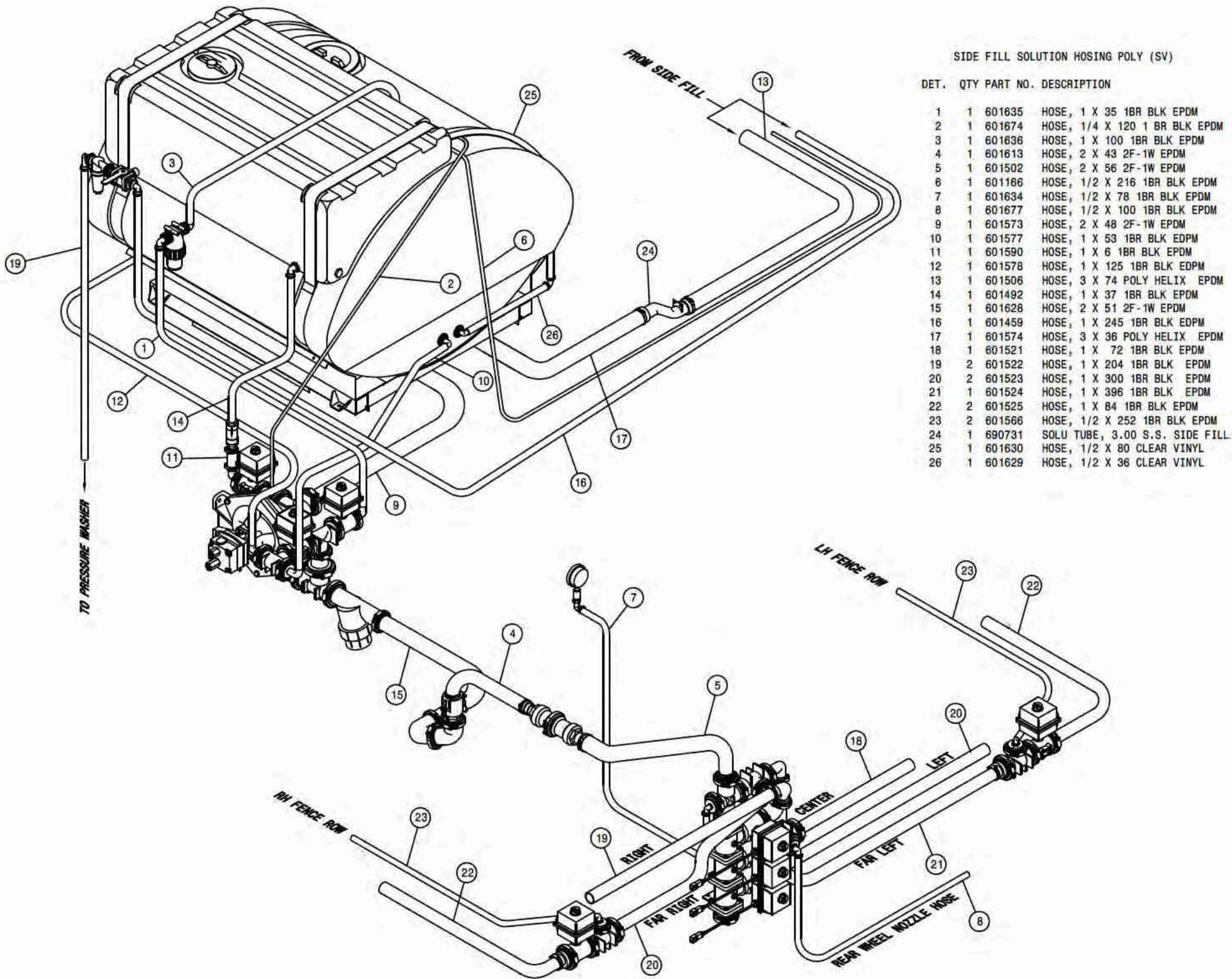
FRONT FILL SOLUTION HOISING POLY (SV)

DET. QTY PART NO. DESCRIPTION

DET.	QTY	PART NO.	DESCRIPTION
1	1	601635	HOSE, 1 X 35 1BR BLK EPDM
2	1	601674	HOSE, 1/4 X 120 1 BR BLK EPDM
3	1	601636	HOSE, 1 X 100 1BR BLK EPDM
4	1	601613	HOSE, 2 X 43 2F-1W EPDM
5	1	601502	HOSE, 2 X 56 2F-1W EPDM
6	1	601166	HOSE, 1/2 X 216 1BR BLK EPDM
7	1	601634	HOSE, 1/2 X 78 1BR BLK EPDM
8	1	601677	HOSE, 1/2 X 100 1BR BLK EPDM
9	1	601573	HOSE, 2 X 48 2F-1W EPDM
10	1	601577	HOSE, 1 X 53 1BR BLK EPDM
11	1	601590	HOSE, 1 X 6 1BR BLK EPDM
12	1	601578	HOSE, 1 X 125 1BR BLK EPDM
13	1	601630	HOSE, 1/2 X 80 CLEAR VINYL
14	1	601492	HOSE, 1 X 37 1BR BLK EPDM
15	1	601680	HOSE, 3 X 91 POLY HELIX EPDM
16	1	601497	HOSE, 1 X 206 1BR BLK EPDM
17	1	601508	HOSE, 3 X 64 POLY HELIX EPDM
18	1	601521	HOSE, 1 X 72 1BR BLK EPDM
19	2	601522	HOSE, 1 X 204 1BR BLK EPDM
20	2	601523	HOSE, 1 X 300 1BR BLK EPDM
21	1	601524	HOSE, 1 X 396 1BR BLK EPDM
22	2	601525	HOSE, 1 X 84 1BR BLK EPDM
23	2	601566	HOSE, 1/2 X 252 1BR BLK EPDM
24	1	601629	HOSE, 1/2 X 36 CLEAR VINYL
25	1	601628	HOSE, 2 X 51 2F-1W EPDM







SIDE FILL SOLUTION HOISING POLY (SV)

DET.	QTY	PART NO.	DESCRIPTION
1	1	601635	HOSE, 1 X 35 1BR BLK EPDM
2	1	601674	HOSE, 1/4 X 120 1 BR BLK EPDM
3	1	601636	HOSE, 1 X 100 1BR BLK EPDM
4	1	601613	HOSE, 2 X 43 2F-1W EPDM
5	1	601502	HOSE, 2 X 56 2F-1W EPDM
6	1	601166	HOSE, 1/2 X 216 1BR BLK EPDM
7	1	601634	HOSE, 1/2 X 78 1BR BLK EPDM
8	1	601677	HOSE, 1/2 X 100 1BR BLK EPDM
9	1	601573	HOSE, 2 X 48 2F-1W EPDM
10	1	601577	HOSE, 1 X 53 1BR BLK EPDM
11	1	601590	HOSE, 1 X 6 1BR BLK EPDM
12	1	601578	HOSE, 1 X 125 1BR BLK EPDM
13	1	601506	HOSE, 3 X 74 POLY HELIX EPDM
14	1	601492	HOSE, 1 X 37 1BR BLK EPDM
15	1	601628	HOSE, 2 X 51 2F-1W EPDM
16	1	601459	HOSE, 1 X 245 1BR BLK EPDM
17	1	601574	HOSE, 3 X 36 POLY HELIX EPDM
18	1	601521	HOSE, 1 X 72 1BR BLK EPDM
19	2	601522	HOSE, 1 X 204 1BR BLK EPDM
20	2	601523	HOSE, 1 X 300 1BR BLK EPDM
21	1	601524	HOSE, 1 X 396 1BR BLK EPDM
22	2	601525	HOSE, 1 X 84 1BR BLK EPDM
23	2	601566	HOSE, 1/2 X 252 1BR BLK EPDM
24	1	690731	SOLU TUBE, 3.00 S.S. SIDE FILL
25	1	601630	HOSE, 1/2 X 80 CLEAR VINYL
26	1	601629	HOSE, 1/2 X 36 CLEAR VINYL

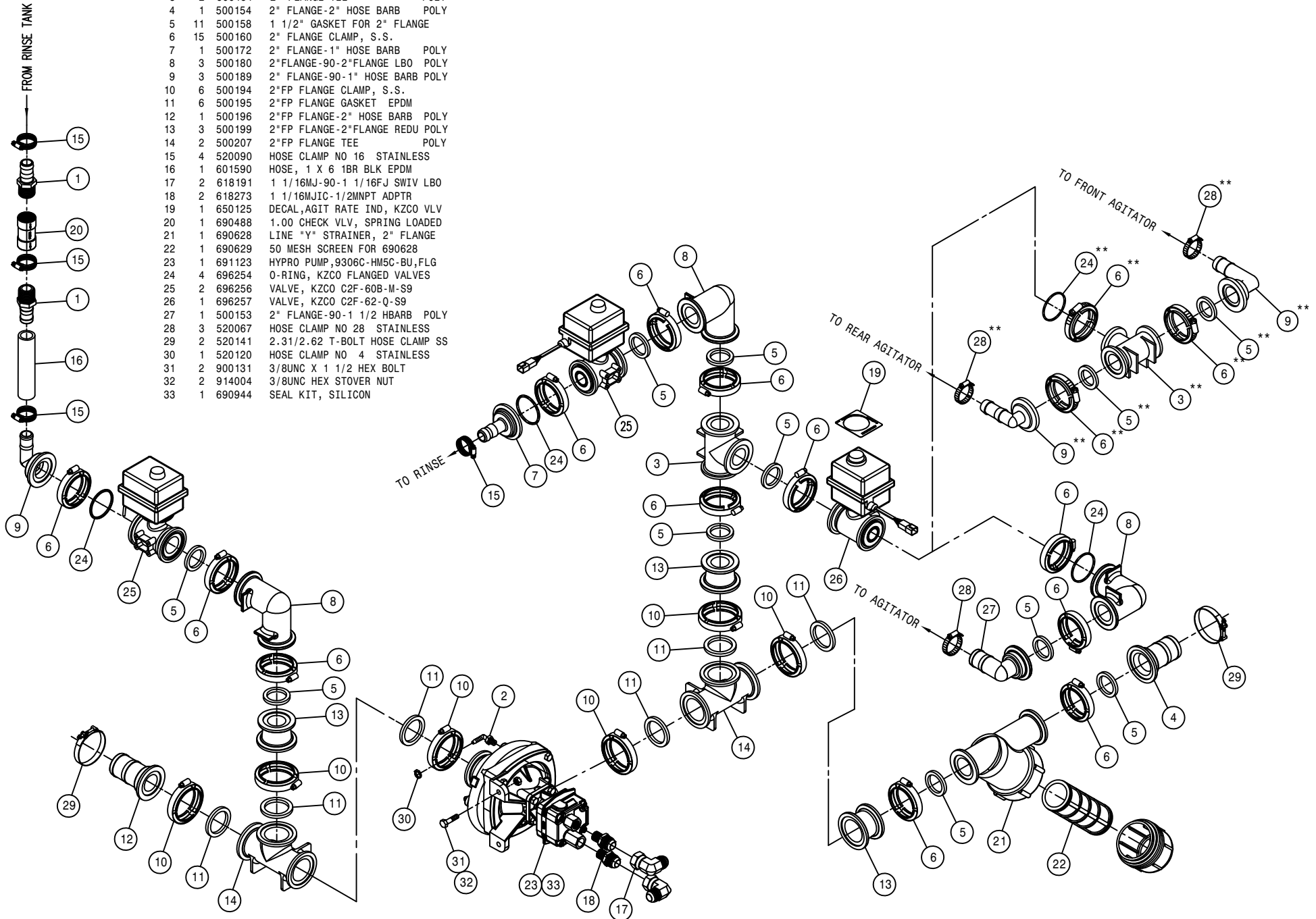


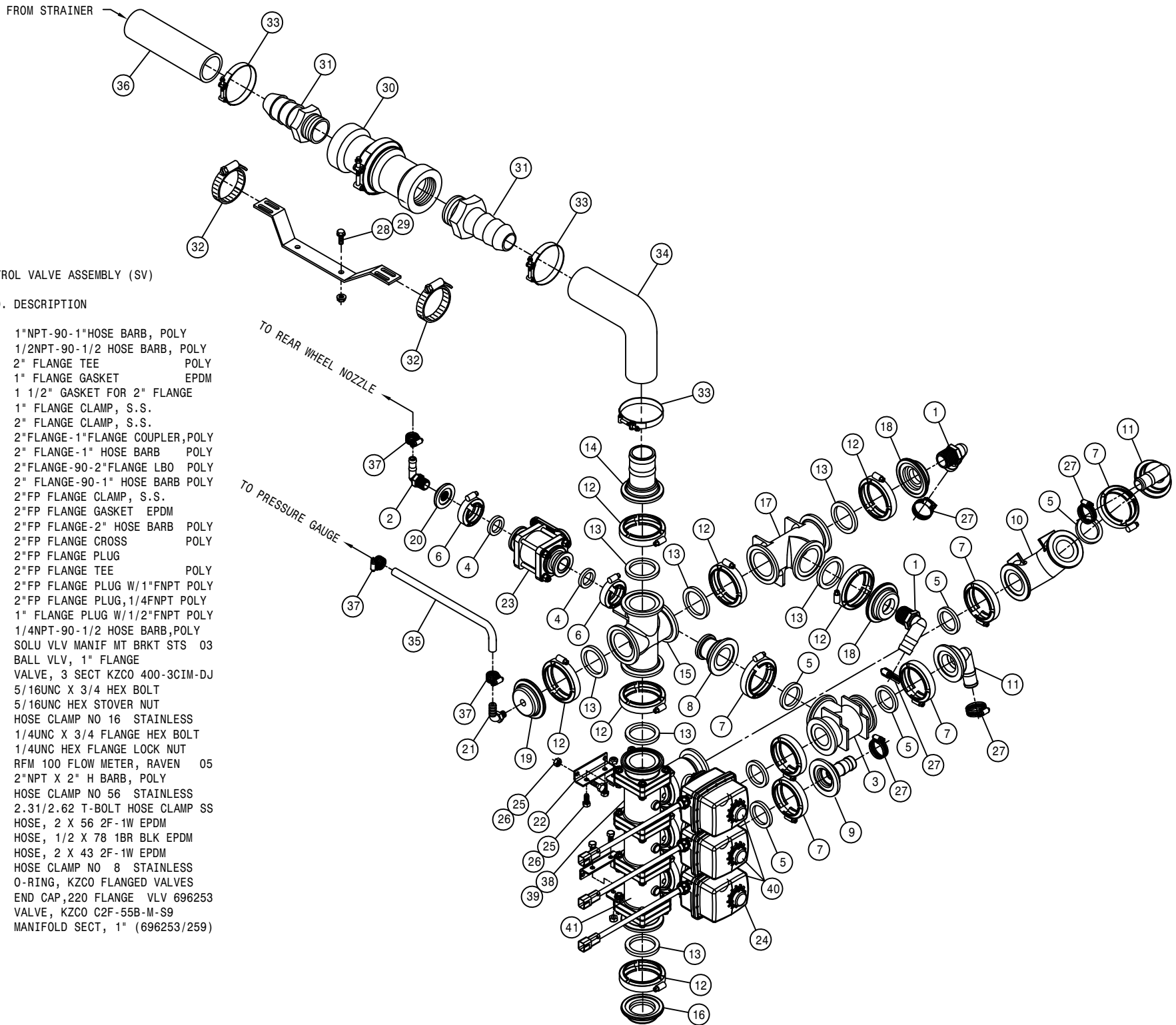
9306 SOLUTION PUMP ASSEMBLY (SV)

NOTE: ITEMS MARKED WITH (\*\*) ARE USED WITH THE POLY SOLUTION TANK OPTION.

DET. QTY PART NO. DESCRIPTION

1	2	500074	1"NPT-1" HOSE BARB, POLY
2	1	500103	1/8NPT-90-1/4 HOSE BARB,NYLON
3	2	500151	2" FLANGE TEE POLY
4	1	500154	2" FLANGE-2" HOSE BARB POLY
5	11	500158	1 1/2" GASKET FOR 2" FLANGE
6	15	500160	2" FLANGE CLAMP, S.S.
7	1	500172	2" FLANGE-1" HOSE BARB POLY
8	3	500180	2"FLANGE-90-2"FLANGE LBO POLY
9	3	500189	2" FLANGE-90-1" HOSE BARB POLY
10	6	500194	2"FP FLANGE CLAMP, S.S.
11	6	500195	2"FP FLANGE GASKET EPDM
12	1	500196	2"FP FLANGE-2" HOSE BARB POLY
13	3	500199	2"FP FLANGE-2"FLANGE REDU POLY
14	2	500207	2"FP FLANGE TEE POLY
15	4	520090	HOSE CLAMP NO 16 STAINLESS
16	1	601590	HOSE, 1 X 6 1BR BLK EPDM
17	2	618191	1 1/16MJ-90-1 1/16FJ SWIV LBO
18	2	618273	1 1/16MJIC-1/2MNPT ADPTR
19	1	650125	DECAL,AGIT RATE IND, KZCO VLV
20	1	690488	1.00 CHECK VLV, SPRING LOADED
21	1	690628	LINE "Y" STRAINER, 2" FLANGE
22	1	690629	50 MESH SCREEN FOR 690628
23	1	691123	HYPRO PUMP,9306C-HM5C-BU,FLG
24	4	696254	O-RING, KZCO FLANGED VALVES
25	2	696256	VALVE, KZCO C2F-60B-M-S9
26	1	696257	VALVE, KZCO C2F-62-Q-S9
27	1	500153	2" FLANGE-90-1 1/2 HBARB POLY
28	3	520067	HOSE CLAMP NO 28 STAINLESS
29	2	520141	2.31/2.62 T-BOLT HOSE CLAMP SS
30	1	520120	HOSE CLAMP NO 4 STAINLESS
31	2	900131	3/8UNC X 1 1/2 HEX BOLT
32	2	914004	3/8UNC HEX STOVER NUT
33	1	690944	SEAL KIT, SILICON

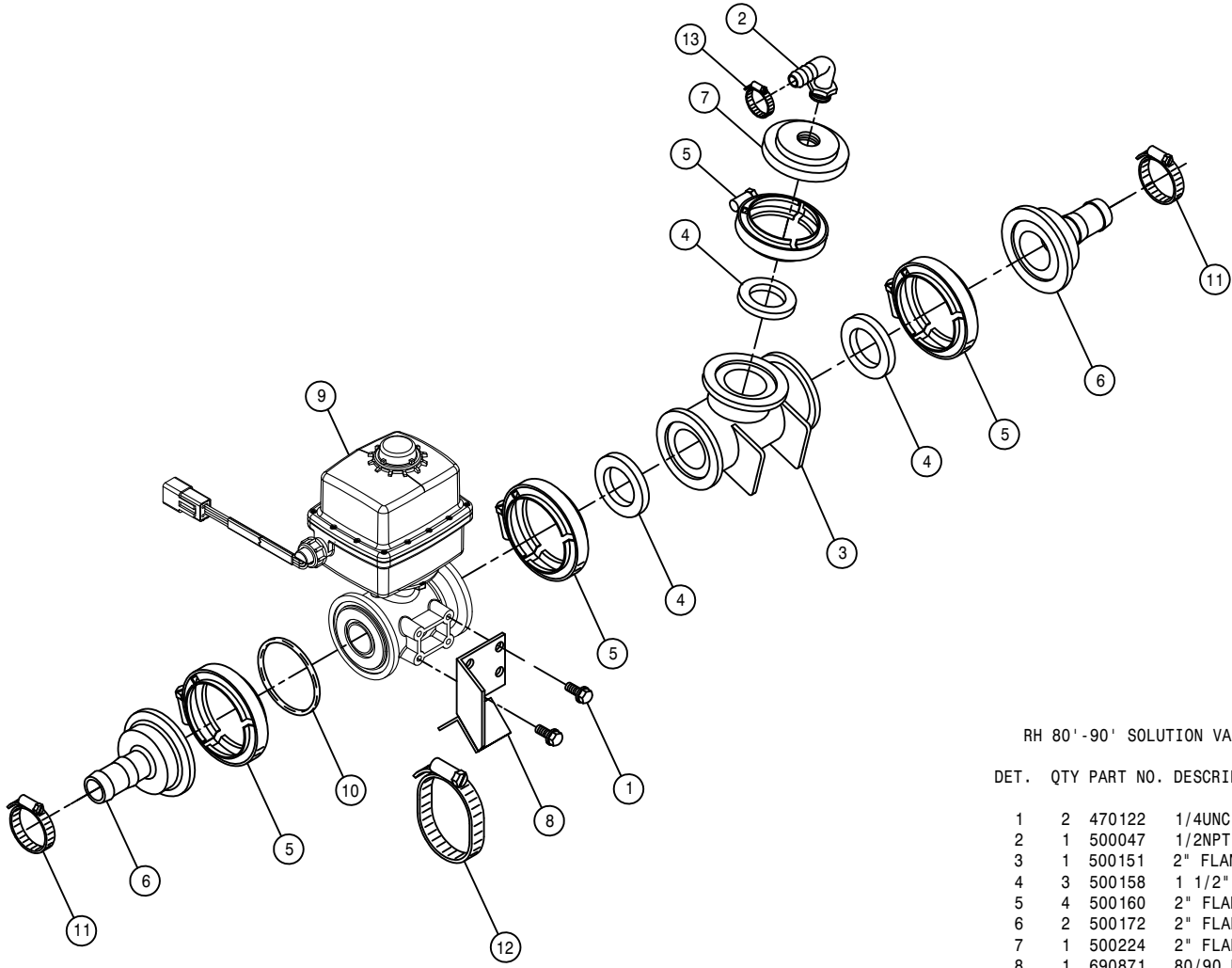




SOLUTION CONTROL VALVE ASSEMBLY (SV)

DET. QTY PART NO. DESCRIPTION

1	2	500024	1"NPT-90-1"HOSE BARB, POLY
2	1	500047	1/2NPT-90-1/2 HOSE BARB, POLY
3	1	500151	2" FLANGE TEE POLY
4	2	500157	1" FLANGE GASKET EPDM
5	6	500158	1 1/2" GASKET FOR 2" FLANGE
6	2	500159	1" FLANGE CLAMP, S.S.
7	6	500160	2" FLANGE CLAMP, S.S.
8	1	500161	2"FLANGE-1"FLANGE COUPLER,POLY
9	1	500172	2" FLANGE-1" HOSE BARB POLY
10	1	500180	2"FLANGE-90-2"FLANGE LBO POLY
11	2	500189	2" FLANGE-90-1" HOSE BARB POLY
12	7	500194	2"FP FLANGE CLAMP, S.S.
13	7	500195	2"FP FLANGE GASKET EPDM
14	1	500196	2"FP FLANGE-2" HOSE BARB POLY
15	1	500203	2"FP FLANGE CROSS POLY
16	1	500206	2"FP FLANGE PLUG
17	1	500207	2"FP FLANGE TEE POLY
18	2	500228	2"FP FLANGE PLUG W/1"FNPT POLY
19	1	500229	2"FP FLANGE PLUG,1/4FNPT POLY
20	1	500238	1" FLANGE PLUG W/1/2"FNPT POLY
21	1	618556	1/4NPT-90-1/2 HOSE BARB,POLY
22	2	690870	SOLU VLV MANIF MT BRKT STS 03
23	1	696147	BALL VLV, 1" FLANGE
24	1	696259	VALVE, 3 SECT KZCO 400-3CIM-DJ
25	8	900064	5/16UNC X 3/4 HEX BOLT
26	8	914002	5/16UNC HEX STOVER NUT
27	5	520090	HOSE CLAMP NO 16 STAINLESS
28	2	470118	1/4UNC X 3/4 FLANGE HEX BOLT
29	2	470121	1/4UNC HEX FLANGE LOCK NUT
30	1	690961	RFM 100 FLOW METER, RAVEN 05
31	2	500058	2"NPT X 2" H BARB, POLY
32	2	520056	HOSE CLAMP NO 56 STAINLESS
33	3	520141	2.31/2.62 T-BOLT HOSE CLAMP SS
34	1	601502	HOSE, 2 X 56 2F-1W EPDM
35	1	601634	HOSE, 1/2 X 78 1BR BLK EPDM
36	1	601613	HOSE, 2 X 43 2F-1W EPDM
37	3	520070	HOSE CLAMP NO 8 STAINLESS
38	7	696254	O-RING, KZCO FLANGED VALVES
39	2	696255	END CAP,220 FLANGE VLV 696253
40	3	696260	VALVE, KZCO C2F-55B-M-S9
41	3	696269	MANIFOLD SECT, 1" (696253/259)



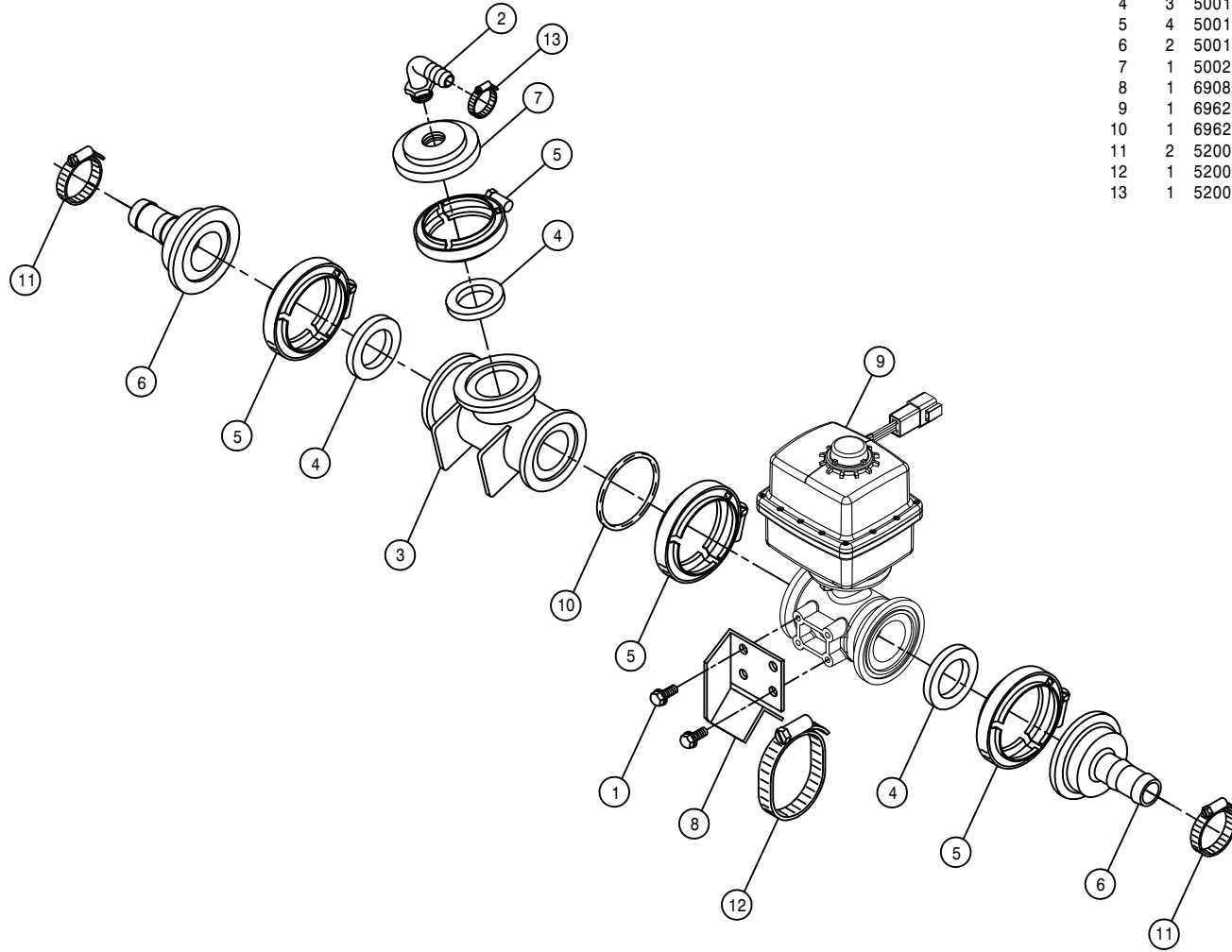
RH 80' -90' SOLUTION VALVE ASSEMBLY (SV)

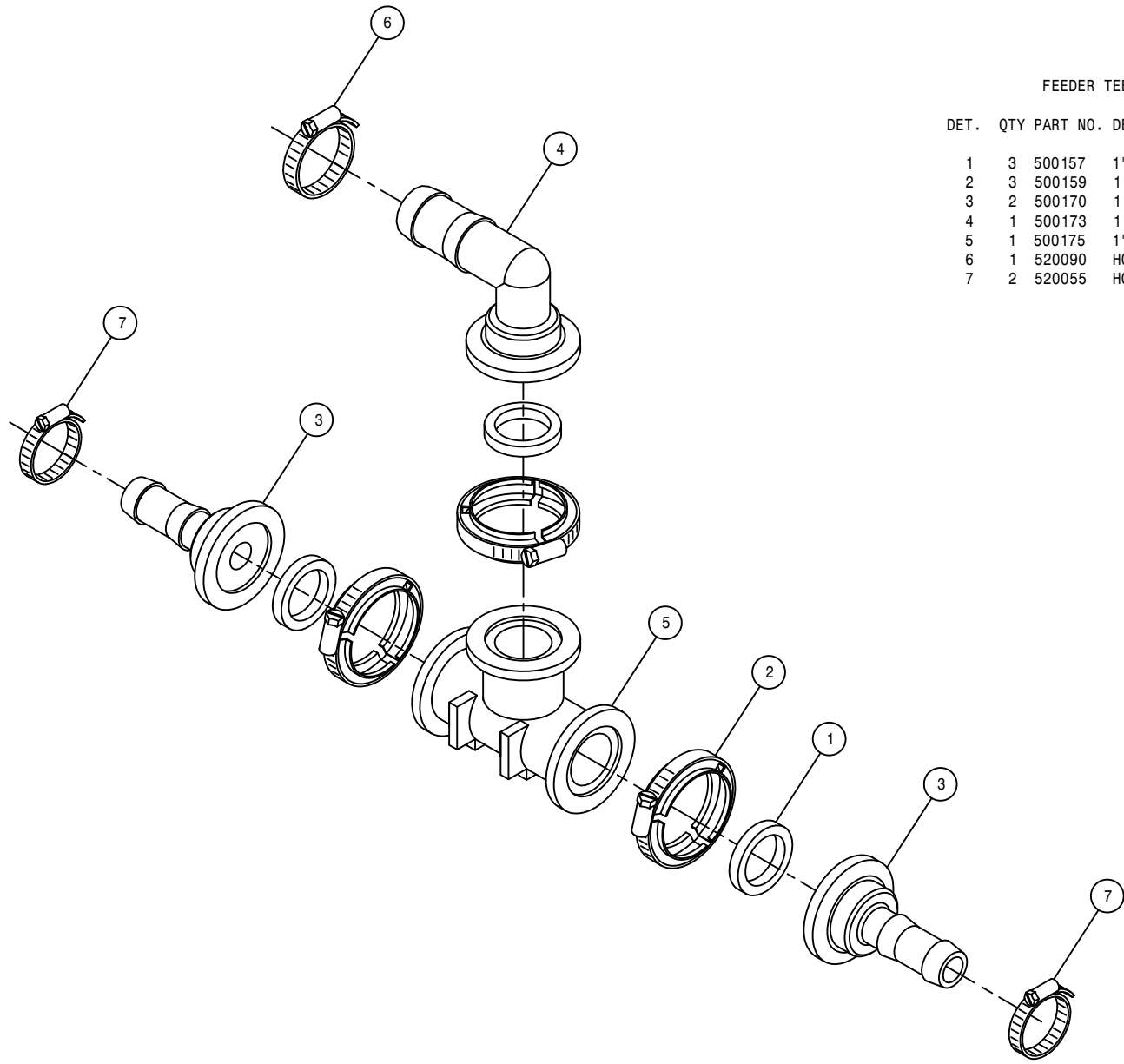
DET.	QTY	PART NO.	DESCRIPTION
	1	2 470122	1/4UNC X 1/2 FLANGE HEX BOLT
	2	1 500047	1/2NPT-90-1/2 HOSE BARB, POLY
	3	1 500151	2" FLANGE TEE POLY
	4	3 500158	1 1/2" GASKET FOR 2" FLANGE
	5	4 500160	2" FLANGE CLAMP, S.S.
	6	2 500172	2" FLANGE-1" HOSE BARB POLY
	7	1 500224	2" FLANGE PLUG W/1/2"FNPT POLY
	8	1 690871	80/90 BOOM VLV MT WLD 03
	9	1 696260	VALVE, KZCO C2F-55B-M-S9
	10	1 696254	O-RING, KZCO FLANGED VALVES
	11	2 520090	HOSE CLAMP NO 16 STAINLESS
	12	1 520085	HOSE CLAMP NO 24 STAINLESS
	13	1 520070	HOSE CLAMP NO 8 STAINLESS

LH 80' -90' SOLUTION VALVE ASSEMBLY (SV)

DET. QTY PART NO. DESCRIPTION

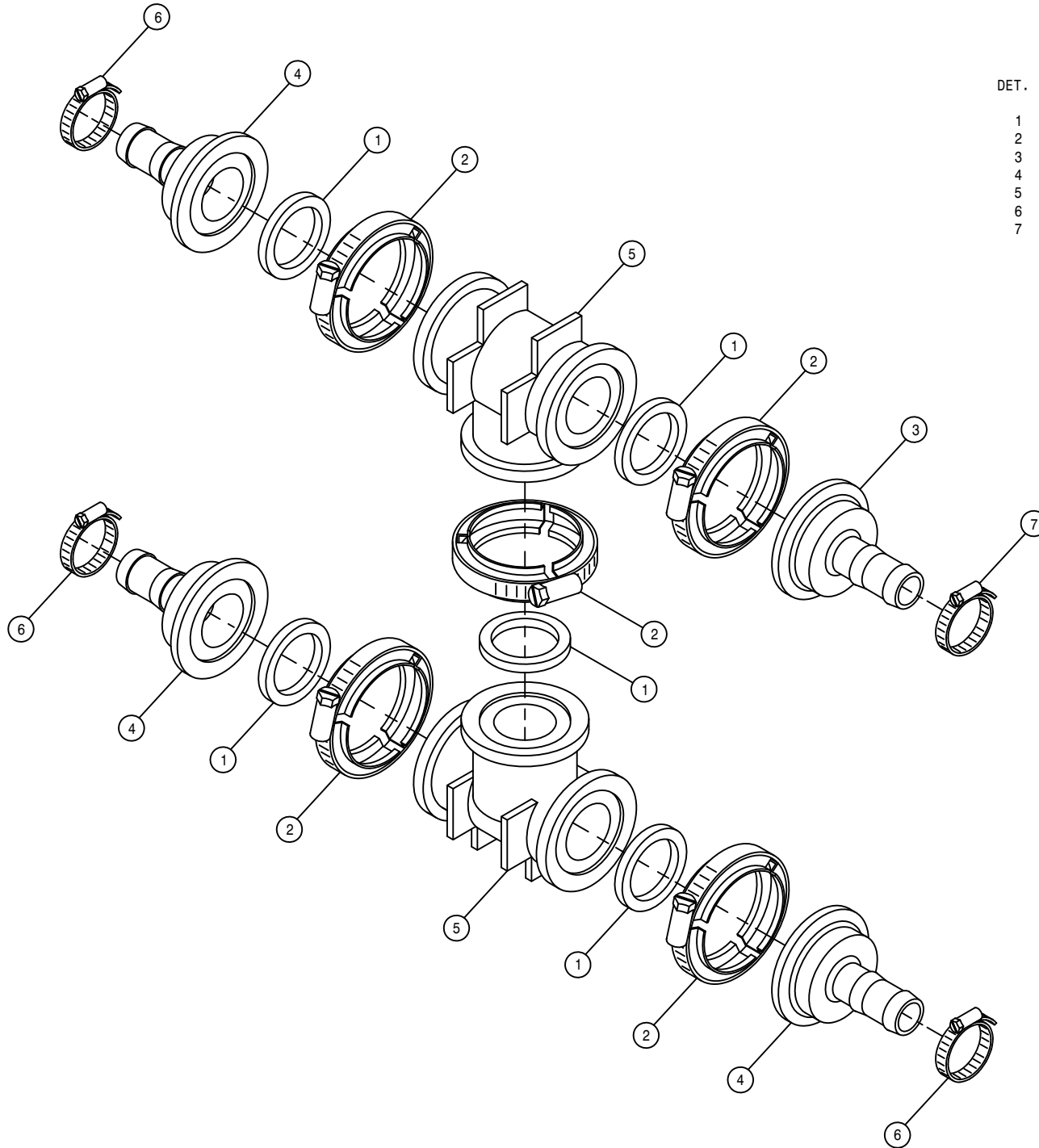
DET.	QTY	PART NO.	DESCRIPTION
1	2	470122	1/4UNC X 1/2 FLANGE HEX BOLT
2	1	500047	1/2NPT-90-1/2 HOSE BARB, POLY
3	1	500151	2" FLANGE TEE POLY
4	3	500158	1 1/2" GASKET FOR 2" FLANGE
5	4	500160	2" FLANGE CLAMP, S.S.
6	2	500172	2" FLANGE-1" HOSE BARB POLY
7	1	500224	2" FLANGE PLUG W/1/2"FNPT POLY
8	1	690871	80/90 BOOM VLV MT WLD 03
9	1	696260	VALVE, KZCO C2F-55B-M-S9
10	1	696254	O-RING, KZCO FLANGED VALVES
11	2	520090	HOSE CLAMP NO 16 STAINLESS
12	1	520085	HOSE CLAMP NO 24 STAINLESS
13	1	520070	HOSE CLAMP NO 8 STAINLESS





FEEDER TEE ASSEMBLY (SV)

DET.	QTY	PART NO.	DESCRIPTION	
1	3	500157	1" FLANGE GASKET	EPDM
2	3	500159	1" FLANGE CLAMP, S.S.	
3	2	500170	1" FLANGE-3/4" HOSE BARB	POLY
4	1	500173	1" FLANGE-90-1" HOSE BARB	POLY
5	1	500175	1" FLANGE TEE	POLY
6	1	520090	HOSE CLAMP NO 16	STAINLESS
7	2	520055	HOSE CLAMP NO 12	STAINLESS



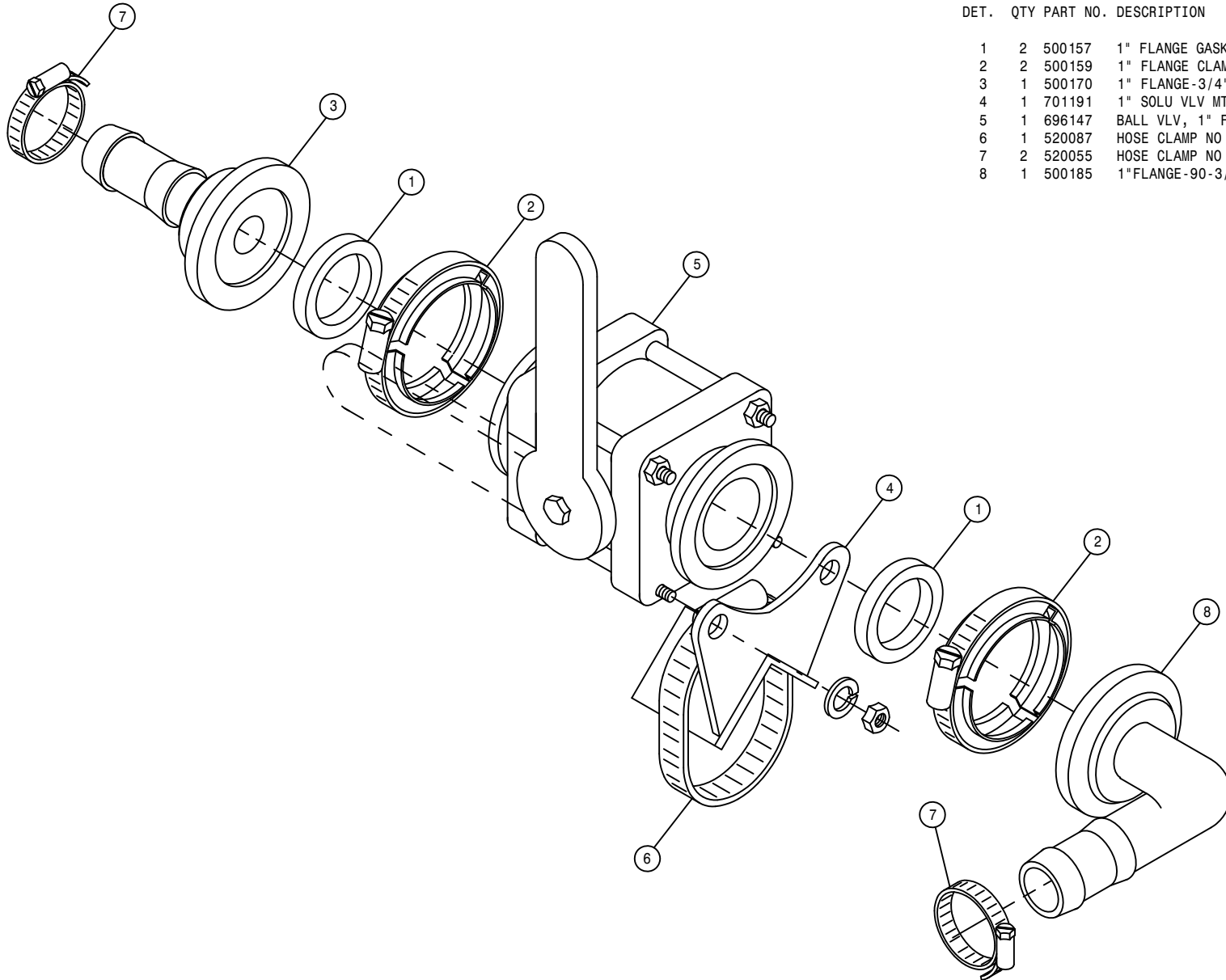
80' -90' FEEDER TEE ASSEMBLY (SV)

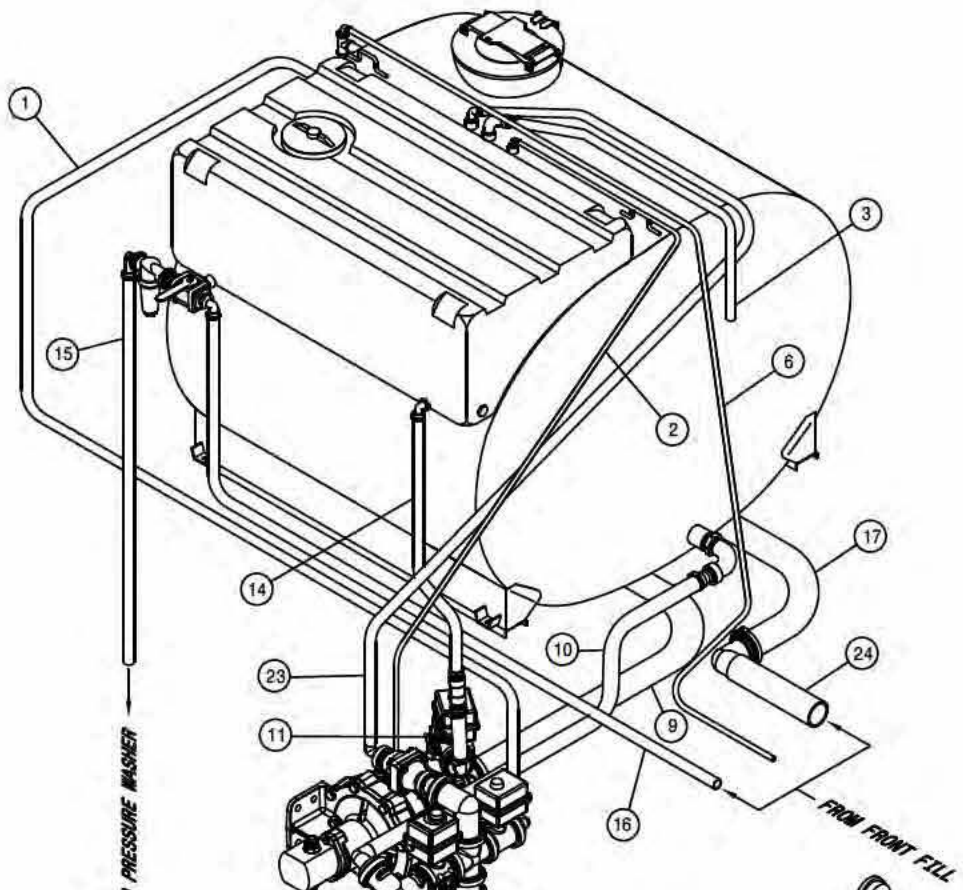
DET.	QTY	PART NO.	DESCRIPTION	
1	5	500157	1" FLANGE GASKET	EPDM
2	5	500159	1" FLANGE CLAMP, S.S.	
3	1	500171	1" FLANGE-1" HOSE BARB	POLY
4	3	500170	1" FLANGE-3/4" HOSE BARB	POLY
5	2	500175	1" FLANGE TEE	POLY
6	3	520055	HOSE CLAMP NO 12	STAINLESS
7	1	520090	HOSE CLAMP NO 16	STAINLESS

90' BALL VALVE ASSEMBLY (SV)

DET. QTY PART NO. DESCRIPTION

DET.	QTY	PART NO.	DESCRIPTION	
1	2	500157	1" FLANGE GASKET	EPDM
2	2	500159	1" FLANGE CLAMP, S.S.	
3	1	500170	1" FLANGE-3/4" HOSE BARB POLY	
4	1	701191	1" SOLU VLV MT WLD	
5	1	696147	BALL VLV, 1" FLANGE	
6	1	520087	HOSE CLAMP NO 20 STAINLESS	
7	2	520055	HOSE CLAMP NO 12 STAINLESS	
8	1	500185	1" FLANGE-90-3/4" HOSE BARB POLY	

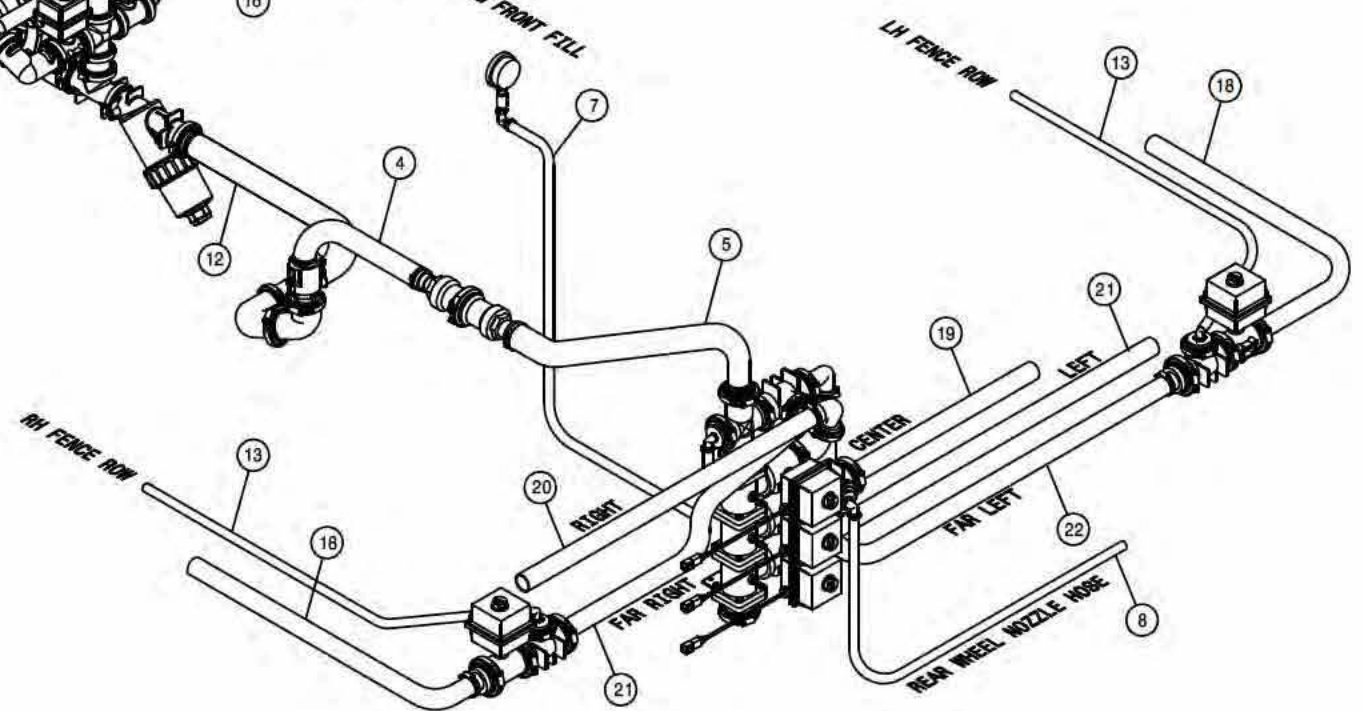




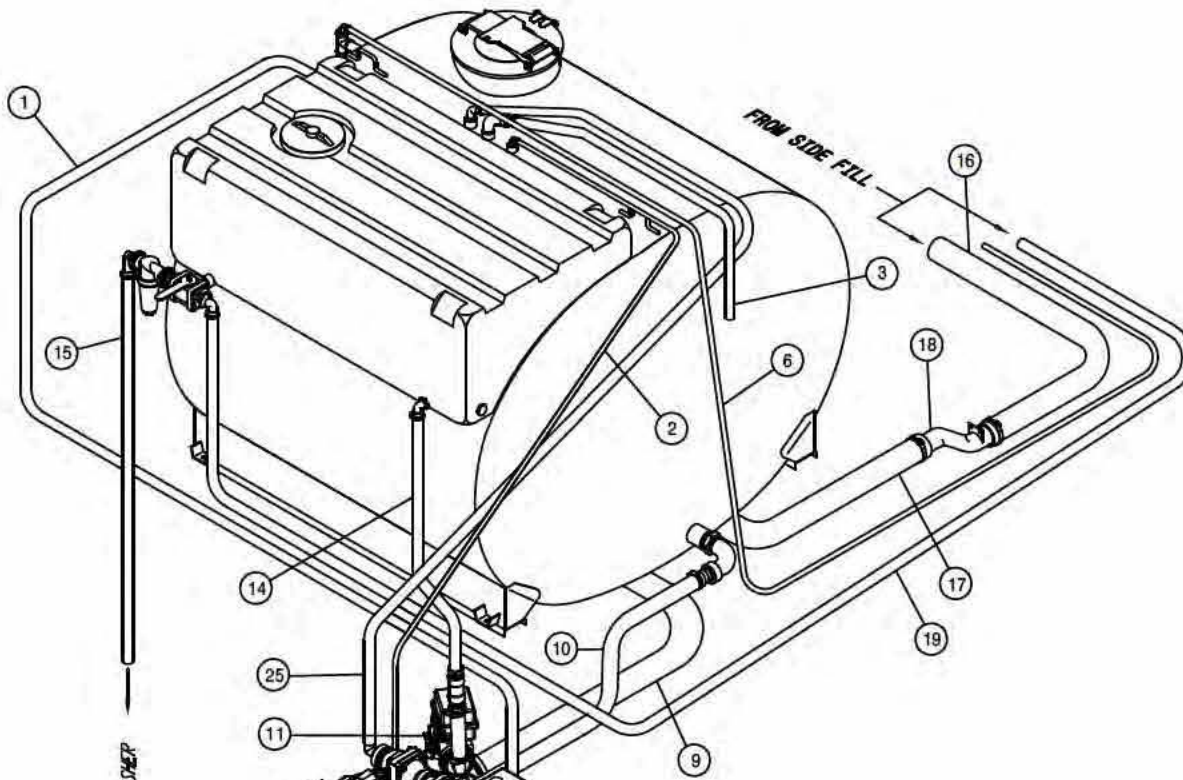
FRONT FILL SOLUTION TANK HOSE (HV)

DET. QTY PART NO. DESCRIPTION

1	1	601704	HOSE, 1 X 140 1BR BLK EPDM
2	1	601674	HOSE, 1/4 X 120 1 BR BLK EPDM
3	1	601496	HOSE, 1 X 120 1BR BLK EPDM
4	1	601613	HOSE, 2 X 43 2F-1W EPDM
5	1	601502	HOSE, 2 X 56 2F-1W EPDM
6	1	601676	HOSE, 1/2 X 270 1BR BLK EPDM
7	1	601634	HOSE, 1/2 X 78 1BR BLK EPDM
8	1	601677	HOSE, 1/2 X 100 1BR BLK EPDM
9	1	601663	HOSE, 3 X 50 POLY HELIX EPDM
10	1	601591	HOSE, 1 1/2 X 53 2BR BLK EPDM
11	1	601590	HOSE, 1 X 6 1BR BLK EPDM
12	1	601628	HOSE, 2 X 51 2F-1W EPDM
13	2	601566	HOSE, 1/2 X 252 1BR BLK EPDM
14	1	601492	HOSE, 1 X 37 1BR BLK EPDM
15	1	601522	HOSE, 1 X 204 1BR BLK EPDM
16	1	601497	HOSE, 1 X 206 1BR BLK EPDM
17	1	601508	HOSE, 3 X 64 POLY HELIX EPDM
18	2	601240	HOSE, 1 1/2 X 84 2F-1W EPDM
19	1	601516	HOSE, 1 1/2 X 72 2BR BLK EPDM
20	1	601517	HOSE, 1 1/2 X 204 2BR BLK EPDM
21	2	601518	HOSE, 1 1/2 X 300 2BR BLK EPDM
22	1	601519	HOSE, 1 1/2 X 396 2BR BLK EPDM
23	1	601682	HOSE, 1 X 111 2BR BLK EPDM
24	1	601680	HOSE, 3 X 91 POLY HELIX EPDM



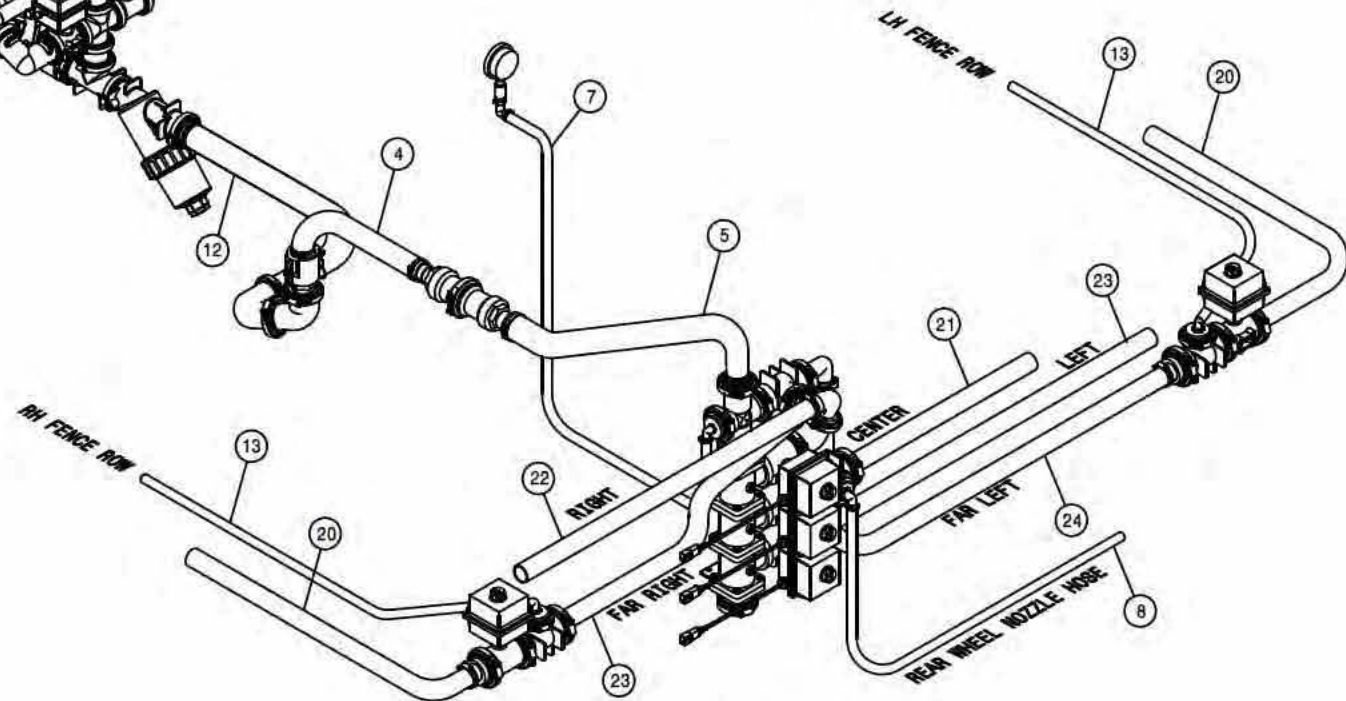




SIDE FILL SOLUTION HOSEING (HV)

DET. QTY PART NO. DESCRIPTION

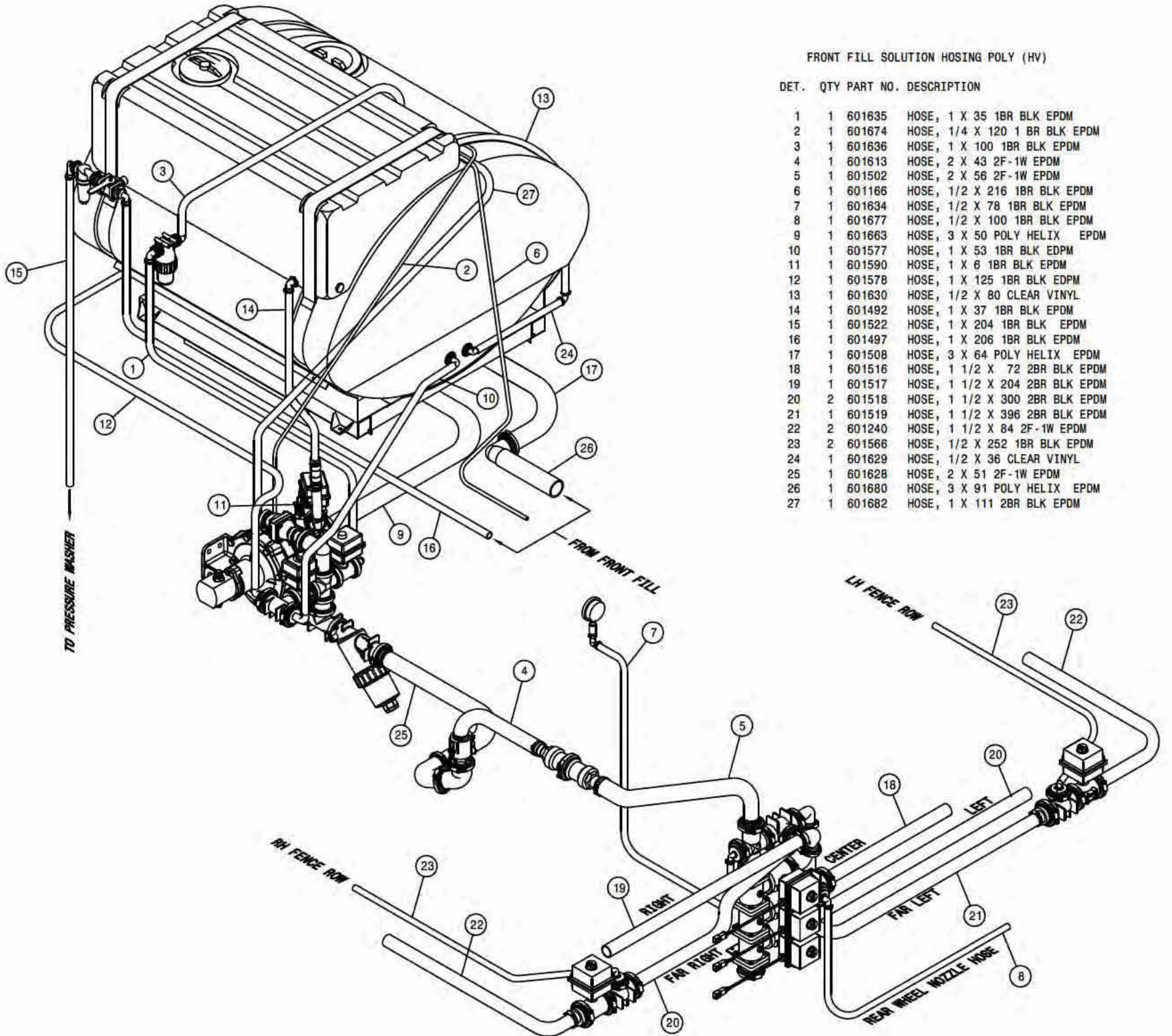
DET.	QTY	PART NO.	DESCRIPTION
1	1	601704	HOSE, 1 X 140 1BR BLK EPDM
2	1	601674	HOSE, 1/4 X 120 1 BR BLK EPDM
3	1	601496	HOSE, 1 X 120 1BR BLK EPDM
4	1	601613	HOSE, 2 X 43 2F-1W EPDM
5	1	601502	HOSE, 2 X 56 2F-1W EPDM
6	1	601676	HOSE, 1/2 X 270 1BR BLK EPDM
7	1	601634	HOSE, 1/2 X 78 1BR BLK EPDM
8	1	601677	HOSE, 1/2 X 100 1BR BLK EPDM
9	1	601663	HOSE, 3 X 50 POLY HELIX EPD
10	1	601591	HOSE, 1 1/2 X 53 2BR BLK EPDM
11	1	601590	HOSE, 1 X 6 1BR BLK EPDM
12	1	601628	HOSE, 2 X 51 2F-1W EPDM
13	2	601566	HOSE, 1/2 X 252 1BR BLK EPDM
14	1	601492	HOSE, 1 X 37 1BR BLK EPDM
15	1	601522	HOSE, 1 X 204 1BR BLK EPDM
16	1	601506	HOSE, 3 X 74 POLY HELIX EPDM
17	1	601574	HOSE, 3 X 36 POLY HELIX EPDM
18	1	690731	SOLU TUBE, 3.00 S.S. SIDE FILL
19	1	601459	HOSE, 1 X 245 1BR BLK EPDM
20	2	601240	HOSE, 1 1/2 X 84 2F-1W EPDM
21	1	601516	HOSE, 1 1/2 X 72 2BR BLK EPDM
22	1	601517	HOSE, 1 1/2 X 204 2BR BLK EPDM
23	2	601518	HOSE, 1 1/2 X 300 2BR BLK EPDM
24	1	601519	HOSE, 1 1/2 X 396 2BR BLK EPDM
25	1	601682	HOSE, 1 X 111 2BR BLK EPDM



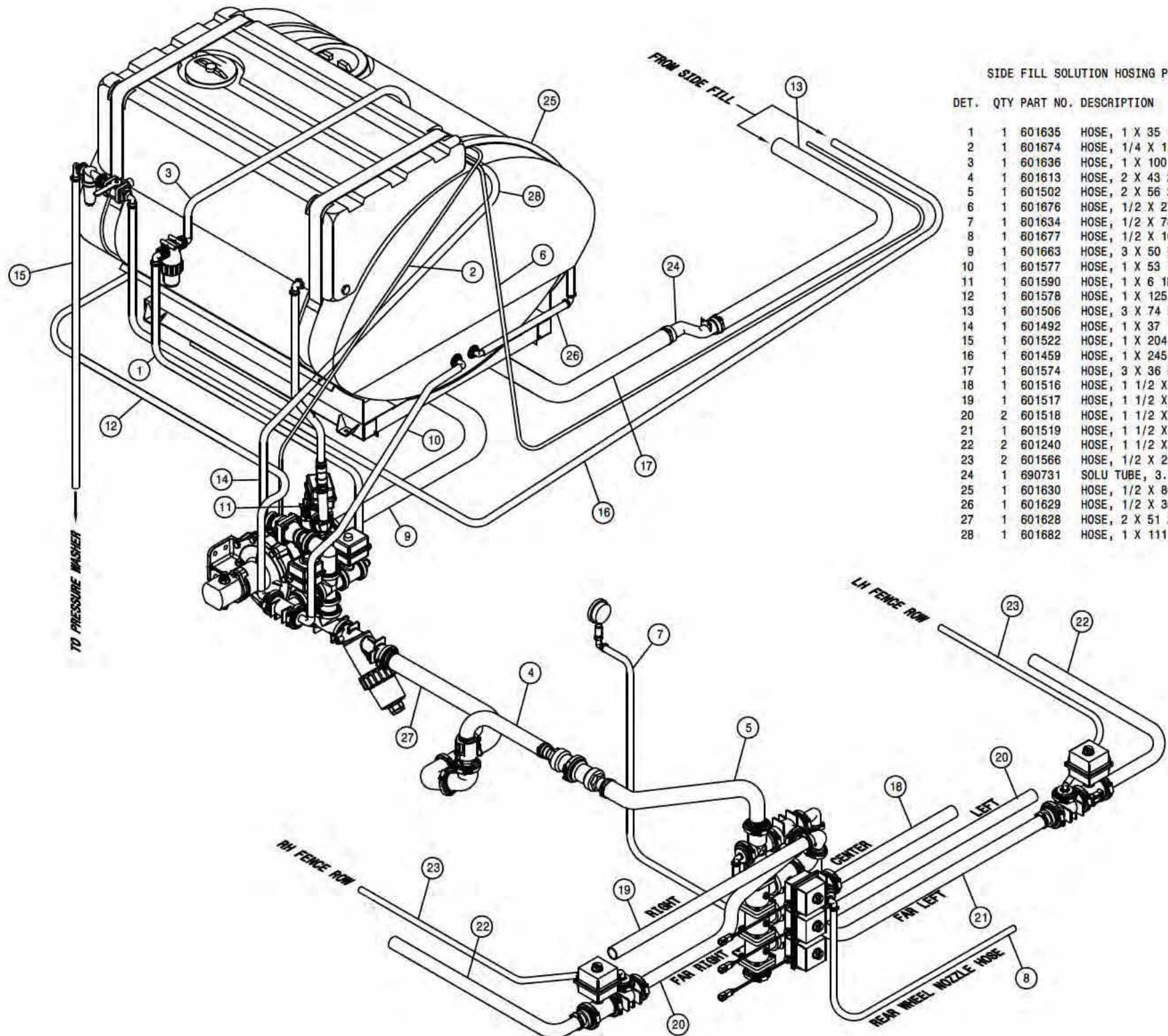
FRONT FILL SOLUTION HOISING POLY (HV)

DET. QTY PART NO. DESCRIPTION

DET.	QTY	PART NO.	DESCRIPTION
1	1	601635	HOSE, 1 X 35 1BR BLK EPDM
2	1	601674	HOSE, 1/4 X 120 1 BR BLK EPDM
3	1	601636	HOSE, 1 X 100 1BR BLK EPDM
4	1	601613	HOSE, 2 X 43 2F-1W EPDM
5	1	601502	HOSE, 2 X 56 2F-1W EPDM
6	1	601166	HOSE, 1/2 X 216 1BR BLK EPDM
7	1	601634	HOSE, 1/2 X 78 1BR BLK EPDM
8	1	601677	HOSE, 1/2 X 100 1BR BLK EPDM
9	1	601663	HOSE, 3 X 50 POLY HELIX EPDM
10	1	601577	HOSE, 1 X 53 1BR BLK EPDM
11	1	601590	HOSE, 1 X 6 1BR BLK EPDM
12	1	601578	HOSE, 1 X 125 1BR BLK EPDM
13	1	601630	HOSE, 1/2 X 80 CLEAR VINYL
14	1	601492	HOSE, 1 X 37 1BR BLK EPDM
15	1	601522	HOSE, 1 X 204 1BR BLK EPDM
16	1	601497	HOSE, 1 X 206 1BR BLK EPDM
17	1	601508	HOSE, 3 X 64 POLY HELIX EPDM
18	1	601516	HOSE, 1 1/2 X 72 2BR BLK EPDM
19	1	601517	HOSE, 1 1/2 X 204 2BR BLK EPDM
20	2	601518	HOSE, 1 1/2 X 300 2BR BLK EPDM
21	1	601519	HOSE, 1 1/2 X 396 2BR BLK EPDM
22	2	601240	HOSE, 1 1/2 X 84 2F-1W EPDM
23	2	601566	HOSE, 1/2 X 252 1BR BLK EPDM
24	1	601629	HOSE, 1/2 X 36 CLEAR VINYL
25	1	601628	HOSE, 2 X 51 2F-1W EPDM
26	1	601680	HOSE, 3 X 91 POLY HELIX EPDM
27	1	601682	HOSE, 1 X 111 2BR BLK EPDM





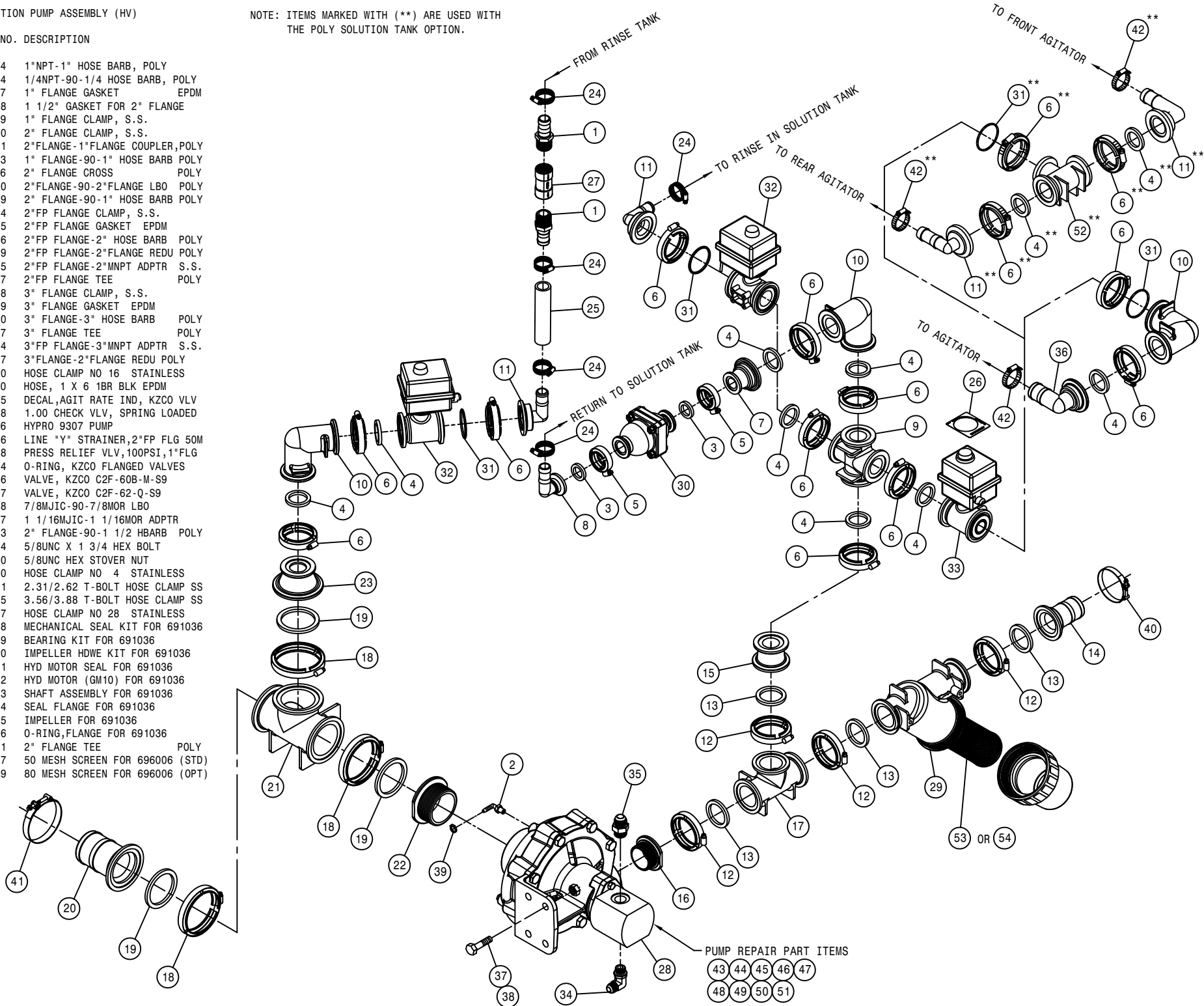


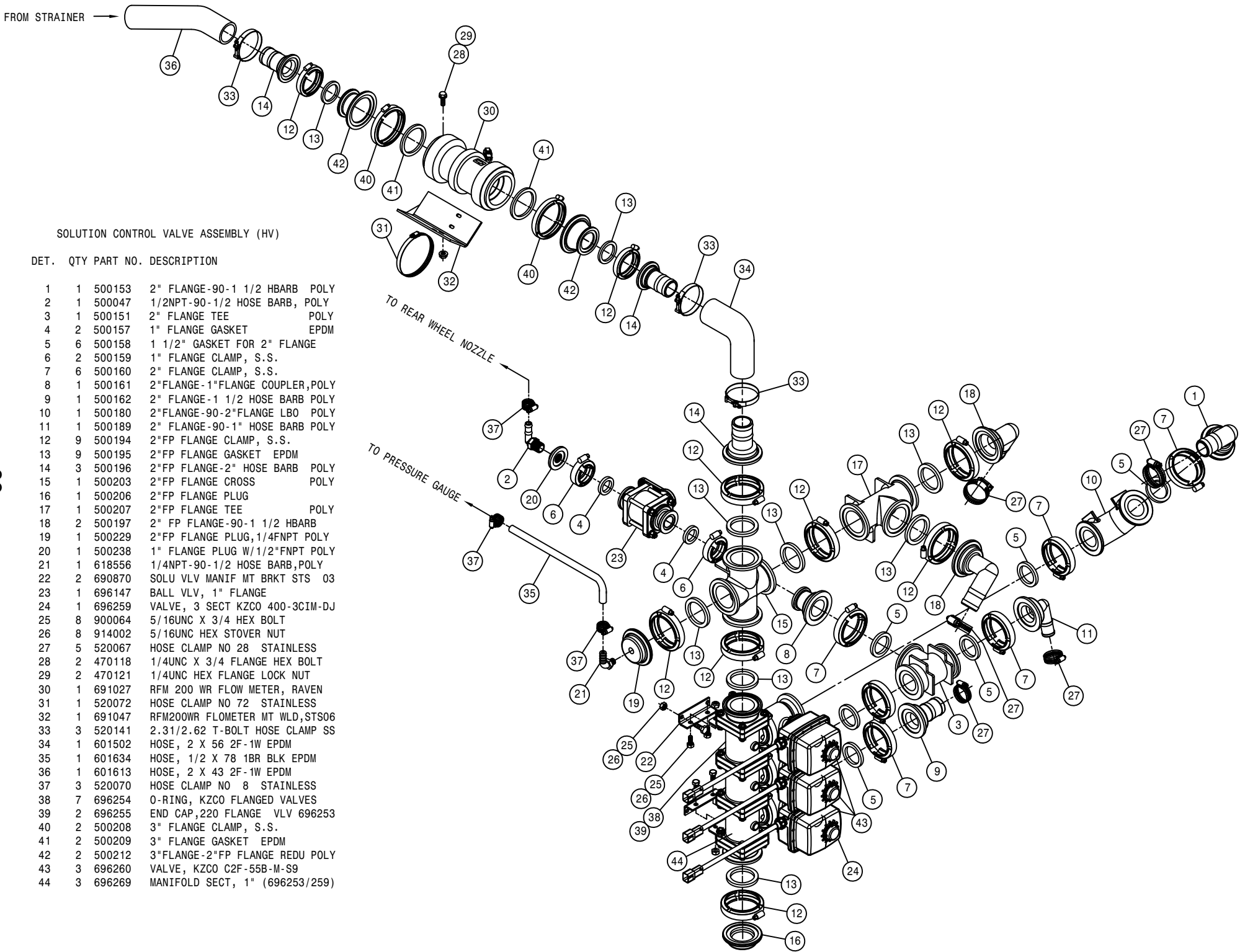
SIDE FILL SOLUTION HOSEING POLY (HV)

DET.	QTY	PART NO.	DESCRIPTION
1	1	601635	HOSE, 1 X 35 1BR BLK EPDM
2	1	601674	HOSE, 1/4 X 120 1 BR BLK EPDM
3	1	601636	HOSE, 1 X 100 1BR BLK EPDM
4	1	601613	HOSE, 2 X 43 2F-1W EPDM
5	1	601502	HOSE, 2 X 56 2F-1W EPDM
6	1	601676	HOSE, 1/2 X 270 1BR BLK EPDM
7	1	601634	HOSE, 1/2 X 78 1BR BLK EPDM
8	1	601677	HOSE, 1/2 X 100 1BR BLK EPDM
9	1	601663	HOSE, 3 X 50 POLY HELIX EPDM
10	1	601577	HOSE, 1 X 53 1BR BLK EPDM
11	1	601590	HOSE, 1 X 6 1BR BLK EPDM
12	1	601578	HOSE, 1 X 125 1BR BLK EPDM
13	1	601506	HOSE, 3 X 74 POLY HELIX EPDM
14	1	601492	HOSE, 1 X 37 1BR BLK EPDM
15	1	601522	HOSE, 1 X 204 1BR BLK EPDM
16	1	601459	HOSE, 1 X 245 1BR BLK EPDM
17	1	601574	HOSE, 3 X 36 POLY HELIX EPDM
18	1	601516	HOSE, 1 1/2 X 72 2BR BLK EPDM
19	1	601517	HOSE, 1 1/2 X 204 2BR BLK EPDM
20	2	601518	HOSE, 1 1/2 X 300 2BR BLK EPDM
21	1	601519	HOSE, 1 1/2 X 396 2BR BLK EPDM
22	2	601240	HOSE, 1 1/2 X 84 2F-1W EPDM
23	2	601566	HOSE, 1/2 X 252 1BR BLK EPDM
24	1	690731	SOLU TUBE, 3.00 S.S. SIDE FILL
25	1	601630	HOSE, 1/2 X 80 CLEAR VINYL
26	1	601629	HOSE, 1/2 X 36 CLEAR VINYL
27	1	601628	HOSE, 2 X 51 2F-1W EPDM
28	1	601682	HOSE, 1 X 111 2BR BLK EPDM

NOTE: ITEMS MARKED WITH (\*\*) ARE USED WITH THE POLY SOLUTION TANK OPTION.

DET.	QTY	PART NO.	DESCRIPTION
1	2	500074	1"NPT-1" HOSE BARB, POLY
2	1	500104	1/4NPT-90-1/4 HOSE BARB, POLY
3	2	500157	1" FLANGE GASKET EPDM
4	10	500158	1 1/2" GASKET FOR 2" FLANGE
5	2	500159	1" FLANGE CLAMP, S.S.
6	14	500160	2" FLANGE CLAMP, S.S.
7	1	500161	2"FLANGE-1"FLANGE COUPLER,POLY
8	1	500173	1" FLANGE-90-1" HOSE BARB POLY
9	1	500176	2" FLANGE CROSS POLY
10	3	500180	2"FLANGE-90-2"FLANGE LBO POLY
11	4	500189	2" FLANGE-90-1" HOSE BARB POLY
12	4	500194	2"FP FLANGE CLAMP, S.S.
13	4	500195	2"FP FLANGE GASKET EPDM
14	1	500196	2"FP FLANGE-2" HOSE BARB POLY
15	1	500199	2"FP FLANGE-2"FLANGE REDU POLY
16	1	500205	2"FP FLANGE-2"MNPT ADPTR S.S.
17	1	500207	2"FP FLANGE TEE POLY
18	3	500208	3" FLANGE CLAMP, S.S.
19	3	500209	3" FLANGE GASKET EPDM
20	1	500210	3" FLANGE-3" HOSE BARB POLY
21	1	500217	3" FLANGE TEE POLY
22	1	500234	3"FP FLANGE-3"MNPT ADPTR S.S.
23	1	500237	3"FLANGE-2"FLANGE REDU POLY
24	5	520090	HOSE CLAMP NO 16 STAINLESS
25	1	601590	HOSE, 1 X 6 1BR BLK EPDM
26	1	650125	DECAL,AGIT RATE IND, KZCO VLV
27	1	690488	1.00 CHECK VLV, SPRING LOADED
28	1	691036	HYPRO 9307 PUMP
29	1	696006	LINE "Y" STRAINER,2"FP FLG 50M
30	1	696008	PRESS RELIEF VLV,100PSI,1"FLG
31	4	696254	O-RING, KZCO FLANGED VALVES
32	2	696256	VALVE, KZCO C2F-60B-M-S9
33	1	696257	VALVE, KZCO C2F-62-Q-S9
34	1	611128	7/8MJIC-90-7/8MOR LBO
35	1	611127	1 1/16MJIC-1 1/16MOR ADPTR
36	1	500153	2" FLANGE-90-1 1/2 HBARB POLY
37	4	900334	5/8UNC X 1 3/4 HEX BOLT
38	4	914010	5/8UNC HEX STOVER NUT
39	1	520120	HOSE CLAMP NO 4 STAINLESS
40	1	520141	2.31/2.62 T-BOLT HOSE CLAMP SS
41	1	520145	3.56/3.88 T-BOLT HOSE CLAMP SS
42	3	520067	HOSE CLAMP NO 28 STAINLESS
43	1	691068	MECHANICAL SEAL KIT FOR 691036
44	1	691069	BEARING KIT FOR 691036
45	1	691070	IMPELLER HDWE KIT FOR 691036
46	1	691071	HYD MOTOR SEAL FOR 691036
47	1	691072	HYD MOTOR (GM10) FOR 691036
48	1	691073	SHAFT ASSEMBLY FOR 691036
49	1	691074	SEAL FLANGE FOR 691036
50	1	691075	IMPELLER FOR 691036
51	1	691076	O-RING,FLANGE FOR 691036
52	1	500151	2" FLANGE TEE POLY
53	1	696007	50 MESH SCREEN FOR 696006 (STD)
54	1	696009	80 MESH SCREEN FOR 696006 (OPT)

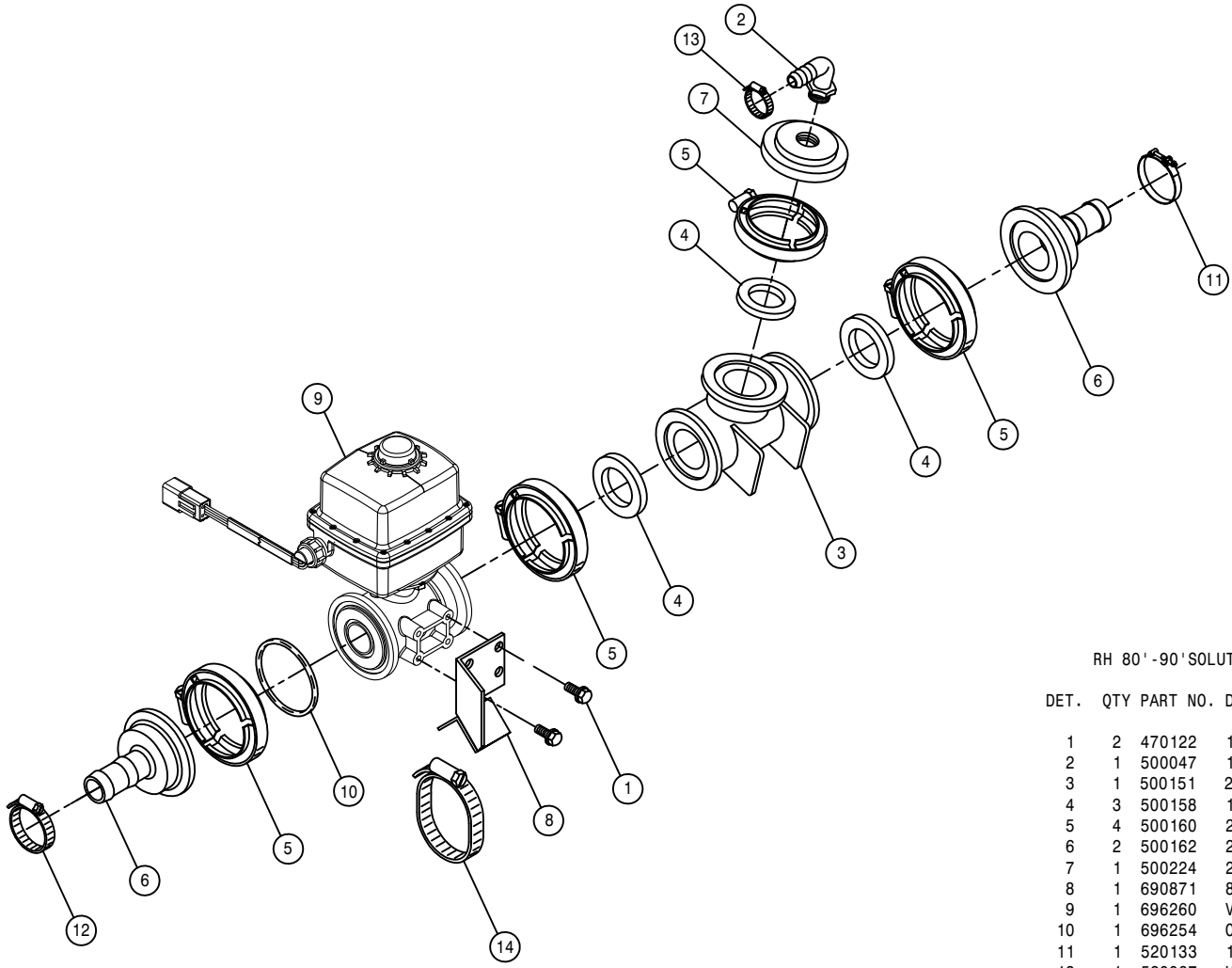




SOLUTION CONTROL VALVE ASSEMBLY (HV)

DET. QTY PART NO. DESCRIPTION

1	1	500153	2" FLANGE-90-1 1/2 HBARB POLY
2	1	500047	1/2NPT-90-1/2 HOSE BARB, POLY
3	1	500151	2" FLANGE TEE POLY
4	2	500157	1" FLANGE GASKET EPDM
5	6	500158	1 1/2" GASKET FOR 2" FLANGE
6	2	500159	1" FLANGE CLAMP, S.S.
7	6	500160	2" FLANGE CLAMP, S.S.
8	1	500161	2"FLANGE-1"FLANGE COUPLER,POLY
9	1	500162	2" FLANGE-1 1/2 HOSE BARB POLY
10	1	500180	2"FLANGE-90-2"FLANGE LBO POLY
11	1	500189	2" FLANGE-90-1" HOSE BARB POLY
12	9	500194	2"FP FLANGE CLAMP, S.S.
13	9	500195	2"FP FLANGE GASKET EPDM
14	3	500196	2"FP FLANGE-2" HOSE BARB POLY
15	1	500203	2"FP FLANGE CROSS POLY
16	1	500206	2"FP FLANGE PLUG
17	1	500207	2"FP FLANGE TEE POLY
18	2	500197	2" FP FLANGE-90-1 1/2 HBARB
19	1	500229	2"FP FLANGE PLUG,1/4FNPT POLY
20	1	500238	1" FLANGE PLUG W/1/2"FNPT POLY
21	1	618556	1/4NPT-90-1/2 HOSE BARB,POLY
22	2	690870	SOLU VLV MANIF MT BRKT STS 03
23	1	696147	BALL VLV, 1" FLANGE
24	1	696259	VALVE, 3 SECT KZCO 400-3CIM-DJ
25	8	900064	5/16UNC X 3/4 HEX BOLT
26	8	914002	5/16UNC HEX STOVER NUT
27	5	520067	HOSE CLAMP NO 28 STAINLESS
28	2	470118	1/4UNC X 3/4 FLANGE HEX BOLT
29	2	470121	1/4UNC HEX FLANGE LOCK NUT
30	1	691027	RFM 200 WR FLOW METER, RAVEN
31	1	520072	HOSE CLAMP NO 72 STAINLESS
32	1	691047	RFM200WR FLOMETER MT WLD,STS06
33	3	520141	2.31/2.62 T-BOLT HOSE CLAMP SS
34	1	601502	HOSE, 2 X 56 2F-1W EPDM
35	1	601634	HOSE, 1/2 X 78 1BR BLK EPDM
36	1	601613	HOSE, 2 X 43 2F-1W EPDM
37	3	520070	HOSE CLAMP NO 8 STAINLESS
38	7	696254	O-RING, KZCO FLANGED VALVES
39	2	696255	END CAP,220 FLANGE VLV 696253
40	2	500208	3" FLANGE CLAMP, S.S.
41	2	500209	3" FLANGE GASKET EPDM
42	2	500212	3"FLANGE-2"FP FLANGE REDU POLY
43	3	696260	VALVE, KZCO C2F-55B-M-S9
44	3	696269	MANIFOLD SECT, 1" (696253/259)



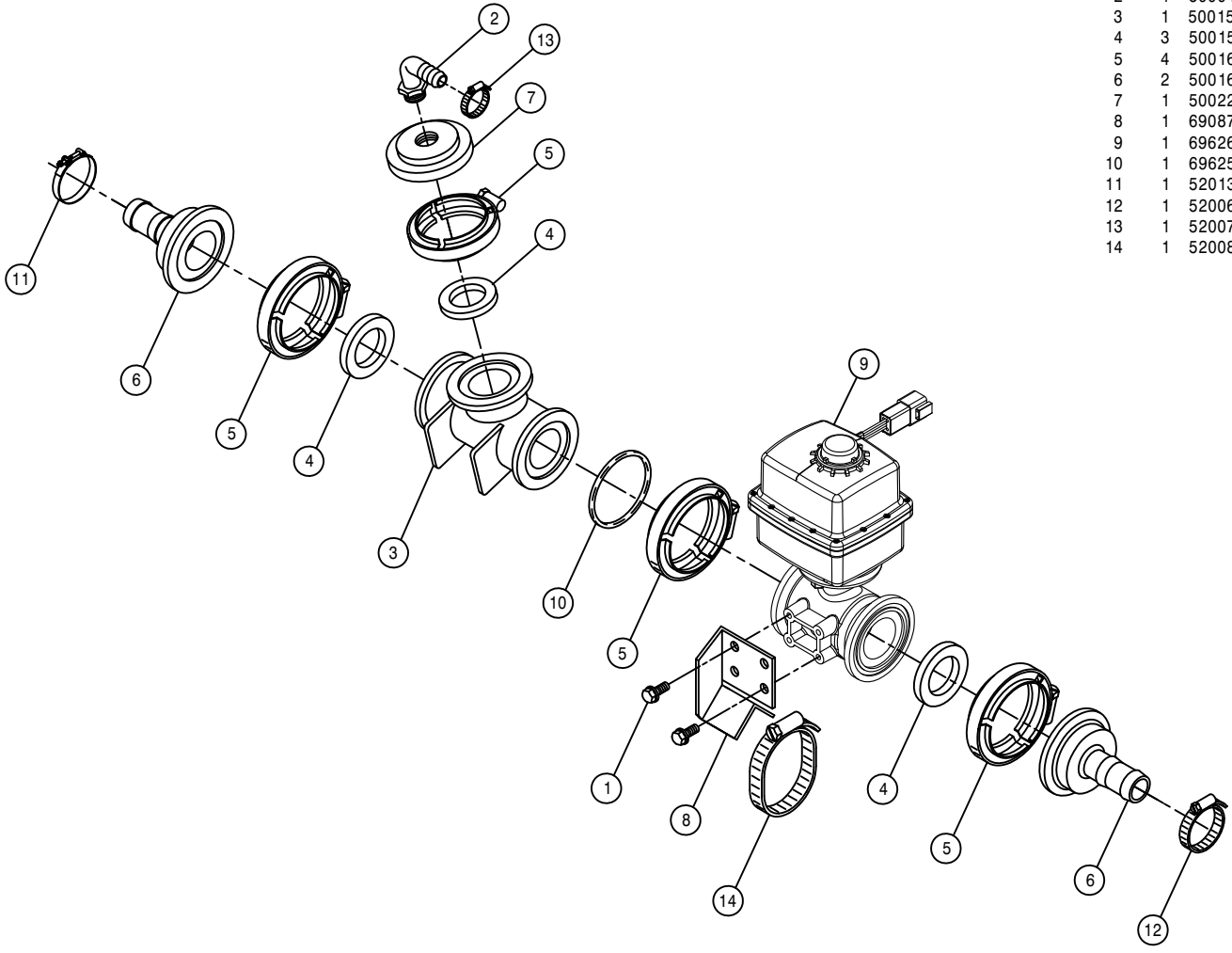
RH 80'-90' SOLUTION VALVE ASSEMBLY (HV)

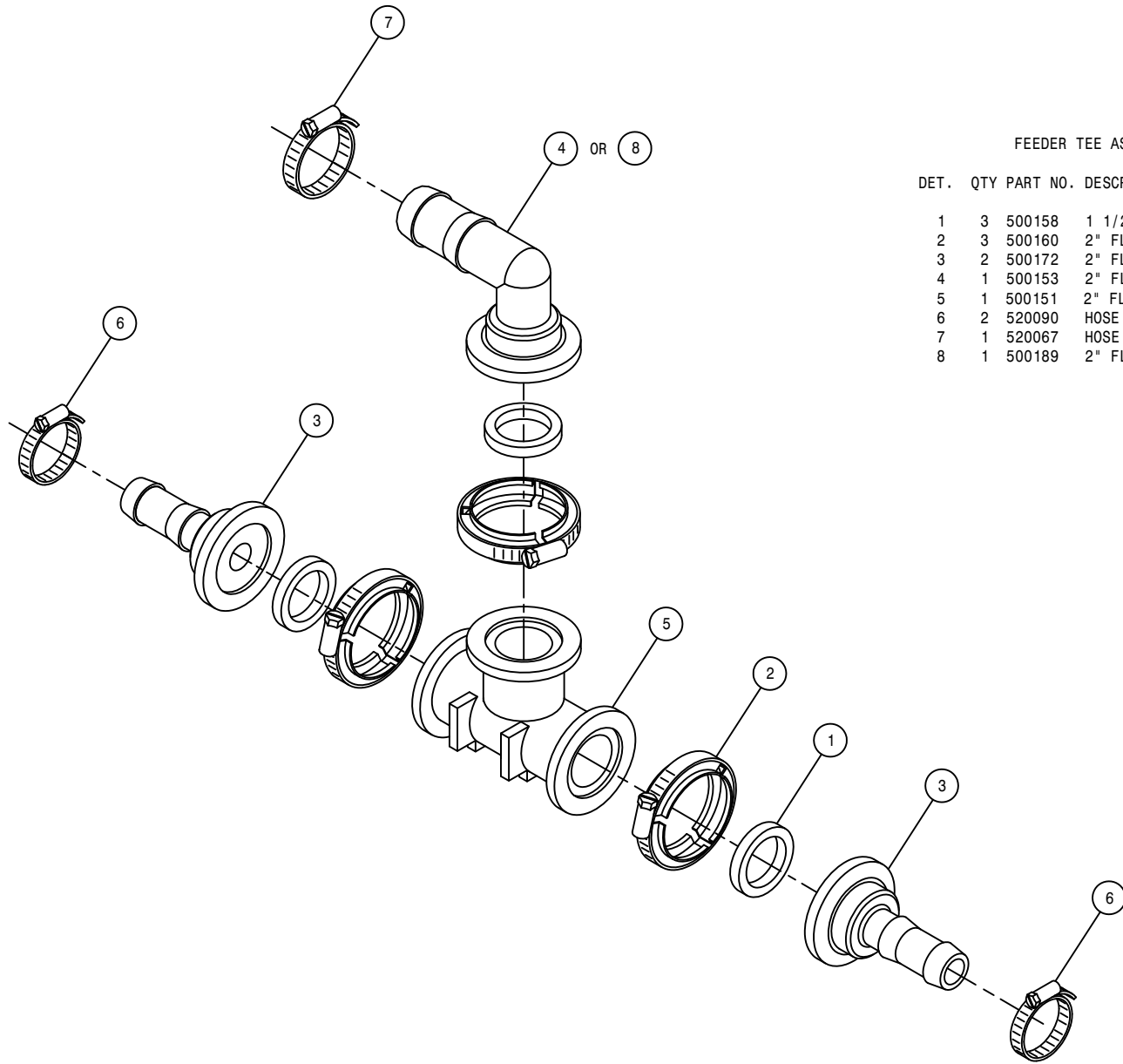
DET.	QTY	PART NO.	DESCRIPTION
1	2	470122	1/4UNC X 1/2 FLANGE HEX BOLT
2	1	500047	1/2NPT-90-1/2 HOSE BARB, POLY
3	1	500151	2" FLANGE TEE POLY
4	3	500158	1 1/2" GASKET FOR 2" FLANGE
5	4	500160	2" FLANGE CLAMP, S.S.
6	2	500162	2" FLANGE-1 1/2 HOSE BARB POLY
7	1	500224	2" FLANGE PLUG W/1/2"FNPT POLY
8	1	690871	80/90 BOOM VLV MT WLD 03
9	1	696260	VALVE, KZCO C2F-55B-M-S9
10	1	696254	O-RING, KZCO FLANGED VALVES
11	1	520133	1.81/2.06 T-BOLT HOSE CLAMP SS
12	1	520067	HOSE CLAMP NO 28 STAINLESS
13	1	520070	HOSE CLAMP NO 8 STAINLESS
14	1	520085	HOSE CLAMP NO 24 STAINLESS

LH 80' -90' SOLUTION VALVE ASSEMBLY (HV)

DET. QTY PART NO. DESCRIPTION

1	2	470122	1/4UNC X 1/2 FLANGE HEX BOLT
2	1	500047	1/2NPT-90-1/2 HOSE BARB, POLY
3	1	500151	2" FLANGE TEE POLY
4	3	500158	1 1/2" GASKET FOR 2" FLANGE
5	4	500160	2" FLANGE CLAMP, S.S.
6	2	500162	2" FLANGE-1 1/2 HOSE BARB POLY
7	1	500224	2" FLANGE PLUG W/1/2"FNPT POLY
8	1	690871	80/90 BOOM VLV MT WLD 03
9	1	696260	VALVE, KZCO C2F-55B-M-S9
10	1	696254	O-RING, KZCO FLANGED VALVES
11	1	520133	1.81/2.06 T-BOLT HOSE CLAMP SS
12	1	520067	HOSE CLAMP NO 28 STAINLESS
13	1	520070	HOSE CLAMP NO 8 STAINLESS
14	1	520085	HOSE CLAMP NO 24 STAINLESS



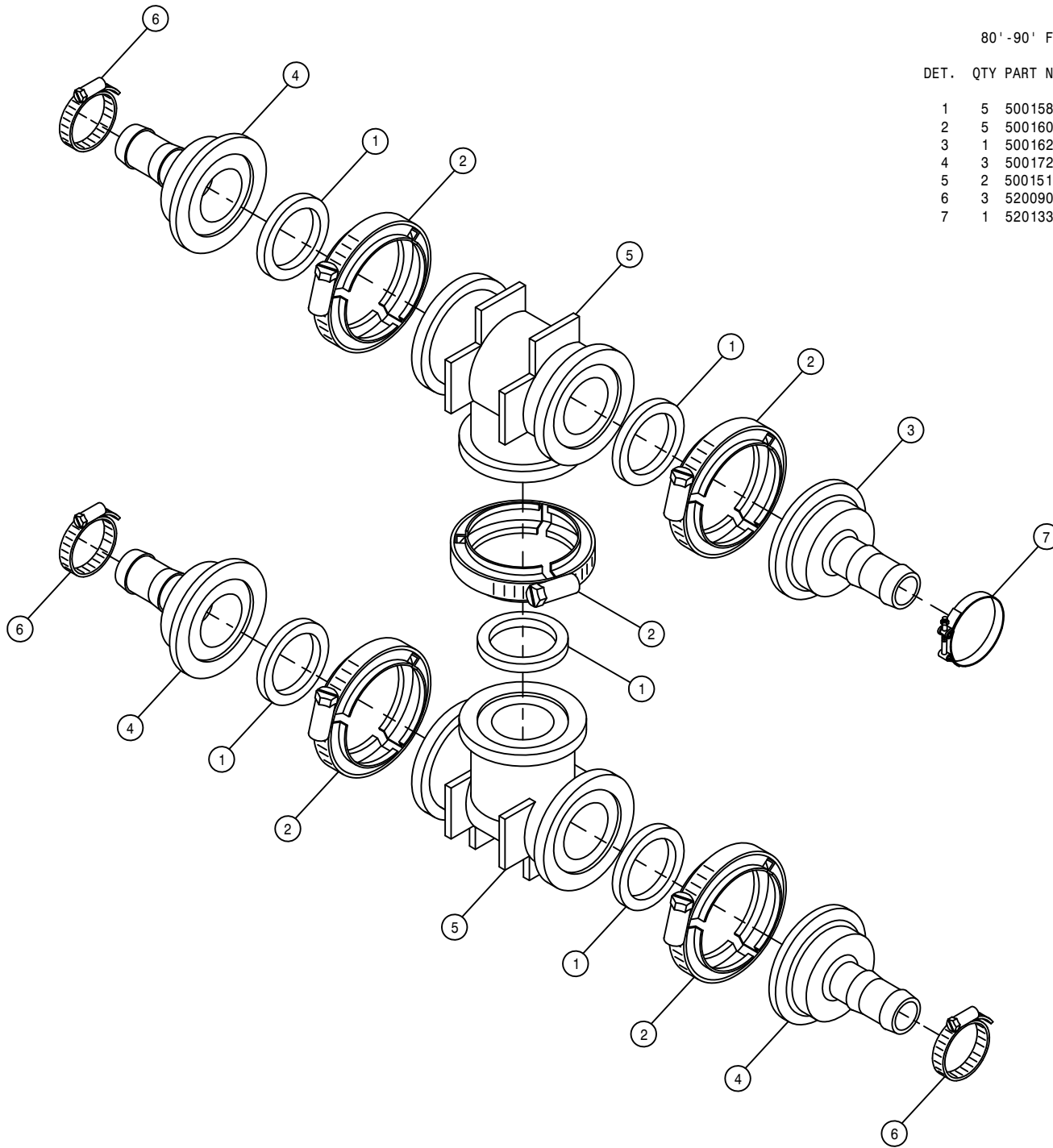


FEEDER TEE ASSEMBLY (HV)

DET. QTY PART NO. DESCRIPTION

1	3	500158	1 1/2" GASKET FOR 2" FLANGE
2	3	500160	2" FLANGE CLAMP, S.S.
3	2	500172	2" FLANGE-1" HOSE BARB POLY
4	1	500153	2" FLANGE-90-1 1/2 HBARB POLY
5	1	500151	2" FLANGE TEE POLY
6	2	520090	HOSE CLAMP NO 16 STAINLESS
7	1	520067	HOSE CLAMP NO 28 STAINLESS
8	1	500189	2" FLANGE-90-1" HOSE BARB POLY





80'-90' FEEDER TEE ASSEMBLY (HV)

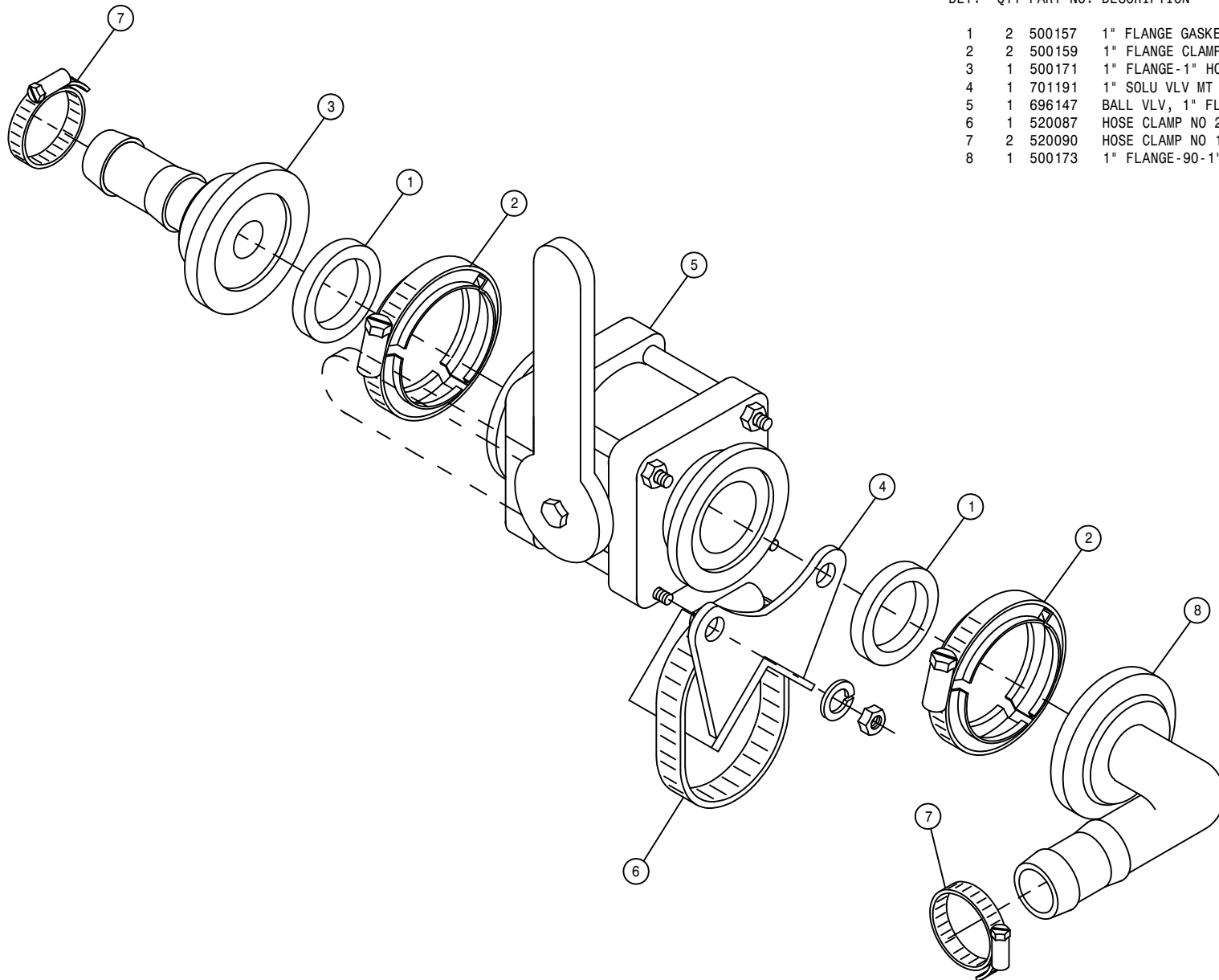
DET. QTY PART NO. DESCRIPTION

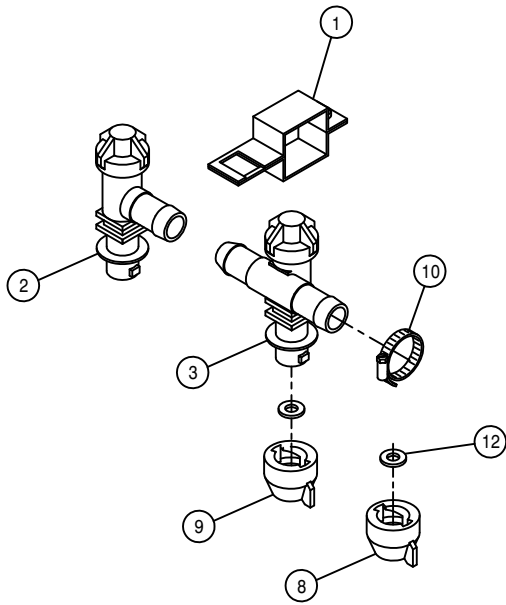
1	5	500158	1 1/2" GASKET FOR 2" FLANGE
2	5	500160	2" FLANGE CLAMP, S.S.
3	1	500162	2" FLANGE-1 1/2 HOSE BARB POLY
4	3	500172	2" FLANGE-1" HOSE BARB POLY
5	2	500151	2" FLANGE TEE POLY
6	3	520090	HOSE CLAMP NO 16 STAINLESS
7	1	520133	1.81/2.06 T-BOLT HOSE CLAMP SS

90° BALL VALVE ASSEMBLY (HV)

DET. QTY PART NO. DESCRIPTION

1	2	500157	1" FLANGE GASKET	EPDM
2	2	500159	1" FLANGE CLAMP, S.S.	
3	1	500171	1" FLANGE-1" HOSE BARB	POLY
4	1	701191	1" SOLU VLV MT WLD	
5	1	696147	BALL VLV, 1" FLANGE	
6	1	520087	HOSE CLAMP NO 20	STAINLESS
7	2	520090	HOSE CLAMP NO 16	STAINLESS
8	1	500173	1" FLANGE-90-1" HOSE BARB	POLY



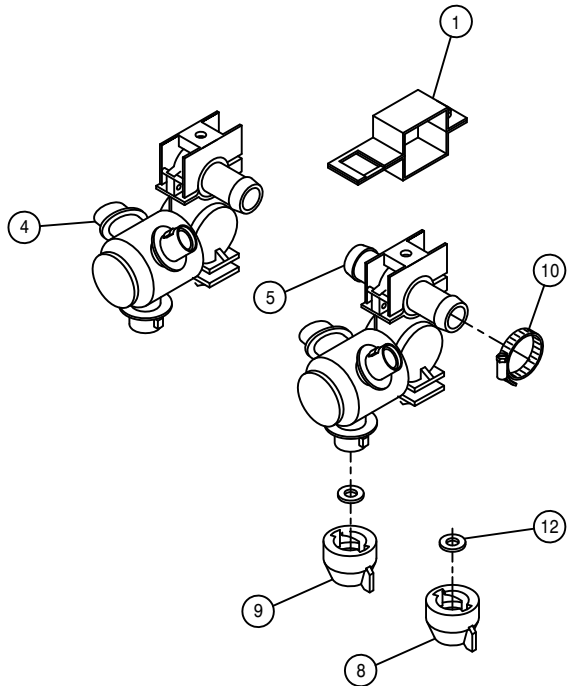


STANDARD SINGLE TIP SPACING

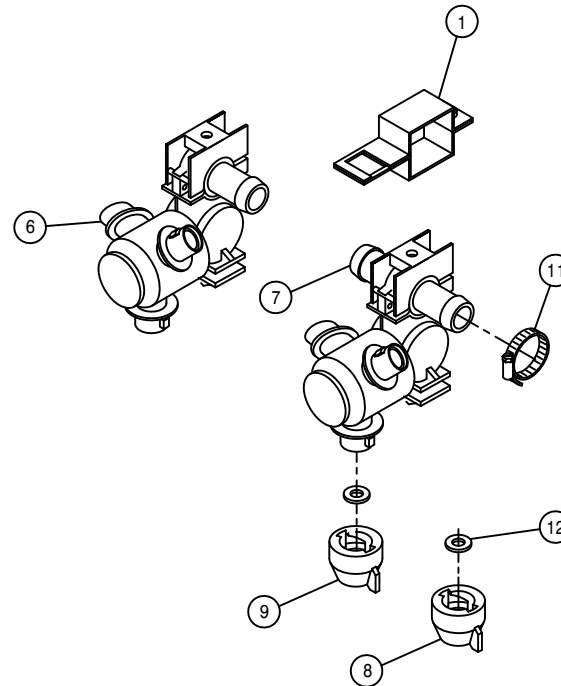
BOOM NOZZLE BODY

DET. QTY PART NO. DESCRIPTION

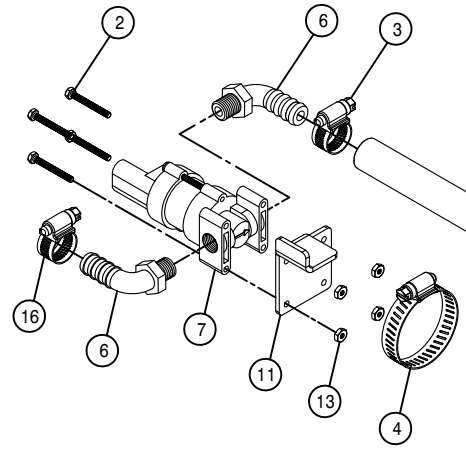
DET.	QTY	PART NO.	DESCRIPTION
1	3	737817	NOZL MT CLMP, 1.00 SQ SS, Q-TJET
2	1	737829	QUICK TJET LBO, 1-TIP BODY .75
3	1	737830	QUICK TJET TEE, 1-TIP BODY .75
4	1	737833	QUICK TJET LBO, 3-TIP BODY .75
5	1	737834	QUICK TJET TEE, 3-TIP BODY .75
6	1	737900	QUICK TJET LBO, 3-TIP BODY 1.00
7	1	737901	QUICK TJET TEE, 3-TIP BODY 1.00
8	3	737825	QUICK SHUT-OFF CAP
9	3	737822	CAP SET, YELLOW QUICK TEEJET
10	2	520055	HOSE CLAMP NO 12 STAINLESS
11	1	520090	HOSE CLAMP NO 16 STAINLESS
12	6	737824	QUICK TEEJET SEAT GASKET



STANDARD TRIPLE TIP SPACING

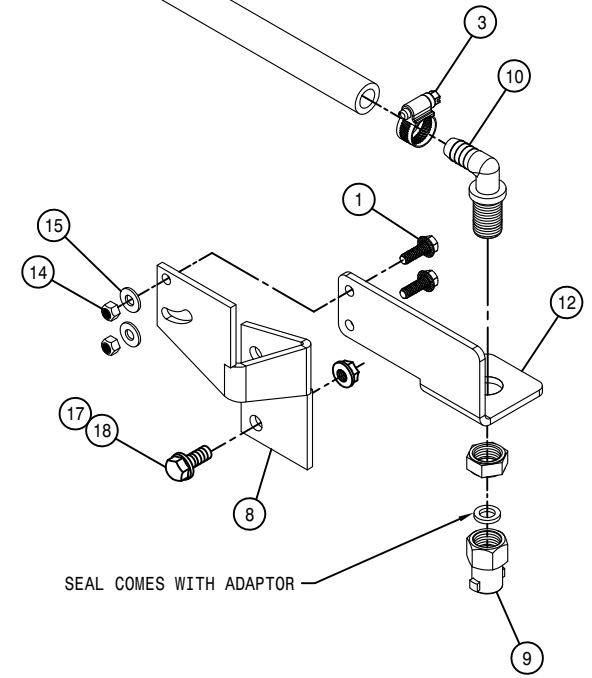


HI-VOLUME TRIPLE TIP SPACING

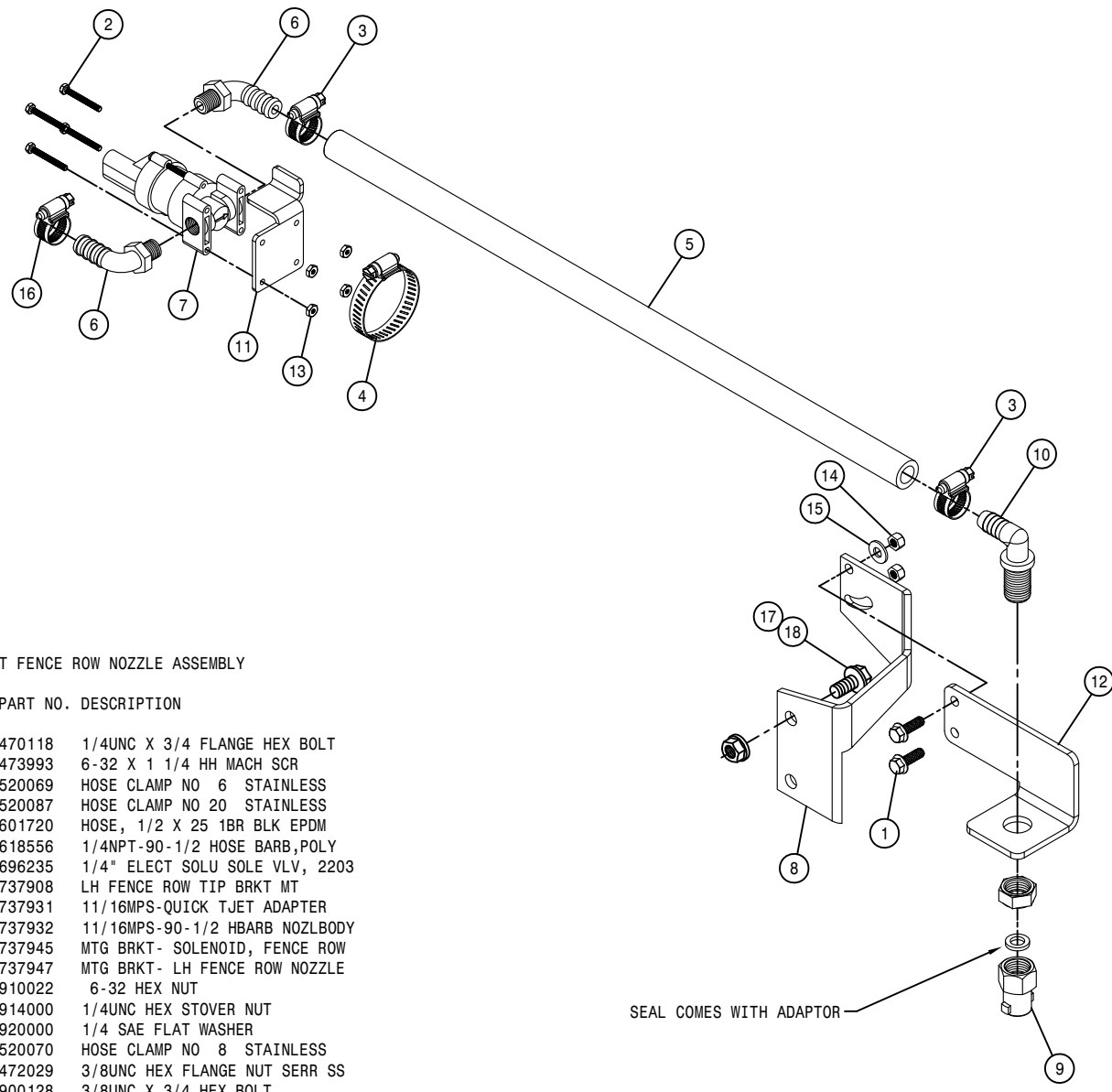


RIGHT FENCE ROW NOZZLE ASSEMBLY

DET.	QTY	PART NO.	DESCRIPTION
	1	2	470118 1/4UNC X 3/4 FLANGE HEX BOLT
	2	4	473993 6-32 X 1 1/4 HH MACH SCR
	3	2	520069 HOSE CLAMP NO 6 STAINLESS
	4	1	520087 HOSE CLAMP NO 20 STAINLESS
	5	1	601719 HOSE, 1/2 X 23 1BR BLK EPDM
	6	2	618556 1/4NPT-90-1/2 HOSE BARB,POLY
	7	1	696235 1/4" ELECT SOLU SOLE VLV, 2203
	8	1	737907 RH FENCE ROW TIP BRKT MT
	9	1	737931 11/16MPS-QUICK TJET ADAPTER
	10	1	737932 11/16MPS-90-1/2 HBARB NOZLBODY
	11	1	737945 MTG BRKT- SOLENOID, FENCE ROW
	12	1	737946 MTG BRKT- RH FENCE ROW NOZZLE
	13	4	910022 6-32 HEX NUT
	14	2	914000 1/4UNC HEX STOVER NUT
	15	2	920000 1/4 SAE FLAT WASHER
	16	1	520070 HOSE CLAMP NO 8 STAINLESS
	17	2	472029 3/8UNC HEX FLANGE NUT SERR SS
	18	2	900128 3/8UNC X 3/4 HEX BOLT



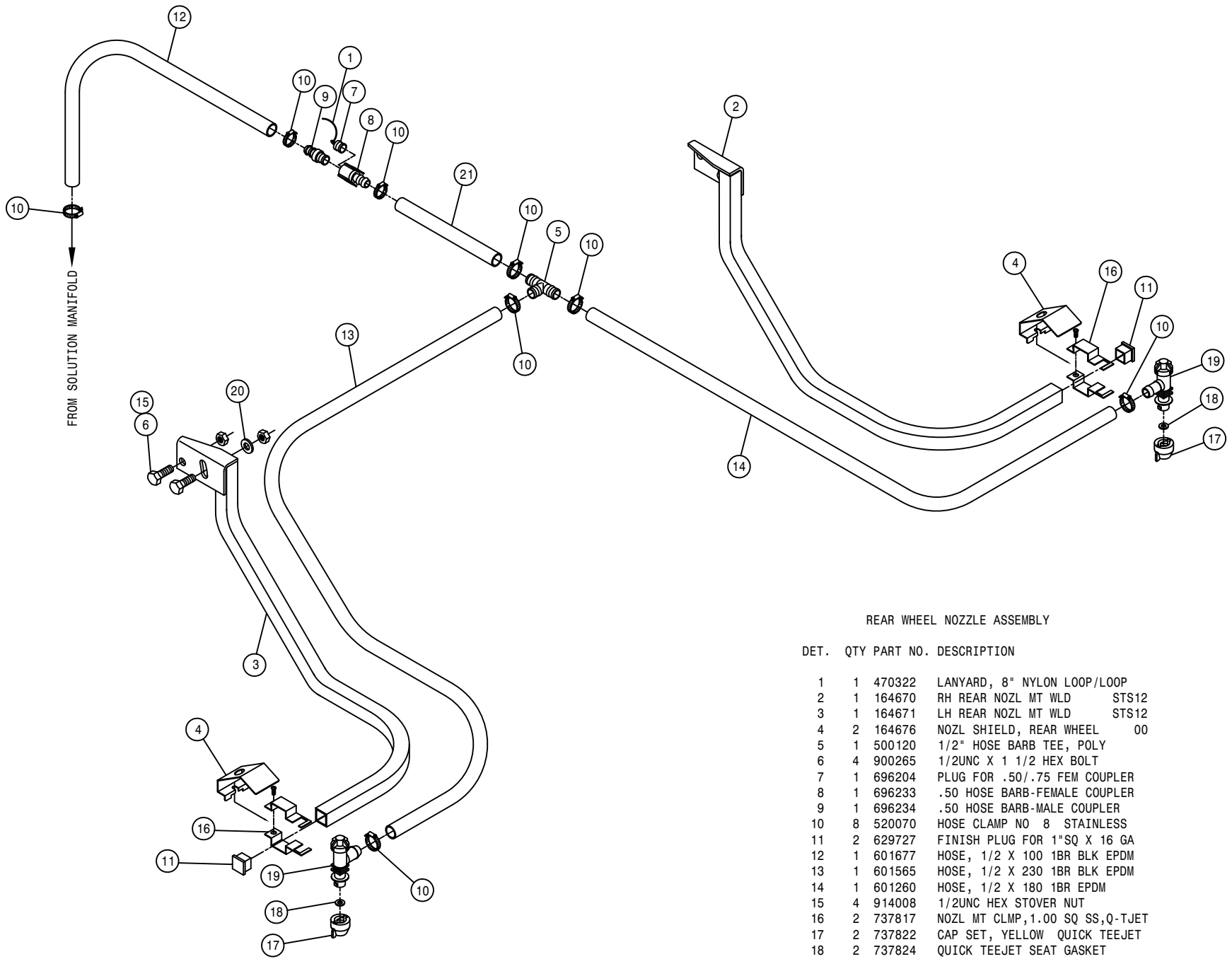
SEAL COMES WITH ADAPTOR



LEFT FENCE ROW NOZZLE ASSEMBLY

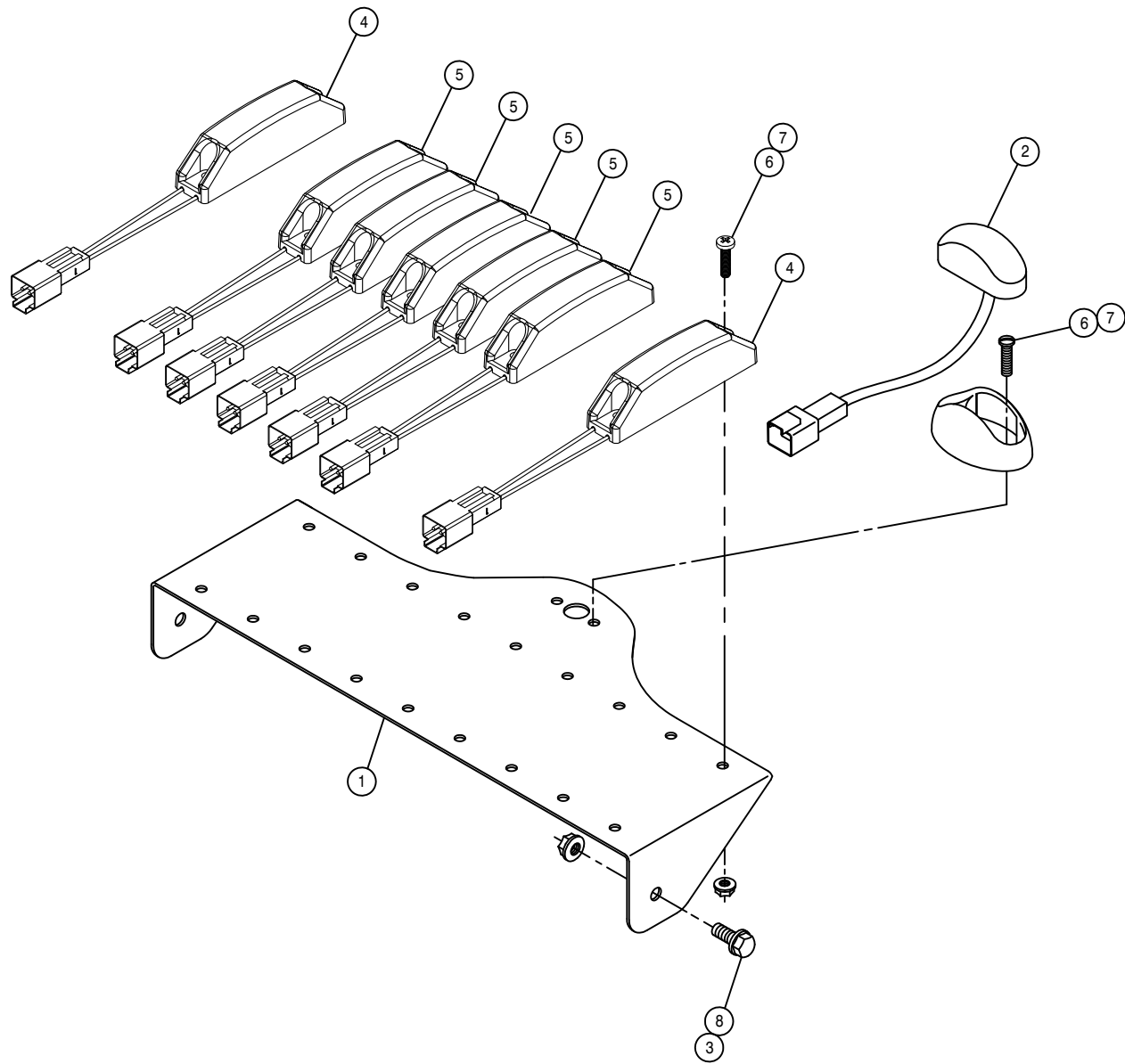
DET.	QTY	PART NO.	DESCRIPTION
	1	2	470118 1/4UNC X 3/4 FLANGE HEX BOLT
	2	4	473993 6-32 X 1 1/4 HH MACH SCR
	3	2	520069 HOSE CLAMP NO 6 STAINLESS
	4	1	520087 HOSE CLAMP NO 20 STAINLESS
	5	1	601720 HOSE, 1/2 X 25 1BR BLK EPDM
	6	2	618556 1/4NPT-90-1/2 HOSE BARB,POLY
	7	1	696235 1/4" ELECT SOLU SOLE VLV, 2203
	8	1	737908 LH FENCE ROW TIP BRKT MT
	9	1	737931 11/16MPS-QUICK TJET ADAPTER
	10	1	737932 11/16MPS-90-1/2 HBARB NOZLBODY
	11	1	737945 MTG BRKT- SOLENOID, FENCE ROW
	12	1	737947 MTG BRKT- LH FENCE ROW NOZZLE
	13	4	910022 6-32 HEX NUT
	14	2	914000 1/4UNC HEX STOVER NUT
	15	2	920000 1/4 SAE FLAT WASHER
	16	1	520070 HOSE CLAMP NO 8 STAINLESS
	17	2	472029 3/8UNC HEX FLANGE NUT SERR SS
	18	2	900128 3/8UNC X 3/4 HEX BOLT

SEAL COMES WITH ADAPTOR



REAR WHEEL NOZZLE ASSEMBLY

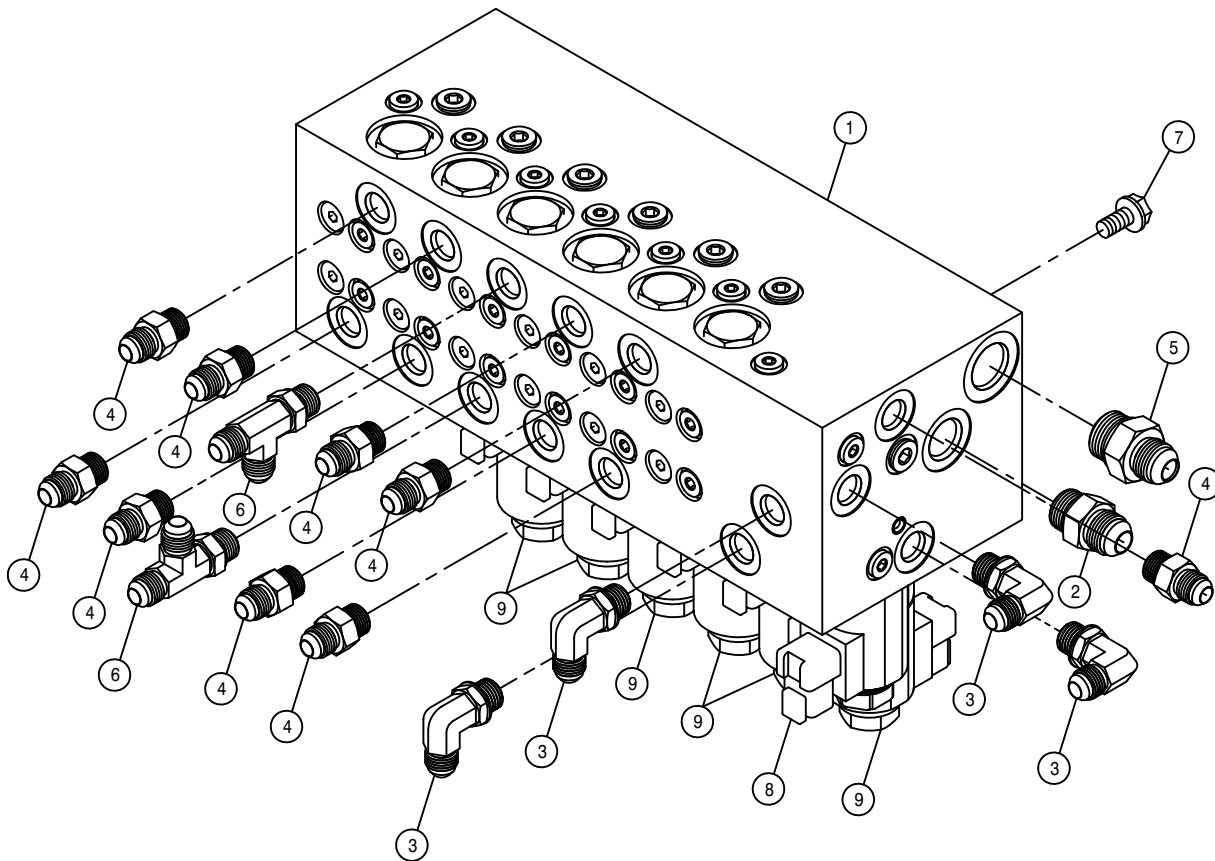
DET.	QTY	PART NO.	DESCRIPTION
	1	470322	LANYARD, 8" NYLON LOOP/LOOP
	1	164670	RH REAR NOZL MT WLD STS12
	1	164671	LH REAR NOZL MT WLD STS12
	2	164676	NOZL SHIELD, REAR WHEEL 00
	1	500120	1/2" HOSE BARB TEE, POLY
	4	900265	1/2UNC X 1 1/2 HEX BOLT
	1	696204	PLUG FOR .50/.75 FEM COUPLER
	1	696233	.50 HOSE BARB-FEMALE COUPLER
	1	696234	.50 HOSE BARB-MALE COUPLER
	8	520070	HOSE CLAMP NO 8 STAINLESS
	2	629727	FINISH PLUG FOR 1"SQ X 16 GA
	1	601677	HOSE, 1/2 X 100 1BR BLK EPDM
	1	601565	HOSE, 1/2 X 230 1BR BLK EPDM
	1	601260	HOSE, 1/2 X 180 1BR EPDM
	4	914008	1/2UNC HEX STOVER NUT
	2	737817	NOZL MT CLMP,1.00 SQ SS,Q-TJET
	2	737822	CAP SET, YELLOW QUICK TEEJET
	2	737824	QUICK TEEJET SEAT GASKET
	2	737827	QUICK TJET LBO,1-TIP BODY .50
	2	920004	1/2 SAE FLAT WASHER
	1	601165	HOSE, 1/2 X 150 1BR BLK EPDM



BOOM INDICATOR LIGHT ASSEMBLY

DET. QTY PART NO. DESCRIPTION

1	1	165008	BOOM INDICATOR LIGHT MT	05
2	1	293817	MASTER SPRAY LIGHT ASSY,STS	05
3	2	470121	1/4UNC HEX FLANGE LOCK NUT	
4	2	291325	AMBER LAMP,4" DT DEUTSCH	
5	5	291326	RED LAMP,4" DT DEUTSCH	
6	16	472235	10-32 X 3/4 PHIL HD MACH SCR	
7	16	470175	10-32 HEX FLANGE LOCK NUT	
8	2	470118	1/4UNC X 3/4 FLANGE HEX BOLT	

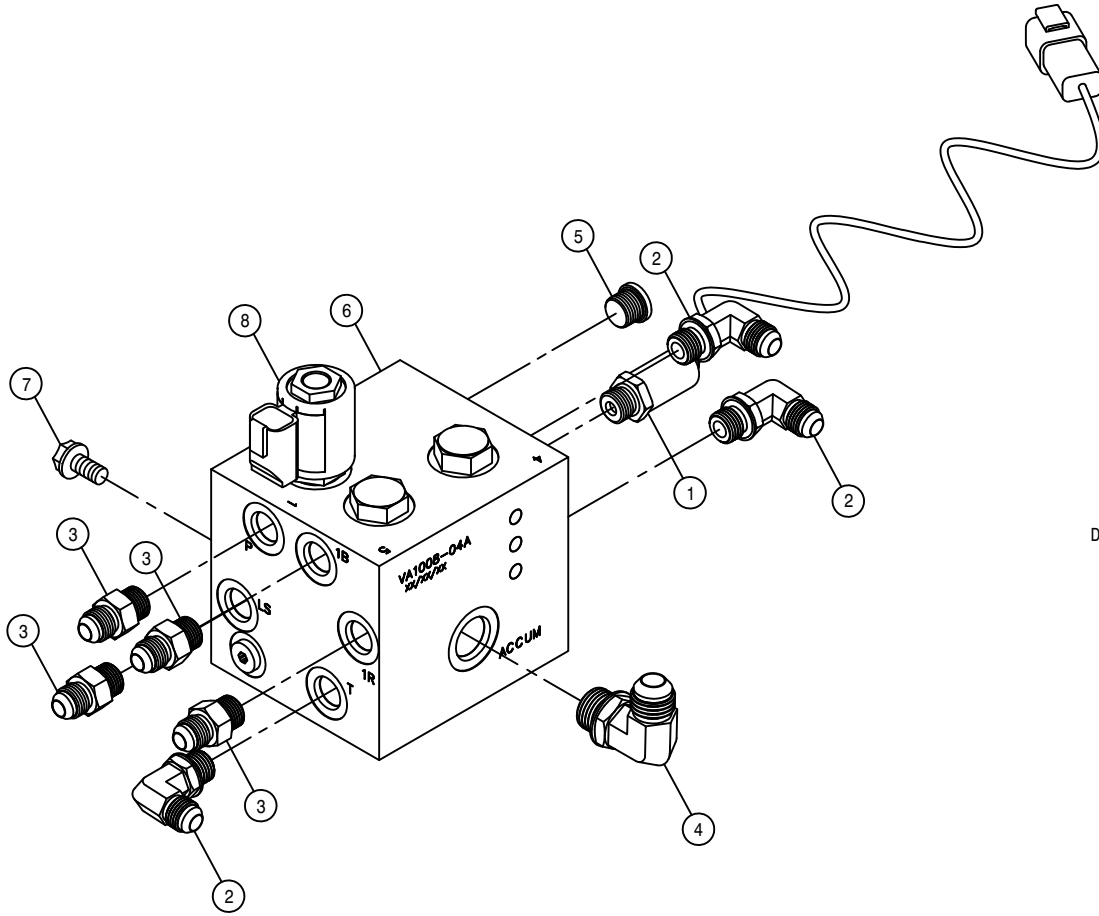


## BOOM MANIFOLD ASSEMBLY

DET. QTY PART NO. DESCRIPTION

1	1	606272	VALVE, LOAD SENSE BOOM SAUER
2	1	611125	3/4MJIC-3/4MOR ADPTR
3	4	618119	9/16MJIC-90-9/16MOR LBO
4	9	618126	9/16MJIC-9/16MOR ADPTR
5	1	618327	3/4MJIC-7/8MOR ADPTR
6	2	618444	9/16MOR RUN TEE-9/16MJIC
7	4	900128	3/8UNC X 3/4 HEX BOLT
8	1	606303	COIL, SV10, FOR VLV 606272
9	6	606304	COIL, PSV10, FOR VLV 606272



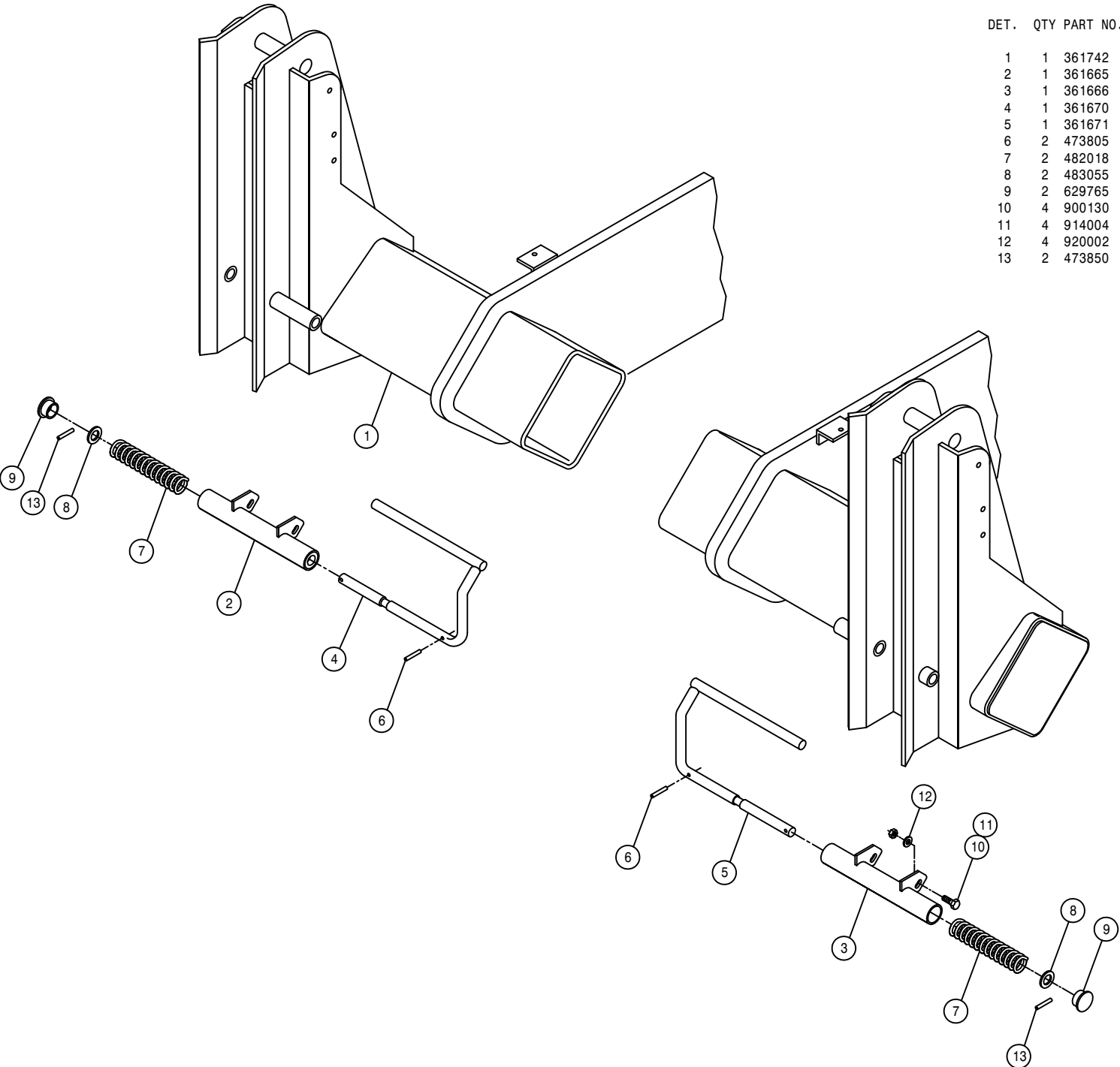


BOOM BREAKAWAY MANIFOLD ASSEMBLY

DET.	QTY	PART NO.	DESCRIPTION
	1	606196	PRESSURE TRANSDUCER, 9000 PSI
	2	618119	9/16MJIC-90-9/16MOR LBO
	3	618126	9/16MJIC-9/16MOR ADPTR
	4	618241	3/4MJIC-90-3/4MOR LBO
	5	618754	9/16MOR PLUG, HEX SOCKET
	6	606248	90° BREAKAWAY VLV, STS PWRSYS
	7	900128	3/8UNC X 3/4 HEX BOLT
	8	606266	#8 COIL W/DEUTSCH

QUICK ATTACK LEVER ASSEMBLY

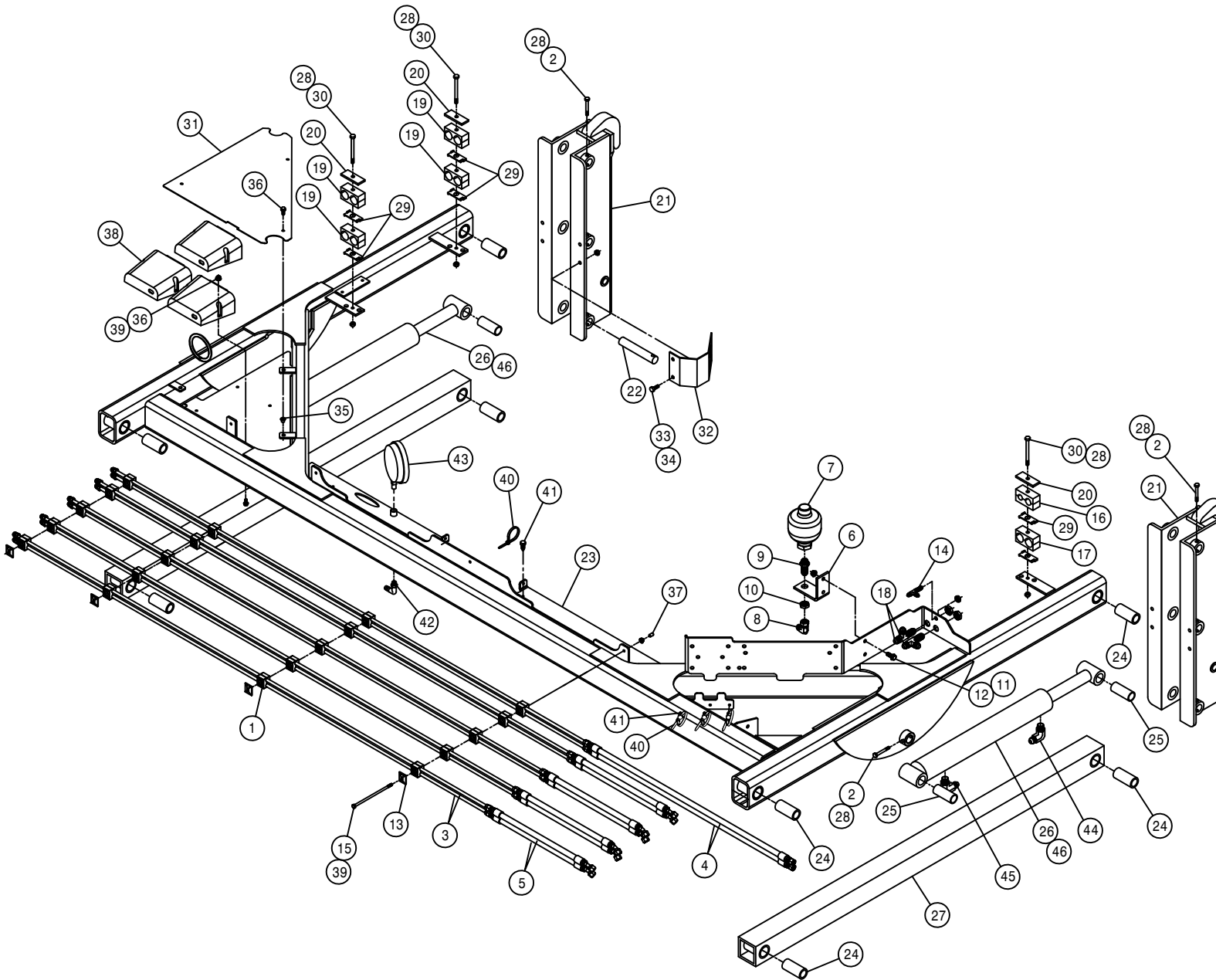
DET.	QTY	PART NO.	DESCRIPTION
1	1	361742	MAINFRAME WLD STS 10/12 07
2	1	361665	RH Q-ATTACH LOCK WLD, STS 04
3	1	361666	LH Q-ATTACH LOCK WLD, STS 04
4	1	361670	RH Q-ATTACH LOCK PIN WLD, STS04
5	1	361671	LH Q-ATTACH LOCK PIN WLD, STS04
6	2	473805	ROLL PIN, 1/4 X 1 1/2
7	2	482018	SPRING, 1.00 X 12.00 COMPRSN
8	2	483055	.771ID-1.2500D-.135T MACH WASH
9	2	629765	CAPLUG, 1 1/2" RD, BLACK POLY
10	4	900130	3/8UNC X 1 1/4 SER FLANGE BOLT
11	4	914004	3/8UNC HEX STOVER NUT
12	4	920002	3/8 SAE FLAT WASHER
13	2	473850	ROLL PIN, 1/4 X 1"



102

446102

103



LIFTARM ASSEMBLY

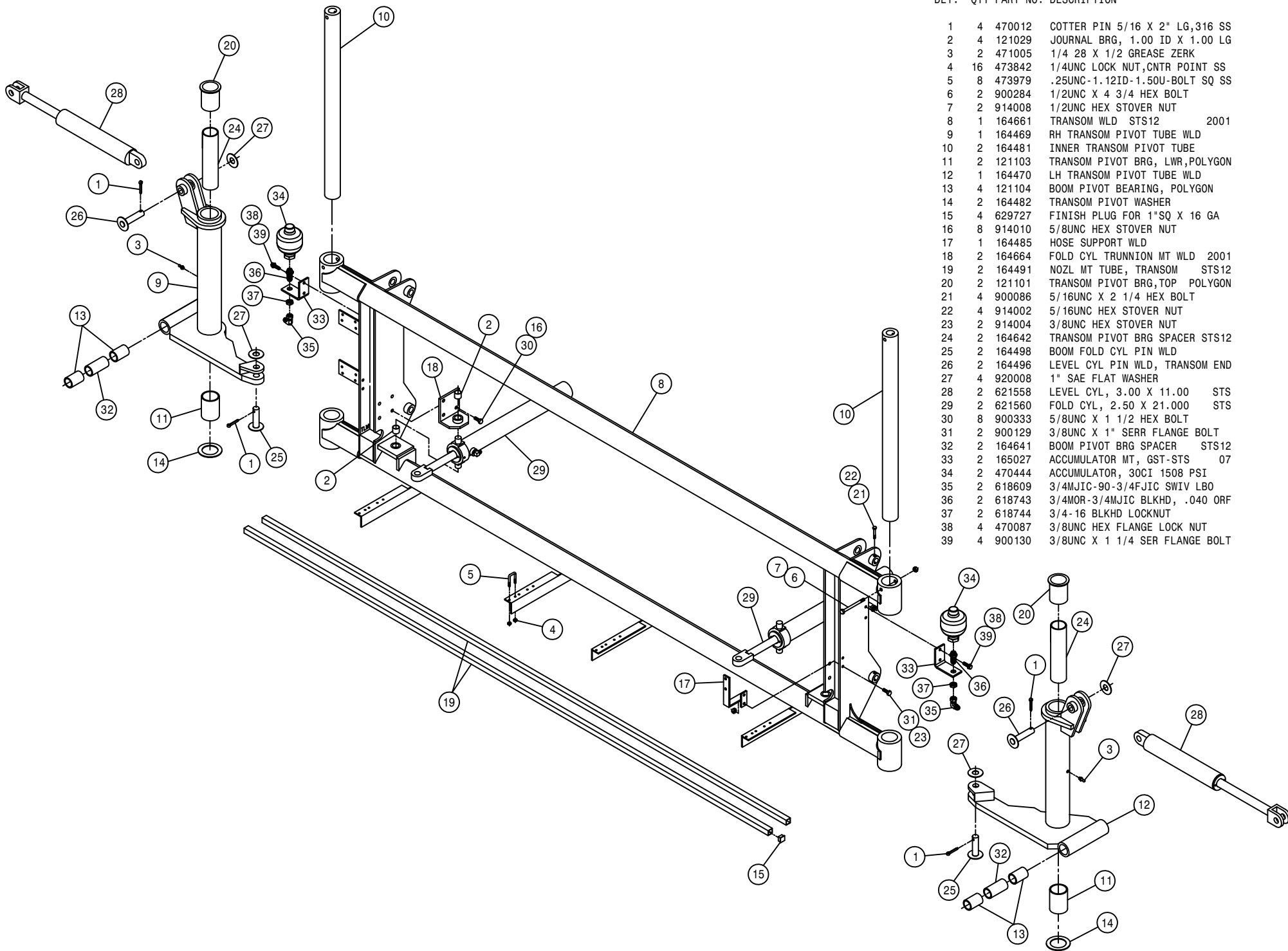
DET.	QTY	PART NO.	DESCRIPTION
1	20	470473	TUBE CLAMP, HVY DTY .375-.375
2	8	900086	5/16UNC X 2 1/4 HEX BOLT
3	10	615852	LIFTARM HYD TUBE ASSY,STSL5 07
4	2	616304	06-451TC-06FJX-06FJX-36 H/A
5	8	616316	06-451TC-06FJX-06FJX45-18 H/A
6	1	165027	ACCUMULATOR MT, GST-ST5 07
7	1	470444	ACCUMULATOR, 30CI 1508 PSI
8	1	618609	3/4MJIC-90-3/4FJIC SWIV LBO
9	1	618743	3/4MOR-3/4MJIC BLKHD, .040 ORF
10	1	618744	3/4-16 BLKHD LOCKNUT
11	2	470087	3/8UNC HEX FLANGE LOCK NUT
12	2	470460	3/8 X 1 SERR FLANGE BOLT
13	4	470474	COVER PLATE FOR 470473 CLAMP
14	1	618748	7/16MJIC BLKHD RUN TEE
15	4	900032	1/4UNC X 6 1/2" HEX BOLT
16	1	470270	HOSE CLAMP BODY, .530-.680
17	1	470274	TUBE CLAMP BODY, .750-.750
18	2	618749	3/4MJIC BLKHD RUN TEE
19	4	470275	TUBE CLAMP BODY, 1.000-1.000
20	3	470276	CLAMP COVER PLATE,SNGL, 2.55LG
21	2	164800	QUICK ATTACH PLT WLD STS 04
22	12	164452	LIFT ARM MT PIVOT PIN,ST512 00
23	1	165021	UPPER LIFT ARM WLD, STSL5 06
24	8	121107	LIFTARM BEARING, POLYGON
25	4	121109	LIFT CYL BRG, POLYGON
26	2	621556	LIFT CYL, 2.50 X 18.00 STS
27	2	164450	LWR LIFTARM WLD, STS 00
28	11	914002	5/16UNC HEX STOVER NUT
29	6	470281	STACK BOLT SAFETY LOCK PLATE
30	3	900076	5/16UNC X 4" HEX BOLT
31	1	165006	UPPER LIFTARM BUSS COVER,ST505
32	1	165009	RECEPTACLE MT, STS 05
33	2	900129	3/8UNC X 1" SERR FLANGE BOLT
34	2	914004	3/8UNC HEX STOVER NUT
35	3	470380	1/4-20 NUTSERT .027-.165 STL
36	9	470118	1/4UNC X 3/4 FLANGE HEX BOLT
37	4	629770	CAPPLUGS CAP, .234 X .500 VINYL
38	3	292012	IQAN-XP2 POWER MODULE
39	10	470121	1/4UNC HEX FLANGE LOCK NUT
40	7	470154	CABLE TIE, 11.75" BLK PLASTIC
41	7	470432	PUSH MT BASE FOR PLASTIC TIE
42	1	618556	1/4NPT-90-1/2 HOSE BARB,POLY
43	1	690359	PRESSURE GA GLYCERI 100 PSI
44	2	618119	9/16MJIC-90-9/16MOR LBO
45	2	618689	9/16MOR-90-9/16MJ .042 CHK VLV
46	2	621557	REPAIR KIT,HYD CYL 621556

446103

TRANSOM ASSEMBLY

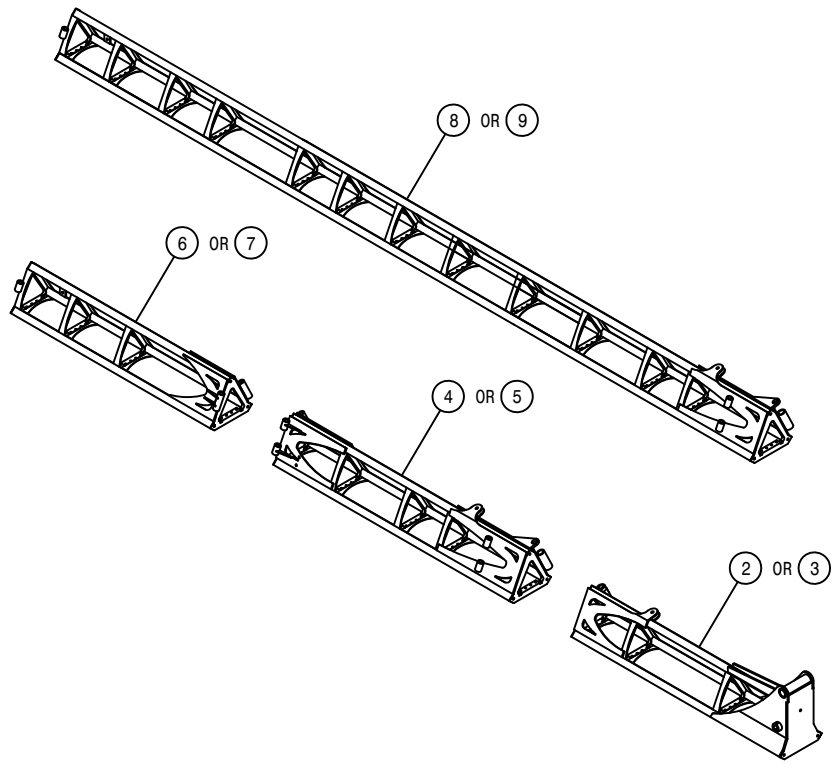
DET. QTY PART NO. DESCRIPTION

DET.	QTY	PART NO.	DESCRIPTION
1	4	470012	COTTER PIN 5/16 X 2" LG,316 SS
2	4	121029	JOURNAL BRG, 1.00 ID X 1.00 LG
3	2	471005	1/4 28 X 1/2 GREASE ZERK
4	16	473842	1/4UNC LOCK NUT,CNTR POINT SS
5	8	473979	.25UNC-1.12ID-1.50U-BOLT SQ SS
6	2	900284	1/2UNC X 4 3/4 HEX BOLT
7	2	914008	1/2UNC HEX STOVER NUT
8	1	164661	TRANSOM WLD STS12 2001
9	1	164469	RH TRANSOM PIVOT TUBE WLD
10	2	164481	INNER TRANSOM PIVOT TUBE
11	2	121103	TRANSOM PIVOT BRG, LWR,POLYGON
12	1	164470	LH TRANSOM PIVOT TUBE WLD
13	4	121104	BOOM PIVOT BEARING, POLYGON
14	2	164482	TRANSOM PIVOT WASHER
15	4	629727	FINISH PLUG FOR 1"SQ X 16 GA
16	8	914010	5/8UNC HEX STOVER NUT
17	1	164485	HOSE SUPPORT WLD
18	2	164664	FOLD CYL TRUNNION MT WLD 2001
19	2	164491	NOZL MT TUBE, TRANSOM STS12
20	2	121101	TRANSOM PIVOT BRG, TOP POLYGON
21	4	900086	5/16UNC X 2 1/4 HEX BOLT
22	4	914002	5/16UNC HEX STOVER NUT
23	2	914004	3/8UNC HEX STOVER NUT
24	2	164642	TRANSOM PIVOT BRG SPACER STS12
25	2	164498	BOOM FOLD CYL PIN WLD
26	2	164496	LEVEL CYL PIN WLD, TRANSOM END
27	4	920008	1" SAE FLAT WASHER
28	2	621558	LEVEL CYL, 3.00 X 11.00 STS
29	2	621560	FOLD CYL, 2.50 X 21.000 STS
30	8	900333	5/8UNC X 1 1/2 HEX BOLT
31	2	900129	3/8UNC X 1" SERR FLANGE BOLT
32	2	164641	BOOM PIVOT BRG SPACER STS12
33	2	165027	ACCUMULATOR MT, GST-STS 07
34	2	470444	ACCUMULATOR, 30CI 1508 PSI
35	2	618609	3/4MJIC-90-3/4FJIC SWIV LBO
36	2	618743	3/4MOR-3/4MJIC BLKHD, .040 ORF
37	2	618744	3/4-16 BLKHD LOCKNUT
38	4	470087	3/8UNC HEX FLANGE LOCK NUT
39	4	900130	3/8UNC X 1 1/4 SER FLANGE BOLT



104

446104

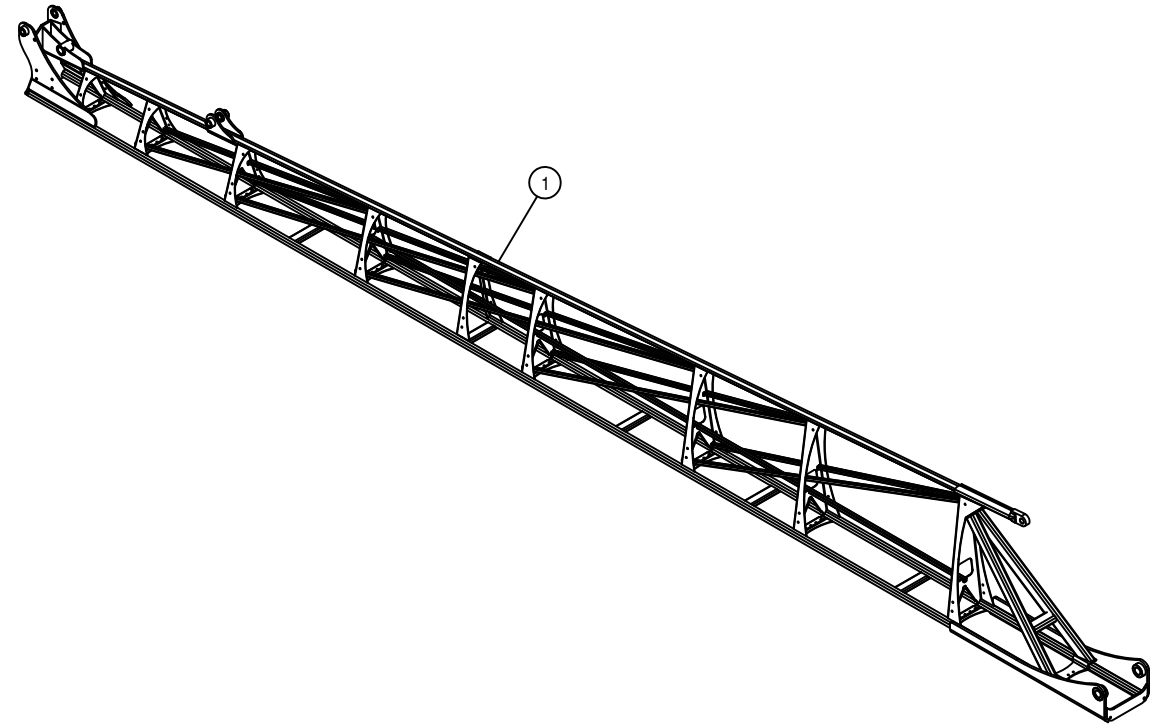


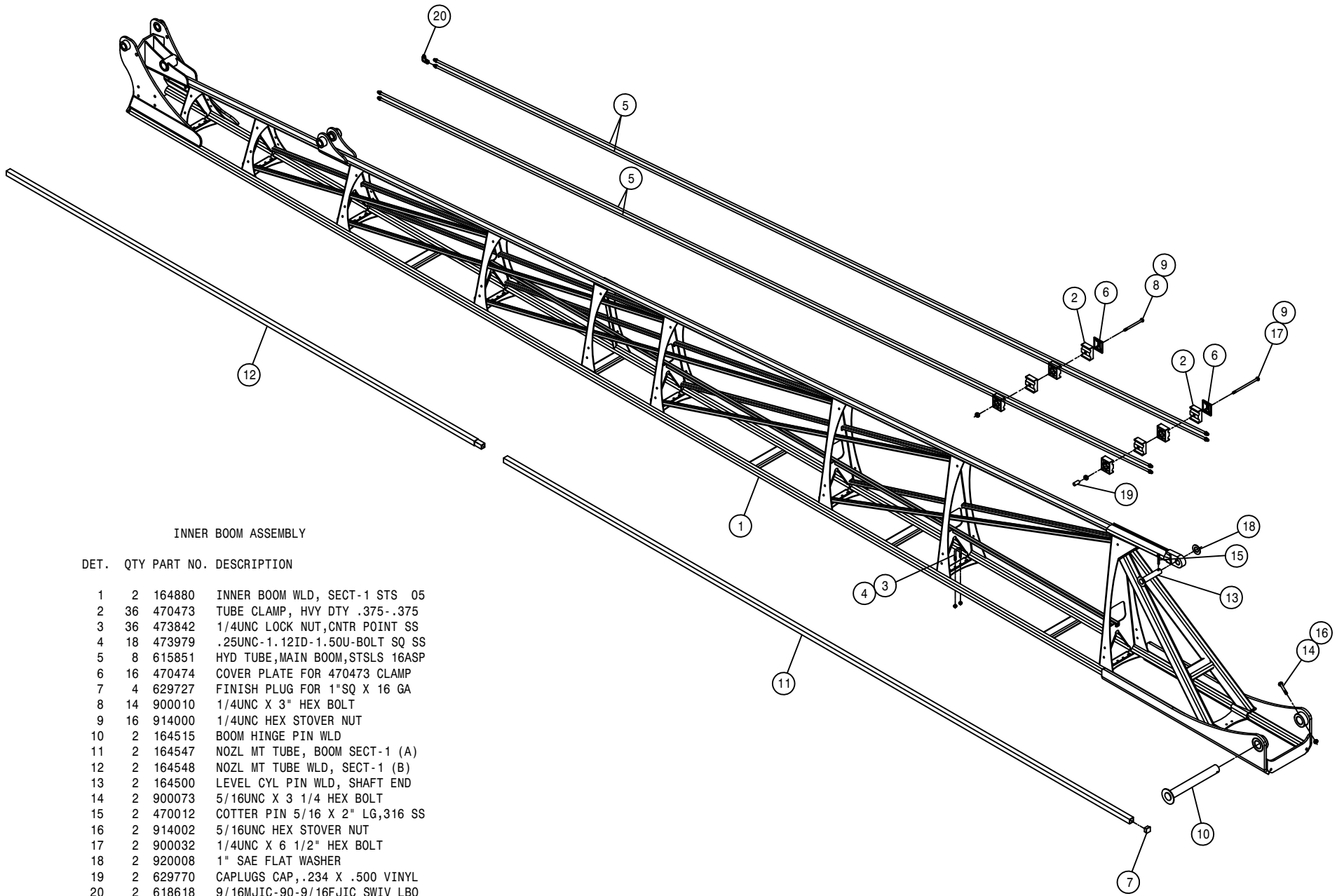
BOOM ASSEMBLY

DET. QTY PART NO. DESCRIPTION

1	2	164880	INNER BOOM WLD, SECT-1 STS 05
2	1	164592	RH FLDOVR BOOM WLD, SECT-2
3	1	164593	LH FLDOVR BOOM WLD, SECT-2
4	1	164608	RH BREAKAWAY BOOM WLD, SECT-3
5	1	164609	LH BREAKAWAY BOOM WLD, SECT-3
6	1	164622	RH 90' BOOM TIP WLD, SECT-4
7	1	164623	LH 90' BOOM TIP WLD, SECT-4
8	1	164901	RH BREAKAWAY BOOM WLD 100'
9	1	164902	LH BREAKAWAY BOOM WLD 100'

NOTE: QUANTITY LISTED IS FOR ONE MACHINE.

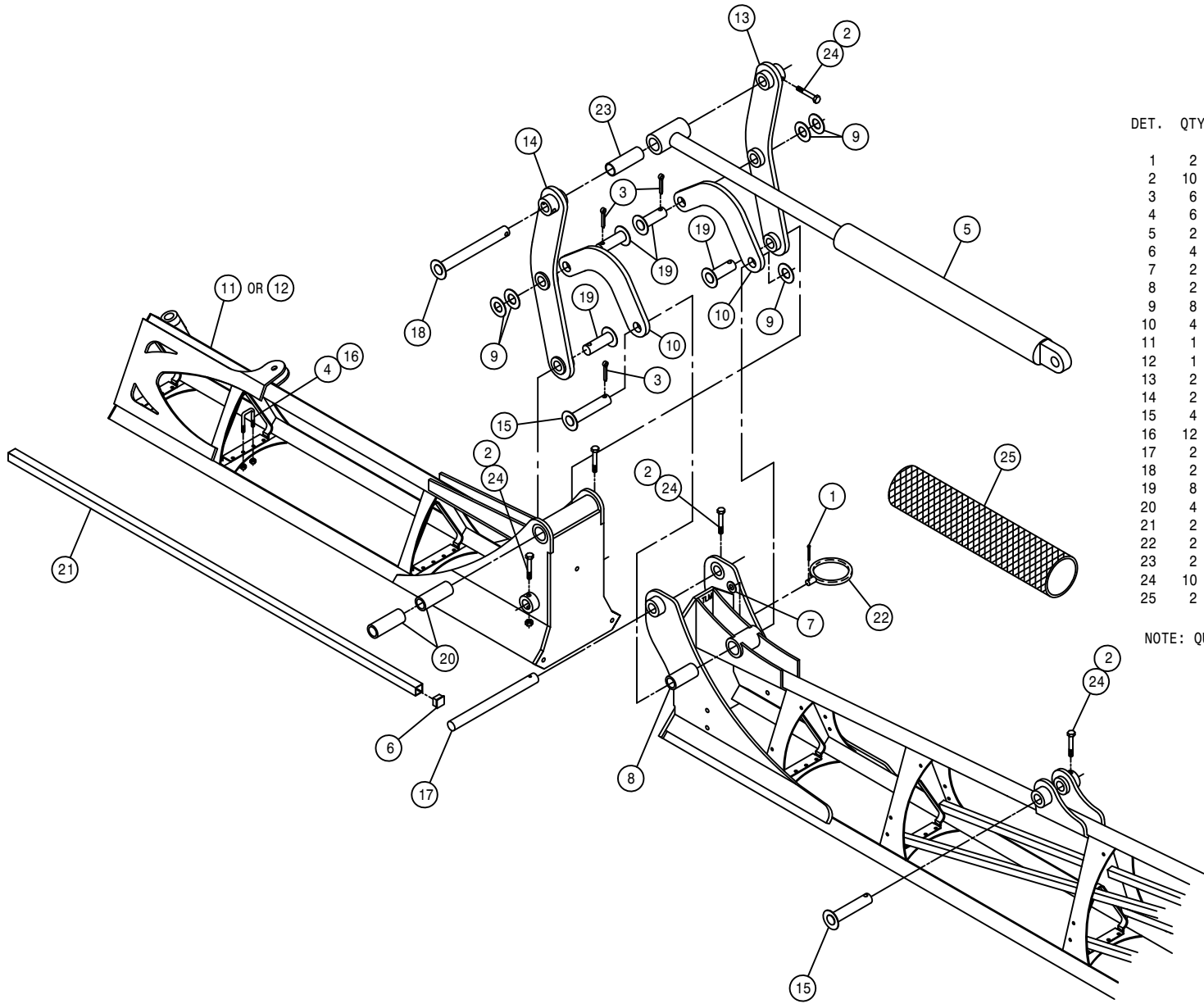




INNER BOOM ASSEMBLY

DET.	QTY	PART NO.	DESCRIPTION
	1	2 164880	INNER BOOM WLD, SECT-1 STS 05
	2	36 470473	TUBE CLAMP, HVY DTY .375-.375
	3	36 473842	1/4UNC LOCK NUT,CNTR POINT SS
	4	18 473979	.25UNC-1.12ID-1.50U-BOLT SQ SS
	5	8 615851	HYD TUBE,MAIN BOOM,STSLs 16ASP
	6	16 470474	COVER PLATE FOR 470473 CLAMP
	7	4 629727	FINISH PLUG FOR 1"SQ X 16 GA
	8	14 900010	1/4UNC X 3" HEX BOLT
	9	16 914000	1/4UNC HEX STOVER NUT
	10	2 164515	BOOM HINGE PIN WLD
	11	2 164547	NOZL MT TUBE, BOOM SECT-1 (A)
	12	2 164548	NOZL MT TUBE WLD, SECT-1 (B)
	13	2 164500	LEVEL CYL PIN WLD, SHAFT END
	14	2 900073	5/16UNC X 3 1/4 HEX BOLT
	15	2 470012	COTTER PIN 5/16 X 2" LG,316 SS
	16	2 914002	5/16UNC HEX STOVER NUT
	17	2 900032	1/4UNC X 6 1/2" HEX BOLT
	18	2 920008	1" SAE FLAT WASHER
	19	2 629770	CAPPLUGS CAP,.234 X .500 VINYL
	20	2 618618	9/16MJIC-90-9/16FJIC SWIV LBO

NOTE: QUANTITY LISTED IS FOR ONE MACHINE.

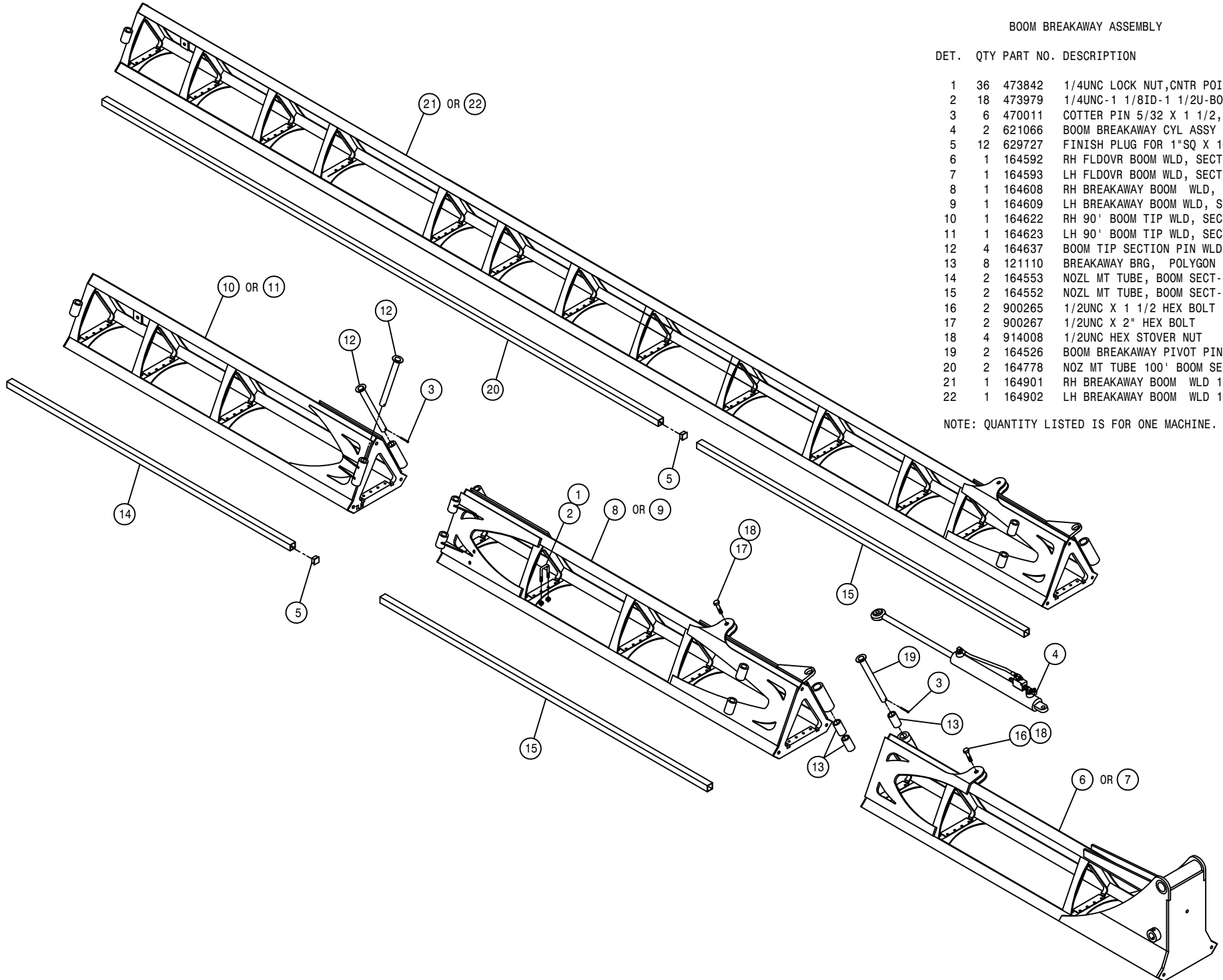


80'-90' BOOM HINGE ASSEMBLY

DET.	QTY	PART NO.	DESCRIPTION
	2	390984	COTTER PIN 1/8 X 1 1/4
	10	914002	5/16UNC HEX STOVER NUT
	6	470012	COTTER PIN 5/16 X 2" LG,316 SS
	6	473979	.25UNC-1.12ID-1.50U-BOLT SQ SS
	2	621562	UTR FOLD CYL,2.25 X 21.00 STS
	4	629727	FINISH PLUG FOR 1"SQ X 16 GA
	2	920004	1/2 SAE FLAT WASHER
	2	121107	LIFTARM BEARING, POLYGON
	8	920008	1" SAE FLAT WASHER
	4	164643	XK402 TOP ARM(LEFT) 10.35 CNTR
	1	164592	RH FLDOVR BOOM WLD, SECT-2
	1	164593	LH FLDOVR BOOM WLD, SECT-2
	2	164528	RH FOLD-OVER BOOMERANG WLD
	2	164529	LH FOLD-OVER BOOMERANG WLD
	4	164522	BOOM FOLD CYL PIN WLD
	12	473842	1/4UNC LOCK NUT,CNTR POINT SS
	2	164678	BOOM FOLD PIVOT PIN, STS 05
	2	164520	BOOM CYL PIVOT PIN WLD
	8	164524	BOOMERANG CNTR PIVOT PIN WLD
	4	121106	BOOM FOLD BRG, POLYGON
	2	164551	NOZL MT TUBE, BOOM SECT-2
	2	164517	HOSE SUPPORT RING WLD
	2	121108	UTR BOOM FOLD CYL BRG,POLYGON
	10	900086	5/16UNC X 2 1/4 HEX BOLT
	2	470378	SIDEWINDER SLEEVE,14.06 X 21"

NOTE: QUANTITY LISTED IS FOR ONE MACHINE.

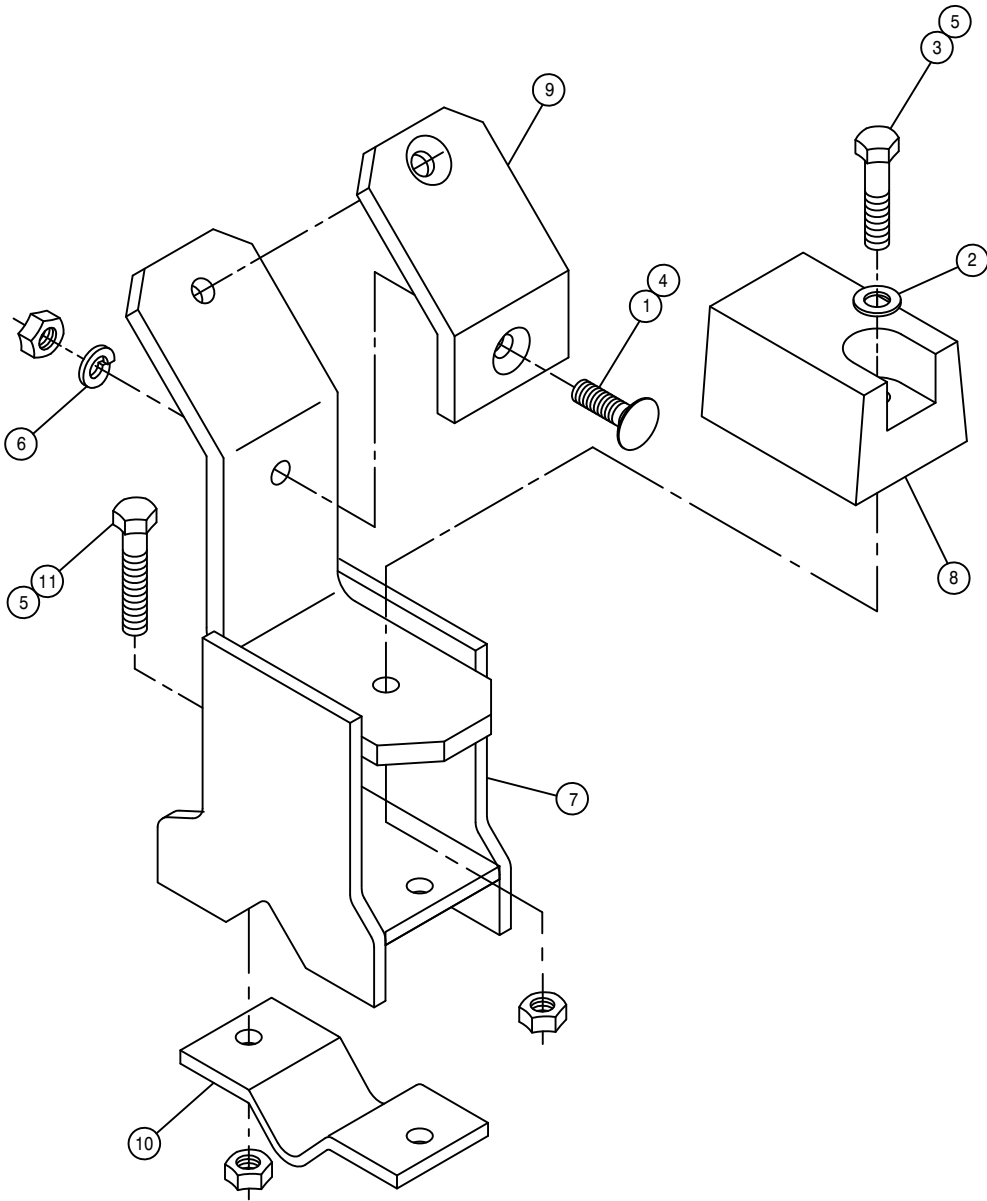
BOOM BREAKAWAY ASSEMBLY



DET.	QTY	PART NO.	DESCRIPTION
1	36	473842	1/4UNC LOCK NUT,CNTR POINT SS
2	18	473979	1/4UNC-1 1/8ID-1 1/2U-BOLTSQSS
3	6	470011	COTTER PIN 5/32 X 1 1/2,316 SS
4	2	621066	BOOM BREAKAWAY CYL ASSY STS 03
5	12	629727	FINISH PLUG FOR 1"SQ X 16 GA
6	1	164592	RH FLDOVR BOOM WLD, SECT-2
7	1	164593	LH FLDOVR BOOM WLD, SECT-2
8	1	164608	RH BREAKAWAY BOOM WLD, SECT-3
9	1	164609	LH BREAKAWAY BOOM WLD, SECT-3
10	1	164622	RH 90' BOOM TIP WLD, SECT-4
11	1	164623	LH 90' BOOM TIP WLD, SECT-4
12	4	164637	BOOM TIP SECTION PIN WLD
13	8	121110	BREAKAWAY BRG, POLYGON
14	2	164553	NOZL MT TUBE, BOOM SECT-4
15	2	164552	NOZL MT TUBE, BOOM SECT-3
16	2	900265	1/2UNC X 1 1/2 HEX BOLT
17	2	900267	1/2UNC X 2" HEX BOLT
18	4	914008	1/2UNC HEX STOVER NUT
19	2	164526	BOOM BREAKAWAY PIVOT PIN WLD
20	2	164778	NOZ MT TUBE 100' BOOM SEC-4 05
21	1	164901	RH BREAKAWAY BOOM WLD 100'
22	1	164902	LH BREAKAWAY BOOM WLD 100'

NOTE: QUANTITY LISTED IS FOR ONE MACHINE.

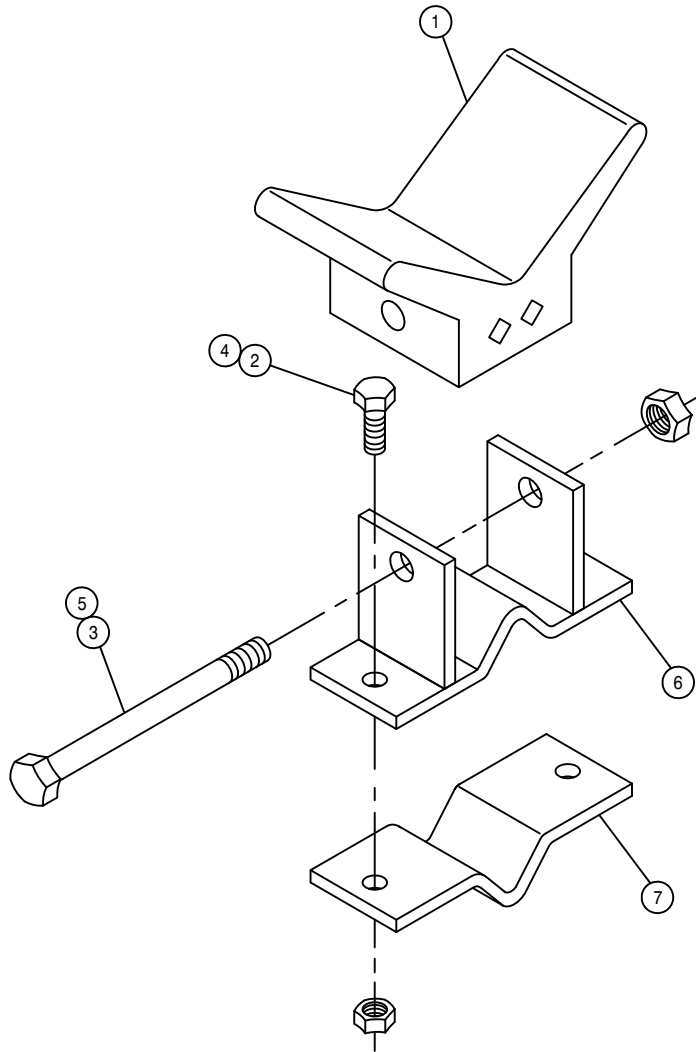




BOOM SUPPORT CRADLE ASSEMBLY, 80' -90'

DET. QTY PART NO. DESCRIPTION

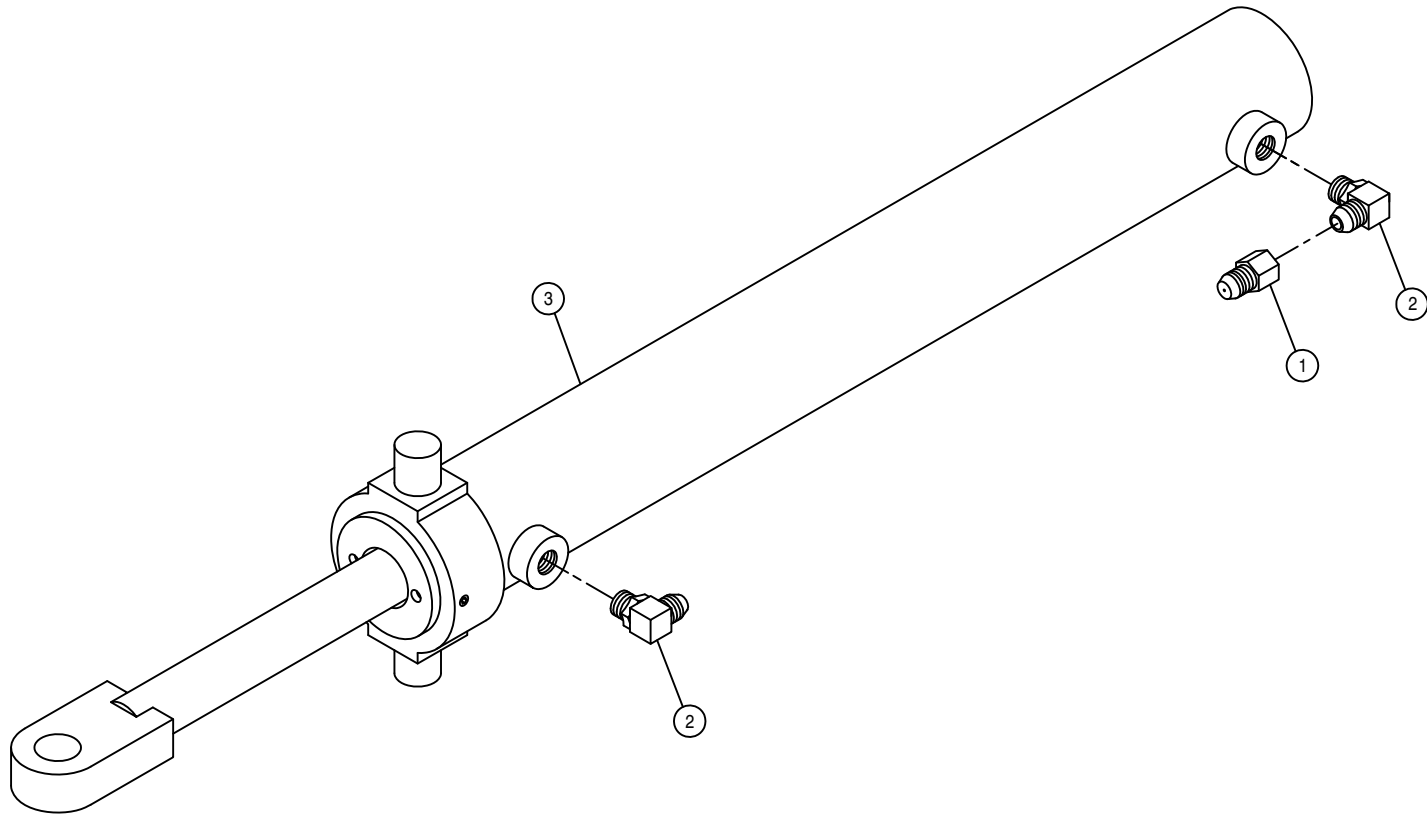
1	2	470328	3/8UNC X 1 1/4 #3HD PLOW BOLT
2	1	483043	3/8 REGULAR FLAT WASHER
3	1	900133	3/8UNC X 2" SERR FLANGE BOLT
4	2	910004	3/8UNC HEX NUT
5	3	914004	3/8UNC HEX STOVER NUT
6	2	920502	3/8 LOCK WASHER
7	1	164811	BOOM SUPP CRADLE WLD,80/90' 04
8	1	164541	BOOM SUPPORT PAD
9	1	164542	BOOM SUPPORT CRADLE PAD
10	1	164543	BOOM SUPPORT KEEPER
11	2	900170	3/8UNC X 2 1/4 SER FLANGE BOLT



90' BOOM SUPPORT ASSEMBLY

DET. QTY PART NO. DESCRIPTION

1	1	470324	3" RUBBER BOW GUARD
2	2	900130	3/8UNC X 1 1/4 SER FLANGE BOLT
3	1	900273	1/2UNC X 3 3/4 HEX BOLT
4	2	914004	3/8UNC HEX STOVER NUT
5	1	914008	1/2UNC HEX STOVER NUT
6	1	164544	FRT BOOM SUPPORT WLD, 90' BOOM
7	1	164545	FRT BOOM SUPPORT MT

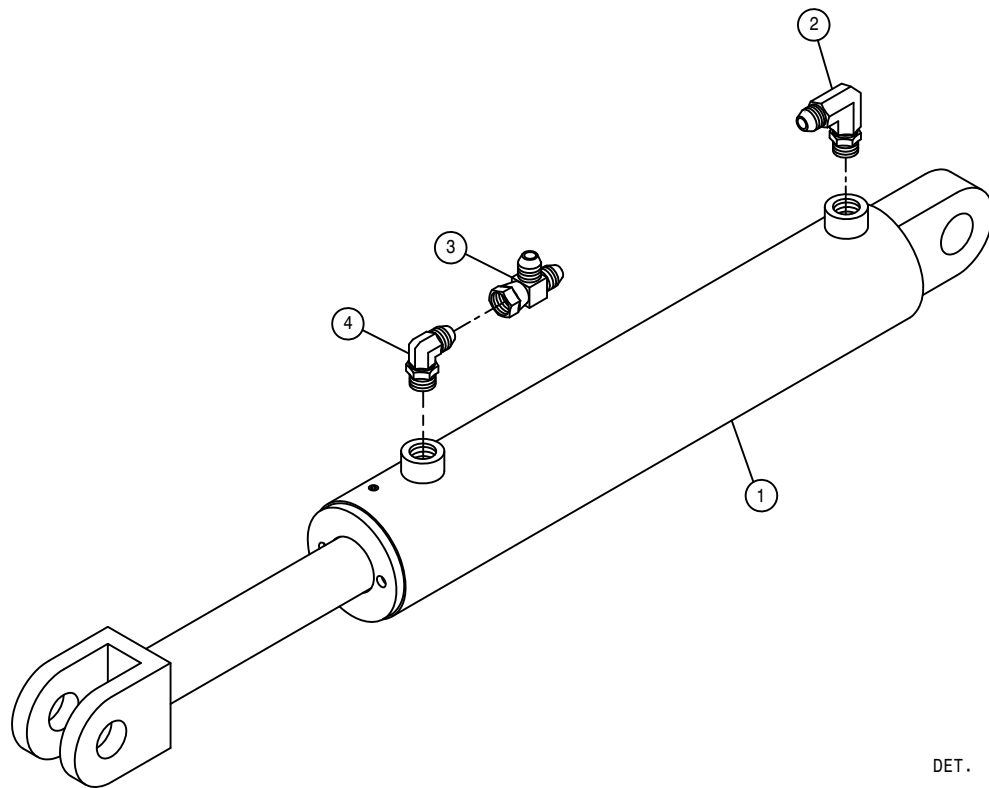


BOOM FOLD CYLINDER ASSEMBLY

DET.	QTY	PART NO.	DESCRIPTION
	1	618733	9/16JIC .042 ORIFICE ADPTR
	2	618119	9/16MJIC-90-9/16MOR LBO
	1	621560	FOLD CYL, 2.50 X 21.000 STS
NS	1	621561	REPAIR KIT, HYD CYL 621560

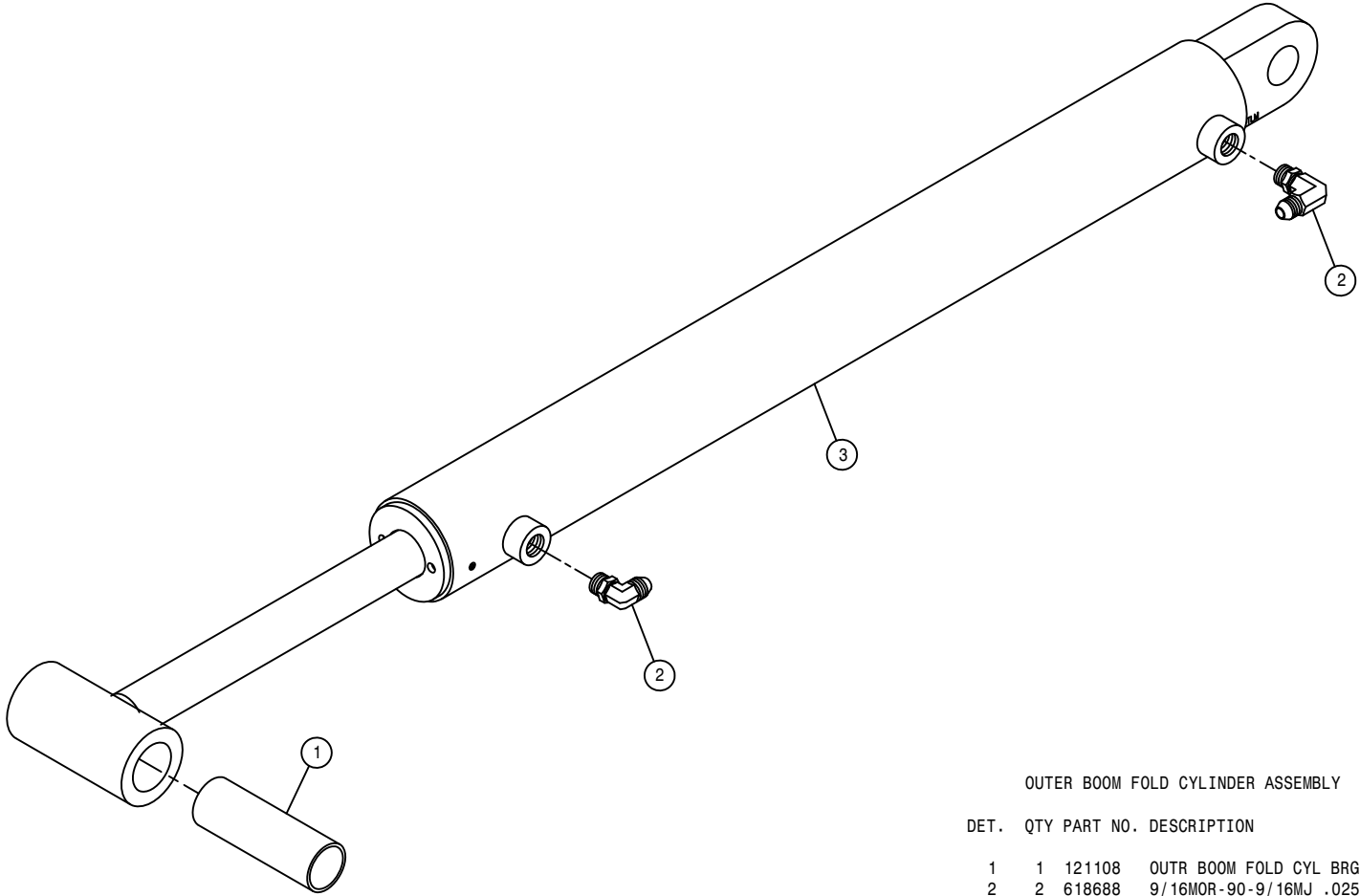
111

446111



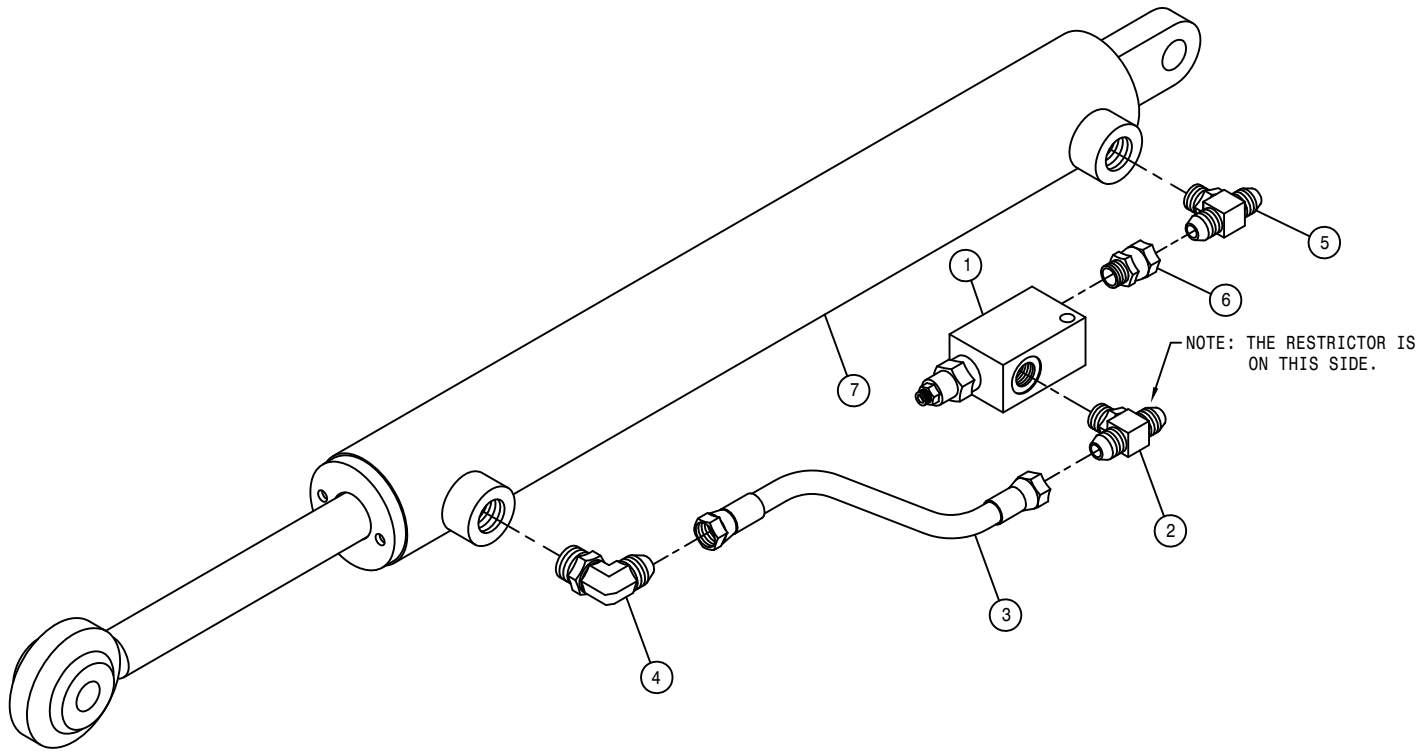
BOOM LEVEL CYLINDER ASSEMBLY

DET.	QTY	PART NO.	DESCRIPTION
1	1	621558	LEVEL CYL, 3.00 X 11.00 STS
2	1	618119	9/16MJIC-90-9/16MOR LBO
3	1	618486	9/16FJIC SW RUN TEE-9/16MJIC
4	1	618689	9/16MOR-90-9/16MJ .042 CHK VLV
NS	1	621559	REPAIR KIT, HYD CYL 621558



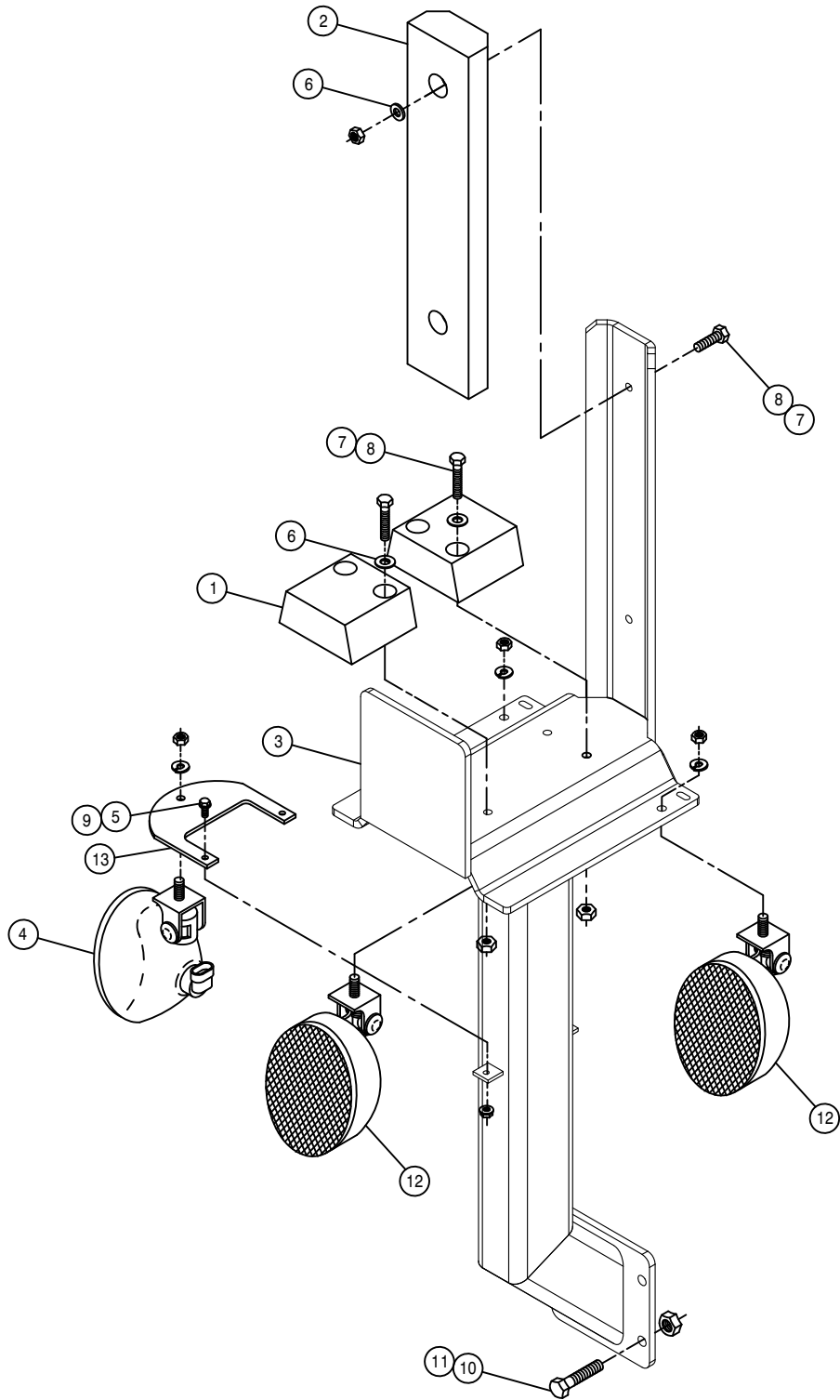
OUTER BOOM FOLD CYLINDER ASSEMBLY

DET.	QTY	PART NO.	DESCRIPTION
1	1	121108	OUTR BOOM FOLD CYL BRG,POLYGON
2	2	618688	9/16MOR-90-9/16MJ .025 CHK VLV
3	1	621562	OUTR FOLD CYL,2.25 X 21.00 STS
NS	1	621563	REPAIR KIT,HYD CYL 621562



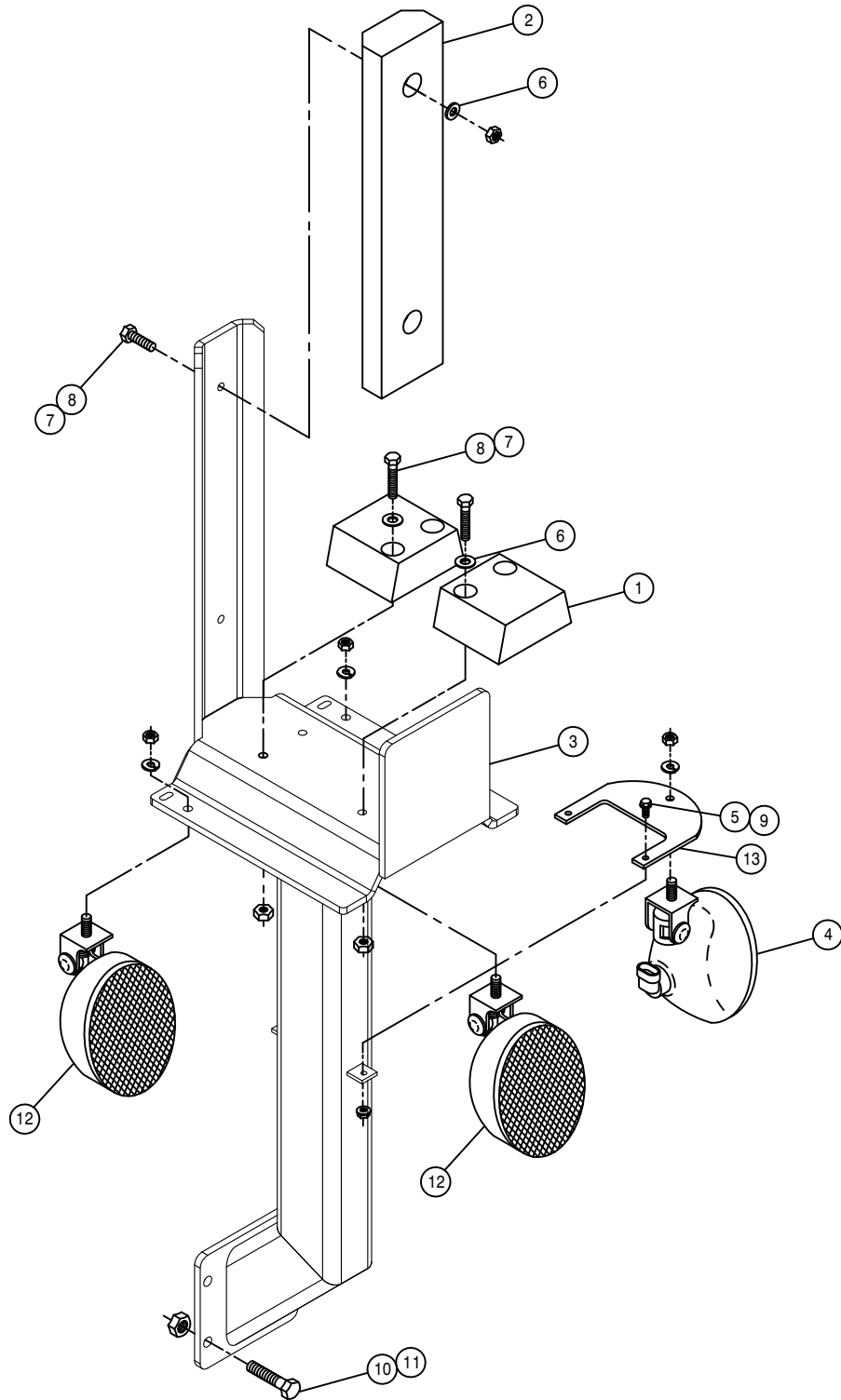
BOOM BREAKAWAY CYLINDER ASSEMBLY

DET.	QTY	PART NO.	DESCRIPTION
	1	607540	KICK-DOWN RELIEF VALVE, 800PSI
	1	614752	RESTRICTOR BR TEE ASSY, .042DIA
	1	616075	04-451TC-06FJX-06FJX-9 H/A
	1	618119	9/16MJIC-90-9/16MOR LBO
	1	618629	9/16MOR BRANCH TEE-9/16MJIC
	1	618668	9/16FJIC SWIV-9/16MOR ADPTR
	1	621554	LADR/SF/BRKWAY CYL, 1.50 X12.25
	1	621555	REPAIR KIT, HYD CYL 621554
NS			



RH BOOM CRADLE ASSEMBLY

DET.	QTY	PART NO.	DESCRIPTION
1	2	164513	BOOM CRADLE PAD
2	1	164512	RUBBER BUMPER, BOOM CRADLE
3	1	165041	BOOM CRADLE WLD 07
4	1	291905	RH AMBER LIGHT, PLASTIC OVAL
5	2	470118	1/4UNC X 3/4 FLANGE HEX BOLT
6	6	920002	3/8 SAE FLAT WASHER
7	6	914004	3/8UNC HEX STOVER NUT
8	6	900133	3/8UNC X 2" HEX BOLT
9	2	470121	1/4UNC HEX FLANGE LOCK NUT
10	4	900265	1/2UNC X 1 1/2 HEX BOLT
11	4	914008	1/2UNC HEX STOVER NUT
12	2	291904	WORKLIGHT, VERTICAL FLOOD PLAS
13	1	343509	EXTREMITY FLASHER MT, STS 05



LH BOOM CRADLE ASSEMBLY

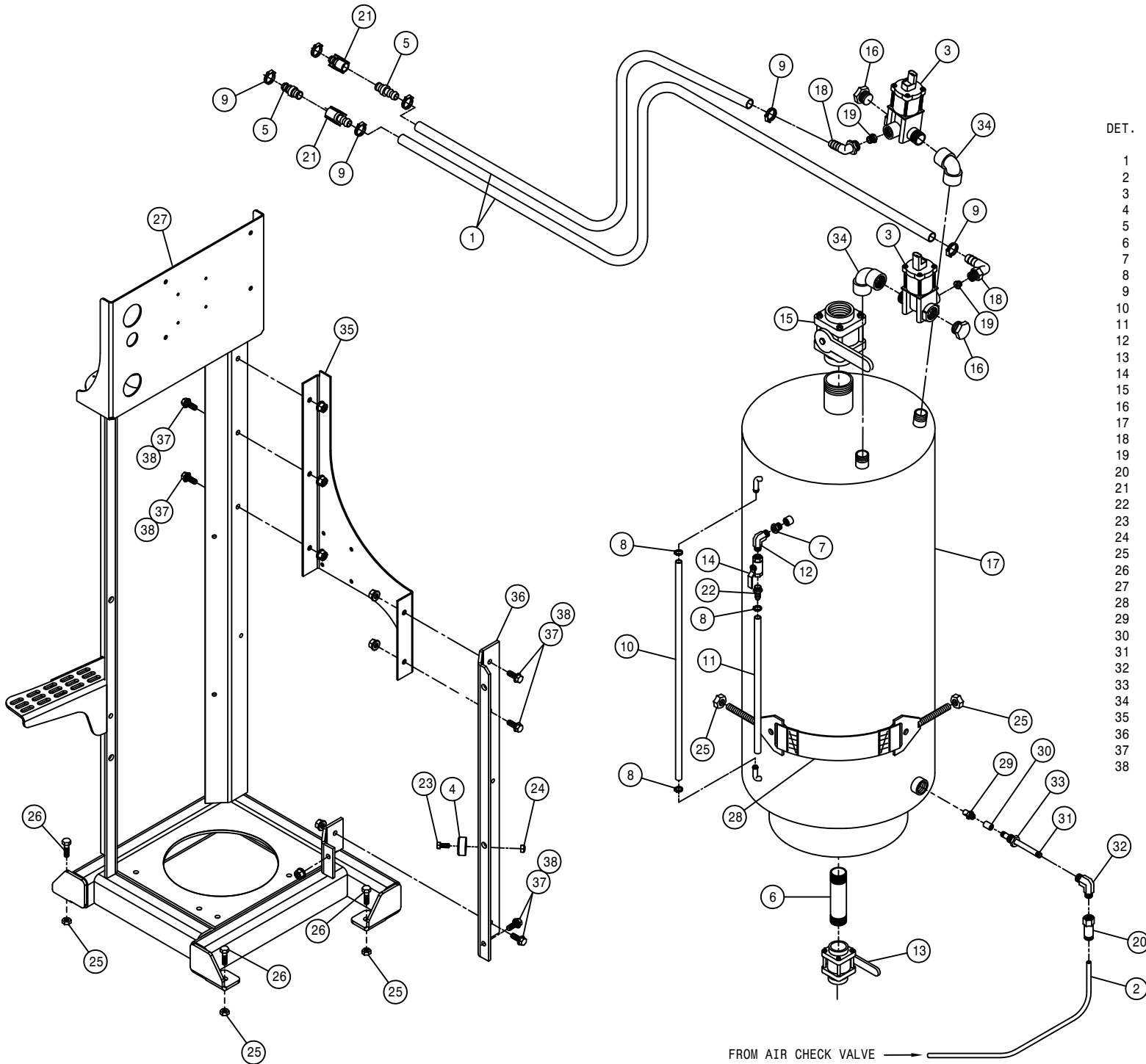
DET. QTY PART NO. DESCRIPTION

1	2	164513	BOOM CRADLE PAD
2	1	164512	RUBBER BUMPER, BOOM CRADLE
3	1	165041	BOOM CRADLE WLD 07
4	1	291906	LH AMBER LIGHT, PLASTIC OVAL
5	2	470118	1/4UNC X 3/4 FLANGE HEX BOLT
6	6	920002	3/8 SAE FLAT WASHER
7	6	914004	3/8UNC HEX STOVER NUT
8	6	900133	3/8UNC X 2" HEX BOLT
9	2	470121	1/4UNC HEX FLANGE LOCK NUT
10	4	900265	1/2UNC X 1 1/2 HEX BOLT
11	4	914008	1/2UNC HEX STOVER NUT
12	2	291904	WORKLIGHT, VERTICAL FLOOD PLAS
13	1	343509	EXTREMITY FLASHER MT, STS 05



FOAMER TANK ASSEMBLY

DET.	QTY	PART NO.	DESCRIPTION
1	2	195908	HOSE 3/4ID-1/8W CLEAR VINYL
2	1	601624	HOSE, 3/8 X 60 AIR
3	2	696181	3/4" ELECT SOLU SOLE VALVE 02
4	6	470294	RUBBER BUMPER, RECESS, .63H-1.5D
5	2	696208	.75 HOSE BARB-MALE COUPLER
6	1	505205	BLK PIPE NIPPLE 1.00NPT-5.00
7	1	505211	3/8-1/4NPT REDU BUSH, BRS
8	3	520120	HOSE CLAMP NO 4 STAINLESS
9	6	520055	HOSE CLAMP NO 12 STAINLESS
10	1	601419	HOSE, 3/8 X 30 CLEAR VINYL
11	1	601420	HOSE, 3/8 X 48 CLEAR VINYL
12	1	618571	1/4MNPT-90-1/4MNPT LBO
13	1	695900	BALL VALVE 1IN FNPT POLY
14	1	696120	BALL VALVE, 1/4NPT, STEEL
15	1	696134	BALL VALVE 2IN FNPT POLY
16	2	500043	3/4NPT PIPE PLUG, POLY
17	1	701112	FOAM MARKER TANK, 36 GAL SS
18	2	701214	1/2NPT-90-3/4HBARB, 1/4TAP, POLY
19	2	701215	1/4PIPE PLUG, .187 ORIFICE, POLY
20	1	711051	1/4FNPT-3/8 NYL TUBE, SNGL
21	2	696207	.75 HOSE BARB-FEMALE COUPLER
22	1	783304	1/4 NPT X 3/8 HOSE BARB, BRS
23	6	900064	5/16UNC X 3/4 HEX BOLT
24	6	914002	5/16UNC HEX STOVER NUT
25	7	914008	1/2UNC HEX STOVER NUT
26	3	900264	1/2UNC X 1 1/4 HEX BOLT
27	1	701257	FMR TANK MT WELD STS 07
28	2	701170	FOAMER TANK STRAP ASSY
29	1	701144	FOAMER AIR NOZZLE
30	1	500223	SS PIPE CPLG, 1/8NPT
31	1	507021	SS PIPE NIPPLE, 1/8NPT X 6"
32	1	701143	FOAMER AIR TUBE FTG
33	1	507728	REDU BUSH 1/2MNPT X 1/4FNPT, SS
34	2	500079	3/4NPT-90 EL, POLY
35	1	701269	LH FMR TANK SUPP CHAN STS 07
36	1	701270	FMR TANK CROSS BRACE STS 07
37	7	470460	3/8 X 1 SERR FLANGE BOLT
38	7	470087	3/8UNC HEX FLANGE LOCK NUT

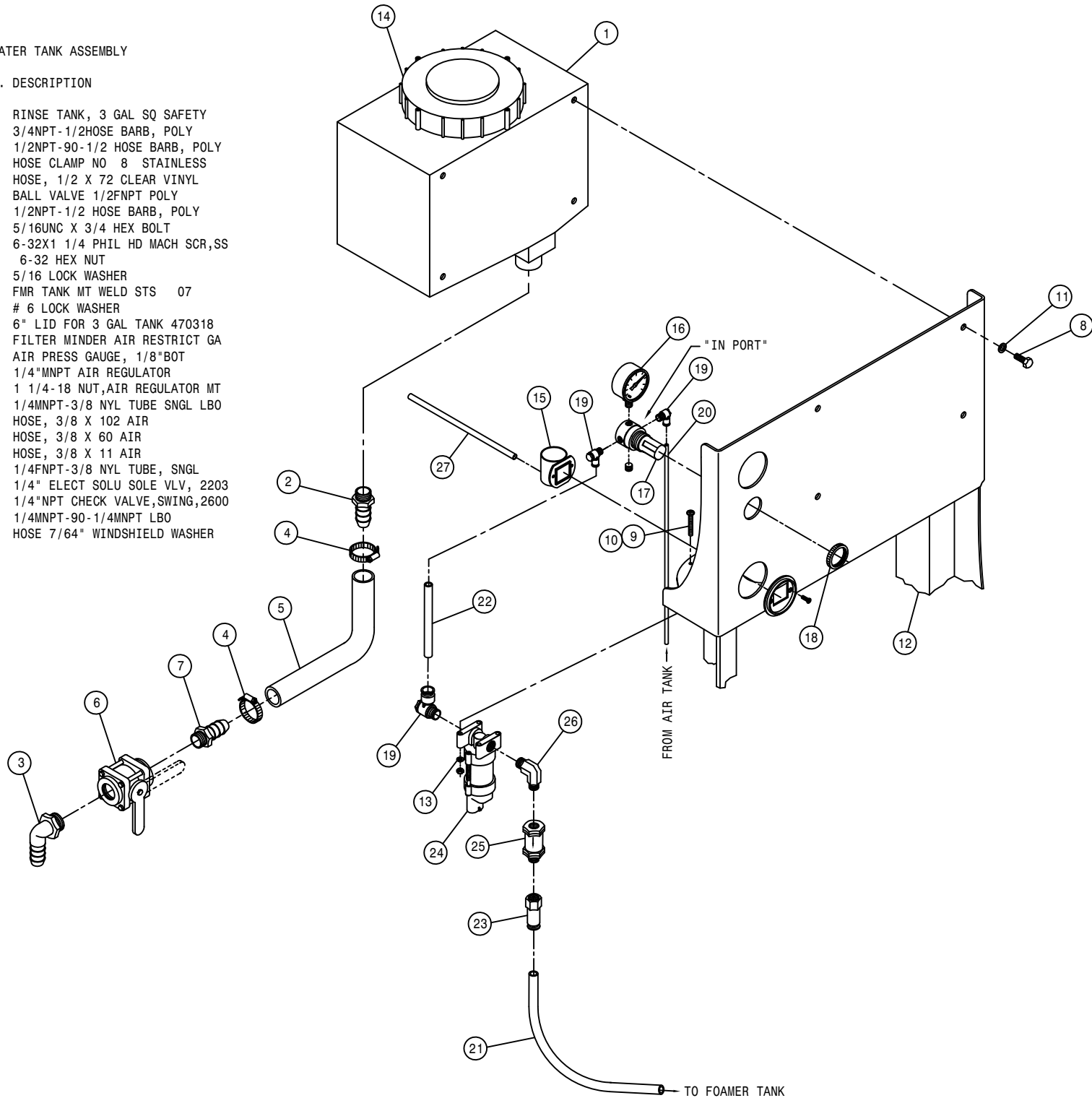


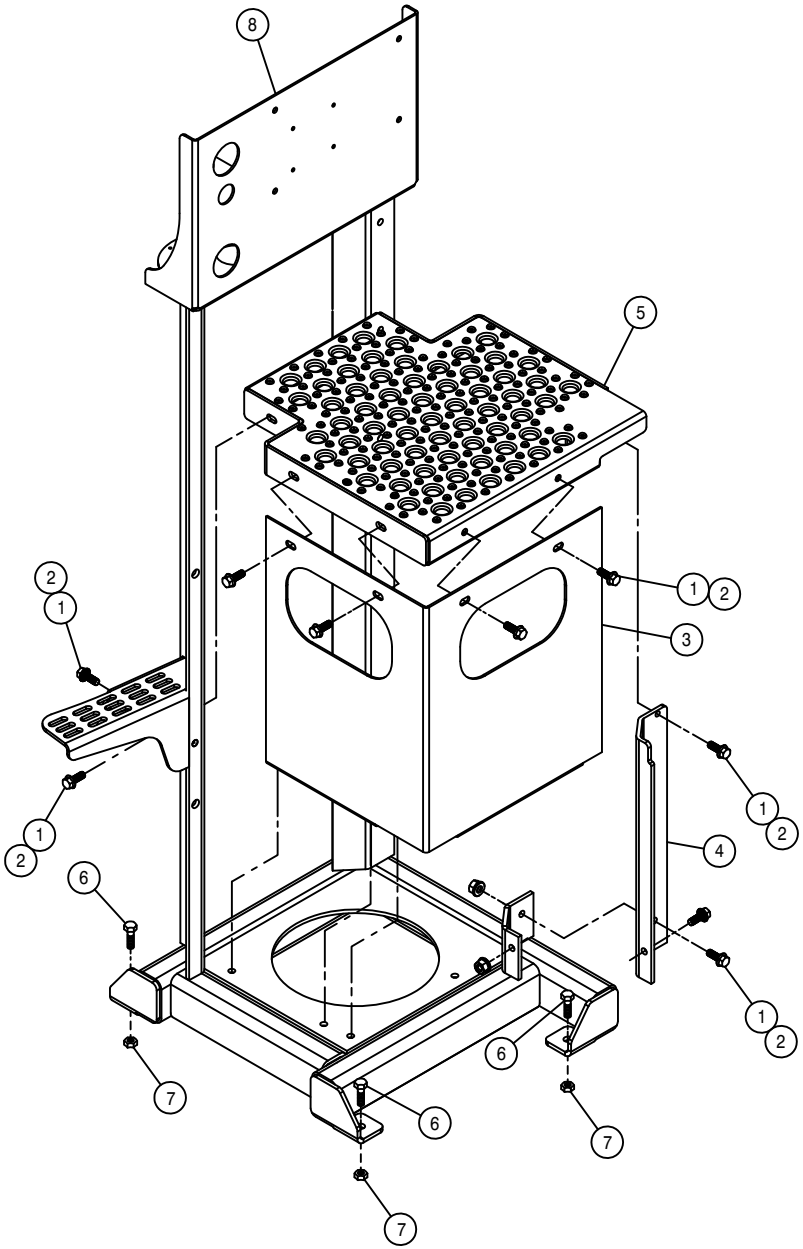
117

FRESH WATER TANK ASSEMBLY

DET. QTY PART NO. DESCRIPTION

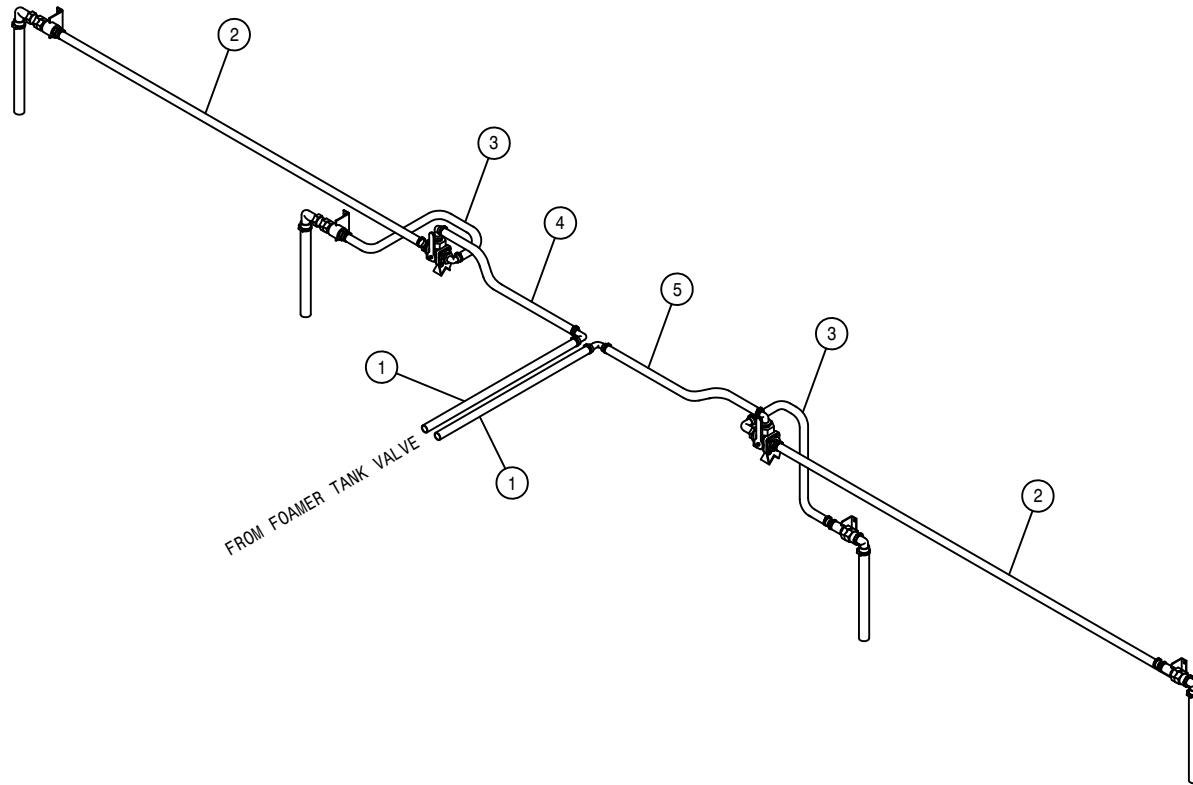
1	1	470318	RINSE TANK, 3 GAL SQ SAFETY
2	1	500019	3/4NPT-1/2HOSE BARB, POLY
3	1	500047	1/2NPT-90-1/2 HOSE BARB, POLY
4	2	520070	HOSE CLAMP NO 8 STAINLESS
5	1	601489	HOSE, 1/2 X 72 CLEAR VINYL
6	1	696082	BALL VALVE 1/2FNPT POLY
7	1	713340	1/2NPT-1/2 HOSE BARB, POLY
8	4	900064	5/16UNC X 3/4 HEX BOLT
9	2	903853	6-32X1 1/4 PHIL HD MACH SCR,SS
10	2	910022	6-32 HEX NUT
11	4	920501	5/16 LOCK WASHER
12	1	701257	FMR TANK MT WELD STS 07
13	2	920512	# 6 LOCK WASHER
14	1	470337	6" LID FOR 3 GAL TANK 470318
15	1	314901	FILTER MINDER AIR RESTRICT GA
16	1	701310	AIR PRESS GAUGE, 1/8"BOT
17	1	711019	1/4"MNPT AIR REGULATOR
18	1	711021	1 1/4-18 NUT,AIR REGULATOR MT
19	3	711043	1/4MNPT-3/8 NYL TUBE SNGL LBO
20	1	601587	HOSE, 3/8 X 102 AIR
21	1	601624	HOSE, 3/8 X 60 AIR
22	1	601633	HOSE, 3/8 X 11 AIR
23	1	711051	1/4FNPT-3/8 NYL TUBE, SNGL
24	1	696235	1/4" ELECT SOLU SOLE VLV, 2203
25	1	711052	1/4"NPT CHECK VALVE, SWING, 2600
26	1	618571	1/4MNPT-90-1/4MNPT LBO
27	1	195913	HOSE 7/64" WINDSHIELD WASHER





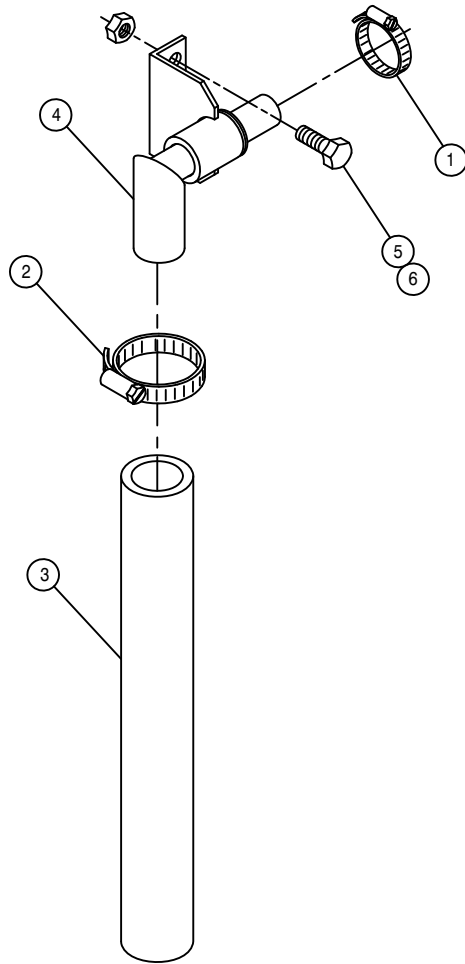
FRESH WATER TANK MT W/O FOAMER ASSEMBLY

DET.	QTY	PART NO.	DESCRIPTION
1	12	470087	3/8UNC HEX FLANGE LOCK NUT
2	12	470460	3/8 X 1 SERR FLANGE BOLT
3	1	701268	FOAMER SERV PLTFRM WRAP
4	1	701263	LH FMR TANK SUPP CHAN STS 07
5	1	701264	FMR SERV PLATFRM WELD
6	3	900264	1/2UNC X 1 1/4 HEX BOLT
7	3	914008	1/2UNC HEX STOVER NUT
8	1	701257	FMR TANK MT WELD STS 07



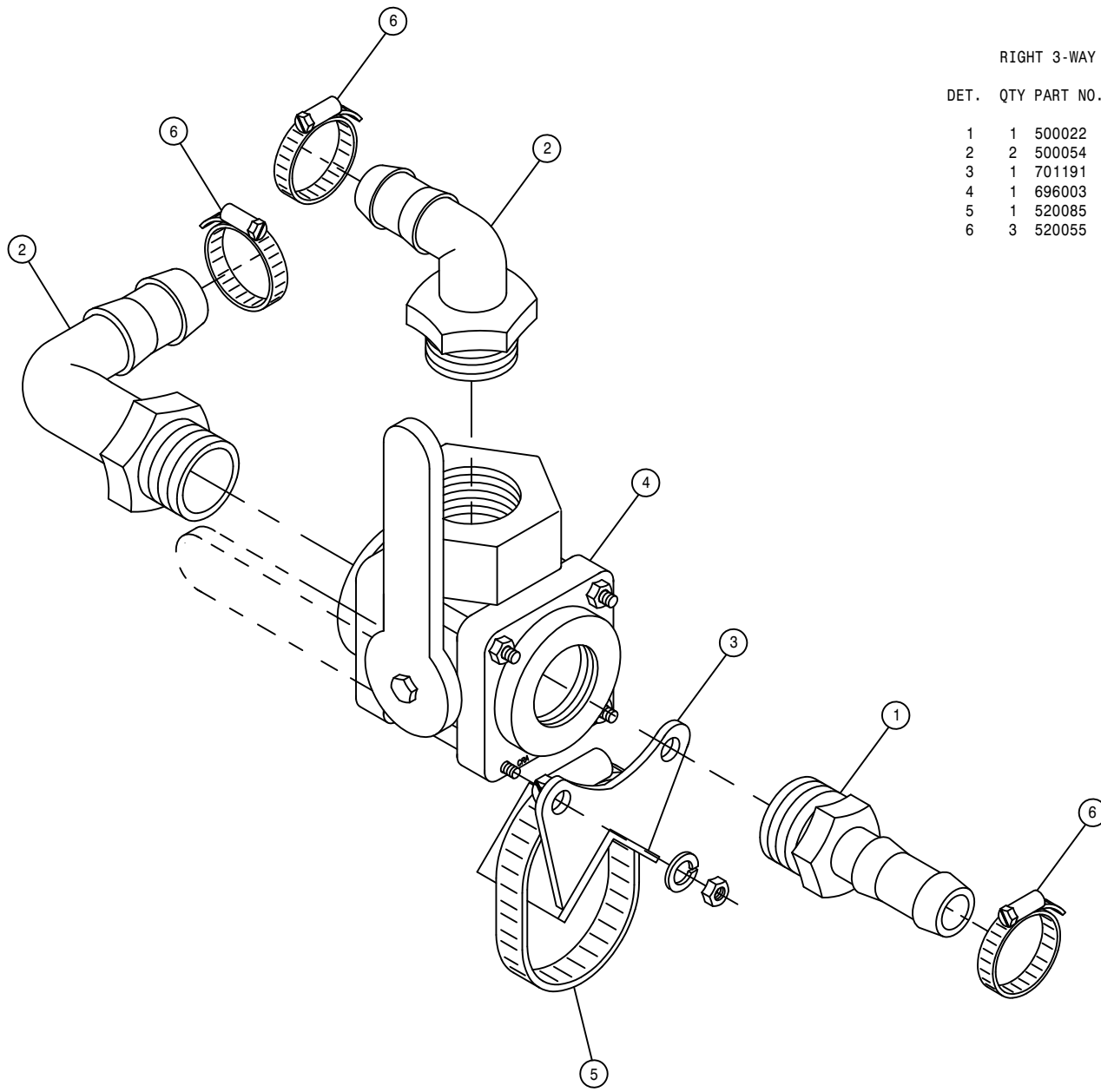
90° BOOM FOAMER HOISING

DET.	QTY	PART NO.	DESCRIPTION
1	2	195908	HOSE, 3/4ID-1/8W CLEAR VINYL X 206"
2	2	195908	HOSE, 3/4ID-1/8W CLEAR VINYL X 205"
3	2	195908	HOSE, 3/4ID-1/8W CLEAR VINYL X 24"
4	1	195908	HOSE, 3/4ID-1/8W CLEAR VINYL X 584"
5	1	195908	HOSE, 3/4ID-1/8W CLEAR VINYL X 420"



FOAMER DROP HOSE ASSEMBLY

DET.	QTY	PART NO.	DESCRIPTION
1	1	520055	HOSE CLAMP NO 12 STAINLESS
2	1	520085	HOSE CLAMP NO 24 STAINLESS
3	1	601367	HOSE, 1 1/4 X 24 2BR BLK EPDM
4	1	701194	FOAMER DROP HOSE SWIVEL WLD
5	2	900129	3/8UNC X 1" HEX BOLT
6	2	914004	3/8UNC HEX STOVER NUT



RIGHT 3-WAY FOAMER VALVE ASSEMBLY

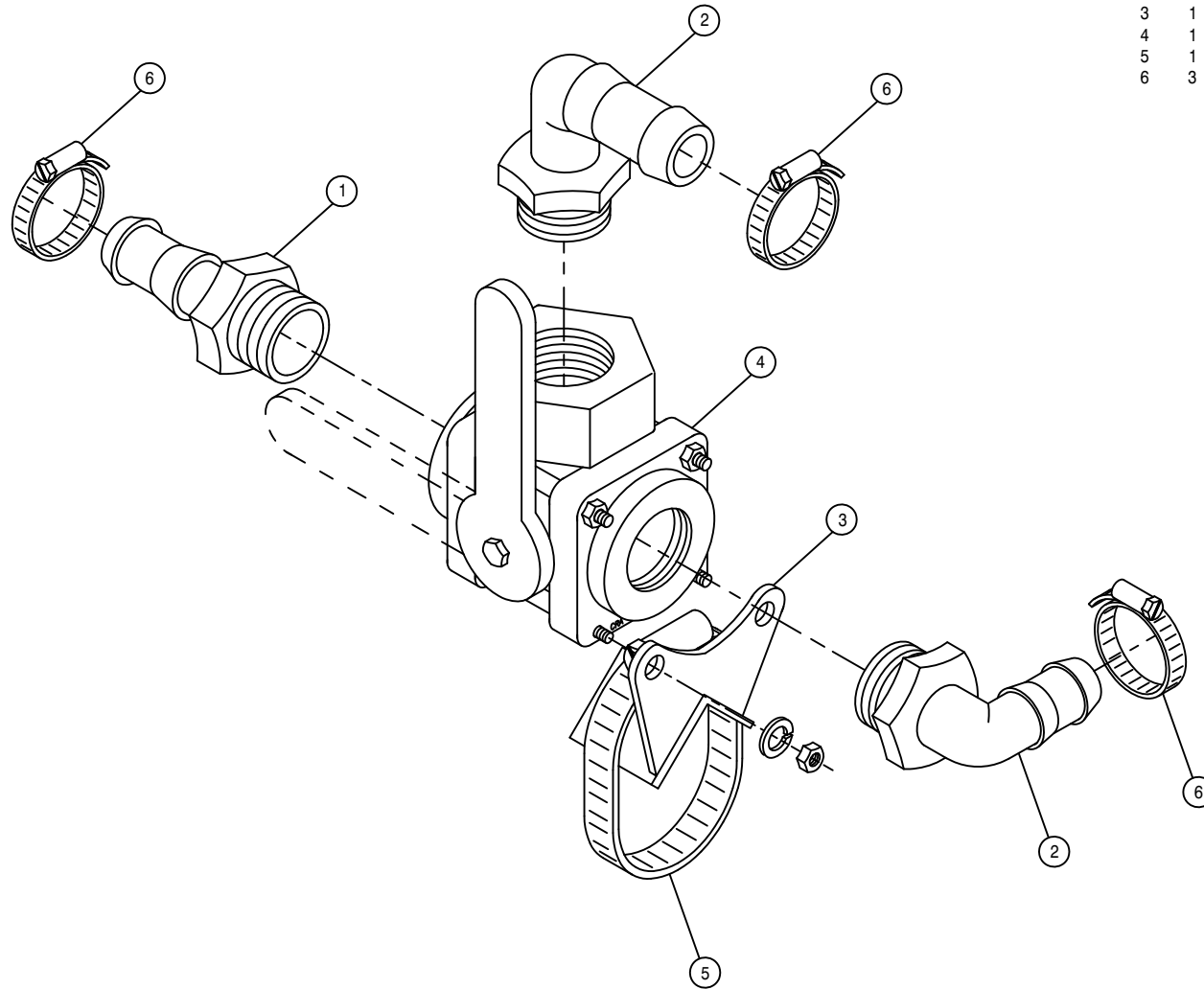
DET. QTY PART NO. DESCRIPTION

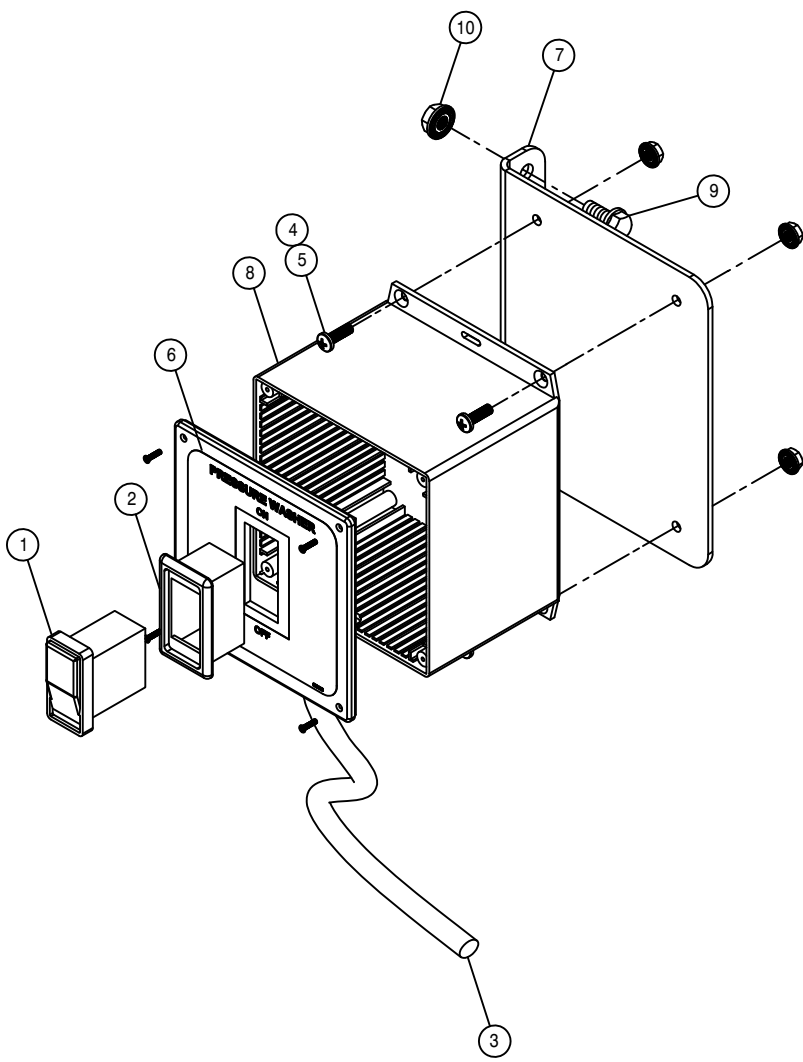
1	1	500022	3/4NPT-3/4HOSE BARB, POLY
2	2	500054	3/4NPT-90-3/4 HOSE BARB, POLY
3	1	701191	1" SOLU VLV MT WLD
4	1	696003	BALL VLV,3/4NPT 3WAY-SIDE POLY
5	1	520085	HOSE CLAMP NO 24 STAINLESS
6	3	520055	HOSE CLAMP NO 12 STAINLESS

LEFT 3-WAY FOAMER VALVE ASSEMBLY

DET. QTY PART NO. DESCRIPTION

1	1	500022	3/4NPT-3/4HOSE BARB, POLY
2	2	500054	3/4NPT-90-3/4 HOSE BARB, POLY
3	1	701191	1" SOLU VLV MT WLD
4	1	696003	BALL VLV,3/4NPT 3WAY-SIDE POLY
5	1	520085	HOSE CLAMP NO 24 STAINLESS
6	3	520055	HOSE CLAMP NO 12 STAINLESS



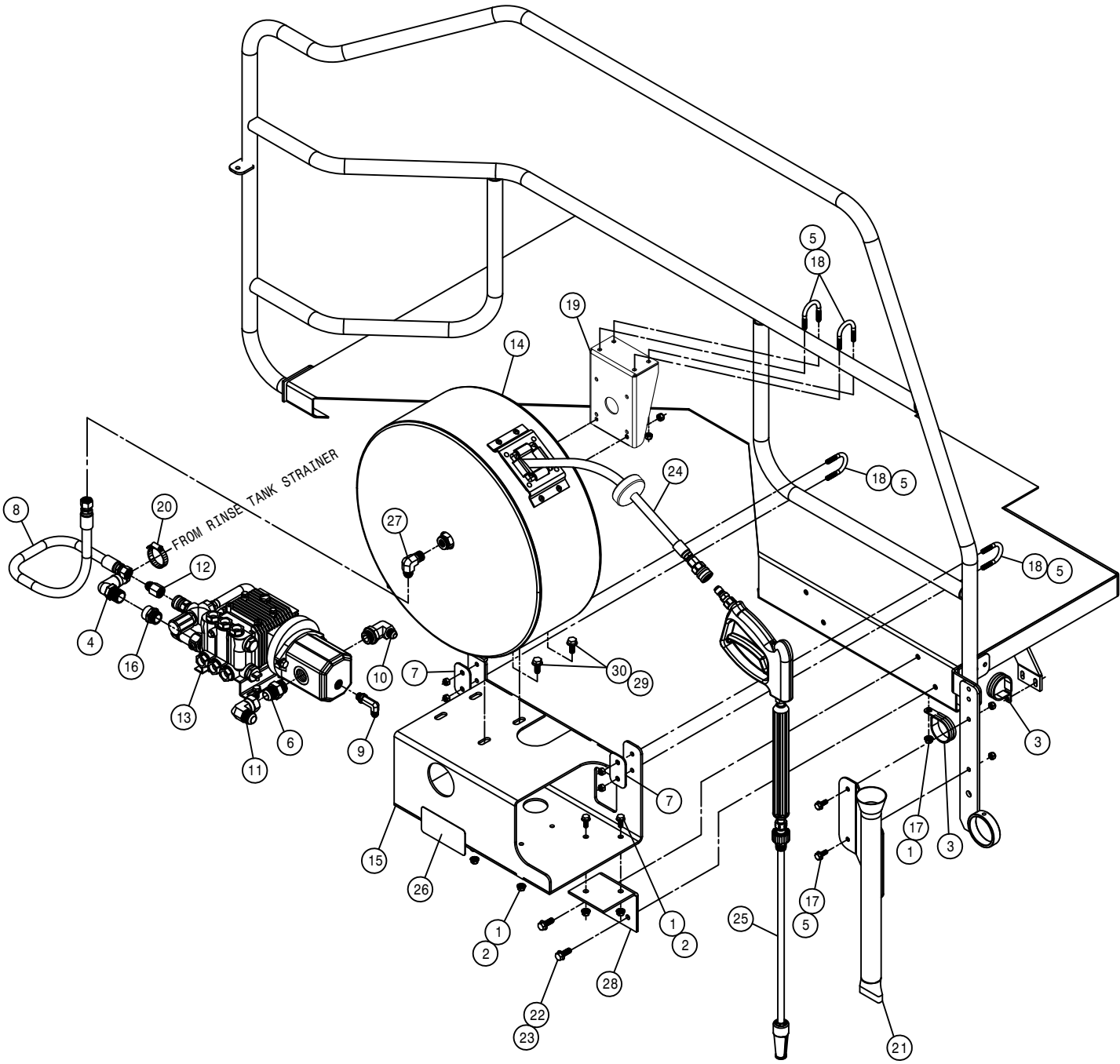


PRESSURE WASHER SWITCH BOX ASSEMBLY

DET.	QTY	PART NO.	DESCRIPTION
	1	292218	SWITCH, SIDE FILL PUMP/PRESWASH
	1	292260	MOUNTING TRIM, SINGLE VMS
	1	293878	PRESS WASH WIRE HARNESS STS 07
	4	470175	10-32 HEX FLANGE LOCK NUT
	4	903710	10-32X5/8 PHIL PANHD MACH SCR
	1	650156	DECAL, PRESS WASH CTRL STS 05
	1	691112	PRESS WASH SWITCH BX MT, STS 09
	1	690975	PRESS WASH SWITCH BOX, STS 05
	2	900064	5/16UNC X 3/4 HEX BOLT
	4	470113	5/16UNC HEX FLANGE LOCK NUT



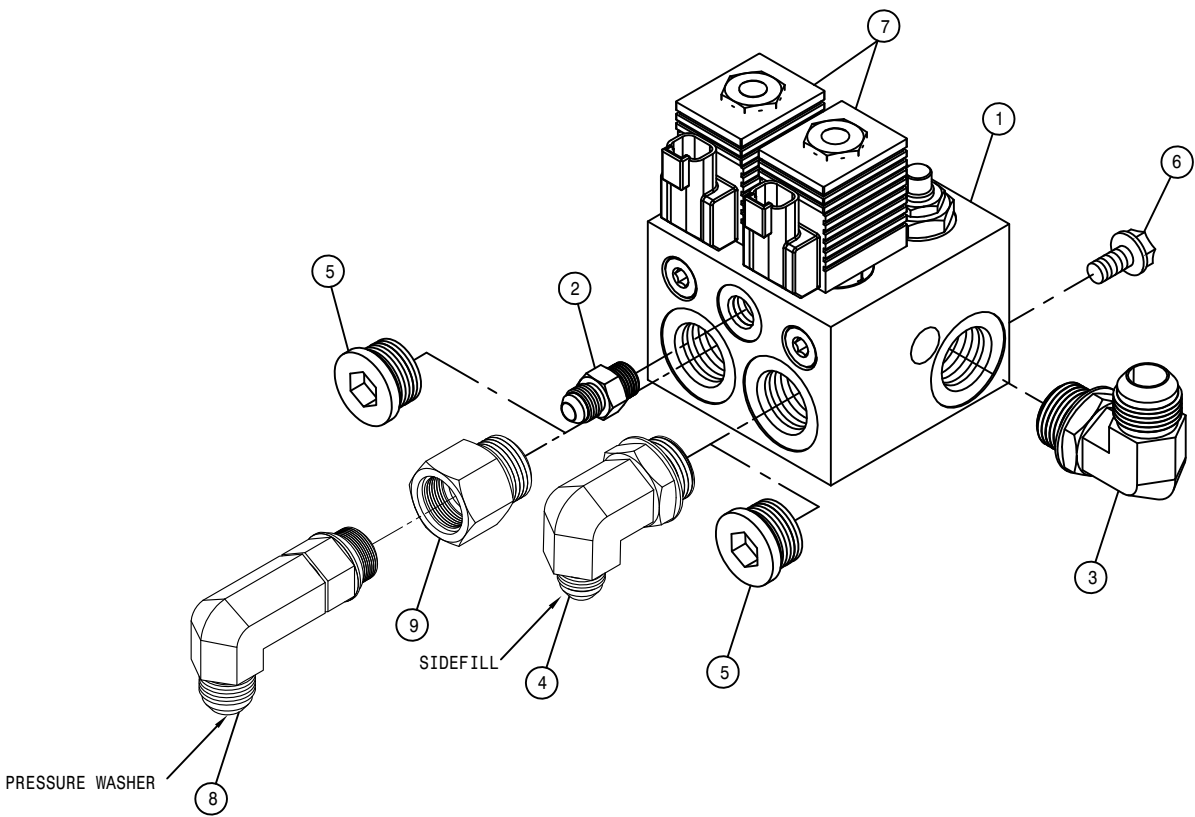
125



PRESSURE WASHER OPTION

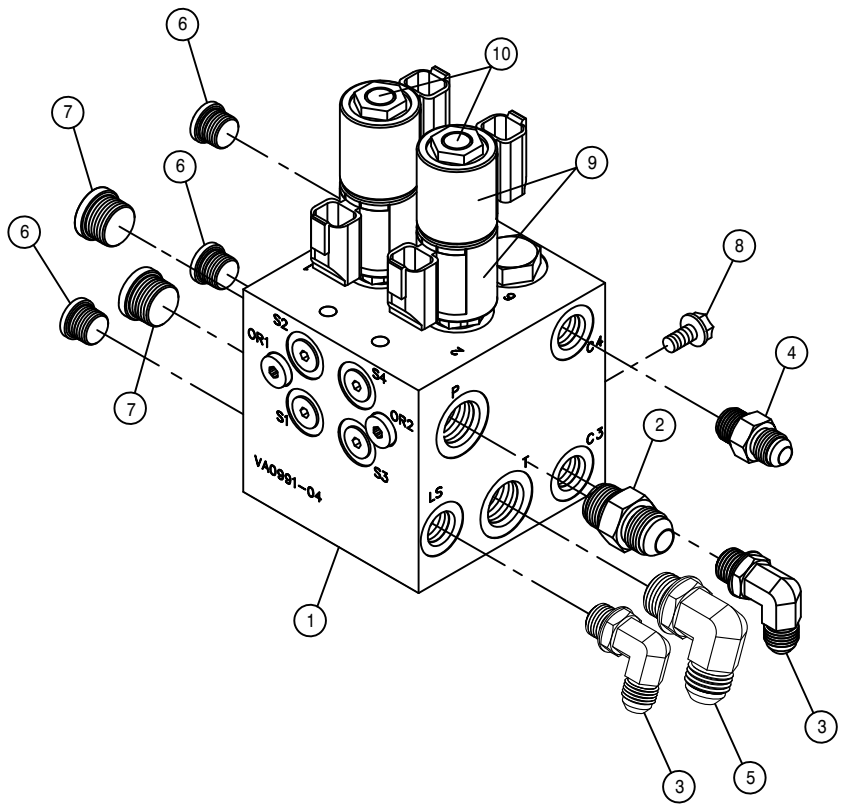
DET.	QTY	PART NO.	DESCRIPTION
1	9	470113	5/16UNC HEX FLANGE LOCK NUT
2	8	470233	5/16UNC X 3/4 FLANGE HEX BOLT
3	2	520126	CUSH CLAMP,#32 2IN X 5/8W
4	1	500026	3/4NPT-90-1"HOSE BARB, POLY
5	10	473001	5/16UNC HEX NUT,NYLOC 316 SS
6	1	611127	1 1/16MJIC-1 1/16MOR ADPTR
7	2	691119	PRESS WASHER SUPP PLT, STS 09
8	1	616459	08-451TC-08FJX-08FJX-26 H/A
9	1	618440	9/16MJIC-90-9/16MOR EX LG LBO
10	1	618474	3/4MJIC-90-1 1/16MOR LBO
11	1	618191	1 1/16MJ-90-1 1/16FJ SWIV LBO
12	1	618787	3/4MJIC-3/8FNPT ADPTR
13	1	690672	PRESSURE WASHER,PACE 320 HYD
14	1	690931	HOSE REEL,ENCLOSED PRESS WASH
15	1	691114	PRESSURE WASHER MT WLD,STS 09
16	1	715449	3/4FNPT X 3/4MGHT ADPTR BRS
17	3	900064	5/16UNC X 3/4 HEX BOLT
18	4	473911	5/16UNC-1.31ID-2.00 U-BOLT
19	2	691118	PRESS WASH REEL SUPP,STS 09
20	1	520090	HOSE CLAMP NO 16 STAINLESS
21	1	691120	PRESSURE WASHER WAND MT WLD 09
22	4	900129	3/8UNC X 1" SERR FLANGE BOLT
23	4	472029	3/8UNC HEX FLANGE NUT SERR SS
24	1	690941	REEL HOSE,3/8"ID X 50' 3000PSI
25	1	690673	TRIGGER GUN ASSY FOR 690672
26	1	650217	DECAL, CAUTION,CHECK OIL LEVEL
27	1	618184	3/4MJIC-90-3/8MNPT LBO
28	2	691117	PRESSURE WASHER MT ANGL,STS 09
29	4	470325	7/16UNC HEX FLANGE LOCK NUT
30	4	900195	7/16UNC X 1" HEX BOLT

446125



SIDEFILL/PRESSURE WASHER VALVE ASSEMBLY

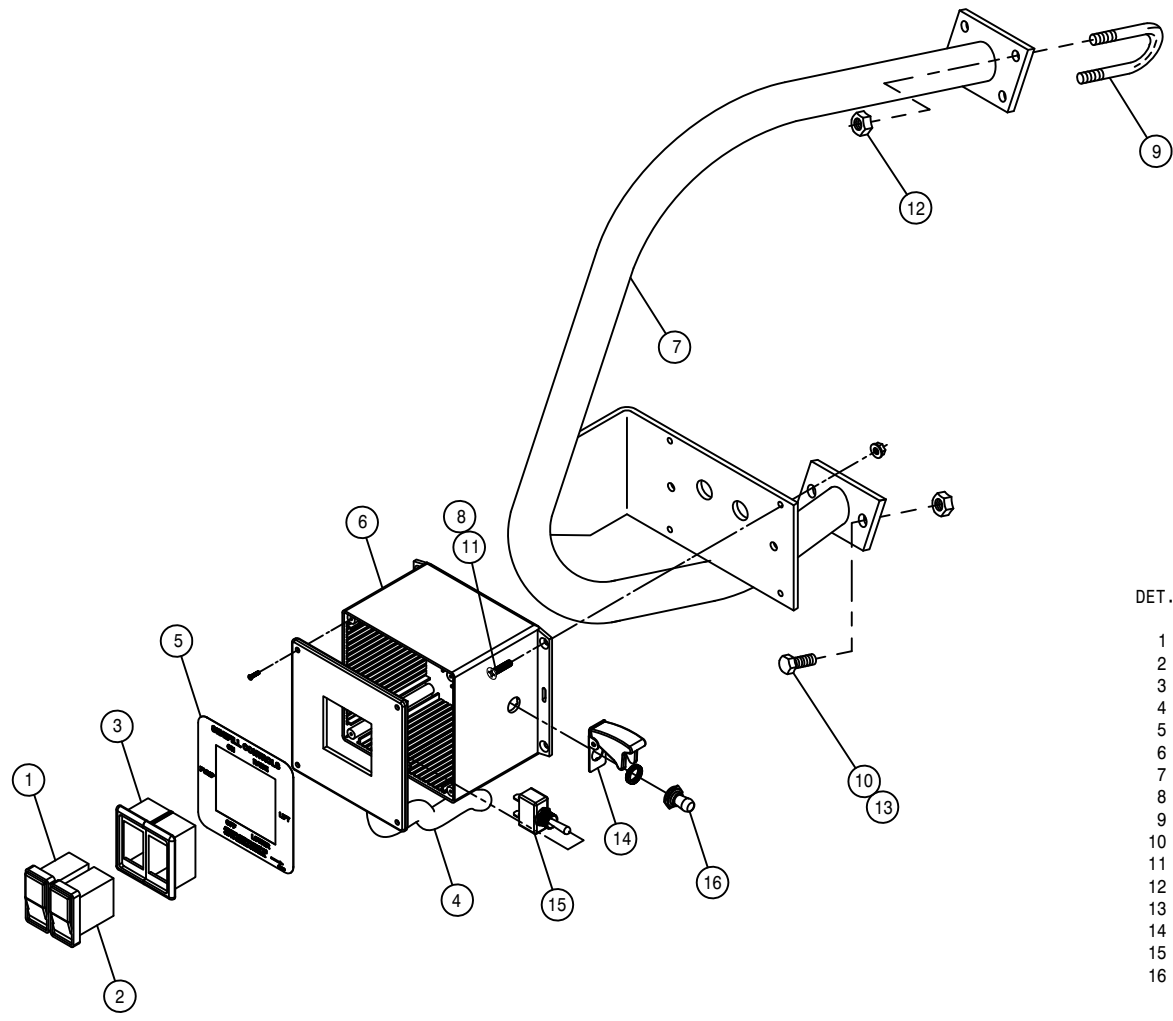
DET.	QTY	PART NO.	DESCRIPTION	
1	1	606259	DIVERSION VLV,STS LS	07
2	1	618126	9/16MJC-9/16MOR ADPTR	
3	1	618248	1 1/16MJC-90-1 1/16MOR LBO	
4	1	618474	3/4MJC-90-1 1/16MOR LBO	
5	2	618757	1 1/16MOR PLUG, HEX SOCKET	
6	2	900064	5/16UNC X 3/4 HEX BOLT	
7	2	606309	COIL FOR VLV 606259	
8	1	618774	7/8MJC-90-7/8MOR LG LBO	
9	1	618132	1 1/16MOR-7/8FOR ADPTR	



SIDEFILL LIFT VALVE ASSEMBLY

DET. QTY PART NO. DESCRIPTION

DET.	QTY	PART NO.	DESCRIPTION	PWRSYS
1	1	606249	MANIFOLD,TRD ADJ	PWRSYS
2	1	611125	3/4MJIC-3/4MOR ADPTR	
3	2	618119	9/16MJIC-90-9/16MOR LBO	
4	1	618126	9/16MJIC-9/16MOR ADPTR	
5	1	618241	3/4MJIC-90-3/4MOR LBO	
6	3	618754	9/16MOR PLUG, HEX SOCKET	
7	2	618755	3/4MOR PLUG, HEX SOCKET	
8	2	900064	5/16UNC X 3/4 HEX BOLT	
9	4	606266	#8 COIL W/DEUTSCH	
10	2	606358	CARTRIDGE SP08-47D,PROP,3POS	



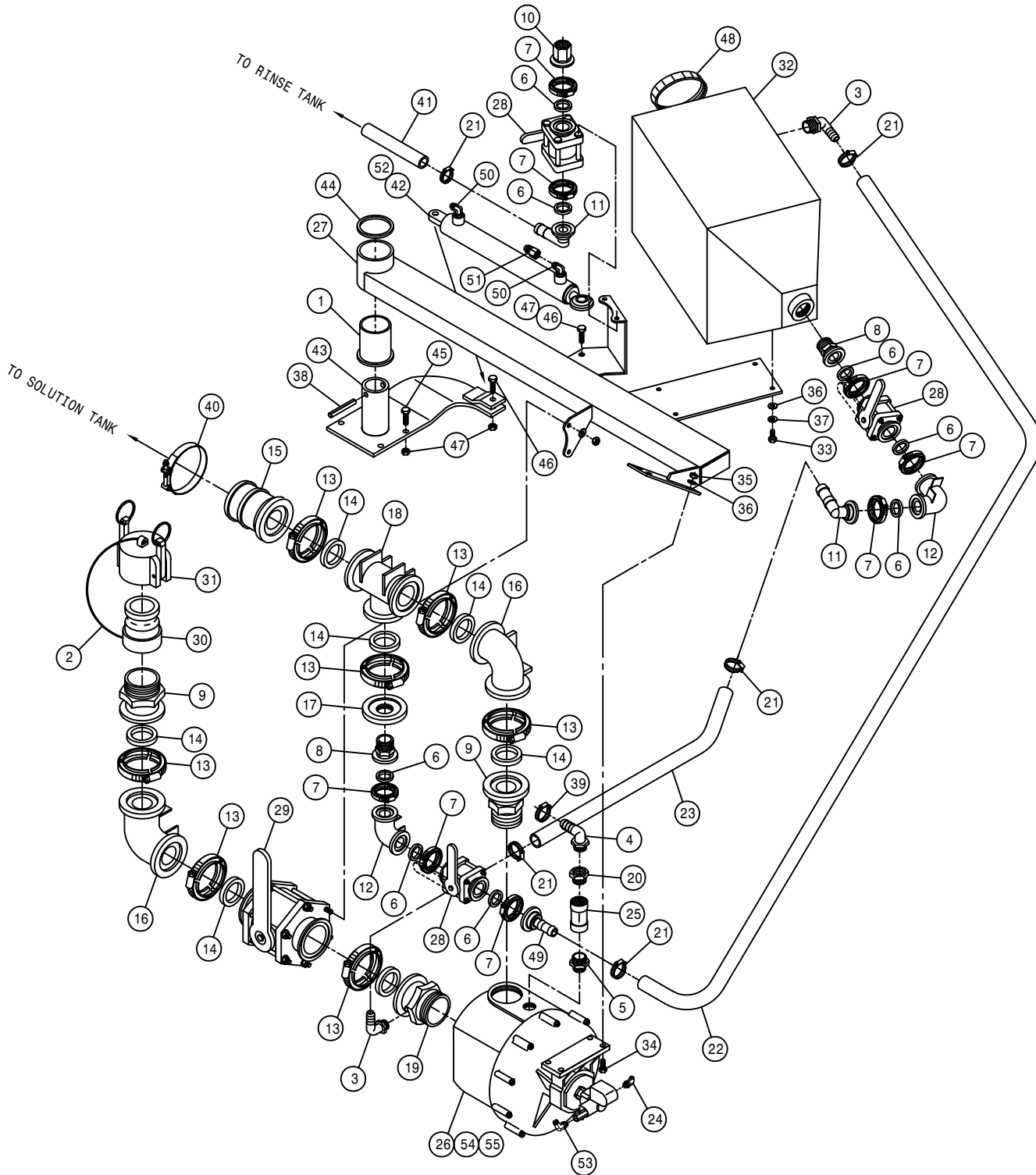
SIDE FILL SWITCH BOX ASSEMBLY

DET.	QTY	PART NO.	DESCRIPTION
	1	292218	SWITCH,SIDE FILL PUMP/PRESWASH
	1	292219	SWITCH, SIDE FILL LIFT, STS
	2	292261	MOUNTING TRIM,END VME
	1	293578	SIDE FILL WIRE HARNESS LS 07
	1	650155	DECAL, SIDEFILL CTRL STS 05
	1	691057	SIDE FILL SWITCH BOX, STS 07
	1	690723	CHEM IND GUARD WLD
	4	470175	10-32 HEX FLANGE LOCK NUT
	2	473911	5/16UNC-1.31ID-2.00 U-BOLT
	2	900130	3/8UNC X 1 1/4 SER FLANGE BOLT
	4	903723	10-32 x 3/4 PHIL FLHD MACH SCR
	4	914002	5/16UNC HEX STOVER NUT
	2	914004	3/8UNC HEX STOVER NUT
	1	291655	AIRCRAFT TOGGLE SWITCH GUARD
	1	291937	TOGGLE SWITCH, SPST
	1	470001	RUBBER BOOT W NUT FOR 298012

SIDE FILL/CHEMICAL INDUCTOR ASSEMBLY

DET. QTY PART NO. DESCRIPTION

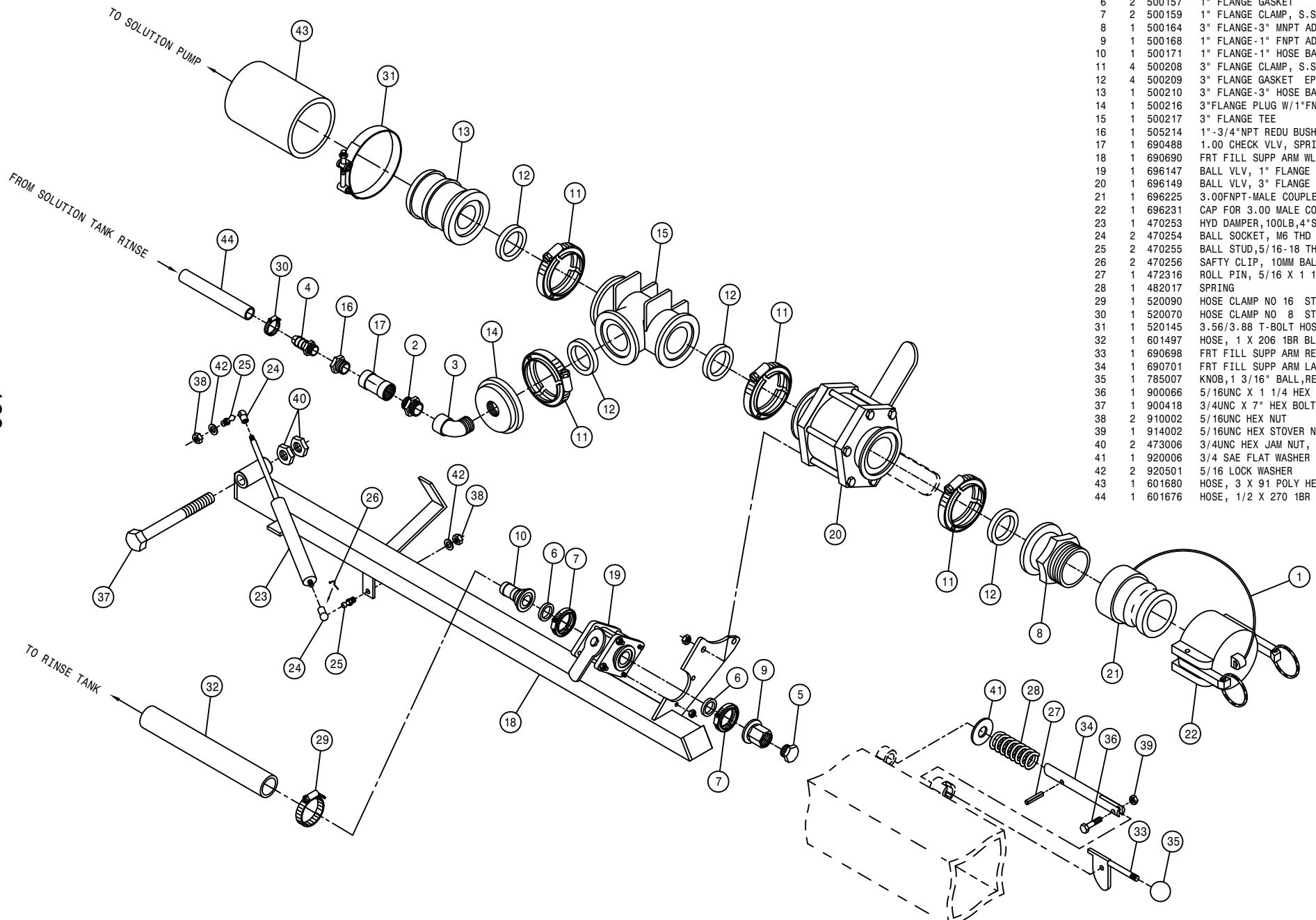
DET.	QTY	PART NO.	DESCRIPTION
1	1	121101	TRANSOM PIVOT BRG,TOP POLYGON
2	1	470352	LANYARD, 11" POLY
3	2	500024	1"NPT-90-1"HOSE BARB, POLY
4	1	500041	3/4NPT-90-1/2"HOSE BARB, POLY
5	1	500085	1" X 3/4NPT REDU NIPPLE, POLY
6	8	500157	1" FLANGE GASKET EPDM
7	8	500159	1" FLANGE CLAMP, S.S.
8	2	500163	1" FLANGE-1" MNPT ADPTR POLY
9	2	500164	3" FLANGE-3" MNPT ADPTR POLY
10	1	500168	1" FLANGE-1" FNPT ADPTR POLY
11	2	500173	1" FLANGE-90-1" HOSE BARB POLY
12	2	500174	1" FLANGE-90-1" FLANGE LBOPOLY
13	7	500208	3" FLANGE CLAMP, S.S.
14	7	500209	3" FLANGE GASKET EPDM
15	1	500210	3" FLANGE-3" HOSE BARB POLY
16	2	500213	3"FLANGE-90-3"FLANGE LBO POLY
17	1	500216	3"FLANGE PLUG W/1"FNPT POLY
18	1	500217	3" FLANGE TEE POLY
19	1	500220	3"FLANGE-3"MNPT W/1"FNPT POLY
20	1	505214	1"-3/4"NPT REDU BUSH, POLY
21	5	520090	HOSE CLAMP NO 16 STAINLESS
22	1	601609	HOSE, 1 X 33 1BR BLK EPDM
23	1	601611	HOSE, 1 X 30 2F-1W EPDM
24	1	618602	3/4MJIC-45-7/8MOR LBO
25	1	690488	1.00 CHECK VLV, SPRING LOADED
26	1	690760	BANJO PUMP,3" SIDE FILL STS12
27	1	690916	SIDE FILL ARM WLD, STS 2004
28	3	696147	BALL VLV, 1" FLANGE
29	1	696149	BALL VLV, 3" FLANGE
30	1	696225	3.00FNPT-MALE COUPLER POLY
31	1	696231	CAP FOR 3.00 MALE COUPLER POLY
32	1	701085	TANK, 5 GAL, SQ WHITE
33	4	900064	5/16UNC X 3/4 HEX BOLT
34	4	900066	5/16UNC X 1 1/4 HEX BOLT
35	4	914002	5/16UNC HEX STOVER NUT
36	8	920001	5/16 SAE FLAT WASHER
37	4	920501	5/16 LOCK WASHER
38	1	473978	ROLL PIN, 1/2 X 3 1/2 LG
39	1	520070	HOSE CLAMP NO 8 STAINLESS
40	1	520145	3.56/3.88 T-BOLT HOSE CLAMP SS
41	1	601459	HOSE, 1 X 245 1BR BLK EPDM
42	1	621554	LADR/SF/BRKWAY CYL,1.50 X12.25
43	1	690717	CHEM IND CYL MT WLD
44	1	690729	3.50 OD X 2.68 ID X 11 GA WASH
45	4	900265	1/2UNC X 1 1/2 HEX BOLT
46	2	900267	1/2UNC X 2" HEX BOLT
47	6	914008	1/2UNC HEX STOVER NUT
48	1	701155	8" LID FOR 5 GAL TANK 701085
49	1	500171	1" FLANGE-1" HOSE BARB POLY
50	2	618119	9/16MJIC-90-9/16MOR LBO
51	1	618733	9/16JIC .042 ORIFICE ADPTR
52	1	621555	REPAIR KIT,HYD CYL 621554
53	1	611128	7/8MJIC-90-7/8MOR LBO
54	1	690762	SEAL ASSY,3"BANJO PUMP 690760
55	1	690779	SOLU PUMP REPAIR KIT - 690760



FRONT FILL ASSEMBLY

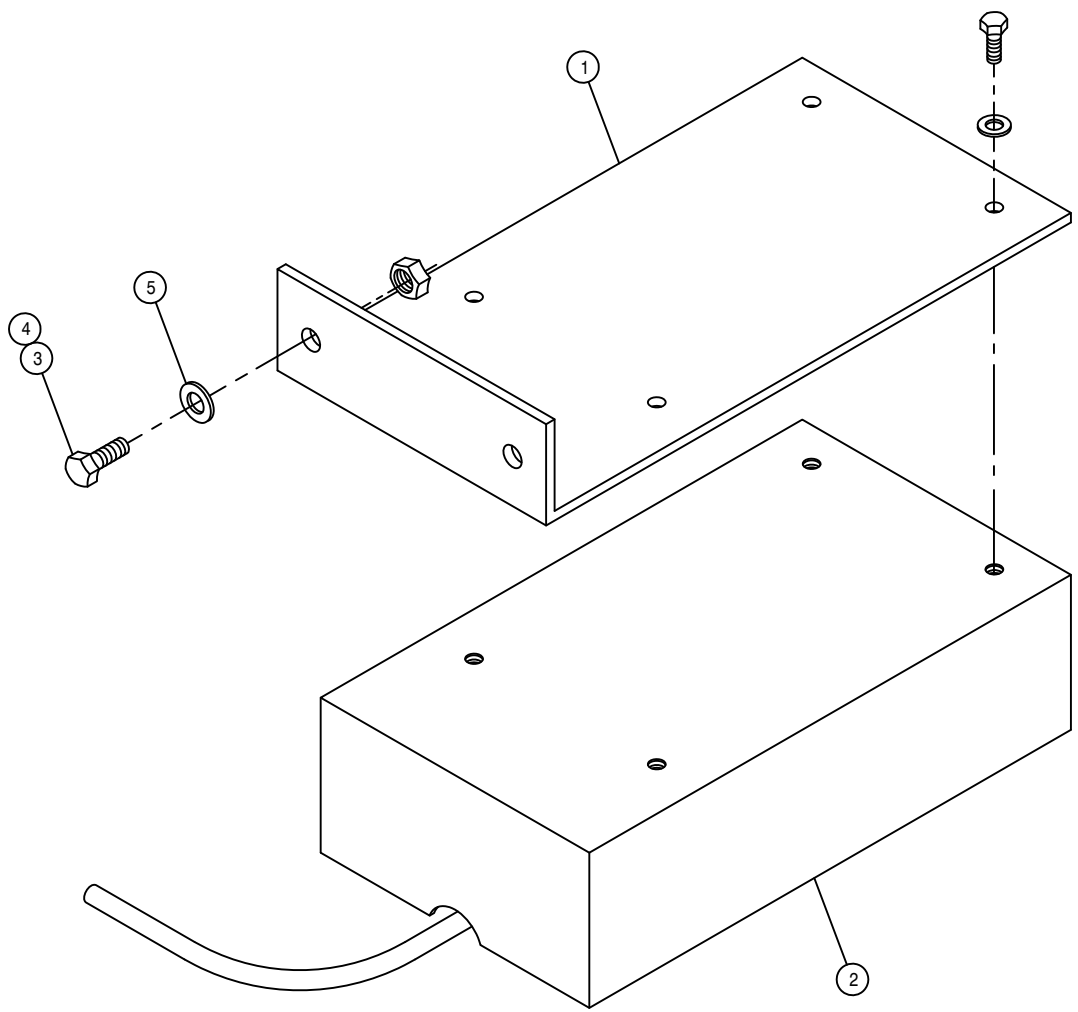
DET. QTY PART NO. DESCRIPTION

1	1	470352	LANYARD, 11" POLY
2	1	500013	1"NPT HEX PIPE NIPPLE, POLY
3	1	500014	1"NPT-90 ST EL, POLY
4	1	500019	3/4NPT-1/2HOSE BARB, POLY
5	1	500063	1"NPT PIPE PLUG, POLY
6	2	500157	1" FLANGE GASKET EPDM
7	2	500159	1" FLANGE CLAMP, S.S.
8	1	500164	3" FLANGE-3" MNPT ADPTR POLY
9	1	500168	1" FLANGE-1" FNPT ADPTR POLY
10	1	500171	1" FLANGE-1" HOSE BARB POLY
11	4	500208	3" FLANGE CLAMP, S.S.
12	4	500209	3" FLANGE GASKET EPDM
13	1	500210	3" FLANGE-3" HOSE BARB POLY
14	1	500216	3"FLANGE PLUG W/1"FNPT POLY
15	1	500217	3" FLANGE TEE POLY
16	1	505214	1"-3/4"NPT REDU BUSH, POLY
17	1	690488	1.00 CHECK VLV, SPRING LOADED
18	1	690690	FRT FILL SUPP ARM WLD
19	1	696147	BALL VLV, 1" FLANGE
20	1	696149	BALL VLV, 3" FLANGE
21	1	696225	3.00FNPT-MALE COUPLER POLY
22	1	696231	CAP FOR 3.00 MALE COUPLER POLY
23	1	470253	HYD DAMPER,100LB,4"STROKE 1084
24	2	470254	BALL SOCKET, M6 THD X 10MM
25	2	470255	BALL STUD,5/16-18 THD X 10MM
26	2	470256	SAFTY CLIP, 10MM BALL SOCKET
27	1	472316	ROLL PIN, 5/16 X 1 1/2
28	1	482017	SPRING
29	1	520090	HOSE CLAMP NO 16 STAINLESS
30	1	520070	HOSE CLAMP NO 8 STAINLESS
31	1	520145	3.56/3.88 T-BOLT HOSE CLAMP SS
32	1	601497	HOSE, 1 X 206 1BR BLK EPDM
33	1	690698	FRT FILL SUPP ARM REL WLD
34	1	690701	FRT FILL SUPP ARM LATCH PIN
35	1	785007	KNOB,1 3/16" BALL,RED,3/8-16
36	1	900066	5/16UNC X 1 1/4 HEX BOLT
37	1	900418	3/4UNC X 7" HEX BOLT
38	2	910002	5/16UNC HEX NUT
39	1	914002	5/16UNC HEX STOVER NUT
40	2	473006	3/4UNC HEX JAM NUT, NYLOC
41	1	920006	3/4 SAE FLAT WASHER
42	2	920501	5/16 LOCK WASHER
43	1	601680	HOSE, 3 X 91 POLY HELIX EPDM
44	1	601676	HOSE, 1/2 X 270 1BR BLK EPDM



130

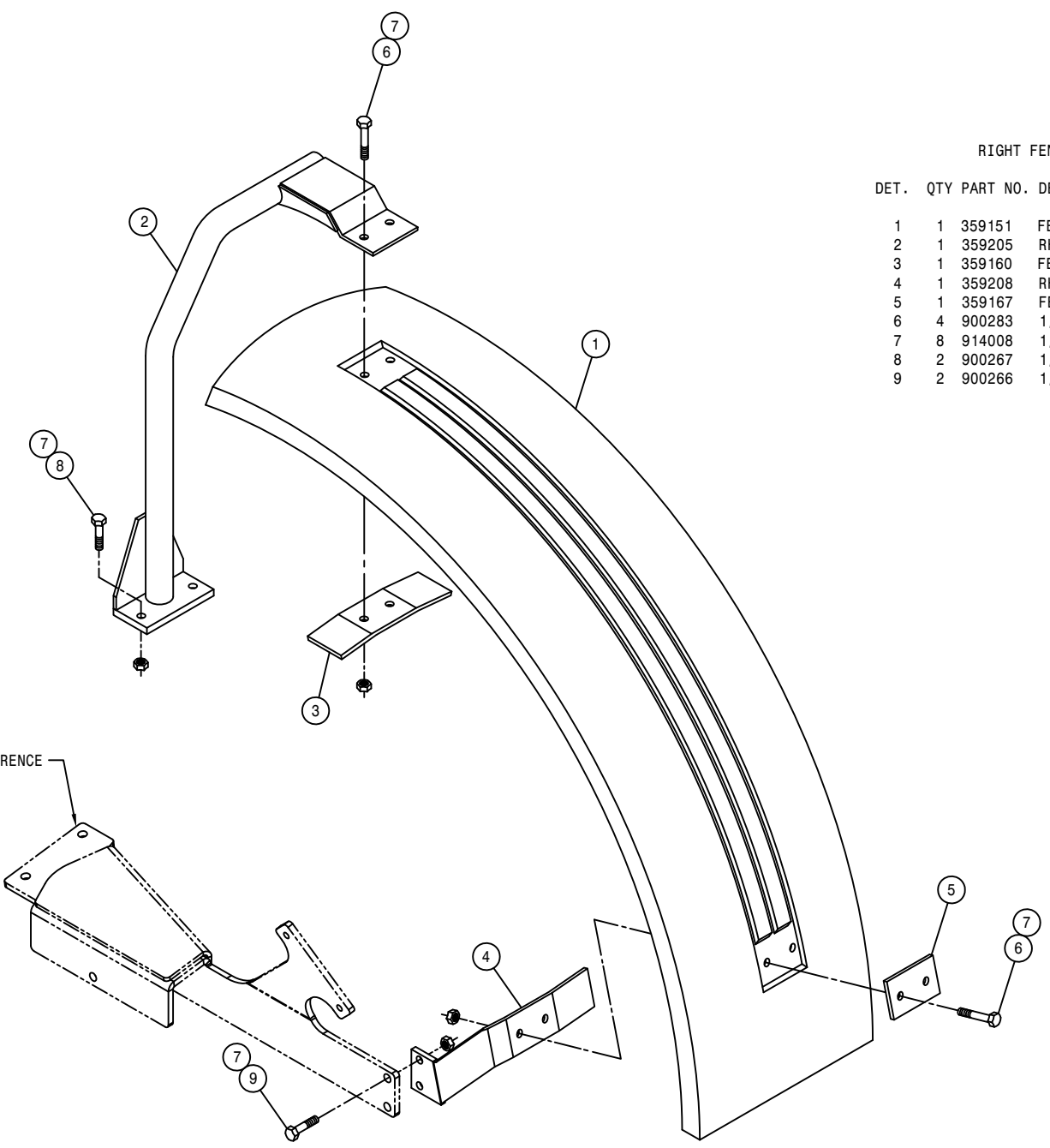
446130



RADAR OPTION

DET. QTY PART NO. DESCRIPTION

1	1	342857	RADAR MTG BRKT
2	1	690599	RAVEN RADAR UNIT W/CABLE
3	2	900129	3/8UNC X 1" HEX BOLT
4	2	914004	3/8UNC HEX STOVER NUT
5	2	920002	3/8 SAE FLAT WASHER

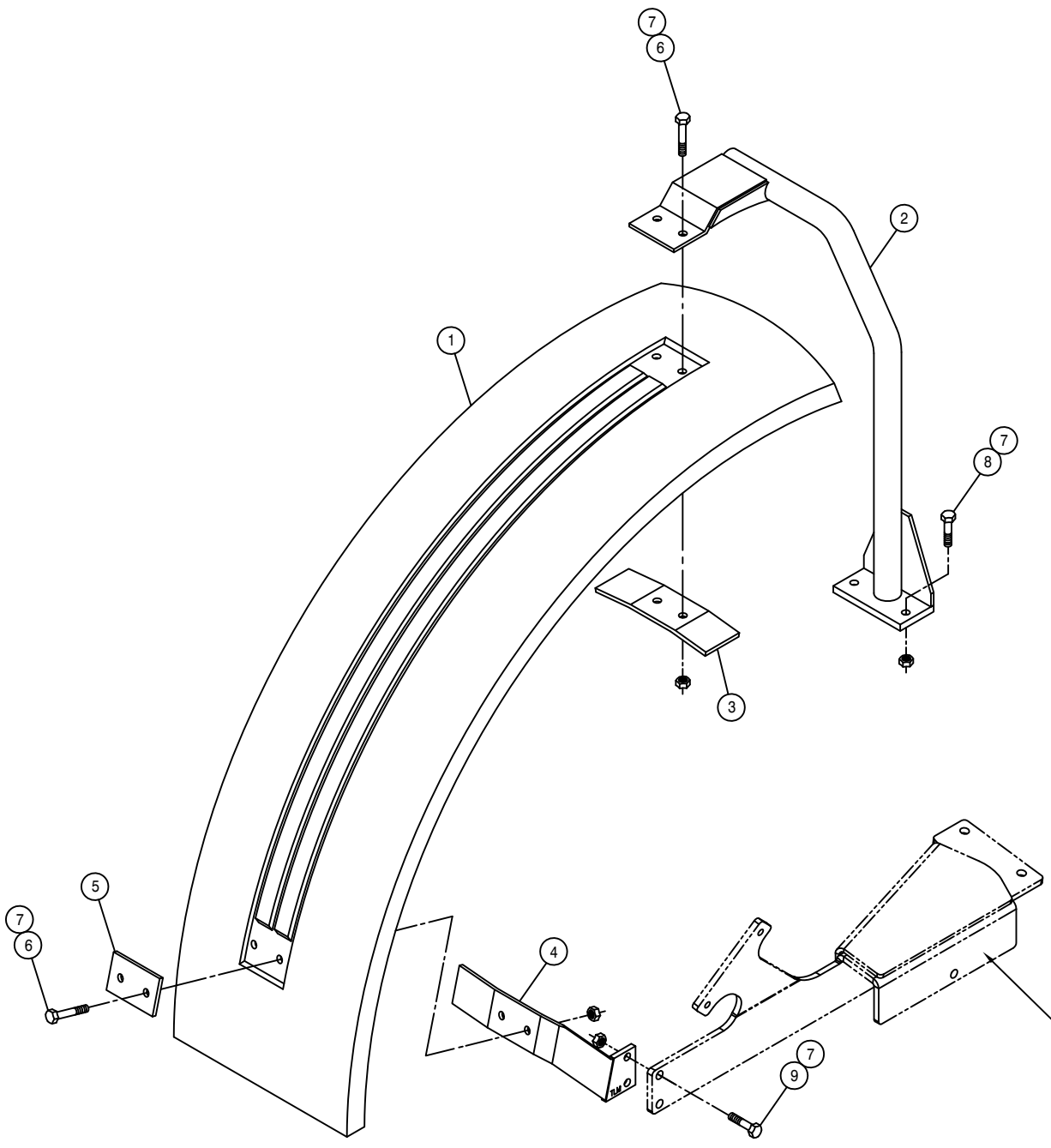


RIGHT FENDER ASSEMBLY

DET.	QTY	PART NO.	DESCRIPTION	
1	1	359151	FENDER, STS12	2000
2	1	359205	RH FENDER MT WLD STS	03
3	1	359160	FENDER MT KEEPER	STS12
4	1	359208	RH FENDER SUPP BRKT, STS	03
5	1	359167	FENDER SUPPORT KEEPER	STS12
6	4	900283	1/2UNC X 2 1/4 HEX BOLT	
7	8	914008	1/2UNC HEX STOVER NUT	
8	2	900267	1/2UNC X 2" HEX BOLT	
9	2	900266	1/2UNC X 1 3/4 HEX BOLT	

NOTE: 359315 SHOWN FOR REFERENCE  
SEE LEG ASSEMBLY

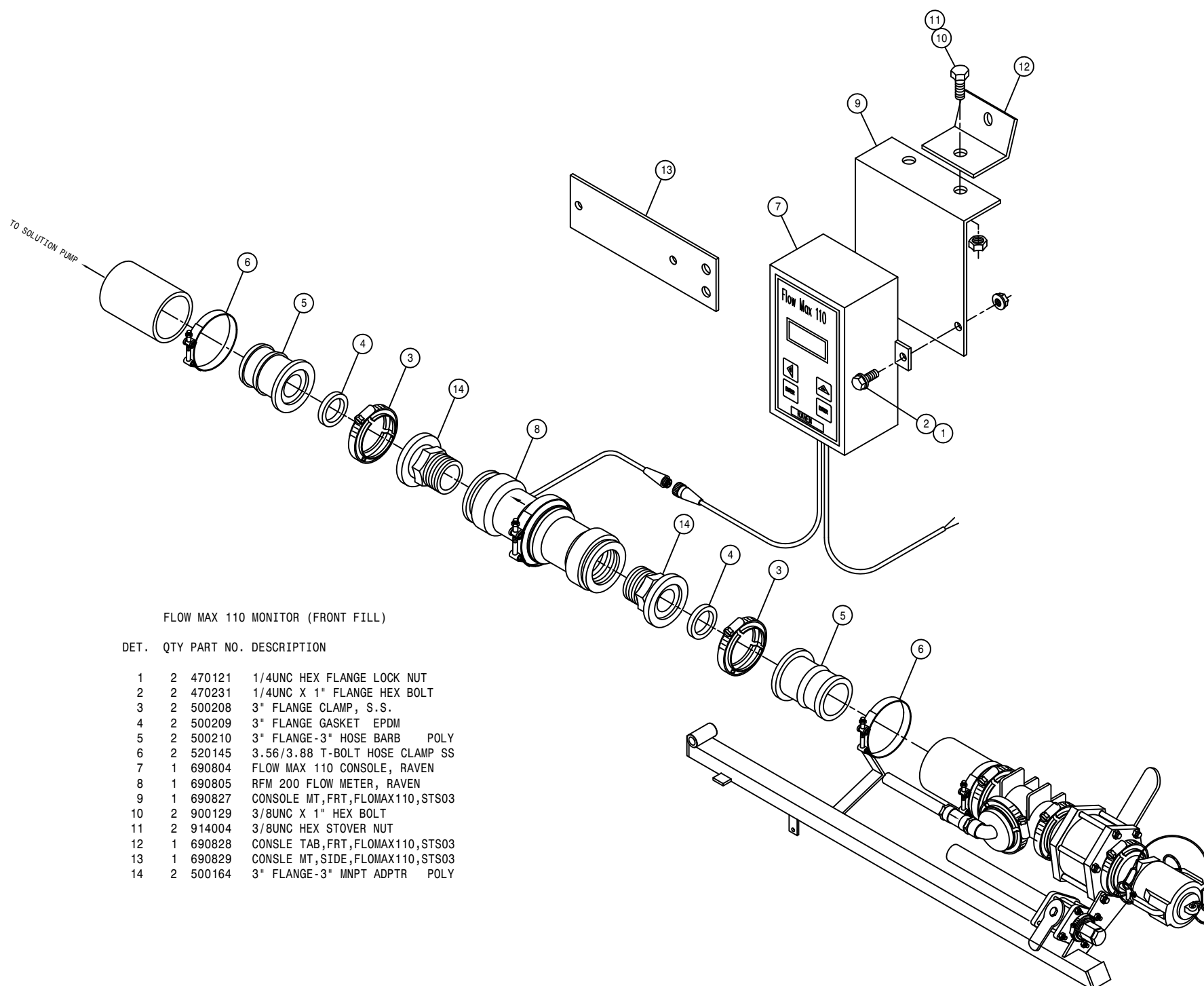




LEFT FENDER ASSEMBLY

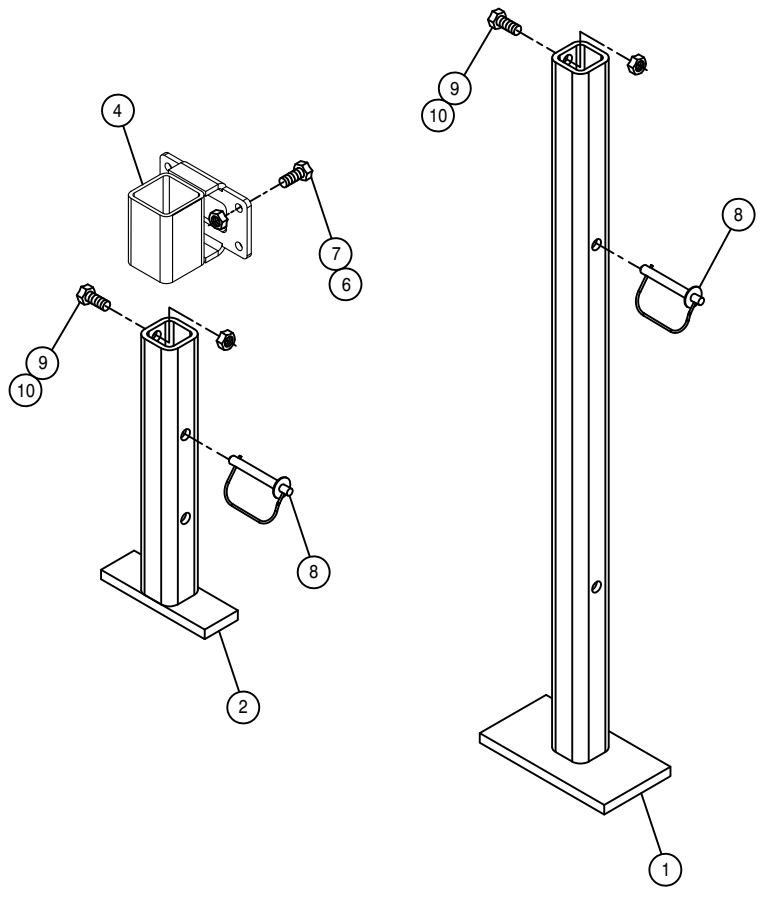
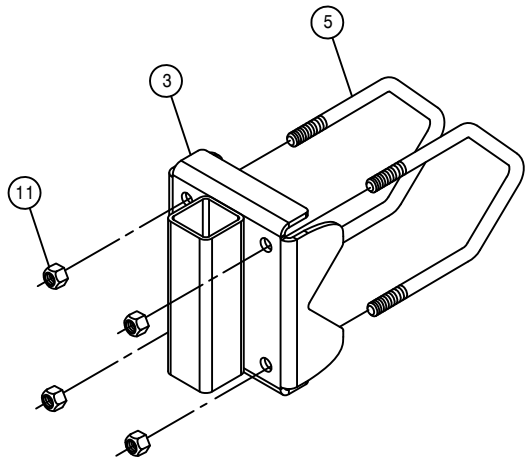
DET.	QTY	PART NO.	DESCRIPTION	
1	1	359151	FENDER, STS12	2000
2	1	359206	LH FENDER MT WLD	STS12 03
3	1	359160	FENDER MT KEEPER	STS12
4	1	359209	LH FENDER SUPP BRKT, STS	03
5	1	359167	FENDER SUPPORT KEEPER	STS12
6	4	900283	1/2UNC X 2 1/4 HEX BOLT	
7	8	914008	1/2UNC HEX STOVER NUT	
8	2	900267	1/2UNC X 2" HEX BOLT	
9	2	900266	1/2UNC X 1 3/4 HEX BOLT	

NOTE: 359316 SHOWN FOR REFERENCE  
SEE LEG ASSEMBLY



FLOW MAX 110 MONITOR (FRONT FILL)

DET.	QTY	PART NO.	DESCRIPTION
	1	2 470121	1/4UNC HEX FLANGE LOCK NUT
	2	2 470231	1/4UNC X 1" FLANGE HEX BOLT
	3	2 500208	3" FLANGE CLAMP, S.S.
	4	2 500209	3" FLANGE GASKET EPDM
	5	2 500210	3" FLANGE-3" HOSE BARB POLY
	6	2 520145	3.56/3.88 T-BOLT HOSE CLAMP SS
	7	1 690804	FLOW MAX 110 CONSOLE, RAVEN
	8	1 690805	RFM 200 FLOW METER, RAVEN
	9	1 690827	CONSOLE MT,FRT,FLOMAX110,STS03
	10	2 900129	3/8UNC X 1" HEX BOLT
	11	2 914004	3/8UNC HEX STOVER NUT
	12	1 690828	CONSLE TAB,FRT,FLOMAX110,STS03
	13	1 690829	CONSLE MT,SIDE,FLOMAX110,STS03
	14	2 500164	3" FLANGE-3" MNPT ADPTR POLY



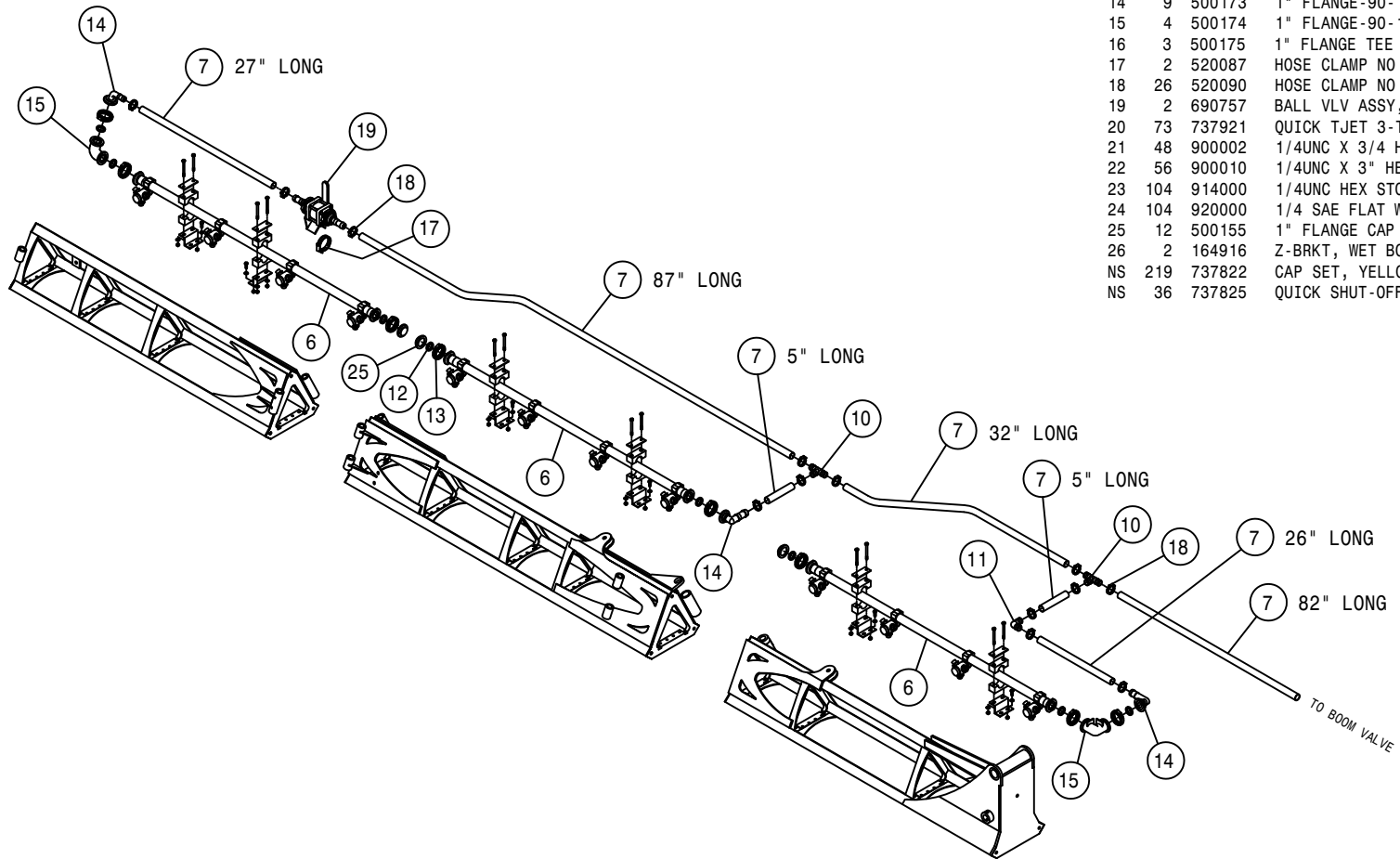
BOOM STAND OPTION

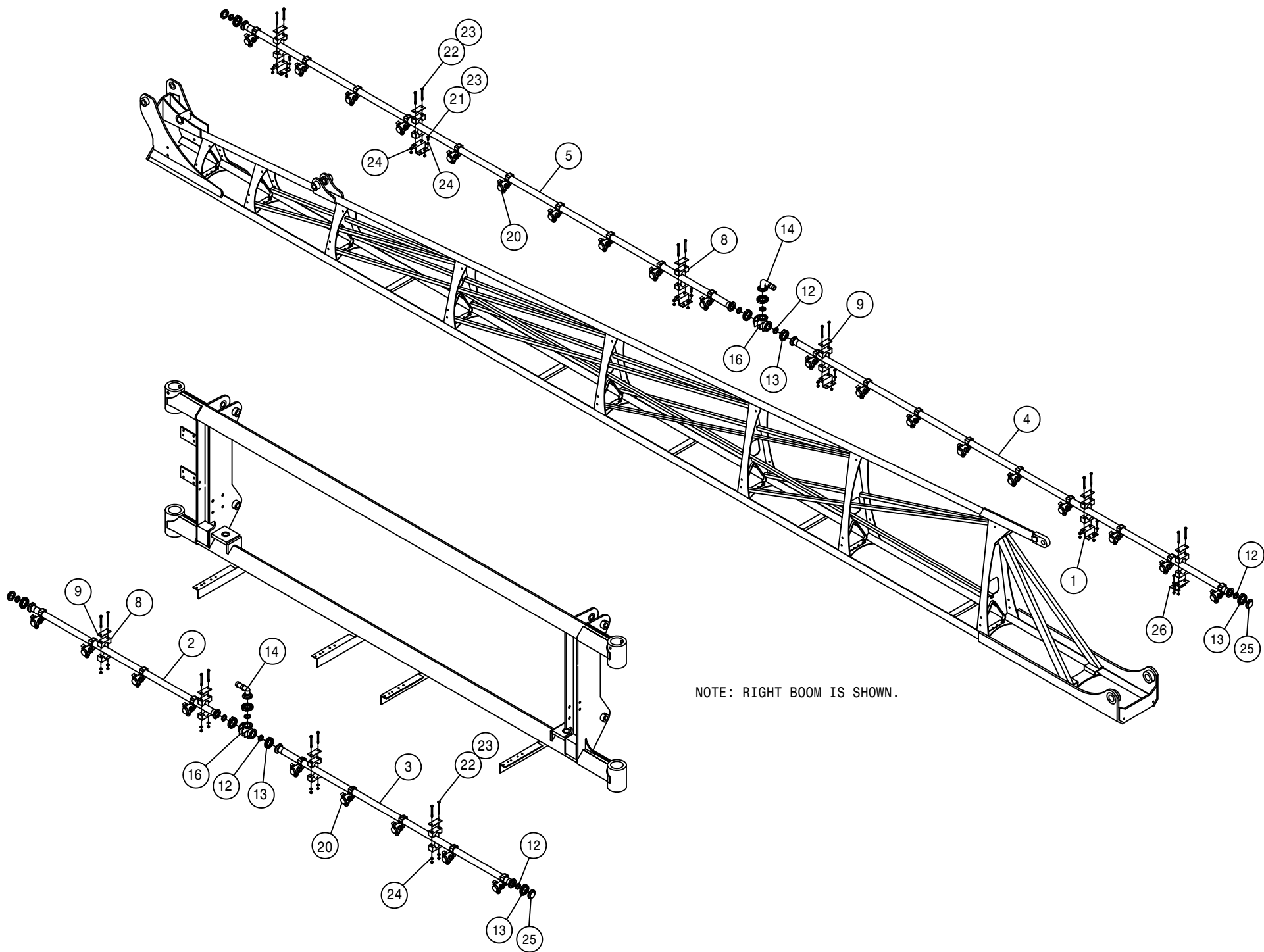
DET.	QTY	PART NO.	DESCRIPTION
	2	164787	TRANSOM STAND POST WLD, STS 04
	2	164794	BOOM STAND POST WLD, STS 04
	2	164855	TRANSOM STAND MT WLD, STS 05
	2	164857	MAIN BOOM JACKSTAND WLD, STS 05
	4	438293	5/8UNC X 6 1/4 CTR U-BOLT TRI
	8	470087	3/8UNC HEX FLANGE LOCK NUT
	8	470329	3/8UNC X 1 1/4 FLANGE HEX BOLT
	4	470361	SNAP LOCK PIN, 1/2 X 3 1/2
	4	900263	1/2UNC X 1" HEX BOLT
	4	914008	1/2UNC HEX STOVER NUT
	8	914010	5/8UNC HEX STOVER NUT

15" SPACING 90' WET BOOM ASSEMBLY (SV)

DET. QTY PART NO. DESCRIPTION

1	22	164859	CLAMP MT BRKT, WET BOOM, STS
2	1	165656	15" WET BOOM WLD,52.90 LG 09
3	1	165658	15" WET BOOM WLD,67.91 LG 09
4	2	165660	15" WET BOOM WLD,130.20 LG 09
5	2	165662	15" WET BOOM WLD,155.63 LG 09
6	6	165654	15" WET BOOM WLD,50.20 LG 09
7	46	197116	HOSE 1IN 1-FBR BR BLK EPDM
8	28	470375	TUBE CLAMP BODY,1.31 ID (PAIR)
9	28	470376	COVER PLATE FOR 470375
10	4	500105	1.00 HOSE BARB TEE, POLY
11	2	500109	1.00-90-1.00 HOSE BARB, POLY
12	31	500157	1" FLANGE GASKET EPDM
13	31	500159	1" FLANGE CLAMP, S.S.
14	9	500173	1" FLANGE-90-1" HOSE BARB POLY
15	4	500174	1" FLANGE-90-1" FLANGE LBOPOLY
16	3	500175	1" FLANGE TEE POLY
17	2	520087	HOSE CLAMP NO 20 STAINLESS
18	26	520090	HOSE CLAMP NO 16 STAINLESS
19	2	690757	BALL VLV ASSY,1"FLG-1"HBARB
20	73	737921	QUICK TJET 3-TIP BODY,1" HV
21	48	900002	1/4UNC X 3/4 HEX BOLT
22	56	900010	1/4UNC X 3" HEX BOLT
23	104	914000	1/4UNC HEX STOVER NUT
24	104	920000	1/4 SAE FLAT WASHER
25	12	500155	1" FLANGE CAP PLUG POLY
26	2	164916	Z-BRKT, WET BOOM SECT 1, STS
NS	219	737822	CAP SET, YELLOW QUICK TEEJET
NS	36	737825	QUICK SHUT-OFF CAP



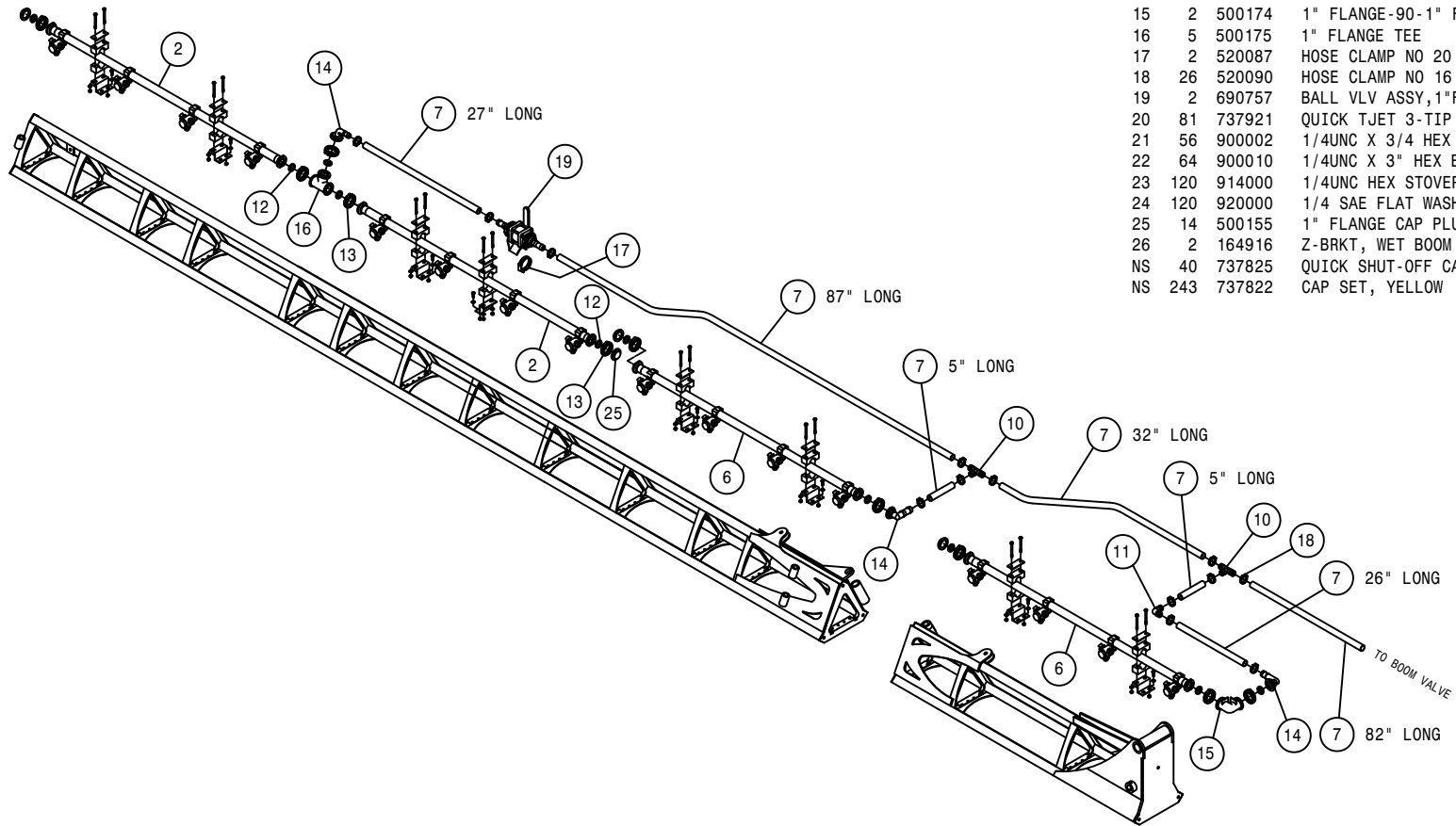


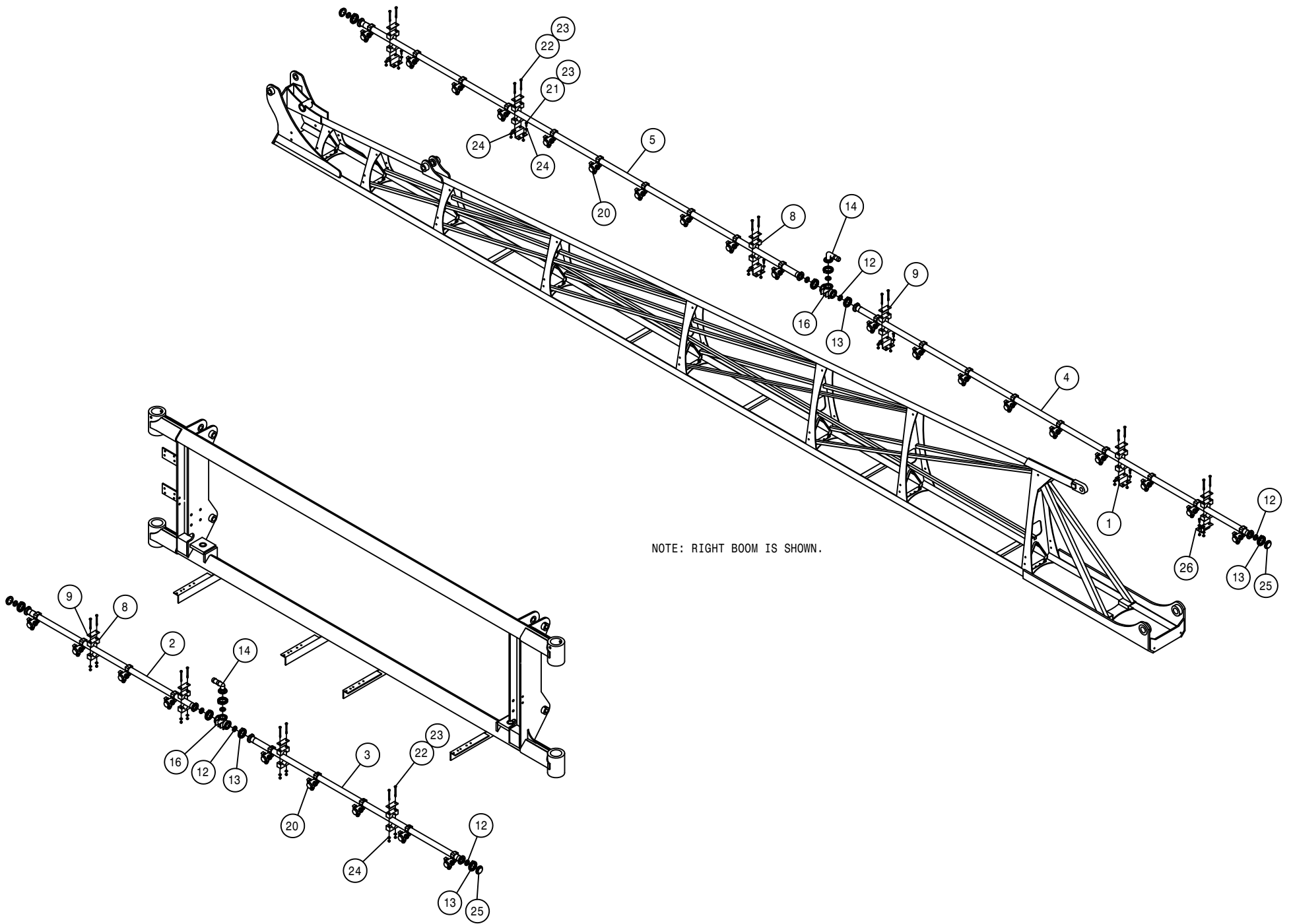
NOTE: RIGHT BOOM IS SHOWN.

15" SPACING 100' WET BOOM ASSEMBLY (SV)

DET. QTY PART NO. DESCRIPTION

1	26	164859	CLAMP MT BRKT, WET BOOM, STS
2	5	165656	15" WET BOOM WLD,52.90 LG 09
3	1	165658	15" WET BOOM WLD,67.91 LG 09
4	2	165660	15" WET BOOM WLD,130.20 LG 09
5	2	165662	15" WET BOOM WLD,155.63 LG 09
6	4	165654	15" WET BOOM WLD,50.20 LG 09
7	46.2	197116	HOSE 1IN 1-FBR BR BLK EPDM
8	32	470375	TUBE CLAMP BODY,1.31 ID (PAIR)
9	32	470376	COVER PLATE FOR 470375
10	4	500105	1.00 HOSE BARB TEE, POLY
11	2	500109	1.00-90-1.00 HOSE BARB, POLY
12	35	500157	1" FLANGE GASKET EPDM
13	35	500159	1" FLANGE CLAMP, S.S.
14	9	500173	1" FLANGE-90-1" HOSE BARB POLY
15	2	500174	1" FLANGE-90-1" FLANGE LBOPOLY
16	5	500175	1" FLANGE TEE POLY
17	2	520087	HOSE CLAMP NO 20 STAINLESS
18	26	520090	HOSE CLAMP NO 16 STAINLESS
19	2	690757	BALL VLV ASSY,1"FLG-1"HBARB
20	81	737921	QUICK TJET 3-TIP BODY,1" HV
21	56	900002	1/4UNC X 3/4 HEX BOLT
22	64	900010	1/4UNC X 3" HEX BOLT
23	120	914000	1/4UNC HEX STOVER NUT
24	120	920000	1/4 SAE FLAT WASHER
25	14	500155	1" FLANGE CAP PLUG POLY
26	2	164916	Z-BRKT, WET BOOM SECT 1, STS
NS	40	737825	QUICK SHUT-OFF CAP
NS	243	737822	CAP SET, YELLOW QUICK TEEJET



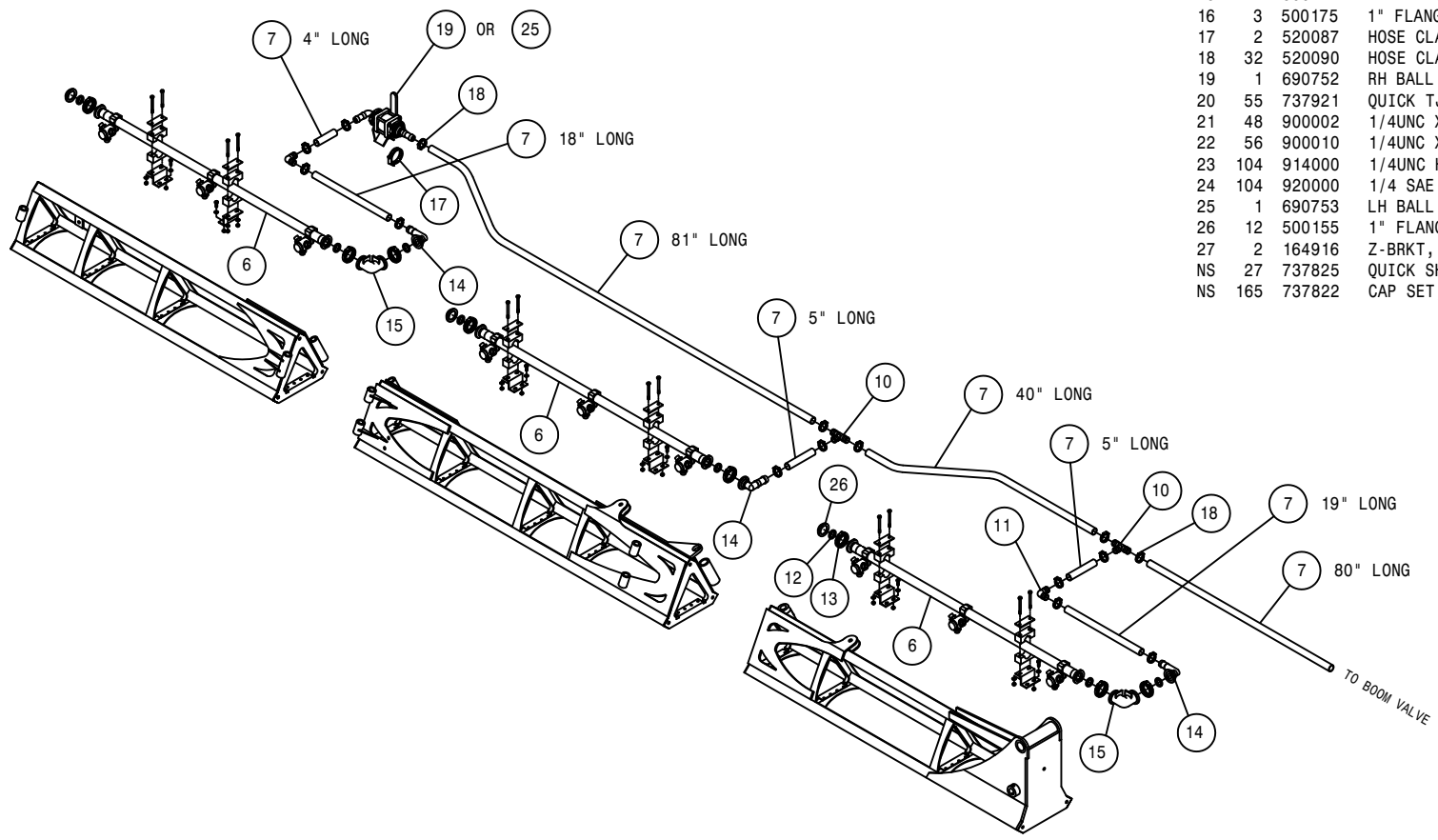


NOTE: RIGHT BOOM IS SHOWN.

20" SPACING 90' WET BOOM ASSEMBLY (SV)

DET. QTY PART NO. DESCRIPTION

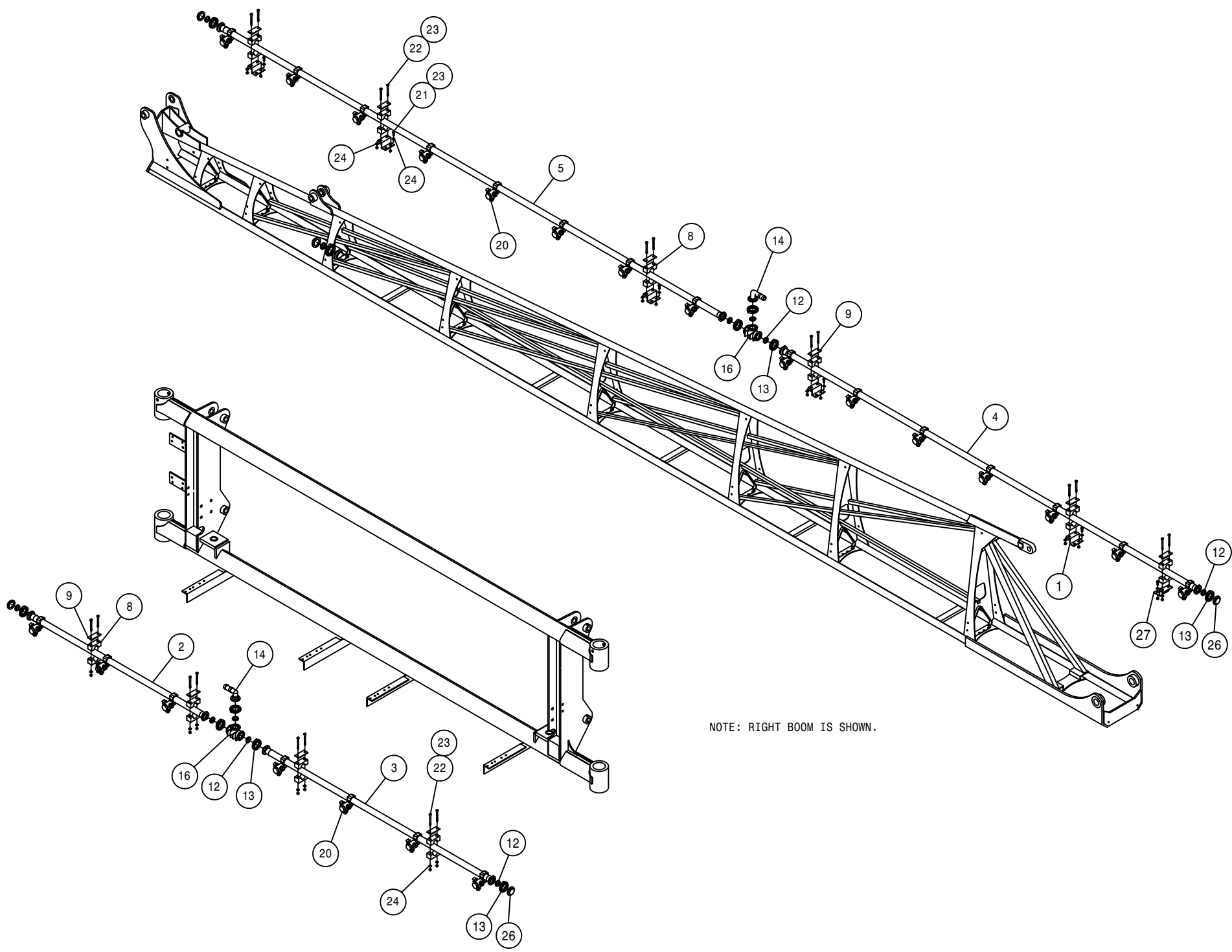
DET.	QTY	PART NO.	DESCRIPTION
1	22	164859	CLAMP MT BRKT, WET BOOM, STS
2	1	165668	20" WET BOOM WLD,52.91 LG 09
3	1	165670	20" WET BOOM WLD,67.91 LG 09
4	2	165672	20" WET BOOM WLD,125.20 LG 09
5	2	165676	20" WET BOOM WLD,155.63 LG 09
6	6	165664	20" WET BOOM WLD,45.20 LG 09
7	46	197116	HOSE 1IN 1-FBR BR BLK EPDM
8	28	470375	TUBE CLAMP BODY,1.31 ID (PAIR)
9	28	470376	COVER PLATE FOR 470375
10	4	500105	1.00 HOSE BARB TEE, POLY
11	2	500109	1.00-90-1.00 HOSE BARB, POLY
12	31	500157	1" FLANGE GASKET EPDM
13	31	500159	1" FLANGE CLAMP, S.S.
14	9	500173	1" FLANGE-90-1" HOSE BARB POLY
15	4	500174	1" FLANGE-90-1" FLANGE LBOPOLY
16	3	500175	1" FLANGE TEE POLY
17	2	520087	HOSE CLAMP NO 20 STAINLESS
18	32	520090	HOSE CLAMP NO 16 STAINLESS
19	1	690752	RH BALL VLV ASSY,STD VOL 90'
20	55	737921	QUICK TJET 3-TIP BODY,1" HV
21	48	900002	1/4UNC X 3/4 HEX BOLT
22	56	900010	1/4UNC X 3" HEX BOLT
23	104	914000	1/4UNC HEX STOVER NUT
24	104	920000	1/4 SAE FLAT WASHER
25	1	690753	LH BALL VLV ASSY,STD VOL 90'
26	12	500155	1" FLANGE CAP PLUG POLY
27	2	164916	Z-BRKT, WET BOOM SECT 1, STS
NS	27	737825	QUICK SHUT-OFF CAP
NS	165	737822	CAP SET, YELLOW QUICK TEEJET



140

446140



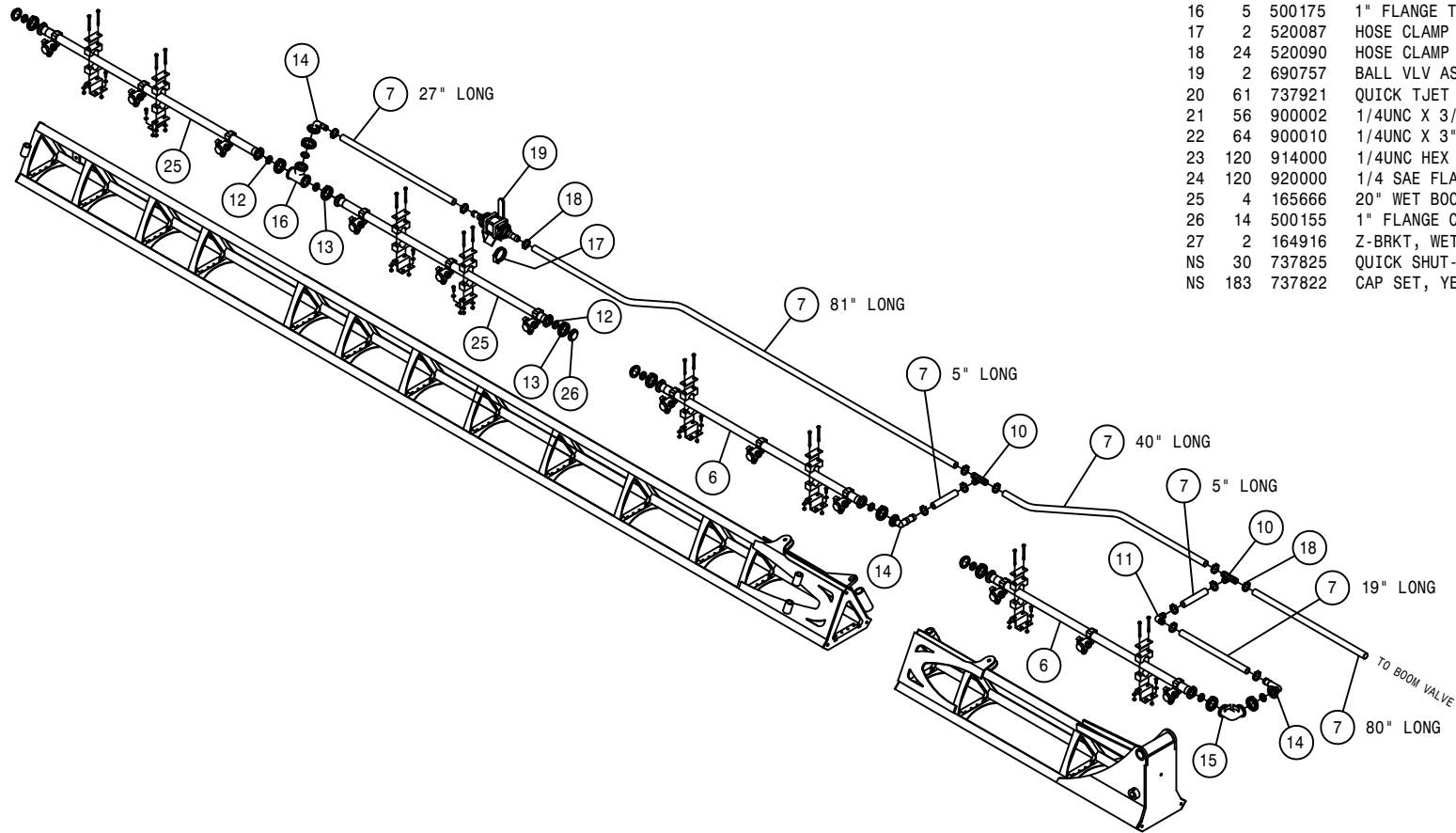


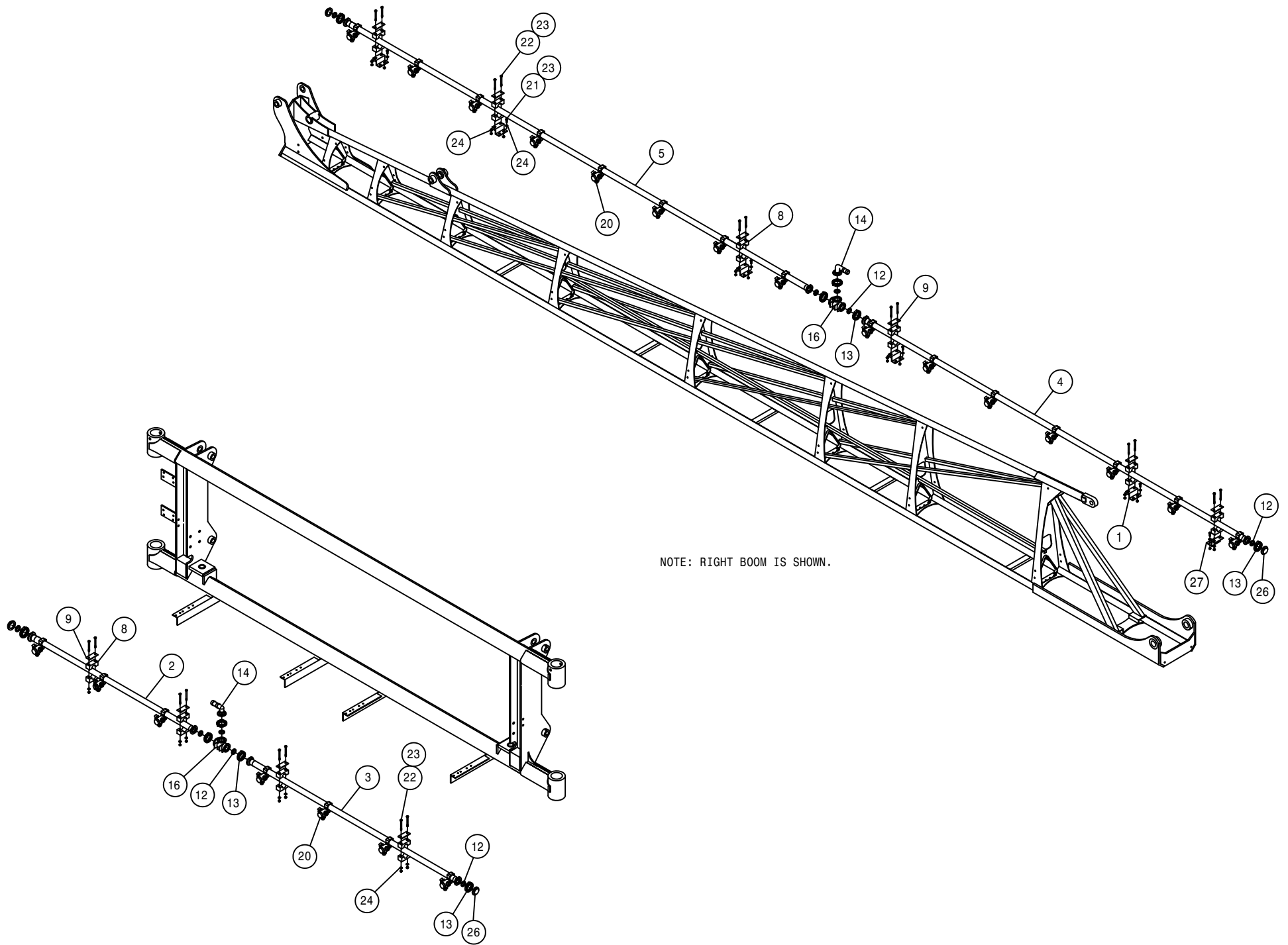
NOTE: RIGHT BOOM IS SHOWN.

20" SPACING 100' WET BOOM ASSEMBLY (SV)

DET. QTY PART NO. DESCRIPTION

1	26	164859	CLAMP MT BRKT, WET BOOM, STS
2	1	165668	20" WET BOOM WLD,52.91 LG 09
3	1	165670	20" WET BOOM WLD,67.91 LG 09
4	2	165672	20" WET BOOM WLD,125.20 LG 09
5	2	165676	20" WET BOOM WLD,155.63 LG 09
6	4	165664	20" WET BOOM WLD,45.20 LG 09
7	46	197116	HOSE 1IN 1-FBR BR BLK EPDM
8	32	470375	TUBE CLAMP BODY,1.31 ID (PAIR)
9	32	470376	COVER PLATE FOR 470375
10	4	500105	1.00 HOSE BARB TEE, POLY
11	2	500109	1.00-90-1.00 HOSE BARB, POLY
12	35	500157	1" FLANGE GASKET EPDM
13	35	500159	1" FLANGE CLAMP, S.S.
14	9	500173	1" FLANGE-90-1" HOSE BARB POLY
15	2	500174	1" FLANGE-90-1" FLANGE LBOPOLY
16	5	500175	1" FLANGE TEE POLY
17	2	520087	HOSE CLAMP NO 20 STAINLESS
18	24	520090	HOSE CLAMP NO 16 STAINLESS
19	2	690757	BALL VLV ASSY,1"FLG-1"HBARB
20	61	737921	QUICK TJET 3-TIP BODY,1" HV
21	56	900002	1/4UNC X 3/4 HEX BOLT
22	64	900010	1/4UNC X 3" HEX BOLT
23	120	914000	1/4UNC HEX STOVER NUT
24	120	920000	1/4 SAE FLAT WASHER
25	4	165666	20" WET BOOM WLD,50.41 LG 09
26	14	500155	1" FLANGE CAP PLUG POLY
27	2	164916	Z-BRKT, WET BOOM SECT 1, STS
NS	30	737825	QUICK SHUT-OFF CAP
NS	183	737822	CAP SET, YELLOW QUICK TEEJET



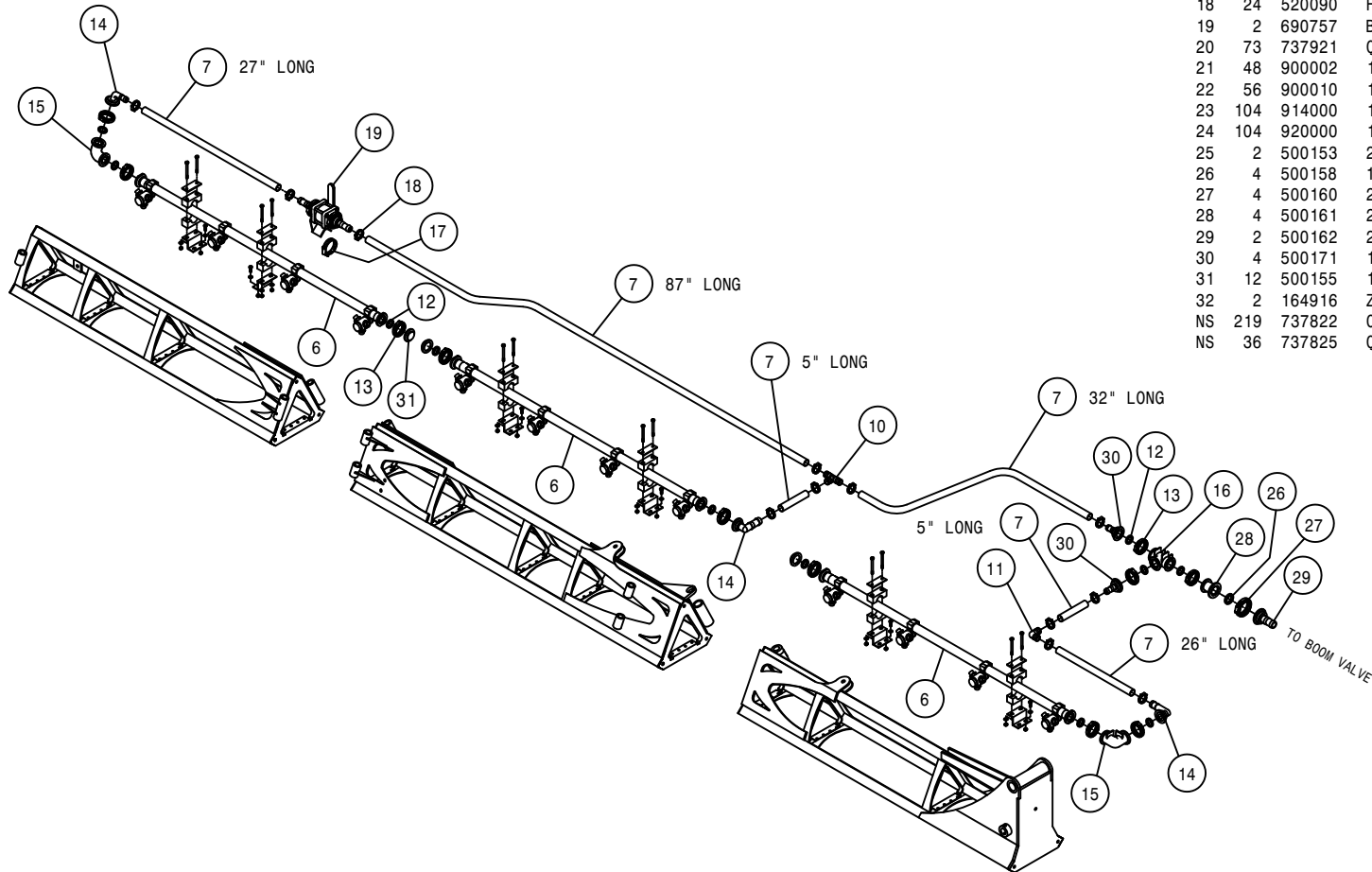


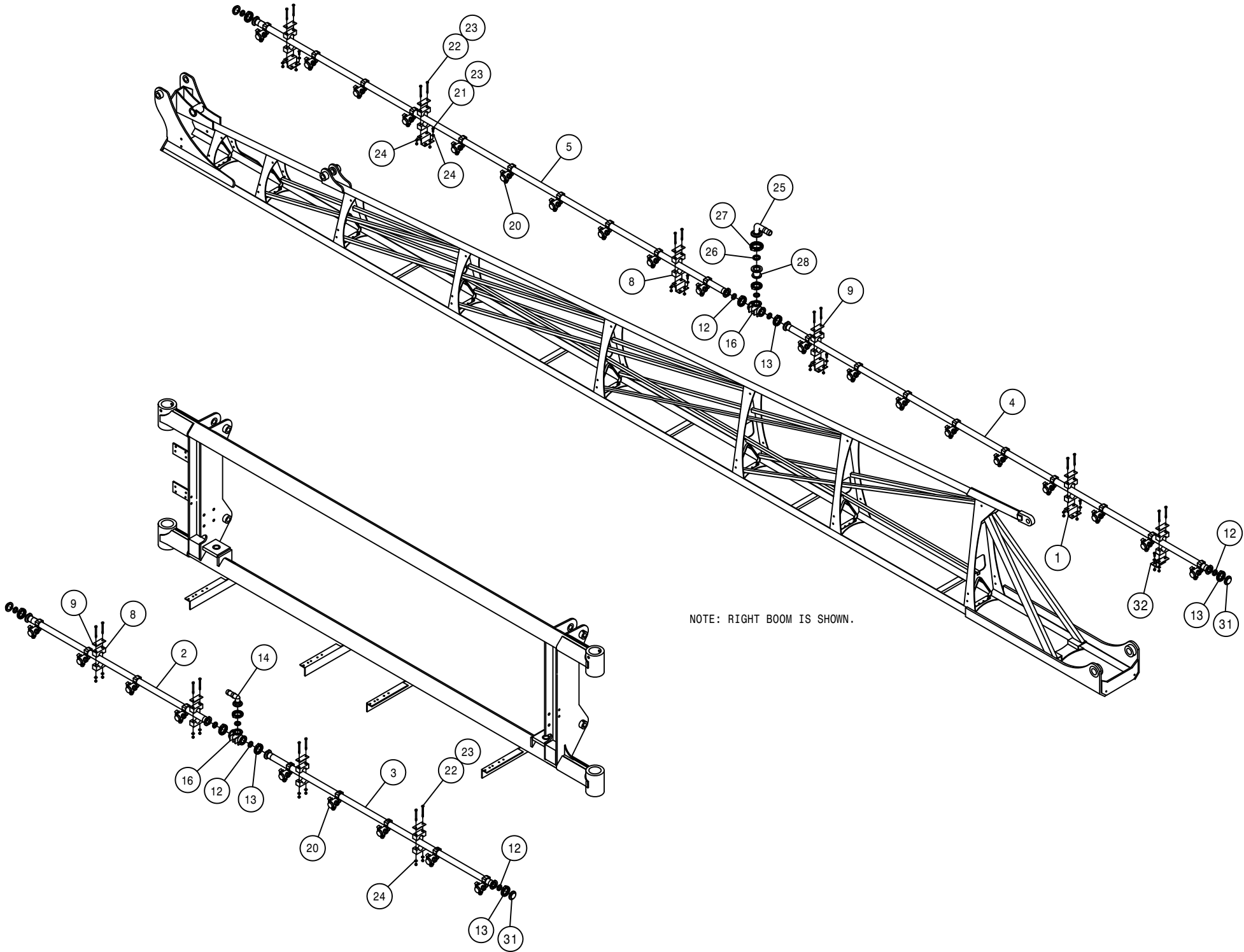
NOTE: RIGHT BOOM IS SHOWN.

15" SPACING 90' WET BOOM ASSEMBLY (HV)

DET. QTY PART NO. DESCRIPTION

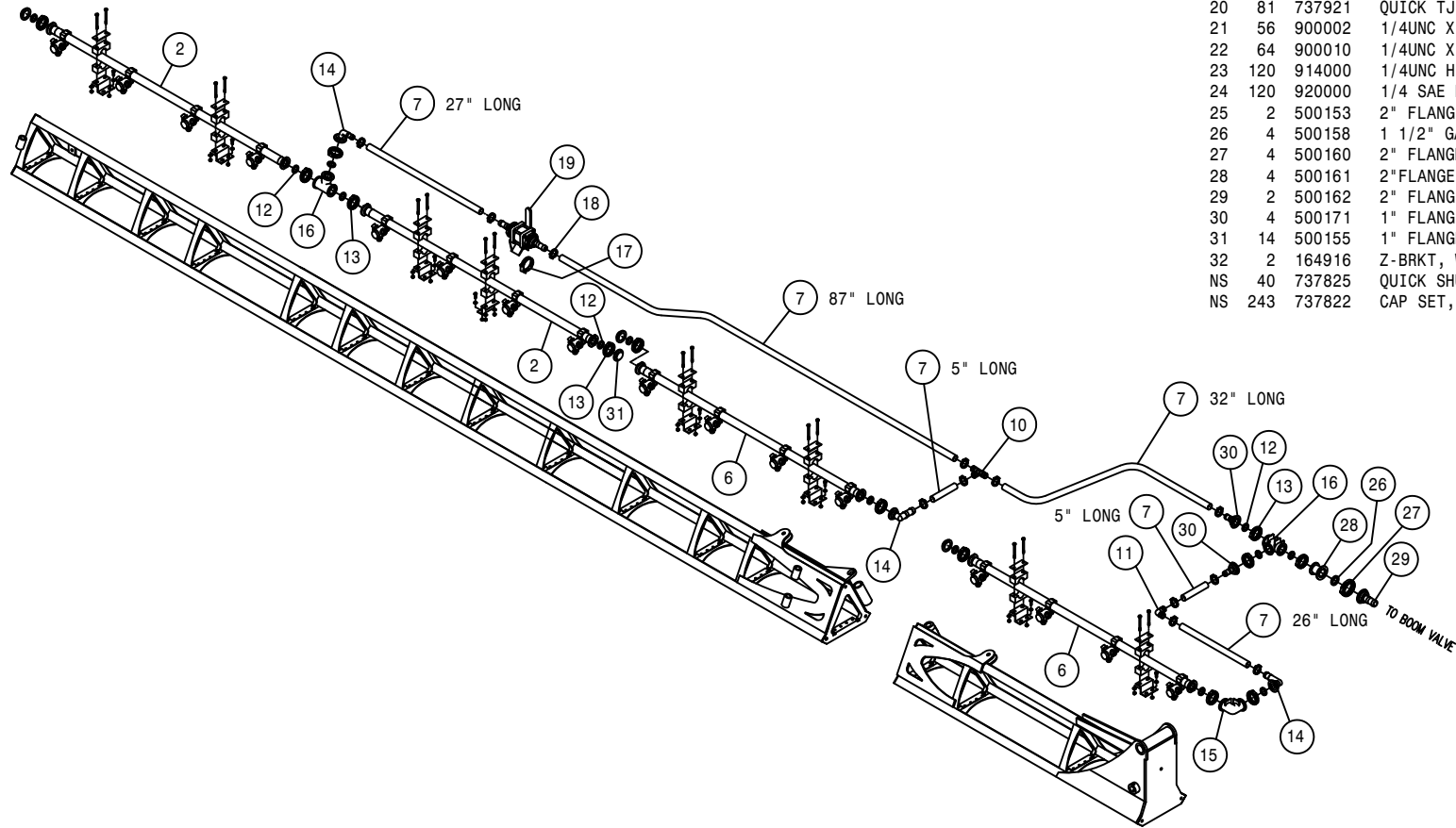
DET.	QTY	PART NO.	DESCRIPTION
1	22	164859	CLAMP MT BRKT, WET BOOM, STS
2	1	165656	15" WET BOOM WLD,52.90 LG 09
3	1	165658	15" WET BOOM WLD,67.91 LG 09
4	2	165660	15" WET BOOM WLD,130.20 LG 09
5	2	165662	15" WET BOOM WLD,155.63 LG 09
6	6	165654	15" WET BOOM WLD,50.20 LG 09
7	46	197116	HOSE 1IN 1-FBR BR BLK EPDM
8	28	470375	TUBE CLAMP BODY,1.31 ID (PAIR)
9	28	470376	COVER PLATE FOR 470375
10	2	500105	1.00 HOSE BARB TEE, POLY
11	2	500109	1.00-90-1.00 HOSE BARB, POLY
12	37	500157	1" FLANGE GASKET EPDM
13	37	500159	1" FLANGE CLAMP, S.S.
14	7	500173	1" FLANGE-90-1" HOSE BARB POLY
15	4	500174	1" FLANGE-90-1" FLANGE LBOPOLY
16	5	500175	1" FLANGE TEE POLY
17	2	520087	HOSE CLAMP NO 20 STAINLESS
18	24	520090	HOSE CLAMP NO 16 STAINLESS
19	2	690757	BALL VLV ASSY,1"FLG-1"HBARB
20	73	737921	QUICK TJET 3-TIP BODY,1" HV
21	48	900002	1/4UNC X 3/4 HEX BOLT
22	56	900010	1/4UNC X 3" HEX BOLT
23	104	914000	1/4UNC HEX STOVER NUT
24	104	920000	1/4 SAE FLAT WASHER
25	2	500153	2" FLANGE-90-1 1/2 HBARB POLY
26	4	500158	1 1/2" GASKET FOR 2" FLANGE
27	4	500160	2" FLANGE CLAMP, S.S.
28	4	500161	2"FLANGE-1"FLANGE COUPLER,POLY
29	2	500162	2" FLANGE-1 1/2 HOSE BARB POLY
30	4	500171	1" FLANGE-1" HOSE BARB POLY
31	12	500155	1" FLANGE CAP PLUG POLY
32	2	164916	Z-BRKT, WET BOOM SECT 1, STS
NS	219	737822	CAP SET, YELLOW QUICK TEEJET
NS	36	737825	QUICK SHUT-OFF CAP

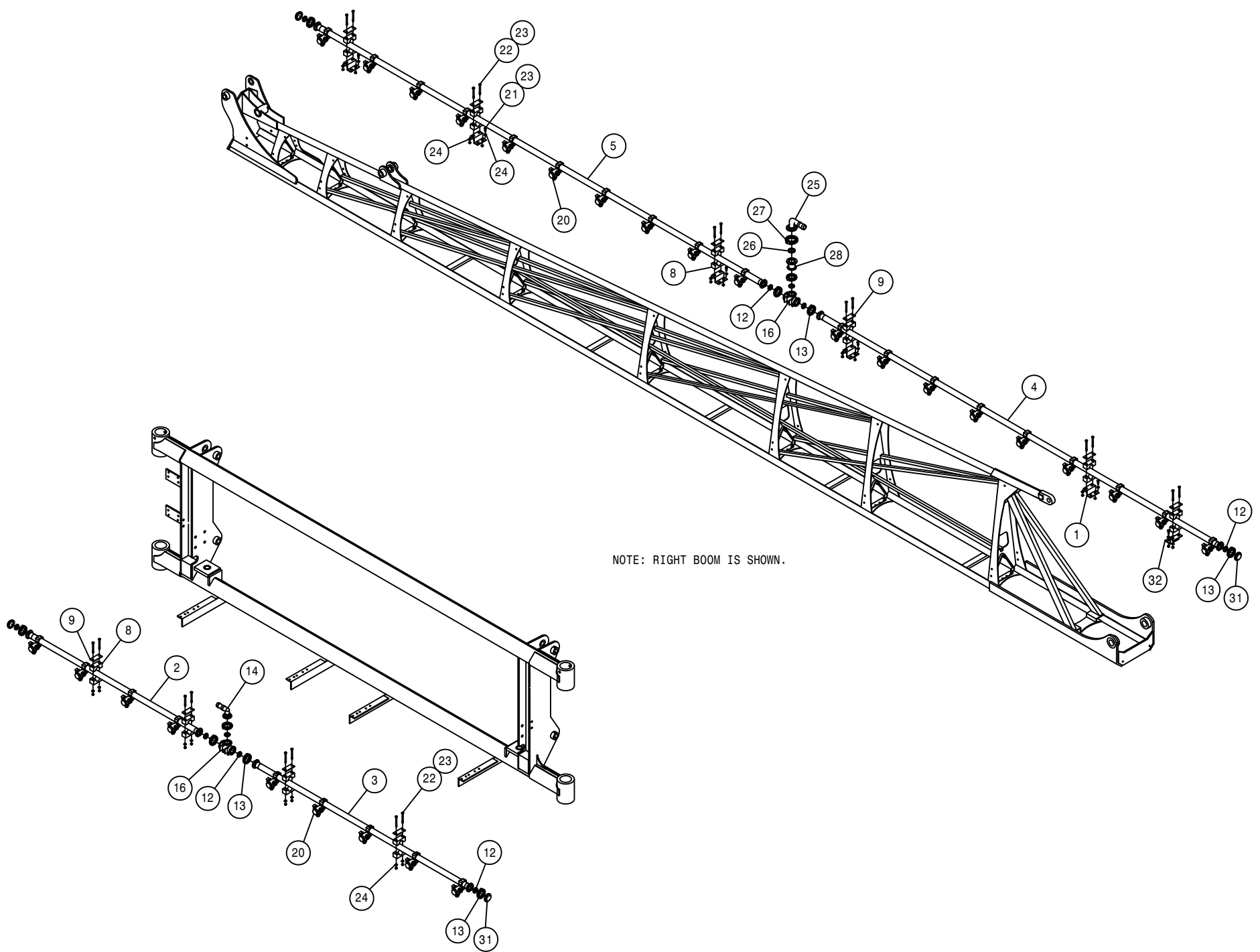




15" SPACING 100' WET BOOM ASSEMBLY (HV)

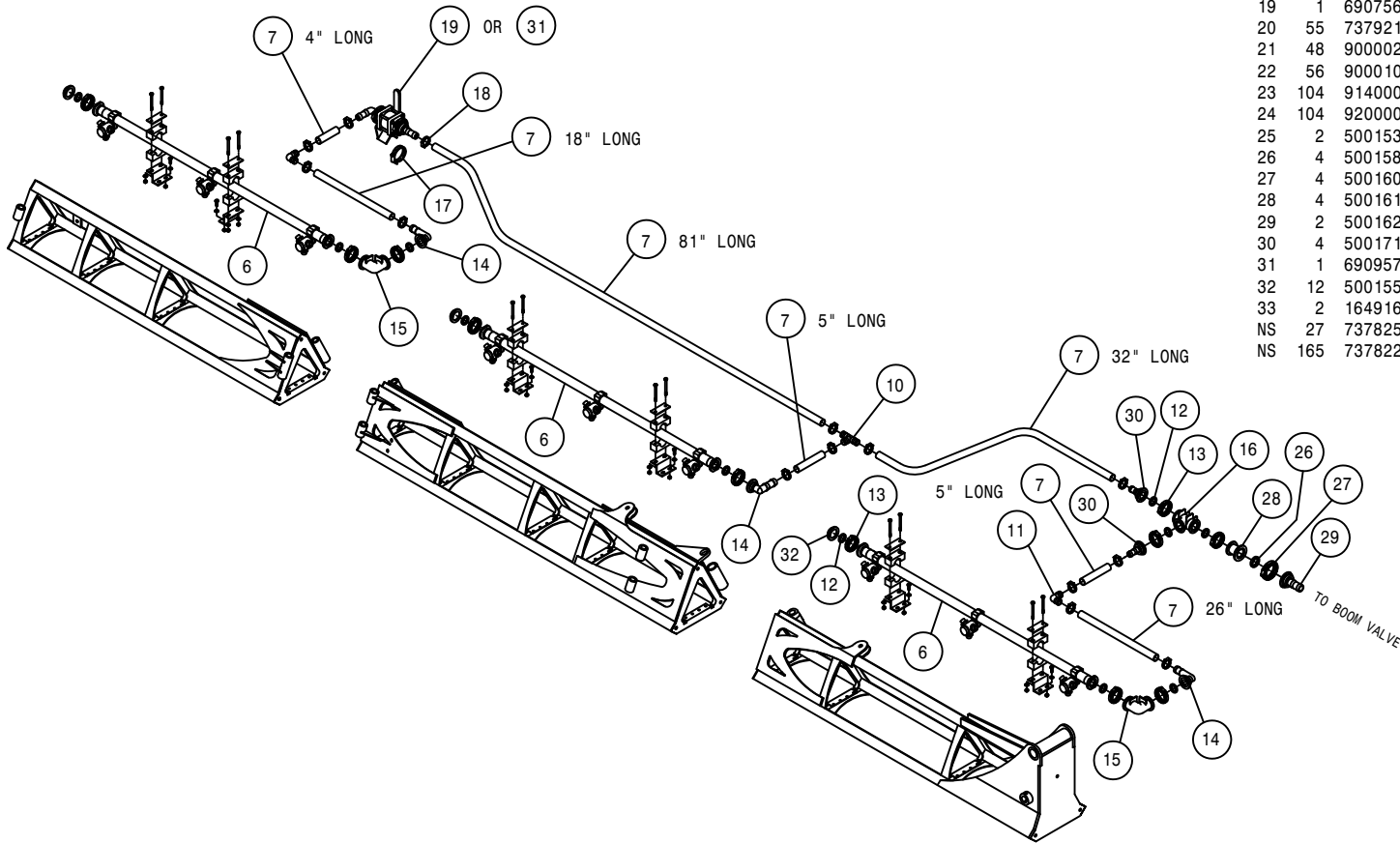
DET.	QTY	PART NO.	DESCRIPTION
1	26	164859	CLAMP MT BRKT, WET BOOM, STS
2	5	165656	15" WET BOOM WLD,52.90 LG 09
3	1	165658	15" WET BOOM WLD,67.91 LG 09
4	2	165660	15" WET BOOM WLD,130.20 LG 09
5	2	165662	15" WET BOOM WLD,155.63 LG 09
6	4	165654	15" WET BOOM WLD,50.20 LG 09
7	46	197116	HOSE 1IN 1-FBR BR BLK EPDM
8	32	470375	TUBE CLAMP BODY,1.31 ID (PAIR)
9	32	470376	COVER PLATE FOR 470375
10	2	500105	1.00 HOSE BARB TEE, POLY
11	2	500109	1.00-90-1.00 HOSE BARB, POLY
12	41	500157	1" FLANGE GASKET EPDM
13	41	500159	1" FLANGE CLAMP, S.S.
14	7	500173	1" FLANGE-90-1" HOSE BARB POLY
15	2	500174	1" FLANGE-90-1" FLANGE LBOPOLY
16	7	500175	1" FLANGE TEE POLY
17	2	520087	HOSE CLAMP NO 20 STAINLESS
18	24	520090	HOSE CLAMP NO 16 STAINLESS
19	2	690757	BALL VLV ASSY,1"FLG-1"HBARB
20	81	737921	QUICK TJET 3-TIP BODY,1" HV
21	56	900002	1/4UNC X 3/4 HEX BOLT
22	64	900010	1/4UNC X 3" HEX BOLT
23	120	914000	1/4UNC HEX STOVER NUT
24	120	920000	1/4 SAE FLAT WASHER
25	2	500153	2" FLANGE-90-1 1/2 HBARB POLY
26	4	500158	1 1/2" GASKET FOR 2" FLANGE
27	4	500160	2" FLANGE CLAMP, S.S.
28	4	500161	2"FLANGE-1"FLANGE COUPLER,POLY
29	2	500162	2" FLANGE-1 1/2 HOSE BARB POLY
30	4	500171	1" FLANGE-1" HOSE BARB POLY
31	14	500155	1" FLANGE CAP PLUG POLY
32	2	164916	Z-BRKT, WET BOOM SECT 1, STS
NS	40	737825	QUICK SHUT-OFF CAP
NS	243	737822	CAP SET, YELLOW QUICK TEEJET



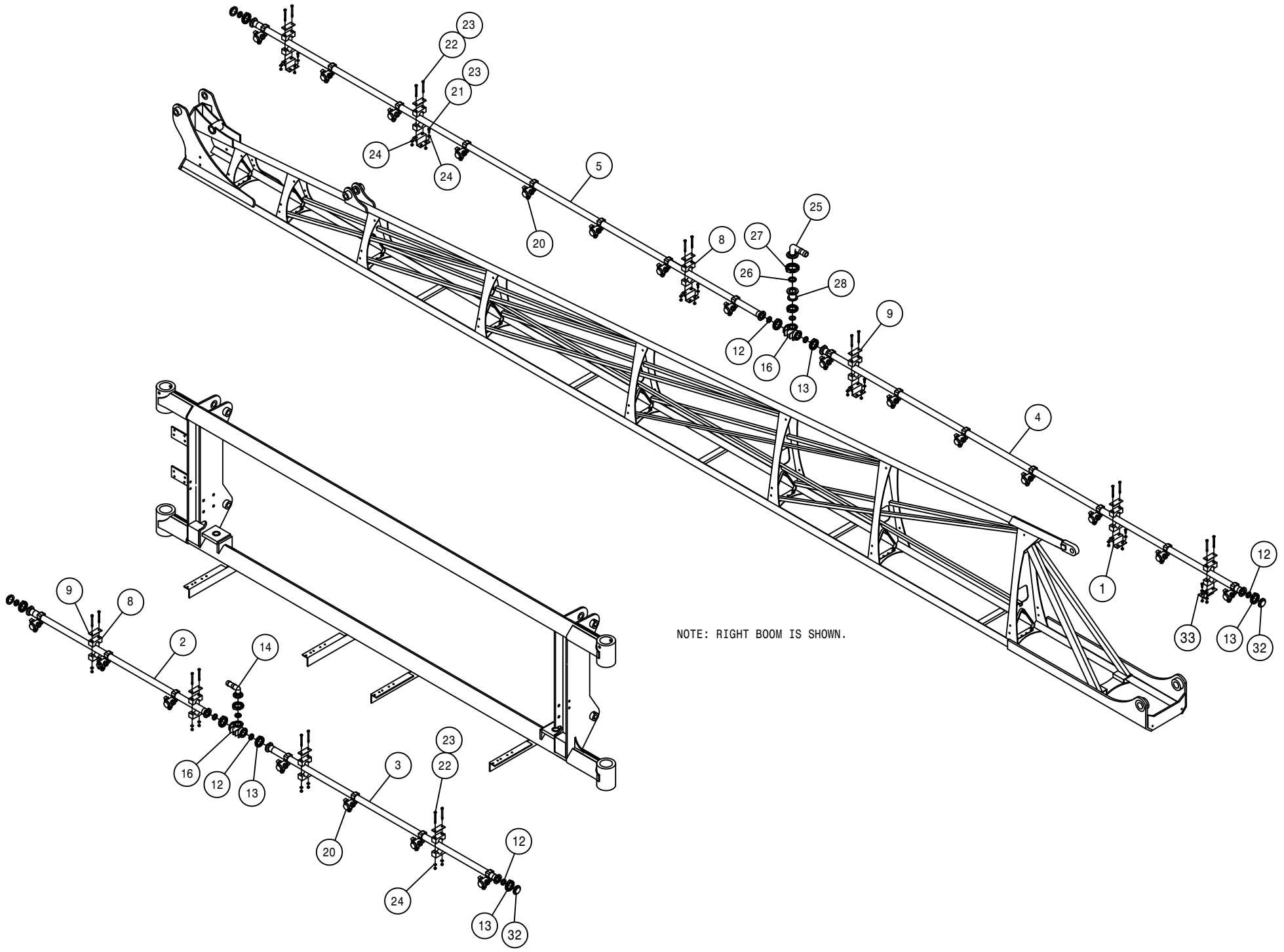


20" SPACING 90' WET BOOM ASSEMBLY (HV)

DET.	QTY	PART NO.	DESCRIPTION
1	22	164859	CLAMP MT BRKT, WET BOOM, STS
2	1	165668	20" WET BOOM WLD,52.91 LG 09
3	1	165670	20" WET BOOM WLD,67.91 LG 09
4	2	165672	20" WET BOOM WLD,125.20 LG 09
5	2	165676	20" WET BOOM WLD,155.63 LG 09
6	6	165664	20" WET BOOM WLD,45.20 LG 09
7	46	197116	HOSE 1IN 1-FBR BR BLK EPDM
8	28	470375	TUBE CLAMP BODY,1.31 ID (PAIR)
9	28	470376	COVER PLATE FOR 470375
10	2	500105	1.00 HOSE BARB TEE, POLY
11	2	500109	1.00-90-1.00 HOSE BARB, POLY
12	37	500157	1" FLANGE GASKET EPDM
13	37	500159	1" FLANGE CLAMP, S.S.
14	7	500173	1" FLANGE-90-1" HOSE BARB POLY
15	4	500174	1" FLANGE-90-1" FLANGE LBOPOLY
16	5	500175	1" FLANGE TEE POLY
17	2	520087	HOSE CLAMP NO 20 STAINLESS
18	28	520090	HOSE CLAMP NO 16 STAINLESS
19	1	690756	RH BALL VLV ASSY,HI VOL 90'
20	55	737921	QUICK TJET 3-TIP BODY,1" HV
21	48	900002	1/4UNC X 3/4 HEX BOLT
22	56	900010	1/4UNC X 3" HEX BOLT
23	104	914000	1/4UNC HEX STOVER NUT
24	104	920000	1/4 SAE FLAT WASHER
25	2	500153	2" FLANGE-90-1 1/2 HBARB POLY
26	4	500158	1 1/2" GASKET FOR 2" FLANGE
27	4	500160	2" FLANGE CLAMP, S.S.
28	4	500161	2" FLANGE-1" FLANGE COUPLER, POLY
29	2	500162	2" FLANGE-1 1/2 HOSE BARB POLY
30	4	500171	1" FLANGE-1" HOSE BARB POLY
31	1	690957	LH BALL VLV ASSY,HI VOL 90'
32	12	500155	1" FLANGE CAP PLUG POLY
33	2	164916	Z-BRKT, WET BOOM SECT 1, STS
NS	27	737825	QUICK SHUT-OFF CAP
NS	165	737822	CAP SET, YELLOW QUICK TEEJET

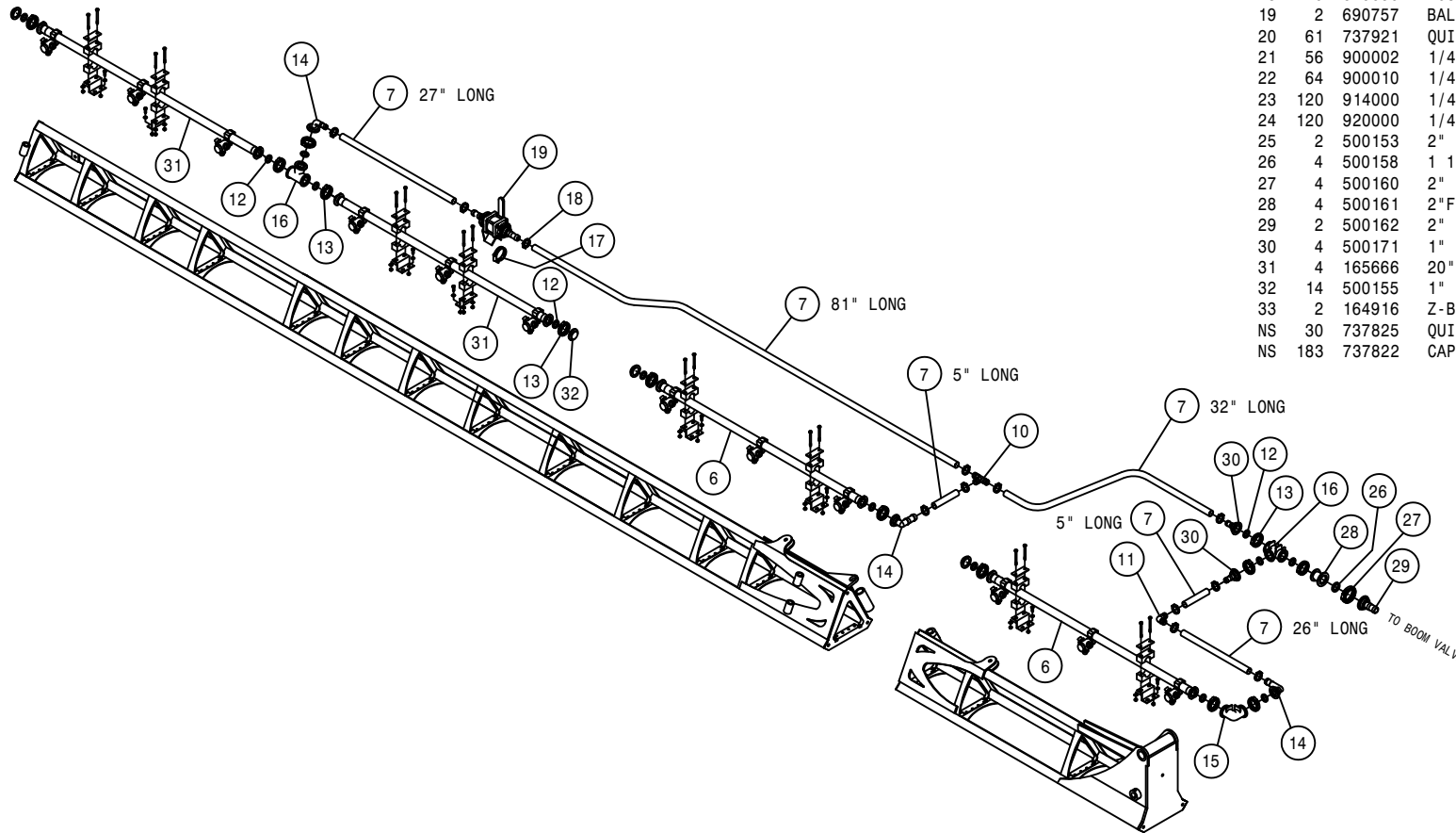


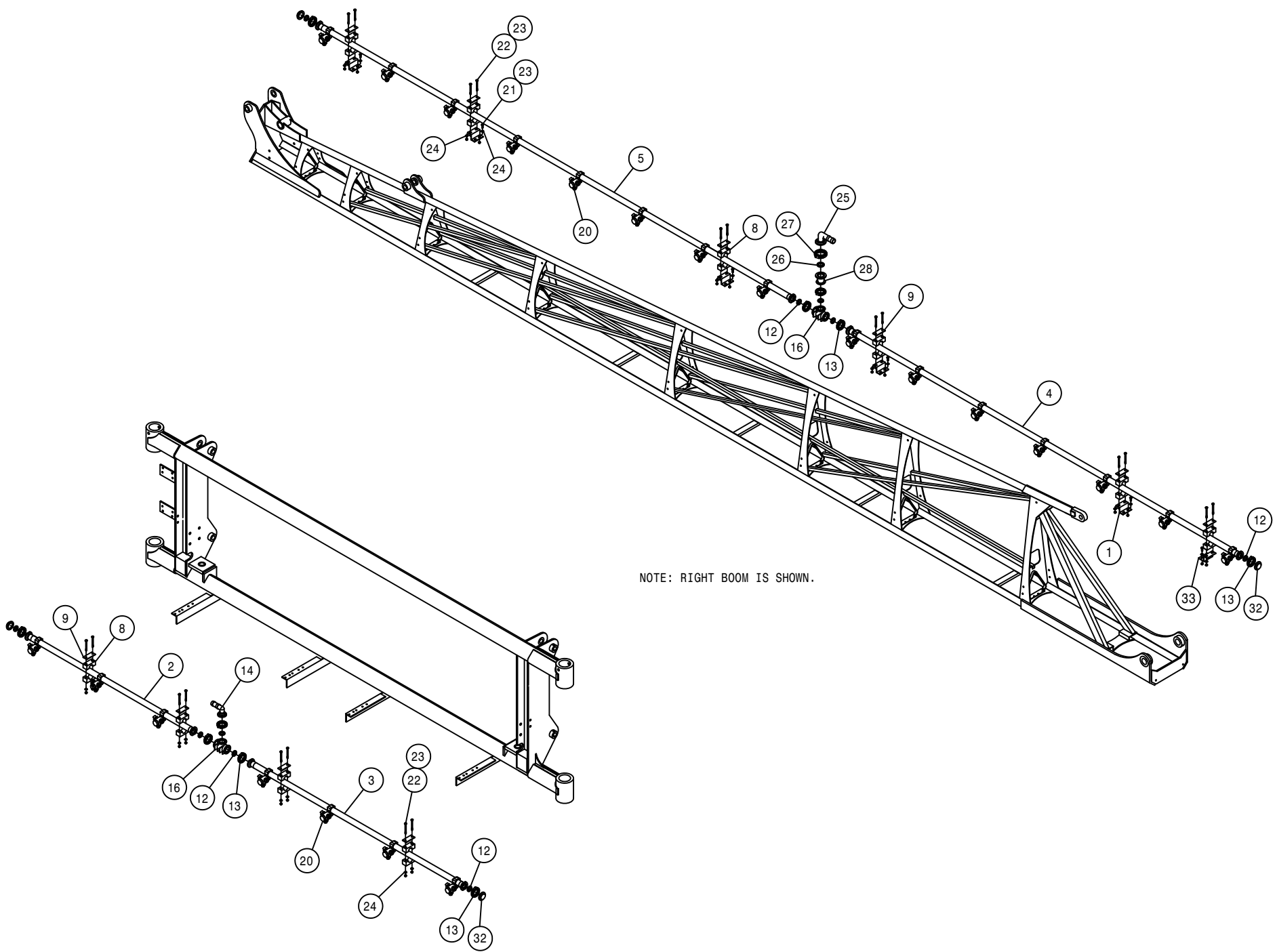


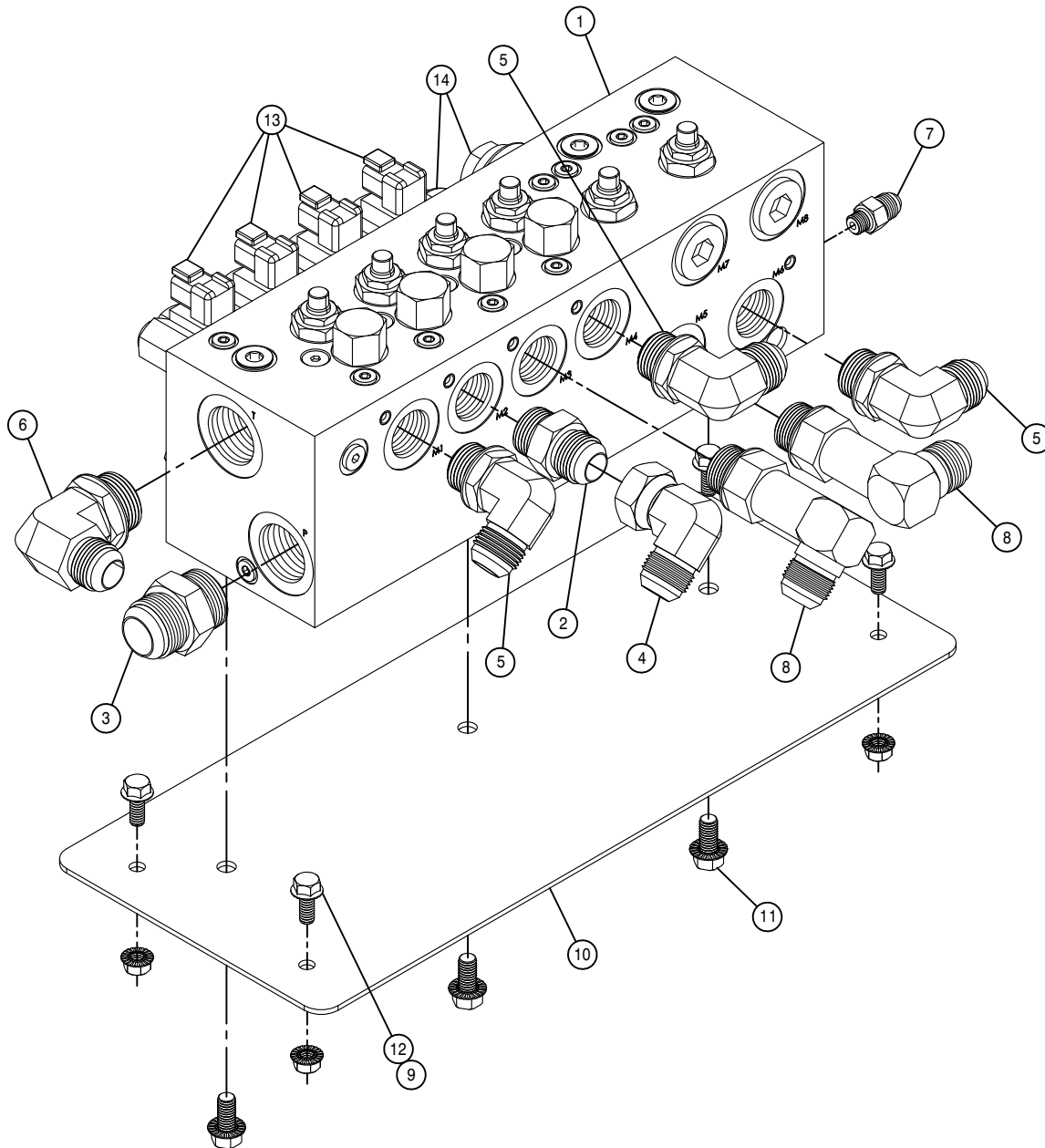


20" SPACING 100' WET BOOM ASSEMBLY (HV)

DET.	QTY	PART NO.	DESCRIPTION
	1	26	164859 CLAMP MT BRKT, WET BOOM, STS
	2	1	165668 20" WET BOOM WLD,52.91 LG 09
	3	1	165670 20" WET BOOM WLD,67.91 LG 09
	4	2	165672 20" WET BOOM WLD,125.20 LG 09
	5	2	165676 20" WET BOOM WLD,155.63 LG 09
	6	4	165664 20" WET BOOM WLD,45.20 LG 09
	7	46	197116 HOSE 1IN 1-FBR BR BLK EPDM
	8	32	470375 TUBE CLAMP BODY,1.31 ID (PAIR)
	9	32	470376 COVER PLATE FOR 470375
	10	2	500105 1.00 HOSE BARB TEE, POLY
	11	2	500109 1.00-90-1.00 HOSE BARB, POLY
	12	41	500157 1" FLANGE GASKET EPDM
	13	41	500159 1" FLANGE CLAMP, S.S.
	14	7	500173 1" FLANGE-90-1" HOSE BARB POLY
	15	2	500174 1" FLANGE-90-1" FLANGE LBOPOLY
	16	7	500175 1" FLANGE TEE POLY
	17	2	520087 HOSE CLAMP NO 20 STAINLESS
	18	20	520090 HOSE CLAMP NO 16 STAINLESS
	19	2	690757 BALL VLV ASSY,1"FLG-1"HBARB
	20	61	737921 QUICK TJET 3-TIP BODY,1" HV
	21	56	900002 1/4UNC X 3/4 HEX BOLT
	22	64	900010 1/4UNC X 3" HEX BOLT
	23	120	914000 1/4UNC HEX STOVER NUT
	24	120	920000 1/4 SAE FLAT WASHER
	25	2	500153 2" FLANGE-90-1 1/2 HBARB POLY
	26	4	500158 1 1/2" GASKET FOR 2" FLANGE
	27	4	500160 2" FLANGE CLAMP, S.S.
	28	4	500161 2"FLANGE-1"FLANGE COUPLER,POLY
	29	2	500162 2" FLANGE-1 1/2 HOSE BARB POLY
	30	4	500171 1" FLANGE-1" HOSE BARB POLY
	31	4	165666 20" WET BOOM WLD,50.41 LG 09
	32	14	500155 1" FLANGE CAP PLUG POLY
	33	2	164916 Z-BRKT, WET BOOM SECT 1, STS
NS	30	737825	QUICK SHUT-OFF CAP
NS	183	737822	CAP SET, YELLOW QUICK TEEJET



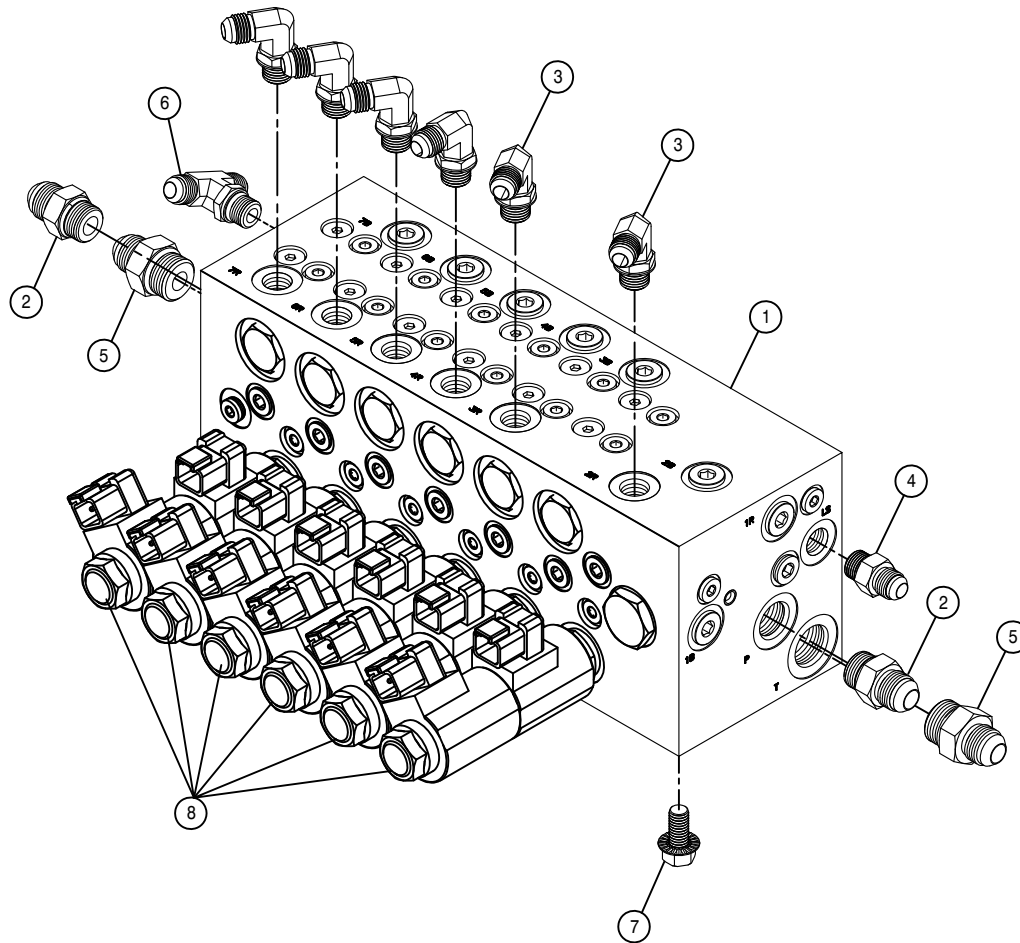




## MOTOR CONTROL VALVE ASSEMBLY

DET. QTY PART NO. DESCRIPTION

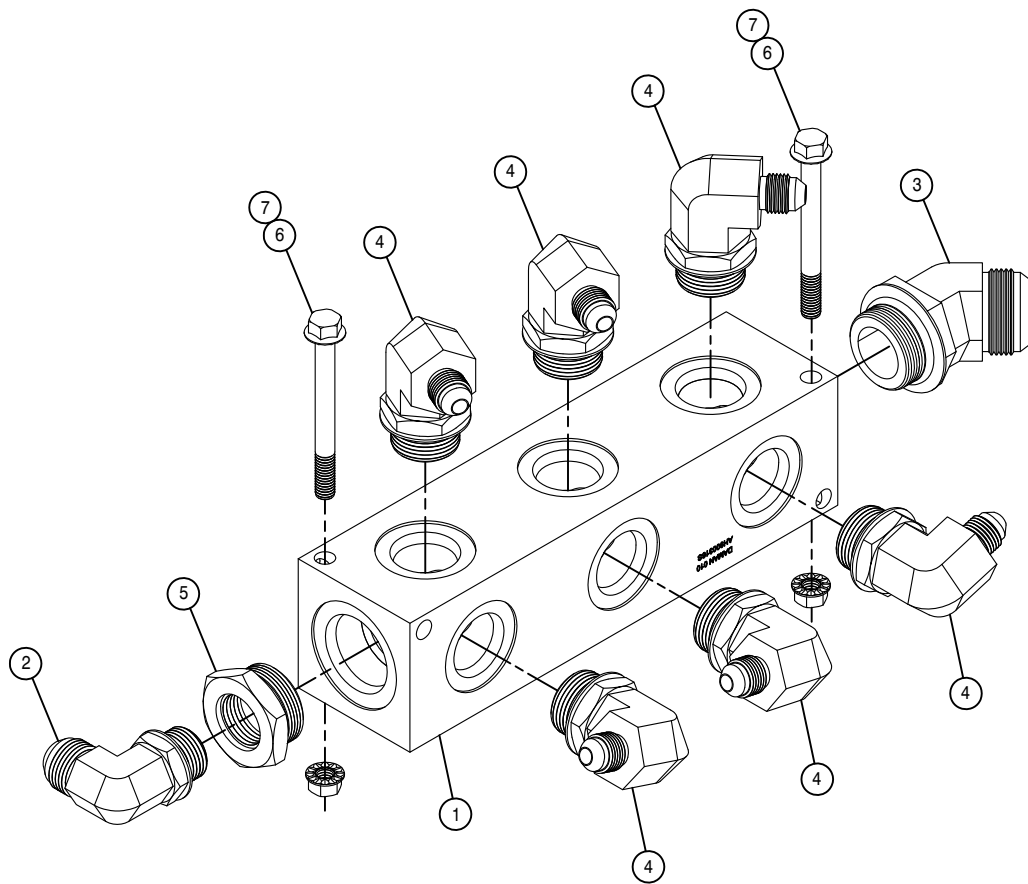
1	1	606310	LS MTR CTRL ELEC VLV STS, SAUER
2	1	611127	1 1/16M JIC-1 1/16MOR ADPTR
3	1	618186	5/16M JIC-1 5/16MOR ADPTR
4	1	618191	1 1/16M J-90-1 1/16FJ SWIV LBO
5	3	618248	1 1/16M JIC-90-1 1/16MOR LBO
6	1	618302	1 1/16M JIC-90-1 5/16MOR LBO
7	1	618304	9/16M JIC-7/16MOR ADPTR
8	2	618674	1 1/16M JIC-90-1 1/16MOR XL LBO
9	4	470113	5/16UNC HEX FLANGE LOCK NUT
10	1	439260	MTR CLR L VLV MT, STS COMBO 07
11	3	470409	3/8UNC X 3/4 SERR FLANGE BOLT
12	4	900064	5/16UNC X 3/4 HEX BOLT
13	4	606617	CARTRIDGE, SVP 10
14	2	606619	CARTRIDGE, EDH



## LIFT VALVE ASSEMBLY

DET. QTY PART NO. DESCRIPTION

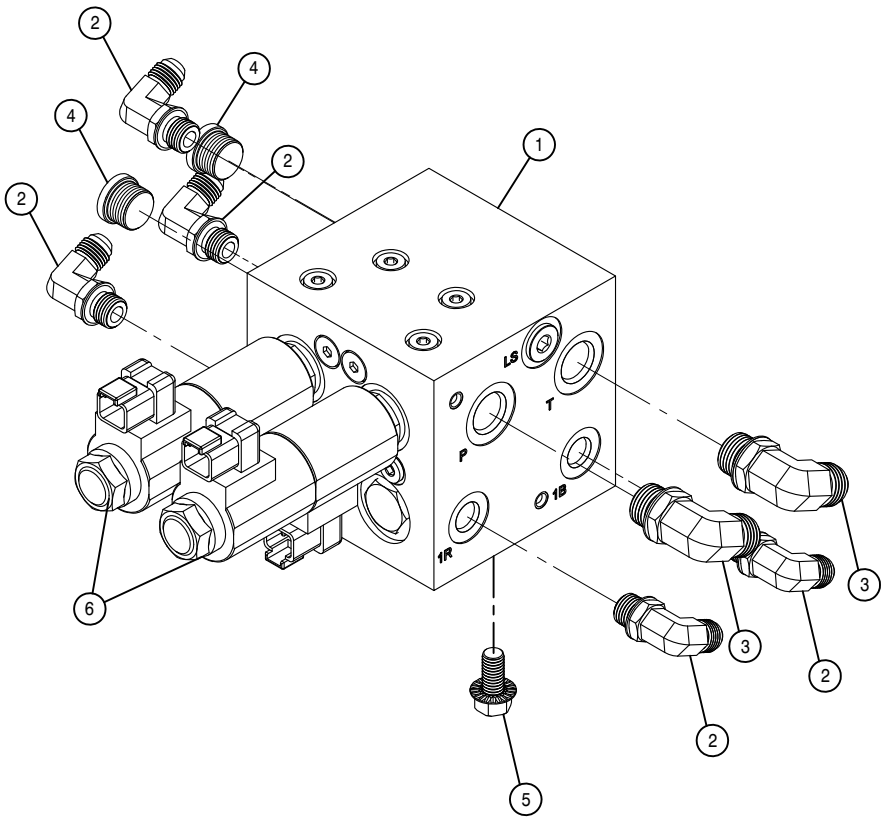
DET.	QTY	PART NO.	DESCRIPTION
1	1	606285	LIFT VALVE,STS COMBO,SAUER
2	2	611125	3/4MJIC-3/4MOR ADPTR
3	6	618119	9/16MJIC-90-9/16MOR LBO
4	1	618126	9/16MJIC-9/16MOR ADPTR
5	2	618327	3/4MJIC-7/8MOR ADPTR
6	1	618629	9/16MOR BRANCH TEE-9/16MJIC
7	4	470409	3/8UNC X 3/4 SERR FLANGE BOLT
8	6	606304	COIL,PSV10



RETURN MANIFOLD ASSEMBLY

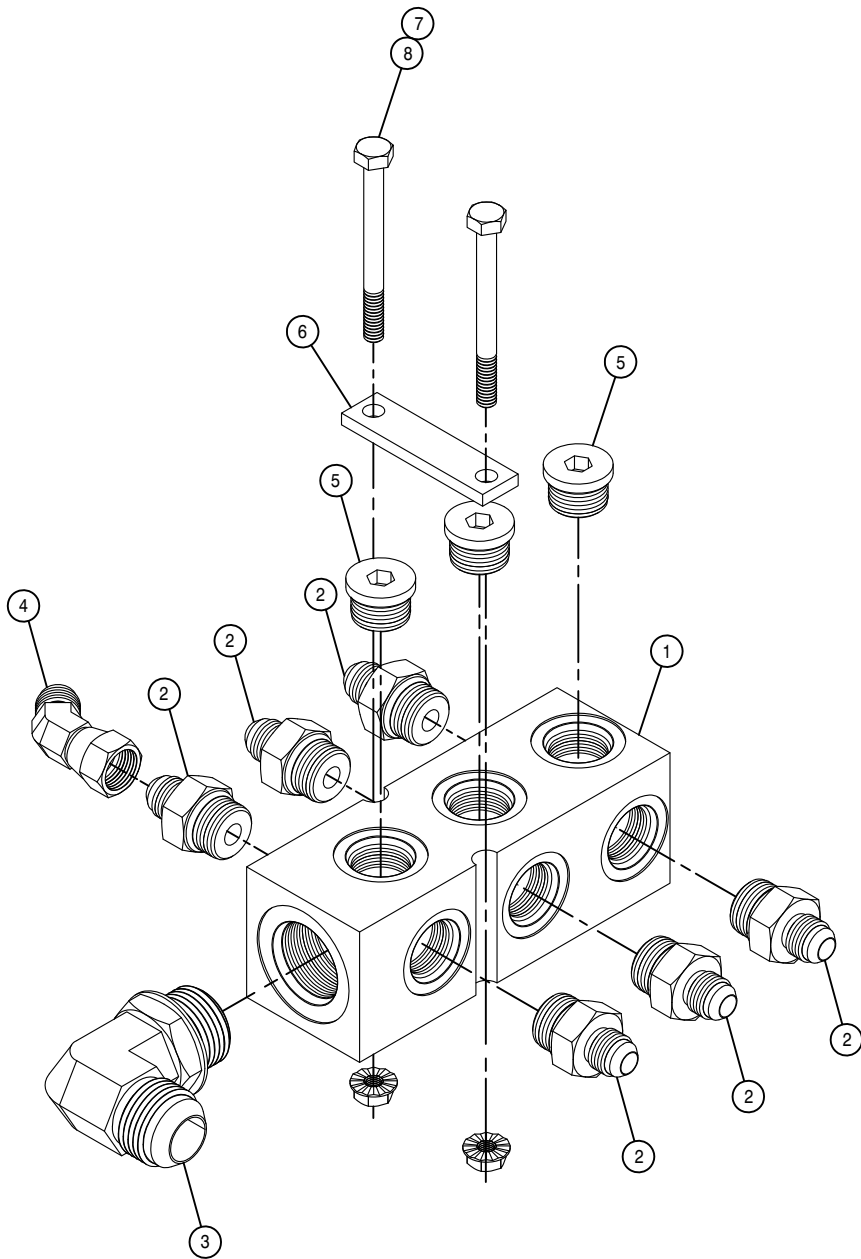
DET. QTY PART NO. DESCRIPTION

1	1	606246	MANIFOLD, #16 3-STN 180 DAMAN
2	1	618248	1 1/16MJC-90-1 1/16MOR LBO
3	1	618396	1 5/8MJC-45-1 5/8MOR LBO
4	6	618475	3/4MJC-90-1 5/16MOR LBO
5	1	618595	1 5/8MOR-1 1/16FOR ADPTR
6	2	900139	3/8UNC X 3 3/4 HEX BOLT
7	2	470087	3/8UNC HEX FLANGE LOCK NUT



FOLD VALVE ASSEMBLY

DET.	QTY	PART NO.	DESCRIPTION
	1	606286	FOLD VALVE, STS COMBO, SAUER
	5	618119	9/16MJC-90-9/16MOR LBO
	2	618241	3/4MJC-90-3/4MOR LBO
	2	618755	3/4MOR PLUG, HEX SOCKET
	2	470409	3/8UNC X 3/4 SERR FLANGE BOLT
	2	606304	COIL, PSV10



CASE DRAIN MANIFOLD ASSEMBLY

DET. QTY PART NO. DESCRIPTION

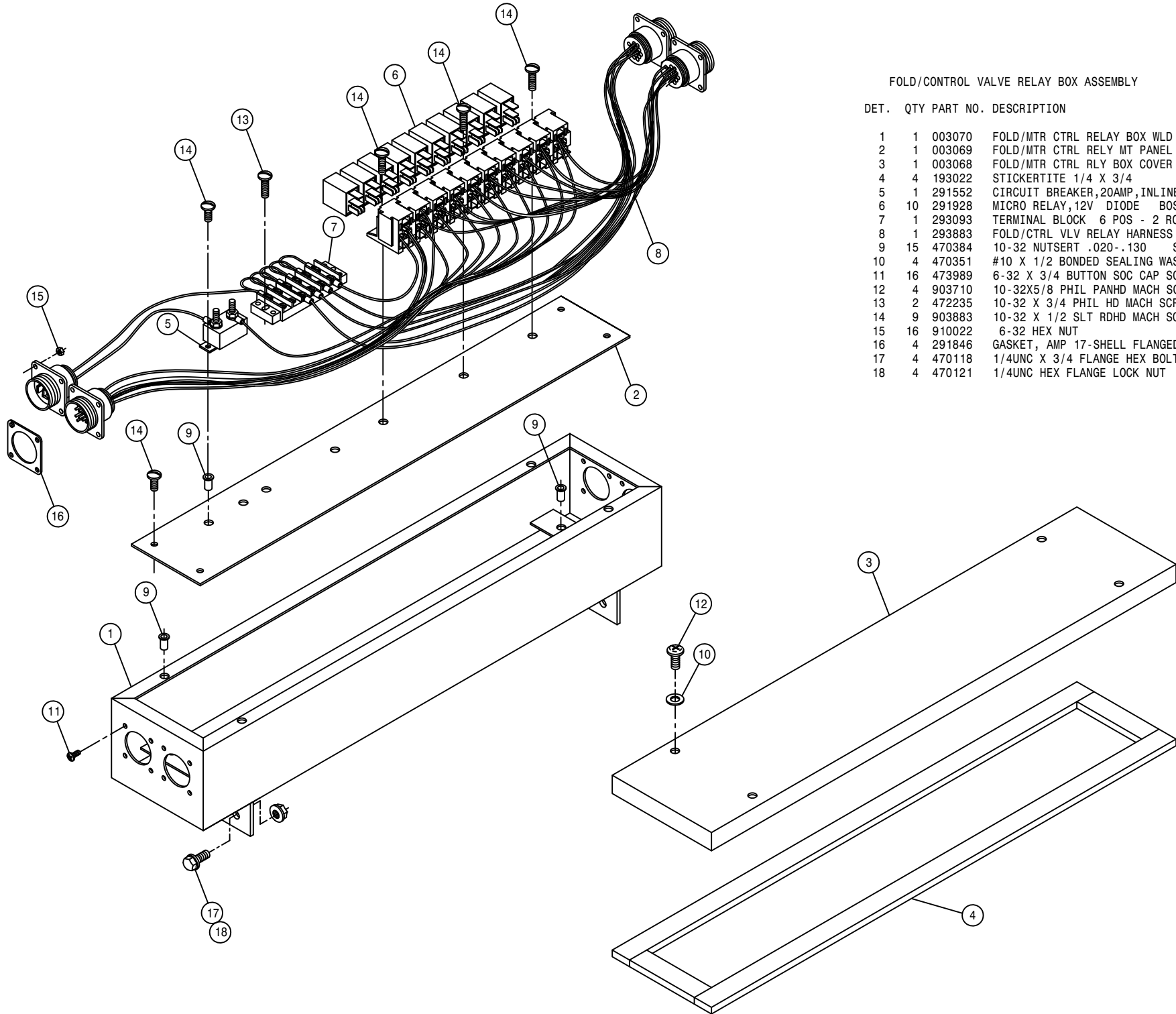
1	1	606021	HYD RETURN MANIF, 3/4FOR, 9-PORT
2	6	618109	9/16MJIC-3/4MOR ADPTR
3	1	618248	1 1/16MJIC-90-1 1/16MOR LBO
4	1	618634	9/16MJIC-45-9/16FJIC SWIV LBO
5	3	618755	3/4MOR PLUG, HEX SOCKET
6	1	438729	CUTTER RETURN MANIF MT KEEPER
7	2	470121	1/4UNC HEX FLANGE LOCK NUT
8	2	900009	1/4UNC X 2 3/4 HEX BOLT

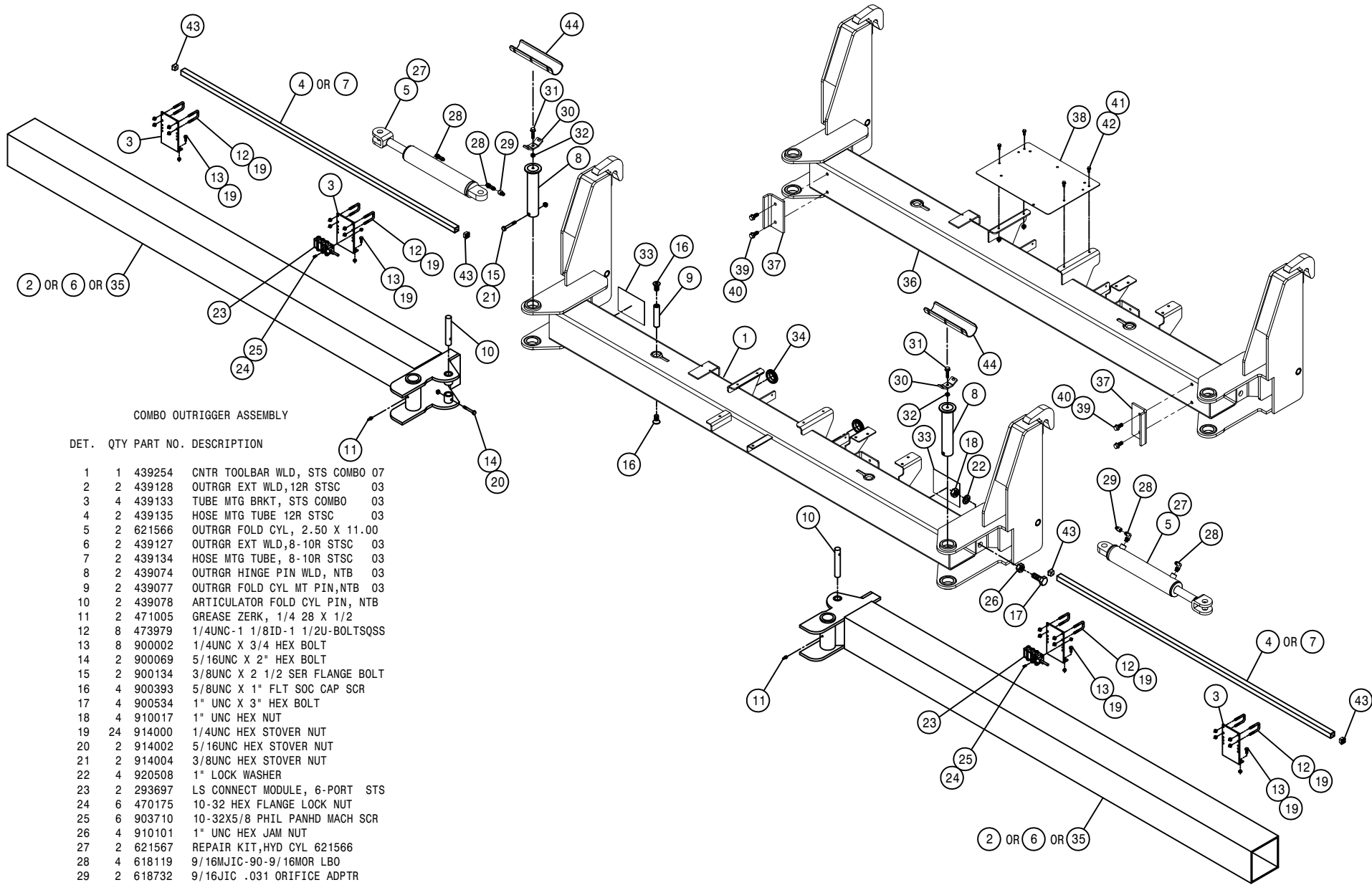


FOLD/CONTROL VALVE RELAY BOX ASSEMBLY

DET. QTY PART NO. DESCRIPTION

DET.	QTY	PART NO.	DESCRIPTION
1	1	003070	FOLD/MTR CTRL RELAY BOX WLD 07
2	1	003069	FOLD/MTR CTRL RELY MT PANEL 07
3	1	003068	FOLD/MTR CTRL RLY BOX COVER 07
4	4	193022	STICKERTITE 1/4 X 3/4
5	1	291552	CIRCUIT BREAKER,20AMP,INLINEMT
6	10	291928	MICRO RELAY,12V DIODE BOSCH
7	1	293093	TERMINAL BLOCK 6 POS - 2 ROW
8	1	293883	FOLD/CTRL VLV RELAY HARNESS 07
9	15	470384	10-32 NUTSERT .020-.130 STL
10	4	470351	#10 X 1/2 BONDED SEALING WASH
11	16	473989	6-32 X 3/4 BUTTON SOC CAP SCR
12	4	903710	10-32X5/8 PHIL PANHD MACH SCR
13	2	472235	10-32 X 3/4 PHIL HD MACH SCR
14	9	903883	10-32 X 1/2 SLT RDHD MACH SCR
15	16	910022	6-32 HEX NUT
16	4	291846	GASKET, AMP 17-SHELL FLANGED
17	4	470118	1/4UNC X 3/4 FLANGE HEX BOLT
18	4	470121	1/4UNC HEX FLANGE LOCK NUT

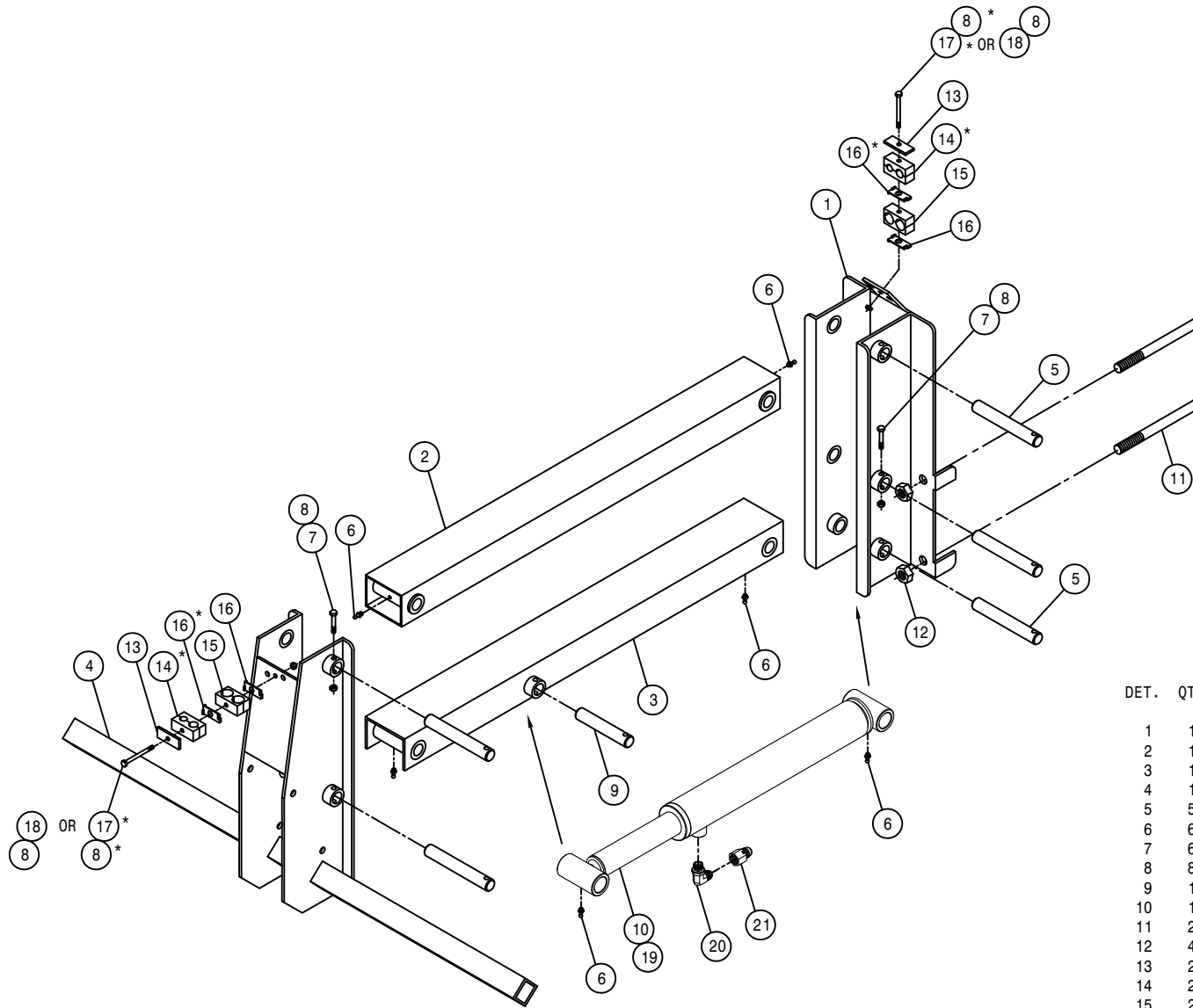




COMBO OUTRIGGER ASSEMBLY

DET. QTY PART NO. DESCRIPTION

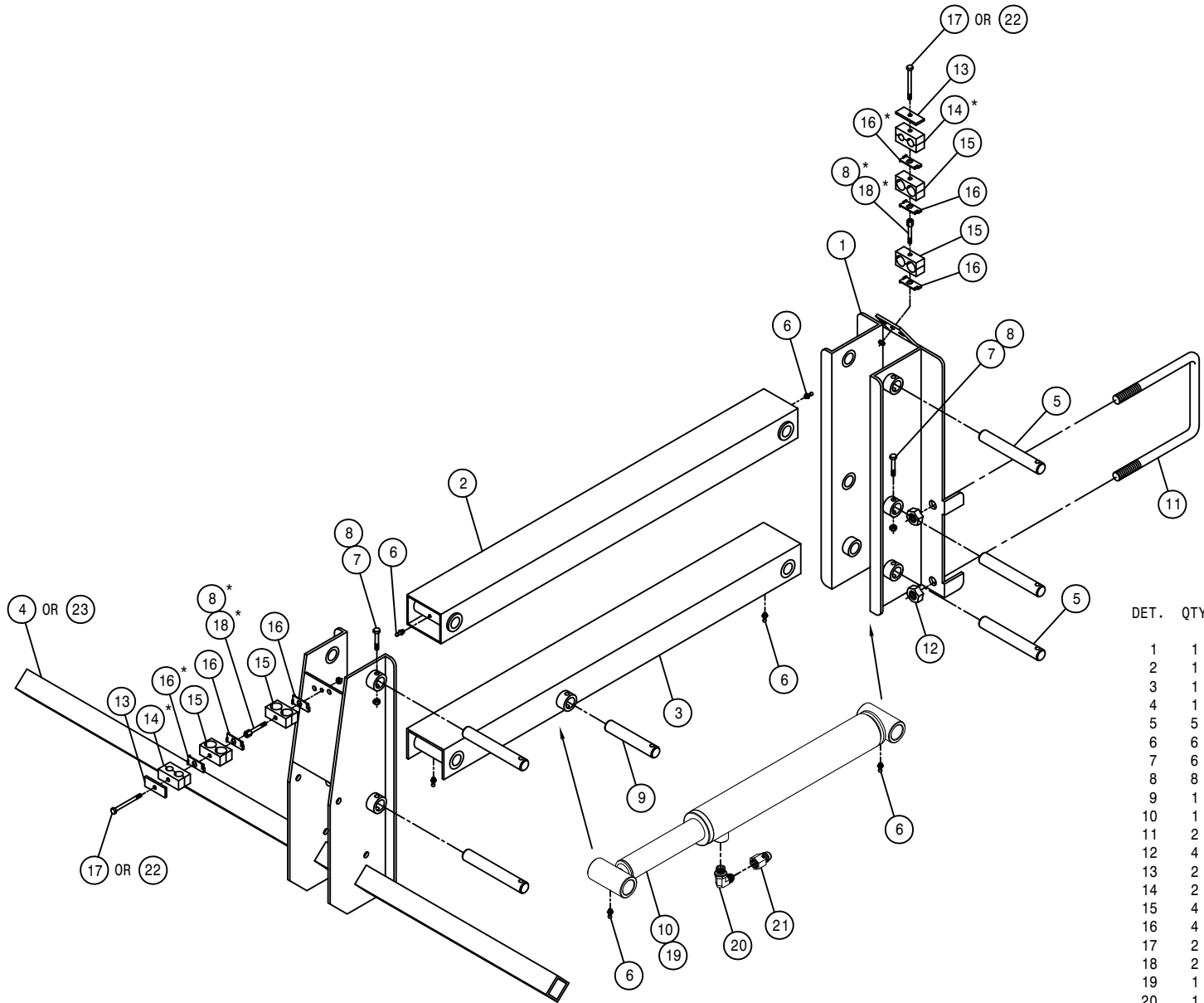
1	1	439254	CNTR TOOLBAR WLD, STS COMBO 07
2	2	439128	OUTRGR EXT WLD,12R STSC 03
3	4	439133	TUBE MTG BRKT, STS COMBO 03
4	2	439135	HOSE MTG TUBE 12R STSC 03
5	2	621566	OUTRGR FOLD CYL, 2.50 X 11.00
6	2	439127	OUTRGR EXT WLD,8-10R STSC 03
7	2	439134	HOSE MTG TUBE, 8-10R STSC 03
8	2	439074	OUTRGR HINGE PIN WLD, NTB 03
9	2	439077	OUTRGR FOLD CYL MT PIN,NTB 03
10	2	439078	ARTICULATOR FOLD CYL PIN, NTB
11	2	471005	GREASE ZERK, 1/4 28 X 1/2
12	8	473979	1/4UNC-1 1/8ID-1 1/2U-BOLTSQSS
13	8	900002	1/4UNC X 3/4 HEX BOLT
14	2	900069	5/16UNC X 2" HEX BOLT
15	2	900134	3/8UNC X 2 1/2 SER FLANGE BOLT
16	4	900393	5/8UNC X 1" FLT SOC CAP SCR
17	4	900534	1" UNC X 3" HEX BOLT
18	4	910017	1" UNC HEX NUT
19	24	914000	1/4UNC HEX STOVER NUT
20	2	914002	5/16UNC HEX STOVER NUT
21	2	914004	3/8UNC HEX STOVER NUT
22	4	920508	1" LOCK WASHER
23	2	293697	LS CONNECT MODULE, 6-PORT STS
24	6	470175	10-32 HEX FLANGE LOCK NUT
25	6	903710	10-32X5/8 PHIL PANHD MACH SCR
26	4	910101	1" UNC HEX JAM NUT
27	2	621567	REPAIR KIT,HYD CYL 621566
28	4	618119	9/16MJIC-90-9/16MOR LBO
29	2	618732	9/16JIC .031 ORIFICE ADPTR
30	2	439113	HOSE RETAINER, NTB 03
31	2	900066	5/16UNC X 1 1/4 HEX BOLT
32	2	910002	5/16UNC HEX NUT
33	2	650218	DECAL,DANGER, COMBO DISCONNECT
34	2	470552	GROMMET,1.75ID .250GW 2.00GD
35	2	439342	OUTRGR EXT WLD, 6R STSC 09
36	1	439354	CNTR TOOLBAR WLD, STS COMBO 09
37	2	439344	OUTRGR SPACER PLATE STS 6R3L
38	1	439358	MTR CNTL VLV MT STS COMBO 09
39	4	900264	1/2UNC X 1 1/4 HEX BOLT
40	4	470360	1/2UNC HEX FLANGE LOCK NUT
41	4	470113	5/16UNC HEX FLANGE LOCK NUT
42	4	470233	5/16UNC X 3/4 FLANGE HEX BOLT
43	4	629727	FINISH PLUG FOR 1"SQ X 16 GA
44	2	470369	HOSE PROTECTOR, 8" BLACK



2-HEAD LIFT ASSEMBLY

DET.	QTY	PART NO.	DESCRIPTION
		1	TOOLBAR MT BRKT WLD, STSC 03
		2	UPPER LIFTARM WLD,STS COMBO 03
		3	LWR LIFTARM WLD, STS COMBO 03
		4	50" HEAD TOOLBAR WLD,STSC 03
		5	439158 LIFT ARM PIVOT PIN, STSC 03
		6	471005 GREASE ZERK, 1/4 28 X 1/2
		7	900069 5/16UNC X 2" HEX BOLT
		8	914002 5/16UNC HEX STOVER NUT
		9	439156 LWR CYL MT PIN, STS COMBO 03
		10	621564 DETAS LIFT CYL,2.00 X 11.00STS
		11	473981 .750UNC-7.00ID-8.50 U-BOLT SQ
		12	914012 3/4UNC HEX STOVER NUT
		13	470276 CLAMP COVER PLATE,SNGL, 2.55LG
		14	470340 TUBE CLAMP BODY, .500-.750
		15	470274 TUBE CLAMP BODY, .750-.750
		16	470281 STACK BOLT SAFETY LOCK PLATE
		17	900076 5/16UNC X 4" HEX BOLT
		18	900071 5/16UNC X 2 3/4 HEX BOLT
		19	621507 REPAIR KIT,HYD CYL
		20	618119 9/16MJIC-90-9/16MOR LBO
		21	618733 9/16JIC .042 ORIFICE ADPTR

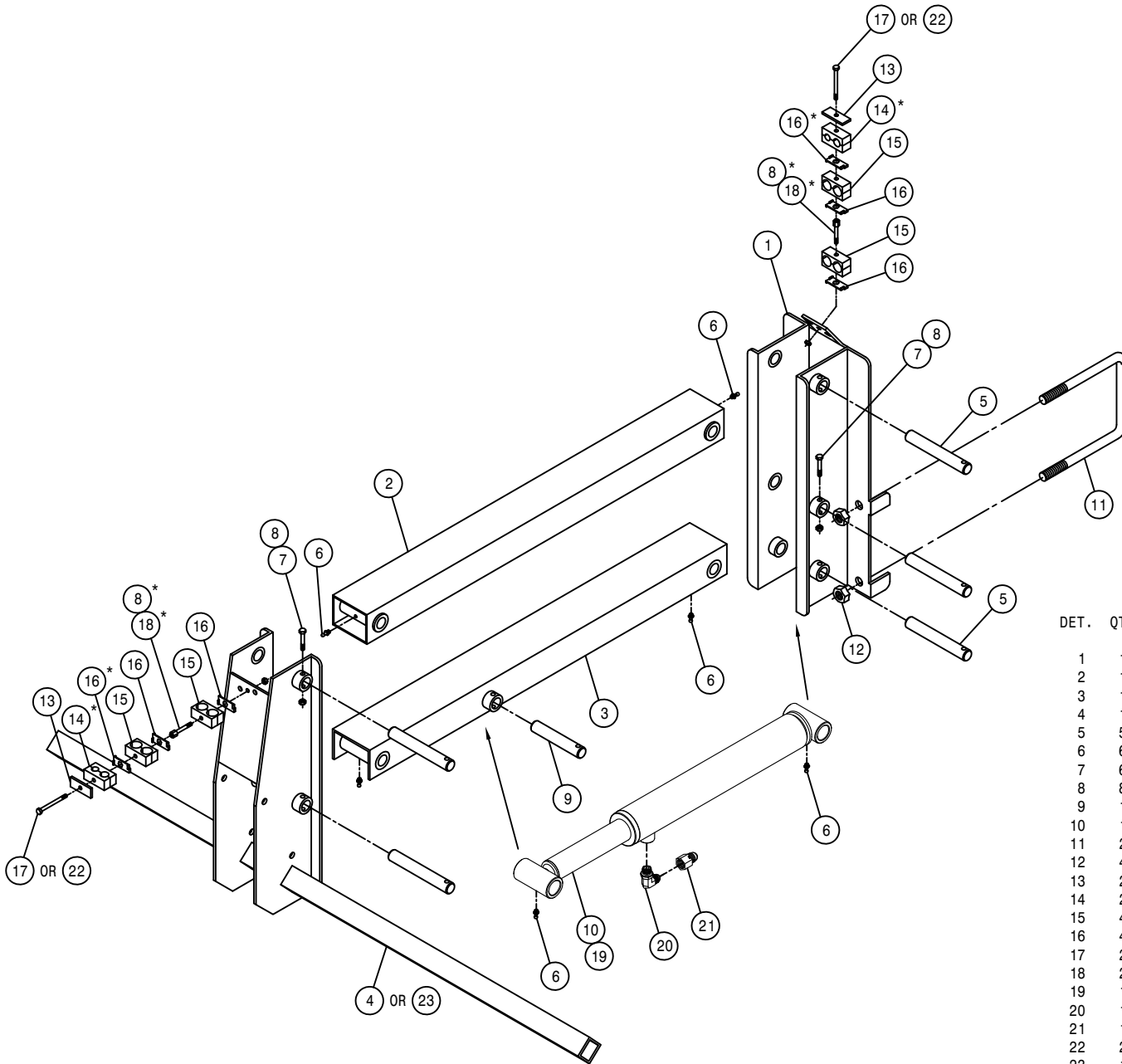
NOTE: DETAILS MARKED WITH A (\*) ARE USED WITH THE CUTTER OPTION.



RH 3-HEAD LIFT ASSEMBLY

DET.	QTY	PART NO.	DESCRIPTION
1	1	439136	TOOLBAR MT BRKT WLD, STSC 03
2	1	439143	UPPER LIFTARM WLD, STS COMBO 03
3	1	439146	LWR LIFTARM WLD, STS COMBO 03
4	1	439163	80"RH HEAD TOOLBAR WLD, STSC 03
5	5	439158	LIFT ARM PIVOT PIN, STSC 03
6	6	471005	GREASE ZERK, 1/4 28 X 1/2
7	6	900069	5/16UNC X 2" HEX BOLT
8	8	914002	5/16UNC HEX STOVER NUT
9	1	439156	LWR CYL MT PIN, STS COMBO 03
10	1	621564	DETA LIFT CYL, 2.00 X 11.00STS
11	2	473981	.750UNC-7.00ID-8.50 U-BOLT SQ
12	4	914012	3/4UNC HEX STOVER NUT
13	2	470276	CLAMP COVER PLATE, SNGL, 2.55LG
14	2	470300	TUBE CLAMP BODY, .500-.625
15	4	470274	TUBE CLAMP BODY, .750-.750
16	4	470281	STACK BOLT SAFETY LOCK PLATE
17	2	900076	5/16UNC X 4" HEX BOLT
18	2	470280	STACK BOLT, 5/16UNC X 1 3/4
19	1	621507	REPAIR KIT, HYD CYL
20	1	618119	9/16MJIC-90-9/16MOR LBO
21	1	618733	9/16JIC .042 ORIFICE ADPTR
22	2	900071	5/16UNC X 2 3/4 HEX BOLT
23	1	439182	57"RH HEAD TOOLBAR WLD, 20"R 05

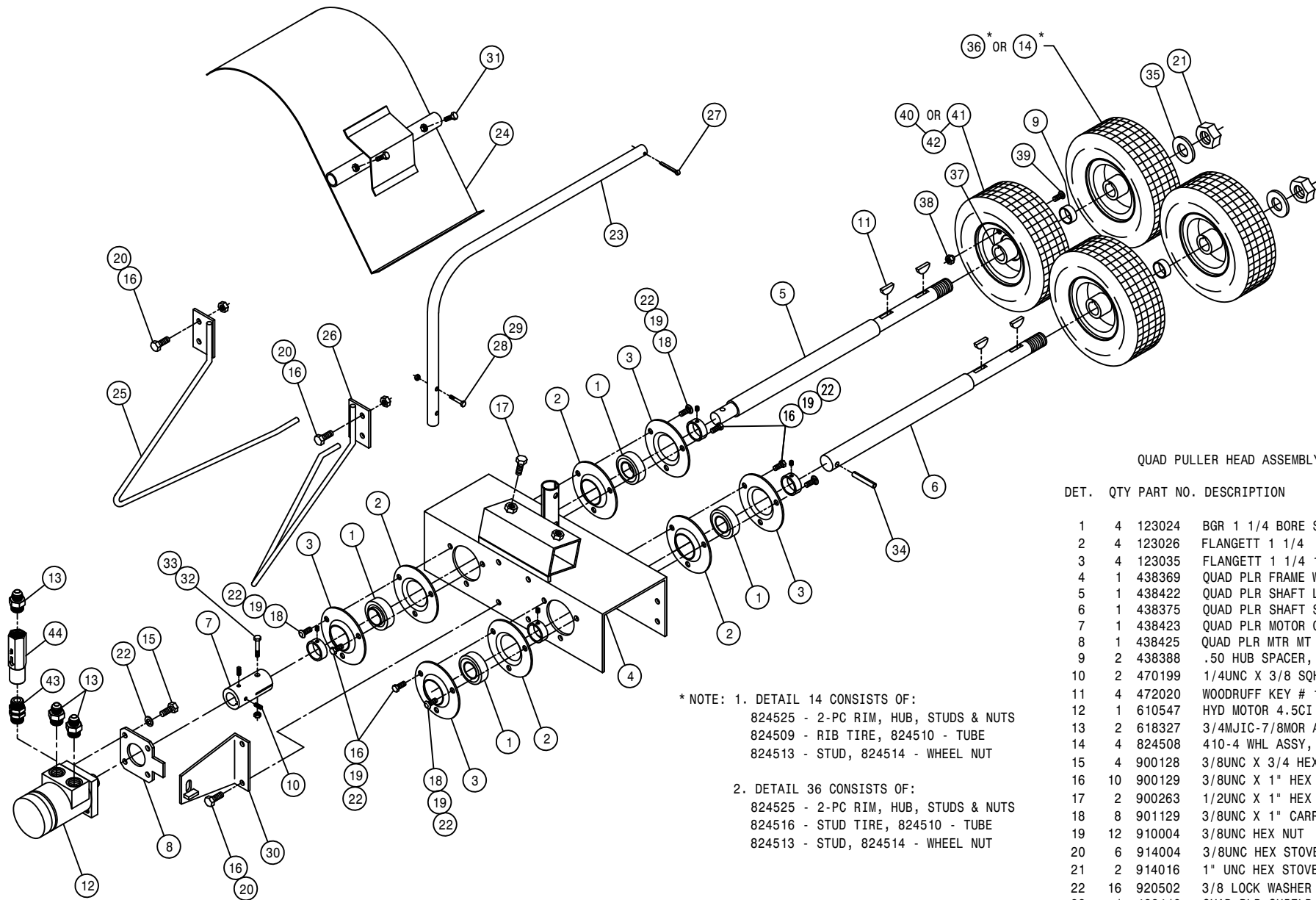
NOTE: DETAILS MARKED WITH A (\*) ARE USED WITH THE CUTTER OPTION.



LH 3-HEAD LIFT ASSEMBLY

DET.	QTY	PART NO.	DESCRIPTION
1	1	439136	TOOLBAR MT BRKT WLD, STSC 03
2	1	439143	UPPER LIFTARM WLD, STS COMBO 03
3	1	439146	LWR LIFTARM WLD, STS COMBO 03
4	1	439164	80"LH HEAD TOOLBAR WLD, STSC 03
5	5	439158	LIFT ARM PIVOT PIN, STSC 03
6	6	471005	GREASE ZERK, 1/4 28 X 1/2
7	6	900069	5/16UNC X 2" HEX BOLT
8	8	914002	5/16UNC HEX STOVER NUT
9	1	439156	LWR CYL MT PIN, STS COMBO 03
10	1	621564	DETAS LIFT CYL, 2.00 X 11.00STS
11	2	473981	.750UNC-7.00ID-8.50 U-BOLT SQ
12	4	914012	3/4UNC HEX STOVER NUT
13	2	470276	CLAMP COVER PLATE, SNGL, 2.55LG
14	2	470300	TUBE CLAMP BODY, .500-.625
15	4	470274	TUBE CLAMP BODY, .750-.750
16	4	470281	STACK BOLT SAFETY LOCK PLATE
17	2	900076	5/16UNC X 4" HEX BOLT
18	2	470280	STACK BOLT, 5/16UNC X 1 3/4
19	1	621507	REPAIR KIT, HYD CYL
20	1	618119	9/16MJIC-90-9/16MOR LBO
21	1	618733	9/16JIC .042 ORIFICE ADPTR
22	2	900071	5/16UNC X 2 3/4 HEX BOLT
23	1	439183	57"LH HEAD TOOLBAR WLD, 20"R 05

NOTE: DETAILS MARKED WITH A (\*) ARE USED WITH THE CUTTER OPTION.



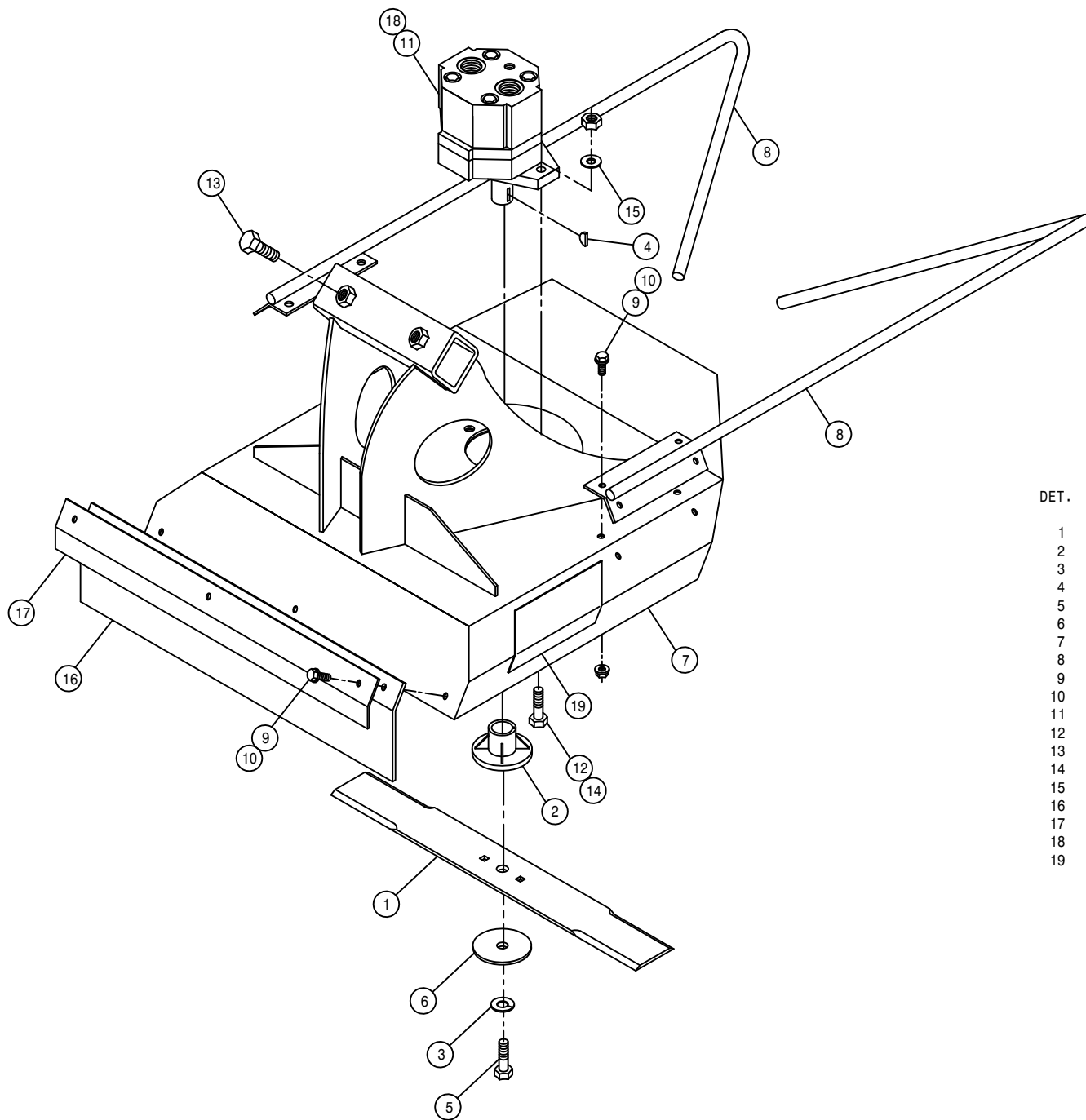
QUAD PULLER HEAD ASSEMBLY

DET.	QTY	PART NO.	DESCRIPTION
1	4	123024	BGR 1 1/4 BORE SPHERICL RELUB
2	4	123026	FLANGETT 1 1/4
3	4	123035	FLANGETT 1 1/4 180 DEG ZERK
4	1	438369	QUAD PLR FRAME WLD 200 90
5	1	438422	QUAD PLR SHAFT LONG 200 91
6	1	438375	QUAD PLR SHAFT SHORT 200 90
7	1	438423	QUAD PLR MOTOR COUPLER 200 91
8	1	438425	QUAD PLR MTR MT 200 91
9	2	438388	.50 HUB SPACER, QUAD PLR
10	2	470199	1/4UNC X 3/8 SQHD CUP SET SCR
11	4	472020	WOODRUFF KEY # 18 1/4 X 1 1/8
12	1	610547	HYD MOTOR 4.5GI 1IN SHFT
13	2	618327	3/4MJIC-7/8MOR ADPTR
14	4	824508	410-4 WHL ASSY, 2P STUD
15	4	900128	3/8UNC X 3/4 HEX BOLT
16	10	900129	3/8UNC X 1" HEX BOLT
17	2	900263	1/2UNC X 1" HEX BOLT
18	8	901129	3/8UNC X 1" CARR BOLT
19	12	910004	3/8UNC HEX NUT
20	6	914004	3/8UNC HEX STOVER NUT
21	2	914016	1" UNC HEX STOVER NUT
22	16	920502	3/8 LOCK WASHER
23	1	438419	QUAD PLR SHIELD MT TUBE 91
24	1	438415	QUAD PLR SHIELD WLD 200 91
25	1	438381	RH QUAD PLR STALK GUIDE WLD90
26	1	438384	LH QUAD PLR STALK GUIDE WLD90
27	1	390984	COTTER PIN 1/8 X 1 1/4
28	2	900004	1/4UNC X 1 1/4 HEX BOLT
29	2	914000	1/4UNC HEX STOVER NUT
30	1	438424	QUAD PLR MTR MT PLT WLD
31	2	900064	5/16UNC X 3/4 HEX BOLT
32	1	900830	5/16UNC X 2" HEX BOLT GR8
33	1	914002	5/16UNC HEX STOVER NUT
34	1	473805	ROLL PIN, 1/4 X 1 1/2
35	2	483032	1 1/2 X 1" X .134TH MACH WASH
36	4	824515	410-4 WHL ASSY, 2P SAWTOOTH
37	4	824525	4 X 2.25 WHEEL & HUB
38	16	824514	WHL NUT, 4-BOLT HUB
39	16	824513	STUD, 4-BOLT HUB
40	4	824509	4.10/3.50-4 2PLY STUD TIRE
41	4	824516	4.10/3.50 2P SAWTOOTH TIRE
42	4	824510	4.10/3.50-4 BENT STEM TUBE
43	1	618586	7/8MOR UNION
44	1	607522	FLOW REGULATOR, 8GPM VONBERG

\* NOTE: 1. DETAIL 14 CONSISTS OF:  
 824525 - 2-PC RIM, HUB, STUDS & NUTS  
 824509 - RIB TIRE, 824510 - TUBE  
 824513 - STUD, 824514 - WHEEL NUT

2. DETAIL 36 CONSISTS OF:  
 824525 - 2-PC RIM, HUB, STUDS & NUTS  
 824516 - STUD TIRE, 824510 - TUBE  
 824513 - STUD, 824514 - WHEEL NUT

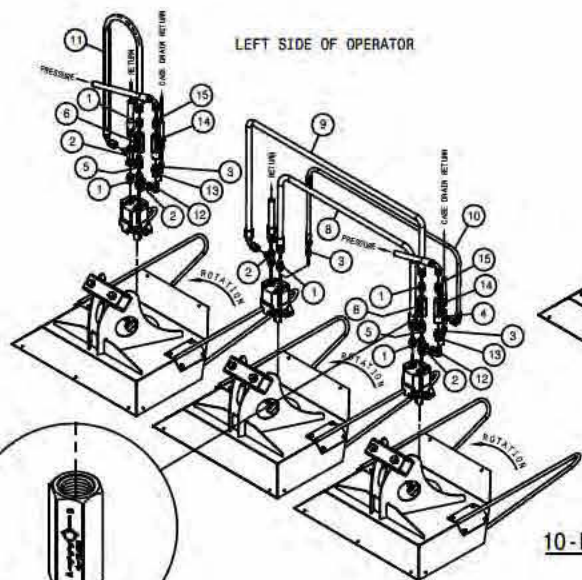
DET.	QTY	PART NO.	DESCRIPTION
36	4	824515	410-4 WHL ASSY, 2P SAWTOOTH
37	4	824525	4 X 2.25 WHEEL & HUB
38	16	824514	WHL NUT, 4-BOLT HUB
39	16	824513	STUD, 4-BOLT HUB
40	4	824509	4.10/3.50-4 2PLY STUD TIRE
41	4	824516	4.10/3.50 2P SAWTOOTH TIRE
42	4	824510	4.10/3.50-4 BENT STEM TUBE
43	1	618586	7/8MOR UNION
44	1	607522	FLOW REGULATOR, 8GPM VONBERG



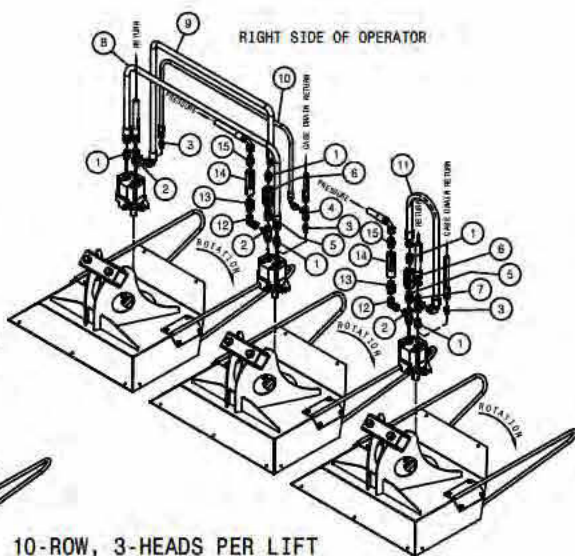
## CUTTER HEAD ASSEMBLY

DET. QTY PART NO. DESCRIPTION

1	1	002103	CUTR BLADE 18 IN
2	1	002104	CUTTER BLADE ADAPTER, RD LUG
3	1	002105	3/8 LOCK WASHER ZINC PLT
4	1	002106	WOODRUFF KEY # 6, .156 X .625
5	1	002107	3/8UNF X 1 1/2 HEX BOLT CUTR
6	1	002108	STEEL WASHER CUTTER BLADE
7	1	002251	19" CUTTR DECK WLD 04
8	2	002258	19" CUTTR STALK GUIDE WLD 04
9	11	470118	1/4UNC X 3/4 FLANGE HEX BOLT
10	11	470121	1/4UNC HEX FLANGE LOCK NUT
11	1	610755	BARNES HYD MOTOR, D-SERIES 01
12	2	900130	3/8UNC X 1 1/4 SER FLANGE BOLT
13	2	900265	1/2UNC X 1 1/2 HEX BOLT
14	2	914004	3/8UNC HEX STOVER NUT
15	2	920002	3/8 SAE FLAT WASHER
16	1	002256	19" REAR CUTR DECK EXT FLAP 04
17	1	002257	19" REAR CUTR DECK FLAP KPR 04
18	1	610756	SEAL, OUTER FOR 610755
19	2	650819	DECAL, DANGER, CUTTING BLADES

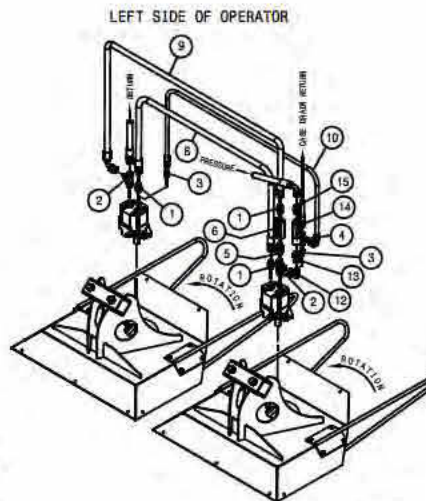


LEFT SIDE OF OPERATOR

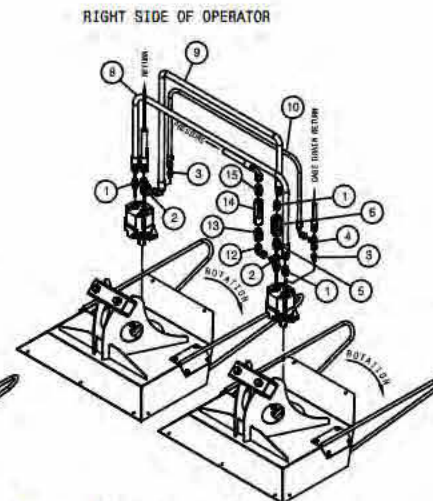


RIGHT SIDE OF OPERATOR

10-ROW, 3-HEADS PER LIFT

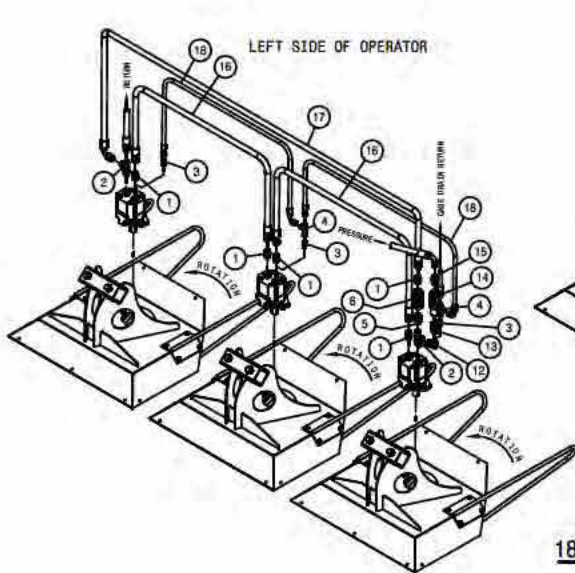


LEFT SIDE OF OPERATOR

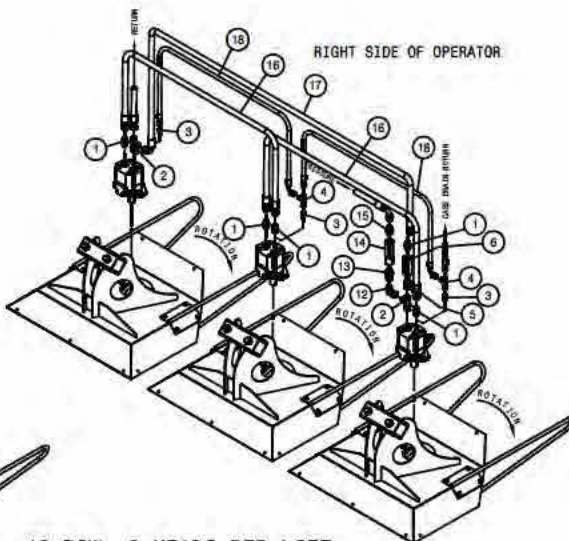


RIGHT SIDE OF OPERATOR

8-10-12 ROW, 2-HEADS PER LIFT



LEFT SIDE OF OPERATOR



RIGHT SIDE OF OPERATOR

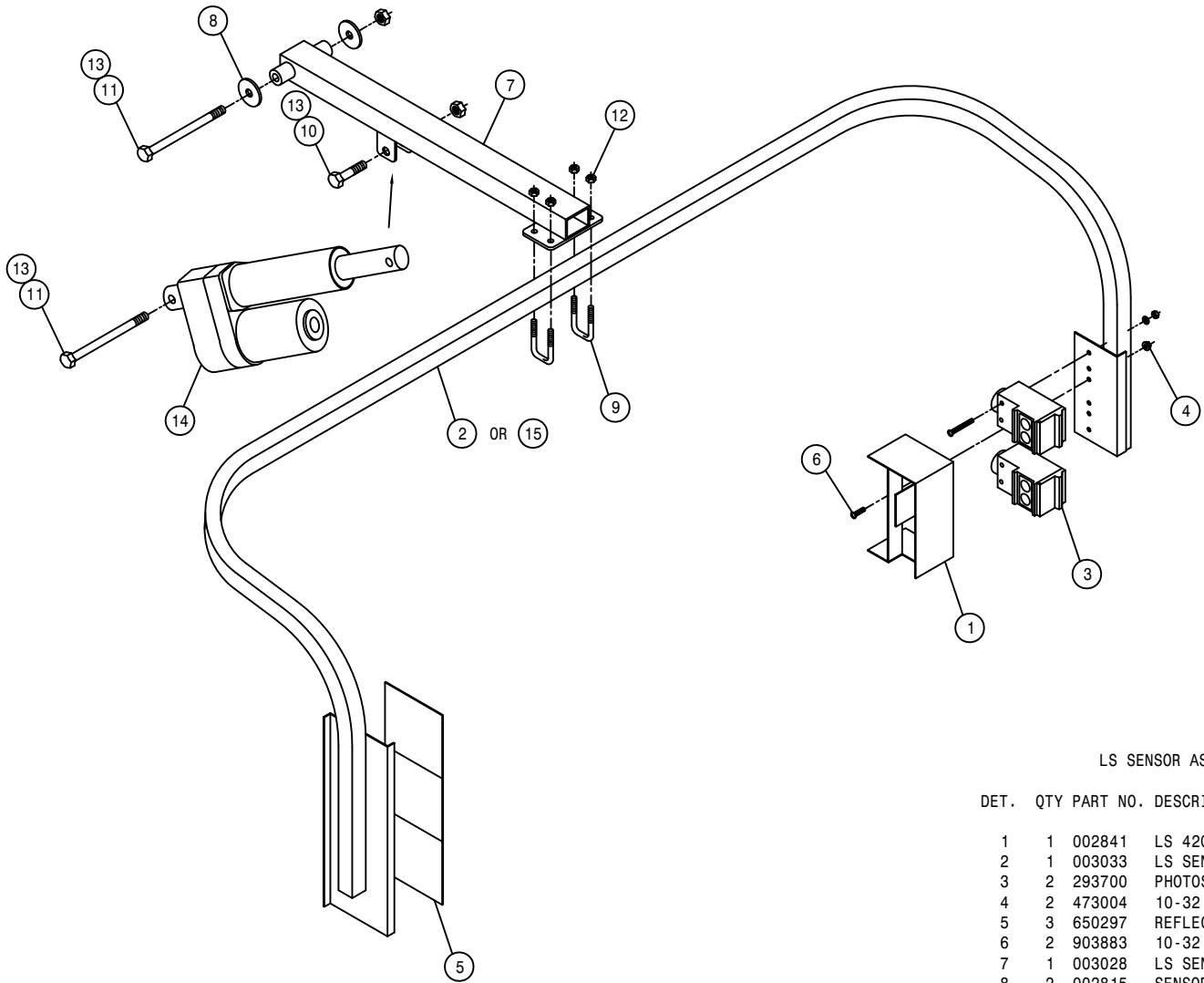
18-ROW, 3-HEADS PER LIFT

HYD SCHEM, CUTR CHECK VLV STSC 07

DET.	PART NO.	DESCRIPTION
1	611125	3/4MJIC-3/4MOR ADPTR
2	618494	3/4MOR RUN TEE-3/4MJIC
3	618530	9/16MJIC-1/8MNPT ADPTR
4	618486	9/16FJIC SW RUN TEE-9/16MJIC
5	618669	3/4FJIC SWIV-3/4MOR ADPTR
6	618292	CHECK VALVE, 3/4FOR INLINE
7	618451	3/4FJIC SW RUN TEE-3/4MJIC
8	616531	08-451TC-08FJX-08FJX-55 H/A
9	616537	08-451TC-08FJX-08FJX90-52 H/A
10	616521	04-451TC-06FJX-06FJX90-54 H/A
11	616530	08-451TC-08FJX-08FJX90-27 H/A
12	618609	3/4MJIC-90-3/4FJIC SWIV LBO
13	618818	3/4FJIC SWIV-7/8MOR ADPTR
14	607522	FLOW REGULATOR, 8GPM VONBERG
15	618327	3/4MJIC-7/8MOR ADPTR
16	616025	08-482TC-08FJX-08FJX-50 H/A
17	614562	08-451TC-08FJX-08FJX90-66 H/A
18	616422	04-482TC-06FJX-06FJX90-50 H/A

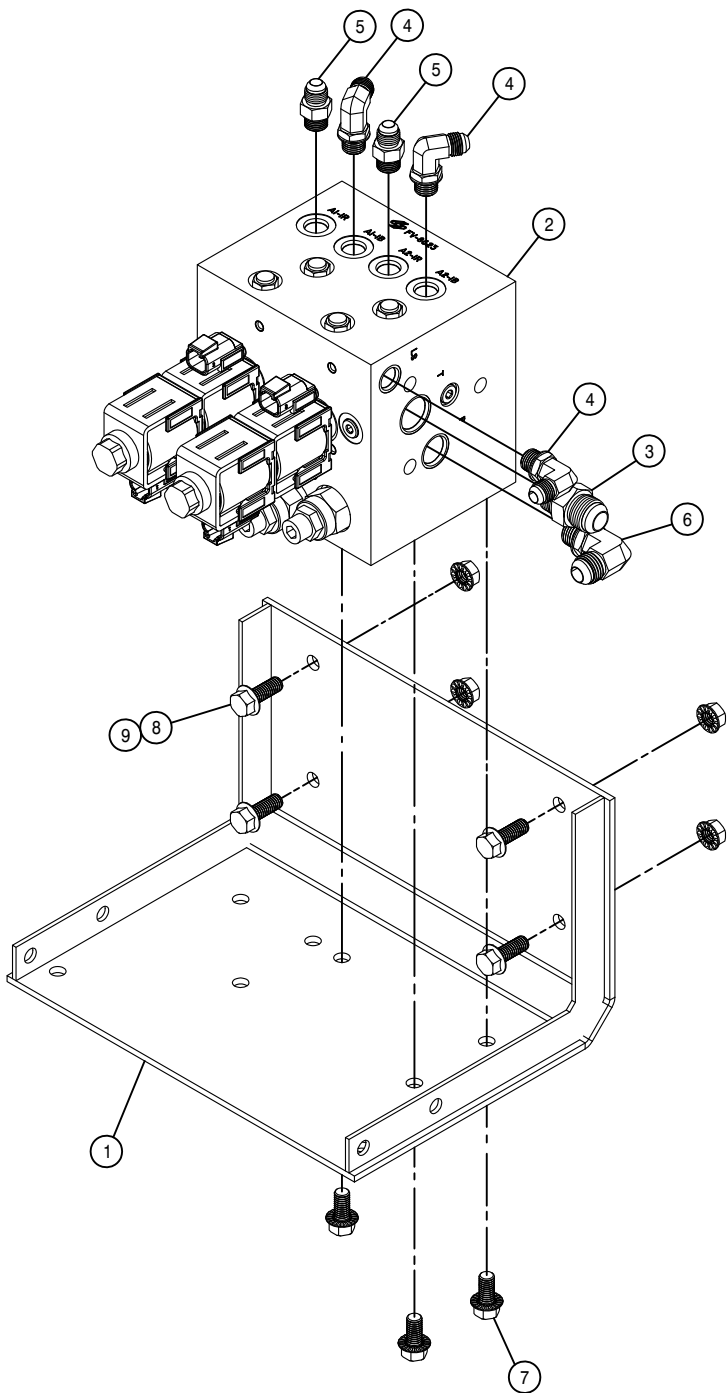
DET	DESCRIPTION
<b>HAGG</b>	
HAGG MANUFACTURING COMPANY CLARION, IOWA 50525	
REMOVE ALL SHARP CORNERS & BURRS	
TOLERANCE UNLESS OTHERWISE SPECIFIED	
FRACIN Ø1/2"	DEWELL 2.00 ±.03
	2.00 ±.03
HYD SCHEM, CUTTER CHECK VLV STS 07	
DRW BY T. MANKER	CHK BY FULL
DESIGN BY	APPROVED BY
DATE 01-11-07	ISSUED 498956





LS SENSOR ASSEMBLY

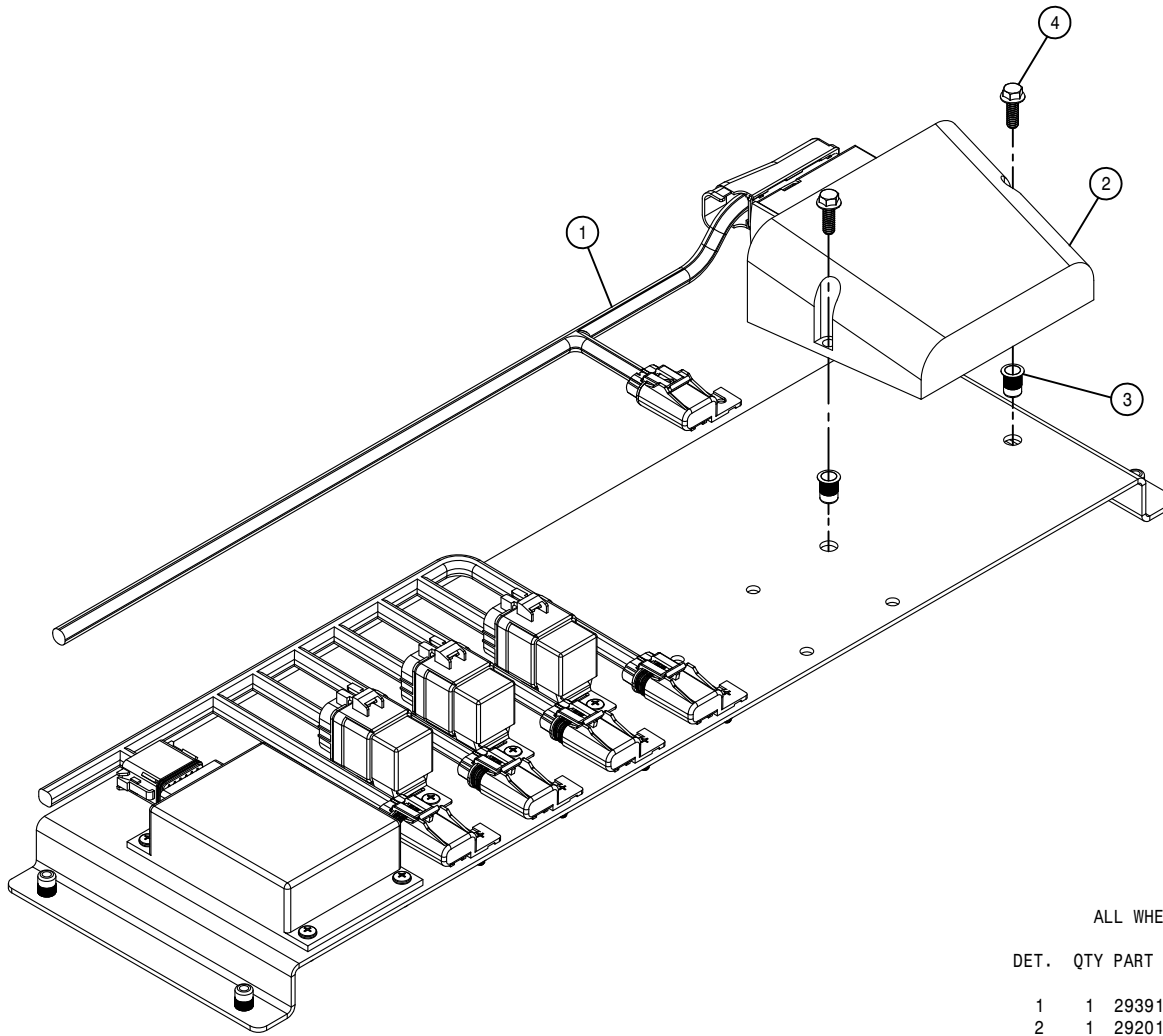
DET.	QTY	PART NO.	DESCRIPTION
	1	002841	LS 42GRU SENSOR SHIELD WLD
	1	003033	LS SENSOR MT WLD, STS COMBO 03
	2	293700	PHOTOSWITCH, 42GRU-9200-QD
	2	473004	10-32 FLANGE NYLOC NUT
	3	650297	REFLECTIVE TAPE, 4 X 4, RTC4-4P
	2	903883	10-32 X 1/2 SLT RDHD MACH SCR
	1	003028	LS SENSOR MT SUPP WLD, STSC 03
	2	002815	SENSOR ARM WASH, NYL
	2	473980	.31UNC-1.06ID-1.75SQ U-BOLT SS
	1	900267	1/2UNC X 2" HEX BOLT
	2	900278	1/2UNC X 6" HEX BOLT
	4	914002	5/16UNC HEX STOVER NUT
	3	914008	1/2UNC HEX STOVER NUT
	1	291634	LINEAR ACTUATOR, ELECTRAK 2
	1	003050	LS SENSOR MT WLD, 38" / 20" R 204



AWS HYDRAULIC VALVE ASSEMBLY

DET. QTY PART NO. DESCRIPTION

1	1	361872	AWS VALVE MT WLDMT, STS	09
2	1	606370	VALVE, FV8623 V1 SUNSOURCE	
3	1	611126	7/8MJIC-7/8MOR ADPTR	
4	3	618119	9/16MJIC-90-9/16MOR LBO	
5	2	618126	9/16MJIC-9/16MOR ADPTR	
6	1	618241	3/4MJIC-90-3/4MOR LBO	
7	3	900128	3/8UNC X 3/4 HEX BOLT	
8	4	900129	3/8UNC X 1" SERR FLANGE BOLT	
9	4	470087	3/8UNC HEX FLANGE LOCK NUT	



ALL WHEEL STEER MODULE ASSEMBLY

DET. QTY PART NO. DESCRIPTION

1	1	293911	AWS HARNESS,STS 10/12	09
2	1	292015	IQAN-MC2 MODULE	
3	2	470380	1/4-20 NUTSERT .027-.165	STL
4	2	470118	1/4UNC X 3/4 FLANGE HEX BOLT	

# NOTICE

---

The following page contains decals for the model STS 10.

These decals can be obtained from Hagie Mfg. Co. and should be used whenever your machine is repainted or when the decals become worn, weathered, or faded.

Special attention should be paid to decals involving personal safety. They have been attached for your protection.

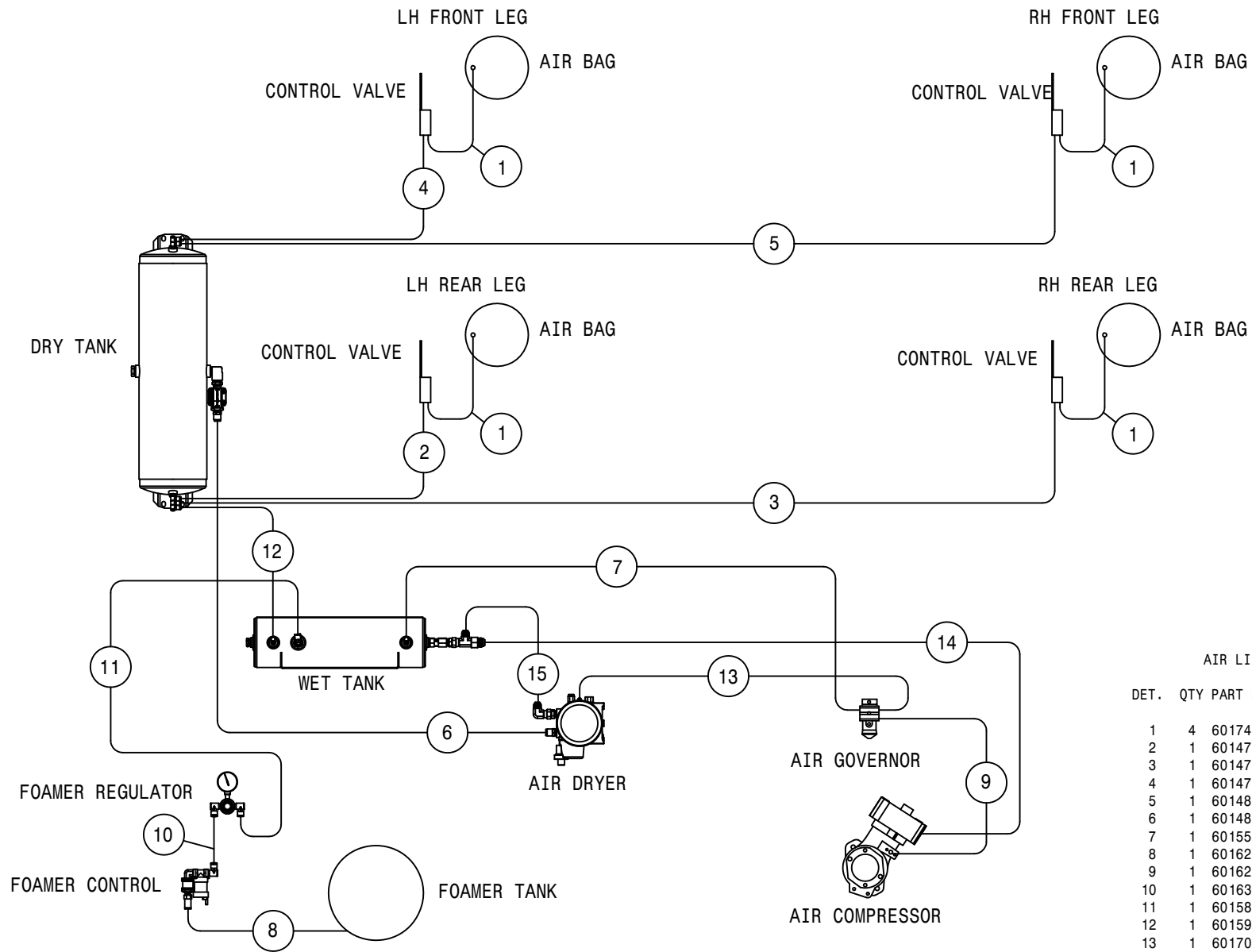
**KEEP THEM IN PLACE.**

**Contact: Hagie Manufacturing Co.  
721 Central Ave West  
Box 273  
Clarion, Iowa 50525-0273**

## ST510 DECALS

QTY.	PART NO.	DESCRIPTION	LOCATION
4	650103	TREAD ADJUST INDICATOR DECAL	1-ON EACH LEG SLIDE TUBE
1	650107	CAUTION BOOSTER DECAL	NEAR BOOSTER POSTS
1	650114	FILL WITH FRESH WATER DECAL	ON FRESH WATER TANK
1	650115	HAND WASH ONLY DECAL	NEAR HAND WASH VALVE
1	650116	INDUCTOR FILL INSTRUCTION DECAL	ON SIDE OF FILL ARM
1	650118	DO NOT USE EITHER DECAL	NEAR AIR INTAKE ON SHEET METAL
1	650125	AGITATOR RATE IND DECAL	ON K200 AGITATION VALVE
1	650127	COMBO CAB BOX DECAL	ON SWITCH BOX
1	650132	CUMMINS POWER DECAL	LOCATED ON ENGINE HOOD
1	650140	ENGINE COMPARTMENT DECAL SET	ON ENGINE HOOD
2	650143	HAGIE LOGO, SS TANK DECAL	ON EACH SIDE SOLUTION TANK
2	650216	HAGIE LOGO,TANK MOLDM DECAL	ON EACH SIDE SOLUTION TANK
1	650146	HAGIE UPFRONT DECAL	ON LOWER FRONT WINDSHIELD
1	650148	MDM BEZEL, STS DECAL	ON MDM DISPLAY
1	650150	SIGHT GAUGE, 1000G POLY DECAL	ON SOLUTION TANK
1	650151	SIGHT GAUGE, 1000G SS DECAL	ON SOLUTION TANK
1	650154	PATENTS,HAGIE UPFRONT DECAL	ON LOWER LEFT REAR OF MAINFRAME
1	650155	SIDE FILL CONTROL DECAL	ON SIDE FILL SWITCH BOX
1	650156	PRESS WASH CONTROL DECAL	ON PRESS WASHER SWITCH BOX
1	650157	HYDROSTATIC STS CAB DECAL	ON CONSOLE
1	650158	SPEED CONTROL STS CAB DECAL	ON CONSOLE
1	650161	BOOM, FLOAT, TREAD ADJUST DECAL	ON CONSOLE
1	650163	POWER POINT DECAL	ON CONSOLE
1	650164	NO PASSNGR/NOT NEAR LEAK DECAL	ON LEFT UPPER REAR POST
1	650165	PMR LINE/BM FOLD/GLASS DECAL	ON RIGHT REAR UPPER CAB POST
1	650168	LIGHT/FLASHER-FUSE/RELAY DECAL	ON FLASHER/LIGHT RELAY PANEL
1	650169	BOOM MODULE PINOUT DECAL	INSIDE ELECT LIFT ARM COVER
1	650170	ENGINE ELECTRICAL BOX DECAL	INSIDE ENGINE ELECTRICAL BOX
1	650174	RADIATOR CAUTION DECAL	ON TOP OF RADIATOR
1	650176	CAUTION, CAB CHEM EXPOSER DECAL	ON UPPER RIGHT SIDE WINDOW
1	650177	THROTTLE, BRAKE, PUMP DECAL	ON CONSOLE
2	650178	CAUTION QUICK ATTACK PIN DECAL	1-EA ON FRONT CROSSMEMBER BY Q-ATTACH
1	650180	REAR MODULE PINOUTS DECAL	INSIDE REAR ELECTRICAL BOX
1	650189	30 AMP, ECM FUSE DECAL	ON AIR CLEANER MOUNT
1	650186	FUSE & RELAY DECAL	ON CONSOLE
1	650187	30MPH ID SYMBOL DECAL	ON REAR BUMPER
1	650196	SPRAY SELECT STS DECAL	ON CONSOLE
1	650217	CAUTION, CHECK OIL DECAL	ON PRESSURE WASHER MOUNT
2	650339	WARNING, HYD OIL IND DECAL	1-ON SIDE OF OIL TANK
1	650348	NOTICE DRAIN AIR TANK DECAL	ON AIR TANK
1	650363	FRONT RECEPTACLE PANEL DECAL	ON RECEPTACLE PANEL
1	650367	AIR FILTER INSTRUCTION DECAL	ON ENGINE AIR FILTER END CAP
1	650372	MAIN ELECTRICAL DISCONNECT DECAL	NEAR BOOSTER POSTS
1	650377	NOTICE-R134A 3LB DECAL	1-NEAR ELECTRIC VALVE ON TRANSSOM RH SIDE OF ENGINE ON FRAME
2	650819	ANGER CUTTING BLADES DECAL	2-ON EACH CUTTER HEAD
1	650820	MOVING PARTS DECAL	ON EACH QUAD HEAD
1	650848	CAUTION, SLIP OR FALL DECAL	ON LADDER PIVOT TUBE
1	650849	CAUTION, ENGINE FUEL DECAL	NEAR FUEL TANK NECK
1	650850	DAINGEROUS CHEM DECAL	SOLUTION TANK FILLER NECK
1	650851	SHIELDS DECAL	ON LOWER LH REAR MAINFRAME TUBE
1	650931	HAGIE DECAL 1 3/4 X 4	ON EACH QUAD HEAD
1	650954	DIESEL DECAL	NEAR FUEL TANK NECK
1	650981	COOLING SYSTEM DECAL	NEAR RADIATOR CAP.
1	650982	ELECTRICAL DECAL	ON RH CAB DOOR
4	650985	WHEEL BOLT TORQUE DECAL	ON EACH WHEEL RIM
1	650303	CUTTER ROTATION DECAL	IN CAB NEAR SWITCHES
1	650379	ENGAGE DET HD HYD MOTORS DECAL	IN CAB NEAR SWITCHES
2	650218	DECAL,DANGER, COMBO DISCONNECT	2-ON THE BACK SIDE OF THE CENTER TOOLBAR
1	650222	THROTT, BRAKE,AWS DECAL	ON CONSOLE

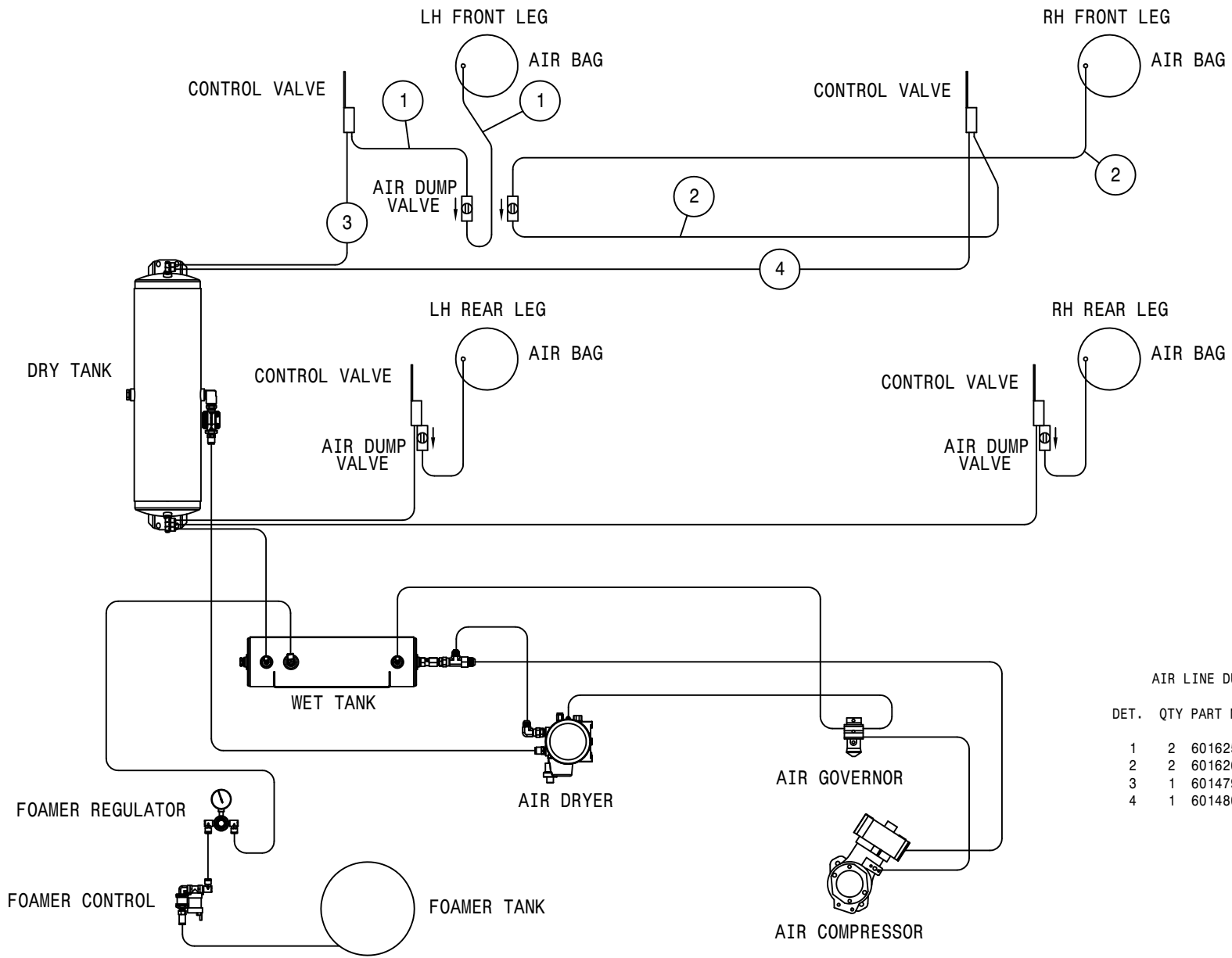
170



AIR LINE DIAGRAM STS 10/12

DET.	QTY	PART NO.	DESCRIPTION
1	4	601743	HOSE, 1/4 X 22 AIR
2	1	601476	HOSE, 1/4 X 120 AIR
3	1	601478	HOSE, 1/4 X 175 AIR
4	1	601479	HOSE, 1/4 X 196 AIR
5	1	601480	HOSE, 1/4 X 230 AIR
6	1	601483	HOSE, 1/2 X 84 AIR
7	1	601554	HOSE, 1/4 X 46 AIR
8	1	601624	HOSE, 3/8 X 60 AIR
9	1	601625	HOSE, 1/4 X 14 AIR
10	1	601633	HOSE, 3/8 X 11 AIR
11	1	601587	HOSE, 3/8 X 102 AIR
12	1	601592	HOSE, 1/4 X 69 AIR
13	1	601707	HOSE, 1/4 X 63 AIR
14	1	611306	12-P919J-12FJX-12FJX90-42
15	1	611307	10-P919J-10FJX-10FJX-40

446170

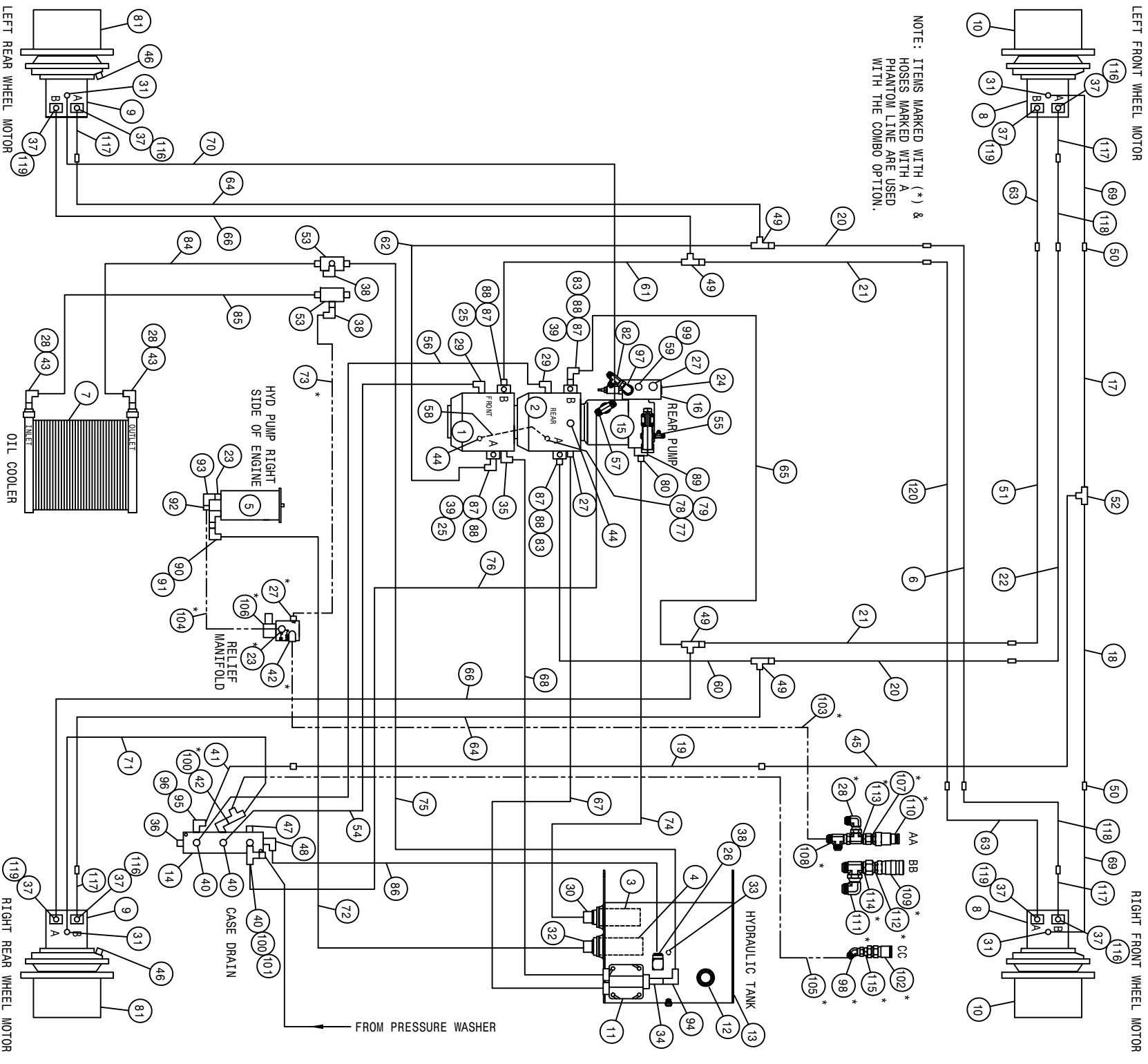


AIR LINE DUMP VALVE DIAGRAM

DET.	QTY	PART NO.	DESCRIPTION
1	2	601625	HOSE, 1/4 X 14 AIR
2	2	601626	HOSE, 1/4 X 254 AIR
3	1	601479	HOSE, 1/4 X 196 AIR
4	1	601480	HOSE, 1/4 X 230 AIR

171

446171

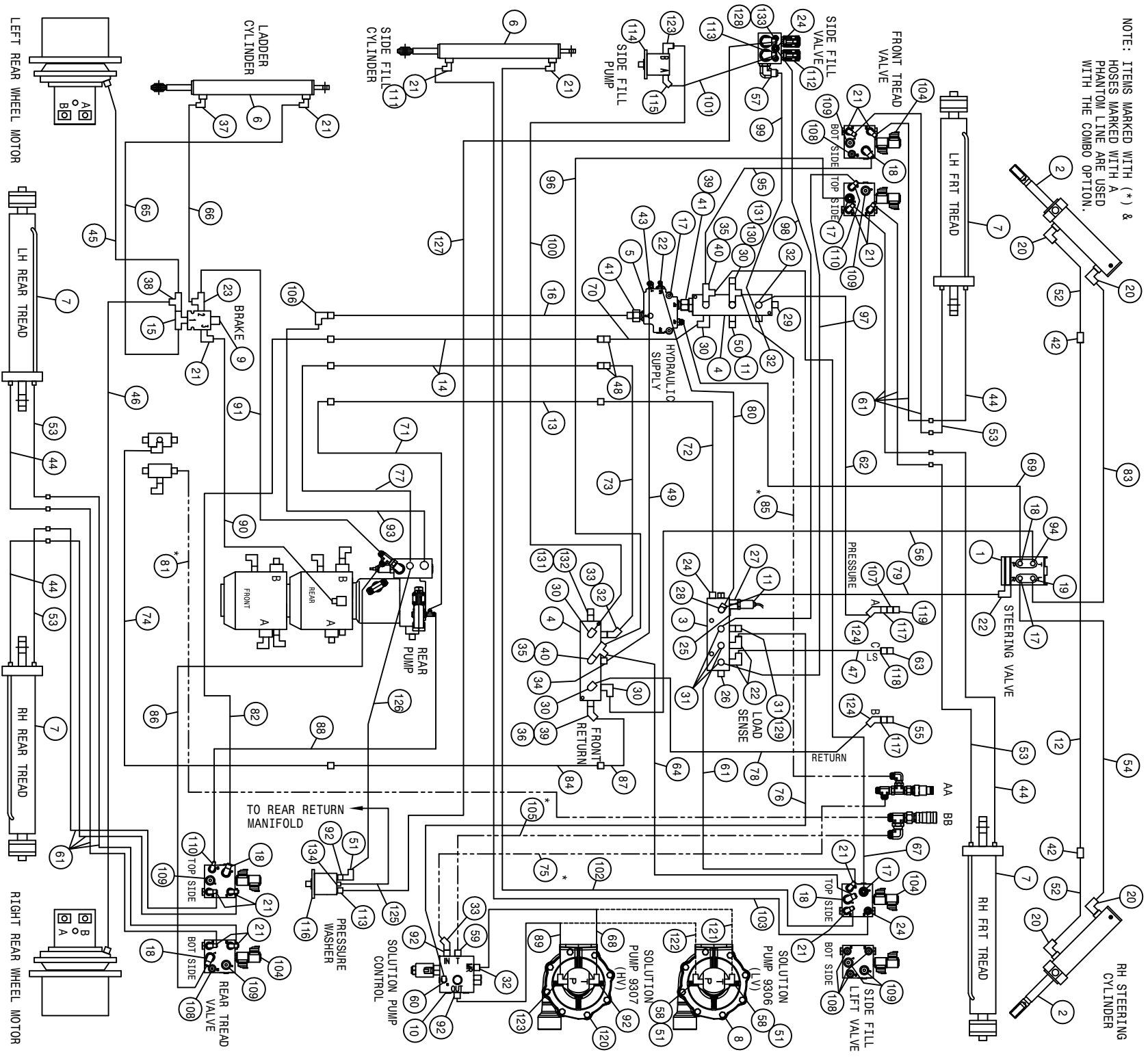




STS 10/12 COMBO HYDRAULIC DIAGRAM 2009  
REFERENCE DRAWING NO. 499011S1

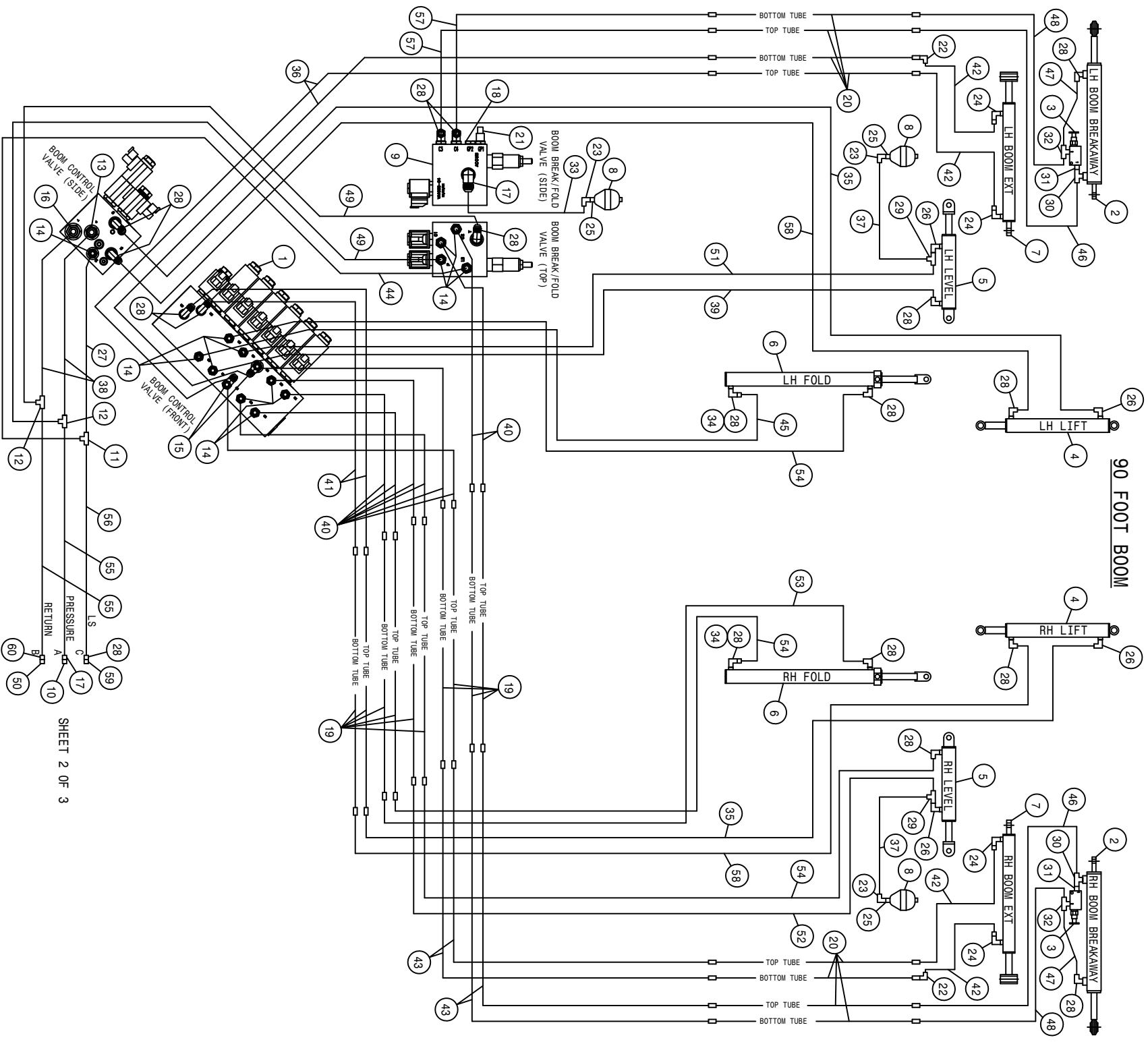
DET.	QTY	PART NO.	DESCRIPTION	DET.	QTY	PART NO.	DESCRIPTION	
1	1	606173	SAUER 75CC PUMP, C/C-MT	05	62	1	616336	16C15-16FFOX-16FFOXL90-78 H/A
2	1	606176	SAUER 75CC PUMP, C/B-MT	05	63	2	616565	16C15-16FFOX-16FFOX-129 H/A
3	1	605623	SUCTION STRAINER, 39GPM 100M	32	64	2	616339	16C15-16FFOX-16FFOX-146 H/A
4	1	605622	SUCTION STRAINER, 21GPM 100M	24	65	1	616335	16C15-16FFOX90-16FFOXL90-32H/A
5	1	607001	SAUER GEAR PUMP 29CC DEIL		66	2	616566	16C15-16FFOX-16FFOX90-151 H/A
6	1	615848	RH FRONT HYDROSTAT TUBE ASSY		67	1	616344	16-881-16FJX-20FLG-67 H/A
7	1	618800	OIL COOLER STS12	2000	68	1	616345	16-881-16FJX-20FLG-75 H/A
8	2	606288	WHL MOTOR, 51C060 SAUER		69	2	616264	08-451TC-10FJX-08FJX45-136 H/A
9	2	606291	WHL MOTOR, 51C060 W/SENSOR SAUER		70	1	616373	08-451TC-10FJX-08FJX45-212 H/A
10	2	610962	WHEEL HUB, 23:1	BONFIG	71	1	616265	08-451TC-12FJX-08FJX45-175 H/A
11	1	605625	IN-TANK RETURN FILTER, 10M		72	1	616346	24-881-24FJX-24FJX90-103 H/A
12	1	605642	T.R.A.P. BREATHER, DONALDSON		73	1	616550	16-881-20FJX-16FJX90-68 SL H/A
13	1	760351	HYD TANK WLD, STSLS	07	74	1	616343	32-881-32FJX-32FJX-49 H/A
14	1	606246	MANIFOLD, #16 3-STN 180 DAMAN		75	1	616399	24-881-20FJX-24FJX90-105 H/A
15	1	607004	SAUER PISTON PUMP JRR606B		76	1	616310	10-451TC-10FJX-12FJX-24 H/A
16	1	606258	REFIEF, LS PUMP SAUER		77	1	618734	9/16JIC .047 ORIFICE ADPTR
17	1	615823	LH FRT CASEDRAIN HYD TUBE ASSY		78	1	618444	9/16MOR RUN TEE-9/16MJIC
18	1	615822	RH FRT CASEDRAIN HYD TUBE ASSY		79	1	618531	9/16FJIC CAP NUT
19	1	615854	M/F CASE DRAIN TUBE, STS10	07	80	1	618765	2" FLANGE-2 1/2MJIC ADPTR #61
20	2	615847	OUTER HYDRO TUBE ASSY, STS10	07	81	2	610965	WHEEL HUB, 27:1 W/BRAKE BONFIG
21	2	615887	INNER HYDST ASSY, STS10/12	09	82	1	618451	3/4FJIC SW RUN TEE-3/4MJIC
22	1	615849	LH FRONT HYDROSTAT TUBE ASSY		83	2	618754	9/16MOR PLUG, HEX SOCKET
23	2	611127	1 1/16MJIC-1 1/16MOR ADPTR		84	1	616398	20-881-16FJX-20FJX-83 H/A
24	1	618753	7/16MOR PLUG, HEX SOCKET		85	1	616397	20-881-16FJX-20FJX-77 H/A
25	2	606196	PRESSURE TRANSDUCER, 9000 PSI		86	1	616396	20-881-20FJX-20FJX90-70 H/A
26	1	618767	1 7/8FJIC-1 5/8MJIC ADPTR		87	4	618742	1"FLG-1"ORFS ADPTR W/PRES PORT
27	3	618186	1 5/16MJIC-1 5/16MOR ADPTR		88	4	618361	7/16MOR-9/16FOR ADPTR
28	3	618640	1 5/16MJ-90-1 5/16FJ SWIV LBO		89	1	618766	2" SPLIT FLANGE KIT #61
29	2	618248	1 1/16MJIC-90-1 1/16MOR LBO		90	1	618476	1 5/8MJIC-90-1 5/16MOR LBO
30	1	618746	2 1/2MJIC-45-2 1/2MOR LBO		91	1	618762	1 5/8FJIC-1 7/8MJIC ADPTR
31	4	618469	3/4MJIC-1 1/16MOR ADPTR		92	1	618641	1 1/16FJIC-1 5/16MJIC ADPTR
32	1	618745	1 7/8MJIC-45-1 7/8MOR LBO		93	1	618763	1 1/16MJIC-90-1 1/16FJX TUBE
33	1	470471	1 5/16MOR PLUG, MAGNETIC		94	1	618764	1 7/8MJIC-90-1 7/8FJX TUBE LBO
34	1	618747	1 1/2 FLANGE-1 7/8MJIC ADPTR		95	1	618463	1 5/16MJIC-90-1 5/16MOR XL LBO
35	1	618178	1 5/16MJIC-90-1 5/16MOR LBO		96	1	618541	1 5/16FJIC-1 1/16MJIC ADPTR
36	1	618759	1 5/8MOR PLUG, HEX SOCKET		97	1	618183	3/4MJIC-90-7/8MOR LBO
37	8	618431	3/4 SPLIT FLANGE KIT		98	1	618529	1 1/16MJ-45-1 1/16FJ SWIV LBO
38	3	618768	1 5/8MJIC-90-1 5/8FJX TUBE		99	1	618333	7/8FJIC SW RUN TEE-7/8MJIC
39	2	618362	1 7/16MFOR-90-1 7/16FOR LBO		100	2	618487	1 1/16FJ SW RUN TEE-1 1/16MJ
40	3	618308	1 1/16MJIC-1 5/16MOR ADPTR		101	1	618483	1 1/16FJIC-9/16MJIC ADPTR
41	1	616444	10-451TC-12FJX-12FJX90-48	H/A	102	1	618810	HYD CPLR, FEM #12, 12FOR
42	2	618302	1 1/16MJIC-90-1 5/16MOR LBO		103	1	616546	12-451TC-12FJX-16FJX-148SL H/A
43	2	618610	1 5/16MJIC-1 5/16MOR LG ADPTR		104	1	616544	12-451TC-12FJX-16FJX90-94 H/A
44	2	618119	9/16MJIC-90-9/16MOR LBO		105	1	616547	12-451TC-12FJX-12FJX90-182 H/A
45	1	616388	10-451TC-12FJX-10FJX90-91	H/A	106	1	606284	GEAR PUMP RELIEF CTRL, SAUER
46	2	618467	7/16MJIC-7/16MOR ADPTR		107	1	618588	1 5/16MOR-1 5/16FJIC SWIV
47	1	618758	1 5/16 MOR PLUG, HEX SOCKET		108	1	618619	1 5/16FJ SW RUN TEE-1 5/16MJ
48	1	618477	1 5/8MJIC-90-1 5/8MOR LBO		109	1	618686	HYD COUPLER, FEM 1" B, 1 5/16FOR
49	4	618655	1 7/16FFOX RUN TEE-1 7/16MFOR		110	1	618687	HYD COUPLER, MALE 1" B, 1 5/16FOR
50	2	618456	7/8MJIC UNION		111	1	618721	1 5/8MJ-90-1 5/8FJ SWIV LBO
51	1	615886	LH FRT WHL MAIN HYD ASSY, STS09		112	1	618725	1 5/16MOR-1 5/8FJIC SWIV
52	1	618751	7/8MJIC UNION TEE		113	1	618751	1 5/16MJIC BLKHD RUN TEE
53	2	618752	1 5/8MJIC BLKHD RUN TEE		114	1	618752	1 5/8MJIC BLKHD RUN TEE
54	1	616391	12-451TC-12FJX-12FJX90L-21	H/A	115	1	618796	1 1/16MJ-1 1/16MOR BLKHD ADPT
55	1	618509	7/16MOR RUN TEE-7/16MJIC		116	4	618740	3/4 FLANGE-90-1 7/16MFOR LBO
56	1	616400	12-451TC-12FJX-12FJX90L-24	H/A	117	4	615875	WHEEL MOTOR HYD TUBE ASSY
57	1	618637	7/8MOR BRANCH TEE-7/8MJIC		118	2	616338	16C15-16FFOX-16FFOX-127 H/A
58	1	616038	04-381-06FJX-06FJX90-15	H/A	119	4	618812	3/4 FLANGE-1 7/16MFOR ADPTR
59	1	611126	7/8MJIC-7/8MOR ADPTR		120	1	615885	RH FRT WHL MAIN HYD ASSY, STS09
60	1	616337	16C15-16FFOX-16FFOX45-37	H/A				
61	1	616340	16C15-16FFOX-16FFOX-51	H/A				

NOTE: ITEMS MARKED WITH (\*) & HOSES MARKED WITH A PHANTOM LINE ARE USED WITH THE COMBO OPTION.



STS 10/12 COMBO HYDRAULIC DIAGRAM 2009  
REFERENCE DRAWING NO. 499011S2

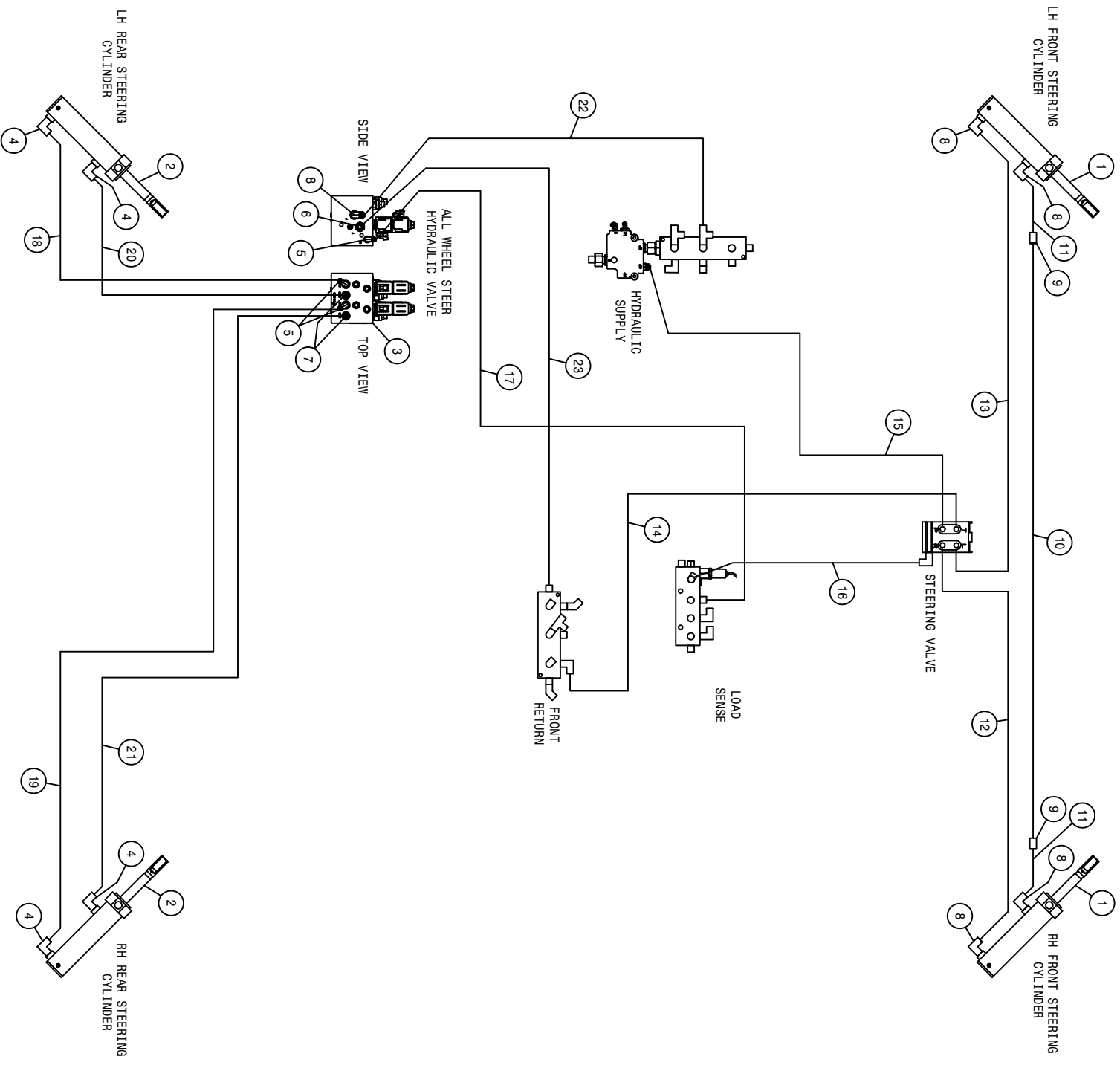
DET.	QTY	PART NO.	DESCRIPTION	DET.	QTY	PART NO.	DESCRIPTION	
1	1	749331	STEERING CTRL VALVE, LS	SAUER	68	616477	12-451TC-12FCX-12FCX-34	H/A
2	2	621550	STEERING CYL,2.50 X 8.81	STS	69	616305	06-451TC-08FCX-08FCX-56	H/A
3	1	606247	MANIFOLD W/CHK VLV	SAUER	70	616308	10-451TC-10FCX-12FCX-12	H/A
4	2	606246	MANIFOLD, #16 3-STN 180	DAMAN	71	616320	04-451TC-04FCX-04FCX90-.47	H/A
5	1	606254	FLOW DIVIDER, OLS160	SAUER	72	616435	10-451TC-06FCX-04FCX45-.20	H/A
6	2	621554	LADR,SE/BRKWAY CYL,1.50 X12.25	STS	73	616310	10-451TC-10FCX-12FCX-24	H/A
7	4	621552	TRD ADJ CYL, 3.00 X 16.00	STS	74	616341	16-881-16FCX-20FCX-51	H/A
8	1	691123	HYPRO PUMP,9306C-HM5C-BU,FLG		75	616543	12-451TC-12FCX-16FCX90-.69	H/A
9	1	606213	HYD SOLE VLV,2P-3W,9/16FOR	05	76	616438	04-451TC-04FCX-04FCX45-.51	H/A
10	1	606253	CTRL VALVE,SOLU PUMP	SAUER	77	616327	10-451TC-10FCX-10FCX90-.44	H/A
11	2	606196	PRESSURE TRANSDUCER, 9000 PSI		78	616405	10-451ST-08FCX-12FCX90-.85	H/A
12	1	615772	STRG CYL JUMPER HYD TUBE ASSY		79	616379	04-451TC-04FCX-04FCX90-.79	H/A
13	1	615850	M/F HYD TUBE, LS LINE,STS10	07	80	616436	04-451TC-04FCX-04FCX-21	H/A
14	2	615853	M/F HYD TUBE,PRES,RTN STS10	07	81	616553	20-881-20FCX-20FCX-184 SL	H/A
15	1	618629	9/16MOR BRANCH TEE-9/16MJIC		82	616326	08-451TC-08FCX-10FCX90-.48	H/A
16	1	615856	M/F HYD TUBE,MAIN SUP,STS10	07	83	616386	08-451TC-08FCX-08FCX90-.86	H/A
17	4	611125	3/4MJIC-3/4MOR ADPTR		84	615855	HYD RETURN LINE, LONG,STS10	07
18	5	618241	3/4MJIC-90-3/4MOR LBO		85	616545	12-451TC-16FCX-12FCX90-.126	H/A
19	1	618443	3/4MJIC-90-3/4MOR EX LG LBO		86	616307	08-451TC-08FCX-08FCX-23	H/A
20	4	618249	3/4MJIC-90-9/16MOR LBO		87	616395	16-881-16FCX-16FCX90-.25	H/A
21	14	618119	9/16MJIC-90-9/16MOR LBO		88	616319	10-451TC-04FCX-04FCX90-.32	H/A
22	4	618473	7/16MJIC-90-7/16MOR LBO		89	616476	10-451TC-10FCX-12FCX90-.24	H/A
23	1	618444	9/16MOR RUN TEE-9/16MJIC		90	616374	04-451TC-06FCX-06FCX-27	H/A
24	3	618126	9/16MJIC-9/16MOR ADPTR		91	616364	06-451TC-08FCX-06FCX90-.31	H/A
25	1	618753	7/16MOR PLUG, HEX SOCKET		92	611127	1 1/16MJIC-1 1/16MOR ADPTR	
26	1	618754	9/16MOR PLUG, HEX SOCKET		93	616404	16-451TC-16FCX-16FCX45-.40	H/A
27	1	618361	7/16MOR-9/16FOR ADPTR		94	618315	3/4MJIC-45-3/4MOR LBO	
28	1	618509	7/16MOR RUN TEE-7/16MJIC		95	616322	06-451TC-08FCX-08FCX90-.21	H/A
29	1	618759	1 5/8MOR PLUG, HEX SOCKET		96	616443	08-451TC-08FCX-08FCX90-.76	H/A
30	5	618302	1 1/16MJIC-90-1 5/16MOR LBO		97	616315	04-451TC-04FCX-04FCX45-.74	H/A
31	4	618467	7/16MJIC-7/16MOR ADPTR		98	616437	04-451TC-04FCX-06FCX90-.28	H/A
32	4	618308	1 1/16MJIC-1 5/16MOR ADPTR		99	616416	10-451TC-12FCX-12FCX-25	H/A
33	2	618529	1 1/16MJ-45-1 1/16FJ SWIV LBO		100	616445	10-451TC-10FCX-12FCX-127	H/A
34	1	618470	3/4MJIC-1 5/16MOR ADPTR		101	616442	06-451TC-08FCX-08FCX90-.114	H/A
35	2	618451	3/4FCJIC SW RUN TEE-3/4MJIC		102	616439	04-451TC-06FCX-06FCX-98	H/A
36	1	618630	1 5/16MJ-45-1 5/16FJ SWIV LBO		103	616440	04-451TC-06FCX-06FCX90-.114	H/A
37	1	618688	9/16MJ-90-9/16MOR .025 CHK VLV		104	606249	MANIFOLD,TRD ADJ	
38	1	618486	9/16FCJIC SW RUN TEE-9/16MJIC		105	616551	16-451TC-16FCX-20FCX-70	H/A
39	2	618455	1 5/16MJIC-1 5/8MOR ADPTR		106	618640	1 5/16MJ-90-1 5/16FJ SWIV LBO	
40	2	618475	3/4MJIC-90-1 5/16MOR LBO		107	618171	7/8MOR-3/4FOR ADPTR	
41	2	618761	1 5/16FCX-1 1/16MOR ADPTR		108	618754	9/16MOR PLUG, HEX SOCKET	
42	2	618314	3/4MJIC UNION		109	618755	3/4MOR PLUG, HEX SOCKET	
43	1	618114	9/16MJIC-90-7/16MOR LBO		110	618499	7/16MJIC-90-9/16MOR LBO	
44	4	616070	04-451TC-04MJBH-06MOR-11.00H/A		111	618733	9/16JIC .042 ORIFICE ADPTR	
45	1	616072	04-451TC-06FCX-04FCX45-195 H/A		112	606259	DIVERSION VLV,STS LS	07
46	1	616372	04-451TC-06FCX-04FCX45-222 H/A		113	618474	3/4MJIC-90-1 1/16MOR LBO	
47	1	616446	04-451ST-06FCX-04FCX90-131 H/A		114	690760	BANDU PUMP,3" SIDE FILL	STS12
48	2	618628	7/8MJIC-45-7/8FCJIC SWIV LBO		115	618602	3/4MJIC-45-7/8MOR LBO	
49	1	616382	06-451TC-06FCX-08FCX90-25	H/A	116	690672	PRESSURE WASHER,PAGE 320	HYD
50	1	618397	1 5/16MOR-9/16FOR ADPTR		117	618770	3/4MJIC-3/4MOR BLKHD ADPT	
51	3	618191	1 1/16MJ-90-1 1/16FJ SWIV LBO		118	618769	9/16MJIC-9/16MOR BLKHD ADPT	
52	2	616384	08-451TC-08FCX-08FCX-43	H/A	119	618806	HYD CPLR,MALE #12,7/8FOR	
53	4	616071	04-451TC-04MJBH-06MOR-13.00H/A		120	691036	HYPRO 9307 PUMP	
54	1	616385	08-451TC-08FCX-08FCX-80	H/A	121	616451	12-451TC-12FCX-12FCX90-.34	H/A
55	1	618807	HYD CPLR, FEM #12,3/4FOR		122	616450	10-451TC-12FCX-12FCX90-.22	H/A
56	1	616448	10-451ST-08FCX-12FCX-119	H/A	123	611128	7/8MJIC-90-7/8MOR LBO	
57	1	618248	1 1/16MJIC-90-1 1/16MOR LBO		124	618590	3/4MJIC-45-3/4FCJIC SWIV LBO	
58	2	618273	1 1/16MJIC-1/2MNP ADPTR		125	616617	06-451TC-06FCX-06FCX-168	H/A
59	1	618186	1 5/16MJIC-1 5/16MOR ADPTR		126	616732	10-451TC-10FCX-12FCX90-.121	H/A
60	1	618499	7/16MJIC-90-9/16MOR LBO		127	616641	08-451TC-10FCX-08FCX90-.178	H/A
61	9	616301	04-451TC-04FCX-06FCX-21	H/A	128	618774	7/8MJIC-90-7/8MOR LG LBO	
62	1	616447	10-451ST-08FCX-12FCX90-44	H/A	129	618363	7/16FCJIC CAP NUT	
63	1	618805	HYD CPLR, FEM #14,9/16FOR		130	618487	1 1/16FJ SW RUN TEE-1 1/16MJ	
64	1	616306	08-451TC-08FCX-08FCX-11	H/A	131	618533	1 1/16FCJIC CAP NUT	
65	1	616377	04-451TC-06FCX-06FCX90-44	H/A	132	618819	1 1/16MJIC-1 5/8MOR ADPTR	
66	1	616088	04-451TC-06FCX-06FCX-56	H/A	133	618132	1 1/16MOR-7/8FOR ADPTR	
67	1	616441	06-451TC-08FCX-08FCX90-40	H/A	134	618440	9/16MJIC-90-9/16MOR EX LG LBO	



SHEET 2 OF 3

STS 10/12 COMBO HYDRAULIC SCHEMATIC 2009  
REFERENCE DRAWING NO. 499011S3

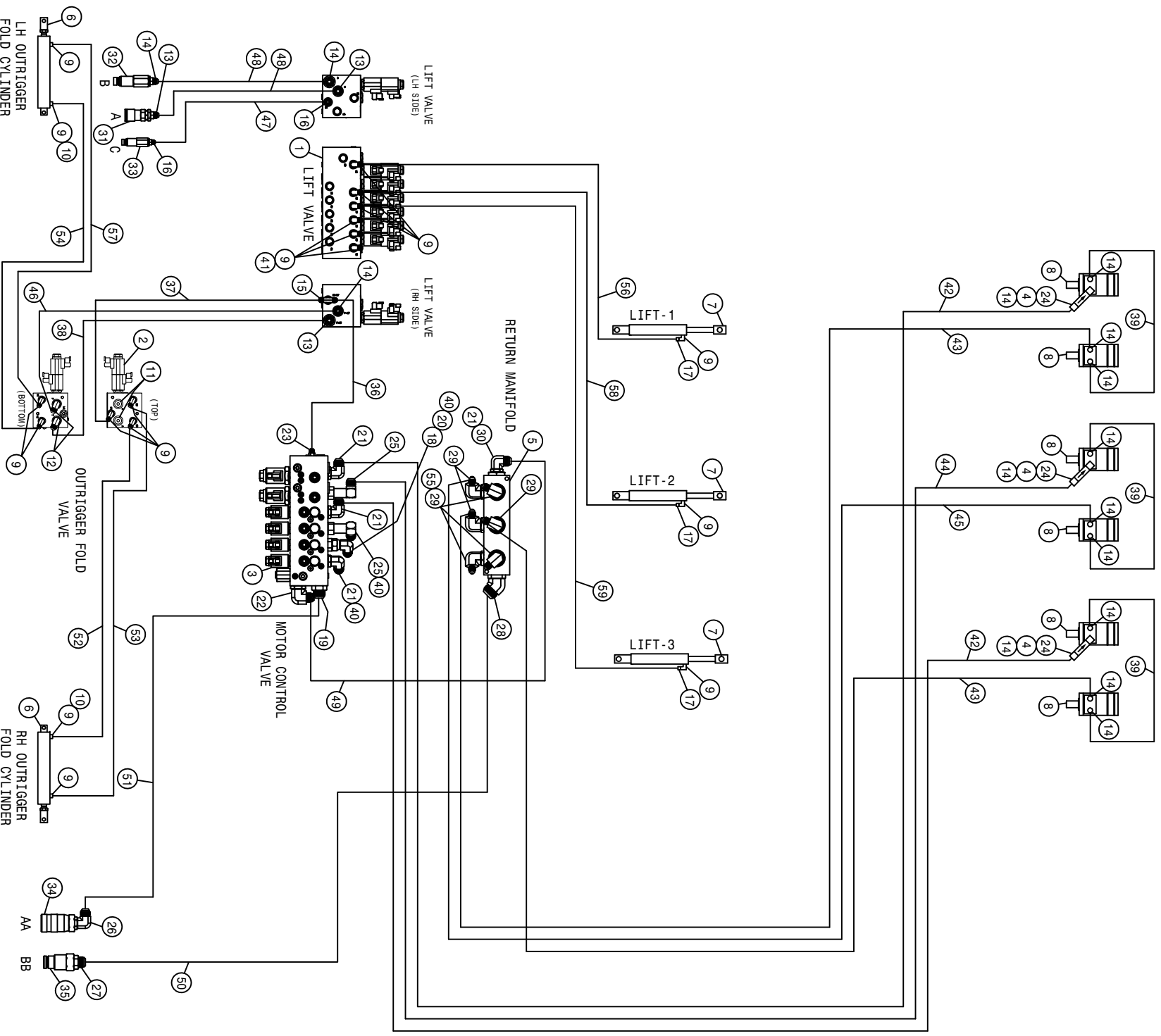
DET.	QTY	PART NO.	DESCRIPTION	DET.	QTY	PART NO.	DESCRIPTION
1	1	606272	VALVE, LOAD SENSE BOOM SAUER	31	2	618668	9/16FJIC SMIV-9/16MOR ADPTR
2	2	621554	LADR/SF/BRKWAY CYL,1.50 X12.25	32	2	614752	RESTRICTOR BR TEE ASSY, .042DIA
3	2	607540	KICK-DOWN RELIEF VALVE, 800PSI	33	1	616384	08-451TC-08FJX-08FJX-43
4	2	621556	LIFT CYL, 2.50 X 18.00	34	2	618733	9/16JIC .042 ORIFICE ADPTR
5	2	621558	LEVEL CYL, 3.00 X 11.00	35	2	616358	06-451TC-06FJX-06FJX-56
6	2	621560	FOLD CYL, 2.50 X 21.000	36	2	616357	06-451TC-06FJX-06FJX90-79
7	2	621562	OUTR FOLD CYL,2.25 X 21.00	37	2	616365	06-451TC-08FJX-06FJX90-30
8	3	470444	ACCUMULATOR, 30CI 1508 PSI	38	2	616366	08-451TC-08FJX-08FJX90-18
9	1	606248	90°BREAKAWAY VLV,STS	39	1	616403	06-451TC-06FJX-06FJX-65
10	1	618807	HYD CPLR, FEM #12,3/4FOR	40	8	616316	06-451TC-06FJX-06FJX45-18
11	1	618748	7/16MJIC BLKHD RUN TEE	41	2	616304	06-451TC-06FJX-06FJX-36
12	2	618749	3/4MJIC BLKHD RUN TEE	42	4	616356	06-451TC-06FJX-06FJX90-27
13	1	611125	3/4MJIC-3/4MOR ADPTR	43	4	616353	06-451TC-06FJX-06FJX-71
14	13	618126	9/16MJIC-9/16MOR ADPTR	44	1	616362	04-451TC-04FJX-06FJX90-35
15	2	618444	9/16MOR RUN TEE-9/16MJIC	45	1	616352	06-451TC-06FJX-06FJX-62
16	1	618327	3/4MJIC-7/8MOR ADPTR	46	2	616360	06-451TC-06FJX-06FJX-84
17	2	618241	3/4MJIC-90-3/4MOR LBO	47	2	616075	04-451TC-06FJX-06FJX-9
18	1	618754	9/16MOR PLUG, HEX SOCKET	48	2	616361	06-451TC-06FJX-06FJX-86
19	10	615852	LIFTARM HYD TUBE ASSY,STLS 07	49	2	616364	06-451TC-08FJX-06FJX90-31
20	8	615851	HYD TUBE,MAIN BOOM,STLS 16ASP	50	1	618806	HYD CPLR,MALE #12, 7/8FOR
21	1	606196	PRESSURE TRANSDUCER, 9000 PSI	51	1	616349	06-451TC-06FJX-06FJX-47
22	2	618618	9/16MJIC-90-9/16FJIC SMIV LBO	52	1	616348	06-451TC-06FJX-06FJX-42
23	3	618609	3/4MJIC-90-3/4FJIC SMIV LBO	53	1	616350	06-451TC-06FJX-06FJX-58
24	4	618688	9/16MJ-90-9/16MOR .025 CHK VLV	54	3	616351	06-451TC-06FJX-06FJX-60
25	3	618743	3/4MOR-3/4MJIC BLKHD, .040 ORF	55	2	616135	08-451TC-08FJX-08FJX-50
26	4	618689	9/16MJ-90-9/16MOR .042 CHK VLV	56	1	616431	04-451TC-04FJX-06FJX-51
27	1	616430	04-451TC-06FJX-04FJX90-19	57	2	616359	06-451TC-06FJX-06FJX-78
28	18	618119	9/16MJIC-90-9/16MOR LBO	58	2	616371	06-451TC-06FJX-06FJX-38
29	2	618486	9/16FJIC SW RUN TEE-9/16MJIC	59	1	618804	HYD CPLR,MALE #14, 9/16FOR
30	2	618629	9/16MOR BRANCH TEE-9/16MJIC	60	1	618183	3/4MJIC-90-7/8MOR LBO



ALL WHEEL STEER DIAGRAM

STS 10/12 COMBO HYDRAULIC DIAGRAM 2009  
REFERENCE DRAWING NO. 499011S4

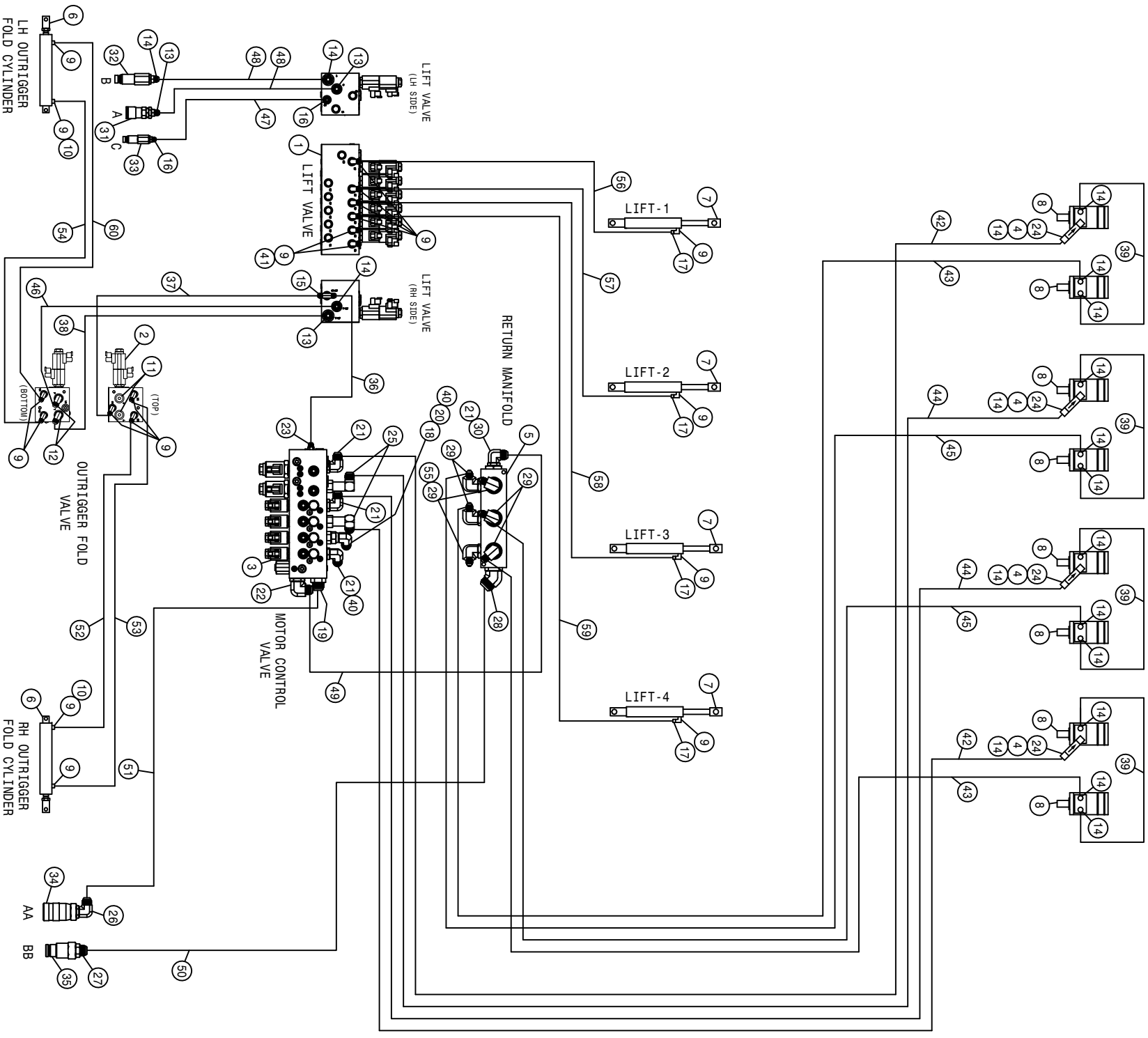
DET.	QTY	PART NO.	DESCRIPTION	DET.	QTY	PART NO.	DESCRIPTION
1	2	621602	HYD CYL, 2.50 X 8.81 PHASE/SENS	13	1	616730	08-451TC-08FJX-08FJX90-108 H/A
2	2	621603	HYD CYL, 2.50 X 8.81 W/SENSOR	14	1	616448	10-451ST-08FJX-12FJX-119 H/A
3	1	606370	VALVE, FV8623 V1 SUNSOURCE	15	1	616305	06-451TC-08FJX-08FJX-56 H/A
4	4	618115	9/16MJIC-90-3/4MOR LBO	16	1	616379	04-451TC-04FJX-04FJX90-79 H/A
5	3	618119	9/16MJIC-90-9/16MOR LBO	17	1	616709	04-451TC-06FJX-04FJX90-93 H/A
6	1	611126	7/8MJIC-7/8MOR ADPTR	18	1	616710	08-451TC-06FJX-06FJX-95 H/A
7	2	618126	9/16MJIC-9/16MOR ADPTR	19	1	616711	08-451TC-06FJX-06FJX-129 H/A
8	5	618241	3/4MJIC-90-3/4MOR LBO	20	1	616712	08-451TC-06FJX-06FJX90-91 H/A
9	2	618314	3/4MJIC UNION	21	1	616713	08-451TC-06FJX-06FJX90-119 H/A
10	1	615772	STRG CYL JUMPER HYD TUBE ASSY	22	1	616714	08-451TC-08FJX-12FJX90-92 H/A
11	1	616531	08-451TC-08FJX-08FJX-55 H/A	23	1	616715	10-451TC-12FJX-10FJX90-82 H/A
12	1	616504	08-451TC-08FJX-08FJX-98 H/A				





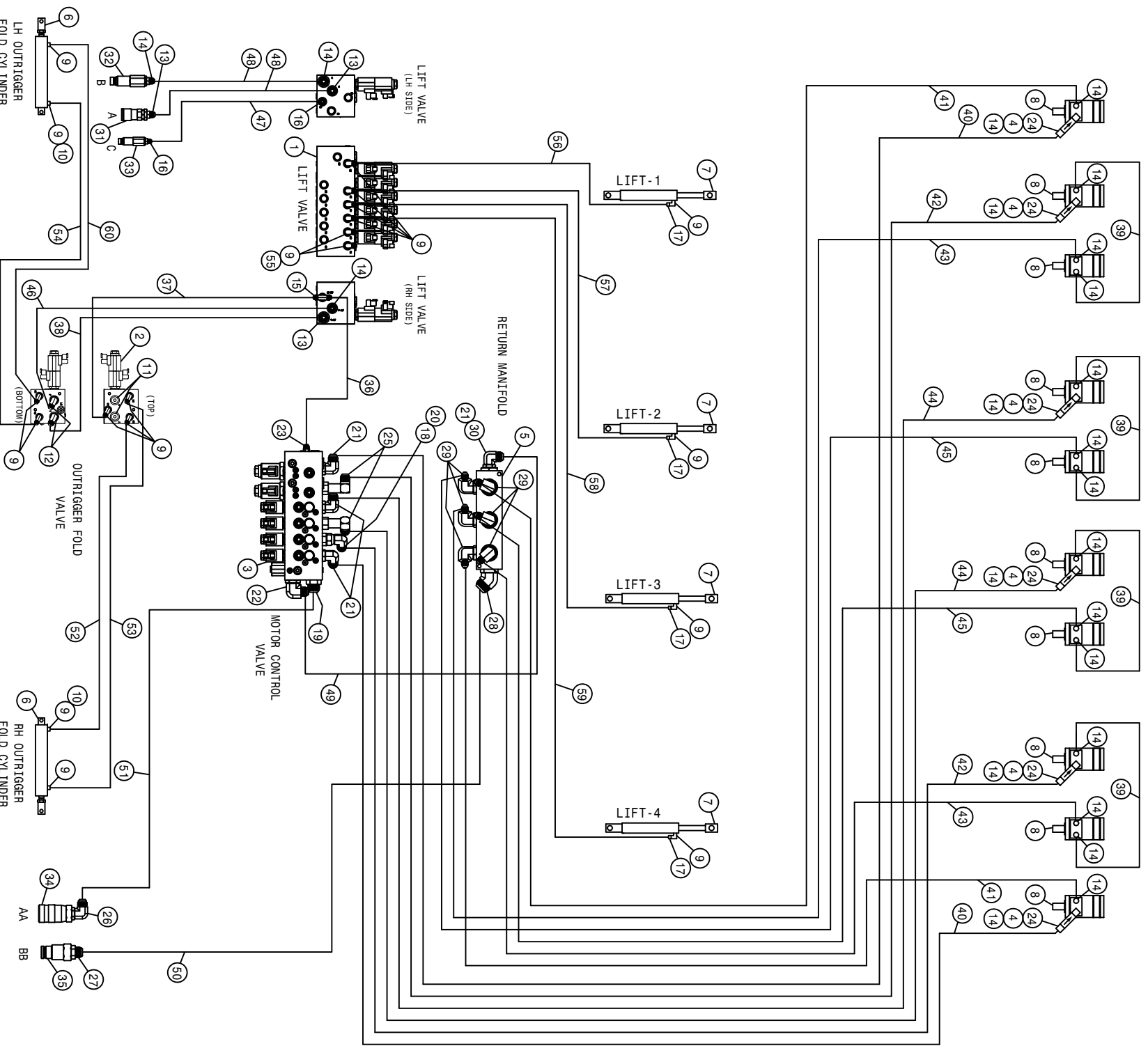
STS COMBO 6R QUAD HYD SCHEM 09  
REFERENCE DRAWING NO. 499027

DET.	QTY	PART NO.	DESCRIPTION	DET.	QTY	PART NO.	DESCRIPTION
1	1	606285	LIFT VALVE, STS COMBO, SAUER	31	1	618807	HYD CPLR, FEM #12, 3/4FOR
2	1	606286	FOLD VALVE, STS COMBO, SAUER	32	1	618806	HYD CPLR, MALE #12, 7/8FOR
3	1	606310	LS MTR CTRL ELEC VLV STS, SAUER	33	1	618804	HYD CPLR, MALE #14, 9/16FOR
4	3	607522	FLOW REGULATOR, 8GPM VONBERG	34	1	618686	HYD COUPLER, FEM 1" B, 1 5/16FOR
5	1	606246	MANIFOLD, #16 3-STN 180 DAMAN	35	1	618687	HYD COUPLER, MALE 1" B, 1 5/16FOR
6	2	621566	OUTRGR FOLD CYL, 2.50 X 11.00	36	1	616519	04-451TC-06FJX-06FJX-11 H/A
7	3	621564	DETAS LIFT CYL, 2.00 X 11.00STS	37	1	616246	04-451TC-06FJX-06FJX-10 H/A
8	6	610547	HYD MOTOR 4.5CI 1IN SHFT	38	1	616528	06-451TC-08FJX-08FJX90-13 H/A
9	18	618119	9/16MJIC-90-9/16MOR LBO	39	3	616135	08-451TC-08FJX-08FJX-50 H/A
10	2	618732	9/16JIC .031 ORIFICE ADPTR	40	3	618533	1 1/16FJIC CAP NUT
11	2	618755	3/4MOR PLUG, HEX SOCKET	41	3	618531	9/16FJIC CAP NUT
12	2	618241	3/4MJIC-90-3/4MOR LBO	42	2	616539	08-451TC-12FJX-08FJX90-220 H/A
13	3	611125	3/4MJIC-3/4MOR ADPTR	43	2	616533	08-451TC-08FJX-08FJX-218 H/A
14	15	618327	3/4MJIC-7/8MOR ADPTR	44	1	616538	08-451TC-12FJX-08FJX90-125 H/A
15	2	618629	9/16MOR BRANCH TEE-9/16MJIC	45	1	616532	08-451TC-08FJX-08FJX-125 H/A
16	2	618126	9/16MJIC-9/16MOR ADPTR	46	1	616529	06-451TC-08FJX-08FJX90-16 H/A
17	3	618733	9/16JIC .042 ORIFICE ADPTR	47	1	616520	04-451TC-06FJX-06FJX90-32 H/A
18	1	611127	1 1/16MJIC-1 1/16MOR ADPTR	48	2	616536	08-451TC-08FJX-08FJX90-26 H/A
19	1	618186	1 5/16MJIC-1 5/16MOR ADPTR	49	1	616542	10-451TC-12FJX-12FJX90-30 H/A
20	1	618191	1 1/16MJ-90-1 1/16FJ SWIV LBO	50	1	616552	20-881-20FJX-20FJX90-45 H/A
21	4	618248	1 1/16MJIC-90-1 1/16MOR LBO	51	1	616549	16-451TC-16FJX-16FJX45-28 H/A
22	1	618302	1 1/16MJIC-90-1 5/16MOR LBO	52	1	616089	04-451TC-06FJX-06FJX-60 H/A
23	1	618304	9/16MJIC-7/16MOR ADPTR	53	1	616177	04-451TC-06FJX-06FJX-74 H/A
24	3	618586	7/8MOR UNION	54	1	616511	04-451TC-06FJX-06FJX-33 H/A
25	2	618674	1 1/16MJIC-90-1 1/16MOR XL LBO	55	1	618532	3/4FJIC CAP NUT
26	1	618178	1 5/16MJIC-90-1 5/16MOR LBO	56	1	616525	06-451TC-06FJX-06FJX45-124 H/A
27	1	618471	1 5/8MJIC-1 5/16MOR ADPTR	57	1	616512	04-451TC-06FJX-06FJX-49 H/A
28	1	618396	1 5/8MJIC-45-1 5/8MOR LBO	58	1	616523	06-451TC-06FJX-06FJX45-80 H/A
29	6	618475	3/4MJIC-90-1 5/16MOR LBO	59	1	616526	06-451TC-06FJX-06FJX45-171 H/A
30	1	618595	1 5/8MOR-1 1/16FOR ADPTR				



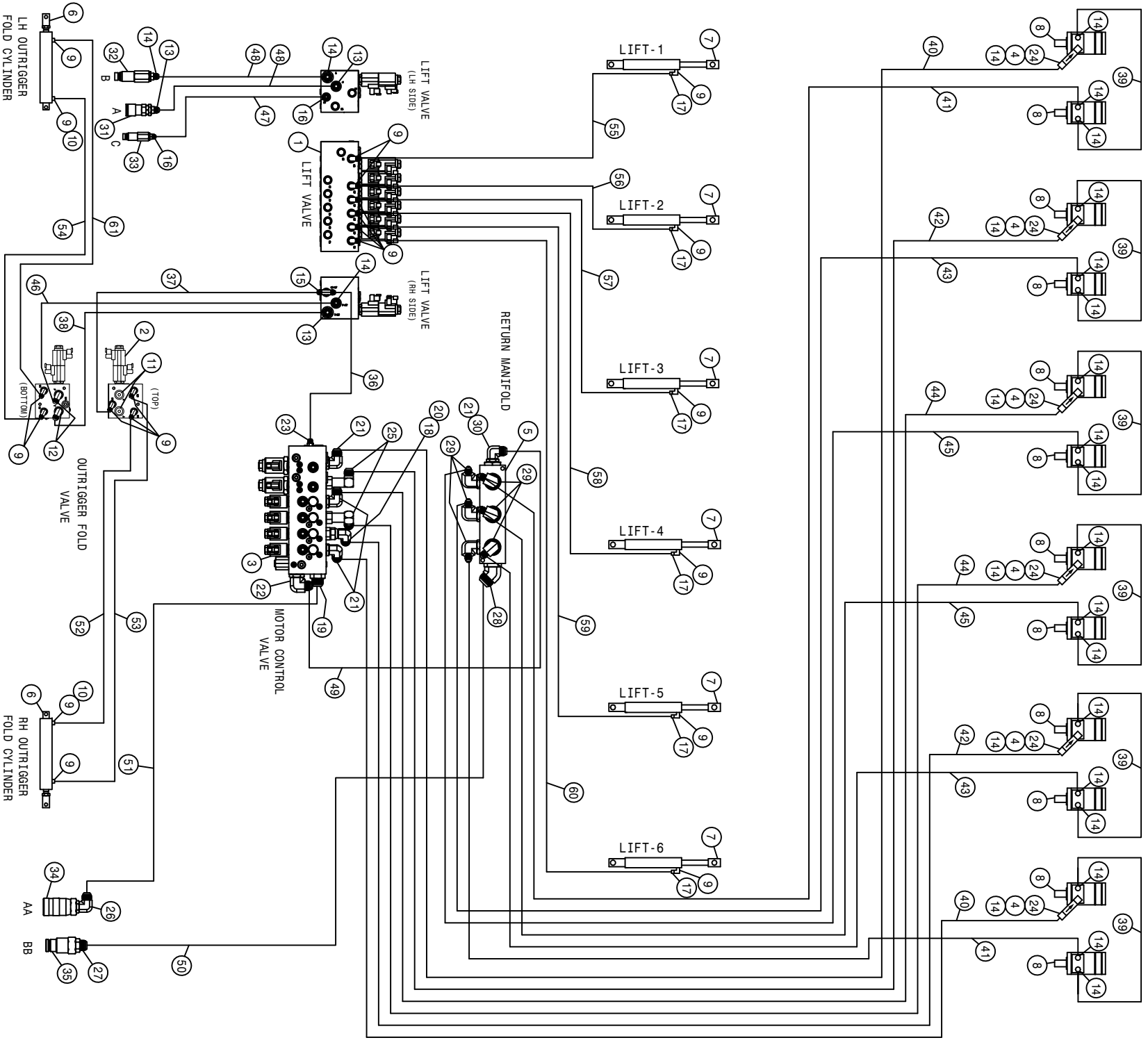
STS COMBO 8R QUAD HYD SCHEM 07  
REFERENCE DRAWING NO. 498950

DET.	QTY	PART NO.	DESCRIPTION	DET.	QTY	PART NO.	DESCRIPTION
1	1	606285	LIFT VALVE,STS COMBO,SAUER	31	1	618807	HYD CPLR, FEM #12, 3/4FOR
2	1	606286	FOLD VALVE,STS COMBO,SAUER	32	1	618806	HYD CPLR,MALE #12, 7/8FOR
3	1	606310	LS MTR CTRL ELEC VLV,STS,SAUER	33	1	618804	HYD CPLR,MALE #14, 9/16FOR
4	4	607522	FLOW REGULATOR, 8GPM VONBERG	34	1	618686	HYD COUPLER,FEM 1" B,1 5/16FOR
5	1	606246	MANIFOLD, #16 3-STN 180 DAMAN	35	1	618687	HYD COUPLER,MALE 1" B,1 5/16FOR
6	2	621566	OUTRGR FOLD CYL, 2.50 X 11.00	36	1	616519	04-451TC-06FJX-06FJX-11 H/A
7	4	621564	DETAS LIFT CYL,2.00 X 11.00STS	37	1	616246	04-451TC-06FJX-06FJX-10 H/A
8	8	610547	HYD MOTOR 4.5CI IIN SHFT	38	1	616528	06-451TC-08FJX-08FJX90-13 H/A
9	19	618119	9/16MJIC-90-9/16MOR LBO	39	4	616135	08-451TC-08FJX-08FJX-50 H/A
10	2	618732	9/16JIC .031 ORIFICE ADPTR	40	2	618533	1 1/16FJIC CAP NUT
11	2	618755	3/4MOR PLUG, HEX SOCKET	41	2	618531	9/16FJIC CAP NUT
12	2	618241	3/4MJIC-90-3/4MOR LBO	42	2	616539	08-451TC-12FJX-08FJX90-220 H/A
13	3	611125	3/4MJIC-3/4MOR ADPTR	43	2	616533	08-451TC-08FJX-08FJX-218 H/A
14	19	618327	3/4MJIC-7/8MOR ADPTR	44	2	616538	08-451TC-12FJX-08FJX90-125 H/A
15	1	618629	9/16MOR BRANCH TEE-9/16MJIC	45	2	616532	08-451TC-08FJX-08FJX-125 H/A
16	2	618126	9/16MJIC-9/16MOR ADPTR	46	1	616529	06-451TC-08FJX-08FJX90-16 H/A
17	4	618733	9/16JIC .042 ORIFICE ADPTR	47	1	616520	04-451TC-06FJX-06FJX90-32 H/A
18	1	611127	1 1/16MJIC-1 1/16MOR ADPTR	48	2	616536	08-451TC-08FJX-08FJX90-26 H/A
19	1	618186	1 5/16MJIC-1 5/16MOR ADPTR	49	1	616542	10-451TC-12FJX-12FJX90-30 H/A
20	1	618191	1 1/16MJ-90-1 1/16FJ SWIV LBO	50	1	616552	20-881-20FJX-20FJX90-45 H/A
21	4	618248	1 1/16MJIC-90-1 1/16MOR LBO	51	1	616549	16-451TC-16FJX-16FJX45-28 H/A
22	1	618302	1 1/16MJIC-90-1 5/16MOR LBO	52	1	616089	04-451TC-06FJX-06FJX-60 H/A
23	1	618304	9/16MJIC-7/16MOR ADPTR	53	1	616177	04-451TC-06FJX-06FJX-74 H/A
24	4	618586	7/8MOR UNION	54	1	616511	04-451TC-06FJX-06FJX-33 H/A
25	2	618674	1 1/16MJIC-90-1 1/16MOR XL LBO	55	2	618532	3/4FJIC CAP NUT
26	1	618178	1 5/16MJIC-90-1 5/16MOR LBO	56	1	616525	06-451TC-06FJX-06FJX45-124 H/A
27	1	618471	1 5/8MJIC-1 5/16MOR ADPTR	57	1	616644	06-451ST-06FJX-06FJX45-36 H/A
28	1	618396	1 5/8MJIC-45-1 5/8MOR LBO	58	1	616523	06-451TC-06FJX-06FJX45-80 H/A
29	6	618475	3/4MJIC-90-1 5/16MOR LBO	59	1	616526	06-451TC-06FJX-06FJX45-171 H/A
30	1	618595	1 5/8MOR-1 1/16FOR ADPTR	60	1	616512	04-451TC-06FJX-06FJX-49 H/A



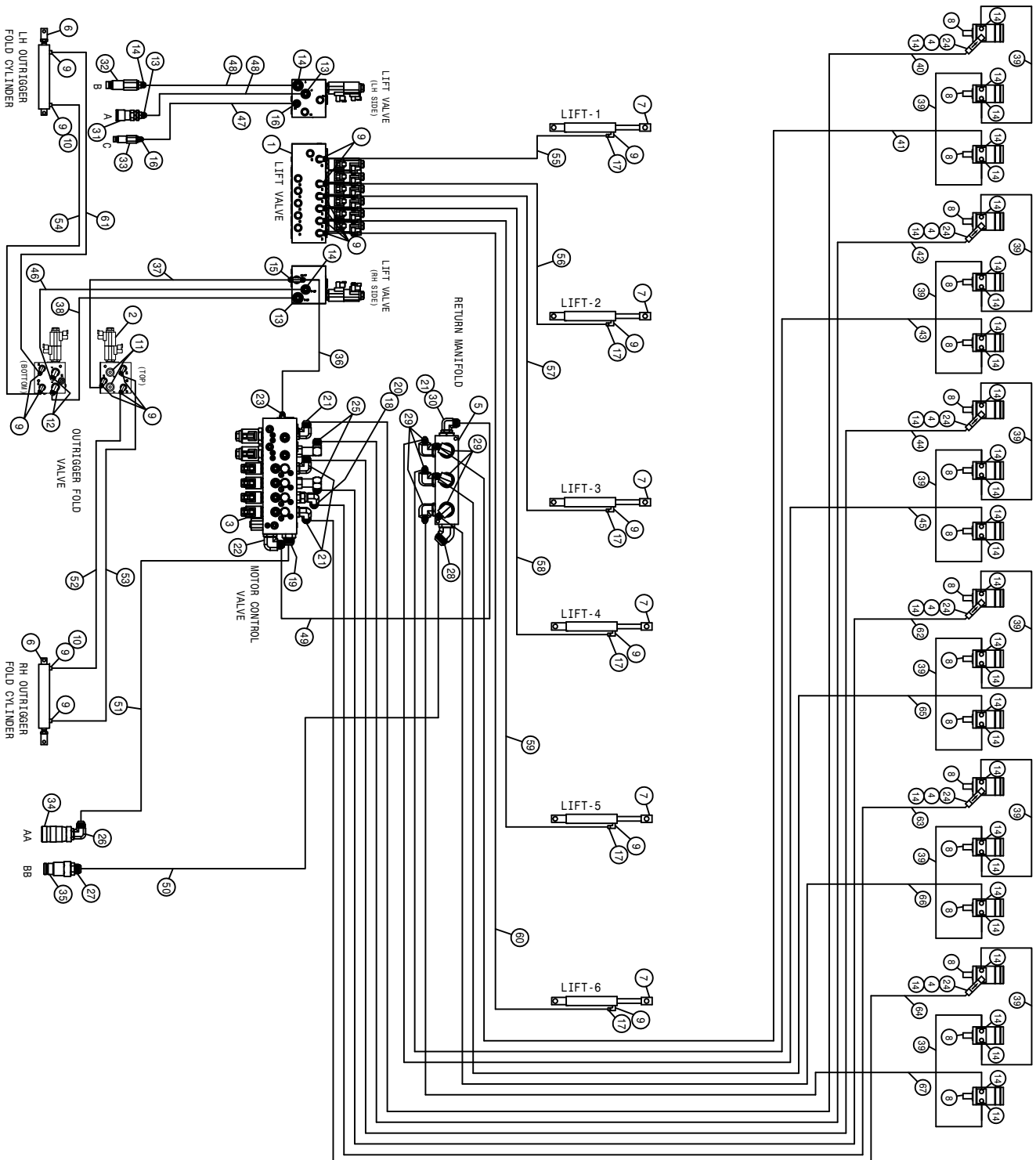
STS COMBO 10R QUAD HYD SCHEM 07  
REFERENCE DRAWING NO. 498951

DET.	QTY	PART NO.	DESCRIPTION	DET.	QTY	PART NO.	DESCRIPTION
1	1	606285	LIFT VALVE, STS COMBO, SAUER	31	1	618807	HYD GPLR, FEM #12, 3/4FOR
2	1	606286	FOLD VALVE, STS COMBO, SAUER	32	1	618806	HYD GPLR, MALE #12, 7/8FOR
3	1	606310	LS MTR CTRL ELEC VLV STS, SAUER	33	1	618804	HYD GPLR, MALE #14, 9/16FOR
4	6	607522	FLOW REGULATOR, 8GPM VONBERG	34	1	618686	HYD COUPLER, FEM 1" B, 1 5/16FOR
5	1	606246	MANIFOLD, #16-3-STN 180 DAMAN	35	1	618687	HYD COUPLER, MALE 1" B, 1 5/16FOR
6	2	621566	OUTRGR FOLD CYL, 2.50 X 11.00	36	1	616519	04-451TC-06FJX-06FJX-11 H/A
7	4	621564	DETAS LIFT CYL, 2.00 X 11.00STS	37	1	616246	04-451TC-06FJX-06FJX-10 H/A
8	10	610547	HYD MOTOR 4.5CI 1IN SHFT	38	1	616528	06-451TC-08FJX-08FJX90-13 H/A
9	19	618119	9/16MJIC-90-9/16MOR LBO	39	4	616135	08-451TC-08FJX-08FJX-50 H/A
10	2	618732	9/16JIC .031 ORIFICE ADPTR	40	2	616540	08-451TC-12FJX-08FJX90-252 H/A
11	2	618755	3/4MOR PLUG, HEX SOCKET	41	2	616535	08-451TC-08FJX-08FJX-252 H/A
12	2	618241	3/4MJIC-90-3/4MOR LBO	42	2	616539	08-451TC-12FJX-08FJX90-220 H/A
13	3	611125	3/4MJIC-3/4MOR ADPTR	43	2	616533	08-451TC-08FJX-08FJX-218 H/A
14	23	618327	3/4MJIC-7/8MOR ADPTR	44	2	616538	08-451TC-12FJX-08FJX90-125 H/A
15	1	618629	9/16MOR BRANCH TEE-9/16MJIC	45	2	616532	08-451TC-08FJX-08FJX-125 H/A
16	2	618126	9/16MJIC-9/16MOR ADPTR	46	1	616529	06-451TC-08FJX-08FJX90-16 H/A
17	4	618733	9/16JIC .042 ORIFICE ADPTR	47	1	616520	04-451TC-06FJX-06FJX90-32 H/A
18	1	611127	1 1/16MJIC-1 1/16MOR ADPTR	48	2	616536	08-451TC-08FJX-08FJX90-26 H/A
19	1	618186	1 5/16MJIC-1 5/16MOR ADPTR	49	1	616542	10-451TC-12FJX-12FJX90-30 H/A
20	1	618191	1 1/16MJ-90-1 1/16FJ SWIV LBO	50	1	616552	20-881-20FJX-20FJX90-45 H/A
21	4	618248	1 1/16MJIC-90-1 1/16MOR LBO	51	1	616549	16-451TC-16FJX-16FJX45-28 H/A
22	1	618302	1 1/16MJIC-90-1 5/16MOR LBO	52	1	616089	04-451TC-06FJX-06FJX-60 H/A
23	1	618304	9/16MJIC-7/16MOR ADPTR	53	1	616177	04-451TC-06FJX-06FJX-74 H/A
24	4	618586	7/8MOR UNION	54	1	616511	04-451TC-06FJX-06FJX-33 H/A
25	2	618674	1 1/16MJIC-90-1 1/16MOR XL LBO	55	2	618531	9/16FJIC CAP NUT
26	1	618178	1 5/16MJIC-90-1 5/16MOR LBO	56	1	616525	06-451TC-06FJX-06FJX45-124 H/A
27	1	618471	1 5/8MJIC-1 5/16MOR ADPTR	57	1	616644	06-451ST-06FJX-06FJX45-36 H/A
28	1	618396	1 5/8MJIC-45-1 5/8MOR LBO	58	1	616523	06-451TC-06FJX-06FJX45-80 H/A
29	6	618475	3/4MJIC-90-1 5/16MOR LBO	59	1	616526	06-451TC-06FJX-06FJX45-171 H/A
30	1	618595	1 5/8MOR-1 1/16FOR ADPTR	60	1	616512	04-451TC-06FJX-06FJX-49 H/A



STS COMBO 12R QUAD HYD SCHEM 07  
REFERENCE DRAWING NO. 498952

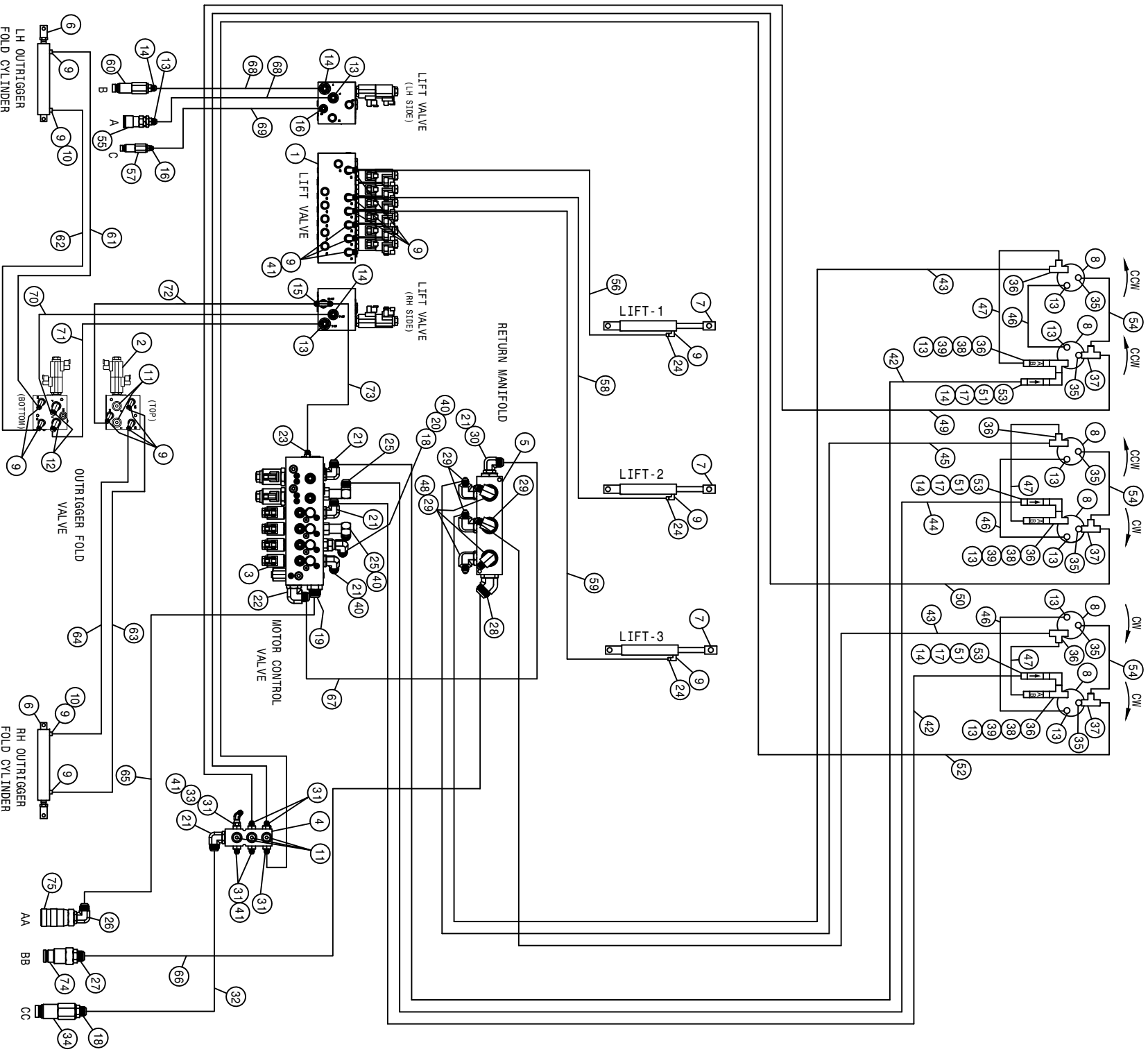
DET.	QTY	PART NO.	DESCRIPTION	DET.	QTY	PART NO.	DESCRIPTION
1	1	606285	LIFT VALVE, STS COMBO, SAUER	32	1	618806	HYD CPLR, MALE #12, 7/8FOR
2	1	606286	FOLD VALVE, STS COMBO, SAUER	33	1	618804	HYD CPLR, MALE #14, 9/16FOR
3	1	606310	LS MTR CTRL ELEC VLV STS, SAUER	34	1	618686	HYD COUPLER, FEM 1" B, 1 5/16FOR
4	6	607522	FLOW REGULATOR, 8GPM VONBERG	35	1	618687	HYD COUPLER, MALE 1" B, 1 5/16FOR
5	1	606246	MANIFOLD, #16 3-STN 180 DAMAN	36	1	618519	04-451TC-06FJX-06FJX-11
6	2	621566	OUTRGR FOLD CYL, 2.50 X 11.00	37	1	616246	04-451TC-06FJX-06FJX-10
7	6	621564	DETAS LIFT CYL, 2.00 X 11.00STS	38	1	616528	06-451TC-08FJX-08FJX90-13
8	12	610547	HYD MOTOR 4.5CI 1IN SHFT	39	6	616135	08-451TC-08FJX-08FJX-50
9	19	618119	9/16MJIC-90-9/16MOR LBO	40	2	616541	08-451TC-12FJX-08FJX90-280
10	2	614757	.032 ELBOW ASSY, 9/16MOR 90D	41	2	616534	08-451TC-08FJX-08FJX-278
11	2	618755	3/4MOR PLUG, HEX SOCKET	42	2	616539	08-451TC-12FJX-08FJX90-220
12	2	618241	3/4MJIC-90-3/4MOR LBO	43	2	616533	08-451TC-08FJX-08FJX-218
13	3	611125	3/4MJIC-3/4MOR ADPTR	44	2	616538	08-451TC-12FJX-08FJX90-125
14	2	618327	3/4MJIC-7/8MOR ADPTR	45	2	616532	08-451TC-08FJX-08FJX-125
15	1	618629	9/16MOR BRANCH TEE-9/16MJIC	46	1	616529	06-451TC-08FJX-08FJX90-16
16	2	618126	9/16MJIC-9/16MOR ADPTR	47	1	616520	04-451TC-06FJX-06FJX90-32
17	6	618733	9/16JIC .042 ORIFICE ADPTR	48	2	616536	08-451TC-08FJX-08FJX90-26
18	1	611127	1/16MJIC-1 1/16MOR ADPTR	49	1	616542	10-451TC-12FJX-12FJX90-30
19	1	618186	1 5/16MJIC-1 5/16MOR ADPTR	50	1	616552	20-881-20FJX-20FJX90-45
20	1	618191	1 1/16MJ-90-1 1/16FJ SWIV LBO	51	1	616549	16-451TC-16FJX-16FJX45-28
21	4	618248	1 1/16MJIC-90-1 1/16MOR LBO	52	1	616089	04-451TC-06FJX-06FJX-60
22	1	618302	1 1/16MJIC-90-1 5/16MOR LBO	53	1	616177	04-451TC-06FJX-06FJX-74
23	1	618304	9/16MJIC-7/16MOR ADPTR	54	1	616511	04-451TC-06FJX-06FJX-33
24	6	618586	7/8MOR UNION	55	1	616524	06-451TC-06FJX-06FJX45-185
25	2	618674	1 1/16MJIC-90-1 1/16MOR XL LBO	56	1	616525	06-451TC-06FJX-06FJX45-124
26	1	618178	1 5/16MJIC-90-1 5/16MOR LBO	57	1	616644	06-451ST-06FJX-06FJX45-36
27	1	618471	1 5/8MJIC-1 5/16MOR ADPTR	58	1	616523	06-451TC-06FJX-06FJX45-80
28	1	618396	1 5/8MJIC-45-1 5/8MOR LBO	59	1	616526	06-451TC-06FJX-06FJX45-171
29	6	618475	3/4MJIC-90-1 5/16MOR LBO	60	1	616527	06-451TC-06FJX-06FJX45-229
30	1	618595	1 5/8MOR-1 1/16FOR ADPTR	61	1	616512	04-451TC-06FJX-06FJX-49
31	1	618807	HYD CPLR, FEM #12, 3/4FOR				H/A





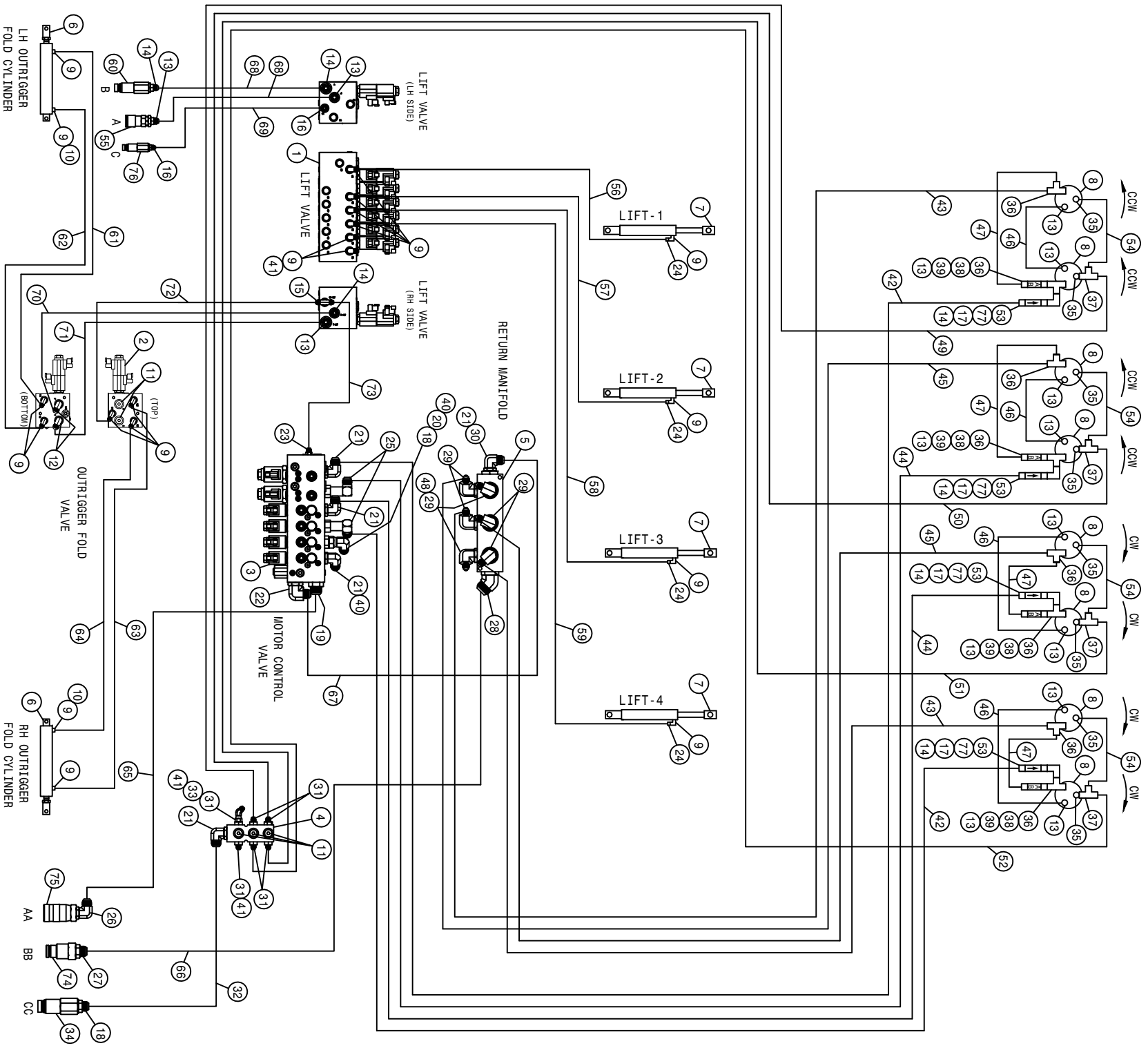
STS COMBO 18R QUAD HYD SCHEM 07  
REFERENCE DRAWING NO. 499023

DET.	QTY	PART NO.	DESCRIPTION	DET.	QTY	PART NO.	DESCRIPTION
1	1	606285	LIFT VALVE, STS COMBO, SAUER	35	1	618687	HYD COUPLER, MALE 1" B, 1 5/16 FOR
2	1	606286	FOLD VALVE, STS COMBO, SAUER	36	1	616519	04-451TC-06F-JX-06F-JX-11 H/A
3	1	606310	LS MTR CTRL ELEC VLV STS, SAUER	37	1	616246	04-451TC-06F-JX-06F-JX-10 H/A
4	6	607522	FLOW REGULATOR, 8GPM VONBERG	38	1	616528	06-451TC-08F-JX-08F-JX90-13 H/A
5	1	606246	MANIFOLD, #16 3-STN 180 DAMAN	39	12	616298	08-451TC-08F-JX-08F-JX-44 H/A
6	2	621566	OUTRGR FOLD CYL, 2.50 X 11.00	40	1	616654	08-451TC-12F-JX-08F-JX90-264 H/A
7	6	621564	DETAS LIFT CYL, 2.00 X 11.00STS	41	1	616659	08-451TC-08F-JX-08F-JX-255 H/A
8	18	610547	HYD MOTOR 4.50I 1IN SHFT	42	1	616653	08-451TC-12F-JX-08F-JX90-204 H/A
9	19	618119	9/16MJIC-90-9/16MOR LBO	43	1	616658	08-451TC-08F-JX-08F-JX-195 H/A
10	2	614757	.032 ELBOW ASSY, 9/16MOR 90D	44	1	616651	08-451TC-12F-JX-08F-JX90-119 H/A
11	2	618755	3/4MOR PLUG, HEX SOCKET	45	1	616656	08-451TC-08F-JX-08F-JX-112 H/A
12	2	618241	3/4MJIC-90-3/4MOR LBO	46	1	616529	06-451TC-08F-JX-08F-JX90-16 H/A
13	3	611125	3/4MJIC-3/4MOR ADPTR	47	1	616520	04-451TC-06F-JX-06F-JX90-32 H/A
14	39	618327	3/4MJIC-7/8MOR ADPTR	48	2	616536	08-451TC-08F-JX-08F-JX90-26 H/A
15	1	618629	9/16MOR BRANCH TEE-9/16MJIC	49	1	616542	10-451TC-12F-JX-12F-JX90-30 H/A
16	2	618126	9/16MJIC-9/16MOR ADPTR	50	1	616552	20-881-20F-JX-20F-JX90-45 H/A
17	6	618733	9/16JIC .042 ORIFICE ADPTR	51	1	616549	16-451TC-16F-JX-16F-JX45-28 H/A
18	1	611127	1 1/16MJIC-1 1/16MOR ADPTR	52	1	616089	04-451TC-06F-JX-06F-JX-60 H/A
19	1	618186	1 5/16MJIC-1 5/16MOR ADPTR	53	1	616177	04-451TC-06F-JX-06F-JX-74 H/A
20	1	618191	1 1/16MJ-90-1 1/16FJ SWIV LBO	54	1	616511	04-451TC-06F-JX-06F-JX-33 H/A
21	4	618248	1 1/16MJIC-90-1 1/16MOR LBO	55	1	616648	06-451TC-06F-JX-06F-JX45-167 H/A
22	1	618302	1 1/16MJIC-90-1 5/16MOR LBO	56	1	616646	06-451TC-06F-JX-06F-JX45-106 H/A
23	1	618304	9/16MJIC-7/16MOR ADPTR	57	1	616644	06-451ST-06F-JX-06F-JX45-36 H/A
24	6	618586	7/8MOR UNION	58	1	616645	06-451TC-06F-JX-06F-JX45-72 H/A
25	2	618674	1 1/16MJIC-90-1 1/16MOR XL LBO	59	1	616647	06-451TC-06F-JX-06F-JX45-153 H/A
26	1	618178	1 5/16MJIC-90-1 5/16MOR LBO	60	1	616649	06-451TC-06F-JX-06F-JX45-211 H/A
27	1	618471	1 5/8MJIC-1 5/16MOR ADPTR	61	1	616512	04-451TC-06F-JX-06F-JX-49 H/A
28	1	618396	1 5/8MJIC-45-1 5/8MOR LBO	62	1	616650	08-451TC-12F-JX-08F-JX90-114 H/A
29	6	618475	3/4MJIC-90-1 5/16MOR LBO	63	1	616652	08-451TC-12F-JX-08F-JX90-197 H/A
30	1	618595	1 5/8MOR-1 1/16FOR ADPTR	64	1	616655	08-451TC-12F-JX-08F-JX90-257 H/A
31	1	618807	HYD CPLR, FEM #12, 3/4FOR	65	1	616102	08-451TC-08F-JX-08F-JX-132 H/A
32	1	618806	HYD CPLR, MALE #12, 7/8FOR	66	1	616657	08-451TC-08F-JX-08F-JX-215 H/A
33	1	618804	HYD CPLR, MALE #14, 9/16FOR	67	1	616660	08-451TC-08F-JX-08F-JX-275 H/A
34	1	618686	HYD COUPLER, FEM 1" B, 1 5/16FOR				



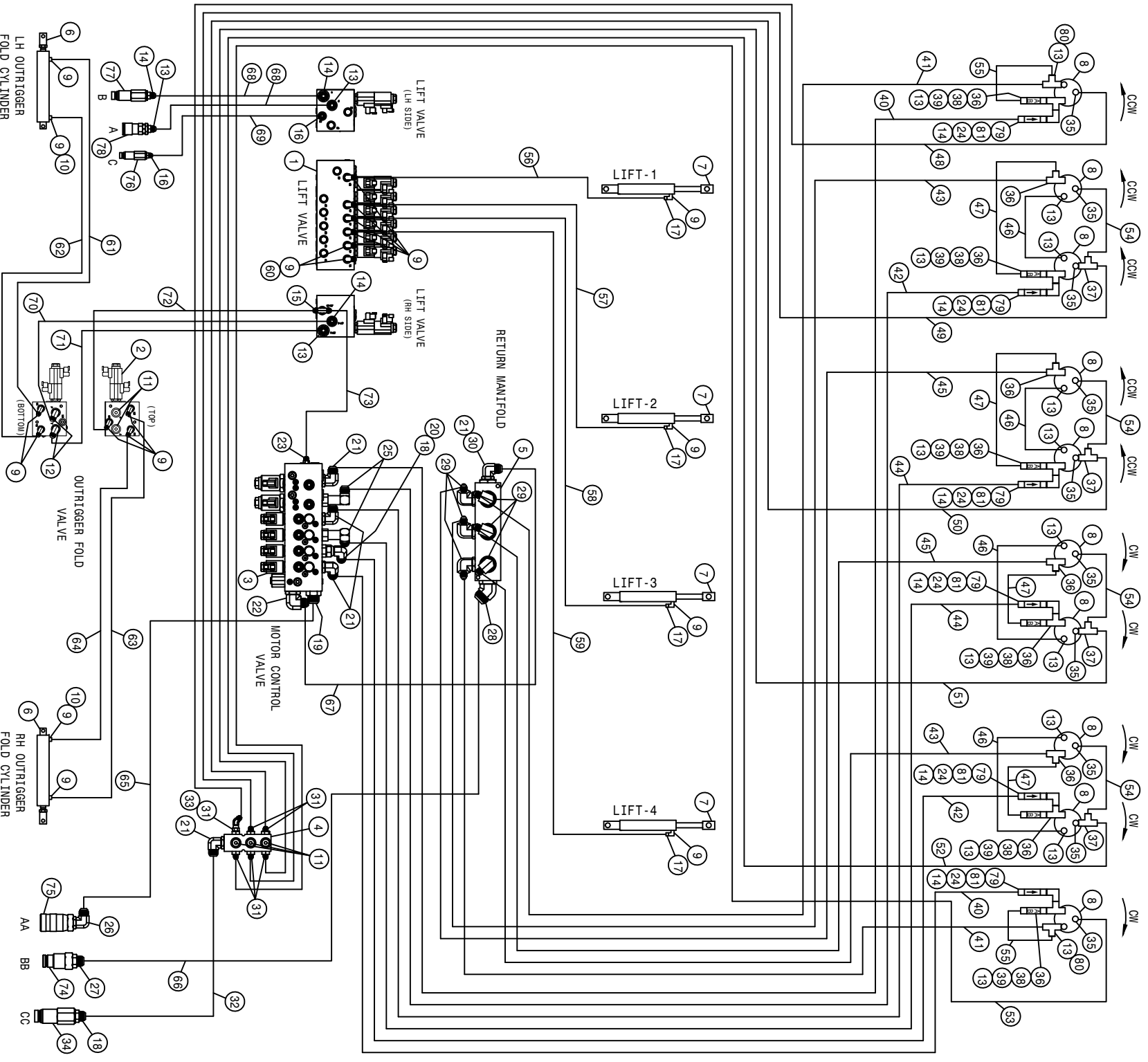
STS COMBO 6R CUTR HYD SCHEM 09  
REFERENCE DRAWING NO. 499028

DET.	QTY	PART NO.	DESCRIPTION	DET.	QTY	PART NO.	DESCRIPTION
1	1	606285	LIFT VALVE, STS COMBO, SAUER	39	3	618292	CHECK VALVE, 3/4FOR INLINE
2	1	606286	FOLD VALVE, STS COMBO, SAUER	40	3	618533	1 1/16FJIC CAP NUT
3	1	606310	LS MTR CTRL ELEC VLV STS, SAUER	41	6	618531	9/16FJIC CAP NUT
4	1	606021	HYD RETURN MANIF, 3/4FOR, 9-PORT	42	2	616539	08-451TC-12FJX-08FJX90-220 H/A
5	1	606246	MANIFOLD, #16 3-STN 180 DAMAN	43	2	616533	08-451TC-08FJX-08FJX-218 H/A
6	2	621566	OUTRGR FOLD CYL, 2.50 X 11.00	44	1	616538	08-451TC-12FJX-08FJX90-125 H/A
7	3	621564	DETAS LIFT CYL, 2.00 X 11.00STS	45	1	616532	08-451TC-08FJX-08FJX-125 H/A
8	6	610755	BARNES HYD MOTOR, D-SERIES 01	46	3	616531	08-451TC-08FJX-08FJX-55 H/A
9	18	618119	9/16MJIC-90-9/16MOR LBO	47	3	616532	08-451TC-08FJX-08FJX90-52 H/A
10	2	618732	9/16JIC .031 ORIFICE ADPTR	48	1	616532	3/4FJIC CAP NUT
11	5	618755	3/4MOR PLUG, HEX SOCKET	49	1	616515	04-451TC-06FJX-06FJX-238 H/A
12	2	618241	3/4MJIC-90-3/4MOR LBO	50	1	616180	04-451TC-06FJX-06FJX-143 H/A
13	12	611125	3/4MJIC-3/4MOR ADPTR	51	3	618818	3/4FJIC SWIV-7/8MOR ADPTR
14	6	618327	3/4MJIC-7/8MOR ADPTR	52	1	616514	04-451TC-06FJX-06FJX-208 H/A
15	1	618629	9/16MOR BRANCH TEE-9/16MJIC	53	3	618609	3/4MJIC-90-3/4FJIC SWIV LBO
16	2	618126	9/16MJIC-9/16MOR ADPTR	54	3	616521	04-451TC-06FJX-06FJX90-54 H/A
17	3	607522	FLOW REGULATOR, 8GPM VONBERG	55	1	618807	HYD CPLR, FEM #12, 3/4FOR
18	2	611127	1 1/16MJIC-1 1/16MOR ADPTR	56	1	616525	06-451TC-06FJX-06FJX45-124 H/A
19	1	618186	1 5/16MJIC-1 5/16MOR ADPTR	57	1	618804	HYD CPLR, MALE #14, 9/16FOR
20	1	618191	1 1/16MJIC-90-1 1/16FJ SWIV LBO	58	1	616523	06-451TC-06FJX-06FJX45-80 H/A
21	5	618248	1 1/16MJIC-90-1 1/16MOR LBO	59	1	616526	06-451TC-06FJX-06FJX45-171 H/A
22	1	618302	1 1/16MJIC-90-1 5/16MOR LBO	60	1	618806	HYD CPLR, MALE #12, 7/8FOR
23	1	618304	9/16MJIC-7/16MOR ADPTR	61	1	616512	04-451TC-06FJX-06FJX-49 H/A
24	3	618733	9/16JIC .042 ORIFICE ADPTR	62	1	616511	04-451TC-06FJX-06FJX-33 H/A
25	2	618674	1 1/16MJIC-90-1 1/16MOR XL LBO	63	1	616177	04-451TC-06FJX-06FJX-74 H/A
26	1	618178	1 5/16MJIC-90-1 5/16MOR LBO	64	1	616089	04-451TC-06FJX-06FJX-60 H/A
27	1	618471	1 5/8MJIC-1 5/16MOR ADPTR	65	1	616549	16-451TC-16FJX-16FJX45-28 H/A
28	1	618396	1 5/8MJIC-45-1 5/8MOR LBO	66	1	616552	20-881-20FJX-20FJX90-45 H/A
29	6	618475	3/4MJIC-90-1 5/16MOR LBO	67	1	616542	10-451TC-12FJX-12FJX90-30 H/A
30	1	618595	1 5/8MOR-1 1/16FOR ADPTR	68	2	616536	08-451TC-08FJX-08FJX90-26 H/A
31	6	618109	9/16MJIC-3/4MOR ADPTR	69	1	616520	04-451TC-06FJX-06FJX90-32 H/A
32	1	616559	12-451TC-12FJX-12FJX90-20 H/A	70	1	616529	06-451TC-08FJX-08FJX90-16 H/A
33	1	618634	9/16MJIC-45-9/16FJIC SWIV LBO	71	1	616528	06-451TC-08FJX-08FJX90-13 H/A
34	1	618809	HYD CPLR, MALE #12, 12FOR	72	1	616246	04-451TC-06FJX-06FJX-10 H/A
35	6	618530	9/16MJIC-1/8MNP ADPTR	73	1	616519	04-451TC-06FJX-06FJX-11 H/A
36	6	618494	3/4MOR RUN TEE-3/4MJIC	74	1	618687	HYD COUPLER, MALE 1" B, 1 5/16FOR
37	3	618486	9/16FJIC SW RUN TEE-9/16MJIC	75	1	618686	HYD COUPLER, FEM 1" B, 1 5/16FOR
38	3	618669	3/4FJIC SWIV-3/4MOR ADPTR				



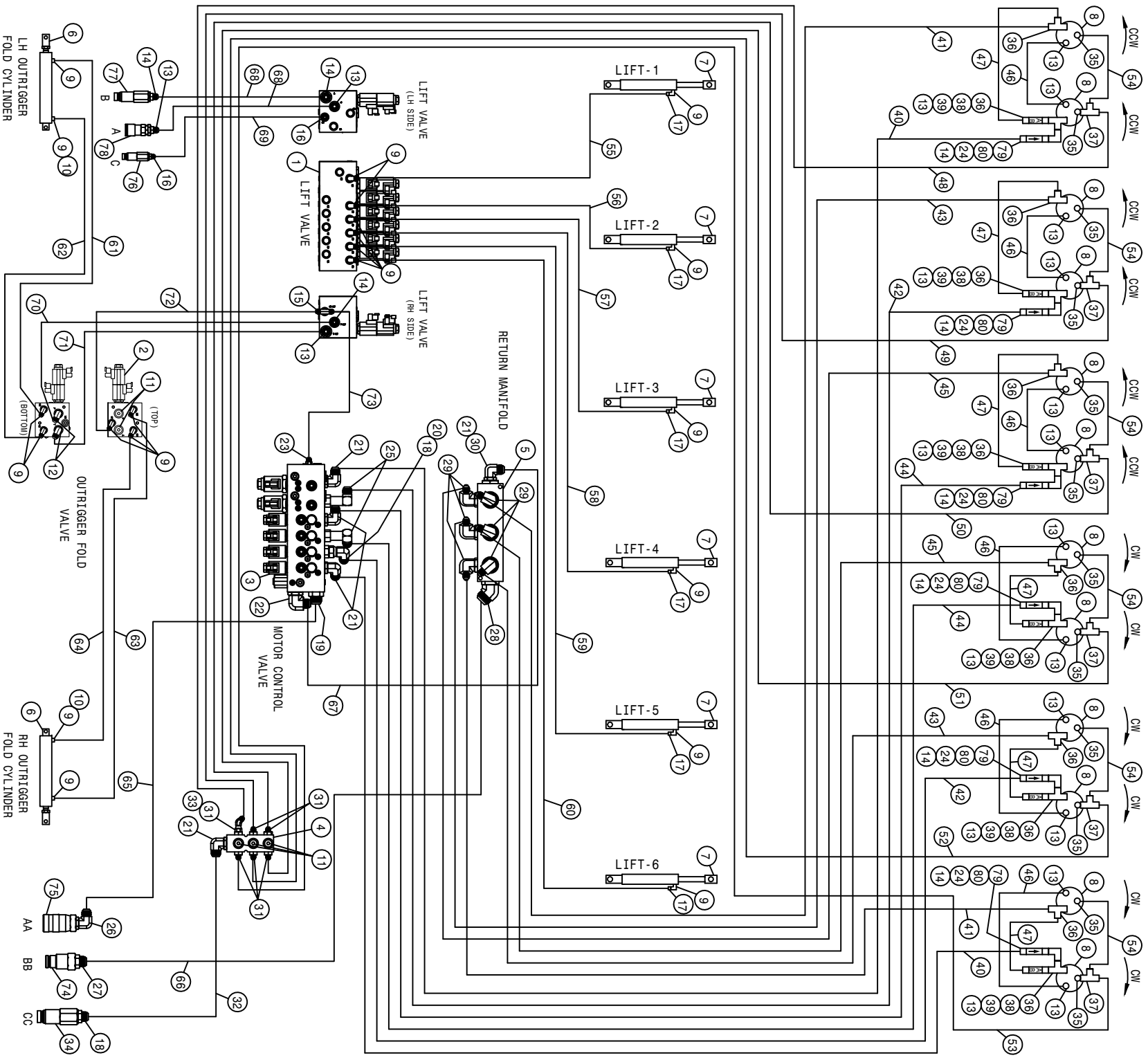
STS COMBO 8R CUTR HYD SCHEM 07  
REFERENCE DRAWING NO. 498953

DET.	QTY	PART NO.	DESCRIPTION	DET.	QTY	PART NO.	DESCRIPTION
1	1	606285	LIFT VALVE, STS COMBO, SAUER	40	2	618533	1 1/16FJIC CAP NUT
2	1	606286	FOLD VALVE, STS COMBO, SAUER	41	4	618531	9/16FJIC CAP NUT
3	1	606310	LS MTR CTRL ELEC VLV STS, SAUER	42	2	616539	08-451TC-12FJX-08FJX90-220 H/A
4	1	606021	HYD RETURN MANIF. 3/4FOR, 9-PORT	43	2	616533	08-451TC-08FJX-08FJX-218 H/A
5	1	606246	MANIFOLD, #16 3-STN 180 DAMAN	44	2	616538	08-451TC-12FJX-08FJX90-125 H/A
6	2	621566	OUTGR FOLD CYL, 2.50 X 11.00	45	2	616532	08-451TC-08FJX-08FJX-125 H/A
7	4	621564	DETA5 LIFT CYL, 2.00 X 11.00STS	46	4	616531	08-451TC-08FJX-08FJX-55 H/A
8	8	610755	BARNES HYD MOTOR, D-SERIES 01	47	4	616537	08-451TC-08FJX-08FJX90-52 H/A
9	19	618119	9/16MJIC-90-9/16MOR LBO	48	2	618532	3/4FJIC CAP NUT
10	2	618732	9/16JIC .031 ORFICE ADPTR	49	1	616515	04-451TC-06FJX-06FJX-238 H/A
11	5	618755	3/4MOR PLUG, HEX SOCKET	50	1	616180	04-451TC-06FJX-06FJX-143 H/A
12	2	618241	3/4MJIC-90-3/4MOR LBO	51	1	616513	04-451TC-06FJX-06FJX-112 H/A
13	15	611125	3/4MJIC-3/4MOR ADPTR	52	1	616514	04-451TC-06FJX-06FJX-208 H/A
14	7	618327	3/4MJIC-7/8MOR ADPTR	53	4	618609	3/4MJIC-90-3/4FJIC SWIV LBO
15	1	618629	9/16MOR BRANCH TEE-9/16MJIC	54	4	616521	04-451TC-06FJX-06FJX90-54 H/A
16	2	618126	9/16MJIC-9/16MOR ADPTR	55	1	618807	HYD CPLR, FEM #12, 3/4FOR
17	4	607522	FLOW REGULATOR, 8GPM VONBERG	56	1	616525	06-451TC-06FJX-06FJX45-124 H/A
18	2	611127	1 1/16MJIC-1 1/16MOR ADPTR	57	1	616644	06-451ST-06FJX-06FJX45-36 H/A
19	1	618186	1 5/16MJIC-1 5/16MOR ADPTR	58	1	616523	06-451TC-06FJX-06FJX45-80 H/A
20	1	618191	1 1/16MJ-90-1 1/16FJ SWIV LBO	59	1	616526	06-451TC-06FJX-06FJX45-171 H/A
21	5	618248	1 1/16MJIC-90-1 1/16MOR LBO	60	1	618806	HYD CPLR, MALE #12, 7/8FOR
22	1	618302	1 1/16MJIC-90-1 5/16MOR LBO	61	1	616512	04-451TC-06FJX-06FJX-49 H/A
23	1	618304	9/16MJIC-7/16MOR ADPTR	62	1	616511	04-451TC-06FJX-06FJX-33 H/A
24	4	618733	9/16JIC .042 ORFICE ADPTR	63	1	616177	04-451TC-06FJX-06FJX-74 H/A
25	2	618674	1 1/16MJIC-90-1 1/16MOR XL LBO	64	1	616089	04-451TC-06FJX-06FJX-60 H/A
26	1	618178	1 5/16MJIC-90-1 5/16MOR LBO	65	1	616549	16-451TC-16FJX-16FJX45-28 H/A
27	1	618471	1 5/8MJIC-1 5/16MOR ADPTR	66	1	616552	20-881-20FJX-20FJX90-45 H/A
28	1	618396	1 5/8MJIC-45-1 5/8MOR LBO	67	1	616542	10-451TC-12FJX-12FJX90-30 H/A
29	6	618475	3/4MJIC-90-1 5/16MOR LBO	68	2	616536	08-451TC-08FJX-08FJX90-26 H/A
30	1	618595	1 5/8MOR-1 1/16FOR ADPTR	69	1	616520	04-451TC-06FJX-06FJX90-32 H/A
31	6	618109	9/16MJIC-3/4MOR ADPTR	70	1	616529	06-451TC-08FJX-08FJX90-16 H/A
32	1	616559	12-451TC-12FJX-12FJX90-20 H/A	71	1	616528	06-451TC-08FJX-08FJX90-13 H/A
33	1	618634	9/16MJIC-45-9/16FJIC SWIV LBO	72	1	616246	04-451TC-06FJX-06FJX-10 H/A
34	1	618809	HYD CPLR, MALE #12, 12FOR	73	1	616519	04-451TC-06FJX-06FJX-11 H/A
35	8	618530	9/16MJIC-1/8MNP ADPTR	74	1	618687	HYD COUPLER, MALE 1" B, 1 5/16FOR
36	8	618494	3/4MOR RUN TEE-3/4MJIC	75	1	618686	HYD COUPLER, FEM 1" B, 1 5/16FOR
37	4	618486	9/16FJIC SW RUN TEE-9/16MJIC	76	1	618804	HYD CPLR, MALE #14, 9/16FOR
38	4	618669	3/4FJIC SWIV-3/4MOR ADPTR	77	4	618818	3/4FJIC SWIV-7/8MOR ADPTR
39	4	618292	CHECK VALVE, 3/4FOR INLINE				



STS COMBO 10R CUTTR HYD SCHEM 07  
REFERENCE DRAWING NO. 498954

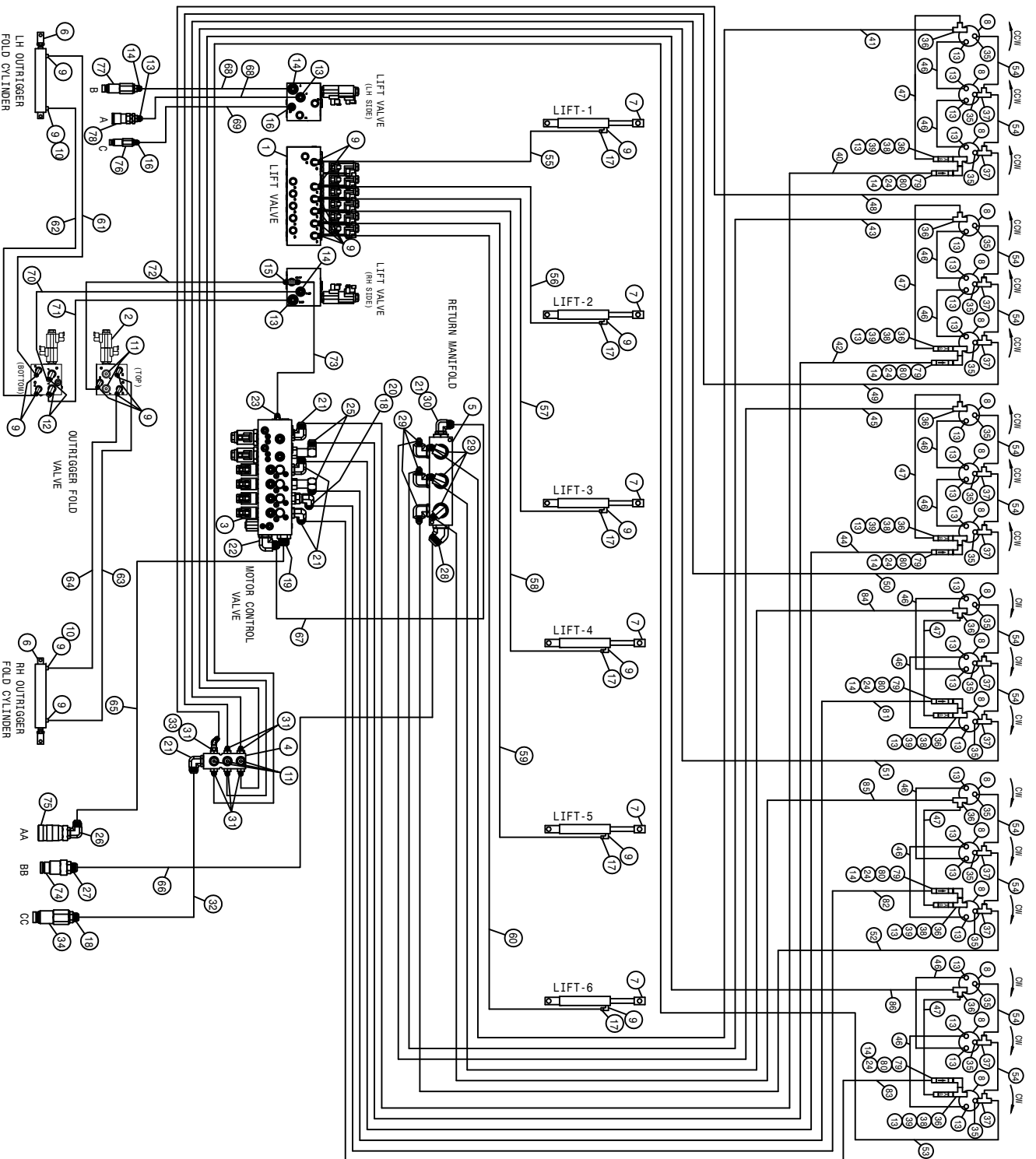
DET.	QTY	PART NO.	DESCRIPTION	DET.	QTY	PART NO.	DESCRIPTION
1	1	606285	LIFT VALVE,STS COMBO, SAUER	42	2	616539	08-451TC-12FJX-08FJX90-220 H/A
2	1	606286	FOLD VALVE,STS COMBO, SAUER	43	2	616533	08-451TC-08FJX-08FJX-218 H/A
3	1	606310	LS MTR CTRL ELEC VLV STS, SAUER	44	2	616538	08-451TC-12FJX-08FJX90-125 H/A
4	1	606021	HYD RETURN MANIF, 3/4FOR, 9-PORT	45	2	616532	08-451TC-08FJX-08FJX-125 H/A
5	1	606246	MANIFOLD, #16-3-STN 180 DAMAN	46	4	616531	08-451TC-08FJX-08FJX-55 H/A
6	2	621566	OUTRGR FOLD CYL, 2.50 X 11.00	47	4	616537	08-451TC-08FJX-08FJX90-52 H/A
7	4	621564	DETAS LIFT CYL, 2.00 X 11.00STS	48	1	618517	1 5/16MJ-90-1 5/16FJX TUBETRN
8	10	610755	BARNES HYD MOTOR, D-SERIES 01	49	1	616515	04-451TC-06FJX-06FJX-238 H/A
9	19	618119	9/16MJIC-90-9/16MOR LBO	50	1	616180	04-451TC-06FJX-06FJX-143 H/A
10	2	618732	9/16JIC .031 ORIFICE ADPTR	51	1	616513	04-451TC-06FJX-06FJX-112 H/A
11	5	618755	3/4MOR PLUG, HEX SOCKET	52	1	616514	04-451TC-06FJX-06FJX-208 H/A
12	2	618241	3/4MJIC-90-3/4MOR LBO	53	1	616516	04-451TC-06FJX-06FJX-246 H/A
13	19	611125	3/4MJIC-3/4MOR ADPTR	54	4	616521	04-451TC-06FJX-06FJX90-54 H/A
14	9	618327	3/4MJIC-7/8MOR ADPTR	55	2	616530	08-451TC-08FJX-08FJX90-27 H/A
15	1	618629	9/16MOR BRANCH TEE-9/16MJIC	56	1	616525	06-451TC-06FJX-06FJX45-124 H/A
16	2	618126	9/16MJIC-9/16MOR ADPTR	57	1	616644	3/4FJIC SWIV-7/8MOR ADPTR
17	4	618733	9/16JIC .042 ORIFICE ADPTR	58	1	616523	06-451TC-06FJX-06FJX45-80 H/A
18	2	611127	1 1/16MJIC-1 1/16MOR ADPTR	59	1	616526	06-451TC-06FJX-06FJX45-171 H/A
19	1	618186	1 5/16MJIC-1 5/16MOR ADPTR	60	2	618531	9/16FJIC CAP NUT
20	1	618191	1 1/16MJ-90-1 1/16FJ SWIV LBO	61	1	616512	04-451TC-06FJX-06FJX-49 H/A
21	5	618248	1 1/16MJIC-90-1 1/16MOR LBO	62	1	616511	04-451TC-06FJX-06FJX-33 H/A
22	1	618302	1 1/16MJIC-90-1 5/16MOR LBO	63	1	616177	04-451TC-06FJX-06FJX-74 H/A
23	1	618304	9/16MJIC-7/16MOR ADPTR	64	1	616089	04-451TC-06FJX-06FJX-60 H/A
24	6	607522	FLOW REGULATOR, 8GPM VONBERG	65	1	616549	16-451TC-16FJX-16FJX45-28 H/A
25	2	618674	1 1/16MJIC-90-1 1/16MOR XL LBO	66	1	616552	20-881-20FJX-20FJX90-45 H/A
26	1	618178	1 5/16MJIC-90-1 5/16MOR LBO	67	1	616542	10-451TC-12FJX-12FJX90-30 H/A
27	1	618471	1 5/8MJIC-1 5/16MOR ADPTR	68	2	616536	08-451TC-08FJX-08FJX90-26 H/A
28	1	618396	1 5/8MJIC-45-1 5/8MOR LBO	69	1	616520	04-451TC-06FJX-06FJX90-32 H/A
29	6	618475	3/4MJIC-90-1 5/16MOR LBO	70	1	616529	06-451TC-08FJX-08FJX90-16 H/A
30	1	618595	1 5/8MOR-1 1/16FOR ADPTR	71	1	616528	06-451TC-08FJX-08FJX90-13 H/A
31	6	618109	9/16MJIC-3/4MOR ADPTR	72	1	616246	04-451TC-06FJX-06FJX-10 H/A
32	1	616559	12-451TC-12FJX-12FJX90-20 H/A	73	1	616519	04-451TC-06FJX-06FJX-11 H/A
33	1	618634	9/16MJIC-45-9/16FJIC SWIV LBO	74	1	618687	HYD COUPLER, MALE 1" B, 1 5/16FOR
34	1	618809	HYD CPLR, MALE #12, 12FOR	75	1	618686	HYD COUPLER, FEM 1" B, 1 5/16FOR
35	10	618530	9/16MJIC-1/8MNP ADPTR	76	1	618804	HYD CPLR, MALE #14, 9/16FOR
36	10	618494	3/4MOR RUN TEE-3/4MJIC	77	1	618806	HYD CPLR, MALE #12, 7/8FOR
37	4	618486	9/16FJIC SW RUN TEE-9/16MJIC	78	1	618807	HYD CPLR, FEM #12, 3/4FOR
38	6	618669	3/4FJIC SWIV-3/4MOR ADPTR	79	6	618609	3/4MJIC-90-3/4FJIC SWIV LBO
39	6	618292	CHECK VALVE, 3/4FOR INLINE	80	2	618451	3/4FJIC SW RUN TEE-3/4MJIC
40	2	616540	08-451TC-12FJX-08FJX90-252 H/A	81	6	618818	3/4FJIC SWIV-7/8MOR ADPTR
41	2	616535	08-451TC-08FJX-08FJX-252 H/A				





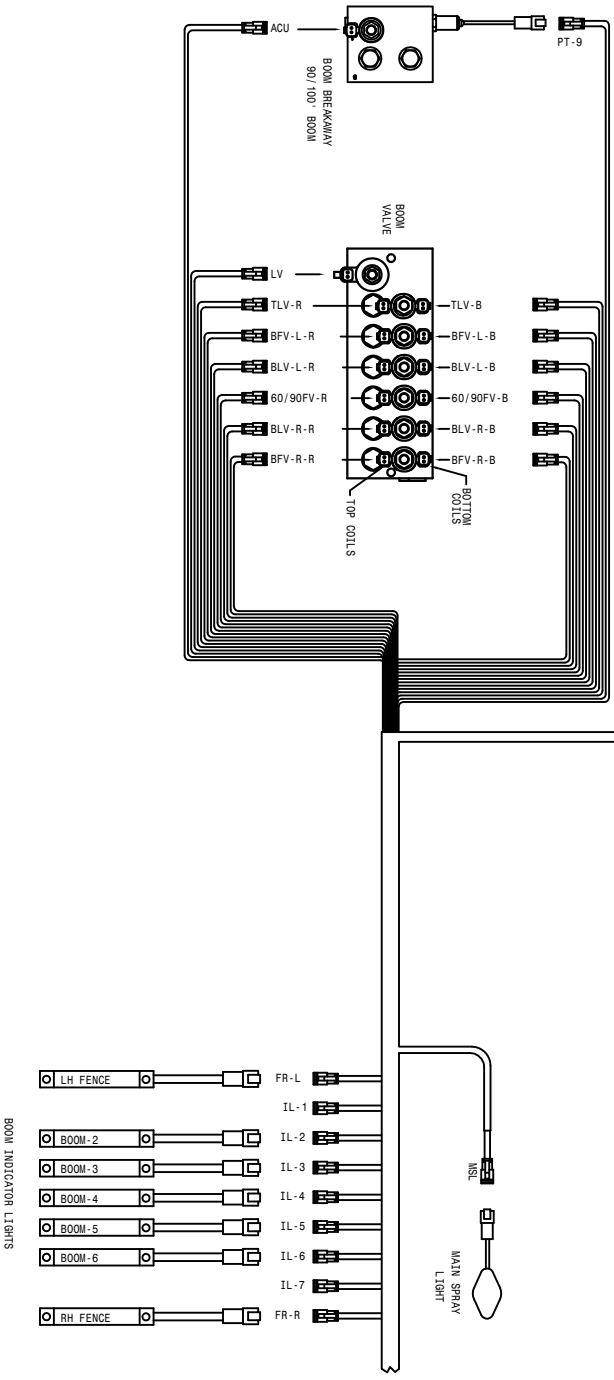
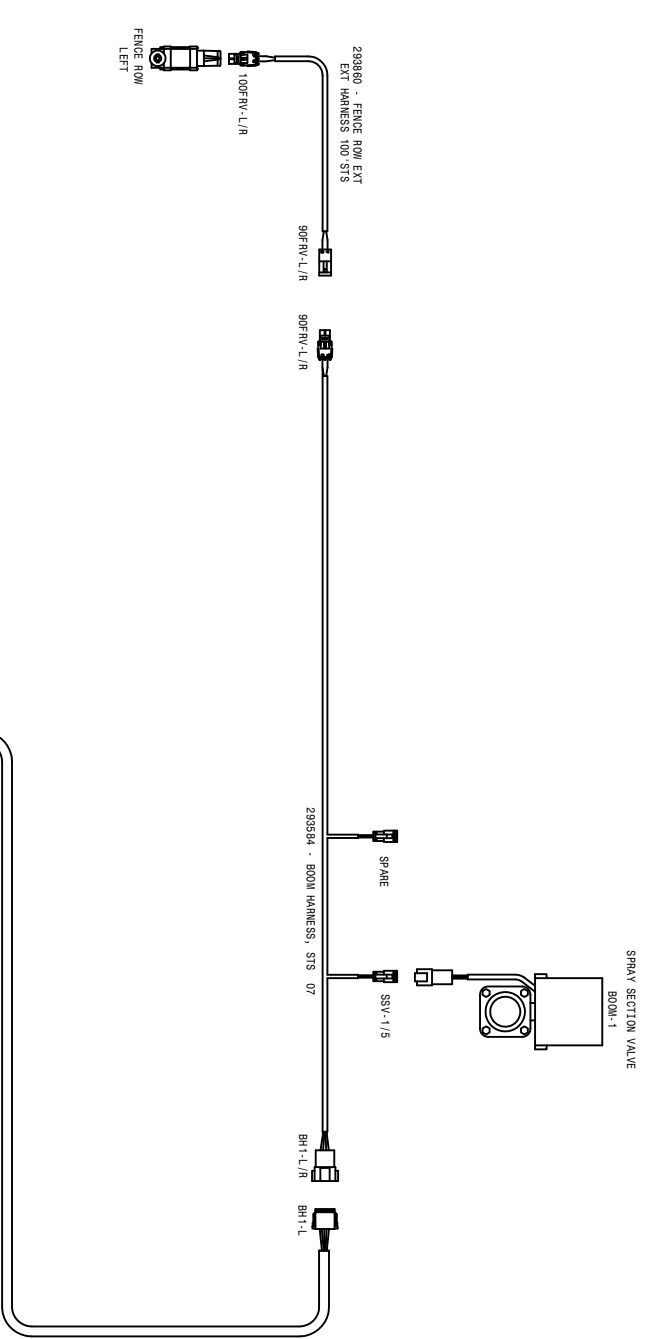
STS COMBO 12R HYD SCHEM 07  
REFERENCE DRAWING NO. 498955

DET.	QTY	PART NO.	DESCRIPTION	DET.	QTY	PART NO.	DESCRIPTION
1	1	606285	LIFT VALVE,STS COMBO,SAUER	41	2	616534	08-451TC-08FJX-08FJX-278 H/A
2	1	606286	FOLD VALVE,STS COMBO,SAUER	42	2	616539	08-451TC-12FJX-08FJX90-220 H/A
3	1	606310	LS MTR CTRL ELEC VLV STS,SAUER	43	2	616533	08-451TC-08FJX-08FJX-218 H/A
4	1	606021	HYD RETURN MANIF,3/4FOR,9-PORT	44	2	616538	08-451TC-12FJX-08FJX90-125 H/A
5	1	606246	MANIFOLD, #16 3-STN 180 DAMAN	45	2	616532	08-451TC-08FJX-08FJX-125 H/A
6	2	621566	OUTRRR FOLD CYL, 2.50 X 11.00	46	6	616531	08-451TC-08FJX-08FJX-55 H/A
7	6	621564	DETAS LIFT CYL,2.00 X 11.00STS	47	6	616537	08-451TC-08FJX-08FJX90-52 H/A
8	12	610755	BARNES HYD MOTOR, D-SERIES 01	48	1	616518	04-451TC-06FJX-06FJX-298 H/A
9	19	618119	9/16MJIC-90-9/16MOR LBO	49	1	616515	04-451TC-06FJX-06FJX-238 H/A
10	2	614757	.032 ELBOW ASSY,9/16MOR 90D	50	1	616180	04-451TC-06FJX-06FJX-143 H/A
11	5	618755	3/4MOR PLUG, HEX SOCKET	51	1	616513	04-451TC-06FJX-06FJX-112 H/A
12	2	618241	3/4MJIC-90-3/4MOR LBO	52	1	616514	04-451TC-06FJX-06FJX-208 H/A
13	21	611125	3/4MJIC-3/4MOR ADPTR	53	1	616517	04-451TC-06FJX-06FJX-272 H/A
14	9	618327	3/4MJIC-7/8MOR ADPTR	54	6	616521	04-451TC-06FJX-06FJX90-54 H/A
15	1	618629	9/16MOR BRANCH TEE-9/16MJIC	55	1	616524	06-451TC-06FJX-06FJX45-185 H/A
16	2	618126	9/16MJIC-9/16MOR ADPTR	56	1	616525	06-451TC-06FJX-06FJX45-124 H/A
17	6	618733	9/16JIC .042 ORIFICE ADPTR	57	1	616644	3/4FJIC SWIV-7/8MOR ADPTR
18	2	611127	1 1/16MJIC-1 1/16MOR ADPTR	58	1	616523	06-451TC-06FJX-06FJX45-80 H/A
19	1	618186	1 5/16MJIC-1 5/16MOR ADPTR	59	1	616526	06-451TC-06FJX-06FJX45-171 H/A
20	1	618191	1 1/16MJ-90-1 1/16FJ SWIV LBO	60	1	616527	06-451TC-06FJX-06FJX45-229 H/A
21	5	618248	1 1/16MJIC-90-1 1/16MOR LBO	61	1	616512	04-451TC-06FJX-06FJX-49 H/A
22	1	618302	1 1/16MJIC-90-1 5/16MOR LBO	62	1	616511	04-451TC-06FJX-06FJX-33 H/A
23	1	618304	9/16MJIC-7/16MOR ADPTR	63	1	616177	04-451TC-06FJX-06FJX-74 H/A
24	6	607522	FLOW REGULATOR, 8GPM VONBERG	64	1	616089	04-451TC-06FJX-06FJX-60 H/A
25	2	618674	1 1/16MJIC-90-1 1/16MOR XL LBO	65	1	616549	16-451TC-16FJX-16FJX45-28 H/A
26	1	618178	1 5/16MJIC-90-1 5/16MOR LBO	66	1	616552	20-881-20FJX-20FJX90-45 H/A
27	1	618471	1 5/8MJIC-1 5/16MOR ADPTR	67	1	616542	10-451TC-12FJX-12FJX90-30 H/A
28	1	618396	1 5/8MJIC-45-1 5/8MOR LBO	68	2	616536	08-451TC-08FJX-08FJX90-26 H/A
29	6	618475	3/4MJIC-90-1 5/16MOR LBO	69	1	616520	04-451TC-06FJX-06FJX90-32 H/A
30	1	618595	1 5/8MOR-1 1/16FOR ADPTR	70	1	616529	06-451TC-08FJX-08FJX90-16 H/A
31	6	618109	9/16MJIC-3/4MOR ADPTR	71	1	616528	06-451TC-08FJX-08FJX90-13 H/A
32	1	616559	12-451TC-12FJX-12FJX90-20 H/A	72	1	616246	04-451TC-06FJX-06FJX-10 H/A
33	1	618634	9/16MJIC-45-9/16FJIC SWIV LBO	73	1	616519	04-451TC-06FJX-06FJX-11 H/A
34	1	618809	HYD CPLR,MALE #12, 12FOR	74	1	618687	HYD COUPLER,MALE 1" B, 1 5/16FOR
35	12	618530	9/16MJIC-1/8MNPT ADPTR	75	1	618686	HYD COUPLER,FEM 1" B, 1 5/16FOR
36	12	618494	3/4MOR RUN TEE-3/4MJIC	76	1	618804	HYD CPLR,MALE #14, 9/16FOR
37	6	618469	9/16FJIC SW RUN TEE-9/16MJIC	77	1	618806	HYD CPLR,MALE #12, 7/8FOR
38	6	618669	3/4FJIC SWIV-3/4MOR ADPTR	78	1	618807	HYD CPLR, FEM #12, 3/4FOR
39	6	618292	CHECK VALVE,3/4FOR INLINE	79	6	618609	3/4MJIC-90-3/4FJIC SWIV LBO
40	2	616541	08-451TC-12FJX-08FJX90-280 H/A	80	6	618818	3/4FJIC SWIV-7/8MOR ADPTR

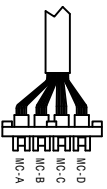


STS COMBO 18R CUTR HYD SCHEM 09  
REFERENCE DRAWING NO. 499024

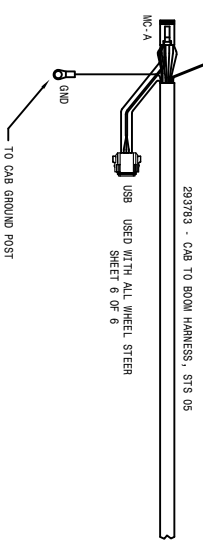
DET.	QTY	PART NO.	DESCRIPTION	DET.	QTY	PART NO.	DESCRIPTION
1	1	606285	LIFT VALVE, STS COMBO, SAUER	44	1	616651	08-451TC-12FJX-08FJX90-119 H/A
2	1	606286	FOLD VALVE, STS COMBO, SAUER	45	1	616656	08-451TC-08FJX-08FJX-112 H/A
3	1	606310	LS MTR CTRL ELEC VLV STS, SAUER	46	12	616025	08-482TC-08FJX-08FJX-50 H/A
4	1	606021	HYD RETURN MANIF. 3/4FOR, 9-PORT	47	6	616562	08-451TC-08FJX-08FJX90-66 H/A
5	1	606246	MANIFOLD, #16 3-STN 180 DAMAN	48	1	616666	04-451TC-06FJX-06FJX-282 H/A
6	2	621566	OUTRGR FOLD CYL, 2.50 X 11.00	49	1	616664	04-451TC-06FJX-06FJX-222 H/A
7	6	621564	DETAAS LIFT CYL, 2.00 X 11.00STS	50	1	616662	04-451TC-06FJX-06FJX-137 H/A
8	18	610755	BARNES HYD MOTOR, D-SERIES 01	51	1	616661	04-451TC-06FJX-06FJX-101 H/A
9	19	618119	9/16MJIC-90-9/16MOR LBO	52	1	616663	04-451TC-06FJX-06FJX-185 H/A
10	2	614757	.032 ELBOW ASSY, 9/16MOR 90D	53	1	616665	04-451TC-06FJX-06FJX-249 H/A
11	5	618755	3/4MOR PLUG, HEX SOCKET	54	12	616422	04C1T-06FJX-06FJX90-50 H/A
12	2	618241	3/4MJIC-90-3/4MOR LBO	55	1	616648	06-451TC-06FJX-06FJX45-167 H/A
13	35	611125	3/4MJIC-3/4MOR ADPTR	56	1	616646	06-451TC-06FJX-06FJX45-106 H/A
14	9	618327	3/4MJIC-7/8MOR ADPTR	57	1	616644	06-451TC-06FJX-06FJX45-36 H/A
15	1	618629	9/16MOR BRANCH TEE-9/16MJIC	58	1	616645	06-451TC-06FJX-06FJX45-72 H/A
16	2	618733	9/16JIC .042 ORIFICE ADPTR	59	1	616647	06-451TC-06FJX-06FJX45-153 H/A
17	8	618754	9/16MOR PLUG, HEX SOCKET	60	1	616649	06-451TC-06FJX-06FJX45-211 H/A
18	2	611127	1 1/16MJIC-1 1/16MOR ADPTR	61	1	616512	04-451TC-06FJX-06FJX-49 H/A
19	1	618186	1 5/16MJIC-1 5/16MOR ADPTR	62	1	616511	04-451TC-06FJX-06FJX-33 H/A
20	1	618191	1 1/16MJ-90-1 1/16FJ SWIV LBO	63	1	616177	04-451TC-06FJX-06FJX-74 H/A
21	5	618248	1 1/16MJIC-90-1 1/16MOR LBO	64	1	616089	04-451TC-06FJX-06FJX-60 H/A
22	1	618302	1 1/16MJIC-90-1 5/16MOR LBO	65	1	616549	16-451TC-16FJX-16FJX45-28 H/A
23	1	618304	9/16MJIC-7/16MOR ADPTR	66	1	616552	20-881-20FJX-20FJX90-45 H/A
24	6	607522	FLOW REGULATOR, 8GPM VONBERG	67	1	616542	10-451TC-12FJX-12FJX90-30 H/A
25	2	618674	1 1/16MJIC-90-1 1/16MOR XL LBO	68	2	616536	08-451TC-08FJX-08FJX90-26 H/A
26	1	618178	1 5/16MJIC-90-1 5/16MOR LBO	69	1	616520	04-451TC-06FJX-06FJX90-32 H/A
27	1	618471	1 5/8MJIC-1 5/16MOR ADPTR	70	1	616529	06-451TC-08FJX-08FJX90-16 H/A
28	1	618396	1 5/8MJIC-45-1 5/8MOR LBO	71	1	616528	06-451TC-08FJX-08FJX90-13 H/A
29	6	618475	3/4MJIC-90-1 5/16MOR LBO	72	1	616246	04-451TC-06FJX-06FJX-10 H/A
30	1	618595	1 5/8MOR-1 1/16FOR ADPTR	73	1	616519	04-451TC-06FJX-06FJX-11 H/A
31	6	618109	9/16MJIC-3/4MOR ADPTR	74	1	618687	HYD COUPLER, MALE 1" B, 1 5/16FOR
32	1	616559	12-451TC-12FJX-12FJX90-20 H/A	75	1	618686	HYD COUPLER, FEM 1" B, 1 5/16FOR
33	1	618634	9/16MJIC-45-9/16FJIC SWIV LBO	76	1	618804	HYD CPLR, MALE #14, 9/16FOR
34	1	618809	HYD CPLR, MALE #12, 12FOR	77	1	618806	HYD CPLR, MALE #12, 7/8FOR
35	18	618530	9/16MJIC-1/8MPT ADPTR	78	1	618807	HYD CPLR, FEM #12, 3/4FOR
36	12	618494	3/4MOR RUN TEE-3/4MJIC	79	6	618609	3/4MJIC-90-3/4FJIC SWIV LBO
37	12	618486	9/16FJIC SW RUN TEE-9/16MJIC	80	6	618818	3/4FJIC SWIV-7/8MOR ADPTR
38	6	618669	3/4FJIC SWIV-3/4MOR ADPTR	81	1	616650	08-451TC-12FJX-08FJX90-114 H/A
39	6	618292	CHECK VALVE, 3/4FOR INLINE	82	1	616652	08-451TC-12FJX-08FJX90-197 H/A
40	1	616654	08-451TC-12FJX-08FJX90-264 H/A	83	1	616655	08-451TC-12FJX-08FJX90-257 H/A
41	1	616659	08-451TC-08FJX-08FJX-255 H/A	84	1	616102	08-451TC-08FJX-08FJX-132 H/A
42	1	616653	08-451TC-12FJX-08FJX90-204 H/A	85	1	616657	08-451TC-08FJX-08FJX-215 H/A
43	1	616658	08-451TC-08FJX-08FJX-195 H/A	86	1	616660	08-451TC-08FJX-08FJX-275 H/A

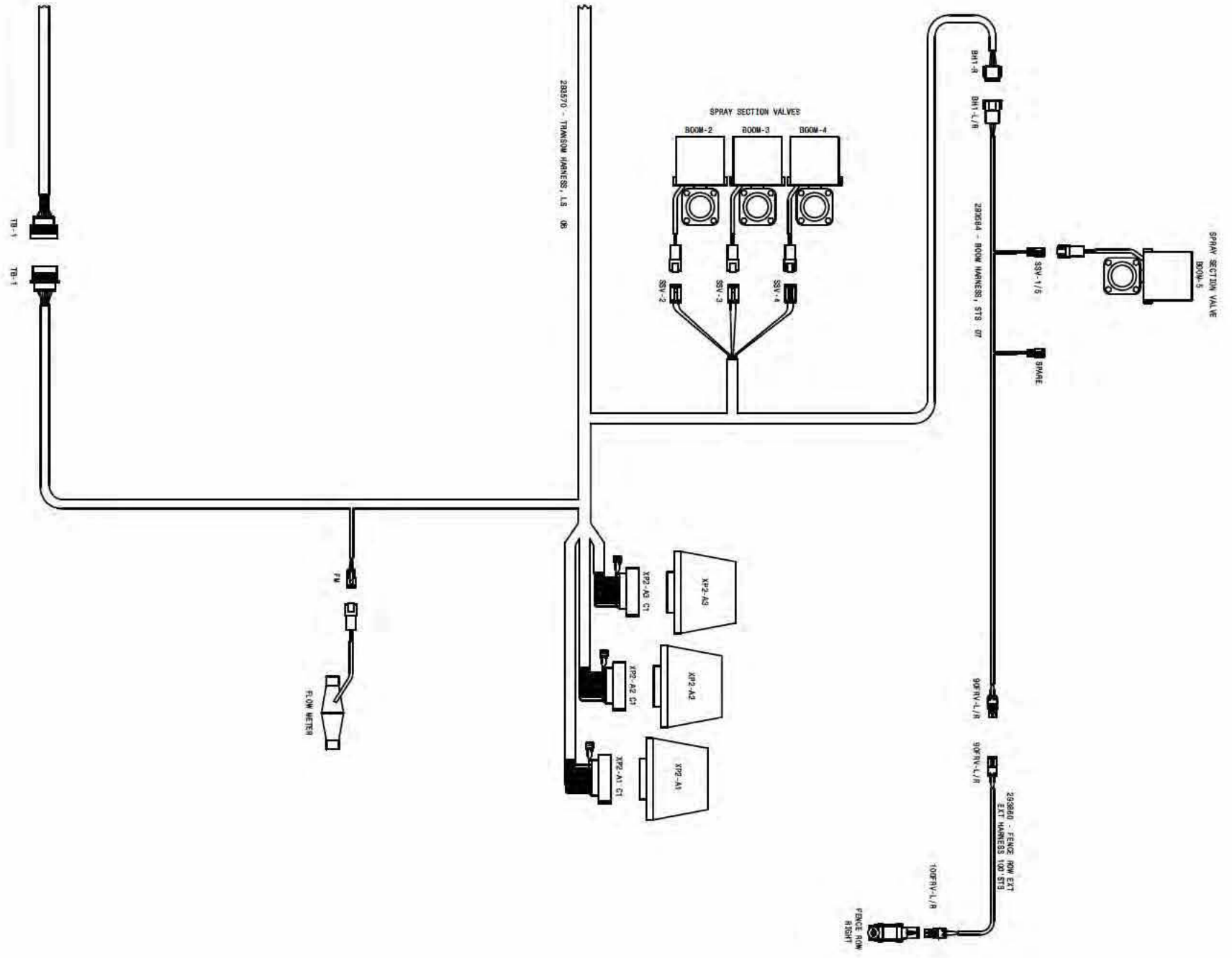


293950 - MAIN CAB HARNESS, STS 06  
PAGE 5 OF 6

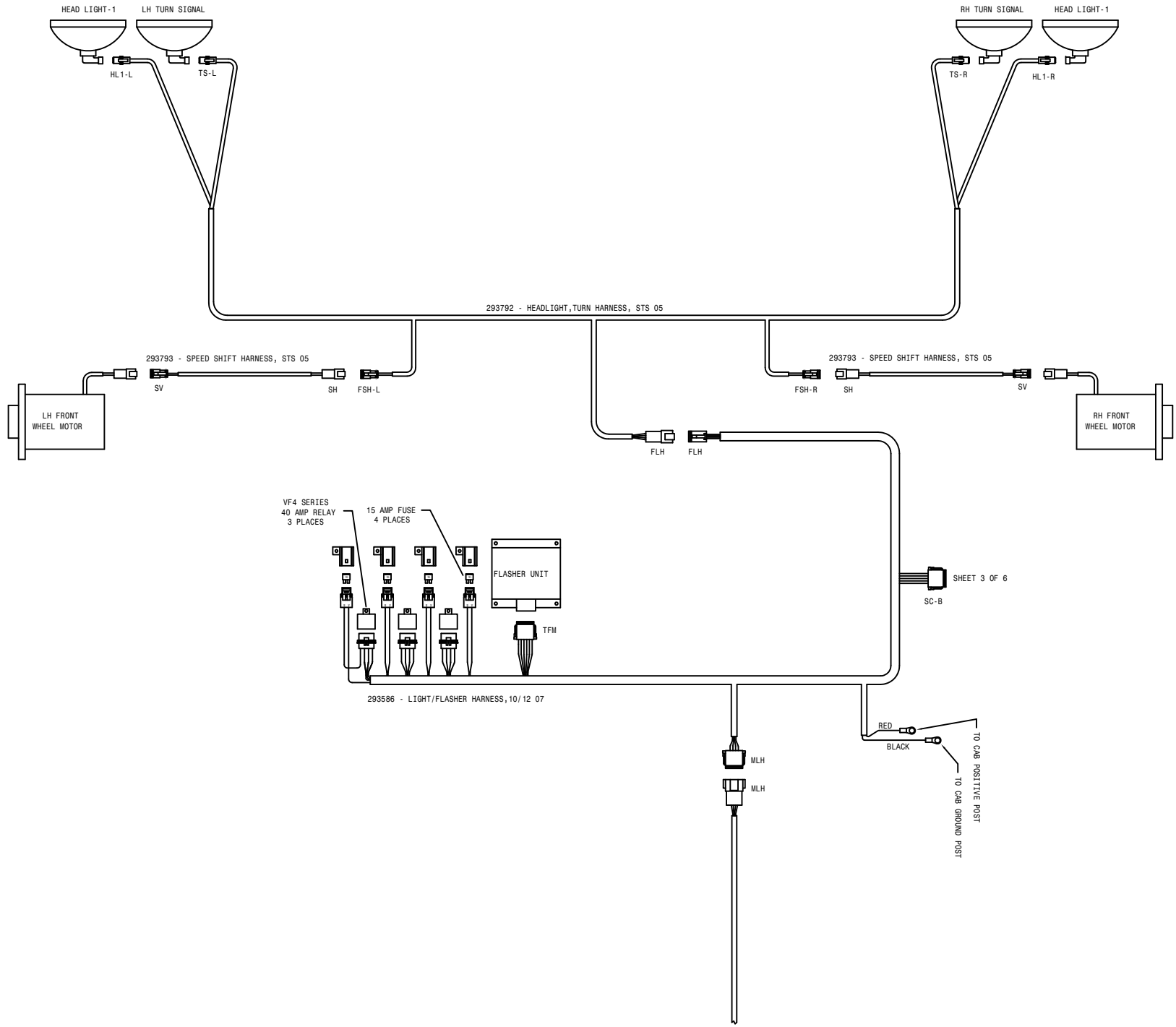


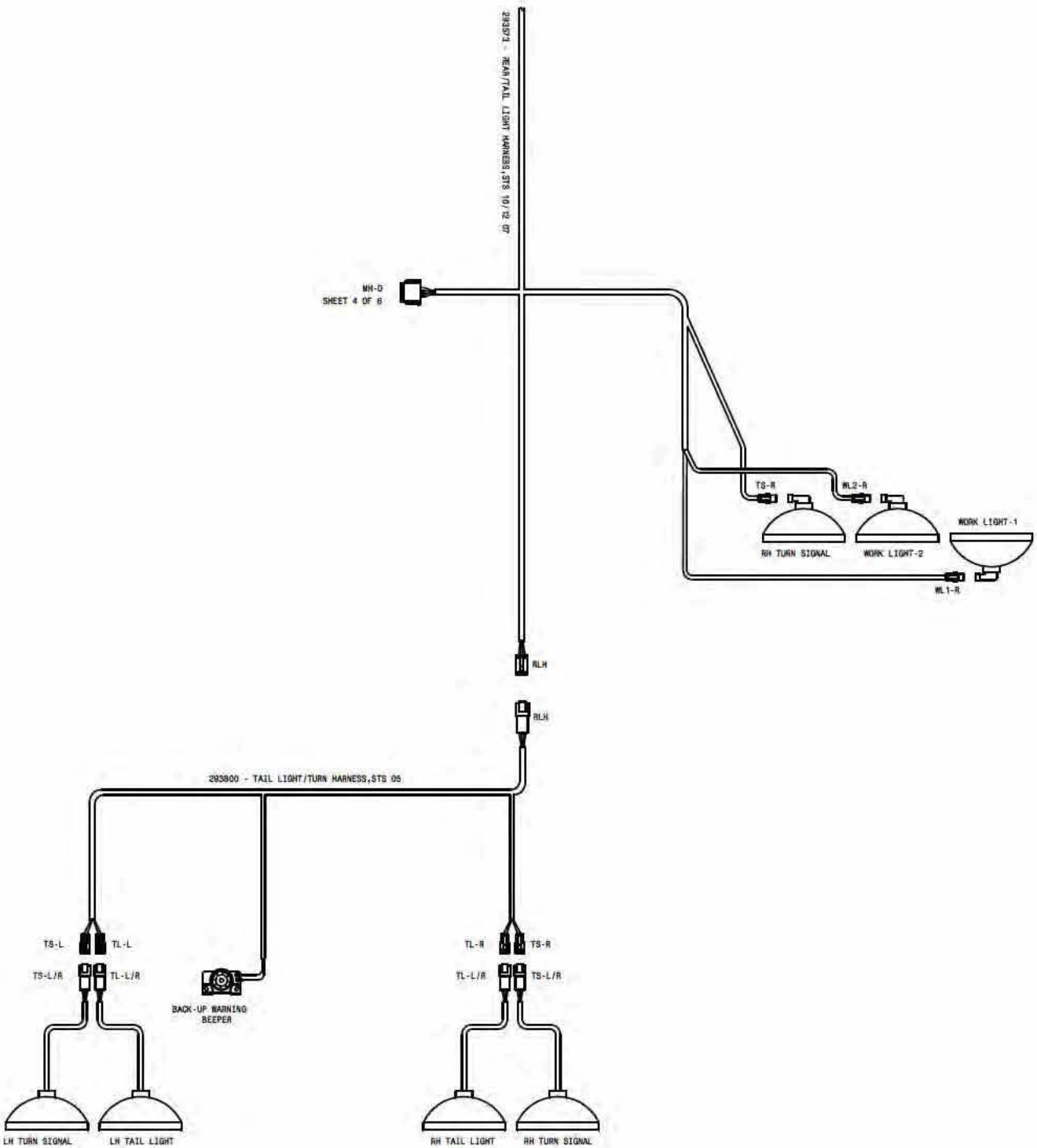
PAGE 3 OF 6 DL-3



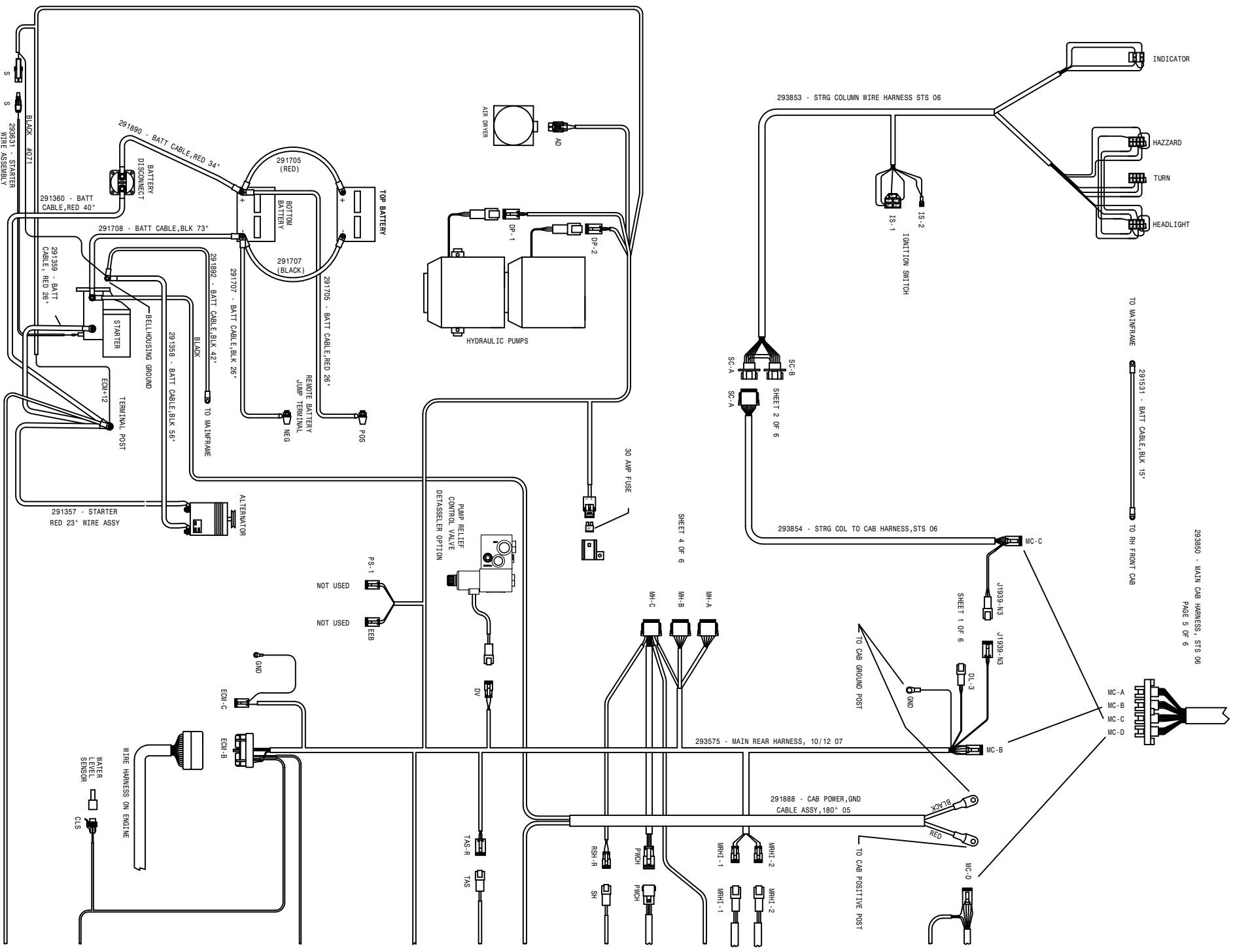


111113-09 13A  
**ST8 10/12 WIRING DIAGRAM 09**  
 SHEET 1 OF 6  
 REVISION DATE: **499026**





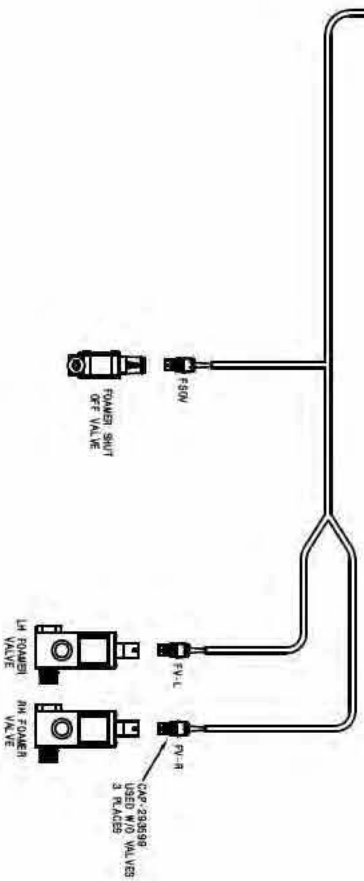
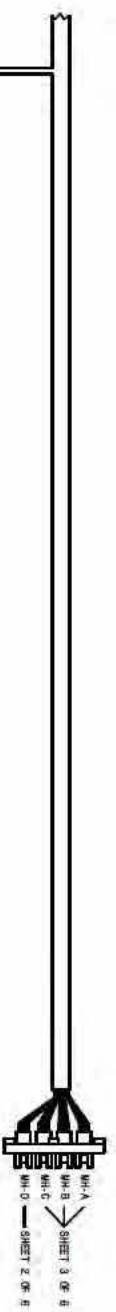
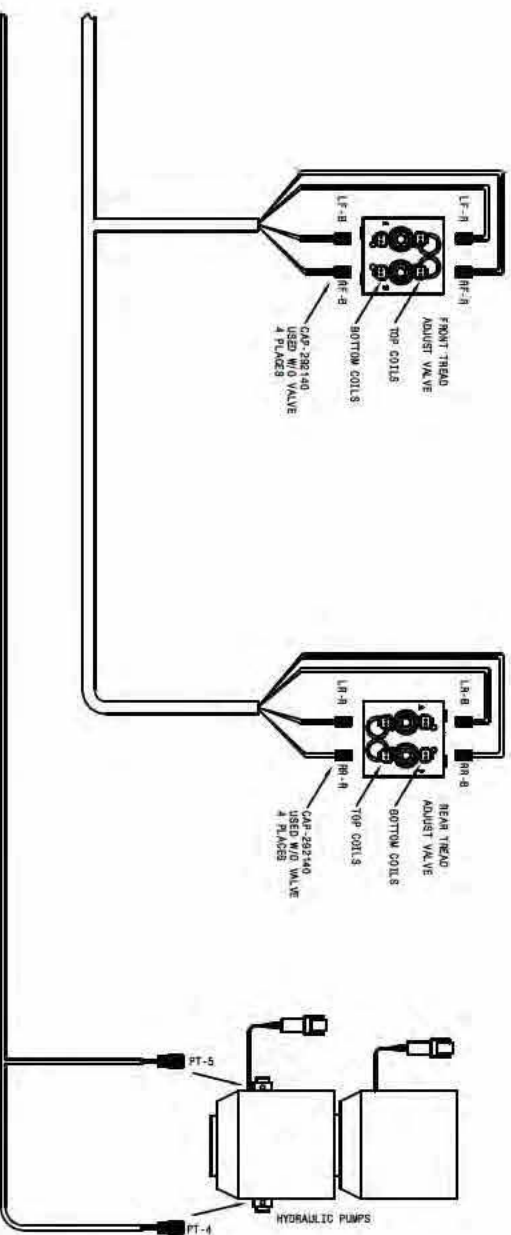
STS 10/12 WIRING DIAGRAM 09  
 SHEET 2 OF 6  
 REVISION DATE: 499026  
 11-11-09



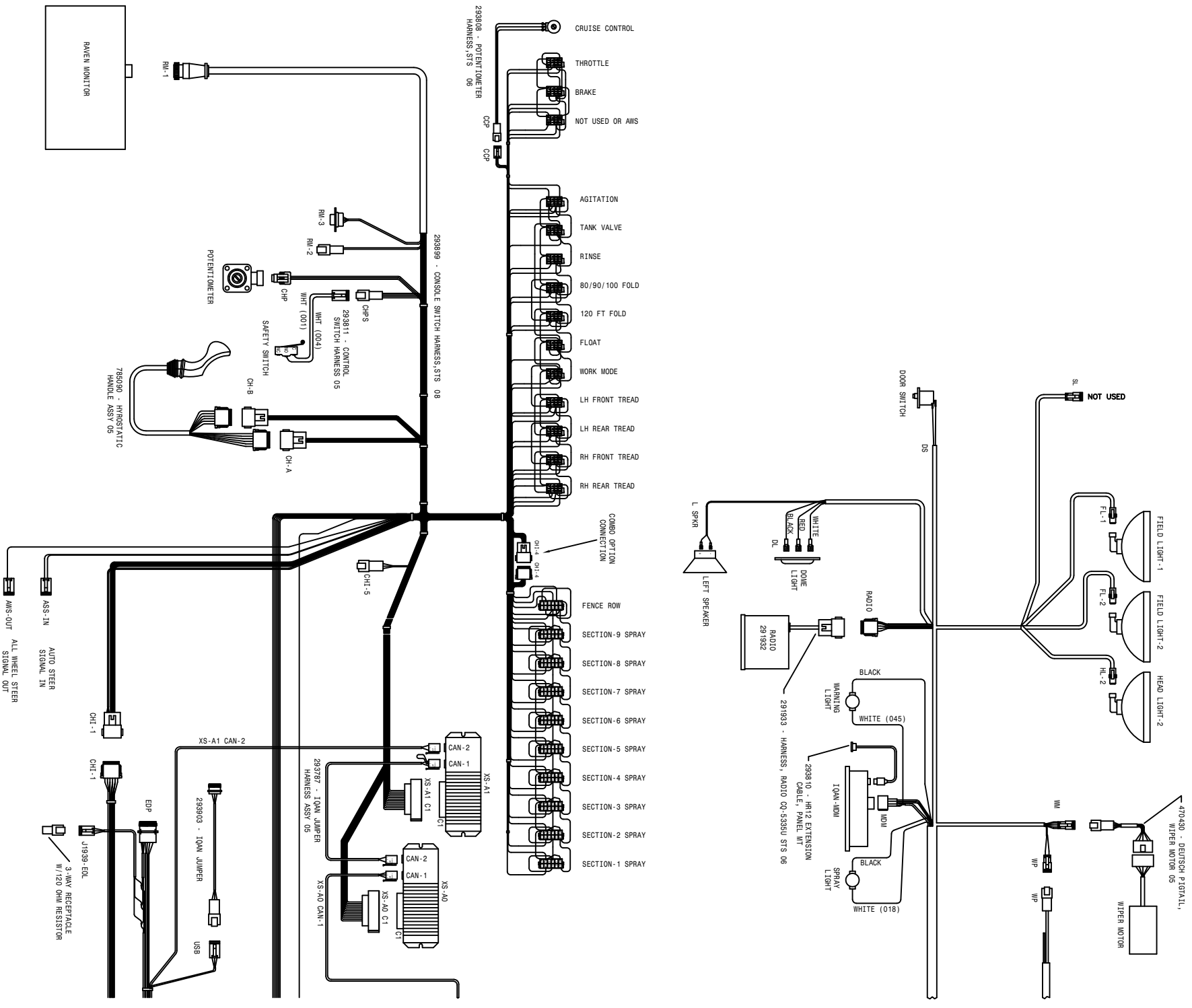


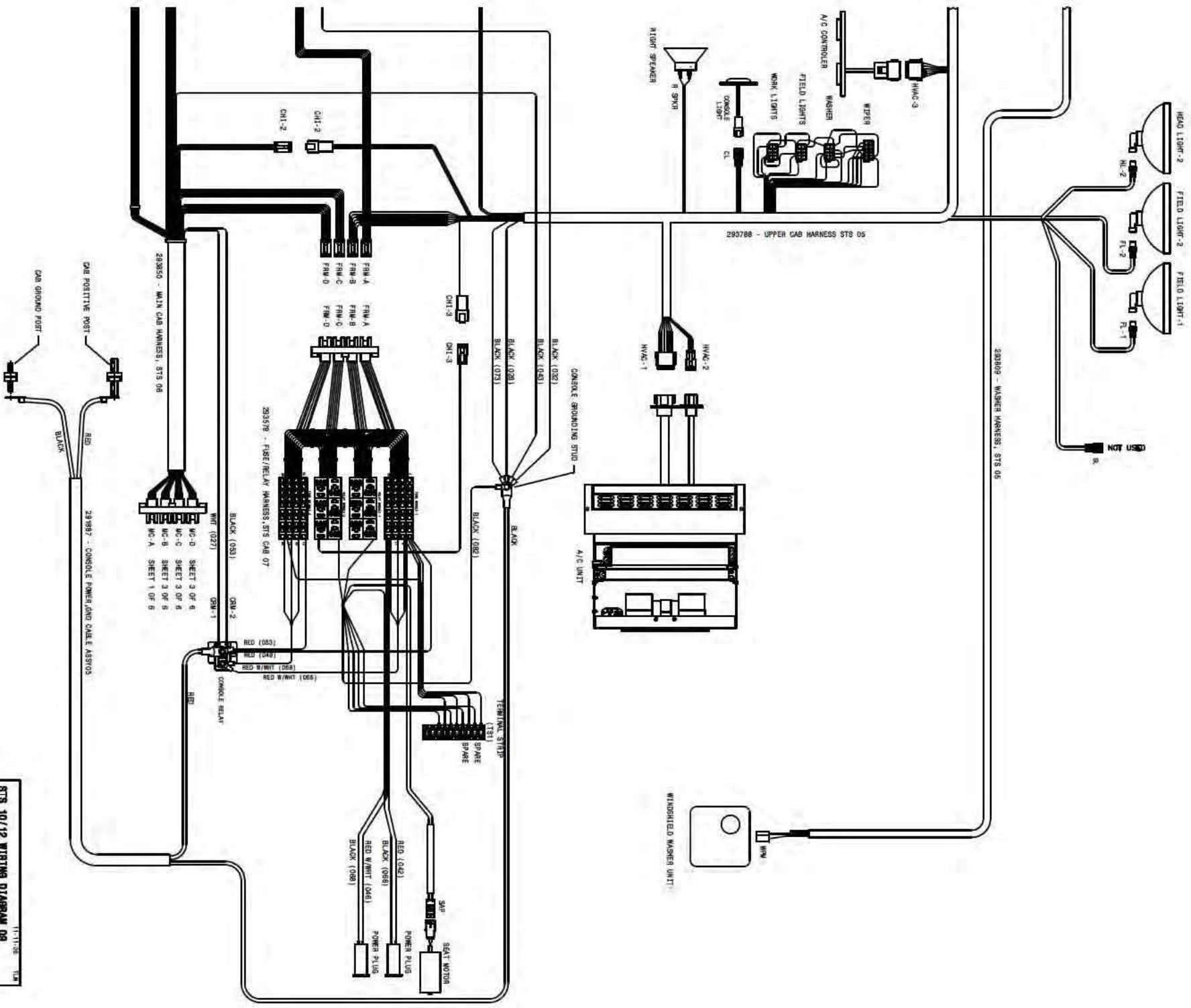




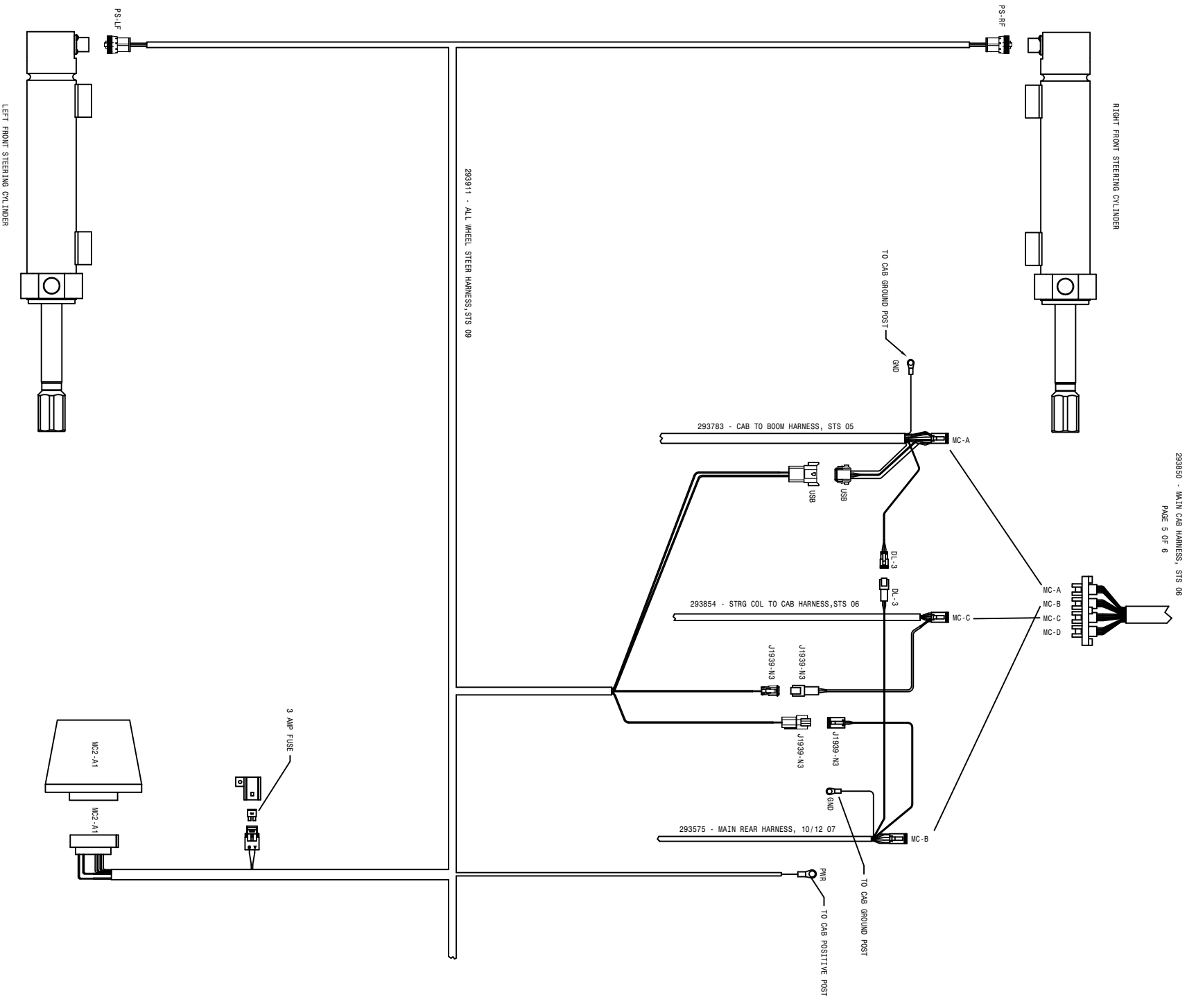


11/11/08  
 STS 10/12 WIRING DIAGRAM 09  
 SHEET 4 OF 6  
 REVISION DATE: 499026



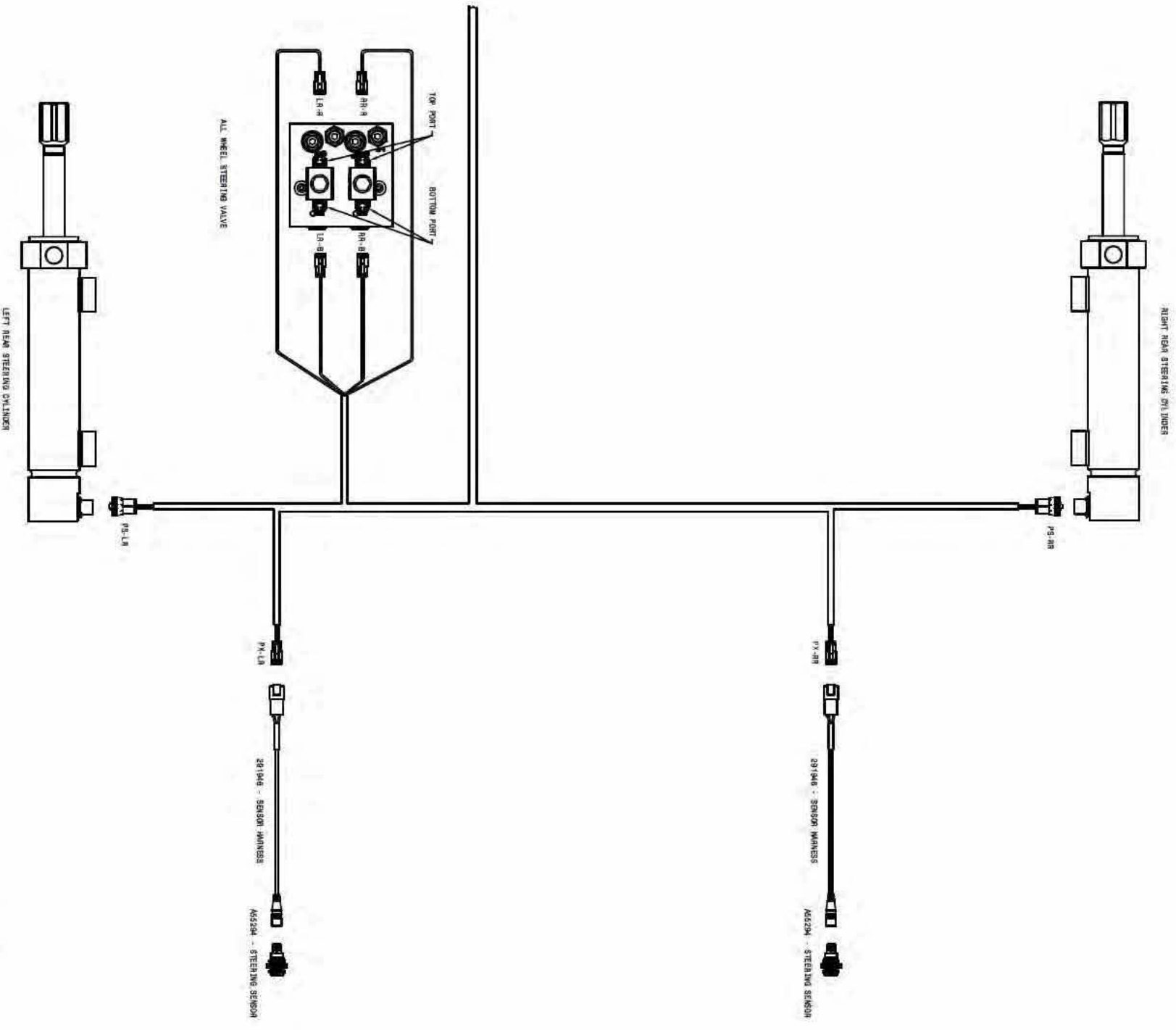


11/11/08  
**878 10/12 WIRING DIAGRAM 08**  
 SHEET 5 OF 6  
 REVISION DATE: 499026



293850 - MAIN CAB HARNESS, STS 08  
PAGE 5 OF 6

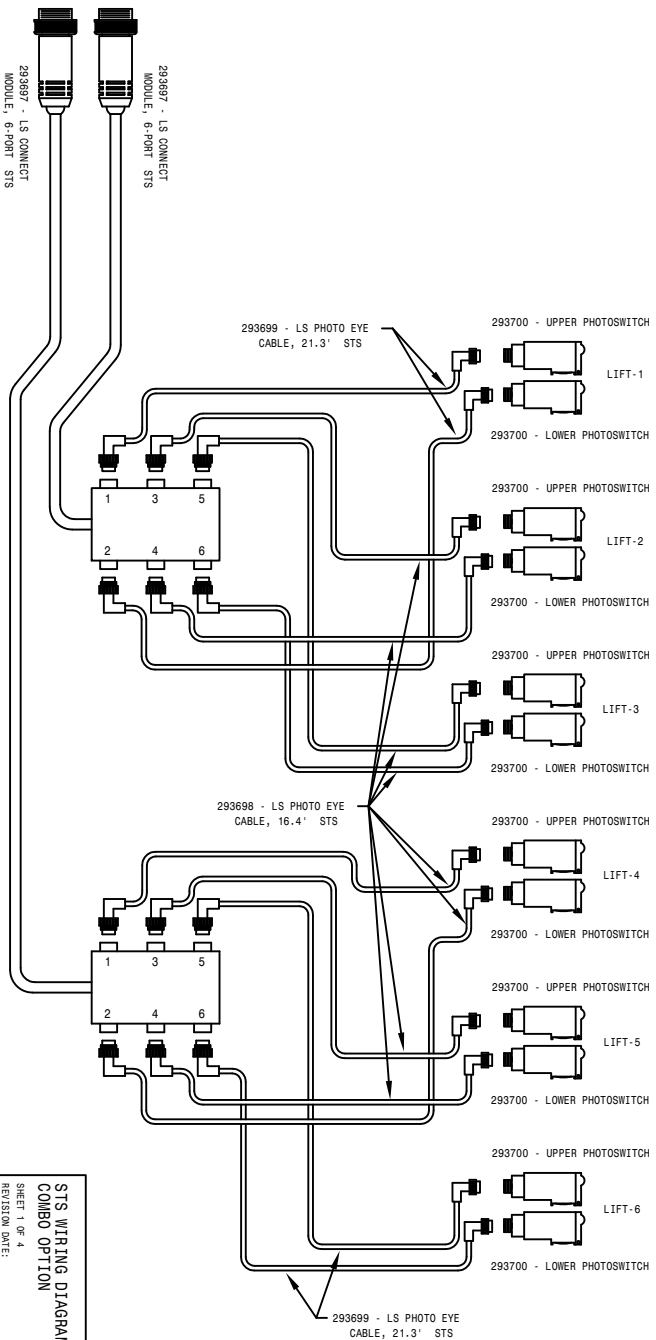
ALL WHEEL STEER DIAGRAM



STS 10/12 WIRING DIAGRAM 09  
 SHEET 6 OF 6  
 REVISION DATE: 01-15-09  
 499026  
 11/11/09 TJA



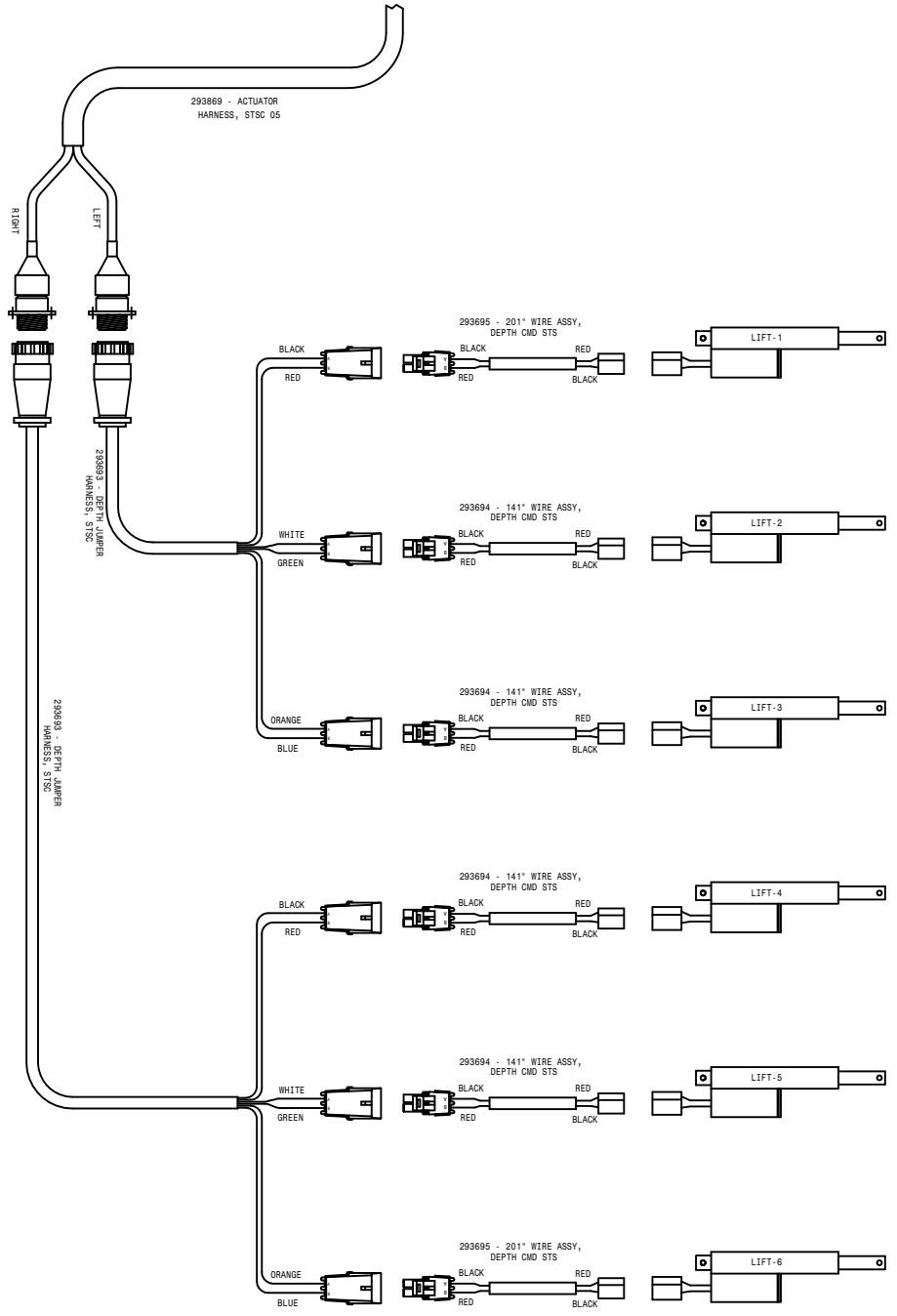




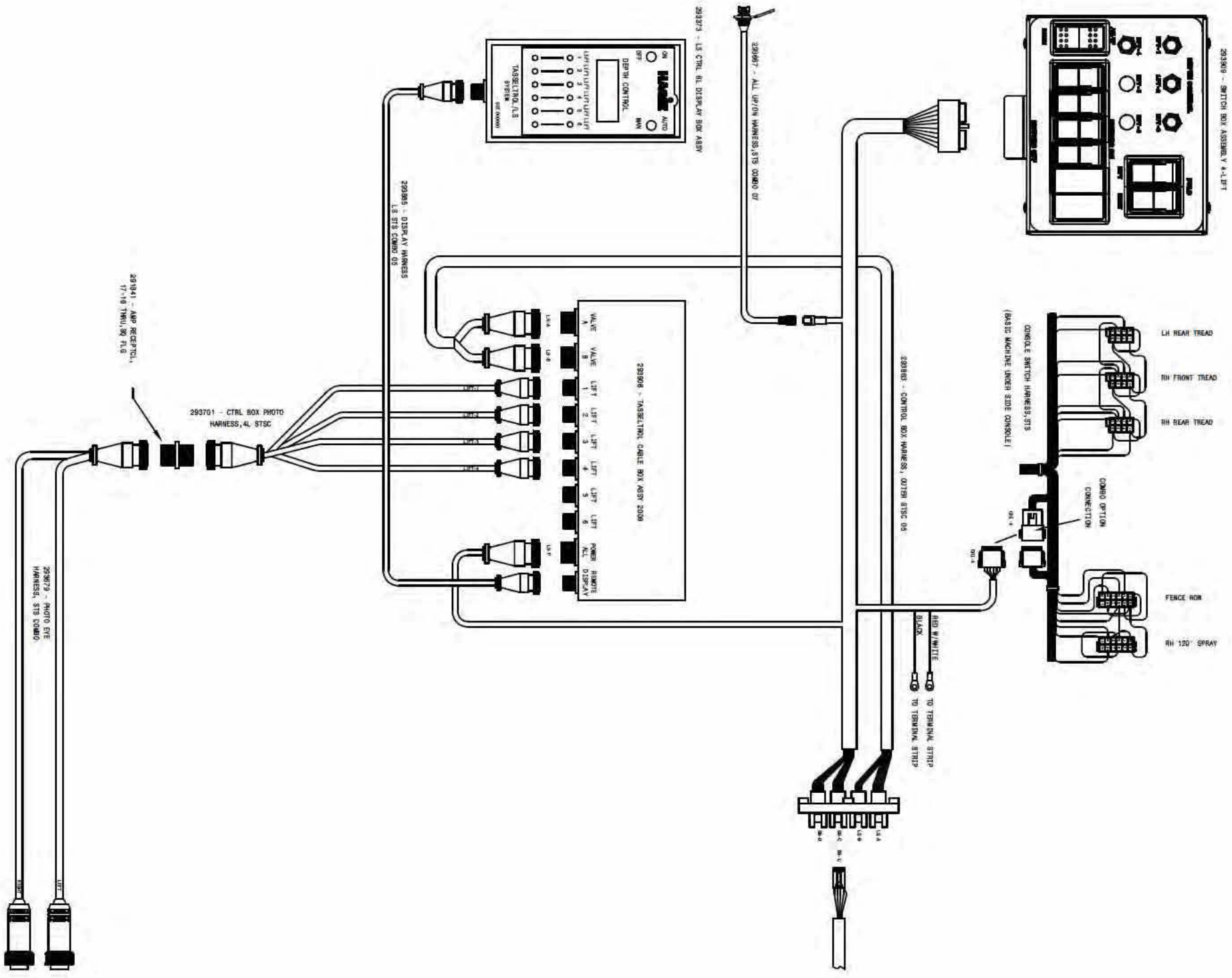
STS WIRING DIAGRAM 09  
COMBO OPTION  
SHEET 1 OF 4  
REVISION DATE:  
499025

10-13-08 TLM

6-LIFT OPTION

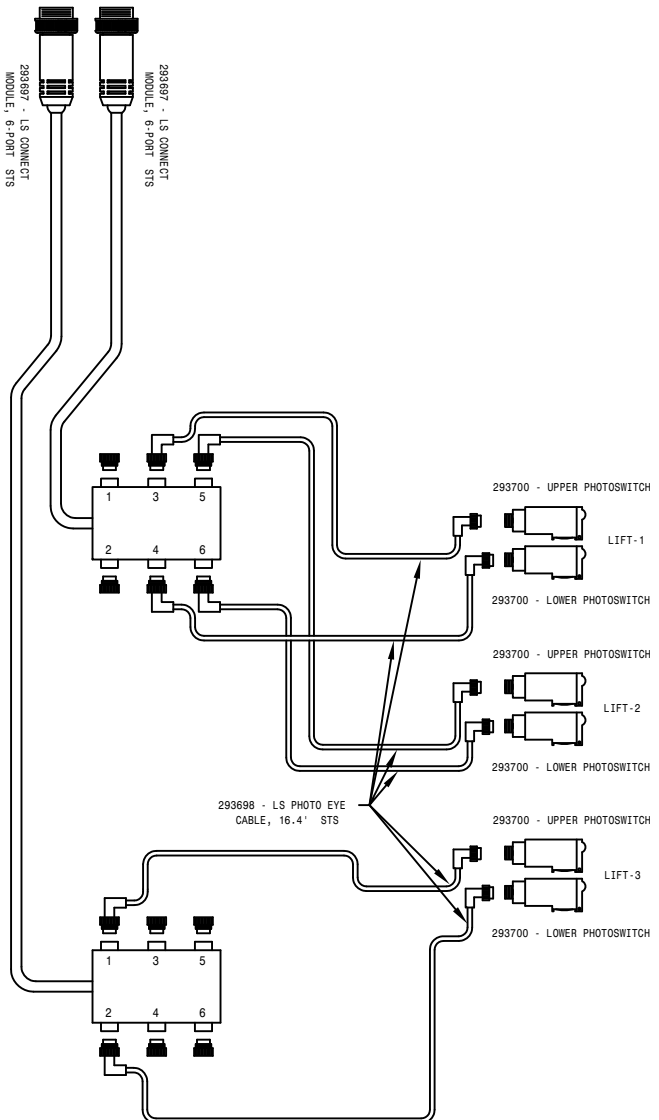


6-LIFT OPTION

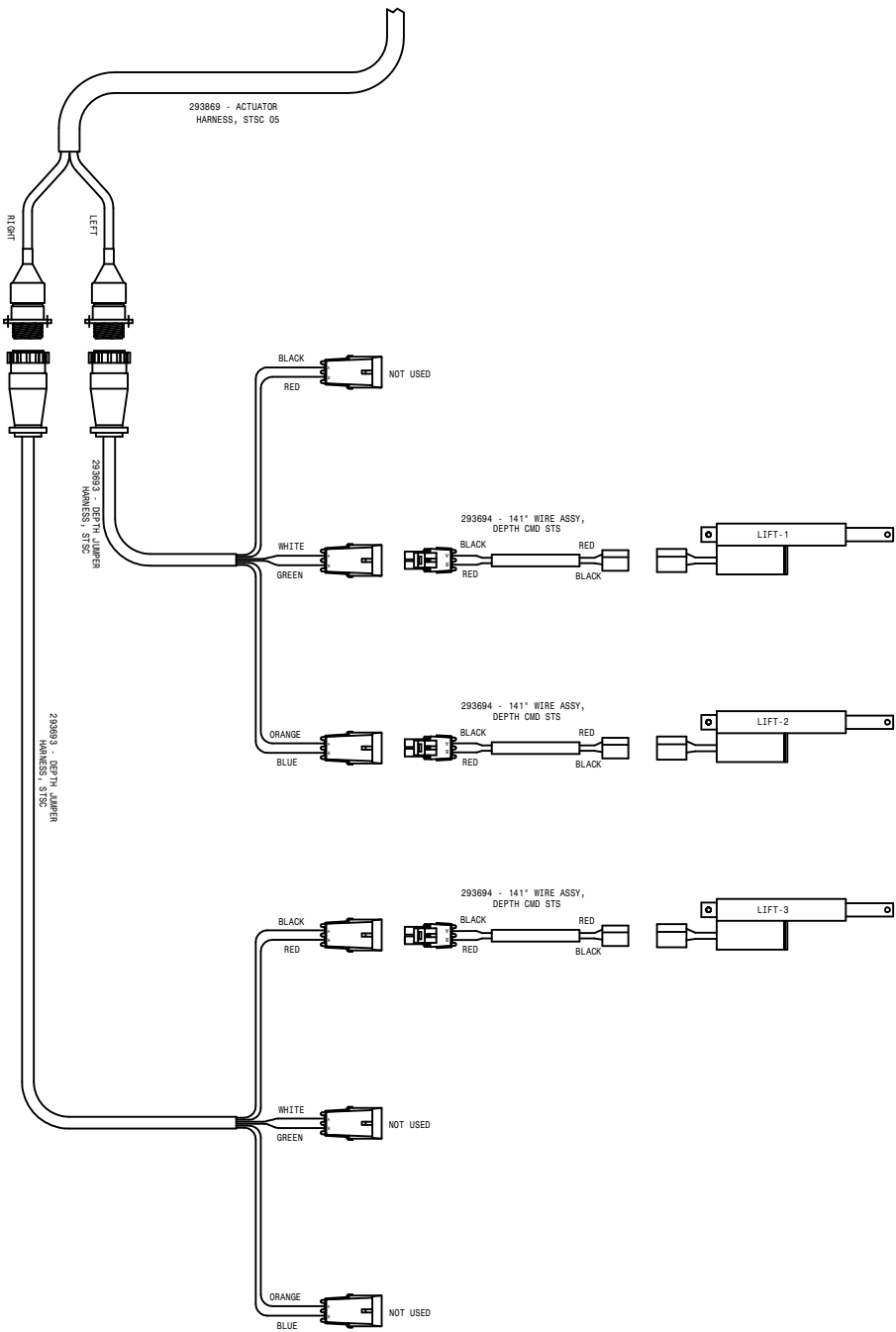








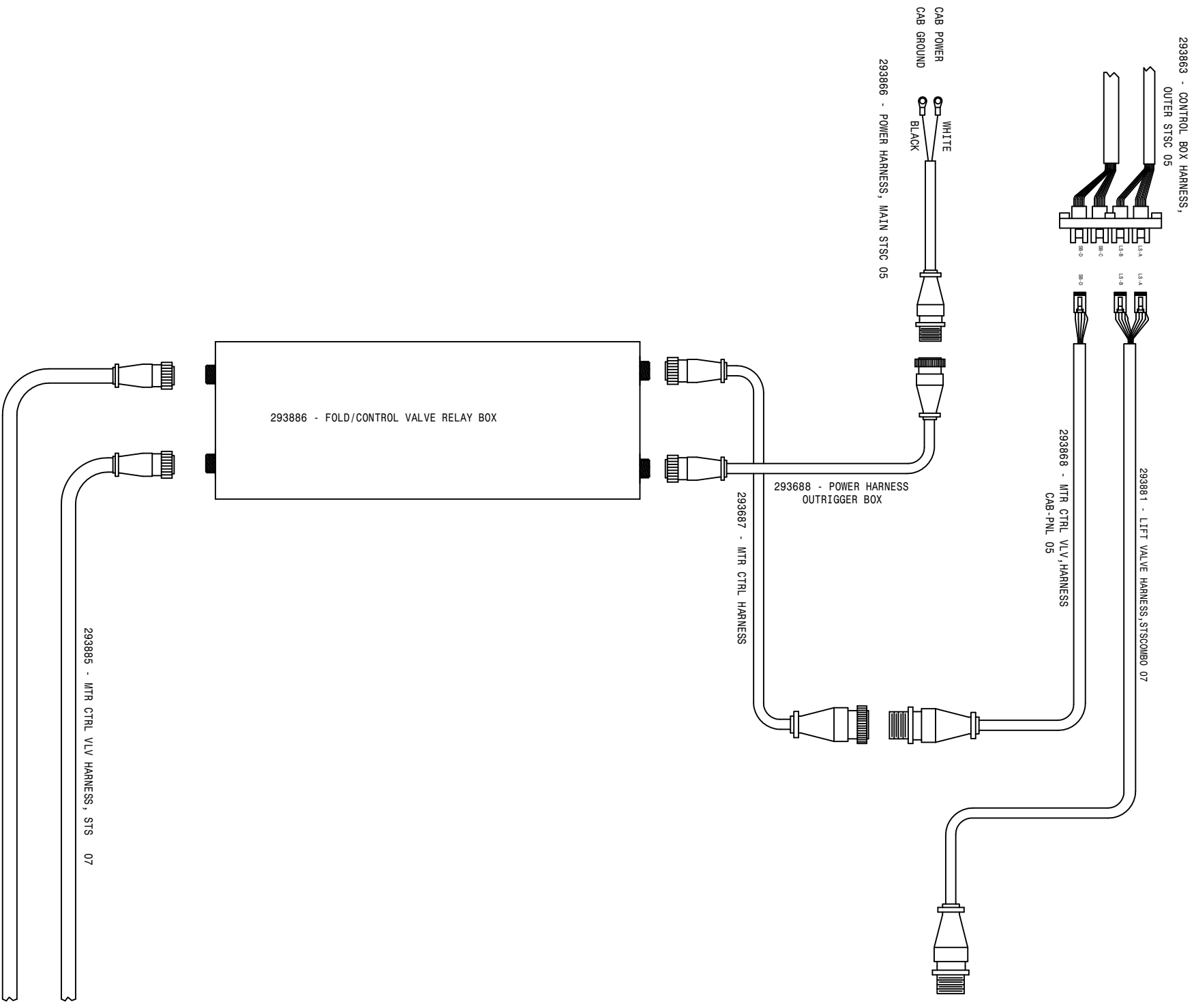
3-LIFT OPTION

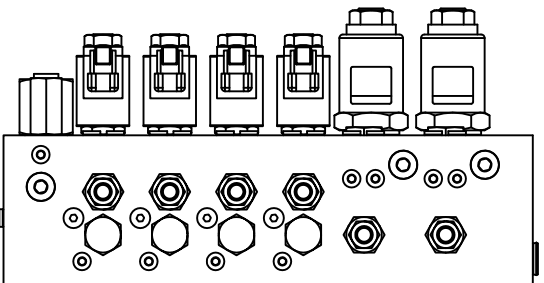
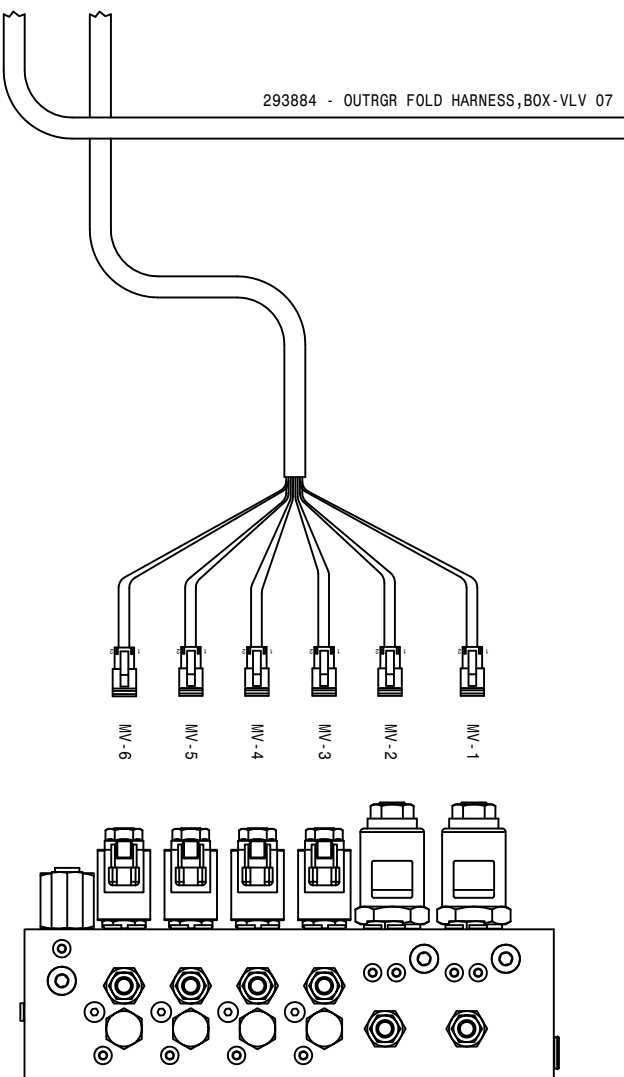
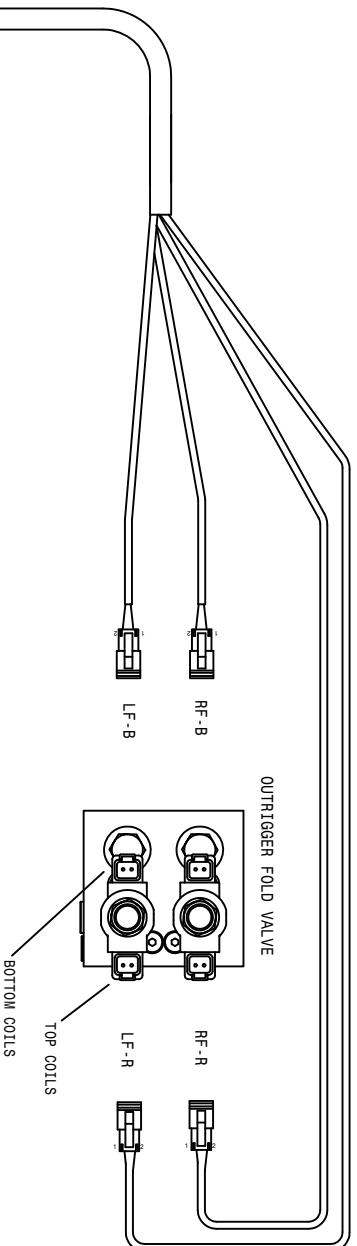
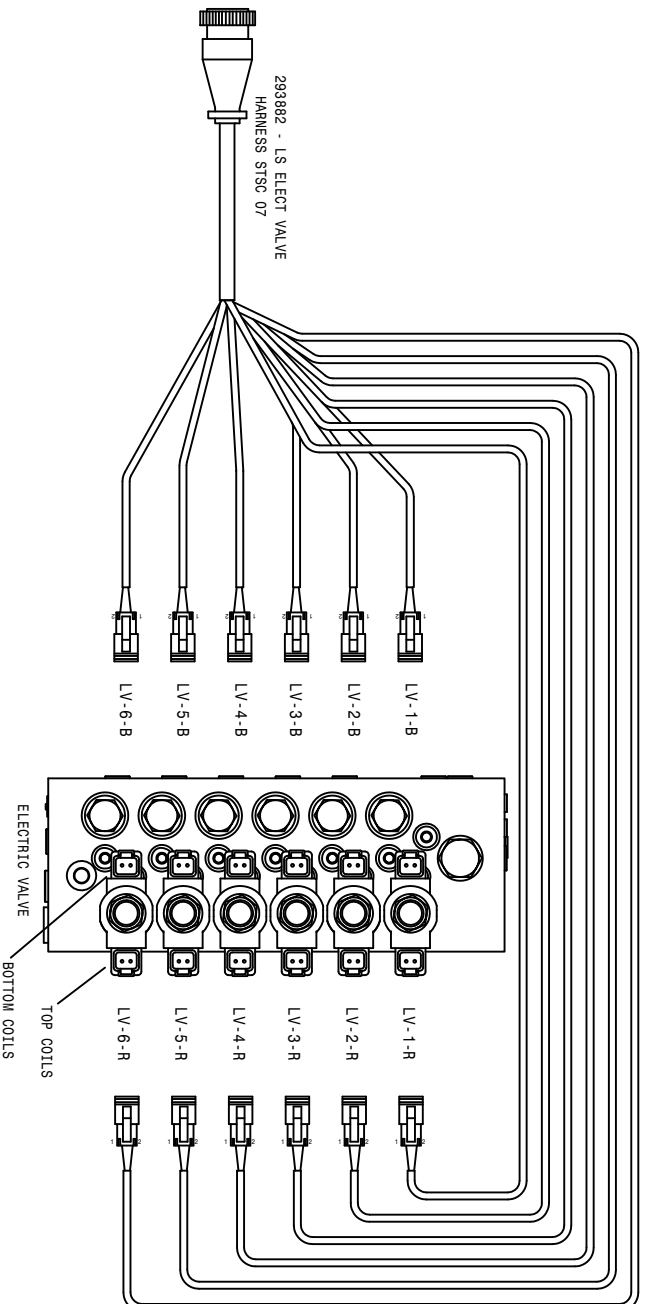


3-LIFT OPTION

STS WIRING DIAGRAM 09  
COMBO OPTION  
SHEET 3 OF 4  
REVISION DATE:  
499025

12-11-08 TLM





MOTOR CONTROL VALVE

10-13-08 TLH  
 STS WIRING DIAGRAM 09  
 COMBO OPTION  
 SHEET 4 OF 4  
 REVISION DATE: 499025

ABBREVIATIONS

A/C - AIR CONDITIONER	MT - MOUNT
ADPTR - ADAPTER	MTR - MOTOR
AGI - AGITATOR	P/N - PART NUMBER
ALT - ALTERNATOR	PLT - PLATE
ASSY - ASSEMBLY	QTY - QUANTITY
BRKT - BRACKET	RED - REDUCER
DET - DETAIL	REF - REFERENCE
DISPL - DISPLACEMENT	REST - RESTRICTOR
EL - ELBOW	REQ - REQUIRED
EXT - EXTENSION	SHFT - SHAFT
FLO - FLOW	SOL - SOLUTION
FNPT - FEMALE NATIONAL PIPE THREAD	STRG - STEERING
FOR - FEMALE O-RING	ST - STREET
FRT - FRONT	SV - STANDARD VOLUME
HV - HI-VOLUME	SWIV - SWIVEL
HYD - HYDRAULIC	UNC - UNIFIED NATIONAL COURSE
HYDRO - HYDROSTATIC	UNF - UNIFIED NATIONAL FINE
LG - LONG	V - VOLT
LWR - LOWER	W/ - WITH
MJIC - MALE J.I.C.	WHL - WHEEL
MOR - MALE O-RING	WLD - WELDMENT



INDEX

-A-

ABBREVIATIONS.....220  
 ACCUMULATOR.....103  
 AIR DRYER.....41  
 AIR CLEANER.....10  
 FILTER.....10  
 AIR COMPRESSOR GOVERNOR.....10  
 AIR CONDITIONER

BINARY SWITCH.....8  
 COMPRESSOR.....6  
 CONDENSOR COIL.....9  
 CONTROLLER.....46  
 HOSE.....8,9  
 RECEIVER/DRYER.....8  
 TUBE.....29  
 AIR COOLER, CHARGE.....9  
 AIR PRESSURE GAUGE.....118  
 AIR REGULATOR, FOAMER.....118  
 AIRRIDE SPRING.....16,18,20,22  
 AIR VALVE.....16,18,20,22  
 ALTERNATOR.....5  
 ARM, STEERING.....16,18,20,22  
 ALL WHEEL STEER,  
 LEG.....23A,23C,23E,23G  
 MODULE.....167  
 VALVE.....166

-B-

BACK-UP BEEPER.....9  
 BALL VALVE.....73,83  
 ELECTRIC.....77,78,79,80,89  
 BATTERY.....14  
 CABLE.....4,5,10,14  
 BOX PANEL.....9  
 BEARING,  
 BRONZE LEG.....16,18,20,24,25  
 ORKOT.....16,18,20,25  
 BELT,  
 AIR CONDITIONER.....6

DRIVE.....5  
 BLOCK, TERMINAL.....58  
 BOOM.....105,106,107,108  
 CRADLE.....109,110  
 INDICATOR LIGHT.....99  
 PIN.....107,108  
 STAND.....135  
 SWITCH.....55  
 VALVE.....100  
 WET.....136,137,138,139  
 BOX,  
 ELECTRICAL.....64  
 LS.....60  
 PRESSURE WASHER.....124  
 SIDE FILL.....128  
 BRACE, RADIATOR.....8

BREAKAWAY CYLINDER.....108,114  
 BUMPER, REAR.....66

-C-

CAB.....44,45  
 ROOF.....44,45  
 CABLE BATTERY.....4,5,10,14  
 CAP,  
 FUEL.....12

RADIATOR.....9  
 CHARGE AIR COOLER.....9  
 CHEMICAL INDUCTOR.....129  
 COMPRESSOR, A/C.....6  
 CONDENSOR COIL, A/C.....9  
 CONSOLE.....56  
 COOLER, OIL.....9  
 CRADLE, BOOM.....107,109  
 CUTTER HEAD.....163  
 CYLINDER,  
 BREAKAWAY.....108,114  
 FOLD.....104,107,111,113  
 LEVEL.....104,112  
 LADDER.....39  
 LIFT.....103  
 SIDE FILL.....129  
 STEERING.....16,18  
 TREAD ADJUST.....24,25

-D-

DECALS.....168,169  
 DIAGRAMS,  
 AIR LINE.....170  
 WIRING.....200  
 DOOR.....52,53  
 LATCH.....53,66,67  
 DRAIN COCK, AIR.....41  
 DRIVE  
 BELT.....5  
 DISK.....4

-E-

ELECTRIC BALL VALVE...77,78,90,91  
 ELECTRICAL BOX.....63  
 ENGINE.....64  
 ENGINE.....4,5  
 HOOD.....66,67  
 SKID.....8

-F-

FAN.....5  
 SPACER.....5  
 FEEDER TEE.....81,82,93  
 FENCE ROW NOZZLE.....96,97  
 FENDER.....132,133

FILTER, AIR CLEANER..... 10  
 CAB..... 44  
 FUEL..... 4  
 HYDRAULIC..... 13  
 MINDER..... 118  
 OIL..... 5, 13  
 FLASHER..... 62, 66  
 FLOW METER..... 78, 89, 134  
 FOAMER  
 AIR REGULATOR..... 118  
 DROP HOSE..... 121  
 HOSING..... 120  
 TANK..... 117  
 THREE-WAY VALVE..... 117  
 VALVE..... 117  
 FOLD CYLINDER..... 104, 107, 111  
 FRESH WATER..... 118  
 FRONT FILL..... 130  
 FUEL,  
 CAP..... 12  
 SENDER..... 12  
 TANK..... 12

-G-

GAUGE,  
 AIR PRESSURE..... 118  
 SOLUTION..... 89, 103  
 GLASS..... 44, 45

-H-

HANDRAIL..... 40  
 HEADLINER..... 46  
 HEATER TUBE..... 29  
 HOOD, ENGINE..... 66, 67  
 HOSE, A/C..... 8  
 HOSING,  
 FOAMER..... 120  
 SOLUTION..... 73, 74, 84, 85  
 HUB, TORQUE..... 17, 19, 21, 23  
 HYDRAULIC,  
 FILTER..... 13  
 LEVER..... 57  
 MANIFOLD..... 30, 31, 32, 33  
 SCHEMATIC..... 172  
 TANK..... 13  
 TUBE..... 28, 29, 99, 106  
 VALVE..... 30, 34, 38  
 HYDROSTATIC PUMP..... 7

-I-

IGNITION SWITCH..... 51  
 INDICATOR LIGHT, BOOM..... 99

-L-

LADDER..... 39  
 CYLINDER..... 39  
 PIVOT ARM..... 39  
 LEG..... 16, 18, 20, 22  
 ALL WHEEL STEER..... 23A, 23C, 23E  
 LEVEL CYLINDER..... 104, 112  
 LEVER,  
 HYDROSTATIC..... 57  
 QUICK ATTACH..... 102  
 LIFT CYLINDER..... 103  
 LIFT VALVE..... 153  
 LIFTARM..... 103  
 LIGHT..... 28, 44, 45  
 LINE STRAINER..... 68, 69  
 LIQUID LEVEL SWITCH..... 13  
 LS BOX..... 60

-M-

MDM DISPLAY..... 46  
 MIRROR..... 44, 45  
 MONITOR, SPRAYER..... 54  
 MOTOR,  
 STEERING..... 50  
 WHEEL..... 17, 19, 21, 23  
 MOUNT, RUBBER..... 8, 45  
 MUFFLER..... 11

-N-

NOZZLE,  
 BODY..... 95  
 FENCE ROW..... 96, 97  
 MOUNT TUBE..... 97, 106, 107  
 REAR WHEEL..... 98

-O-

OIL COOLER..... 9  
 OIL FILTER..... 5, 13

-P-

PANEL,  
 BATTERY BOX..... 9  
 RECEPTACLE..... 61  
 SWITCH..... 55  
 PLATFORM, SERVICE..... 40  
 PRESSURE GAUGE..... 78, 103  
 PRESSURE TRANSDUCER..... 30, 33  
 PRESSURE WASHER..... 125  
 BOX..... 124  
 VALVE..... 125  
 PUMP,  
 HYDRAULIC..... 4  
 HYDROSTATIC..... 7  
 RELIEF..... 36  
 SIDE FILL..... 129  
 SOLUTION..... 77, 88

-R-

RADIATOR.....9  
 BRACE.....8  
 CAP.....9  
 HOSE.....5  
 RADIO.....46  
 REAR WHEEL NOZZLE.....98  
 RECEPTACLE PANEL.....61  
 RINSE TANK.....68  
 RUBBER  
 MOUNT.....8,9,45  
 SPRING.....16,18,20,22

-S-

SCHEMATIC, HYDRAULIC.....172  
 SEAT.....47,48  
 SENDER, FUEL.....12  
 SENDER, WATER LEVEL.....9  
 SERVICE PLATFORM.....40  
 SHEET METAL.....67  
 SHIELD, WHEEL MOTOR..17,19,21,23  
 SIDFILL.....129  
 BOX.....128  
 CYLINDER.....129  
 SIGHT GAUGE, OIL.....13  
 SKID, ENGINE.....8  
 SMV SIGN.....66  
 SOLUTION  
 HOSING.....73,74,84,85  
 PUMP.....77,88  
 TANK.....69,70  
 VALVE.....34,78,79,89  
 SPACER, FAN.....5  
 SPEAKER.....50  
 SPRAY MONITOR.....54  
 SPRING,  
 AIRRIDE.....16,18,20,22  
 SOLUTION TANK.....69,70  
 STAND, BOOM.....135  
 STARTER.....5  
 STEERING,  
 ARM.....16,18,20,22  
 COLUMN.....51  
 CYLINDER.....16,18  
 MOTOR.....46  
 STRAINER, LINE.....67,73  
 SWITCH,  
 A/C BINARY.....8  
 IGNITION.....51  
 LIQUID LEVEL.....13  
 PANEL.....55  
 MOTOR CONTROL VALVE.....60

-T-

TAILLIGHT.....66  
 TANK  
 AIR.....42,43  
 FOAMER.....117  
 FRESHWATER.....118  
 FUEL.....12  
 HYDRAULIC.....13  
 RINSE.....68  
 SOLUTION.....69,70  
 TERMINAL BLOCK.....54  
 TIRE.....15  
 TOOLBAR.....158  
 TORQUE HUB.....17,19,21,23  
 TRANSOM.....104  
 TREAD ADJUST  
 CYLINDER.....24,25  
 VALVE.....26,27  
 TUBE,  
 A/C.....29  
 HEATER.....29  
 HYDRAULIC.....28,29,99,106

-V-

VALVE,  
 AIR.....16,18,20,22  
 ALL WHEEL STEER.....166  
 BALL.....70,83  
 BOOM.....96  
 ELECTRIC BALL.....68,73,78,79  
 FOAMER.....117,122,123  
 HYDRAULIC.....34,38  
 MOTOR CONTROL.....152  
 PRESSURE WASHER.....125  
 SIDE FILL.....113  
 SOLUTION.....34,78,80,83  
 TREAD ADJUST.....26,27

-W-

WASHER, PRESSURE.....125  
 WATER LEVEL SENSOR.....9  
 WET BOOM.....136,137,138,139  
 WHEELMOTOR.....17,19,21,23  
 SHIELD.....17,19,21,23  
 WIRING DIAGRAM.....192

# Notes: