



**PARTS MANUAL
FOR
HAGIE MODEL STS 10 HI-TRACTOR
SPRAYER- DETASSELER**

HAGIE MANUFACTURING COMPANY

721 CENTRAL AVE WEST
BOX 273
CLARION, IOWA 50525-0273

COVERS MACHINE SERIAL NUMBERS: U1661331001 thru U1661331100

08-12 493548
07-13, 02-14, 02-15, 05-15, 02-16, 03-17

To obtain the most current parts manual for your machine, please visit www.hagiehelp.com.

© 2012-17 Hagie Manufacturing Company. Clarion, Iowa USA

SPRAYER IDENTIFICATION

Each Hagie sprayer is identified by means of a frame serial number.

This serial number denotes the model, the year in which it was built, and the number of the sprayer. As for further identification, the engine has a serial number and the planetary hubs have identification plates that describe the type of mount and gear ratio. To insure prompt, efficient service when ordering parts or requesting service repairs from Hagie Manufacturing Company, record the serial and identification numbers in the space provided below.

NOTE: Reference to left hand and right hand used throughout this manual refers to the position when seated in the operator's seat facing forward.

This manual is not intended to be a complete guide for machine maintenance and repairs. If you are not properly trained to perform service on this machine, contact Hagie Customer Support for assistance. Improper maintenance or repair may result in property damage, personal injury, or death.

SPRAYER SERIAL NUMBER

ENGINE SERIAL NUMBER

PLANETARY HUB IDENTIFICATION NUMBERS

FILTER QUICK REFERENCE

<u>QTY.</u>	<u>PART NO.</u>	<u>DESCRIPTION</u>
1	311543	ENGINE AIR FILTER, PRIMARY T3
1	311544	ENGINE AIR FILTER, SECONDARY T3
1	316372	ENGINE OIL FILTER T3,T4I
1	316683	FUEL FILTER T3
1	316684	REMOTE FUEL FILTER T3
1	317154	ENGINE AIR FILTER, PRIMARY T4I
1	317155	ENGINE AIR FILTER, SECONDARY T4I
1	317159	FUEL FILTER, PRIMARY T4I
1	317160	FUEL FILTER, SECONDARY T4I
1	605626	HYDRAULIC OIL FILTER
1	657463	CAB PAPER FILTER
1	657464	CAB CHARCOAL FILTER

TABLE OF CONTENTS

ENGINE ASSEMBLY T3 4-8

RADIATOR AND OIL COOLER ASSEMBLY T3 9

AIR CLEANER AND EXHAUST ASSEMBLY T3 10-11

FUEL AND BATTERY ASSEMBLY T3 12-13

ENGINE ELECTRICAL BOX ASSEMBLY T3 14

AIR DRIER AND AIR TANK ASSEMBLY T3 15-17

ENGINE ASSEMBLY T4I 18-19

RADIATOR AND OIL COOLER ASSEMBLY T4I 20

FUEL TANK AND BATTERY ASSEMBLY T4I 21-22

AIR DRIER AND AIR TANK ASSEMBLY T4I 23-24

HYDRAULIC TANK ASSEMBLY 25

TIRE ASSEMBLY 26

LEG ASSEMBLY 27-38

TREAD ADJUST ASSEMBLY 39-44

HYDRAULIC TUBING 45-46

HYDRAULIC MANIFOLDS 47-50

SOLUTION CONTROL AND QUICK COUPLER 51-52

PUMP RELIEF AND DUMP VALVE 53-54

QUICK CONNECT ASSEMBLY 55

LADDER AND BRAKE VALVE ASSEMBLY 56-57

SERVICE PLATFORM 58

TOOL BOX 59

J1939 JUNCTION BOX 60

CAB ASSEMBLY 61-76

SWITCH BOX AND RECEPTACLE PANEL 77-78

FLASHER AND LIGHT RELAY 79

REAR ELECTRICAL 80

BUMPER AND ENGINE HOOD 81-83

SOLUTION TANK 84-89

SOLUTION HOSE 90-101

REAR WHEEL NOZZLE 102

SOLUTION PUMP 103-104

QUICK ATTACH 105

BOOM CRADLE 106-107

FOAMER AND FRESH WATER TANK 108-109

PRESSURE WASHER OPTION 110-112

SIDE FILL/CHEMICAL INDUCTION OPTION 113-115

FRONT FILL OPTION 116

FENDER OPTION 117-118

ALL WHEEL STEER OPTION 119

AUX OIL COOLER 120

DETASSELER OPTION 121-134

TOOLBAR STANDS 135

AIR LINE DIAGRAM 136-137

DECALS 138-139

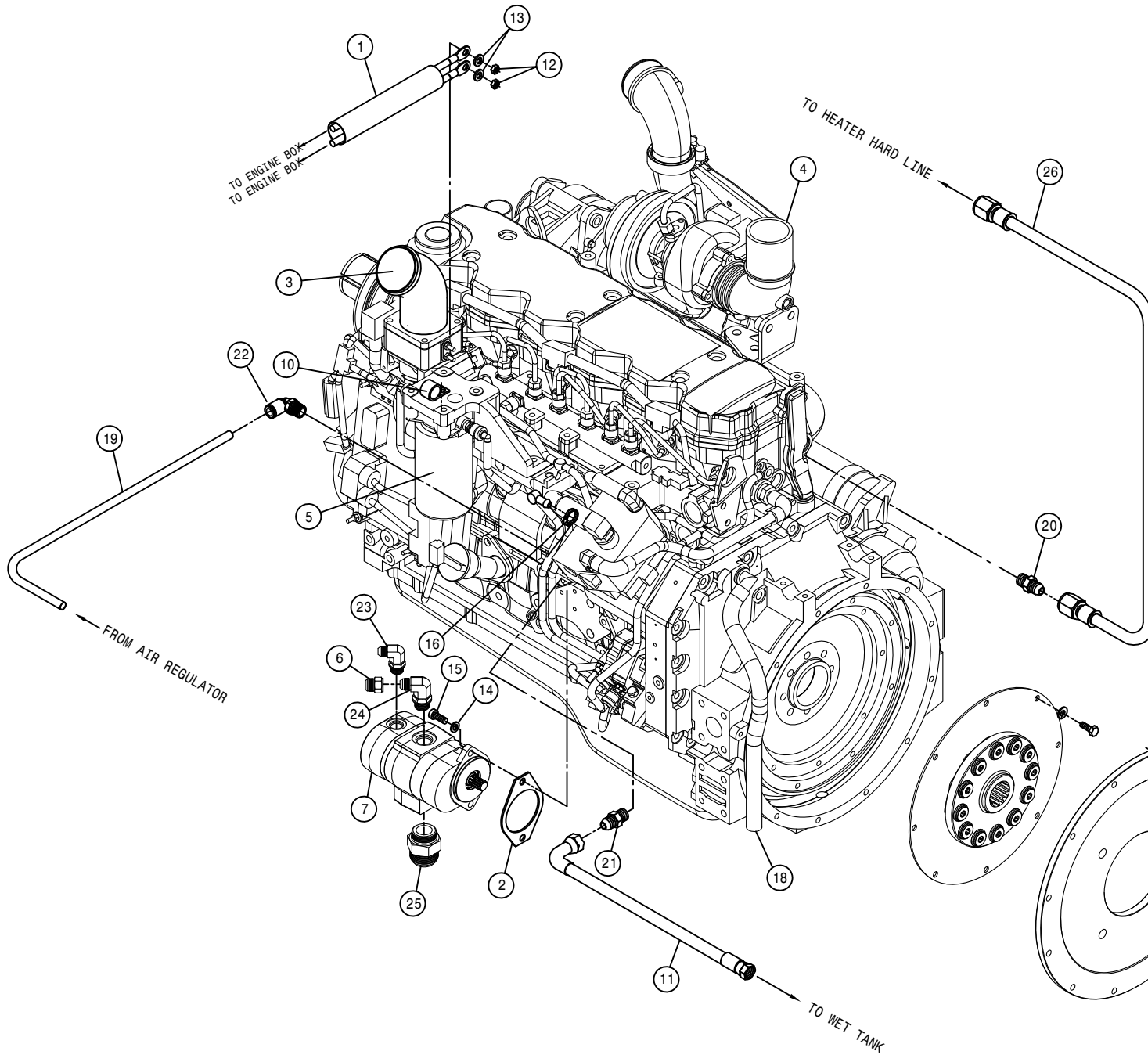
HYDRAULIC DIAGRAM 140-179

ELECTRICAL DIAGRAM 180-199

ABBREVIATIONS 200

INDEX 201

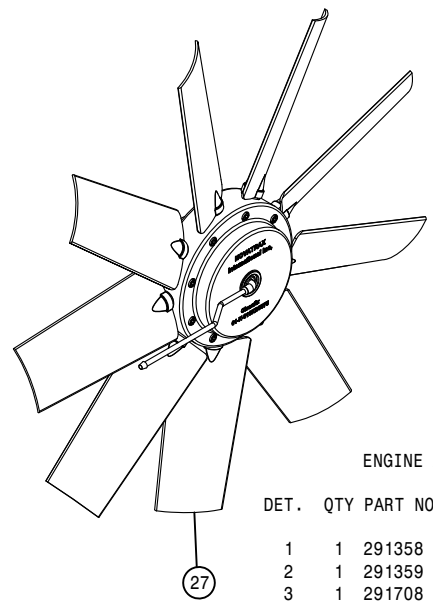
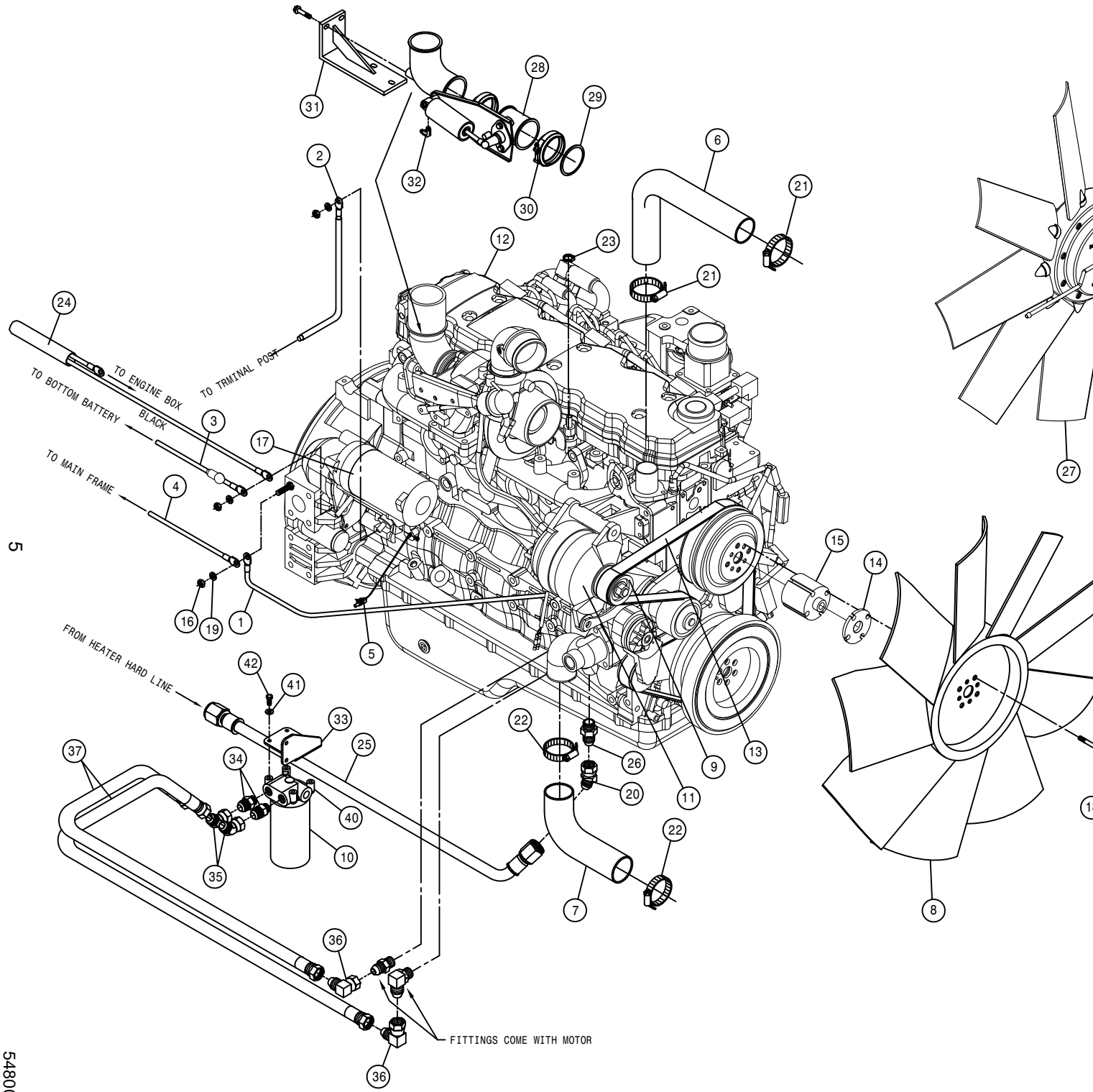
PARTS ORDER FORM 205



ENGINE ASSEMBLY, T3 EXPORT

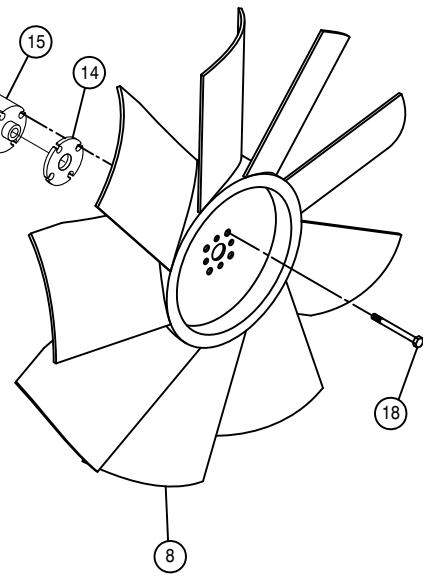
DET.	QTY	PART NO.	DESCRIPTION
1	1	292544	ENG HEATR CBL ASSY,RED 6GA '10
2	1	316371	GASKET, AUX DRIVE CUMM 154916
3	1	316662	AIR INTAKE PIPE W/FLG,T3 ENG
4	1	316923	CUMM ENG, 275HP T3 STS' 12
5	1	316683	FUEL FILTER, ENG, TIER 3 07
6	1	618641	1 1/16FJIC-1 5/16MJIC ADPTR
7	1	606450	TANDEM PUMP,606451 & 606452
8	12	473798	10MM LOCK WASHER
9	12	473818	10MM-1.50 X 40MM HEX BOLT (H)
10	1	520121	CUSH CLAMP,#16 1IN X 3/4W
11	1	611306	12-P919J-12FJX-12FJX90-42 H/A
12	2	473767	6MM-1.00 HEX NUT
13	2	473768	6MM LOCK WASHER
14	2	473799	10MM FLAT WASHER
15	2	473844	10MM-1.50 X 30 SOC HD CAP SCR
16	1	520120	HOSE CLAMP NO 4 STAINLESS
17	1	520160	CUSH CLAMP,#24 1 1/2D-3/4WLOOP
18	1	601537	HOSE, 3/4 X 24 CLEAR VINYL
19	1	601625	HOSE, 1/4 X 14 AIR
20	1	618059	7/8MJIC-3/4MNPT ADPTR
21	1	618699	1 1/16MJIC-M27X2.0MOR ADPTR
22	1	711039	1/8MNPT-90-1/4 NYL TUBE LBO
23	1	618183	3/4MJIC-90-7/8MOR LBO
24	1	618279	1 1/16MJIC-90-7/8MOR LBO
25	1	618527	1 7/8MJIC-1 5/8MOR ADPTR
26	1	657485	10-213-10FJX-10FJX-62 H/A

4



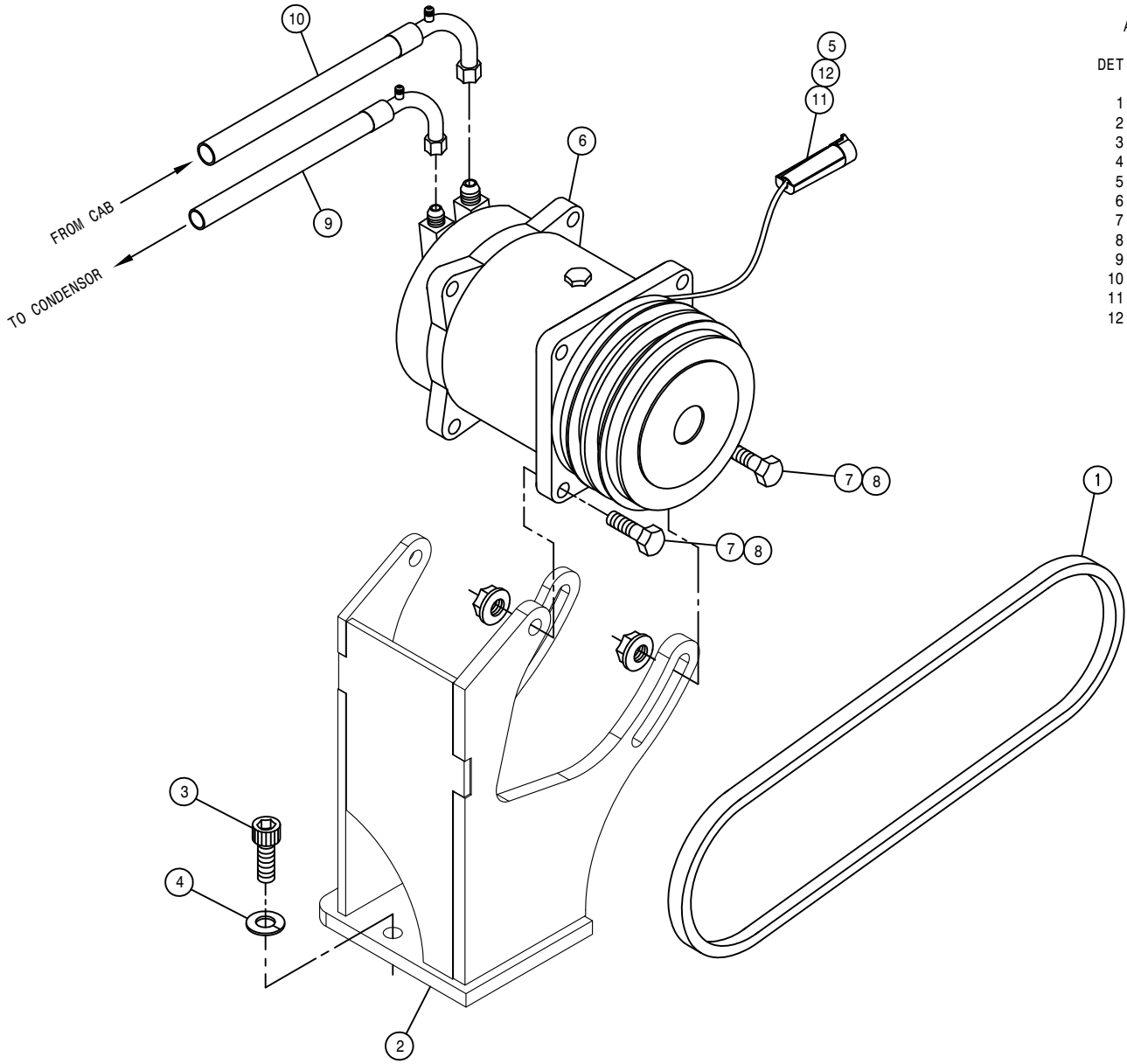
ENGINE ASSEMBLY, T3 EXPORT

DET.	QTY	PART NO.	DESCRIPTION
1	1	291358	BATT CABLE, BLK 56"2GA.281- 8mm
2	1	291359	BATT CABLE, RED 26"2/0 3/8-3/8
3	1	291708	BATT CABLE, BLK 73"2/0 3/8-3/8
4	1	291892	BATT CABLE, BLK 42"4GA.406-.406
5	1	293631	STARTER WIRE HARNESS, STS
6	1	314832	RADIATOR HOSE 1.75 X 19(52818)
7	1	314987	LWR RADIATOR HOSE STS-12
8	1	316524	FAN, 28" CUMM QSB5.9C, STS 02
9	1	316370	ALT PULLEY, 2.76 OD, 8-GROOVE
10	1	316372	LUBE FILTER (CUMM ENG 316360)
11	1	316391	DELCO ALTERNATOR, 130 AMP 24SI
12	1	316923	CUMM ENG, 275HP T3 STS'12
13	1	316680	FAN BELT, TIER 3 ENGINE 07
14	1	316681	FAN SPACER, 6.4MM, TIER 3 ENG 07
15	1	316682	FAN SPACER, 63.5MM, TIER3 ENG 07
16	1	473778	8MM-1.25 HEX NUT
17	1	316686	STARTER, CUMM R2.7 ST9383
18	4	473780	10MM-1.50 X 90MM FLANGE BOLT
19	1	473804	8MM LOCK WASHER
20	1	618628	7/8MJIC-45-7/8FJIC SWIV LBO
21	2	520067	HOSE CLAMP NO 28 STAINLESS
22	2	520099	HOSE CLAMP NO 40 STAINLESS
23	1	520069	HOSE CLAMP NO 6 STAINLESS
24	1	292542	CAB PWR, GND CABL ASSY STS10/12
25	1	657484	10-213-10FJX-10FJX-89 H/A
26	1	618325	7/8MJIC-1/2MNPT ADPTR
27	1	316810	REVERSING FAN KIT, STS 6.7L 07-
28	1	316644	EXHAUST BRAKE, CUMMINS 05
29	1	316645	GASKET, EXHAUST BRAKE CUMMINS
30	1	316646	V-CLAMP, EXHAUST BRAKE, CUMMINS
31	1	316801	E-BRAKE MT WLD, T3 ENG GST20 06
32	1	711058	7/16MJIC-90-1/4MNPT LBO BRS
33	1	316800	REMOTE FILTER HEAD BRKT, T3
34	2	618189	1 1/16MJIC-7/8MOR ADPTR
35	2	618529	1 1/16MJ-45-1 1/16FJ SWIV LBO
36	2	618191	1 1/16MJ-90-1 1/16FJ SWIV LBO
37	1	616137	12-426-12FJX-12FJX-68 H/A
38	1	316685	REMOTE OIL FILTER HEAD, T3 07
39	4	473801	3/8UNC WING NUT
40	4	473827	8MM-1.25 X 20MM HEX BOLT



5

548005



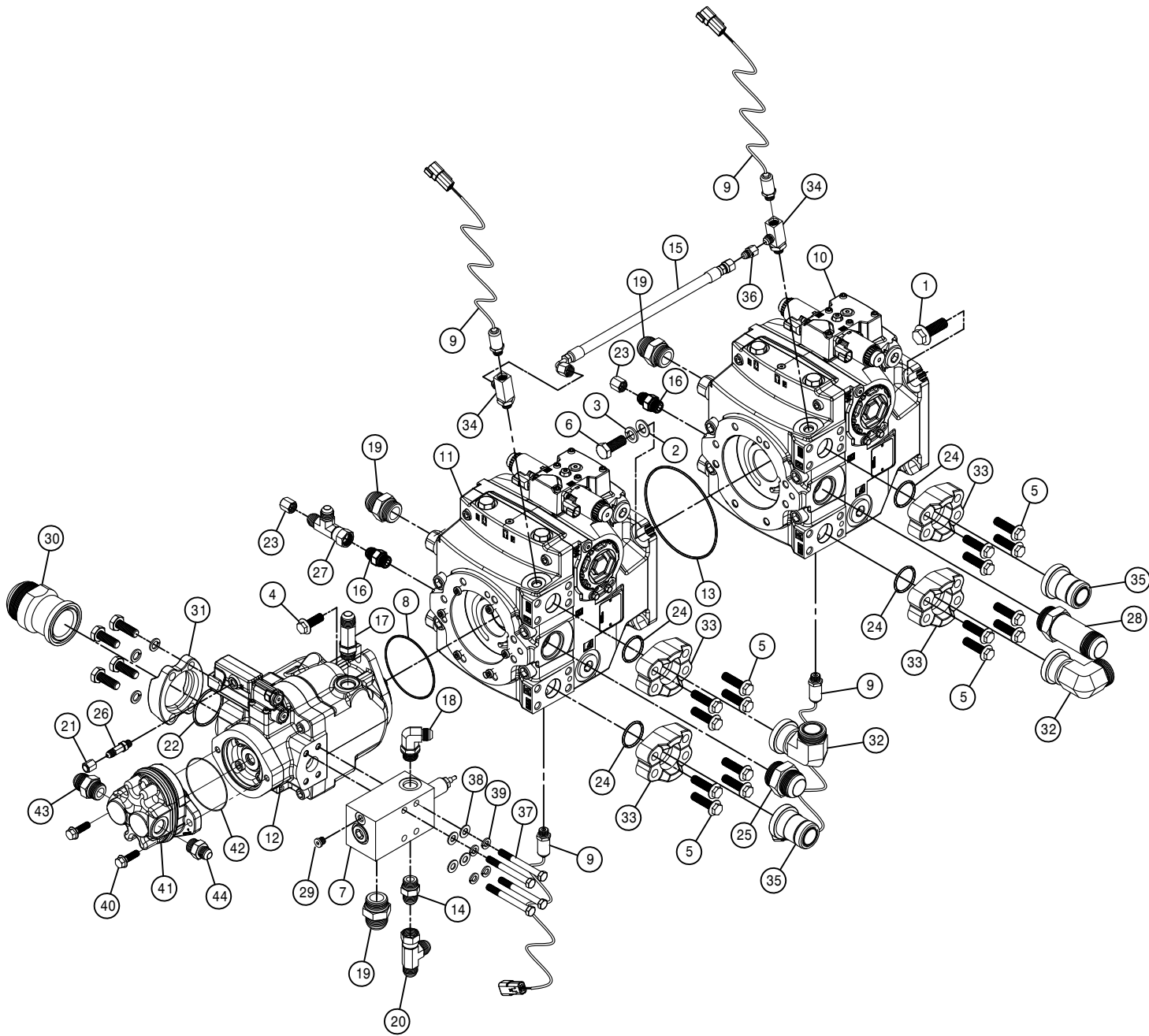
A/C COMPRESSOR PUMP ASSEMBLY, T3 EXPORT

DET.	QTY	PART NO.	DESCRIPTION
1	1	147052	BELT, 9470 GATES
2	1	316591	A/C MTG BRKT WLD, STS 2004
3	3	473844	10MM-1.50 X 30 SOC HD CAP SCR
4	3	473798	10MM LOCK WASHER
5	1	291675	PED, TERM, M, WP, 16- 14GA
6	1	657450	A/C COMP SR, 90D PORT TM15/12
7	4	900131	3/8UNC X 1 1/2 HEX BOLT
8	4	910004N	3/8UNC FLANGE CNTR LOCK NUT
9	1	657446	A/C HOSE, 08-08F90-08F90SV-65"
10	1	657447	A/C HOSE, 10-10F90-10F90SV-92"
11	1	291593	PED, RECP, WP, 1W
12	1	291620	PED, SEAL, GREEN, 18- 16GA

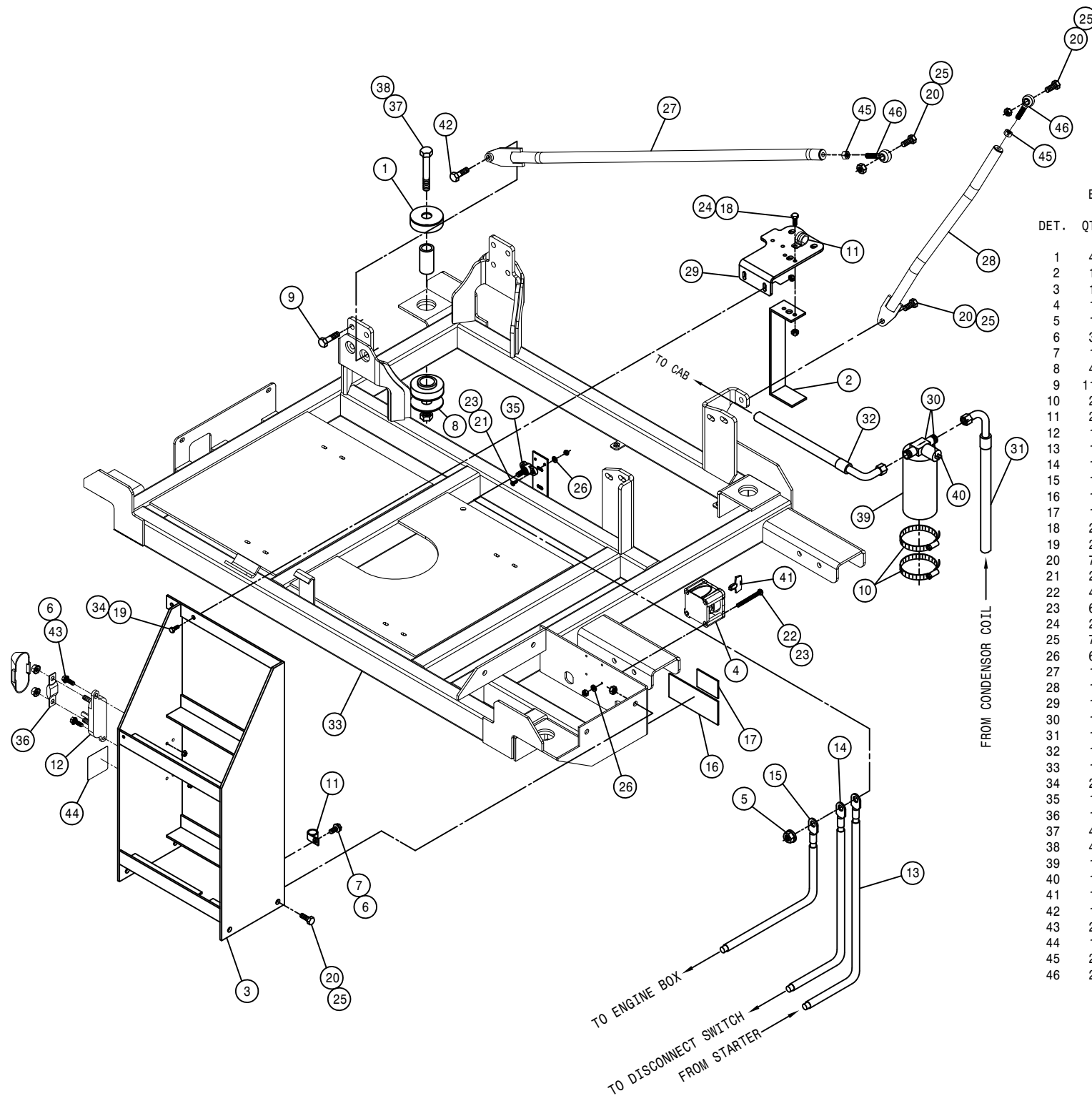
HYDROSTATIC PUMP ASSEMBLY, T3 & T4

DET. QTY PART NO. DESCRIPTION

1	4	472367	3/4UNC X 2" SM FLANGE BOLT GR8
2	4	473839	20MM FLAT WASHER
3	4	473854	20MM LOCK WASHER
4	2	473855	12MM-1.75 X 35MM FLANGE BOLT
5	16	473857	12MM-1.75 X 45MM FLANGE BOLT
6	4	473860	20MM-2.50 X 50MM HEX BOLT
7	1	606258	REFIEF, LS PUMP SAUER
8	1	606357	O-RING,3.737ID-.103CS-3.94 BMT
9	4	606196	PRESS TRANSDUCER ASSY 9000PSI
10	1	606512	H1-P-115CC PUMP,D/D-MT SAUER
11	1	606513	H1-P-115CC PUMP,D/B-MT SAUER
12	1	607005	SAUER PISTON PUMP JRR060B-LB
13	1	607026	O-RING,5.905ID- 6.141OD DMT
14	1	611126	7/8MJIC-7/8MOR ADPTR
15	1	616038	04-471TC-06FJX-06FJX90-15 H/A
16	2	618126	9/16MJIC-9/16MOR ADPTR
17	1	618130	7/8MOR RUN TEE-7/8MJIC
18	1	618183	3/4MJIC-90-7/8MOR LBO
19	3	618186	1 5/16MJIC-1 5/16MOR ADPTR
20	1	618333	7/8FJIC SW RUN TEE-7/8MJIC
21	1	618363	7/16FJIC CAP NUT
22	1	618394	O-RING FOR 2" FLANGE -32
23	2	618531	9/16FJIC CAP NUT
24	4	618465	O-RING FOR 1 1/4" FLANGE, -20
25	1	618472	1 5/8MJIC-1 5/8MOR ADPTR
26	1	618509	7/16MOR RUN TEE-7/16MJIC
27	1	618486	9/16FJIC SW RUN TEE-9/16MJIC
28	1	618724	1 5/8MJIC-1 5/8MOR LG ADPTR
29	1	618753	7/16MOR PLUG, HEX SOCKET
30	1	618765	2" FLANGE-2 1/2MJIC ADPTR #61
31	1	618766	2" SPLIT FLANGE KIT #61
32	2	618779	1 11/16MFOR-90-1 1/4FLG C62LBO
33	8	618780	1 1/4 SPLIT FLANGE HALF, #62
34	2	618782	9/16MOR-9/16FOR-9/16MJIC BRNCH
35	2	618897	1 1/4"FLANGE-1 11/16MFOR ADPTR
36	1	618735	9/16JIC .062 ORIFICE ADPTR
37	4	900138	3/8UNC X 3 1/2 HEX BOLT
38	4	920002	3/8 SAE FLAT WASHER
39	4	920502	3/8 LOCK WASHER
40	2	470329	3/8UNC X 1 1/4 SER FLANGE BOLT
41	1	606664	GEAR PUMP, .40CI A-MT,RH
42	1	606927	O-RING, CONTROL SHFT,EATON 54
43	1	611127	1 1/16MJIC-1 1/16MOR ADPTR
44	1	618327	3/4MJIC-7/8MOR ADPTR

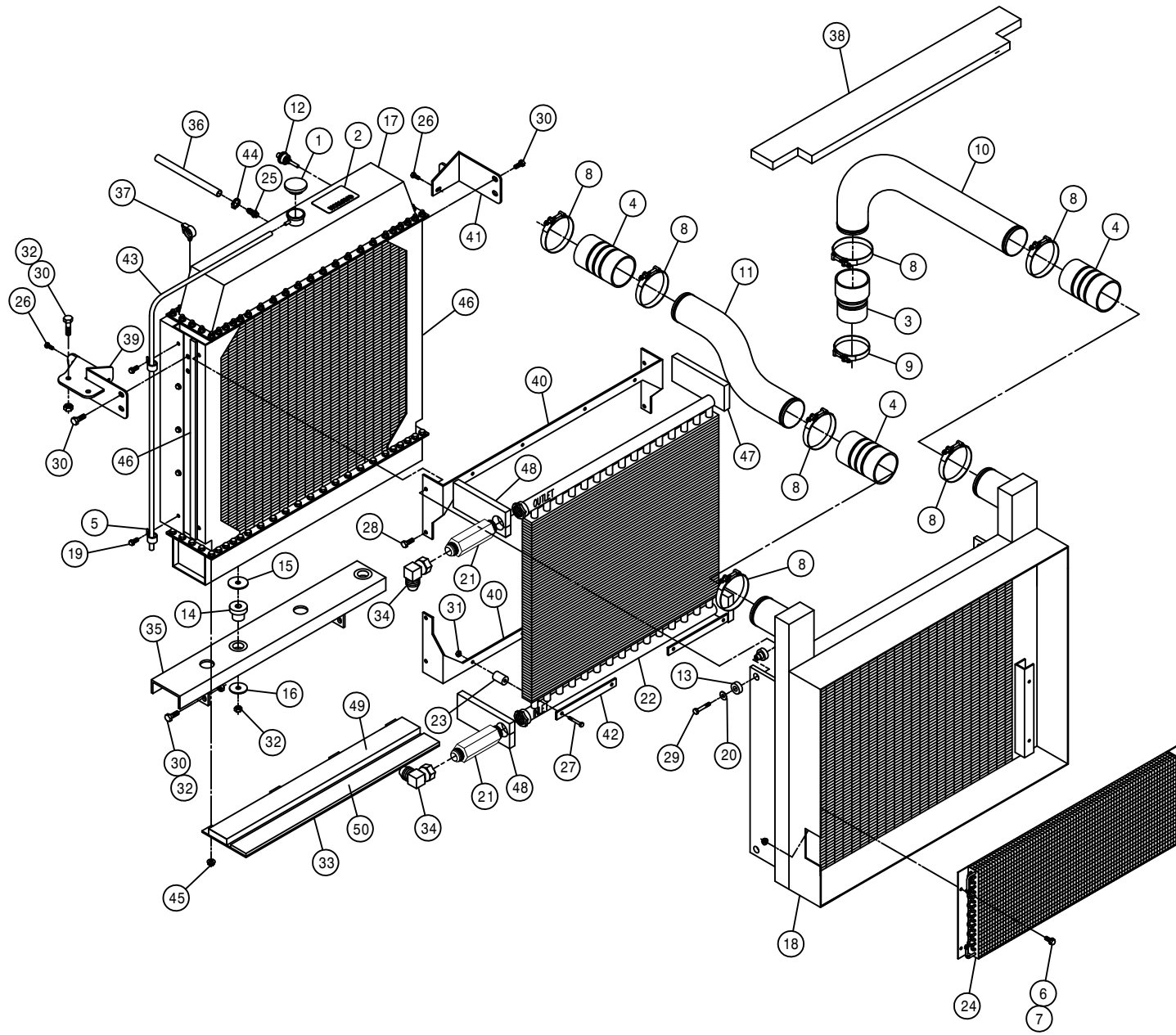


7



ENGINE SKID ASSEMBLY, T3 EXPORT

DET.	QTY	PART NO.	DESCRIPTION
1	4	311057	RUBBER MT SET,SSB33-1000-4
2	1	316432	A/C DRIER MT
3	1	316637	BATTERY BOX WLD STS 05
4	1	291962	BATTERY SWITCH,ON/OFF(KEY)6005
5	1	910004N	3/8UNC FLANGE CNTR LOCK NUT
6	3	470121	1/4UNC HEX FLANGE LOCK NUT
7	1	470122	1/4UNC X 1/2 FLANGE HEX BOLT
8	4	311091	SNUBBING WASHER FOR 311090
9	11	473855	12MM-1.75 X 35MM FLANGE BOLT
10	2	520052	HOSE CLAMP NO 52 STAINLESS
11	2	520121	CUSH CLAMP,#16 1IN X 3/4W
12	1	292578	HIGH AMP FUSE HOLDER W/COVER
13	1	291359	BATT CABLE,RED 26"2/0 3/8-3/8
14	1	291997	BATT CABLE,RED 40"2/0 3/8-3/8
15	1	292541	BATT CABLE,RED 72"2/0 3/8-1/2
16	1	650107	DECAL,CAUTION BOOSTER STS12
17	1	650372	DECAL,MAIN ELECTRIC DISCONNECT
18	2	900065	5/16UNC X 1" HEX BOLT
19	2	900129	3/8UNC X 1" SERR FLANGE BOLT
20	7	900264	1/2UNC X 1 1/4 HEX BOLT
21	2	903706	10-32X1/2 PHIL PAN MACH SCR
22	4	903897	10-32X2 1/2 PHIL PAN MACH SCR
23	6	910027	10-32 HEX NUT
24	2	914002	5/16UNC HEX STOVER NUT
25	7	914008	1/2UNC HEX STOVER NUT
26	6	920510	#10 LOCK WASHER
27	1	316829	LH RAD BRACE WLD,STS 10/12 '10
28	1	316732	RH RAD BRACE WLD, STS T3 07
29	1	316729	RAD MT PLT, STS T3 QSB 07
30	1	657438	RECEIVER DRIER W/SWITCH
31	1	657443	A/C HOSE,06-06F90-06F90-34"
32	1	657474	A/C HOSE,06-06F-06F90-128"
33	1	316912	ENG SKID WLD,STS10/12 POLY '12
34	2	470087	3/8UNC HEX FLANGE LOCK NUT
35	1	291936	TERM BLOCK,RED, 3/8-16 SINGLE
36	1	291330	FUSE, 200 AMP 32 VOLT DC
37	4	900408	3/4UNC X 3 1/2 HEX BOLT
38	4	914012	3/4UNC HEX STOVER NUT
39	1	657421	A/C RECEIVER/DRIER
40	1	657422	A/C BINARY SWITCH
41	1	291963	KEY,BATTERY SWITCH 291962
42	1	473859	12MM-1.75 X 50MM FLANGE BOLT
43	2	470118	1/4UNC X 3/4 FLANGE HEX BOLT
44	1	650272	DECAL,200AMP ECM FUSE,STS '11
45	2	910009	1/2UNF HEX NUT
46	2	473976	ROD END, .50B, .50-20UNF RH MALE



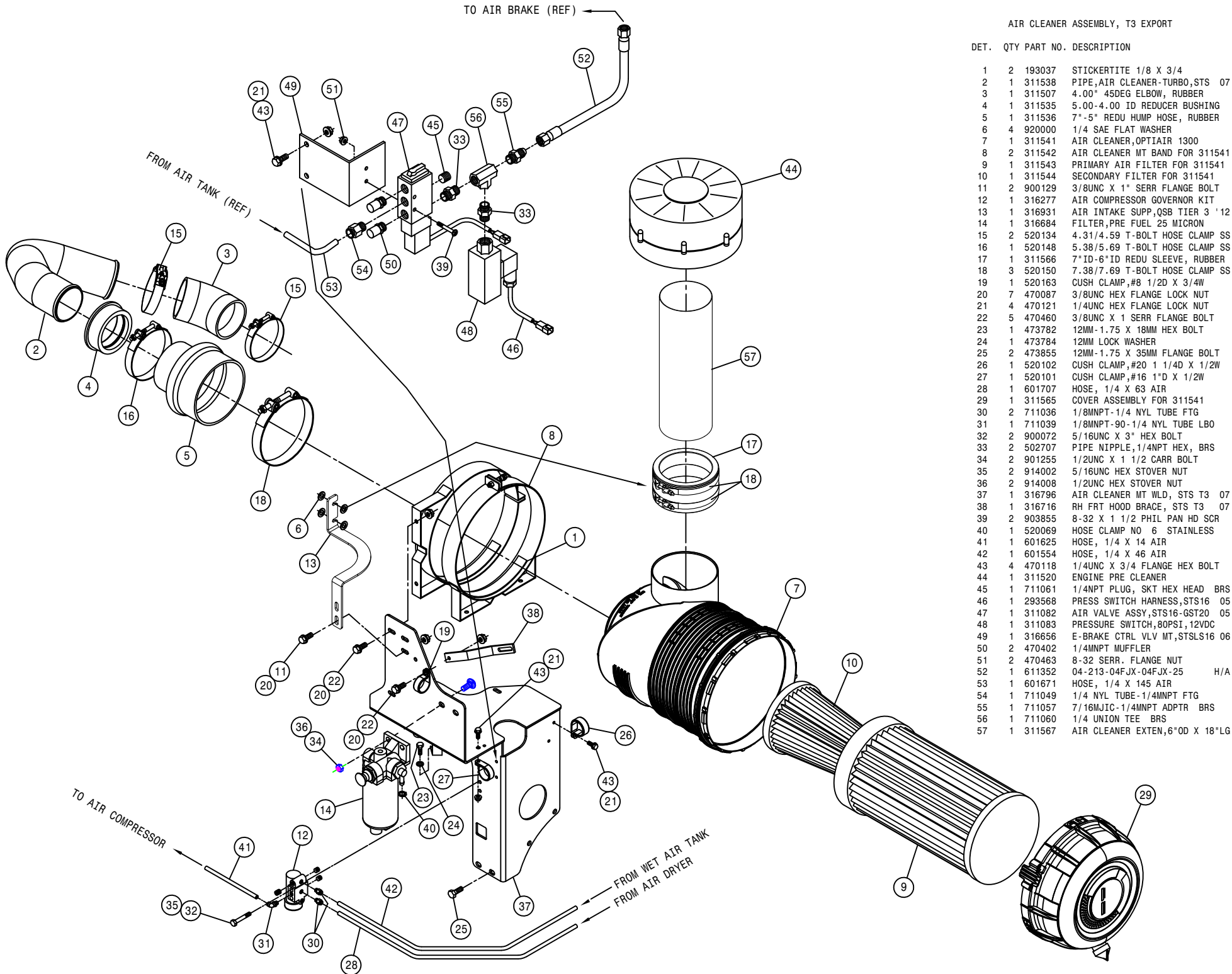
RADIATOR AND OIL COOLER ASSEMBLY, T3 EXPORT

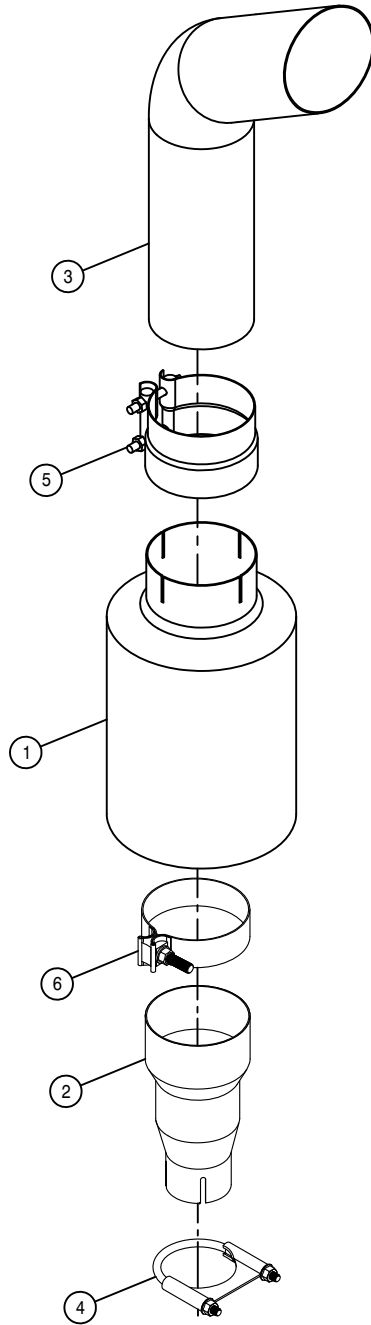
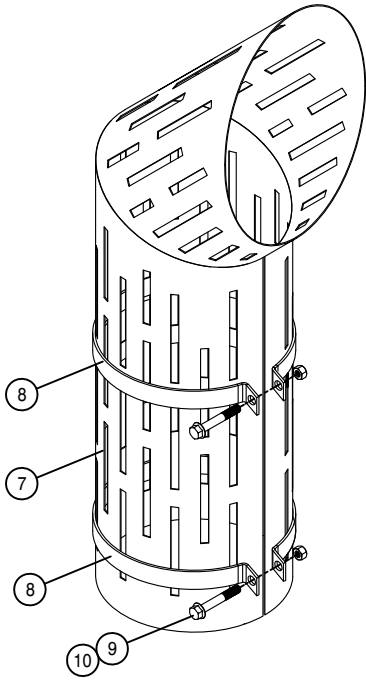
DET.	QTY	PART NO.	DESCRIPTION
1	1	316377	RAD CAP, 10LB 10237
2	1	650174	DECAL, CAUTION RADIATOR, STS 07
3	1	311500	3.50-3.00 X 6.90 REDU CAC HOSE
4	3	311501	3.50 X 6.00 CAC HOSE
5	2	520128	CUSH J CLAMP, #9 9/16D X 3/4W
6	4	470121	1/4UNC HEX FLANGE LOCK NUT
7	4	470122	1/4UNC X 1/2 FLANGE HEX BOLT
8	7	520145	3.56/3.88 T-BOLT HOSE CLAMP SS
9	1	520146	3.06/3.38 T-BOLT HOSE CLAMP SS
10	1	311540	PIPE, CAC TO ENG, STS T3 07
11	1	311539	PIPE, TURBO TO CAC, STS T3 07
12	1	291935	RAD WATER LEVEL SENSOR, T3 ENG
13	4	311056	RUBBER MOUNT SET, 2-PC CB 2320
14	2	311060	RUBBER MOUNT, 1-PC CB-1122-2
15	2	311061	HEAD WASHER FOR 311060
16	2	311062	TAIL WASHER FOR 311060
17	1	316364	RADIATOR, STS12 2000
18	1	316660	CHARGE AIR COOLER, STS TIER3 06
19	10	470319	3/8UNC X 1/2 SERR FLANGE BOLT
20	4	483043	3/8 REGULAR FLAT WASHER
21	2	618830	1 5/16MJ-1 5/16MOR 6.0LG ADPTR
22	1	618800	OIL COOLER STS12 2000
23	8	618801	MOUNTING KIT FOR 618800 COOLER
24	1	657434	A/C CONDENSER COIL 21-0302
25	1	783304	1/4 NPT X 3/8 HOSE BARB, BRS
26	2	470233	5/16UNC X 3/4 FLANGE HEX BOLT
27	8	900071	5/16UNC X 2 3/4 HEX BOLT
28	4	900128	3/8UNC X 3/4 HEX BOLT
29	4	900133	3/8UNC X 2" SERR FLANGE BOLT
30	10	900264	1/2UNC X 1 1/4 HEX BOLT
31	8	473001	5/16UNC HEX NUT, NYLOC 316 SS
32	8	914008	1/2UNC HEX STOVER NUT
33	1	316486	LOWER RADIATOR FILLER PANEL
34	2	618640	1 5/16MJ-90-1 5/16FJ SWIV LBO
35	1	316594	RADIATOR MT CHAN WLD, STS 04
36	1	601668	HOSE, 3/8 X 30 HEATER
37	4	291008	ROSEBUD CLIP FOR .350 CONDUIT
38	1	316588	FOAM, STS 04
39	1	316727	UPPER LH RAD MT WLD, STS T3 07
40	2	316452	RAD TO OIL COOLER MT
41	1	316446	UPPER RH RAD MT WLD 2000
42	4	316453	RAD TO OIL COOLER KEEPER
43	1	601614	HOSE, 5/16 X 64 EPDM
44	1	520069	HOSE CLAMP NO 6 STAINLESS
45	4	470113	5/16UNC HEX FLANGE LOCK NUT
46	2	316493	SIDE FOAM, RAD/CAC
47	2	316494	RH UPR/LWR FOAM, OIL CLR/RAD 00
48	2	316495	LH UPR/LWR FOAM, OIL CLR/RAD 00
49	1	316491	FRT FOAM, LWR RAD FILLER PANEL
50	1	316492	REAR FOAM, LWR RAD FILLER PANEL

TO AIR BRAKE (REF)

AIR CLEANER ASSEMBLY, T3 EXPORT

DET.	QTY	PART NO.	DESCRIPTION
1	2	193037	STICKERTITE 1/8 X 3/4
2	1	311538	PIPE,AIR CLEANER-TURBO,STS 07
3	1	311507	4.00" 45DEG ELBOW, RUBBER
4	1	311535	5.00-4.00 ID REDUCER BUSHING
5	1	311536	7"-5" REDU HUMP HOSE, RUBBER
6	4	920000	1/4 SAE FLAT WASHER
7	1	311541	AIR CLEANER,OPTIAIR 1300
8	2	311542	AIR CLEANER MT BAND FOR 311541
9	1	311543	PRIMARY AIR FILTER FOR 311541
10	1	311544	SECONDARY FILTER FOR 311541
11	2	900129	3/8UNC X 1" SERR FLANGE BOLT
12	1	316277	AIR COMPRESSOR GOVERNOR KIT
13	1	316931	AIR INTAKE SUPP,QSB TIER 3 '12
14	1	316684	FILTER,PRE FUEL 25 MICRON
15	2	520134	4.31/4.59 T-BOLT HOSE CLAMP SS
16	1	520148	5.38/5.69 T-BOLT HOSE CLAMP SS
17	1	311566	7"ID-6"ID REDU SLEEVE, RUBBER
18	3	520150	7.38/7.69 T-BOLT HOSE CLAMP SS
19	1	520163	CUSH CLAMP,#8 1/2D X 3/4W
20	7	470087	3/8UNC HEX FLANGE LOCK NUT
21	4	470121	1/4UNC HEX FLANGE LOCK NUT
22	5	470460	3/8UNC X 1 SERR FLANGE BOLT
23	1	473782	12MM-1.75 X 18MM HEX BOLT
24	1	473784	12MM LOCK WASHER
25	2	473855	12MM-1.75 X 35MM FLANGE BOLT
26	1	520102	CUSH CLAMP,#20 1 1/4D X 1/2W
27	1	520101	CUSH CLAMP,#16 1"D X 1/2W
28	1	601707	HOSE, 1/4 X 63 AIR
29	1	311565	COVER ASSEMBLY FOR 311541
30	2	711036	1/8MNPT-1/4 NYL TUBE FTG
31	1	711039	1/8MNPT-90-1/4 NYL TUBE LBO
32	2	900072	5/16UNC X 3" HEX BOLT
33	2	502707	PIPE NIPPLE,1/4NPT HEX, BRS
34	2	901255	1/2UNC X 1 1/2 CARR BOLT
35	2	914002	5/16UNC HEX STOVER NUT
36	2	914008	1/2UNC HEX STOVER NUT
37	1	316796	AIR CLEANER MT WLD, STS T3 07
38	1	316716	RH FRT HOOD BRACE, STS T3 07
39	2	903855	8-32 X 1 1/2 PHIL PAN HD SCR
40	1	520069	HOSE CLAMP NO 6 STAINLESS
41	1	601625	HOSE, 1/4 X 14 AIR
42	1	601554	HOSE, 1/4 X 46 AIR
43	4	470118	1/4UNC X 3/4 FLANGE HEX BOLT
44	1	311520	ENGINE PRE CLEANER
45	1	711061	1/4NPT PLUG, SKT HEX HEAD BRS
46	1	293568	PRESS SWITCH HARNESS,STS16 05
47	1	311082	AIR VALVE ASSY,STS16-GST20 05
48	1	311083	PRESSURE SWITCH,80PSI,12VDC
49	1	316656	E-BRAKE CTRL VLV MT,STLS16 06
50	2	470402	1/4MNPT MUFFLER
51	2	470463	8-32 SERR. FLANGE NUT
52	1	611352	04-213-04FJX-04FJX-25 H/A
53	1	601671	HOSE, 1/4 X 145 AIR
54	1	711049	1/4 NYL TUBE-1/4MNPT FTG
55	1	711057	7/16MJIC-1/4MNPT ADPTR BRS
56	1	711060	1/4 UNION TEE BRS
57	1	311567	AIR CLEANER EXTEN,6"OD X 18"LG

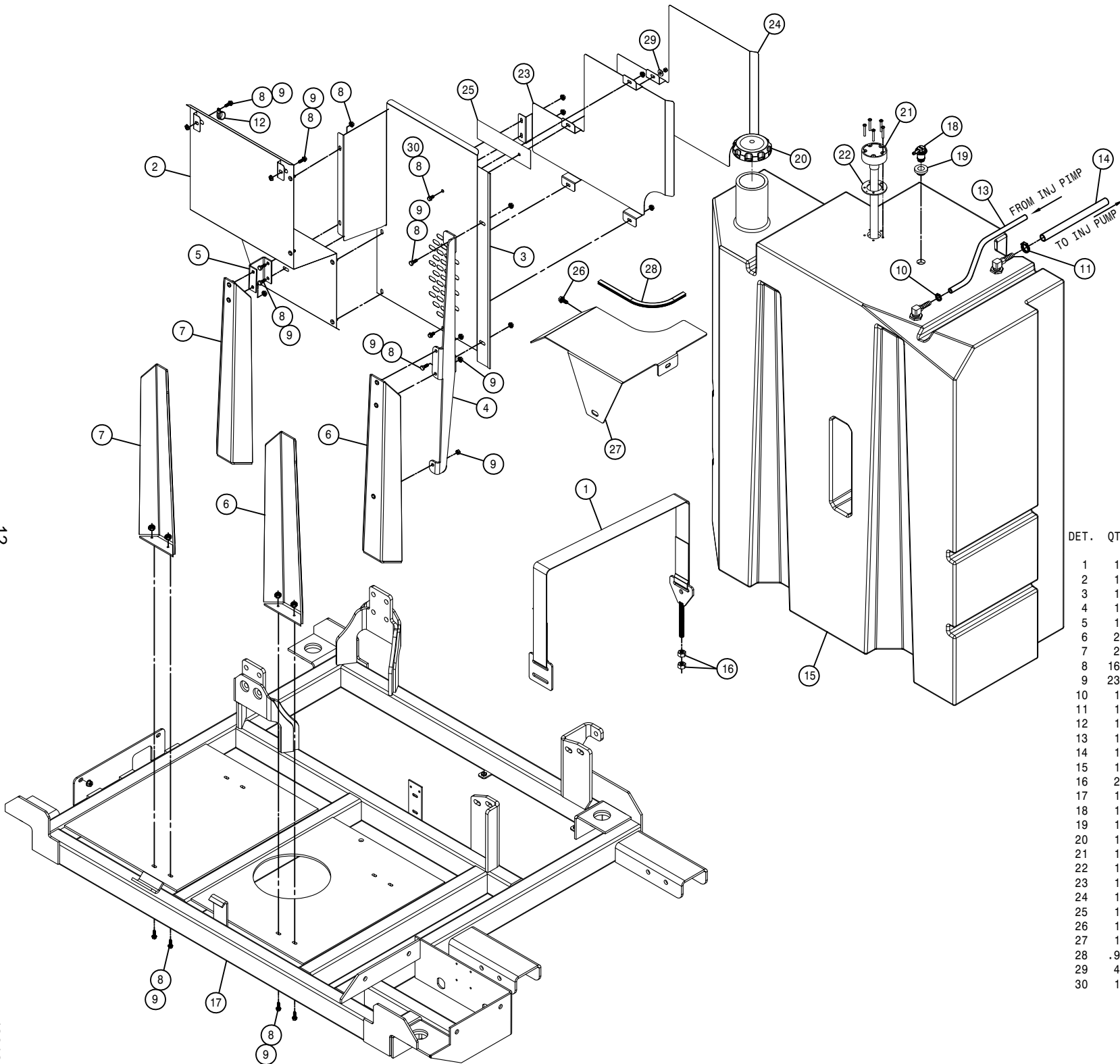




MUFFLER ASSEMBLY, T3 EXPORT

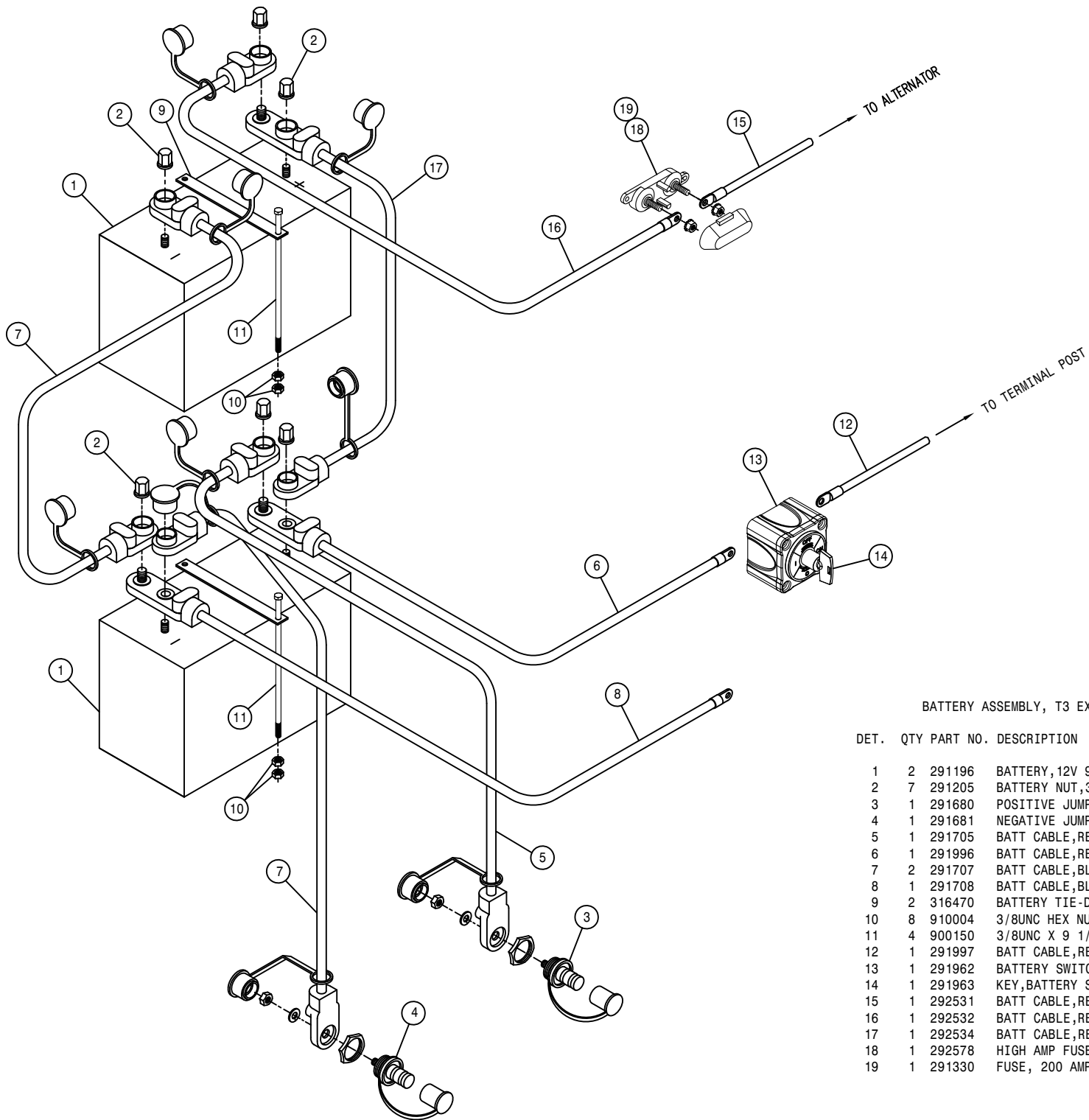
DET. QTY PART NO. DESCRIPTION

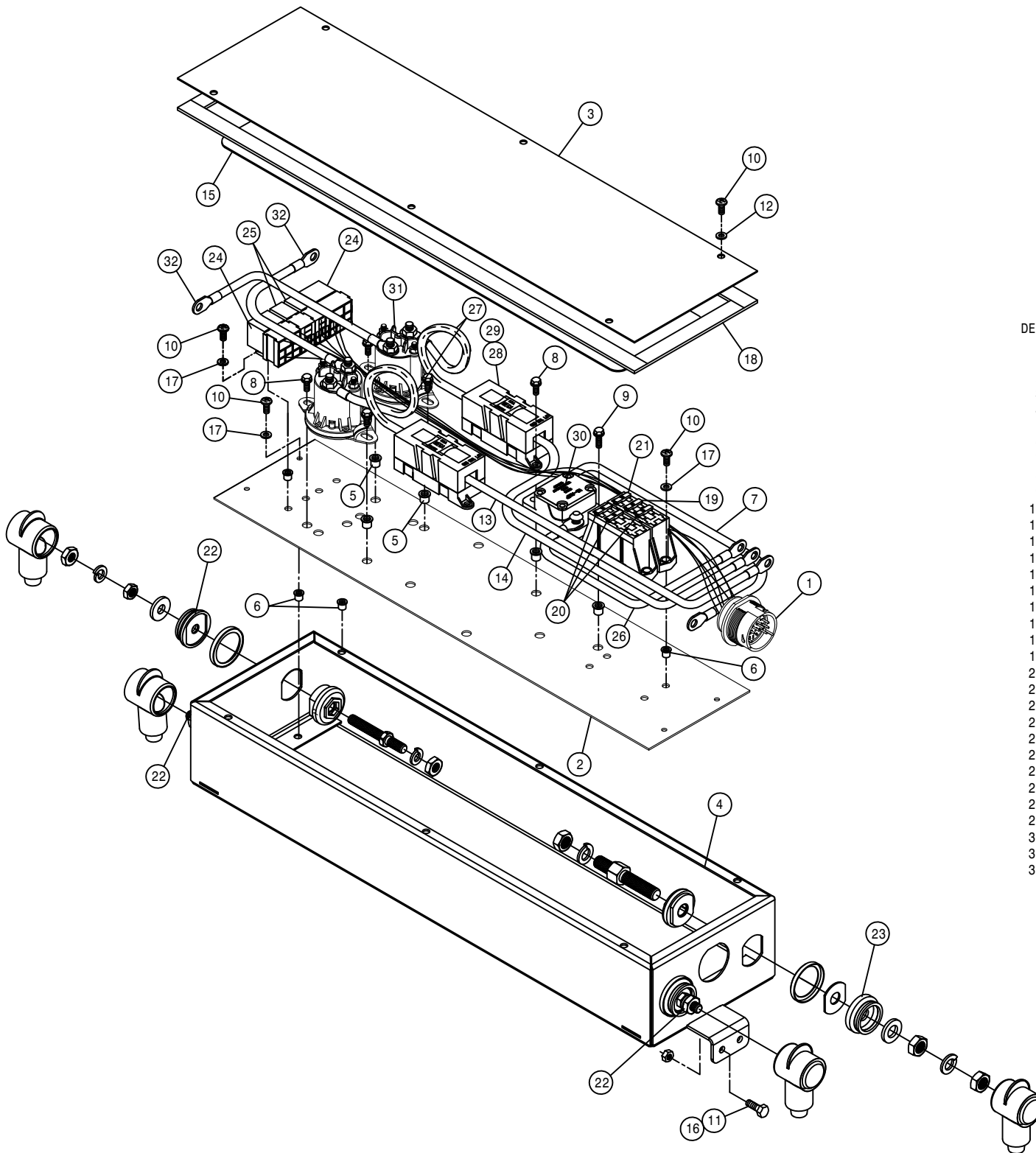
1	1	316657	MUFFLER 5"
2	1	316816	EXH REDUCER CONNECTOR
3	1	316817	EXHAUST STACK ,ANGLED
4	1	470475	3" EXHAUST CLAMP
5	1	470477	5" LAP EXHAUST CLAMP
6	1	470600	MUFFLER CLAMP, 5.00 ACCUSEAL
7	1	343794	MUFFLER GUARD WLD,STS '11
8	2	343796	MUFFLER GUARD CLMP BAND,STS'11
9	2	900134	3/8UNC X 2 1/2 SER FLANGE BOLT
10	2	914004	3/8UNC HEX STOVER NUT



FUEL TANK ASSEMBLY, T3 EXPORT

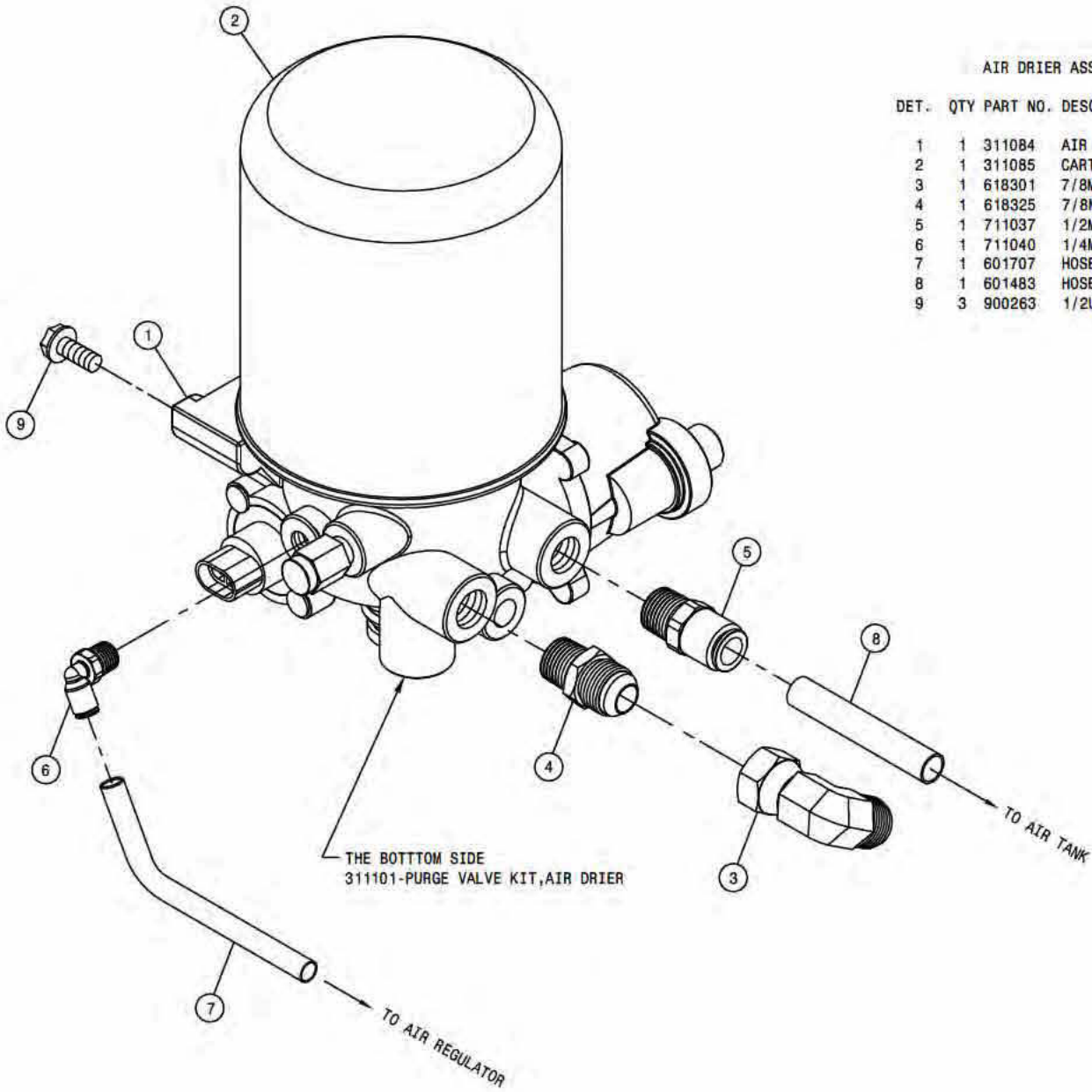
DET.	QTY	PART NO.	DESCRIPTION
	1	316914	POLY FUEL TANK STRAP ASSY, STS
	1	316932	POLY TANK SHIELD WLD STS' 12
	1	316936	POLY FUEL TANK SHLD, CNT STS' 12
	4	316960	REAR FUEL TANK HEAT SHLD MT' 12
	5	316961	FRT FUEL TNK HEAT SHLD MT, STS
	6	316962	RH REAR POLY FUEL TNK SUPP WLD
	7	316963	RH FRT POLY FUEL TANK SUPP WLD
	8	470118	1/4UNC X 3/4 FLANGE HEX BOLT
	9	470121	1/4UNC HEX FLANGE LOCK NUT
	10	520069	HOSE CLAMP NO 6 STAINLESS
	11	520120	HOSE CLAMP NO 4 STAINLESS
	12	520160	CUSH CLAMP, #24 1 1/2D-3/4WLOOP
	13	601305	HOSE, 5/16 X 112 FUEL LINE
	14	601738	HOSE, 3/8 X 96 FUEL LINE
	15	760775	POLY FUEL TANK
	16	910008	1/2UNC HEX NUT
	17	316912	ENG SKID WLD, STS10/12 POLY ' 12
	18	760780	REMOTE TANK VENT, 1/4 HOSE BARB
	19	760781	GROMMET FOR 760780 REMOTE VENT
	20	760782	FUEL CAP, 3.5" VENTED W/TETHER
	21	760783	MAXIMA 45" SENDING UNIT
	22	760784	GASKET FOR 760783 FUEL SENDER
	23	316998	SECONDARY HEAT SHLD T3 STS' 12
	24	316999	HEAT TAPE TIER 3 STS' 12
	25	317016	SECONDARY HEAT TAPE, TIER 3
	26	470233	5/16UNC X 3/4 FLANGE HEX BOLT
	27	316997	AIR DEFLECTOR TIER 3 STS' 12
	28	193016	QUICKEDGE TRIM .060 TO .170
	29	483038	1/4 REGULAR FLAT WASHER
	30	914000	1/4UNC HEX STOVER NUT





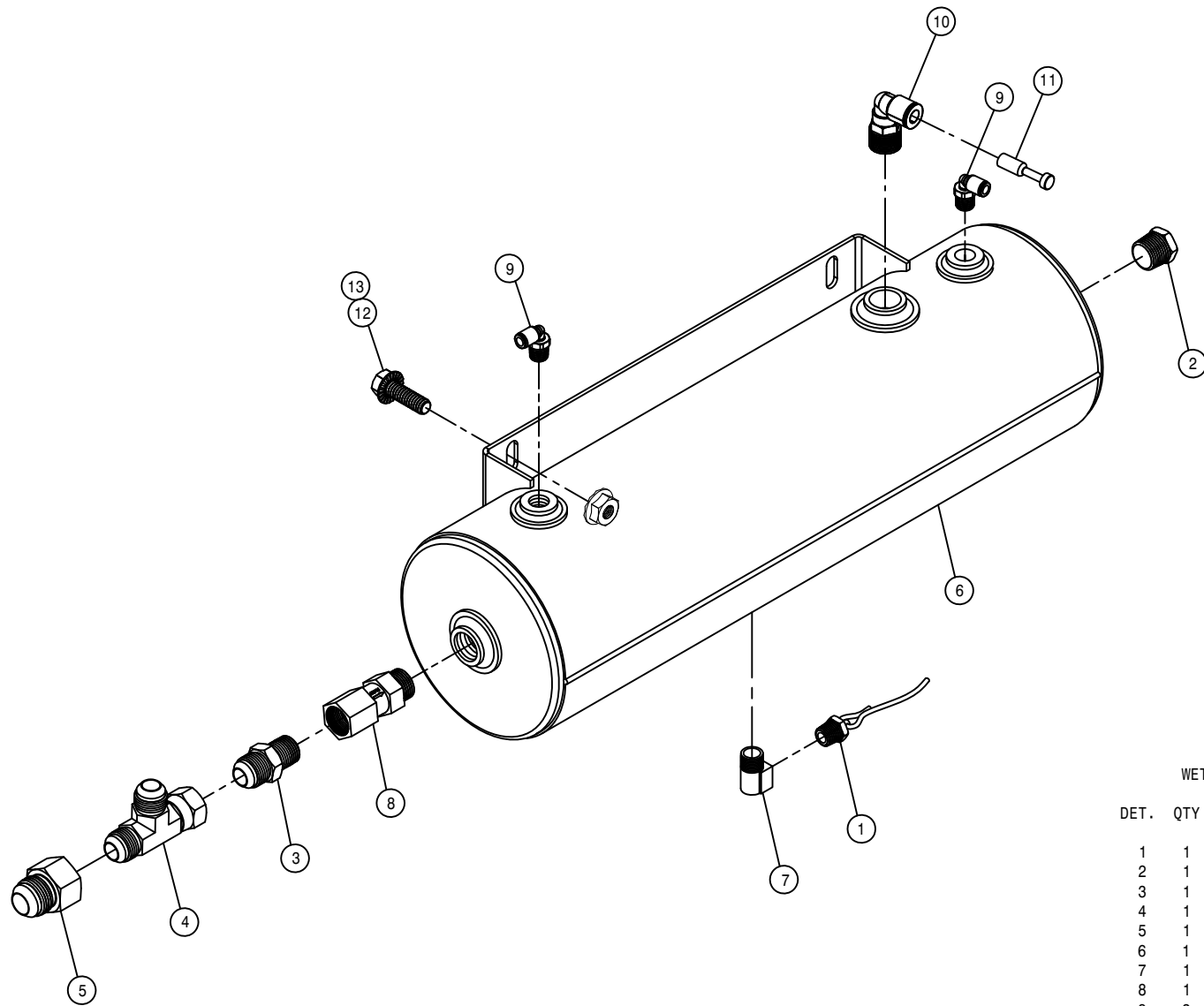
ENGINE ELECTRICAL BOX ASSEMBLY, T3 EXPORT

DET.	QTY	PART NO.	DESCRIPTION
1	1	293936	ENG ELECT BOX HARNESS,STS '10
2	1	342960	ENG BOX MT PANEL, STS '04
3	1	342961	ENG BOX COVER, STS '04
4	1	343703	ENG BOX WLD, STS '11
5	10	470380	1/4-20 NUTSERT .027-.165 STL
6	18	470384	10-32 NUTSERT .020-.130 STL
7	1	292538	BATT CABLE,RED 15*6GA 281-406
8	8	470122	1/4UNC X 1/2 FLANGE HEX BOLT
9	2	470118	1/4UNC X 3/4 FLANGE HEX BOLT
10	18	903710	10-32X5/8 PHIL PANHD MACH SCR
11	4	900002	1/4UNC X 3/4 HEX BOLT
12	6	470351	#10 X 1/2 BONDED SEALING WASH
13	1	292539	BATT CABLE,RED 15*6GA 343-531
14	1	292540	BATT CABLE,RED 19*6GA 343-531
15	1	650234	DECAL,ENG ELECTRIC BOX,STS '10
16	4	914000	1/4UNC HEX STOVER NUT
17	12	920510	#10 LOCK WASHER
18	5.5	193037	STICKERTITE 1/8 X 3/4
19	1	291549	30 AMP FUSE,LED 1/4"BLADE,ATC
20	3	291546	15 AMP FUSE,LED 1/4"BLADE,ATC
21	1	291547	20 AMP FUSE,LED 1/4"BLADE,ATC
22	3	291343	POWER BUSHING,3/8" RED WTHRPRF
23	1	291344	POWER BUSHING,1/2" RED WTHRPRF
24	2	291751	RELAY,SPDT,BKT MT,DIODE,5T
25	2	291781	MICRO RELAY, BOSCH 12V SPDT
26	1	292537	BATT CABLE,RED 12*6GA 281-531
27	2	291806	BATT CABLE,RED 11*6GA.343-.343
28	2	291813	FUSE, 125 AMP 32V DC
29	2	291814	FUSE HOLDER, HIGH AMP
30	1	292501	CIRCUIT BREAKER,120 AMP, BUSS
31	2	292505	MASTER CONTROL RELAY
32	2	292536	BATT CABLE,RED 10*6GA 343-406



AIR DRIER ASSEMBLY, T3 EXPORT

DET.	QTY	PART NO.	DESCRIPTION
1	1	311084	AIR DRIER,SYSTEM SAVER 1200
2	1	311085	CARTRIDGE KIT FOR 311084 DRIER
3	1	618301	7/8MJIC-90-7/8FJIC SWIV LBO
4	1	618325	7/8MJIC-1/2MNPT ADPTR
5	1	711037	1/2MNPT-1/2 NYL TUBE FTG
6	1	711040	1/4MNPT-90-1/4 NYL TUBE LBO
7	1	601707	HOSE, 1/4 X 63 AIR
8	1	601483	HOSE, 1/2 X 84 AIR
9	3	900263	1/2UNC X 1" HEX BOLT



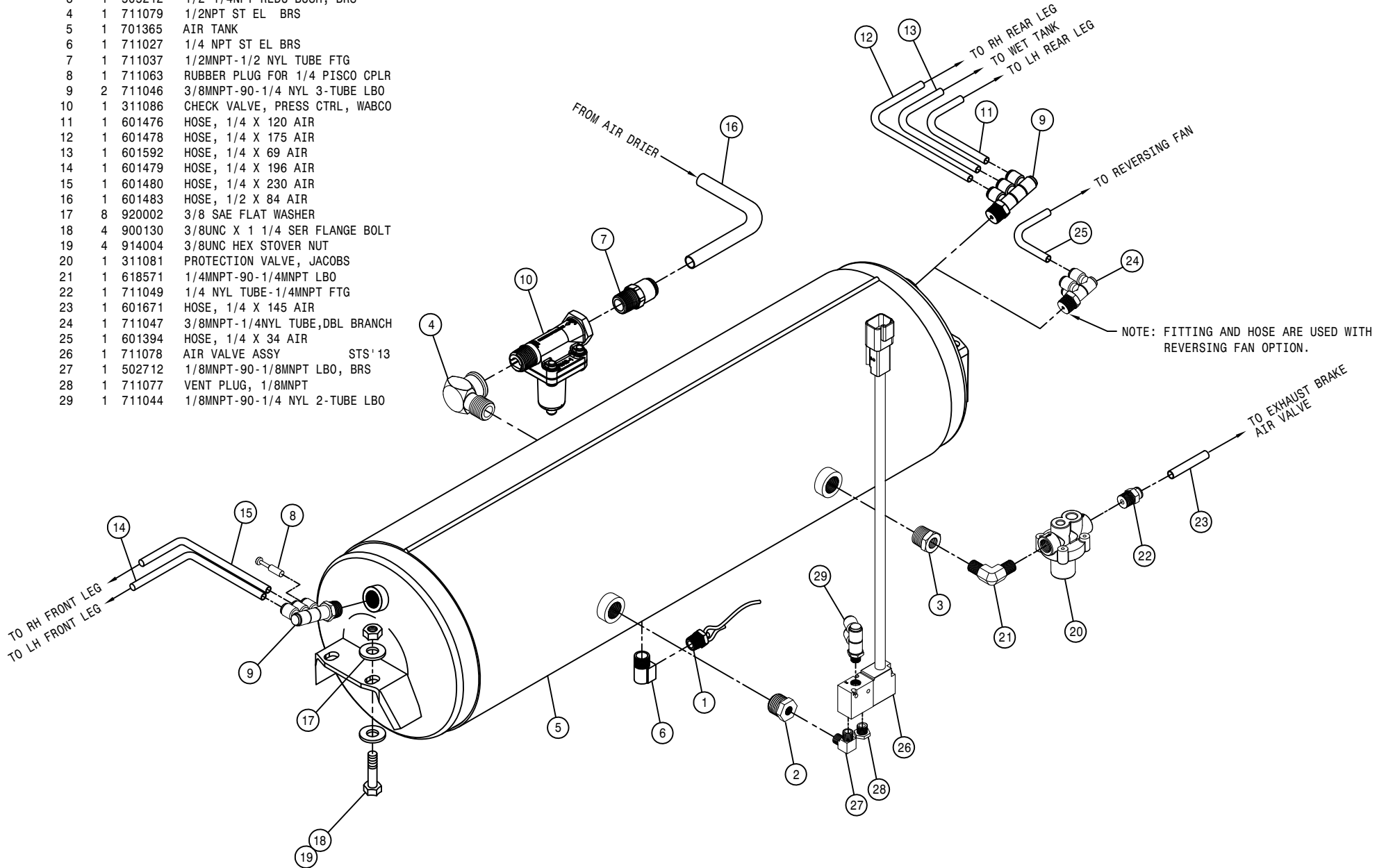
WET AIR TANK ASSEMBLY, T3 EXPORT

DET.	QTY	PART NO.	DESCRIPTION
	1	470266	DRAIN VALVE KIT, 1/4NPT
	2	505231	PIPE PLUG .50NPT HEX HD BRS
	3	618325	7/8MJIC-1/2MNPT ADPTR
	4	618333	7/8FJIC SW RUN TEE-7/8MJIC
	5	618773	7/8FJIC-1 1/16MJIC ADPTR
	6	701244	WET AIR TANK STSLS 16 06
	7	711027	1/4 NPT ST EL BRS
	8	711032	CHECK VALVE, 1/2"FNPT-1/2"MNPT
	9	711040	1/4MNPT-90-1/4 NYL TUBE LBO
	10	711062	1/2MNPT-90-3/8 NYL 1-TUBE LBO
	11	711064	RUBBER PLUG FOR 3/8 PISCO CPLR
	12	900128	3/8UNC X 3/4 HEX BOLT
	13	470087	3/8UNC HEX FLANGE LOCK NUT

AIR TANK ASSEMBLY, T3 EXPORT

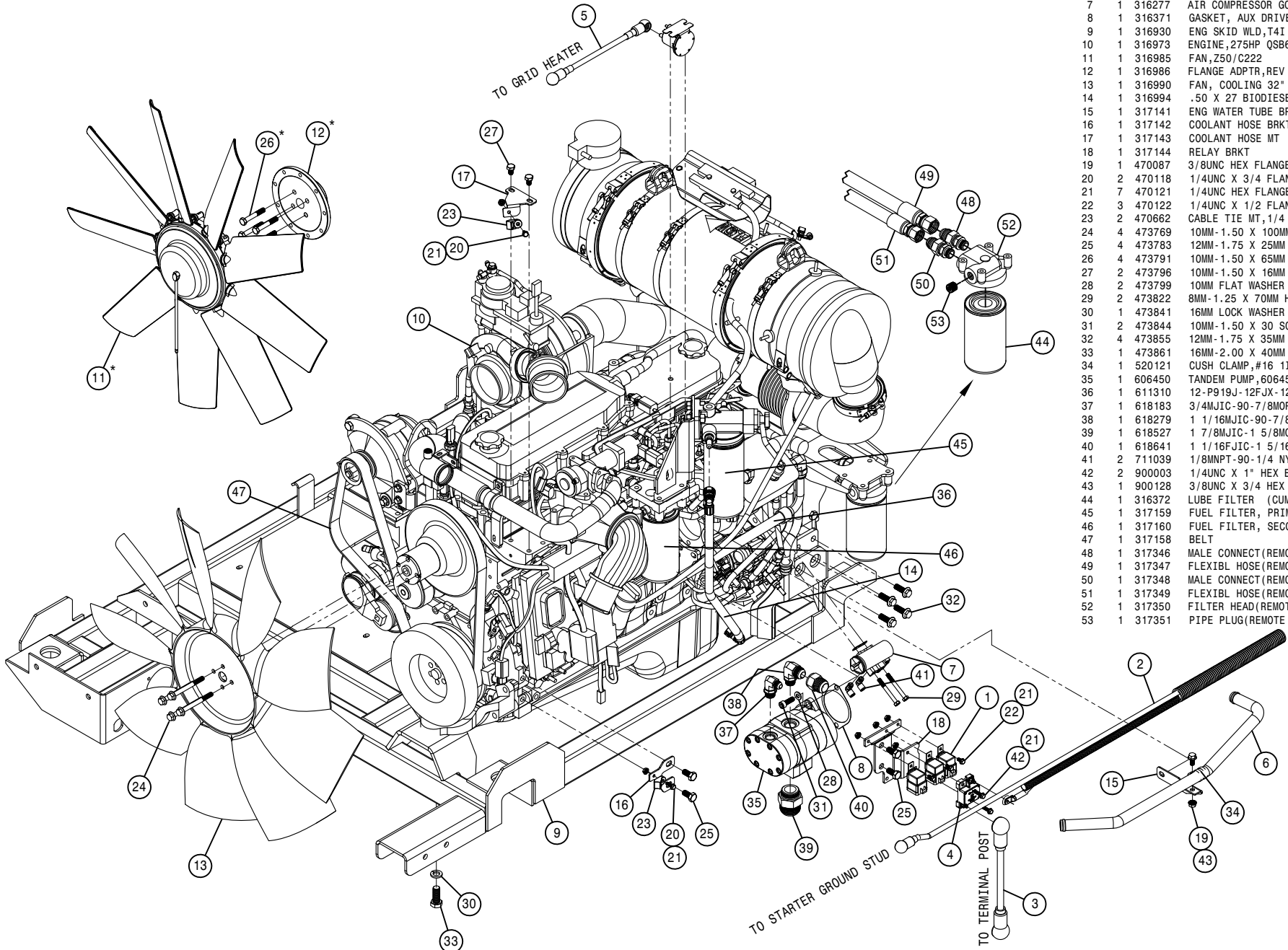
DET. QTY PART NO. DESCRIPTION

1	1	470266	DRAIN VALVE KIT, 1/4NPT
2	1	505234	RED BUSH 1/2MNPT-1/8FNPT, BRS
3	1	505212	1/2-1/4NPT REDU BUSH, BRS
4	1	711079	1/2NPT ST EL BRS
5	1	701365	AIR TANK
6	1	711027	1/4 NPT ST EL BRS
7	1	711037	1/2MNPT-1/2 NYL TUBE FTG
8	1	711063	RUBBER PLUG FOR 1/4 PISCO CPLR
9	2	711046	3/8MNPT-90-1/4 NYL 3-TUBE LBO
10	1	311086	CHECK VALVE, PRESS CTRL, WABCO
11	1	601476	HOSE, 1/4 X 120 AIR
12	1	601478	HOSE, 1/4 X 175 AIR
13	1	601592	HOSE, 1/4 X 69 AIR
14	1	601479	HOSE, 1/4 X 196 AIR
15	1	601480	HOSE, 1/4 X 230 AIR
16	1	601483	HOSE, 1/2 X 84 AIR
17	8	920002	3/8 SAE FLAT WASHER
18	4	900130	3/8UNC X 1 1/4 SER FLANGE BOLT
19	4	914004	3/8UNC HEX STOVER NUT
20	1	311081	PROTECTION VALVE, JACOBS
21	1	618571	1/4MNPT-90-1/4MNPT LBO
22	1	711049	1/4 NYL TUBE-1/4MNPT FTG
23	1	601671	HOSE, 1/4 X 145 AIR
24	1	711047	3/8MNPT-1/4NYL TUBE, DBL BRANCH
25	1	601394	HOSE, 1/4 X 34 AIR
26	1	711078	AIR VALVE ASSY STS'13
27	1	502712	1/8MNPT-90-1/8MNPT LBO, BRS
28	1	711077	VENT PLUG, 1/8MNPT
29	1	711044	1/8MNPT-90-1/4 NYL 2-TUBE LBO



NOTE: ITEMS WITH AN (*) ARE USED WITH REVERSING FAN OPTION.

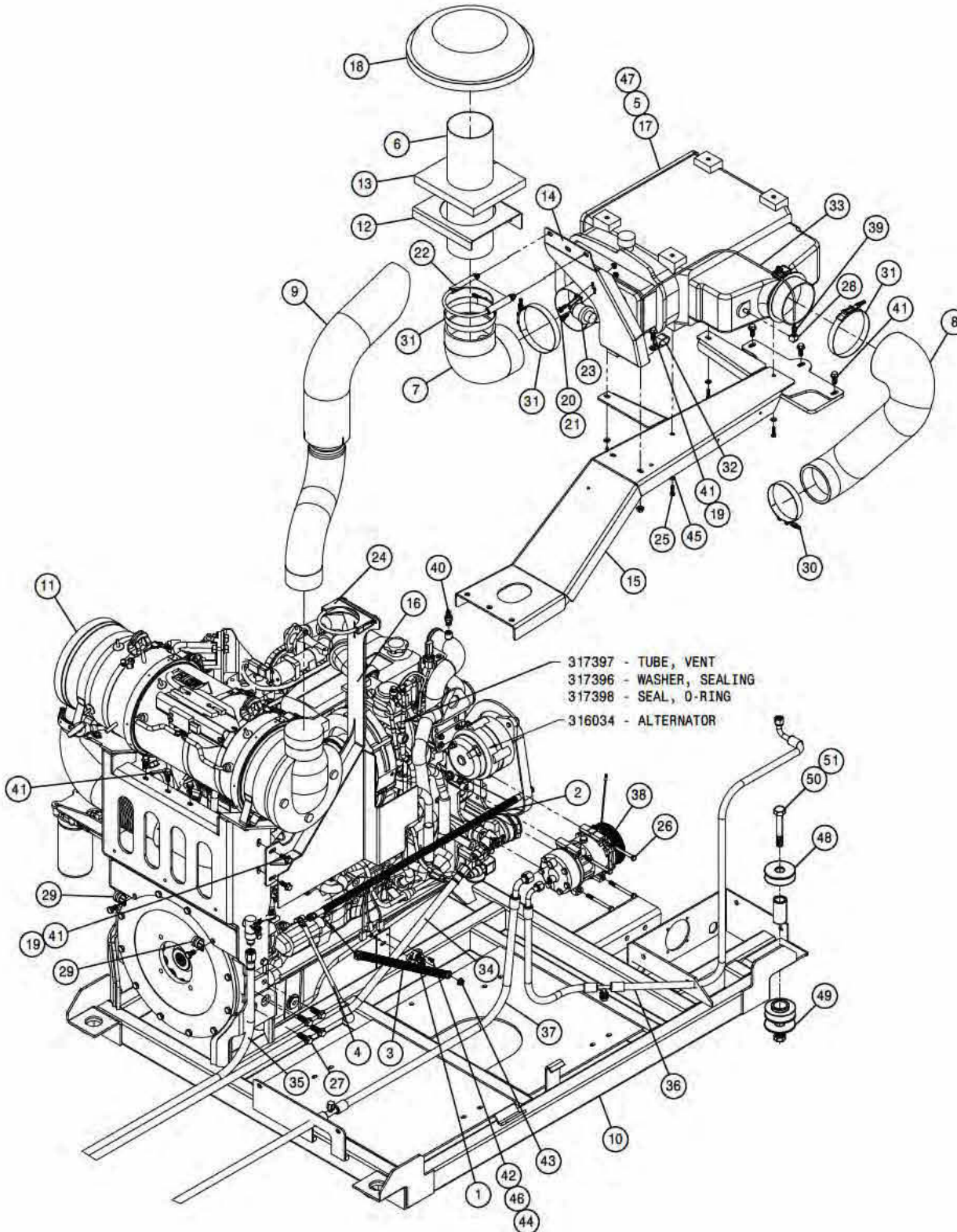
DET.	QTY	PART NO.	DESCRIPTION
1	3	291852	RELAY,SPDT,WTHPROOF W/BKT,40A
2	1	292598	CAB PWR,GND CABLE ASY,STS10/12
3	1	292600	BATT CABLE,RED 90°1/0 3/8-1/4
4	1	292642	CIRCUIT BREAKER, 150 AMP BUSS
5	1	292644	BATT CABLE,RED 12°2GA.281-.343
6	1	311597	TUBE,FORMED T4I STS'13
7	1	316277	AIR COMPRESSOR GOVERNOR KIT
8	1	316371	GASKET, AUX DRIVE CUMM 154916
9	1	316930	ENG SKID WLD,T4I POLY STS'13
10	1	316973	ENGINE,275HP QSB6.7 T4I STS'13
11	1	316985	FAN,Z50/C222 T4I STS'13
12	1	316986	FLANGE ADPTR,REV FAN,T4IST'S'13
13	1	316990	FAN, COOLING 32" T4I STS'13
14	1	316994	.50 X 27 BIODIESEL HOSE ASSY
15	1	317141	ENG WATER TUBE BRKT,T4I STS'13
16	1	317142	COOLANT HOSE BRKT T4I STS'13
17	1	317143	COOLANT HOSE MT T4I STS'13
18	1	317144	RELAY BRKT T4I STS'13
19	1	470087	3/BUNC HEX FLANGE LOCK NUT
20	2	470118	1/4UNC X 3/4 FLANGE HEX BOLT
21	7	470121	1/4UNC HEX FLANGE LOCK NUT
22	3	470122	1/4UNC X 1/2 FLANGE HEX BOLT
23	2	470662	CABLE TIE MT,1/4 MT HOLE,NYL
24	4	473769	10MM-1.50 X 100MM FLG HEX BOLT
25	4	473783	12MM-1.75 X 25MM HEX BOLT
26	4	473791	10MM-1.50 X 65MM HEX BOLT
27	2	473796	10MM-1.50 X 16MM HEX BOLT
28	2	473799	10MM FLAT WASHER
29	2	473822	8MM-1.25 X 70MM HEX BOLT
30	1	473841	16MM LOCK WASHER
31	2	473844	10MM-1.50 X 30 SOC HD CAP SCR
32	4	473855	12MM-1.75 X 35MM FLANGE BOLT
33	1	473861	16MM-2.00 X 40MM HEX BOLT
34	1	520121	CUSH CLAMP,#16 1IN X 3/4W
35	1	606450	TANDEM PUMP,606451 & 606452
36	1	611310	12-P919J-12FJX-12FJX90LG-66H/A
37	1	618183	3/4MJIC-90-7/8MOR LBO
38	1	618279	1 1/16MJIC-90-7/8MOR LBO
39	1	618527	1 7/8MJIC-1 5/8MOR ADPTR
40	1	618641	1 1/16FJIC-1 5/16MJIC ADPTR
41	2	711039	1/8MNPT-90-1/4 NYL TUBE LBO
42	2	900003	1/4UNC X 1" HEX BOLT
43	1	900128	3/8UNC X 3/4 HEX BOLT
44	1	316372	LUBE FILTER (CUMM ENG 316360)
45	1	317159	FUEL FILTER, PRIMARY T4I'13
46	1	317160	FUEL FILTER, SECONDARY T4I'13
47	1	317158	BELT T4I STS'13
48	1	317346	MALE CONNECT(REMOTE LUBE FLTR)
49	1	317347	FLEXIBL HOSE(REMOTE LUBE FLTR)
50	1	317348	MALE CONNECT(REMOTE LUBE FLTR)
51	1	317349	FLEXIBL HOSE(REMOTE LUBE FLTR)
52	1	317350	FILTER HEAD(REMOTE LUBE FLTR)
53	1	317351	PIPE PLUG(REMOTE LUBE FLTR)

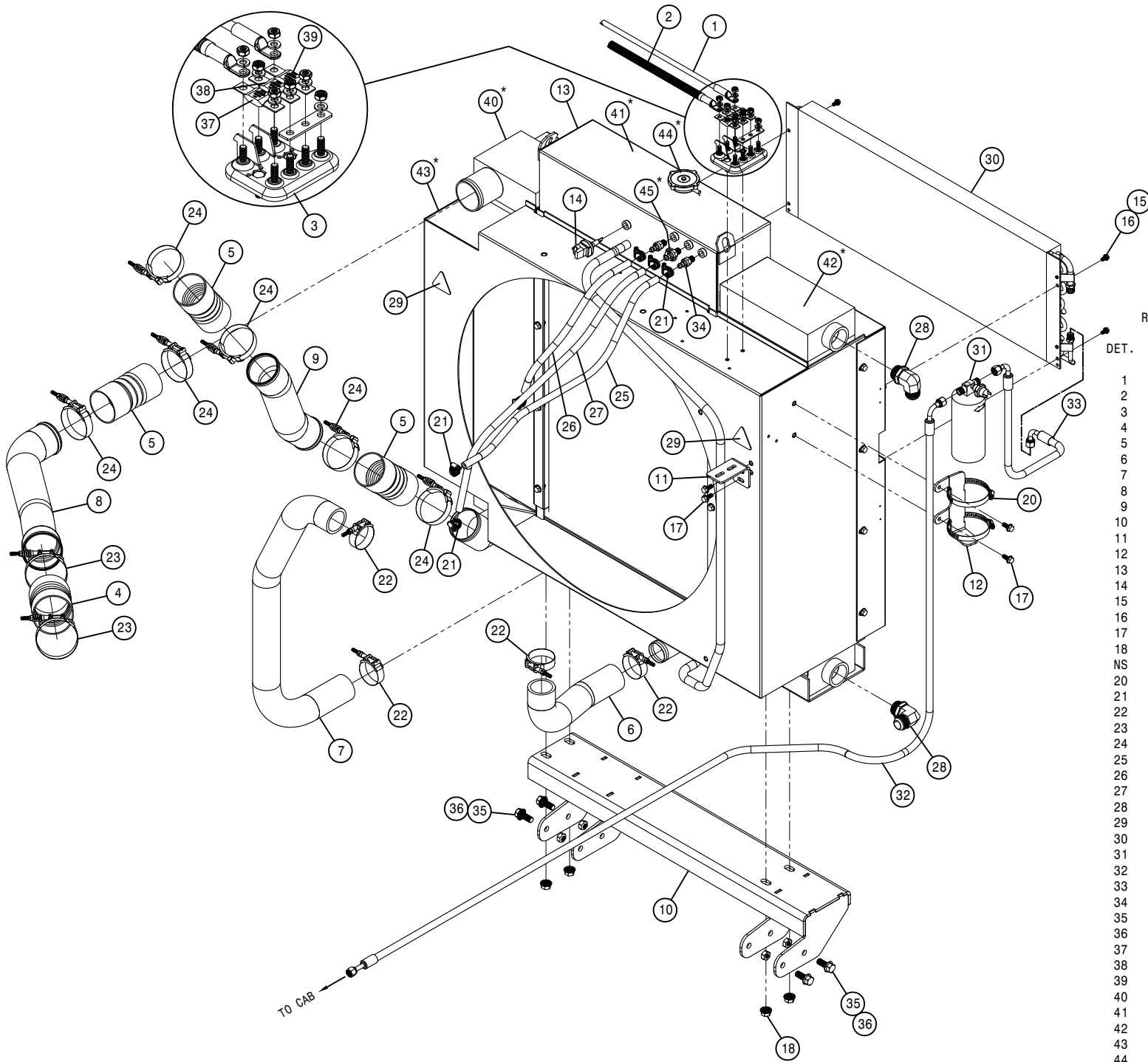


ENGINE ASSEMBLY, T4I

DET. QTY PART NO. DESCRIPTION

DET.	QTY	PART NO.	DESCRIPTION
1	1	291936	TERM BLOCK,RED, 3/8-16 SINGLE
2	1	292607	BATT CABLE,BLK 34*2GA.281-.531
3	1	292608	BATT CABLE,RED 18*2/O.404-.531
4	1	292643	BATT CABLE,BLK 42*4GA 406-.531
5	1	317154	PRI ELEMENT,AIR CLEANER 317153
6	1	311568	5" X 16"INTAKE TUBE,T4I STS'13
7	1	311593	5" 90DEG ELBOW, RUBBER
8	1	311594	HOSE, AIR INTAKE T4I STS'13
9	1	316818	EXHAUST STACK T4I STS'13
10	1	316930	ENG SKID WLD,T4I POLY STS'13
11	1	316937	ENGINE,300HP QSB6.7 T4I '13
12	1	316958	INTAKE SEAL PLT T4I STS'13
13	1	316959	INTAKE SEAL T4I STS'13
14	1	317130	INTAKE BRKT T4I STS'13
15	1	317131	AIR CLEANER MT WLD T4I STS'13
16	1	317138	EXHUST BRKT WLD T4I STS'13
17	1	317153	AIR CLEANER,DIRECT FLOW STS'13
18	1	317156	HOOD, WEATHER T4I STS'13
19	4	470087	3/8UNC HEX SER FLG NUT
20	2	470118	1/4UNC X 3/4 SER FLG BOLT
21	2	470121	1/4UNC SER FLG LOCK NUT
22	1	470476	5" EXHAUST CLAMP
23	1	470663	AIR INTAKE RESTRICTION GAUGE
24	1	472217	4" MUFFLER CLAMP 3/8UNC
25	4	473787	6MM-1.00 X 25MM HEX BOLT GR8
26	4	473868	8MM-1.25X100MM HEX HD BLT GR8
27	4	473855	12MM-1.75 X 35MM FLANGE BOLT
28	1	502713	1/8FNPT-90-1/8FNPT LBO, BRS
29	2	520121	CUSH CLAMP,#16 1IN X 3/4W
30	1	520173	4.43/4.75 CONT TEN CLAMP SS
31	3	520148	5.38/5.69 T-BOLT HOSE CLAMP SS
32	1	520165	CUSH CLAMP,#12 3/4D DBL TUBE
33	1	601753	HOSE, 7/64 X 27 AIR/WATER
34	1	657484	10-213-10FJX-10FJX-89 H/A
35	1	657485	10-213-10FJX-10FJX-62 H/A
36	1	657522	A/C HOSE,08-08F90-SV-08F90-59"
37	1	657523	A/C HOSE,10-10F90-SV-10F90-92"
38	1	657532	A/C COMPRESSOR T4I STS'13
39	1	711105	1/8NPT X .170 HOSE BARB BRS
40	1	712100	1/4NPT X 3/8 HOSE FTG,PUSHLOCK
41	10	900129	3/8UNC X 1" HEX CAP BOLT
42	2	903706	10-32X1/2 PHIL PAN MACH SCR
43	1	910004N	3/8UNC FLANGE CNTR LOCK NUT YZ
44	2	910027	10-32 HEX NUT
45	4	920000	1/4 SAE FLAT WASHER
46	2	920510	#10 LOCK WASHER
47	1	317155	SEC ELEMENT,AIR CLEANER 317153
48	4	311057	RUBBER MT SET,SSB33-1000-4
49	4	311091	SNUBBING WASHER FOR 311090
50	4	900408	3/4UNC X 3 1/2 HEX BOLT
51	4	914012	3/4UNC HEX STOVER NUT

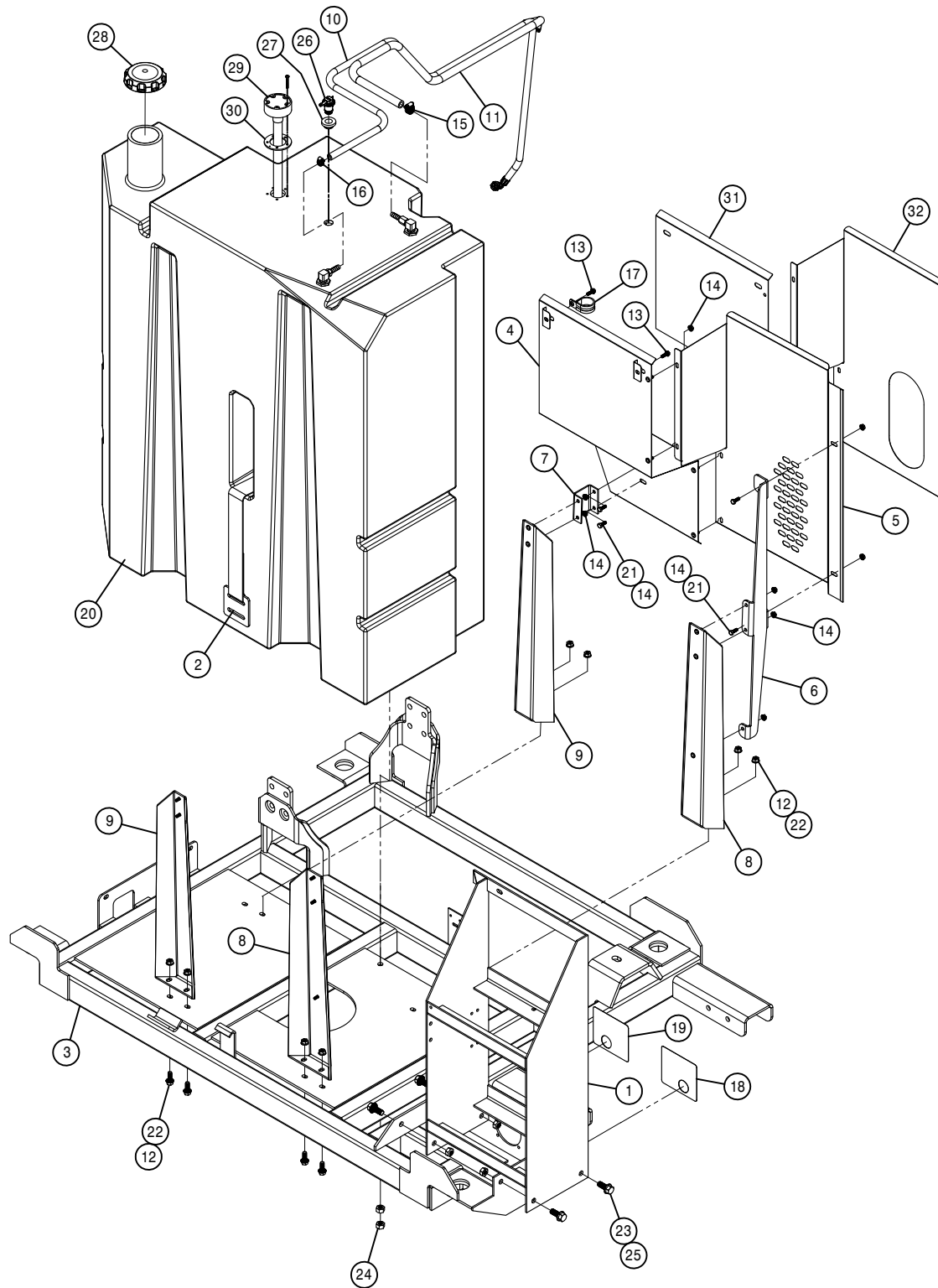




RADIATOR AND OIL COOLER ASSEMBLY, T4

DET.	QTY	PART NO.	DESCRIPTION
	1	292605	BATT CABLE,RED 60"2GA.343-.343
	2	292606	BATT CABLE,RED 44"2GA.343-.343
	3	292636	FUSE HOLDER ASSY,100-200-250A
	4	311501	3.50 X 6.00 CAC HOSE
	5	311592	3.00 X 6.00 CAC HOSE
	6	311595	HOSE,LOWER RADIATOR,T4I STS'13
	7	311596	HOSE,UPPER RADIATOR,T4I STS'13
	8	311598	TUBE,CAC (HOT SIDE) T4I STS'13
	9	311599	TUBE,CAC (COLD SIDE)T4I STS'13
	10	316954	RAD/COOLER SUPP WLD,T4I STS'13
	11	316957	REAR HOOD BRACE MT T4I STS'13
	12	317145	A/C DRYER MT T4I STS'13
	13	317146	RAD,CAC,SHROUD ASSY,T4I STS'13
	14	317157	SENSOR,LOW COOLANT T4I STS'13
	15	470121	1/4UNC HEX FLANGE LOCK NUT
	16	470122	1/4UNC X 1/2 FLANGE HEX BOLT
	17	470233	5/16UNC X 3/4 FLANGE HEX BOLT
	18	470360	1/2UNC HEX FLANGE LOCK NUT
	NS	490497	COOLANT,FLEETGUARD ES COMPLEAT
	20	520052	HOSE CLAMP NO 52 STAINLESS
	21	520069	HOSE CLAMP NO 6 STAINLESS
	22	520140	2.18/2.50 T-BOLT HOSE CLAMP SS
	23	520145	3.56/3.88 T-BOLT HOSE CLAMP SS
	24	520146	3.06/3.38 T-BOLT HOSE CLAMP SS
	25	601668	HOSE, 3/8 X 30 HEATER
	26	601802	HOSE, 3/8 X 17 HEATER
	27	601803	HOSE, 3/8 X 33 HEATER
	28	618178	1 5/16MJIC-90-1 5/16MOR LBO
	29	650434	DECAL,CUTTING HAND ON ENG FAN
	30	657434	A/C CONDENSER COIL 21-0302
	31	657438	RECEIVER DRIER W/SWITCH
	32	657474	A/C HOSE,.06-.06F-.06F90-128"
	33	657524	A/C HOSE,.06-.06F90-SV-.06F90-24"
	34	712100	1/4NPT X 3/8 HOSE FTG,PUSHLOCK
	35	900264	1/2UNC X 1 1/4 HEX BOLT
	36	914008	1/2UNC HEX STOVER NUT
	37	291330	FUSE, 200 AMP 32 VOLT DC
	38	292640	FUSE, 100 AMP 32 VOLT DC
	39	292641	FUSE, 250 AMP 32 VOLT DC
	40	317148	CHARGE AIR COOLER T4I STS'13
	41	317147	RADIATOR ASSY T4I STS'13
	42	317149	OIL COOLER T4I STS'13
	43	317150	SHROUD ASSY T4I STS'13
	44	317151	RADIATOR CAP,15LB T4I STS'13
	45	317152	SIGHT GLASS,RAD T4I STS'13

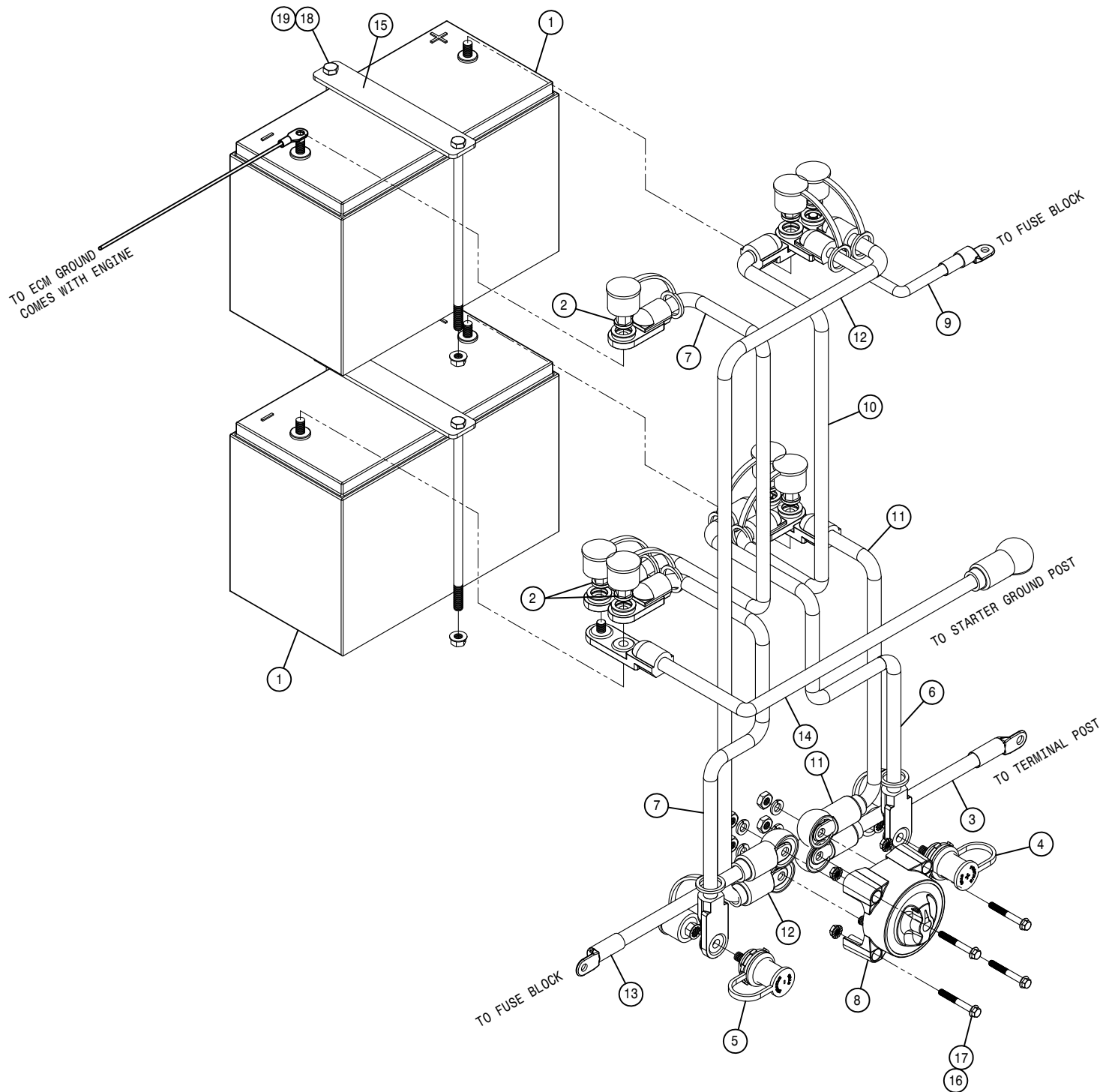
NOTE: ITEMS WITH AN (*) COME WITH 317146.



FUEL TANK ASSEMBLY, T4I

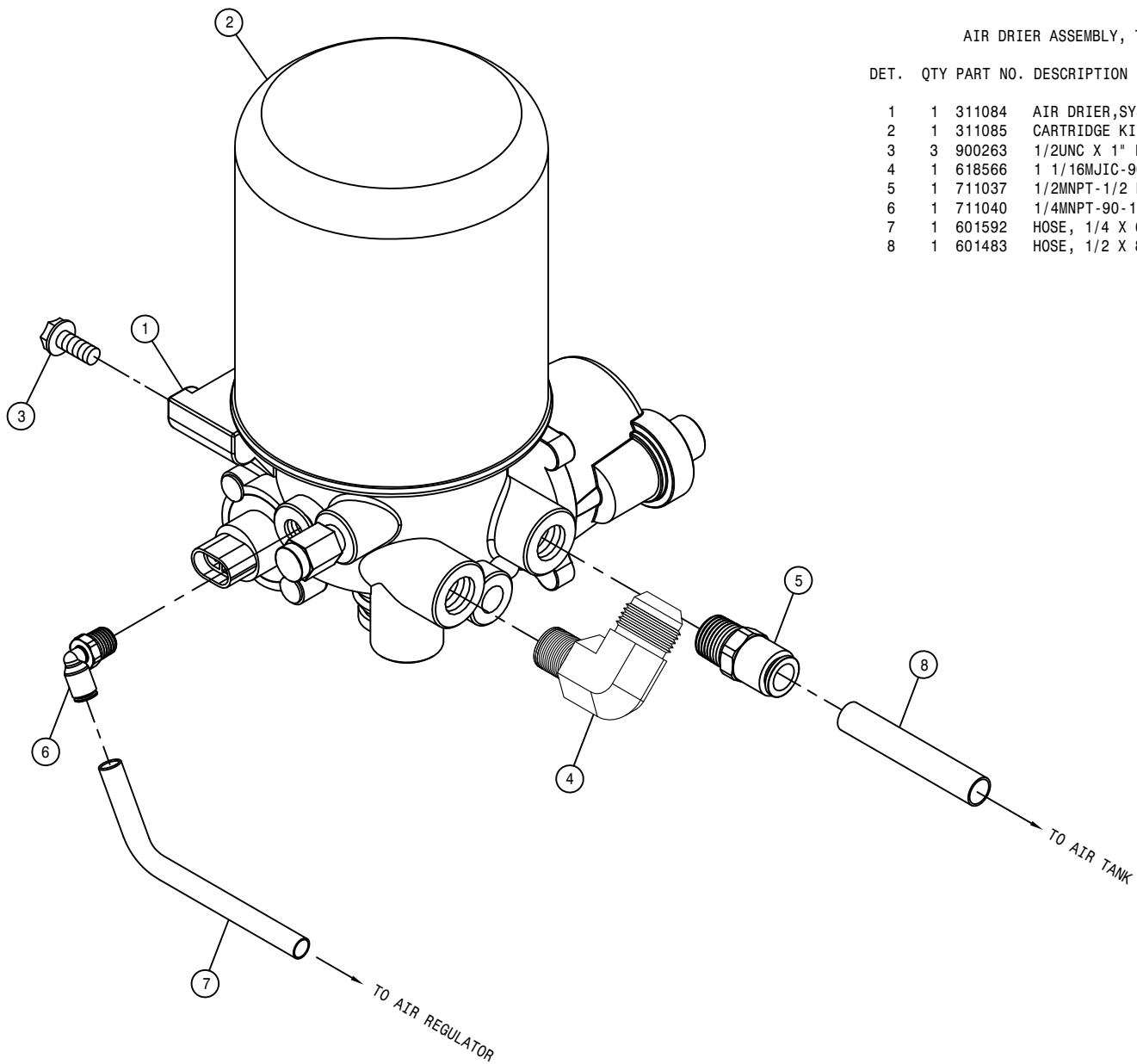
DET. QTY PART NO. DESCRIPTION

1	1	316637	BATTERY BOX WLD STS	05
2	1	316914	POLY FUEL TANK STRAP ASSY,STS	
3	1	316930	ENG SKID WLD,T4I POLY	STS'13
4	1	316932	POLY TANK SHIELD WLD	STS'12
5	1	316936	POLY FUEL TANK SHLD,CNT	STS'12
6	1	316960	REAR FUEL TANK HEAT SHLD	MT'12
7	1	316961	FRT FUEL TNK HEAT SHLD	MT,STS
8	2	316962	RH REAR POLY FUEL TNK	SUPP WLD
9	2	316963	RH FRT POLY FUEL TANK	SUPP WLD
10	1	316993	.38 X 96 BIODIESEL HOSE	ASSY
11	1	316995	.50 X 72 BIODIESEL HOSE	ASSY
12	8	470087	3/8UNC HEX FLANGE	LOCK NUT
13	2	470118	1/4UNC X 3/4 FLANGE	HEX BOLT
14	13	470121	1/4UNC HEX FLANGE	LOCK NUT
15	1	520069	HOSE CLAMP NO 6	STAINLESS
16	1	520120	HOSE CLAMP NO 4	STAINLESS
17	1	520160	CUSH CLAMP,#24	1 1/2D-3/4WLOOP
18	1	650432	DECAL,IMPORTANT	- NEG
19	1	650433	DECAL,CAUTION	- POS
20	1	760775	POLY FUEL TANK	
21	4	900002	1/4UNC X 3/4	HEX BOLT
22	8	900129	3/8UNC X 1" SERR	FLANGE BOLT
23	4	900264	1/2UNC X 1 1/4	HEX BOLT
24	2	910008	1/2UNC HEX	NUT
25	4	914008	1/2UNC HEX	STOVER NUT
26	1	760780	REMOTE TANK VENT,	1/4 HOSE BARB
27	1	760781	GROMMET FOR 760780	REMOTE VENT
28	1	760782	FUEL CAP,3.5"	VENTED W/TETHER
29	1	760783	MAXIMA 45"	SENDING UNIT
30	1	760784	GASKET FOR 760783	FUEL SENDER
31	1	317017	FUEL TANK HEAT	SHIELD T4I'13
32	1	317018	FUEL TNK HEAT	SHLD,CNTR,T4I'13



BATTERY ASSEMBLY, T4I

DET.	QTY	PART NO.	DESCRIPTION
1	2	291196	BATTERY, 12V 900 CCA, SS STUD
2	7	291205	BATTERY NUT, 3/8-16 SS CLSD CAP
3	1	291360	BATT CABLE, RED 40"2/0 3/8-3/8
4	1	291680	POSITIVE JUMPER STUD, RED
5	1	291681	NEGATIVE JUMPER STUD, BLACK
6	1	291705	BATT CABLE, RED 26"2/0 3/8-3/8
7	2	291707	BATT CABLE, BLK 26"2/0 3/8-3/8
8	1	291957	BATTERY SWITCH, DUAL CIRCUIT
9	1	292532	BATT CABLE, RED 25"1/0.312-.375
10	1	292601	BATT CABLE, RED 26"2/0 3/8-3/8
11	1	292602	BATT CABLE, RED 34"2/0 3/8-3/8
12	1	292603	BATT CABLE, RED 45"2/0 3/8-3/8
13	1	292604	BATT CABLE, RED 55"2/0 3/8-5/16
14	1	292635	BATT CABLE, BLK 73"2/0 3/8-1/2
15	2	316470	BATTERY TIE-DOWN
16	4	470121	1/4UNC HEX FLANGE LOCK NUT
17	4	900007	1/4UNC X 2" HEX BOLT
18	4	900150	3/8UNC X 9 1/2 HEX BOLT
19	4	910004N	3/8UNC FLANGE CNTR LOCK NUT



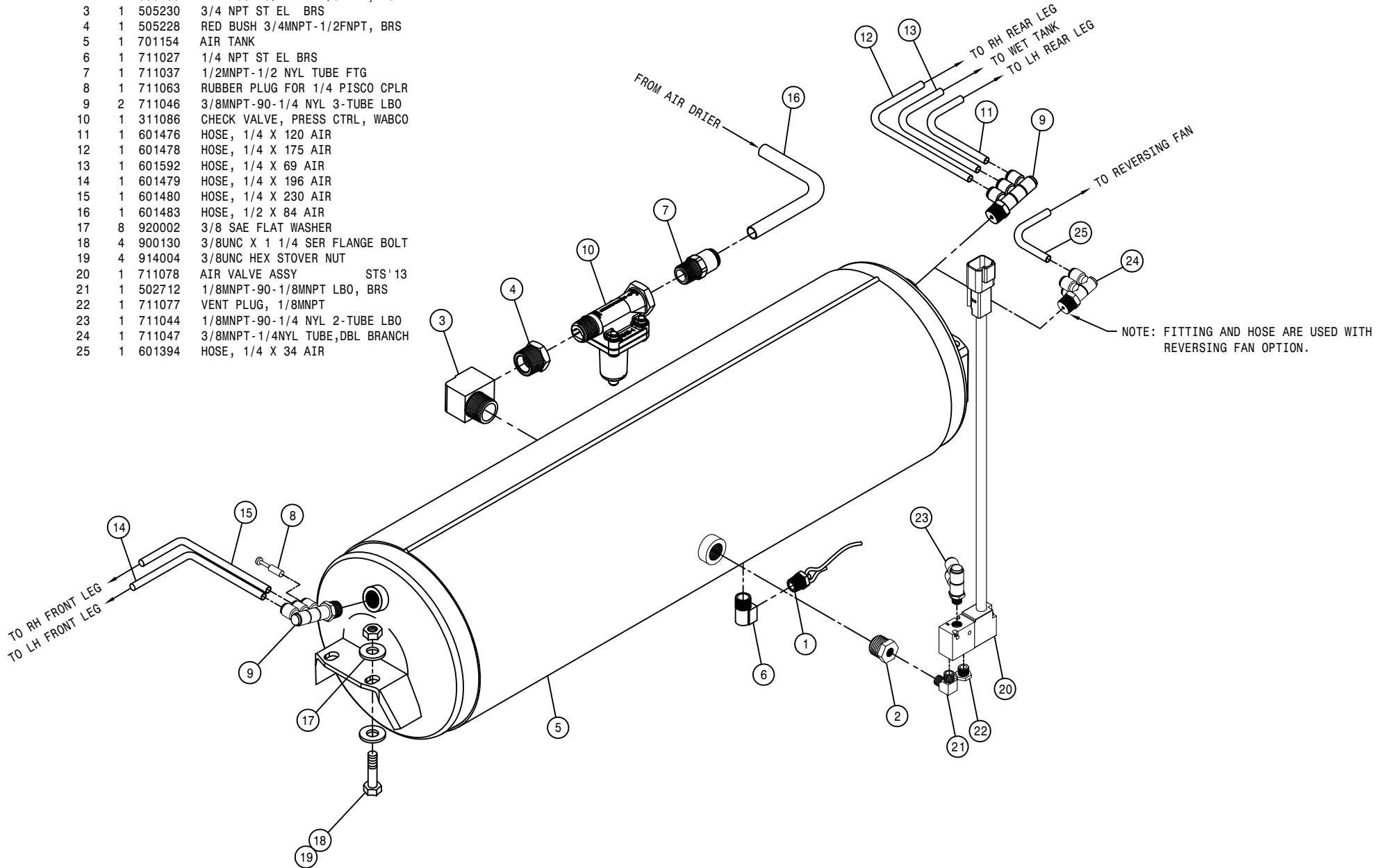
AIR DRIER ASSEMBLY, T4I

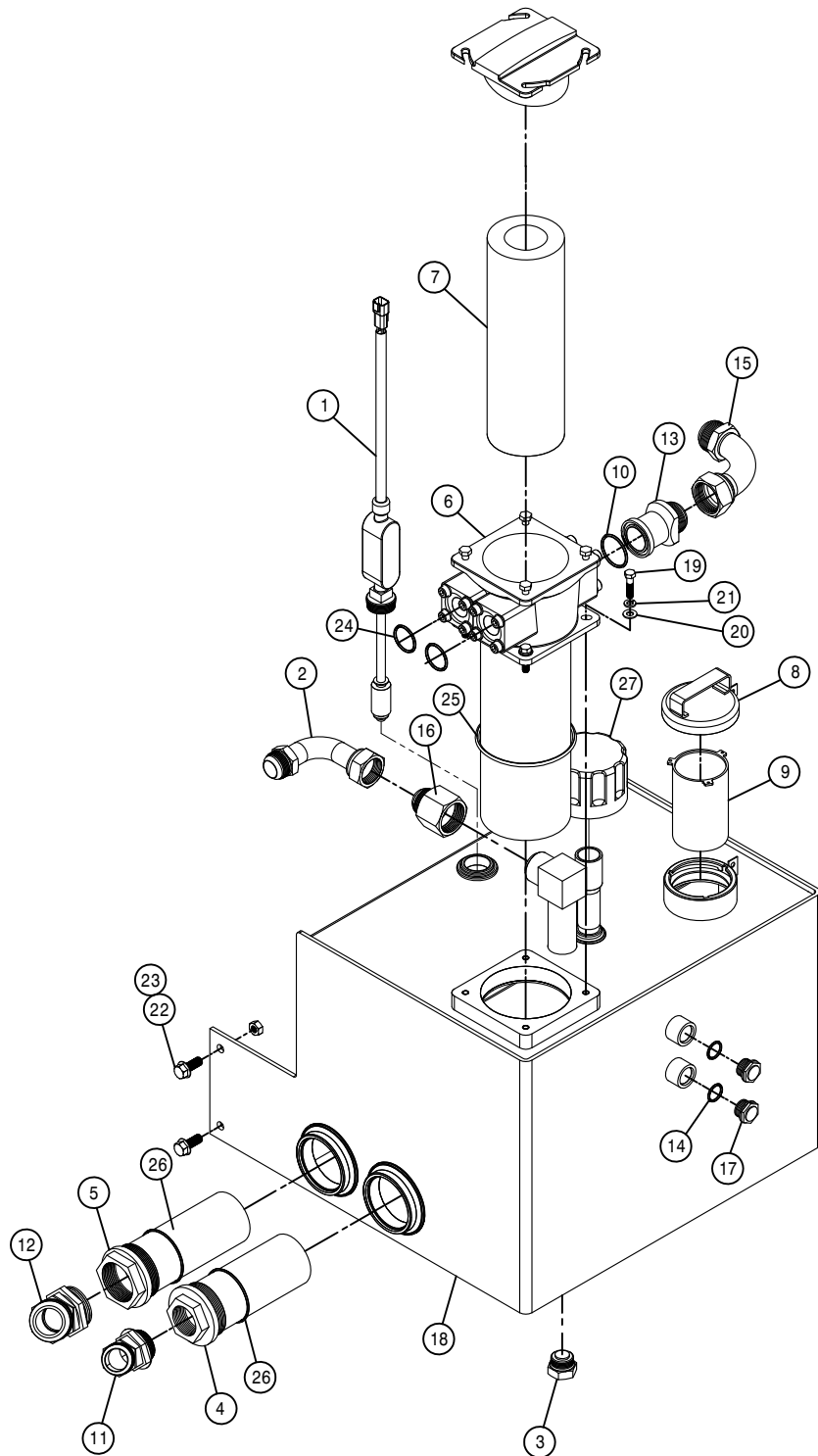
DET.	QTY	PART NO.	DESCRIPTION
	1	311084	AIR DRIER, SYSTEM SAVER 1200
	1	311085	CARTRIDGE KIT FOR 311084 DRIER
	3	900263	1/2UNC X 1" HEX BOLT
	1	618566	1 1/16MJIC-90-1/2MNPT LBO
	1	711037	1/2MNPT-1/2 NYL TUBE FTG
	1	711040	1/4MNPT-90-1/4 NYL TUBE LBO
	1	601592	HOSE, 1/4 X 69 AIR
	1	601483	HOSE, 1/2 X 84 AIR

AIR TANK ASSEMBLY, T4I

DET. QTY PART NO. DESCRIPTION

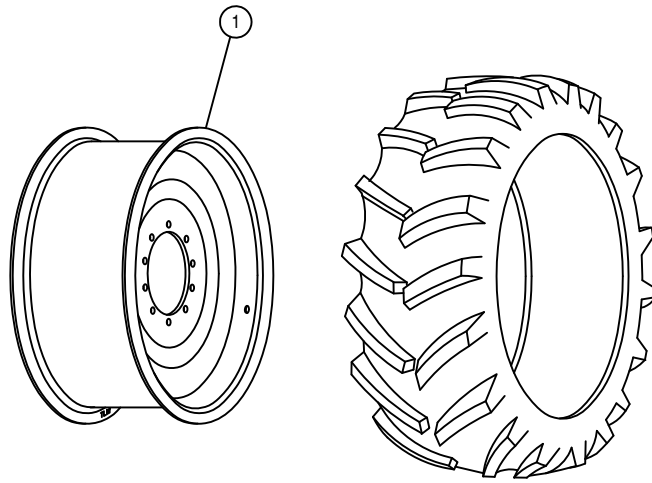
1	1	470266	DRAIN VALVE KIT, 1/4NPT
2	1	505235	RED BUSH 3/4MNPT-1/8FNPT,BRS
3	1	505230	3/4 NPT ST EL BRS
4	1	505228	RED BUSH 3/4MNPT-1/2FNPT, BRS
5	1	701154	AIR TANK
6	1	711027	1/4 NPT ST EL BRS
7	1	711037	1/2MNPT-1/2 NYL TUBE FTG
8	1	711063	RUBBER PLUG FOR 1/4 PISCO CPLR
9	2	711046	3/8MNPT-90-1/4 NYL 3-TUBE LBO
10	1	311086	CHECK VALVE, PRESS CTRL, WABCO
11	1	601476	HOSE, 1/4 X 120 AIR
12	1	601478	HOSE, 1/4 X 175 AIR
13	1	601592	HOSE, 1/4 X 69 AIR
14	1	601479	HOSE, 1/4 X 196 AIR
15	1	601480	HOSE, 1/4 X 230 AIR
16	1	601483	HOSE, 1/2 X 84 AIR
17	8	920002	3/8 SAE FLAT WASHER
18	4	900130	3/8UNC X 1 1/4 SER FLANGE BOLT
19	4	914004	3/8UNC HEX STOVER NUT
20	1	711078	AIR VALVE ASSY STS' 13
21	1	502712	1/8MNPT-90-1/8MNPT LBO, BRS
22	1	711077	VENT PLUG, 1/8MNPT
23	1	711044	1/8MNPT-90-1/4 NYL 2-TUBE LBO
24	1	711047	3/8MNPT-1/4NYL TUBE,DBL BRANCH
25	1	601394	HOSE, 1/4 X 34 AIR



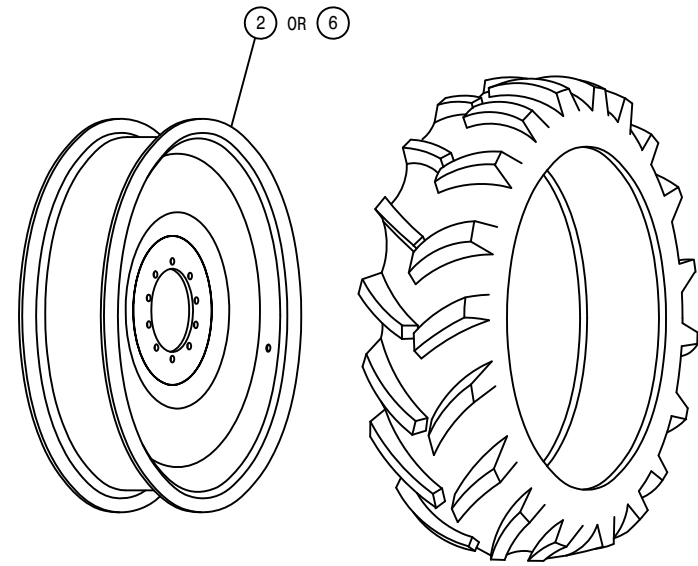


HYDRAULIC TANK ASSEMBLY

DET.	QTY	PART NO.	DESCRIPTION
1	1	294025	LIQUID LEVEL SENSOR
2	1	618768	1 5/8MJIC-90-1 5/8FJX TUBE
3	1	470471	1 5/16MOR PLUG, MAGNETIC
4	1	605622	SUCTION STRAINER,21GPM 100M 24
5	1	605623	SUCTION STRAINER,39GPM 100M 32
6	1	605625	IN-TANK RETURN FILTER, 10M
7	1	605626	FILTER ELEMENT FOR 605625 10M
8	1	605646	FILL CAP-HYD RSRVR NON-VENTED
9	1	605645	STRAINER-HYD RSRVR
10	1	618395	O-RING FOR 1 1/2" FLANGE -24
11	1	618745	1 7/8MJIC-45-1 7/8MOR LBO
12	1	618746	2 1/2MJIC-45-2 1/2MOR LBO
13	1	618747	1 1/2 FLANGE-1 7/8MJIC ADPTR
14	2	870912	ORING 3XX .924ID X .116CS
15	1	618764	1 7/8MJIC-90-1 7/8FJX TUBE LBO
16	1	618767	1 7/8FJIC-1 5/8MJIC ADPTR
17	2	470647	FLUID LEV SIGHT WINDOW,3/4NPT
18	1	760786	HYD TANK WLD,STS10/12/14 '13
19	4	900131	3/8UNC X 1 1/2 HEX BOLT
20	4	920002	3/8 SAE FLAT WASHER
21	4	920502	3/8 LOCK WASHER
22	4	900264	1/2UNC X 1 1/4 HEX BOLT
23	4	914008	1/2UNC HEX STOVER NUT
24	2	618465	O-RING FOR 1 1/4" FLANGE, -20
25	1	605632	O-RING, -357,FILTER HEAD 605625
26	2	605638	O-RING, -48 3.228ID-.118W
27	1	605656	TRAP BREATHER,1"NPT DONALDSON



580/70 R38 RADIAL TIRE



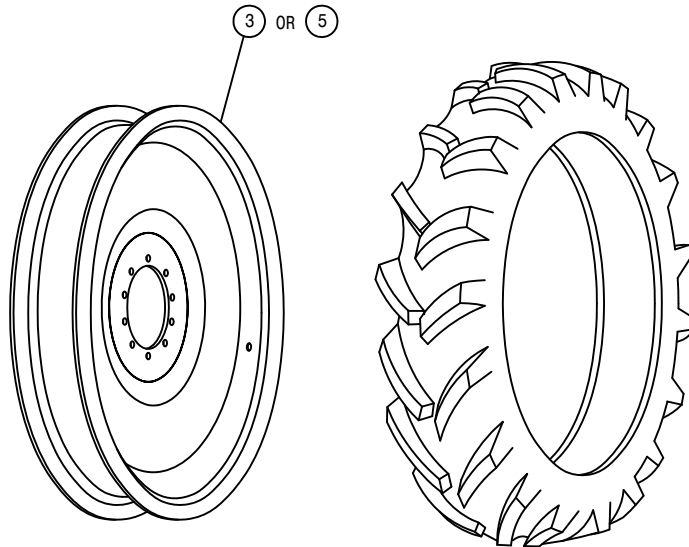
380/90 R46 RADIAL TIRE

520/85 R46 RADIAL TIRE

TIRE AND RIM ASSEMBLY

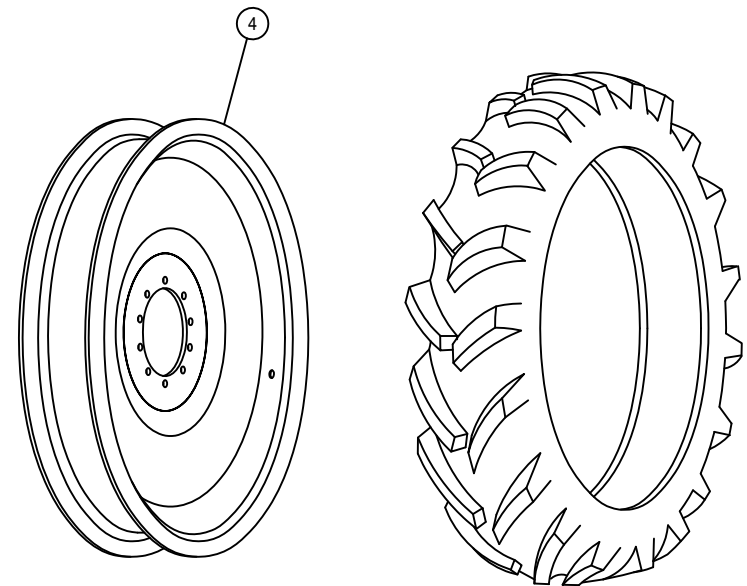
DET. QTY PART NO. DESCRIPTION

1	1	821055	RIM WLD, 38 X W18A	STS12
2	1	821054	RIM WLD, 46 X W13A	STS12
3	1	821053	RIM WLD, 50 X DW10	STS
4	1	821058	RIM WLD, 54 X W10A	
5	1	821059	RIM WLD, 54 X W12	
6	1	821061	RIM WLD, 46 X W16	



320/90 R50 RADIAL TIRE

380/90 R54 RADIAL TIRE



320/105 R54 RADIAL TIRE

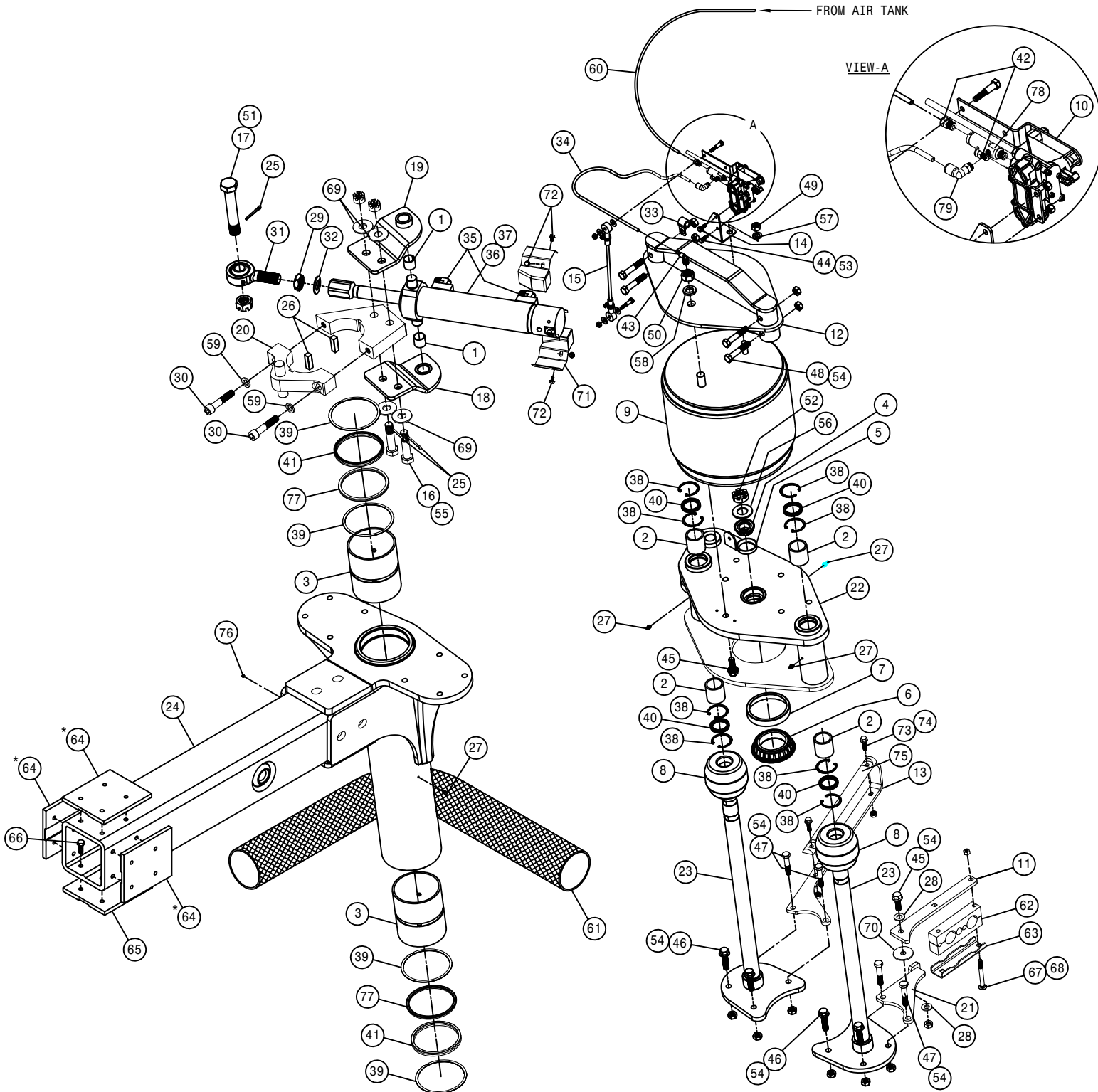
FROM AIR TANK

VIEW-A

RIGHT FRONT OUTER LEG ASSEMBLY

DET.	QTY	PART NO.	DESCRIPTION
1	2	121029	JOURNAL BRG, 1.00 ID X 1.00 LG
2	4	121113	BEARING, 1.50-1.81-1.86 POLYGON
3	2	121125	BEARING, 4.51-4.86-5.74 POLYGON
4	1	125050	BRG CONE, 1.00 ID W/FACE SEAL
5	1	125051	BRG CUP FOR 125050
6	1	125052	BRG CONE, 2.687 ID W/FACE SEAL
7	1	125053	BRG CUP FOR 125052
8	2	311058	RUBBER SPRING
9	1	311080	AIRIDE SPRING, 11.81 BASE
10	1	358832	AIRIDE SPRING CTRL VALVE 98
11	1	359641	HOSE SUPP SWIVEL PLT STS'12
12	1	359333	AIRBAG TOWER TOP MT WLD, STS 05
13	1	359350	RH EXTENDED HOSE SUPPORT, STS
14	1	359369	RH LEG AIR VALVE MT, STS16 05
15	1	359544	LEG HEIGHT CTRL LINK, AWS STS09
16	2	359545	TRUNION MT BOLT, AWS STS 09
17	1	359546	STRG CYL BOLT, AWS STS 09
18	1	359547	TOP TRUNION MT WLD, AWS STS 09
19	1	359548	BTM TRUNION MT WLD, AWS STS 09
20	1	359593	STRG ARM CLAMP WLD, STS '10
21	1	359638	HOSE SUPP SWIVEL WLD STS'12
22	1	360020	RH AIR BAG LWR PLT WLD STS'13
23	2	359654	NITRO TOWER SHAFT WLD STS'13
24	1	360024	OUTER LEG WLD STS'13
25	3	470117	COTTER PIN 3/16 1 3/4 SQ CUT
26	2	470447	KEY, .50 SQ X 1.69 LG
27	4	471005	GREASE ZERK, 1/4-28 X 1/2
28	2	920004	1/2 SAE FLAT WASHER
29	1	472328	1"-12 HEX JAM NUT, GR5
30	2	472337	5/8 X 3" SOCKET HD CAP SCR
31	1	473975	ROD END, 1.00 BORE, 1-12 RH MALE
32	1	920508	1" LOCK WASHER
33	1	520164	CUSH CLAMP, 9/16D-3/4W-.531MT
34	1	601473	HOSE, 1/4 X 18 AIR
35	2	618241	3/4MJIC-90-3/4MOR LBO
36	1	621614	HYD CYL, 2.50 X 8.81 PHASE/2SEN
37	1	621615	REPAIR KIT, HYD CYL 621614
38	8	629537	187RRHOODZ SNAP RING
39	4	629538	4.5 SPIROLOX RING
40	4	629620	SEAL, 1.500 ROD DIA
41	2	629621	SEAL, 4.500 ROD DIA
42	2	711036	1/8MNPT-1/4 NYL TUBE FTG
43	1	711040	1/4MNPT-90-1/4 NYL TUBE LBO
44	2	900002	1/4UNC X 3/4 HEX BOLT
45	5	900265	1/2UNC X 1 1/2 HEX BOLT
46	4	900267	1/2UNC X 2" HEX BOLT
47	4	900268	1/2UNC X 2 1/2 HEX BOLT
48	4	900269	1/2UNC X 2 3/4 HEX BOLT
49	1	910008	1/2UNC HEX NUT
50	1	910013	3/4UNF HEX NUT
51	1	910020	1-8 HEX SLOTTED NUT
52	1	910021	1-14 SLOT JAM NUT
53	2	914000	1/4UNC HEX STOVER NUT
54	13	914008	1/2UNC HEX STOVER NUT
55	2	910102	3/4UNC SLOT HEX NUT, GR8
56	1	920008	1" SAE FLAT WASHER
57	1	920504	1/2 LOCK WASHER
58	1	920506	3/4 LOCK WASHER
59	2	473841	16MM LOCK WASHER
60	1	601480	HOSE, 1/4 X 230 AIR
61	1	470310	SIDEWINDER SLEEVE, 14.06 X 45"
62	1	470305	HOSE CLAMP, 5-HOLE
63	1	359094	HYD TUBE CLAMP KEEPER, 6.25
64	3	342917	TREAD ADJ PLATE, STEEL, THD
65	4	342719	TRD ADJ BRONZE BEARING, THD-GRV
66	16	900128	3/8UNC X 3/4 HEX BOLT
67	2	901138	3/8UNC X 3 1/2 CARR BOLT
68	2	914004	3/8UNC HEX STOVER NUT
69	4	483048	3/4 REG FLAT WASH, THRU-HARD
70	1	002815	SENSOR ARM WASH, NYL
71	2	359645	STRG CYL SENSOR GUARD STS'12
72	4	470883	1/4UNC X 3/8 FLANGE HEX BOLT
73	2	900127	3/8UNC X 1 1/4 SER FLANGE BOLT
74	2	470087	3/8UNC HEX FLANGE LOCK NUT
75	1	359653	HYD BRKT HOSE SHLD, UHMW STS'12
76	1	470062	1/4UNF X 1/4 AL HD CUP SET SCR
77	2	629625	SEAL, 4.500 ROD DIA
78	1	711076	DUMP VALVE
79	1	711039	1/8MNPT-90-1/4 NYL TUBE LBO

NOTE: (*) FOR TREAD ADJUST OPTION REPLACE ITEM 64 WITH THREE OF ITEM 65.

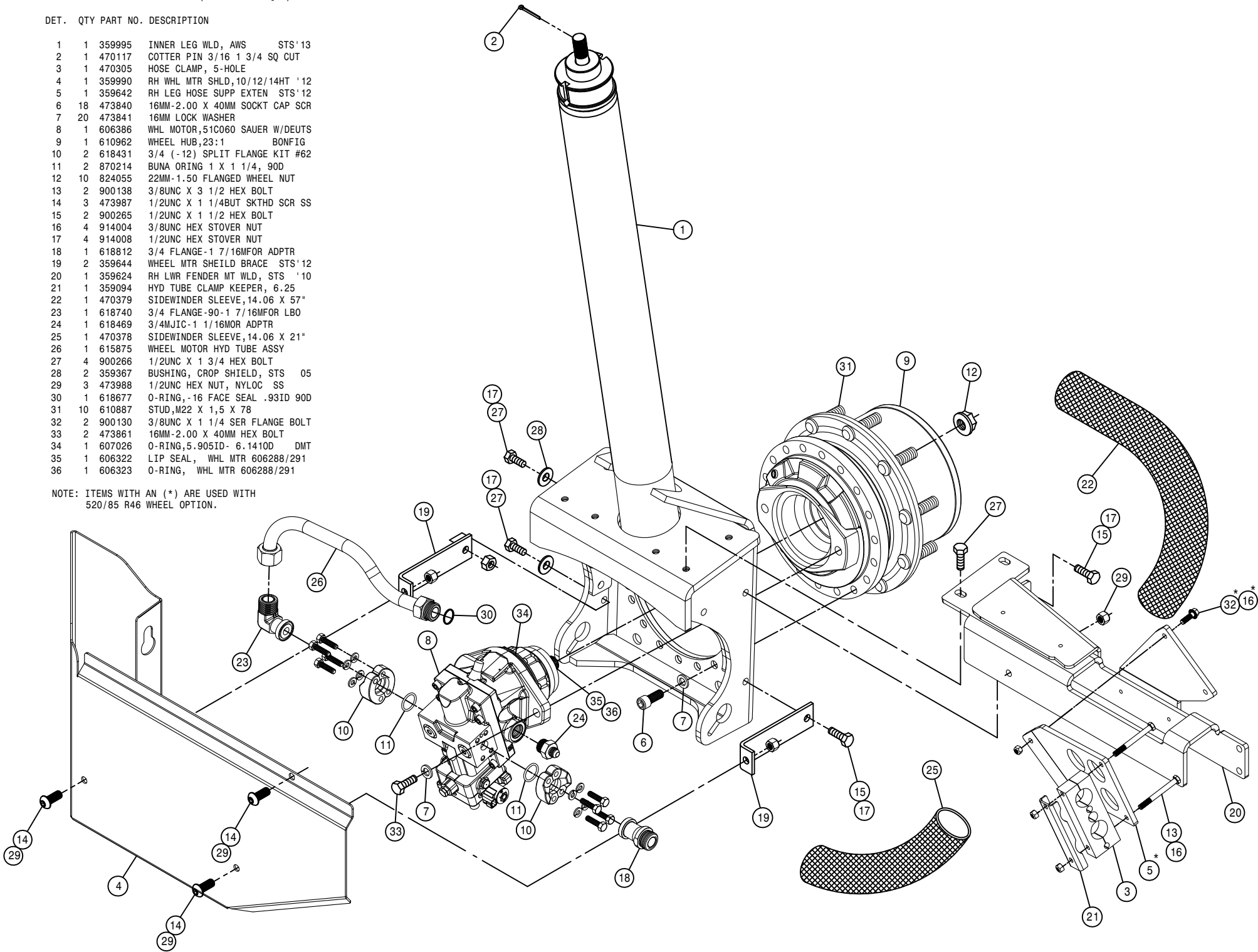


RH FRONT INNER LEG ASSEMBLY (STANDARD TORQUE)

DET. QTY PART NO. DESCRIPTION

1	1	359995	INNER LEG WLD, AWS	STS'13
2	1	470117	COTTER PIN 3/16 1 3/4 SQ CUT	
3	1	470305	HOSE CLAMP, 5-HOLE	
4	1	359990	RH WHL MTR SHLD,10/12/14HT '12	
5	1	359642	RH LEG HOSE SUPP EXTEN	STS'12
6	18	473840	16MM-2.00 X 40MM SOCKET CAP SCR	
7	20	473841	16MM LOCK WASHER	
8	1	606386	WHL MOTOR,51C060 SAUER W/DEUTS	
9	1	610962	WHEEL HUB,23:1	BONFIG
10	2	618431	3/4 (-12) SPLIT FLANGE KIT #62	
11	2	870214	BUNA ORING 1 X 1 1/4, 90D	
12	10	824055	22MM-1.50 FLANGED WHEEL NUT	
13	2	900138	3/8UNC X 3 1/2 HEX BOLT	
14	3	473987	1/2UNC X 1 1/4BUT SKTHD SCR SS	
15	2	900265	1/2UNC X 1 1/2 HEX BOLT	
16	4	914004	3/8UNC HEX STOVER NUT	
17	4	914008	1/2UNC HEX STOVER NUT	
18	1	618812	3/4 FLANGE-1 7/16MFOR ADPTR	
19	2	359644	WHEEL MTR SHEILD BRACE	STS'12
20	1	359624	RH LWR FENDER MT WLD, STS '10	
21	1	359094	HYD TUBE CLAMP KEEPER, 6.25	
22	1	470379	SIDEWINDER SLEEVE,14.06 X 57"	
23	1	618740	3/4 FLANGE-90-1 7/16MFOR LBO	
24	1	618469	3/4MJIC-1 1/16MOR ADPTR	
25	1	470378	SIDEWINDER SLEEVE,14.06 X 21"	
26	1	615875	WHEEL MOTOR HYD TUBE ASSY	
27	4	900266	1/2UNC X 1 3/4 HEX BOLT	
28	2	359367	BUSHING, CROP SHIELD, STS	05
29	3	473988	1/2UNC HEX NUT, NYLOC SS	
30	1	618677	O-RING, -16 FACE SEAL .93ID 90D	
31	10	610887	STUD,M22 X 1,5 X 78	
32	2	900130	3/8UNC X 1 1/4 SER FLANGE BOLT	
33	2	473861	16MM-2.00 X 40MM HEX BOLT	
34	1	607026	O-RING,5.90SID- 6.1410D DMT	
35	1	606322	LIP SEAL, WHL MTR 606288/291	
36	1	606323	O-RING, WHL MTR 606288/291	

NOTE: ITEMS WITH AN (*) ARE USED WITH 520/85 R46 WHEEL OPTION.

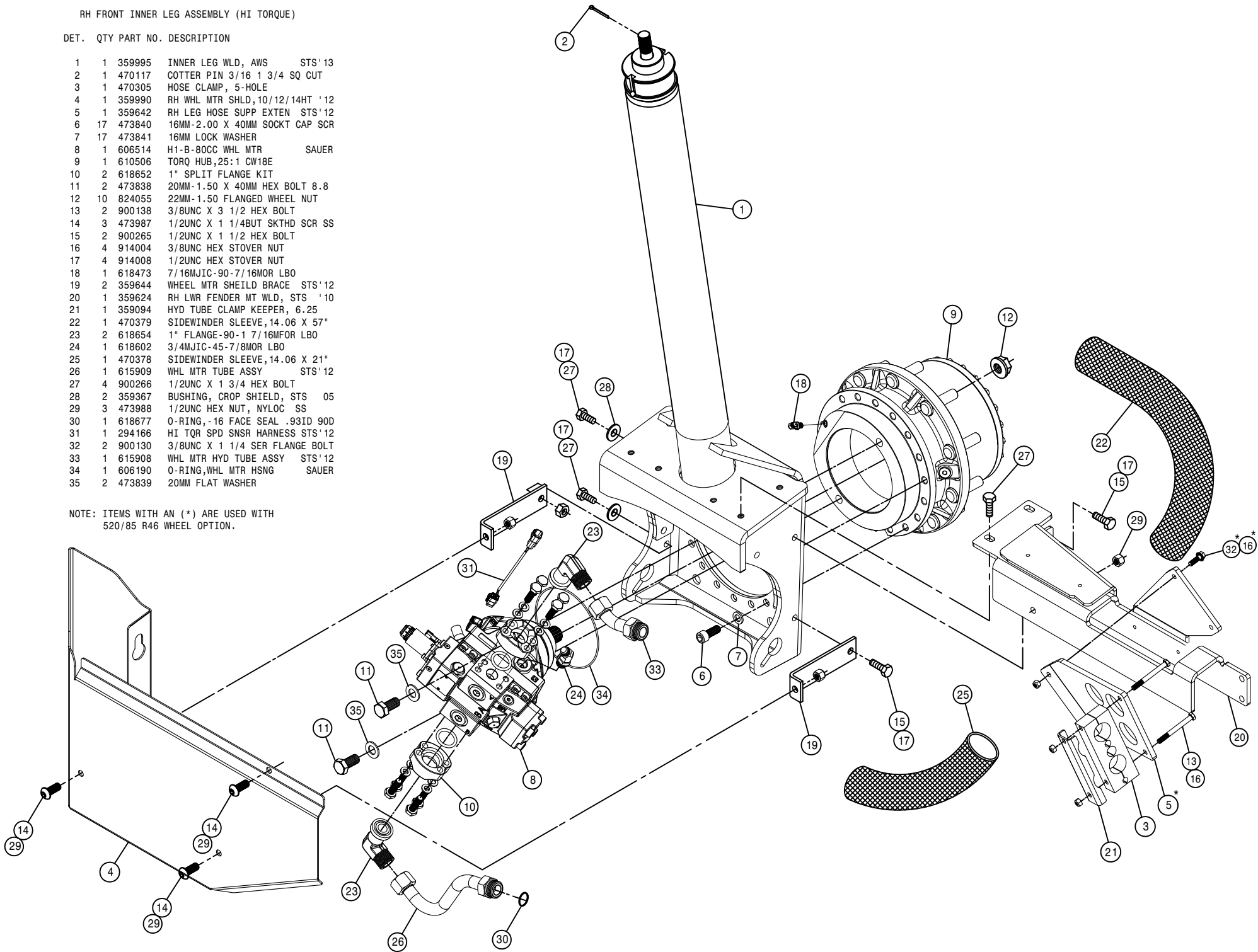


RH FRONT INNER LEG ASSEMBLY (HI TORQUE)

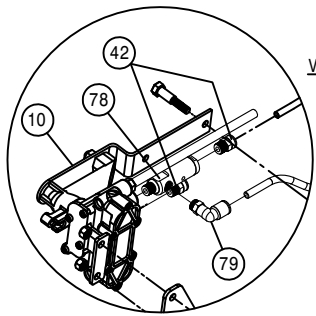
DET. QTY PART NO. DESCRIPTION

1	1	359995	INNER LEG WLD, AWS	STS' 13
2	1	470117	COTTER PIN 3/16 1 3/4 SQ CUT	
3	1	470305	HOSE CLAMP, 5-HOLE	
4	1	359990	RH WHL MTR SHLD, 10/12/14HT '12	
5	1	359642	RH LEG HOSE SUPP EXTEN	STS' 12
6	17	473840	16MM-2.00 X 40MM SOCKT CAP SCR	
7	17	473841	16MM LOCK WASHER	
8	1	606514	H1-B-80CC WHL MTR	SAUER
9	1	610506	TORQ HUB, 25:1 CW18E	
10	2	618652	1" SPLIT FLANGE KIT	
11	2	473838	20MM-1.50 X 40MM HEX BOLT 8.8	
12	10	824055	22MM-1.50 FLANGED WHEEL NUT	
13	2	900138	3/8UNC X 3 1/2 HEX BOLT	
14	3	473987	1/2UNC X 1 1/4 BUT SKTHD SCR SS	
15	2	900265	1/2UNC X 1 1/2 HEX BOLT	
16	4	914004	3/8UNC HEX STOVER NUT	
17	4	914008	1/2UNC HEX STOVER NUT	
18	1	618473	7/16MJIC-90-7/16MOR LBO	
19	2	359644	WHEEL MTR SHEILD BRACE	STS' 12
20	1	359624	RH LWR FENDER MT WLD, STS '10	
21	1	359094	HYD TUBE CLAMP KEEPER, 6.25	
22	1	470379	SIDEWINDER SLEEVE, 14.06 X 57"	
23	2	618654	1" FLANGE-90-1 7/16MFOR LBO	
24	1	618602	3/4MJIC-45-7/8MOR LBO	
25	1	470378	SIDEWINDER SLEEVE, 14.06 X 21"	
26	1	615909	WHL MTR TUBE ASSY	STS' 12
27	4	900266	1/2UNC X 1 3/4 HEX BOLT	
28	2	359367	BUSHING, CROP SHIELD, STS	05
29	3	473988	1/2UNC HEX NUT, NYLOC SS	
30	1	618677	O-RING, -16 FACE SEAL .93ID 90D	
31	1	294166	HI TOR SPD SNSR HARNESS	STS' 12
32	2	900130	3/8UNC X 1 1/4 SER FLANGE BOLT	
33	1	615908	WHL MTR HYD TUBE ASSY	STS' 12
34	1	606190	O-RING, WHL MTR HSNQ	SAUER
35	2	473839	20MM FLAT WASHER	

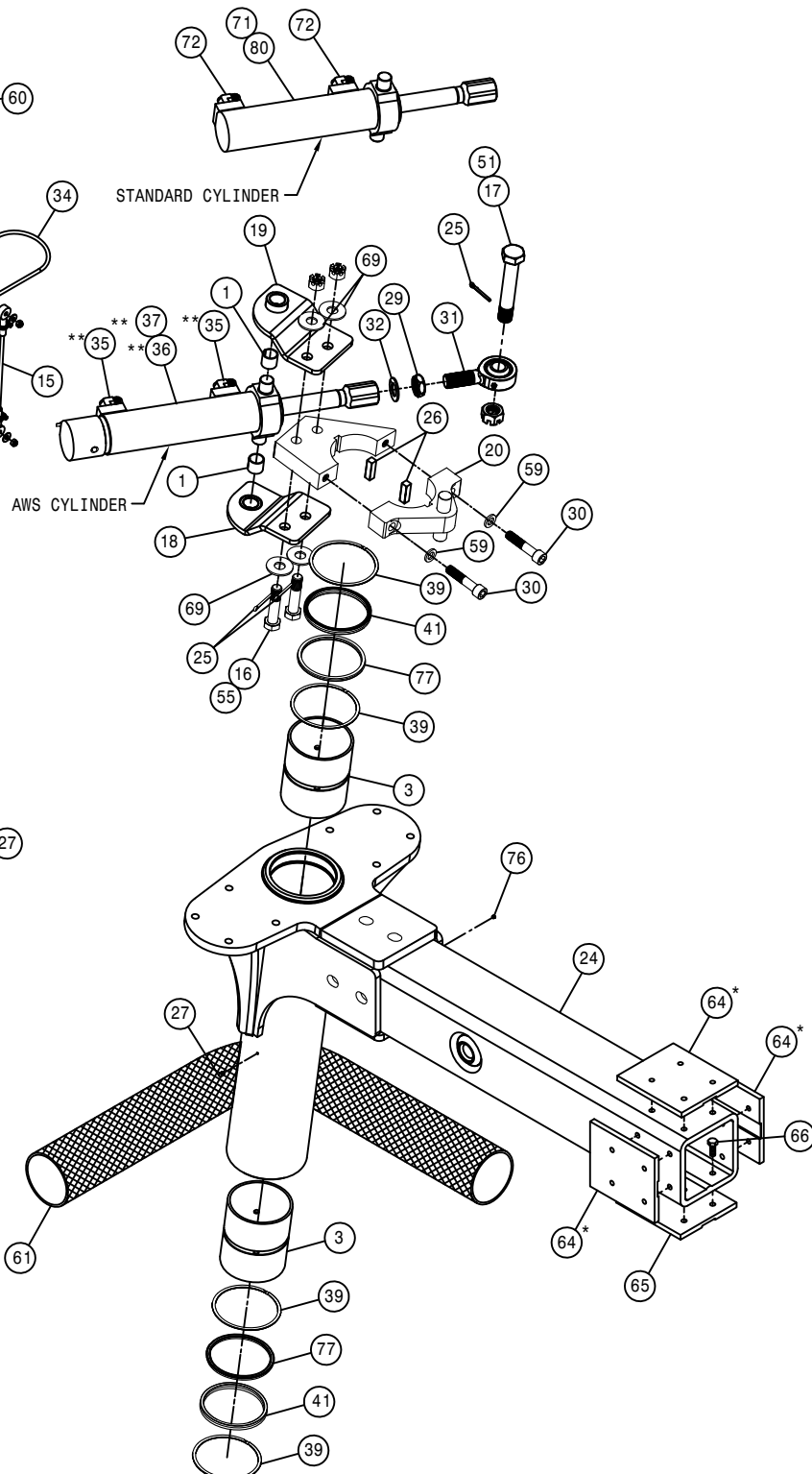
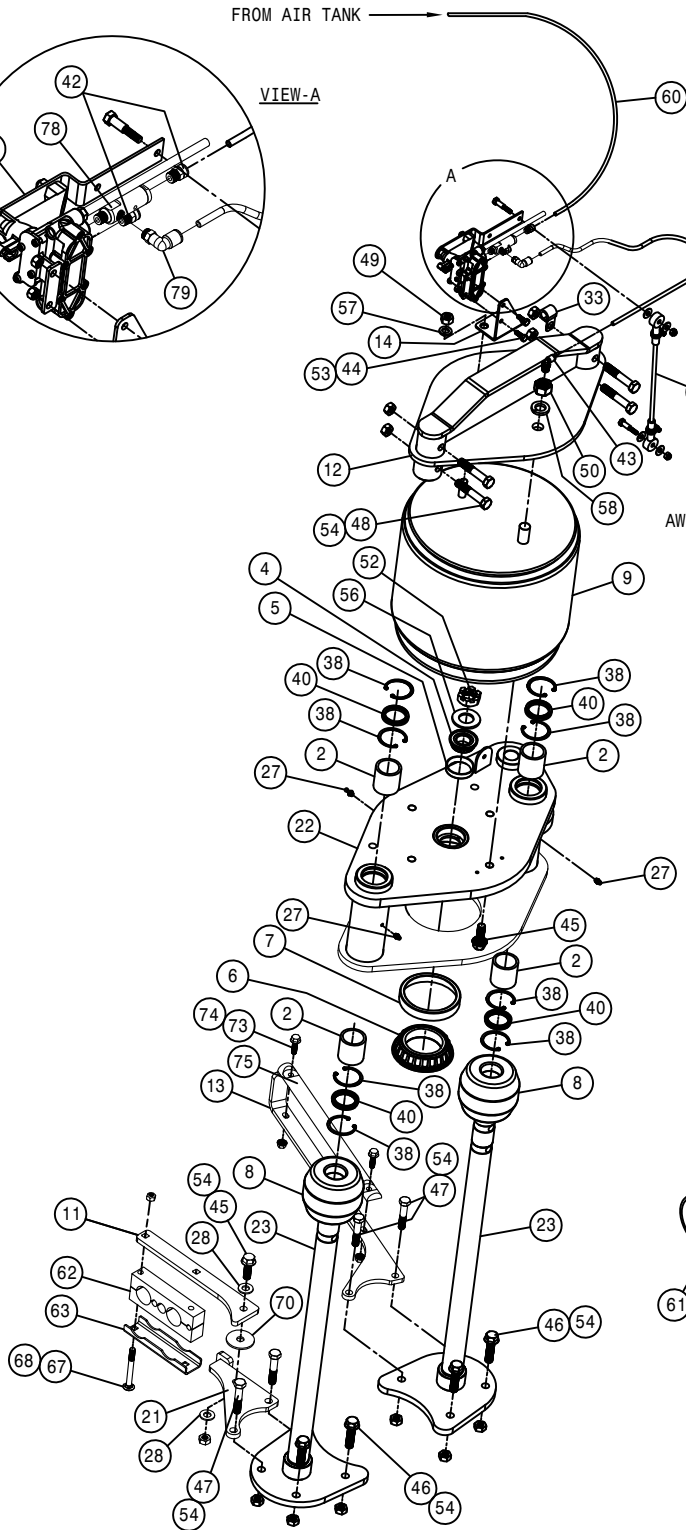
NOTE: ITEMS WITH AN (*) ARE USED WITH 520/85 R46 WHEEL OPTION.



FROM AIR TANK



VIEW-A



LEFT FRONT OUTER LEG ASSEMBLY

DET.	QTY	PART NO.	DESCRIPTION
1	2	121029	JOURNAL BRG, 1.00 ID X 1.00 LG
2	4	121113	BEARING, 1.50-1.81-1.86 POLYGON
3	2	121125	BEARING, 4.51-4.86-5.74 POLYGON
4	1	125050	BRG CONE, 1.00 ID W/FACE SEAL
5	1	125051	BRG CUP FOR 125050
6	1	125052	BRG CONE, 2.687 ID W/FACE SEAL
7	1	125053	BRG CUP FOR 125052
8	2	311058	RUBBER SPRING
9	1	311080	AIRIDE SPRING, 11.81 BASE
10	1	358832	AIRIDE SPRING CTRL VALVE 98
11	1	359641	HOSE SUPP SWIVEL PLT STS'12
12	1	359333	AIRBAG TOWER TOP MT WLD, STS 05
13	1	359351	LH EXTENDED HOSE SUPPORT, STS
14	1	359370	LH LEG AIR VALVE MT, STS16 05
15	1	359544	LEG HEIGHT CTRL LINK, AWS STS09
16	2	359545	TRUNION MT BOLT, AWS STS 09
17	1	359546	STRG CYL BOLT, AWS STS 09
18	1	359547	TOP TRUNION MT WLD, AWS STS 09
19	1	359548	BTM TRUNION MT WLD, AWS STS 09
20	1	359593	STRG ARM CLAMP WLD, STS '10
21	1	359638	HOSE SUPP SWIVEL WLD STS'12
22	1	360021	LH AIR BAG LWR PLT WLD STS'13
23	2	359654	NITRO TOWER SHAFT WLD STS'13
24	1	360024	OUTER LEG WLD STS'13
25	3	470117	COTTER PIN 3/16 1 3/4 SQ CUT
26	2	470447	KEY, .50 SQ X 1.69 LG
27	4	471005	GREASE ZERK, 1/4-28 X 1/2
28	2	920004	1/2 SAE FLAT WASHER
29	1	472328	1"-12 HEX JAM NUT, GR5
30	2	472337	5/8 X 3" SOCKET HD CAP SCR
31	1	473975	ROD END, 1.00 BORE, 1-12 RH MALE
32	1	920508	1" LOCK WASHER
33	1	520164	CUSH CLAMP, 9/16D-3/4W-.531MT
34	1	601473	HOSE, 1/4 X 18 AIR
35	2	618241	3/4MJIC-90-3/4MOR LBO
36	1	621602	HYD CYL, 2.50 X 8.81 PHASE/1SEN
37	1	621604	REPAIR KIT, HYD CYL 621602/603
38	8	629537	187RRHOOD SNAP RING
39	4	629538	4.5 SPIROLOX RING
40	4	629620	SEAL, 1.500 ROD DIA
41	2	629621	SEAL, 4.500 ROD DIA
42	2	711036	1/8MNPT-1/4 NYL TUBE FTG
43	1	711040	1/4MNPT-90-1/4 NYL TUBE LBO
44	2	900002	1/4UNC X 3/4 HEX BOLT
45	5	900265	1/2UNC X 1 1/2 HEX BOLT
46	4	900267	1/2UNC X 2" HEX BOLT
47	4	900268	1/2UNC X 2 1/2 HEX BOLT
48	4	900269	1/2UNC X 2 3/4 HEX BOLT
49	1	910008	1/2UNC HEX NUT
50	1	910013	3/4UNC HEX NUT
51	1	910020	1-8 HEX SLOTTED NUT
52	1	910021	1-14 SLOT JAM NUT
53	2	914000	1/4UNC HEX STOVER NUT
54	13	914008	1/2UNC HEX STOVER NUT
55	2	910102	3/4UNC SLOT HEX NUT, GR8
56	1	920008	1" SAE FLAT WASHER
57	1	920504	1/2 LOCK WASHER
58	1	920506	3/4 LOCK WASHER
59	2	473841	16MM LOCK WASHER
60	1	601479	HOSE, 1/4 X 196 AIR
61	1	470310	SIDEWINDER SLEEVE, 14.06 X 45"
62	1	470305	HOSE CLAMP, 5-HOLE
63	1	359094	HYD TUBE CLAMP KEEPER, 6.25
64	3	342917	TREAD ADJ PLATE, STEEL, THD
65	4	342719	TRD ADJ BRONZE BEARING, THD-GRV
66	16	900128	3/8UNC X 3/4 HEX BOLT
67	2	901138	3/8UNC X 3 1/2 CARR BOLT
68	2	914004	3/8UNC HEX STOVER NUT
69	4	483048	3/4 REG FLAT WASH, THRU-HARD
70	1	002815	SENSOR ARM WASH, NYL
71	1	621551	REPAIR KIT, HYD CYL, STRG 621550
72	2	618249	3/4MJIC-90-9/16MOR LBO
73	2	900127	3/8UNC X 1 1/4 SER FLANGE BOLT
74	2	470087	3/8UNC HEX FLANGE LOCK NUT
75	1	359653	HYD BRKT HOSE SHLD, UHMW STS'12
76	1	470062	1/4UNF X 1/4 AL HD CUP SET SCR
77	2	629625	SEAL, 4.500 ROD DIA
78	1	711076	DUMP VALVE
79	1	711039	1/8MNPT-90-1/4 NYL TUBE LBO
80	1	621550	HYD CYL, 2.50 X 8.81 X 1.250

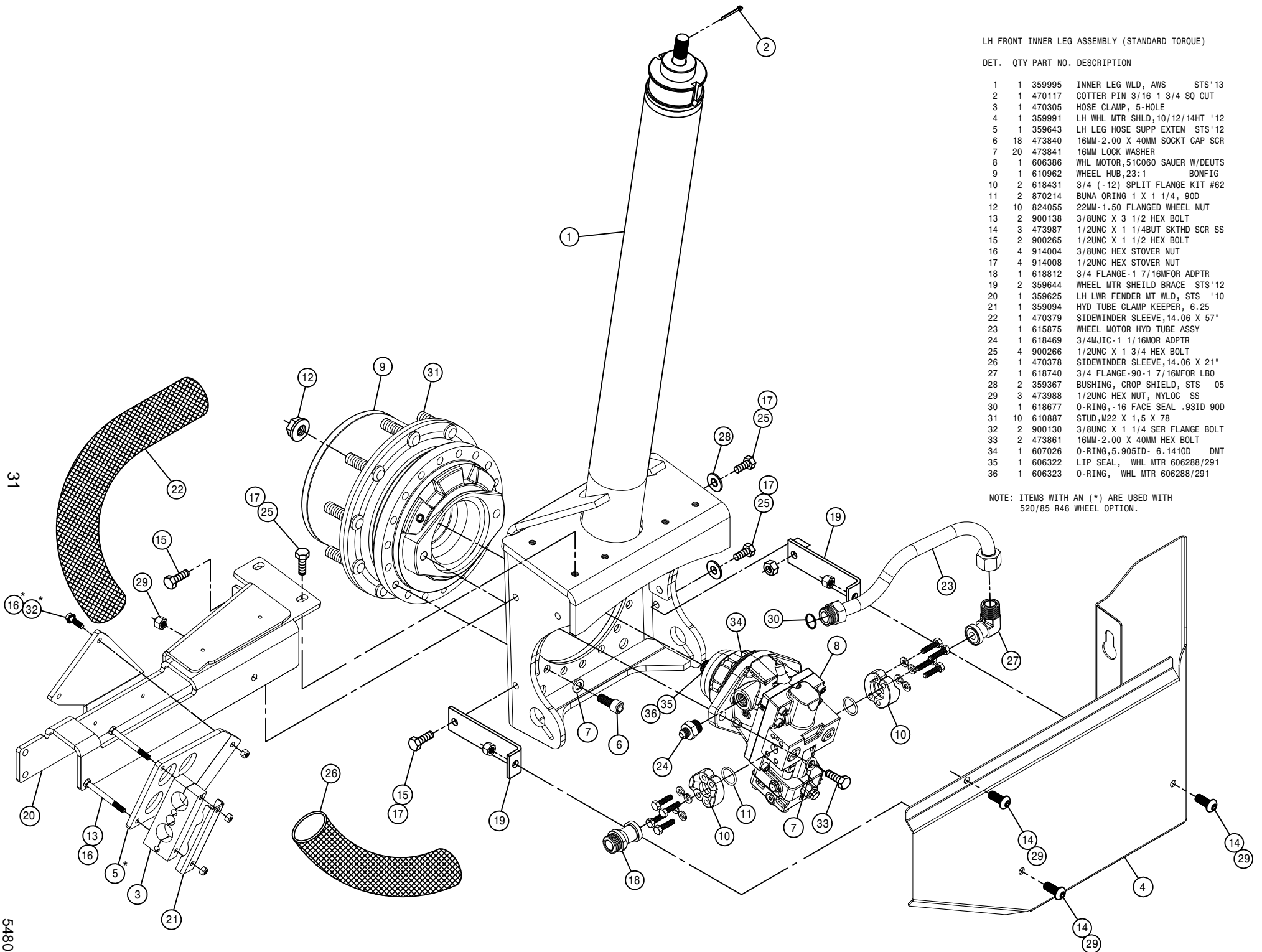
NOTE: (*) FOR TREAD ADJUST OPTION REPLACE ITEM 64 WITH THREE OF ITEM 65.
 (**) ITEMS ARE FOR ALL WHEEL STEER OPTION.

LH FRONT INNER LEG ASSEMBLY (STANDARD TORQUE)

DET. QTY PART NO. DESCRIPTION

DET.	QTY	PART NO.	DESCRIPTION
1	1	359995	INNER LEG WLD, AWS STS'13
2	1	470117	COTTER PIN 3/16 1 3/4 SQ CUT
3	1	470305	HOSE CLAMP, 5-HOLE
4	1	359991	LH WHL MTR SHLD,10/12/14HT '12
5	1	359643	LH LEG HOSE SUPP EXTEN STS'12
6	18	473840	16MM-2.00 X 40MM SOCKET CAP SCR
7	20	473841	16MM LOCK WASHER
8	1	606386	WHL MOTOR,51C060 SAUER W/DEUTS
9	1	610962	WHEEL HUB,23:1 BONFIG
10	2	618431	3/4 (-12) SPLIT FLANGE KIT #62
11	2	870214	BUNA ORING 1 X 1 1/4, 90D
12	10	824055	22MM-1.50 FLANGED WHEEL NUT
13	2	900138	3/8UNC X 3 1/2 HEX BOLT
14	3	473987	1/2UNC X 1 1/4 BUT SKTHD SCR SS
15	2	900265	1/2UNC X 1 1/2 HEX BOLT
16	4	914004	3/8UNC HEX STOVER NUT
17	4	914008	1/2UNC HEX STOVER NUT
18	1	618812	3/4 FLANGE-1 7/16MFOR ADPTR
19	2	359644	WHEEL MTR SHEILD BRACE STS'12
20	1	359625	LH LWR FENDER MT WLD, STS '10
21	1	359094	HYD TUBE CLAMP KEEPER, 6.25
22	1	470379	SIDEWINDER SLEEVE,14.06 X 57"
23	1	615875	WHEEL MOTOR HYD TUBE ASSY
24	1	618469	3/4MJIC-1 1/16MOR ADPTR
25	4	900266	1/2UNC X 1 3/4 HEX BOLT
26	1	470378	SIDEWINDER SLEEVE,14.06 X 21"
27	1	618740	3/4 FLANGE-90-1 7/16MFOR LBO
28	2	359367	BUSHING, CROP SHIELD, STS #5
29	3	473988	1/2UNC HEX NUT, NYLOC SS
30	1	618677	O-RING,-16 FACE SEAL .93ID 90D
31	10	610887	STUD,M22 X 1,5 X 78
32	2	900130	3/8UNC X 1 1/4 SER FLANGE BOLT
33	2	473861	16MM-2.00 X 40MM HEX BOLT
34	1	607026	O-RING,5.905ID- 6.141OD DMT
35	1	606322	LIP SEAL, WHL MTR 606288/291
36	1	606323	O-RING, WHL MTR 606288/291

NOTE: ITEMS WITH AN (*) ARE USED WITH 520/85 R46 WHEEL OPTION.



31

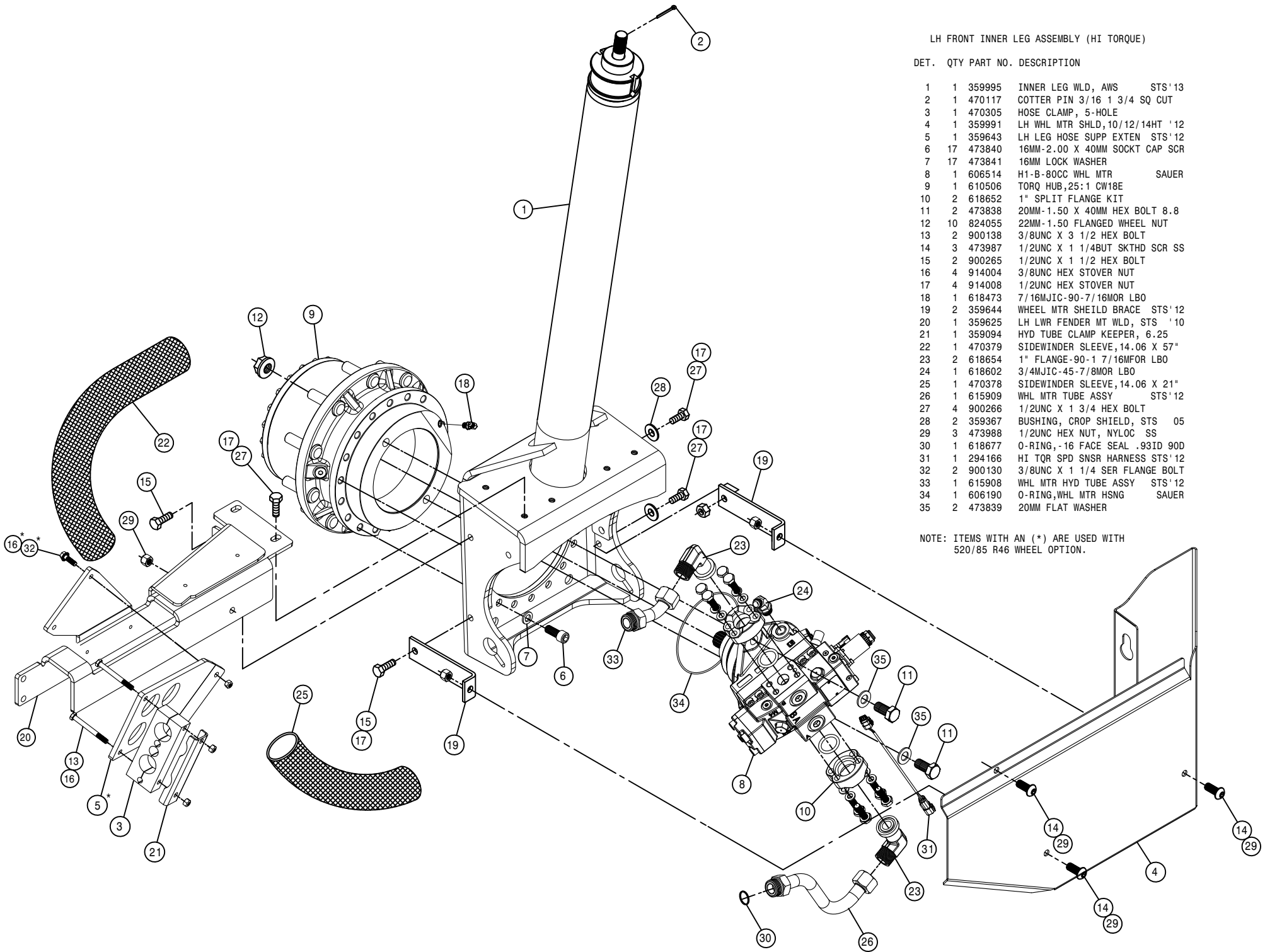
548031

LH FRONT INNER LEG ASSEMBLY (HI TORQUE)

DET. QTY PART NO. DESCRIPTION

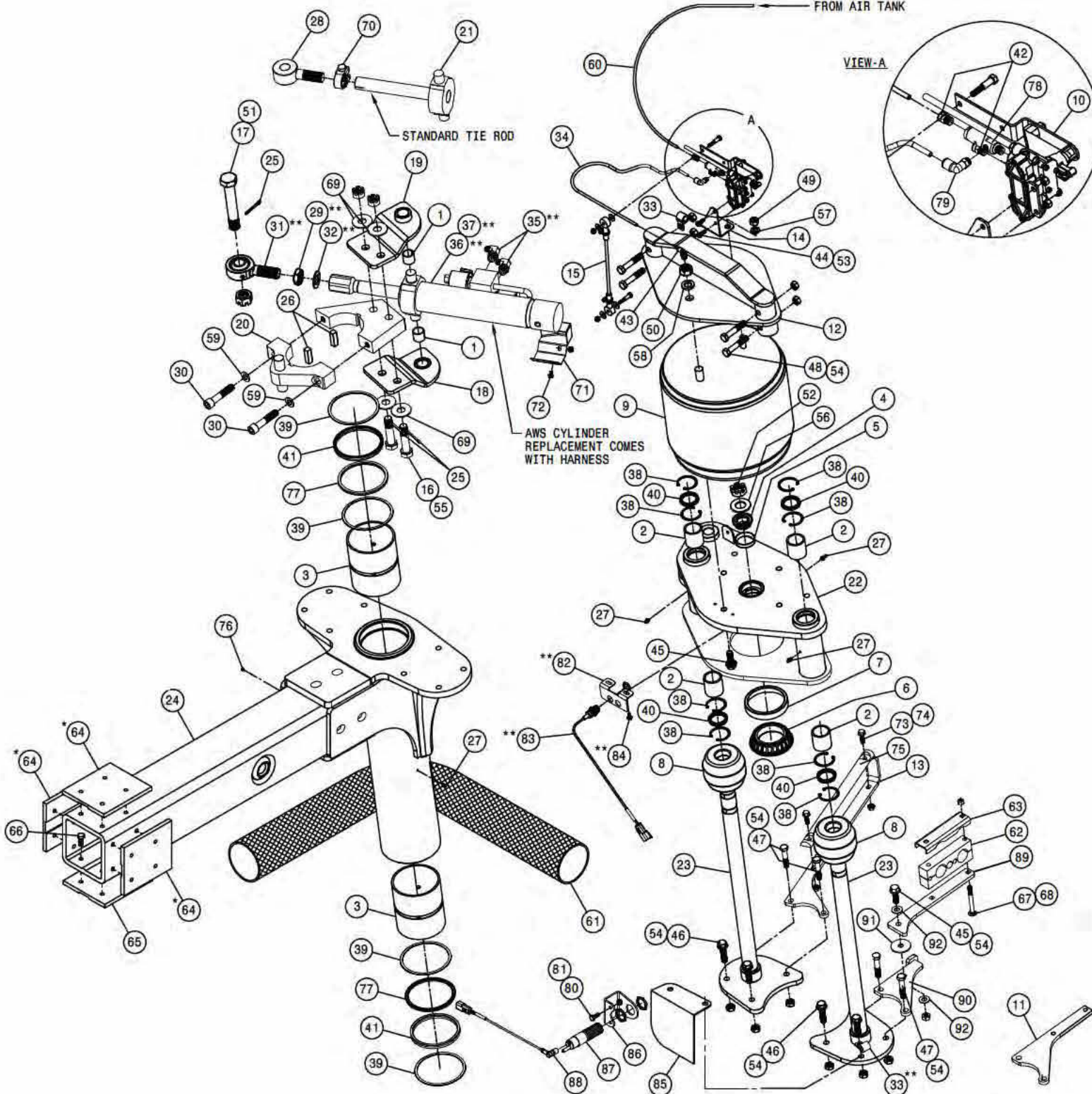
DET.	QTY	PART NO.	DESCRIPTION	
1	1	359995	INNER LEG WLD, AWS	STS'13
2	1	470117	COTTER PIN 3/16 1 3/4 SQ CUT	
3	1	470305	HOSE CLAMP, 5-HOLE	
4	1	359991	LH WHL MTR SHLD,10/12/14HT '12	
5	1	359643	LH LEG HOSE SUPP EXTEN	STS'12
6	17	473840	16MM-2.00 X 40MM SOCKT CAP SCR	
7	17	473841	16MM LOCK WASHER	
8	1	606514	H1-B-80CC WHL MTR	SAUER
9	1	610506	TORQ HUB,25:1 CW18E	
10	2	618652	1" SPLIT FLANGE KIT	
11	2	473838	20MM-1.50 X 40MM HEX BOLT 8.8	
12	10	824055	22MM-1.50 FLANGED WHEEL NUT	
13	2	900138	3/8UNC X 3 1/2 HEX BOLT	
14	3	473987	1/2UNC X 1 1/4 BUT SKTHD SCR SS	
15	2	900265	1/2UNC X 1 1/2 HEX BOLT	
16	4	914004	3/8UNC HEX STOVER NUT	
17	4	914008	1/2UNC HEX STOVER NUT	
18	1	618473	7/16MJIC-90-7/16MOR LBO	
19	2	359644	WHEEL MTR SHEILD BRACE	STS'12
20	1	359625	LH LWR FENDER MT WLD, STS	'10
21	1	359094	HYD TUBE CLAMP KEEPER, 6.25	
22	1	470379	SIDEWINDER SLEEVE,14.06 X 57"	
23	2	618654	1" FLANGE-90-1 7/16MFOR LBO	
24	1	618602	3/4MJIC-45-7/8MOR LBO	
25	1	470378	SIDEWINDER SLEEVE,14.06 X 21"	
26	1	615909	WHL MTR TUBE ASSY	STS'12
27	4	900266	1/2UNC X 1 3/4 HEX BOLT	
28	2	359367	BUSHING, CROP SHIELD, STS	05
29	3	473988	1/2UNC HEX NUT, NYLOC SS	
30	1	618677	O-RING, -16 FACE SEAL .93ID 90D	
31	1	294166	HI TOR SPD SNSR HARNESS	STS'12
32	2	900130	3/8UNC X 1 1/4 SER FLANGE BOLT	
33	1	615908	WHL MTR HYD TUBE ASSY	STS'12
34	1	606190	O-RING,WHL MTR HSNG	SAUER
35	2	473839	20MM FLAT WASHER	

NOTE: ITEMS WITH AN (*) ARE USED WITH 520/85 R46 WHEEL OPTION.



FROM AIR TANK

RIGHT REAR OUTER LEG ASSEMBLY



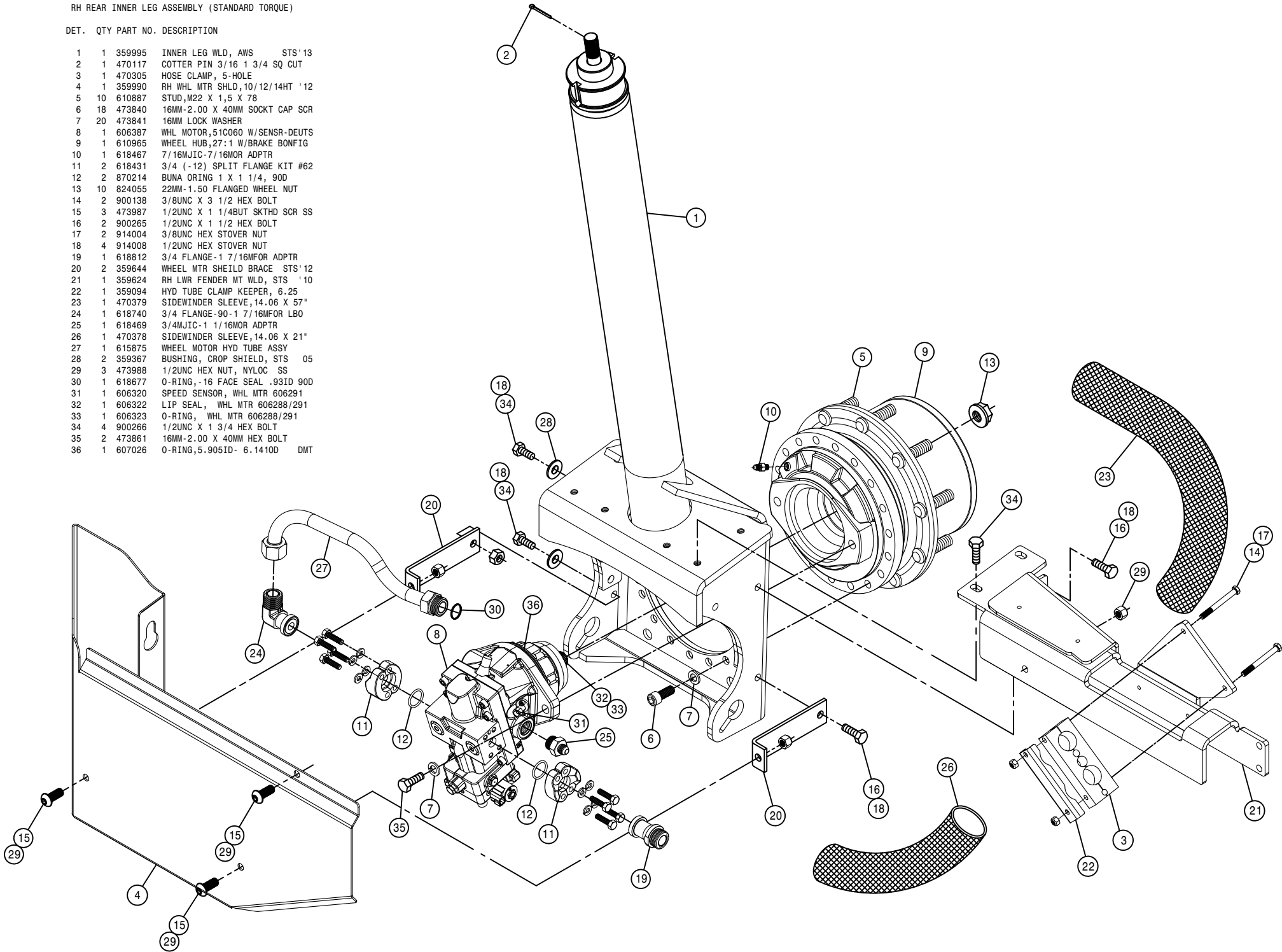
DET.	QTY	PART NO.	DESCRIPTION
1	2	121029	JOURNAL BRG, 1.00 ID X 1.00 LG
2	4	121113	BEARING, 1.50-1.81-1.88 POLYUON
3	2	121125	BEARING, 4.52-4.86-5.72 POLYUON
4	1	125050	BRG CONE, 1.00 ID W/FACE SEAL
5	1	125051	BRG CUP FOR 125050
6	1	125052	BRG CONE, 2.687 ID W/FACE SEAL
7	1	125053	BRG CUP FOR 125052
8	2	311058	RUBBER SPRING
9	1	311080	AIRIDE SPRING, 11.81 BASE
10	1	358832	AIRIDE SPRING CTRL VALVE
11	1	359619	HOSE SUPPORT, 54" STS' 10
12	1	359333	AIRBAG TOWER TOP MT WLD, STS 05
13	1	359350	RH EXTENDED HOSE SUPPORT, STS
14	1	359369	RH LEG AIR VALVE MT, STS16 05
15	1	359844	LEG HEIGHT CTRL LINK, AWS STS09
16	2	359545	TRUNION MT BOLT, AWS STS 09
17	1	359546	STRG CYL BOLT, AWS STS 09
18	1	359547	TOP TRUNION MT WLD, AWS STS 09
19	1	359548	BTM TRUNION MT WLD, AWS STS 09
20	2	359593	STRG ARM CLAMP WLD, STS "10
21	1	359086	REAR TIE ROD SHAFT WLD
22	1	360020	RH AIR BAG LWR PLT WLD STS' 13
23	2	359654	NITRO TOWER SHAFT WLD STS' 13
24	1	360024	OUTER LEG WLD STS' 13
25	3	470117	COTTER PIN 3/16 X 1 3/4
26	2	470447	KEY, .50 SQ X 1.69 LG
27	4	471005	GREASE ZERK, 1/4-28 X 1/2
28	1	359089	TIE ROD STUD WLD
29	1	472328	1"-12 HEX JAM NUT GR2
30	2	472337	5/8 X 3" SOCKET HD CAP SCR GR8
31	1	473975	ROD END, 1.00 BORE, 1-12 RH MALE
32	1	920508	1" LOCK WASHER
33	2	520164	CUSH CLAMP, 9/16D-3/4W-.53MT
34	1	601473	HOSE, 1/4 X 18 AIR
35	2	818115	9/16M/JIC-90-3/4MOR LBO
36	1	821644	REAR STEERING KIT 2013
37	1	821645	REPAIR KIT, HYD CYL 621644
38	8	629537	18/RRH00Z SNAP RING
39	4	629538	4.5 SPINDLOX RING
40	4	629620	SEAL, 1.500 ROD DIA
41	2	629621	SEAL, 4.500 ROD DIA
42	2	711036	1/8MNPT-1/4 NYL TUBE FTG
43	1	711040	1/4MNPT-90-1/4 NYL TUBE LBO
44	2	900002	1/4UNC X 3/4 HHCS GR 5
45	5	900265	1/2UNC X 1 1/2 HHCS GR 5
46	4	900267	1/2UNC X 2" HHCS GR 5
47	4	900268	1/2UNC X 2 1/2 HHCS GR 5
48	4	900269	1/2UNC X 2 3/4 HHCS GR 5
49	1	910006	1/2UNC HEX NUT
50	1	910013	3/4UNF HEX NUT
51	1	910020	1-8 HEX SLOTTED NUT
52	1	910021	1-14 SLOT JAM NUT
53	2	914000	1/4UNC HEX STOVER NUT
54	13	914008	1/2UNC HEX STOVER NUT
55	2	910102	3/4UNC SLOT HEX NUT GR8
56	1	920008	1" SAE FLAT WASHER
57	1	920504	1/2 LOCK WASHER
58	1	920506	3/4 LOCK WASHER
59	2	473841	16MM LOCK WASHER
60	1	601478	HOSE, 1/4 X 175 AIR
61	1	470311	SIDEMEN SLEEVE, 14.06 X 60"
62	1	470305	HOSE CLAMP, 5-HOLE
63	1	359094	HYD TUBE CLAMP KEEPER, 6-25
64	3	342917	TREAD ADJ PLATE, STEEL, THD
65	4	342719	TRD ADJ BRONZE BEARING, THD-GRV
66	16	900128	3/8UNC X 3/4 HHCS GR 5
67	2	901158	3/8UNC X 3 1/2 CARR BOLT
68	2	914004	3/8UNC HEX STOVER NUT
69	4	483048	3/4 REG FLAT WASH, THRU-HARD YZ
70	1	749322	STEERING TUBE CLAMP ABOLT ASSY
71	1	359645	STRG CYL SENSOR GUARD STS' 12
72	2	470883	1/4UNC X 3/8 SER FLG BOLT SS
73	2	900127	3/8UNC X 1 1/4 HHCS GR 5
74	2	470087	3/8UNC HEX SER FLG NUT
75	1	359653	HYD BRKT HOSE SHLD, UHMW STS' 12
76	1	470062	1/4UNF X 1/4 AL HD CUP SET SCR
77	2	629625	SEAL, 4.500 ROD DIA
78	1	711076	DUMP VALVE
79	1	711039	1/8MNPT-90-1/4 NYL TUBE LBO
80	2	900064	5/16UNC X 3/4 HHCS GR 5
81	2	914002	5/16UNC HEX STOVER NUT
82	1	359555	SENSOR BRKT, AWS STS 09
83	1	292926	INDUCTIVE PROX SENSOR, 16MM
84	2	470122	1/4UNC X 1/2 SER FLG BOLT
85	1	359092	RH SENSOR REFLECTOR
86	1	342856	TREAD SENSOR MT
87	1	292622	ULTRASONIC SENSOR, UC500-30GM
88	1	292623	CORSET, V11-W-BKO.28M-PUR40704
89	1	359641	HOSE SUPP SWIVEL PLT STS' 12
90	1	359638	HOSE SUPP SWIVEL WLD STS' 12
91	1	002815	SENSOR ARM WASH, NYL
92	2	920004	1/2 SAE FLAT WASHER

NOTE: (*) FOR TREAD ADJUST OPTION REPLACE ITEM 64 WITH THREE OF ITEM 65.
 (***) ITEMS ARE FOR ALL WHEEL STEER OPTION.

RH REAR INNER LEG ASSEMBLY (STANDARD TORQUE)

DET. QTY PART NO. DESCRIPTION

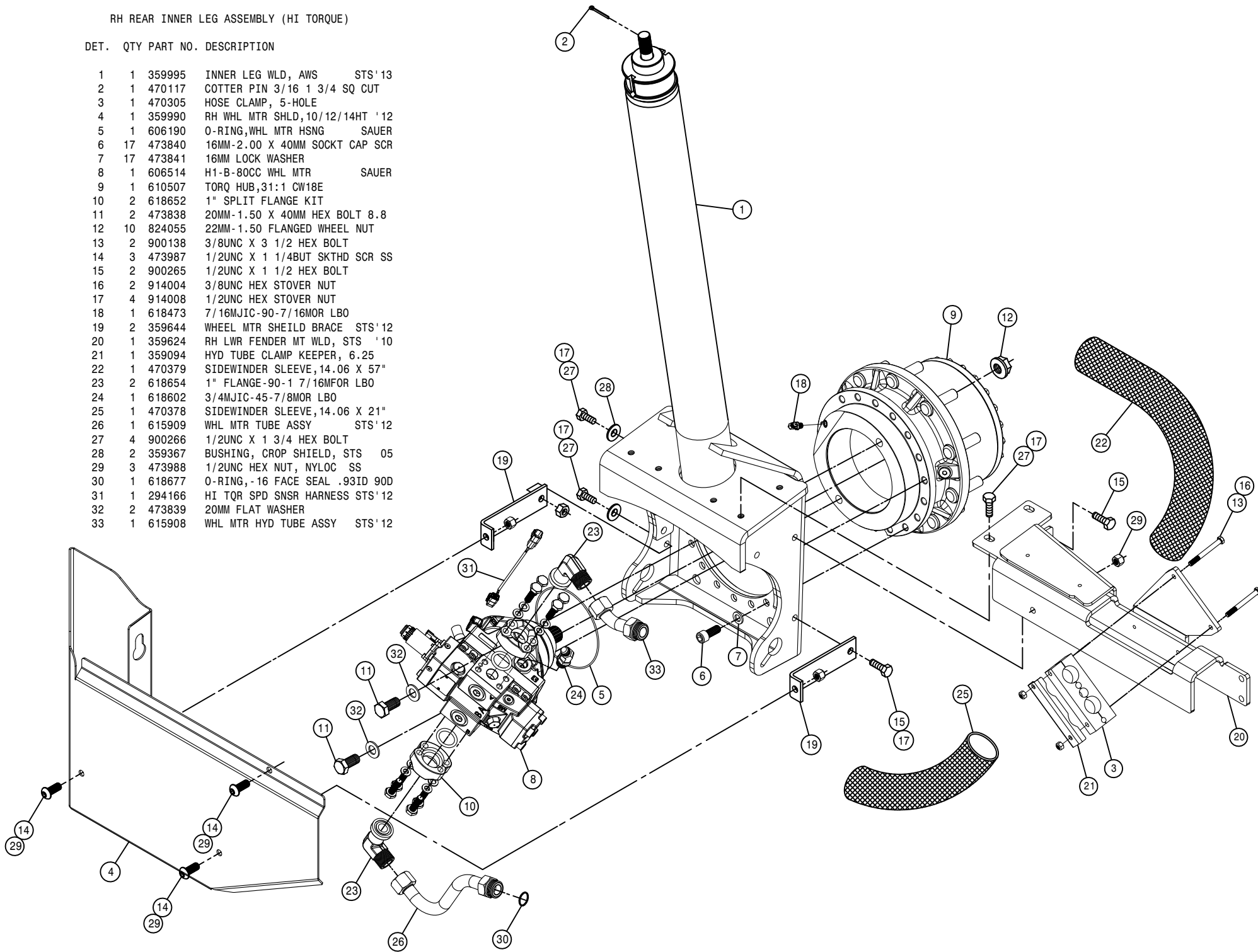
1	1	359995	INNER LEG WLD, AWS	STS'13
2	1	470117	COTTER PIN 3/16 1 3/4 SQ CUT	
3	1	470305	HOSE CLAMP, 5-HOLE	
4	1	359990	RH WHL MTR SHLD,10/12/14HT '12	
5	10	610887	STUD,M22 X 1,5 X 78	
6	18	473840	16MM-2.00 X 40MM SOCKET CAP SCR	
7	20	473841	16MM LOCK WASHER	
8	1	606387	WHL MOTOR,51C060 W/SENSR-DEUTS	
9	1	610965	WHEEL HUB,27:1 W/BRAKE BONFIG	
10	1	618467	7/16MJIC-7/16MOR ADPTR	
11	2	618431	3/4 (-12) SPLIT FLANGE KIT #62	
12	2	870214	BUNA ORING 1 X 1 1/4, 90D	
13	10	824055	22MM-1.50 FLANGED WHEEL NUT	
14	2	900138	3/8UNC X 3 1/2 HEX BOLT	
15	3	473987	1/2UNC X 1 1/4BUT SKTHD SCR SS	
16	2	900265	1/2UNC X 1 1/2 HEX BOLT	
17	2	914004	3/8UNC HEX STOVER NUT	
18	4	914008	1/2UNC HEX STOVER NUT	
19	1	618812	3/4 FLANGE-1 7/16MFOR ADPTR	
20	2	359644	WHEEL MTR SHEILD BRACE STS'12	
21	1	359624	RH LWR FENDER MT WLD, STS '10	
22	1	359094	HYD TUBE CLAMP KEEPER, 6.25	
23	1	470379	SIDEWINDER SLEEVE,14.06 X 57"	
24	1	618740	3/4 FLANGE-90-1 7/16MFOR LBO	
25	1	618469	3/4MJIC-1 1/16MOR ADPTR	
26	1	470378	SIDEWINDER SLEEVE,14.06 X 21"	
27	1	615875	WHEEL MOTOR HYD TUBE ASSY	
28	2	359367	BUSHING, CROP SHIELD, STS 05	
29	3	473988	1/2UNC HEX NUT, NYLOC SS	
30	1	618677	O-RING,-16 FACE SEAL .93ID 90D	
31	1	606320	SPEED SENSOR, WHL MTR 606291	
32	1	606322	LIP SEAL, WHL MTR 606288/291	
33	1	606323	O-RING, WHL MTR 606288/291	
34	4	900266	1/2UNC X 1 3/4 HEX BOLT	
35	2	473861	16MM-2.00 X 40MM HEX BOLT	
36	1	607026	O-RING,5.905ID- 6.1410D DMT	



RH REAR INNER LEG ASSEMBLY (HI TORQUE)

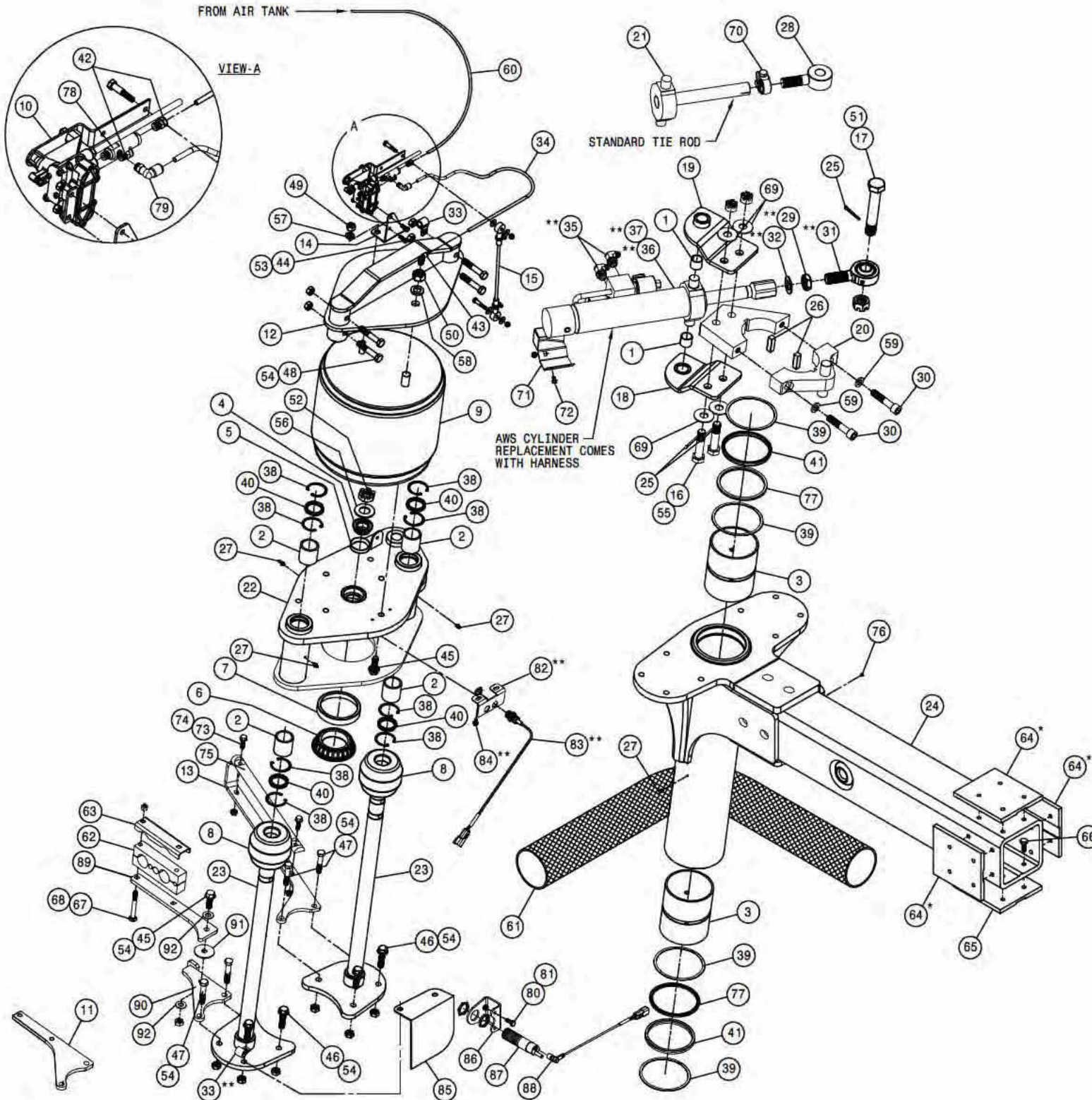
DET. QTY PART NO. DESCRIPTION

1	1	359995	INNER LEG WLD, AWS	STS' 13
2	1	470117	COTTER PIN 3/16 1 3/4 SQ CUT	
3	1	470305	HOSE CLAMP, 5-HOLE	
4	1	359990	RH WHL MTR SHLD, 10/12/14HT '12	
5	1	606190	O-RING, WHL MTR HSNG	SAUER
6	17	473840	16MM-2.00 X 40MM SOCKT CAP SCR	
7	17	473841	16MM LOCK WASHER	
8	1	606514	H1-B-80CC WHL MTR	SAUER
9	1	610507	TORQ HUB, 31:1 CW18E	
10	2	618652	1" SPLIT FLANGE KIT	
11	2	473838	20MM-1.50 X 40MM HEX BOLT 8.8	
12	10	824055	22MM-1.50 FLANGED WHEEL NUT	
13	2	900138	3/8UNC X 3 1/2 HEX BOLT	
14	3	473987	1/2UNC X 1 1/4 BUT SKTHD SCR SS	
15	2	900265	1/2UNC X 1 1/2 HEX BOLT	
16	2	914004	3/8UNC HEX STOVER NUT	
17	4	914008	1/2UNC HEX STOVER NUT	
18	1	618473	7/16MJIC-90-7/16MOR LBO	
19	2	359644	WHEEL MTR SHEILD BRACE	STS' 12
20	1	359624	RH LWR FENDER MT WLD, STS '10	
21	1	359094	HYD TUBE CLAMP KEEPER, 6.25	
22	1	470379	SIDEWINDER SLEEVE, 14.06 X 57"	
23	2	618654	1" FLANGE-90-1 7/16MOR LBO	
24	1	618602	3/4MJIC-45-7/8MOR LBO	
25	1	470378	SIDEWINDER SLEEVE, 14.06 X 21"	
26	1	615909	WHL MTR TUBE ASSY	STS' 12
27	4	900266	1/2UNC X 1 3/4 HEX BOLT	
28	2	359367	BUSHING, CROP SHIELD, STS 05	
29	3	473988	1/2UNC HEX NUT, NYLOC SS	
30	1	618677	O-RING, -16 FACE SEAL .93ID 90D	
31	1	294166	HI TOR SPD SNSR HARNESS	STS' 12
32	2	473839	20MM FLAT WASHER	
33	1	615908	WHL MTR HYD TUBE ASSY	STS' 12



FROM AIR TANK

VIEW-A



LEFT REAR OUTER LEG ASSEMBLY

DET.	QTY	PART NO.	DESCRIPTION
1	2	121029	JOURNAL BRG, 1.00 ID X 1.00 LG
2	4	121113	BEARING, 1.50-1.81-1.86 POLYGON
3	2	121125	BEARING, 4.52-4.86-5.72 POLYGON
4	1	125050	BRG CONE, 1.00 ID W/FACE SEAL
5	1	125051	BRG CUP FOR 125050
6	1	125052	BRG CONE, 2.687 ID W/FACE SEAL
7	1	125053	BRG CUP FOR 125052
8	2	311058	RUBBER SPRING
9	1	311080	AIRIDE SPRING, 11.81 BASE
10	1	358832	AIRIDE SPRING CTRL VALVE BR
11	1	359619	HOSE SUPPORT, 54" STS'10
12	1	359333	AIRBAG TOWER TOP MT WLD, STS 05
13	1	359351	LH EXTENDED HOSE SUPPORT, STS
14	1	359370	LH LEG AIR VALVE MT, STS16 05
15	1	359544	LEG HEIGHT CTRL LNK, AWS STS09
16	2	359545	TRUNION MT BOLT, AWS STS 09
17	1	359546	STRG CYL BOLT, AWS STS 09
18	1	359547	TOP TRUNION MT WLD, AWS STS 09
19	1	359548	BTM TRUNION MT WLD, AWS STS 09
20	1	359593	STRG ARM CLAMP WLD, STS '10
21	1	359088	REAR TIE ROD SHAFT WLD
22	1	360021	LH AIR BAG LWR PLT WLD STS'13
23	2	359654	NITRO TOWER SHAFT WLD STS'13
24	1	360024	OUTER LEG WLD STS'13
25	3	470117	COTTER PIN 3/16 X 1 3/4
26	2	470447	KEY, .50 SQ X 1.69 LG
27	4	471005	GREASE ZERK, 1/4-28 X 1/2
28	1	359089	TIE ROD STUD WLD
29	1	472328	1"-12 HEX JAM NUT GR2
30	2	472337	5/8 X 3" SOCKET HD CAP SCR GR8
31	1	473975	ROD END, 1.00 BORE, 1-12 RH MALE
32	1	920508	1" LOCK WASHER
33	2	520164	CUSH CLAMP, 9/16D-3/4W-.53MT
34	1	801473	HOSE, 1/4 X 18 AIR
35	2	818115	9/16MJC-90-3/4MOR LBO
36	1	821844	REAR STEERING KIT 2013
37	1	821845	REPAIR KIT, HYD CYL 821844
38	8	829537	187RHOOGZ SWAP RING
39	4	829538	4.5 SPIROLOX RING
40	4	829620	SEAL, 1.500 ROD DIA
41	2	829621	SEAL, 4.500 ROD DIA
42	2	711036	1/8MNPT-1/4 NYL TUBE FTG
43	1	711040	1/4MNPT-90-1/4 NYL TUBE LBO
44	2	900002	1/4UNC X 3/4 HHCS GR 5
45	5	900265	1/2UNC X 1 1/2 HHCS GR 5
46	4	900267	1/2UNC X 2" HHCS GR 5
47	4	900268	1/2UNC X 2 1/2 HHCS GR 5
48	4	900269	1/2UNC X 2 3/4 HHCS GR 5
49	1	910008	1/2UNC HEX NUT
50	1	910013	3/4UNF HEX NUT
51	1	910020	1-8 HEX SLOTTED NUT
52	1	910021	1-14 SLOT JAM NUT
53	2	914000	1/4UNC HEX STOVER NUT
54	13	914008	1/2UNC HEX STOVER NUT
55	2	910102	3/4UNC SLOT HEX NUT GR8
56	1	920008	1" SAE FLAT WASHER
57	1	920504	1/2" LOCK WASHER
58	1	920505	3/4" LOCK WASHER
59	2	473841	16MM LOCK WASHER
60	1	801478	HOSE, 1/4 X 120 AIR
61	1	470311	SIDEWINDER SLEEVE, 14.06 X 60"
62	1	470305	HOSE CLAMP, 5-HOLE
63	1	359094	HYD TUBE CLAMP KEEPER, 6.25
64	3	342917	TREAD ADJ PLATE, STEEL, THD
65	4	342719	TRD ADJ BRONZE BEARING, THD-BRV
66	16	900128	3/8UNC X 3/4 HHCS GR 5
67	2	901138	3/8UNC X 3 1/2 CARB BOLT
68	2	914004	3/8UNC HEX STOVER NUT
69	4	483048	3/4 REG FLAT WASH, THRU-HARD YZ
70	1	749322	STEERING TUBE CLAMP ADJLT ASSY
71	1	359645	STRG CYL SENSOR GUARD STS'12
72	2	470883	1/4UNC X 3/8 SER FLG BOLT SS
73	2	900127	3/8UNC X 1 1/4 HHCS GR 5
74	2	470087	3/8UNC HEX SER FLG NUT
75	1	359653	HYD BRKT HOSE SHLD, UHMW STS'12
76	1	470062	1/4UNF X 1/4 AL HD CUP SET SCR
77	2	629625	SEAL, 4.500 ROD DIA
78	1	711039	DUMP VALVE
79	1	711039	1/8MNPT-90-1/4 NYL TUBE LBO
80	2	900084	5/16UNC X 3/4 HHCS GR 5
81	2	914002	5/16UNC HEX STOVER NUT
82	1	359555	SENSOR BRKT, AWS STS 09
83	1	282926	INDUCTIVE PROX SENSOR, 18MM
84	2	470122	1/4UNC X 1/2 SER FLG BOLT
85	1	359093	LH SENSOR REFLECTOR
86	1	342856	TREAD SENSOR MT
87	1	292622	ULTRASONIC SENSOR, UC500-306M
88	1	292623	CORDSET, V11-W-BKO.28M-PUR40T04
89	1	359641	HOSE SUPP SWIVEL PLT STS'12
90	1	359638	HOSE SUPP SWIVEL WLD STS'12
91	1	002815	SENSOR ARM WASH, NYL
92	1	920004	1/2 SAE FLAT WASHER

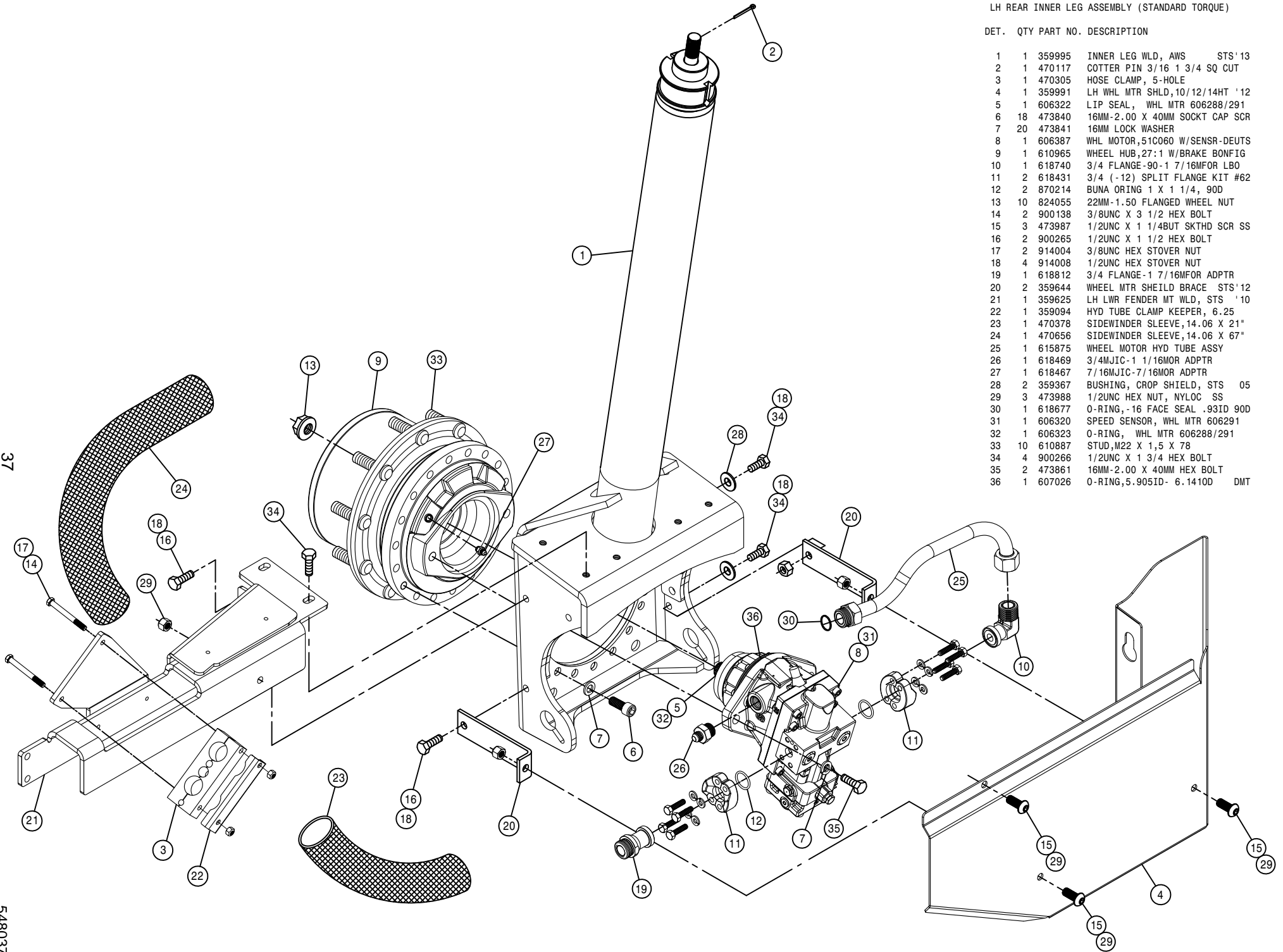
NOTE: (*) FOR TREAD ADJUST OPTION REPLACE ITEM 64 WITH THREE OF ITEM 65.

(**) ITEMS ARE FOR ALL WHEEL STEER OPTION.

LH REAR INNER LEG ASSEMBLY (STANDARD TORQUE)

DET. QTY PART NO. DESCRIPTION

1	1	359995	INNER LEG WLD, AWS	STS' 13
2	1	470117	COTTER PIN 3/16 1 3/4 SQ CUT	
3	1	470305	HOSE CLAMP, 5-HOLE	
4	1	359991	LH WHL MTR SHLD,10/12/14HT '12	
5	1	606322	LIP SEAL, WHL MTR 606288/291	
6	18	473840	16MM-2.00 X 40MM SOCKT CAP SCR	
7	20	473841	16MM LOCK WASHER	
8	1	606387	WHL MOTOR,51C060 W/SENSR-DEUTS	
9	1	610965	WHEEL HUB,27:1 W/BRAKE BONFIG	
10	1	618740	3/4 FLANGE-90-1 7/16MFOR LBO	
11	2	618431	3/4 (-12) SPLIT FLANGE KIT #62	
12	2	870214	BUNA ORING 1 X 1 1/4, 90D	
13	10	824055	22MM-1.50 FLANGED WHEEL NUT	
14	2	900138	3/8UNC X 3 1/2 HEX BOLT	
15	3	473987	1/2UNC X 1 1/4BUT SKTHD SCR SS	
16	2	900265	1/2UNC X 1 1/2 HEX BOLT	
17	2	914004	3/8UNC HEX STOVER NUT	
18	4	914008	1/2UNC HEX STOVER NUT	
19	1	618812	3/4 FLANGE-1 7/16MFOR ADPTR	
20	2	359644	WHEEL MTR SHEILD BRACE STS' 12	
21	1	359625	LH LWR FENDER MT WLD, STS '10	
22	1	359094	HYD TUBE CLAMP KEEPER, 6.25	
23	1	470378	SIDEWINDER SLEEVE,14.06 X 21"	
24	1	470656	SIDEWINDER SLEEVE,14.06 X 67"	
25	1	615875	WHEEL MOTOR HYD TUBE ASSY	
26	1	618469	3/4MJIC-1 1/16MOR ADPTR	
27	1	618467	7/16MJIC-7/16MOR ADPTR	
28	2	359367	BUSHING, CROP SHIELD, STS 05	
29	3	473988	1/2UNC HEX NUT, NYLOC SS	
30	1	618677	O-RING, -16 FACE SEAL .93ID 90D	
31	1	606320	SPEED SENSOR, WHL MTR 606291	
32	1	606323	O-RING, WHL MTR 606288/291	
33	10	610887	STUD,M22 X 1,5 X 78	
34	4	900266	1/2UNC X 1 3/4 HEX BOLT	
35	2	473861	16MM-2.00 X 40MM HEX BOLT	
36	1	607026	O-RING,5.905ID- 6.1410D DMT	

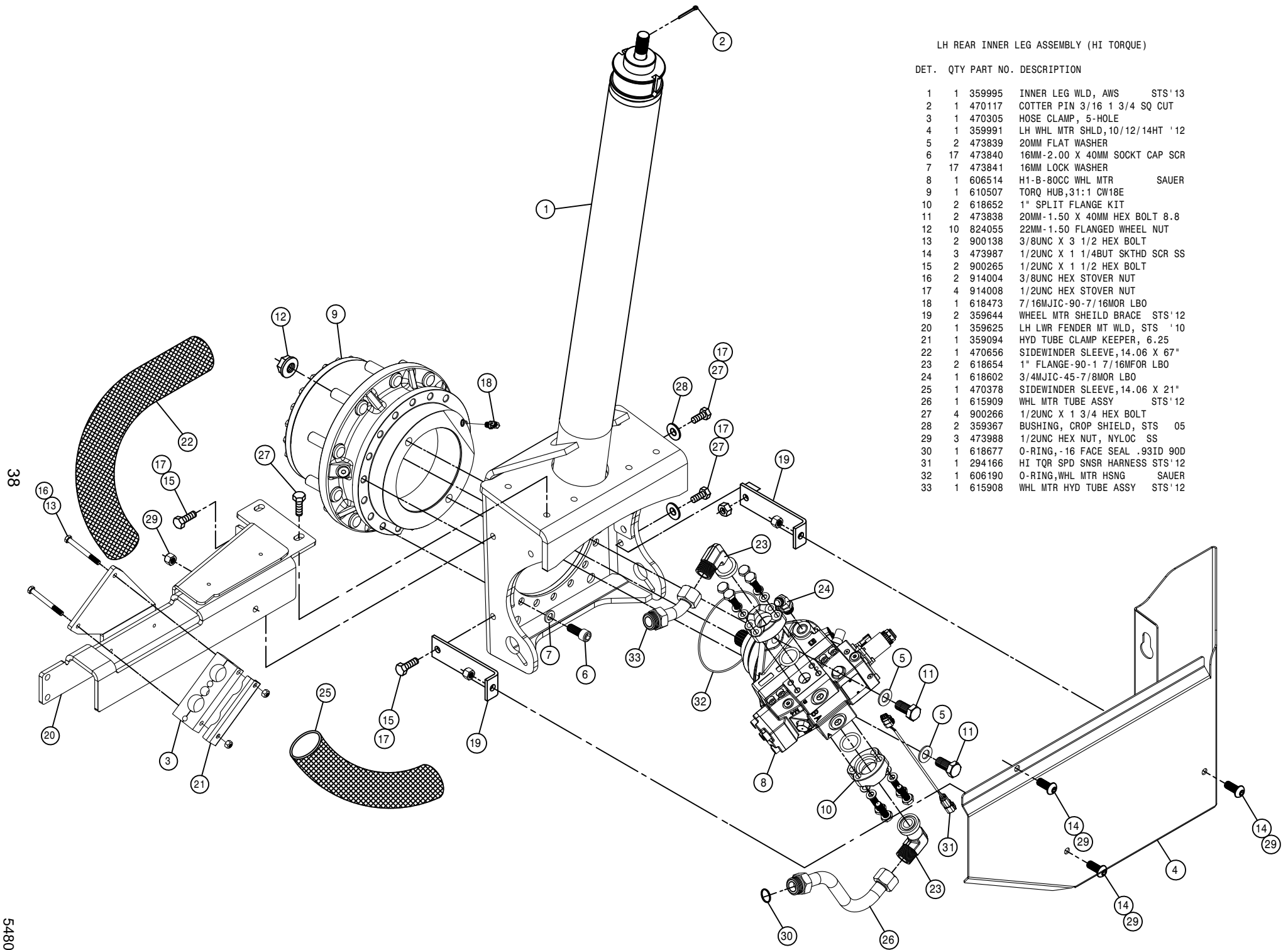


37

548037

LH REAR INNER LEG ASSEMBLY (HI TORQUE)

DET.	QTY	PART NO.	DESCRIPTION
1	1	359995	INNER LEG WLD, AWS STS'13
2	1	470117	COTTER PIN 3/16 1 3/4 SQ CUT
3	1	470305	HOSE CLAMP, 5-HOLE
4	1	359991	LH WHL MTR SHLD, 10/12/14HT '12
5	2	473839	20MM FLAT WASHER
6	17	473840	16MM-2.00 X 40MM SOCKET CAP SCR
7	17	473841	16MM LOCK WASHER
8	1	606514	H1-B-80CC WHL MTR SAUER
9	1	610507	TORQ HUB, 31:1 CW18E
10	2	618652	1" SPLIT FLANGE KIT
11	2	473838	20MM-1.50 X 40MM HEX BOLT 8.8
12	10	824055	22MM-1.50 FLANGED WHEEL NUT
13	2	900138	3/8UNC X 3 1/2 HEX BOLT
14	3	473987	1/2UNC X 1 1/4 BUT SKTHD SCR SS
15	2	900265	1/2UNC X 1 1/2 HEX BOLT
16	2	914004	3/8UNC HEX STOVER NUT
17	4	914008	1/2UNC HEX STOVER NUT
18	1	618473	7/16MJIC-90-7/16MOR LBO
19	2	359644	WHEEL MTR SHEILD BRACE STS'12
20	1	359625	LH LWR FENDER MT WLD, STS '10
21	1	359094	HYD TUBE CLAMP KEEPER, 6.25
22	1	470656	SIDEWINDER SLEEVE, 14.06 X 67"
23	2	618654	1" FLANGE-90-1 7/16MFOR LBO
24	1	618602	3/4MJIC-45-7/8MOR LBO
25	1	470378	SIDEWINDER SLEEVE, 14.06 X 21"
26	1	615909	WHL MTR TUBE ASSY STS'12
27	4	900266	1/2UNC X 1 3/4 HEX BOLT
28	2	359367	BUSHING, CROP SHIELD, STS 05
29	3	473988	1/2UNC HEX NUT, NYLOC SS
30	1	618677	O-RING, -16 FACE SEAL .93ID 90D
31	1	294166	HI TOR SPD SNSR HARNESS STS'12
32	1	606190	O-RING, WHL MTR HSNG SAUER
33	1	615908	WHL MTR HYD TUBE ASSY STS'12

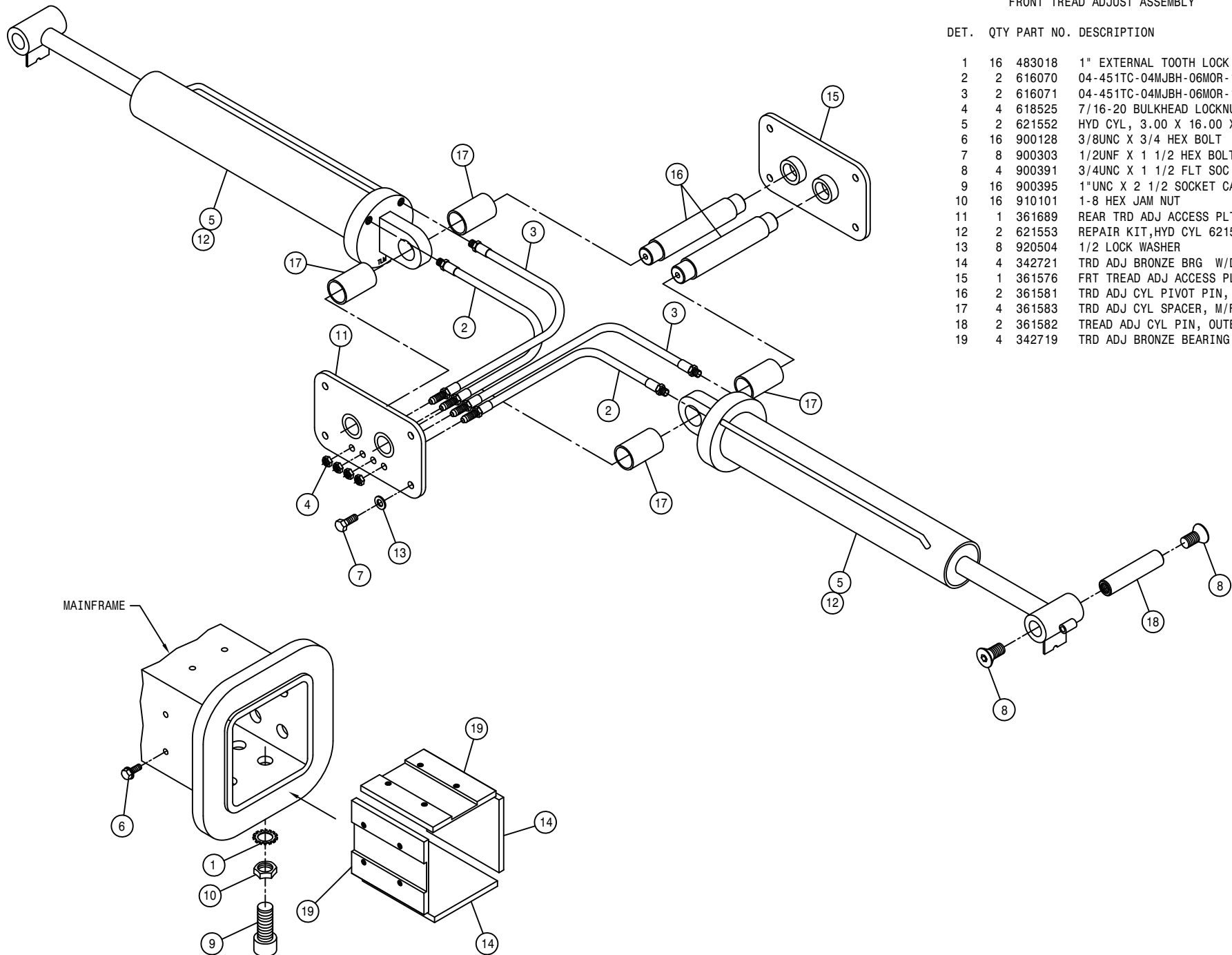


38

548038

FRONT TREAD ADJUST ASSEMBLY

DET.	QTY	PART NO.	DESCRIPTION
1	16	483018	1" EXTERNAL TOOTH LOCK WASHER
2	2	616070	04-451TC-04MJBH-06MOR-11.00H/A
3	2	616071	04-451TC-04MJBH-06MOR-13.00H/A
4	4	618525	7/16-20 BULKHEAD LOCKNUT
5	2	621552	HYD CYL, 3.00 X 16.00 X 1.375
6	16	900128	3/8UNC X 3/4 HEX BOLT
7	8	900303	1/2UNF X 1 1/2 HEX BOLT
8	4	900391	3/4UNC X 1 1/2 FLT SOC CAP SCR
9	16	900395	1"UNC X 2 1/2 SOCKET CAP SCR
10	16	910101	1-8 HEX JAM NUT
11	1	361689	REAR TRD ADJ ACCESS PLT WLD 04
12	2	621553	REPAIR KIT, HYD CYL 621552
13	8	920504	1/2 LOCK WASHER
14	4	342721	TRD ADJ BRONZE BRG W/DIMPLES
15	1	361576	FRT TREAD ADJ ACCESS PLT WLD
16	2	361581	TRD ADJ CYL PIVOT PIN, M/F
17	4	361583	TRD ADJ CYL SPACER, M/F
18	2	361582	TREAD ADJ CYL PIN, OUTER LEG
19	4	342719	TRD ADJ BRONZE BEARING, THD-GRV

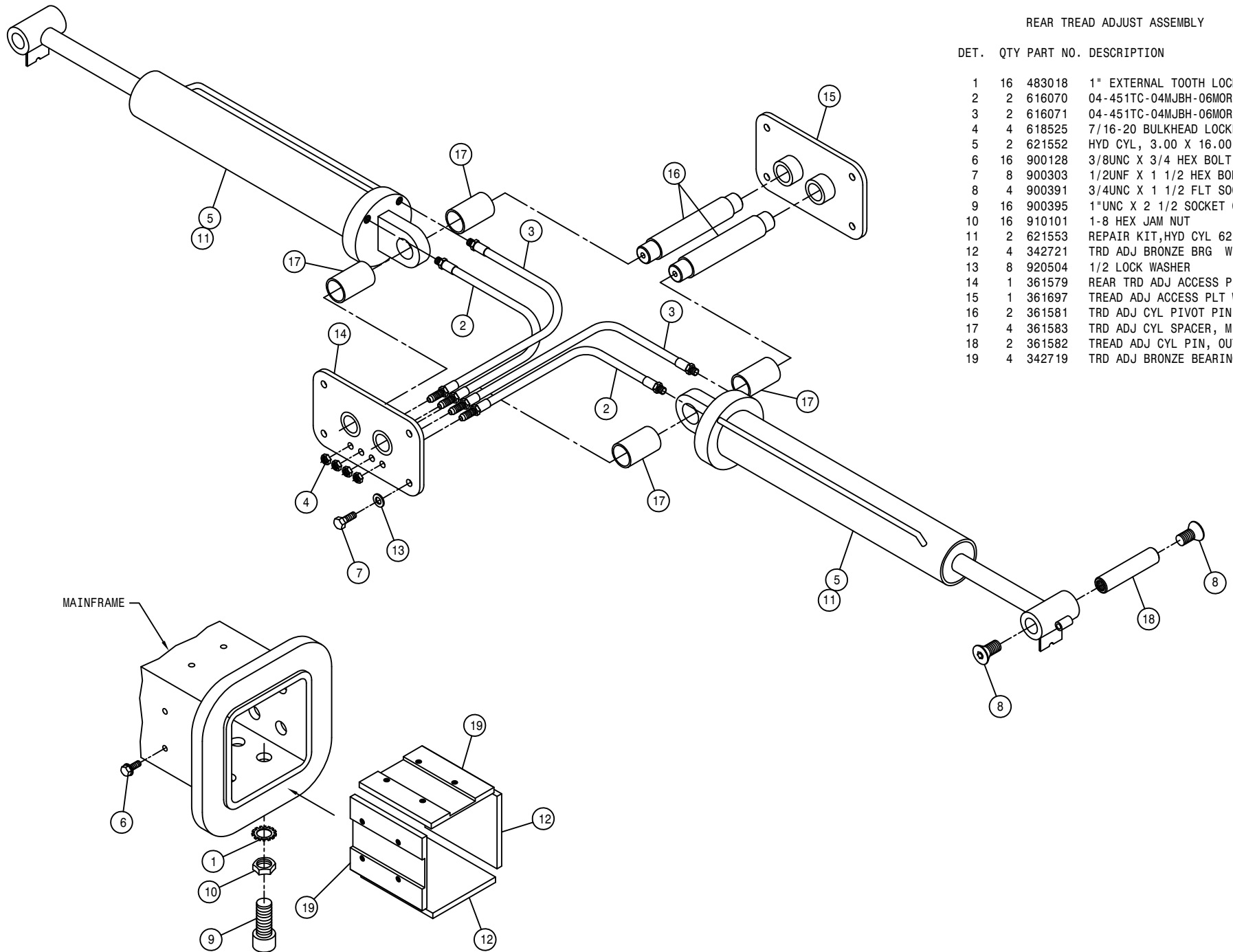


MAINFRAME

REAR TREAD ADJUST ASSEMBLY

DET. QTY PART NO. DESCRIPTION

DET.	QTY	PART NO.	DESCRIPTION
1	16	483018	1" EXTERNAL TOOTH LOCK WASHER
2	2	616070	04-451TC-04MJBH-06MOR-11.00H/A
3	2	616071	04-451TC-04MJBH-06MOR-13.00H/A
4	4	618525	7/16-20 BULKHEAD LOCKNUT
5	2	621552	HYD CYL, 3.00 X 16.00 X 1.375
6	16	900128	3/8UNC X 3/4 HEX BOLT
7	8	900303	1/2UNF X 1 1/2 HEX BOLT
8	4	900391	3/4UNC X 1 1/2 FLT SOC CAP SCR
9	16	900395	1"UNC X 2 1/2 SOCKET CAP SCR
10	16	910101	1-8 HEX JAM NUT
11	2	621553	REPAIR KIT, HYD CYL 621552
12	4	342721	TRD ADJ BRONZE BRG W/DIMPLES
13	8	920504	1/2 LOCK WASHER
14	1	361579	REAR TRD ADJ ACCESS PLT WLD 00
15	1	361697	TRD ADJ ACCESS PLT WLD 07
16	2	361581	TRD ADJ CYL PIVOT PIN, M/F
17	4	361583	TRD ADJ CYL SPACER, M/F
18	2	361582	TRD ADJ CYL PIN, OUTER LEG
19	4	342719	TRD ADJ BRONZE BEARING, THD-GRV

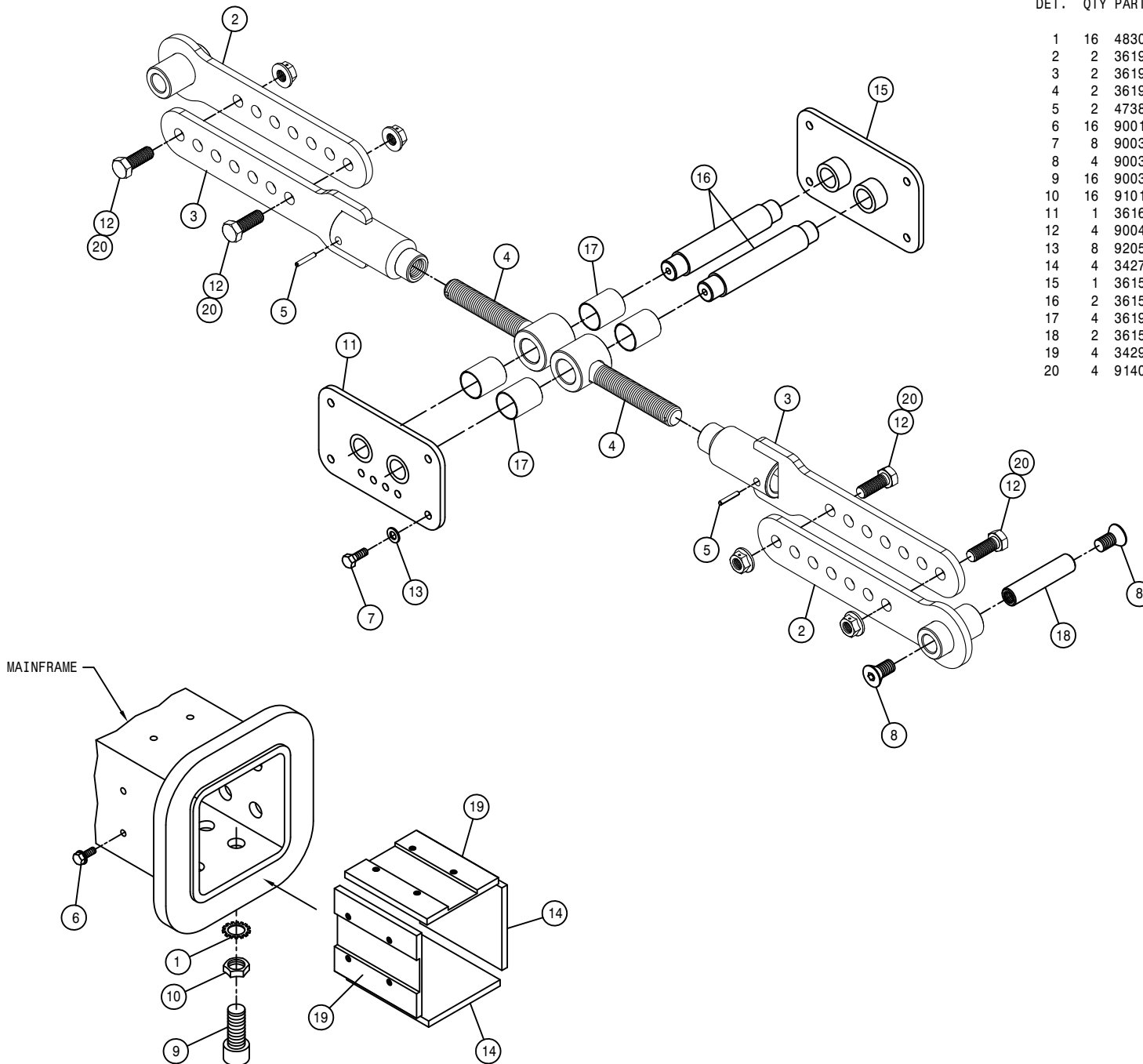


MAINFRAME

FRONT NO TREAD ADJUST ASSEMBLY

DET. QTY PART NO. DESCRIPTION

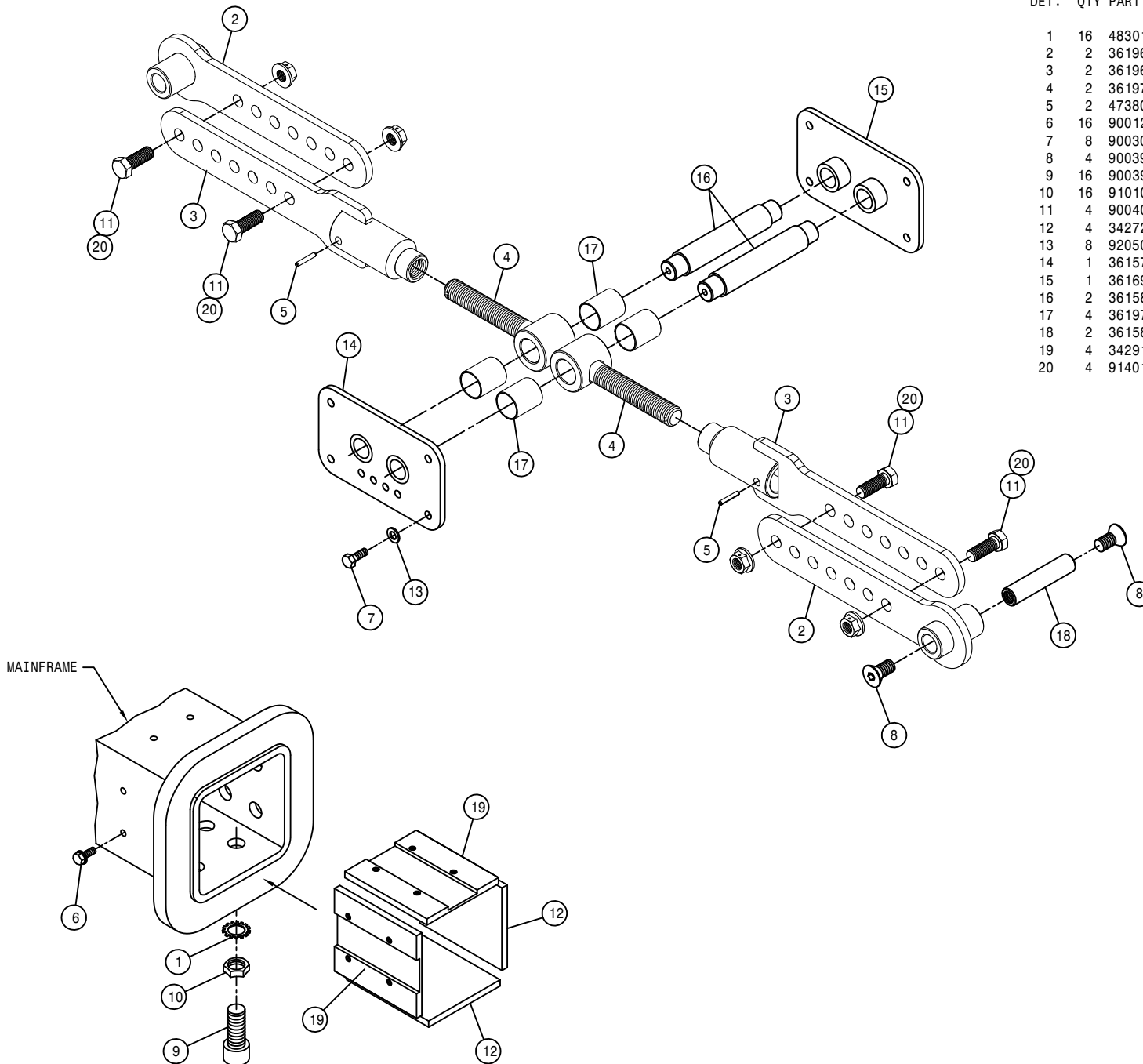
DET.	QTY	PART NO.	DESCRIPTION
1	16	483018	1" EXTERNAL TOOTH LOCK WASHER
2	2	361964	INNER TREAD ADJ PLT WLD, STS' 11
3	2	361967	OUTER TREAD ADJ PLT WLD, STS' 11
4	2	361970	TREAD ADJ TIE ROD WLD, STS' 11
5	2	473805	ROLL PIN, 1/4 X 1 1/2
6	16	900128	3/8UNC X 3/4 HEX BOLT
7	8	900303	1/2UNF X 1 1/2 HEX BOLT
8	4	900391	3/4UNC X 1 1/2 FLT SOC CAP SCR
9	16	900395	1"UNC X 2 1/2 SOCKET CAP SCR
10	16	910101	1-8 HEX JAM NUT
11	1	361689	REAR TRD ADJ ACCESS PLT WLD 04
12	4	900403	3/4UNC X 2" HEX BOLT
13	8	920504	1/2 LOCK WASHER
14	4	342721	TRD ADJ BRONZE BRG W/DIMPLES
15	1	361576	FRT TREAD ADJ ACCESS PLT WLD
16	2	361581	TRD ADJ CYL PIVOT PIN, M/F
17	4	361973	TREAD ADJ TIE ROD SPACR, STS' 11
18	2	361582	TREAD ADJ CYL PIN, OUTER LEG
19	4	342917	TREAD ADJ PLATE, STEEL, THD
20	4	914012	3/4UNC HEX STOVER NUT

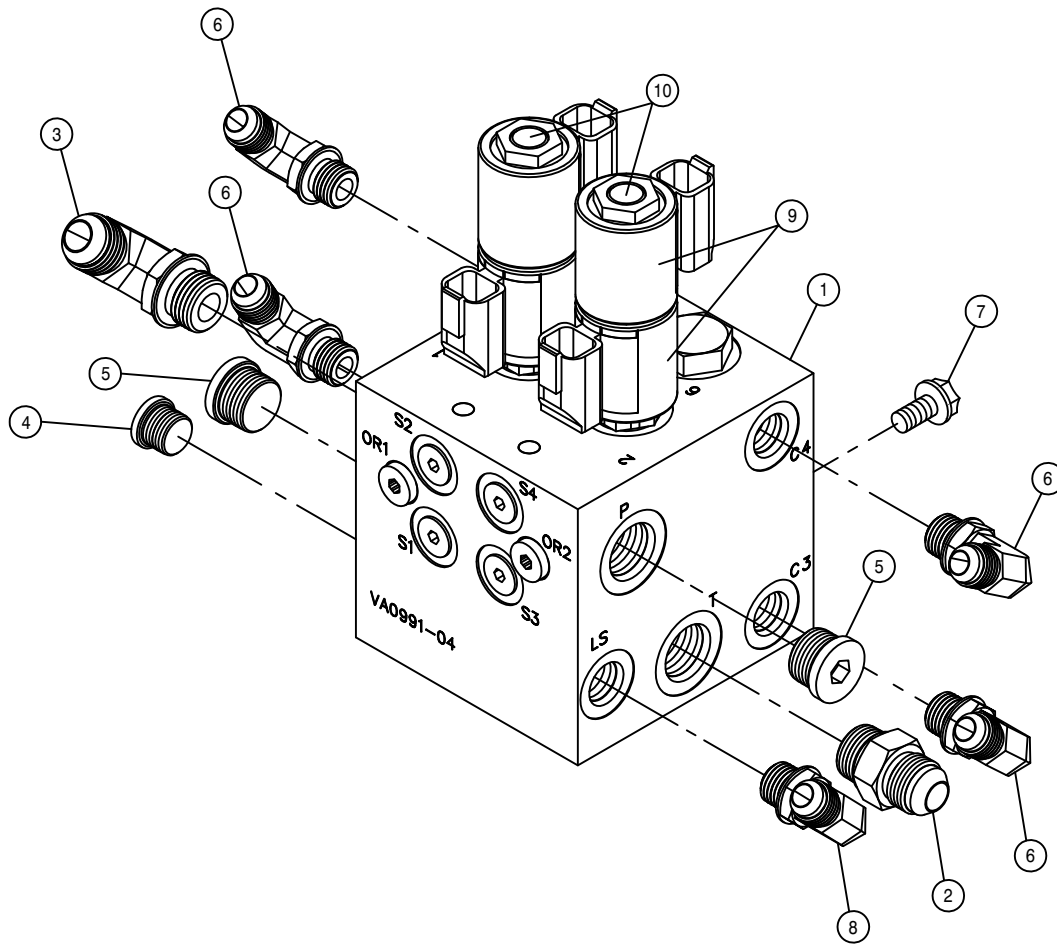


REAR NO TREAD ADJUST ASSEMBLY

DET. QTY PART NO. DESCRIPTION

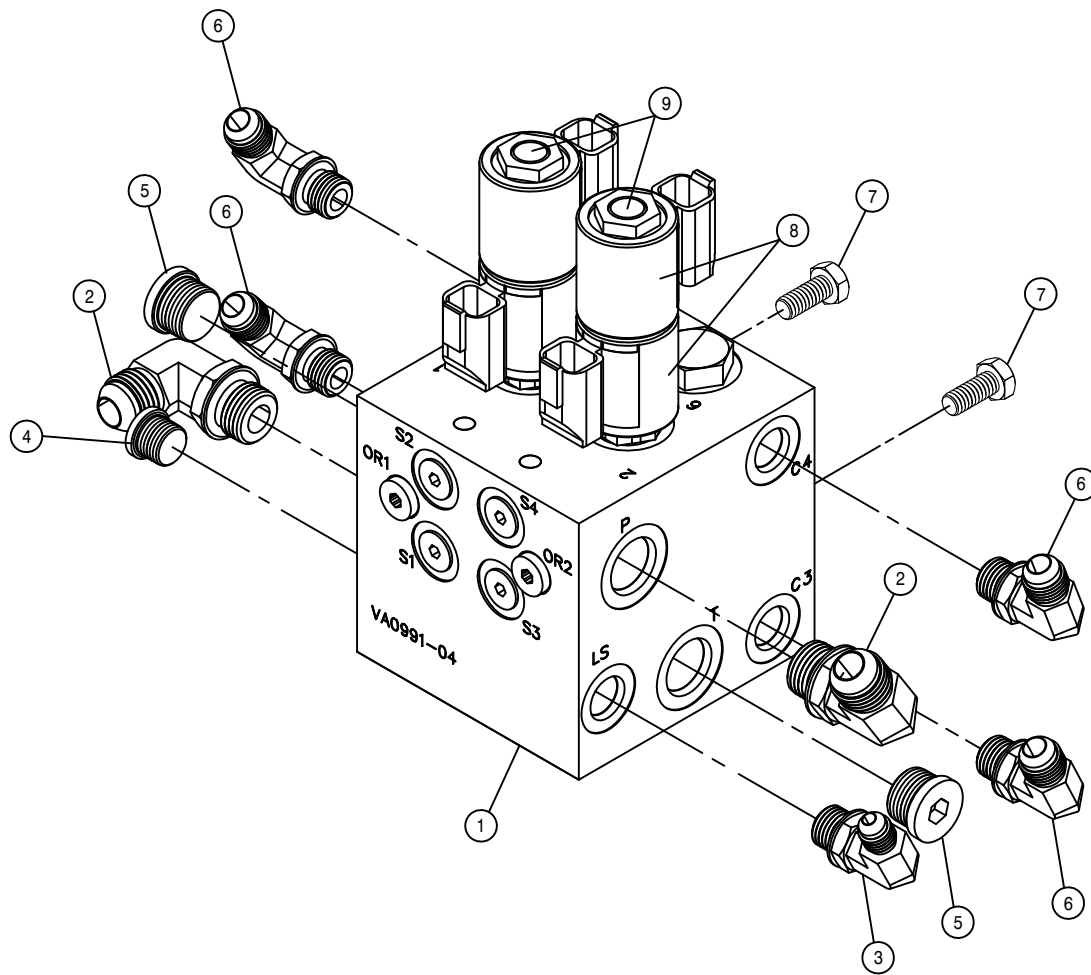
1	16	483018	1" EXTERNAL TOOTH LOCK WASHER
2	2	361964	INNER TREAD ADJ PLT WLD,STS'11
3	2	361967	OUTER TREAD ADJ PLT WLD,STS'11
4	2	361970	TREAD ADJ TIE ROD WLD, STS'11
5	2	473805	ROLL PIN, 1/4 X 1 1/2
6	16	900128	3/8UNC X 3/4 HEX BOLT
7	8	900303	1/2UNF X 1 1/2 HEX BOLT
8	4	900391	3/4UNC X 1 1/2 FLT SOC CAP SCR
9	16	900395	1"UNC X 2 1/2 SOCKET CAP SCR
10	16	910101	1-8 HEX JAM NUT
11	4	900403	3/4UNC X 2" HEX BOLT
12	4	342721	TRD ADJ BRONZE BRG W/DIMPLES
13	8	920504	1/2 LOCK WASHER
14	1	361579	REAR TRD ADJ ACCESS PLT WLD 00
15	1	361697	TREAD ADJ ACCESS PLT WLD 07
16	2	361581	TRD ADJ CYL PIVOT PIN, M/F
17	4	361973	TREAD ADJ TIE ROD SPACR,STS'11
18	2	361582	TREAD ADJ CYL PIN, OUTER LEG
19	4	342917	TREAD ADJ PLATE, STEEL, THD
20	4	914012	3/4UNC HEX STOVER NUT





FRONT TREAD ADJUST VALVE ASSEMBLY

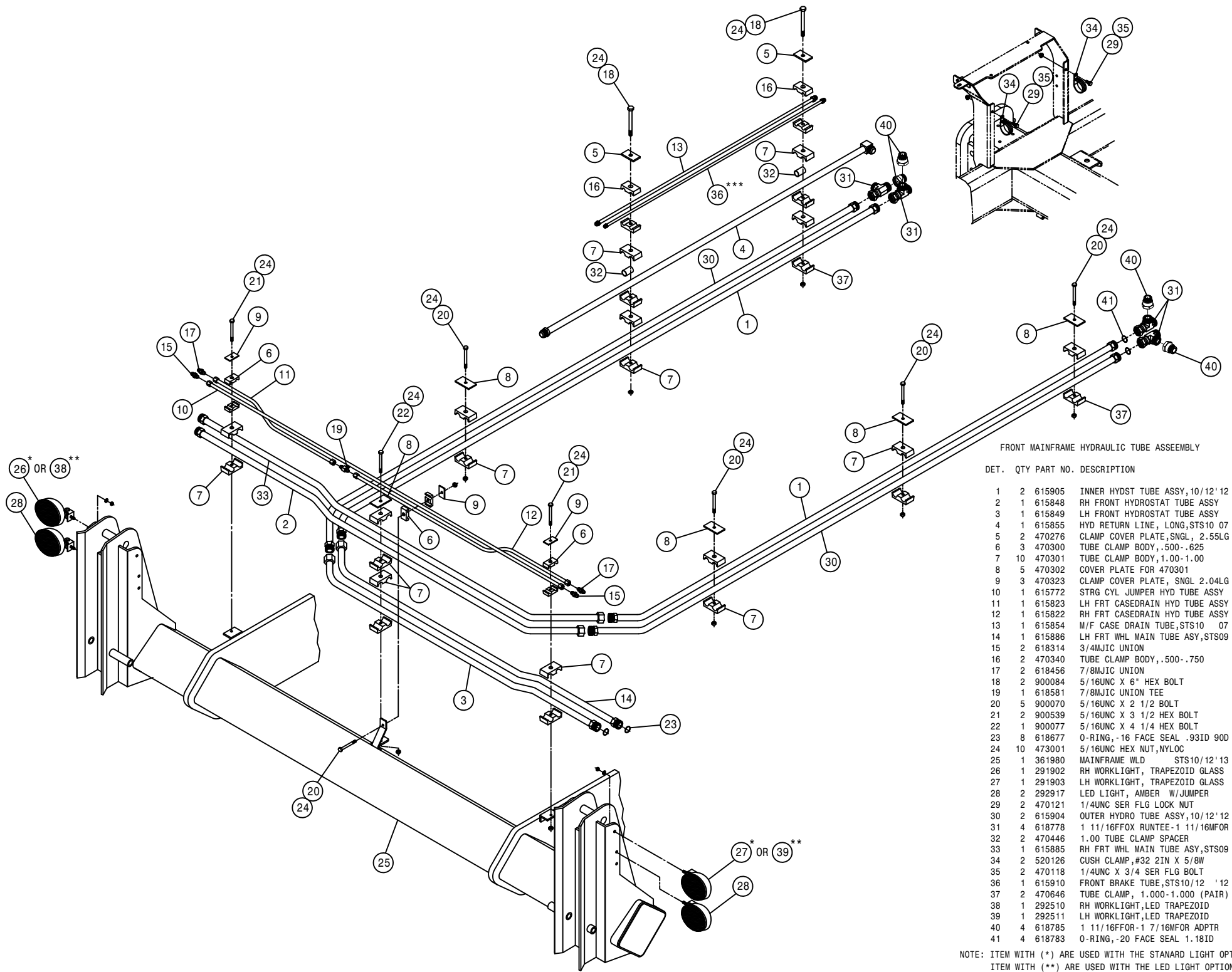
DET.	QTY	PART NO.	DESCRIPTION	PWRSYS
1	1	606249	MANIFOLD, TRD ADJ	PWRSYS
2	1	611125	3/4MJIC-3/4MOR ADPTR	
3	1	618241	3/4MJIC-90-3/4MOR LBO	
4	1	618754	9/16MOR PLUG, HEX SOCKET	
5	2	618755	3/4MOR PLUG, HEX SOCKET	
6	4	618119	9/16MJIC-90-9/16MOR LBO	
7	2	900064	5/16UNC X 3/4 HEX BOLT	
8	1	618499	7/16MJIC-90-9/16MOR LBO	
9	4	606266	#8 COIL W/DEUTSCH FOR 606210	
10	2	606358	CARTRIDGE SP08-47D,PROP,3POS	



REAR TREAD ADJUST VALVE ASSEMBLY

DET. QTY PART NO. DESCRIPTION

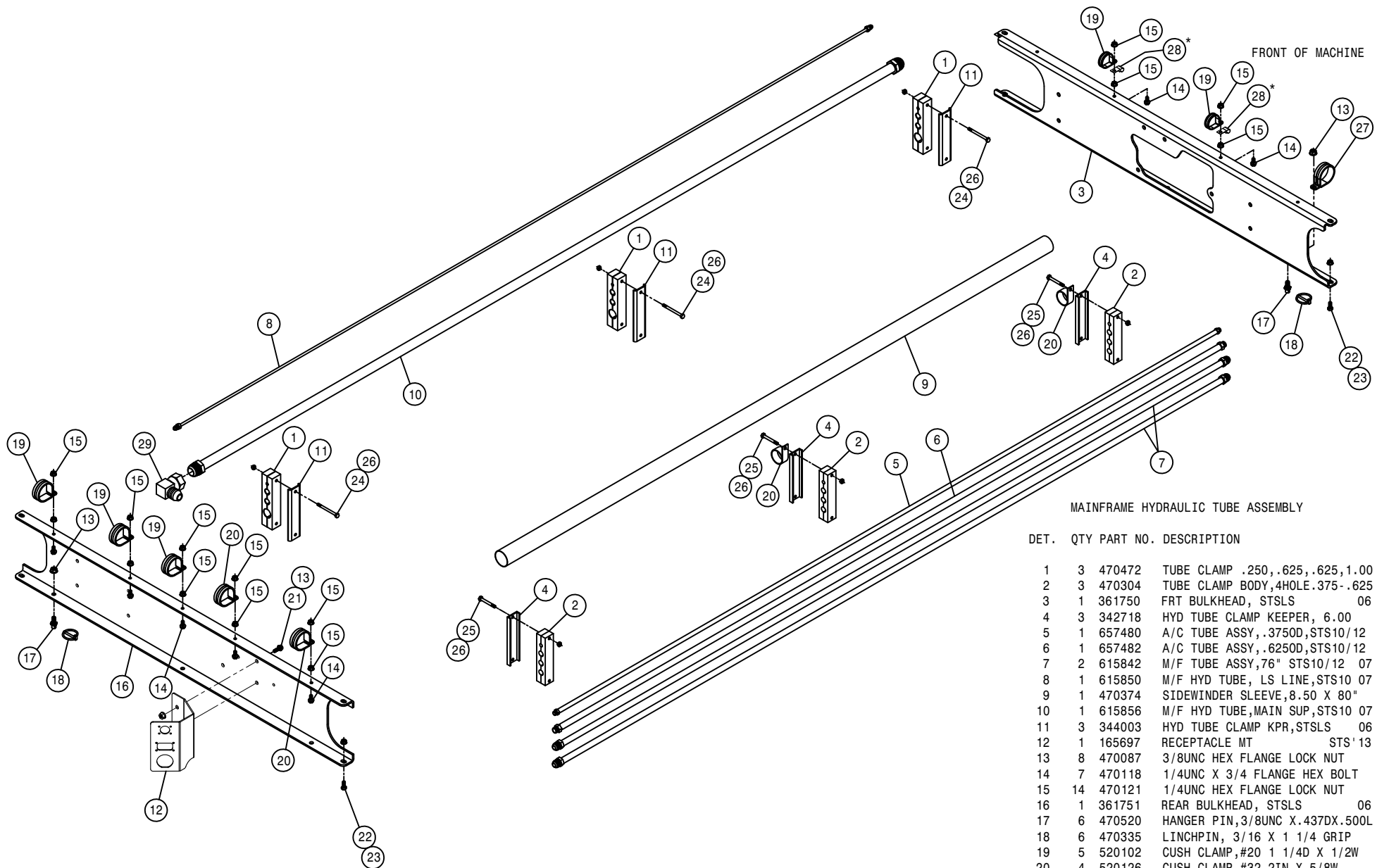
DET.	QTY	PART NO.	DESCRIPTION	PWRSYS
1	1	606249	MANIFOLD,TRD ADJ	PWRSYS
2	2	618241	3/4MJIC-90-3/4MOR LBO	
3	1	618499	7/16MJIC-90-9/16MOR LBO	
4	1	618754	9/16MOR PLUG, HEX SOCKET	
5	2	618755	3/4MOR PLUG, HEX SOCKET	
6	4	618119	9/16MJIC-90-9/16MOR LBO	
7	2	900064	5/16UNC X 3/4 HEX BOLT	
8	4	606266	#8 COIL W/DEUTSCH FOR 606210	
9	2	606358	CARTRIDGE SP08-47D,PROP,3POS	



FRONT MAINFRAME HYDRAULIC TUBE ASSEMBLY

DET.	QTY	PART NO.	DESCRIPTION
1	2	615905	INNER HYDST TUBE ASSY, 10/12' 12
2	1	615848	RH FRONT HYDROSTAT TUBE ASSY
3	1	615849	LH FRONT HYDROSTAT TUBE ASSY
4	1	615855	HYD RETURN LINE, LONG, STS10 07
5	2	470276	CLAMP COVER PLATE, SNGL, 2.55LG
6	3	470300	TUBE CLAMP BODY, .500-.625
7	10	470301	TUBE CLAMP BODY, 1.00-1.00
8	5	470302	COVER PLATE FOR 470301
9	3	470323	CLAMP COVER PLATE, SNGL 2.04LG
10	1	615772	STRG CYL JUMPER HYD TUBE ASSY
11	1	615823	LH FRT CASEDRAIN HYD TUBE ASSY
12	1	615822	RH FRT CASEDRAIN HYD TUBE ASSY
13	1	615854	M/F CASE DRAIN TUBE, STS10 07
14	1	615886	LH FRT WHL MAIN TUBE ASY, STS09
15	2	618314	3/4MJIC UNION
16	2	470340	TUBE CLAMP BODY, .500-.750
17	2	618456	7/8MJIC UNION
18	2	900084	5/16UNC X 6" HEX BOLT
19	1	618581	7/8MJIC UNION TEE
20	5	900070	5/16UNC X 2 1/2 BOLT
21	2	900539	5/16UNC X 3 1/2 HEX BOLT
22	1	900077	5/16UNC X 4 1/4 HEX BOLT
23	8	618677	O-RING, -16 FACE SEAL .93ID 90D
24	10	473001	5/16UNC HEX NUT, NYLOC
25	1	361980	MAINFRAME WLD STS10/12' 13
26	1	291902	RH WORKLIGHT, TRAPEZOID GLASS
27	1	291903	LH WORKLIGHT, TRAPEZOID GLASS
28	2	292917	LED LIGHT, AMBER W/JUMPER
29	2	470121	1/4UNC SER FLG LOCK NUT
30	2	615904	OUTER HYDRO TUBE ASSY, 10/12' 12
31	4	618778	1 11/16FFOX RUNTEE-1 11/16MFOR
32	2	470446	1.00 TUBE CLAMP SPACER
33	1	615885	RH FRT WHL MAIN TUBE ASY, STS09
34	2	520126	CUSH CLAMP, #32 2IN X 5/8W
35	2	470118	1/4UNC X 3/4 SER FLG BOLT
36	1	615910	FRONT BRAKE TUBE, STS10/12 '12
37	2	470646	TUBE CLAMP, 1.000-1.000 (PAIR)
38	1	292510	RH WORKLIGHT, LED TRAPEZOID
39	1	292511	LH WORKLIGHT, LED TRAPEZOID
40	4	618785	1 11/16FFOR-1 7/16MFOR ADPTR
41	4	618783	O-RING, -20 FACE SEAL 1.18ID

NOTE: ITEM WITH (*) ARE USED WITH THE STANDARD LIGHT OPTION.
 ITEM WITH (**) ARE USED WITH THE LED LIGHT OPTION.
 ITEM WITH (***) IS USED WITH THE HI-TORQUE OPTION.

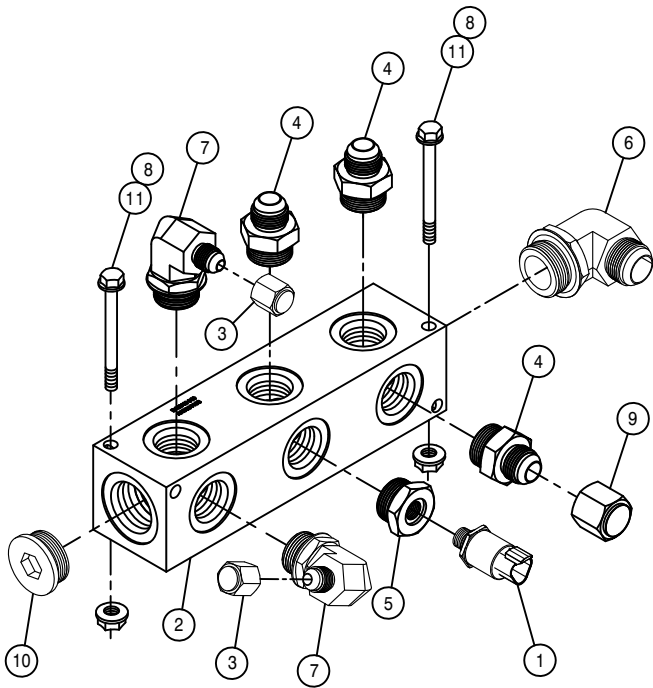


FRONT OF MACHINE

MAINFRAME HYDRAULIC TUBE ASSEMBLY

DET.	QTY	PART NO.	DESCRIPTION
1	3	470472	TUBE CLAMP .250, .625, .625, 1.00
2	3	470304	TUBE CLAMP BODY, 4HOLE .375 - .625
3	1	361750	FRT BULKHEAD, STSLS 06
4	3	342718	HYD TUBE CLAMP KEEPER, 6.00
5	1	657480	A/C TUBE ASSY, .3750D, STS10/12
6	1	657482	A/C TUBE ASSY, .6250D, STS10/12
7	2	615842	M/F TUBE ASSY, 76" STS10/12 07
8	1	615850	M/F HYD TUBE, LS LINE, STS10 07
9	1	470374	SIDEWINDER SLEEVE, 8.50 X 80"
10	1	615856	M/F HYD TUBE, MAIN SUP, STS10 07
11	3	344003	HYD TUBE CLAMP KPR, STSLS 06
12	1	165697	RECEPTACLE MT STS' 13
13	8	470087	3/8UNC HEX FLANGE LOCK NUT
14	7	470118	1/4UNC X 3/4 FLANGE HEX BOLT
15	14	470121	1/4UNC HEX FLANGE LOCK NUT
16	1	361751	REAR BULKHEAD, STSLS 06
17	6	470520	HANGER PIN, 3/8UNC X .437DX.500L
18	6	470335	LINCHPIN, 3/16 X 1 1/4 GRIP
19	5	520102	CUSH CLAMP, #20 1 1/4D X 1/2W
20	4	520126	CUSH CLAMP, #32 2IN X 5/8W
21	2	900128	3/8UNC X 3/4 HEX BOLT
22	8	900129	3/8UNC X 1" SERR FLANGE BOLT
23	8	910004N	3/8UNC FLANGE CNTR LOCK NUT
24	6	900008	1/4UNC X 2 1/2 HEX BOLT
25	6	900007	1/4UNC X 2" HEX BOLT
26	12	470089	1/4UNC HEX NYLOC NUT, 316 SS
27	1	520161	CUSH CLAMP, #32 2"D-3/4W LOOP
28	2	520128	CUSH J CLAMP, #9 9/16D X 3/4W
29	1	618640	1 5/16MJ-90-1 5/16FJ SWIV LBO

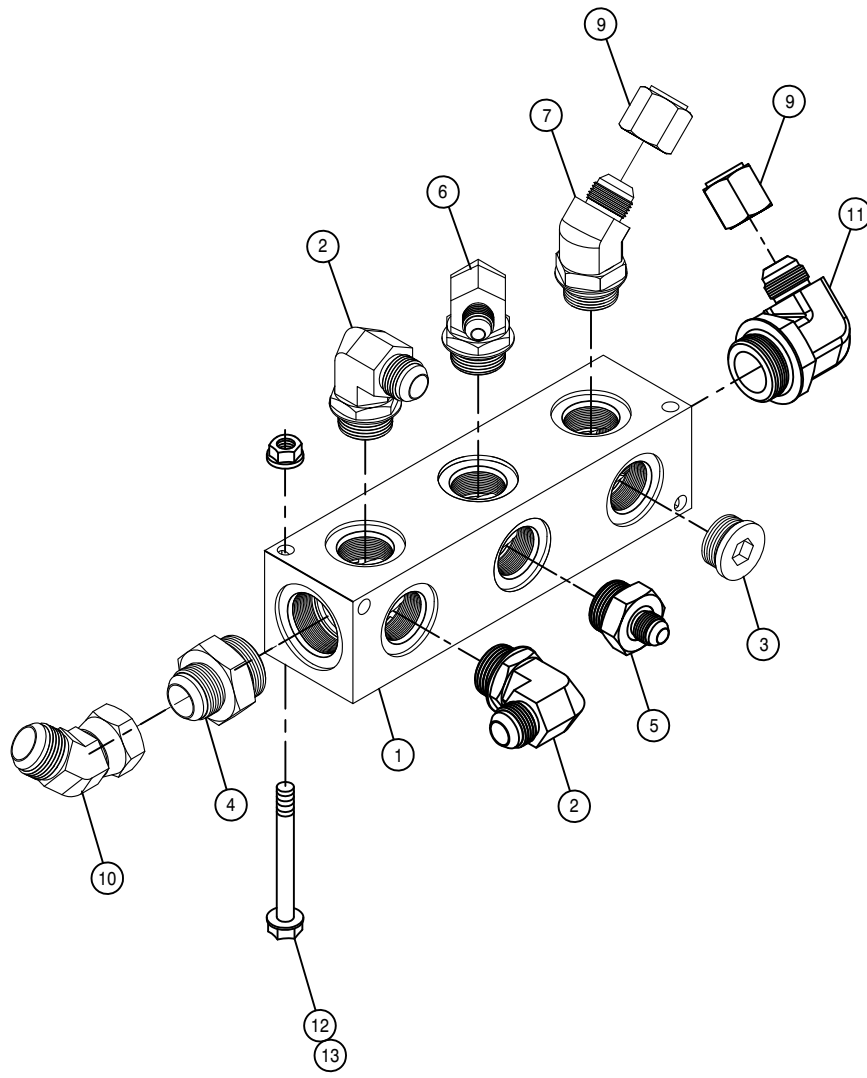
NOTE: ITEMS WITH (*) ARE USED WITH THE SIDE FILL OPTION.



HYDRAULIC SUPPLY MANIFOLD ASSEMBLY

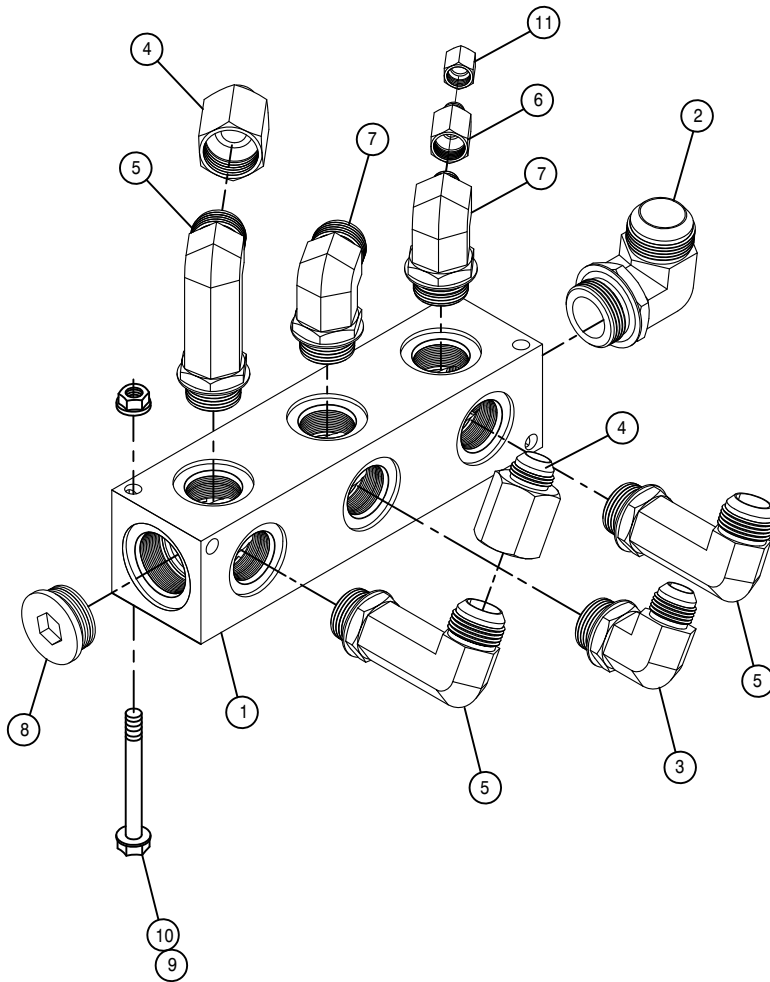
DET. QTY PART NO. DESCRIPTION

1	1	606347	PRESSURE TRANSDUCER, 7500PSI
2	1	606246	MANIFOLD, #16 3-STN 180
3	2	618532	3/4FJIC CAP NUT
4	3	618308	1 1/16MJIC-1 5/16MOR ADPTR
5	1	618397	1 5/16MOR-9/16FOR ADPTR
6	1	618883	1 5/16MJIC-90-1 5/8MOR LBO
7	2	618475	3/4MJIC-90-1 5/16MOR LBO
8	2	470087	3/8UNC HEX FLANGE LOCK NUT
9	1	618533	1 1/16FJIC CAP NUT
10	1	618759	1 5/8MOR PLUG, HEX SOCKET
11	2	900140	3/8UNC X 4" HEX BOLT



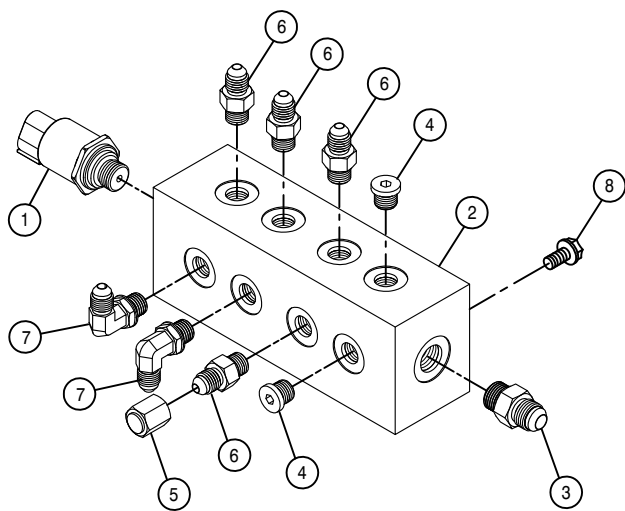
FRONT RETURN MANIFOLD ASSEMBLY

DET.	QTY	PART NO.	DESCRIPTION
1	1	606246	MANIFOLD, #16 3-STN 180
2	2	618302	1 1/16MJIC-90-1 5/16MOR LBO
3	1	618758	1 5/16 MOR PLUG, HEX SOCKET
4	1	618455	1 5/16MJIC-1 5/8MOR ADPTR
5	1	618470	3/4MJIC-1 5/16MOR ADPTR
6	1	618475	3/4MJIC-90-1 5/16MOR LBO
7	1	618831	1 1/16MJIC-45-1 5/16MOR LBO
8	1	618532	3/4FJIC CAP NUT
9	2	618533	1 1/16FJIC CAP NUT
10	1	618630	1 5/16MJ-45-1 5/16FJ SWIV LBO
11	1	618842	1 1/16MJIC-90-1 5/8MOR LBO
12	2	470087	3/8UNC HEX FLANGE LOCK NUT
13	2	900139	3/8UNC X 3 3/4 HEX BOLT



CASE DRAIN MANIFOLD ASSEMBLY

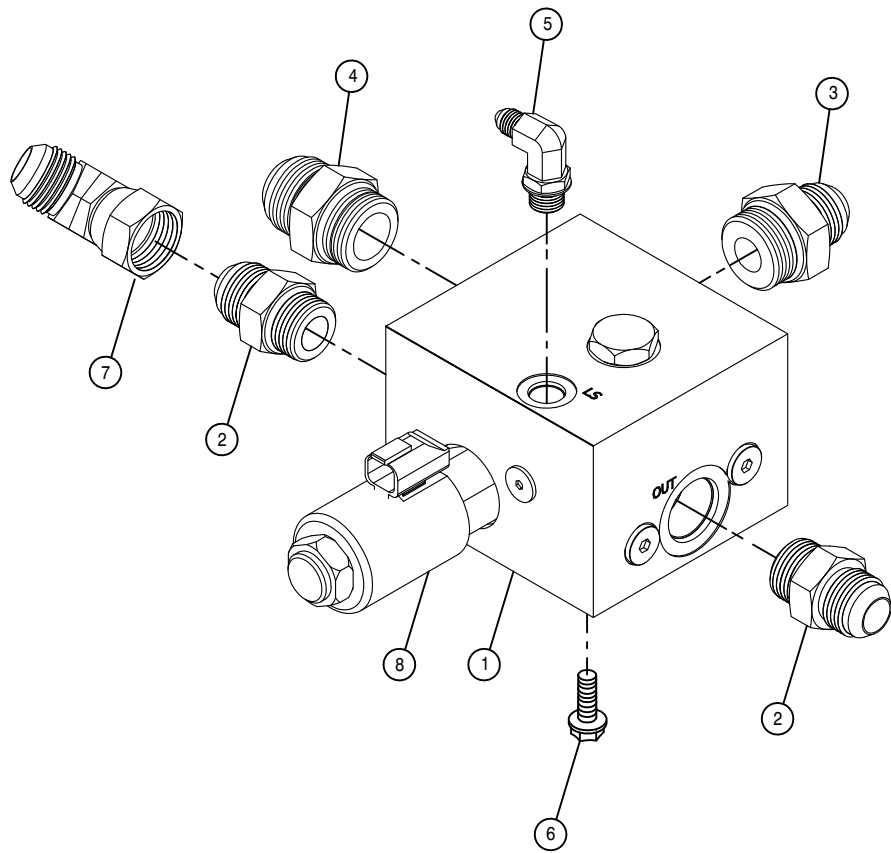
DET.	QTY	PART NO.	DESCRIPTION
	1	606246	MANIFOLD, #16 3-STN 180
	1	618477	1 5/8MJIC-90-1 5/8MOR LBO
	1	618302	1 1/16MJIC-90-1 5/16MOR LBO
	2	618541	1 5/16FJIC-1 1/16MJIC ADPTR
	3	618463	1 5/16MJIC-90-1 5/16MOR XL LBO
	1	618482	3/4FJIC-9/16MJIC ADPTR
	2	618475	3/4MJIC-90-1 5/16MOR LBO
	1	618759	1 5/8MOR PLUG, HEX SOCKET
	2	470087	3/8UNC HEX FLANGE LOCK NUT
	2	900139	3/8UNC X 3 3/4 HEX BOLT
	1	618531	9/16FJIC CAP NUT



LS MANIFOLD ASSEMBLY

DET. QTY PART NO. DESCRIPTION

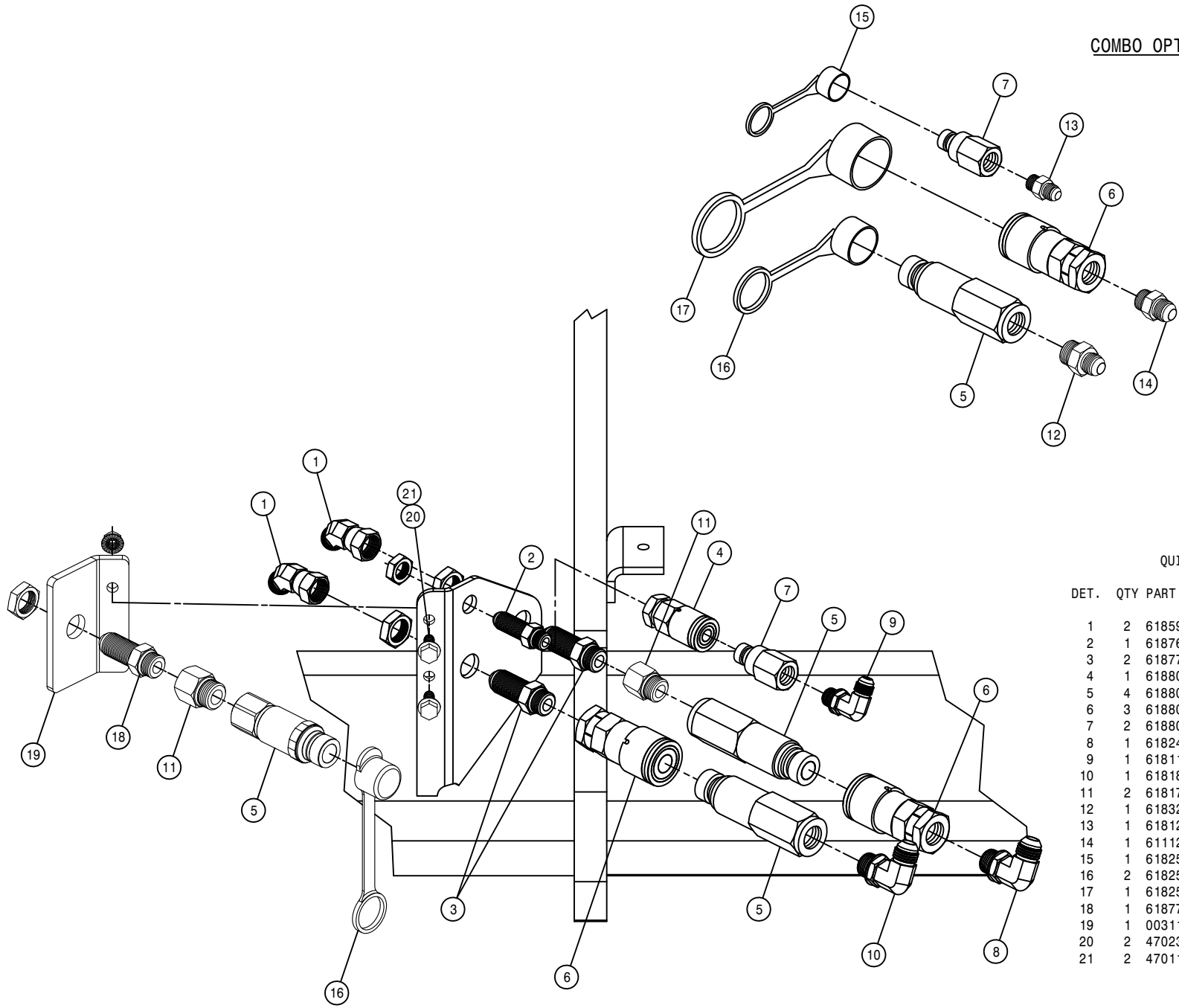
1	1	606347	PRESSURE TRANSDUCER,7500PSI
2	1	606517	LS MANIFOLD
3	1	618126	9/16MJIC-9/16MOR ADPTR
4	2	618753	7/16MOR PLUG, HEX SOCKET
5	1	618363	7/16FJIC CAP NUT
6	4	618467	7/16MJIC-7/16MOR ADPTR
7	2	618473	7/16MJIC-90-7/16MOR LBO
8	2	900128	3/8UNC X 3/4 HEX BOLT



SOLUTION PUMP CONTROL VALVE ASSEMBLY

DET. QTY PART NO. DESCRIPTION

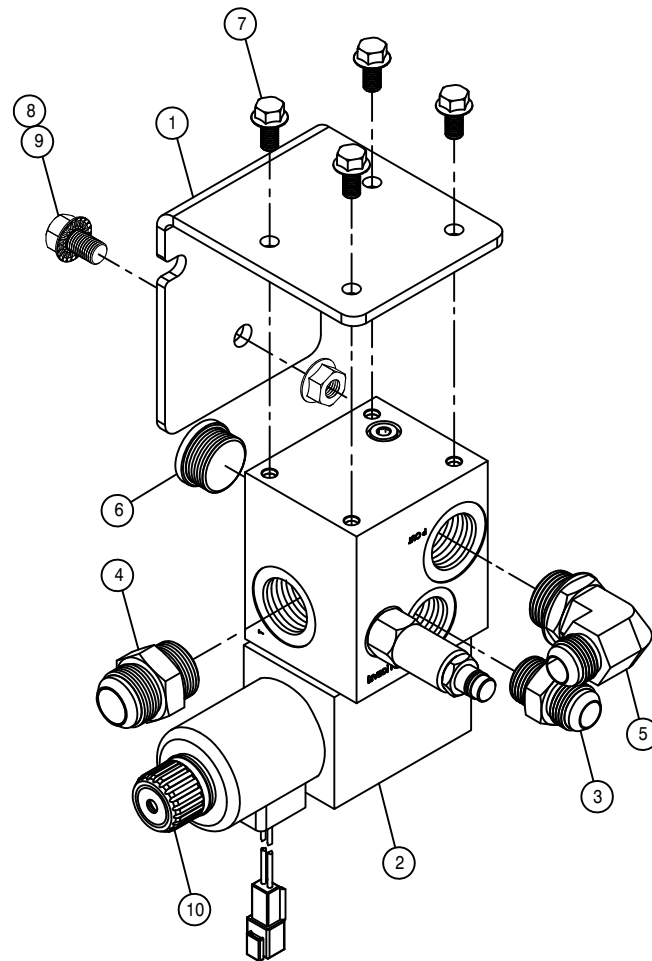
DET.	QTY	PART NO.	DESCRIPTION
1	1	606253	CTRL VALVE,SOLU PUMP SAUER
2	2	611127	1 1/16MJC-1 1/16MOR ADPTR
3	1	618308	1 1/16MJC-1 5/16MOR ADPTR
4	1	618186	1 5/16MJC-1 5/16MOR ADPTR
5	1	618499	7/16MJC-90-9/16MOR LBO
6	4	900129	3/8UNC X 1" SERR FLANGE BOLT
7	1	618529	1 1/16MJ-45-1 1/16FJ SWIV LBO
8	1	606308	COIL FOR VLV 606253



COMBO OPTION

QUICK CONNECT ASSEMBLY

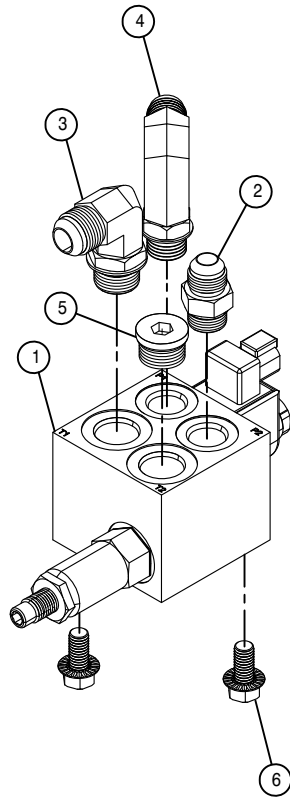
DET.	QTY	PART NO.	DESCRIPTION
	1	618590	3/4MJIC-45-3/4FJIC SWIV LBO
	2	618769	9/16MJIC-9/16MOR BLKHD ADPT
	3	618770	3/4MJIC-3/4MOR BLKHD ADPT
	4	618805	HYD CPLR, FEM #14,9/16FOR
	5	618806	HYD CPLR, MALE #12,7/8FOR
	6	618807	HYD CPLR, FEM #12,3/4FOR
	7	618804	HYD CPLR, MALE #14,9/16FOR
	8	618241	3/4MJIC-90-3/4MOR LBO
	9	618119	9/16MJIC-90-9/16MOR LBO
	10	618183	3/4MJIC-90-7/8MOR LBO
	11	618171	7/8MOR-3/4FOR ADPTR
	12	618327	3/4MJIC-7/8MOR ADPTR
	13	618126	9/16MJIC-9/16MOR ADPTR
	14	611125	3/4MJIC-3/4MOR ADPTR
	15	618255	DUST CAP/PLUG FOR 618804/805
	16	618256	DUST CAP FOR 618806
	17	618257	DUST PLUG FOR 618807
	18	618770	3/4MJIC-3/4MOR BLKHD ADPT
	19	003119	HYD QD RETURN MT, STS COMBO '11
	20	470233	5/16UNC X 3/4 FLANGE HEX BOLT
	21	470113	5/16UNC HEX FLANGE LOCK NUT



PUMP RELIEF CONTROL VALVE ASSEMBLY

DET. QTY PART NO. DESCRIPTION

1	1	003080	GEAR PUMP RELF VLV MT,STSC 07
2	1	606284	GEAR PUMP RELIEF CTRL,SAUER
3	1	611127	1 1/16MJIC-1 1/16MOR ADPTR
4	1	618186	1 5/16MJIC-1 5/16MOR ADPTR
5	1	618302	1 1/16MJIC-90-1 5/16MOR LBO
6	1	618758	1 5/16 MOR PLUG, HEX SOCKET
7	4	900128	3/8UNC X 3/4 HEX BOLT
8	3	470360	1/2UNC HEX FLANGE LOCK NUT
9	3	900262	1/2UNC X 3/4 HEX BOLT
10	1	606287	COIL FOR 606284



LIFT DUMP VALVE ASSY

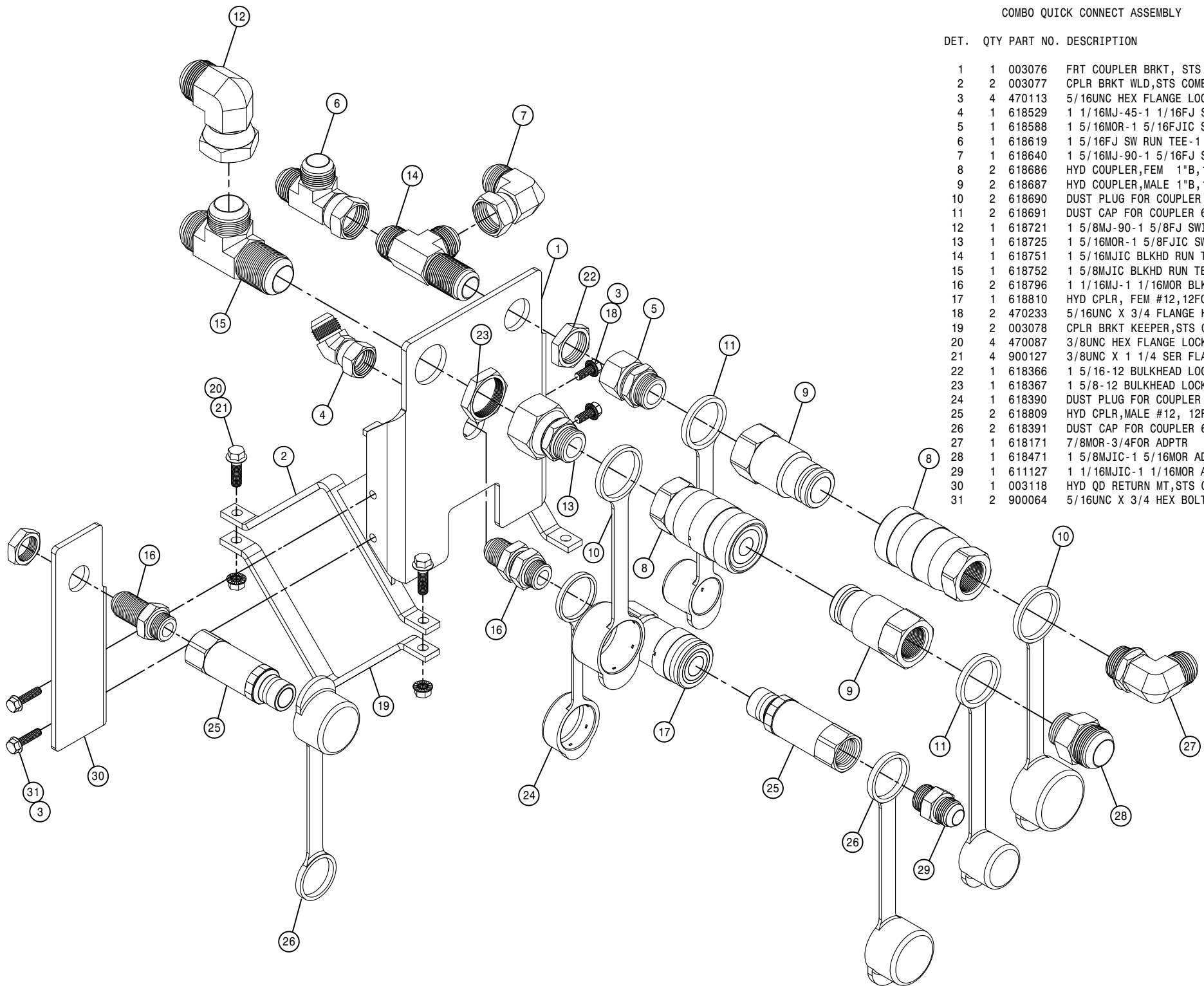
DET. QTY PART NO. DESCRIPTION

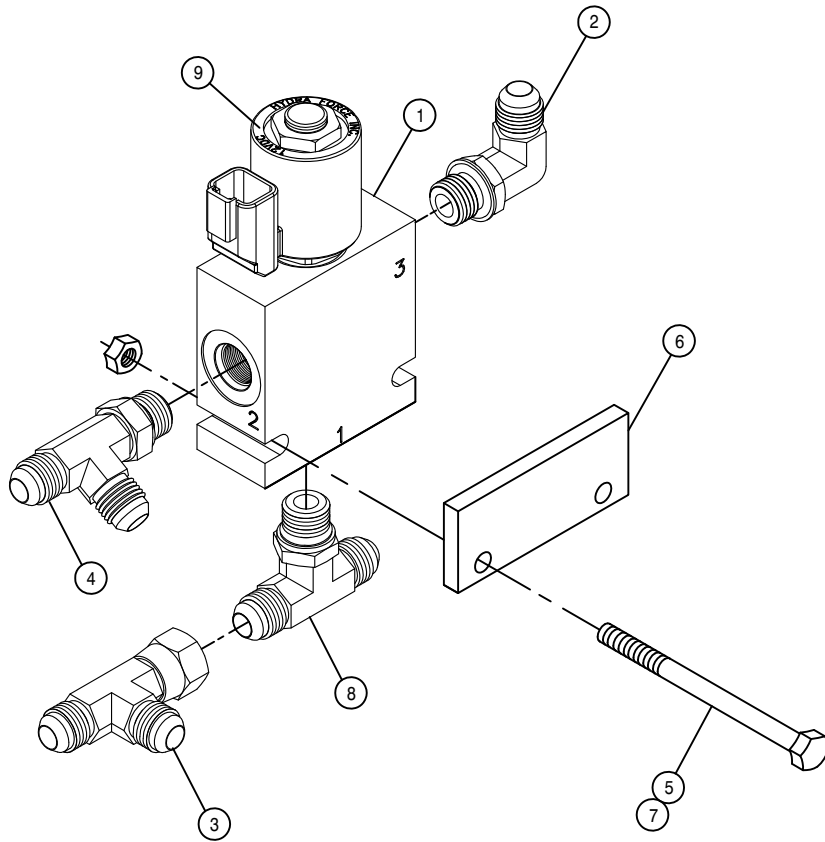
DET.	QTY	PART NO.	DESCRIPTION	
1	1	606330	DUMP MANIF VALVE	SAUER
2	1	611125	3/4MOR ADPTR	
3	1	611128	7/8MOR LBO	
4	1	618443	3/4MOR EX LG LBO	
5	1	618756	7/8MOR PLUG, HEX SOCKET	
6	4	470409	3/8UNC X 3/4 SERR FLANGE BOLT	

COMBO QUICK CONNECT ASSEMBLY

DET. QTY PART NO. DESCRIPTION

DET.	QTY	PART NO.	DESCRIPTION
1	1	003076	FRT COUPLER BRKT, STS COMBO 07
2	2	003077	CPLR BRKT WLD, STS COMBO 07
3	4	470113	5/16UNC HEX FLANGE LOCK NUT
4	1	618529	1 1/16MJ-45-1 1/16FJ SWIV LBO
5	1	618588	1 5/16MOR-1 5/16FJIC SWIV
6	1	618619	1 5/16FJ SW RUN TEE-1 5/16MJ
7	1	618640	1 5/16MJ-90-1 5/16FJ SWIV LBO
8	2	618686	HYD COUPLER, FEM 1"B, 1 5/16FOR
9	2	618687	HYD COUPLER, MALE 1"B, 1 5/16FOR
10	2	618690	DUST PLUG FOR COUPLER 618686
11	2	618691	DUST CAP FOR COUPLER 618687
12	1	618721	1 5/8MJ-90-1 5/8FJ SWIV LBO
13	1	618725	1 5/16MOR-1 5/8FJIC SWIV
14	1	618751	1 5/16MJIC BLKHD RUN TEE
15	1	618752	1 5/8MJIC BLKHD RUN TEE
16	2	618796	1 1/16MJ-1 1/16MOR BLKHD ADPT
17	1	618810	HYD CPLR, FEM #12, 12FOR
18	2	470233	5/16UNC X 3/4 FLANGE HEX BOLT
19	2	003078	CPLR BRKT KEEPER, STS COMBO 07
20	4	470087	3/8UNC HEX FLANGE LOCK NUT
21	4	900127	3/8UNC X 1 1/4 SER FLANGE BOLT
22	1	618366	1 5/16-12 BULKHEAD LOCKNUT
23	1	618367	1 5/8-12 BULKHEAD LOCKNUT
24	1	618390	DUST PLUG FOR COUPLER 618810
25	2	618809	HYD CPLR, MALE #12, 12FOR
26	2	618391	DUST CAP FOR COUPLER 618809
27	1	618171	7/8MOR-3/4FOR ADPTR
28	1	618471	1 5/8MJIC-1 5/16MOR ADPTR
29	1	611127	1 1/16MJIC-1 1/16MOR ADPTR
30	1	003118	HYD QD RETURN MT, STS COMBO '11
31	2	900064	5/16UNC X 3/4 HEX BOLT

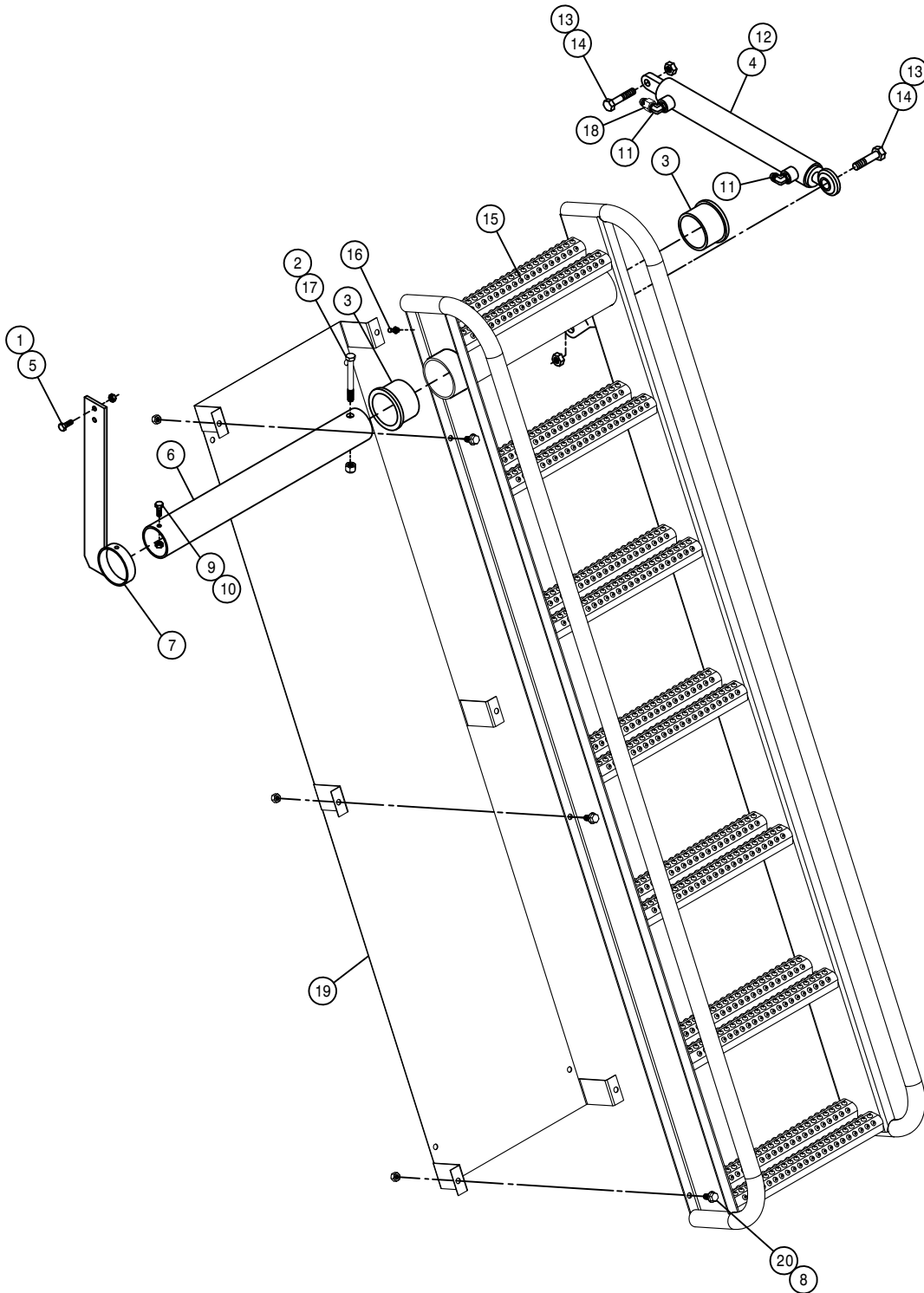




LADDER AND BRAKE ASSEMBLY

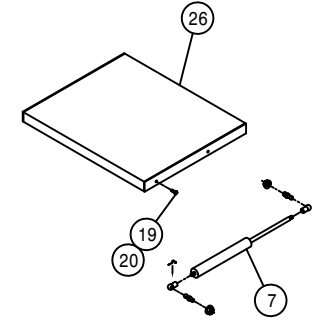
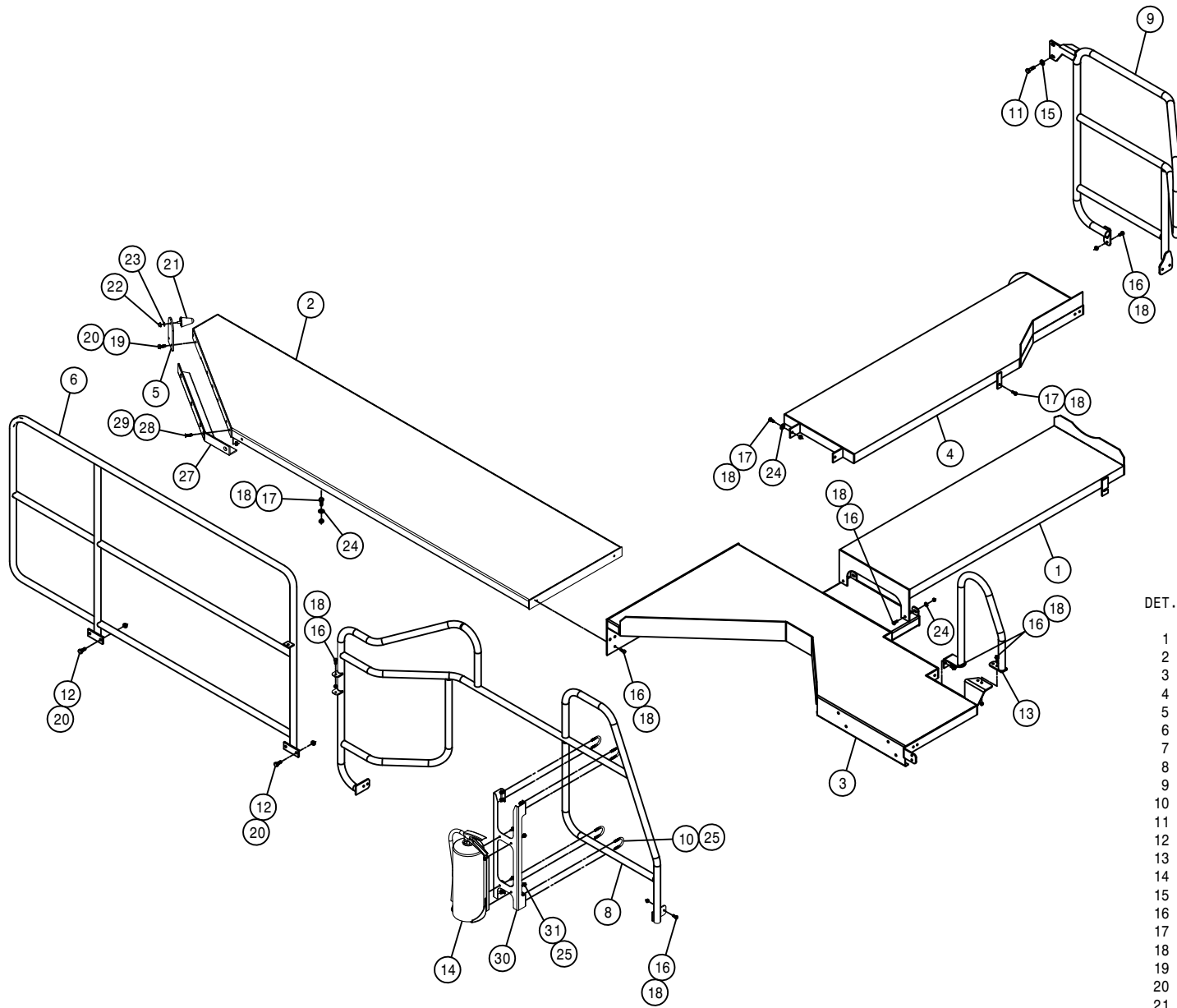
DET. QTY PART NO. DESCRIPTION

1	1	606213	HYD SOLE VLV,2P-3W,9/16FOR 05
2	1	618119	9/16MJIC-90-9/16MOR LBO
3	1	618486	9/16FJIC SW RUN TEE-9/16MJIC
4	1	618444	9/16MOR RUN TEE-9/16MJIC
5	2	900007	1/4UNC X 2" HEX BOLT
6	1	342826	SOLE VLV SPACER
7	2	914000	1/4UNC HEX STOVER NUT
8	1	618629	9/16MOR BRANCH TEE-9/16MJIC
9	1	606266	#8 COIL W/DEUTSCH FOR 606210



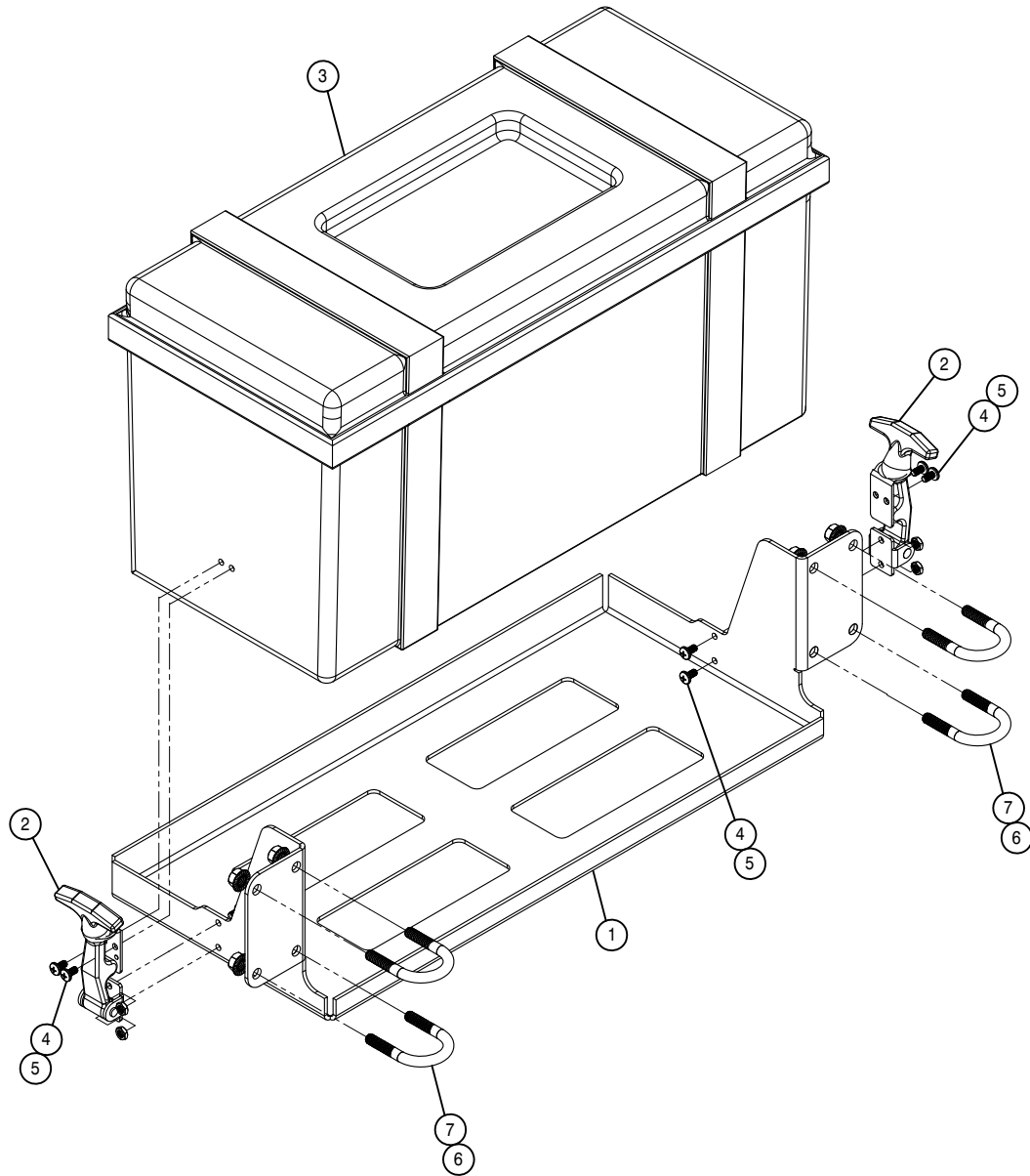
LADDER ASSEMBLY

DET.	QTY	PART NO.	DESCRIPTION
	1	2	914002 5/16UNC HEX STOVER NUT
	2	1	473007 1/2UNC HEX NUT, NYLOC
	3	2	121102 LADDER PIVOT BEARING POLYGON
	4	1	621554 HYD CYL, 1.50 X 12.25 X .750
	5	2	900065 5/16UNC X 1" HEX BOLT
	6	1	342805 LADDER MT TUBE
	7	1	342806 LH PLTFRM SUPP BRKT WLD, STS12
	8	6	914004 3/8UNC HEX STOVER NUT
	9	1	914000 1/4UNC HEX STOVER NUT
	10	1	900003 1/4UNC X 1" HEX BOLT
	11	2	618119 9/16MJIC-90-9/16MOR LBO
	12	1	621555 REPAIR KIT, HYD CYL 621554
	13	2	914008 1/2UNC HEX STOVER NUT
	14	2	900267 1/2UNC X 2" HEX BOLT
	15	1	343808 LADDER WLDMNT, STS10/16 '11
	16	1	471005 GREASE ZERK, 1/4-28 X 1/2
	17	1	900275 1/2UNC X 4 1/2 HEX BOLT
	18	1	618733 9/16JIC .042 ORIFICE ADPTR
	19	1	344009 STEP BACKPLATE, STS CE '11
	20	6	900128 3/8UNC X 3/4 HEX BOLT



SERVICE PLATFORM ASSEMBLY

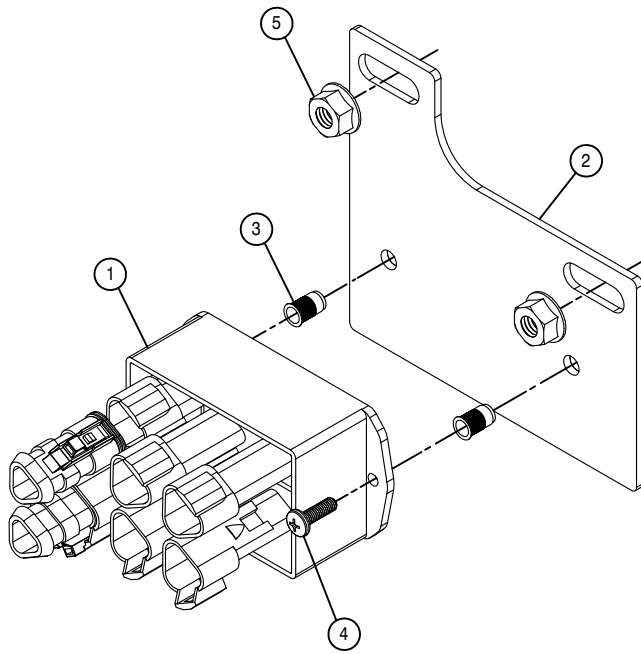
DET.	QTY	PART NO.	DESCRIPTION
1	1	345008	CNTR SERV PLTFRM WLD STS'16 07
2	1	342985	LH SERV PLATFORM WLD,STS'12 05
3	1	343520	LH REAR SERV PLTFRM WLD,STS 05
4	1	345005	CENTER FRT PLTFRM WLD STS'16 07
5	1	343510	CAB DOOR STOP MT, STS 05
6	1	343511	LH FRT HANDRAIL WLD STS 05
7	1	470569	GAS SPRING
8	1	343965	LH REAR HANDRAIL WLD STS'12
9	1	343297	RH REAR HANDRAIL WLD, STS 04
10	4	473911	5/16UNC-1.31ID-2.00 U-BOLT
11	1	900170	3/8UNC X 2 1/4 SER FLANGE BOLT
12	4	900130	3/8UNC X 1 1/4 SER FLANGE BOLT
13	1	342981	RH HANDRAIL WLD,LH PLATFORM 05
14	1	490508	FIRE EXTINGUISHER 10LB ABC
15	1	920002	3/8 SAE FLAT WASHER
16	22	900064	5/16UNC X 3/4 HEX BOLT
17	9	900065	5/16UNC X 1" HEX BOLT
18	29	914002	5/16UNC HEX STOVER NUT
19	6	900129	3/8UNC X 1" SERR FLANGE BOLT
20	8	914004	3/8UNC HEX STOVER NUT
21	1	470571	BUMPER,MALE STUD 2.375 X 1.75
22	1	470087	3/8UNC HEX FLANGE LOCK NUT
23	1	920502	3/8 LOCK WASHER
24	12	920001	5/16 SAE FLAT WASHER
25	12	470113	5/16UNC HEX FLANGE LOCK NUT
26	1	343304	ENG CMPRTMNT PLTFRM WLD,STS 04
27	1	343993	CATWALK HOSE GUARD,UHMW STS'13
28	5	472286	3/8UNC-1 1/4"SKT FLTHD CAP SCR
29	5	910004N	3/8UNC FLANGE CNTR LOCK NUT
30	1	343199	FIRE EXTINGUISHER MT STS'12
31	4	900062	5/16UNC X 1/2 HEX BOLT



TOOLBOX ASSEMBLY

DET. QTY PART NO. DESCRIPTION

DET.	QTY	PART NO.	DESCRIPTION
1	1	345042	TOOLBOX MT BASE, STS '12
2	2	470643	RUBBER DRAW LATCH
3	1	470841	TOOLBOX
4	8	903884	10-32X3/8 PHIL PANHD MACH SCR
5	8	914027	10-32 HEX STOVER NUT
6	8	470113	5/16UNC HEX FLANGE LOCK NUT
7	4	473911	5/16UNC-1.31ID-2.00 U-BOLT

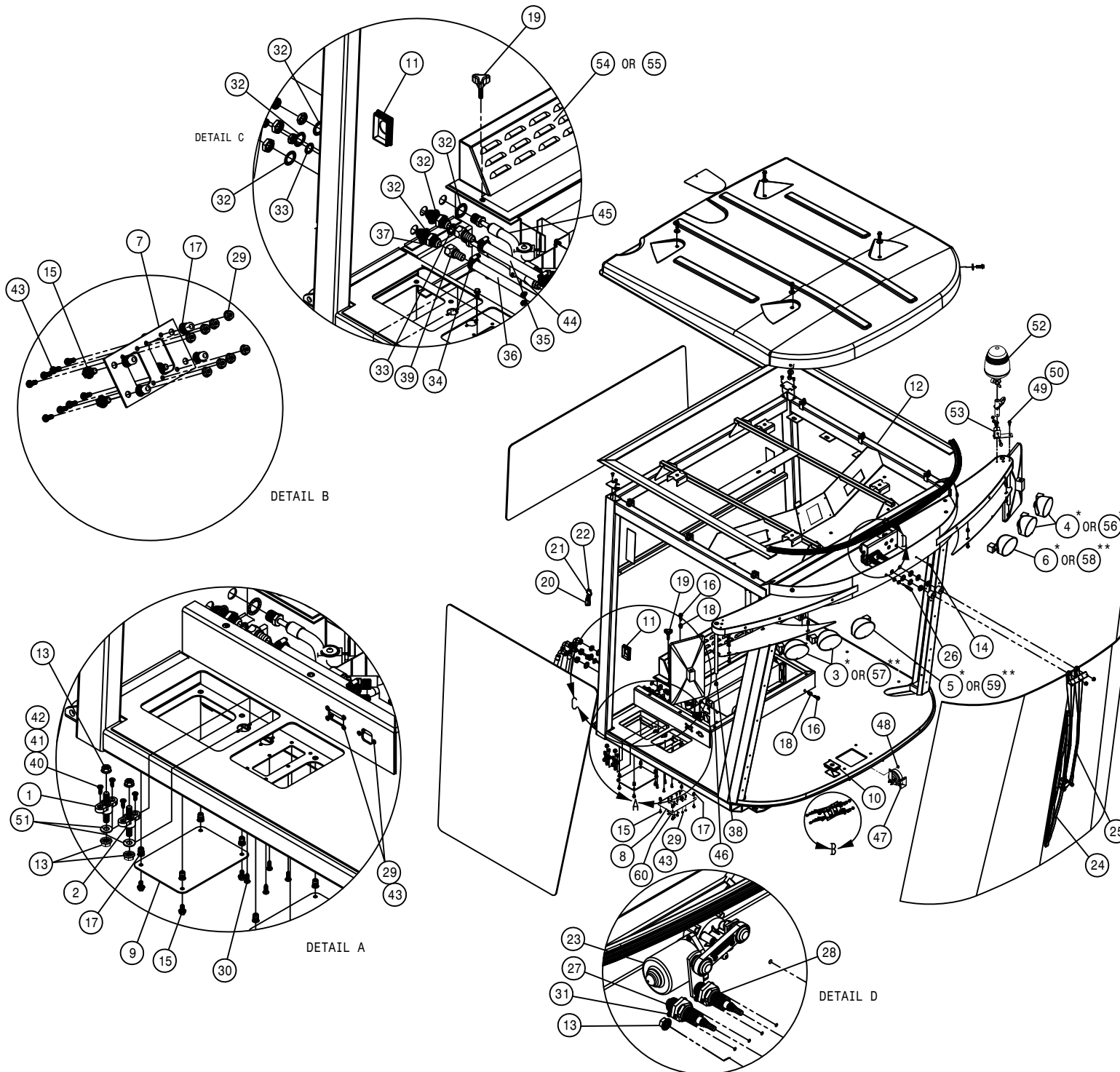


J1939 JUNCTION MODULE ASSEMBLY

DET. QTY PART NO. DESCRIPTION

1	1	292406	DATA LINK MODULE 99-6DLM
2	1	343697	J1939 MOUNTING BRKT STS'12
3	2	470384	10-32 NUTSERT .020-.130 STL
4	2	903710	10-32X5/8 PHIL PANHD MACH SCR
5	2	470087	3/8UNC HEX FLANGE LOCK NUT

CAB ASSEMBLY (FRONT VIEW)



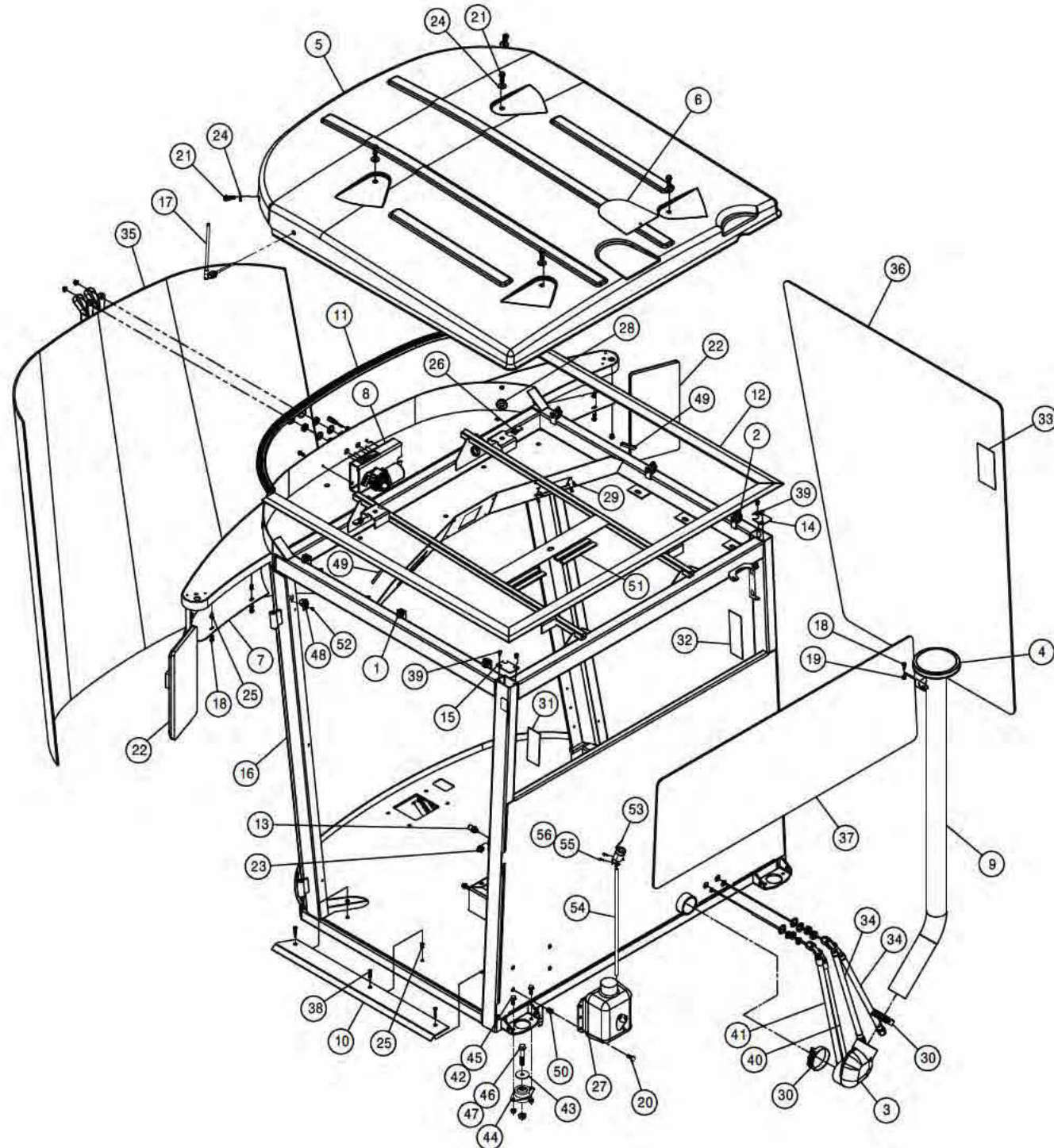
DET.	QTY	PART NO.	DESCRIPTION
1	1	291749	TERM BLOCK, BLACK, 3/8-16 THRU
2	1	291750	TERM BLOCK, RED, 3/8-16 THRU
3	2	291900	RH WORKLIGHT, FLOOD GLASS
4	2	291901	LH WORKLIGHT, FLOOD GLASS
5	1	291902	RH WORKLIGHT, TRAPEZOID GLASS
6	1	291903	LH WORKLIGHT, TRAPEZOID GLASS
7	1	343431	STRG COLUMN ELECT PANEL, STS 05
8	1	343665	AUX ACCESS COVER, 2-PORT STS 08
9	1	343433	AUX ACCESS COVER, STS 05
10	1	343552	CAPLUG, 2X3 W/.75 HOLE, STS 05
11	1	343553	CAPLUG, 2X3 W/1.31 HOLE, STS 05
12	1	343985	CAB WLD STS' 13
13	5	470087	3/8UNC HEX FLANGE LOCK NUT
14	1	470118	1/4UNC X 3/4 FLANGE HEX BOLT
15	12	470122	1/4UNC X 1/2 FLANGE HEX BOLT
16	4	470234	5/16UNC X 1" FLANGE HEX BOLT
17	12	470380	1/4-20 NUTSERT .027-.165 STL
18	4	470381	5/16-18 NUTSERT .027-.150 STL
19	2	470393	KNOB, 3-BLADE BLK, 5/16-18X1 1/2
20	1	470397	RES-Q-ME TOOL
21	1	470398	BEAD CHAIN, #10 X 4" LONG
22	1	470400	BEAD CHAIN CONNECTOR #10 WHITE
23	1	470426	MOTOR, WINDSHIELD WIPER, STS 05
24	1	470427	BLADE, WINDSHIELD WIPER STS 05
25	1	470428	ARM, WINDSHLD WIPER BLADE, STS 05
26	1	470429	SPRAY JET, WINDSHLD WIPER, STS 05
27	1	470503	SLAVE SHAFT, WINDSHIELD WIPER
28	1	470504	PIVOT SHAFT, 2.337 BALL STUD
29	22	470463	8-32 SERR. FLANGE NUT
30	6	470465	#12 X 3/4 PHIL PAN SHD MTL SCR
31	4	472238	12-24 X 1/2 PHIL PAN HD SCR
32	6	483019	7/8" INTERNAL TOOTH LOCK WASHER
33	2	483020	5/8" INTERNAL TOOTH LOCK WASHER
34	4	520080	HOSE CLAMP NO 10 STAINLESS
35	1	601678	HOSE, 5/8 X 8 HEATER
36	1	601679	HOSE, 5/8 X 13 HEATER
37	2	618497	7/8MJIC-7/8MJIC BLKHD UNION
38	2	629762	CAPPLUGS PLUG, 5/8" RD, BLK POLY
39	2	711101	5/8 HOSE BARB-7/8FJX ADPTR, BRS
40	4	903706	10-32X1/2 PHIL PAN MACH SCR
41	4	920510	#10 LOCK WASHER
42	4	910027	10-32 HEX NUT
43	22	903844	8-32 X 1/2 PHIL PANHD MACH SCR
44	1	657475	A/C HOSE ASSY, 5/16X12.50 BLKHD
45	1	657476	A/C HOSE ASSY, 1/2X12.50 BLKHD
46	1	657500	A/C & HEATER BLOWER SYS, STS 07
47	1	290062	HORN, FREEWAY BLASTER 130 DB
48	1	470121	1/4UNC HEX FLANGE LOCK NUT
49	2	470113	5/16UNC HEX FLANGE LOCK NUT
50	2	470233	5/16UNC X 3/4 FLANGE HEX BOLT
51	2	920502	3/8 LOCK WASHER
52	1	290059	BEACON, 12V AMBER HALOGEN
53	1	290060	BEACON TILT SURFACE MT, QK CHG
54	1	657463	A/C PAPER AIR FILTER
55	1	657464	A/C CHARCOAL AIR FILTER
56	2	292506	RH WORKLIGHT, LED FLOOD, HMC MT
57	2	292507	LH WORKLIGHT, LED FLOOD, HMC MT
58	1	292513	LH WORKLIGHT, LED TRAP, HMC MT
59	1	292512	RH WORKLIGHT, LED TRAP, HMC MT
60	1	343658	COVER PLT, AUX ACCESS STS' 12

NOTE: ITEMS WITH A (*) ARE USED WITH THE STANDARD LIGHT OPTION.

ITEMS WITH (**) ARE USED WITH THE LED LIGHT OPTION.

CAB ASSEMBLY (REAR VIEW)

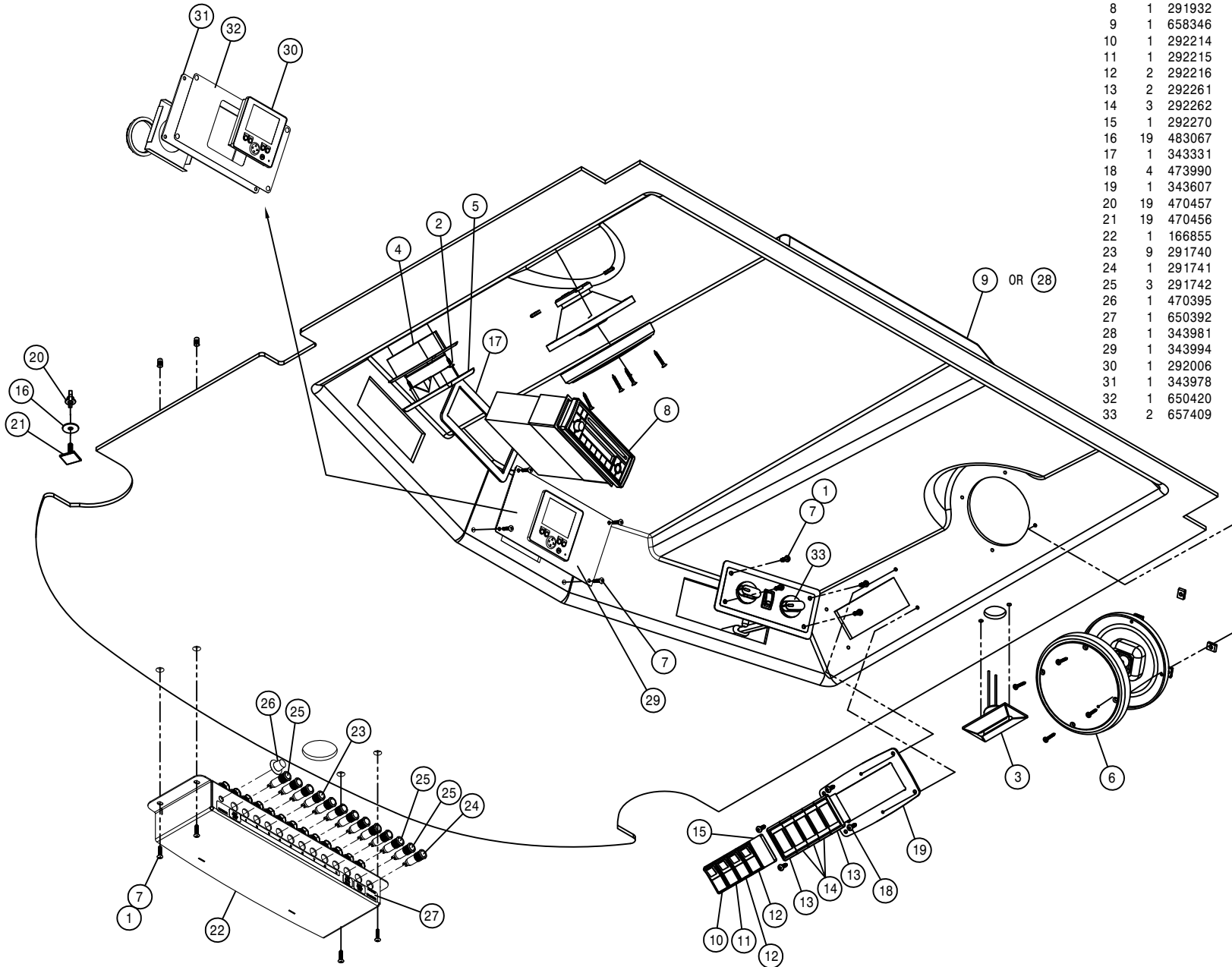
DET. QTY PART NO. DESCRIPTION



1	4	291009	ROSEBUD CLIP FOR .625 CONDUIT
2	4	291010	ROSEBUD CLIP FOR 1.000 CONDUIT
3	1	311533	3.00 90 DEG COBRA ELBOW RUBBER
4	1	311534	RAIN CAP, 3.00 PLASTIC
5	1	343824	CAB ROOF STS '11
6	1	343351	GPS MTG PLATE, STS CAB 05
7	2	343352	LWR LIGHT MT COVER, STS CAB 05
8	1	343712	WIPER MTR MT WLD, STS CAB '10
9	1	343422	HVAC INTAKE TUBE WLD, STS CAB05
10	1	343434	CAB ENTRY STEP PLATE, STS 05
11	1	343582	FRT CAB ROOF SEAL, STS CAB 06
12	1	343583	CAB ROOF SEAL, STS CAB 06
13	1	470417	STRIKER PIN ASSY
14	1	343605	RH REAR CORNER POST CAP, STS 07
15	1	343606	LH REAR CORNER POST CAP, STS 07
16	1	343985	CAB WLD STS '13
17	1	291214	ANTENNA
18	10	470118	1/4UNC X 3/4 HHSFB GR5 MC
19	2	470121	1/4UNC SER FLG LOCK NUT
20	4	470234	5/16UNC X 1" SER FLG HEX BOLT
21	6	470329	3/8UNC X 1 1/4 SER FLG HEX BOLT
22	2	470348	MIRROR STS10 & STS12
23	1	473852	12MM-1.75 SERR FLANGE NUT, ZINC
24	6	470377	3/8 X 1 3/16 BONDED WASHER SS
25	11	910127	1/4-20 NUTSERT .027-.165YZ
26	4	470526	3/8UNC U-NUT, 1.125 CLIP ON
27	1	470440	WINDSHIELD WASHER TANK ASSY 05
28	2	470491	GROMMET, .75ID .125GW 1.25GD
29	4	910130	10-32 NUTSERT .020-.130 YZ
30	2	520130	3.31/3.59 T-BOLT HOSE CLAMP SS
31	1	650164	DECAL, NO PASSNGR, NOT NEAR LEAK
32	1	650165	DECAL, PWR LINE/BM FOLD/GLASS
33	1	650176	DECAL, CAUTION, CAB CHEM EXPOSUR
34	2	657479	10-213-10FX-10FX90-22 H/A
35	1	658035	WINDSHIELD, STS CAB 05
36	1	658036	RH CAB GLASS, STS 05
37	1	658038	REAR CAB GLASS, STS 05
38	3	900050	1/4UNC X 1 1/4 PH FLHD MAC SCR
39	4	903708	1/4UNCX1/2 PHL PNHD MCH SCR BZ
40	1	657477	A/C HOSE ASSY, 5/16 X 24"
41	1	657478	A/C HOSE, 10-10F-10F90-24
42	8	470087	3/8UNC HEX SER FLG NUT
43	4	311078	SNUBBING WASHER FOR 311077 05
44	4	311077	ISOLATION MOUNT, LF1.5 SER 05
45	8	470460	3/8UNC X 1 SER FLG BOLT
46	4	470461	1/2UNC X 3 SER FLG BOLT
47	4	470345	1/2UNC HEX SMTH FLG LOCK NUT
48	1	292609	SWITCH
49	2	193016	QUICKEDGE TRIM .060 TO .170
50	4	910128	5/16-18 NUTSERT .027-.150 YZ
51	4	193022	STICKERTITE 1/4 X 3/4
52	1	472227	#10X1/2 PHIL PANHD SHT MTL SCR
53	1	343972	REMOTE FILL RESERVOIR, PLASTIC
54	1	601770	HOSE, 5/8 X 37 HEATER
55	2	900065	5/16UNC X 1" HHCS GR 5
56	2	473001	5/16UNC HEX NUT, NYLOC

HEADLINER ASSEMBLY

DET.	QTY	PART NO.	DESCRIPTION
1	8	470384	10-32 NUTSERT .020-.130 STL
2	2	473907	#10X5/8 OHPHIL 8 SHT MTL SCR
3	1	291909	L.E.D. COURTESY LIGHT W/LEADS
4	1	291912	DOME LIGHT
5	1	291913	TRIM RING, DOME LIGHT 291912
6	2	291922	SPEAKERS,PAIR
7	12	472235	10-32 X 3/4 PHIL PAN MACH SCR
8	1	291932	RADIO, AM/FM/WB/CD
9	1	658346	HEADLINER STS' 13
10	1	292214	SWITCH, WASHER, STS
11	1	292215	SWITCH, WIPER, STS
12	2	292216	SWITCH,WORK/FIELD LIGHTS, STS
13	2	292261	MOUNTING TRIM,END VME
14	3	292262	MOUNTING TRIM, MIDDLE VMM
15	1	292270	SWITCH BLANK, VH2
16	19	483067	1/4 X 1.00 OD FENDER WASHER
17	1	343331	RADIO BEZEL,CAB, BLK PLASIC 05
18	4	473990	#8 X 3/4 PHIL PAN SHTMTL(A)SCR
19	1	343607	BEZEL,LIGHT/WIPER GST20 07
20	19	470457	1/4-20 WING NUT, NYLON
21	19	470456	1/4-20 X 1.00 STUD,SQ BASE,NYL
22	1	166855	BM SCT IND LIGHT WLD, 120'C'11
23	9	291740	RED LED IND LIGHT,12V 10MM
24	1	291741	GREEN LED IND LIGHT,12V 10MM
25	3	291742	YELLOW LED IND LIGHT,12V 10MM
26	1	470395	DIAL KNOB W/ARROW FOR .25 SHFT
27	1	650392	DECAL,BOOM 10 SCT IND LIGHT'11
28	1	343981	COVER PLT,CAB HEADLINER STS'13
29	1	343994	IMF CTRL ASSY STS'13
30	1	292006	IMF CTRL SYS W/SOFTWARE STS'13
31	1	343978	CRO451 FRT DISPLAY MT STS'13
32	1	650420	DECAL,TIER 4 STATUS STS'13
33	2	657409	A/C CONTROL KNOB

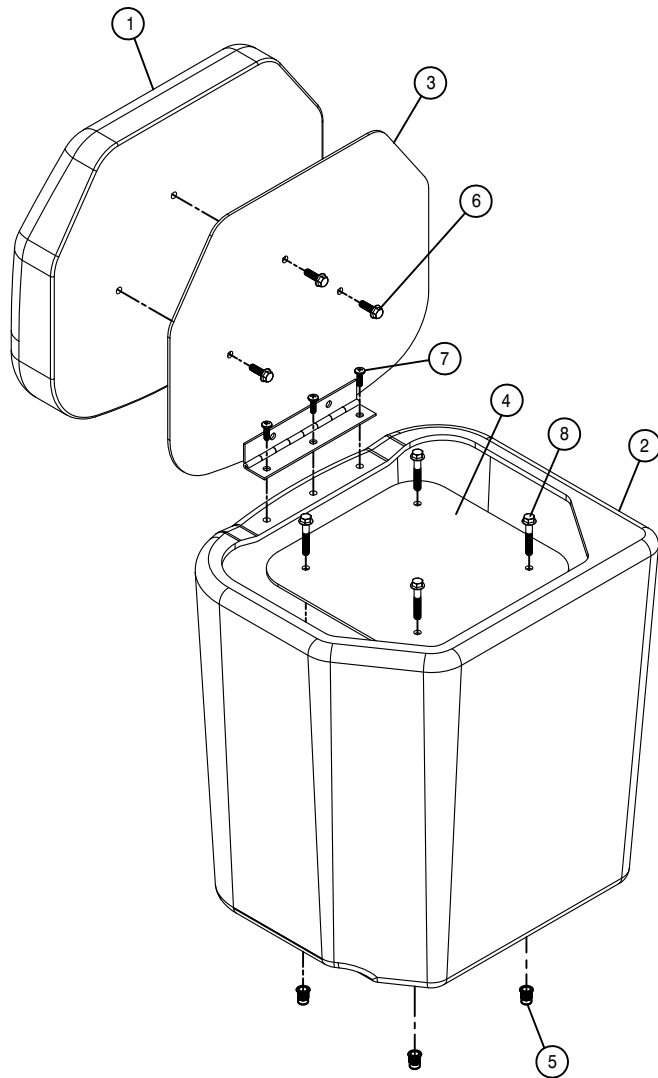


330103-TRIGGERING MECHANISM(CTRL KIT)
 330104-132146 SEAT AIR ADJ SWITCH
 330105-COMPRESSOR KIT

330050-HD SUSPENSION KIT,12V,KNOEDLER
 330056-98 DUAL LOCK SLIDE KIT(LONG)
 330057-SEAT BELT KIT,RETRACTABLE
 330058-98 SEAT CUSHION,GREY W/OPS
 330059-9400 LH HEIGHT ADJ VALVE,ELECT
 330060-9400 LH LUMBAR VALVE,ELECT
 330061-LH ARMREST,GREY LEATHER GH725
 330062-98 HEADREST,GREY W/HAGIE LOGO
 330063-98 BACKREST,GREY W/O HEADREST
 330076-CHECK VALVE,KNOEDLER SEAT

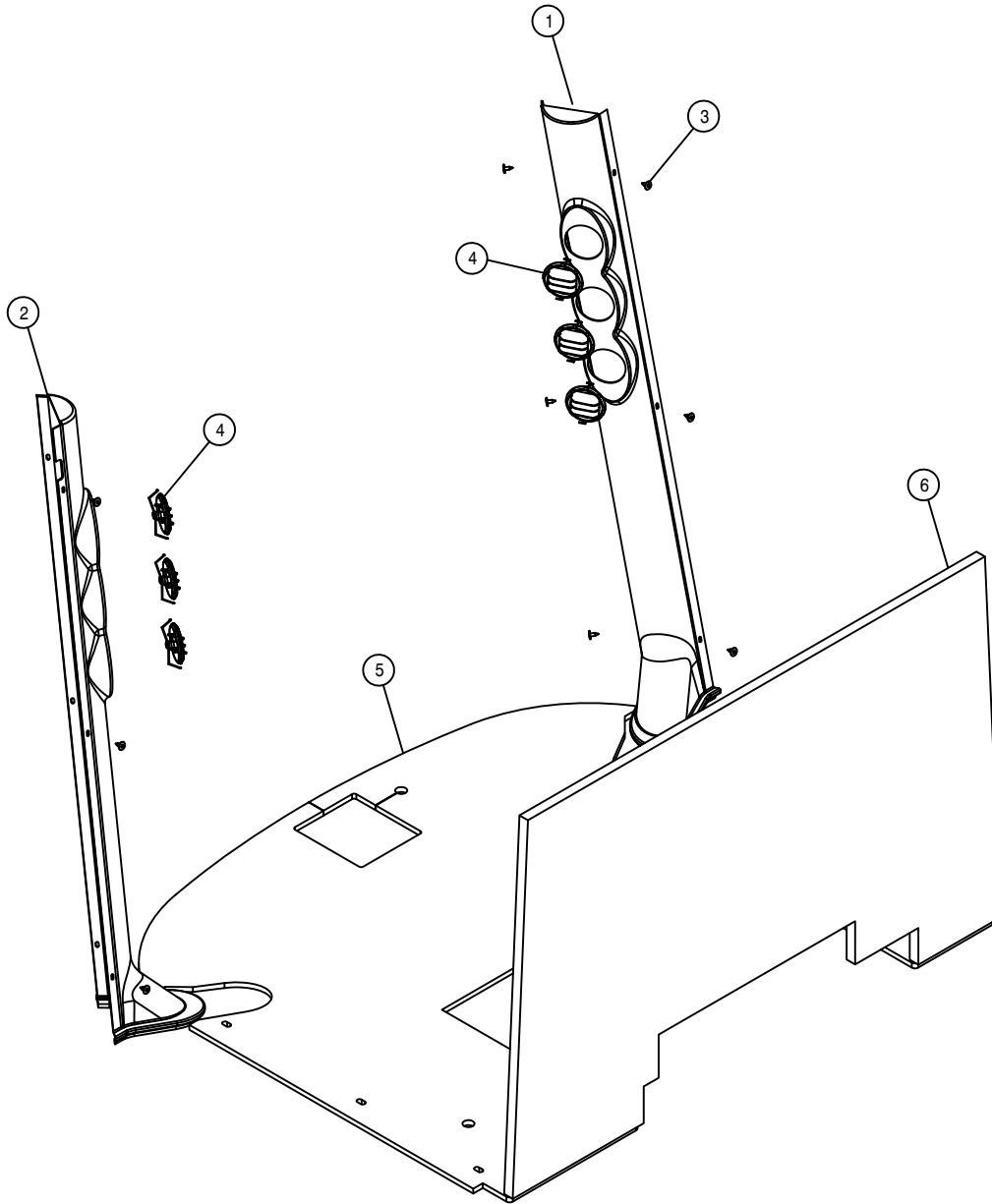
SEAT ASSEMBLY

DET.	QTY	PART NO.	DESCRIPTION	
1	1	330047	SEAT, STS GRAMMER	'11
2	2	343429	SEAT BASE STIFF, STS CAB	05
3	1	343430	HVAC LID, STS CAB	05
4	1	343987	SIDE CONSOLE ASSY	STS'13
5	8	470233	5/16UNC X 3/4 FLANGE HEX BOLT	
6	5	470381	5/16-18 NUTSERT .027-.150	STL
7	4	473827	8MM-1.25 X 20MM HEX BOLT	
8	2	900346	5/8UNC X 6" HEX BOLT	
9	2	920005	5/8 SAE FLAT WASHER	
10	4	920501	5/16 LOCK WASHER	
11	2	920505	5/8 LOCK WASHER	
12	1	330048	SEAT, STS KNOEDLER	'11
13	5	920001	5/16 SAE FLAT WASHER	
14	4	473858	8MM-1.25 SERR FLANGE NUT	
15	2	193037	STICKERTITE 1/8 X 3/4	
16	1	343841	LWR HVAC COVER WLD	STS'12
17	1	343853	HVAC ACCESS COVER	STS'12
18	6	470118	1/4UNC X 3/4 FLANGE HEX BOLT	
19	20	470122	1/4UNC X 1/2 FLANGE HEX BOLT	
20	1	343852	BRACKET	STS'12
21	1	900008	1/4UNC X 2 1/2 HEX BOLT	
22	1	914000	1/4UNC HEX STOVER NUT	
23	1	920000	1/4 SAE FLAT WASHER	
24	1	003075	CTRL BOX MTG PLT,STS COMBO	07
25	2	003081	.750 OD X .187 X 1.63	C/L
26	1	003082	CTRL BOX SHRT CLMP WLD,STSC	08
27	1	003084	CTRL BOX LONG CLMP WLD,STSC	08
28	1	003205	ACCESS COVER,CAB,STS COMBO	05
29	1	291841	AMP,RECP,SIZE 17-16THUR,SQ FLG	
30	1	293906	TASSELTRON CABLE BOX ASSY 2008	
31	2	470113	5/16UNC HEX FLANGE LOCK NUT	
32	4	470467	6-32 KEP NUT	
33	2	900086	5/16UNC X 2 1/4 HEX BOLT	
34	2	900130	3/8UNC X 1 1/4 SER FLANGE BOLT	
35	4	903812	6-32 X 1/2 PHIL PAN MACH SCR	



BUDDY SEAT ASSEMBLY

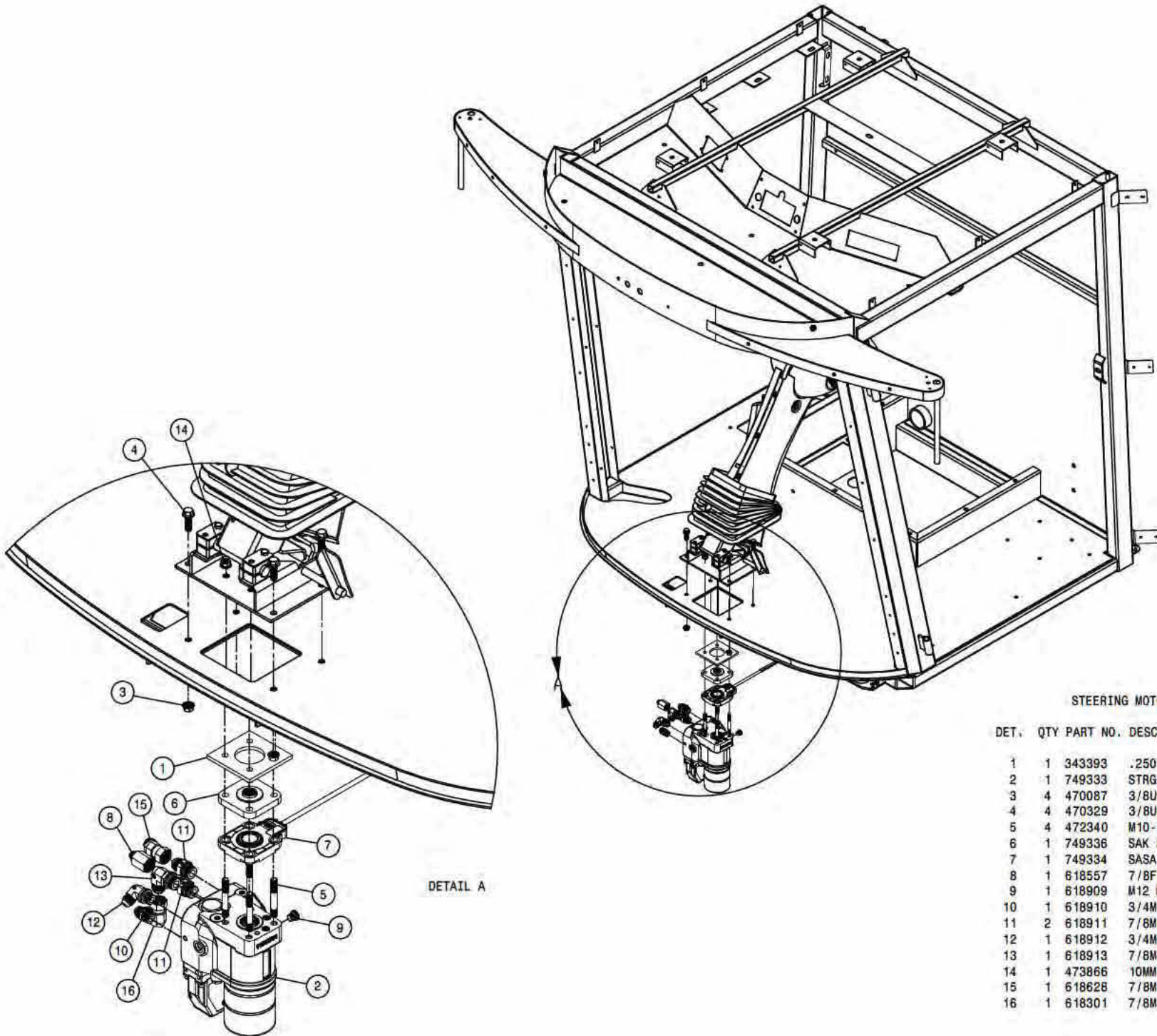
DET.	QTY	PART NO.	DESCRIPTION	
1	1	330036	BUDDY SEAT CUSHION	05
2	1	330037	BUDDY SEAT BASE, POLY	05
3	1	343425	BUDDY SEAT MT WLD, STS CAB	05
4	1	343428	BUDDY SEAT MT PANEL, STS CAB	05
5	4	470380	1/4-20 NUTSERT .027-.165	STL
6	3	470118	1/4UNC X 3/4 FLANGE HEX BOLT	
7	3	903710	10-32X5/8 PHIL PANHD MACH SCR	
8	4	900005	1/4UNC X 1 1/2 HEX BOLT	



AIR DUCT AND FOAM ASSEMBLY

DET. QTY PART NO. DESCRIPTION

1	1	343356	RH AIR DUCT COVERS,STS CAB	05
2	1	343357	LH AIR DUCT COVERS,STS CAB	05
3	12	470466	1/4 X 3/4 PLTG LCK RIVET	
4	6	657469	LOUVER, ROUND	
5	1	658339	FLOOR MAT, STS CAB	'11
6	1	658333	FOAM, REAR CAB STS	05

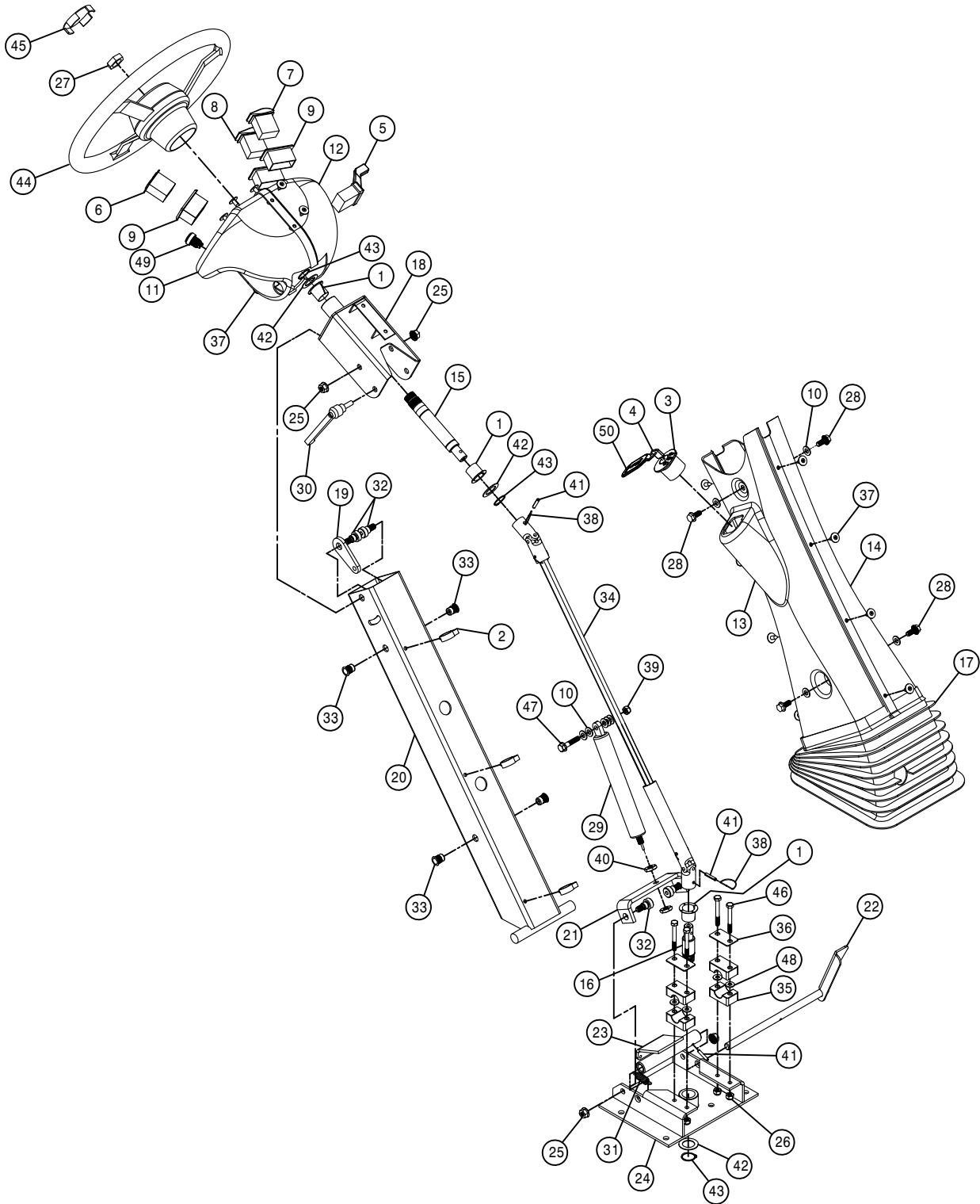


DETAIL A

STEERING MOTOR ASSEMBLY

DET. QTY PART NO. DESCRIPTION

1	1	343393	.250 STRG MTR SPCR,CAB STS'12
2	1	749333	STRG CTRL VLV, OSPEDC 60/260
3	4	470087	3/8UNC HEX SER FLG NUT
4	4	470329	3/8UNC X1 1/4 SER FLG HEX BOLT
5	4	472340	M10-1.5 X 3" STUD BOLT,DBL END
6	1	749336	SAK SENSOR ADPTR KIT
7	1	749334	SASA SENSOR ASSY,STRG VLV '12
8	1	618557	7/8FJIC-9/16MJIC ADPTR
9	1	618909	M12 MOR PLUG, HEX SOCKET
10	1	618910	3/4MJIC-M18MOR ADPTR
11	2	618911	7/8MJIC-M22 MOR ADPTR
12	1	618912	3/4MJIC-90-M18MOR LBO
13	1	618913	7/8MJIC-90-M22MOR LBO
14	1	473866	10MM-1.50 SERR FLANGE NUT
15	1	618628	7/8MJIC-45-7/8FJIC SWIV LBO
16	1	618301	7/8MJIC-90-7/8FJIC SWIV LBO



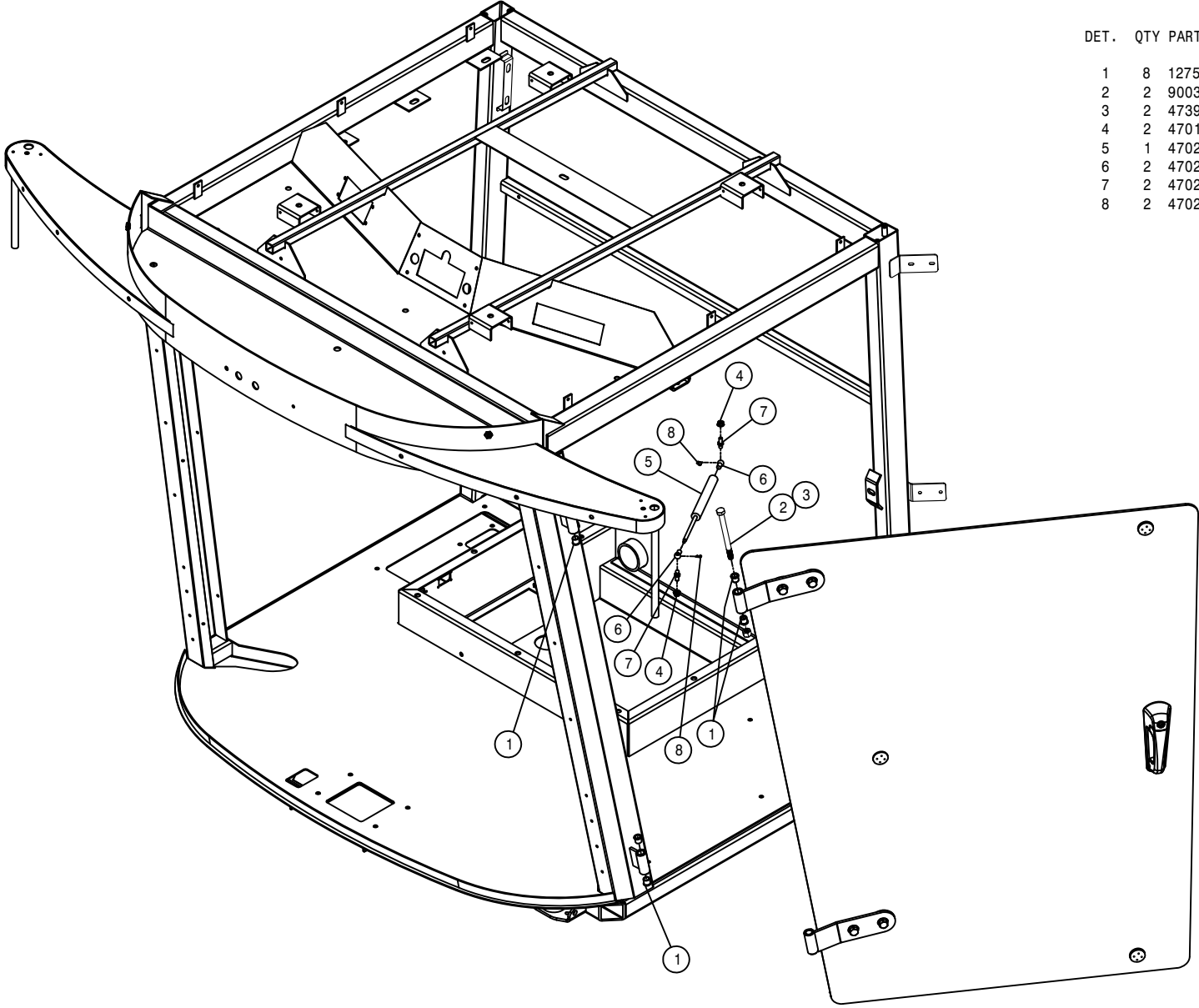
STEERING COLUMN ASSEMBLY

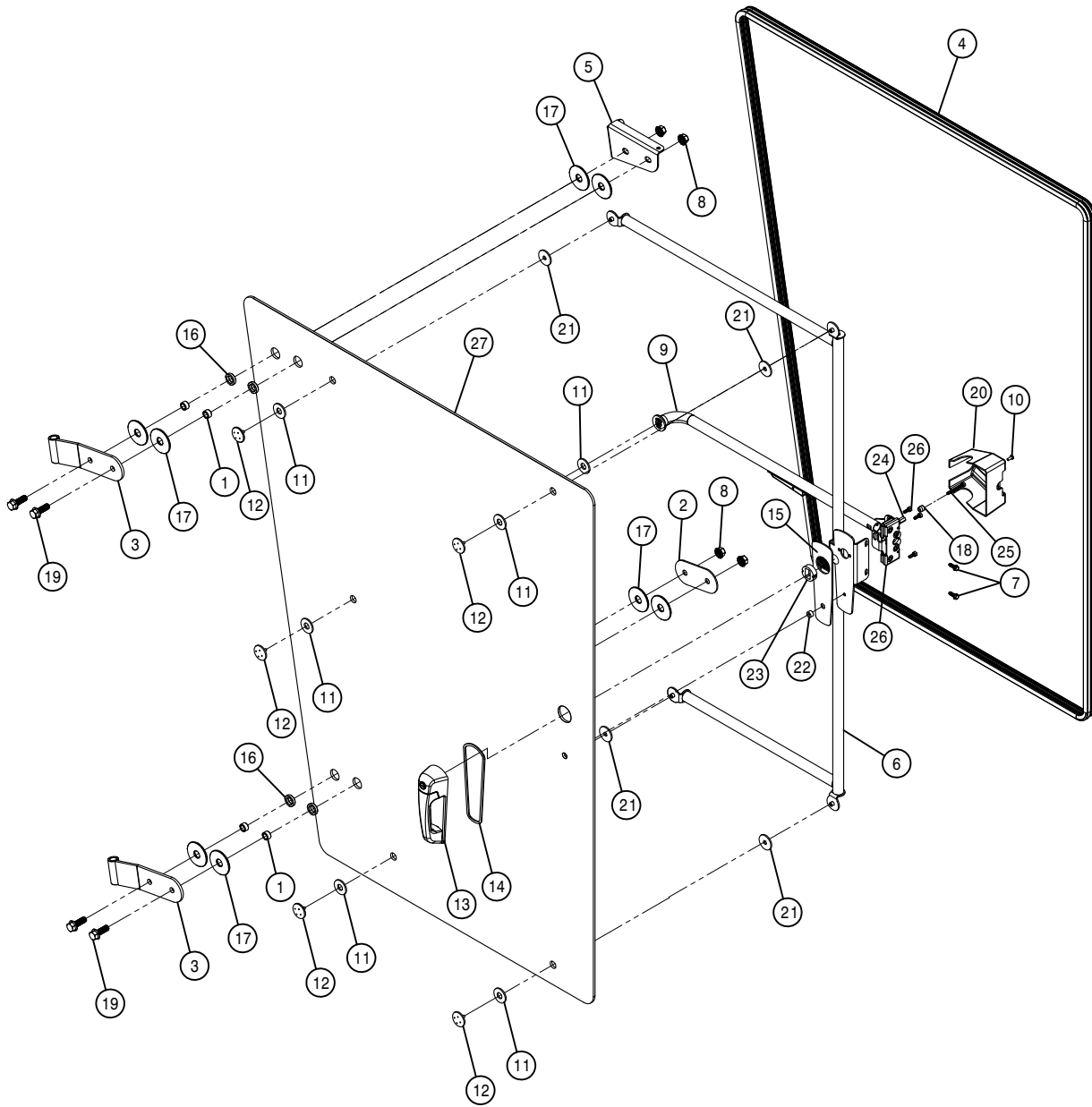
DET.	QTY	PART NO.	DESCRIPTION
	1	3	127503 NYLINER FLG BRG, .875 ID
	2	3	291006 ROSEBUD CLIP FOR .500 CONDUIT
	3	1	291916 IGNITION SWITCH W/KEY
	4	2	291917 IGNITION KEY FOR 291916
	5	1	292210 SWITCH, TURN SIGNAL, STS
	6	1	292211 TURN INDICATOR W/GREEN LED,STS
	7	1	292212 SWITCH,HAZARD,STS
	8	1	292213 SWITCH, HEADLIGHTS, STS
	9	3	292260 MOUNTING TRIM, SINGLE VMS
	10	9	920001 5/16 SAE FLAT WASHER
	11	1	343359 RH UPR STRG CLMN COVERS,STS 05
	12	1	343360 LH UPR STRG CLMN COVERS,STS 05
	13	1	343361 RH LWR STRG CLMN COVERS,STS 05
	14	1	343362 LH LWR STRG CLMN COVERS,STS 05
	15	1	343364 STRG SHAFT,UPPER COLUMN,STS 05
	16	1	343365 STRG SHAFT,LOWER COLUMN,STS 05
	17	1	343366 BELLOWS,STEERING COLUMN,STS 05
	18	1	343367 STEERING SUPP WELD, STS CAB 05
	19	1	343372 STRG COLUMN TOP LOCK, STS CAB
	20	1	343373 STEERING COLUMN WLD,STS CAB 05
	21	1	343385 GAS SHOCK PIVOT MT,STS CAB 05
	22	1	343386 TILT PEDAL WELD, STS CAB 05
	23	1	343389 TILT RELEASE WLD, STS CAB 05
	24	1	343614 STEERING BASE WELD,STS CAB 07
	25	4	910004N 3/8UNC FLANGE CNTR LOCK NUT
	26	4	470089 1/4UNC HEX NYLOC NUT, 316 SS
	27	1	470157 13/16-20UNEF HEX NUT STRG WHL
	28	4	470233 5/16UNC X 3/4 FLANGE HEX BOLT
	29	1	470252 GAS SPRING,3.15 STROKE LOCKING
	30	1	470257 ADJ HANDLE,3/8-16 STUD, BLACK
	31	1	470268 SPRING, EXTENSION, .50 X 1.75
	32	4	470283 3/8UNC 1/2 SCKT SHLDR BOLT
	33	4	470381 5/16-18 NUTSERT .027-.150 STL
	34	1	470401 DRIVE SHAFT ASSY, .625 U-JOINTS
	35	2	470405 CLAMP PAIR, 19MM SMOOTH BORE
	36	2	470406 TOP CLAMP, SIZE #3 FOR 470405
	37	16	470466 1/4 X 3/4 PLTC LCK RIVET
	38	4	470479 5"SAFETY LOCK WIRE,304SS .051D
	39	1	473001 5/16UNC HEX NUT,NYLOC 316 SS
	40	2	473830 10MM-1.00 HEX JAM NUT
	41	3	473928 ROLL PIN, 3/16 X 1
	42	3	483031 1 3/8 X 7/8 X 18GA MACH WASHER
	43	3	629533 SNAP RING, 7/8 EXTRN
	44	1	749294 STEERING WHEEL, VIP 14"
	45	1	749295 STRG WHL CAP WITH 'H' EMBLEM
	46	4	900023 1/4UNC X 2 1/4 HEX BOLT
	47	1	900067 5/16UNC X 1 1/2 HEX BOLT
	48	4	920022 1/4 FLAT WASH, AN960-416 SS
	49	1	292504 HORN SWITCH ASSY
	50	1	470544 HAGIE KEY CHAIN

CAB DOOR ASSEMBLY

DET. QTY PART NO. DESCRIPTION

1	8	127506	NYLON FLG BRG, STS	'12
2	2	900348	1/2UNC X 6" HEX BOLT SS	
3	2	473988	1/2UNC HEX NUT, NYLOC SS	
4	2	470113	5/16UNC HEX FLANGE LOCK NUT	
5	1	470253	HYD DAMPER, 100LB, 4"STROKE 1084	
6	2	470254	BALL SOCKET, M6 THD X 10MM	
7	2	470255	BALL STUD, 5/16-18 THD X 10MM	
8	2	470256	SAFTY CLIP, 10MM BALL SOCKET	

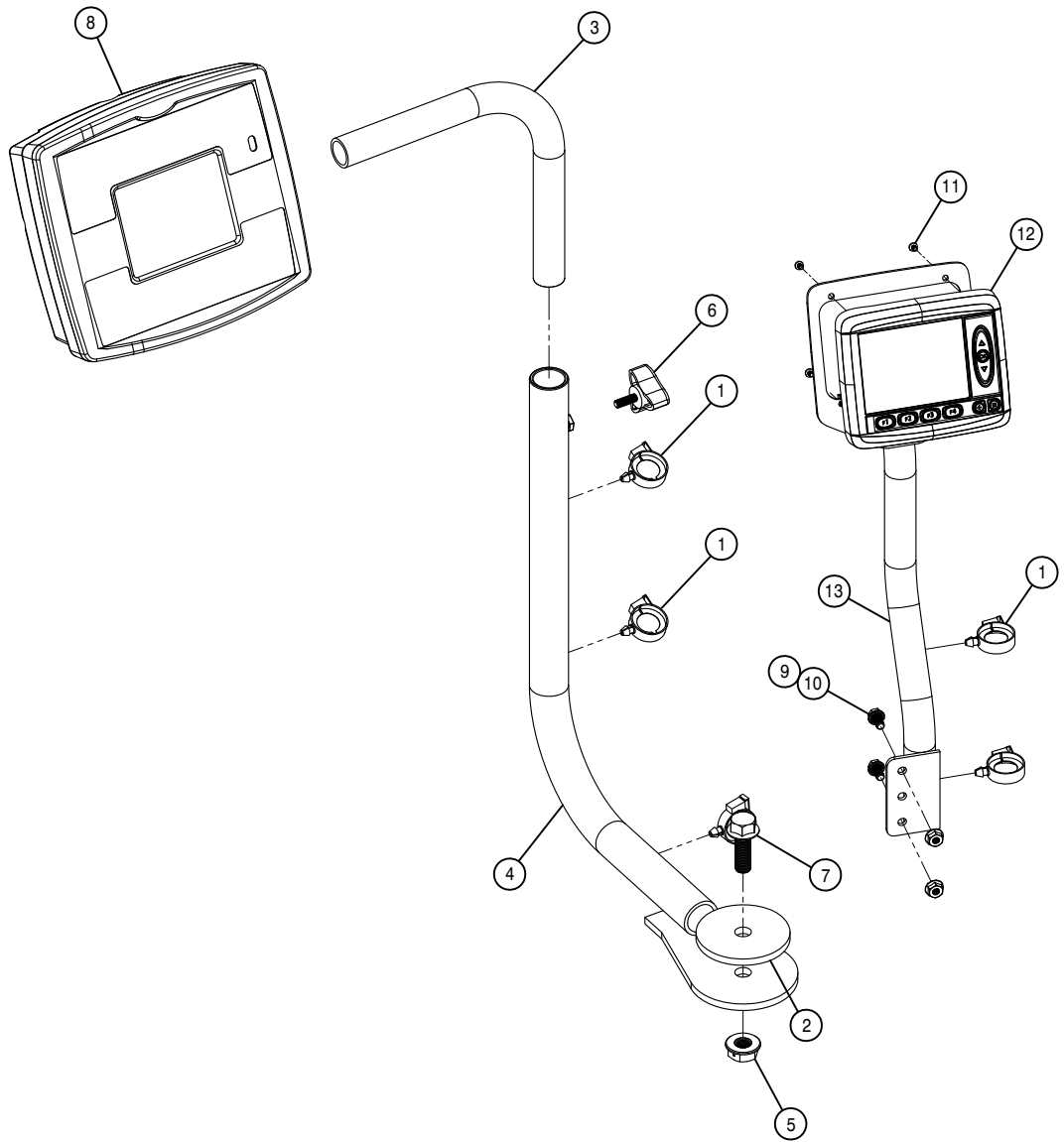




DOOR ASSEMBLY

DET. QTY PART NO. DESCRIPTION

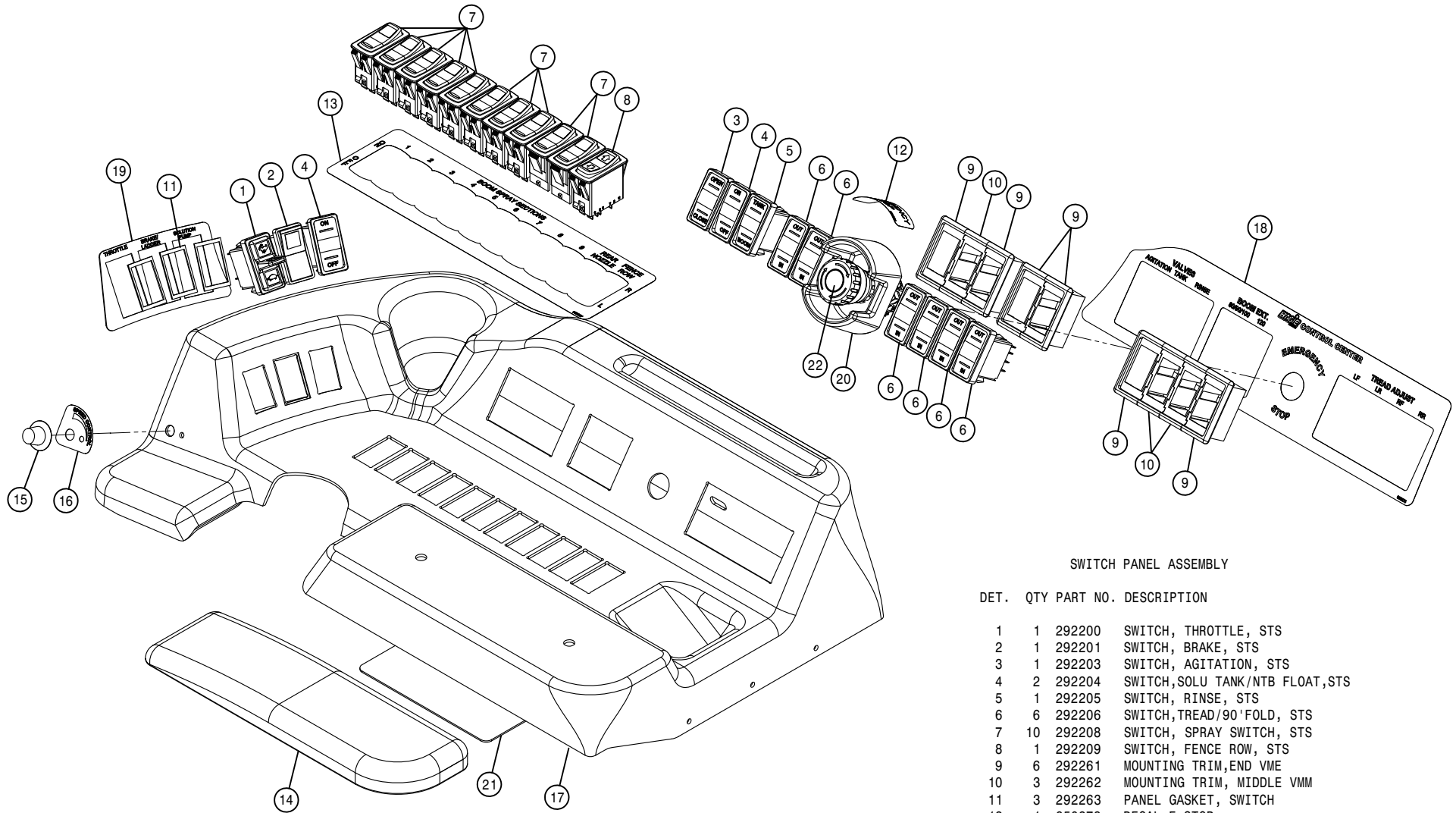
1	4	343335	DOOR HINGE GLASS BUSH, CAB	05
2	1	343337	LWR DOOR HINGE BACK PLT,	05
3	2	343338	HINGE WELD,CAB	05
4	1	343346	DOOR SEAL, STS CAB	05
5	1	343421	TOP DOOR HINGE PLT, STS	05
6	1	343814	CAB DOOR STIFF WLD, STS	'11
7	2	470118	1/4UNC X 3/4 FLANGE HEX BOLT	
8	4	470360	1/2UNC HEX FLANGE LOCK NUT	
9	1	470583	INSIDE SQUEEZE LATCH ASY,1-POS	
10	1	470412	INSIDE SQUEEZE LATCH SCREWS	
11	6	470413	INSIDE SQUEEZE LATCH GASKET	
12	5	470414	INSIDE SQUEEZE LATCH CAP	
13	1	470415	OUTSIDE PULL HANDLE ASSY	
14	1	470416	OUTSIDE PULL HANDLE GASKET	
15	1	470418	DOOR HANDLE MT GASKET,STS CAB	
16	4	470419	DOOR HINGE BUSH,RUBBER STS	05
17	8	470420	DOOR HINGE WASH,RUBBER,STS	05
18	1	470421	NYLON SPACER, SPHERICAL 6MMX12	
19	4	470431	1/2UNC X 1 1/2 FLANGE BOLT	
20	1	470485	INSIDE SQUEEZE LATCH COVER	07
21	4	470489	GASKET, DOOR HANDLE STIFFENER	
22	1	470496	SPACER,BTM,DOOR HANDLE 470415	
23	1	470497	SPACER,TOP,DOOR HANDLE 470415	
24	1	473764	6MM-1.00 HEX HIGH NUT	
25	1	473794	6MM-1.00 X 50MM HEX BOLT	
26	3	473826	6MM-1.00 X 16MM HEX BOLT	
27	1	658041	DOOR GLASS, STS CAB	'11



MONITOR ASSEMBLY

DET. QTY PART NO. DESCRIPTION

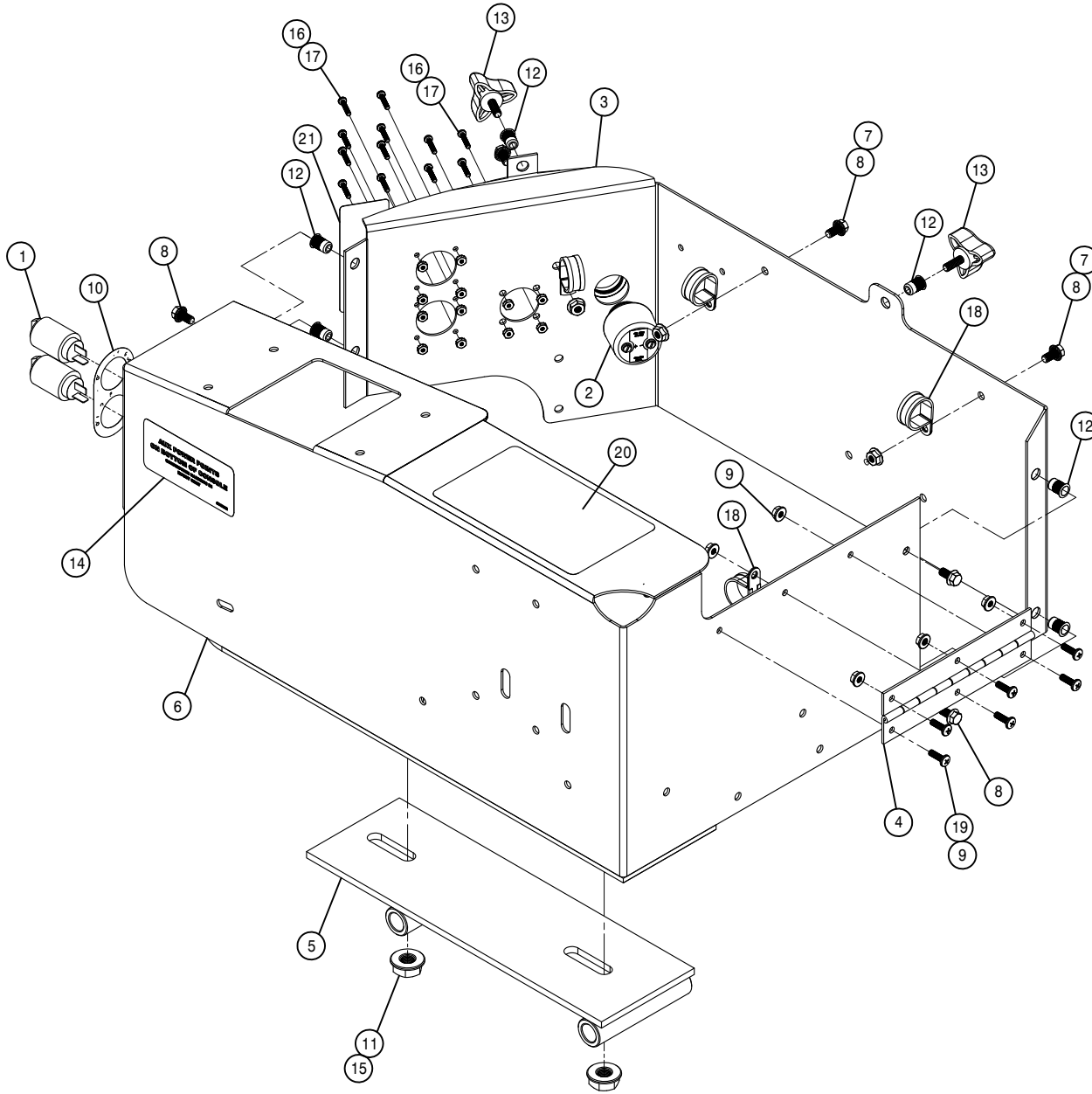
1	6	291007	ROSEBUD CLIP FOR .750 CONDUIT
2	1	343415	WASHER,3.00 X .531 X .25T UHMW
3	1	343416	MONITOR MT TUBE, STS 05
4	1	343417	MONITOR MT WELD, STS CAB 05
5	1	470345	1/2UNC HEX SMTH FLNG LOCK NUT
6	1	470392	KNOB,3-BLADE BLK,1/4-20 X 3/4
7	1	470431	1/2UNC X 1 1/2 FLANGE LOCK
8	1	690986	CONSOLE, RAVEN SCS 4600
9	2	470121	1/4UNC HEX FLANGE LOCK NUT
10	2	470122	1/4UNC X 1/2 FLANGE HEX BOLT
11	4	903836	8-32X1/4 PHIL PAN MACH SCR
12	1	292008	MD3 MASTER MODULE & DISPLAY
13	1	343678	MD3 DISPLAY MT WLD,STS '10



SWITCH PANEL ASSEMBLY

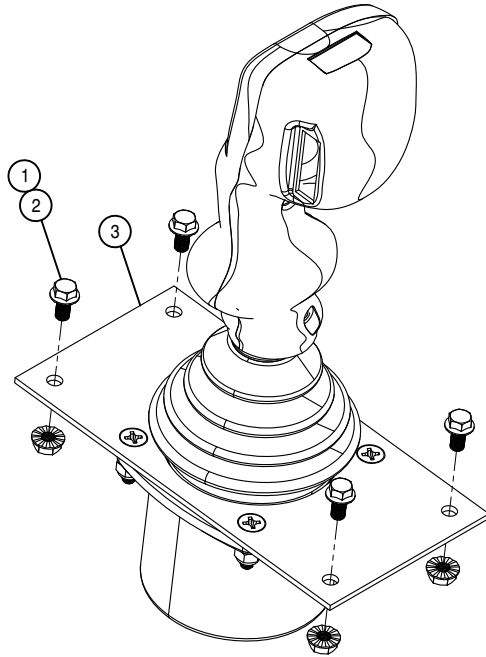
DET. QTY PART NO. DESCRIPTION

DET.	QTY	PART NO.	DESCRIPTION
	1	292200	SWITCH, THROTTLE, STS
	1	292201	SWITCH, BRAKE, STS
	1	292203	SWITCH, AGITATION, STS
	2	292204	SWITCH, SOLU TANK/NTB FLOAT, STS
	1	292205	SWITCH, RINSE, STS
	6	292206	SWITCH, TREAD/90' FOLD, STS
	10	292208	SWITCH, SPRAY SWITCH, STS
	1	292209	SWITCH, FENCE ROW, STS
	6	292261	MOUNTING TRIM, END VME
	3	292262	MOUNTING TRIM, MIDDLE VMM
	3	292263	PANEL GASKET, SWITCH
	1	650278	DECAL, E-STOP
	1	650397	DECAL, BOOM SPRAY SECTIONS '12
	1	343397	ARM REST W/MTS, STS CAB 05
	1	470395	DIAL KNOB W/ARROW FOR .25 SHFT
	1	650158	DECAL, SPEED CONTROL STS CAB 05
	1	343823	SIDE CONSOLE, STS CAB '11
	1	650275	DECAL, CONTROL CENTER, STS '11
	1	650159	DECAL, THRTL BRK PUMP STS 05
	1	290089	E-STOP SHROUD
	1	650398	DECAL, CAB CONSOLE MODULES '12
	1	290081	E-STOP SWITCH, LED DPST-1NO/1NC



CONSOLE ASSEMBLY

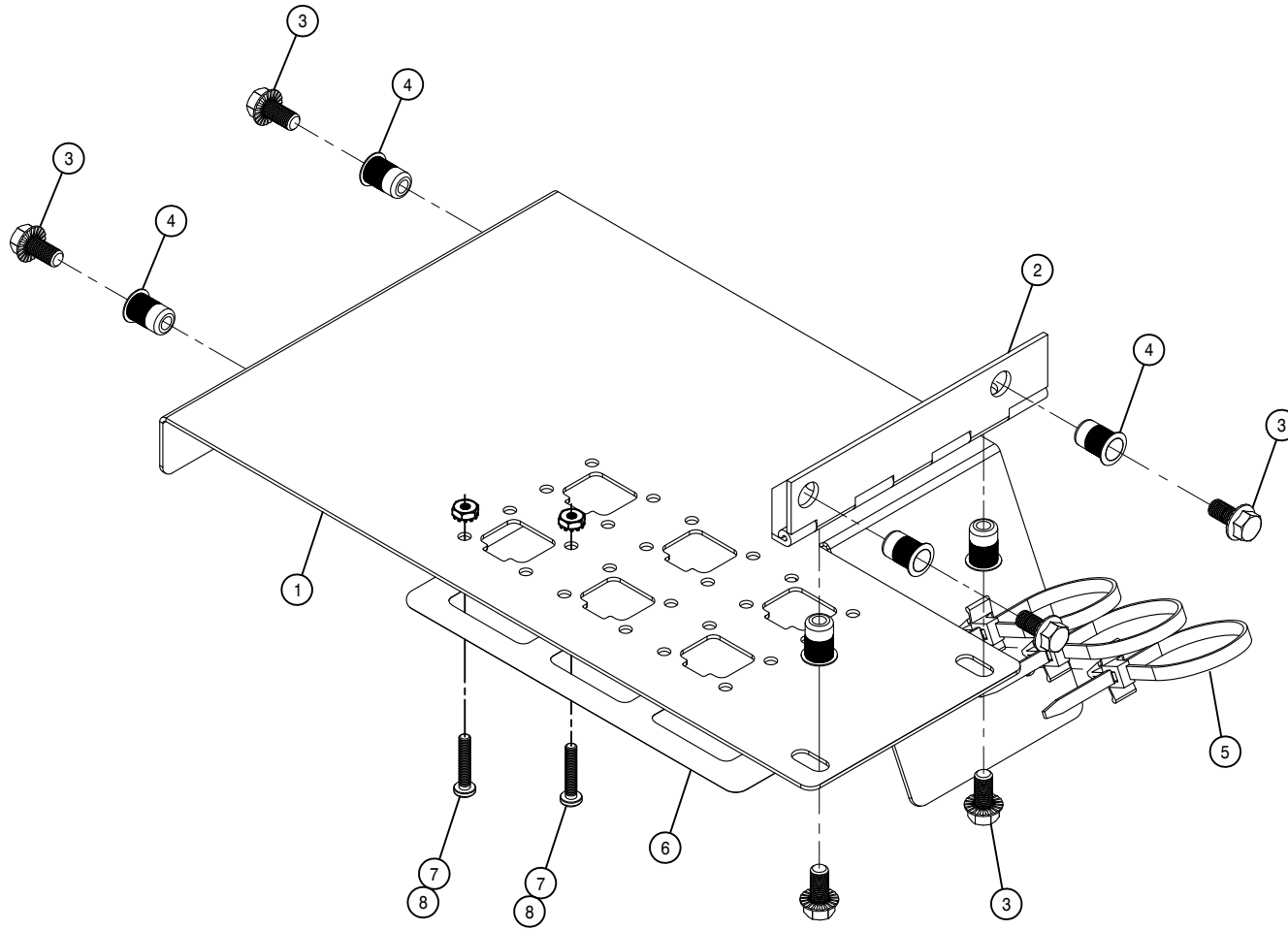
DET.	QTY	PART NO.	DESCRIPTION
1	2	291648	POWER POINT RECEPTACLE
2	1	292502	WARNING BEEPER
3	1	343988	SIDE CONSOLE OUTER WRAP, STS '13
4	1	343405	SIDE CONSOLE REAR HINGE, STS 05
5	1	343406	CONSOLE SEAT BASE WLD, STS 05
6	1	343682	CONSOLE WELD, STS CAB '10
7	3	470121	1/4UNC HEX FLANGE LOCK NUT
8	7	470122	1/4UNC X 1/2 FLANGE HEX BOLT
9	6	470175	10-32 HEX FLANGE LOCK NUT
10	1	650163	DECAL, POWER POINT, STS CAB 05
11	2	470345	1/2UNC HEX SMTH FLNG LOCK NUT
12	6	470380	1/4-20 NUTSERT .027-.165 STL
13	2	470392	KNOB, 3-BLADE BLK, 1/4-20 X 3/4
14	1	650232	DECAL, AUX PWR POINTS SIGN '10
15	2	470431	1/2UNC X 1 1/2 FLANGE BOLT
16	4	470467	6-32 KEP NUT
17	12	903814	6-32 X 3/4 PHIL PAN MACH SCR
18	4	520101	CUSH CLAMP, #16 1"D X 1/2W
19	6	903710	10-32X5/8 PHIL PANHD MACH SCR
20	1	650418	DECAL, CONSOLE FUSE/RELAY, STS
21	1	650419	DECAL, COM PORTS 1 & 2 STS '13



HYDROSTATIC LEVER ASSEMBLY

DET. QTY PART NO. DESCRIPTION

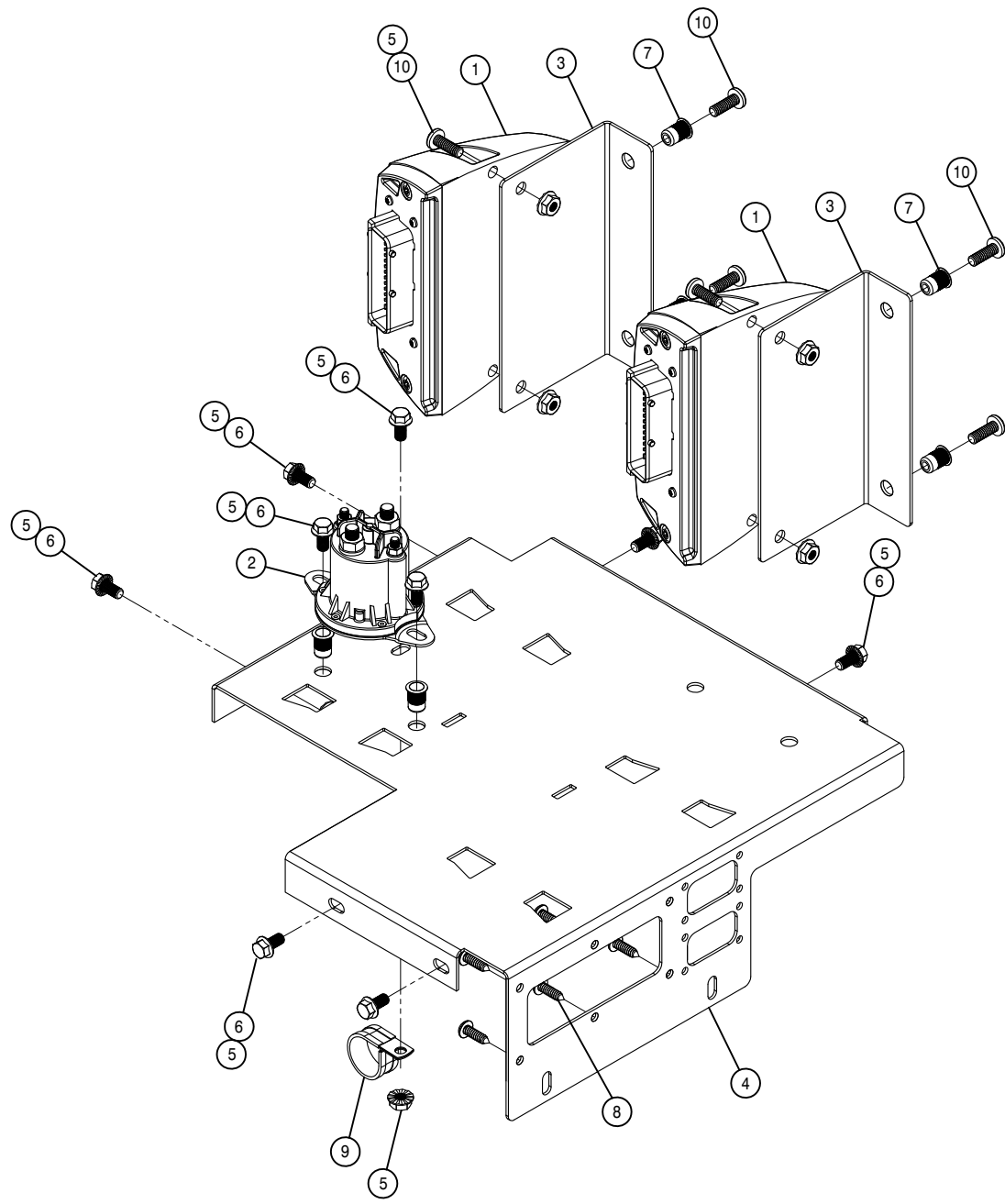
1	4	470121	1/4UNC HEX FLANGE LOCK NUT
2	4	470122	1/4UNC X 1/2 FLANGE HEX BOLT
3	1	785092	CONTROL HANDLE, STS '10



TERMINAL STRIP DOOR ASSEMBLY

DET. QTY PART NO. DESCRIPTION

1	1	343688	CONSOLE BOTTOM DOOR,CAB STS'10
2	1	343414	CONSOLE BTM DOOR HINGE,CAB STS
3	6	470122	1/4UNC X 1/2 FLANGE HEX BOLT
4	6	470380	1/4-20 NUTSERT .027-.165 STL
5	3	470445	CABLE TIE,PUSH MT 7.8" BLK NYL
6	1	650231	DECAL,AUX POWER POINTS '10
7	12	903814	6-32 X 3/4 PHIL PAN MACH SCR
8	12	470467	6-32 KEP NUT



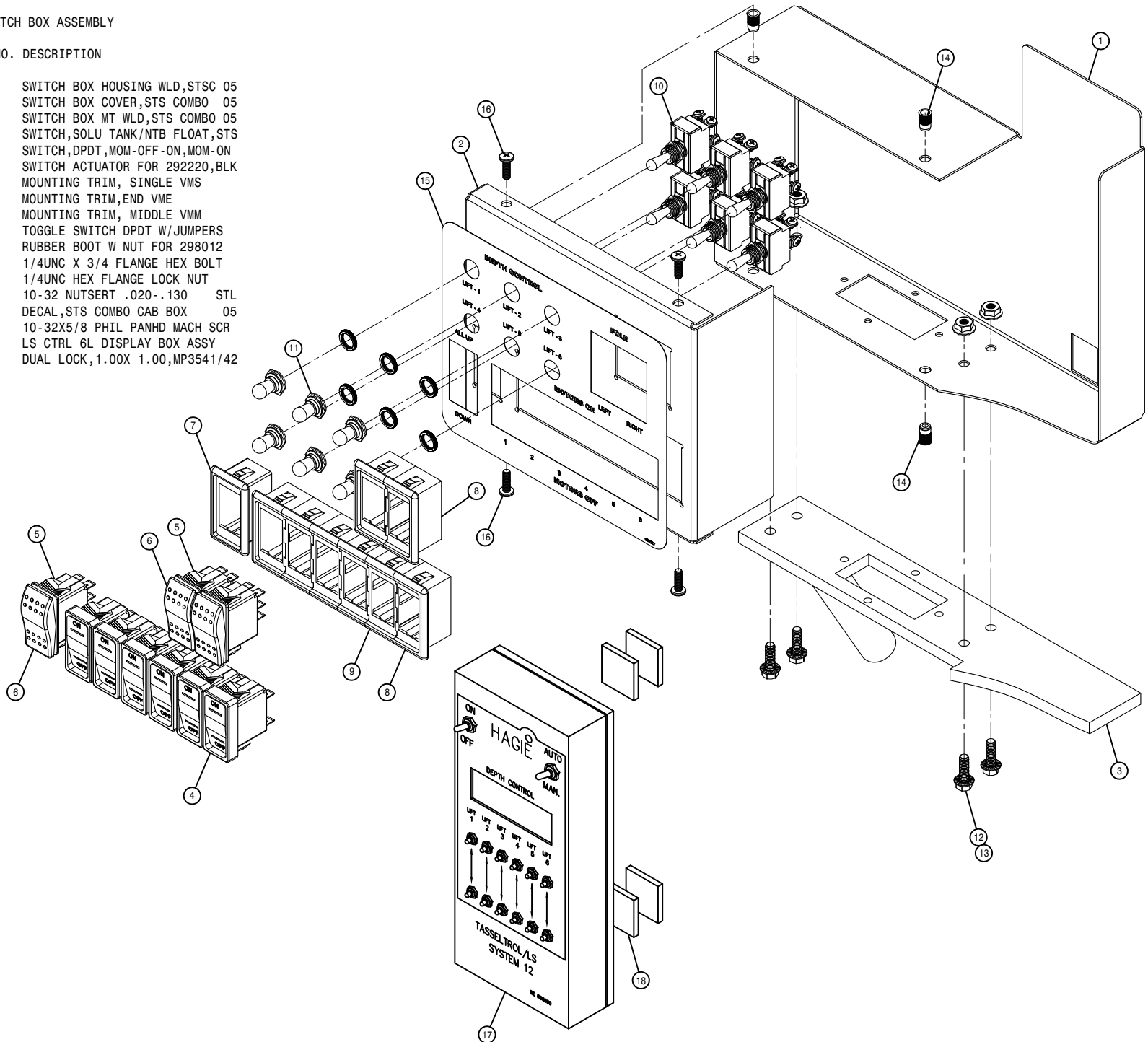
MODULE MOUNT ASSEMBLY

DET.	QTY	PART NO.	DESCRIPTION
	1	292017	IQAN-XS2 MODULE
	2	292505	MASTER CONTROL RELAY
	3	343686	MODULE MT BRKT, STS '10
	4	343687	MODULE MT, CAB CONSOLE STS '10
	5	470121	1/4UNC HEX FLANGE LOCK NUT
	6	470122	1/4UNC X 1/2 FLANGE HEX BOLT
	7	470380	1/4-20 NUTSERT .027-.165 STL
	8	470465	#12 X 3/4 PHIL PAN SHT MTL SCR
	9	520101	CUSH CLAMP,#16 1"D X 1/2W
	10	903700	1/4UNC X 3/4 PHIL PAN MACH SCR

SWITCH BOX ASSEMBLY

DET. QTY PART NO. DESCRIPTION

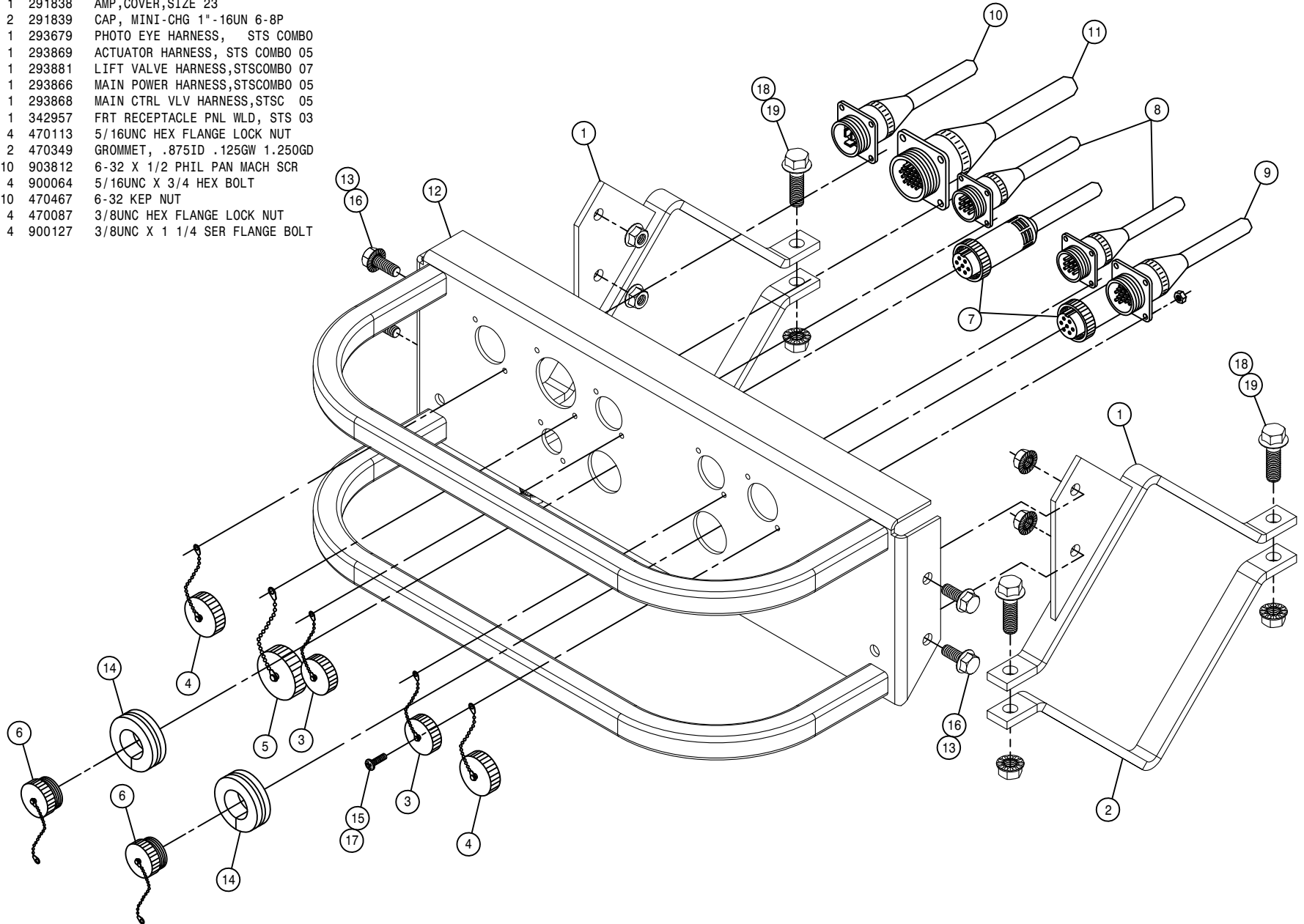
1	1	003200	SWITCH BOX HOUSING WLD,STSC 05
2	1	003201	SWITCH BOX COVER,STS COMBO 05
3	1	003202	SWITCH BOX MT WLD,STS COMBO 05
4	6	292204	SWITCH,SOLU TANK/NTB FLOAT,STS
5	3	292220	SWITCH,DPDT,MOM-OFF-ON,MOM-ON
6	3	292221	SWITCH ACTUATOR FOR 292220,BLK
7	1	292260	MOUNTING TRIM, SINGLE VMS
8	4	292261	MOUNTING TRIM,END VME
9	4	292262	MOUNTING TRIM, MIDDLE VMM
10	6	293172	TOGGLE SWITCH DPDT W/JUMPERS
11	6	470001	RUBBER BOOT W NUT FOR 298012
12	4	470118	1/4UNC X 3/4 FLANGE HEX BOLT
13	4	470121	1/4UNC HEX FLANGE LOCK NUT
14	4	470384	10-32 NUTSERT .020-.130 STL
15	1	650127	DECAL,STS COMBO CAB BOX 05
16	4	903710	10-32X5/8 PHIL PANHD MACH SCR
17	1	293373	LS CTRL 6L DISPLAY BOX ASSY
18	2	471100	DUAL LOCK,1.00X 1.00,MP3541/42

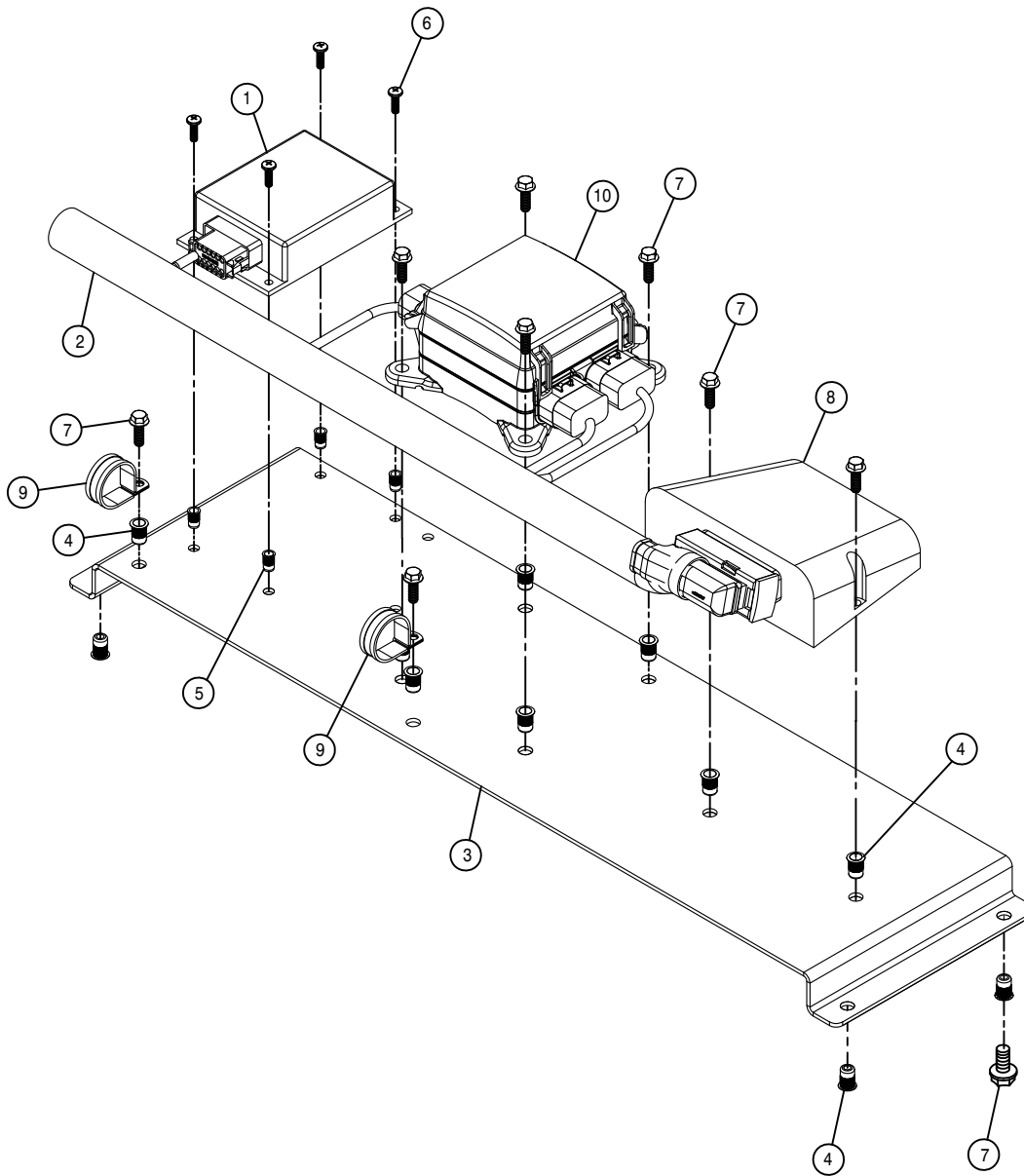


RECEPTACLE PANEL ASSEMBLY

DET. QTY PART NO. DESCRIPTION

1	2	003077	CPLR BRKT WLD,STS COMBO	07
2	2	003078	CPLR BRKT KEEPER,STS COMBO	07
3	2	291688	AMP,COVER,SIZE 13	
4	2	291754	AMP RECEPTACLE CAP, 17-SHELL	
5	1	291838	AMP,COVER,SIZE 23	
6	2	291839	CAP, MINI-CHG 1"-16UN 6-8P	
7	1	293679	PHOTO EYE HARNESS, STS COMBO	
8	1	293869	ACTUATOR HARNESS, STS COMBO 05	
9	1	293881	LIFT VALVE HARNESS,STSCOMBO 07	
10	1	293866	MAIN POWER HARNESS,STSCOMBO 05	
11	1	293868	MAIN CTRL VLV HARNESS,STSC 05	
12	1	342957	FRT RECEPTACLE PNL WLD, STS 03	
13	4	470113	5/16UNC HEX FLANGE LOCK NUT	
14	2	470349	GROMMET, .875ID .125GW 1.250GD	
15	10	903812	6-32 X 1/2 PHIL PAN MACH SCR	
16	4	900064	5/16UNC X 3/4 HEX BOLT	
17	10	470467	6-32 KEP NUT	
18	4	470087	3/8UNC HEX FLANGE LOCK NUT	
19	4	900127	3/8UNC X 1 1/4 SER FLANGE BOLT	

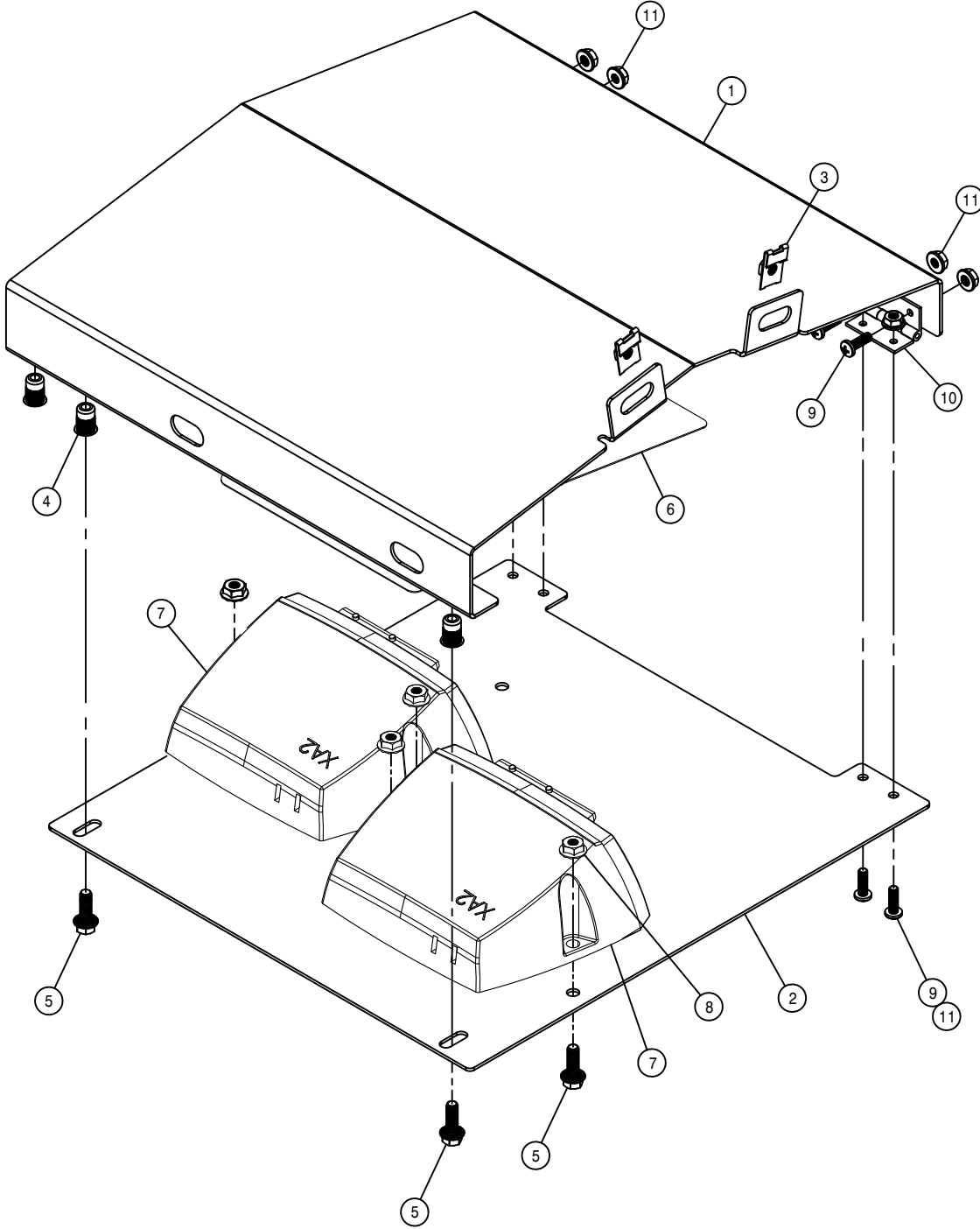




FLASHER AND LIGHT RELAY PANEL

DET. QTY PART NO. DESCRIPTION

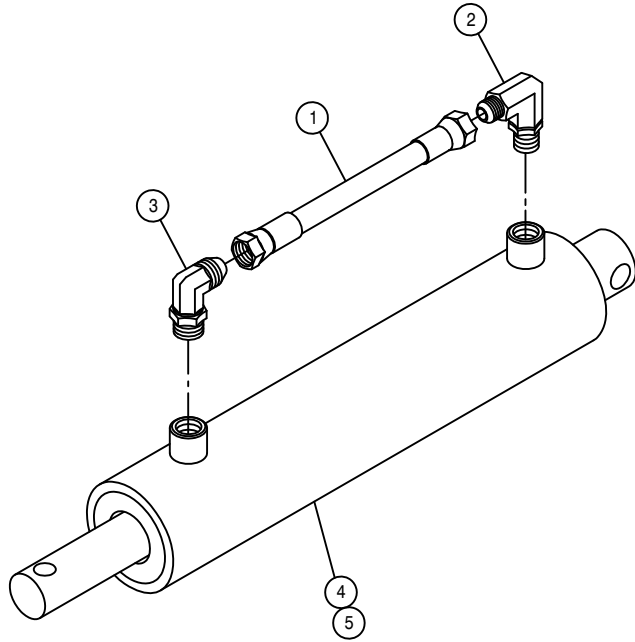
1	1	291910	FLASHER, SOLID STATE, 12V
2	1	294180	FUSE/RELAY/FLASHER HARNESS '13
3	1	343693	FLASHER/LIGHT RELAY PLT,STS'12
4	12	470380	1/4-20 NUTSERT .027-.165 STL
5	4	470384	10-32 NUTSERT .020-.130 STL
6	4	903710	10-32X5/8 PHIL PANHD MACH SCR
7	12	470118	1/4UNC X 3/4 FLANGE HEX BOLT
8	1	292015	IQAN-MC2 MODULE
9	2	520102	CUSH CLAMP,#20 1 1/4D X 1/2W
10	1	290093	FUSE/RELAY MODULE,BUSS1717-0S



REAR ELECTRICAL BOX ASSEMBLY

DET. QTY PART NO. DESCRIPTION

1	1	343577	TOP LH REAR ELECT BOX, STS 06
2	1	343578	BOT LH REAR ELECT BOX, STS 06
3	2	470218	1/4UNC NUT J-TYPE CAGE CLIP
4	4	470380	1/4-20 NUTSERT .027-.165 STL
5	6	470118	1/4UNC X 3/4 FLANGE HEX BOLT
6	1	650423	DECAL,REAR CHASS MODULE,STS' 13
7	2	292016	IQAN-XA2 MODULE
8	4	470121	1/4UNC HEX FLANGE LOCK NUT
9	8	903710	10-32X5/8 PHIL PANHD MACH SCR
10	2	470198	HINGE 146-035
11	8	470175	10-32 HEX FLANGE LOCK NUT

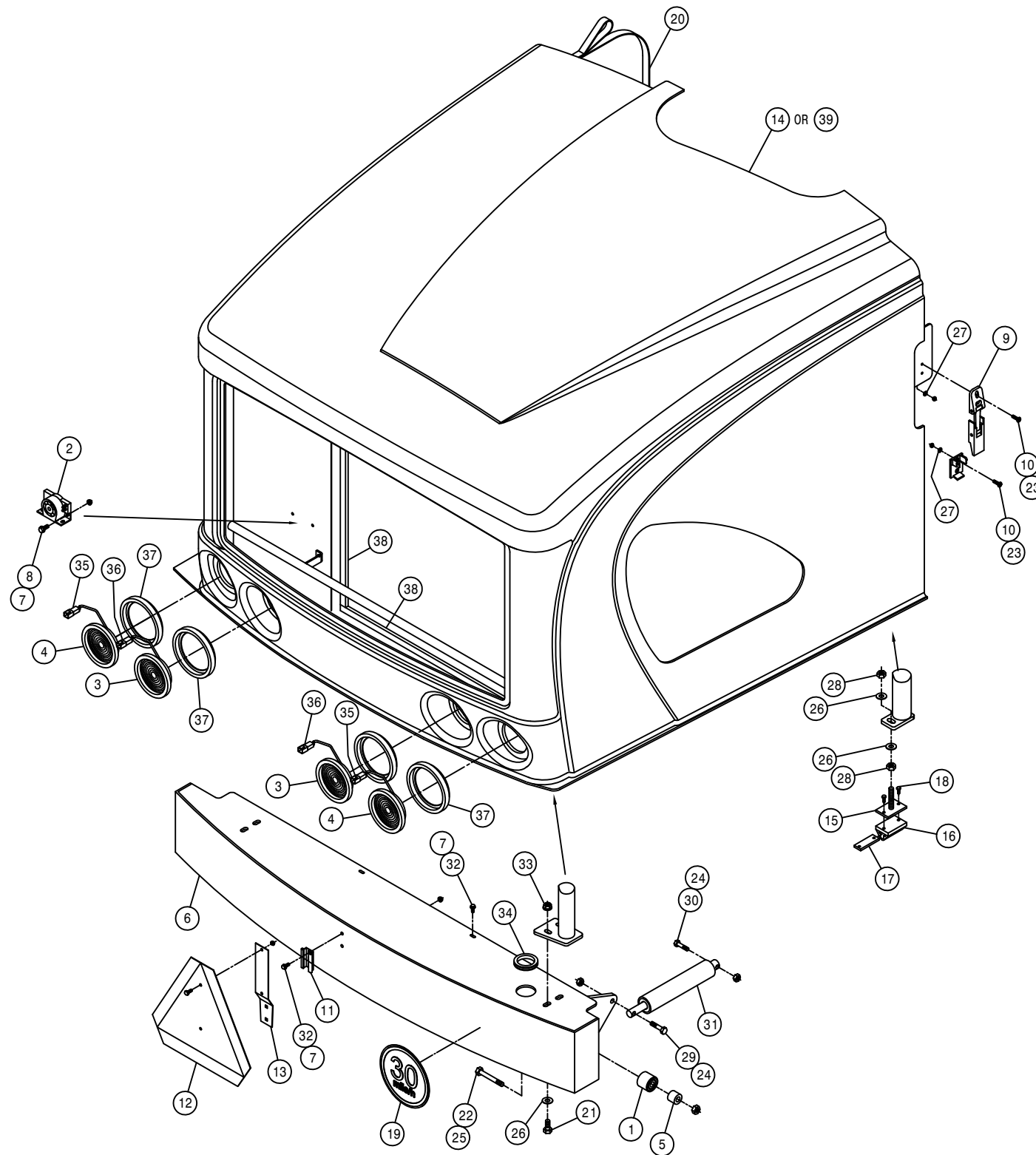


HOOD HYDRAULIC CYLINDER ASSEMBLY

DET. QTY PART NO. DESCRIPTION

1	1	616246	04-451TC-06FJX-06FJX-10	H/A
2	1	618119	9/16MJIC-90-9/16MOR LBO	
3	1	618689	9/16MJ-90-9/16MOR .042 CHK VLV	
4	1	621530	HYD CYL, 2.00 X 6.00 X 1.000	
5	1	621521	REPAIR KIT, HYD CYL 621520	

NOTE: 1. 621077 - HOOD HYDRAULIC CYLINDER ASSEMBLY

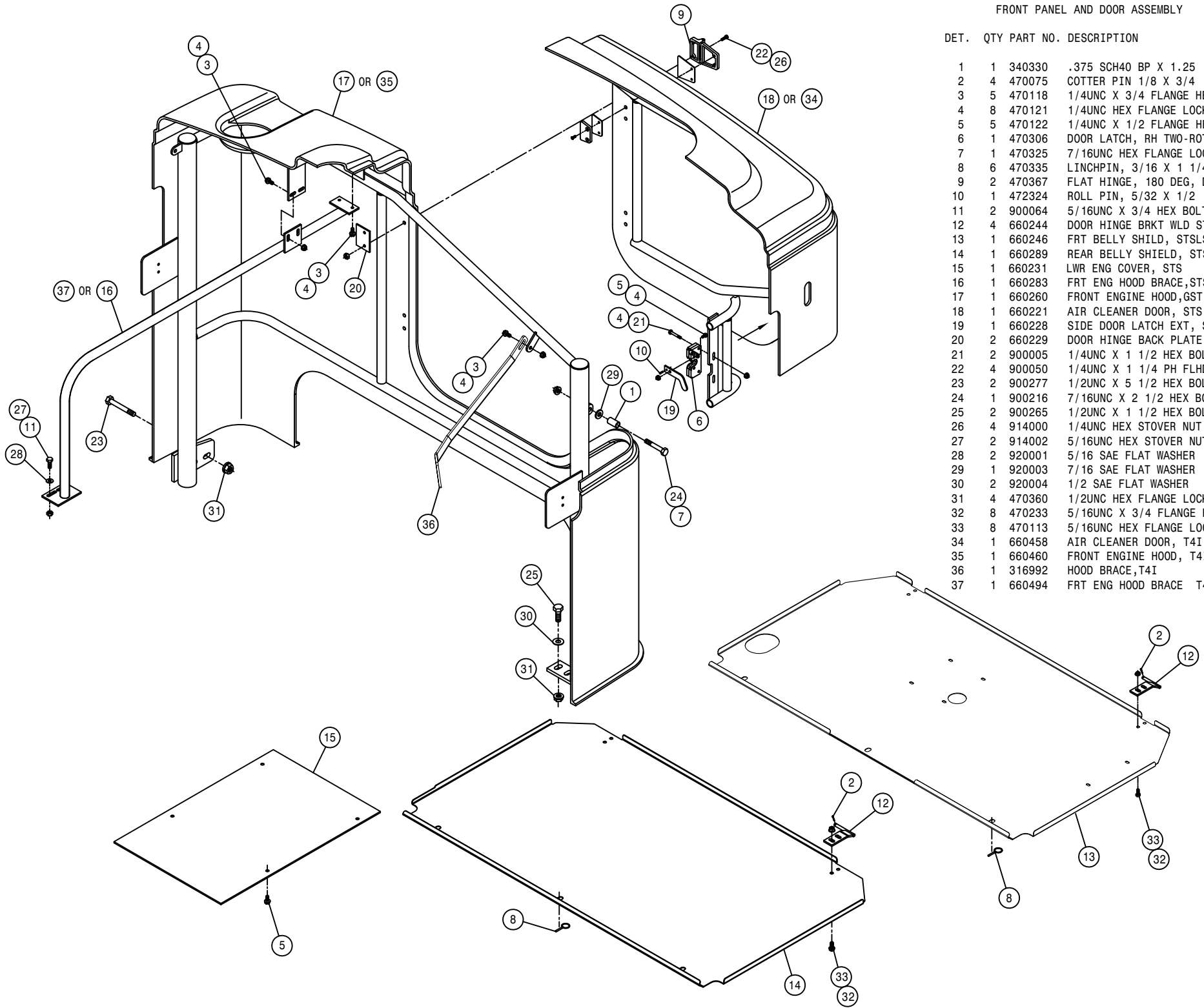


BUMPER AND REAR HOOD ASSEMBLY

DET.	QTY	PART NO.	DESCRIPTION
	1	2	125056 TRACK ROLLER,2.00 OD,.625 BORE
	2	1	290061 ALARM,BACKUP 107DBA LT DUTY
	3	2	290201 RED LED STT 3 DIODE LAMP
	4	2	290200 AMBER LED STT 3 DIODE LAMP
	5	2	361679 BUMPER PIVOT BRG SPACER,STS 04
	6	1	361680 REAR BUMPER WLD, STS 04
	7	6	470121 1/4UNC HEX FLANGE LOCK NUT
	8	2	470122 1/4UNC X 1/2 FLANGE HEX BOLT
	9	2	470368 LATCH W/KEEPER, FLEXIBLE LEVER
	10	8	903710 10-32X5/8 PHIL PANHD MACH SCR
	11	1	472251 MTG SOCKET FOR 472249 SMV SIGN
	12	1	472249 SLOW MOVING VEHICLE SIGN, SMV
	13	1	472250 SPADE MTG BRKT FOR 472249 SMV
	14	1	660222 REAR ENGINE HOOD, STS 04
	15	2	660224 ENG HOOD BUMPER WLD, STS 04
	16	2	660226 ENG HOOD BUMPER, STS 04
	17	2	660227 ENG HOOD BUMPER KEEPER, STS 04
	18	4	900003 1/4UNC X 1" HEX BOLT
	19	1	650223 DECAL,30MPH ID SYMBOL, VINYL
	20	1	660230 ENG HOOD PULL STRAP ASSY,STS04
	21	4	900265 1/2UNC X 1 1/2 HEX BOLT
	22	2	900341 5/8UNC X 3 3/4 HEX BOLT
	23	8	910027 10-32 HEX NUT
	24	2	473007 1/2UNC HEX NUT, NYLOC
	25	2	914010 5/8UNC HEX STOVER NUT
	26	8	920004 1/2 SAE FLAT WASHER
	27	8	920510 #10 LOCK WASHER
	28	4	910008 1/2UNC HEX NUT
	29	1	900267 1/2UNC X 2" HEX BOLT
	30	1	900268 1/2UNC X 2 1/2 HEX BOLT
	31	1	621077 HOOD HYD CYL ASSY, STS 04
	32	4	470118 1/4UNC X 3/4 FLANGE HEX BOLT
	33	4	470360 1/2UNC HEX FLANGE LOCK NUT
	34	1	470441 GROMMET, .500ID .250GW 2.190GD
	35	2	290202 2-WIRE PIGTAIL FOR 290200AMBER
	36	2	290203 3-WIRE PIGTAIL FOR 290201 RED
	37	4	290204 4" GROMMET FOR 290200 & 290201
	38	2	193066 FOAM,1" X 1.5 X 81"ADHVE STRIP
	39	1	660461 REAR ENGINE HOOD, T4I STS' 13

FRONT PANEL AND DOOR ASSEMBLY

DET.	QTY	PART NO.	DESCRIPTION
1	1	340330	.375 SCH40 BP X 1.25 C/L
2	4	470075	COTTER PIN 1/8 X 3/4
3	5	470118	1/4UNC X 3/4 FLANGE HEX BOLT
4	8	470121	1/4UNC HEX FLANGE LOCK NUT
5	5	470122	1/4UNC X 1/2 FLANGE HEX BOLT
6	1	470306	DOOR LATCH, RH TWO-ROTOR
7	1	470325	7/16UNC HEX FLANGE LOCK NUT
8	6	470335	LINCHPIN, 3/16 X 1 1/4 GRIP
9	2	470367	FLAT HINGE, 180 DEG, DIECAST
10	1	472324	ROLL PIN, 5/32 X 1/2
11	2	900064	5/16UNC X 3/4 HEX BOLT
12	4	660244	DOOR HINGE BRKT WLD STS LS 06
13	1	660246	FRT BELLY SHILD, STSLS 06
14	1	660289	REAR BELLY SHIELD, STSLS 13
15	1	660231	LWR ENG COVER, STS 04
16	1	660283	FRT ENG HOOD BRACE, STS10/12'12
17	1	660260	FRONT ENGINE HOOD, GST/STS 09
18	1	660221	AIR CLEANER DOOR, STS 04
19	1	660228	SIDE DOOR LATCH EXT, STS 04
20	2	660229	DOOR HINGE BACK PLATE, STS 04
21	2	900005	1/4UNC X 1 1/2 HEX BOLT
22	4	900050	1/4UNC X 1 1/4 PH FLHD MAC SCR
23	2	900277	1/2UNC X 5 1/2 HEX BOLT
24	1	900216	7/16UNC X 2 1/2 HEX BOLT
25	2	900265	1/2UNC X 1 1/2 HEX BOLT
26	4	914000	1/4UNC HEX STOVER NUT
27	2	914002	5/16UNC HEX STOVER NUT
28	2	920001	5/16 SAE FLAT WASHER
29	1	920003	7/16 SAE FLAT WASHER
30	2	920004	1/2 SAE FLAT WASHER
31	4	470360	1/2UNC HEX FLANGE LOCK NUT
32	8	470233	5/16UNC X 3/4 FLANGE HEX BOLT
33	8	470113	5/16UNC HEX FLANGE LOCK NUT
34	1	660458	AIR CLEANER DOOR, T4I STS'13
35	1	660460	FRONT ENGINE HOOD, T4I STS'13
36	1	316992	HOOD BRACE, T4I STS10'13
37	1	660494	FRT ENG HOOD BRACE T4I STS'13

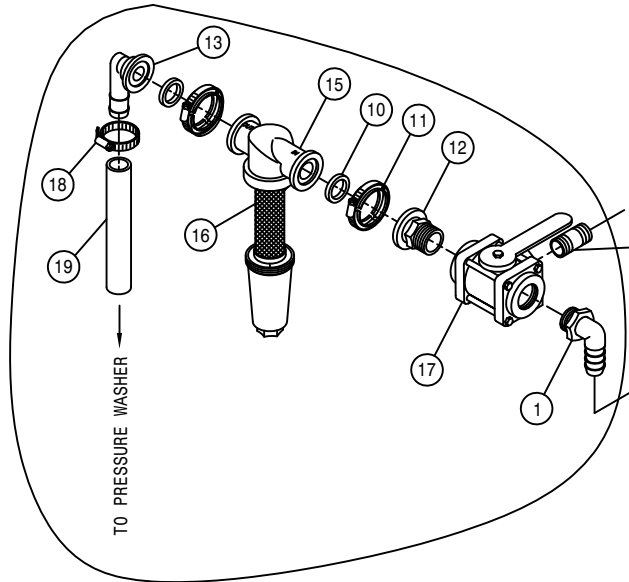


POLY RINSE TANK ASSEMBLY

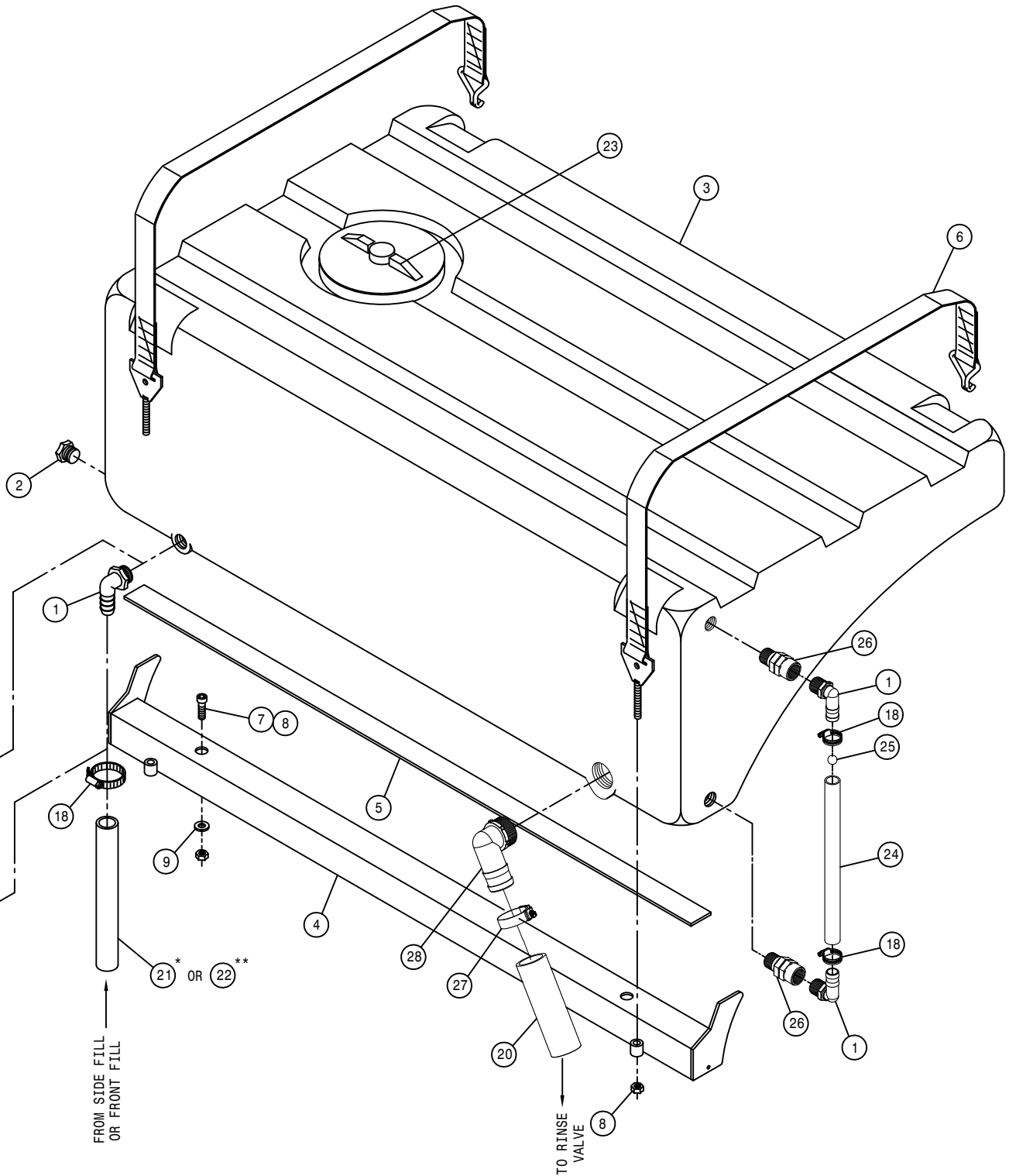
DET. QTY PART NO. DESCRIPTION

1	4	500024	1"NPT-90-1"HOSE BARB, POLY
2	1	500063	1"NPT PIPE PLUG, POLY
3	1	763821	100 GAL POLY TANK, GRAY STS'13
4	1	763590	POLY RINSE TANK MT WLD STS12
5	1	763594	POLY RINSE TANK MT PAD STS12
6	2	763595	POLY RINSE TNK STRAP ASSY STS
7	2	900392	1/2UNC X 1 1/2 SOCKET CAP SCR
8	4	914008	1/2UNC HEX STOVER NUT
9	2	920004	1/2 SAE FLAT WASHER
10	2	500157	1" FLANGE GASKET EPDM
11	2	500159	1" FLANGE CLAMP, S.S.
12	1	500163	1" FLANGE-1" MNPT ADPTR POLY
13	1	500173	1" FLANGE-90-1" HOSE BARB POLY
14	1	505198	SS PIPE NIPPLE 1.00NPT-3.00
15	1	690660	LINE T-STRAINER,1"FLG,W/O SCRN
16	1	690669	100 MESH SCREEN FOR 690660
17	1	696004	BALL VLV,1.00NP 3WAY-SIDE POLY
18	4	520090	HOSE CLAMP NO 16 STAINLESS
19	1	601522	HOSE, 1 X 204 1BR BLK EPDM
20	1	601774	HOSE, 2 X 38 2F-1W EPDM
21	1	601497	HOSE, 1 X 206 1BR BLK EPDM
22	1	601318	HOSE, 1 X 254 1BR BLK EPDM
23	1	701155	8" LID FOR 5 GAL TANK 701085
24	1	601742	HOSE, 1" X 16 CLEAR VINYL
25	1	763623	GREEN POLYPROPYLENE BALL .750"
26	2	500107	1"NPT SWIVEL POLY
27	1	520141	2.31/2.62 T-BOLT HOSE CLAMP SS
28	1	500141	2"MNPT-90-2" HOSE BARB, POLY

NOTE * FRONT FILL OPTION
 ** SIDE FILL OPTION

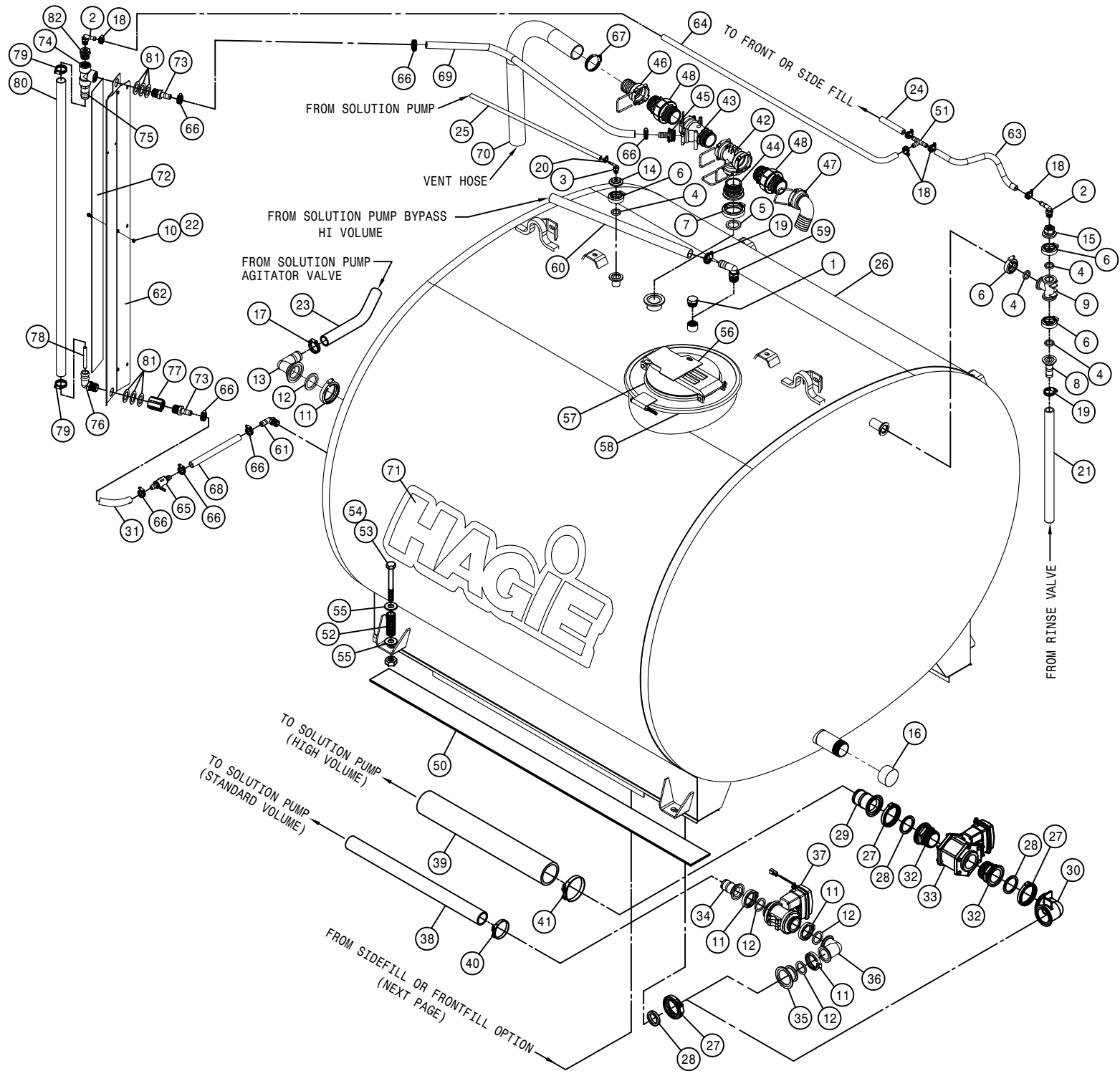


PRESSURE WASHER OPTION



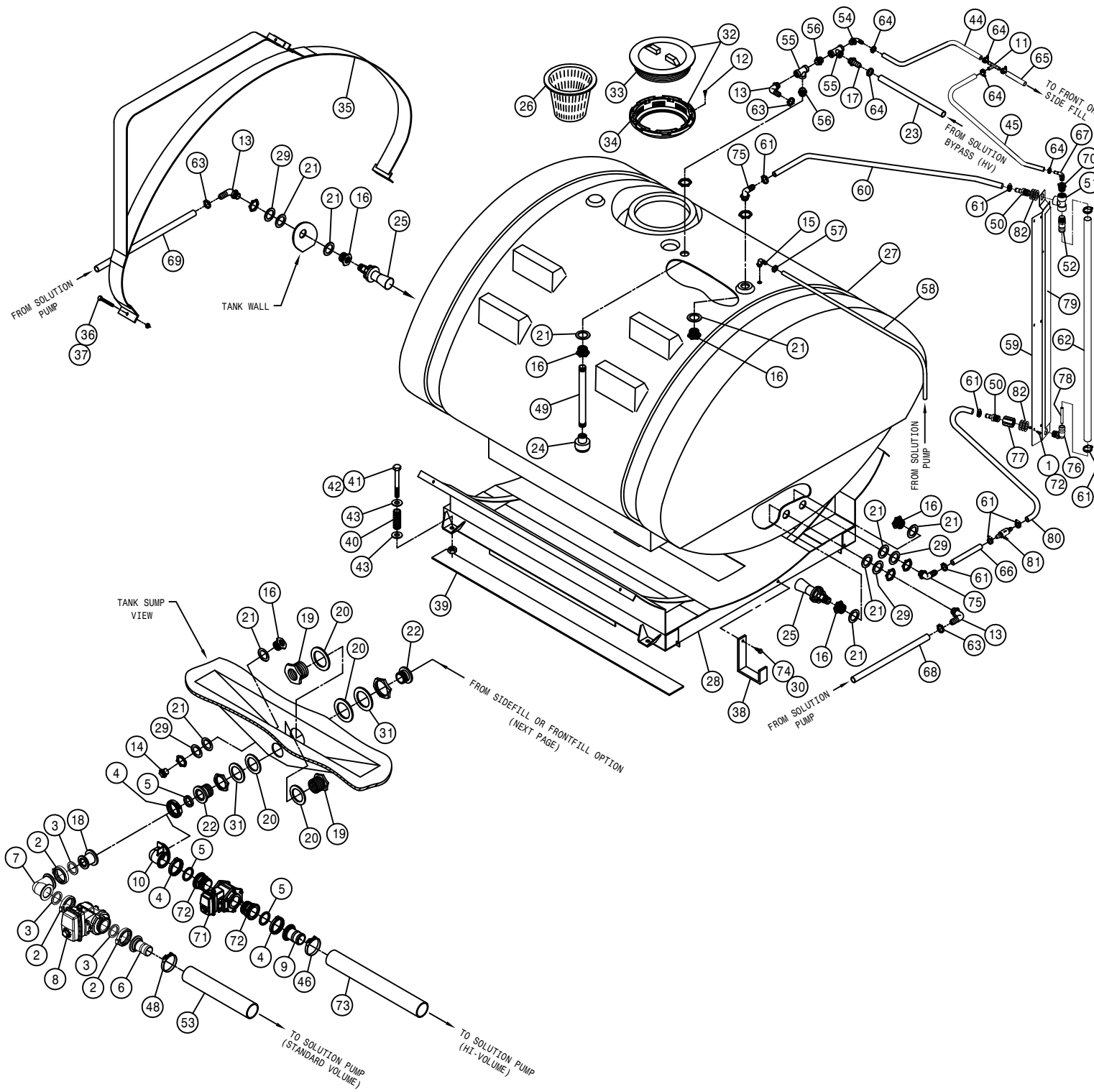
1000 GALLON SS TANK ASSEMBLY

DET.	QTY	PART NO.	DESCRIPTION
1	1	500063	1"NPT PIPE PLUG, POLY
2	2	500047	1/2NPT-90-1/2 HOSE BARB, POLY
3	1	500104	1/4NPT-90-1/4 HOSE BARB, POLY
4	4	500157	1" FLANGE GASKET EPDM
5	3	500158	1 1/2" GASKET FOR 2" FLANGE
6	4	500159	1" FLANGE CLAMP, S.S.
7	3	500160	2" FLANGE CLAMP, S.S.
8	1	500171	1" FLANGE-1" HOSE BARB POLY
9	1	500175	1" FLANGE TEE POLY
10	3	470118	1/4UNC X 3/4 FLANGE HEX BOLT
11	4	500194	2"FP FLANGE CLAMP, S.S.
12	4	500195	2"FP FLANGE GASKET EPDM
13	1	500197	2" FP FLANGE-90-1 1/2 HBARB
14	1	500226	1" FLANGE PLUG W/1/4"FNPT POLY
15	1	500238	1" FLANGE PLUG W/1/2"FNPT POLY
16	1	507103	PIPE CAP, 2.00FNPT S.S.
17	1	520067	HOSE CLAMP NO 28 STAINLESS
18	5	520070	HOSE CLAMP NO 8 STAINLESS
19	2	520090	HOSE CLAMP NO 16 STAINLESS
20	1	520120	HOSE CLAMP NO 4 STAINLESS
21	1	601704	HOSE, 1 X 140 1BR BLK EPDM
22	3	470089	1/4UNC HEX NYLOC NUT, 316 SS
23	1	601591	HOSE, 1 1/2 X 53 2BR BLK EPDM
24	1	601607	HOSE, 1/2 X 190 1BR BLK EPDM
25	1	601674	HOSE, 1/4 X 120 1 BR BLK EPDM
26	1	763725	1000 GAL SS TANK '11
27	3	500208	3" FLANGE CLAMP, S.S.
28	3	500209	3" FLANGE GASKET EPDM
29	1	500210	3" FLANGE-3" HOSE BARB POLY
30	1	500213	3"FLANGE-90-3"FLANGE LBO POLY
31	1	601766	HOSE, 3/4 X 4 CLEAR VINYL
32	2	500164	3" FLANGE-3" MNPT ADPTR POLY
33	1	696268	VALVE, 3" KZCO
34	1	500196	2"FP FLANGE-2" HOSE BARB POLY
35	1	500212	3"FLANGE-2"FP FLANGE REDU POLY
36	1	500219	2"FP FLANGE-90-2"FP FLANGE LBO
37	1	696258	VALVE, KZCO C2I-60B-Y19
38	1	601573	HOSE, 2 X 48 2F-1W EPDM
39	1	601663	HOSE, 3 X 50 POLY HELIX EPDM
40	1	520141	2.31/2.62 T-BOLT HOSE CLAMP SS
41	3	520145	3.56/3.88 T-BOLT HOSE CLAMP SS
42	1	737754	2"FEM T-CONNECTOR POLY
43	1	737755	2"-1 1/4"Y 3-WAY MANIF POLY
44	1	737757	2"-2"FLANGE ADPTR POLY
45	1	737758	1 1/4"M-3/4" HOSE BARB POLY
46	1	737759	2"F-2"HOSE BARB POLY
47	1	737760	2"F-90-2" HOSE BARB POLY
48	2	737761	2"M CHECK VALVE POLY
49	1	737738	FORK,D.3 DIST.42 (737731)
50	2	470321	IND BELT, 4.00 X 67.00 .203THK
51	1	500120	1/2" HOSE BARB TEE, POLY
52	4	482016	SPRING, 1.40 X 3.00 COMPRSN
53	4	900416	3/4UNC X 6 1/2 HEX BOLT
54	4	914012	3/4UNC HEX STOVER NUT
55	8	920006	3/4 SAE FLAT WASHER
56	1	763561	LID ASSY FOR 763550 TANK
57	1	763562	10" FILL LID SEAL FOR 763550
58	1	763563	16" MANHOLE SEAL FOR 763550
59	1	500024	1"NPT-90-1"HOSE BARB, POLY
60	1	601682	HOSE, 1 X 111 2BR BLK EPDM
61	1	500054	3/4NPT-90-3/4 HOSE BARB, POLY
62	1	701449	SIGHT GAUGE SUPPORT STS'13
63	1	601634	HOSE, 1/2 X 78 1BR BLK EPDM
64	1	601800	HOSE, 1/2 X 39 1BR BLK EPDM
65	1	696193	3/4" HOSE BARB MICRO VALVE
66	6	520055	HOSE CLAMP NO 12 STAINLESS
67	1	520068	HOSE CLAMP NO 32 STAINLESS
68	1	601767	HOSE, 3/4 X 16 CLEAR VINYL
69	1	601728	HOSE, 3/4 X 60 CLEAR VINYL
70	1	601743	HOSE, 2 X 113 2F-1W EPDM
71	2	650143	DECAL,LOGO,SOLU TANK STS'10
72	1	650405	DECAL,1000G SS SIGHT GAUGE '12
73	2	500108	1"NPT-3/4" HOSE BARB POLY
74	1	500075	1" NPT PIPE TEE, POLY
75	1	500021	1 NPT X 1 1/4 HOSE BARB, POLY
76	1	500051	1"NPT-90-1 1/4"HOSE BARB,POLY
77	1	500147	1"NPT PIPE COUPLING POLY
78	1	701448	FLOAT, SIGHT GAUGE STS'13
79	2	520087	HOSE CLAMP NO 20 STAINLESS
80	1	601793	HOSE,1 1/4 X 57.25 CLEAR VINYL
81	6	483022	1.375 X 2.125 X .134 MACH WASH
82	1	505233	1"-1/2"NPT REDU BUSH, POLY



1000 GALLON POLY TANK ASSEMBLY

DET. QTY PART NO. DESCRIPTION

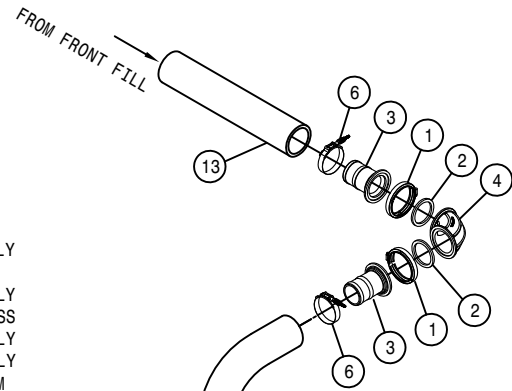


DET.	QTY	PART NO.	DESCRIPTION
1	6	470118	1/4UNC X 3/4 FLANGE HEX BOLT
2	3	500194	2"FP FLANGE CLAMP, S.S.
3	3	500195	2"FP FLANGE GASKET EPDM
4	3	500208	3" FLANGE CLAMP, S.S.
5	3	500209	3" FLANGE GASKET EPDM
6	1	500196	2"FP FLANGE-2" HOSE BARB POLY
7	1	500219	2"FP FLANGE-90-2"FP FLANGE LBO
8	1	696258	VALVE, KZCO C21-60B-Y19
9	1	500210	3" FLANGE-3" HOSE BARB POLY
10	1	500213	3"FLANGE-90-3"FLANGE LBO POLY
11	1	500120	1/2" HOSE BARB TEE, POLY
12	8	473847	10-12 X 1 PHIL FLAT HD SCR SS
13	3	500026	3/4NPT-90-1"HOSE BARB, POLY
14	1	500043	3/4NPT PIPE PLUG, POLY
15	1	500104	1/4NPT-90-1/4 HOSE BARB, POLY
16	6	500110	3/4NPT BLKHD TANK FITTING POLY
17	1	500123	3/4NPT-1"HOSE BARB, POLY
18	1	500212	3"FLANGE-2"FP FLANGE REDU POLY
19	2	500127	3" TANK FITTING W/.50 FLG POLY
20	4	500115	3"NPT BLKHD FITTING GASKET
21	10	500158	1 1/2" GASKET FOR 2" FLANGE
22	2	500164	3" FLANGE-3" MNPT ADPTR POLY
23	1	601682	HOSE, 1 X 111 2BR BLK EPDM
24	1	737873	ROTARY NOZZLE, TEFLON
25	2	737879	EDUCTOR NOZZLE, 3/4MNPT TEEJET
26	1	763431	8" STRAINER BASKET, SOLU TANK
27	1	763571	1000 GAL POLY TANK
28	1	763601	POLY TANK CRADLE WELDMT STS10
29	4	763612	WASH: 16GA X 1.63 X 2.38
30	1	900064	5/16UNC X 3/4 HEX BOLT
31	2	763614	WASH: 16GA X 4.50 X 5.50
32	1	763624	10" TANK LID W/RING ASSY, POLY
33	1	763625	10" TANK LID, POLY
34	1	763626	10" TANK LID RING, POLY
35	2	763630	POLY TANK STRAP ASSY STS10
36	6	900538	1/2UNC X 3 1/2 HEX BOLT FULL
37	6	914008	1/2UNC HEX STOVER NUT
38	1	763621	SOLU HOSE SUPP, POLY TANK STS10
39	2	470321	IND BELT, 4.00 X 67.00 .203THK
40	4	482016	SPRING, 1.40 X 3.00 COMPRNS
41	4	900416	3/4UNC X 6 1/2 HEX BOLT
42	4	914012	3/4UNC HEX STOVER NUT
43	8	920006	3/4 SAE FLAT WASHER
44	1	601161	HOSE, 1/2 X 36 1BR BLK EPDM
45	1	601800	HOSE, 1/2 X 39 1BR BLK EPDM
46	1	520145	3.56/3.88 T-BOLT HOSE CLAMP SS
47	1	690731	SOLU TUBE, 3.00 S.S. SIDE FILL
48	1	520141	2.31/2.62 T-BOLT HOSE CLAMP SS
49	1	504850	CPVC PIPE NIPPLE .75NPT-24.00
50	2	500108	1"NPT-3/4" HOSE BARB POLY
51	1	500075	1" NPT PIPE TEE, POLY
52	1	500021	1 NPT X 1 1/4 HOSE BARB, POLY
53	1	601573	HOSE, 2 X 48 2F-1W EPDM
54	1	500041	3/4NPT-90-1/2"HOSE BARB, POLY
55	2	505218	3/4 NPT PIPE TEE, POLY
56	2	690098	3/4NPT CLOSE NIPPLE, POLY
57	1	520120	HOSE CLAMP NO 4 STAINLESS
58	1	601674	HOSE, 1/4 X 120 1 BR BLK EPDM
59	1	701449	SIGHT GAUGE SUPPORT STS'13
60	1	601729	HOSE, 3/4 X 49 CLEAR VINYL
61	6	520055	HOSE CLAMP NO 12 STAINLESS
62	1	601793	HOSE, 1 1/4 X 57.25 CLEAR VINYL
63	3	520090	HOSE CLAMP NO 16 STAINLESS
64	5	520070	HOSE CLAMP NO 8 STAINLESS
65	1	601260	HOSE, 1/2 X 180 1BR BLK EPDM
66	1	601768	HOSE, 3/4 X 22 CLEAR VINYL
67	1	500047	1/2NPT-90-1/2 HOSE BARB, POLY
68	1	601577	HOSE, 1 X 53 1BR BLK EPDM
69	1	601578	HOSE, 1 X 125 1BR BLK EPDM
70	1	505233	1" -1/2"NPT REDU BUSH, POLY
71	1	696268	VALVE, 3" KZCO
72	6	470089	1/4UNC HEX NYLOC NUT, 316 SS
73	1	601663	HOSE, 3 X 50 POLY HELIX EPDM
74	1	470381	5/16-18 NUTSERT .027-.150 STL
75	2	500054	3/4NPT-90-3/4 HOSE BARB, POLY
76	1	500051	1"NPT-90-1 1/4"HOSE BARB, POLY
77	1	500147	1"NPT PIPE COUPLING POLY
78	1	701448	FLOAT, SIGHT GAUGE STS'13
79	1	650404	DECAL, 1000G PLY SIGHT GAUGE'12
80	1	601766	HOSE, 3/4 X 4 CLEAR VINYL
81	1	696193	3/4" HOSE BARB MICRO VALVE
82	6	483022	1.375 X 2.125 X .134 MACH WASH

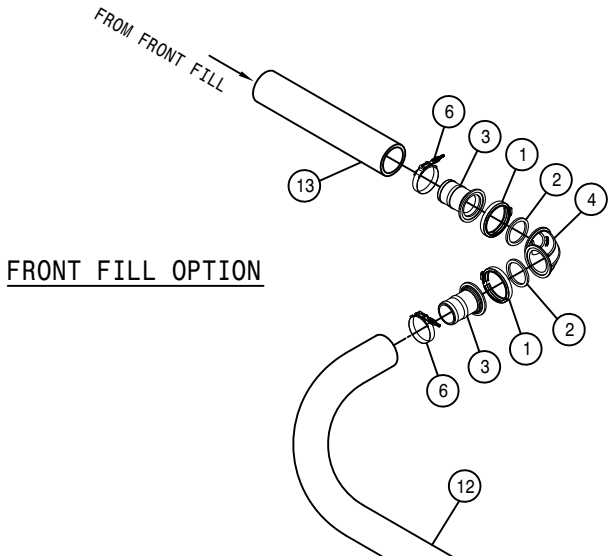
FRONT AND SIDE FILL TANK VALVE ASSEMBLY

DET. QTY PART NO. DESCRIPTION

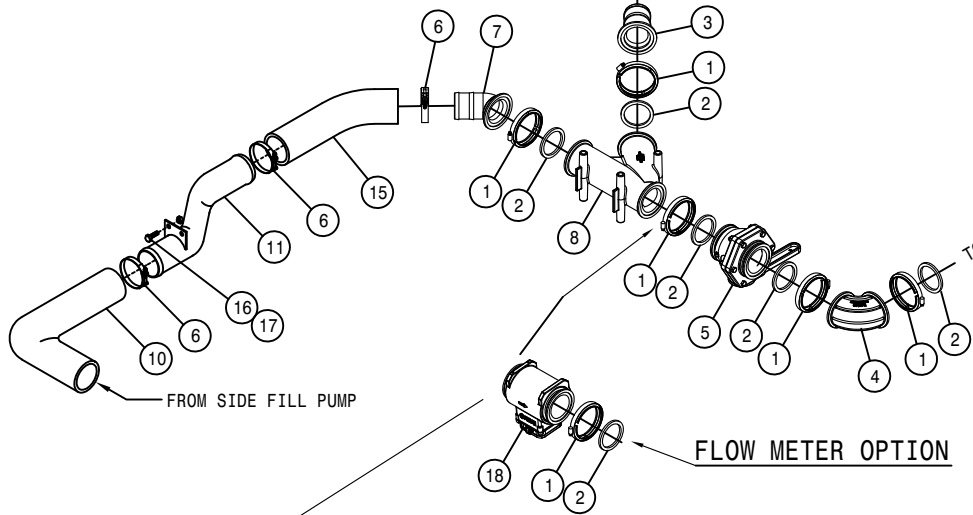
DET.	QTY	PART NO.	DESCRIPTION
1	10	500208	3" FLANGE CLAMP, S.S.
2	10	500209	3" FLANGE GASKET EPDM
3	6	500210	3" FLANGE-3" HOSE BARB POLY
4	4	500262	3"FLANGE-90-3"FLG SWEEP LBO
5	2	696190	3"FP FLANGE STUBBY VALVE POLY
6	6	520145	3.56/3.88 T-BOLT HOSE CLAMP SS
7	1	500258	3" FLANGE-45-3" HOSE BARB POLY
8	1	500260	3"FP-45-Y FLANGE COUPLER POLY
9	1	601574	HOSE, 3 X 36 POLY HELIX EPDM
10	2	601664	HOSE, 3 X 55 POLY HELIX EPDM
11	1	690731	SOLU TUBE, 3.00 S.S. SIDE FILL
12	1	601508	HOSE, 3 X 64 POLY HELIX EPDM
13	2	601680	HOSE, 3 X 91 POLY HELIX EPDM
14	1	601663	HOSE, 3 X 50 POLY HELIX EPDM
15	1	601771	HOSE, 3 X 26 POLY HELIX EPDM
16	4	900064	5/16UNC X 3/4 HEX BOLT
17	4	914002	5/16UNC HEX STOVER NUT
18	1	691242	3" MANIFOLD FLOWMETER, BANJO



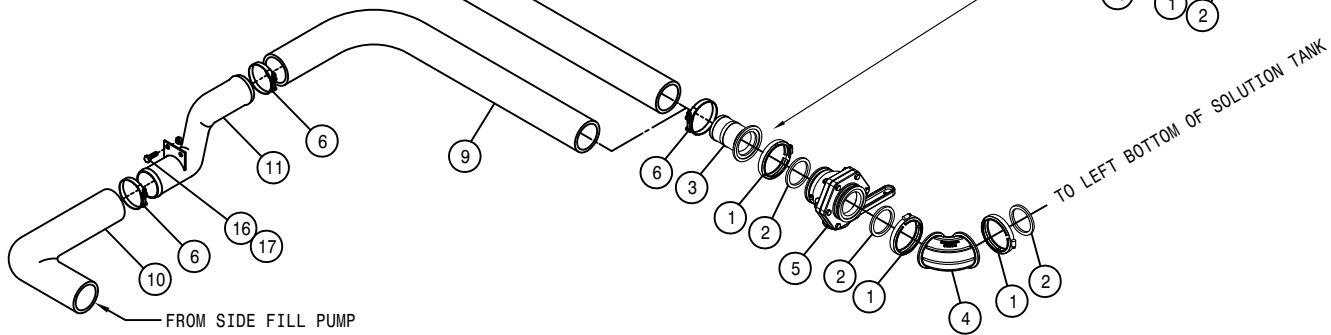
FRONT & SIDE FILL OPTION



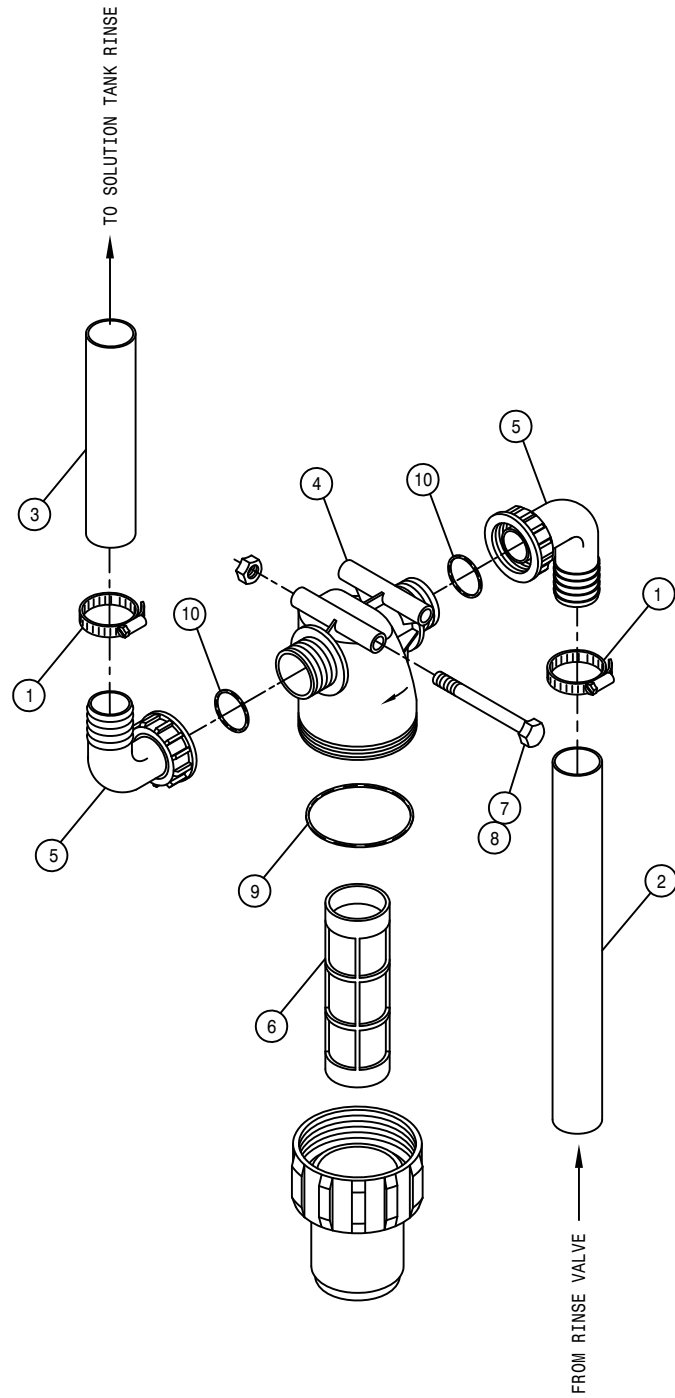
FRONT FILL OPTION



FLOW METER OPTION



SIDE FILL OPTION



RINSE STRAINER ASSEMBLY

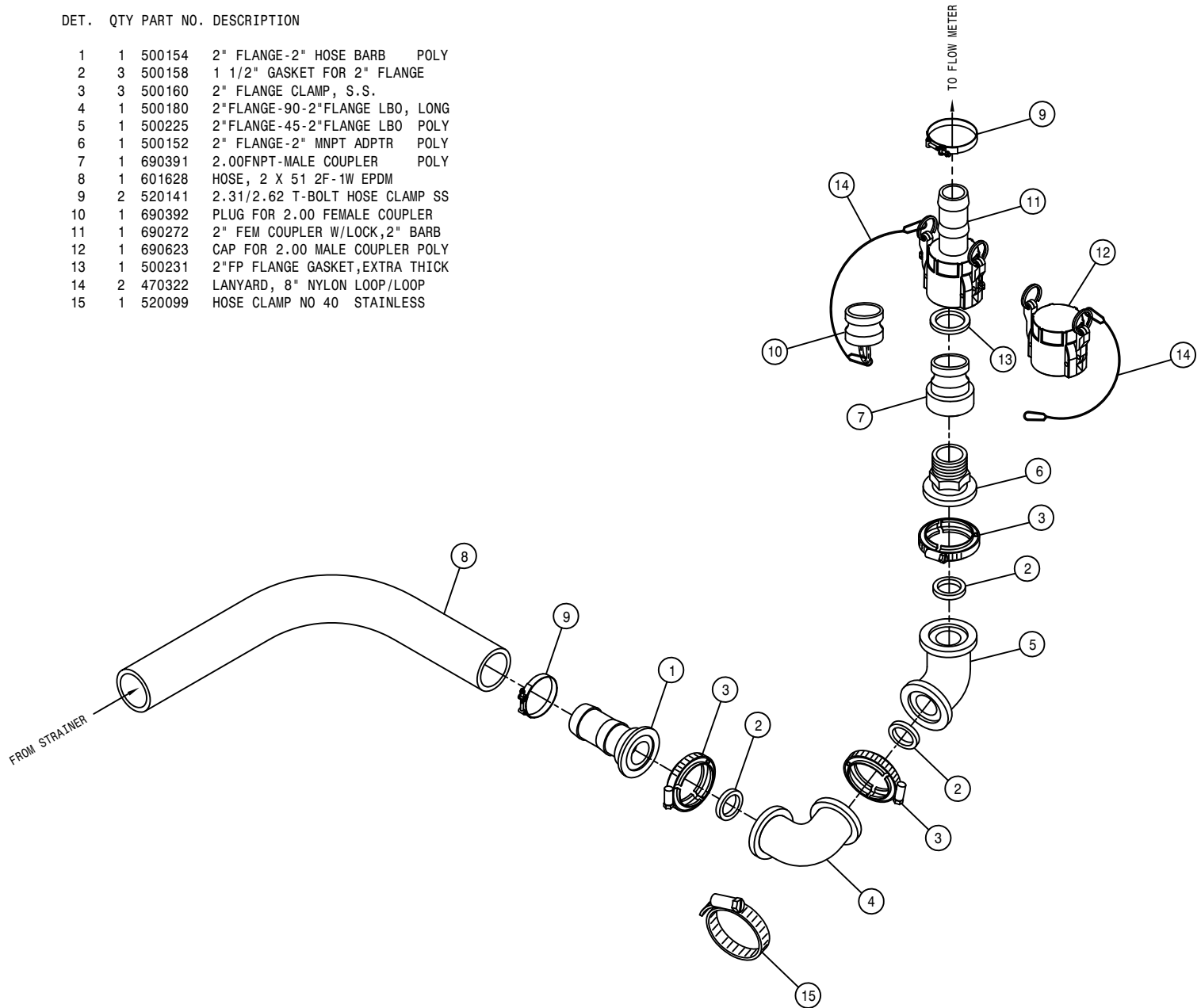
DET. QTY PART NO. DESCRIPTION

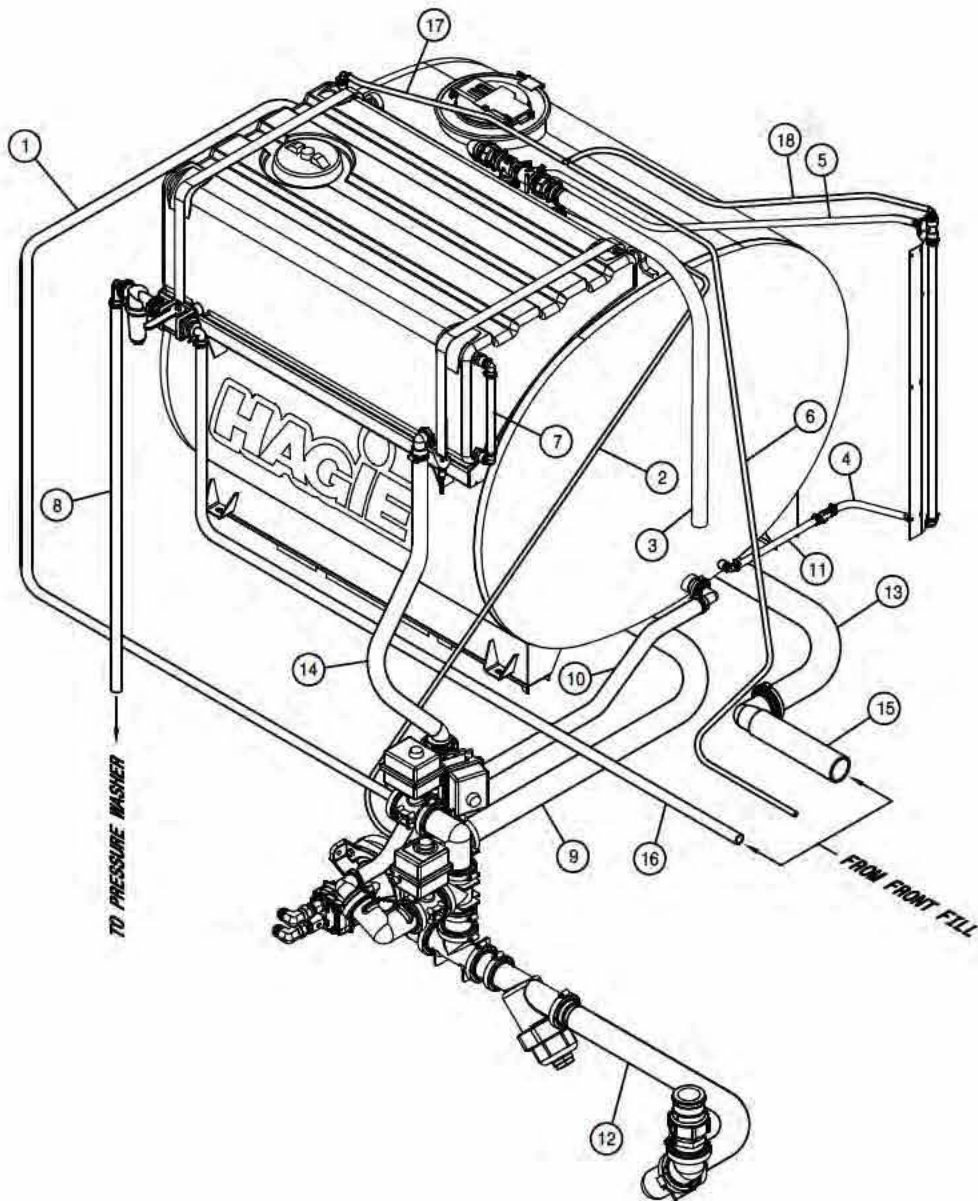
1	2	520090	HOSE CLAMP NO 16 STAINLESS
2	1	601635	HOSE, 1 X 35 1BR BLK EPDM
3	1	601636	HOSE, 1 X 100 1BR BLK EPDM
4	1	690071	LINE STRAINER,32 MESH,150PSI
5	2	690072	1"-90D HOSE BARB KIT,STRAINER
6	1	690073	SCREEN,32 MESH,STRANER 690071
7	2	900073	5/16UNC X 3 1/4 HEX BOLT
8	2	470113	5/16UNC HEX FLANGE LOCK NUT
9	1	690006	O-RING FOR STRAINER 690071
10	2	690007	O-RING FOR STRAINER FTG 690072

QUICK COUPLER ASSEMBLY

DET. QTY PART NO. DESCRIPTION

1	1	500154	2" FLANGE-2" HOSE BARB	POLY
2	3	500158	1 1/2" GASKET FOR 2" FLANGE	
3	3	500160	2" FLANGE CLAMP, S.S.	
4	1	500180	2"FLANGE-90-2"FLANGE LBO, LONG	
5	1	500225	2"FLANGE-45-2"FLANGE LBO	POLY
6	1	500152	2" FLANGE-2" MNPT ADPTR	POLY
7	1	690391	2.00FNPT-MALE COUPLER	POLY
8	1	601628	HOSE, 2 X 51 2F-1W EPDM	
9	2	520141	2.31/2.62 T-BOLT HOSE CLAMP SS	
10	1	690392	PLUG FOR 2.00 FEMALE COUPLER	
11	1	690272	2" FEM COUPLER W/LOCK,2" BARB	
12	1	690623	CAP FOR 2.00 MALE COUPLER POLY	
13	1	500231	2"FP FLANGE GASKET,EXTRA THICK	
14	2	470322	LANYARD, 8" NYLON LOOP/LOOP	
15	1	520099	HOSE CLAMP NO 40 STAINLESS	

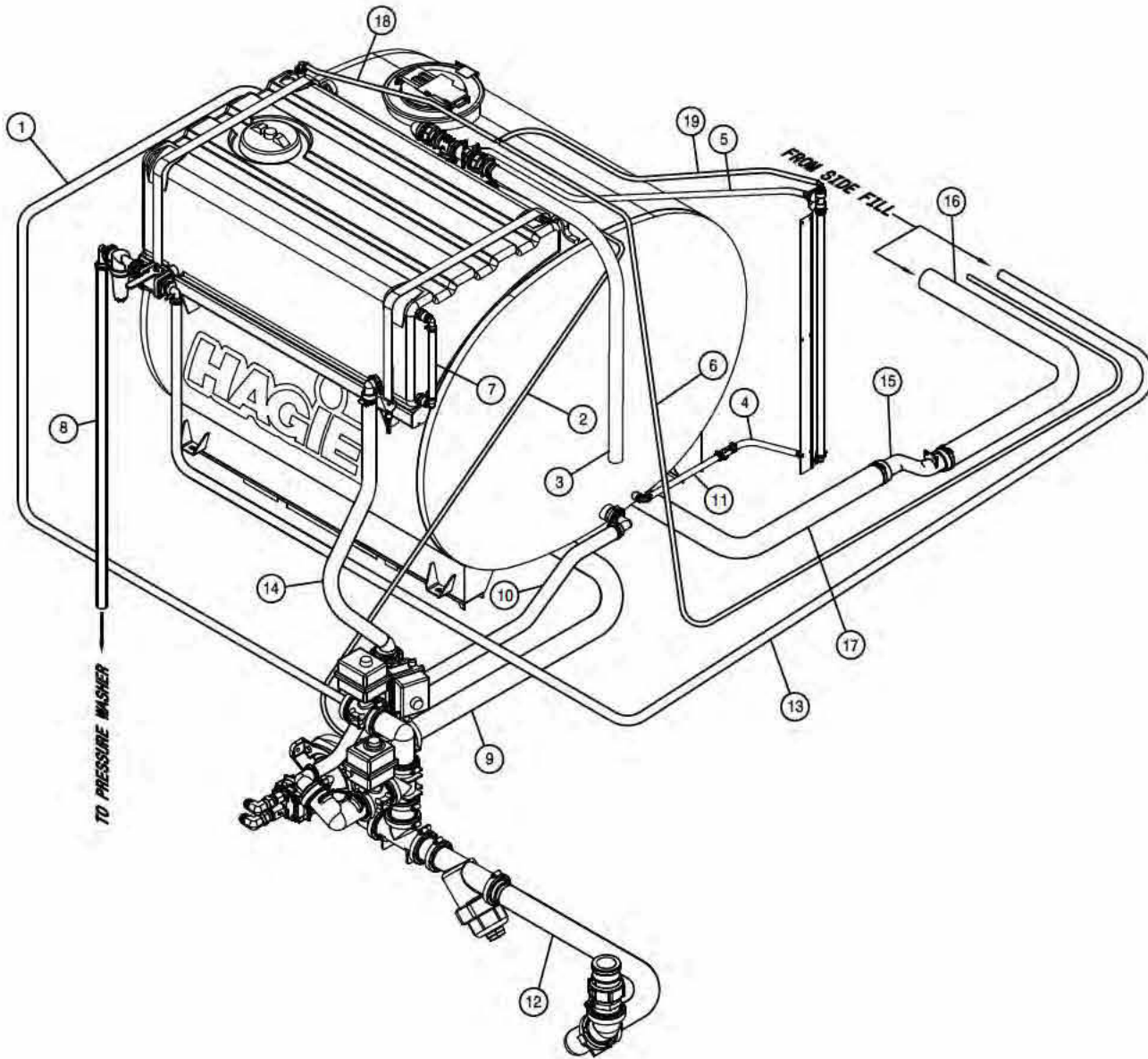




FRONT FILL SOLUTION HOISING (STD-VOLUME)

DET. QTY PART NO. DESCRIPTION

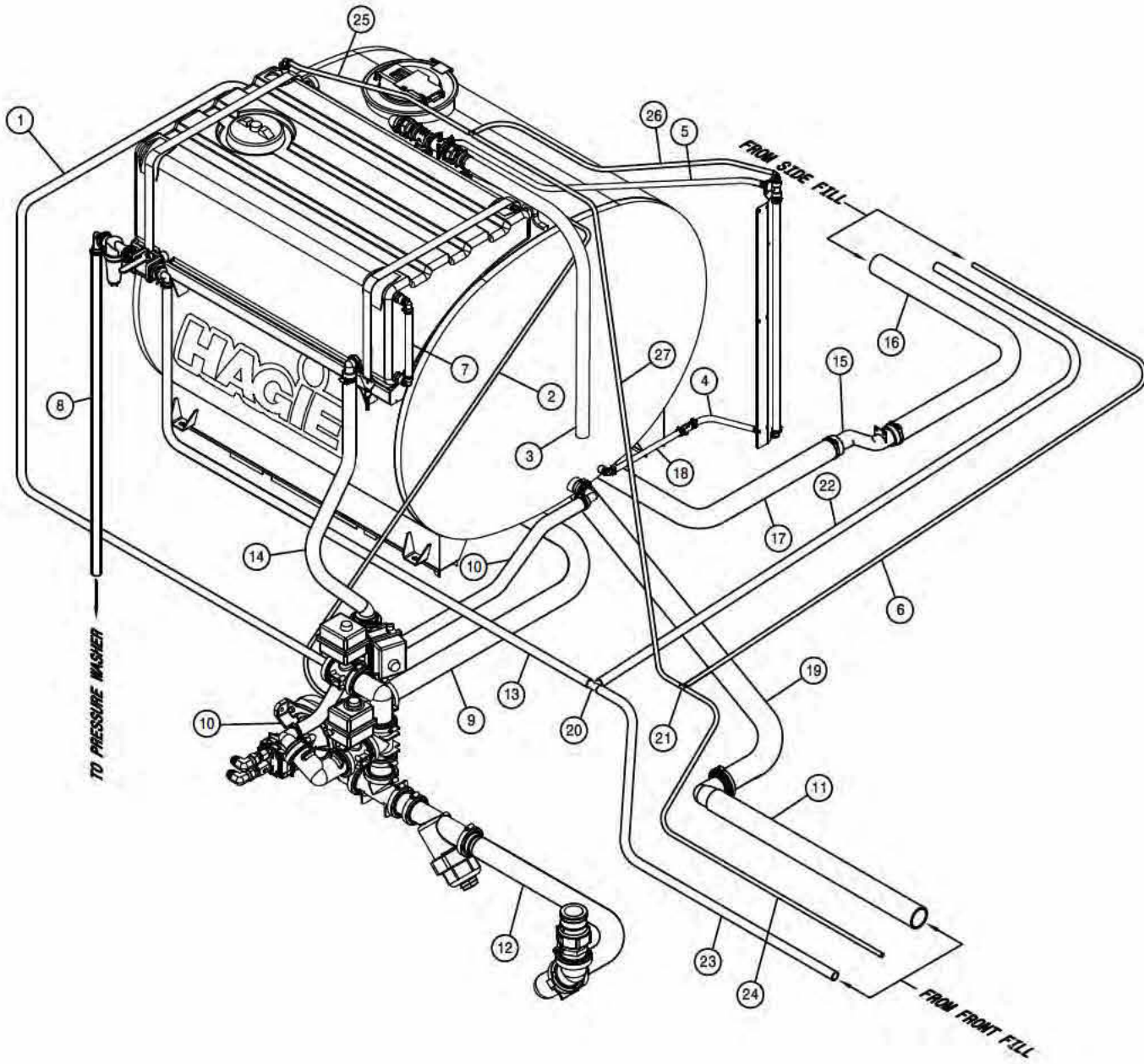
1	1	601704	HOSE, 1 X 140 1BR BLK EPDM
2	1	601674	HOSE, 1/4 X 120 1 BR BLK EPDM
3	1	601743	HOSE, 2 X 113 2F-1W EPDM
4	1	601766	HOSE, 3/4 X 4 CLEAR VINYL
5	1	601728	HOSE, 3/4 X 60 CLEAR VINYL
6	1	601607	HOSE, 1/2 X 190 1BR BLK EPDM
7	1	601742	HOSE, 1" X 16 CLEAR VINYL
8	1	601522	HOSE, 1 X 204 1BR BLK EPDM
9	1	601573	HOSE, 2 X 48 2F-1W EPDM
10	1	601591	HOSE, 1 1/2 X 53 2BR BLK EPDM
11	1	601767	HOSE, 3/4 X 16 CLEAR VINYL
12	1	601628	HOSE, 2 X 51 2F-1W EPDM
13	1	601508	HOSE, 3 X 64 POLY HELIX EPDM
14	1	601774	HOSE, 2 X 38 2F-1W EPDM
15	1	601680	HOSE, 3 X 91 POLY HELIX EPDM
16	1	601497	HOSE, 1 X 206 1BR BLK EPDM
17	1	601634	HOSE, 1/2 X 78 1BR BLK EPDM
18	1	601800	HOSE, 1/2 X 39 1BR BLK EPDM



SIDE FILL SOLUTION HOISING (STD-VOLUME)

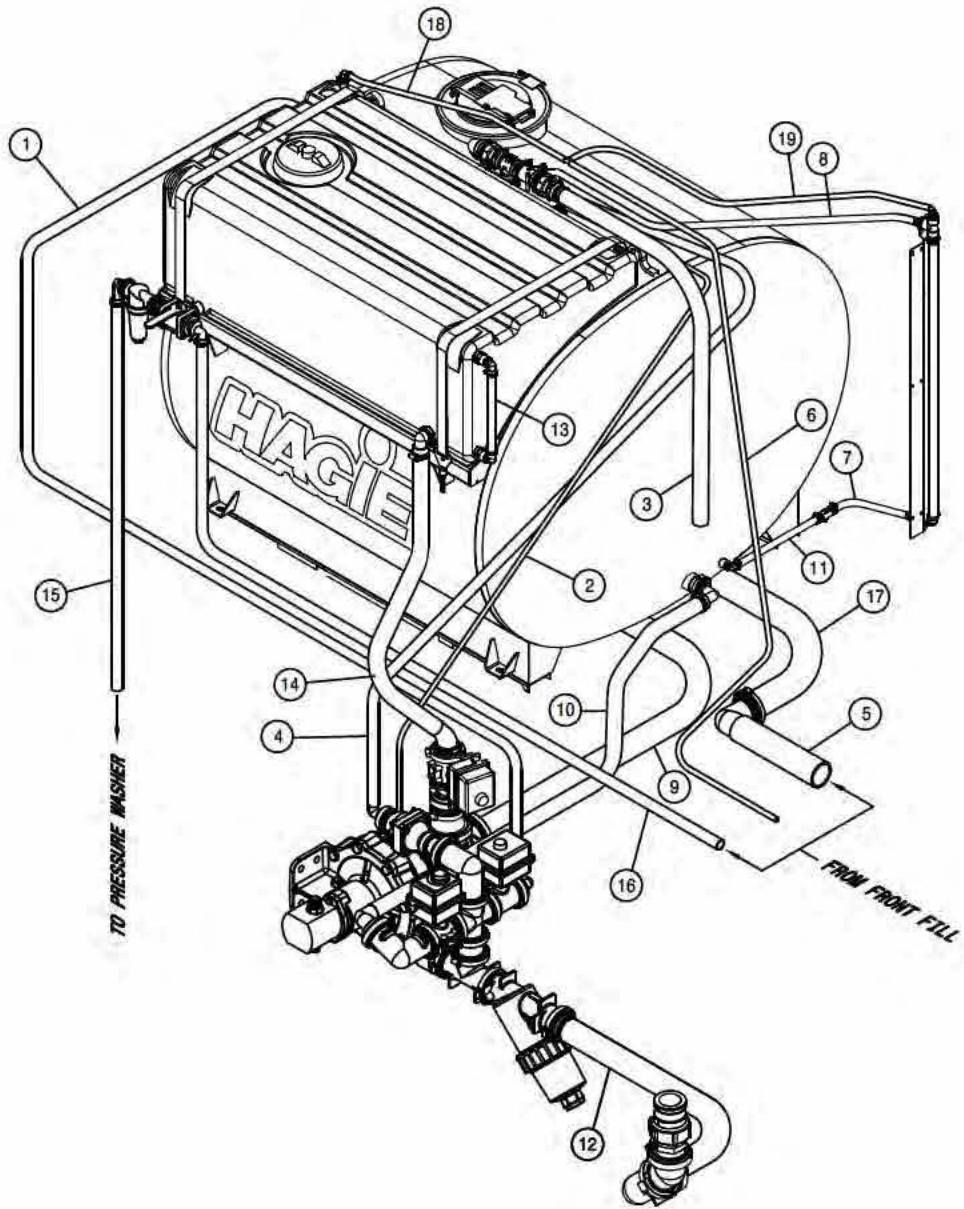
DET. QTY PART NO. DESCRIPTION

1	1	601704	HOSE, 1 X 140 1BR BLK EPDM
2	1	601674	HOSE, 1/4 X 120 1 BR BLK EPDM
3	1	601743	HOSE, 2 X 113 2F-1W EPDM
4	1	601529	HOSE, 3/4 X 34 CLEAR VINYL
5	1	601728	HOSE, 3/4 X 60 CLEAR VINYL
6	1	601607	HOSE, 1/2 X 190 1BR BLK EPDM
7	1	601742	HOSE, 1" X 16 CLEAR VINYL
8	1	601522	HOSE, 1 X 204 1BR BLK EPDM
9	1	601573	HOSE, 2 X 48 2F-1W EPDM
10	1	601591	HOSE, 1 1/2 X 53 2BR BLK EPDM
11	1	601767	HOSE, 3/4 X 16 CLEAR VINYL
12	1	601628	HOSE, 2 X 51 2F-1W EPDM
13	1	601318	HOSE, 1 X 254 1BR BLK EPDM
14	1	601774	HOSE, 2 X 38 2F-1W EPDM
15	1	690731	SOLU TUBE, 3.00 S.S. SIDE FILL
16	1	601664	HOSE, 3 X 55 POLY HELIX EPDM
17	1	601574	HOSE, 3 X 36 POLY HELIX EPDM
18	1	601634	HOSE, 1/2 X 78 1BR BLK EPDM
19	1	601800	HOSE, 1/2 X 39 1BR BLK EPDM



FRONT AND SIDE FILL SOLUTION HOSEING (STD-VOLUME)

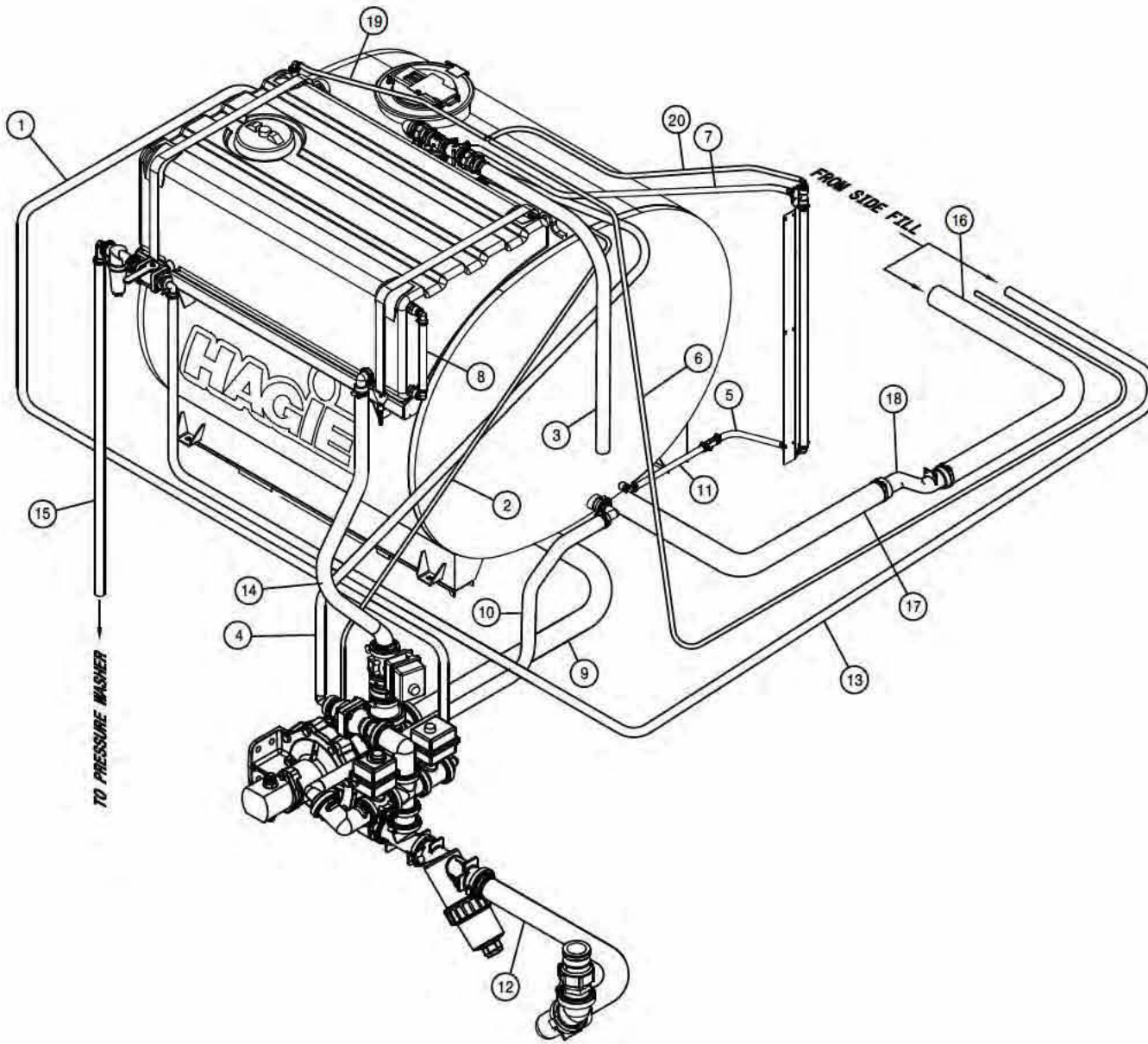
DET.	QTY	PART NO.	DESCRIPTION
1	1	601704	HOSE, 1 X 140 1BR BLK EPDM
2	1	601674	HOSE, 1/4 X 120 1 BR BLK EPDM
3	1	601743	HOSE, 2 X 113 2F-1W EPDM
4	1	601529	HOSE, 3/4 X 34 CLEAR VINYL
5	1	601728	HOSE, 3/4 X 60 CLEAR VINYL
6	1	601639	HOSE, 1/2 X 170 1BR BLK EPDM
7	1	601742	HOSE, 1" X 16 CLEAR VINYL
8	1	601522	HOSE, 1 X 204 1BR BLK EPDM
9	1	601573	HOSE, 2 X 48 2F-1W EPDM
10	1	601591	HOSE, 1 1/2 X 53 2BR BLK EPDM
11	1	601680	HOSE, 3 X 91 POLY HELIX EPDM
12	1	601628	HOSE, 2 X 51 2F-1W EPDM
13	1	601390	HOSE, 1 X 160 1BR BLK EPDM
14	1	601774	HOSE, 2 X 38 2F-1W EPDM
15	1	690731	SOLU TUBE, 3.00 S.S. SIDE FILL
16	1	601664	HOSE, 3 X 55 POLY HELIX EPDM
17	1	601771	HOSE, 3 X 26 POLY HELIX EPDM
18	1	601767	HOSE, 3/4 X 16 CLEAR VINYL
19	1	601663	HOSE, 3 X 50 POLY HELIX EPDM
20	1	500105	1.00 HOSE BARB TEE, POLY
21	1	500120	1/2" HOSE BARB TEE, POLY
22	1	601705	HOSE, 1 X 170 1BR BLK EPDM
23	1	601494	HOSE, 1 X 108 1BR BLK EPDM
24	1	601677	HOSE, 1/2 X 100 1BR BLK EPDM
25	1	601634	HOSE, 1/2 X 78 1BR BLK EPDM
26	1	601800	HOSE, 1/2 X 39 1BR BLK EPDM
27	1	601572	HOSE, 1/2 X 95 1BR BLK EPDM



FRONT FILL SOLUTION TANK HOSEING (HI-VOLUME)

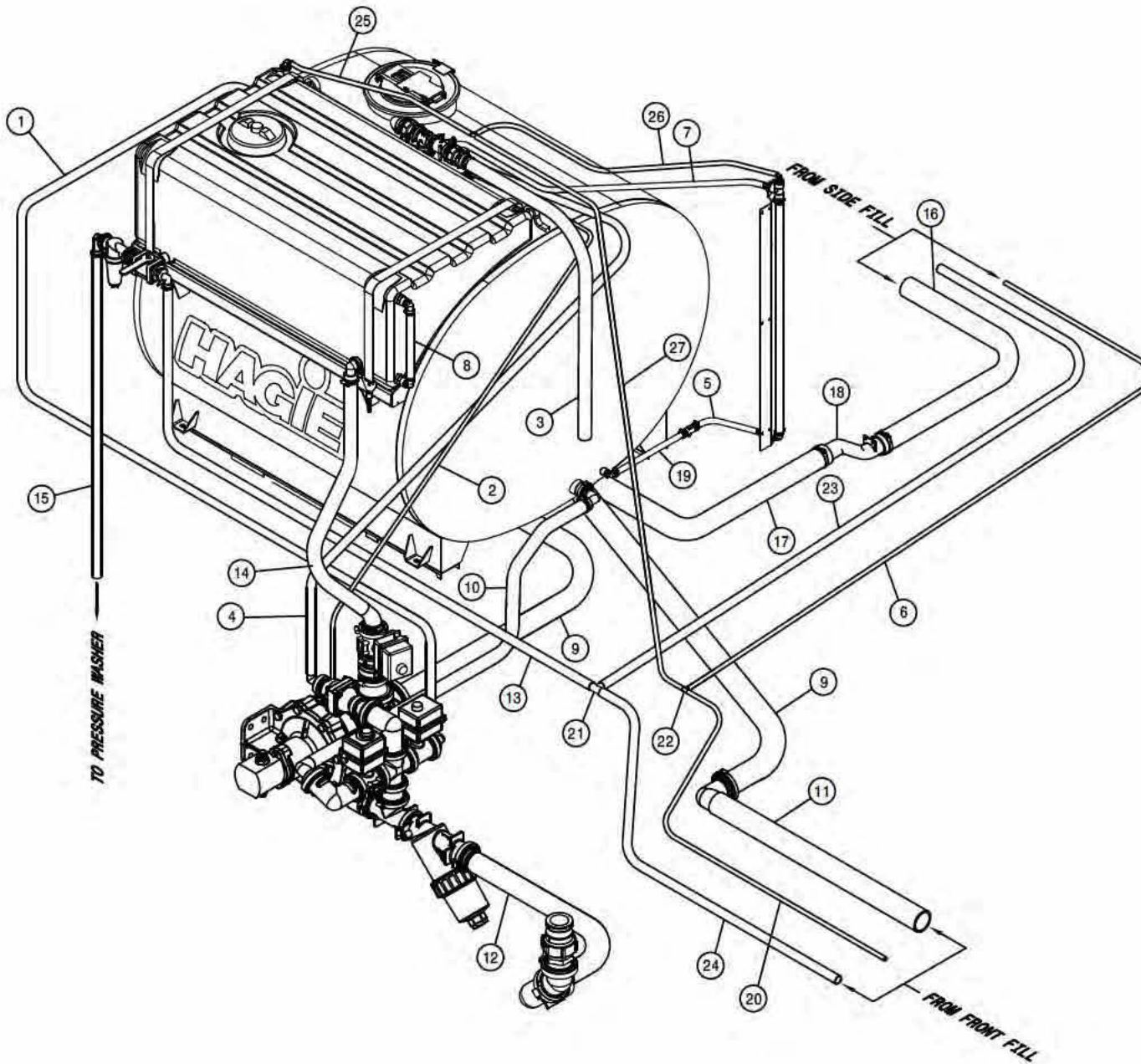
DET. QTY PART NO. DESCRIPTION

1	1	601704	HOSE, 1 X 140 1BR BLK EPDM
2	1	601674	HOSE, 1/4 X 120 1 BR BLK EPDM
3	1	601743	HOSE, 2 X 113 2F-1W EPDM
4	1	601682	HOSE, 1 X 111 2BR BLK EPDM
5	1	601680	HOSE, 3 X 91 POLY HELIX EPDM
6	1	601607	HOSE, 1/2 X 190 1BR BLK EPDM
7	1	601529	HOSE, 3/4 X 34 CLEAR VINYL
8	1	601728	HOSE, 3/4 X 60 CLEAR VINYL
9	1	601663	HOSE, 3 X 50 POLY HELIX EPDM
10	1	601591	HOSE, 1 1/2 X 53 2BR BLK EPDM
11	1	601767	HOSE, 3/4 X 16 CLEAR VINYL
12	1	601628	HOSE, 2 X 51 2F-1W EPDM
13	1	601742	HOSE, 1" X 16 CLEAR VINYL
14	1	601774	HOSE, 2 X 38 2F-1W EPDM
15	1	601522	HOSE, 1 X 204 1BR BLK EPDM
16	1	601497	HOSE, 1 X 206 1BR BLK EPDM
17	1	601508	HOSE, 3 X 64 POLY HELIX EPDM
18	1	601634	HOSE, 1/2 X 78 1BR BLK EPDM
19	1	601800	HOSE, 1/2 X 39 1BR BLK EPDM



SIDE FILL SOLUTION HOSE (HI-VOLUME)

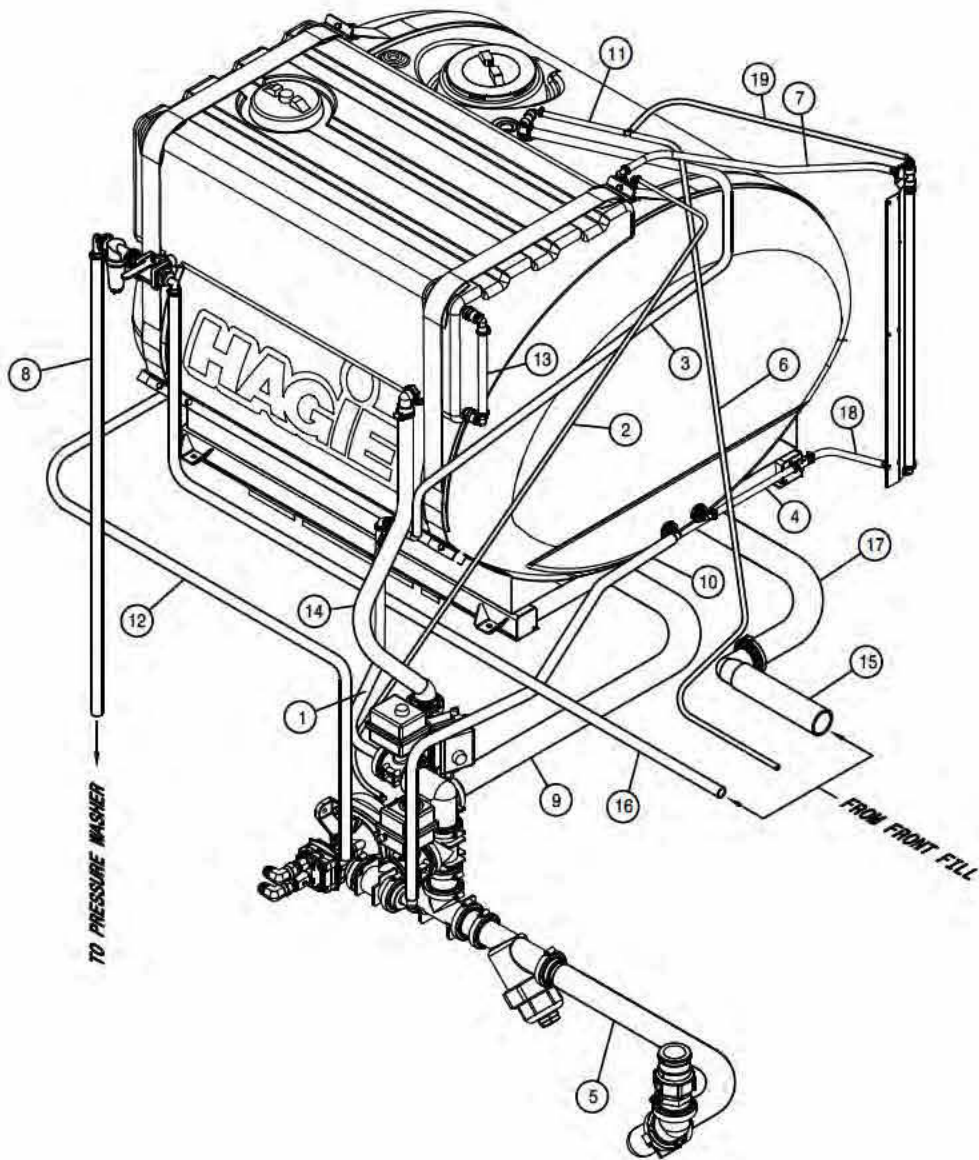
DET.	QTY	PART NO.	DESCRIPTION
1	1	601704	HOSE, 1 X 140 1BR BLK EPDM
2	1	601674	HOSE, 1/4 X 120 1 BR BLK EPDM
3	1	601743	HOSE, 2 X 113 2F-1W EPDM
4	1	601682	HOSE, 1 X 111 2BR BLK EPDM
5	1	601529	HOSE, 3/4 X 34 CLEAR VINYL
6	1	601607	HOSE, 1/2 X 190 1BR BLK EPDM
7	1	601728	HOSE, 3/4 X 60 CLEAR VINYL
8	1	601742	HOSE, 1" X 16 CLEAR VINYL
9	1	601663	HOSE, 3 X 50 POLY HELIX EPDM
10	1	601591	HOSE, 1 1/2 X 53 2BR BLK EPDM
11	1	601767	HOSE, 3/4 X 16 CLEAR VINYL
12	1	601628	HOSE, 2 X 51 2F-1W EPDM
13	1	601318	HOSE, 1 X 254 1BR BLK EPDM
14	1	601774	HOSE, 2 X 38 2F-1W EPDM
15	1	601522	HOSE, 1 X 204 1BR BLK EPDM
16	1	601664	HOSE, 3 X 55 POLY HELIX EPDM
17	1	601574	HOSE, 3 X 36 POLY HELIX EPDM
18	1	690731	SOLU TUBE, 3.00 S.S. SIDE FILL
19	1	601634	HOSE, 1/2 X 78 1BR BLK EPDM
20	1	601800	HOSE, 1/2 X 39 1BR BLK EPDM



FRONT AND SIDE FILL SOLUTION HOSEING (HI-VOLUME)

DET. QTY PART NO. DESCRIPTION

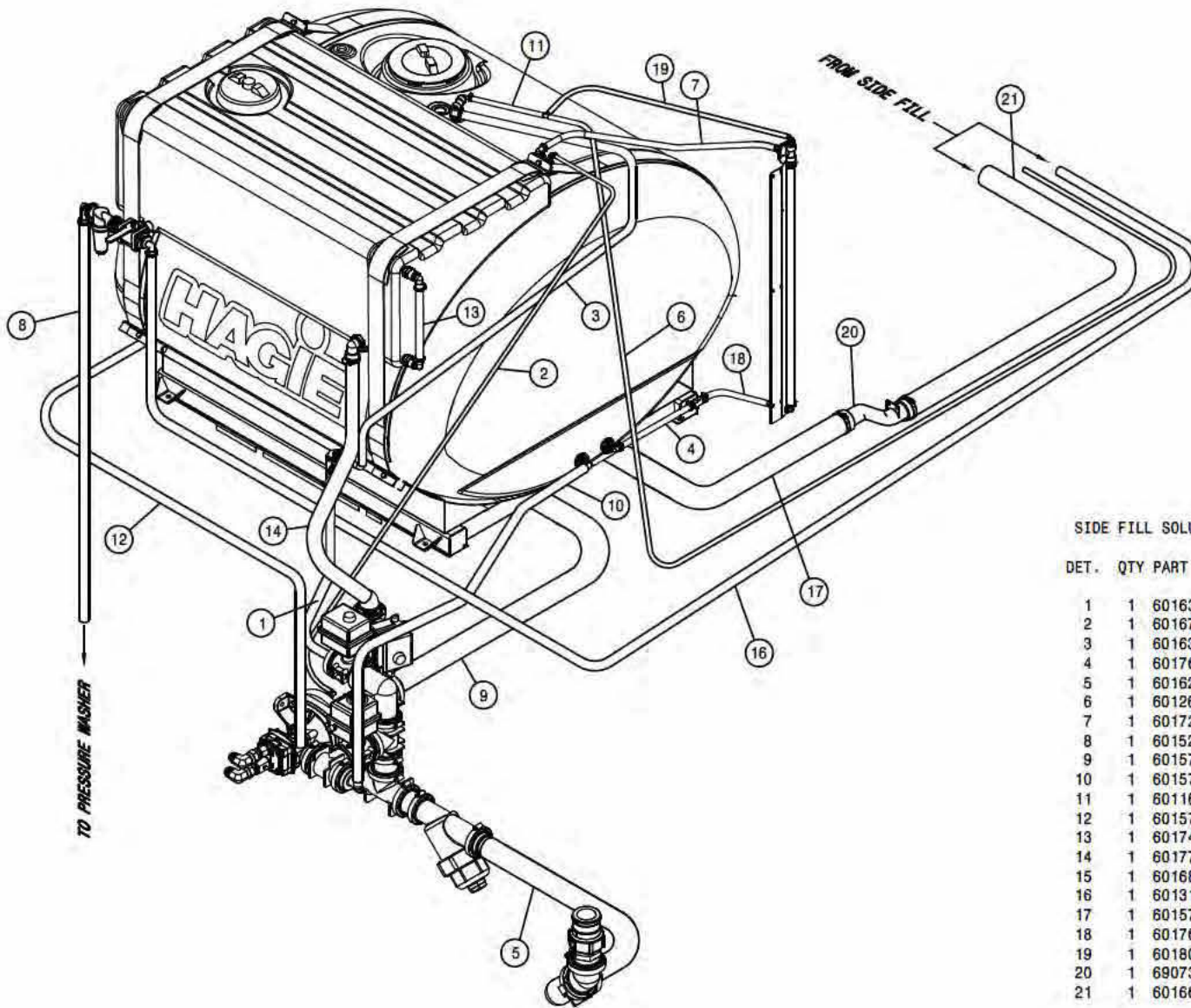
1	1	601704	HOSE, 1 X 140 1BR BLK EPDM
2	1	601674	HOSE, 1/4 X 120 1 BR BLK EPDM
3	1	601743	HOSE, 2 X 113 2F-1W EPDM
4	1	601682	HOSE, 1 X 111 2BR BLK EPDM
5	1	601529	HOSE, 3/4 X 34 CLEAR VINYL
6	1	601639	HOSE, 1/2 X 170 1BR BLK EPDM
7	1	601728	HOSE, 3/4 X 60 CLEAR VINYL
8	1	601742	HOSE, 1" X 16 CLEAR VINYL
9	2	601663	HOSE, 3 X 50 POLY HELIX EPDM
10	1	601591	HOSE, 1 1/2 X 53 2BR BLK EPDM
11	1	601680	HOSE, 3 X 91 POLY HELIX EPDM
12	1	601628	HOSE, 2 X 51 2F-1W EPDM
13	1	601390	HOSE, 1 X 160 1BR BLK EPDM
14	1	601774	HOSE, 2 X 38 2F-1W EPDM
15	1	601522	HOSE, 1 X 204 1BR BLK EPDM
16	1	601664	HOSE, 3 X 55 POLY HELIX EPDM
17	1	601771	HOSE, 3 X 26 POLY HELIX EPDM
18	1	690731	SOLU TUBE, 3.00 S.S. SIDE FILL
19	1	601767	HOSE, 3/4 X 16 CLEAR VINYL
20	1	601677	HOSE, 1/2 X 100 1BR BLK EPDM
21	1	500105	1.00 HOSE BARB TEE, POLY
22	1	500120	1/2" HOSE BARB TEE, POLY
23	1	601705	HOSE, 1 X 170 1BR BLK EPDM
24	1	601494	HOSE, 1 X 108 1BR BLK EPDM
25	1	601634	HOSE, 1/2 X 78 1BR BLK EPDM
26	1	601800	HOSE, 1/2 X 39 1BR BLK EPDM
27	1	601572	HOSE, 1/2 X 95 1BR BLK EPDM



FRONT FILL SOLUTION HOISING POLY (STD-VOLUME)

DET. QTY PART NO. DESCRIPTION

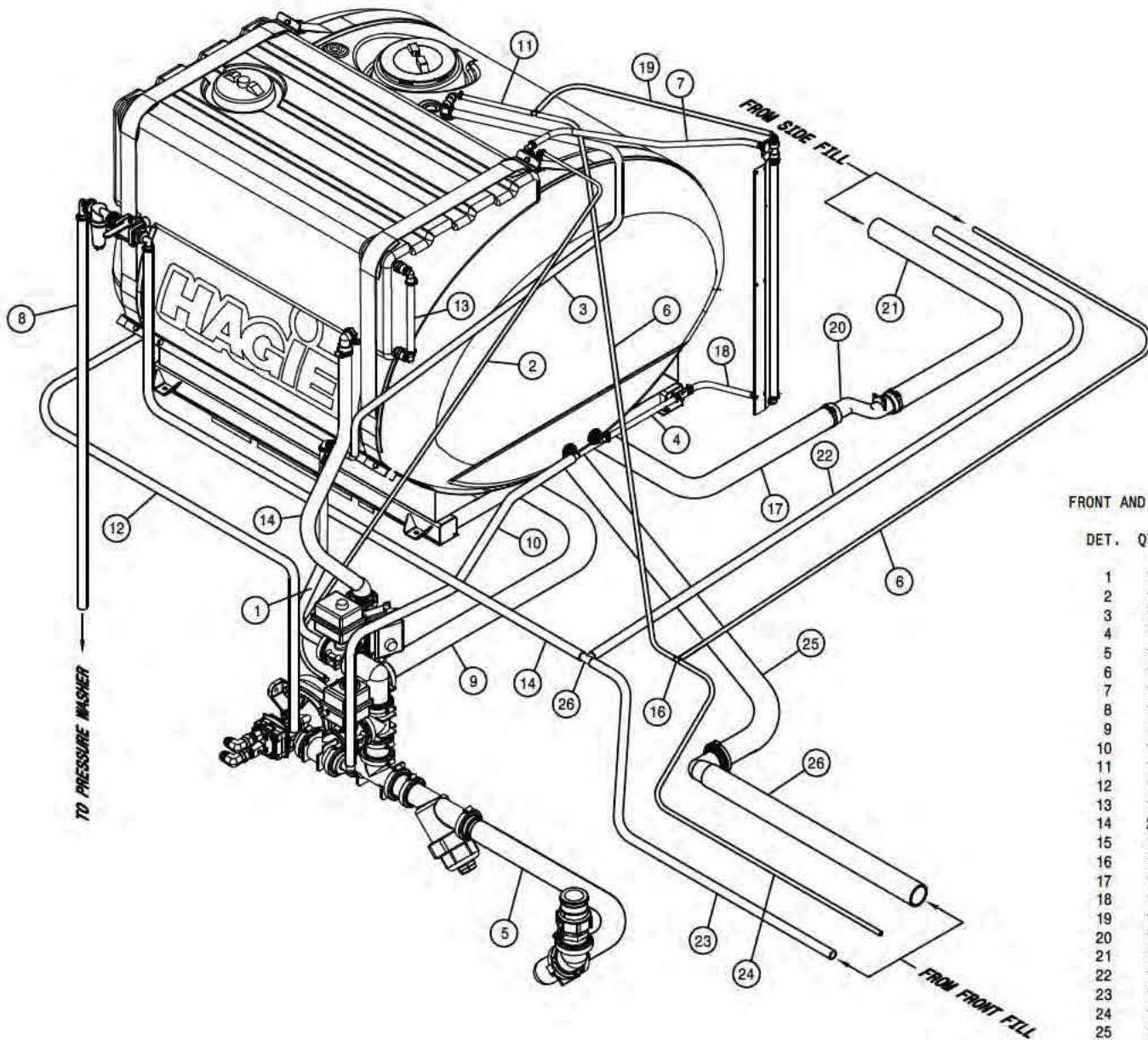
1	1	601635	HOSE, 1 X 35 1BR BLK EPDM
2	1	601674	HOSE, 1/4 X 120 1 BR BLK EPDM
3	1	601636	HOSE, 1 X 100 1BR BLK EPDM
4	1	601768	HOSE, 3/4 X 22 CLEAR VINYL
5	1	601628	HOSE, 2 X 51 2F-1W EPDM
6	1	601260	HOSE, 1/2 X 180 1BR BLK EPDM
7	1	601729	HOSE, 3/4 X 49 CLEAR VINYL
8	1	601522	HOSE, 1 X 204 1BR BLK EPDM
9	1	601573	HOSE, 2 X 48 2F-1W EPDM
10	1	601577	HOSE, 1 X 53 1BR BLK EPDM
11	1	601161	HOSE, 1/2 X 36 1BR BLK EPDM
12	1	601578	HOSE, 1 X 125 1BR BLK EPDM
13	1	601742	HOSE, 1" X 16 CLEAR VINYL
14	1	601774	HOSE, 2 X 38 2F-1W EPDM
15	1	601680	HOSE, 3 X 91 POLY HELIX EPDM
16	1	601497	HOSE, 1 X 206 1BR BLK EPDM
17	1	601508	HOSE, 3 X 64 POLY HELIX EPDM
18	1	601766	HOSE, 3/4 X 4 CLEAR VINYL
19	1	601800	HOSE, 1/2 X 39 1BR BLK EPDM



SIDE FILL SOLUTION HOISING POLY (STD-VOLUME)

DET. QTY PART NO. DESCRIPTION

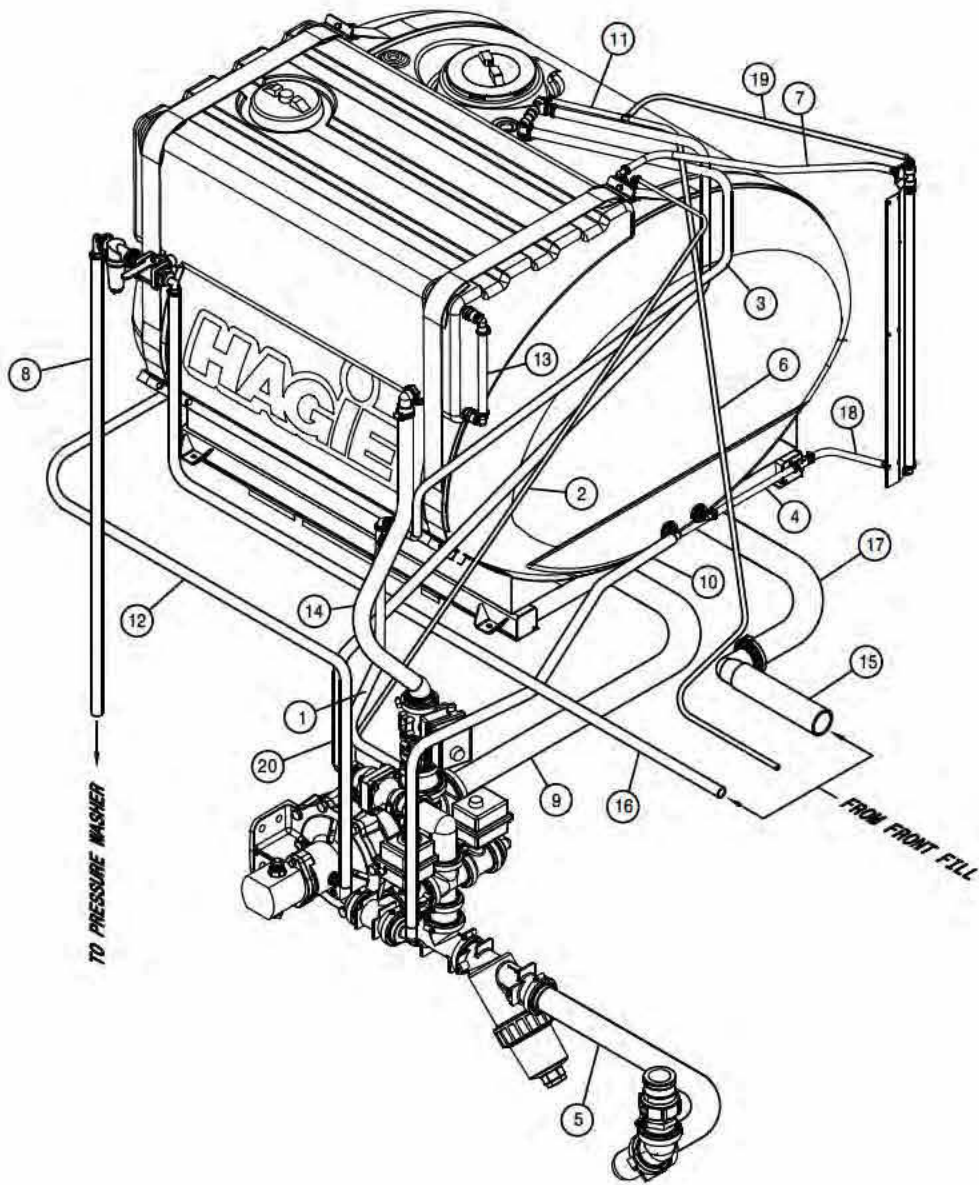
1	1	601635	HOSE, 1 X 35 1BR BLK EPDM
2	1	601674	HOSE, 1/4 X 120 1 BR BLK EPDM
3	1	601636	HOSE, 1 X 100 1BR BLK EPDM
4	1	601768	HOSE, 3/4 X 22 CLEAR VINYL
5	1	601628	HOSE, 2 X 51 2F-1W EPDM
6	1	601260	HOSE, 1/2 X 180 1BR BLK EPDM
7	1	601729	HOSE, 3/4 X 49 CLEAR VINYL
8	1	601522	HOSE, 1 X 204 1BR BLK EPDM
9	1	601573	HOSE, 2 X 48 2F-1W EPDM
10	1	601577	HOSE, 1 X 53 1BR BLK EPDM
11	1	601161	HOSE, 1/2 X 36 1BR BLK EPDM
12	1	601578	HOSE, 1 X 125 1BR BLK EPDM
13	1	601742	HOSE, 1" X 16 CLEAR VINYL
14	1	601774	HOSE, 2 X 38 2F-1W EPDM
15	1	601680	HOSE, 3 X 91 POLY HELIX EPDM
16	1	601318	HOSE, 1 X 254 1BR BLK EPDM
17	1	601574	HOSE, 3 X 36 POLY HELIX EPDM
18	1	601766	HOSE, 3/4 X 4 CLEAR VINYL
19	1	601800	HOSE, 1/2 X 39 1BR BLK EPDM
20	1	690731	SOLU TUBE, 3.00 S.S. SIDE FILL
21	1	601664	HOSE, 3 X 55 POLY HELIX EPDM



FRONT AND SIDE FILL SOLUTION HOSEING POLY (STD-VOLUME)

DET. QTY PART NO. DESCRIPTION

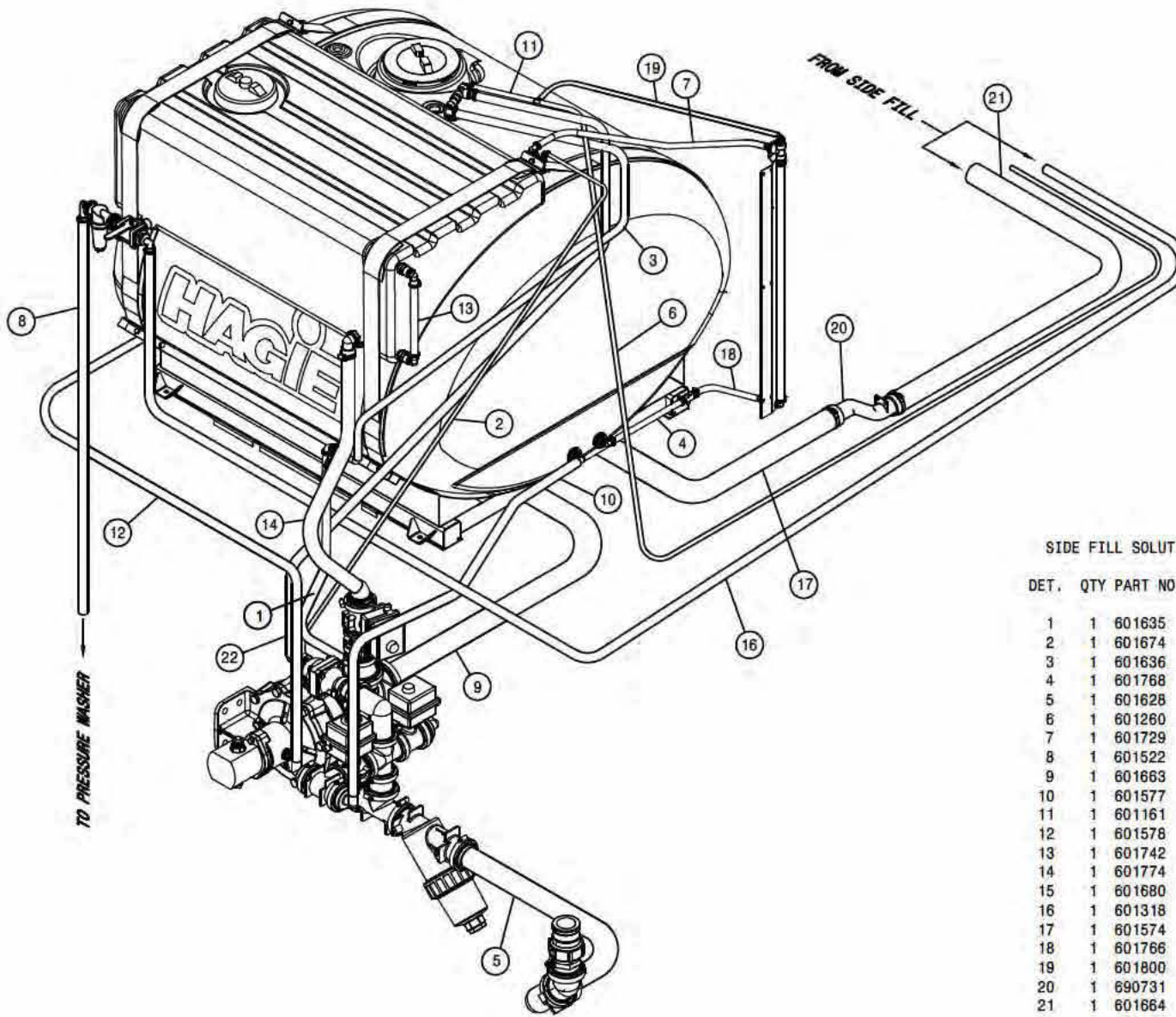
1	1	601635	HOSE, 1 X 35 1BR BLK EPDM
2	1	601674	HOSE, 1/4 X 120 1 BR BLK EPDM
3	1	601636	HOSE, 1 X 100 1BR BLK EPDM
4	1	601768	HOSE, 3/4 X 22 CLEAR VINYL
5	1	601628	HOSE, 2 X 51 2F-1W EPDM
6	1	601260	HOSE, 1/2 X 180 1BR BLK EPDM
7	1	601729	HOSE, 3/4 X 49 CLEAR VINYL
8	1	601522	HOSE, 1 X 204 1BR BLK EPDM
9	1	601573	HOSE, 2 X 48 2F-1W EPDM
10	1	601577	HOSE, 1 X 53 1BR BLK EPDM
11	1	601161	HOSE, 1/2 X 36 1BR BLK EPDM
12	1	601578	HOSE, 1 X 125 1BR BLK EPDM
13	1	601742	HOSE, 1" X 16 CLEAR VINYL
14	2	601774	HOSE, 2 X 38 2F-1W EPDM
15	1	601680	HOSE, 3 X 91 POLY HELIX EPDM
16	1	500120	1/2" HOSE BARB TEE, POLY
17	1	601771	HOSE, 3 X 26 POLY HELIX EPDM
18	1	601766	HOSE, 3/4 X 4 CLEAR VINYL
19	1	601800	HOSE, 1/2 X 39 1BR BLK EPDM
20	1	690731	SOLU TUBE, 3.00 S.S. SIDE FILL
21	1	601664	HOSE, 3 X 55 POLY HELIX EPDM
22	1	601705	HOSE, 1 X 170 1BR BLK EPDM
23	1	601494	HOSE, 1 X 108 1BR BLK EPDM
24	1	601677	HOSE, 1/2 X 100 1BR BLK EPDM
25	1	601663	HOSE, 3 X 50 POLY HELIX EPDM
26	1	601680	HOSE, 3 X 91 POLY HELIX EPDM
27	1	500105	1.00 HOSE BARB TEE, POLY



FRONT FILL SOLUTION HOISING POLY (HI-VOLUME)

DET. QTY PART NO. DESCRIPTION

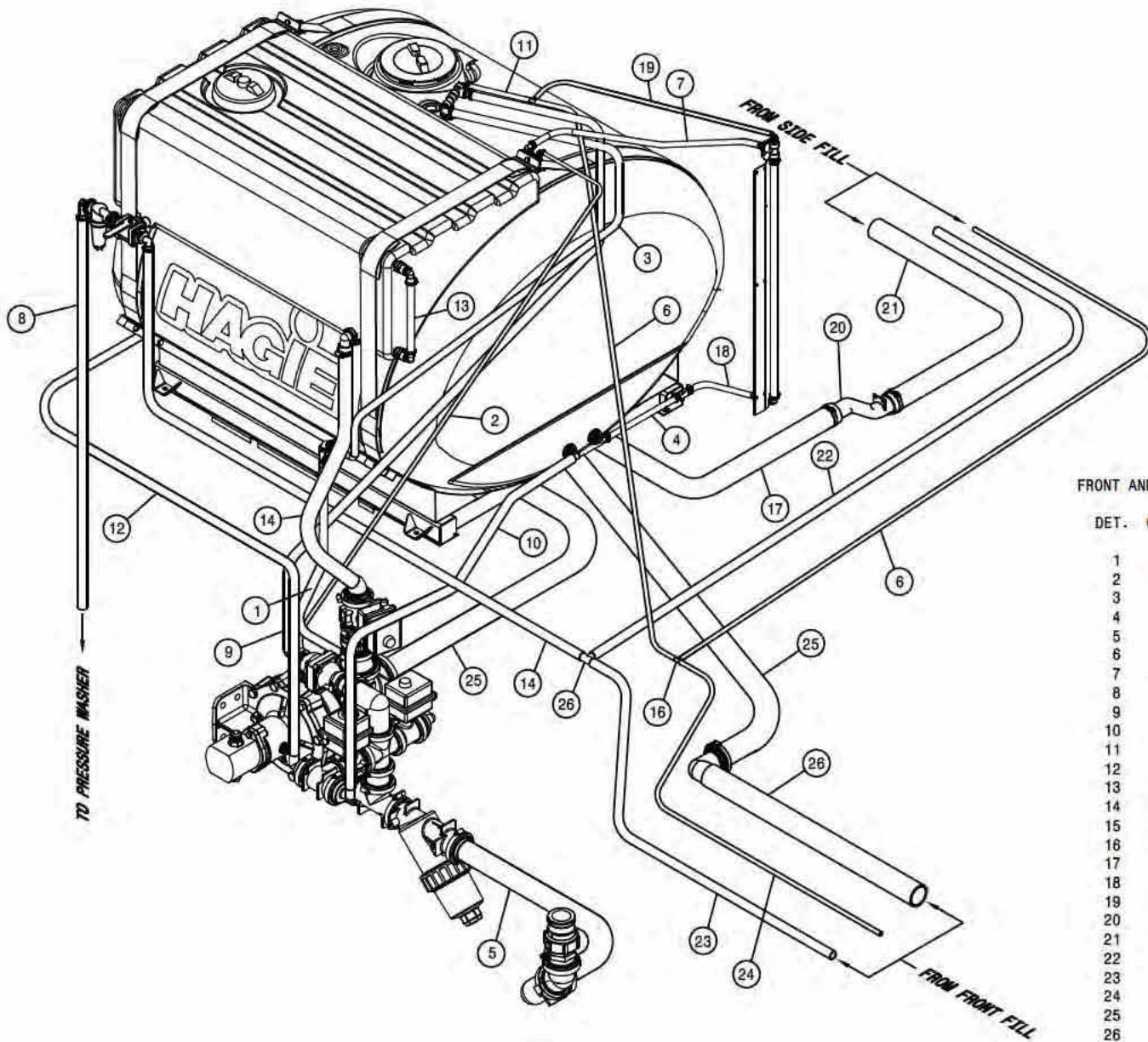
1	1	601635	HOSE, 1 X 35 1BR BLK EPDM
2	1	601674	HOSE, 1/4 X 120 1 BR BLK EPDM
3	1	601636	HOSE, 1 X 100 1BR BLK EPDM
4	1	601768	HOSE, 3/4 X 22 CLEAR VINYL
5	1	601628	HOSE, 2 X 51 2F-1W EPDM
6	1	601260	HOSE, 1/2 X 180 1BR BLK EPDM
7	1	601729	HOSE, 3/4 X 49 CLEAR VINYL
8	1	601522	HOSE, 1 X 204 1BR BLK EPDM
9	1	601663	HOSE, 3 X 50 POLY HELIX EPDM
10	1	601577	HOSE, 1 X 53 1BR BLK EPDM
11	1	601161	HOSE, 1/2 X 36 1BR BLK EPDM
12	1	601578	HOSE, 1 X 125 1BR BLK EPDM
13	1	601742	HOSE, 1" X 16 CLEAR VINYL
14	1	601774	HOSE, 2 X 38 2F-1W EPDM
15	1	601680	HOSE, 3 X 91 POLY HELIX EPDM
16	1	601497	HOSE, 1 X 206 1BR BLK EPDM
17	1	601508	HOSE, 3 X 64 POLY HELIX EPDM
18	1	601766	HOSE, 3/4 X 4 CLEAR VINYL
19	1	601800	HOSE, 1/2 X 39 1BR BLK EPDM
20	1	601682	HOSE, 1 X 111 2BR BLK EPDM



SIDE FILL SOLUTION HOSEING POLY (HI-VOLUME)

DET. QTY PART NO. DESCRIPTION

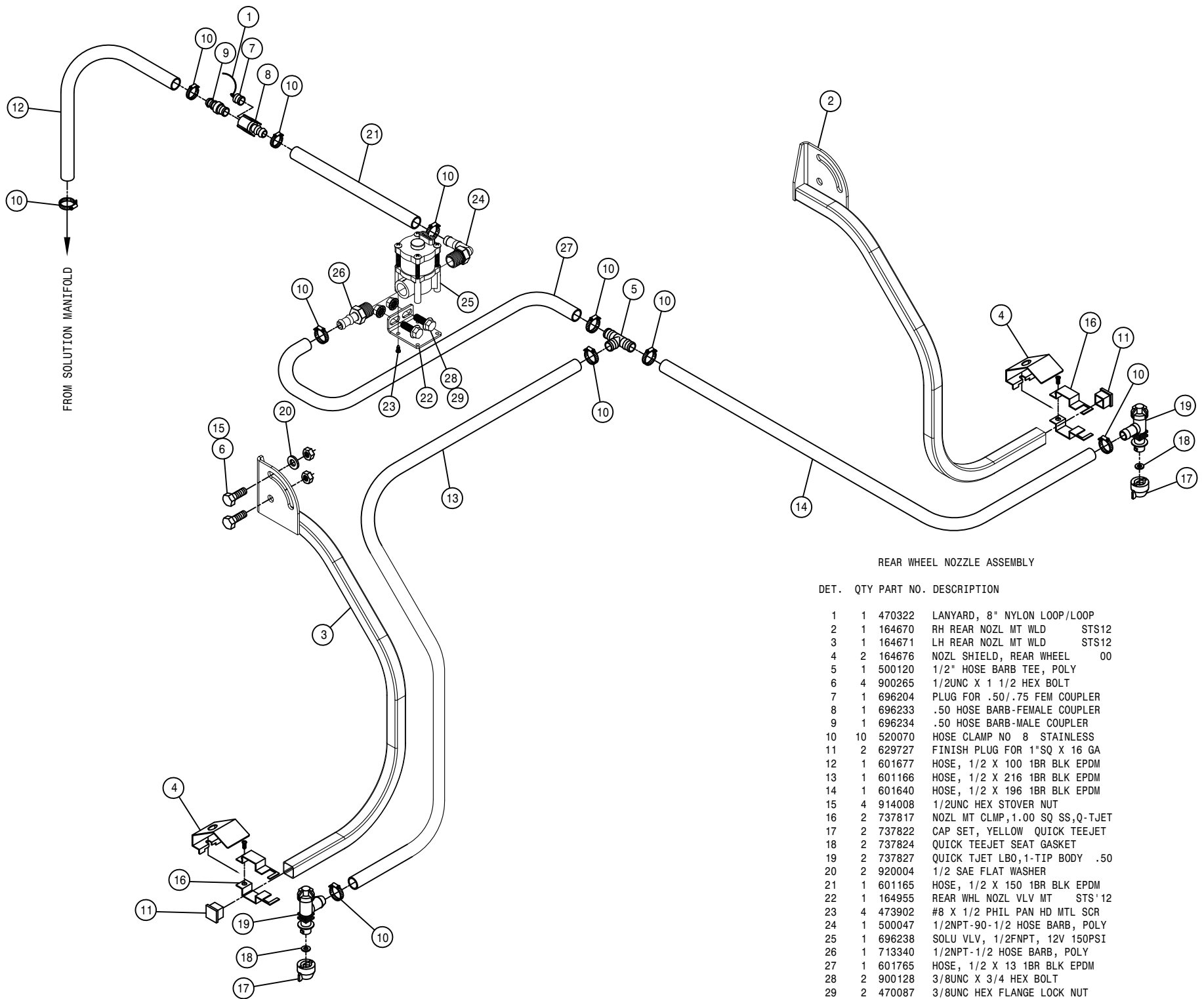
1	1	601635	HOSE, 1 X 35 1BR BLK EPDM
2	1	601674	HOSE, 1/4 X 120 1 BR BLK EPDM
3	1	601636	HOSE, 1 X 100 1BR BLK EPDM
4	1	601768	HOSE, 3/4 X 22 CLEAR VINYL
5	1	601628	HOSE, 2 X 51 2F-1W EPDM
6	1	601260	HOSE, 1/2 X 180 1BR BLK EPDM
7	1	601729	HOSE, 3/4 X 49 CLEAR VINYL
8	1	601522	HOSE, 1 X 204 1BR BLK EPDM
9	1	601663	HOSE, 3 X 50 POLY HELIX EPDM
10	1	601577	HOSE, 1 X 53 1BR BLK EPDM
11	1	601161	HOSE, 1/2 X 36 1BR BLK EPDM
12	1	601578	HOSE, 1 X 125 1BR BLK EPDM
13	1	601742	HOSE, 1" X 16 CLEAR VINYL
14	1	601774	HOSE, 2 X 38 2F-1W EPDM
15	1	601680	HOSE, 3 X 91 POLY HELIX EPDM
16	1	601318	HOSE, 1 X 254 1BR BLK EPDM
17	1	601574	HOSE, 3 X 36 POLY HELIX EPDM
18	1	601766	HOSE, 3/4 X 4 CLEAR VINYL
19	1	601800	HOSE, 1/2 X 39 1BR BLK EPDM
20	1	690731	SOLU TUBE, 3.00 S.S. SIDE FILL
21	1	601664	HOSE, 3 X 55 POLY HELIX EPDM
22	1	601682	HOSE, 1 X 111 2BR BLK EPDM



FRONT AND SIDE FILL SOLUTION HOISING POLY (HI-VOLUME)

DET. QTY PART NO. DESCRIPTION

1	1	601635	HOSE, 1 X 35 1BR BLK EPDM
2	1	601674	HOSE, 1/4 X 120 1 BR BLK EPDM
3	1	601636	HOSE, 1 X 100 1BR BLK EPDM
4	1	601768	HOSE, 3/4 X 22 CLEAR VINYL
5	1	601628	HOSE, 2 X 51 2F-1W EPDM
6	1	601260	HOSE, 1/2 X 180 1BR BLK EPDM
7	1	601729	HOSE, 3/4 X 49 CLEAR VINYL
8	1	601522	HOSE, 1 X 204 1BR BLK EPDM
9	1	601682	HOSE, 1 X 111 2BR BLK EPDM
10	1	601577	HOSE, 1 X 53 1BR BLK EPDM
11	1	601161	HOSE, 1/2 X 36 1BR BLK EPDM
12	1	601578	HOSE, 1 X 125 1BR BLK EPDM
13	1	601742	HOSE, 1" X 16 CLEAR VINYL
14	2	601774	HOSE, 2 X 36 2F-1W EPDM
15	1	601680	HOSE, 3 X 91 POLY HELIX EPDM
16	1	500120	1/2" HOSE BARB TEE, POLY
17	1	601771	HOSE, 3 X 26 POLY HELIX EPDM
18	1	601766	HOSE, 3/4 X 4 CLEAR VINYL
19	1	601800	HOSE, 1/2 X 39 1BR BLK EPDM
20	1	690731	SOLU TUBE, 3.00 S.S. SIDE FILL
21	1	601664	HOSE, 3 X 55 POLY HELIX EPDM
22	1	601705	HOSE, 1 X 170 1BR BLK EPDM
23	1	601494	HOSE, 1 X 108 1BR BLK EPDM
24	1	601677	HOSE, 1/2 X 100 1BR BLK EPDM
25	2	601663	HOSE, 3 X 50 POLY HELIX EPDM
26	1	601680	HOSE, 3 X 91 POLY HELIX EPDM
27	1	500105	1.00 HOSE BARB TEE, POLY



FROM SOLUTION MANIFOLD

REAR WHEEL NOZZLE ASSEMBLY

DET. QTY PART NO. DESCRIPTION

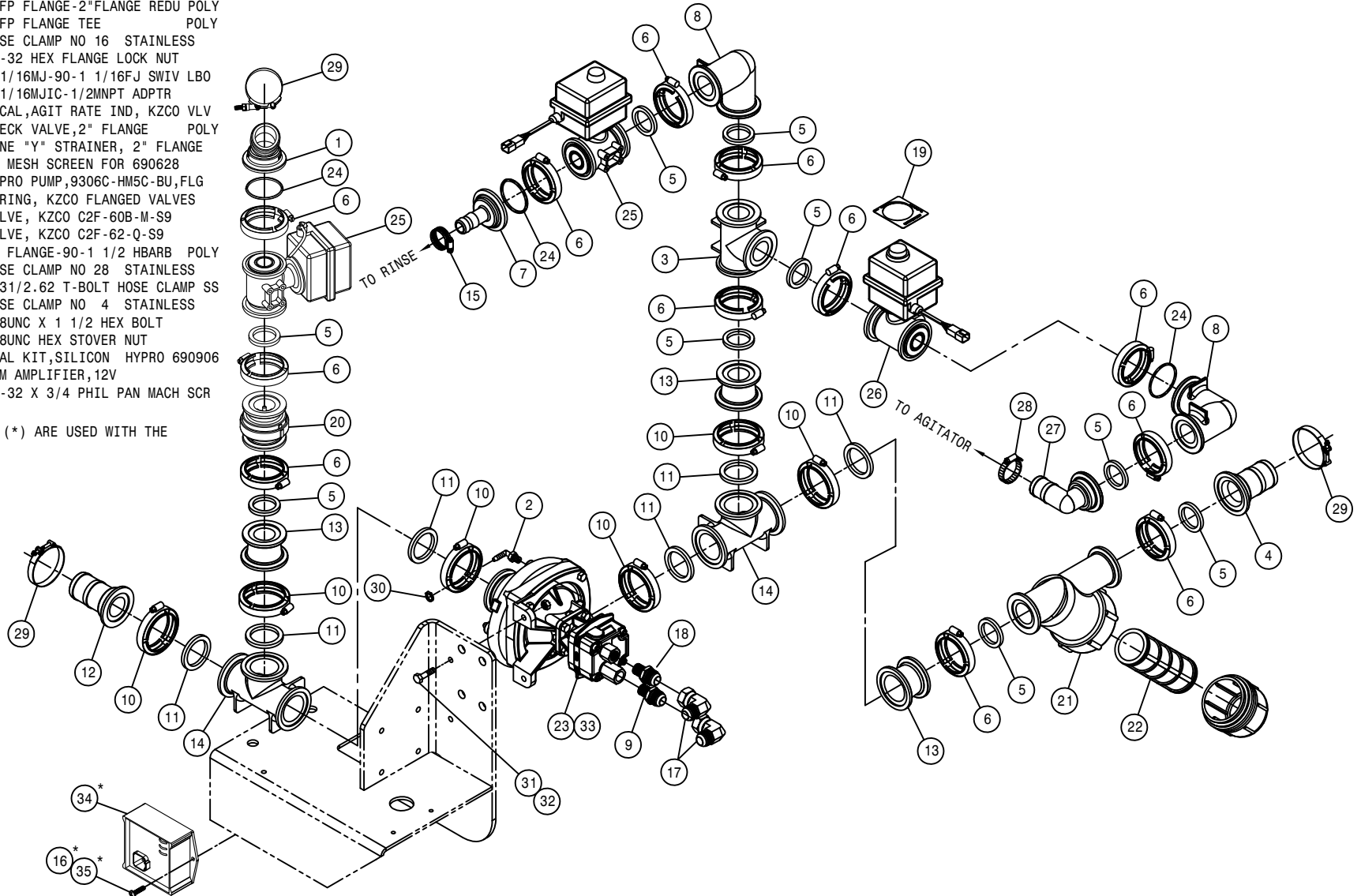
1	1	470322	LANYARD, 8" NYLON LOOP/LOOP
2	1	164670	RH REAR NOZL MT WLD STS12
3	1	164671	LH REAR NOZL MT WLD STS12
4	2	164676	NOZL SHIELD, REAR WHEEL 00
5	1	500120	1/2" HOSE BARB TEE, POLY
6	4	900265	1/2UNC X 1 1/2 HEX BOLT
7	1	696204	PLUG FOR .50/.75 FEM COUPLER
8	1	696233	.50 HOSE BARB-FEMALE COUPLER
9	1	696234	.50 HOSE BARB-MALE COUPLER
10	10	520070	HOSE CLAMP NO 8 STAINLESS
11	2	629727	FINISH PLUG FOR 1"SQ X 16 GA
12	1	601677	HOSE, 1/2 X 100 1BR BLK EPDM
13	1	601166	HOSE, 1/2 X 216 1BR BLK EPDM
14	1	601640	HOSE, 1/2 X 196 1BR BLK EPDM
15	4	914008	1/2UNC HEX STOVER NUT
16	2	737817	NOZL MT CLMP, 1.00 SQ SS, Q-TJET
17	2	737822	CAP SET, YELLOW QUICK TEEJET
18	2	737824	QUICK TEEJET SEAT GASKET
19	2	737827	QUICK TJET LBO, 1-TIP BODY .50
20	2	920004	1/2 SAE FLAT WASHER
21	1	601165	HOSE, 1/2 X 150 1BR BLK EPDM
22	1	164955	REAR WHL NOZL VLV MT STS' 12
23	4	473902	#8 X 1/2 PHIL PAN HD MTL SCR
24	1	500047	1/2NPT-90-1/2 HOSE BARB, POLY
25	1	696238	SOLU VLV, 1/2FNPT, 12V 150PSI
26	1	713340	1/2NPT-1/2 HOSE BARB, POLY
27	1	601765	HOSE, 1/2 X 13 1BR BLK EPDM
28	2	900128	3/8UNC X 3/4 HEX BOLT
29	2	470087	3/8UNC HEX FLANGE LOCK NUT

9306 SOLUTION PUMP ASSEMBLY (STD-VOLUME)

DET. QTY PART NO. DESCRIPTION

1	1	500257	2" FLANGE-45-2" HOSE BARB POLY
2	1	500103	1/8NPT-90-1/4 HOSE BARB,NYLON
3	1	500151	2" FLANGE TEE POLY
4	1	500154	2" FLANGE-2" HOSE BARB POLY
5	9	500158	1 1/2" GASKET FOR 2" FLANGE
6	12	500160	2" FLANGE CLAMP, S.S.
7	1	500172	2" FLANGE-1" HOSE BARB POLY
8	2	500180	2"FLANGE-90-2"FLANGE LBO, LONG
9	1	618108	1 1/16MJIC-3/4MNPT ADPTR
10	6	500194	2"FP FLANGE CLAMP, S.S.
11	6	500195	2"FP FLANGE GASKET EPDM
12	1	500196	2"FP FLANGE-2" HOSE BARB POLY
13	3	500199	2"FP FLANGE-2"FLANGE REDU POLY
14	2	500207	2"FP FLANGE TEE POLY
15	1	520090	HOSE CLAMP NO 16 STAINLESS
16	2	470175	10-32 HEX FLANGE LOCK NUT
17	2	618191	1 1/16MJ-90-1 1/16FJ SWIV LBO
18	1	618273	1 1/16MJIC-1/2MNPT ADPTR
19	1	650125	DECAL,AGIT RATE IND, KZCO VLV
20	1	500264	CHECK VALVE,2" FLANGE POLY
21	1	690628	LINE "Y" STRAINER, 2" FLANGE
22	1	690629	50 MESH SCREEN FOR 690628
23	1	691160	HYPRO PUMP,9306C-HM5C-BU,FLG
24	3	696254	O-RING, KZCO FLANGED VALVES
25	2	696256	VALVE, KZCO C2F-60B-M-S9
26	1	696257	VALVE, KZCO C2F-62-Q-S9
27	1	500153	2" FLANGE-90-1 1/2 HBARB POLY
28	1	520067	HOSE CLAMP NO 28 STAINLESS
29	3	520141	2.31/2.62 T-BOLT HOSE CLAMP SS
30	1	520120	HOSE CLAMP NO 4 STAINLESS
31	2	900131	3/8UNC X 1 1/2 HEX BOLT
32	2	914004	3/8UNC HEX STOVER NUT
33	1	690944	SEAL KIT,SILICON HYPRO 690906
34	1	292500	PWM AMPLIFIER,12V
35	2	472235	10-32 X 3/4 PHIL PAN MACH SCR

NOTE: ITEMS WITH AN (*) ARE USED WITH THE RAVEN OPTION.

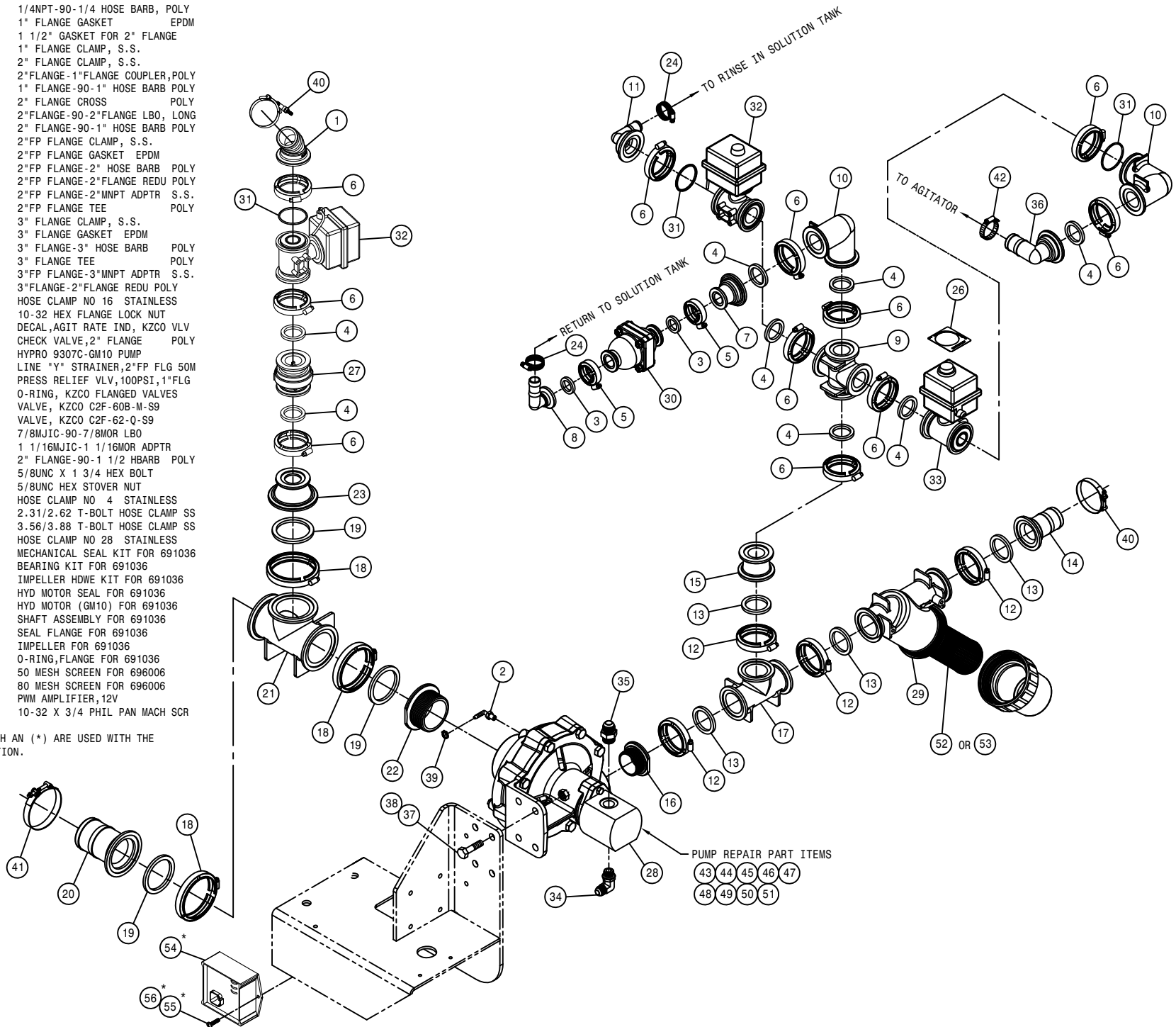


9307 SOLUTION PUMP ASSEMBLY (HI-VOLUME)

DET. QTY PART NO. DESCRIPTION

1	1	500257	2" FLANGE-45-2" HOSE BARB POLY
2	1	500104	1/4NPT-90-1/4 HOSE BARB, POLY
3	2	500157	1" FLANGE GASKET EPDM
4	8	500158	1 1/2" GASKET FOR 2" FLANGE
5	2	500159	1" FLANGE CLAMP, S.S.
6	11	500160	2" FLANGE CLAMP, S.S.
7	1	500161	2"FLANGE-1"FLANGE COUPLER,POLY
8	1	500173	1" FLANGE-90-1" HOSE BARB POLY
9	1	500176	2" FLANGE CROSS POLY
10	2	500180	2"FLANGE-90-2"FLANGE LBO, LONG
11	1	500189	2" FLANGE-90-1" HOSE BARB POLY
12	4	500194	2"FP FLANGE CLAMP, S.S.
13	4	500195	2"FP FLANGE GASKET EPDM
14	1	500196	2"FP FLANGE-2" HOSE BARB POLY
15	1	500199	2"FP FLANGE-2"FLANGE REDU POLY
16	1	500205	2"FP FLANGE-2"MNPT ADPTR S.S.
17	1	500207	2"FP FLANGE TEE POLY
18	3	500208	3" FLANGE CLAMP, S.S.
19	3	500209	3" FLANGE GASKET EPDM
20	1	500210	3" FLANGE-3" HOSE BARB POLY
21	1	500217	3" FLANGE TEE POLY
22	1	500234	3"FP FLANGE-3"MNPT ADPTR S.S.
23	1	500237	3"FLANGE-2"FLANGE REDU POLY
24	2	520090	HOSE CLAMP NO 16 STAINLESS
25	2	470175	10-32 HEX FLANGE LOCK NUT
26	1	650125	DECAL,AGIT RATE IND, KZCO VLV
27	1	500264	CHECK VALVE,2" FLANGE POLY
28	1	691036	HYPRO 9307C-GM10 PUMP
29	1	696006	LINE "Y" STRAINER,2"FP FLG 50M
30	1	696008	PRESS RELIEF VLV,100PSI,1"FLG
31	3	696254	O-RING, KZCO FLANGED VALVES
32	2	696256	VALVE, KZCO C2F-60B-M-S9
33	1	696257	VALVE, KZCO C2F-62-Q-S9
34	1	611128	7/8MJIC-90-7/8MOR LBO
35	1	611127	1 1/16MJIC-1 1/16MOR ADPTR
36	1	500153	2" FLANGE-90-1 1/2 HBARB POLY
37	4	900334	5/8UNC X 1 3/4 HEX BOLT
38	4	914010	5/8UNC HEX STOVER NUT
39	1	520120	HOSE CLAMP NO 4 STAINLESS
40	2	520141	2.31/2.62 T-BOLT HOSE CLAMP SS
41	1	520145	3.56/3.88 T-BOLT HOSE CLAMP SS
42	1	520067	HOSE CLAMP NO 28 STAINLESS
43	1	691068	MECHANICAL SEAL KIT FOR 691036
44	1	691069	BEARING KIT FOR 691036
45	1	691070	IMPELLER HDWE KIT FOR 691036
46	1	691071	HYD MOTOR SEAL FOR 691036
47	1	691072	HYD MOTOR (GM10) FOR 691036
48	1	691073	SHAFT ASSEMBLY FOR 691036
49	1	691074	SEAL FLANGE FOR 691036
50	1	691075	IMPELLER FOR 691036
51	1	691076	O-RING,FLANGE FOR 691036
52	1	696007	50 MESH SCREEN FOR 696006
53	1	696009	80 MESH SCREEN FOR 696006
54	1	292500	PWM AMPLIFIER, 12V
55	2	472235	10-32 X 3/4 PHIL PAN MACH SCR

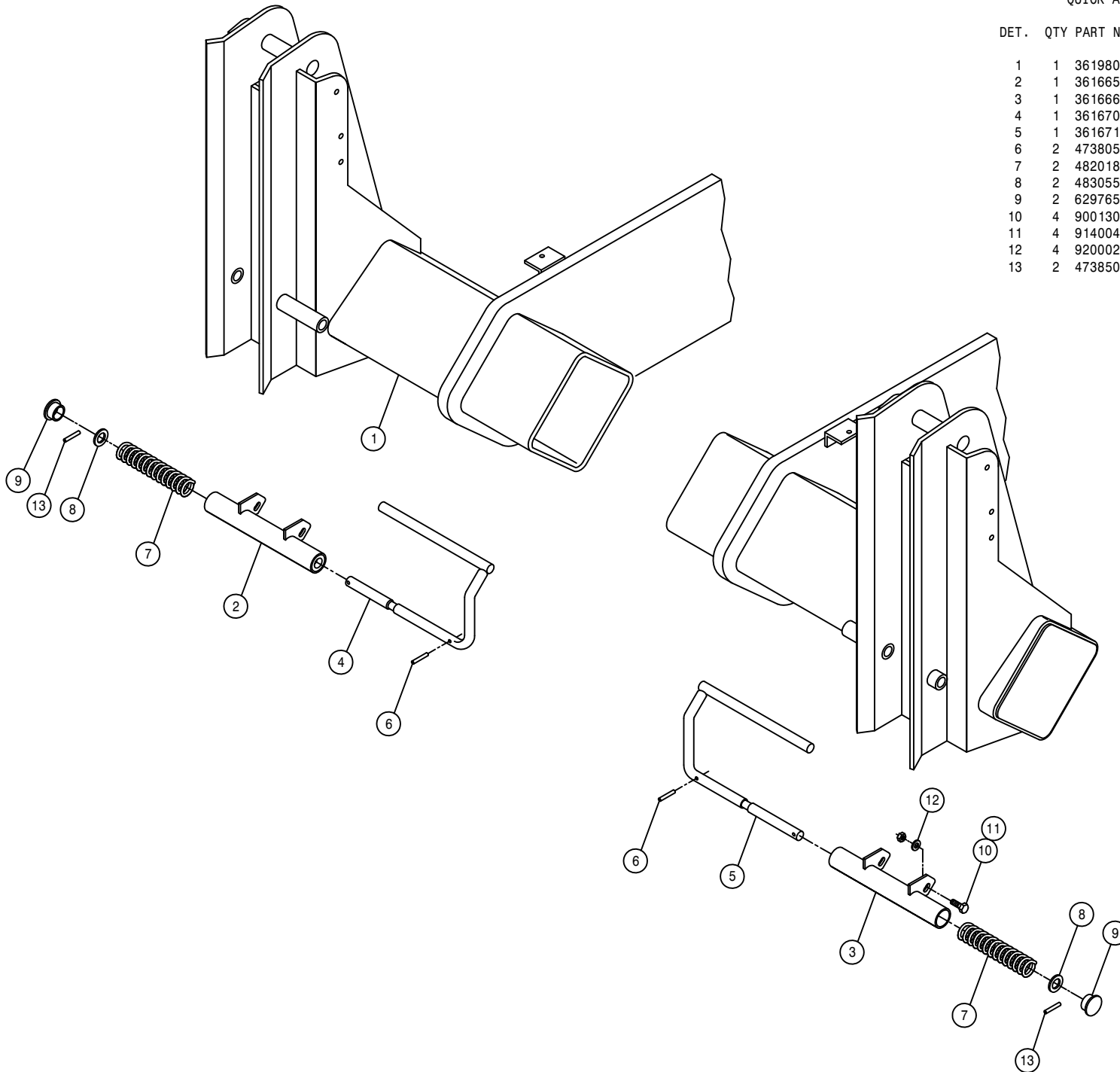
NOTE: ITEMS WITH AN (*) ARE USED WITH THE RAVEN OPTION.

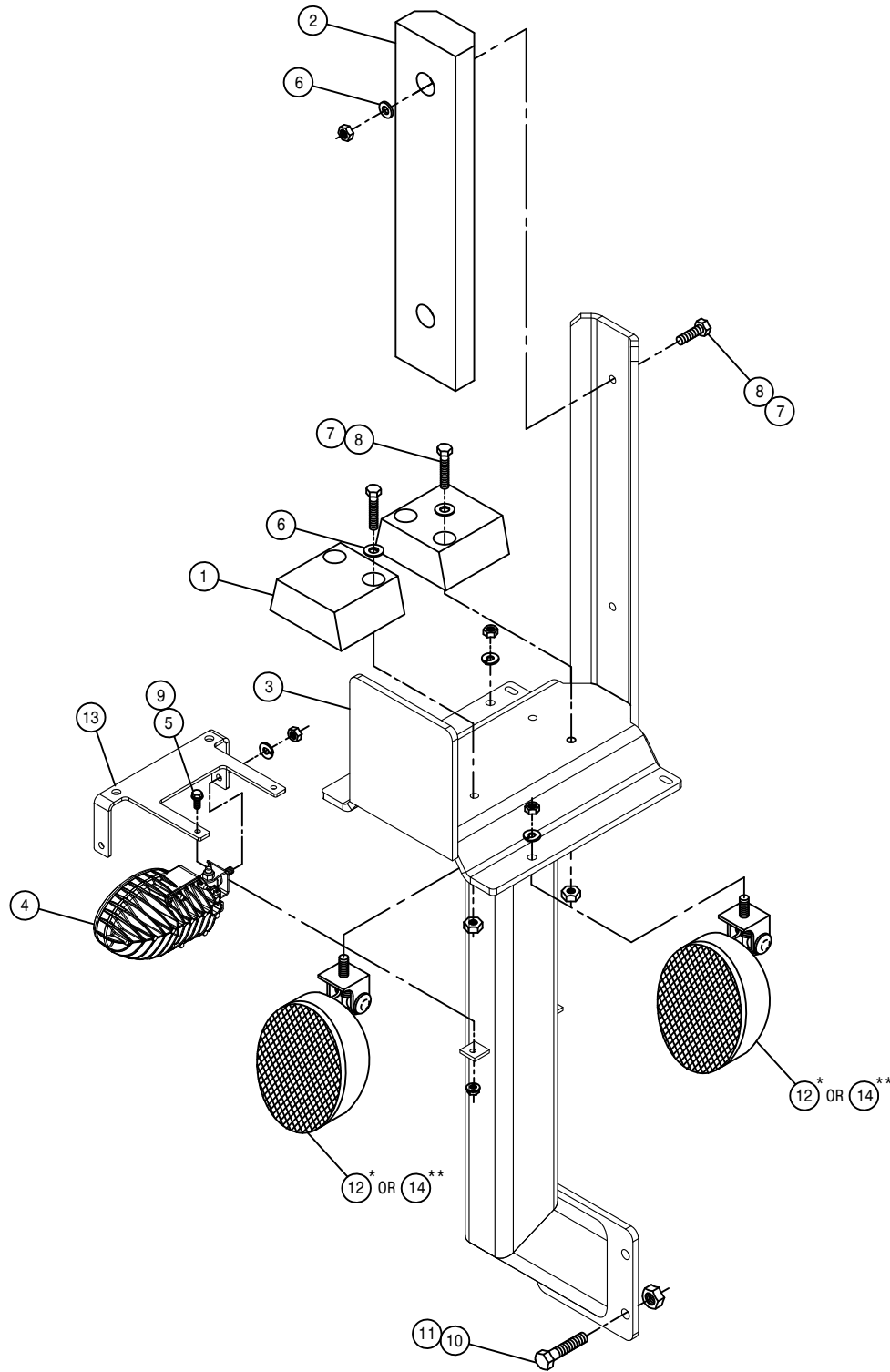


QUICK ATTACH LEVER ASSEMBLY

DET. QTY PART NO. DESCRIPTION

DET.	QTY	PART NO.	DESCRIPTION
1	1	361980	MAINFRAME WLD STS10/12' 13
2	1	361665	RH Q-ATTACH LOCK WLD, STS 04
3	1	361666	LH Q-ATTACH LOCK WLD, STS 04
4	1	361670	RH Q-ATTACH LOCK PIN WLD, STS04
5	1	361671	LH Q-ATTACH LOCK PIN WLD, STS04
6	2	473805	ROLL PIN, 1/4 X 1 1/2
7	2	482018	SPRING, 1.00 X 12.00 COMPRSN
8	2	483055	.771ID-1.250OD-.135T MACH WASH
9	2	629765	CAPPLUGS PLUG, 1 1/2"RD, BLK POLY
10	4	900130	3/8UNC X 1 1/4 SER FLANGE BOLT
11	4	914004	3/8UNC HEX STOVER NUT
12	4	920002	3/8 SAE FLAT WASHER
13	2	473850	ROLL PIN, 1/4 X 1"

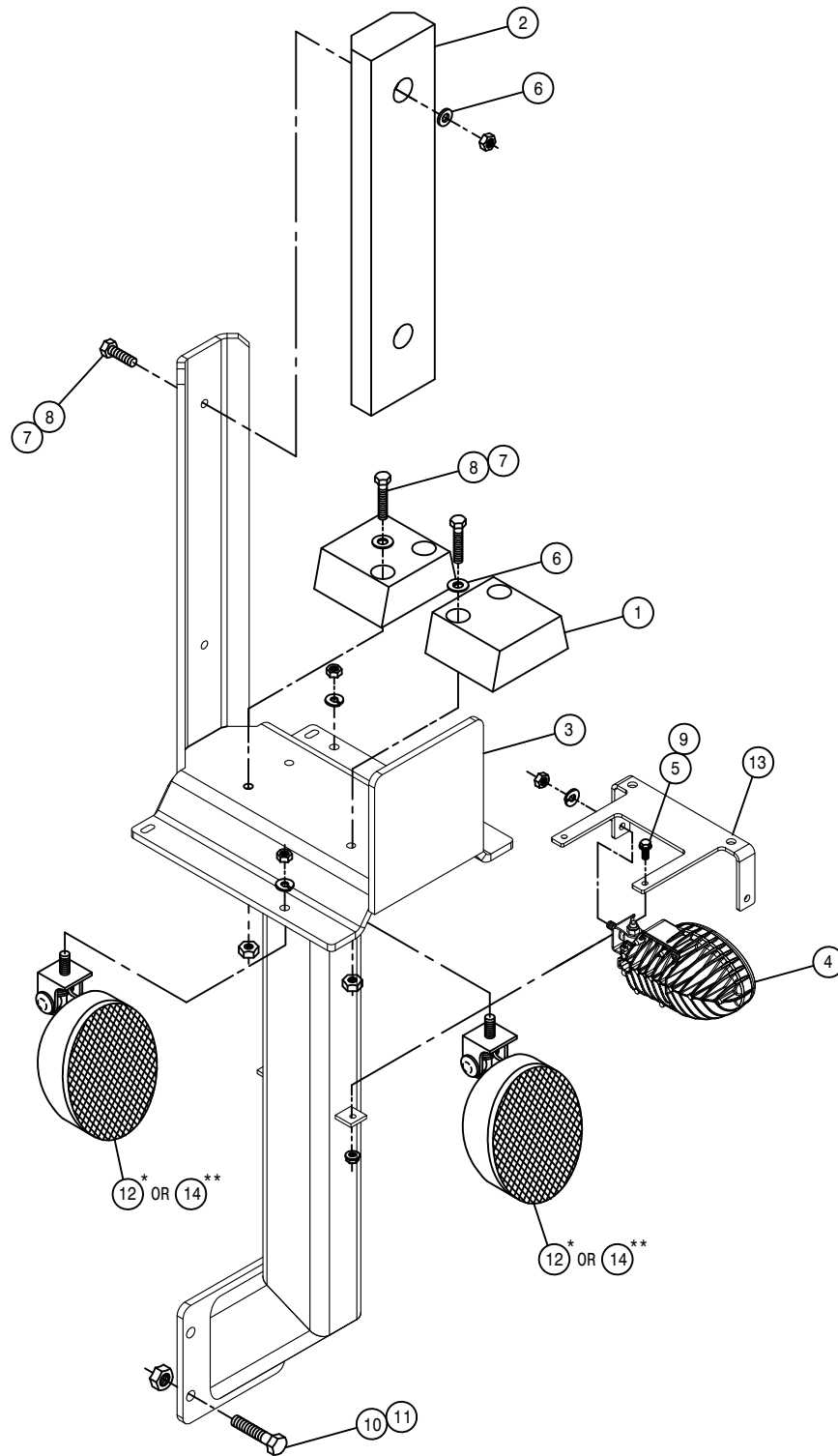




RH BOOM CRADLE ASSEMBLY

DET.	QTY	PART NO.	DESCRIPTION	
1	2	164513	BOOM CRADLE PAD	00
2	1	164512	RUBBER BUMPER, BOOM CRADLE	00
3	1	165041	BOOM CRADLE WLD	07
4	1	292917	LED LIGHT, AMBER W/JUMPER	
5	2	470118	1/4UNC X 3/4 FLANGE HEX BOLT	
6	6	920002	3/8 SAE FLAT WASHER	
7	6	914004	3/8UNC HEX STOVER NUT	
8	6	900133	3/8UNC X 2" SERR FLANGE BOLT	
9	2	470121	1/4UNC HEX FLANGE LOCK NUT	
10	4	900804	1/2UNC X 1 1/2 HEX BOLT GR8	
11	4	914808	1/2UNC HEX STOVER NUT GR8	
12	2	291904	WORKLIGHT, VERTICAL FLOOD PLAS	
13	1	343689	EXTREMITY FLASHER MT, STS '11	
14	2	292508	WORKLIGHT,LED V-FLOOD	

NOTE: ITEM WITH (*) ARE USED WITH THE STANARD LIGHT OPTION.
 ITEM WITH (**) ARE USED WITH THE LED LIGHT OPTION.

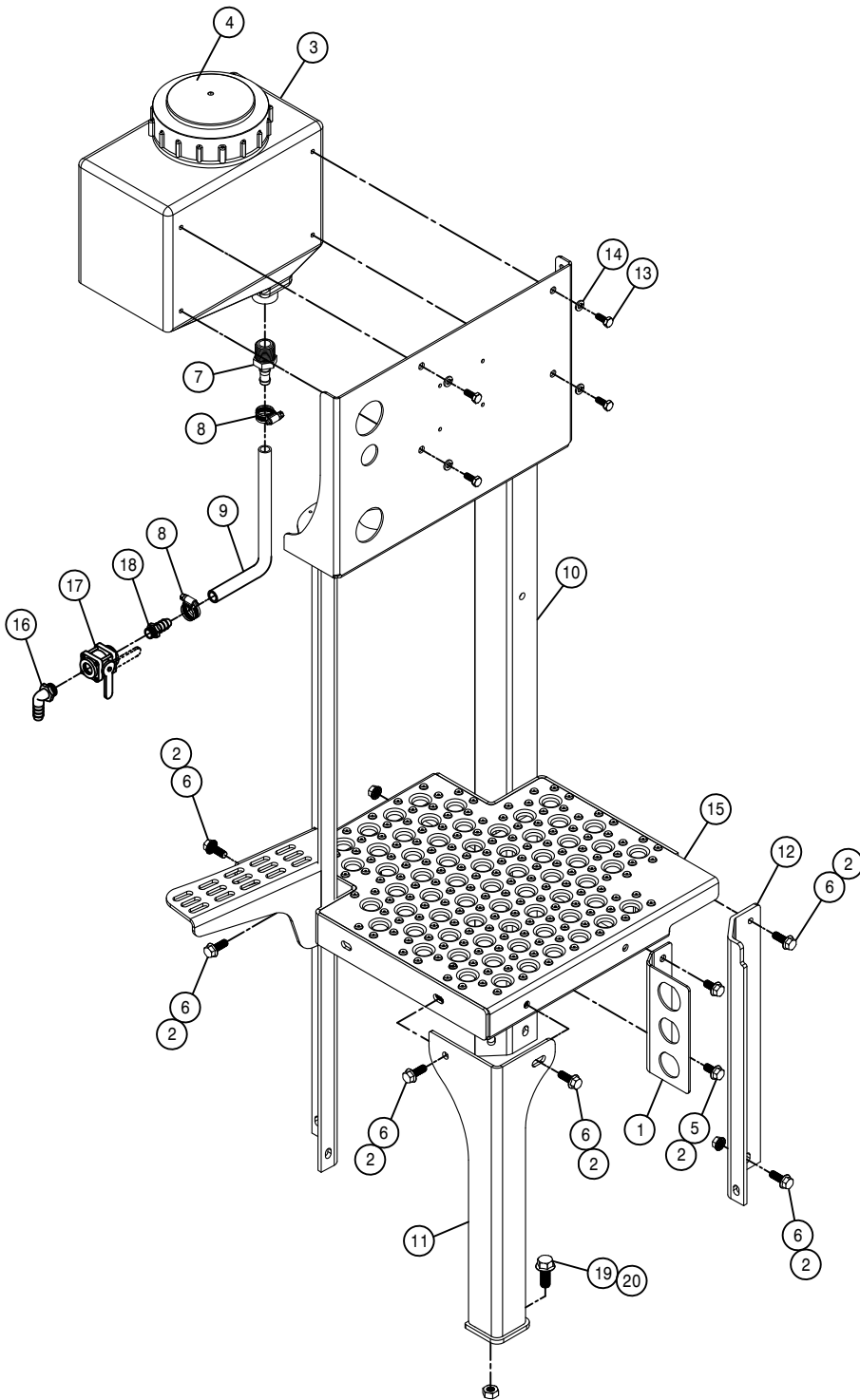


LH BOOM CRADLE ASSEMBLY

DET. QTY PART NO. DESCRIPTION

DET.	QTY	PART NO.	DESCRIPTION	
1	2	164513	BOOM CRADLE PAD	00
2	1	164512	RUBBER BUMPER, BOOM CRADLE	00
3	1	165041	BOOM CRADLE WLD	07
4	1	292917	LED LIGHT, AMBER W/JUMPER	
5	2	470118	1/4UNC X 3/4 FLANGE HEX BOLT	
6	6	920002	3/8 SAE FLAT WASHER	
7	6	914004	3/8UNC HEX STOVER NUT	
8	6	900133	3/8UNC X 2" SERR FLANGE BOLT	
9	2	470121	1/4UNC HEX FLANGE LOCK NUT	
10	4	900804	1/2UNC X 1 1/2 HEX BOLT GR8	
11	4	914008	1/2UNC HEX STOVER NUT	
12	2	291904	WORKLIGHT, VERTICAL FLOOD PLAS	
13	1	343689	EXTREMITY FLASHER MT, STS '11	
14	2	292508	WORKLIGHT,LED V-FLOOD	

NOTE: ITEM WITH (*) ARE USED WITH THE STANARD LIGHT OPTION.
 ITEM WITH (**) ARE USED WITH THE LED LIGHT OPTION.



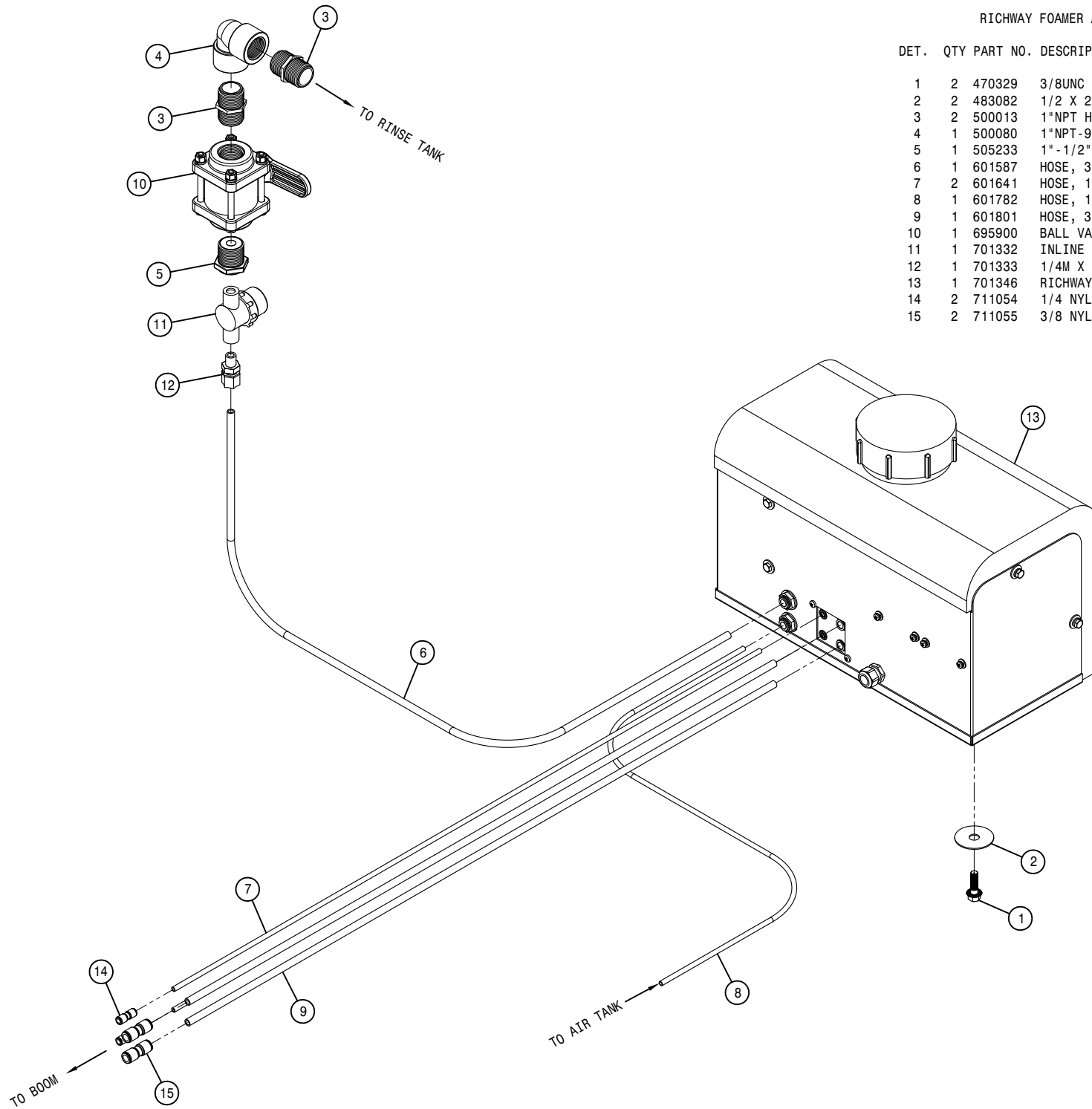
FRESH WATER TANK ASSEMBLY

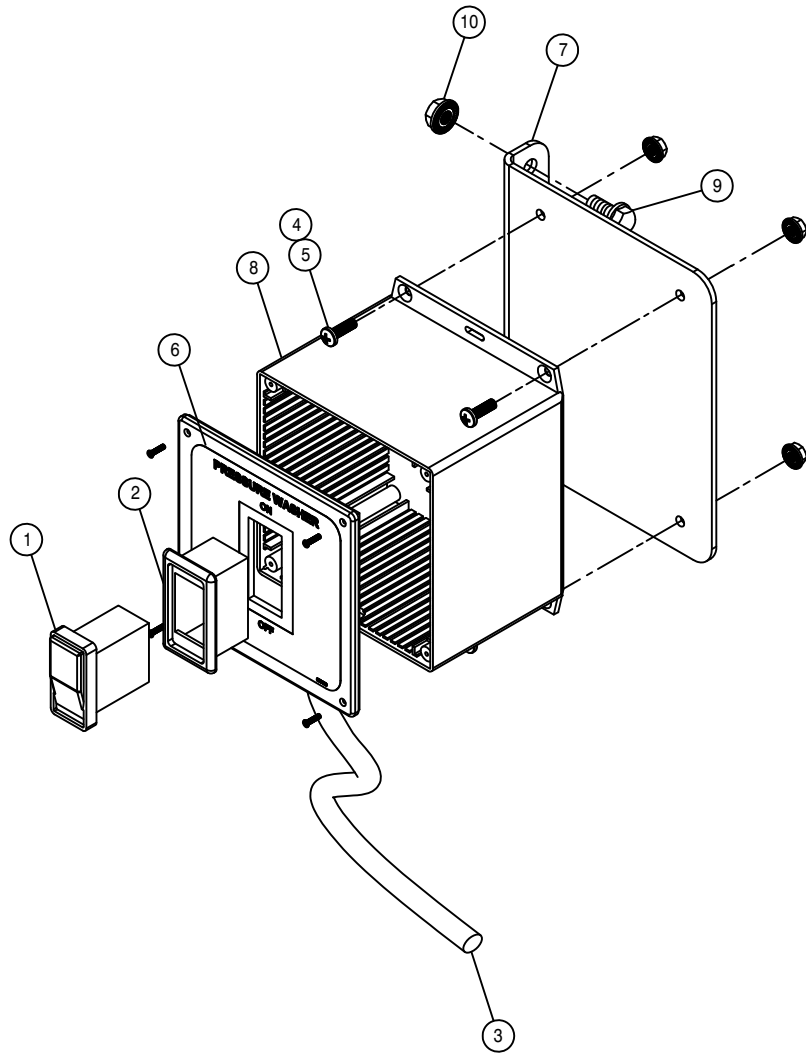
DET.	QTY	PART NO.	DESCRIPTION
	1	343983	REDUNDANT HARNESS MT STS'13
	2	470087	3/8UNC HEX FLANGE LOCK NUT
	3	470318	RINSE TANK, 3 GAL SQ W/LID
	4	470337	6" LID FOR 3 GAL TANK 470318
	5	470409	3/8UNC X 3/4 SERR FLANGE BOLT
	6	470460	3/8UNC X 1 SERR FLANGE BOLT
	7	500019	3/4NPT-1/2HOSE BARB, POLY
	8	520070	HOSE CLAMP NO 8 STAINLESS
	9	601147	HOSE, 1/2 X 70 CLEAR VINYL
	10	701357	HAND RINSE MT WLD STS'13
	11	701360	FMR SERV PLTFRM LEG WLD STS'13
	12	701363	LH FOAMER TNK SUPP CHAN STS'13
	13	900064	5/16UNC X 3/4 HEX BOLT
	14	920501	5/16 LOCK WASHER
	15	A52292	FMR SERV PLTFRM WELD
	16	500047	1/2NPT-90-1/2 HOSE BARB, POLY
	17	696082	BALL VALVE 1/2FNPT POLY
	18	713340	1/2NPT-1/2 HOSE BARB, POLY
	19	900264	1/2UNC X 1 1/4 HEX BOLT
	20	914008	1/2UNC HEX STOVER NUT

RICHWAY FOAMER ASSEMBLY

DET. QTY PART NO. DESCRIPTION

DET.	QTY	PART NO.	DESCRIPTION
1	2	470329	3/8UNC X 1 1/4 SER FLANGE BOLT
2	2	483082	1/2 X 2" FENDER WASHER
3	2	500013	1"NPT HEX PIPE NIPPLE, POLY
4	1	500080	1"NPT-90 EL, POLY
5	1	505233	1"-1/2"NPT REDU BUSH, POLY
6	1	601587	HOSE, 3/8 X 102 AIR
7	2	601641	HOSE, 1/4 X 222 AIR
8	1	601782	HOSE, 1/4 X 88 AIR
9	1	601801	HOSE, 3/8 X 222 AIR
10	1	695900	BALL VALVE 1IN FNPT POLY
11	1	701332	INLINE FILTER, RICHWAY
12	1	701333	1/4M X 3/8T OUTLET, RICHWAY
13	1	701346	RICHWAY POWER UNIT/TANK
14	2	711054	1/4 NYL TUBE UNION, STRAIGHT
15	2	711055	3/8 NYL TUBE UNION, STRAIGHT



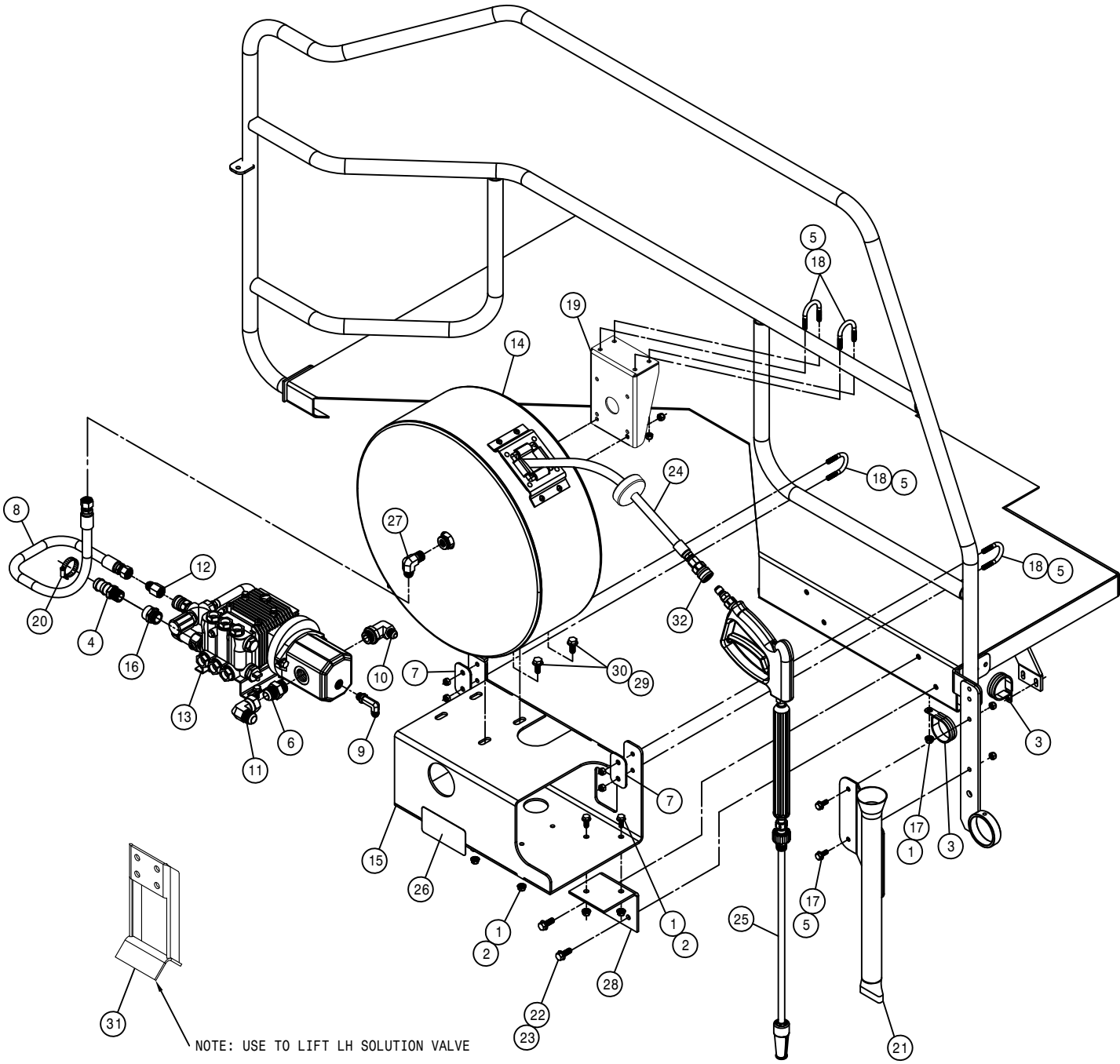


PRESSURE WASHER SWITCH BOX ASSEMBLY

DET. QTY PART NO. DESCRIPTION

1	1	292218	SWITCH,SIDE FILL PUMP/PRESWASH
2	1	292260	MOUNTING TRIM, SINGLE VMS
3	1	293878	PRESS WASH WIRE HARNESS STS 07
4	4	470175	10-32 HEX FLANGE LOCK NUT
5	4	903710	10-32X5/8 PHIL PANHD MACH SCR
6	1	650156	DECAL,PRESS WASH CTRL STS 05
7	1	691112	PRESS WASH SWITCH BX MT,STS 09
8	1	690975	PRESS WASH SWITCH BOX, STS 05
9	2	900064	5/16UNC X 3/4 HEX BOLT
10	2	470113	5/16UNC HEX FLANGE LOCK NUT

111

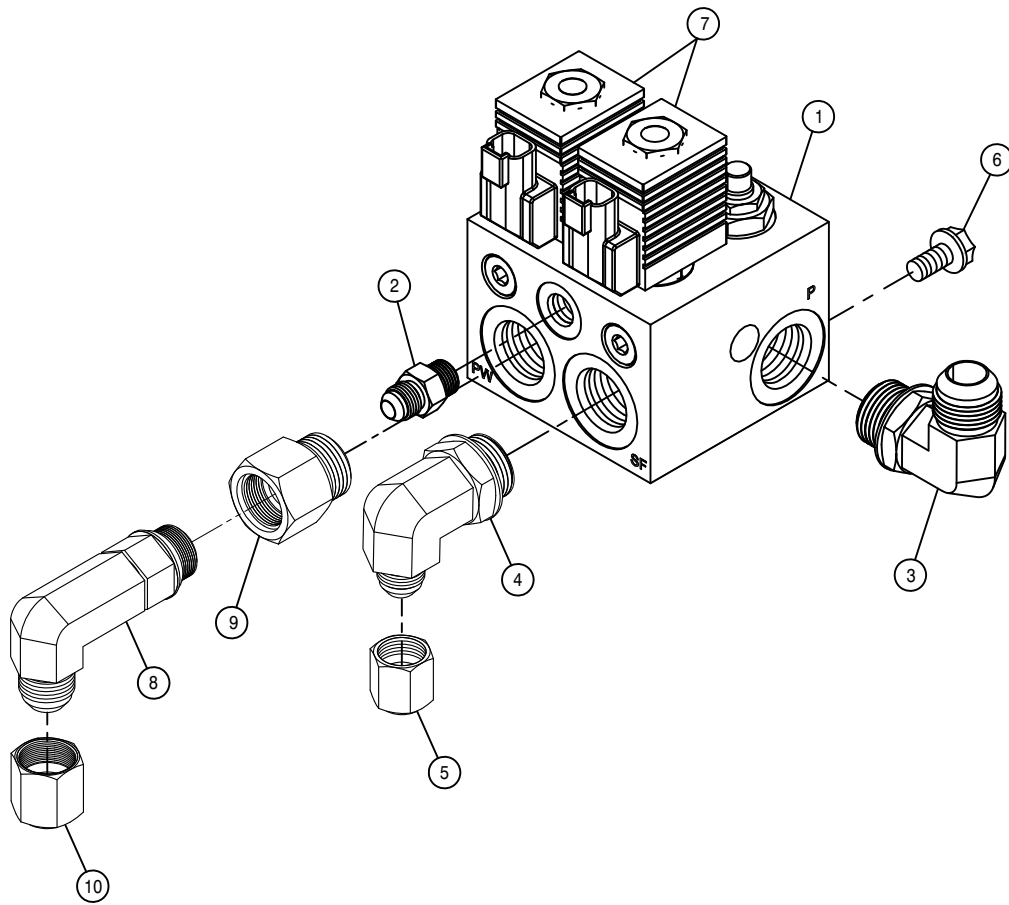


NOTE: USE TO LIFT LH SOLUTION VALVE

PRESSURE WASHER OPTION

DET.	QTY	PART NO.	DESCRIPTION
1	9	470113	5/16UNC HEX FLANGE LOCK NUT
2	8	470233	5/16UNC X 3/4 FLANGE HEX BOLT
3	2	520126	CUSH CLAMP,#32 2IN X 5/8W
4	1	500123	3/4NPT-1"HOSE BARB, POLY
5	10	473001	5/16UNC HEX NUT,NYLOC 316 SS
6	1	611127	1 1/16MJIC-1 1/16MOR ADPTR
7	2	691119	PRESS WASHER SUPP PLT, STS 09
8	1	616459	08-451TC-08FJX-08FJX-26 H/A
9	1	618440	9/16MJIC-90-9/16MOR EX LG LBO
10	1	618474	3/4MJIC-90-1 1/16MOR LBO
11	1	618191	1 1/16MJ-90-1 1/16FJ SWIV LBO
12	1	618787	3/4MJIC-3/8FNPT ADPTR
13	1	690672	HMC 320 SPECIAL/MINUS HOSE
14	1	690931	HOSE REEL,ENCLOSED PRESS WASH
15	1	691114	PRESSURE WASHER MT WLD,STS 09
16	1	715449	3/4FNPT X 3/4MGT ADPTR BRS
17	3	900064	5/16UNC X 3/4 HEX BOLT
18	4	473911	5/16UNC-1.31ID-2.00 U-BOLT
19	1	691118	PRESS WASH REEL SUPP WLD,STS09
20	1	520090	HOSE CLAMP NO 16 STAINLESS
21	1	691120	PRESSURE WASHER WAND MT WLD 09
22	4	900129	3/8UNC X 1" SERR FLANGE BOLT
23	4	472029	3/8UNC HEX FLANGE NUT SERR SS
24	1	690941	REEL HOSE,3/8"ID X 50' 3000PSI
25	1	690673	TRIGGER GUN ASSY FOR 690672
26	1	650217	DECAL, CAUTION,CHECK OIL LEVEL
27	1	618184	3/4MJIC-90-3/8MNPT LBO
28	2	691117	PRESSURE WASHER MT ANGL,STS 09
29	4	470325	7/16UNC HEX FLANGE LOCK NUT
30	4	900195	7/16UNC X 1" HEX BOLT
31	1	691092	80/90 BOOM VLV MT WLD,WASHER09
32	1	690799	FEM CPLR FNPT FOR 690672

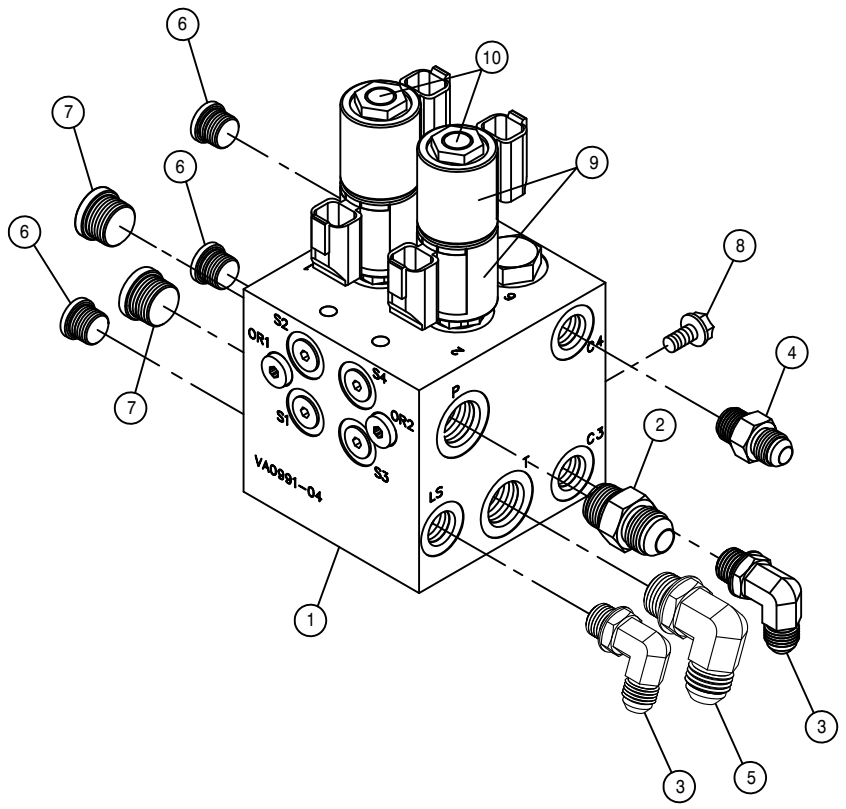
548111



SIDEFILL/PRESSURE WASHER VALVE ASSEMBLY

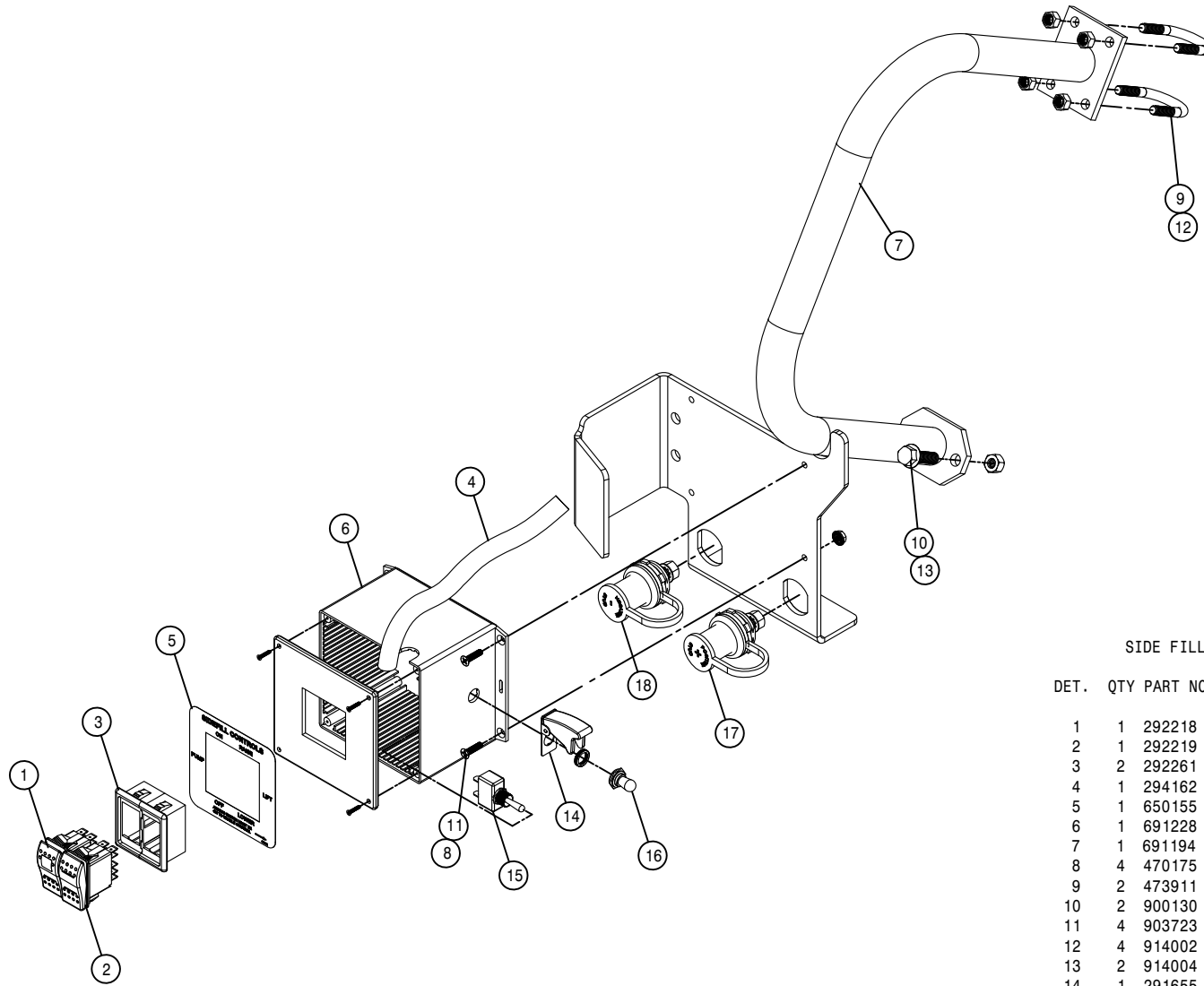
DET. QTY PART NO. DESCRIPTION

DET.	QTY	PART NO.	DESCRIPTION	
1	1	606259	DIVERSION VLV,STS LS	07
2	1	618126	9/16MJIC-9/16MOR ADPTR	
3	1	618248	1 1/16MJIC-90-1 1/16MOR LBO	
4	1	618474	3/4MJIC-90-1 1/16MOR LBO	
5	1	618532	3/4FJIC CAP NUT	
6	2	900064	5/16UNC X 3/4 HEX BOLT	
7	2	606309	COIL FOR VLV 606259	
8	1	618774	7/8MJIC-90-7/8MOR LG LBO	
9	1	618132	1 1/16MOR-7/8FOR ADPTR	
10	1	618328	7/8FJIC CAP NUT	



SIDEFILL LIFT VALVE ASSEMBLY

DET.	QTY	PART NO.	DESCRIPTION	PWRSYS
1	1	606249	MANIFOLD, TRD ADJ	PWRSYS
2	1	611125	3/4MJIC-3/4MOR ADPTR	
3	2	618119	9/16MJIC-90-9/16MOR LBO	
4	1	618126	9/16MJIC-9/16MOR ADPTR	
5	1	618241	3/4MJIC-90-3/4MOR LBO	
6	3	618754	9/16MOR PLUG, HEX SOCKET	
7	2	618755	3/4MOR PLUG, HEX SOCKET	
8	2	900064	5/16UNC X 3/4 HEX BOLT	
9	4	606266	#8 COIL W/DEUTSCH	
10	2	606358	CARTRIDGE SP08-47D, PROP, 3POS	

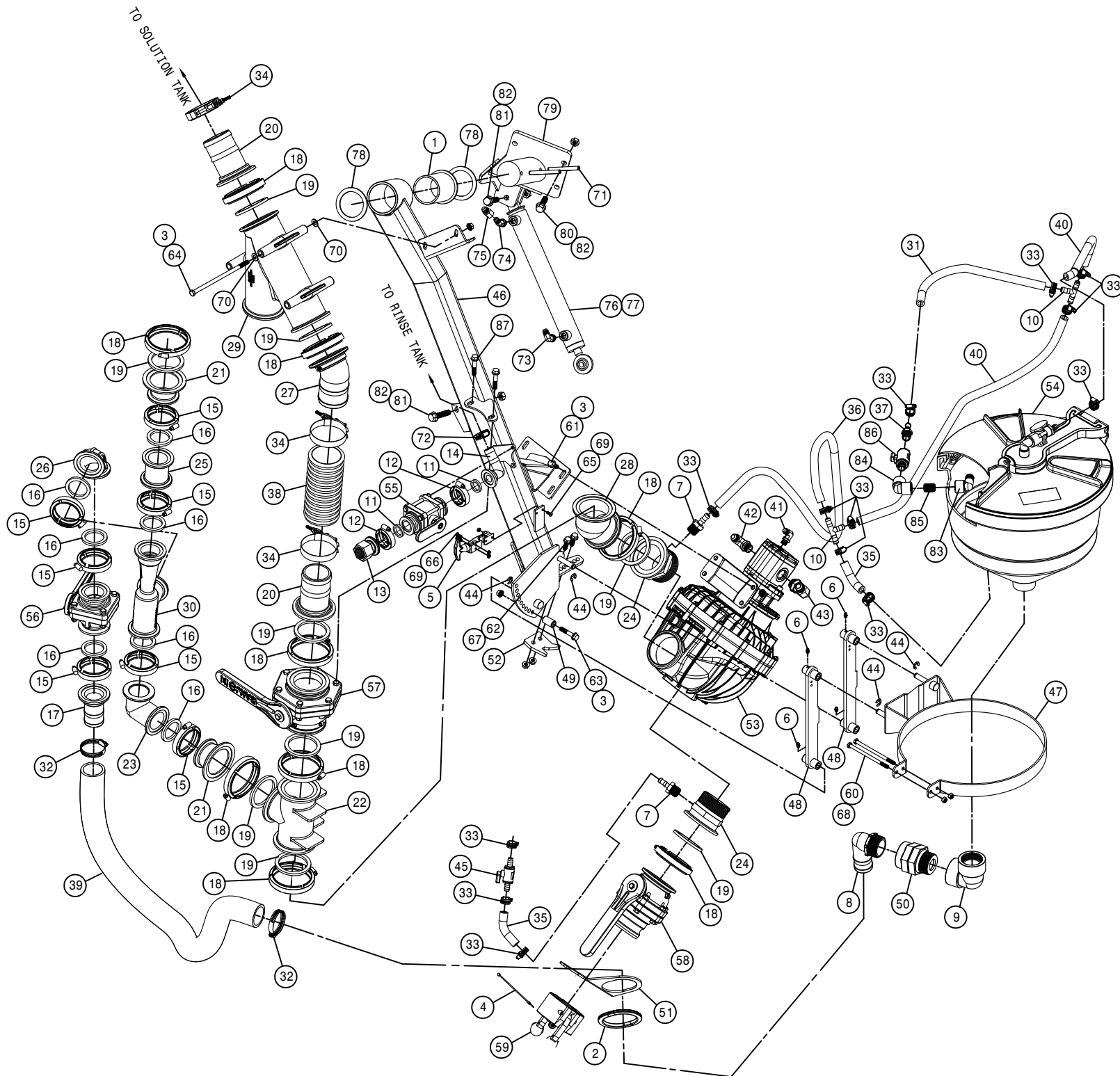


SIDE FILL SWITCH BOX ASSEMBLY

DET. QTY PART NO. DESCRIPTION

DET.	QTY	PART NO.	DESCRIPTION
1	1	292218	SWITCH,SIDE FILL PUMP/PRESWASH
2	1	292219	SWITCH, SIDE FILL LIFT, STS
3	2	292261	MOUNTING TRIM,END VME
4	1	294162	SIDE FILL WIRE HARNESS STS' 12
5	1	650155	DECAL,SIDEFILL CTRL STS 05
6	1	691228	SIDE FILL SWITCH BOX STS' 12
7	1	691194	CHEM IND GUARD WLD ' 12
8	4	470175	10-32 HEX FLANGE LOCK NUT
9	2	473911	5/16UNC-1.31ID-2.00 U-BOLT
10	2	900130	3/8UNC X 1 1/4 SER FLANGE BOLT
11	4	903723	10-32 x 3/4 PHIL FLHD MACH SCR
12	4	914002	5/16UNC HEX STOVER NUT
13	2	914004	3/8UNC HEX STOVER NUT
14	1	291655	AIRCRAFT TOGGLE SWITCH GUARD
15	1	291937	TOGGLE SWITCH, SPST
16	1	470001	RUBBER BOOT W NUT FOR 298012
17	1	291680	POSITIVE JUMPER STUD, RED
18	1	291681	NEGATIVE JUMPER STUD, BLACK

DET. QTY PART NO. DESCRIPTION

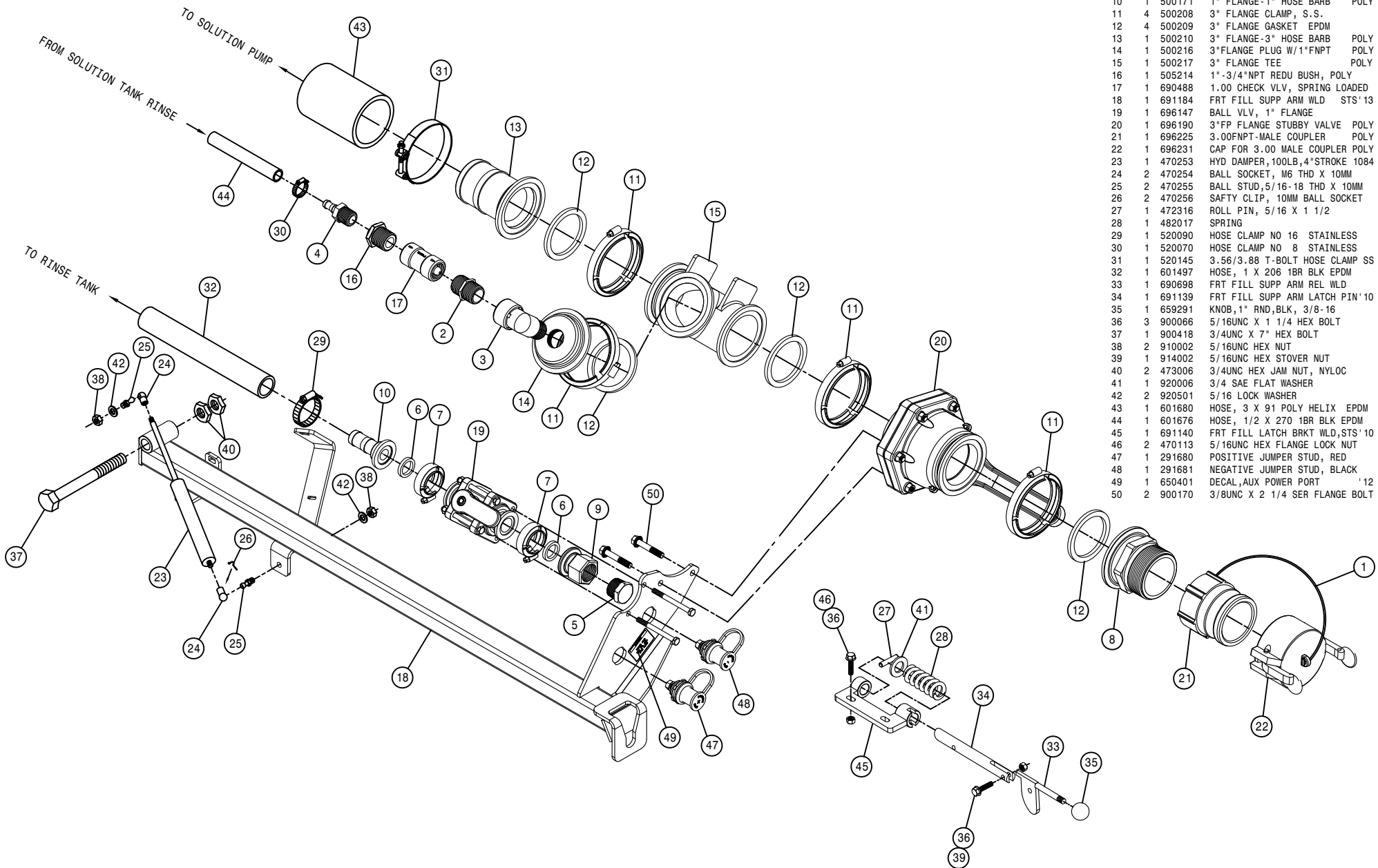


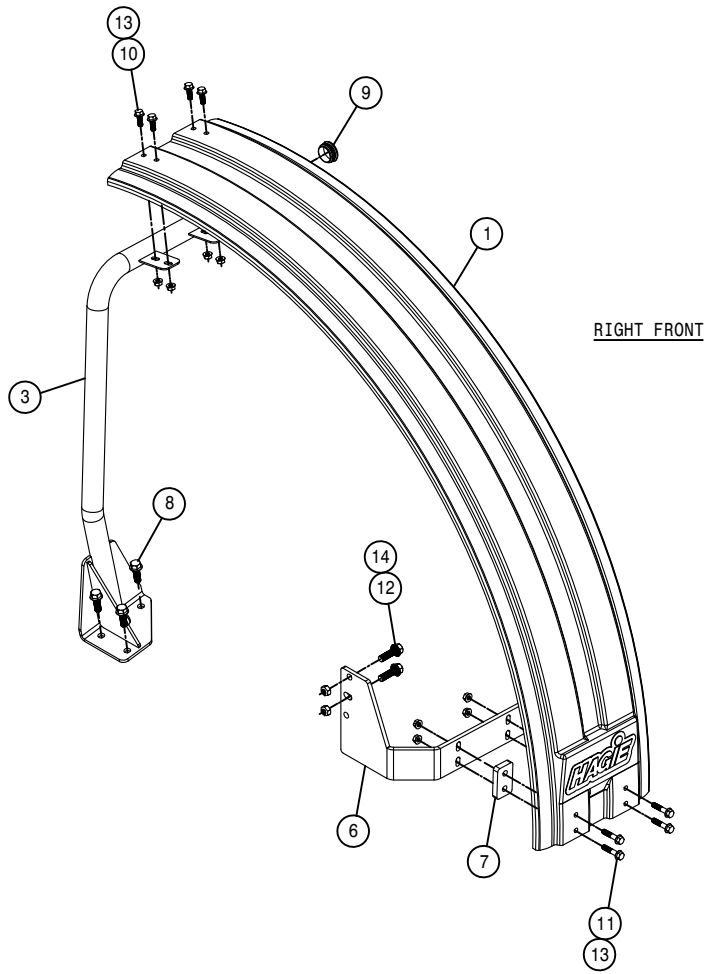
DET.	QTY	PART NO.	DESCRIPTION
1	1	121101	TRANSOM PIVOT BRG, TOP POLYGON
2	1	193016	QUICKEDGE TRIM .060 TO .170
3	7	470087	3/8UNC HEX FLANGE LOCK NUT
4	1	470352	LANYARD, 11" POLY
5	1	470643	RUBBER DRAW LATCH
6	4	471005	GREASE ZERK, 1/4-28 X 1/2
7	2	500019	3/4NPT-1/2HOSE BARB, POLY
8	1	500141	2"MNPT-90-2" HOSE BARB, POLY
9	1	500083	2"MNPT-90 EL, POLY
10	2	500120	1/2" HOSE BARB TEE, POLY
11	2	500157	1" FLANGE GASKET EPDM
12	2	500159	1" FLANGE CLAMP, S.S.
13	1	500168	1" FLANGE-1" FNPT ADPTR POLY
14	1	500173	1" FLANGE-90-1" HOSE BARB POLY
15	7	500194	2"FP FLANGE CLAMP, S.S.
16	7	500195	2"FP FLANGE GASKET EPDM
17	1	500196	2"FP FLANGE-2" HOSE BARB POLY
18	9	500208	3" FLANGE CLAMP, S.S.
19	9	500209	3" FLANGE GASKET EPDM
20	2	500210	3" FLANGE-3" HOSE BARB POLY
21	2	500212	3"FLANGE-2"FP FLANGE REDU POLY
22	1	500217	3" FLANGE TEE POLY
23	1	500219	2"FP FLANGE-90-2"FP FLANGE LBO
24	2	500263	3"FLANGE-3"MNPT W/3/4"FNPTPOLY
25	1	500249	2"FP FLANGE COUPLING
26	1	500254	2"FP FLANGE-90-2"FP SWEEP LBO
27	1	500258	3" FLANGE-45-3" HOSE BARB POLY
28	1	500259	3"FP-45-3"FP FLANGE LBO POLY
29	1	500260	3"FP-45-Y FLANGE COUPLER POLY
30	1	500261	2"FP FLANGE VENTURI POLY
31	1	601795	HOSE, 1/2 X 15 1BR BLK EPDM
32	2	520068	HOSE CLAMP NO 32 STAINLESS
33	13	520070	HOSE CLAMP NO 8 STAINLESS
34	3	520145	3.56/3.88 T-BOLT HOSE CLAMP SS
35	2	601160	HOSE, 1/2 X 3 1/2 1BR BLK EPDM
36	1	601796	HOSE, 1/2 X 33 1BR BLK EPDM
37	1	713340	1/2NPT-1/2 HOSE BARB, POLY
38	1	601503	HOSE, 3 X 8 POLY HELIX EPDM
39	1	601573	HOSE, 2 X 48 2F-1W EPDM
40	2	601791	HOSE, 1/2 X 12 1BR BLK EPDM
41	1	618119	9/16MJIC-90-9/16MOR LBO
42	1	618183	3/4MJIC-90-7/8MOR LBO
43	1	618535	7/8MJIC-90-1 1/16MOR LBO
44	4	629541	SNAP RING, 1/2"EXTERNAL E-STYLE
45	1	696194	1/2" HOSE BARB MICRO VALVE
46	1	691191	SIDE FILL ARM WLD STS' 12
47	1	691192	HOPPER BAND WLD, SIDE FILL '12
48	2	691193	HOPPER PARAL ARM WLD, SIDE FILL
49	1	691197	BUSHING, .750D X 1.31LG
50	1	500084	2"FNPT-2"MNPT SWIV, POLY
51	1	691225	HOSE SUPP BRKT SIDE FILL '12
52	1	691231	ADJ SIDE FILL CRADLE STS' 12
53	1	691236	3" TRANSFER PUMP, HYPRO
54	1	691273	7 GAL RD TANK WITH HOLE
55	1	696147	BALL VLV, 1" FLANGE
56	1	696150	BALL VLV, 2"FP FLANGE STUBBY
57	1	696190	3"FP FLANGE STUBBY VALVE POLY
58	1	696192	3"FLG STUBBY VALVE, 3"M-ADPTR
59	1	696231	CAP FOR 3.00 MALE COUPLER POLY
60	2	900080	5/16UNC X 5" HEX BOLT
61	4	900129	3/8UNC X 1" SERR FLANGE BOLT
62	2	900130	3/8UNC X 1 1/4 SER FLANGE BOLT
63	1	900133	3/8UNC X 2" SERR FLANGE BOLT
64	2	900148	3/8UNC X 8 HEX BOLT
65	2	903706	10-32X1/2 PHIL PAN MACH SCR
66	2	903710	10-32X5/8 PHIL PANHD MACH SCR
67	2	910004N	3/8UNC FLANGE CNTR LOCK NUT
68	2	914002	5/16UNC HEX STOVER NUT
69	4	914027	10-32 HEX STOVER NUT
70	4	920002	3/8 SAE FLAT WASHER
71	2	473963	ROLL PIN, 3/8 X 3 1/2
72	1	520090	HOSE CLAMP NO 16 STAINLESS
73	1	618119	9/16MJIC-90-9/16MOR LBO
74	1	618425	9/16MJIC-45-9/16MOR LBO
75	1	618731	9/16JIC .025 ORIFICE ADPTR
76	1	621554	HYD CYL, 1.50 X 12.25 X .750
77	1	621555	REPAIR KIT, HYD CYL 621554
78	2	690729	WASH: 11GA X 2.69 X 3.50
79	1	691195	CYL MT WLD, SIDE FILL '12
80	4	900265	1/2UNC X 1 1/2 HEX BOLT
81	2	900267	1/2UNC X 2" HEX BOLT
82	6	914008	1/2UNC HEX STOVER NUT
83	1	500044	1/2NPT-90 ST EL, POLY
84	1	500078	1/2NPT-90 EL, POLY
85	1	507031	SS PIPE NIPPLE .50NPT-1.13
86	1	696195	1/2FNPT-1/2MNPT MICRO BALL VLV
87	2	900170	3/8UNC X 2 1/4 SER FLANGE BOLT

FRONT FILL ASSEMBLY

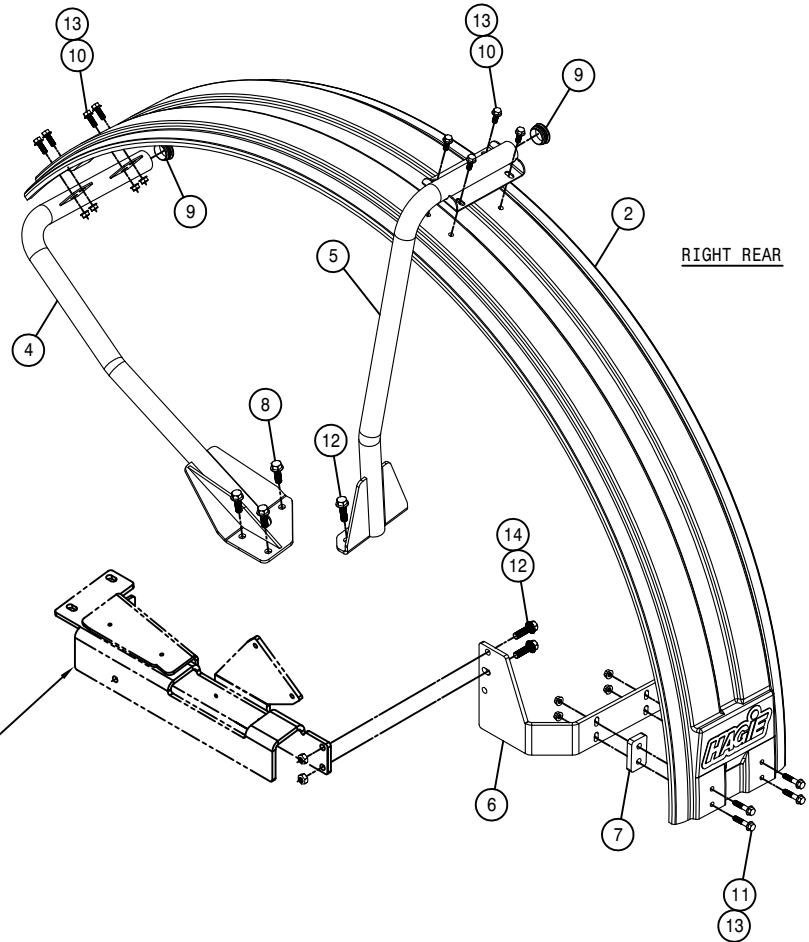
DET. QTY PART NO. DESCRIPTION

1	1	470352	LANYARD, 11" POLY	
2	1	500013	1"NPT HEX PIPE NIPPLE, POLY	
3	1	500014	1"NPT-90 ST EL, POLY	
4	1	500019	3/4NPT-1/2HOSE BARB, POLY	
5	1	500063	1"NPT PIPE PLUG, POLY	
6	2	500157	1" FLANGE GASKET	EPDM
7	2	500159	1" FLANGE CLAMP, S.S.	
8	1	500164	3" FLANGE-3" MNPT ADPTR	POLY
9	1	500168	1" FLANGE-1" FNPT ADPTR	POLY
10	1	500171	1" FLANGE-1" HOSE BARB	POLY
11	4	500208	3" FLANGE CLAMP, S.S.	
12	4	500209	3" FLANGE GASKET	EPDM
13	1	500210	3" FLANGE-3" HOSE BARB	POLY
14	1	500216	3"FLANGE PLUG W/1"FNPT	POLY
15	1	500217	3" FLANGE TEE	POLY
16	1	505214	1"-3/4"NPT REDU BUSH, POLY	
17	1	690488	1.00 CHECK VLV, SPRING LOADED	
18	1	691184	FRT FILL SUPP ARM WLD STS' 13	
19	1	696147	BALL VLV, 1" FLANGE	
20	1	696190	3"FP FLANGE STUBBY VALVE	POLY
21	1	696225	3.00FNPT-MALE COUPLER	POLY
22	1	696231	CAP FOR 3.00 MALE COUPLER	POLY
23	1	470253	HYD DAMPER, 100LB, 4"STROKE 1084	
24	2	470254	BALL SOCKET, M6 THD X 10MM	
25	2	470255	BALL STUD, 5/16-18 THD X 10MM	
26	2	470256	SAFTY CLIP, 10MM BALL SOCKET	
27	1	472316	ROLL PIN, 5/16 X 1 1/2	
28	1	482017	SPRING	
29	1	520090	HOSE CLAMP NO 16 STAINLESS	
30	1	520070	HOSE CLAMP NO 8 STAINLESS	
31	1	520145	3.56/3.88 T-BOLT HOSE CLAMP SS	
32	1	601497	HOSE, 1 X 206 1BR BLK EPDM	
33	1	690698	FRT FILL SUPP ARM REL WLD	
34	1	691139	FRT FILL SUPP ARM LATCH PIN' 10	
35	1	659291	KNOB, 1" RND, BLK, 3/8-16	
36	3	900066	5/16UNC X 1 1/4 HEX BOLT	
37	1	900418	3/4UNC X 7" HEX BOLT	
38	2	910002	5/16UNC HEX NUT	
39	1	914002	5/16UNC HEX STOVER NUT	
40	2	473006	3/4UNC HEX JAM NUT, NYLOC	
41	1	920006	3/4 SAE FLAT WASHER	
42	2	920501	5/16 LOCK WASHER	
43	1	601680	HOSE, 3 X 91 POLY HELIX	EPDM
44	1	601676	HOSE, 1/2 X 270 1BR BLK EPDM	
45	1	691140	FRT FILL LATCH BRKT WLD, STS' 10	
46	2	470113	5/16UNC HEX FLANGE LOCK NUT	
47	1	291680	POSITIVE JUMPER STUD, RED	
48	1	291681	NEGATIVE JUMPER STUD, BLACK	
49	1	650401	DECAL, AUX POWER PORT '12	
50	2	900170	3/8UNC X 2 1/4 SER FLANGE BOLT	





RIGHT FRONT



RIGHT REAR

RIGHT FENDER ASSEMBLY

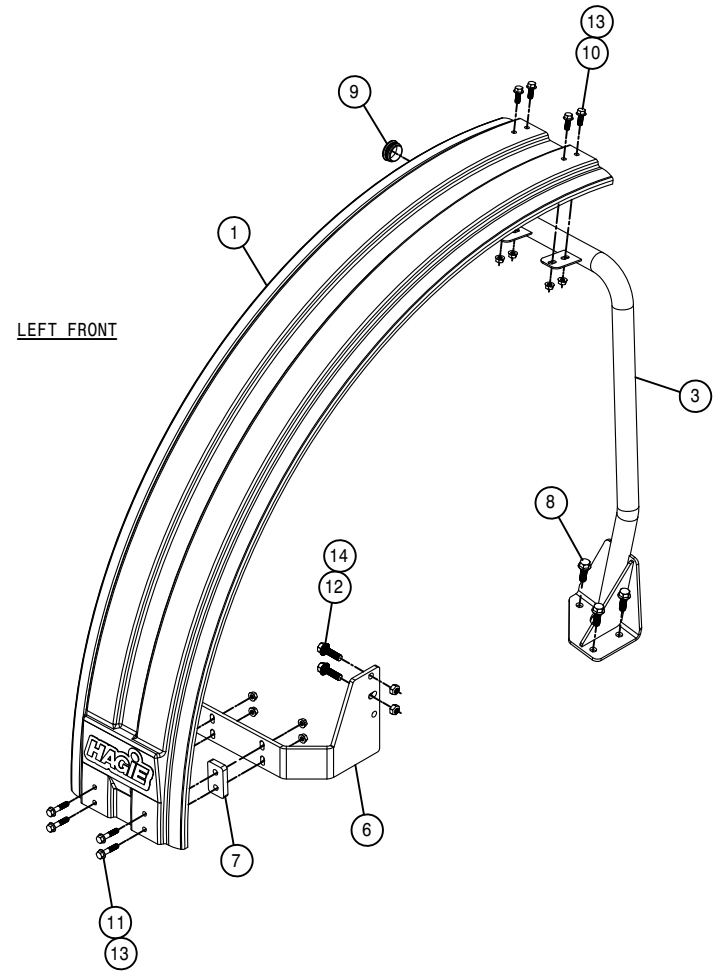
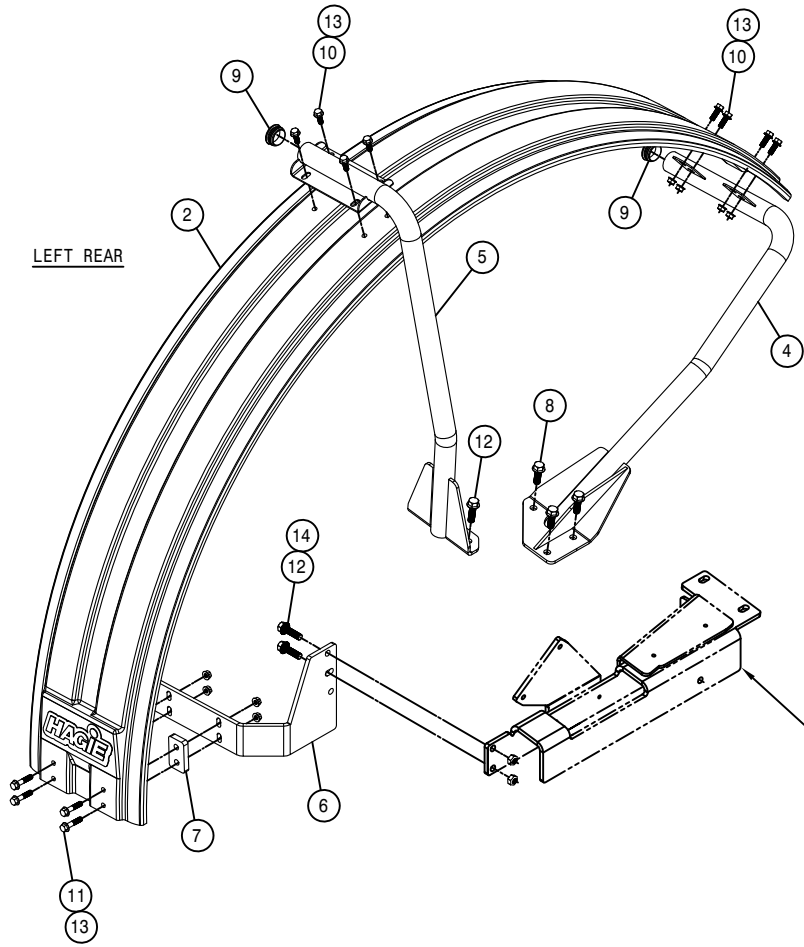
DET.	QTY	PART NO.	DESCRIPTION	
1	1	359598	FRONT FENDER, STS	'10
2	1	359599	REAR FENDER, STS	'10
3	1	359600	RH FRT FENDER BRKT WLD, STS	'10
4	1	359607	RH REAR FENDER BRKT WLD, STS	'10
5	1	359614	RH REAR UPR FENDER SUPP WLD	'10
6	2	359620	RH LWR FENDER SUPP, STS 54"	'10
7	4	359622	LWR FENDER SUPP SPACER, 54"	'10
8	6	470431	1/2UNC X 1 1/2 FLANGE BOLT	
9	3	629772	CAPPLUGS PLUG, 1 3/4"RD, BLK POLY	
10	12	900129	3/8UNC X 1" SERR FLANGE BOLT	
11	8	900132	3/8UNC X 1 3/4 SER FLANGE BOLT	
12	6	900266	1/2UNC X 1 3/4 HEX BOLT	
13	20	910004N	3/8UNC FLANGE CNTR LOCK NUT	
14	4	914008	1/2UNC HEX STOVER NUT	

NOTE: 359624 SHOWN FOR REFERENCE
SEE LEG ASSEMBLY

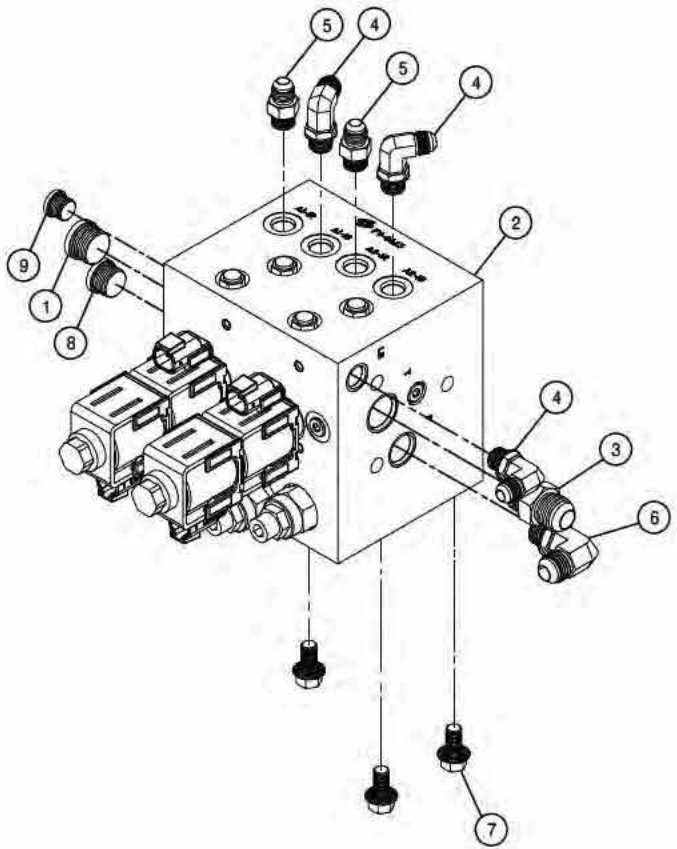
LEFT FENDER ASSEMBLY

DET. QTY PART NO. DESCRIPTION

1	1	359598	FRONT FENDER, STS	'10
2	1	359599	REAR FENDER, STS	'10
3	1	359601	LH FRT FENDER BRKT WLD, STS	'10
4	1	359608	LH REAR FENDER BRKT WLD, STS	'10
5	1	359615	LH REAR UPR FENDER SUPP WLD	'10
6	1	359621	LH LWR FENDER SUPP, STS 54"	'10
7	4	359622	LWR FENDER SUPP SPACER, 54"	'10
8	6	470431	1/2UNC X 1 1/2 FLANGE BOLT	
9	3	629772	CAPPLUGS PLUG, 1 3/4"RD, BLK POLY	
10	12	900129	3/8UNC X 1" SERR FLANGE BOLT	
11	8	900132	3/8UNC X 1 3/4 SER FLANGE BOLT	
12	6	900266	1/2UNC X 1 3/4 HEX BOLT	
13	20	910004N	3/8UNC FLANGE CNTR LOCK NUT	
14	4	914008	1/2UNC HEX STOVER NUT	

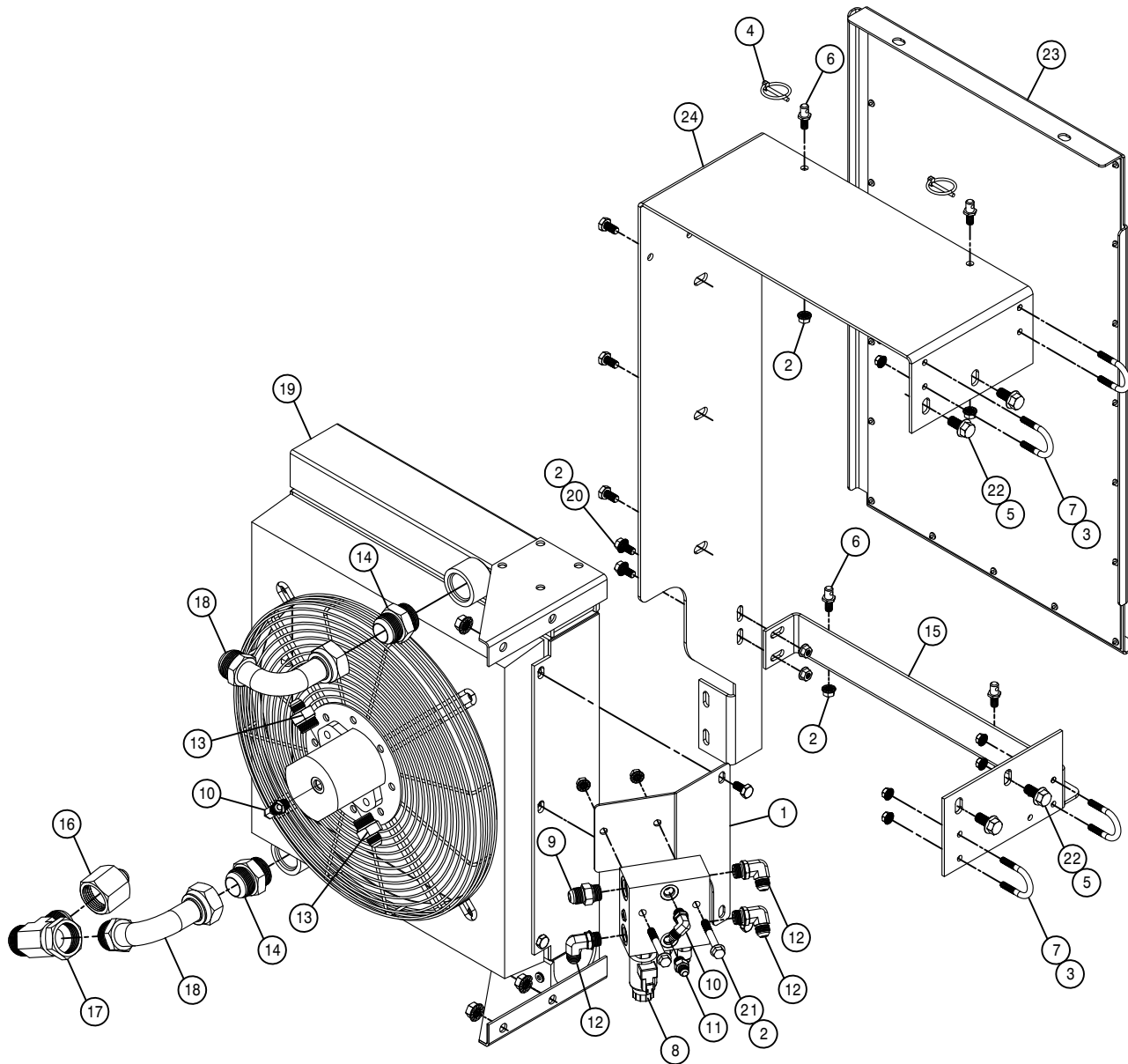


NOTE: 359625 SHOWN FOR REFERENCE
SEE LEG ASSEMBLY



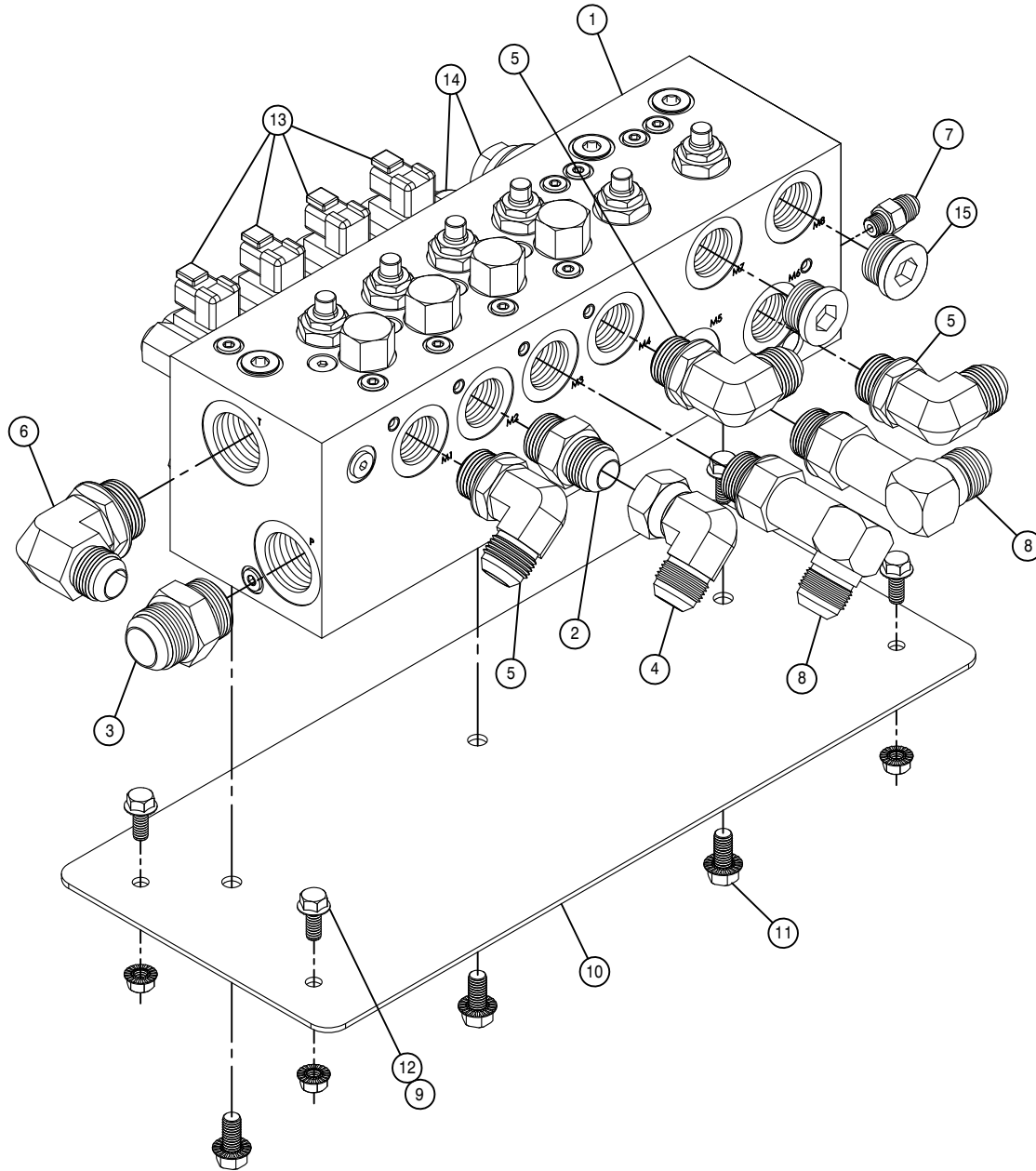
AWS HYDRAULIC VALVE ASSEMBLY

DET.	QTY	PART NO.	DESCRIPTION
1	1	618756	7/8MOR PLUG, HEX SOCKET
2	1	606370	VALVE, FV8623 V1 SUNSOURCE
3	1	611126	7/8MJIC-7/8MOR ADPTR
4	3	618119	9/16MJIC-90-9/16MOR LBO
5	2	618126	9/16MJIC-9/16MOR ADPTR
6	1	618241	3/4MJIC-90-3/4MOR LBO
7	3	900128	3/8UNC X 3/4 HEX BOLT YZ
8	1	618755	3/4MOR PLUG, HEX SOCKET
9	1	618754	9/16MOR PLUG, HEX SOCKET



AUX OIL COOLER ASSEMBLY

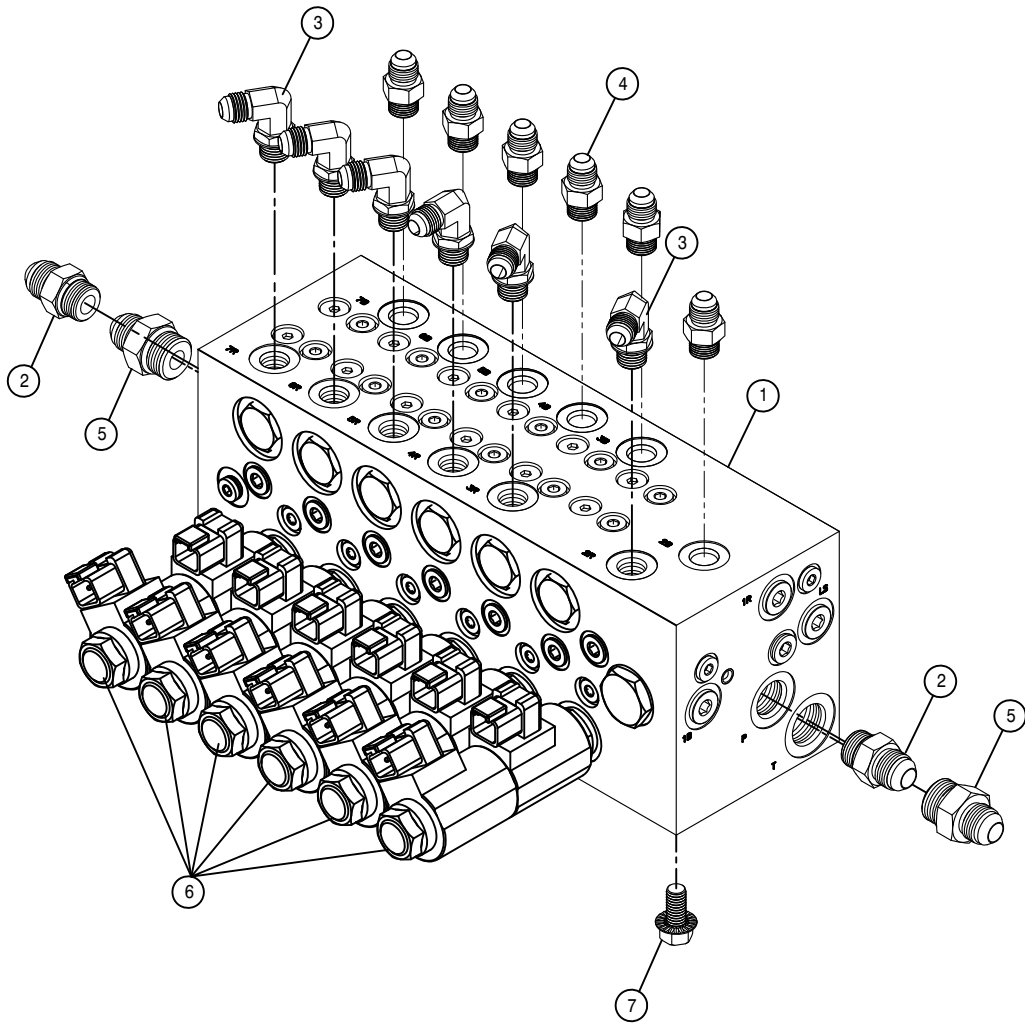
DET.	QTY	PART NO.	DESCRIPTION
	1	316946	PLATE-MOUNT,MANIFOLD
	2	470087	3/8UNC HEX FLANGE LOCK NUT
	3	470113	5/16UNC HEX FLANGE LOCK NUT
	4	470335	LINCHPIN, 3/16 X 1 1/4 GRIP
	5	470360	1/2UNC HEX FLANGE LOCK NUT
	6	470520	HANGER PIN,3/8UNC X.437DX.500L
	7	473911	5/16UNC-1.31ID-2.00 U-BOLT
	8	606448	AUX COOLER MANIFOLD, GST
	9	611126	7/8MJIC-7/8MOR ADPTR
	10	618119	9/16MJIC-90-9/16MOR LBO
	11	618126	9/16MJIC-9/16MOR ADPTR
	12	618241	3/4MJIC-90-3/4MOR LBO
	13	618469	3/4MJIC-1 1/16MOR ADPTR
	14	618472	1 5/8MJIC-1 5/8MOR ADPTR
	15	A52996	AUX COOLER BOTM BRKT,STS16 07
	16	618655	1 7/16FFOX RUN TEE-1 7/16MFOR
	17	618726	1 5/8FJ SW RUN TEE-1 5/8MJ
	18	618768	1 5/8MJIC-90-1 5/8FJX TUBE
	19	618808	OIL COOLER STS16 07
	20	900128	3/8UNC X 3/4 HEX BOLT
	21	900135	3/8UNC X 2 3/4 HEX BOLT
	22	900263	1/2UNC X 1" HEX BOLT
	23	A06731	AUX COOLR SCREEN ASSY,STS16 07
	24	A52995	AUX COOLER MT,STS16 07



MOTOR CONTROL VALVE ASSEMBLY

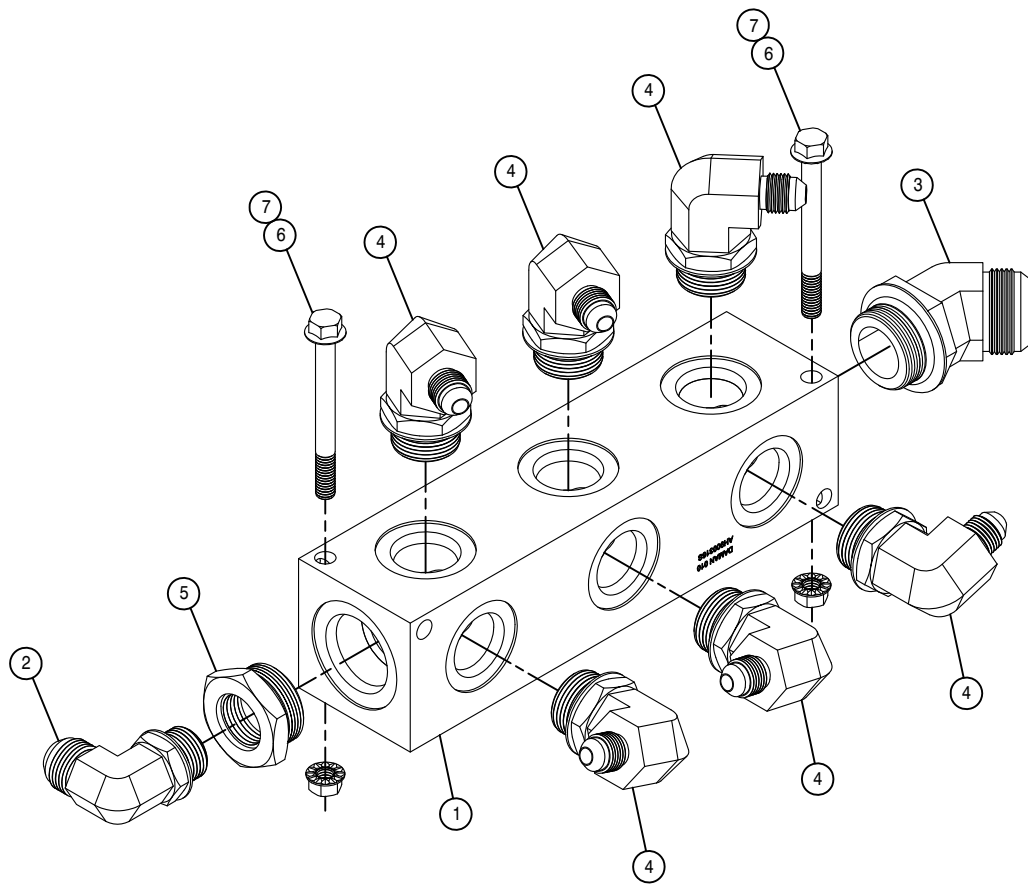
DET. QTY PART NO. DESCRIPTION

1	1	606310	LS MTR CTRL ELEC VLV STS, SAUER
2	1	611127	1 1/16MJIC-1 1/16MOR ADPTR
3	1	618186	1 5/16MJIC-1 5/16MOR ADPTR
4	1	618191	1 1/16MJ-90-1 1/16FJ SWIV LBO
5	3	618248	1 1/16MJIC-90-1 1/16MOR LBO
6	1	618302	1 1/16MJIC-90-1 5/16MOR LBO
7	1	618304	9/16MJIC-7/16MOR ADPTR
8	2	618674	1 1/16MJIC-90-1 1/16MOR XL LBO
9	4	470113	5/16UNC SER FLG LOCK NUT
10	1	439260	MTR CLRL VLV MT, STS COMBO 07
11	3	470409	3/8UNC X 3/4 SER FLG BOLT
12	4	900064	5/16UNC X 3/4 HEX BOLT
13	4	606617	CARTRIDGE, SVP10, FOR VLV 606262
14	2	606619	CARTRIDGE, EDH FOR VLV 606262
15	2	618757	1 1/16MOR PLUG, HEX SOCKET



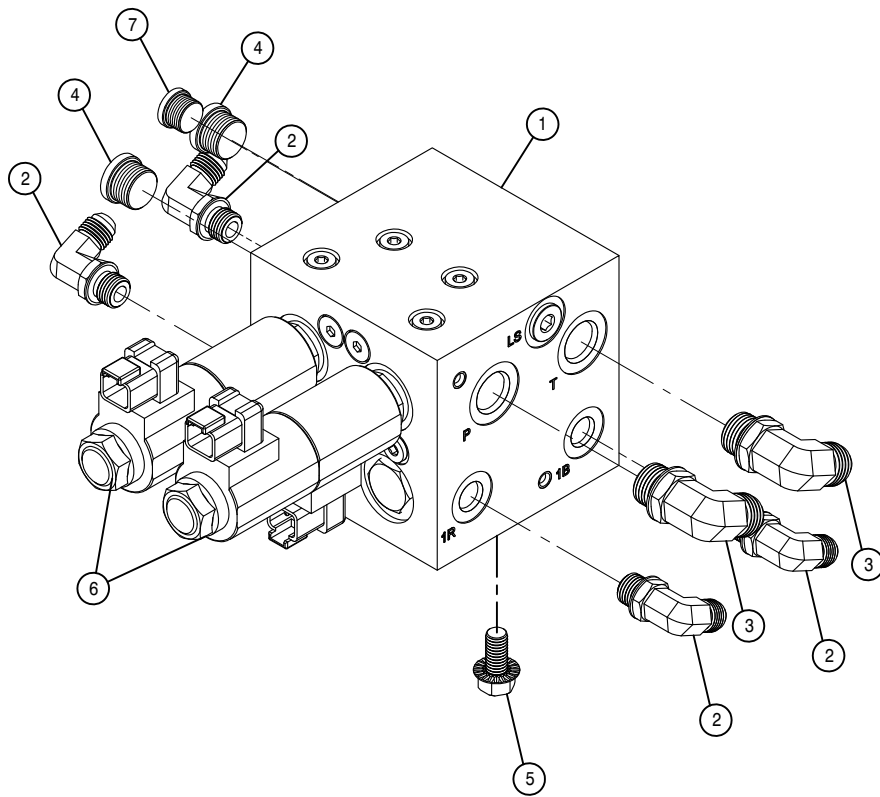
LIFT VALVE ASSEMBLY

DET.	QTY	PART NO.	DESCRIPTION
1	1	606285	LIFT VALVE,STS COMBO,SAUER
2	2	611125	3/4MJIC-3/4MOR ADPTR
3	6	618119	9/16MJIC-90-9/16MOR LBO
4	6	618126	9/16MJIC-9/16MOR ADPTR
5	2	618327	3/4MJIC-7/8MOR ADPTR
6	12	606345	COIL FOR SV10 CART,VLV 606272
7	4	470409	3/8UNC X 3/4 SERR FLANGE BOLT



RETURN MANIFOLD ASSEMBLY

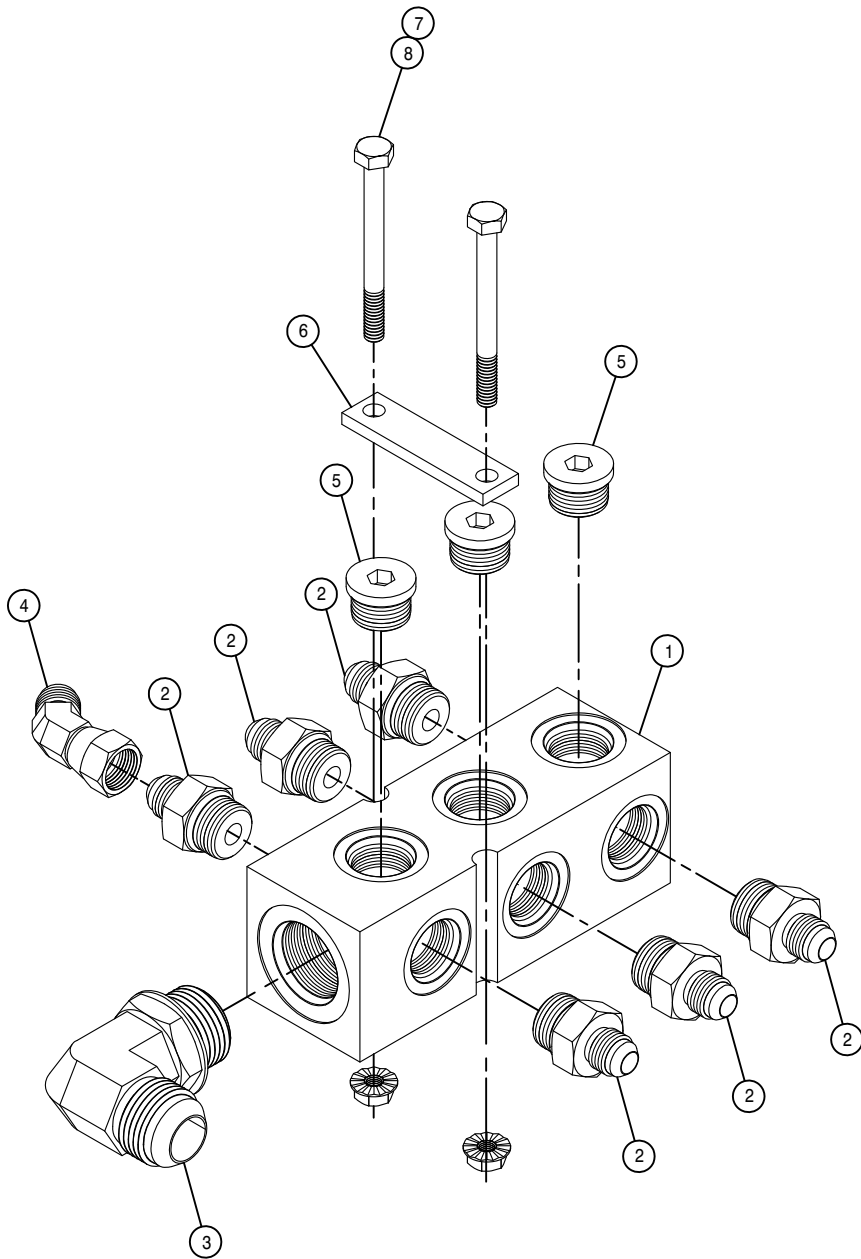
DET.	QTY	PART NO.	DESCRIPTION
	1	606246	MANIFOLD, #16 3-STN 180
	2	618248	1 1/16MJIC-90-1 1/16MOR LBO
	3	618396	1 5/8MJIC-45-1 5/8MOR LBO
	4	618475	3/4MJIC-90-1 5/16MOR LBO
	5	618595	1 5/8MOR-1 1/16FOR ADPTR
	6	900139	3/8UNC X 3 3/4 HEX BOLT
	7	470087	3/8UNC HEX FLANGE LOCK NUT



FOLD VALVE ASSEMBLY

DET. QTY PART NO. DESCRIPTION

DET.	QTY	PART NO.	DESCRIPTION
1	1	606286	FOLD VALVE, STS COMBO, SAUER
2	4	618119	9/16MJC-90-9/16MOR LBO
3	2	618241	3/4MJC-90-3/4MOR LBO
4	2	618755	3/4MOR PLUG, HEX SOCKET
5	2	470409	3/8UNC X 3/4 SERR FLANGE BOLT
6	2	606304	CARTRIDGE, PSV10, FOR VLV 606272
7	1	618754	9/16MOR PLUG, HEX SOCKET



CASE DRAIN MANIFOLD ASSEMBLY

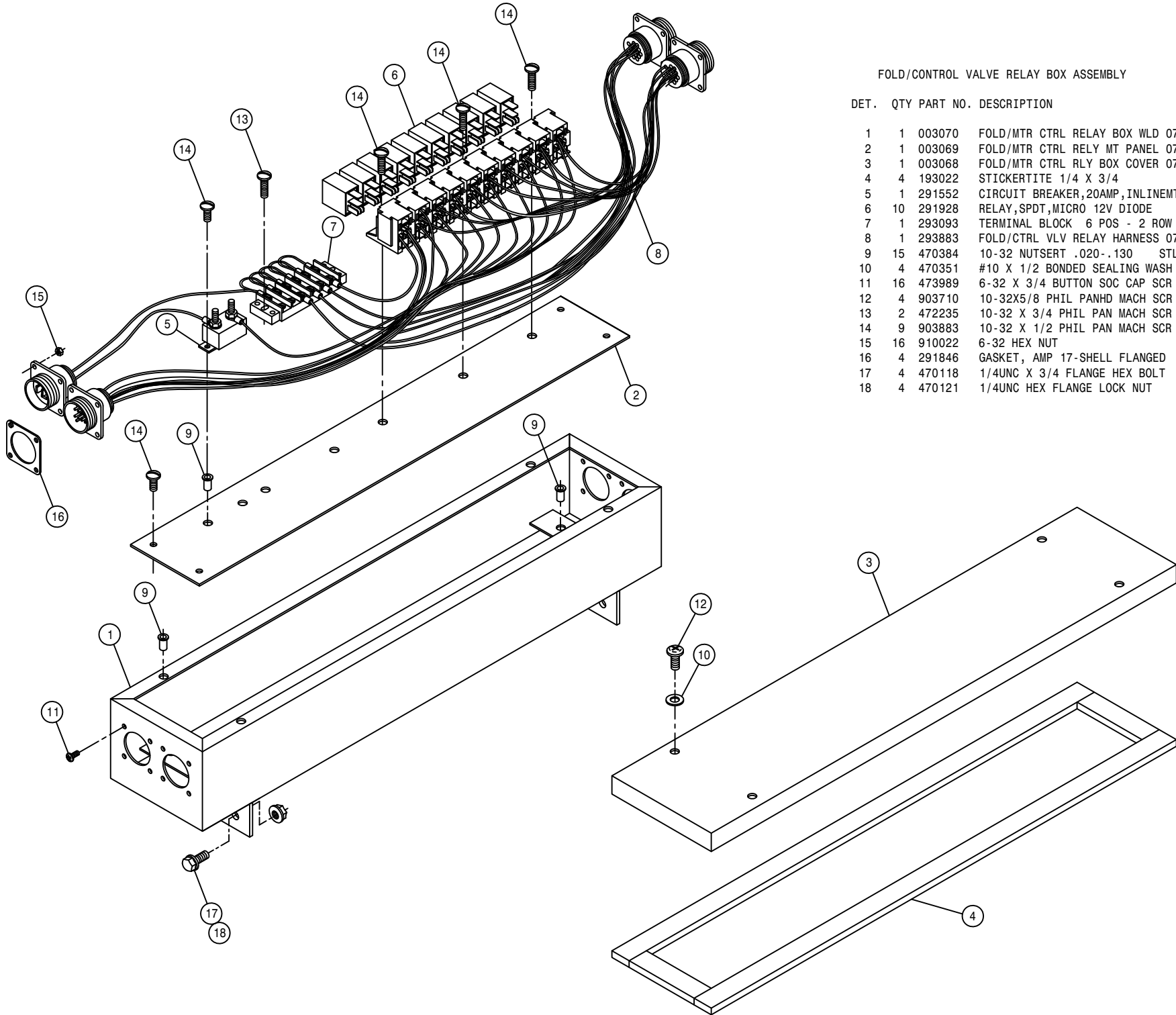
DET. QTY PART NO. DESCRIPTION

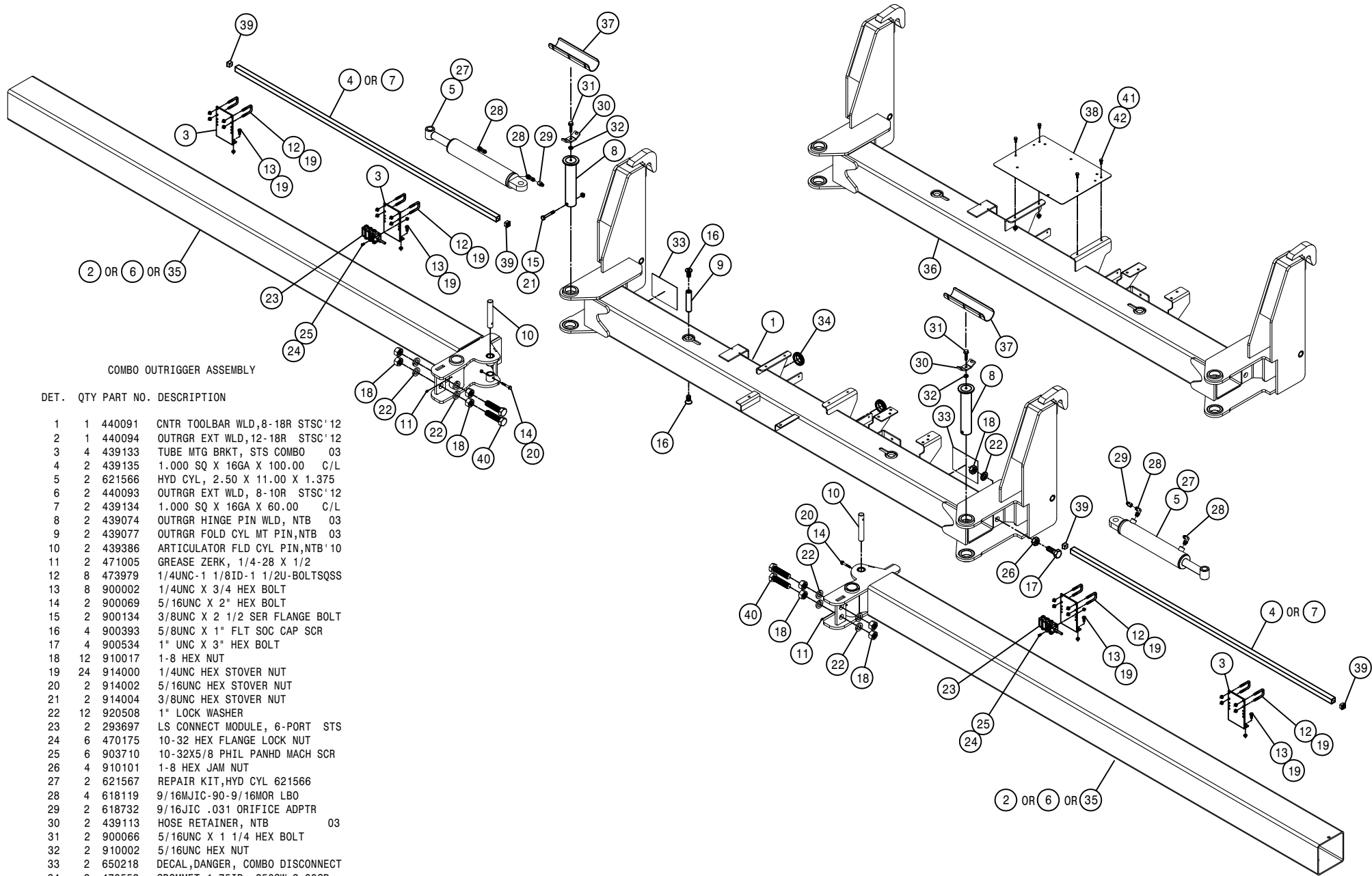
1	1	606021	HYD RETURN MANIF, 3/4FOR, 9-PORT
2	6	618109	9/16MJIC-3/4MOR ADPTR
3	1	618248	1 1/16MJIC-90-1 1/16MOR LBO
4	1	618634	9/16MJIC-45-9/16FJIC SWIV LBO
5	3	618755	3/4MOR PLUG, HEX SOCKET
6	1	438729	CUTTER RETURN MANIF MT KEEPER
7	2	470121	1/4UNC HEX FLANGE LOCK NUT
8	2	900009	1/4UNC X 2 3/4 HEX BOLT

FOLD/CONTROL VALVE RELAY BOX ASSEMBLY

DET. QTY PART NO. DESCRIPTION

DET.	QTY	PART NO.	DESCRIPTION
1	1	003070	FOLD/MTR CTRL RELAY BOX WLD 07
2	1	003069	FOLD/MTR CTRL RELY MT PANEL 07
3	1	003068	FOLD/MTR CTRL RLY BOX COVER 07
4	4	193022	STICKERTITE 1/4 X 3/4
5	1	291552	CIRCUIT BREAKER, 20AMP, INLINEMT
6	10	291928	RELAY, SPDT, MICRO 12V DIODE
7	1	293093	TERMINAL BLOCK 6 POS - 2 ROW
8	1	293883	FOLD/CTRL VLV RELAY HARNESS 07
9	15	470384	10-32 NUTSERT .020-.130 STL
10	4	470351	#10 X 1/2 BONDED SEALING WASH
11	16	473989	6-32 X 3/4 BUTTON SOC CAP SCR
12	4	903710	10-32X5/8 PHIL PANHD MACH SCR
13	2	472235	10-32 X 3/4 PHIL PAN MACH SCR
14	9	903883	10-32 X 1/2 PHIL PAN MACH SCR
15	16	910022	6-32 HEX NUT
16	4	291846	GASKET, AMP 17-SHELL FLANGED
17	4	470118	1/4UNC X 3/4 FLANGE HEX BOLT
18	4	470121	1/4UNC HEX FLANGE LOCK NUT

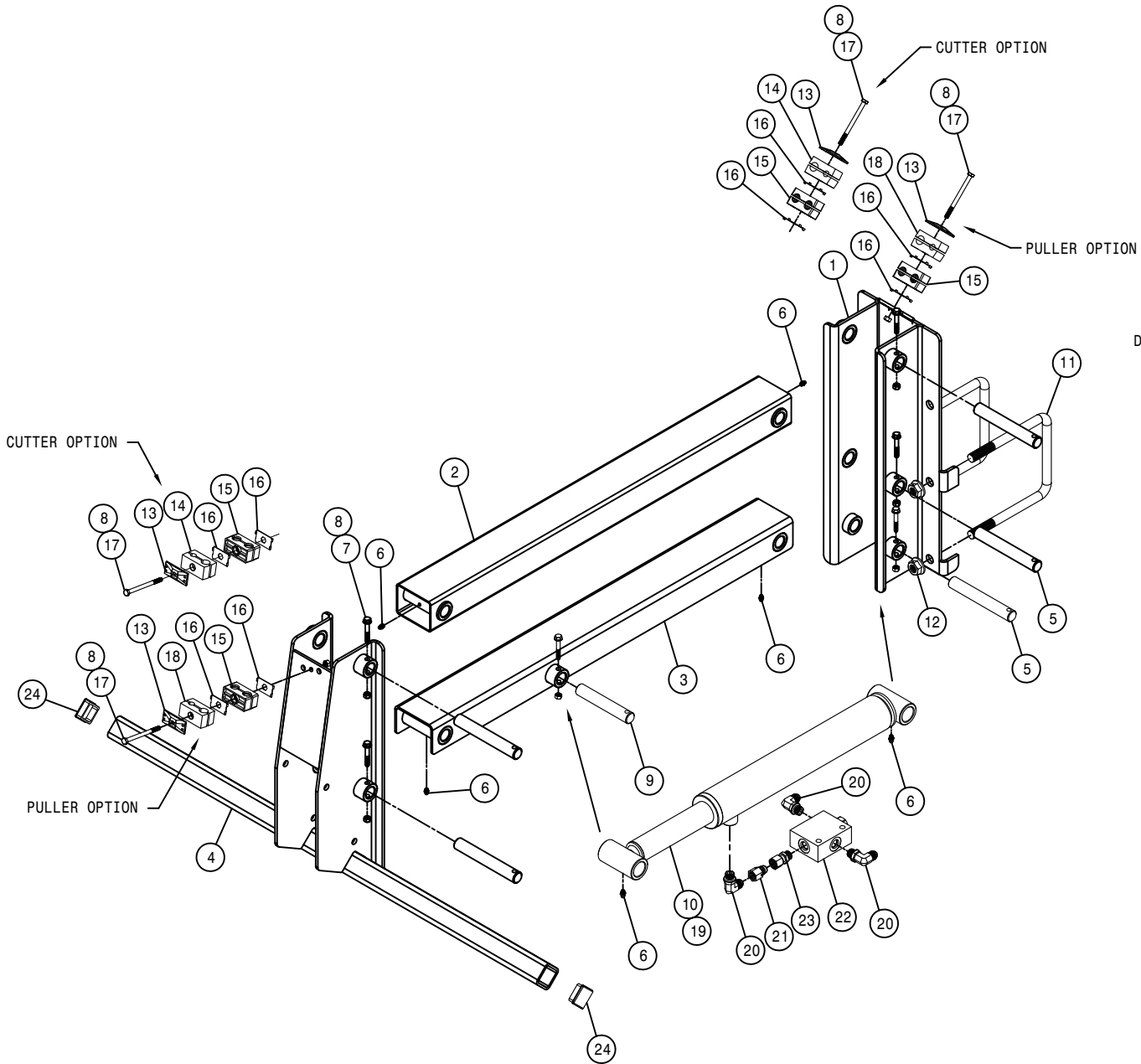




COMBO OUTRIGGER ASSEMBLY

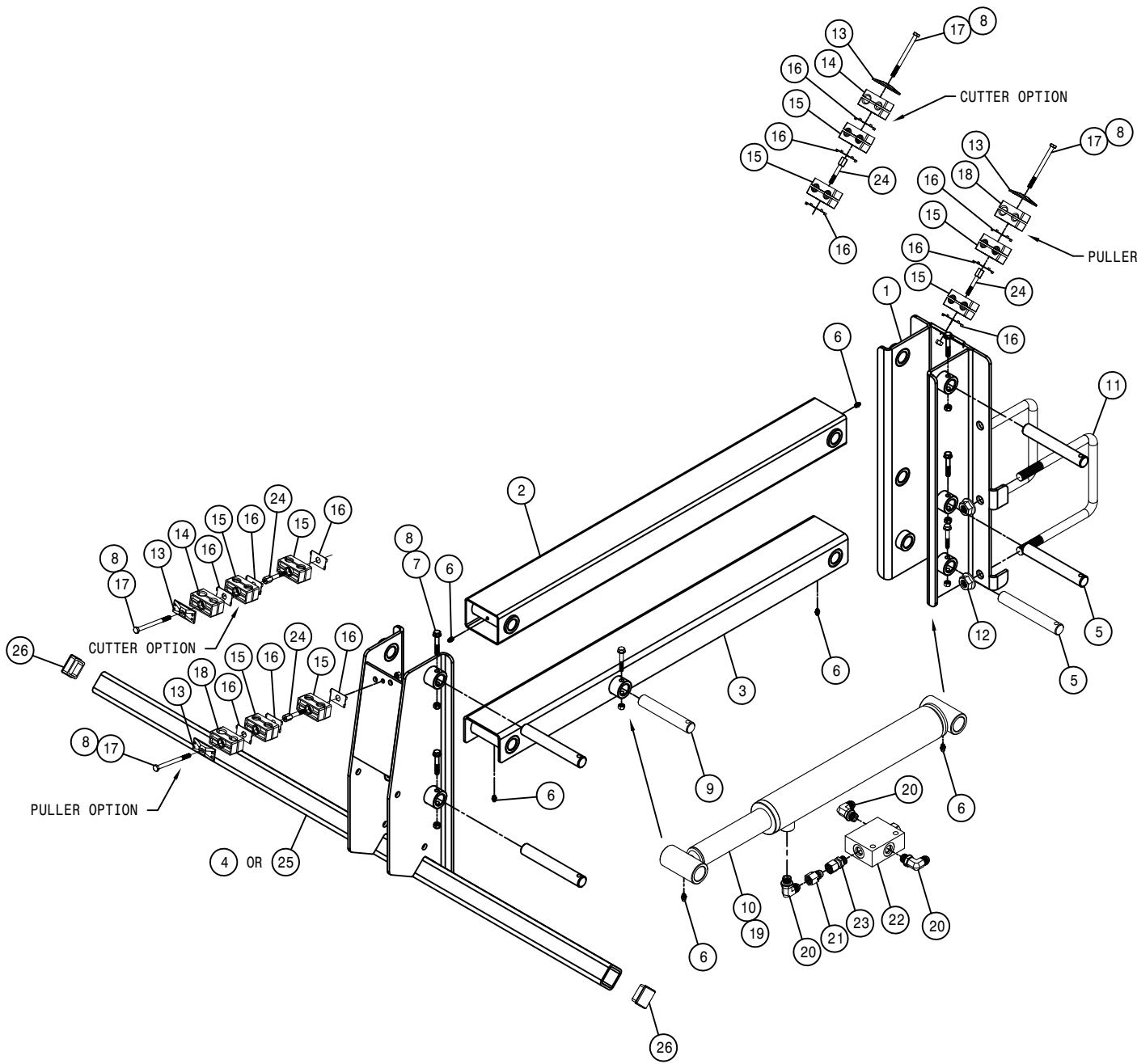
DET. QTY PART NO. DESCRIPTION

1	1	440091	CNTR TOOLBAR WLD,8-18R STSC'12
2	1	440094	OUTRGR EXT WLD,12-18R STSC'12
3	4	439133	TUBE MTG BRKT, STS COMBO 03
4	2	439135	1.000 SQ X 16GA X 100.00 C/L
5	2	621566	HYD CYL, 2.50 X 11.00 X 1.375
6	2	440093	OUTRGR EXT WLD, 8-10R STSC'12
7	2	439134	1.000 SQ X 16GA X 60.00 C/L
8	2	439074	OUTRGR HINGE PIN WLD, NTB 03
9	2	439077	OUTRGR FOLD CYL MT PIN,NTB 03
10	2	439386	ARTICULATOR FLD CYL PIN,NTB'10
11	2	471005	GREASE ZERK, 1/4-28 X 1/2
12	8	473979	1/4UNC-1 1/8ID-1 1/2U-BOLTSQSS
13	8	900002	1/4UNC X 3/4 HEX BOLT
14	2	900069	5/16UNC X 2" HEX BOLT
15	2	900134	3/8UNC X 2 1/2 SER FLANGE BOLT
16	4	900393	5/8UNC X 1" FLT SOC CAP SCR
17	4	900534	1" UNC X 3" HEX BOLT
18	12	910017	1-8 HEX NUT
19	24	914000	1/4UNC HEX STOVER NUT
20	2	914002	5/16UNC HEX STOVER NUT
21	2	914004	3/8UNC HEX STOVER NUT
22	12	920508	1" LOCK WASHER
23	2	293697	LS CONNECT MODULE, 6-PORT STS
24	6	470175	10-32 HEX FLANGE LOCK NUT
25	6	903710	10-32X5/8 PHIL PANHD MACH SCR
26	4	910101	1-8 HEX JAM NUT
27	2	621567	REPAIR KIT,HYD CYL 621566
28	4	618119	9/16MJIC-90-9/16MOR LBO
29	2	618732	9/16JIC .031 ORIFICE ADPTR
30	2	439113	HOSE RETAINER, NTB 03
31	2	900066	5/16UNC X 1 1/4 HEX BOLT
32	2	910002	5/16UNC HEX NUT
33	2	650218	DECAL,DANGER, COMBO DISCONNECT
34	2	470552	GROMMET,1.75ID .250GW 2.00GD
35	1	440092	OUTRGR EXT WLD, 6R STSC'12
36	1	440090	CNTR TOOLBAR WLD,6R STSC'12
37	2	470369	HOSE PROTECTOR, 8" BLACK
38	1	439358	MTR CNTL VLV MT STS COMBO 09
39	4	629727	FINISH PLUG FOR 1"SQ X 16 GA
40	4	900536	1" UNC X 4" HEX BOLT,FULL THD
41	4	470113	5/16UNC HEX FLANGE LOCK NUT
42	4	470233	5/16UNC X 3/4 FLANGE HEX BOLT



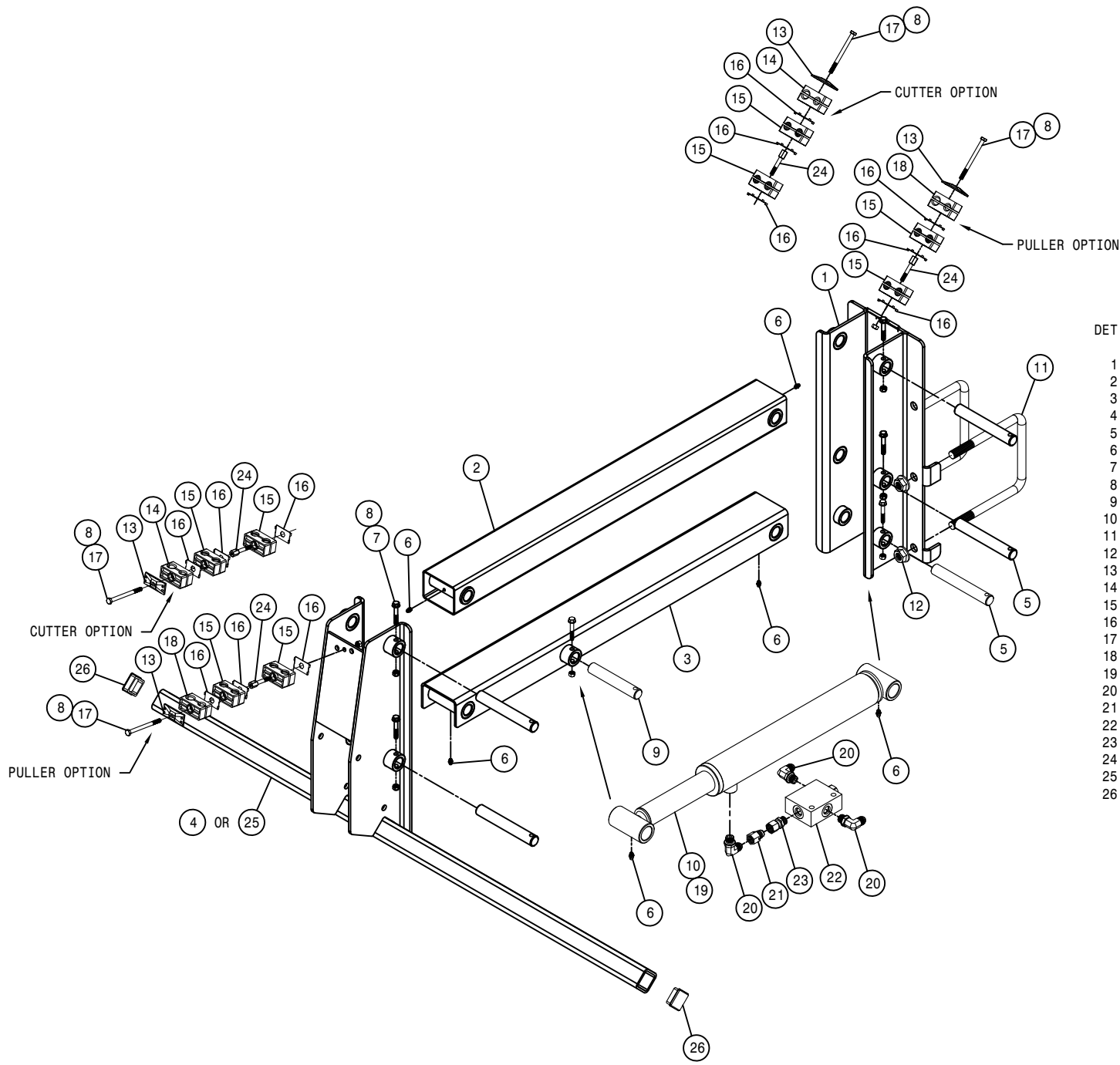
2-HEAD LIFT ASSEMBLY

DET.	QTY	PART NO.	DESCRIPTION	
	1	439136	TOOLBAR MT BRKT WLD, STSC	03
	2	439143	UPPER LIFTARM WLD, STS COMBO	03
	3	439146	LWR LIFTARM WLD, STS COMBO	03
	4	439151	50" HEAD TOOLBAR WLD, STSC	03
	5	439158	LIFT ARM PIVOT PIN, STSC	03
	6	471005	GREASE ZERK, 1/4-28 X 1/2	
	7	900069	5/16UNC X 2" HEX BOLT	
	8	914002	5/16UNC HEX STOVER NUT	
	9	439156	LWR CYL MT PIN, STS COMBO	03
	10	621564	HYD CYL, 2.00 X 11.00 X 1.50 1W	
	11	473981	.750UNC-7.00ID-8.50 U-BOLT SQ	
	12	914012	3/4UNC HEX STOVER NUT	
	13	470276	CLAMP COVER PLATE, SNGL, 2.55LG	
	14	470340	TUBE CLAMP BODY, .500-.750	
	15	470274	TUBE CLAMP BODY, .750-.750	
	16	470281	STACK BOLT SAFETY LOCK PLATE	
	17	900076	5/16UNC X 4" HEX BOLT	
	18	470270	HOSE CLAMP BODY, .530-.680	
	19	621507	REPAIR KIT, HYD CYL 621506	
	20	618119	9/16MJIC-90-9/16MOR LBO	
	21	618733	9/16JIC .042 ORIFICE ADPTR	
	22	607565	CHECK VLV, PILOT TO OPEN, SUN	
	23	618668	9/16FJIC SWIV-9/16MOR ADPTR	
	24	629773	CAPLUGS 1 3/4" SQ PLUG, BLK POLY	



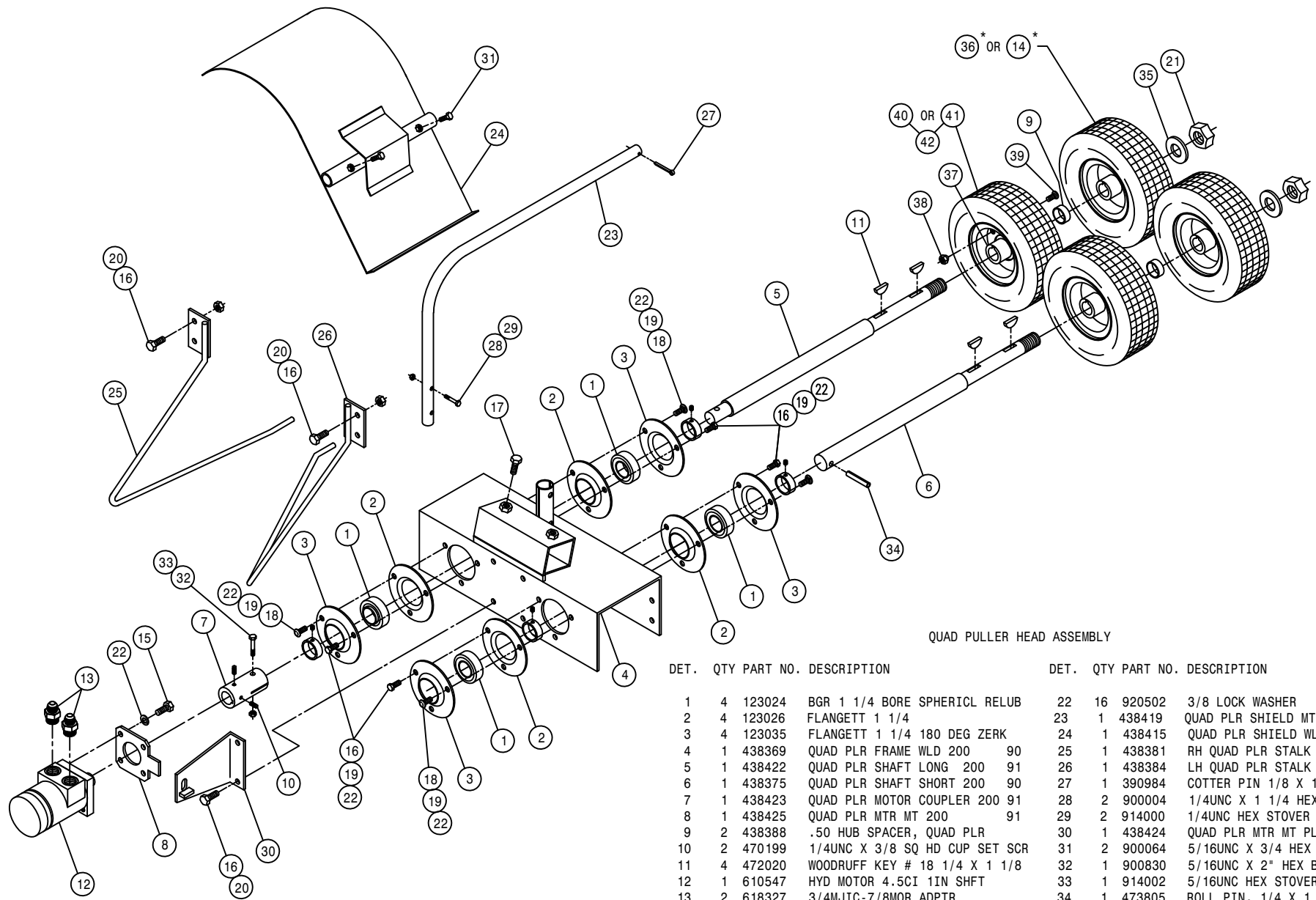
RH 3-HEAD LIFT ASSEMBLY

DET.	QTY	PART NO.	DESCRIPTION
1	1	439136	TOOLBAR MT BRKT WLD, STSC 03
2	1	439143	UPPER LIFTARM WLD,STS COMBO 03
3	1	439146	LWR LIFTARM WLD, STS COMBO 03
4	1	439163	80"RH HEAD TOOLBAR WLD,STSC 03
5	5	439158	LIFT ARM PIVOT PIN, WLD, STSC 03
6	6	471005	GREASE ZERK, 1/4-28 X 1/2
7	6	900069	5/16UNC X 2" HEX BOLT
8	8	914002	5/16UNC HEX STOVER NUT
9	1	439156	LWR CYL MT PIN, STS COMBO 03
10	1	621564	HYD CYL,2.00 X 11.00 X 1.50 1W
11	2	473981	.750UNC-7.00ID-8.50 U-BOLT SQ
12	4	914012	3/4UNC HEX STOVER NUT
13	2	470276	CLAMP COVER PLATE,SNGL, 2.55LG
14	2	470300	TUBE CLAMP BODY, .500-.625
15	4	470274	TUBE CLAMP BODY, .750-.750
16	6	470281	STACK BOLT SAFETY LOCK PLATE
17	2	900076	5/16UNC X 4" HEX BOLT
18	2	470270	HOSE CLAMP BODY, .530-.680
19	1	621507	REPAIR KIT, HYD CYL 621506
20	3	618119	9/16MJIC-90-9/16MOR LBO
21	1	618733	9/16JIC .042 ORIFICE ADPTR
22	1	607565	CHECK VLV,PILOT TO OPEN, SUN
23	1	618668	9/16FJIC SWIV-9/16MOR ADPTR
24	2	470280	STACK BOLT, 5/16UNC X 1 3/4
25	1	439182	57"RH HEAD TOOLBAR WLD,20"R 05
26	2	629773	CAPPLUGS 1 3/4"SQ PLUG,BLK POLY



LH 3-HEAD LIFT ASSEMBLY

DET.	QTY	PART NO.	DESCRIPTION
1	1	439136	TOOLBAR MT BRKT WLD, STSC 03
2	1	439143	UPPER LIFTARM WLD, STS COMBO 03
3	1	439146	LWR LIFTARM WLD, STS COMBO 03
4	1	439164	80"LH HEAD TOOLBAR WLD, STSC 03
5	5	439158	LIFT ARM PIVOT PIN, STSC 03
6	6	471005	GREASE ZERK, 1/4-28 X 1/2
7	6	900069	5/16UNC X 2" HEX BOLT
8	8	914002	5/16UNC HEX STOVER NUT
9	1	439156	LWR CYL MT PIN, STS COMBO 03
10	1	621564	HYD CYL, 2.00 X 11.00 X 1.50 1W
11	2	473981	.750UNC-7.00ID-8.50 U-BOLT SQ
12	4	914012	3/4UNC HEX STOVER NUT
13	2	470276	CLAMP COVER PLATE, SNGL, 2.55LG
14	2	470300	TUBE CLAMP BODY, .500-.625
15	4	470274	TUBE CLAMP BODY, .750-.750
16	6	470281	STACK BOLT SAFETY LOCK PLATE
17	2	900076	5/16UNC X 4" HEX BOLT
18	2	470270	HOSE CLAMP BODY, .530-.680
19	1	621507	REPAIR KIT, HYD CYL 621506
20	3	618119	9/16MJIC-90-9/16MOR LBO
21	1	618733	9/16JIC .042 ORIFICE ADPTR
22	1	607565	CHECK VLV, PILOT TO OPEN, SUN
23	1	618668	9/16FJIC SWIV-9/16MOR ADPTR
24	2	470280	STACK BOLT, 5/16UNC X 1 3/4
25	1	439183	57"LH HEAD TOOLBAR WLD, 20"R 05
26	2	629773	CAPPLUGS 1 3/4"SQ PLUG, BLK POLY

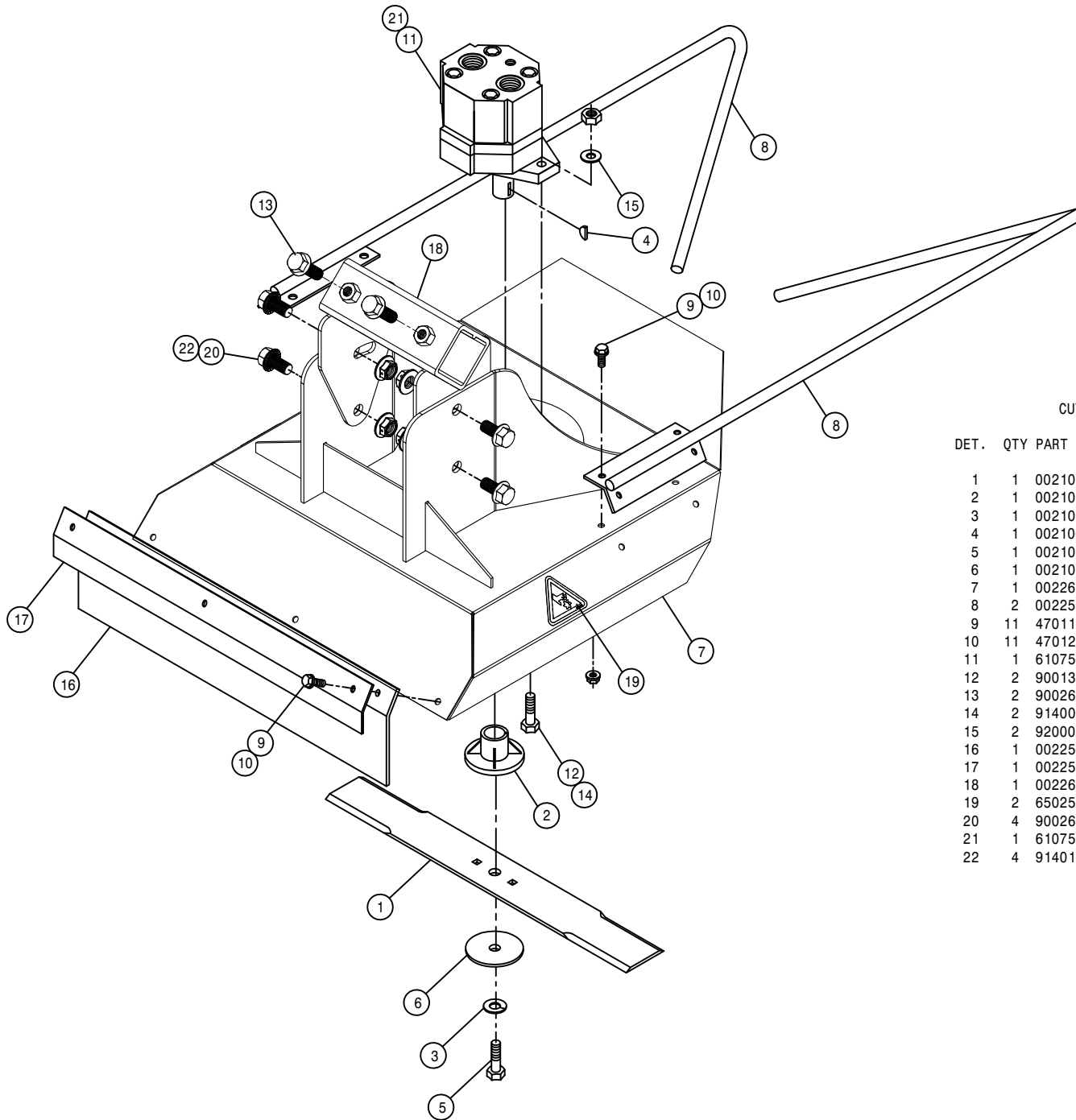


QUAD PULLER HEAD ASSEMBLY

DET.	QTY	PART NO.	DESCRIPTION	DET.	QTY	PART NO.	DESCRIPTION
1	4	123024	BGR 1 1/4 BORE SPHERICL RELUB	22	16	920502	3/8 LOCK WASHER
2	4	123026	FLANGETT 1 1/4	23	1	438419	QUAD PLR SHIELD MT TUBE 91
3	4	123035	FLANGETT 1 1/4 180 DEG ZERK	24	1	438415	QUAD PLR SHIELD WLD 200 91
4	1	438369	QUAD PLR FRAME WLD 200 90	25	1	438381	RH QUAD PLR STALK GUIDE WLD90
5	1	438422	QUAD PLR SHAFT LONG 200 91	26	1	438384	LH QUAD PLR STALK GUIDE WLD90
6	1	438375	QUAD PLR SHAFT SHORT 200 90	27	1	390984	COTTER PIN 1/8 X 1 1/4
7	1	438423	QUAD PLR MOTOR COUPLER 200 91	28	2	900004	1/4UNC X 1 1/4 HEX BOLT
8	1	438425	QUAD PLR MTR MT 200 91	29	2	914000	1/4UNC HEX STOVER NUT
9	2	438388	.50 HUB SPACER, QUAD PLR	30	1	438424	QUAD PLR MTR MT PLT WLD
10	2	470199	1/4UNC X 3/8 SQ HD CUP SET SCR	31	2	900064	5/16UNC X 3/4 HEX BOLT
11	4	472020	WOODRUFF KEY # 18 1/4 X 1 1/8	32	1	900830	5/16UNC X 2" HEX BOLT GR8
12	1	610547	HYD MOTOR 4.5CI 1IN SHFT	33	1	914002	5/16UNC HEX STOVER NUT
13	2	618327	3/4MJIC-7/8MOR ADPTR	34	1	473805	ROLL PIN, 1/4 X 1 1/2
14	4	824508	410-4 WHL ASSY, 2P STUD	35	2	483032	1 1/2 X 1" X .134TH MACH WASH
15	4	900128	3/8UNC X 3/4 HEX BOLT	36	4	824515	410-4 WHL ASSY, 2P SAWTOOTH
16	10	900129	3/8UNC X 1" SERR FLANGE BOLT	37	4	824525	4 X 2.25 WHEEL & HUB
17	2	900263	1/2UNC X 1" HEX BOLT	38	16	824514	WHL NUT, 4-BOLT HUB
18	8	901129	3/8UNC X 1" CARR BOLT	39	16	824513	STUD, 4-BOLT HUB 824512
19	12	910004	3/8UNC HEX NUT	40	4	824509	4.10/3.50-4 2PLY STUD TIRE
20	6	914004	3/8UNC HEX STOVER NUT	41	4	824516	4.10/3.50 2P SAWTOOTH TIRE
21	2	914016	1-8 HEX STOVER NUT	42	4	824510	4.10/3.50-4 BENT STEM TUBE

* NOTE: 1. DETAIL 14 CONSISTS OF:
 824525 - 2-PC RIM, HUB, STUDS & NUTS
 824509 - RIB TIRE, 824510 - TUBE
 824513 - STUD, 824514 - WHEEL NUT

2. DETAIL 36 CONSISTS OF:
 824525 - 2-PC RIM, HUB, STUDS & NUTS
 824516 - STUD TIRE, 824510 - TUBE
 824513 - STUD, 824514 - WHEEL NUT

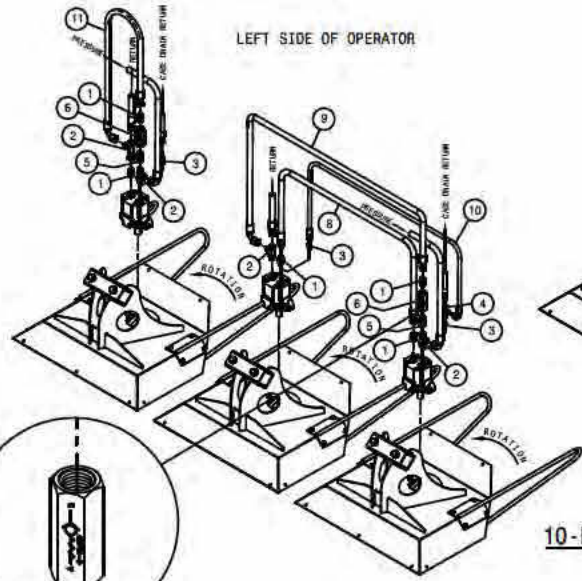


CUTTER HEAD ASSEMBLY

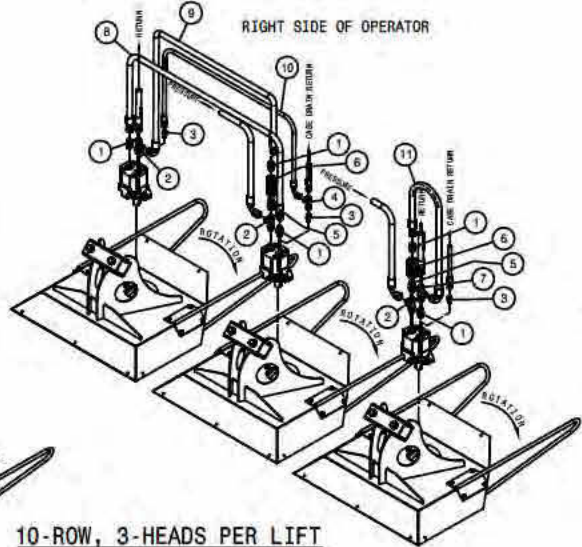
DET. QTY PART NO. DESCRIPTION

1	1	002103	CUTR BLADE 18 IN
2	1	002104	CUTTER BLADE ADAPTER,RD LUG
3	1	002105	3/8 LOCK WASHER ZINC PLT
4	1	002106	WOODRUFF KEY # 6, .156 X .625
5	1	002107	3/8UNF X 1 1/2 HEX BOLT CUTR
6	1	002108	STEEL WASHER CUTTER BLADE
7	1	002265	19" ADJ CUTTER HEAD WLD 08
8	2	002258	19" CUTR STALK GUIDE WLD 04
9	11	470118	1/4UNC X 3/4 FLANGE HEX BOLT
10	11	470121	1/4UNC HEX FLANGE LOCK NUT
11	1	610755	BARNES HYD MOTOR, D-SERIES 01
12	2	900130	3/8UNC X 1 1/4 SER FLANGE BOLT
13	2	900265	1/2UNC X 1 1/2 HEX BOLT
14	2	914004	3/8UNC HEX STOVER NUT
15	2	920002	3/8 SAE FLAT WASHER
16	1	002256	19" REAR CUTR DECK EXT FLAP 04
17	1	002257	19" REAR CUTR DECK FLAP KPR 04
18	1	002269	19" ADJ CUTR HEAD MT WLD 08
19	2	650258	DECAL,CUT FINGERS-ROTATE BLADE
20	4	900263	1/2UNC X 1" HEX BOLT
21	1	610756	SEAL, OUTER FOR 610755
22	4	914015	1/2UNC HEX CENTER-LOCK NUT

133

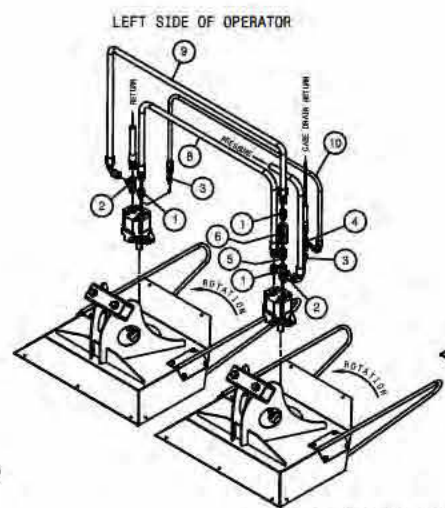


LEFT SIDE OF OPERATOR

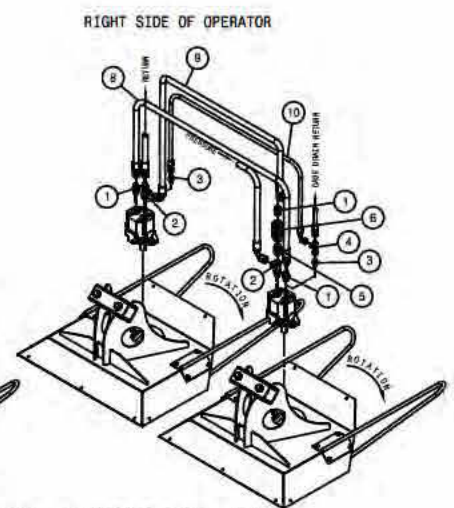


RIGHT SIDE OF OPERATOR

10-ROW, 3-HEADS PER LIFT



LEFT SIDE OF OPERATOR

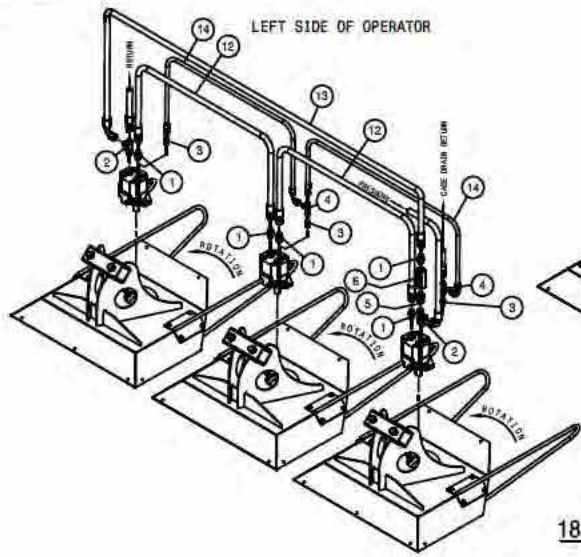


RIGHT SIDE OF OPERATOR

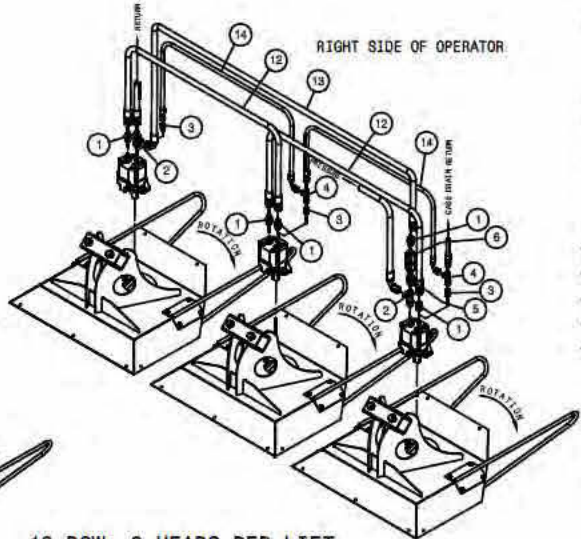
8-10-12 ROW, 2-HEADS PER LIFT

HYD DIAG, CUTR CHK VLV STS' 11

DET.	PART NO.	DESCRIPTION
1	611125	3/4MJIC-3/4MOR ADPTR
2	618494	3/4MOR RUN TEE-3/4MJIC
3	618530	9/16MJIC-1/8MNPT ADPTR
4	618486	9/16FJIC SW RUN TEE-9/16MJIC
5	618669	3/4FJIC SWIV-3/4MOR ADPTR
6	618292	CHECK VALVE, 3/4FOR INLINE
7	618451	3/4FJIC SW RUN TEE-3/4MJIC
8	616531	08-451TC-08FJX-08FJX-55 H/A
9	616537	08-451TC-08FJX-08FJX90-52 H/A
10	616521	04-451TC-06FJX-06FJX90-54 H/A
11	616530	08-451TC-08FJX-08FJX90-27 H/A
12	616025	08-482TC-08FJX-08FJX-50 H/A
13	614562	08-451TC-08FJX-08FJX90-66 H/A
14	616422	04-482TC-06FJX-06FJX90-50 H/A



LEFT SIDE OF OPERATOR

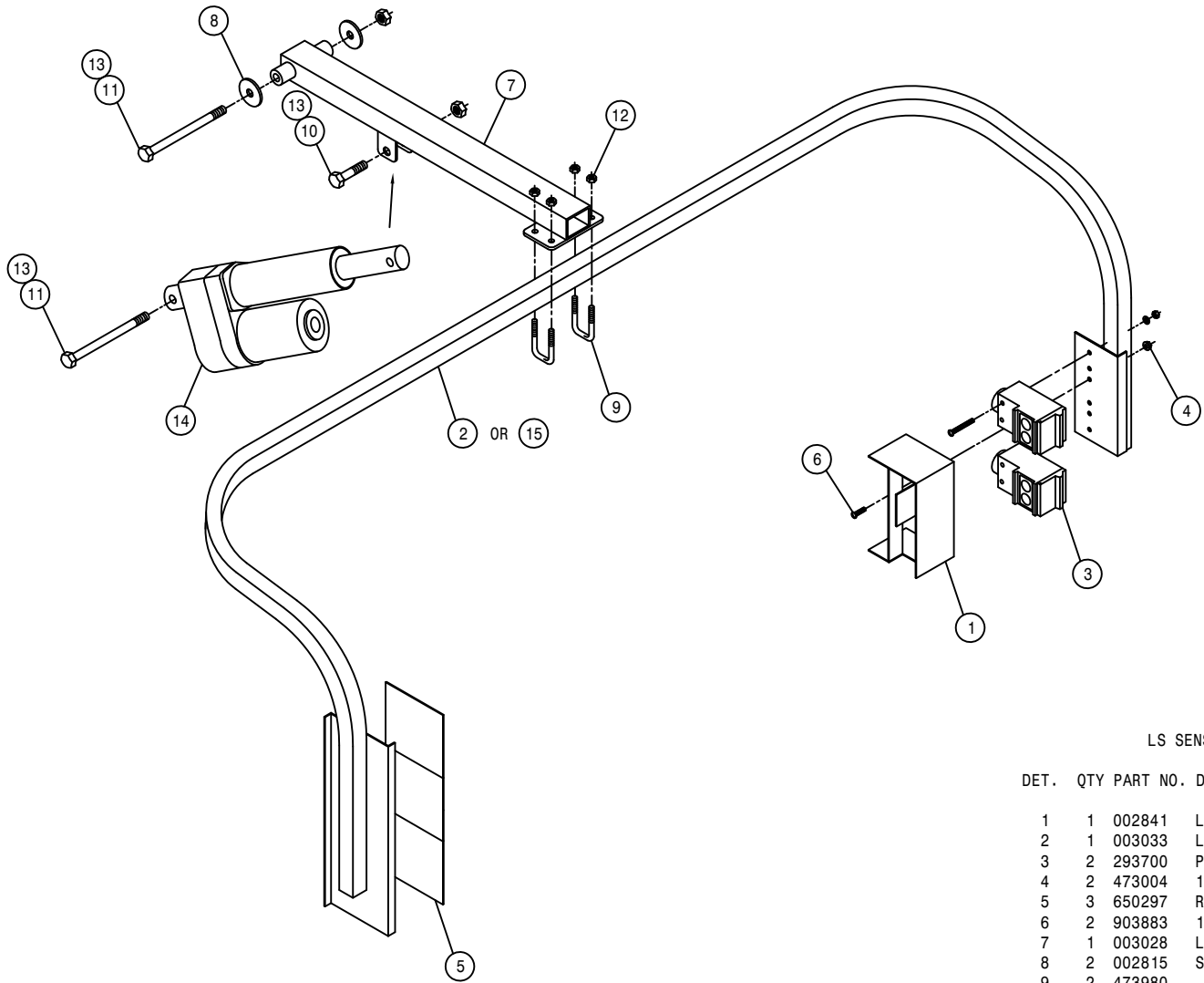


RIGHT SIDE OF OPERATOR

18-ROW, 3-HEADS PER LIFT

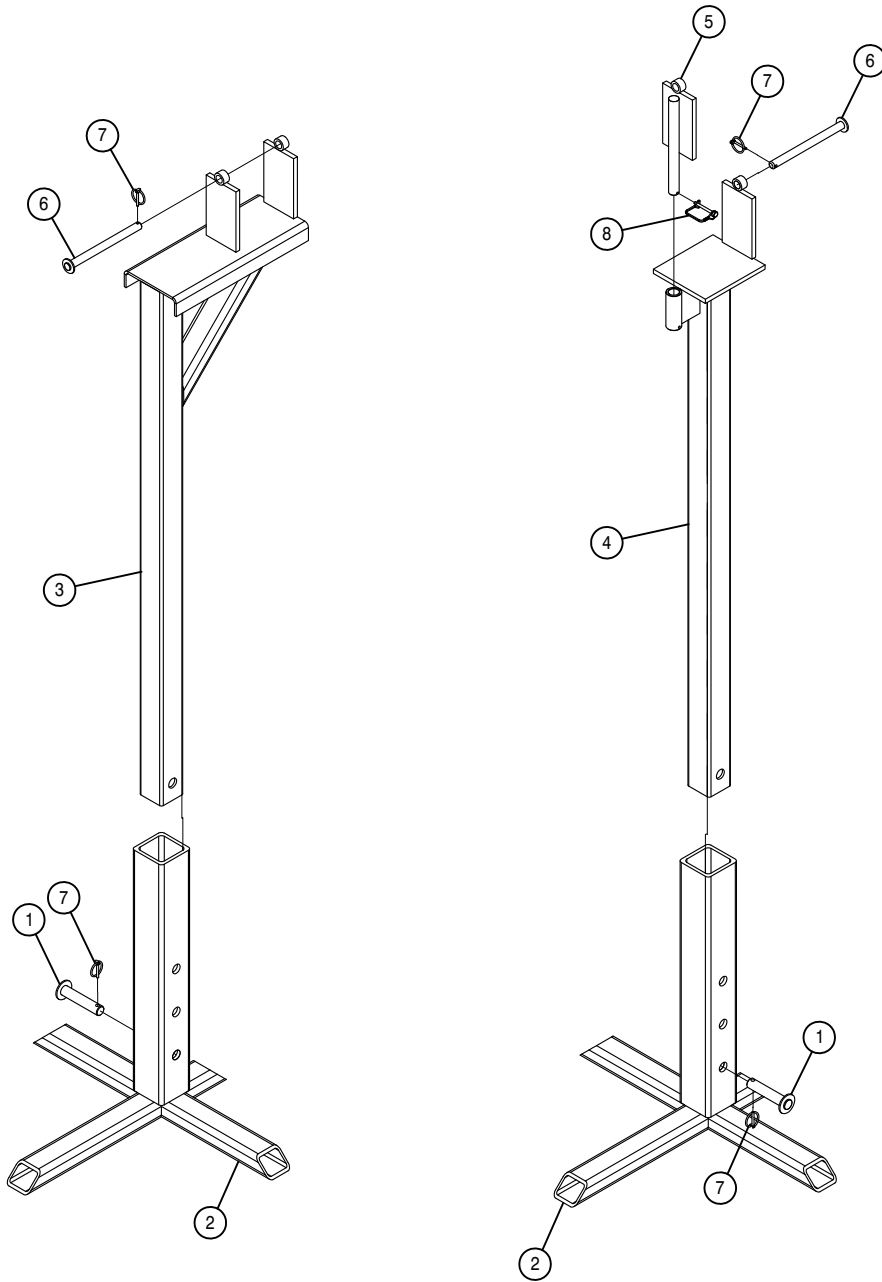
DET REQ	DESCRIPTION
HAGIE	
HAGIE MANUFACTURING COMPANY CLARION, IOWA 50525	
REMOVE ALL SHARP CORNERS & BURRS	
TOLERANCE UNLESS OTHERWISE SPECIFIED	
FRACTION ±1/32	DECIMALS ±.03
ANGLES ±1'	ANGLES ±.005
DESCRIPTION HYD DIAG, CUTR CHK VLV STS' 11	
DRAWN BY T. MARKER	SCALE FULL
CHECKED BY	APPROVED BY
DATE 02-05-13	DRAWING NUMBER 499179
ISSUED BY	OF

548133



LS SENSOR ASSEMBLY

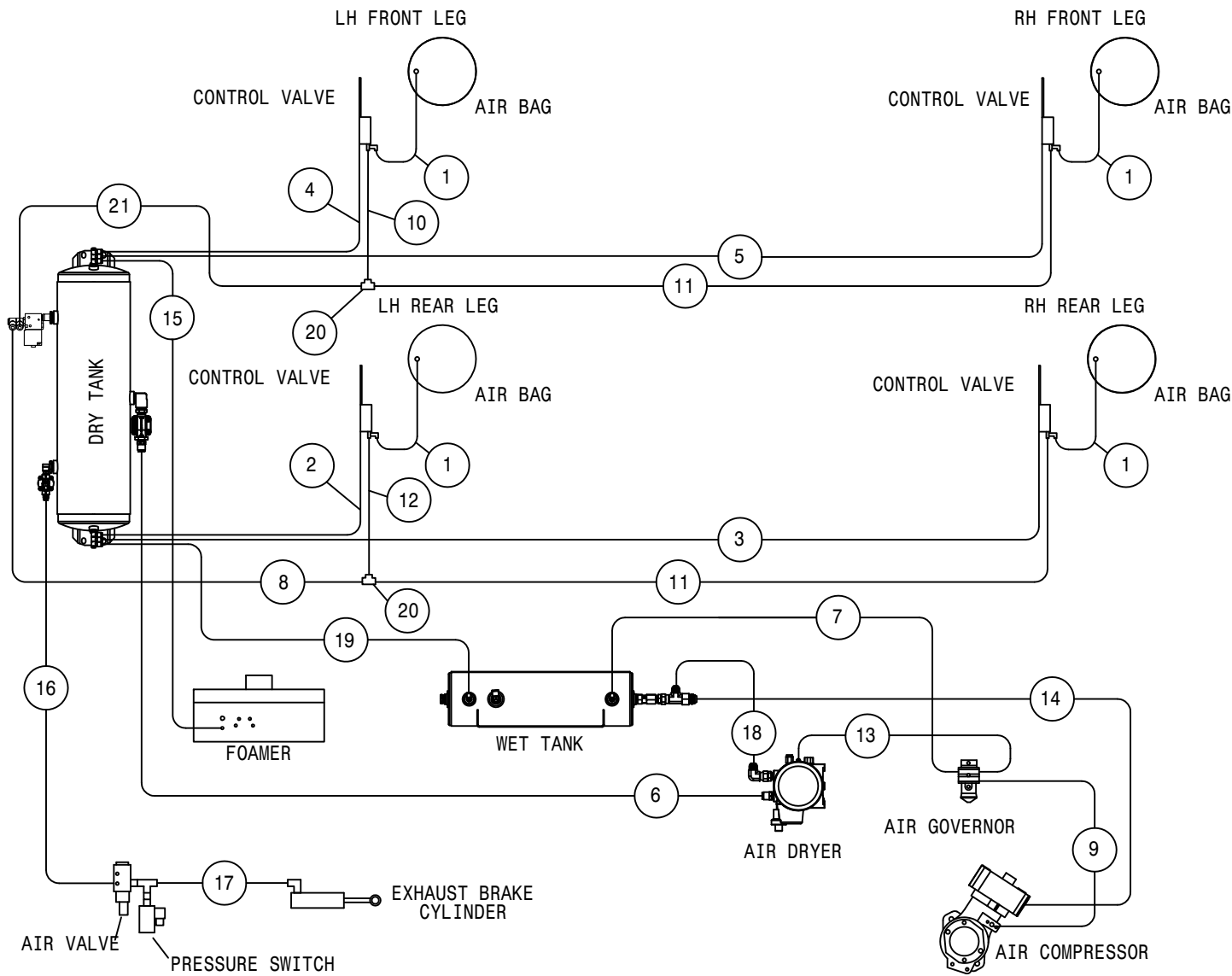
DET.	QTY	PART NO.	DESCRIPTION
	1	002841	LS 42GRU SENSOR SHIELD WLD
	2	003033	LS SENSOR MT WLD,57" STSC 03
	3	293700	PHOTOSWITCH, 42GRU-9200-QD
	4	473004	10-32 FLANGE NYLOC NUT
	5	650297	REFLECTIVE TAPE,4 X 4, RTC4-4C
	6	903883	10-32 X 1/2 PHIL PAN MACH SCR
	7	003028	LS SENSOR MT SUPP WLD, STSC 03
	8	002815	SENSOR ARM WASH, NYL
	9	473980	.31UNC-1.06ID-1.75SQ U-BOLT SS
	10	900267	1/2UNC X 2" HEX BOLT
	11	900278	1/2UNC X 6" HEX BOLT
	12	914002	5/16UNC HEX STOVER NUT
	13	914008	1/2UNC HEX STOVER NUT
	14	292610	LINEAR ACTUATOR,4"STROKE
	15	003050	LS SENSOR MT WLD,38"/20"R 204



TOOLBAR STAND ASSEMBLY

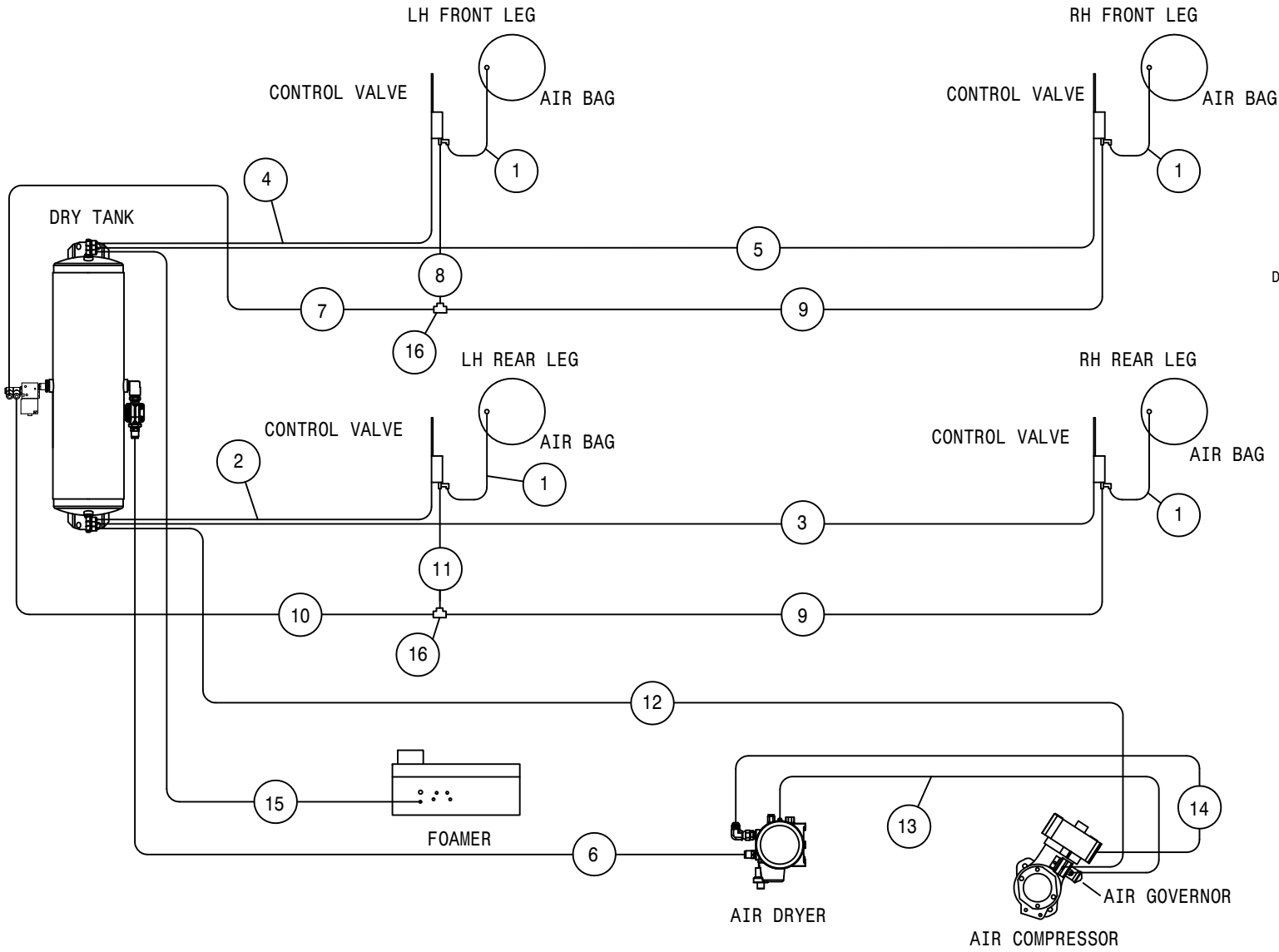
DET. QTY PART NO. DESCRIPTION

1	4	164522	BOOM FOLD CYL PIN WLD	00
2	4	439265	TOOL BAR STAND BASE,WLDMT	
3	2	439270	FRT TOOL BAR STAND,UPPER WLDMT	
4	2	439276	REAR TOOL BAR STAND, TOP WLDMT	
5	2	439281	TOOL BAR STAND,PIN MT WLDMT	
6	4	439282	TOOL BAR STAND PIN WLD	
7	8	470335	LINCHPIN, 3/16 X 1 1/4 GRIP	
8	2	473895	1/4 X 1 3/4 LINCHPIN	



AIR LINE DIAGRAM STS 10/12 T3

DET.	QTY	PART NO.	DESCRIPTION
1	4	601473	HOSE, 1/4 X 18 AIR
2	1	601476	HOSE, 1/4 X 120 AIR
3	1	601478	HOSE, 1/4 X 175 AIR
4	1	601479	HOSE, 1/4 X 196 AIR
5	1	601480	HOSE, 1/4 X 230 AIR
6	1	601483	HOSE, 1/2 X 84 AIR
7	1	601554	HOSE, 1/4 X 46 AIR
8	1	601775	HOSE, 1/4 X 45 AIR, YEL NYLON
9	1	601625	HOSE, 1/4 X 14 AIR
10	1	601776	HOSE, 1/4 X 81 AIR, YEL NYLON
11	2	601780	HOSE, 1/4 X 145 AIR, YEL NYLON
12	1	601777	HOSE, 1/4 X 99 AIR, YEL NYLON
13	1	601707	HOSE, 1/4 X 63 AIR
14	1	611306	12-P919J-12FJX-12FJX90-42 H/A
15	1	601782	HOSE, 1/4 X 88 AIR
16	1	601671	HOSE, 1/4 X 145 AIR
17	1	611352	04-213-04FJX-04FJX-25 H/A
18	1	611307	10-P919J-10FJX-10FJX-40 H/A
19	1	601592	HOSE, 1/4 X 69 AIR
20	2	711048	1/4 NYL TUBE UNION TEE
21	1	601778	HOSE, 1/4 X 110 AIR, YEL NYLON



AIR LINE DIAGRAM STS 10/12 T4

DET.	QTY	PART NO.	DESCRIPTION
	1	601473	HOSE, 1/4 X 18 AIR
	1	601476	HOSE, 1/4 X 120 AIR
	1	601478	HOSE, 1/4 X 175 AIR
	1	601479	HOSE, 1/4 X 196 AIR
	1	601480	HOSE, 1/4 X 230 AIR
	1	601483	HOSE, 1/2 X 84 AIR
	1	601778	HOSE, 1/4 X 110 AIR, YEL NYLON
	1	601776	HOSE, 1/4 X 81 AIR, YEL NYLON
	2	601780	HOSE, 1/4 X 145 AIR, YEL NYLON
	1	601775	HOSE, 1/4 X 45 AIR, YEL NYLON
	1	601777	HOSE, 1/4 X 99 AIR, YEL NYLON
	1	601655	HOSE, 1/4 X 130 AIR
	1	601592	HOSE, 1/4 X 69 AIR
	1	611310	12-P919J-12FJX-12FJX90LG-66H/A
	1	601782	HOSE, 1/4 X 88 AIR
	2	711048	1/4 NYL TUBE UNION TEE

NOTICE

The following page contains decals for the model STS 10.

These decals can be obtained from Hagie Mfg. Co. and should be used whenever your machine is repainted or when the decals become worn, weathered, or faded.

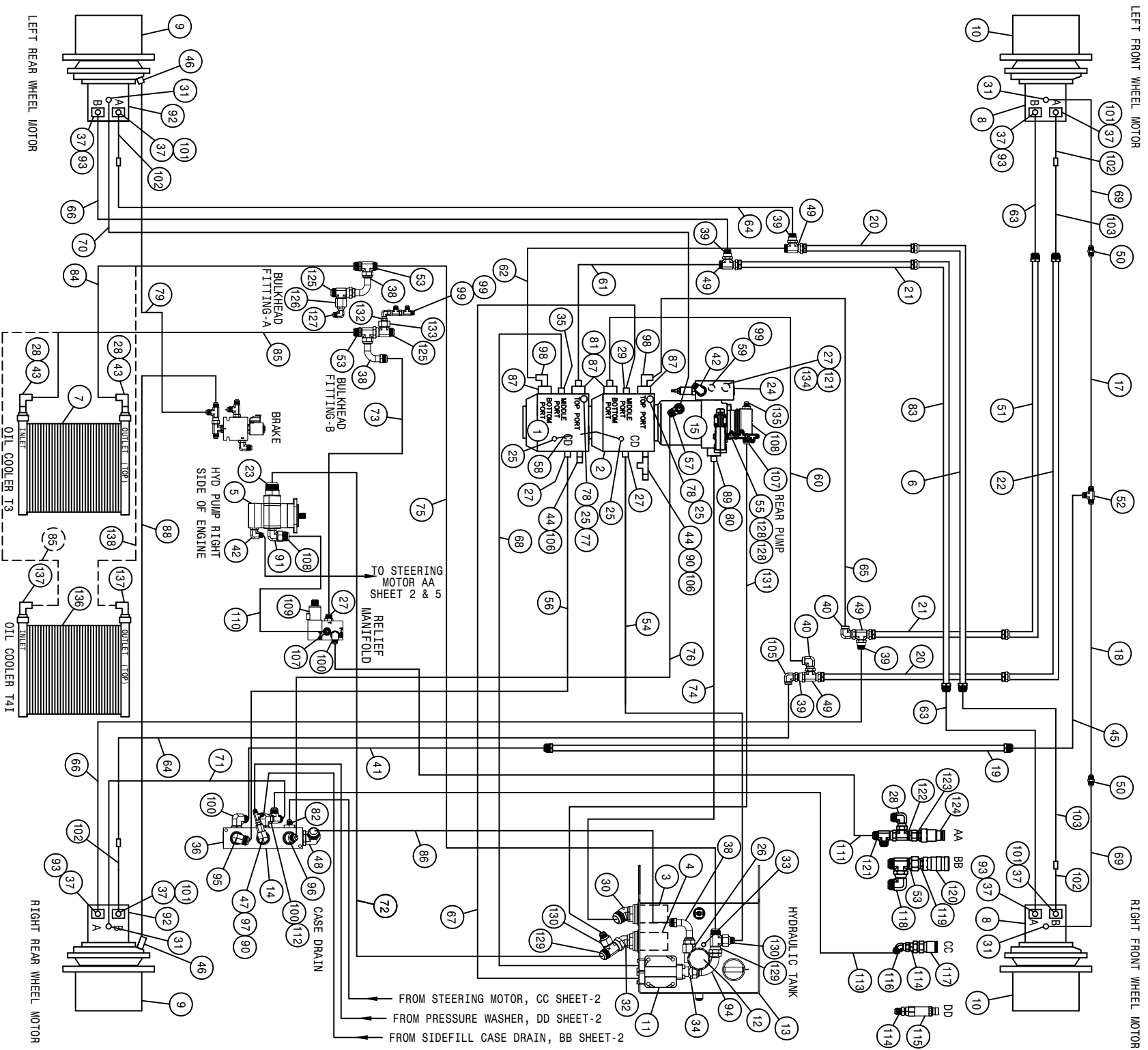
Special attention should be paid to decals involving personal safety. They have been attached for your protection.

KEEP THEM IN PLACE.

**Contact: Hagie Manufacturing Co.
721 Central Ave West
Box 273
Clarion, Iowa 50525-0273**

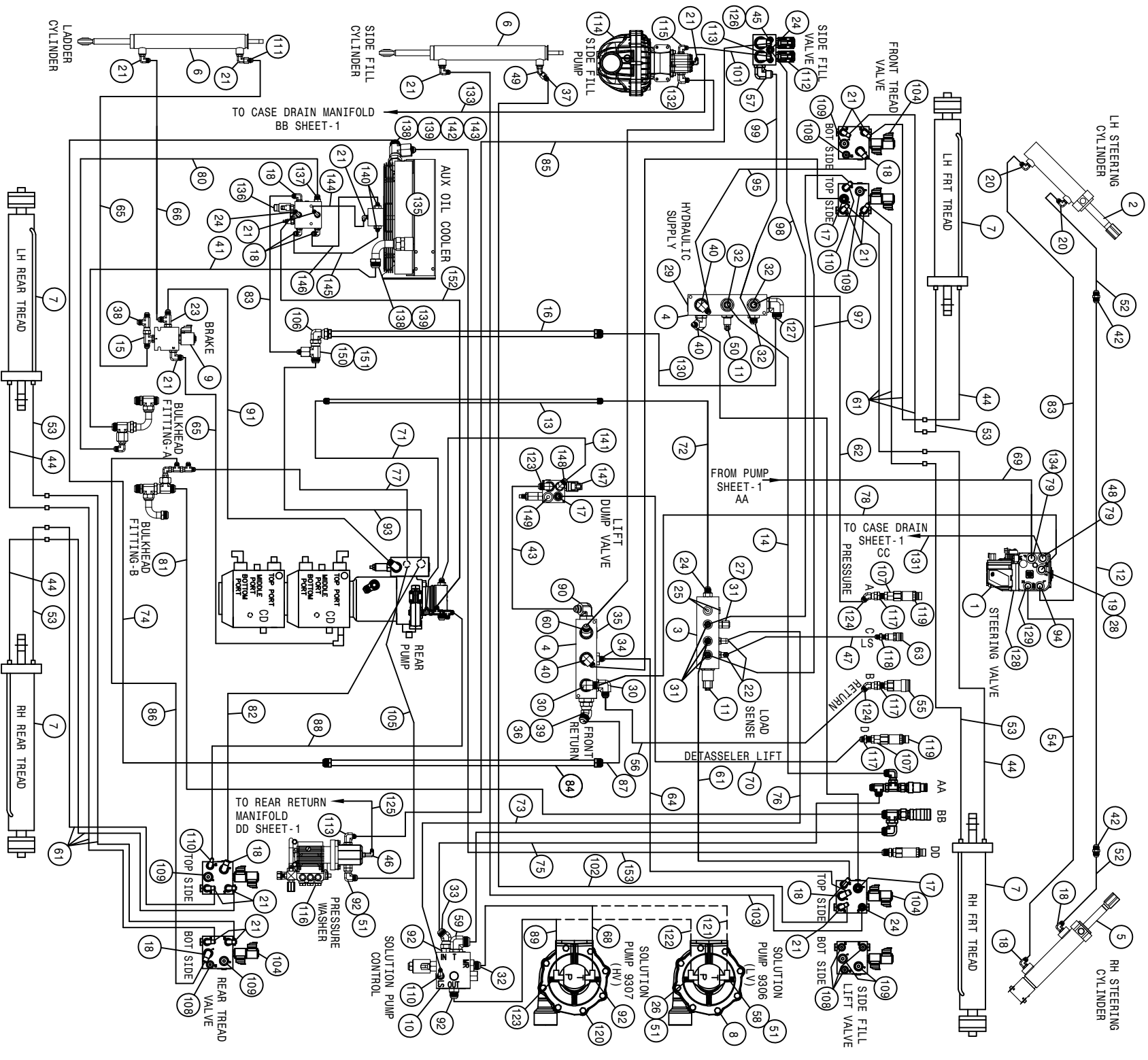
ST310 COMBO DECALS

QTY.	PART NO.	DESCRIPTION	LOCATION
4	650103	TREAD ADJUST INDICATOR DECAL	1- ON EACH LEG SLIDE TUBE
1	650107	CAUTION BOOSTER DECAL	NEAR BOOSTER POSTS
1	650114	FILL WITH FRESH WATER DECAL	ON FRESH WATER TANK
1	650115	HAND WASH ONLY DECAL	NEAR HAND WASH VALVE
1	650116	INDUCTOR FILL INSTRUCTION DECAL	ON SIDE OF FILL ARM
1	650118	DO NOT USE EITHER DECAL	NEAR AIR INTAKE ON SHEET METAL
1	650125	AGITATOR RATE IND DECAL	ON K20 AGITATION VALVE
1	650127	COMBO CAB BOX DECAL	ON SWITCH BOX
1	650140	ENGINE COMPARTMENT DECAL SET	ON ENGINE HOOD
2	650143	LOGO, SOLUTION TANK ST310 DECAL	ON EACH SIDE SOLUTION TANK
1	650154	PATENTS,HAGIE UPFRONT DECAL	ON LOWER LEFT REAR OF MAINFRAME
1	650155	SIDE FILL CONTROL DECAL	ON SIDE FILL SWITCH BOX
1	650156	PRESS WASH CONTROL DECAL	ON PRESS WASHER SWITCH BOX
1	650158	SPEED CONTROL ST3 CAB DECAL	ON CONSOLE
1	650159	THROTTLE BRAKE PUMP DECAL	ON CONSOLE
1	650163	POWER POINT DECAL	ON CONSOLE
1	650164	NO PASSNGR/NOT NEAR LEAK DECAL	ON LEFT UPPER REAR POST
1	650165	PMR LINE/RM FOLD/GLASS DECAL	ON RIGHT REAR UPPER CAB POST
1	650174	RADIATOR CAUTION DECAL	ON TOP OF RADIATOR
1	650176	CAUTION, CAB CHEM EXPOSER DECAL	ON UPPER RIGHT SIDE WINDOW
2	650178	CAUTION QUICK ATTACK PIN DECAL	1-EA ON FRONT CROSSMEMBER BY Q-ATTACH
1	650217	CAUTION, CHECK OIL DECAL	ON PRESSURE WASHER MOUNT
2	650218	DANGER, COMBO DISCONNECT DECAL	2-1 EA END OF TOOLBAR
1	650223	30WPH 10 SYMBOL DECAL	ON REAR BUMPER
1	650231	AUX POWER DECAL	ON THE BOTTOM OF CONSOLE
1	650232	AUX POWER LOCATION DECAL	ON CONSOLE
1	650234	ENGINE ELECTRICAL BOX DECAL	INSIDE ENGINE ELECTRICAL BOX
1	650256	EXHAUSTION/RELEASE POWER DECAL	NEAR RADIATOR CAP
1	650258	CUT FINGERS-ROTATE BLADE DECAL	ON CUTTER HEAD
1	650259	HAND ENTANGLEMENT/ROLLER DECAL	ON PULLER HEADS
1	650272	200 AMP ECM SIZE DECAL	NEAR AIR CLEANER MOUNT
1	650275	CONTROL CENTER DECAL	ON CONSOLE
1	650278	E-STOP DECAL	ON CONSOLE
1	650303	CUTTER ROTATION DECAL	IN CAB NEAR SWITCHES
2	650309	WARNING, HYD OIL IND DECAL	1-ON SIDE OF OIL TANK
1	650348	NOTICE DRAIN AIR TANK DECAL	ON AIR TANK
1	650367	AIR FILTER INSTRUCTION DECAL	ON ENGINE AIR FILTER END CAP
1	650372	MAIN ELECTRICAL DISCONNECT DECAL	NEAR BOOSTER POSTS
1	650377	NOTICE-R134A 3LB DECAL	1-NEAR ELECTIC VALVE ON TRANSMON RH SIDE OF ENGINE ON FRAME
1	650379	ENGAGE DET HD HYD MOTORS DECAL	IN CAB NEAR SWITCHES
1	650392	BOOM 10 SEC LIGHT DECAL	ON BOOM SEC LIGHT PANEL
1	650397	BOOM SPRAY SECTIONS DECAL	ON CONSOLE
1	650398	CAB CONSOLE MODULES DECAL	IN CONSOLE
2	650401	AUX POWER POINT DECAL	1-UNDER SIDE FILL SWITCH BOX
1	650404	SIGHT GAUGE 1000 GAL POLY DECAL	1-ON FRONT FILL ARM CAB
1	650405	SIGHT GAUGE 1000 GAL SS DECAL	ON THE LEFT REAR OF CAB
1	650418	CONSOLE FUSE-RELAY DECAL	ON CONSOLE
1	650419	COM PORTS DECAL	ON CONSOLE
1	650420	TIER 4 STATUS DECAL	ON ENGINE CONTROLLER IN CAB
1	650422	BELLY PAN MODULE DECAL	ON BELLY PAN
1	650423	REAR CHASSIS MODULE DECAL	INSIDE REAR ELECTRICAL BOX
1	650424	FLASHER/LIGHT MODULE DECAL	ON BELLY PAN
1	650425	FUSE/RELAY MODULE ST3 DECAL	ON BELLY PAN
1	650430	HYDRAULIC OIL DECAL	ON THE SIDE OF HYDRAULIC TANK
1	650431	ULTRA LOW SULFUR FUEL DECAL	ON FUEL TANK
1	650432	IMPORTANT - NEG DECAL	NEAR NEG BOOST POST
1	650433	CAUTION - POS DECAL	NEAR POS BOOST POST
1	650434	CUTTING HAND FAN DECAL	2-1 EA SIDE OF FAN ON SHROUD
1	650820	MOVING PARTS DECAL	ON EACH QUAD HEAD
1	650848	CAUTION, SLIP OR FALL DECAL	ON LADDER PIVOT TUBE
1	650849	CAUTION, ENGINE FUEL DECAL	NEAR FUEL TANK NECK
1	650850	DANGEROUS CHEM DECAL	SOLUTION TANK FILLER NECK
1	650851	SHIELDS DECAL	ON LOWER LH REAR MAINFRAME TUBE
1	650931	HAGIE DECAL 1 3/4 X 4	ON EACH QUAD HEAD
1	650954	DIESEL DECAL	NEAR FUEL TANK NECK
1	650982	ELECTRICAL DECAL	ON RH CAB DOOR
4	650985	WHEEL BOLT TORQUE DECAL	ON EACH WHEEL RIM



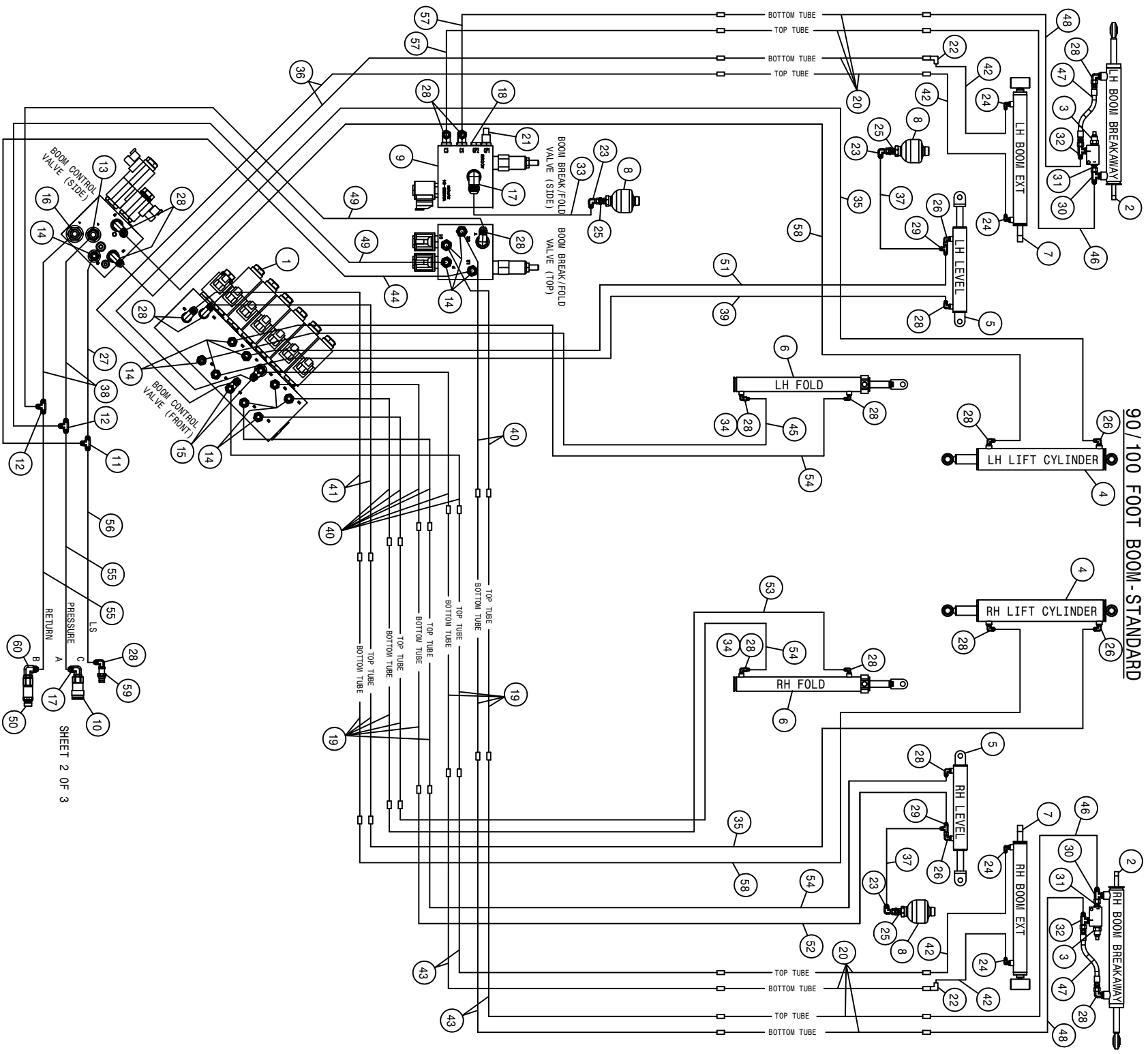
STS 10/12 COMBO STANDARD HYD DIAGRAM 2013
REFERENCE DRAWING NO. 499226351

DET.	QTY	PART NO.	DESCRIPTION	DET.	QTY	PART NO.	DESCRIPTION
	1	606512	H1-P-115CC PUMP,D/D-MT	70	1	616373	08-451TC-10FCJX-08FCJX45-212 H/A
	1	606513	H1-P-115CC PUMP,D/B-MT	71	1	616265	08-451TC-12FCJX-08FCJX45-175 H/A
	1	605623	SUCTION STRAINER,39GPM 100M	72	1	616346	24-881-24FCJX-24FCJX90-103 H/A
	1	605622	SUCTION STRAINER,21GPM 100M	73	1	616550	16-881-20FCJX-16FCJX90-68 SL H/A
	1	606450	TANDEM PUMP,606451 & 606452	74	1	616343	32-881-32FCJX-32FCJX-53 H/A
	1	615848	RH FRONT HYDROSTAT TUBE ASSY	75	1	616399	24-881-20FCJX-24FCJX90-105 H/A
	7	618800	OIL COOLER STS12	76	1	616982	10-451TC-12FCJX-10FCJX90-25 H/A
	2	606386	WHL MOTOR,51C060 SAUER W/DEUTS	77	1	618735	9/16MJC-.062 ORIFICE ADPTR
	2	610965	WHEEL HUB,27:1 W/BRAKE BONFIG	78	2	618782	RH FRT WHL MAIN TUBE ASY, STS09
	2	610962	WHEEL HUB,23:1 BONFIG	79	1	616073	20-881-16FCJX-20FCJX-83 H/A
	11	605625	IN-TANK RETURN FILTER, 10M	80	1	618765	20-881-16FCJX-20FCJX-77 H/A
	12	605656	TRAP BREATHER,1"NP T DONALDSON	81	2	618897	20-881-20FCJX-20FCJX90-70 H/A
	13	760786	HYD TANK WLD,STS10/12/14 '13	82	1	618470	04-451TC-06FCJX-04FCJX45-202 H/A
	14	606246	MANIFOLD, #16 3-STN 180	83	1	615885	1 1/4"FLANGE-1 11/16MFOR ADPTR
	15	607005	SAUER PISTON PUMP JRR060B-LB	84	1	616398	3/4MJC-1 5/16MOR ADPTR
	16	606258	REFIEF, LS PUMP SAUER	85	1	616397	RH FRT WHL MAIN TUBE ASY, STS09
	17	615823	LH FRT CASEDRAIN HYD TUBE ASSY	86	1	616396	20-881-16FCJX-20FCJX-83 H/A
	18	615822	RH FRT CASEDRAIN HYD TUBE ASSY	87	8	618780	1 1/4 SPLIT FLANGE HALF, #62
	19	615854	M/F CASE DRAIN TUBE,STS10 07	88	1	616372	04-451TC-06FCJX-04FCJX45-222 H/A
	20	615904	OUTER HYDRO TUBE ASSY, 10/12'12	89	1	618766	2" SPLIT FLANGE KIT #61
	21	615905	INNER HYDST TUBE ASSY, 10/12'12	90	2	618486	9/16FCJIC SW RUN TEE-9/16MJCIC
	22	615849	LH FRONT HYDROSTAT TUBE ASSY	91	1	618279	1 1/16MJCIC-90-7/8MOR LBO
	23	618527	1 7/8MJCIC-1 5/8MOR ADPTR	92	2	606387	WHL MOTOR,51C060 W/SENSOR-DEUTS
	24	618753	7/16MOR PLUG, HEX SOCKET	93	4	618812	3/4 FLANGE-1 7/16MFOR ADPTR
	25	606196	PRESS TRANSDUCER ASSY 9000PSI	94	1	618764	1 7/8MJCIC-90-1 7/8FCJX TUBE LBO
	26	618767	1 7/8FCJIC-1 5/8MJCIC ADPTR	95	1	618463	1 5/16MJCIC-90-1 5/16MOR XL LBO
	27	618186	1 5/16MJCIC-1 5/16MOR ADPTR	96	1	618831	1 1/16MJCIC-45-1 5/16MOR LBO
	28	618640	1 5/16MJ-90-1 5/16FJ SWIV LBO	97	1	618482	3/4FCJIC-9/16MJCIC ADPTR
	29	618472	1 5/8MJCIC-1 5/8MOR ADPTR	98	2	618779	1 11/16MFOR-90-1 1/4FLG C62LBO
	30	618746	2 1/2MJCIC-45-2 1/2MOR LBO	99	3	618333	7/8FCJIC SW RUN TEE-7/8MJCIC
	31	618469	3/4MJCIC-1 1/16MOR ADPTR	100	3	618302	1 1/16MJCIC-90-1 5/16MOR LBO
	32	618745	1 7/8MJCIC-45-1 7/8MOR LBO	101	4	618740	3/4 FLANGE-90-1 7/16MFOR LBO
	33	470471	1 5/16MOR PLUG, MAGNETIC	102	4	615875	WHEEL MOTOR HYD TUBE ASSY
	34	618747	1 1/2 FLANGE-1 7/8MJCIC ADPTR	103	2	616338	16-792TC-16FFOX-16FFOX-127 H/A
	35	618724	1 5/8MJCIC-1 5/8MOR LG ADPTR	104	1	618641	1 1/16FCJIC-1 5/16MJCIC ADPTR
	36	618759	1 5/8MOR PLUG, HEX SOCKET	105	1	618362	1 7/16MFOR-90-1 7/16FFOR LBO
	37	618431	3/4 (-12) SPLIT FLANGE KIT #62	106	2	618531	9/16FCJIC CAP NUT
	38	618768	1 5/8MJCIC-90-1 5/8FCJX TUBE	107	2	611127	1 1/16MJCIC-1 1/16MOR ADPTR
	39	618785	1 11/16FFOR-1 7/16MFOR ADPTR	108	1	606664	GEAR PUMP,.40CI A-MT, RH
	40	618895	1 11/16MFOR-90-1 11/16FFOX ADP	109	1	606284	GEAR PUMP RELIEF CTR, SAUER
	41	616444	10-451TC-12FCJX-12FCJX90-48 H/A	110	1	616544	12-451TC-12FCJX-16FCJX90-94 H/A
	42	618183	3/4MJCIC-90-7/8MOR LBO	111	1	616546	12-451TC-12FCJX-16FCJX-148SL H/A
	43	618830	1 5/16MJ-1 5/16MOR 6-OLG ADPTR	112	1	618487	1 1/16FCJ SW RUN TEE-1 1/16MJ
	44	618126	9/16MJCIC-9/16MOR ADPTR	113	1	616547	12-451TC-12FCJX-12FCJX90-182 H/A
	45	616388	10-451TC-12FCJX-10FCJX90-91 H/A	114	2	618796	1 1/16MJ-1 1/16MOR BLKHD ADPT
	46	618467	7/16MJCIC-7/16MOR ADPTR	115	1	618809	HYD CPLR,MALE #12, 12FOR
	47	618475	3/4MJCIC-90-1 5/16MOR LBO	116	1	618529	1 1/16MJ-45-1 1/16FJ SWIV LBO
	48	618477	1 5/8MJCIC-90-1 5/8MOR LBO	117	1	618810	HYD CPLR, FEM #12, 12FOR
	49	618778	1 11/16FFOX RUNTEE-1 11/16MFOR	118	1	618721	1 5/8MJ-90-1 5/8FCJ SWIV LBO
	50	618456	7/8MJCIC UNION	119	1	618725	1 5/16MOR-1 5/8FCJIC SWIV
	51	615886	LH FRT WHL MAIN TUBE ASY, STS09	120	1	618686	HYD COUPLER, FEM 1" B, 1 5/16FOR
	52	618581	7/8MJCIC UNION TEE	121	1	618619	1 5/16FJ SW RUN TEE-1 5/16MJ
	53	618752	1 5/8MJCIC BLKHD RUN TEE	122	1	618751	1 5/16MJCIC BLKHD RUN TEE
	54	617055	16-451TC-16FCJX-16FCJX90-84 H/A	123	1	618588	1 5/16MOR-1 5/16FCJIC SWIV
	55	618509	7/16MOR RUN TEE-7/16MJCIC	124	1	618687	HYD COUPLER, MALE 1" B, 1 5/16FOR
	56	618933	16-451TC-16FCJX-16FCJX90L-41 H/A	125	2	618726	1 5/8FCJ SW RUN TEE-1 5/8MJ
	57	618130	7/8MOR RUN TEE-7/8MJCIC	126	1	618665	1 5/8FCJIC-1 1/16MJCIC ADPTR
	58	616038	04-471TC-06FCJX-06FCJX90-15 H/A	127	1	618191	1 1/16MJ-90-1 1/16FJ SWIV LBO
	59	611126	7/8MJCIC-7/8MOR ADPTR	128	2	618485	7/16FCJIC SW RUN TEE-7/16MJCIC
	60	616987	20-791TC-20FFOX-20FFOX90-47H/A	129	2	618681	1 7/8FJ SW RUN TEE-1 7/8MJ
	61	616985	20-791TC-20FFOX-20FFOX-54 H/A	130	2	618680	1 7/8FCJIC-1 5/16MJCIC ADPTR
	62	616988	20-791TC-20FFOX-20FFOX90-68H/A	131	1	617036	16-881-12FCJX-16FCJX90-60 H/A
	63	617053	16-792TC-16FFOX-16FFOX-133 H/A	132	1	618301	7/8MJCIC-90-7/8FCJIC SWIV LBO
	64	616339	16-792TC-16FFOX-16FFOX-146 H/A	133	1	618917	1 5/8FCJIC-7/8MJCIC ADPTR
	65	616986	20-791TC-20FFOX-20FFOX90-26H/A	134	1	618671	1 5/16FCJIC-3/4MJCIC ADPTR
	66	616566	16-792TC-16FFOX-16FFOX90-151H/	135	1	618327	3/4MJCIC-7/8MOR ADPTR
	67	616989	20-881-20FLG-20FCJX90-83 H/A	136	1	317149	OIL COOLER
	68	616990	20-881-20FLG-20FCJX90-.96 H/A	137	2	618178	1 5/16MJCIC-90-1 5/16MOR LBO
	69	617050	08-451TC-10FCJX-08FCJX45-142 H/A	138	1	617042	20-881-16FCJX-20FCJX-103 H/A



STS 10/12 COMBO STANDARD HYD DIAGRAM 2013
REFERENCE DRAWING NO. 49926352

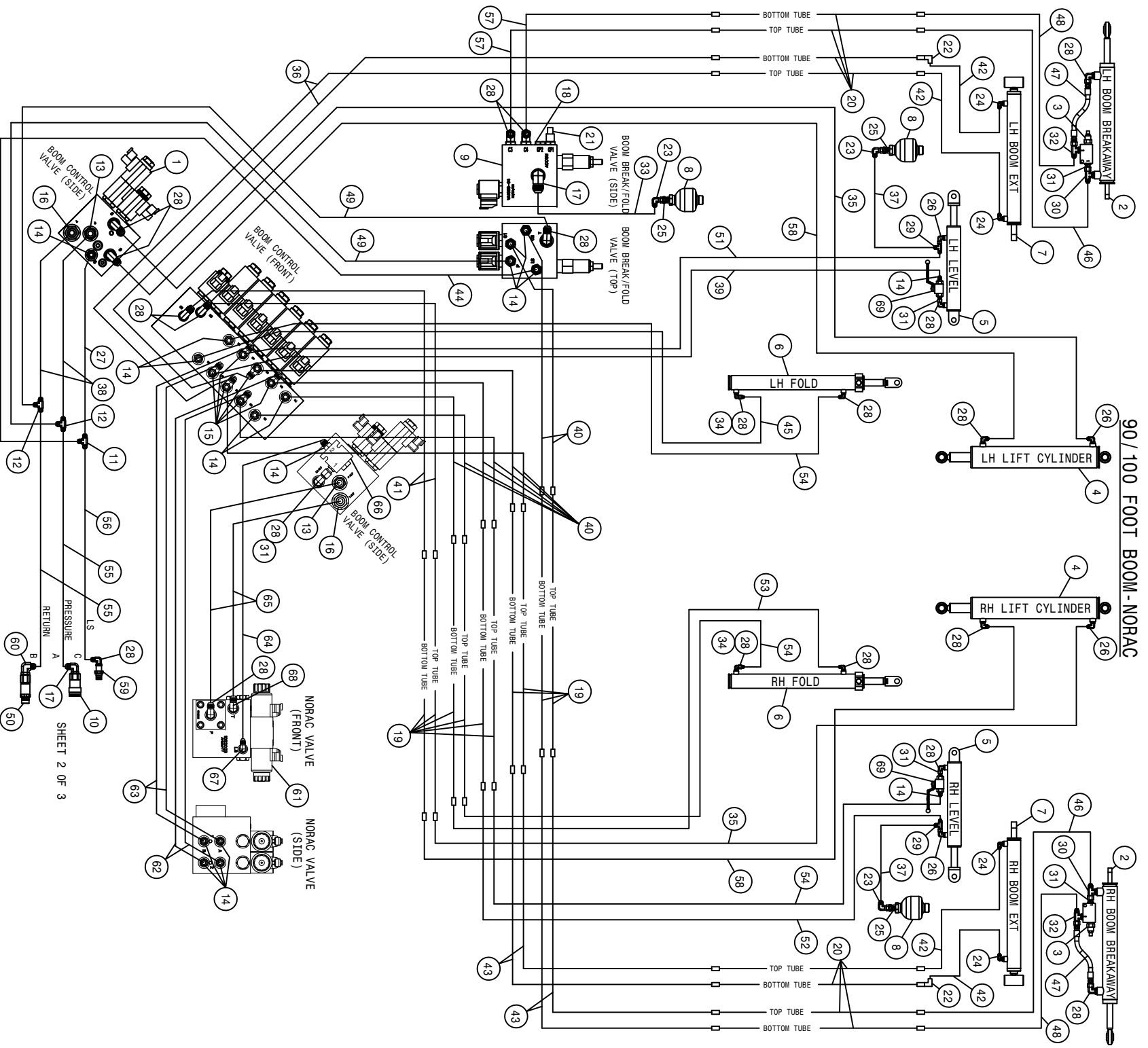
DET.	QTY	PART NO.	DESCRIPTION	DET.	QTY	PART NO.	DESCRIPTION
1	1	749333	STRG CTRL VLV, OSPEDC 60/260	78	1	617017	10-451TC-10FCX-12FCX90-82 H/A
2	1	621550	HYD CYL, 2.50 X 8.81 X 1.250	79	2	618911	7/8MJIC-M22 MOR ADPTR
3	1	606517	LS MANIFOLD	80	1	617024	10-451TC-12FCX-10FCX90-103 H/A
4	2	606246	MANIFOLD, #16 3-STN 180	81	1	616553	20-881-20FCX-20FCX-184 SL H/A
5	1	621614	HYD CYL, 2.50 X 8.81 PHASE/2SEN	82	1	617046	08-451TC-08FCX-08FCX90-108 H/A
6	2	621554	HYD CYL, 1.50 X 12.25 X .750	83	2	616730	08-451TC-08FCX-08FCX90-108 H/A
7	4	621552	HYD CYL, 3.00 X 16.00 X 1.375	84	1	615855	HYD RETURN LINE, LONG, STS10 07
8	1	691160	HYPRO PUMP,9306C-HM5C-BU,FLG	85	1	616641	08-451TC-10FCX-08FCX90L-178H/A
9	1	606213	HYD SOLE VLV,2P-3M, 9/16FOR	86	1	617047	10-451TC-08FCX-10FCX90-24 H/A
10	1	606253	CTRL VALVE,SOLU PUMP SAUER	87	1	616395	16-881-16FCX-16FCX90-25 H/A
11	2	606347	PRESSURE TRANSDUCER, 7500PSI	88	1	616319	04-451TC-04FCX-04FCX90-32 H/A
12	1	615772	STRG CYL JUMPER HYD TUBE ASSY	89	1	616476	10-451TC-10FCX-12FCX90-24 H/A
13	1	615850	M/F HYD TUBE, LS LINE,STS10 07	90	1	618842	10-451TC-10FCX-12FCX90-24 H/A
14	1	616545	12-451TC-16FCX-12FCX90-126 H/A	91	1	617004	06-451TC-08FCX-06FCX90-24 H/A
15	1	618629	9/16MOR BRANCH TEE-9/16MJIC	92	4	611127	10-451TC-08FCX-08FCX90-24 H/A
16	1	615856	M/F HYD TUBE,MAIN SUP,STS10 07	93	1	617019	16-451TC-16FCX-16FCX90-37 H/A
17	3	611125	3/4MJIC-3/4MOR ADPTR	94	1	618912	3/4MJIC-90-M18MOR LBO
18	9	618241	3/4MJIC-90-3/4MOR LBO	95	1	616322	06-451TC-08FCX-08FCX90-21 H/A
19	1	618913	7/8MJIC-90-M22MOR LBO	96	1	616443	08-451TC-08FCX-08FCX90-76 H/A
20	2	618249	3/4MJIC-90-9/16MOR LBO	97	1	616315	04-451TC-04FCX-04FCX90-74 H/A
21	17	618119	9/16MJIC-90-9/16MOR LBO	98	1	616437	04-451TC-04FCX-06FCX90-28 H/A
22	2	618473	9/16MJIC-90-7/16MOR LBO	99	1	616416	10-451TC-12FCX-12FCX-25 H/A
23	1	618444	9/16MOR RUN TEE-9/16MJIC	100	1	616445	10-451TC-10FCX-12FCX-127 H/A
24	4	618126	9/16MJIC-9/16MOR ADPTR	101	1	616442	06-451TC-08FCX-08FCX90-114 H/A
25	2	618753	7/16MOR PLUG, HEX SOCKET	102	1	616439	04-451TC-06FCX-06FCX-98 H/A
26	1	618108	1/16MJIC-3/4MNP ADPTR	103	1	616440	04-451TC-06FCX-06FCX90-114 H/A
27	1	618363	7/16FCJIC CAP NUT	104	3	606249	MANIFOLD, TRD ADJ PWRYS
28	1	618301	7/8MJIC-90-7/8FCJIC SWIV LBO	105	1	616732	10-451TC-10FCX-12FCX90-121 H/A
29	1	618759	1/5/8MOR PLUG, HEX SOCKET	106	1	618640	1 5/16MJIC-90-1 5/16FCJ SWIV LBO
30	2	618302	1/16MJIC-90-1 5/16MOR LBO	107	2	618171	7/8MOR-3/4FOR ADPTR
31	4	618467	7/16MJIC-7/16MOR ADPTR	108	5	618754	9/16MOR PLUG, HEX SOCKET
32	4	618308	1/16MJIC-1 5/16MOR ADPTR	109	6	618755	3/4MOR PLUG, HEX SOCKET
33	1	618529	1/16MJIC-4.5-1 1/16FCJ SWIV LBO	110	3	618499	7/16MJIC-90-9/16MOR LBO
34	1	618470	3/4MJIC-1 5/16MOR ADPTR	111	1	618733	9/16JIC .042 ORIFICE ADPTR
35	1	618758	1 5/16 MOR PLUG, HEX SOCKET	112	1	606259	DIVERSION VLV, STS LS
36	1	618630	1 5/16MJIC-4.5-1 5/16FCJ SWIV LBO	113	2	618474	3/4MJIC-90-1 1/16MOR LBO
37	1	618731	9/16FCJIC SW RUN TEE-9/16MJIC	114	1	619136	3" TRANSFER PUMP,HYPRO
38	1	618486	9/16FCJIC SW RUN TEE-9/16MJIC	115	1	618183	3/4MJIC-90-7/8MOR LBO
39	1	618455	1 5/16MJIC-1 5/8MOR ADPTR	116	1	690672	HMC 320 SPECIAL/MINUS HOSE
40	3	618475	3/4MJIC-90-1 5/16MOR LBO	117	3	618770	9/16MJIC-9/16MOR BLKHD ADPT
41	1	617026	16-881-20FCX-20FCX90-96 H/A	118	1	618769	HYD CPLR,MALE #12,7/8FOR
42	2	618314	3/4MJIC UNION	119	2	618806	HYPRO 9307C-GM10 PUMP
43	1	617029	08-451TC-10FCX-12FCX90-106 H/A	120	1	691036	12-451TC-12FCX-12FCX90-34 H/A
44	4	616070	04-451TC-04MJBH-06MOR-11.00H/A	121	1	616451	10-451TC-12FCX-12FCX90-22 H/A
45	1	618132	1 1/16MOR-7/8FOR ADPTR	122	1	616450	7/8MJIC-90-7/8MOR LG LBO
46	1	618440	9/16MJIC-90-9/16MOR EX LG LBO	123	2	611128	3/4MJIC-90-7/8MOR LBO
47	1	616446	04-451ST-06FCX-04FCX90-131 H/A	124	2	618590	3/4MJIC-4.5-3/4FCJIC SWIV LBO
48	1	618628	7/8MJIC-4.5-7/8FCJIC SWIV LBO	125	1	616617	06-451TC-06FCX-06FCX-168 H/A
49	1	618425	9/16MJIC-4.5-9/16MOR LBO	126	1	618774	7/8MJIC-90-7/8MOR LG LBO
50	1	618397	1 1/16MOR-9/16FOR ADPTR	127	1	618883	1 5/16MJIC-90-1 5/8MOR LBO
51	3	618191	1 1/16MJIC-90-1 1/16FCJ SWIV LBO	128	1	618909	M12 MOR PLUG, HEX SOCKET
52	2	616531	08-451TC-08FCX-08FCX-55 H/A	129	1	618910	3/4MJIC-M18MOR ADPTR
53	4	616071	04-451TC-04MJBH-06MOR-13.00H/A	130	1	617018	16-451TC-16FCX-16FCX90-24 H/A
54	1	616504	08-451TC-08FCX-08FCX-98 H/A	131	1	617015	10-451TC-08FCX-10FCX-177 H/A
55	1	618807	HYD CPLR, FEM #12, 3/4FOR	132	1	618535	7/8MJIC-90-1 1/16MOR LBO
56	1	616448	10-451ST-08FCX-12FCX-119 H/A	133	1	617019	06-451TC-06FCX-06FCX-285 H/A
57	1	618248	1 1/16MJIC-90-1 1/16MOR LBO	134	1	618557	7/8FCJIC-9/16MJIC ADPTR
58	1	618273	1 1/16MJIC-1/2MNP ADPTR	135	1	618808	OIL COOLER STS16 07
59	1	618186	1 5/16MJIC-1 5/16MOR ADPTR	136	1	606448	AUX COOLER MANIFOLD, GST
60	1	618831	04-451TC-04FCX-06FCX-21 H/A	137	1	611126	7/8MJIC-7/8MOR ADPTR
61	9	616301	10-451ST-08FCX-12FCX90-44 H/A	138	2	618472	1 5/8MJIC-1 5/8MOR ADPTR
62	1	616447	HYD CPLR, FEM #14, 9/16FOR	139	2	618768	1 5/8MJIC-90-1 5/8FCJ TUBE
63	1	618805	08-451TC-08FCX-08FCX-11 H/A	140	2	618469	3/4MJIC-1 1/16MOR ADPTR
64	1	616306	08-451TC-08FCX-06FCX-44 H/A	141	1	616790	08-451TC-08FCX-08FCX-54 H/A
65	2	616377	04-451TC-06FCX-06FCX90-44 H/A	142	1	618726	1 5/8FCJ SW RUN TEE-1 5/8MJ
66	1	616088	04-451TC-06FCX-06FCX-56 H/A	143	1	618665	06-451TC-06FCX-06FCX-17 H/A
67	1	616441	06-451TC-08FCX-08FCX90-40 H/A	144	1	616117	08-451TC-08FCX-08FCX90-31 H/A
68	1	616477	12-451TC-12FCX-12FCX-34 H/A	145	1	616627	08-451TC-08FCX-08FCX45-17 H/A
69	1	617012	06-451TC-06FCX-08FCX90-212 H/A	146	1	617032	08-451TC-08FCX-08FCX90-24 H/A
70	1	617028	04-451TC-04FCX-04FCX90-160 H/A	147	1	606330	DUMP MANIF VALVE SAUER
71	1	616320	04-451TC-04FCX-04FCX90-47 H/A	148	1	618443	3/4MJIC-90-3/4MOR EX LG LBO
72	1	616435	16-451TC-16FCX-20FCX-70 H/A	149	1	618756	7/8MOR PLUG, HEX SOCKET
73	1	616551	16-451TC-16FCX-20FCX90-30 H/A	150	1	618619	1 5/16FCJ SW RUN TEE-1 5/16MJ
74	1	617025	12-451TC-12FCX-16FCX90-69 H/A	151	1	618671	04-451TC-04FCX-06FCX90-84 H/A
75	1	616543	04-451TC-04FCX-04FCX45-51 H/A	152	1	616669	12-451TC-12FCX-12FCX-160 H/A
76	1	616438	10-451TC-10FCX-10FCX90-24 H/A	153	1	617035	



STS 10/12 COMBO STANDARD HYD DIAGRAM 2013
REFERENCE DRAWING NO. 49926353

DET.	QTY	PART NO.	DESCRIPTION	DET.	QTY	PART NO.	DESCRIPTION
1	1	606272	VALVE, LOAD SENSE BOOM SAUER	31	2	618668	9/16FJIC SWIV-9/16MOR ADPTR
2	2	621590	HYD CYL, 1.50 X 10.88 X .875	32	2	614752	RESTRICTOR BR TEE ASSY,.042DIA
3	2	607540	KICK-DOWN RELIEF VALVE, 800PSI	33	1	616384	08-451TC-08FJX-08FJX-43
4	2	621556	HYD CYL, 2.50 X 18.00 X 1.500	34	2	618733	9/16JIC .042 ORIFICE ADPTR
5	2	621558	HYD CYL, 3.00 X 11.00 X 1.380	35	2	616358	06-451TC-06FJX-06FJX-56
6	2	621560	HYD CYL, 2.50 X 21.00 X 1.380	36	2	616357	06-451TC-06FJX-06FJX90-79
7	2	621562	HYD CYL, 2.25 X 21.00 X 1.380	37	2	616365	06-451TC-08FJX-06FJX90-30
8	3	470444	ACCUMULATOR, 30CI 1508 PSI	38	2	616366	08-451TC-08FJX-08FJX90-18
9	1	606248	90°BREAKAWAY VLV,STS PWRSYS	39	1	616403	06-451TC-06FJX-06FJX-65
10	1	618807	HYD CPLR, FEM #12,3/4FOR	40	8	616316	06-451TC-06FJX-06FJX45-18
11	1	618748	7/16MJIC BLKHD RUN TEE	41	2	616304	06-451TC-06FJX-06FJX-36
12	2	618749	3/4MJIC BLKHD RUN TEE	42	4	616356	06-451TC-06FJX-06FJX90-27
13	1	611125	3/4MJIC-3/4MOR ADPTR	43	4	616353	06-451TC-06FJX-06FJX-71
14	13	618126	9/16MJIC-9/16MOR ADPTR	44	1	616362	04-451TC-04FJX-06FJX90-35
15	2	618444	9/16MOR RUN TEE-9/16MJIC	45	1	616352	06-451TC-06FJX-06FJX-62
16	1	618327	3/4MJIC-7/8MOR ADPTR	46	2	616360	06-451TC-06FJX-06FJX-84
17	2	618241	3/4MJIC-90-3/4MOR LBO	47	2	617054	04-451TC-06FJX-06FJX-11
18	1	618754	9/16MOR PLUG, HEX SOCKET	48	2	616361	06-451TC-06FJX-06FJX-86
19	10	615852	LIFTARM HYD TUBE ASSY,STLS 07	49	2	616364	06-451TC-08FJX-06FJX90-31
20	8	615851	HYD TUBE,MAIN BOOM,STIS	50	1	618806	HYD CPLR,MALE #12,7/8FOR
21	1	606347	PRESSURE TRANSDUCER,7500PSI	51	1	616349	06-451TC-06FJX-06FJX-47
22	2	618618	9/16MJIC-90-9/16FJIC SWIV LBO	52	1	616348	06-451TC-06FJX-06FJX-42
23	3	618609	3/4MJIC-90-3/4FJIC SWIV LBO	53	1	616350	06-451TC-06FJX-06FJX-58
24	4	618688	9/16MJ-90-9/16MOR .025 CHK VLV	54	3	616351	06-451TC-06FJX-06FJX-60
25	3	618743	3/4MOR-3/4MJIC BLKHD,.040MFM0	55	2	616135	08-451TC-08FJX-08FJX-50
26	4	618689	9/16MJ-90-9/16MOR .042 CHK VLV	56	1	616431	04-451TC-04FJX-06FJX-51
27	1	616430	04-451TC-06FJX-04FJX90-19 H/A	57	2	616359	06-451TC-06FJX-06FJX-78
28	18	618119	9/16MJIC-90-9/16MOR LBO	58	2	616371	06-451TC-06FJX-06FJX-38
29	2	618486	9/16FJIC SW RUN TEE-9/16MJIC	59	1	618804	HYD CPLR,MALE #14,9/16FOR
30	2	618629	9/16MOR BRANCH TEE-9/16MJIC	60	1	618183	3/4MJIC-90-7/8MOR LBO

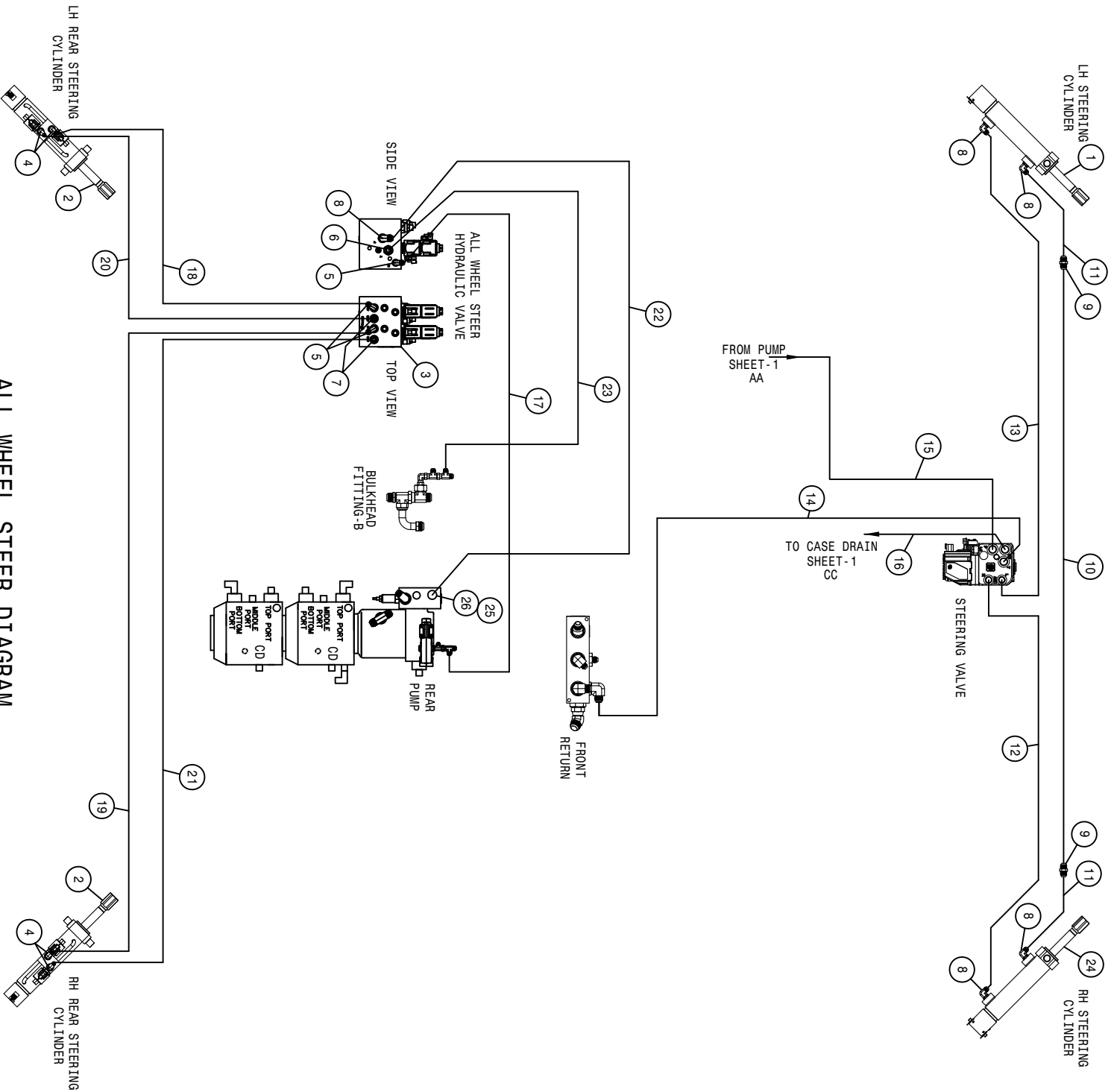
90/100 FOOT BOOM - NORAC



SHEET 2 OF 3

STS 10/12 COMBO STANDARD HYD DIAGRAM 1013
REFERENCE DRAWING NO. 49926354

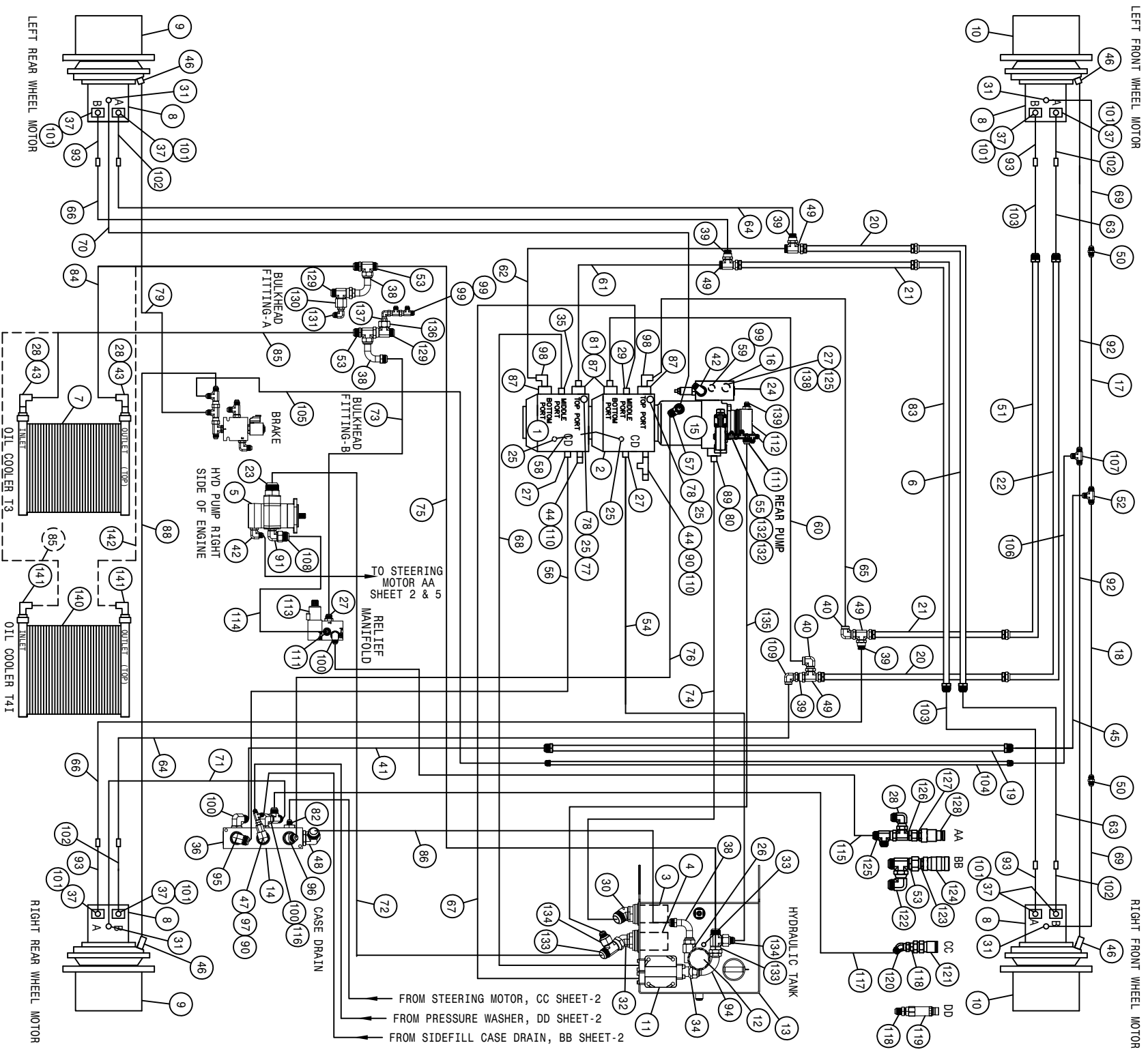
DET.	QTY	PART NO.	DESCRIPTION	DET.	QTY	PART NO.	DESCRIPTION
1	1	606272	VALVE, LOAD SENSE BOOM SAUER	36	2	616357	06-451TC-06FJX-06FJX90-79 H/A
2	2	621590	HYD CYL, 1.50 X 10.88 X .875	37	2	616365	06-451TC-08FJX-06FJX90-30 H/A
3	2	607540	KICK-DOWN RELIEF VALVE, 800PSI	38	2	616366	08-451TC-08FJX-08FJX90-18 H/A
4	2	621556	HYD CYL, 2.50 X 18.00 X 1.500	39	1	616403	06-451TC-06FJX-06FJX-65 H/A
5	2	621558	HYD CYL, 3.00 X 11.00 X 1.380	40	8	616316	06-451TC-06FJX-06FJX45-18 H/A
6	2	621560	HYD CYL, 2.50 X 21.00 X 1.380	41	2	616304	06-451TC-06FJX-06FJX-36 H/A
7	2	621562	HYD CYL, 2.25 X 21.00 X 1.380	42	4	616356	06-451TC-06FJX-06FJX90-27 H/A
8	3	470444	ACCUMULATOR, 30CI 1508 PSI	43	4	616353	06-451TC-06FJX-06FJX-71 H/A
9	1	606248	90°BREAKAWAY VLV,STS PWRSYS	44	1	616362	04-451TC-04FJX-06FJX90-35 H/A
10	1	618807	HYD CPLR, FEM #12,3/4FOR	45	1	616352	06-451TC-06FJX-06FJX-62 H/A
11	1	618748	7/16MJIC BLKHD RUN TEE	46	2	616360	06-451TC-06FJX-06FJX-84 H/A
12	2	618749	3/4MJIC BLKHD RUN TEE	47	2	617054	06-451TC-06FJX-06FJX-11 H/A
13	2	611125	3/4MJIC-3/4MOR ADPTR	48	2	616361	06-451TC-06FJX-06FJX-86 H/A
14	16	618126	9/16MJIC-9/16MOR ADPTR	49	2	616364	06-451TC-08FJX-06FJX90-31 H/A
15	6	618444	9/16MOR RUN TEE-9/16MJIC	50	1	618806	HYD CPLR,MALE #14,7/8FOR
16	2	618327	3/4MJIC-7/8MOR ADPTR	51	1	616349	06-451TC-06FJX-06FJX-47 H/A
17	2	618241	3/4MJIC-90-3/4MOR LBO	52	1	616348	06-451TC-06FJX-06FJX-42 H/A
18	1	618754	9/16MOR PLUG, HEX SOCKET	53	1	616350	06-451TC-06FJX-06FJX-58 H/A
19	10	615852	LIFTARM HYD TUBE ASSY,STLS 07	54	3	616351	06-451TC-06FJX-06FJX-60 H/A
20	8	615851	HYD TUBE,MAIN BOOM,STS	55	2	616135	08-451TC-08FJX-08FJX-50 H/A
21	1	606347	PRESSURE TRANSDUCER,7500PSI	56	1	616431	04-451TC-04FJX-06FJX-51 H/A
22	2	618618	9/16MJIC-90-9/16FJIC SWIV LBO	57	2	616359	06-451TC-06FJX-06FJX-78 H/A
23	3	618609	3/4MJIC-90-3/4FJIC SWIV LBO	58	2	616371	06-451TC-06FJX-06FJX-38 H/A
24	4	618688	9/16MJ-90-9/16MOR .025 CHK VLV	59	1	618804	HYD CPLR,MALE #14,9/16FOR
25	3	618743	3/4MOR-3/4MJIC BLKHD,.040MFM0	60	1	618183	3/4MJIC-90-7/8MOR LBO
26	4	618689	9/16MJ-90-9/16MOR .042 CHK VLV	61	1	606455	NORAC HYD VALVE (44963D)
27	1	616430	04-451TC-06FJX-04FJX90-19 H/A	62	2	616555	06-451TC-06FJX-06FJX90-31 H/A
28	20	618119	9/16MJIC-90-9/16MOR LBO	63	2	616557	06-451TC-06FJX-06FJX90L-31 H/A
29	2	618486	9/16FJIC SW RUN TEE-9/16MJIC	64	1	616554	04-451TC-04FJX-06FJX90-30 H/A
30	2	618629	9/16MOR BRANCH TEE-9/16MJIC	65	2	616556	08-451TC-06FJX-08FJX90-31 H/A
31	5	618668	9/16FJIC SWIV-9/16MOR ADPTR	66	1	606256	CHECK VALVE, IN LINE SAUER
32	2	614752	RESTRICTOR BR TEE ASSY, .042DIA	67	1	618473	7/16MJIC-90-7/16MOR LBO
33	1	616384	08-451TC-08FJX-08FJX-43 H/A	68	1	618440	9/16MJIC-90-9/16MOR EX LG LBO
34	2	618733	9/16JIC .042 ORIFICE ADPTR	69	2	696131	BALL VALVE,9/16FOR,7250PSI
35	2	616358	06-451TC-06FJX-06FJX-56 H/A				



ALL WHEEL STEER DIAGRAM

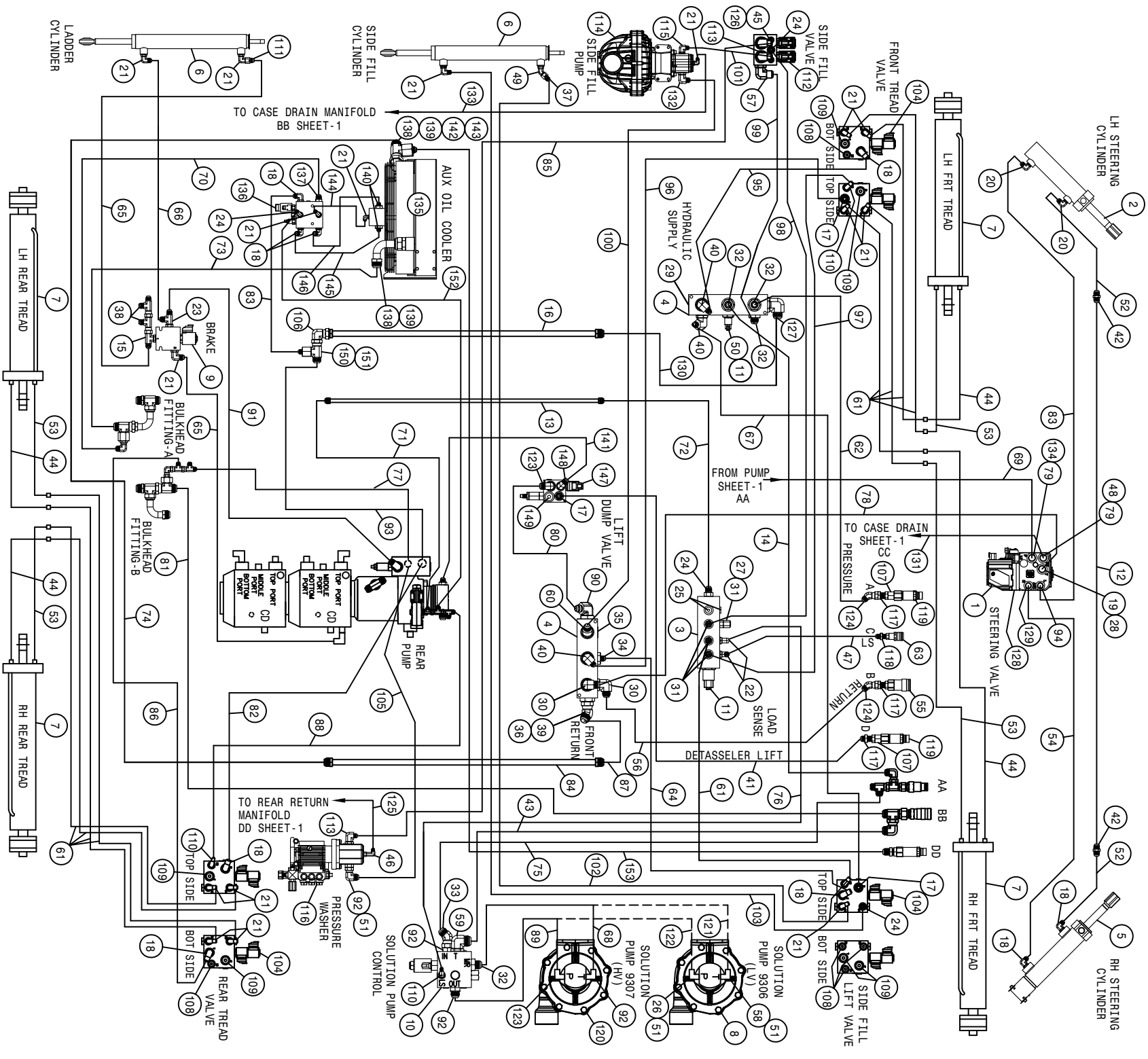
STS 10/12 COMBO STANDARD HYD DIAGRAM 2013
REFERENCE DRAWING NO. 4992635S

DET.	QTY	PART NO.	DESCRIPTION	DET.	QTY	PART NO.	DESCRIPTION
1	1	621602	HYD CYL,2.50 X 8.81 PHASE/1SEN	14	1	617017	10-451TC-10FJX-12FJX90-82 H/A
2	1	621644	HYD CYL,2.25 X 8.81 X 1.25	15	1	617012	06-451TC-06FJX-08FJX90-212 H/A
3	1	606370	VALVE, FV8623 V1 SUNSOURCE	16	1	617015	10-451TC-08FJX-10FJX-177 H/A
4	4	618115	9/16MJIC-90-3/4MOR LBO	17	1	616367	04-451TC-04FJX-06FJX-48 H/A
5	3	618119	9/16MJIC-90-9/16MOR LBO	18	1	616361	06-451TC-06FJX-06FJX-86 H/A
6	1	611126	7/8MJIC-7/8MOR ADPTR	19	1	616974	06-451TC-06FJX-06FJX-133 H/A
7	2	618126	9/16MJIC-90-3/4MOR ADPTR	20	1	616723	06-451TC-06FJX-06FJX90-85 H/A
8	5	618241	3/4MJIC-90-3/4MOR LBO	21	1	616784	06-451TC-06FJX-06FJX90-133 H/A
9	2	618314	3/4MJIC UNION	22	1	616928	08-451TC-08FJX-08FJX90-36 H/A
10	1	615772	STRG CYL JUMPER HYD TUBE ASSY	23	1	616327	10-451TC-10FJX-10FJX90-44 H/A
11	2	616531	08-451TC-08FJX-08FJX-55 H/A	24	1	621614	HYD CYL,2.50 X 8.81 PHASE/2SEN
12	1	616504	08-451TC-08FJX-08FJX-98 H/A	25	1	618619	1 5/16FJ SW RUN TEE-1 5/16MJ
13	1	616730	08-451TC-08FJX-08FJX90-108 H/A	26	1	618671	1 5/16FJIC-3/4MJIC ADPTR



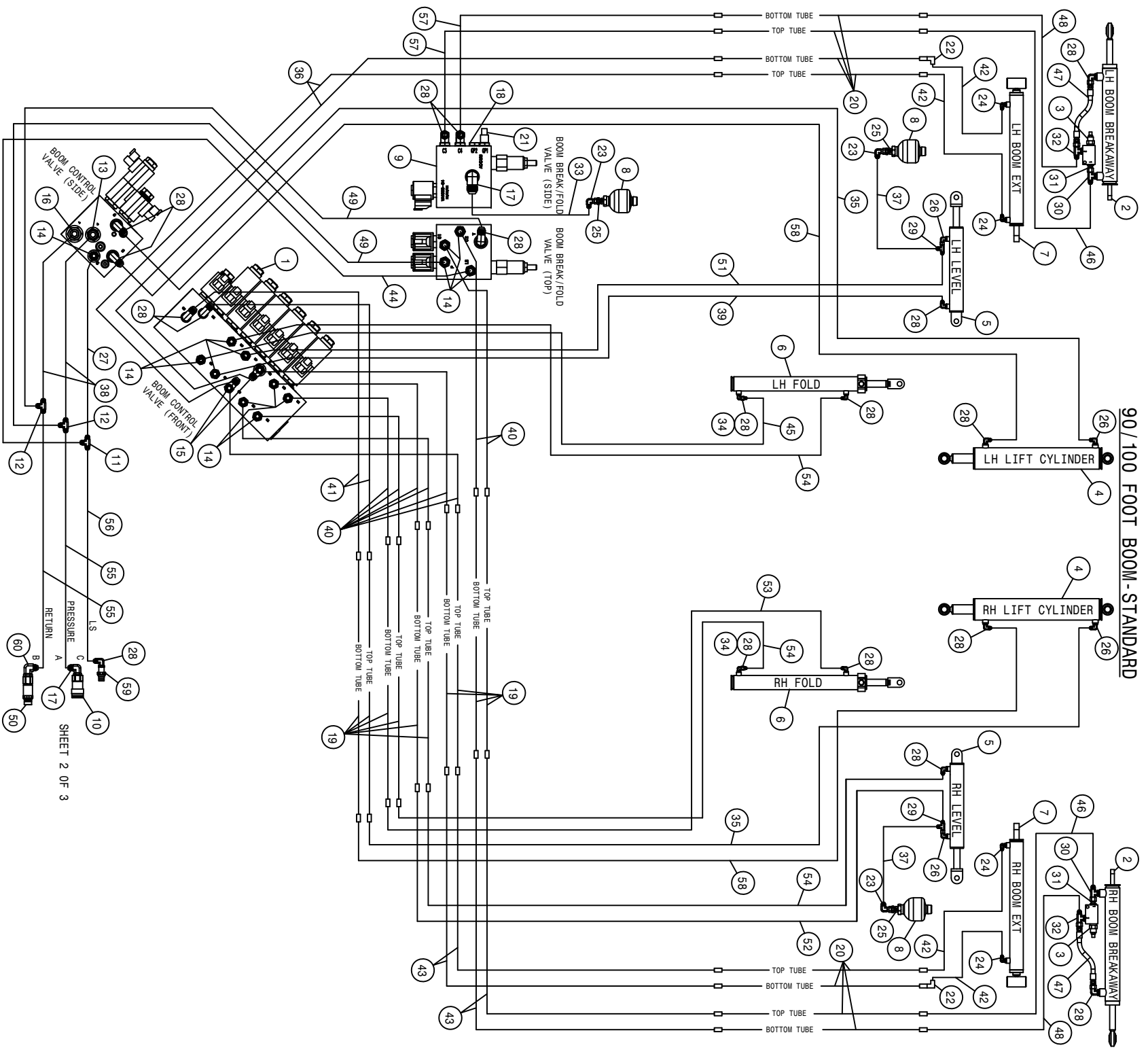
STS 10/12 COMBO HI TORQUE HYD DIAGRAM 2013
REFERENCE DRAWING NO. 499264S1

DET.	QTY	PART NO.	DESCRIPTION	DET.	QTY	PART NO.	DESCRIPTION
1	1	606512	H1-P-115CC PUMP,D/D-MT	72	1	616346	24-881-24F3X-24F3X90-103 H/A
2	1	606513	H1-P-115CC PUMP,D/B-MT	73	1	616550	16-881-20F3X-16F3X90-68 SL H/A
3	1	605623	SUCTION STRAINER,39GPM 100M 32	74	1	616343	32-881-32F3X-32F3X-53 H/A
4	1	605622	SUCTION STRAINER,21GPM 100M 24	75	1	616399	24-881-20F3X-24F3X90-105 H/A
5	1	606450	TANDEM PUMP,606451 & 606452	76	1	616982	10-451TC-12F3X-10F3X90-25 H/A
6	1	615848	RH FRONT HYDROSTAT TUBE ASSY	77	1	618735	9/16JIC .062 ORFICE ADPTR
7	1	618800	OIL COOLER STS12	78	2	618782	9/16MOR-9/16FOR-9/16MJC BRNCH
8	4	606514	H1-B-80CC WHL MTR	79	1	616073	04-451TC-06F3X-04F3X45-202 H/A
9	2	610507	TORQ HUB,31:1 CW18E	80	1	616073	2" FLANGE-2 1/2MJC ADPTR #61
10	2	610506	TORQ HUB,25:1 CW18E	81	2	618897	1 1/4"FLANGE-1 11/16MOR ADPTR
11	1	605625	IN-TANK RETURN FILTER, 10M	82	1	618470	3/4MJC-1 5/16MOR ADPTR
12	1	605656	TRAP BREATHER,1"NPPT DONALDSON	83	1	615885	RH FRT WHL MAIN TUBE ASSY, STS09
13	1	760786	HYD TANK WLD,STS10/12/14 '13	84	1	616398	20-881-16F3X-20F3X-83 H/A
14	1	606246	MANIFOLD, #16 3-STN 180	85	1	616397	20-881-16F3X-20F3X-77 H/A
15	1	607005	SAUER PISTON PUMP JRR060B-LB	86	1	616396	20-881-20F3X-20F3X90-70 H/A
16	1	606258	REFIFER, LS PUMP SAUER	87	8	618780	1 1/4 SPLIT FLANGE HALF, #62
17	1	615823	LH FRT CASEDRATN HYD TUBE ASSY	88	1	616372	04-451TC-06F3X-04F3X45-222 H/A
18	1	615822	RH FRT CASEDRATN HYD TUBE ASSY	89	1	618766	2" SPLIT FLANGE KIT #61
19	1	615854	M/F CASE DRAIN TUBE, STS10 07	90	2	618486	9/16FJIC SW RUN TEE-9/16MJC
20	2	615904	OUTER HYDRO TUBE ASSY,10/12/12	91	1	618279	1 1/16MJC-90-7/8MOR LBO
21	2	615905	INNER HYDST TUBE ASSY,10/12/12	92	2	616072	04-451TC-06F3X-04F3X45-195 H/A
22	1	615849	LH FRONT HYDROSTAT TUBE ASSY	93	4	615908	WHL MTR HYD TUBE ASSY STS12
23	1	618527	1 7/8MJC-1 5/8MOR ADPTR	94	1	618764	1 7/8MJC-90-1 7/8F3X TUBE LBO
24	1	618753	7/16MOR PLUG, HEX SOCKET	95	1	618463	1 5/16MJC-90-1 5/16MOR XL LBO
25	4	606196	PRESS TRANSDUCER ASSY 9000PSI	96	1	618831	1 1/16MJC-45-1 5/16MOR LBO
26	1	618767	1 7/8FJIC-1 5/8MJC ADPTR	97	1	618482	3/4FJIC-9/16MJC ADPTR
27	4	618186	1 5/16MJC-1 5/16MOR ADPTR	98	2	618779	1 11/16FOR-90-1 1/4FLG C62LBO
28	3	618640	1 5/16MJC-90-1 5/16FJ SWIV LBO	99	3	618333	7/8FJIC SW RUN TEE-7/8MJC
29	1	618472	1 5/8MJC-1 5/8MOR ADPTR	100	3	618302	1 1/16MJC-90-1 5/16MOR LBO
30	1	618746	2 1/2MJC-45-2 1/2MOR LBO	101	8	618654	1" FLANGE-90-1 7/16MFOR LBO
31	4	618602	3/4MJC-45-7/8MOR LBO	102	4	615909	WHL MTR TUBE ASSY STS12
32	1	618745	1 7/8MJC-45-1 7/8MOR LBO	103	2	616338	16-792TC-16FFOX-16FFOX-127 H/A
33	1	470471	1 5/16MOR PLUG, MAGNETIC	104	1	615910	FRONT BRAKE TUBE, STS10/12 '12
34	1	618747	1 1/2 FLANGE-1 7/8MJC ADPTR	105	1	616375	04-451TC-06F3X-08F3X-68 H/A
35	1	618724	1 5/8MJC-1 5/8MOR LG ADPTR	106	1	616380	04-451TC-08F3X-06F3X90-85 H/A
36	1	618759	1 5/8MOR PLUG, HEX SOCKET	107	1	618019	9/16MJC UNION TEE
37	8	618652	1" SPLIT FLANGE KIT	108	1	618641	1 1/16JIC-1 5/16MJC ADPTR
38	3	618768	1 5/8MJC-90-1 5/8F3X TUBE	109	1	618362	1 7/16MFOR-90-1 7/16FOR LBO
39	4	618785	1 11/16FOR-1 7/16MOR ADPTR	110	2	618531	9/16FJIC CAP NUT
40	2	618895	1 11/16MFOR-90-1 11/16FFOX ADP	111	2	611127	1 1/16MJC-1 1/16MOR ADPTR
41	1	616444	10-451TC-12F3X-12F3X90-48 H/A	112	1	606664	GEAR PUMP, 40CI A-MT, RH
42	2	618183	3/4MJC-90-7/8MOR LBO	113	1	606284	GEAR PUMP RELIEF CTRL,SAUER
43	2	618830	1 5/16MJC-1 5/16MOR 6. OLG ADPTR	114	1	616544	12-451TC-12F3X-16F3X90-94 H/A
44	2	618126	9/16MJC-9/16MOR ADPTR	115	1	616546	12-451TC-12F3X-16F3X-148SL H/A
45	1	616388	10-451TC-12F3X-10F3X90-91 H/A	116	1	618487	1 1/16FJ SW RUN TEE-1 1/16MJC
46	4	618473	7/16MJC-90-7/16MOR LBO	117	1	616547	12-451TC-12F3X-12F3X90-182 H/A
47	1	618475	3/4MJC-90-1 5/16MOR LBO	118	2	618796	1 1/16MJC-1 1/16MOR BLKHD ADPT
48	1	618477	1 5/8MJC-90-1 5/8MOR LBO	119	1	618809	HYD CPLR,MALE #12, 12FOR
49	4	618778	1 11/16FFOX RUNTEE-1 11/16MFOR	120	1	618529	1 1/16MJC-45-1 1/16FJ SWIV LBO
50	2	618456	7/8MJC UNION	121	1	618810	HYD CPLR, FEM #12,12FOR
51	1	615886	LH FRT WHL MAIN TUBE ASY, STS09	122	1	618721	1 5/8MJC-90-1 5/8FJ SWIV LBO
52	1	618581	7/8MJC UNION TEE	123	1	618725	1 5/16MOR-1 5/8FJIC SWIV
53	3	618752	1 5/8MJC BLKHD RUN TEE	124	1	618686	HYD COUPLER, FEM 1" B, 1 5/16FOR
54	1	617055	16-451TC-16F3X-16F3X90-84 H/A	125	2	618619	1 5/16FJ SW RUN TEE-1 5/16MJC
55	1	618509	7/16MOR RUN TEE-7/16MJC	126	1	618751	1 5/16MJC BLKHD RUN TEE
56	1	616983	16-451TC-16F3X-16F3X90L-41 H/A	127	1	618588	1 5/16MOR-1 5/16FJIC SWIV
57	1	618130	7/8MOR RUN TEE-7/8MJC	128	1	618687	HYD COUPLER,MALE 1" B, 1 5/16FOR
58	1	616033	04-471TC-06F3X-06F3X90-15 H/A	129	2	618782	1 5/8FJ SW RUN TEE-1 5/8MJC
59	1	611126	7/8MJC-7/8MOR ADPTR	130	1	618665	1 5/8FJIC-1 1/16MJC ADPTR
60	1	616987	20-791TC-20F3X-20F3X90-47H/A	131	1	618191	1 1/16MJC-90-1 1/16FJ SWIV LBO
61	1	616985	20-791TC-20F3X-20F3X-54 H/A	132	2	618485	7/16FJIC SW RUN TEE-7/16MJC
62	1	616988	20-791TC-20F3X-20F3X90-68H/A	133	2	618681	1 7/8FJ SW RUN TEE-1 7/8MJC
63	2	617053	16-792TC-16FFOX-16FFOX-133 H/A	134	2	618686	1 7/8FJIC-1 5/16MJC ADPTR
64	2	616339	16-792TC-16FFOX-16FFOX-146 H/A	135	1	617036	16-881-12F3X-16F3X90-60 H/A
65	1	616986	20-791TC-20F3X-20F3X90-26H/A	136	1	618917	1 5/8FJIC-7/8MJC ADPTR
66	2	616566	16-792TC-16FFOX-16FFOX90-151H/	137	1	618301	7/8MJC-90-7/8FJIC SWIV LBO
67	1	616989	20-881-20FLG-20F3X90-83 H/A	138	1	618671	1 5/16FJIC-3/4MJC ADPTR
68	1	616990	20-881-20FLG-20F3X90-96 H/A	139	1	618327	3/4MJC-7/8MOR ADPTR
69	2	617050	08-451TC-10F3X-08F3X45-142 H/A	140	1	317149	OIL COOLER TAI STS13
70	1	616373	08-451TC-10F3X-08F3X45-212 H/A	141	2	618178	1 5/16MJC-90-1 5/16MOR LBO
71	1	616265	08-451TC-12F3X-08F3X45-175 H/A	142	1	617042	20-881-16F3X-20F3X-103 H/A



STS 10/12 COMBO HI TORQUE HYD DIAGRAM 2013
REFERENCE DRAWING NO. 499264S2

DET.	QTY	PART NO.	DESCRIPTION	DET.	QTY	PART NO.	DESCRIPTION
1	1	749333	STRG CTRL VLV, OSPEDC 60/260	78	1	617017	10-451TC-10FCX-12FCX90-82 H/A
2	1	621550	HYD CYL, 2.50 X 8.81 X 1.250	79	2	618911	7/8MJIC-M22 MOR ADPTR
3	1	606517	LS MANIFOLD	80	1	617029	08-451TC-10FCX-12FCX90-106 H/A
4	2	606246	MANIFOLD, #16 3-STN 180	81	1	616553	20-881-20FCX-20FCX-184 SL H/A
5	1	621614	HYD CYL, 2.50 X 8.81 PHASE/2SEN	82	1	617046	08-451TC-08FCX-08FCX90-18 H/A
6	2	621554	HYD CYL, 1.50 X 12.25 X .750	83	2	616730	08-451TC-08FCX-08FCX90-108 H/A
7	4	621552	HYD CYL, 3.00 X 16.00 X 1.375	84	1	615855	HYD RETURN LINE, LONG, STS10 07
8	1	691160	HYPRO PUMP, 9306G-HN5C-BU, FLG	85	1	616641	08-451TC-10FCX-08FCX90L-178H/A
9	1	606213	HYD SOLE VLV, 2P-3M, 9/16FOR 05	86	1	617047	10-451TC-08FCX-10FCX90-24 H/A
10	1	606253	CTRL VALVE, SOLU PUMP SAUER	87	1	616395	16-881-16FCX-16FCX90-25 H/A
11	2	606347	PRESSURE TRANSUCER, 7500PSI	88	1	616319	04-451TC-04FCX-04FCX90-32 H/A
12	1	615772	STRG CYL JUMPER HYD TUBE ASSY	89	1	616476	10-451TC-10FCX-12FCX90-24 H/A
13	1	615850	M/F HYD TUBE, LS LINE, STS10 07	90	1	618842	10-451TC-10FCX-12FCX90-24 H/A
14	1	616545	12-451TC-16FCX-12FCX90-126 H/A	91	1	617004	06-451TC-08FCX-06FCX90-24 H/A
15	1	618629	9/16MOR BRANCH TEE-9/16MJIC	92	4	611127	1/16MJIC-1 1/16MOR ADPTR
16	1	615856	M/F HYD TUBE, MAIN SUP, STS10 07	93	1	617043	16-451TC-16FCX-16FCX90-37 H/A
17	3	611125	3/4MJIC-3/4MOR ADPTR	94	1	618912	3/4MJIC-90-M18MOR LBO
18	9	618241	3/4MJIC-90-3/4MOR LBO	95	1	616322	06-451TC-08FCX-08FCX90-21 H/A
19	1	618913	7/8MJIC-90-M22MOR LBO	96	1	616443	08-451TC-08FCX-08FCX90-76 H/A
20	2	618249	3/4MJIC-90-9/16MOR LBO	97	1	616315	04-451TC-04FCX-04FCX45-74 H/A
21	17	618117	9/16MJIC-90-9/16MOR LBO	98	1	616437	04-451TC-04FCX-06FCX90-28 H/A
22	2	618473	7/16MJIC-90-7/16MOR LBO	99	1	616416	10-451TC-12FCX-12FCX-25 H/A
23	1	618444	9/16MOR RUN TEE-9/16MJIC	100	1	616445	10-451TC-10FCX-12FCX-127 H/A
24	4	618126	9/16MJIC-9/16MOR ADPTR	101	1	616442	06-451TC-08FCX-08FCX90-114 H/A
25	2	618753	7/16MOR PLUG, HEX SOCKET	102	1	616439	04-451TC-06FCX-06FCX-98 H/A
26	1	618108	1/16MJIC-3/4MNP ADPTR	103	1	616440	04-451TC-06FCX-06FCX90-114 H/A
27	1	618363	7/16FCJIC CAP NUT	104	3	606249	MANIFOLD, TRD ADJ PWRSYS
28	1	618301	7/8MJIC-90-7/8FCJIC SMIV LBO	105	1	616732	10-451TC-10FCX-12FCX90-121 H/A
29	1	618759	1/5/8MOR PLUG, HEX SOCKET	106	1	618640	1/5/16MJ-90-1 5/16FCJ SMIV LBO
30	2	618302	1/16MJIC-90-1 5/16MOR LBO	107	2	618171	7/8MOR-3/4FOR ADPTR
31	4	618467	7/16MJIC-7/16MOR ADPTR	108	5	618754	9/16MOR PLUG, HEX SOCKET
32	4	618308	1/16MJIC-1 5/16MOR ADPTR	109	6	618755	3/4MOR PLUG, HEX SOCKET
33	3	618529	1/16MJ-45-1 1/16FCJ SMIV LBO	110	3	618499	7/16MJIC-90-9/16MOR LBO
34	1	618470	3/4MJIC-1 5/16MOR ADPTR	111	1	618733	9/16MJIC-90-9/16MOR LBO
35	1	618758	1/5/16 MOR PLUG, HEX SOCKET	112	1	606259	DIVERSION VLV, STS LS
36	1	618630	1/5/16MJ-45-1 5/16FCJ SMIV LBO	113	2	618474	3/4MJIC-90-1 1/16MOR LBO
37	1	618731	9/16FCJIC .025 ORIFICE ADPTR	114	1	691236	3" TRANSFER PUMP, HYPRO
38	2	618486	9/16FCJIC SW RUN TEE-9/16MJIC	115	1	618183	3/4MJIC-90-7/8MOR LBO
39	1	618455	1/5/16MJIC-1 5/8MOR ADPTR	116	1	690672	HMC 320 SPECIAL/MINUS HOSE
40	3	618475	3/4MJIC-90-1 5/16MOR LBO	117	3	618770	3/4MJIC-3/4MOR BLKHD ADPT
41	1	617028	06-451TC-08FCX-08FCX90-160 H/A	118	1	618769	9/16MJIC-9/16MOR BLKHD ADPT
42	2	618314	3/4MJIC UNION	119	2	618806	HYD CPLR, MALE #12, 7/8FOR
43	1	616551	16-451TC-16FCX-20FCX-70 H/A	120	1	691036	HYPRO 9307C-GM10 PUMP
44	4	616070	04-451TC-04MJBH-06MOR-11.00H/A	121	1	616451	12-451TC-12FCX-12FCX90-34 H/A
45	1	618132	1/16MOR-7/8FOR ADPTR	122	1	616450	10-451TC-12FCX-12FCX90-22 H/A
46	1	618440	9/16MJIC-90-9/16MOR EX LG LBO	123	2	611128	7/8MJIC-90-7/8MOR LBO
47	1	616446	04-451ST-06FCX-04FCX90-131 H/A	124	2	618590	3/4MJIC-45-3/4FCJIC SMIV LBO
48	1	618628	7/8MJIC-45-7/8FCJIC SMIV LBO	125	1	616617	06-451TC-06FCX-06FCX-168 H/A
49	1	618425	9/16MJIC-45-9/16MOR LBO	126	1	618774	7/8MJIC-90-7/8MOR LG LBO
50	1	618397	1/5/16MOR-9/16FOR ADPTR	127	1	618883	1 5/16MJIC-90-1 5/8MOR LBO
51	3	618191	1/16MJ-90-1 1/16FCJ SMIV LBO	128	1	618909	M12 MOR PLUG, HEX SOCKET
52	2	616531	08-451TC-08FCX-08FCX-55 H/A	129	1	618910	3/4MJIC-M18MOR ADPTR
53	4	616071	04-451TC-04MJBH-06MOR-13.00H/A	130	1	617018	16-451TC-16FCX-16FCX90-24 H/A
54	1	616504	08-451TC-08FCX-08FCX-98 H/A	131	1	617015	10-451TC-08FCX-10FCX-177 H/A
55	1	618807	HYD CPLR, FEM #12, 3/4FOR	132	1	618535	7/8MJIC-90-1 1/16MOR LBO
56	1	616448	10-451ST-08FCX-12FCX-119 H/A	133	1	617019	06-451TC-06FCX-06FCX-285 H/A
57	1	618248	1/16MJIC-90-1 1/16MOR LBO	134	1	618557	7/8FCJIC-9/16MJIC ADPTR
58	1	618273	1/16MJIC-1/2MNP ADPTR	135	1	618808	OIL COOLER STS16 07
59	1	618186	1 5/16MJIC-1 5/16MOR ADPTR	136	1	606448	AUX COOLER MANIFOLD, GST
60	1	618831	1/16MJIC-45-1 5/16MOR LBO	137	1	611126	7/8MJIC-7/8MOR ADPTR
61	9	616447	04-451TC-04FCX-06FCX-21 H/A	138	2	618472	1 5/8MJIC-1 5/8MOR ADPTR
62	1	616430	10-451ST-08FCX-12FCX90-44 H/A	139	2	618768	1 5/8MJIC-90-1 5/8FCX TUBE
63	1	618805	HYD CPLR, FEM #14, 9/16FOR	140	2	618469	3/4MJIC-1 1/16MOR ADPTR
64	1	616306	08-451TC-08FCX-08FCX-11 H/A	141	1	616790	08-451TC-08FCX-08FCX-34 H/A
65	2	616377	04-451TC-06FCX-06FCX90-44 H/A	142	1	618726	1 5/8FCJ SW RUN TEE-1 5/8MJ
66	1	616088	04-451TC-06FCX-06FCX-56 H/A	143	1	618665	1 5/8FCJIC-1 1/16MJIC ADPTR
67	1	616441	06-451TC-08FCX-08FCX90-40 H/A	144	1	616117	06-451TC-06FCX-06FCX-17 H/A
68	1	616477	12-451TC-12FCX-12FCX-34 H/A	145	1	616627	08-451TC-08FCX-08FCX90-31 H/A
69	1	617012	06-451TC-06FCX-08FCX90-212 H/A	146	1	617032	08-451TC-08FCX-08FCX45-17 H/A
70	1	616320	10-451TC-12FCX-10FCX90-103 H/A	147	1	617030	DUMP MANIF VALVE SAUER
71	1	616320	04-451TC-04FCX-04FCX90-47 H/A	148	1	618443	3/4MJIC-90-3/4MOR EX LG LBO
72	1	616435	04-451TC-06FCX-04FCX45-20 H/A	149	1	618756	7/8MOR PLUG, HEX SOCKET
73	1	617026	16-881-20FCX-20FCX90-96 H/A	150	1	618671	1 5/16FCJ SW RUN TEE-1 5/16MJ
74	1	617025	16-881-16FCX90-20FCX90-30 H/A	151	1	618671	1 5/16FCJIC-3/4MJIC ADPTR
75	1	616543	12-451TC-12FCX-16FCX90-69 H/A	152	1	616669	04-451TC-04FCX-06FCX90-84 H/A
76	1	616438	04-451TC-04FCX-04FCX45-51 H/A	153	1	617035	12-451TC-12FCX-12FCX-160 H/A
77	1	617048	10-451TC-10FCX-10FCX90-24 H/A				

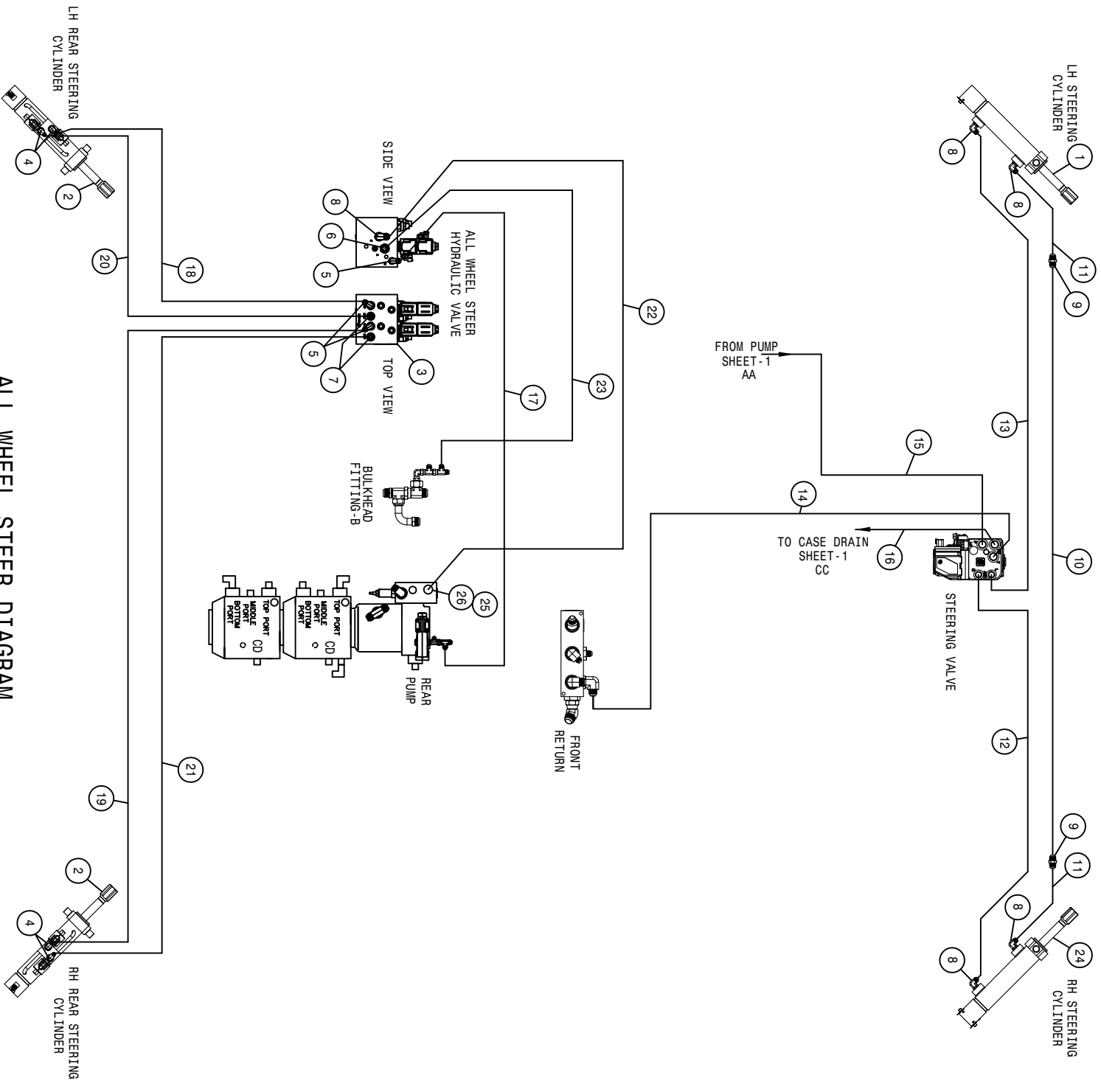


STS 10/12 COMBO HI TORQUE HYD DIAGRAM 2013
REFERENCE DRAWING NO. 499264S3

DET.	QTY	PART NO.	DESCRIPTION	DET.	QTY	PART NO.	DESCRIPTION
1	1	606272	VALVE, LOAD SENSE BOOM SAUER	31	2	618668	9/16FJIC SWIV-9/16MOR ADPTR
2	2	621554	HYD CYL, 1.50 X 12.25 X .750	32	2	614752	RESTRICTOR BR TEE ASSY,.042DIA
3	2	607540	KICK-DOWN RELIEF VALVE, 800PSI	33	1	616384	08-451TC-08FJX-08FJX-43
4	2	621556	HYD CYL, 2.50 X 18.00 X 1.500	34	2	618733	9/16JIC-.042 ORIFICE ADPTR
5	2	621558	HYD CYL, 3.00 X 11.00 X 1.380	35	2	616358	06-451TC-06FJX-06FJX-56
6	2	621560	HYD CYL, 2.50 X 21.00 X 1.380	36	2	616357	06-451TC-06FJX-06FJX90-79
7	2	621562	HYD CYL, 2.25 X 21.00 X 1.380	37	2	616365	06-451TC-08FJX-06FJX90-30
8	3	470444	ACCUMULATOR, 30CI 1508 PSI	38	2	616366	08-451TC-08FJX-08FJX90-18
9	1	606248	HYD CPLR, FEM #12, 3/4FOR	39	1	616403	06-451TC-06FJX-06FJX-65
10	1	618807	HYD CPLR, FEM #12, 3/4FOR	40	8	616316	06-451TC-06FJX-06FJX45-18
11	1	618748	7/16MJIC BLKHD RUN TEE	41	2	616304	06-451TC-06FJX-06FJX-36
12	2	618749	3/4MJIC BLKHD RUN TEE	42	4	616356	06-451TC-06FJX-06FJX90-27
13	1	611125	3/4MJIC-3/4MOR ADPTR	43	4	616353	06-451TC-06FJX-06FJX-71
14	13	618126	9/16MJIC-9/16MOR ADPTR	44	1	616362	04-451TC-04FJX-06FJX90-35
15	2	618444	9/16MOR RUN TEE-9/16MJIC	45	1	616352	06-451TC-06FJX-06FJX-62
16	1	618327	3/4MJIC-7/8MOR ADPTR	46	2	616360	06-451TC-06FJX-06FJX-84
17	2	618241	3/4MJIC-90-3/4MOR LBO	47	2	617054	04-451TC-06FJX-06FJX-11
18	1	618754	9/16MOR PLUG, HEX SOCKET	48	2	616361	06-451TC-06FJX-06FJX-86
19	10	615852	LIFTARM HYD TUBE ASSY, STLS 07	49	2	616364	06-451TC-08FJX-06FJX90-31
20	8	615851	HYD TUBE, MAIN BOOM, STS	50	1	618806	HYD CPLR, MALE #12, 7/8FOR
21	1	606347	PRESSURE TRANSDUCER, 7500PSI	51	1	616349	06-451TC-06FJX-06FJX-47
22	2	618618	9/16MJIC-90-9/16FJIC SWIV LBO	52	1	616348	06-451TC-06FJX-06FJX-42
23	3	618609	3/4MJIC-90-3/4FJIC SWIV LBO	53	1	616350	06-451TC-06FJX-06FJX-58
24	4	618688	9/16MJ-90-9/16MOR .025 CHK VLV	54	3	616351	06-451TC-06FJX-06FJX-60
25	3	618743	3/4MOR-3/4MJIC BLKHD,.040MFM0	55	2	616135	08-451TC-08FJX-08FJX-50
26	4	618689	9/16MJ-90-9/16MOR .042 CHK VLV	56	1	616431	04-451TC-04FJX-06FJX-51
27	1	616430	04-451TC-06FJX-04FJX90-19 H/A	57	2	616359	06-451TC-06FJX-06FJX-78
28	18	618119	9/16MJIC-90-9/16MOR LBO	58	2	616371	06-451TC-06FJX-06FJX-38
29	2	618486	9/16FJIC SW RUN TEE-9/16MJIC	59	1	618804	HYD CPLR, MALE #14, 9/16FOR
30	2	618629	9/16MOR BRANCH TEE-9/16MJIC	60	1	618183	3/4MJIC-90-7/8MOR LBO

STS 10/12 COMBO HI TORQUE HYD DIAGRAM 2013
REFERENCE DRAWING NO. 4992264S4

DET.	QTY	PART NO.	DESCRIPTION	DET.	QTY	PART NO.	DESCRIPTION
1	1	606272	VALVE, LOAD SENSE BOOM SAUER	36	2	616357	06-451TC-.06FJX-.06FJX90-79 H/A
2	2	621554	HYD CYL, 1.50 X 12.25 X .750	37	2	616365	06-451TC-.08FJX-.06FJX90-30 H/A
3	2	607540	KICK-DOWN RELIEF VALVE, 800PSI	38	2	616366	08-451TC-.08FJX-.08FJX90-18 H/A
4	2	621556	HYD CYL, 2.50 X 18.00 X 1.500	39	1	616403	06-451TC-.06FJX-.06FJX-65 H/A
5	2	621558	HYD CYL, 3.00 X 11.00 X 1.380	40	8	616316	06-451TC-.06FJX-.06FJX45-18 H/A
6	2	621560	HYD CYL, 2.50 X 21.00 X 1.380	41	2	616304	06-451TC-.06FJX-.06FJX-36 H/A
7	2	621562	HYD CYL, 2.25 X 21.00 X 1.380	42	4	616356	06-451TC-.06FJX-.06FJX90-27 H/A
8	3	470444	ACCUMULATOR, 30CI 1508 PSI	43	4	616353	06-451TC-.06FJX-.06FJX-71 H/A
9	1	606248	90°BREAKAWAY VLV,STS PWRSYS	44	1	616362	04-451TC-.04FJX-.06FJX90-35 H/A
10	1	618807	HYD CPLR, FEM #12,3/4FOR	45	1	616352	06-451TC-.06FJX-.06FJX-62 H/A
11	1	618748	7/16MJIC BLKHD RUN TEE	46	2	616360	06-451TC-.06FJX-.06FJX-84 H/A
12	2	618749	3/4MJIC BLKHD RUN TEE	47	2	617054	04-451TC-.06FJX-.06FJX-11 H/A
13	2	611125	3/4MJIC-3/4MOR ADPTR	48	2	616361	06-451TC-.06FJX-.06FJX-86 H/A
14	16	618126	9/16MJIC-9/16MOR ADPTR	49	2	616364	06-451TC-.08FJX-.06FJX90-31 H/A
15	6	618444	9/16MOR RUN TEE-9/16MJIC	50	1	618806	HYD CPLR, MALE #12, 7/8FOR
16	2	618327	3/4MJIC-7/8MOR ADPTR	51	1	616349	06-451TC-.06FJX-.06FJX-47 H/A
17	2	618241	3/4MJIC-90-3/4MOR LBO	52	1	616348	06-451TC-.06FJX-.06FJX-42 H/A
18	1	618754	9/16MOR PLUG, HEX SOCKET	53	1	616350	06-451TC-.06FJX-.06FJX-58 H/A
19	10	615852	LIFTRM HYD TUBE ASSY, STSLS 07	54	3	616351	06-451TC-.06FJX-.06FJX-60 H/A
20	8	615851	HYD TUBE,MAIN BOOM, STS	55	2	616135	08-451TC-.08FJX-.08FJX-50 H/A
21	1	606347	PRESSURE TRANSDUCER, 7500PSI	56	1	616431	04-451TC-.04FJX-.06FJX-51 H/A
22	2	618618	9/16MJIC-90-9/16FJIC SWIV LBO	57	2	616359	06-451TC-.06FJX-.06FJX-78 H/A
23	3	618609	3/4MJIC-90-3/4FJIC SWIV LBO	58	2	616371	06-451TC-.06FJX-.06FJX-38 H/A
24	4	618688	9/16MJ-90-9/16MOR .025 CHK VLV	59	1	618804	HYD CPLR, MALE #14, 9/16FOR
25	3	618743	3/4MOR-3/4MJIC BLKHD, .040MFM0	60	1	618183	3/4MJIC-90-7/8MOR LBO
26	4	618689	9/16MJ-90-9/16MOR .042 CHK VLV	61	1	606455	NORAC HYD VALVE (44963D)
27	1	616430	04-451TC-.06FJX-.04FJX90-19 H/A	62	2	616555	06-451TC-.06FJX-.06FJX90-31 H/A
28	20	618119	9/16MJIC-90-9/16MOR LBO	63	2	616557	06-451TC-.06FJX-.06FJX90L-31 H/A
29	2	618486	9/16FJIC SW RUN TEE-9/16MJIC	64	1	616554	04-451TC-.04FJX-.06FJX90-30 H/A
30	2	618629	9/16MOR BRANCH TEE-9/16MJIC	65	2	616556	08-451TC-.06FJX-.08FJX90-31 H/A
31	5	618668	9/16FJIC SWIV-9/16MOR ADPTR	66	1	606256	CHECK VALVE, IN LINE SAUER
32	2	614752	RESTRICTOR BR TEE ASSY, .042DIA	67	1	618473	7/16MJIC-90-7/16MOR LBO
33	1	616384	08-451TC-.08FJX-.08FJX-43 H/A	68	1	618440	9/16MJIC-90-9/16MOR EX LG LBO
34	2	618733	9/16JIC .042 ORIFICE ADPTR	69	2	696131	BALL VALVE, 9/16FOR, 7250PSI
35	2	616358	06-451TC-.06FJX-.06FJX-56 H/A				



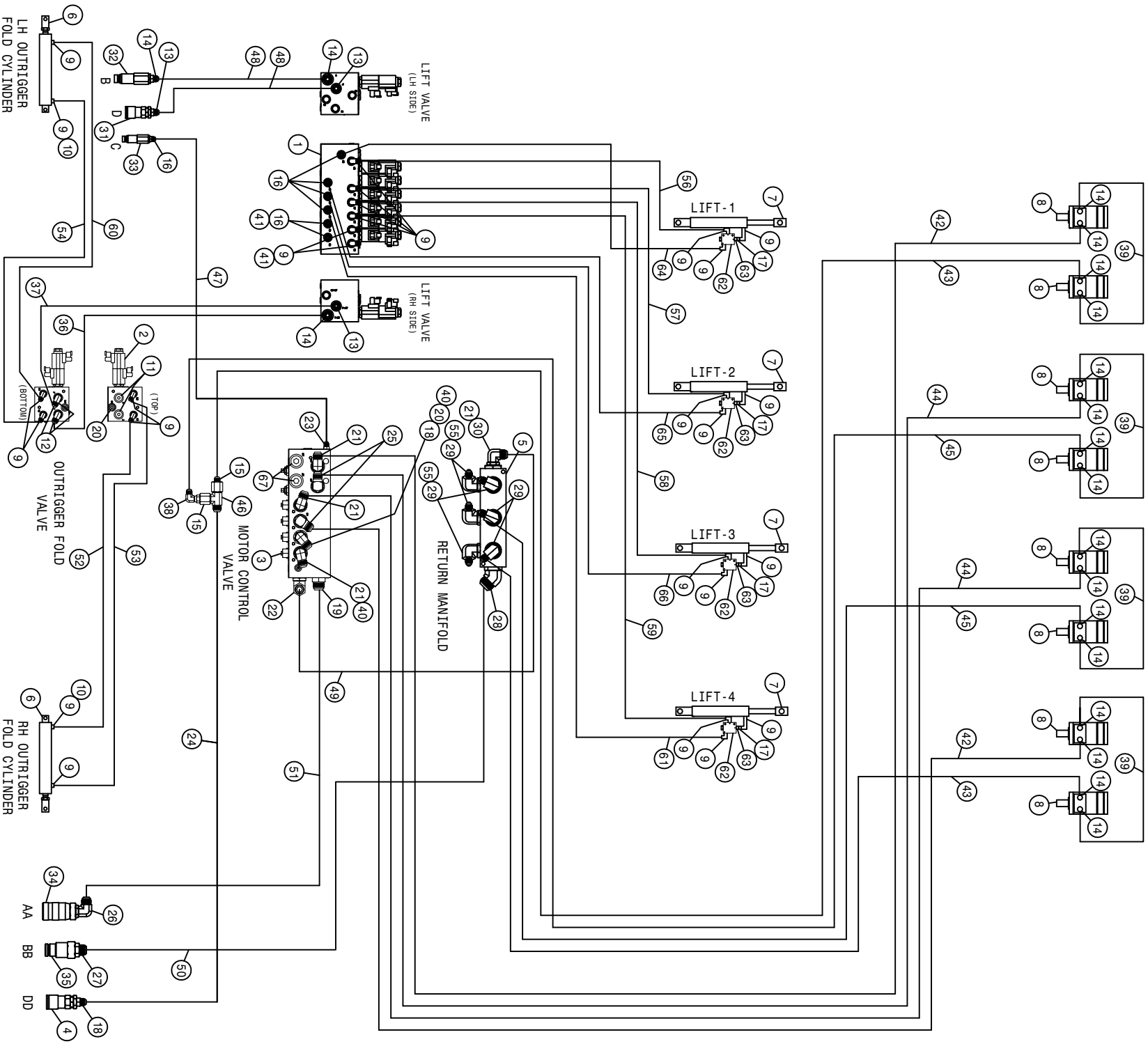
ALL WHEEL STEER DIAGRAM

STS 10/12 COMBO HI TORQUE HYD DIAGRAM 2013
REFERENCE DRAWING NO. 499264S5

DET.	QTY	PART NO.	DESCRIPTION	DET.	QTY	PART NO.	DESCRIPTION
1	1	621602	HYD CYL,2.50 X 8.81 PHASE/1SEN	14	1	617017	10-451TC-10FJX-12FJX90-82 H/A
2	1	621644	HYD CYL,2.25 X 8.81 X 1.25	15	1	617012	06-451TC-06FJX-08FJX90-212 H/A
3	1	606370	VALVE, FV8623 V1 SUNSOURCE	16	1	617015	10-451TC-08FJX-10FJX-177 H/A
4	4	618115	9/16MJIC-90-3/4MOR LBO	17	1	616367	04-451TC-04FJX-06FJX-48 H/A
5	4	618119	9/16MJIC-90-9/16MOR LBO	18	1	616361	06-451TC-06FJX-06FJX-86 H/A
6	1	611126	7/8MJIC-7/8MOR ADPTR	19	1	616974	06-451TC-06FJX-06FJX-133 H/A
7	2	618126	9/16MJIC-9/16MOR ADPTR	20	1	616723	06-451TC-06FJX-06FJX90-85 H/A
8	5	618241	3/4MJIC-90-3/4MOR LBO	21	1	616784	06-451TC-06FJX-06FJX90-133 H/A
9	2	618314	3/4MJIC UNION	22	1	616928	08-451TC-08FJX-08FJX90-36 H/A
10	1	615772	STRG CYL JUMPER HYD TUBE ASSY	23	1	616327	10-451TC-10FJX-10FJX90-44 H/A
11	2	616531	08-451TC-08FJX-08FJX-55 H/A	24	1	621614	HYD CYL,2.50 X 8.81 PHASE/2SEN
12	1	616504	08-451TC-08FJX-08FJX-98 H/A	25	1	618619	1 5/16FJ SW RUN TEE-1 5/16MJ
13	1	616730	08-451TC-08FJX-08FJX90-108 H/A	26	1	618671	1 5/16FJIC-3/4MJIC ADPTR

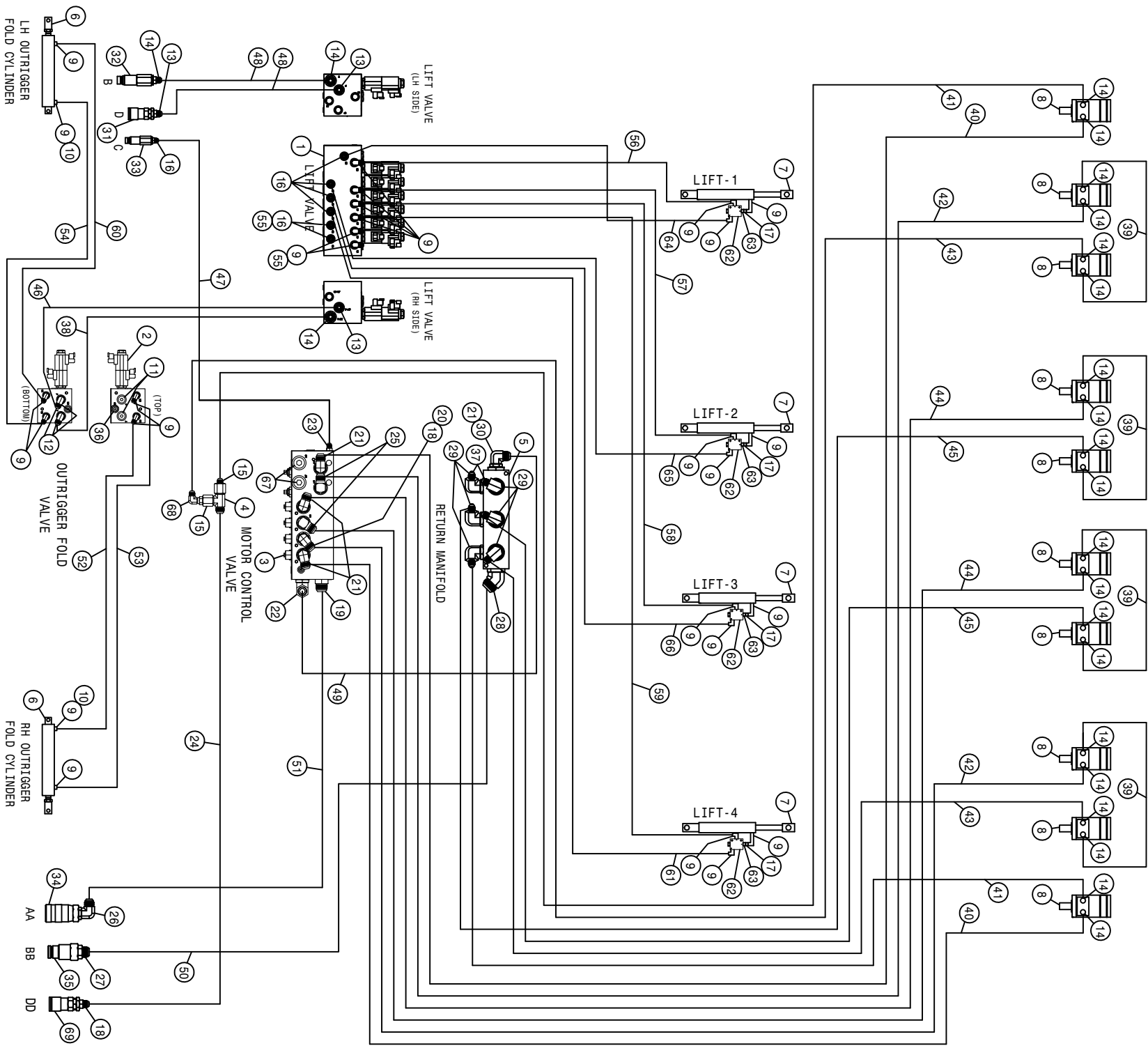
STS COMBO 6R QUAD HYD SCHEM 2011
REFERENCE DRAWING NO. 499087

DET.	QTY	PART NO.	DESCRIPTION	DET.	QTY	PART NO.	DESCRIPTION
1	1	606285	LIFT VALVE,STS COMBO,SAUER	34	1	618686	HYD COUPLER,FEM 1"B,1 5/16FOR
2	1	606286	FOLD VALVE,STS COMBO,SAUER	35	1	618687	HYD COUPLER,MALE 1"B,1 5/16FOR
3	1	606310	LS MTR CTRL ELEC VLV STS,SAUER	36	1	616528	06-451TC-08FJX-08FJX90-13 H/A
4	2	618757	1 1/16MOR PLUG, HEX SOCKET	37	1	618489	1 1/16MJC UNION TEE
5	1	606246	MANIFOLD, #16 3-STN 180	38	1	616529	06-451TC-08FJX-08FJX90-16 H/A
6	2	621566	HYD CYL, 2.50 X 11.00 X 1.375	39	3	618135	08-451TC-08FJX-08FJX-50 H/A
7	3	621564	HYD CYL,2.00 X 11.00 X 1.50 1W	40	3	618533	1 1/16FJIC CAP NUT
8	6	610547	HYD MOTOR 4.5CI 1IN SHFT	41	6	618531	9/16FJIC CAP NUT
9	23	618119	9/16MJCIC-90-9/16MOR LBO	42	2	616539	08-451TC-12FJX-08FJX90-220 H/A
10	2	618732	9/16JIC .031 ORIFICE ADPTR	43	2	616533	08-451TC-08FJX-08FJX-218 H/A
11	2	618755	3/4MOR PLUG, HEX SOCKET	44	1	616538	08-451TC-12FJX-08FJX90-125 H/A
12	2	618241	3/4MJCIC-90-3/4MOR LBO	45	1	616532	08-451TC-08FJX-08FJX-125 H/A
13	3	611125	3/4MJCIC-3/4MOR ADPTR	46	1	618754	9/16MOR PLUG, HEX SOCKET
14	15	618327	3/4MJCIC-7/8MOR ADPTR	47	1	616607	04-451TC-06FJX-06FJX45-46 H/A
15	2	618484	1 1/16FJIC-3/4MJCIC ADPTR	48	2	616536	08-451TC-08FJX-08FJX90-26 H/A
16	7	618126	9/16MJCIC-9/16MOR ADPTR	49	1	616542	10-451TC-12FJX-12FJX90-30 H/A
17	3	618733	9/16JIC .042 ORIFICE ADPTR	50	1	616552	20-881-20FJX-20FJX90-45 H/A
18	2	611127	1 1/16MJCIC-1 1/16MOR ADPTR	51	1	616549	16-451TC-16FJX-16FJX45-28 H/A
19	1	618186	1 5/16MJCIC-1 5/16MOR ADPTR	52	1	616089	04-451TC-06FJX-06FJX-60 H/A
20	1	618191	1 1/16MJ-90-1 1/16FJ SWIV LBO	53	1	616177	04-451TC-06FJX-06FJX-74 H/A
21	4	618248	1 1/16MJCIC-90-1 1/16MOR LBO	54	1	616511	04-451TC-06FJX-06FJX-33 H/A
22	1	618302	1 1/16MJCIC-90-1 5/16MOR LBO	55	5	618532	3/4FJIC CAP NUT
23	1	618304	9/16MJCIC-7/16MOR ADPTR	56	1	616525	06-451TC-06FJX-06FJX45-124 H/A
24	1	618810	HYD CPLR, FEM #12,12FOR	57	1	616512	04-451TC-06FJX-06FJX-49 H/A
25	2	618674	1 1/16MJCIC-90-1 1/16MOR XL LBO	58	1	616523	06-451TC-06FJX-06FJX45-80 H/A
26	1	618178	1 5/16MJCIC-90-1 5/16MOR LBO	59	1	616526	06-451TC-06FJX-06FJX45-171 H/A
27	1	618471	1 5/8MJCIC-1 5/16MOR ADPTR	60	1	616626	06-451TC-06FJX-06FJX90-175 H/A
28	1	618396	1 5/8MJCIC-45-1 5/8MOR LBO	61	3	607565	CHECK VLV,PILOT TO OPEN, SUN
29	6	618475	3/4MJCIC-90-1 5/16MOR LBO	62	3	618668	9/16FJIC SWIV-9/16MOR ADPTR
30	1	618595	1 5/8MOR-1 1/16FOR ADPTR	63	1	616873	06-451TC-06FJX-06FJX90-128 H/A
31	1	618807	HYD CPLR, FEM #12,3/4FOR	64	1	616723	06-451TC-06FJX-06FJX90-85 H/A
32	1	618806	HYD CPLR,MALE #12,7/8FOR	65	1	617030	12-451TC-12FJX-12FJX90-50 H/A
33	1	618804	HYD CPLR,MALE #14,9/16FOR	66	1	618609	3/4MJCIC-90-3/4FJIC SWIV LBO



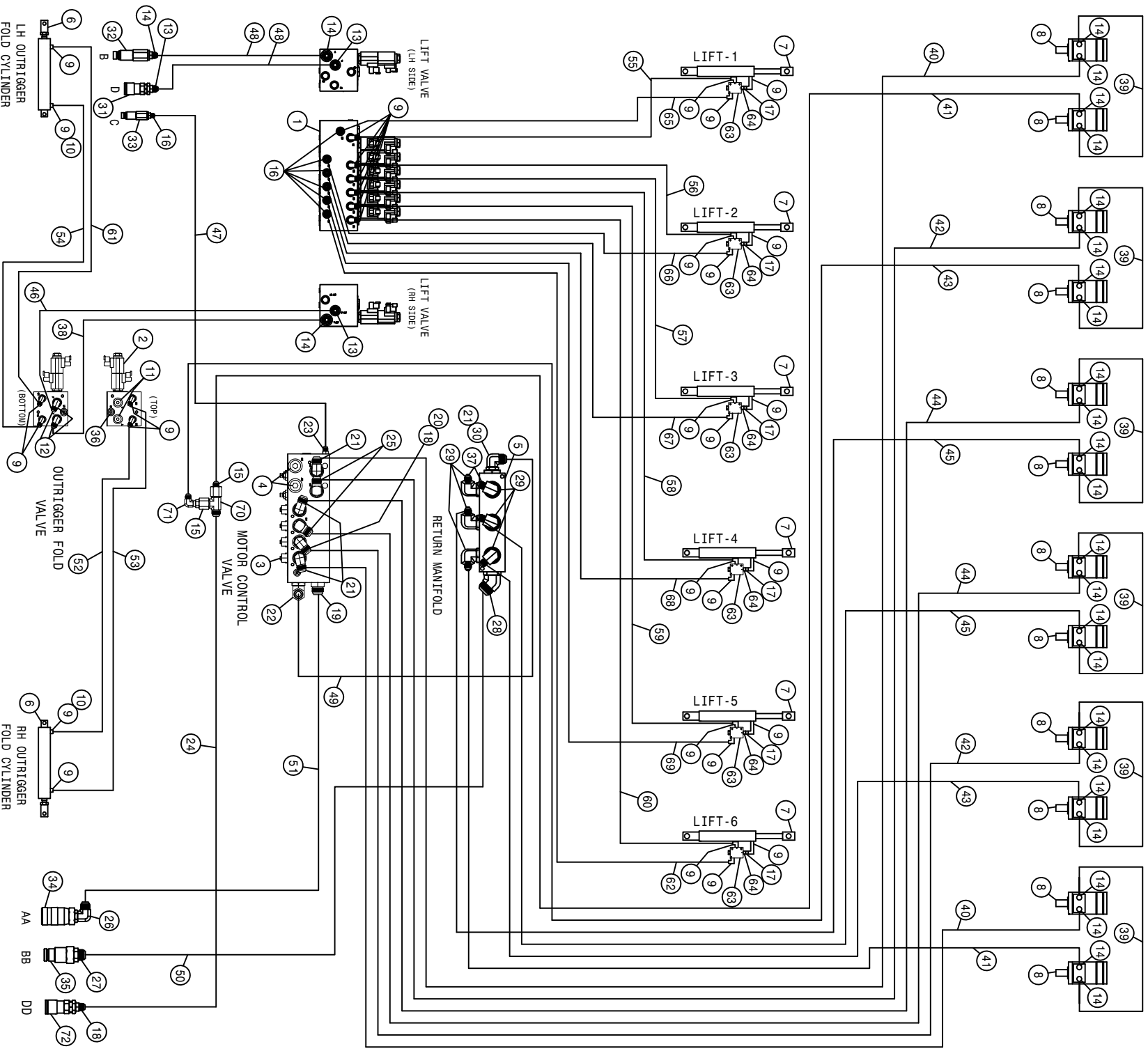
STS COMBO 8R QUAD HYD SCHEM 2011
REFERENCE DRAWING NO. 499088

DET.	QTY	PART NO.	DESCRIPTION	DET.	QTY	PART NO.	DESCRIPTION
1	1	606285	LIFT VALVE, STS COMBO, SAUER	35	1	618687	HYD COUPLER, MALE 1" B, 1 5/16 FOR
2	1	606286	FOLD VALVE, STS COMBO, SAUER	36	1	618528	3/4 FOR-3/4 MNPT ADPTR
3	1	606310	LS MTR CTRL ELEC VLV STS, SAUER	37	1	616529	06-451TC-08F3X-08F3X90-16 H/A
4	1	618810	HYD CPLR, FEM #12, 12FOR	38	1	618609	3/4 MJIC-90-3/4 FJIC SWIV LBO
5	1	606246	MANIFOLD, #16 3-STN 180	39	4	616135	08-451TC-08F3X-08F3X-50 H/A
6	2	621566	HYD CYL, 2.50 X 11.00 X 1.375	40	2	618533	1 1/16 FJIC CAP NUT
7	4	621564	HYD CYL, 2.00 X 11.00 X 1.50 1W	41	4	618531	9/16 FJIC CAP NUT
8	8	610547	HYD MOTOR 4.5CI 1IN SHFT	42	2	616539	08-451TC-12F3X-08F3X90-220 H/A
9	26	618119	9/16 MJIC-90-9/16 MOR LBO	43	2	616533	08-451TC-08F3X-08F3X-218 H/A
10	2	618732	9/16 JIC .031 ORIFICE ADPTR	44	2	616538	08-451TC-12F3X-08F3X90-125 H/A
11	2	618755	3/4 MOR PLUG, HEX SOCKET	45	2	616532	08-451TC-08F3X-08F3X-125 H/A
12	2	618241	3/4 MJIC-90-3/4 MOR LBO	46	1	618489	1 1/16 MJIC UNION TEE
13	3	611125	3/4 MJIC-3/4 MOR ADPTR	47	1	616607	04-451TC-06F3X-06F3X45-46 H/A
14	19	618327	3/4 MJIC-7/8 MOR ADPTR	48	2	616536	08-451TC-08F3X-08F3X90-26 H/A
15	2	618484	1 1/16 FJIC-3/4 MJIC ADPTR	49	1	616542	10-451TC-12F3X-12F3X90-30 H/A
16	7	618126	9/16 MJIC-9/16 MOR ADPTR	50	1	616552	20-881-20F3X-20F3X90-45 H/A
17	4	618733	9/16 JIC .042 ORIFICE ADPTR	51	1	616549	16-451TC-16F3X-16F3X45-28 H/A
18	2	611127	1 1/16 MJIC-1 1/16 MOR ADPTR	52	1	616089	04-451TC-06F3X-06F3X-60 H/A
19	2	618186	1 5/16 MJIC-1 5/16 MOR ADPTR	53	1	616177	04-451TC-06F3X-06F3X-74 H/A
20	1	618754	9/16 MOR PLUG, HEX SOCKET	54	1	616511	04-451TC-06F3X-06F3X-33 H/A
21	4	618248	1 1/16 MJIC-90-1 1/16 MOR LBO	55	4	618532	3/4 FJIC CAP NUT
22	1	618302	1 1/16 MJIC-90-1 5/16 MOR LBO	56	1	616525	06-451TC-06F3X-06F3X45-124 H/A
23	1	618304	9/16 MJIC-7/16 MOR ADPTR	57	1	616644	06-451TC-06F3X-06F3X45-36 H/A
24	1	617030	12-451TC-12F3X-12F3X90-50 H/A	58	1	616523	06-451TC-06F3X-06F3X45-80 H/A
25	2	618674	1 1/16 MJIC-90-1 1/16 MOR XL LBO	59	1	616526	06-451TC-06F3X-06F3X45-171 H/A
26	1	618178	1 5/16 MJIC-90-1 5/16 MOR LBO	60	1	616512	04-451TC-06F3X-06F3X-49 H/A
27	1	618471	1 5/8 MJIC-1 5/16 MOR ADPTR	61	1	616626	06-451TC-06F3X-06F3X90-175 H/A
28	1	618396	1 5/8 MJIC-45-1 5/8 MOR LBO	62	4	607565	CHECK VLV, PILOT TO OPEN, SUN
29	6	618475	3/4 MJIC-90-1 5/16 MOR LBO	63	4	618668	9/16 FJIC SWIV-9/16 MOR ADPTR
30	1	618595	1 5/8 MOR-1 1/16 FOR ADPTR	64	1	616873	06-451TC-06F3X-06F3X90-128 H/A
31	1	618807	HYD CPLR, FEM #12, 3/4 FOR	65	1	616581	06-451TC-06F3X-06F3X90-40 H/A
32	1	618806	HYD CPLR, MALE #12, 7/8 FOR	66	1	616723	06-451TC-06F3X-06F3X90-85 H/A
33	1	618804	HYD CPLR, MALE #14, 9/16 FOR	67	2	618757	1 1/16 MOR PLUG, HEX SOCKET
34	1	618686	HYD COUPLER, FEM 1" B, 1 5/16 FOR				



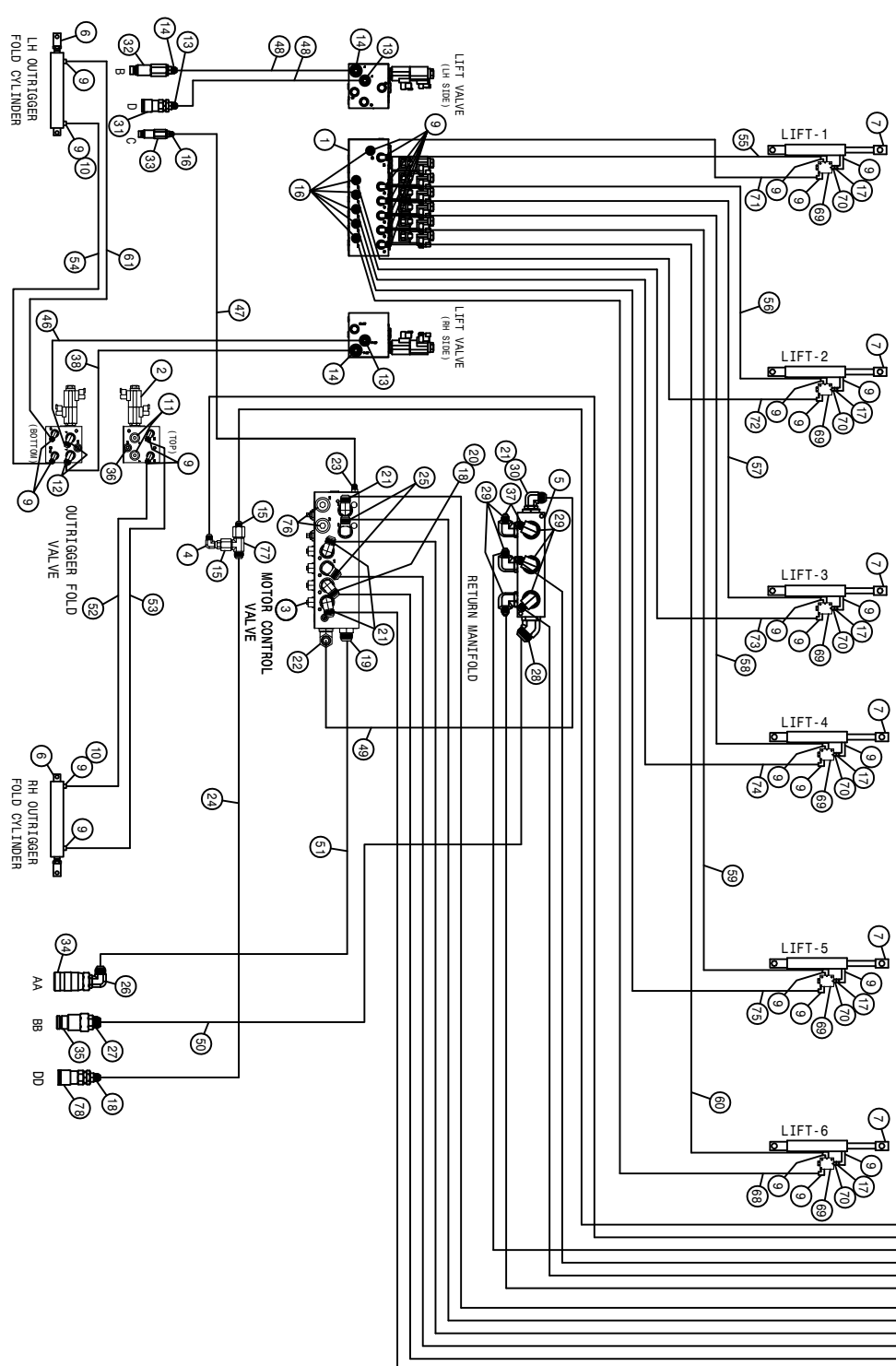
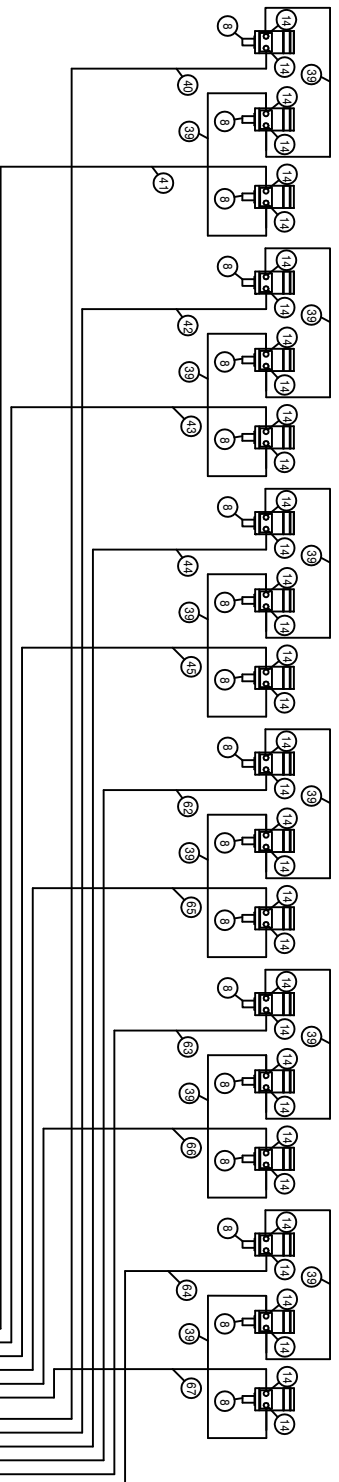
STS COMBO 10R QUAD HYD SCHEM 2011
REFERENCE DRAWING NO. 499089

DET.	QTY	PART NO.	DESCRIPTION	DET.	QTY	PART NO.	DESCRIPTION
1	1	606285	LIFT VALVE, STS COMBO, SAUER	36	1	618754	9/16MOR PLUG, HEX SOCKET
2	1	606286	FOLD VALVE, STS COMBO, SAUER	37	2	618532	3/4FJIC CAP NUT
3	1	606310	LS MTR CTRL ELEC VLV STS, SAUER	38	1	616528	06-451TC-.08FJX-.08FJX90-.13 H/A
4	1	618489	1 1/16MJIC UNION TEE	39	4	616135	08-451TC-.08FJX-.08FJX-50 H/A
5	1	606246	MANIFOLD, #16 3-STN 180	40	2	616540	08-451TC-.12FJX-.08FJX90-.252 H/A
6	2	621566	HYD CYL, 2.50 X 11.00 X 1.375	41	2	616535	08-451TC-.08FJX-.08FJX-252 H/A
7	4	621564	HYD CYL, 2.00 X 11.00 X 1.50 1W	42	2	616539	08-451TC-.12FJX-.08FJX90-.220 H/A
8	10	610547	HYD MOTOR 4.5CI 1IN SHFT	43	2	616533	08-451TC-.08FJX-.08FJX-218 H/A
9	26	618119	9/16MJIC-90-9/16MOR LBO	44	2	616538	08-451TC-.12FJX-.08FJX90-.125 H/A
10	2	618732	9/16JIC .031 ORIFICE ADPTR	45	2	616532	08-451TC-.08FJX-.08FJX-125 H/A
11	2	618755	3/4MOR PLUG, HEX SOCKET	46	1	616529	06-451TC-.08FJX-.08FJX90-.16 H/A
12	2	618241	3/4MJIC-90-3/4MOR LBO	47	1	616607	04-451TC-.06FJX-.06FJX45-.46 H/A
13	3	611125	3/4MJIC-3/4MOR ADPTR	48	2	616536	08-451TC-.08FJX-.08FJX90-.26 H/A
14	23	618327	3/4MJIC-7/8MOR ADPTR	49	1	616542	10-451TC-.12FJX-.12FJX90-.30 H/A
15	2	618484	1 1/16FJIC-3/4MJIC ADPTR	50	1	616552	20-881-20FJX-20FJX90-.45 H/A
16	7	618126	9/16MJIC-9/16MOR ADPTR	51	1	616549	16-451TC-.16FJX-.16FJX45-.28 H/A
17	4	618733	9/16JIC .042 ORIFICE ADPTR	52	1	616089	04-451TC-.06FJX-.06FJX-60 H/A
18	2	611127	1 1/16MJIC-1 1/16MOR ADPTR	53	1	616177	04-451TC-.06FJX-.06FJX-74 H/A
19	1	618186	1 5/16MJIC-1 5/16MOR ADPTR	54	1	616511	04-451TC-.06FJX-.06FJX-33 H/A
20	1	618191	1 1/16MJ-90-1 1/16FJ SWIV LBO	55	4	618531	9/16FJIC CAP NUT
21	4	618248	1 1/16MJIC-90-1 1/16MOR LBO	56	1	616525	06-451TC-.06FJX-.06FJX45-.124 H/A
22	1	618302	1 1/16MJIC-90-1 5/16MOR LBO	57	1	616644	06-451TC-.06FJX-.06FJX45-.36 H/A
23	1	618304	9/16MJIC-7/16MOR ADPTR	58	1	616523	06-451TC-.06FJX-.06FJX45-.80 H/A
24	1	617030	12-451TC-12FJX-12FJX90-50 H/A	59	1	616526	06-451TC-.06FJX-.06FJX45-171 H/A
25	2	618674	1 1/16MJIC-90-1 1/16MOR XL LBO	60	1	616512	04-451TC-.06FJX-.06FJX-49 H/A
26	1	618178	1 5/16MJIC-90-1 5/16MOR LBO	61	1	616626	06-451TC-.06FJX-.06FJX90-.175 H/A
27	1	618471	1 5/8MJIC-1 5/16MOR ADPTR	62	4	607565	CHECK VLV, PILOT TO OPEN, SUN
28	1	618396	1 5/8MJIC-45-1 5/8MOR LBO	63	4	618668	9/16FJIC SWIV-9/16MOR ADPTR
29	6	618475	3/4MJIC-90-1 5/16MOR LBO	64	1	616873	06-451TC-.06FJX-.06FJX90-.128 H/A
30	1	618595	1 5/8MOR-1 1/16FOR ADPTR	65	1	616581	06-451TC-.06FJX-.06FJX90-.40 H/A
31	1	618807	HYD CPLR, FEM #12, 3/4FOR	66	1	616723	06-451TC-.06FJX-.06FJX90-.85 H/A
32	1	618806	HYD CPLR, MALE #12, 7/8FOR	67	2	618757	1 1/16MOR PLUG, HEX SOCKET
33	1	618804	HYD CPLR, MALE #14, 9/16FOR	68	1	618609	3/4MJIC-90-3/4FJIC SWIV LBO
34	1	618686	HYD COUPLER, FEM 1" B, 1 5/16FOR	69	1	618810	HYD CPLR, FEM #12, 12FOR
35	1	618687	HYD COUPLER, MALE 1" B, 1 5/16FOR				



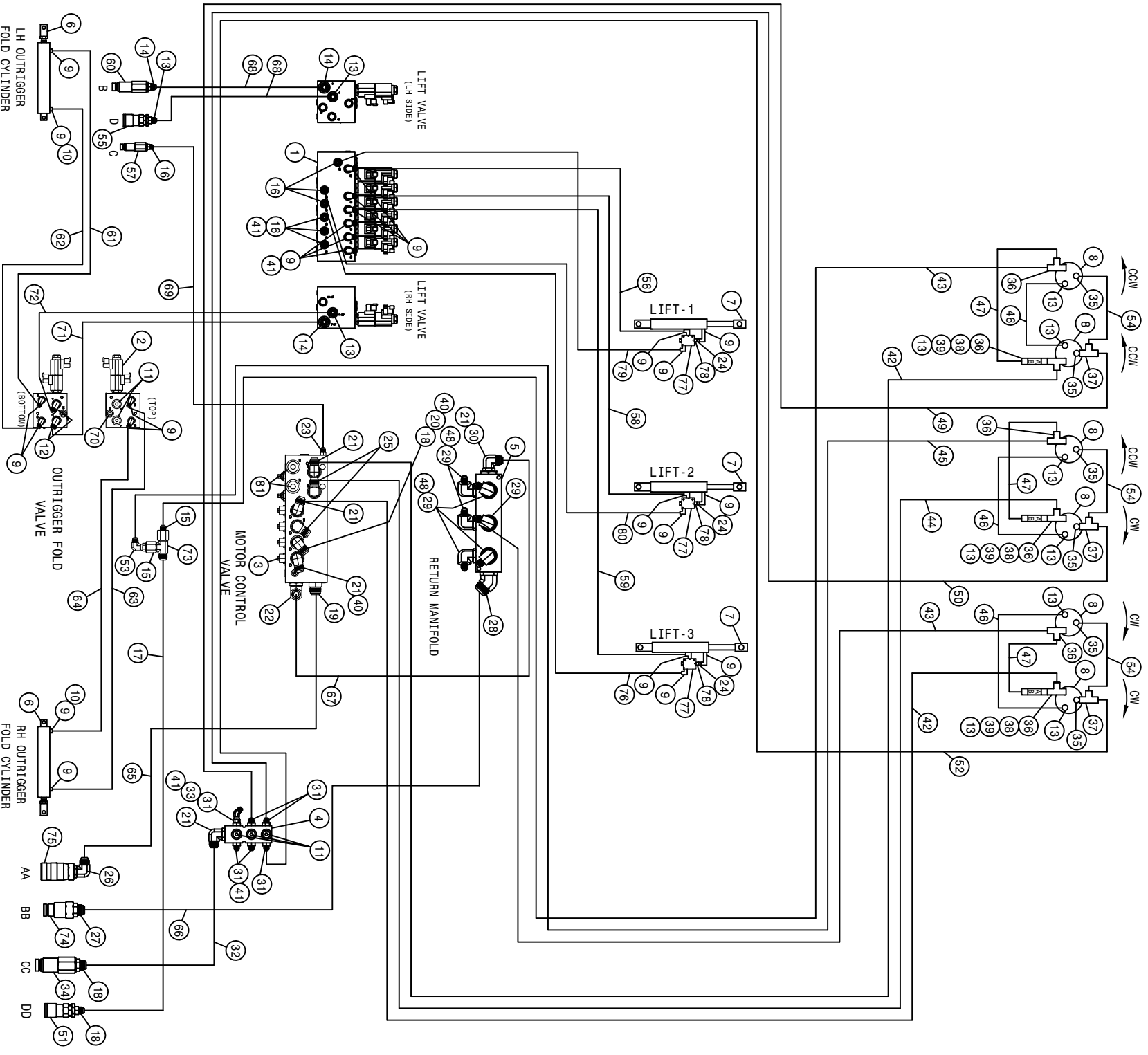
STS COMBO 12R QUAD HYD SCHEM 2011
REFERENCE DRAWING NO. 499090

DET.	QTY	PART NO.	DESCRIPTION	DET.	QTY	PART NO.	DESCRIPTION
1	1	606285	LIFT VALVE, STS COMBO, SAUER	37	2	618532	3/4FJIC CAP NUT
2	1	606286	FOLD VALVE, STS COMBO, SAUER	38	1	616528	06-451TC-08FJX-08FJX90-13 H/A
3	1	606310	LS MTR CTRL ELEC VLV STS, SAUER	39	6	616135	08-451TC-08FJX-08FJX-50 H/A
4	2	618757	1 1/16MOR PLUG, HEX SOCKET	40	2	616541	08-451TC-12FJX-08FJX90-280 H/A
5	1	606246	MANIFOLD, #16 3-STN 180	41	2	616534	08-451TC-08FJX-08FJX-278 H/A
6	2	621566	HYD CYL, 2.50 X 11.00 X 1.375	42	2	616539	08-451TC-12FJX-08FJX90-220 H/A
7	6	621564	HYD CYL, 2.00 X 11.00 X 1.50 1W	43	2	616533	08-451TC-08FJX-08FJX-218 H/A
8	12	610547	HYD MOTOR 4.5CI 1IN SHFT	44	2	616538	08-451TC-12FJX-08FJX90-125 H/A
9	32	618119	9/16MJIC-90-9/16MOR LBO	45	2	616532	08-451TC-08FJX-08FJX-125 H/A
10	2	614757	.032 ELBOW ASSY, 9/16MOR 90D	46	1	616529	06-451TC-08FJX-08FJX90-16 H/A
11	2	618755	3/4MOR PLUG, HEX SOCKET	47	1	616607	04-451TC-06FJX-06FJX45-46 H/A
12	2	618241	3/4MJIC-90-3/4MOR LBO	48	2	616536	08-451TC-08FJX-08FJX90-26 H/A
13	3	611125	3/4MJIC-3/4MOR ADPTR	49	1	616542	10-451TC-12FJX-12FJX90-30 H/A
14	27	618327	3/4MJIC-7/8MOR ADPTR	50	1	616552	20-881-20FJX-20FJX90-45 H/A
15	2	618484	1 1/16FJIC-3/4MJIC ADPTR	51	1	616549	16-451TC-16FJX-16FJX45-28 H/A
16	7	618126	9/16MJIC-9/16MOR ADPTR	52	1	616089	04-451TC-06FJX-06FJX-60 H/A
17	6	618733	9/16JIC .042 ORIFICE ADPTR	53	1	616177	04-451TC-06FJX-06FJX-74 H/A
18	2	611127	1 1/16MJIC-1 1/16MOR ADPTR	54	1	616511	04-451TC-06FJX-06FJX-33 H/A
19	1	618186	1 5/16MJIC-1 5/16MOR ADPTR	55	1	616524	06-451TC-06FJX-06FJX45-185 H/A
20	1	618191	1 1/16MJ-90-1 1/16FJ SWIV LBO	56	1	616525	06-451TC-06FJX-06FJX45-124 H/A
21	4	618248	1 1/16MJIC-90-1 1/16MOR LBO	57	1	616644	06-451TC-06FJX-06FJX45-36 H/A
22	1	618302	1 1/16MJIC-90-1 5/16MOR LBO	58	1	616523	06-451TC-06FJX-06FJX45-80 H/A
23	1	618304	9/16MJIC-7/16MOR ADPTR	59	1	616526	06-451TC-06FJX-06FJX45-171 H/A
24	1	617030	12-451TC-12FJX-12FJX90-50 H/A	60	1	616527	06-451TC-06FJX-06FJX45-229 H/A
25	2	618674	1 1/16MJIC-90-1 1/16MOR XL LBO	61	1	616512	04-451TC-06FJX-06FJX-49 H/A
26	1	618178	1 5/16MJIC-90-1 5/16MOR LBO	62	1	616878	06-451TC-06FJX-06FJX90-233 H/A
27	1	618475	1 5/8MJIC-1 5/16MOR ADPTR	63	6	607565	CHECK VLV, PILOT TO OPEN, SUN
28	1	618396	1 5/8MJIC-45-1 5/8MOR LBO	64	6	618668	9/16FJIC SWIV-9/16MOR ADPTR
29	6	618475	3/4MJIC-90-1 5/16MOR LBO	65	1	616876	06-451TC-06FJX-06FJX90-189 H/A
30	1	618595	1 5/8MOR-1 1/16FOR ADPTR	66	1	616873	06-451TC-06FJX-06FJX90-128 H/A
31	1	618807	HYD CPLR, FEM #12, 3/4FOR	67	1	616581	06-451TC-06FJX-06FJX90-40 H/A
32	1	618806	HYD CPLR, MALE #12, 7/8FOR	68	1	616723	06-451TC-06FJX-06FJX90-85 H/A
33	1	618804	HYD CPLR, MALE #14, 9/16FOR	69	1	616626	06-451TC-06FJX-06FJX90-175 H/A
34	1	618686	HYD COUPLER, FEM 1" B, 1 5/16FOR	70	1	618489	1 1/16MJIC UNION TEE
35	1	618687	HYD COUPLER, MALE 1" B, 1 5/16FOR	71	1	618609	3/4MJIC-90-3/4FJIC SWIV LBO
36	1	618754	9/16MOR PLUG, HEX SOCKET	72	1	618810	HYD CPLR, FEM #12, 12FOR



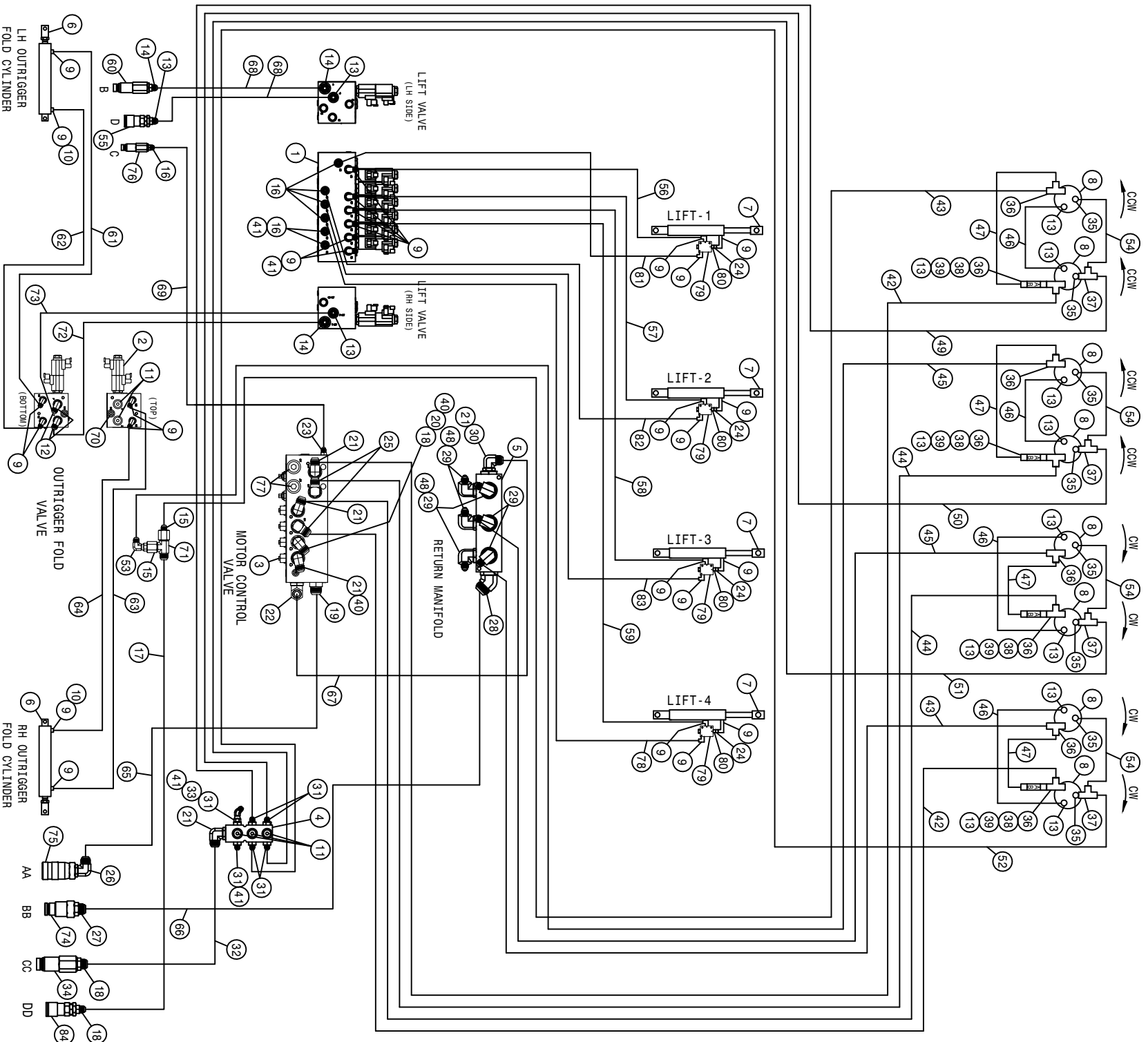
STS COMBO 18R QUAD HYD SCHEM 2011
REFERENCE DRAWING NO. 499091

DET.	QTY	PART NO.	DESCRIPTION	DET.	QTY	PART NO.	DESCRIPTION
1	1	606285	LIFT VALVE, STS COMBO, SAUER	40	1	616654	08-451TC-12FJX-08FJX90-264 H/A
2	1	606286	FOLD VALVE, STS COMBO, SAUER	41	1	616659	08-451TC-08FJX-08FJX-255 H/A
3	1	606310	LS MTR CTRL ELEC VLV STS, SAUER	42	1	616653	08-451TC-12FJX-08FJX90-204 H/A
4	1	618609	3/4MJIC-90-3/4FJIC SWIV LBO	43	1	616658	08-451TC-08FJX-08FJX-195 H/A
5	1	606246	MANIFOLD, #16 3-STN 180	44	1	616651	08-451TC-12FJX-08FJX90-119 H/A
6	2	621566	HYD CYL, 2.50 X 11.00 X 1.375	45	1	616656	08-451TC-08FJX-08FJX-112 H/A
7	6	621564	HYD CYL, 2.00 X 11.00 X 1.50 1W	46	1	616529	06-451TC-08FJX-08FJX90-16 H/A
8	18	610547	HYD MOTOR 4.5CI 1IN SHFT	47	1	616607	04-451TC-06FJX-06FJX45-46 H/A
9	32	618119	9/16MJIC-90-9/16MOR LBO	48	2	616536	08-451TC-08FJX-08FJX90-26 H/A
10	2	614757	.032 ELBOW ASSY, 9/16MOR 90D	49	1	616542	10-451TC-12FJX-12FJX90-30 H/A
11	2	618755	3/4MOR PLUG, HEX SOCKET	50	1	616552	20-881-20FJX-20FJX90-45 H/A
12	2	618241	3/4MJIC-90-3/4MOR LBO	51	1	616549	16-451TC-16FJX-16FJX45-28 H/A
13	3	611125	3/4MJIC-3/4MOR ADPTR	52	1	616089	04-451TC-06FJX-06FJX-60 H/A
14	39	618327	3/4MJIC-7/8MOR ADPTR	53	1	616177	04-451TC-06FJX-06FJX-74 H/A
15	2	618484	1 1/16FJIC-3/4MJIC ADPTR	54	1	616511	04-451TC-06FJX-06FJX-33 H/A
16	7	618126	9/16MJIC-9/16MOR ADPTR	55	1	616648	06-451TC-06FJX-06FJX45-167 H/A
17	6	618733	9/16JIC .042 ORIFICE ADPTR	56	1	616646	06-451TC-06FJX-06FJX45-106 H/A
18	2	611127	1 1/16MJIC-1 1/16MOR ADPTR	57	1	616644	06-451TC-06FJX-06FJX45-36 H/A
19	1	618186	1 5/16MJIC-1 5/16MOR ADPTR	58	1	616645	06-451TC-06FJX-06FJX45-72 H/A
20	1	618191	1 1/16MJ-90-1 1/16FJ SWIV LBO	59	1	616647	06-451TC-06FJX-06FJX45-153 H/A
21	4	618248	1 1/16MJIC-90-1 1/16MOR LBO	60	1	616649	06-451TC-06FJX-06FJX45-211 H/A
22	1	618302	1 1/16MJIC-90-1 5/16MOR LBO	61	1	616512	04-451TC-06FJX-06FJX-49 H/A
23	1	618304	9/16MJIC-7/16MOR ADPTR	62	1	616650	08-451TC-12FJX-08FJX90-114 H/A
24	1	617030	12-451TC-12FJX-12FJX90-50 H/A	63	1	616652	08-451TC-12FJX-08FJX90-197 H/A
25	2	618674	1 1/16MJIC-90-1 1/16MOR XL LBO	64	1	616655	08-451TC-12FJX-08FJX90-257 H/A
26	1	618178	1 5/16MJIC-90-1 5/16MOR LBO	65	1	616102	08-451TC-08FJX-08FJX-132 H/A
27	1	618471	1 5/8MJIC-1 5/16MOR ADPTR	66	1	616657	08-451TC-08FJX-08FJX-215 H/A
28	1	618396	1 5/8MJIC-45-1 5/8MOR LBO	67	1	616660	08-451TC-08FJX-08FJX-275 H/A
29	6	618475	3/4MJIC-90-1 5/16MOR LBO	68	1	616877	06-451TC-06FJX-06FJX90-215 H/A
30	1	618595	1 5/8MOR-1 1/16FOR ADPTR	69	6	607565	CHECK VLV, PILOT TO OPEN, SUN
31	1	618807	HYD CPLR, FEM #12, 3/4FOR	70	6	618668	9/16FJIC SWIV-9/16MOR ADPTR
32	1	618806	HYD CPLR, MALE #12, 7/8FOR	71	1	616875	06-451TC-06FJX-06FJX90-171 H/A
33	1	618804	HYD CPLR, MALE #14, 9/16FOR	72	1	616746	06-451TC-06FJX-06FJX90-110 H/A
34	1	618686	HYD COUPLER, FEM 1" B, 1 5/16FOR	73	1	616581	06-451TC-06FJX-06FJX90-40 H/A
35	1	618687	HYD COUPLER, MALE 1" B, 1 5/16FOR	74	1	616872	06-451TC-06FJX-06FJX90-76 H/A
36	1	618754	9/16MOR PLUG, HEX SOCKET	75	1	616874	06-451TC-06FJX-06FJX90-157 H/A
37	2	618532	3/4FJIC CAP NUT	76	2	618757	1 1/16MOR PLUG, HEX SOCKET
38	1	616528	06-451TC-08FJX-08FJX90-13 H/A	77	1	618489	1 1/16MJIC UNION TEE
39	12	616298	08-451TC-08FJX-08FJX-44 H/A	78	1	618810	HYD CPLR, FEM #12, 12FOR



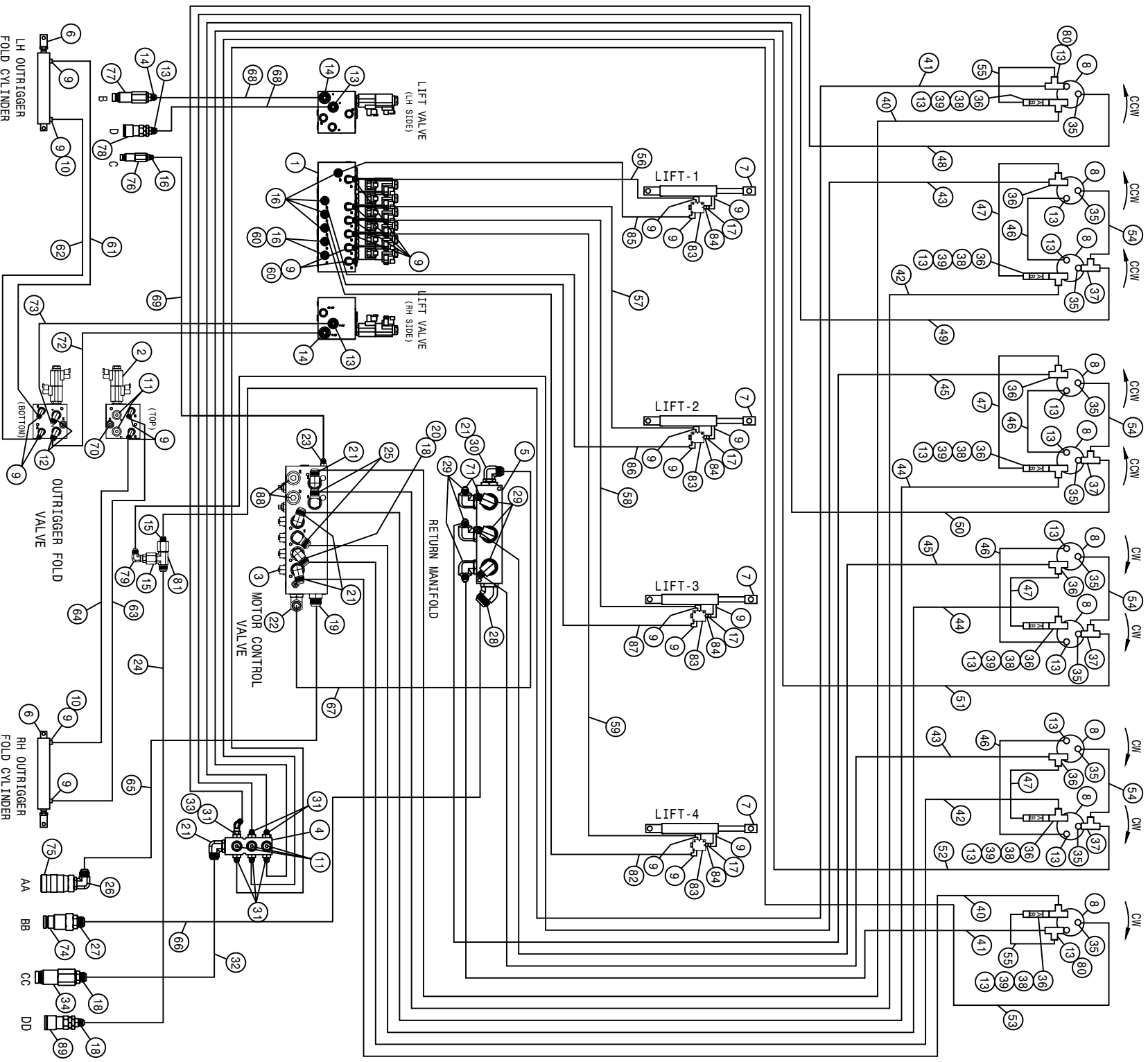
STS COMBO 6R CTRR HYD SCHEM 2011
REFERENCE DRAWING NO. 499092

DET.	QTY	PART NO.	DESCRIPTION	DET.	QTY	PART NO.	DESCRIPTION
1	1	606285	LIFT VALVE, STS COMBO, SAUER	42	2	616539	08-451TC-12FCJX-08FCX90-220 H/A
2	1	606286	FOLD VALVE, STS COMBO, SAUER	43	2	616533	08-451TC-08FCJX-08FCX-218 H/A
3	1	606310	LS MTR CTRL ELEC VLV STS, SAUER	44	1	616538	08-451TC-12FCJX-08FCX90-125 H/A
4	1	606021	HYD RETURN MANIF, 3/4FOR, 9-PORT	45	1	616532	08-451TC-08FCJX-08FCX-125 H/A
5	1	606246	MANIFOLD, #16 3-STN 180	46	3	616531	08-451TC-08FCJX-08FCX-55 H/A
6	2	621566	HYD CYL, 2.50 X 11.00 X 1.375	47	3	616537	08-451TC-08FCJX-08FCX90-52 H/A
7	3	621564	HYD CYL, 2.00 X 11.00 X 1.50 1W	48	5	618532	3/4FJIC CAP NUT
8	6	610755	BARNES HYD MOTOR, D-SERIES 01	49	1	616515	04-451TC-06FCJX-06FCX-238 H/A
9	20	618119	9/16MJIC-90-9/16MOR LBO	50	1	616180	04-451TC-06FCJX-06FCX-143 H/A
10	2	618752	9/16JIC .031 ORIFICE ADPTR	51	1	618810	HYD CPLR, FEM #12, 12FOR
11	5	618755	3/4MOR PLUG, HEX SOCKET	52	1	616514	04-451TC-06FCJX-06FCX-208 H/A
12	2	618241	3/4MJIC-90-3/4MOR LBO	53	1	618609	3/4MJIC-90-3/4FJIC SWIV LBO
13	12	611125	3/4MJIC-3/4MOR ADPTR	54	3	616521	04-451TC-06FCJX-06FCX90-54 H/A
14	3	618327	3/4MJIC-7/8MOR ADPTR	55	1	618807	HYD CPLR, FEM #12, 3/4FOR
15	2	618484	1 1/16FJIC-3/4MJIC ADPTR	56	1	616525	06-451TC-06FCJX-06FCX45-124 H/A
16	8	618126	9/16MJIC-9/16MOR ADPTR	57	1	618804	HYD CPLR, MALE #14, 9/16FOR
17	1	617030	12-451TC-12FCJX-12FCX90-50 H/A	58	1	616523	06-451TC-06FCJX-06FCX45-80 H/A
18	3	611127	1 1/16MJIC-1 1/16MOR ADPTR	59	1	616526	06-451TC-06FCJX-06FCX45-171 H/A
19	1	618186	1 5/16MJIC-1 5/16MOR ADPTR	60	1	618806	HYD CPLR, MALE #12, 7/8FOR
20	1	618191	1 1/16MJ-90-1 1/16FJ SWIV LBO	61	1	616512	04-451TC-06FCJX-06FCX-49 H/A
21	5	618248	1 1/16MJIC-90-1 1/16MOR LBO	62	1	616511	04-451TC-06FCJX-06FCX-33 H/A
22	1	618302	1 1/16MJIC-90-1 5/16MOR LBO	63	1	616177	04-451TC-06FCJX-06FCX-74 H/A
23	1	618304	9/16MJIC-7/16MOR ADPTR	64	1	616089	04-451TC-06FCJX-06FCX-60 H/A
24	3	618733	9/16JIC .042 ORIFICE ADPTR	65	1	616549	16-451TC-16FCJX-16FCX45-28 H/A
25	2	618674	1 1/16MJIC-90-1 1/16MOR XL LBO	66	1	616552	20-881-20FCJX-20FCX90-45 H/A
26	1	618178	1 5/16MJIC-90-1 5/16MOR LBO	67	1	616542	10-451TC-12FCJX-12FCX90-30 H/A
27	1	618471	1 5/8MJIC-1 5/16MOR ADPTR	68	2	616536	08-451TC-08FCJX-08FCX90-26 H/A
28	1	618396	1 5/8MJIC-45-1 5/8MOR LBO	69	1	616607	04-451TC-06FCJX-06FCX45-46 H/A
29	6	618475	3/4MJIC-90-1 5/16MOR LBO	70	1	618754	9/16MOR PLUG, HEX SOCKET
30	1	618595	1 5/8MOR-1 1/16FOR ADPTR	71	1	616528	06-451TC-08FCJX-08FCX90-13 H/A
31	6	618109	9/16MJIC-3/4MOR ADPTR	72	1	616529	06-451TC-08FCJX-08FCX90-16 H/A
32	1	616559	12-451TC-12FCJX-12FCX90-20 H/A	73	1	618489	1 1/16MJIC UNION TEE
33	1	618634	9/16MJIC-45-9/16FJIC SWIV LBO	74	1	618687	HYD COUPLER, MALE 1" B, 1 5/16FOR
34	1	618809	HYD CPLR, MALE #12, 12FOR	75	1	618686	HYD COUPLER, FEM 1" B, 1 5/16FOR
35	6	618530	9/16MJIC-1/8MNP ADPTR	76	1	616626	06-451TC-06FCJX-06FCX90-175 H/A
36	6	618494	3/4MOR RUN TEE-3/4MJIC	77	3	607565	CHECK VLV, PILOT TO OPEN, SUN
37	3	618486	9/16FJIC SW RUN TEE-9/16MJIC	78	3	618668	9/16FJIC SWIV-9/16MOR ADPTR
38	3	618669	3/4FJIC SWIV-3/4MOR ADPTR	79	1	616873	06-451TC-06FCJX-06FCX90-128 H/A
39	3	618292	CHECK VALVE, 3/4FOR INLINE	80	1	616723	06-451TC-06FCJX-06FCX90-85 H/A
40	3	618533	1 1/16FJIC CAP NUT	81	2	618757	1 1/16MOR PLUG, HEX SOCKET
41	9	618531	9/16FJIC CAP NUT				



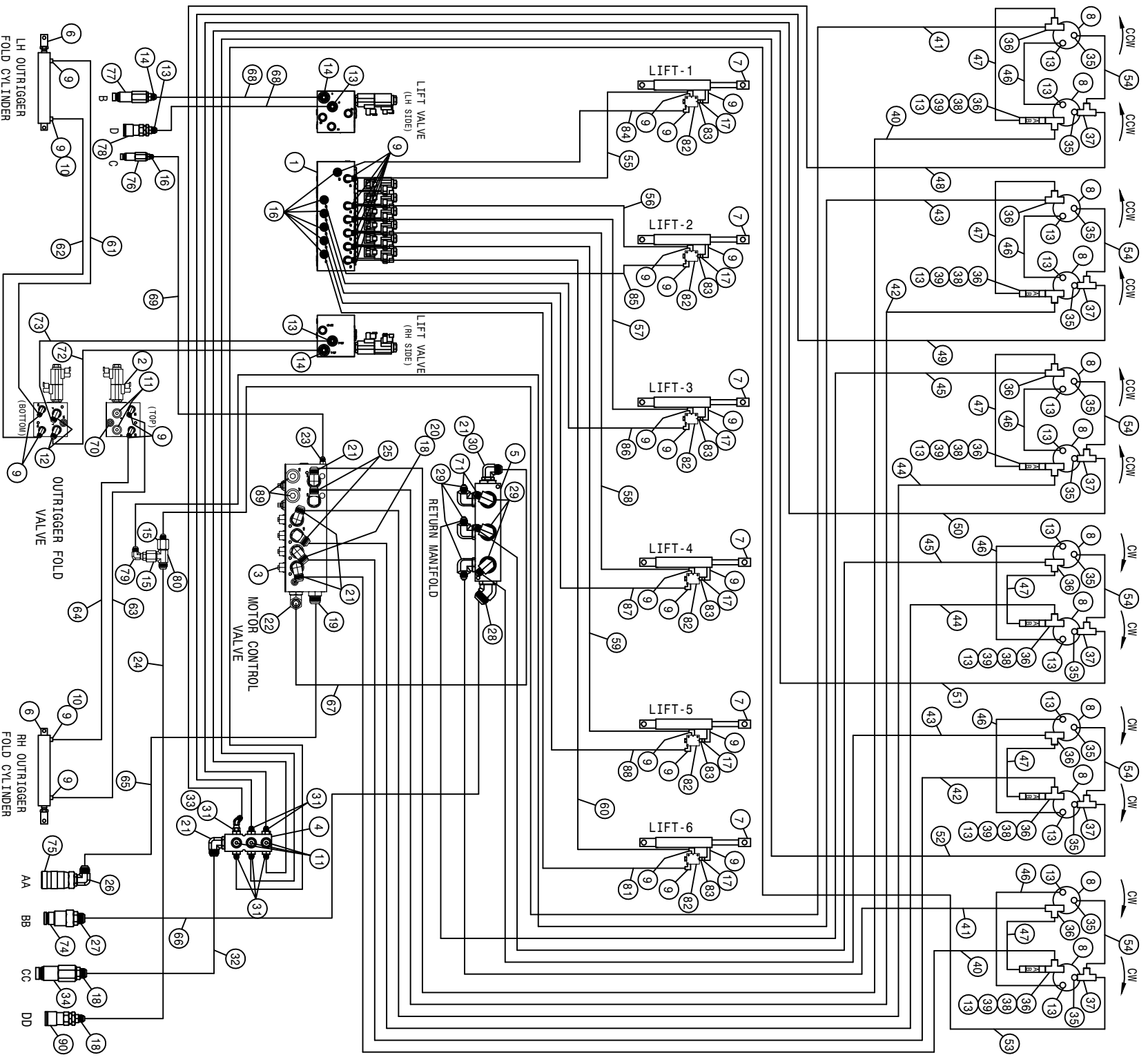
STS COMBO 8R CUTR HYD SCHEM 2011
REFERENCE DRAWING NO. 499093

DET.	QTY	PART NO.	DESCRIPTION	DET.	QTY	PART NO.	DESCRIPTION
1	1	606285	LIFT VALVE, STS COMBO, SAUER	44	2	616538	08-451TC-12FJX-08FJX90-125 H/A
2	1	606286	FOLD VALVE, STS COMBO, SAUER	45	2	616532	08-451TC-08FJX-08FJX-125 H/A
3	1	606310	LS MTR CTRL ELEC VLV STS, SAUER	46	4	616531	08-451TC-08FJX-08FJX-55 H/A
4	1	606021	HYD RETURN MANIF, 3/4FOR, 9-PORT	47	4	616537	08-451TC-08FJX-08FJX90-52 H/A
5	1	606246	MANIFOLD, #16 3-STN 180	48	4	618532	3/4FJIC CAP NUT
6	2	621566	HYD CYL, 2.50 X 11.00 X 1.375	49	1	616515	04-451TC-06FJX-06FJX-238 H/A
7	4	621564	HYD CYL, 2.00 X 11.00 X 1.50 1W	50	1	616180	04-451TC-06FJX-06FJX-143 H/A
8	8	610755	BARNES HYD MOTOR, D-SERIES 01	51	1	616513	04-451TC-06FJX-06FJX-112 H/A
9	26	618119	9/16MJIC-90-9/16MOR LBO	52	1	616514	04-451TC-06FJX-06FJX-208 H/A
10	2	618732	9/16JIC .031 ORFICE ADPTR	53	1	618609	3/4MJIC-90-3/4FJIC SWIV LBO
11	5	618755	3/4MOR PLUG, HEX SOCKET	54	4	616521	04-451TC-06FJX-06FJX90-54 H/A
12	2	618241	3/4MJIC-90-3/4MOR LBO	55	1	618807	HYD CPLR, FEM #12, 3/4FOR
13	15	611125	3/4MJIC-3/4MOR ADPTR	56	1	616525	06-451TC-06FJX-06FJX45-124 H/A
14	3	618327	3/4MJIC-7/8MOR ADPTR	57	1	616644	06-451TC-06FJX-06FJX45-36 H/A
15	2	618484	1 1/16FJIC-3/4MJIC ADPTR	58	1	616523	06-451TC-06FJX-06FJX45-80 H/A
16	7	618126	9/16MJIC-9/16MOR ADPTR	59	1	616526	06-451TC-06FJX-06FJX45-171 H/A
17	1	617030	12-451TC-12FJX-12FJX90-50 H/A	60	1	618806	HYD CPLR, MALE #12, 7/8FOR
18	3	611127	1 1/16MJIC-1 1/16MOR ADPTR	61	1	616512	04-451TC-06FJX-06FJX-49 H/A
19	1	618186	1 5/16MJIC-1 5/16MOR ADPTR	62	1	616511	04-451TC-06FJX-06FJX-33 H/A
20	1	618191	1 1/16MJ-90-1 1/16FJ SWIV LBO	63	1	616177	04-451TC-06FJX-06FJX-74 H/A
21	5	618248	1 1/16MJIC-90-1 1/16MOR LBO	64	1	616089	04-451TC-06FJX-06FJX-60 H/A
22	1	618302	1 1/16MJIC-90-1 5/16MOR LBO	65	1	616549	16-451TC-16FJX-16FJX45-28 H/A
23	1	618304	9/16MJIC-7/16MOR ADPTR	66	1	616552	20-881-20FJX-20FJX90-45 H/A
24	4	618733	9/16JIC .042 ORFICE ADPTR	67	1	616542	10-451TC-12FJX-12FJX90-30 H/A
25	2	618674	1 1/16MJIC-90-1 1/16MOR XL LBO	68	2	616536	08-451TC-08FJX-08FJX90-26 H/A
26	1	618178	1 5/16MJIC-90-1 5/16MOR LBO	69	1	616607	04-451TC-06FJX-06FJX45-46 H/A
27	1	618471	1 5/8MJIC-1 5/16MOR ADPTR	70	1	618754	9/16MOR PLUG, HEX SOCKET
28	1	618396	1 5/8MJIC-45-1 5/8MOR LBO	71	1	618489	1 1/16MJIC UNION TEE
29	6	618475	3/4MJIC-90-1 5/16MOR LBO	72	1	616528	06-451TC-08FJX-08FJX90-13 H/A
30	1	618595	1 5/8MOR-1 1/16FOR ADPTR	73	1	616529	06-451TC-08FJX-08FJX90-16 H/A
31	6	618109	9/16MJIC-3/4MOR ADPTR	74	1	618687	HYD COUPLER, MALE 1" B, 1 5/16FOR
32	1	618559	12-451TC-12FJX-12FJX90-20 H/A	75	1	618686	HYD COUPLER, FEM 1" B, 1 5/16FOR
33	1	618634	9/16MJIC-45-9/16FJIC SWIV LBO	76	1	618804	HYD CPLR, MALE #14, 9/16FOR
34	1	618809	HYD CPLR, MALE #12, 12FOR	77	2	618757	1 1/16MOR PLUG, HEX SOCKET
35	8	618530	9/16MJIC-1/8MNP ADPTR	78	1	616626	06-451TC-06FJX-06FJX90-175 H/A
36	8	618494	3/4MOR RUN TEE-3/4MJIC	79	4	607565	CHECK VLV, PILOT TO OPEN, SUN
37	4	618486	9/16FJIC SW RUN TEE-9/16MJIC	80	4	618668	9/16FJIC SWIV-9/16MOR ADPTR
38	4	618669	3/4FJIC SWIV-3/4MOR ADPTR	81	1	616873	06-451TC-06FJX-06FJX90-128 H/A
39	4	618292	CHECK VALVE, 3/4FOR INLINE	82	1	616581	06-451TC-06FJX-06FJX90-40 H/A
40	2	618533	1 1/16FJIC CAP NUT	83	1	616723	06-451TC-06FJX-06FJX90-85 H/A
41	6	618531	9/16FJIC CAP NUT	84	1	618810	HYD CPLR, FEM #12, 12FOR
42	2	616539	08-451TC-12FJX-08FJX90-220 H/A	85	1	618914	1 1/16MOR RUN TEE-1 1/16MJIC
43	2	616533	08-451TC-08FJX-08FJX-218 H/A				



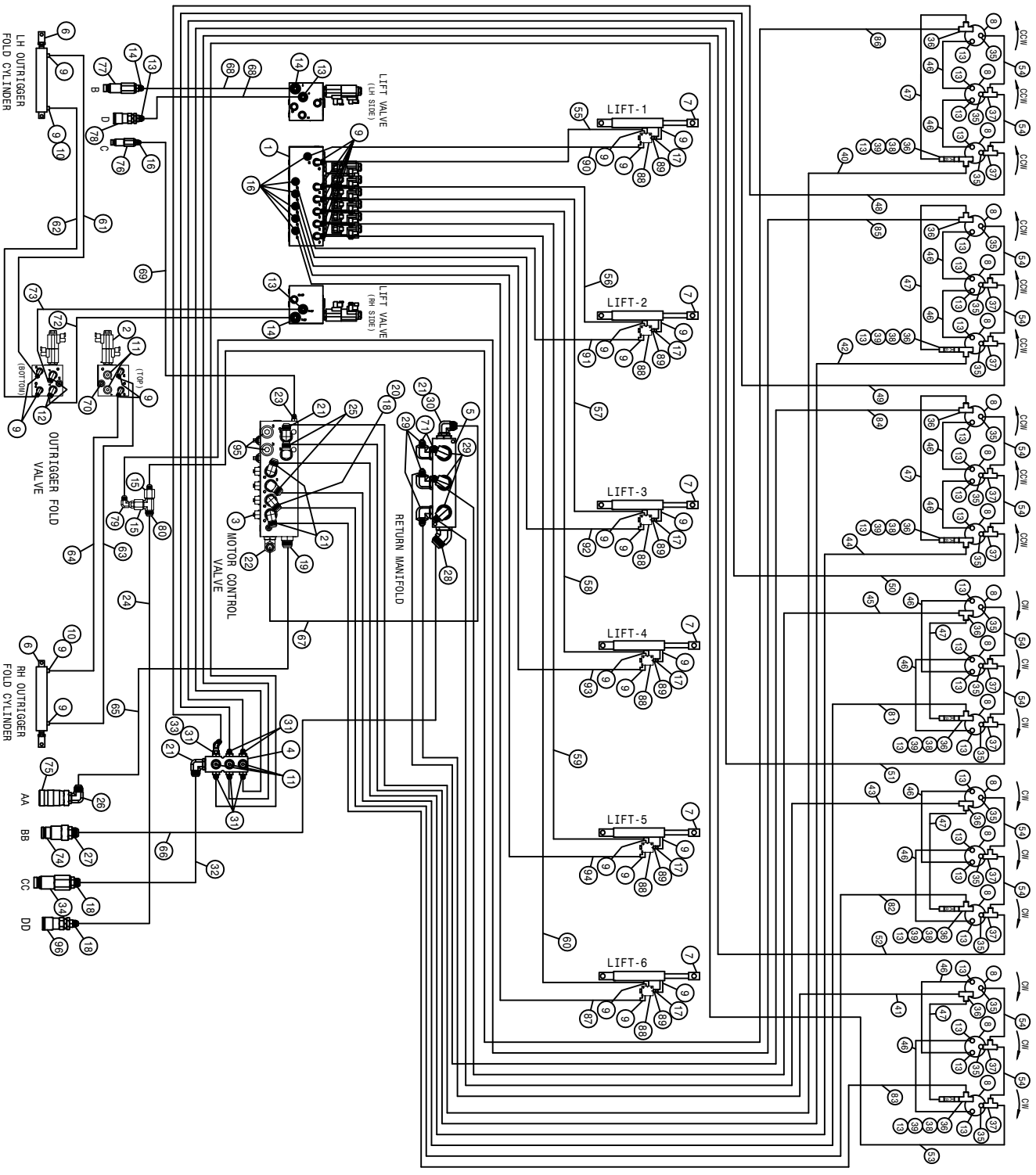
STS COMBO 10R CUTR HYD SCHEM 2011
REFERENCE DRAWING NO. 499094

DET.	QTY	PART NO.	DESCRIPTION	DET.	QTY	PART NO.	DESCRIPTION
1	1	606285	LIFT VALVE, STS COMBO, SAUER	46	4	616531	08-451TC-08FJX-08FJX-55 H/A
2	1	606286	FOLD VALVE, STS COMBO, SAUER	47	4	616537	08-451TC-08FJX-08FJX90-52 H/A
3	1	606310	LS MTR CTRL ELEC VLV STS, SAUER	48	1	618517	1 5/16MJ-90-1 5/16FJX TUBETRN
4	1	606021	HYD RETURN MANIF, 3/4FOR, 9-PORT	49	1	616515	04-451TC-06FJX-06FJX-238 H/A
5	1	606246	MANIFOLD, #16 3-STN 180	50	1	616180	04-451TC-06FJX-06FJX-143 H/A
6	2	621566	HYD CYL, 2.50 X 11.00 X 1.375	51	1	616513	04-451TC-06FJX-06FJX-112 H/A
7	4	621564	HYD CYL, 2.00 X 11.00 X 1.50 1W	52	1	616514	04-451TC-06FJX-06FJX-208 H/A
8	10	610755	BARNES HYD MOTOR, D-SERIES 01	53	1	616516	04-451TC-06FJX-06FJX-246 H/A
9	26	618119	9/16MJIC-90-9/16MOR LBO	54	4	616520	04-451TC-06FJX-06FJX90-54 H/A
10	2	618732	9/16JIC .031 ORIFICE ADPTR	55	2	616530	08-451TC-08FJX-08FJX90-27 H/A
11	5	618755	3/4MOR PLUG, HEX SOCKET	56	1	616525	06-451TC-06FJX-06FJX45-124 H/A
12	2	618241	3/4MJIC-90-3/4MOR LBO	57	1	616644	06-451TC-06FJX-06FJX45-36 H/A
13	19	611125	3/4MJIC-3/4MOR ADPTR	58	1	616523	06-451TC-06FJX-06FJX45-80 H/A
14	3	618327	3/4MJIC-7/8MOR ADPTR	59	1	616526	06-451TC-06FJX-06FJX45-171 H/A
15	2	618484	1 1/16FJIC-3/4MJIC ADPTR	60	4	618531	9/16FJIC CAP NUT
16	7	618126	9/16MJIC-9/16MOR ADPTR	61	1	616512	04-451TC-06FJX-06FJX-49 H/A
17	4	618733	9/16JIC .042 ORIFICE ADPTR	62	1	616511	04-451TC-06FJX-06FJX-33 H/A
18	3	611127	1 1/16MJIC-1 1/16MOR ADPTR	63	1	616177	04-451TC-06FJX-06FJX-74 H/A
19	1	618186	1 5/16MJIC-1 5/16MOR ADPTR	64	1	616089	04-451TC-06FJX-06FJX-60 H/A
20	1	618191	1 1/16MJ-90-1 1/16FJ SWIV LBO	65	1	616549	16-451TC-16FJX-16FJX45-28 H/A
21	5	618248	1 1/16MJIC-90-1 1/16MOR LBO	66	1	616552	20-881-20FJX-20FJX90-45 H/A
22	1	618302	1 1/16MJIC-90-1 5/16MOR LBO	67	1	616542	10-451TC-12FJX-12FJX90-30 H/A
23	1	618304	9/16MJIC-7/16MOR ADPTR	68	2	616536	08-451TC-08FJX-08FJX90-26 H/A
24	1	617030	12-451TC-12FJX-12FJX90-50 H/A	69	1	616607	04-451TC-06FJX-06FJX45-46 H/A
25	2	618674	1 1/16MJIC-90-1 1/16MOR XL LBO	70	1	618754	9/16MOR PLUG, HEX SOCKET
26	1	618178	1 5/16MJIC-90-1 5/16MOR LBO	71	2	618532	3/4FJIC CAP NUT
27	1	618471	1 5/8MJIC-1 5/16MOR ADPTR	72	1	616528	06-451TC-08FJX-08FJX90-13 H/A
28	1	618396	1 5/8MJIC-45-1 5/8MOR LBO	73	1	616529	06-451TC-08FJX-08FJX90-16 H/A
29	6	618475	3/4MJIC-90-1 5/16MOR LBO	74	1	618687	HYD COUPLER, MALE 1" B, 1 5/16FOR
30	1	618595	1 5/8MOR-1 1/16FOR ADPTR	75	1	618686	HYD COUPLER, FEM 1" B, 1 5/16FOR
31	6	618109	9/16MJIC-3/4MOR ADPTR	76	1	618804	HYD CPLR, MALE #14, 9/16FOR
32	1	616559	12-451TC-12FJX-12FJX90-20 H/A	77	1	618806	HYD CPLR, MALE #12, 7/8FOR
33	1	618634	9/16MJIC-45-9/16FJIC SWIV LBO	78	1	618807	HYD CPLR, FEM #12, 3/4FOR
34	1	618809	HYD CPLR, MALE #12, 12FOR	79	1	618609	3/4MJIC-90-3/4FJIC SWIV LBO
35	10	618530	9/16MJIC-1/8MNPT ADPTR	80	2	618451	3/4FJIC SW RUN TEE-3/4MJIC
36	10	618494	3/4MOR RUN TEE-3/4MJIC	81	1	618409	1/4 FERRULE GATES 4PCIFS
37	4	618486	9/16FJIC SW RUN TEE-9/16MJIC	82	1	616626	06-451TC-06FJX-06FJX90-175 H/A
38	6	618669	3/4FJIC SWIV-3/4MOR ADPTR	83	4	607565	CHECK VLV, PILOT TO OPEN, SUN
39	6	618292	CHECK VALVE, 3/4FOR INLINE	84	4	618668	9/16FJIC SWIV-9/16MOR ADPTR
40	2	616540	08-451TC-12FJX-08FJX90-252 H/A	85	1	616873	06-451TC-06FJX-06FJX90-128 H/A
41	2	616535	08-451TC-08FJX-08FJX-252 H/A	86	1	616581	06-451TC-06FJX-06FJX90-40 H/A
42	2	616539	08-451TC-12FJX-08FJX90-220 H/A	87	1	616723	06-451TC-06FJX-06FJX90-85 H/A
43	2	616533	08-451TC-08FJX-08FJX-218 H/A	88	2	618757	1 1/16MOR PLUG, HEX SOCKET
44	2	616538	08-451TC-12FJX-08FJX90-125 H/A	89	1	618810	HYD CPLR, FEM #12, 12FOR
45	2	616532	08-451TC-08FJX-08FJX-125 H/A				



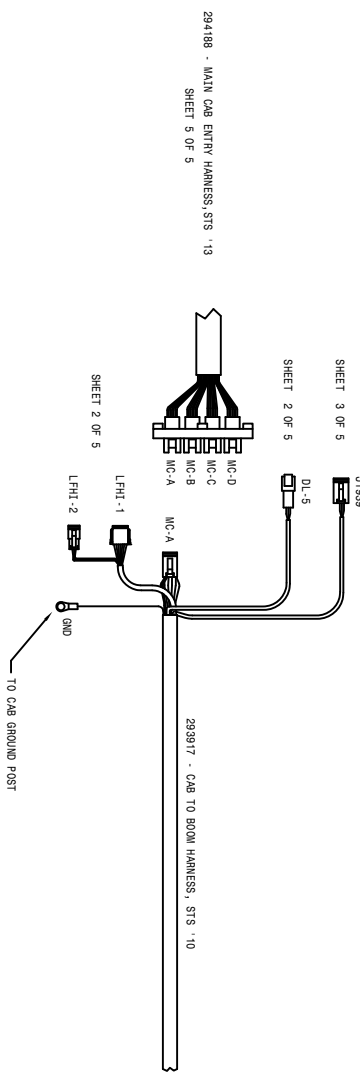
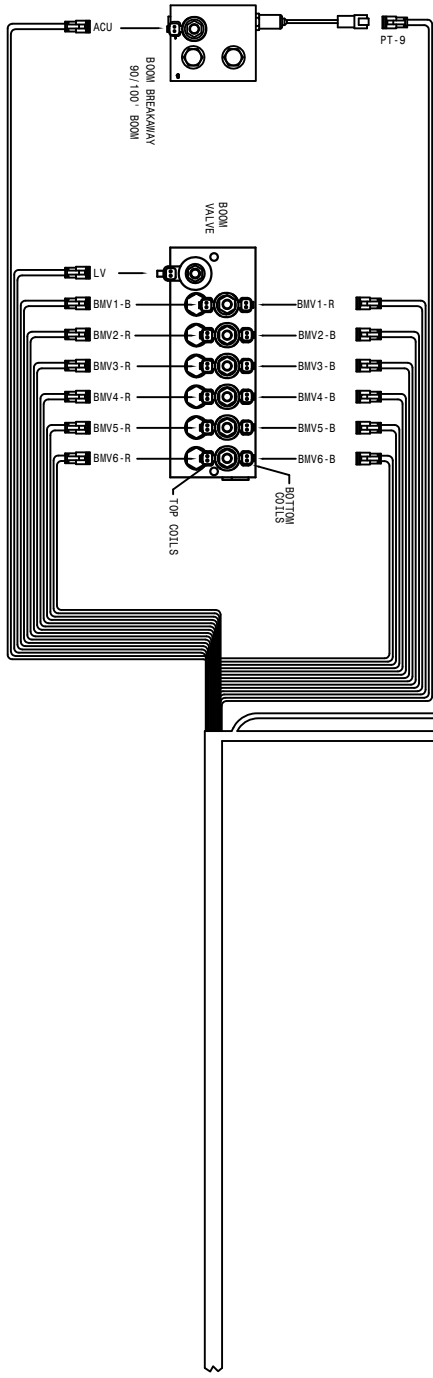
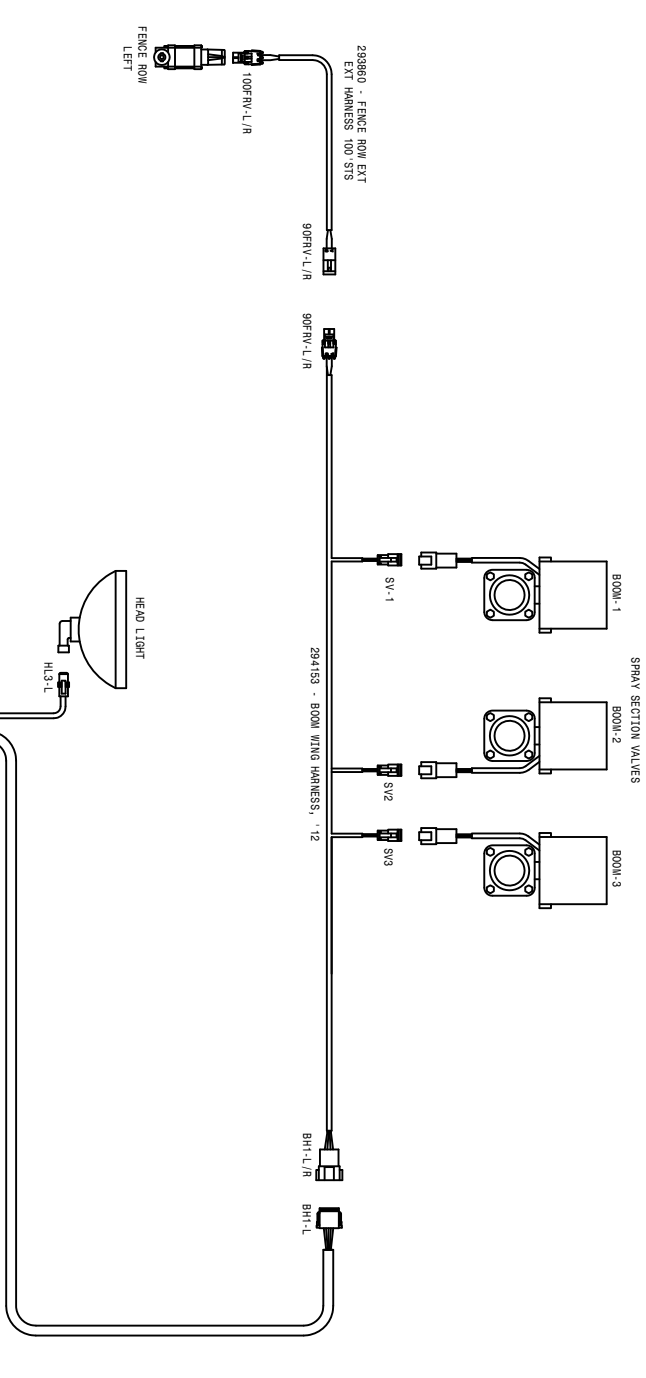
STS COMBO 12R HYD SCHEM 2011
REFERENCE DRAWING NO. 499095

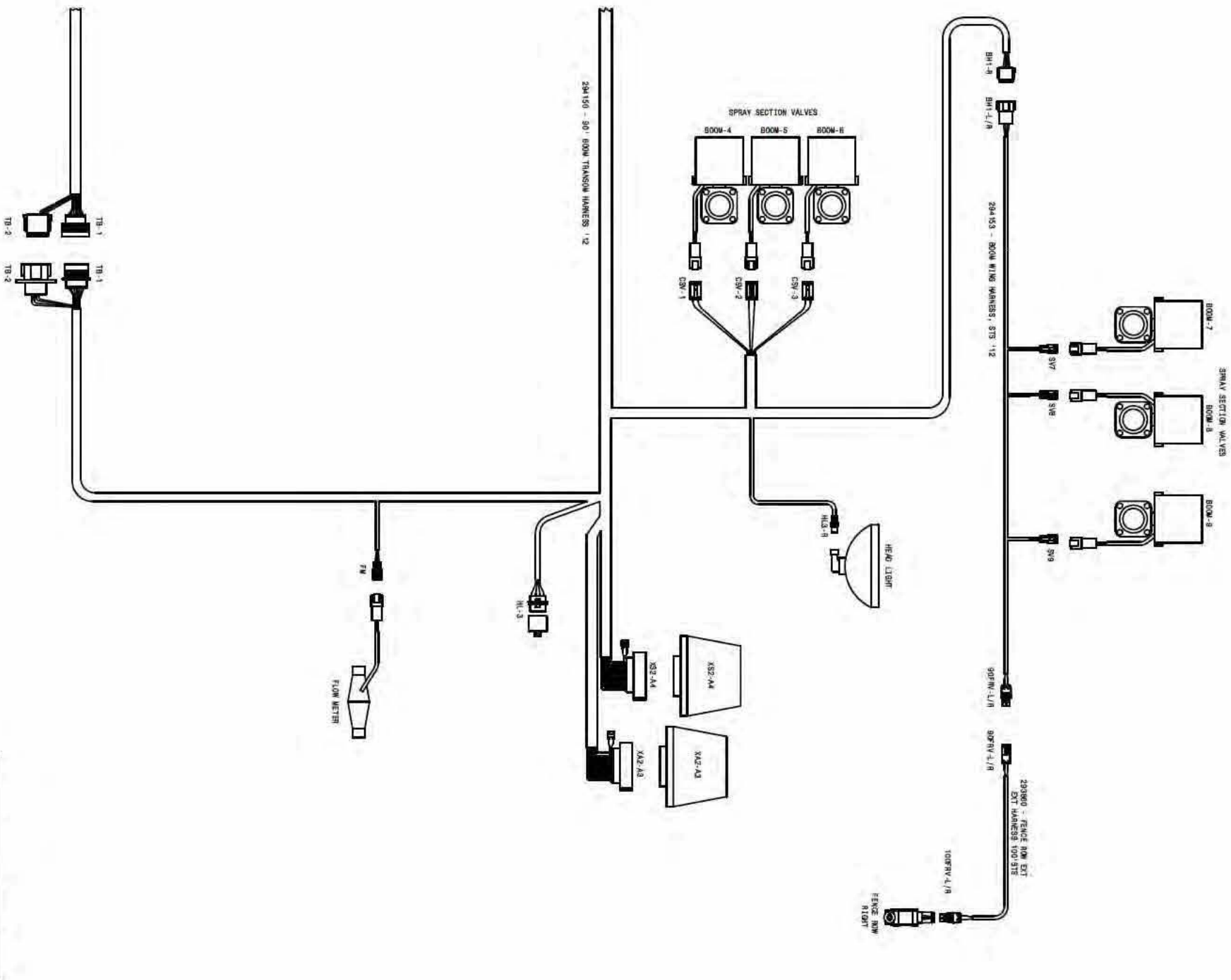
DET.	QTY	PART NO.	DESCRIPTION	DET.	QTY	PART NO.	DESCRIPTION
1	1	606285	LIFT VALVE, STS COMBO, SAUER	46	6	616531	08-451TC-08FJX-08FJX-55 H/A
2	1	606286	FOLD VALVE, STS COMBO, SAUER	47	6	616537	08-451TC-08FJX-08FJX90-52 H/A
3	1	606310	LS MTR CTRL ELEC VLV STS, SAUER	48	1	616518	04-451TC-06FJX-06FJX-298 H/A
4	1	606021	HYD RETURN MANIF 3/4FOR, 9-PORT	49	1	616515	04-451TC-06FJX-06FJX-238 H/A
5	1	606246	MANIFOLD, #16 3-STN 180	50	1	616180	04-451TC-06FJX-06FJX-143 H/A
6	2	621566	HYD CYL, 2.50 X 11.00 X 1.375	51	1	616513	04-451TC-06FJX-06FJX-112 H/A
7	6	621564	HYD CYL, 2.00 X 11.00 X 1.50 1W	52	1	616514	04-451TC-06FJX-06FJX-208 H/A
8	6	610755	BARNES HYD MOTOR, D-SERIES 01	53	1	616517	04-451TC-06FJX-06FJX-272 H/A
9	12	610755	BARNES HYD MOTOR, D-SERIES 01	54	6	616521	04-451TC-06FJX-06FJX90-54 H/A
10	2	614757	.032 ELBOW ASSY, 9/16MOR 90D	55	1	616524	06-451TC-06FJX-06FJX45-185 H/A
11	5	618755	3/4MOR PLUG, HEX SOCKET	56	1	616525	06-451TC-06FJX-06FJX45-124 H/A
12	2	618241	3/4MJIC-90-3/4MOR LBO	57	1	616644	06-451TC-06FJX-06FJX45-36 H/A
13	21	611125	3/4MJIC-3/4MOR ADPTR	58	1	616523	06-451TC-06FJX-06FJX45-80 H/A
14	3	618327	3/4MJIC-7/8MOR ADPTR	59	1	616526	06-451TC-06FJX-06FJX45-171 H/A
15	2	618484	1 1/16FJIC-3/4MJIC ADPTR	60	1	616512	06-451TC-06FJX-06FJX45-229 H/A
16	7	618126	9/16MJIC-9/16MOR ADPTR	61	1	616527	04-451TC-06FJX-06FJX-49 H/A
17	2	618733	9/16JIC .042 ORIFICE ADPTR	62	1	616511	04-451TC-06FJX-06FJX-33 H/A
18	3	611127	1 1/16MJIC-1 1/16MOR ADPTR	63	1	616177	04-451TC-06FJX-06FJX-74 H/A
19	1	618186	1 5/16MJIC-1 5/16MOR ADPTR	64	1	616089	04-451TC-06FJX-06FJX-60 H/A
20	1	618191	1 1/16MJ-90-1 1/16FJ SWIV LBO	65	1	616549	16-451TC-16FJX-16FJX45-28 H/A
21	5	618248	1 1/16MJIC-90-1 1/16MOR LBO	66	1	616552	20-881-20FJX-20FJX90-45 H/A
22	1	618302	1 1/16MJIC-90-1 5/16MOR LBO	67	1	616542	10-451TC-12FJX-12FJX90-30 H/A
23	1	618304	9/16MJIC-7/16MOR ADPTR	68	2	616536	08-451TC-08FJX-08FJX90-26 H/A
24	1	617030	12-451TC-12FJX-12FJX90-50 H/A	69	1	616607	04-451TC-06FJX-06FJX45-46 H/A
25	2	618674	1 1/16MJIC-90-1 1/16MOR XL LBO	70	1	618754	9/16MOR PLUG, HEX SOCKET
26	1	618178	1 5/16MJIC-90-1 5/16MOR LBO	71	2	618532	3/4FJIC CAP NUT
27	1	618471	1 5/8MJIC-1 5/16MOR ADPTR	72	1	616528	06-451TC-08FJX-08FJX90-13 H/A
28	1	618396	1 5/8MJIC-45-1 5/8MOR LBO	73	1	618529	1 1/16MJ-45-1 1/16FJ SWIV LBO
29	6	618475	3/4MJIC-90-1 5/16MOR LBO	74	1	618687	HYD COUPLER, MALE 1" B, 1 5/16FOR
30	1	618595	1 5/8MOR-1 1/16FOR ADPTR	75	1	618686	HYD COUPLER, FEM 1" B, 1 5/16FOR
31	6	618109	9/16MJIC-3/4MOR ADPTR	76	1	618804	HYD CPLR, MALE #14, 9/16FOR
32	1	616559	12-451TC-12FJX-12FJX90-20 H/A	77	1	618806	HYD CPLR, MALE #12, 7/8FOR
33	1	618634	9/16MJIC-45-9/16FJIC SWIV LBO	78	1	618807	HYD CPLR, FEM #12, 3/4FOR
34	1	618809	HYD CPLR, MALE #12, 12FOR	79	1	618609	3/4MJIC-90-3/4FJIC SWIV LBO
35	12	618530	9/16MJIC-1/8MNP ADPTR	80	1	618489	1 1/16MJIC UNION TEE
36	12	618494	3/4MOR RUN TEE-3/4MJIC	81	1	616878	06-451TC-06FJX-06FJX90-233 H/A
37	6	618486	9/16FJIC SW RUN TEE-9/16MJIC	82	6	607565	CHECK VLV, PILOT TO OPEN, SUN
38	6	618669	3/4FJIC SWIV-3/4MOR ADPTR	83	6	618668	9/16FJIC SWIV-9/16MOR ADPTR
39	6	618292	CHECK VALVE, 3/4FOR INLINE	84	1	616876	06-451TC-06FJX-06FJX90-189 H/A
40	2	616541	08-451TC-12FJX-08FJX90-280 H/A	85	1	616873	06-451TC-06FJX-06FJX90-128 H/A
41	2	616534	08-451TC-08FJX-08FJX-278 H/A	86	1	616581	06-451TC-06FJX-06FJX90-40 H/A
42	2	616539	08-451TC-12FJX-08FJX90-220 H/A	87	1	616723	06-451TC-06FJX-06FJX90-85 H/A
43	2	616533	08-451TC-08FJX-08FJX-218 H/A	88	1	616626	06-451TC-06FJX-06FJX90-175 H/A
44	2	616538	08-451TC-12FJX-08FJX90-125 H/A	89	2	618757	1 1/16MOR PLUG, HEX SOCKET
45	2	616532	08-451TC-08FJX-08FJX-125 H/A	90	1	618810	HYD CPLR, FEM #12, 12FOR



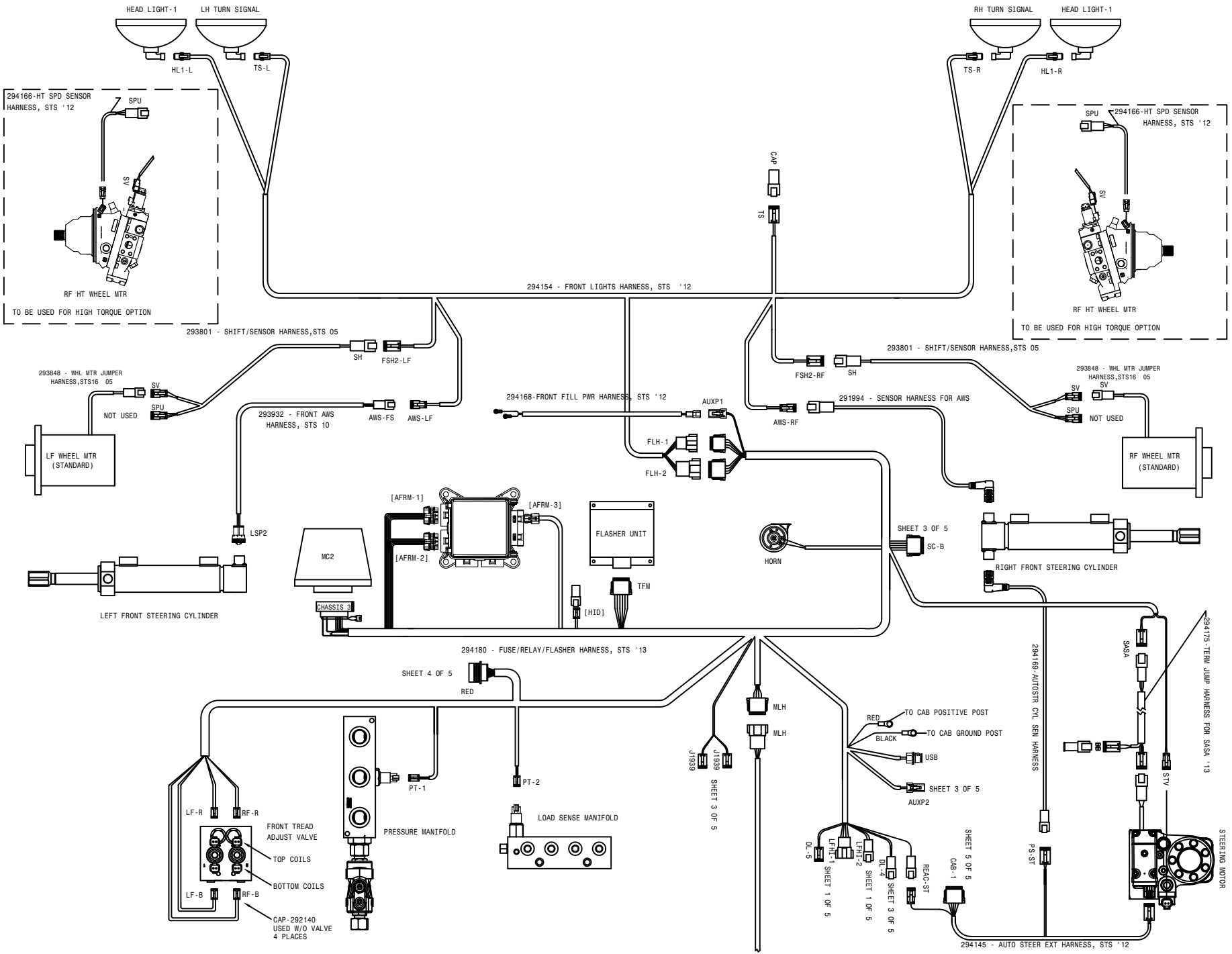
STS COMBO 18R CUTR HYD SCHEM 2011
REFERENCE DRAWING NO. 499096

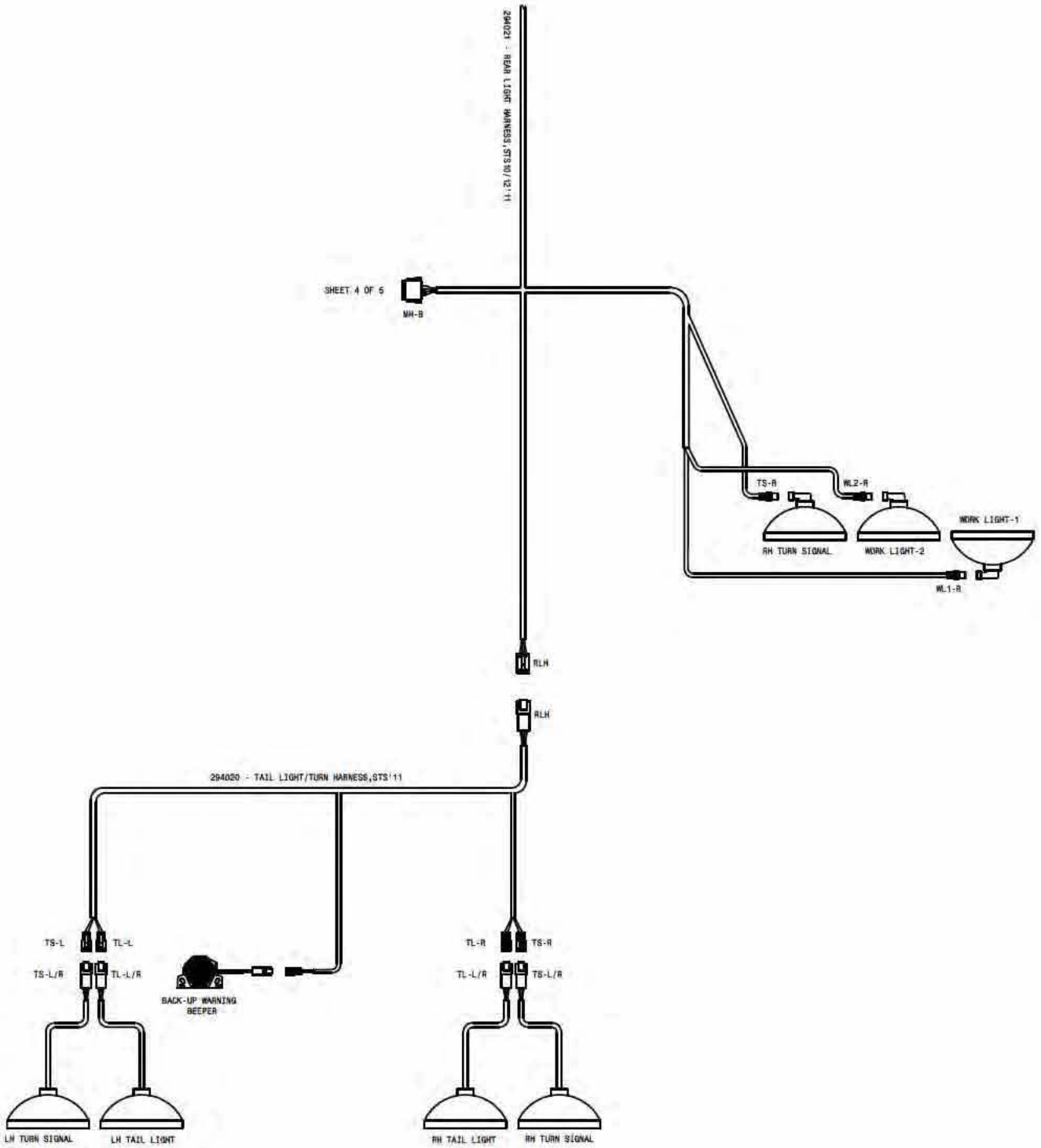
DET.	QTY	PART NO.	DESCRIPTION	DET.	QTY	PART NO.	DESCRIPTION
1	1	606285	LIFT VALVE, STS COMBO, SAUER	49	1	616664	04-451TC-06FJX-06FJX-222 H/A
2	1	606286	FOLD VALVE, STS COMBO, SAUER	50	1	616662	04-451TC-06FJX-06FJX-137 H/A
3	1	606310	LS MFR CTRL ELEC VLV, STS, SAUER	51	1	616513	04-451TC-06FJX-06FJX-112 H/A
4	1	606021	HYD RETURN MANIF, 3/4FOR, 9-PORT	52	1	616260	04-451TC-06FJX-06FJX-200 H/A
5	1	606246	MANIFOLD, #16 3-STN 180	53	1	616665	04-451TC-06FJX-06FJX-249 H/A
6	2	621566	HYD CYL, 2.50 X 11.00 X 1.375	54	12	616422	04-482TC-06FJX-06FJX90-50 H/A
7	6	621564	HYD CYL, 2.00 X 11.00 X 1.50 1W	55	1	616648	06-451TC-06FJX-06FJX45-167 H/A
8	18	610755	BARNES HYD MOTOR, D-SERIES 01	56	1	616646	06-451TC-06FJX-06FJX45-106 H/A
9	32	618119	9/16MJIC-90-9/16MOR LBO	57	1	616644	06-451TC-06FJX-06FJX45-36 H/A
10	2	614757	.032 ELBOW ASSY, 9/16MOR 90D	58	1	616645	06-451TC-06FJX-06FJX45-72 H/A
11	5	618755	3/4MOR PLUG, HEX SOCKET	59	1	616647	06-451TC-06FJX-06FJX45-153 H/A
12	2	618241	3/4MJIC-90-3/4MOR LBO	60	1	616649	06-451TC-06FJX-06FJX45-211 H/A
13	33	611125	3/4MJIC-3/4MOR ADPTR	61	1	616512	04-451TC-06FJX-06FJX-49 H/A
14	3	618327	3/4MJIC-7/8MOR ADPTR	62	1	616511	04-451TC-06FJX-06FJX-33 H/A
15	2	618484	1 1/16FJIC-3/4MJIC ADPTR	63	1	616177	04-451TC-06FJX-06FJX-74 H/A
16	7	618126	9/16MJIC-9/16MOR ADPTR	64	1	616089	04-451TC-06FJX-06FJX-60 H/A
17	6	618733	9/16JIC .042 ORIFICE ADPTR	65	1	616549	16-451TC-16FJX-16FJX45-28 H/A
18	3	611127	1 1/16MJIC-1 1/16MOR ADPTR	66	1	616552	20-881-20FJX-20FJX90-45 H/A
19	1	618186	1 5/16MJIC-1 5/16MOR ADPTR	67	1	616542	10-451TC-12FJX-12FJX90-30 H/A
20	1	618191	1 1/16MJ-90-1 1/16FJ SWIV LBO	68	2	616536	08-451TC-08FJX-08FJX90-26 H/A
21	5	618248	1 1/16MJIC-90-1 1/16MOR LBO	69	1	616607	04-451TC-06FJX-06FJX45-46 H/A
22	1	618302	1 1/16MJIC-90-1 5/16MOR LBO	70	1	618754	9/16MOR PLUG, HEX SOCKET
23	1	618304	9/16MJIC-7/16MOR ADPTR	71	2	618532	3/4FJIC CAP NUT
24	1	617030	12-451TC-12FJX-12FJX90-50 H/A	72	1	616528	06-451TC-08FJX-08FJX90-13 H/A
25	2	618674	1 1/16MJIC-90-1 1/16MOR XL LBO	73	1	616529	06-451TC-08FJX-08FJX90-16 H/A
26	1	618178	1 5/16MJIC-90-1 5/16MOR LBO	74	1	618687	HYD COUPLER, MALE 1" B, 1 5/16FOR
27	1	618471	1 5/8MJIC-1 5/16MOR ADPTR	75	1	618686	HYD COUPLER, FEM 1" B, 1 5/16FOR
28	1	618396	1 5/8MJIC-45-1 5/8MOR LBO	76	1	618804	HYD CPLR, MALE #14, 9/16FOR
29	6	618475	3/4MJIC-90-1 5/16MOR LBO	77	1	618806	HYD CPLR, MALE #12, 7/8FOR
30	1	618595	1 5/8MOR-1 1/16FOR ADPTR	78	1	618807	HYD CPLR, FEM #12, 3/4FOR
31	6	618109	9/16MJIC-3/4MOR ADPTR	79	1	618609	3/4MJIC-90-3/4FJIC SWIV LBO
32	1	616559	12-451TC-12FJX-12FJX90-20 H/A	80	1	618487	1 1/16FJ SW RUN TEE-1 1/16MJ
33	1	618634	9/16MJIC-45-9/16FJIC SWIV LBO	81	1	616650	08-451TC-12FJX-08FJX90-114 H/A
34	1	618809	HYD CPLR, MALE #12, 12FOR	82	1	616652	08-451TC-12FJX-08FJX90-197 H/A
35	18	618530	9/16MJIC-1/8MNPT ADPTR	83	1	616655	08-451TC-12FJX-08FJX90-257 H/A
36	12	618494	3/4MOR RUN TEE-3/4MJIC	84	1	616102	08-451TC-08FJX-08FJX-132 H/A
37	12	618486	9/16FJIC SW RUN TEE-9/16MJIC	85	1	616657	08-451TC-08FJX-08FJX-215 H/A
38	6	618669	3/4FJIC SWIV-3/4MOR ADPTR	86	1	616660	08-451TC-08FJX-08FJX-275 H/A
39	6	618292	CHECK VALVE, 3/4FOR INLINE	87	1	616877	06-451TC-06FJX-06FJX90-215 H/A
40	1	616654	08-451TC-12FJX-08FJX90-264 H/A	88	6	607565	CHECK VLV, PILOT TO OPEN, SUN
41	1	616659	08-451TC-08FJX-08FJX-255 H/A	89	6	618668	9/16FJIC SWIV-9/16MOR ADPTR
42	1	616653	08-451TC-12FJX-08FJX90-204 H/A	90	1	616875	06-451TC-06FJX-06FJX90-171 H/A
43	1	616658	08-451TC-08FJX-08FJX-195 H/A	91	1	616746	06-451TC-06FJX-06FJX90-110 H/A
44	1	616651	08-451TC-12FJX-08FJX90-119 H/A	92	1	616581	06-451TC-06FJX-06FJX90-40 H/A
45	1	616656	08-451TC-08FJX-08FJX-112 H/A	93	1	616872	06-451TC-06FJX-06FJX90-76 H/A
46	12	616025	08-482TC-08FJX-08FJX-50 H/A	94	1	616874	06-451TC-06FJX-06FJX90-157 H/A
47	6	616562	08-451TC-08FJX-08FJX90-66 H/A	95	2	618757	1 1/16MOR PLUG, HEX SOCKET
48	1	616666	04-451TC-06FJX-06FJX-282 H/A	96	1	618810	HYD CPLR, FEM #12, 12FOR





12-20-11 DMT
STS 10/12-T3 WIRING DIAGRAM '13
 SHEET 1 OF 3
 REVISION DATE: 499254





SHEET 4 OF 5

MH-B

294021 - REAR LIGHT HARNESS, STS'0/12-11

TLN

RLH

294020 - TAIL LIGHT/TURN HARNESS, STS'11

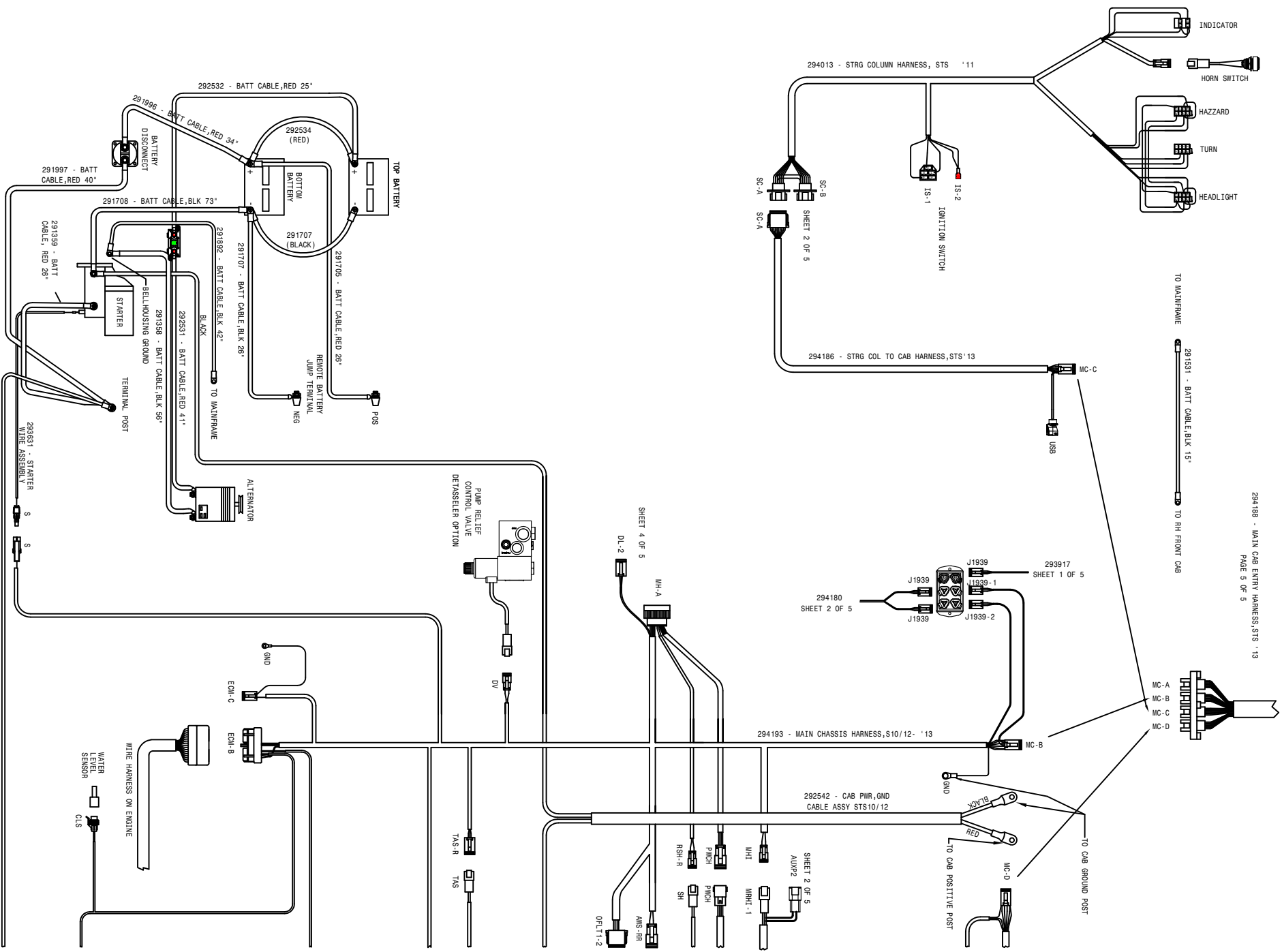
BACK-UP WARNING BEEPER

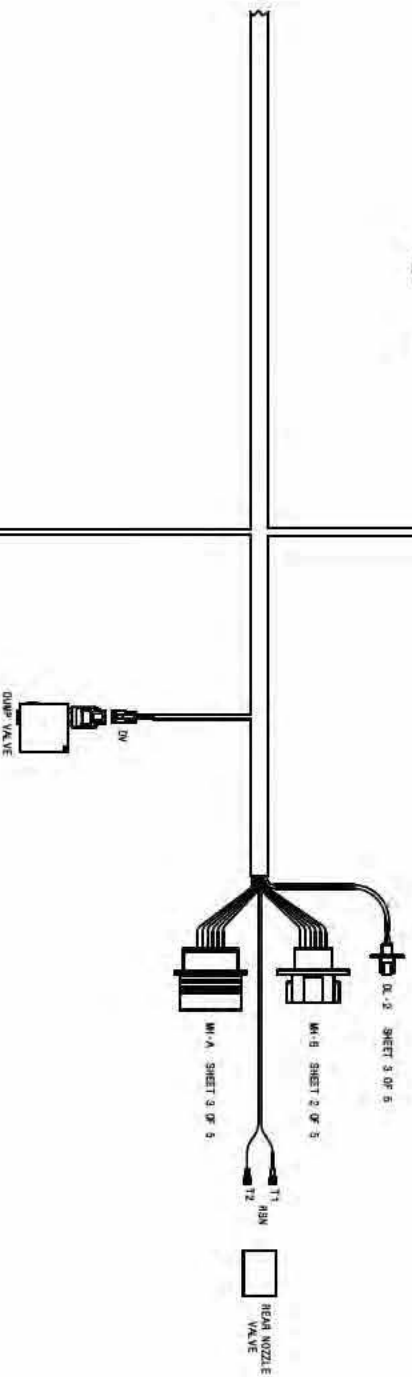
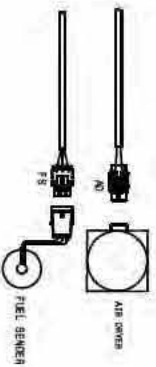
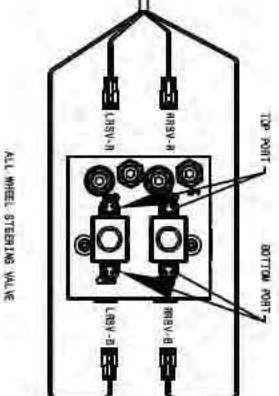
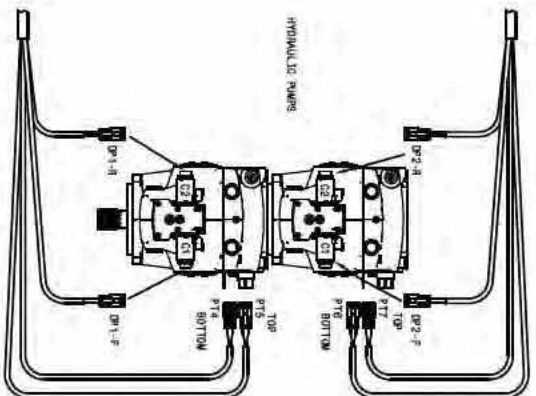
TS-L
TL-L
TS-L/R
TL-L/R
LH TURN SIGNAL
LH TAIL LIGHT

TL-R
TS-R
TL-L/R
TS-L/R
RH TAIL LIGHT
RH TURN SIGNAL

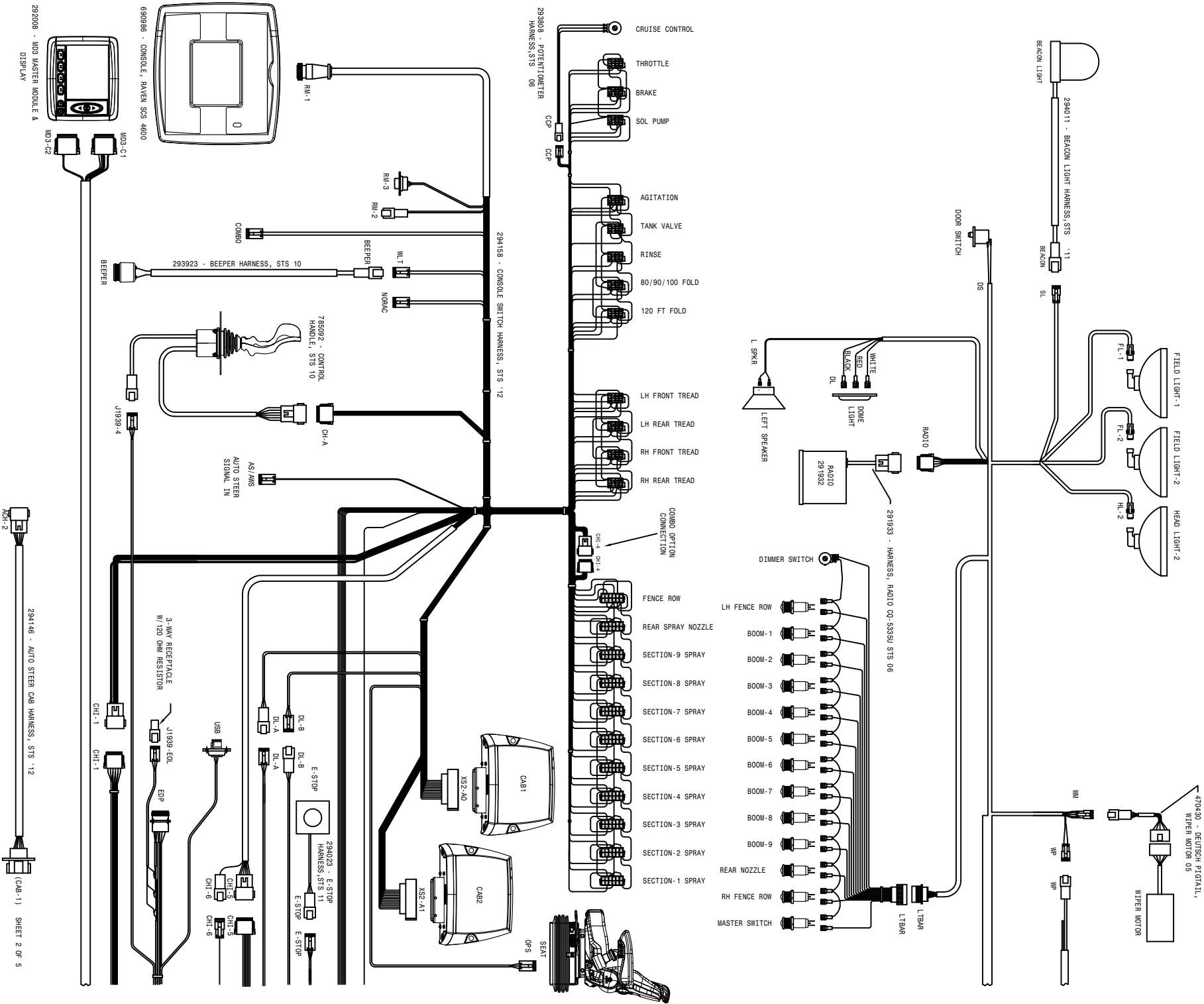
TS-R
WL-2-R
WORK LIGHT-1
WL-1-R
RH TURN SIGNAL
WORK LIGHT-2

STB10/12-T3 WIRING DIAGRAM '13
SHEET 2 OF 5
REVISION DATE:
499254
13-2011
DME

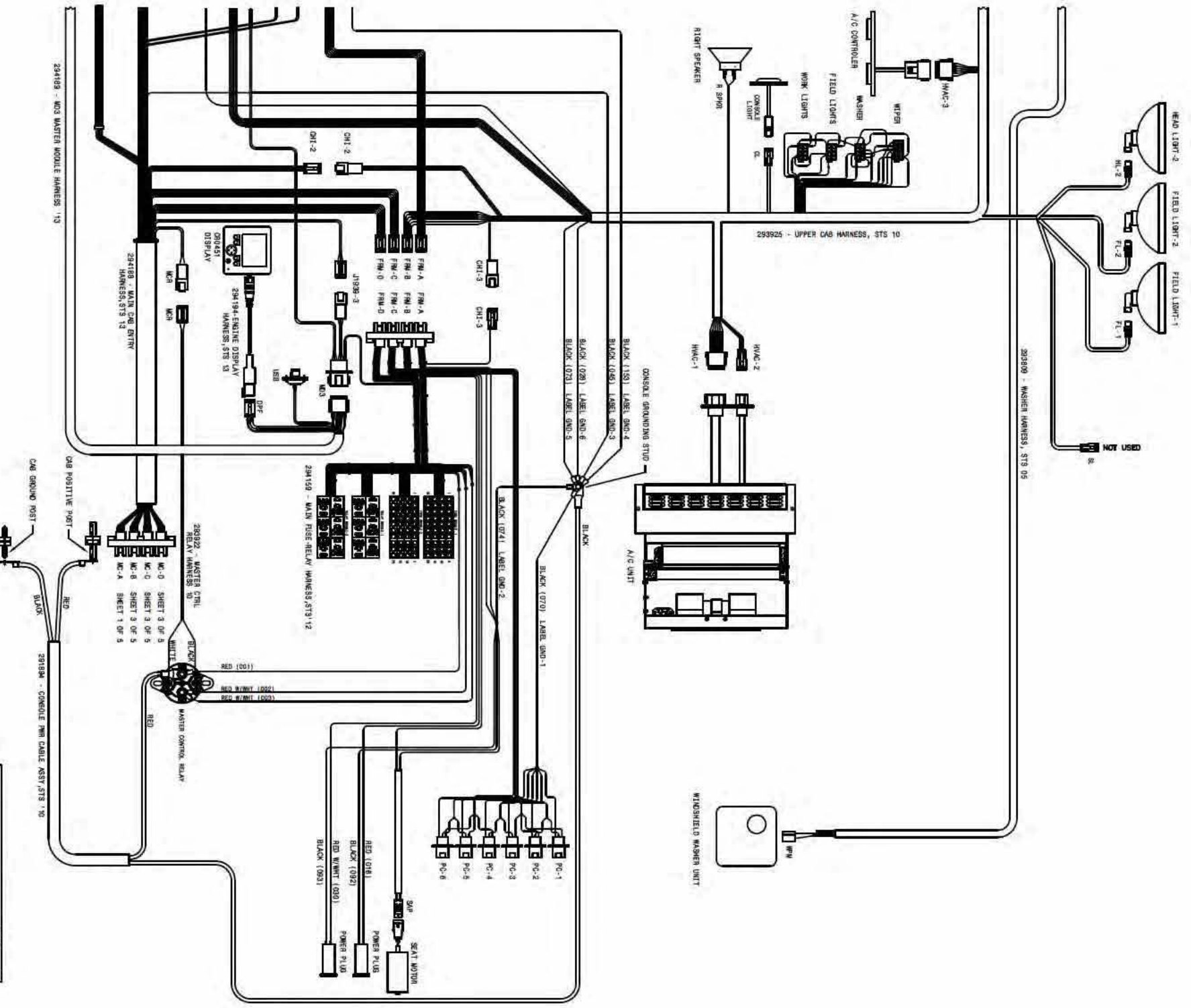




12-20-11 047
ST3 10/12-13 WIRING DIAGRAM '13
 SHEET 4 OF 5
 REVISION DATE: 07-26-11
499254



294146 - AUTO STEER CAB HARNESS, STS 12
 (CAB-1) SHEET 2 OF 5



294189 - W3 MASTER MODULE HARNESS 13

294189 - MAIN CAB ENTRY HARNESS, STS 13

294194-ENGINE DISPLAY HARNESS, STS 13

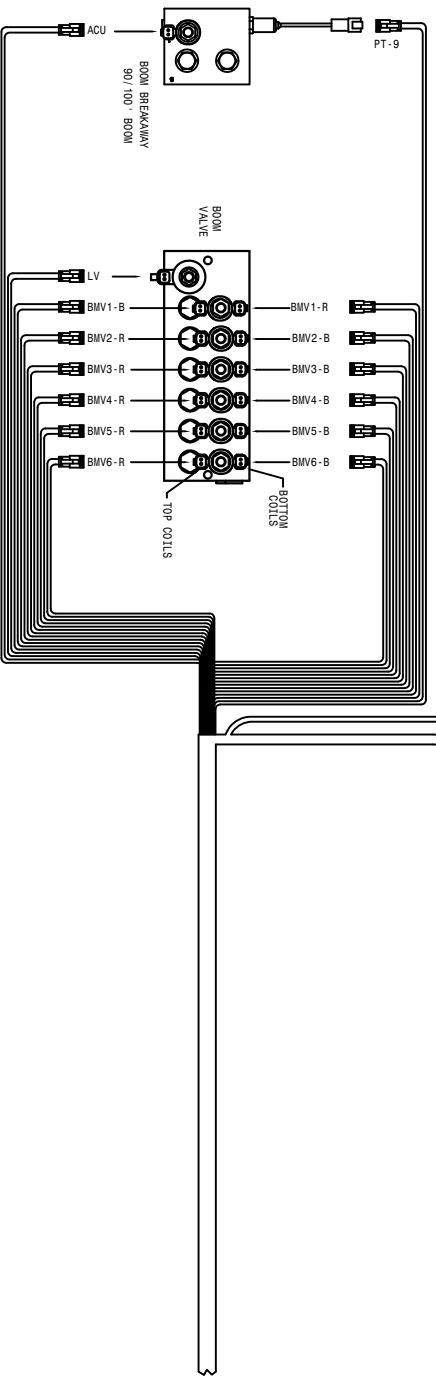
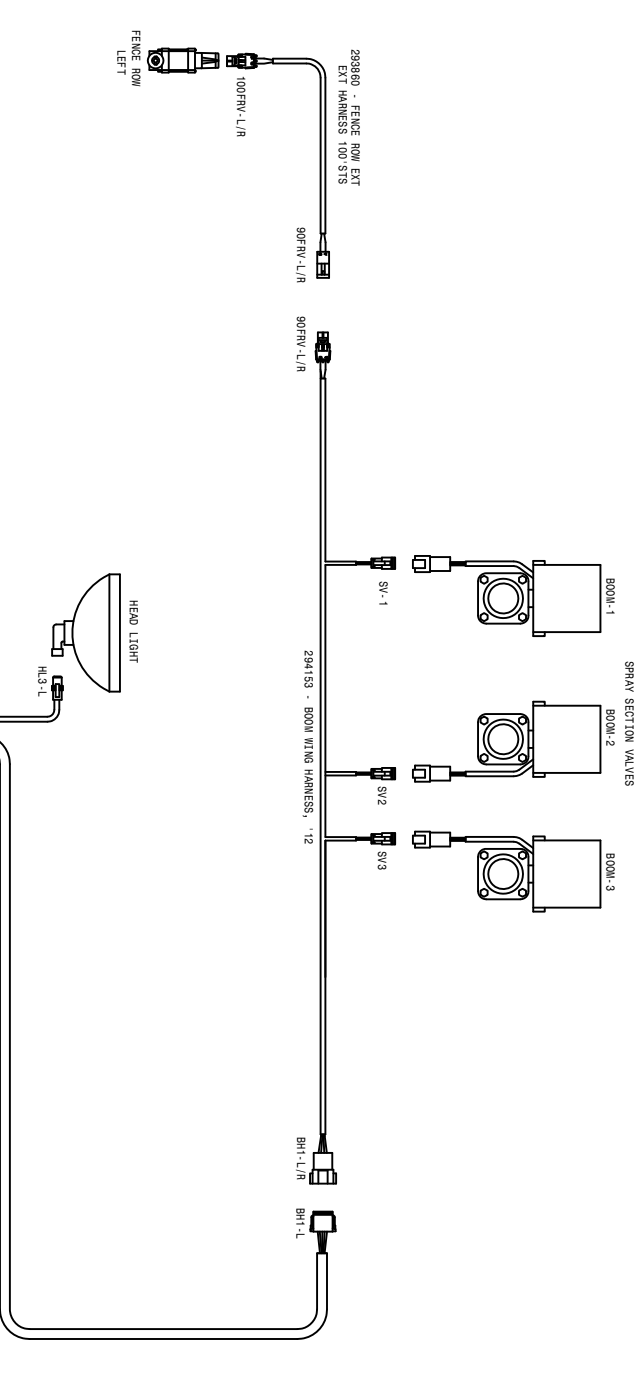
294159 - MAIN FUSE RELAY HARNESS, STS 12

293922 - MASTER CTRL RELAY HARNESS 10

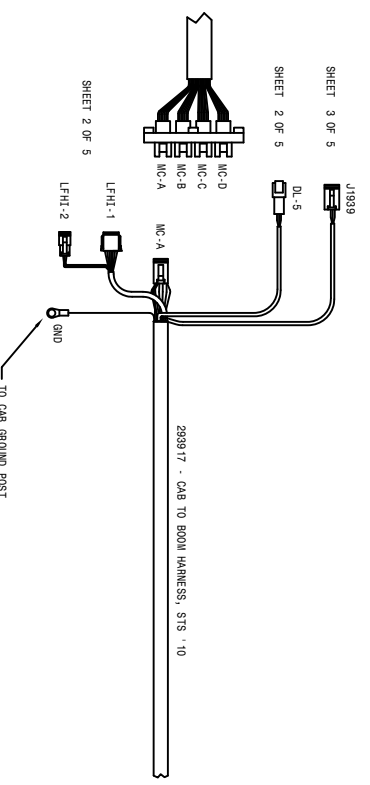
MC-A SHEET 1 OF 5
MC-B SHEET 3 OF 5
MC-C SHEET 3 OF 5
MC-D SHEET 3 OF 5

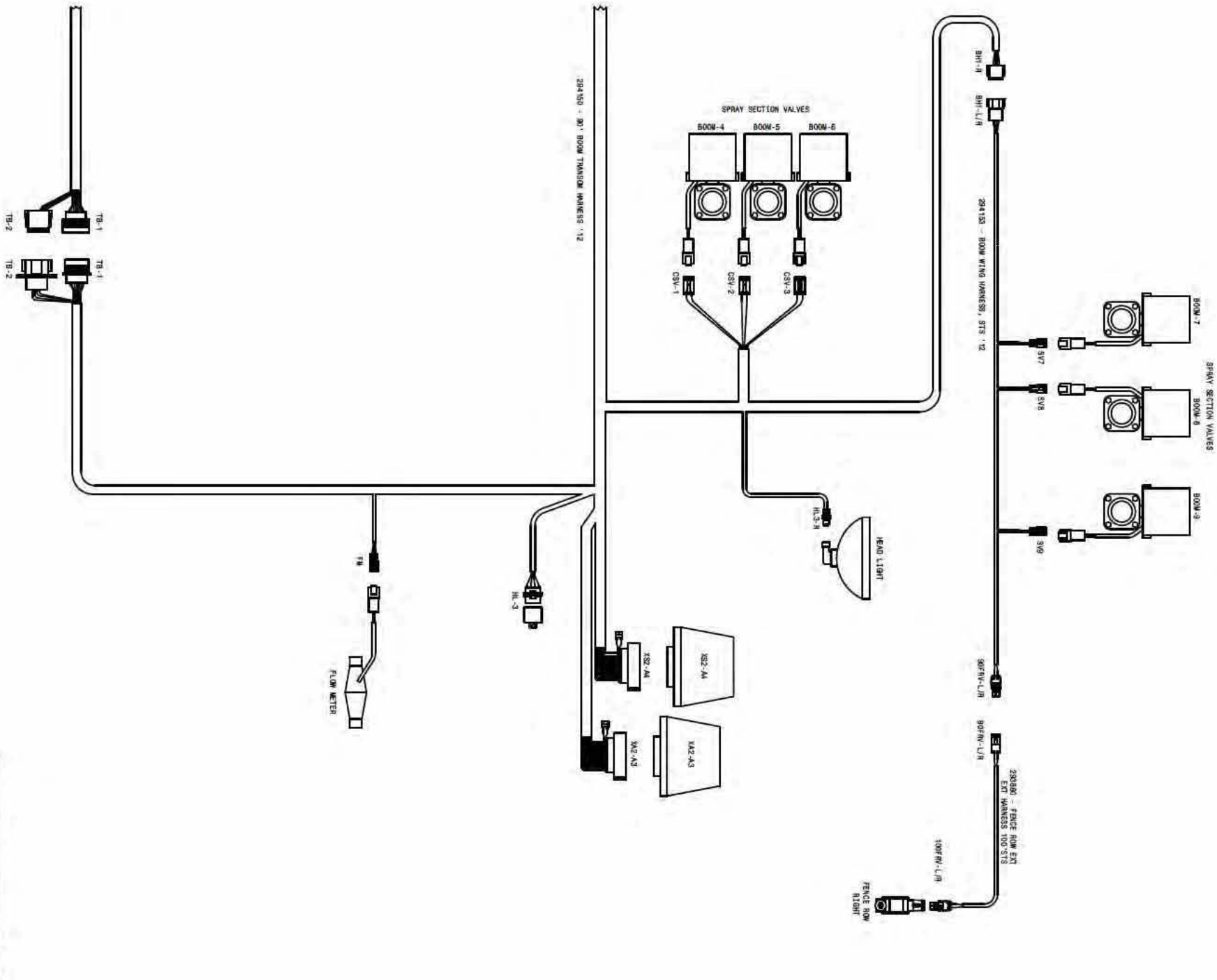
293924 - CONSOLE FIM CABLE ASST, STS 11S

12-28-11
STS 10/12-79 WIRING DIAGRAM '13
 SHEET 5 OF 5
 REVISION DATE: 499254

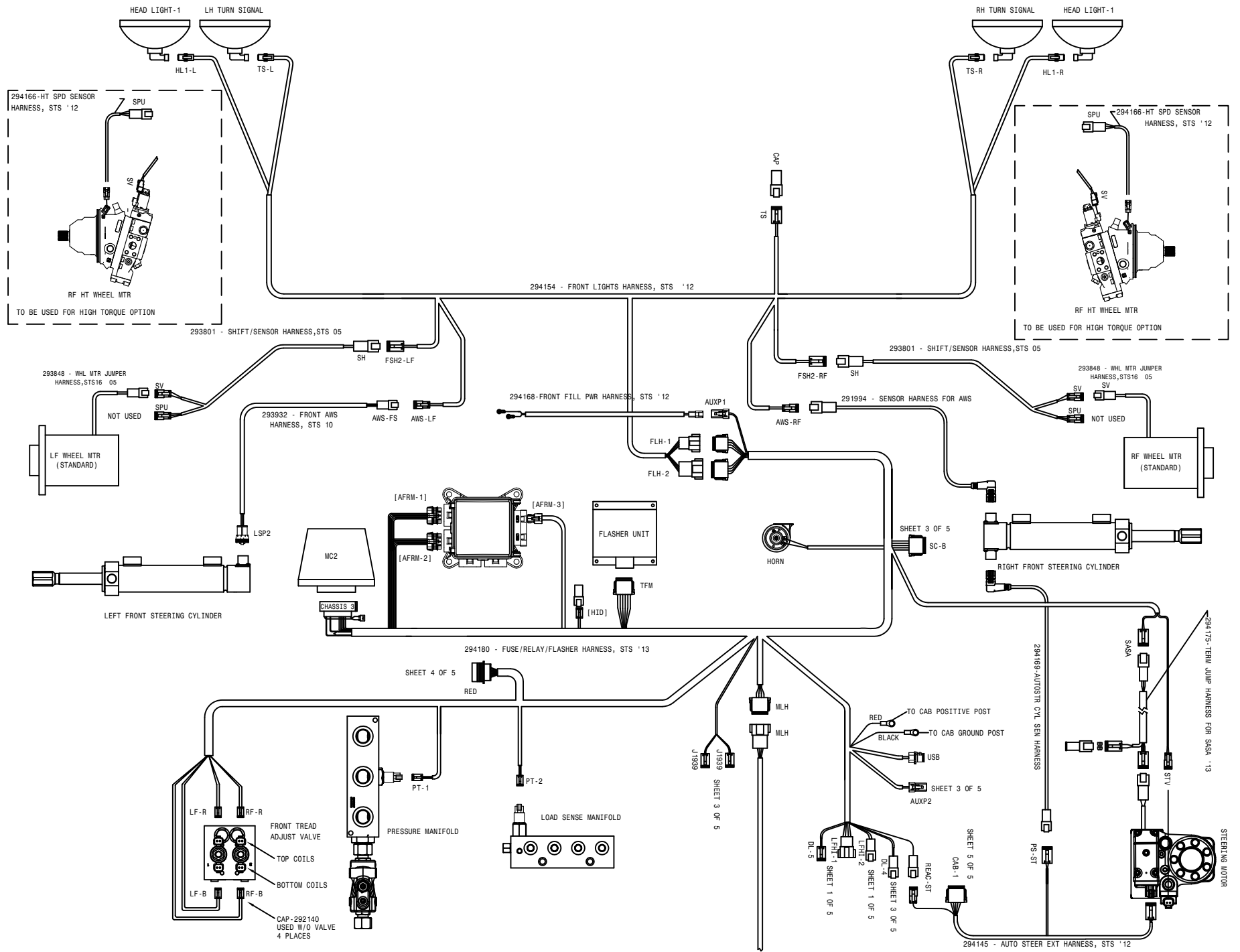


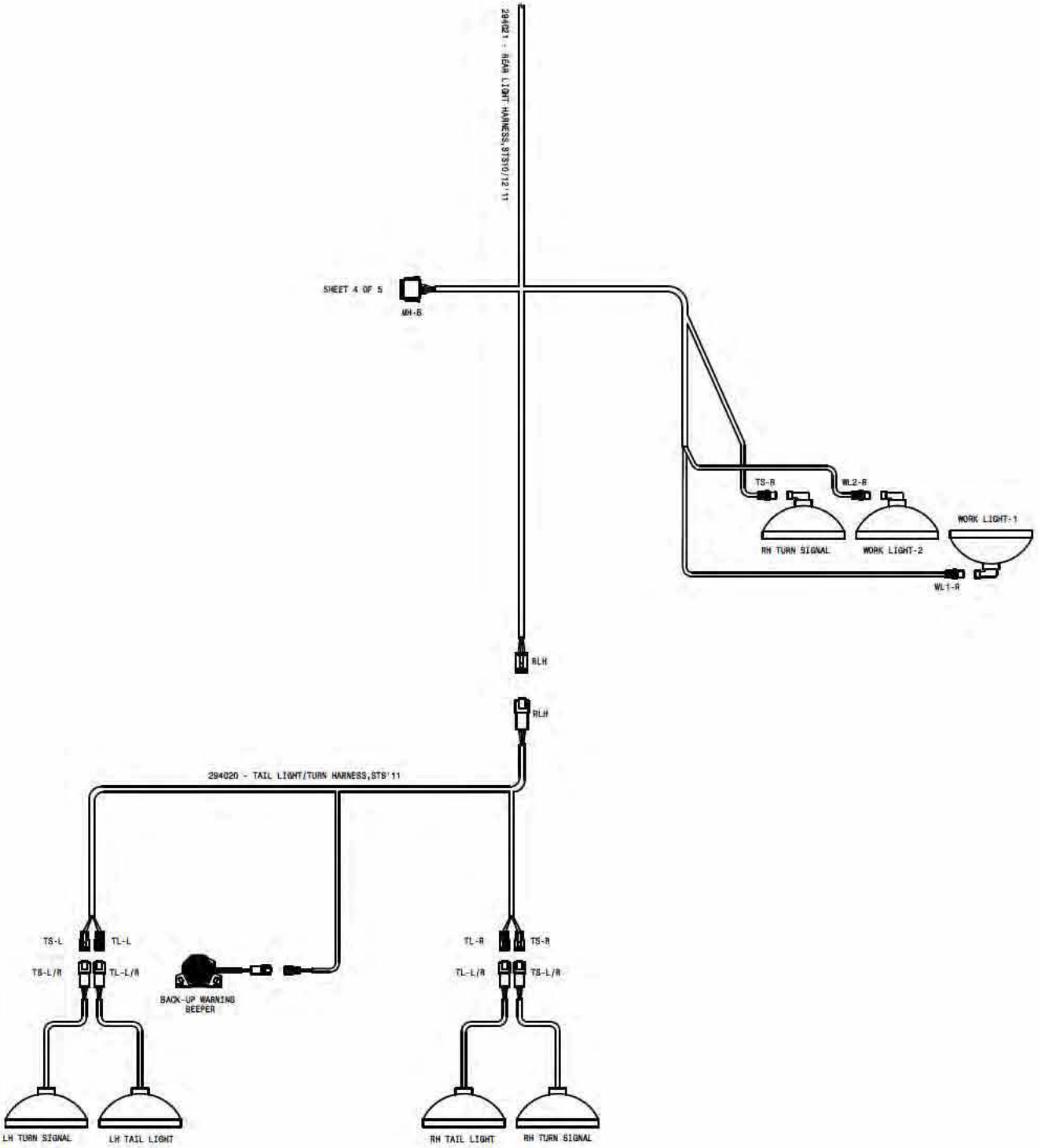
294188 - MAIN CAB ENTRY HARNESS, STS '13
SHEET 5 OF 5





13-20-11
STS 10/12-14L WIRING DIAGRAM '13
 SHEET 1 OF 5
 REVISION DATE: 499255





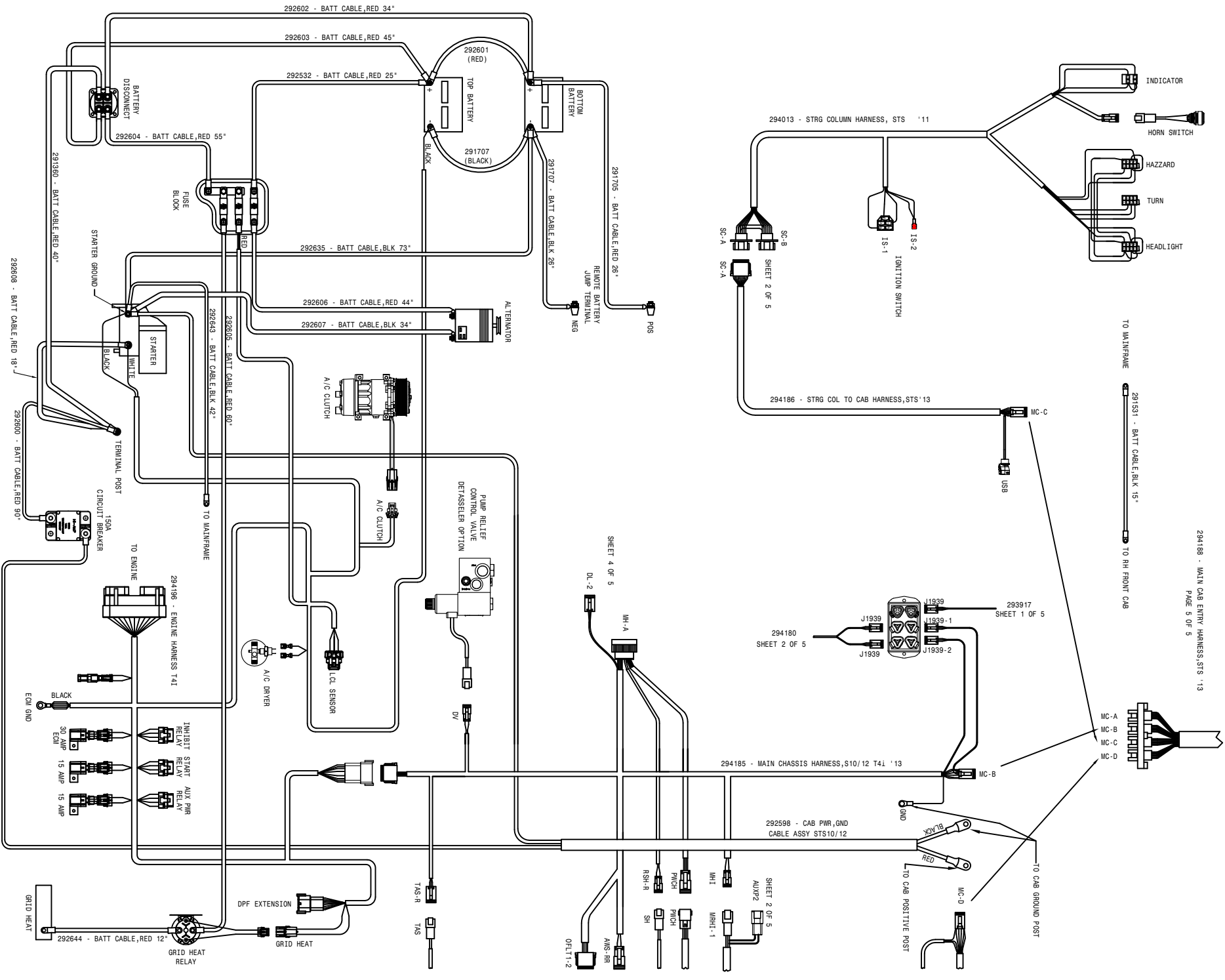
13-20-11

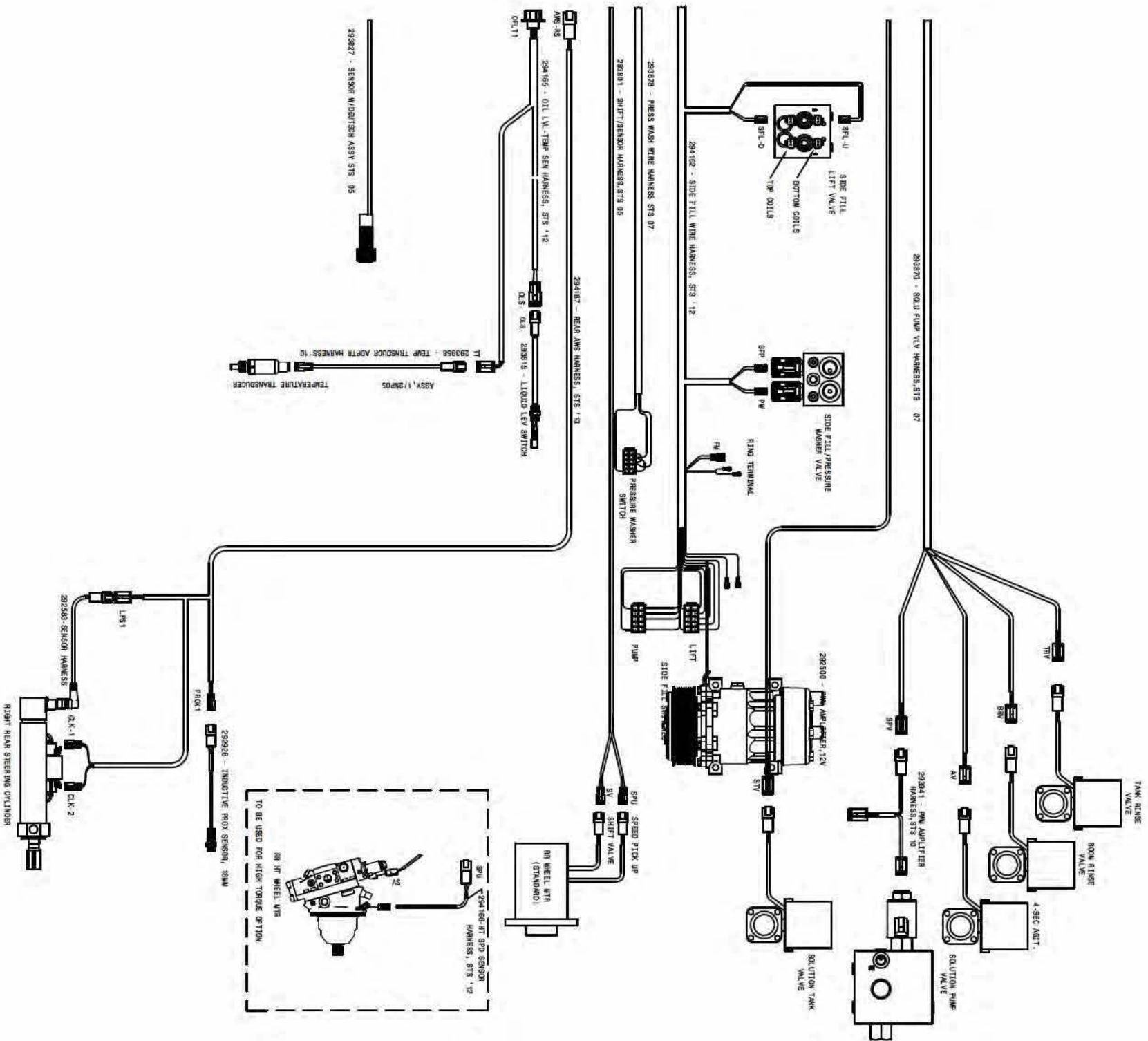
ST310/12-T4L WIRING DIAGRAM '13

SHEET 3 OF 5

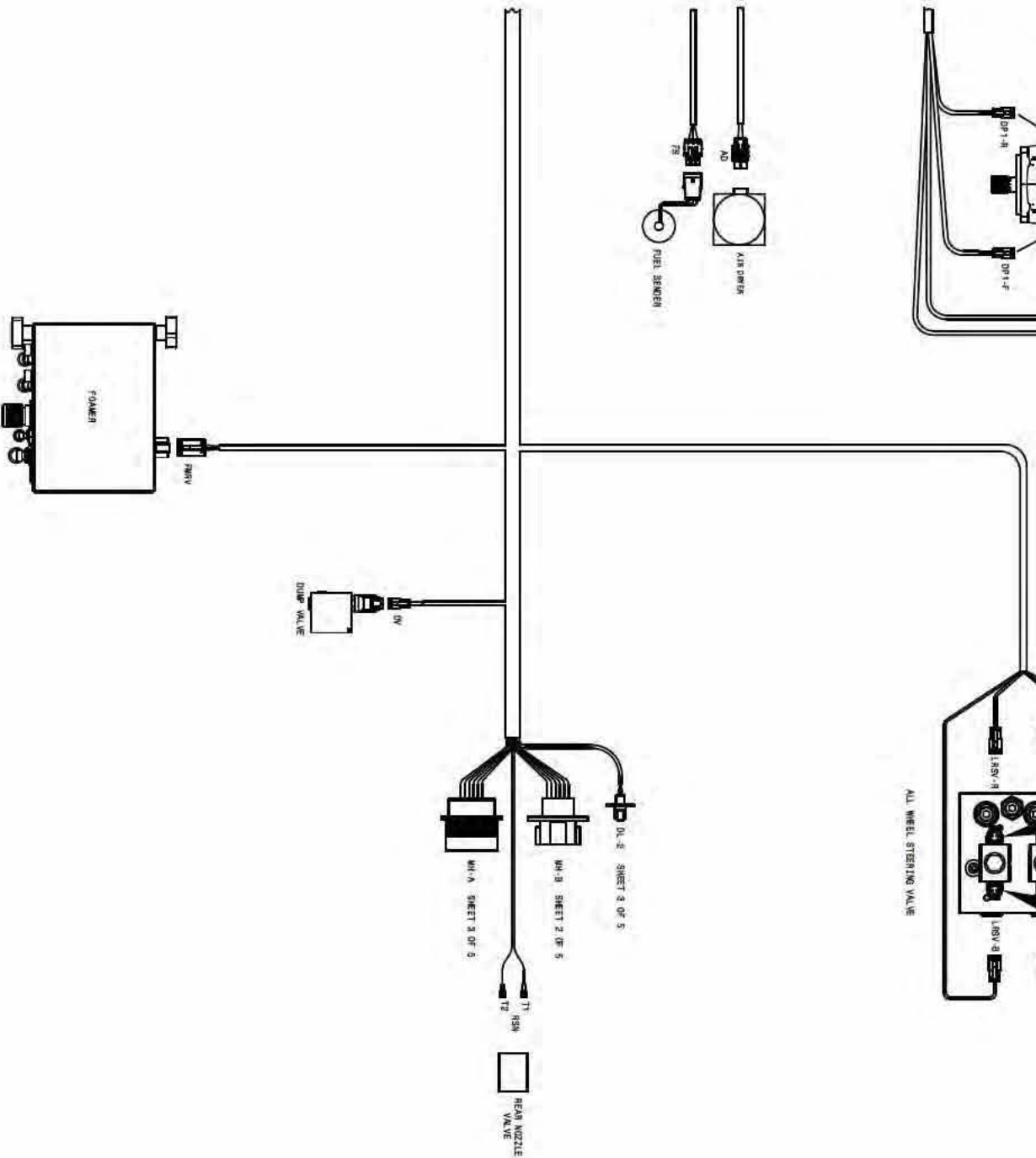
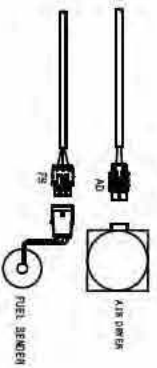
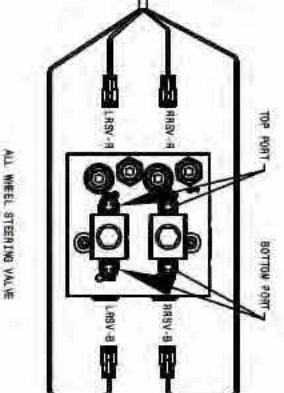
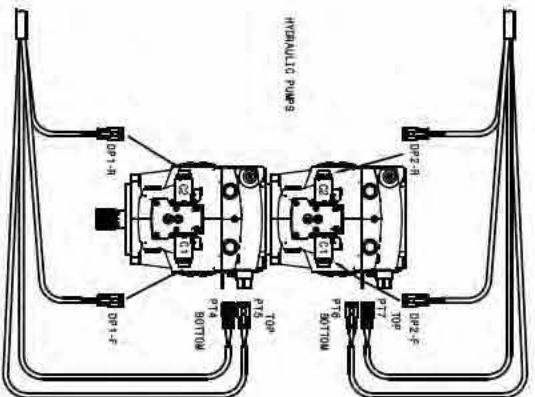
REVISION DATE:

499255

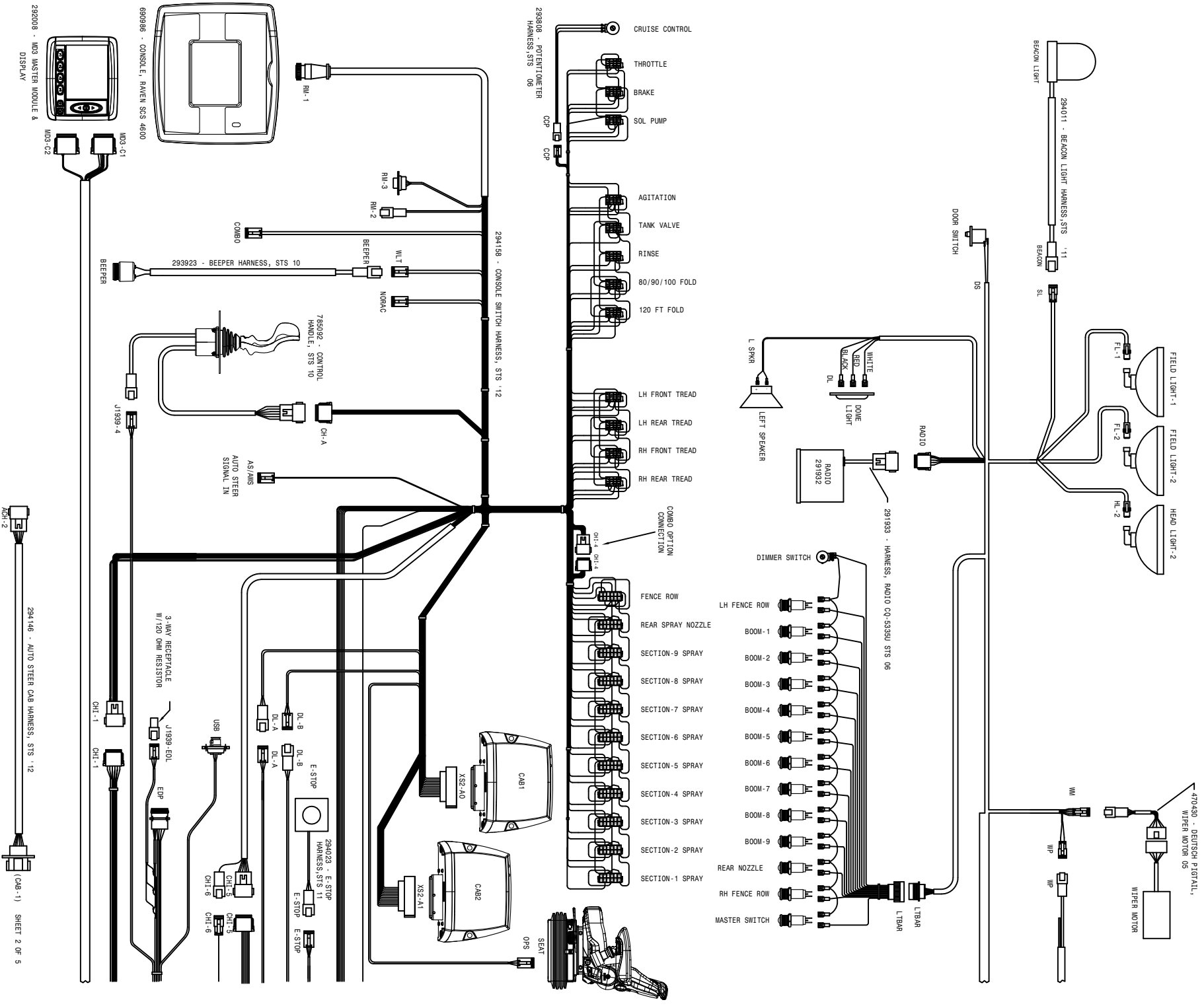




STS10/12-14L WERING DIAGRAM '13
 SHEET 3 OF 3
 REVISION DATE: 06-13-12
 499255
 12-20-11

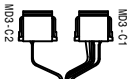


STS 10/12-T4J WIRING DIAGRAM - 19
 SHEET 4 OF 5
 REVISION DATE: 07-24-12
 11-20-11 DWG
 499255

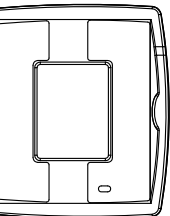


292908 - M03 MASTER MODULE & DISPLAY

690908 - CONSOLE, HAVEN SCS 4600



M03-C1
M03-C2



RM-1

RM-3

RM-2

WLT

BEEPER

NORAC

COMBO

293923 - BEEPER HARNESS, STS 10

BEEPER

789092 - CONTROL HANDLE, STS 10

CH-A

J1939-4

AS/MS AUTO STEER SIGNAL IN

3-WAY RECEPTACLE W/120 OHM RESISTOR

J1939-EOL

EPD

USB

CH1-3

CH1-5

CH1-6

CH2-6

CH2-7

CH2-8

CH2-9

CH2-10

CH2-11

CH2-12

CH2-13

CH2-14

CH2-15

CH2-16

CH2-17

CH2-18

CH2-19

CH2-20

CH2-21

CH2-22

CH2-23

CH2-24

CH2-25

CH2-26

CH2-27

CH2-28

CH2-29

CH2-30

CH2-31

CH2-32

CH2-33

CH2-34

CH2-35

CH2-36

CH2-37

CH2-38

CH2-39

CH2-40

CH2-41

CH2-42

CH2-43

CH2-44

CH2-45

CH2-46

CH2-47

CH2-48

CH2-49

CH2-50

CH2-51

CH2-52

CH2-53

CH2-54

CH2-55

CH2-56

CH2-57

CH2-58

CH2-59

CH2-60

CH2-61

CH2-62

CH2-63

CH2-64

CH2-65

CH2-66

CH2-67

CH2-68

CH2-69

CH2-70

CH2-71

CH2-72

CH2-73

CH2-74

CH2-75

CH2-76

CH2-77

CH2-78

CH2-79

CH2-80

CH2-81

CH2-82

CH2-83

CH2-84

CH2-85

CH2-86

CH2-87

CH2-88

CH2-89

CH2-90

CH2-91

CH2-92

CH2-93

CH2-94

CH2-95

CH2-96

CH2-97

CH2-98

CH2-99

CH2-100

CH2-101

CH2-102

CH2-103

CH2-104

CH2-105

CH2-106

CH2-107

CH2-108

CH2-109

CH2-110

CH2-111

CH2-112

CH2-113

CH2-114

CH2-115

CH2-116

CH2-117

CH2-118

CH2-119

CH2-120

CH2-121

CH2-122

CH2-123

CH2-124

CH2-125

CH2-126

CH2-127

CH2-128

CH2-129

CH2-130

CH2-131

CH2-132

CH2-133

CH2-134

CH2-135

CH2-136

CH2-137

CH2-138

CH2-139

CH2-140

CH2-141

CH2-142

CH2-143

CH2-144

CH2-145

CH2-146

CH2-147

CH2-148

CH2-149

CH2-150

CH2-151

CH2-152

CH2-153

CH2-154

CH2-155

CH2-156

CH2-157

CH2-158

CH2-159

CH2-160

CH2-161

CH2-162

CH2-163

CH2-164

CH2-165

CH2-166

CH2-167

CH2-168

CH2-169

CH2-170

CH2-171

CH2-172

CH2-173

CH2-174

CH2-175

CH2-176

CH2-177

CH2-178

CH2-179

CH2-180

CH2-181

CH2-182

CH2-183

CH2-184

CH2-185

CH2-186

CH2-187

CH2-188

CH2-189

CH2-190

CH2-191

CH2-192

CH2-193

CH2-194

CH2-195

CH2-196

CH2-197

CH2-198

CH2-199

CH2-200

CH2-201

CH2-202

CH2-203

CH2-204

CH2-205

CH2-206

CH2-207

CH2-208

CH2-209

CH2-210

CH2-211

CH2-212

CH2-213

CH2-214

CH2-215

CH2-216

CH2-217

CH2-218

CH2-219

CH2-220

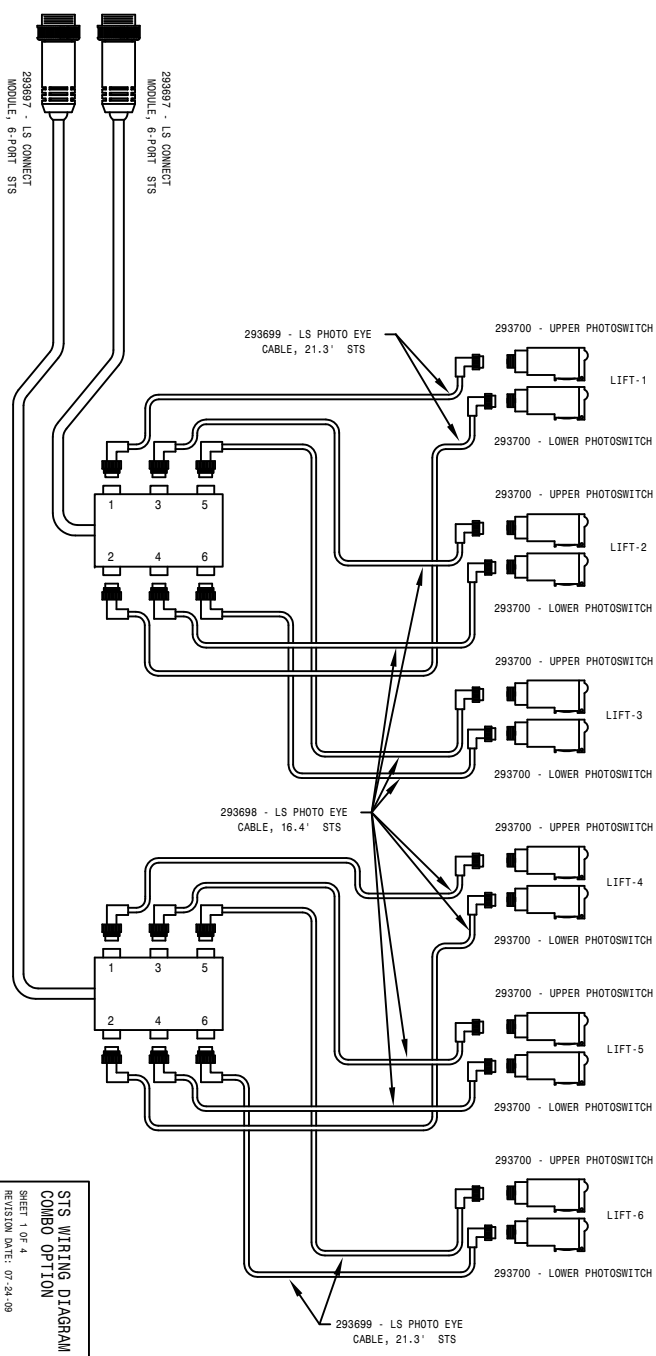
CH2-221

CH2-222

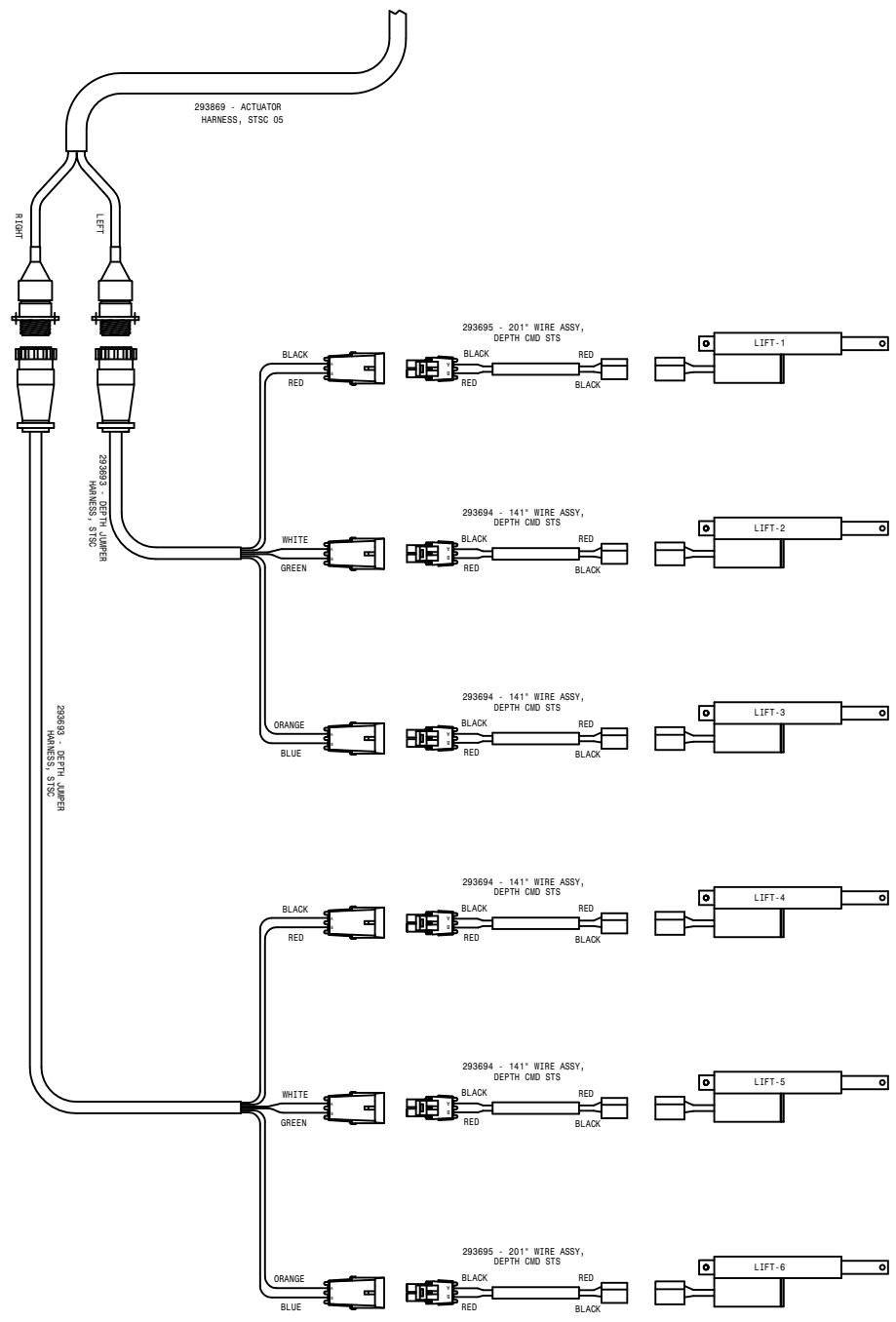
CH2-223

CH2-224

CH2-225

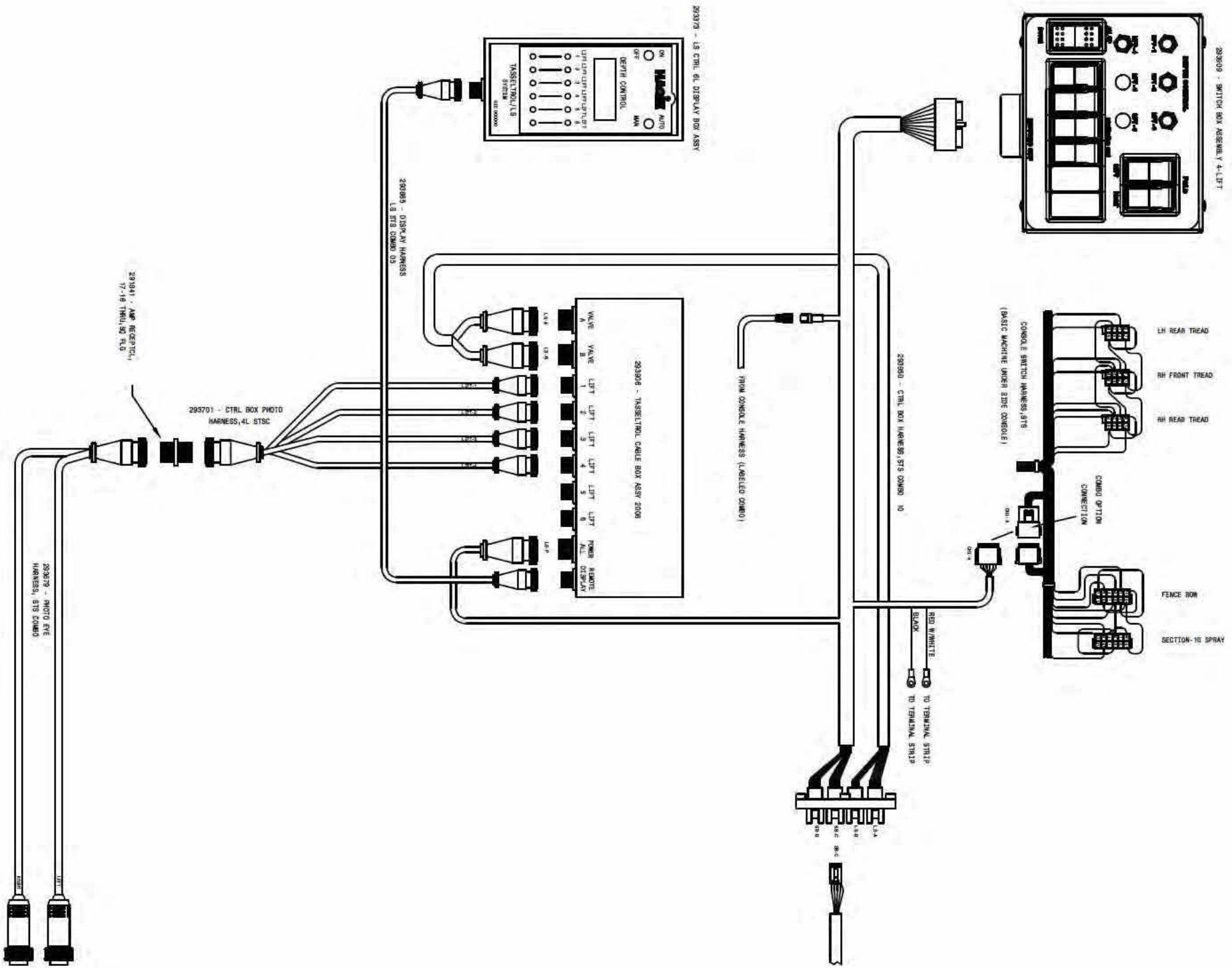


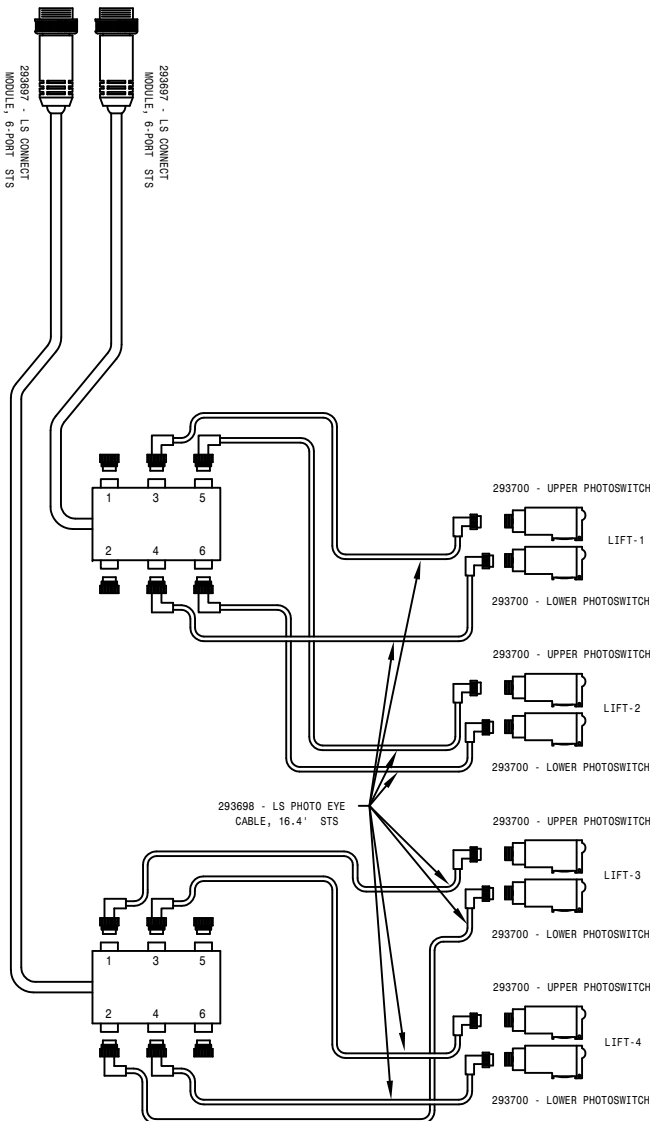
6-LIFT OPTION



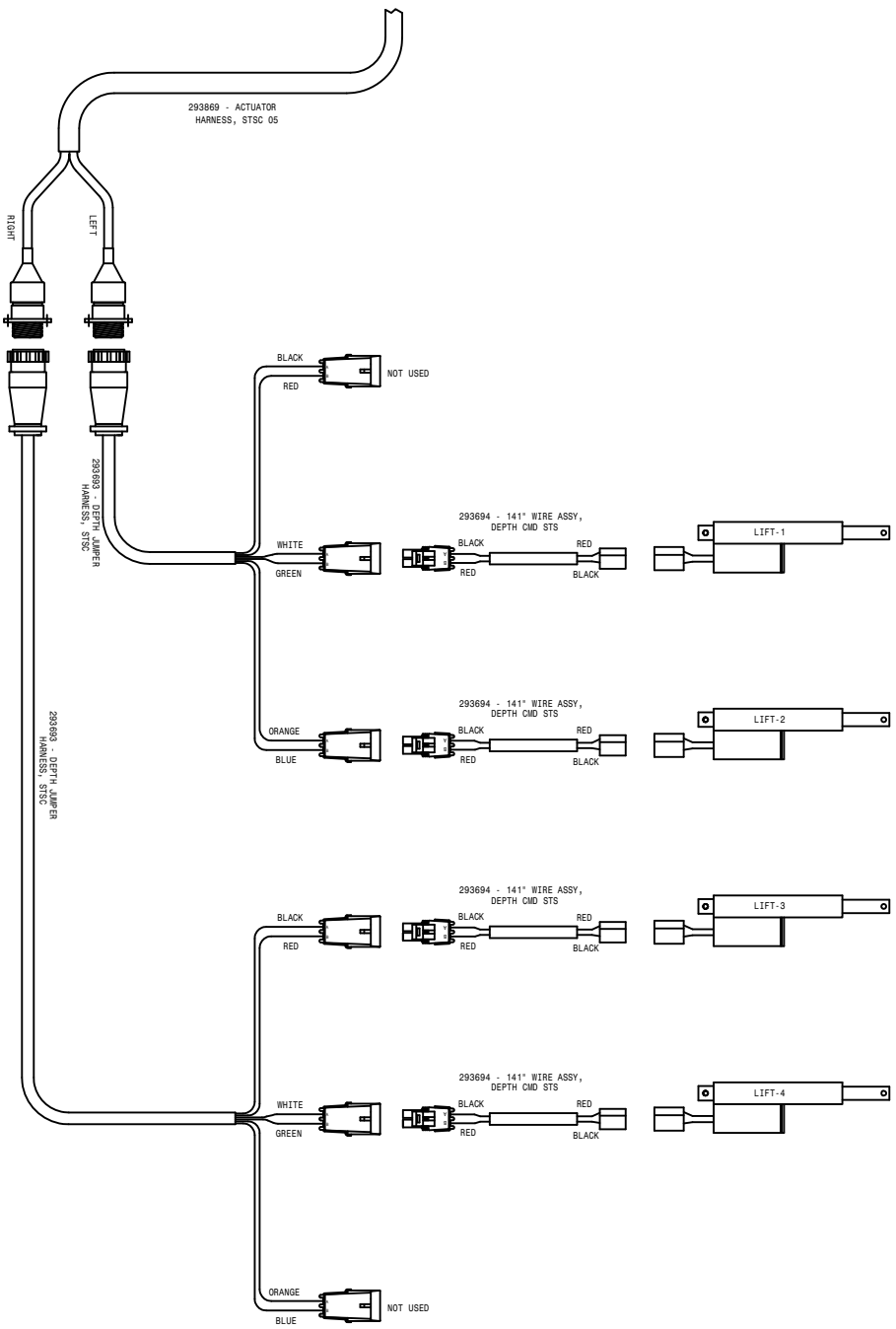
6-LIFT OPTION

STS WIRING DIAGRAM 10
COMBO OPTION
SHEET 1 OF 4
REVISION DATE: 07-24-09
499029
07-01-09 TLT





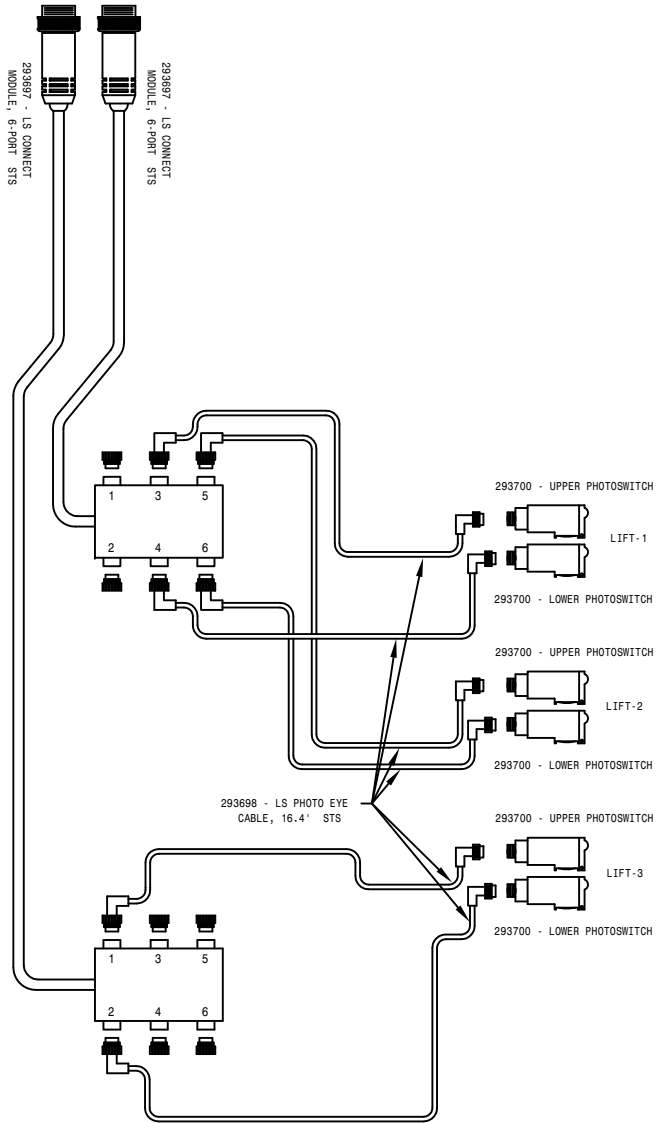
4-LIFT OPTION



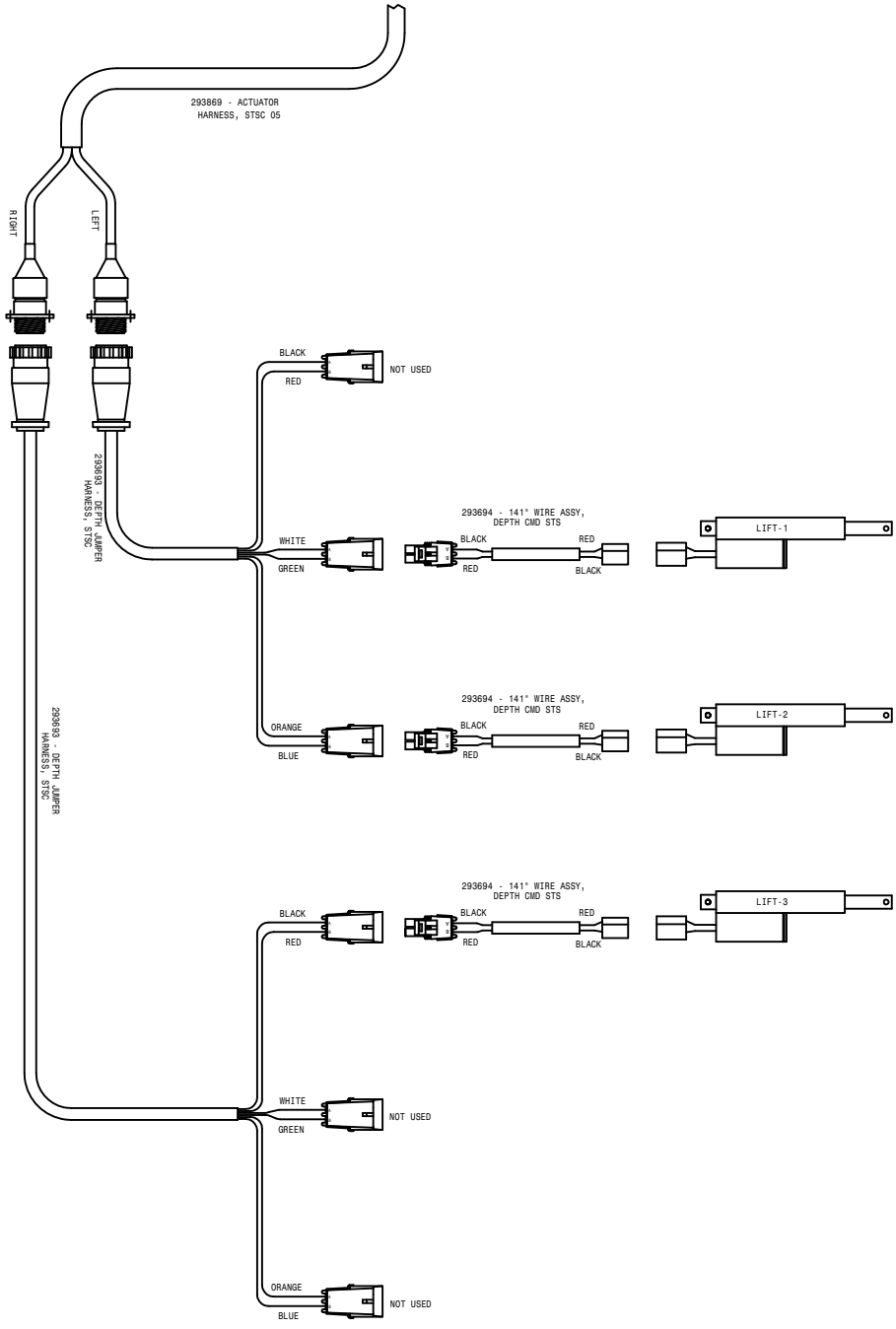
4-LIFT OPTION

STS WIRING DIAGRAM 10
 COMBO OPTION
 SHEET 2 OF 4
 REVISION DATE: 07-24-09
 499029

07-01-09 TLM

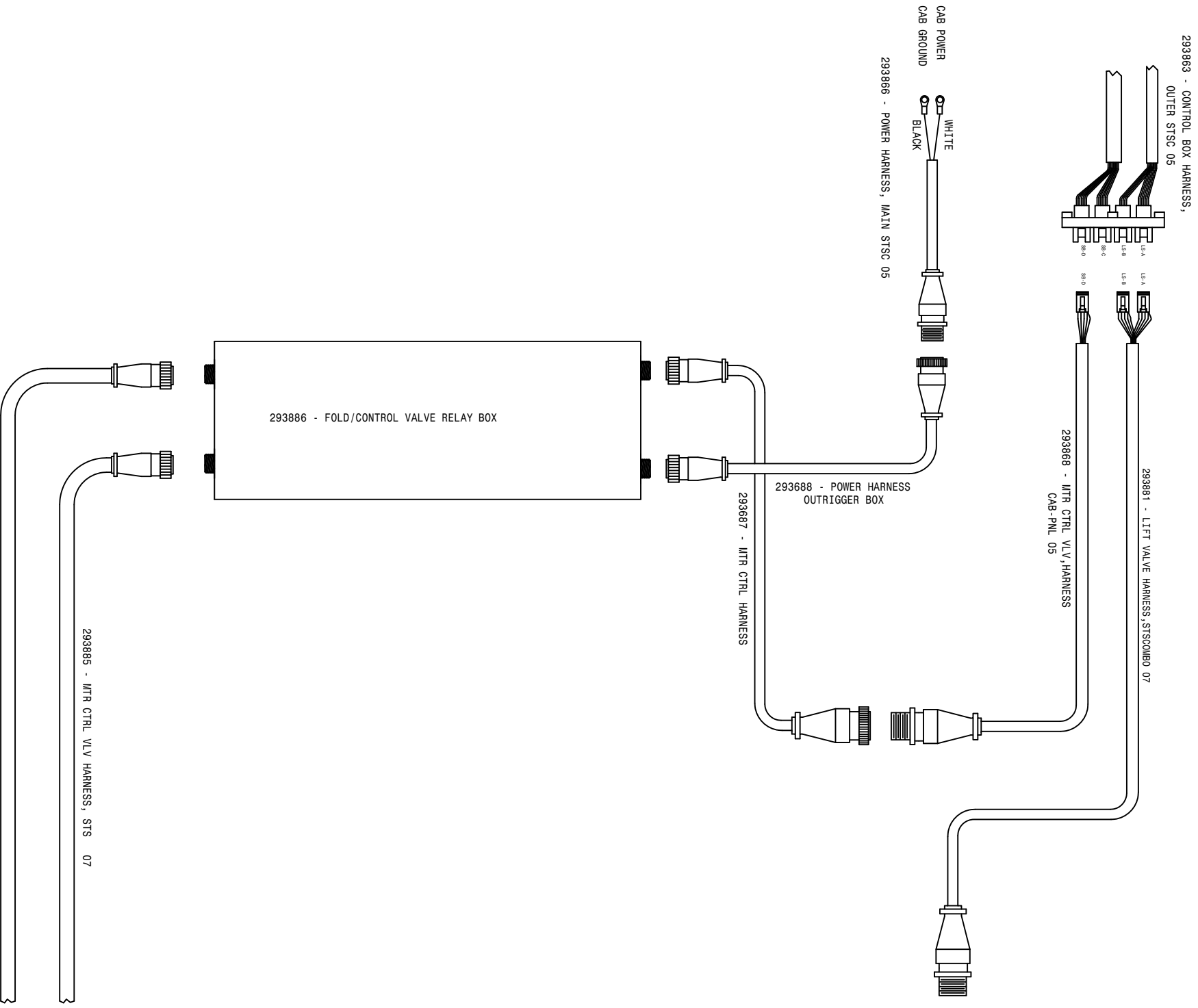


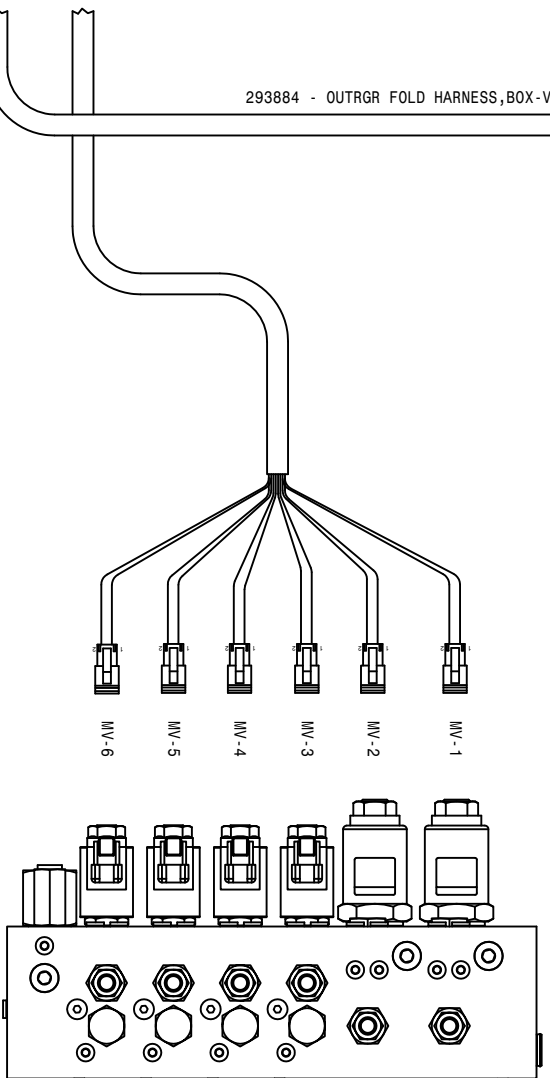
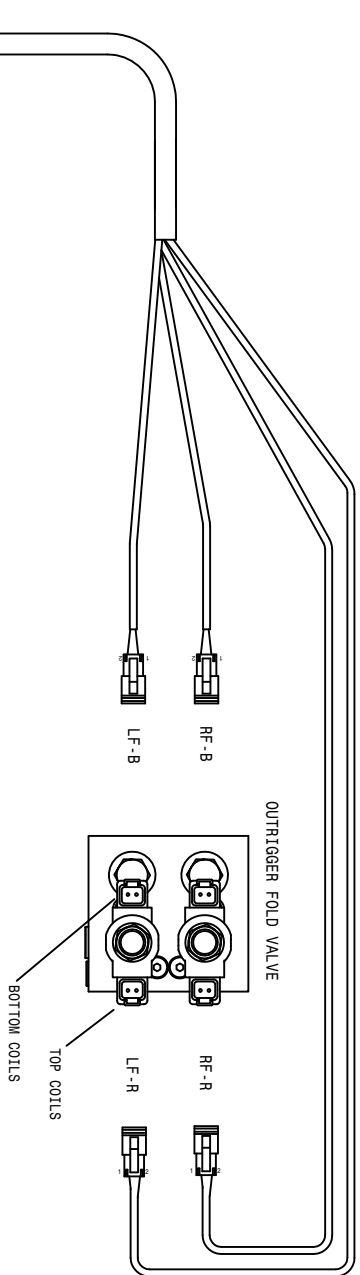
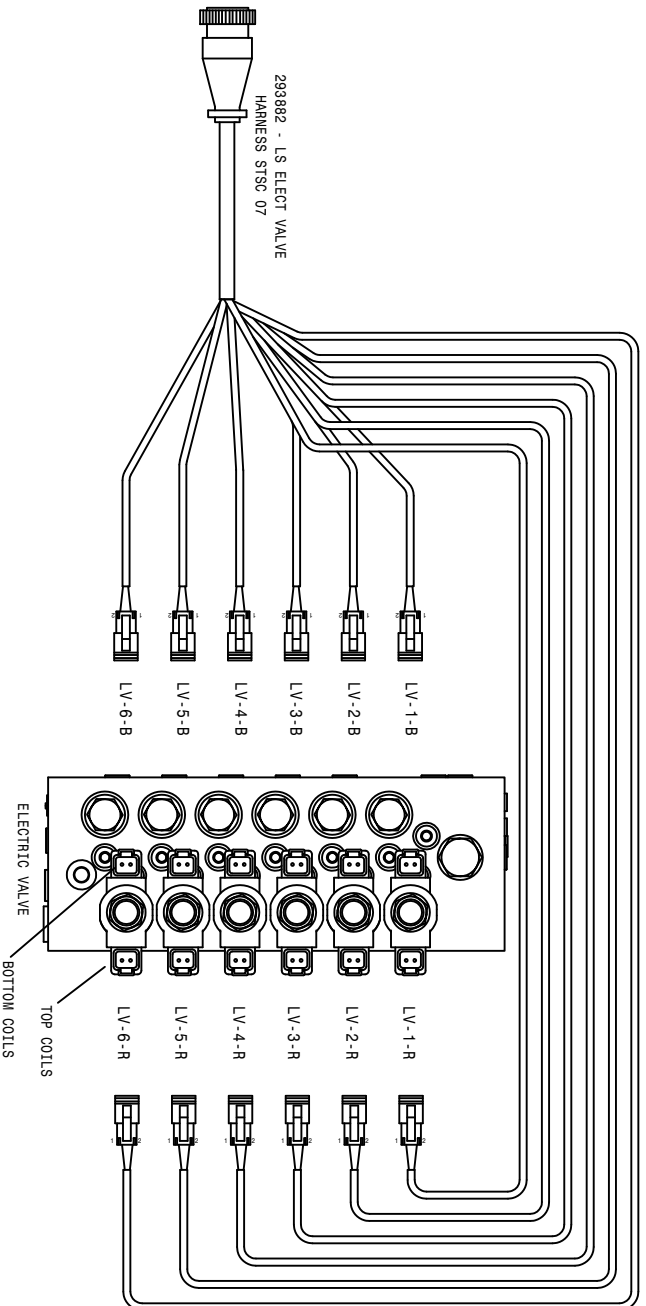
3-LIFT OPTION



3-LIFT OPTION

STS WIRING DIAGRAM 10
 COMBO OPTION
 SHEET 3 OF 4
 REVISION DATE: 07-24-09
 499029





07-01-09 TUL
499029
STS WIRING DIAGRAM 10
COMBO OPTION
SHEET 4 OF 4
REVISION DATE:

ABBREVIATIONS

A/C - AIR CONDITIONER	MT - MOUNT
ADPTR - ADAPTER	MTR - MOTOR
AGI - AGITATOR	P/N - PART NUMBER
ALT - ALTERNATOR	PLT - PLATE
ASSY - ASSEMBLY	QTY - QUANTITY
BRKT - BRACKET	RED - REDUCER
DET - DETAIL	REF - REFERENCE
DISPL - DISPLACEMENT	REST - RESTRICTOR
EL - ELBOW	REQ - REQUIRED
EXT - EXTENSION	SHFT - SHAFT
FLO - FLOW	SOL - SOLUTION
FNPT - FEMALE NATIONAL PIPE THREAD	STRG - STEERING
FOR - FEMALE O-RING	ST - STREET
FRT - FRONT	SV - STANDARD VOLUME
HV - HI-VOLUME	SWIV - SWIVEL
HYD - HYDRAULIC	UNC - UNIFIED NATIONAL COURSE
HYDRO - HYDROSTATIC	UNF - UNIFIED NATIONAL FINE
LG - LONG	V - VOLT
LWR - LOWER	W/ - WITH
MJIC - MALE J.I.C.	WHL - WHEEL
MOR - MALE O-RING	WLD - WELDMENT

INDEX

-A-

ABBREVIATIONS.....208
 AIR DRYER.....15,23
 AIR CLEANER.....10,19
 FILTER.....10,19
 AIR COMPRESSOR GOVERNOR.....10,18
 AIR CONDITIONER
 BINARY SWITCH.....8,20
 COMPRESSOR.....6,19
 CONDENSOR COIL.....9,20
 CONTROLLER.....63
 HOSE.....8,9,19,20
 RECEIVER/DRYER.....8,20
 TUBE.....46
 AIR COOLER, CHARGE.....9,20
 AIRRIDE SPRING.....27,30,33,36
 AIR VALVE.....27,30,33,36
 ALTERNATOR.....5
 ARM, STEERING.....27,30,33,36
 ALL WHEEL STEER,
 LEG.....27,30,33,36
 VALVE.....119

-B-

BACK-UP BEEPER.....9
 BATTERY.....13,22
 CABLE.....4,5,10,13,18,19,22
 BOX PANEL.....9,21
 BEARING,
 BRONZE LEG.....27,30,33,36,39
 ORKOT.....27,30,33,36
 BELT,
 AIR CONDITIONER.....6
 DRIVE.....5
 BLOCK, TERMINAL.....75
 BOX,
 ELECTRICAL.....14
 PRESSURE WASHER.....110
 SIDE FILL.....114
 SWITCH.....77
 BRACE, RADIATOR.....8
 BUMPER, REAR.....82

-C-

CAB.....61,62
 ROOF.....61,62
 CABLE BATTERY.....4,5,10,13,18,19

CAP,

 FUEL.....12,21
 RADIATOR.....9,20
 CHARGE AIR COOLER.....9,20
 CHEMICAL INDUCTOR.....115
 COMPRESSOR, A/C.....6
 CONDENSOR COIL, A/C.....9,20
 CONSOLE.....73
 COOLER, OIL.....9,20,120
 CUTTER HEAD.....132
 CYLINDER,
 GAS.....82
 LADDER.....57
 SIDE FILL.....115
 STEERING.....27,30
 TREAD ADJUST.....39,40

-D-

DECALS.....138,139
 DIAGRAMS,
 AIR LINE.....136,137
 WIRING.....180
 DOOR.....70,82
 LATCH.....70,82,83
 DRAIN COCK, AIR.....16,17,24
 DRIVE
 BELT.....5
 DISK.....4
 DUMP VALVE.....53,54

-E-

ELECTRICAL BOX.....14,126
 ENGINE.....14
 ENGINE.....4,5
 HOOD.....82,83
 SKID.....8,21

-F-

FAN.....5,18
 SPACER.....5
 FILTER,
 AIR CLEANER.....10,18
 CAB.....61
 FUEL.....4,18
 HYDRAULIC.....25
 MINDER.....19
 OIL.....5,18,25
 FLASHER.....79,106,107
 FLOW METER.....87

FOAMER
TANK.....109
VALVE.....109
FOLD VALVE.....124
FRESH WATER.....108
FRONT FILL.....116
FUEL,
CAP.....21
SENDER.....21
TANK.....21

-G-
GLASS.....61,62

-H-
HANDRAIL.....55
HEADLINER.....63
HEATER TUBE.....46
HOOD, ENGINE.....82,83
HOSE, A/C.....8,19,20
HOSING,
SOLUTION.....90,91,92,93,94
HUB, TORQUE.....28,31,34,37
HYDRAULIC,
FILTER.....25
LEVER.....74
MANIFOLD.....47,48,49,50
QUICK CONNECT.....52,55
SCHEMATIC.....140
TANK.....25
TUBE.....45,46
VALVE.....51,53,56
HYDROSTATIC PUMP.....7

-I-
IGNITION SWITCH.....68

-L-
LADDER.....57
CYLINDER.....57
PIVOT ARM.....57
LEG.....27,30,33,36
ALL WHEEL STEER...27,30,33,36
LEVER,
HYDROSTATIC.....74
QUICK ATTACH.....105
LIFT VALVE.....122
LIGHT.....61,62
LINE STRAINER.....84
LIQUID LEVEL SWITCH.....25

-M-
MDM DISPLAY.....63

MIRROR.....61,62
MONITOR, SPRAYER.....71
MOTOR,
CONTROL VALVE.....121
STEERING.....67
WHEEL.....28,31,34,37
MOUNT, RUBBER.....8,19,62
MUFFLER.....11,19

-N-
NOZZLE,
MOUNT TUBE.....102
REAR WHEEL.....102

-O-
OIL COOLER.....9,20,120
OIL FILTER.....5,18,25

-P-
PANEL,
BATTERY BOX.....9,21
SWITCH.....64,72
PLATFORM, SERVICE.....44
PRESSURE TRANSDUCER.....47,50
PRESSURE WASHER.....111
BOX.....110
VALVE.....111
PULLER, QUAD.....131
PUMP,
HYDRAULIC.....4,18
HYDROSTATIC.....7
SIDE FILL.....115
SOLUTION.....103,104

-Q-
QUICK CONNECT, HYDRAULIC...52,55

-R-
RADIATOR.....9,20
BRACE.....8
CAP.....9,20
HOSE.....5,20
RADIO.....63
REAR WHEEL NOZZLE.....102
RECEPTACLE PANEL.....78
RINSE TANK.....84
RUBBER
MOUNT.....8,9,19,61
SPRING.....27,30,33,36

-S-

SCHEMATIC, HYDRAULIC..... 140
SEAT..... 64,65
SENDER, FUEL..... 12,21
SENDER, WATER LEVEL..... 9,20
SEVICE PLATFORM..... 43
SHEET METAL..... 83
SHIELD, WHEEL MOTOR.. 28,31,34,37
SIDFILL..... 115
BOX..... 114
CYLINDER..... 115
SIGHT GAUGE, OIL..... 25
SKID, ENGINE..... 21
SMV SIGN..... 82
SOLUTION
HOSING..... 90,91,92,93,94
PUMP..... 103,104
TANK..... 85,86
VALVE..... 51,87
SPACER, FAN..... 5
SPEAKER..... 63
SPRAY MONITOR..... 71
SPRING,
AIRRIDE..... 27,30,33,36
SOLUTION TANK..... 85
STANDS..... 135
STARTER..... 5
STEERING,
ARM..... 27,30,33,36
COLUMN..... 68
CYLINDER..... 27,30
MOTOR..... 67
STRAINER, LINE..... 103,104
SWITCH,
A/C BINARY..... 8,20
BOX..... 77
IGNITION..... 68
LIQUID LEVEL..... 25
PANEL..... 66

-T-

TAILLIGHT..... 84
TANK
AIR..... 15,16,23,24
FOAMER..... 109
FRESHWATER..... 108
FUEL..... 21
HYDRAULIC..... 25
RINSE..... 84
SOLUTION..... 85
TERMINAL BLOCK..... 75
TIRE..... 15

TOOLBAR..... 127

TORQUE HUB..... 28,31,34,37
TREAD ADJUST
CYLINDER..... 39,40
VALVE..... 43,44
TUBE,
A/C..... 36
HEATER..... 36
HYDRAULIC..... 35,36

-V-

VALVE,
AIR..... 27,30,33,36
ALL WHEEL STEER..... 119
BALL..... 85
DUMP..... 53,54,84
ELECTRIC BALL..... 84,91
FOAMER..... 109
HYDRAULIC..... 54,56
PRESSURE WASHER..... 111
SIDE FILL..... 115
SOLUTION..... 51
TREAD ADJUST..... 43,44

-W-

WASHER, PRESSURE..... 111
WATER LEVEL SENSOR..... 9,20
WHEELMOTOR..... 28,31,34,37
SHIELD..... 28,31,34,37
WIRING DIAGRAM..... 180

Notes: