

PARTS MANUAL
FOR
HAGIE MODEL STS 12 HI-TRACTOR

HAGIE MANUFACTURING COMPANY

BOX 273 CLARION, IOWA 50525

(515) 532-2861

COVERS MACHINE SERIAL NUMBERS: U160066001 thru U1600660100

01-06 493362
02-08

SPRAYER IDENTIFICATION

Each Hagie sprayer is identified by means of a frame serial number. This serial number denotes the model, the year in which it was built, and the number of the sprayer. As for further identification, the engine has a serial number and the planetary hubs have identification plates that describe the type of mount and gear ratio. To insure prompt, efficient service when ordering parts or requesting service repairs from Hagie Manufacturing Company, record the serial and identification numbers in the space provided below.

NOTE: Reference to left hand and right hand used throughout this manual refers to the position when seated in the operator's seat facing forward.

SPRAYER SERIAL NUMBER

ENGINE SERIAL NUMBER

PLANETARY HUB IDENTIFICATION NUMBERS

TABLE OF CONTENTS

ENGINE ASSEMBLY 4-11

RADIATOR AND OIL COOLER ASSEMBLY. 12

AIR DRYER ASSEMBLY. 13

FUEL AND OIL TANK ASSEMBLY. 14-15

BATTERY 16

TIRE ASSEMBLY 17

LEG ASSEMBLY 18-25

HYDRAULIC TUBING 26-27

TREAD ADJUST ASSEMBLY 28-29

LADDER AND BRAKE VALVE ASSEMBLY 30

LADDER ASSEMBLY 31

SERVICE PLATFORM. 32

AIR TANK ASSEMBLY 33

FOAMER TANK ASSEMBLY 34-35

CAB ASSEMBLY. 36-51

FLASHER AND LIGHT RELAY 52

REAR ELECTRICAL BOX ASSEMBLY 53

BUMPER AND ENGINE HOOD 54-56

SOLUTION TANK 57-58

SOLUTION PUMP AND ELECTRIC VALVES 59-75

REAR WHEEL NOZZLE 76

SOLUTION HOISING 77-80

ENGINE BOX ASSEMBLY 81

FOAMER HOISING. 82-85

TRANSOM, BOOM, AND LIFT COMPONENTS. 86-103

PRESSURE WASHER OPTION. 104-107

SIDE FILL/CHEMICAL INDUCTOR OPTION. 108-111

FRONT FILL OPTION. 112

RADAR OPTION. 113

FENDER OPTION 114-115

FLOW MAX 110 MONITOR. 116

BOOM STAND OPTION 117

WET BOOM OPTION. 118-125

DECALS. 126-127

HYDRAULIC SCHEMATIC 128-135

ELECTRICAL SCHEMATIC 136-145

ABBREVIATIONS 146

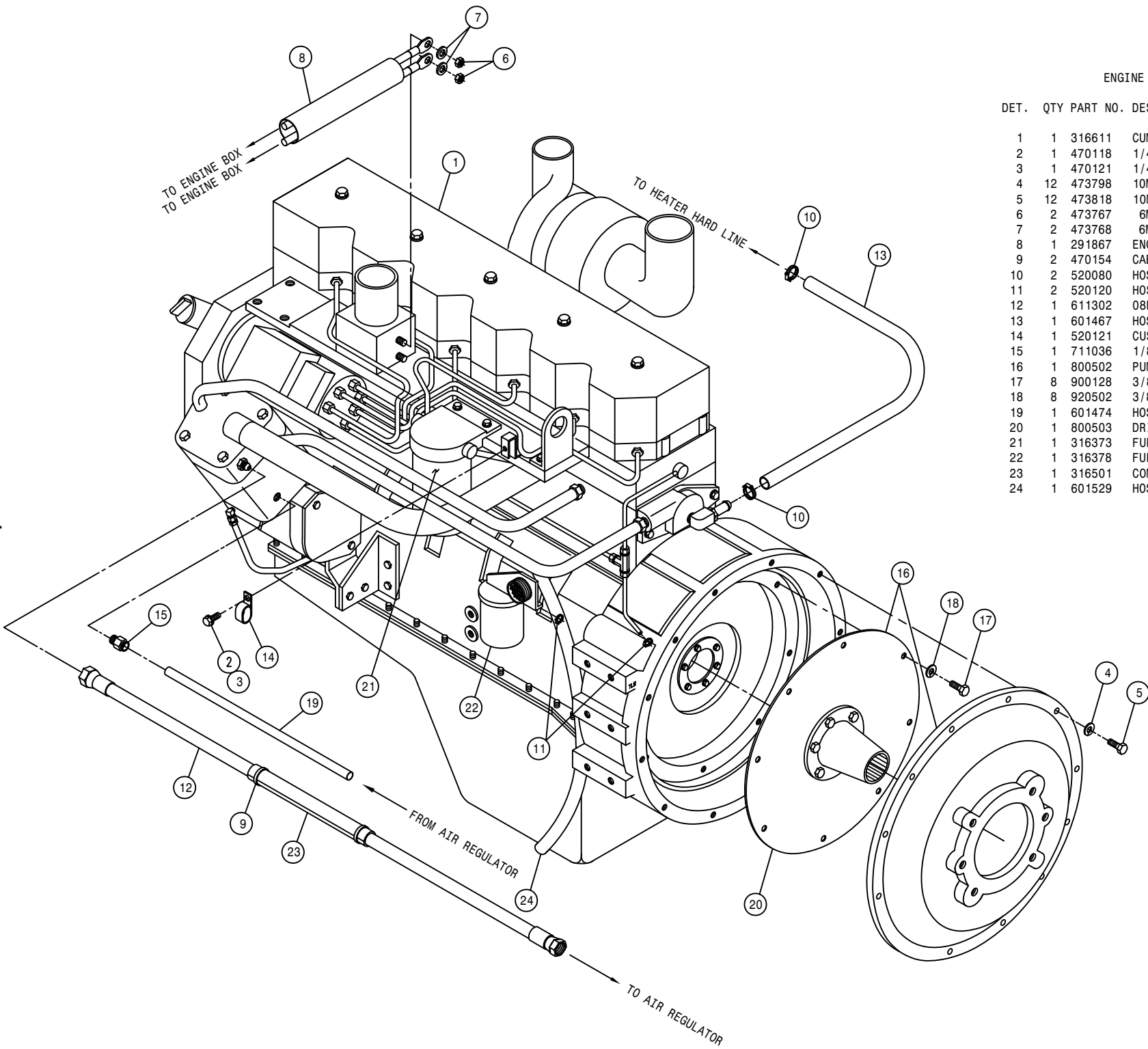
INDEX. 147

PARTS ORDER FORM. 150

ENGINE ASSEMBLY

DET. QTY PART NO. DESCRIPTION

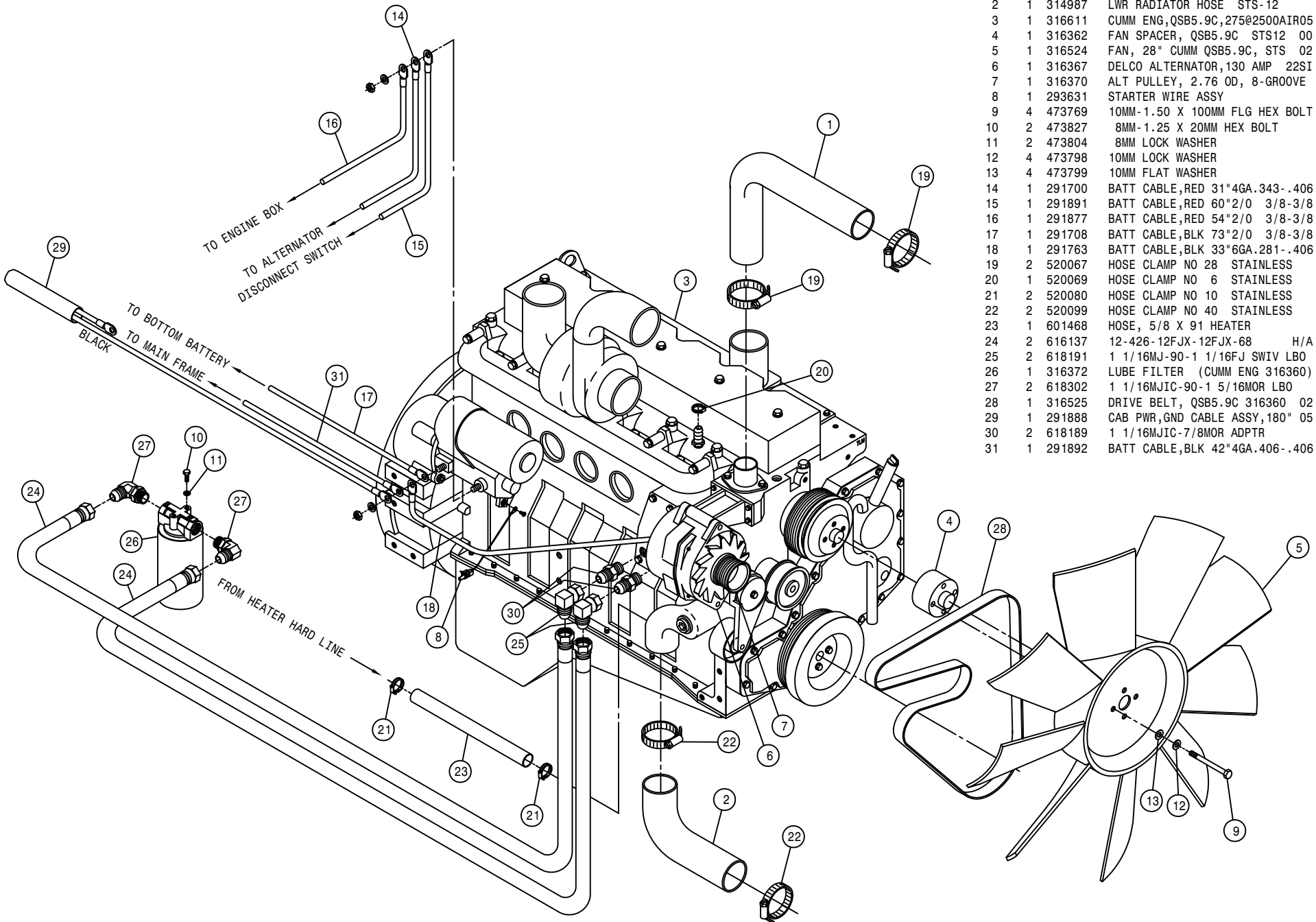
1	1	316611	CUMM ENG,QSB5.9C,275@2500AIR05
2	1	470118	1/4UNC X 3/4 FLANGE HEX BOLT
3	1	470121	1/4UNC HEX FLANGE LOCK NUT
4	12	473798	10MM LOCK WASHER
5	12	473818	10MM-1.50 X 40MM HEX BOLT
6	2	473767	6MM-1.00 HEX NUT
7	2	473768	6MM LOCK WASHER
8	1	291867	ENG HEATER CABLE ASSY,RED 6GA
9	2	470154	CABLE TIE, 11.75" BLK PLASTIC
10	2	520080	HOSE CLAMP NO 10 STAINLESS
11	2	520120	HOSE CLAMP NO 4 STAINLESS
12	1	611302	08P919-10FJX-10FJX-69 H/A
13	1	601467	HOSE, 5/8 X 69 HEATER
14	1	520121	CUSH HOSE CLAMP 1IN X 3/4W
15	1	711036	1/8MNPT-1/4 NYL TUBE FTG
16	1	800502	PUMP DRIVE,DIRECT SAE#3/C 23T
17	8	900128	3/8UNC X 3/4 HEX BOLT
18	8	920502	3/8 LOCK WASHER
19	1	601474	HOSE, 1/4 X 26 AIR
20	1	800503	DRIVE DISK ASSY,11.5" 23T SPL
21	1	316373	FUEL/WATER SEPERATOR (316360)
22	1	316378	FUEL TRANSFER PUMP FOR 316360
23	1	316501	COMPRESSOR HOSE GUARD STS
24	1	601529	HOSE, 3/4 X 34 CLEAR VINYL

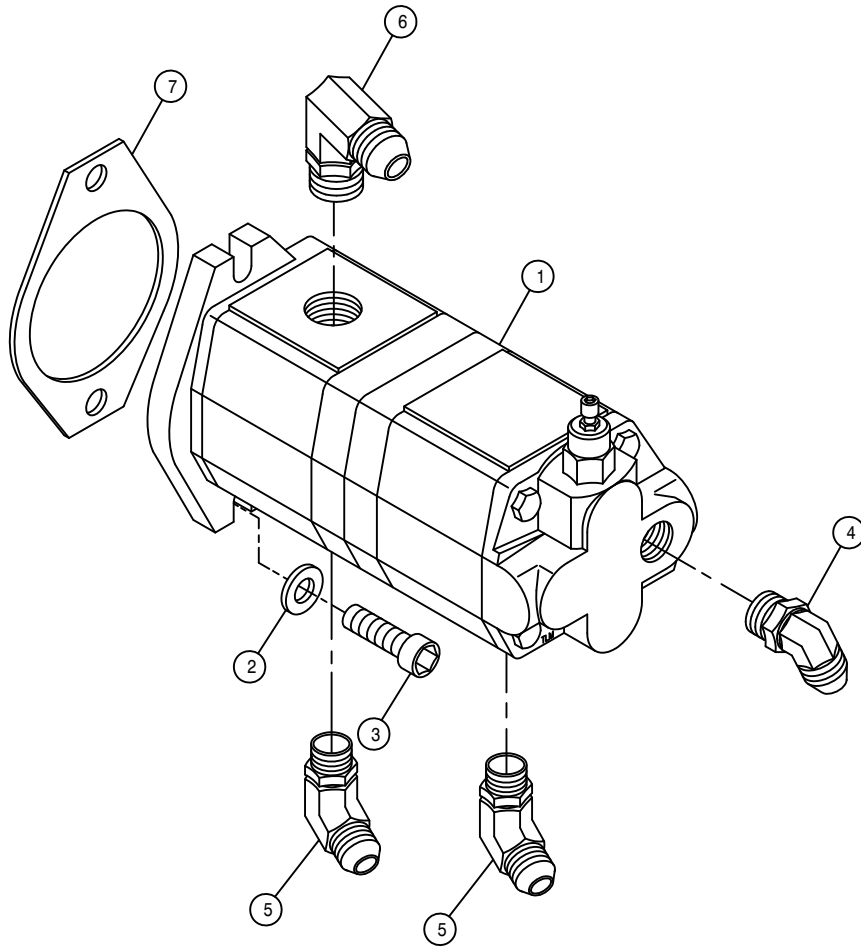


ENGINE ASSEMBLY

DET. QTY PART NO. DESCRIPTION

1	1	314832	RADIATOR HOSE 1.75 X 19(52423)
2	1	314987	LWR RADIATOR HOSE STS-12
3	1	316611	CUMM ENG,QSB5.9C,275@2500AIR05
4	1	316362	FAN SPACER, QSB5.9C STS12 00
5	1	316524	FAN, 28" CUMM QSB5.9C, STS 02
6	1	316367	DELCO ALTERNATOR,130 AMP 22SI
7	1	316370	ALT PULLEY, 2.76 OD, 8-GROOVE
8	1	293631	STARTER WIRE ASSY
9	4	473769	10MM-1.50 X 100MM FLG HEX BOLT
10	2	473827	8MM-1.25 X 20MM HEX BOLT
11	2	473804	8MM LOCK WASHER
12	4	473798	10MM LOCK WASHER
13	4	473799	10MM FLAT WASHER
14	1	291700	BATT CABLE,RED 31"4GA.343-.406
15	1	291891	BATT CABLE,RED 60"2/0 3/8-3/8
16	1	291877	BATT CABLE,RED 54"2/0 3/8-3/8
17	1	291708	BATT CABLE,BLK 73"2/0 3/8-3/8
18	1	291763	BATT CABLE,BLK 33"6GA.281-.406
19	2	520067	HOSE CLAMP NO 28 STAINLESS
20	1	520069	HOSE CLAMP NO 6 STAINLESS
21	2	520080	HOSE CLAMP NO 10 STAINLESS
22	2	520099	HOSE CLAMP NO 40 STAINLESS
23	1	601468	HOSE, 5/8 X 91 HEATER
24	2	616137	12-426-12FJX-12FJX-68 H/A
25	2	618191	1 1/16MJ-90-1 1/16FJ SWIV LBO
26	1	316372	LUBE FILTER (CUMM ENG 316360)
27	2	618302	1 1/16MJIC-90-1 5/16MOR LBO
28	1	316525	DRIVE BELT, QSB5.9C 316360 02
29	1	291888	CAB PWR,GND CABLE ASSY,180" 05
30	2	618189	1 1/16MJIC-7/8MOR ADPTR
31	1	291892	BATT CABLE,BLK 42"4GA.406-.406





STEERING AND TREAD PUMP ASSEMBLY

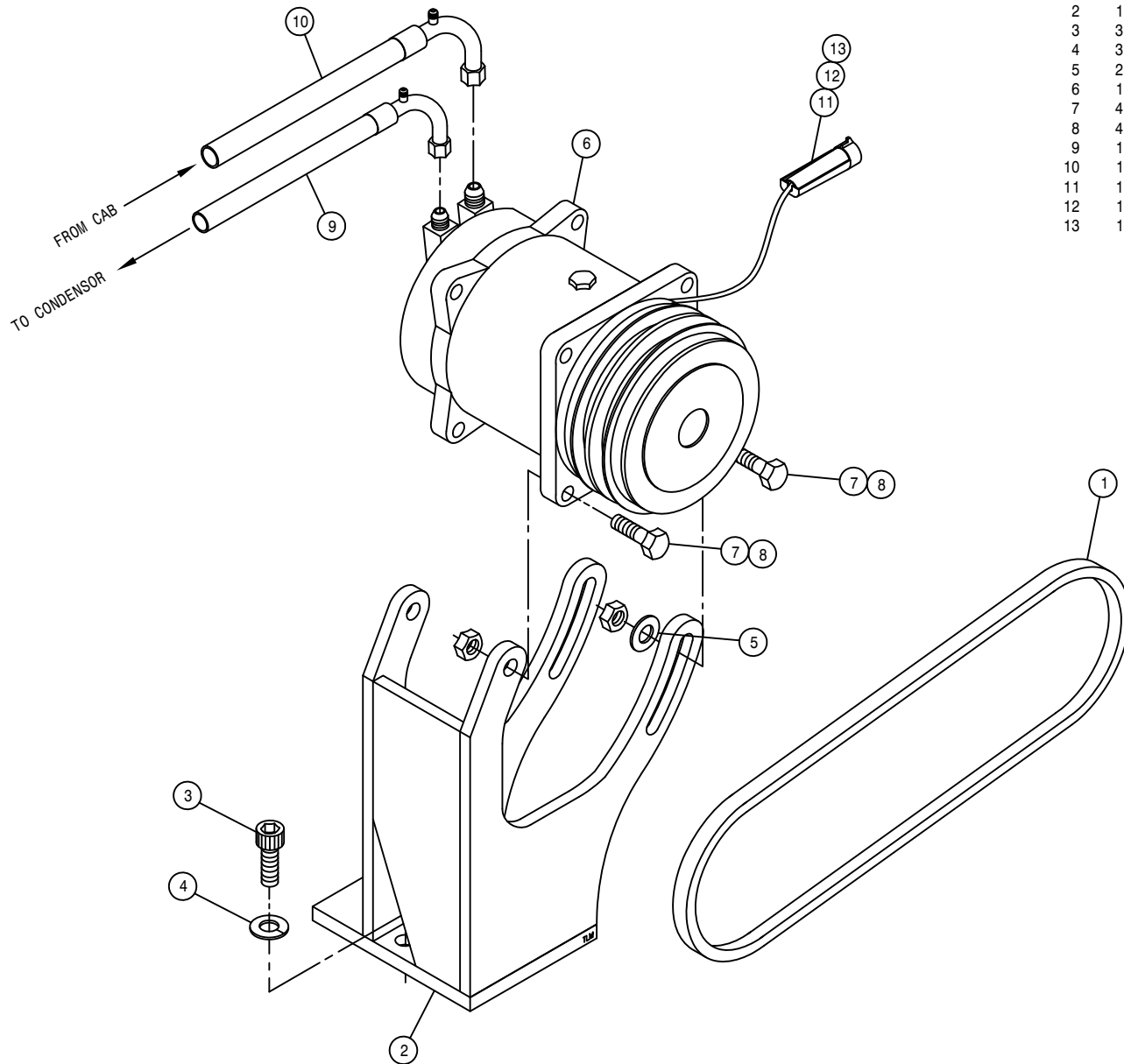
DET. QTY PART NO. DESCRIPTION

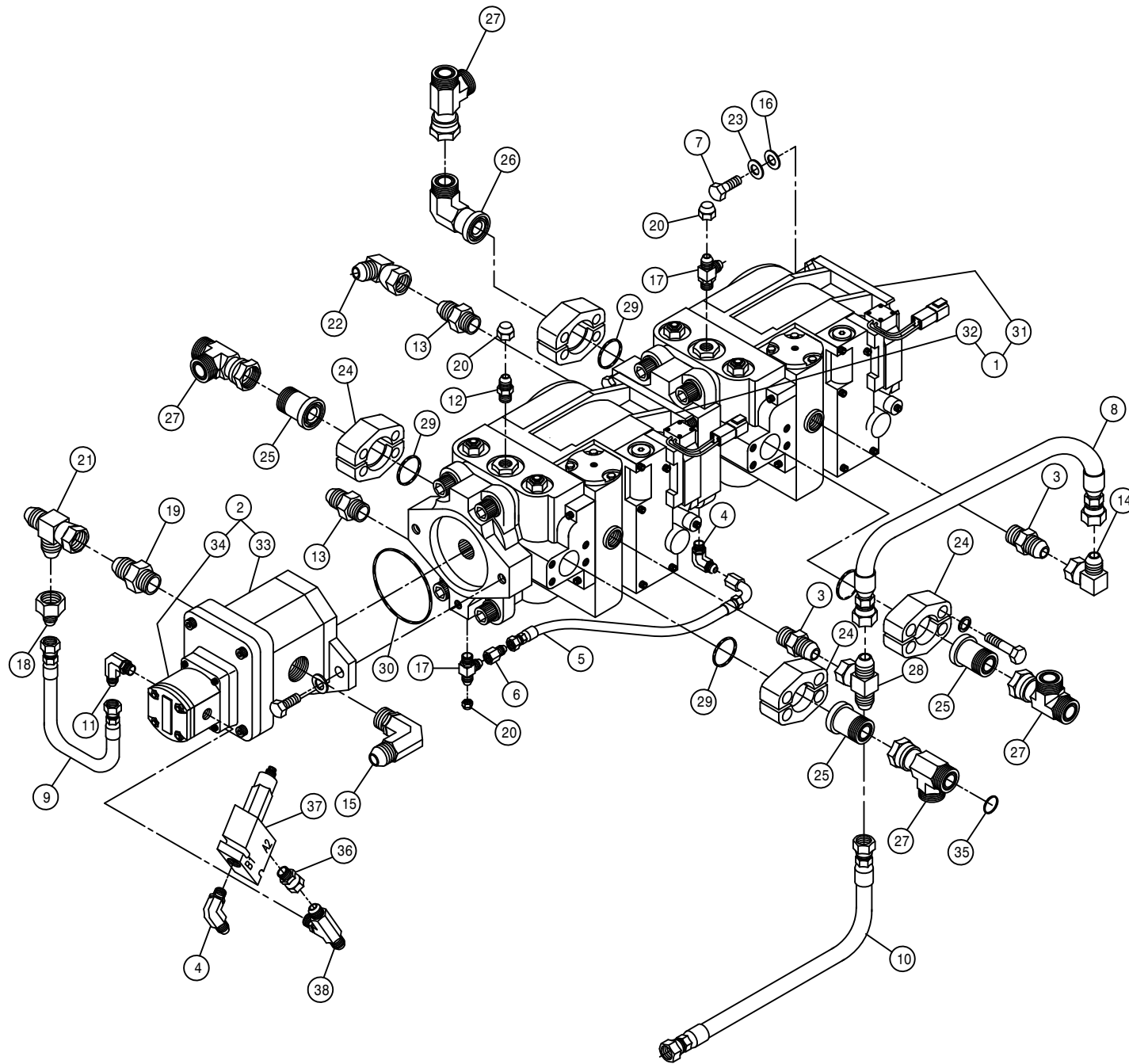
1	1	606990	TANDEM PUMP, .66CI/.51CI
2	2	473799	10MM FLAT WASHER
3	2	473844	10MM-1.50 X 30 SOC HD CAP SCR
4	1	618315	3/4MJIC-45-3/4MOR LBO
5	2	618183	3/4MJIC-90-7/8MOR LBO
6	1	618248	1 1/16MJIC-90-1 1/16MOR LBO
7	1	316371	GASKET, AUX DRIVE CUMM 154916

A/C COMPRESSOR PUMP ASSEMBLY

DET. QTY PART NO. DESCRIPTION

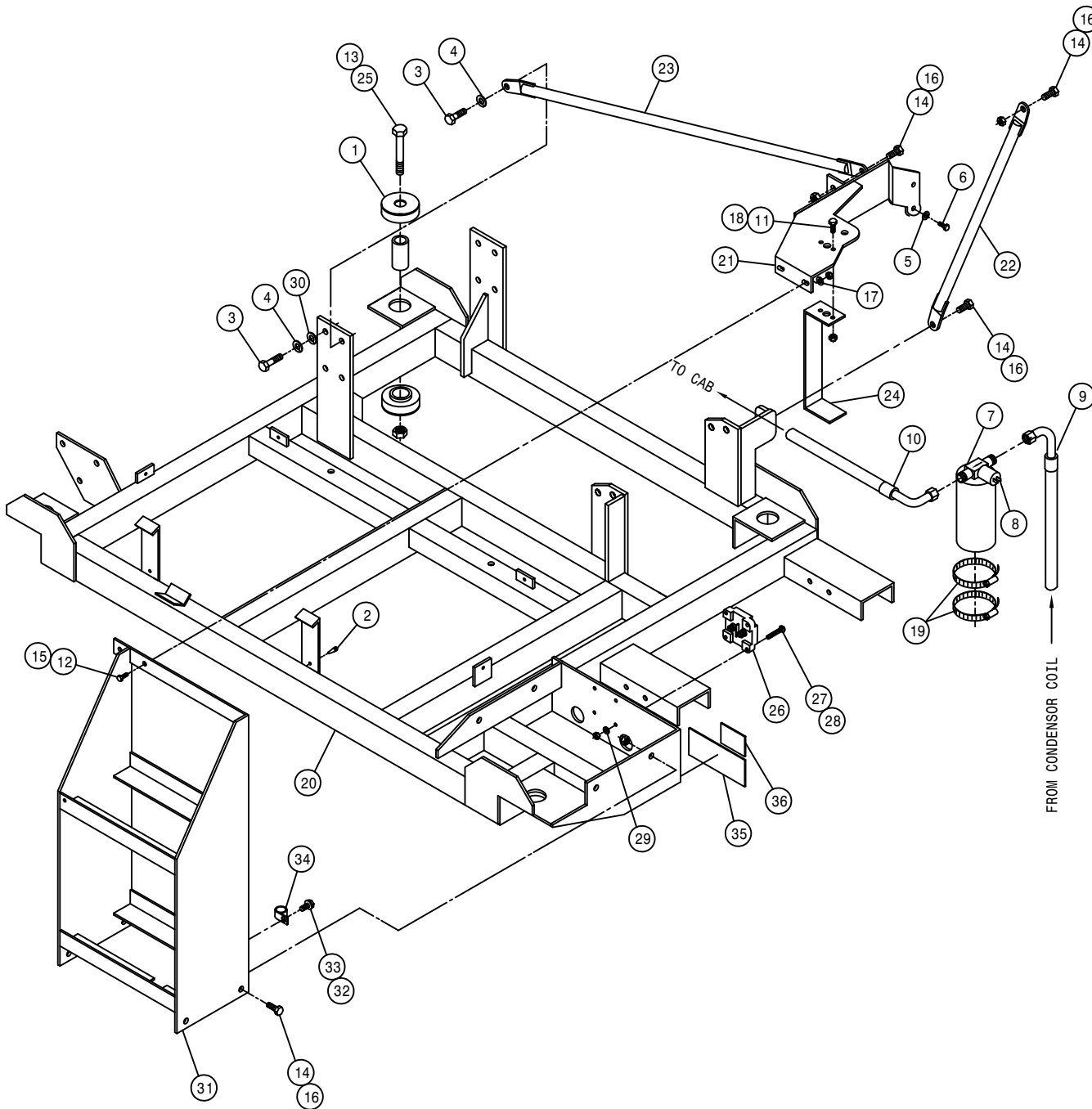
1	1	147052	BELT, 17470 GOODYEAR
2	1	316591	A/C MTG BRKT WLD, STS 2004
3	3	473844	10MM-1.50 X 30 SOC HD CAP SCR
4	3	473798	10MM LOCK WASHER
5	2	483043	3/8 REGULAR FLAT WASHER
6	1	657450	A/C COMP SR, 90D PORT TM15/12
7	4	900131	3/8UNC X 1 1/2 HEX BOLT
8	4	914004	3/8UNC HEX STOVER NUT
9	1	657446	A/C HOSE, 08-08F90-08F90SV-65"
10	1	657447	A/C HOSE, 10-10F90-10F90SV-92"
11	1	291593	PACKARD CONNECT, 1-WIRE SHROUD
12	1	291620	PACKARD CABLE SEAL, GRN 20-18GA
13	1	291675	MALE TERMINAL, 16-14GA PACKARD





HYDROSTATIC PUMP ASSEMBLY

DET.	QTY	PART NO.	DESCRIPTION
1	1	606170	TANDEM PUMP,606173 & 606176 05
2	1	606972	TANDEM PUMP, 606984 & 606987
3	2	611127	1 1/16MJIC-1 1/16MOR ADPTR
4	2	618119	9/16MJIC-90-9/16MOR LBO
5	1	616038	04C2AT-06FJX-06FJX90-15 H/A
6	1	618734	9/16JIC .047 ORIFICE ADPTR
7	4	900265	1/2UNC X 1 1/2 HEX BOLT
8	1	616107	08-451TC-12FJX-12FJX-17 H/A
9	1	616243	06-451TC-08FJX-08FJX-17 H/A
10	1	616238	12-421-12FJX-12FJX-19 H/A
11	1	618241	3/4MJIC-90-3/4MOR LBO
12	1	618126	9/16MJIC-9/16MOR ADPTR
13	2	618186	1 5/16MJIC-1 5/16MOR ADPTR
14	1	618191	1 1/16MJ-90-1 1/16FJ SWIV LBO
15	1	618302	1 1/16MJIC-90-1 5/16MOR LBO
16	4	920004	1/2 SAE FLAT WASHER
17	2	618444	9/16MOR RUN TEE-9/16MJIC
18	1	618720	1 7/8FJIC-3/4MJIC ADPTR
19	1	618527	1 7/8MJIC-1 5/8MOR ADPTR
20	3	618531	9/16FJIC CAP NUT
21	1	618681	1 7/8FJ SW RUN TEE-1 7/8MJ
22	1	618640	1 5/16MJ-90-1 5/16FJ SWIV LBO
23	4	920504	1/2 LOCK WASHER
24	4	618652	1" SPLIT FLANGE KIT
25	3	618653	1" FLANGE-1 7/16MFOR ADPTR
26	1	618654	1" FLANGE-90-1 7/16MFOR LBO
27	4	618655	1 7/16FFOX RUN TEE-1 7/16MFOR
28	1	618660	1 1/16FJX BRANCH TEE-1 1/16MJ
29	4	618676	O-RING FOR 1" SPL FLG 618652
30	1	606870	O-RING FOR 606865 SUND B-MT
31	1	606173	SAUER 75CC PUMP,C/C-MT 05
32	1	606176	SAUER 75CC PUMP,C/B-MT 05
33	1	606984	SUND GEAR PUMP,2.02CI GRP3
34	1	606987	SUND GEAR PUMP,.128CI GRP3
35	12	618677	O-RING,-16 FACE SEAL .93ID 90D
36	1	618668	9/16FJIC SWIV-9/16MOR ADPTR
37	1	606214	RELIEF VALVE ASSY
38	1	618629	9/16MOR BRANCH TEE-9/16MJIC



ENGINE SKID ASSEMBLY

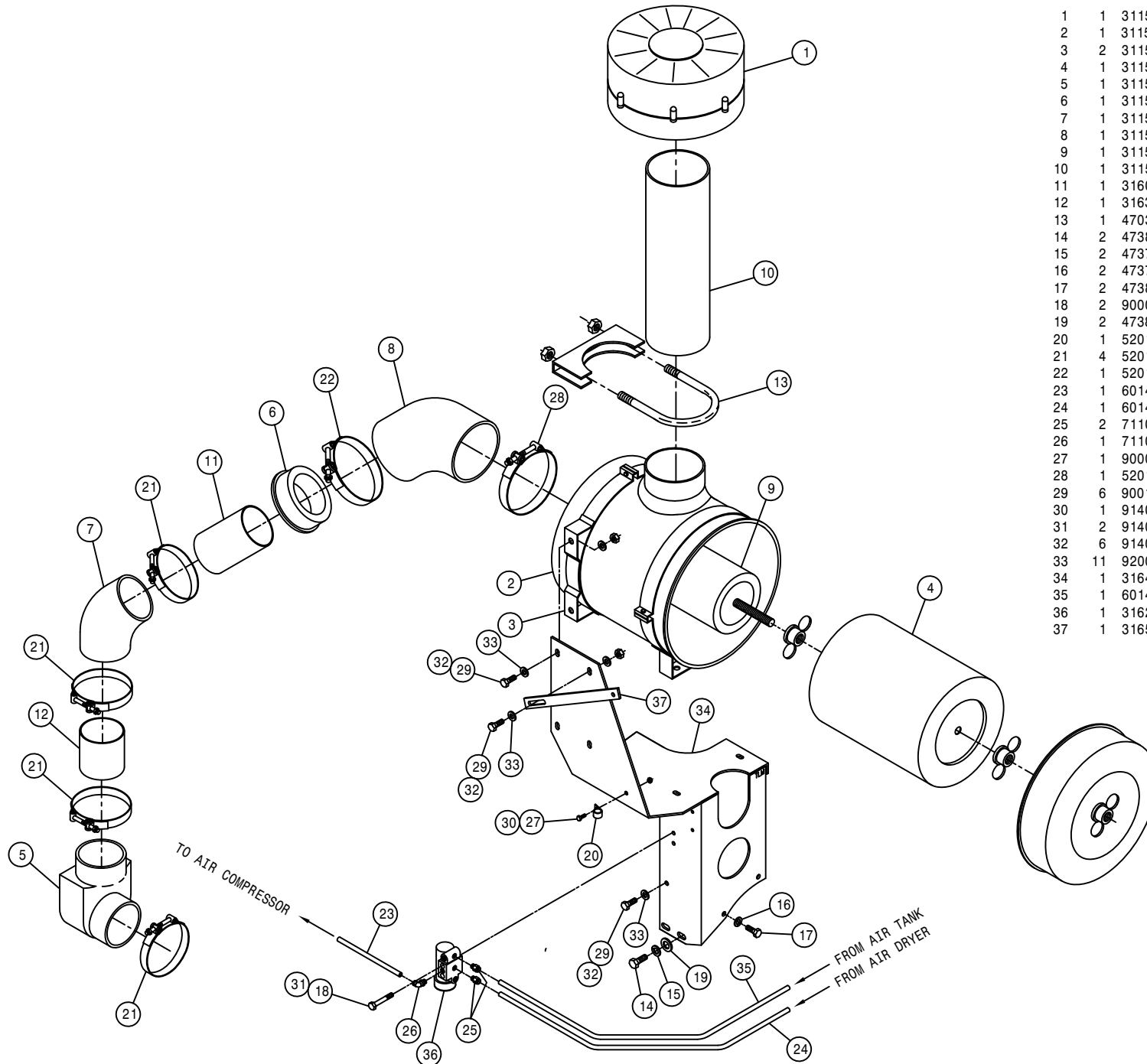
DET.	QTY	PART NO.	DESCRIPTION
1	4	311057	RUBBER MT SET,SSB33-1000-4
2	6	470313	GROMMET BUMPER,1/4T X 1/4D MT
3	12	473855	12MM-1.75 X 35MM FLANGE BOLT
4	12	473784	12MM LOCK WASHER
5	2	473804	8MM LOCK WASHER
6	2	473827	8MM-1.25 X 20MM HEX BOLT
7	1	657421	A/C RECEIVER/DRIER
8	1	657422	A/C BINARY SWITCH
9	1	657443	A/C HOSE,06-06F90-06F90-34"
10	1	657444	A/C HOSE,06-06F90-06F90-115"
11	2	900065	5/16UNC X 1" HEX BOLT
12	2	900129	3/8UNC X 1" HEX BOLT
13	4	914012	3/4UNC HEX STOVER NUT
14	7	900264	1/2UNC X 1 1/4 HEX BOLT
15	2	914004	3/8UNC HEX STOVER NUT
16	7	914008	1/2UNC HEX STOVER NUT
17	2	920002	3/8 SAE FLAT WASHER
18	2	914002	5/16UNC HEX STOVER NUT
19	2	520052	HOSE CLAMP NO 52 STAINLESS
20	1	316632	SKID WLD, STS 05
21	1	316581	RAD MT PLT WLD, STS 04
22	1	316433	RH RAD BRACE WLD STS 00
23	1	316434	LH RAD BRACE WLD STS 00
24	1	316432	A/C DRIER MT
25	4	900408	3/4UNC X 3 1/2 HEX BOLT
26	1	291870	BATTERY SWITCH, ON/OFF(KEY)
27	4	903905	10-32X1 1/2 SLT RD HD MACH SCR
28	4	910027	10-32 HEX NUT
29	4	920510	#10 LOCK WASHER
30	7	920004	1/2 SAE FLAT WASHER
31	1	316637	BATTERY BOX WLD STS 05
32	1	470121	1/4UNC HEX FLANGE LOCK NUT
33	1	470122	1/4UNC X 1/2 FLANGE HEX BOLT
34	1	520121	CUSH HOSE CLAMP 1IN X 3/4W
35	1	650107	DECAL, CAUTION BOOSTER STS12
36	1	650372	DECAL,MAIN ELECTRIC DISCONNECT

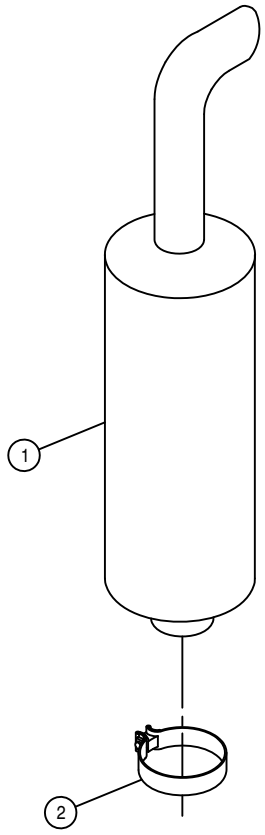
FROM CONDENSOR COIL

TO CAB

AIR CLEANER ASSEMBLY

DET.	QTY	PART NO.	DESCRIPTION
1	1	311520	ENGINE PRE CLEANER
2	1	311514	AIR CLEANER, 14" STS 03
3	2	311517	AIR CLEANER MT BAND,14" STS 03
4	1	311515	PRIMARY AIR FILTER FOR 311514
5	1	311505	4.00 90 DEG COBRA ELBOW,RUBBER
6	1	311506	5.50-4.00 ID REDUCER BUSHING
7	1	311507	4.00" 45DEG ELBOW, RUBBER
8	1	311521	6.00 - 5.50 45DEG ELBOW,RUBBER
9	1	311516	SAFETY ELEMENT FOR 311514
10	1	311526	AIR CLEANER HOOD EXT,6"X 16"LG
11	1	316068	4" X 6.00" AIR INTAKE TUBE
12	1	316344	4" X 4.00" AIR INTAKE TUBE 98
13	1	470354	MUFFLER CLAMP, 6.00 STD U-BOLT
14	2	473855	12MM-1.75 X 35MM FLANGE BOLT
15	2	473784	12MM LOCK WASHER
16	2	473798	10MM LOCK WASHER
17	2	473818	10MM-1.50 X 40MM HEX BOLT
18	2	900072	5/16UNC X 3" HEX BOLT
19	2	473843	12MM FLAT WASHER
20	1	520117	CUSH HOSE CLAMP 5/8D X 1/2W
21	4	520134	4.31/4.59 T-BOLT HOSE CLAMP SS
22	1	520144	5.94/6.21 T-BOLT HOSE CLAMP SS
23	1	601474	HOSE, 1/4 X 26 AIR
24	1	601475	HOSE, 1/4 X 47 AIR
25	2	711036	1/8MNPT-1/4 NYL TUBE FTG
26	1	711039	1/8MNPT-90-1/4 NYL TUBE LBO
27	1	900000	1/4UNC X 1/2 HEX BOLT
28	1	520147	6.38/6.69 T-BOLT HOSE CLAMP
29	6	900129	3/8UNC X 1" HEX BOLT
30	1	914000	1/4UNC HEX STOVER NUT
31	2	914002	5/16UNC HEX STOVER NUT
32	6	914004	3/8UNC HEX STOVER NUT
33	11	920002	3/8 SAE FLAT WASHER
34	1	316464	AIR CLEANER MT WLD
35	1	601478	HOSE, 1/4 X 175 AIR
36	1	316277	AIR COMPRESSOR GOVERNOR KIT
37	1	316583	RH FRT HOOD BRACE, STS 04





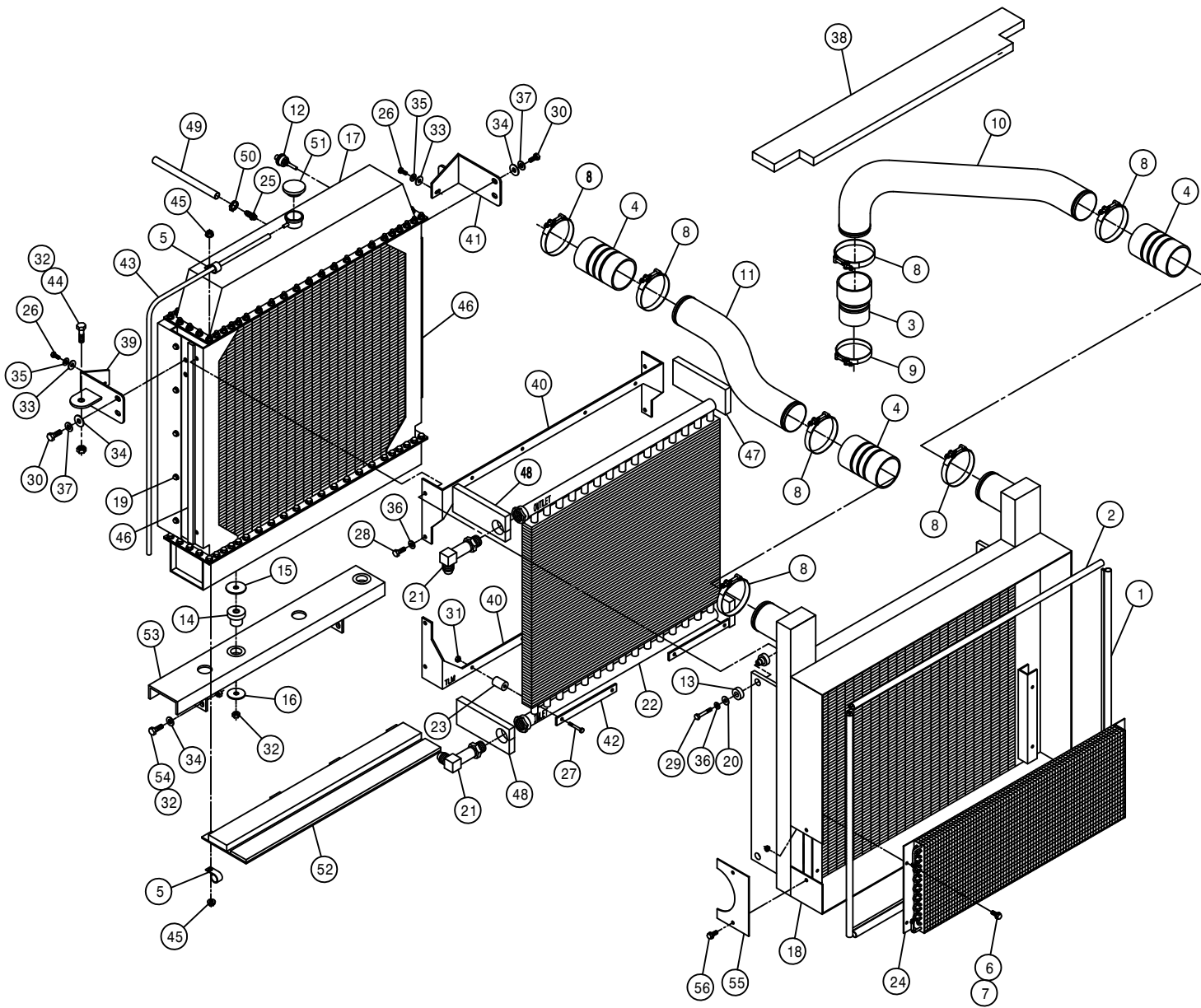
MUFFLER ASSEMBLY

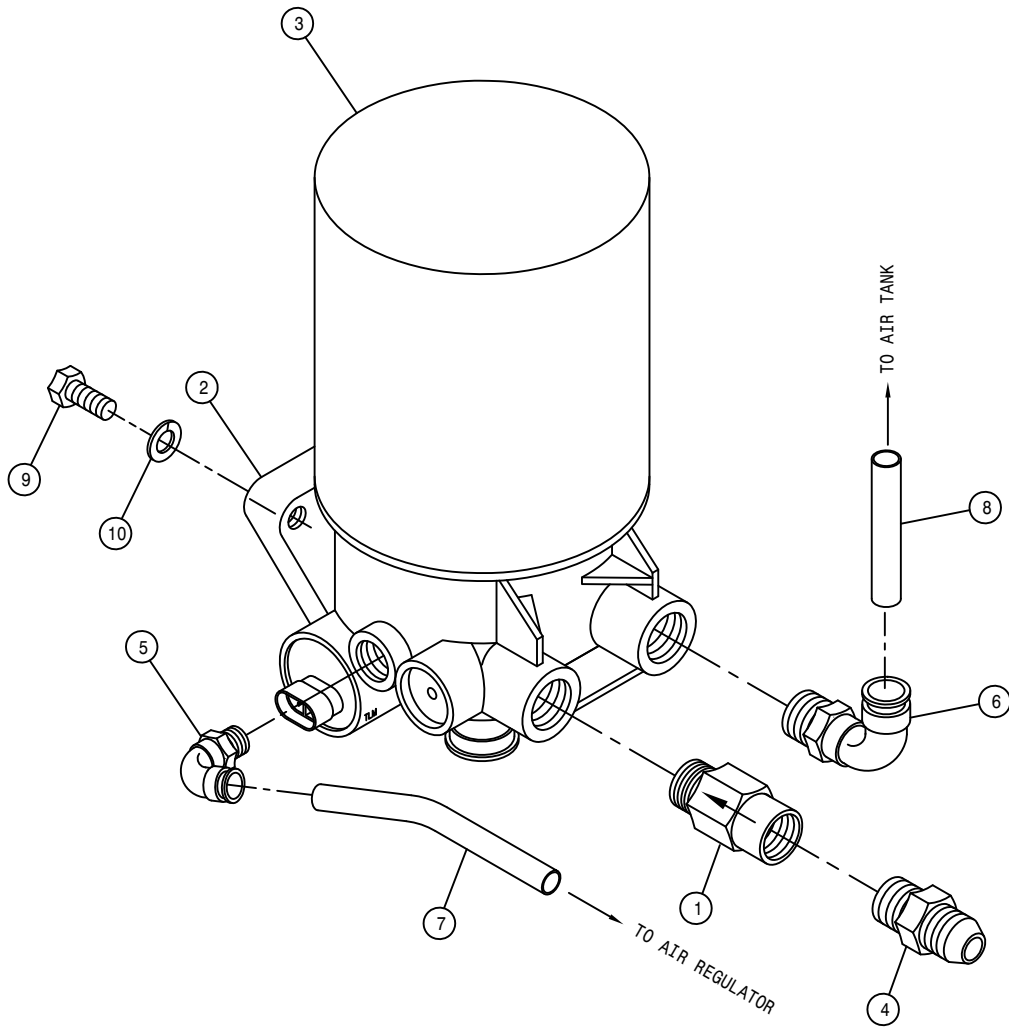
DET.	QTY	PART NO.	DESCRIPTION
1	1	316366	MUFFLER, 2100/STS10/STS12
2	1	470458	MUFFLER CLAMP, 3.00 ACCUSEAL

RADIATOR AND OIL COOLER ASSEMBLY

DET. QTY PART NO. DESCRIPTION

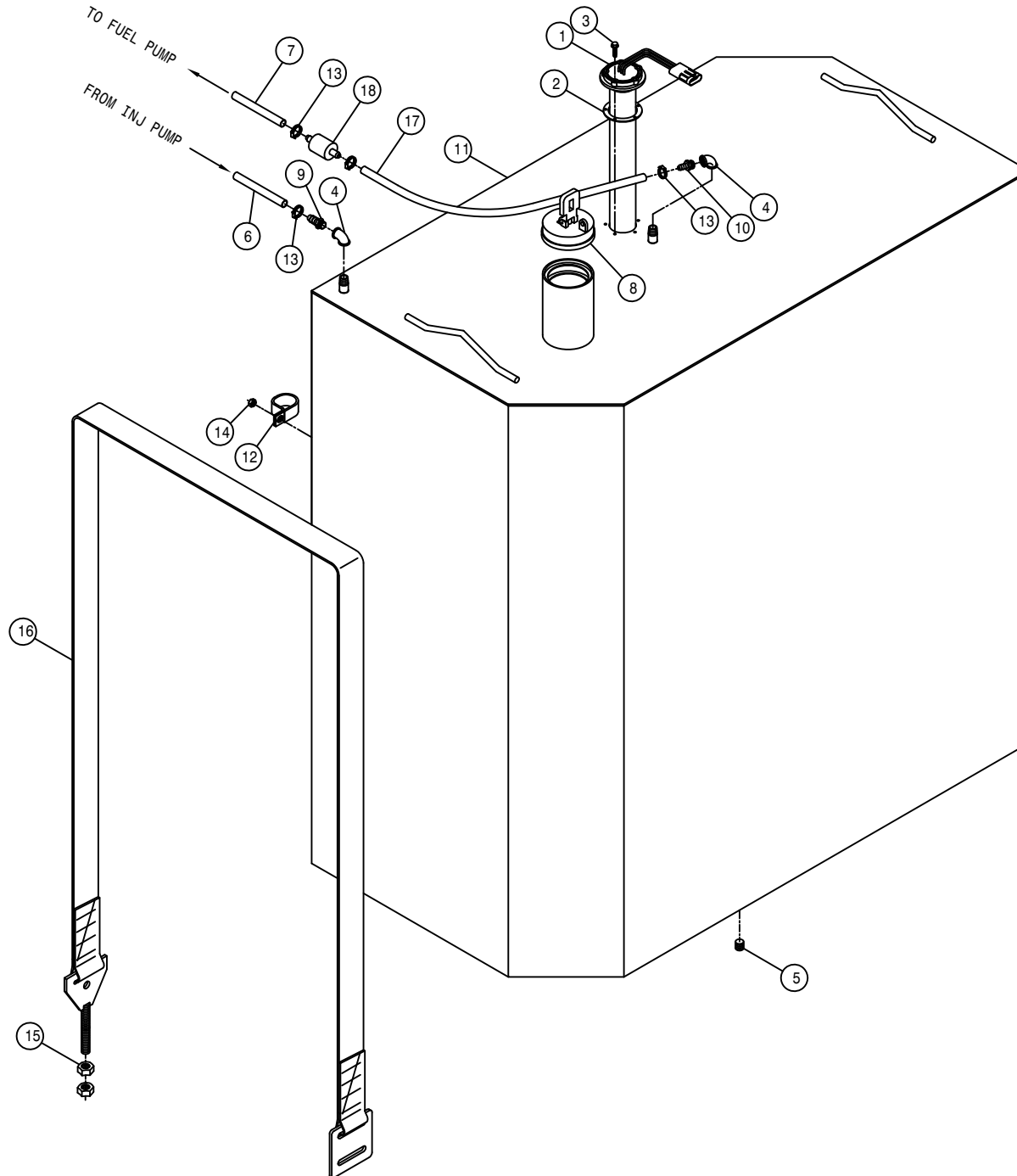
DET.	QTY	PART NO.	DESCRIPTION
1	2	316589	VERTICAL CAC LIP SEAL, STS 04
2	2	316590	HORIZONTAL CAC LIP SEAL, STS 04
3	1	311500	3.00-3.50 CAC HOSE, AIR INTAKE
4	3	311501	3.50 CAC HOSE, AIR INTAKE
5	2	520128	CUSH HOSE CLAMP 9/16D X 3/4W
6	4	470121	1/4UNC HEX FLANGE LOCK NUT
7	4	470122	1/4UNC X 1/2 FLANGE HEX BOLT
8	7	520145	3.56/3.88 T-BOLT HOSE CLAMP SS
9	1	520146	3.06/3.38 T-BOLT HOSE CLAMP SS
10	1	316459	RIGHT CHARGE AIR COOLER PIPE
11	1	316460	LEFT CHARGE AIR COOLER PIPE
12	1	291714	RAD WATER LEV SENSOR,T1/T2 ENG
13	4	311056	RUBBER MOUNT SET,2-PC CB 2320
14	2	311060	RUBBER MOUNT,1-PC CB-1122-2
15	2	311061	HEAD WASHER FOR 311060
16	2	311062	TAIL WASHER FOR 311060
17	1	316364	RADIATOR, STS12 2000
18	1	316585	CHARGE AIR COOLER, STS 2004
19	10	470319	3/8UNC X 1/2 FLANGE HEX BOLT
20	4	483043	3/8 REGULAR FLAT WASHER
21	2	618463	1 5/16MJIC-90-1 5/16MOR XL LBO
22	1	618800	OIL COOLER STS12 2000
23	8	618801	MOUNTING KIT FOR 618800 COOLER
24	1	657434	A/C CONDENSER COIL 21-0302
25	1	783304	1/4 NPT X 3/8 HOSE BARB, BRS
26	2	900064	5/16UNC X 3/4 HEX BOLT
27	8	900071	5/16UNC X 2 3/4 HEX BOLT
28	4	900128	3/8UNC X 3/4 HEX BOLT
29	4	900133	3/8UNC X 2" HEX BOLT
30	4	900264	1/2UNC X 1 1/4 HEX BOLT
31	8	914002	5/16UNC HEX STOVER NUT
32	7	914008	1/2UNC HEX STOVER NUT
33	2	920001	5/16 SAE FLAT WASHER
34	8	920004	1/2 SAE FLAT WASHER
35	2	920501	5/16 LOCK WASHER
36	8	920502	3/8 LOCK WASHER
37	4	920504	1/2 LOCK WASHER
38	1	316588	FOAM, STS 04
39	1	316586	UPPER LH RAD MT WLD, STS 04
40	2	316452	RAD TO OIL COOLER MT
41	1	316446	UPPER RH RAD MT WLD 2000
42	4	316453	RAD TO OIL COOLER KEEPER
43	1	601614	HOSE, 5/16 X 64 EPDM
44	1	900264	1/2UNC X 1 1/4 HEX BOLT
45	5	470113	5/16UNC HEX FLANGE LOCK NUT
46	2	316493	SIDE FOAM,RAD/CAC
47	2	316494	RH UPR/LWR FOAM,OIL CLR/RAD 00
48	2	316495	LH UPR/LWR FOAM,OIL CLR/RAD 00
49	1	601472	HOSE, 3/8 X 24 HEATER
50	1	520069	HOSE CLAMP NO 6 STAINLESS
51	1	316377	RAD CAP, 10LB 10237
52	1	316490	LWR RADIATOR FILLER PANEL ASSY
53	1	316594	RADIATOR MT CHAN WLD, STS 04
54	4	900265	1/2UNC X 1 1/2 HEX BOLT
55	1	316599	CHARGE AIR ACCESS COVER, STS 04
56	2	470232	5/16UNC X 1/2 FLANGE HEX BOLT





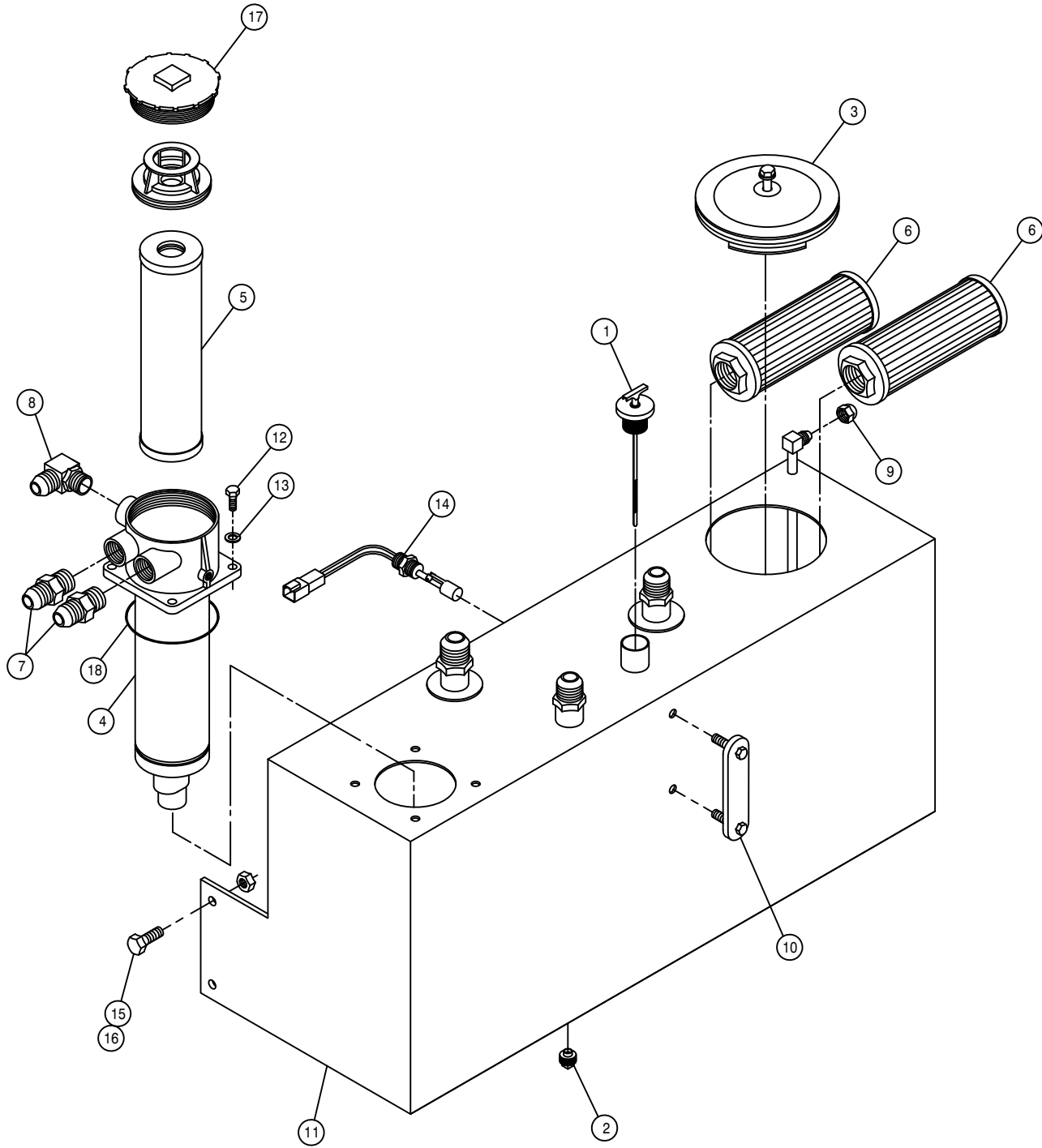
AIR DRYER ASSEMBLY

DET.	QTY	PART NO.	DESCRIPTION
1	1	711032	CHECK VALVE, 1/2"FNPT-1/2"MNPT
2	1	311072	AIR DRIER, AD-SP SYSTEM PURGE
3	1	311073	CARTRIDGE FOR AIR DRIER 311072
4	1	618325	7/8MJIC-1/2MNPT ADPTR
5	1	711040	1/4MNPT-90-1/4 NYL TUBE LBO
6	1	711042	1/2MNPT-90-1/2 NYL TUBE LBO
7	1	601475	HOSE, 1/4 X 47 AIR
8	1	601483	HOSE, 1/2 X 84 AIR
9	3	900265	1/2UNC X 1 1/2 HEX BOLT
10	3	920504	1/2 LOCK WASHER



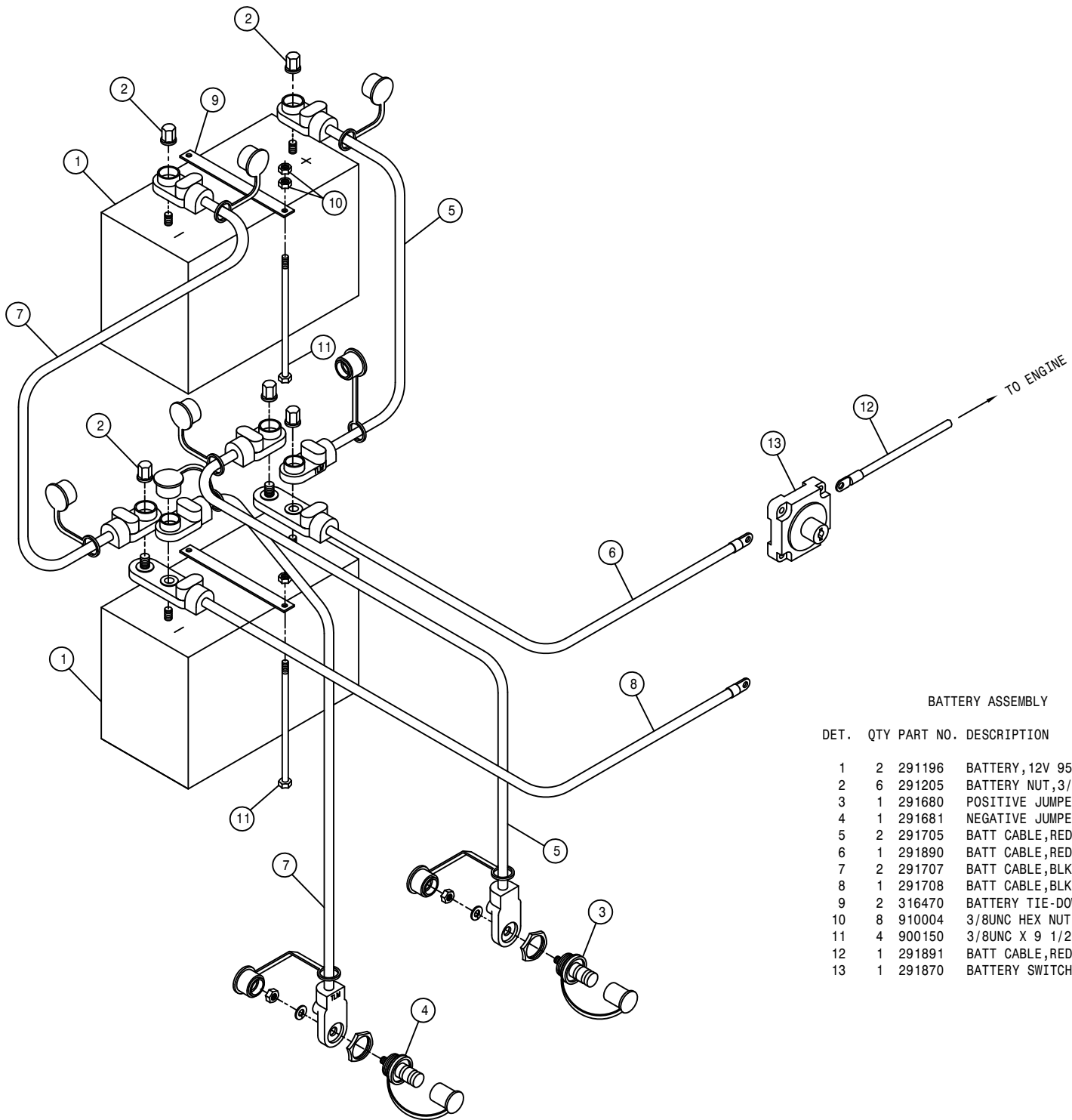
FUEL TANK ASSEMBLY

DET.	QTY	PART NO.	DESCRIPTION	
1	1	291354	FUEL LEVEL SENDER	05
2	1	291789	GASKET FOR FUEL SENDER 291788	
3	5	472347	#10 X 1 1/4 SELF DRILL/TAP SCR	
4	2	501451	BLK PIPE EL 90DEG .25NPT	
5	1	503703	PIPE PLUG .50NPT SKT HD	
6	1	601300	HOSE, 5/16 X 60 FUEL LINE	
7	1	601550	HOSE, 3/8 X 22 FUEL LINE	
8	1	760469	FUEL TANK CAP, 3.50" VENTED	
9	1	783303	1/4 NPT X 5/16 HOSE BARB, BRS	
10	1	783304	1/4 NPT X 3/8 HOSE BARB, BRS	
11	1	760461	FUEL TANK WLD, STS	04
12	1	520100	CUSH HOSE CLAMP, 1 1/2D X 1/2W	
13	4	520120	HOSE CLAMP NO 4 STAINLESS	
14	1	914000	1/4UNC HEX STOVER NUT	
15	4	910008	1/2UNC HEX NUT	
16	2	316575	FUEL TANK STRAP ASSY, STS	04
17	1	601551	HOSE, 3/8 X 38 FUEL LINE	
18	1	316281	FUEL STRAINER, IN-LINE, DIESEL	



HYDRAULIC TANK ASSEMBLY

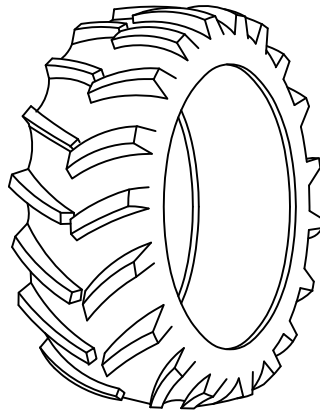
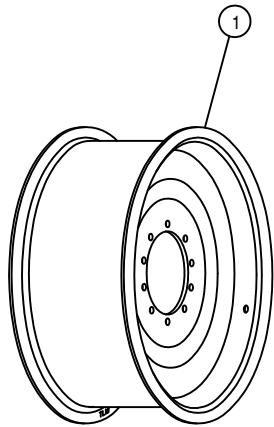
DET.	QTY	PART NO.	DESCRIPTION
1	1	470293	DIPSTICK, VENTED
2	1	470308	1/2MNPT DRAIN PLUG,AL HD,MAG
3	1	470362	6" HOLE COVER
4	1	605618	HYD TANK FILTER, 10M HYDAC
5	1	605619	FILTER ELEMENT FOR 605618
6	2	605620	SUMP STRAINER,50GPM,100M,1.5NP
7	2	618186	1 5/16MJIC-1 5/16MOR ADPTR
8	1	618477	1 5/8MJIC-90-1 5/8MOR LBO
9	1	618532	3/4FJIC CAP NUT
10	1	760177	SIGHT GAUGE W/TEMP, HYD TANK
11	1	760288	HYD TANK WLD, STS 04
12	4	900130	3/8UNC X 1 1/4 HEX BOLT
13	4	920502	3/8 LOCK WASHER
14	1	293815	LIQUID LEV SWITCH ASSY,1/2NP05
15	4	900264	1/2UNC X 1 1/4 HEX BOLT
16	4	914008	1/2UNC HEX STOVER NUT
17	1	605621	CAP, HYD TANK FILTER 605618
18	1	870249	O-RING, 4.859 ID X .139 CS



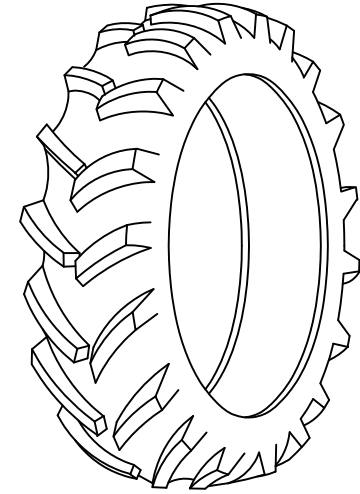
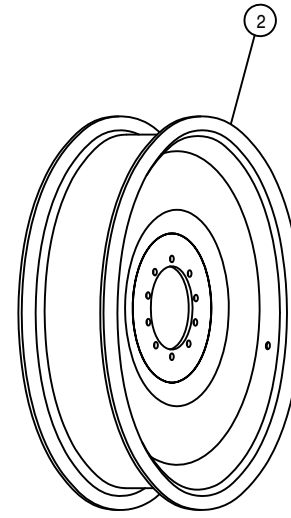
BATTERY ASSEMBLY

DET. QTY PART NO. DESCRIPTION

1	2	291196	BATTERY,12V 950CCA, SS STUD
2	6	291205	BATTERY NUT,3/8-16 SS CLSD CAP
3	1	291680	POSITIVE JUMPER STUD, RED
4	1	291681	NEGATIVE JUMPER STUD, BLACK
5	2	291705	BATT CABLE,RED 26"2/0 3/8-3/8
6	1	291890	BATT CABLE,RED 34"2/0 3/8-3/8
7	2	291707	BATT CABLE,BLK 26"2/0 3/8-3/8
8	1	291708	BATT CABLE,BLK 73"2/0 3/8-3/8
9	2	316470	BATTERY TIE-DOWN
10	8	910004	3/8UNC HEX NUT
11	4	900150	3/8UNC X 9 1/2 HEX BOLT
12	1	291891	BATT CABLE,RED 60"2/0 3/8-3/8
13	1	291870	BATTERY SWITCH, ON/OFF (KEY)



580/70 R38 RADIAL TIRE



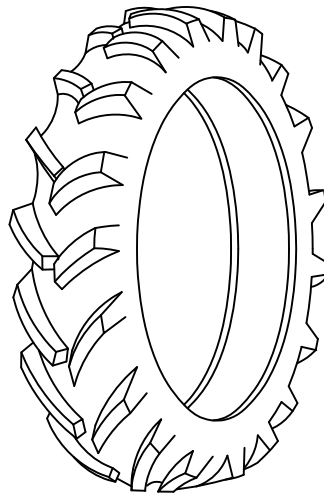
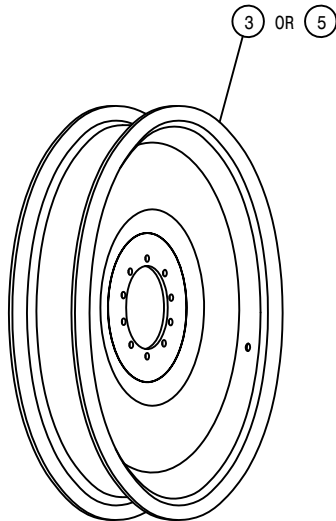
380/85 R46 RADIAL TIRE

TIRE AND RIM ASSEMBLY

DET. QTY PART NO. DESCRIPTION

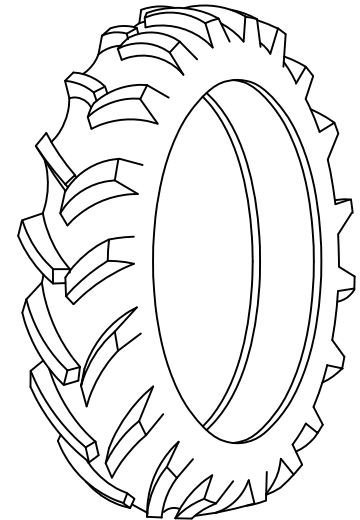
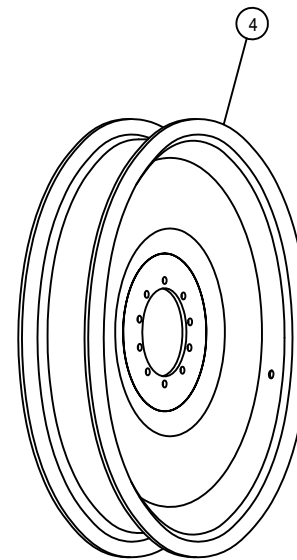
1	1	821055	RIM WLD, 38 X W18A
2	1	821054	RIM WLD, 46 X W13A
3	1	821053	RIM WLD, 50 X DW10
4	1	821058	RIM WLD, 54 X W10A
5	1	821059	RIM WLD, 54 X W12

STS12
STS12
STS



320/90 R50 RADIAL TIRE

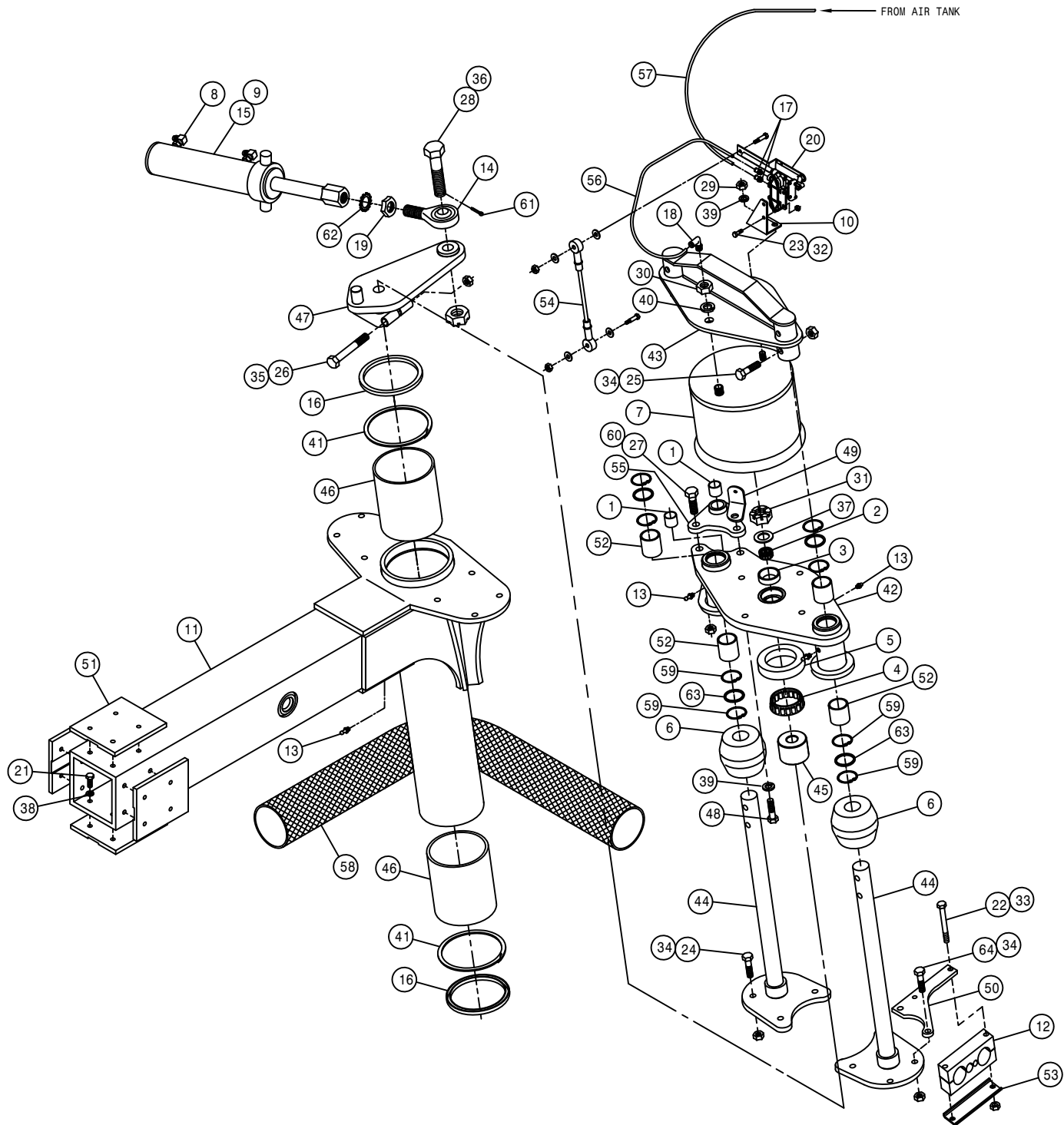
380/90 R54 RADIAL TIRE



320/105 R54 RADIAL TIRE

RIGHT FRONT OUTER LEG ASSEMBLY

DET. QTY PART NO. DESCRIPTION

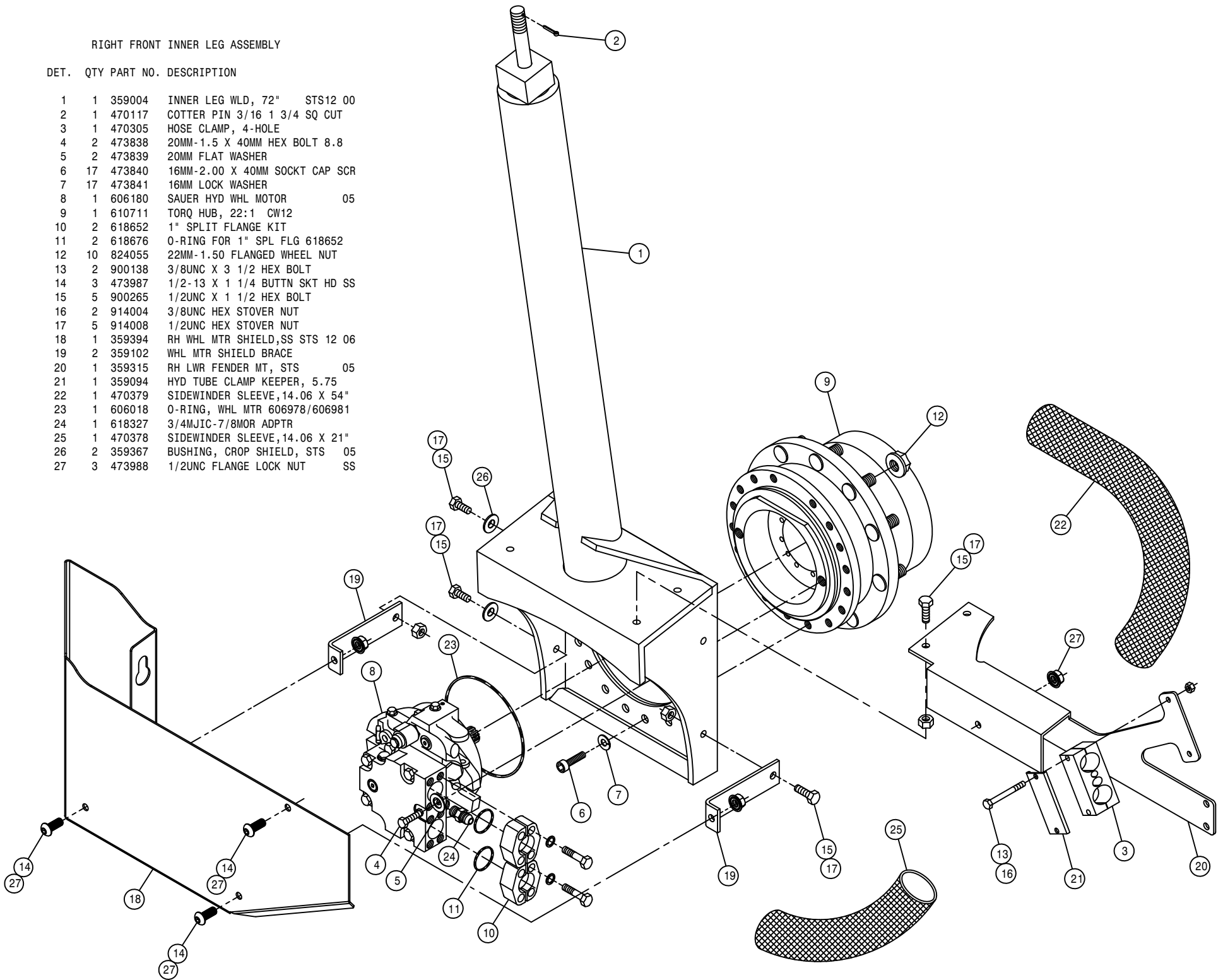


DET.	QTY	PART NO.	DESCRIPTION
1	2	121029	JOURNAL BRG, 1.00 ID X 1.00 LG
2	1	125050	BRG CONE, 1.00 ID W/FACE SEAL
3	1	125051	BRG CUP FOR 125050
4	1	125052	BRG CONE, 2.687 ID W/FACE SEAL
5	1	125053	BRG CUP FOR 125052
6	2	311058	RUBBER SPRING
7	1	311066	AIRIDE SPRING, 9.75 BASE
8	2	618249	3/4MJIC-90-9/16MOR LBO
9	1	621551	REPAIR KIT, HYD CYL, STRG 621550
10	1	359369	RH LEG AIR VALVE MT, STS16 05
11	1	359328	OUTER LEG WLD, STS 05
12	1	470305	HOSE CLAMP, 4-HOLE
13	4	471005	1/4 28 X 1/2 GREASE ZERK
14	1	473975	ROD END, 1.00 BORE, 1-12 RH MALE
15	1	621550	STEERING CYL, 2.50 X 8.81 STS
16	2	629621	SEAL, 4.500 ROD DIA
17	2	711036	1/8MNPT-1/4 NYL TUBE FTG
18	1	711040	1/4MNPT-90-1/4 NYL TUBE LBO
19	1	472328	1"-12 HEX JAM NUT
20	1	358832	AIRIDE SPRING CTRL VALVE 98
21	16	900129	3/8UNC X 1" HEX BOLT
22	2	900138	3/8UNC X 3 1/2 HEX BOLT
23	2	900002	1/4UNC X 3/4 HEX BOLT
24	6	900267	1/2UNC X 2" HEX BOLT
25	4	900269	1/2UNC X 2 3/4 HEX BOLT
26	1	900343	5/8UNC X 4 1/2 HEX BOLT
27	2	900352P	5/8UNC X 2 1/4 HEX BOLT
28	1	359085	STEERING ARM BOLT, 1"-8THD STS
29	1	910008	1/2UNC HEX NUT
30	1	910013	3/4UNF HEX NUT
31	1	910021	1" -14 SLOT JAM NUT
32	2	914000	1/4UNC HEX STOVER NUT
33	2	914004	3/8UNC HEX STOVER NUT
34	12	914008	1/2UNC HEX STOVER NUT
35	1	914010	5/8UNC HEX STOVER NUT
36	1	910020	1" UNC HEX SLOTTED NUT
37	1	920008	1" SAE FLAT WASHER
38	16	920502	3/8 LOCK WASHER
39	5	920504	1/2 LOCK WASHER
40	1	920506	3/4 LOCK WASHER
41	2	629538	4.5 SPIROLOX RING
42	1	359337	RH AIR BAG LWR PLT WLD, STS 05
43	1	359333	AIRBAG TOWER TOP MT WLD, STS 05
44	2	359077	NITRO TOWER SHAFT WLD STS
45	1	359082	STEERING ARM BRG SPACER
46	2	121112	LEG SLEEVE BEARING (POLYGON)04
47	1	359070	RH STEERING ARM WLD
48	4	900265	1/2UNC X 1 1/2 HEX BOLT
49	1	359051	LWR AIR VALVE ARM MT
50	1	359081	UPPER LEG HOSE MT PLT
51	4	342719	TRD ADJ BRONZE BEARING, TAPPED
52	4	121113	TOWER SLEEVE BRG (POLYGON) 05
53	1	359094	HYD TUBE CLAMP KEEPER, 5.75
54	1	359095	LEG HEIGHT CTRL LINKAGE, STS12
55	1	359342	RH LEG UPR TRUNNION MT WLD 05
56	1	601473	HOSE, 1/4 X 22 AIR
57	1	601480	HOSE, 1/4 X 230 AIR
58	1	470310	SIDEWINDER SLEEVE, 13.50 X 45"
59	8	629537	187RRHOZ SNAP RING
60	2	914010P	5/8UNC HEX STOVER NUT
61	1	470117	COTTER PIN 3/16 1 3/4 SQ CUT
62	1	483018	1" EXTERNAL TOOTH LOCK WASHER
63	4	629620	SEAL, 1.500 ROD DIA
64	2	900268	1/2UNC X 2 1/2 HEX BOLT

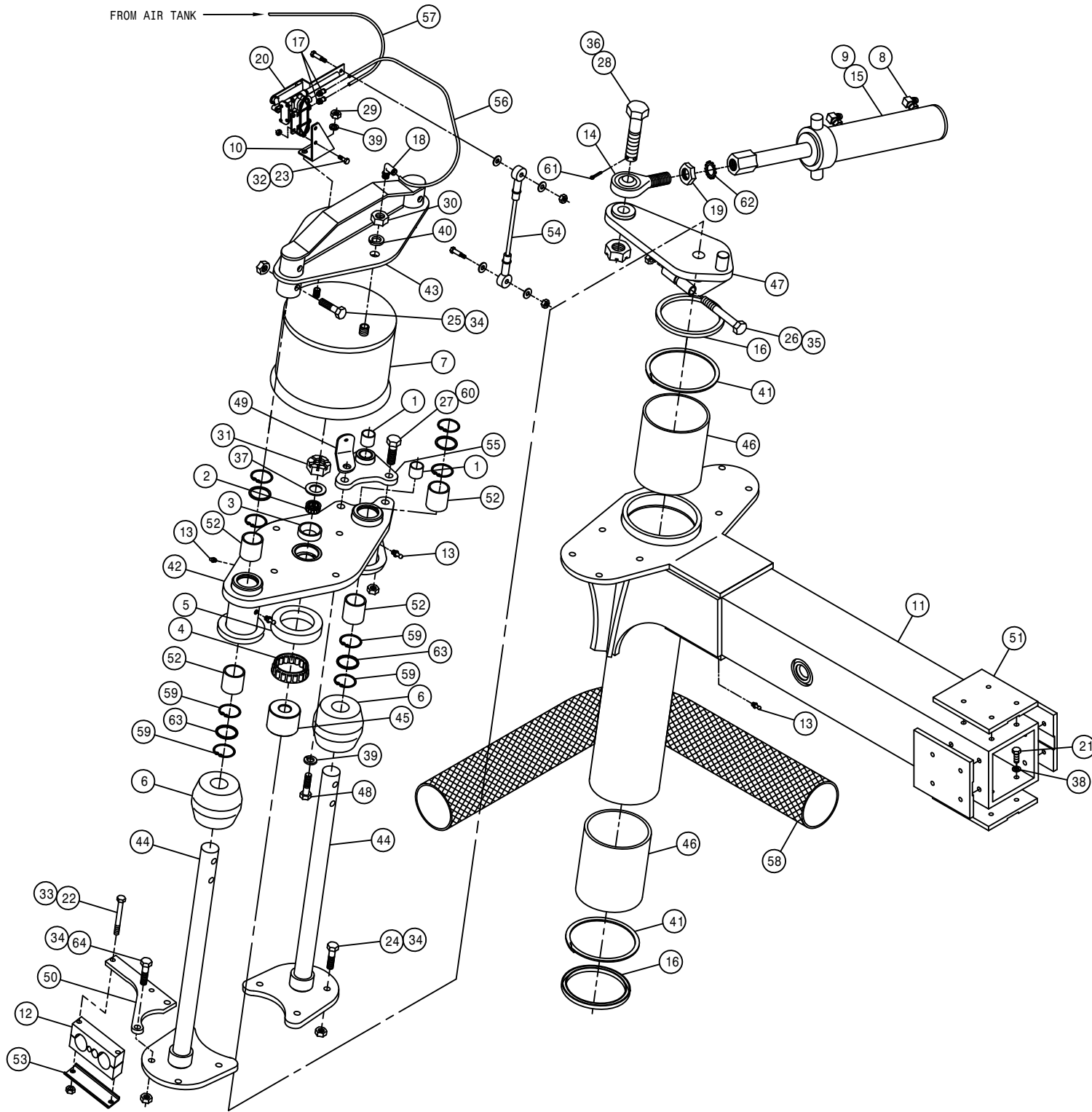
RIGHT FRONT INNER LEG ASSEMBLY

DET. QTY PART NO. DESCRIPTION

1	1	359004	INNER LEG WLD, 72" STS12 00
2	1	470117	COTTER PIN 3/16 1 3/4 SQ CUT
3	1	470305	HOSE CLAMP, 4-HOLE
4	2	473838	20MM-1.5 X 40MM HEX BOLT 8.8
5	2	473839	20MM FLAT WASHER
6	17	473840	16MM-2.00 X 40MM SOCKT CAP SCR
7	17	473841	16MM LOCK WASHER
8	1	606180	SAUER HYD WHL MOTOR 05
9	1	610711	TORQ HUB, 22:1 CW12
10	2	618652	1" SPLIT FLANGE KIT
11	2	618676	O-RING FOR 1" SPL FLG 618652
12	10	824055	22MM-1.50 FLANGED WHEEL NUT
13	2	900138	3/8UNC X 3 1/2 HEX BOLT
14	3	473987	1/2-13 X 1 1/4 BUTTN SKT HD SS
15	5	900265	1/2UNC X 1 1/2 HEX BOLT
16	2	914004	3/8UNC HEX STOVER NUT
17	5	914008	1/2UNC HEX STOVER NUT
18	1	359394	RH WHL MTR SHIELD,SS STS 12 06
19	2	359102	WHL MTR SHIELD BRACE
20	1	359315	RH LWR FENDER MT, STS 05
21	1	359094	HYD TUBE CLAMP KEEPER, 5.75
22	1	470379	SIDEWINDER SLEEVE,14.06 X 54"
23	1	606018	O-RING, WHL MTR 606978/606981
24	1	618327	3/4MJIC-7/8MOR ADPTR
25	1	470378	SIDEWINDER SLEEVE,14.06 X 21"
26	2	359367	BUSHING, CROP SHIELD, STS 05
27	3	473988	1/2UNC FLANGE LOCK NUT SS



FROM AIR TANK



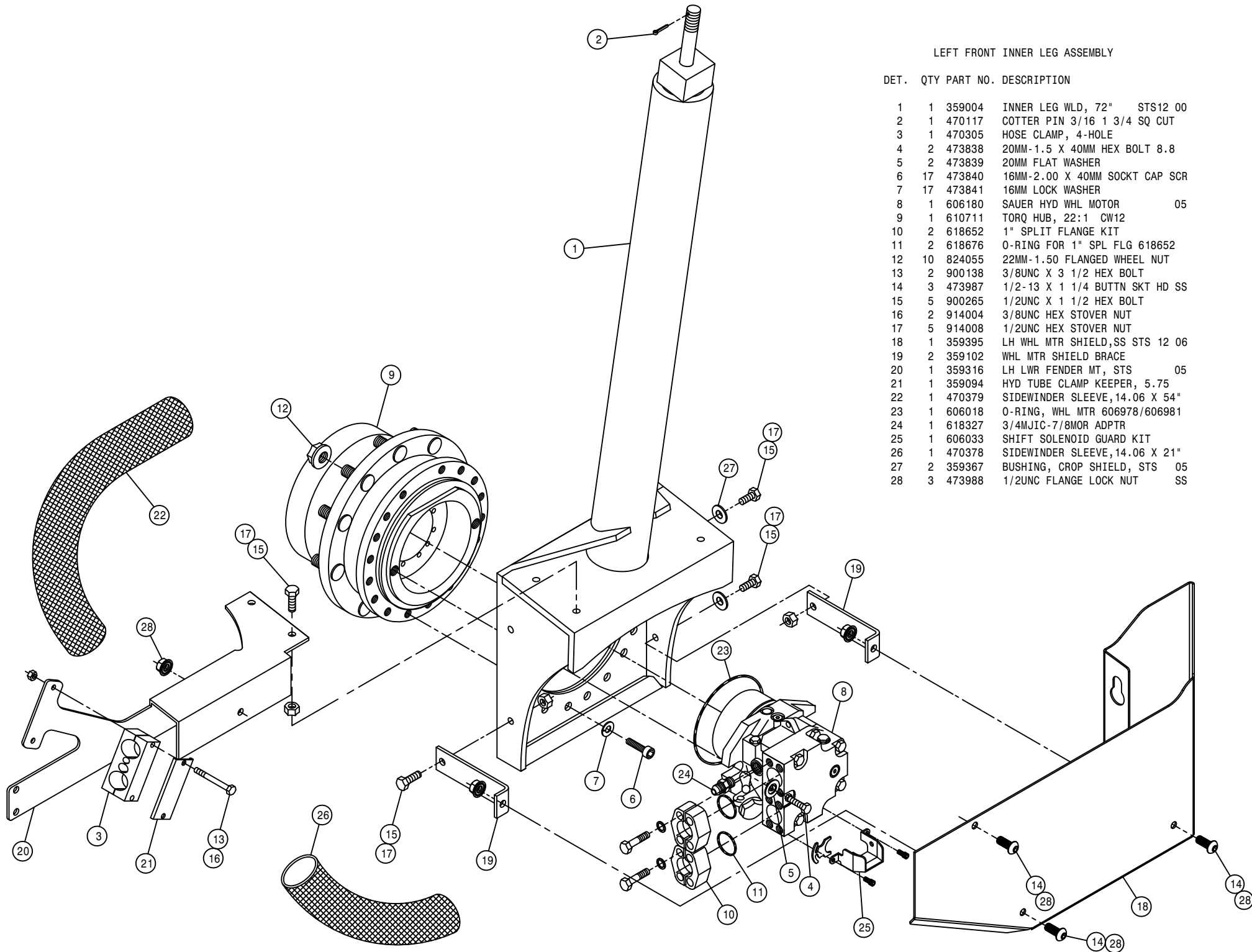
LEFT FRONT OUTER LEG ASSEMBLY

DET.	QTY	PART NO.	DESCRIPTION
	1	2	121029 JOURNAL BRG, 1.00 ID X 1.00 LG
	1	125050	BRG CONE, 1.00 ID W/FACE SEAL
	3	1	125051 BRG CUP FOR 125050
	4	1	125052 BRG CONE, 2.687 ID W/FACE SEAL
	5	1	125053 BRG CUP FOR 125052
	6	2	311058 RUBBER SPRING
	7	1	311066 AIRIDE SPRING, 9.75 BASE
	8	2	618249 3/4MJIC-90-9/16MOR LBO
	9	1	621551 REPAIR KIT, HYD CYL, STRG 621550
	10	1	359370 LH LEG AIR VALVE MT, STS16 05
	11	1	359328 OUTER LEG WLD, STS 05
	12	1	470305 HOSE CLAMP, 4-HOLE
	13	4	471005 1/4 28 X 1/2 GREASE ZERK
	14	1	473975 ROD END, 1.00 BORE, 1-12 RH MALE
	15	1	621550 STEERING CYL, 2.50 X 8.81 STS
	16	2	629621 SEAL, 4.500 ROD DIA
	17	2	711036 1/8MNPT-1/4 NYL TUBE FTG
	18	1	711040 1/4MNPT-90-1/4 NYL TUBE LBO
	19	1	472328 1"-12 HEX JAM NUT
	20	1	358832 AIRIDE SPRING CTRL VALVE 98
	21	16	900129 3/8UNC X 1" HEX BOLT
	22	2	900138 3/8UNC X 3 1/2 HEX BOLT
	23	2	900002 1/4UNC X 3/4 HEX BOLT
	24	6	900267 1/2UNC X 2" HEX BOLT
	25	4	900269 1/2UNC X 2 3/4 HEX BOLT
	26	1	900343 5/8UNC X 4 1/2 HEX BOLT
	27	2	900352P 5/8UNC X 2 1/4 HEX BOLT
	28	1	359085 STEERING ARM BOLT, 1"-8THD STS
	29	1	910008 1/2UNC HEX NUT
	30	1	910013 3/4UNF HEX NUT
	31	1	910021 1"-14 SLOT JAM NUT
	32	2	914000 1/4UNC HEX STOVER NUT
	33	2	914004 3/8UNC HEX STOVER NUT
	34	12	914008 1/2UNC HEX STOVER NUT
	35	1	914010 5/8UNC HEX STOVER NUT
	36	1	910020 1" UNC HEX SLOTTED NUT
	37	1	920008 1" SAE FLAT WASHER
	38	16	920502 3/8 LOCK WASHER
	39	5	920504 1/2 LOCK WASHER
	40	1	920506 3/4 LOCK WASHER
	41	2	629538 4.5 SPIROLOX RING
	42	1	359338 LH AIR BAG LWR PLT WLD, STS 05
	43	1	359333 AIRBAG TOWER TOP MT WLD, STS 05
	44	2	359077 NITRO TOWER SHAFT WLD STS
	45	1	359082 STEERING ARM BRG SPACER
	46	2	121112 LEG SLEEVE BEARING (POLYGON) 04
	47	1	359071 LH STEERING ARM WLD
	48	4	900265 1/2UNC X 1 1/2 HEX BOLT
	49	1	359051 LWR AIR VALVE ARM MT
	50	1	359081 UPPER LEG HOSE MT PLT
	51	4	342719 TRD ADJ BRONZE BEARING, TAPPED
	52	4	121113 TOWER SLEEVE BRG (POLYGON) 05
	53	1	359094 HYD TUBE CLAMP KEEPER, 5.75
	54	1	359095 LEG HEIGHT CTRL LINKAGE, STS12
	55	1	359344 LH LEG UPR TRUNNION MT WLD 05
	56	1	601473 HOSE, 1/4 X 22 AIR
	57	1	601479 HOSE, 1/4 X 196 AIR
	58	1	470310 SIDEWINDER SLEEVE, 13.50 X 45"
	59	8	629537 187RRHOZ SNAP RING
	60	2	914010P 5/8UNC HEX STOVER NUT
	61	1	470117 COTTER PIN 3/16 1 3/4 SQ CUT
	62	1	483018 1" EXTERNAL TOOTH LOCK WASHER
	63	4	629620 SEAL, 1.500 ROD DIA
	64	2	900268 1/2UNC X 2 1/2 HEX BOLT

LEFT FRONT INNER LEG ASSEMBLY

DET. QTY PART NO. DESCRIPTION

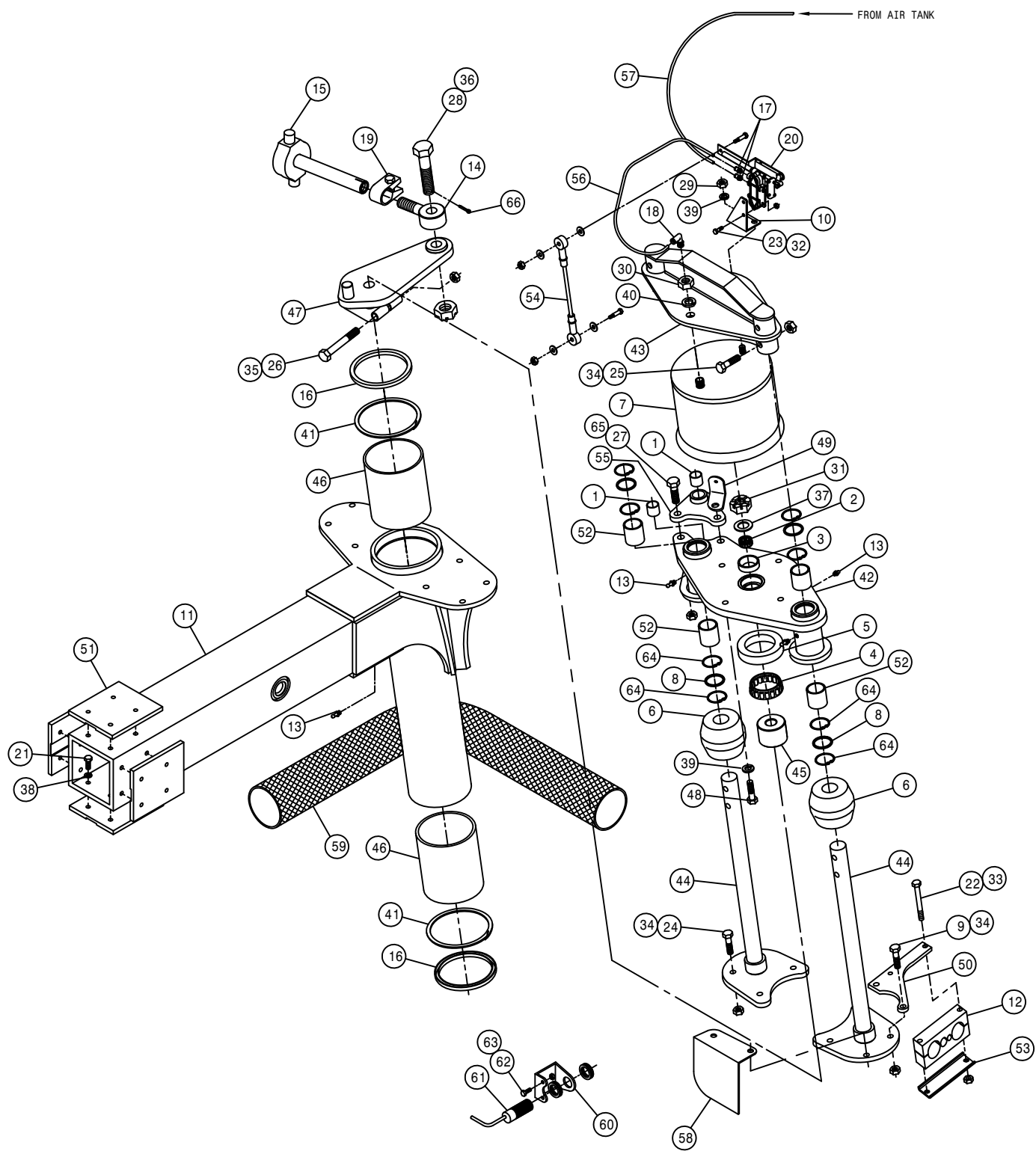
DET.	QTY	PART NO.	DESCRIPTION
1	1	359004	INNER LEG WLD, 72" STS12 00
2	1	470117	COTTER PIN 3/16 1 3/4 SQ CUT
3	1	470305	HOSE CLAMP, 4-HOLE
4	2	473838	20MM-1.5 X 40MM HEX BOLT 8.8
5	2	473839	20MM FLAT WASHER
6	17	473840	16MM-2.00 X 40MM SOCKT CAP SCR
7	17	473841	16MM LOCK WASHER
8	1	606180	SAUER HYD WHL MOTOR 05
9	1	610711	TORQ HUB, 22:1 CW12
10	2	618652	1" SPLIT FLANGE KIT
11	2	618676	O-RING FOR 1" SPL FLG 618652
12	10	824055	22MM-1.50 FLANGED WHEEL NUT
13	2	900138	3/8UNC X 3 1/2 HEX BOLT
14	3	473987	1/2-13 X 1 1/4 BUTTN SKT HD SS
15	5	900265	1/2UNC X 1 1/2 HEX BOLT
16	2	914004	3/8UNC HEX STOVER NUT
17	5	914008	1/2UNC HEX STOVER NUT
18	1	359395	LH WHL MTR SHIELD,SS STS 12 06
19	2	359102	WHL MTR SHIELD BRACE
20	1	359316	LH LWR FENDER MT, STS 05
21	1	359094	HYD TUBE CLAMP KEEPER, 5.75
22	1	470379	SIDEWINDER SLEEVE,14.06 X 54"
23	1	606018	O-RING, WHL MTR 606978/606981
24	1	618327	3/4MJIC-7/8MOR ADPTR
25	1	606033	SHIFT SOLENOID GUARD KIT
26	1	470378	SIDEWINDER SLEEVE,14.06 X 21"
27	2	359367	BUSHING, CROP SHIELD, STS 05
28	3	473988	1/2UNC FLANGE LOCK NUT SS



FROM AIR TANK

RIGHT REAR OUTER LEG ASSEMBLY

DET. QTY PART NO. DESCRIPTION

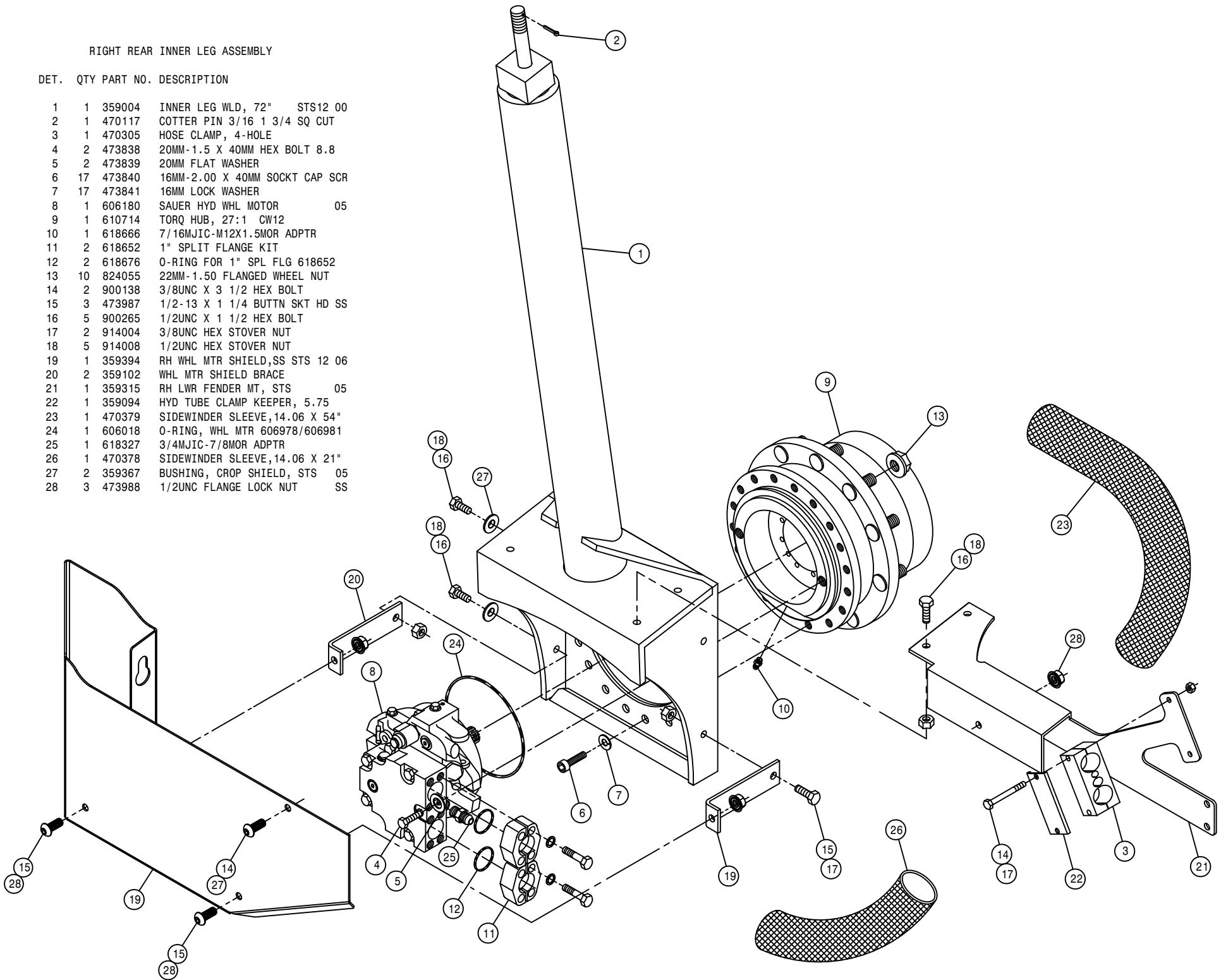


1	2	121029	JOURNAL BRG, 1.00 ID X 1.00 LG
2	1	125050	BRG CONE, 1.00 ID W/FACE SEAL
3	1	125051	BRG CUP FOR 125050
4	1	125052	BRG CONE, 2.687 ID W/FACE SEAL
5	1	125053	BRG CUP FOR 125052
6	2	311058	RUBBER SPRING
7	1	311066	AIRIDE SPRING, 9.75 BASE
8	4	629620	SEAL, 1.500 ROD DIA
9	2	900268	1/2UNC X 2 1/2 HEX BOLT
10	1	359369	RH LEG AIR VALVE MT, STS16 05
11	1	359328	OUTER LEG WLD, STS 05
12	1	470305	HOSE CLAMP, 4-HOLE
13	4	471005	1/4 28 X 1/2 GREASE ZERK
14	1	359089	TIE ROD STUD WLD
15	1	359086	REAR TIE ROD SHAFT WLD
16	2	629621	SEAL, 4.500 ROD DIA
17	2	711036	1/8MNPT-1/4 NYL TUBE FTG
18	1	711040	1/4MNPT-90-1/4 NYL TUBE LBO
19	1	749322	STEERING TUBE CLAMP & BOLT ASSY
20	1	358832	AIRIDE SPRING CTRL VALVE 98
21	16	900129	3/8UNC X 1" HEX BOLT
22	2	900138	3/8UNC X 3 1/2 HEX BOLT
23	2	900002	1/4UNC X 3/4 HEX BOLT
24	6	900267	1/2UNC X 2" HEX BOLT
25	4	900269	1/2UNC X 2 3/4 HEX BOLT
26	1	900343	5/8UNC X 4 1/2 HEX BOLT
27	2	900352P	5/8UNC X 2 1/4 HEX BOLT
28	1	359085	STEERING ARM BOLT, 1"-8THD STS
29	1	910008	1/2UNC HEX NUT
30	1	910013	3/4UNF HEX NUT
31	1	910021	1" -14 SLOT JAM NUT
32	2	914000	1/4UNC HEX STOVER NUT
33	2	914004	3/8UNC HEX STOVER NUT
34	12	914008	1/2UNC HEX STOVER NUT
35	1	914010	5/8UNC HEX STOVER NUT
36	1	910020	1" UNC HEX SLOTTED NUT
37	1	920008	1" SAE FLAT WASHER
38	16	920502	3/8 LOCK WASHER
39	5	920504	1/2 LOCK WASHER
40	1	920506	3/4 LOCK WASHER
41	2	629538	4.5 SPIROLOX RING
42	1	359337	RH AIR BAG LWR PLT WLD, STS 05
43	1	359333	AIRBAG TOWER TOP MT WLD, STS 05
44	2	359077	NITRO TOWER SHAFT WLD STS
45	1	359082	STEERING ARM BRG SPACER
46	2	121112	LEG SLEEVE BEARING (POLYGON)04
47	1	359070	RH STEERING ARM WLD
48	4	900265	1/2UNC X 1 1/2 HEX BOLT
49	1	359051	LWR AIR VALVE ARM MT
50	1	359081	UPPER LEG HOSE MT PLT
51	4	342719	TRD ADJ BRONZE BEARING, TAPPED
52	4	121113	TOWER SLEEVE BRG (POLYGON) 05
53	1	359094	HYD TUBE CLAMP KEEPER, 5.75
54	1	359095	LEG HEIGHT CTRL LINKAGE, STS12
55	1	359342	RH LEG UPR TRUNNION MT WLD 05
56	1	601473	HOSE, 1/4 X 22 AIR
57	1	601477	HOSE, 1/4 X 160 AIR
58	1	359092	RH SENSOR REFLECTOR
59	1	470311	SIDEWINDER SLEEVE, 14.00 X 60"
60	1	342856	TREAD SENSOR MT
61	1	293827	SENSOR W/SHROUD ASSY (SERV) 05
62	2	900064	5/16UNC X 3/4 HEX BOLT
63	2	914002	5/16UNC HEX STOVER NUT
64	8	629537	187RRHOZ SNAP RING
65	2	914010P	5/8UNC HEX STOVER NUT
66	1	470117	COTTER PIN 3/16 1 3/4 SQ CUT

RIGHT REAR INNER LEG ASSEMBLY

DET. QTY PART NO. DESCRIPTION

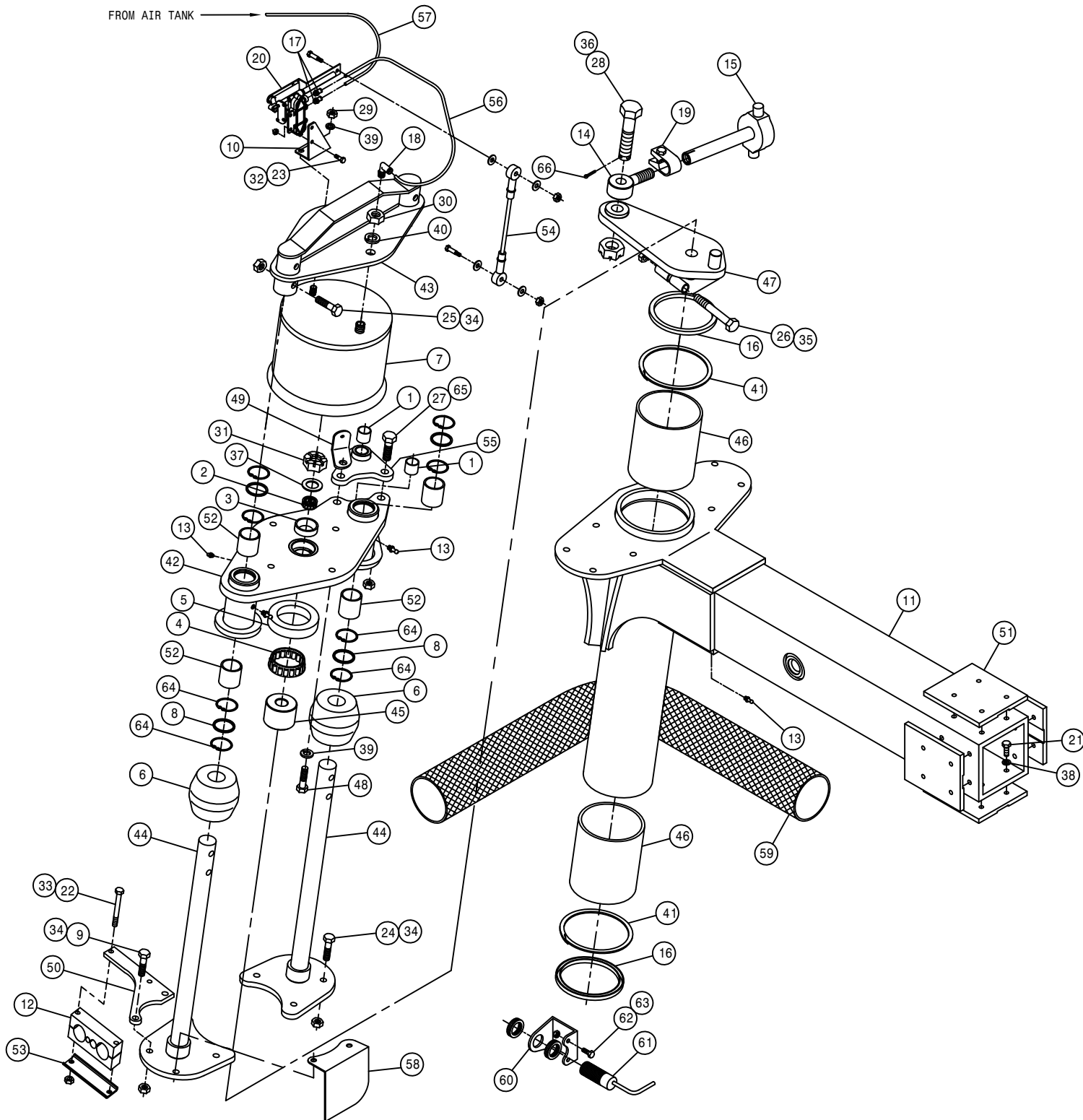
1	1	359004	INNER LEG WLD, 72" STS12 00
2	1	470117	COTTER PIN 3/16 1 3/4 SQ CUT
3	1	470305	HOSE CLAMP, 4-HOLE
4	2	473838	20MM-1.5 X 40MM HEX BOLT 8.8
5	2	473839	20MM FLAT WASHER
6	17	473840	16MM-2.00 X 40MM SOCKT CAP SCR
7	17	473841	16MM LOCK WASHER
8	1	606180	SAUER HYD WHL MOTOR 05
9	1	610714	TORQ HUB, 27:1 CW12
10	1	618666	7/16MJIC-M12X1.5MOR ADPTR
11	2	618652	1" SPLIT FLANGE KIT
12	2	618676	O-RING FOR 1" SPL FLG 618652
13	10	824055	22MM-1.50 FLANGED WHEEL NUT
14	2	900138	3/8UNC X 3 1/2 HEX BOLT
15	3	473987	1/2-13 X 1 1/4 BUTTN SKT HD SS
16	5	900265	1/2UNC X 1 1/2 HEX BOLT
17	2	914004	3/8UNC HEX STOVER NUT
18	5	914008	1/2UNC HEX STOVER NUT
19	1	359394	RH WHL MTR SHIELD,SS STS 12 06
20	2	359102	WHL MTR SHIELD BRACE
21	1	359315	RH LWR FENDER MT, STS 05
22	1	359094	HYD TUBE CLAMP KEEPER, 5.75
23	1	470379	SIDEWINDER SLEEVE,14.06 X 54"
24	1	606018	O-RING, WHL MTR 606978/606981
25	1	618327	3/4MJIC-7/8MOR ADPTR
26	1	470378	SIDEWINDER SLEEVE,14.06 X 21"
27	2	359367	BUSHING, CROP SHIELD, STS 05
28	3	473988	1/2UNC FLANGE LOCK NUT SS



FROM AIR TANK

LEFT REAR OUTER LEG ASSEMBLY

DET. QTY PART NO. DESCRIPTION

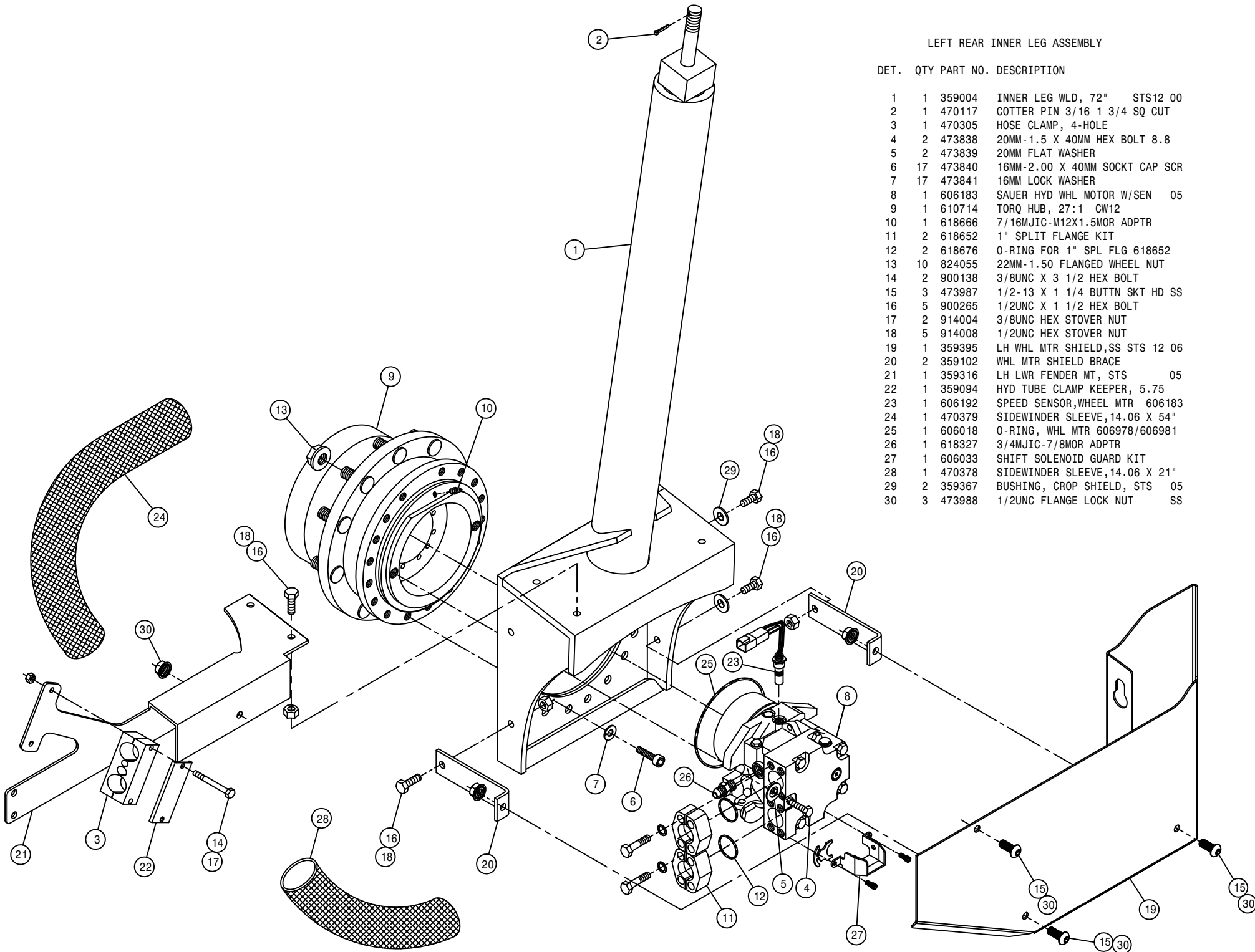


DET.	QTY	PART NO.	DESCRIPTION
1	2	121029	JOURNAL BRG, 1.00 ID X 1.00 LG
2	1	125050	BRG CONE, 1.00 ID W/FACE SEAL
3	1	125051	BRG CUP FOR 125050
4	1	125052	BRG CONE, 2.687 ID W/FACE SEAL
5	1	125053	BRG CUP FOR 125052
6	2	311058	RUBBER SPRING
7	1	311066	AIRIDE SPRING, 9.75 BASE
8	4	629620	SEAL, 1.500 ROD DIA
9	2	900268	1/2UNC X 2 1/2 HEX BOLT
10	1	359370	LH LEG AIR VALVE MT, STS16 05
11	1	359328	OUTER LEG WLD, STS 05
12	1	470305	HOSE CLAMP, 4-HOLE
13	4	471005	1/4 28 X 1/2 GREASE ZERK
14	1	359089	TIE ROD STUD WLD
15	1	359086	REAR TIE ROD SHAFT WLD
16	2	629621	SEAL, 4.500 ROD DIA
17	2	711036	1/8MNPT-1/4 NYL TUBE FTG
18	1	711040	1/4MNPT-90-1/4 NYL TUBE LBO
19	1	749322	STEERING TUBE CLAMP & BOLT ASSY
20	1	358832	AIRIDE SPRING CTRL VALVE 98
21	16	900129	3/8UNC X 1" HEX BOLT
22	2	900138	3/8UNC X 3 1/2 HEX BOLT
23	2	900002	1/4UNC X 3/4 HEX BOLT
24	6	900267	1/2UNC X 2" HEX BOLT
25	4	900269	1/2UNC X 2 3/4 HEX BOLT
26	1	900343	5/8UNC X 4 1/2 HEX BOLT
27	2	900352P	5/8UNC X 2 1/4 HEX BOLT
28	1	359085	STEERING ARM BOLT, 1"-8THD STS
29	1	910008	1/2UNC HEX NUT
30	1	910013	3/4UNC HEX NUT
31	1	910021	1"-14 SLOT JAM NUT
32	2	914000	1/4UNC HEX STOVER NUT
33	2	914004	3/8UNC HEX STOVER NUT
34	12	914008	1/2UNC HEX STOVER NUT
35	1	914010	5/8UNC HEX STOVER NUT
36	1	910020	1" UNC HEX SLOTTED NUT
37	1	920008	1" SAE FLAT WASHER
38	16	920502	3/8 LOCK WASHER
39	5	920504	1/2 LOCK WASHER
40	1	920506	3/4 LOCK WASHER
41	2	629538	4.5 SPIROLOX RING
42	1	359338	LH AIR BAG LWR PLT WLD, STS 05
43	1	359333	AIRBAG TOWER TOP MT WLD, STS 05
44	2	359077	NITRO TOWER SHAFT WLD STS
45	1	359082	STEERING ARM BRG SPACER
46	2	121112	LEG SLEEVE BEARING (POLYGON)04
47	1	359071	LH STEERING ARM WLD
48	4	900265	1/2UNC X 1 1/2 HEX BOLT
49	1	359051	LWR AIR VALVE ARM MT
50	1	359081	UPPER LEG HOSE MT PLT
51	4	342719	TRD ADJ BRONZE BEARING, TAPPED
52	4	121113	TOWER SLEEVE BRG (POLYGON) 05
53	1	359094	HYD TUBE CLAMP KEEPER, 5.75
54	1	359095	LEG HEIGHT CTRL LINKAGE, STS12
55	1	359344	LH LEG UPR TRUNNION MT WLD 05
56	1	601473	HOSE, 1/4 X 22 AIR
57	1	601476	HOSE, 1/4 X 120 AIR
58	1	359093	LH SENSOR REFLECTOR
59	1	470311	SIDEWINDER SLEEVE, 14.00 X 60"
60	1	342856	TREAD SENSOR MT
61	1	293827	SENSOR W/SHROUD ASSY (SERV) 05
62	2	900064	5/16UNC X 3/4 HEX BOLT
63	2	914002	5/16UNC HEX STOVER NUT
64	8	629537	187RRH00Z SNAP RING
65	2	914010P	5/8UNC HEX STOVER NUT
66	1	470117	COTTER PIN 3/16 1 3/4 SQ CUT

LEFT REAR INNER LEG ASSEMBLY

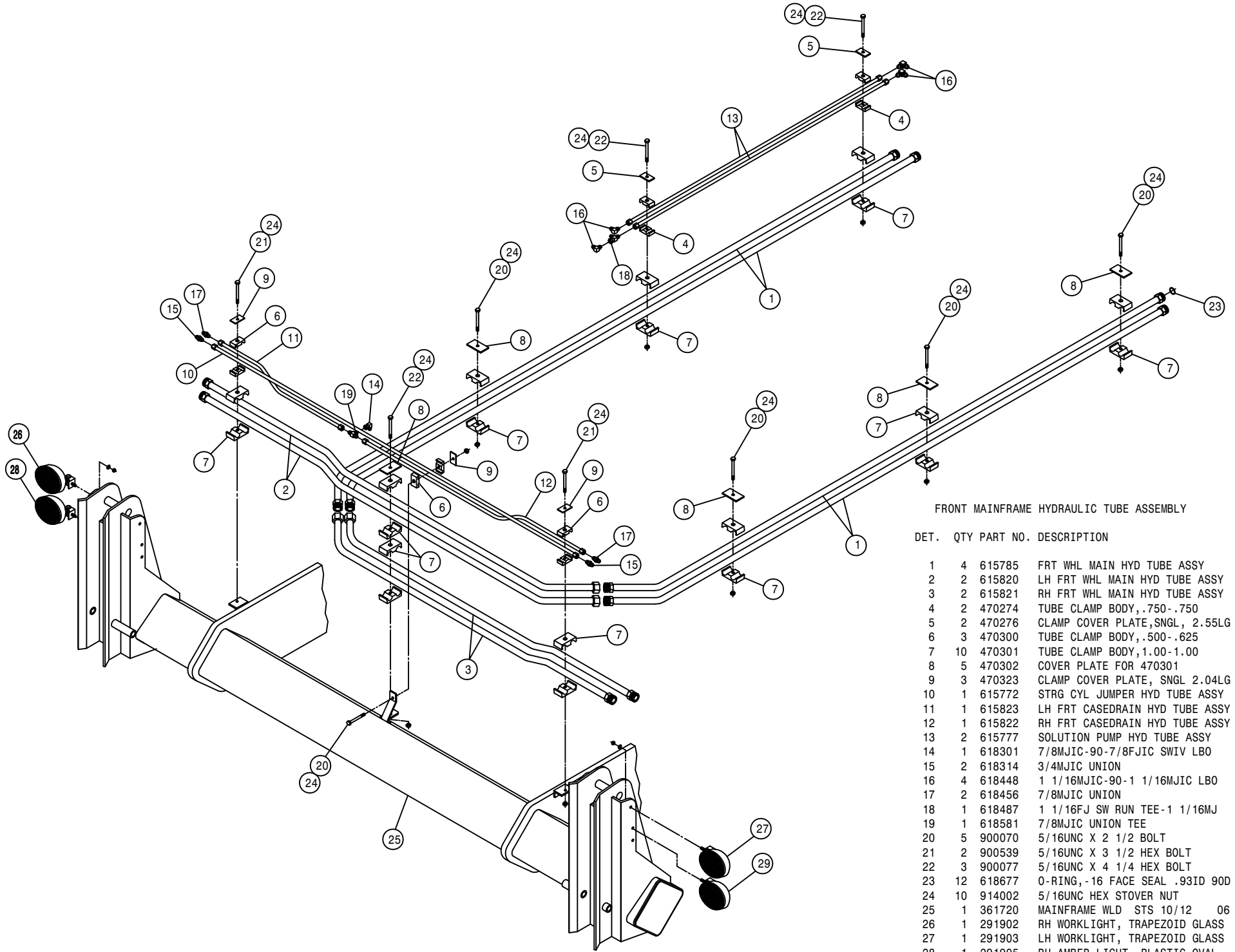
DET. QTY PART NO. DESCRIPTION

DET.	QTY	PART NO.	DESCRIPTION
1	1	359004	INNER LEG WLD, 72" STS12 00
2	1	470117	COTTER PIN 3/16 1 3/4 SQ CUT
3	1	470305	HOSE CLAMP, 4-HOLE
4	2	473838	20MM-1.5 X 40MM HEX BOLT 8.8
5	2	473839	20MM FLAT WASHER
6	17	473840	16MM-2.00 X 40MM SOCKT CAP SCR
7	17	473841	16MM LOCK WASHER
8	1	606183	SAUER HYD WHL MOTOR W/SEN 05
9	1	610714	TORQ HUB, 27:1 CW12
10	1	618666	7/16MJIC-M12X1.5MOR ADPTR
11	2	618652	1" SPLIT FLANGE KIT
12	2	618676	O-RING FOR 1" SPL FLG 618652
13	10	824055	22MM-1.50 FLANGED WHEEL NUT
14	2	900138	3/8UNC X 3 1/2 HEX BOLT
15	3	473987	1/2-13 X 1 1/4 BUTTN SKT HD SS
16	5	900265	1/2UNC X 1 1/2 HEX BOLT
17	2	914004	3/8UNC HEX STOVER NUT
18	5	914008	1/2UNC HEX STOVER NUT
19	1	359395	LH WHL MTR SHIELD,SS STS 12 06
20	2	359102	WHL MTR SHIELD BRACE
21	1	359316	LH LWR FENDER MT, STS 05
22	1	359094	HYD TUBE CLAMP KEEPER, 5.75
23	1	606192	SPEED SENSOR,WHEEL MTR 606183
24	1	470379	SIDEWINDER SLEEVE,14.06 X 54"
25	1	606018	O-RING, WHL MTR 606978/606981
26	1	618327	3/4MJIC-7/8MOR ADPTR
27	1	606033	SHIFT SOLENOID GUARD KIT
28	1	470378	SIDEWINDER SLEEVE,14.06 X 21"
29	2	359367	BUSHING, CROP SHIELD, STS 05
30	3	473988	1/2UNC FLANGE LOCK NUT SS



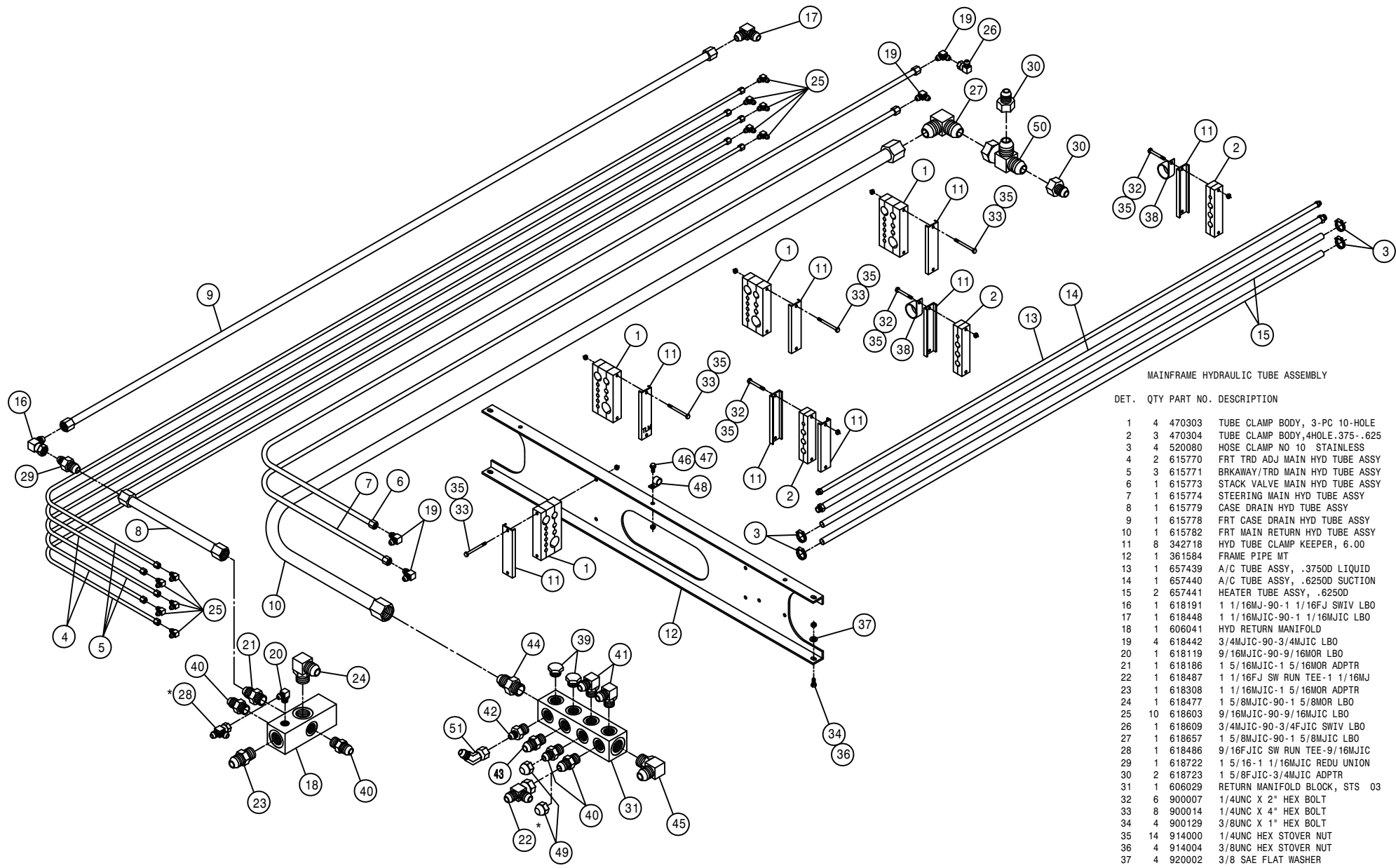
25

362025



FRONT MAINFRAME HYDRAULIC TUBE ASSEMBLY

DET.	QTY	PART NO.	DESCRIPTION
1	4	615785	FRT WHL MAIN HYD TUBE ASSY
2	2	615820	LH FRT WHL MAIN HYD TUBE ASSY
3	2	615821	RH FRT WHL MAIN HYD TUBE ASSY
4	2	470274	TUBE CLAMP BODY, .750-.750
5	2	470276	CLAMP COVER PLATE, SNGL, 2.55LG
6	3	470300	TUBE CLAMP BODY, .500-.625
7	10	470301	TUBE CLAMP BODY, 1.00-1.00
8	5	470302	COVER PLATE FOR 470301
9	3	470323	CLAMP COVER PLATE, SNGL 2.04LG
10	1	615772	STRG CYL JUMPER HYD TUBE ASSY
11	1	615823	LH FRT CASEDRAIN HYD TUBE ASSY
12	1	615822	RH FRT CASEDRAIN HYD TUBE ASSY
13	2	615777	SOLUTION PUMP HYD TUBE ASSY
14	1	618301	7/8MJIC-90-7/8FJIC SWIV LBO
15	2	618314	3/4MJIC UNION
16	4	618448	1 1/16MJIC-90-1 1/16MJIC LBO
17	2	618456	7/8MJIC UNION
18	1	618487	1 1/16FJ SW RUN TEE-1 1/16MJ
19	1	618581	7/8MJIC UNION TEE
20	5	900070	5/16UNC X 2 1/2 BOLT
21	2	900539	5/16UNC X 3 1/2 HEX BOLT
22	3	900077	5/16UNC X 4 1/4 HEX BOLT
23	12	618677	O-RING, -16 FACE SEAL .93ID 90D
24	10	914002	5/16UNC HEX STOVER NUT
25	1	361720	MAINFRAME WLD STS 10/12 06
26	1	291902	RH WORKLIGHT, TRAPEZOID GLASS
27	1	291903	LH WORKLIGHT, TRAPEZOID GLASS
28	1	291905	RH AMBER LIGHT, PLASTIC OVAL
29	1	291906	LH AMBER LIGHT, PLASTIC OVAL

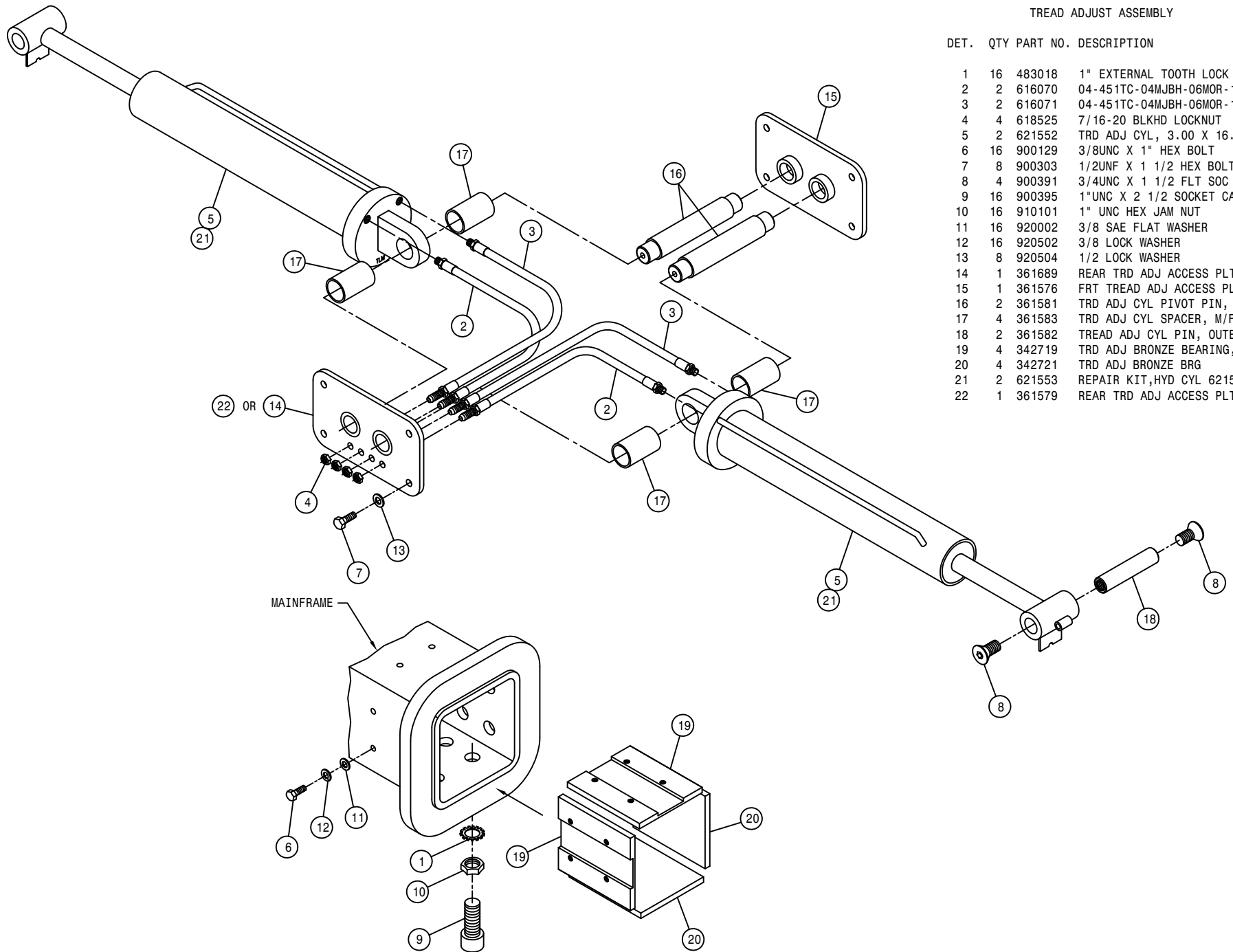


MAINFRAME HYDRAULIC TUBE ASSEMBLY

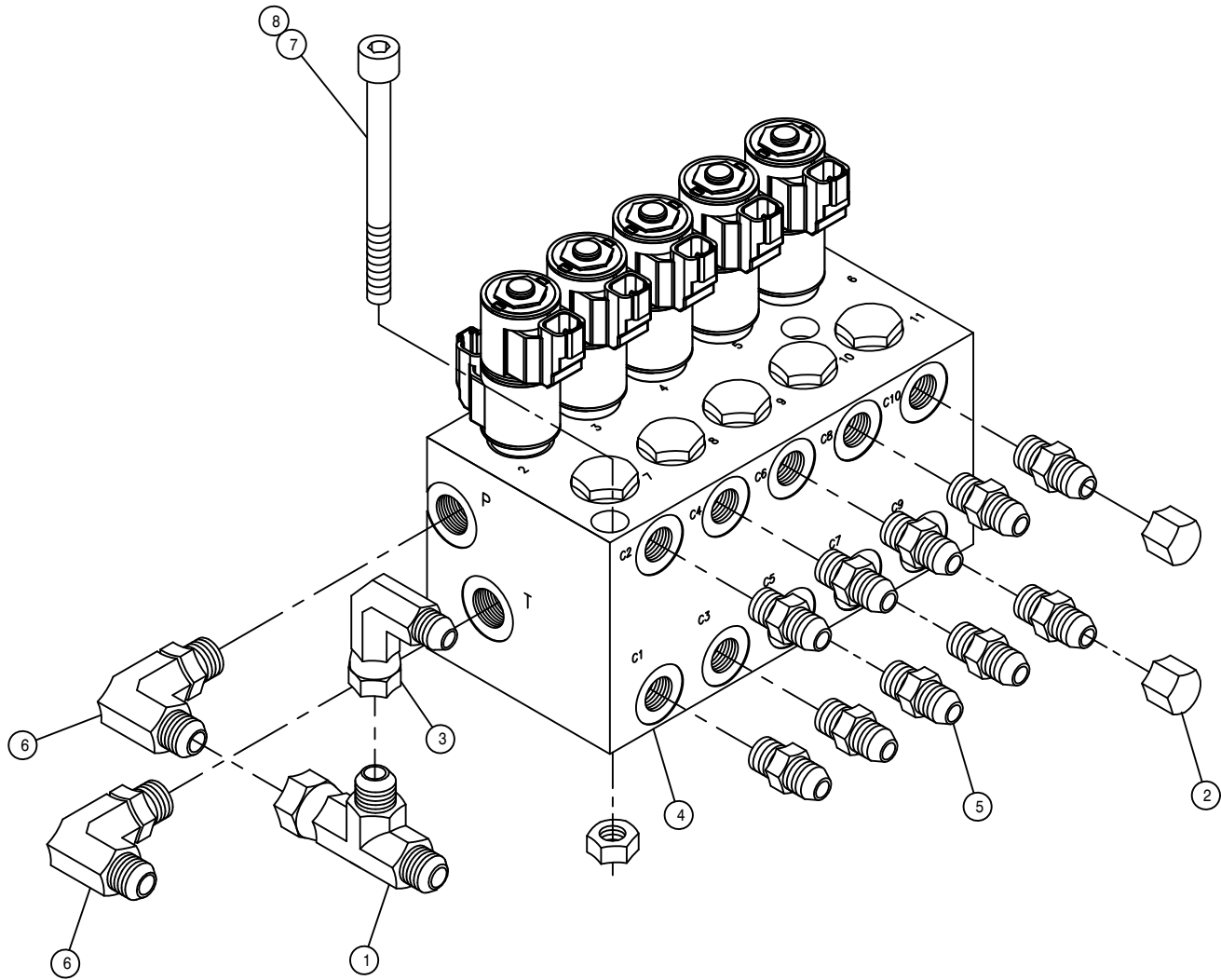
DET.	QTY	PART NO.	DESCRIPTION
1	4	470303	TUBE CLAMP BODY, 3-PC 10-HOLE
2	3	470304	TUBE CLAMP BODY, 4HOLE, .375-.625
3	4	520080	HOSE CLAMP NO 10 STAINLESS
4	2	615770	FRT TRD ADJ MAIN HYD TUBE ASSY
5	3	615771	BRKAWAY/TRD MAIN HYD TUBE ASSY
6	1	615773	STACK VALVE MAIN HYD TUBE ASSY
7	1	615774	STEERING MAIN HYD TUBE ASSY
8	1	615779	CASE DRAIN HYD TUBE ASSY
9	1	615778	FRT CASE DRAIN HYD TUBE ASSY
10	1	615782	FRT MAIN RETURN HYD TUBE ASSY
11	8	342718	HYD TUBE CLAMP KEEPER, 6.00
12	1	361584	FRAME PIPE MT
13	1	657439	A/C TUBE ASSY, .3750D LIQUID
14	1	657440	A/C TUBE ASSY, .6250D SUCTION
15	2	657441	HEATER TUBE ASSY, .6250D
16	1	618191	1 1/16MJ-90-1 1/16FJ SWIV LBO
17	1	618448	1 1/16MJIC-90-1 1/16MJIC LBO
18	1	606041	HYD RETURN MANIFOLD
19	4	618442	3/4MJIC-90-3/4MJIC LBO
20	1	618119	9/16MJIC-90-9/16MOR LBO
21	1	618186	1 5/16MJIC-1 5/16MOR ADPTR
22	1	618487	1 1/16FJ SW RUN TEE-1 1/16MJ
23	1	618308	1 1/16MJIC-1 5/16MOR ADPTR
24	1	618477	1 5/8MJIC-90-1 5/8MOR LBO
25	10	618603	9/16MJIC-90-9/16MJIC LBO
26	1	618609	3/4MJIC-90-3/4FJIC SWIV LBO
27	1	618657	1 5/8MJIC-90-1 5/8MJIC LBO
28	1	618486	9/16FJIC SW RUN TEE-9/16MJIC
29	1	618722	1 5/16-1 1/16MJIC REDU UNION
30	2	618723	1 5/8FJIC-3/4MJIC ADPTR
31	1	606029	RETURN MANIFOLD BLOCK, STS 03
32	6	900007	1/4UNC X 2" HEX BOLT
33	8	900014	1/4UNC X 4" HEX BOLT
34	4	900129	3/8UNC X 1" HEX BOLT
35	14	914000	1/4UNC HEX STOVER NUT
36	4	914004	3/8UNC HEX STOVER NUT
37	4	920002	3/8 SAE FLAT WASHER
38	2	520126	CUSH HOSE CLAMP 2IN X 5/8W
39	2	610186	1 1/16MOR PLUG, HEX HEAD
40	4	611127	1 1/16MJIC-1 1/16MOR ADPTR
41	2	618248	1 1/16MJIC-90-1 1/16MOR LBO
42	1	618344	9/16MJIC-1 1/16MOR ADPTR
43	1	618469	3/4MJIC-1 1/16MOR ADPTR
44	1	618471	1 5/8MJIC-1 5/16MOR ADPTR
45	1	618476	1 5/8MJIC-90-1 5/16MOR LBO
46	3	470118	1/4UNC X 3/4 FLANGE HEX BOLT
47	3	470121	1/4UNC HEX FLANGE LOCK NUT
48	3	520100	CUSH HOSE CLAMP, 1 1/2D X 1/2W
49	2	618533	1 1/16FJIC CAP NUT
50	1	618726	1 5/8FJ SW RUN TEE-1 5/8MJ
51	1	618634	9/16MJIC-45-9/16FJIC SWIV LBO

NOTE: ITEMS MARKED WITH A (*) ARE USED WITH THE SIDE FILL OPTION AND PRESSURE WASHER OPTION.

TREAD ADJUST ASSEMBLY



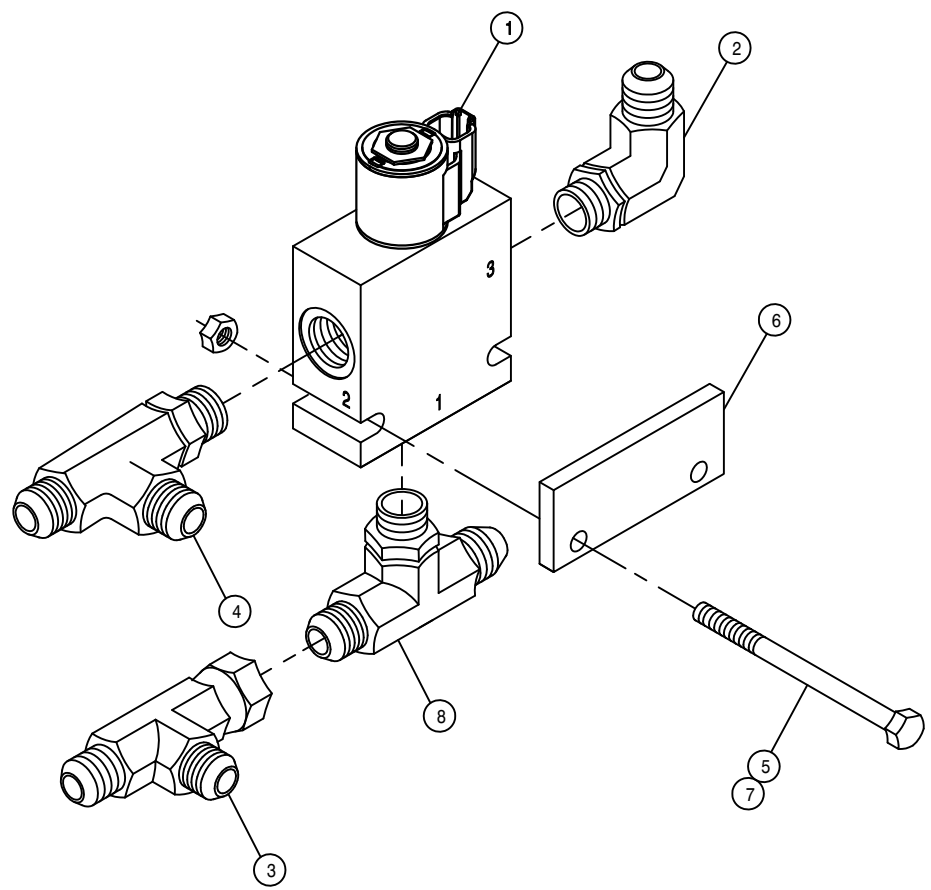
DET.	QTY	PART NO.	DESCRIPTION
1	16	483018	1" EXTERNAL TOOTH LOCK WASHER
2	2	616070	04-451TC-04MJBH-06MOR-11.00H/A
3	2	616071	04-451TC-04MJBH-06MOR-13.00H/A
4	4	618525	7/16-20 BLKHD LOCKNUT
5	2	621552	TRD ADJ CYL, 3.00 X 16.00 STS
6	16	900129	3/8UNC X 1" HEX BOLT
7	8	900303	1/2UNF X 1 1/2 HEX BOLT
8	4	900391	3/4UNC X 1 1/2 FLT SOC CAP SCR
9	16	900395	1"UNC X 2 1/2 SOCKET CAP SCR
10	16	910101	1" UNC HEX JAM NUT
11	16	920002	3/8 SAE FLAT WASHER
12	16	920502	3/8 LOCK WASHER
13	8	920504	1/2 LOCK WASHER
14	1	361689	REAR TRD ADJ ACCESS PLT WLD 04
15	1	361576	FRT TREAD ADJ ACCESS PLT WLD
16	2	361581	TRD ADJ CYL PIVOT PIN, M/F
17	4	361583	TRD ADJ CYL SPACER, M/F
18	2	361582	TREAD ADJ CYL PIN, OUTER LEG
19	4	342719	TRD ADJ BRONZE BEARING, TAPPED
20	4	342721	TRD ADJ BRONZE BRG
21	2	621553	REPAIR KIT, HYD CYL 621552
22	1	361579	REAR TRD ADJ ACCESS PLT WLD 00



TREAD ADJUST HYD MANIFOLD ASSEMBLY

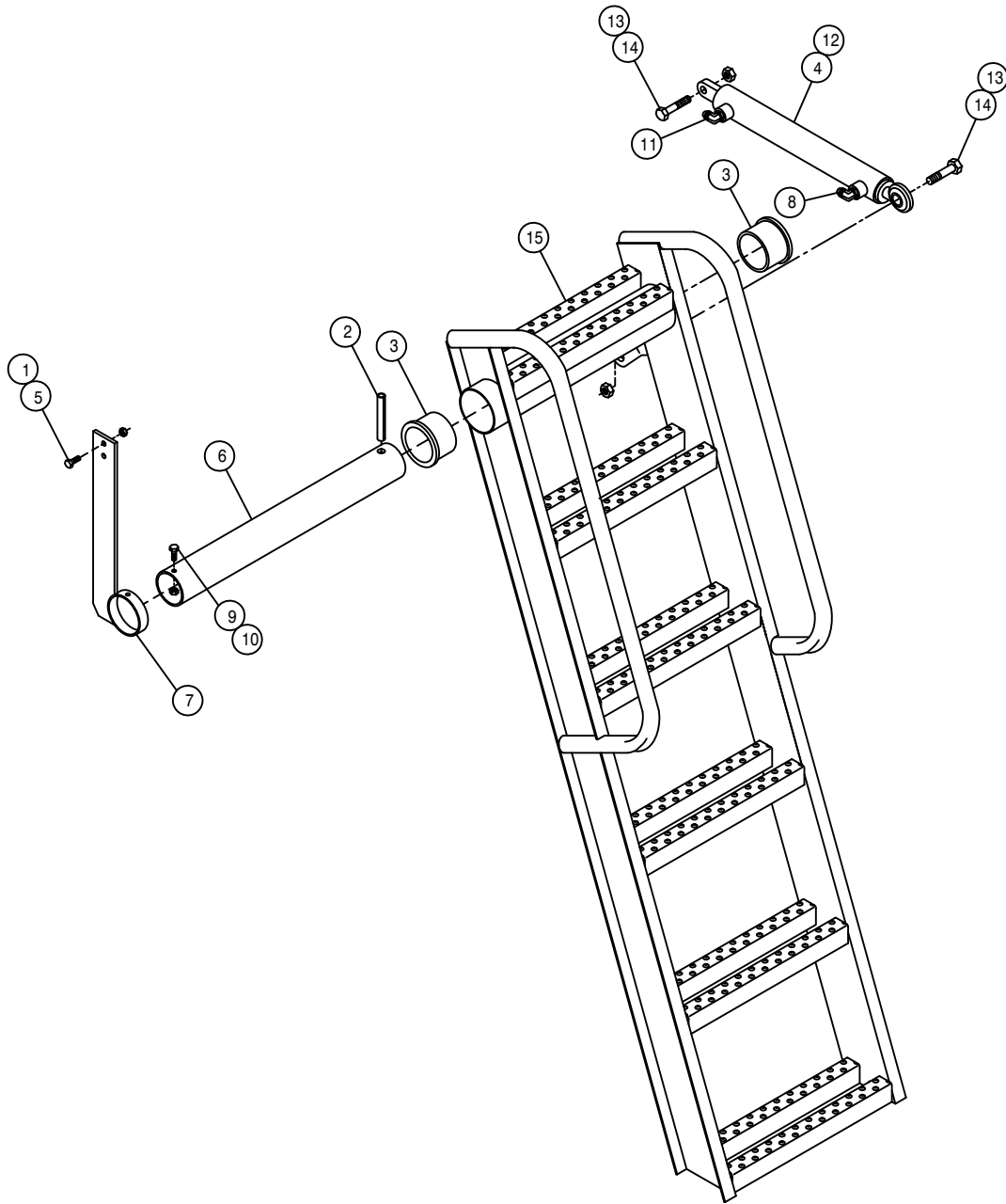
DET. QTY PART NO. DESCRIPTION

1	1	618451	3/4FJIC SW RUN TEE-3/4MJIC
2	2	618531	9/16FJIC CAP NUT
3	1	618609	3/4MJIC-90-3/4FJIC SWIV LBO
4	1	606210	TREAD ADJ VLV, STS PWRSYS 05
5	10	618126	9/16MJIC-9/16MOR ADPTR
6	2	618241	3/4MJIC-90-3/4MOR LBO
7	2	900145	3/8UNC X 5 SOCKET HD CAP SCR
8	2	914004	3/8UNC HEX STOVER NUT



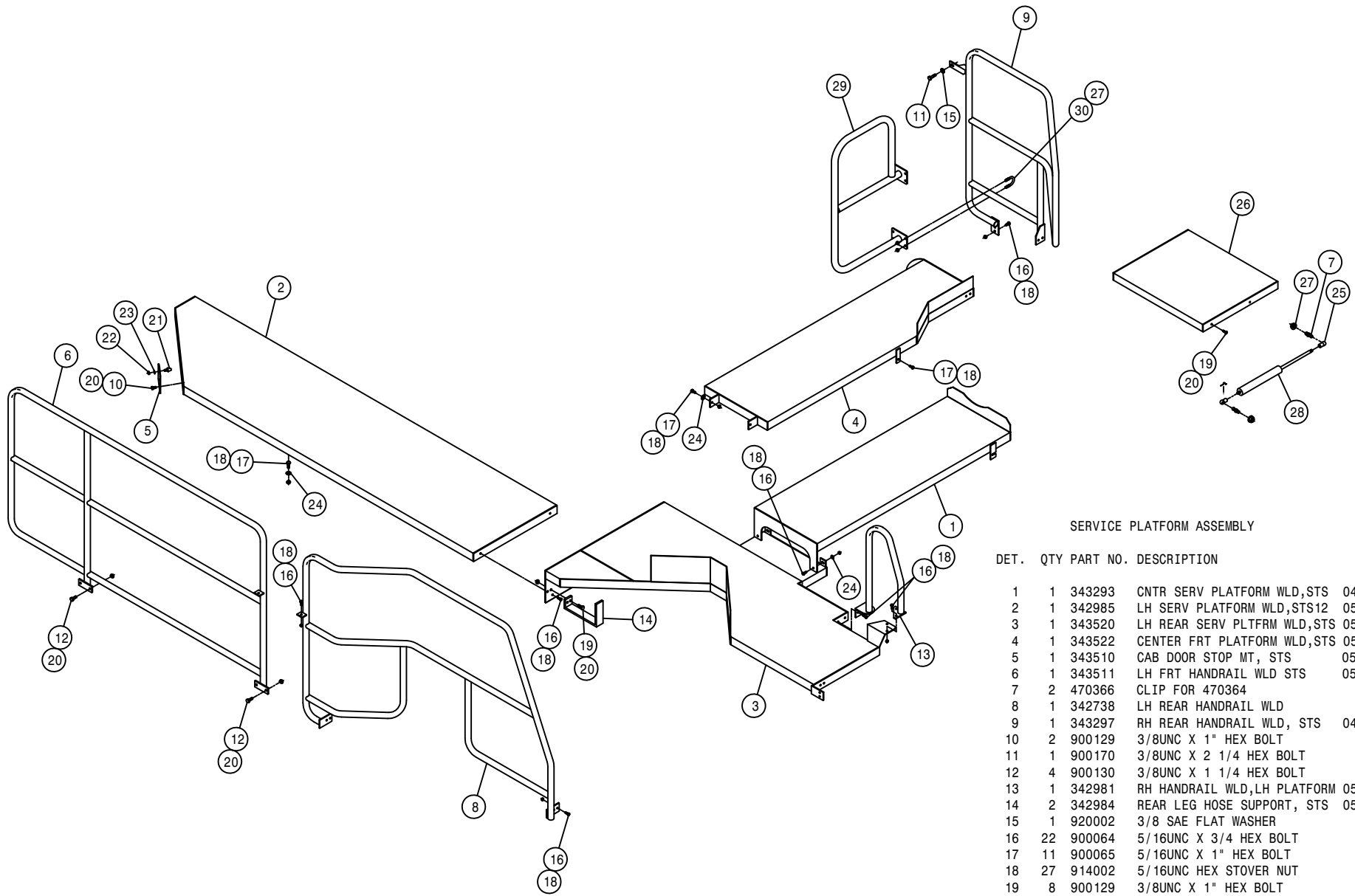
LADDER AND BRAKE VALVE ASSEMBLY

DET.	QTY	PART NO.	DESCRIPTION
	1	606213	HYD SOLE VLV,2P-3W,9/16FOR 05
	2	618119	9/16MJIC-90-9/16MOR LBO
	3	618486	9/16FJIC SW RUN TEE-9/16MJIC
	4	618444	9/16MOR RUN TEE-9/16MJIC
	5	900007	1/4UNC X 2" HEX BOLT
	6	342826	SOLE VLV SPACER
	7	914000	1/4UNC HEX STOVER NUT
	8	618629	9/16MOR BRANCH TEE-9/16MJIC



LADDER ASSEMBLY

DET.	QTY	PART NO.	DESCRIPTION
1	2	914002	5/16UNC HEX STOVER NUT
2	1	473978	ROLL PIN, 1/2 X 3 1/2 LG
3	2	121102	LADDER PIVOT BEARING, POLYGON
4	1	621554	LADR/SF/BRKWAY CYL, 1.50 X12.25
5	2	900065	5/16UNC X 1" HEX BOLT
6	1	342805	LADDER MT TUBE
7	1	342806	LH PLTFRM SUPP BRKT WLD, STS12
8	1	618688	9/16MOR-90-9/16MJ .025 CHK VLV
9	1	914000	1/4UNC HEX STOVER NUT
10	1	900003	1/4UNC X 1" HEX BOLT
11	1	618119	9/16MJIC-90-9/16MOR LBO
12	1	621555	REPAIR KIT, HYD CYL 621554
13	2	914008	1/2UNC HEX STOVER NUT
14	2	900267	1/2UNC X 2" HEX BOLT
15	1	343530	LADDER WLD, STS12 & STS16 05



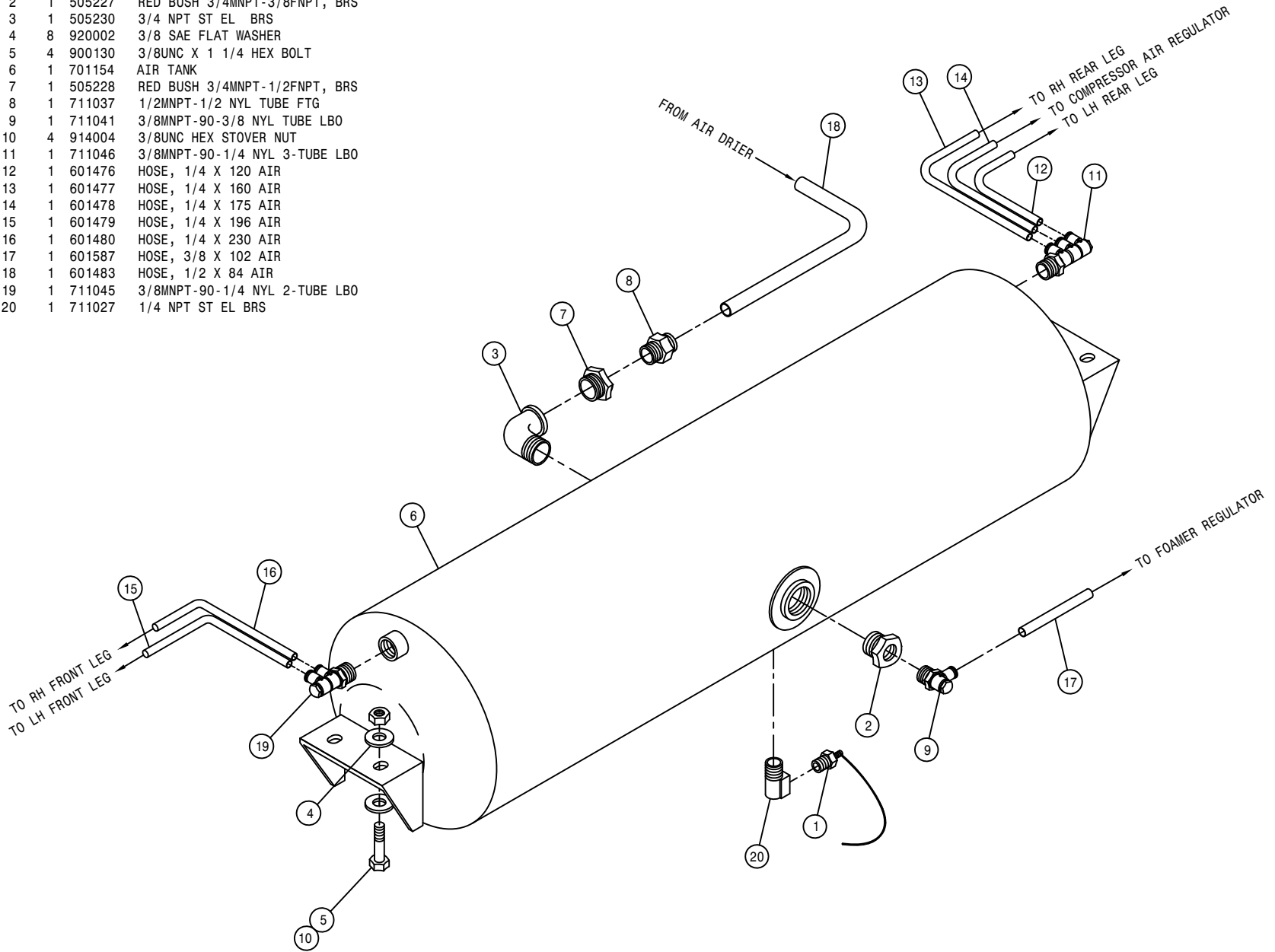
SERVICE PLATFORM ASSEMBLY

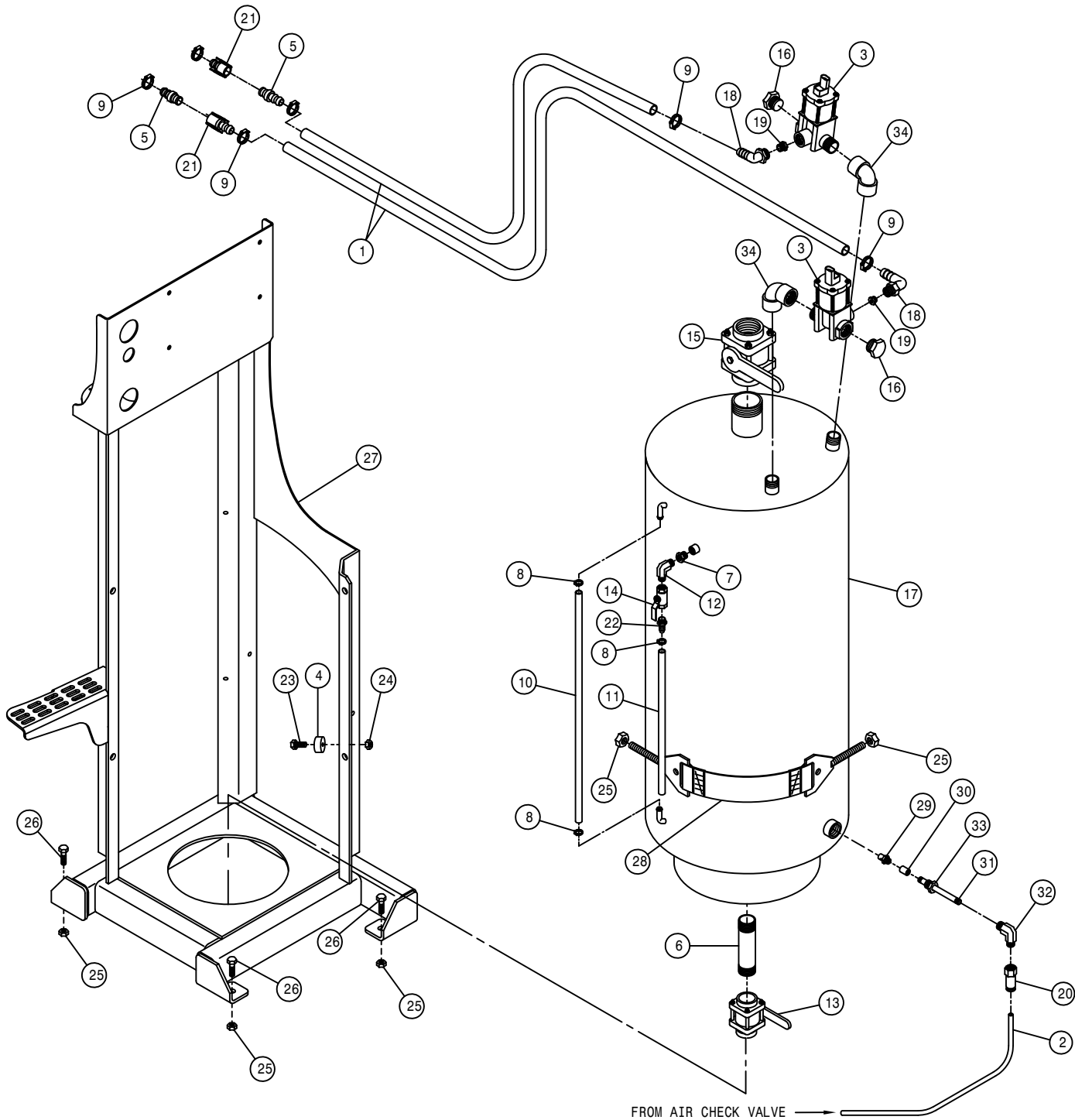
DET.	QTY	PART NO.	DESCRIPTION
1	1	343293	CNTR SERV PLATFORM WLD,STS 04
2	1	342985	LH SERV PLATFORM WLD,STS12 05
3	1	343520	LH REAR SERV PLTFRM WLD,STS 05
4	1	343522	CENTER FRT PLATFORM WLD,STS 05
5	1	343510	CAB DOOR STOP MT, STS 05
6	1	343511	LH FRT HANDRAIL WLD STS 05
7	2	470366	CLIP FOR 470364
8	1	342738	LH REAR HANDRAIL WLD
9	1	343297	RH REAR HANDRAIL WLD, STS 04
10	2	900129	3/8UNC X 1" HEX BOLT
11	1	900170	3/8UNC X 2 1/4 HEX BOLT
12	4	900130	3/8UNC X 1 1/4 HEX BOLT
13	1	342981	RH HANDRAIL WLD,LH PLATFORM 05
14	2	342984	REAR LEG HOSE SUPPORT, STS 05
15	1	920002	3/8 SAE FLAT WASHER
16	22	900064	5/16UNC X 3/4 HEX BOLT
17	11	900065	5/16UNC X 1" HEX BOLT
18	27	914002	5/16UNC HEX STOVER NUT
19	8	900129	3/8UNC X 1" HEX BOLT
20	12	914004	3/8UNC HEX STOVER NUT
21	1	470314	RUBBER BUMPER,BULLET W/3/8-24S
22	1	910005	3/8UNF HEX NUT
23	1	920502	3/8 LOCK WASHER
24	12	920001	5/16 SAE FLAT WASHER
25	2	470365	BALL STUD,5/16-18, FOR 470364
26	1	343304	ENG CMPRTMNT PLTFRM WLD,STS 04
27	10	470113	5/16UNC HEX FLANGE LOCK NUT
28	1	470364	GAS SPRING, 90LB, 3.5 STROKE
29	1	345001	RH REAR HANDRAIL EXT WLD,STS06
30	4	473911	5/16UNC-1.31ID-2.00 U-BOLT

AIR TANK ASSEMBLY

DET. QTY PART NO. DESCRIPTION

1	1	470266	DRAIN VALVE KIT, 1/4NPT
2	1	505227	RED BUSH 3/4MNPT-3/8FNPT, BRS
3	1	505230	3/4 NPT ST EL BRS
4	8	920002	3/8 SAE FLAT WASHER
5	4	900130	3/8UNC X 1 1/4 HEX BOLT
6	1	701154	AIR TANK
7	1	505228	RED BUSH 3/4MNPT-1/2FNPT, BRS
8	1	711037	1/2MNPT-1/2 NYL TUBE FTG
9	1	711041	3/8MNPT-90-3/8 NYL TUBE LBO
10	4	914004	3/8UNC HEX STOVER NUT
11	1	711046	3/8MNPT-90-1/4 NYL 3-TUBE LBO
12	1	601476	HOSE, 1/4 X 120 AIR
13	1	601477	HOSE, 1/4 X 160 AIR
14	1	601478	HOSE, 1/4 X 175 AIR
15	1	601479	HOSE, 1/4 X 196 AIR
16	1	601480	HOSE, 1/4 X 230 AIR
17	1	601587	HOSE, 3/8 X 102 AIR
18	1	601483	HOSE, 1/2 X 84 AIR
19	1	711045	3/8MNPT-90-1/4 NYL 2-TUBE LBO
20	1	711027	1/4 NPT ST EL BRS





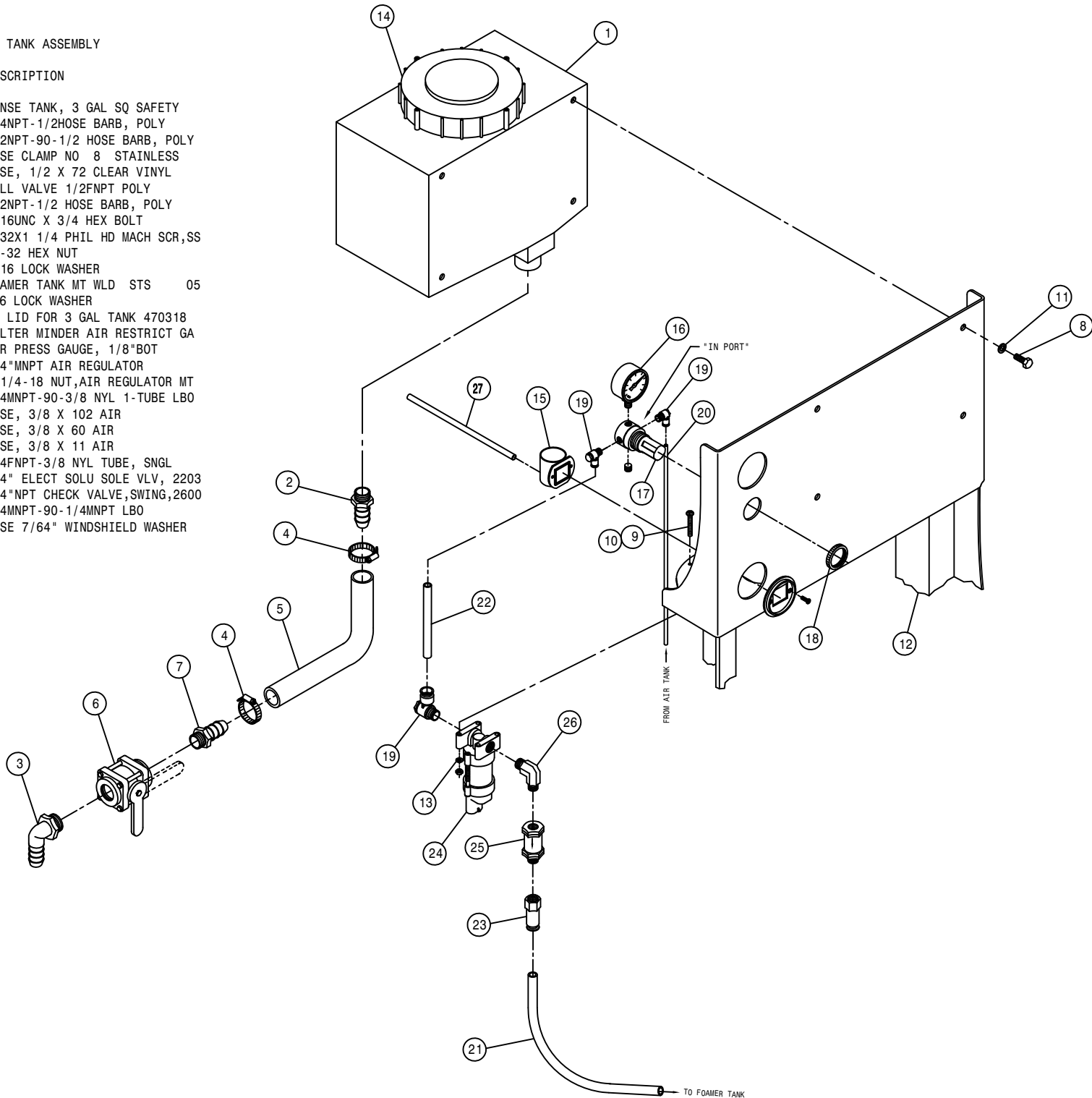
FOAMER TANK ASSEMBLY

DET. QTY PART NO. DESCRIPTION

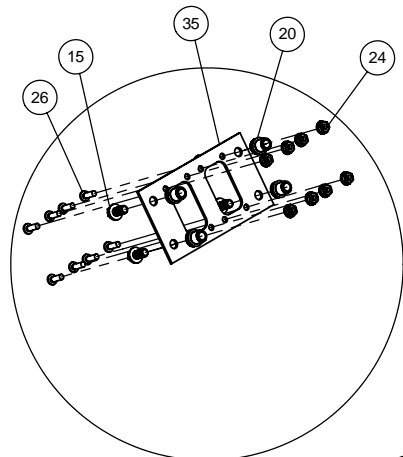
1	2	195908	HOSE 3/4ID-1/8W CLEAR VINYL X 206"
2	1	601624	HOSE, 3/8 X 60 AIR
3	2	696181	3/4" ELECT SOLU SOLE VALVE 02
4	6	470294	RUBBER BUMPER, RECESS, .63H-1.5D
5	2	696208	.75 HOSE BARB-MALE COUPLER
6	1	505205	BLK PIPE NIPPLE 1.00NPT-5.00
7	1	505211	3/8-1/4NPT REDU BUSH, BRS
8	3	520120	HOSE CLAMP NO 4 STAINLESS
9	6	520055	HOSE CLAMP NO 12 STAINLESS
10	1	601419	HOSE, 3/8 X 30 CLEAR VINYL
11	1	601420	HOSE, 3/8 X 48 CLEAR VINYL
12	1	618571	1/4MNPT-90-1/4MNPT LBO
13	1	695900	BALL VALVE 1IN FNPT POLY
14	1	696120	BALL VALVE, 1/4NPT, STEEL
15	1	696134	BALL VALVE 2IN FNPT POLY
16	2	500043	3/4NPT PIPE PLUG, POLY
17	1	701112	FOAM MARKER TANK, 36 GAL SS
18	2	701214	1/2NPT-90-3/4HBARB, 1/4TAP, POLY
19	2	701215	1/4PIPE PLUG, .187 ORIFICE, POLY
20	1	711051	1/4FNPT-3/8 NYL TUBE, SNGL
21	2	696207	.75 HOSE BARB-FEMALE COUPLER
22	1	783304	1/4 NPT X 3/8 HOSE BARB, BRS
23	6	900064	5/16UNC X 3/4 HEX BOLT
24	6	914002	5/16UNC HEX STOVER NUT
25	7	914008	1/2UNC HEX STOVER NUT
26	3	900264	1/2UNC X 1 1/4 HEX BOLT
27	1	701232	FOAMER TANK MT WLD STS 05
28	2	701170	FOAMER TANK STRAP ASSY
29	1	701144	FOAMER AIR NOZZLE
30	1	500223	SS PIPE CPLG, 1/8NPT
31	1	507021	SS PIPE NIPPLE, 1/8NPT X 6"
32	1	701143	FOAMER AIR TUBE FTG
33	1	507728	REDU BUSH 1/2MNPT X 1/4FNPT, SS
34	2	500079	3/4NPT-90 EL, POLY

FRESH WATER TANK ASSEMBLY

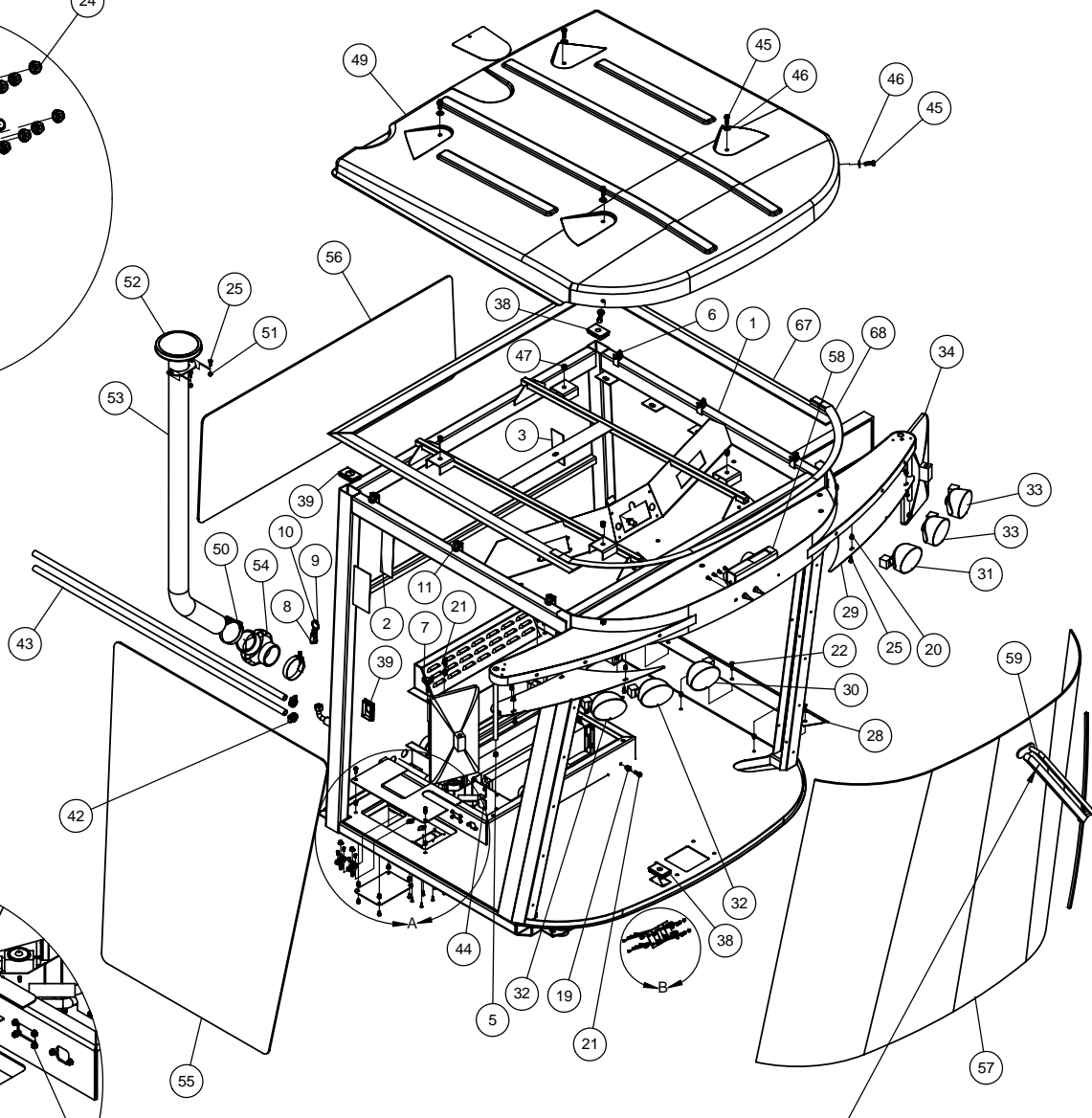
DET.	QTY	PART NO.	DESCRIPTION
1	1	470318	RINSE TANK, 3 GAL SQ SAFETY
2	1	500019	3/4NPT-1/2HOSE BARB, POLY
3	1	500047	1/2NPT-90-1/2 HOSE BARB, POLY
4	2	520070	HOSE CLAMP NO 8 STAINLESS
5	1	601489	HOSE, 1/2 X 72 CLEAR VINYL
6	1	696082	BALL VALVE 1/2FNPT POLY
7	1	713340	1/2NPT-1/2 HOSE BARB, POLY
8	4	900064	5/16UNC X 3/4 HEX BOLT
9	2	903853	6-32X1 1/4 PHIL HD MACH SCR,SS
10	2	910022	6-32 HEX NUT
11	4	920501	5/16 LOCK WASHER
12	1	701232	FOAMER TANK MT WLD STS 05
13	2	920512	# 6 LOCK WASHER
14	1	470337	6" LID FOR 3 GAL TANK 470318
15	1	314901	FILTER MINDER AIR RESTRICT GA
16	1	701310	AIR PRESS GAUGE, 1/8"BOT
17	1	711019	1/4"MNPT AIR REGULATOR
18	1	711021	1 1/4-18 NUT,AIR REGULATOR MT
19	3	711043	1/4MNPT-90-3/8 NYL 1-TUBE LBO
20	1	601587	HOSE, 3/8 X 102 AIR
21	1	601624	HOSE, 3/8 X 60 AIR
22	1	601633	HOSE, 3/8 X 11 AIR
23	1	711051	1/4FNPT-3/8 NYL TUBE, SNGL
24	1	696235	1/4" ELECT SOLU SOLE VLV, 2203
25	1	711052	1/4"NPT CHECK VALVE,SWING,2600
26	1	618571	1/4MNPT-90-1/4MNPT LBO
27	1	195913	HOSE 7/64" WINDSHIELD WASHER



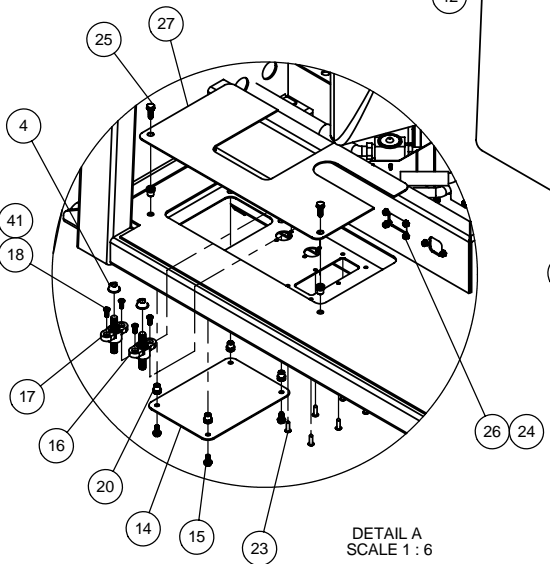
DET	QTY	P/N	DESCRIPTION
1	1	343435	CAB WELDMENT, STS 05
2	1	650165	DECAL,PWR LINE/BM FOLD/GLASS
3	1	650164	DECAL,NO PASSNGR/NOT NEAR LEAK
4	10	470087	3/8-16 SERR FLANGE NUT
5	2	629762	CAPLUG, 5/8" RD, BLACK POLY
6	4	291009	ROSEBUD CLP FOR .625 CNDT
7	2	470393	KNOB,3-BLADE BLK,5/16-18X1 1/2
8	1	470397	RES-Q-ME TOOL
9	1	470398	BEAD CHAIN, #10 X 4" LONG
10	1	470400	BEAD CHAIN CONNECTOR #10 WHITE
11	4	291010	ROSEBUD CLIP FOR 1.00 CONDUIT
12	2	470434	GROMMET, .625ID .062GW 1.25OGD
13	4	472238	12-24 X 1/2 PHIL PAN HD SCR
14	1	343433	AUX. ACCESS COVER, STS 05
15	8	470122	1/4UNC x 1/2 HEX BOLT
16	1	291750	TERM BLOCK,RED,3/8-16 THRU
17	1	291749	TERM BLOCK,BLACK,3/8-16 THRU
18	4	903706	10-32 x 1/2 PHIL PANHD MACH SCR
19	8	470381	5/16-18 NUTSERT .027-.150 STL
20	21	470380	1/4-20 NUTSERT .027-.165 STL
21	8	470234	5/16-18 X 1 SERR FLANGE
22	3	900050	1/4UNC X 1 1/4 FL SOC CAP SCR
23	6	470465	#12-14X3/4 PHL PAN SHT MTL SRW
24	14	470463	8-32 serr flange nut
25	12	470118	1/4UNC x 3/4 HEX BOLT
26	14	903844	#8-32 X 1/2 PHIL PAN MACH SCREW
27	1	343432	ELECT INPUT COVER,STS CAB 05
28	1	343434	CAB ENTRY STEP PLATE, STS 05
29	2	343352	LWR LIGHT MT COVER,STS CAB 05
30	1	291902	JW SPEAKER RH TRAP LIGHT
31	1	291903	JW SPEAKER LH TRAP LIGHT
32	2	291900	JW SPEAKER RH FLOOD LIGHT
33	2	291901	JW SPEAKER FH FLOOD LIGHT
34	2	470348	MIRROR STS 10 & 12
35	1	343431	STRG COLUMN ELECT PANEL,STS 05
36	1	470417	STRIKER PIN, DOOR LATCH, TRIMARK
37	1	473825	12MM-1.75 SERR FLANGE NUT ZINC
38	2	343552	CAPLUG, W/ .75 HOLE, STS 05
39	2	343553	CAPLUG, W/ 1.313 HOLE, STS 05
40	4	920510	#10 LOCK WASHER
41	4	910027	10-32 HEX NUT
42	2	520055	HOSE CLAMP NO 12 STAINLESS
43	2	601631	HOSE, 5/8 X 54 HEATER
44	1	657460	A/C & HEATER BLOWER SYS,STS 05
45	6	470329	3/8-16x1.25 SERR FLANGE
46	6	470377	3/ X 13/16 BONDED SS WASHER
47	4	470382	3/8-16 NUTSERT .027-.150 STL
48	1	343351	GPS MTG PLATE, STS CAB 05
49	1	343350	CAB ROOF, STS 05
50	2	520130	3.31/3.59 T-BOLT HOSE CLAMP SS
51	2	470121	1/4-20 SERR FLANGE NUT
52	1	311534	RAIN CAP, 3" INLET, POLY
53	1	343422	HVAC INTAKE TUBE WLD,STS CAB05
54	1	311533	COBRA ELBOW, 3 INCH W/CLAMP
55	1	658036	RH CAB GLASS, STS 05
56	1	658038	REAR CAB GLASS, STS 05
57	1	658035	CAB WINDSHIELD GLASS, STS 05
58	1	343353	WIPER MTR MT BRKT, STS CAB 05
59	1	470425	WINDSHIELD WIPER PKG, STS 05
60	4	311078	SNUBBING WASHER FOR 311077 05
61	8	470460	3/8-16 X 1 HEX SERR FLG
62	4	470461	1/2-13 X 3 HEX SER FLNG
63	4	470345	1/2-13 SERR FLANGE NUT
64	4	311077	CAB ISO MOUNT LF 1.5-450
65	1	657463	A/C PAPER AIR FILTER
66	1	657464	A/C CHARCOAL AIR FILTER
67	1	343583	CAB ROOF SEAL, STS CAB 06
68	1	343582	FRT CAB ROOF SEAL, STS CAB 06



DETAIL B
SCALE 1 : 3

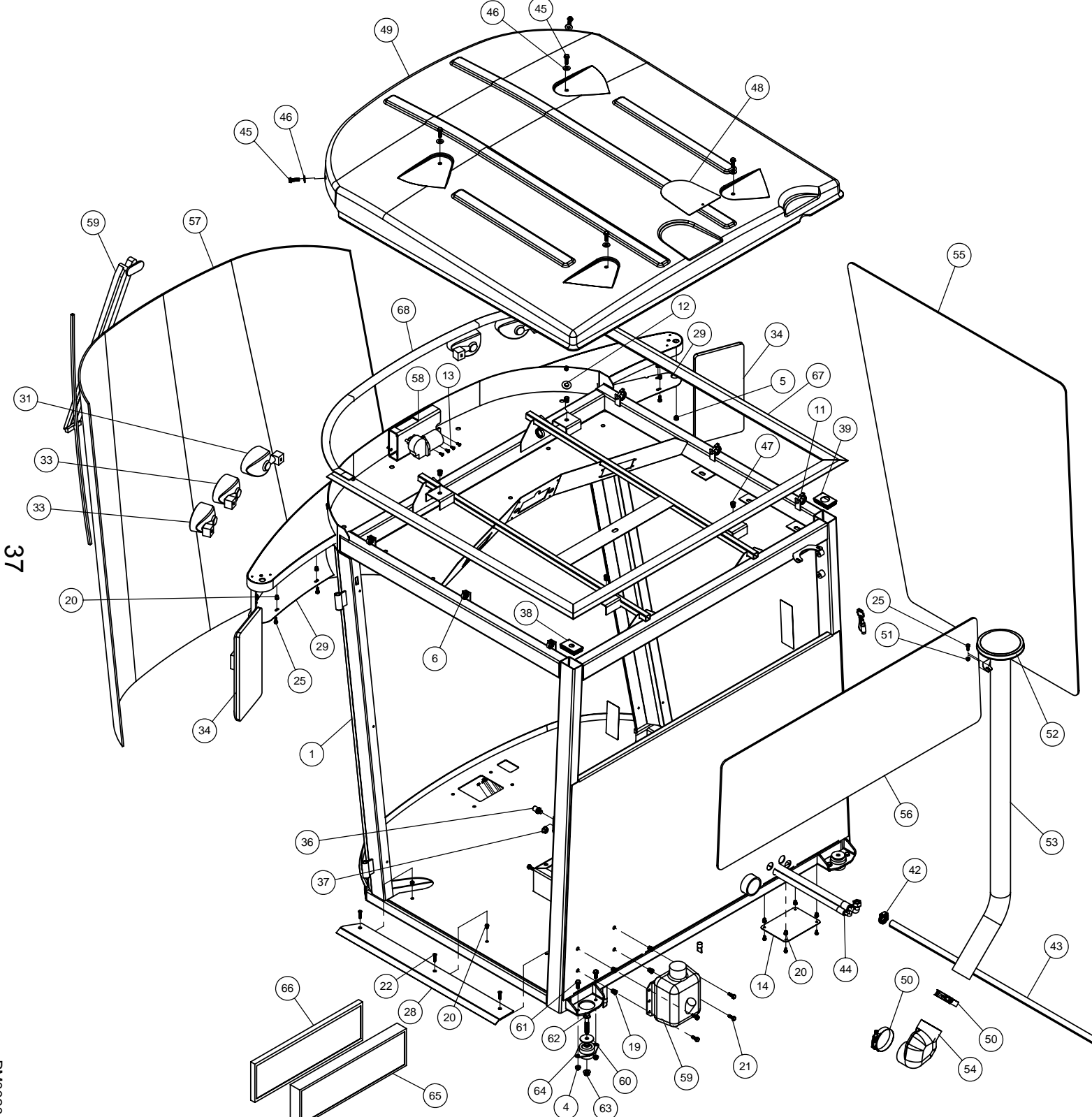


- 470426 - WIPER MOTOR
- 470427 - WIPER BLADE
- 470428 - WIPER ARM
- 470429 - WASHER NOZZLE
- 470430 - WIPER MOTOR PIGTAIL
- 470440 - WASHER TANK

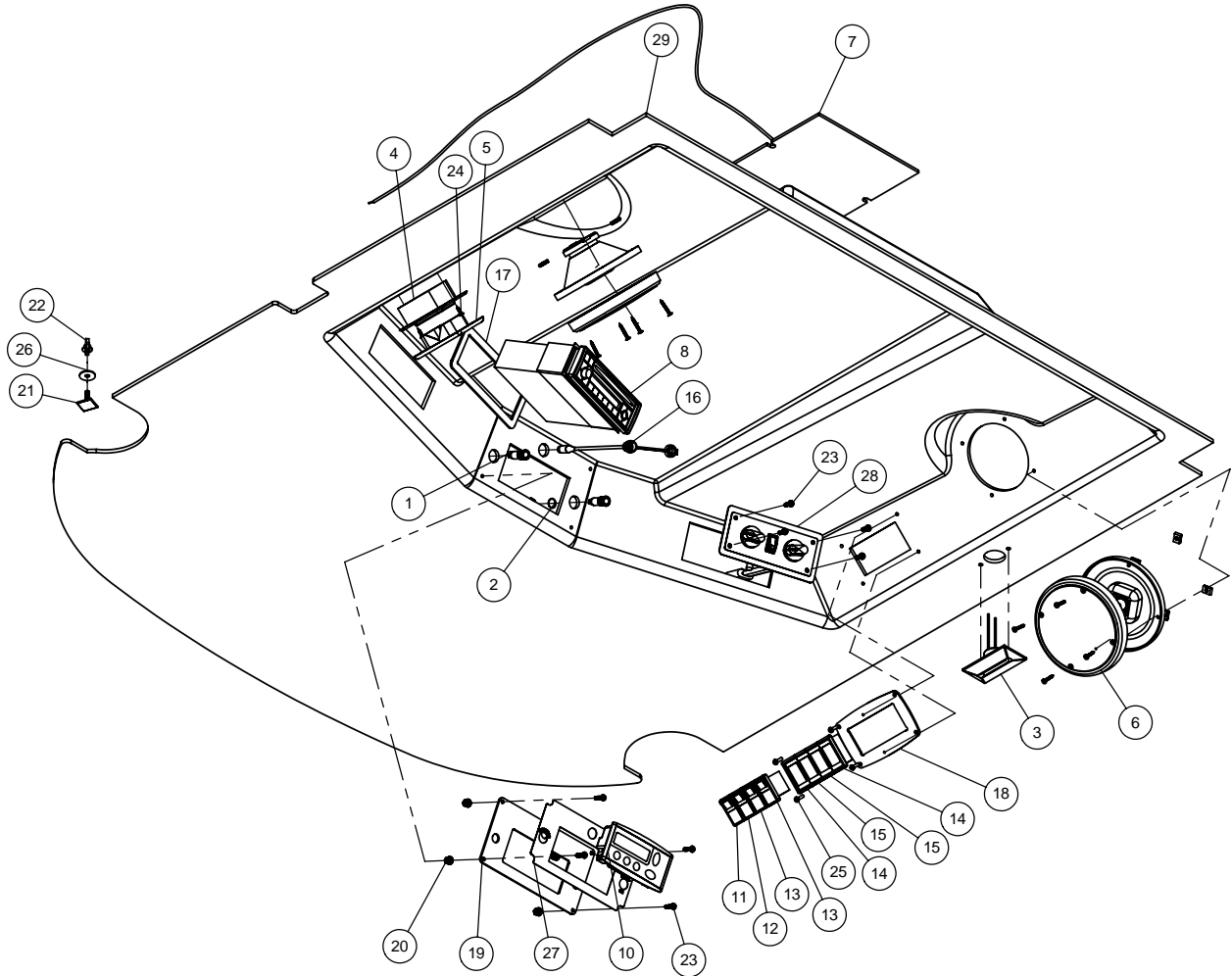


DETAIL A
SCALE 1 : 6

CAB ASSEMBLY (REAR VIEW)

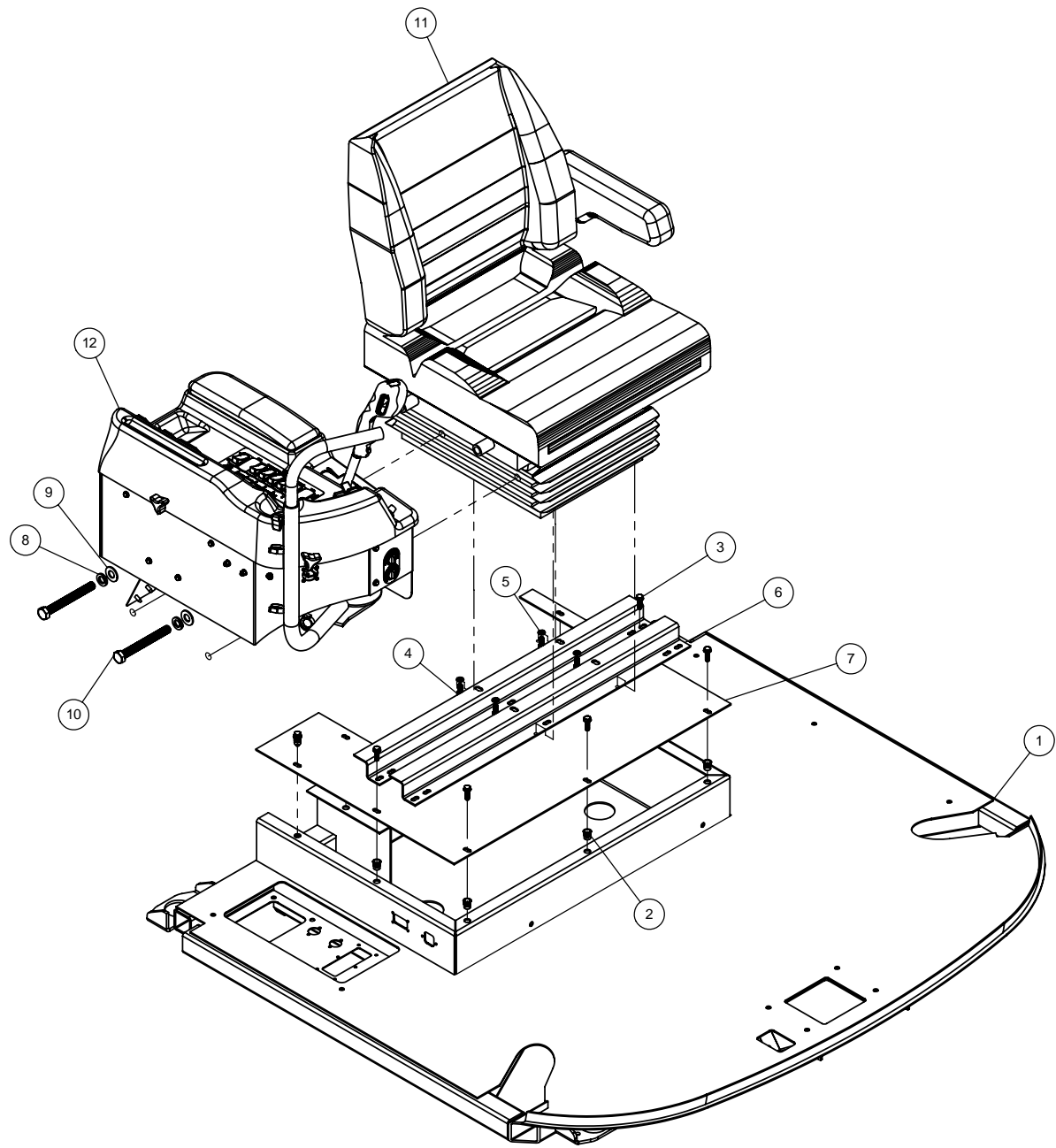


DET	QTY	P/N	DESCRIPTION
1	1	343435	CAB WELDMENT, STS 05
2	1	650165	DECAL,PWR LINE/BM FOLD/GLASS
3	1	650164	DECAL,NO PASSNGR/NOT NEAR LEAK
4	10	470087	3/8-16 SERR FLANGE NUT
5	2	629762	CAPLUG, 5/8" RD, BLACK POLY
6	4	291009	ROSEBUD CLP FOR .625 CNDT
7	2	470393	KNOB,3-BLAE BLK,5/16-18X1 1/2
8	1	470397	RES-Q-ME TOOL
9	1	470398	BEAD CHAIN, #10 X 4" LONG
10	1	470400	BEAD CHAIN CONNECTOR #10 WHITE
11	4	291010	ROSEBUD CLIP FOR 1.00 CONDUIT
12	2	470434	GROMMET, .625ID .062GW 1.25OGD
13	4	472238	12-24 X 1/2 PHIL PAN HD SCR
14	1	343433	AUX. ACCESS COVER, STS 05
15	8	470122	1/4UNC x 1/2 HEX BOLT
16	1	291750	TERM BLOCK,RED,3/8-16 THRU
17	1	291749	TERM BLOCK,BLACK,3/8-16 THRU
18	4	903706	10-32 x 1/2 PHIL PANHD MACH SCR
19	8	470381	5/16-18 NUTSERT .027-.150 STL
20	21	470380	1/4-20 NUTSERT .027-.165 STL
21	8	470234	5/16-18 X 1 SERR FLANGE
22	3	900050	1/4UNC X 1 1/4 FL SOC CAP SCR
23	6	470465	#12-14X3/4 PHL PAN SHT MTL SRW
24	14	470463	8-32 serr flange nut
25	12	470118	1/4UNC x 3/4 HEX BOLT
26	14	903844	#8-32 X 1/2 PHIL PAN MACH SCREW
27	1	343432	ELECT INPUT COVER,STS CAB 05
28	1	343434	CAB ENTRY STEP PLATE, STS 05
29	2	343352	LWR LIGHT MT COVER,STS CAB 05
30	1	291902	JW SPEAKER RH TRAP LIGHT
31	1	291903	JW SPEAKER LH TRAP LIGHT
32	2	291900	JW SPEAKER RH FLOOD LIGHT
33	2	291901	JW SPEAKER FH FLOOD LIGHT
34	2	470348	MIRROR STS 10 & 12
35	1	343431	STRG COLUMN ELECT PANEL,STS 05
36	1	470417	STRIKER PIN, DOOR LATCH, TRIMARK
37	1	473825	12MM-1.75 SERR FLANGE NUT ZINC
38	2	343552	CAPLUG, W/ .75 HOLE, STS 05
39	2	343553	CAPLUG, W/ 1.313 HOLE, STS 05
40	4	920510	#10 LOCK WASHER
41	4	910027	10-32 HEX NUT
42	2	520055	HOSE CLAMP NO 12 STAINLESS
43	2	601631	HOSE, 5/8 X 54 HEATER
44	1	657460	A/C & HEATER BLOWER SYS,STS 05
45	6	470329	3/8-16x1.25 SERR FLANGE
46	6	470377	3/ X 13/16 BONDED SS WASHER
47	4	470382	3/8-16 NUTSERT .027-.150 STL
48	1	343351	GPS MTG PLATE, STS CAB 05
49	1	343350	CAB ROOF, STS 05
50	2	520130	3.31/3.59 T-BOLT HOSE CLAMP SS
51	2	470121	1/4-20 SERR FLANGE NUT
52	1	311534	RAIN CAP, 3" INLET, POLY
53	1	343422	HVAC INTAKE TUBE WLD,STS CAB05
54	1	311533	COBRA ELBOW, 3 INCH W/CLAMP
55	1	658036	RH CAB GLASS, STS 05
56	1	658038	REAR CAB GLASS, STS 05
57	1	658035	CAB WINDSHIELD GLASS, STS 05
58	1	343353	WIPER MTR MT BRKT, STS CAB 05
59	1	470425	WINDSHIELD WIPER PKG, STS 05
60	4	311078	SNUBBING WASHER FOR 311077 05
61	8	470460	3/8-16 X 1 HEX SERR FLG
62	4	470461	1/2-13 X 3 HEX SERR FLNG
63	4	470345	1/2-13 SERR FLANGE NUT
64	4	311077	CAB ISO MOUNT LF 1.5-450
65	1	657463	A/C PAPER AIR FILTER
66	1	657464	A/C CHARCOAL AIR FILTER
67	1	343583	CAB ROOF SEAL, STS CAB 06
68	1	343582	FRT CAB ROOF SEAL, STS CAB 06



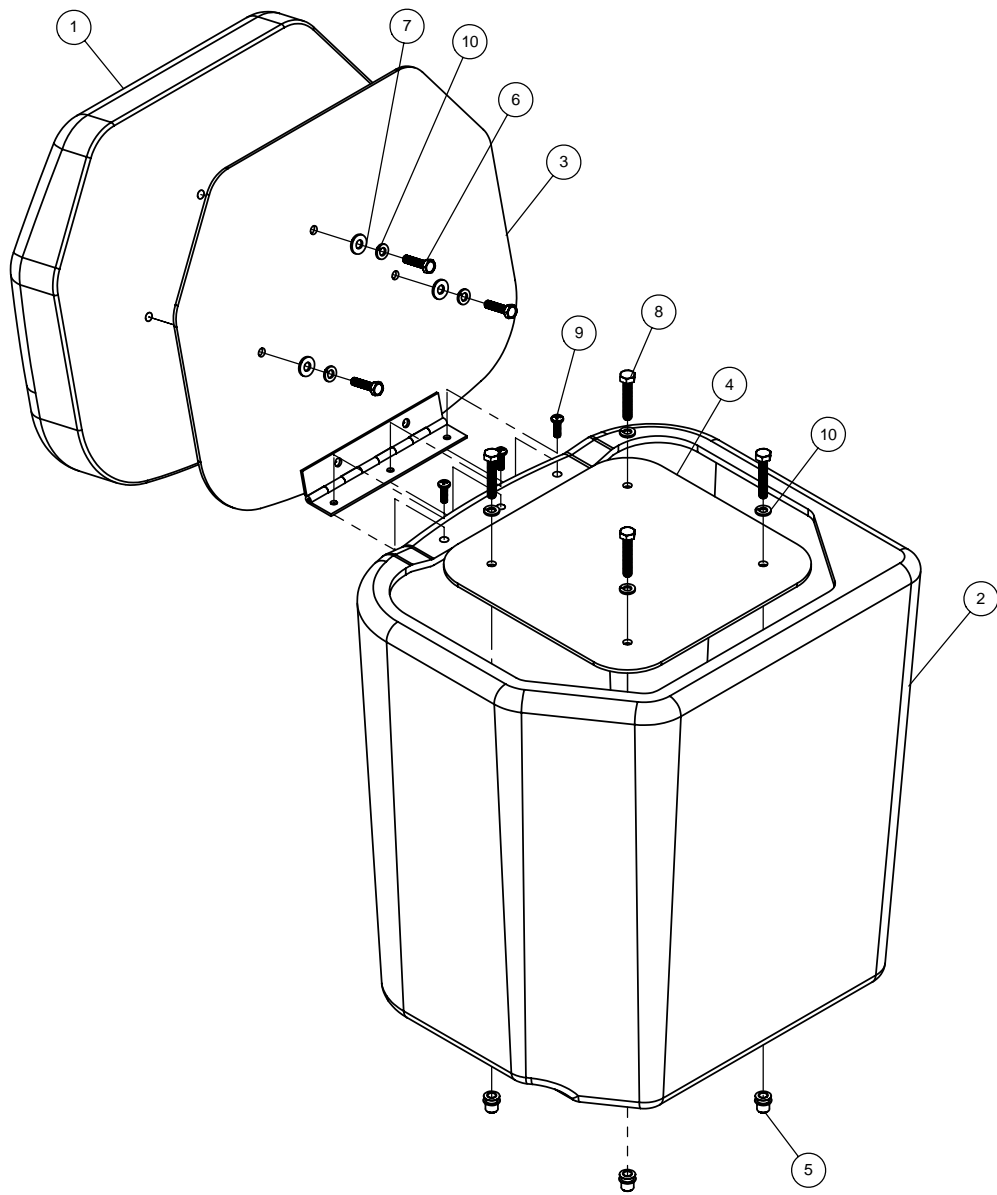
HEADLINER ASSEMBLY

DET	QTY	P/N	DESCRIPTION
1	1	291740	RED LED IND LIGHT,12V 10MM
2	1	291741	GREEN LED IND LIGHT,12V 10MM
3	1	291909	JW SPEAKER LED DASH LIGHT
4	1	291912	DOME LIGHT
5	1	291913	TRIM RING, DOME LIGHT 291912
6	2	291922	SPEAKER, PAIR
7	1	291924	ANTENNA AM/FM/WB HEADLINER MT
8	1	291932	RADIO CQ-5335U STS 06
NS	1	291933	HARNES, RADIO CQ-5335U STS 06
10	1	292010	IQAN MDM MOD
11	1	292214	SWITCH, WASHER, STS
12	1	292215	SWITCH, WIPER, STS
13	2	292216	SWITCH, WORK/FIELD LIGHTS, STS
14	2	292261	MOUNTING TRIM, END VME
15	2	292262	MOUNTING TRIM, MIDDLE VMM
16	1	293810	HR12 EXTENSION CABLE, PANEL MT
17	1	343331	RADIO BEZEL,CAB 05
18	1	343354	LIGHT & WIPER BEZEL,STS CAB 05
19	1	343355	MDM BEZEL, STS CAB 05
20	4	470175	10-32 SERR FLANGE NUT
21	19	470456	1/4-20 x 1.00 THREAD STUD, NYLON
22	19	470457	1/4-20 WING NUT, NYLON
23	8	472235	10-32 x .75 PHIL HEAD MACH SCRW
24	2	473907	#10X5/8 OHPHIL 8 SHT MTL SCR
25	4	473990	#8-15 X 3/4 PHIL PAN SMS
26	19	483067	1/4 x 1.00 OD FENDER WASHER
27	1	650148	MDM BEZEL DECAL
28	1	657460	A/C & HEATER BLOWER SYS,STS 05
29	1	658331	HEADLINER, STS CAB 05
NS	1	KRA004	RADIO KIT,SPKRS-ANT, STS 06
NS	1	KSW602	SWITCH KIT, CAB STS 05



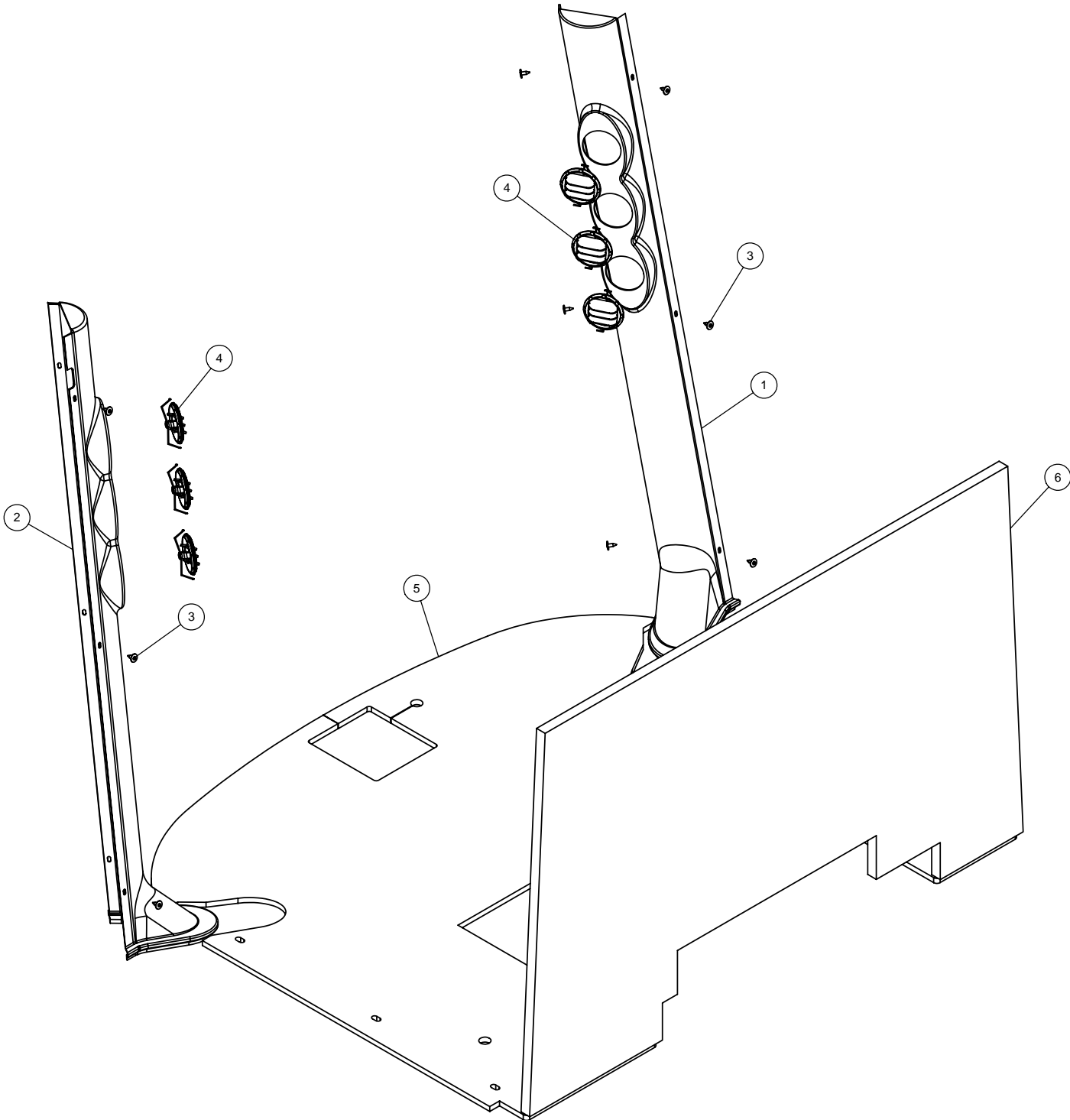
SEAT ASSEMBLY

DET QTY	P/N	DESCRIPTION
1	343435	CAB WELDMNT, STS 05
2	470381	5/16-18 NUTSERT .027-.150 STL
3	470234	5/16-18 X 1 SERR FLANGE
4	473827	8MM-1.25 X 20MM HEX BOLT
5	920501	5/16 LOCK WASHER
6	343429	SEAT BASE STIFF, STS CAB 05
7	343430	HVAC LID, STS CAB 05
8	920505	5/8 LOCK WASHER
9	920005	5/8 FLAT WASHER
10	900345	5/8UNC X 5 1/2 HEX BOLT
11	330034	SEAT & AIR RIDE, STS 05
12	343487	SIDE CONSOLE ASSY, STS 06



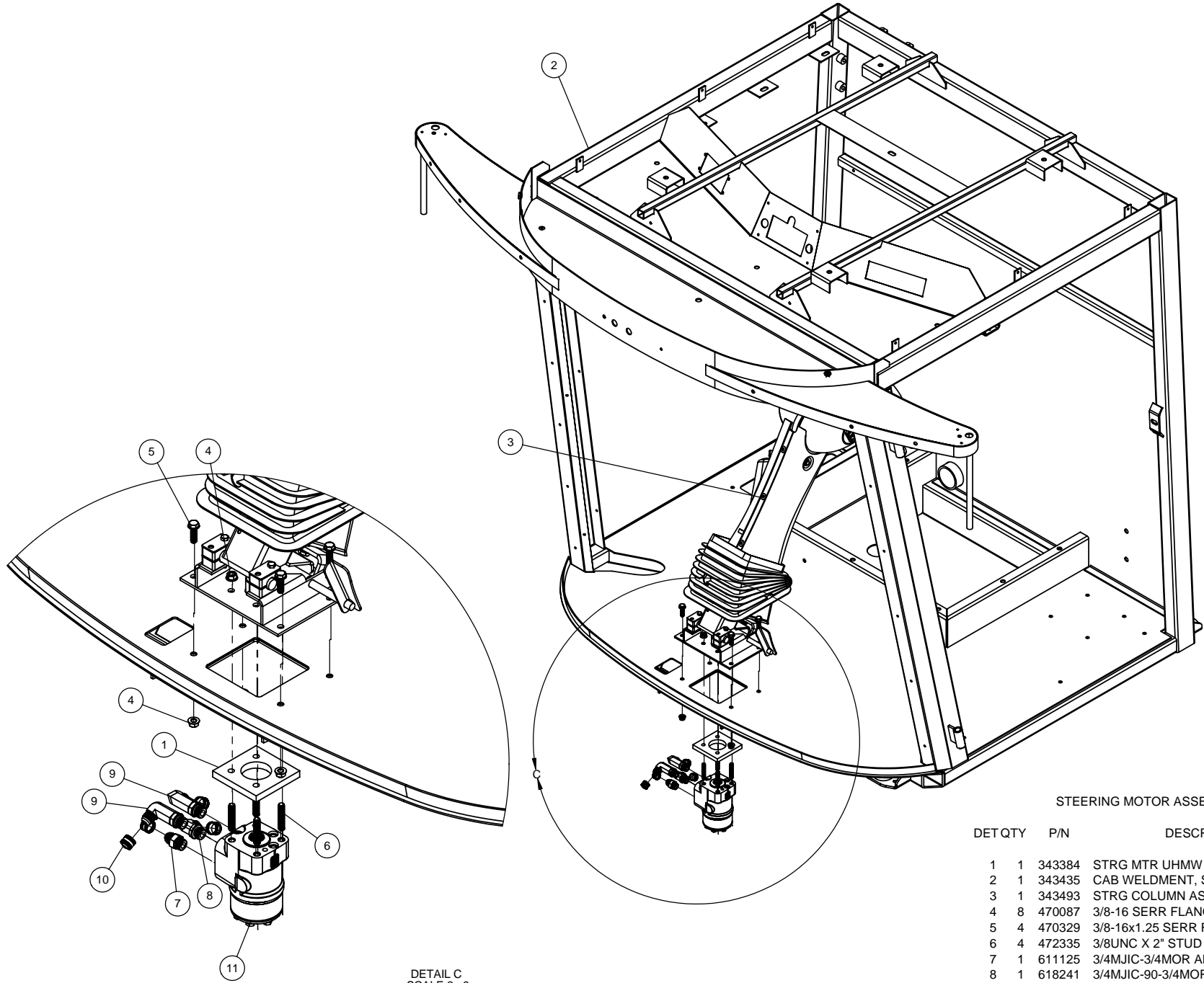
BUDDY SEAT ASSEMBLY

DET	QTY	P/N	DESCRIPTION
1	1	330036	BUDDY SEAT CUSHION
2	1	330037	BUDDY SEAT BASE, POLY, STS 05
3	1	343425	BUDDY SEAT MT WLD, STS CAB 05
4	1	343428	BUDDY SEAT MT PANEL, STS CAB 05
5	4	470380	1/4-20 NUTSERT .027-.165 STL
6	3	473787	6MM-1.00 X 25MM HEX BOLT
7	3	483038	1/4 REG FLAT WASHER
8	4	900005	1/4UNC X 1 1/2 HEX BOLT
9	3	903710	10-32X5/8 PHIL PANHD MACH SCR
10	7	920500	1/4 LOCK WASHER



AIR DUCT AND FOAM ASSEMBLY

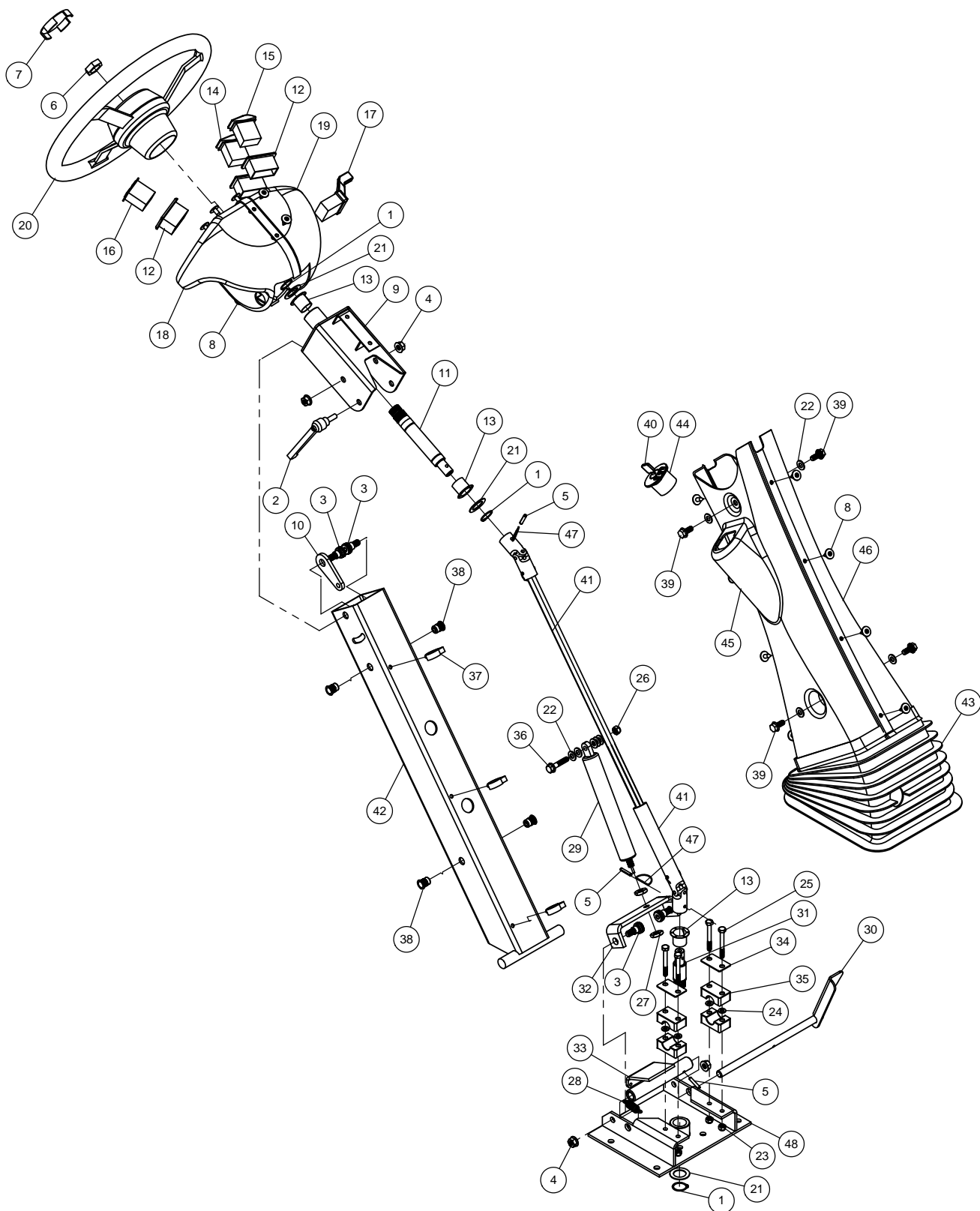
DET	QTY	P/N	DESCRIPTION
1	1	343356	RH AIR DUCT COVERS,STS CAB 05
2	1	343357	LH AIR DUCT COVERS,STS CAB 05
3	12	470466	1/4 x 5/8 PLTC LCK RIVET(DMB #14991)
4	1	657460	A/C & HEATER BLOWER SYS,STS 05
5	1	658330	FLOORMAT, STS CAB 05
6	1	658333	FOAM, REAR CAB STS 05



DETAIL C
SCALE 2 : 9

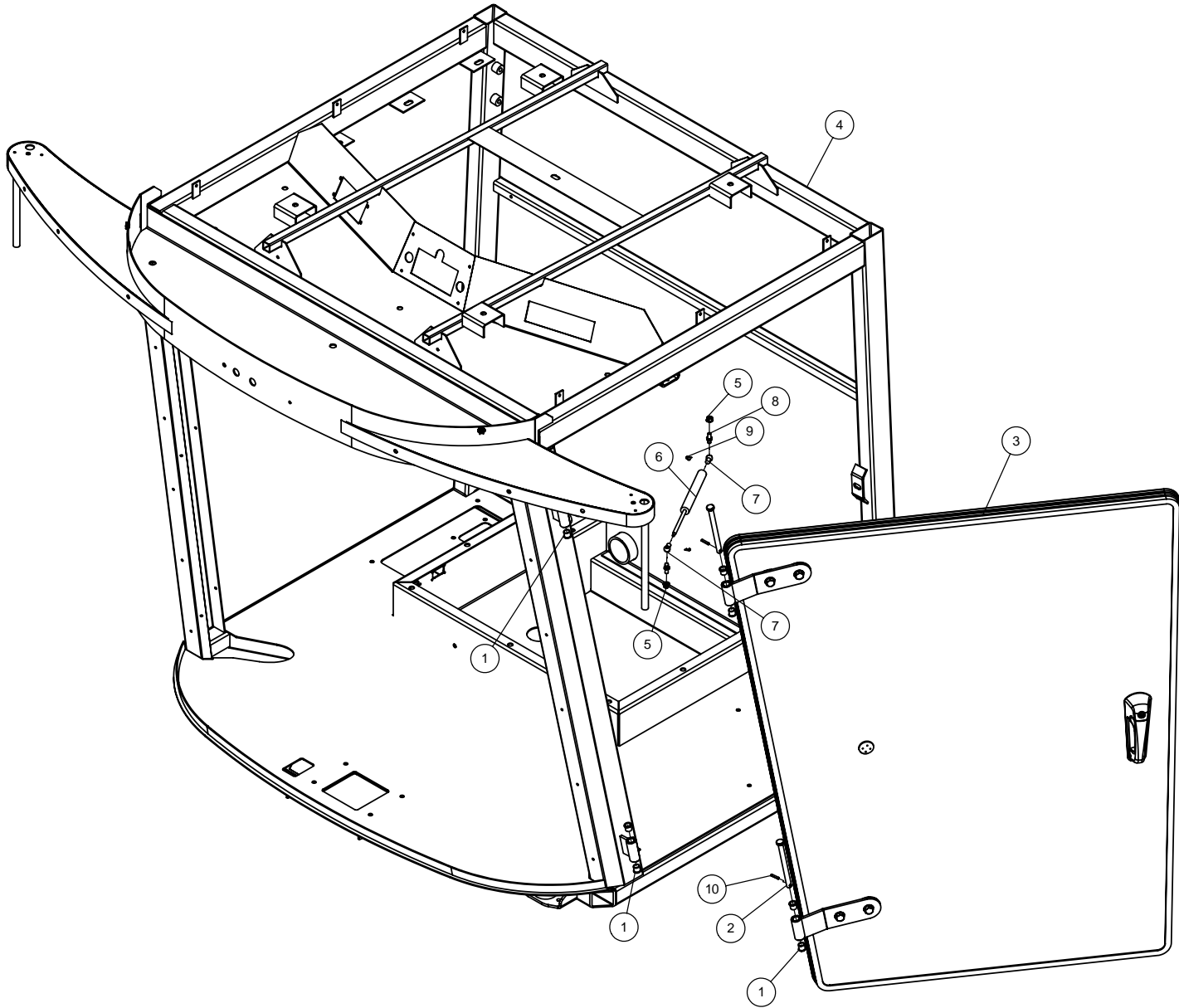
STEERING MOTOR ASSEMBLY

DET	QTY	P/N	DESCRIPTION
1	1	343384	STRG MTR UHMW SPACER,STS CAB06
2	1	343435	CAB WELDMENT, STS 05
3	1	343493	STRG COLUMN ASSY,STS CAB 06
4	8	470087	3/8-16 SERR FLANGE NUT
5	4	470329	3/8-16x1.25 SERR FLANGE
6	4	472335	3/8UNC X 2" STUD BOLT
7	1	611125	3/4MJIC-3/4MOR ADPTR
8	1	618241	3/4MJIC-90-3/4MOR LBO
9	2	618443	3/4MJIC-90-3/4MOR EX LG LBO
10	4	629738	CAPPLUGS CAP,3/4-16FJIC,ALUM
11	1	749329	STEERING VALVE, SAUER 05



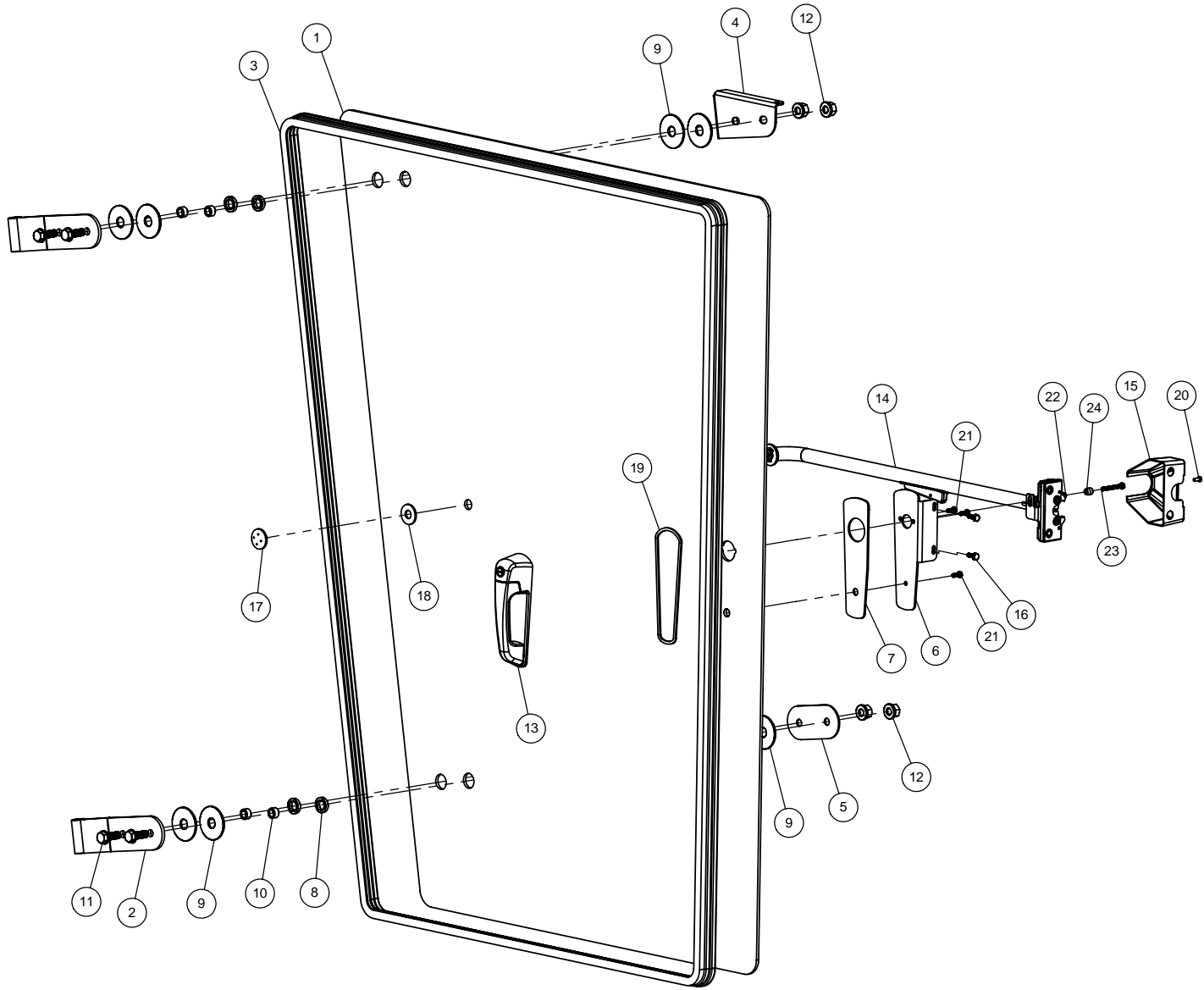
STEERING COLUMN ASSEMBLY

DET	QTY	P/N	DESCRIPTION
1	3	629533	7/8 EXTERNAL SNAP RING
2	1	470257	ADJ HANDLE, 3/8-16 STUD, BLACK
3	4	470283	3/8UNC 1/2 SCKT SHLDR BOLT
4	4	910004N	3/8UNC HEX FLANGE CNTR LOCK NUT
5	3	473928	ROLL PIN, 3/16 X 1
6	1	470157	13/16-20 UNEF NUT
7	1	749295	STEER WHL CAP W/ HAGIE EMB
8	16	470466	1/4 x 5/8 PLTC LCK RIVET(DMB #14991)
9	1	343367	STEERING SUPP WELD, STS CAB 05
10	1	343372	STRG COLUMN TOP LOCK, STS CAB
11	1	343364	STRG SHAFT,UPPER COLUMN,STS 05
12	3	292260	MOUNTING TRIM, SINGLE VMS
13	3	127503	NYLINER FLG BRG, .875 ID
14	1	292213	SWITCH, HEADLIGHTS, STS
15	1	292212	SWITCH, HAZARD, STS
16	1	292211	TURN INDICATOR W/GREEN LED,STS
17	1	292210	SWITCH, TURN SIGNAL, STS
18	1	343359	RH UPR STRG CLMN COVERS,STS 05
19	1	343360	LH UPR STRG CLMN COVERS,STS 05
20	1	749294	STEERING WHL, VIP 14"
21	3	483031	1 3/8 x 7/8 x 18GA MACH WASHER
22	9	920001	5/16 SAE FLAT WASHER
23	4	470089	1/4UNC HEX NYL-LOC NUT, 316 SS
24	4	920022	1/4 FLAT WASH, AN960-416 SS
25	4	900023	1/4UNC X 2 1/4 HEX BOLT
26	1	473001	5/16UNC HEX NUT,NY-LOC 316 SS
27	2	473830	10mm-1.0 HEX JAM NUT
28	1	470268	SPRING, EXTENSION, .50 X 1.75
29	1	470252	GAS SPRING, LOADED 0305N
30	1	343386	TILT PEDAL WELD, STS CAB 05
31	1	343365	STRG SHAFT,LOWER COLUMN,STS 05
32	1	343385	GAS SHOCK PIVOT MT,STS CAB 05
33	1	343389	TILT RELEASE WLD, STS CAB 05
34	2	470406	TOP CLAMP, SIZE #3 FOR 470405
35	2	470405	CLAMP PAIR, 19MM SMOOTH BORE
36	1	900067	5/16UNC X 1 1/2 SERR.FLG.HEX BOLT
37	3	291006	ROSEBUD CLP FOR .50 CNDT
38	4	470381	5/16-18 NUTSERT .027-.150 STL
39	4	470233	5/16UNC X 3/4 FLANGE HEX BOLT
40	2	291917	IGNITION KEY FOR 291916
41	1	470401	DRIVE SHAFT ASSY, .625 U-JOINTS
42	1	343373	STEERING COLUMN WLD,STS CAB 05
43	1	343366	BELLOWS,STEERING COLUMN,STS 05
44	1	291916	IGNITION SWITCH
45	1	343361	RH LWR STRG CLMN COVERS,STS 05
46	1	343362	LH LWR STRG CLMN COVERS,STS 05
47	4	470479	5"SAFETY LOCK WIRE,304SS .051D
48	1	343614	STEERING BASE WELD,STS CAB 07



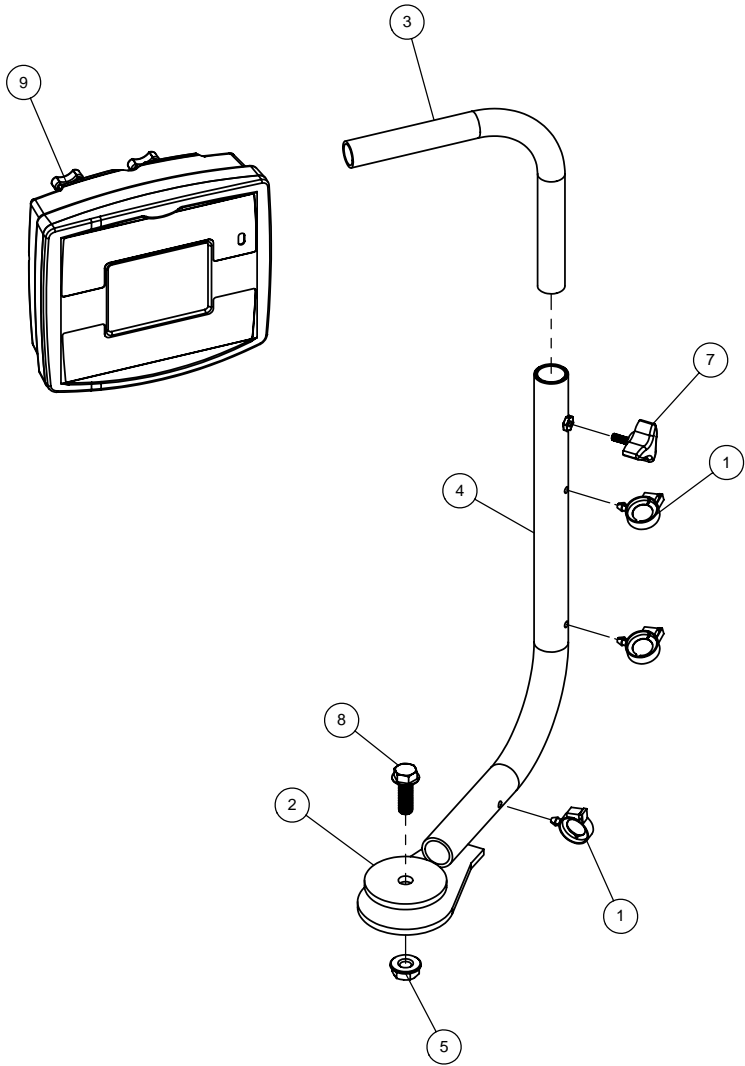
CAB DOOR ASSEMBLY

DET QTY	P/N	DESCRIPTION
1	8 127502	NYLON FLANGE BRG
2	2 343332	CAB DOOR HINGE PIN,SS 05
3	1 343420	DOOR ASSY, STS CAB 05
4	1 343435	CAB WELDMNT, STS 05
5	2 470113	5/16-18 SERR FLANGE NUT
6	1 470253	HYD DAMPER 100LB 4.0 STROKE
7	2 470254	BALL SOCKET, M6 THRD 10 MM
8	2 470255	BALL STUD, 5/16-18 THRD X 10MM
9	2 470256	SAFTY CLIP, 10MM BALL SKT
10	2 473928	3/16 x 1.00 ROLL PIN



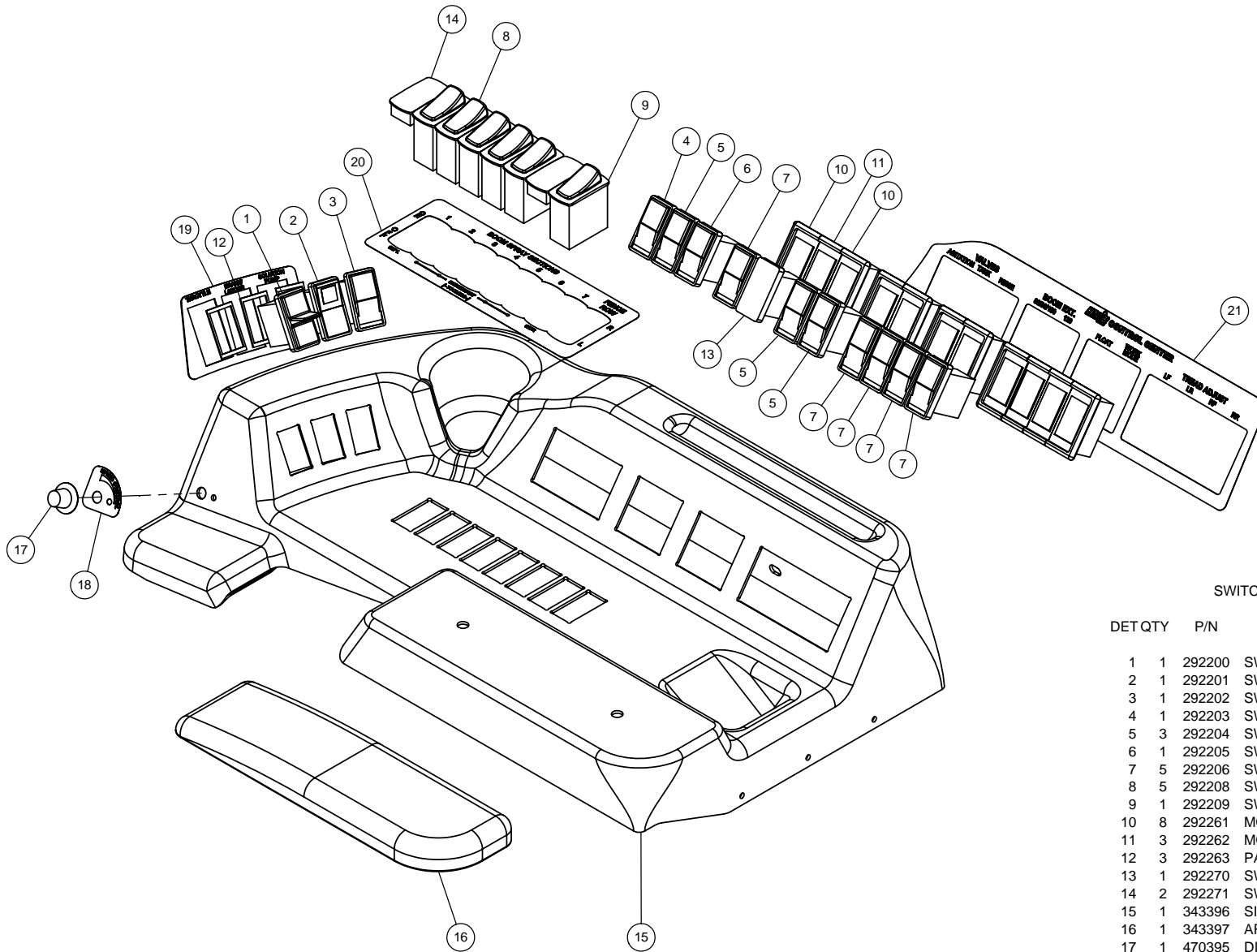
DOOR ASSEMBLY

DET	QTY	P/N	DESCRIPTION
1	1	658037	DOOR GLASS, STS CAB 05
2	2	343338	HINGE WELD, STS CAB 05
3	1	343346	DOOR SEAL, RUBBER STS CAB
4	1	343421	TOP DOOR HINGE PLT, STS 05
5	1	343337	TOP DOOR HINGE PLT, DTS 10,05
6	1	343334	DOOR LATCH BRKT PLT, CAB 05
7	1	470418	DOOR HANDLE MT GASKET, STS CAB
8	4	470419	DOOR HINGE BUSH, RUBBER STS 05
9	8	470420	DOOR HINGE BUSH, RUBBER STS 05
10	4	343335	DOOR HINGE GLASS BUSH, CAB 05
11	4	470431	1/2UNC x 1 1/2 HEX BOLT
12	4	470360	1/2 SERR FLANGE NUT
13	1	470415	OUTSIDE PULL HANDLE ASSY
14	1	470410	INSIDE SQUEEZE LATCH ASSY
15	1	470411	INSIDE SQUEEZE LATCH COVER
16	2	470118	1/4UNC x 3/4 HEX BOLT
17	1	470414	INSIDE SQUEEZE LATCH CAP
18	2	470413	INSIDE SQUEEZE LATCH GASKET
19	1	470416	OUTSIDE PULL HANDLE GASKET
20	1	470412	INSIDE SQUEEZE LATCH SCREWS
21	3	473826	6MM-1.00 x 16MM HEX BOLT
22	1	473767	6MM HEX NUT
23	1	473794	6MM-1.00 x 50MM HEX BOLT
24	1	470421	NYLON SPACER, SPHERICAL 6MMx12



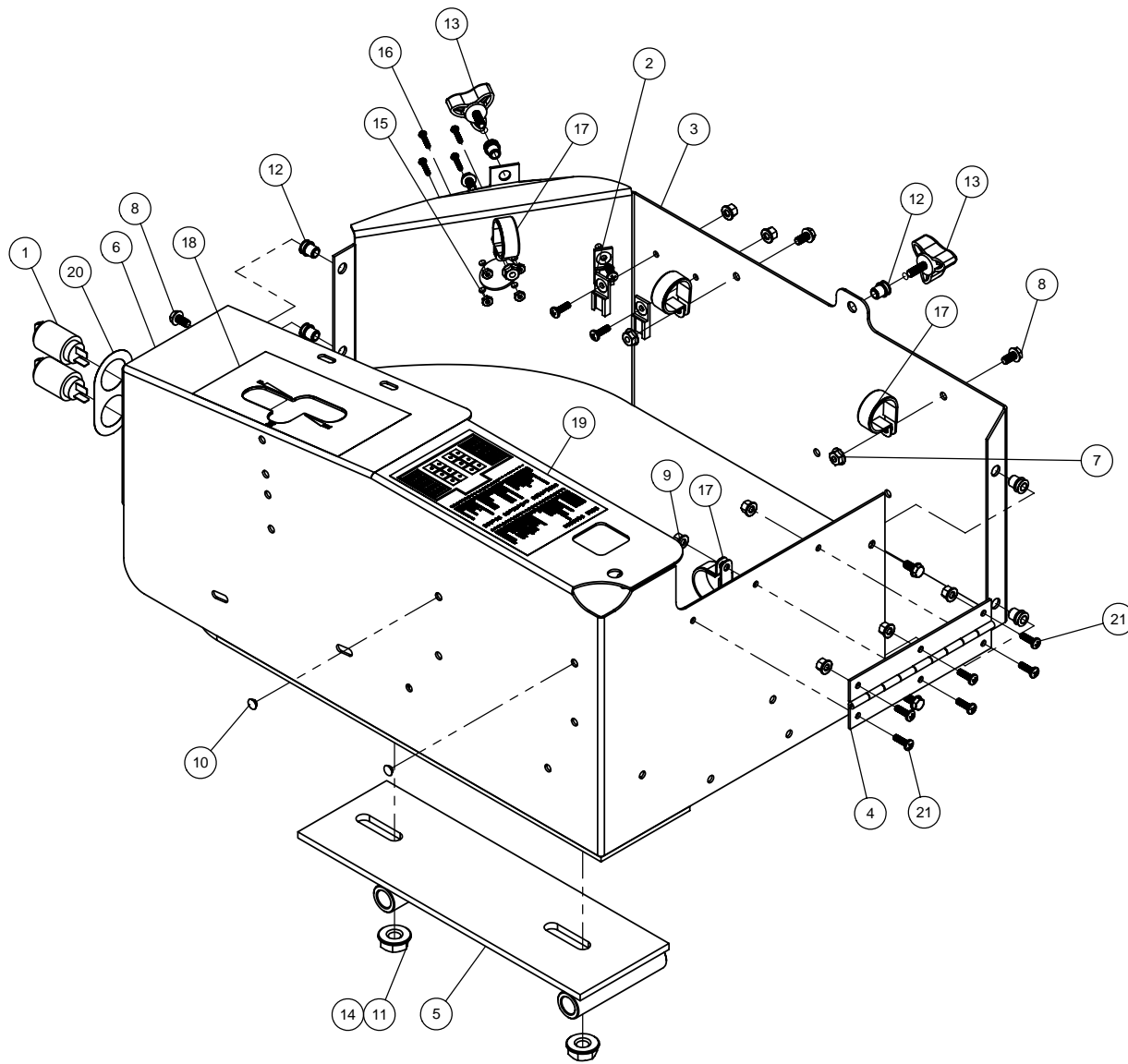
MONITOR ASSEMBLY

DET QTY	P/N	DESCRIPTION
1	3	291007 ROSEBUD CLIP FOR .750 CONDUIT
2	1	343415 WASHER,3.00 X .531 X .25T UHMW
3	1	343416 MONITOR MT TUBE, STS 05
4	1	343417 MONITOR MT WELD, STS CAB 05
5	1	470345 1/2UNC HEX SMTH FLNG LOCK NUT
7	1	470392 KNOB,3-BLADE BLK,1/4-20 X 3/4
8	1	470431 1/2UNC x 1 1/2 HEX BOLT
9	1	690986 KIT, SCS 4600 MONITOR, STS 05



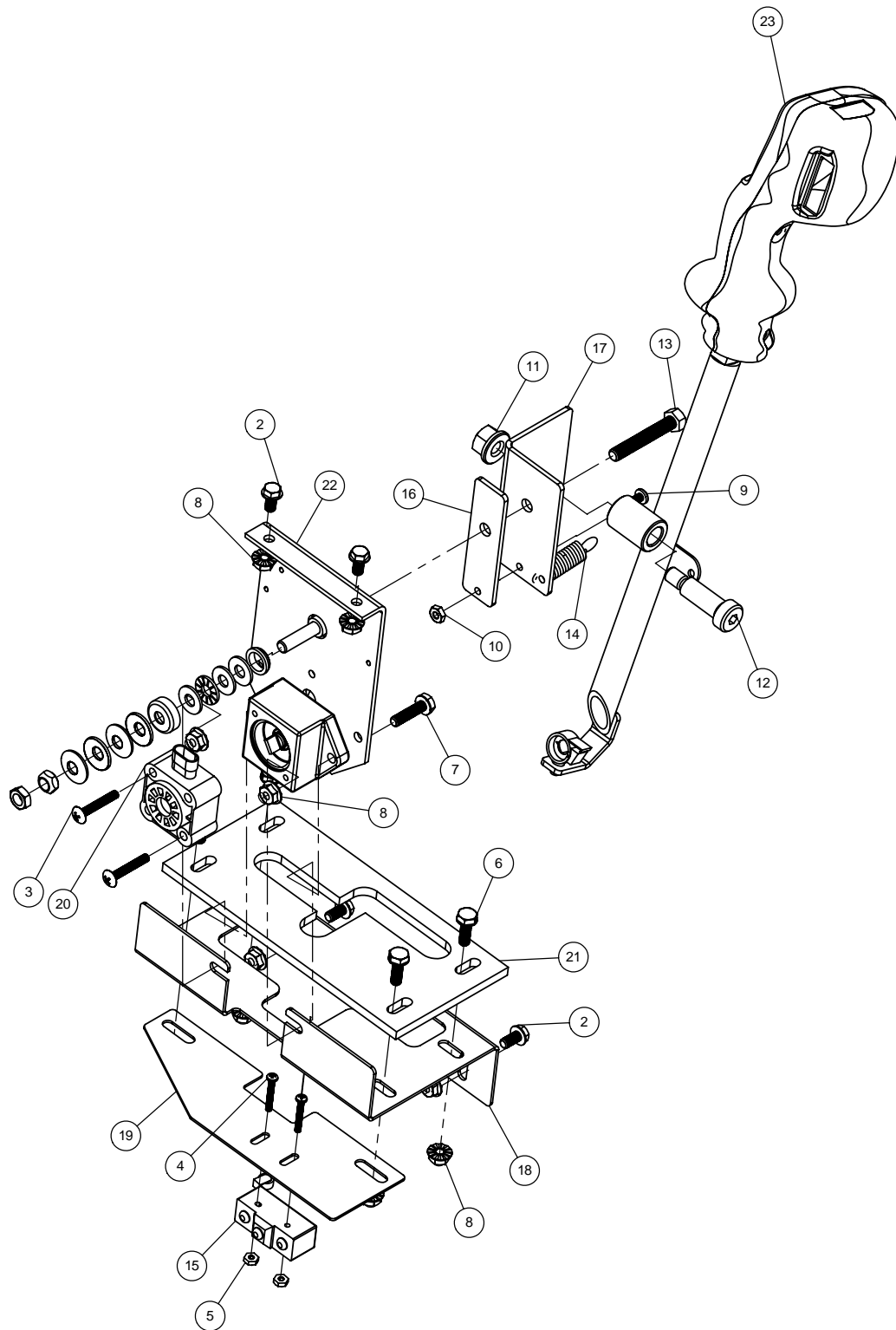
SWITCH PANEL ASSEMBLY

DET	QTY	P/N	DESCRIPTION
1	1	292200	SWITCH, THROTTLE, STS
2	1	292201	SWITCH, BRAKE, STS
3	1	292202	SWITCH, SOLUTION PUMP, STS
4	1	292203	SWITCH, AGITATION, STS
5	3	292204	SWITCH,SOLU TANK/NTB FLOAT,STS
6	1	292205	SWITCH, RINSE, STS
7	5	292206	SWITCH,TREAD/90°FOLD, STS
8	5	292208	SWITCH, SPRAY SWITCH, STS
9	1	292209	SWITCH, FENCE ROW STS
10	8	292261	MOUNTING TRIM, END VME
11	3	292262	MOUNTING TRIM, MIDDLE VMM
12	3	292263	PANEL GASKET, SWITCH
13	1	292270	SWITCH BLANK, VH2
14	2	292271	SWITCH BLANK, LH2-01
15	1	343396	SIDE CONSOLE, STS CAB 05
16	1	343397	ARM REST W/MTS, STS CAB 05
17	1	470395	DIAL KNOB W/ ARROW FOR .250 SHFT
18	1	650158	DECAL, SPEED CONTROL, STS 05
19	1	650159	DECAL, THRTL BRK PMP, STS 05
20	1	650160	DECAL, SPRAY SELECT, STS 05
21	1	650161	DECAL, BOOM FLT-TRD ADJ, STS 05



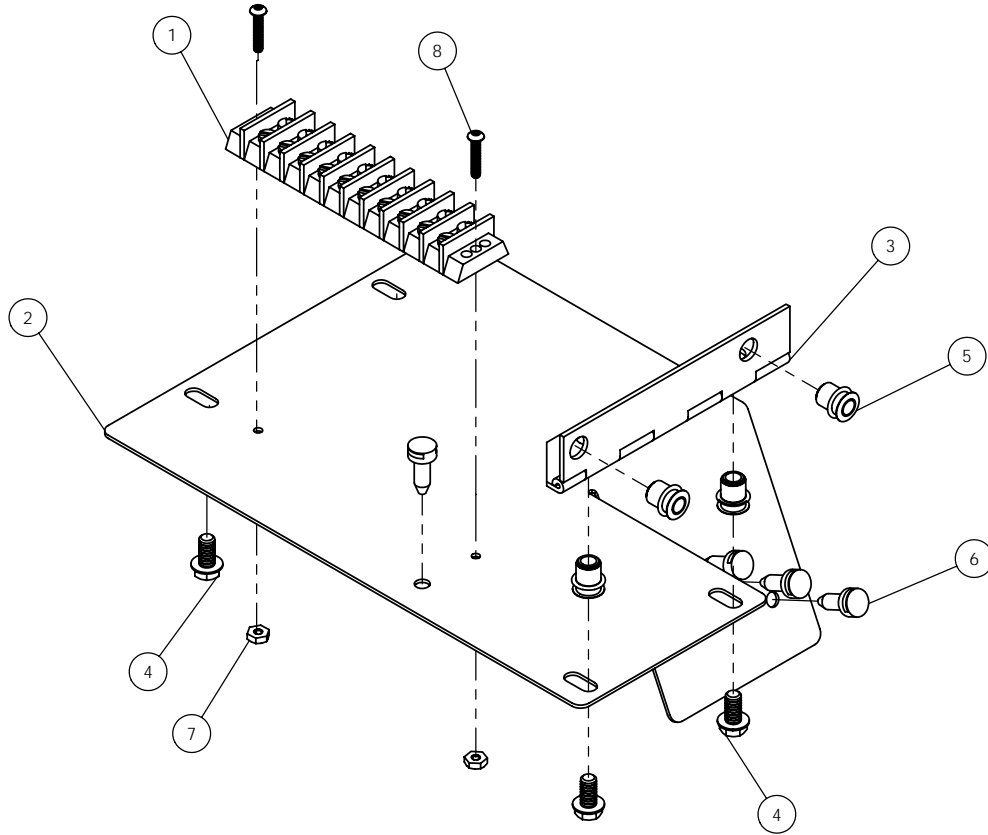
CONSOLE ASSEMBLY

DET	QTY	P/N	DESCRIPTION
1	2	291648	POWER POINT RECEPTACLE
2	3	292125	DEUTSCH MTG CLIP
3	1	343403	SIDE CONSOLE OUTER WRAP, STS 05
4	1	343405	SIDE CONSOLE REAR HINGE, STS 05
5	1	343406	CONSOLE SEAT BASE WLD, STS 05
6	1	343488	CONSOLE WELD, STS CAB 06
7	3	470121	1/4 UNC HEX FLANGE LOCK NUT
8	7	470122	1/4UNC x 1/2 HEX BOLT
9	9	470175	10-32 SERR FLANGE NUT
10	2	470339	SNAP PLUG, BLK NYL, .250 DIA
11	2	470345	1/2UNC HEX SMTH FLNG LOCK NUT
12	6	470380	1/4-20 NUTSERT .027-.165 STL
13	2	470392	KNOB, 3-BLADE BLK, 1/4-20 X 3/4
14	2	470431	1/2UNC x 1 1/2 HEX BOLT
15	4	470467	6-32 KEP NUT
16	4	473989	6/32 x 3/4 BUTTON SOC CAP SCR
17	4	520101	1.00 DIA CUSHION CLAMP
18	1	650157	HYD STAT DECAL, STS 05
19	1	650162	DECAL, FUSE & RELAY, STS CAB
20	1	650163	DECAL, POWER POINT, STS CAB
21	9	903710	10-32 x 5/8 PHIL PANHD MACH SCR



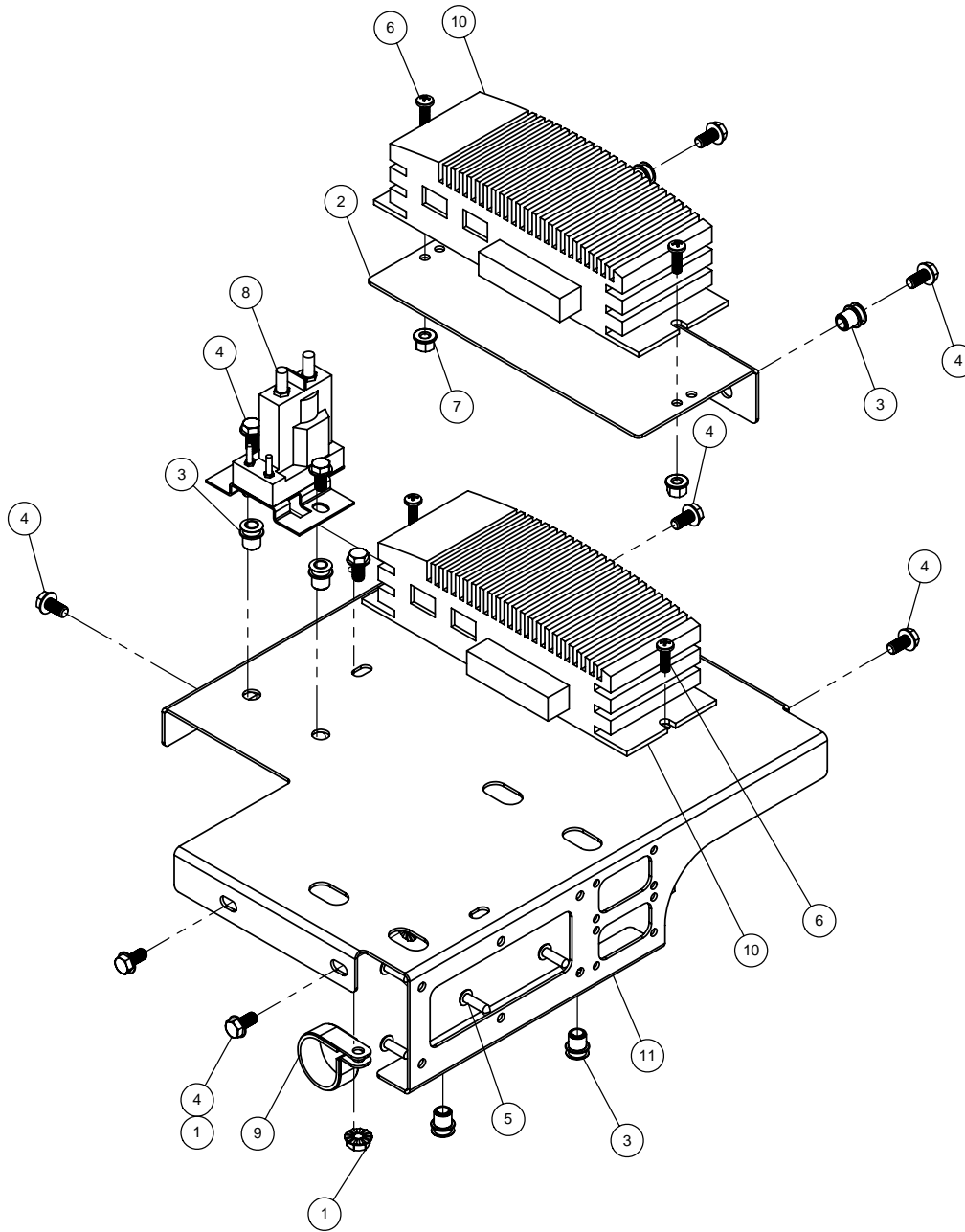
HYDROSTATIC LEVER ASSEMBLY

DET	QTY	P/N	DESCRIPTION
1	1	490615	RED THREADLOCKER,PERMATEX,36M
2	4	470122	1/4UNC x 1/2 HEX BOLT
3	2	470464	10-32 x 1 1/4 SS TRUSS PHILL
4	2	903709	6-32 x 1 PHIL PANH MACH SCRW
5	2	470467	6-32 KEP NUT
6	4	470118	1/4UNC x 3/4 HEX BOLT
7	2	470231	1/4UNC x 1 HEX BOLT
8	10	470121	1/4 UNC HEX FLANGE LOCK NUT
9	1	903710	10-32 x 5/8 PHIL PANHD MACH SCR
10	1	910027	10-32 HEX NUT
11	1	470087	3/8 SERR FLANGE NUT
12	1	470462	1/2 x 1-1/4 SKT HD SHLDR BOLT
13	1	900069	5/16UNC x 2 HEX BOLT
14	1	470268	.50 x 1.75 EXT SPRING
15	1	293006	MICRO SWITCH, SPDT BZ-2RL-A2
16	1	343412	HYD STAT CTRL STRAP,STS CAB 05
17	1	343411	ADJ U-LINK,HYD STAT CTRL,STS
18	1	343409	Z-GATE GUIDE SUPP, STS CAB 05
19	1	343410	NEUTRAL SWITCH MT,STS CAB 05
20	1	291918	POTENTIOMETER, DZ1045
21	1	343408	CONSOLE SEAT BASE WLD,STS 05
22	1	470396	HYD STAT FRICTION CNTRL, STS 05
23	1	785090	FASSE CNTRL HANDLE



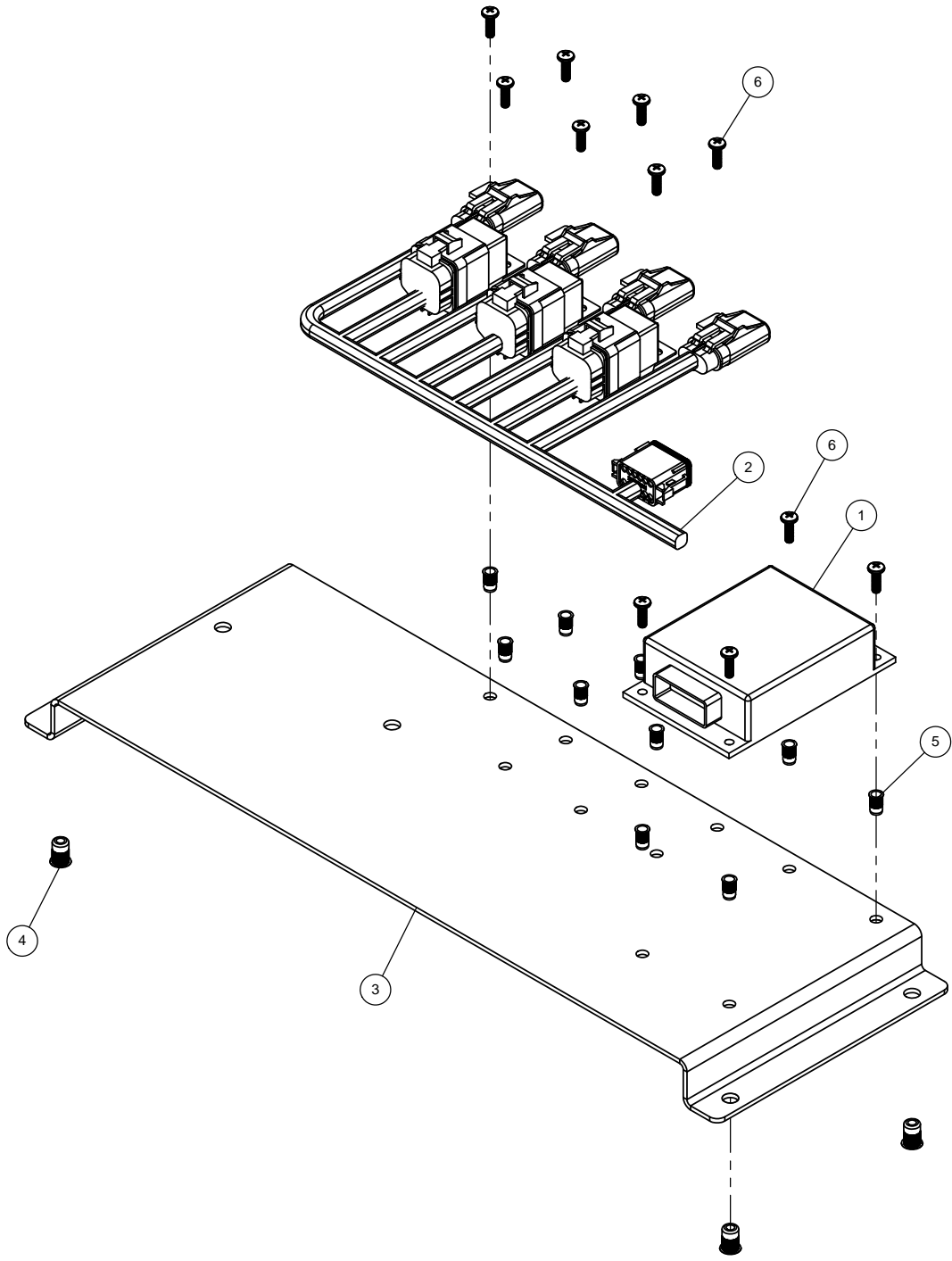
TERMINAL STRIP DOOR ASSEMBLY

DET QTY	P/N	DESCRIPTION
1	291886	TERM BLCK 10 POSIT, 2 ROW 20 AMP
2	343413	CONSOLE BOTTOM DOOR,CAB STS 05
3	343414	CONSOLE BTM DOOR HINGE,CAB STS
4	470122	1/4UNC x 1/2 HEX BOLT
5	470380	1/4-20 NUTSERT .027-.165 STL
6	470432	PUSH MT BASE FOR PLASTIC TIE
7	470467	6-32 KEP NUT
8	473989	6/32 x 3/4 BUTTON SOC CAP SCR



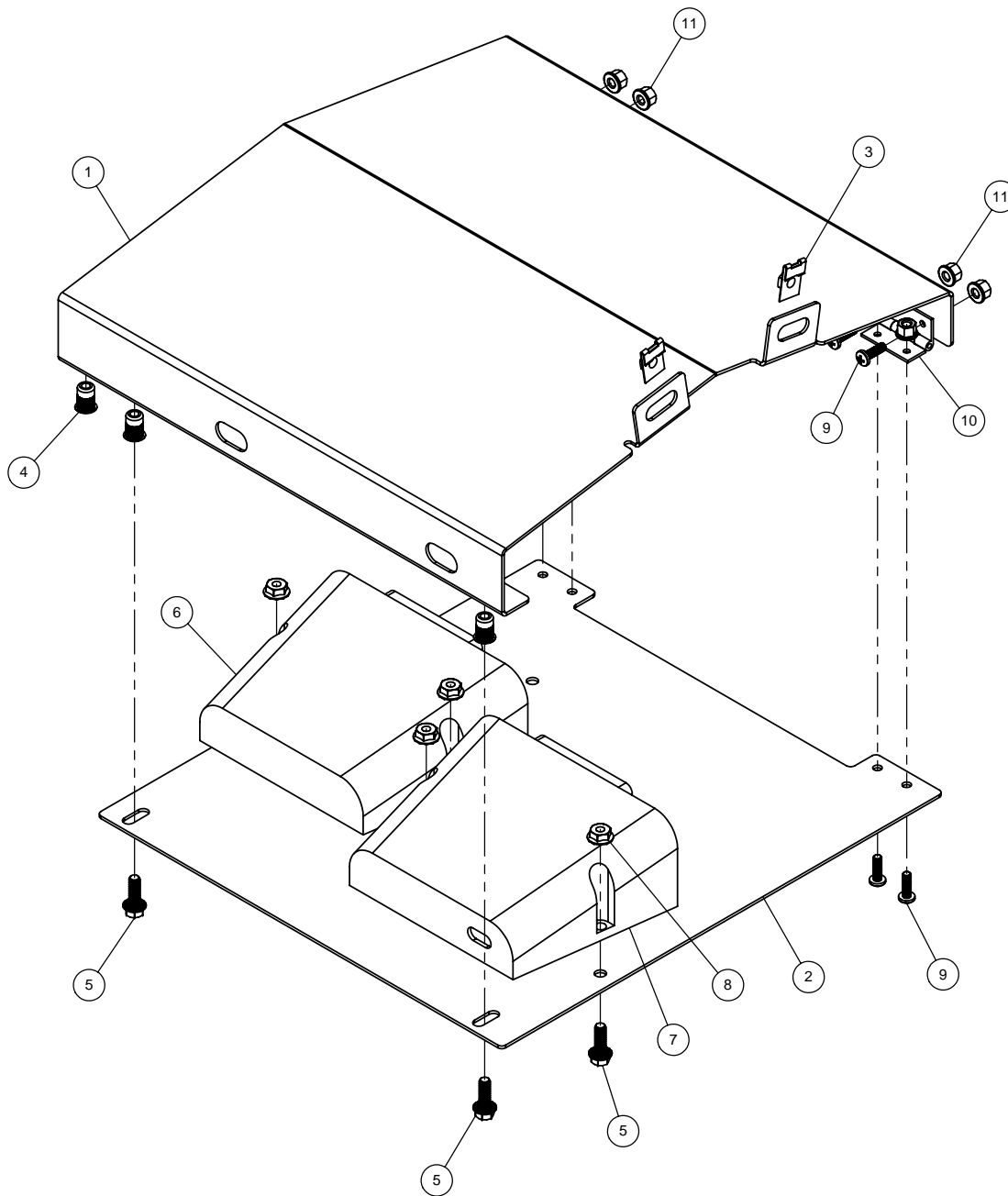
MODULE MOUNT ASSEMBLY

DET	QTY	P/N	DESCRIPTION
1	7	470121	1/4 UNC HEX FLANGE LOCK NUT
2	1	343491	MODULE MT BRKT, STS 06
3	6	470380	1/4-20 NUTSERT .027-.165 STL
4	11	470122	1/4UNC x 1/2 HEX BOLT
5	6	470465	#12-14X3/4 PHL PAN SHT MTL SRW
6	4	903710	10-32 x 5/8 PHIL PANHD MACH SCR
7	4	470175	10-32 SERR FLANGE NUT
8	1	291833	CONTACTOR RELAY, 15VDC 100A
9	1	520101	1.00 DIA CUSHION CLAMP
10	2	292013	IQAN-XS SIGNAL MODULE
11	1	343490	MODULE MT, CAB CONSOLE STS 06



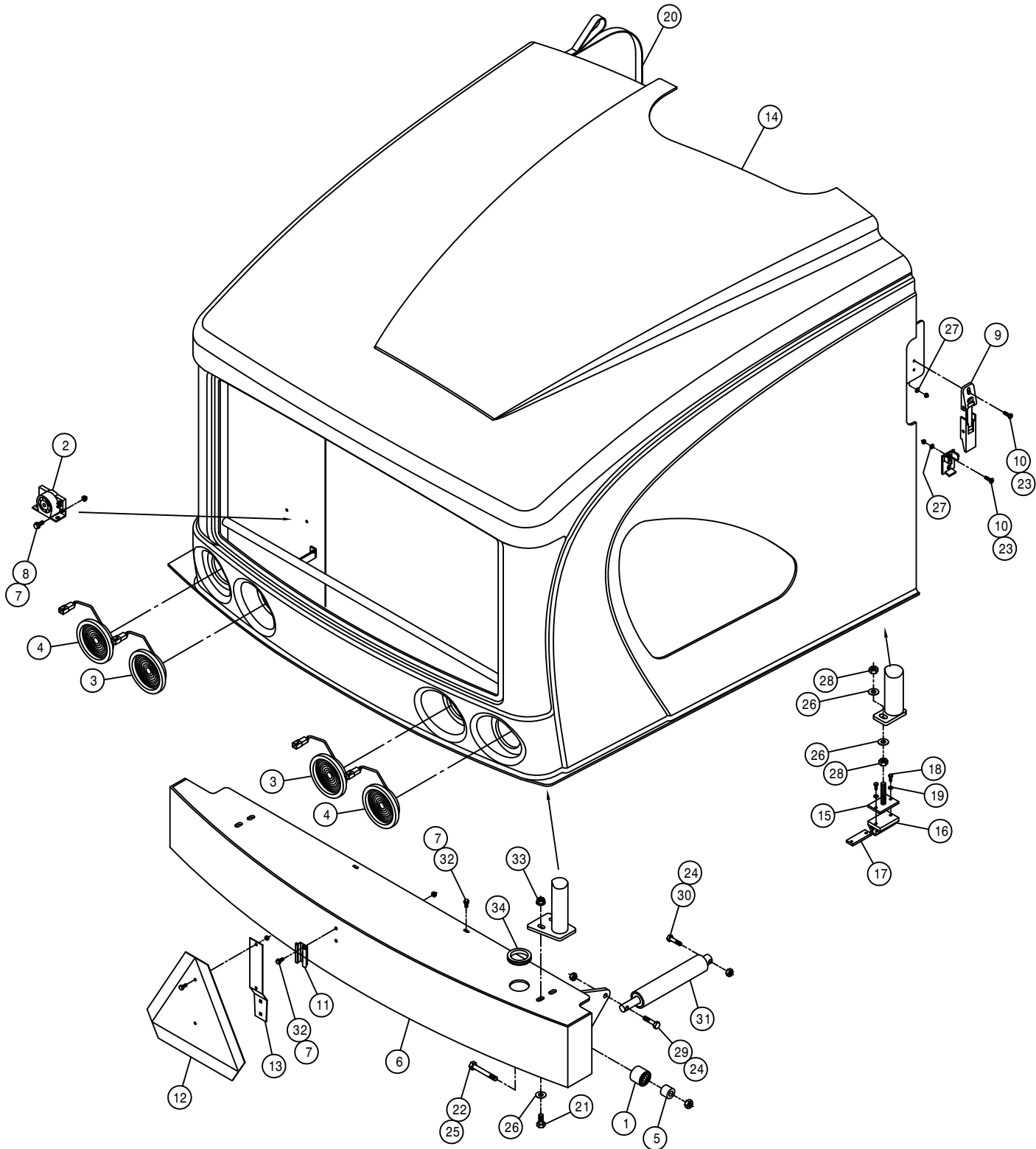
FLASHER AND LIGHT RELAY ASSEMBLY

DET	QTY	P/N	DESCRIPTION
1	1	291910	FLASHER, SOLID STATE, 12V
2	1	293791	LIGHT/FLASHER HARNESS, STS 05
3	1	343581	FLASHER/LIGHT RELAY PNL STS 06
4	4	470380	1/4-20 NUTSERT .027-1.65 STL
5	11	470384	10-32 NUTSERT .020-.130 STL
6	11	903710	10-32 X 5/8 PHIL PANHD MACH SCR



REAR ELECTRICAL BOX ASSEMBLY

DET QTY	P/N	DESCRIPTION
1	1	343577 REAR MODULE BOX, TOP, STS 06
2	1	343578 REAR MODULE BOX, BTM, STS 06
3	2	470218 1/4 UNC NUT, J-TYPE CAGE CLIP
4	4	470380 1/4-20 NUTSERT .027-1.65 STL
5	6	470118 1/4 UNC X 3/4 FLANGE HEX BOLT
6	1	292014 IQAN-XT2 TRANSMISSION MODULE
7	1	292012 IQAN-XP2 POWER MODULE
8	4	470121 1/4 UNC HEX FLANGE LOCK NUT
9	8	903710 10-32X5/8 PHIL PANHD MACH SCR
10	2	470198 HINGE 146-035
11	8	470175 10-32 SERR FLANGE NUT



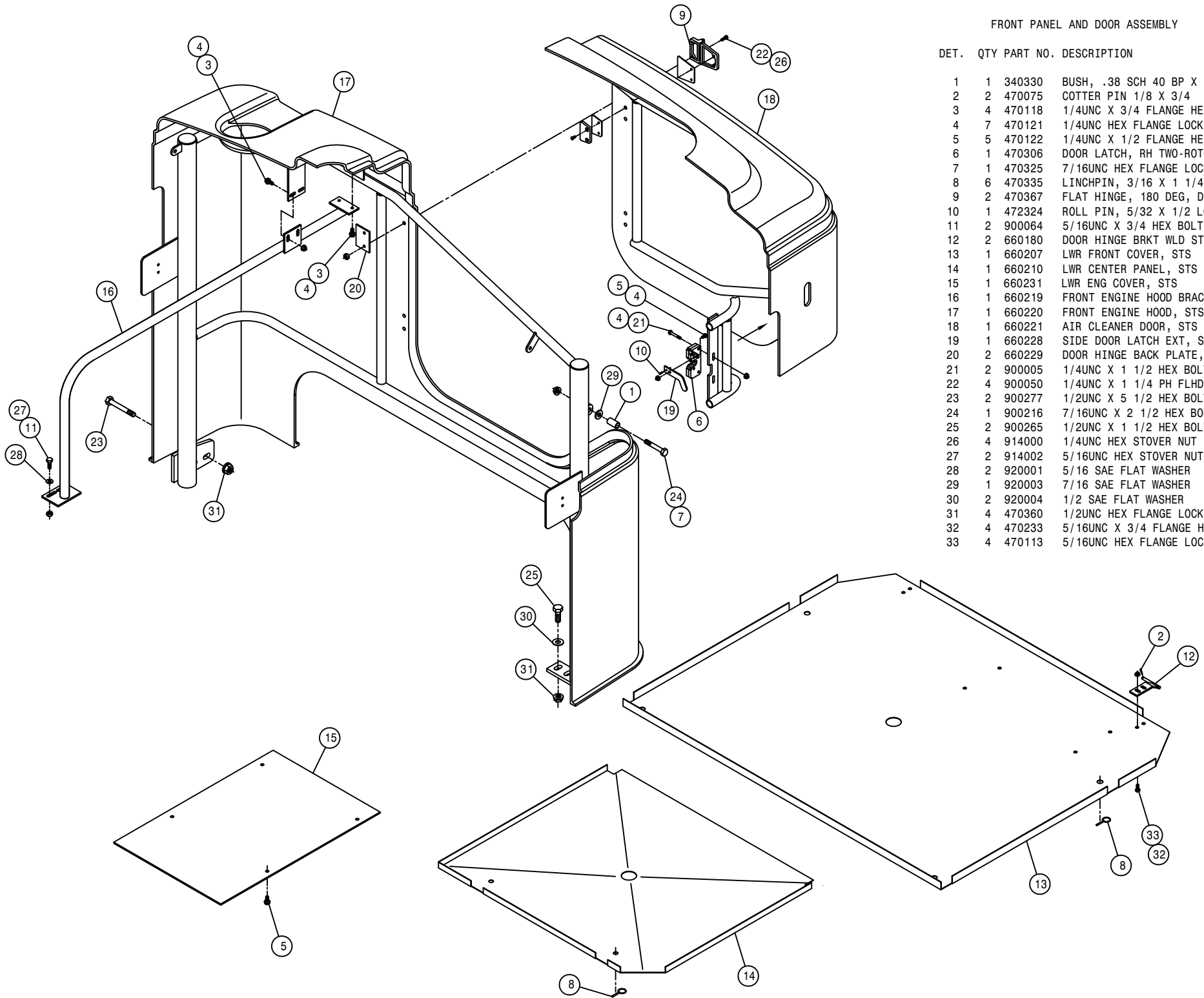
BUMPER AND REAR HOOD ASSEMBLY

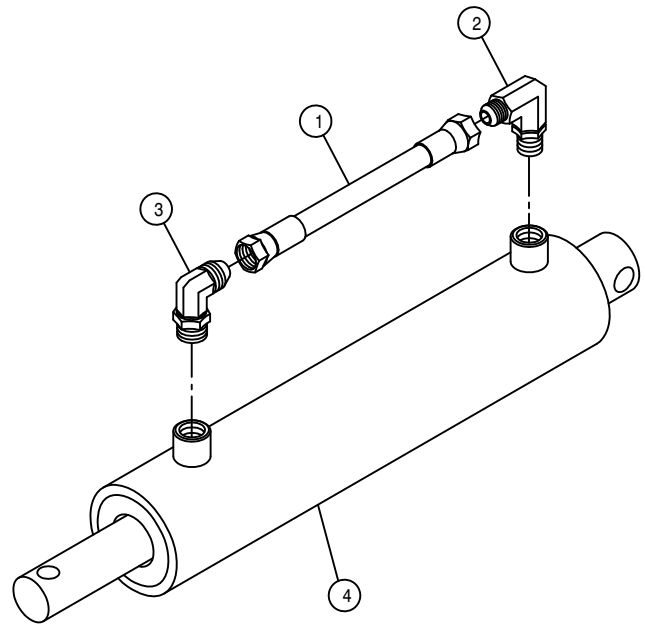
DET.	QTY	PART NO.	DESCRIPTION
1	2	125056	TRACK ROLLER,2.00 OD,.625 BORE
2	1	291759	BACK-UP WARNING BEEPER, 112DB
3	2	293813	RED LIGHT ASSY, STS 05
4	2	293814	AMBER LIGHT ASSY, STS 05
5	2	361679	BUMPER PIVOT BRG SPACER,STS 04
6	1	361680	REAR BUMPER WLD, STS 04
7	6	470121	1/4UNC HEX FLANGE LOCK NUT
8	2	470122	1/4UNC X 1/2 FLANGE HEX BOLT
9	2	470368	LATCH, FLEXIBLE LEVER DRAW
10	8	903710	10-32X5/8 PHIL PANHD MACH SCR
11	1	472251	MTG SOCKET FOR 472249 SMV SIGN
12	1	472249	SLOW MOVING VEHICLE SIGN
13	1	472250	SPADE MTG BRKT FOR 472249 SMV
14	1	660222	REAR ENGINE HOOD, STS 04
15	2	660224	ENG HOOD BUMPER WLD, STS 04
16	2	660226	ENG HOOD BUMPER, STS 04
17	2	660227	ENG HOOD BUMPER KEEPER, STS 04
18	4	900003	1/4UNC X 1" HEX BOLT
19	4	920500	1/4 LOCK WASHER
20	1	660230	ENG HOOD PULL STRAP ASSY,STS04
21	4	900265	1/2UNC X 1 1/2 HEX BOLT
22	2	900341	5/8UNC X 3 3/4 HEX BOLT
23	8	910027	10-32 HEX NUT
24	2	914008	1/2UNC HEX STOVER NUT
25	2	914010	5/8UNC HEX STOVER NUT
26	8	920004	1/2 SAE FLAT WASHER
27	8	920510	#10 LOCK WASHER
28	4	910008	1/2UNC HEX NUT
29	1	900267	1/2UNC X 2" HEX BOLT
30	1	900268	1/2UNC X 2 1/2 HEX BOLT
31	1	621077	HOOD HYD CYL ASSY, STS 04
32	4	470118	1/4UNC X 3/4 FLANGE HEX BOLT
33	4	470360	1/2UNC HEX FLANGE LOCK NUT
34	1	470441	GROMMET, .500ID .250GW 2.190GD

FRONT PANEL AND DOOR ASSEMBLY

DET. QTY PART NO. DESCRIPTION

DET.	QTY	PART NO.	DESCRIPTION
1	1	340330	BUSH, .38 SCH 40 BP X 1.25 LG
2	2	470075	COTTER PIN 1/8 X 3/4
3	4	470118	1/4UNC X 3/4 FLANGE HEX BOLT
4	7	470121	1/4UNC HEX FLANGE LOCK NUT
5	5	470122	1/4UNC X 1/2 FLANGE HEX BOLT
6	1	470306	DOOR LATCH, RH TWO-ROTOR
7	1	470325	7/16UNC HEX FLANGE LOCK NUT
8	6	470335	LINCHPIN, 3/16 X 1 1/4 GRIP
9	2	470367	FLAT HINGE, 180 DEG, DIECAST
10	1	472324	ROLL PIN, 5/32 X 1/2 LG
11	2	900064	5/16UNC X 3/4 HEX BOLT
12	2	660180	DOOR HINGE BRKT WLD STS12 2001
13	1	660207	LWR FRONT COVER, STS 03
14	1	660210	LWR CENTER PANEL, STS 04
15	1	660231	LWR ENG COVER, STS 04
16	1	660219	FRONT ENGINE HOOD BRACE, STS 04
17	1	660220	FRONT ENGINE HOOD, STS 04
18	1	660221	AIR CLEANER DOOR, STS 04
19	1	660228	SIDE DOOR LATCH EXT, STS 04
20	2	660229	DOOR HINGE BACK PLATE, STS 04
21	2	900005	1/4UNC X 1 1/2 HEX BOLT
22	4	900050	1/4UNC X 1 1/4 PH FLHD MAC SCR
23	2	900277	1/2UNC X 5 1/2 HEX BOLT
24	1	900216	7/16UNC X 2 1/2 HEX BOLT
25	2	900265	1/2UNC X 1 1/2 HEX BOLT
26	4	914000	1/4UNC HEX STOVER NUT
27	2	914002	5/16UNC HEX STOVER NUT
28	2	920001	5/16 SAE FLAT WASHER
29	1	920003	7/16 SAE FLAT WASHER
30	2	920004	1/2 SAE FLAT WASHER
31	4	470360	1/2UNC HEX FLANGE LOCK NUT
32	4	470233	5/16UNC X 3/4 FLANGE HEX BOLT
33	4	470113	5/16UNC HEX FLANGE LOCK NUT





HOOD HYDRAULIC CYLINDER ASSEMBLY

DET.	QTY	PART NO.	DESCRIPTION
	1	616246	04-451TC-06FJX-06FJX-10 H/A
	1	618119	9/16MJIC-90-9/16MOR LBO
	1	618689	9/16MOR-90-9/16MJ .042 CHK VLV
	1	621530	LH TRD ADJ CYL, DTS8 04
NS	1	621531	REPAIR KIT, HYD CYL 621530

NOTE: 1. 621077 - HOOD HYDRAULIC CYLINDER ASSEMBLY

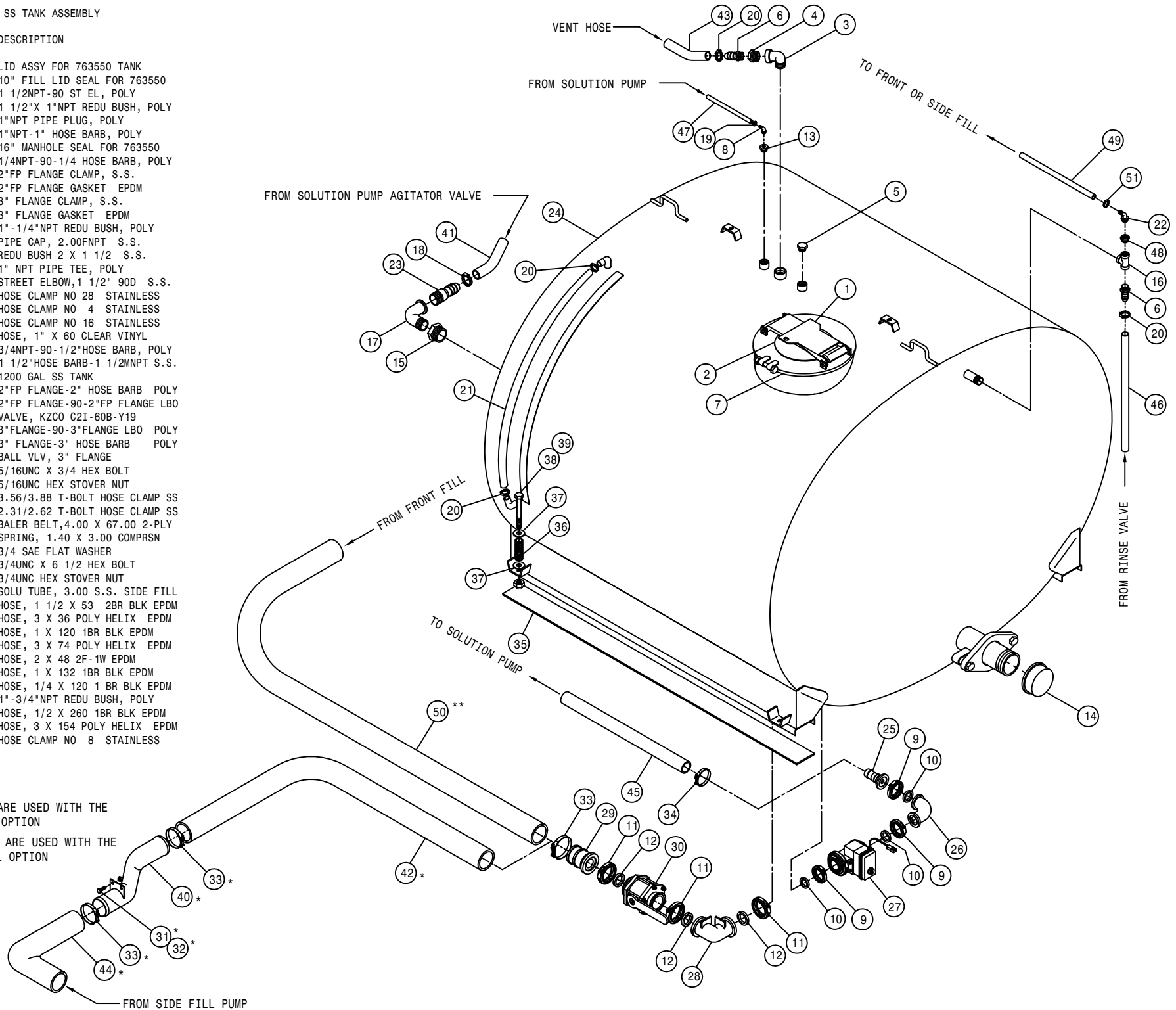
1200 GALLON SS TANK ASSEMBLY

DET. QTY PART NO. DESCRIPTION

1	1	763561	LID ASSY FOR 763550 TANK
2	1	763562	10" FILL LID SEAL FOR 763550
3	1	500034	1 1/2NPT-90 ST EL, POLY
4	1	500036	1 1/2"X 1"NPT REDU BUSH, POLY
5	1	500063	1"NPT PIPE PLUG, POLY
6	2	500074	1"NPT-1" HOSE BARB, POLY
7	1	763563	16" MANHOLE SEAL FOR 763550
8	1	500104	1/4NPT-90-1/4 HOSE BARB, POLY
9	3	500194	2"FP FLANGE CLAMP, S.S.
10	3	500195	2"FP FLANGE GASKET EPDM
11	3	500208	3" FLANGE CLAMP, S.S.
12	3	500209	3" FLANGE GASKET EPDM
13	1	505225	1"-1/4"NPT REDU BUSH, POLY
14	1	507103	PIPE CAP, 2.00FNPT S.S.
15	1	507725	REDU BUSH 2 X 1 1/2 S.S.
16	1	500075	1" NPT PIPE TEE, POLY
17	1	507727	STREET ELBOW, 1 1/2" 90D S.S.
18	1	520067	HOSE CLAMP NO 28 STAINLESS
19	1	520120	HOSE CLAMP NO 4 STAINLESS
20	4	520090	HOSE CLAMP NO 16 STAINLESS
21	1	601471	HOSE, 1" X 60 CLEAR VINYL
22	1	500041	3/4NPT-90-1/2"HOSE BARB, POLY
23	1	716106	1 1/2"HOSE BARB-1 1/2MNPT S.S.
24	1	763550	1200 GAL SS TANK
25	1	500196	2"FP FLANGE-2" HOSE BARB POLY
26	1	500219	2"FP FLANGE-90-2"FP FLANGE LBO
27	1	696258	VALVE, KZCO C2I-60B-Y19
28	1	500213	3"FLANGE-90-3"FLANGE LBO POLY
29	1	500210	3" FLANGE-3" HOSE BARB POLY
30	1	696149	BALL VLV, 3" FLANGE
31	2	900064	5/16UNC X 3/4 HEX BOLT
32	2	914002	5/16UNC HEX STOVER NUT
33	3	520145	3.56/3.88 T-BOLT HOSE CLAMP SS
34	1	520141	2.31/2.62 T-BOLT HOSE CLAMP SS
35	2	470321	BALER BELT, 4.00 X 67.00 2-PLY
36	4	482016	SPRING, 1.40 X 3.00 COMPRSN
37	8	920006	3/4 SAE FLAT WASHER
38	4	900416	3/4UNC X 6 1/2 HEX BOLT
39	4	914012	3/4UNC HEX STOVER NUT
40	1	690731	SOLU TUBE, 3.00 S.S. SIDE FILL
41	1	601591	HOSE, 1 1/2 X 53 2BR BLK EPDM
42	1	601574	HOSE, 3 X 36 POLY HELIX EPDM
43	1	601496	HOSE, 1 X 120 1BR BLK EPDM
44	1	601506	HOSE, 3 X 74 POLY HELIX EPDM
45	1	601573	HOSE, 2 X 48 2F-1W EPDM
46	1	601273	HOSE, 1 X 132 1BR BLK EPDM
47	1	601674	HOSE, 1/4 X 120 1 BR BLK EPDM
48	1	505214	1" -3/4"NPT REDU BUSH, POLY
49	1	601567	HOSE, 1/2 X 260 1BR BLK EPDM
50	1	601621	HOSE, 3 X 154 POLY HELIX EPDM
51	1	520070	HOSE CLAMP NO 8 STAINLESS

NOTE: ITEMS (*) ARE USED WITH THE SIDE FILL OPTION

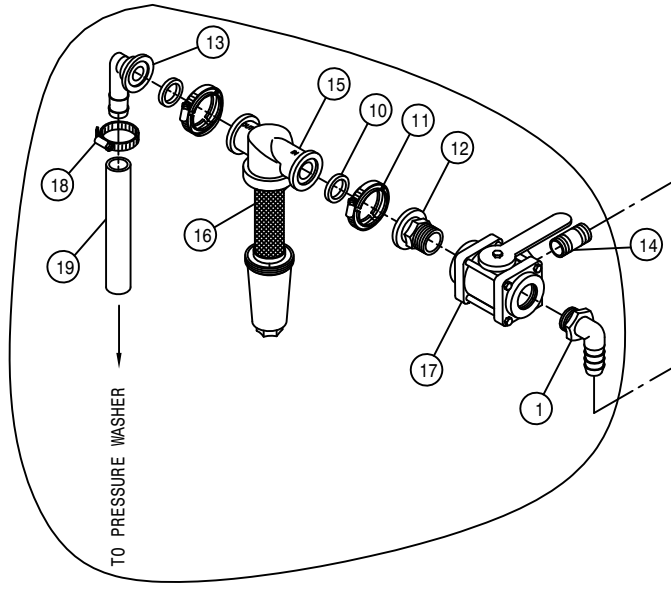
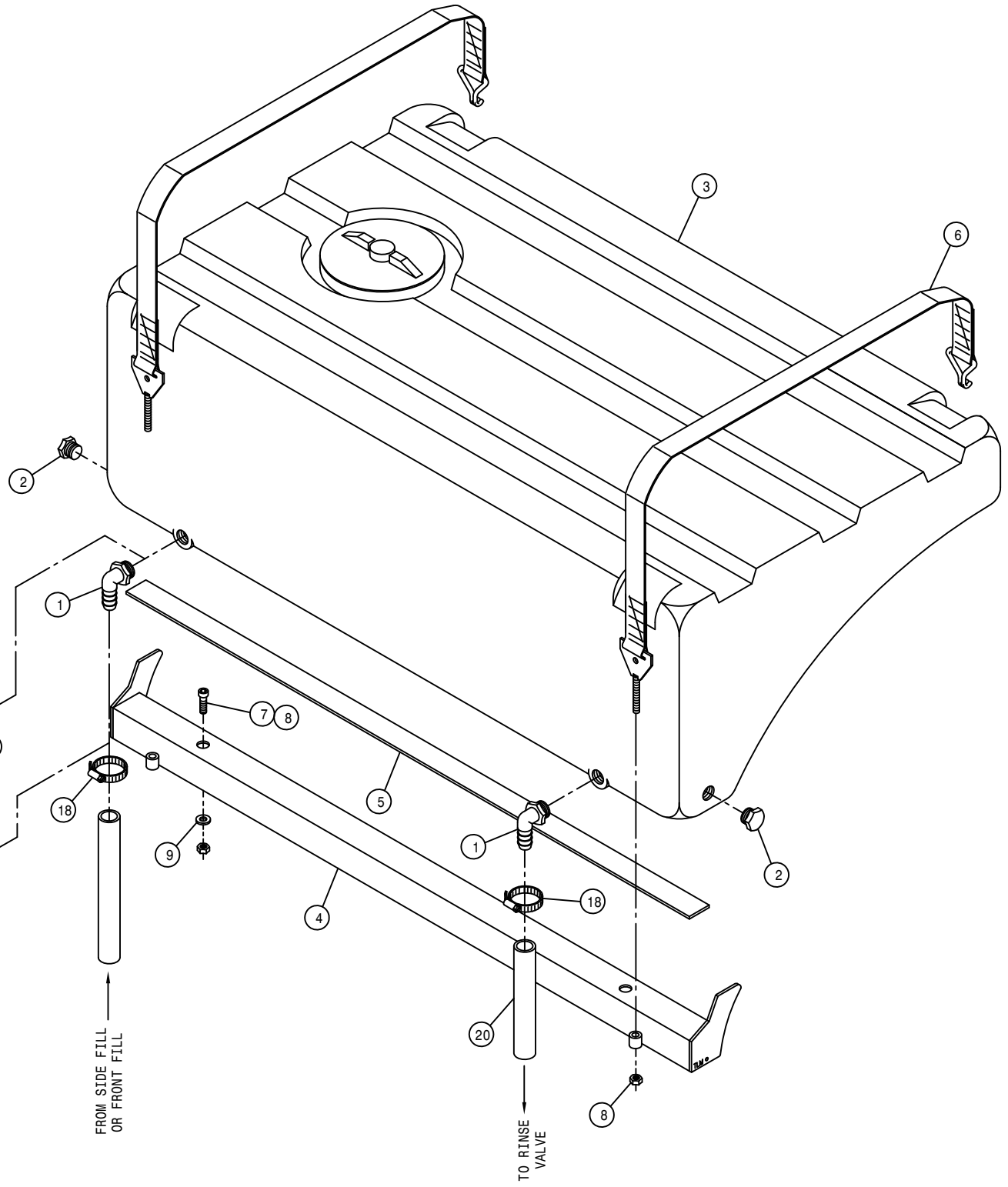
ITEMS (**) ARE USED WITH THE FRONT FILL OPTION



POLY RINSE TANK ASSEMBLY

DET. QTY PART NO. DESCRIPTION

1	3	500024	1"NPT-90-1"HOSE BARB, POLY
2	2	500063	1"NPT PIPE PLUG, POLY
3	1	763553	100 GAL POLY TANK
4	1	763590	POLY RINSE TANK MT WLD STS12
5	1	763594	POLY RINSE TANK MT PAD STS12
6	2	763595	POLY RINSE TNK STRAP ASSY STS
7	2	900392	1/2UNC X 1 1/2 SOCKET CAP SCR
8	4	914008	1/2UNC HEX STOVER NUT
9	2	920004	1/2 SAE FLAT WASHER
10	2	500157	1" FLANGE GASKET EPDM
11	2	500159	1" FLANGE CLAMP, S.S.
12	1	500163	1" FLANGE-1" MNPT ADPTR POLY
13	1	500173	1" FLANGE-90-1" HOSE BARB POLY
14	1	505198	SS PIPE NIPPLE 1.00NPT-3.00
15	1	690660	LINE "T" STRAINER, 1" FLANGE
16	1	690669	100 MESH SCREEN FOR 690660
17	1	696004	BALL VLV, 1.00NP 3WAY-SIDE POLY
18	3	520090	HOSE CLAMP NO 16 STAINLESS
19	1	601179	HOSE, 1 X 26 1BR BLK EPDM
20	1	601491	HOSE, 1 X 30 1BR BLK EPDM



PRESSURE WASHER OPTION

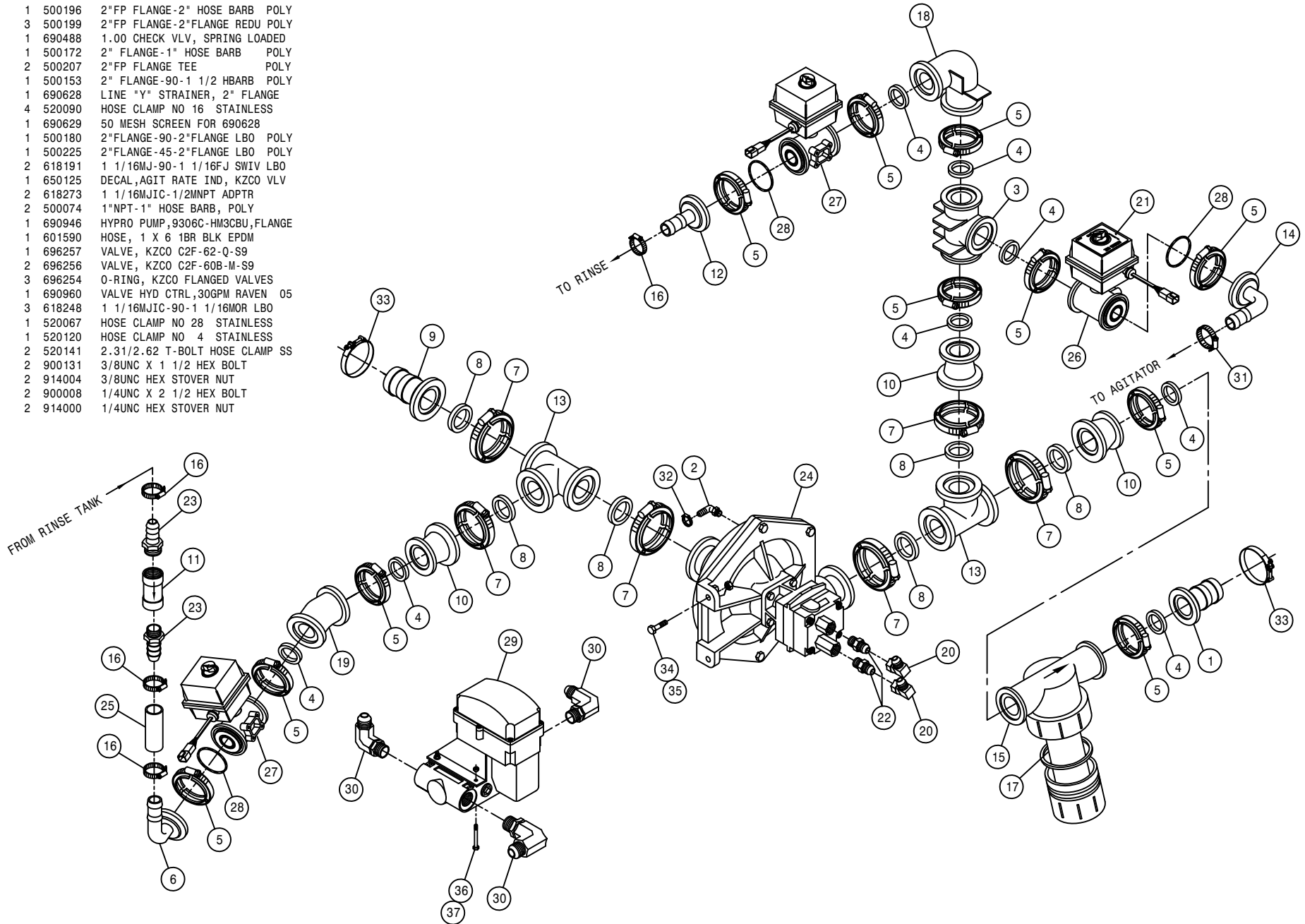
FROM SIDE FILL
OR FRONT FILL

TO RINSE
VALVE

SOLUTION PUMP ASSEMBLY

DET. QTY PART NO. DESCRIPTION

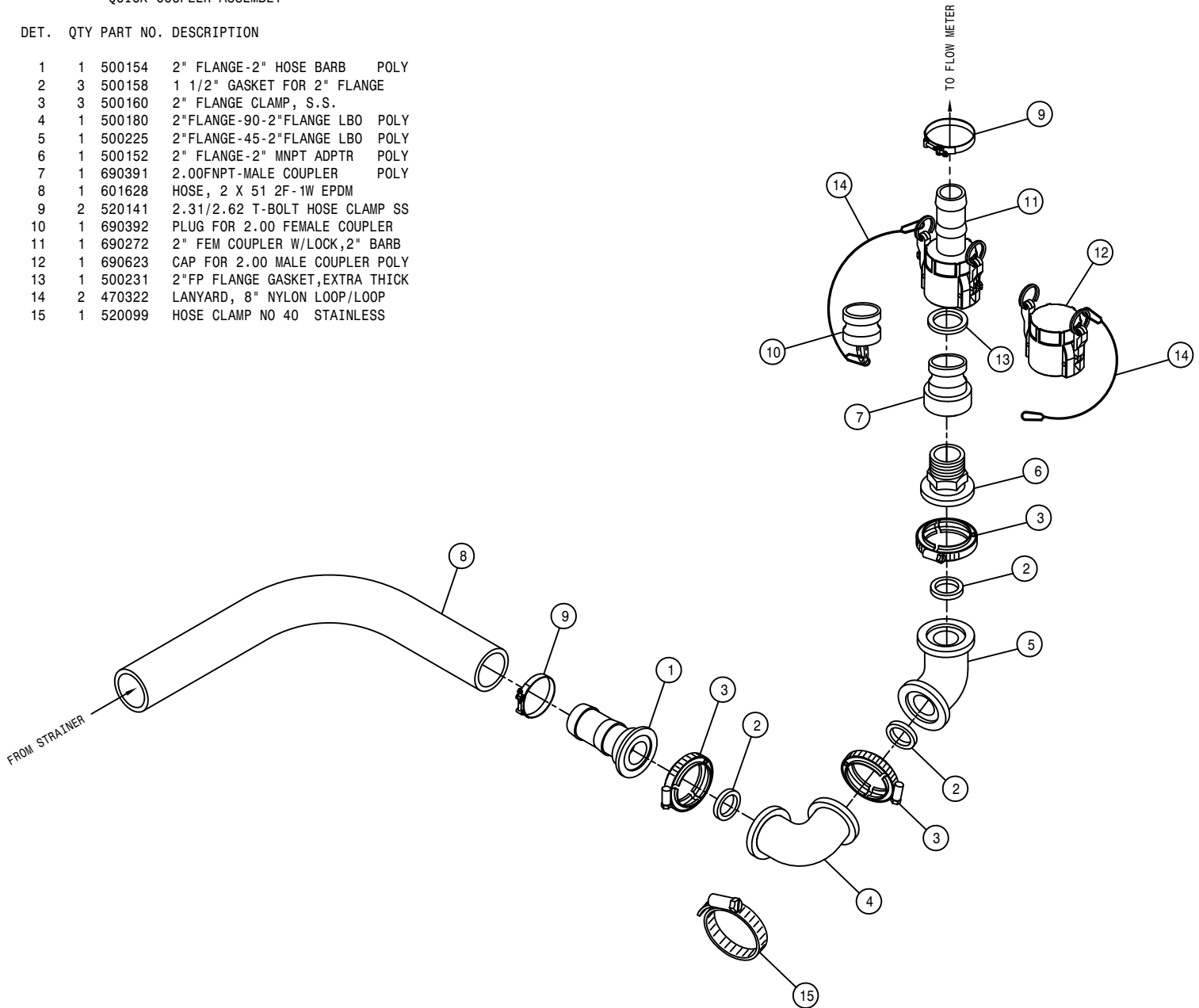
1	1	500154	2" FLANGE-2" HOSE BARB	POLY
2	1	500103	1/8NPT-90-1/4 HOSE BARB,NYLON	
3	1	500151	2" FLANGE TEE	POLY
4	8	500158	1 1/2" GASKET FOR 2" FLANGE	
5	11	500160	2" FLANGE CLAMP, S.S.	
6	1	500189	2" FLANGE-90-1" HOSE BARB	POLY
7	6	500194	2"FP FLANGE CLAMP, S.S.	
8	6	500195	2"FP FLANGE GASKET	EPDM
9	1	500196	2"FP FLANGE-2" HOSE BARB	POLY
10	3	500199	2"FP FLANGE-2"FLANGE REDU	POLY
11	1	690488	1.00 CHECK VLV, SPRING LOADED	
12	1	500172	2" FLANGE-1" HOSE BARB	POLY
13	2	500207	2"FP FLANGE TEE	POLY
14	1	500153	2" FLANGE-90-1 1/2 HBARB	POLY
15	1	690628	LINE "Y" STRAINER, 2" FLANGE	
16	4	520090	HOSE CLAMP NO 16	STAINLESS
17	1	690629	50 MESH SCREEN FOR 690628	
18	1	500180	2"FLANGE-90-2"FLANGE LBO	POLY
19	1	500225	2"FLANGE-45-2"FLANGE LBO	POLY
20	2	618191	1 1/16MJ-90-1 1/16FJ SWIV	LBO
21	1	650125	DECAL,AGIT RATE IND, KZCO VLV	
22	2	618273	1 1/16MJIC-1/2MNPT ADPTR	
23	2	500074	1"NPT-1" HOSE BARB, POLY	
24	1	690946	HYPRO PUMP,9306C-HM3CBU,FLANGE	
25	1	601590	HOSE, 1 X 6 1BR BLK EPDM	
26	1	696257	VALVE, KZCO C2F-62-Q-S9	
27	2	696256	VALVE, KZCO C2F-60B-M-S9	
28	3	696254	O-RING, KZCO FLANGED VALVES	
29	1	690960	VALVE HYD CTRL,30GPM RAVEN 05	
30	3	618248	1 1/16MJIC-90-1 1/16MOR	LBO
31	1	520067	HOSE CLAMP NO 28	STAINLESS
32	1	520120	HOSE CLAMP NO 4	STAINLESS
33	2	520141	2.31/2.62 T-BOLT HOSE CLAMP	SS
34	2	900131	3/8UNC X 1 1/2 HEX BOLT	
35	2	914004	3/8UNC HEX STOVER NUT	
36	2	900008	1/4UNC X 2 1/2 HEX BOLT	
37	2	914000	1/4UNC HEX STOVER NUT	

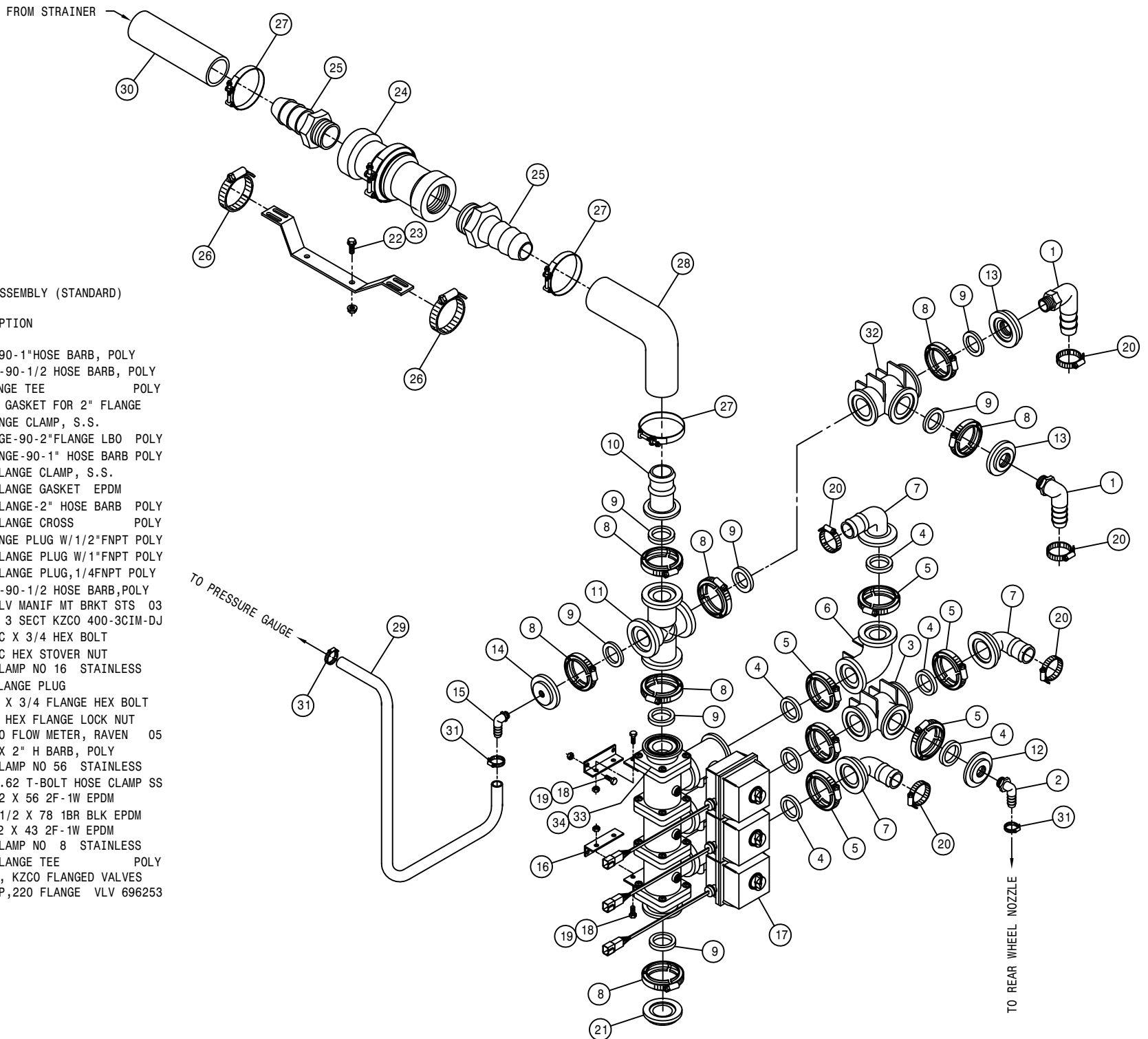


QUICK COUPLER ASSEMBLY

DET. QTY PART NO. DESCRIPTION

1	1	500154	2" FLANGE-2" HOSE BARB	POLY
2	3	500158	1 1/2" GASKET FOR 2" FLANGE	
3	3	500160	2" FLANGE CLAMP, S.S.	
4	1	500180	2"FLANGE-90-2"FLANGE LBO	POLY
5	1	500225	2"FLANGE-45-2"FLANGE LBO	POLY
6	1	500152	2" FLANGE-2" MNPT ADPTR	POLY
7	1	690391	2.00FNPT-MALE COUPLER	POLY
8	1	601628	HOSE, 2 X 51 2F-1W EPDM	
9	2	520141	2.31/2.62 T-BOLT HOSE CLAMP SS	
10	1	690392	PLUG FOR 2.00 FEMALE COUPLER	
11	1	690272	2" FEM COUPLER W/LOCK,2" BARB	
12	1	690623	CAP FOR 2.00 MALE COUPLER POLY	
13	1	500231	2"FP FLANGE GASKET,EXTRA THICK	
14	2	470322	LANYARD, 8" NYLON LOOP/LOOP	
15	1	520099	HOSE CLAMP NO 40 STAINLESS	

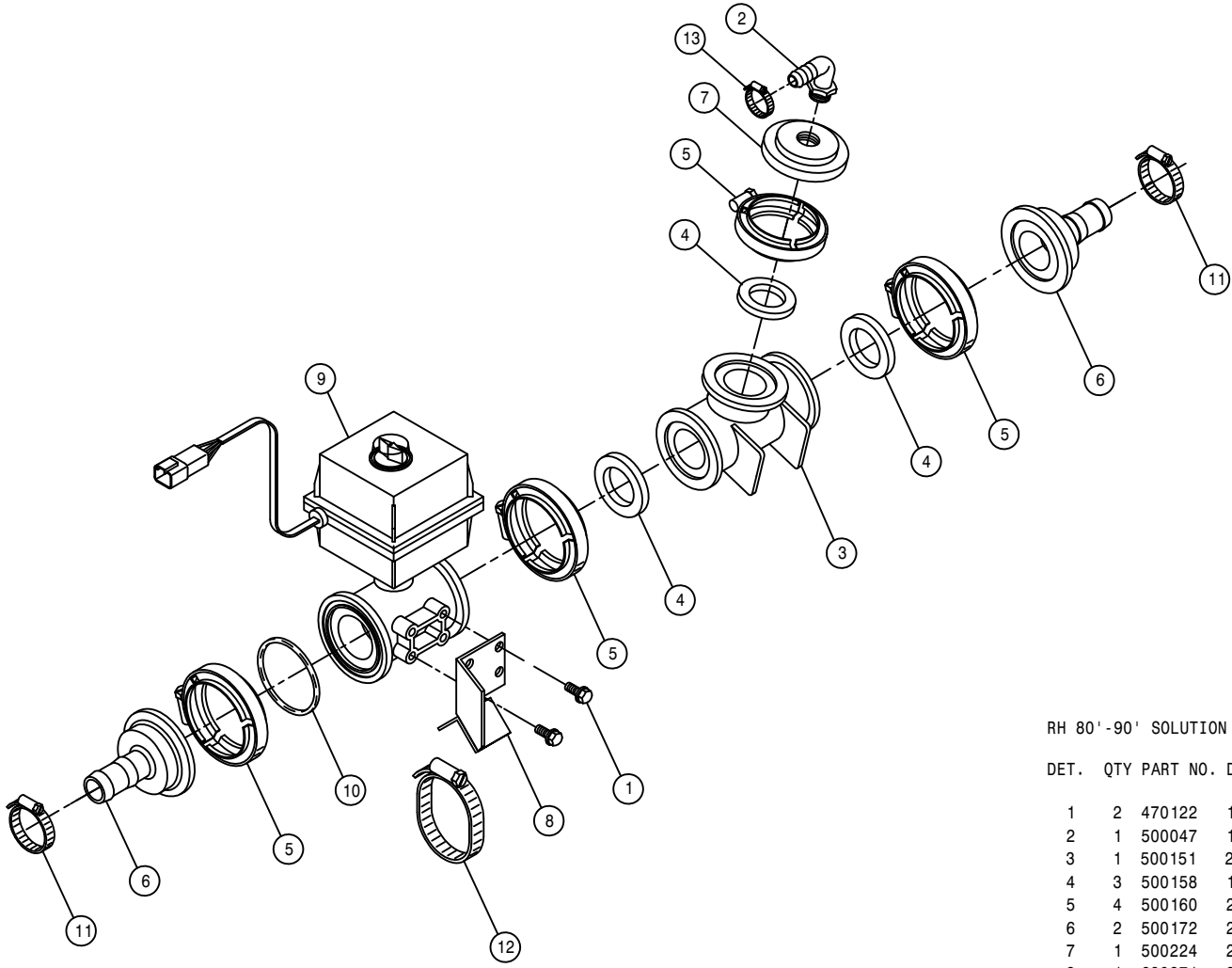




SOLUTION CONTROL VALVE ASSEMBLY (STANDARD)

DET. QTY PART NO. DESCRIPTION

1	2	500024	1"NPT-90-1"HOSE BARB, POLY
2	1	500047	1/2NPT-90-1/2 HOSE BARB, POLY
3	1	500151	2" FLANGE TEE POLY
4	6	500158	1 1/2" GASKET FOR 2" FLANGE
5	6	500160	2" FLANGE CLAMP, S.S.
6	1	500180	2"FLANGE-90-2"FLANGE LBO POLY
7	3	500189	2" FLANGE-90-1" HOSE BARB POLY
8	7	500194	2"FP FLANGE CLAMP, S.S.
9	7	500195	2"FP FLANGE GASKET EPDM
10	1	500196	2"FP FLANGE-2" HOSE BARB POLY
11	1	500203	2"FP FLANGE CROSS POLY
12	1	500224	2" FLANGE PLUG W/1/2"FNPT POLY
13	2	500228	2"FP FLANGE PLUG W/1"FNPT POLY
14	1	500229	2"FP FLANGE PLUG,1/4FNPT POLY
15	1	618556	1/4NPT-90-1/2 HOSE BARB,POLY
16	2	690870	SOLU VLV MANIF MT BRKT STS 03
17	1	696259	VALVE, 3 SECT KZCO 400-3CIM-DJ
18	8	900064	5/16UNC X 3/4 HEX BOLT
19	8	914002	5/16UNC HEX STOVER NUT
20	5	520090	HOSE CLAMP NO 16 STAINLESS
21	1	500206	2"FP FLANGE PLUG
22	2	470118	1/4UNC X 3/4 FLANGE HEX BOLT
23	2	470121	1/4UNC HEX FLANGE LOCK NUT
24	1	690961	RFM 100 FLOW METER, RAVEN 05
25	2	500058	2"NPT X 2" H BARB, POLY
26	2	520056	HOSE CLAMP NO 56 STAINLESS
27	3	520141	2.31/2.62 T-BOLT HOSE CLAMP SS
28	1	601502	HOSE, 2 X 56 2F-1W EPDM
29	1	601634	HOSE, 1/2 X 78 1BR BLK EPDM
30	1	601613	HOSE, 2 X 43 2F-1W EPDM
31	3	520070	HOSE CLAMP NO 8 STAINLESS
32	1	500207	2"FP FLANGE TEE POLY
33	7	696254	O-RING, KZCO FLANGED VALVES
34	2	696255	END CAP,220 FLANGE VLV 696253



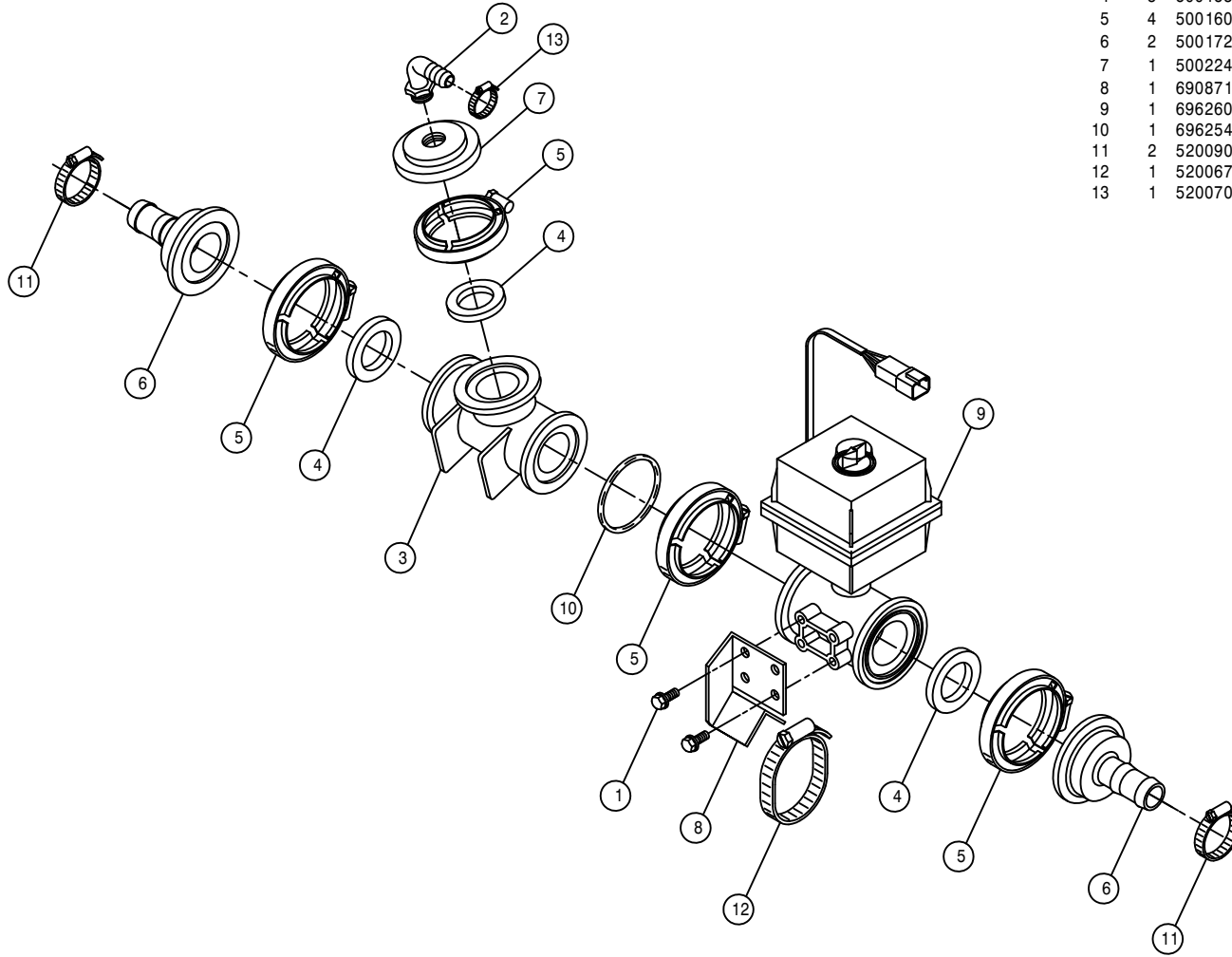
RH 80'-90' SOLUTION VALVE ASSEMBLY (STANDARD)

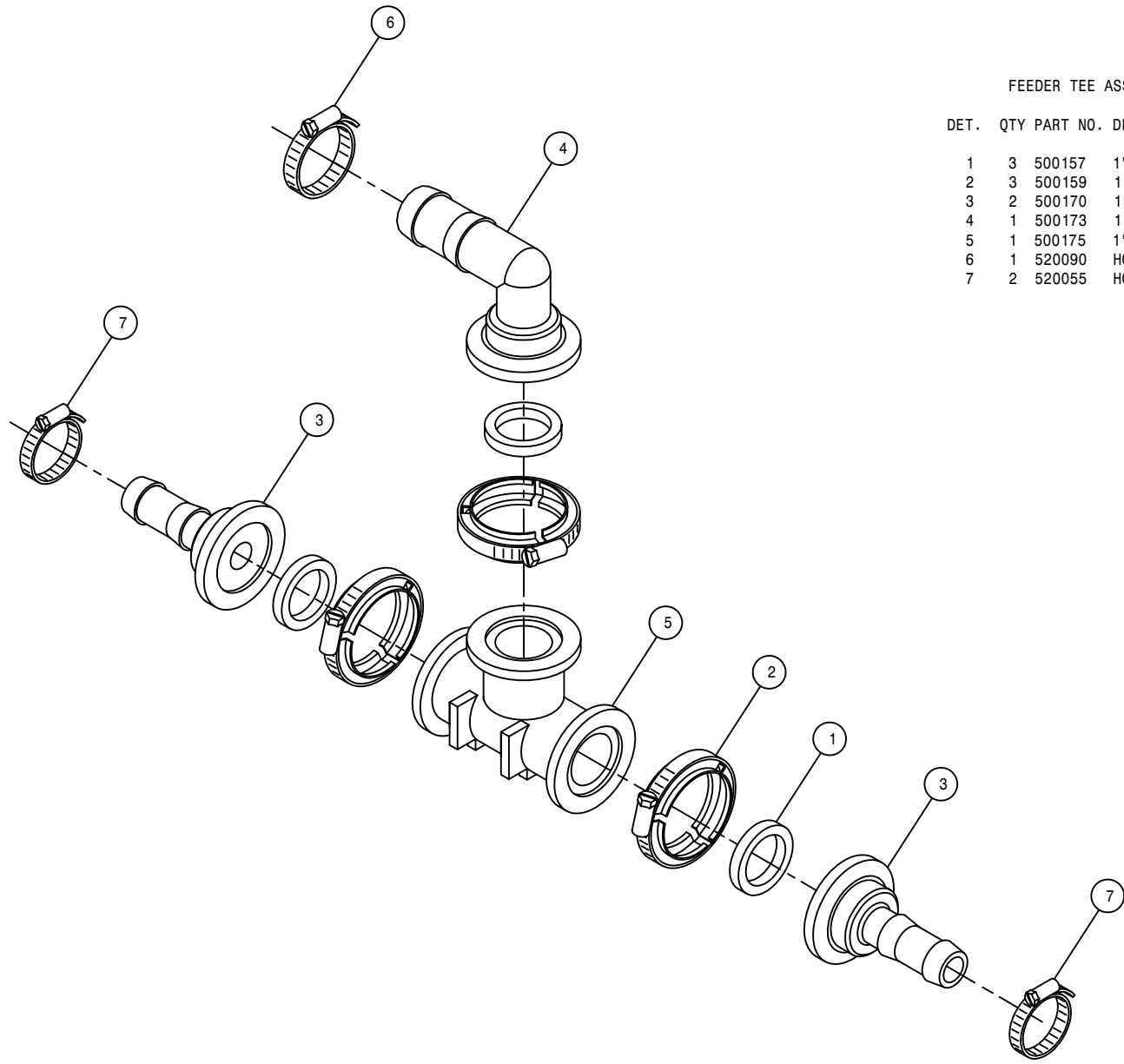
DET.	QTY	PART NO.	DESCRIPTION
1	2	470122	1/4UNC X 1/2 FLANGE HEX BOLT
2	1	500047	1/2NPT-90-1/2 HOSE BARB, POLY
3	1	500151	2" FLANGE TEE POLY
4	3	500158	1 1/2" GASKET FOR 2" FLANGE
5	4	500160	2" FLANGE CLAMP, S.S.
6	2	500172	2" FLANGE-1" HOSE BARB POLY
7	1	500224	2" FLANGE PLUG W/1/2"FNPT POLY
8	1	690871	80/90 BOOM VLV MT WLD 03
9	1	696260	VALVE, KZCO C2F-55B-M-S9
10	1	696254	O-RING, KZCO FLANGED VALVES
11	2	520090	HOSE CLAMP NO 16 STAINLESS
12	1	520067	HOSE CLAMP NO 28 STAINLESS
13	1	520070	HOSE CLAMP NO 8 STAINLESS

LH 80' -90' SOLUTION VALVE ASSEMBLY (STANDARD)

DET. QTY PART NO. DESCRIPTION

1	2	470122	1/4UNC X 1/2 FLANGE HEX BOLT
2	1	500047	1/2NPT-90-1/2 HOSE BARB, POLY
3	1	500151	2" FLANGE TEE POLY
4	3	500158	1 1/2" GASKET FOR 2" FLANGE
5	4	500160	2" FLANGE CLAMP, S.S.
6	2	500172	2" FLANGE-1" HOSE BARB POLY
7	1	500224	2" FLANGE PLUG W/1/2"FNPT POLY
8	1	690871	80/90 BOOM VLV MT WLD 03
9	1	696260	VALVE, KZCO C2F-55B-M-S9
10	1	696254	O-RING, KZCO FLANGED VALVES
11	2	520090	HOSE CLAMP NO 16 STAINLESS
12	1	520067	HOSE CLAMP NO 28 STAINLESS
13	1	520070	HOSE CLAMP NO 8 STAINLESS





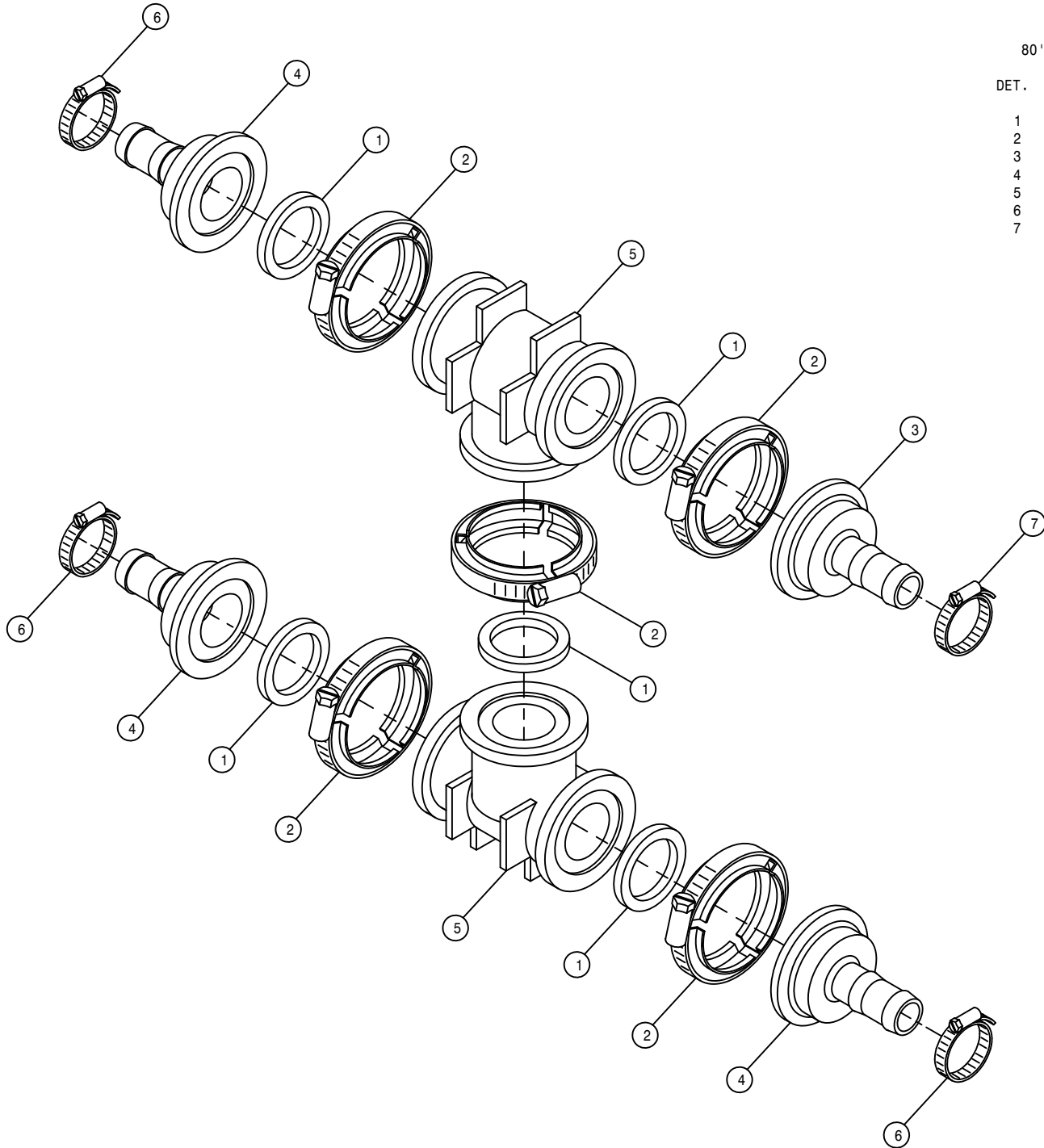
FEEDER TEE ASSEMBLY (STANDARD)

DET.	QTY	PART NO.	DESCRIPTION	
1	3	500157	1" FLANGE GASKET	EPDM
2	3	500159	1" FLANGE CLAMP, S.S.	
3	2	500170	1" FLANGE-3/4" HOSE BARB	POLY
4	1	500173	1" FLANGE-90-1" HOSE BARB	POLY
5	1	500175	1" FLANGE TEE	POLY
6	1	520090	HOSE CLAMP NO 16	STAINLESS
7	2	520055	HOSE CLAMP NO 12	STAINLESS

80' -90' FEEDER TEE ASSEMBLY (STANDARD)

DET. QTY PART NO. DESCRIPTION

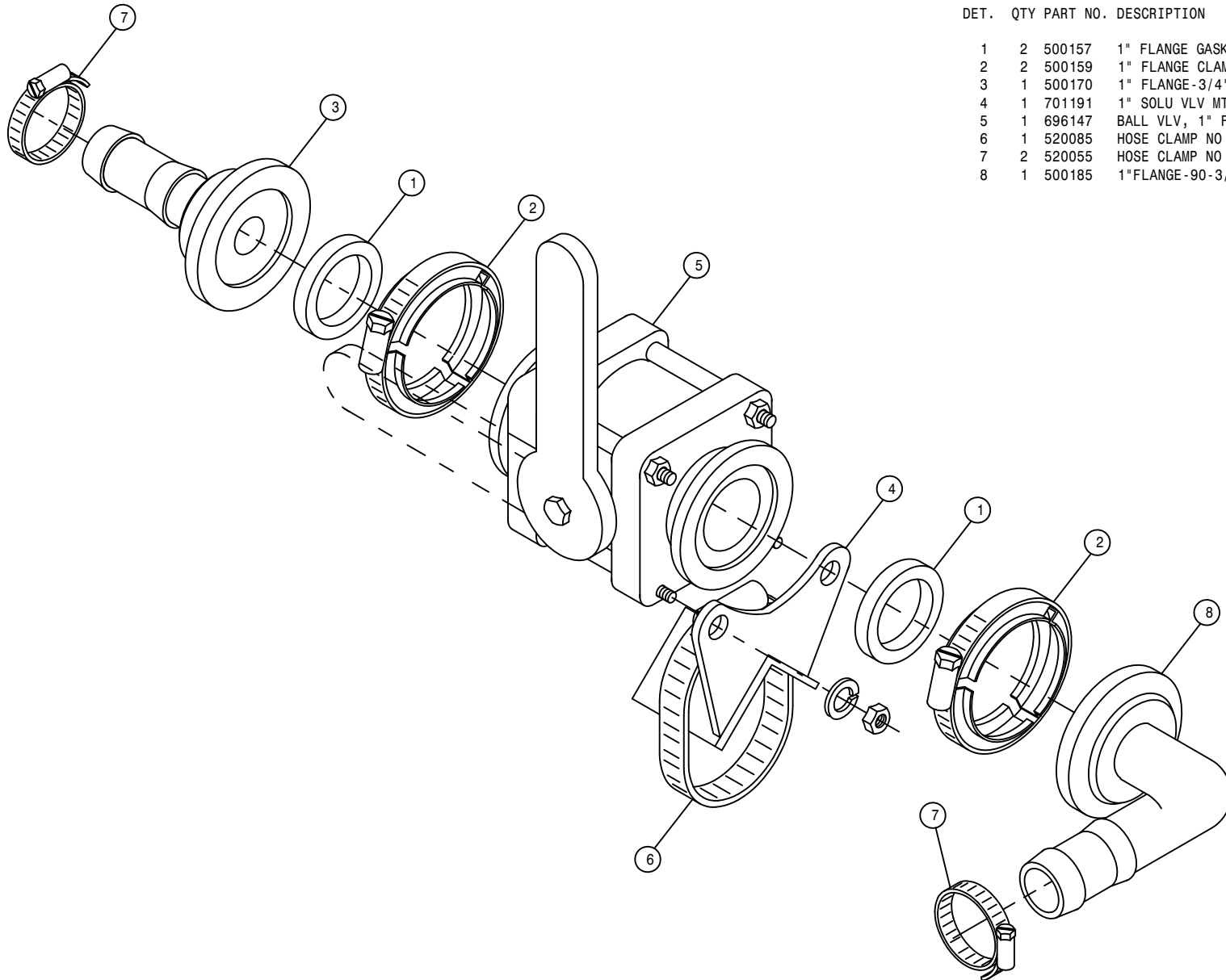
DET.	QTY	PART NO.	DESCRIPTION	
1	5	500157	1" FLANGE GASKET	EPDM
2	5	500159	1" FLANGE CLAMP, S.S.	
3	1	500171	1" FLANGE-1" HOSE BARB	POLY
4	3	500170	1" FLANGE-3/4" HOSE BARB	POLY
5	2	500175	1" FLANGE TEE	POLY
6	3	520055	HOSE CLAMP NO 12	STAINLESS
7	1	520090	HOSE CLAMP NO 16	STAINLESS



90° BALL VALVE ASSEMBLY (STANDARD)

DET. QTY PART NO. DESCRIPTION

DET.	QTY	PART NO.	DESCRIPTION	
1	2	500157	1" FLANGE GASKET	EPDM
2	2	500159	1" FLANGE CLAMP, S.S.	
3	1	500170	1" FLANGE-3/4" HOSE BARB POLY	
4	1	701191	1" SOLU VLV MT WLD	
5	1	696147	BALL VLV, 1" FLANGE	
6	1	520085	HOSE CLAMP NO 24 STAINLESS	
7	2	520055	HOSE CLAMP NO 12 STAINLESS	
8	1	500185	1" FLANGE-90-3/4" HOSE BARB POLY	

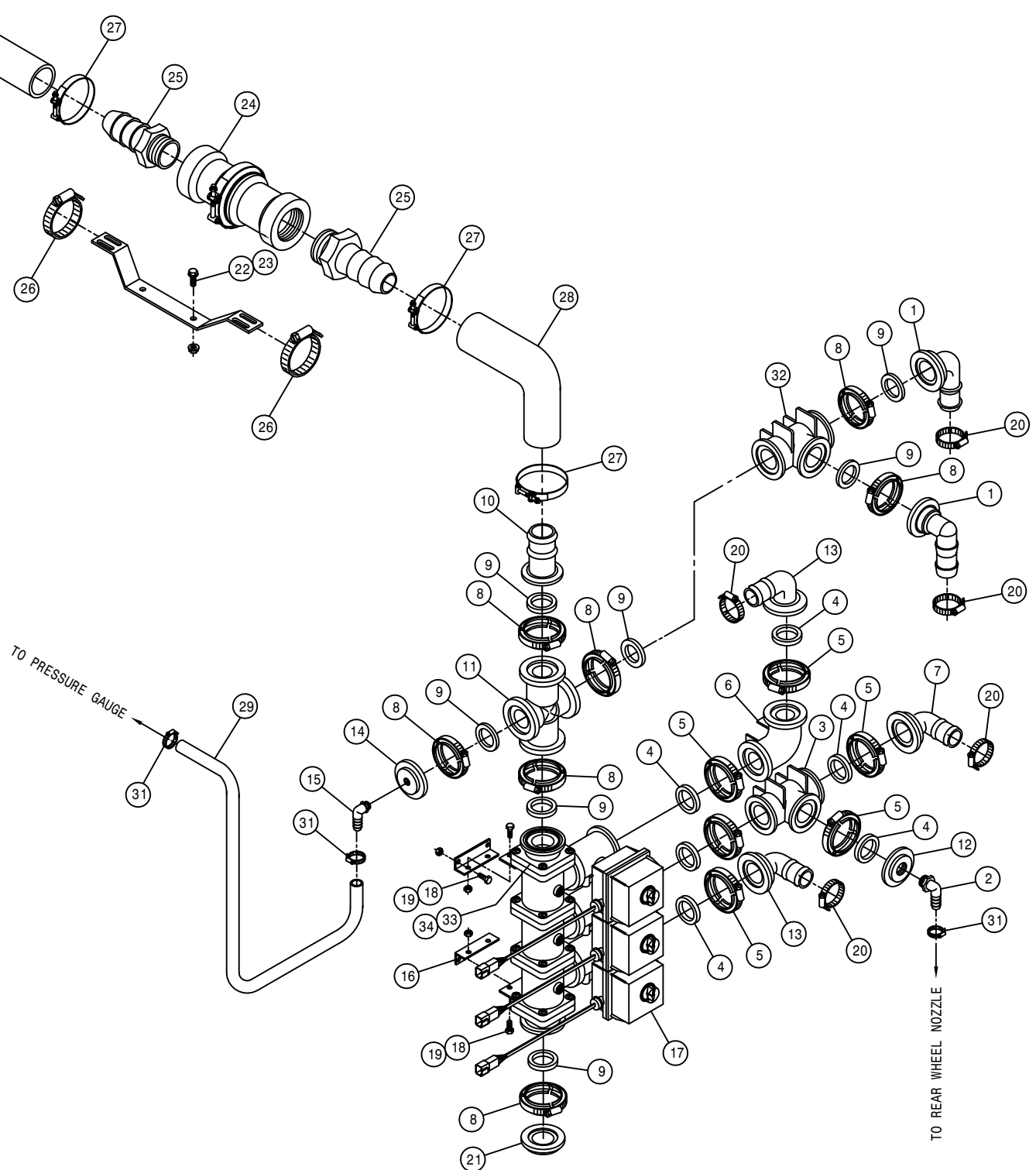


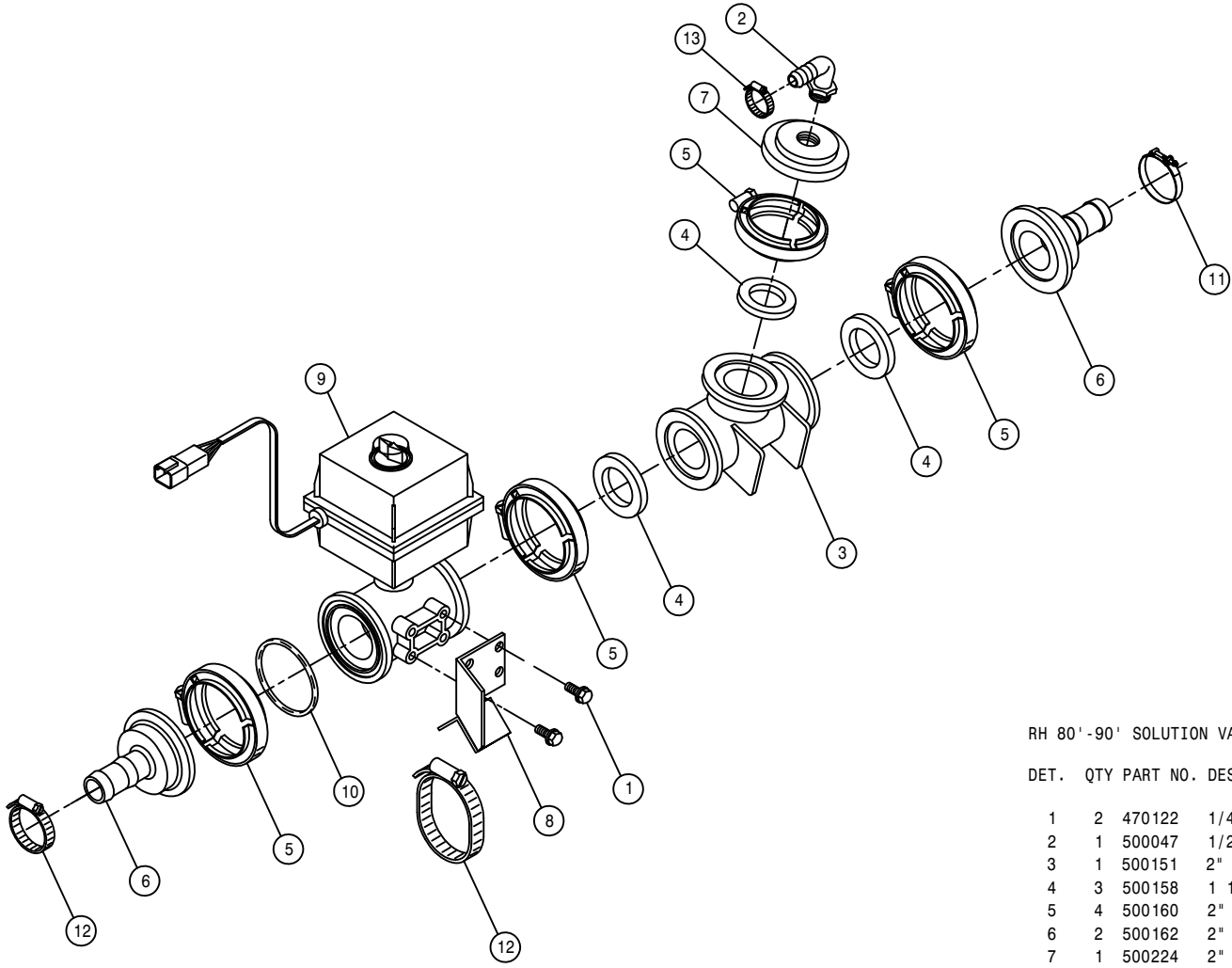
FROM QUICK ATTACH

SOLUTION CONTROL VALVE ASSEMBLY (HI-VOLUME)

DET. QTY PART NO. DESCRIPTION

1	2	500197	2" FP FLANGE-90-1 1/2 HBARB
2	1	500047	1/2NPT-90-1/2 HOSE BARB, POLY
3	1	500151	2" FLANGE TEE POLY
4	6	500158	1 1/2" GASKET FOR 2" FLANGE
5	6	500160	2" FLANGE CLAMP, S.S.
6	1	500180	2"FLANGE-90-2"FLANGE LBO POLY
7	1	500189	2" FLANGE-90-1" HOSE BARB POLY
8	7	500194	2"FP FLANGE CLAMP, S.S.
9	7	500195	2"FP FLANGE GASKET EPDM
10	1	500196	2"FP FLANGE-2" HOSE BARB POLY
11	1	500203	2"FP FLANGE CROSS POLY
12	1	500224	2" FLANGE PLUG W/1/2"FNPT POLY
13	2	500153	2" FLANGE-90-1 1/2 HBARB POLY
14	1	500229	2"FP FLANGE PLUG,1/4FNPT POLY
15	1	618556	1/4NPT-90-1/2 HOSE BARB,POLY
16	2	690870	SOLU VLV MANIF MT BRKT STS 03
17	1	696259	VALVE, 3 SECT KZCO 400-3CIM-DJ
18	8	900064	5/16UNC X 3/4 HEX BOLT
19	8	914002	5/16UNC HEX STOVER NUT
20	5	520067	HOSE CLAMP NO 28 STAINLESS
21	1	500206	2"FP FLANGE PLUG
22	2	470118	1/4UNC X 3/4 FLANGE HEX BOLT
23	2	470121	1/4UNC HEX FLANGE LOCK NUT
24	1	690961	RFM 100 FLOW METER, RAVEN 05
25	2	500058	2"NPT X 2" H BARB, POLY
26	2	520056	HOSE CLAMP NO 56 STAINLESS
27	3	520141	2.31/2.62 T-BOLT HOSE CLAMP SS
28	1	601502	HOSE, 2 X 56 2F-1W EPDM
29	1	601634	HOSE, 1/2 X 78 1BR BLK EPDM
30	1	601613	HOSE, 2 X 43 2F-1W EPDM
31	3	520070	HOSE CLAMP NO 8 STAINLESS
32	1	500207	2"FP FLANGE TEE POLY
33	7	696254	O-RING, KZCO FLANGED VALVES
34	2	696255	END CAP,220 FLANGE VLV 696253





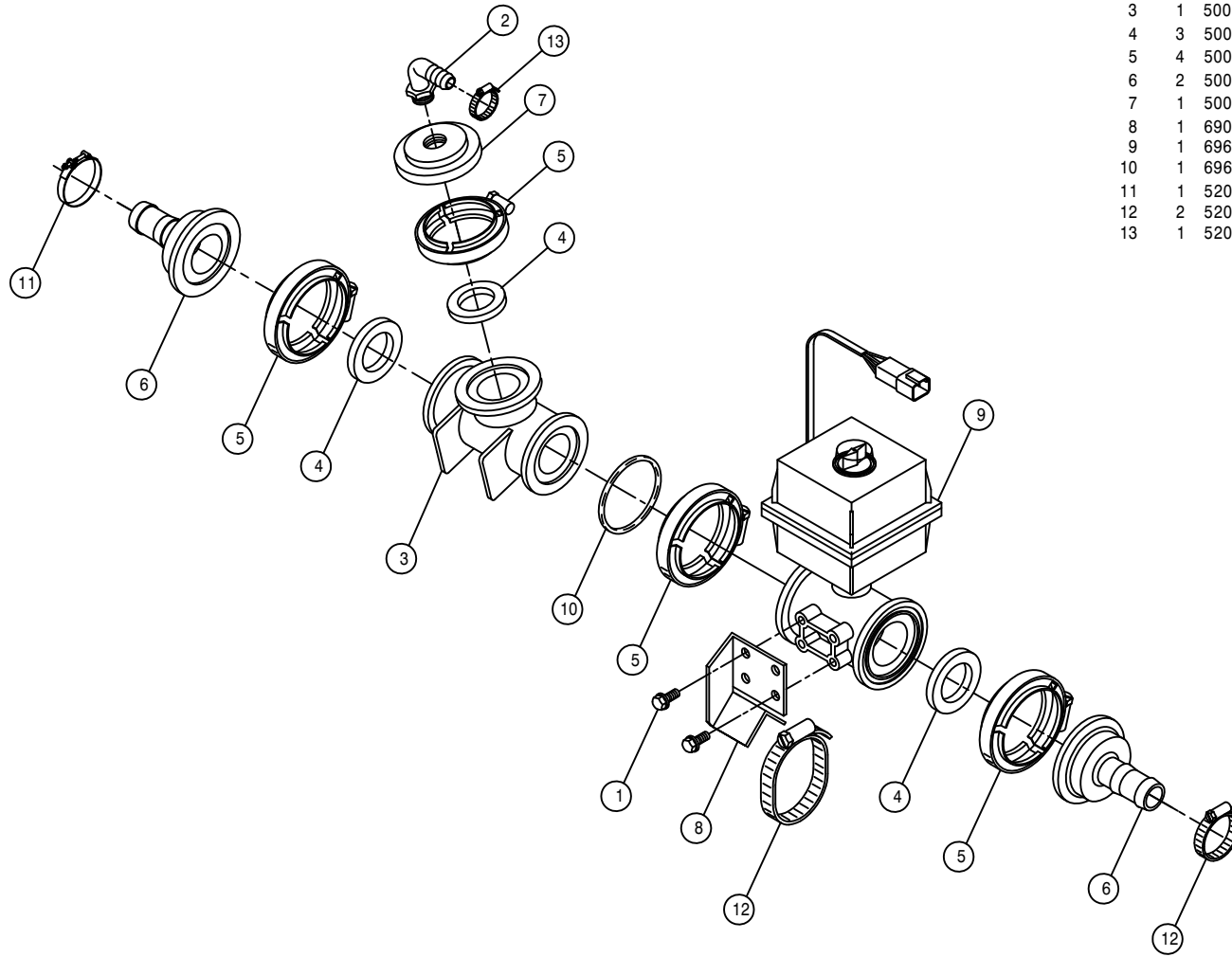
RH 80'-90' SOLUTION VALVE ASSEMBLY (HI-VOLUME)

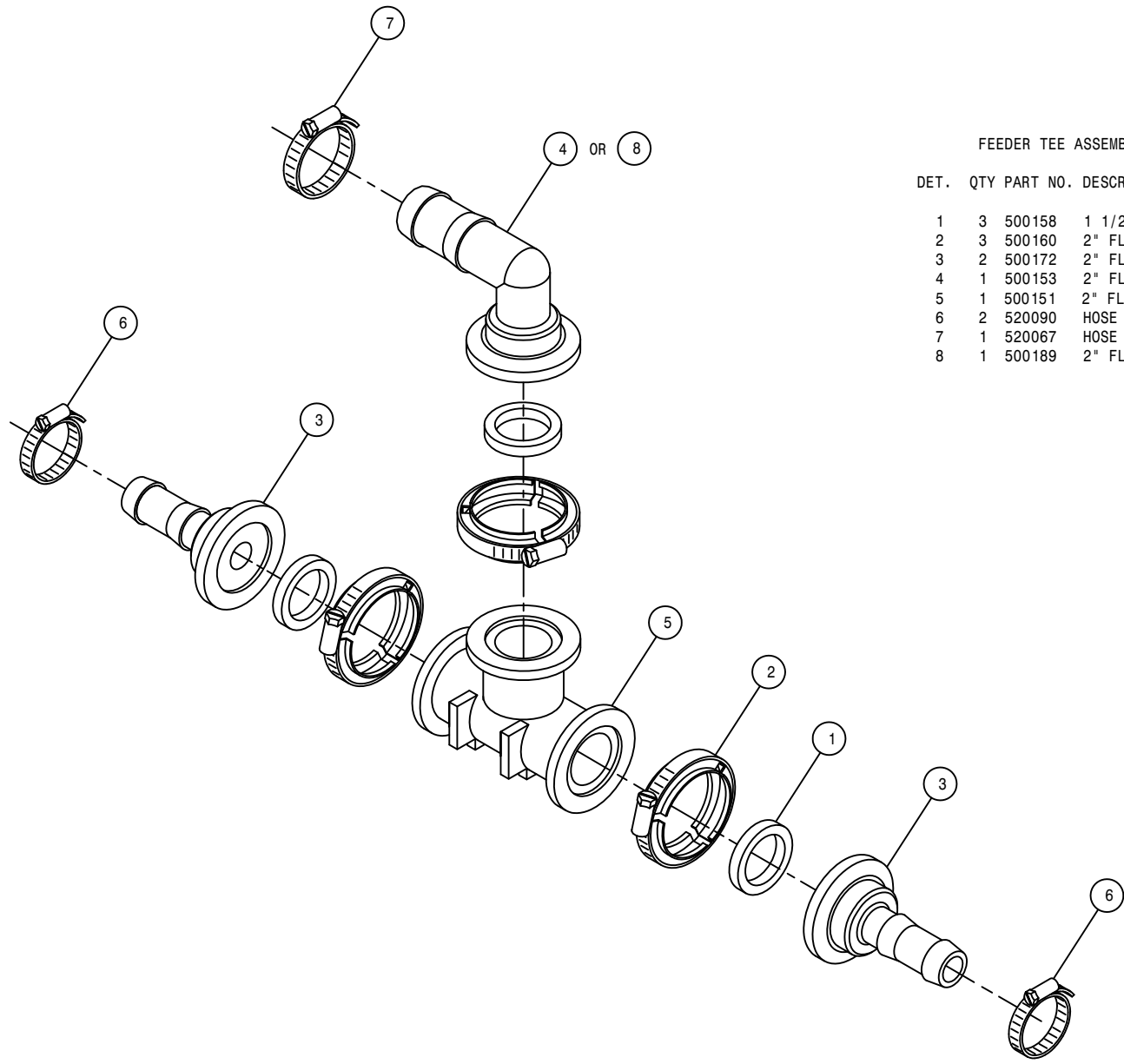
DET.	QTY	PART NO.	DESCRIPTION
	1	2	470122 1/4UNC X 1/2 FLANGE HEX BOLT
	2	1	500047 1/2NPT-90-1/2 HOSE BARB, POLY
	3	1	500151 2" FLANGE TEE POLY
	4	3	500158 1 1/2" GASKET FOR 2" FLANGE
	5	4	500160 2" FLANGE CLAMP, S.S.
	6	2	500162 2" FLANGE-1 1/2 HOSE BARB POLY
	7	1	500224 2" FLANGE PLUG W/1/2"FNPT POLY
	8	1	690871 80/90 BOOM VLV MT WLD 03
	9	1	696260 VALVE, KZCO C2F-55B-M-S9
	10	1	696254 O-RING, KZCO FLANGED VALVES
	11	2	520133 1.81/2.06 T-BOLT HOSE CLAMP SS
	12	2	520067 HOSE CLAMP NO 28 STAINLESS
	13	1	520070 HOSE CLAMP NO 8 STAINLESS

LH 80' -90' SOLUTION VALVE ASSEMBLY (HI-VOLUME)

DET. QTY PART NO. DESCRIPTION

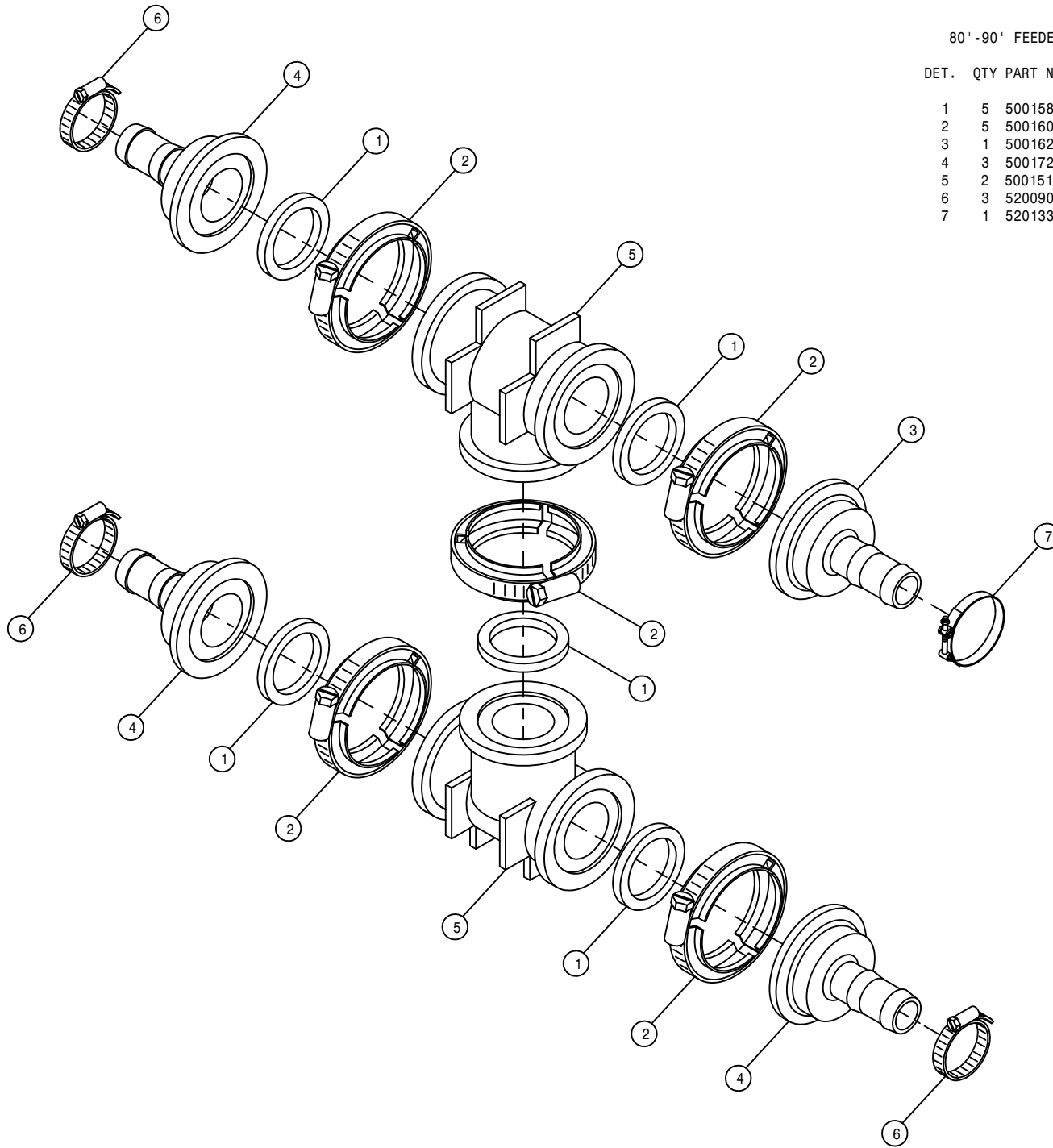
1	2	470122	1/4UNC X 1/2 FLANGE HEX BOLT
2	1	500047	1/2NPT-90-1/2 HOSE BARB, POLY
3	1	500151	2" FLANGE TEE POLY
4	3	500158	1 1/2" GASKET FOR 2" FLANGE
5	4	500160	2" FLANGE CLAMP, S.S.
6	2	500162	2" FLANGE-1 1/2 HOSE BARB POLY
7	1	500224	2" FLANGE PLUG W/1/2"FNPT POLY
8	1	690871	80/90 BOOM VLV MT WLD 03
9	1	696260	VALVE, KZCO C2F-55B-M-S9
10	1	696254	O-RING, KZCO FLANGED VALVES
11	1	520133	1.81/2.06 T-BOLT HOSE CLAMP SS
12	2	520067	HOSE CLAMP NO 28 STAINLESS
13	1	520070	HOSE CLAMP NO 8 STAINLESS





FEEDER TEE ASSEMBLY (HI-VOLUME)

DET.	QTY	PART NO.	DESCRIPTION
1	3	500158	1 1/2" GASKET FOR 2" FLANGE
2	3	500160	2" FLANGE CLAMP, S.S.
3	2	500172	2" FLANGE-1" HOSE BARB POLY
4	1	500153	2" FLANGE-90-1 1/2 HBARB POLY
5	1	500151	2" FLANGE TEE POLY
6	2	520090	HOSE CLAMP NO 16 STAINLESS
7	1	520067	HOSE CLAMP NO 28 STAINLESS
8	1	500189	2" FLANGE-90-1" HOSE BARB POLY



80' -90' FEEDER TEE ASSEMBLY (HI-VOLUME)

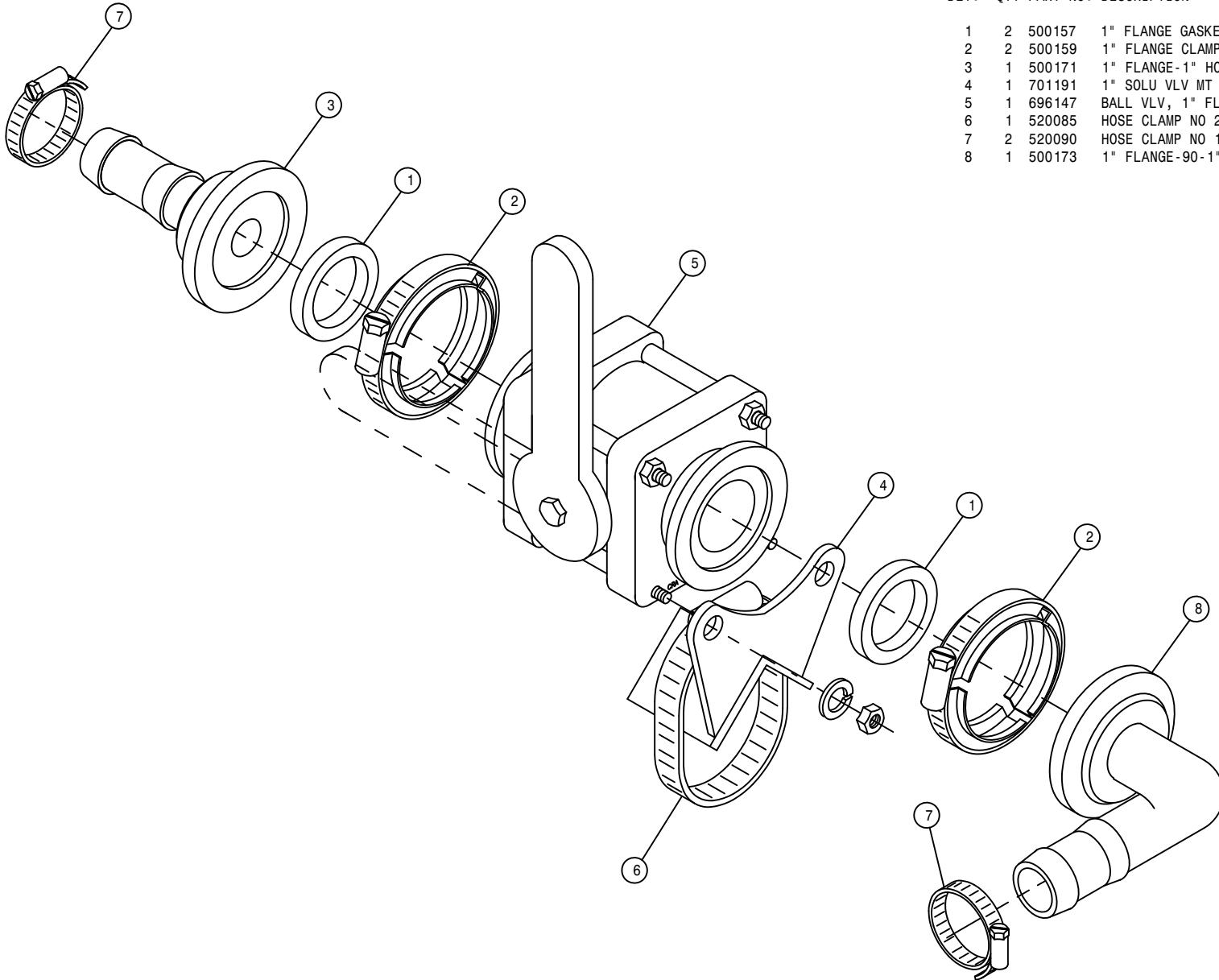
DET. QTY PART NO. DESCRIPTION

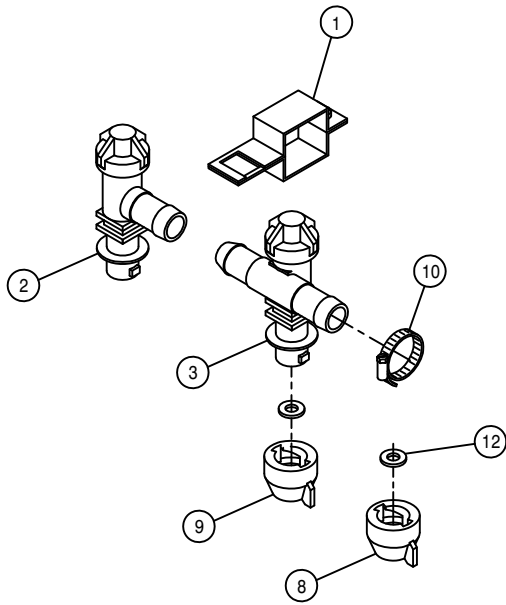
1	5	500158	1 1/2" GASKET FOR 2" FLANGE
2	5	500160	2" FLANGE CLAMP, S.S.
3	1	500162	2" FLANGE-1 1/2 HOSE BARB POLY
4	3	500172	2" FLANGE-1" HOSE BARB POLY
5	2	500151	2" FLANGE TEE POLY
6	3	520090	HOSE CLAMP NO 16 STAINLESS
7	1	520133	1.81/2.06 T-BOLT HOSE CLAMP SS

90° BALL VALVE ASSEMBLY (HI-VOLUME)

DET. QTY PART NO. DESCRIPTION

1	2	500157	1" FLANGE GASKET	EPDM
2	2	500159	1" FLANGE CLAMP, S.S.	
3	1	500171	1" FLANGE-1" HOSE BARB	POLY
4	1	701191	1" SOLU VLV MT WLD	
5	1	696147	BALL VLV, 1" FLANGE	
6	1	520085	HOSE CLAMP NO 24	STAINLESS
7	2	520090	HOSE CLAMP NO 16	STAINLESS
8	1	500173	1" FLANGE-90-1" HOSE BARB	POLY



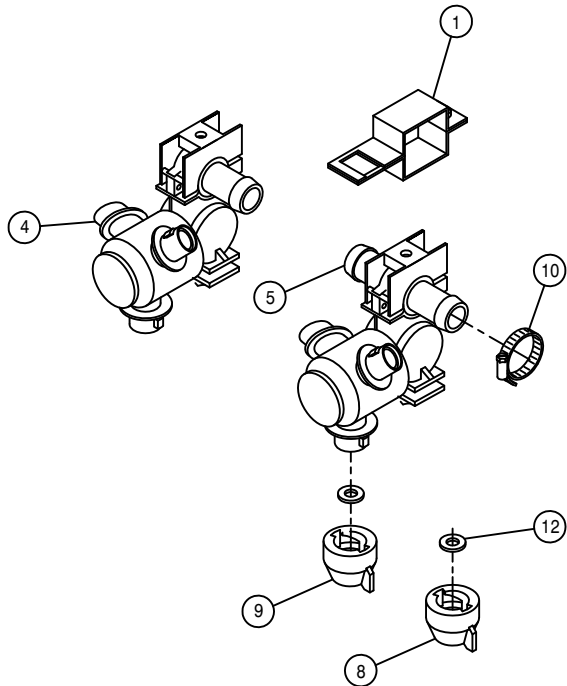


STANDARD SINGLE TIP SPACING

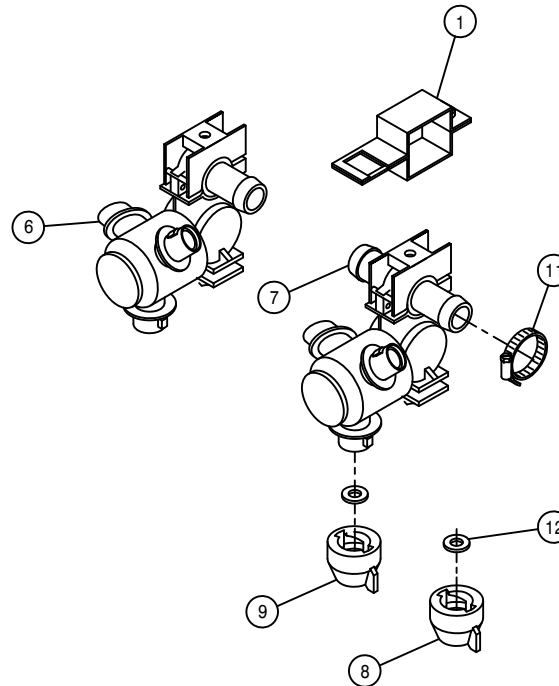
BOOM NOZZLE BODY

DET. QTY PART NO. DESCRIPTION

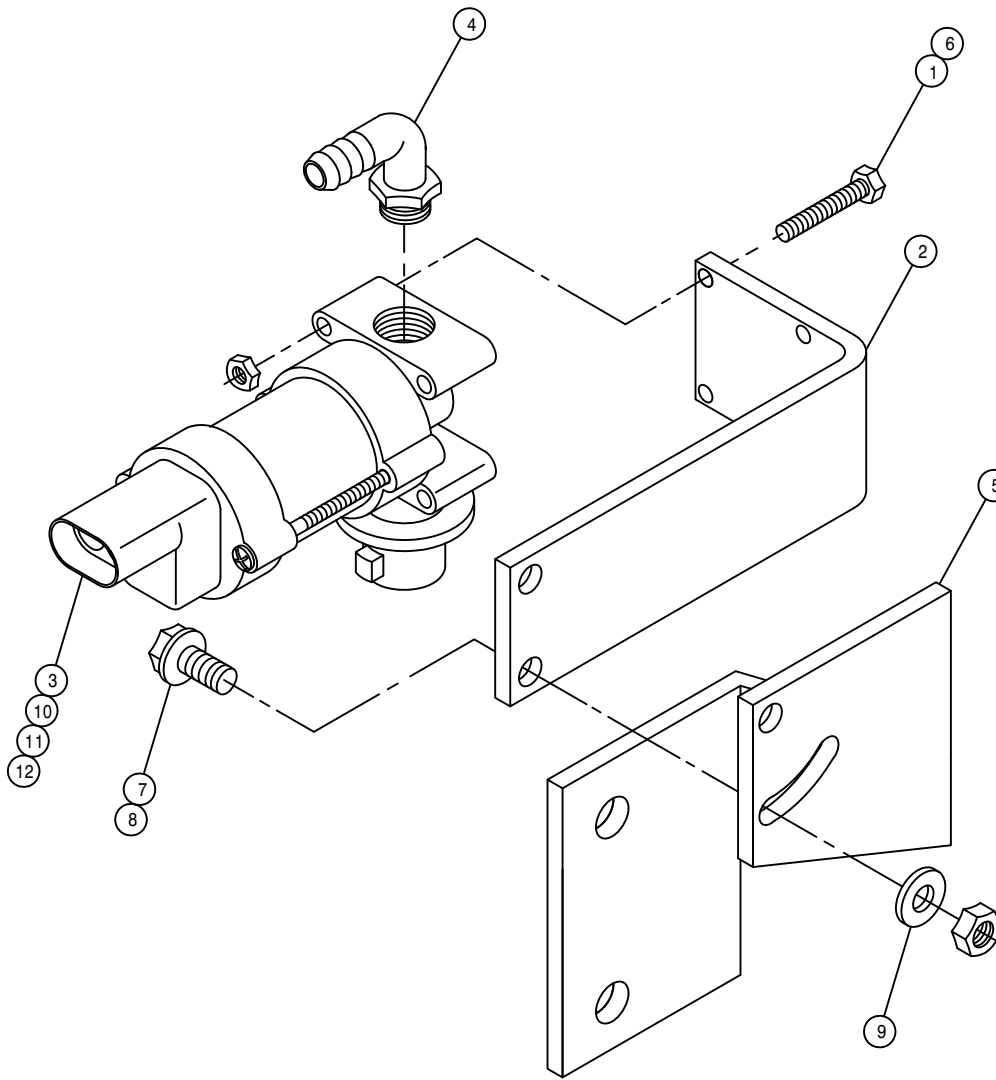
DET.	QTY	PART NO.	DESCRIPTION
1	3	737817	NOZL MT CLMP, 1.00 SQ SS, Q-TJET
2	1	737829	QUICK TJET LBO, 1-TIP BODY .75
3	1	737830	QUICK TJET TEE, 1-TIP BODY .75
4	1	737833	QUICK TJET LBO, 3-TIP BODY .75
5	1	737834	QUICK TJET TEE, 3-TIP BODY .75
6	1	737900	QUICK TJET LBO, 3-TIP BODY 1.00
7	1	737901	QUICK TJET TEE, 3-TIP BODY 1.00
8	3	737825	QUICK SHUT-OFF CAP
9	3	737822	CAP SET, YELLOW QUICK TEEJET
10	2	520055	HOSE CLAMP NO 12 STAINLESS
11	1	520090	HOSE CLAMP NO 16 STAINLESS
12	6	737824	QUICK TEEJET SEAT GASKET



STANDARD TRIPLE TIP SPACING



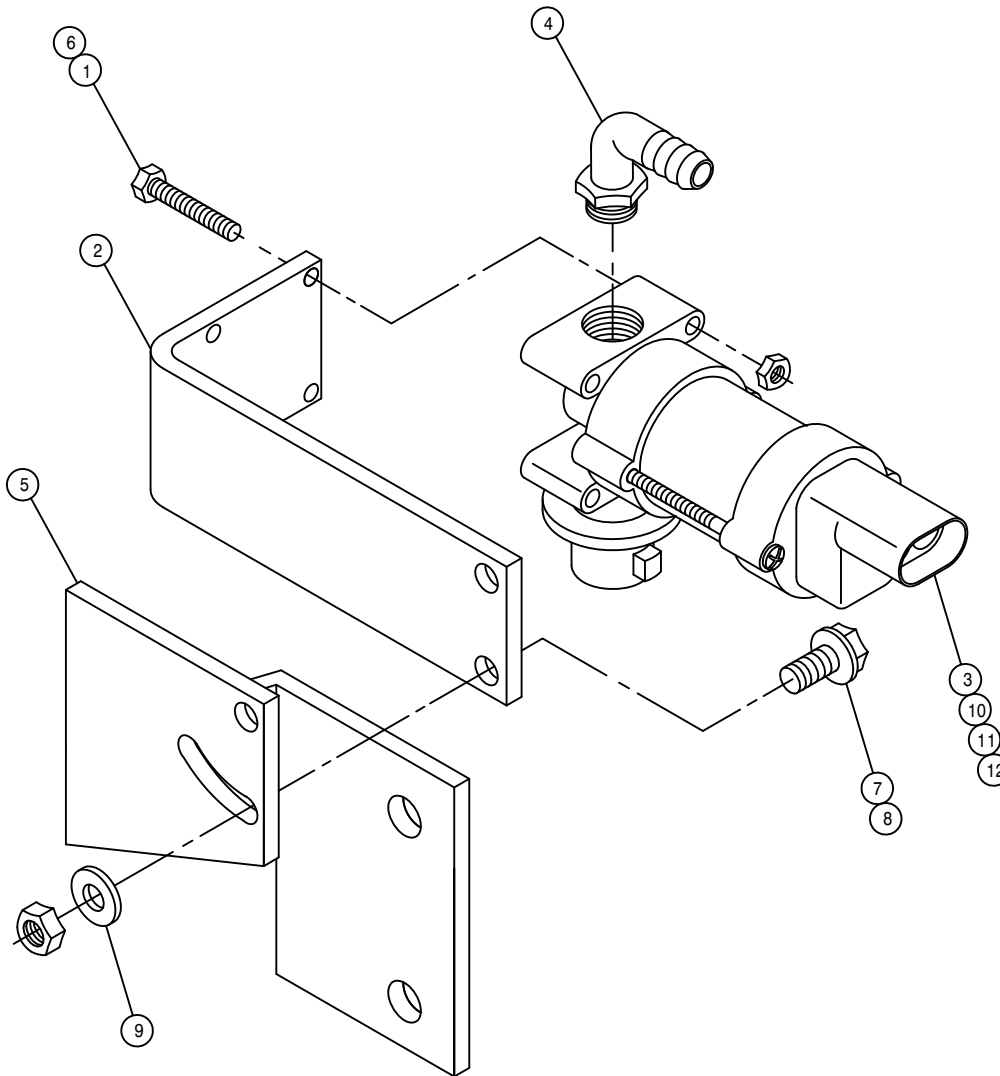
HI-VOLUME TRIPLE TIP SPACING



RH FENCE ROW NOZZLE ASSEMBLY

DET. QTY PART NO. DESCRIPTION

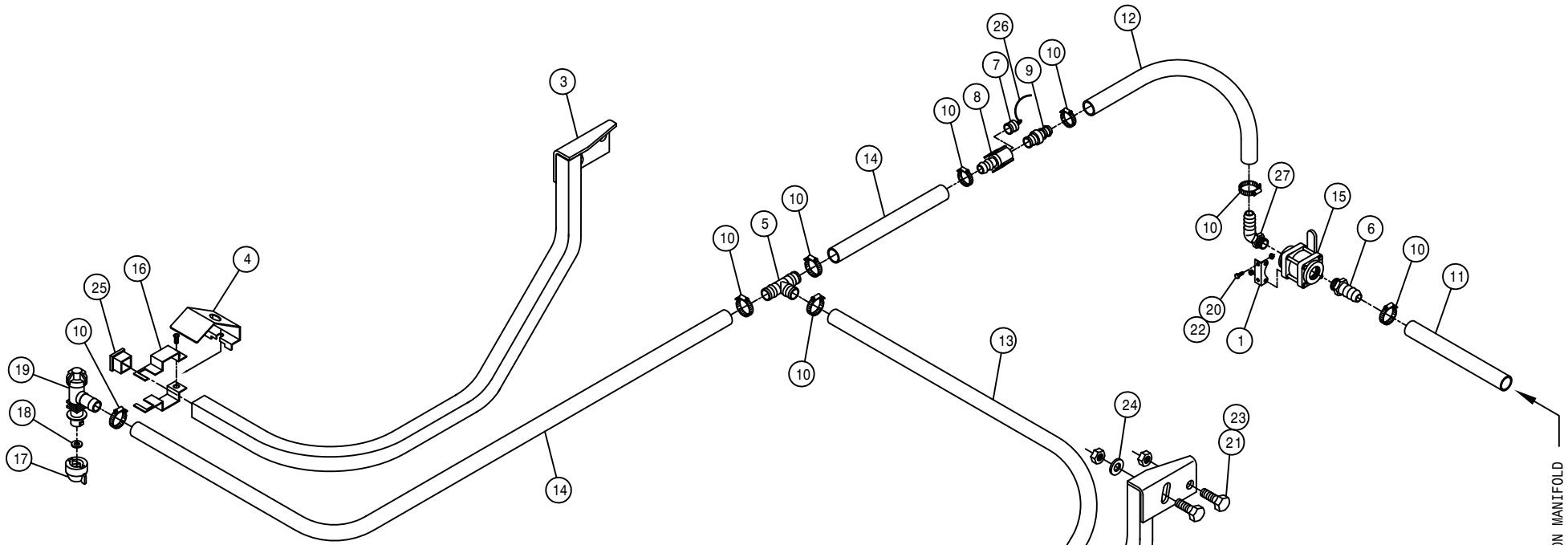
1	4	473993	6-32 X 1 1/4 HH MACH SCR
2	1	737906	FENCE ROW NOZL BRKT
3	1	737875	NOZZLE BODY VALVE, 12VDC
4	1	618556	1/4NPT-90-1/2 HOSE BARB,POLY
5	1	737907	RH FENCE ROW TIP BRKT MT
6	4	910022	6-32 HEX NUT
7	2	470118	1/4UNC X 3/4 FLANGE HEX BOLT
8	2	914000	1/4UNC HEX STOVER NUT
9	1	920000	1/4 SAE FLAT WASHER
10	1	737887	PLUNGER W/SEAT, VLV 737875
11	1	737888	O-RING, .014 VITON, VLV 737875
12	1	737889	VALVE BODY, .1480RIF,VLV 737875



LH FENCE ROW NOZZLE ASSEMBLY

DET. QTY PART NO. DESCRIPTION

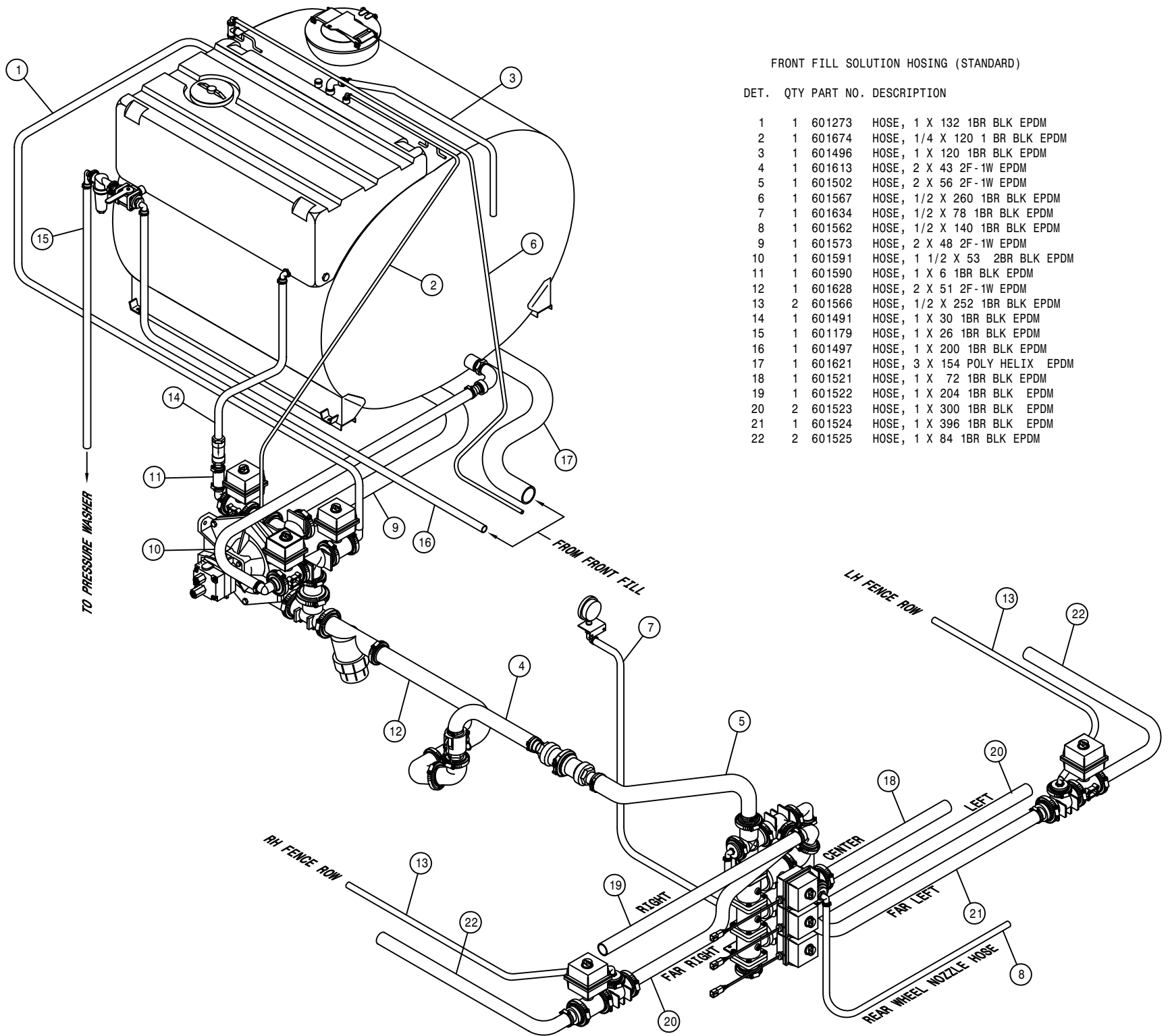
DET.	QTY	PART NO.	DESCRIPTION
1	4	473993	6-32 X 1 1/4 HH MACH SCR
2	1	737906	FENCE ROW NOZL BRKT
3	1	737875	NOZZLE BODY VALVE, 12VDC
4	1	618556	1/4NPT-90-1/2 HOSE BARB,POLY
5	1	737908	LH FENCE ROW TIP BRKT MT
6	4	910022	6-32 HEX NUT
7	2	470118	1/4UNC X 3/4 FLANGE HEX BOLT
8	2	914000	1/4UNC HEX STOVER NUT
9	1	920000	1/4 SAE FLAT WASHER
10	1	737887	PLUNGER W/SEAT, VLV 737875
11	1	737888	O-RING, .014 VITON, VLV 737875
12	1	737889	VALVE BODY, .1480RIF, VLV 737875



REAR WHEEL NOZZLE ASSEMBLY

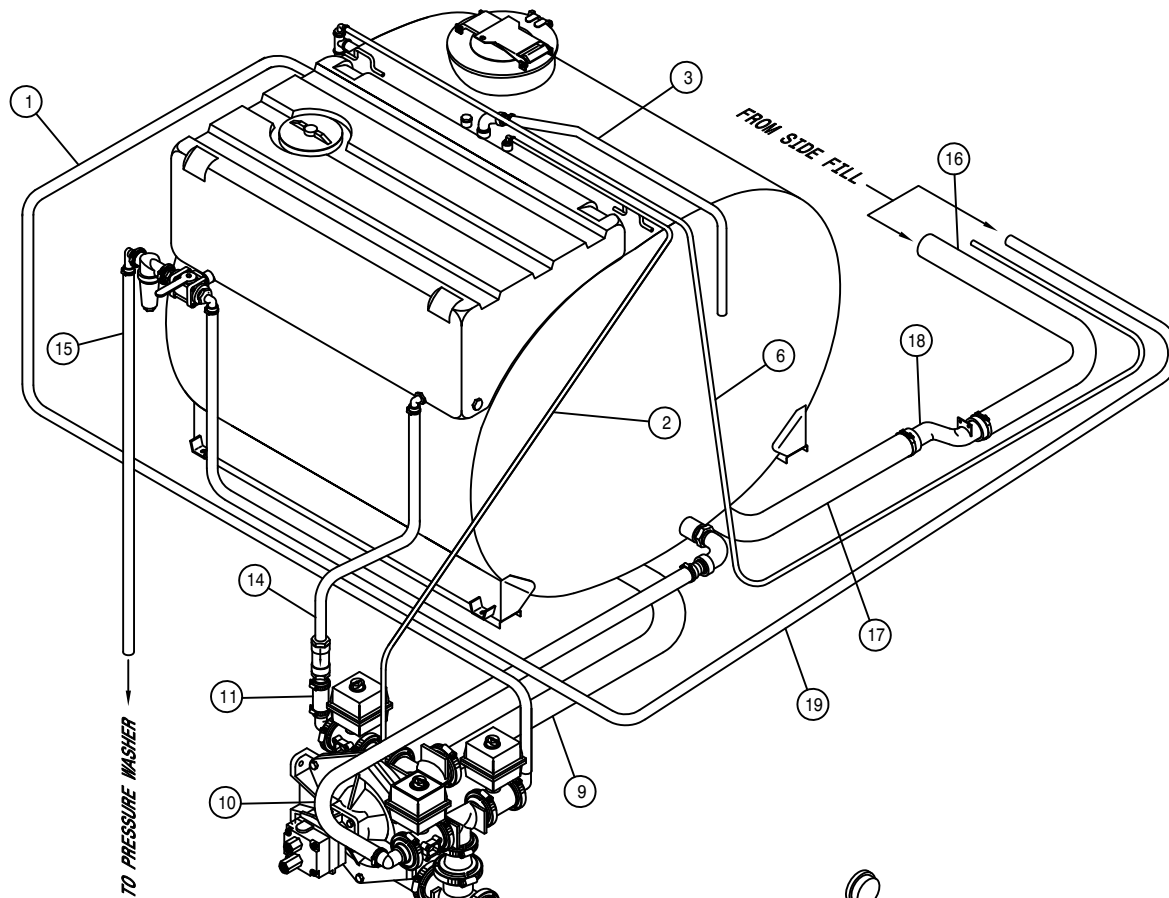
DET.	QTY	PART NO.	DESCRIPTION
1	1	164724	VALVE MT, REAR NOZL STS 03
2	1	164670	RH REAR NOZL MT WLD STS12
3	1	164671	LH REAR NOZL MT WLD STS12
4	2	164676	NOZL SHIELD, REAR WHEEL 00
5	1	500120	1/2" HOSE BARB TEE, POLY
6	1	713340	1/2NPT-1/2 HOSE BARB, POLY
7	1	696204	PLUG FOR .50/.75 FEM COUPLER
8	1	696233	.50 HOSE BARB-FEMALE COUPLER
9	1	696234	.50 HOSE BARB-MALE COUPLER
10	9	520070	HOSE CLAMP NO 8 STAINLESS
11	1	601562	HOSE, 1/2 X 140 1BR BLK EPDM
12	1	601563	HOSE, 1/2 X 120 1BR BLK EPDM
13	1	601565	HOSE, 1/2 X 223 1BR BLK EPDM
14	2	601639	HOSE, 1/2 X 170 1BR BLK EPDM
15	1	696082	BALL VALVE 1/2FNPT POLY
16	2	737817	NOZL MT CLMP, 1.00 SQ SS, Q-TJET
17	2	737822	CAP SET, YELLOW QUICK TEEJET
18	2	737824	QUICK TEEJET SEAT GASKET
19	2	737827	QUICK TJET LBO, 1-TIP BODY .50
20	2	900065	5/16UNC X 1" HEX BOLT
21	4	900265	1/2UNC X 1 1/2 HEX BOLT
22	2	914002	5/16UNC HEX STOVER NUT
23	4	914008	1/2UNC HEX STOVER NUT
24	2	920004	1/2 SAE FLAT WASHER
25	2	629727	FINISH PLUG FOR 1"SQ X 16 GA
26	1	470322	LANYARD, 8" NYLON LOOP/LOOP
27	1	500047	1/2NPT-90-1/2 HOSE BARB, POLY

FROM SOLUTION MANIFOLD



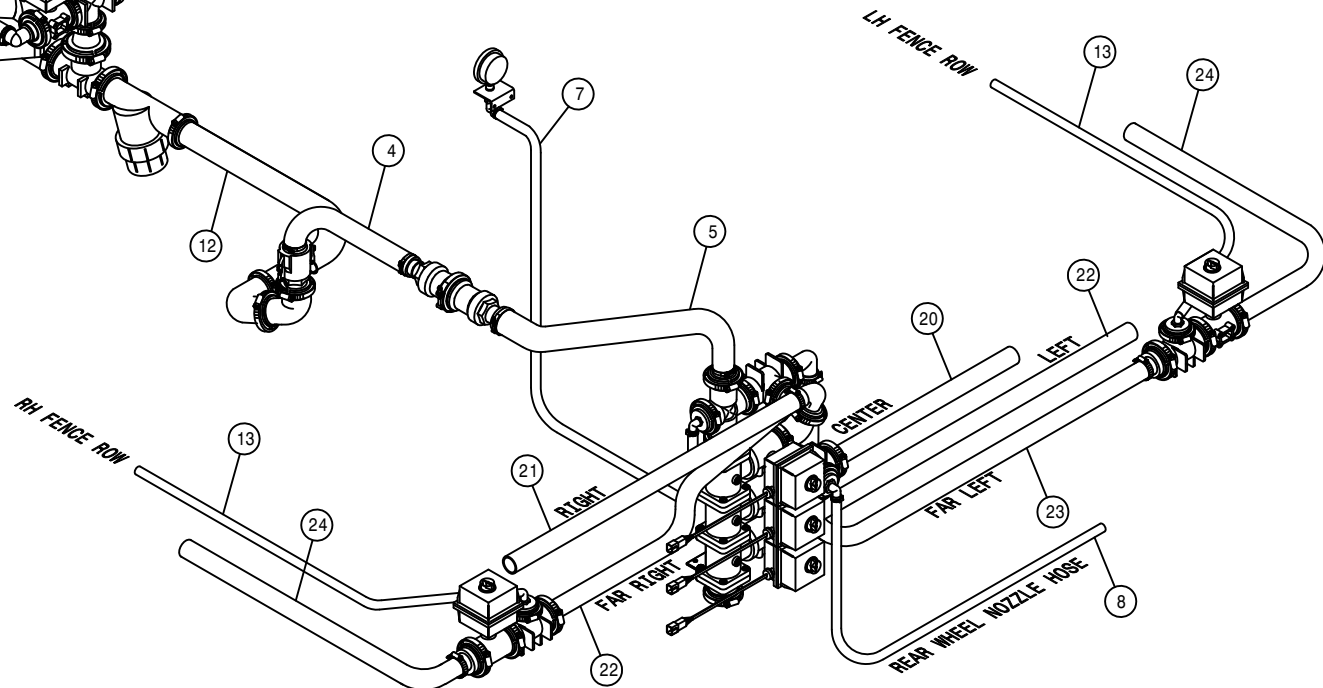
FRONT FILL SOLUTION HOSE (STANDARD)

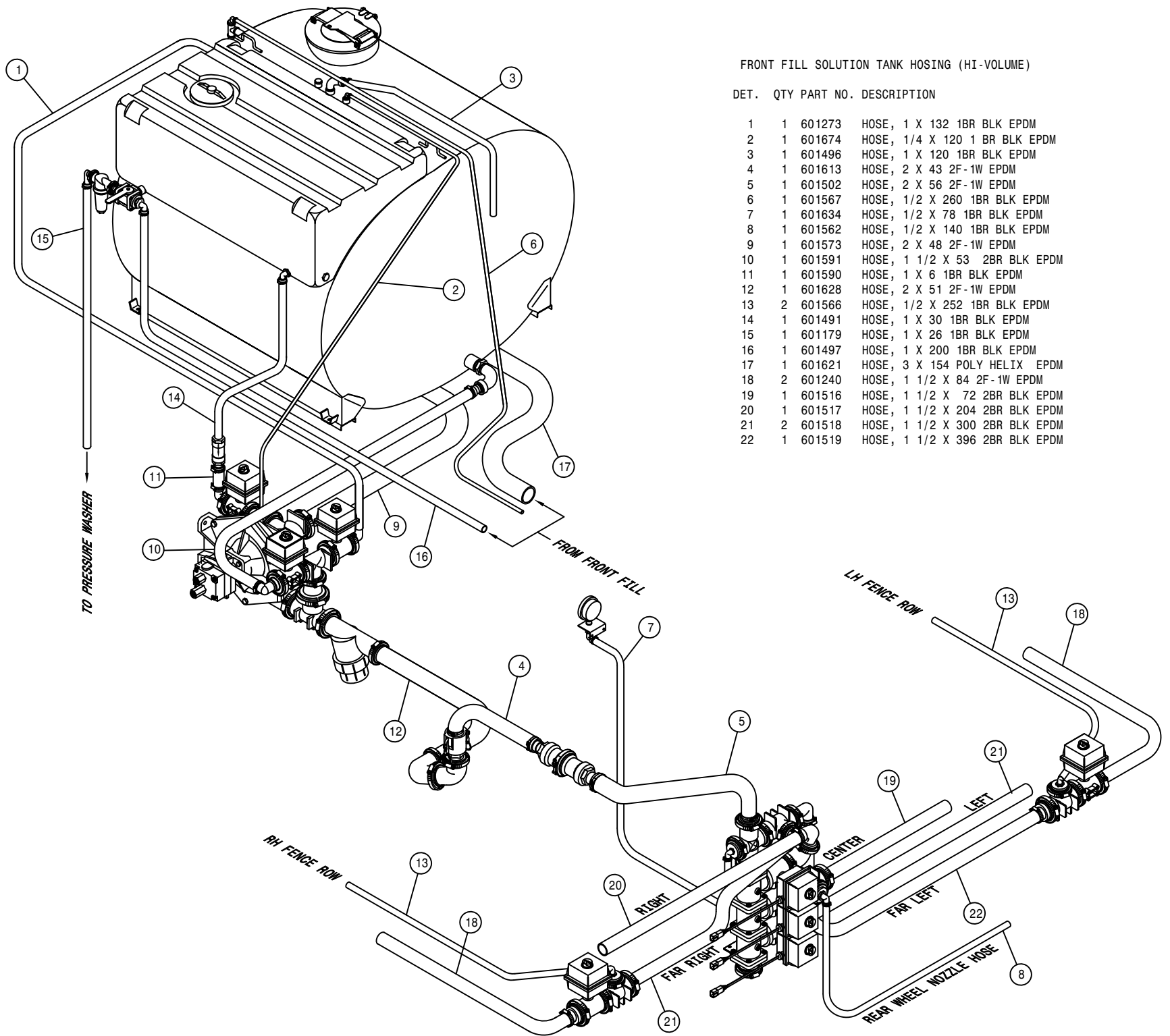
DET.	QTY	PART NO.	DESCRIPTION
1	1	601273	HOSE, 1 X 132 1BR BLK EPDM
2	1	601674	HOSE, 1/4 X 120 1 BR BLK EPDM
3	1	601496	HOSE, 1 X 120 1BR BLK EPDM
4	1	601613	HOSE, 2 X 43 2F-1W EPDM
5	1	601502	HOSE, 2 X 56 2F-1W EPDM
6	1	601567	HOSE, 1/2 X 260 1BR BLK EPDM
7	1	601634	HOSE, 1/2 X 78 1BR BLK EPDM
8	1	601562	HOSE, 1/2 X 140 1BR BLK EPDM
9	1	601573	HOSE, 2 X 48 2F-1W EPDM
10	1	601591	HOSE, 1 1/2 X 53 2BR BLK EPDM
11	1	601590	HOSE, 1 X 6 1BR BLK EPDM
12	1	601628	HOSE, 2 X 51 2F-1W EPDM
13	2	601566	HOSE, 1/2 X 252 1BR BLK EPDM
14	1	601491	HOSE, 1 X 30 1BR BLK EPDM
15	1	601179	HOSE, 1 X 26 1BR BLK EPDM
16	1	601497	HOSE, 1 X 200 1BR BLK EPDM
17	1	601621	HOSE, 3 X 154 POLY HELIX EPDM
18	1	601521	HOSE, 1 X 72 1BR BLK EPDM
19	1	601522	HOSE, 1 X 204 1BR BLK EPDM
20	2	601523	HOSE, 1 X 300 1BR BLK EPDM
21	1	601524	HOSE, 1 X 396 1BR BLK EPDM
22	2	601525	HOSE, 1 X 84 1BR BLK EPDM



SIDE FILL SOLUTION HOISING (STANDARD)

DET.	QTY	PART NO.	DESCRIPTION
1	1	601273	HOSE, 1 X 132 1BR BLK EPDM
2	1	601674	HOSE, 1/4 X 120 1 BR BLK EPDM
3	1	601496	HOSE, 1 X 120 1BR BLK EPDM
4	1	601613	HOSE, 2 X 43 2F-1W EPDM
5	1	601502	HOSE, 2 X 56 2F-1W EPDM
6	1	601567	HOSE, 1/2 X 260 1BR BLK EPDM
7	1	601634	HOSE, 1/2 X 78 1BR BLK EPDM
8	1	601562	HOSE, 1/2 X 140 1BR BLK EPDM
9	1	601573	HOSE, 2 X 48 2F-1W EPDM
10	1	601591	HOSE, 1 1/2 X 53 2BR BLK EPDM
11	1	601590	HOSE, 1 X 6 1BR BLK EPDM
12	1	601628	HOSE, 2 X 51 2F-1W EPDM
13	2	601566	HOSE, 1/2 X 252 1BR BLK EPDM
14	1	601491	HOSE, 1 X 30 1BR BLK EPDM
15	1	601179	HOSE, 1 X 26 1BR BLK EPDM
16	1	601506	HOSE, 3 X 74 POLY HELIX EPDM
17	1	601574	HOSE, 3 X 36 POLY HELIX EPDM
18	1	690731	SOLU TUBE, 3.00 S.S. SIDE FILL
19	1	601459	HOSE, 1 X 245 1BR BLK EPDM
20	1	601521	HOSE, 1 X 72 1BR BLK EPDM
21	1	601522	HOSE, 1 X 204 1BR BLK EPDM
22	2	601523	HOSE, 1 X 300 1BR BLK EPDM
23	1	601524	HOSE, 1 X 396 1BR BLK EPDM
24	2	601525	HOSE, 1 X 84 1BR BLK EPDM





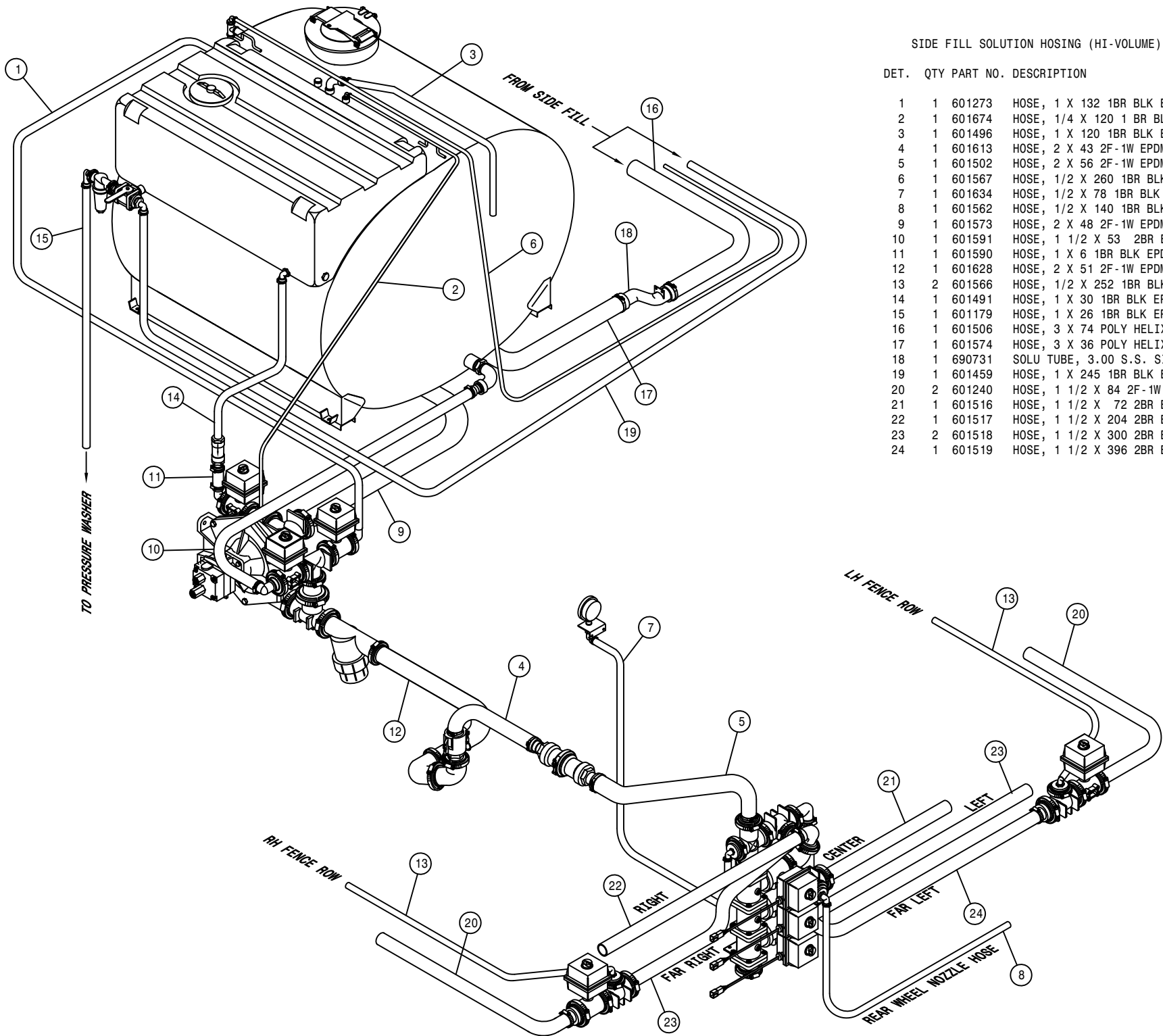
FRONT FILL SOLUTION TANK HOISING (HI-VOLUME)

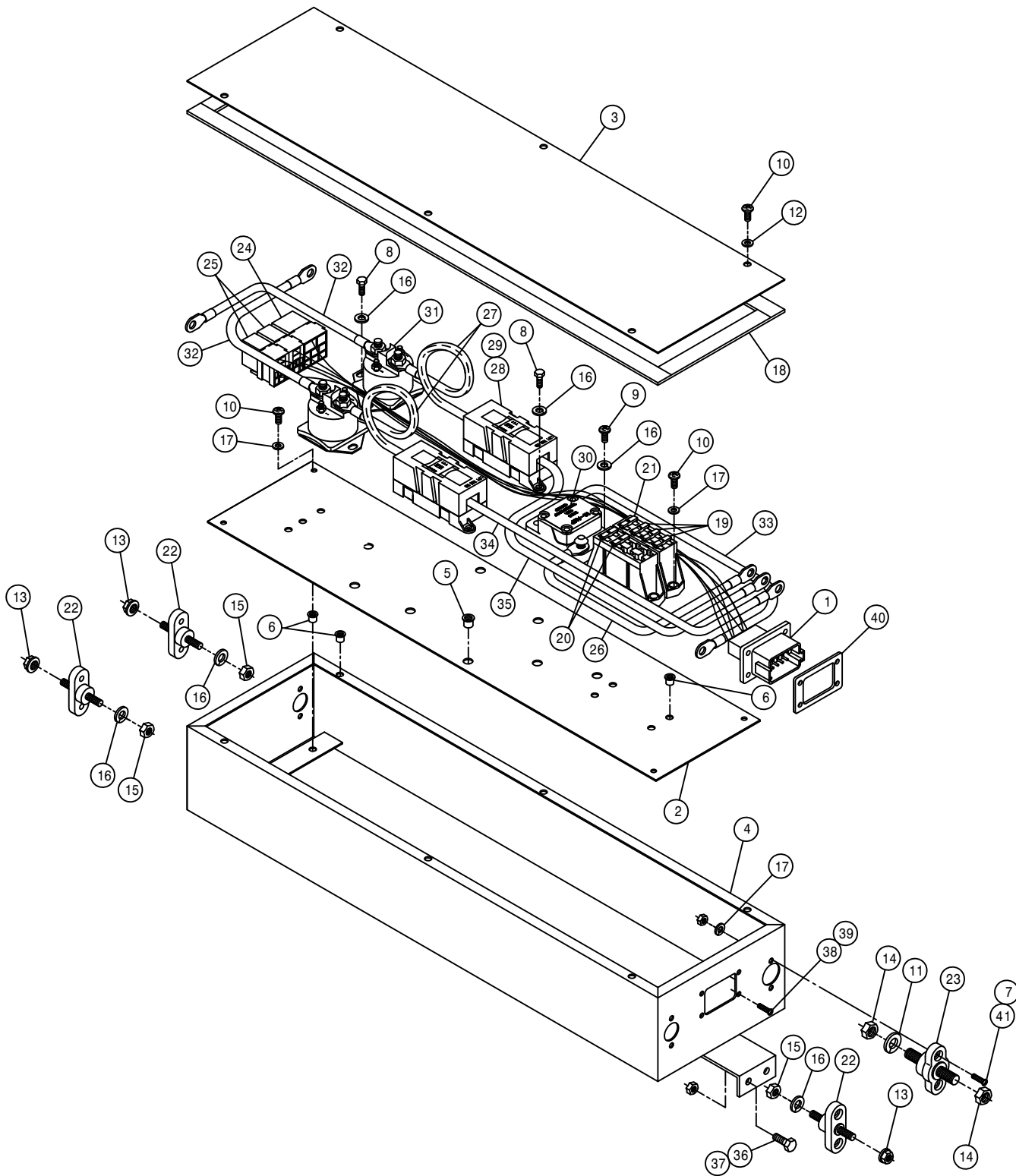
DET.	QTY	PART NO.	DESCRIPTION
1	1	601273	HOSE, 1 X 132 1BR BLK EPDM
2	1	601674	HOSE, 1/4 X 120 1 BR BLK EPDM
3	1	601496	HOSE, 1 X 120 1BR BLK EPDM
4	1	601613	HOSE, 2 X 43 2F-1W EPDM
5	1	601502	HOSE, 2 X 56 2F-1W EPDM
6	1	601567	HOSE, 1/2 X 260 1BR BLK EPDM
7	1	601634	HOSE, 1/2 X 78 1BR BLK EPDM
8	1	601562	HOSE, 1/2 X 140 1BR BLK EPDM
9	1	601573	HOSE, 2 X 48 2F-1W EPDM
10	1	601591	HOSE, 1 1/2 X 53 2BR BLK EPDM
11	1	601590	HOSE, 1 X 6 1BR BLK EPDM
12	1	601628	HOSE, 2 X 51 2F-1W EPDM
13	2	601566	HOSE, 1/2 X 252 1BR BLK EPDM
14	1	601491	HOSE, 1 X 30 1BR BLK EPDM
15	1	601179	HOSE, 1 X 26 1BR BLK EPDM
16	1	601497	HOSE, 1 X 200 1BR BLK EPDM
17	1	601621	HOSE, 3 X 154 POLY HELIX EPDM
18	2	601240	HOSE, 1 1/2 X 84 2F-1W EPDM
19	1	601516	HOSE, 1 1/2 X 72 2BR BLK EPDM
20	1	601517	HOSE, 1 1/2 X 204 2BR BLK EPDM
21	2	601518	HOSE, 1 1/2 X 300 2BR BLK EPDM
22	1	601519	HOSE, 1 1/2 X 396 2BR BLK EPDM

SIDE FILL SOLUTION HOISING (HI-VOLUME)

DET. QTY PART NO. DESCRIPTION

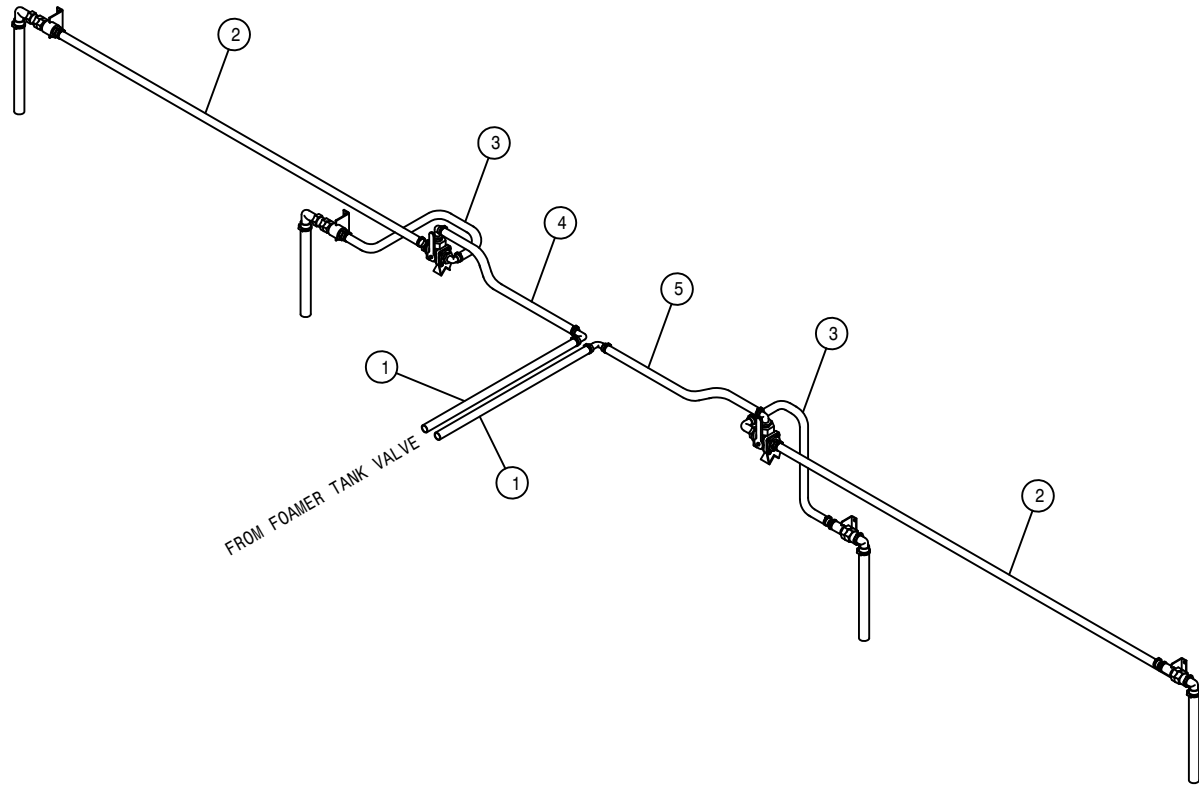
1	1	601273	HOSE, 1 X 132 1BR BLK EPDM
2	1	601674	HOSE, 1/4 X 120 1 BR BLK EPDM
3	1	601496	HOSE, 1 X 120 1BR BLK EPDM
4	1	601613	HOSE, 2 X 43 2F-1W EPDM
5	1	601502	HOSE, 2 X 56 2F-1W EPDM
6	1	601567	HOSE, 1/2 X 260 1BR BLK EPDM
7	1	601634	HOSE, 1/2 X 78 1BR BLK EPDM
8	1	601562	HOSE, 1/2 X 140 1BR BLK EPDM
9	1	601573	HOSE, 2 X 48 2F-1W EPDM
10	1	601591	HOSE, 1 1/2 X 53 2BR BLK EPDM
11	1	601590	HOSE, 1 X 6 1BR BLK EPDM
12	1	601628	HOSE, 2 X 51 2F-1W EPDM
13	2	601566	HOSE, 1/2 X 252 1BR BLK EPDM
14	1	601491	HOSE, 1 X 30 1BR BLK EPDM
15	1	601179	HOSE, 1 X 26 1BR BLK EPDM
16	1	601506	HOSE, 3 X 74 POLY HELIX EPDM
17	1	601574	HOSE, 3 X 36 POLY HELIX EPDM
18	1	690731	SOLU TUBE, 3.00 S.S. SIDE FILL
19	1	601459	HOSE, 1 X 245 1BR BLK EPDM
20	2	601240	HOSE, 1 1/2 X 84 2F-1W EPDM
21	1	601516	HOSE, 1 1/2 X 72 2BR BLK EPDM
22	1	601517	HOSE, 1 1/2 X 204 2BR BLK EPDM
23	2	601518	HOSE, 1 1/2 X 300 2BR BLK EPDM
24	1	601519	HOSE, 1 1/2 X 396 2BR BLK EPDM





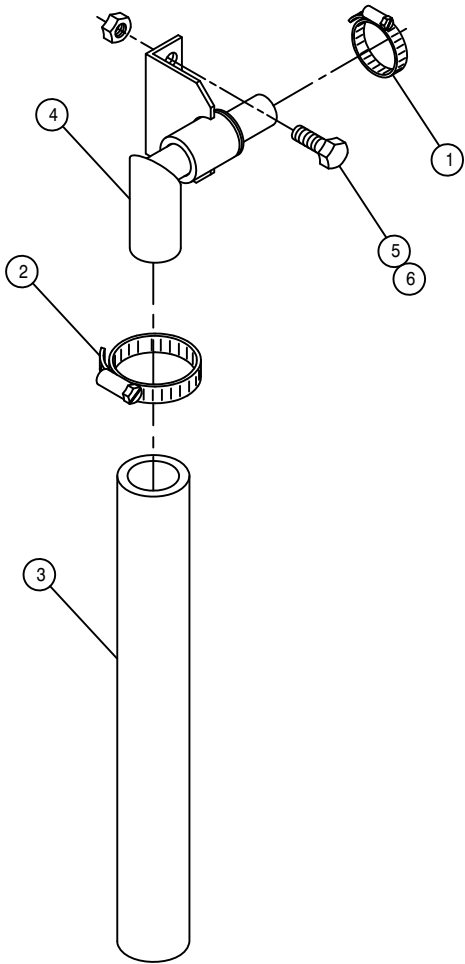
ENGINE ELECTRICAL BOX ASSEMBLY

DET.	QTY	PART NO.	DESCRIPTION
1	1	293802	ENG BOX HARNESS,STS (293803)05
2	1	342960	ENG BOX MT PANEL, STS 04
3	1	342961	ENG BOX COVER, STS 04
4	1	343501	ENG BOX WLD, STS 05
5	10	470380	1/4-20 NUTSERT .027-.165 STL
6	17	470384	10-32 NUTSERT .020-.130 STL
7	8	910027	10-32 HEX NUT
8	8	900000	1/4UNC X 1/2 HEX BOLT
9	2	903722	1/4UNC X3/4 PHIL PNHD MACHSCR
10	17	903710	10-32X5/8 PHIL PANHD MACH SCR
11	1	920502	3/8 LOCK WASHER
12	6	470351	#10 X 1/2 BONDED SEALING WASH
13	3	470121	1/4UNC HEX FLANGE LOCK NUT
14	1	910004	3/8UNC HEX NUT
15	3	910000	1/4UNC HEX NUT
16	13	920500	1/4 LOCK WASHER
17	19	920510	#10 LOCK WASHER
18	6	193037	STICKERTITE 1/8 X 3/4
19	3	291027	7.5 AMP FUSE,1/4"BLADE ATO/ATC
20	2	291545	10 AMP FUSE,1/4"BLADE ATO/ATC
21	1	291547	20 AMP FUSE,1/4"BLADE ATO/ATC
22	3	291748	TERM BLOCK,BLACK,1/4-20 THRU
23	1	291750	TERM BLOCK,RED,3/8-16 THRU
24	1	291751	RELAY, SPST 12V 40A-NO, DIODE
25	2	291781	MICRO RELAY, BOSCH 12V SPDT
26	1	291805	BATT CABLE,RED 12"6GA.281-.406
27	2	291806	BATT CABLE,RED 11"6GA.343-.343
28	2	291813	FUSE, 125 AMP 32V DC
29	2	291814	FUSE HOLDER, HIGH AMP
30	1	291815	CIRCUIT BREAKER,100 AMP BUSS
31	2	291816	SOLENOID, STS 00
32	2	291872	BATT CABLE,RED 10"6GA.281-.343
33	2	291873	BATT CABLE,RED 15"6GA.281-.281
34	1	291874	BATT CABLE,RED 15"6GA.343-.406
35	1	291875	BATT CABLE,RED 19"6GA.343-.406
36	4	900002	1/4UNC X 3/4 HEX BOLT
37	4	914000	1/4UNC HEX STOVER NUT
38	4	903850	8-32 X 3/4 SLT RD HD MACH SCR
39	4	914028	8-32 HEX STOVER NUT
40	1	292120	DEUTSCH GASKET, DT12-L012
41	8	903706	10-32X1/2 PHIL PANHD MACH SCR



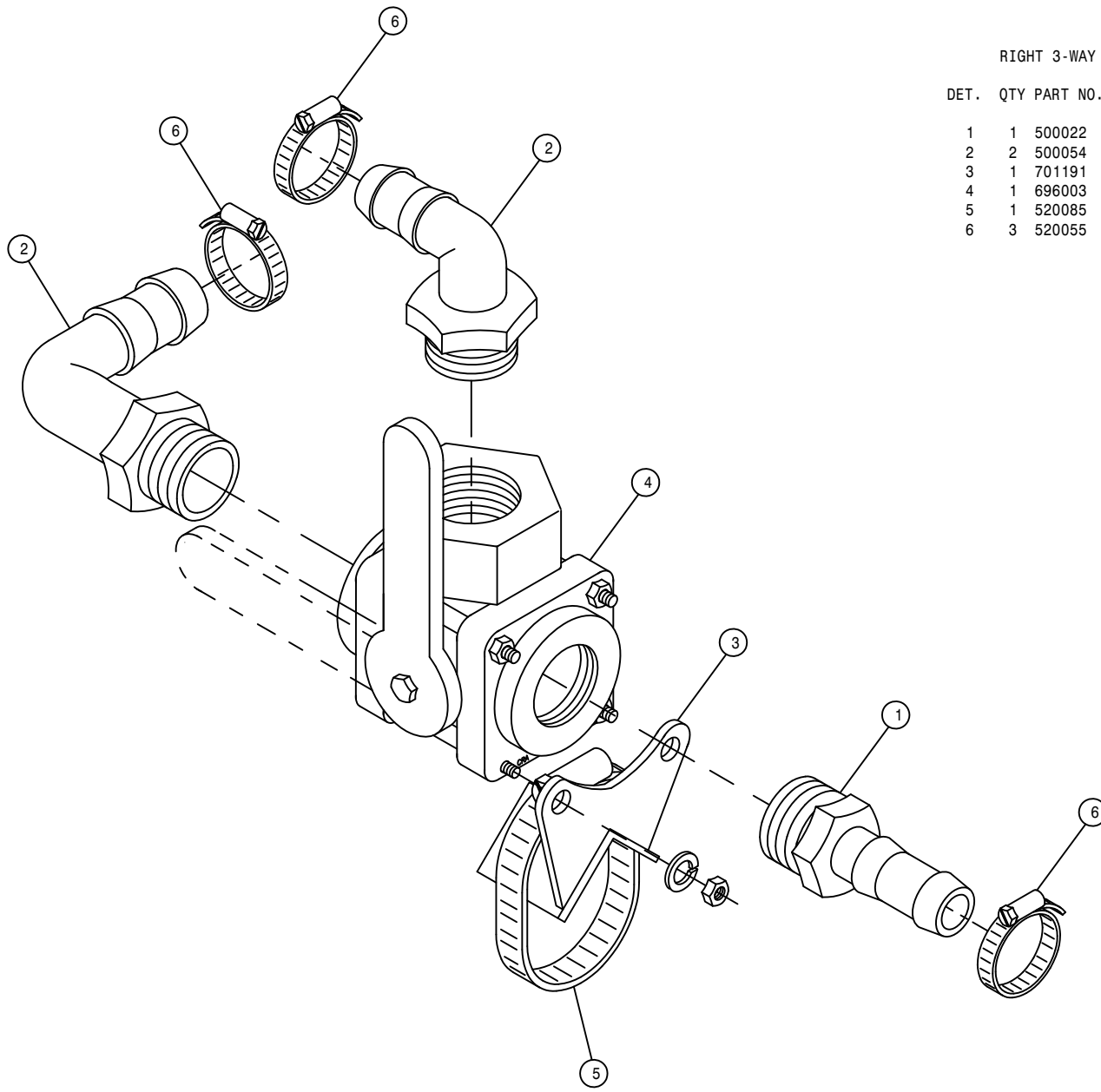
90' BOOM FOAMER HOISING

DET.	QTY	PART NO.	DESCRIPTION
1	2	195908	HOSE, 3/4ID-1/8W CLEAR VINYL X 206"
2	2	195908	HOSE, 3/4ID-1/8W CLEAR VINYL X 205"
3	2	195908	HOSE, 3/4ID-1/8W CLEAR VINYL X 24"
4	1	195908	HOSE, 3/4ID-1/8W CLEAR VINYL X 584"
5	1	195908	HOSE, 3/4ID-1/8W CLEAR VINYL X 420"



FOAMER DROP HOSE ASSEMBLY

DET.	QTY	PART NO.	DESCRIPTION
	1	520055	HOSE CLAMP NO 12 STAINLESS
	1	520085	HOSE CLAMP NO 24 STAINLESS
	1	601367	HOSE, 1 1/4 X 24 2BR BLK EPDM
	1	701194	FOAMER DROP HOSE SWIVEL WLD
	2	900129	3/8UNC X 1" HEX BOLT
	2	914004	3/8UNC HEX STOVER NUT



RIGHT 3-WAY FOAMER VALVE ASSEMBLY

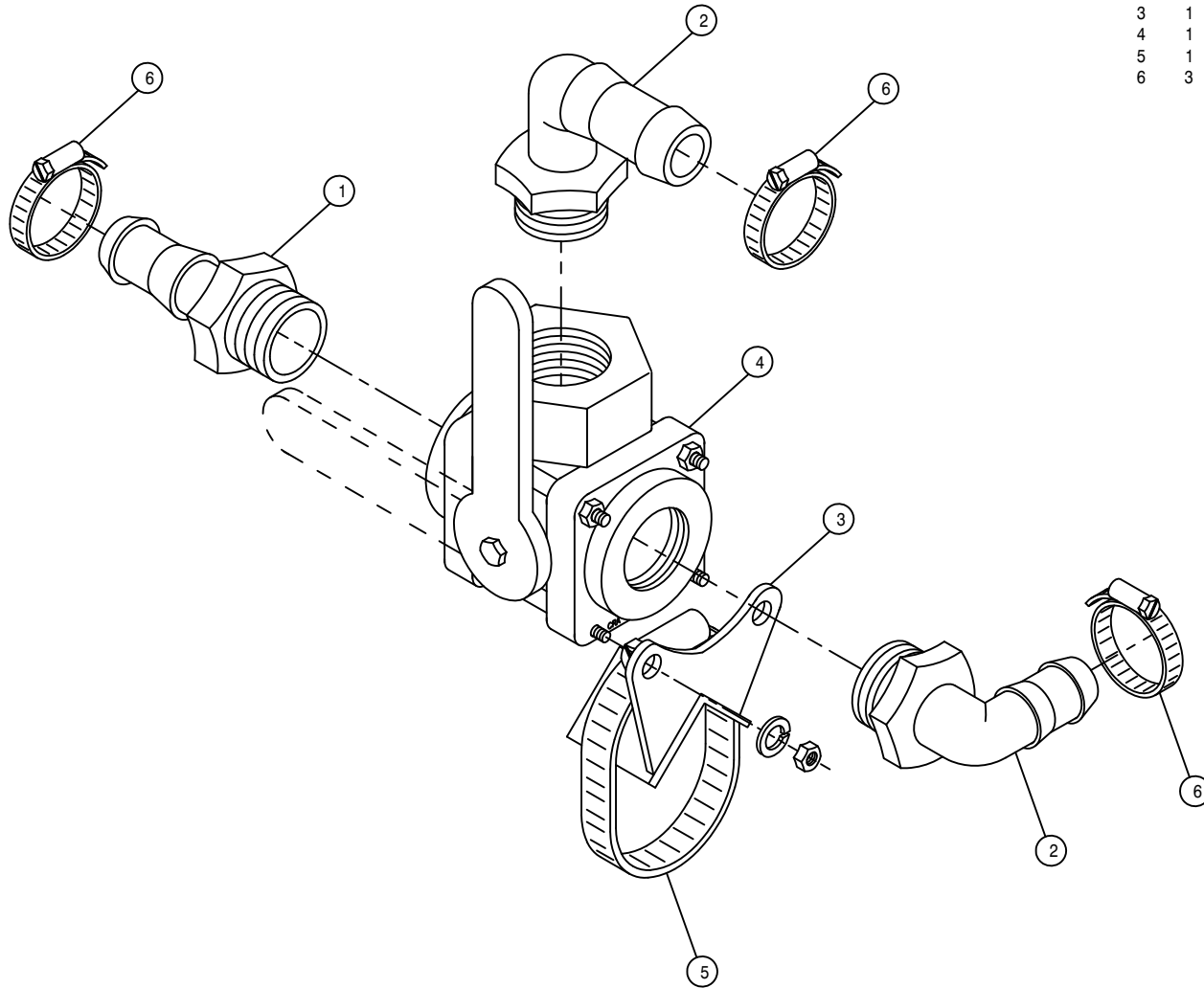
DET. QTY PART NO. DESCRIPTION

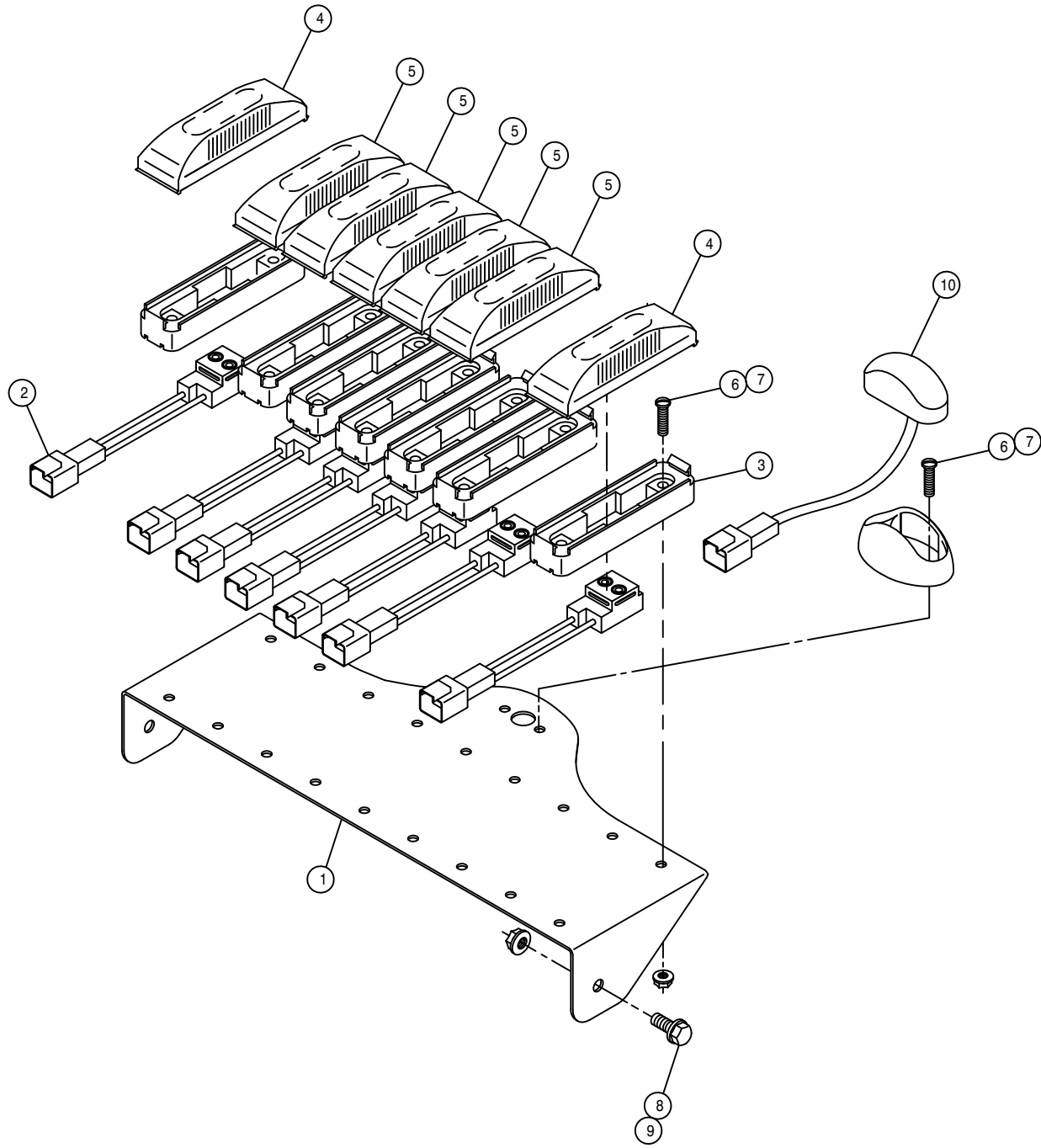
1	1	500022	3/4NPT-3/4HOSE BARB, POLY
2	2	500054	3/4NPT-90-3/4 HOSE BARB, POLY
3	1	701191	1" SOLU VLV MT WLD
4	1	696003	BALL VLV,3/4NPT 3WAY-SIDE POLY
5	1	520085	HOSE CLAMP NO 24 STAINLESS
6	3	520055	HOSE CLAMP NO 12 STAINLESS

LEFT 3-WAY FOAMER VALVE ASSEMBLY

DET. QTY PART NO. DESCRIPTION

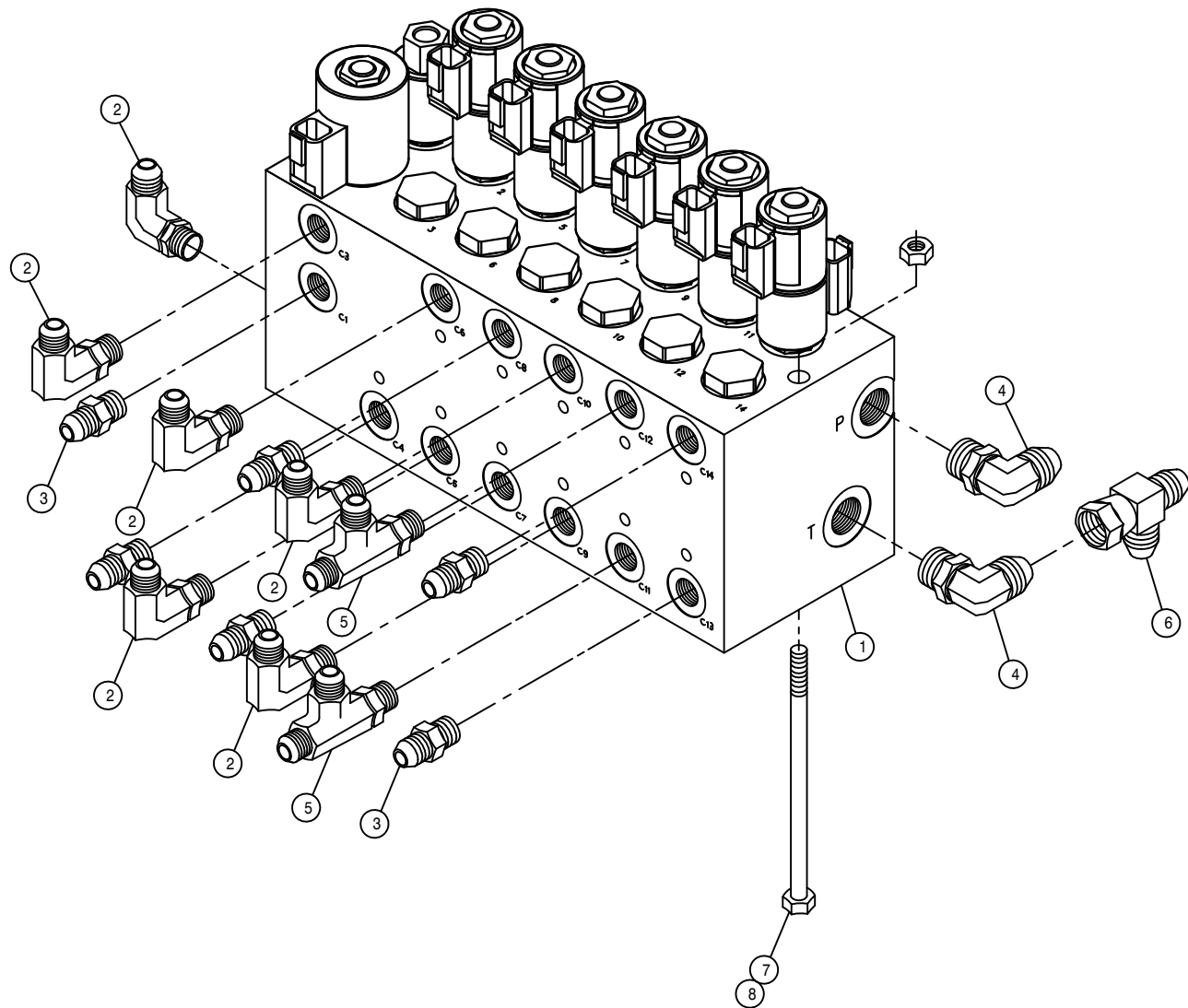
1	1	500022	3/4NPT-3/4HOSE BARB, POLY
2	2	500054	3/4NPT-90-3/4 HOSE BARB, POLY
3	1	701191	1" SOLU VLV MT WLD
4	1	696003	BALL VLV,3/4NPT 3WAY-SIDE POLY
5	1	520085	HOSE CLAMP NO 24 STAINLESS
6	3	520055	HOSE CLAMP NO 12 STAINLESS





BOOM INDICATOR LIGHT ASSEMBLY

DET.	QTY	PART NO.	DESCRIPTION	
	1	165008	BOOM INDICATOR LIGHT MT	05
	2	7	293816 2-WIRE PIGTAIL ASSY, STS	05
	3	7	291713 MTG BRKT FOR 291710/291711	
	4	2	291711 YELLOW LAMP, 3 3/8" OVAL 12.8V	
	5	5	291710 RED LAMP, 3 3/8" OVAL 12.8V	
	6	16	903889 10-32 X 3/4 SLT RDHD MACH SCR	
	7	16	470175 10-32 HEX FLANGE LOCK NUT	
	8	2	470118 1/4UNC X 3/4 FLANGE HEX BOLT	
	9	2	470121 1/4UNC HEX FLANGE LOCK NUT	
	10	1	293817 MASTER SPRAY LIGHT ASSY, STS	05



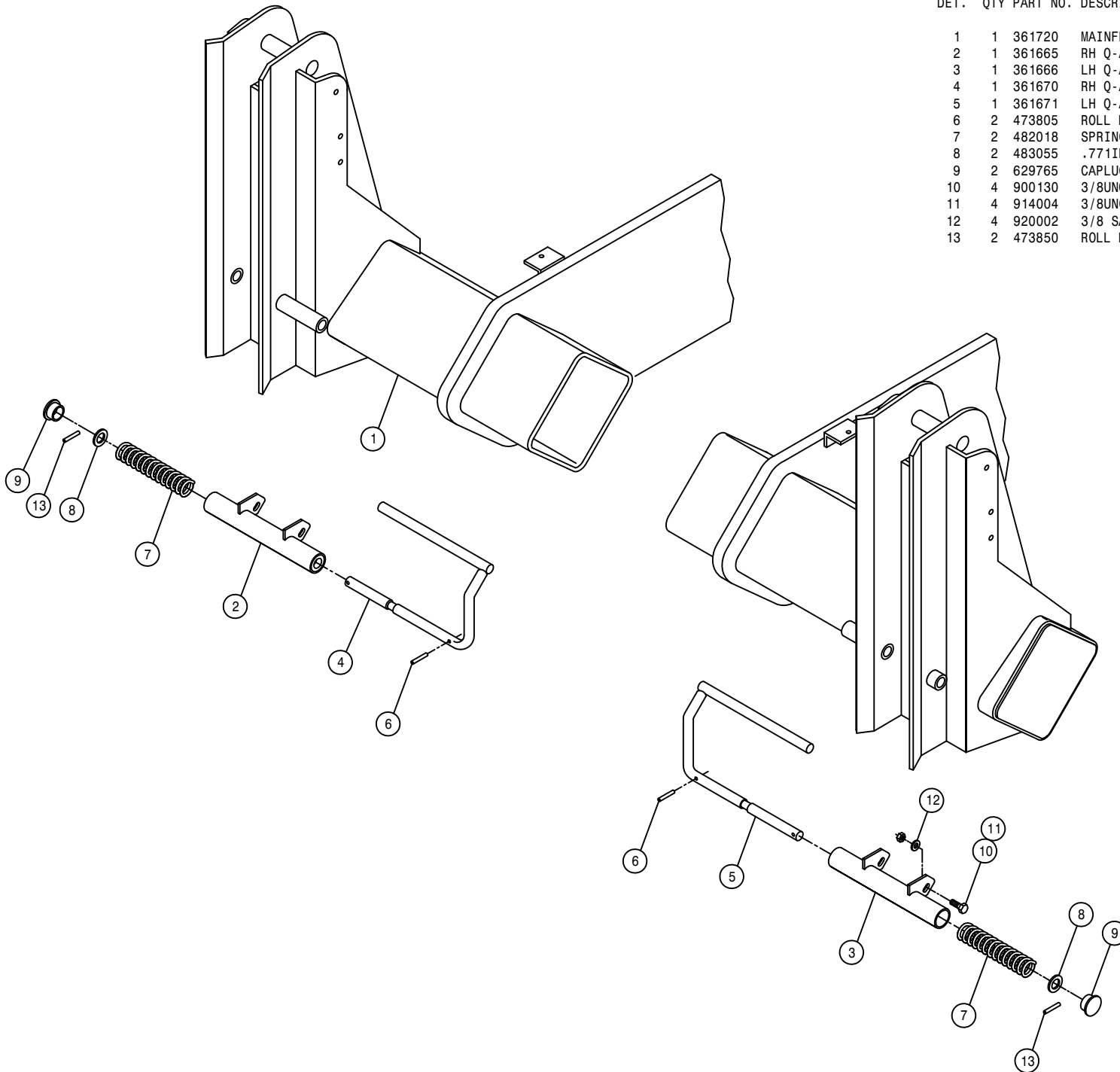
BOOM CONTROL HYD MANIFOLD ASSEMBLY

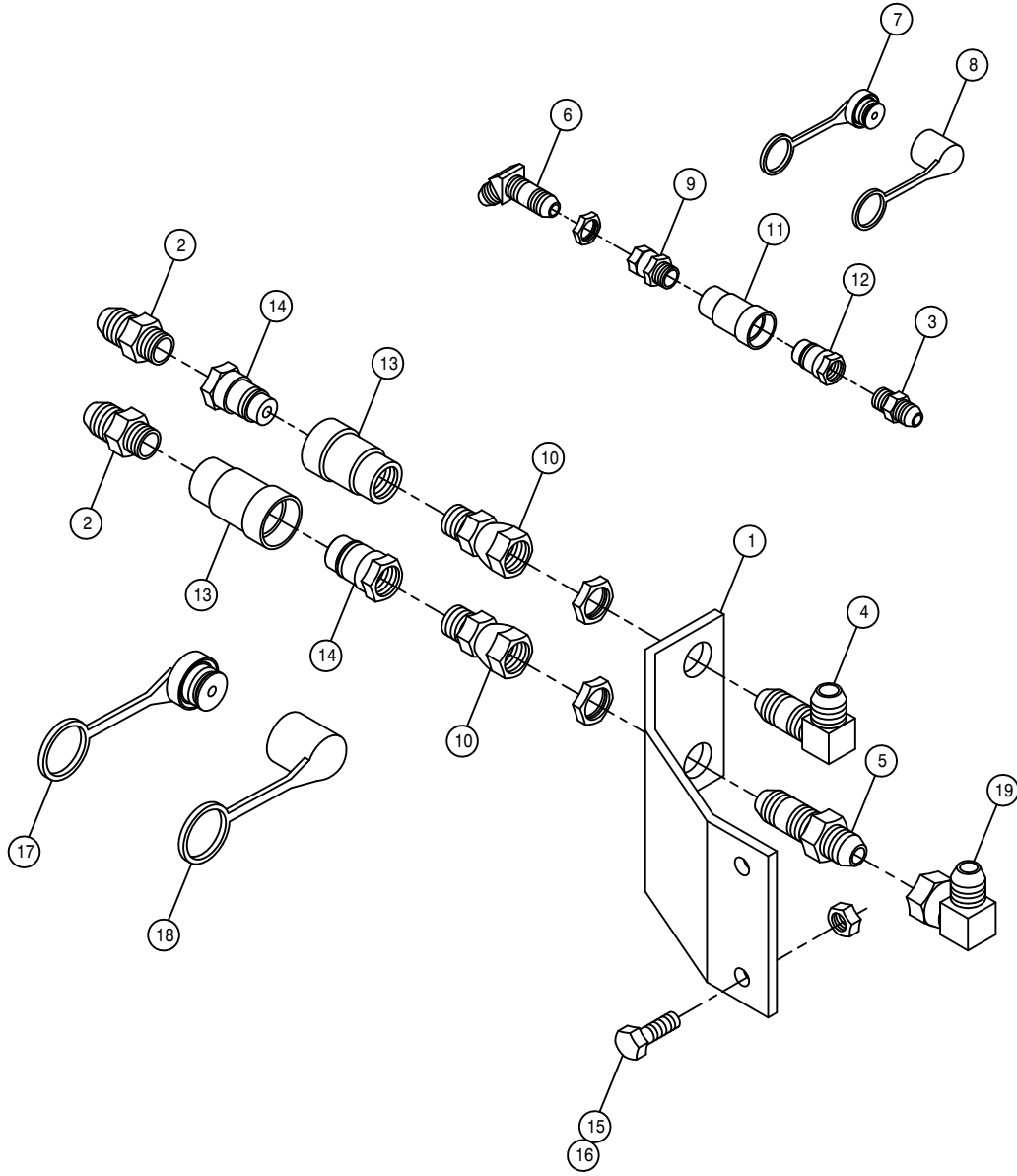
DET.	QTY	PART NO.	DESCRIPTION
1	1	606211	BOOM CTRL VLV, STS PWRSYS 05
2	6	618119	9/16MJIC-90-9/16MOR LBO
3	6	618126	9/16MJIC-9/16MOR ADPTR
4	2	618241	3/4MJIC-90-3/4MOR LBO
5	2	618444	9/16MOR RUN TEE-9/16MJIC
6	1	618451	3/4FJIC SW RUN TEE-3/4MJIC
7	2	900146	3/8UNC X 5 3/4 HEX BOLT
8	2	914004	3/8UNC HEX STOVER NUT

QUICK ATTACK LEVER ASSEMBLY

DET. QTY PART NO. DESCRIPTION

1	1	361720	MAINFRAME WLD STS 10/12	06
2	1	361665	RH Q-ATTACH LOCK WLD, STS	04
3	1	361666	LH Q-ATTACH LOCK WLD, STS	04
4	1	361670	RH Q-ATTACH LOCK PIN WLD, STS04	
5	1	361671	LH Q-ATTACH LOCK PIN WLD, STS04	
6	2	473805	ROLL PIN, 1/4 X 1 1/2	
7	2	482018	SPRING, 1.00 X 12.00 COMPRSN	
8	2	483055	.771ID-1.2500D-.135T MACH WASH	
9	2	629765	CAPLUG, 1 1/2" RD, BLACK POLY	
10	4	900130	3/8UNC X 1 1/4 HEX BOLT	
11	4	914004	3/8UNC HEX STOVER NUT	
12	4	920002	3/8 SAE FLAT WASHER	
13	2	473850	ROLL PIN, 1/4 X 1"	





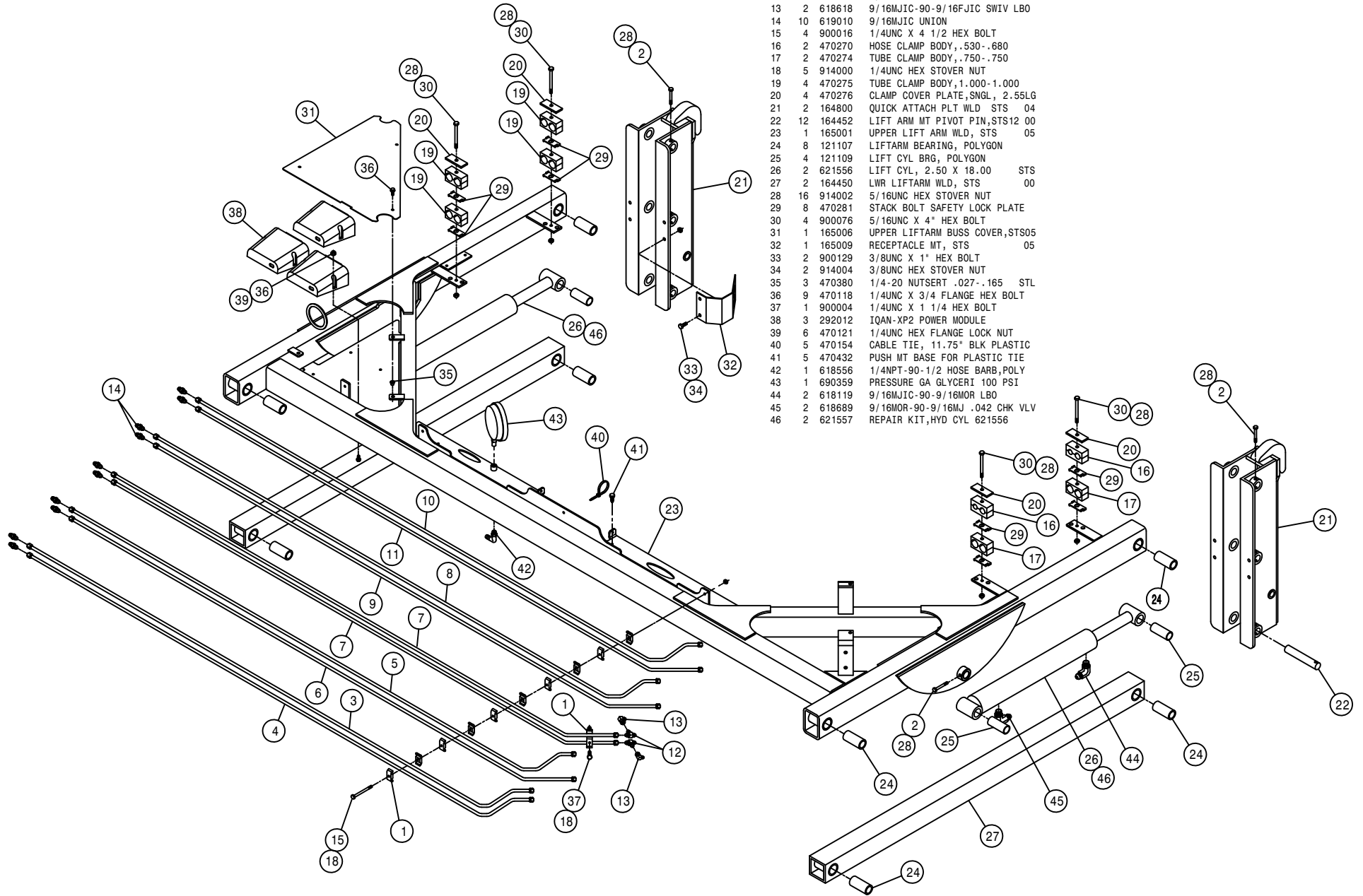
QUICK ATTACH FITTING ASSEMBLY

DET.	QTY	PART NO.	DESCRIPTION
1	1	164773	QUICK ATTACH HOSE BRKT,STS 04
2	2	611125	3/4MJIC-3/4MOR ADPTR
3	1	618126	9/16MJIC-9/16MOR ADPTR
4	1	618010	3/4MJIC-90-BLKHD UNION LBO
5	1	618349	3/4MJIC-3/4MJIC BLKHD UNION
6	1	618350	9/16MJIC-45-BLKHD UNION LBO
7	1	618649	RUBBER DUST PLUG, 618559/694
8	1	618650	RUBBER DUST CAP, 618560/695
9	1	618668	9/16FJIC SWIV-9/16MOR ADPTR
10	2	618669	3/4FJIC SWIV-3/4MOR ADPTR
11	1	618694	HYD COUPLER,FEM 1/4B, 9/16FOR
12	1	618695	HYD COUPLER,MALE 1/4B, 9/16FOR
13	2	618696	HYD COUPLER,FEM 1/2B, 3/4FOR
14	2	618697	HYD COUPLER,MALE 1/2B, 3/4FOR
15	2	900129	3/8UNC X 1" HEX BOLT
16	2	914004	3/8UNC HEX STOVER NUT
17	1	618635	RUBBER DUST PLUG, 618621/696
18	1	618636	RUBBER DUST CAP, 618622/697
19	1	618609	3/4MJIC-90-3/4FJIC SWIV LBO

LIFTARM ASSEMBLY

DET. QTY PART NO. DESCRIPTION

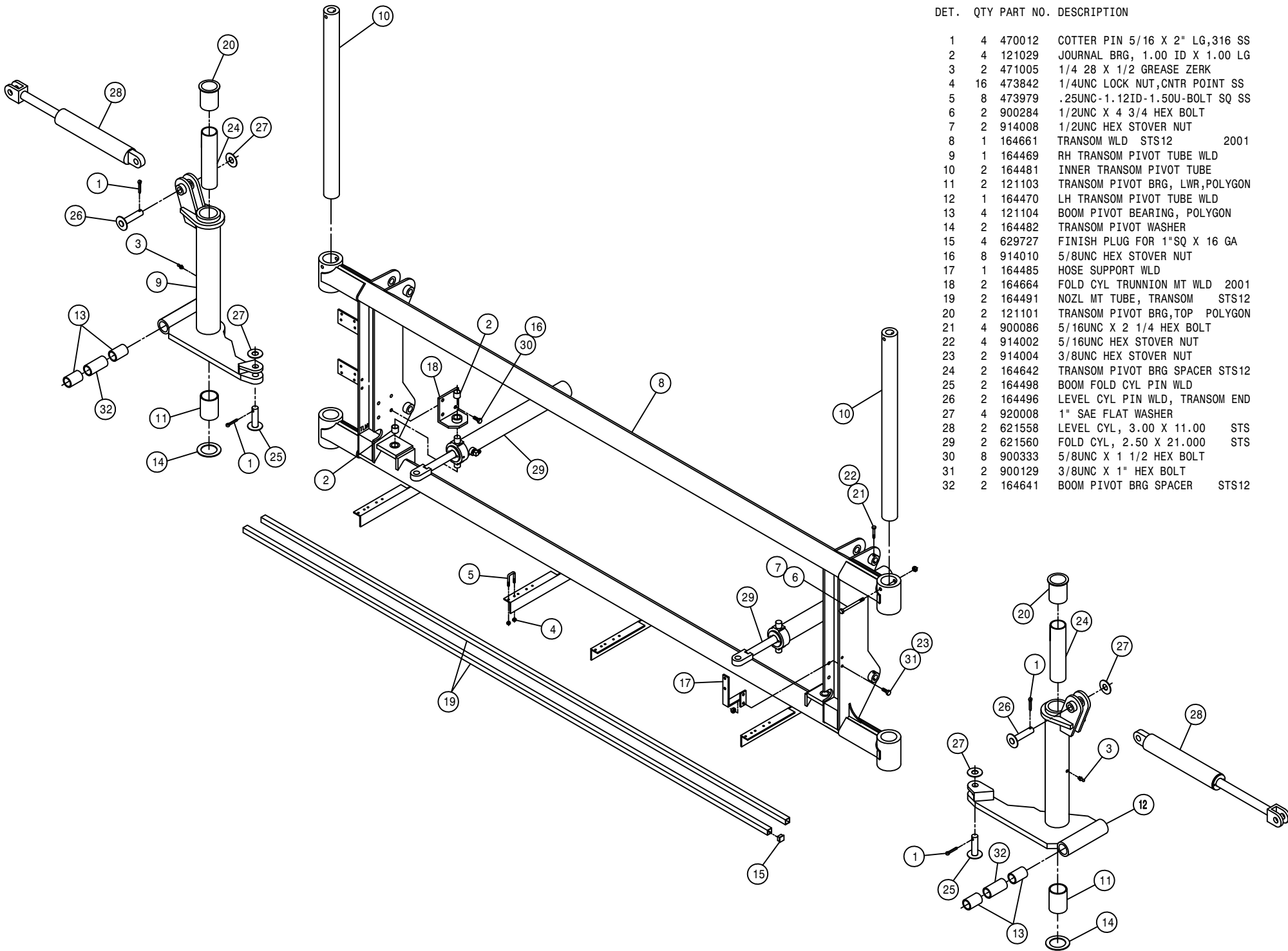
1	21	470287	TUBE CLAMP, .375-.375 (PAIR)
2	8	900086	5/16UNC X 2 1/4 HEX BOLT
3	1	615761	LIFT RAISE HYD TUBE ASSY
4	1	615762	LIFT LOWER HYD TUBE ASSY
5	1	615764	LEVEL LOWER HYD TUBE ASSY
6	1	615763	LEVEL RAISE HYD TUBE ASSY
7	2	615765	BREAKAWAY HYD TUBE ASSY
8	1	615767	BOOM EXTN LOWER HYD TUBE ASSY
9	1	615766	BOOM EXTN RAISE HYD TUBE ASSY
10	1	615769	RH FOLD LOWER HYD TUBE ASSY
11	1	615768	RH FOLD RAISE HYD TUBE ASSY
12	2	618019	9/16MJIC UNION TEE
13	2	618618	9/16MJIC-90-9/16FJIC SWIV LBO
14	10	619010	9/16MJIC UNION
15	4	900016	1/4UNC X 4 1/2 HEX BOLT
16	2	470270	HOSE CLAMP BODY, .530-.680
17	2	470274	TUBE CLAMP BODY, .750-.750
18	5	914000	1/4UNC HEX STOVER NUT
19	4	470275	TUBE CLAMP BODY, 1.000-1.000
20	4	470276	CLAMP COVER PLATE, SNGL, 2.55LG
21	2	164800	QUICK ATTACH PLT WLD STS 04
22	12	164452	LIFT ARM MT PIVOT PIN, STS12 00
23	1	165001	UPPER LIFT ARM WLD, STS 05
24	8	121107	LIFTARM BEARING, POLYGON
25	4	121109	LIFT CYL BRG, POLYGON
26	2	621556	LIFT CYL, 2.50 X 18.00 STS
27	2	164450	LWR LIFTARM WLD, STS 00
28	16	914002	5/16UNC HEX STOVER NUT
29	8	470281	STACK BOLT SAFETY LOCK PLATE
30	4	900076	5/16UNC X 4" HEX BOLT
31	1	165006	UPPER LIFTARM BUSS COVER, STS05
32	1	165009	RECEPTACLE MT, STS 05
33	2	900129	3/8UNC X 1" HEX BOLT
34	2	914004	3/8UNC HEX STOVER NUT
35	3	470380	1/4-20 NUTSERT .027-.165 STL
36	9	470118	1/4UNC X 3/4 FLANGE HEX BOLT
37	1	900004	1/4UNC X 1 1/4 HEX BOLT
38	3	292012	IQAN-XP2 POWER MODULE
39	6	470121	1/4UNC HEX FLANGE LOCK NUT
40	5	470154	CABLE TIE, 11.75" BLK PLASTIC
41	5	470432	PUSH MT BASE FOR PLASTIC TIE
42	1	618556	1/4NPT-90-1/2 HOSE BARB, POLY
43	1	690359	PRESSURE GA GLYCERI 100 PSI
44	2	618119	9/16MJIC-90-9/16MOR LBO
45	2	618689	9/16MOR-90-9/16MJ .042 CHK VLV
46	2	621557	REPAIR KIT, HYD CYL 621556



TRANSOM ASSEMBLY

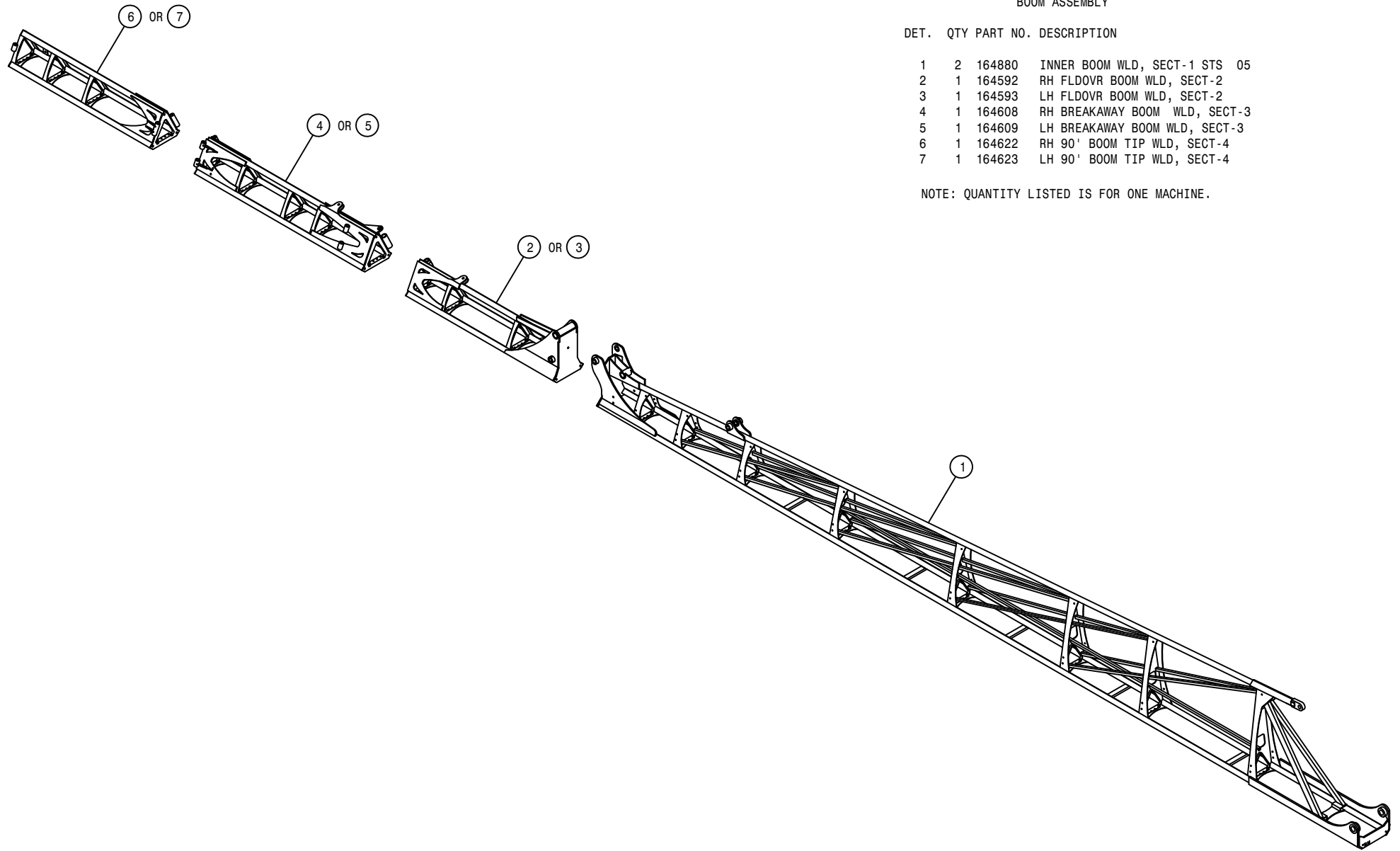
DET. QTY PART NO. DESCRIPTION

DET.	QTY	PART NO.	DESCRIPTION
1	4	470012	COTTER PIN 5/16 X 2" LG,316 SS
2	4	121029	JOURNAL BRG, 1.00 ID X 1.00 LG
3	2	471005	1/4 28 X 1/2 GREASE ZERK
4	16	473842	1/4UNC LOCK NUT,CNTR POINT SS
5	8	473979	.25UNC-1.12ID-1.50U-BOLT SQ SS
6	2	900284	1/2UNC X 4 3/4 HEX BOLT
7	2	914008	1/2UNC HEX STOVER NUT
8	1	164661	TRANSOM WLD STS12
9	1	164469	RH TRANSOM PIVOT TUBE WLD
10	2	164481	INNER TRANSOM PIVOT TUBE
11	2	121103	TRANSOM PIVOT BRG, LWR,POLYGON
12	1	164470	LH TRANSOM PIVOT TUBE WLD
13	4	121104	BOOM PIVOT BEARING, POLYGON
14	2	164482	TRANSOM PIVOT WASHER
15	4	629727	FINISH PLUG FOR 1"SQ X 16 GA
16	8	914010	5/8UNC HEX STOVER NUT
17	1	164485	HOSE SUPPORT WLD
18	2	164664	FOLD CYL TRUNNION MT WLD
19	2	164491	NOZL MT TUBE, TRANSOM STS12
20	2	121101	TRANSOM PIVOT BRG,TOP POLYGON
21	4	900086	5/16UNC X 2 1/4 HEX BOLT
22	4	914002	5/16UNC HEX STOVER NUT
23	2	914004	3/8UNC HEX STOVER NUT
24	2	164642	TRANSOM PIVOT BRG SPACER STS12
25	2	164498	BOOM FOLD CYL PIN WLD
26	2	164496	LEVEL CYL PIN WLD, TRANSOM END
27	4	920008	1" SAE FLAT WASHER
28	2	621558	LEVEL CYL, 3.00 X 11.00 STS
29	2	621560	FOLD CYL, 2.50 X 21.000 STS
30	8	900333	5/8UNC X 1 1/2 HEX BOLT
31	2	900129	3/8UNC X 1" HEX BOLT
32	2	164641	BOOM PIVOT BRG SPACER STS12



91

362091



BOOM ASSEMBLY

DET. QTY PART NO. DESCRIPTION

1	2	164880	INNER BOOM WLD, SECT-1 STS 05
2	1	164592	RH FLDOVR BOOM WLD, SECT-2
3	1	164593	LH FLDOVR BOOM WLD, SECT-2
4	1	164608	RH BREAKAWAY BOOM WLD, SECT-3
5	1	164609	LH BREAKAWAY BOOM WLD, SECT-3
6	1	164622	RH 90' BOOM TIP WLD, SECT-4
7	1	164623	LH 90' BOOM TIP WLD, SECT-4

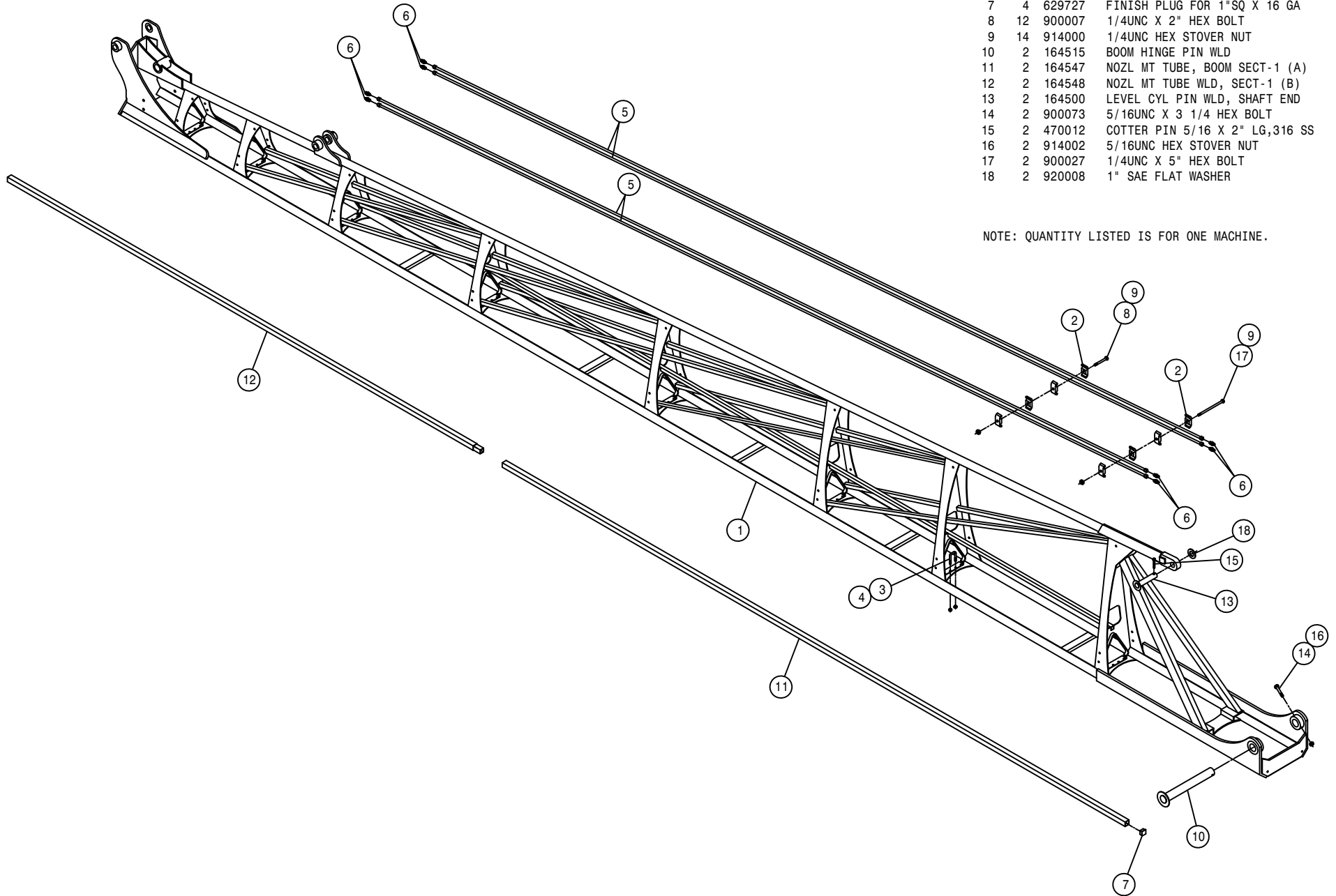
NOTE: QUANTITY LISTED IS FOR ONE MACHINE.

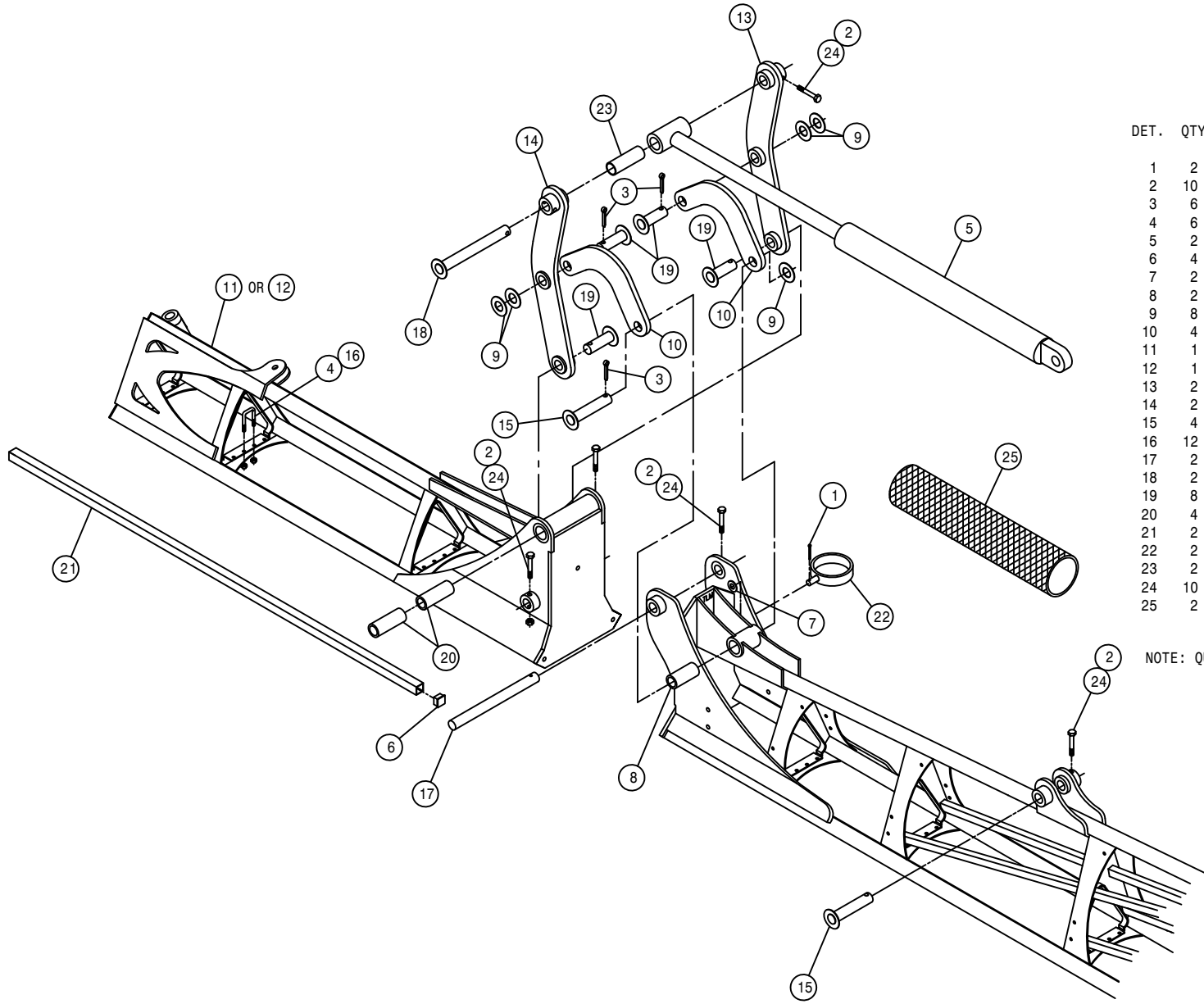
INNER BOOM ASSEMBLY

DET. QTY PART NO. DESCRIPTION

1	2	164880	INNER BOOM WLD, SECT-1 STS 05
2	28	470287	TUBE CLAMP, .375-.375 (PAIR)
3	36	473842	1/4UNC LOCK NUT,CNTR POINT SS
4	18	473979	.25UNC-1.12ID-1.50U-BOLT SQ SS
5	8	615760	BOOM HYD TUBE ASSY
6	16	619010	9/16MJIC UNION
7	4	629727	FINISH PLUG FOR 1"SQ X 16 GA
8	12	900007	1/4UNC X 2" HEX BOLT
9	14	914000	1/4UNC HEX STOVER NUT
10	2	164515	BOOM HINGE PIN WLD
11	2	164547	NOZL MT TUBE, BOOM SECT-1 (A)
12	2	164548	NOZL MT TUBE WLD, SECT-1 (B)
13	2	164500	LEVEL CYL PIN WLD, SHAFT END
14	2	900073	5/16UNC X 3 1/4 HEX BOLT
15	2	470012	COTTER PIN 5/16 X 2" LG,316 SS
16	2	914002	5/16UNC HEX STOVER NUT
17	2	900027	1/4UNC X 5" HEX BOLT
18	2	920008	1" SAE FLAT WASHER

NOTE: QUANTITY LISTED IS FOR ONE MACHINE.





80'-90' BOOM HINGE ASSEMBLY

DET.	QTY	PART NO.	DESCRIPTION
1	2	390984	COTTER PIN 1/8 X 1 1/4
2	10	914002	5/16UNC HEX STOVER NUT
3	6	470012	COTTER PIN 5/16 X 2" LG,316 SS
4	6	473979	.25UNC-1.12ID-1.50U-BOLT SQ SS
5	2	621562	OUTR FOLD CYL,2.25 X 21.00 STS
6	4	629727	FINISH PLUG FOR 1"SQ X 16 GA
7	2	920004	1/2 SAE FLAT WASHER
8	2	121107	LIFTARM BEARING, POLYGON
9	8	920008	1" SAE FLAT WASHER
10	4	164643	XK402 TOP ARM(LEFT) 10.35 CNTR
11	1	164592	RH FLDOVR BOOM WLD, SECT-2
12	1	164593	LH FLDOVR BOOM WLD, SECT-2
13	2	164528	RH FOLD-OVER BOOMERANG WLD
14	2	164529	LH FOLD-OVER BOOMERANG WLD
15	4	164522	BOOM FOLD CYL PIN WLD
16	12	473842	1/4UNC LOCK NUT,CNTR POINT SS
17	2	164678	BOOM FOLD PIVOT PIN, STS 05
18	2	164520	BOOM CYL PIVOT PIN WLD
19	8	164524	BOOMERANG CNTR PIVOT PIN WLD
20	4	121106	BOOM FOLD BRG, POLYGON
21	2	164551	NOZL MT TUBE, BOOM SECT-2
22	2	164517	HOSE SUPPORT RING WLD
23	2	121108	OUTR BOOM FOLD CYL BRG,POLYGON
24	10	900086	5/16UNC X 2 1/4 HEX BOLT
25	2	470378	SIDEWINDER SLEEVE,14.06 X 21"

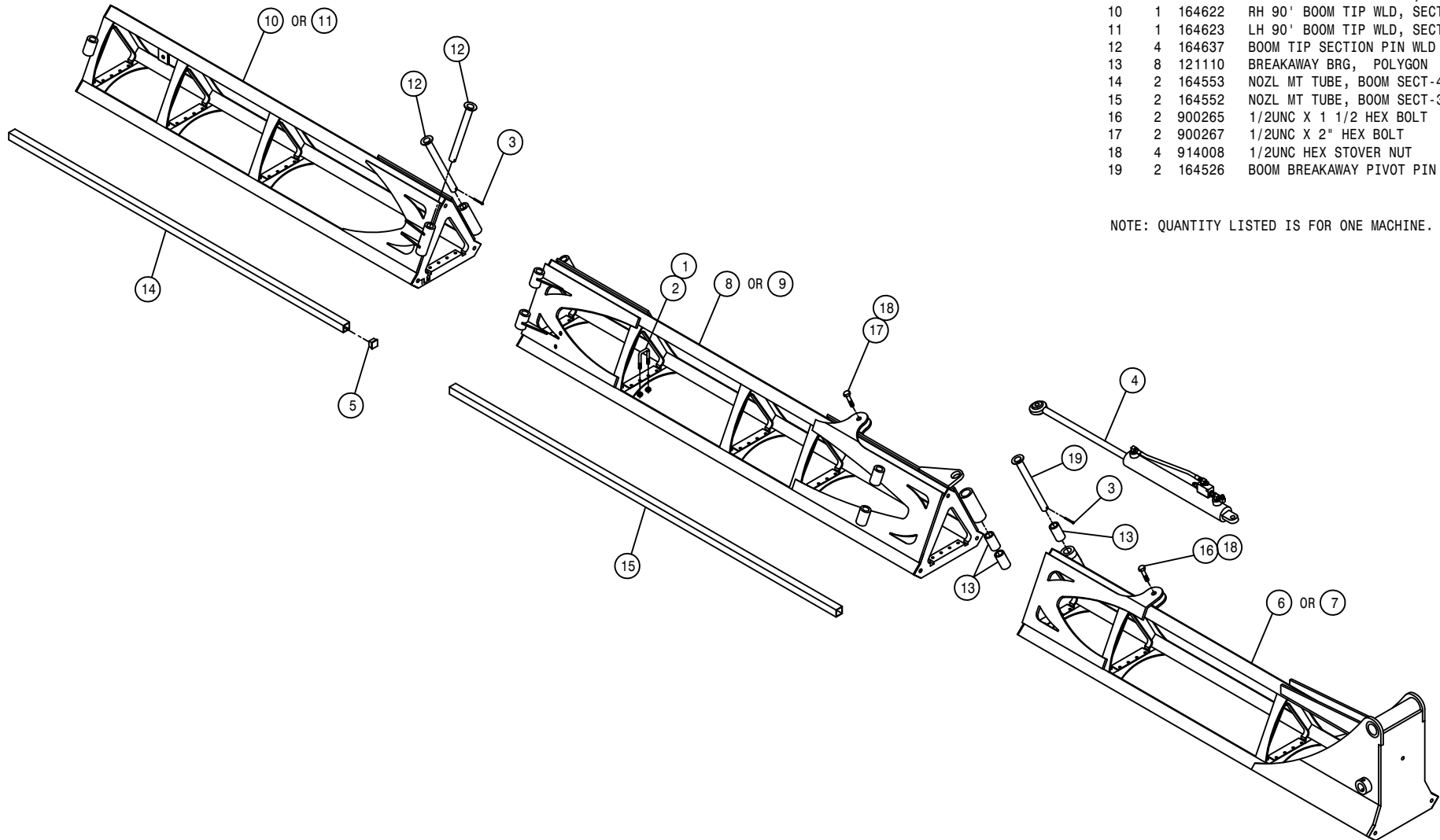
NOTE: QUANTITY LISTED IS FOR ONE MACHINE.

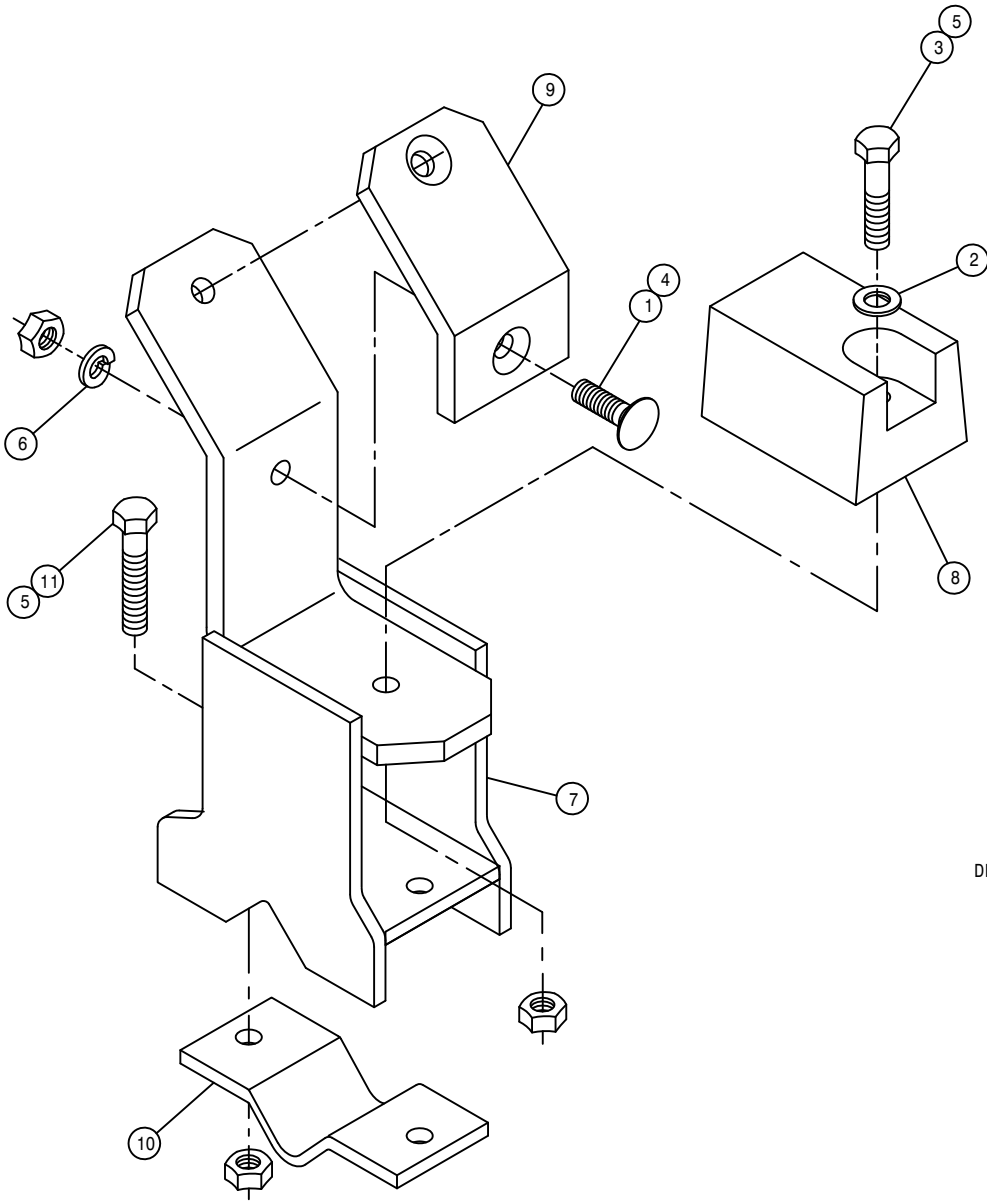
BOOM BREAKAWAY ASSEMBLY

DET. QTY PART NO. DESCRIPTION

DET.	QTY	PART NO.	DESCRIPTION
1	36	473842	1/4UNC LOCK NUT,CNTR POINT SS
2	18	473979	.25UNC-1.12ID-1.50U-BOLT SQ SS
3	6	470011	COTTER PIN 5/32 X 1 1/2,316 SS
4	2	621066	BOOM BREAKAWAY CYL ASSY STS 03
5	8	629727	FINISH PLUG FOR 1"SQ X 16 GA
6	1	164592	RH FLDOVR BOOM WLD, SECT-2
7	1	164593	LH FLDOVR BOOM WLD, SECT-2
8	1	164608	RH BREAKAWAY BOOM WLD, SECT-3
9	1	164609	LH BREAKAWAY BOOM WLD, SECT-3
10	1	164622	RH 90' BOOM TIP WLD, SECT-4
11	1	164623	LH 90' BOOM TIP WLD, SECT-4
12	4	164637	BOOM TIP SECTION PIN WLD
13	8	121110	BREAKAWAY BRG, POLYGON
14	2	164553	NOZL MT TUBE, BOOM SECT-4
15	2	164552	NOZL MT TUBE, BOOM SECT-3
16	2	900265	1/2UNC X 1 1/2 HEX BOLT
17	2	900267	1/2UNC X 2" HEX BOLT
18	4	914008	1/2UNC HEX STOVER NUT
19	2	164526	BOOM BREAKAWAY PIVOT PIN WLD

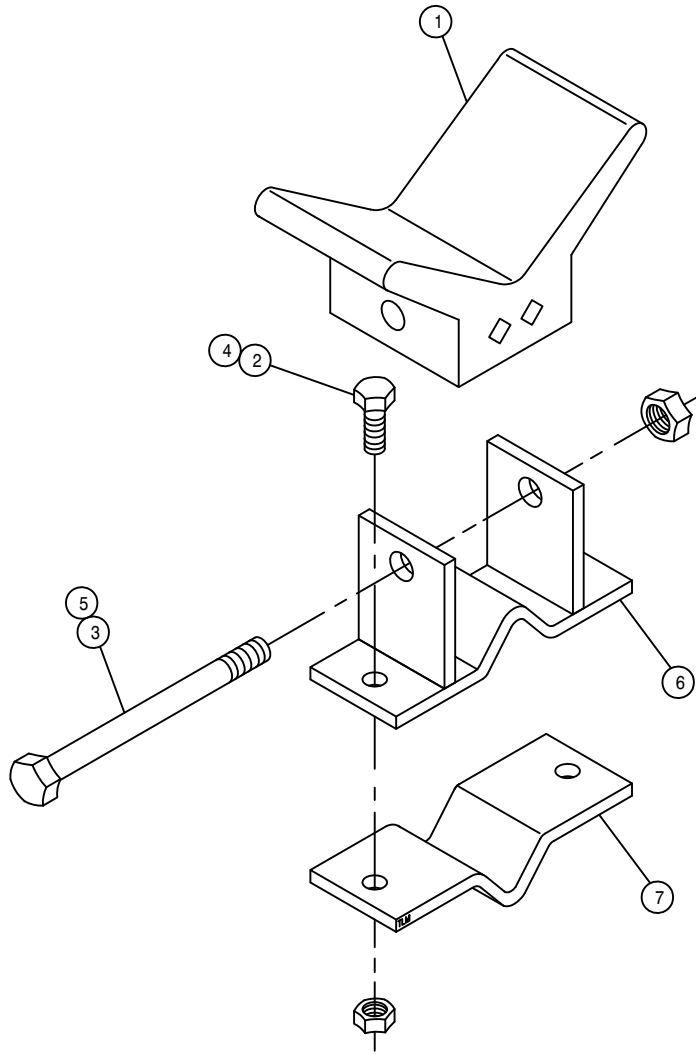
NOTE: QUANTITY LISTED IS FOR ONE MACHINE.





BOOM SUPPORT CRADLE ASSEMBLY, 80'-90'

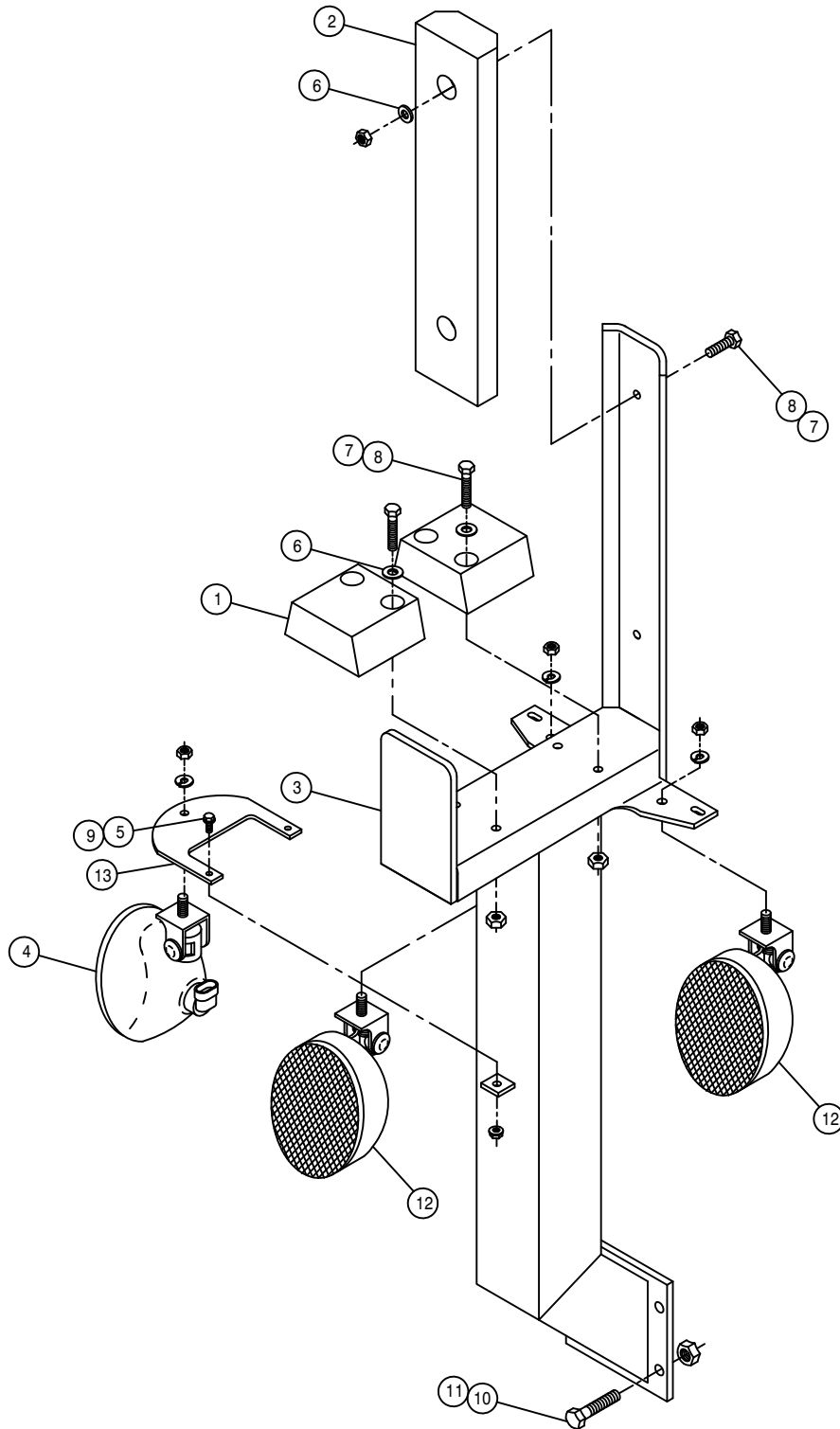
DET.	QTY	PART NO.	DESCRIPTION
	1	2 470328	3/8UNC X 1 1/4 #3HD PLOW BOLT
	2	1 483043	3/8 REGULAR FLAT WASHER
	3	1 900133	3/8UNC X 2" HEX BOLT
	4	2 910004	3/8UNC HEX NUT
	5	3 914004	3/8UNC HEX STOVER NUT
	6	2 920502	3/8 LOCK WASHER
	7	1 164811	BOOM SUPP CRADLE WLD,80/90' 04
	8	1 164541	BOOM SUPPORT PAD
	9	1 164542	BOOM SUPPORT CRADLE PAD
	10	1 164543	BOOM SUPPORT KEEPER
	11	2 900170	3/8UNC X 2 1/4 HEX BOLT



90' BOOM SUPPORT ASSEMBLY

DET. QTY PART NO. DESCRIPTION

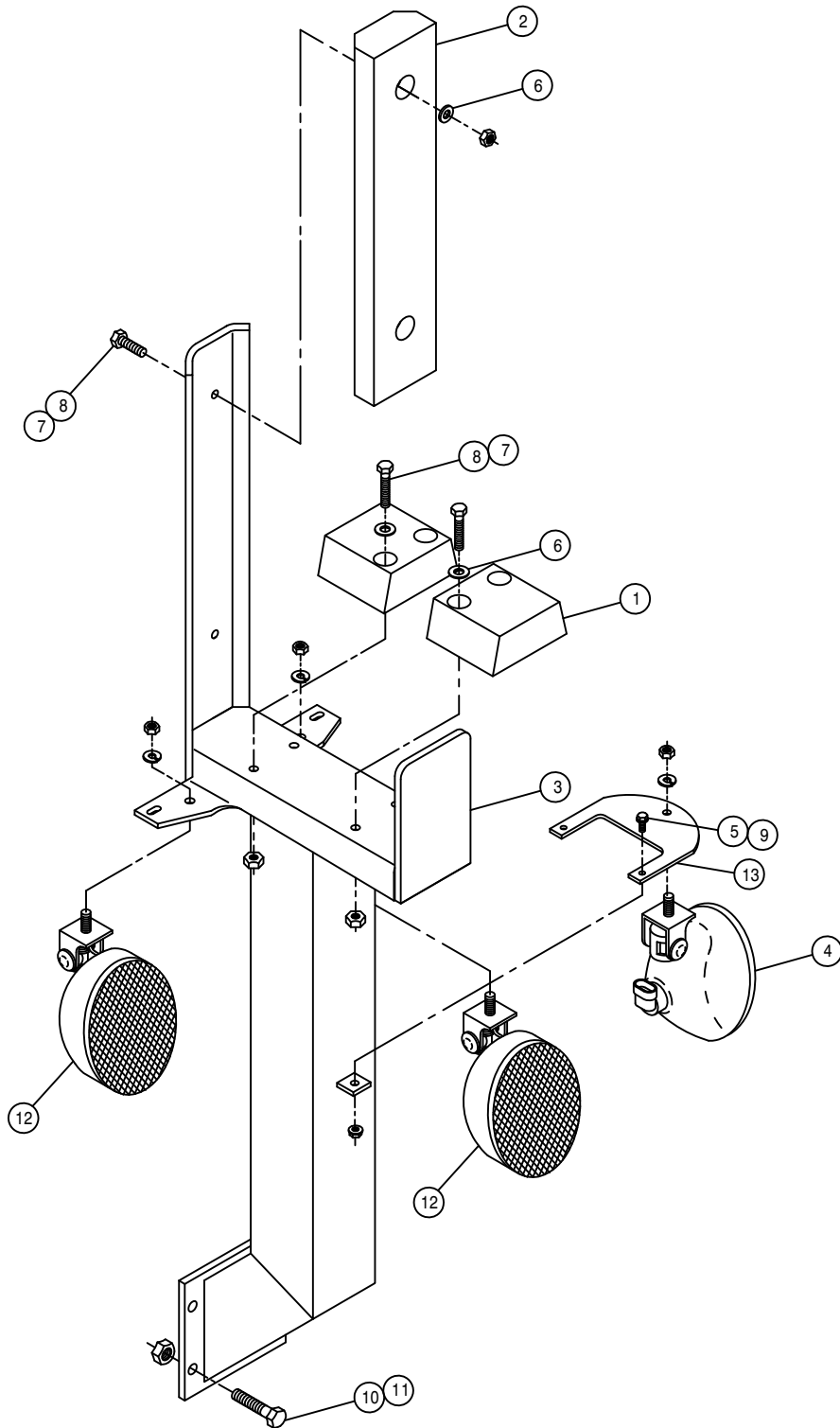
1	1	470324	3" RUBBER BOW GUARD
2	2	900130	3/8UNC X 1 1/4 HEX BOLT
3	1	900273	1/2UNC X 3 3/4 HEX BOLT
4	2	914004	3/8UNC HEX STOVER NUT
5	1	914008	1/2UNC HEX STOVER NUT
6	1	164544	FRT BOOM SUPPORT WLD, 90' BOOM
7	1	164545	FRT BOOM SUPPORT MT



RH BOOM CRADLE ASSEMBLY

DET. QTY PART NO. DESCRIPTION

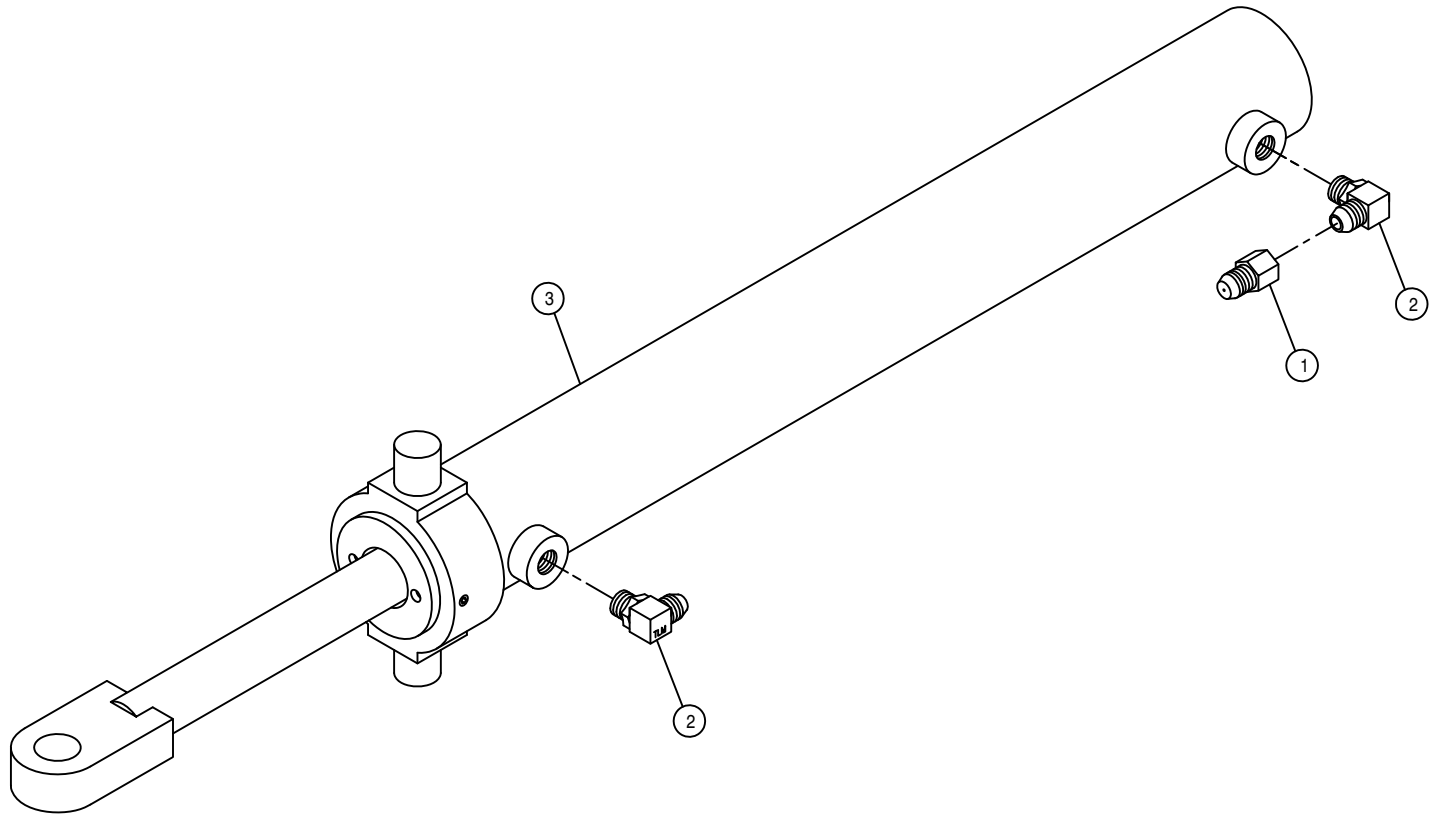
1	2	164513	BOOM CRADLE PAD
2	1	164512	RUBBER BUMPER, BOOM CRADLE
3	1	164505	BOOM CRADLE WLD
4	1	291905	RH AMBER LIGHT, PLASTIC OVAL
5	2	470118	1/4UNC X 3/4 FLANGE HEX BOLT
6	6	920002	3/8 SAE FLAT WASHER
7	6	914004	3/8UNC HEX STOVER NUT
8	6	900133	3/8UNC X 2" HEX BOLT
9	2	470121	1/4UNC HEX FLANGE LOCK NUT
10	4	900265	1/2UNC X 1 1/2 HEX BOLT
11	4	914008	1/2UNC HEX STOVER NUT
12	2	291904	WORKLIGHT, VERTICAL FLOOD PLAS
13	1	343509	EXTREMITY FLASHER MT, STS 05



LH BOOM CRADLE ASSEMBLY

DET. QTY PART NO. DESCRIPTION

1	2	164513	BOOM CRADLE PAD
2	1	164512	RUBBER BUMPER, BOOM CRADLE
3	1	164505	BOOM CRADLE WLD
4	1	291906	LH AMBER LIGHT, PLASTIC OVAL
5	2	470118	1/4UNC X 3/4 FLANGE HEX BOLT
6	6	920002	3/8 SAE FLAT WASHER
7	6	914004	3/8UNC HEX STOVER NUT
8	6	900133	3/8UNC X 2" HEX BOLT
9	2	470121	1/4UNC HEX FLANGE LOCK NUT
10	4	900265	1/2UNC X 1 1/2 HEX BOLT
11	4	914008	1/2UNC HEX STOVER NUT
12	2	291904	WORKLIGHT, VERTICAL FLOOD PLAS
13	1	343509	EXTREMITY FLASHER MT, STS 05

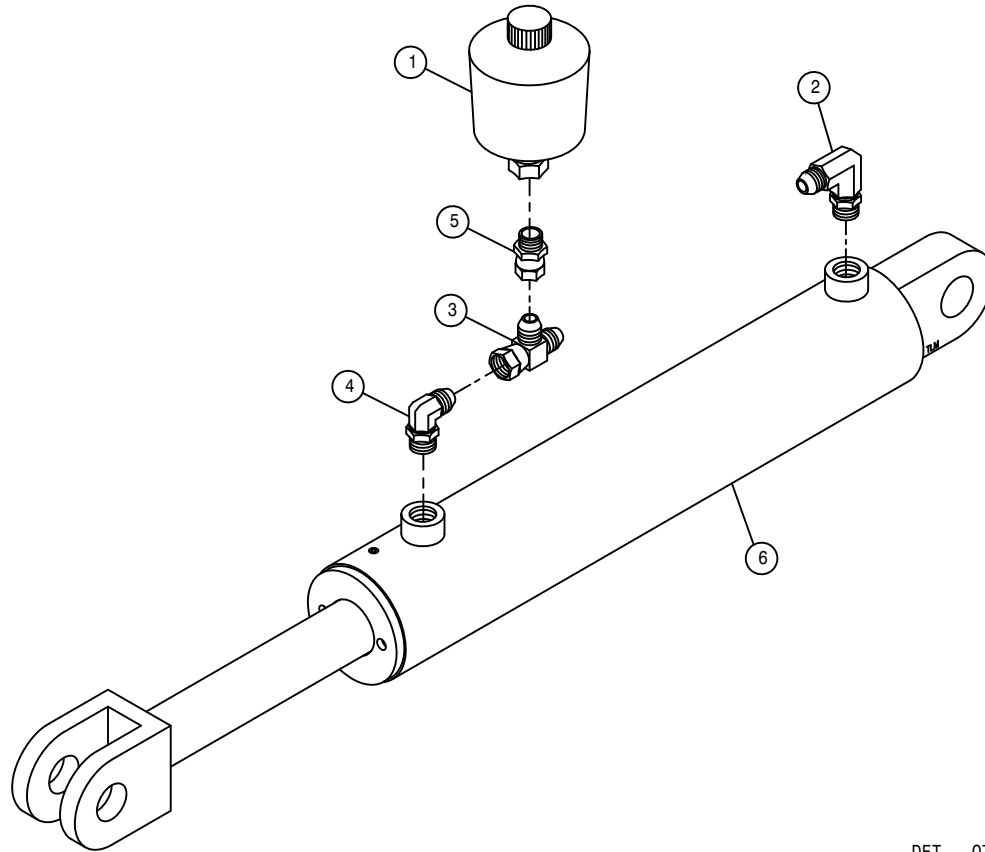


BOOM FOLD CYLINDER ASSEMBLY

DET.	QTY	PART NO.	DESCRIPTION
1	1	618733	9/16JIC .042 ORIFICE ADPTR
2	2	618119	9/16MJIC-90-9/16MOR LBO
3	1	621560	FOLD CYL, 2.50 X 21.000 STS
NS	1	621561	REPAIR KIT, HYD CYL 621560

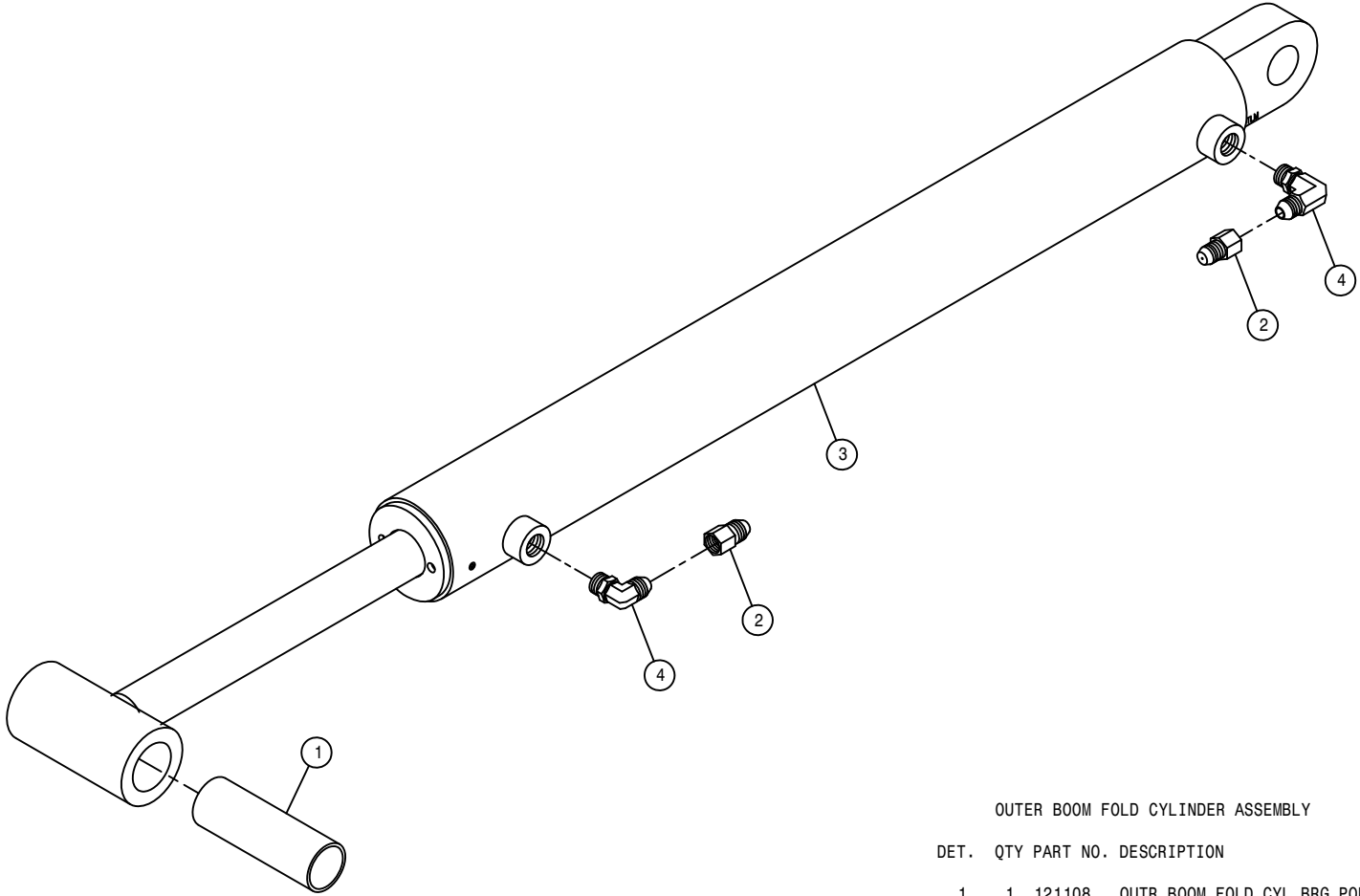
100

362100



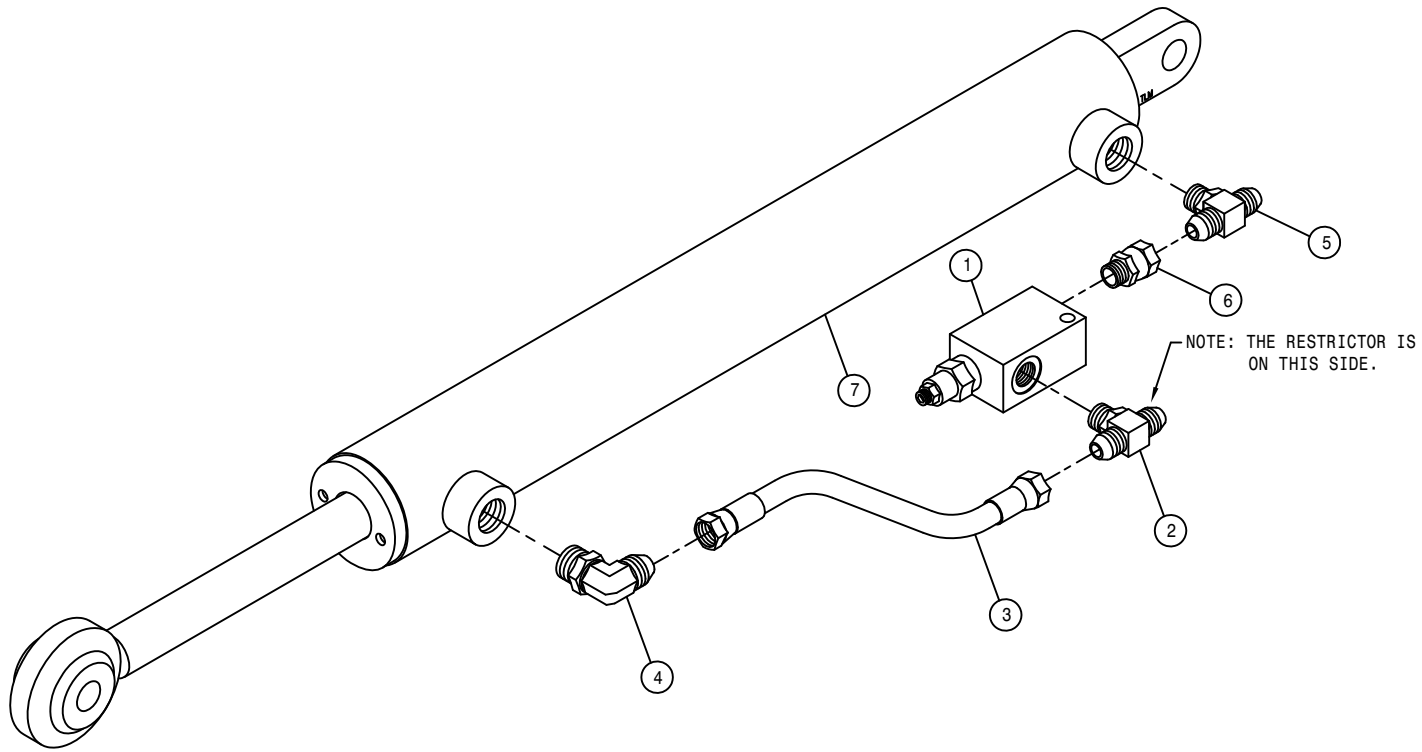
BOOM LEVEL CYLINDER ASSEMBLY

DET.	QTY	PART NO.	DESCRIPTION
	1	470326	ACCUMULATOR, DIAPHRAGM
	1	618119	9/16MJIC-90-9/16MOR LBO
	1	618486	9/16FJIC SW RUN TEE-9/16MJIC
	1	618689	9/16MOR-90-9/16MJ .042 CHK VLV
	1	618719	9/16FJIC SWIV-3/4MOR ADPTR
	1	621558	LEVEL CYL, 3.00 X 11.00 STS
NS	1	621559	REPAIR KIT, HYD CYL 621558



OUTER BOOM FOLD CYLINDER ASSEMBLY

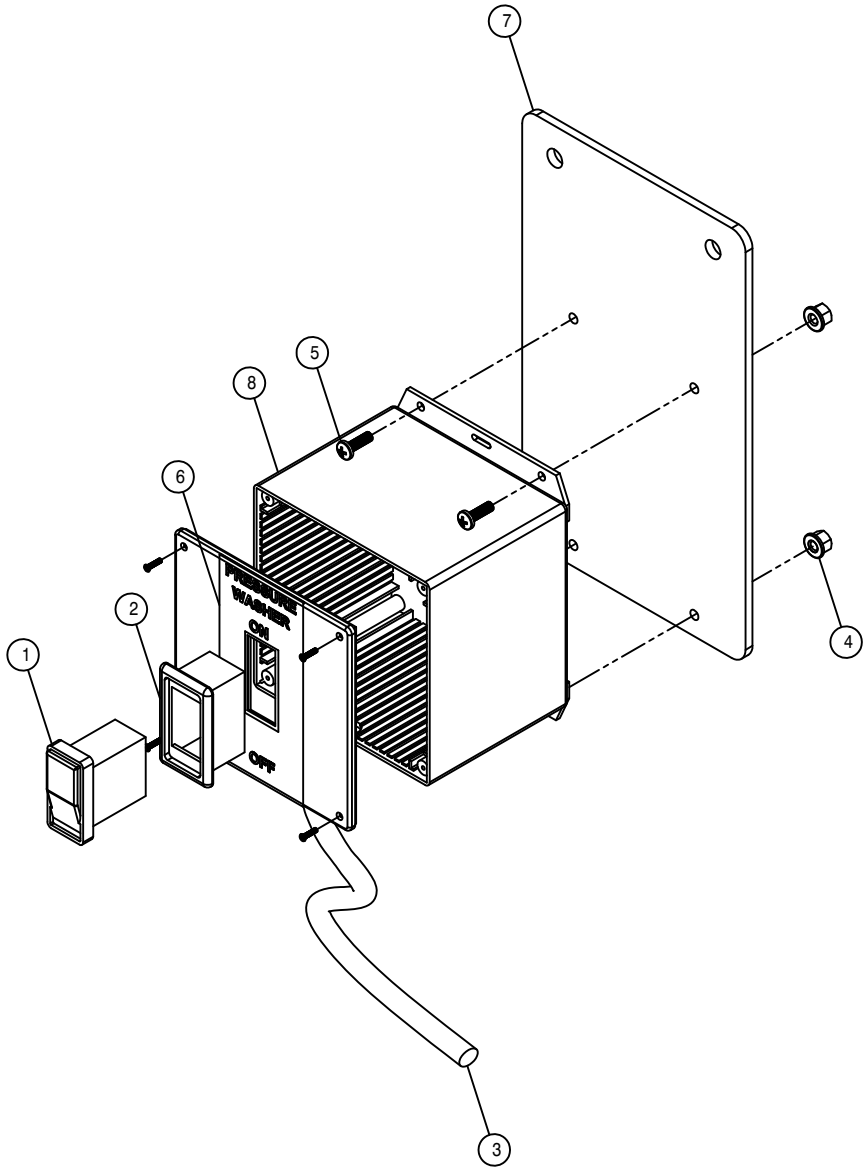
DET.	QTY	PART NO.	DESCRIPTION
	1	121108	OUTR BOOM FOLD CYL BRG,POLYGON
	2	618733	9/16JIC .042 ORIFICE ADPTR
	3	621562	OUTR FOLD CYL,2.25 X 21.00 STS
	4	618119	9/16MJIC-90-9/16MOR LBO
	NS	1 621563	REPAIR KIT,HYD CYL 621562



NOTE: THE RESTRICTOR IS ON THIS SIDE.

BOOM BREAKAWAY CYLINDER ASSEMBLY

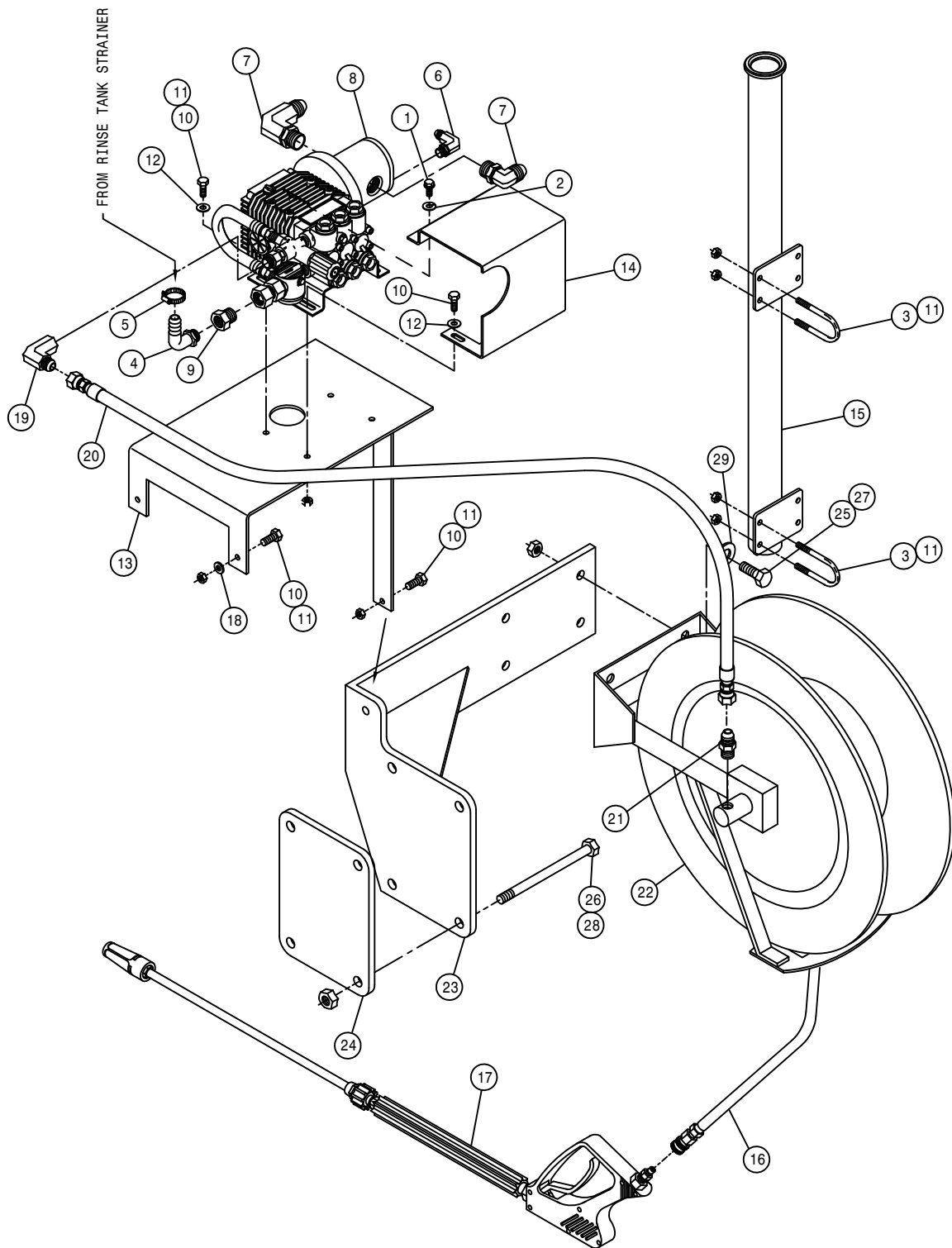
DET.	QTY	PART NO.	DESCRIPTION
	1	607540	KICK-DOWN RELIEF VALVE, 800PSI
	1	614752	RESTRICTOR BR TEE ASSY, .042DIA
	1	616075	04-451TC-06FJX-06FJX-9 H/A
	1	618119	9/16MJIC-90-9/16MOR LBO
	1	618629	9/16MOR BRANCH TEE-9/16MJIC
	1	618668	9/16FJIC SWIV-9/16MOR ADPTR
	1	621554	LADR/SF/BRKWAY CYL, 1.50 X12.25
NS	1	621555	REPAIR KIT, HYD CYL 621554



PRESSURE WASHER SWITCH BOX ASSEMBLY

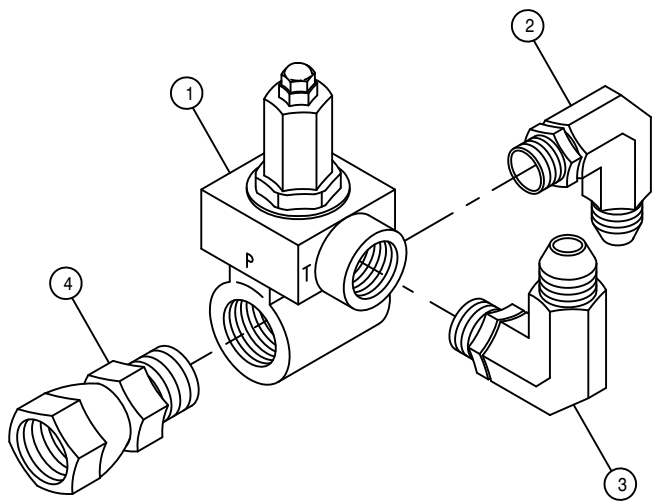
DET. QTY PART NO. DESCRIPTION

1	1	292218	SWITCH,SIDE FILL PUMP/PRESWASH
2	1	292260	MOUNTING TRIM, SINGLE VMS
3	1	293807	PRESS WASH WIRE HARNESS STS 05
4	4	470175	10-32 HEX FLANGE LOCK NUT
5	4	903710	10-32X5/8 PHIL PANHD MACH SCR
6	1	650156	DECAL, PRESS WASH CTRL STS 05
7	1	690983	PRESS WASH SWITCH BX MT,STS 05
8	1	690975	PRESS WASH SWITCH BOX, STS 05



PRESSURE WASHER ASSEMBLY

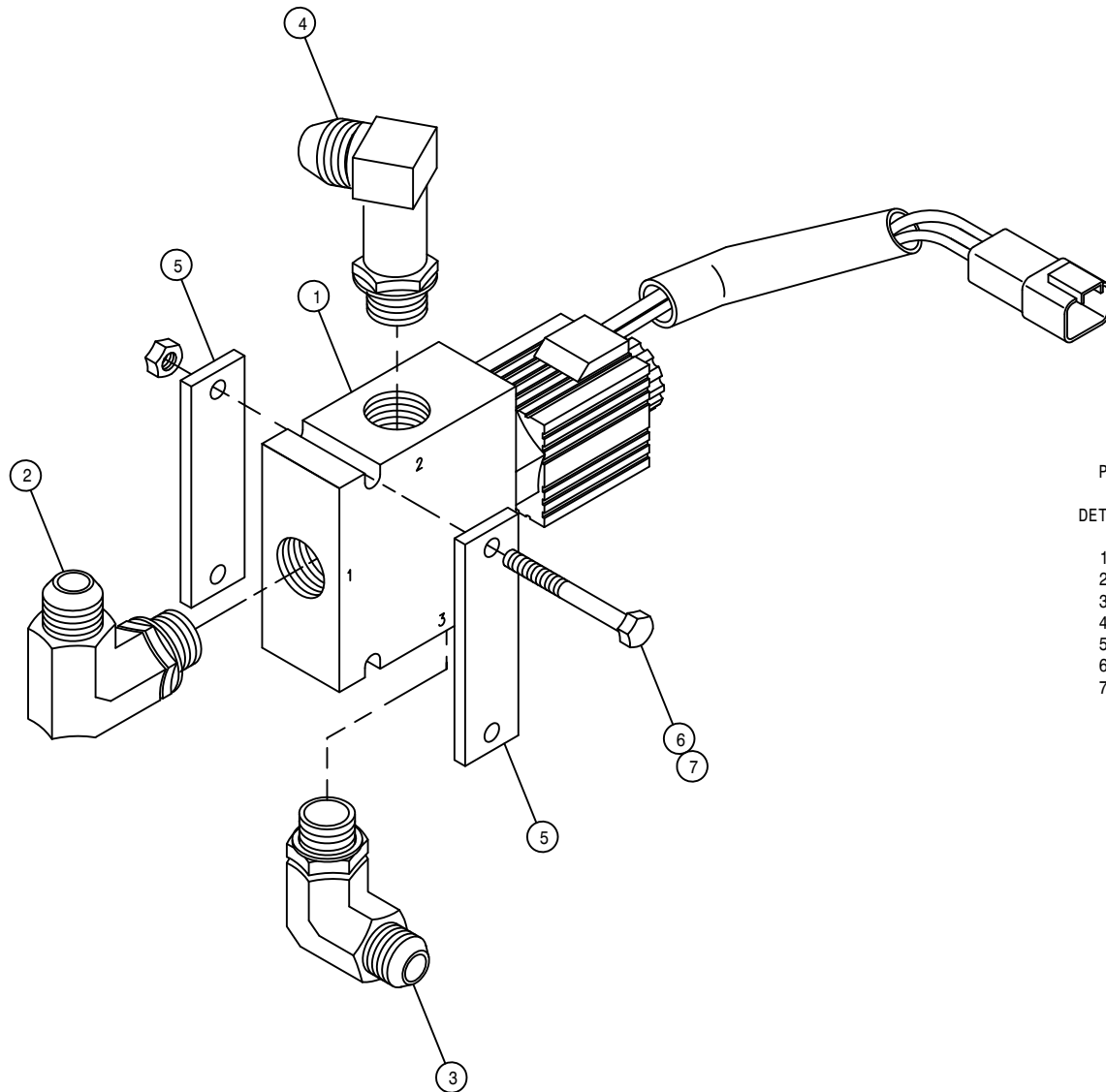
DET.	QTY	PART NO.	DESCRIPTION
1	2	473803	8MM-1.25 X 16MM HEX BOLT
2	2	473804	8MM LOCK WASHER
3	4	473911	5/16UNC-1.31ID-2.00 U-BOLT
4	1	500026	3/4NPT-90-1"HOSE BARB, POLY
5	1	520090	HOSE CLAMP NO 16 STAINLESS
6	1	618119	9/16MJIC-90-9/16MOR LBO
7	2	618474	3/4MJIC-90-1 1/16MOR LBO
8	1	690672	PRESSURE WASHER,PACE 320 HYD
9	1	715449	3/4FNPT X 3/4MGHT ADPTR BRS
10	7	900064	5/16UNC X 3/4 HEX BOLT
11	15	914002	5/16UNC HEX STOVER NUT
12	4	920001	5/16 SAE FLAT WASHER
13	1	690899	PRESSURE WASHER MT WLD, STS 05
14	1	690879	PRESSURE WASHER SHIELD, STS 03
15	1	691007	PRESSURE WASHER WAND MT WLD 05
16	1	690791	HOSE, PRESSURE WASHER 690672
17	1	690673	TRIGGER GUN ASSY FOR 690672
18	2	920001	5/16 SAE FLAT WASHER
19	1	618084	3/4MJIC-90-3/8FNPT LBO
20	1	616284	08-421-08FJX-08FJX-45 H/A
21	1	611147	3/4MJIC-1/2MNPT ADPTR
22	1	690930	HOSE REEL, PRESSURE WASHER
23	1	690932	HOSE REEL MT WLD,PRESS WASHER
24	1	690936	HOSE REEL MT KEEER, PRESS WASH
25	4	900196	7/16UNC X 1 1/4 HEX BOLT
26	4	900277	1/2UNC X 5 1/2 HEX BOLT
27	4	914006	7/16UNC HEX STOVER NUT
28	4	914008	1/2UNC HEX STOVER NUT
29	4	920003	7/16 SAE FLAT WASHER



IN-LINE HYD RELIEF VALVE ASSEMBLY

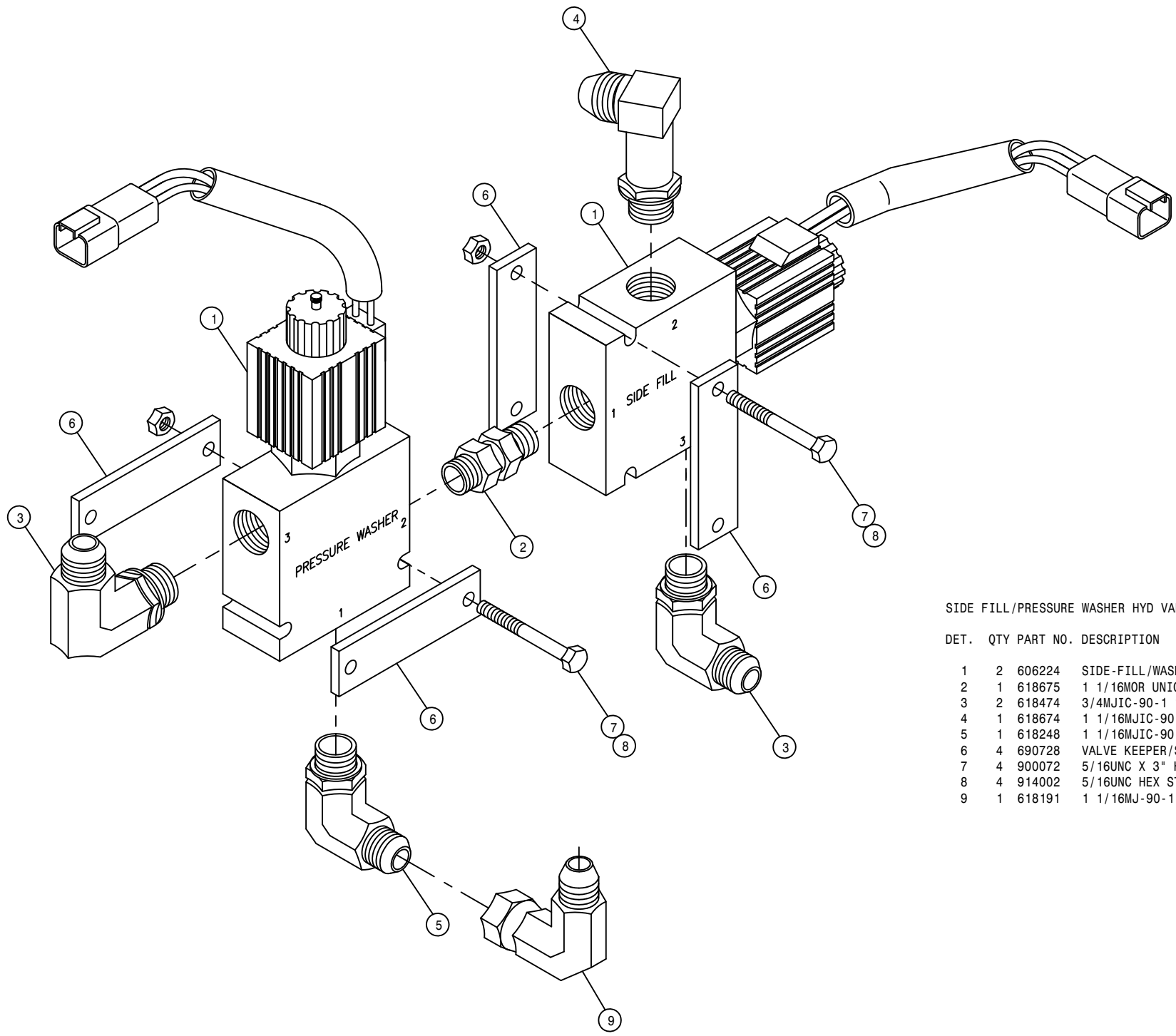
DET. QTY PART NO. DESCRIPTION

1	1	607550	IN-LINE RELIEF VALVE, 2600 PSI
2	1	618248	1 1/16MJIC-90-1 1/16MOR LBO
3	1	618279	1 1/16MJIC-90-7/8MOR LBO
4	1	618578	1 1/16FJIC SWIV-1 1/16MOR



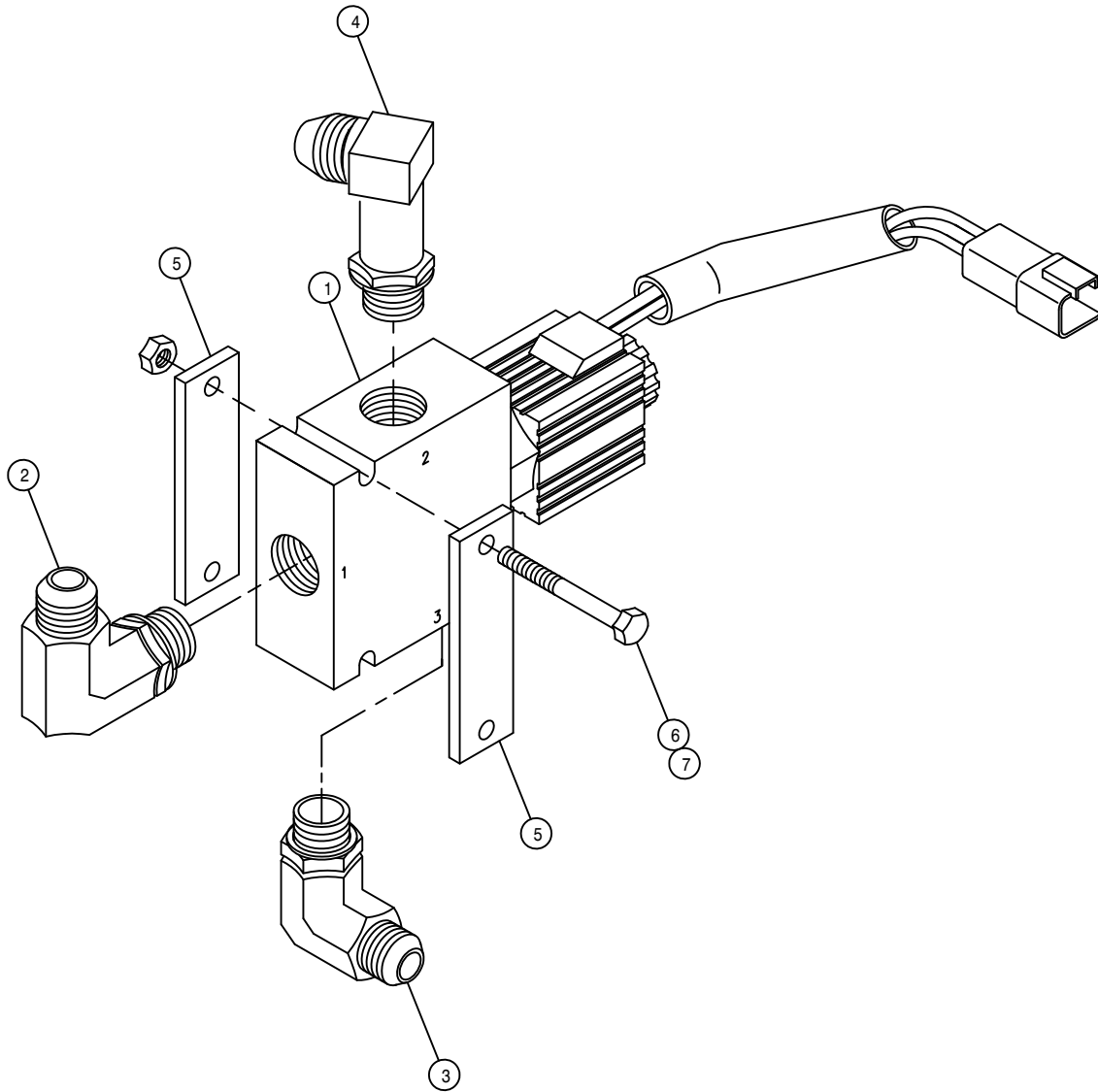
PRESSURE WASHER HYDRAULIC VALVE ASSEMBLY

DET.	QTY	PART NO.	DESCRIPTION
1	1	606224	SIDE-FILL/WASH VLV ASSY 05
2	1	618248	1 1/16MJIC-90-1 1/16MOR LBO
3	1	618474	3/4MJIC-90-1 1/16MOR LBO
4	1	618674	1 1/16MJIC-90-1 1/16MOR XL LBO
5	2	690728	VALVE KEEPER/SPACER
6	2	900072	5/16UNC X 3\"/>
7	2	914002	5/16UNC HEX STOVER NUT



SIDE FILL/PRESSURE WASHER HYD VALVE ASSEMBLY

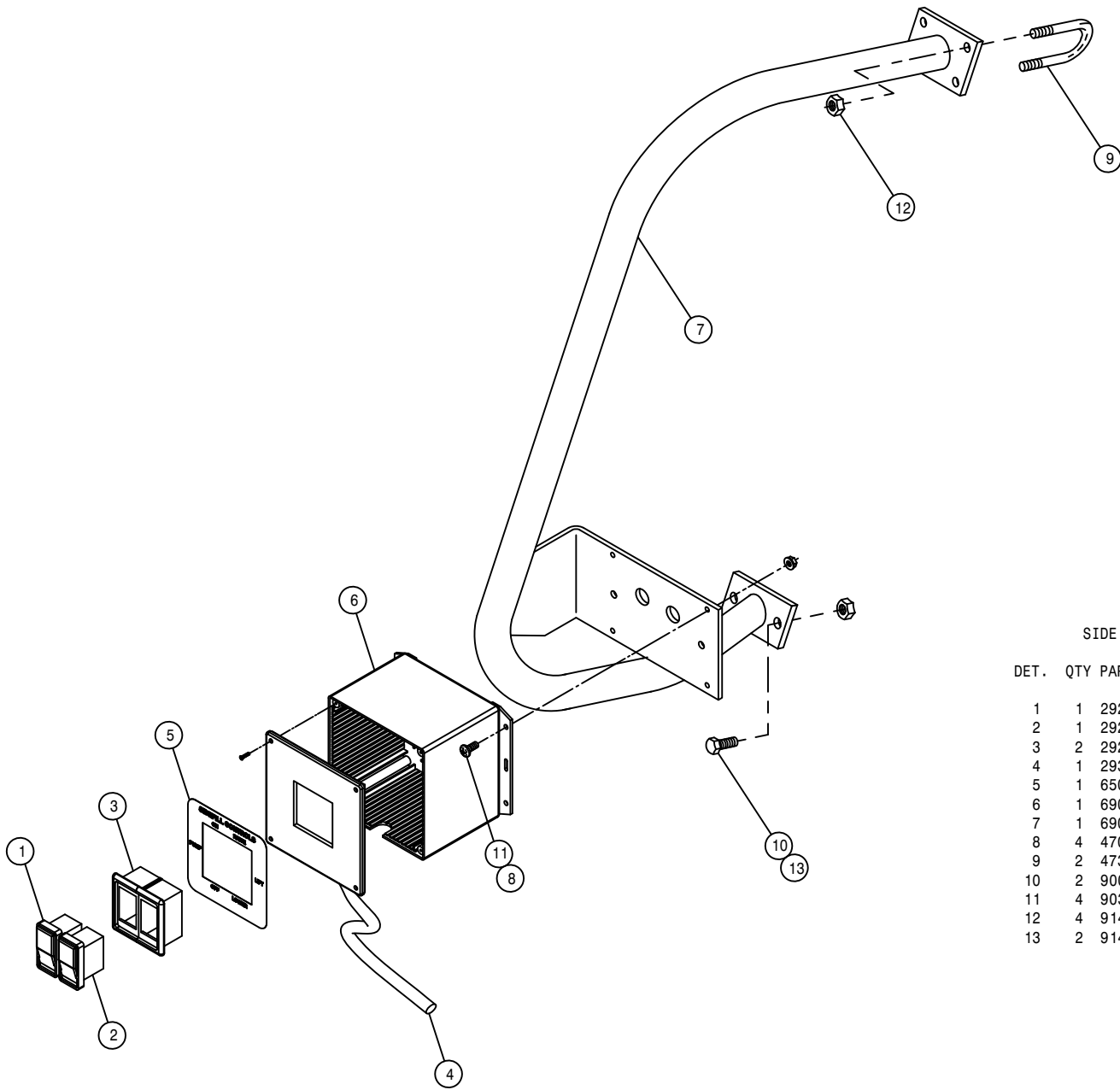
DET.	QTY	PART NO.	DESCRIPTION	
1	2	606224	SIDE-FILL/WASH VLV ASSY	05
2	1	618675	1 1/16MOR UNION	
3	2	618474	3/4MJIC-90-1 1/16MOR LBO	
4	1	618674	1 1/16MJIC-90-1 1/16MOR XL LBO	
5	1	618248	1 1/16MJIC-90-1 1/16MOR LBO	
6	4	690728	VALVE KEEPER/SPACER	
7	4	900072	5/16UNC X 3" HEX BOLT	
8	4	914002	5/16UNC HEX STOVER NUT	
9	1	618191	1 1/16MJ-90-1 1/16FJ SWIV LBO	



SIDE FILL HYDRAULIC VALVE ASSEMBLY

DET. QTY PART NO. DESCRIPTION

1	1	606224	SIDE-FILL/WASH VLV ASSY	05
2	1	618248	1 1/16MJIC-90-1 1/16MOR LBO	
3	1	618474	3/4MJIC-90-1 1/16MOR LBO	
4	1	618674	1 1/16MJIC-90-1 1/16MOR XL LBO	
5	2	690728	VALVE KEEPER/SPACER	
6	2	900072	5/16UNC X 3" HEX BOLT	
7	2	914002	5/16UNC HEX STOVER NUT	



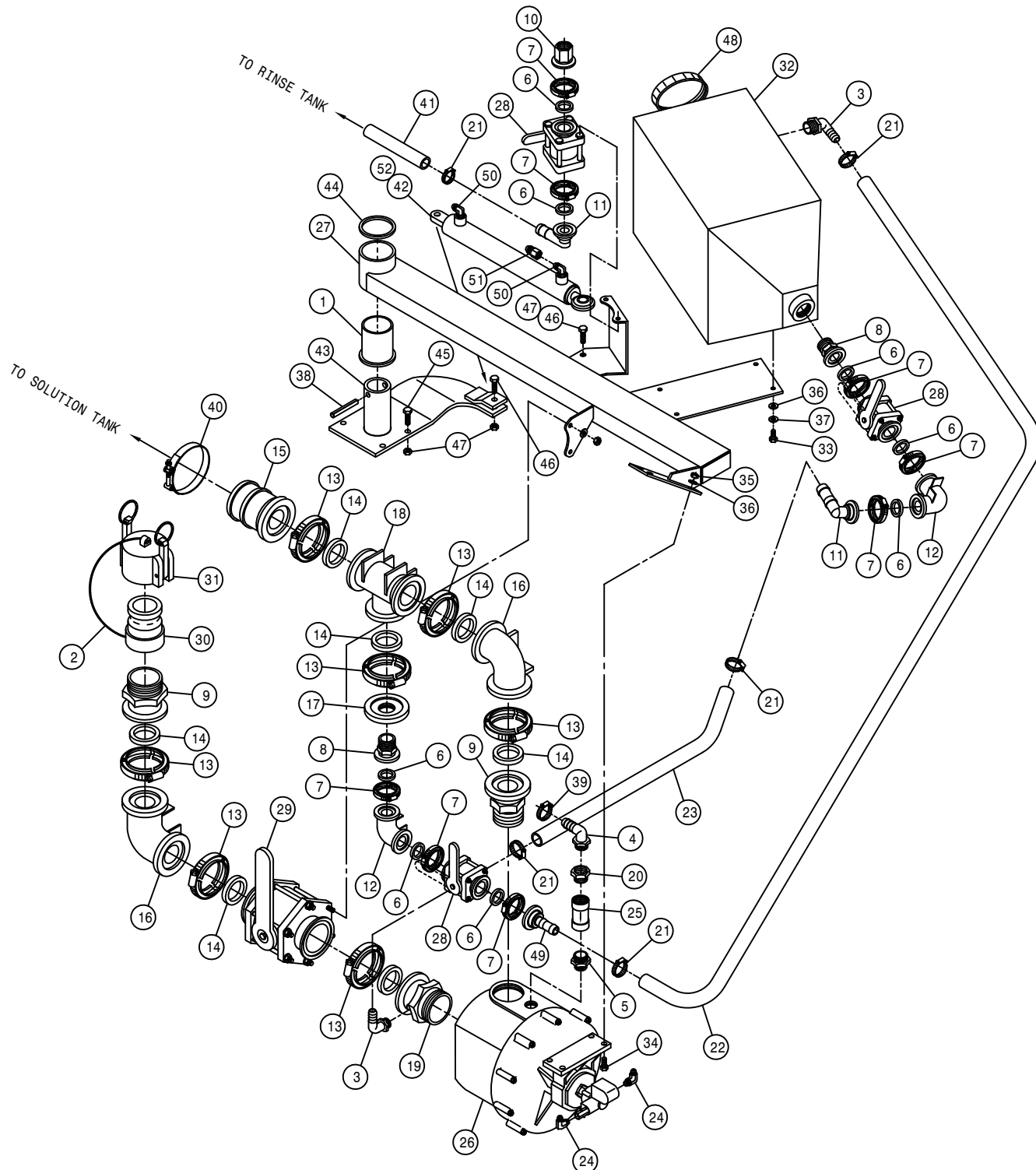
SIDE FILL SWITCH BOX ASSEMBLY

DET.	QTY	PART NO.	DESCRIPTION
	1	292218	SWITCH, SIDE FILL PUMP/PRESWASH
	1	292219	SWITCH, SIDE FILL LIFT, STS
	2	292261	MOUNTING TRIM, END VME
	1	293806	SIDE FILL WIRE HARNESS STS 05
	1	650155	DECAL, SIDEFILL CTRL STS 05
	1	690974	SIDE FILL SWITCH BOX, STS 05
	1	690723	CHEM IND GUARD WLD
	4	470175	10-32 HEX FLANGE LOCK NUT
	2	473911	5/16UNC-1.31ID-2.00 U-BOLT
	2	900130	3/8UNC X 1 1/4 HEX BOLT
	4	903710	10-32X5/8 PHIL PANHD MACH SCR
	4	914002	5/16UNC HEX STOVER NUT
	2	914004	3/8UNC HEX STOVER NUT

SIDE FILL/CHEMICAL INDUCTOR ASSEMBLY

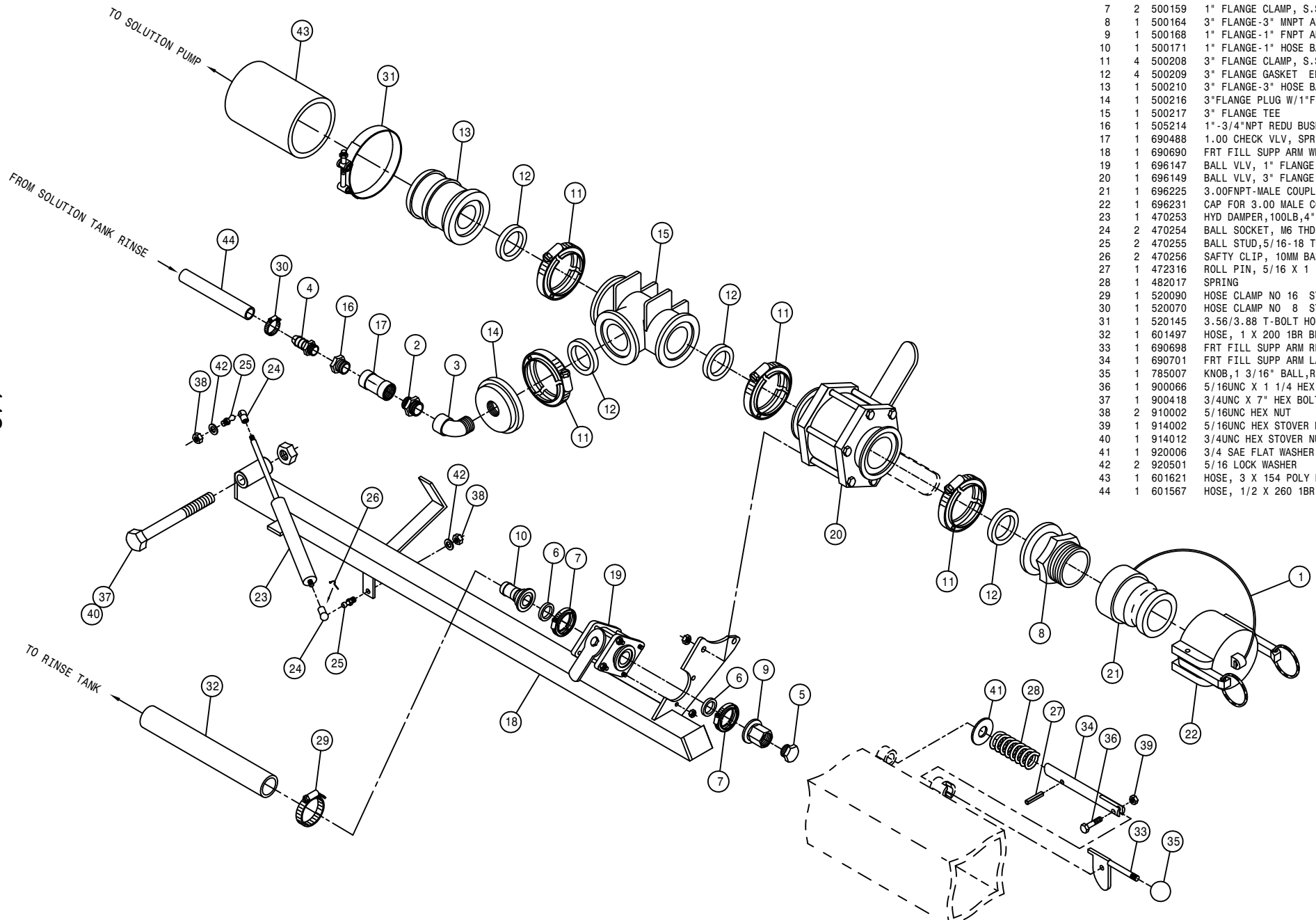
DET. QTY PART NO. DESCRIPTION

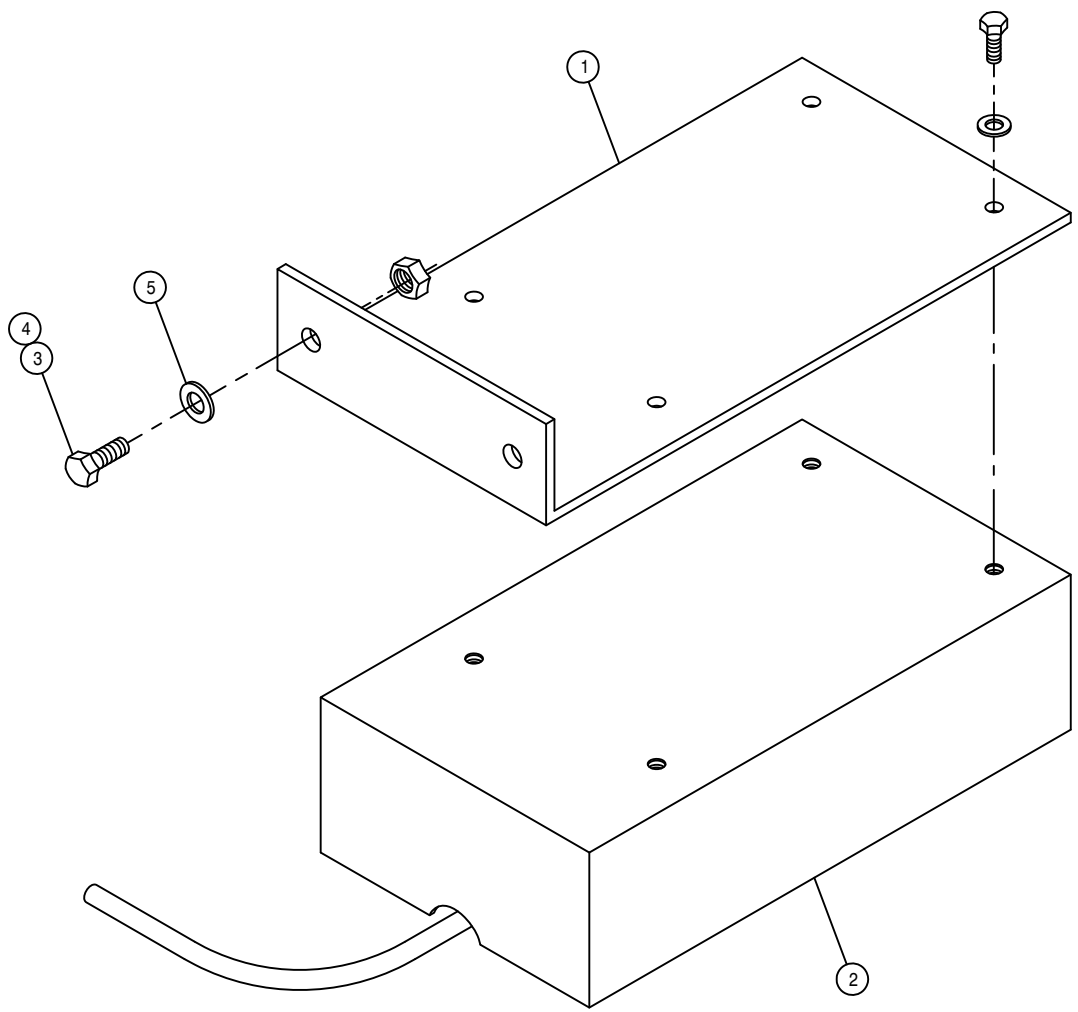
1	1	121101	TRANSOM PIVOT BRG, TOP	POLYGON
2	1	470352	LANYARD, 11"	POLY
3	2	500024	1"NPT-90-1"HOSE BARB	POLY
4	1	500041	3/4NPT-90-1/2"HOSE BARB	POLY
5	1	500085	1" X 3/4NPT REDU NIPPLE	POLY
6	8	500157	1" FLANGE GASKET	EPDM
7	8	500159	1" FLANGE CLAMP, S.S.	
8	2	500163	1" FLANGE-1" MNPT ADPTR	POLY
9	2	500164	3" FLANGE-3" MNPT ADPTR	POLY
10	1	500168	1" FLANGE-1" FNPT ADPTR	POLY
11	2	500173	1" FLANGE-90-1" HOSE BARB	POLY
12	2	500174	1" FLANGE-90-1" FLANGE	LBOPOLY
13	7	500208	3" FLANGE CLAMP, S.S.	
14	7	500209	3" FLANGE GASKET	EPDM
15	1	500210	3" FLANGE-3" HOSE BARB	POLY
16	2	500213	3"FLANGE-90-3"FLANGE	LBO POLY
17	1	500216	3"FLANGE PLUG W/1"FNPT	POLY
18	1	500217	3" FLANGE TEE	POLY
19	1	500220	3"FLANGE-3"MNPT W/1"FNPT	POLY
20	1	505214	1"-3/4"NPT REDU BUSH	POLY
21	5	520090	HOSE CLAMP NO 16	STAINLESS
22	1	601609	HOSE, 1 X 33	1BR BLK EPDM
23	1	601611	HOSE, 1 X 30	2F-1W EPDM
24	2	618183	3/4MJIC-90-7/8MOR	LBO
25	1	690488	1.00 CHECK VLV, SPRING LOADED	
26	1	690760	BANJO PUMP, 3" SIDE FILL	STS12
27	1	690916	SIDE FILL ARM WLD, STS	2004
28	3	696147	BALL VLV, 1" FLANGE	
29	1	696149	BALL VLV, 3" FLANGE	
30	1	696225	3.00FNPT-MALE COUPLER	POLY
31	1	696231	CAP FOR 3.00 MALE COUPLER	POLY
32	1	701085	TANK, 5 GAL, SQ	WHITE
33	4	900064	5/16UNC X 3/4	HEX BOLT
34	4	900066	5/16UNC X 1 1/4	HEX BOLT
35	4	914002	5/16UNC HEX STOVER NUT	
36	8	920001	5/16 SAE FLAT WASHER	
37	4	920501	5/16 LOCK WASHER	
38	1	473978	ROLL PIN, 1/2 X 3	1/2 LG
39	1	520070	HOSE CLAMP NO 8	STAINLESS
40	1	520145	3.56/3.88 T-BOLT	HOSE CLAMP SS
41	1	601459	HOSE, 1 X 245	1BR BLK EPDM
42	1	621554	LADR/SF/BRKWAY CYL, 1.50	X12.25
43	1	690717	CHEM IND CYL	MT WLD
44	1	690729	3.50 OD X 2.68 ID X 11	GA WASH
45	4	900265	1/2UNC X 1 1/2	HEX BOLT
46	2	900267	1/2UNC X 2"	HEX BOLT
47	6	914008	1/2UNC HEX STOVER NUT	
48	1	701155	8" LID FOR 5 GAL TANK	701085
49	1	500171	1" FLANGE-1" HOSE BARB	POLY
50	2	618119	9/16MJIC-90-9/16MOR	LBO
51	1	618733	9/16JIC .042 ORIFICE	ADPTR
52	1	621555	REPAIR KIT, HYD CYL	621554



FRONT FILL ASSEMBLY

DET.	QTY	PART NO.	DESCRIPTION
1	1	470352	LANYARD, 11" POLY
2	1	500013	1"NPT HEX PIPE NIPPLE, POLY
3	1	500014	1"NPT-90 ST EL, POLY
4	1	500019	3/4NPT-1/2HOSE BARB, POLY
5	1	500063	1"NPT PIPE PLUG, POLY
6	2	500157	1" FLANGE GASKET EPDM
7	2	500159	1" FLANGE CLAMP, S.S.
8	1	500164	3" FLANGE-3" MNPT ADPTR POLY
9	1	500168	1" FLANGE-1" FNPT ADPTR POLY
10	1	500171	1" FLANGE-1" HOSE BARB POLY
11	4	500208	3" FLANGE CLAMP, S.S.
12	4	500209	3" FLANGE GASKET EPDM
13	1	500210	3" FLANGE-3" HOSE BARB POLY
14	1	500216	3"FLANGE PLUG W/1"FNPT POLY
15	1	500217	3" FLANGE TEE POLY
16	1	505214	1"-3/4"NPT REDU BUSH, POLY
17	1	690488	1.00 CHECK VLV, SPRING LOADED
18	1	690690	FRT FILL SUPP ARM WLD
19	1	696147	BALL VLV, 1" FLANGE
20	1	696149	BALL VLV, 3" FLANGE
21	1	696225	3.00FNPT-MALE COUPLER POLY
22	1	696231	CAP FOR 3.00 MALE COUPLER POLY
23	1	470253	HYD DAMPER,100LB,4"STROKE 1084
24	2	470254	BALL SOCKET, M6 THD X 10MM
25	2	470255	BALL STUD,5/16-18 THD X 10MM
26	2	470256	SAFTY CLIP, 10MM BALL SOCKET
27	1	472316	ROLL PIN, 5/16 X 1 1/2
28	1	482017	SPRING
29	1	520090	HOSE CLAMP NO 16 STAINLESS
30	1	520070	HOSE CLAMP NO 8 STAINLESS
31	1	520145	3.56/3.88 T-BOLT HOSE CLAMP SS
32	1	601497	HOSE, 1 X 200 1BR BLK EPDM
33	1	690698	FRT FILL SUPP ARM REL WLD
34	1	690701	FRT FILL SUPP ARM LATCH PIN
35	1	785007	KNOB, 1 3/16" BALL, RED, 3/8-16
36	1	900066	5/16UNC X 1 1/4 HEX BOLT
37	1	900418	3/4UNC X 7" HEX BOLT
38	2	910002	5/16UNC HEX NUT
39	1	914002	5/16UNC HEX STOVER NUT
40	1	914012	3/4UNC HEX STOVER NUT
41	1	920006	3/4 SAE FLAT WASHER
42	2	920501	5/16 LOCK WASHER
43	1	601621	HOSE, 3 X 154 POLY HELIX EPDM
44	1	601567	HOSE, 1/2 X 260 1BR BLK EPDM

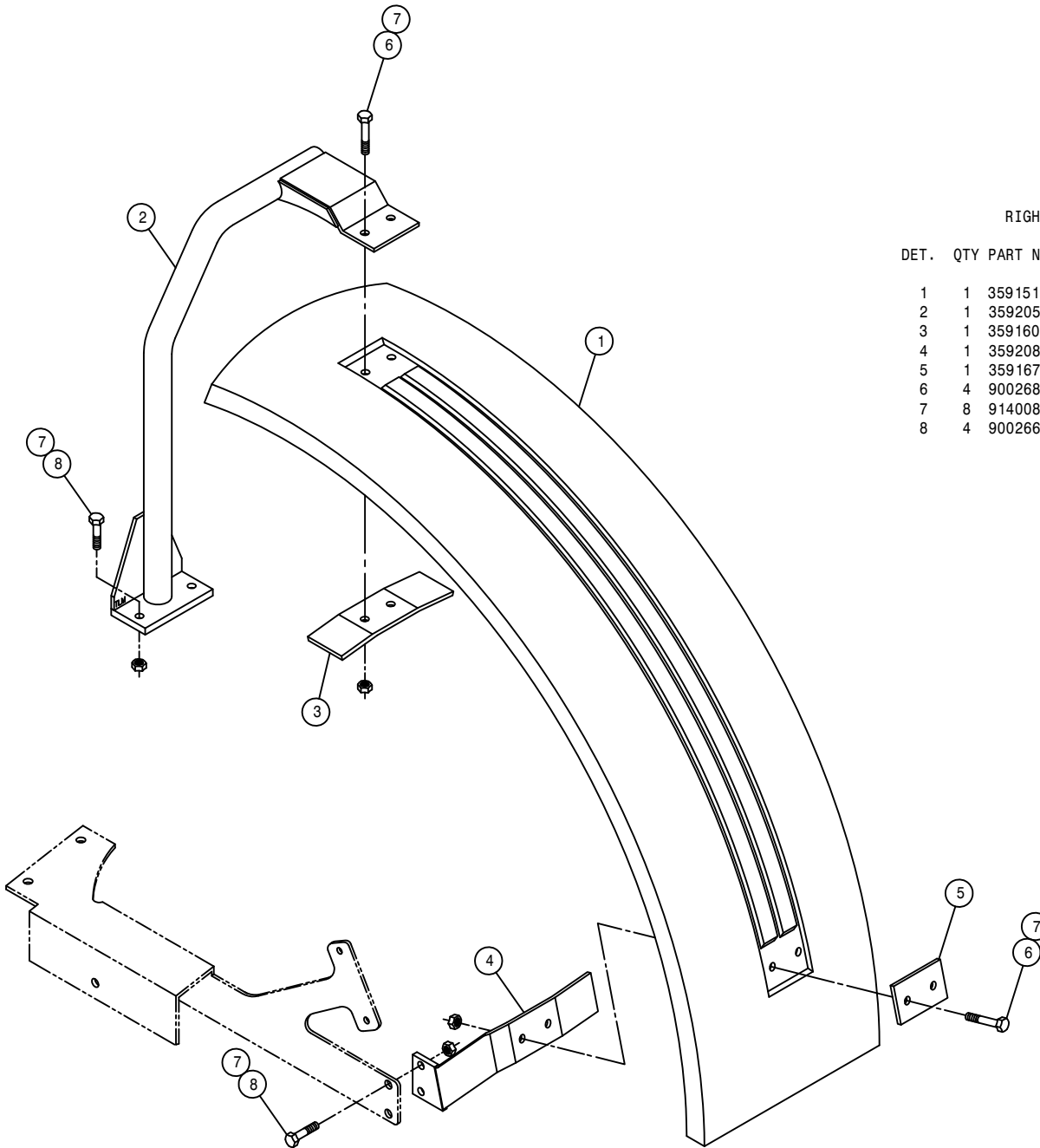




RADAR OPTION

DET. QTY PART NO. DESCRIPTION

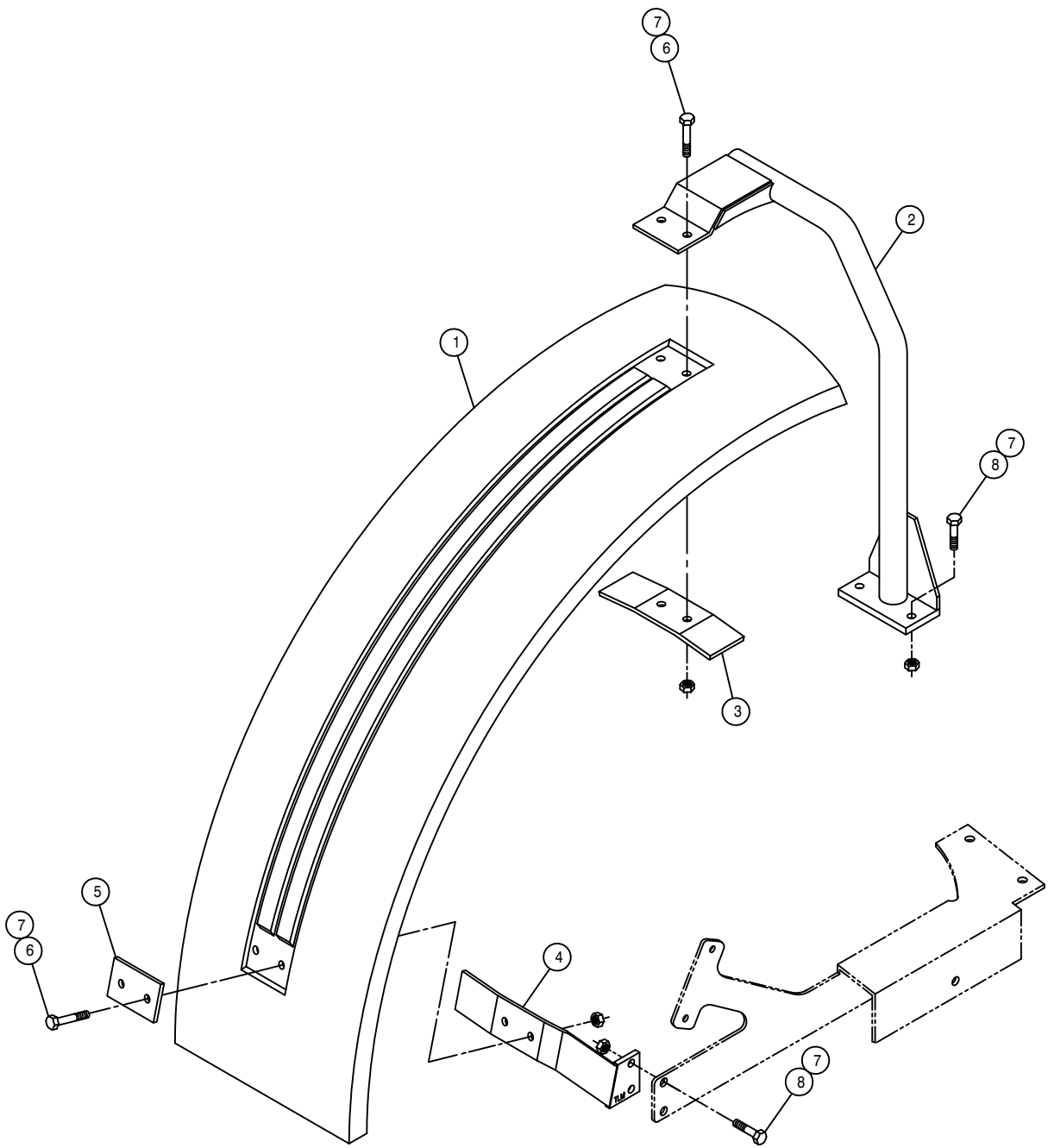
1	1	342857	RADAR MTG BRKT
2	1	690599	RAVEN RADAR UNIT W/CABLE
3	2	900129	3/8UNC X 1" HEX BOLT
4	2	914004	3/8UNC HEX STOVER NUT
5	2	920002	3/8 SAE FLAT WASHER



RIGHT FENDER ASSEMBLY

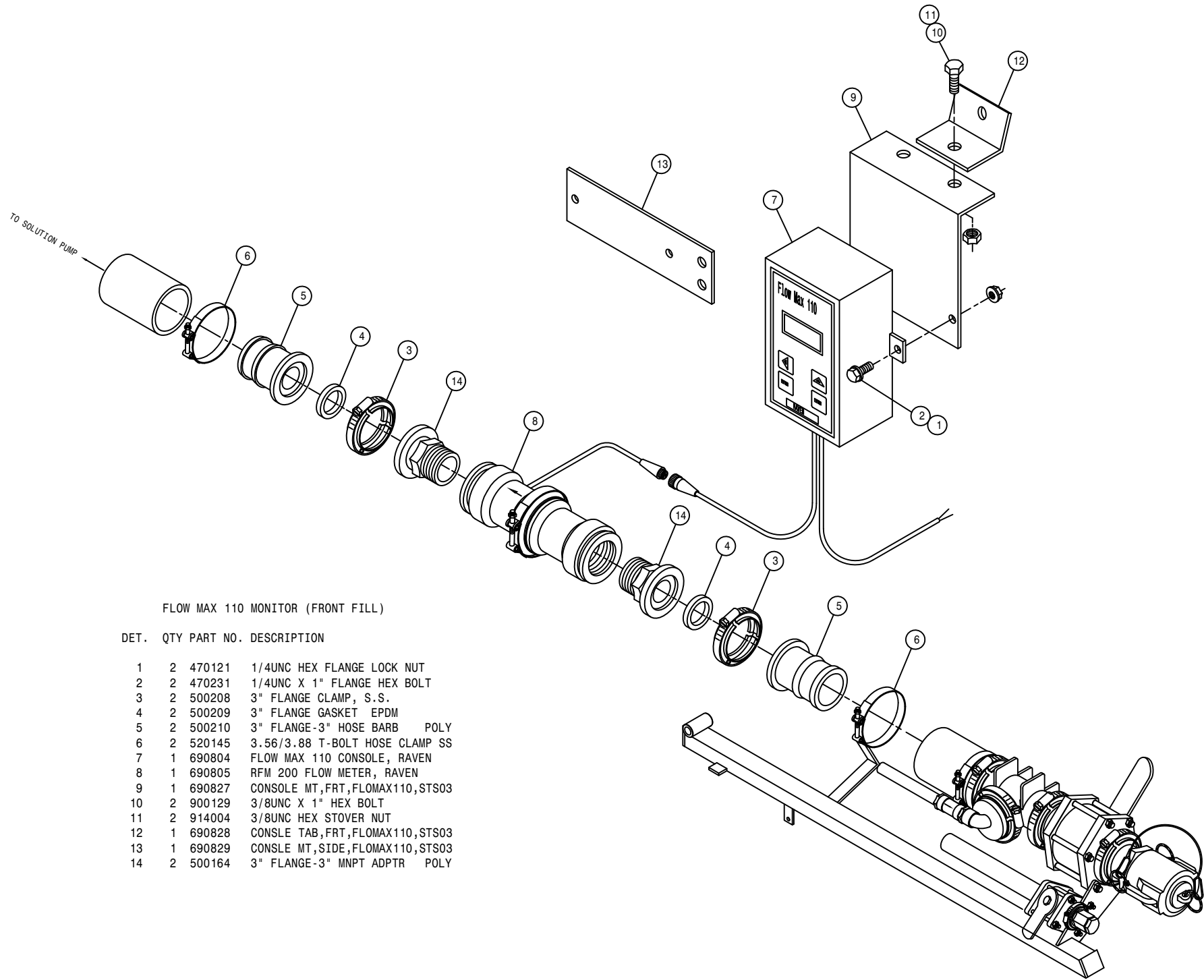
DET. QTY PART NO. DESCRIPTION

DET.	QTY	PART NO.	DESCRIPTION	
1	1	359151	FENDER, STS12	2000
2	1	359205	RH FENDER MT WLD STS	03
3	1	359160	FENDER MT KEEPER	STS12
4	1	359208	RH FENDER SUPP BRKT, STS	03
5	1	359167	FENDER SUPPP KEEPER	STS12
6	4	900268	1/2UNC X 2 1/2 HEX BOLT	
7	8	914008	1/2UNC HEX STOVER NUT	
8	4	900266	1/2UNC X 1 3/4 HEX BOLT	



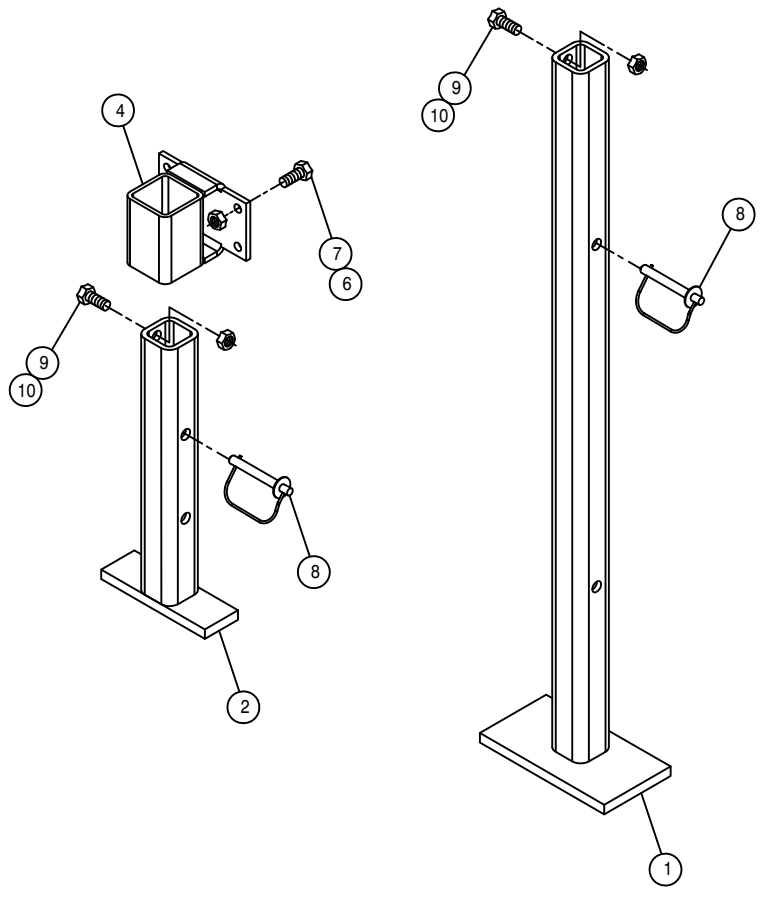
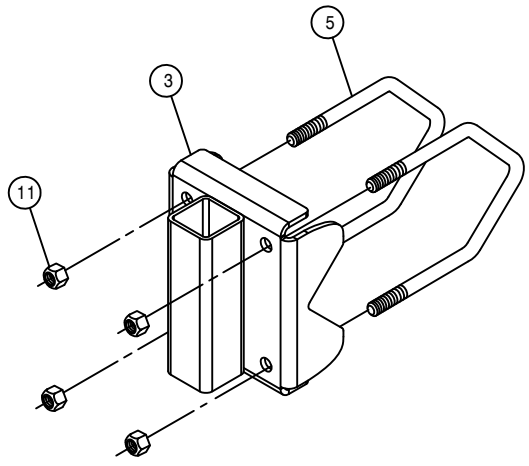
LEFT FENDER ASSEMBLY

DET.	QTY	PART NO.	DESCRIPTION	
1	1	359151	FENDER, STS12	2000
2	1	359206	LH FENDER MT WLD STS12	03
3	1	359160	FENDER MT KEEPER	STS12
4	1	359209	LH FENDER SUPP BRKT, STS	03
5	1	359167	FENDER SUPP KEEPER	STS12
6	4	900268	1/2UNC X 2 1/2 HEX BOLT	
7	8	914008	1/2UNC HEX STOVER NUT	
8	4	900266	1/2UNC X 1 3/4 HEX BOLT	



FLOW MAX 110 MONITOR (FRONT FILL)

DET.	QTY	PART NO.	DESCRIPTION
	1	2 470121	1/4UNC HEX FLANGE LOCK NUT
	2	2 470231	1/4UNC X 1" FLANGE HEX BOLT
	3	2 500208	3" FLANGE CLAMP, S.S.
	4	2 500209	3" FLANGE GASKET EPDM
	5	2 500210	3" FLANGE-3" HOSE BARB POLY
	6	2 520145	3.56/3.88 T-BOLT HOSE CLAMP SS
	7	1 690804	FLOW MAX 110 CONSOLE, RAVEN
	8	1 690805	RFM 200 FLOW METER, RAVEN
	9	1 690827	CONSOLE MT,FRT,FLOMAX110,STS03
	10	2 900129	3/8UNC X 1" HEX BOLT
	11	2 914004	3/8UNC HEX STOVER NUT
	12	1 690828	CONSLE TAB,FRT,FLOMAX110,STS03
	13	1 690829	CONSLE MT,SIDE,FLOMAX110,STS03
	14	2 500164	3" FLANGE-3" MNPT ADPTR POLY



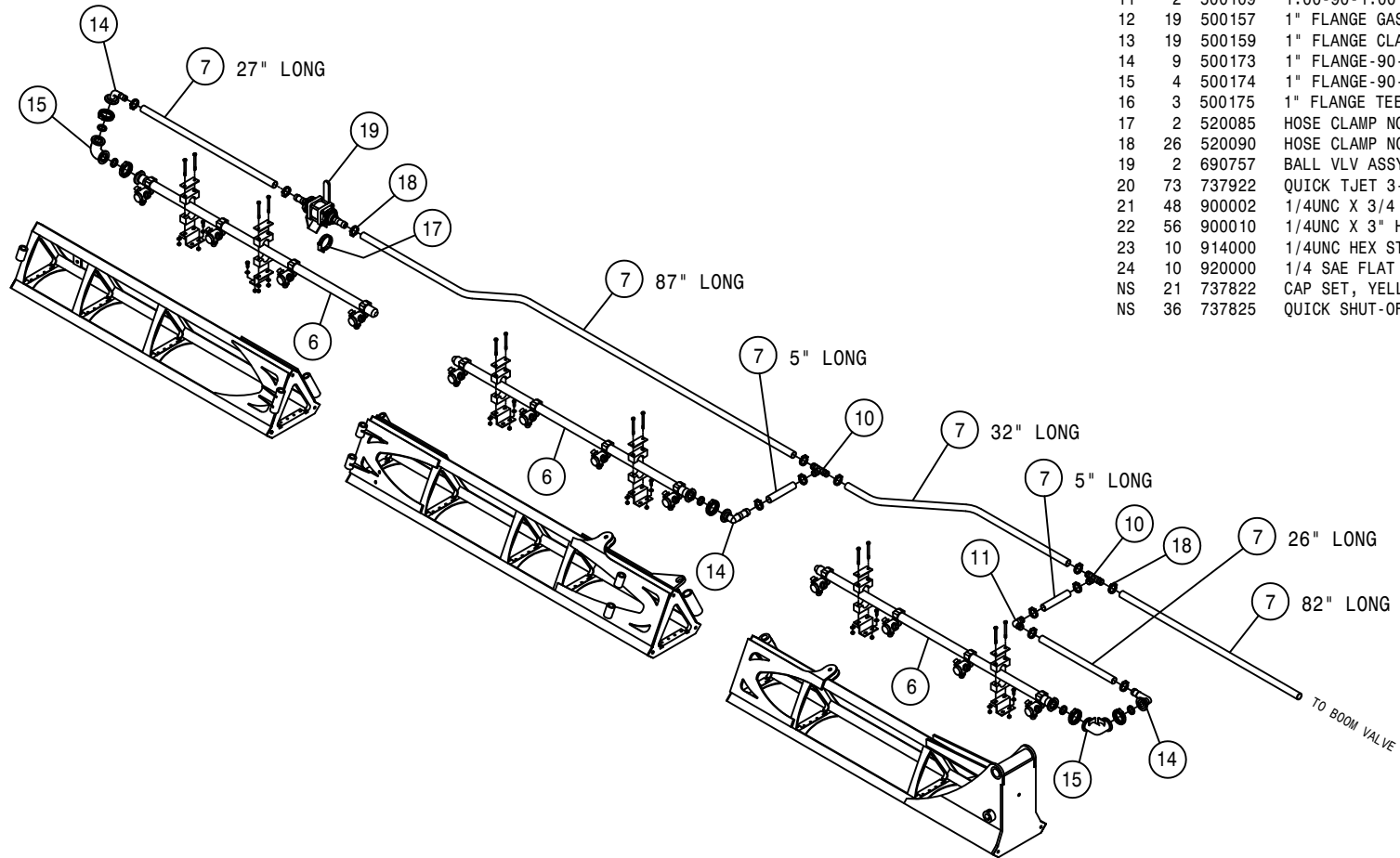
BOOM STAND OPTION

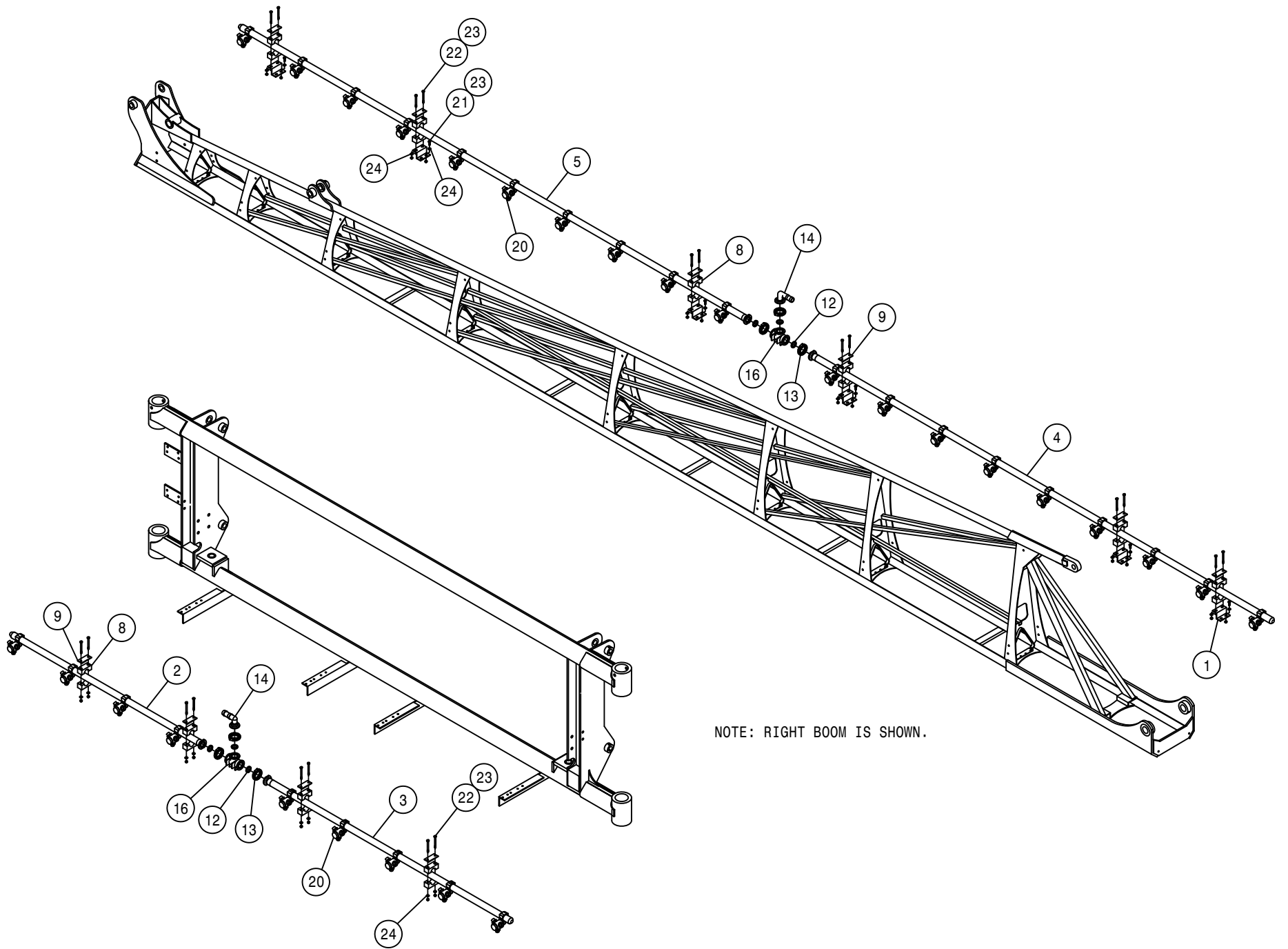
DET.	QTY	PART NO.	DESCRIPTION
1	2	164787	TRANSOM STAND POST WLD, STS 04
2	2	164794	BOOM STAND POST WLD, STS 04
3	2	164855	TRANSOM STAND MT WLD, STS 05
4	2	164857	MAIN BOOM JACKSTAND WLD, STS 05
5	4	438293	5/8UNC X 6 1/4 CTR U-BOLT TRI
6	8	470087	3/8UNC HEX FLANGE LOCK NUT
7	8	470329	3/8UNC X 1 1/4 FLANGE HEX BOLT
8	4	470361	SNAP LOCK PIN, 1/2 X 3 1/2
9	4	900263	1/2UNC X 1" HEX BOLT
10	4	914008	1/2UNC HEX STOVER NUT
11	8	914010	5/8UNC HEX STOVER NUT

15" SPACING 90' WET BOOM ASSEMBLY (STANDARD)

DET. QTY PART NO. DESCRIPTION

1	24	164859	CLAMP MT BRKT, WET BOOM, STS
2	1	164860	RH TRANSOM WET BOOM WLD, 15"
3	1	164862	LH TRANSOM WET BOOM WLD, 15"
4	2	164864	WET BOOM WLD,SECT-1 INNER,15"
5	2	164866	WET BOOM WLD,SECT-2 INNER,15"
6	6	164868	WET BOOM WLD,OUTER SECT,15"
7	46	197116	HOSE 1IN 1-FBR BR BLK EPDM
8	28	470375	TUBE CLAMP BODY,1.31 ID (PAIR)
9	28	470376	COVER PLATE FOR 470375
10	4	500105	1.00 HOSE BARB TEE, POLY
11	2	500109	1.00-90-1.00 HOSE BARB, POLY
12	19	500157	1" FLANGE GASKET EPDM
13	19	500159	1" FLANGE CLAMP, S.S.
14	9	500173	1" FLANGE-90-1" HOSE BARB POLY
15	4	500174	1" FLANGE-90-1" FLANGE LBOPOLY
16	3	500175	1" FLANGE TEE POLY
17	2	520085	HOSE CLAMP NO 24 STAINLESS
18	26	520090	HOSE CLAMP NO 16 STAINLESS
19	2	690757	BALL VLV ASSY,1"FLG-1"HBARB
20	73	737922	QUICK TJET 3-TIP BODY,1" SV
21	48	900002	1/4UNC X 3/4 HEX BOLT
22	56	900010	1/4UNC X 3" HEX BOLT
23	10	914000	1/4UNC HEX STOVER NUT
24	10	920000	1/4 SAE FLAT WASHER
NS	21	737822	CAP SET, YELLOW QUICK TEEJET
NS	36	737825	QUICK SHUT-OFF CAP



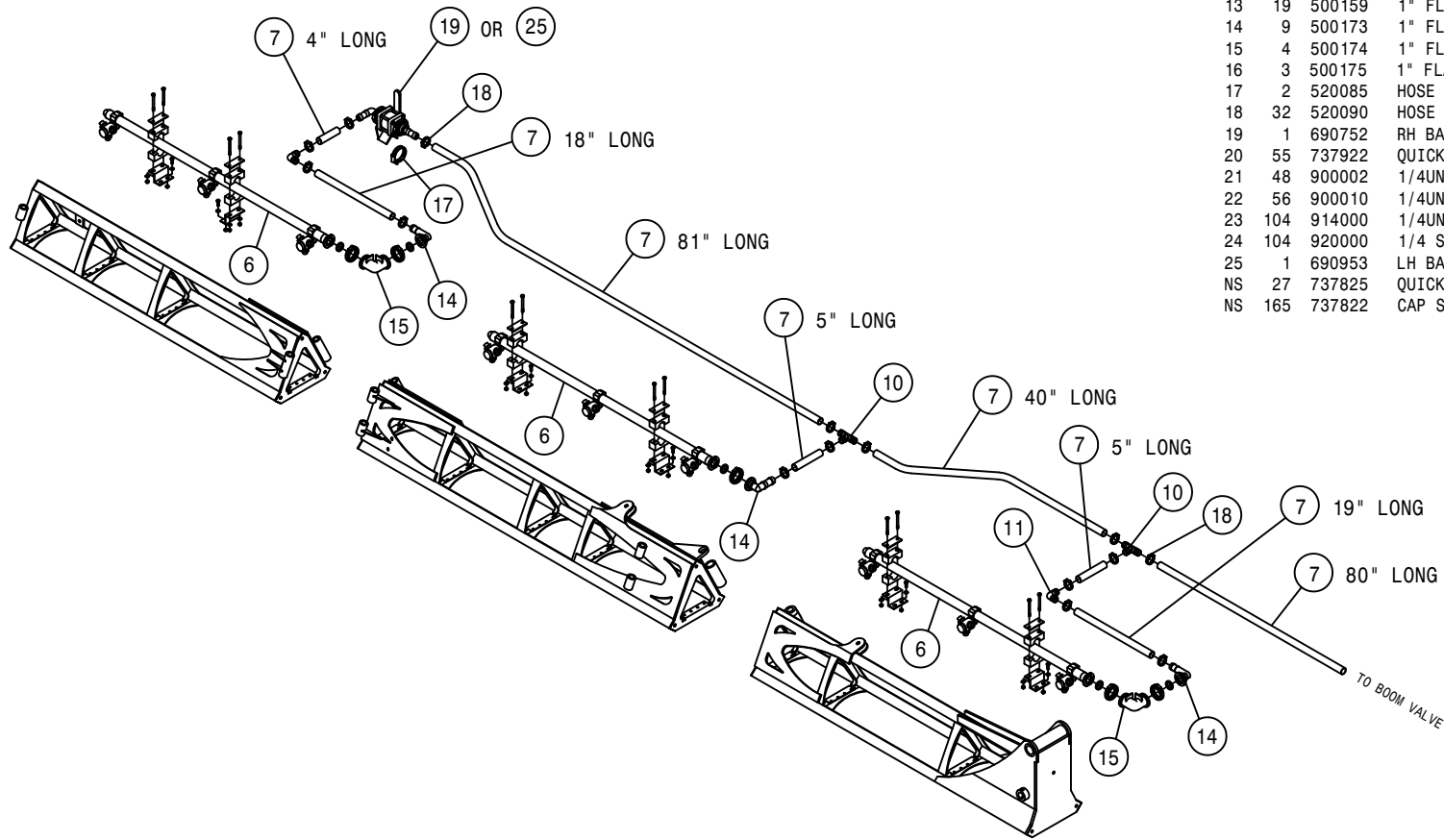


NOTE: RIGHT BOOM IS SHOWN.

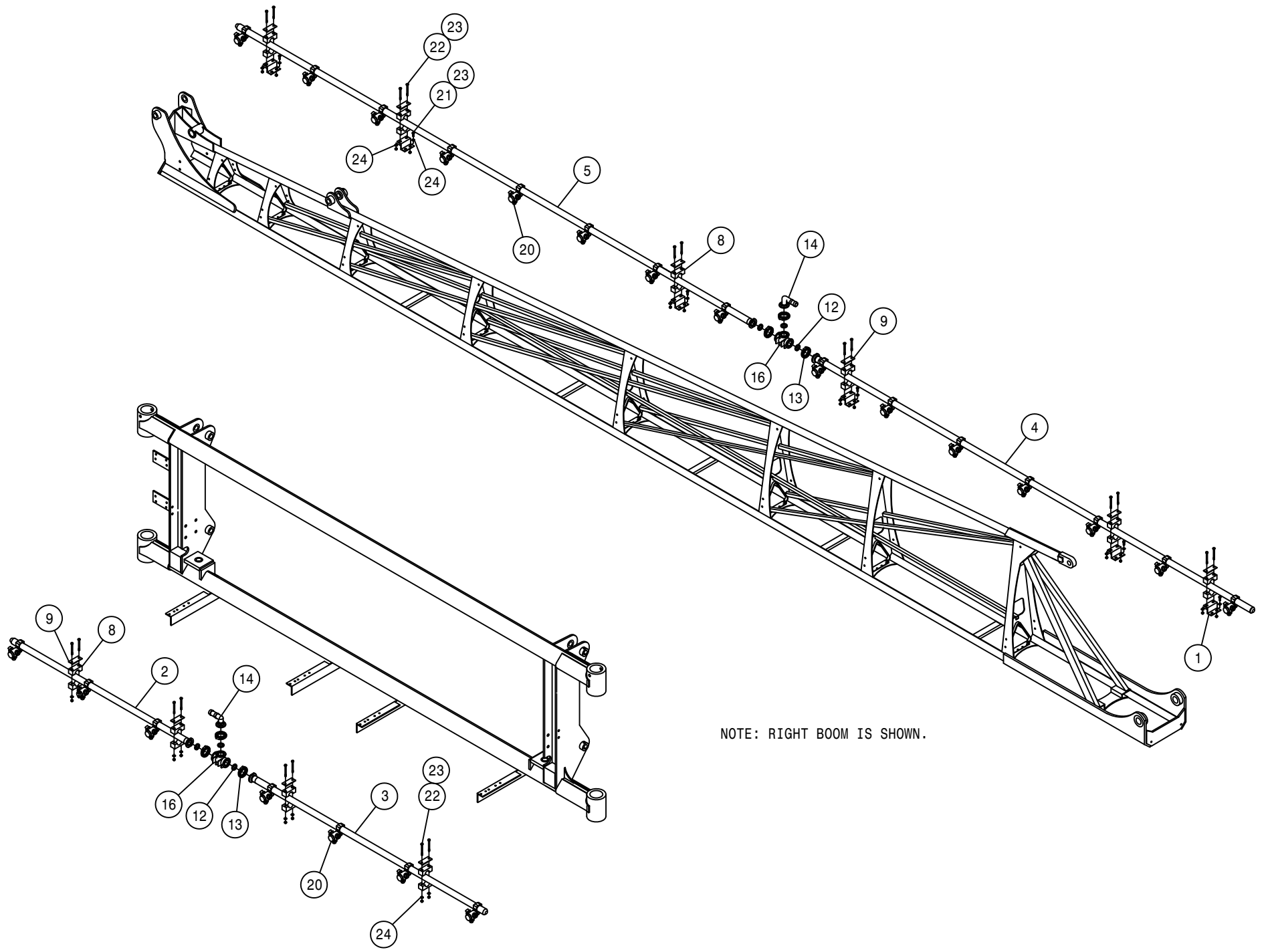
20" SPACING 90' WET BOOM ASSEMBLY (STANDARD)

DET. QTY PART NO. DESCRIPTION

DET.	QTY	PART NO.	DESCRIPTION
1	24	164859	CLAMP MT BRKT, WET BOOM, STS
2	1	164870	RH TRANSOM WET BOOM WLD, 20"
3	1	164872	LH TRANSOM WET BOOM WLD, 20"
4	2	164874	WET BOOM WLD,SECT-1 INNER,20"
5	2	164876	WET BOOM WLD,SECT-2 INNER,20"
6	6	164878	WET BOOM WLD,OUTER SECT,20"
7	46	197116	HOSE 1IN 1-FBR BR BLK EPDM
8	28	470375	TUBE CLAMP BODY, 1.00 (PAIR)
9	28	470376	COVER PLATE FOR 470375
10	4	500105	1.00 HOSE BARB TEE, POLY
11	2	500109	1.00-90-1.00 HOSE BARB, POLY
12	19	500157	1" FLANGE GASKET EPDM
13	19	500159	1" FLANGE CLAMP, S.S.
14	9	500173	1" FLANGE-90-1" HOSE BARB POLY
15	4	500174	1" FLANGE-90-1" FLANGE LBOPOLY
16	3	500175	1" FLANGE TEE POLY
17	2	520085	HOSE CLAMP NO 24 STAINLESS
18	32	520090	HOSE CLAMP NO 16 STAINLESS
19	1	690752	RH BALL VLV ASSY,STD VOL 90'
20	55	737922	QUICK TJET 3-TIP BODY,1" SV
21	48	900002	1/4UNC X 3/4 HEX BOLT
22	56	900010	1/4UNC X 3" HEX BOLT
23	104	914000	1/4UNC HEX STOVER NUT
24	104	920000	1/4 SAE FLAT WASHER
25	1	690953	LH BALL VLV ASSY,STD VOL 90'
NS	27	737825	QUICK SHUT-OFF CAP
NS	165	737822	CAP SET, YELLOW QUICK TEEJET



TO BOOM VALVE

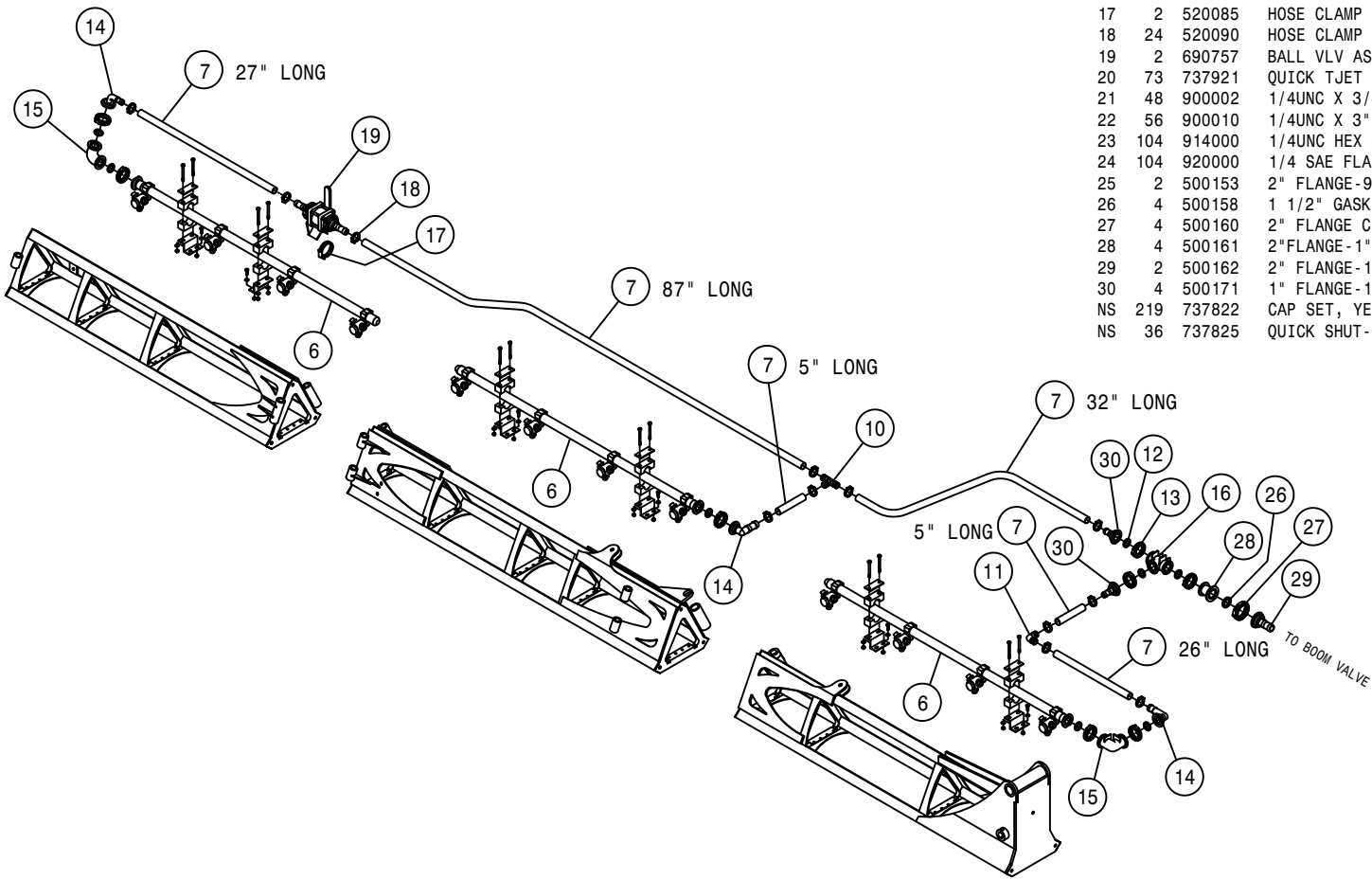


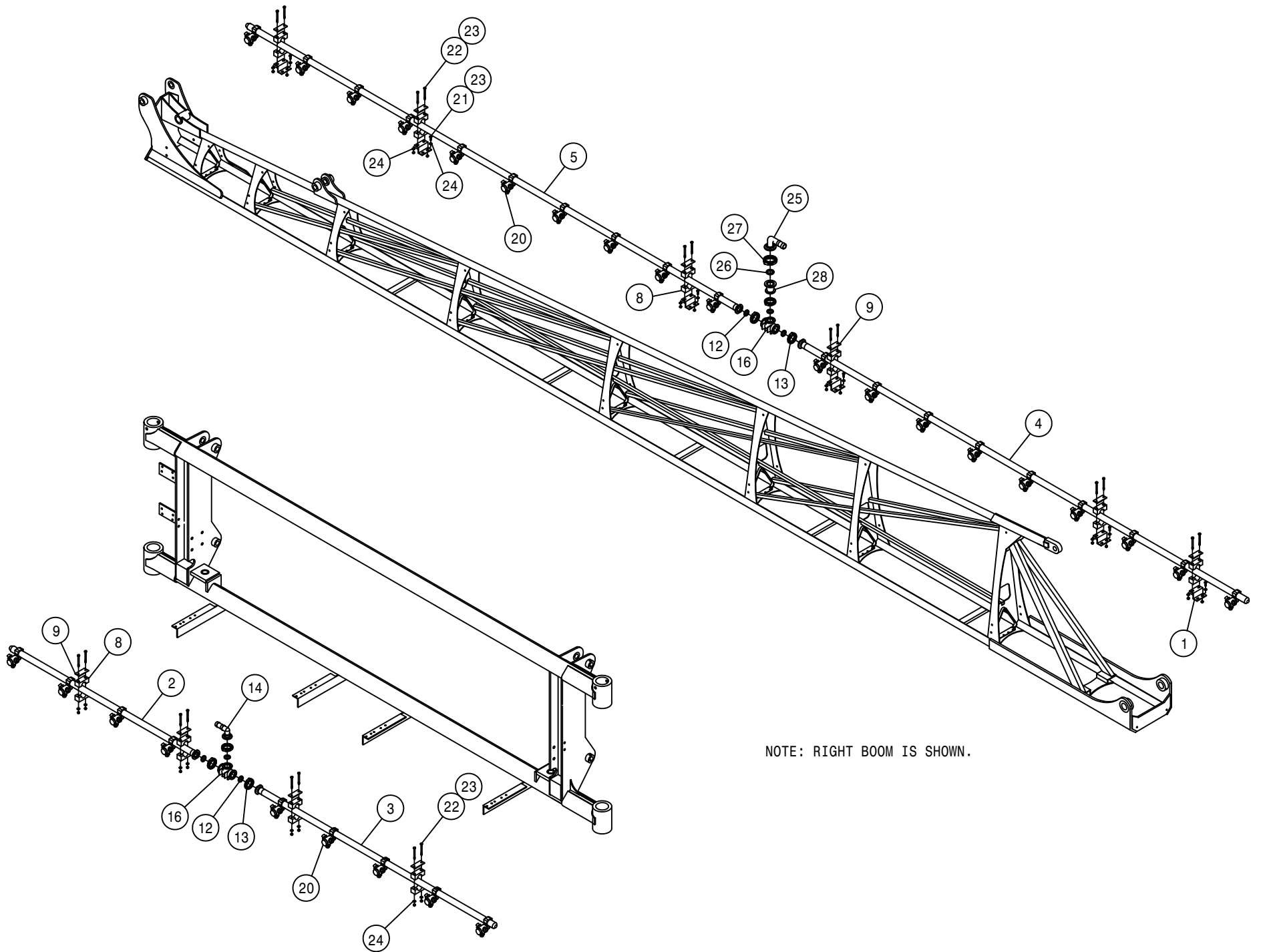
NOTE: RIGHT BOOM IS SHOWN.

15" SPACING 90' WET BOOM ASSEMBLY (HI VOLUME)

DET. QTY PART NO. DESCRIPTION

1	24	164859	CLAMP MT BRKT, WET BOOM, STS
2	1	164860	RH TRANSOM WET BOOM WLD, 15"
3	1	164862	LH TRANSOM WET BOOM WLD, 15"
4	2	164864	WET BOOM WLD,SECT-1 INNER,15"
5	2	164866	WET BOOM WLD,SECT-2 INNER,15"
6	6	164868	WET BOOM WLD,OUTER SECT,15"
7	46	197116	HOSE 1IN 1-FBR BR BLK EPDM
8	28	470375	TUBE CLAMP BODY, 1.00 (PAIR)
9	28	470376	COVER PLATE FOR 470375
10	2	500105	1.00 HOSE BARB TEE, POLY
11	2	500109	1.00-90-1.00 HOSE BARB, POLY
12	25	500157	1" FLANGE GASKET EPDM
13	25	500159	1" FLANGE CLAMP, S.S.
14	7	500173	1" FLANGE-90-1" HOSE BARB POLY
15	4	500174	1" FLANGE-90-1" FLANGE LBOPOLY
16	5	500175	1" FLANGE TEE POLY
17	2	520085	HOSE CLAMP NO 24 STAINLESS
18	24	520090	HOSE CLAMP NO 16 STAINLESS
19	2	690757	BALL VLV ASSY,1"FLG-1"HBARB
20	73	737921	QUICK TJET 3-TIP BODY,1" HV
21	48	900002	1/4UNC X 3/4 HEX BOLT
22	56	900010	1/4UNC X 3" HEX BOLT
23	104	914000	1/4UNC HEX STOVER NUT
24	104	920000	1/4 SAE FLAT WASHER
25	2	500153	2" FLANGE-90-1 1/2 HBARB POLY
26	4	500158	1 1/2" GASKET FOR 2" FLANGE
27	4	500160	2" FLANGE CLAMP, S.S.
28	4	500161	2"FLANGE-1"FLANGE COUPLER,POLY
29	2	500162	2" FLANGE-1 1/2 HOSE BARB POLY
30	4	500171	1" FLANGE-1" HOSE BARB POLY
NS	219	737822	CAP SET, YELLOW QUICK TEEJET
NS	36	737825	QUICK SHUT-OFF CAP



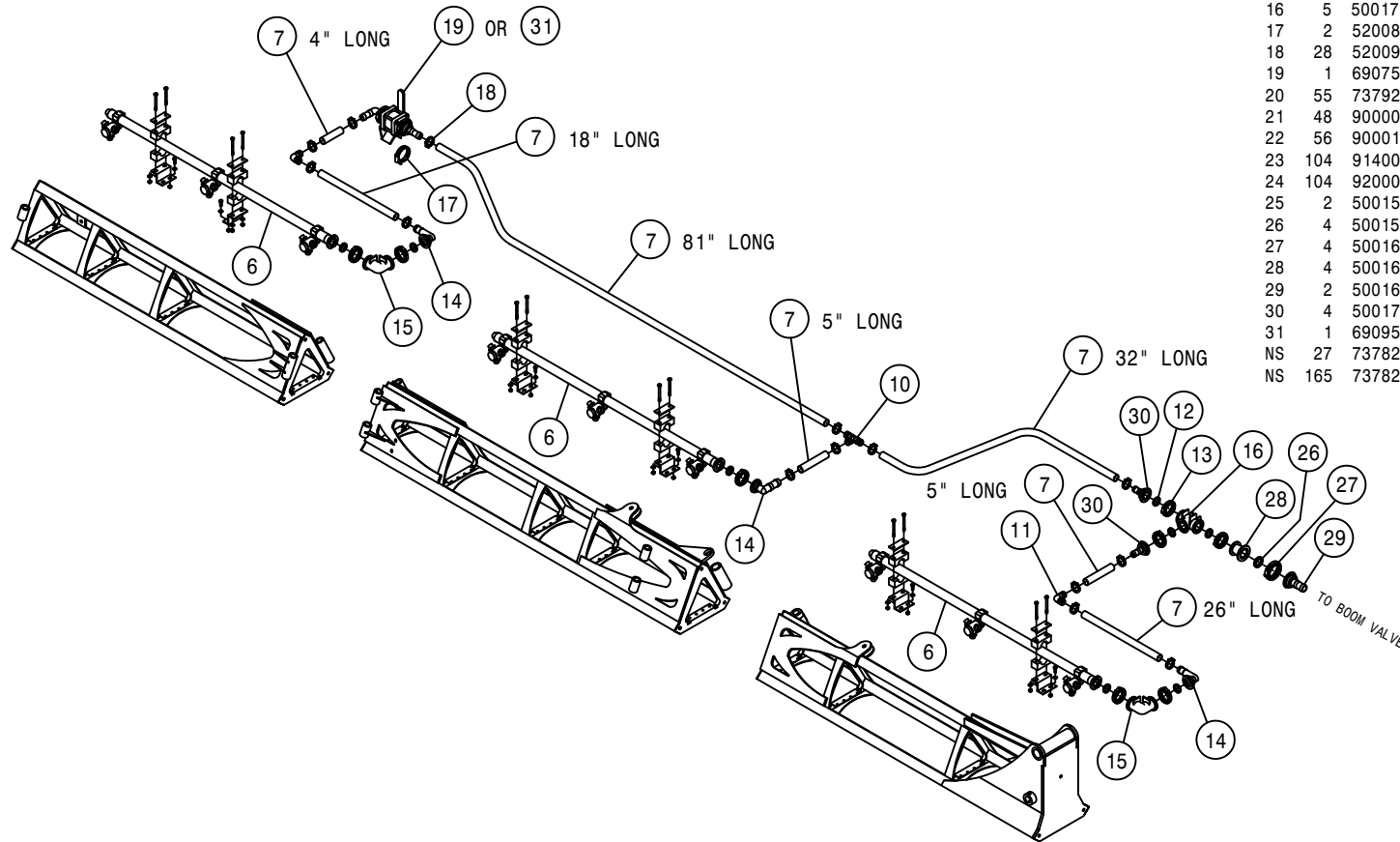


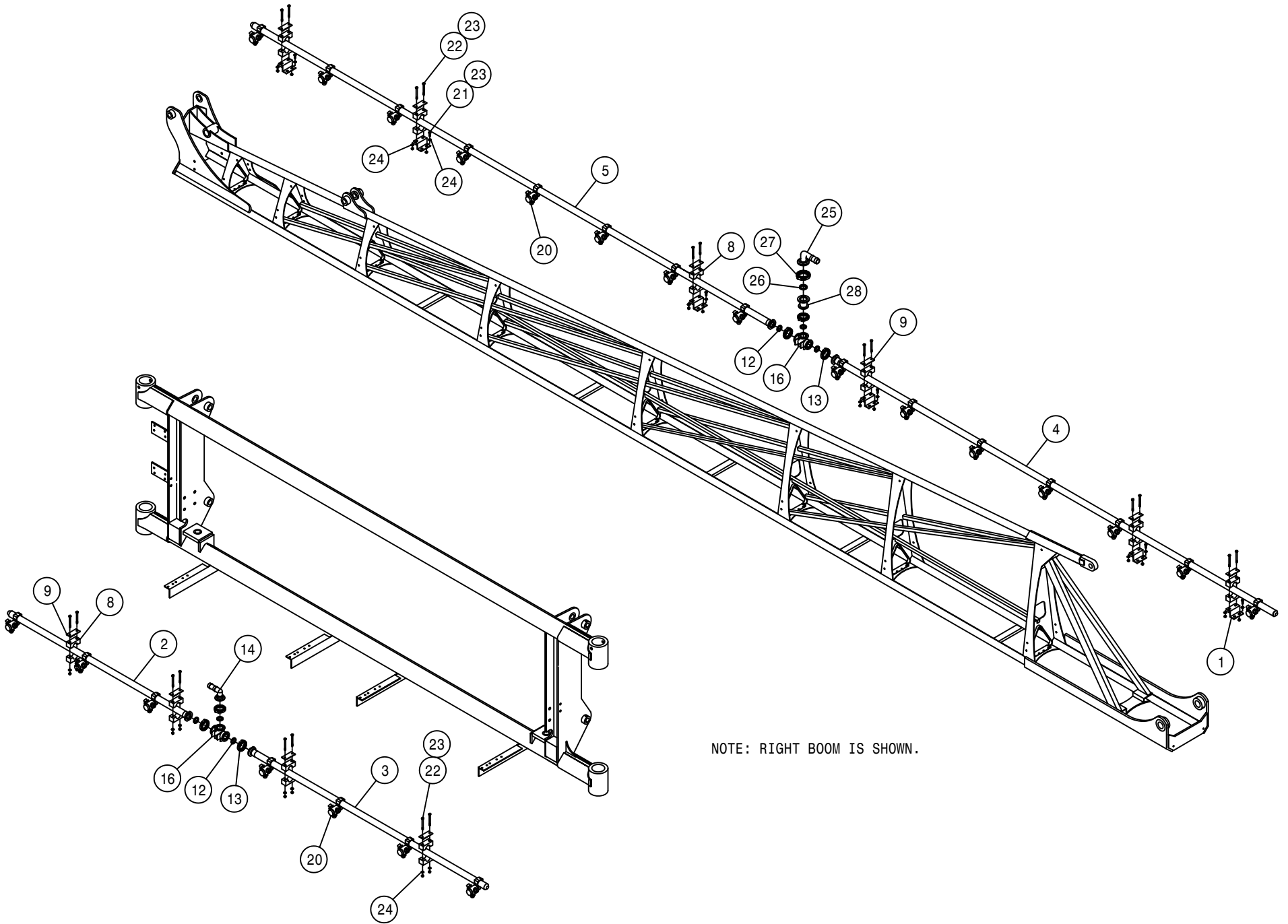
NOTE: RIGHT BOOM IS SHOWN.

20" SPACING 90' WET BOOM ASSEMBLY (HI VOLUME)

DET. QTY PART NO. DESCRIPTION

DET.	QTY	PART NO.	DESCRIPTION
1	24	164859	CLAMP MT BRKT, WET BOOM, STS
2	1	164870	RH TRANSOM WET BOOM WLD, 20"
3	1	164872	LH TRANSOM WET BOOM WLD, 20"
4	2	164874	WET BOOM WLD,SECT-1 INNER,20"
5	2	164876	WET BOOM WLD,SECT-2 INNER,20"
6	6	164878	WET BOOM WLD,OUTER SECT,20"
7	46.2	197116	HOSE 1IN 1-FBR BR BLK EPDM
8	28	470375	TUBE CLAMP BODY, 1.00 (PAIR)
9	28	470376	COVER PLATE FOR 470375
10	2	500105	1.00 HOSE BARB TEE, POLY
11	2	500109	1.00-90-1.00 HOSE BARB, POLY
12	25	500157	1" FLANGE GASKET EPDM
13	25	500159	1" FLANGE CLAMP, S.S.
14	7	500173	1" FLANGE-90-1" HOSE BARB POLY
15	4	500174	1" FLANGE-90-1" FLANGE LBOPOLY
16	5	500175	1" FLANGE TEE POLY
17	2	520085	HOSE CLAMP NO 24 STAINLESS
18	28	520090	HOSE CLAMP NO 16 STAINLESS
19	1	690756	RH BALL VLV ASSY,HI VOL 90'
20	55	737921	QUICK TJET 3-TIP BODY,1" HV
21	48	900002	1/4UNC X 3/4 HEX BOLT
22	56	900010	1/4UNC X 3" HEX BOLT
23	104	914000	1/4UNC HEX STOVER NUT
24	104	920000	1/4 SAE FLAT WASHER
25	2	500153	2" FLANGE-90-1 1/2 HBARB POLY
26	4	500158	1 1/2" GASKET FOR 2" FLANGE
27	4	500160	2" FLANGE CLAMP, S.S.
28	4	500161	2"FLANGE-1"FLANGE COUPLER,POLY
29	2	500162	2" FLANGE-1 1/2 HOSE BARB POLY
30	4	500171	1" FLANGE-1" HOSE BARB POLY
31	1	690957	LH BALL VLV ASSY,HI VOL 90'
NS	27	737825	QUICK SHUT-OFF CAP
NS	165	737822	CAP SET, YELLOW QUICK TEEJET





NOTE: RIGHT BOOM IS SHOWN.

NOTICE

The following page contains decals for the model STS 12.

These decals can be obtained from Hagie Mfg. Co. and should be used whenever your machine is repainted or when the decals become worn, weathered, or faded.

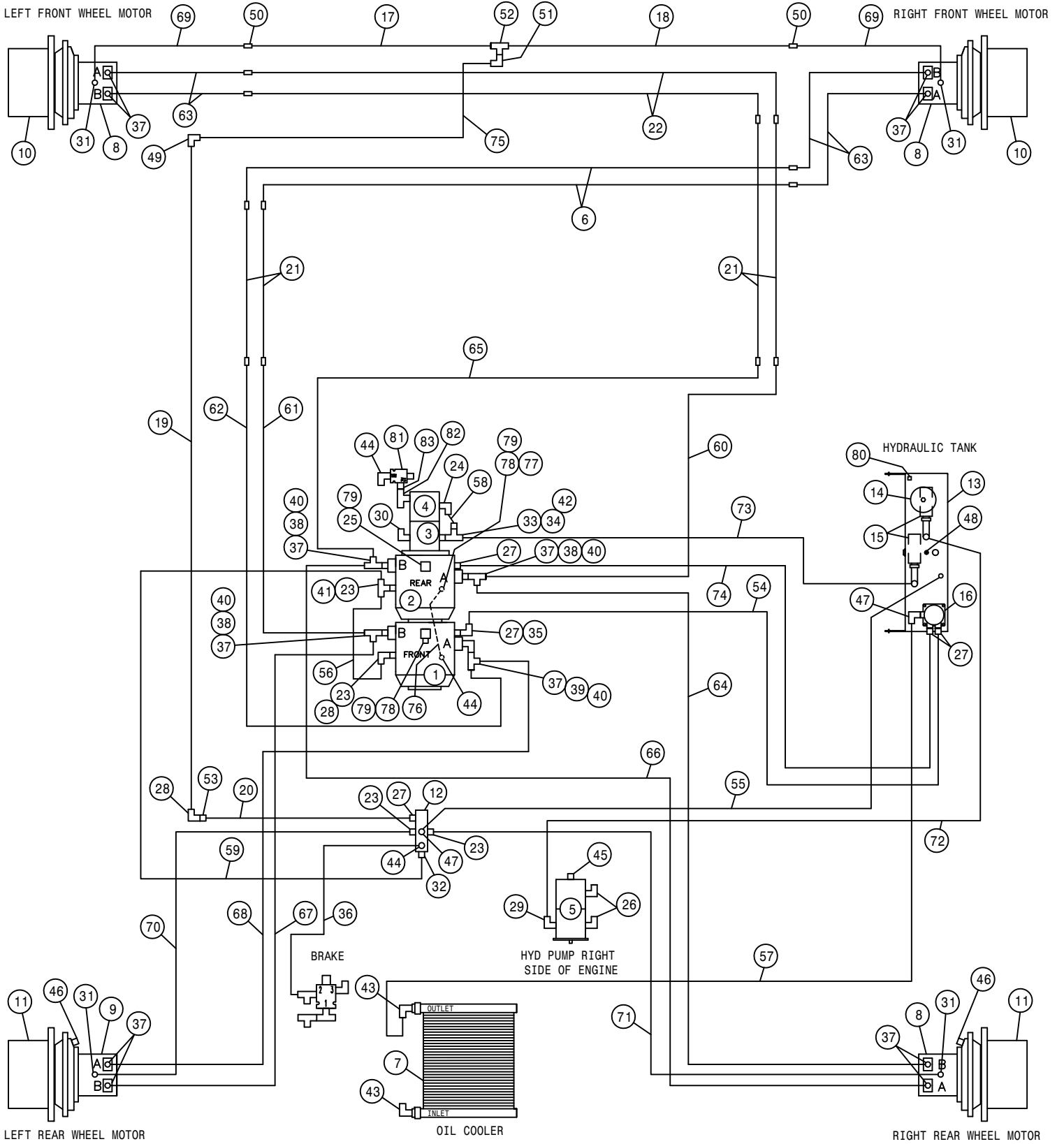
Special attention should be paid to decals involving personal safety. They have been attached for your protection.

KEEP THEM IN PLACE.

**Contact: Hagie Manufacturing Co.
Box 273
Clarion, Iowa 50525**

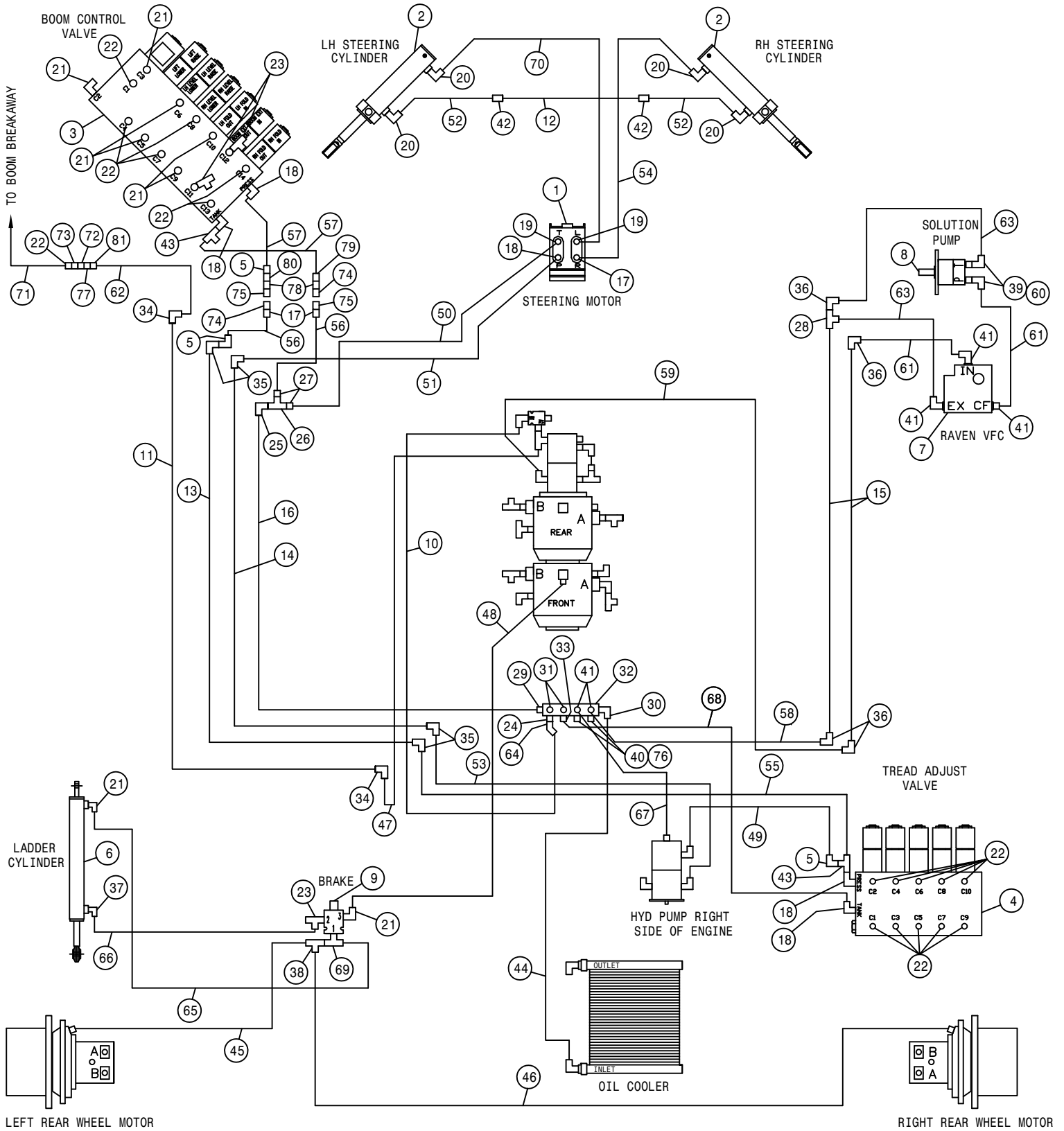
STS12 DECALS

QTY.	PART NO.	DESCRIPTION	LOCATION
4	650103	TREAD ADJUST INDICATOR DECAL	1-ON EACH LEG SLIDE TUBE
1	650107	CAUTION BOOSTER DECAL	NEAR BOOSTER POSTS
1	650114	FILL WITH FRESH WATER DECAL	ON FRESH WATER TANK
1	650115	HAND WASH ONLY DECAL	NEAR HAND WASH VALVE
1	650116	INDUCTOR FILL INSTRUCTION DECAL	ON SIDE OF FILL ARM
1	650118	DO NOT USE EITHER DECAL	NEAR AIR INTAKE ON SHEET METAL
1	650125	AGITATOR RATE IND DECAL	ON KZCO AGITATION VALVE
1	650132	CUMMINS POWER DECAL	LOCATED ON ENGINE HOOD
2	650136	CAUTION QUICK ATTACK PIN DECAL	1-EA ON FRONT CROSSMEMBER BY Q-ATTACH
1	650141	ENGINE COMPARTMENT DECAL SET	ON ENGINE HOOD
2	650144	LOGO, SOLUTION TANK DECAL	ON EACH SIDE SOLUTION TANK
1	650146	HAGIE UPFRONT DECAL	ON LOWER FRONT WINDSHIELD
1	650148	MDM BEZEL, STS DECAL	ON MDM DISPLAY
1	650152	SIGHT GAUGE, 1200G SS DECAL	ON SOLUTION TANK
1	650154	PATENTS,HAGIE UPFRONT DECAL	ON LOWER LEFT REAR OF MAINFRAME
1	650155	SIDE FILL CONTROL DECAL	ON SIDE FILL SWITCH BOX
1	650156	PRESS WASH CONTROL DECAL	ON PRESS WASHER SWITCH BOX
1	650157	HYDROSTATIC STS CAB DECAL	ON CONSOLE
1	650158	SPEED CONTROL STS CAB DECAL	ON CONSOLE
1	650159	THROTTLE, BRAKE, PUMP DECAL	ON CONSOLE
1	650160	SPRAY SELECT STS DECAL	ON CONSOLE
1	650161	BOOM, FLOAT, TREAD ADJUST DECAL	ON CONSOLE
1	650162	FUSE & RELAY DECAL	ON CONSOLE
1	650163	POWER POINT DECAL	ON CONSOLE
1	650164	NO PASSNGR/NOT NEAR LEAK DECAL	ON LEFT UPPER REAR POST
1	650165	PWR LINE/BM FOLD/GLASS DECAL	ON RIGHT REAR UPPER CAB POST
1	650167	BOOM MODULE PINOUT DECAL	INSIDE ELECT LIFT ARM COVER
1	650168	LIGHT/FLASHER-FUSE/RELAY DECAL	ON FLASHER/LIGHT RELAY PANEL
1	650169	REAR MODULE PINOUTS DECAL	INSIDE REAR ELECTRICAL BOX
1	650170	ENGINE ELECTRICAL BOX DECAL	INSIDE ENGINE ELECTRICAL BOX
1	650176	CAUTION, CAB CHEM EXPOSER DECAL	ON UPPER RIGHT SIDE WINDOW
2	650339	WARNING, HYD OIL INJ DECAL	1-ON SIDE OF OIL TANK
1	650348	NOTICE DRAIN AIR TANK DECAL	ON AIR TANK
1	650377	NOTICE-R134A 3LB DECAL	1-NEAR ELECTIC VALVE ON TRANSOM RH SIDE OF ENGINE ON FRAME
1	650367	AIR FILTER INSTRUCTION DECAL	ON ENGINE AIR FILTER END CAP
1	650372	MAIN ELECTRICAL DISCONNECT DECAL	NEAR BOOSTER POSTS
1	650848	CAUTION, SLIP OR FALL DECAL	ON LADDER PIVOT TUBE
1	650849	CAUTION, ENGINE FUEL DECAL	NEAR FUEL TANK NECK
1	650850	DANGEROUS CHEM DECAL	SOLUTION TANK FILLER NECK
1	650851	SHIELDS DECAL	ON LOWER LH REAR MAINFRAME TUBE
1	650954	DIESEL DECAL	NEAR FUEL TANK NECK
1	650981	COOLING SYSTEM DECAL	NEAR RADIATOR CAP.
1	650982	ELECTRICAL DECAL	ON RH CAB DOOR
4	650985	WHEEL BOLT TORQUE DECAL	ON EACH WHEEL RIM



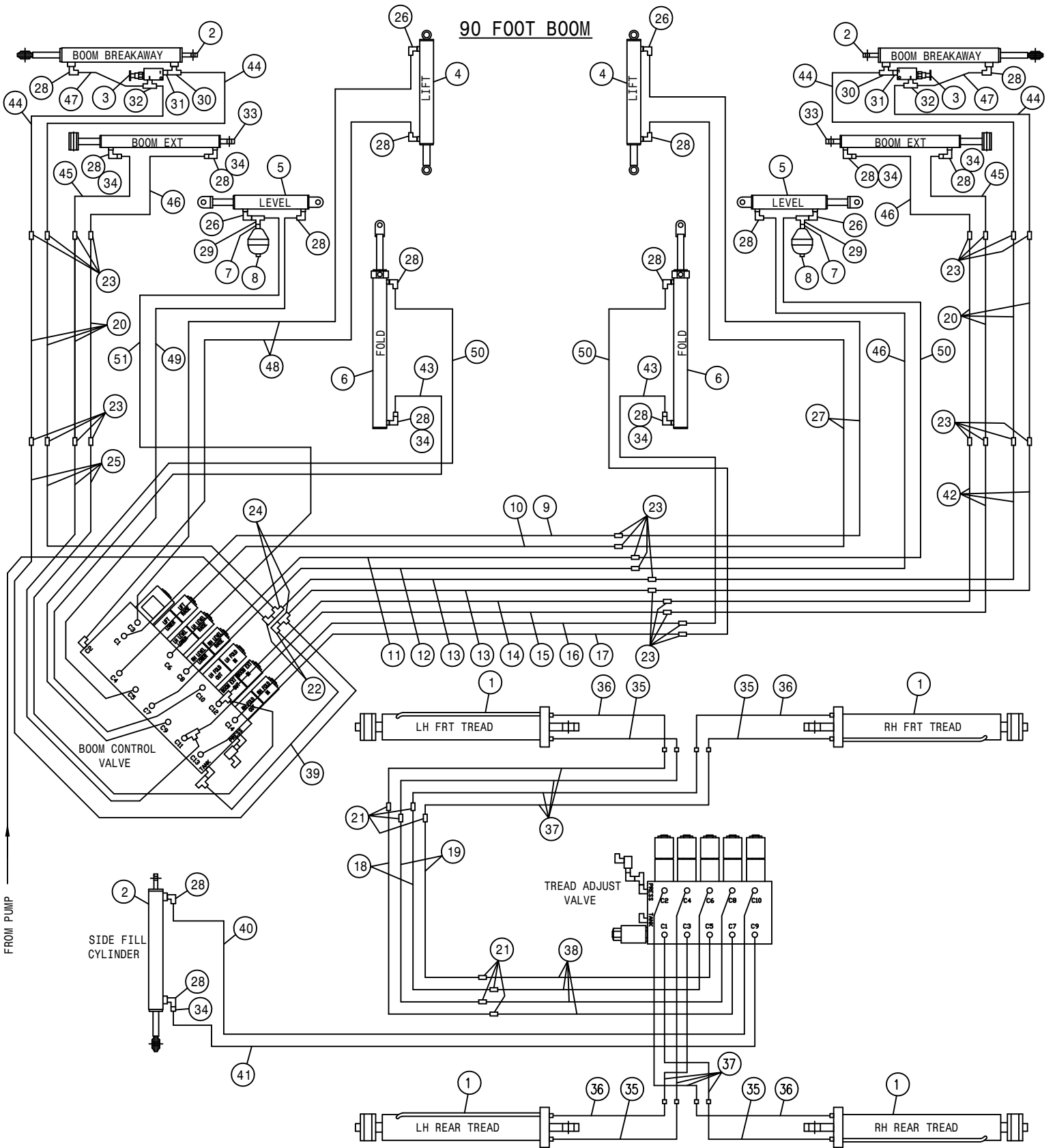
STS12 HYDRAULIC SCHEMATIC 2006
REFERENCE DRAWING NO. 498897S1

DET.	QTY	PART NO.	DESCRIPTION	DET.	QTY	PART NO.	DESCRIPTION
1	1	606173	SAUER 75CC PUMP,C/C-MT	05	43	2	618463 1 5/16MJIC-90-1 5/16MOR XL LBO
2	1	606176	SAUER 75CC PUMP,C/B-MT	05	44	3	618119 9/16MJIC-90-9/16MOR LBO
3	1	606984	SUND GEAR PUMP,2.02CI GRP3	45	1	618315 3/4MJIC-45-3/4MOR LBO	
4	1	606987	SUND GEAR PUMP,.128CI GRP3	46	2	618666 7/16MJIC-M12X1.5MOR ADPTR	
5	1	606990	TANDEM PUMP, .66CI/.51CI	47	2	618477 1 5/8MJIC-90-1 5/8MOR LBO	
6	2	615820	LH FRT WHL MAIN HYD TUBE ASSY	48	1	470308 1/2MNPT DRAIN PLUG,AL HD,MAG	
7	1	618800	OIL COOLER STS12	2000	49	1	618448 1 1/16MJIC-90-1 1/16MJIC LBO
8	3	606180	SAUER HYD WHL MOTOR	05	50	2	618456 7/8MJIC UNION
9	1	606183	SAUER HYD WHL MOTOR W/SEN	05	51	1	618301 7/8MJIC-90-7/8FJIC SWIV LBO
10	2	610711	TORQ HUB, 22:1 CW12	52	1	618581 7/8MJIC UNION TEE	
11	2	610714	TORQ HUB, 27:1 CW12	53	1	618722 1 5/16-1 1/16MJIC REDU UNION	
12	1	606041	HYD RETURN MANIFOLD	54	1	616236 16-451TC-16FJX-16FJX-56 H/A	
13	1	760288	HYD TANK WLD, STS	04	55	1	616239 20-421-20FJX-20FJX90-70 H/A
14	1	470362	6" HOLE COVER	56	1	616107 08-451TC-12FJX-12FJX-17 H/A	
15	2	605620	SUMP STRAINER,50GPM,100M,1.5NP	57	1	616241 20-421-16FJX-20FJX-160 H/A	
16	1	605618	HYD TANK FILTER, 10M HYDAC	58	1	616243 06-451TC-08FJX-08FJX-17 H/A	
17	1	615823	LH FRT CASEDRAIN HYD TUBE ASSY	59	1	616238 12-421-12FJX-12FJX-19 H/A	
18	1	615822	RH FRT CASEDRAIN HYD TUBE ASSY	60	1	616061 16C15-16FFOX-16FFOX-30 H/A	
19	1	615778	FRT CASE DRAIN HYD TUBE ASSY	61	1	616062 16C15-16FFOX-16FFOX-58 H/A	
20	1	615779	CASE DRAIN HYD TUBE ASSY	62	1	616063 16C15-16FFOX-16FFOX90-81 H/A	
21	4	615785	FRT WHL MAIN HYD TUBE ASSY	63	4	616064 16C15-16FLG-16FFOX-132 H/A	
22	2	615821	RH FRT WHL MAIN HYD TUBE ASSY	64	1	616065 16C15-16FLG-16FFOX-165 H/A	
23	4	611127	1 1/16MJIC-1 1/16MOR ADPTR	65	1	616066 16C15-16FFOX90-16FFOX90-38 H/A	
24	1	618241	3/4MJIC-90-3/4MOR LBO	66	1	616067 16C15-16FLG-16FFOX90-193 H/A	
25	1	618126	9/16MJIC-9/16MOR ADPTR	67	1	616068 16C15-16FLG-16FFOX90-203 H/A	
26	2	618183	3/4MJIC-90-7/8MOR LBO	68	1	616069 16C15-16FLG-16FFOX90-223 H/A	
27	5	618186	1 5/16MJIC-1 5/16MOR ADPTR	69	2	616103 08-451TC-08FJX-10FJX-136 H/A	
28	2	618191	1 1/16MJ-90-1 1/16FJ SWIV LBO	70	1	616245 08-451TC-08FJX-12FJX-178 H/A	
29	1	618248	1 1/16MJIC-90-1 1/16MOR LBO	71	1	616106 08-451TC-08FJX-12FJX-175 H/A	
30	1	618302	1 1/16MJIC-90-1 5/16MOR LBO	72	1	616237 16-451TC-12FJX-20FJX90-119 H/A	
31	4	618327	3/4MJIC-7/8MOR ADPTR	73	1	616242 24-881-24FJX-24FJX90-55 H/A	
32	1	618308	1 1/16MJIC-1 5/16MOR ADPTR	74	1	616235 16-451TC-16FJX-16FJX-50 H/A	
33	1	618527	1 7/8MJIC-1 5/8MOR ADPTR	75	1	616113 10-421-10FJX-12FJX-55 H/A	
34	1	618681	1 7/8FJ SW RUN TEE-1 7/8MJ	76	1	616038 04C2AT-06FJX-06FJX90-15 H/A	
35	1	618640	1 5/16MJ-90-1 5/16FJ SWIV LBO	77	1	618734 9/16JIC .047 ORIFICE ADPTR	
36	1	616244	04-451TC-06FJX-06FJX-24 H/A	78	2	618444 9/16MOR RUN TEE-9/16MJIC	
37	12	618652	1" SPLIT FLANGE KIT	79	3	618531 9/16FJIC CAP NUT	
38	3	618653	1" FLANGE-1 7/16MFOR ADPTR	80	1	618532 3/4FJIC CAP NUT	
39	1	618654	1" FLANGE-90-1 7/16MFOR LBO	81	1	606214 RELIEF VALVE ASSY	
40	4	618655	1 7/16FFOX RUN TEE-1 7/16MFOR	82	1	618629 9/16MOR BRANCH TEE-9/16MJIC	
41	1	618660	1 1/16FJX BRANCH TEE-1 1/16MJ	83	1	618668 9/16FJIC SWIV-9/16MOR ADPTR	
42	1	618720	1 7/8FJIC-3/4MJIC ADPTR				



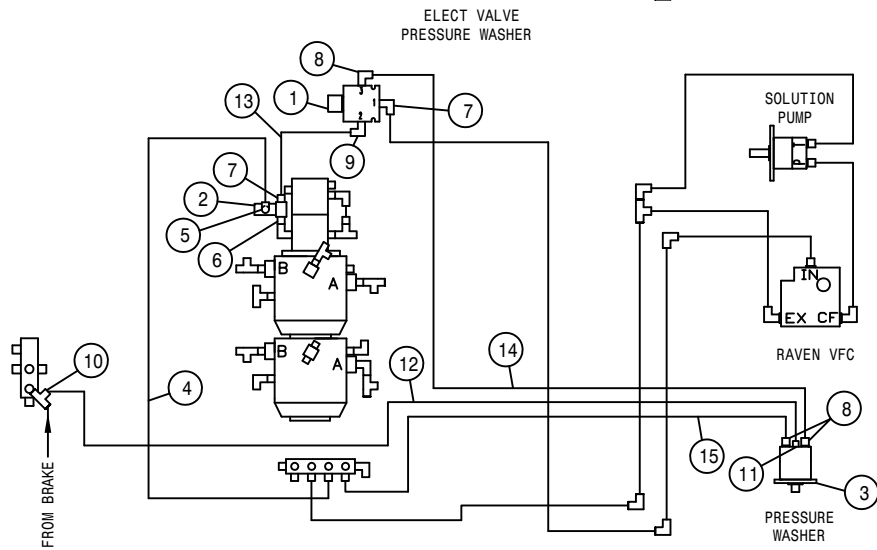
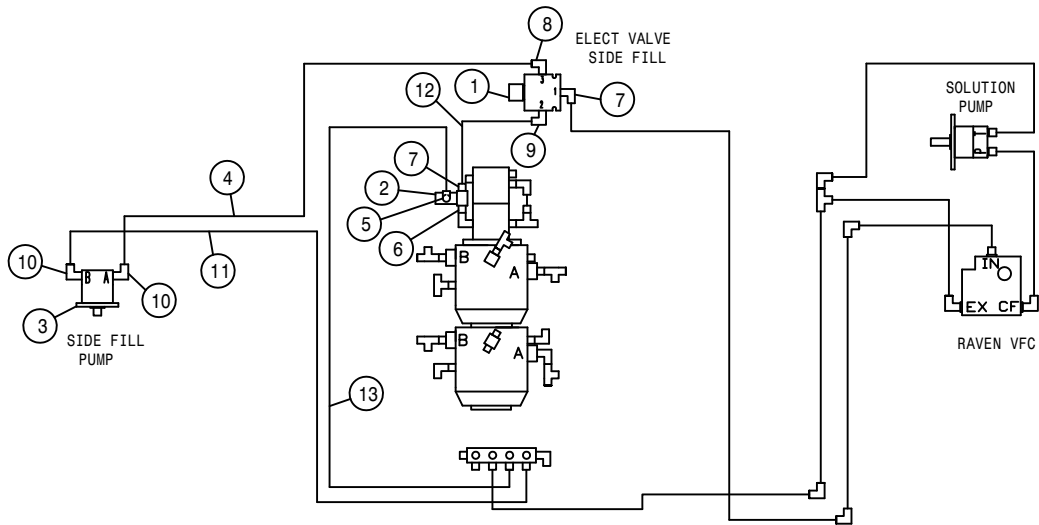
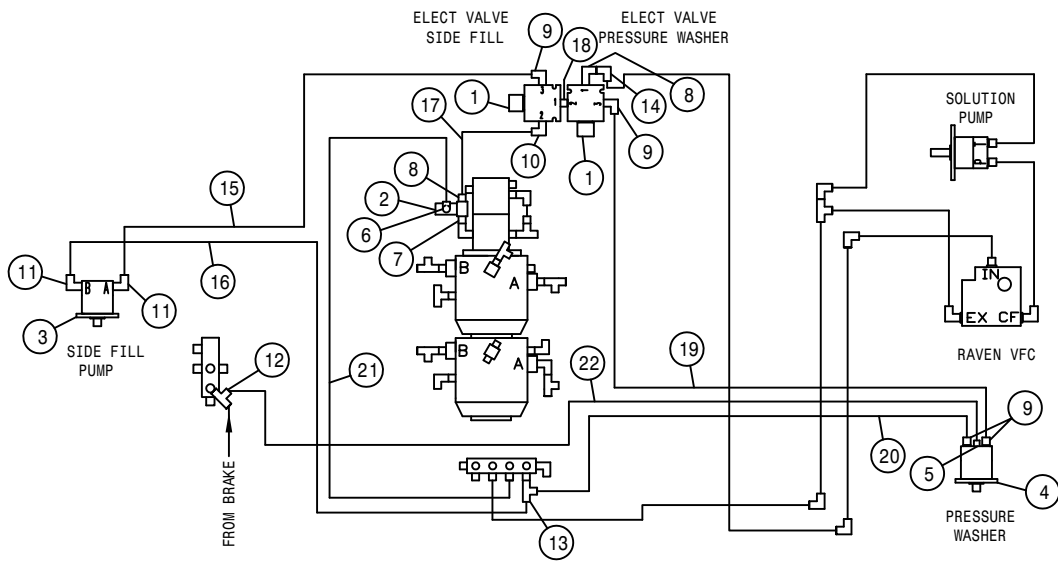
STS12 HYDRAULIC SCHEMATIC 2006
REFERENCE DRAWING NO. 498897S2

DET.	QTY	PART NO.	DESCRIPTION	DET.	QTY	PART NO.	DESCRIPTION
1	1	749329	STEERING VALVE, SAUER 05	42	2	618314	3/4MJIC UNION
2	2	621550	STEERING CYL, 2.50 X 8.81 STS	43	2	618451	3/4FJIC SW RUN TEE-3/4MJIC
3	1	606211	BOOM CTRL VLV, STS PWRSYS 05	44	1	616240	20-421-16FJX-20FJX-103 H/A
4	1	606210	TREAD ADJ VLV, STS PWRSYS 05	45	1	616072	04-451TC-06FJX-04FJX45-195 H/A
5	3	618609	3/4MJIC-90-3/4FJIC SWIV LBO	46	1	616073	04-451TC-06FJX-04FJX45-202 H/A
6	1	621554	LADR/SF/BRKWAY CYL, 1.50 X12.25	47	1	616244	04-451TC-06FJX-06FJX-24 H/A
7	1	690960	VALVE HYD CTRL, 30GPM RAVEN 05	48	1	616081	04-451TC-06FJX-06FJX-31 H/A
8	1	690946	HYPRO PUMP, 9306C-HM3CBU, FLANGE	49	1	616093	08-451TC-08FJX-08FJX-86 H/A
9	1	606213	HYD SOLE VLV, 2P-3W, 9/16FOR 05	50	1	616262	06-451TC-08FJX-08FJX-46 H/A
10	1	616077	04-451TC-06FJX-06FJX-18 H/A	51	1	616263	06-451TC-08FJX-08FJX-48 H/A
11	1	615771	BRKAWAY/TRD MAIN HYD TUBE ASSY	52	2	616096	06-451TC-08FJX-08FJX-37 H/A
12	1	615772	STRG CYL JUMPER HYD TUBE ASSY	53	1	616097	08-451TC-08FJX-08FJX-90 H/A
13	1	615773	STACK VALVE MAIN HYD TUBE ASSY	54	1	616258	06-451TC-08FJX-08FJX-76 H/A
14	1	615774	STEERING MAIN HYD TUBE ASSY	55	1	616101	08-451TC-08FJX-08FJX-31 H/A
15	2	615777	SOLUTION PUMP HYD TUBE ASSY	56	2	616234	08-451TC-08FJX-08FJX-66 H/A
16	1	615782	FRT MAIN RETURN HYD TUBE ASSY	57	2	616233	08-451TC-08FJX-08FJX-53 H/A
17	3	611125	3/4MJIC-3/4MOR ADPTR	58	1	616108	10-451TC-12FJX-12FJX-28 H/A
18	5	618241	3/4MJIC-90-3/4MOR LBO	59	1	616109	10-451TC-12FJX-12FJX-32 H/A
19	2	618443	3/4MJIC-90-3/4MOR EX LG LBO	60	2	618191	1 1/16MJ-90-1 1/16FJ SWIV LBO
20	4	618249	3/4MJIC-90-9/16MOR LBO	61	2	616292	10-451TC-12FJX-12FJX90-50 H/A
21	8	618119	9/16MJIC-90-9/16MOR LBO	62	1	616089	04-451TC-06FJX-06FJX-60 H/A
22	17	618126	9/16MJIC-9/16MOR ADPTR	63	2	616290	12-451TC-12FJX-12FJX-48 H/A
23	3	618444	9/16MOR RUN TEE-9/16MJIC	64	1	618634	9/16MJIC-45-9/16FJIC SWIV LBO
24	1	618344	9/16MJIC-1 1/16MOR ADPTR	65	1	616086	04-451TC-06FJX-06FJX-45 H/A
25	1	618657	1 5/8MJIC-90-1 5/8MJIC LBO	66	1	616087	04-451TC-06FJX-06FJX-52 H/A
26	1	618726	1 5/8FJ SW RUN TEE-1 5/8MJ	67	1	616136	08-451TC-08FJX-12FJX-72 H/A
27	2	618723	1 5/8FJIC-3/4MJIC ADPTR	68	1	616139	08-451TC-08FJX-08FJX-36 H/A
28	1	618487	1 1/16FJ SW RUN TEE-1 1/16MJ	69	1	618629	9/16MOR BRANCH TEE-9/16MJIC
29	1	618471	1 5/8MJIC-1 5/16MOR ADPTR	70	1	616259	06-451TC-08FJX-08FJX90-80 H/A
30	1	618476	1 5/8MJIC-90-1 5/16MOR LBO	71	1	616231	04-451TC-06FJX-06FJX-81 H/A
31	2	610186	1 1/16MOR PLUG, HEX HEAD	72	1	618694	HYD COUPLER, FEM 1/4B, 9/16FOR
32	1	606029	RETURN MANIFOLD BLOCK, STS 03	73	1	618695	HYD COUPLER, MALE 1/4B, 9/16FOR
33	1	618469	3/4MJIC-1 1/16MOR ADPTR	74	2	618696	HYD COUPLER, FEM 1/2B, 3/4FOR
34	2	618603	9/16MJIC-90-9/16MJIC LBO	75	2	618697	HYD COUPLER, MALE 1/2B, 3/4FOR
35	4	618442	3/4MJIC-90-3/4MJIC LBO	76	2	618533	1 1/16FJIC CAP NUT
36	4	618448	1 1/16MJIC-90-1 1/16MJIC LBO	77	1	618668	9/16FJIC SWIV-9/16MOR ADPTR
37	1	618688	9/16MOR-90-9/16MJ .025 CHK VLV	78	2	618669	3/4FJIC SWIV-3/4MOR ADPTR
38	1	618486	9/16FJIC SW RUN TEE-9/16MJIC	79	1	618010	3/4MJIC-90-BLKHD UNION LBO
39	2	618273	1 1/16MJIC-1/2MNPT ADPTR	80	1	618349	3/4MJIC-3/4MJIC BLKHD UNION
40	2	611127	1 1/16MJIC-1 1/16MOR ADPTR	81	1	618350	9/16MJIC-45-BLKHD UNION LBO
41	5	618248	1 1/16MJIC-90-1 1/16MOR LBO				



STS12 HYDRAULIC SCHEMATIC 2006
REFERENCE DRAWING NO. 498897S3

DET.	QTY	PART NO.	DESCRIPTION	DET.	QTY	PART NO.	DESCRIPTION
1	4	621552	TRD ADJ CYL, 3.00 X 16.00 STS	27	2	616088	04-451TC-06FJX-06FJX-56 H/A
2	3	621554	LADR/SF/BRKWAY CYL,1.50 X12.25	28	16	618119	9/16MJIC-90-9/16MOR LBO
3	2	607540	KICK-DOWN RELIEF VALVE, 800PSI	29	2	618486	9/16FJIC SW RUN TEE-9/16MJIC
4	2	621556	LIFT CYL, 2.50 X 18.00 STS	30	2	618629	9/16MOR BRANCH TEE-9/16MJIC
5	2	621558	LEVEL CYL, 3.00 X 11.00 STS	31	2	618668	9/16FJIC SWIV-9/16MOR ADPTR
6	2	621560	FOLD CYL, 2.50 X 21.000 STS	32	2	614752	RESTRICTOR BR TEE ASSY,.042DIA
7	2	618719	9/16FJIC SWIV-3/4MOR ADPTR	33	2	621562	OUTR FOLD CYL,2.25 X 21.00 STS
8	2	470326	ACCUMULATOR, DIAPHRAGM	34	7	618733	9/16JIC .042 ORIFICE ADPTR
9	1	615761	LIFT RAISE HYD TUBE ASSY	35	4	616070	04-451TC-04MJBH-06MOR-11.00H/A
10	1	615762	LIFT LOWER HYD TUBE ASSY	36	4	616071	04-451TC-04MJBH-06MOR-13.00H/A
11	1	615763	LEVEL RAISE HYD TUBE ASSY	37	8	616074	04-451TC-04FJX90-06FJX-26 H/A
12	1	615764	LEVEL LOWER HYD TUBE ASSY	38	4	616079	04-451TC-06FJX-06FJX-29 H/A
13	2	615765	BREAKAWAY HYD TUBE ASSY	39	1	616124	04-451TC-06FJX-08FJX-24 H/A
14	1	615766	BOOM EXTN RAISE HYD TUBE ASSY	40	1	616118	04-451TC-06FJX-06FJX-165 H/A
15	1	615767	BOOM EXTN LOWER HYD TUBE ASSY	41	1	616119	04-451TC-06FJX-06FJX-175 H/A
16	1	615768	RH FOLD RAISE HYD TUBE ASSY	42	4	616089	04-451TC-06FJX-06FJX-60 H/A
17	1	615769	RH FOLD LOWER HYD TUBE ASSY	43	2	616230	04-451TC-06FJX-06FJX-62 H/A
18	2	615770	FRT TRD ADJ MAIN HYD TUBE ASSY	44	4	616090	04-451TC-06FJX-06FJX-85 H/A
19	2	615771	BRKAWAY/TRD MAIN HYD TUBE ASSY	45	2	616077	04-451TC-06FJX-06FJX-18 H/A
20	8	615760	BOOM HYD TUBE ASSY	46	3	616083	04-451TC-06FJX-06FJX-36 H/A
21	8	618603	9/16MJIC-90-9/16MJIC LBO	47	2	616075	04-451TC-06FJX-06FJX-9 H/A
22	2	618618	9/16MJIC-90-9/16FJIC SWIV LBO	48	2	616084	04-451TC-06FJX-06FJX-46 H/A
23	26	619010	9/16MJIC UNION	49	1	616085	04-451TC-06FJX-06FJX-43 H/A
24	2	618019	9/16MJIC UNION TEE	50	3	616086	04-451TC-06FJX-06FJX-45 H/A
25	4	616133	04-451TC-06FJX-06FJX-72 H/A	51	1	616087	04-451TC-06FJX-06FJX-52 H/A
26	4	618689	9/16MOR-90-9/16MJ .042 CHK VLV				



SIDE FILL AND PRESSURE WASHER OPTION

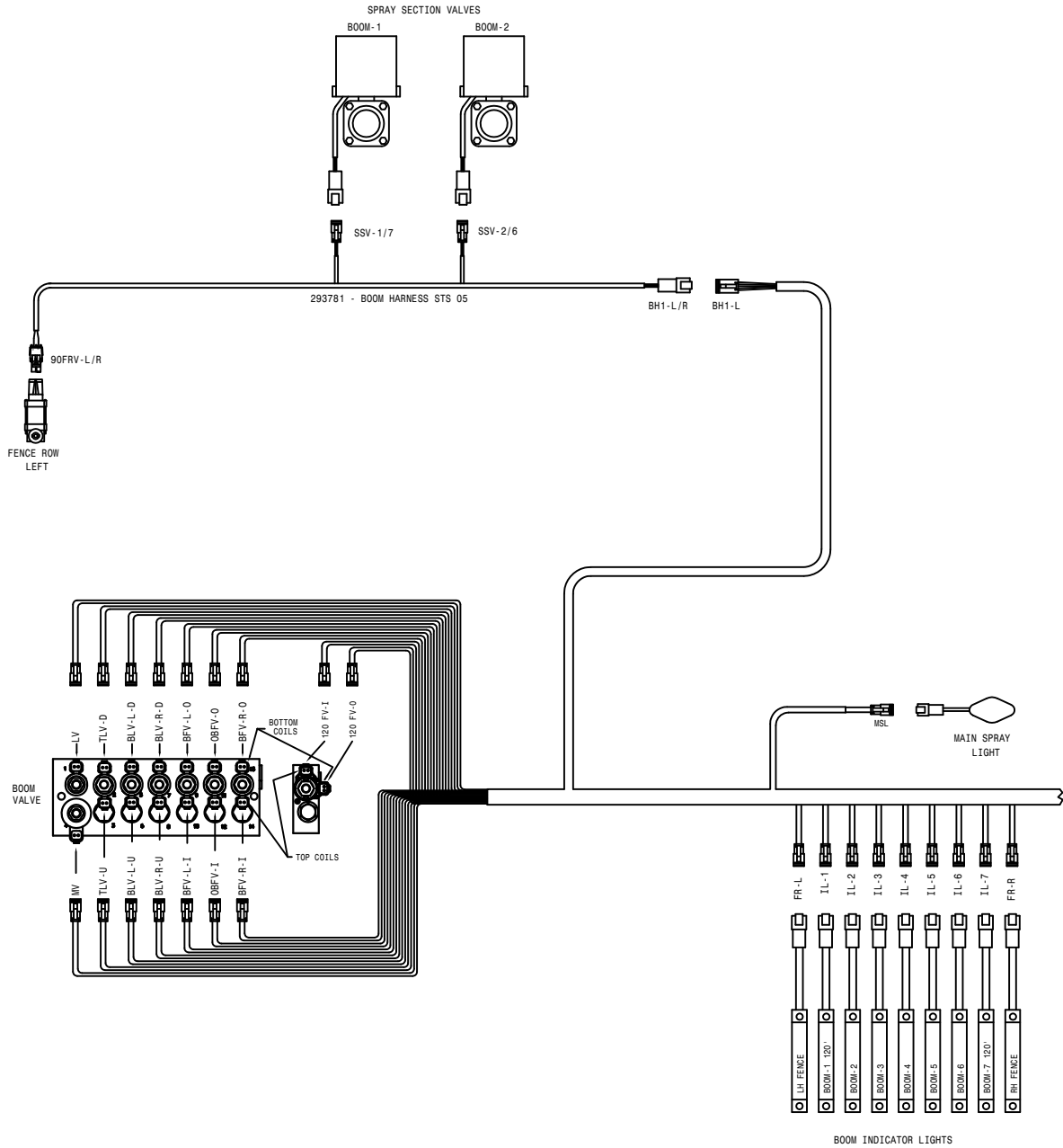
DET.	QTY	PART NO.	DESCRIPTION	
	1	2	606224	SIDE-FILL/WASH VLV ASSY 05
	2	1	607550	IN-LINE RELIEF VALVE, 2600 PSI
	3	1	690760	BANJO PUMP,3" SIDE FILL STS12
	4	1	690672	PRESSURE WASHER,PACE 320 HYD
	5	1	618119	9/16MJIC-90-9/16MOR LBO
	6	1	618279	1 1/16MJIC-90-7/8MOR LBO
	7	1	618578	1 1/16FJIC SWIV-1 1/16MOR
	8	2	618248	1 1/16MJIC-90-1 1/16MOR LBO
	9	4	618474	3/4MJIC-90-1 1/16MOR LBO
	10	1	618674	1 1/16MJIC-90-1 1/16MOR XL LBO
	11	2	618183	3/4MJIC-90-7/8MOR LBO
	12	1	618486	9/16FJIC SW RUN TEE-9/16MJIC
	13	1	618487	1 1/16FJ SW RUN TEE-1 1/16MJ
	14	1	618191	1 1/16MJ-90-1 1/16FJ SWIV LBO
	15	1	616129	08-451TC-08FJX-08FJX-204 H/A
	16	1	616130	08-451TC-08FJX-12FJX-204 H/A
	17	1	616131	10-451TC-12FJX-12FJX-14 H/A
	18	1	618675	1 1/16MOR UNION
	19	1	616135	08-451TC-08FJX-08FJX-50 H/A
	20	1	616134	08-451TC-08FJX-12FJX-60 H/A
	21	1	616132	08-451TC-12FJX-12FJX-18 H/A
	22	1	616089	04-451TC-06FJX-06FJX-60 H/A

SIDE FILL OPTION

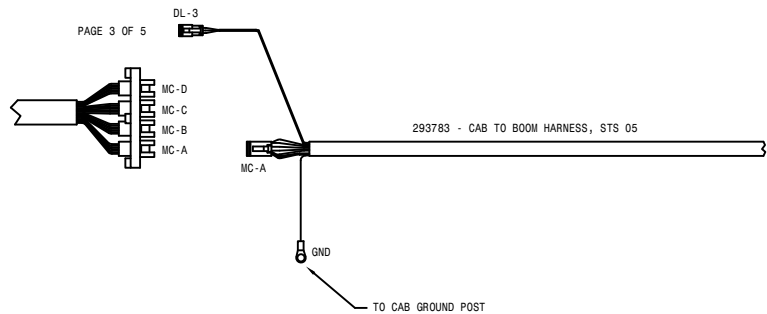
DET.	QTY	PART NO.	DESCRIPTION	
	1	1	606224	SIDE-FILL/WASH VLV ASSY 05
	2	1	607550	IN-LINE RELIEF VALVE, 2600 PSI
	3	1	690760	BANJO PUMP,3" SIDE FILL STS12
	4	1	616129	08-451TC-08FJX-08FJX-204 H/A
	5	1	618279	1 1/16MJIC-90-7/8MOR LBO
	6	1	618578	1 1/16FJIC SWIV-1 1/16MOR
	7	2	618248	1 1/16MJIC-90-1 1/16MOR LBO
	8	1	618474	3/4MJIC-90-1 1/16MOR LBO
	9	1	618674	1 1/16MJIC-90-1 1/16MOR XL LBO
	10	2	618183	3/4MJIC-90-7/8MOR LBO
	11	1	616130	08-451TC-08FJX-12FJX-204 H/A
	12	1	616131	10-451TC-12FJX-12FJX-14 H/A
	13	1	616132	08-451TC-12FJX-12FJX-18 H/A

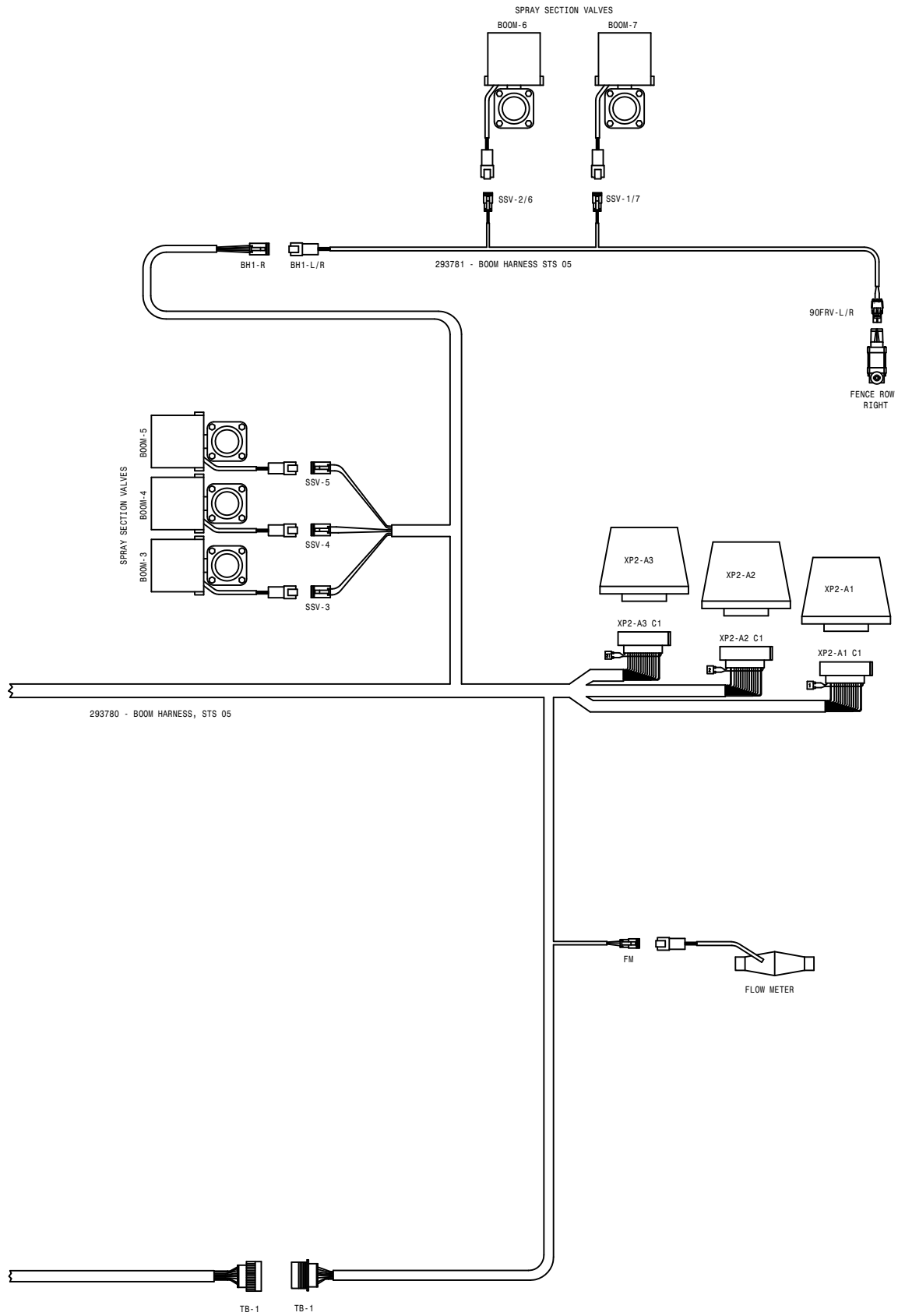
PRESSURE WASHER OPTION

DET.	QTY	PART NO.	DESCRIPTION	
	1	1	606224	SIDE-FILL/WASH VLV ASSY 05
	2	1	607550	IN-LINE RELIEF VALVE, 2600 PSI
	3	1	690672	PRESSURE WASHER,PACE 320 HYD
	4	1	616132	08-451TC-12FJX-12FJX-18 H/A
	5	1	618279	1 1/16MJIC-90-7/8MOR LBO
	6	1	618578	1 1/16FJIC SWIV-1 1/16MOR
	7	2	618248	1 1/16MJIC-90-1 1/16MOR LBO
	8	3	618474	3/4MJIC-90-1 1/16MOR LBO
	9	1	618674	1 1/16MJIC-90-1 1/16MOR XL LBO
	10	1	618486	9/16FJIC SW RUN TEE-9/16MJIC
	11	1	618119	9/16MJIC-90-9/16MOR LBO
	12	1	616089	04-451TC-06FJX-06FJX-60 H/A
	13	1	616131	10-451TC-12FJX-12FJX-14 H/A
	14	1	616135	08-451TC-08FJX-08FJX-50 H/A
	15	1	616134	08-451TC-08FJX-12FJX-60 H/A

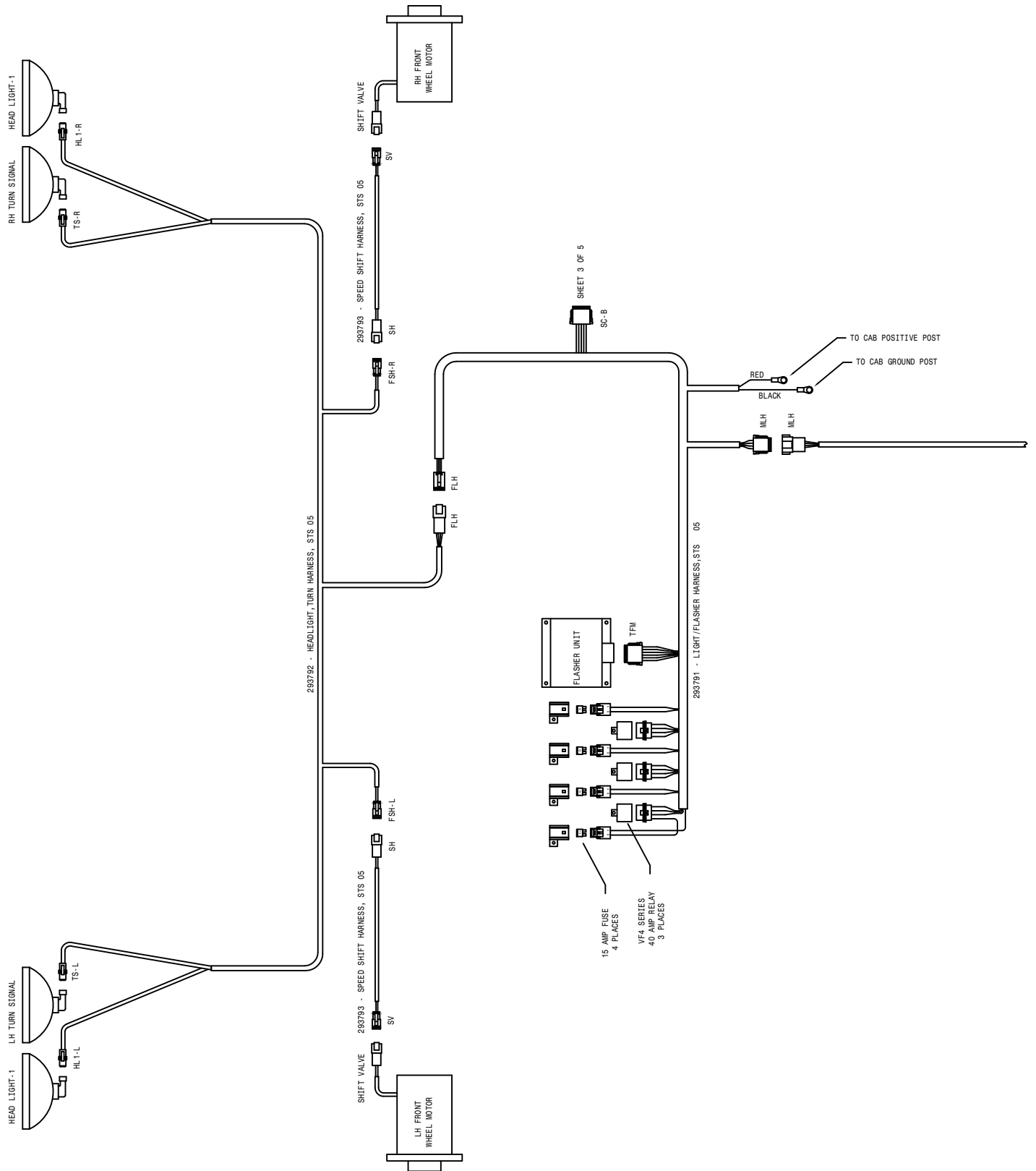


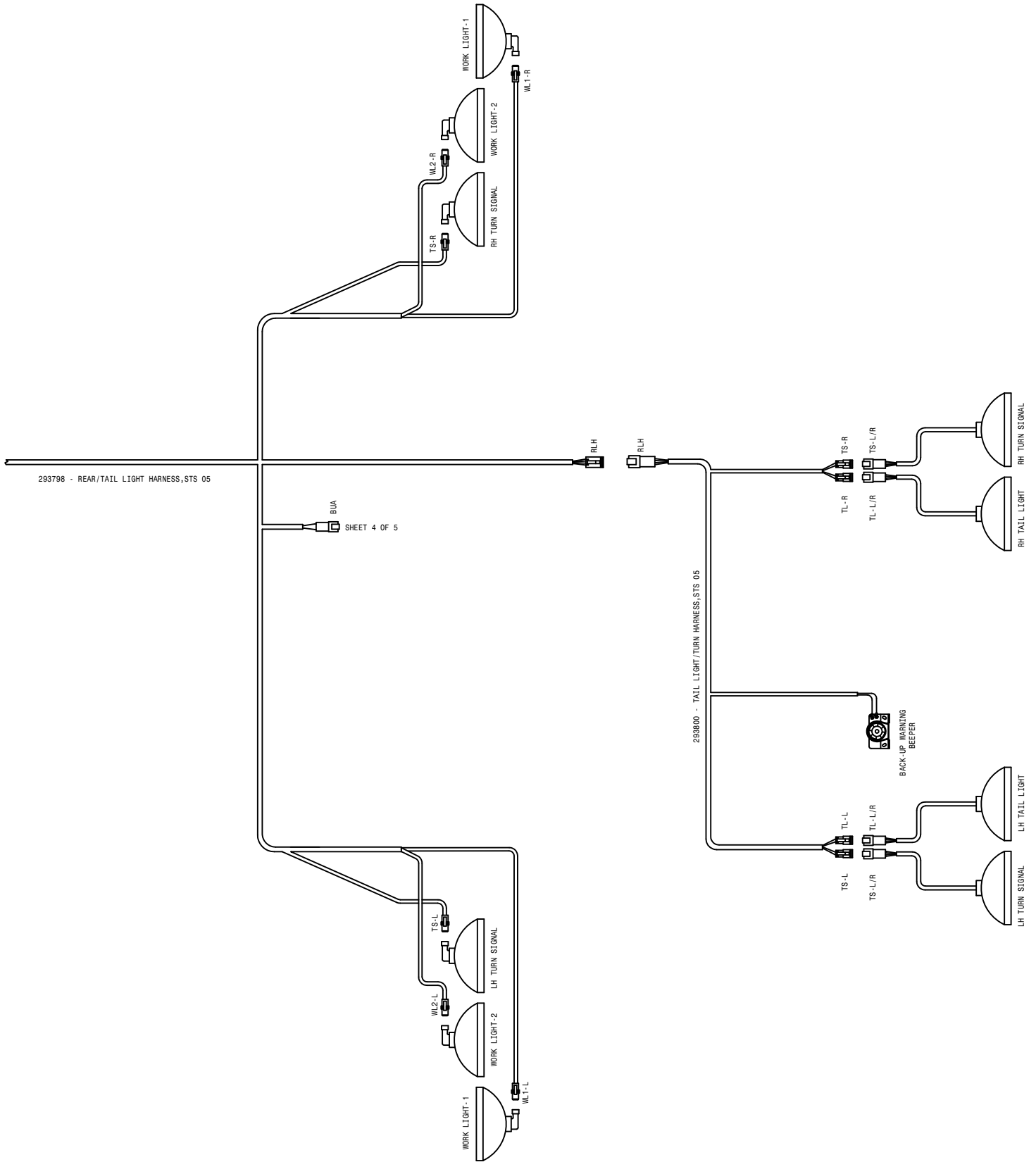
293784 - MAIN CAB HARNESS, STS 05
PAGE 5 OF 5





ST5 12 WIRING DIAGRAM 06		04-21-05 TLM
SHEET 1 OF 5		498887
REVISION DATE: 09-26-05		



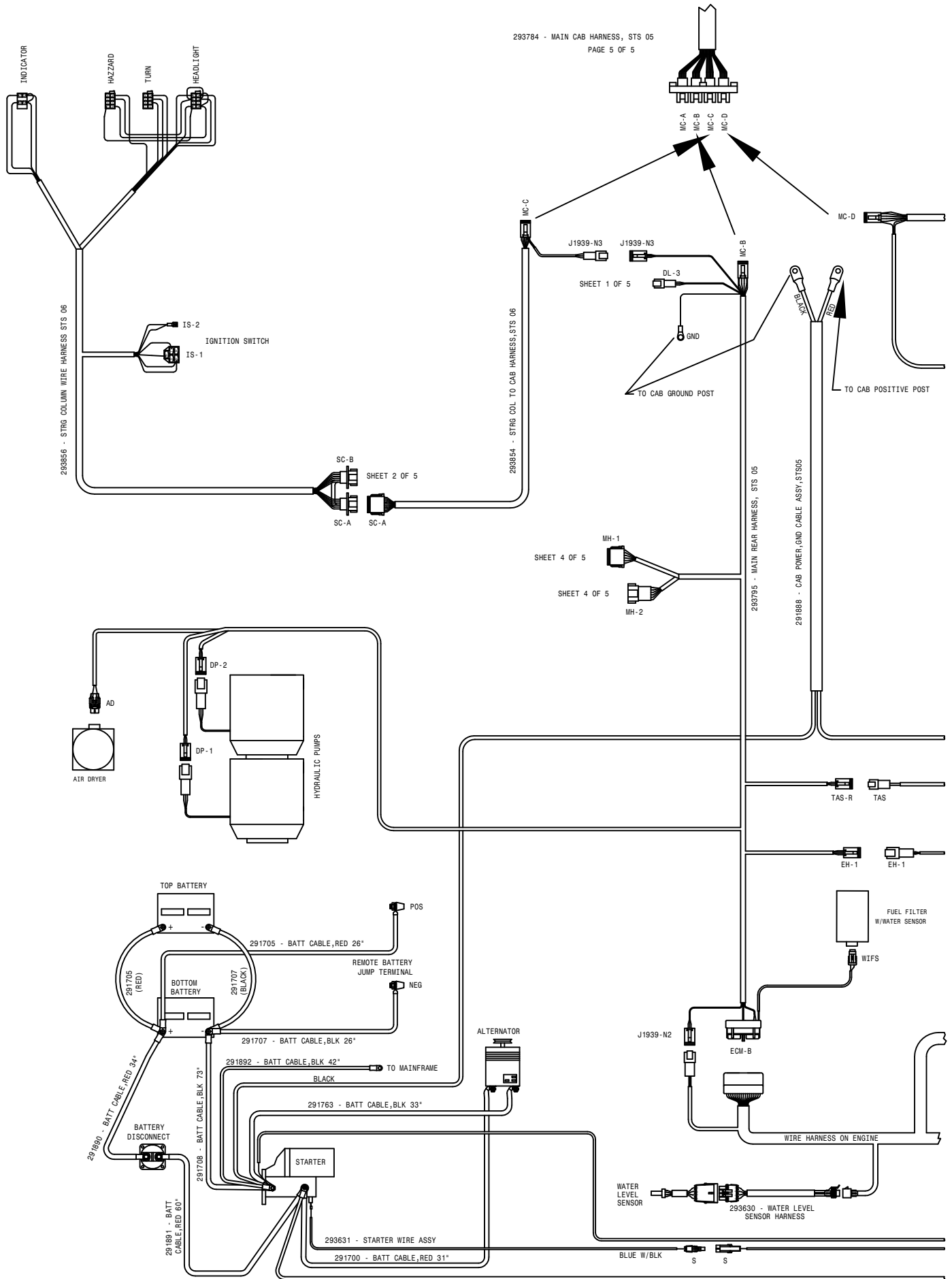


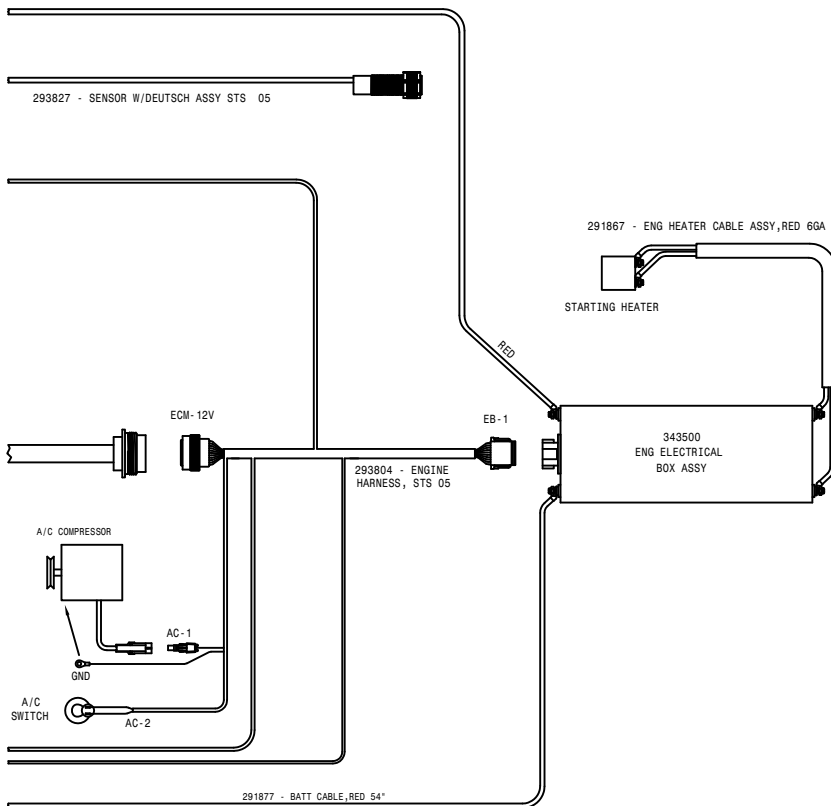
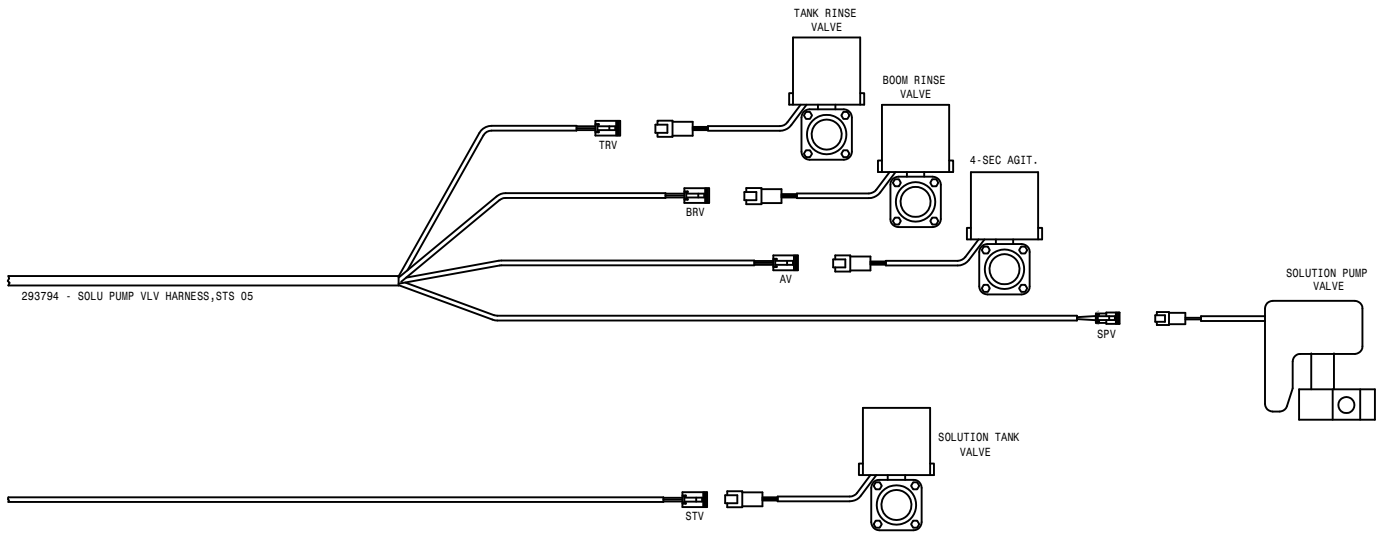
293798 - REAR/TAIL LIGHT HARNESS, STS 05

BUA
SHEET 4 OF 5

293800 - TAIL LIGHT/TURN HARNESS, STS 05

STS 12 WIRING DIAGRAM 06		04-21-06 TLM
SHEET 2 OF 5		498887
REVISION DATE:		

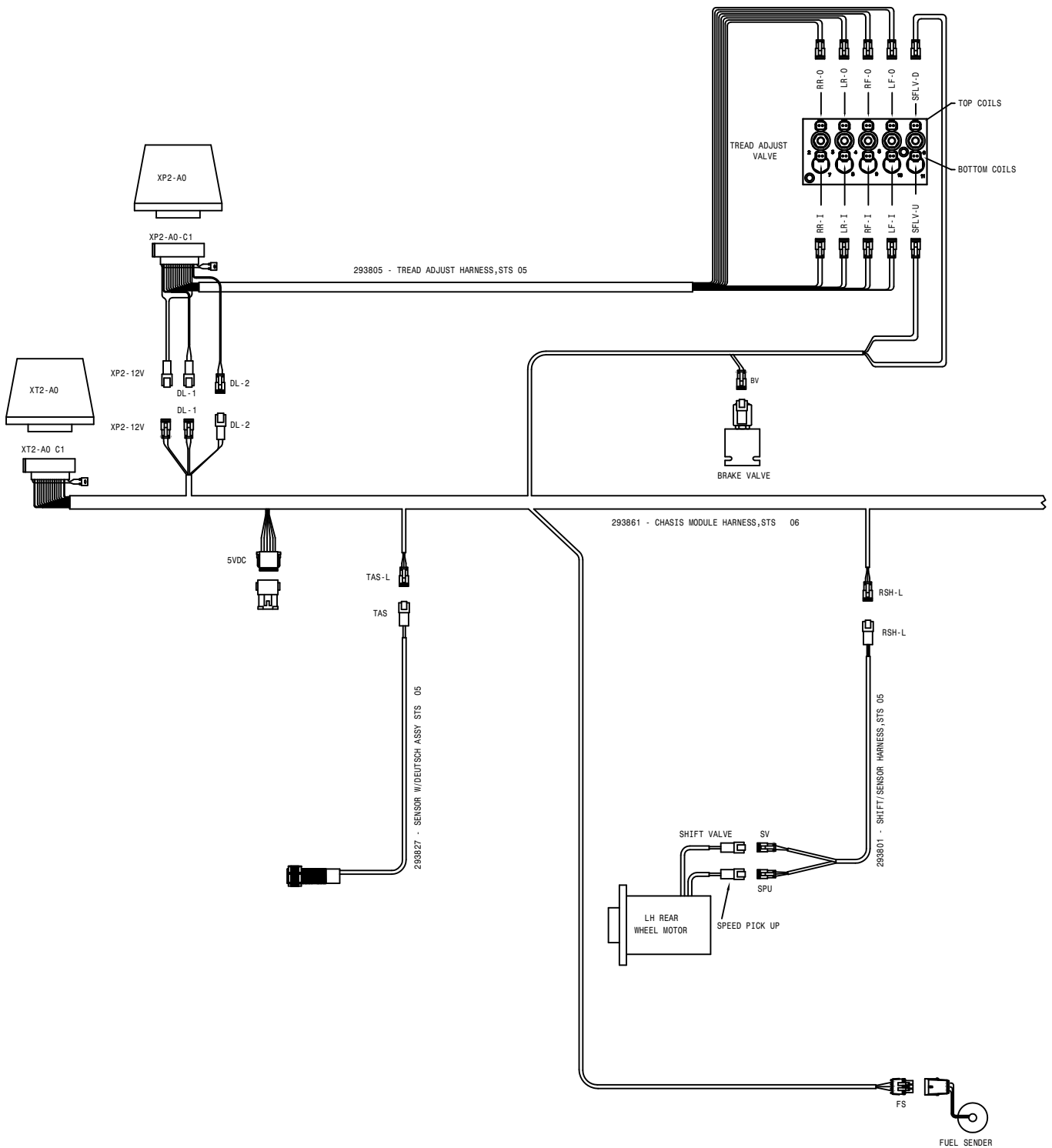


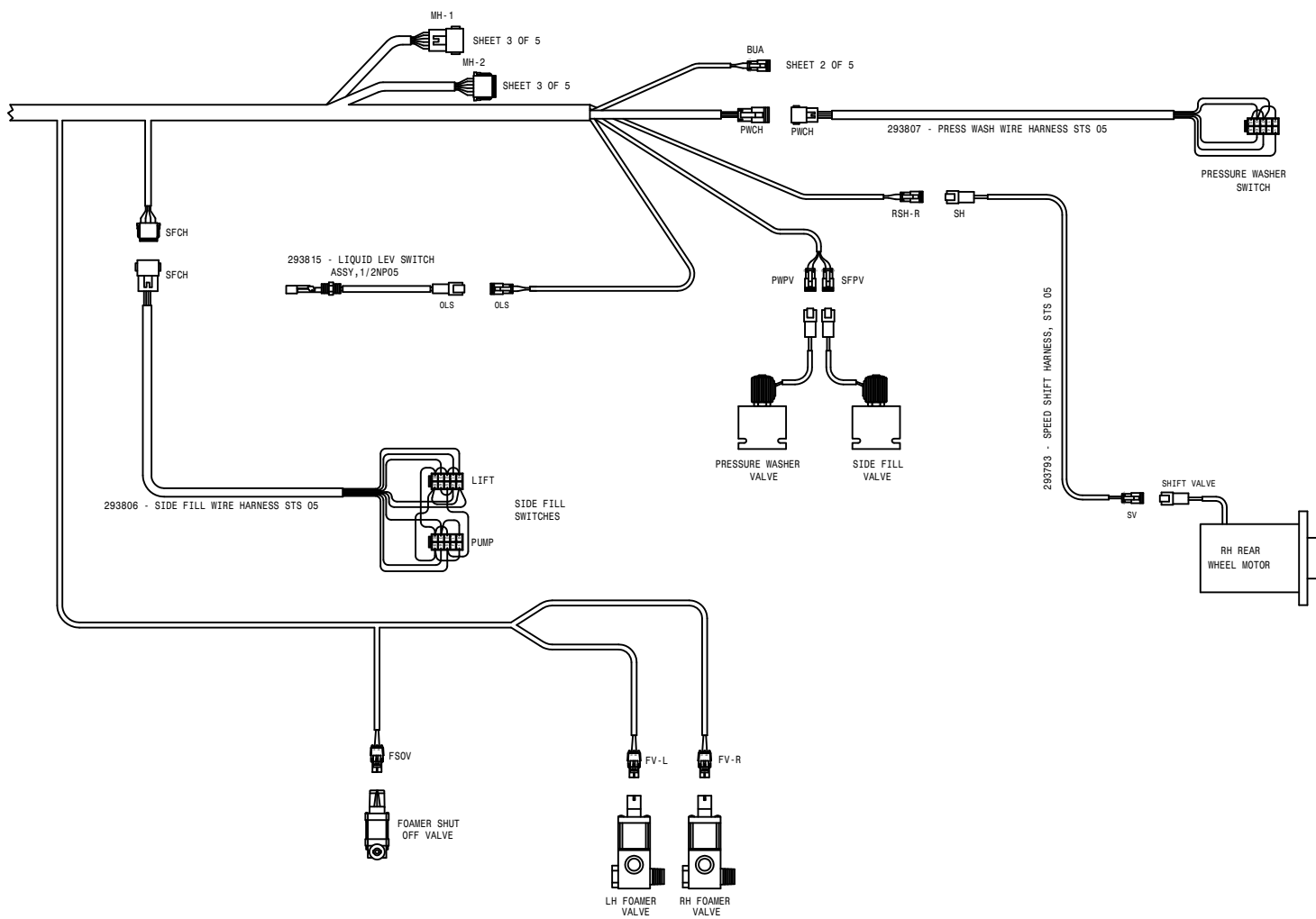


04-21-05 TLM

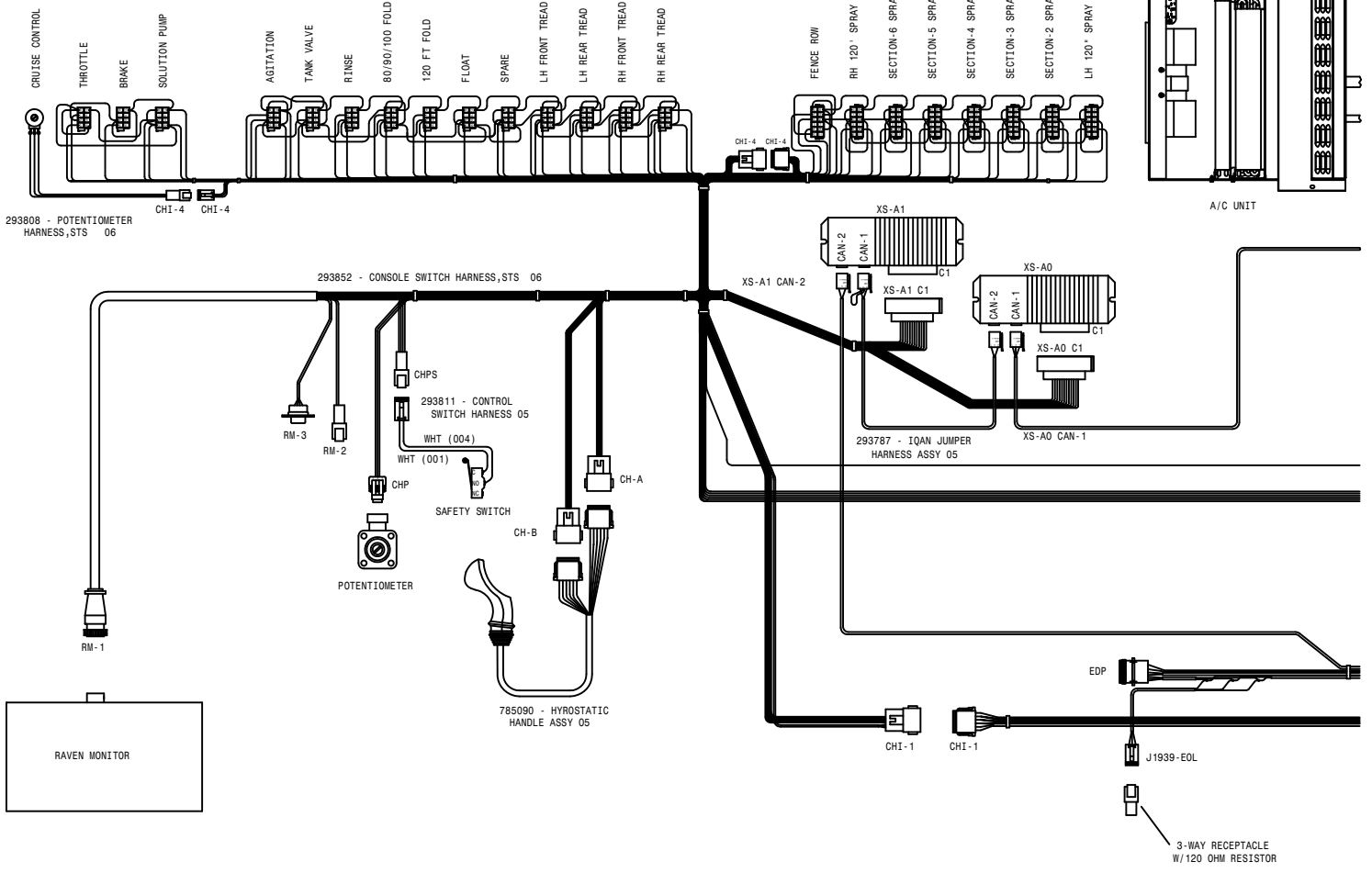
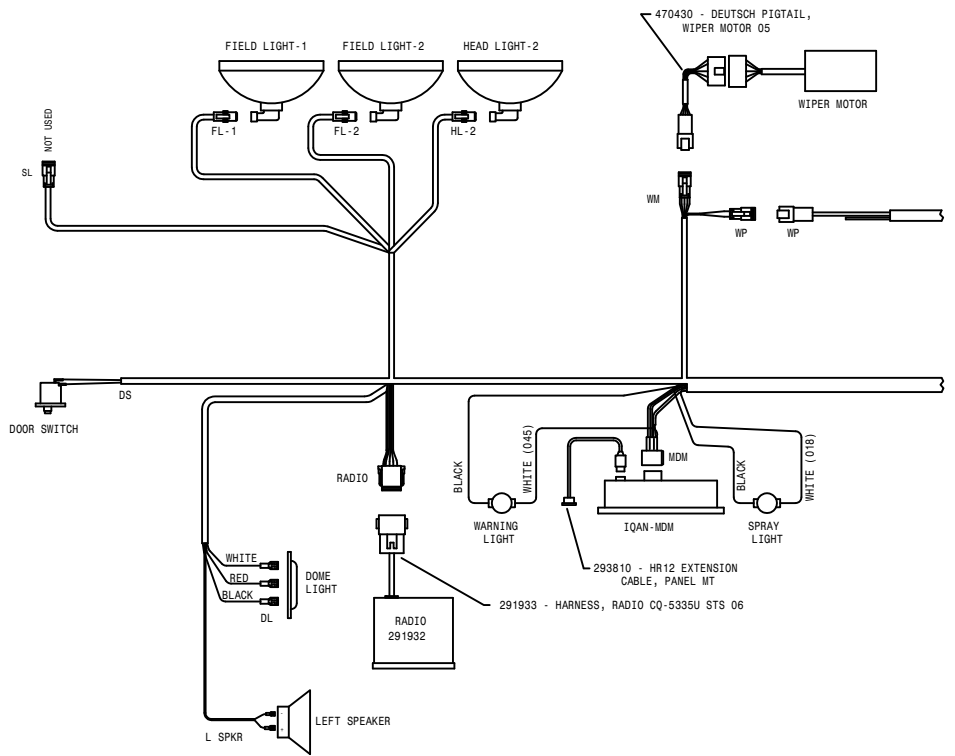
STS 12 WIRING DIAGRAM 06

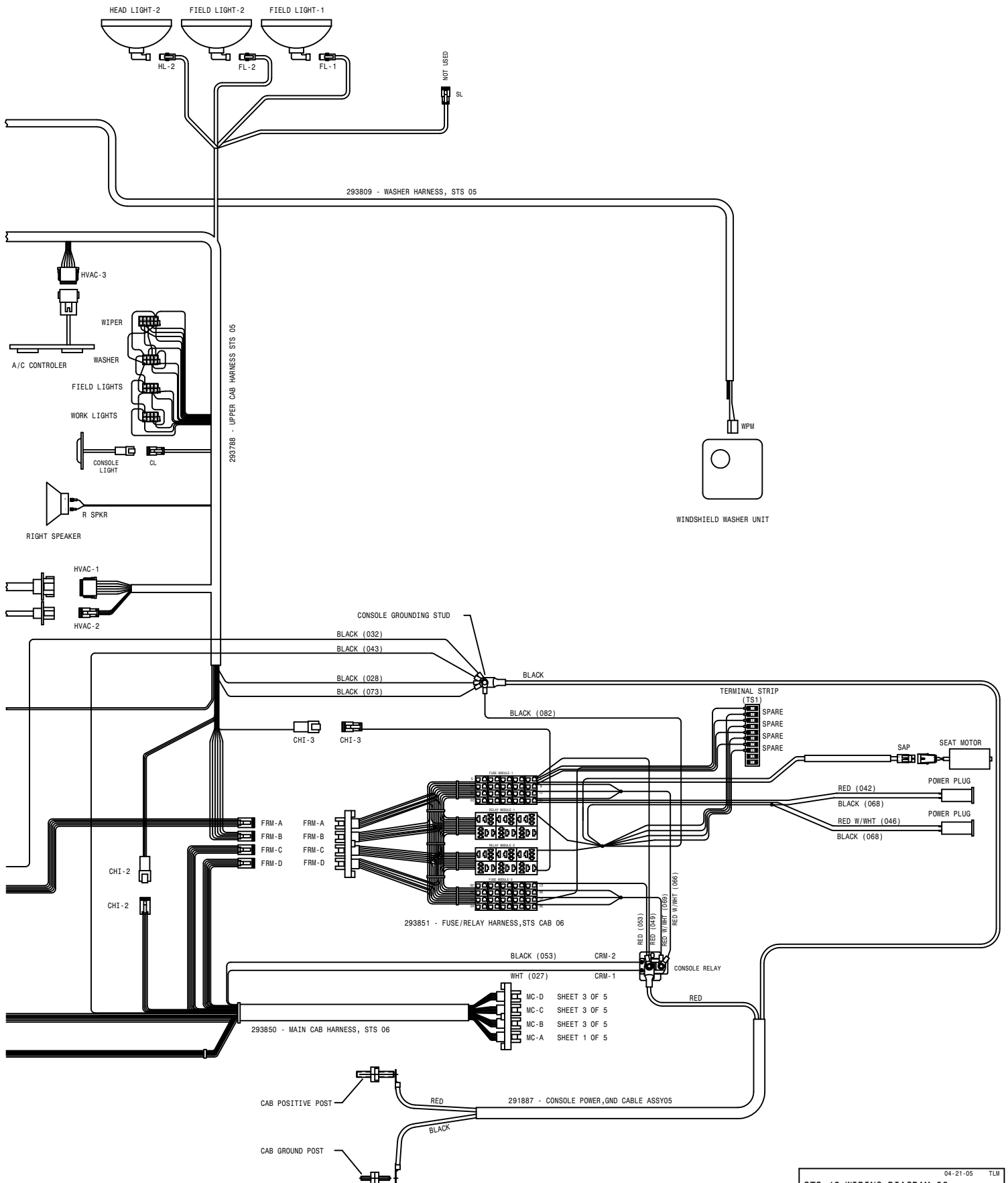
SHEET 3 OF 5
REVISION DATE: **498887**





04-21-05 TLM
STS 12 WIRING DIAGRAM 06
 SHEET 4 OF 5
 REVISION DATE: 12-05-05 **498887**





04-21-05 TLM
STS 12 WIRING DIAGRAM 06
 SHEET 5 OF 5
 REVISION DATE: 05-23-08
498887

ABBREVIATIONS

A/C - AIR CONDITIONER	MT - MOUNT
ADPTR - ADAPTER	MTR - MOTOR
AGI - AGITATOR	P/N - PART NUMBER
ALT - ALTERNATOR	PLT - PLATE
ASSY - ASSEMBLY	QTY - QUANTITY
BRKT - BRACKET	RED - REDUCER
DET - DETAIL	REF - REFERENCE
DISPL - DISPLACEMENT	REST - RESTRICTOR
EL - ELBOW	REQ - REQUIRED
EXT - EXTENSION	SHFT - SHAFT
FLO - FLOW	SOL - SOLUTION
FNPT - FEMALE NATIONAL PIPE THREAD	STRG - STEERING
FOR - FEMALE O-RING	ST - STREET
FRT - FRONT	SWIV - SWIVEL
HYD - HYDRAULIC	UNC - UNIFIED NATIONAL COURSE
HYDRO - HYDROSTATIC	UNF - UNIFIED NATIONAL FINE
LG - LONG	V - VOLT
LWR - LOWER	W/ - WITH
MJIC - MALE J.I.C.	WHL - WHEEL
MOR - MALE O-RING	WLD - WELDMENT

INDEX

-A-

ABBREVIATIONS.....146
 ACCUMULATOR.....101
 AIR DRYER.....13
 AIR CLEANER.....10
 FILTER.....10
 AIR COMPRESSOR GOVERNOR.....10
 AIR CONDITIONER
 BINARY SWITCH.....9
 COMPRESSOR.....7
 CONDENSOR COIL.....12
 CONTROLLER.....38
 HOSE.....9,12
 RECEIVER/DRYER.....9
 TUBE.....27
 AIR COOLER, CHARGE.....12
 AIR PRESSURE GAUGE.....87
 AIR REGULATOR, FOAMER.....35
 AIRRIDE SPRING.....18,20,22,24
 AIR VALVE.....18,20,22,24
 ALTERNATOR.....5
 ARM, STEERING.....18,20,22,24

-B-

BACK-UP BEEPER.....12
 BALL VALVE.....57,66
 ELECTRIC.....59,61,62,63,67
 BATTERY.....16
 CABLE.....4,5,10,16
 BOX PANEL.....12
 BEARING,
 BRONZE LEG.....18,20,22,24,28
 ORKOT.....18,20,22,24
 BELT,
 AIR CONDITIONER.....7
 DRIVE.....5
 BLOCK, TERMINAL.....50
 BOOM.....92,93,94,95
 CRADLE.....96,97,99
 INDICATOR LIGHT.....86
 PIN.....94,95
 STAND.....117
 SWITCH.....47
 VALVE.....87
 WET.....118,119,120,121
 BOX,
 ELECTRICAL.....81
 PRESSURE WASHER.....104
 SIDE FILL.....110
 BRACE, RADIATOR.....9
 BREAKAWAY CYLINDER.....95,103
 BUMPER, REAR.....54

-C-

CAB.....36,37
 ROOF.....36,37
 CABLE BATTERY.....4,5,10,16
 CAP,
 FUEL.....14
 RADIATOR.....12
 CHARGE AIR COOLER.....12
 CHEMICAL INDUCTOR.....111
 COMPRESSOR, A/C.....7
 CONDENSOR COIL, A/C.....12
 CONSOLE.....48
 COOLER, OIL.....12
 CRADLE, BOOM.....96,97,99
 CYLINDER,
 BREAKAWAY.....95,103
 FOLD.....91,94,100,102
 GAS.....54,56
 LEVEL.....91,101
 LADDER.....31
 LIFT.....90
 SIDE FILL.....111
 STEERING.....17,18,20
 TREAD ADJUST.....28

-D-

DECALS.....126,127
 DIAGRAMS, WIRING.....136
 DIPSTICK, HYDRAULIC.....15
 DOOR.....44,45
 LATCH.....44,45,54,55
 DRAIN COCK, AIR.....33
 DRIVE
 BELT.....5
 DISK.....4

-E-

ELECTRIC BALL VALVE.....59,60,61
 ELECTRICAL BOX.....53
 ENGINE.....81
 ENGINE.....4,5
 HOOD.....54,55
 SKID.....9

-F-

FAN.....5
 SPACER.....5

FEEDER TEE.....64,65,70,71
 FENCE ROW NOZZLE.....74,75
 FENDER.....114,115
 FILTER,
 AIR CLEANER.....10
 CAB.....41
 FUEL.....4
 HYDRAULIC.....17,29
 MINDER.....35
 OIL.....5,15
 FLASHER.....26,52,54
 FLOW METER.....61,67
 FOAMER
 AIR REGULATOR.....35
 DROP HOSE.....83
 HOSING.....82
 TANK.....34
 THREE-WAY VALVE.....34
 VALVE.....34
 FOLD CYLINDER.....91,94,100
 FRESH WATER.....35
 FRONT FILL.....112
 FUEL,
 CAP.....14
 SENDER.....14
 TANK.....14

-G-

GAUGE,
 AIR PRESSURE.....35
 SOLUTION.....61,67
 GLASS.....36,37

-H-

HANDRAIL.....32
 HEADLINER.....38
 HEATER TUBE.....27
 HOOD, ENGINE.....54,55
 HOSE, A/C.....9
 HOSING,
 FOAMER.....82
 SOLUTION.....77,78,79,80
 HUB, TORQUE.....19,21,23,25
 HYDRAULIC,
 FILTER.....17
 LEVER.....49
 MANIFOLD.....27
 SCHEMATIC.....128
 TANK.....15
 TUBE.....26,27,90,93
 VALVE.....30
 HYDROSTATIC PUMP.....8

-I-

IGNITION SWITCH.....43

INDICATOR LIGHT, BOOM.....86
 INLINE, HYDRAULIC FILTER.....29

-L-

LADDER.....31
 CYLINDER.....31
 PIVOT ARM.....31
 LEG.....18,20,22,24
 LEVEL CYLINDER.....91,101
 LEVER,
 HYDROSTATIC.....49
 QUICK ATTACH.....88,89
 LIFT CYLINDER.....90
 LIFTARM.....90
 LIGHT.....26,36,37,99
 LINE STRAINER.....58,60
 LIQUID LEVEL SWITCH.....15

-M-

MDM DISPLAY.....38
 MIRROR.....36,37
 MONITOR, SPRAYER.....46
 MOTOR,
 STEERING.....42
 WHEEL.....19,21,23,25
 MOUNT, RUBBER.....9,37
 MUFFLER.....11

-N-

NOZZLE,
 BODY.....73
 FENCE ROW.....74,75
 MOUNT TUBE.....93,94,95
 REAR WHEEL.....76

-O-

OIL COOLER.....12
 OIL FILTER.....5,15

-P-

PANEL,
 BATTERY BOX.....12
 SWITCH.....47
 PLATFORM, SERVICE.....32
 PRESSURE GAUGE.....61,67
 PRESSURE WASHER.....105
 BOX.....104
 VALVE.....107,108
 PUMP,
 HYDRAULIC.....6
 HYDROSTATIC.....8
 SIDE FILL.....111
 SOLUTION.....59

-R-

RADIATOR.....12
 BRACE.....9
 CAP.....12
 HOSE.....5
 RADIO.....38
 REAR WHEEL NOZZLE.....76
 RINSE TANK.....58
 RUBBER
 MOUNT.....9, 12, 37
 SPRING.....18, 20, 22, 24

-S-

SCHEMATIC, HYDRAULIC.....128
 SEAT.....39, 40
 SENDER, FUEL.....14
 SENDER, WATER LEVEL.....12
 SEVICE PLATFORM.....34
 SHEET METAL.....55
 SHIELD, WHEEL MOTOR...19, 21, 23, 25
 SIDFILL.....111
 BOX.....110
 CYLINDER.....111
 SIGHT GAUGE, OIL.....15
 SKID, ENGINE.....9
 SMV SIGN.....54
 SOLUTION
 HOSING.....77, 78, 79, 80
 PUMP.....59
 TANK.....57
 VALVE.....61, 63, 67
 SPACER, FAN.....5
 SPEAKER.....38
 SPRAY MONITOR.....46
 SPRING,
 AIRRIDE.....18, 20
 SOLUTION TANK.....57
 STAND, BOOM.....117
 STARTER.....5
 STEERING,
 ARM.....18, 20, 22, 24
 COLUMN.....43
 CYLINDER.....17, 18, 20
 MOTOR.....42
 STRAINER, LINE.....58, 60
 SWITCH,
 A/C BINARY.....9
 IGNITION.....43
 LIQUID LEVEL.....15
 PANEL.....47

-T-

TAILLIGHT.....54

TANK

AIR.....33
 FOAMER.....34
 FRESHWATER.....35
 FUEL.....14
 HYDRAULIC.....15
 RINSE.....58
 SOLUTION.....57
 TERMINAL BLOCK.....50
 TIRE.....17
 TORQUE HUB.....19, 21, 23, 25
 TRANSOM.....91
 TREAD ADJUST
 CYLINDER.....30
 VALVE.....29
 TUBE,
 A/C.....27
 HEATER.....27
 HYDRAULIC.....26, 27, 90, 93

-V-

VALVE,
 AIR.....18, 20, 22, 24
 BALL.....57, 66
 BOOM.....87
 ELECTRIC BALL.....58, 59, 61, 67
 FOAMER.....34, 84, 85
 HYDRAULIC.....9, 18
 PRESSURE WASHER.....107, 108
 SIDE FILL.....102, 109
 SOLUTION.....61, 63, 66
 TREAD ADJUST.....29

-W-

WASHER, PRESSURE.....105
 WATER LEVEL SENSOR.....12
 WET BOOM.....118, 119, 120, 121
 WHEELMOTOR.....19, 21, 23, 25
 SHIELD.....19, 21, 23, 25
 WIRING DIAGRAM.....136

Notes:



PARTS ORDER FAX

Fax
24 hours
a day
7 days
a week*

Ph. 1 (800) 247-4885

Fx. 1 (515) 532-3553

Photocopy and fax to Hagie Customer Support Department

ORDERED BY/BILL TO:

Name _____
 Co. Name _____
 Street _____
 City, St, Zip _____
 Ph. _____ Fx. _____

SHIP TO:

Name _____
 Co. Name _____
 Street _____
 City, St, Zip _____
 Ph. _____ Fx. _____

HOW SHIP: UPS Ground Next Day 2 Day 3 Day Other _____

If "HOW SHIP" is left blank, parts will be sent UPS ground service. If part is over 150 pounds, an independent motor freight company will be used.

PAYMENT: Hagie Account #** _____
 C.O.D

American Express Discover Visa Master Card

Signature: _____
 name as appears on card: _____
 card no. _____ exp. date _____

Year and Model No. _____

Serial No. _____

Item Serial No. (if necessary):

Engine (include type) _____

Hydrostatic Pump (s) _____

Torque Hub _____ LF RF LR RR

Wheel Motor _____ LF RF LR RR

HAGIE Part No.	Qty.	Description

Check here if you want phone confirmation of parts order.

* Orders received before 3:00 p.m., CST will be processed the same business day.
 Regular business hours are Monday through Friday, 7:00 a.m. through 5:00 p.m..

** If you do not have a Hagie account number, contact the Hagie Customer Support Department and you will be issued one.



PARTS ORDER FAX

Fax
24 hours
a day
7 days
a week*

Ph. 1 (800) 247-4885

Fx. 1 (515) 532-3553

Photocopy and fax to Hagie Customer Support Department

ORDERED BY/BILL TO:

Name _____
 Co. Name _____
 Street _____
 City, St, Zip _____
 Ph. _____ Fx. _____

SHIP TO:

Name _____
 Co. Name _____
 Street _____
 City, St, Zip _____
 Ph. _____ Fx. _____

HOW SHIP: UPS Ground Next Day 2 Day 3 Day Other _____

If "HOW SHIP" is left blank, parts will be sent UPS ground service. If part is over 150 pounds, an independent motor freight company will be used.

PAYMENT: Hagie Account #** _____
 C.O.D

American Express Discover Visa Master Card

Signature: _____
 name as appears on card: _____
 card no. _____ exp. date _____

Year and Model No. _____

Serial No. _____

Item Serial No. (if necessary):

Engine (include type) _____

Hydrostatic Pump (s) _____

Torque Hub _____ LF RF LR RR

Wheel Motor _____ LF RF LR RR

HAGIE Part No.	Qty.	Description

Check here if you want phone confirmation of parts order.

* Orders received before 3:00 p.m., CST will be processed the same business day.
 Regular business hours are Monday through Friday, 7:00 a.m. through 5:00 p.m..

** If you do not have a Hagie account number, contact the Hagie Customer Support Department and you will be issued one.