



**PARTS MANUAL
FOR
HAGIE MODEL STS 16 HI-TRACTOR**

HAGIE MANUFACTURING COMPANY

721 CENTRAL AVENUE WEST
BOX 273
CLARION, IOWA 50525-0273

COVERS MACHINE SERIAL NUMBERS: U1620880001 thru U1620880100

10-07 493424

02-08, 02-16, 03-17, 01-18

To obtain the most current parts manual for your machine, please visit www.hagie.com.

© 2007-08, 2016-18 Hagie Manufacturing Company. Clarion, Iowa USA

SPRAYER IDENTIFICATION

Each Hagie sprayer is identified by means of a frame serial number. This serial number denotes the model, the year in which it was built, and the number of the sprayer. As for further identification, the engine has a serial number and the planetary hubs have identification plates that describe the type of mount and gear ratio. To insure prompt, efficient service when ordering parts or requesting service repairs from Hagie Manufacturing Company, record the serial and identification numbers in the space provided below.

NOTE: Reference to left hand and right hand used throughout this manual refers to the position when seated in the operator's seat facing forward.

SPRAYER SERIAL NUMBER

ENGINE SERIAL NUMBER

PLANETARY HUB IDENTIFICATION NUMBERS

FILTER QUICK REFERENCE

<u>QTY.</u>	<u>PART NO.</u>	<u>DESCRIPTION</u>
1	311543	ENGINE AIR FILTER, PRIMARY
1	311544	ENGINE AIR FILTER, SECONDARY
1	316684	REMOTE FUEL FILTER
1	316689	FUEL FILTER, MAIN
1	316701	COOLANT FILTER
1	316702	ENGINE OIL FILTER
1	605626	HYDRAULIC OIL FILTER
1	657463	CAB PAPER FILTER
1	657464	CAB CHARCOAL FILTER

TABLE OF CONTENTS

ENGINE ASSEMBLY 4-6

RADIATOR AND OIL COOLER ASSEMBLY 7-8

AIR CLEANER AND EXHAUST 9

FUEL AND OIL TANK ASSEMBLY 11-13

BATTERY 14

TIRE ASSEMBLY 15

LEG ASSEMBLY 16-23

TREAD ADJUST ASSEMBLY 24-27

HYDRAULIC TUBING AND MANIFOLDS 28-35

LADDER AND BRAKE VALVE ASSEMBLY 36-37

SERVICE PLATFORM 38

AIR TANK ASSEMBLY 39-41

CAB ASSEMBLY 42-57

FLASHER AND LIGHT RELAY 58

REAR ELECTRICAL BOX ASSEMBLY 59-60

BUMPER AND ENGINE HOOD 61-63

SOLUTION TANK 64-65

SOLUTION PUMP AND ELECTRIC VALVES 66-87

REAR WHEEL NOZZLE 88

TRANSOM, BOOM, AND LIFT COMPONENTS 89-108

FOAMER TANK ASSEMBLY 109-115

PRESSURE WASHER OPTION 116-118

SIDE FILL/CHEMICAL INDUCTOR OPTION 119-121

FRONT FILL OPTION 122

RADAR OPTION 123

FENDER OPTION 124-125

FLOW MAX 110 MONITOR 126

BOOM STAND OPTION 127

WET BOOM OPTION 128-143

DECALS 144-145

AIR LINE DIAGRAM 146

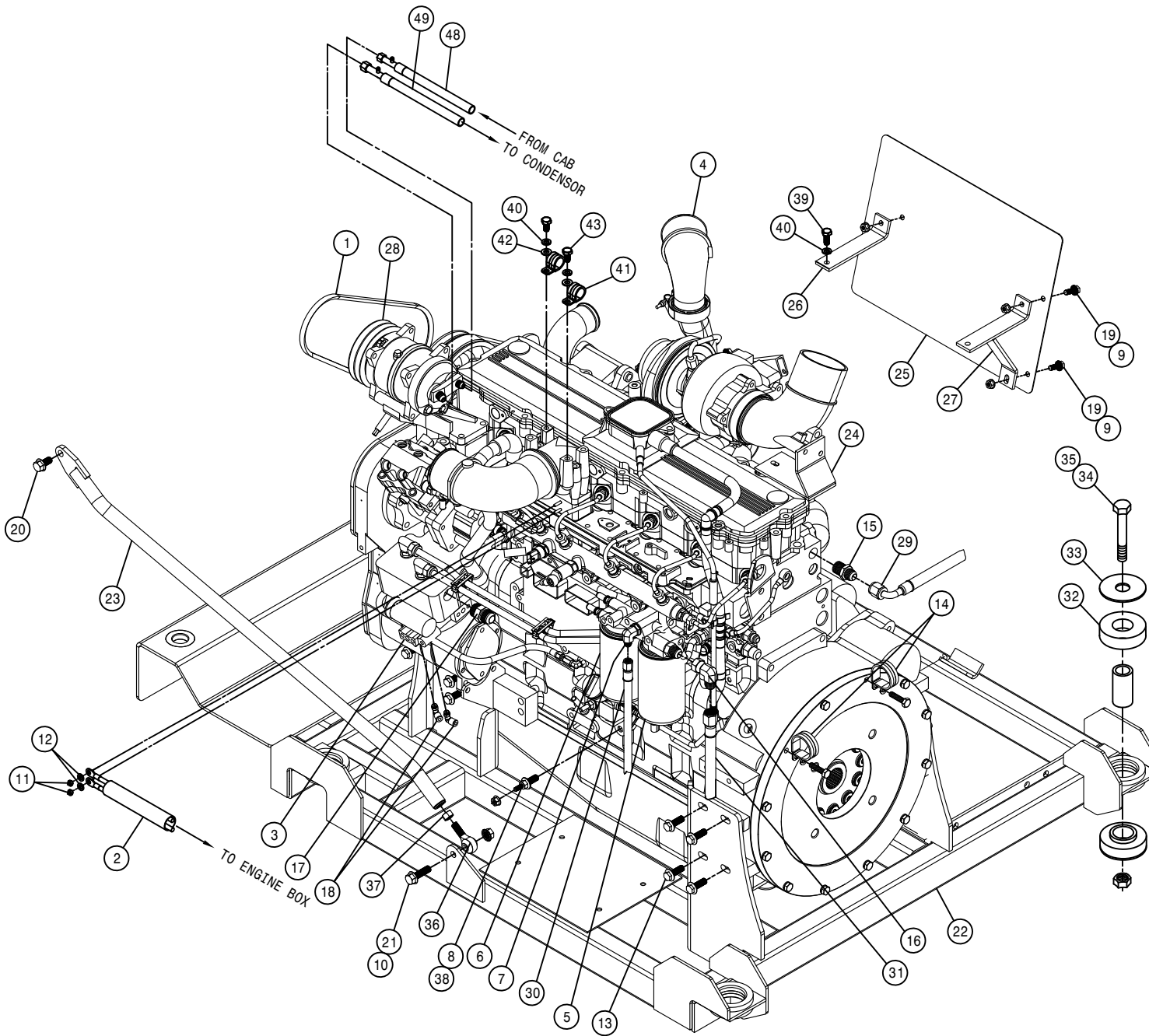
HYDRAULIC SCHEMATIC 148-153

ELECTRICAL SCHEMATIC 154-167

ABBREVIATIONS 168

INDEX 169

PARTS ORDER FORM 173



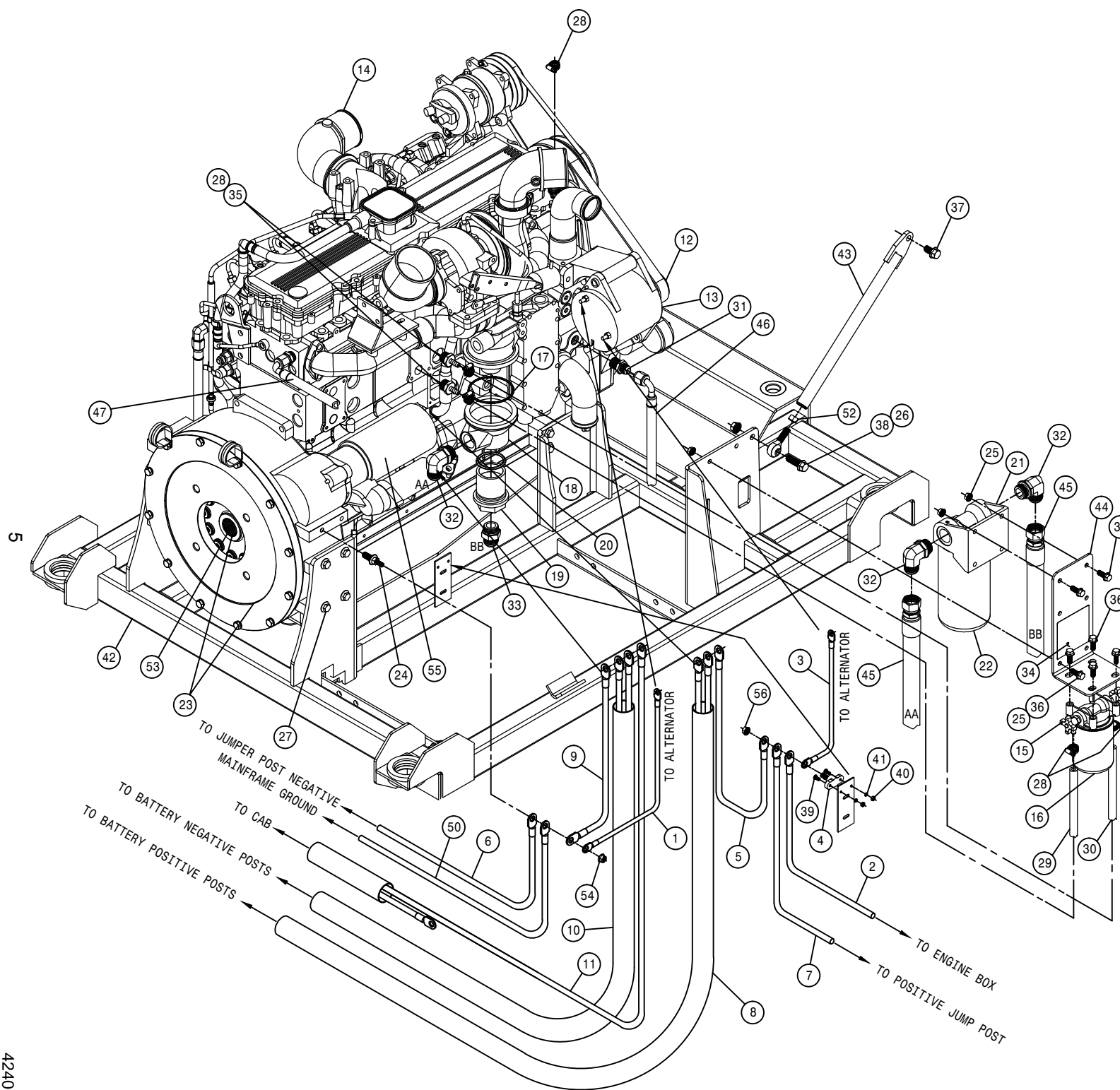
ENGINE ASSEMBLY

DET.	QTY	PART NO.	DESCRIPTION
1	1	147053	BELT, 17391 GOODYEAR
2	1	291867	ENG HEATER CABLE ASSY,RED 6GA
3	1	316277	AIR COMPRESSOR GOVERNOR KIT
4	1	316668	CUMM ENG, -REPOWER- 07
5	1	316684	FILTER,PRE FUEL 25 MICRON
6	1	316689	FILTER, MAIN FUEL, 3 MICRON
7	1	618115	9/16MJIC-90-3/4MOR LBO
8	1	316713	STUD,GROUND M12-M8 STS 16 2007
9	3	470087	3/8UNC HEX FLANGE LOCK NUT
10	1	470360	1/2UNC HEX FLANGE LOCK NUT
11	2	473767	6MM-1.00 HEX NUT
12	2	473768	6MM LOCK WASHER
13	7	473855	12MM-1.75 X 35MM FLANGE BOLT
14	2	520161	CUSH CLAMP,#32 2"D-3/4W LOOP
15	1	618059	7/8MJIC-3/4MNPT ADPTR
16	1	618301	7/8MJIC-90-7/8FJIC SWIV LBO
17	1	618699	1 1/16MJIC-M27X2.0MOR ADPTR
18	2	711039	1/8MNPT-90-1/4 NYL TUBE LBO
19	3	900129	3/8UNC X 1" SERR FLANGE BOLT
20	1	900263	1/2UNC X 1" HEX BOLT
21	1	900266	1/2UNC X 1 3/4 HEX BOLT
22	1	316761	SKID WLD, STS16 TIER 3
23	1	316758	LH RAD BRACE WLD, STS T3 0
24	1	316749	TURBO ELBOW SUPP WLD,STS16 07
25	1	316745	HEAT SHIELD-TURBO STS16 REPWR
26	1	316747	UPPER BRACE-HEAT SHIELD
27	1	316746	BRACE WLDMT-TURBO SHIELD
28	1	657472	A/C COMPSTR,TM-16HD STS16 07
29	1	657487	10-213-10FJX-10FJX90-78 H/A
30	1	611350	06-213-06FJX-06FJX90-107 H/A
31	1	611351	10-213-10FJX-10FJX90-136 H/A
32	4	311090	RUBBER MT SET, 60045
33	4	311091	SNUBBING WASHER FOR 311090
34	4	900477	7/8UNC X 4 1/2" HEX BOLT
35	4	914014	7/8UNC HEX STOVER NUT
36	1	473976	ROD END, .50B, .50-20UNF RH MALE
37	1	910009	1/2UNF HEX NUT
38	1	473858	8MM-1.25 SERR FLANGE NUT
39	1	473797	10MM-1.50 X 25MM HEX BOLT
40	3	473798	10MM LOCK WASHER
41	2	520121	CUSH CLAMP,#16 1IN X 3/4W
42	2	473799	10MM FLAT WASHER
43	2	473793	10MM-1.50 X 20MM HEX BOLT

4

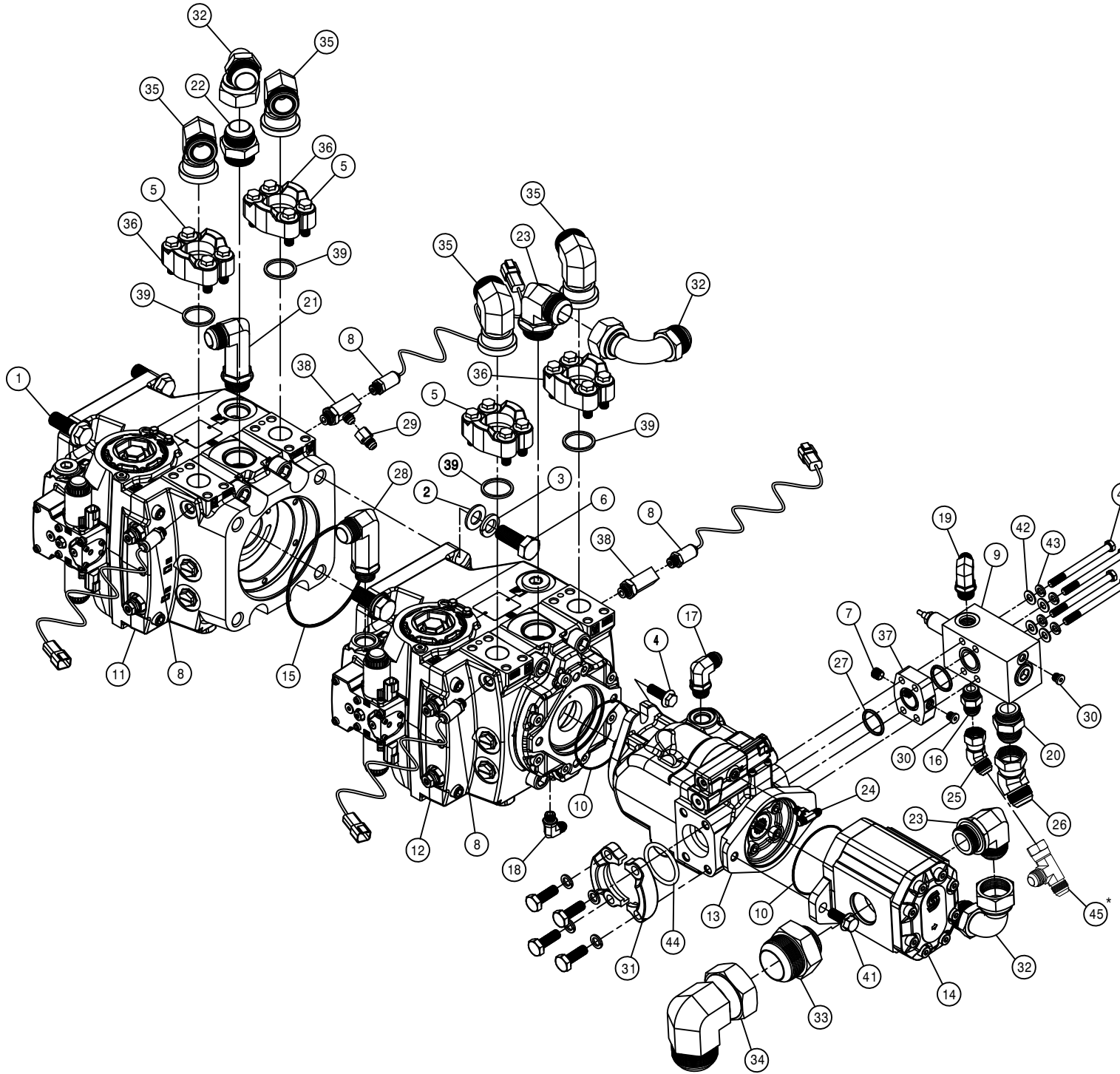
ENGINE ASSEMBLY

DET. QTY PART NO. DESCRIPTION



DET.	QTY	PART NO.	DESCRIPTION
1	1	291358	BATT CABLE, BLK 56"2GA.281- 8mm
2	1	291361	BATT CABLE, RED 72"2/0 3/8-3/8
3	1	291362	BATT CABLE, RED 28"2GA.343-.406
4	1	291936	TERM BLOCK, RED, 3/8-16 SINGLE
5	1	291949	BATT CABLE, RED 20"2/0 3/8-1/2
6	1	291951	BATT CABLE, BLK 53" 2/0 3/8-8MM
7	1	291953	BATT CABLE, RED 51" 2/0 3/8-3/8
8	1	291954	BATT CABLE, RED 66" 2/0 1/2-3/8
9	1	291955	BATT CABLE, BLK 26" 2/0 1/2-8MM
10	1	291956	BATT CABLE, BLK 104"2/0 1/2-3/8
11	1	291889	CAB PWR, GND CABLE ASSY, 206" 05
12	1	316370	ALT PULLEY, 2.76 OD, 8-GROOVE
13	1	316394	DELCO ALTERNATOR, 160 AMP
14	1	316668	CUMM ENG, -REPOWER-
15	1	316710	ENG COOLANT FILTER ASSY, STS16
16	1	316701	ENGINE COOLANT FILTER
17	1	316706	SEAL, O-RING STS 16
18	1	316704	COVER, FILTER HEAD STS 16
19	1	316705	ADAPTER, FILTER HEAD STS16
20	1	316707	SEAL, O-RING STS 16
21	1	316708	HEAD, LUBE OIL FILTER STS16
22	1	316702	ELEMENT, LUBE OIL FLTR STS16
23	1	800504	HAYES PUMP DRIVE
24	1	316713	STUD, GROUND M12-M8 STS 16
25	6	470087	3/8UNC HEX FLANGE LOCK NUT
26	1	470360	1/2UNC HEX FLANGE LOCK NUT
27	8	473855	12MM-1.75 X 35MM FLANGE BOLT
28	5	520069	HOSE CLAMP NO 6 STAINLESS
29	1	601687	HOSE, 3/8 X 51 HEATER
30	1	601688	HOSE, 3/8 X 57 HEATER
31	1	618059	7/8MJIC-3/4MNPT ADPTR
32	3	618178	1 5/16MJIC-90-1 5/16MOR LBO
33	1	618186	1 5/16MJIC-1 5/16MOR ADPTR
34	1	650191	DECAL, CAUTION COOLANT
35	2	711103	3/4NPT X 3/8 HOSE BARB, BRS
36	10	900129	3/8UNC X 1" SERR FLANGE BOLT
37	1	900263	1/2UNC X 1" HEX BOLT
38	1	900266	1/2UNC X 1 3/4 HEX BOLT
39	2	903706	10-32X1/2 PHIL PANHD MACH SCR
40	2	910027	10-32 HEX NUT
41	2	920510	#10 LOCK WASHER
42	1	316761	SKID WLD, STS16 TIER 3
43	1	316757	RH RAD BRACE WLD STS T3
44	1	316754	REMOTE FILTER MT
45	2	616294	16-426-16FJX-16FJX-48
46	1	657486	10-213-10FJX-10FJX90-108
47	1	657487	10-213-10FJX-10FJX90-78
48	1	657491	A/C HOSE ASSY, 1/2 X 92
49	1	657490	A/C HOSE ASSY, 13/32 X 102
50	1	291892	BATT CABLE, BLK 42"4GA.406-.406
51	1	473976	ROD END, .50B, .50-20UNF RH MALE
52	1	910009	1/2UNF HEX NUT
53	1	800505	DRIVE DISK ASSY FOR 800504
54	1	473858	8MM-1.25 SERR FLANGE NUT
55	1	316674	STARTER, CUMM ST9433
56	1	910004N	3/8UNC FLANGE CNTR LOCK NUT

HYDROSTATIC PUMP ASSEMBLY



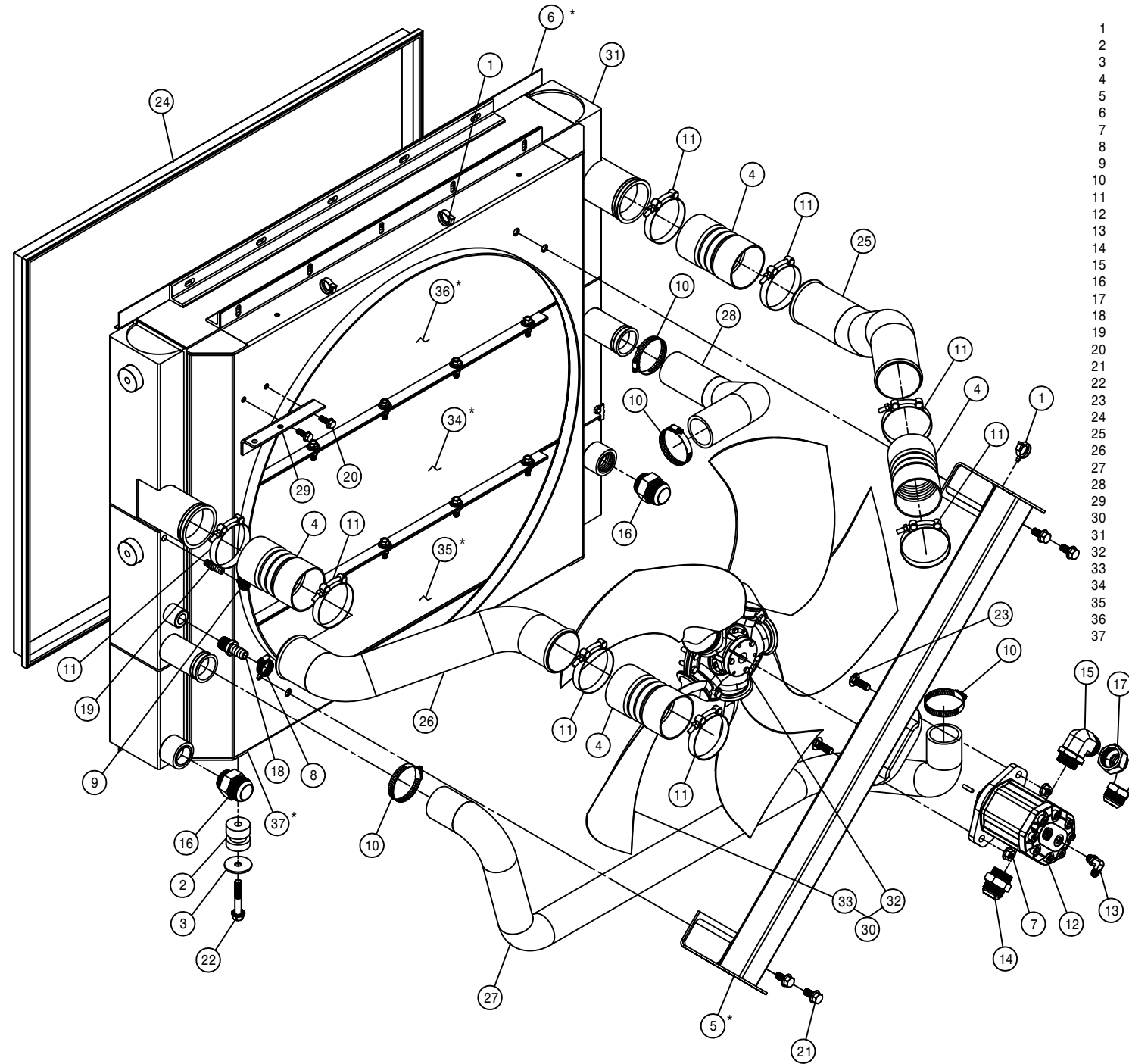
DET.	QTY	PART NO.	DESCRIPTION
	1	4 472367	3/4UNC X 2" SM FLANGE BOLT GR8
	2	4 473839	20MM FLAT WASHER
	3	4 473854	20MM LOCK WASHER
	4	2 473855	12MM-1.75 X 35MM FLANGE BOLT
	5	16 473857	12MM-1.75 X 45MM FLANGE BOLT
	6	4 473860	20MM-2.5 X 50MM HEX BOLT
	7	1 501103	PIPE PLUG .25NPT SKT HD
	8	4 606196	PRESSURE TRANSDUCER, 9000 PSI
	9	1 606258	REFIEF, LS PUMP SAUER
	10	2 606977	O-RING, B-MT, 3.989ID X .103CS
	11	1 607011	SAUER 165CC H1 PUMP, D/D-MT 07
	12	1 607014	SAUER 165CC H1 PUMP, D/B-MT 07
	13	1 607017	SAUER PISTON PUMP,75CC JRR075C
	14	1 607020	SAUER GEAR PUMP,SNP3 63.4CC
	15	1 607026	O-RING,D-MT 6.1410D X 5.905ID
	16	1 611126	7/8MJIC-7/8MOR ADPTR
	17	1 611128	7/8MJIC-90-7/8MOR LBO
	18	1 618119	9/16MJIC-90-9/16MOR LBO
	19	1 618183	3/4MJIC-90-7/8MOR LBO
	20	1 618186	1 5/16MJIC-1 5/16MOR ADPTR
	21	1 618463	1 5/16MJIC-90-1 5/16MOR XL LBO
	22	1 618472	1 5/8MJIC-1 5/8MOR ADPTR
	23	2 618477	1 5/8MJIC-90-1 5/8MOR LBO
	24	1 618815	7/16MOR BRANCH TEE-7/16MJIC
	25	1 618628	7/8MJIC-45-7/8FJIC SWIV LBO
	26	1 618630	1 5/16MJ-45-1 5/16FJ SWIV LBO
	27	1 618676	O-RING FOR 1" FLANGE -16
	28	1 618729	1 5/16MJIC-90-1 1/16MOR XL LBO
	29	1 618735	9/16JIC .062 ORIFICE ADPTR
	30	2 618753	7/16MOR PLUG, HEX SOCKET
	31	1 618766	2" SPLIT FLANGE KIT #61/62
	32	3 618768	1 5/8FJX-90-1 5/8MJIC TUBE
	33	1 618776	2 1/2MJIC-1 7/8MOR ADPTR
	34	1 618777	2 1/2MJ-90-2 1/2FJ SWIV LBO
	35	4 618779	1 1/4 FLG-90-1 11/16MFOR LBO
	36	8 618780	1 1/4 SPLIT FLANGE HALF, #62
	37	1 618781	SPACER/TESTPORT,#16 CODE 61
	38	2 618782	9/16MOR-9/16FOR-9/16MJIC BRNCH
	39	4 870222	NEO ORING 1 1/2 X 1 3/4
	40	4 900141	3/8UNC X 4 1/2 HEX BOLT
	41	2 900264	1/2UNC X 1 1/4 HEX BOLT
	42	4 920002	3/8 SAE FLAT WASHER
	43	4 920502	3/8 LOCK WASHER
	44	1 618394	O-RING FOR 2" FLANGE -32
	45	1 618333	7/8FJIC SW RUN TEE-7/8MJIC

NOTE: (*) USED WITH THE PRESSURE WASHER OPTION.

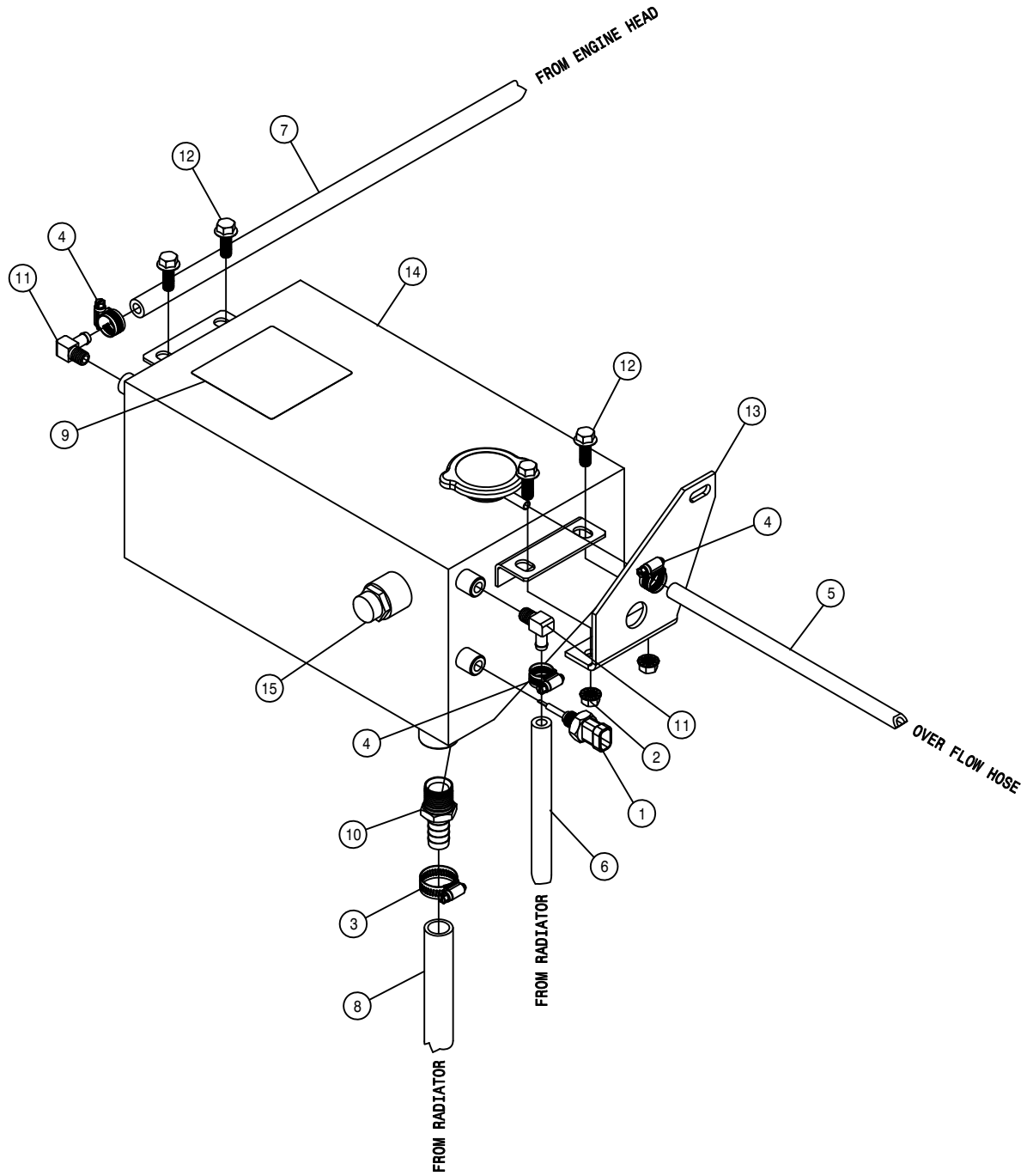
NOTE: ITEMS MARKED WITH A (*) COME IN THE COOLER PACKAGE-316690.

RADIATOR AND OIL COOLER ASSEMBLY

DET. QTY PART NO. DESCRIPTION

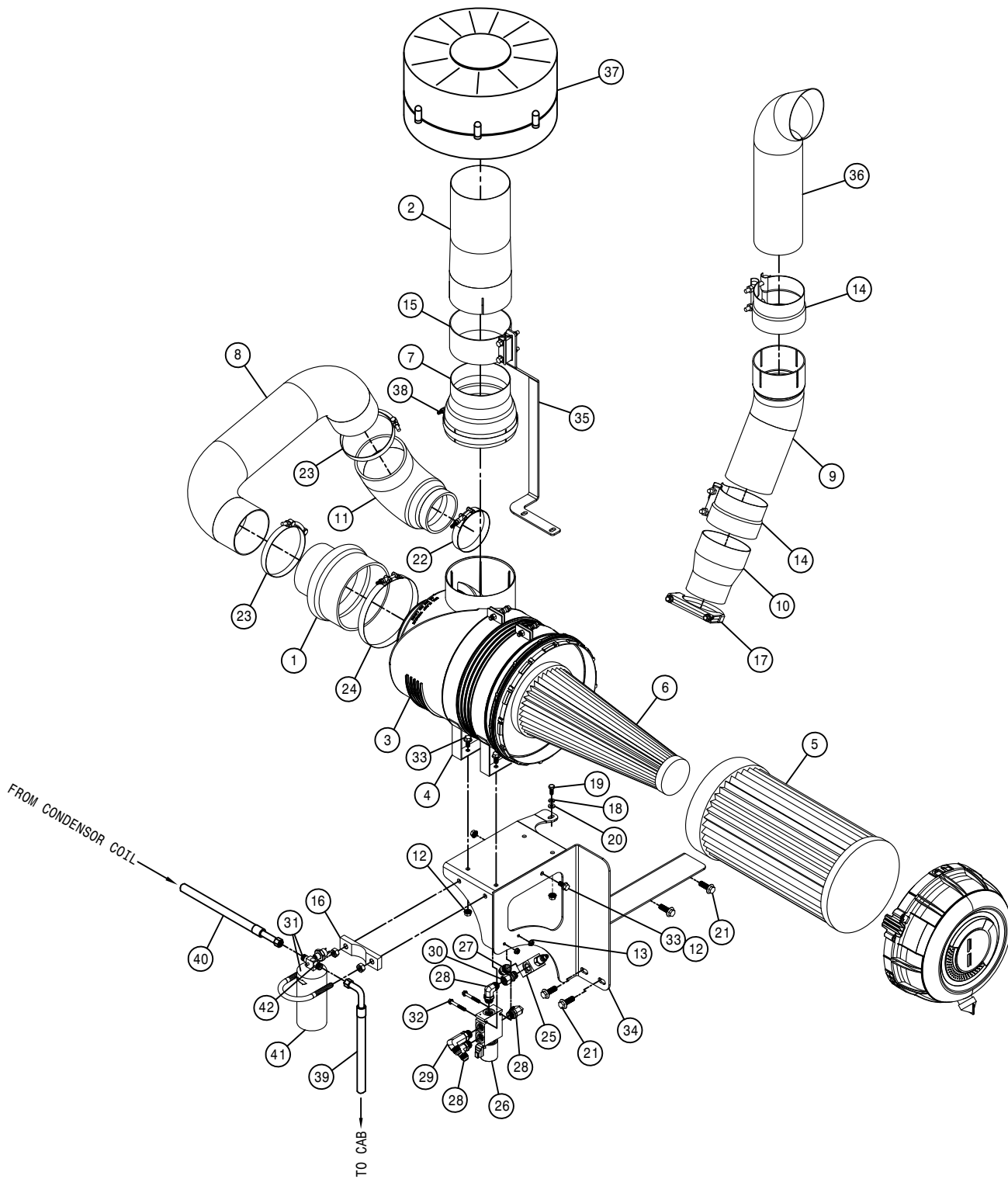


DET.	QTY	PART NO.	DESCRIPTION
1	3	291007	ROSEBUD CLIP FOR .750 CONDUIT
2	2	311054	RUBBER MOUNT SET, CB-2202-4
3	2	311055	REBOUND WASHER FOR 311054
4	4	311501	3.50 CAC HOSE, AIR INTAKE
5	1	316696	FAN MOUNT, STS 16 2007
6	1	316695	BULB SEAL MT, COOLING PKG STS16
7	2	470360	1/2UNC HEX FLANGE LOCK NUT
8	2	520055	HOSE CLAMP NO 12 STAINLESS
9	1	520069	HOSE CLAMP NO 6 STAINLESS
10	4	520099	HOSE CLAMP NO 40 STAINLESS
11	8	520145	3.56/3.88 T-BOLT HOSE CLAMP SS
12	1	607023	SAUER GEAR MOTOR, SNM3/44 07
13	1	618119	9/16MJIC-90-9/16MOR LBO
14	1	618472	1 5/8MJIC-1 5/8MOR ADPTR
15	1	618477	1 5/8MJIC-90-1 5/8MOR LBO
16	2	618527	1 7/8MJIC-1 5/8MOR ADPTR
17	1	618768	1 5/8FJX-90-1 5/8MJIC TUBE
18	1	711102	3/4NPT X 3/4 HOSE BARB, BRS
19	1	783304	1/4 NPT X 3/8 HOSE BARB, BRS
20	2	900129	3/8UNC X 1" SERR FLANGE BOLT
21	4	900263	1/2UNC X 1" HEX BOLT
22	2	900270	1/2UNC X 3" HEX BOLT
23	2	901255	1/2UNC X 1 1/2 CARR BOLT
24	1	316715	CAC LIP SEAL, STS16 07
25	1	311555	TUBE, CAC HOT
26	1	311556	TUBE, CAC COLD, STS16 07
27	1	311553	HOSE, LOWER RADIATOR, STS16 07
28	1	311554	HOSE, UPPER RADIATOR, STS16 07
29	1	316752	SURGE TANK SUPP ANGLE, STS16 07
30	1	316697	FAN, SICKLE BLADE STS 16 2007
31	1	316690	COOLER PACKAGE KIT, STS 16 07
32	1	316698	FAN BLADE FOR 316697 FAN
33	1	316699	FAN HUB FOR 316697 FAN
34	1	316691	RADIATOR FOR 316690
35	1	316692	OIL, COOLER FOR 316690
36	1	316693	CAC FOR 316690
37	1	316694	SHROUD FOR 316690



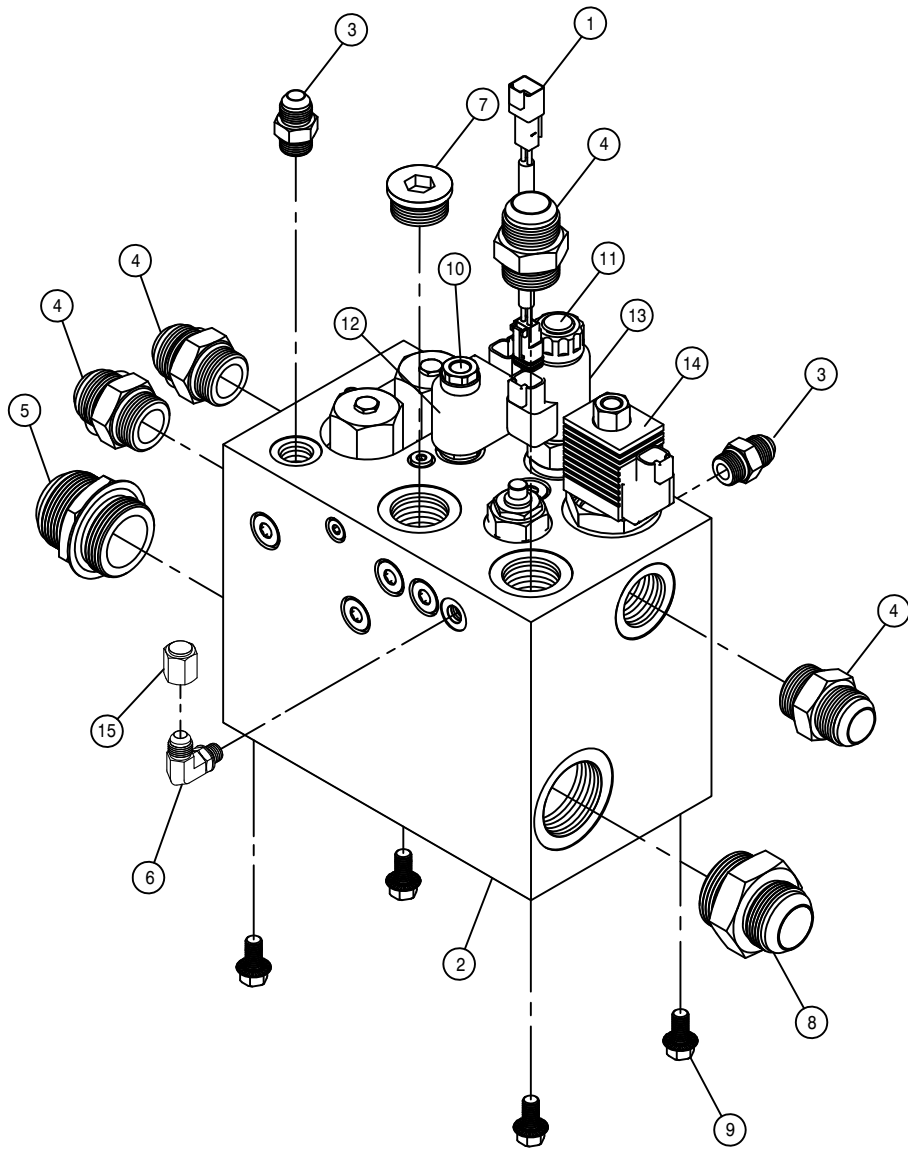
SURGE TANK ASSEMBLY

DET.	QTY	PART NO.	DESCRIPTION
1	1	291935	RAD WATER LEVEL SENSOR,T3 ENG
2	4	470087	3/8UNC HEX FLANGE LOCK NUT
3	1	520055	HOSE CLAMP NO 12 STAINLESS
4	3	520069	HOSE CLAMP NO 6 STAINLESS
5	1	601614	HOSE, 5/16 X 64 EPDM
6	1	601701	HOSE, 3/8 X 45 HEATER
7	1	601702	HOSE, 3/8 X 70 HEATER
8	1	601703	HOSE, 3/4 X 25 HEATER
9	1	650191	DECAL, CAUTION COOLANT
10	1	711102	3/4NPT X 3/4 HOSE BARB, BRS
11	2	711104	1/4MNPT-90-3/8 HOSE BARB, BRS
12	4	900129	3/8UNC X 1" SERR FLANGE BOLT
13	1	316753	SURGE TANK SUPP BRKT,STS16 07
14	1	316714	SURGE TANK
15	1	470532	SIGHT GAGE, 3/4NPT BRASS



AIR CLEANER ASSEMBLY

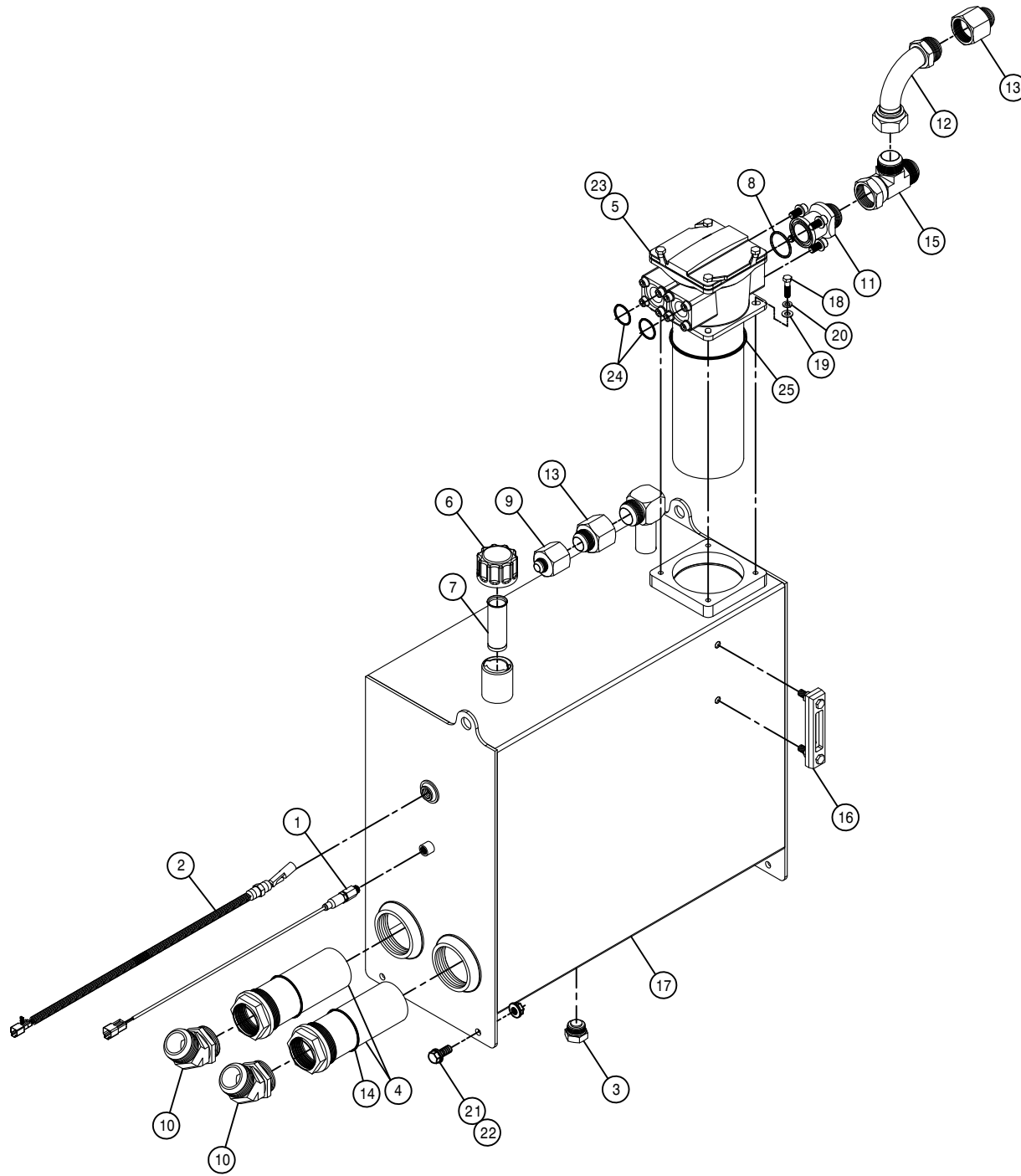
DET.	QTY	PART NO.	DESCRIPTION
	1	311536	7"-5" REDU HUMP HOSE, RUBBER
	2	311537	AIR CLEANER HOOD EXT, 14" STS 07
	3	311541	AIR CLEANER, OPTIAIR 1300
	4	311542	AIR CLEANER MT BAND FOR 311541
	5	311543	PRIMARY AIR FILTER FOR 311541
	6	311544	SECONDARY FILTER FOR 311541
	7	311545	7.00-6.00 REDUCER, STEEL W/CLMP
	8	311546	TUBE, AIR CLNER-TURBO, STS16 07
	9	311547	5" 30 DEG MUFFLER ELBOW
	10	311551	5" ID-4" ID REDUCER, EXHAUST PIPE
	11	316297	5"-4" 90DEG REDU ELBOW, RUBBER
	12	470087	3/8UNC HEX FLANGE LOCK NUT
	13	470121	1/4UNC HEX FLANGE LOCK NUT
	14	470477	5" LAP EXHAUST CLAMP
	15	470480	6" EASYSEAL CLAMP, SS
	16	470498	U-BOLT CLAMP, 3.00, POLY SADDLE
	17	472217	4" MUFFLER CLAMP 3/8UNC
	18	473804	8MM LOCK WASHER
	19	473827	8MM-1.25 X 20MM HEX BOLT
	20	473849	8MM FLAT WASHER
	21	473855	12MM-1.75 X 35MM FLANGE BOLT
	22	520134	4.31/4.59 T-BOLT HOSE CLAMP SS
	23	520148	5.38/5.69 T-BOLT HOSE CLAMP SS
	24	520150	7.38/7.69 T-BOLT HOSE CLAMP SS
	25	607553	THROTTLE VALVE, SUN HYD
	26	607555	SOLENOID VALVE
	27	611125	3/4MJIC-3/4MOR ADPTR
	28	618241	3/4MJIC-90-3/4MOR LBO
	29	618443	3/4MJIC-90-3/4MOR EX LG LBO
	30	618669	3/4FJIC SWIV-3/4MOR ADPTR
	31	657438	RECEIVER DRIER W/SWITCH
	32	900007	1/4UNC X 2" HEX BOLT
	33	900128	3/8UNC X 3/4 HEX BOLT
	34	316741	AIR CLEANER MT WLD, STS 16 07
	35	316740	AIR INTAKE SUPP, STS16 07
	36	316669	EXHAUST STACK, 5" X 21" BLK
	37	311520	ENGINE PRE CLEANER
	38	520149	7.13/7.44 T-BOLT HOSE CLAMP SS
	39	657488	A/C HOSE ASSY, 5/16 X 62
	40	657489	A/C HOSE ASSY, 5/16 X 111
	41	657421	A/C RECEIVER/DRIER
	42	657422	A/C BINARY SWITCH



FAN CONTROL VALVE ASSEMBLY

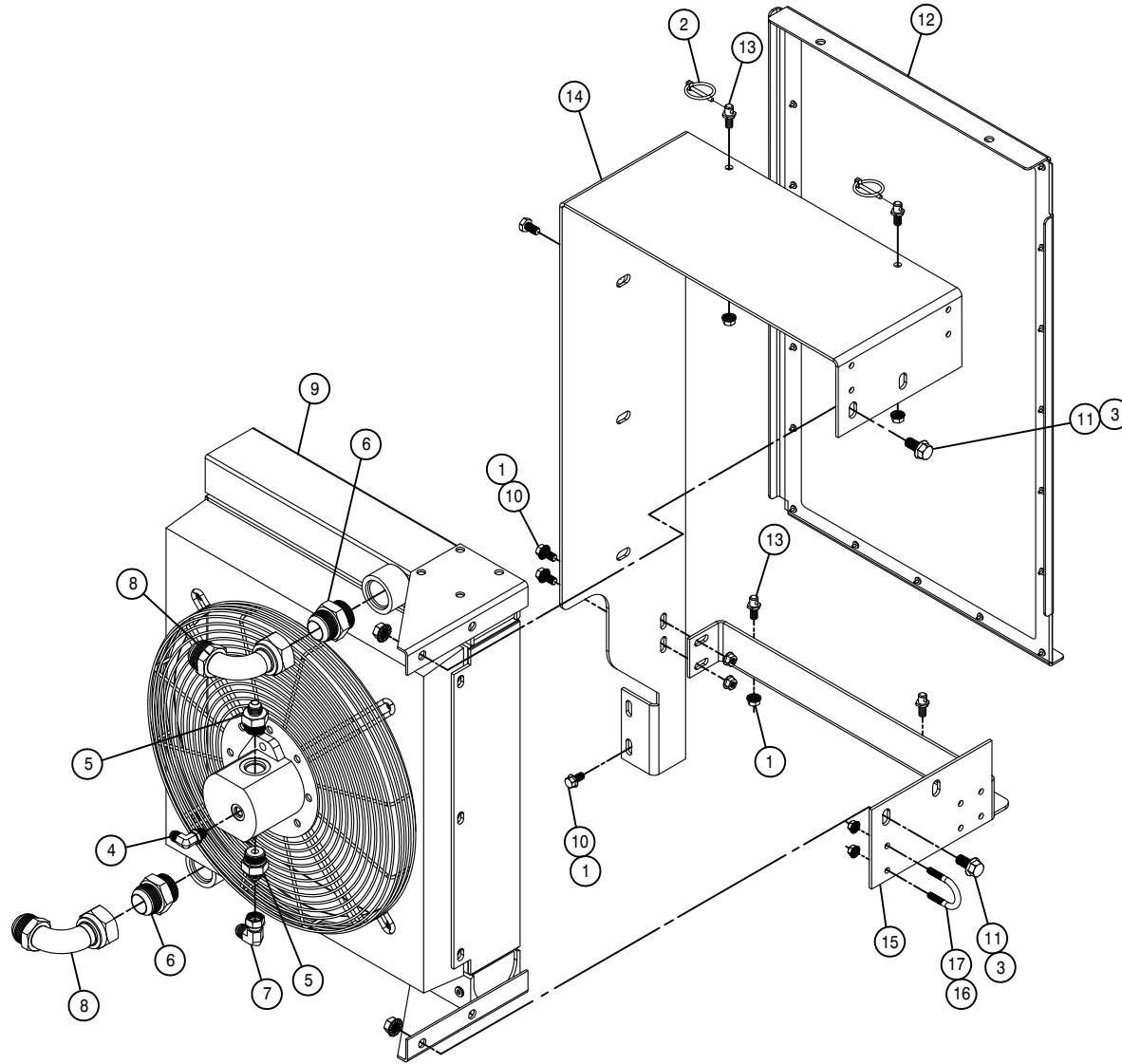
DET. QTY PART NO. DESCRIPTION

1	1	293880	JUMPER WIRE ASSY(DEUTSCH)
2	1	606281	FAN CTRL VALVE, STS 16 07
3	2	611125	3/4MJC-3/4MOR ADPTR
4	4	618186	1 5/16MJC-1 5/16MOR ADPTR
5	1	618682	1 7/8MOR-1 7/8MJC ADPTR
6	1	618114	9/16MJC-90-7/16MOR LBO
7	1	618758	1 5/16 MOR PLUG, HEX SOCKET
8	1	618788	1 5/8MJC-1 7/8MOR ADPTR
9	4	900128	3/8UNC X 3/4 HEX BOLT
10	1	606326	CARTRIDGE SV08-24 FOR 606281
11	1	606327	CARTRIDGE PRV12 FOR 606281
12	1	606328	COIL (SV08-CART) FOR 606281
13	1	606329	COIL (PRV12-CART) FOR 606281
14	1	606325	CARTRIDGE CP503 FOR 606281
15	1	618531	9/16FJC CAP NUT



HYDRAULIC TANK ASSEMBLY

DET.	QTY	PART NO.	DESCRIPTION
	1	291943	TEMPERATURE TRANSDUCER
	1	293815	LIQUID LEV SWITCH ASSY, 1/2NP05
	1	470471	1 5/16MOR PLUG, MAGNETIC
	2	605623	SUCTION STRAINER, 39GPM 100M 32
	1	605625	IN-TANK RETURN FILTER, 10M
	1	605628	FILL CAP, 6 PSI CHECK
	1	605629	FILL SCREEN, 30 MESH
	1	618395	O-RING FOR 1 1/2" FLANGE -24
	1	618665	1 5/8FJIC-1 1/16MJIC ADPTR
	2	618746	2 1/2MJIC-45-2 1/2MOR LBO
	1	618747	1 1/2 FLANGE-1 7/8MJIC ADPTR
	1	618764	1 7/8FJX-90-1 7/8MJIC TUBE LBO
	2	618767	1 7/8FJIC-1 5/8MJIC ADPTR
	2	605638	O-RING, -48 3.228ID-.118W
	1	618790	1 7/8FJ SW RUN TEE-1 7/8MJ
	1	760177	SIGHT GAUGE W/TEMP, HYD TANK
	1	760354	HYD TANK WELD, STS16 07
	4	900131	3/8UNC X 1 1/2 HEX BOLT
	4	920002	3/8 SAE FLAT WASHER
	4	920502	3/8 LOCK WASHER
	4	900264	1/2UNC X 1 1/4 HEX BOLT
	4	470360	1/2UNC HEX FLANGE LOCK NUT
	1	605626	FILTER ELEMENT FOR 605625 10M
	2	618465	O-RING FOR 1 1/4" FLANGE, -20
	1	605632	O-RING FOR FILTER HEAD 605625



AUX OIL COOLER ASSEMBLY

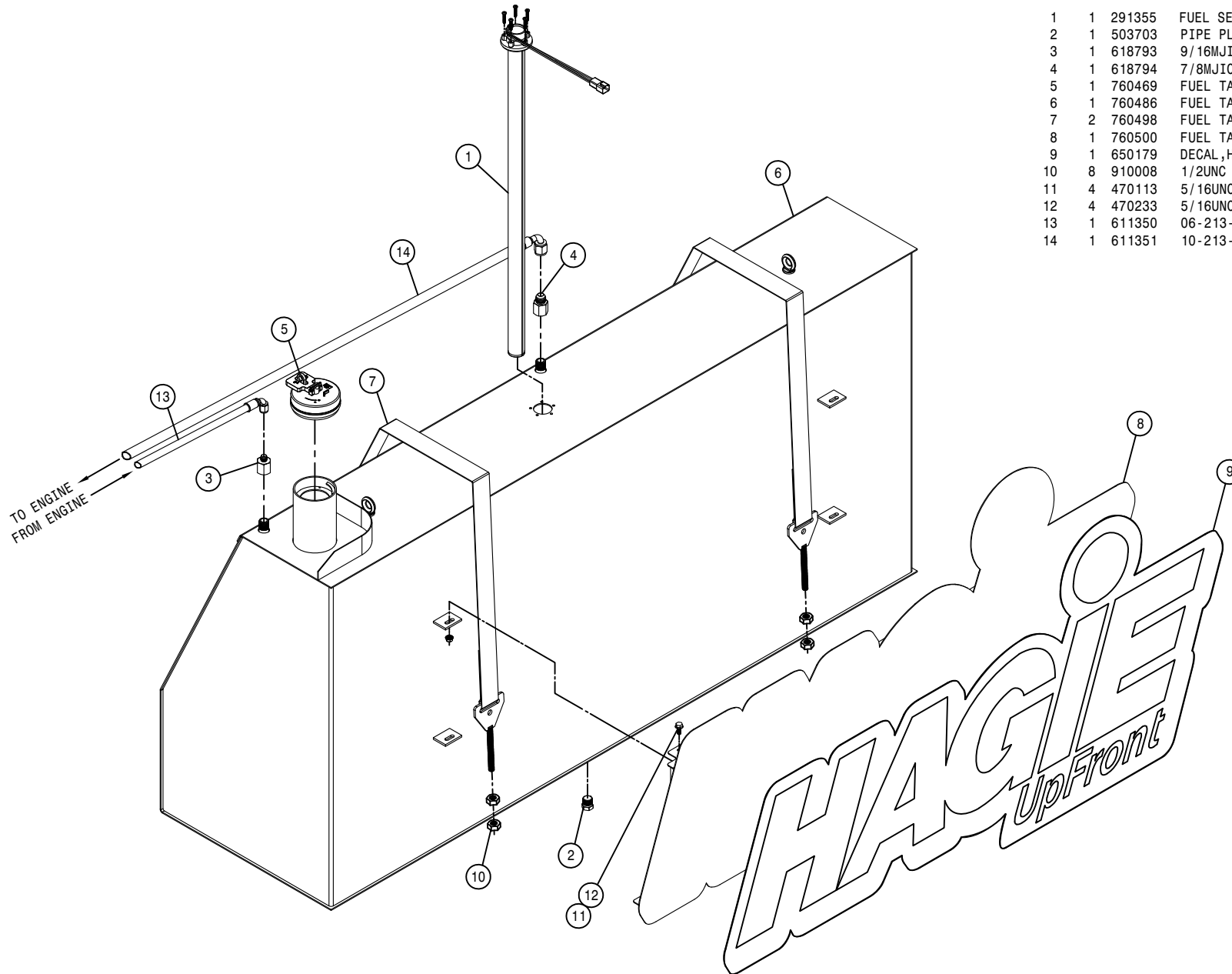
DET. QTY PART NO. DESCRIPTION

1	8	470087	3/8UNC HEX FLANGE LOCK NUT	
2	2	470335	LINCHPIN, 3/16 X 1 1/4 GRIP	
3	4	470360	1/2UNC HEX FLANGE LOCK NUT	
4	1	618119	9/16MJIC-90-9/16MOR LBO	
5	2	618469	3/4MJIC-1 1/16MOR ADPTR	
6	2	618472	1 5/8MJIC-1 5/8MOR ADPTR	
7	1	618609	3/4MJIC-90-3/4FJIC SWIV LBO	
8	2	618768	1 5/8FJX-90-1 5/8MJIC TUBE	
9	1	618808	OIL COOLER STS16	07
10	4	900128	3/8UNC X 3/4 HEX BOLT	
11	4	900263	1/2UNC X 1" HEX BOLT	
12	1	316784	AUX COOLR SCREEN ASSY,STS16	07
13	4	470525	HANGER PIN,3/8UNC X.437DX.625L	
14	1	316782	AUX COOLER MT,STS16	07
15	1	316804	AUX COOLER BOTM BRKT,STS16	07
16	8	470113	5/16UNC HEX FLANGE LOCK NUT	
17	4	473911	5/16UNC-1.31ID-2.00 U-BOLT	

FUEL TANK ASSEMBLY

DET. QTY PART NO. DESCRIPTION

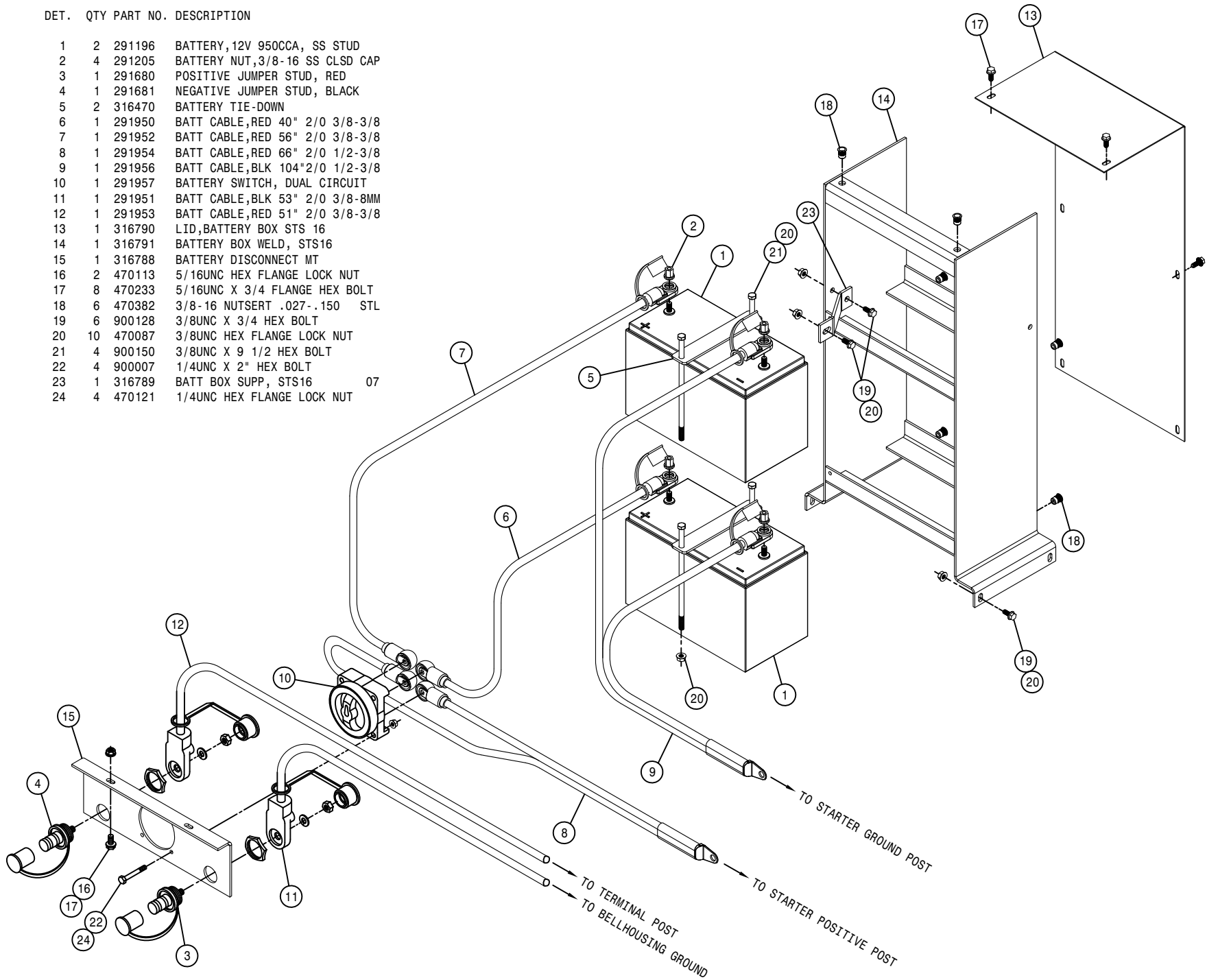
1	1	291355	FUEL SENSOR	STS16	07
2	1	503703	PIPE PLUG .50NPT SKT HD		
3	1	618793	9/16MJIC-1/2FNPT ADPTR		
4	1	618794	7/8MJIC-1/2FNPT ADPTR		
5	1	760469	FUEL TANK CAP,3.50" VENTED		
6	1	760486	FUEL TANK WLDMT,STS16		07
7	2	760498	FUEL TANK STRAP ASSY, STS16		07
8	1	760500	FUEL TANK DECAL BRKT WLD,STS16		
9	1	650179	DECAL,HAGIE UPFRONT,28 X 60		
10	8	910008	1/2UNC HEX NUT		
11	4	470113	5/16UNC HEX FLANGE LOCK NUT		
12	4	470233	5/16UNC X 3/4 FLANGE HEX BOLT		
13	1	611350	06-213-06FJX-06FJX90-107		H/A
14	1	611351	10-213-10FJX-10FJX90-136		H/A

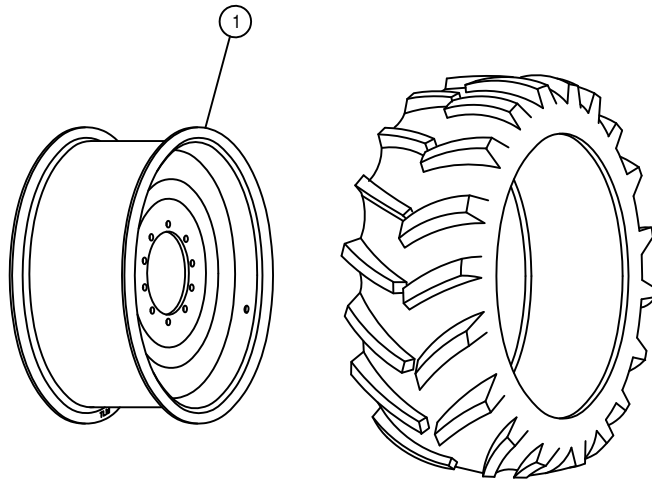


BATTERY BOX ASSEMBLY

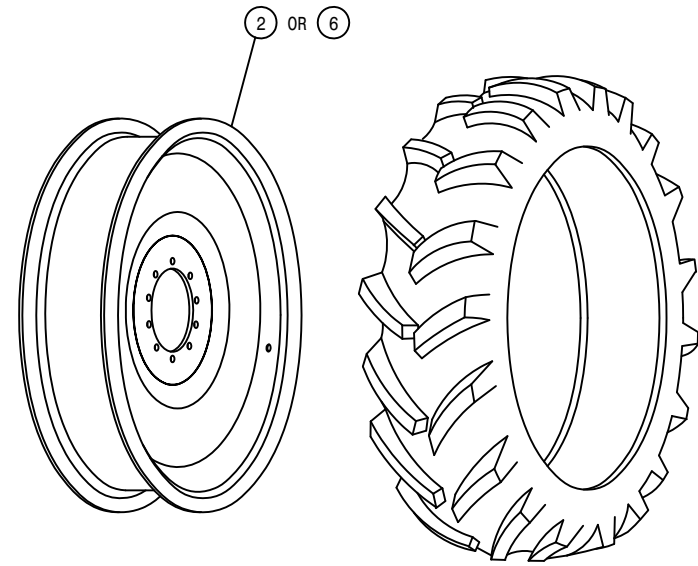
DET. QTY PART NO. DESCRIPTION

1	2	291196	BATTERY, 12V 950CCA, SS STUD
2	4	291205	BATTERY NUT, 3/8-16 SS CLSD CAP
3	1	291680	POSITIVE JUMPER STUD, RED
4	1	291681	NEGATIVE JUMPER STUD, BLACK
5	2	316470	BATTERY TIE-DOWN
6	1	291950	BATT CABLE, RED 40" 2/0 3/8-3/8
7	1	291952	BATT CABLE, RED 56" 2/0 3/8-3/8
8	1	291954	BATT CABLE, RED 66" 2/0 1/2-3/8
9	1	291956	BATT CABLE, BLK 104" 2/0 1/2-3/8
10	1	291957	BATTERY SWITCH, DUAL CIRCUIT
11	1	291951	BATT CABLE, BLK 53" 2/0 3/8-8MM
12	1	291953	BATT CABLE, RED 51" 2/0 3/8-3/8
13	1	316790	LID, BATTERY BOX STS 16
14	1	316791	BATTERY BOX WELD, STS16
15	1	316788	BATTERY DISCONNECT MT
16	2	470113	5/16UNC HEX FLANGE LOCK NUT
17	8	470233	5/16UNC X 3/4 FLANGE HEX BOLT
18	6	470382	3/8-16 NUTSERT .027-.150 STL
19	6	900128	3/8UNC X 3/4 HEX BOLT
20	10	470087	3/8UNC HEX FLANGE LOCK NUT
21	4	900150	3/8UNC X 9 1/2 HEX BOLT
22	4	900007	1/4UNC X 2" HEX BOLT
23	1	316789	BATT BOX SUPP, STS16
24	4	470121	1/4UNC HEX FLANGE LOCK NUT





580/70 R38 RADIAL TIRE



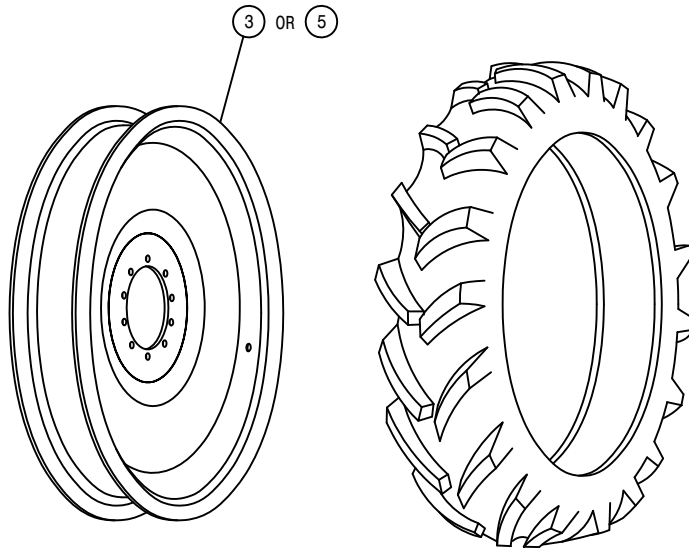
380/85 R46 RADIAL TIRE

520/85 R46 RADIAL TIRE

TIRE AND RIM ASSEMBLY

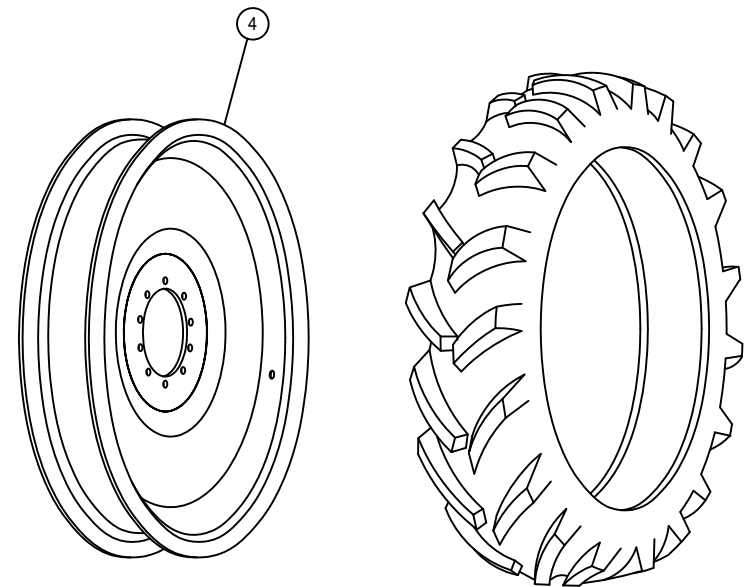
DET. QTY PART NO. DESCRIPTION

1	1	821055	RIM WLD, 38 X W18A	STS12
2	1	821054	RIM WLD, 46 X W13A	STS12
3	1	821053	RIM WLD, 50 X DW10	STS
4	1	821058	RIM WLD, 54 X W10A	
5	1	821059	RIM WLD, 54 X W12	
6	1	821061	RIM WLD, 46 X W16	

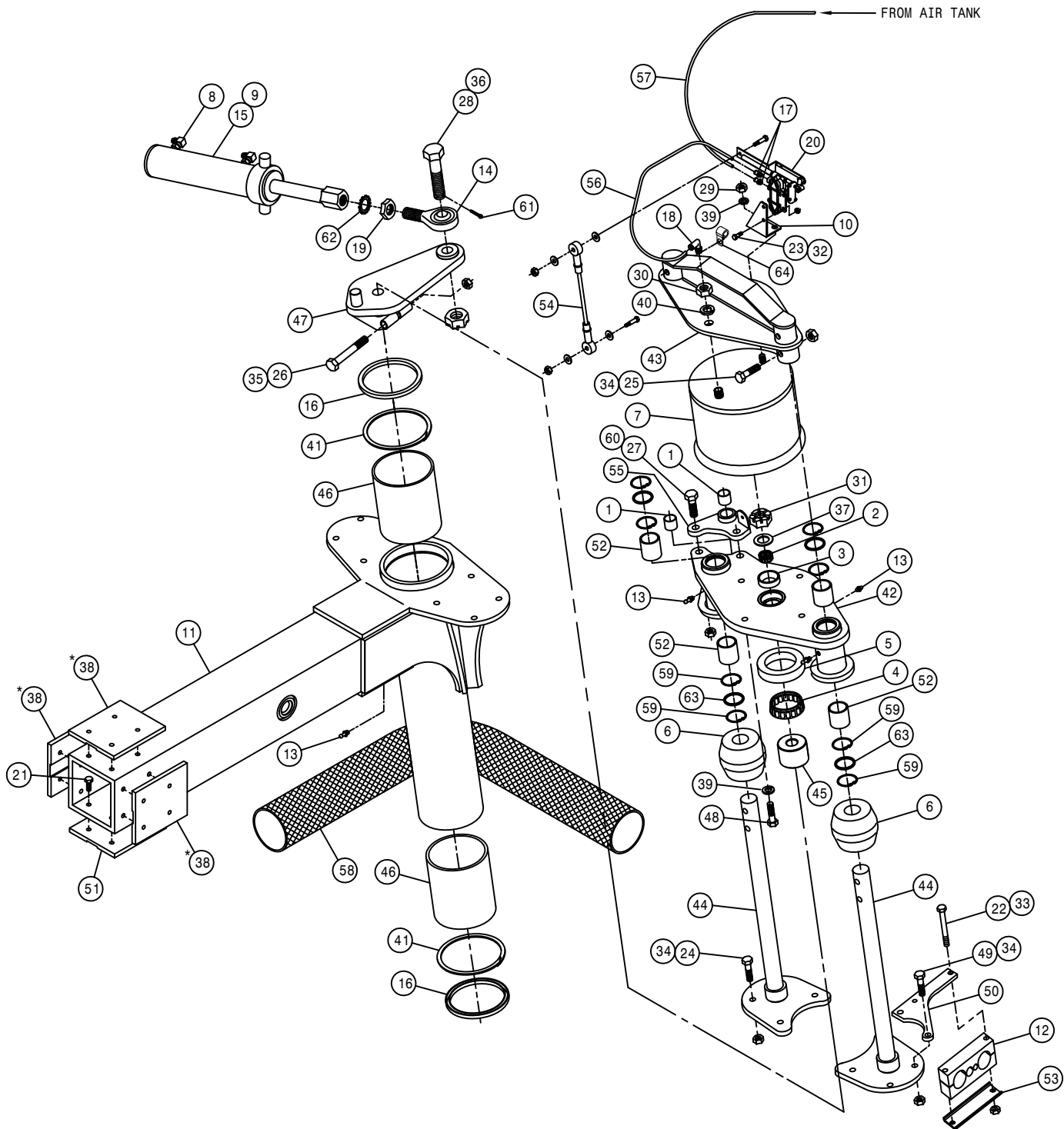


320/90 R50 RADIAL TIRE

380/90 R54 RADIAL TIRE



320/105 R54 RADIAL TIRE



RIGHT FRONT OUTER LEG ASSEMBLY

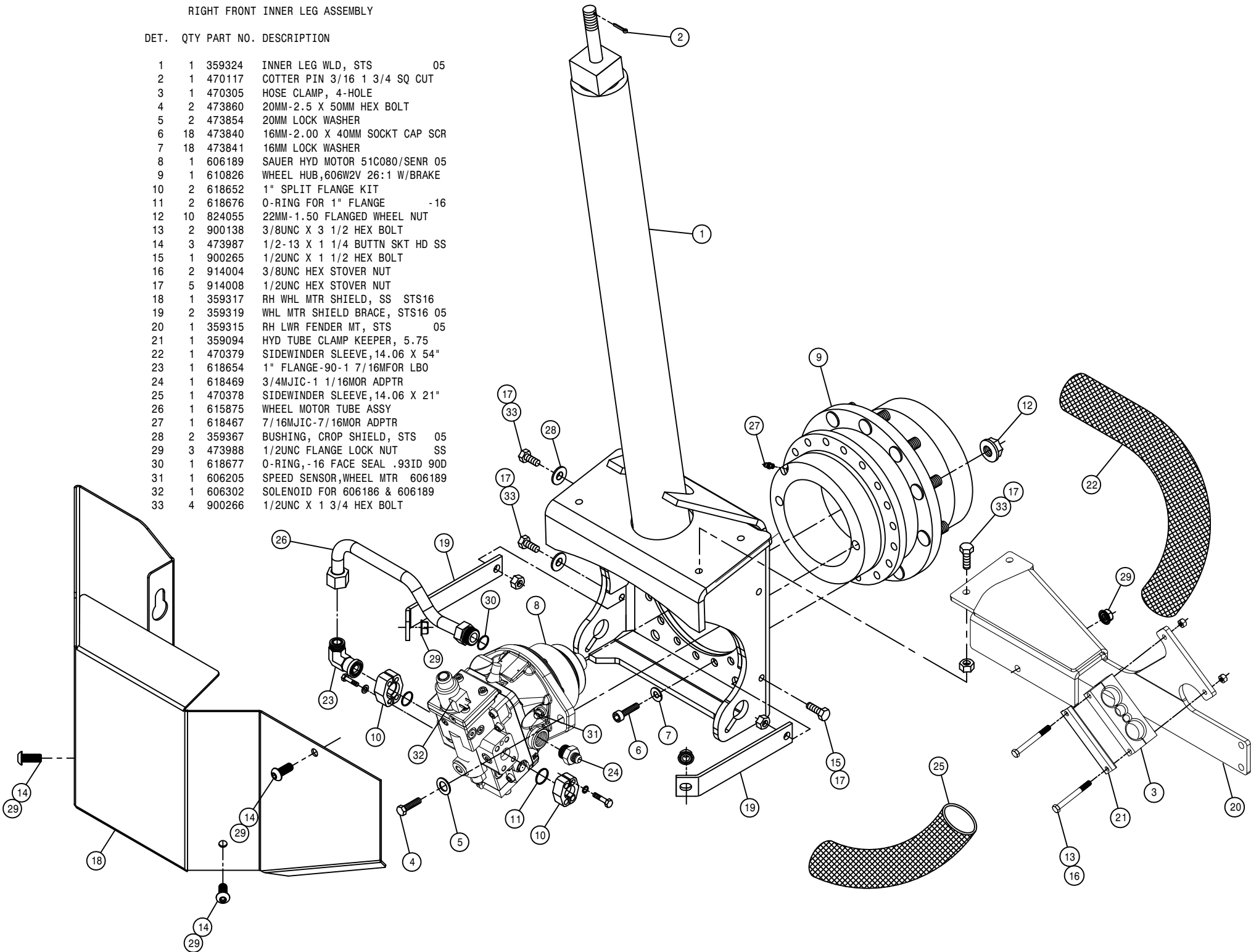
DET.	QTY	PART NO.	DESCRIPTION
1	2	121029	JOURNAL BRG, 1.00 ID X 1.00 LG
2	1	125050	BRG CONE, 1.00 ID W/FACE SEAL
3	1	125051	BRG CUP FOR 125050
4	1	125052	BRG CONE, 2.687 ID W/FACE SEAL
5	1	125053	BRG CUP FOR 125052
6	2	311058	RUBBER SPRING
7	1	311080	AIRIDE SPRING, 11.81 BASE
8	2	618249	3/4MJIC-90-9/16MOR LBO
9	1	621551	REPAIR KIT, HYD CYL, STRG 621550
10	1	359369	RH LEG AIR VALVE MT, STS16 05
11	1	359328	OUTER LEG WLD, STS 05
12	1	470305	HOSE CLAMP, 4-HOLE
13	4	471005	GREASE ZERK, 1/4 28 X 1/2
14	1	473975	ROD END, 1.00 BORE, 1-12 RH MALE
15	1	621550	STEERING CYL, 2.50 X 8.81 STS
16	2	629621	SEAL, 4.500 ROD DIA
17	2	711036	1/8MNPT-1/4 NYL TUBE FTG
18	1	711040	1/4MNPT-90-1/4 NYL TUBE LBO
19	1	472328	1" - 12 HEX JAM NUT
20	1	358832	AIRIDE SPRING CTRL VALVE 98
21	16	900128	3/8UNC X 3/4 HEX BOLT
22	2	900138	3/8UNC X 3 1/2 HEX BOLT
23	2	900002	1/4UNC X 3/4 HEX BOLT
24	6	900267	1/2UNC X 2" HEX BOLT
25	4	900269	1/2UNC X 2 3/4 HEX BOLT
26	1	900343	5/8UNC X 4 1/2 HEX BOLT
27	2	900352P	5/8UNC X 2 1/4 HEX BOLT
28	1	359085	STEERING ARM BOLT, 1" - 8THD STS
29	1	910008	1/2UNC HEX NUT
30	1	910013	3/4UNF HEX NUT
31	1	910021	1" - 14 SLOT JAM NUT
32	2	914000	1/4UNC HEX STOVER NUT
33	2	914004	3/8UNC HEX STOVER NUT
34	12	914008	1/2UNC HEX STOVER NUT
35	1	914010	5/8UNC HEX STOVER NUT
36	1	910020	1" UNC HEX SLOTTED NUT
37	1	920008	1" SAE FLAT WASHER
38	3	342917	TREAD ADJ PLATE, STEEL, THD
39	5	920504	1/2 LOCK WASHER
40	1	920506	3/4 LOCK WASHER
41	2	629538	4.5 SPIROLOX RING
42	1	359337	RH AIR BAG LWR PLT WLD, STS 05
43	1	359333	AIRBAG TOWER TOP MT WLD, STS 05
44	2	359077	NITRO TOWER SHAFT WLD STS
45	1	359082	STEERING ARM BRG SPACER
46	2	121112	LEG SLEEVE BEARING (POLYGON)04
47	1	359070	RH STEERING ARM WLD
48	4	900265	1/2UNC X 1 1/2 HEX BOLT
49	2	900268	1/2UNC X 2 1/2 HEX BOLT
50	1	359081	UPPER LEG HOSE MT PLT
51	1	342719	TRD ADJ BRONZE BEARING, THD-GRV
52	4	121113	TOWER SLEEVE BRG (POLYGON) 05
53	1	359094	HYD TUBE CLAMP KEEPER, 5.75
54	1	359095	LEG HEIGHT CTRL LINKAGE, STS12
55	1	359435	RH LEG UPR TRUNNION MT WLD 07
56	1	601473	HOSE, 1/4 X 22 AIR
57	1	601642	HOSE, 1/4 X 256 AIR
58	1	470310	SIDEWINDER SLEEVE, 14.06 X 45"
59	8	629537	187RRHOOZ SNAP RING
60	2	914010P	5/8UNC HEX STOVER NUT
61	1	470117	COTTER PIN 3/16 1 3/4 SQ CUT
62	1	483018	1" EXTERNAL TOOTH LOCK WASHER
63	4	629620	SEAL, 1.500 ROD DIA
64	1	520164	CUSH CLAMP, 9/16D-3/4W-.531MT

*NOTE: FOR TREAD ADJUST OPTION REPLACE ITEM 38 WITH THREE OF ITEM 51.

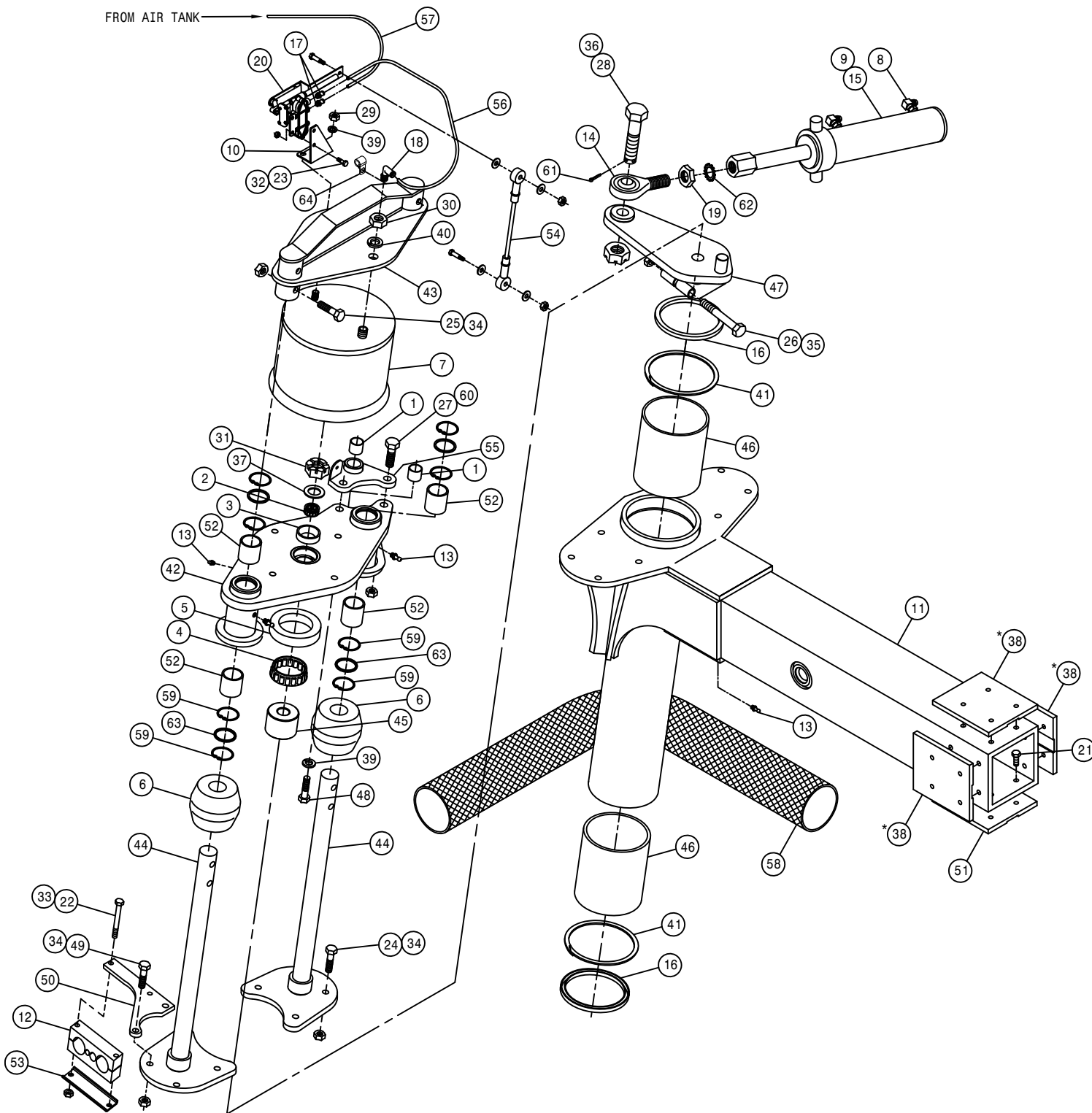
RIGHT FRONT INNER LEG ASSEMBLY

DET. QTY PART NO. DESCRIPTION

1	1	359324	INNER LEG WLD, STS	05
2	1	470117	COTTER PIN 3/16 1 3/4 SQ CUT	
3	1	470305	HOSE CLAMP, 4-HOLE	
4	2	473860	20MM-2.5 X 50MM HEX BOLT	
5	2	473854	20MM LOCK WASHER	
6	18	473840	16MM-2.00 X 40MM SOCKT CAP SCR	
7	18	473841	16MM LOCK WASHER	
8	1	606189	SAUER HYD MOTOR 51C080/SENR 05	
9	1	610826	WHEEL HUB,606W2V 26:1 W/BRAKE	
10	2	618652	1" SPLIT FLANGE KIT	
11	2	618676	O-RING FOR 1" FLANGE	-16
12	10	824055	22MM-1.50 FLANGED WHEEL NUT	
13	2	900138	3/8UNC X 3 1/2 HEX BOLT	
14	3	473987	1/2-13 X 1 1/4 BUTTN SKT HD SS	
15	1	900265	1/2UNC X 1 1/2 HEX BOLT	
16	2	914004	3/8UNC HEX STOVER NUT	
17	5	914008	1/2UNC HEX STOVER NUT	
18	1	359317	RH WHL MTR SHIELD, SS	STS16
19	2	359319	WHL MTR SHIELD BRACE, STS16	05
20	1	359315	RH LWR FENDER MT, STS	05
21	1	359094	HYD TUBE CLAMP KEEPER, 5.75	
22	1	470379	SIDEWINDER SLEEVE,14.06 X 54"	
23	1	618654	1" FLANGE-90-1 7/16MFOR LBO	
24	1	618469	3/4MJIC-1 1/16MOR ADPTR	
25	1	470378	SIDEWINDER SLEEVE,14.06 X 21"	
26	1	615875	WHEEL MOTOR TUBE ASSY	
27	1	618467	7/16MJIC-7/16MOR ADPTR	
28	2	359367	BUSHING, CROP SHIELD, STS	05
29	3	473988	1/2UNC FLANGE LOCK NUT	SS
30	1	618677	O-RING, -16 FACE SEAL .93ID 90D	
31	1	606205	SPEED SENSOR,WHEEL MTR 606189	
32	1	606302	SOLENOID FOR 606186 & 606189	
33	4	900266	1/2UNC X 1 3/4 HEX BOLT	



FROM AIR TANK



LEFT FRONT OUTER LEG ASSEMBLY

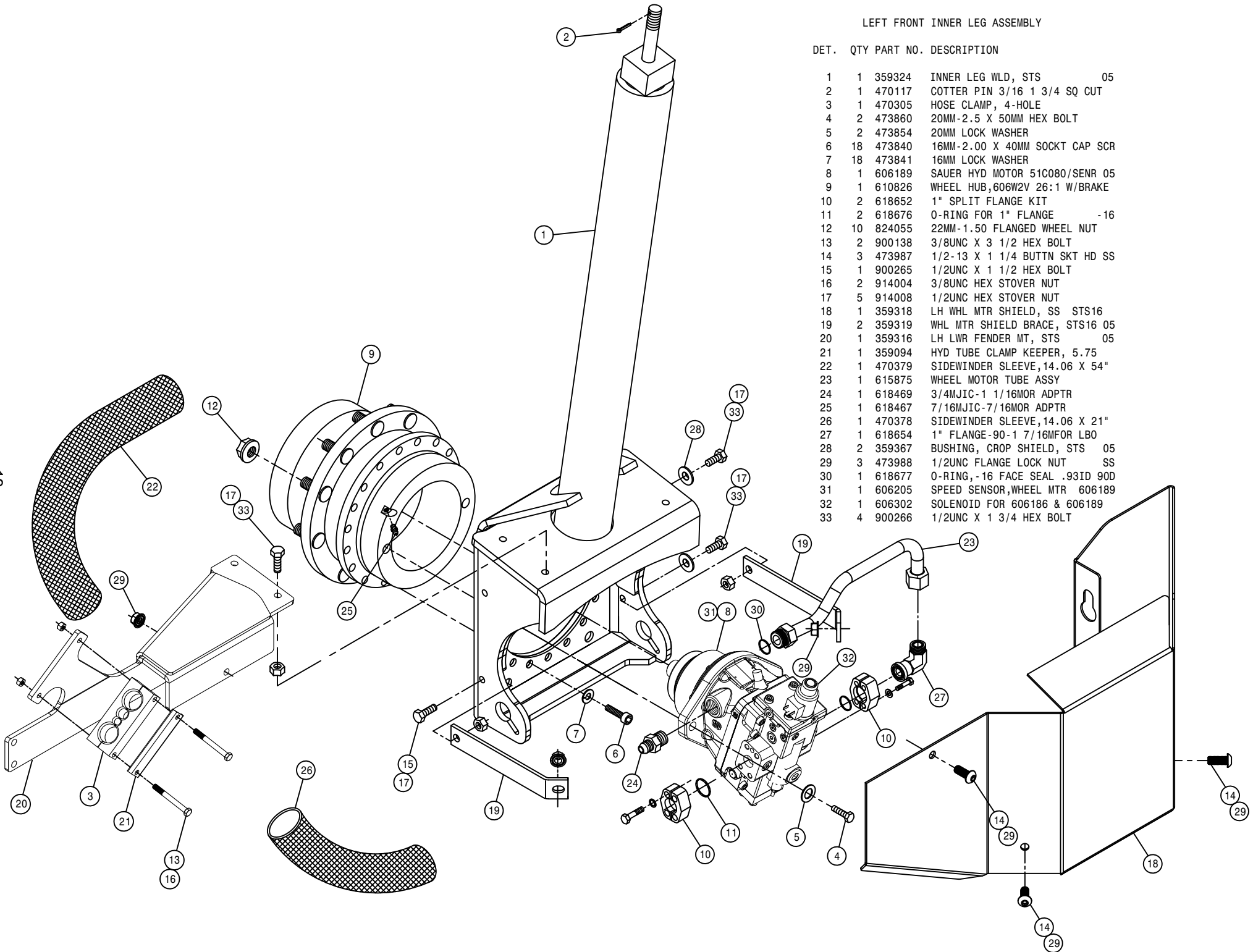
DET.	QTY	PART NO.	DESCRIPTION
1	2	121029	JOURNAL BRG, 1.00 ID X 1.00 LG
2	1	125050	BRG CONE, 1.00 ID W/FACE SEAL
3	1	125051	BRG CUP FOR 125050
4	1	125052	BRG CONE, 2.687 ID W/FACE SEAL
5	1	125053	BRG CUP FOR 125052
6	2	311058	RUBBER SPRING
7	1	311080	AIRIDE SPRING, 11.81 BASE
8	2	618249	3/4MJIC-90-9/16MOR LBO
9	1	621551	REPAIR KIT, HYD CYL, STRG 621550
10	1	359370	LH LEG AIR VALVE MT, STS16 05
11	1	359328	OUTER LEG WLD, STS 05
12	1	470305	HOSE CLAMP, 4-HOLE
13	4	471005	GREASE ZERK, 1/4 28 X 1/2
14	1	473975	ROD END, 1.00 BORE, 1-12 RH MALE
15	1	621550	STEERING CYL, 2.50 X 8.81 STS
16	2	629621	SEAL, 4.500 ROD DIA
17	2	711036	1/8MNPT-1/4 NYL TUBE FTG
18	1	711040	1/4MNPT-90-1/4 NYL TUBE LBO
19	1	472328	1" - 12 HEX JAM NUT
20	1	358832	AIRIDE SPRING CTRL VALVE 98
21	16	900128	3/8UNC X 3/4 HEX BOLT
22	2	900138	3/8UNC X 3 1/2 HEX BOLT
23	2	900002	1/4UNC X 3/4 HEX BOLT
24	6	900267	1/2UNC X 2" HEX BOLT
25	4	900269	1/2UNC X 2 3/4 HEX BOLT
26	1	900343	5/8UNC X 4 1/2 HEX BOLT
27	2	900352P	5/8UNC X 2 1/4 HEX BOLT
28	1	359085	STEERING ARM BOLT, 1"-8THD STS
29	1	910008	1/2UNC HEX NUT
30	1	910013	3/4UNF HEX NUT
31	1	910021	1" - 14 SLOT JAM NUT
32	2	914000	1/4UNC HEX STOVER NUT
33	2	914004	3/8UNC HEX STOVER NUT
34	12	914008	1/2UNC HEX STOVER NUT
35	1	914010	5/8UNC HEX STOVER NUT
36	1	910020	1" UNC HEX SLOTTED NUT
37	1	920008	1" SAE FLAT WASHER
38	3	342917	TREAD ADJ PLATE, STEEL, THD
39	5	920504	1/2 LOCK WASHER
40	1	920506	3/4 LOCK WASHER
41	2	629538	4.5 SPIROLOX RING
42	1	359338	LH AIR BAG LWR PLT WLD, STS 05
43	1	359333	AIRBAG TOWER TOP MT WLD, STS 05
44	2	359077	NITRO TOWER SHAFT WLD STS
45	1	359082	STEERING ARM BRG SPACER
46	2	121112	LEG SLEEVE BEARING (POLYGON) 04
47	1	359071	LH STEERING ARM WLD
48	4	900265	1/2UNC X 1 1/2 HEX BOLT
49	2	900268	1/2UNC X 2 1/2 HEX BOLT
50	1	359081	UPPER LEG HOSE MT PLT
51	1	342719	TRD ADJ BRONZE BEARING, THD-GRV
52	4	121113	TOWER SLEEVE BRG (POLYGON) 05
53	1	359094	HYD TUBE CLAMP KEEPER, 5.75
54	1	359095	LEG HEIGHT CTRL LINKAGE, STS12
55	1	359436	LH LEG UPR TRUNNION MT WLD 07
56	1	601473	HOSE, 1/4 X 22 AIR
57	1	601641	HOSE, 1/4 X 222 AIR
58	1	470310	SIDEWINDER SLEEVE, 14.06 X 45"
59	8	629537	187RRHOZ SNAP RING
60	2	914010P	5/8UNC HEX STOVER NUT
61	1	470117	COTTER PIN 3/16 1 3/4 SQ CUT
62	1	483018	1" EXTERNAL TOOTH LOCK WASHER
63	4	629620	SEAL, 1.500 ROD DIA
64	1	520164	CUSH CLAMP, 9/16D-3/4W-.531MT

*NOTE: FOR TREAD ADJUST OPTION REPLACE ITEM 38 WITH THREE OF ITEM 51.

LEFT FRONT INNER LEG ASSEMBLY

DET. QTY PART NO. DESCRIPTION

1	1	359324	INNER LEG WLD, STS	05
2	1	470117	COTTER PIN 3/16 1 3/4 SQ CUT	
3	1	470305	HOSE CLAMP, 4-HOLE	
4	2	473860	20MM-2.5 X 50MM HEX BOLT	
5	2	473854	20MM LOCK WASHER	
6	18	473840	16MM-2.00 X 40MM SOCKT CAP SCR	
7	18	473841	16MM LOCK WASHER	
8	1	606189	SAUER HYD MOTOR 51C080/SENR 05	
9	1	610826	WHEEL HUB,606W2V 26:1 W/BRAKE	
10	2	618652	1" SPLIT FLANGE KIT	
11	2	618676	O-RING FOR 1" FLANGE	- 16
12	10	824055	22MM-1.50 FLANGED WHEEL NUT	
13	2	900138	3/8UNC X 3 1/2 HEX BOLT	
14	3	473987	1/2-13 X 1 1/4 BUTTN SKT HD SS	
15	1	900265	1/2UNC X 1 1/2 HEX BOLT	
16	2	914004	3/8UNC HEX STOVER NUT	
17	5	914008	1/2UNC HEX STOVER NUT	
18	1	359318	LH WHL MTR SHIELD, SS STS16	
19	2	359319	WHL MTR SHIELD BRACE, STS16 05	
20	1	359316	LH LWR FENDER MT, STS	05
21	1	359094	HYD TUBE CLAMP KEEPER, 5.75	
22	1	470379	SIDEWINDER SLEEVE,14.06 X 54"	
23	1	615875	WHEEL MOTOR TUBE ASSY	
24	1	618469	3/4MJIC-1 1/16MOR ADPTR	
25	1	618467	7/16MJIC-7/16MOR ADPTR	
26	1	470378	SIDEWINDER SLEEVE,14.06 X 21"	
27	1	618654	1" FLANGE-90-1 7/16MFOR LBO	
28	2	359367	BUSHING, CROP SHIELD, STS	05
29	3	473988	1/2UNC FLANGE LOCK NUT	SS
30	1	618677	O-RING, -16 FACE SEAL .93ID 90D	
31	1	606205	SPEED SENSOR,WHEEL MTR 606189	
32	1	606302	SOLENOID FOR 606186 & 606189	
33	4	900266	1/2UNC X 1 3/4 HEX BOLT	



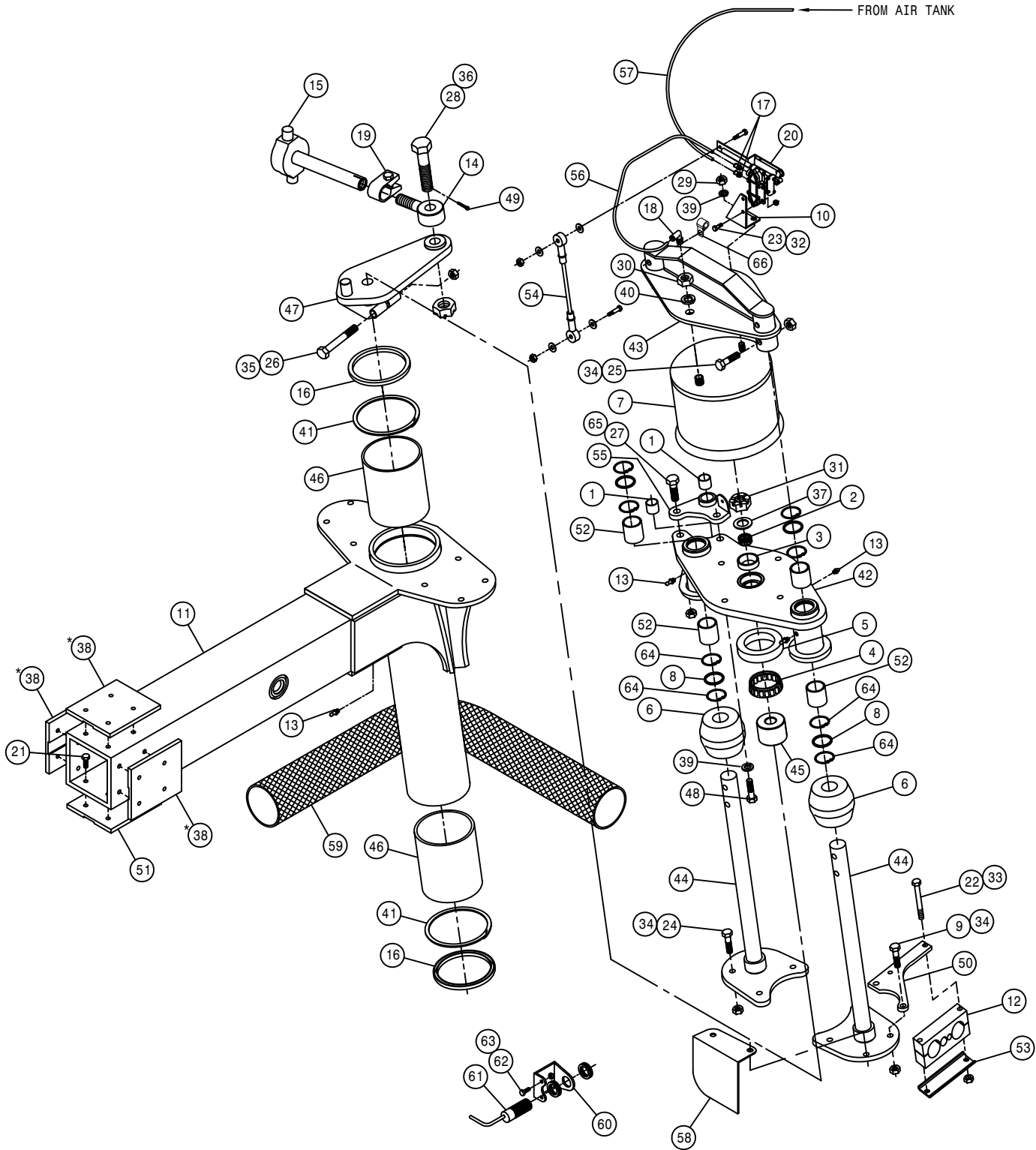
FROM AIR TANK

RIGHT REAR OUTER LEG ASSEMBLY

DET. QTY PART NO. DESCRIPTION

DET.	QTY	PART NO.	DESCRIPTION
1	2	121029	JOURNAL BRG, 1.00 ID X 1.00 LG
2	1	125050	BRG CONE, 1.00 ID W/FACE SEAL
3	1	125051	BRG CUP FOR 125050
4	1	125052	BRG CONE, 2.687 ID W/FACE SEAL
5	1	125053	BRG CUP FOR 125052
6	2	311058	RUBBER SPRING
7	1	311080	AIRIDE SPRING, 11.81 BASE
8	4	629620	SEAL, 1.500 ROD DIA
9	2	900268	1/2UNC X 2 1/2 HEX BOLT
10	1	359369	RH LEG AIR VALVE MT, STS16
11	1	359328	OUTER LEG WLD, STS
12	1	470305	HOSE CLAMP, 4-HOLE
13	4	471005	GREASE ZERK, 1/4 28 X 1/2
14	1	359089	TIE ROD STUD WLD
15	1	359086	REAR TIE ROD SHAFT WLD
16	2	629621	SEAL, 4.500 ROD DIA
17	2	711036	1/8MNPT-1/4 NYL TUBE FTG
18	1	711040	1/4MNPT-90-1/4 NYL TUBE LBO
19	1	749322	STEERING TUBE CLAMP & BOLT ASSY
20	1	358832	AIRIDE SPRING CTRL VALVE
21	16	900128	3/8UNC X 3/4 HEX BOLT
22	2	900138	3/8UNC X 3 1/2 HEX BOLT
23	2	900002	1/4UNC X 3/4 HEX BOLT
24	6	900267	1/2UNC X 2" HEX BOLT
25	4	900269	1/2UNC X 2 3/4 HEX BOLT
26	1	900343	5/8UNC X 4 1/2 HEX BOLT
27	2	900352P	5/8UNC X 2 1/4 HEX BOLT
28	1	359085	STEERING ARM BOLT, 1"-8THD STS
29	1	910008	1/2UNC HEX NUT
30	1	910013	3/4UNF HEX NUT
31	1	910021	1" -14 SLOT JAM NUT
32	2	914000	1/4UNC HEX STOVER NUT
33	2	914004	3/8UNC HEX STOVER NUT
34	12	914008	1/2UNC HEX STOVER NUT
35	1	914010	5/8UNC HEX STOVER NUT
36	1	910020	1" UNC HEX SLOTTED NUT
37	1	920008	1" SAE FLAT WASHER
38	3	342917	TREAD ADJ PLATE, STEEL, THD
39	5	920504	1/2 LOCK WASHER
40	1	920506	3/4 LOCK WASHER
41	2	629538	4.5 SPIROLOX RING
42	1	359337	RH AIR BAG LWR PLT WLD, STS 05
43	1	359333	AIRBAG TOWER TOP MT WLD, STS 05
44	2	359077	NITRO TOWER SHAFT WLD STS
45	1	359082	STEERING ARM BRG SPACER
46	2	121112	LEG SLEEVE BEARING (POLYGON)04
47	1	359070	RH STEERING ARM WLD
48	4	900265	1/2UNC X 1 1/2 HEX BOLT
49	1	470117	COTTER PIN 3/16 1 3/4 SQ CUT
50	1	359081	UPPER LEG HOSE MT PLT
51	1	342719	TRD ADJ BRONZE BEARING, THD-GRV
52	4	121113	TOWER SLEEVE BRG (POLYGON) 05
53	1	359094	HYD TUBE CLAMP KEEPER, 5.75
54	1	359095	LEG HEIGHT CTRL LINKAGE, STS12
55	1	359342	RH LEG UPR TRUNNION MT WLD 05
56	1	601473	HOSE, 1/4 X 22 AIR
57	1	601478	HOSE, 1/4 X 175 AIR
58	1	359092	RH SENSOR REFLECTOR
59	1	470311	SIDEWINDER SLEEVE, 14.06 X 60"
60	1	342856	TREAD SENSOR MT
61	1	293827	SENSOR W/DEUTSCH ASSY STS 05
62	2	900064	5/16UNC X 3/4 HEX BOLT
63	2	914002	5/16UNC HEX STOVER NUT
64	8	629537	187RRHOZ SNAP RING
65	2	914010P	5/8UNC HEX STOVER NUT
66	1	520164	CUSH CLAMP, 9/16D-3/4W-.531MT

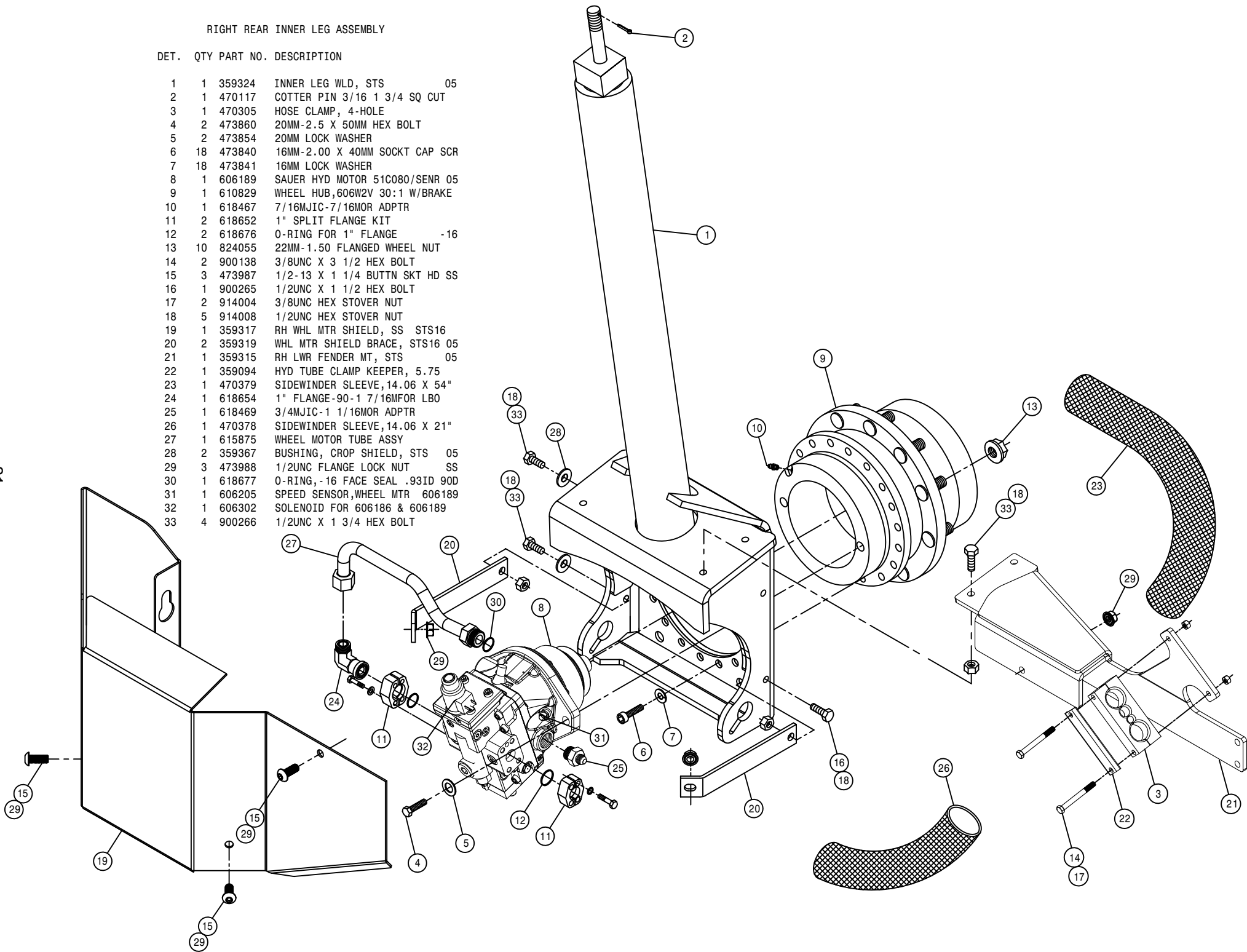
*NOTE: FOR TREAD ADJUST OPTION REPLACE ITEM 38 WITH THREE OF ITEM 51.



RIGHT REAR INNER LEG ASSEMBLY

DET. QTY PART NO. DESCRIPTION

1	1	359324	INNER LEG WLD, STS	05
2	1	470117	COTTER PIN 3/16 1 3/4 SQ CUT	
3	1	470305	HOSE CLAMP, 4-HOLE	
4	2	473860	20MM-2.5 X 50MM HEX BOLT	
5	2	473854	20MM LOCK WASHER	
6	18	473840	16MM-2.00 X 40MM SOCKT CAP SCR	
7	18	473841	16MM LOCK WASHER	
8	1	606189	SAUER HYD MOTOR 51C080/SENR 05	
9	1	610829	WHEEL HUB,606W2V 30:1 W/BRAKE	
10	1	618467	7/16MJIC-7/16MOR ADPTR	
11	2	618652	1" SPLIT FLANGE KIT	
12	2	618676	O-RING FOR 1" FLANGE	-16
13	10	824055	22MM-1.50 FLANGED WHEEL NUT	
14	2	900138	3/8UNC X 3 1/2 HEX BOLT	
15	3	473987	1/2-13 X 1 1/4 BUTTN SKT HD SS	
16	1	900265	1/2UNC X 1 1/2 HEX BOLT	
17	2	914004	3/8UNC HEX STOVER NUT	
18	5	914008	1/2UNC HEX STOVER NUT	
19	1	359317	RH WHL MTR SHIELD, SS	STS16
20	2	359319	WHL MTR SHIELD BRACE, STS16	05
21	1	359315	RH LWR FENDER MT, STS	05
22	1	359094	HYD TUBE CLAMP KEEPER, 5.75	
23	1	470379	SIDEWINDER SLEEVE,14.06 X 54"	
24	1	618654	1" FLANGE-90-1 7/16MFOR LBO	
25	1	618469	3/4MJIC-1 1/16MOR ADPTR	
26	1	470378	SIDEWINDER SLEEVE,14.06 X 21"	
27	1	615875	WHEEL MOTOR TUBE ASSY	
28	2	359367	BUSHING, CROP SHIELD, STS	05
29	3	473988	1/2UNC FLANGE LOCK NUT	SS
30	1	618677	O-RING, -16 FACE SEAL .93ID 90D	
31	1	606205	SPEED SENSOR,WHEEL MTR 606189	
32	1	606302	SOLENOID FOR 606186 & 606189	
33	4	900266	1/2UNC X 1 3/4 HEX BOLT	



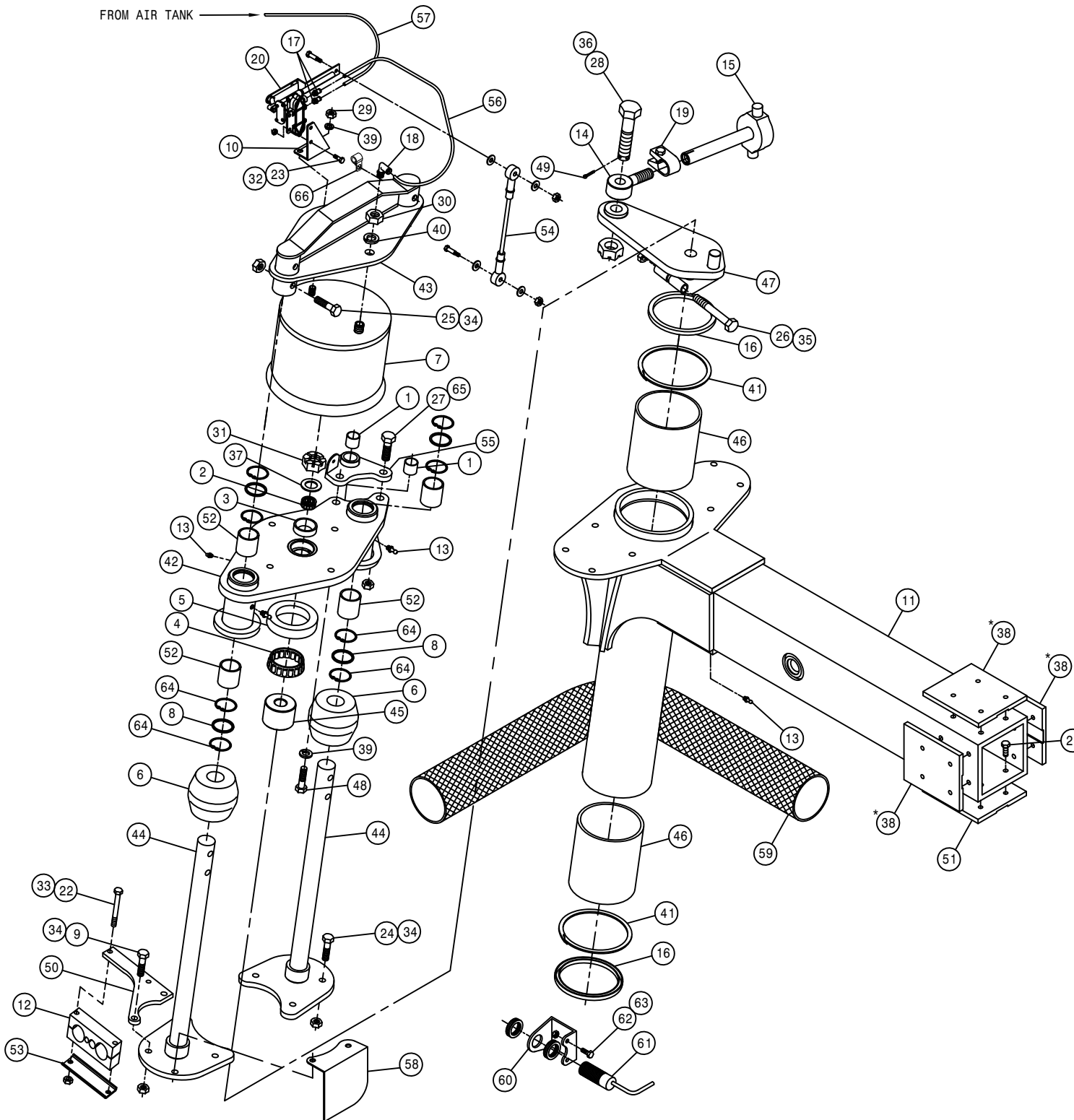
FROM AIR TANK

LEFT REAR OUTER LEG ASSEMBLY

DET. QTY PART NO. DESCRIPTION

1	2	121029	JOURNAL BRG, 1.00 ID X 1.00 LG
2	1	125050	BRG CONE, 1.00 ID W/FACE SEAL
3	1	125051	BRG CUP FOR 125050
4	1	125052	BRG CONE, 2.687 ID W/FACE SEAL
5	1	125053	BRG CUP FOR 125052
6	2	311058	RUBBER SPRING
7	1	311080	AIRIDE SPRING, 11.81 BASE
8	4	629620	SEAL, 1.500 ROD DIA
9	2	900268	1/2UNC X 2 1/2 HEX BOLT
10	1	359370	LH LEG AIR VALVE MT, STS16 05
11	1	359328	OUTER LEG WLD, STS 05
12	1	470305	HOSE CLAMP, 4-HOLE
13	4	471005	GREASE ZERK, 1/4 28 X 1/2
14	1	359089	TIE ROD STUD WLD
15	1	359086	REAR TIE ROD SHAFT WLD
16	2	629621	SEAL, 4.500 ROD DIA
17	2	711036	1/8MNPT-1/4 NYL TUBE FTG
18	1	711040	1/4MNPT-90-1/4 NYL TUBE LBO
19	1	749322	STEERING TUBE CLAMP &BOLT ASSY
20	1	358832	AIRIDE SPRING CTRL VALVE 98
21	16	900128	3/8UNC X 3/4 HEX BOLT
22	2	900138	3/8UNC X 3 1/2 HEX BOLT
23	2	900002	1/4UNC X 3/4 HEX BOLT
24	6	900267	1/2UNC X 2" HEX BOLT
25	4	900269	1/2UNC X 2 3/4 HEX BOLT
26	1	900343	5/8UNC X 4 1/2 HEX BOLT
27	2	900352P	5/8UNC X 2 1/4 HEX BOLT
28	1	359085	STEERING ARM BOLT, 1"-8THD STS
29	1	910008	1/2UNC HEX NUT
30	1	910013	3/4UNF HEX NUT
31	1	910021	1" -14 SLOT JAM NUT
32	2	914000	1/4UNC HEX STOVER NUT
33	2	914004	3/8UNC HEX STOVER NUT
34	12	914008	1/2UNC HEX STOVER NUT
35	1	914010	5/8UNC HEX STOVER NUT
36	1	910020	1" UNC HEX SLOTTED NUT
37	1	920008	1" SAE FLAT WASHER
38	3	342917	TREAD ADJ PLATE, STEEL, THD
39	5	920504	1/2 LOCK WASHER
40	1	920506	3/4 LOCK WASHER
41	2	629538	4.5 SPIROLOX RING
42	1	359338	LH AIR BAG LWR PLT WLD, STS 05
43	1	359333	AIRBAG TOWER TOP MT WLD, STS 05
44	2	359077	NITRO TOWER SHAFT WLD STS
45	1	359082	STEERING ARM BRG SPACER
46	2	121112	LEG SLEEVE BEARING (POLYGON)04
47	1	359071	LH STEERING ARM WLD
48	4	900265	1/2UNC X 1 1/2 HEX BOLT
49	1	470117	COTTER PIN 3/16 1 3/4 SQ CUT
50	1	359081	UPPER LEG HOSE MT PLT
51	1	342719	TRD ADJ BRONZE BEARING, THD-GRV
52	4	121113	TOWER SLEEVE BRG (POLYGON) 05
53	1	359094	HYD TUBE CLAMP KEEPER, 5.75
54	1	359095	LEG HEIGHT CTRL LINKAGE, STS12
55	1	359436	LH LEG UPR TRUNNION MT WLD 07
56	1	601473	HOSE, 1/4 X 22 AIR
57	1	601476	HOSE, 1/4 X 120 AIR
58	1	359093	LH SENSOR REFLECTOR
59	1	470311	SIDEWINDER SLEEVE, 14.06 X 60"
60	1	342856	TREAD SENSOR MT
61	1	293827	SENSOR W/DEUTSCH ASSY STS 05
62	2	900064	5/16UNC X 3/4 HEX BOLT
63	2	914002	5/16UNC HEX STOVER NUT
64	8	629537	187RRH00Z SNAP RING
65	2	914010P	5/8UNC HEX STOVER NUT
66	1	520164	CUSH CLAMP, 9/16D-3/4W-.531MT

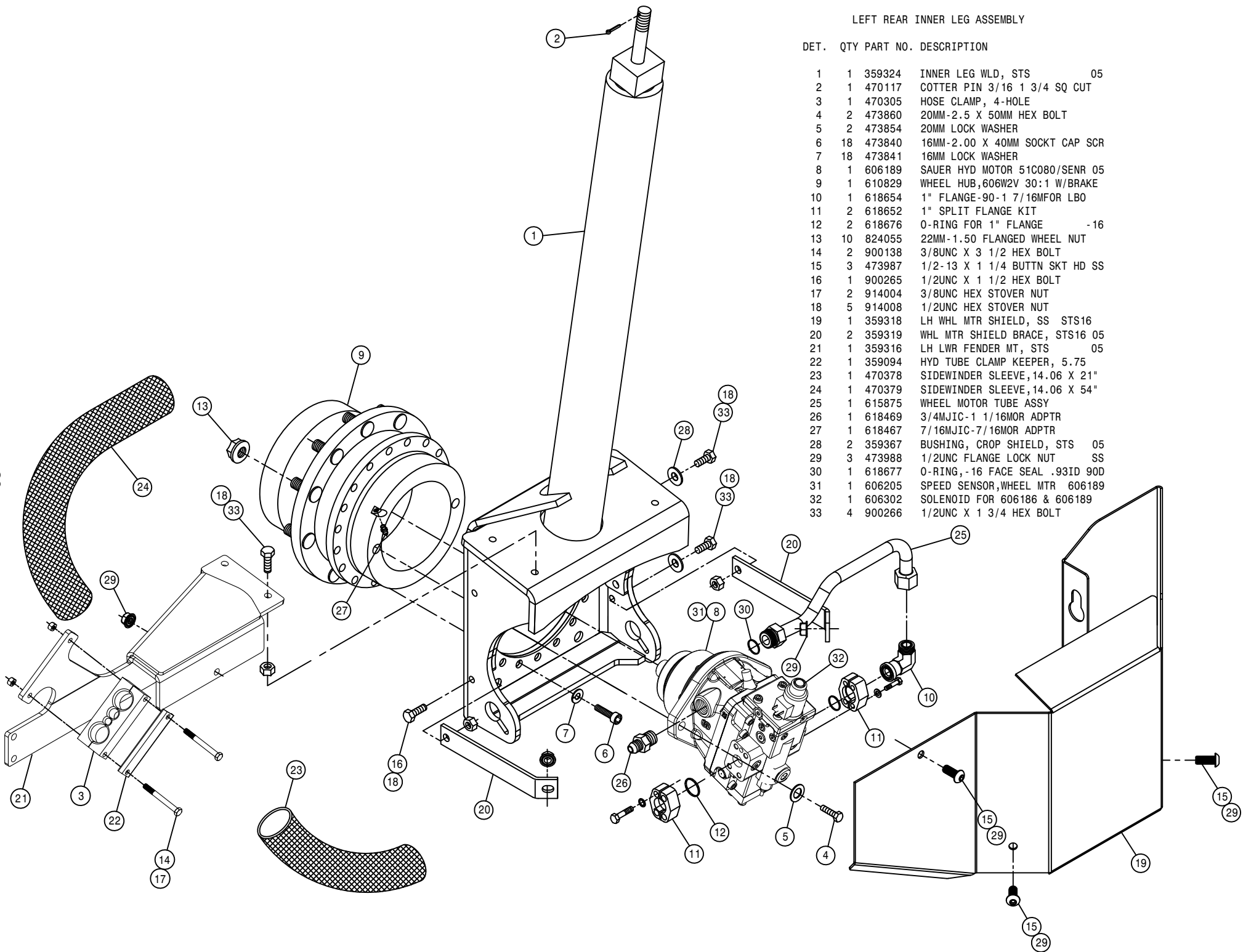
*NOTE: FOR TREAD ADJUST OPTION REPLACE ITEM 38 WITH THREE OF ITEM 51.



LEFT REAR INNER LEG ASSEMBLY

DET. QTY PART NO. DESCRIPTION

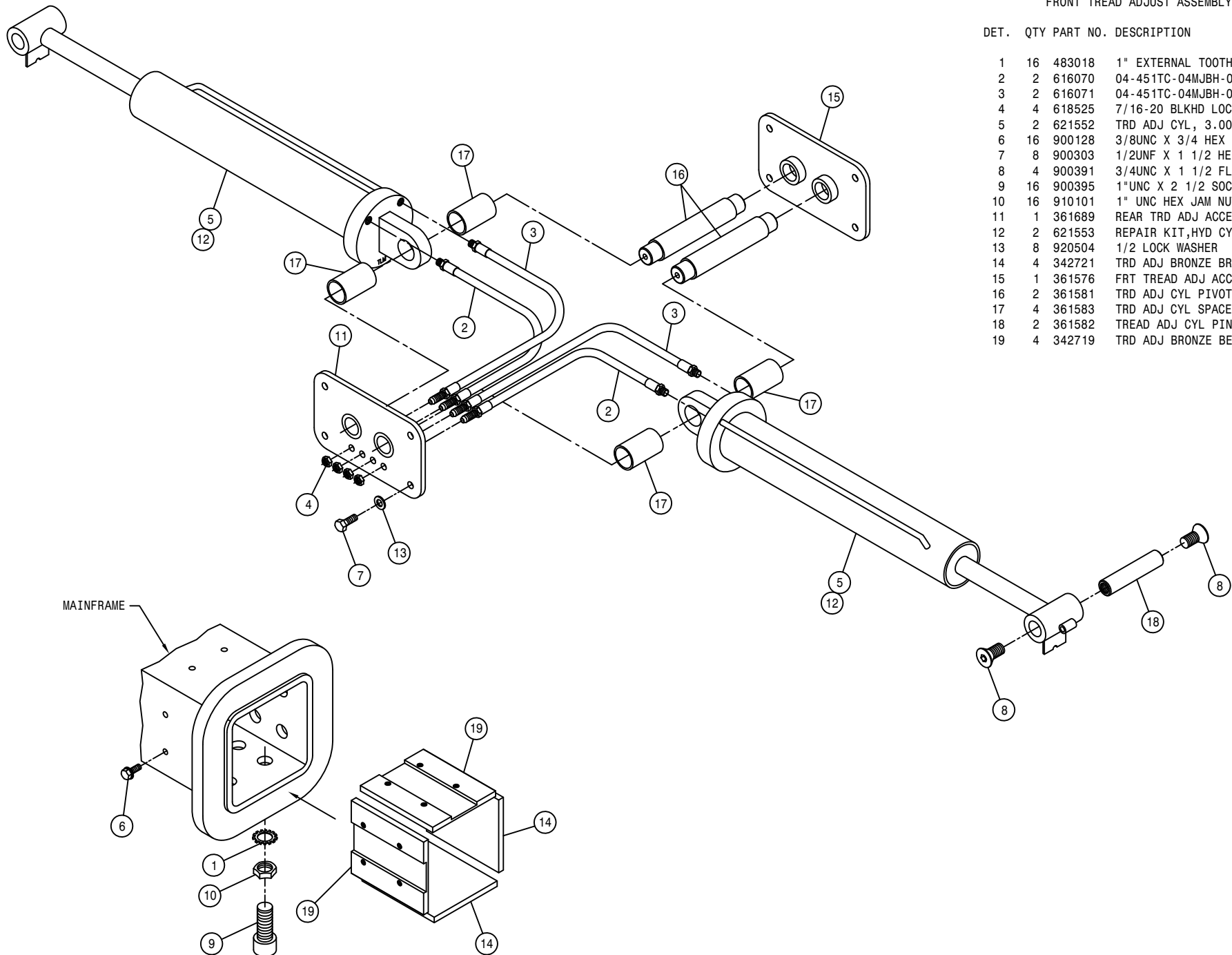
1	1	359324	INNER LEG WLD, STS	05
2	1	470117	COTTER PIN 3/16 1 3/4 SQ CUT	
3	1	470305	HOSE CLAMP, 4-HOLE	
4	2	473860	20MM-2.5 X 50MM HEX BOLT	
5	2	473854	20MM LOCK WASHER	
6	18	473840	16MM-2.00 X 40MM SOCKT CAP SCR	
7	18	473841	16MM LOCK WASHER	
8	1	606189	SAUER HYD MOTOR 51C080/SENR 05	
9	1	610829	WHEEL HUB,606W2V 30:1 W/BRAKE	
10	1	618654	1" FLANGE-90-1 7/16MFOR LBO	
11	2	618652	1" SPLIT FLANGE KIT	
12	2	618676	O-RING FOR 1" FLANGE	-16
13	10	824055	22MM-1.50 FLANGED WHEEL NUT	
14	2	900138	3/8UNC X 3 1/2 HEX BOLT	
15	3	473987	1/2-13 X 1 1/4 BUTTN SKT HD SS	
16	1	900265	1/2UNC X 1 1/2 HEX BOLT	
17	2	914004	3/8UNC HEX STOVER NUT	
18	5	914008	1/2UNC HEX STOVER NUT	
19	1	359318	LH WHL MTR SHIELD, SS STS16	
20	2	359319	WHL MTR SHIELD BRACE, STS16 05	
21	1	359316	LH LWR FENDER MT, STS	05
22	1	359094	HYD TUBE CLAMP KEEPER, 5.75	
23	1	470378	SIDEWINDER SLEEVE,14.06 X 21"	
24	1	470379	SIDEWINDER SLEEVE,14.06 X 54"	
25	1	615875	WHEEL MOTOR TUBE ASSY	
26	1	618469	3/4MJIC-1 1/16MOR ADPTR	
27	1	618467	7/16MJIC-7/16MOR ADPTR	
28	2	359367	BUSHING, CROP SHIELD, STS	05
29	3	473988	1/2UNC FLANGE LOCK NUT	SS
30	1	618677	O-RING, -16 FACE SEAL .93ID 90D	
31	1	606205	SPEED SENSOR,WHEEL MTR	606189
32	1	606302	SOLENOID FOR 606186 & 606189	
33	4	900266	1/2UNC X 1 3/4 HEX BOLT	



FRONT TREAD ADJUST ASSEMBLY

DET. QTY PART NO. DESCRIPTION

DET.	QTY	PART NO.	DESCRIPTION
1	16	483018	1" EXTERNAL TOOTH LOCK WASHER
2	2	616070	04-451TC-04MJBH-06MOR-11.00H/A
3	2	616071	04-451TC-04MJBH-06MOR-13.00H/A
4	4	618525	7/16-20 BLKHD LOCKNUT
5	2	621552	TRD ADJ CYL, 3.00 X 16.00 STS
6	16	900128	3/8UNC X 3/4 HEX BOLT
7	8	900303	1/2UNF X 1 1/2 HEX BOLT
8	4	900391	3/4UNC X 1 1/2 FLT SOC CAP SCR
9	16	900395	1"UNC X 2 1/2 SOCKET CAP SCR
10	16	910101	1" UNC HEX JAM NUT
11	1	361689	REAR TRD ADJ ACCESS PLT WLD 04
12	2	621553	REPAIR KIT, HYD CYL 621552
13	8	920504	1/2 LOCK WASHER
14	4	342721	TRD ADJ BRONZE BRG W/DIMPLES
15	1	361576	FRT TREAD ADJ ACCESS PLT WLD
16	2	361581	TRD ADJ CYL PIVOT PIN, M/F
17	4	361583	TRD ADJ CYL SPACER, M/F
18	2	361582	TREAD ADJ CYL PIN, OUTER LEG
19	4	342719	TRD ADJ BRONZE BEARING, THD-GRV

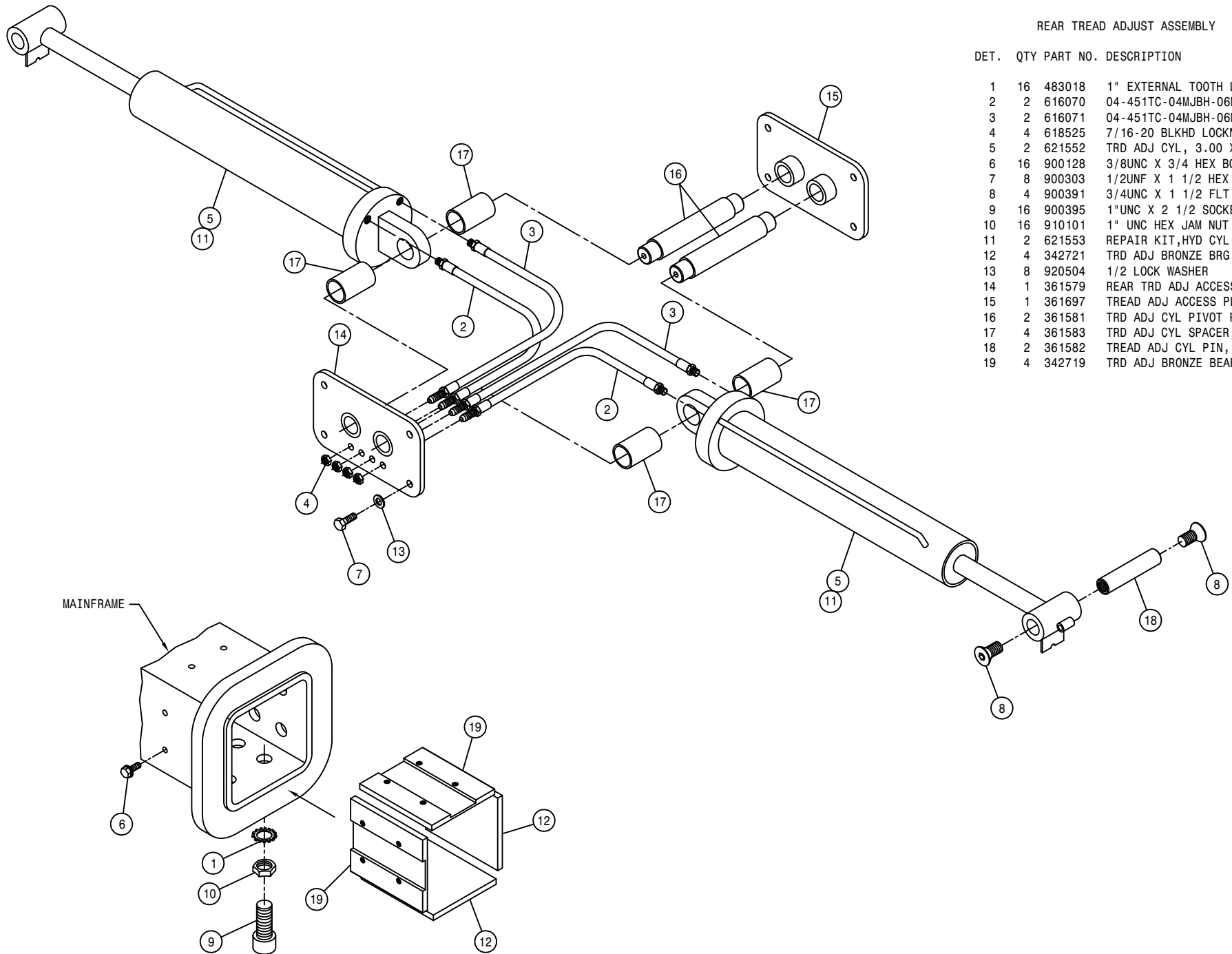


MAINFRAME

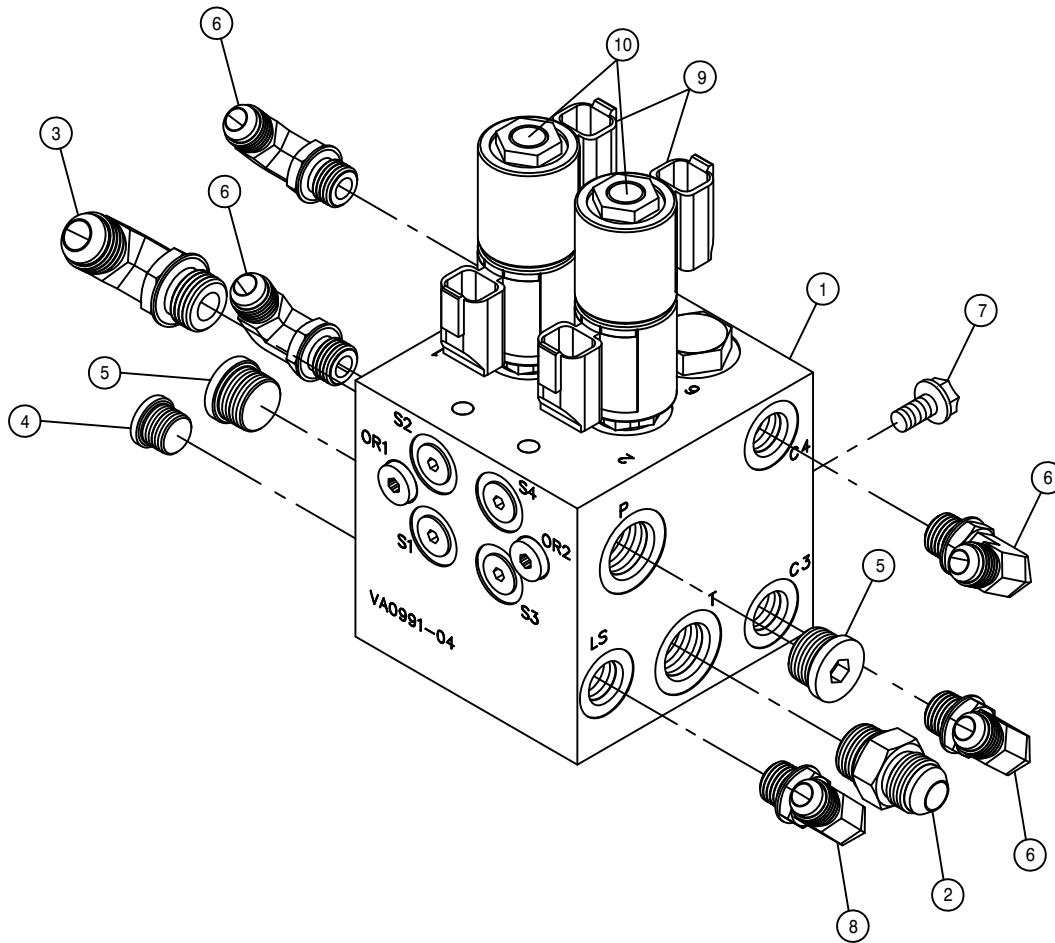
REAR TREAD ADJUST ASSEMBLY

DET. QTY PART NO. DESCRIPTION

DET.	QTY	PART NO.	DESCRIPTION
1	16	483018	1" EXTERNAL TOOTH LOCK WASHER
2	2	616070	04-451TC-04MJBH-06MOR-11.00H/A
3	2	616071	04-451TC-04MJBH-06MOR-13.00H/A
4	4	618525	7/16-20 BLKHD LOCKNUT
5	2	621552	TRD ADJ CYL, 3.00 X 16.00 STS
6	16	900128	3/8UNC X 3/4 HEX BOLT
7	8	900303	1/2UNF X 1 1/2 HEX BOLT
8	4	900391	3/4UNC X 1 1/2 FLT SOC CAP SCR
9	16	900395	1"UNC X 2 1/2 SOCKET CAP SCR
10	16	910101	1" UNC HEX JAM NUT
11	2	621553	REPAIR KIT, HYD CYL 621552
12	4	342721	TRD ADJ BRONZE BRG W/DIMPLES
13	8	920504	1/2 LOCK WASHER
14	1	361579	REAR TRD ADJ ACCESS PLT WLD 00
15	1	361697	TRD ADJ ACCESS PLT WLD 07
16	2	361581	TRD ADJ CYL PIVOT PIN, M/F
17	4	361583	TRD ADJ CYL SPACER, M/F
18	2	361582	TRD ADJ CYL PIN, OUTER LEG
19	4	342719	TRD ADJ BRONZE BEARING, THD-GRV

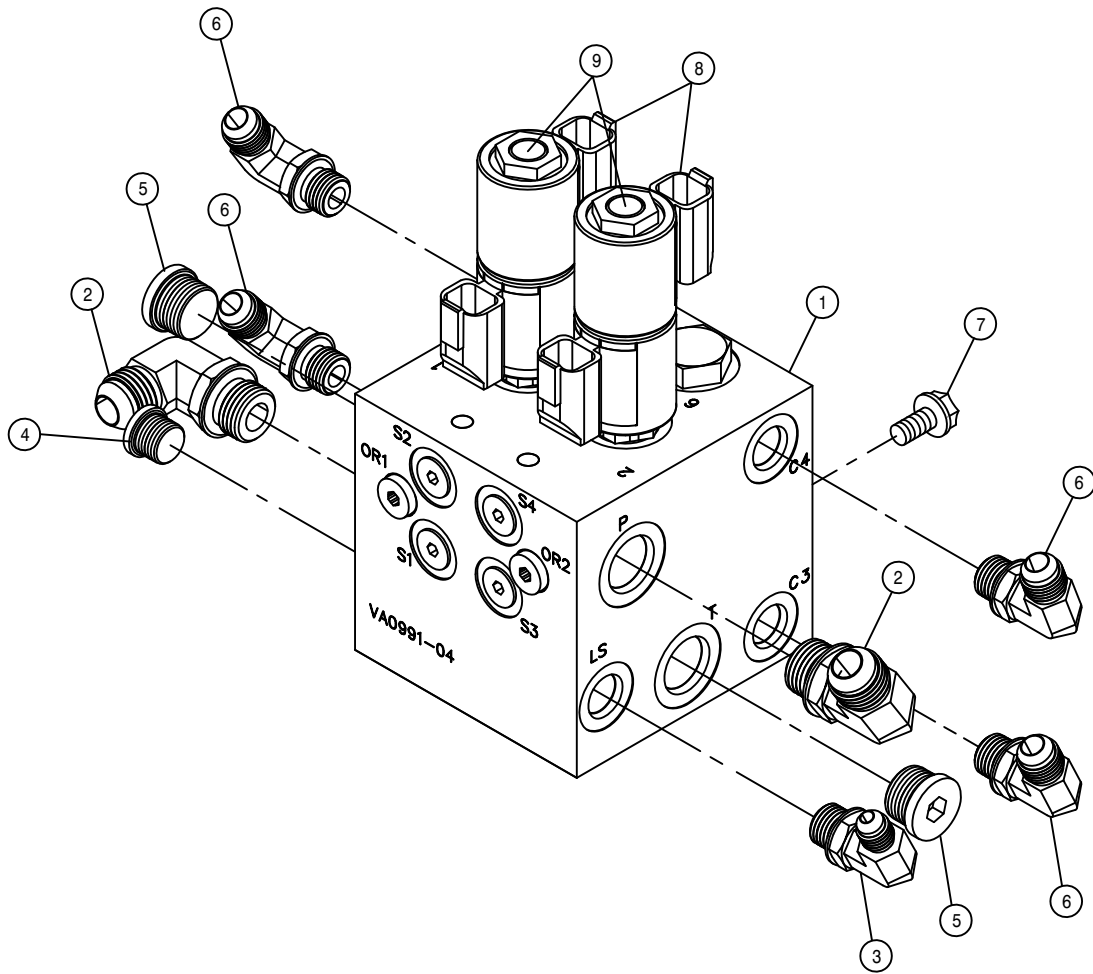


MAINFRAME



FRONT TREAD ADJUST VALVE ASSEMBLY

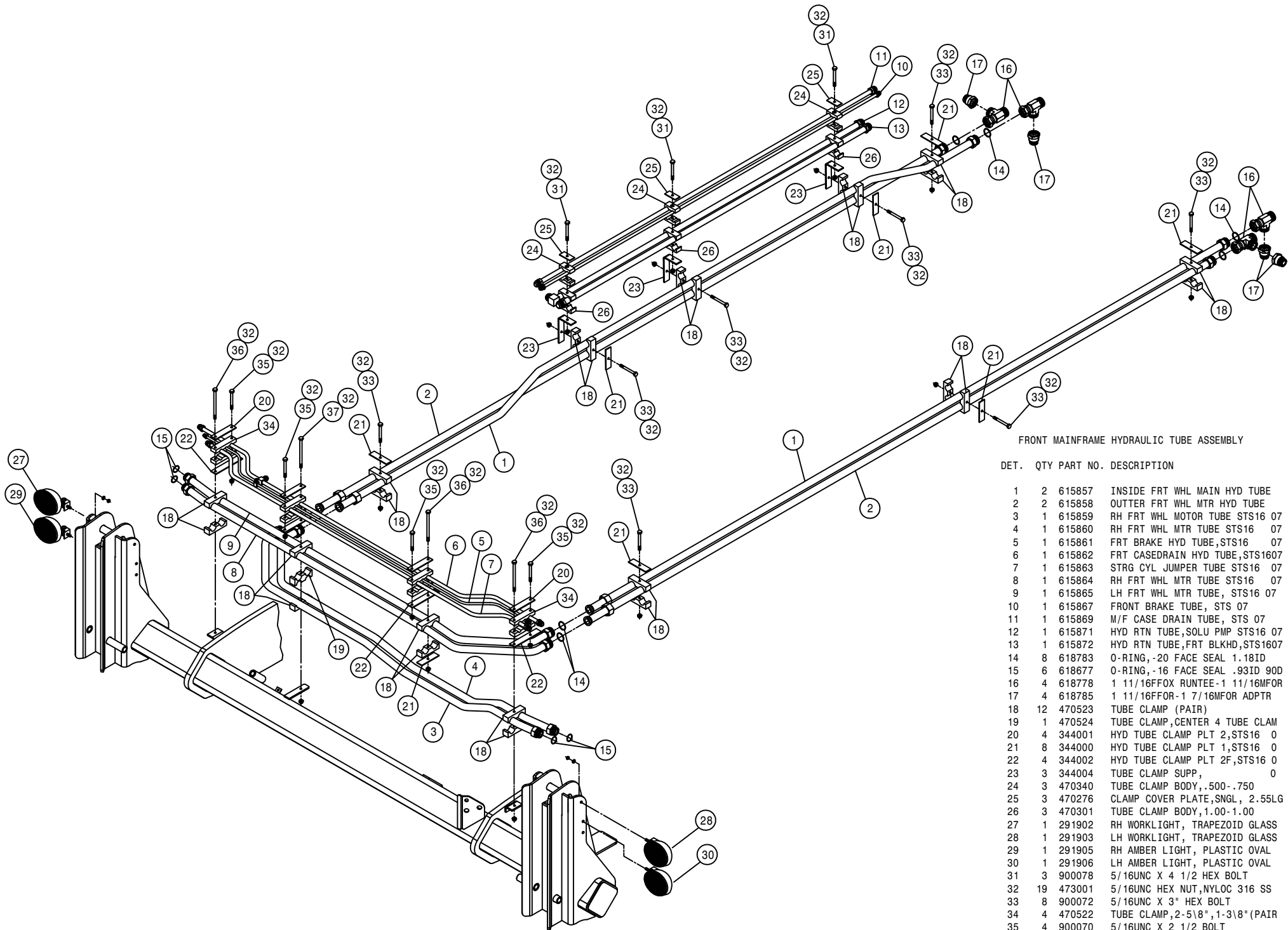
DET.	QTY	PART NO.	DESCRIPTION	
	1	606249	MANIFOLD,TRD ADJ	PWRSYS
	2	611125	3/4MJIC-3/4MOR ADPTR	
	3	618241	3/4MJIC-90-3/4MOR LBO	
	4	618754	9/16MOR PLUG, HEX SOCKET	
	5	618755	3/4MOR PLUG, HEX SOCKET	
	6	618119	9/16MJIC-90-9/16MOR LBO	
	7	900064	5/16UNC X 3/4 HEX BOLT	
	8	618499	7/16MJIC-90-9/16MOR LBO	
	9	606266	#8 COIL W/DEUTSCH FOR 606210	
	10	606358	CARTRIDGE SP08-47D,PROP,3POS	



REAR TREAD ADJUST VALVE ASSEMBLY

DET. QTY PART NO. DESCRIPTION

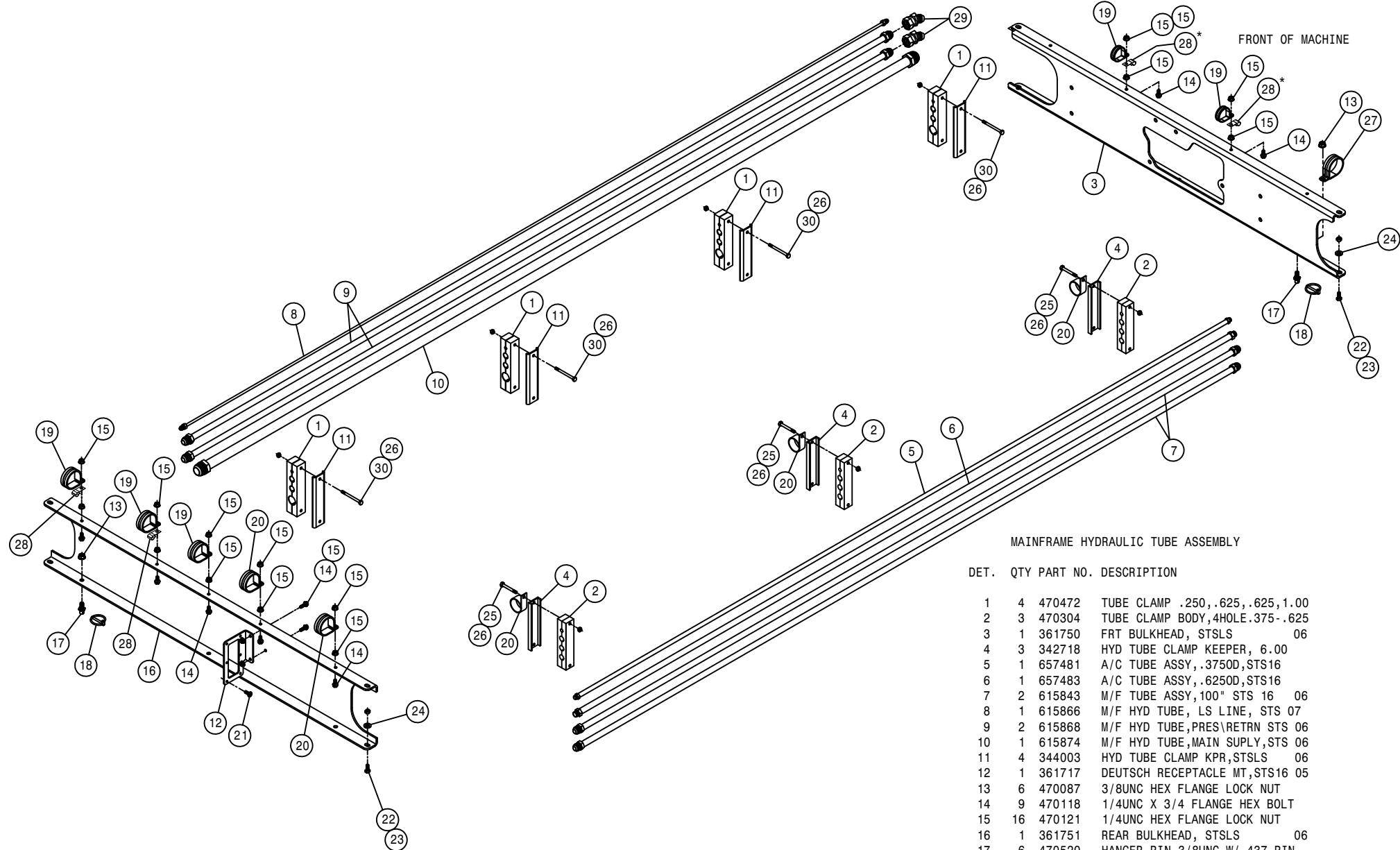
DET.	QTY	PART NO.	DESCRIPTION	PWRSYS
1	1	606249	MANIFOLD, TRD ADJ	PWRSYS
2	2	618241	3/4MJIC-90-3/4MOR LBO	
3	1	618499	7/16MJIC-90-9/16MOR LBO	
4	1	618754	9/16MOR PLUG, HEX SOCKET	
5	2	618755	3/4MOR PLUG, HEX SOCKET	
6	4	618119	9/16MJIC-90-9/16MOR LBO	
7	2	900064	5/16UNC X 3/4 HEX BOLT	
8	4	606266	#8 COIL W/DEUTSCH FOR 606210	
9	2	606358	CARTRIDGE SP08-47D, PROP, 3POS	



FRONT MAINFRAME HYDRAULIC TUBE ASSEMBLY

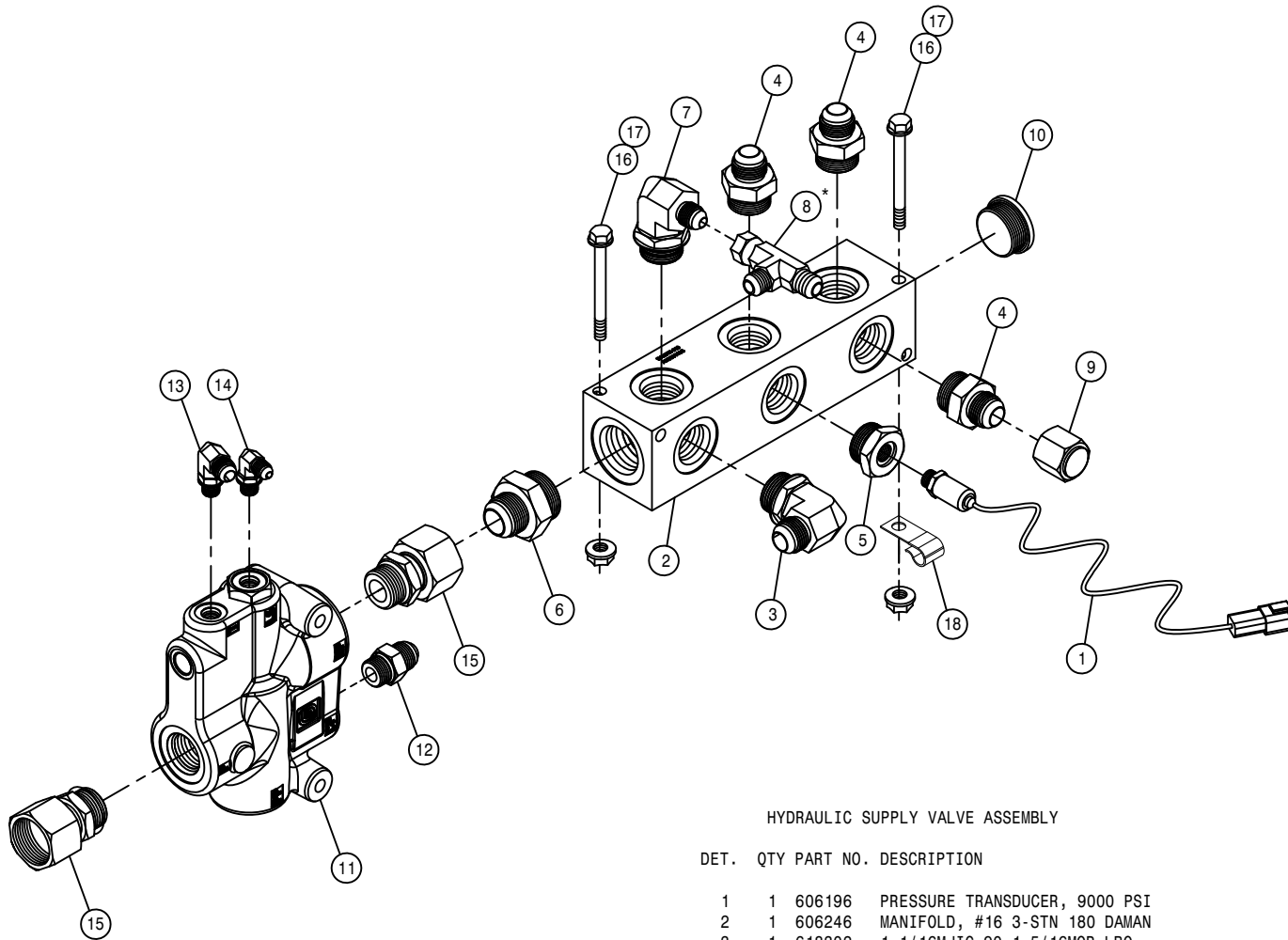
DET. QTY PART NO. DESCRIPTION

DET.	QTY	PART NO.	DESCRIPTION
1	2	615857	INSIDE FRT WHL MAIN HYD TUBE
2	2	615858	OUTTER FRT WHL MTR HYD TUBE
3	1	615859	RH FRT WHL MOTOR TUBE STS16 07
4	1	615860	RH FRT WHL MTR TUBE STS16 07
5	1	615861	FRT BRAKE HYD TUBE, STS16 07
6	1	615862	FRT CASEDRAIN HYD TUBE, STS1607
7	1	615863	STRG CYL JUMPER TUBE STS16 07
8	1	615864	RH FRT WHL MTR TUBE STS16 07
9	1	615865	LH FRT WHL MTR TUBE, STS16 07
10	1	615867	FRONT BRAKE TUBE, STS 07
11	1	615869	M/F CASE DRAIN TUBE, STS 07
12	1	615871	HYD RTN TUBE, SOLU PMP STS16 07
13	1	615872	HYD RTN TUBE, FRT BLKHD, STS1607
14	8	618783	O-RING, -20 FACE SEAL 1.18ID
15	6	618677	O-RING, -16 FACE SEAL .93ID 90D
16	4	618778	1 11/16FFOX RUNTEE-1 11/16MFOR
17	4	618785	1 11/16FFOR-1 7/16MFOR ADPTR
18	12	470523	TUBE CLAMP (PAIR)
19	1	470524	TUBE CLAMP, CENTER 4 TUBE CLAM
20	4	344001	HYD TUBE CLAMP PLT 2, STS16 0
21	8	344000	HYD TUBE CLAMP PLT 1, STS16 0
22	4	344002	HYD TUBE CLAMP PLT 2F, STS16 0
23	3	344004	TUBE CLAMP SUPP, 0
24	3	470340	TUBE CLAMP BODY, .500-.750
25	3	470276	CLAMP COVER PLATE, SNGL, 2.55LG
26	3	470301	TUBE CLAMP BODY, 1.00-1.00
27	1	291902	RH WORKLIGHT, TRAPEZOID GLASS
28	1	291903	LH WORKLIGHT, TRAPEZOID GLASS
29	1	291905	RH AMBER LIGHT, PLASTIC OVAL
30	1	291906	LH AMBER LIGHT, PLASTIC OVAL
31	3	900078	5/16UNC X 4 1/2 HEX BOLT
32	19	473001	5/16UNC HEX NUT, NYLOC 316 SS
33	8	900072	5/16UNC X 3" HEX BOLT
34	4	470522	TUBE CLAMP, 2-5/8", 1-3/8" (PAIR)
35	4	900070	5/16UNC X 2 1/2 BOLT
36	3	900080	5/16UNC X 5" HEX BOLT
37	1	900084	5/16UNC X 6" HEX BOLT



MAINFRAME HYDRAULIC TUBE ASSEMBLY

DET.	QTY	PART NO.	DESCRIPTION
1	4	470472	TUBE CLAMP .250, .625, .625, 1.00
2	3	470304	TUBE CLAMP BODY, 4HOLE .375-.625
3	1	361750	FRT BULKHEAD, STSLS 06
4	3	342718	HYD TUBE CLAMP KEEPER, 6.00
5	1	657481	A/C TUBE ASSY, .375OD, STS16
6	1	657483	A/C TUBE ASSY, .625OD, STS16
7	2	615843	M/F TUBE ASSY, 100" STS 16 06
8	1	615866	M/F HYD TUBE, LS LINE, STS 07
9	2	615868	M/F HYD TUBE, PRES\RETRN STS 06
10	1	615874	M/F HYD TUBE, MAIN SUPPLY, STS 06
11	4	344003	HYD TUBE CLAMP KPR, STSLS 06
12	1	361717	DEUTSCH RECEPTACLE MT, STS16 05
13	6	470087	3/8UNC HEX FLANGE LOCK NUT
14	9	470118	1/4UNC X 3/4 FLANGE HEX BOLT
15	16	470121	1/4UNC HEX FLANGE LOCK NUT
16	1	361751	REAR BULKHEAD, STSLS 06
17	6	470520	HANGER PIN, 3/8UNC W/.437 PIN
18	6	470335	LINCHPIN, 3/16 X 1 1/4 GRIP
19	5	520102	CUSH CLAMP, #20 1 1/4 X 1/2W
20	5	520126	CUSH CLAMP, #32 2IN X 5/8W
21	6	470465	#12-14X3/4 PHL PAN SHT MTL SRW
22	8	900129	3/8UNC X 1" SERR FLANGE BOLT
23	8	914004	3/8UNC HEX STOVER NUT
24	8	920002	3/8 SAE FLAT WASHER
25	6	900007	1/4UNC X 2" HEX BOLT
26	14	914000	1/4UNC HEX STOVER NUT
27	1	520161	CUSH CLAMP, #32 2"D-3/4W LOOP
28	4	520128	CUSH J CLAMP, #9 9/16D X 3/4W
29	1	618628	7/8MJIC-45-7/8FJIC SWIV LBO
30	8	900008	1/4UNC X 2 1/2 HEX BOLT

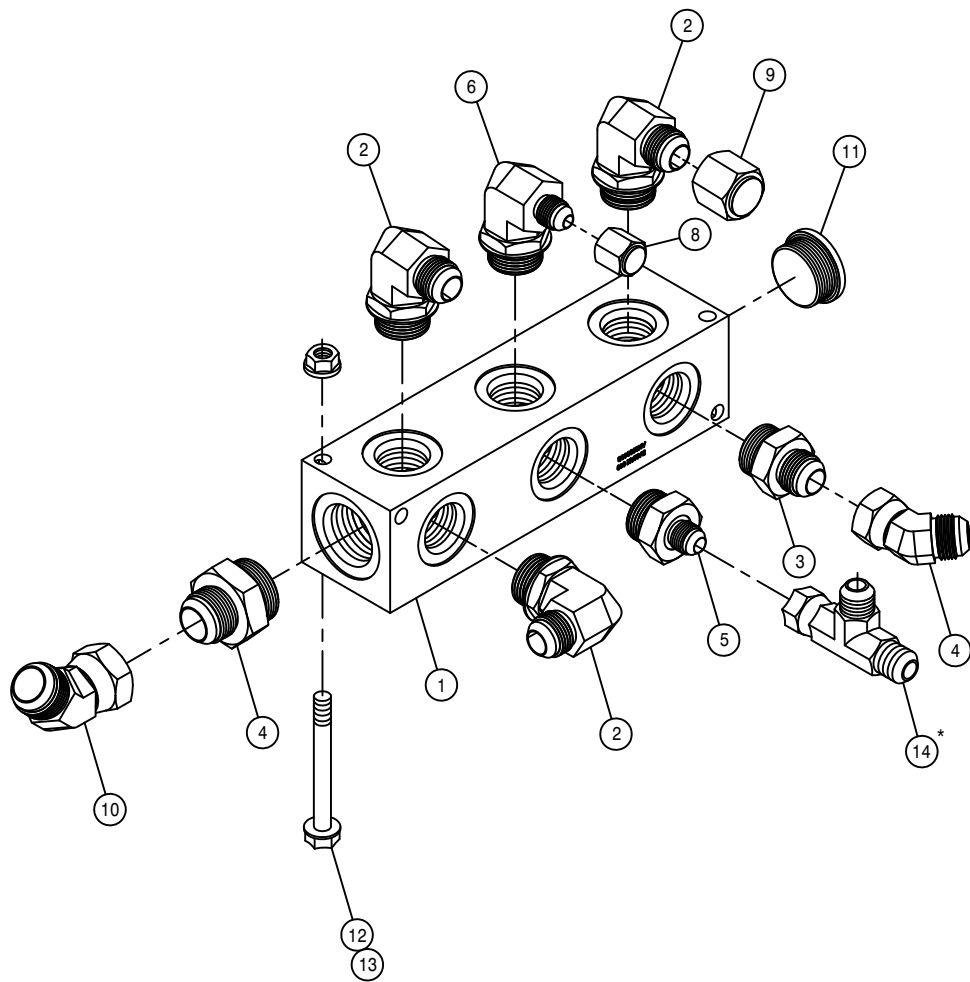


HYDRAULIC SUPPLY VALVE ASSEMBLY

DET. QTY PART NO. DESCRIPTION

DET.	QTY	PART NO.	DESCRIPTION
1	1	606196	PRESSURE TRANSDUCER, 9000 PSI
2	1	606246	MANIFOLD, #16 3-STN 180 DAMAN
3	1	618302	1 1/16MJIC-90-1 5/16MOR LBO
4	3	618308	1 1/16MJIC-1 5/16MOR ADPTR
5	1	618397	1 5/16MOR-9/16FOR ADPTR
6	1	618455	1 5/16MJIC-1 5/8MOR ADPTR
7	1	618475	3/4MJIC-90-1 5/16MOR LBO
8	1	618451	3/4FJIC SW RUN TEE-3/4MJIC
9	1	618533	1 1/16FJIC CAP NUT
10	1	618759	1 5/8MOR PLUG, HEX SOCKET
11	1	606254	FLOW DIVIDER, OLS160 SAUER
12	1	611125	3/4MJIC-3/4MOR ADPTR
13	1	618114	9/16MJIC-90-7/16MOR LBO
14	1	618473	7/16MJIC-90-7/16MOR LBO
15	2	618761	1 5/16FJX-1 1/16MOR ADPTR
16	2	900140	3/8UNC X 4" HEX BOLT
17	2	470087	3/8UNC HEX FLANGE LOCK NUT
18	1	520128	CUSH J CLAMP,#9 9/16D X 3/4W

*NOTE: USED WITH THE SIDE FILL OPTION.

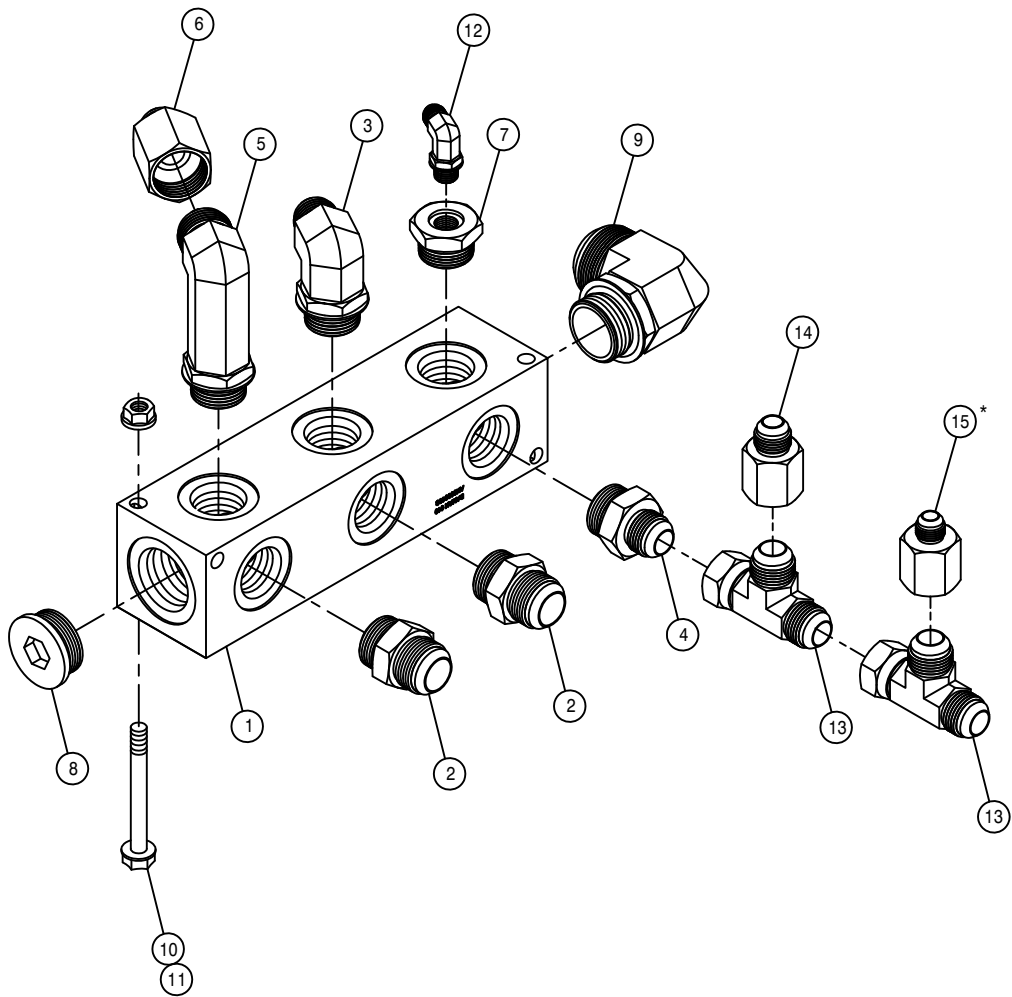


FRONT RETURN MANIFOLD ASSEMBLY

DET. QTY PART NO. DESCRIPTION

1	1	606246	MANIFOLD, 1 5/16FOR DAMAN
2	3	618302	1 1/16MJIC-90-1 5/16MOR LBO
3	1	618308	1 1/16MJIC-1 5/16MOR ADPTR
4	1	618455	1 5/16MJIC-1 5/8MOR ADPTR
5	1	618470	3/4MJIC-1 5/16MOR ADPTR
6	1	618475	3/4MJIC-90-1 5/16MOR LBO
7	1	618529	1 1/16MJ-45-1 1/16FJ SWIV LBO
8	1	618532	3/4FJIC CAP NUT
9	1	618533	1 1/16FJIC CAP NUT
10	1	618630	1 5/16MJ-45-1 5/16FJ SWIV LBO
11	1	618759	1 5/8MOR PLUG, HEX SOCKET
12	2	470087	3/8UNC HEX FLANGE LOCK NUT
13	2	900139	3/8UNC X 3 3/4 SER FLANGE BOLT
14	1	618451	3/4FJIC SW RUN TEE-3/4MJIC

*NOTE: USED WITH TREAD ADJUST OPTION OR
SIDE FILL OPTION.

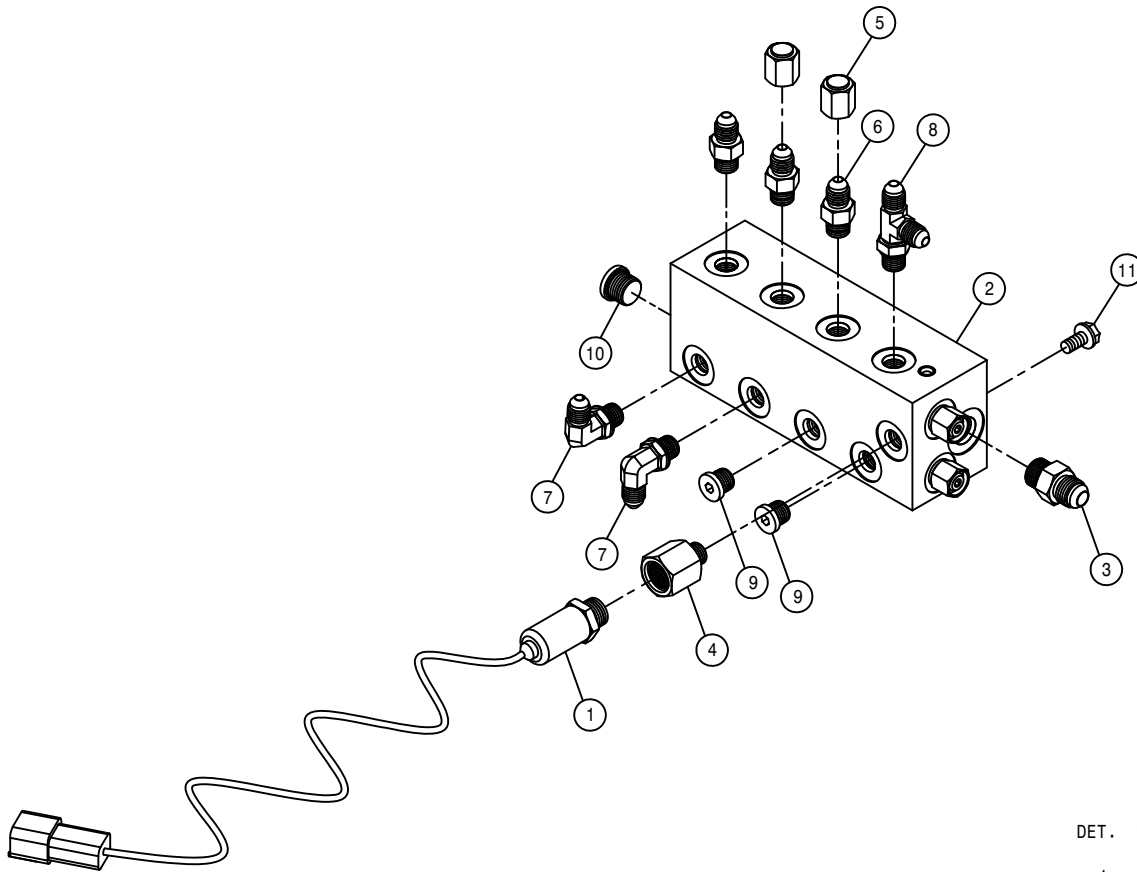


CASE DRAIN MANIFOLD ASSEMBLY

DET. QTY PART NO. DESCRIPTION

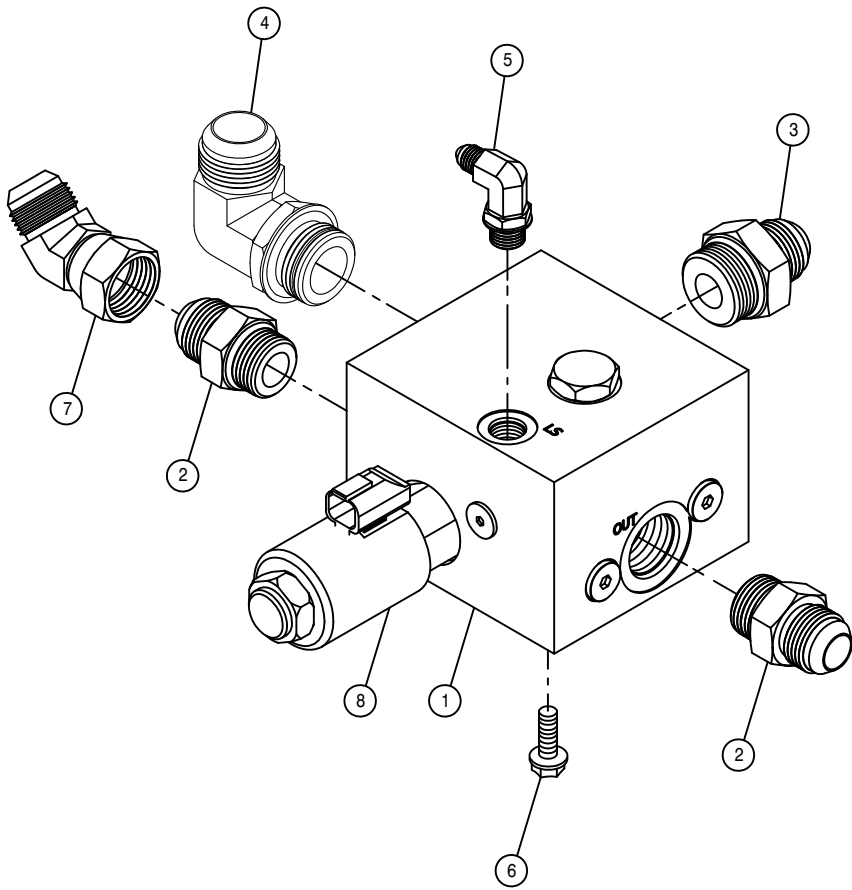
1	1	606246	MANIFOLD, #16 3-STN 180 DAMAN
2	2	618186	1 5/16MJIC-1 5/16MOR ADPTR
3	1	618302	1 1/16MJIC-90-1 5/16MOR LBO
4	1	618308	1 1/16MJIC-1 5/16MOR ADPTR
5	1	618463	1 5/16MJIC-90-1 5/16MOR XL LBO
6	1	618541	1 5/16FJIC-1 1/16MJIC ADPTR
7	1	618397	1 5/16MOR-9/16FOR ADPTR
8	1	618759	1 5/8MOR PLUG, HEX SOCKET
9	1	618477	1 5/8MJIC-90-1 5/8MOR LBO
10	2	900139	3/8UNC X 3 3/4 HEX BOLT
11	2	470087	3/8UNC HEX FLANGE LOCK NUT
12	1	618119	9/16MJIC-90-9/16MOR LBO
13	2	618487	1 1/16FJ SW RUN TEE-1 1/16MJ
14	1	618518	1 1/16FJIC-7/8MJIC ADPTR
15	1	618483	1 1/16FJIC-9/16MJIC ADPTR

*NOTE: USED WITH PRESSURE WASHER OPTION.



LS MANIFOLD ASSEMBLY

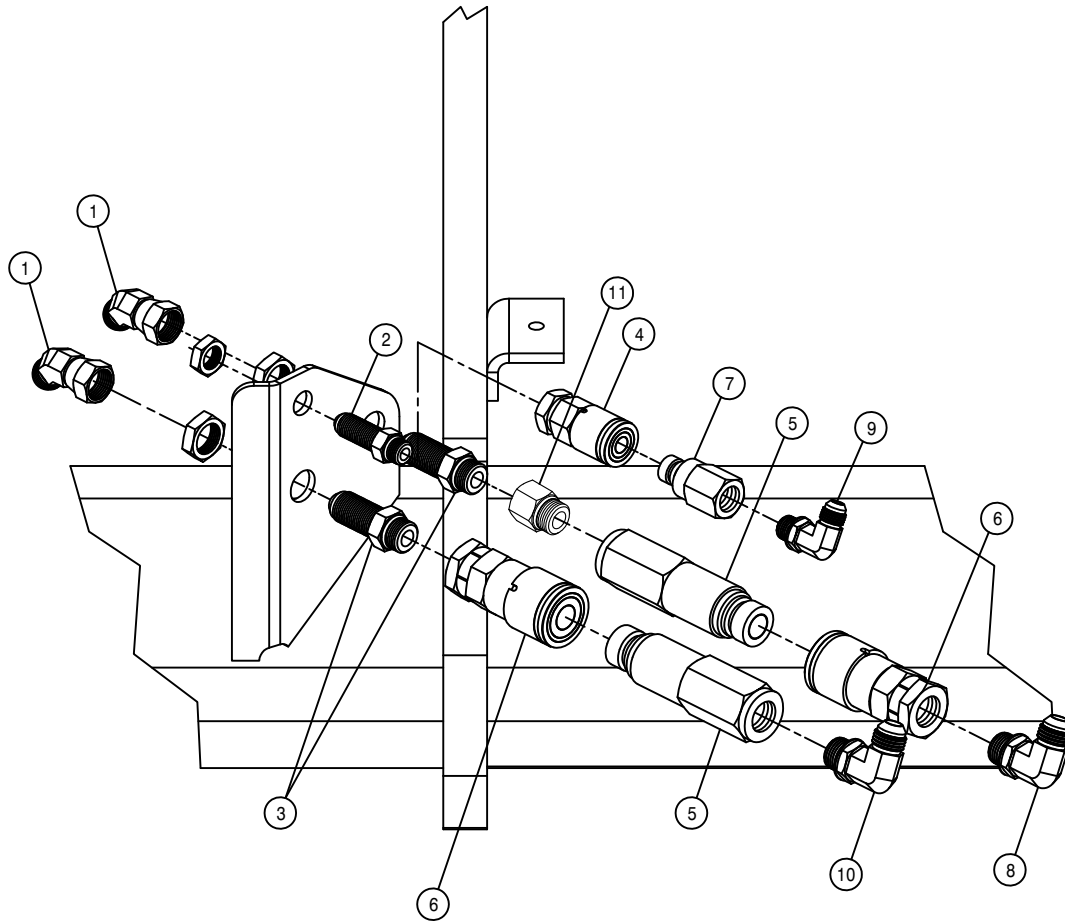
DET.	QTY	PART NO.	DESCRIPTION
	1	606196	PRESSURE TRANSDUCER, 9000 PSI
	1	606247	MANIFOLD W/CHK VLV SAUER
	3	618126	9/16MJIC-9/16MOR ADPTR
	4	618361	7/16MOR-9/16FOR ADPTR
	5	618363	7/16FJIC CAP NUT
	6	618467	7/16MJIC-7/16MOR ADPTR
	7	618473	7/16MJIC-90-7/16MOR LBO
	8	618509	7/16MOR RUN TEE-7/16MJIC
	9	618753	7/16MOR PLUG, HEX SOCKET
	10	618754	9/16MOR PLUG, HEX SOCKET
	11	900128	3/8UNC X 3/4 HEX BOLT



SOLUTION PUMP CONTROL VALVE ASSEMBLY

DET. QTY PART NO. DESCRIPTION

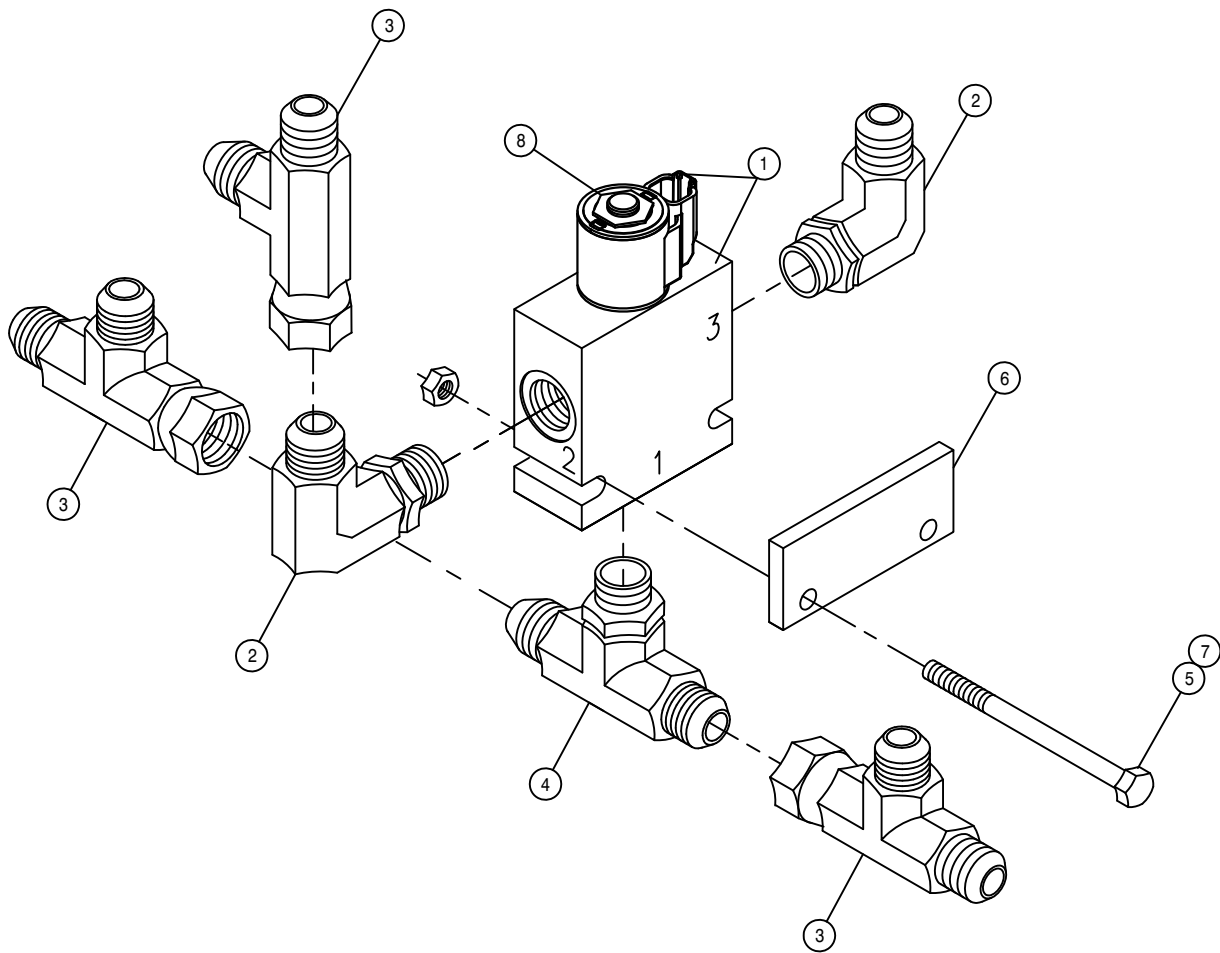
1	1	606253	CTRL VALVE, SOLU PUMP SAUER
2	2	611127	1 1/16MJC-1 1/16MOR ADPTR
3	1	618308	1 1/16MJC-1 5/16MOR ADPTR
4	1	618178	1 5/16MJC-90-1 5/16MOR LBO
5	1	618499	7/16MJC-90-9 1/16MOR LBO
6	4	900129	3/8UNC X 1" SERR FLANGE BOLT
7	1	618529	1 1/16MJ-45-1 1/16FJ SWIV LBO
8	1	606308	COIL FOR VLV 606253



QUICK CONNECT ASSEMBLY

DET. QTY PART NO. DESCRIPTION

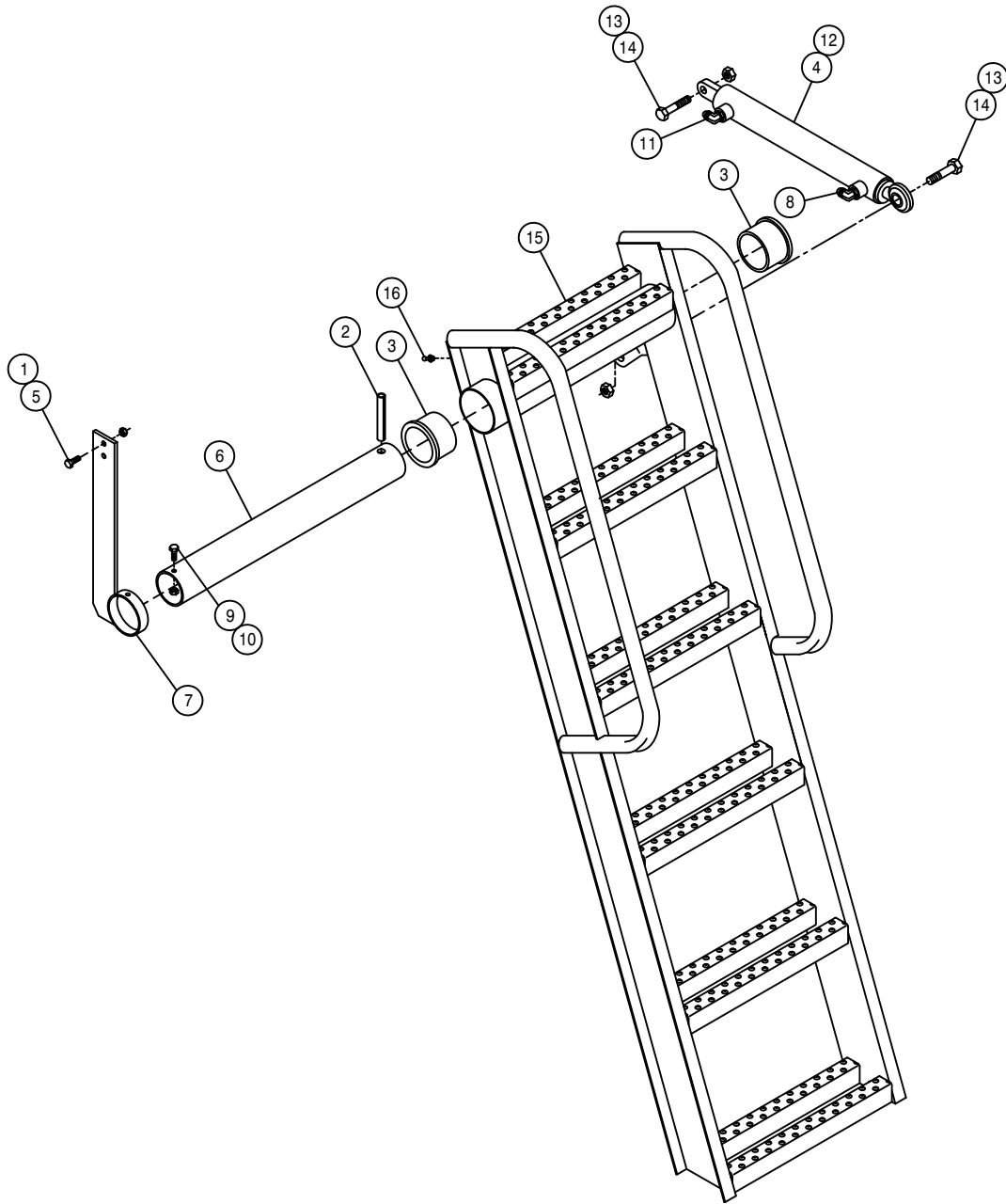
1	2	618590	3/4MJIC-45-3/4FJIC SWIV LBO
2	1	618769	9/16MJIC-9/16MOR BLKHD ADPT
3	2	618770	3/4MJIC-3/4MOR BLKHD ADPT
4	1	618805	HYD CPLR, FEM #14,9/16FOR
5	2	618806	HYD CPLR, MALE #12,7/8FOR
6	2	618807	HYD CPLR, FEM #12,3/4FOR
7	1	618804	HYD CPLR, MALE #14,9/16FOR
8	1	618241	3/4MJIC-90-3/4MOR LBO
9	1	618119	9/16MJIC-90-9/16MOR LBO
10	1	618183	3/4MJIC-90-7/8MOR LBO
11	1	618171	7/8MOR-3/4FOR ADPTR



LADDER AND BRAKE VALVE ASSEMBLY

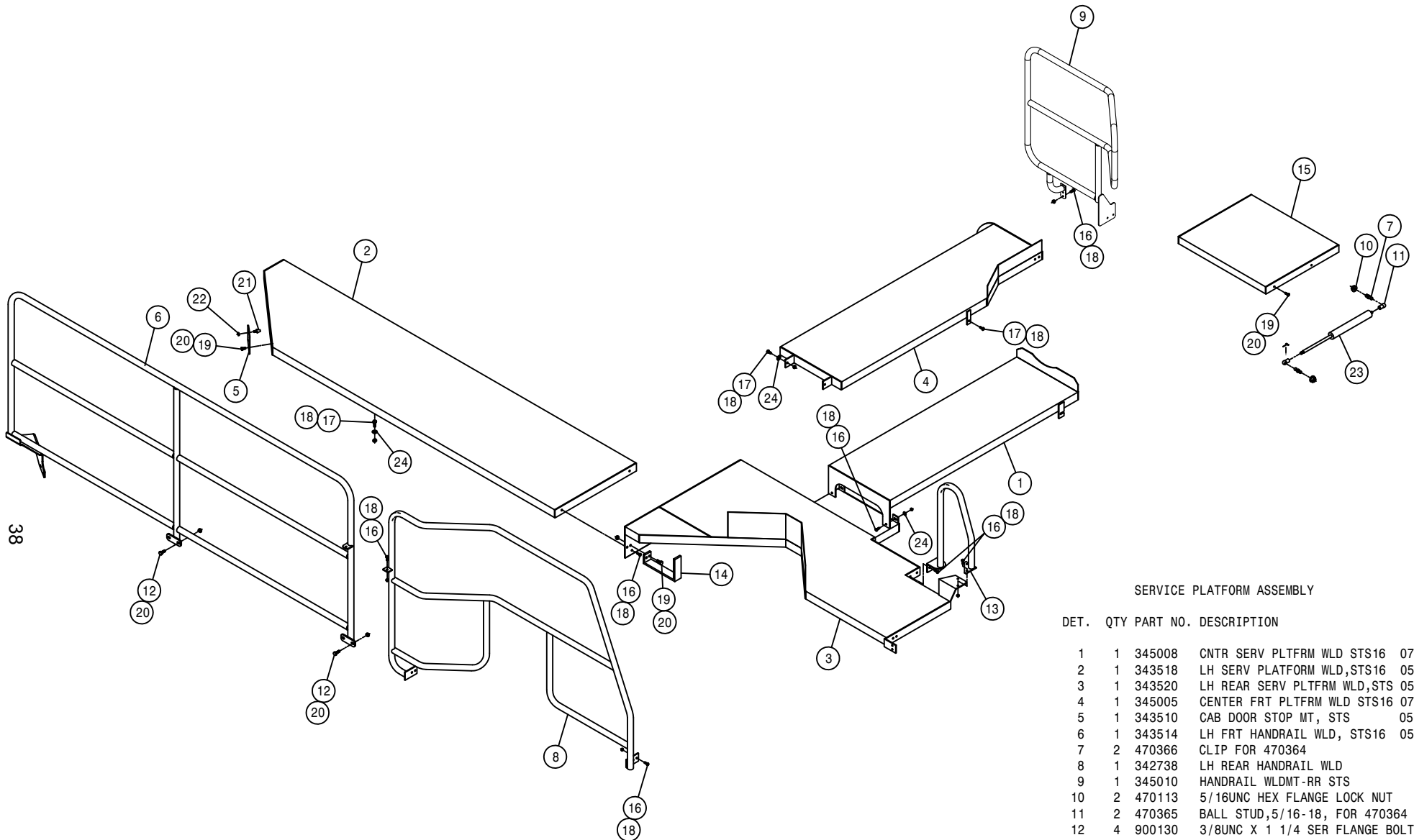
DET. QTY PART NO. DESCRIPTION

1	1	606213	HYD SOLE VLV,2P-3W,9/16FOR 05
2	2	618119	9/16MJIC-90-9/16MOR LBO
3	3	618486	9/16FJIC SW RUN TEE-9/16MJIC
4	1	618629	9/16MOR BRANCH TEE-9/16MJIC
5	2	900007	1/4UNC X 2" HEX BOLT
6	1	342826	SOLE VLV SPACER
7	2	914000	1/4UNC HEX STOVER NUT
8	1	606266	#8 COIL W/DEUTSCH



LADDER ASSEMBLY

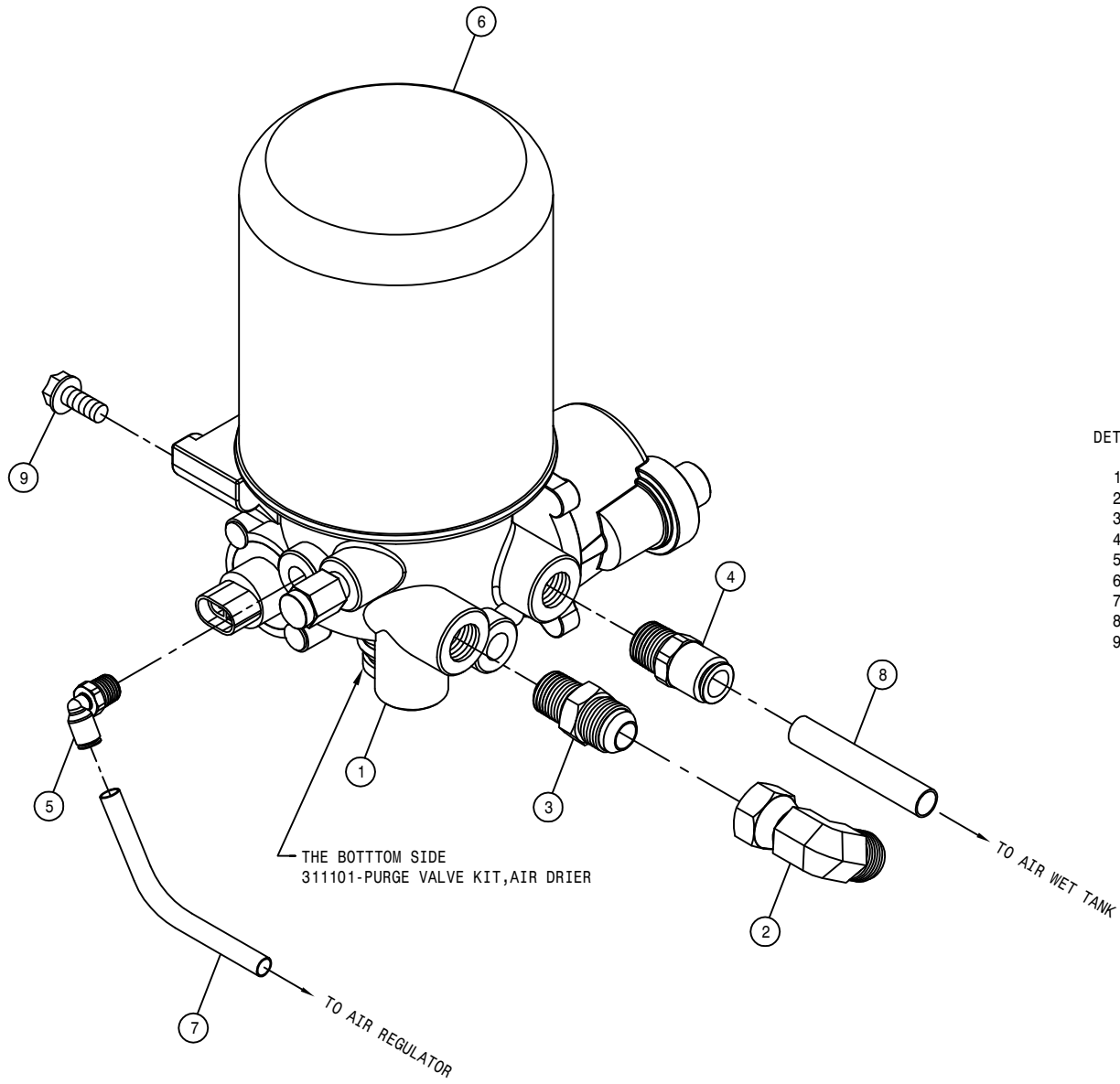
DET.	QTY	PART NO.	DESCRIPTION
1	2	914002	5/16UNC HEX STOVER NUT
2	1	473978	ROLL PIN, 1/2 X 3 1/2 LG
3	2	121102	LADDER PIVOT BEARING, POLYGON
4	1	621554	LADR/SF/BRKWAY CYL, 1.50 X12.25
5	2	900065	5/16UNC X 1" HEX BOLT
6	1	342805	LADDER MT TUBE
7	1	342806	LH PLTFRM SUPP BRKT WLD, STS12
8	1	618688	9/16MOR-90-9/16MJ .025 CHK VLV
9	1	914000	1/4UNC HEX STOVER NUT
10	1	900003	1/4UNC X 1" HEX BOLT
11	1	618119	9/16MJIC-90-9/16MOR LBO
12	1	621555	REPAIR KIT, HYD CYL 621554
13	2	914008	1/2UNC HEX STOVER NUT
14	2	900267	1/2UNC X 2" HEX BOLT
15	1	343530	LADDER WLD, STS12 & STS16 05
16	1	471005	GREASE ZERK, 1/4 28 X 1/2



SERVICE PLATFORM ASSEMBLY

DET.	QTY	PART NO.	DESCRIPTION
	1	345008	CNTR SERV PLTFRM WLD STS16 07
	1	343518	LH SERV PLATFORM WLD,STS16 05
	1	343520	LH REAR SERV PLTFRM WLD,STS 05
	1	345005	CENTER FRT PLTFRM WLD STS16 07
	1	343510	CAB DOOR STOP MT, STS 05
	1	343514	LH FRT HANDRAIL WLD, STS16 05
	2	470366	CLIP FOR 470364
	1	342738	LH REAR HANDRAIL WLD
	1	345010	HANDRAIL WLDMT-RR STS
	2	470113	5/16UNC HEX FLANGE LOCK NUT
	2	470365	BALL STUD,5/16-18, FOR 470364
	4	900130	3/8UNC X 1 1/4 SER FLANGE BOLT
	1	342981	RH HANDRAIL WLD,LH PLATFORM 05
	2	342984	REAR LEG HOSE SUPPORT, STS 05
	1	343304	ENG CMPRTMNT PLTFRM WLD,STS 04
	22	900064	5/16UNC X 3/4 HEX BOLT
	11	900065	5/16UNC X 1" HEX BOLT
	28	914002	5/16UNC HEX STOVER NUT
	10	900129	3/8UNC X 1" SERR FLANGE BOLT
	12	914004	3/8UNC HEX STOVER NUT
	1	470314	RUBBER BUMPER,BULLET W/3/8-16S
	1	470087	3/8UNC HEX FLANGE LOCK NUT
	1	470364	GAS SPRING, 90LB, 3.5 STROKE
	12	920001	5/16 SAE FLAT WASHER

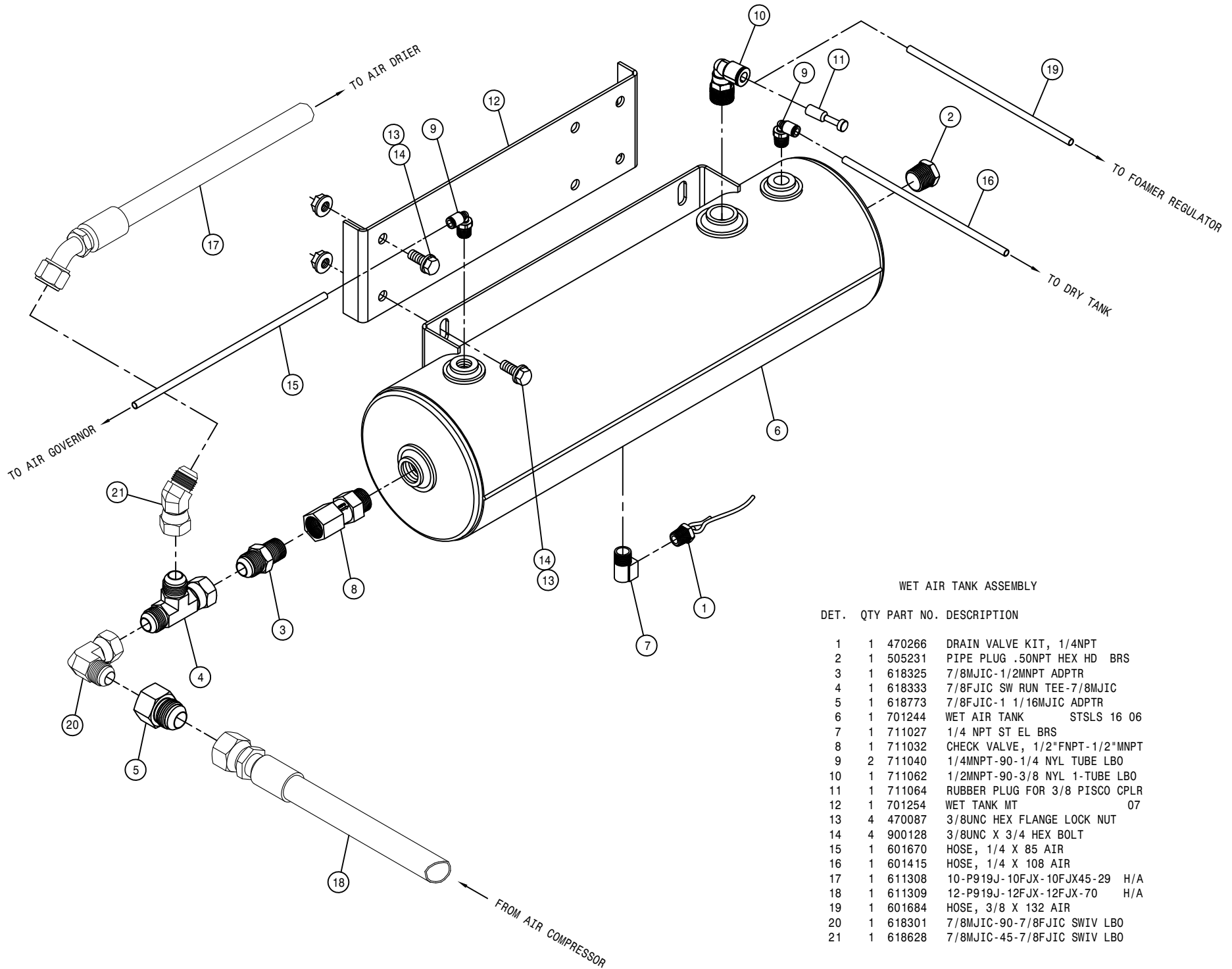
38



AIR DRYER ASSEMBLY

DET. QTY PART NO. DESCRIPTION

1	1	311084	AIR DRIER, SYSTEM SAVER 1200
2	1	618301	7/8MJIC-90-7/8FJIC SWIV LBO
3	1	618325	7/8MJIC-1/2MNPT ADPTR
4	1	711037	1/2MNPT-1/2 NYL TUBE FTG
5	1	711040	1/4MNPT-90-1/4 NYL TUBE LBO
6	1	311085	CARTRIDGE KIT FOR 311084 DRIER
7	1	601415	HOSE, 1/4 X 108 AIR
8	1	601685	HOSE, 1/2 X 112 AIR
9	3	900263	1/2UNC X 1" HEX BOLT

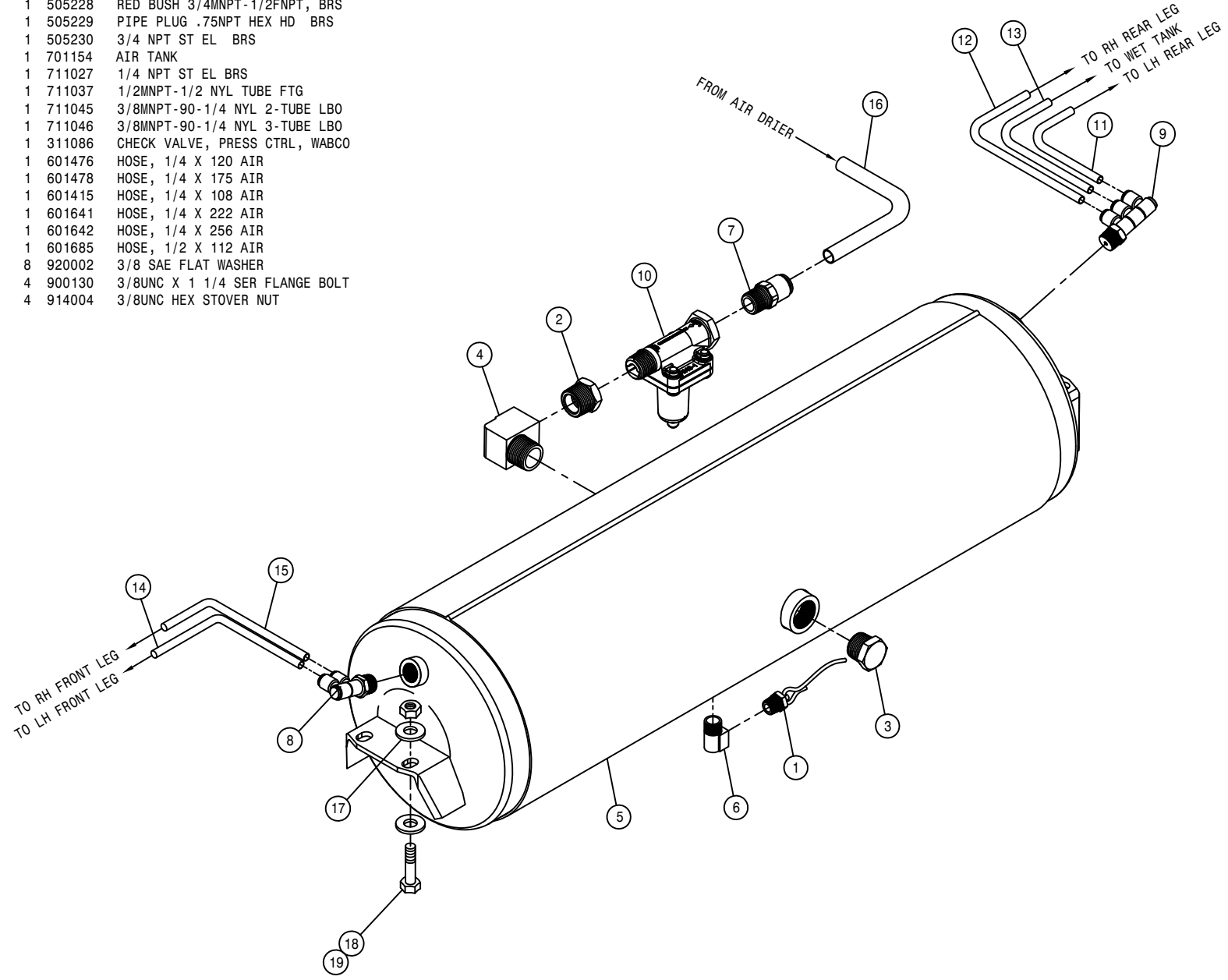


WET AIR TANK ASSEMBLY

DET.	QTY	PART NO.	DESCRIPTION
1	1	470266	DRAIN VALVE KIT, 1/4NPT
2	1	505231	PIPE PLUG .50NPT HEX HD BRS
3	1	618325	7/8MJIC-1/2MNPT ADPTR
4	1	618333	7/8FJIC SW RUN TEE-7/8MJIC
5	1	618773	7/8FJIC-1 1/16MJIC ADPTR
6	1	701244	WET AIR TANK STSLS 16 06
7	1	711027	1/4 NPT ST EL BRS
8	1	711032	CHECK VALVE, 1/2"FNPT-1/2"MNPT
9	2	711040	1/4MNPT-90-1/4 NYL TUBE LBO
10	1	711062	1/2MNPT-90-3/8 NYL 1-TUBE LBO
11	1	711064	RUBBER PLUG FOR 3/8 PISCO CPLR
12	1	701254	WET TANK MT 07
13	4	470087	3/8UNC HEX FLANGE LOCK NUT
14	4	900128	3/8UNC X 3/4 HEX BOLT
15	1	601670	HOSE, 1/4 X 85 AIR
16	1	601415	HOSE, 1/4 X 108 AIR
17	1	611308	10-P919J-10FJX-10FJX45-29 H/A
18	1	611309	12-P919J-12FJX-12FJX-70 H/A
19	1	601684	HOSE, 3/8 X 132 AIR
20	1	618301	7/8MJIC-90-7/8FJIC SWIV LBO
21	1	618628	7/8MJIC-45-7/8FJIC SWIV LBO

AIR TANK ASSEMBLY

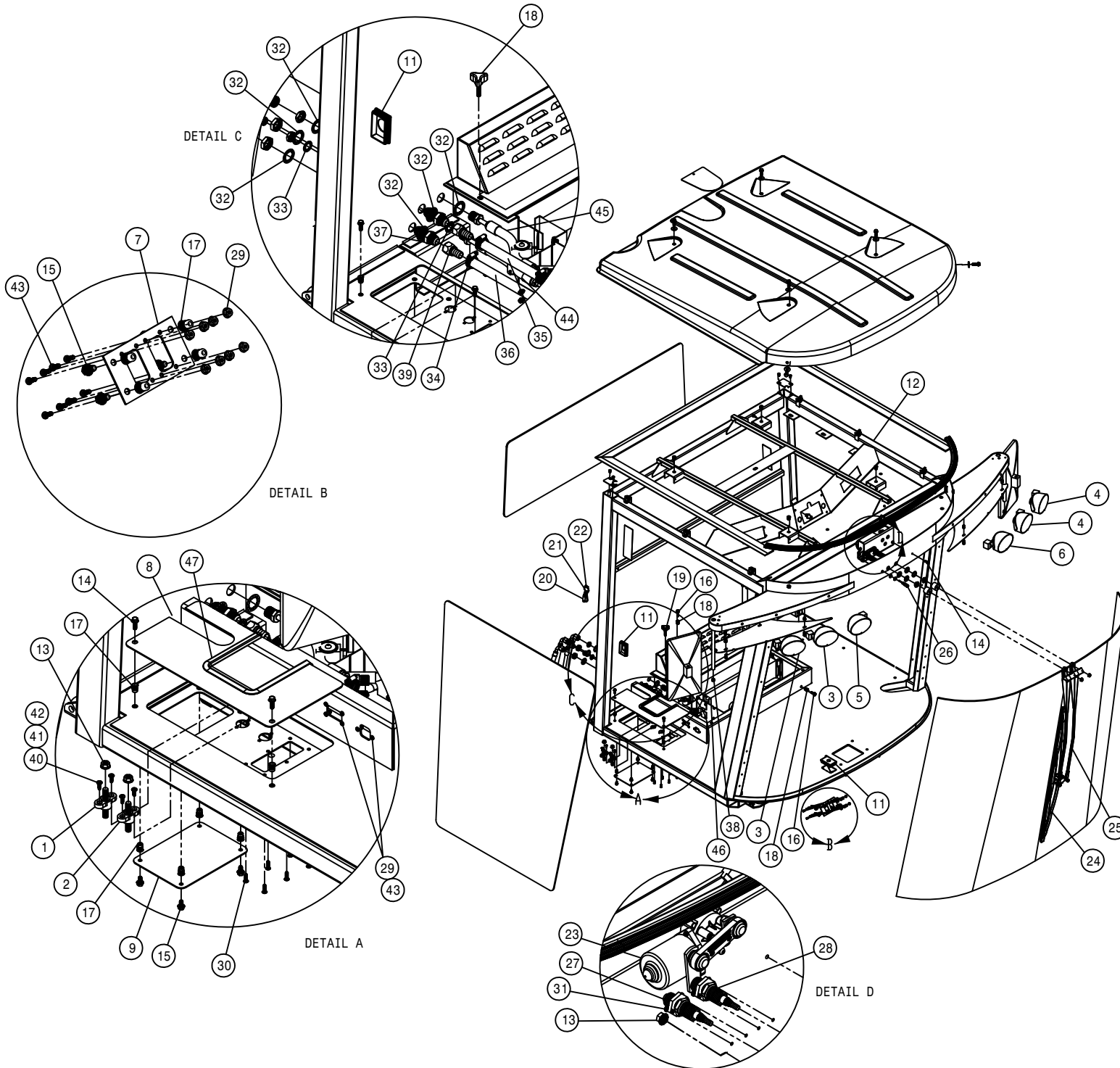
DET.	QTY	PART NO.	DESCRIPTION
1	1	470266	DRAIN VALVE KIT, 1/4NPT
2	1	505228	RED BUSH 3/4MNPT-1/2FNPT, BRS
3	1	505229	PIPE PLUG .75NPT HEX HD BRS
4	1	505230	3/4 NPT ST EL BRS
5	1	701154	AIR TANK
6	1	711027	1/4 NPT ST EL BRS
7	1	711037	1/2MNPT-1/2 NYL TUBE FTG
8	1	711045	3/8MNPT-90-1/4 NYL 2-TUBE LBO
9	1	711046	3/8MNPT-90-1/4 NYL 3-TUBE LBO
10	1	311086	CHECK VALVE, PRESS CTRL, WABCO
11	1	601476	HOSE, 1/4 X 120 AIR
12	1	601478	HOSE, 1/4 X 175 AIR
13	1	601415	HOSE, 1/4 X 108 AIR
14	1	601641	HOSE, 1/4 X 222 AIR
15	1	601642	HOSE, 1/4 X 256 AIR
16	1	601685	HOSE, 1/2 X 112 AIR
17	8	920002	3/8 SAE FLAT WASHER
18	4	900130	3/8UNC X 1 1/4 SER FLANGE BOLT
19	4	914004	3/8UNC HEX STOVER NUT



CAB ASSEMBLY (FRONT VIEW)

DET. QTY PART NO. DESCRIPTION

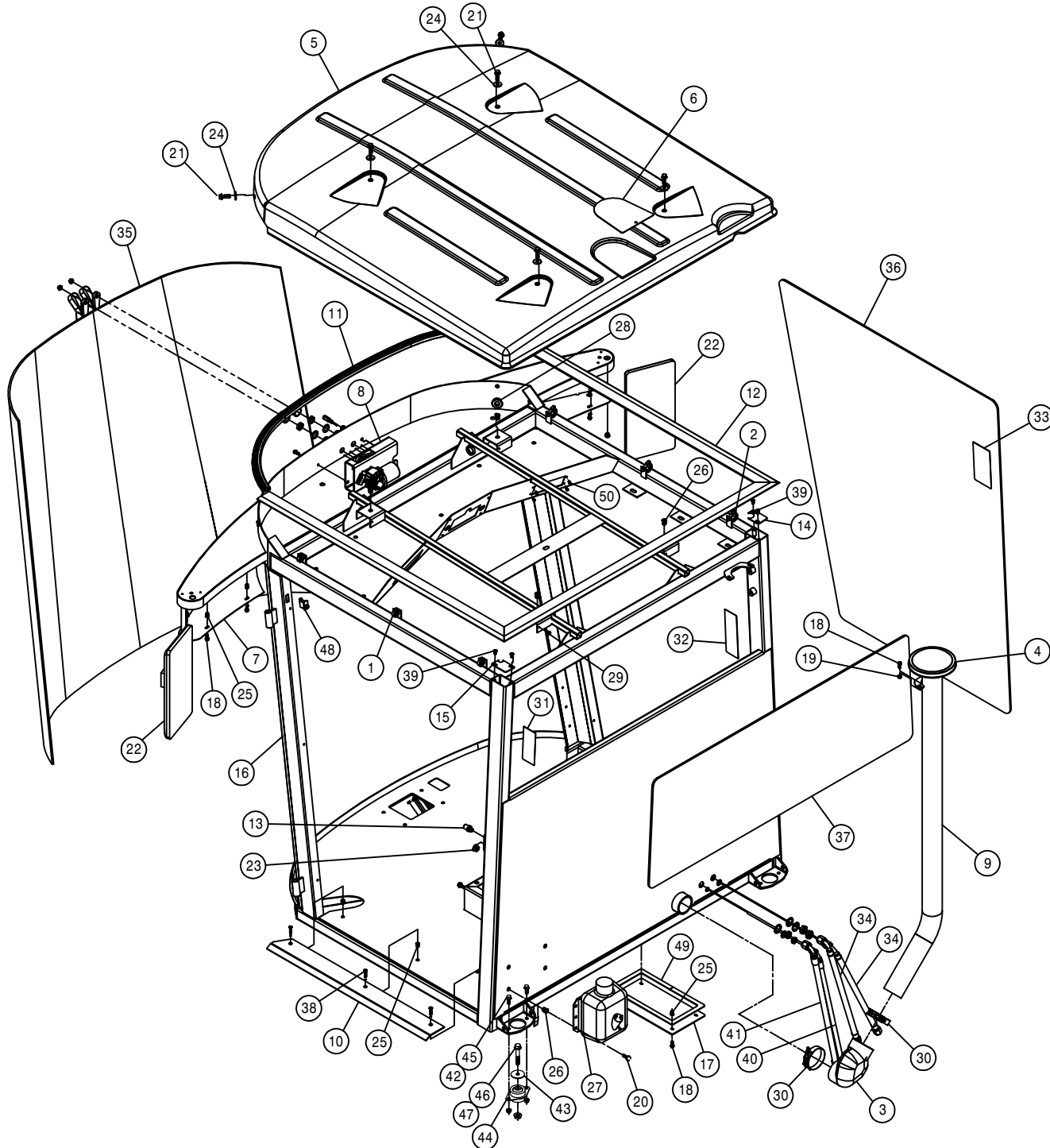
1	1	291749	TERM BLOCK, BLACK, 3/8-16 THRU
2	1	291750	TERM BLOCK, RED, 3/8-16 THRU
3	2	291900	RH WORKLIGHT, FLOOD GLASS
4	2	291901	LH WORKLIGHT, FLOOD GLASS
5	1	291902	RH WORKLIGHT, TRAPEZOID GLASS
6	1	291903	LH WORKLIGHT, TRAPEZOID GLASS
7	1	343431	STRG COLUMN ELECT PANEL, STS 05
8	1	343432	ELECT INPUT COVER, STS CAB 05
9	1	343433	AUX. ACCESS COVER, STS 05
10	1	343552	CAPLUG, 2X3 W/.75 HOLE, STS 05
11	1	343553	CAPLUG, 2X3 W/1.31 HOLE, STS 05
12	1	343638	CAB WELDMNT, STS 08
13	3	470087	3/8UNC HEX FLANGE LOCK NUT
14	3	470118	1/4UNC X 3/4 FLANGE HEX BOLT
15	8	470122	1/4UNC X 1/2 FLANGE HEX BOLT
16	4	470234	5/16UNC X 1" FLANGE HEX BOLT
17	10	470380	1/4-20 NUTSERT .027-.165 STL
18	4	470381	5/16-18 NUTSERT .027-.150 STL
19	2	470393	KNOB, 3-BLADE BLK, 5/16-18X1 1/2
20	1	470397	RES-Q-ME TOOL
21	1	470398	BEAD CHAIN, #10 X 4" LONG
22	1	470400	BEAD CHAIN CONNECTOR #10 WHITE
23	1	470426	MOTOR, WINDSHIELD WIPER, STS 05
24	1	470427	BLADE, WINDSHIELD WIPER STS 05
25	1	470428	ARM, WNDSHLD WIPER BLADE, STS 05
26	1	470429	SPRAY JET, WNDSHLD WIPER, STS 05
27	1	470503	SLAVE SHAFT, WINDSHIELD WIPER
28	1	470504	PIVOT SHAFT, 2.337 BALL STUD
29	14	470463	8-32 SERR. FLANGE NUT
30	6	470465	#12-14X3/4 PHL PAN SHT MTL SRW
31	4	472238	12-24 X 1/2 PHIL PAN HD SCR
32	6	483019	7/8" INTERNAL TOOTH LOCK WASHER
33	2	483020	5/8" INTERNAL TOOTH LOCK WASHER
34	4	520080	HOSE CLAMP NO 10 STAINLESS
35	1	601678	HOSE, 5/8 X 8 HEATER
36	1	601679	HOSE, 5/8 X 13 HEATER
37	2	618497	7/8MJIC-7/8MJIC BLKHD UNION
38	2	629762	CAPLUG, 5/8" RD, BLACK POLY
39	2	711101	5/8 HOSE BARB-7/8FJX ADPTR, BRS
40	4	903706	10-32X1/2 PHIL PANHD MACH SCR
41	4	920510	#10 LOCK WASHER
42	4	910027	10-32 HEX NUT
43	14	903844	8-32 X 1/2 PHIL PANHD MACH SCR
44	1	657475	A/C HOSE ASSY, 5/16X12.50 BLKHD
45	1	657476	A/C HOSE ASSY, 1/2X12.50 BLKHD
46	1	657500	A/C & HEATER BLOWER SYS, STS 07
47	1	193016	QUICKEDGE TRIM .060 TO .170



CAB ASSEMBLY (REAR VIEW)

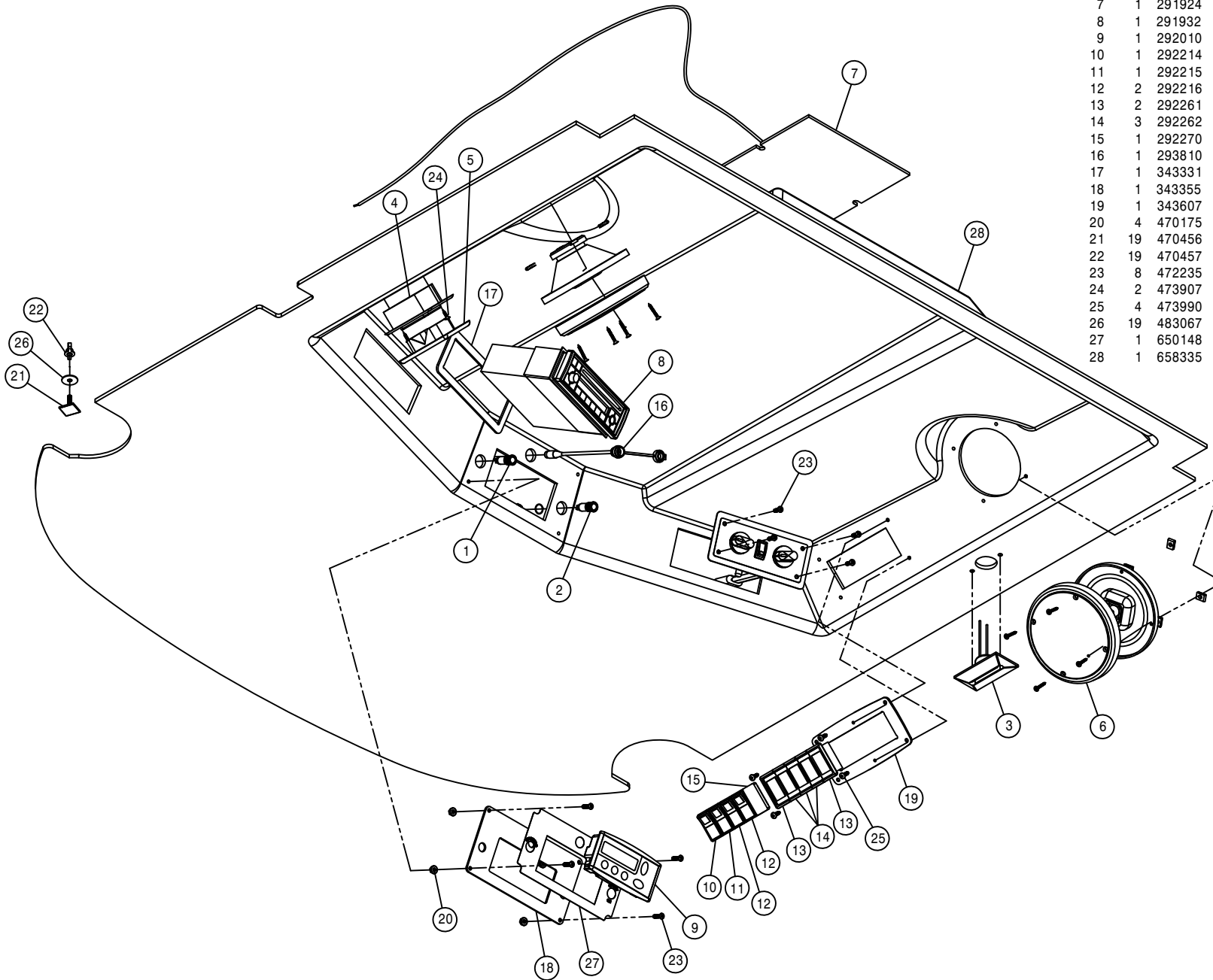
DET. QTY PART NO. DESCRIPTION

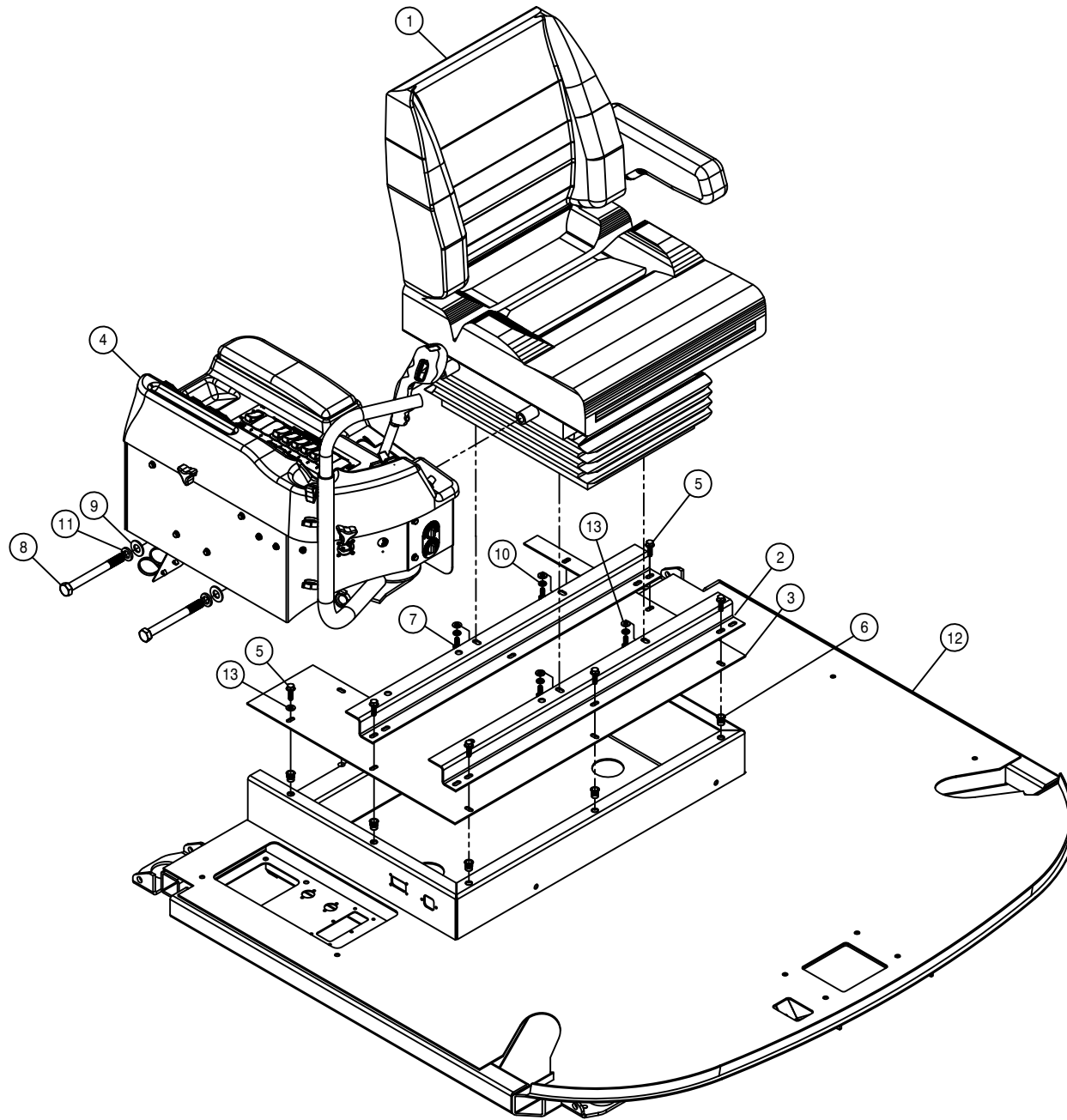
DET.	QTY	PART NO.	DESCRIPTION
1	4	291009	ROSEBUD CLIP FOR .625 CONDUIT
2	4	291010	ROSEBUD CLIP FOR 1.000 CONDUIT
3	1	311533	3.00 90 DEG COBRA ELBOW RUBBER
4	1	311534	RAIN CAP, 3.00 PLASTIC
5	1	343350	CAB ROOF, STS 05
6	1	343351	GPS MTG PLATE, STS CAB 05
7	2	343352	LWR LIGHT MT COVER, STS CAB 05
8	1	343353	WIPER MTR MT BRKT, STS CAB 05
9	1	343422	HVAC INTAKE TUBE WLD, STS CAB05
10	1	343434	CAB ENTRY STEP PLATE, STS 05
11	1	343582	FRT CAB ROOF SEAL, STS CAB 06
12	1	343583	CAB ROOF SEAL, STS CAB 06
13	1	470417	STRIKER PIN ASSY
14	1	343605	RH REAR CORNER POST CAP, STS 07
15	1	343606	LH REAR CORNER POST CAP, STS 07
16	1	343638	CAB WELDMENT, STS 08
17	1	343642	HVAC ACCESS COVER, STS 08
18	14	470118	1/4UNC X 3/4 HHSFB GR5 MC
19	2	470121	1/4UNC SER FLG LOCK NUT
20	4	470234	5/16UNC X 1" SER FLG HEX BOLT
21	6	470329	3/8UNC X 1 1/4 SER FLG HEX BOLT
22	2	470348	MIRROR STS10 & STS12
23	1	473852	12MM-1.75 SERR FLANGE NUT, ZINC
24	6	470377	3/8 X 1 3/16 BONDED WASHER SS
25	15	910127	1/4-20 NUTSERT .027-.165YZ
26	4	910129	3/8-16 NUTSERT .027-.150YZ
27	1	470440	WINDSHIELD WASHER TANK ASSY 05
28	1	470491	GROMMET, .75ID .125GW 1.25GD
29	1	472349	1/4 X 3/4 20THD-IN TEK TYPE
30	2	520130	3.31/3.59 T-BOLT HOSE CLAMP SS
31	1	650164	DECAL, NO PASSNGR, NOT NEAR LEAK
32	1	650165	DECAL, PWR LINE/BM FOLD/GLASS
33	1	650176	DECAL, CAUTION, CAB CHEM EXPOSUR
34	2	657479	10-213-10FJX-10FJX90-22 H/A
35	1	658035	WINDSHIELD, STS CAB 05
36	1	658036	RH CAB GLASS, STS 05
37	1	658038	REAR CAB GLASS, STS 05
38	3	900050	1/4UNC X 1 1/4 PH FLHD MAC SCR
39	4	903708	1/4UNCX1/2 PHL PNHD MCH SCR BZ
40	1	657477	A/C HOSE ASSY, 5/16 X 24"
41	1	657478	A/C HOSE, 10-10F-10F90-24
42	8	470087	3/8UNC HEX SER FLG NUT
43	4	311078	SNUBBING WASHER FOR 311077 05
44	4	311077	ISOLATION MOUNT, LF1.5 SER 05
45	8	470460	3/8UNC X 1 SER FLG BOLT
46	4	470461	1/2UNC X 3 SER FLG BOLT
47	4	470345	1/2UNC HEX SMTH FLG LOCK NUT
48	1	291915	SWITCH, PANEL MT PUSH BUTTON
49	1	193037	STICKERTITE 1/8 X 3/4
50	4	910130	10-32 NUTSERT .020-.130 YZ



HEADLINER ASSEMBLY

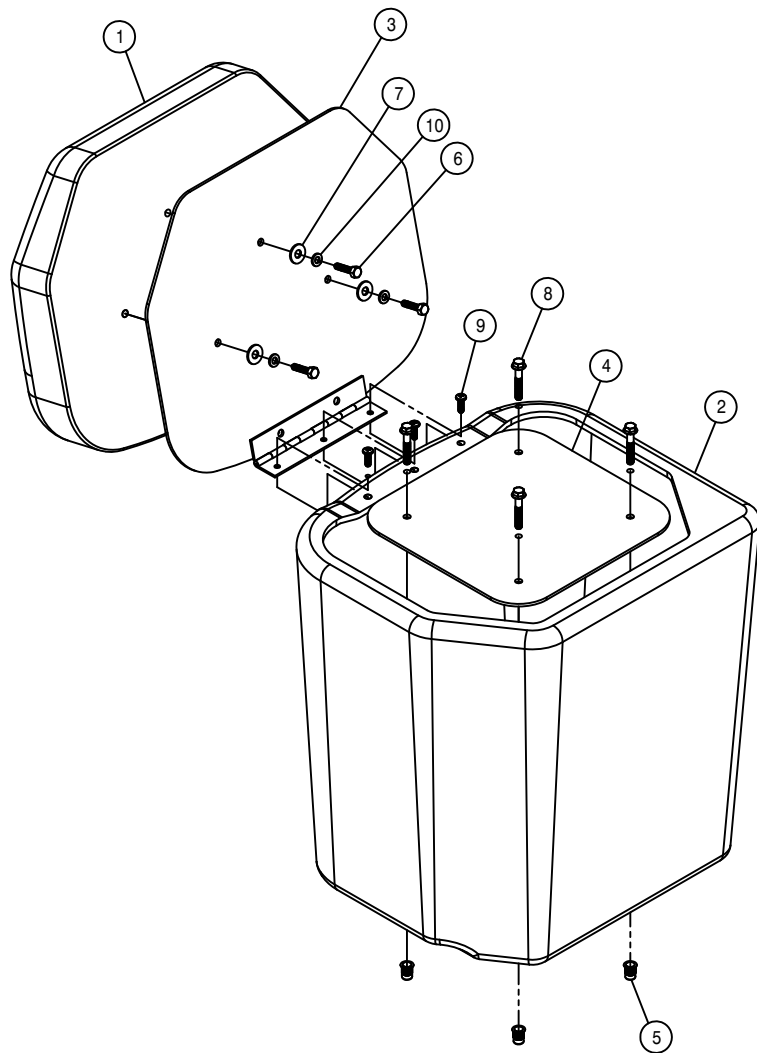
DET.	QTY	PART NO.	DESCRIPTION
1	1	291740	RED LED IND LIGHT, 12V 10MM
2	1	291741	GREEN LED IND LIGHT, 12V 10MM
3	1	291909	L.E.D. COURTESY LIGHT W/LEADS
4	1	291912	DOME LIGHT
5	1	291913	TRIM RING, DOME LIGHT 291912
6	2	291922	SPEAKERS, PAIR
7	1	291924	ANTENNA AM/FM/WB HEADLINER MT
8	1	291932	RADIO CQ-5335U STS 06
9	1	292010	IQAN MDM MINI DISPLAY
10	1	292214	SWITCH, WASHER, STS
11	1	292215	SWITCH, WIPER, STS
12	2	292216	SWITCH, WORK/FIELD LIGHTS, STS
13	2	292261	MOUNTING TRIM, END VME
14	3	292262	MOUNTING TRIM, MIDDLE VMM
15	1	292270	SWITCH BLANK, VH2
16	1	293810	HR12 EXTENSION CABLE, PANEL MT
17	1	343331	RADIO BEZEL, CAB, BLK PLASIC 05
18	1	343355	MDM BEZEL, STS CAB 05
19	1	343607	BEZEL, LIGHT/WIPER GST20 07
20	4	470175	10-32 HEX FLANGE LOCK NUT
21	19	470456	1/4-20 X 1.00 STUD, SQ BASE, NYL
22	19	470457	1/4-20 WING NUT, NYLON
23	8	472235	10-32 X 3/4 PHIL HD MACH SCR
24	2	473907	#10X5/8 OHPHIL 8 SHT MTL SCR
25	4	473990	8-15 X 3/4 PHIL PAN SMS TY-A
26	19	483067	1/4 X 1.00 OD FENDER WASHER
27	1	650148	DECAL, MDM BEZEL, STS
28	1	658335	HEADLINER, GST 20 07





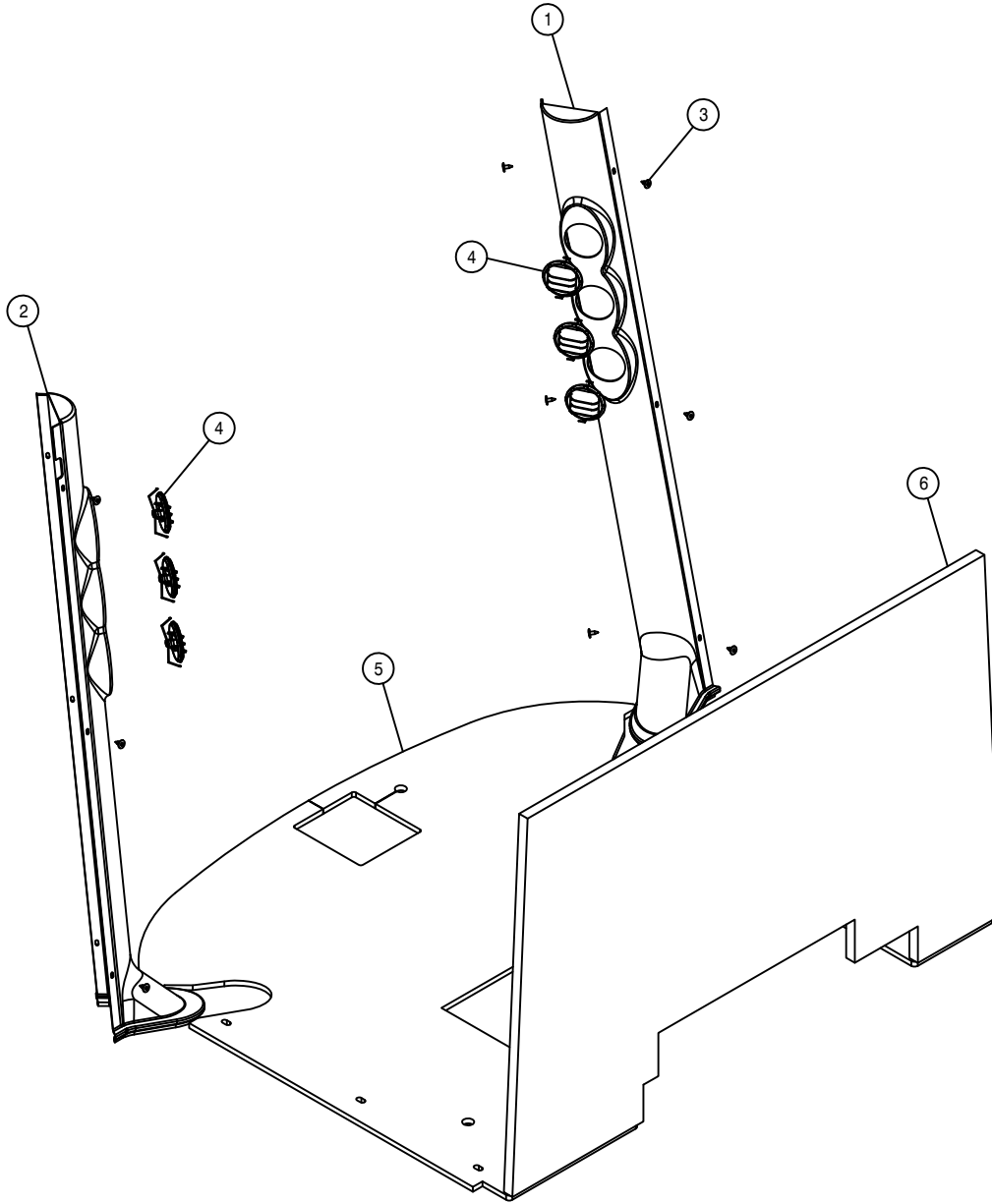
SEAT ASSEMBLY

DET.	QTY	PART NO.	DESCRIPTION	
1	1	330034	SEAT & AIR RIDE ASSY, STS	05
2	2	343429	SEAT BASE STIFF, STS CAB	05
3	1	343430	HVAC LID, STS CAB	05
4	1	343622	SIDE CONSOLE ASSY, STS	08
5	6	470233	5/16UNC X 3/4 FLANGE HEX BOLT	
6	8	470381	5/16-18 NUTSERT .027-.150 STL	
7	4	473827	8MM-1.25 X 20MM HEX BOLT	
8	2	900346	5/8UNC X 6" HEX BOLT	
9	2	920005	5/8 SAE FLAT WASHER	
10	4	920501	5/16 LOCK WASHER	
11	2	920505	5/8 LOCK WASHER	
12	1	343638	CAB WELDMENT, STS	08
13	5	920001	5/16 SAE FLAT WASHER	



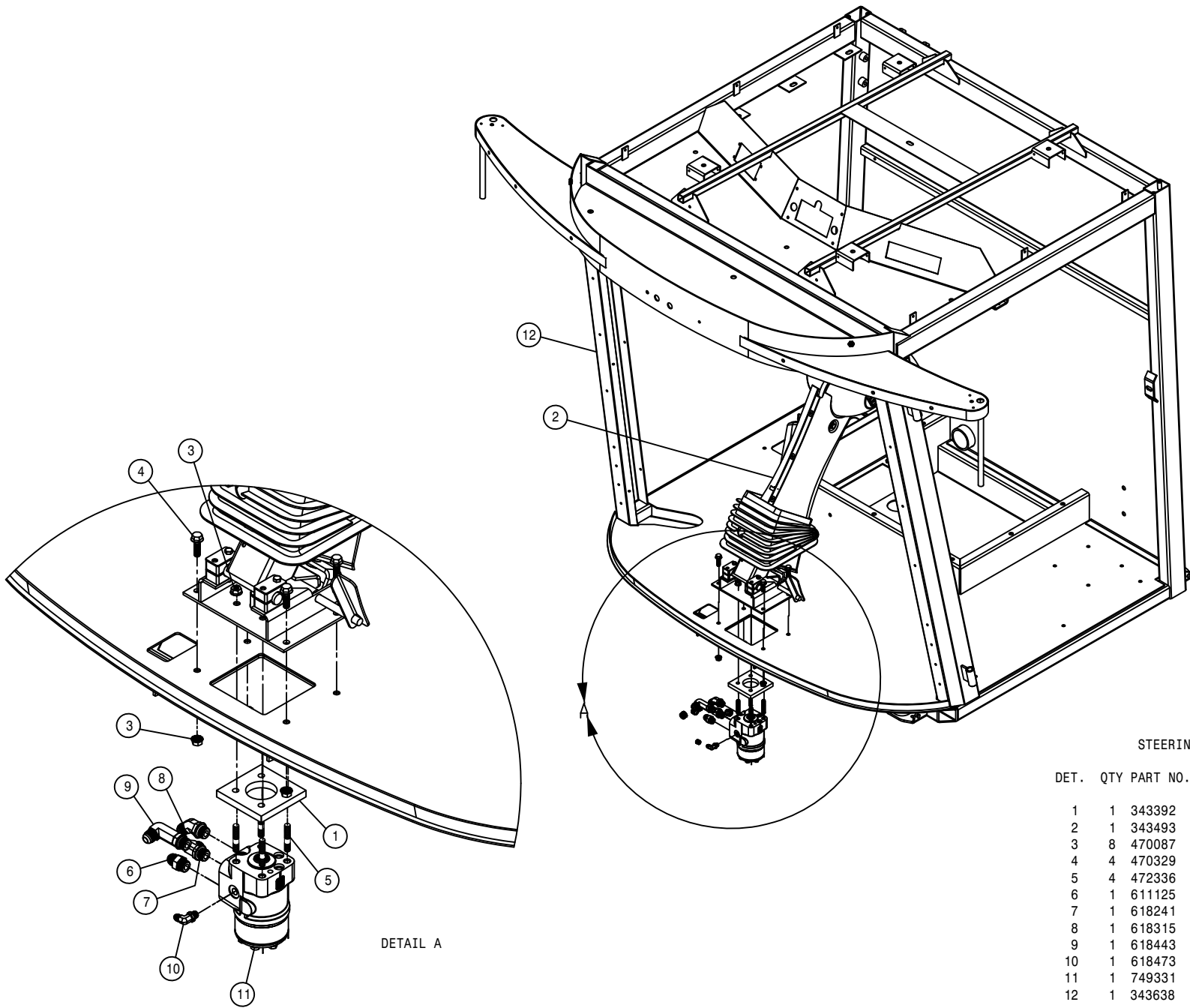
BUDDY SEAT ASSEMBLY

DET.	QTY	PART NO.	DESCRIPTION	
	1	330036	BUDDY SEAT CUSHION	05
	1	330037	BUDDY SEAT BASE, POLY	05
	1	343425	BUDDY SEAT MT WLD, STS CAB	05
	1	343428	BUDDY SEAT MT PANEL, STS CAB	05
	4	470380	1/4-20 NUTSERT .027-.165	STL
	3	473787	6MM-1.00 X 25MM HEX BOLT	
	3	483038	1/4 REGULAR FLAT WASHER	
	4	900005	1/4UNC X 1 1/2 HEX BOLT	
	3	903710	10-32X5/8 PHIL PANHD MACH SCR	
	3	920500	1/4 LOCK WASHER	



AIR DUCT AND FOAM ASSEMBLY

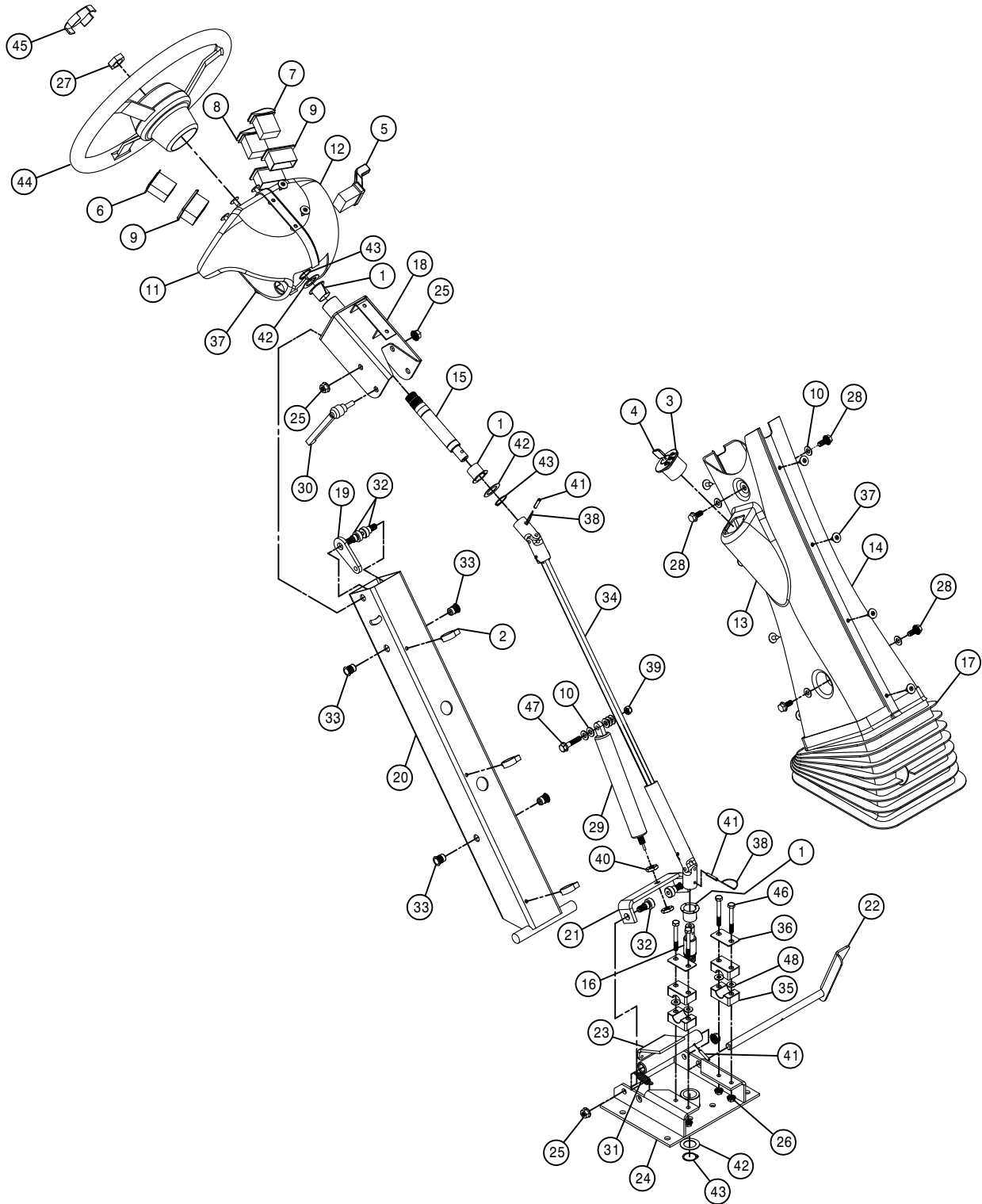
DET.	QTY	PART NO.	DESCRIPTION	
1	1	343356	RH AIR DUCT COVERS,STS CAB	05
2	1	343357	LH AIR DUCT COVERS,STS CAB	05
3	12	470466	1/4 X 3/4 PLTC LCK RIVET	
4	6	657469	LOUVER, ROUND	
5	1	658330	FLOORMAT, STS CAB	05
6	1	658333	FOAM, REAR CAB STS	05



STEERING MOTOR ASSEMBLY

DET. QTY PART NO. DESCRIPTION

1	1	343392	.500 STRG MTR SPACER, STS CAB05
2	1	343493	STRG COLUMN ASSY, STS CAB 06
3	8	470087	3/8UNC HEX FLANGE LOCK NUT
4	4	470329	3/8UNC X 1 1/4 SER FLANGE BOLT
5	4	472336	3/8UNC X 2" STUD BOLT, DBL END
6	1	611125	3/4MJIC-3/4MOR ADPTR
7	1	618241	3/4MJIC-90-3/4MOR LBO
8	1	618315	3/4MJIC-45-3/4MOR LBO
9	1	618443	3/4MJIC-90-3/4MOR EX LG LBO
10	1	618473	7/16MJIC-90-7/16MOR LBO
11	1	749331	STEERING CTRL VALVE, LS SAUER
12	1	343638	CAB WELDMENT, STS 08



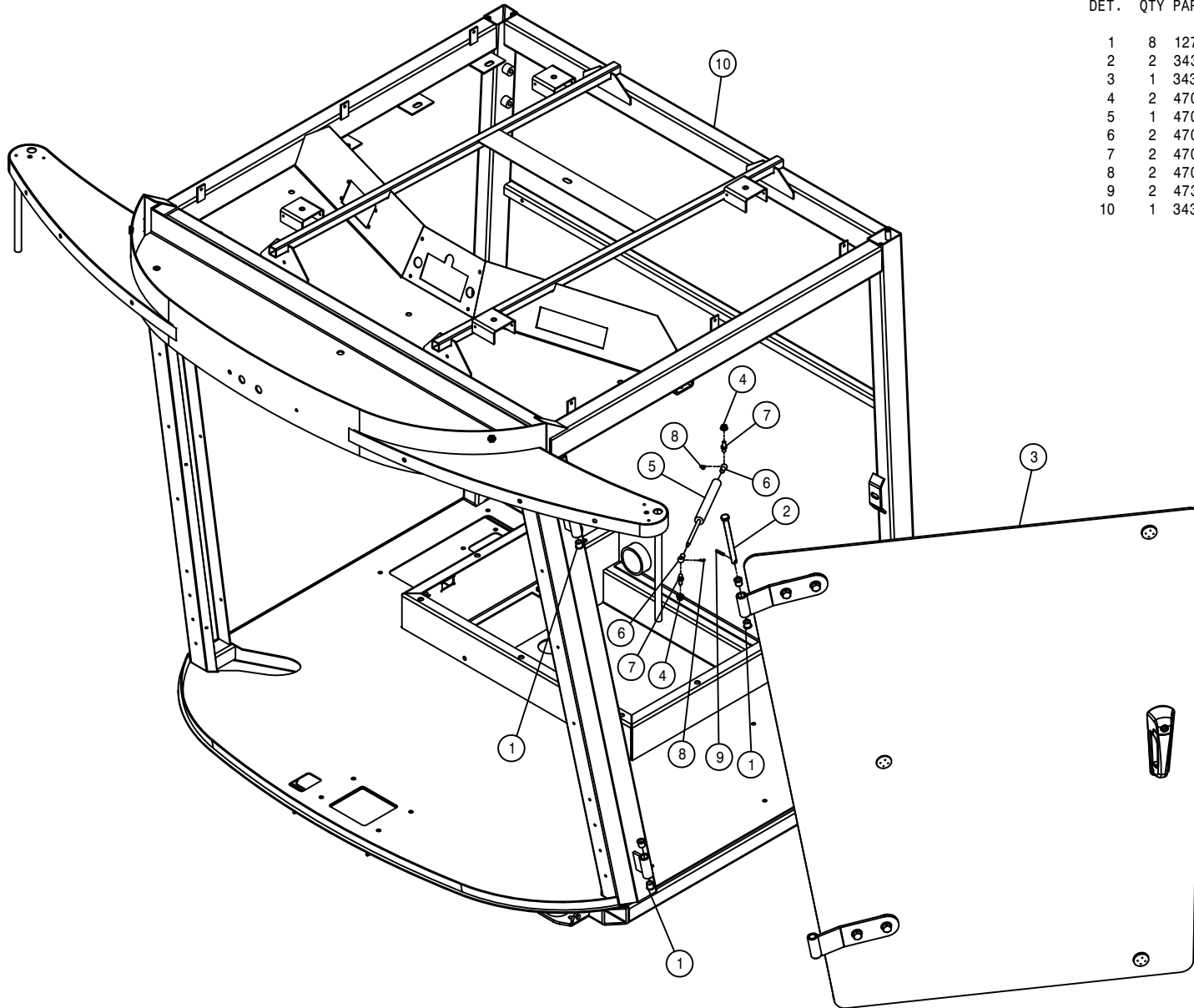
STEERING COLUMN ASSEMBLY

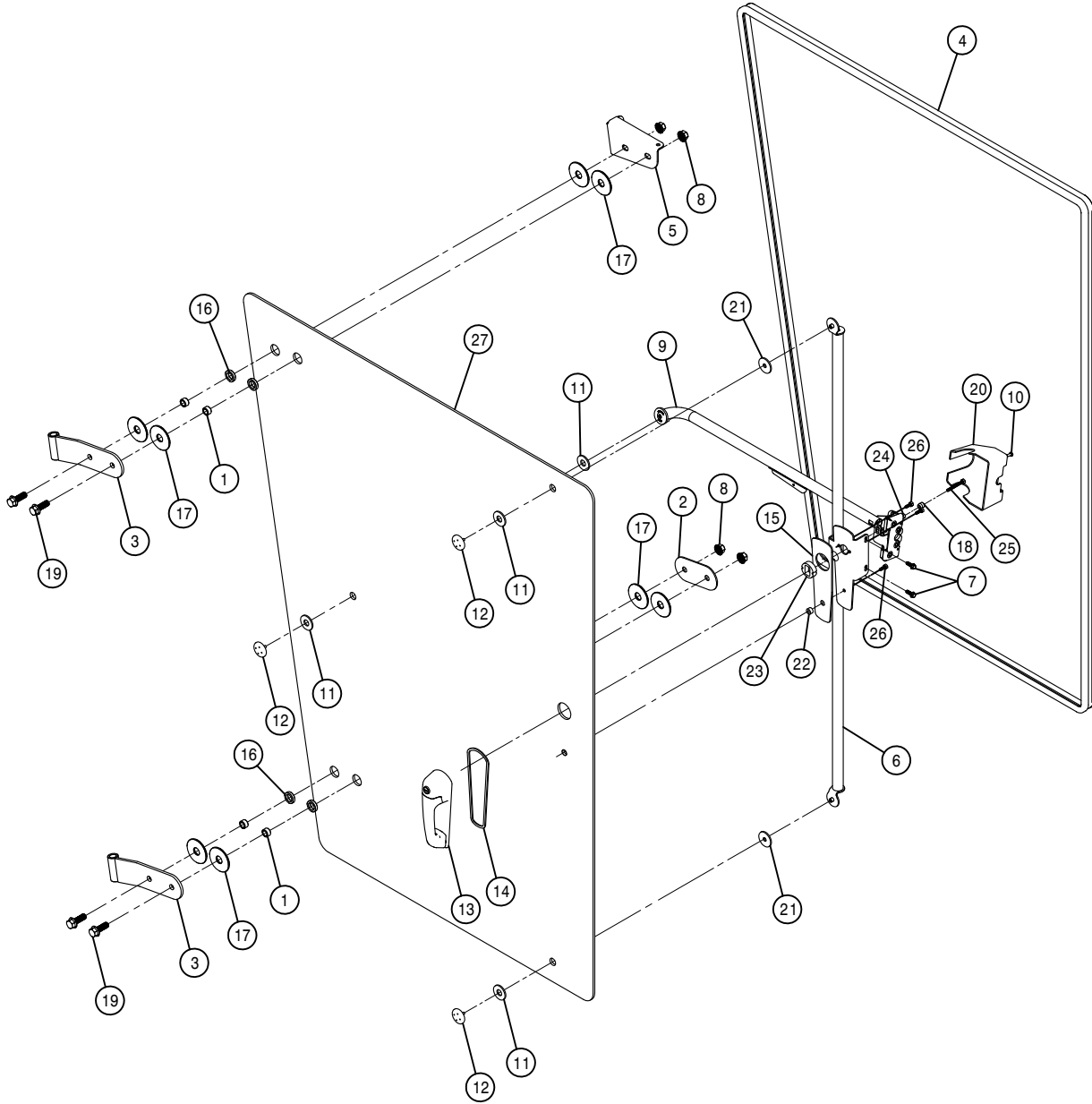
DET.	QTY	PART NO.	DESCRIPTION
	1	3	127503 NYLINER FLG BRG, .875 ID
	2	3	291006 ROSEBUD CLIP FOR .500 CONDUIT
	3	1	291916 IGNITION SWITCH
	4	2	291917 IGNITION KEY FOR 291916
	5	1	292210 SWITCH, TURN SIGNAL, STS
	6	1	292211 TURN INDICATOR W/GREEN LED,STS
	7	1	292212 SWITCH,HAZARD,STS
	8	1	292213 SWITCH, HEADLIGHTS, STS
	9	3	292260 MOUNTING TRIM, SINGLE VMS
	10	9	920001 5/16 SAE FLAT WASHER
	11	1	343359 RH UPR STRG CLMN COVERS,STS 05
	12	1	343360 LH UPR STRG CLMN COVERS,STS 05
	13	1	343361 RH LWR STRG CLMN COVERS,STS 05
	14	1	343362 LH LWR STRG CLMN COVERS,STS 05
	15	1	343364 STRG SHAFT,UPPER COLUMN,STS 05
	16	1	343365 STRG SHAFT,LOWER COLUMN,STS 05
	17	1	343366 BELLOW,STEERING COLUMN,STS 05
	18	1	343367 STEERING SUPP WELD, STS CAB 05
	19	1	343372 STRG COLUMN TOP LOCK, STS CAB
	20	1	343373 STEERING COLUMN WLD,STS CAB 05
	21	1	343385 GAS SHOCK PIVOT MT,STS CAB 05
	22	1	343386 TILT PEDAL WELD, STS CAB 05
	23	1	343389 TILT RELEASE WLD, STS CAB 05
	24	1	343614 STEERING BASE WELD,STS CAB 07
	25	4	910004 3/8UNC HEX SMTH FLG NUT
	26	4	470121 1/4UNC HEX FLANGE LOCK NUT
	27	1	470157 13/16-20UNEF HEX NUT STRG WHL
	28	4	470233 5/16UNC X 3/4 FLANGE HEX BOLT
	29	1	470252 GAS SPRING, LOCKING 0350N
	30	1	470257 ADJ HANDLE,3/8-16 STUD, BLACK
	31	1	470268 SPRING, EXTENSION, .50 X 1.75
	32	4	470283 3/8UNC 1/2 SCKT SHLDR BOLT
	33	4	470381 5/16-18 NUTSERT .027- .150 STL
	34	1	470401 DRIVE SHAFT ASSY, .625 U-JOINTS
	35	2	470405 CLAMP PAIR, 19MM SMOOTH BORE
	36	2	470406 TOP CLAMP, SIZE #3 FOR 470405
	37	16	470466 1/4 X 3/4 PLTC LCK RIVET
	38	4	470479 5"SAFETY LOCK WIRE,304SS .051D
	39	1	473001 5/16UNC HEX NUT,NYLOC 316 SS
	40	2	473830 10MM-1.00 HEX JAM NUT
	41	3	473928 ROLL PIN, 3/16 X 1
	42	3	483031 1 3/8 X 7/8 X 18GA MACH WASHER
	43	3	629533 SNAP RING, 7/8 EXTRN
	44	1	749294 STEERING WHEEL, VIP 14"
	45	1	749295 STRG WHL CAP W/HAGIE EMBLEM
	46	4	900023 1/4UNC X 2 1/4 HEX BOLT
	47	1	900067 5/16UNC X 1 1/2 HEX BOLT
	48	4	920022 1/4 FLAT WASH, AN960-416 SS

CAB DOOR ASSEMBLY

DET. QTY PART NO. DESCRIPTION

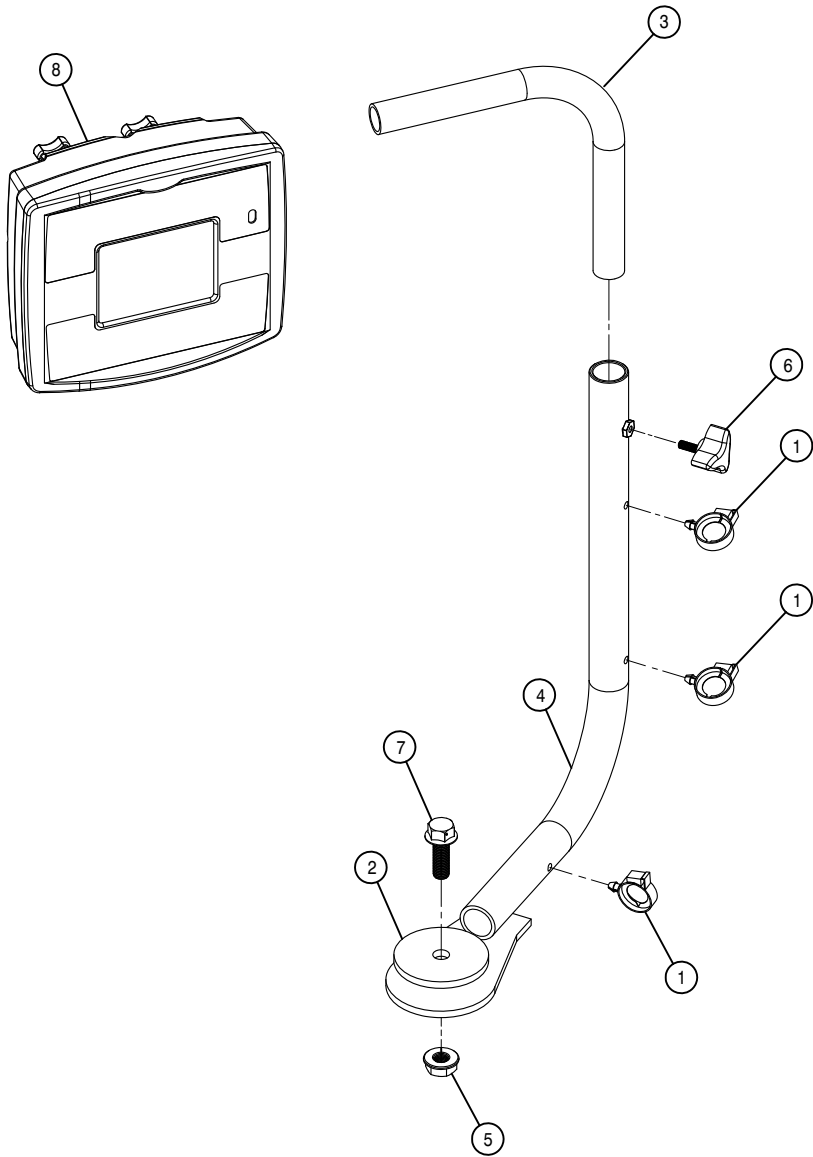
1	8	127502	NYLON FLANGE BRG	
2	2	343332	CAB DOOR HINGE PIN,SS	05
3	1	343588	DOOR ASSY, STS CAB	07
4	2	470113	5/16UNC HEX FLANGE LOCK NUT	
5	1	470253	HYD DAMPER,100LB,4"STROKE 1084	
6	2	470254	BALL SOCKET, M6 THD X 10MM	
7	2	470255	BALL STUD,5/16-18 THD X 10MM	
8	2	470256	SAFTY CLIP, 10MM BALL SOCKET	
9	2	473928	ROLL PIN, 3/16 X 1	
10	1	343638	CAB WELDMENT, STS	08





DOOR ASSEMBLY

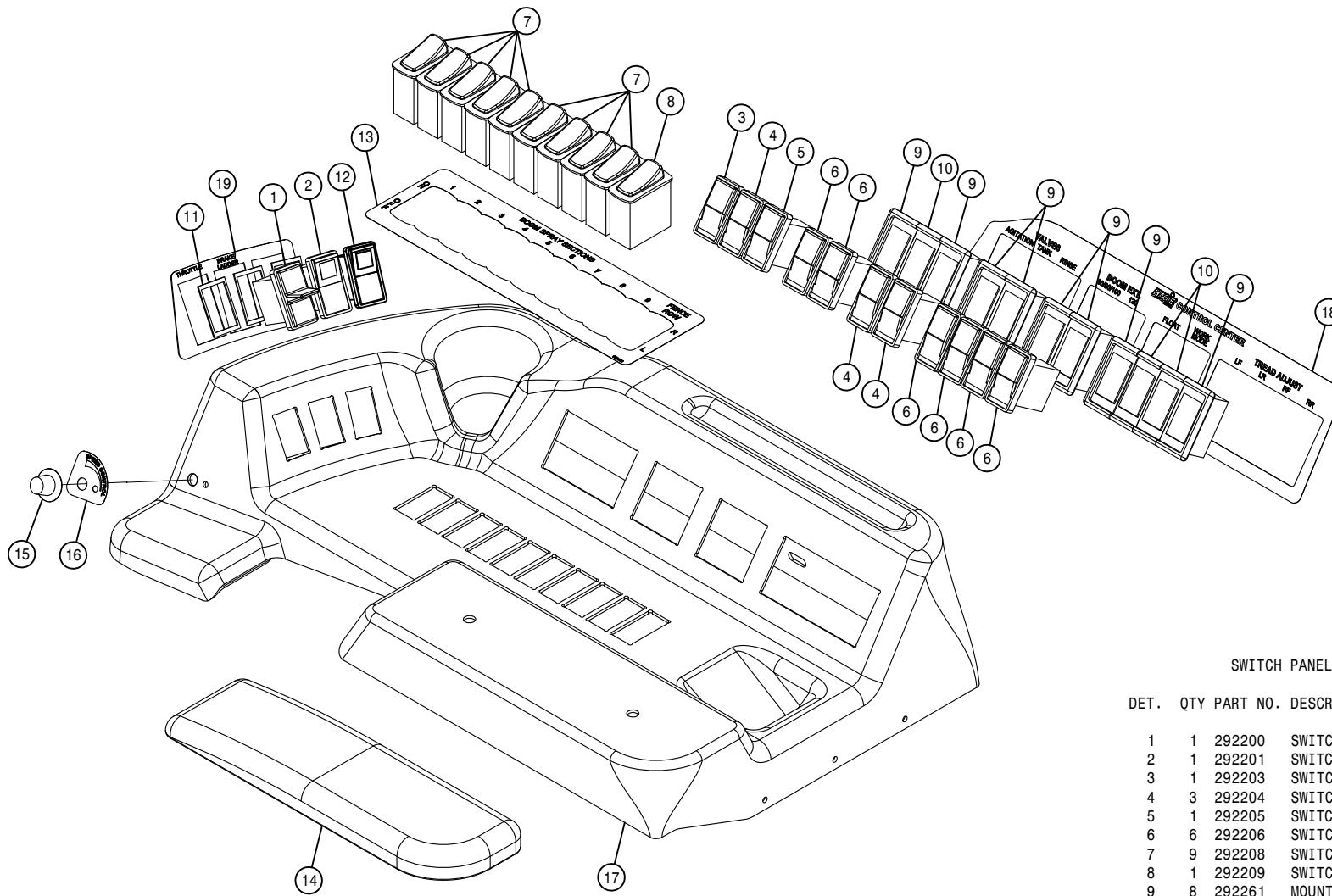
DET.	QTY	PART NO.	DESCRIPTION	
1	4	343335	DOOR HINGE GLASS BUSH, CAB	05
2	1	343337	LWR DOOR HINGE BACK PLT,	05
3	2	343338	HINGE WELD,CAB	05
4	1	343346	DOOR SEAL, STS CAB	05
5	1	343421	TOP DOOR HINGE PLT, STS	05
6	1	343598	CAB DOOR STIFF WLD, STS	05
7	2	470118	1/4UNC X 3/4 FLANGE HEX BOLT	
8	4	470360	1/2UNC HEX FLANGE LOCK NUT	
9	1	470410	INSIDE SQUEEZE LATCH ASSY	
10	1	470412	INSIDE SQUEEZE LATCH SCREWS	
11	4	470413	INSIDE SQUEEZE LATCH GASKET	
12	3	470414	INSIDE SQUEEZE LATCH CAP	
13	1	470415	OUTSIDE PULL HANDLE ASSY	
14	1	470416	OUTSIDE PULL HANDLE GASKET	
15	1	470418	DOOR HANDLE MT GASKET, STS CAB	
16	4	470419	DOOR HINGE BUSH, RUBBER STS	05
17	8	470420	DOOR HINGE WASH, RUBBER, STS	05
18	1	470421	NYLON SPACER, SPHERICAL 6MMX12	
19	4	470431	1/2UNC X 1 1/2 FLANGE BOLT	
20	1	470485	INSIDE SQUEEZE LATCH COVER	07
21	2	470489	GASKET, DOOR HANDLE STIFFENER	
22	1	470496	SPACER, BTM, DOOR HANDLE	470415
23	1	470497	SPACER, TOP, DOOR HANDLE	470415
24	1	473764	6MM-1.00 HEX HIGH NUT	
25	1	473794	6MM-1.00 X 50MM HEX BOLT	
26	3	473826	6MM-1.00 X 16MM HEX BOLT	
27	1	658039	DOOR GLASS, STS CAB	07



MONITOR ASSEMBLY

DET. QTY PART NO. DESCRIPTION

1	3	291007	ROSEBUD CLIP FOR .750 CONDUIT
2	1	343415	WASHER,3.00 X .531 X .25T UHMW
3	1	343416	MONITOR MT TUBE, STS 05
4	1	343417	MONITOR MT WELD, STS CAB 05
5	1	470345	1/2UNC HEX SMTH FLNG LOCK NUT
6	1	470392	KNOB,3-BLADE BLK,1/4-20 X 3/4
7	1	470431	1/2UNC X 1 1/2 FLANGE BOLT
8	1	690986	CONSOLE, RAVEN SCS 4600



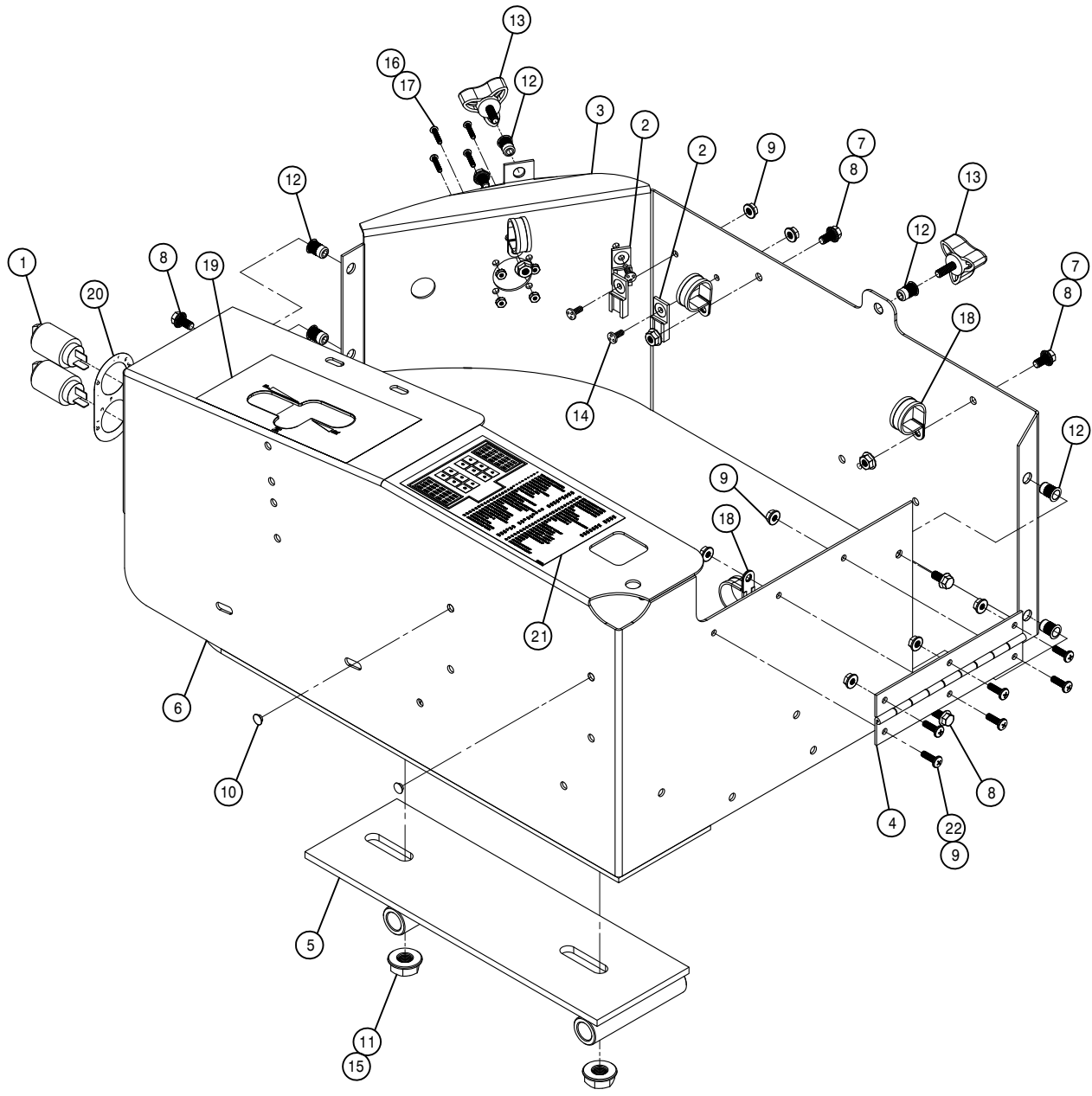
SWITCH PANEL ASSEMBLY

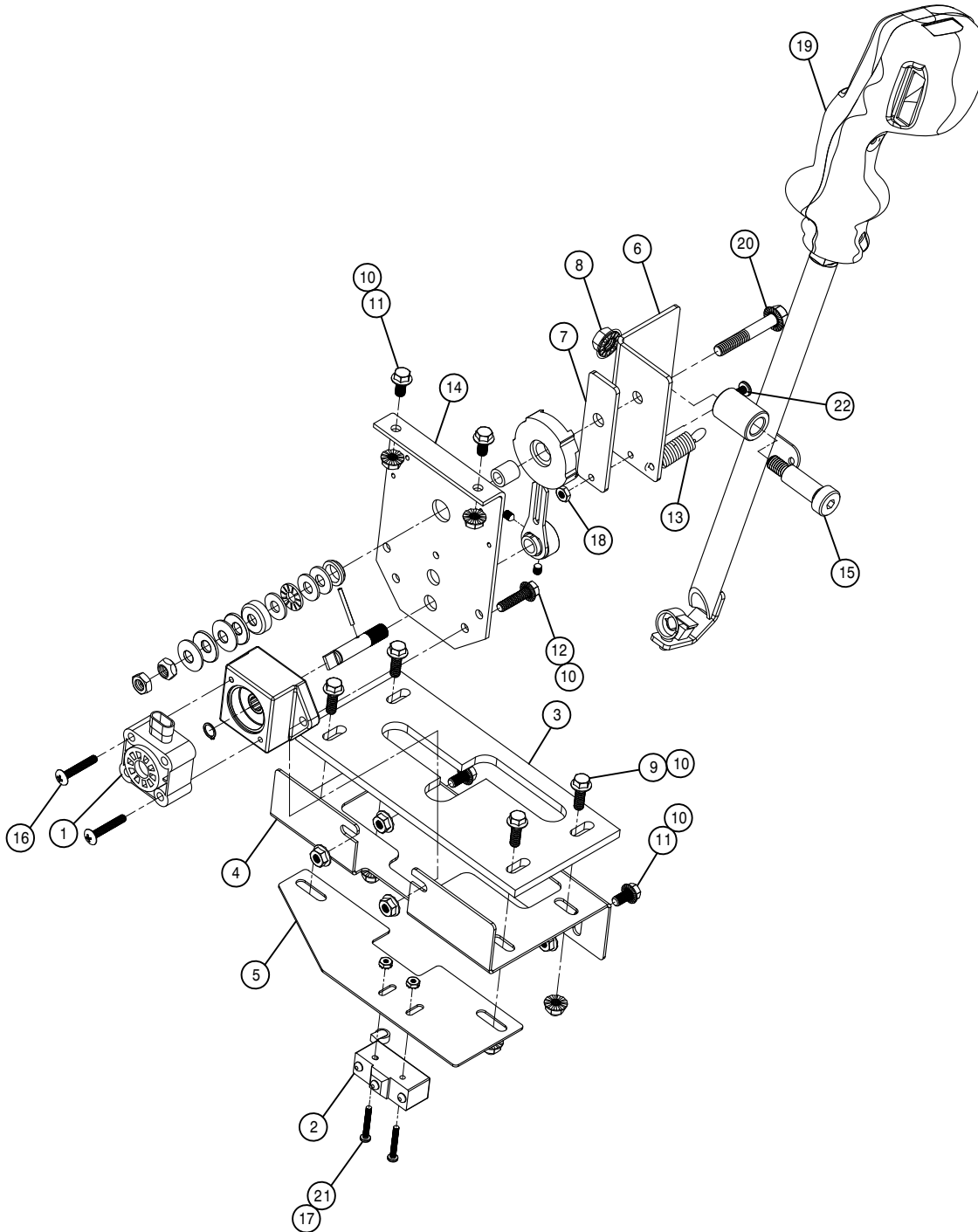
DET.	QTY	PART NO.	DESCRIPTION
	1	292200	SWITCH, THROTTLE, STS
	1	292201	SWITCH, BRAKE, STS
	1	292203	SWITCH, AGITATION, STS
	3	292204	SWITCH,SOLU TANK/NTB FLOAT,STS
	1	292205	SWITCH, RINSE, STS
	6	292206	SWITCH,TREAD/90' FOLD, STS
	9	292208	SWITCH, SPRAY SWITCH, STS
	8	292209	SWITCH, FENCE ROW, STS
	9	292261	MOUNTING TRIM,END VME
	3	292262	MOUNTING TRIM, MIDDLE VMM
	3	292263	PANEL GASKET, SWITCH
	1	292222	SWITCH,FAN REVERSING
	1	650196	DECAL,SPRAY SELECT STS 08
	1	343397	ARM REST W/MTS, STS CAB 05
	1	470395	DIAL KNOB W/ARROW FOR .25 SHFT
	1	650158	DECAL,SPEED CONTROL STS CAB 05
	1	343624	SIDE CONSOLE, STS/GST 08
	1	650161	DECAL,BOOM FLT-TRD ADJ STS 05
	1	650177	DECAL,THROTTLE & BRAKE STS 07

CONSOLE ASSEMBLY

DET. QTY PART NO. DESCRIPTION

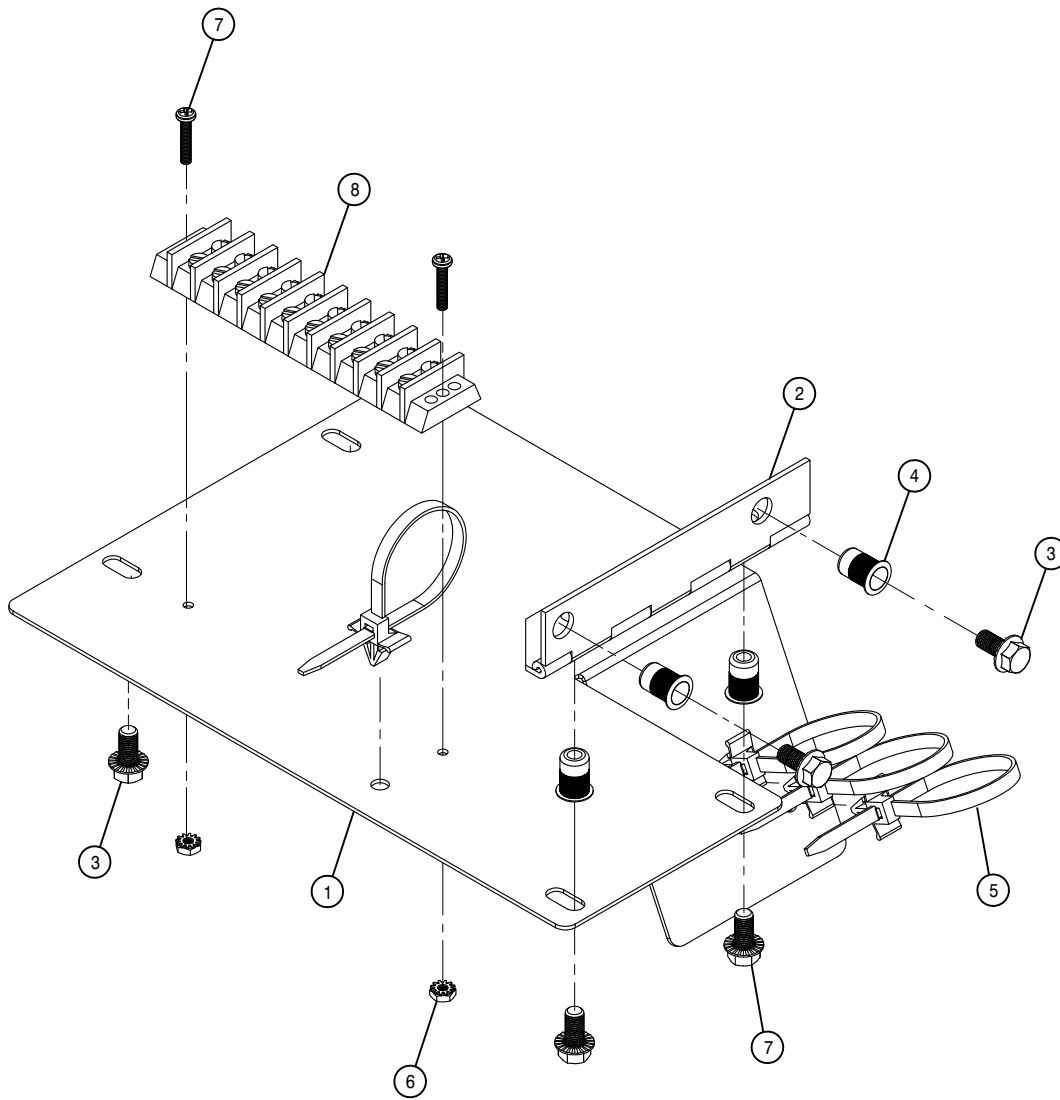
1	2	291648	POWER POINT RECEPTACLE
2	3	292125	DEUTSCH MTG CLIP
3	1	343403	SIDE CONSOLE OUTER WRAP,STS 05
4	1	343405	SIDE CONSOLE REAR HINGE,STS 05
5	1	343406	CONSOLE SEAT BASE WLD,STS 05
6	1	343488	CONSOLE WELD, STS CAB 06
7	3	470121	1/4UNC HEX FLANGE LOCK NUT
8	7	470122	1/4UNC X 1/2 FLANGE HEX BOLT
9	9	470175	10-32 HEX FLANGE LOCK NUT
10	2	470339	SNAP PLUG, BLK NYL, .250 DIA
11	2	470345	1/2UNC HEX SMTH FLNG LOCK NUT
12	6	470380	1/4-20 NUTSERT .027-.165 STL
13	2	470392	KNOB,3-BLADE BLK,1/4-20 X 3/4
14	3	470423	10-32 X 1/2 WELD STUD
15	2	470431	1/2UNC X 1 1/2 FLANGE BOLT
16	4	470467	6-32 KEP NUT
17	4	903814	6-32 X 3/4 SLT RD HD MACH SCR
18	4	520101	CUSH CLAMP,#16 1"D X 1/2W
19	1	650157	DECAL,HYDRASTAT STS CAB 05
20	1	650163	DECAL,POWER POINT, STS CAB 05
21	1	650186	DECAL,FUSE & RELAY,STS CAB 07
22	6	903710	10-32X5/8 PHIL PANHD MACH SCR





HYDROSTATIC LEVER ASSEMBLY

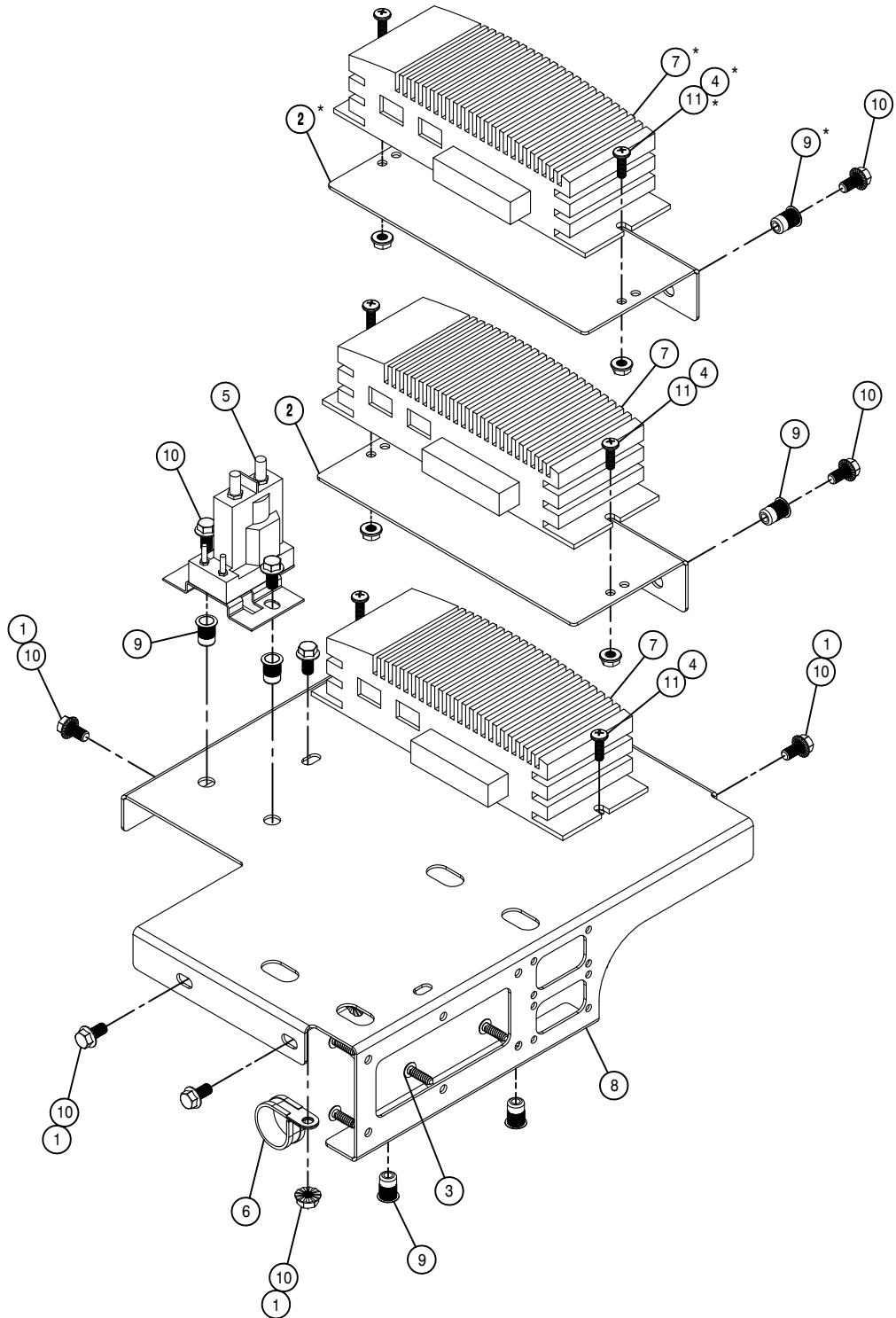
DET.	QTY	PART NO.	DESCRIPTION
	1	291918	POTENTIOMETER, DZ1045
	1	293006	MICRO SWITCH, SPDT BZ-2RL-A2
	1	343408	SHIFT GUIDE,CAB CONSOLE STS 05
	1	343409	Z-GATE GUIDE SUPP, STS CAB 05
	1	343410	NEUTRAL SWITCH MT,STS CAB 05
	1	343411	ADJ U-LINK,HYD STAT CTRL,STS
	1	343412	HYD STAT CTRL STRAP,STS CAB 05
	1	470087	3/8UNC HEX FLANGE LOCK NUT
	4	470118	1/4UNC X 3/4 FLANGE HEX BOLT
	10	470121	1/4UNC HEX FLANGE LOCK NUT
	4	470122	1/4UNC X 1/2 FLANGE HEX BOLT
	2	470231	1/4UNC X 1" FLANGE HEX BOLT
	1	470268	SPRING, EXTENSION, .50 X 1.75
	1	470396	FRICTION CONTROL, QUADRASTAT
	1	470462	1/2 X 1 1/4 SKT HD SHLDR BOLT
	2	470464	10-32 X 1 1/4 SS TRUSS PHILL
	2	470467	6-32 KEP NUT
	1	910027	10-32 HEX NUT
	1	785090	FASSE CTRL HANDLE
	1	900069	5/16UNC X 2" HEX BOLT
	2	903709	6-32 X 1" PHIL PANHD MACH SCR
	1	903710	10-32X5/8 PHIL PANHD MACH SCR



TERMINAL STRIP DOOR ASSEMBLY

DET. QTY PART NO. DESCRIPTION

1	1	343413	CONSOLE BOTTOM DOOR,CAB STS 05
2	1	343414	CONSOLE BTM DOOR HINGE,CAB STS
3	6	470122	1/4UNC X 1/2 FLANGE HEX BOLT
4	4	470380	1/4-20 NUTSERT .027-.165 STL
5	4	470445	CABLE TIE,PUSH MT 7.8" BLK NYL
6	2	470467	6-32 KEP NUT
7	2	903814	6-32 X 3/4 SLT RD HD MACH SCR
8	1	291886	TERMINAL BLOCK,10 POS-2ROW 20A

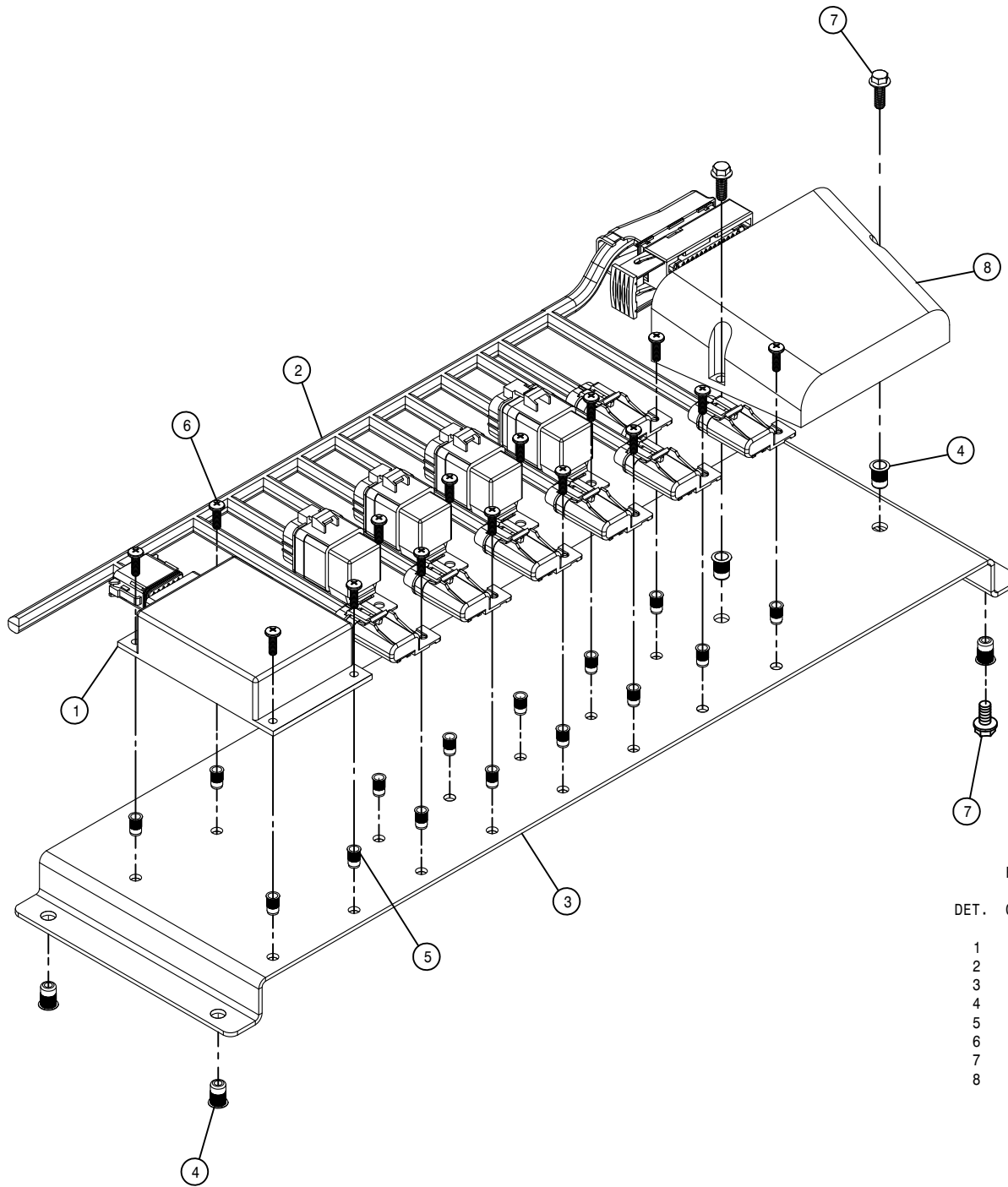


MODULE MOUNT ASSEMBLY

DET. QTY PART NO. DESCRIPTION

1	7	470121	1/4UNC HEX FLANGE LOCK NUT	
2	2	343491	MODULE MT BRKT, STS	06
3	6	470465	#12-14X3/4 PHL PAN SHT MTL SRW	
4	6	470175	10-32 HEX FLANGE LOCK NUT	
5	1	291833	CONTACTOR RELAY, 15VDC 100A	
6	1	520101	CUSH CLAMP, #16 1"D X 1/2"W	
7	3	292013	IQAN-XS SIGNAL MODULE	
8	1	343490	MODULE MT, CAB CONSOLE STS 06	
9	8	470380	1/4-20 NUTSERT .027-.165 STL	
10	13	470122	1/4UNC X 1/2 FLANGE HEX BOLT	
11	6	903710	10-32X5/8 PHIL PANHD MACH SCR	

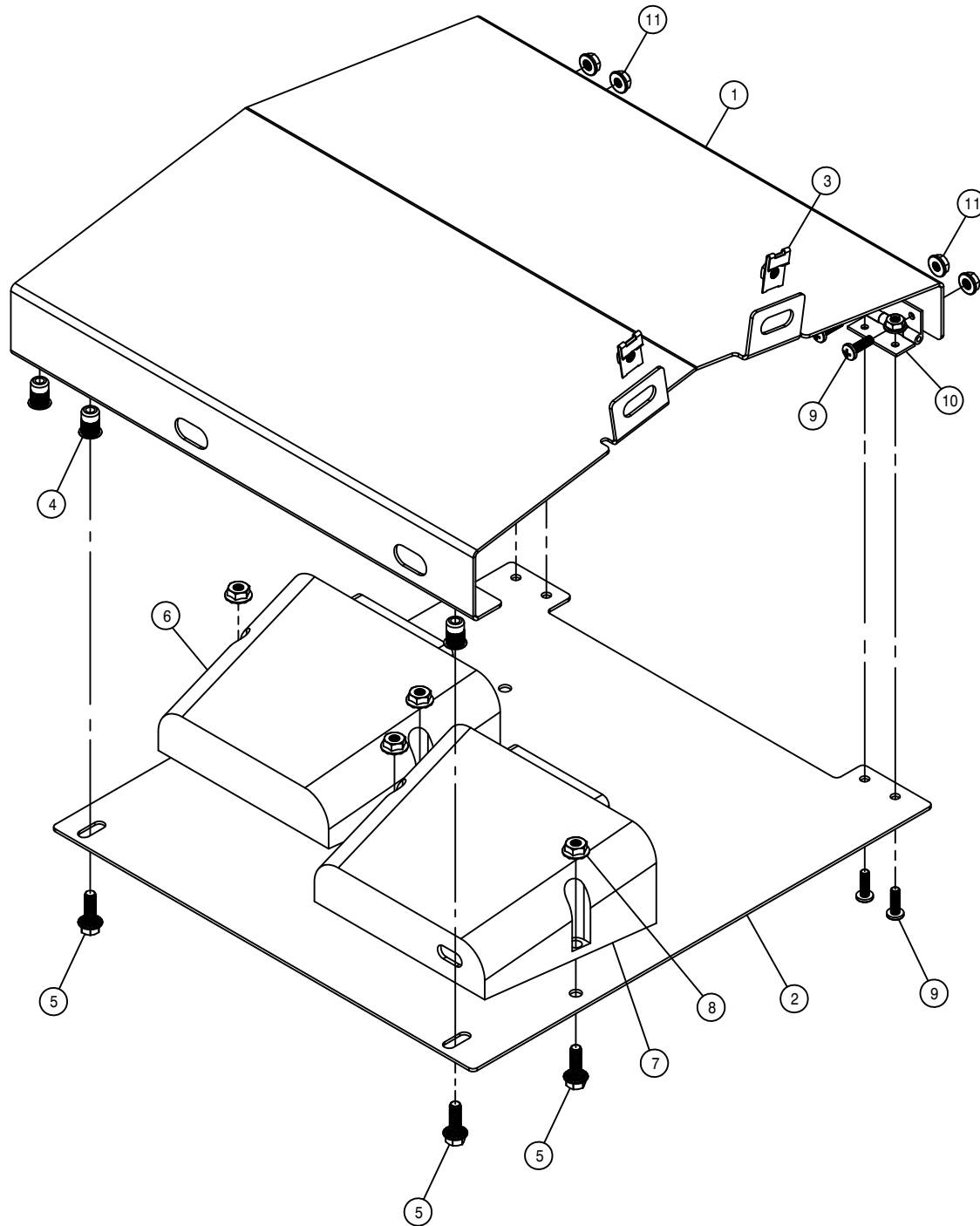
NOTE: ITEMS MARKED WITH (*) ARE USED WITH THE NORAC ON THE 120 FOOT BOOM.



FLASHER AND LIGHT RELAY ASSEMBLY

DET. QTY PART NO. DESCRIPTION

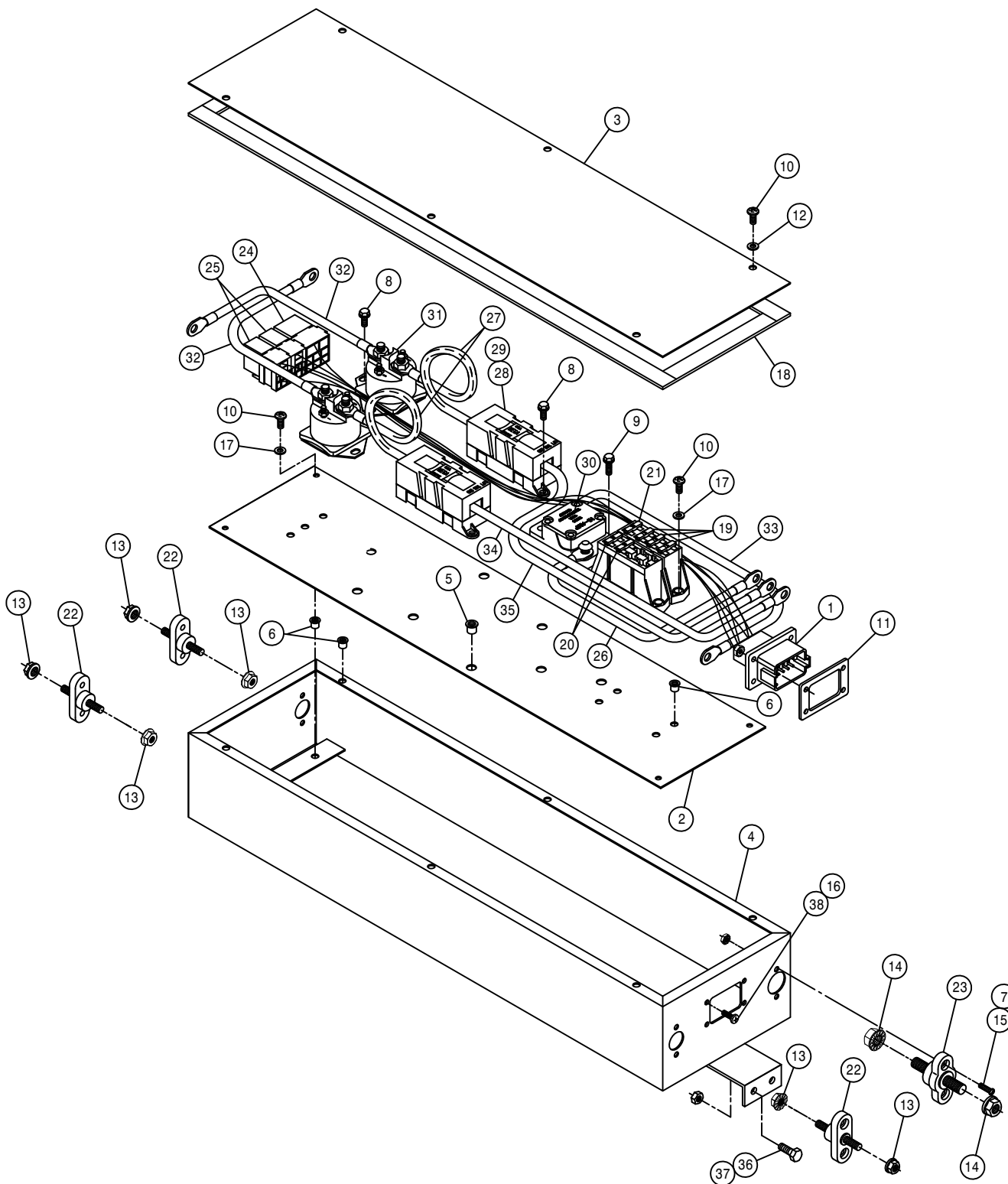
1	1	291910	FLASHER, SOLID STATE, 12V
2	1	293891	LIGHT & FLASHER HARNESS,STS 08
3	1	343637	FLASHER/LIGHT RELAY PNL STS 08
4	6	470380	1/4-20 NUTSERT .027-.165 STL
5	15	470384	10-32 NUTSERT .020-.130 STL
6	15	903710	10-32X5/8 PHIL PANHD MACH SCR
7	6	470118	1/4UNC X 3/4 FLANGE HEX BOLT
8	1	292014	IQAN-XT2 TRANSMISSION MODULE



REAR ELECTRICAL BOX ASSEMBLY

DET. QTY PART NO. DESCRIPTION

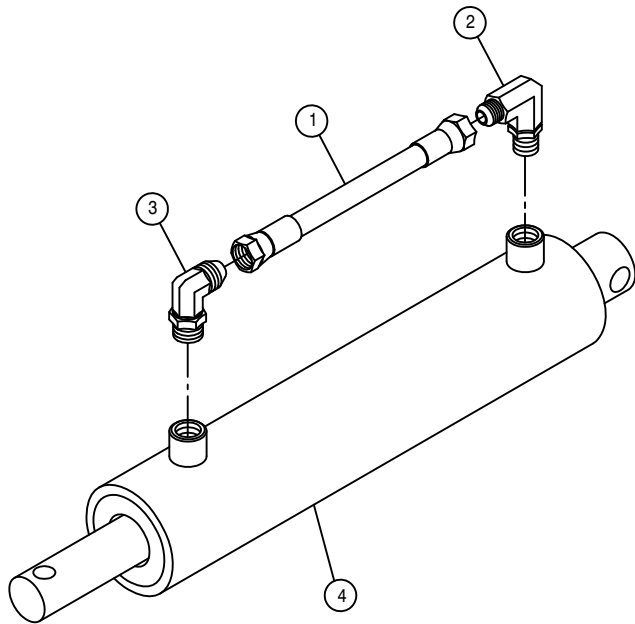
1	1	343577	TOP LH REAR ELECT BOX, STS 06
2	1	343578	BOT LH REAR ELECT BOX, STS 06
3	2	470218	1/4UNC NUT J-TYPE CAGE CLIP
4	4	470380	1/4-20 NUTSERT .027-.165 STL
5	6	470118	1/4UNC X 3/4 FLANGE HEX BOLT
6	1	292014	IQAN-XT2 TRANSMISSION MODULE
7	1	292012	IQAN-XP2 POWER MODULE
8	4	470121	1/4UNC HEX FLANGE LOCK NUT
9	8	903710	10-32X5/8 PHIL PANHD MACH SCR
10	2	470198	HINGE 146-035
11	8	470175	10-32 HEX FLANGE LOCK NUT



ENGINE ELECTRICAL BOX ASSEMBLY

DET. QTY PART NO. DESCRIPTION

1	1	293802	ENG BOX HARNESS,STS (293803)05
2	1	342960	ENG BOX MT PANEL, STS 04
3	1	342961	ENG BOX COVER, STS 04
4	1	343501	ENG BOX WLD, STS 05
5	10	470380	1/4-20 NUTSERT .027-.165 STL
6	17	470384	10-32 NUTSERT .020-.130 STL
7	8	470542	10-32 KEP NUT
8	8	470122	1/4UNC X 1/2 FLANGE HEX BOLT
9	2	470118	1/4UNC X 3/4 FLANGE HEX BOLT
10	17	903710	10-32X5/8 PHIL PANHD MACH SCR
11	1	292120	DEUTSCH GASKET, DT12-L012
12	6	470351	#10 X 1/2 BONDED SEALING WASH
13	6	470121	1/4UNC HEX FLANGE LOCK NUT
14	2	470087	3/8UNC HEX FLANGE LOCK NUT
15	8	903706	10-32X1/2 PHIL PAN MACH SCR
16	4	470541	8-32 KEP NUT
17	11	920510	#10 LOCK WASHER
18	6	193037	STICKERTITE 1/8 X 3/4
19	3	291027	7.5 AMP FUSE,1/4"BLADE ATO/ATC
20	2	291545	10 AMP FUSE,1/4"BLADE ATO/ATC
21	1	291547	20 AMP FUSE,1/4"BLADE ATO/ATC
22	3	291748	TERM BLOCK,BLACK,1/4-20 THRU
23	1	291750	TERM BLOCK,RED,3/8-16 THRU
24	1	291751	RELAY, SPST 12V 40A-NO, DIODE
25	2	291781	MICRO RELAY, BOSCH 12V SPDT
26	1	291805	BATT CABLE,RED 12"6GA.281-.406
27	2	291806	BATT CABLE,RED 11"6GA.343-.343
28	2	291813	FUSE, 125 AMP 32V DC
29	2	291814	FUSE HOLDER, HIGH AMP
30	1	291815	CIRCUIT BREAKER,100 AMP BUSS
31	2	291816	SOLENOID, STS 00
32	2	291872	BATT CABLE,RED 10"6GA.281-.343
33	2	291873	BATT CABLE,RED 15"6GA.281-.281
34	1	291874	BATT CABLE,RED 15"6GA.343-.406
35	1	291875	BATT CABLE,RED 19"6GA.343-.406
36	4	900002	1/4UNC X 3/4 HEX BOLT
37	4	914000	1/4UNC HEX STOVER NUT
38	4	903844	8-32 X 1/2 PHIL PANHD MACH SCR

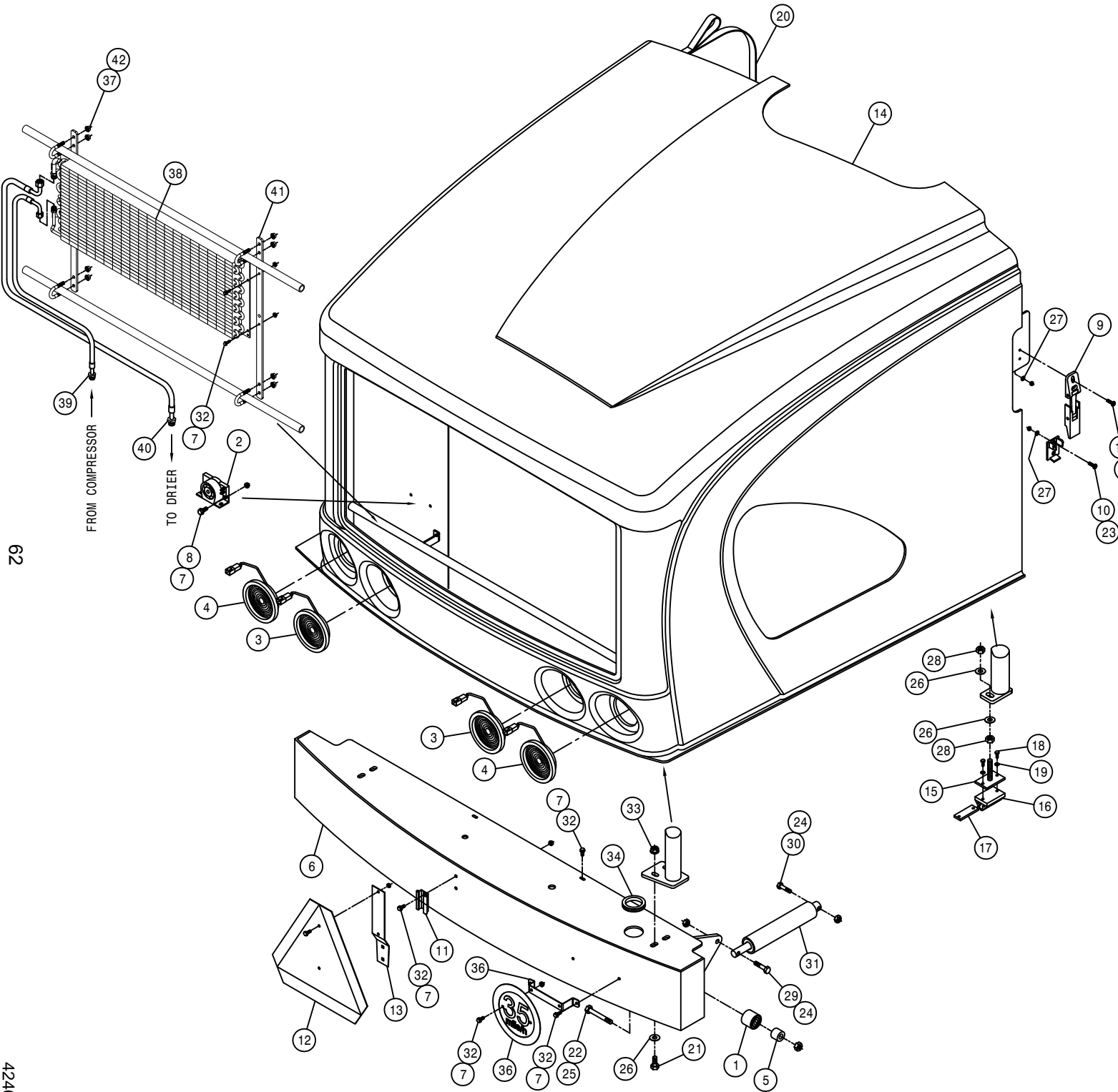


HOOD HYDRAULIC CYLINDER ASSEMBLY

DET. QTY PART NO. DESCRIPTION

1	1	616246	04-451TC-06FJX-06FJX-10	H/A
2	1	618119	9/16MJIC-90-9/16MOR LBO	
3	1	618689	9/16MOR-90-9/16MJ .042 CHK VLV	
4	1	621530	LH TRD ADJ CYL, DTS8	04
NS	1	621531	REPAIR KIT, HYD CYL 621530	

NOTE: 1. 621077 - HOOD HYDRAULIC CYLINDER ASSEMBLY



BUMPER AND REAR HOOD ASSEMBLY

DET.	QTY	PART NO.	DESCRIPTION
1	2	125056	TRACK ROLLER,2.00 OD,.625 BORE
2	1	291759	BACK-UP WARNING BEEPER, 112DB
3	2	293813	RED LIGHT ASSY, STS 05
4	2	293814	AMBER LIGHT ASSY, STS 05
5	2	361679	BUMPER PIVOT BRG SPACER,STS 04
6	1	361785	REAR BUMPER WLD, STS 16 07
7	14	470121	1/4UNC HEX FLANGE LOCK NUT
8	2	470122	1/4UNC X 1/2 FLANGE HEX BOLT
9	2	470368	LATCH, FLEXIBLE LEVER DRAW
10	8	903710	10-32X5/8 PHIL PANHD MACH SCR
11	1	472251	MTG SOCKET FOR 472249 SMV SIGN
12	1	472249	SLOW MOVING VEHICLE SIGN
13	1	472250	SPADE MTG BRKT FOR 472249 SMV
14	1	660241	REAR ENG HOOD STS 16 07
15	2	660224	ENG HOOD BUMPER WLD, STS 04
16	2	660226	ENG HOOD BUMPER, STS 04
17	2	660227	ENG HOOD BUMPER KEEPER, STS 04
18	4	900003	1/4UNC X 1" HEX BOLT
19	4	920500	1/4 LOCK WASHER
20	1	660230	ENG HOOD PULL STRAP ASSY,STS04
21	4	900265	1/2UNC X 1 1/2 HEX BOLT
22	2	900341	5/8UNC X 3 3/4 HEX BOLT
23	8	910027	10-32 HEX NUT
24	2	914008	1/2UNC HEX STOVER NUT
25	2	914010	5/8UNC HEX STOVER NUT
26	8	920004	1/2 SAE FLAT WASHER
27	8	920510	#10 LOCK WASHER
28	4	910008	1/2UNC HEX NUT
29	1	900267	1/2UNC X 2" HEX BOLT
30	1	900268	1/2UNC X 2 1/2 HEX BOLT
31	1	621077	HOOD HYD CYL ASSY, STS 04
32	12	470118	1/4UNC X 3/4 FLANGE HEX BOLT
33	4	470360	1/2UNC HEX FLANGE LOCK NUT
34	1	470441	GROMMET, .500ID .250GW 2.190GD
35	1	361752	SPEED ID MT, STS 07
36	1	650188	DECAL, 35MPH ID SYMBOL
37	4	472282	3/8UNC-1"ID-2 1/4 U-BOLT
38	1	657434	A/C CONDENSER COIL 21-0302
39	1	657492	A/C HOSE ASSY, 5/16 X 38
40	1	657493	A/C HOSE ASSY, 13/32 X 55
41	2	660239	A/C CONDENSER MT, STS16 07
42	8	470087	3/8UNC HEX FLANGE LOCK NUT

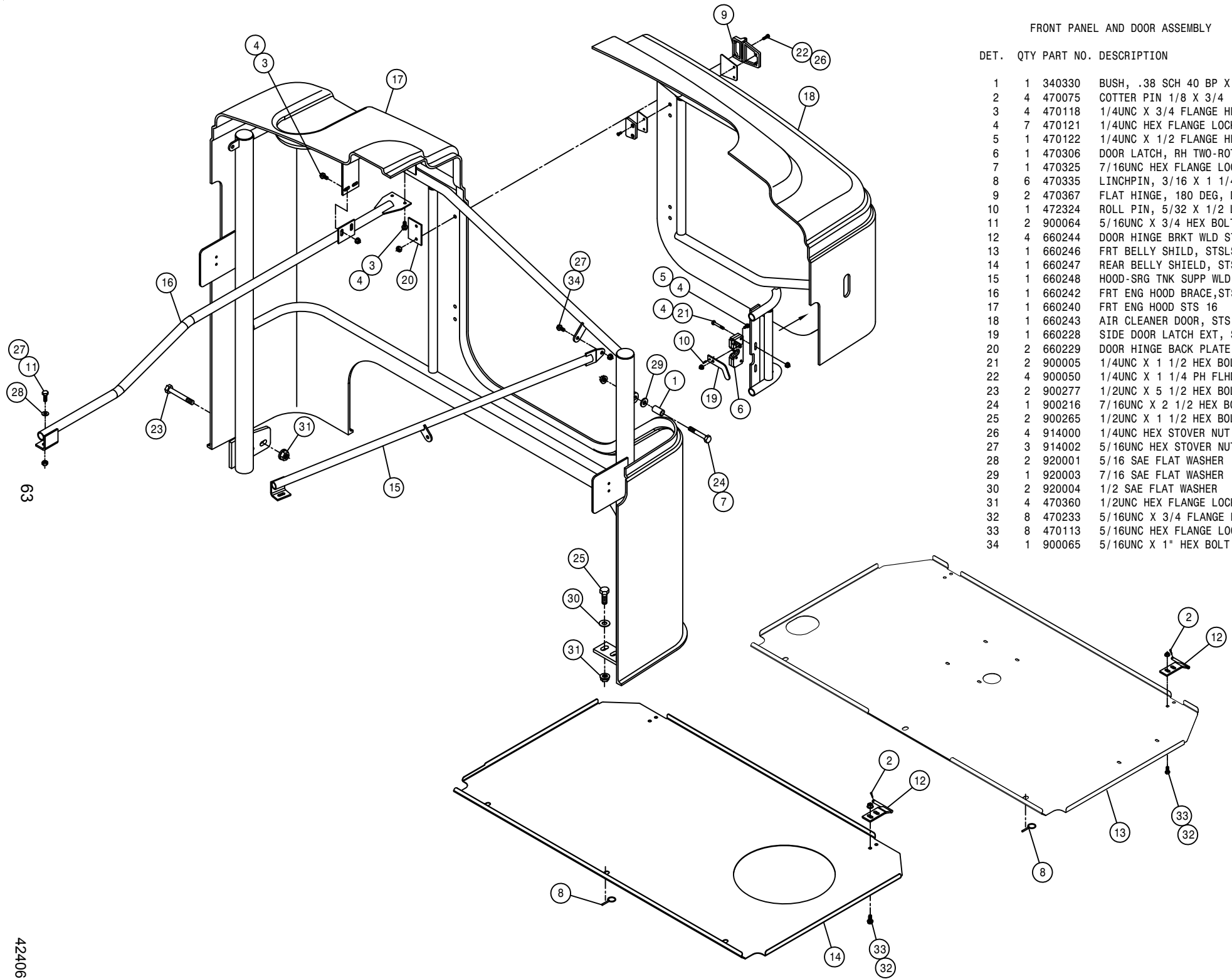
62

424062

FRONT PANEL AND DOOR ASSEMBLY

DET. QTY PART NO. DESCRIPTION

DET.	QTY	PART NO.	DESCRIPTION
1	1	340330	BUSH, .38 SCH 40 BP X 1.25 LG
2	4	470075	COTTER PIN 1/8 X 3/4
3	4	470118	1/4UNC X 3/4 FLANGE HEX BOLT
4	7	470121	1/4UNC HEX FLANGE LOCK NUT
5	1	470122	1/4UNC X 1/2 FLANGE HEX BOLT
6	1	470306	DOOR LATCH, RH TWO-ROTOR
7	1	470325	7/16UNC HEX FLANGE LOCK NUT
8	6	470335	LINCHPIN, 3/16 X 1 1/4 GRIP
9	2	470367	FLAT HINGE, 180 DEG, DIECAST
10	1	472324	ROLL PIN, 5/32 X 1/2 LG
11	2	900064	5/16UNC X 3/4 HEX BOLT
12	4	660244	DOOR HINGE BRKT WLD STS LS 06
13	1	660246	FRT BELLY SHILD, STSLS 06
14	1	660247	REAR BELLY SHIELD, STSLS 06
15	1	660248	HOOD-SRG TNK SUPP WLD, STS16 07
16	1	660242	FRT ENG HOOD BRACE, STS 16 07
17	1	660240	FRT ENG HOOD STS 16 07
18	1	660243	AIR CLEANER DOOR, STS16 07
19	1	660228	SIDE DOOR LATCH EXT, STS 04
20	2	660229	DOOR HINGE BACK PLATE, STS 04
21	2	900005	1/4UNC X 1 1/2 HEX BOLT
22	4	900050	1/4UNC X 1 1/4 PH FLHD MAC SCR
23	2	900277	1/2UNC X 5 1/2 HEX BOLT
24	1	900216	7/16UNC X 2 1/2 HEX BOLT
25	2	900265	1/2UNC X 1 1/2 HEX BOLT
26	4	914000	1/4UNC HEX STOVER NUT
27	3	914002	5/16UNC HEX STOVER NUT
28	2	920001	5/16 SAE FLAT WASHER
29	1	920003	7/16 SAE FLAT WASHER
30	2	920004	1/2 SAE FLAT WASHER
31	4	470360	1/2UNC HEX FLANGE LOCK NUT
32	8	470233	5/16UNC X 3/4 FLANGE HEX BOLT
33	8	470113	5/16UNC HEX FLANGE LOCK NUT
34	1	900065	5/16UNC X 1" HEX BOLT



63

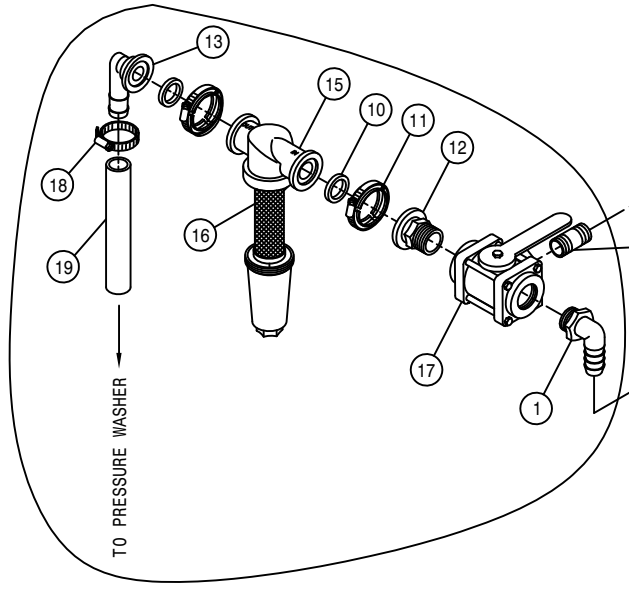
424063

POLY RINSE TANK ASSEMBLY

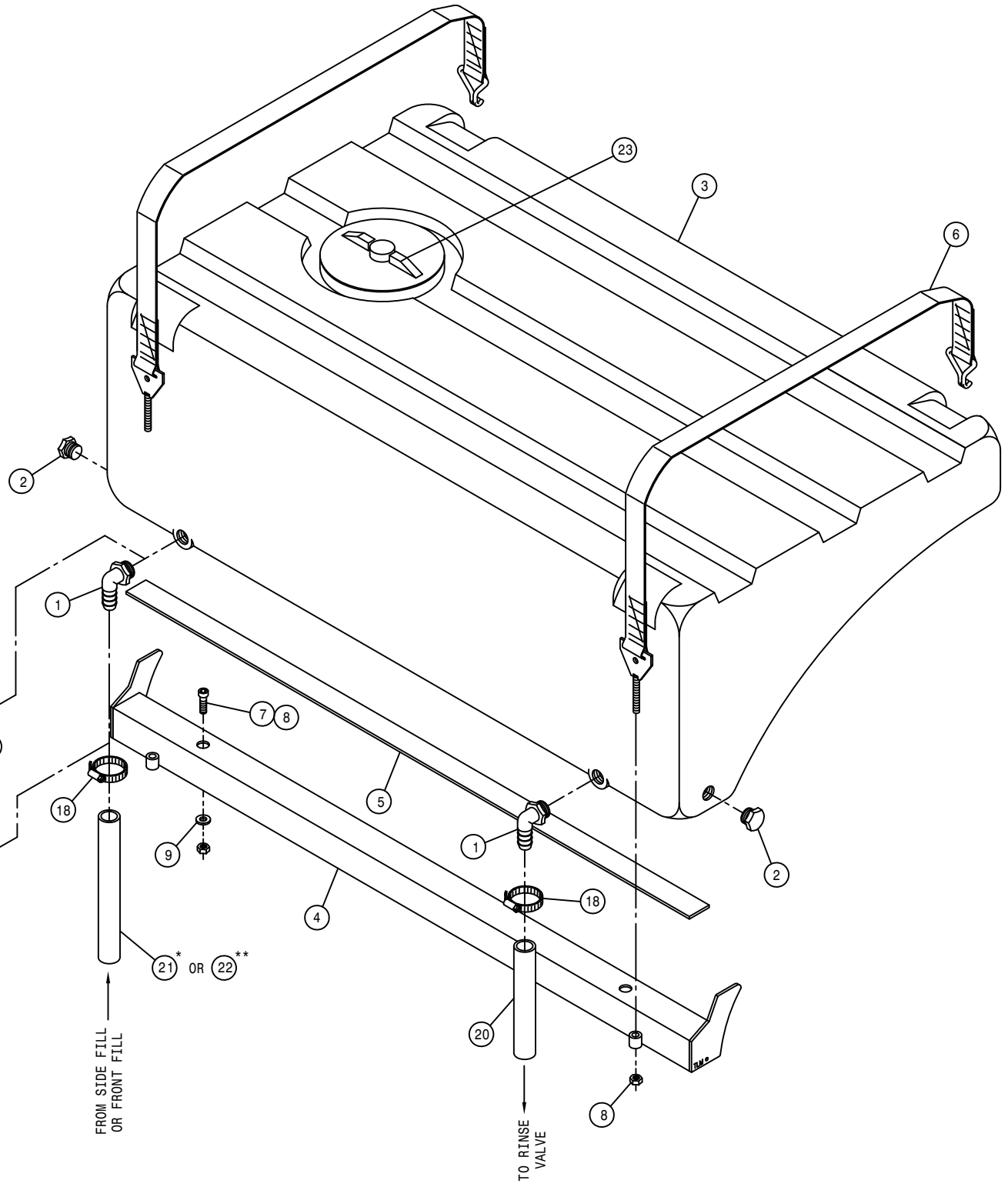
DET. QTY PART NO. DESCRIPTION

1	3	500024	1"NPT-90-1"HOSE BARB, POLY
2	2	500063	1"NPT PIPE PLUG, POLY
3	1	763553	100 GAL POLY TANK
4	1	763590	POLY RINSE TANK MT WLD STS12
5	1	763594	POLY RINSE TANK MT PAD STS12
6	2	763595	POLY RINSE TNK STRAP ASSY STS
7	2	900392	1/2UNC X 1 1/2 SOCKET CAP SCR
8	4	914008	1/2UNC HEX STOVER NUT
9	2	920004	1/2 SAE FLAT WASHER
10	2	500157	1" FLANGE GASKET EPDM
11	2	500159	1" FLANGE CLAMP, S.S.
12	1	500163	1" FLANGE-1" MNPT ADPTR POLY
13	1	500173	1" FLANGE-90-1" HOSE BARB POLY
14	1	505198	SS PIPE NIPPLE 1.00NPT-3.00
15	1	690660	LINE "T" STRAINER, 1" FLANGE
16	1	690669	100 MESH SCREEN FOR 690660
17	1	696004	BALL VLV, 1.00NP 3WAY-SIDE POLY
18	3	520090	HOSE CLAMP NO 16 STAINLESS
19	1	601179	HOSE, 1 X 26 1BR BLK EPDM
20	1	601492	HOSE, 1 X 37 1BR BLK EPDM
21	1	601497	HOSE, 1 X 200 1BR BLK EPDM
22	1	601391	HOSE, 1 X 274 1BR BLK EPDM
23	1	701155	8" LID FOR 5 GAL TANK 701085

NOTE * FRONT FILL OPTION
 ** SIDE FILL OPTION



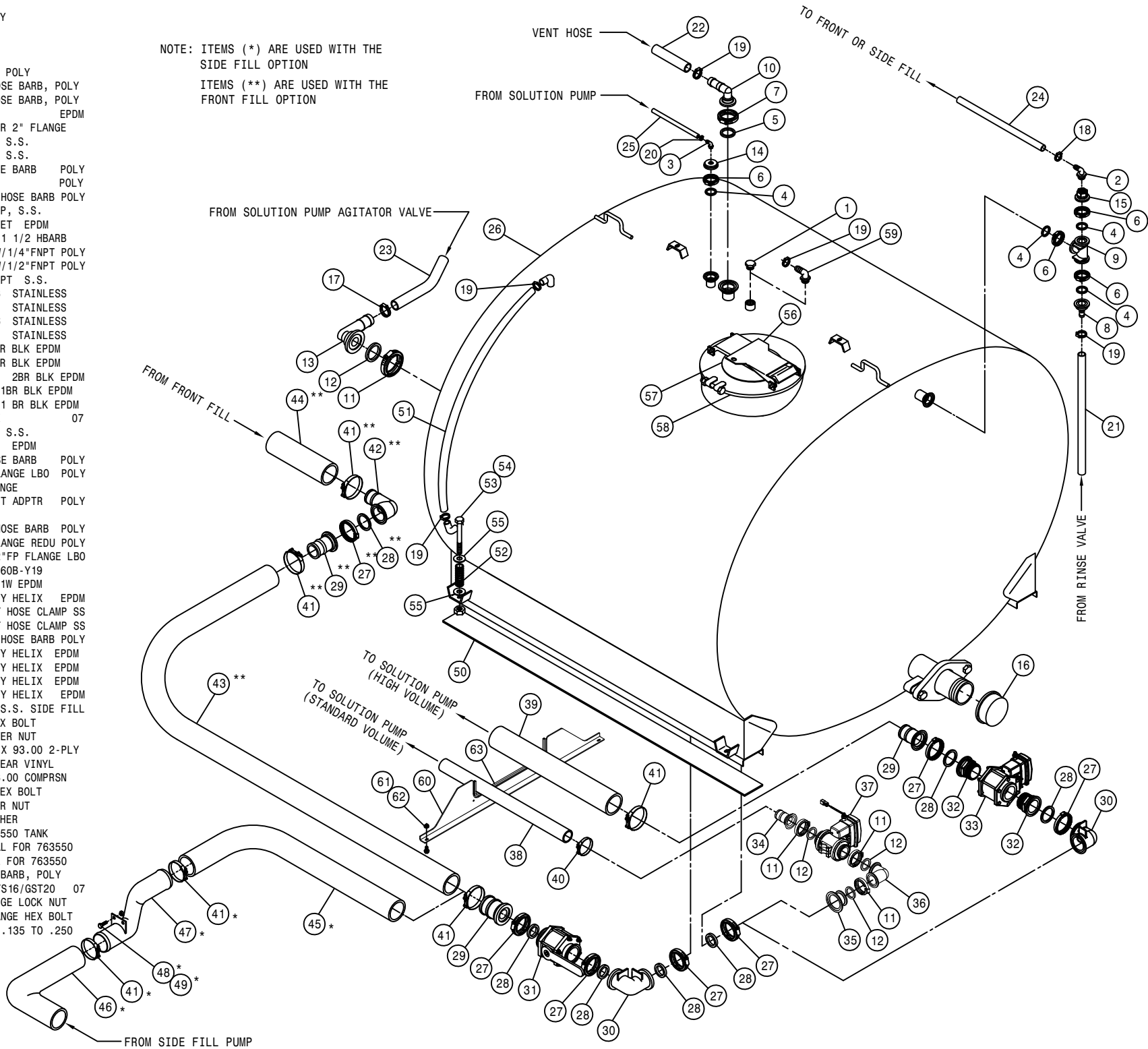
PRESSURE WASHER OPTION



1600 GALLON SS TANK ASSEMBLY

DET.	QTY	PART NO.	DESCRIPTION
1	1	500063	1"NPT PIPE PLUG, POLY
2	1	500047	1/2NPT-90-1/2 HOSE BARB, POLY
3	1	500104	1/4NPT-90-1/4 HOSE BARB, POLY
4	4	500157	1" FLANGE GASKET EPDM
5	1	500158	1 1/2" GASKET FOR 2" FLANGE
6	4	500159	1" FLANGE CLAMP, S.S.
7	1	500160	2" FLANGE CLAMP, S.S.
8	1	500171	1" FLANGE-1" HOSE BARB POLY
9	1	500175	1" FLANGE TEE POLY
10	1	500189	2" FLANGE-90-1" HOSE BARB POLY
11	4	500194	2"FP FLANGE CLAMP, S.S.
12	4	500195	2"FP FLANGE GASKET EPDM
13	1	500197	2" FP FLANGE-90-1 1/2 HBARB
14	1	500226	1" FLANGE PLUG W/1/4"FNPPT POLY
15	1	500238	1" FLANGE PLUG W/1/2"FNPPT POLY
16	1	507103	PIPE CAP, 2.00FNPPT S.S.
17	1	520067	HOSE CLAMP NO 28 STAINLESS
18	1	520070	HOSE CLAMP NO 8 STAINLESS
19	4	520090	HOSE CLAMP NO 16 STAINLESS
20	1	520120	HOSE CLAMP NO 4 STAINLESS
21	1	601705	HOSE, 1 X 170 1BR BLK EPDM
22	1	601496	HOSE, 1 X 120 1BR BLK EPDM
23	1	601706	HOSE, 1 1/2 X 60 2BR BLK EPDM
24	1	601643	HOSE, 1/2 X 286 1BR BLK EPDM
25	1	601674	HOSE, 1/4 X 120 1 BR BLK EPDM
26	1	763578	1600 GAL SS TANK 07
27	7	500208	3" FLANGE CLAMP, S.S.
28	7	500209	3" FLANGE GASKET EPDM
29	3	500210	3" FLANGE-3" HOSE BARB POLY
30	2	500213	3"FLANGE-90-3"FLANGE LBO POLY
31	1	696149	BALL VLV, 3" FLANGE
32	2	500164	3" FLANGE-3" MNPT ADPTR POLY
33	1	696268	VALVE, 3" KZCO
34	1	500196	2"FP FLANGE-2" HOSE BARB POLY
35	1	500212	3"FLANGE-2"FP FLANGE REDU POLY
36	1	500219	2"FP FLANGE-90-2"FP FLANGE LBO
37	1	696258	VALVE, KZCO C2I-60B-Y19
38	1	601573	HOSE, 2 X 48 2F-1W EPDM
39	1	601663	HOSE, 3 X 50 POLY HELIX EPDM
40	1	520141	2.31/2.62 T-BOLT HOSE CLAMP SS
41	7	520145	3.56/3.88 T-BOLT HOSE CLAMP SS
42	1	500211	3" FLANGE-90-3" HOSE BARB POLY
43	1	601508	HOSE, 3 X 64 POLY HELIX EPDM
44	1	601680	HOSE, 3 X 91 POLY HELIX EPDM
45	1	601574	HOSE, 3 X 36 POLY HELIX EPDM
46	1	601645	HOSE, 3 X 94 POLY HELIX EPDM
47	1	690731	SOLU TUBE, 3.00 S.S. SIDE FILL
48	2	900064	5/16UNC X 3/4 HEX BOLT
49	2	914002	5/16UNC HEX STOVER NUT
50	2	470422	BALER BELT, 4.00 X 93.00 2-PLY
51	1	601471	HOSE, 1" X 60 CLEAR VINYL
52	4	482016	SPRING, 1.40 X 3.00 COMPRNS
53	4	900416	3/4UNC X 6 1/2 HEX BOLT
54	4	914012	3/4UNC HEX STOVER NUT
55	8	920006	3/4 SAE FLAT WASHER
56	1	763561	LID ASSY FOR 763550 TANK
57	1	763562	10" FILL LID SEAL FOR 763550
58	1	763563	16" MANHOLE SEAL FOR 763550
59	1	500024	1"NPT-90-1"HOSE BARB, POLY
60	1	316783	HOSE SUPPOT, STS16/GST20 07
61	2	470113	5/16UNC HEX FLANGE LOCK NUT
62	2	470234	5/16UNC X 1" FLANGE HEX BOLT
63	1	193012	QUICKEDGE TRIM .135 TO .250

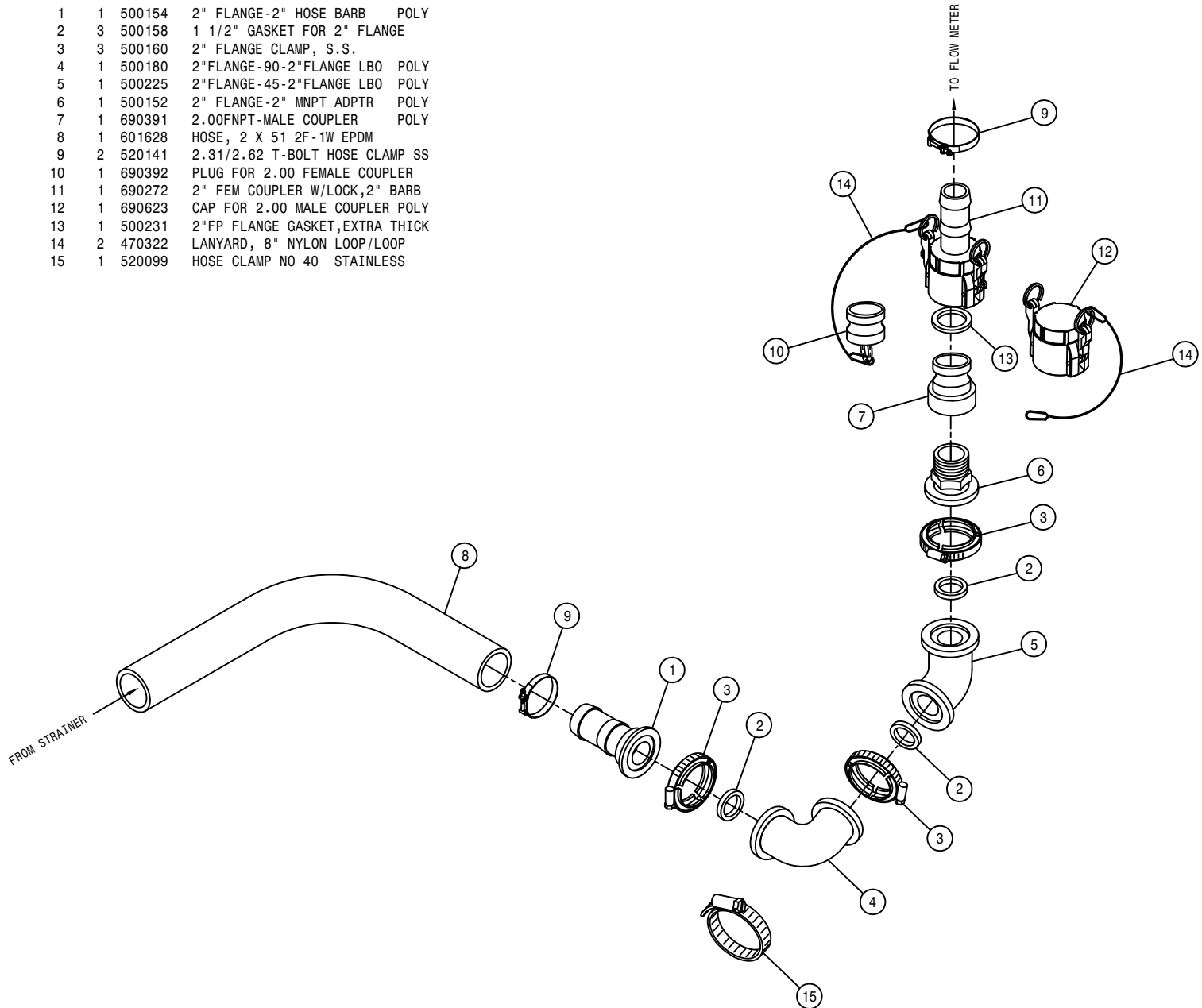
NOTE: ITEMS (*) ARE USED WITH THE SIDE FILL OPTION
 ITEMS (**) ARE USED WITH THE FRONT FILL OPTION

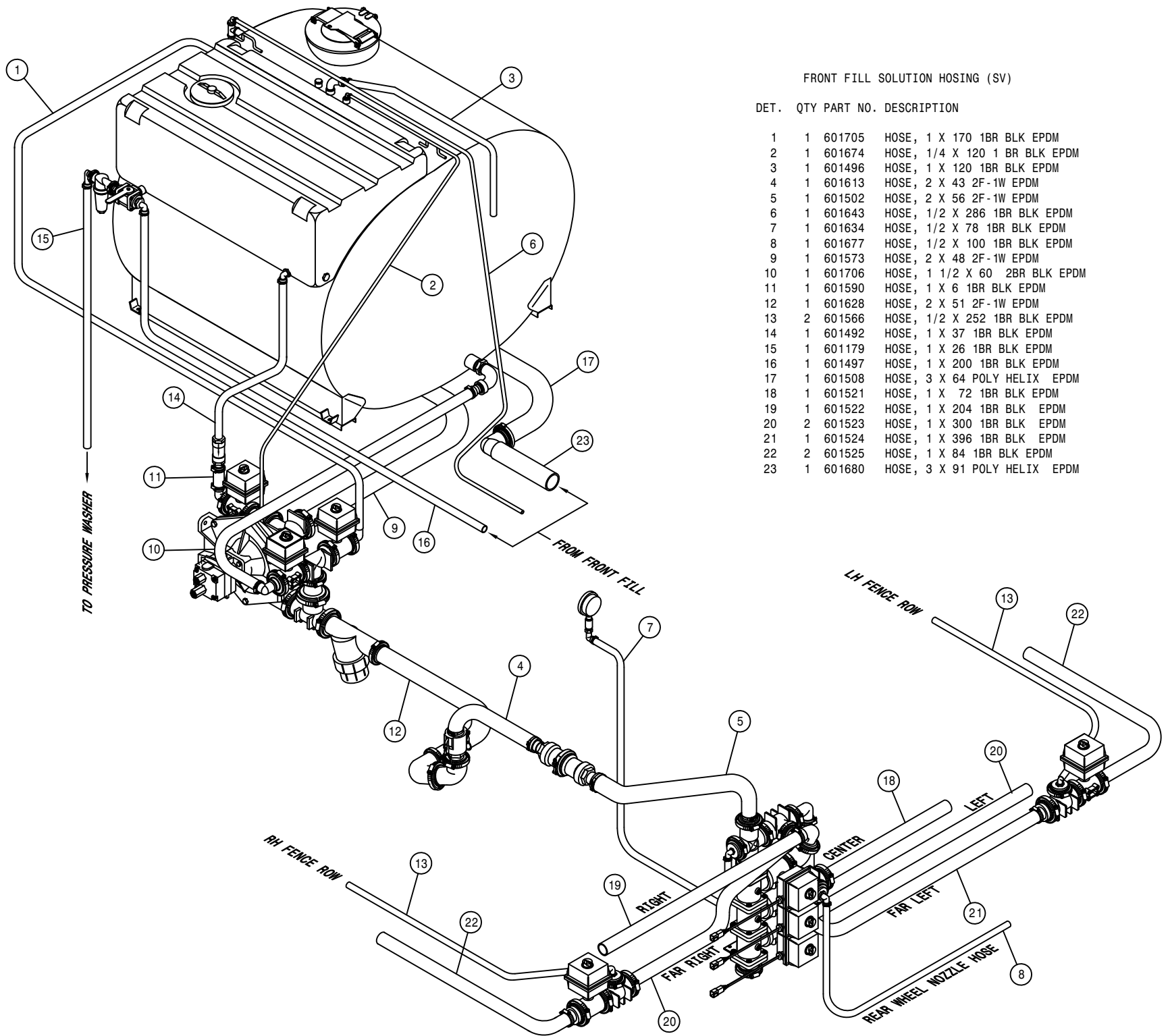


QUICK COUPLER ASSEMBLY

DET. QTY PART NO. DESCRIPTION

1	1	500154	2" FLANGE-2" HOSE BARB	POLY
2	3	500158	1 1/2" GASKET FOR 2" FLANGE	
3	3	500160	2" FLANGE CLAMP, S.S.	
4	1	500180	2"FLANGE-90-2"FLANGE LBO	POLY
5	1	500225	2"FLANGE-45-2"FLANGE LBO	POLY
6	1	500152	2" FLANGE-2" MNPT ADPTR	POLY
7	1	690391	2.00FNPT-MALE COUPLER	POLY
8	1	601628	HOSE, 2 X 51 2F-1W EPDM	
9	2	520141	2.31/2.62 T-BOLT HOSE CLAMP SS	
10	1	690392	PLUG FOR 2.00 FEMALE COUPLER	
11	1	690272	2" FEM COUPLER W/LOCK,2" BARB	
12	1	690623	CAP FOR 2.00 MALE COUPLER POLY	
13	1	500231	2"FP FLANGE GASKET,EXTRA THICK	
14	2	470322	LANYARD, 8" NYLON LOOP/LOOP	
15	1	520099	HOSE CLAMP NO 40 STAINLESS	





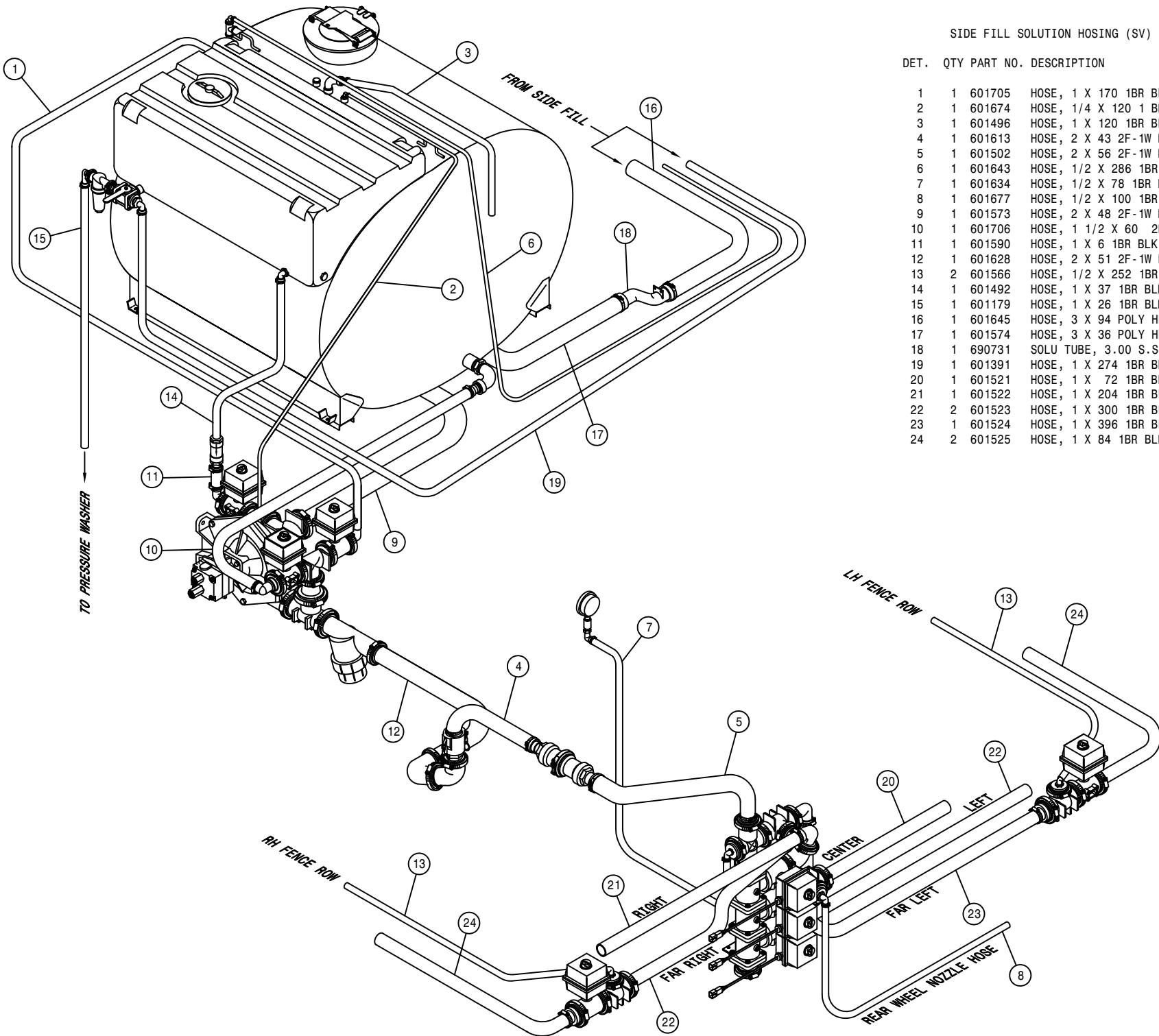
FRONT FILL SOLUTION HOSE (SV)

DET.	QTY	PART NO.	DESCRIPTION
1	1	601705	HOSE, 1 X 170 1BR BLK EPDM
2	1	601674	HOSE, 1/4 X 120 1 BR BLK EPDM
3	1	601496	HOSE, 1 X 120 1BR BLK EPDM
4	1	601613	HOSE, 2 X 43 2F-1W EPDM
5	1	601502	HOSE, 2 X 56 2F-1W EPDM
6	1	601643	HOSE, 1/2 X 286 1BR BLK EPDM
7	1	601634	HOSE, 1/2 X 78 1BR BLK EPDM
8	1	601677	HOSE, 1/2 X 100 1BR BLK EPDM
9	1	601573	HOSE, 2 X 48 2F-1W EPDM
10	1	601706	HOSE, 1 1/2 X 60 2BR BLK EPDM
11	1	601590	HOSE, 1 X 6 1BR BLK EPDM
12	1	601628	HOSE, 2 X 51 2F-1W EPDM
13	2	601566	HOSE, 1/2 X 252 1BR BLK EPDM
14	1	601492	HOSE, 1 X 37 1BR BLK EPDM
15	1	601179	HOSE, 1 X 26 1BR BLK EPDM
16	1	601497	HOSE, 1 X 200 1BR BLK EPDM
17	1	601508	HOSE, 3 X 64 POLY HELIX EPDM
18	1	601521	HOSE, 1 X 72 1BR BLK EPDM
19	1	601522	HOSE, 1 X 204 1BR BLK EPDM
20	2	601523	HOSE, 1 X 300 1BR BLK EPDM
21	1	601524	HOSE, 1 X 396 1BR BLK EPDM
22	2	601525	HOSE, 1 X 84 1BR BLK EPDM
23	1	601680	HOSE, 3 X 91 POLY HELIX EPDM

SIDE FILL SOLUTION HOISING (SV)

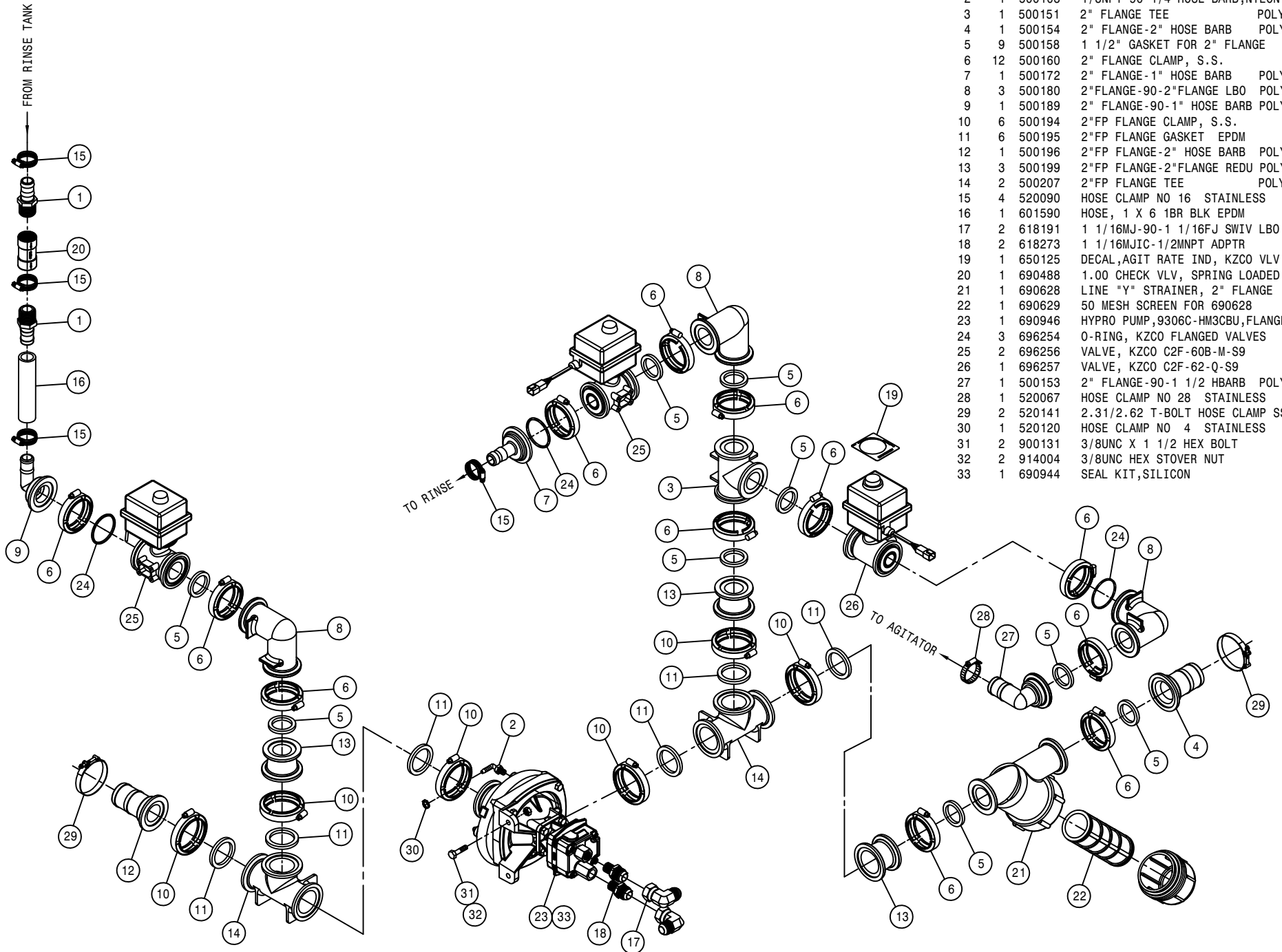
DET. QTY PART NO. DESCRIPTION

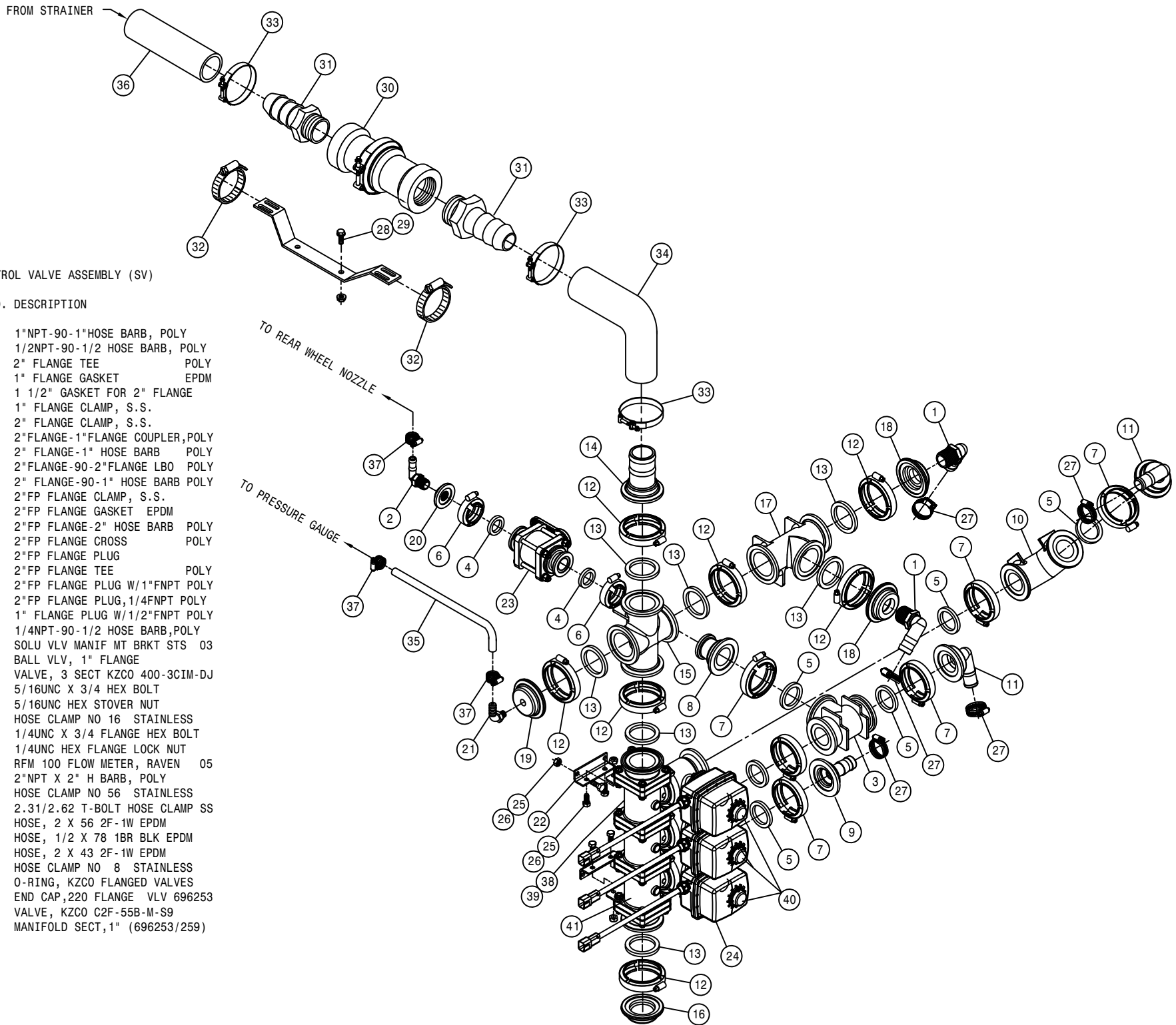
DET.	QTY	PART NO.	DESCRIPTION
1	1	601705	HOSE, 1 X 170 1BR BLK EPDM
2	1	601674	HOSE, 1/4 X 120 1 BR BLK EPDM
3	1	601496	HOSE, 1 X 120 1BR BLK EPDM
4	1	601613	HOSE, 2 X 43 2F-1W EPDM
5	1	601502	HOSE, 2 X 56 2F-1W EPDM
6	1	601643	HOSE, 1/2 X 286 1BR BLK EPDM
7	1	601634	HOSE, 1/2 X 78 1BR BLK EPDM
8	1	601677	HOSE, 1/2 X 100 1BR BLK EPDM
9	1	601573	HOSE, 2 X 48 2F-1W EPDM
10	1	601706	HOSE, 1 1/2 X 60 2BR BLK EPDM
11	1	601590	HOSE, 1 X 6 1BR BLK EPDM
12	1	601628	HOSE, 2 X 51 2F-1W EPDM
13	2	601566	HOSE, 1/2 X 252 1BR BLK EPDM
14	1	601492	HOSE, 1 X 37 1BR BLK EPDM
15	1	601179	HOSE, 1 X 26 1BR BLK EPDM
16	1	601645	HOSE, 3 X 94 POLY HELIX EPDM
17	1	601574	HOSE, 3 X 36 POLY HELIX EPDM
18	1	690731	SOLU TUBE, 3.00 S.S. SIDE FILL
19	1	601391	HOSE, 1 X 274 1BR BLK EPDM
20	1	601521	HOSE, 1 X 72 1BR BLK EPDM
21	1	601522	HOSE, 1 X 204 1BR BLK EPDM
22	2	601523	HOSE, 1 X 300 1BR BLK EPDM
23	1	601524	HOSE, 1 X 396 1BR BLK EPDM
24	2	601525	HOSE, 1 X 84 1BR BLK EPDM



DET. QTY PART NO. DESCRIPTION

DET.	QTY	PART NO.	DESCRIPTION
1	2	500074	1"NPT-1" HOSE BARB, POLY
2	1	500103	1/8NPT-90-1/4 HOSE BARB,NYLON
3	1	500151	2" FLANGE TEE POLY
4	1	500154	2" FLANGE-2" HOSE BARB POLY
5	9	500158	1 1/2" GASKET FOR 2" FLANGE
6	12	500160	2" FLANGE CLAMP, S.S.
7	1	500172	2" FLANGE-1" HOSE BARB POLY
8	3	500180	2"FLANGE-90-2"FLANGE LBO POLY
9	1	500189	2" FLANGE-90-1" HOSE BARB POLY
10	6	500194	2"FP FLANGE CLAMP, S.S.
11	6	500195	2"FP FLANGE GASKET EPDM
12	1	500196	2"FP FLANGE-2" HOSE BARB POLY
13	3	500199	2"FP FLANGE-2"FLANGE REDU POLY
14	2	500207	2"FP FLANGE TEE POLY
15	4	520090	HOSE CLAMP NO 16 STAINLESS
16	1	601590	HOSE, 1 X 6 1BR BLK EPDM
17	2	618191	1 1/16MJ-90-1 1/16FJ SWIV LBO
18	2	618273	1 1/16MJIC-1/2MNPT ADPTR
19	1	650125	DECAL,AGIT RATE IND, KZCO VLV
20	1	690488	1.00 CHECK VLV, SPRING LOADED
21	1	690628	LINE "Y" STRAINER, 2" FLANGE
22	1	690629	50 MESH SCREEN FOR 690628
23	1	690946	HYPRO PUMP,9306C-HM3CBU,FLANGE
24	3	696254	O-RING, KZCO FLANGED VALVES
25	2	696256	VALVE, KZCO C2F-60B-M-S9
26	1	696257	VALVE, KZCO C2F-62-Q-S9
27	1	500153	2" FLANGE-90-1 1/2 HBARB POLY
28	1	520067	HOSE CLAMP NO 28 STAINLESS
29	2	520141	2.31/2.62 T-BOLT HOSE CLAMP SS
30	1	520120	HOSE CLAMP NO 4 STAINLESS
31	2	900131	3/8UNC X 1 1/2 HEX BOLT
32	2	914004	3/8UNC HEX STOVER NUT
33	1	690944	SEAL KIT,SILICON

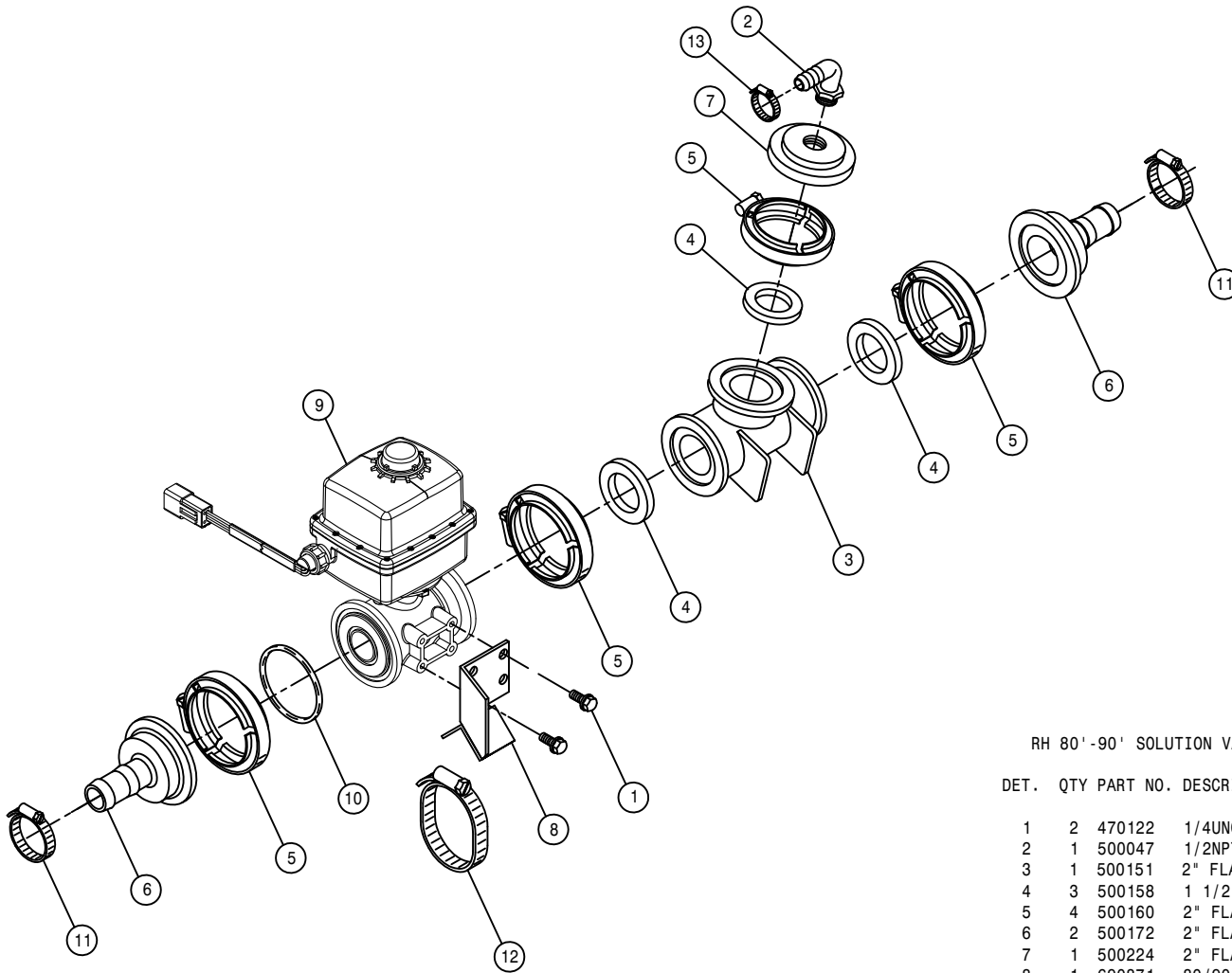




SOLUTION CONTROL VALVE ASSEMBLY (SV)

DET. QTY PART NO. DESCRIPTION

1	2	500024	1"NPT-90-1"HOSE BARB, POLY
2	1	500047	1/2NPT-90-1/2 HOSE BARB, POLY
3	1	500151	2" FLANGE TEE POLY
4	2	500157	1" FLANGE GASKET EPDM
5	6	500158	1 1/2" GASKET FOR 2" FLANGE
6	2	500159	1" FLANGE CLAMP, S.S.
7	6	500160	2" FLANGE CLAMP, S.S.
8	1	500161	2"FLANGE-1"FLANGE COUPLER,POLY
9	1	500172	2" FLANGE-1" HOSE BARB POLY
10	1	500180	2"FLANGE-90-2"FLANGE LBO POLY
11	2	500189	2" FLANGE-90-1" HOSE BARB POLY
12	7	500194	2"FP FLANGE CLAMP, S.S.
13	7	500195	2"FP FLANGE GASKET EPDM
14	1	500196	2"FP FLANGE-2" HOSE BARB POLY
15	1	500203	2"FP FLANGE CROSS POLY
16	1	500206	2"FP FLANGE PLUG
17	1	500207	2"FP FLANGE TEE POLY
18	2	500228	2"FP FLANGE PLUG W/1"FNPT POLY
19	1	500229	2"FP FLANGE PLUG,1/4FNPT POLY
20	1	500238	1" FLANGE PLUG W/1/2"FNPT POLY
21	1	618556	1/4NPT-90-1/2 HOSE BARB,POLY
22	2	690870	SOLU VLV MANIF MT BRKT STS 03
23	1	696147	BALL VLV, 1" FLANGE
24	1	696259	VALVE, 3 SECT KZCO 400-3CIM-DJ
25	8	900064	5/16UNC X 3/4 HEX BOLT
26	8	914002	5/16UNC HEX STOVER NUT
27	5	520090	HOSE CLAMP NO 16 STAINLESS
28	2	470118	1/4UNC X 3/4 FLANGE HEX BOLT
29	2	470121	1/4UNC HEX FLANGE LOCK NUT
30	1	690961	RFM 100 FLOW METER, RAVEN 05
31	2	500058	2"NPT X 2" H BARB, POLY
32	2	520056	HOSE CLAMP NO 56 STAINLESS
33	3	520141	2.31/2.62 T-BOLT HOSE CLAMP SS
34	1	601502	HOSE, 2 X 56 2F-1W EPDM
35	1	601634	HOSE, 1/2 X 78 1BR BLK EPDM
36	1	601613	HOSE, 2 X 43 2F-1W EPDM
37	3	520070	HOSE CLAMP NO 8 STAINLESS
38	7	696254	O-RING, KZCO FLANGED VALVES
39	2	696255	END CAP,220 FLANGE VLV 696253
40	3	696260	VALVE, KZCO C2F-55B-M-S9
41	3	696269	MANIFOLD SECT,1" (696253/259)



RH 80' -90' SOLUTION VALVE ASSEMBLY (SV)

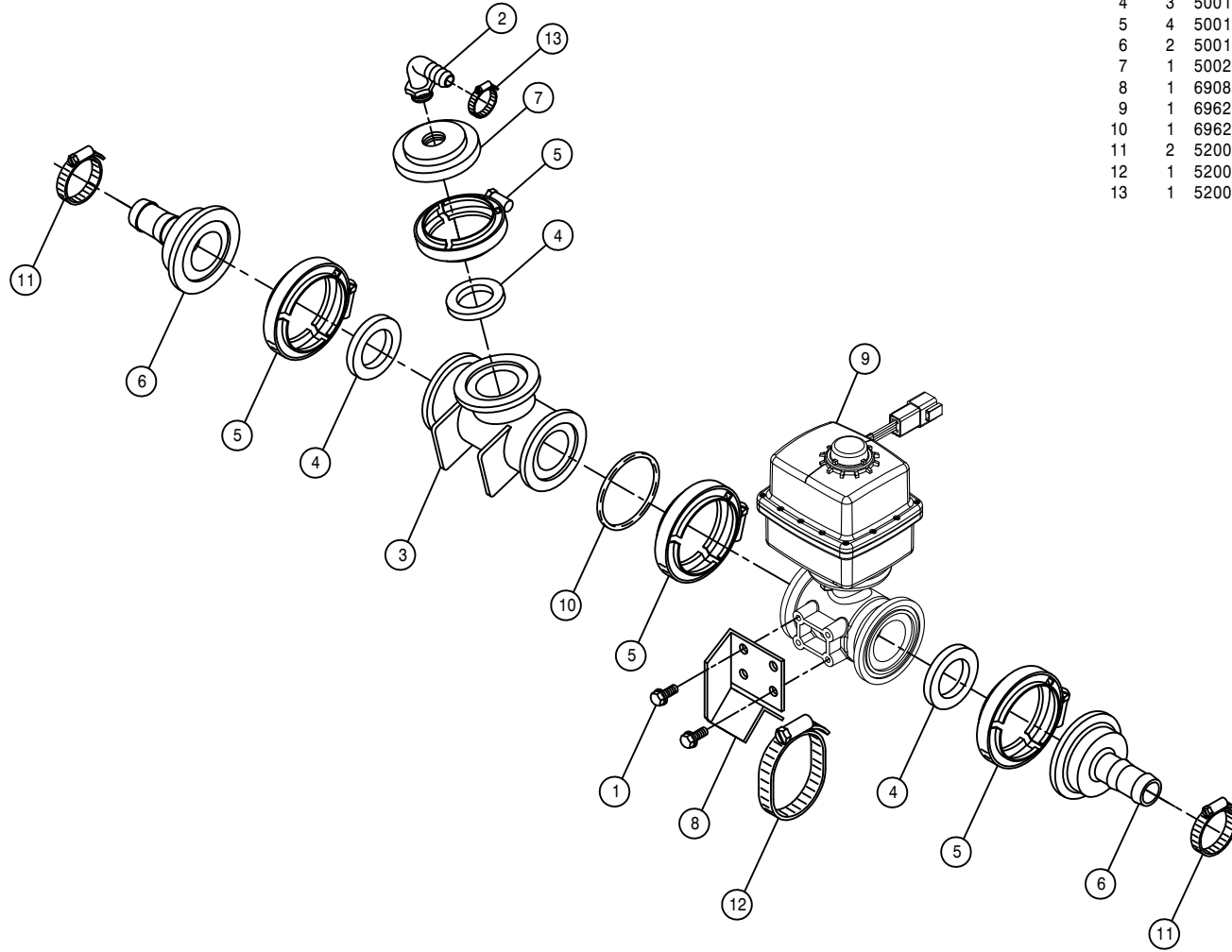
DET. QTY PART NO. DESCRIPTION

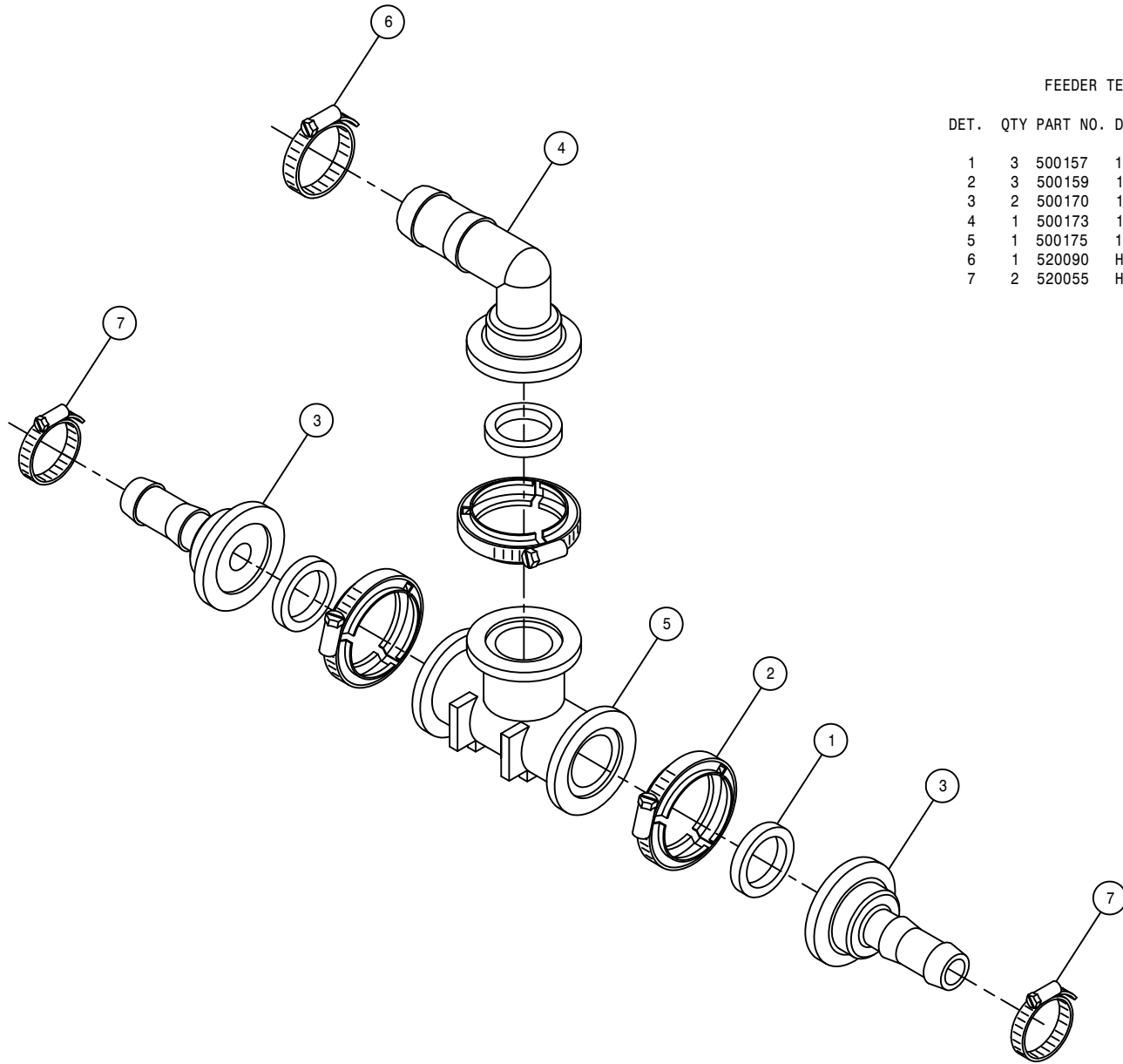
DET.	QTY	PART NO.	DESCRIPTION
1	2	470122	1/4UNC X 1/2 FLANGE HEX BOLT
2	1	500047	1/2NPT-90-1/2 HOSE BARB, POLY
3	1	500151	2" FLANGE TEE POLY
4	3	500158	1 1/2" GASKET FOR 2" FLANGE
5	4	500160	2" FLANGE CLAMP, S.S.
6	2	500172	2" FLANGE-1" HOSE BARB POLY
7	1	500224	2" FLANGE PLUG W/1/2"FNPT POLY
8	1	690871	80/90 BOOM VLV MT WLD 03
9	1	696260	VALVE, KZCO C2F-55B-M-S9
10	1	696254	O-RING, KZCO FLANGED VALVES
11	2	520090	HOSE CLAMP NO 16 STAINLESS
12	1	520085	HOSE CLAMP NO 24 STAINLESS
13	1	520070	HOSE CLAMP NO 8 STAINLESS

LH 80' -90' SOLUTION VALVE ASSEMBLY (SV)

DET. QTY PART NO. DESCRIPTION

DET.	QTY	PART NO.	DESCRIPTION
1	2	470122	1/4UNC X 1/2 FLANGE HEX BOLT
2	1	500047	1/2NPT-90-1/2 HOSE BARB, POLY
3	1	500151	2" FLANGE TEE POLY
4	3	500158	1 1/2" GASKET FOR 2" FLANGE
5	4	500160	2" FLANGE CLAMP, S.S.
6	2	500172	2" FLANGE - 1" HOSE BARB POLY
7	1	500224	2" FLANGE PLUG W/1/2"FNPT POLY
8	1	690871	80/90 BOOM VLV MT WLD 03
9	1	696260	VALVE, KZCO C2F-55B-M-S9
10	1	696254	O-RING, KZCO FLANGED VALVES
11	2	520090	HOSE CLAMP NO 16 STAINLESS
12	1	520085	HOSE CLAMP NO 24 STAINLESS
13	1	520070	HOSE CLAMP NO 8 STAINLESS





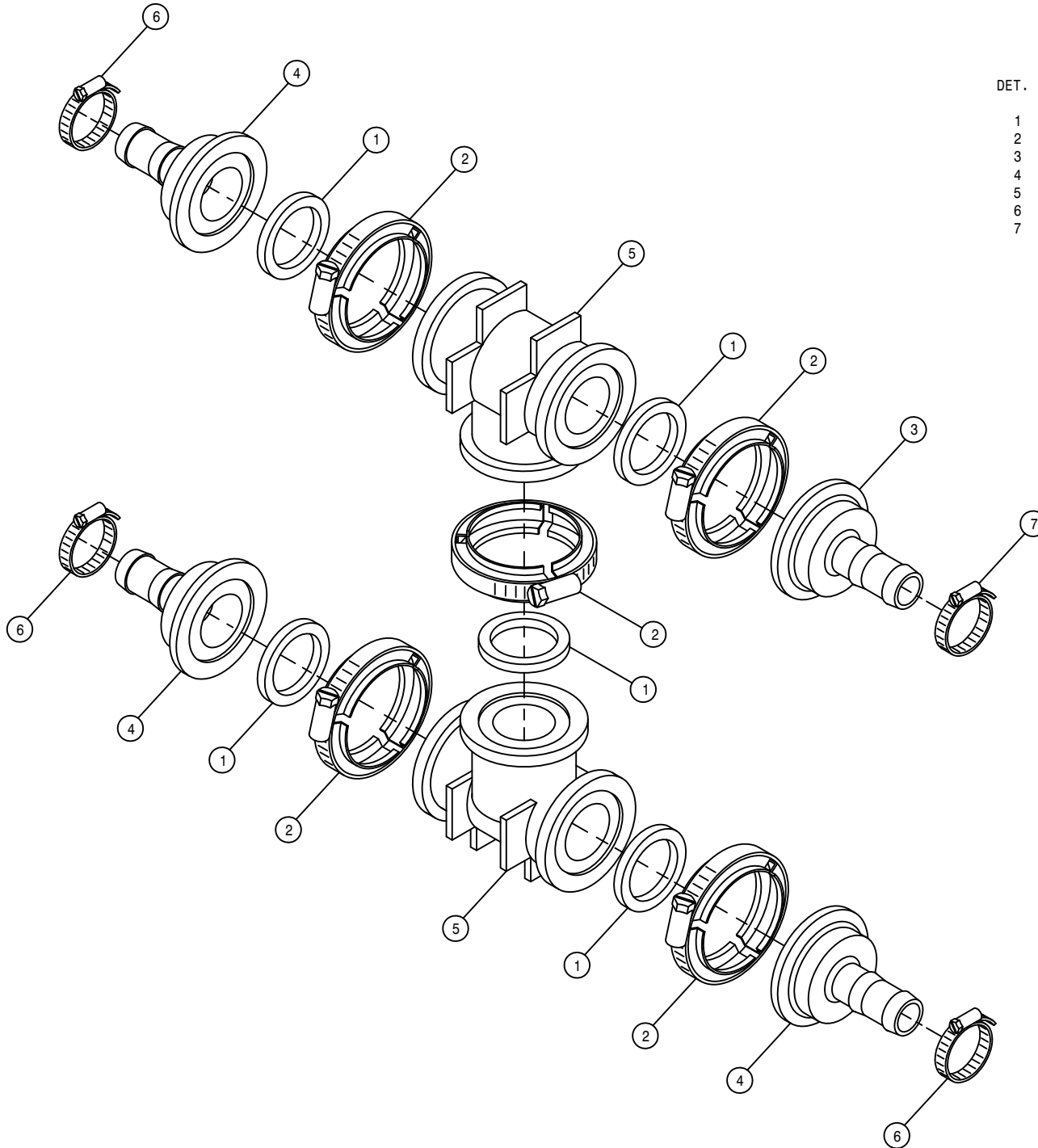
FEEDER TEE ASSEMBLY (SV)

DET.	QTY	PART NO.	DESCRIPTION	
1	3	500157	1" FLANGE GASKET	EPDM
2	3	500159	1" FLANGE CLAMP, S.S.	
3	2	500170	1" FLANGE-3/4" HOSE BARB	POLY
4	1	500173	1" FLANGE-90-1" HOSE BARB	POLY
5	1	500175	1" FLANGE TEE	POLY
6	1	520090	HOSE CLAMP NO 16	STAINLESS
7	2	520055	HOSE CLAMP NO 12	STAINLESS

80'-90' FEEDER TEE ASSEMBLY (SV)

DET. QTY PART NO. DESCRIPTION

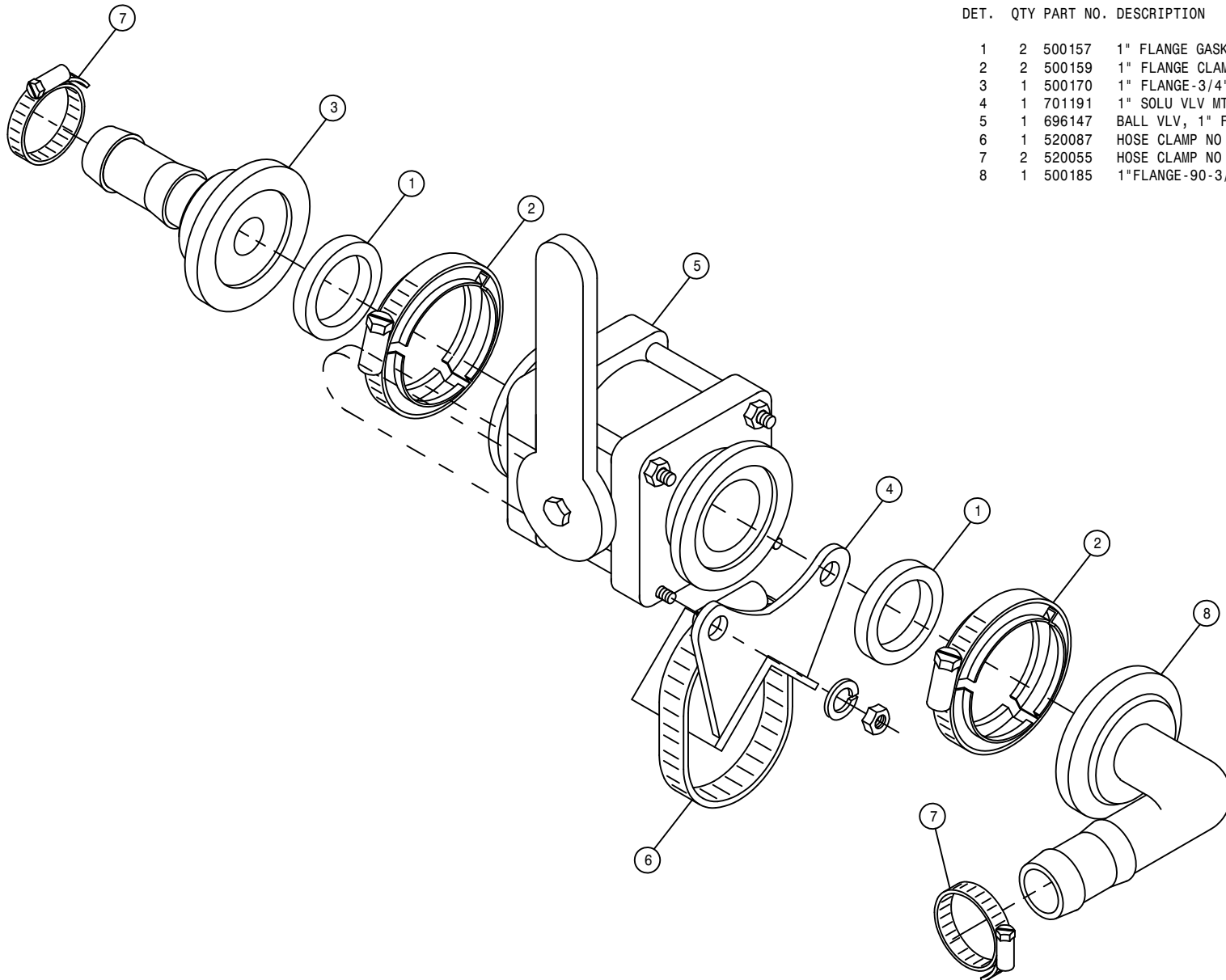
1	5	500157	1" FLANGE GASKET	EPDM
2	5	500159	1" FLANGE CLAMP, S.S.	
3	1	500171	1" FLANGE-1" HOSE BARB	POLY
4	3	500170	1" FLANGE-3/4" HOSE BARB	POLY
5	2	500175	1" FLANGE TEE	POLY
6	3	520055	HOSE CLAMP NO 12	STAINLESS
7	1	520090	HOSE CLAMP NO 16	STAINLESS



90° BALL VALVE ASSEMBLY (SV)

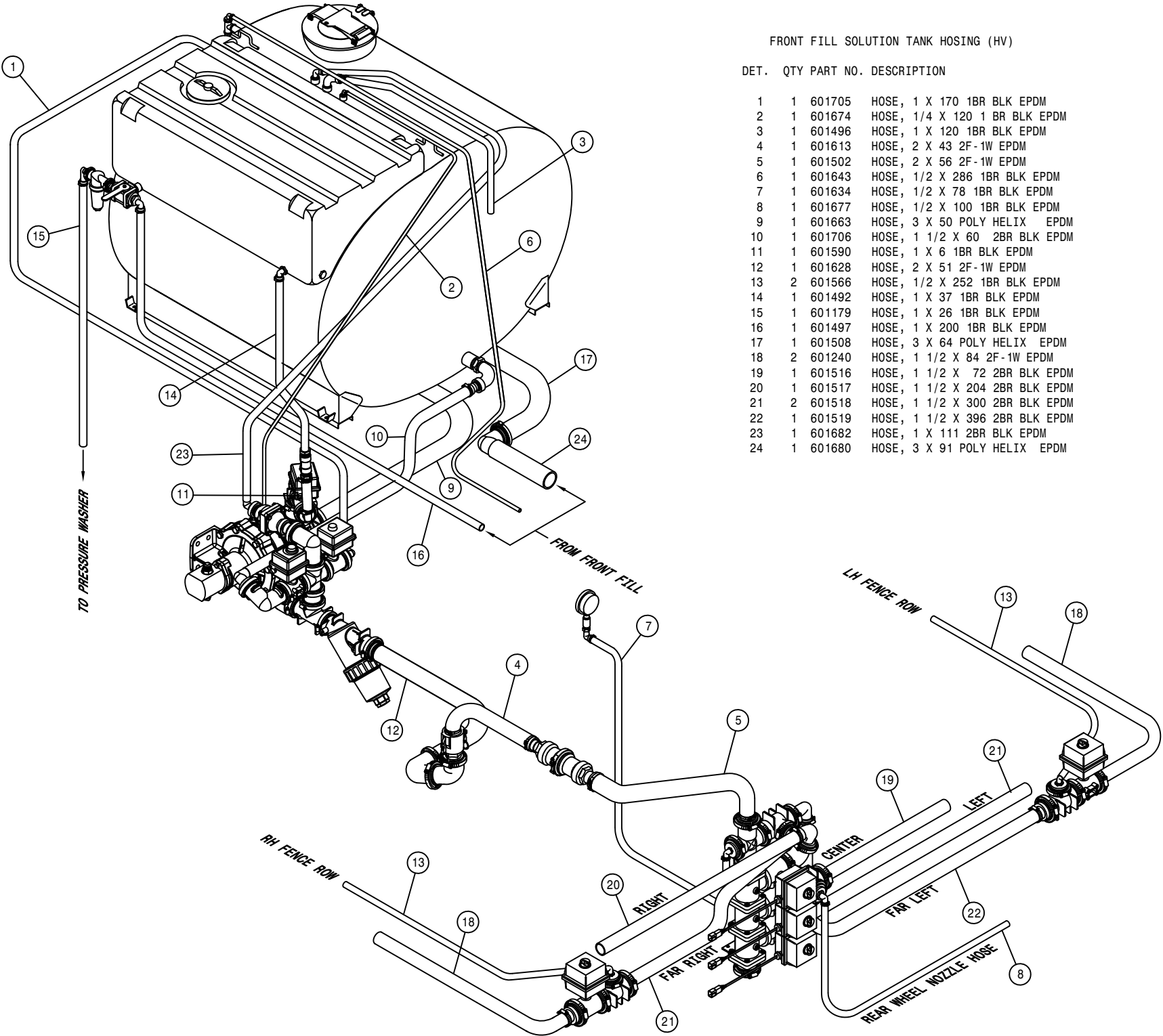
DET. QTY PART NO. DESCRIPTION

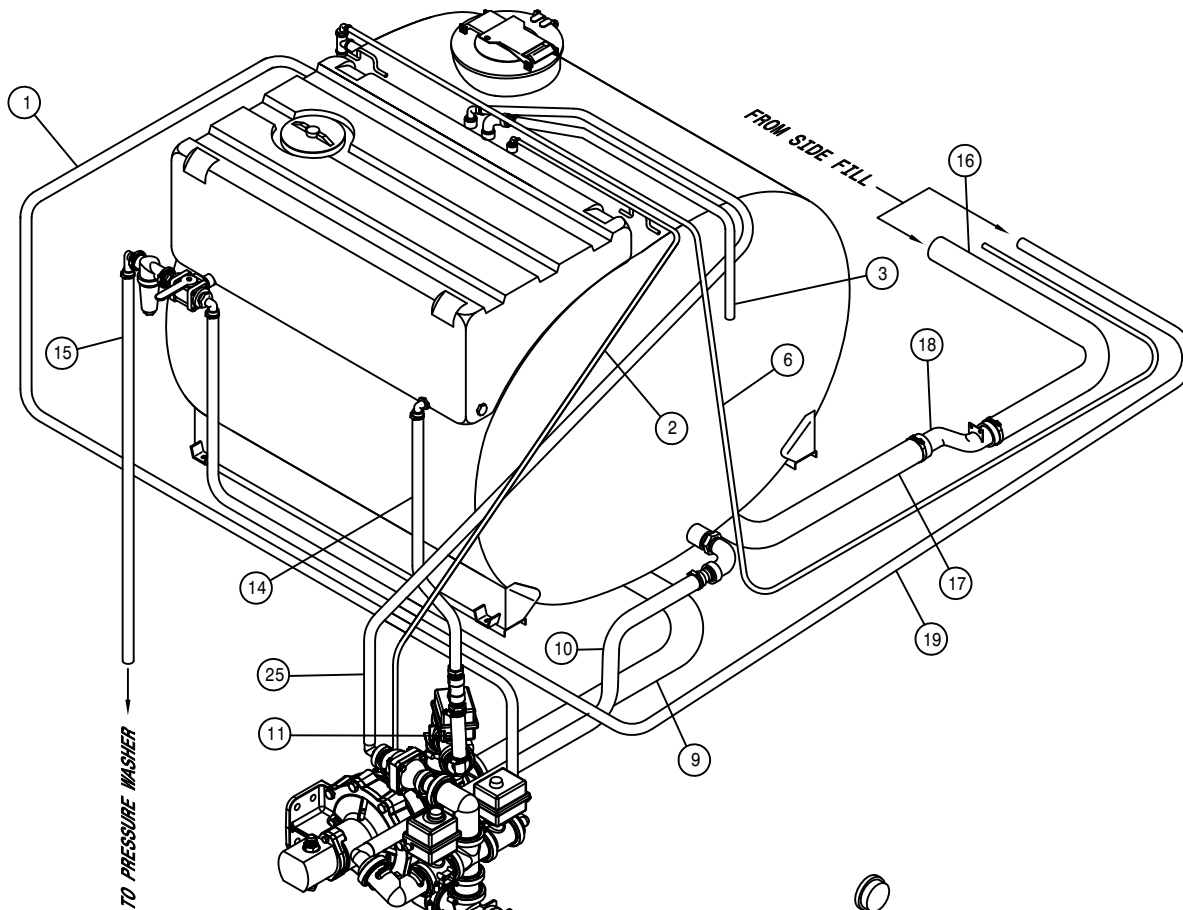
DET.	QTY	PART NO.	DESCRIPTION	
1	2	500157	1" FLANGE GASKET	EPDM
2	2	500159	1" FLANGE CLAMP, S.S.	
3	1	500170	1" FLANGE-3/4" HOSE BARB POLY	
4	1	701191	1" SOLU VLV MT WLD	
5	1	696147	BALL VLV, 1" FLANGE	
6	1	520087	HOSE CLAMP NO 20 STAINLESS	
7	2	520055	HOSE CLAMP NO 12 STAINLESS	
8	1	500185	1" FLANGE-90-3/4" HOSE BARB POLY	



FRONT FILL SOLUTION TANK HOISING (HV)

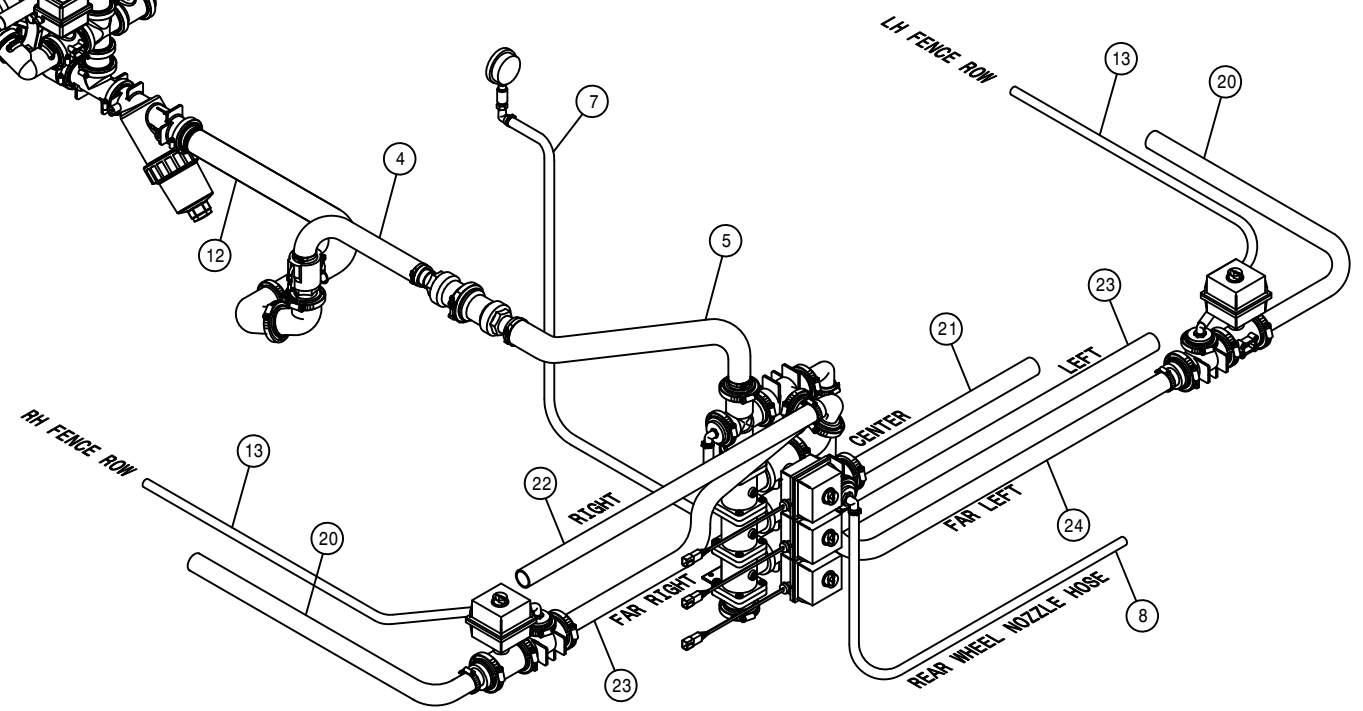
DET.	QTY	PART NO.	DESCRIPTION
1	1	601705	HOSE, 1 X 170 1BR BLK EPDM
2	1	601674	HOSE, 1/4 X 120 1 BR BLK EPDM
3	1	601496	HOSE, 1 X 120 1BR BLK EPDM
4	1	601613	HOSE, 2 X 43 2F-1W EPDM
5	1	601502	HOSE, 2 X 56 2F-1W EPDM
6	1	601643	HOSE, 1/2 X 286 1BR BLK EPDM
7	1	601634	HOSE, 1/2 X 78 1BR BLK EPDM
8	1	601677	HOSE, 1/2 X 100 1BR BLK EPDM
9	1	601663	HOSE, 3 X 50 POLY HELIX EPDM
10	1	601706	HOSE, 1 1/2 X 60 2BR BLK EPDM
11	1	601590	HOSE, 1 X 6 1BR BLK EPDM
12	1	601628	HOSE, 2 X 51 2F-1W EPDM
13	2	601566	HOSE, 1/2 X 252 1BR BLK EPDM
14	1	601492	HOSE, 1 X 37 1BR BLK EPDM
15	1	601179	HOSE, 1 X 26 1BR BLK EPDM
16	1	601497	HOSE, 1 X 200 1BR BLK EPDM
17	1	601508	HOSE, 3 X 64 POLY HELIX EPDM
18	2	601240	HOSE, 1 1/2 X 84 2F-1W EPDM
19	1	601516	HOSE, 1 1/2 X 72 2BR BLK EPDM
20	1	601517	HOSE, 1 1/2 X 204 2BR BLK EPDM
21	2	601518	HOSE, 1 1/2 X 300 2BR BLK EPDM
22	1	601519	HOSE, 1 1/2 X 396 2BR BLK EPDM
23	1	601682	HOSE, 1 X 111 2BR BLK EPDM
24	1	601680	HOSE, 3 X 91 POLY HELIX EPDM





SIDE FILL SOLUTION HOSE (HV)

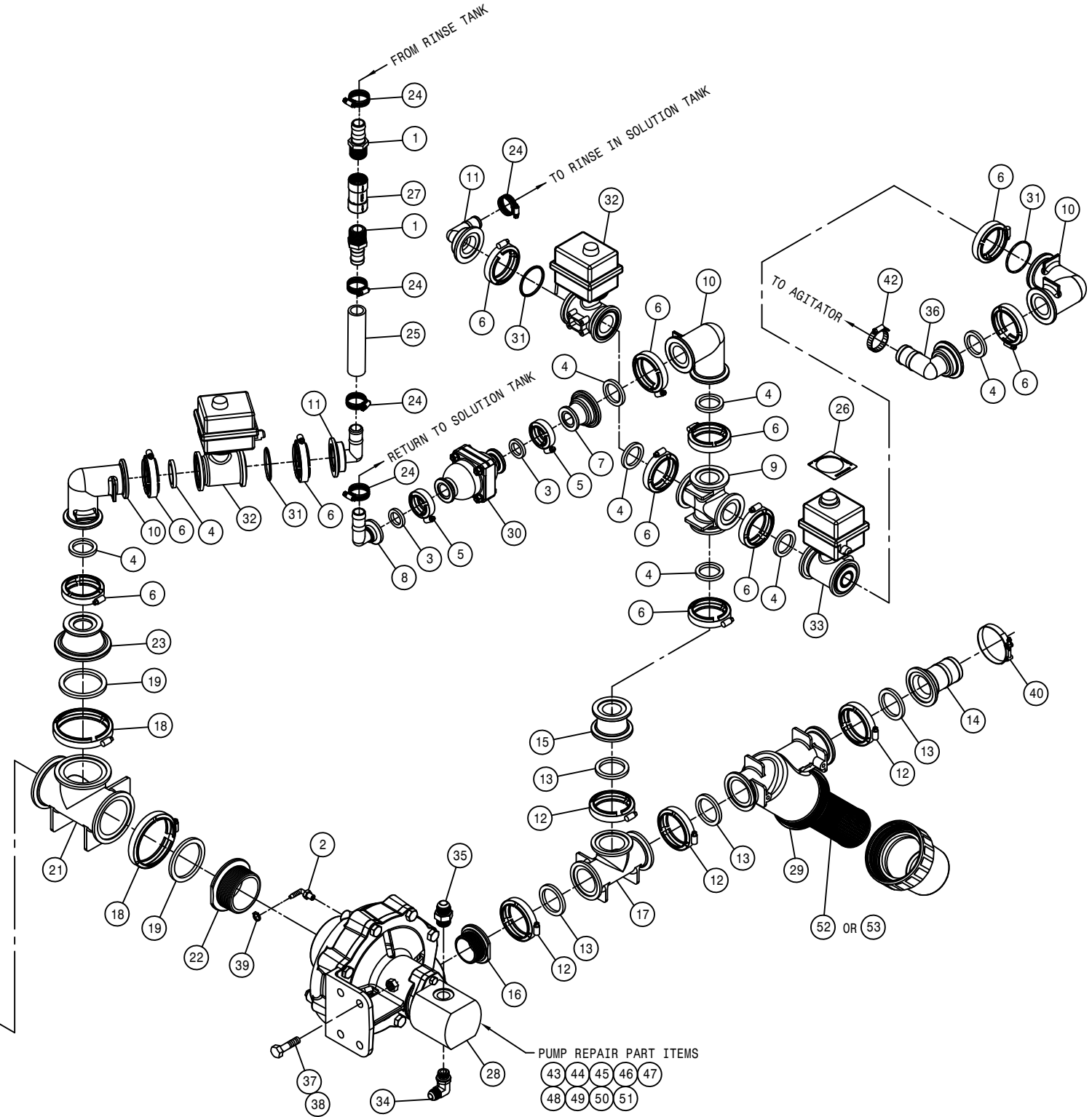
DET.	QTY	PART NO.	DESCRIPTION
1	1	601705	HOSE, 1 X 170 1BR BLK EPDM
2	1	601674	HOSE, 1/4 X 120 1 BR BLK EPDM
3	1	601496	HOSE, 1 X 120 1BR BLK EPDM
4	1	601613	HOSE, 2 X 43 2F-1W EPDM
5	1	601502	HOSE, 2 X 56 2F-1W EPDM
6	1	601643	HOSE, 1/2 X 286 1BR BLK EPDM
7	1	601634	HOSE, 1/2 X 78 1BR BLK EPDM
8	1	601677	HOSE, 1/2 X 100 1BR BLK EPDM
9	1	601663	HOSE, 3 X 50 POLY HELIX EPDM
10	1	601706	HOSE, 1 1/2 X 60 2BR BLK EPDM
11	1	601590	HOSE, 1 X 6 1BR BLK EPDM
12	1	601628	HOSE, 2 X 51 2F-1W EPDM
13	2	601566	HOSE, 1/2 X 252 1BR BLK EPDM
14	1	601492	HOSE, 1 X 37 1BR BLK EPDM
15	1	601179	HOSE, 1 X 26 1BR BLK EPDM
16	1	601645	HOSE, 3 X 94 POLY HELIX EPDM
17	1	601574	HOSE, 3 X 36 POLY HELIX EPDM
18	1	690731	SOLU TUBE, 3.00 S.S. SIDE FILL
19	1	601391	HOSE, 1 X 274 1BR BLK EPDM
20	2	601240	HOSE, 1 1/2 X 84 2F-1W EPDM
21	1	601516	HOSE, 1 1/2 X 72 2BR BLK EPDM
22	1	601517	HOSE, 1 1/2 X 204 2BR BLK EPDM
23	2	601518	HOSE, 1 1/2 X 300 2BR BLK EPDM
24	1	601519	HOSE, 1 1/2 X 396 2BR BLK EPDM
25	1	601682	HOSE, 1 X 111 2BR BLK EPDM



9307 SOLUTION PUMP ASSEMBLY (HV)

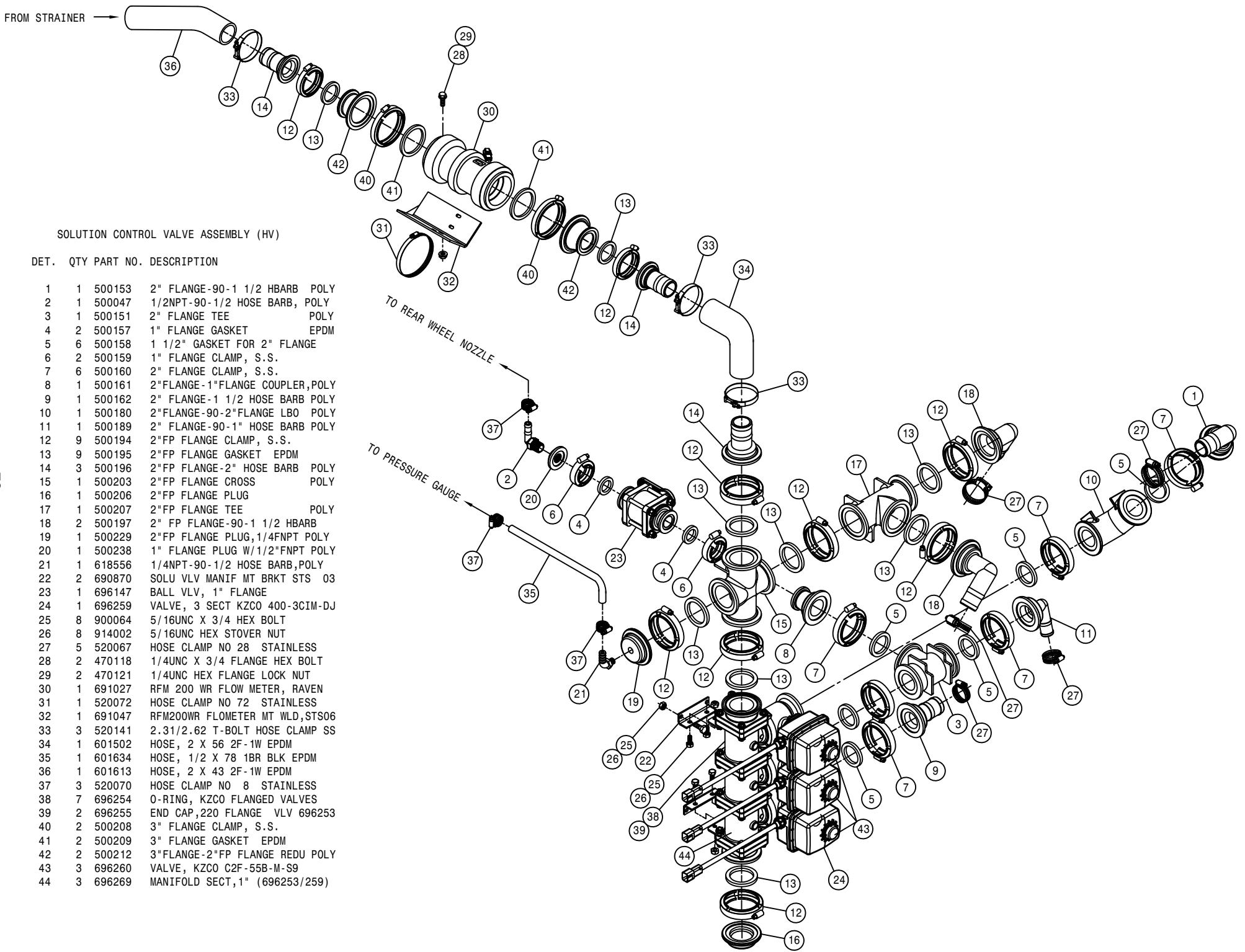
DET. QTY PART NO. DESCRIPTION

1	2	500074	1"NPT-1" HOSE BARB, POLY
2	1	500104	1/4NPT-90-1/4 HOSE BARB, POLY
3	2	500157	1" FLANGE GASKET EPDM
4	8	500158	1 1/2" GASKET FOR 2" FLANGE
5	2	500159	1" FLANGE CLAMP, S.S.
6	11	500160	2" FLANGE CLAMP, S.S.
7	1	500161	2"FLANGE-1"FLANGE COUPLER,POLY
8	1	500173	1" FLANGE-90-1" HOSE BARB POLY
9	1	500176	2" FLANGE CROSS POLY
10	3	500180	2"FLANGE-90-2"FLANGE LBO POLY
11	2	500189	2" FLANGE-90-1" HOSE BARB POLY
12	4	500194	2"FP FLANGE CLAMP, S.S.
13	4	500195	2"FP FLANGE GASKET EPDM
14	1	500196	2"FP FLANGE-2" HOSE BARB POLY
15	1	500199	2"FP FLANGE-2"FLANGE REDU POLY
16	1	500205	2"FP FLANGE-2"MNPT ADPTR S.S.
17	1	500207	2"FP FLANGE TEE POLY
18	3	500208	3" FLANGE CLAMP, S.S.
19	3	500209	3" FLANGE GASKET EPDM
20	1	500210	3" FLANGE-3" HOSE BARB POLY
21	1	500217	3" FLANGE TEE POLY
22	1	500234	3"FP FLANGE-3"MNPT ADPTR S.S.
23	1	500237	3"FLANGE-2"FLANGE REDU POLY
24	5	520090	HOSE CLAMP NO 16 STAINLESS
25	1	601590	HOSE, 1 X 6 1BR BLK EPDM
26	1	650125	DECAL,AGIT RATE IND, KZCO VLV
27	1	690488	1.00 CHECK VLV, SPRING LOADED
28	1	691036	HYPRO 9307 PUMP
29	1	696006	LINE "Y" STRAINER,2"FP FLG 50M
30	1	696008	PRESS RELIEF VLV,100PSI,1"FLG
31	3	696254	O-RING, KZCO FLANGED VALVES
32	2	696256	VALVE, KZCO C2F-60B-M-S9
33	1	696257	VALVE, KZCO C2F-62-Q-S9
34	1	611128	7/8MJIC-90-7/8MOR LBO
35	1	611127	1 1/16MJIC-1 1/16MOR ADPTR
36	1	500153	2" FLANGE-90-1 1/2 HBARB POLY
37	4	900334	5/8UNC X 1 3/4 HEX BOLT
38	4	914010	5/8UNC HEX STOVER NUT
39	1	520120	HOSE CLAMP NO 4 STAINLESS
40	1	520141	2.31/2.62 T-BOLT HOSE CLAMP SS
41	1	520145	3.56/3.88 T-BOLT HOSE CLAMP SS
42	1	520067	HOSE CLAMP NO 28 STAINLESS
43	1	691068	MECHANICAL SEAL KIT FOR 691036
44	1	691069	BEARING KIT FOR 691036
45	1	691070	IMPELLER HDWE KIT FOR 691036
46	1	691071	HYD MOTOR SEAL FOR 691036
47	1	691072	HYD MOTOR (GM10) FOR 691036
48	1	691073	SHAFT ASSEMBLY FOR 691036
49	1	691074	SEAL FLANGE FOR 691036
50	1	691075	IMPELLER FOR 691036
51	1	691076	O-RING,FLANGE FOR 691036
52	1	696007	50 MESH SCREEN FOR 696006 (STD)
53	1	696009	80 MESH SCREEN FOR 696006 (OPT)



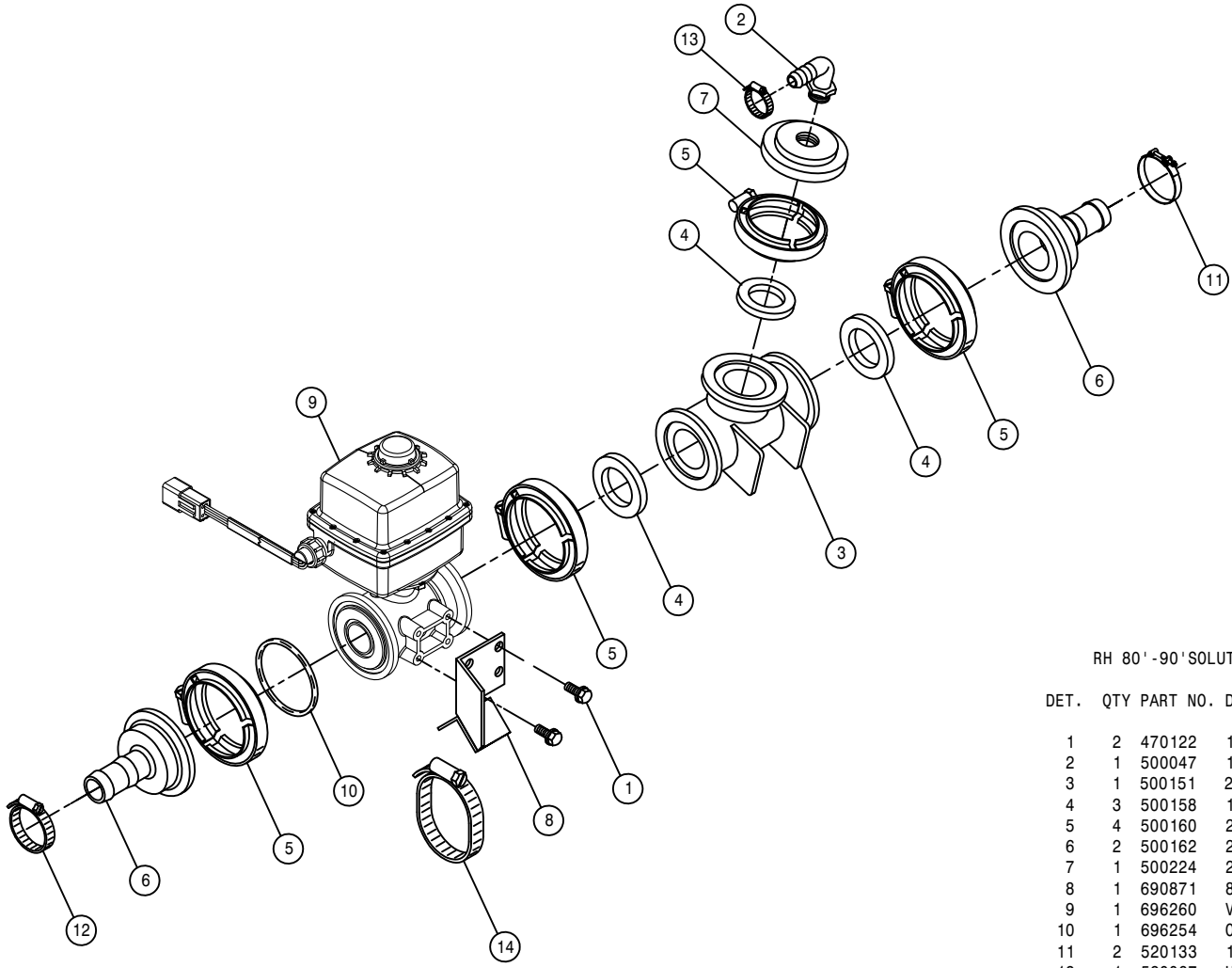
78

424078



SOLUTION CONTROL VALVE ASSEMBLY (HV)

DET.	QTY	PART NO.	DESCRIPTION
1	1	500153	2" FLANGE-90-1 1/2 HBARB POLY
2	1	500047	1/2NPT-90-1/2 HOSE BARB, POLY
3	1	500151	2" FLANGE TEE POLY
4	2	500157	1" FLANGE GASKET EPDM
5	6	500158	1 1/2" GASKET FOR 2" FLANGE
6	2	500159	1" FLANGE CLAMP, S.S.
7	6	500160	2" FLANGE CLAMP, S.S.
8	1	500161	2"FLANGE-1"FLANGE COUPLER,POLY
9	1	500162	2" FLANGE-1 1/2 HOSE BARB POLY
10	1	500180	2"FLANGE-90-2"FLANGE LBO POLY
11	1	500189	2" FLANGE-90-1" HOSE BARB POLY
12	9	500194	2"FP FLANGE CLAMP, S.S.
13	9	500195	2"FP FLANGE GASKET EPDM
14	3	500196	2"FP FLANGE-2" HOSE BARB POLY
15	1	500203	2"FP FLANGE CROSS POLY
16	1	500206	2"FP FLANGE PLUG
17	1	500207	2"FP FLANGE TEE POLY
18	2	500197	2" FP FLANGE-90-1 1/2 HBARB
19	1	500229	2"FP FLANGE PLUG,1/4FNPT POLY
20	1	500238	1" FLANGE PLUG W/1/2"FNPT POLY
21	1	618556	1/4NPT-90-1/2 HOSE BARB,POLY
22	2	690870	SOLU VLV MANIF MT BRKT STS 03
23	1	696147	BALL VLV, 1" FLANGE
24	1	696259	VALVE, 3 SECT KZCO 400-3CIM-DJ
25	8	900064	5/16UNC X 3/4 HEX BOLT
26	8	914002	5/16UNC HEX STOVER NUT
27	5	520067	HOSE CLAMP NO 28 STAINLESS
28	2	470118	1/4UNC X 3/4 FLANGE HEX BOLT
29	2	470121	1/4UNC HEX FLANGE LOCK NUT
30	1	691027	RFM 200 WR FLOW METER, RAVEN
31	1	520072	HOSE CLAMP NO 72 STAINLESS
32	1	691047	RFM200WR FLOMETER MT WLD,STS06
33	3	520141	2.31/2.62 T-BOLT HOSE CLAMP SS
34	1	601502	HOSE, 2 X 56 2F-1W EPDM
35	1	601634	HOSE, 1/2 X 78 1BR BLK EPDM
36	1	601613	HOSE, 2 X 43 2F-1W EPDM
37	3	520070	HOSE CLAMP NO 8 STAINLESS
38	7	696254	O-RING, KZCO FLANGED VALVES
39	2	696255	END CAP,220 FLANGE VLV 696253
40	2	500208	3" FLANGE CLAMP, S.S.
41	2	500209	3" FLANGE GASKET EPDM
42	2	500212	3"FLANGE-2"FP FLANGE REDU POLY
43	3	696260	VALVE, KZCO C2F-55B-M-S9
44	3	696269	MANIFOLD SECT,1" (696253/259)



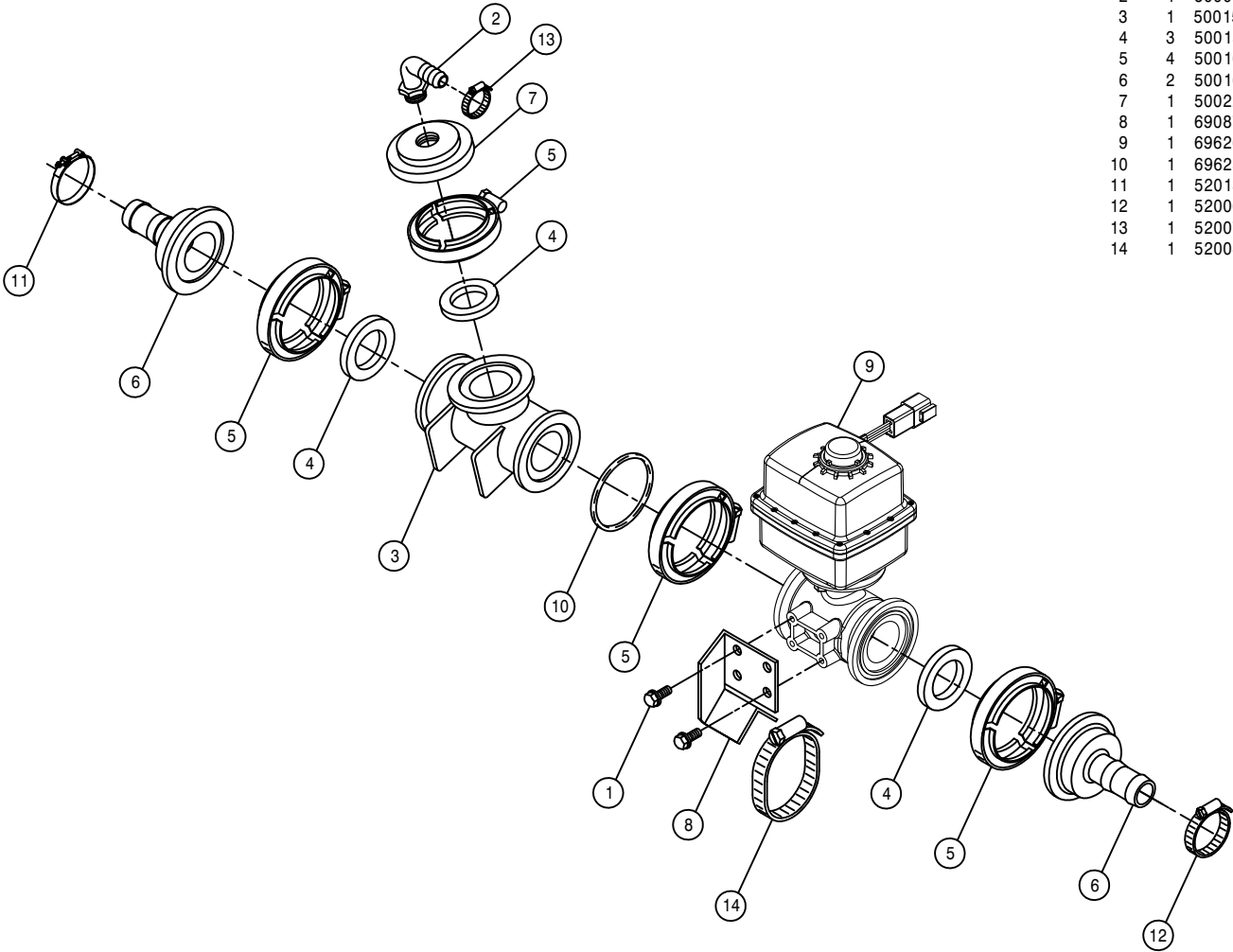
RH 80'-90' SOLUTION VALVE ASSEMBLY (HV)

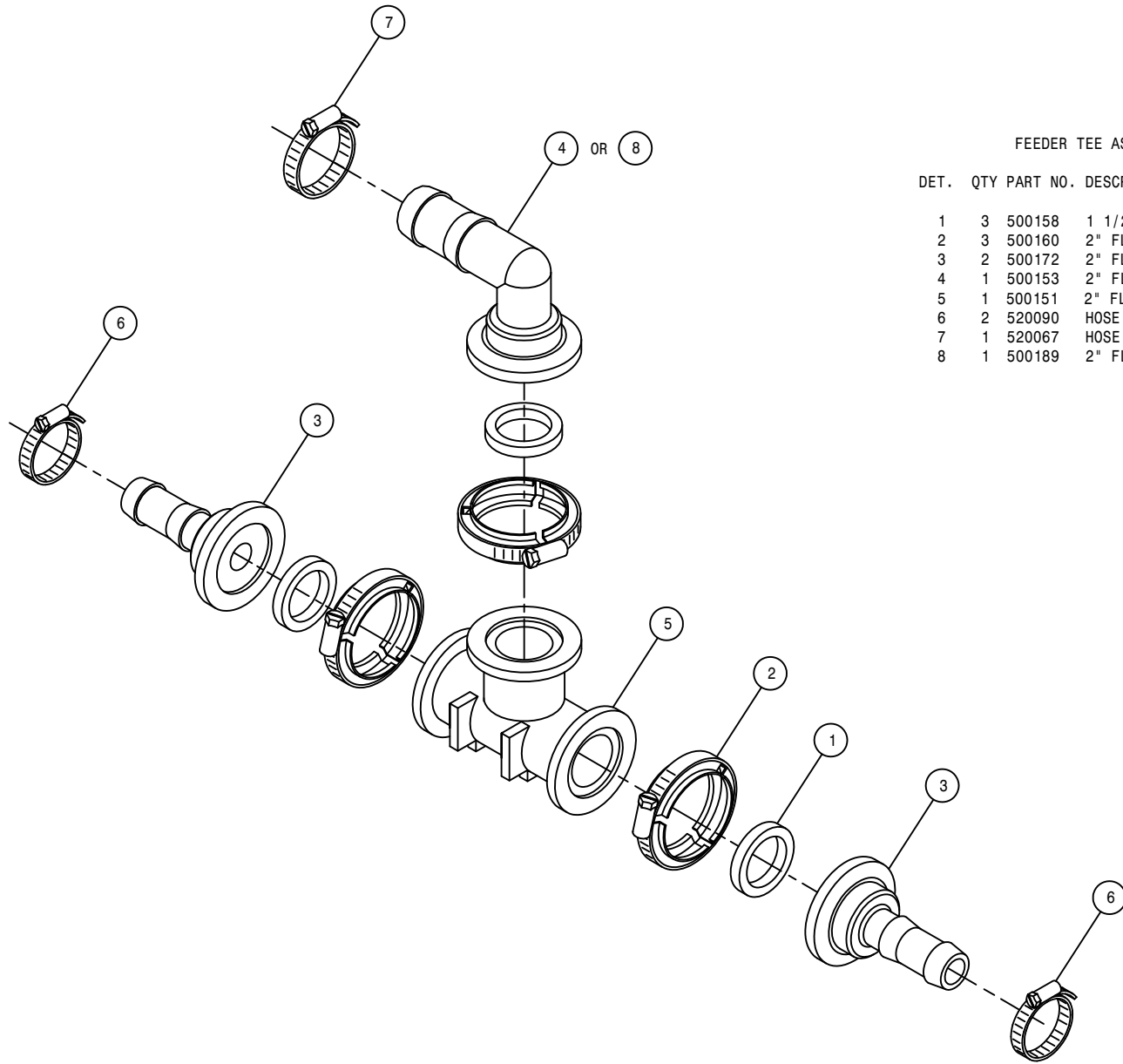
DET.	QTY	PART NO.	DESCRIPTION
	1	2	470122 1/4UNC X 1/2 FLANGE HEX BOLT
	2	1	500047 1/2NPT-90-1/2 HOSE BARB, POLY
	3	1	500151 2" FLANGE TEE POLY
	4	3	500158 1 1/2" GASKET FOR 2" FLANGE
	5	4	500160 2" FLANGE CLAMP, S.S.
	6	2	500162 2" FLANGE-1 1/2 HOSE BARB POLY
	7	1	500224 2" FLANGE PLUG W/1/2"FNPT POLY
	8	1	690871 80/90 BOOM VLV MT WLD 03
	9	1	696260 VALVE, KZCO C2F-55B-M-S9
	10	1	696254 O-RING, KZCO FLANGED VALVES
	11	2	520133 1.81/2.06 T-BOLT HOSE CLAMP SS
	12	1	520067 HOSE CLAMP NO 28 STAINLESS
	13	1	520070 HOSE CLAMP NO 8 STAINLESS
	14	1	520085 HOSE CLAMP NO 24 STAINLESS

LH 80' -90' SOLUTION VALVE ASSEMBLY (HV)

DET. QTY PART NO. DESCRIPTION

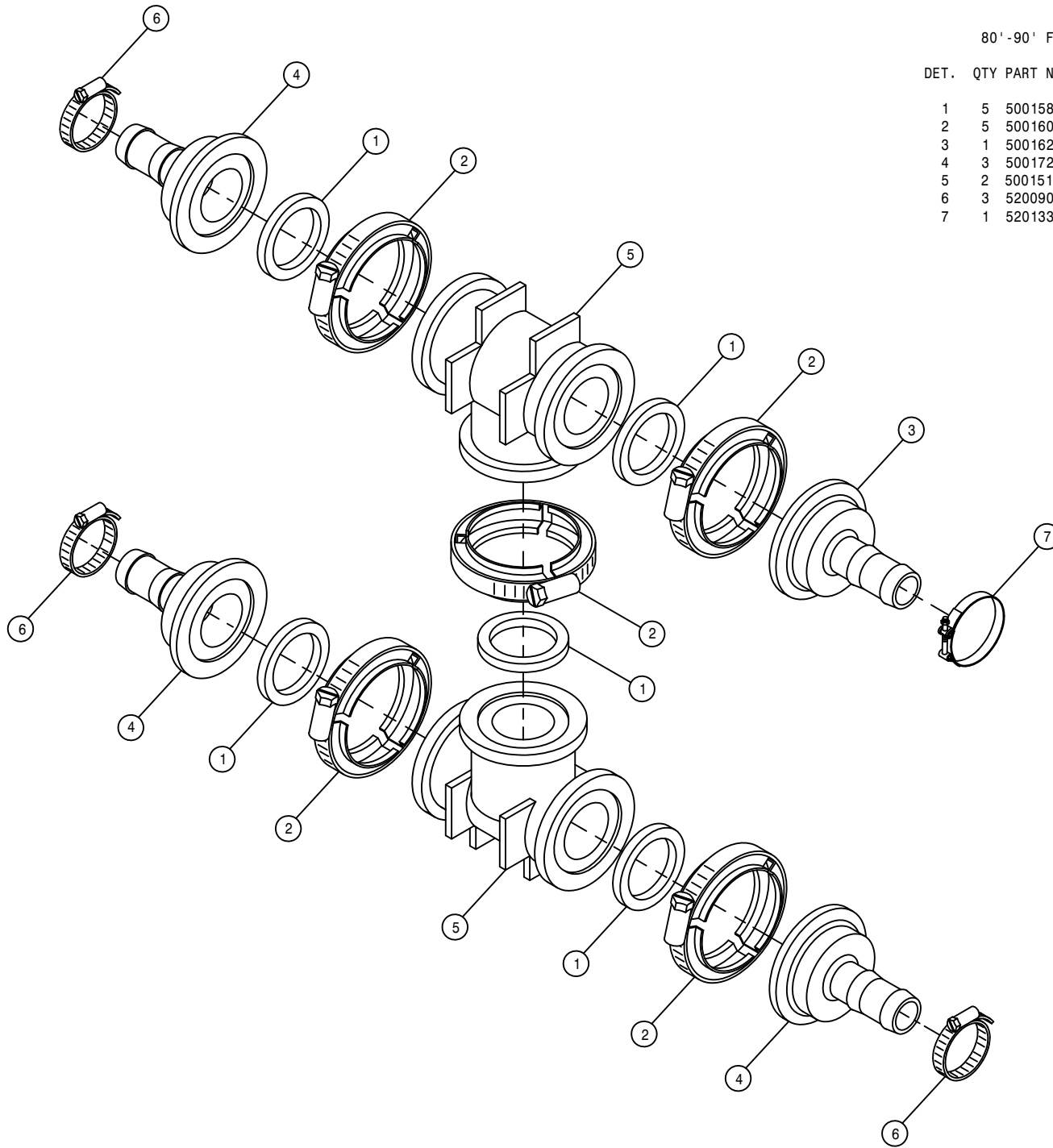
1	2	470122	1/4UNC X 1/2 FLANGE HEX BOLT
2	1	500047	1/2NPT-90-1/2 HOSE BARB, POLY
3	1	500151	2" FLANGE TEE POLY
4	3	500158	1 1/2" GASKET FOR 2" FLANGE
5	4	500160	2" FLANGE CLAMP, S.S.
6	2	500162	2" FLANGE-1 1/2 HOSE BARB POLY
7	1	500224	2" FLANGE PLUG W/1/2"FNPT POLY
8	1	690871	80/90 BOOM VLV MT WLD 03
9	1	696260	VALVE, KZCO C2F-55B-M-S9
10	1	696254	O-RING, KZCO FLANGED VALVES
11	1	520133	1.81/2.06 T-BOLT HOSE CLAMP SS
12	1	520067	HOSE CLAMP NO 28 STAINLESS
13	1	520070	HOSE CLAMP NO 8 STAINLESS
14	1	520085	HOSE CLAMP NO 24 STAINLESS





FEEDER TEE ASSEMBLY (HV)

DET.	QTY	PART NO.	DESCRIPTION
1	3	500158	1 1/2" GASKET FOR 2" FLANGE
2	3	500160	2" FLANGE CLAMP, S.S.
3	2	500172	2" FLANGE-1" HOSE BARB POLY
4	1	500153	2" FLANGE-90-1 1/2 HBARB POLY
5	1	500151	2" FLANGE TEE POLY
6	2	520090	HOSE CLAMP NO 16 STAINLESS
7	1	520067	HOSE CLAMP NO 28 STAINLESS
8	1	500189	2" FLANGE-90-1" HOSE BARB POLY



80'-90' FEEDER TEE ASSEMBLY (HV)

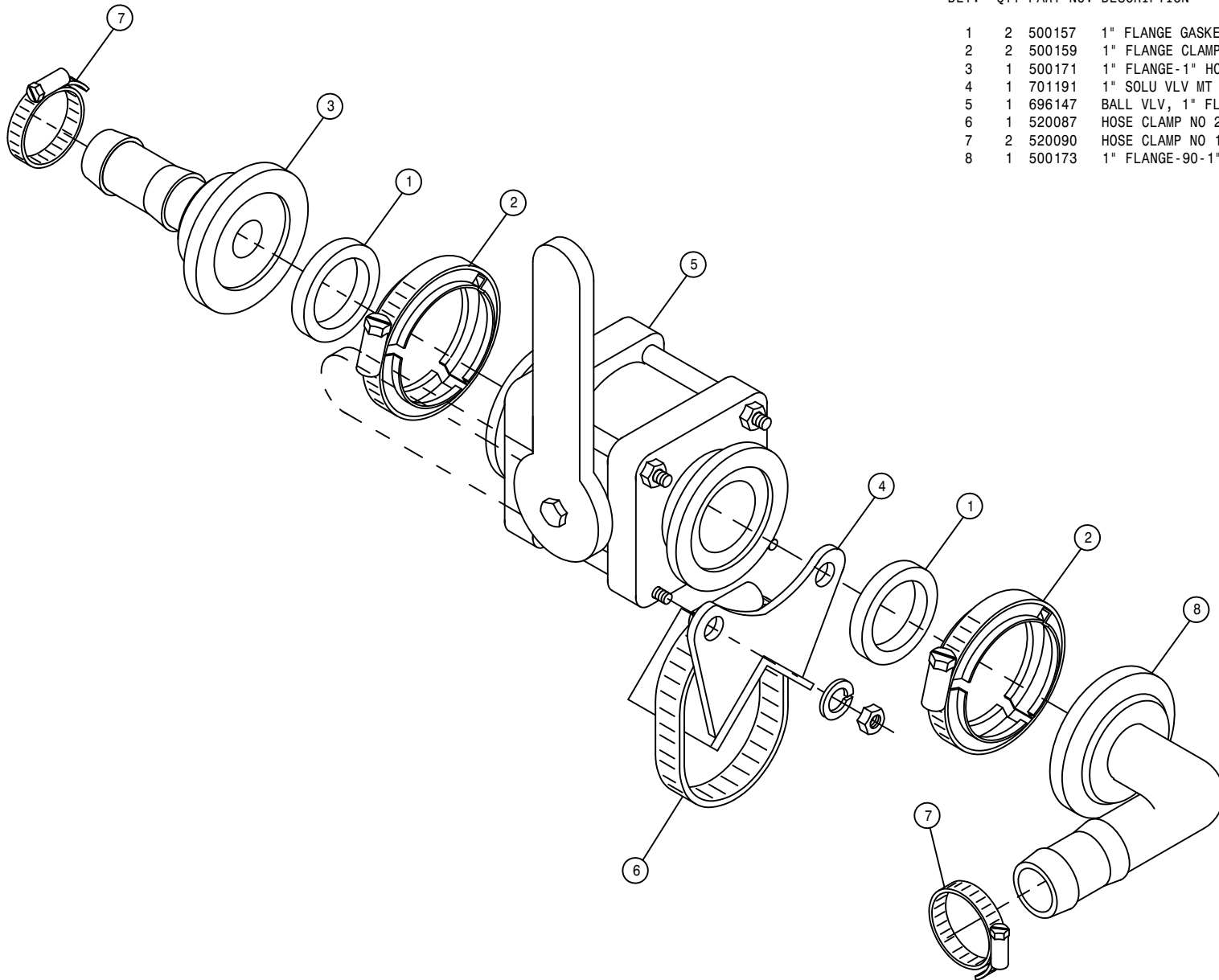
DET. QTY PART NO. DESCRIPTION

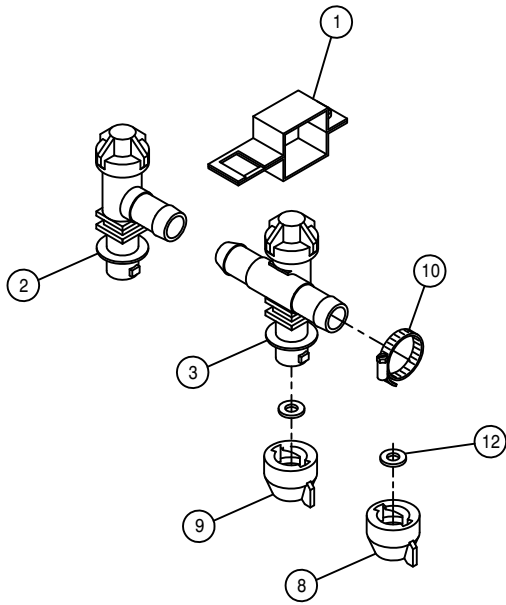
1	5	500158	1 1/2" GASKET FOR 2" FLANGE
2	5	500160	2" FLANGE CLAMP, S.S.
3	1	500162	2" FLANGE-1 1/2 HOSE BARB POLY
4	3	500172	2" FLANGE-1" HOSE BARB POLY
5	2	500151	2" FLANGE TEE POLY
6	3	520090	HOSE CLAMP NO 16 STAINLESS
7	1	520133	1.81/2.06 T-BOLT HOSE CLAMP SS

90° BALL VALVE ASSEMBLY (HV)

DET. QTY PART NO. DESCRIPTION

1	2	500157	1" FLANGE GASKET	EPDM
2	2	500159	1" FLANGE CLAMP, S.S.	
3	1	500171	1" FLANGE-1" HOSE BARB	POLY
4	1	701191	1" SOLU VLV MT WLD	
5	1	696147	BALL VLV, 1" FLANGE	
6	1	520087	HOSE CLAMP NO 20	STAINLESS
7	2	520090	HOSE CLAMP NO 16	STAINLESS
8	1	500173	1" FLANGE-90-1" HOSE BARB	POLY



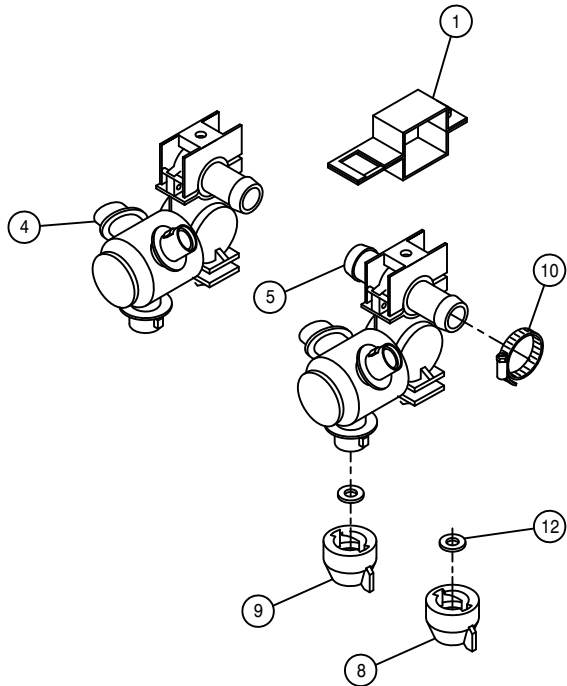


STANDARD SINGLE TIP SPACING

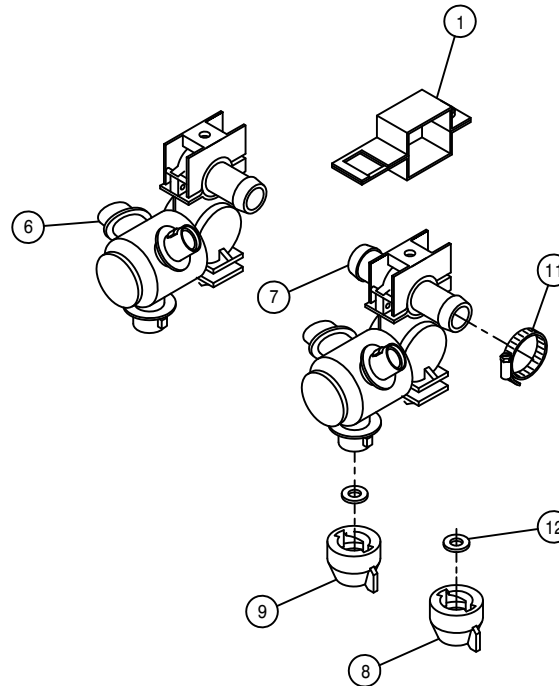
BOOM NOZZLE BODY

DET. QTY PART NO. DESCRIPTION

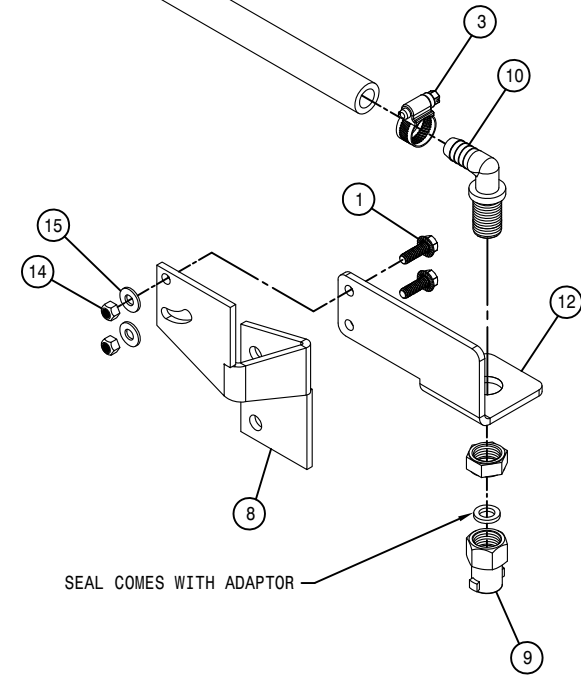
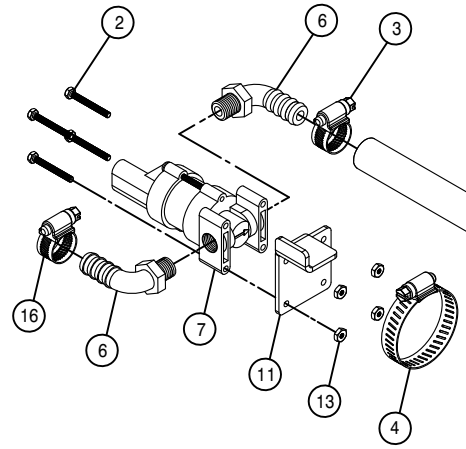
1	3	737817	NOZL MT CLMP,1.00 SQ SS,Q-TJET
2	1	737829	QUICK TJET LBO,1-TIP BODY .75
3	1	737830	QUICK TJET TEE,1-TIP BODY .75
4	1	737833	QUICK TJET LBO,3-TIP BODY .75
5	1	737834	QUICK TJET TEE,3-TIP BODY .75
6	1	737900	QUICK TJET LBO,3-TIP BODY 1.00
7	1	737901	QUICK TJET TEE,3-TIP BODY 1.00
8	3	737825	QUICK SHUT-OFF CAP
9	3	737822	CAP SET, YELLOW QUICK TEEJET
10	2	520055	HOSE CLAMP NO 12 STAINLESS
11	1	520090	HOSE CLAMP NO 16 STAINLESS
12	6	737824	QUICK TEEJET SEAT GASKET



STANDARD TRIPLE TIP SPACING



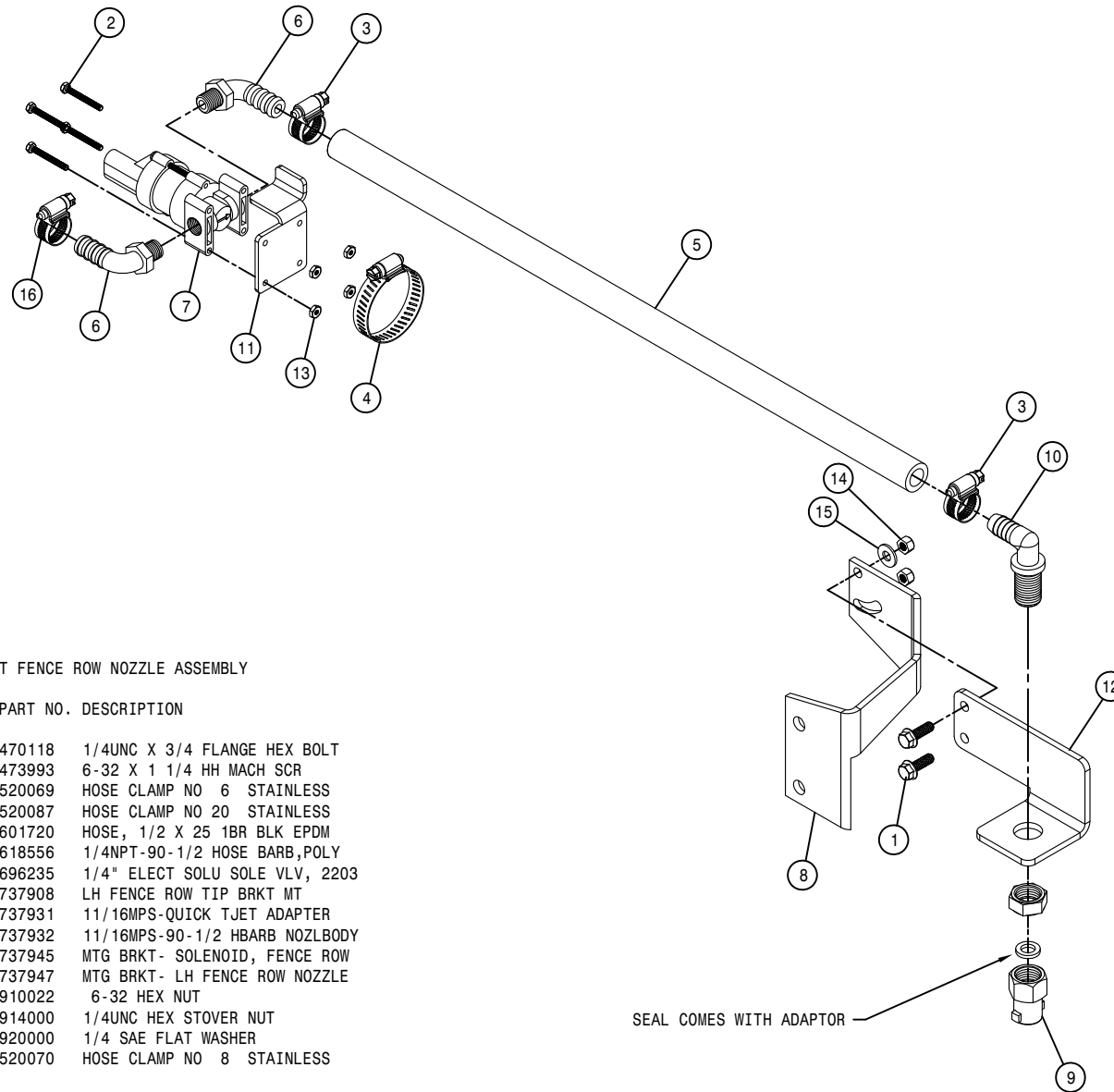
HI-VOLUME TRIPLE TIP SPACING



RIGHT FENCE ROW NOZZLE ASSEMBLY

DET.	QTY	PART NO.	DESCRIPTION
	1	2	470118 1/4UNC X 3/4 FLANGE HEX BOLT
	2	4	473993 6-32 X 1 1/4 HH MACH SCR
	3	2	520069 HOSE CLAMP NO 6 STAINLESS
	4	1	520087 HOSE CLAMP NO 20 STAINLESS
	5	1	601719 HOSE, 1/2 X 23 1BR BLK EPDM
	6	2	618556 1/4NPT-90-1/2 HOSE BARB,POLY
	7	1	696235 1/4" ELECT SOLU SOLE VLV, 2203
	8	1	737907 RH FENCE ROW TIP BRKT MT
	9	1	737931 11/16MPS-QUICK TJET ADAPTER
	10	1	737932 11/16MPS-90-1/2 HBARB NOZLBODY
	11	1	737945 MTG BRKT- SOLENOID, FENCE ROW
	12	1	737946 MTG BRKT- RH FENCE ROW NOZZLE
	13	4	910022 6-32 HEX NUT
	14	2	914000 1/4UNC HEX STOVER NUT
	15	2	920000 1/4 SAE FLAT WASHER
	16	1	520070 HOSE CLAMP NO 8 STAINLESS

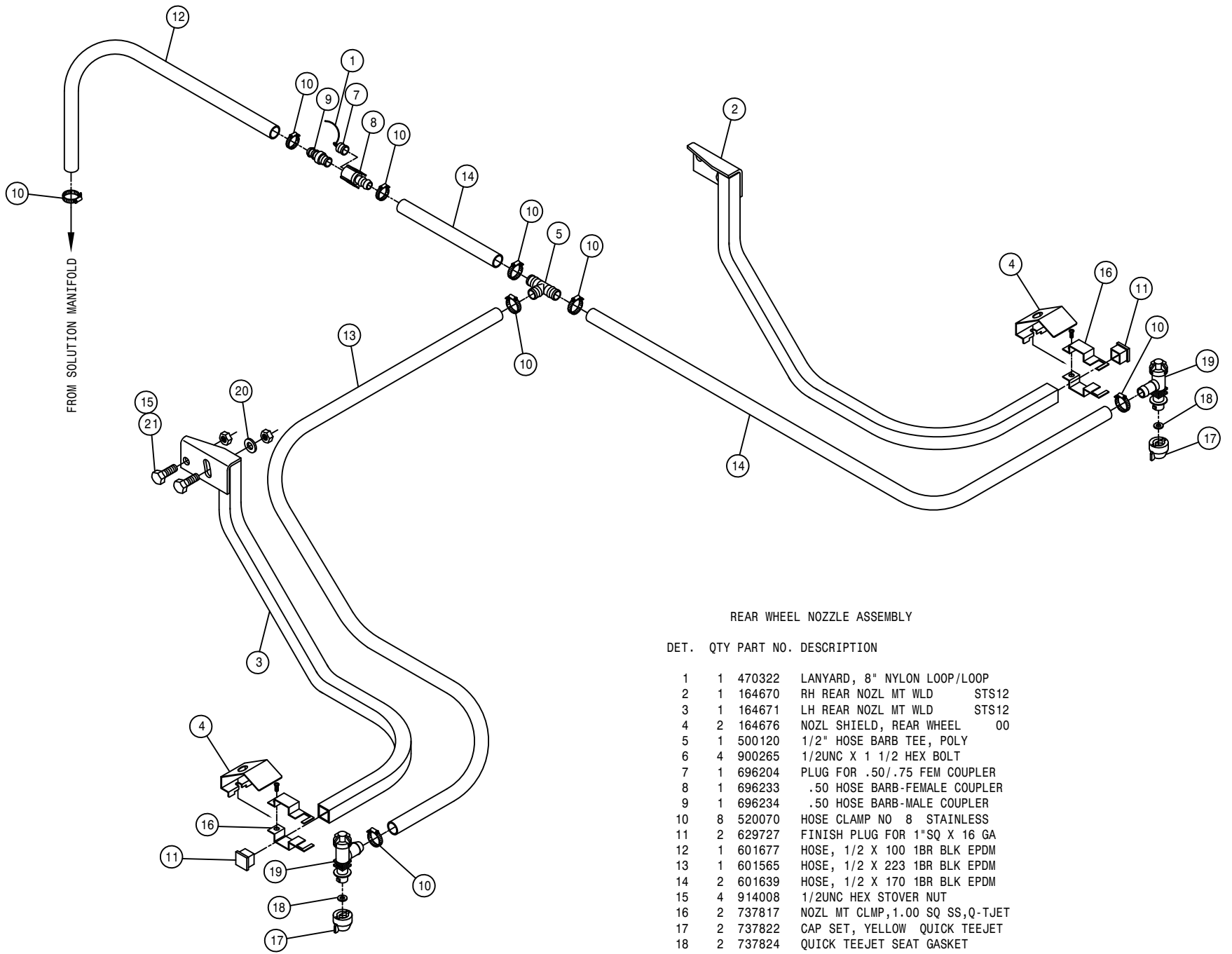
SEAL COMES WITH ADAPTOR



LEFT FENCE ROW NOZZLE ASSEMBLY

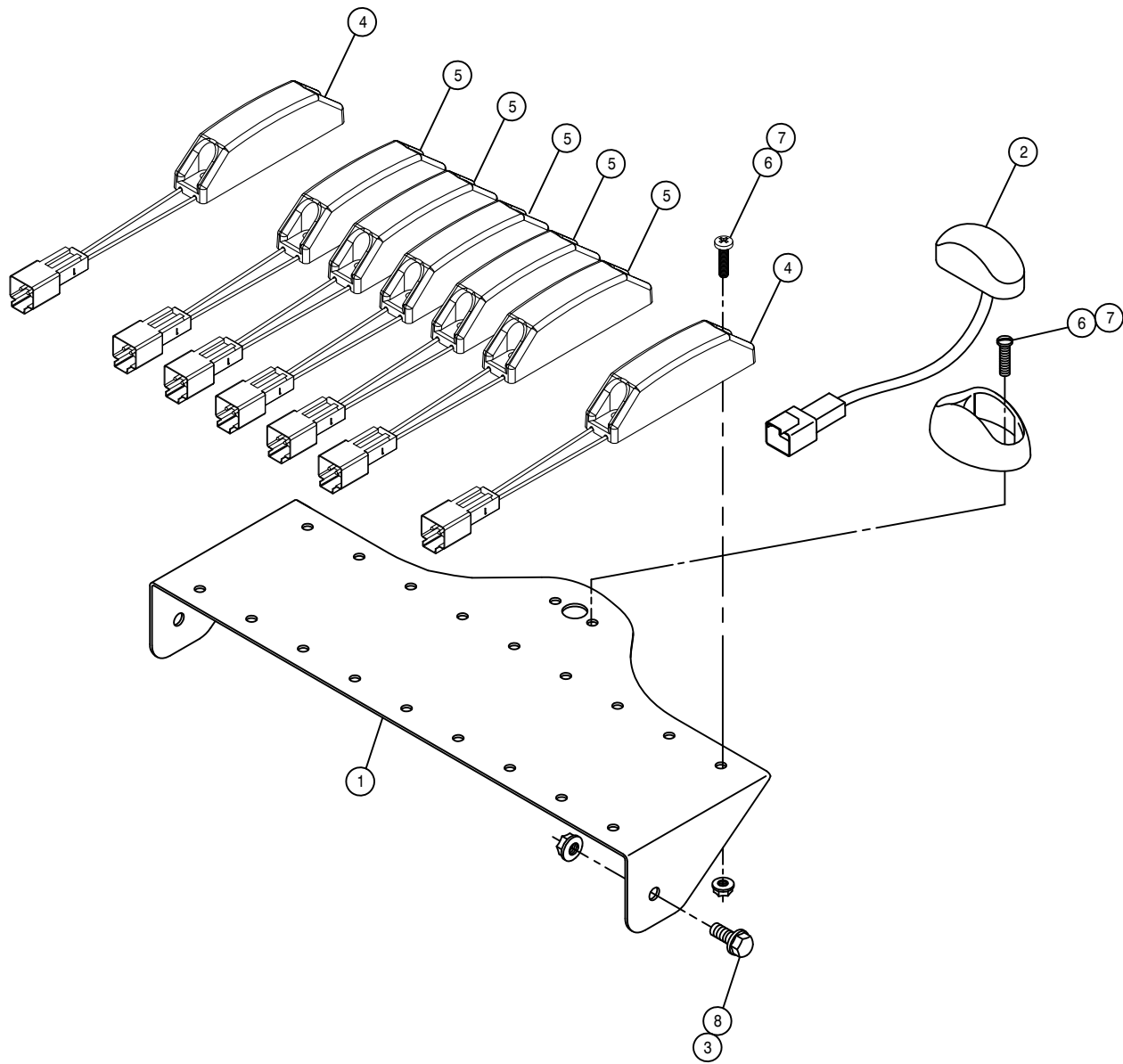
DET. QTY PART NO. DESCRIPTION

1	2	470118	1/4UNC X 3/4 FLANGE HEX BOLT
2	4	473993	6-32 X 1 1/4 HH MACH SCR
3	2	520069	HOSE CLAMP NO 6 STAINLESS
4	1	520087	HOSE CLAMP NO 20 STAINLESS
5	1	601720	HOSE, 1/2 X 25 1BR BLK EPDM
6	2	618556	1/4NPT-90-1/2 HOSE BARB,POLY
7	1	696235	1/4" ELECT SOLU SOLE VLV, 2203
8	1	737908	LH FENCE ROW TIP BRKT MT
9	1	737931	11/16MPS-QUICK TJET ADAPTER
10	1	737932	11/16MPS-90-1/2 HBARB NOZLBODY
11	1	737945	MTG BRKT- SOLENOID, FENCE ROW
12	1	737947	MTG BRKT- LH FENCE ROW NOZZLE
13	4	910022	6-32 HEX NUT
14	2	914000	1/4UNC HEX STOVER NUT
15	2	920000	1/4 SAE FLAT WASHER
16	1	520070	HOSE CLAMP NO 8 STAINLESS



REAR WHEEL NOZZLE ASSEMBLY

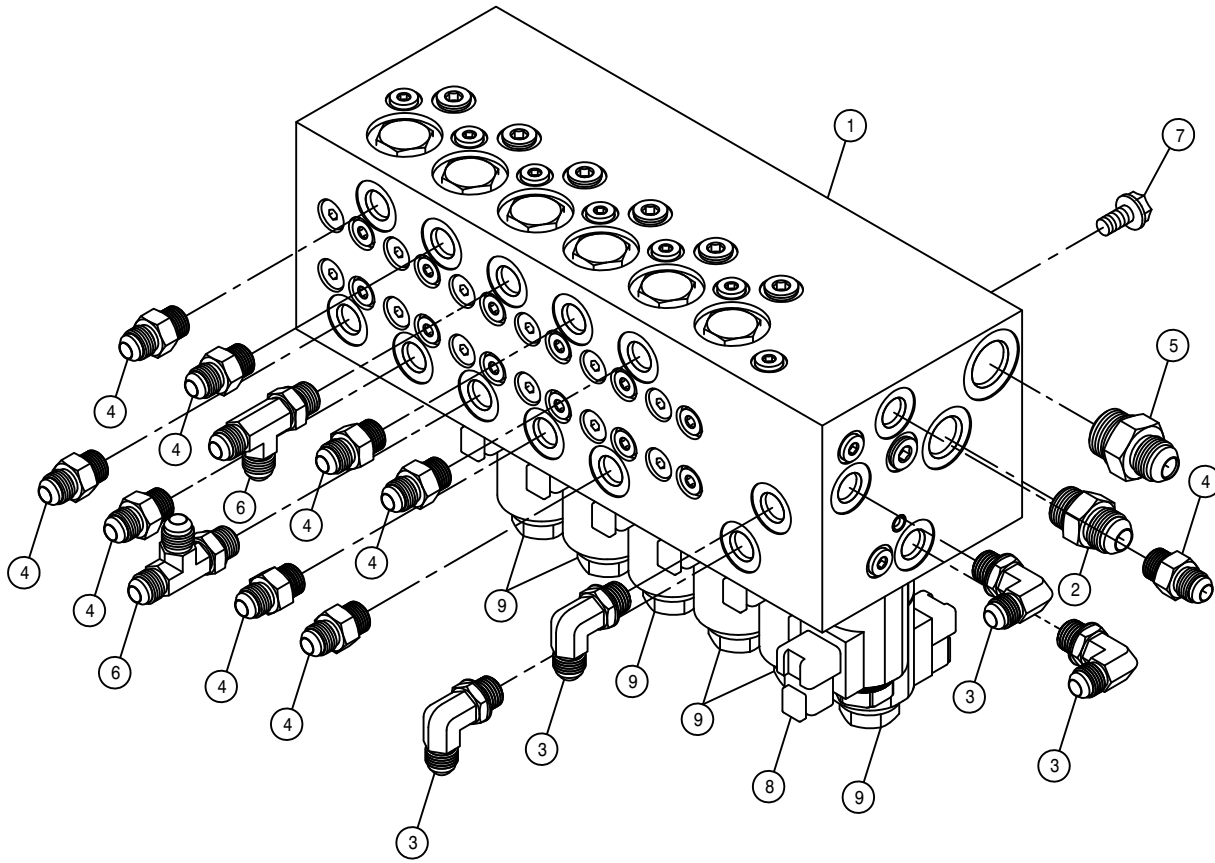
DET.	QTY	PART NO.	DESCRIPTION
1	1	470322	LANYARD, 8" NYLON LOOP/LOOP
2	1	164670	RH REAR NOZL MT WLD STS12
3	1	164671	LH REAR NOZL MT WLD STS12
4	2	164676	NOZL SHIELD, REAR WHEEL 00
5	1	500120	1/2" HOSE BARB TEE, POLY
6	4	900265	1/2UNC X 1 1/2 HEX BOLT
7	1	696204	PLUG FOR .50/.75 FEM COUPLER
8	1	696233	.50 HOSE BARB-FEMALE COUPLER
9	1	696234	.50 HOSE BARB-MALE COUPLER
10	8	520070	HOSE CLAMP NO 8 STAINLESS
11	2	629727	FINISH PLUG FOR 1"SQ X 16 GA
12	1	601677	HOSE, 1/2 X 100 1BR BLK EPDM
13	1	601565	HOSE, 1/2 X 223 1BR BLK EPDM
14	2	601639	HOSE, 1/2 X 170 1BR BLK EPDM
15	4	914008	1/2UNC HEX STOVER NUT
16	2	737817	NOZL MT CLMP,1.00 SQ SS,Q-TJET
17	2	737822	CAP SET, YELLOW QUICK TEEJET
18	2	737824	QUICK TEEJET SEAT GASKET
19	2	737827	QUICK TJET LBO,1-TIP BODY .50
20	2	920004	1/2 SAE FLAT WASHER



BOOM INDICATOR LIGHT ASSEMBLY

DET. QTY PART NO. DESCRIPTION

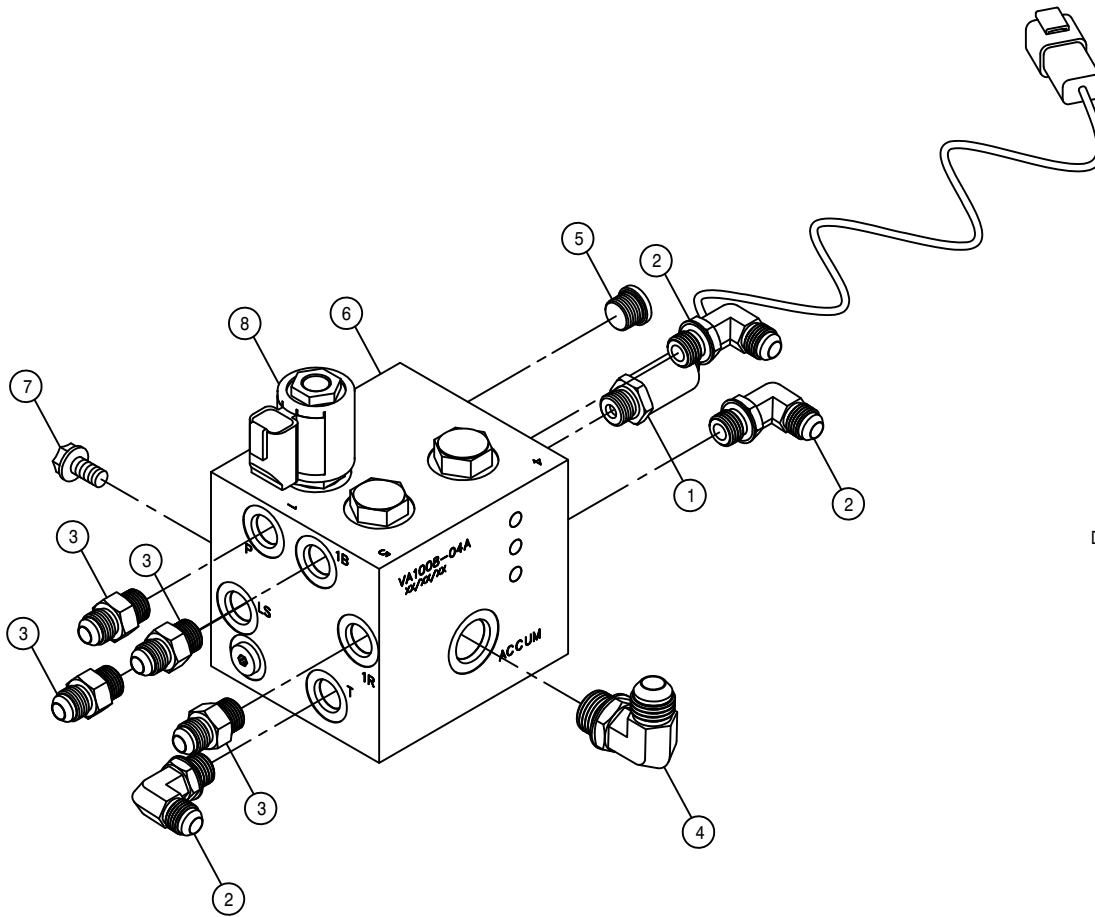
1	1	165008	BOOM INDICATOR LIGHT MT	05
2	1	293817	MASTER SPRAY LIGHT ASSY,STS	05
3	2	470121	1/4UNC HEX FLANGE LOCK NUT	
4	2	291325	AMBER LAMP,4" DT DEUTSCH	
5	5	291326	RED LAMP,4" DT DEUTSCH	
6	16	472235	10-32 X 3/4 PHIL HD MACH SCR	
7	16	470175	10-32 HEX FLANGE LOCK NUT	
8	2	470118	1/4UNC X 3/4 FLANGE HEX BOLT	



BOOM MANIFOLD ASSEMBLY

DET. QTY PART NO. DESCRIPTION

1	1	606272	VALVE, LOAD SENSE BOOM SAUER
2	1	611125	3/4MJIC-3/4MOR ADPTR
3	4	618119	9/16MJIC-90-9/16MOR LBO
4	9	618126	9/16MJIC-9/16MOR ADPTR
5	1	618327	3/4MJIC-7/8MOR ADPTR
6	2	618444	9/16MOR RUN TEE-9/16MJIC
7	4	900128	3/8UNC X 3/4 HEX BOLT
8	1	606303	COIL, SV10, FOR VLV 606272
9	6	606304	COIL,PSV10, FOR VLV 606272



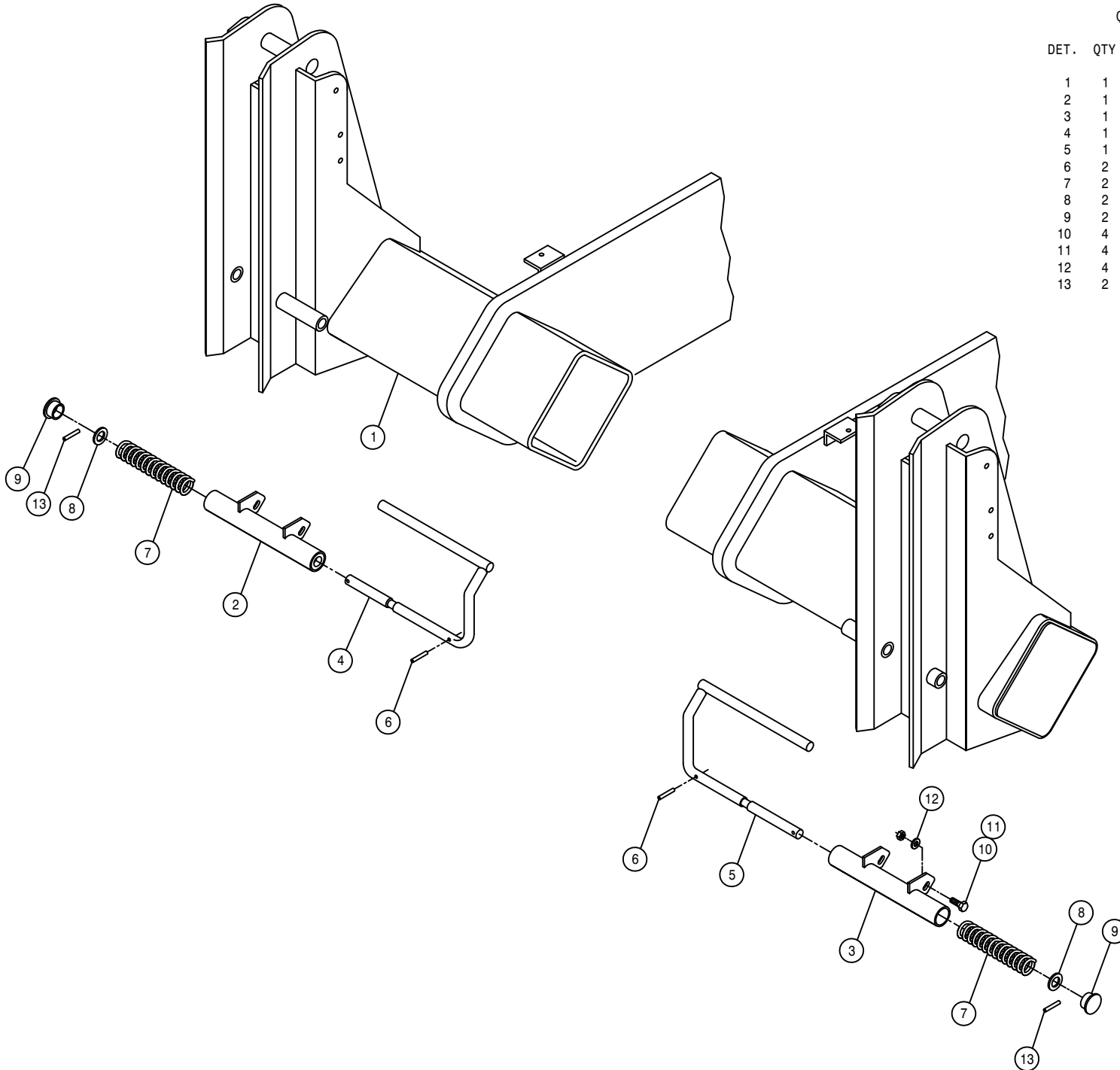
BOOM BREAKAWAY MANIFOLD ASSEMBLY

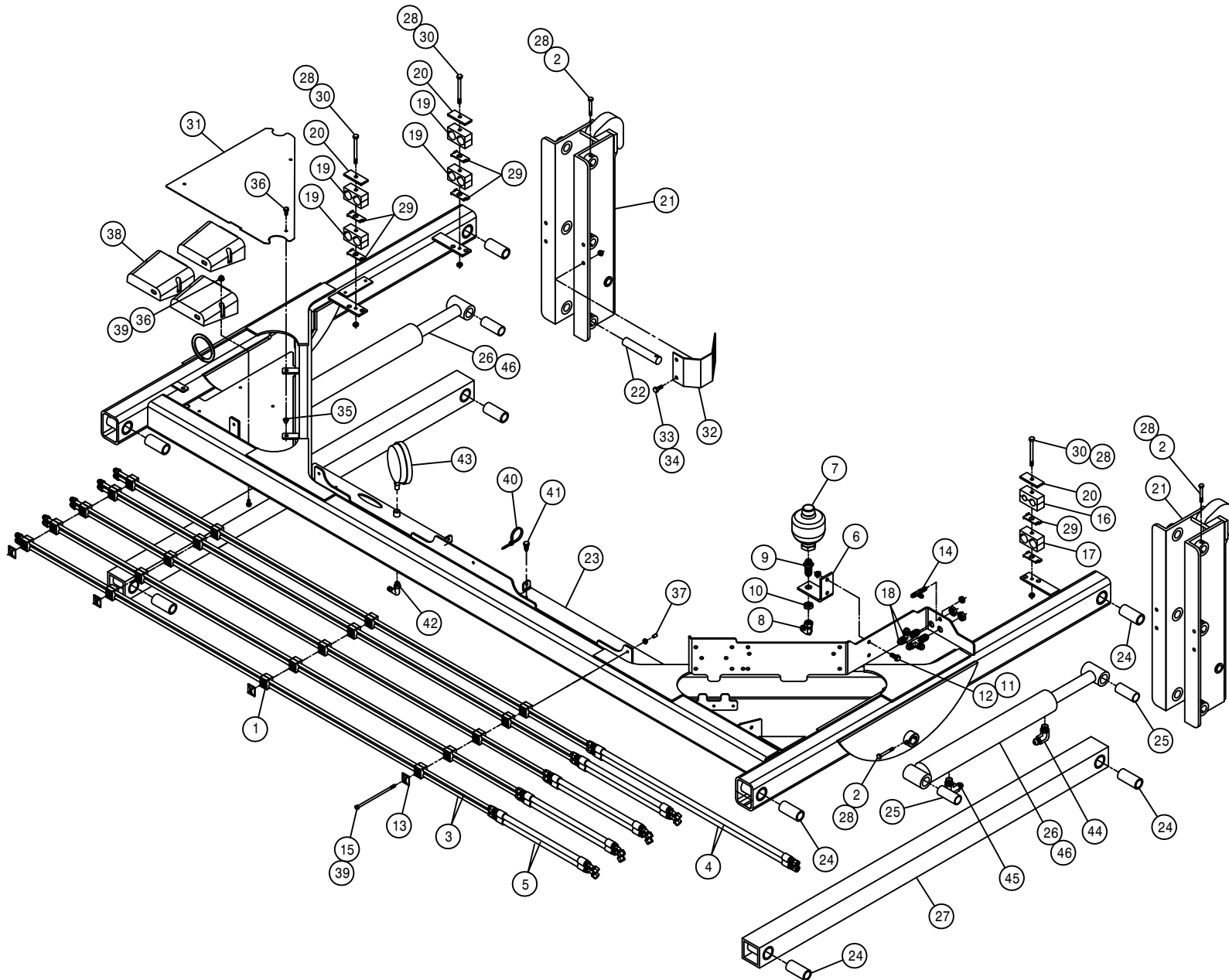
DET.	QTY	PART NO.	DESCRIPTION
	1	606196	PRESSURE TRANSDUCER, 9000 PSI
	2	618119	9/16MJIC-90-9/16MOR LBO
	3	618126	9/16MJIC-9/16MOR ADPTR
	4	618241	3/4MJIC-90-3/4MOR LBO
	5	618754	9/16MOR PLUG, HEX SOCKET
	6	606248	90° BREAKAWAY VLV, STS PWRSYS
	7	900128	3/8UNC X 3/4 HEX BOLT
	8	606266	#8 COIL W/DEUTSCH

QUICK ATTACH LEVER ASSEMBLY

DET. QTY PART NO. DESCRIPTION

1	1	361770	MAINFRAME WLD,STS 16 REPOWR 07
2	1	361665	RH Q-ATTACH LOCK WLD, STS 04
3	1	361666	LH Q-ATTACH LOCK WLD, STS 04
4	1	361670	RH Q-ATTACH LOCK PIN WLD,STS04
5	1	361671	LH Q-ATTACH LOCK PIN WLD,STS04
6	2	473805	ROLL PIN, 1/4 X 1 1/2
7	2	482018	SPRING, 1.00 X 12.00 COMPRSN
8	2	483055	.771ID-1.250OD-.135T MACH WASH
9	2	629765	CAPLUG, 1 1/2" RD, BLACK POLY
10	4	900130	3/8UNC X 1 1/4 SER FLANGE BOLT
11	4	914004	3/8UNC HEX STOVER NUT
12	4	920002	3/8 SAE FLAT WASHER
13	2	473850	ROLL PIN, 1/4 X 1"

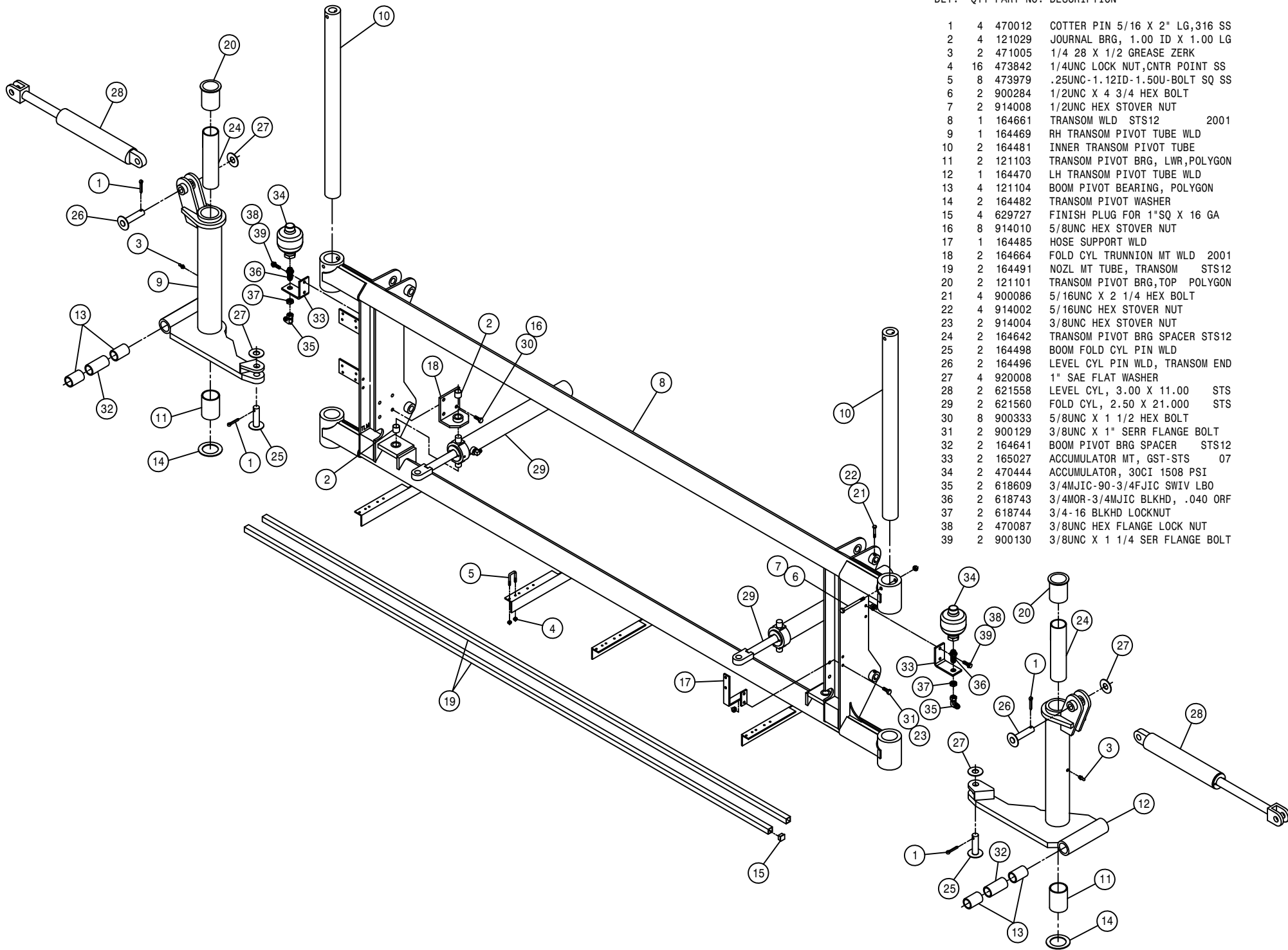




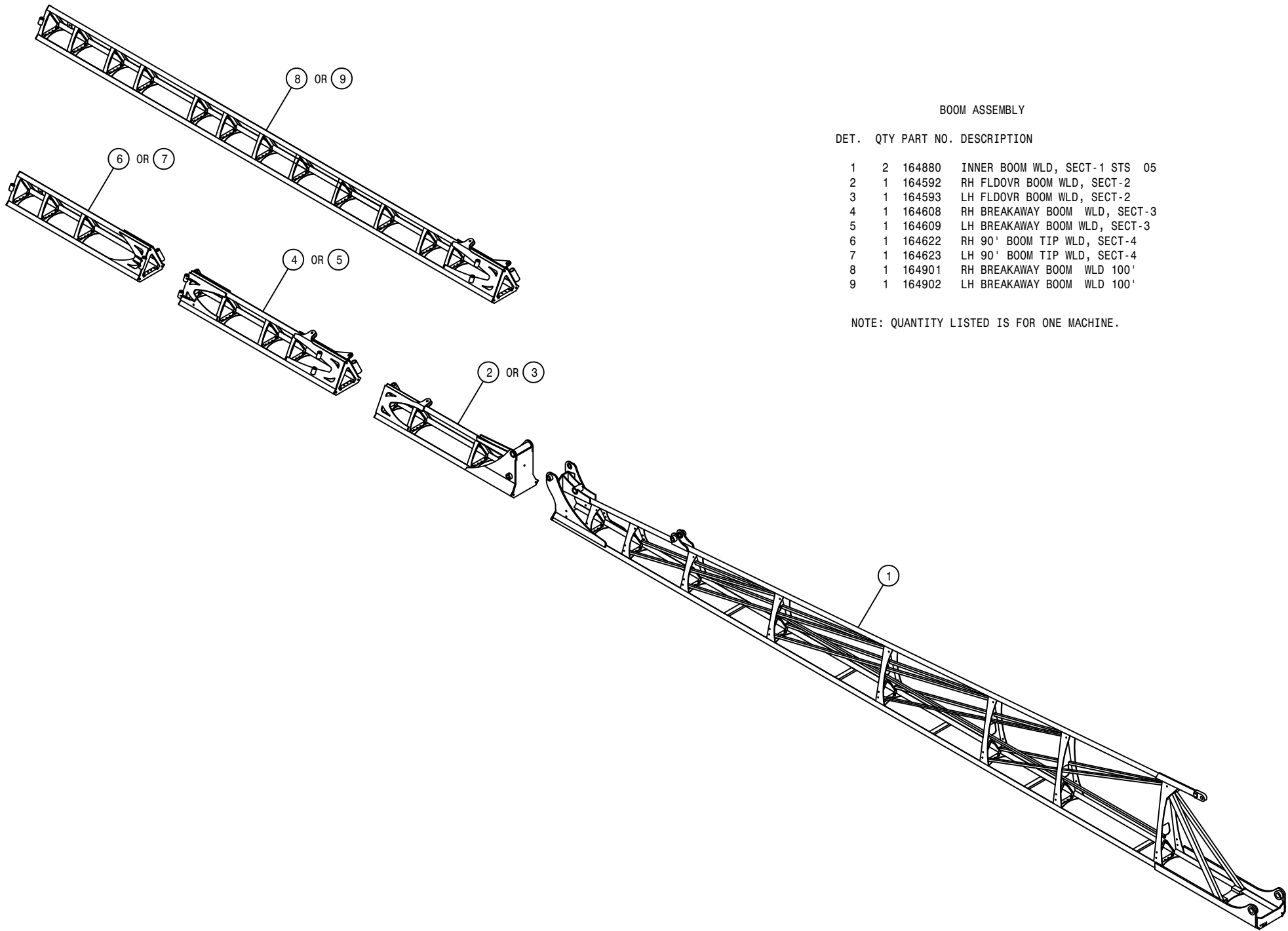
LIFTARM ASSEMBLY

DET.	QTY	PART NO.	DESCRIPTION
1	20	470473	TUBE CLAMP, HVY DTY .375-.375
2	8	900086	5/16UNC X 2 1/4 HEX BOLT
3	10	615852	LIFTARM HYD TUBE ASSY,STSL5 07
4	2	616304	06-451TC-06FJX-06FJX-36 H/A
5	8	616316	06-451TC-06FJX-06FJX45-18 H/A
6	1	165027	ACCUMULATOR MT, GST-ST5 07
7	1	470444	ACCUMULATOR, 30CI 1508 PSI
8	1	618609	3/4MJIC-90-3/4FJIC SWIV LBO
9	1	618743	3/4MOR-3/4MJIC BLKHD, .040 ORF
10	1	618744	3/4-16 BLKHD LOCKNUT
11	2	470087	3/8UNC HEX FLANGE LOCK NUT
12	2	470460	3/8 X 1 SERR FLANGE BOLT
13	4	470474	COVER PLATE FOR 470473 CLAMP
14	1	618748	7/16MJIC BLKHD RUN TEE
15	4	900032	1/4UNC X 6 1/2" HEX BOLT
16	1	470270	HOSE CLAMP BODY, .530-.680
17	1	470274	TUBE CLAMP BODY, .750-.750
18	2	618749	3/4MJIC BLKHD RUN TEE
19	4	470275	TUBE CLAMP BODY, 1.000-1.000
20	3	470276	CLAMP COVER PLATE, SNGL, 2.55LG
21	2	164800	QUICK ATTACH PLT WLD STS 04
22	12	164452	LIFT ARM MT PIVOT PIN, STS12 00
23	1	165021	UPPER LIFT ARM WLD, STSL5 06
24	8	121107	LIFTARM BEARING, POLYGLN
25	4	121109	LIFT CYL BRG, POLYGON
26	2	621556	LIFT CYL, 2.50 X 18.00 STS
27	2	164450	LWR LIFTARM WLD, STS 00
28	11	914002	5/16UNC HEX STOVER NUT
29	6	470281	STACK BOLT SAFETY LOCK PLATE
30	3	900076	5/16UNC X 4" HEX BOLT
31	1	165006	UPPER LIFTARM BUSS COVER, STS05
32	1	165009	RECEPTACLE MT, STS 05
33	2	900129	3/8UNC X 1" SERR FLANGE BOLT
34	2	914004	3/8UNC HEX STOVER NUT
35	3	470380	1/4-20 NUTSERT .027-.165 STL
36	9	470118	1/4UNC X 3/4 FLANGE HEX BOLT
37	4	629770	CAPLUGS CAP, .234 X .500 VINYL
38	3	292012	IQAN-XP2 POWER MODULE
39	10	470121	1/4UNC HEX FLANGE LOCK NUT
40	5	470154	CABLE TIE, 11.75" BLK PLASTIC
41	5	470432	PUSH MT BASE FOR PLASTIC TIE
42	1	618556	1/4NPT-90-1/2 HOSE BARB, POLY
43	1	690359	PRESSURE GA GLYCERI 100 PSI
44	2	618119	9/16MJIC-90-9/16MOR LBO
45	2	618689	9/16MOR-90-9/16MJ .042 CHK VLV
46	2	621557	REPAIR KIT, HYD CYL 621556

TRANSOM ASSEMBLY



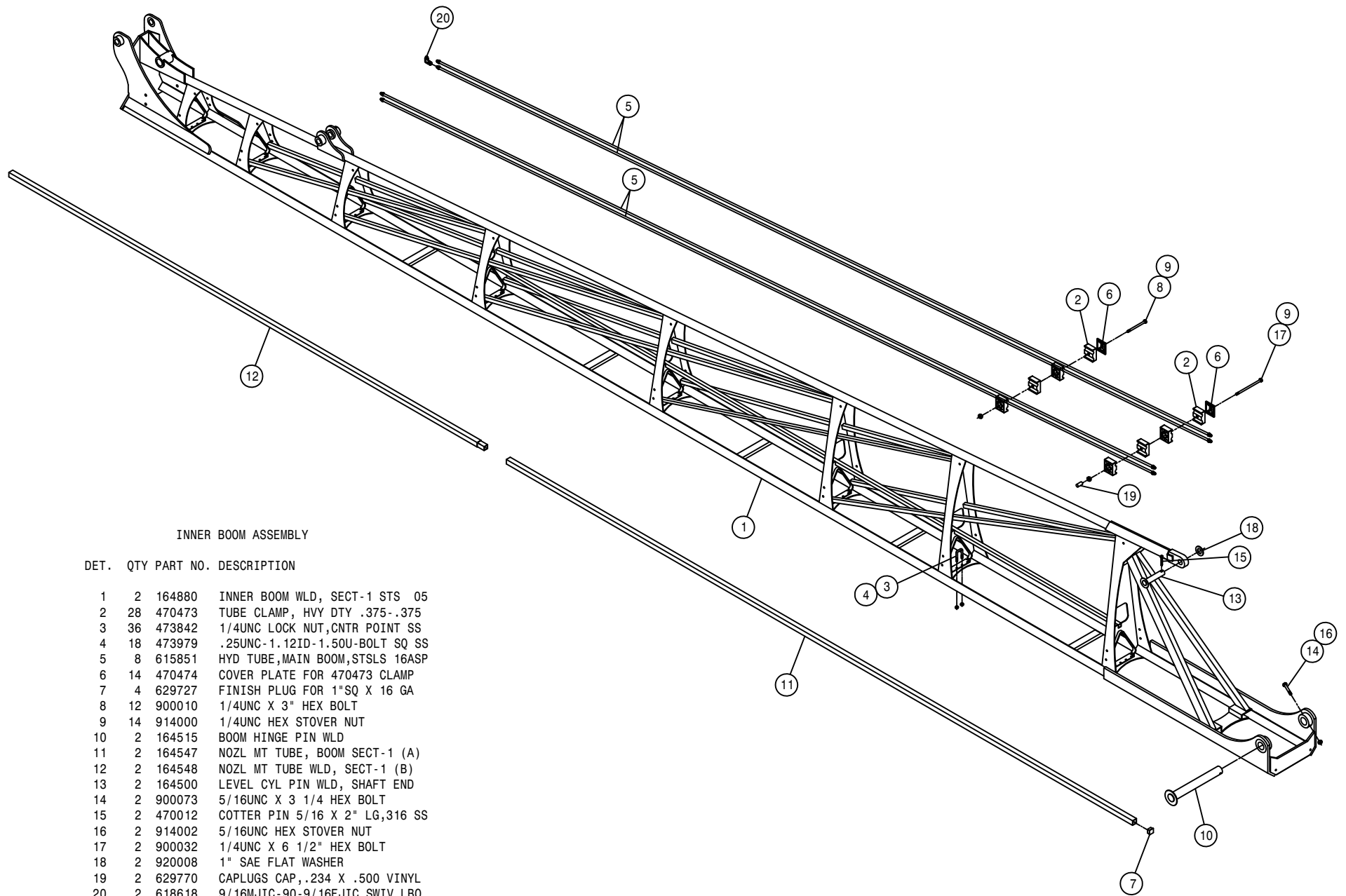
DET.	QTY	PART NO.	DESCRIPTION
1	4	470012	COTTER PIN 5/16 X 2" LG,316 SS
2	4	121029	JOURNAL BRG, 1.00 ID X 1.00 LG
3	2	471005	1/4 28 X 1/2 GREASE ZERK
4	16	473842	1/4UNC LOCK NUT,CNTR POINT SS
5	8	473979	.25UNC-1.12ID-1.50U-BOLT SQ SS
6	2	900284	1/2UNC X 4 3/4 HEX BOLT
7	2	914008	1/2UNC HEX STOVER NUT
8	1	164661	TRANSOM WLD STS12 2001
9	1	164469	RH TRANSOM PIVOT TUBE WLD
10	2	164481	INNER TRANSOM PIVOT TUBE
11	2	121103	TRANSOM PIVOT BRG, LWR,POLYGON
12	1	164470	LH TRANSOM PIVOT TUBE WLD
13	4	121104	BOOM PIVOT BEARING, POLYGON
14	2	164482	TRANSOM PIVOT WASHER
15	4	629727	FINISH PLUG FOR 1"SQ X 16 GA
16	8	914010	5/8UNC HEX STOVER NUT
17	1	164485	HOSE SUPPORT WLD
18	2	164664	FOLD CYL TRUNNION MT WLD 2001
19	2	164491	NOZL MT TUBE, TRANSOM STS12
20	2	121101	TRANSOM PIVOT BRG, TOP POLYGON
21	4	900086	5/16UNC X 2 1/4 HEX BOLT
22	4	914002	5/16UNC HEX STOVER NUT
23	2	914004	3/8UNC HEX STOVER NUT
24	2	164642	TRANSOM PIVOT BRG SPACER STS12
25	2	164498	BOOM FOLD CYL PIN WLD
26	2	164496	LEVEL CYL PIN WLD, TRANSOM END
27	4	920008	1" SAE FLAT WASHER
28	2	621558	LEVEL CYL, 3.00 X 11.00 STS
29	2	621560	FOLD CYL, 2.50 X 21.000 STS
30	8	900333	5/8UNC X 1 1/2 HEX BOLT
31	2	900129	3/8UNC X 1" SERR FLANGE BOLT
32	2	164641	BOOM PIVOT BRG SPACER STS12
33	2	165027	ACCUMULATOR MT, GST-STS 07
34	2	470444	ACCUMULATOR, 30CI 1508 PSI
35	2	618609	3/4MJIC-90-3/4FJIC SWIV LBO
36	2	618743	3/4MOR-3/4MJIC BLKHD, .040 ORF
37	2	618744	3/4-16 BLKHD LOCKNUT
38	2	470087	3/8UNC HEX FLANGE LOCK NUT
39	2	900130	3/8UNC X 1 1/4 SER FLANGE BOLT



BOOM ASSEMBLY

DET.	QTY	PART NO.	DESCRIPTION
1	2	164880	INNER BOOM WLD, SECT-1 STS 05
2	1	164592	RH FLDOVR BOOM WLD, SECT-2
3	1	164593	LH FLDOVR BOOM WLD, SECT-2
4	1	164608	RH BREAKAWAY BOOM WLD, SECT-3
5	1	164609	LH BREAKAWAY BOOM WLD, SECT-3
6	1	164622	RH 90' BOOM TIP WLD, SECT-4
7	1	164623	LH 90' BOOM TIP WLD, SECT-4
8	1	164901	RH BREAKAWAY BOOM WLD 100'
9	1	164902	LH BREAKAWAY BOOM WLD 100'

NOTE: QUANTITY LISTED IS FOR ONE MACHINE.

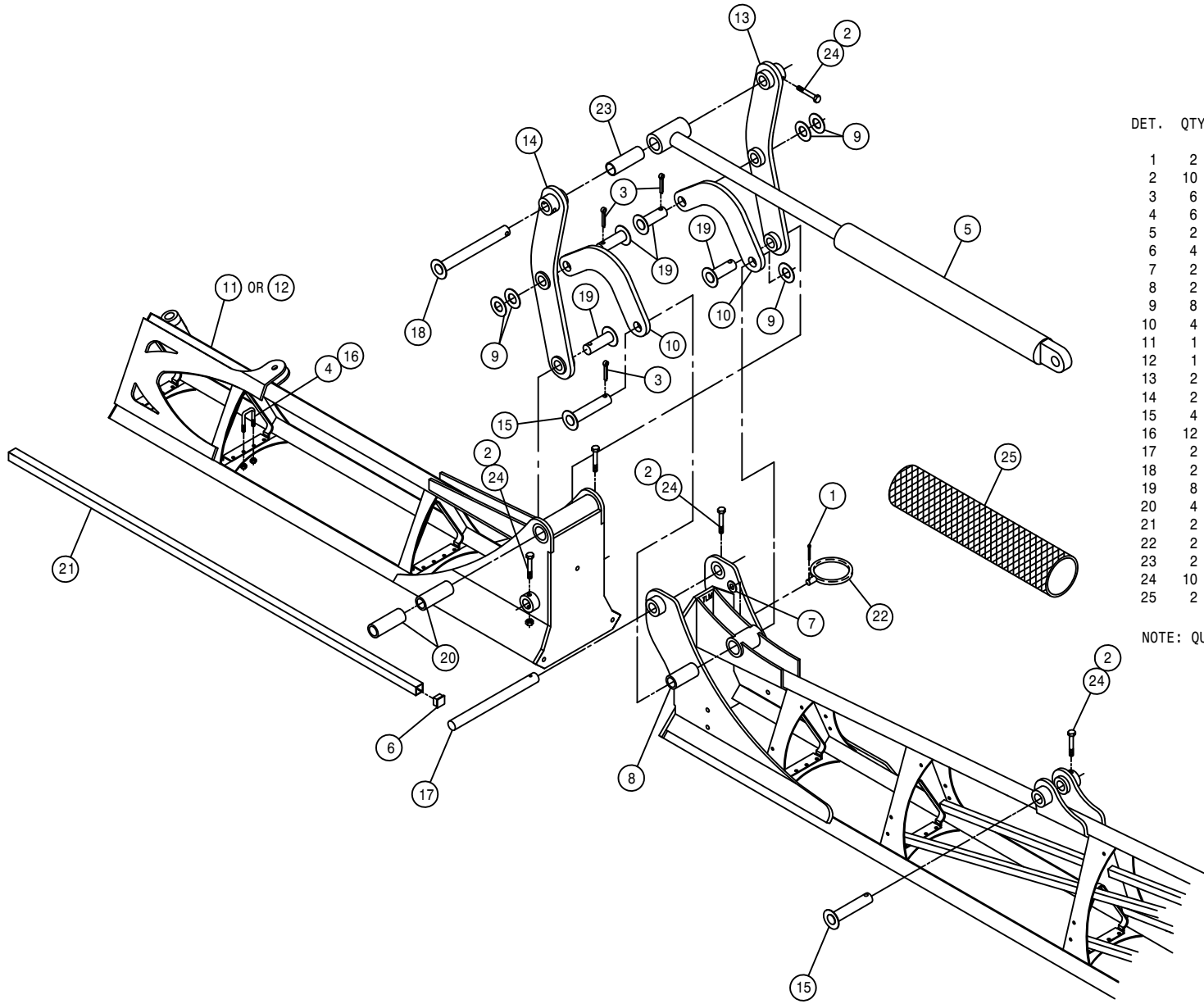


INNER BOOM ASSEMBLY

DET. QTY PART NO. DESCRIPTION

1	2	164880	INNER BOOM WLD, SECT-1 STS 05
2	28	470473	TUBE CLAMP, HVY DTY .375-.375
3	36	473842	1/4UNC LOCK NUT,CNTR POINT SS
4	18	473979	.25UNC-1.12ID-1.50U-BOLT SQ SS
5	8	615851	HYD TUBE,MAIN BOOM,STSLs 16ASP
6	14	470474	COVER PLATE FOR 470473 CLAMP
7	4	629727	FINISH PLUG FOR 1"SQ X 16 GA
8	12	900010	1/4UNC X 3" HEX BOLT
9	14	914000	1/4UNC HEX STOVER NUT
10	2	164515	BOOM HINGE PIN WLD
11	2	164547	NOZL MT TUBE, BOOM SECT-1 (A)
12	2	164548	NOZL MT TUBE WLD, SECT-1 (B)
13	2	164500	LEVEL CYL PIN WLD, SHAFT END
14	2	900073	5/16UNC X 3 1/4 HEX BOLT
15	2	470012	COTTER PIN 5/16 X 2" LG,316 SS
16	2	914002	5/16UNC HEX STOVER NUT
17	2	900032	1/4UNC X 6 1/2" HEX BOLT
18	2	920008	1" SAE FLAT WASHER
19	2	629770	CAPPLUGS CAP,.234 X .500 VINYL
20	2	618618	9/16MJIC-90-9/16FJIC SWIV LBO

NOTE: QUANTITY LISTED IS FOR ONE MACHINE.



80'-90' BOOM HINGE ASSEMBLY

DET.	QTY	PART NO.	DESCRIPTION
	2	390984	COTTER PIN 1/8 X 1 1/4
	10	914002	5/16UNC HEX STOVER NUT
	6	470012	COTTER PIN 5/16 X 2" LG,316 SS
	6	473979	.25UNC-1.12ID-1.50U-BOLT SQ SS
	2	621562	UTR FOLD CYL,2.25 X 21.00 STS
	4	629727	FINISH PLUG FOR 1"SQ X 16 GA
	2	920004	1/2 SAE FLAT WASHER
	2	121107	LIFTARM BEARING, POLYGON
	8	920008	1" SAE FLAT WASHER
	4	164643	XK402 TOP ARM(LEFT) 10.35 CNTR
	1	164592	RH FLDOVR BOOM WLD, SECT-2
	1	164593	LH FLDOVR BOOM WLD, SECT-2
	2	164528	RH FOLD-OVER BOOMERANG WLD
	2	164529	LH FOLD-OVER BOOMERANG WLD
	4	164522	BOOM FOLD CYL PIN WLD
	12	473842	1/4UNC LOCK NUT,CNTR POINT SS
	2	164678	BOOM FOLD PIVOT PIN, STS 05
	2	164520	BOOM CYL PIVOT PIN WLD
	8	164524	BOOMERANG CNTR PIVOT PIN WLD
	4	121106	BOOM FOLD BRG, POLYGON
	2	164551	NOZL MT TUBE, BOOM SECT-2
	2	164517	HOSE SUPPORT RING WLD
	2	121108	UTR BOOM FOLD CYL BRG,POLYGON
	10	900086	5/16UNC X 2 1/4 HEX BOLT
	2	470378	SIDEWINDER SLEEVE,14.06 X 21"

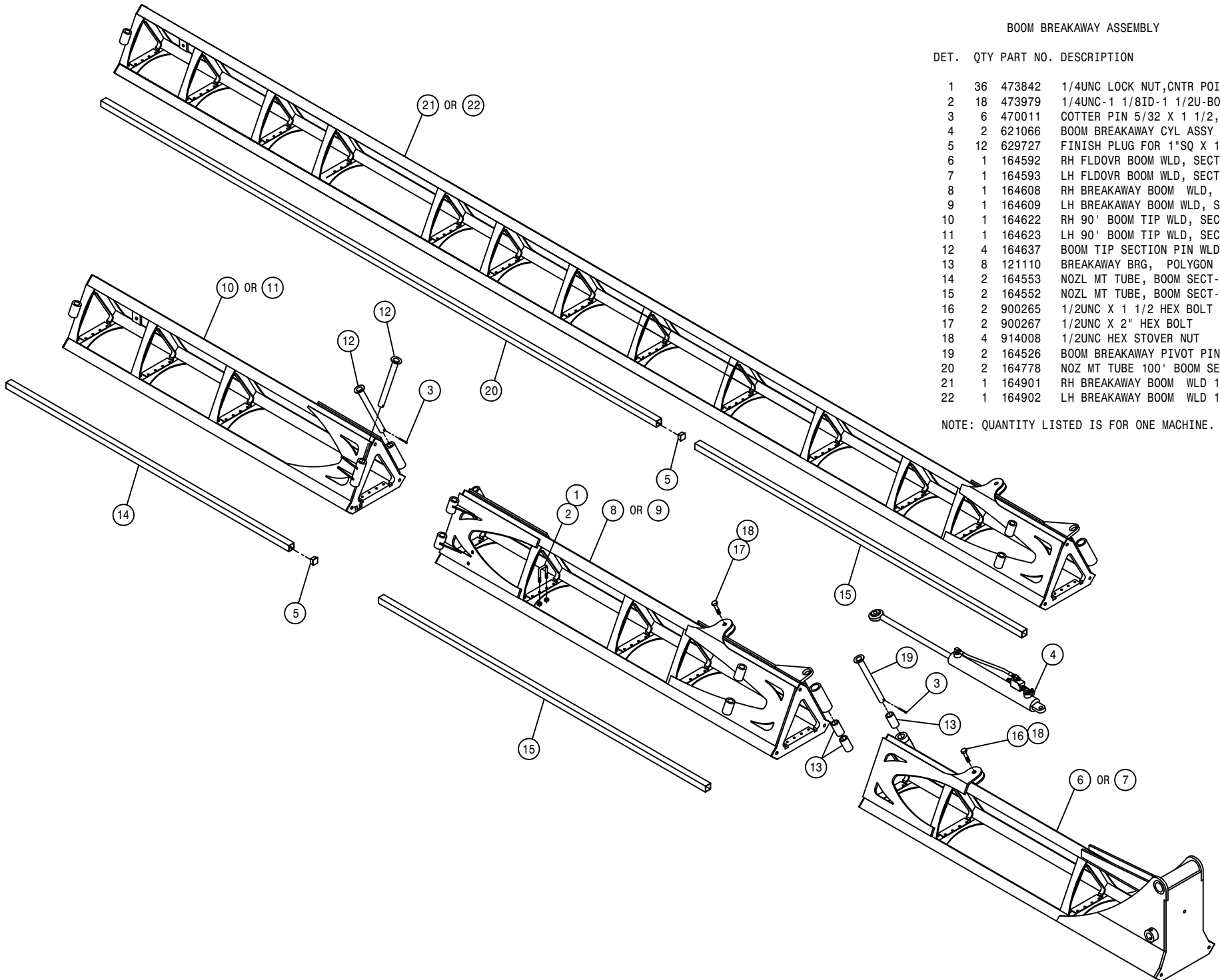
NOTE: QUANTITY LISTED IS FOR ONE MACHINE.

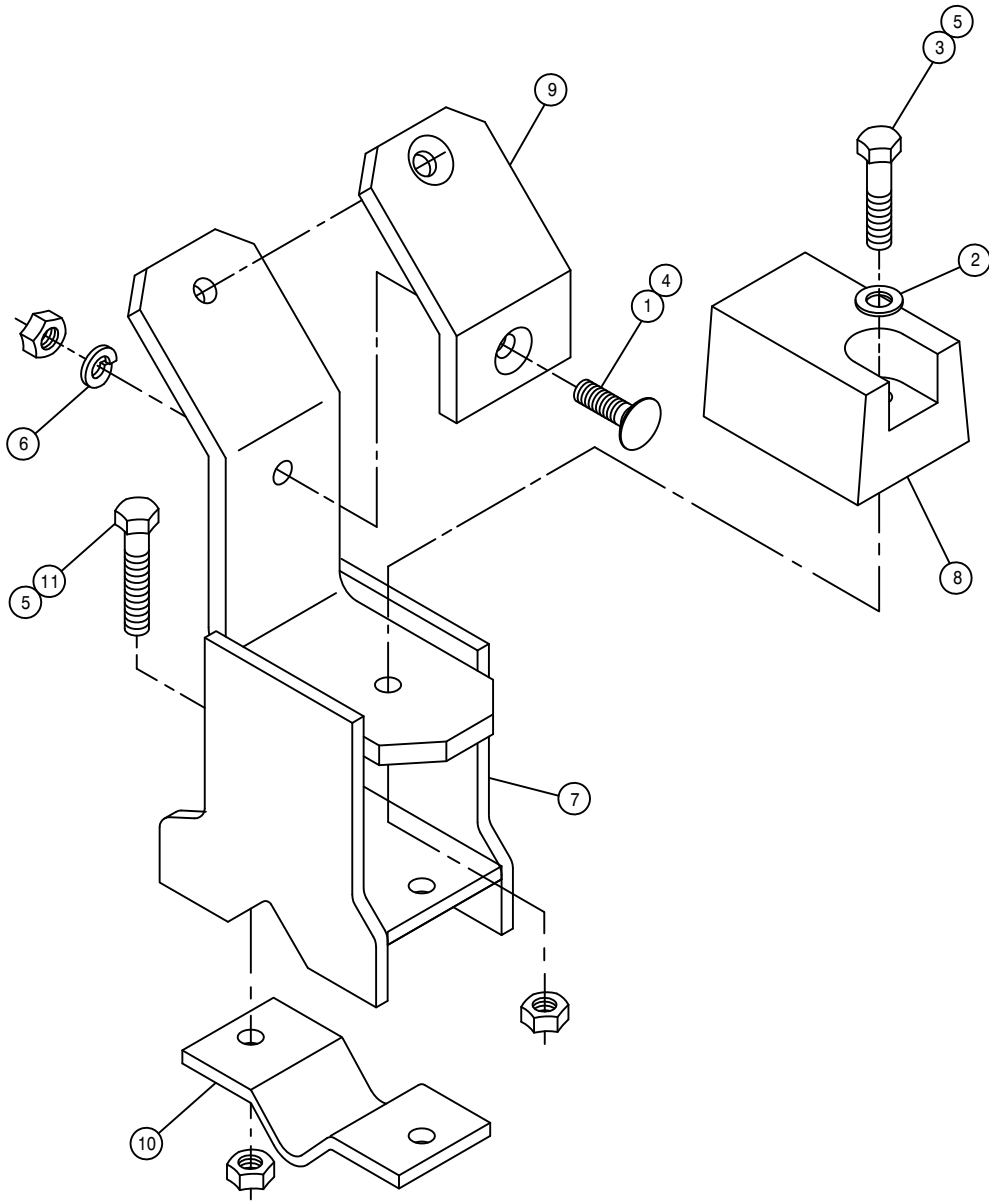
BOOM BREAKAWAY ASSEMBLY

DET. QTY PART NO. DESCRIPTION

DET.	QTY	PART NO.	DESCRIPTION
1	36	473842	1/4UNC LOCK NUT,CNTR POINT SS
2	18	473979	1/4UNC-1 1/8ID-1 1/2U-BOLTSOSS
3	6	470011	COTTER PIN 5/32 X 1 1/2,316 SS
4	2	621066	BOOM BREAKAWAY CYL ASSY STS 03
5	12	629727	FINISH PLUG FOR 1"SQ X 16 GA
6	1	164592	RH FLDOVR BOOM WLD, SECT-2
7	1	164593	LH FLDOVR BOOM WLD, SECT-2
8	1	164608	RH BREAKAWAY BOOM WLD, SECT-3
9	1	164609	LH BREAKAWAY BOOM WLD, SECT-3
10	1	164622	RH 90' BOOM TIP WLD, SECT-4
11	1	164623	LH 90' BOOM TIP WLD, SECT-4
12	4	164637	BOOM TIP SECTION PIN WLD
13	8	121110	BREAKAWAY BRG, POLYGON
14	2	164553	NOZL MT TUBE, BOOM SECT-4
15	2	164552	NOZL MT TUBE, BOOM SECT-3
16	2	900265	1/2UNC X 1 1/2 HEX BOLT
17	2	900267	1/2UNC X 2" HEX BOLT
18	4	914008	1/2UNC HEX STOVER NUT
19	2	164526	BOOM BREAKAWAY PIVOT PIN WLD
20	2	164778	NOZ MT TUBE 100' BOOM SEC-4 05
21	1	164901	RH BREAKAWAY BOOM WLD 100'
22	1	164902	LH BREAKAWAY BOOM WLD 100'

NOTE: QUANTITY LISTED IS FOR ONE MACHINE.

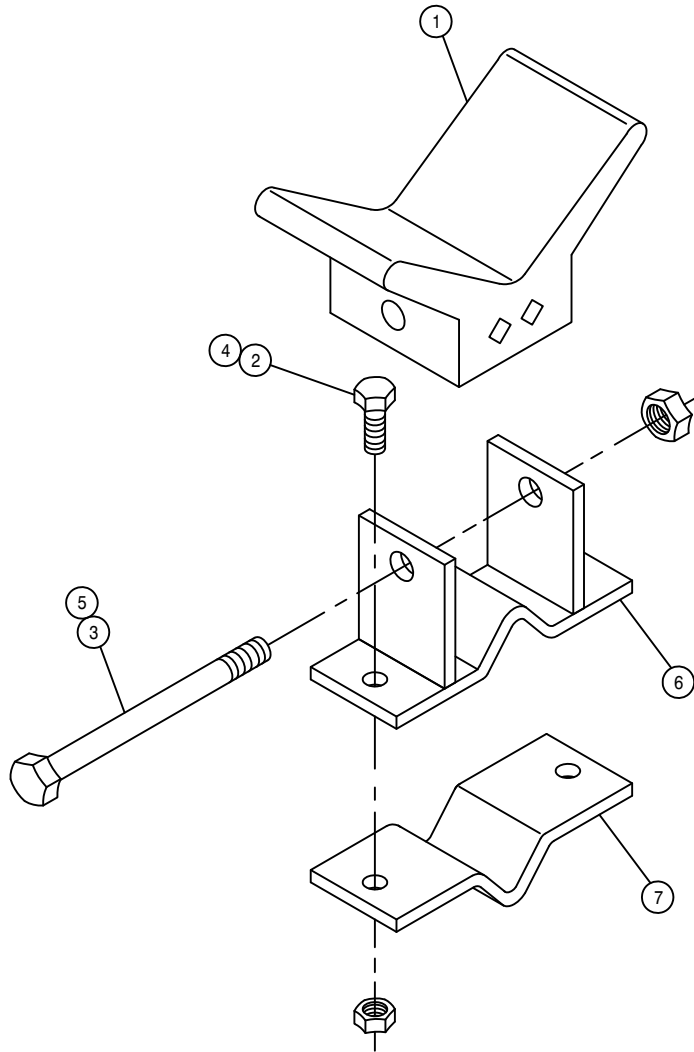




BOOM SUPPORT CRADLE ASSEMBLY, 80' -90'

DET. QTY PART NO. DESCRIPTION

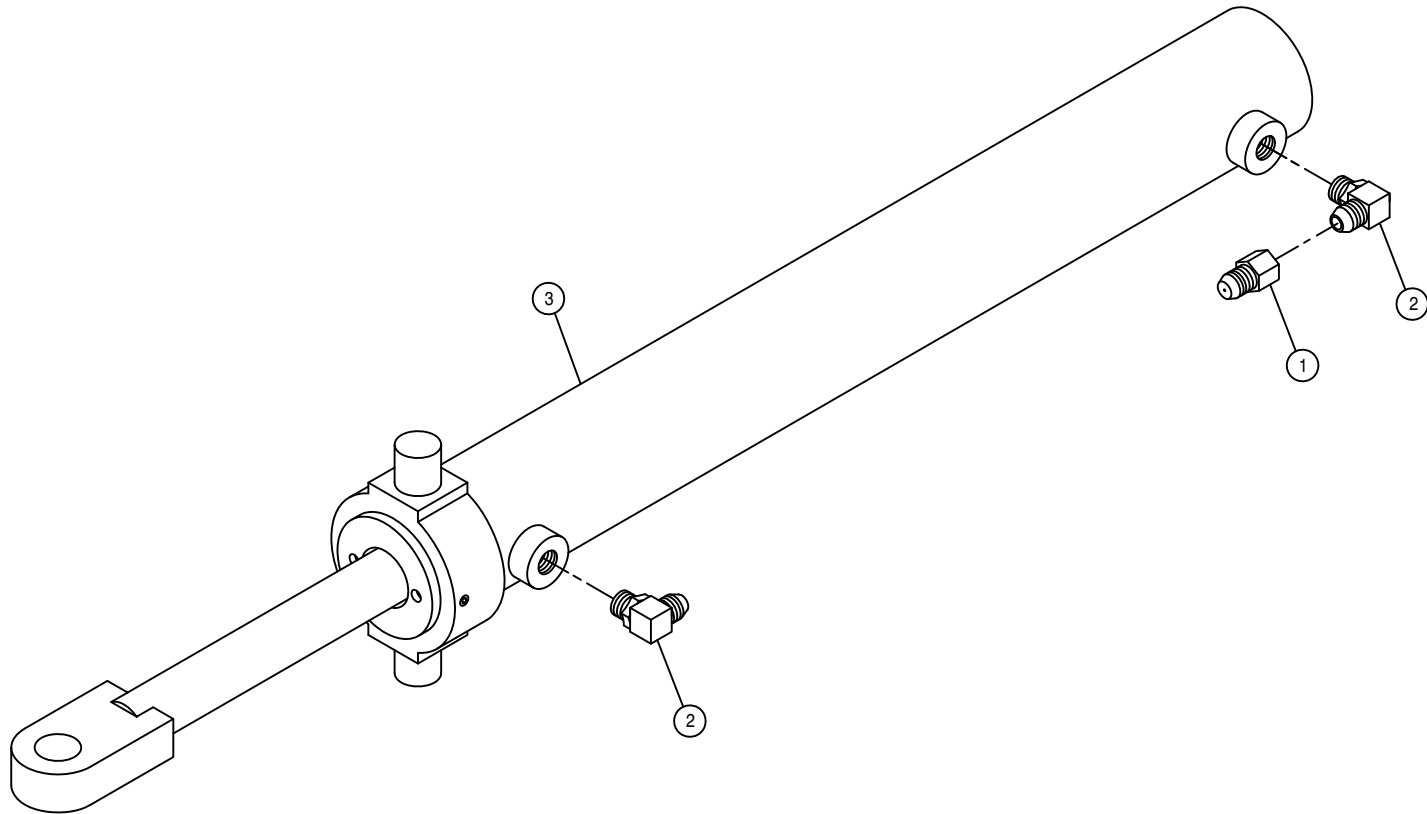
1	2	470328	3/8UNC X 1 1/4 #3HD PLOW BOLT
2	1	483043	3/8 REGULAR FLAT WASHER
3	1	900133	3/8UNC X 2" SERR FLANGE BOLT
4	2	910004	3/8UNC HEX NUT
5	3	914004	3/8UNC HEX STOVER NUT
6	2	920502	3/8 LOCK WASHER
7	1	164811	BOOM SUPP CRADLE WLD,80/90' 04
8	1	164541	BOOM SUPPORT PAD
9	1	164542	BOOM SUPPORT CRADLE PAD
10	1	164543	BOOM SUPPORT KEEPER
11	2	900170	3/8UNC X 2 1/4 SER FLANGE BOLT



90' BOOM SUPPORT ASSEMBLY

DET. QTY PART NO. DESCRIPTION

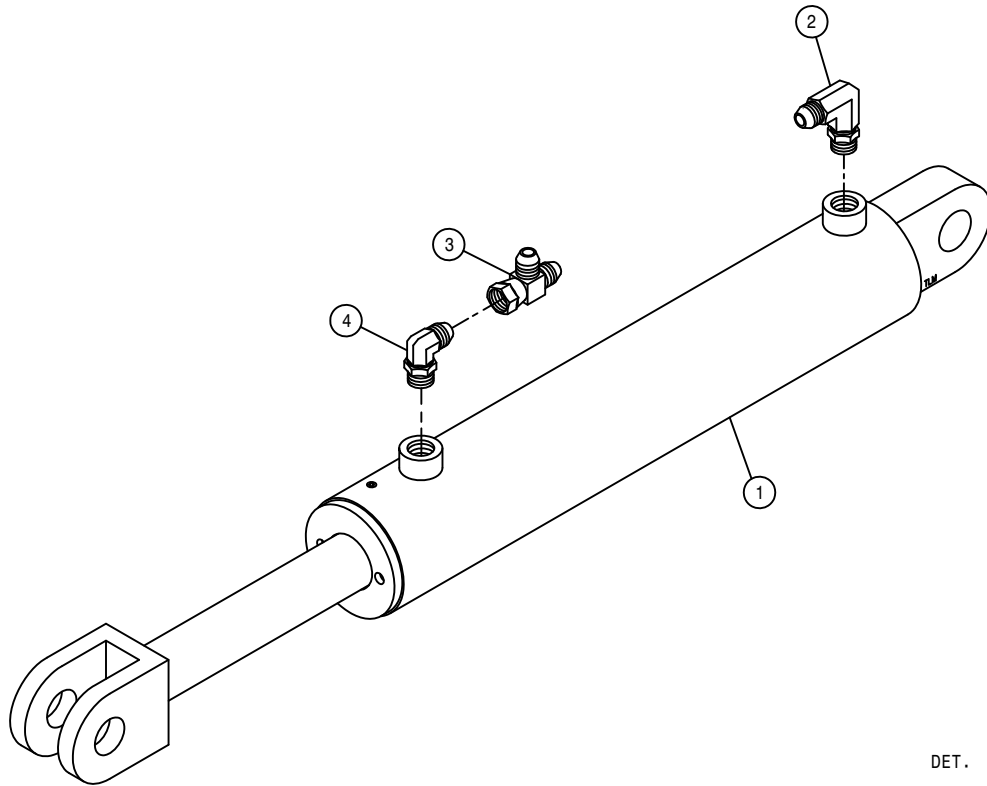
1	1	470324	3" RUBBER BOW GUARD
2	2	900130	3/8UNC X 1 1/4 SER FLANGE BOLT
3	1	900273	1/2UNC X 3 3/4 HEX BOLT
4	2	914004	3/8UNC HEX STOVER NUT
5	1	914008	1/2UNC HEX STOVER NUT
6	1	164544	FRT BOOM SUPPORT WLD, 90' BOOM
7	1	164545	FRT BOOM SUPPORT MT



BOOM FOLD CYLINDER ASSEMBLY

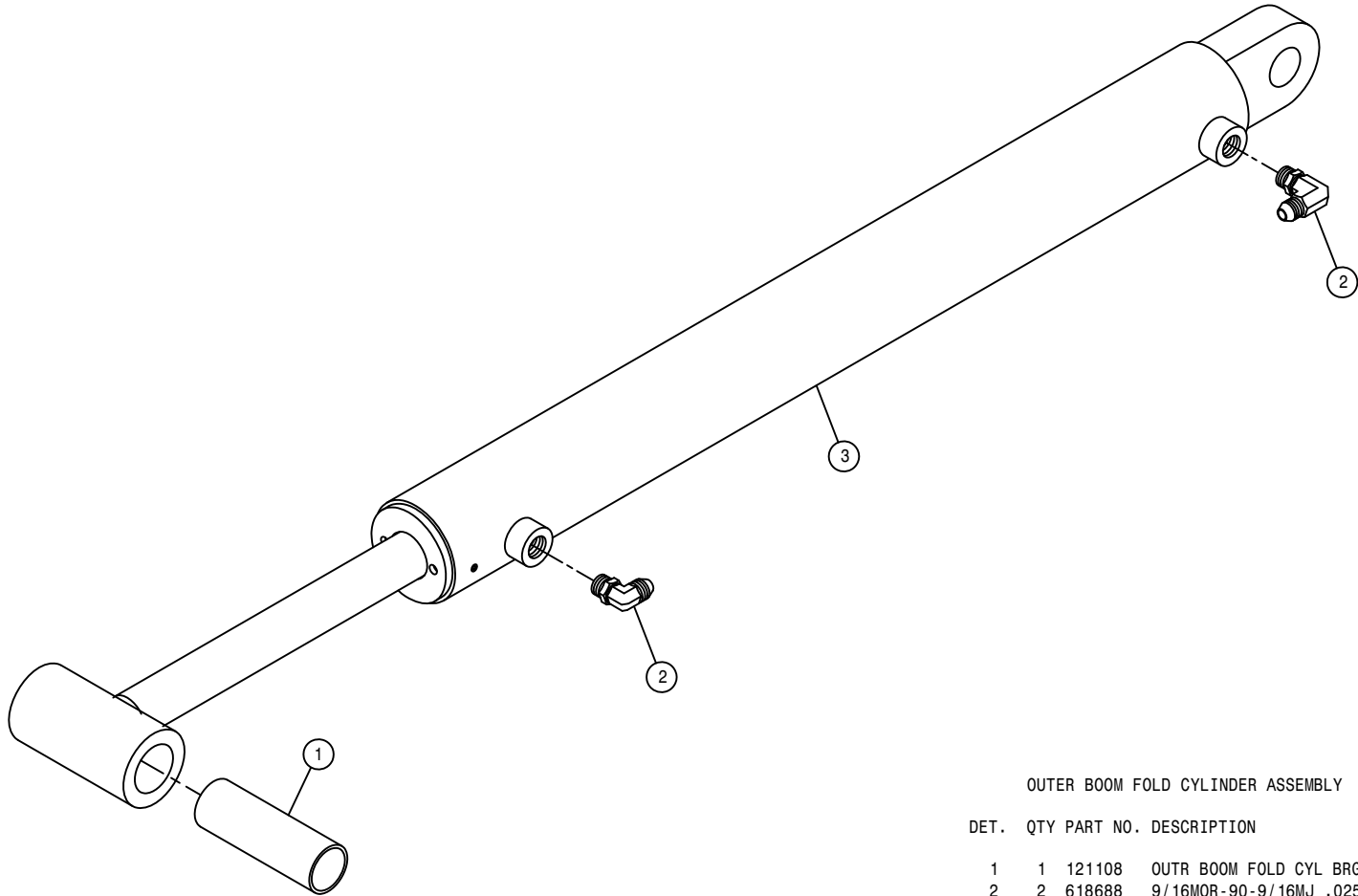
DET. QTY PART NO. DESCRIPTION

1	1	618733	9/16JIC .042 ORIFICE ADPTR	
2	2	618119	9/16MJIC-90-9/16MOR LBO	
3	1	621560	FOLD CYL, 2.50 X 21.000	STS
NS	1	621561	REPAIR KIT, HYD CYL 621560	



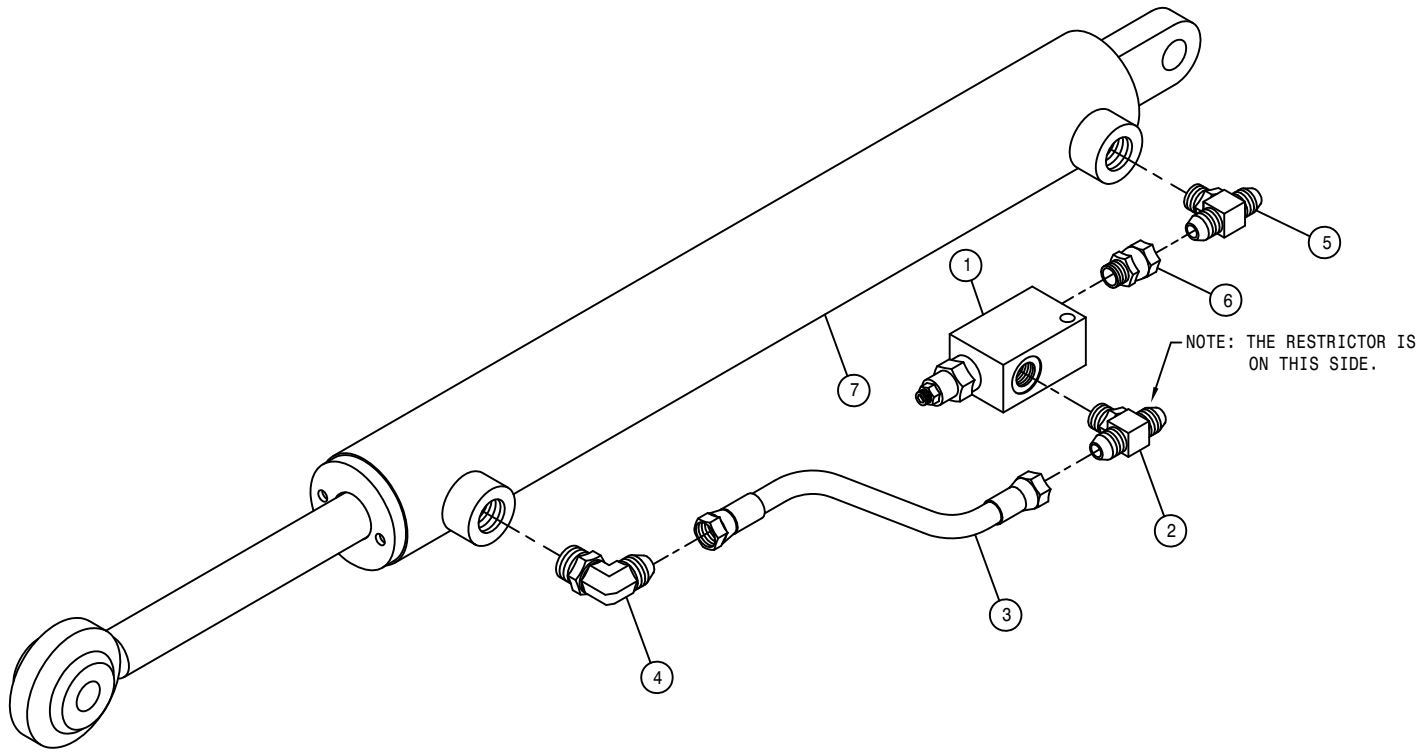
BOOM LEVEL CYLINDER ASSEMBLY

DET.	QTY	PART NO.	DESCRIPTION
1	1	621558	LEVEL CYL, 3.00 X 11.00 STS
2	1	618119	9/16MJIC-90-9/16MOR LBO
3	1	618486	9/16FJIC SW RUN TEE-9/16MJIC
4	1	618689	9/16MOR-90-9/16MJ .042 CHK VLV
NS	1	621559	REPAIR KIT, HYD CYL 621558



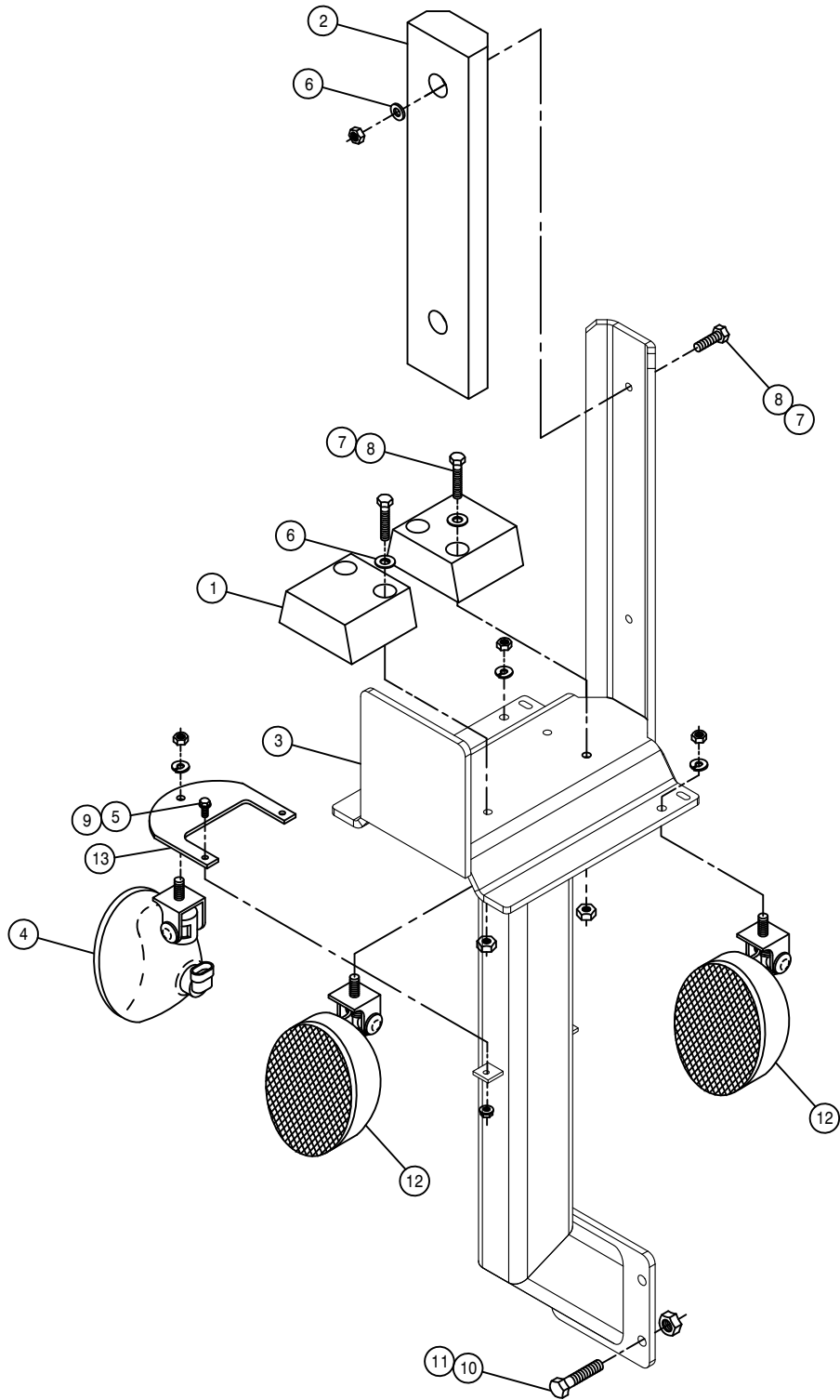
OUTER BOOM FOLD CYLINDER ASSEMBLY

DET.	QTY	PART NO.	DESCRIPTION
1	1	121108	OUTR BOOM FOLD CYL BRG,POLYGON
2	2	618688	9/16MOR-90-9/16MJ .025 CHK VLV
3	1	621562	OUTR FOLD CYL,2.25 X 21.00 STS
NS	1	621563	REPAIR KIT,HYD CYL 621562



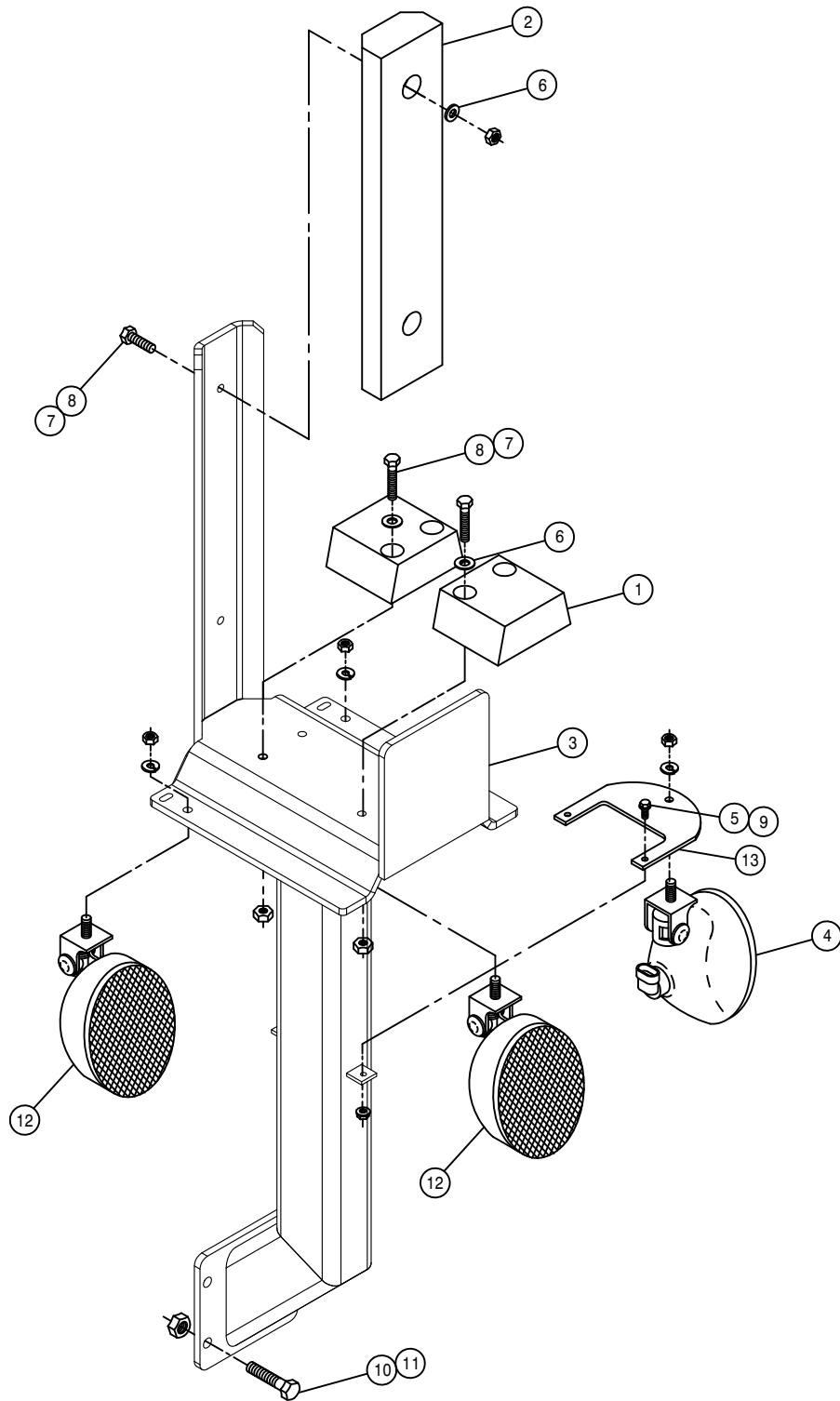
BOOM BREAKAWAY CYLINDER ASSEMBLY

DET.	QTY	PART NO.	DESCRIPTION
	1	607540	KICK-DOWN RELIEF VALVE, 800PSI
	1	614752	RESTRICTOR BR TEE ASSY, .042DIA
	1	616075	04-451TC-06FJX-06FJX-9 H/A
	1	618119	9/16MJIC-90-9/16MOR LBO
	1	618629	9/16MOR BRANCH TEE-9/16MJIC
	1	618668	9/16FJIC SWIV-9/16MOR ADPTR
	1	621554	LADR/SF/BRKWAY CYL, 1.50 X12.25
	NS	1 621555	REPAIR KIT, HYD CYL 621554



RH BOOM CRADLE ASSEMBLY 90' BOOM

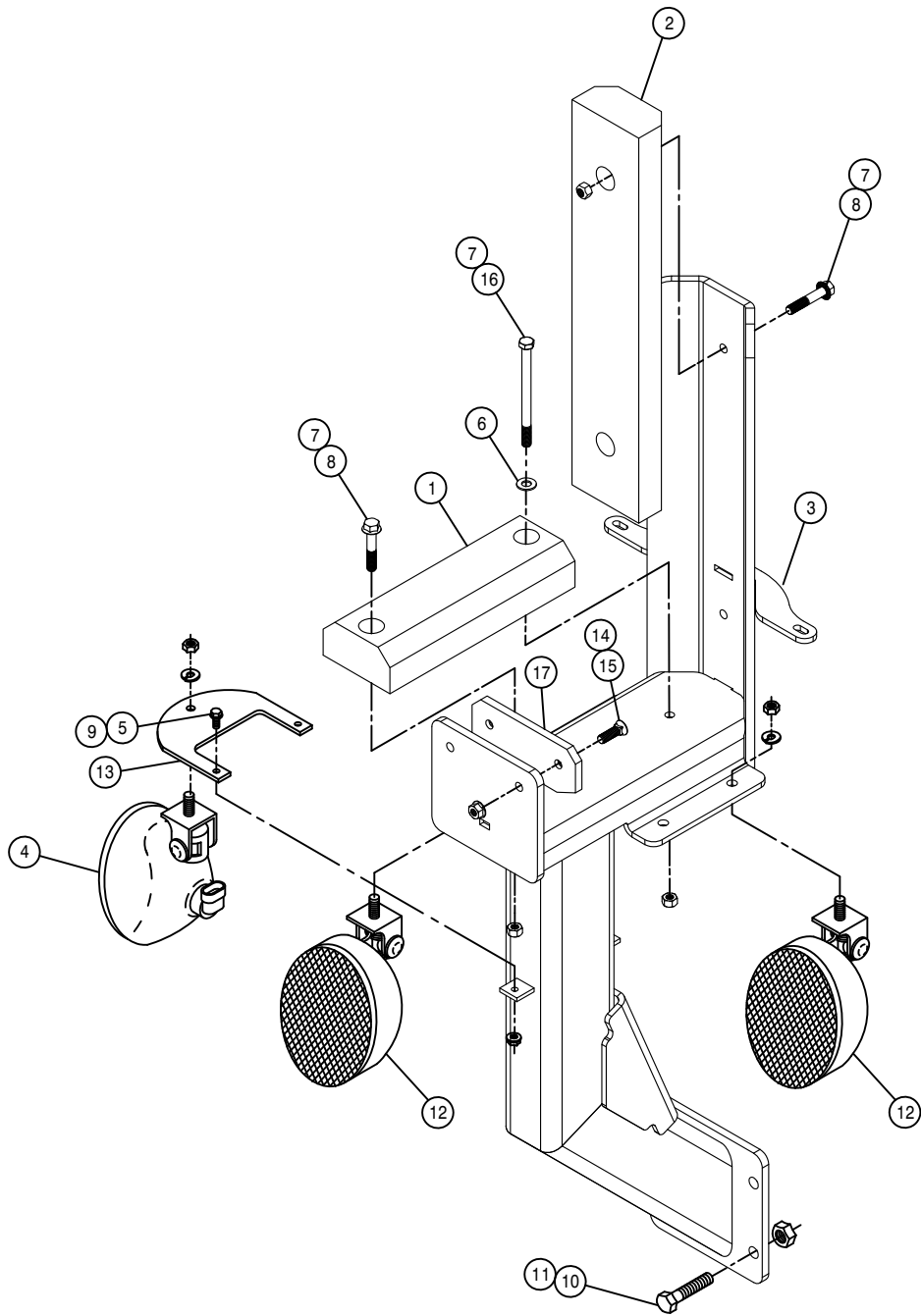
DET.	QTY	PART NO.	DESCRIPTION
1	2	164513	BOOM CRADLE PAD
2	1	164512	RUBBER BUMPER, BOOM CRADLE
3	1	165041	BOOM CRADLE WLD 07
4	1	291905	RH AMBER LIGHT, PLASTIC OVAL
5	2	470118	1/4UNC X 3/4 FLANGE HEX BOLT
6	6	920002	3/8 SAE FLAT WASHER
7	6	914004	3/8UNC HEX STOVER NUT
8	6	900133	3/8UNC X 2" HEX BOLT
9	2	470121	1/4UNC HEX FLANGE LOCK NUT
10	4	900265	1/2UNC X 1 1/2 HEX BOLT
11	4	914008	1/2UNC HEX STOVER NUT
12	2	291904	WORKLIGHT, VERTICAL FLOOD PLAS
13	1	343509	EXTREMITY FLASHER MT, STS 05



LH BOOM CRADLE ASSEMBLY 90' BOOM

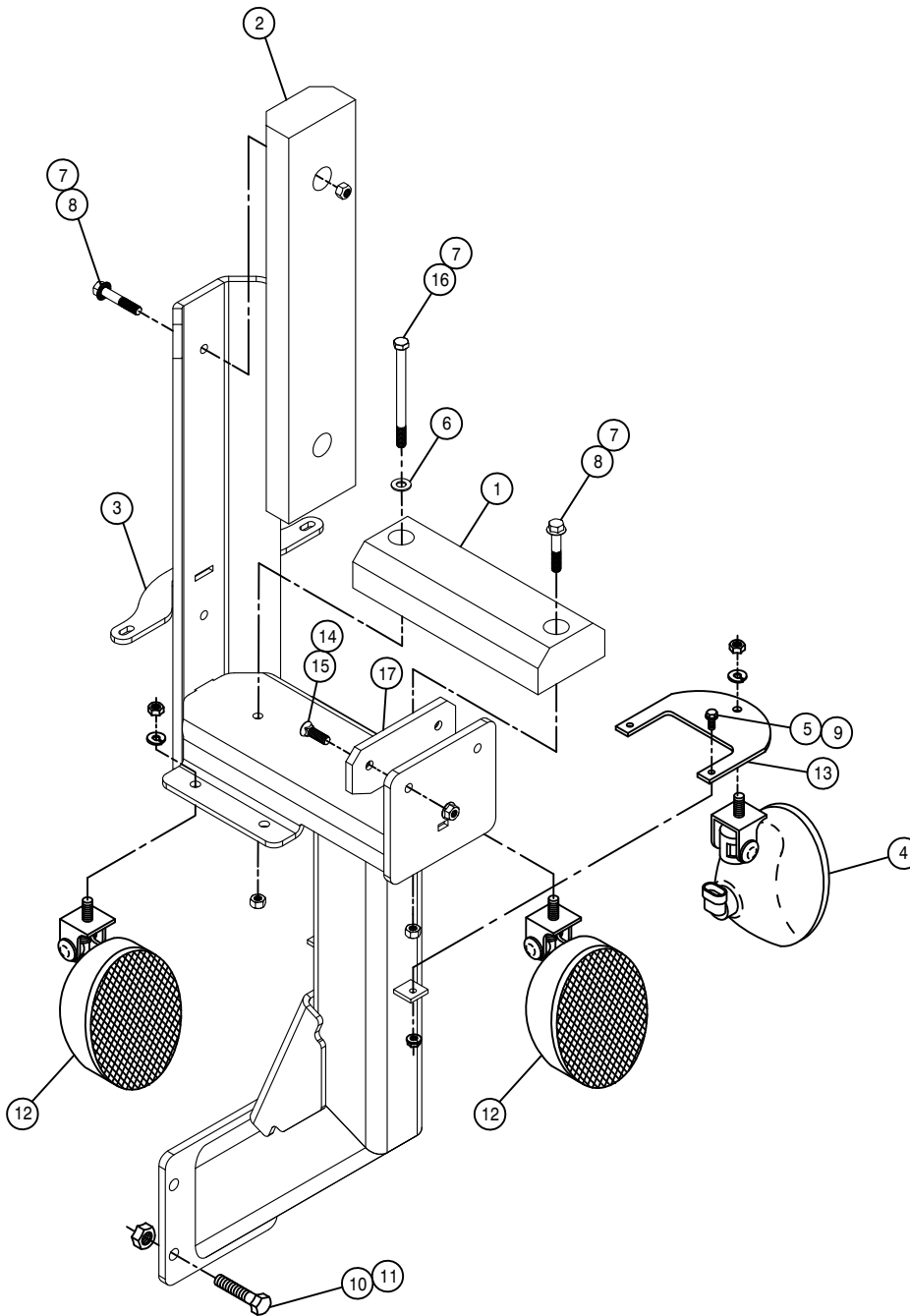
DET. QTY PART NO. DESCRIPTION

1	2	164513	BOOM CRADLE PAD
2	1	164512	RUBBER BUMPER, BOOM CRADLE
3	1	165041	BOOM CRADLE WLD 07
4	1	291906	LH AMBER LIGHT, PLASTIC OVAL
5	2	470118	1/4UNC X 3/4 FLANGE HEX BOLT
6	6	920002	3/8 SAE FLAT WASHER
7	6	914004	3/8UNC HEX STOVER NUT
8	6	900133	3/8UNC X 2" HEX BOLT
9	2	470121	1/4UNC HEX FLANGE LOCK NUT
10	4	900265	1/2UNC X 1 1/2 HEX BOLT
11	4	914008	1/2UNC HEX STOVER NUT
12	2	291904	WORKLIGHT, VERTICAL FLOOD PLAS
13	1	343509	EXTREMITY FLASHER MT, STS 05



RH BOOM CRADLE ASSEMBLY 120' BOOM

DET.	QTY	PART NO.	DESCRIPTION
1	2	A53884	BUMPER, BOOM CRADLE, DELTA
2	1	164512	RUBBER BUMPER, BOOM CRADLE
3	1	A53874	MACHINE CRADLE WLD, DELTA
4	1	291905	RH AMBER LIGHT, PLASTIC OVAL
5	2	470118	1/4UNC X 3/4 FLANGE HEX BOLT
6	1	920002	3/8 SAE FLAT WASHER
7	4	914004	3/8UNC HEX STOVER NUT
8	3	900133	3/8UNC X 2" SERR FLANGE BOLT
9	2	470121	1/4UNC HEX FLANGE LOCK NUT
10	4	900265	1/2UNC X 1 1/2 HEX BOLT
11	4	914008	1/2UNC HEX STOVER NUT
12	2	291904	WORKLIGHT, VERTICAL FLOOD PLAS
13	1	343509	EXTREMITY FLASHER MT, STS 05
14	2	470087	3/8UNC HEX FLANGE LOCK NUT
15	2	470328	3/8UNC X 1 1/4 #3HD PLOW BOLT
16	1	900142	3/8UNC X 5" HEX BOLT
17	1	A53914	WEAR PAD, BOOM CRADLE 120'BOOM



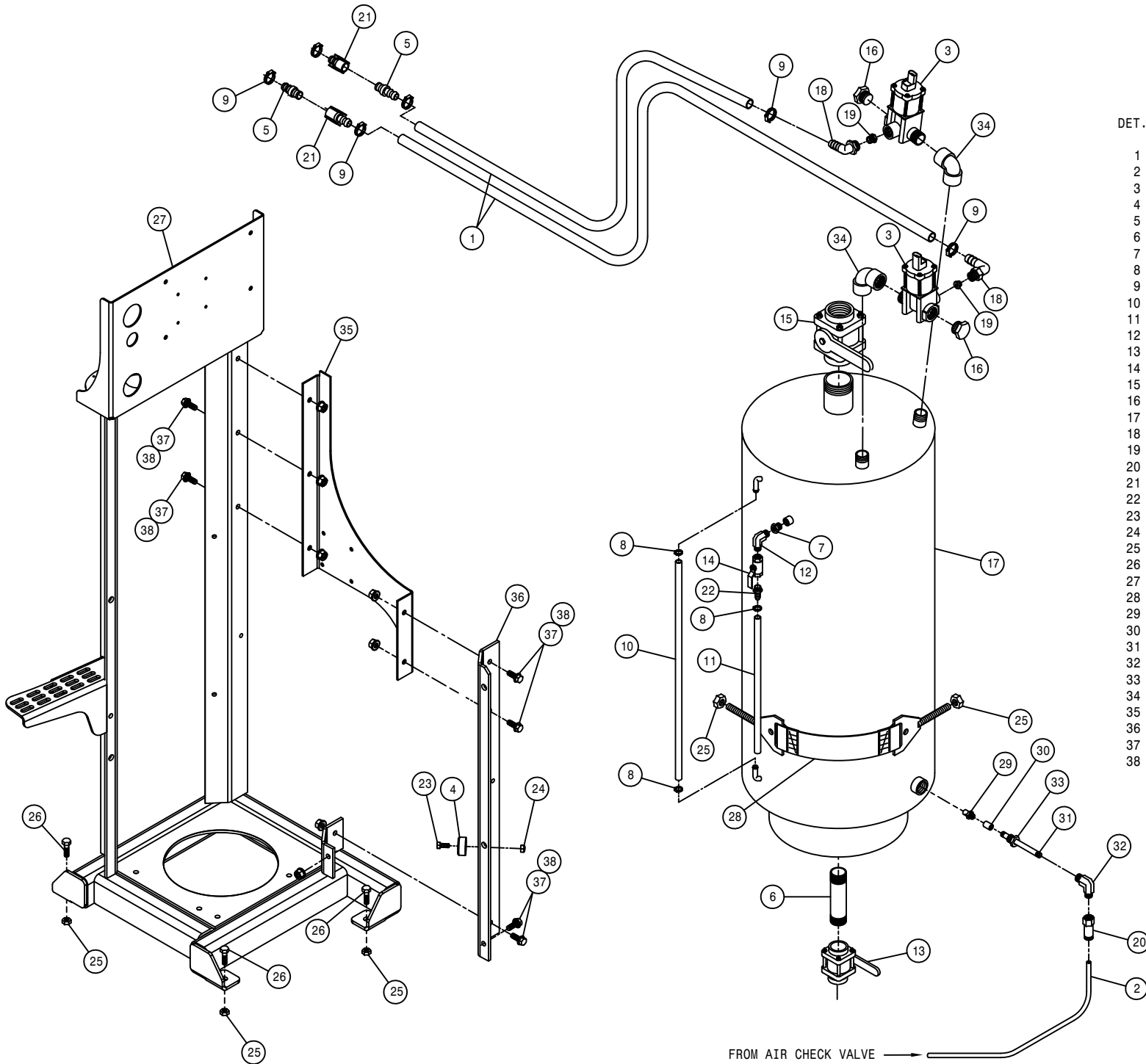
LH BOOM CRADLE ASSEMBLY 120' BOOM

DET. QTY PART NO. DESCRIPTION

1	2	A53874	MACHINE CRADLE WLD, DELTA
2	1	164512	RUBBER BUMPER, BOOM CRADLE
3	1	A53874	MACHINE CRADLE WLD, DELTA
4	1	291906	LH AMBER LIGHT, PLASTIC OVAL
5	2	470118	1/4UNC X 3/4 FLANGE HEX BOLT
6	1	920002	3/8 SAE FLAT WASHER
7	4	914004	3/8UNC HEX STOVER NUT
8	3	900133	3/8UNC X 2" SERR FLANGE BOLT
9	2	470121	1/4UNC HEX FLANGE LOCK NUT
10	4	900265	1/2UNC X 1 1/2 HEX BOLT
11	4	914008	1/2UNC HEX STOVER NUT
12	2	291904	WORKLIGHT, VERTICAL FLOOD PLAS
13	1	343509	EXTREMITY FLASHER MT, STS 05
14	2	470087	3/8UNC HEX FLANGE LOCK NUT
15	2	470328	3/8UNC X 1 1/4 #3HD PLOW BOLT
16	1	900142	3/8UNC X 5" HEX BOLT
17	1	A53914	WEAR PAD, BOOM CRADLE 120'BOOM

FOAMER TANK ASSEMBLY

DET.	QTY	PART NO.	DESCRIPTION
	1	2	195908 HOSE 3/4ID-1/8W CLEAR VINYL
	2	1	601624 HOSE, 3/8 X 60 AIR
	3	2	696181 3/4" ELECT SOLU SOLE VALVE 02
	4	6	470294 RUBBER BUMPER,RECESS,.63H-1.5D
	5	2	696208 .75 HOSE BARB-MALE COUPLER
	6	1	505205 BLK PIPE NIPPLE 1.00NPT-5.00
	7	1	505211 3/8-1/4NPT REDU BUSH, BRS
	8	3	520120 HOSE CLAMP NO 4 STAINLESS
	9	6	520055 HOSE CLAMP NO 12 STAINLESS
	10	1	601419 HOSE, 3/8 X 30 CLEAR VINYL
	11	1	601420 HOSE, 3/8 X 48 CLEAR VINYL
	12	1	618571 1/4MNPT-90-1/4MNPT LBO
	13	1	695900 BALL VALVE 1IN FNPT POLY
	14	1	696120 BALL VALVE, 1/4NPT, STEEL
	15	1	696134 BALL VALVE 2IN FNPT POLY
	16	2	500043 3/4NPT PIPE PLUG, POLY
	17	1	701112 FOAM MARKER TANK, 36 GAL SS
	18	2	701214 1/2NPT-90-3/4HBARB,1/4TAP,POLY
	19	2	701215 1/4PIPE PLUG,.187 ORIFICE,POLY
	20	1	711051 1/4FNPT-3/8 NYL TUBE, SNGL
	21	2	696207 .75 HOSE BARB-FEMALE COUPLER
	22	1	783304 1/4 NPT X 3/8 HOSE BARB, BRS
	23	6	900064 5/16UNC X 3/4 HEX BOLT
	24	6	914002 5/16UNC HEX STOVER NUT
	25	7	914008 1/2UNC HEX STOVER NUT
	26	3	900264 1/2UNC X 1 1/4 HEX BOLT
	27	1	701257 FMR TANK MT WELD STS 07
	28	2	701170 FOAMER TANK STRAP ASSY
	29	1	701144 FOAMER AIR NOZZLE
	30	1	500223 SS PIPE CPLG, 1/8NPT
	31	1	507021 SS PIPE NIPPLE, 1/8NPT X 6"
	32	1	701143 FOAMER AIR TUBE FTG
	33	1	507728 REDU BUSH 1/2MNPT X 1/4FNPT,SS
	34	2	500079 3/4NPT-90 EL, POLY
	35	1	701269 LH FMR TANK SUPP CHAN,LG STS07
	36	1	701270 FMR TANK CROSS BRACE STS 07
	37	7	470460 3/8 X 1 SERR FLANGE BOLT
	38	7	470087 3/8UNC HEX FLANGE LOCK NUT



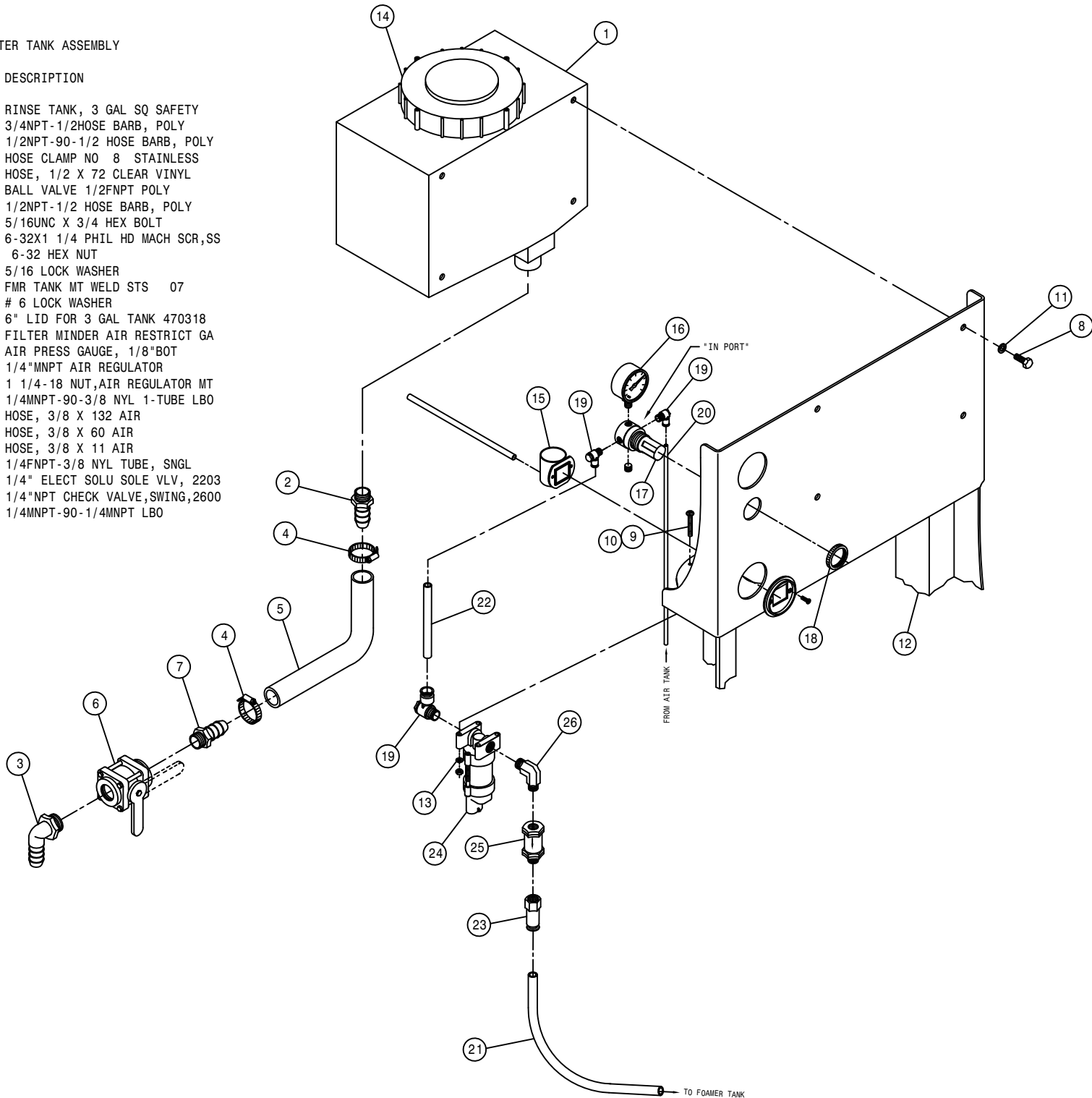
109

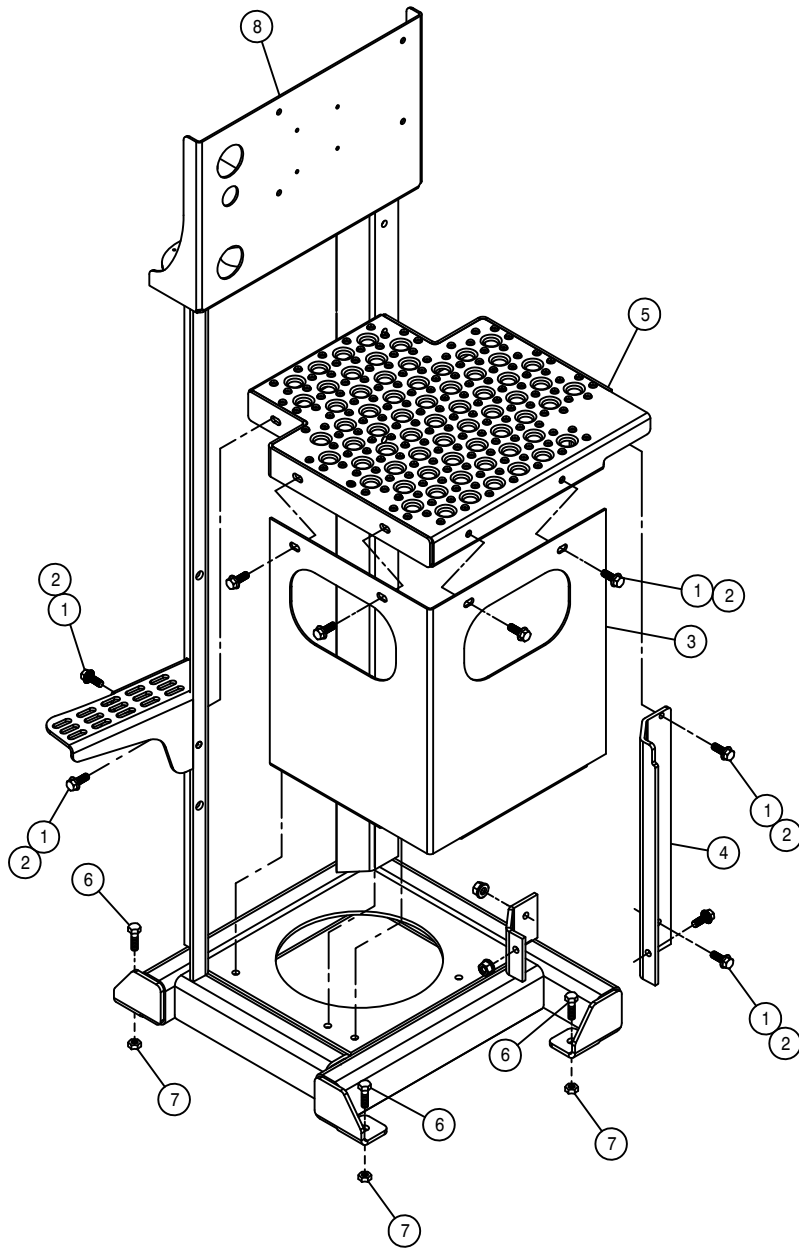
424109

FRESH WATER TANK ASSEMBLY

DET. QTY PART NO. DESCRIPTION

1	1	470318	RINSE TANK, 3 GAL SQ SAFETY
2	1	500019	3/4NPT-1/2HOSE BARB, POLY
3	1	500047	1/2NPT-90-1/2 HOSE BARB, POLY
4	2	520070	HOSE CLAMP NO 8 STAINLESS
5	1	601489	HOSE, 1/2 X 72 CLEAR VINYL
6	1	696082	BALL VALVE 1/2FNPT POLY
7	1	713340	1/2NPT-1/2 HOSE BARB, POLY
8	4	900064	5/16UNC X 3/4 HEX BOLT
9	2	903853	6-32X1 1/4 PHIL HD MACH SCR,SS
10	2	910022	6-32 HEX NUT
11	4	920501	5/16 LOCK WASHER
12	1	701257	FMR TANK MT WELD STS 07
13	2	920512	# 6 LOCK WASHER
14	1	470337	6" LID FOR 3 GAL TANK 470318
15	1	314901	FILTER MINDER AIR RESTRICT GA
16	1	701310	AIR PRESS GAUGE, 1/8"BOT
17	1	711019	1/4"MNPT AIR REGULATOR
18	1	711021	1 1/4-18 NUT,AIR REGULATOR MT
19	3	711043	1/4MNPT-90-3/8 NYL 1-TUBE LBO
20	1	601684	HOSE, 3/8 X 132 AIR
21	1	601624	HOSE, 3/8 X 60 AIR
22	1	601633	HOSE, 3/8 X 11 AIR
23	1	711051	1/4FNPT-3/8 NYL TUBE, SNGL
24	1	696235	1/4" ELECT SOLU SOLE VLV, 2203
25	1	711052	1/4"NPT CHECK VALVE,SWING,2600
26	1	618571	1/4MNPT-90-1/4MNPT LBO

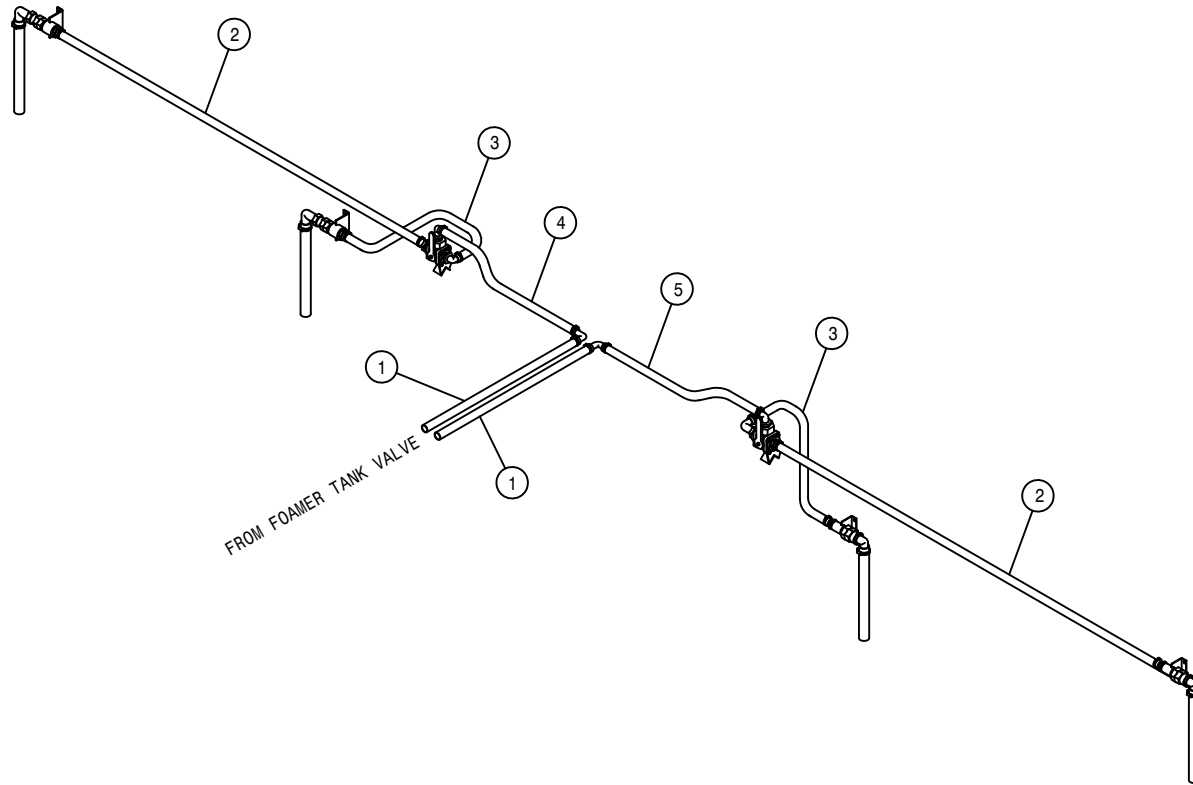




FRESH WATER TANK MT W/O FOAMER ASSEMBLY

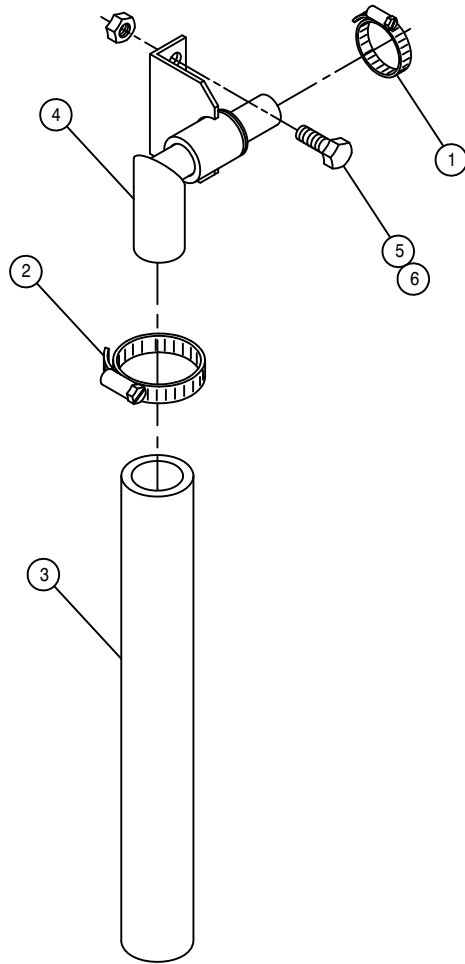
DET. QTY PART NO. DESCRIPTION

DET.	QTY	PART NO.	DESCRIPTION	
1	12	470087	3/8UNC HEX FLANGE LOCK NUT	
2	12	470460	3/8 X 1 SERR FLANGE BOLT	
3	1	701268	FOAMER SERV PLTFRM WRAP	
4	1	701263	LH FMR TANK SUPP CHAN STS	07
5	1	701264	FMR SERV PLATFRM WELD	
6	3	900264	1/2UNC X 1 1/4 HEX BOLT	
7	3	914008	1/2UNC HEX STOVER NUT	
8	1	701257	FMR TANK MT WELD STS	07



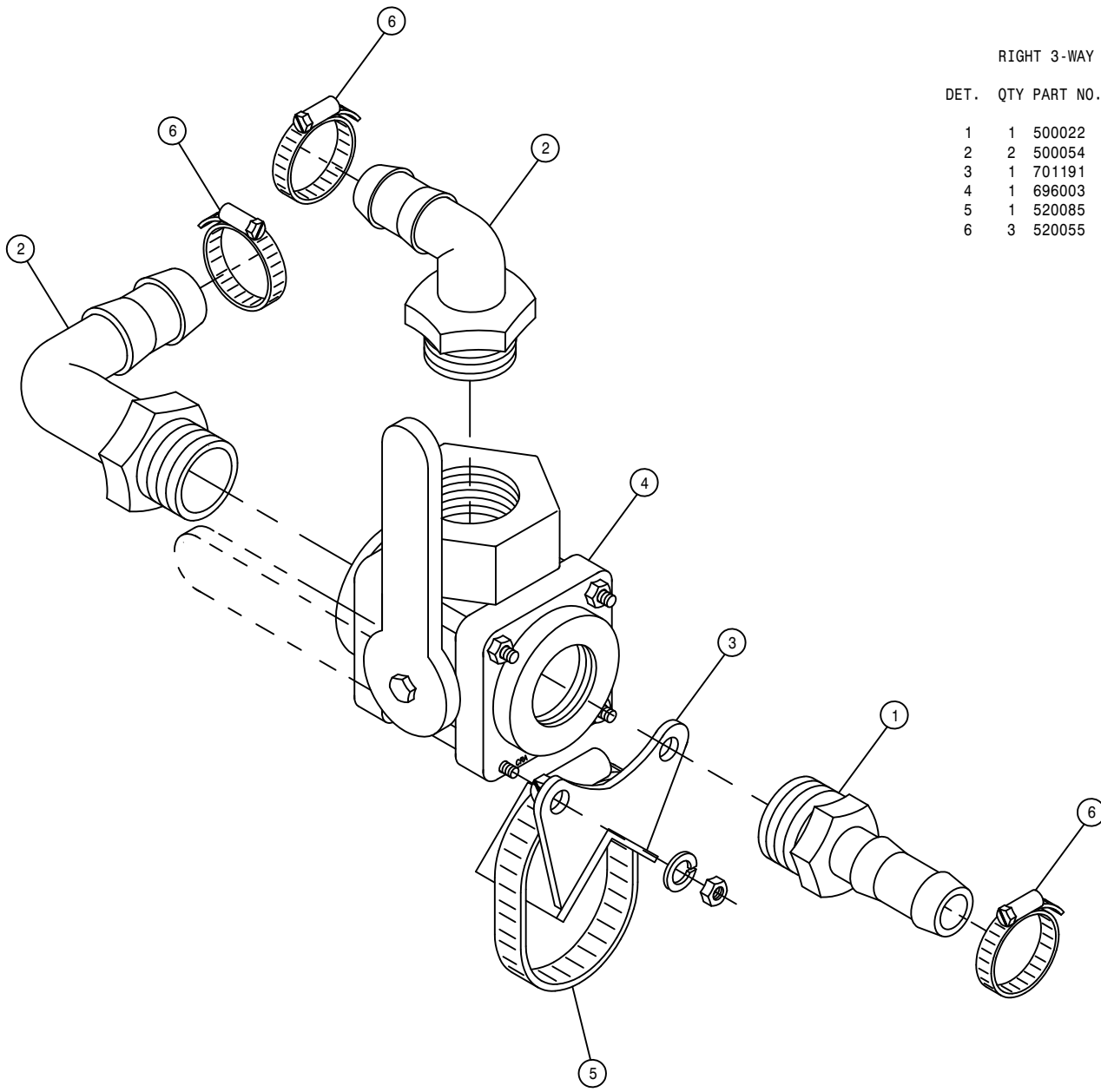
90' BOOM FOAMER HOISING

DET.	QTY	PART NO.	DESCRIPTION
1	2	195908	HOSE, 3/4ID-1/8W CLEAR VINYL X 230"
2	2	195908	HOSE, 3/4ID-1/8W CLEAR VINYL X 205"
3	2	195908	HOSE, 3/4ID-1/8W CLEAR VINYL X 24"
4	1	195908	HOSE, 3/4ID-1/8W CLEAR VINYL X 584"
5	1	195908	HOSE, 3/4ID-1/8W CLEAR VINYL X 420"



FOAMER DROP HOSE ASSEMBLY

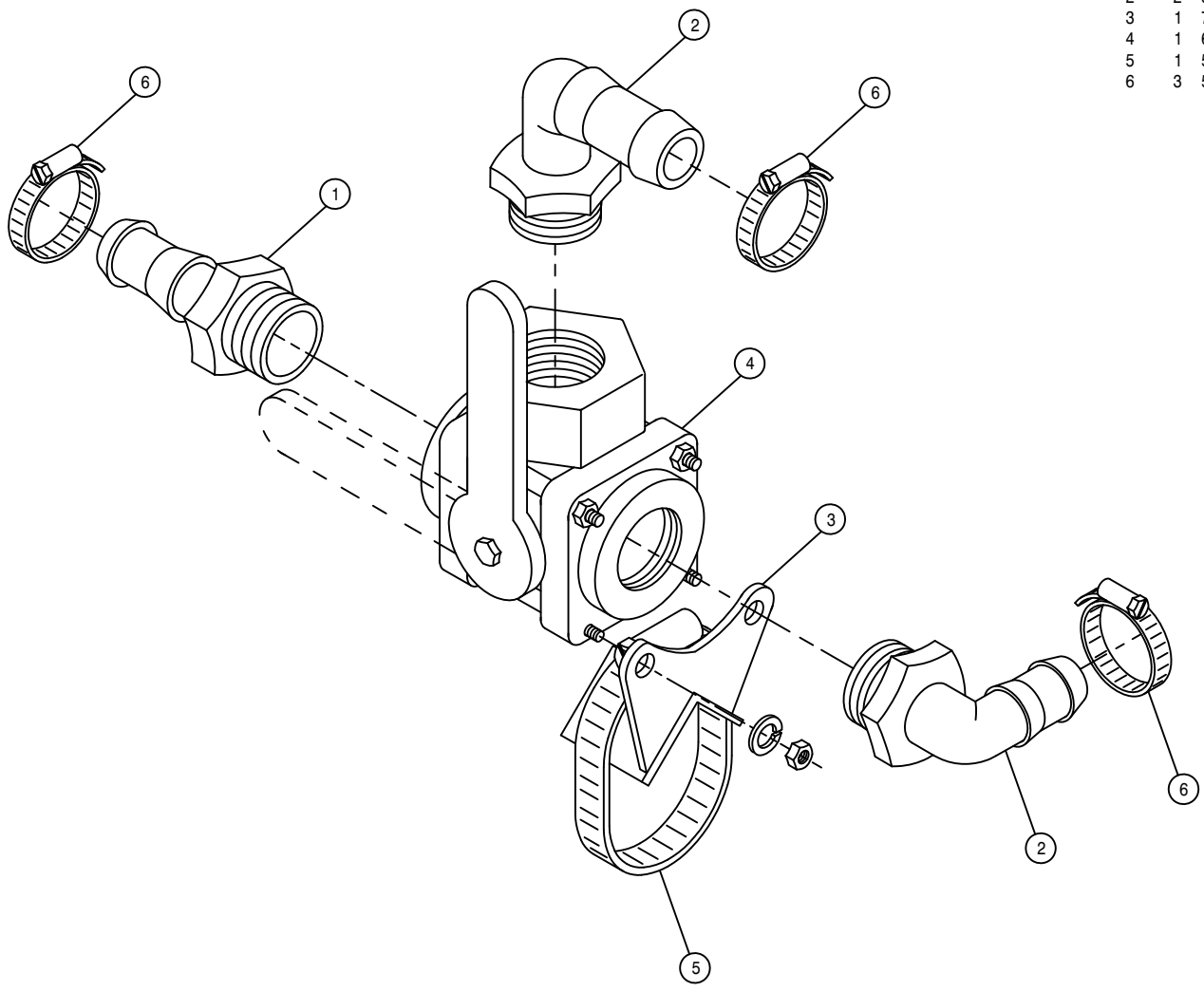
DET.	QTY	PART NO.	DESCRIPTION
	1	520055	HOSE CLAMP NO 12 STAINLESS
	2	520085	HOSE CLAMP NO 24 STAINLESS
	3	601367	HOSE, 1 1/4 X 24 2BR BLK EPDM
	4	701194	FOAMER DROP HOSE SWIVEL WLD
	5	900129	3/8UNC X 1" HEX BOLT
	6	914004	3/8UNC HEX STOVER NUT



RIGHT 3-WAY FOAMER VALVE ASSEMBLY

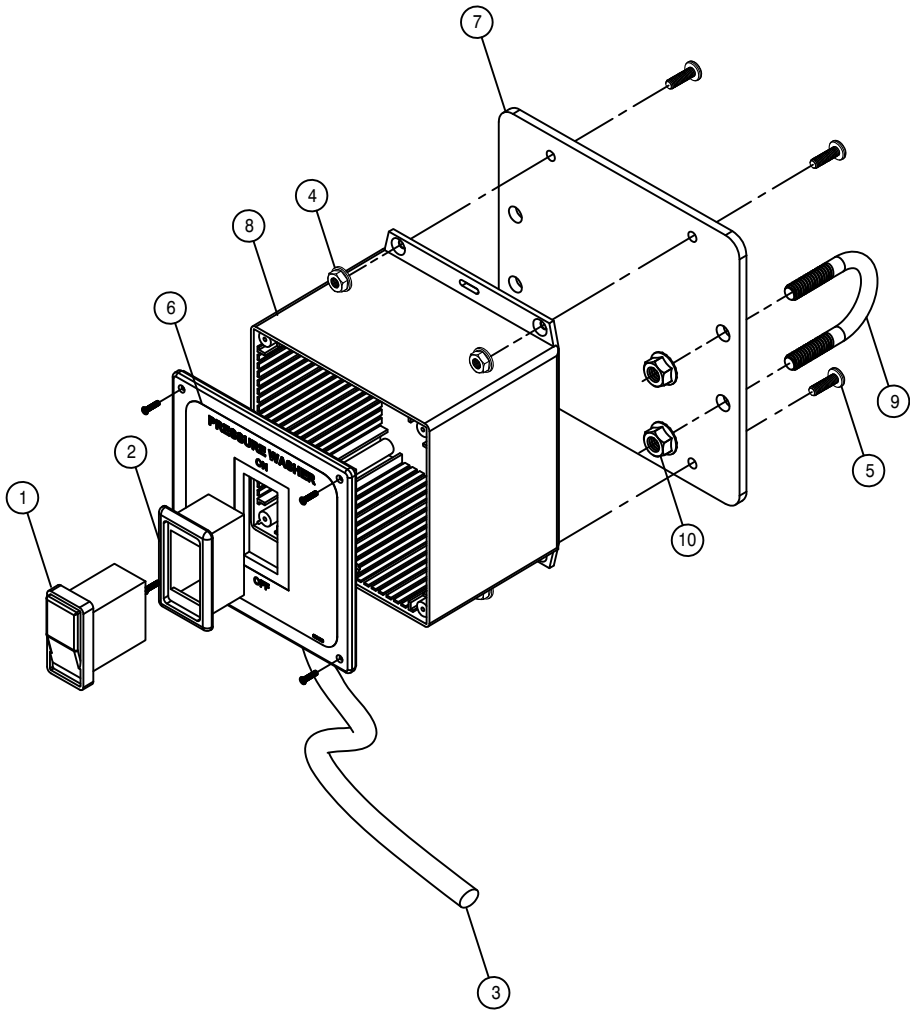
DET. QTY PART NO. DESCRIPTION

1	1	500022	3/4NPT-3/4HOSE BARB, POLY
2	2	500054	3/4NPT-90-3/4 HOSE BARB, POLY
3	1	701191	1" SOLU VLV MT WLD
4	1	696003	BALL VLV,3/4NPT 3WAY-SIDE POLY
5	1	520085	HOSE CLAMP NO 24 STAINLESS
6	3	520055	HOSE CLAMP NO 12 STAINLESS



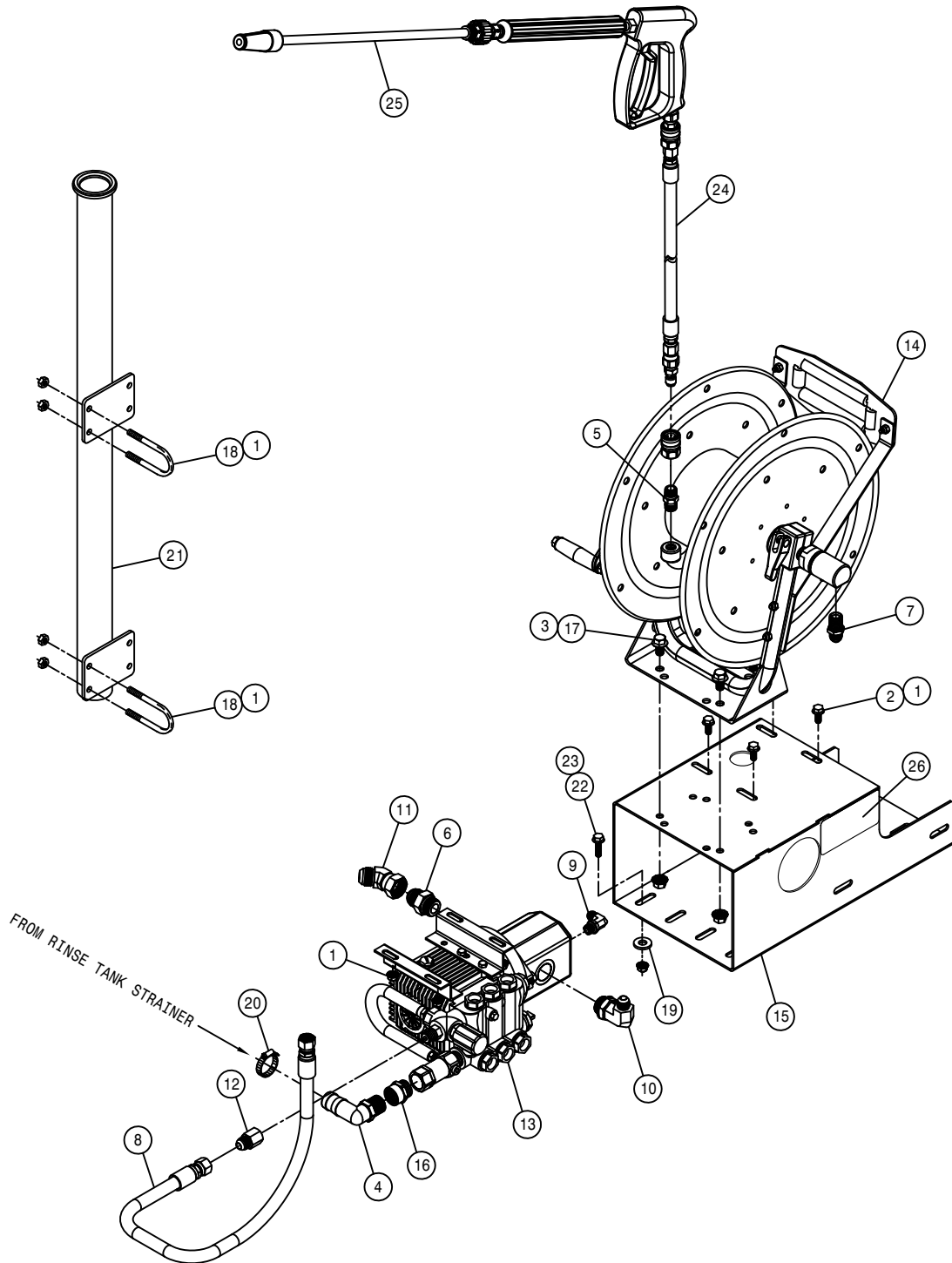
LEFT 3-WAY FOAMER VALVE ASSEMBLY

DET.	QTY	PART NO.	DESCRIPTION
1	1	500022	3/4NPT-3/4HOSE BARB, POLY
2	2	500054	3/4NPT-90-3/4 HOSE BARB, POLY
3	1	701191	1" SOLU VLV MT WLD
4	1	696003	BALL VLV,3/4NPT 3WAY-SIDE POLY
5	1	520085	HOSE CLAMP NO 24 STAINLESS
6	3	520055	HOSE CLAMP NO 12 STAINLESS



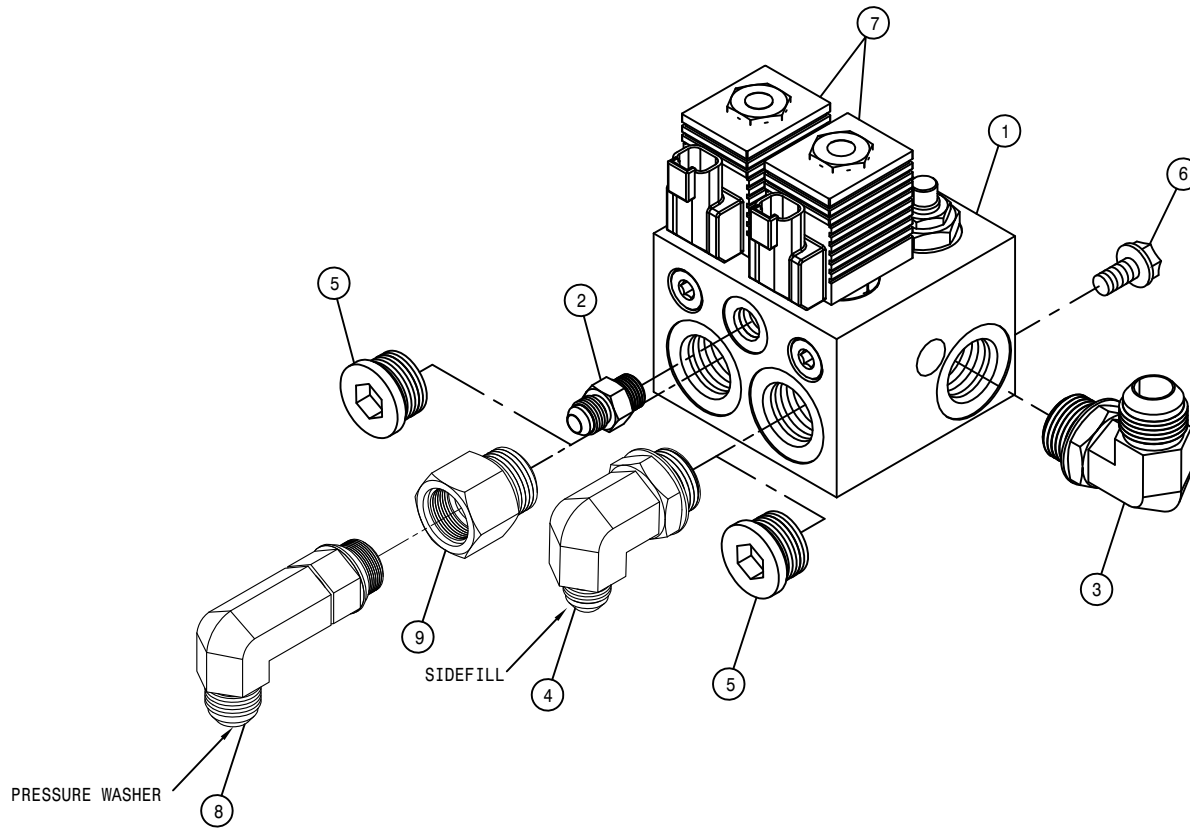
PRESSURE WASHER SWITCH BOX ASSEMBLY

DET.	QTY	PART NO.	DESCRIPTION
1	1	292218	SWITCH,SIDE FILL PUMP/PRESWASH
2	1	292260	MOUNTING TRIM, SINGLE VMS
3	1	293878	PRESS WASH WIRE HARNESS STS 07
4	4	470175	10-32 HEX FLANGE LOCK NUT
5	4	903710	10-32X5/8 PHIL PANHD MACH SCR
6	1	650156	DECAL, PRESS WASH CTRL STS 05
7	1	691019	PRESS WASH SWITCH BX MT,STS 07
8	1	690975	PRESS WASH SWITCH BOX, STS 05
9	2	473911	5/16UNC-1.31ID-2.00 U-BOLT
10	4	470113	5/16UNC HEX FLANGE LOCK NUT



PRESSURE WASHER OPTION

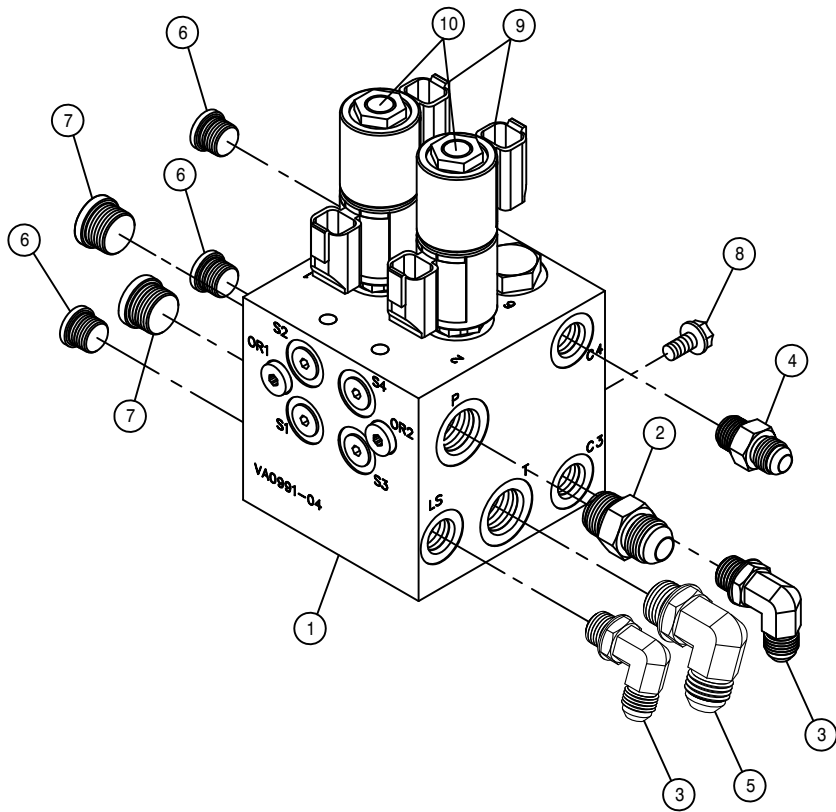
DET.	QTY	PART NO.	DESCRIPTION
	12	470113	5/16UNC HEX FLANGE LOCK NUT
	4	470233	5/16UNC X 3/4 FLANGE HEX BOLT
	4	470325	7/16UNC HEX FLANGE LOCK NUT
	4	500026	3/4NPT-90-1"HOSE BARB, POLY
	5	502711	3/8MNPT HEX PIPE NIPPLE STL
	6	611127	1 1/16MJIC-1 1/16MOR ADPTR
	7	611147	3/4MJIC-1/2MNPT ADPTR
	8	616459	08-451TC-08FJX-08FJX-26 H/A
	9	618119	9/16MJIC-90-9/16MOR LBO
	10	618474	3/4MJIC-90-1 1/16MOR LBO
	11	618529	1 1/16MJ-45-1 1/16FJ SWIV LBO
	12	618787	3/4MJIC-3/8FNPT ADPTR
	13	690672	PRESSURE WASHER, PACE 320 HYD
	14	690930	HOSE REEL, PRESSURE WASHER
	15	691065	PRESSURE WASHER MT WLD, STS 07
	16	715449	3/4FNPT X 3/4MGHT ADPTR BRS
	17	900194	7/16UNC X 3/4 HEX BOLT
	18	473911	5/16UNC-1.31ID-2.00 U-BOLT
	19	483080	3/8 X 1.50 OD FENDER WASHER
	20	520090	HOSE CLAMP NO 16 STAINLESS
	21	691008	PRESSURE WASHER WAND MT WLD 06
	22	900131	3/8UNC X 1 1/2 HEX BOLT
	23	914004	3/8UNC HEX STOVER NUT
	24	690791	HOSE, PRESSURE WASHER 690672
	25	690673	TRIGGER GUN ASSY FOR 690672
	26	650217	DECAL, CAUTION,CHECK OIL LEVEL



SIDEFILL/PRESSURE WASHER VALVE ASSEMBLY

DET. QTY PART NO. DESCRIPTION

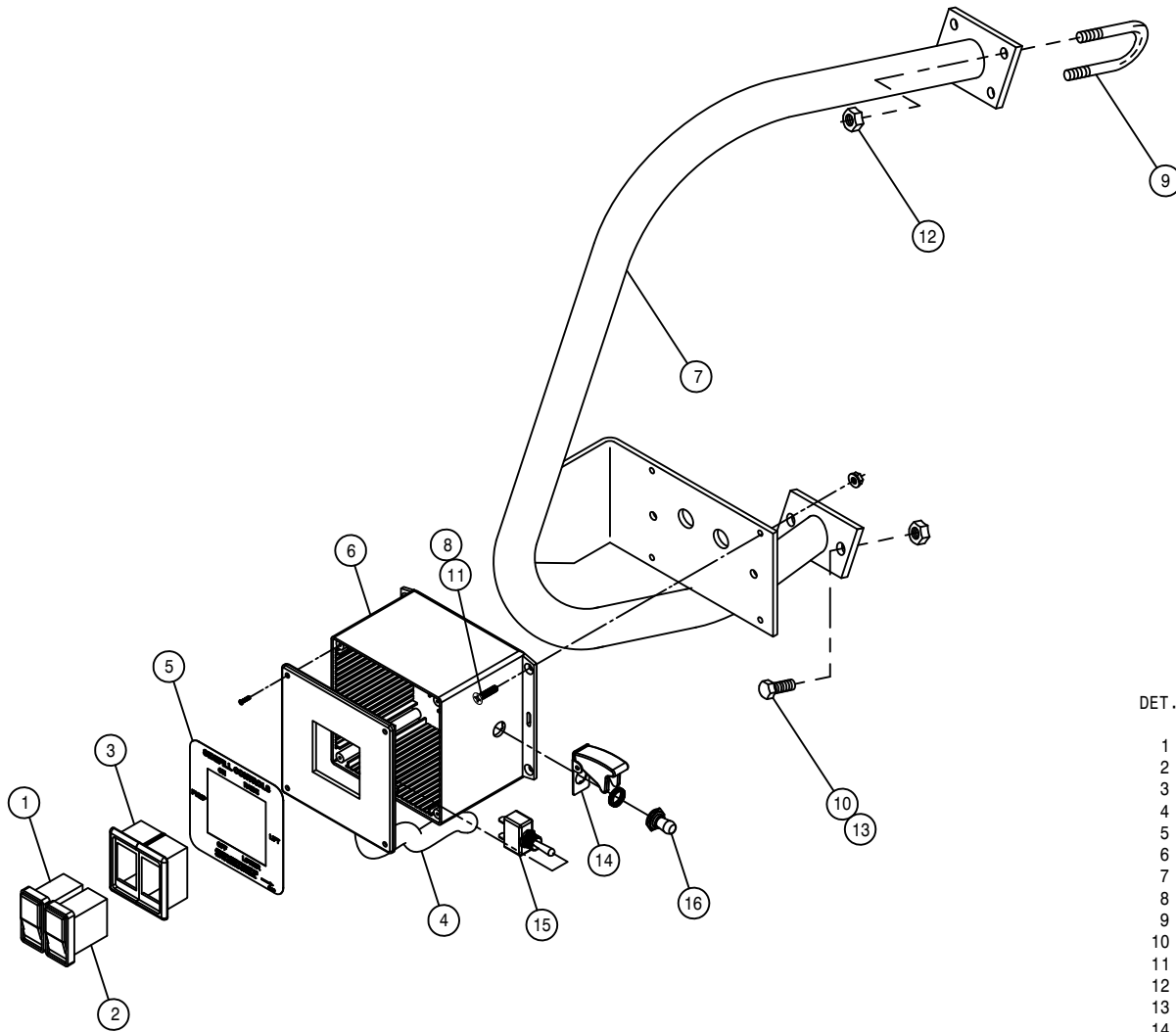
DET.	QTY	PART NO.	DESCRIPTION	
1	1	606259	DIVERSION VLV,STS LS	07
2	1	618126	9/16MJIC-9/16MOR ADPTR	
3	1	618248	1 1/16MJIC-90-1 1/16MOR LBO	
4	1	618474	3/4MJIC-90-1 1/16MOR LBO	
5	2	618757	1 1/16MOR PLUG, HEX SOCKET	
6	2	900064	5/16UNC X 3/4 HEX BOLT	
7	2	606309	COIL FOR VLV 606259	
8	1	618774	7/8MJIC-90-7/8MOR LG LBO	
9	1	618132	1 1/16MOR-7/8FOR ADPTR	



SIDEFILL LIFT VALVE ASSEMBLY

DET. QTY PART NO. DESCRIPTION

DET.	QTY	PART NO.	DESCRIPTION	PWRSYS
1	1	606249	MANIFOLD,TRD ADJ	PWRSYS
2	1	611125	3/4MJIC-3/4MOR ADPTR	
3	2	618119	9/16MJIC-90-9/16MOR LBO	
4	1	618126	9/16MJIC-9/16MOR ADPTR	
5	1	618241	3/4MJIC-90-3/4MOR LBO	
6	3	618754	9/16MOR PLUG, HEX SOCKET	
7	2	618755	3/4MOR PLUG, HEX SOCKET	
8	2	900064	5/16UNC X 3/4 HEX BOLT	
9	4	606266	#8 COIL W/DEUTSCH FOR 606210	
10	2	606358	CARTRIDGE SP08-47D,PROP,3POS	



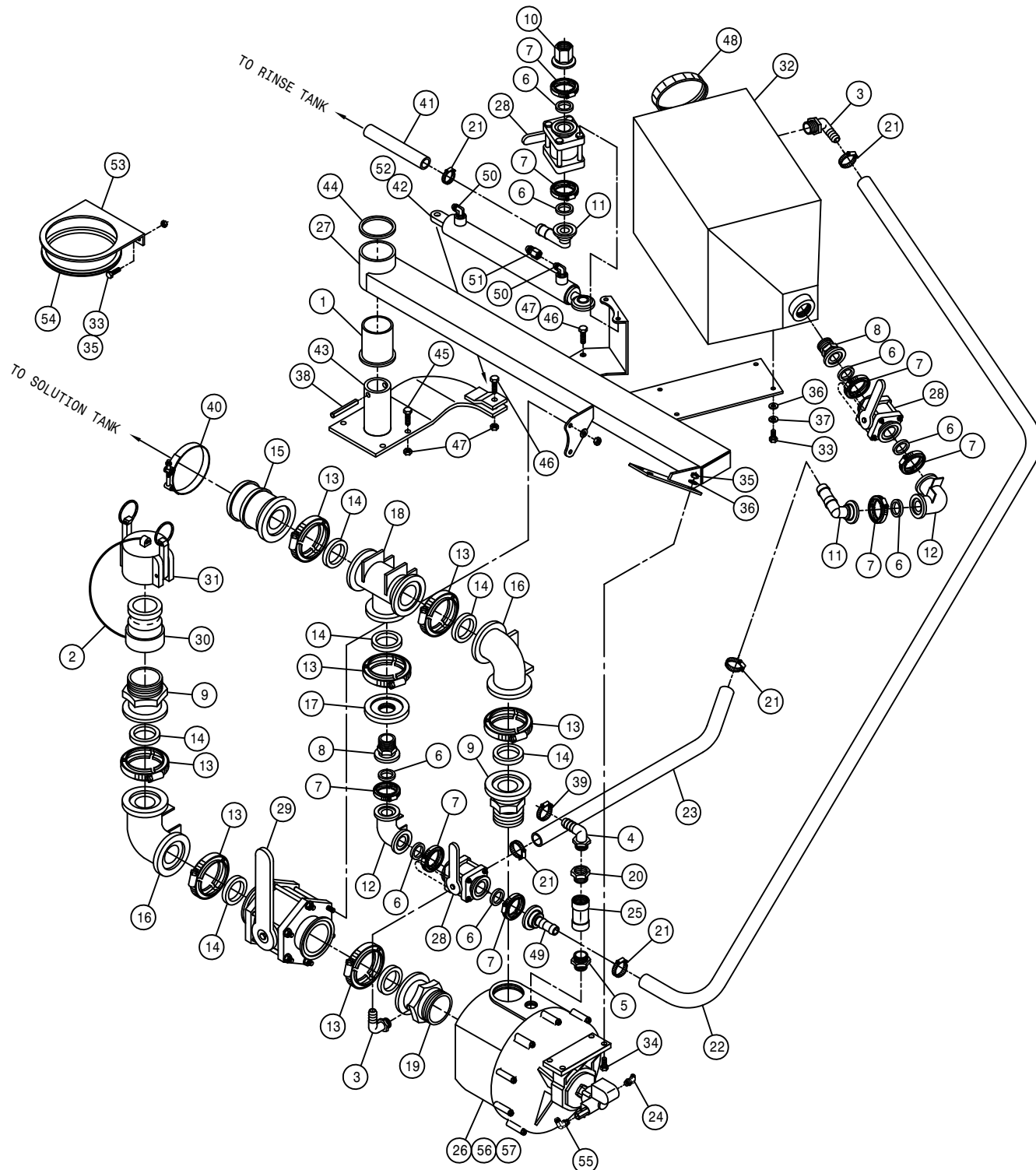
SIDE FILL SWITCH BOX ASSEMBLY

DET.	QTY	PART NO.	DESCRIPTION
	1	292218	SWITCH, SIDE FILL PUMP/PRESWASH
	1	292219	SWITCH, SIDE FILL LIFT, STS
	2	292261	MOUNTING TRIM, END VME
	1	293578	SIDE FILL WIRE HARNESS LS 07
	1	650155	DECAL, SIDE FILL CTRL STS 05
	1	691057	SIDE FILL SWITCH BOX, STS 07
	1	690723	CHEM IND GUARD WLD
	4	470175	10-32 HEX FLANGE LOCK NUT
	2	473911	5/16UNC-1.31ID-2.00 U-BOLT
	2	900130	3/8UNC X 1 1/4 SER FLANGE BOLT
	4	903723	10-32 X 3/4 PHIL FLHD MACH SCR
	4	914002	5/16UNC HEX STOVER NUT
	2	914004	3/8UNC HEX STOVER NUT
	1	291655	AIRCRAFT TOGGLE SWITCH GUARD
	1	291937	TOGGLE SWITCH, SPST
	1	470001	RUBBER BOOT W NUT FOR 298012

SIDE/CHEMICAL INDUCTOR ASSEMBLY

DET. QTY PART NO. DESCRIPTION

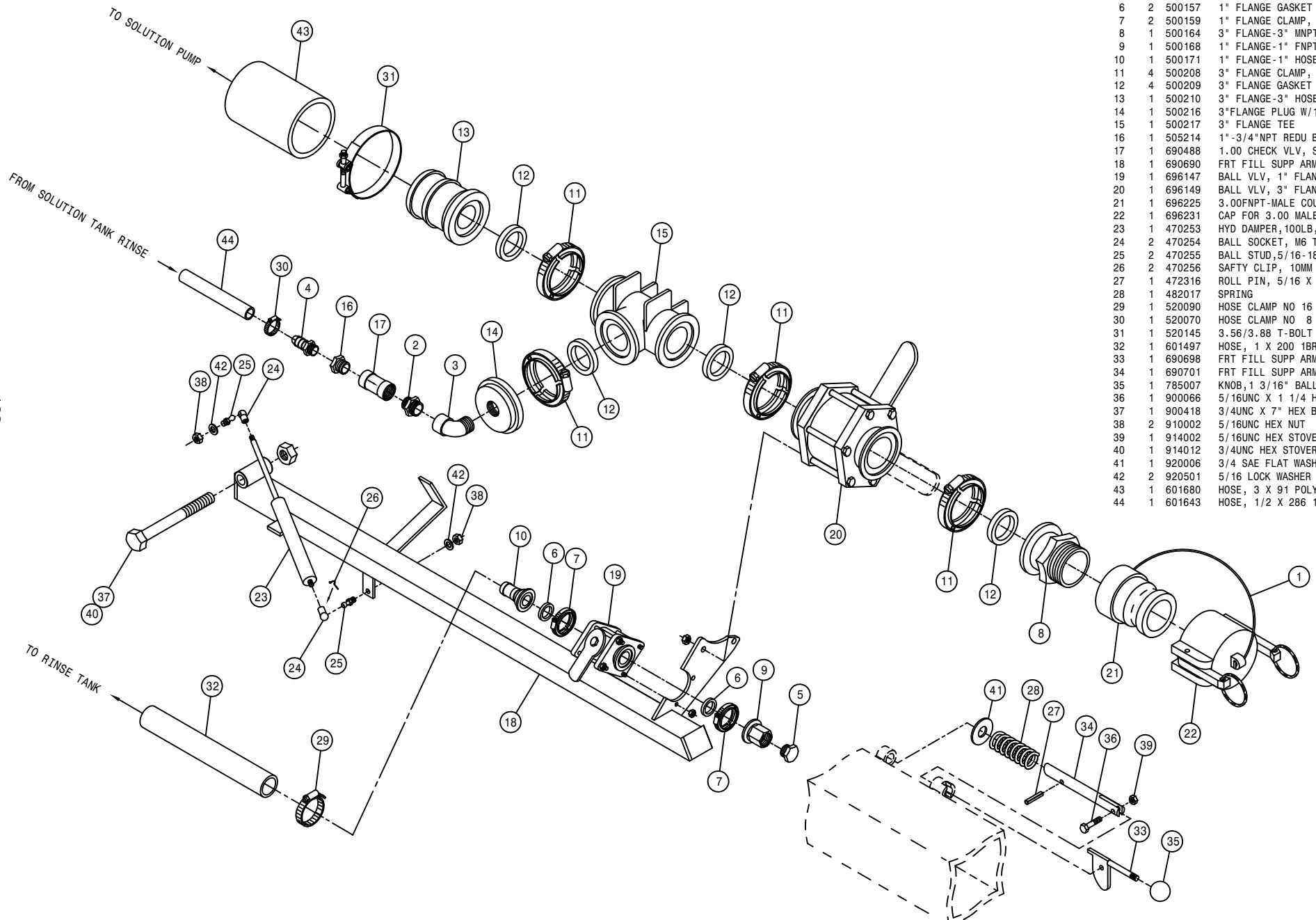
DET.	QTY	PART NO.	DESCRIPTION
1	1	121101	TRANSOM PIVOT BRG, TOP POLYGON
2	1	470352	LANYARD, 11" POLY
3	2	500024	1"NPT-90-1"HOSE BARB, POLY
4	1	500041	3/4NPT-90-1/2"HOSE BARB, POLY
5	1	500085	1" X 3/4NPT REDU NIPPLE, POLY
6	8	500157	1" FLANGE GASKET EPDM
7	8	500159	1" FLANGE CLAMP, S.S.
8	2	500163	1" FLANGE-1" MNPT ADPTR POLY
9	2	500164	3" FLANGE-3" MNPT ADPTR POLY
10	1	500168	1" FLANGE-1" FNPT ADPTR POLY
11	2	500173	1" FLANGE-90-1" HOSE BARB POLY
12	2	500174	1" FLANGE-90-1" FLANGE LBOPOLY
13	7	500208	3" FLANGE CLAMP, S.S.
14	7	500209	3" FLANGE GASKET EPDM
15	1	500210	3" FLANGE-3" HOSE BARB POLY
16	2	500213	3"FLANGE-90-3"FLANGE LBO POLY
17	1	500216	3"FLANGE PLUG W/1"FNPT POLY
18	1	500217	3" FLANGE TEE POLY
19	1	500220	3"FLANGE-3"MNPT W/1"FNPT POLY
20	1	505214	1"-3/4"NPT REDU BUSH, POLY
21	5	520090	HOSE CLAMP NO 16 STAINLESS
22	1	601609	HOSE, 1 X 33 1BR BLK EPDM
23	1	601611	HOSE, 1 X 30 2F-1W EPDM
24	1	618602	3/4MJIC-45-7/8MOR LBO
25	1	690488	1.00 CHECK VLV, SPRING LOADED
26	1	690760	BANJO PUMP, 3" SIDE FILL STS12
27	1	690916	SIDE FILL ARM WLD, STS 2004
28	3	696147	BALL VLV, 1" FLANGE
29	1	696149	BALL VLV, 3" FLANGE
30	1	696225	3.00FNPT-MALE COUPLER POLY
31	1	696231	CAP FOR 3.00 MALE COUPLER POLY
32	1	701085	TANK, 5 GAL, SQ WHITE
33	6	900064	5/16UNC X 3/4 HEX BOLT
34	4	900066	5/16UNC X 1 1/4 HEX BOLT
35	6	914002	5/16UNC HEX STOVER NUT
36	8	920001	5/16 SAE FLAT WASHER
37	4	920501	5/16 LOCK WASHER
38	1	473978	ROLL PIN, 1/2 X 3 1/2 LG
39	1	520070	HOSE CLAMP NO 8 STAINLESS
40	1	520145	3.56/3.88 T-BOLT HOSE CLAMP SS
41	1	601391	HOSE, 1 X 274 1BR BLK EPDM
42	1	621554	LADR/SF/BRKWAY CYL, 1.50 X12.25
43	1	690717	CHEM IND CYL MT WLD
44	1	690729	3.50 OD X 2.68 ID X 11 GA WASH
45	4	900265	1/2UNC X 1 1/2 HEX BOLT
46	2	900267	1/2UNC X 2" HEX BOLT
47	6	914008	1/2UNC HEX STOVER NUT
48	1	701155	8" LID FOR 5 GAL TANK 701085
49	1	500171	1" FLANGE-1" HOSE BARB POLY
50	2	618119	9/16MJIC-90-9/16MOR LBO
51	1	618733	9/16JIC .042 ORIFICE ADPTR
52	1	621555	REPAIR KIT, HYD CYL 621554
53	1	342991	SIDEFILL HOSE SUPP BRKT, STS 05
54	1	193012	QUICKEDGE TRIM .135 TO .250
55	1	611128	7/8MJIC-90-7/8MOR LBO
56	1	690762	SEAL ASSY, 3" BANJO PUMP 690760
57	1	690779	SOLU PUMP REPAIR KIT - 690760



FRONT FILL ASSEMBLY

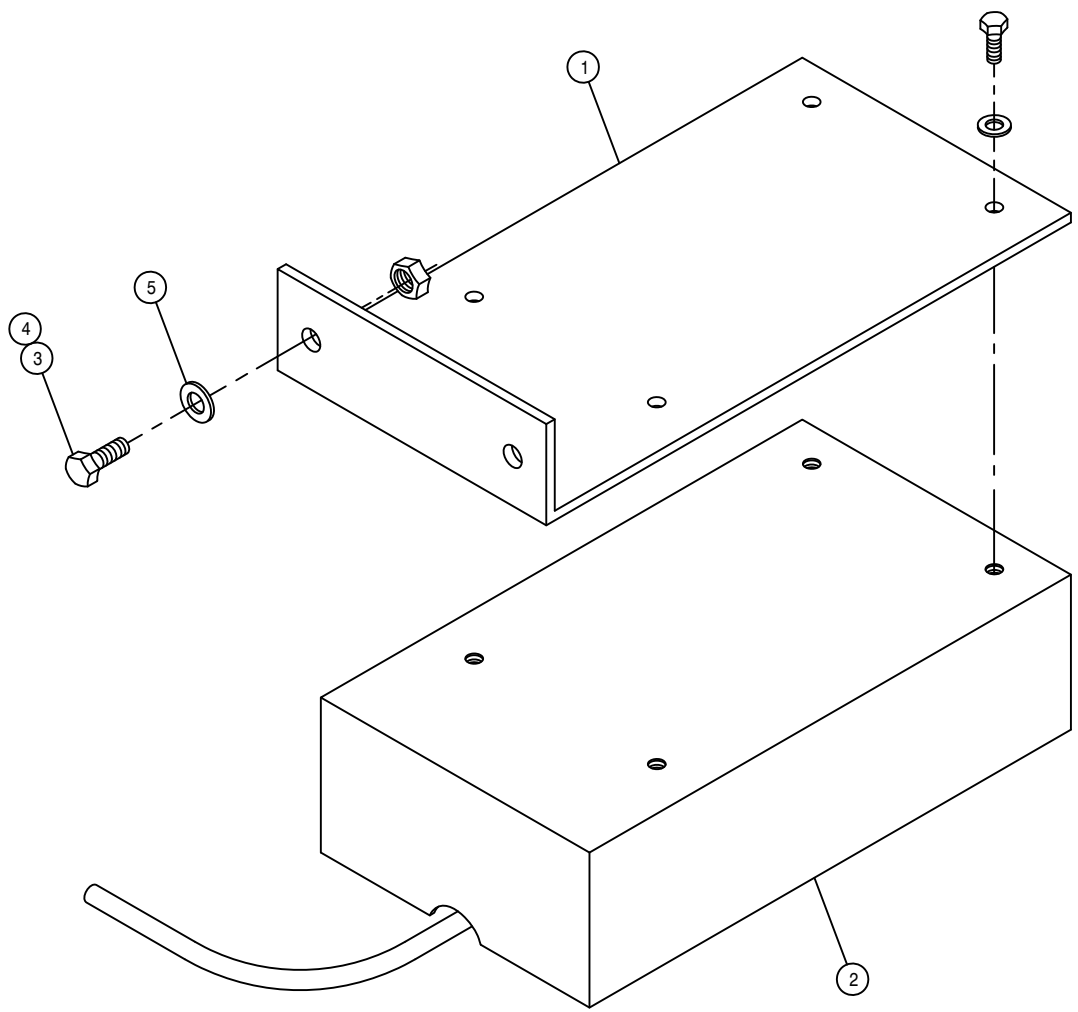
DET. QTY PART NO. DESCRIPTION

DET.	QTY	PART NO.	DESCRIPTION
1	1	470352	LANYARD, 11" POLY
2	1	500013	1"NPT HEX PIPE NIPPLE, POLY
3	1	500014	1"NPT-90 ST EL, POLY
4	1	500019	3/4NPT-1/2HOSE BARB, POLY
5	1	500063	1"NPT PIPE PLUG, POLY
6	2	500157	1" FLANGE GASKET EPDM
7	2	500159	1" FLANGE CLAMP, S.S.
8	1	500164	3" FLANGE-3" MNPT ADPTR POLY
9	1	500168	1" FLANGE-1" FNPT ADPTR POLY
10	1	500171	1" FLANGE-1" HOSE BARB POLY
11	4	500208	3" FLANGE CLAMP, S.S.
12	4	500209	3" FLANGE GASKET EPDM
13	1	500210	3" FLANGE-3" HOSE BARB POLY
14	1	500216	3"FLANGE PLUG W/1"FNPT POLY
15	1	500217	3" FLANGE TEE POLY
16	1	505214	1"-3/4"NPT REDU BUSH, POLY
17	1	690488	1.00 CHECK VLV, SPRING LOADED
18	1	690690	FRT FILL SUPP ARM WLD
19	1	696147	BALL VLV, 1" FLANGE
20	1	696149	BALL VLV, 3" FLANGE
21	1	696225	3.00FNPT-MALE COUPLER POLY
22	1	696231	CAP FOR 3.00 MALE COUPLER POLY
23	1	470253	HYD DAMPER,100LB,4"STROKE 1084
24	2	470254	BALL SOCKET, M6 THD X 10MM
25	2	470255	BALL STUD,5/16-18 THD X 10MM
26	2	470256	SAFTY CLIP, 10MM BALL SOCKET
27	1	472316	ROLL PIN, 5/16 X 1 1/2
28	1	482017	SPRING
29	1	520090	HOSE CLAMP NO 16 STAINLESS
30	1	520070	HOSE CLAMP NO 8 STAINLESS
31	1	520145	3.56/3.88 T-BOLT HOSE CLAMP SS
32	1	601497	HOSE, 1 X 200 1BR BLK EPDM
33	1	690698	FRT FILL SUPP ARM REL WLD
34	1	690701	FRT FILL SUPP ARM LATCH PIN
35	1	785007	KNOB,1 3/16" BALL,RED,3/8-16
36	1	900066	5/16UNC X 1 1/4 HEX BOLT
37	1	900418	3/4UNC X 7" HEX BOLT
38	2	910002	5/16UNC HEX NUT
39	1	914002	5/16UNC HEX STOVER NUT
40	1	914012	3/4UNC HEX STOVER NUT
41	1	920006	3/4 SAE FLAT WASHER
42	2	920501	5/16 LOCK WASHER
43	1	601680	HOSE, 3 X 91 POLY HELIX EPDM
44	1	601643	HOSE, 1/2 X 286 1BR BLK EPDM



122

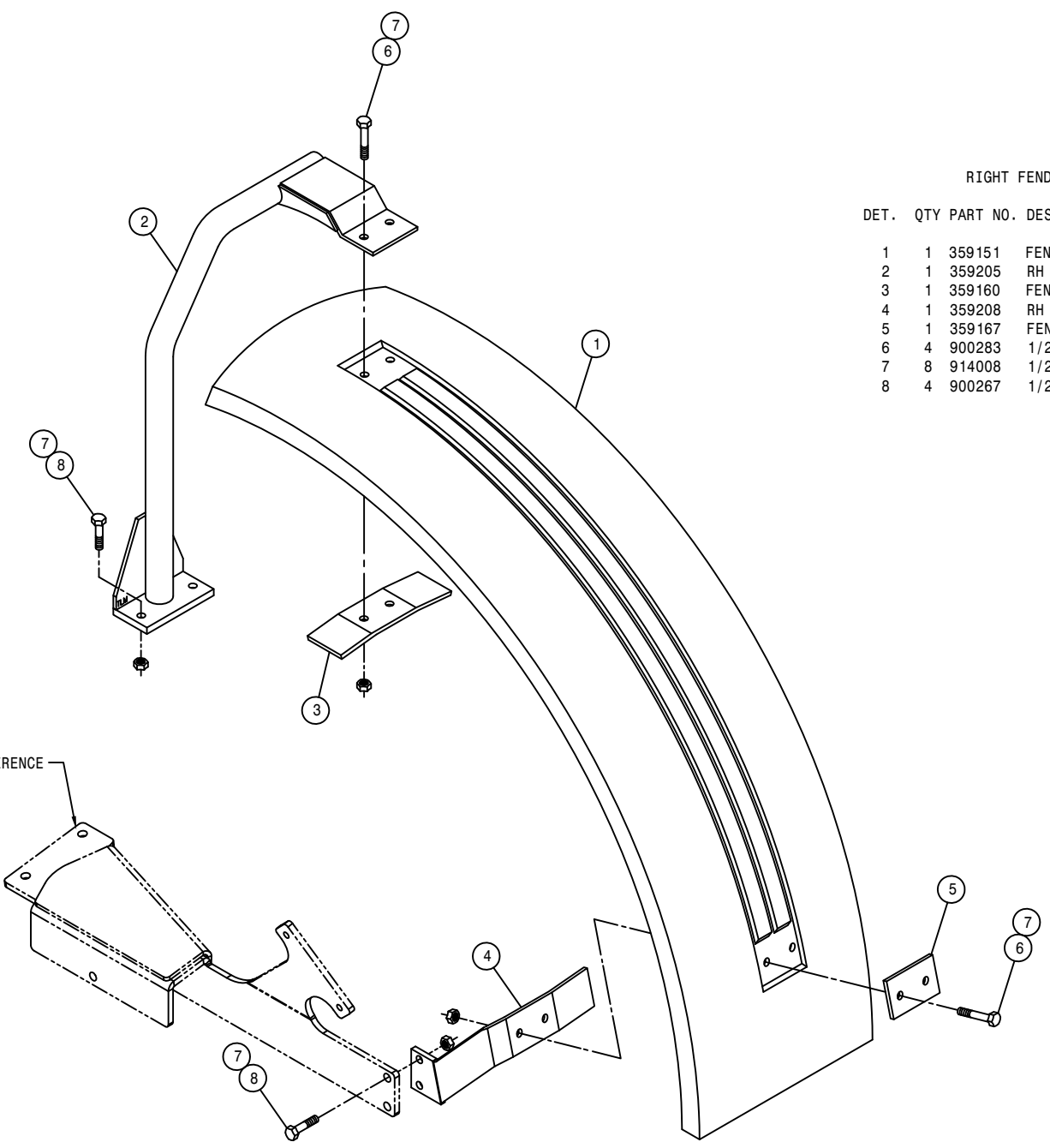
424122



RADAR OPTION

DET. QTY PART NO. DESCRIPTION

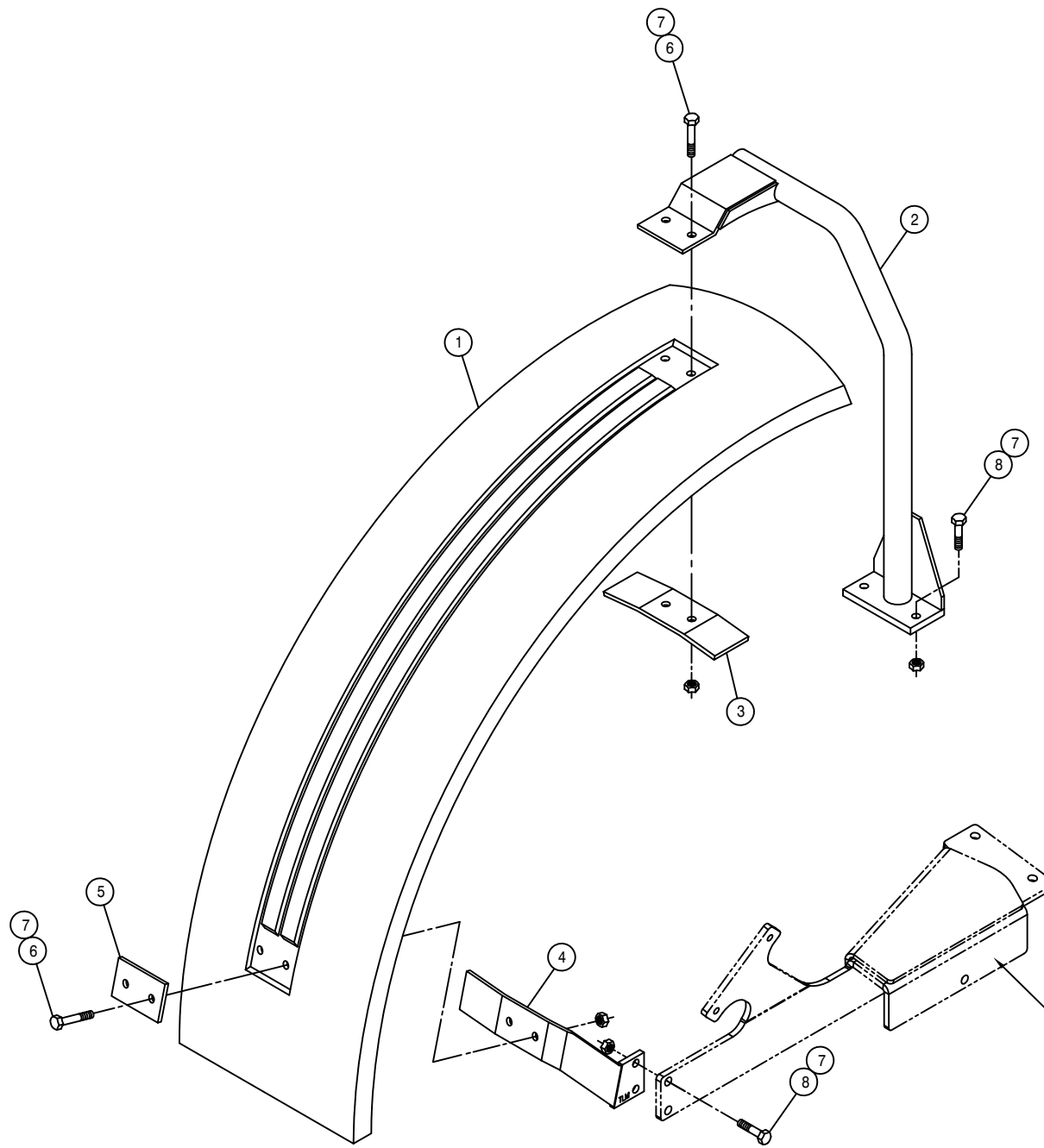
1	1	342857	RADAR MTG BRKT
2	1	690599	RAVEN RADAR UNIT W/CABLE
3	2	900129	3/8UNC X 1" HEX BOLT
4	2	914004	3/8UNC HEX STOVER NUT
5	2	920002	3/8 SAE FLAT WASHER



RIGHT FENDER ASSEMBLY

DET.	QTY	PART NO.	DESCRIPTION	
1	1	359151	FENDER, STS12	2000
2	1	359205	RH FENDER MT WLD STS	03
3	1	359160	FENDER MT KEEPER	STS12
4	1	359208	RH FENDER SUPP BRKT, STS	03
5	1	359167	FENDER SUPPORT KEEPER	STS12
6	4	900283	1/2UNC X 2 1/4 HEX BOLT	
7	8	914008	1/2UNC HEX STOVER NUT	
8	4	900267	1/2UNC X 2" HEX BOLT	

NOTE: 359315 SHOWN FOR REFERENCE
SEE LEG ASSEMBLY

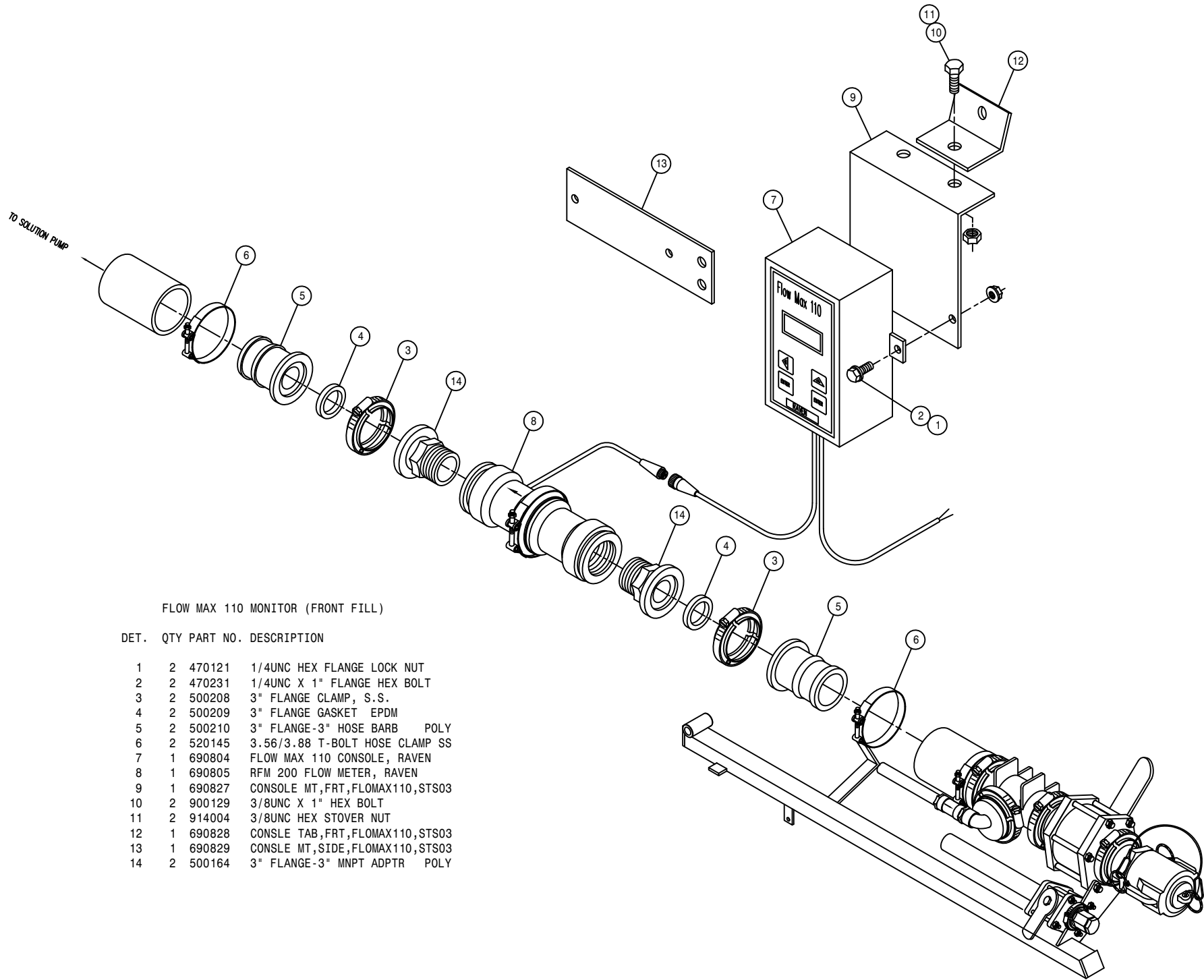


LEFT FENDER ASSEMBLY

DET. QTY PART NO. DESCRIPTION

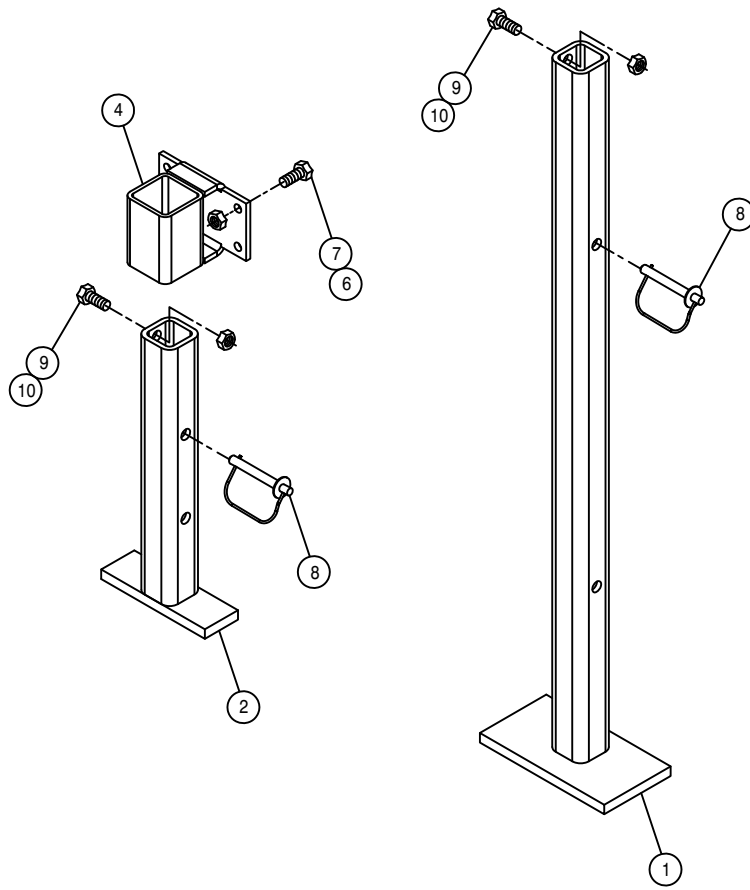
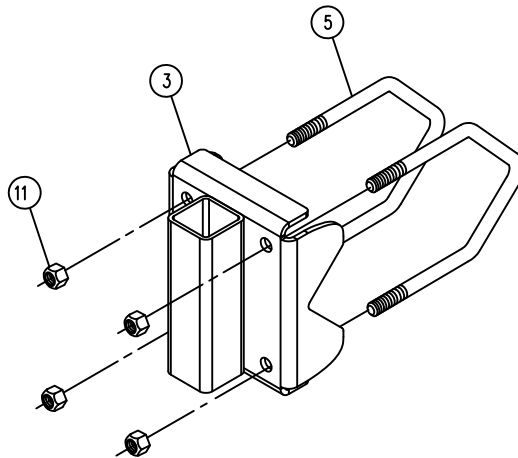
1	1	359151	FENDER, STS12	2000
2	1	359206	LH FENDER MT WLD	STS12 03
3	1	359160	FENDER MT KEEPER	STS12
4	1	359209	LH FENDER SUPP BRKT, STS	03
5	1	359167	FENDER SUPP KEEPER	STS12
6	4	900283	1/2UNC X 2 1/4 HEX BOLT	
7	8	914008	1/2UNC HEX STOVER NUT	
8	4	900267	1/2UNC X 2" HEX BOLT	

NOTE: 359316 SHOWN FOR REFERENCE
SEE LEG ASSEMBLY



FLOW MAX 110 MONITOR (FRONT FILL)

DET.	QTY	PART NO.	DESCRIPTION
	1	2 470121	1/4UNC HEX FLANGE LOCK NUT
	2	2 470231	1/4UNC X 1" FLANGE HEX BOLT
	3	2 500208	3" FLANGE CLAMP, S.S.
	4	2 500209	3" FLANGE GASKET EPDM
	5	2 500210	3" FLANGE-3" HOSE BARB POLY
	6	2 520145	3.56/3.88 T-BOLT HOSE CLAMP SS
	7	1 690804	FLOW MAX 110 CONSOLE, RAVEN
	8	1 690805	RFM 200 FLOW METER, RAVEN
	9	1 690827	CONSOLE MT,FRT,FLOMAX110,STS03
	10	2 900129	3/8UNC X 1" HEX BOLT
	11	2 914004	3/8UNC HEX STOVER NUT
	12	1 690828	CONSLE TAB,FRT,FLOMAX110,STS03
	13	1 690829	CONSLE MT,SIDE,FLOMAX110,STS03
	14	2 500164	3" FLANGE-3" MNPT ADPTR POLY



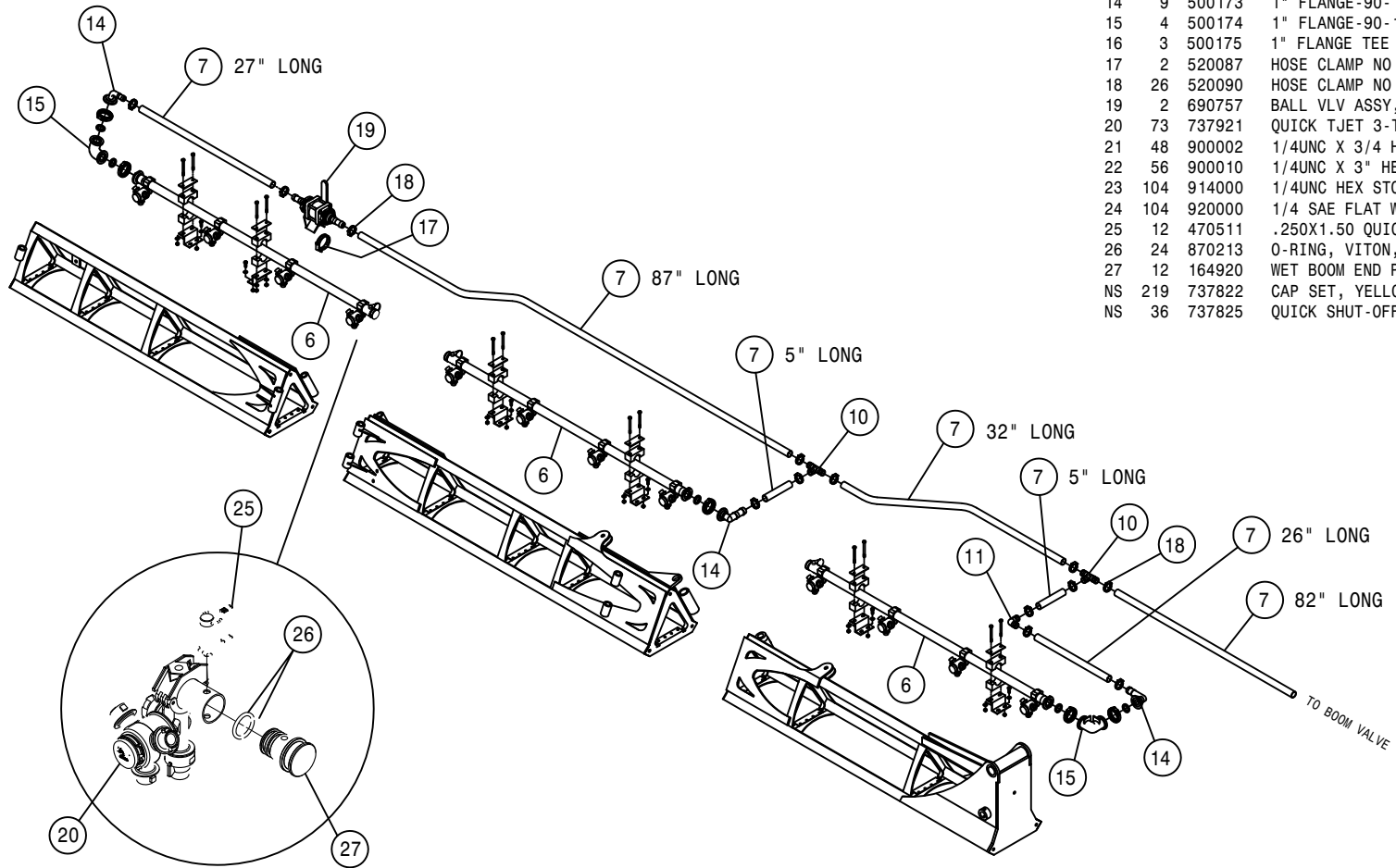
BOOM STAND OPTION

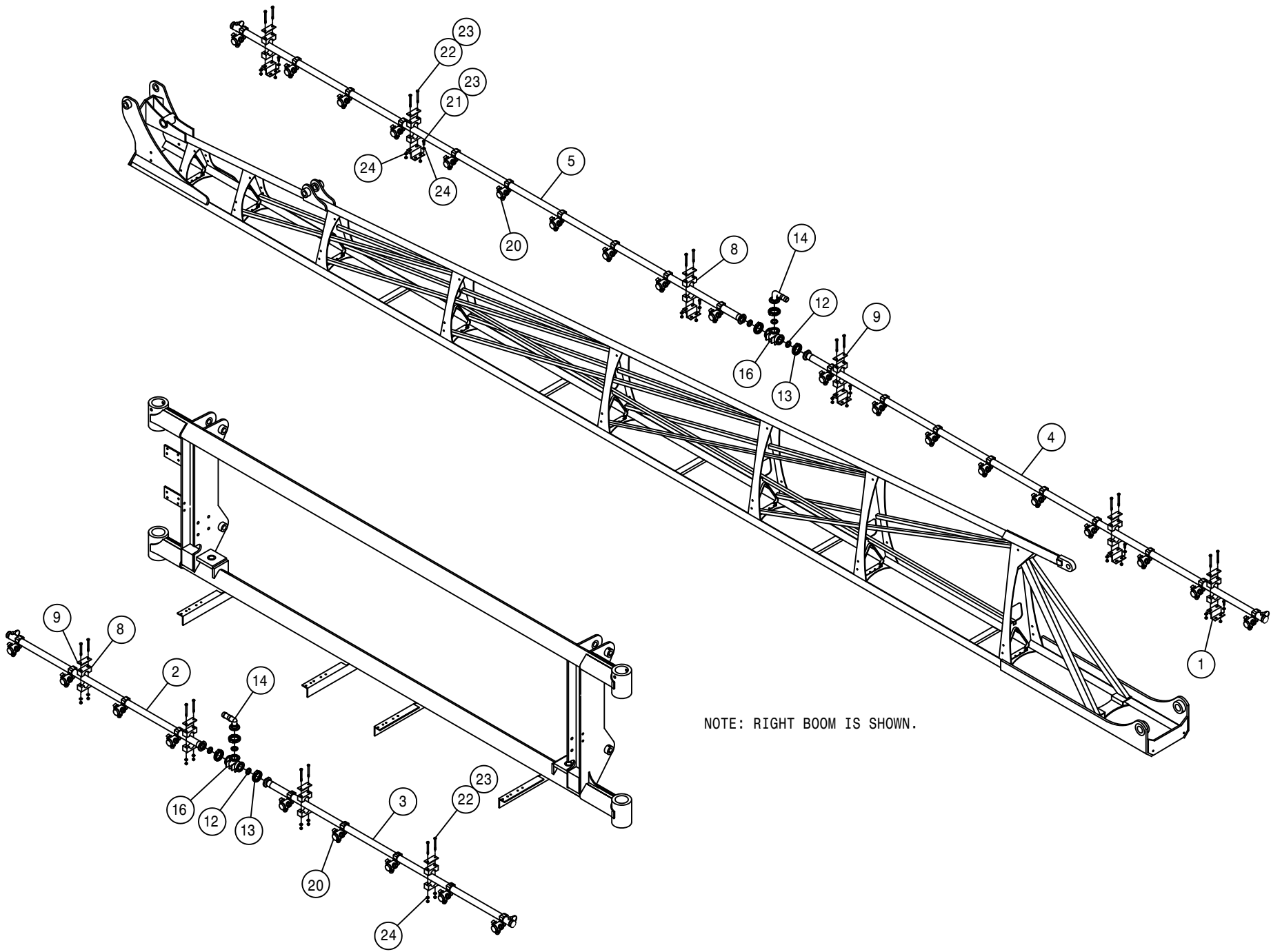
DET.	QTY	PART NO.	DESCRIPTION
	1	2 164787	TRANSOM STAND POST WLD, STS 04
	2	2 164794	BOOM STAND POST WLD, STS 04
	3	2 164855	TRANSOM STAND MT WLD, STS 05
	4	2 164857	MAIN BOOM JACKSTAND WLD, STS 05
	5	4 438293	5/8UNC X 6 1/4 CTR U-BOLT TRI
	6	8 470087	3/8UNC HEX FLANGE LOCK NUT
	7	8 470329	3/8UNC X 1 1/4 FLANGE HEX BOLT
	8	4 470361	SNAP LOCK PIN, 1/2 X 3 1/2
	9	4 900263	1/2UNC X 1" HEX BOLT
	10	4 914008	1/2UNC HEX STOVER NUT
	11	8 914010	5/8UNC HEX STOVER NUT

15" SPACING 90' WET BOOM ASSEMBLY (SV)

DET. QTY PART NO. DESCRIPTION

DET.	QTY	PART NO.	DESCRIPTION
1	24	164859	CLAMP MT BRKT, WET BOOM, STS
2	1	164928	15" WET BOOM WLD, 52.69 LG 08
3	1	164930	15" WET BOOM WLD, 67.69 LG 08
4	2	164932	15" WET BOOM WLD, 129.98 LG 08
5	2	164934	15" WET BOOM WLD, 155.41 LG 08
6	6	164926	15" WET BOOM WLD, 49.98 LG 08
7	46	197116	HOSE 1IN 1-FBR BR BLK EPDM
8	28	470375	TUBE CLAMP BODY, 1.31 ID (PAIR)
9	28	470376	COVER PLATE FOR 470375
10	4	500105	1.00 HOSE BARB TEE, POLY
11	2	500109	1.00-90-1.00 HOSE BARB, POLY
12	19	500157	1" FLANGE GASKET EPDM
13	19	500159	1" FLANGE CLAMP, S.S.
14	9	500173	1" FLANGE-90-1" HOSE BARB POLY
15	4	500174	1" FLANGE-90-1" FLANGE LBOPOLY
16	3	500175	1" FLANGE TEE POLY
17	2	520087	HOSE CLAMP NO 20 STAINLESS
18	26	520090	HOSE CLAMP NO 16 STAINLESS
19	2	690757	BALL VLV ASSY, 1" FLG-1" HBARB
20	73	737921	QUICK TJET 3-TIP BODY, 1" HV
21	48	900002	1/4UNC X 3/4 HEX BOLT
22	56	900010	1/4UNC X 3" HEX BOLT
23	104	914000	1/4UNC HEX STOVER NUT
24	104	920000	1/4 SAE FLAT WASHER
25	12	470511	.250X1.50 QUICK PIN, SS
26	24	870213	O-RING, VITON, 213
27	12	164920	WET BOOM END PLUG 08
NS	219	737822	CAP SET, YELLOW QUICK TEEJET
NS	36	737825	QUICK SHUT-OFF CAP



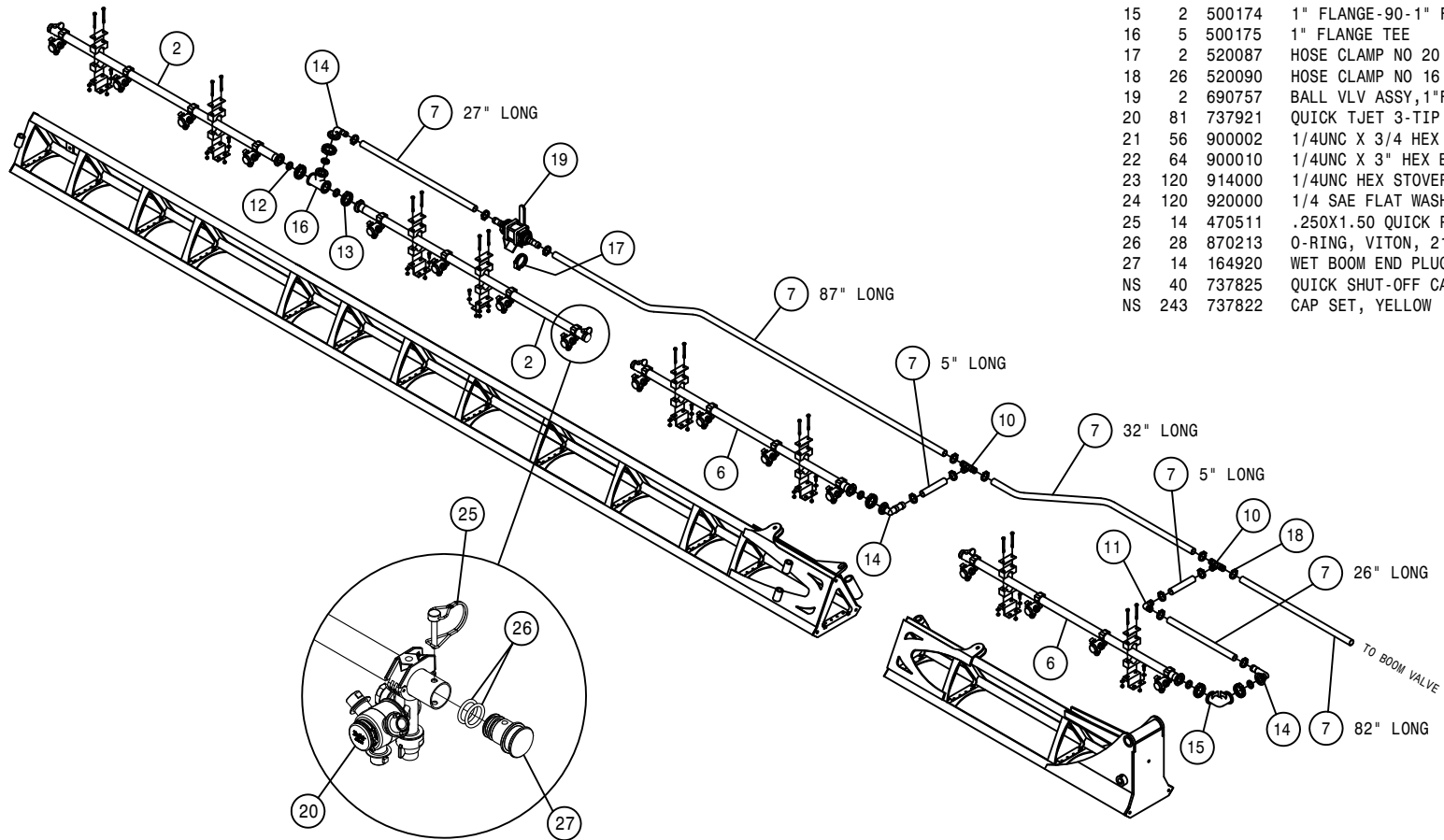


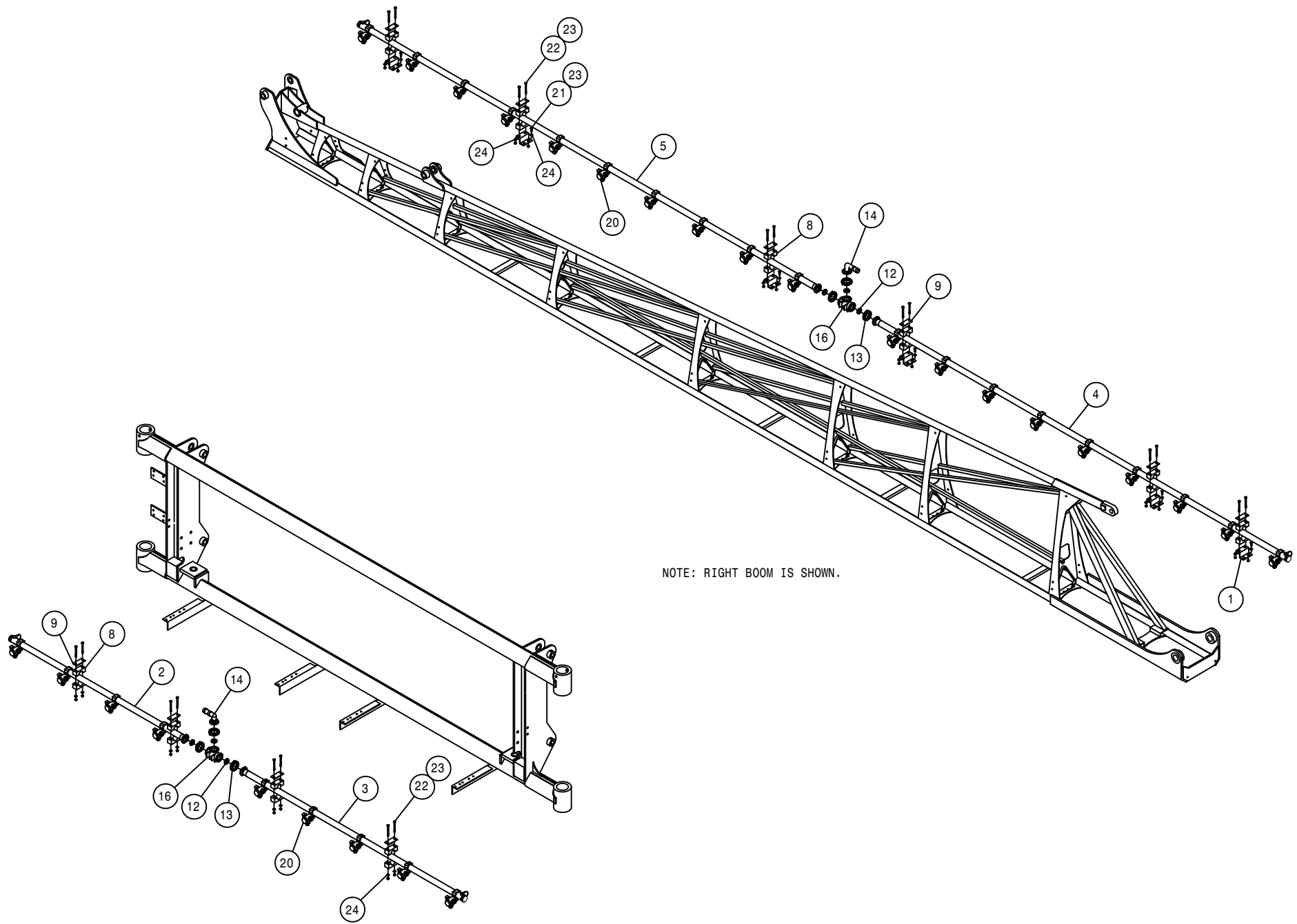
NOTE: RIGHT BOOM IS SHOWN.

15" SPACING 100' WET BOOM ASSEMBLY (SV)

DET. QTY PART NO. DESCRIPTION

1	28	164859	CLAMP MT BRKT, WET BOOM, STS
2	5	164928	15" WET BOOM WLD, 52.69 LG 08
3	1	164930	15" WET BOOM WLD, 67.69 LG 08
4	2	164932	15" WET BOOM WLD, 129.98 LG 08
5	2	164934	15" WET BOOM WLD, 155.41 LG 08
6	4	164926	15" WET BOOM WLD, 49.98 LG 08
7	46.2	197116	HOSE 1IN 1-FBR BR BLK EPDM
8	32	470375	TUBE CLAMP BODY,1.31 ID (PAIR)
9	32	470376	COVER PLATE FOR 470375
10	4	500105	1.00 HOSE BARB TEE, POLY
11	2	500109	1.00-90-1.00 HOSE BARB, POLY
12	21	500157	1" FLANGE GASKET EPDM
13	21	500159	1" FLANGE CLAMP, S.S.
14	9	500173	1" FLANGE-90-1" HOSE BARB POLY
15	2	500174	1" FLANGE-90-1" FLANGE LBOPOLY
16	5	500175	1" FLANGE TEE POLY
17	2	520087	HOSE CLAMP NO 20 STAINLESS
18	26	520090	HOSE CLAMP NO 16 STAINLESS
19	2	690757	BALL VLV ASSY,1"FLG-1"HBARB
20	81	737921	QUICK TJET 3-TIP BODY,1" HV
21	56	900002	1/4UNC X 3/4 HEX BOLT
22	64	900010	1/4UNC X 3" HEX BOLT
23	120	914000	1/4UNC HEX STOVER NUT
24	120	920000	1/4 SAE FLAT WASHER
25	14	470511	.250X1.50 QUICK PIN, SS
26	28	870213	O-RING, VITON, 213
27	14	164920	WET BOOM END PLUG 08
NS	40	737825	QUICK SHUT-OFF CAP
NS	243	737822	CAP SET, YELLOW QUICK TEEJET



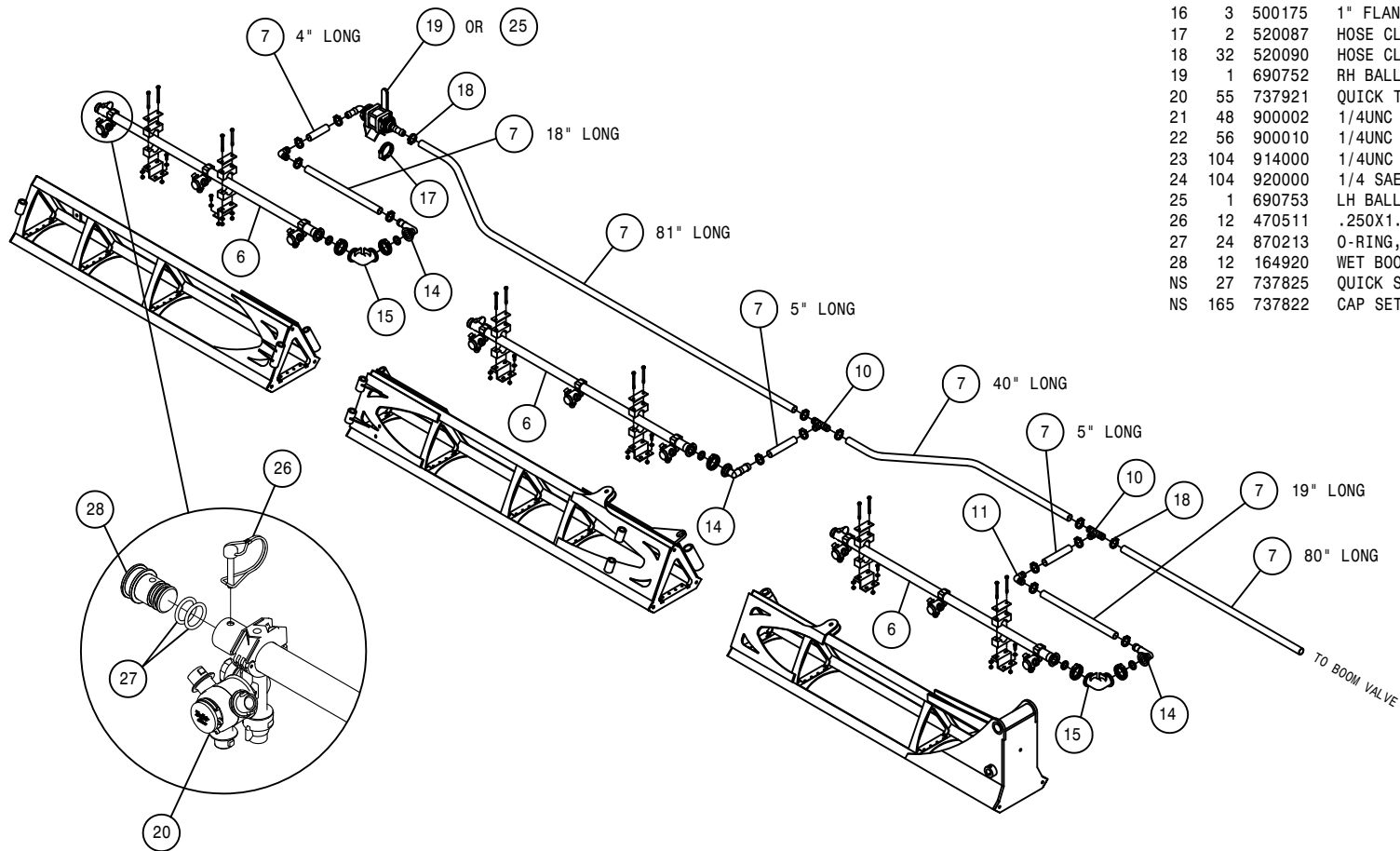


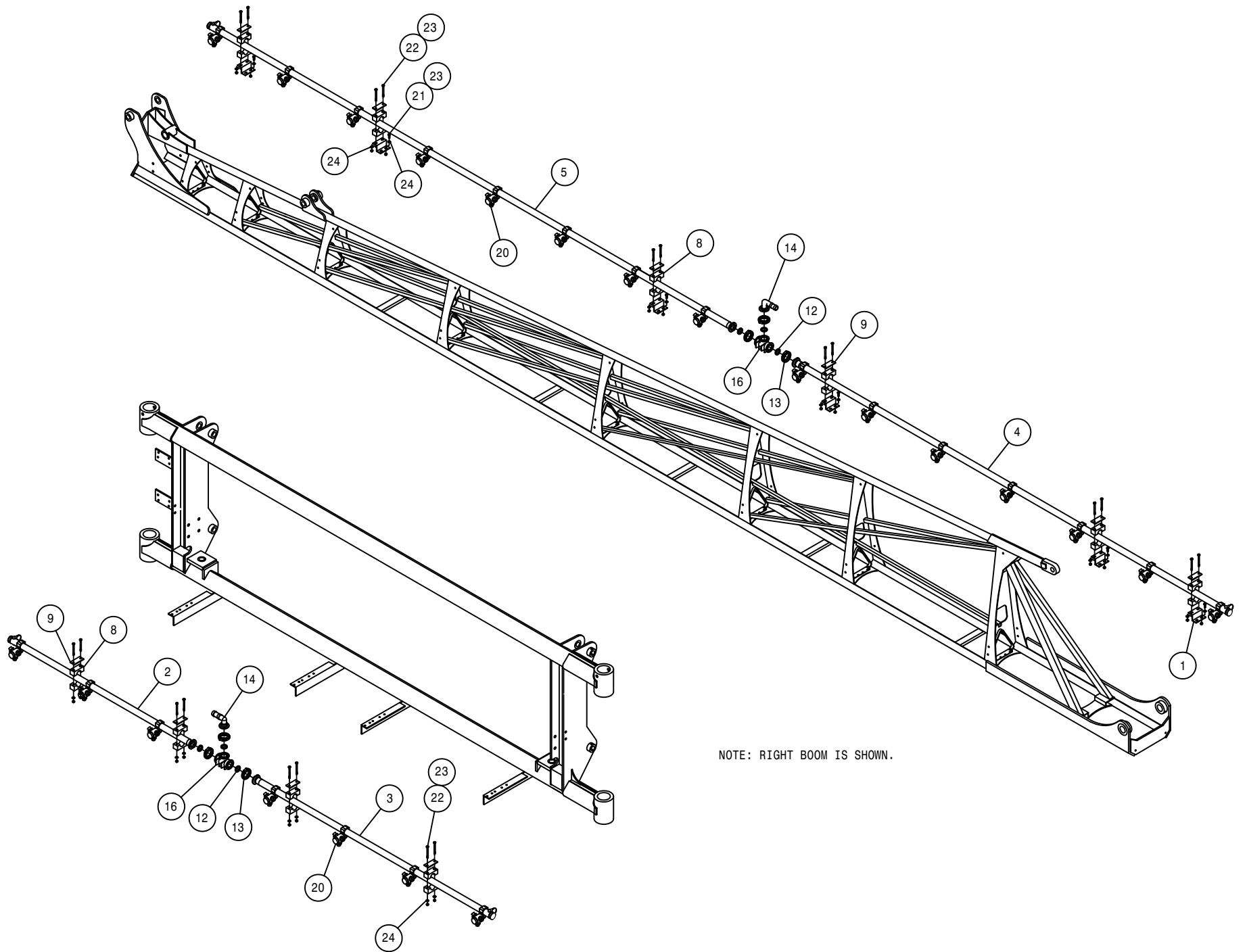
NOTE: RIGHT BOOM IS SHOWN.

20" SPACING 90' WET BOOM ASSEMBLY (SV)

DET. QTY PART NO. DESCRIPTION

DET.	QTY	PART NO.	DESCRIPTION
1	24	164859	CLAMP MT BRKT, WET BOOM, STS
2	1	164940	20" WET BOOM WLD, 52.69 LG 08
3	1	164942	20" WET BOOM WLD, 67.69 LG 08
4	2	164944	20" WET BOOM WLD, 124.98 LG 08
5	2	164948	20" WET BOOM WLD, 155.41 LG 08
6	6	164936	20" WET BOOM WLD, 44.98 LG 08
7	46	197116	HOSE 1IN 1-FBR BR BLK EPDM
8	28	470375	TUBE CLAMP BODY, 1.31 ID (PAIR)
9	28	470376	COVER PLATE FOR 470375
10	4	500105	1.00 HOSE BARB TEE, POLY
11	2	500109	1.00-90-1.00 HOSE BARB, POLY
12	19	500157	1" FLANGE GASKET EPDM
13	19	500159	1" FLANGE CLAMP, S.S.
14	9	500173	1" FLANGE-90-1" HOSE BARB POLY
15	4	500174	1" FLANGE-90-1" FLANGE LBOPOLY
16	3	500175	1" FLANGE TEE POLY
17	2	520087	HOSE CLAMP NO 20 STAINLESS
18	32	520090	HOSE CLAMP NO 16 STAINLESS
19	1	690752	RH BALL VLV ASSY, STD VOL 90'
20	55	737921	QUICK TJET 3-TIP BODY, 1" HV
21	48	900002	1/4UNC X 3/4 HEX BOLT
22	56	900010	1/4UNC X 3" HEX BOLT
23	104	914000	1/4UNC HEX STOVER NUT
24	104	920000	1/4 SAE FLAT WASHER
25	1	690753	LH BALL VLV ASSY, STD VOL 90'
26	12	470511	.250X1.50 QUICK PIN, SS
27	24	870213	O-RING, VITON, 213
28	12	164920	WET BOOM END PLUG 08
NS	27	737825	QUICK SHUT-OFF CAP
NS	165	737822	CAP SET, YELLOW QUICK TEEJET



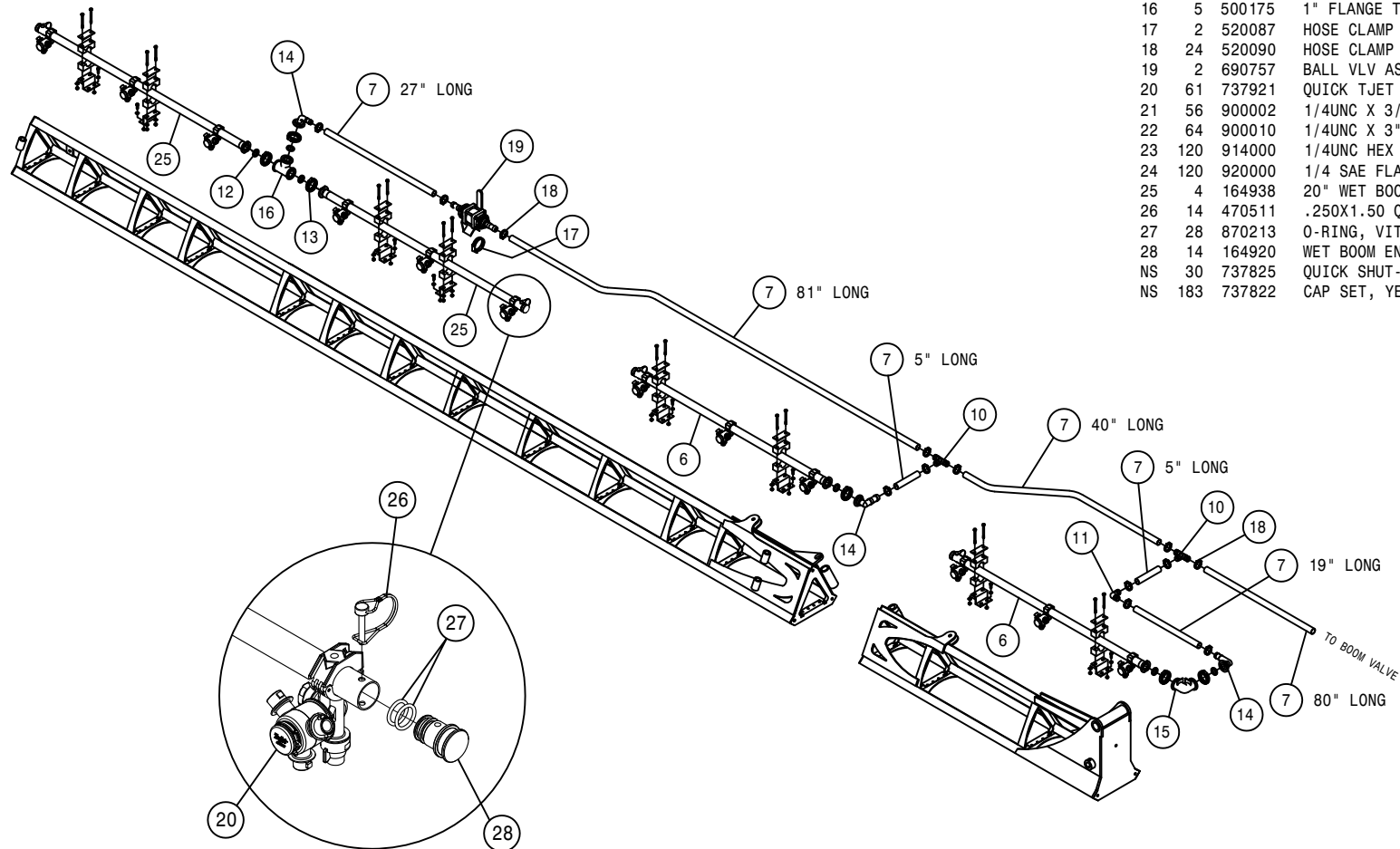


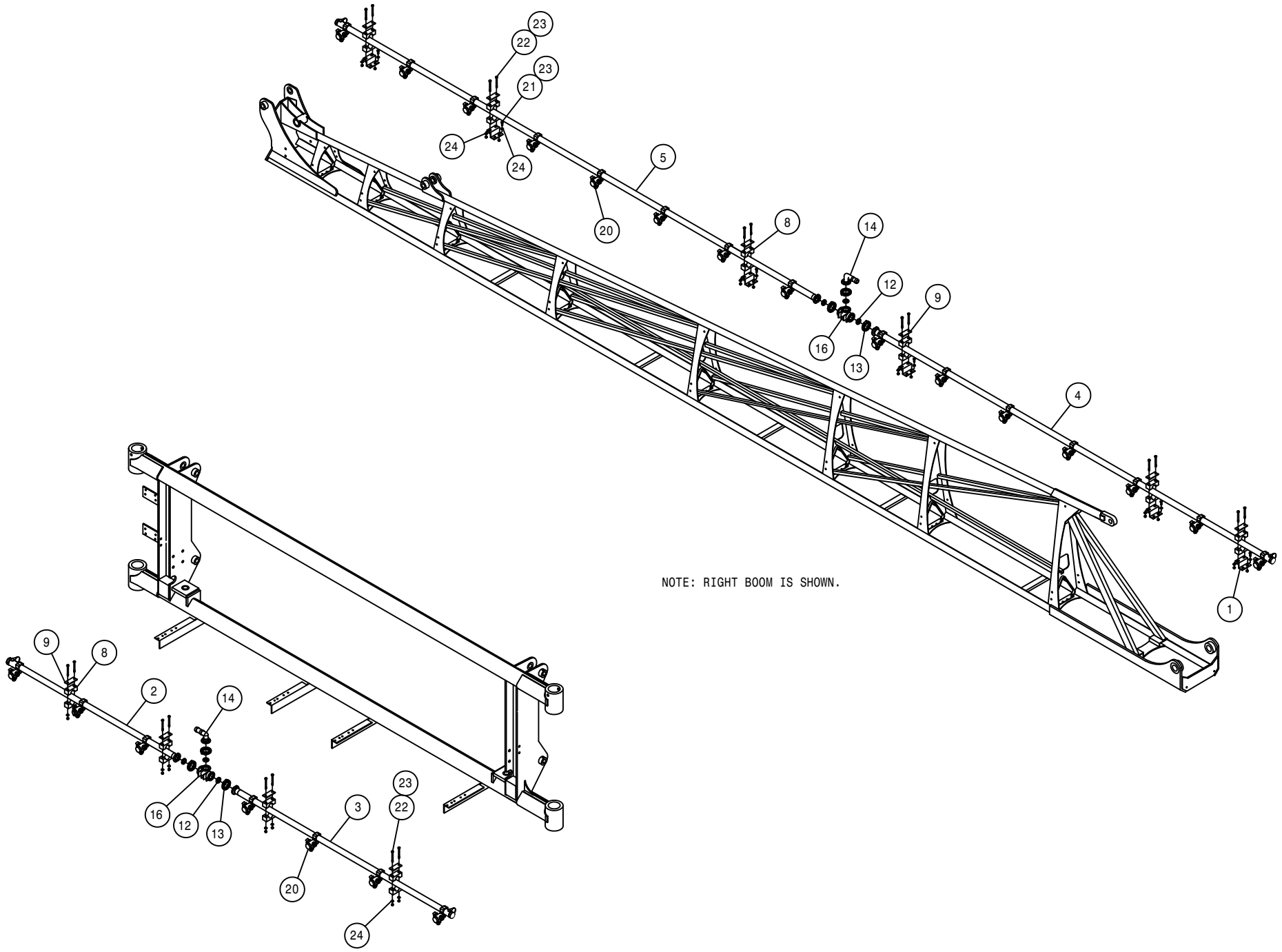
NOTE: RIGHT BOOM IS SHOWN.

20" SPACING 100' WET BOOM ASSEMBLY (SV)

DET. QTY PART NO. DESCRIPTION

1	28	164859	CLAMP MT BRKT, WET BOOM, STS
2	1	164940	20" WET BOOM WLD, 52.69 LG 08
3	1	164942	20" WET BOOM WLD, 67.69 LG 08
4	2	164944	20" WET BOOM WLD, 124.98 LG 08
5	2	164948	20" WET BOOM WLD, 155.41 LG 08
6	4	164936	20" WET BOOM WLD, 44.98 LG 08
7	46	197116	HOSE 1IN 1-FBR BR BLK EPDM
8	32	470375	TUBE CLAMP BODY, 1.31 ID (PAIR)
9	32	470376	COVER PLATE FOR 470375
10	4	500105	1.00 HOSE BARB TEE, POLY
11	2	500109	1.00-90-1.00 HOSE BARB, POLY
12	21	500157	1" FLANGE GASKET EPDM
13	20	500159	1" FLANGE CLAMP, S.S.
14	9	500173	1" FLANGE-90-1" HOSE BARB POLY
15	2	500174	1" FLANGE-90-1" FLANGE LBOPOLY
16	5	500175	1" FLANGE TEE POLY
17	2	520087	HOSE CLAMP NO 20 STAINLESS
18	24	520090	HOSE CLAMP NO 16 STAINLESS
19	2	690757	BALL VLV ASSY, 1" FLG-1" HBARB
20	61	737921	QUICK TJET 3-TIP BODY, 1" HV
21	56	900002	1/4UNC X 3/4 HEX BOLT
22	64	900010	1/4UNC X 3" HEX BOLT
23	120	914000	1/4UNC HEX STOVER NUT
24	120	920000	1/4 SAE FLAT WASHER
25	4	164938	20" WET BOOM WLD, 50.19 LG 08
26	14	470511	.250X1.50 QUICK PIN, SS
27	28	870213	O-RING, VITON, 213
28	14	164920	WET BOOM END PLUG 08
NS	30	737825	QUICK SHUT-OFF CAP
NS	183	737822	CAP SET, YELLOW QUICK TEEJET

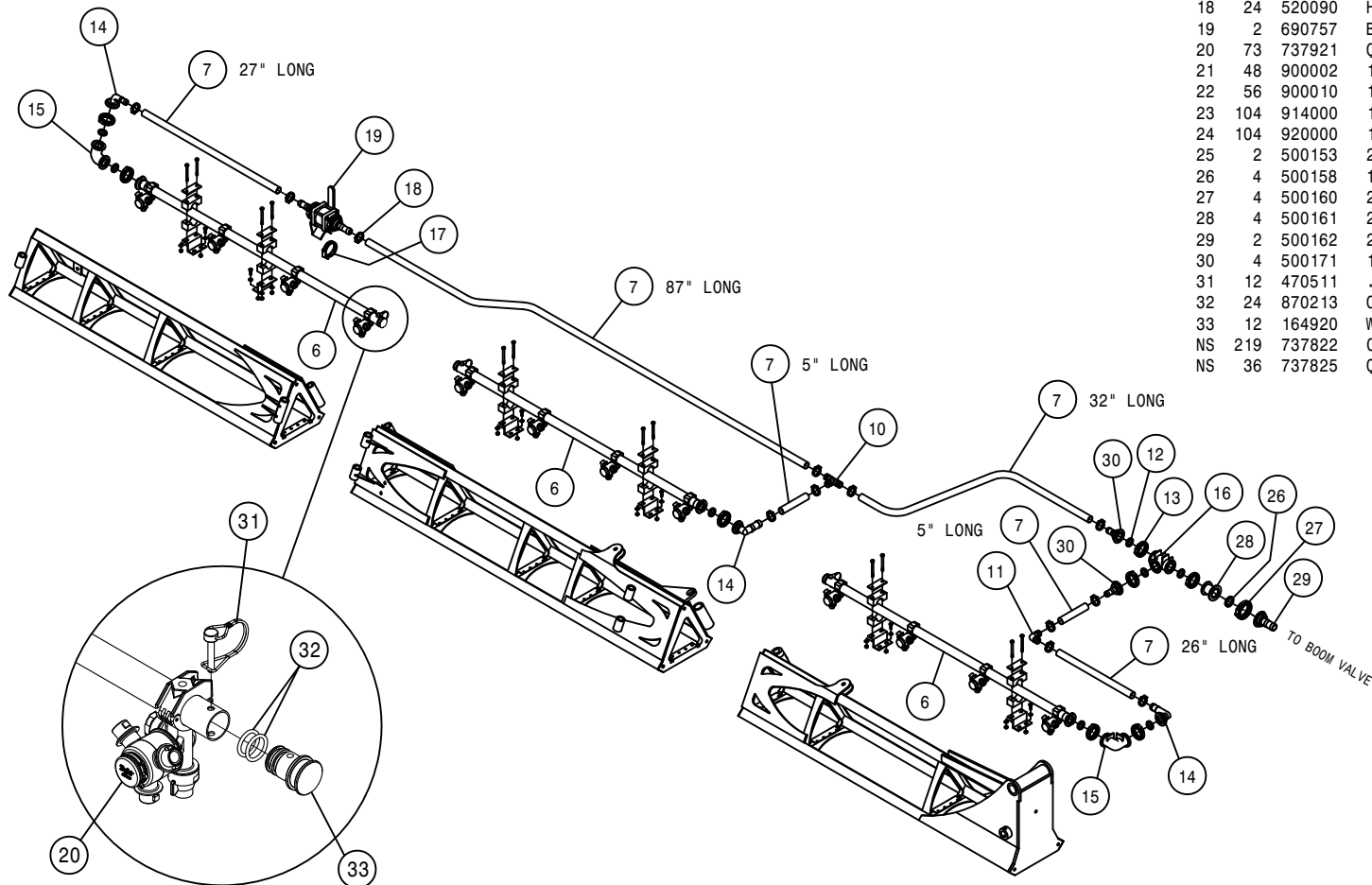


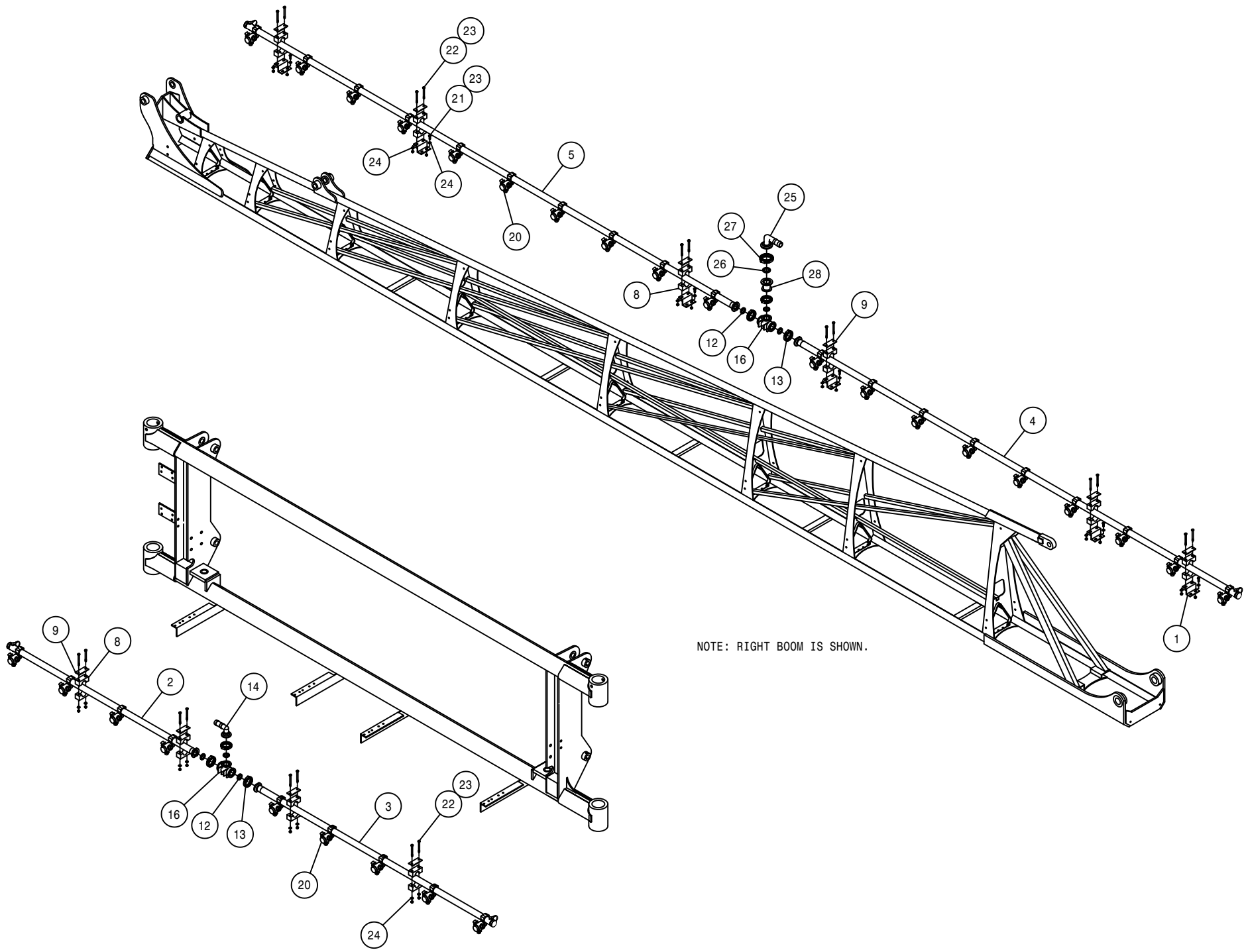


15" SPACING 90' WET BOOM ASSEMBLY (HV)

DET. QTY PART NO. DESCRIPTION

DET.	QTY	PART NO.	DESCRIPTION
1	24	164859	CLAMP MT BRKT, WET BOOM, STS
2	1	164928	15" WET BOOM WLD, 52.69 LG 08
3	1	164930	15" WET BOOM WLD, 67.69 LG 08
4	2	164932	15" WET BOOM WLD, 129.98 LG 08
5	2	164934	15" WET BOOM WLD, 155.41 LG 08
6	6	164926	15" WET BOOM WLD, 49.98 LG 08
7	46	197116	HOSE 1IN 1-FBR BR BLK EPDM
8	28	470375	TUBE CLAMP BODY,1.31 ID (PAIR)
9	28	470376	COVER PLATE FOR 470375
10	2	500105	1.00 HOSE BARB TEE, POLY
11	2	500109	1.00-90-1.00 HOSE BARB, POLY
12	25	500157	1" FLANGE GASKET EPDM
13	25	500159	1" FLANGE CLAMP, S.S.
14	7	500173	1" FLANGE-90-1" HOSE BARB POLY
15	4	500174	1" FLANGE-90-1" FLANGE LBOPOLY
16	5	500175	1" FLANGE TEE POLY
17	2	520087	HOSE CLAMP NO 20 STAINLESS
18	24	520090	HOSE CLAMP NO 16 STAINLESS
19	2	690757	BALL VLV ASSY,1"FLG-1"HBARB
20	73	737921	QUICK TJET 3-TIP BODY,1" HV
21	48	900002	1/4UNC X 3/4 HEX BOLT
22	56	900010	1/4UNC X 3" HEX BOLT
23	104	914000	1/4UNC HEX STOVER NUT
24	104	920000	1/4 SAE FLAT WASHER
25	2	500153	2" FLANGE-90-1 1/2 HBARB POLY
26	4	500158	1 1/2" GASKET FOR 2" FLANGE
27	4	500160	2" FLANGE CLAMP, S.S.
28	4	500161	2"FLANGE-1"FLANGE COUPLER,POLY
29	2	500162	2" FLANGE-1 1/2 HOSE BARB POLY
30	4	500171	1" FLANGE-1" HOSE BARB POLY
31	12	470511	.250X1.50 QUICK PIN, SS
32	24	870213	O-RING, VITON, 213
33	12	164920	WET BOOM END PLUG 08
NS	219	737822	CAP SET, YELLOW QUICK TEEJET
NS	36	737825	QUICK SHUT-OFF CAP



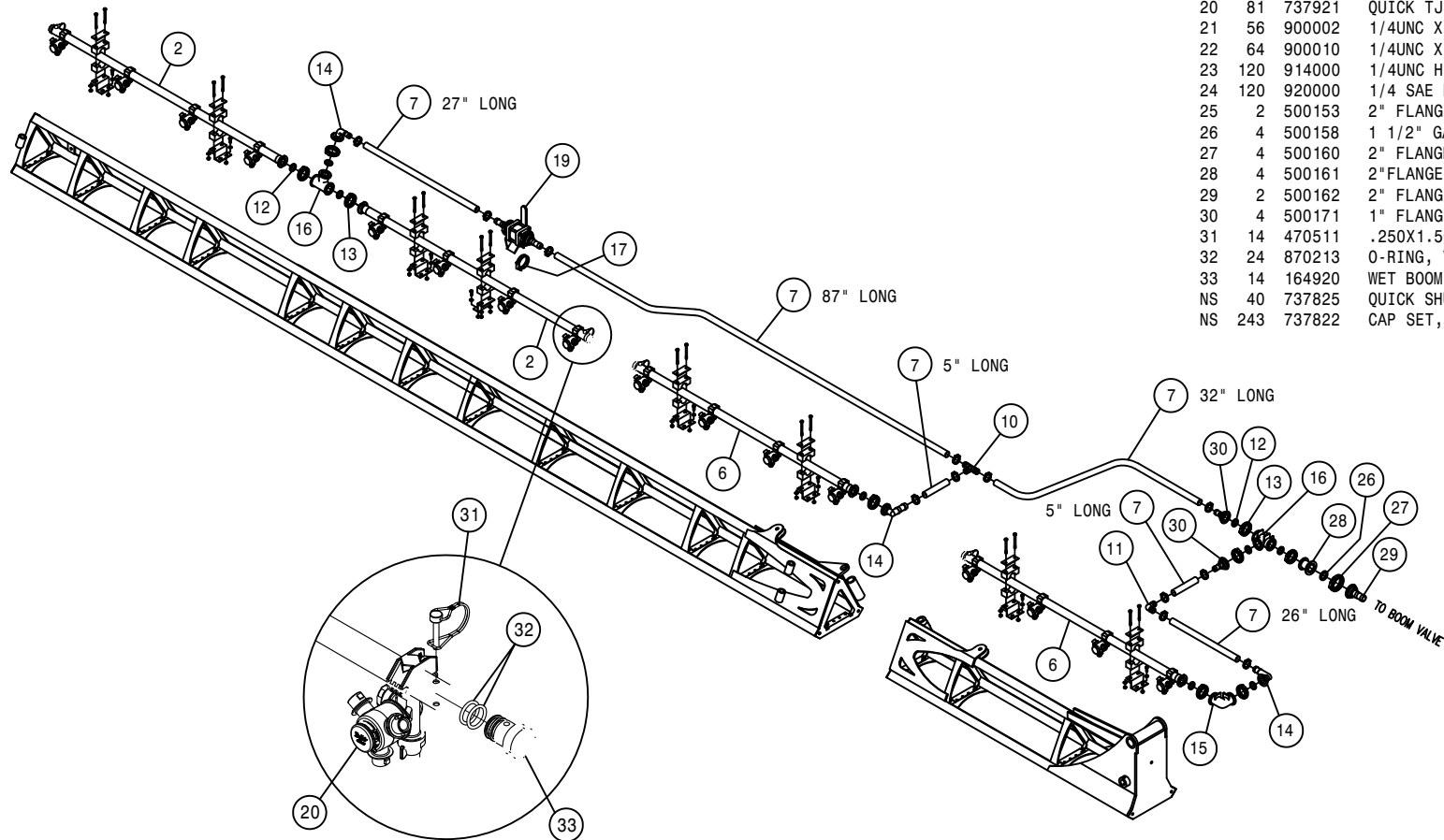


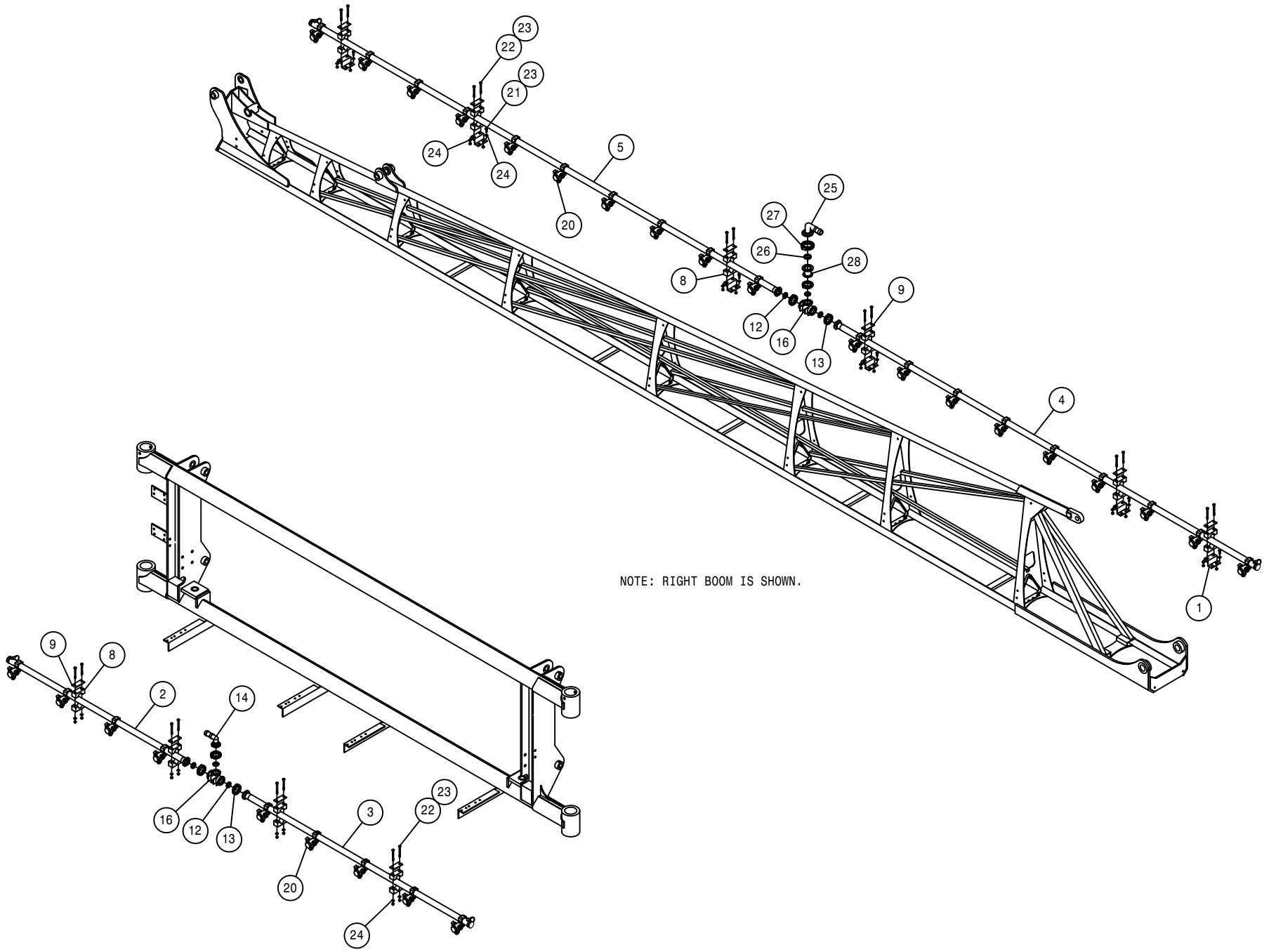
NOTE: RIGHT BOOM IS SHOWN.

15" SPACING 100' WET BOOM ASSEMBLY (HV)

DET. QTY PART NO. DESCRIPTION

DET.	QTY	PART NO.	DESCRIPTION
1	28	164859	CLAMP MT BRKT, WET BOOM, STS
2	5	164928	15" WET BOOM WLD, 52.69 LG 08
3	1	164930	15" WET BOOM WLD, 67.69 LG 08
4	2	164932	15" WET BOOM WLD, 129.98 LG 08
5	2	164934	15" WET BOOM WLD, 155.41 LG 08
6	4	164926	15" WET BOOM WLD, 49.98 LG 08
7	46	197116	HOSE 1IN 1-FBR BR BLK EPDM
8	32	470375	TUBE CLAMP BODY, 1.31 ID (PAIR)
9	32	470376	COVER PLATE FOR 470375
10	2	500105	1.00 HOSE BARB TEE, POLY
11	2	500109	1.00-90-1.00 HOSE BARB, POLY
12	27	500157	1" FLANGE GASKET EPDM
13	27	500159	1" FLANGE CLAMP, S.S.
14	7	500173	1" FLANGE-90-1" HOSE BARB POLY
15	2	500174	1" FLANGE-90-1" FLANGE LBOPOLY
16	7	500175	1" FLANGE TEE POLY
17	2	520087	HOSE CLAMP NO 20 STAINLESS
18	24	520087	HOSE CLAMP NO 20 STAINLESS
19	2	690757	BALL VLV ASSY, 1" FLG-1" HBARB
20	81	737921	QUICK TJET 3-TIP BODY, 1" HV
21	56	900002	1/4UNC X 3/4 HEX BOLT
22	64	900010	1/4UNC X 3" HEX BOLT
23	120	914000	1/4UNC HEX STOVER NUT
24	120	920000	1/4 SAE FLAT WASHER
25	2	500153	2" FLANGE-90-1 1/2 HBARB POLY
26	4	500158	1 1/2" GASKET FOR 2" FLANGE
27	4	500160	2" FLANGE CLAMP, S.S.
28	4	500161	2" FLANGE-1" FLANGE COUPLER, POLY
29	2	500162	2" FLANGE-1 1/2 HOSE BARB POLY
30	4	500171	1" FLANGE-1" HOSE BARB POLY
31	14	470511	.250X1.50 QUICK PIN, SS
32	24	870213	O-RING, VITON, 213
33	14	164920	WET BOOM END PLUG 08
NS	40	737825	QUICK SHUT-OFF CAP
NS	243	737822	CAP SET, YELLOW QUICK TEEJET



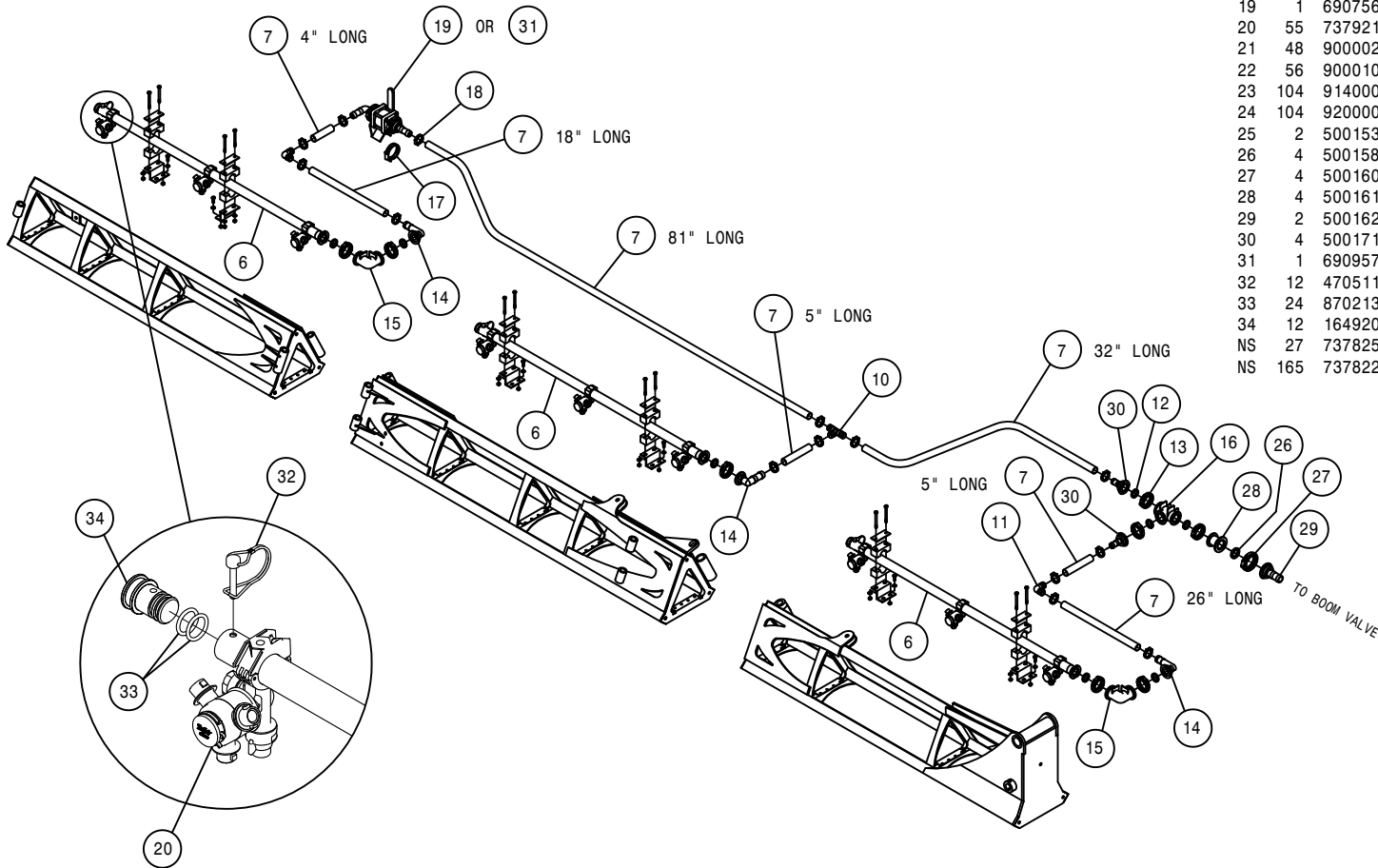


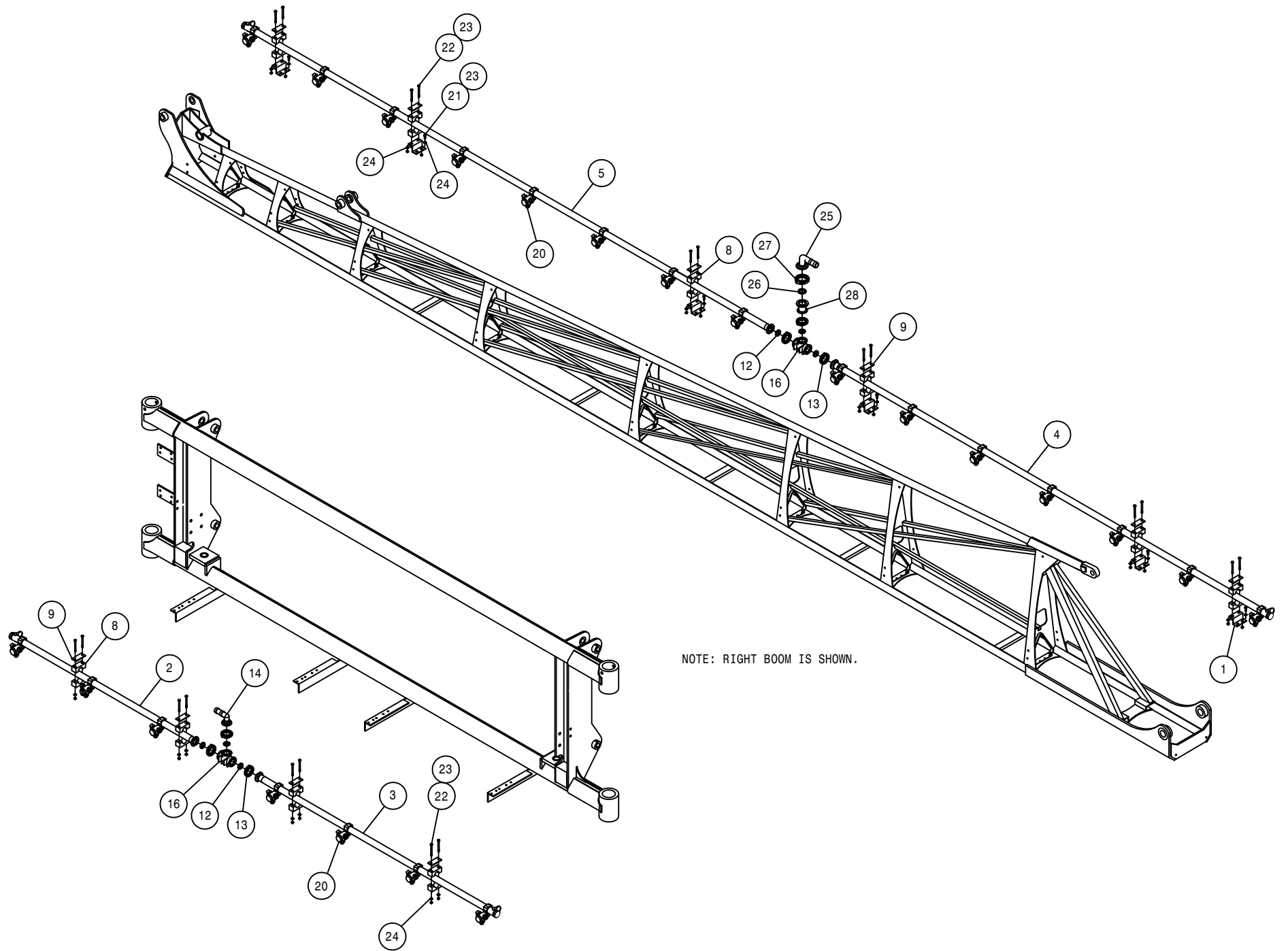
NOTE: RIGHT BOOM IS SHOWN.

20" SPACING 90' WET BOOM ASSEMBLY (HV)

DET. QTY PART NO. DESCRIPTION

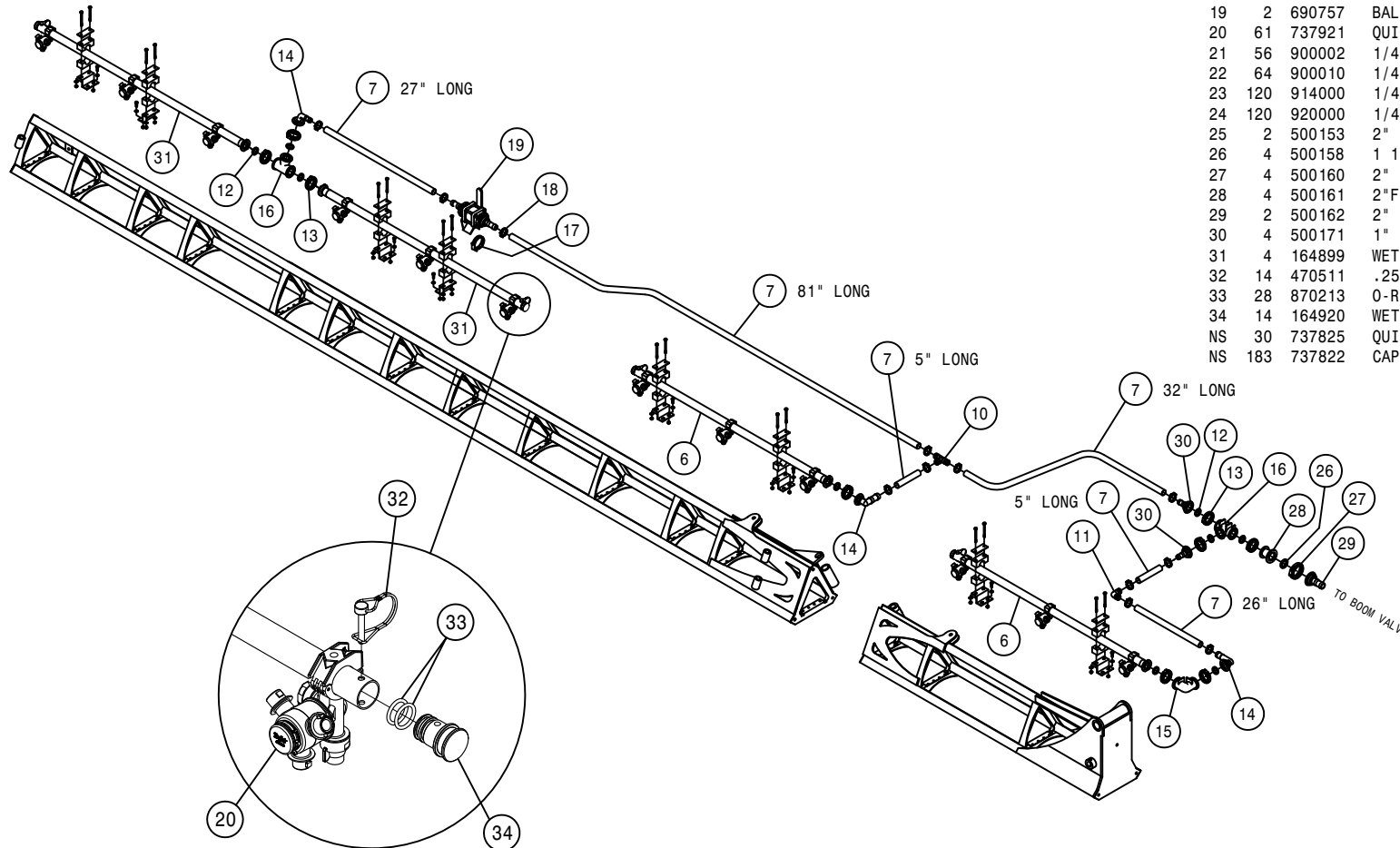
1	24	164859	CLAMP MT BRKT, WET BOOM, STS
2	1	164940	20" WET BOOM WLD, 52.69 LG 08
3	1	164942	20" WET BOOM WLD, 67.69 LG 08
4	2	164944	20" WET BOOM WLD, 124.98 LG 08
5	2	164948	20" WET BOOM WLD, 155.41 LG 08
6	6	164936	20" WET BOOM WLD, 44.98 LG 08
7	46	197116	HOSE 1IN 1-FBR BR BLK EPDM
8	28	470375	TUBE CLAMP BODY, 1.31 ID (PAIR)
9	28	470376	COVER PLATE FOR 470375
10	2	500105	1.00 HOSE BARB TEE, POLY
11	2	500109	1.00-90-1.00 HOSE BARB, POLY
12	25	500157	1" FLANGE GASKET EPDM
13	25	500159	1" FLANGE CLAMP, S.S.
14	7	500173	1" FLANGE-90-1" HOSE BARB POLY
15	4	500174	1" FLANGE-90-1" FLANGE LBOPOLY
16	5	500175	1" FLANGE TEE POLY
17	2	520087	HOSE CLAMP NO 20 STAINLESS
18	28	520090	HOSE CLAMP NO 16 STAINLESS
19	1	690756	RH BALL VLV ASSY, HI VOL 90'
20	55	737921	QUICK TJET 3-TIP BODY, 1" HV
21	48	900002	1/4UNC X 3/4 HEX BOLT
22	56	900010	1/4UNC X 3" HEX BOLT
23	104	914000	1/4UNC HEX STOVER NUT
24	104	920000	1/4 SAE FLAT WASHER
25	2	500153	2" FLANGE-90-1 1/2 HBARB POLY
26	4	500158	1 1/2" GASKET FOR 2" FLANGE
27	4	500160	2" FLANGE CLAMP, S.S.
28	4	500161	2" FLANGE-1" FLANGE COUPLER, POLY
29	2	500162	2" FLANGE-1 1/2 HOSE BARB POLY
30	4	500171	1" FLANGE-1" HOSE BARB POLY
31	1	690957	LH BALL VLV ASSY, HI VOL 90'
32	12	470511	.250X1.50 QUICK PIN, SS
33	24	870213	O-RING, VITON, 213
34	12	164920	WET BOOM END PLUG 08
NS	27	737825	QUICK SHUT-OFF CAP
NS	165	737822	CAP SET, YELLOW QUICK TEEJET

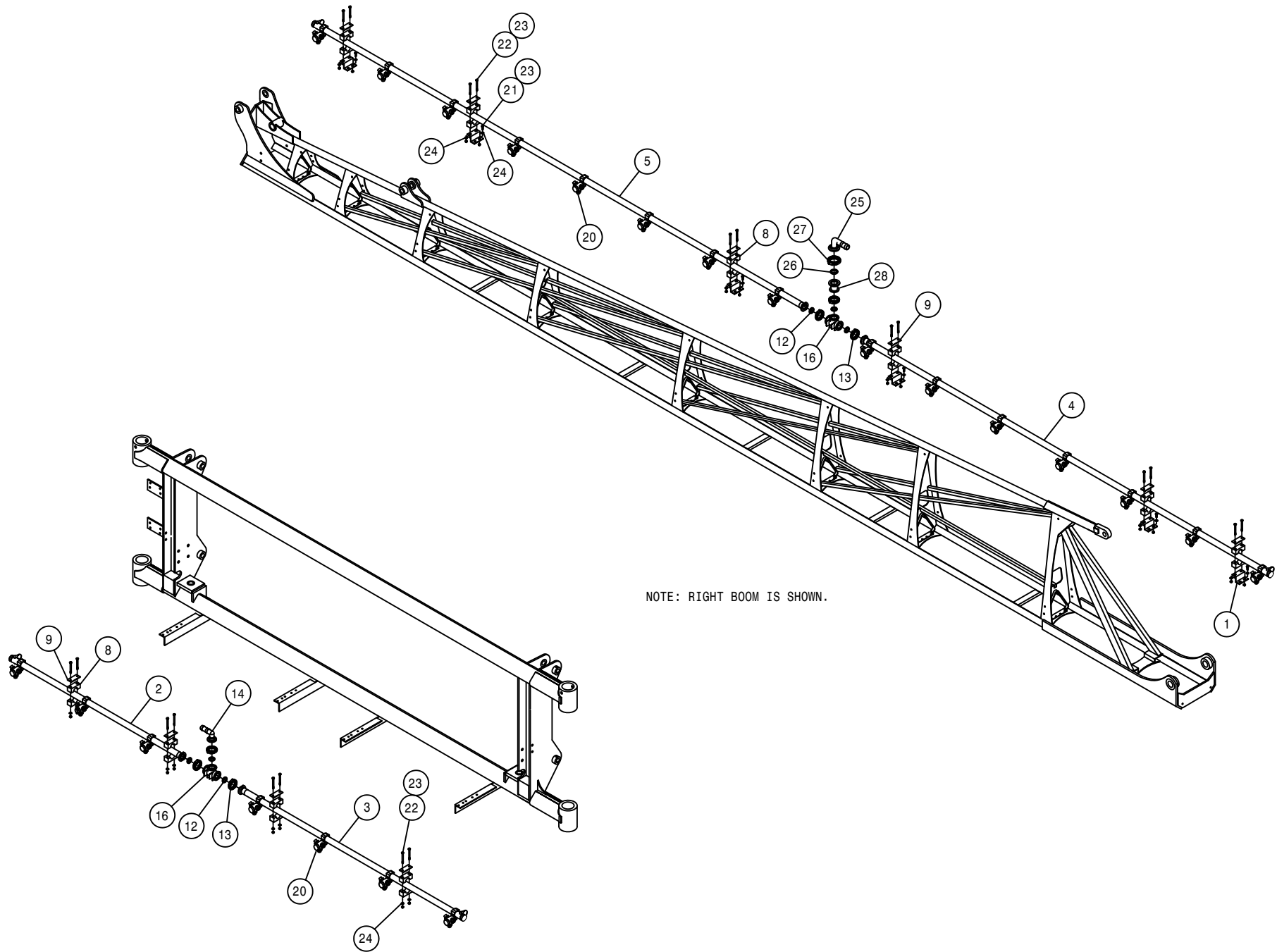




20" SPACING 100' WET BOOM ASSEMBLY (HV)

DET.	QTY	PART NO.	DESCRIPTION
	1	28	164859 CLAMP MT BRKT, WET BOOM, STS
	2	1	164940 20" WET BOOM WLD, 52.69 LG 08
	3	1	164942 20" WET BOOM WLD, 67.69 LG 08
	4	2	164944 20" WET BOOM WLD, 124.98 LG 08
	5	2	164948 20" WET BOOM WLD, 155.41 LG 08
	6	4	164936 20" WET BOOM WLD, 44.98 LG 08
	7	46	197116 HOSE 1IN 1-FBR BR BLK EPDM
	8	32	470375 TUBE CLAMP BODY,1.31 ID (PAIR)
	9	32	470376 COVER PLATE FOR 470375
	10	2	500105 1.00 HOSE BARB TEE, POLY
	11	2	500109 1.00-90-1.00 HOSE BARB, POLY
	12	27	500157 1" FLANGE GASKET EPDM
	13	27	500159 1" FLANGE CLAMP, S.S.
	14	7	500173 1" FLANGE-90-1" HOSE BARB POLY
	15	2	500174 1" FLANGE-90-1" FLANGE LBOPOLY
	16	7	500175 1" FLANGE TEE POLY
	17	2	520087 HOSE CLAMP NO 20 STAINLESS
	18	20	520087 HOSE CLAMP NO 20 STAINLESS
	19	2	690757 BALL VLV ASSY,1"FLG-1"HBARB
	20	61	737921 QUICK TJET 3-TIP BODY,1" HV
	21	56	900002 1/4UNC X 3/4 HEX BOLT
	22	64	900010 1/4UNC X 3" HEX BOLT
	23	120	914000 1/4UNC HEX STOVER NUT
	24	120	920000 1/4 SAE FLAT WASHER
	25	2	500153 2" FLANGE-90-1 1/2 HBARB POLY
	26	4	500158 1 1/2" GASKET FOR 2" FLANGE
	27	4	500160 2" FLANGE CLAMP, S.S.
	28	4	500161 2"FLANGE-1"FLANGE COUPLER,POLY
	29	2	500162 2" FLANGE-1 1/2 HOSE BARB POLY
	30	4	500171 1" FLANGE-1" HOSE BARB POLY
	31	4	164899 WET BOOM WLD, OUTER SECT, 20" 100
	32	14	470511 .250X1.50 QUICK PIN, SS
	33	28	870213 O-RING, VITON, 213
	34	14	164920 WET BOOM END PLUG 08
NS	30	737825	QUICK SHUT-OFF CAP
NS	183	737822	CAP SET, YELLOW QUICK TEEJET





NOTE: RIGHT BOOM IS SHOWN.

NOTICE

The following page contains decals for the model STS 16.

These decals can be obtained from Hagie Mfg. Co. and should be used whenever your machine is repainted or when the decals become worn, weathered, or faded.

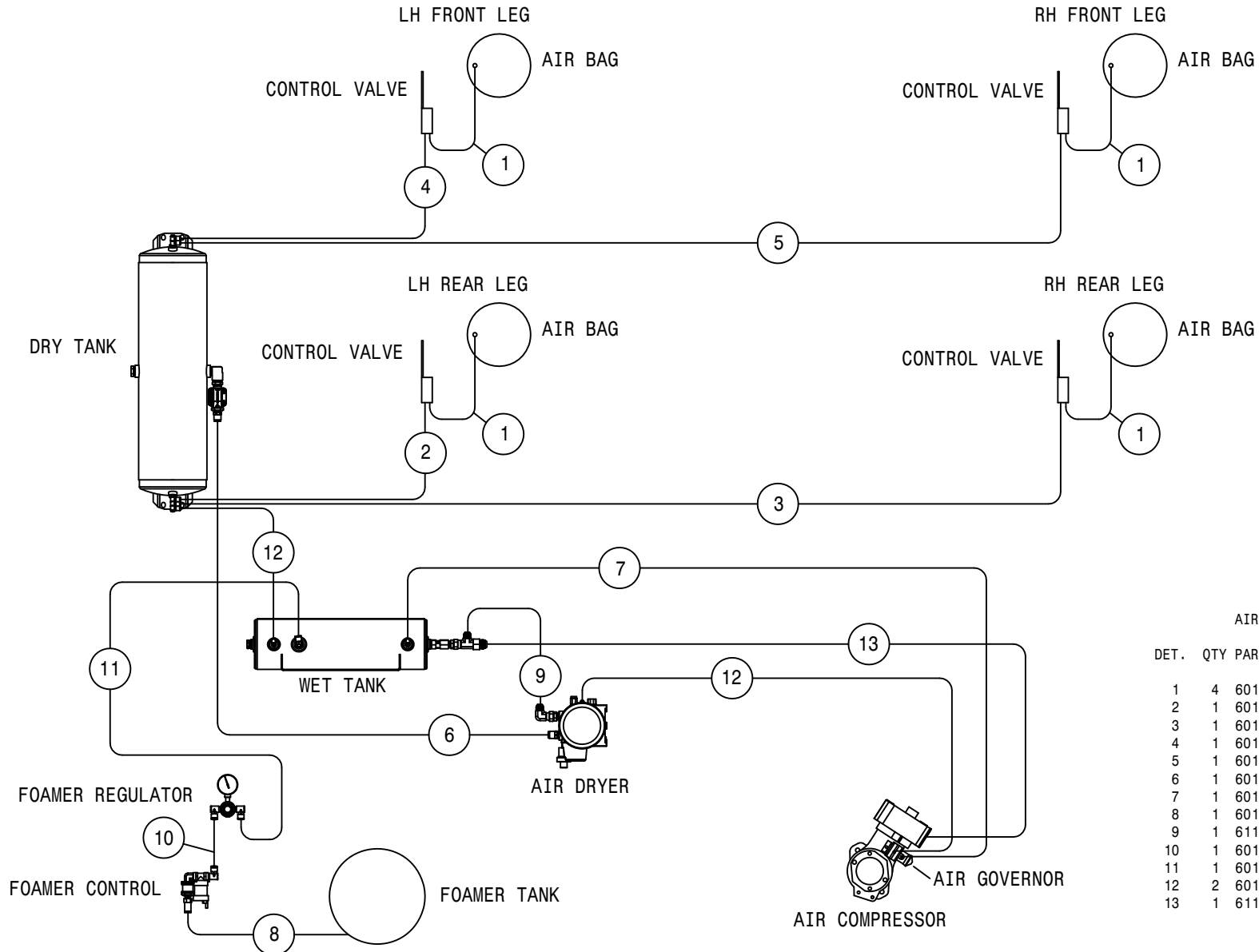
Special attention should be paid to decals involving personal safety. They have been attached for your protection.

KEEP THEM IN PLACE.

Contact: Hagie Manufacturing Co.
721 Central Ave West
Box 273
Clarion, Iowa 50525-0273

STS16 DECALS

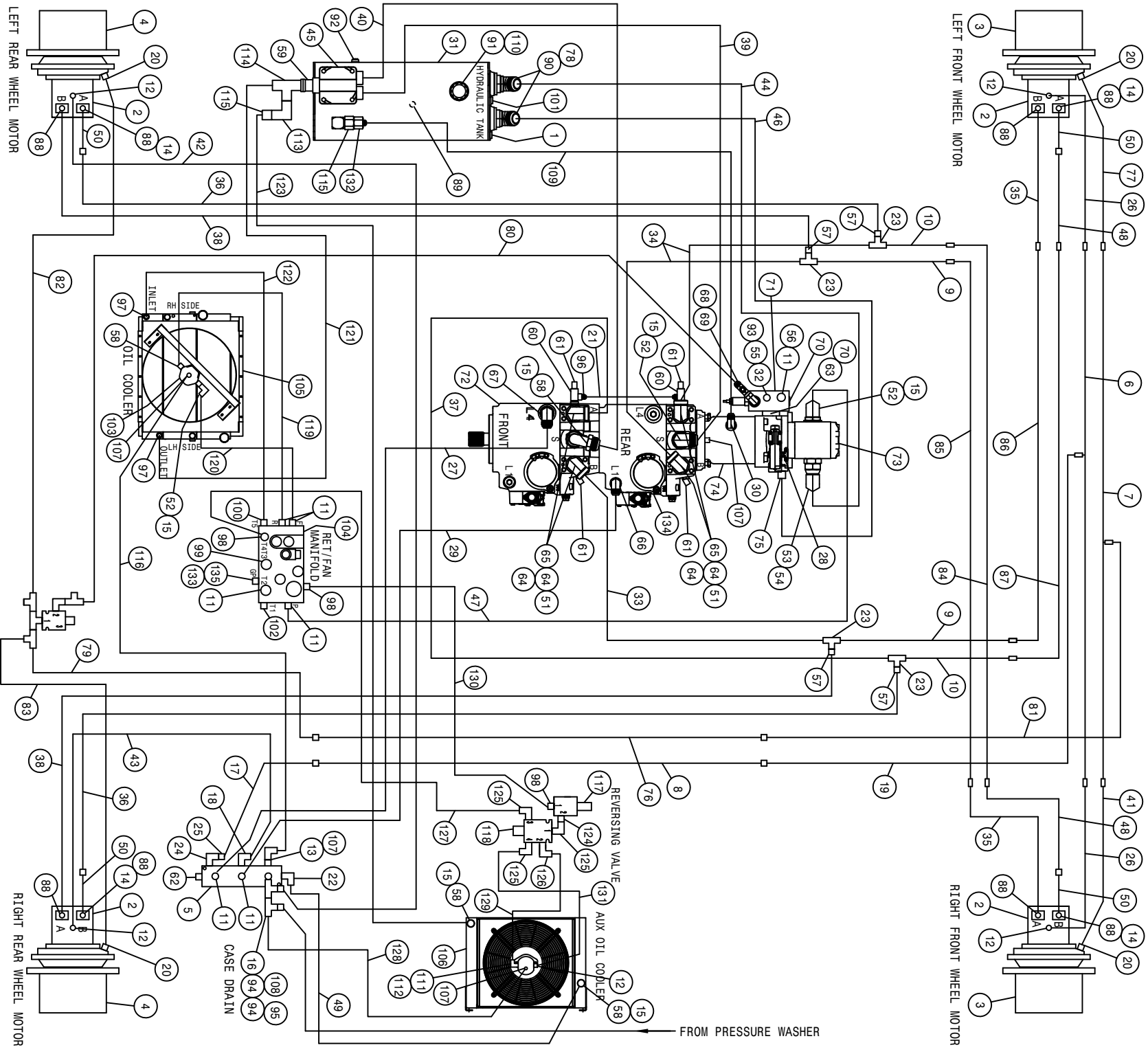
QTY.	PART NO.	DESCRIPTION	LOCATION
4	650103	TREAD ADJUST INDICATOR DECAL	1-ON EACH LEG SLIDE TUBE
1	650107	CAUTION BOOSTER DECAL	NEAR BOOSTER POSTS
1	650114	FILL WITH FRESH WATER DECAL	ON FRESH WATER TANK
1	650115	HAND WASH ONLY DECAL	NEAR HAND WASH VALVE
1	650116	INDUCTOR FILL INSTRUCTION DECAL	ON SIDE OF FILL ARM
1	650118	DO NOT USE EITHER DECAL	NEAR AIR INTAKE ON SHEET METAL
1	650125	AGITATOR RATE IND DECAL	ON KZCO AGITATION VALVE
1	650132	CUMMINS POWER DECAL	LOCATED ON ENGINE HOOD
1	650140	ENGINE COMPARTMENT DECAL SET	ON ENGINE HOOD
1	650144	LOGO, SOLUTION TANK DECAL	ON LH SIDE SOLUTION TANK
1	650146	HAGIE UPFRONT DECAL	ON LOWER FRONT WINDSHIELD
1	650148	MDM BEZEL, STS DECAL	ON MDM DISPLAY
1	650153	SIGHT GAUGE, 1600G SS DECAL	ON SOLUTION TANK
1	650154	PATENTS,HAGIE UPFRONT DECAL	ON LOWER LEFT REAR OF MAINFRAME
1	650155	SIDE FILL CONTROL DECAL	ON SIDE FILL SWITCH BOX
1	650156	PRESS WASH CONTROL DECAL	ON PRESS WASHER SWITCH BOX
1	650157	HYDROSTATIC STS CAB DECAL	ON CONSOLE
1	650158	SPEED CONTROL STS CAB DECAL	ON CONSOLE
1	650160	SPRAY SELECT STS DECAL	ON CONSOLE
1	650161	BOOM, FLOAT, TREAD ADJUST DECAL	ON CONSOLE
1	650163	POWER POINT DECAL	ON CONSOLE
1	650164	NO PASSNGR/NOT NEAR LEAK DECAL	ON LEFT UPPER REAR POST
1	650165	PMR LINE/BM FOLD/GLASS DECAL	ON RIGHT REAR UPPER CAB POST
1	650167	BOOM MODULE PINOUT DECAL	INSIDE ELECT LIFT ARM COVER
1	650168	LIGHT/FLASHER-FUSE/RELAY DECAL	ON FLASHER/LIGHT RELAY PANEL
1	650170	ENGINE ELECTRICAL BOX DECAL	INSIDE ENGINE ELECTRICAL BOX
1	650176	CAUTION, CAB CHEM EXPOSER DECAL	ON UPPER RIGHT SIDE WINDOW
1	650177	THROTTLE, BRAKE, PUMP DECAL	ON CONSOLE
2	650178	CAUTION QUICK ATTACK PIN DECAL	1-EA ON FRONT CROSSMEMBER BY Q-ATTACH
1	650179	HAGIE UPFRONT 28 X 60 DECAL	1-SIDE OF FUEL TANK
1	650181	REAR MODULE PINOUTS DECAL	INSIDE REAR ELECTRICAL BOX
1	650182	BELLY PAN MODULE DECAL	1-ON BELLY PAN
1	650189	30 AMP, EGM FUSE DECAL	ON AIR CLEANER MOUNT
1	650186	FUSE & RELAY DECAL	ON CONSOLE
1	650188	35MPH ID SYMBOL DECAL	ON REAR BUMPER
1	650191	COOLANT DECAL	1-ON SURGE TANK
1	650217	CAUTION, CHECK OIL DECAL	1-ON COOLANT FILTER BRACKET ON PRESSURE WASHER MOUNT
2	650339	WARNING, HYD OIL IND DECAL	1-ON SIDE OF OIL TANK
1	650348	NOTICE DRAIN AIR TANK DECAL	ON AIR TANK
1	650367	AIR FILTER INSTRUCTION DECAL	ON ENGINE AIR FILTER END CAP
1	650377	NOTICE-R134A 3LB DECAL	RH SIDE OF ENGINE ON FRAME
1	650380	ELECTRICAL DISCONNECT DECAL	NEAR BOOSTER POSTS
1	650848	CAUTION, SLIP OR FALL DECAL	ON LADDER PIVOT TUBE
1	650849	CAUTION, ENGINE FUEL DECAL	NEAR FUEL TANK NECK
1	650850	DANGEROUS CHEM DECAL	SOLUTION TANK FILLER NECK
1	650851	SHIELDS DECAL	ON LOWER LH REAR MAINFRAME TUBE
1	650954	DIESEL DECAL	NEAR FUEL TANK NECK
1	650981	COOLING SYSTEM DECAL	NEAR RADIATOR CAP.
1	650982	ELECTRICAL DECAL	ON RH CAB DOOR
4	650985	WHEEL BOLT TORQUE DECAL	ON EACH WHEEL RIM



AIR LINE DIAGRAM STS16 07

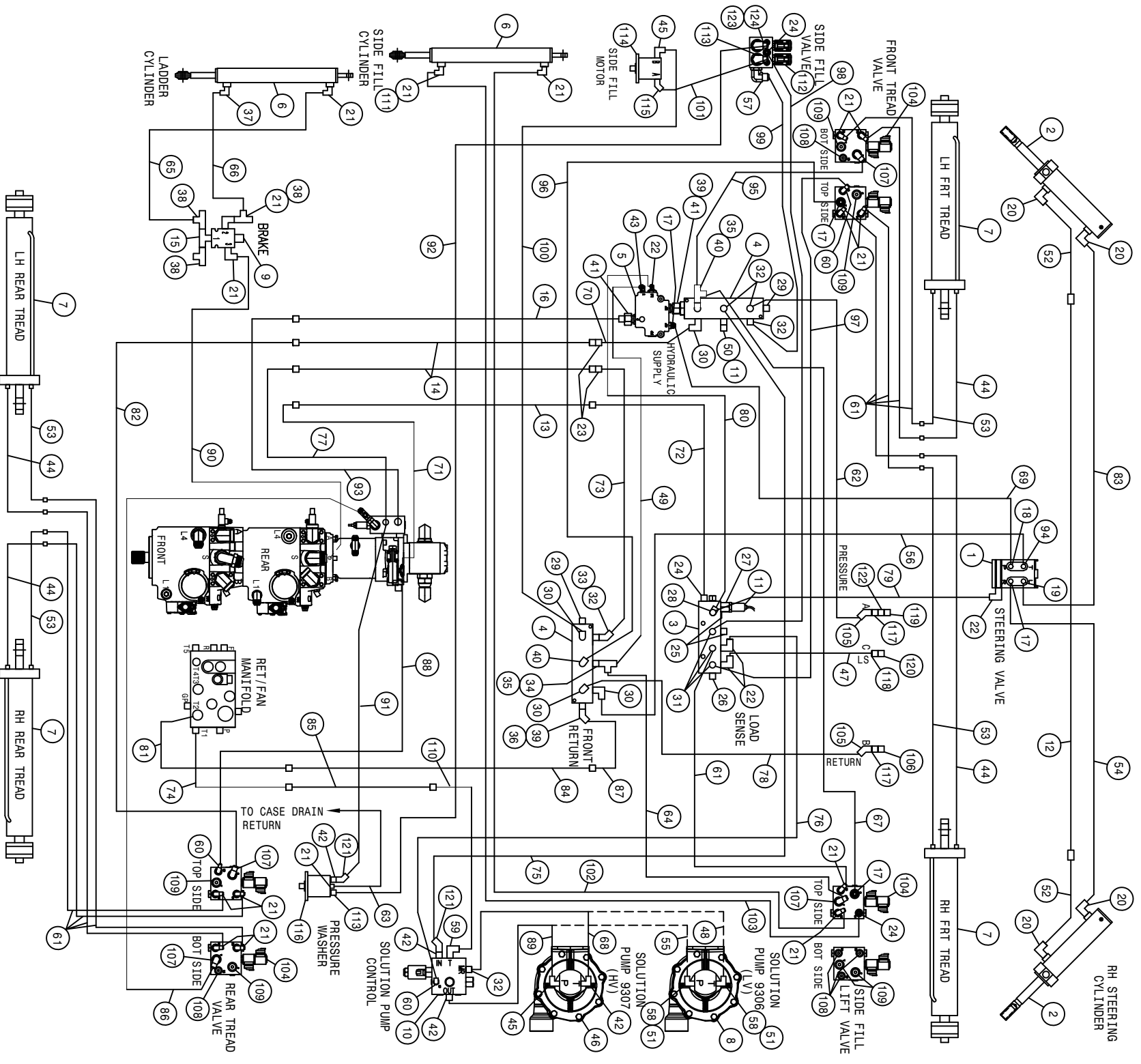
DET.	QTY	PART NO.	DESCRIPTION
1	4	601473	HOSE, 1/4 X 22 AIR
2	1	601476	HOSE, 1/4 X 120 AIR
3	1	601478	HOSE, 1/4 X 175 AIR
4	1	601641	HOSE, 1/4 X 222 AIR
5	1	601642	HOSE, 1/4 X 256 AIR
6	1	601685	HOSE, 1/2 X 112 AIR
7	1	601670	HOSE, 1/4 X 85 AIR
8	1	601624	HOSE, 3/8 X 60 AIR
9	1	611308	10-P919J-10FJX-10FJX45-29
10	1	601633	HOSE, 3/8 X 11 AIR
11	1	601684	HOSE, 3/8 X 132 AIR
12	2	601415	HOSE, 1/4 X 108 AIR
13	1	611309	12-P919J-12FJX-12FJX-70

This Page Intentionally Blank



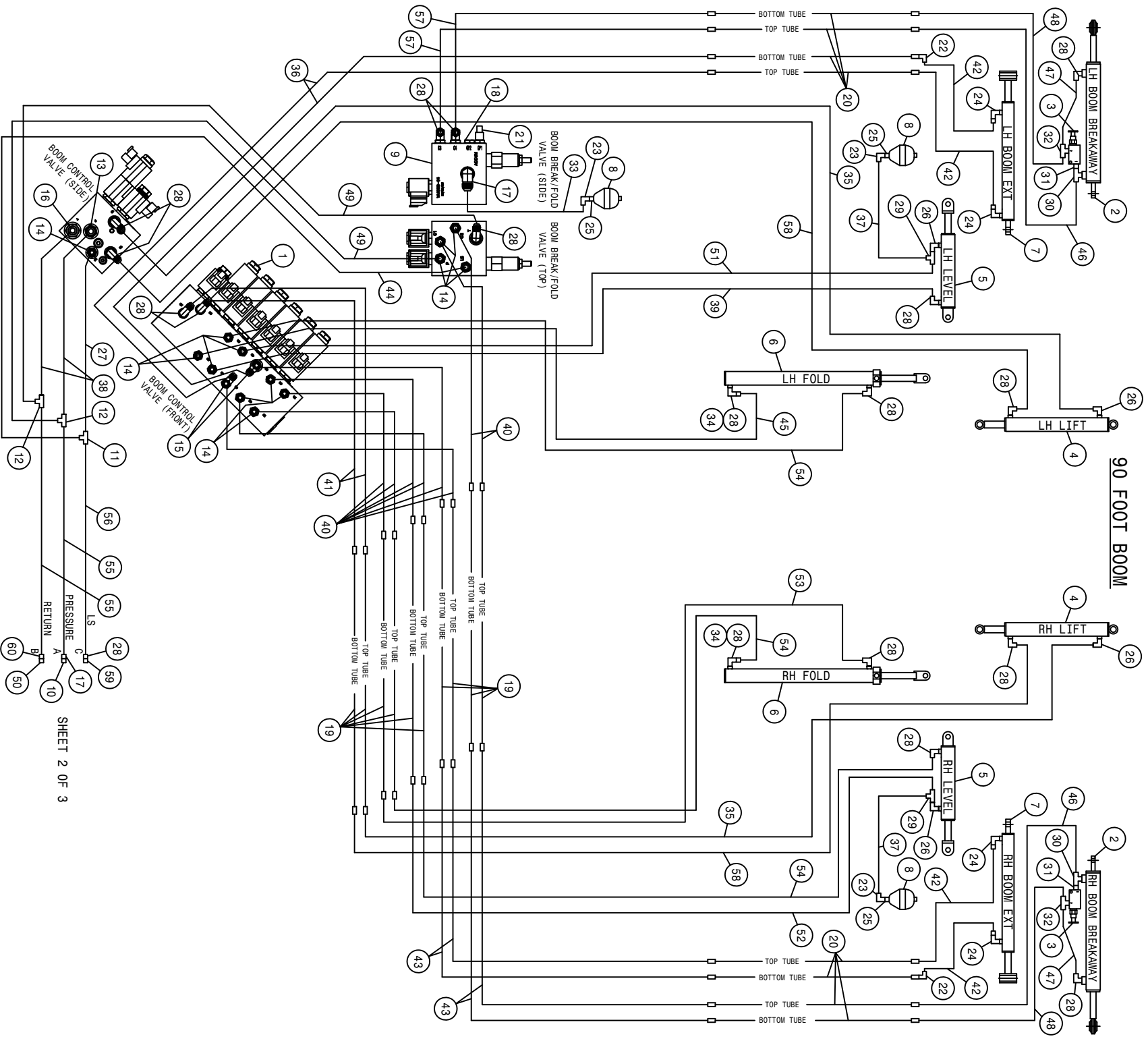
STS16 HYDRAULIC DIAGRAM 2007
REFERENCE DRAWING NO. 498921S1

DET.	QTY	PART NO.	DESCRIPTION	DET.	QTY	PART NO.	DESCRIPTION
1	1	293815	LIQUID LEV SWITCH ASSY, 1/2NPO5	69	1	618183	3/4MJC-90-7/8MOR LBO
2	4	606189	SAUER HYD MOTOR 510080/SENR 05	70	2	618753	7/16MOR PLUG, HEX SOCKET
3	2	610826	WHEEL HUB, 606M2V 26:1 W/BRAKE	71	1	606258	REFIER, LS PUMP SAUER
4	2	610829	WHEEL HUB, 606M2V 30:1 W/BRAKE	72	1	607011	SAUER 165CC HI PUMP, D/D-MT 07
5	1	606246	MANIFOLD, #16 3-STN 180 DAMAN	73	1	607020	SAUER GEAR PUMP, SNP3 63.4CC
6	1	615862	FRT CASE/RAIN HYD TUBE, STS1607	74	1	607017	SAUER PISTON PUMP, 75CC JRR075C
7	1	615861	FRT BRAKE HYD TUBE, STS16 07	75	1	618766	2" SPLIT FLANGE KIT #61
8	1	615869	M/F CASE DRAIN TUBE, STS 07	76	1	615867	FRONT BRAKE TUBE, STS 07
9	2	615858	INSIDE FRT WHL MAIN HYD TUBE	77	1	616457	04-451TC-06FJX-04FJX45-142 H/A
10	2	615857	OUTTER FRT WHL MTR HYD TUBE	78	2	618746	01-2/MJC-45-2 1/2MOR LBO
11	7	618186	5/16MJC-1 5/16MOR ADPTR	79	1	616456	04-451TC-06FJX-06FJX90-68 H/A
12	5	618469	3/4MJC-1 1/16MOR ADPTR	80	1	616458	06-451TC-06FJX-08FJX-28 H/A
13	1	618397	1 5/16MOR-9/16FOR ADPTR	81	1	616455	04-451TC-08FJX-06FJX90-80 H/A
14	4	618654	1" FLANGE-90-1 7/16MFOR LBO	82	1	616072	04-451TC-06FJX-04FJX45-222 H/A
15	6	618768	1 5/8MJC-90-1 5/8FJX TUBE	83	1	616372	04-451TC-06FJX-04FJX45-222 H/A
16	1	618308	1 1/16MJC-1 5/16MOR ADPTR	84	1	615864	RH FRT WHL MTR TUBE STS16 07
17	1	616475	10-451TC-12FJX-12FJX-39 H/A	85	1	615865	LH FRT WHL MTR TUBE, STS16 07
18	1	618302	1 1/16MJC-90-1 5/16MOR LBO	86	1	615860	RH FRT WHL MTR TUBE STS16 07
19	1	616461	10-451TC-12FJX-10FJX45-77 H/A	87	1	615859	RH FRT WHL MOTOR TUBE STS16 07
20	4	618467	7/16MJC-7/16MOR ADPTR	88	8	618652	1" SPLIT FLANGE KIT
21	1	616038	04-381-06FJX-06FJX90-15 H/A	89	1	470471	1 5/16MOR PLUG, MAGNETIC
22	1	618477	1 5/8MJC-90-1 5/8MOR LBO	90	2	605623	SUCTION STRAINER, 39GPM 100M 32
23	4	618778	1 11/16FFOX RUNTEE-1 11/16MFOR	91	1	605628	FILL CAP, 6 PSI CHECK
24	1	618463	1 5/16MJC-90-1 5/16MOR XL LBO	92	1	760177	SIGHT GAUGE W/TEMP, HYD TANK
25	1	618541	1 5/16FJIC-1 1/16MJC ADPTR	93	1	618333	7/8FJIC SW RUN TEE-7/8MJC
26	2	616264	08-451TC-10FJX-08FJX45-136 H/A	94	2	618487	1 1/16FJ SW RUN TEE-1 1/16MJ
27	1	616463	16-881-16FJX-16FJX-27 H/A	95	1	618483	1 1/16FJIC-9/16MJC ADPTR
28	1	618815	7/16MOR BRANCH TEE-7/16MJC	96	1	618735	9/16JIC .062 ORIFICE ADPTR
29	1	616462	16-881-16FJX-16FJX-17 SL H/A	97	2	618527	1 7/8MJC-1 5/8MOR ADPTR
30	1	611128	7/8MJC-90-7/8MOR LBO	98	3	611125	3/4MJC-3/4MOR ADPTR
31	1	760354	HYD TANK WELD, STS16 07	99	1	618758	1 5/16 MOR PLUG, HEX SOCKET
32	1	611126	7/8MJC-7/8MOR ADPTR	100	1	618682	1 7/8MOR-1 7/8MJC ADPTR
33	1	616467	20C15-20FFOX-20FFOX90-39 H/A	101	1	291943	TEMPERATURE TRANSDUCER
34	2	616466	20C15-20FFOX-20FFOX45-62SL H/A	102	1	618788	1 5/8MJC-1 7/8MOR ADPTR
35	2	616064	16C15-16FLG-16FFOX-132 H/A	103	1	607023	SAUER GEAR MOTOR, SMM3/44
36	2	616339	16C15-16FFOX-16FFOX-146 H/A	104	1	606281	FAN CTRL VALVE, STS 16
37	1	616468	20C15-20FFOX-20FFOX90-53SL H/A	105	1	316690	COOLER PACKAGE KIT, STS 16 07
38	2	616332	16C15-16FLG-16FFOX90-154 H/A	106	1	618808	OIL COOLER STS16 07
39	1	616470	20-881-20FLG-20FJX45-69 SL H/A	107	4	618119	9/16MJC-90-9/16MOR LBO
40	1	616471	20-881-20FLG-20FJX45-96 SL H/A	108	1	618518	1 1/16FJIC-7/8MJC ADPTR
41	1	616454	04-451TC-06FJX-04FJX45-150 H/A	109	1	616570	10-451TC-12FJX-10FJX90-68SLH/A
42	1	616482	08-451TC-10FJX-08FJX45-245 H/A	110	1	605629	FILL SCREEN, 30 MESH
43	1	616265	08-451TC-12FJX-08FJX45-115 H/A	111	1	618469	3/4MJC-1 1/16MOR ADPTR
44	1	616474	32-881-32FJX-32FJX-57 SL H/A	112	1	618609	3/4MJC-90-3/4FJIC SWIV LBO
45	1	605625	IN-TANK RETURN FILTER, 10M	113	1	618764	1 7/8MJC-90-1 7/8FJX TUBE LBO
46	1	616473	32-881-32FJX-32FLG90-50 SL H/A	114	1	618790	1 7/8FJ SW RUN TEE-1 7/8MJ
47	1	616486	16-451TC-16FJX-20FJX-65 H/A	115	2	618767	1 7/8FJIC-1 5/8MJC ADPTR
48	2	616338	16C15-16FFOX-16FFOX-127 H/A	116	1	616481	06-451TC-06FJX-06FJX45-89 H/A
49	1	616508	20-472TC-20FJX-20FJX90-78SLH/A	117	1	607553	THROTTLE VALVE, SUN HYD
50	4	615875	WHEEL MOTOR HYD TUBE ASSY	118	1	607555	SOLENOID VALVE
51	4	618779	1 1/4 FLG-90-1 11/16MFOR LBO	119	1	616484	16-451TC-16FJX-20FJX-39 H/A
52	3	618477	1 5/8MJC-90-1 5/8MOR LBO	120	1	616485	16-451TC-16FJX-20FJX-42 H/A
53	1	618776	2 1/2MJC-1 7/8MOR ADPTR	121	1	616558	24-881-24FJX-24FJX90-24 SL H/A
54	1	618777	2 1/2MJC-90-2 1/2FJ SWIV LBO	122	1	616493	24-881-24FJX-24FJX45-35 H/A
55	1	618628	7/8MJC-45-7/8FJIC SWIV LBO	123	1	616507	20-472TC-20FJX-20FJX90-128SL/A
56	1	618630	1 5/16MJ-45-1 5/16FJ SWIV LBO	124	1	618669	3/4FJIC SWIV-3/4MOR ADPTR
57	4	618785	1 11/16FFOR-1 7/16MFOR ADPTR	125	3	618241	3/4MJC-90-3/4MOR LBO
58	4	618472	1 5/8MJC-1 5/8MOR ADPTR	126	1	618443	3/4MJC-90-3/4MOR EX LG LBO
59	2	618787	1 1/2 FLANGE-1 7/8MJC ADPTR	127	1	616502	08-451TC-08FJX-08FJX-20 H/A
60	2	618782	9/16MOR-9/16FOR-9/16MJC BRNCH	128	1	616503	08-451TC-06FJX-12FJX-72 H/A
61	4	606196	PRESSURE TRANSDUCER, 9000 PSI	129	1	616504	08-451TC-08FJX-08FJX-98 H/A
62	1	618759	1 5/8MOR PLUG, HEX SOCKET	130	1	616505	08-451TC-08FJX-08FJX90-24 H/A
63	1	618781	SPACER/TESTPORT, #16 CODE 61	131	1	616506	08-451TC-08FJX-08FJX90-104 H/A
64	8	618780	1 1/4 SPLIT FLANGE HALF, #62	132	1	618665	1 5/8FJIC-1 1/16MJC ADPTR
65	4	870222	NEO ORING 1 1/2 X 1 3/4	133	1	618531	9/16FJIC CAP NUT
66	1	618729	1 5/16MJC-90-1 1/16MOR XL LBO	134	1	607014	SAUER 165CC HI PUMP, D/B-MT 07
67	1	618463	1 5/16MJC-90-1 5/16MOR XL LBO	135	1	618114	9/16MJC-90-7/16MOR LBO
68	1	618451	3/4FJIC SW RUN TEE-3/4MJC				



STS16 HYDRAULIC DIAGRAM 2007
REFERENCE DRAWING NO. 498921S2

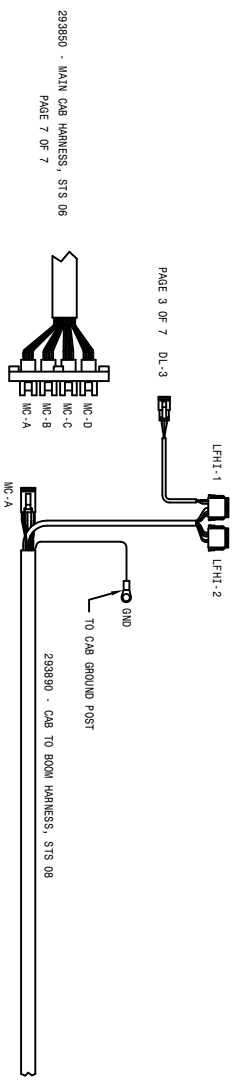
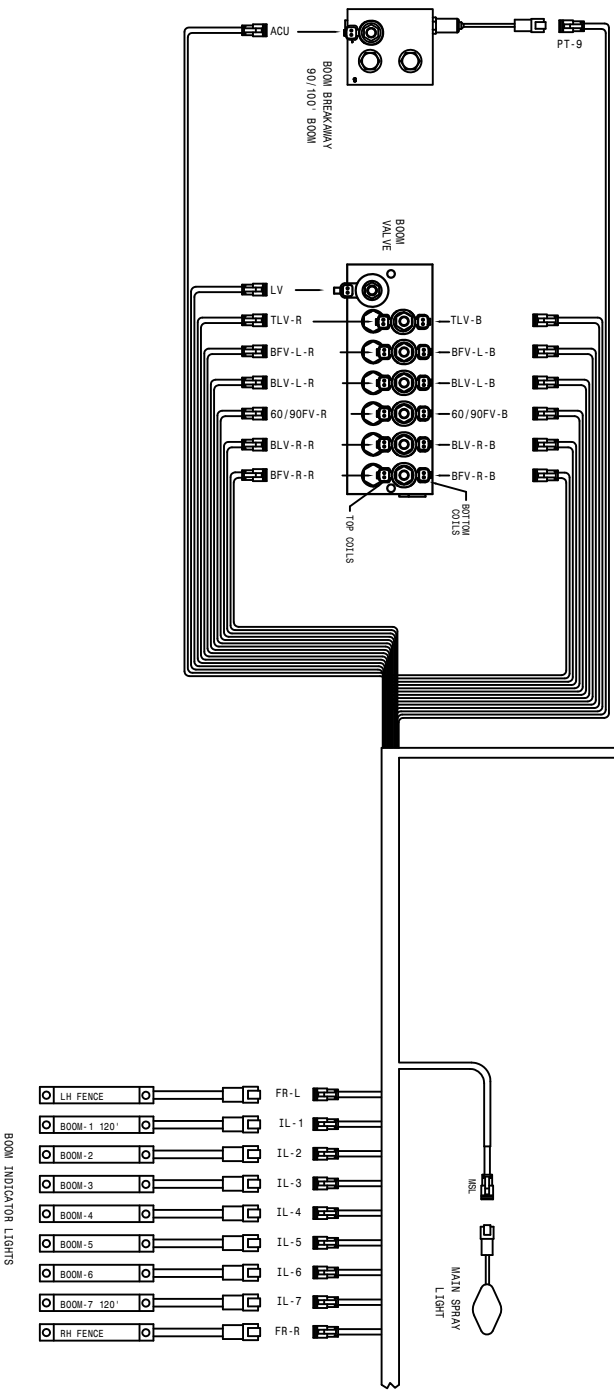
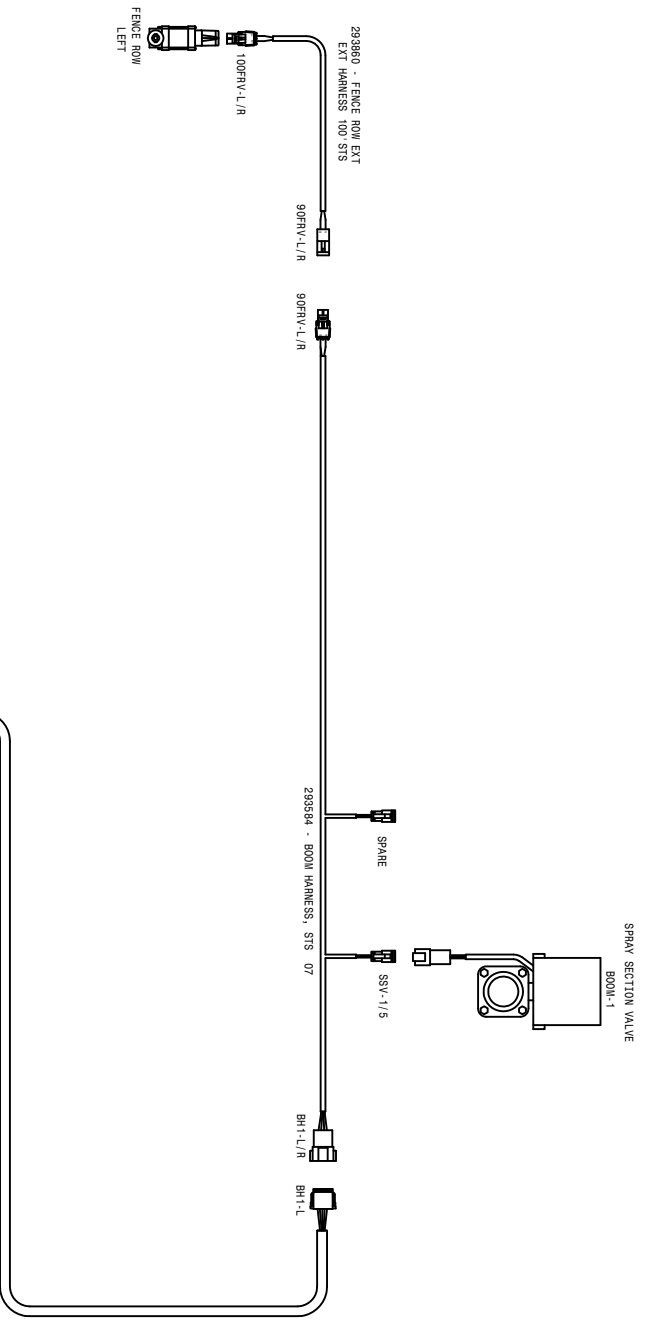
DET.	QTY	PART NO.	DESCRIPTION	DET.	QTY	PART NO.	DESCRIPTION	
1	1	749331	STEERING CTRL VALVE, LS SAUER	63	1	616403	06-451TC-06FJX-06FJX-65	H/A
2	2	621550	STEERING CYL,2.50 X 8.81 STS	64	1	616306	08-451TC-08FJX-08FJX-11	H/A
3	1	606247	MANIFOLD W/CHK VLV SAUER	65	1	616377	04-451TC-06FJX-06FJX90-44	H/A
4	2	606246	MANIFOLD, #16 3-STN 180 DAMAN	66	1	616088	04-451TC-06FJX-06FJX-56	H/A
5	1	606254	FLOW DIVIDER, OLS160 SAUER	67	1	616441	06-451TC-08FJX-08FJX90-40	H/A
6	2	621554	LADR/SF/BRKWAY CYL,1.50 X12.25	68	1	616477	12-451TC-12FJX-12FJX-34	H/A
7	4	621552	TRD ADJ CYL, 3.00 X 16.00 STS	69	1	616305	06-451TC-08FJX-08FJX-56	H/A
8	1	690946	HYPRO PUMP,9306C-HM3CBU,FLANGE	70	1	616308	10-451TC-10FJX-12FJX-12	H/A
9	1	606213	HYD SOLE VLV,2P-3M,9/16FOR	71	1	616320	04-451TC-04FJX-04FJX90-47	H/A
10	1	606253	CTRL VALVE,SOLU PUMP SAUER	72	1	616435	04-451TC-06FJX-04FJX45-20	H/A
11	2	606196	PRESSURE TRANSDUCER, 9000 PSI	73	1	616310	10-451TC-10FJX-12FJX-24	H/A
12	1	615863	STRG CYL JUMPER TUBE STS16	74	1	616487	16-881-16FJX-20FJX-65	H/A
13	1	615866	M/F HYD TUBE, LS LINE, STS 07	75	1	616330	10-451TC-12FJX-12FJX90-87	H/A
14	2	615868	M/F HYD TUBE,PRES/RETRN STS 07	76	1	616438	04-451TC-04FJX-04FJX45-51	H/A
15	1	618629	9/16MOR BRANCH TEE-9/16MJIC	77	1	616327	10-451TC-10FJX-10FJX90-44	H/A
16	1	615874	M/F HYD TUBE,MAIN SUPPLY, STS 07	78	1	616405	10-451ST-08FJX-12FJX90-85	H/A
17	4	611125	3/4MJIC-3/4MOR ADPTR	79	1	616379	04-451TC-04FJX-04FJX90-79	H/A
18	1	618241	3/4MJIC-90-3/4MOR LBO	80	1	616436	04-451TC-04FJX-04FJX-21	H/A
19	1	618443	3/4MJIC-90-3/4MOR EX LG LBO	81	1	616488	16-881-16FJX-16FJX90-69	H/A
20	4	618249	3/4MJIC-90-9/16MOR LBO	82	1	616326	08-451TC-08FJX-10FJX90-48	H/A
21	16	618119	9/16MJIC-90-9/16MOR LBO	83	1	616386	08-451TC-08FJX-08FJX90-86	H/A
22	4	618473	7/16MJIC-90-7/16MOR LBO	84	1	615872	HYD RTN TUBE, FRT BLKHD, STS1607	H/A
23	2	618628	7/8MJIC-45-7/8FJIC SWIV LBO	85	1	615871	HYD RTN TUBE, SOLU PMP STS16 07	H/A
24	3	618126	9/16MJIC-9/16MOR ADPTR	86	1	616459	08-451TC-08FJX-08FJX-26	H/A
25	2	618753	7/16MOR PLUG, HEX SOCKET	87	1	616464	16-881-16FJX-16FJX-40	H/A
26	1	618754	9/16MOR PLUG, HEX SOCKET	88	1	616319	04-451TC-04FJX-04FJX90-32	H/A
27	1	618361	7/16MOR-9/16FOR ADPTR	89	1	616476	10-451TC-10FJX-12FJX90-24	H/A
28	1	618509	7/16MOR RUN TEE-7/16MJIC	90	1	616374	04-451TC-06FJX-06FJX-27	H/A
29	2	618759	1 5/8MOR PLUG, HEX SOCKET	91	1	616478	10-451TC-12FJX-10FJX90-54	H/A
30	4	618302	1 1/16MJIC-90-1 5/16MOR LBO	92	1	616480	08-451TC-10FJX-08FJX90-196	H/A
31	3	618467	7/16MJIC-7/16MOR ADPTR	93	1	616466	16-451TC-16FJX-16FJX90-33	H/A
32	5	618308	1 1/16MJIC-1 5/16MOR ADPTR	94	1	618315	3/4MJIC-45-3/4MOR LBO	H/A
33	1	618529	1 1/16MJ-45-1 1/16FJ SWIV LBO	95	1	616322	06-451TC-08FJX-08FJX90-21	H/A
34	1	618470	3/4MJIC-1 5/16MOR ADPTR	96	1	616443	08-451TC-08FJX-08FJX90-76	H/A
35	2	618451	3/4FJIC SW RUN TEE-3/4MJIC	97	1	616315	04-451TC-04FJX-04FJX45-74	H/A
36	1	618630	1 5/16MJ-45-1 5/16FJ SWIV LBO	98	1	616437	04-451TC-04FJX-06FJX90-28	H/A
37	1	618688	9/16MJ-90-9/16MOR .025 CHK VLV	99	1	616416	10-451TC-12FJX-12FJX-25	H/A
38	3	618486	9/16FJIC SW RUN TEE-9/16MJIC	100	1	616309	10-451TC-10FJX-12FJX-149	H/A
39	2	618455	1 5/16MJIC-1 5/8MOR ADPTR	101	1	616321	06-451TC-08FJX-08FJX90-136	H/A
40	2	618475	3/4MJIC-90-1 5/16MOR LBO	102	1	616414	04-451TC-06FJX-06FJX-126	H/A
41	2	618761	1 5/16FJX-1 1/16MOR ADPTR	103	1	616415	04-451TC-06FJX-06FJX90-142	H/A
42	3	611127	1 1/16MJIC-1 1/16MOR ADPTR	104	3	606249	MANIFOLD, TRD ADJ PWRSYS	H/A
43	1	618114	9/16MJIC-90-7/16MOR LBO	105	2	618590	3/4MJIC-45-3/4FJIC SWIV LBO	H/A
44	4	616070	04-451TC-04MJBH-06MOR-11.00H/A	106	1	618807	HYD CPLR, FEM #12, 3/4FOR	H/A
45	2	611128	7/8MJIC-90-7/8MOR LBO	107	4	618241	3/4MJIC-90-3/4MOR LBO	H/A
46	1	691036	HYPRO 9307 PUMP	108	5	618754	9/16MOR PLUG, HEX SOCKET	H/A
47	1	616446	04-451ST-06FJX-04FJX90-131	109	6	618755	3/4MOR PLUG, HEX SOCKET	H/A
48	1	616451	12-451TC-12FJX-12FJX90-34	110	1	616465	16-881-16FJX-16FJX90-36	H/A
49	1	616382	06-451TC-06FJX-08FJX90-25	111	1	618735	9/16JIC .042 ORIFICE ADPTR	H/A
50	1	618397	1 5/16MOR-9/16FOR ADPTR	112	1	606259	DIVERSTION VLV, STS LS 07	H/A
51	2	618191	1 1/16MJ-90-1 1/16FJ SWIV LBO	113	2	618474	3/4MJIC-90-1 1/16MOR LBO	H/A
52	2	616369	08-451TC-08FJX-10FJX-48	114	1	690760	BANDO PUMP, 3" SIDE FILL STS12	H/A
53	4	616071	04-451TC-04MJBH-06MOR-13.00H/A	115	1	618602	3/4MJIC-45-7/8MOR LBO	H/A
54	1	616385	08-451TC-08FJX-08FJX-80	116	1	690672	PRESSURE WASHER, PACE 320 HYD	H/A
55	1	616450	10-451TC-12FJX-12FJX90-22	117	2	618770	3/4MJIC-3/4MOR BLKHD ADPT	H/A
56	1	616448	10-451ST-08FJX-12FJX-119	118	1	618769	9/16MJIC-9/16MOR BLKHD ADPT	H/A
57	1	618248	1 1/16MJIC-90-1 1/16MOR LBO	119	1	618806	HYD CPLR, MALE #12, 7/8FOR	H/A
58	2	618273	1 1/16MJIC-1/2MNPT ADPTR	120	1	618805	HYD CPLR, FEM #14, 9/16FOR	H/A
59	1	618178	1 5/16MJIC-90-1 5/16MOR LBO	121	2	618529	1 1/16MJ-45-1 1/16FJ SWIV LBO	H/A
60	3	618499	7/16MJIC-90-9/16MOR LBO	122	1	618171	7/8MOR-3/4FOR ADPTR	H/A
61	9	616301	04-451TC-04FJX-06FJX-21	123	1	618774	7/8MJIC-90-7/8MOR LG LBO	H/A
62	1	616447	10-451ST-08FJX-12FJX90-44	124	1	618132	1 1/16MOR-7/8FOR ADPTR	H/A

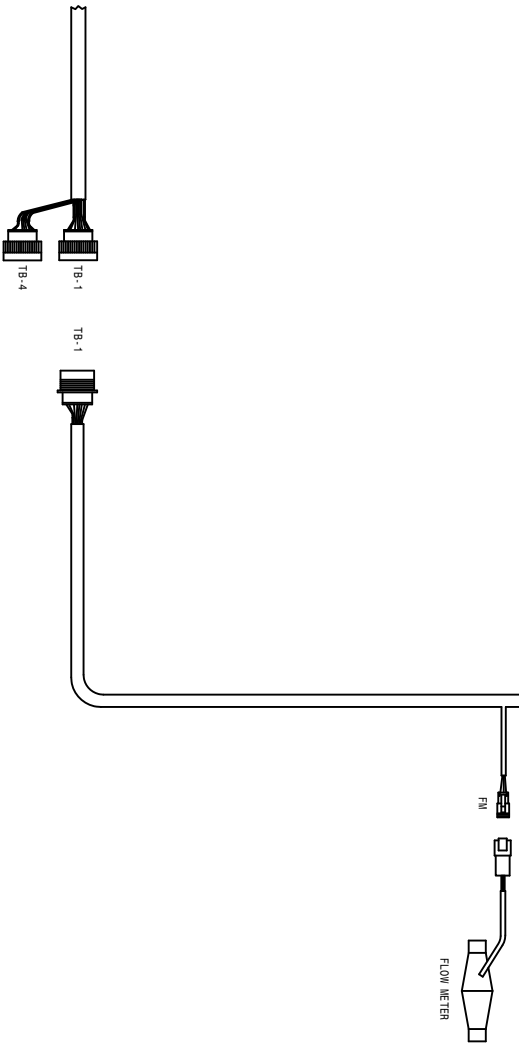
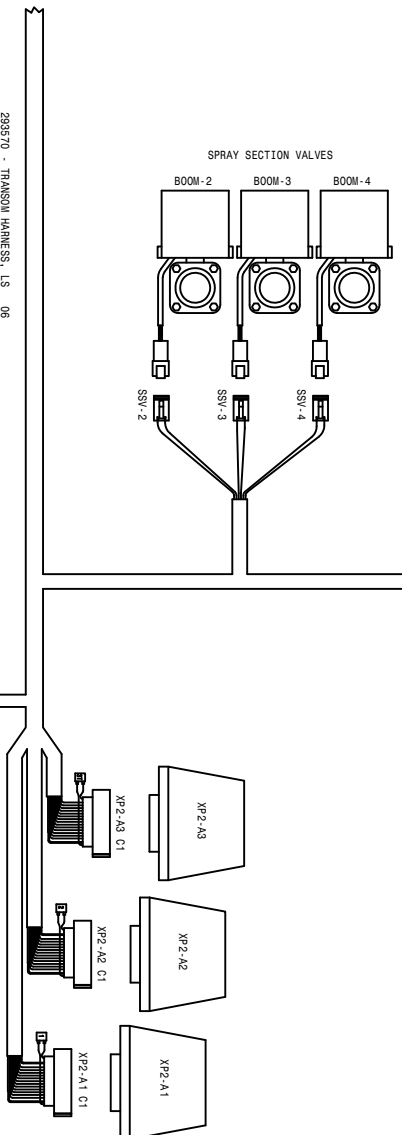
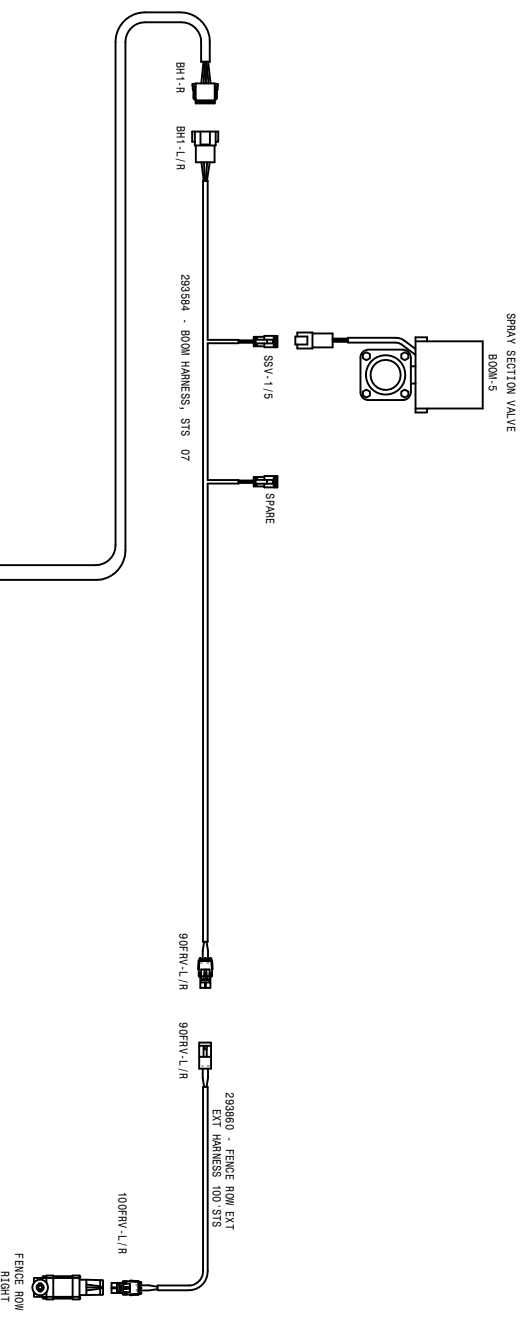


SHEET 2 OF 3

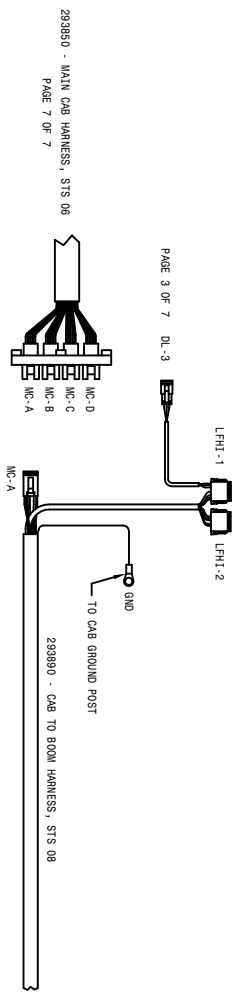
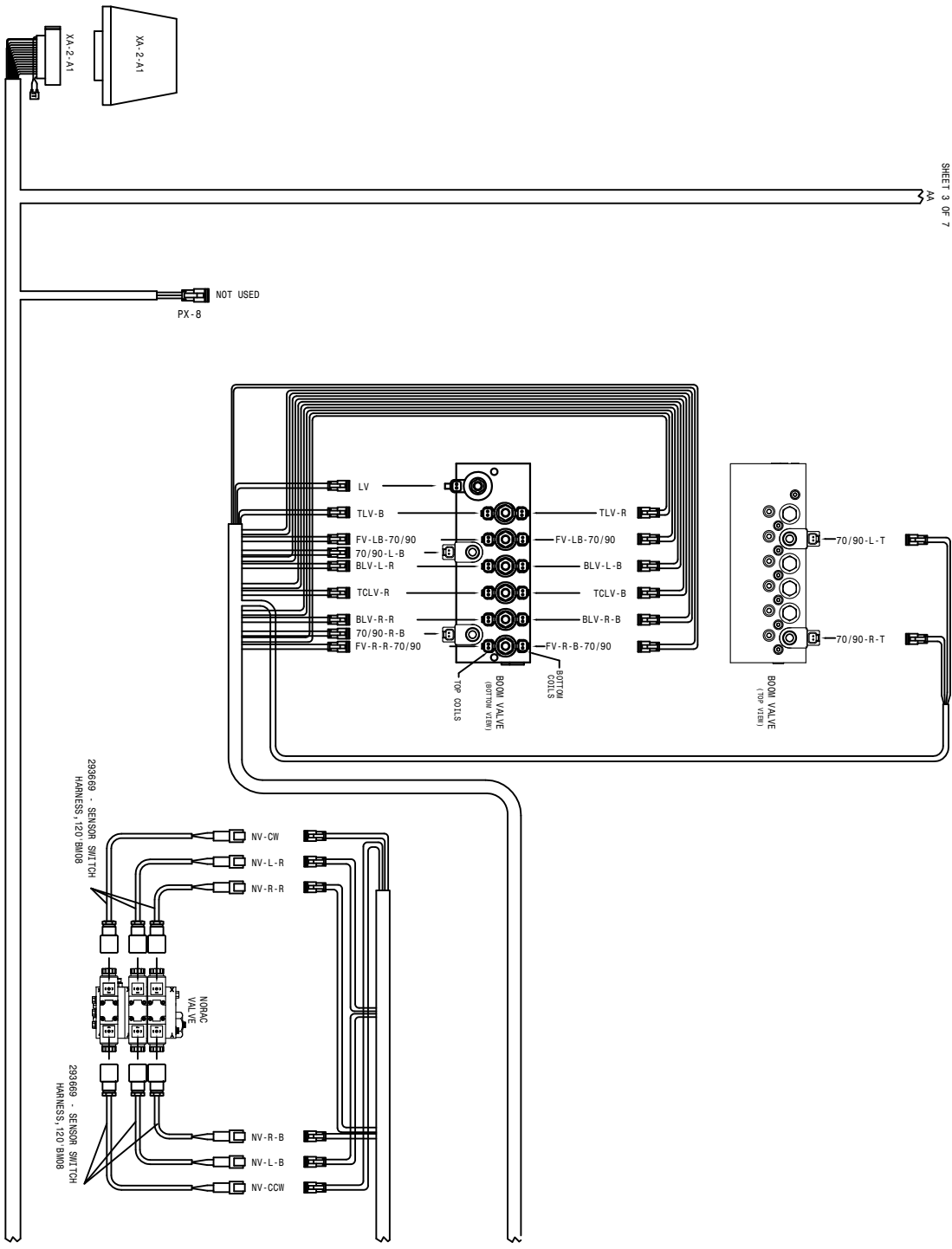
STS16 HYDRAULIC DIAGRAM 2007
REFERENCE DRAWING NO. 498921S3

DET.	QTY	PART NO.	DESCRIPTION	DET.	QTY	PART NO.	DESCRIPTION
1	1	606272	VALVE, LOAD SENSE BOOM SAUER	31	2	618668	9/16FJIC SWIV-9/16MOR ADPTR
2	2	621554	LADR/SF/BRKWAY CYL,1.50 X12.25	32	2	614752	RESTRICTOR BR TEE ASSY,.042DIA
3	2	607540	KICK-DOWN RELIEF VALVE, 800PSI	33	1	616384	08-451TC-08FJX-08FJX-43 H/A
4	2	621556	LIFT CYL, 2.50 X 18.00 STS	34	2	618733	9/16JIC .042 ORIFICE ADPTR
5	2	621558	LEVEL CYL, 3.00 X 11.00 STS	35	2	616358	06-451TC-06FJX-06FJX-56 H/A
6	2	621560	FOLD CYL, 2.50 X 21.000 STS	36	2	616357	06-451TC-06FJX-06FJX90-79 H/A
7	2	621562	OUTR FOLD CYL,2.25 X 21.00 STS	37	2	616365	06-451TC-08FJX-06FJX90-30 H/A
8	3	470444	ACCUMULATOR, 30CI 1508 PSI	38	2	616366	08-451TC-08FJX-08FJX90-18 H/A
9	1	606248	90°BREAKAWAY VLV,STS PMSYS	39	1	616403	06-451TC-06FJX-06FJX-65 H/A
10	1	618807	HYD CPLR, FEM #12,3/4FOR	40	8	616316	06-451TC-06FJX-06FJX45-18 H/A
11	1	618748	7/16MJIC BLKHD RUN TEE	41	2	616304	06-451TC-06FJX-06FJX-36 H/A
12	2	618749	3/4MJIC BLKHD RUN TEE	42	4	616356	06-451TC-06FJX-06FJX90-27 H/A
13	1	611125	3/4MJIC-3/4MOR ADPTR	43	4	616353	06-451TC-06FJX-06FJX-71 H/A
14	13	618126	9/16MJIC-9/16MOR ADPTR	44	1	616362	04-451TC-04FJX-06FJX90-35 H/A
15	2	618444	9/16MOR RUN TEE-9/16MJIC	45	1	616352	06-451TC-06FJX-06FJX-62 H/A
16	1	618327	3/4MJIC-7/8MOR ADPTR	46	2	616360	06-451TC-06FJX-06FJX-84 H/A
17	2	618241	3/4MJIC-90-3/4MOR LBO	47	2	616075	04-451TC-06FJX-06FJX-9 H/A
18	1	618754	9/16MOR PLUG, HEX SOCKET	48	2	616361	06-451TC-06FJX-06FJX-86 H/A
19	10	615852	LIFTARM HYD TUBE ASSY,STLS 07	49	2	616364	06-451TC-08FJX-06FJX90-31 H/A
20	8	615851	HYD TUBE,MAIN BOOM,STLS 16ASP	50	1	618806	HYD CPLR,MALE #12,3/4FOR
21	1	606196	PRESSURE TRANSDUCER, 9000 PSI	51	1	616349	06-451TC-06FJX-06FJX-47 H/A
22	2	618618	9/16MJIC-90-9/16FJIC SWIV LBO	52	1	616348	06-451TC-06FJX-06FJX-42 H/A
23	3	618609	3/4MJIC-90-3/4FJIC SWIV LBO	53	1	616350	06-451TC-06FJX-06FJX-58 H/A
24	4	618688	9/16MOR-90-9/16MJ .025 CHK VLV	54	3	616351	06-451TC-06FJX-06FJX-60 H/A
25	3	618743	3/4MOR-3/4MJIC BLKHD, .040 ORF	55	2	616135	08-451TC-08FJX-08FJX-50 H/A
26	4	618689	9/16MOR-90-9/16MJ .042 CHK VLV	56	1	616431	04-451TC-04FJX-06FJX-51 H/A
27	1	616430	04-451TC-06FJX-04FJX90-19 H/A	57	2	616359	06-451TC-06FJX-06FJX-78 H/A
28	18	618119	9/16MJIC-90-9/16MOR LBO	58	2	616371	06-451TC-06FJX-06FJX-38 H/A
29	2	618486	9/16FJIC SW RUN TEE-9/16MJIC	59	1	618804	HYD CPLR,MALE #14,9/16FOR
30	2	618629	9/16MOR BRANCH TEE-9/16MJIC	60	1	618183	3/4MJIC-90-7/8MOR LBO



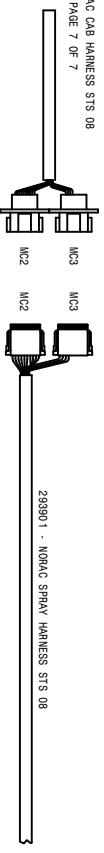


04-10-07 TLM
STS 16 WIRING DIAGRAM 08
 90' BOOM
 SHEET 1 OF 7
 REVISION DATE: 12-28-07
498964

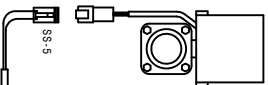


293990 - MAIN CAB HARNESS, STS 08
PAGE 7 OF 7

293900 - NOBAC CAB HARNESS, STS 08
PAGE 7 OF 7

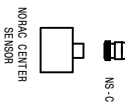


SPRAY SECTION VALVE
BOOM-5

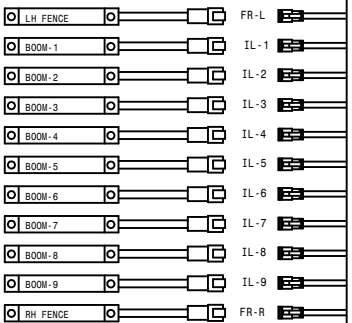


BB

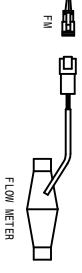
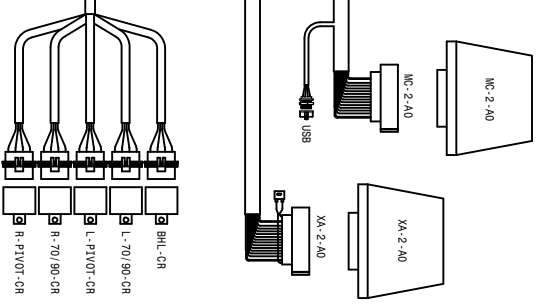
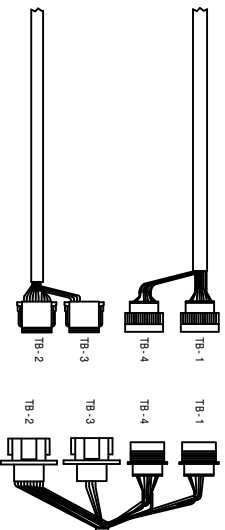
CC



MS



239904 - TRANSDUCER HARNESS, STS 120' 08



04-10-07 TLM

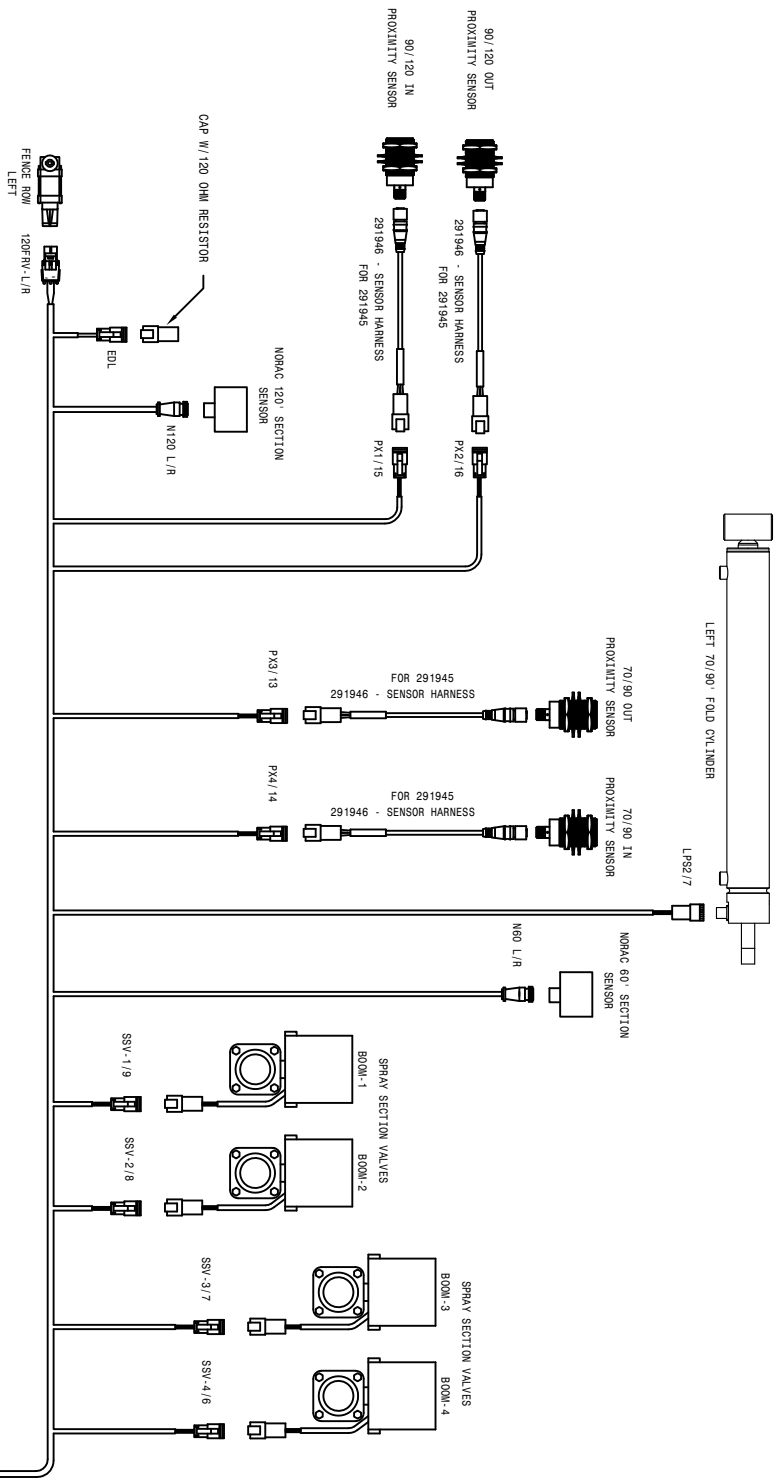
STS 16 WIRING DIAGRAM 08

120' BOOM

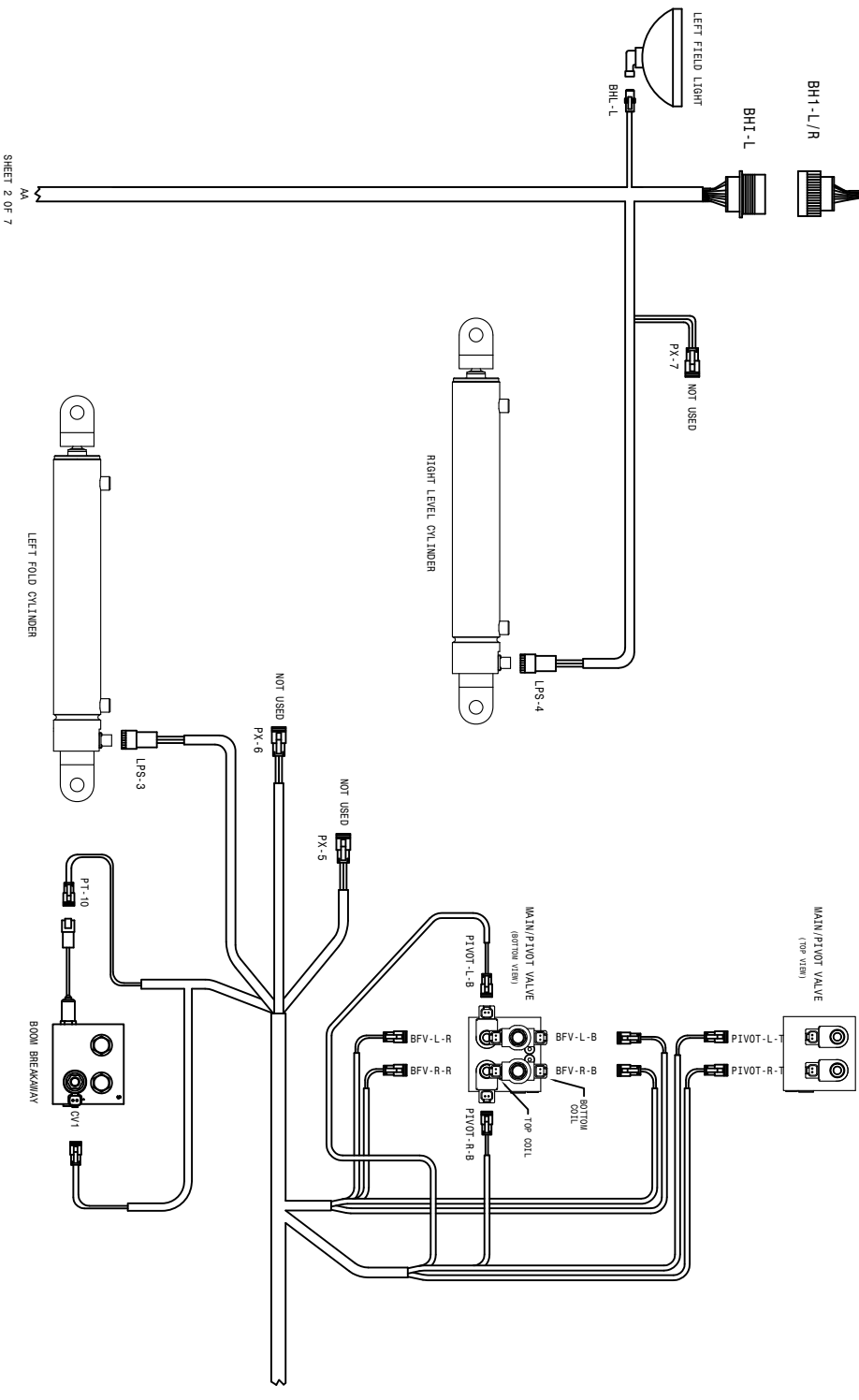
SHEET 2 OF 7

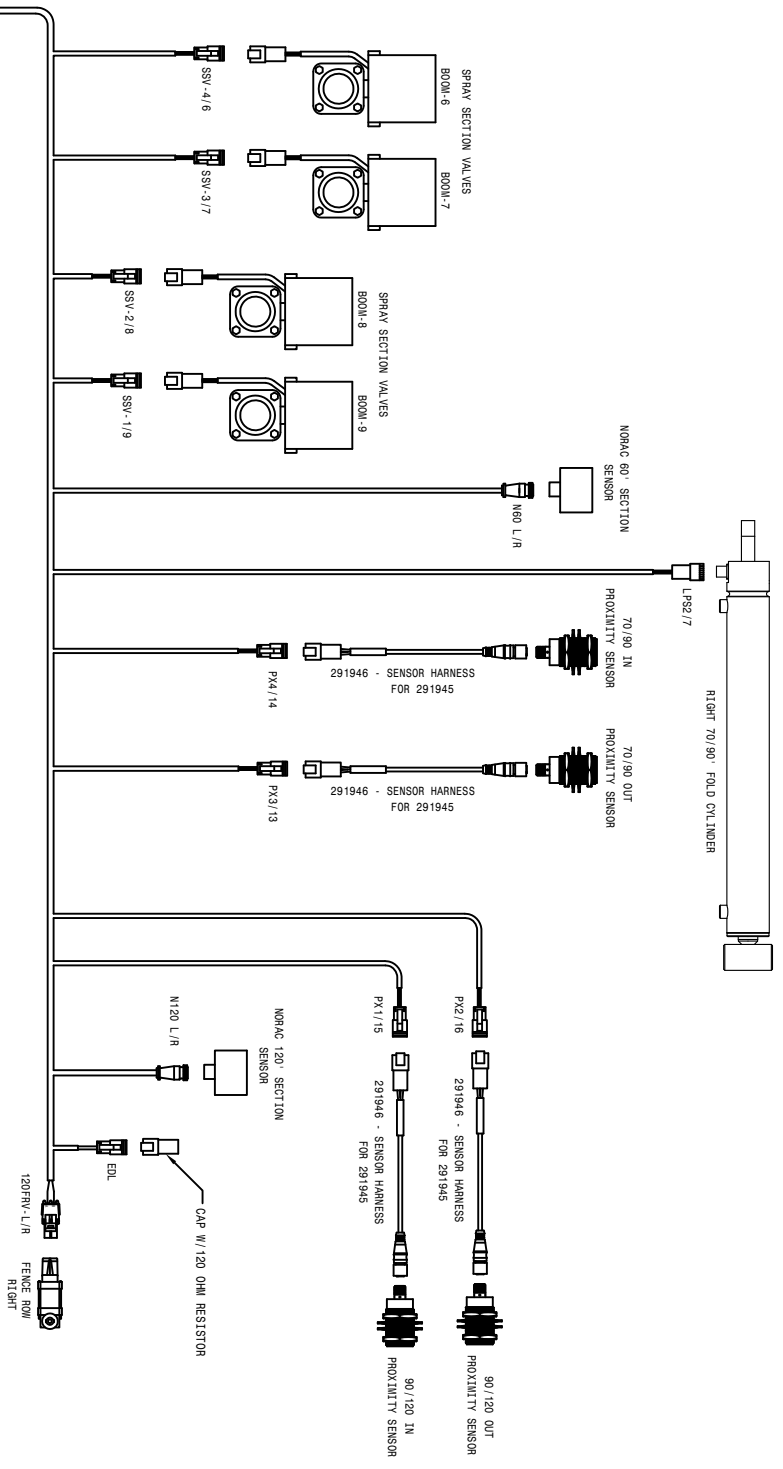
REVISION DATE: 09-02-08

498964

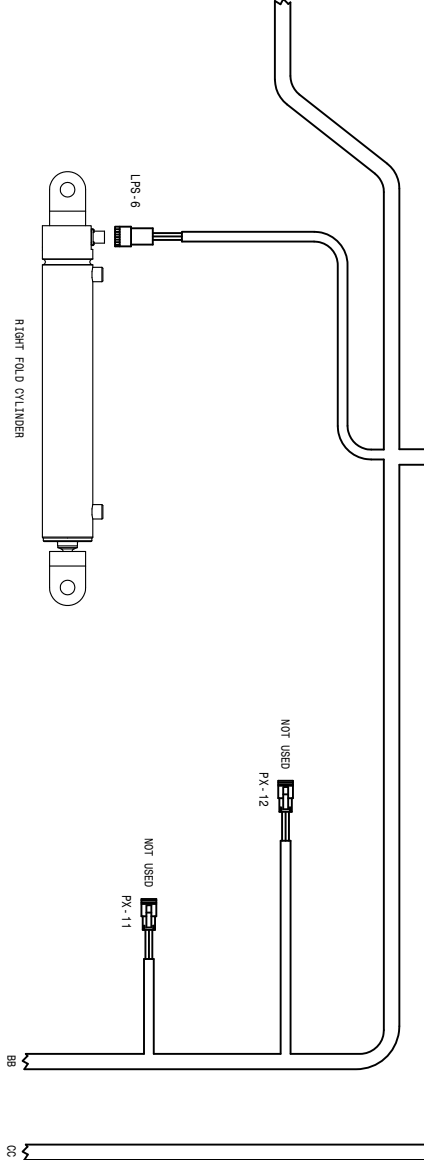
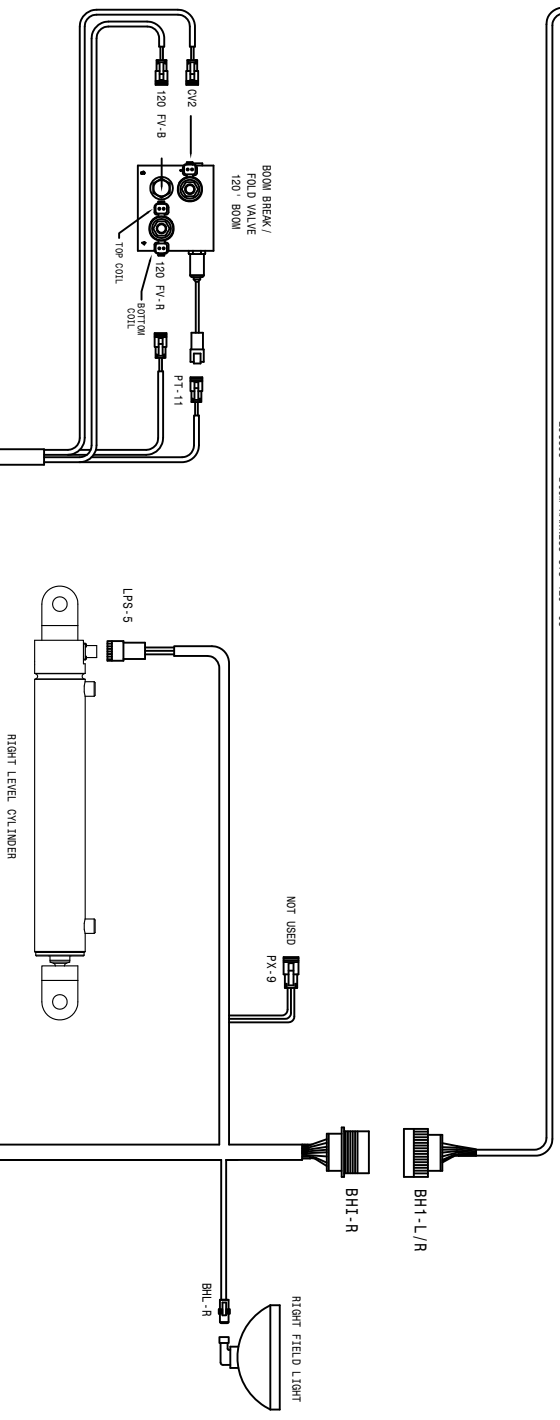


289888 - BOOM HARNESS STS 120' 08

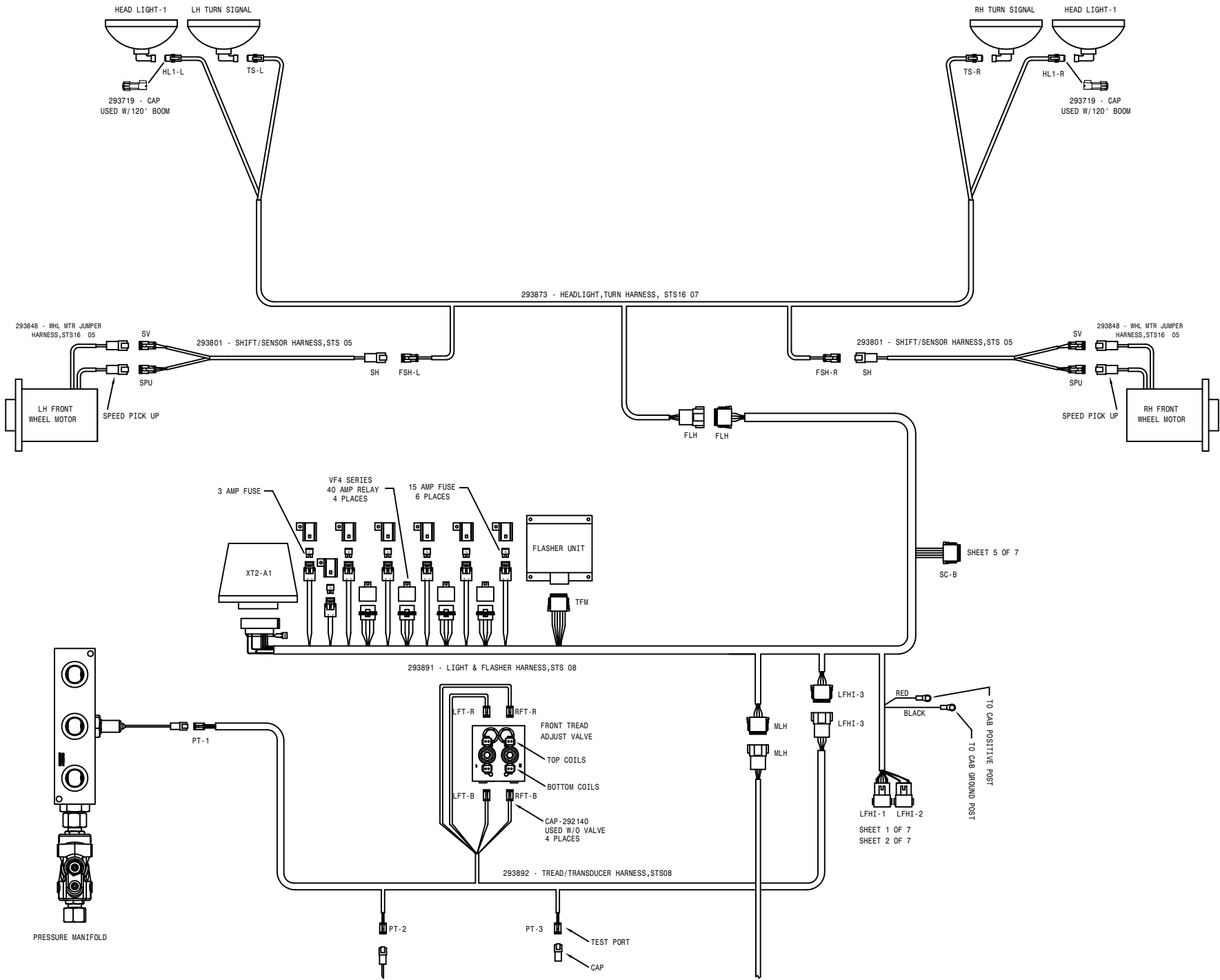


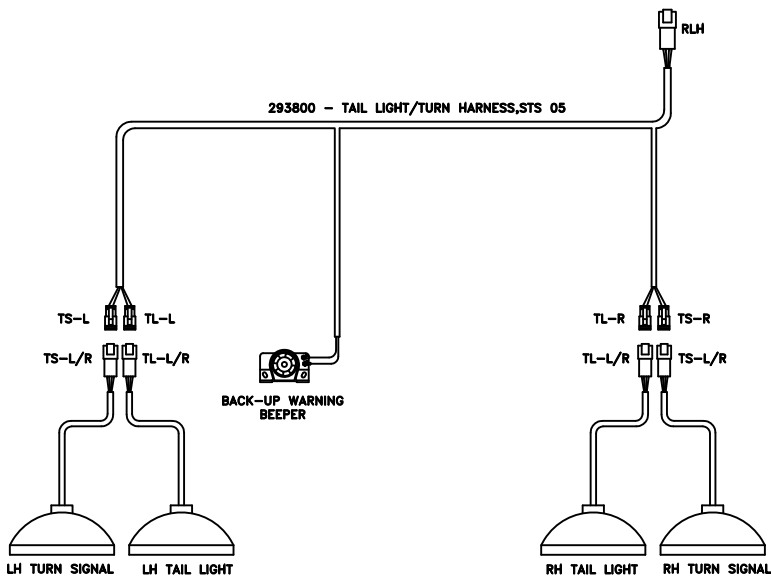
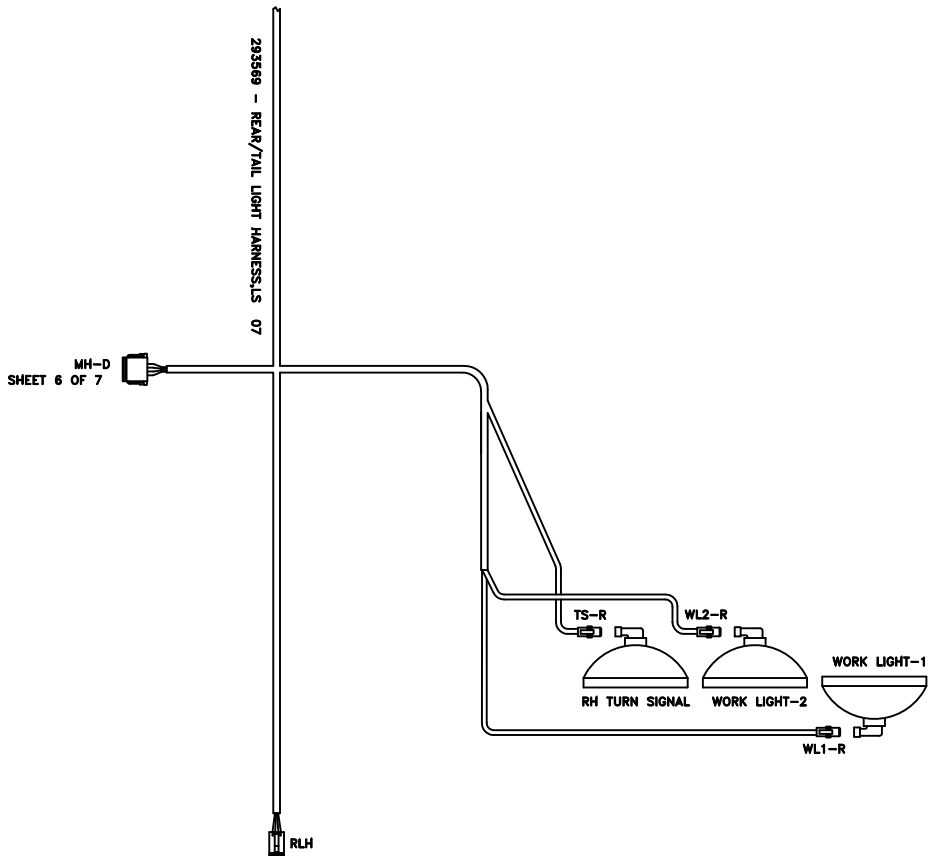
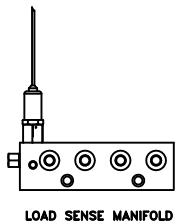


293988 - BOOM HARNESS STS 120' 08"

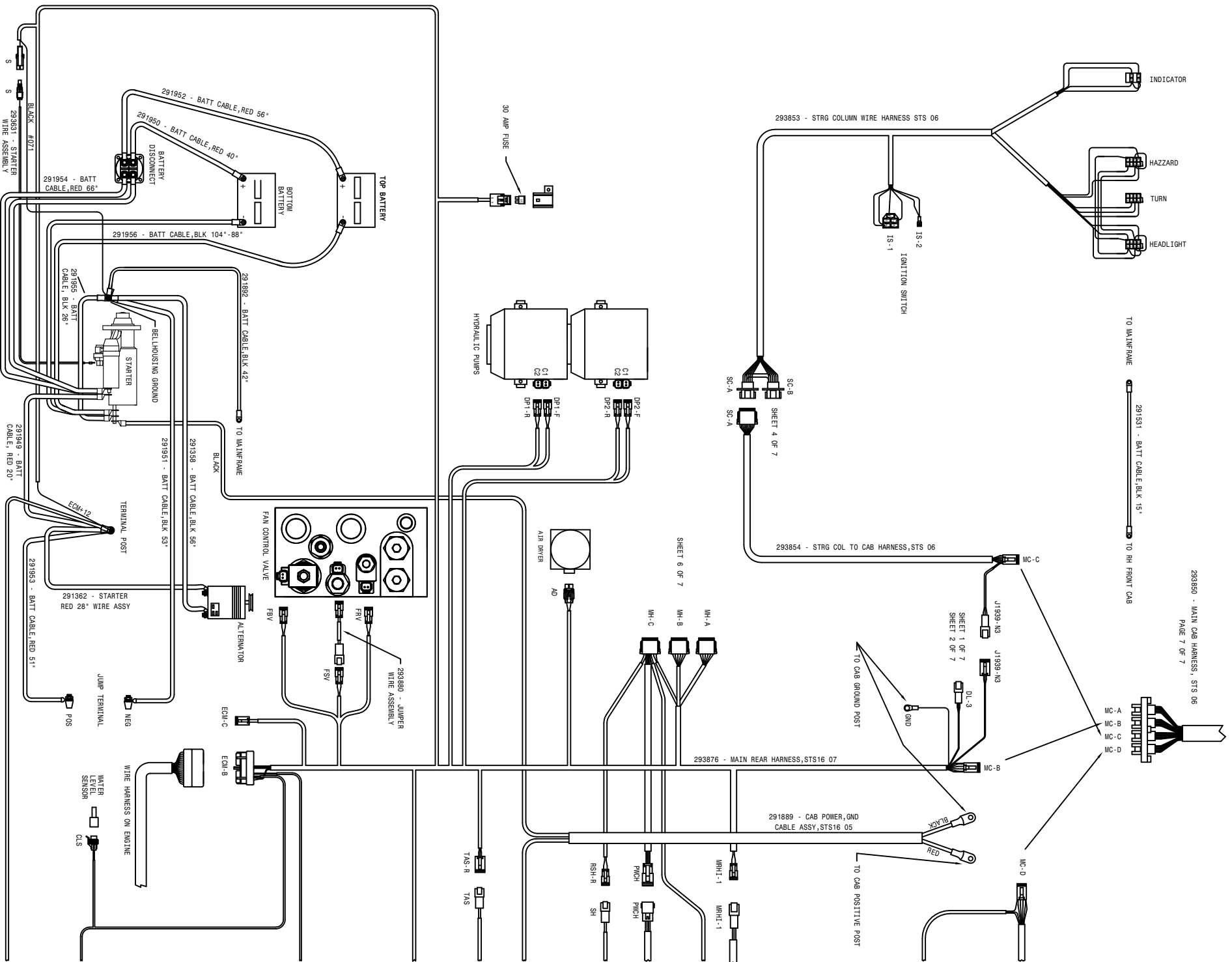


04-10-07 TUL
 STS 16 WIRING DIAGRAM 08
 120' BOOM
 SHEET 2 OF 7
 REVISION DATE: 09-18-08
 498964



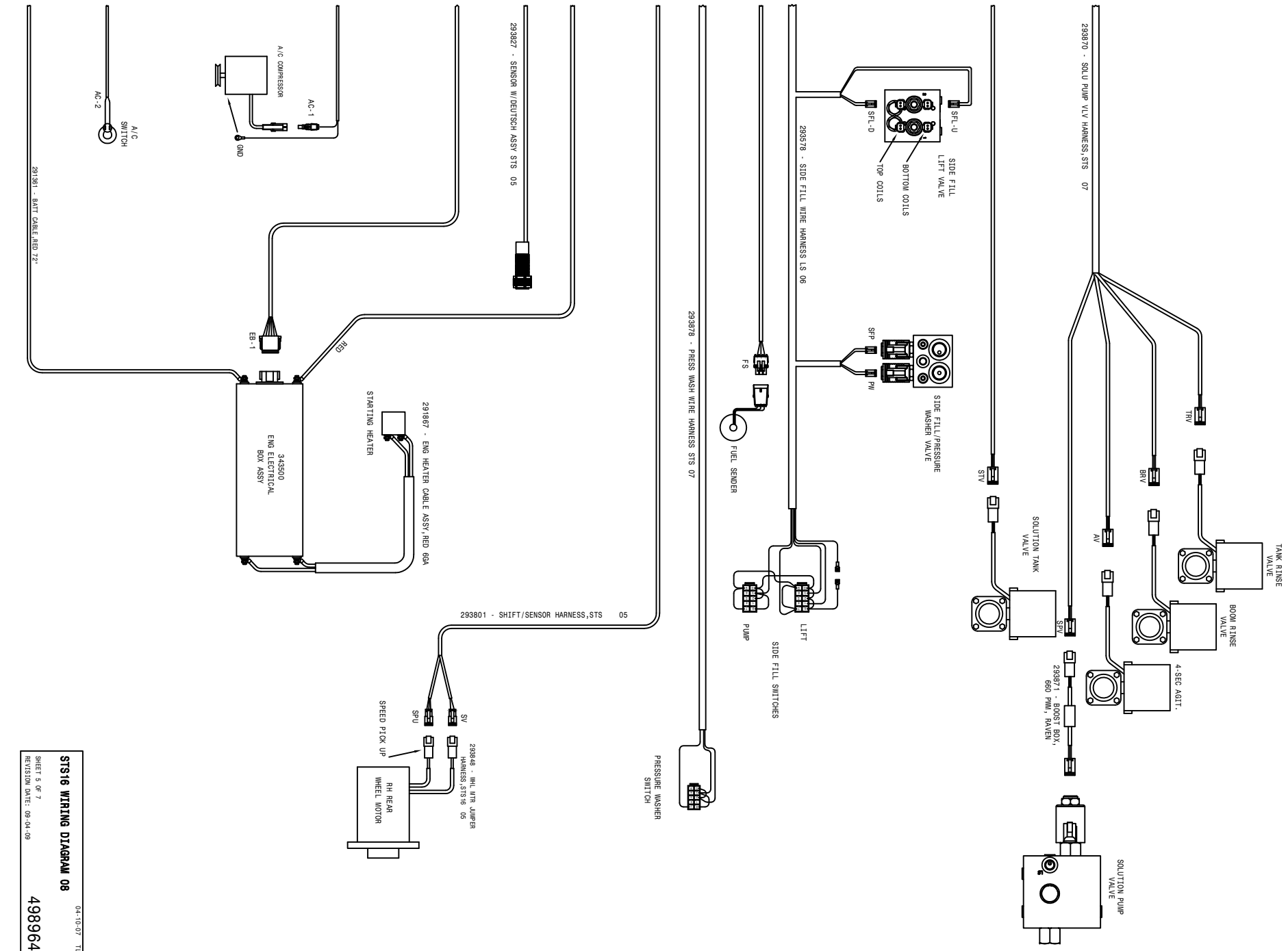


04-10-07 TLM
STS-16 WIRING DIAGRAM 08
SHEET 4 OF 7
REVISION DATE: 10-23-06
498964

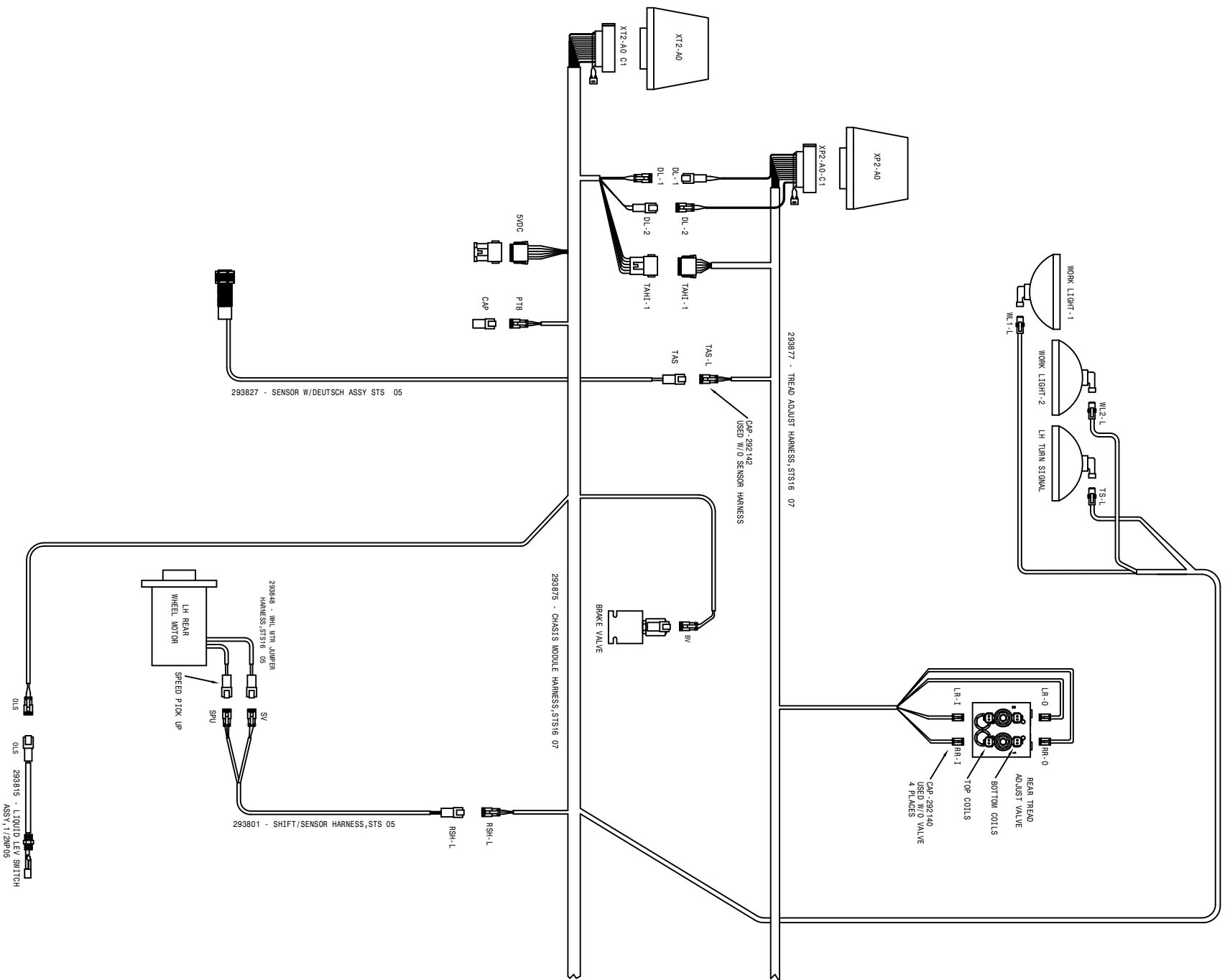


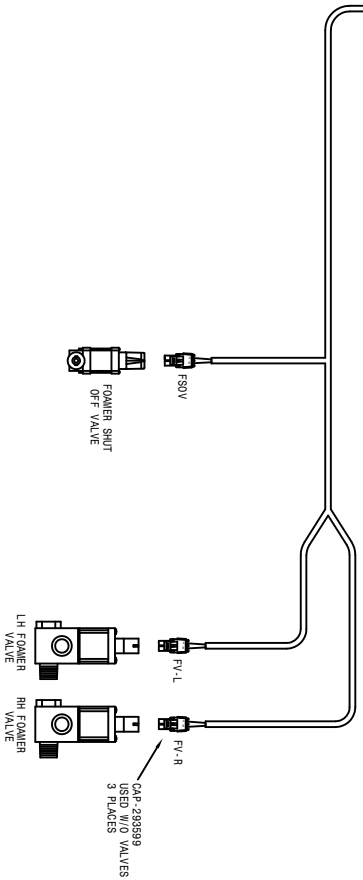
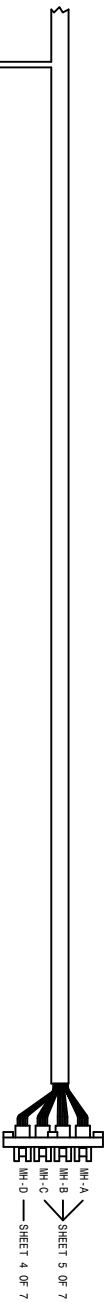
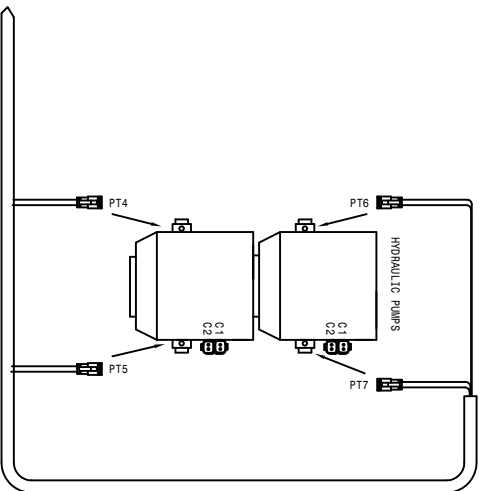
293850 - MAIN CAB HARNESS, STS 06
PAGE 7 OF 7

291931 - BATT CABLE, BLK 15"
TO MAINFRAME TO RH FRONT CAB

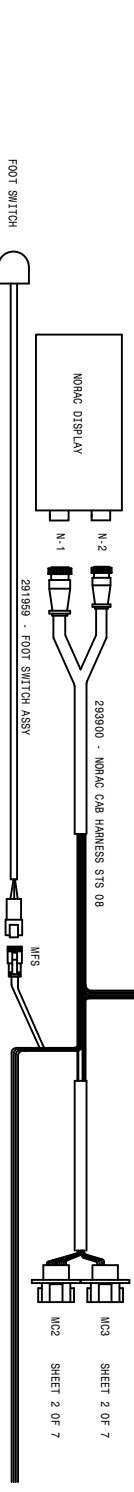
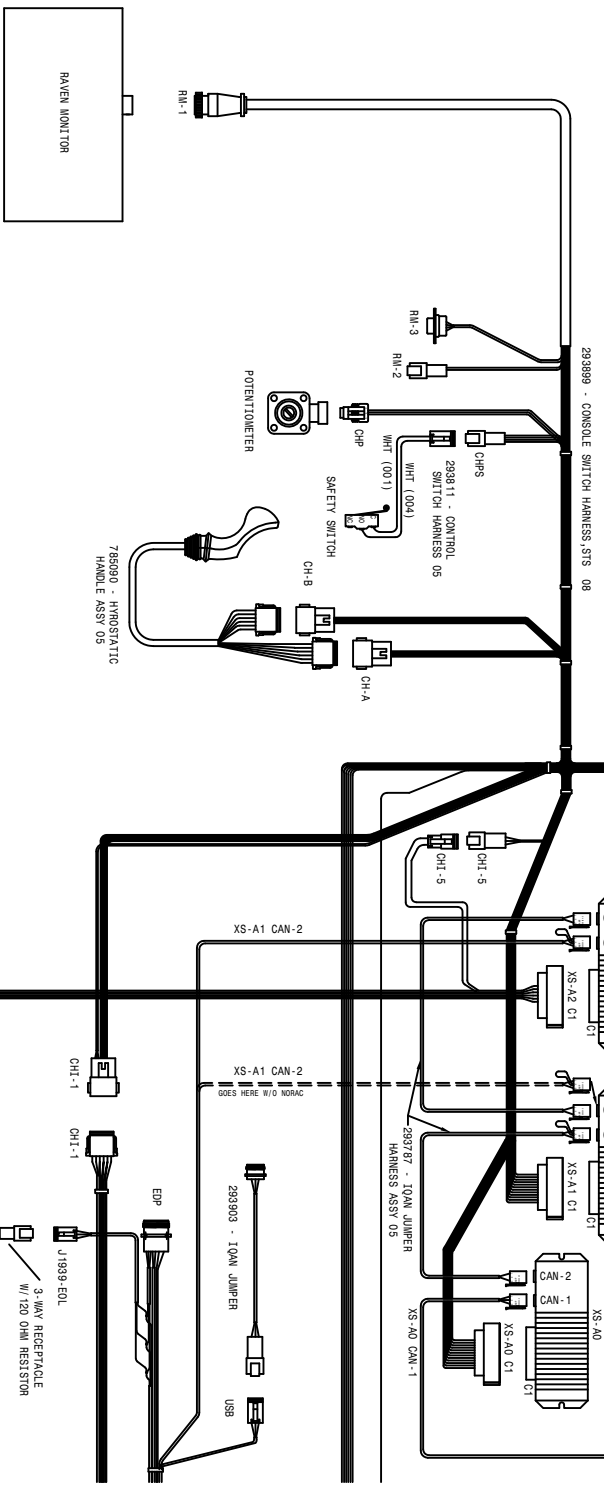
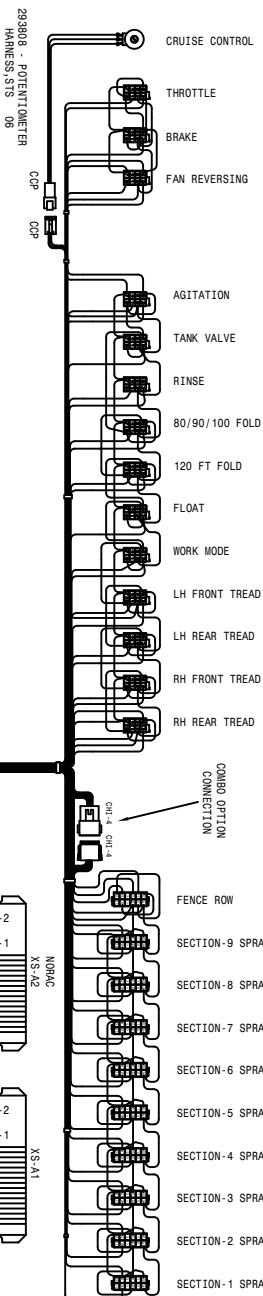
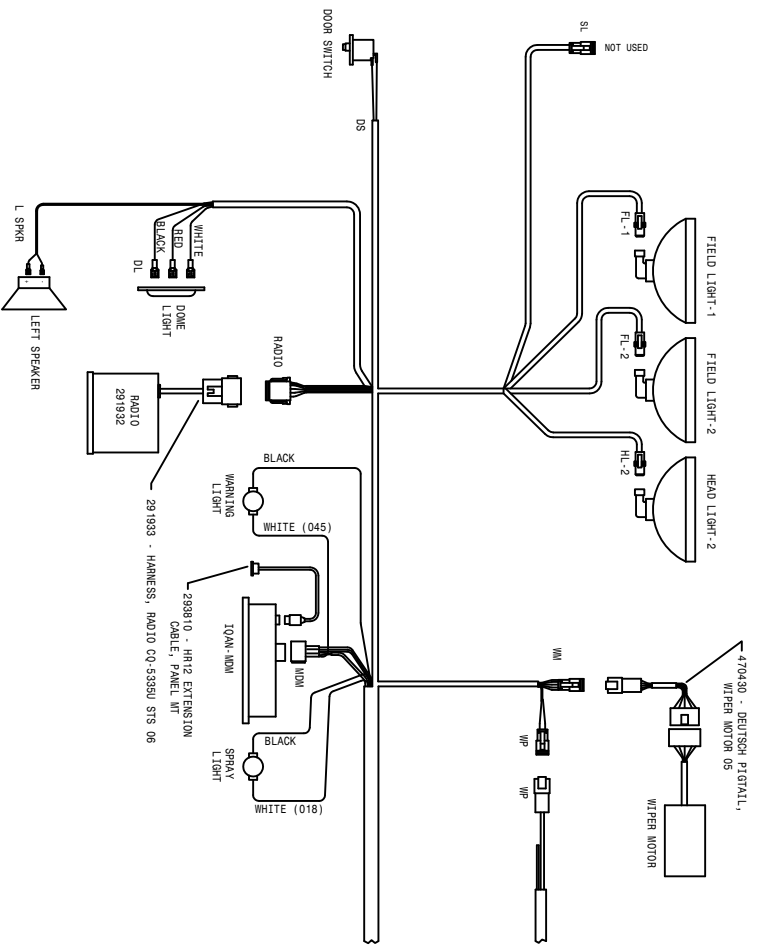


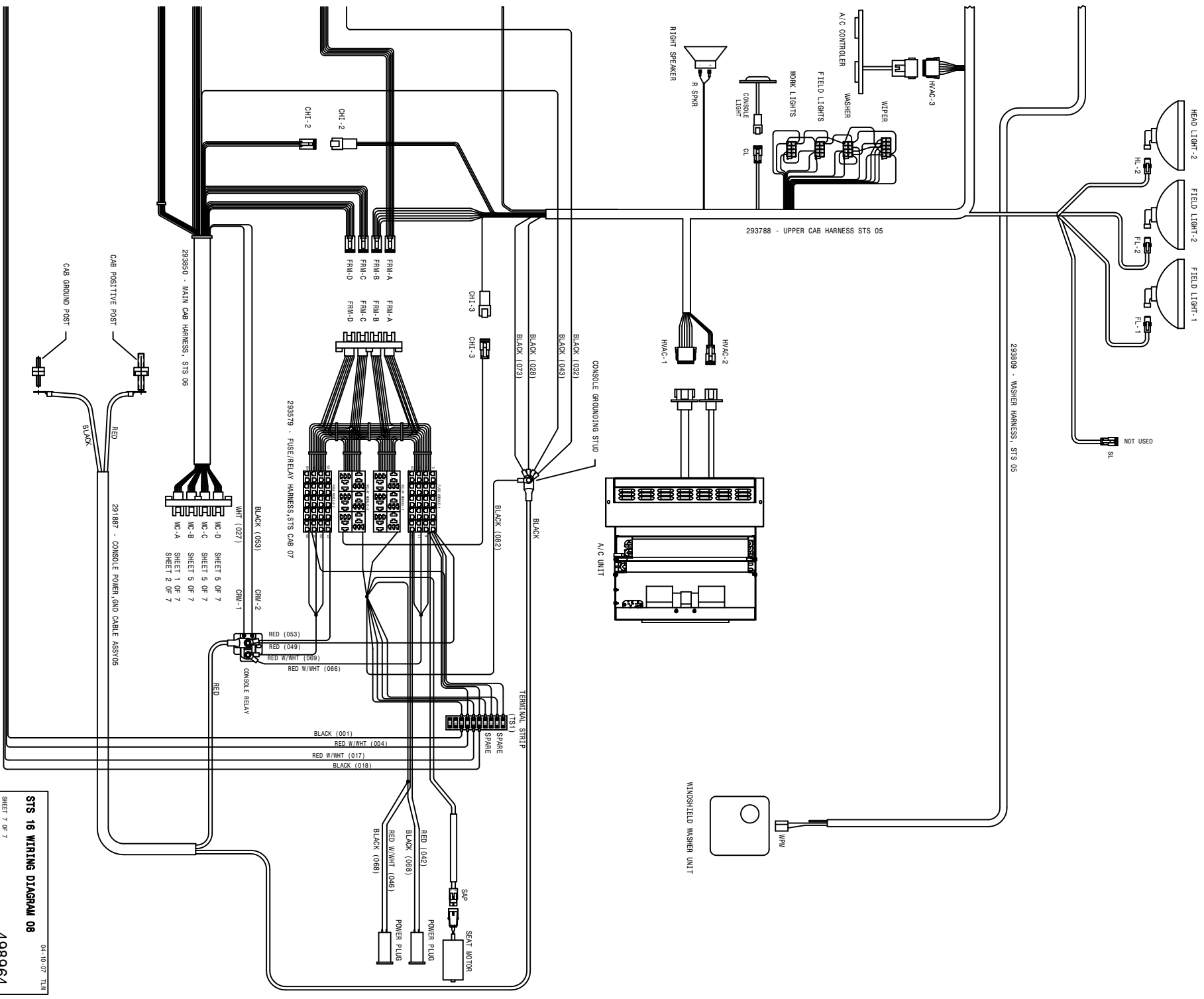
STS16 WIRING DIAGRAM 08
 SHEET 5 OF 7
 REVISION DATE: 09-04-08
 04-10-07 TLW
498964





STS16 WIRING DIAGRAM 08
 SHEET 6 OF 7
 REVISION DATE: 06-13-08
 04-10-07 TUM
 498964





293950 - MAIN CAB HARNESS, STS 06

MC-D SHEET 5 OF 7
 MC-C SHEET 5 OF 7
 MC-B SHEET 5 OF 7
 MC-A SHEET 1 OF 7
 MC-A SHEET 2 OF 7

STB 16 WIRING DIAGRAM 08
 SHEET 7 OF 7
 REVISION DATE: 01-30-09
 498964

ABBREVIATIONS

A/C - AIR CONDITIONER	MT - MOUNT
ADPTR - ADAPTER	MTR - MOTOR
AGI - AGITATOR	P/N - PART NUMBER
ALT - ALTERNATOR	PLT - PLATE
ASSY - ASSEMBLY	QTY - QUANTITY
BRKT - BRACKET	RED - REDUCER
DET - DETAIL	REF - REFERENCE
DISPL - DISPLACEMENT	REST - RESTRICTOR
EL - ELBOW	REQ - REQUIRED
EXT - EXTENSION	SHFT - SHAFT
FLO - FLOW	SOL - SOLUTION
FNPT - FEMALE NATIONAL PIPE THREAD	STRG - STEERING
FOR - FEMALE O-RING	ST - STREET
FRT - FRONT	SV - STANDARD VOLUME
HV - HI-VOLUME	SWIV - SWIVEL
HYD - HYDRAULIC	UNC - UNIFIED NATIONAL COURSE
HYDRO - HYDROSTATIC	UNF - UNIFIED NATIONAL FINE
LG - LONG	V - VOLT
LWR - LOWER	W/ - WITH
MJIC - MALE J.I.C.	WHL - WHEEL
MOR - MALE O-RING	WLD - WELDMENT

INDEX

-A-

ABBREVIATIONS.....168
 ACCUMULATOR.....93, 94
 AIR DRYER.....9
 AIR CLEANER.....9
 FILTER.....9
 AIR COMPRESSOR GOVERNOR.....4
 AIR CONDITIONER
 BINARY SWITCH.....9
 COMPRESSOR.....4
 CONDENSOR COIL.....62
 CONTROLLER.....44
 HOSE.....4, 9
 RECEIVER/DRYER.....9
 TUBE.....29
 AIR COOLER, CHARGE.....7
 AIR PRESSURE GAUGE.....35
 AIR REGULATOR, FOAMER.....110
 AIRRIDE SPRING.....16, 18, 20, 22
 AIR LINE DIAGRAM.....146
 AIR VALVE.....16, 18, 20, 22
 ALTERNATOR.....5
 ARM, STEERING.....16, 18, 20, 22

-B-

BACK-UP BEEPER.....62
 BALL VALVE.....64, 75
 ELECTRIC.....57, 70, 71, 72, 79
 BATTERY.....14
 CABLE.....5, 14
 BOX PANEL.....14
 SWITCH.....14
 BEARING,
 LEG.....16, 18, 20, 22, 24
 BELT,
 AIR CONDITIONER.....4
 DRIVE.....5
 BLOCK, TERMINAL.....56
 BOOM.....95, 96, 97, 98
 CRADLE.....99, 100, 105, 106
 INDICATOR LIGHT.....89
 PIN.....97, 98
 STAND.....127
 SWITCH.....53
 VALVE.....90
 WET.....128, 129, 130, 131
 BOX,
 ELECTRICAL.....59
 PRESSURE WASHER.....116
 SIDE FILL.....120
 BRACE, RADIATOR.....4, 5
 BREAKAWAY CYLINDER.....98, 104
 BUMPER, REAR.....62

-C-

CAB.....42, 43
 ROOF.....42, 43
 CABLE BATTERY.....5, 14
 CAP,
 FUEL.....13
 RADIATOR.....7
 CHARGE AIR COOLER.....7
 CHEMICAL INDUCTOR.....121
 COMPRESSOR, A/C.....4
 CONDENSOR COIL, A/C.....62
 CONSOLE.....54
 COOLER, OIL.....7, 12
 CRADLE, BOOM.....99, 100, 105
 CYLINDER,
 BREAKAWAY.....98, 104
 FOLD.....94, 97, 101, 103
 GAS.....38
 LEVEL.....94, 102
 LADDER.....37
 LIFT.....93
 SIDE FILL.....121
 STEERING.....16, 18
 TREAD ADJUST.....24, 25

-D-

DECALS.....144, 145
 DIAGRAMS,
 AIR.....146
 WIRING.....152
 DOOR.....50, 51
 LATCH.....50, 51, 62, 63
 DRAIN COCK, AIR.....40, 41
 DRIVE
 BELT.....4
 DISK.....5

-E-

ELECTRIC BALL VALVE.....65, 66, 70
 ELECTRICAL BOX.....59
 ENGINE.....60
 ENGINE.....4, 5
 HOOD.....62, 63
 SKID.....4, 5
 EXHAUST PIPE.....9

-F-

FAN.....7
 CONTROL VALVE.....10
 MOTOR.....7

FEEDER TEE..... 73, 74, 82, 83
 FENCE ROW NOZZLE..... 86, 87
 FENDER..... 124, 125
 FILTER,
 AIR CLEANER..... 9
 CAB..... 42
 FUEL..... 4
 HYDRAULIC..... 11
 MINDER..... 110
 OIL..... 5, 11
 FLASHER..... 28, 58, 62
 FLOW METER..... 70, 79
 FOAMER
 AIR REGULATOR..... 110
 DROP HOSE..... 113
 HOSING..... 112
 TANK..... 109
 THREE-WAY VALVE..... 114, 115
 VALVE..... 109
 FOLD CYLINDER..... 94, 97, 101
 FRESH WATER..... 110, 111
 FRONT FILL..... 122
 FUEL,
 CAP..... 13
 SENDER..... 13
 TANK..... 13

 -G-
 GAUGE,
 AIR PRESSURE..... 110
 SOLUTION..... 70, 79
 GLASS..... 42, 43

 -H-
 HANDRAIL..... 38
 HEADLINER..... 44
 HEATER TUBE..... 29
 HOOD, ENGINE..... 62, 63
 HOSE, A/C..... 4, 9
 HOSING,
 FOAMER..... 112
 SOLUTION..... 67, 68, 76, 77
 HUB, TORQUE..... 17, 19, 21, 23
 HYDRAULIC,
 FILTER..... 11
 LEVER..... 55
 MANIFOLD..... 30, 31, 32
 SCHEMATIC..... 148
 TANK..... 11
 TUBE..... 28, 29, 93, 96
 VALVE..... 36
 HYDROSTATIC PUMP..... 6

 -I-
 IGNITION SWITCH..... 49

INDICATOR LIGHT, BOOM..... 89

 -L-
 LADDER..... 37
 CYLINDER..... 37
 PIVOT ARM..... 37
 LEG..... 16, 18, 20, 22
 LEVEL CYLINDER..... 94, 102
 LEVER,
 HYDROSTATIC..... 55
 QUICK ATTACH..... 35, 92
 LIFT CYLINDER..... 93
 LIFTARM..... 93
 LIGHT..... 28, 42, 43, 105
 LINE STRAINER..... 64, 66
 LIQUID LEVEL SWITCH..... 11
 LS MANIFOLD..... 33

 -M-
 MDM DISPLAY..... 44
 MIRROR..... 42, 43
 MONITOR, SPRAYER..... 52
 MOTOR,
 FAN..... 7
 STEERING..... 48
 WHEEL..... 17, 19, 21, 23
 MOUNT, RUBBER..... 4, 43
 MUFFLER..... 9

 -N-
 NOZZLE,
 BODY..... 85
 FENCE ROW..... 86, 87
 MOUNT TUBE..... 96, 97, 98
 REAR WHEEL..... 88

 -O-
 OIL COOLER..... 7, 12
 OIL FILTER..... 5, 11

 -P-
 PANEL,
 BATTERY BOX..... 14
 SWITCH..... 53
 PLATFORM, SERVICE..... 38
 PRESSURE GAUGE..... 70, 79
 PRESSURE WASHER..... 117
 BOX..... 116
 PUMP,
 HYDRAULIC..... 6
 HYDROSTATIC..... 6
 SIDE FILL..... 121
 SOLUTION..... 69

-R-

RADIATOR..... 7
 BRACE..... 4, 5
 CAP..... 8
 HOSE..... 7
 RADIO..... 44
 REAR WHEEL NOZZLE..... 88
 RINSE TANK..... 64
 RUBBER
 MOUNT..... 4, 7, 43
 SPRING..... 16, 18, 20, 22

-S-

SCHEMATIC, HYDRAULIC..... 148
 SEAT..... 45, 46
 SENDER, FUEL..... 13
 SENDER, WATER LEVEL..... 8
 SERVICE PLATFORM..... 38
 SHEET METAL..... 63
 SHIELD, WHEEL MOTOR... 17, 19, 21, 23
 SIDFILL..... 121
 BOX..... 120
 CYLINDER..... 121
 SIGHT GAUGE, OIL..... 11
 SKID, ENGINE..... 4, 5
 SMV SIGN..... 62
 SOLUTION
 HOSING..... 67, 68, 76, 77
 PUMP..... 69
 TANK..... 65
 VALVE..... 34, 70, 72, 79
 SPEAKER..... 44
 SPRAY MONITOR..... 52
 SPRING,

TANK

AIR..... 41
 FOAMER..... 109
 FRESHWATER..... 110
 FUEL..... 13
 HYDRAULIC..... 11
 RINSE..... 64
 SOLUTION..... 65
 SURGE..... 8
 TERMINAL BLOCK..... 56
 TIRE..... 15
 TORQUE HUB..... 17, 19, 21, 23
 TRANSOM..... 94
 TREAD ADJUST
 CYLINDER..... 24, 25
 VALVE..... 27, 28
 TUBE,
 A/C..... 29
 HEATER..... 29
 HYDRAULIC..... 28, 29, 93, 96

-V-

VALVE,
 AIR..... 16, 18, 20, 22
 BALL..... 65, 75
 BOOM..... 90
 ELECTRIC BALL..... 64, 69, 70, 79
 FAN CONTROL..... 10
 FOAMER..... 109, 114, 115
 HYDRAULIC..... 10
 SOLUTION..... 34, 70, 72, 75
 TREAD ADJUST..... 27, 28

-W-

WASHER, PRESSURE..... 117
 WATER LEVEL SENSOR..... 8
 WET BOOM..... 128, 129, 130, 131
 WHEELMOTOR..... 17, 19, 21, 23
 SHIELD..... 17, 19, 21, 23
 WIRING DIAGRAM..... 154

AIRRIDE..... 16, 18, 20, 22
 SOLUTION TANK..... 65
 STAND, BOOM..... 127
 STARTER..... 5
 STEERING,
 ARM..... 16, 18, 20, 22
 COLUMN..... 49
 CYLINDER..... 16, 18
 MOTOR..... 48
 STRAINER, LINE..... 64, 69, 78
 SURGE TANK..... 8
 SWITCH,
 A/C BINARY..... 9
 BATTERY..... 14
 IGNITION..... 49
 LIQUID LEVEL..... 15
 PANEL..... 53

-T-

TAILLIGHT..... 62

Notes: