

**STS 16**



**PARTS MANUAL FOR HAGIE STS 16**  
**HAGIE MANUFACTURING COMPANY**

721 CENTRAL AVENUE WEST  
BOX 273  
CLARION, IOWA 50525-0273

COVERS MACHINE SERIAL NUMBERS: U16181515001-200

01-15 493610  
02-15, 05-15  
02-16, 03-17, 01-18

To obtain the most current parts manual for your machine,  
please visit [www.hagie.com](http://www.hagie.com).

© 2015-18 Hagie Manufacturing Company. Clarion, Iowa USA



## SPRAYER IDENTIFICATION

Each Hagie sprayer is identified by means of a frame serial number. This serial number denotes the model, the year in which it was built, and the number of the sprayer. As for further identification, the engine has a serial number and the planetary hubs have an identification plate that describe the type of mount and gear ratio. To ensure prompt, efficient service when ordering parts or requesting service repairs from your local John Deere dealer, record the serial and identification numbers in the spaces provided below.

**NOTE:** Reference to left hand and right hand used throughout this manual refers to the position when seated in the operator's seat facing forward.

*This manual is not intended to be a complete guide for machine maintenance and repairs. If you are not properly trained to perform service on this machine, contact your local John Deere dealer for assistance. Improper maintenance or repair may result in property damage, personal injury, or death.*

SPRAYER SERIAL NUMBER

\_\_\_\_\_

ENGINE SERIAL NUMBER

\_\_\_\_\_

### FILTER QUICK REFERENCE

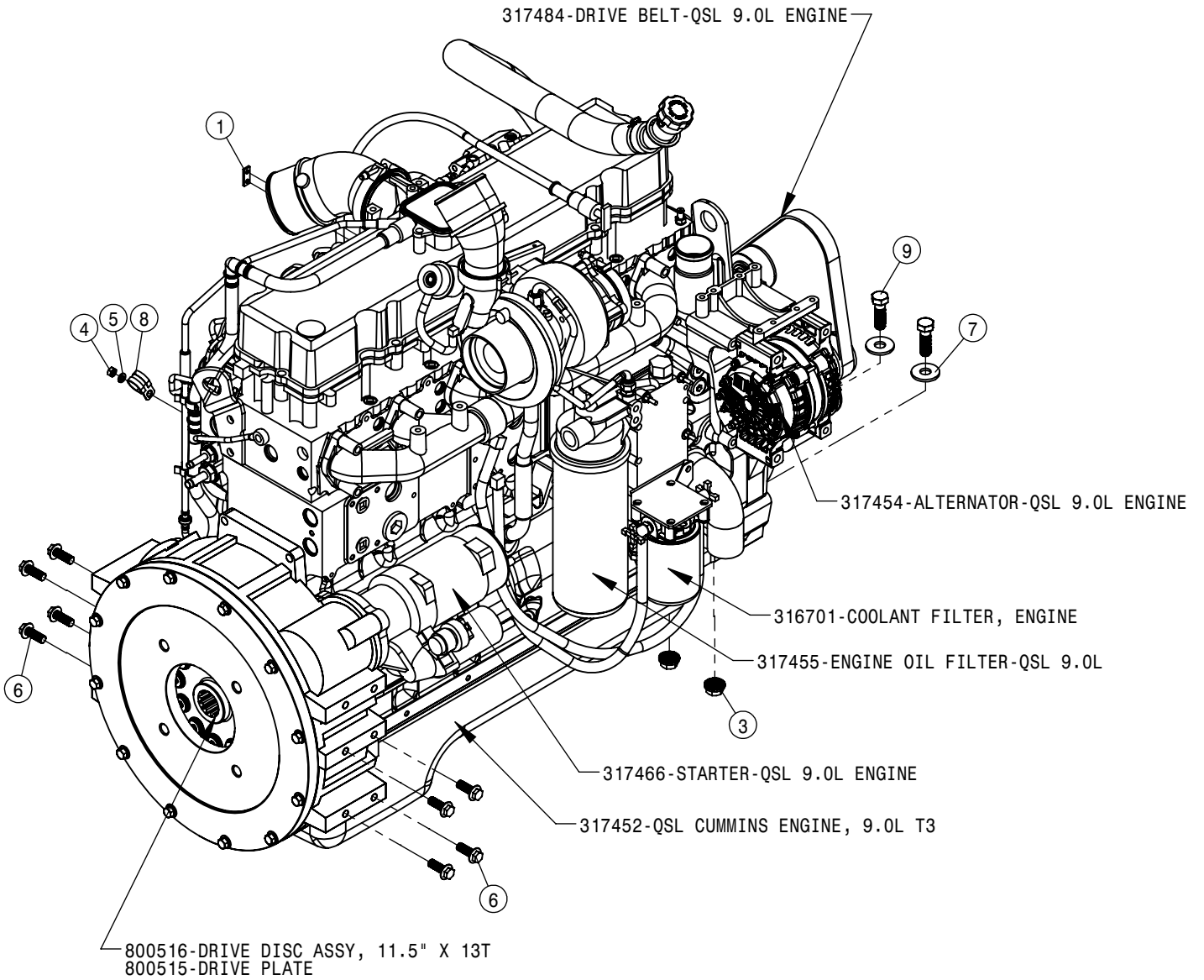
<u>QTY</u>	<u>P/N</u>	<u>DESCRIPTION</u>
1	605657	HYD OIL FILTER, CHARGE PUMP
1	605659	HYD TANK OIL FILTER
1	605663	CASE DRAIN OIL FILTER
1	605661	STEERING MOTOR OIL FILTER
1	605666	FAN MOTOR OIL FILTER
1	657557	CAB PRECLEANER AIR FILTER
1	657559	CAB PAPER FILTER
1	657558	CAB CHARCOAL FILTER
		<u>T3 ENGINE</u>
2	317154	ENGINE AIR FILTER, PRIMARY
2	317155	ENGINE AIR FILTER, SECONDARY
1	317455	ENGINE OIL FILTER QSL
1	317669	FUEL/WATER SEPERATOR T3
1	316689	FUEL FILTER, PRIMARY ENG T3
1	316701	COOLANT FILTER

### TRANSLATED DECAL KITS

<u>QTY</u>	<u>P/N</u>	<u>DESCRIPTION</u>
1	KDC500HUN	DECAL KIT, STS HUNGARY
1	KDC501MEX	DECAL KIT, STS MEXICO
1	KDC502UKR	DECAL KIT, STS UKRAINE
1	KDC511CHN	DECAL KIT, STS CHINESE
1	KDC512RMA	DECAL KIT, STS ROMANIAN

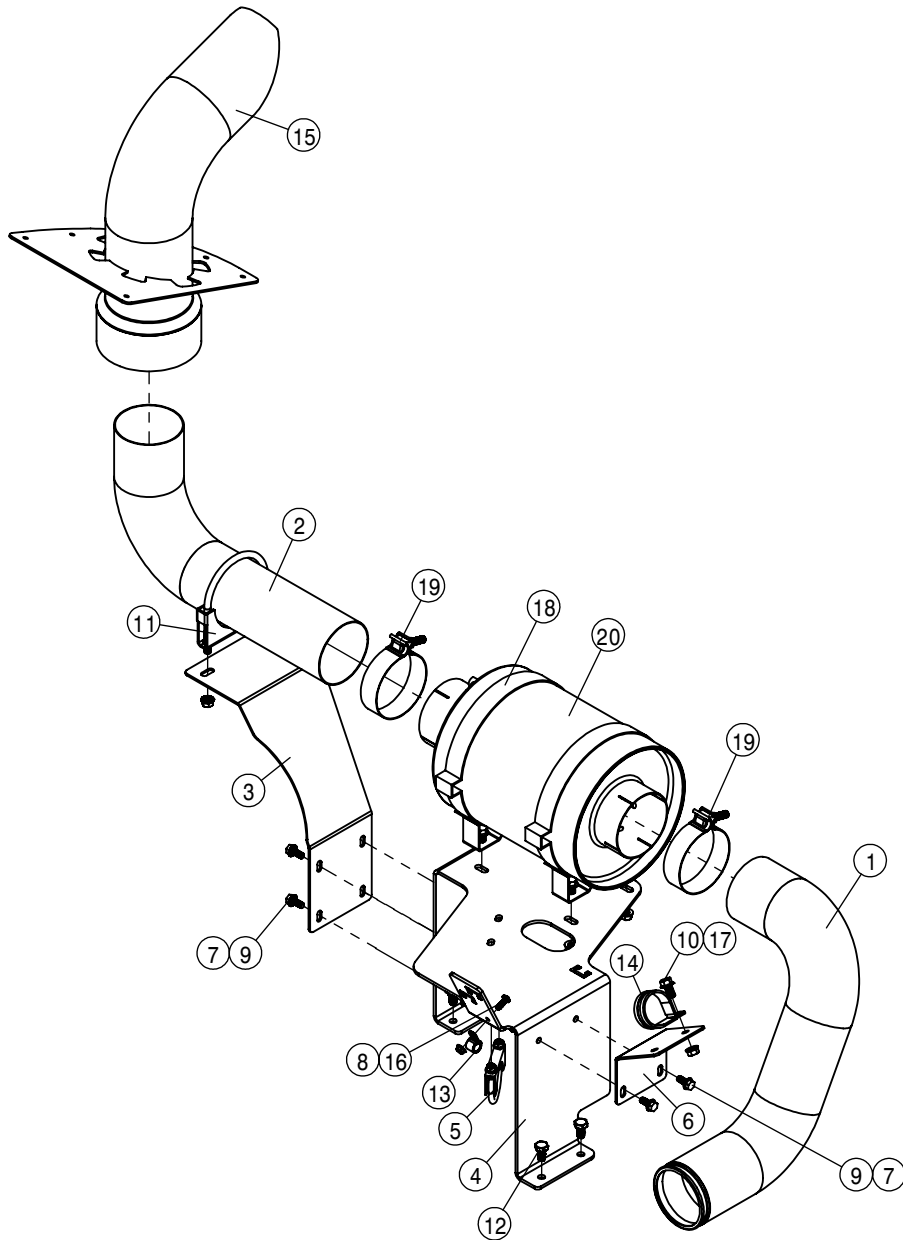
# TABLE OF CONTENTS

ENGINE ASSEMBLY T3 .....	4-10
CHASSIS ELECTRICAL .....	11
A/C AND HEATER LINES .....	12-15
HYDRAULIC HOISING .....	16-19
HYDRAULIC PUMP ASSEMBLY .....	20
WHEEL MOTOR ASSEMBLY .....	21-22
HYDRAULIC TANK ASSEMBLY .....	23
HYDRAULIC COMPONENTS .....	24-37
TREAD ADJUST ASSEMBLY .....	38-40
FUEL SYSTEM .....	41
LEG ASSEMBLIES .....	42-43
STEERING CYLINDER AND TIE ROD ASSEMBLY .....	44-47
TIRE ASSEMBLY .....	48
AIR BAG AND AIR SYSTEM .....	49-52
CAB ASSEMBLY .....	53-70
TOOLBOX OPTION .....	71
QUICK ATTACH .....	72
BULKHEAD AND BELLY PAN .....	73-74
ENGINE HOOD .....	75
BACK-UP CAMERA .....	76
SERVICE PLATFORM AND LADDER .....	77-78
SOLUTION SYSTEM .....	79-85
FRONT FILL AND SIDE FILL OPTION .....	86-92
REAR FILL OPTION .....	93
REAR WHEEL NOZZLE OPTION .....	94-95
FILL FLOW METER .....	96
HAND WASH OPTION .....	97
FOAMER OPTION .....	98
FENDER OPTION .....	99
BOOM CRADLE OPTION .....	100-103
TALL CORN OPTION .....	104-109
WIRING DIAGRAM .....	110-111
INDEX .....	113

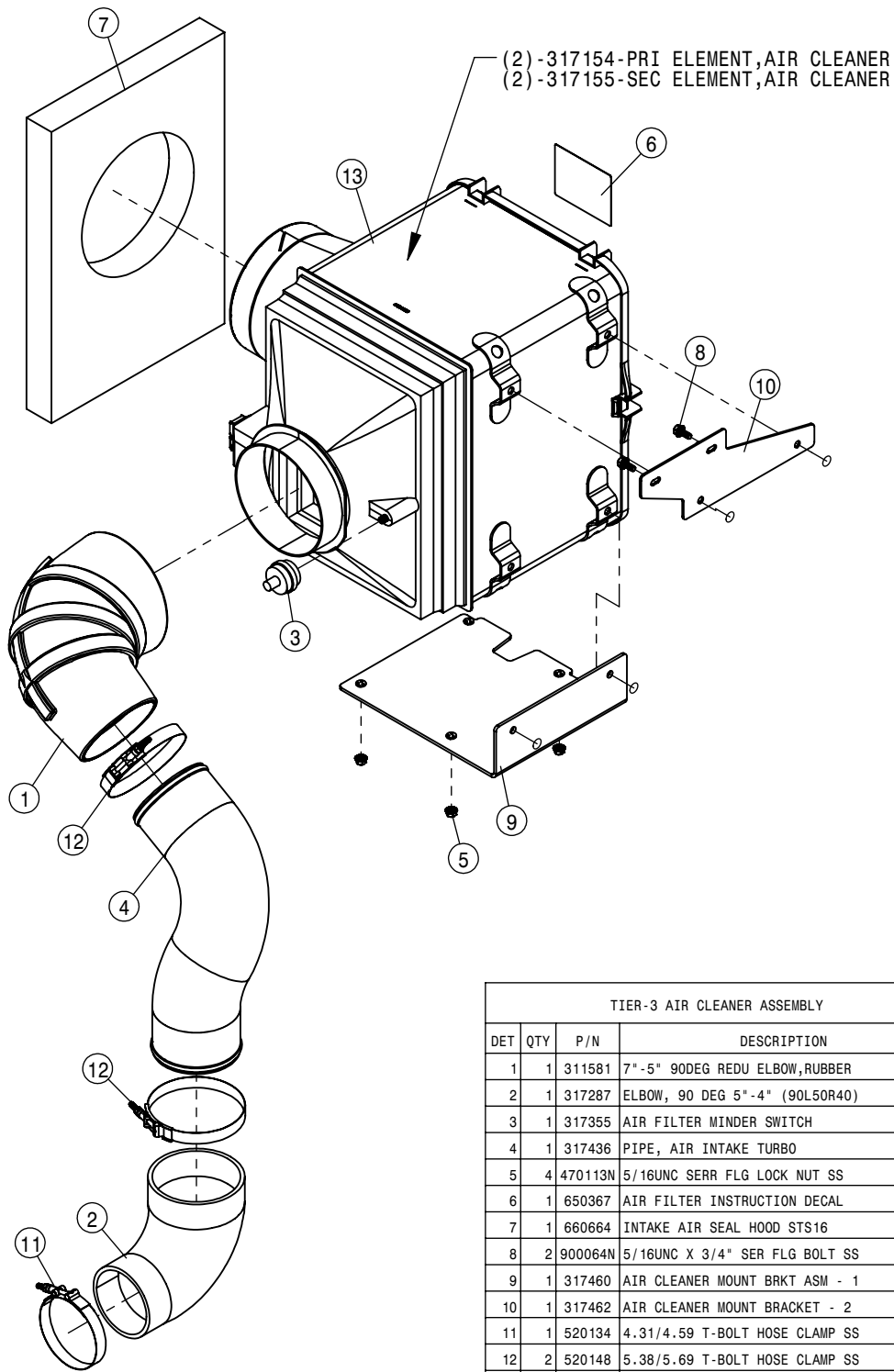


TIER-3 365 HP ENGINE ASSEMBLY			
DET	QTY	P/N	DESCRIPTION
1	1	292684	BUSBAR, GRID HEATER
NS	1	294241	ENGINE HARNESS T3 QSL
3	2	470675	5/8UNC SERR FLG NUT, GR8 YZ
4	1	473778	8MM-1.25 HEX NUT
5	1	473804	8MM LOCK WASHER
6	8	473855	12MM-1.75 X 35MM SM FLG BOLT
7	2	483037N	5/8 REGULAR FLAT WASHER YZ
8	1	520121	CUSH CLAMP,#16 1IN X 3/4W
9	2	900335N	5/8UNC X 2" HEX BOLT

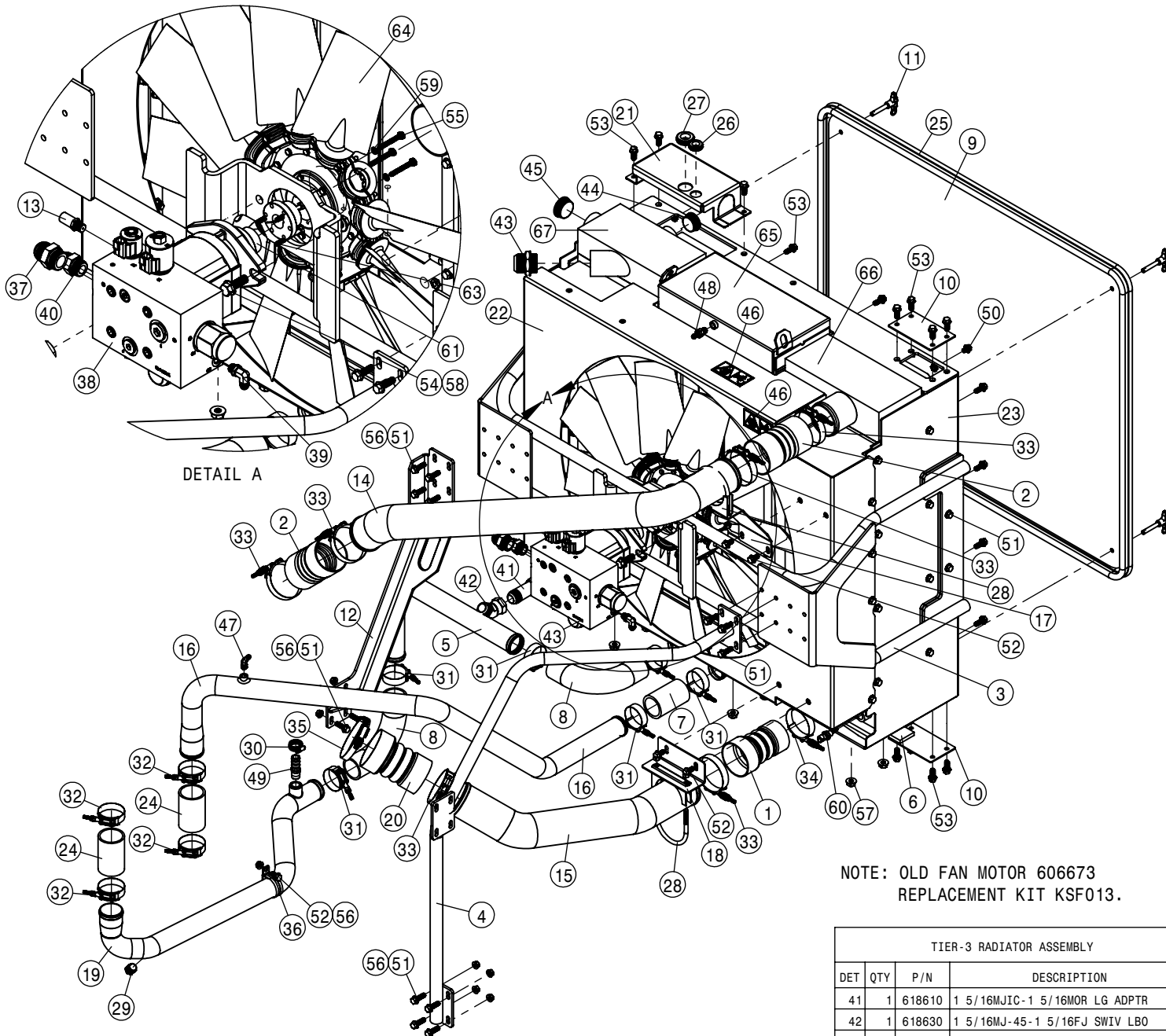




TIER-3 EXHAUST ASSEMBLY			
DET	QTY	P/N	DESCRIPTION
1	1	317441	PIPE, TURBO EXHAUST
2	1	317442	PIPE, EXHAUST OUTLET
3	1	317443	BRACKET-EXHAUST PIPE
4	1	317447	EXHAUST SUPPORT
5	1	317467	CLAMP 2.5 U-BOLT
6	1	317476	BRACKET-OIL FILL HOSE
7	6	470113N	5/16UNC SERR FLG LOCK NUT SS
8	1	470121	1/4 UNC SERR FLG LOCK NUT
9	6	470233	5/16UNC X 3/4 SERR FLG HEX BOLT
10	5	470409	3/8UNC X 3/4" SERR FLG BOLT
11	1	472217	4" MUFFLER CLAMP 3/8UNC
12	4	473793	10MM-1.50 X 20MM HEX BOLT GR8
13	1	520118	CUSH CLAMP,#8 1/2D X 1/2W
14	1	520161	CUSH CLAMP,#32 2"D-3/4W LOOP
15	1	660531	EXHAUST STACK WLDT STS' 14
16	1	903700	1/4UNC X 3/4 PHIL PAN MACH SCR
17	5	910004N	3/8UNC FLANGE CNTR LOCK NUT
18	2	317106	MUFFLER MNTG CLAMP
19	2	470519	MUFFLER CLAMP, 4.00 ACCUSEAL
20	1	317107	86144M - 4" RESONATOR



TIER-3 AIR CLEANER ASSEMBLY			
DET	QTY	P/N	DESCRIPTION
1	1	311581	7"-5" 90DEG REDU ELBOW,RUBBER
2	1	317287	ELBOW, 90 DEG 5"-4" (90L50R40)
3	1	317355	AIR FILTER MINDER SWITCH
4	1	317436	PIPE, AIR INTAKE TURBO
5	4	470113N	5/16UNC SERR FLG LOCK NUT SS
6	1	650367	AIR FILTER INSTRUCTION DECAL
7	1	660664	INTAKE AIR SEAL HOOD STS16
8	2	900064N	5/16UNC X 3/4" SER FLG BOLT SS
9	1	317460	AIR CLEANER MOUNT BRKT ASM - 1
10	1	317462	AIR CLEANER MOUNT BRACKET - 2
11	1	520134	4.31/4.59 T-BOLT HOSE CLAMP SS
12	2	520148	5.38/5.69 T-BOLT HOSE CLAMP SS
13	1	317453	AIR CLEANER-QSL 9.0L ENGINE

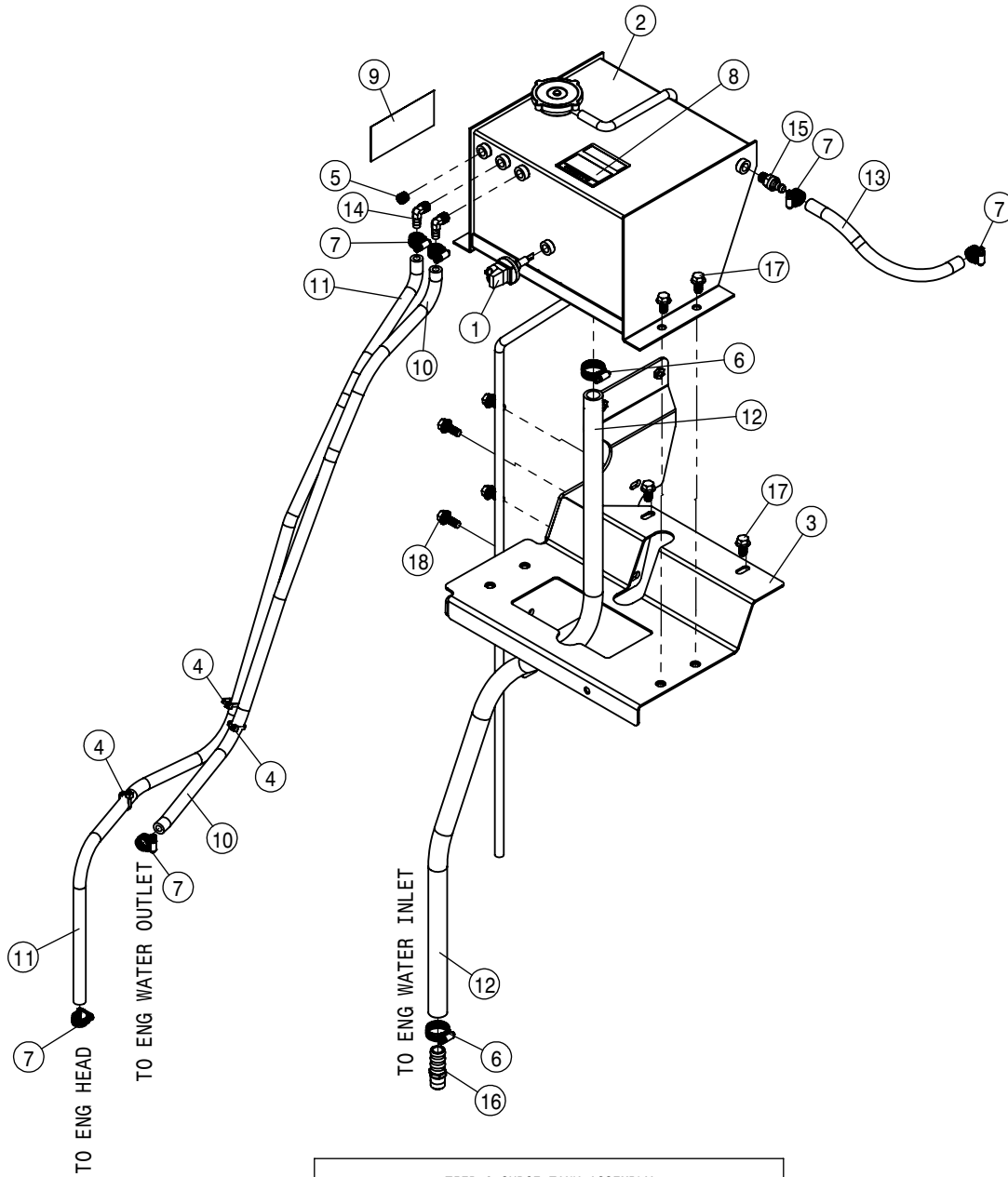


NOTE: OLD FAN MOTOR 606673  
REPLACEMENT KIT KSF013.

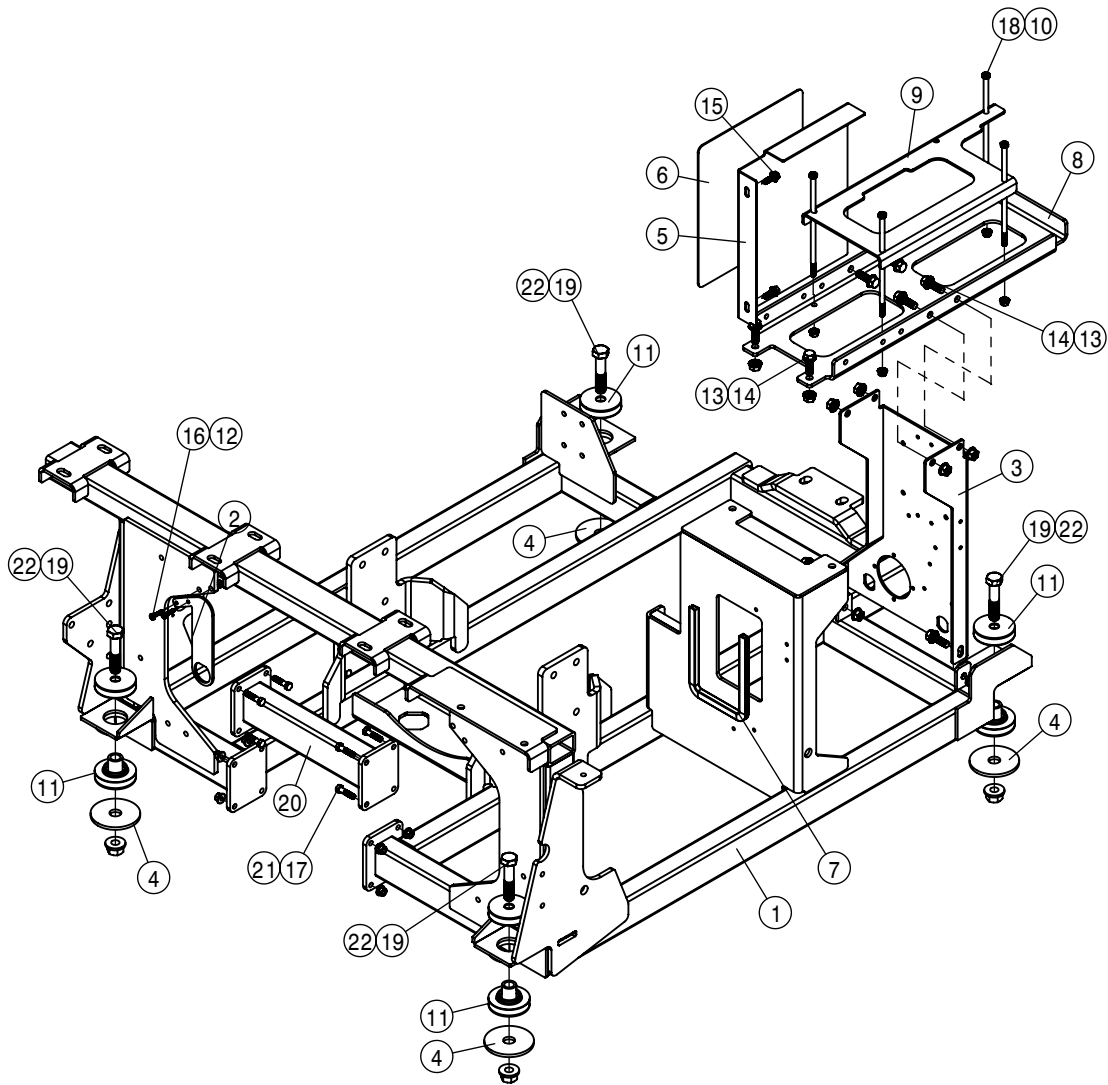
TIER-3 RADIATOR ASSEMBLY			
DET	QTY	P/N	DESCRIPTION
1	1	311500	3.50-3.00 X 6.00 REDU CAC HOSE
2	2	311501	HOSE, 3.50" CAC HOSE
3	1	317181	FAN FRAME WLD
4	1	317194	RH COOLING PKG SUPP WLD
5	1	317200	PIPE - RAD TO WATER INLET 1
6	1	317202	COOLING PACKAGE ISOLATOR
7	1	317203	COOLANT HOSE
8	2	317204	COOLANT ELBOW
9	1	317337	INTAKE SCREEN WLD
10	2	317341	COOLING PKG FRAME COVER
11	4	317364	T-HANDLE QUICK PIN - 1.75" X 3/8 D
12	1	317390	SUPPORT BRACE COOLING PACK
13	1	619023	9/16 MOR DIAGNOSTIC FITTING
14	1	317437	TUBE, CAC HOT SIDE
15	1	317438	TUBE, CAC COLD SIDE
16	1	317439	PIPE ENGINE TO RAD - OUTLET
17	1	317463	CAC HOT BRKT
18	1	317464	CAC COLD PIPE SUPPORT
19	1	317440	PIPE - RAD TO WATER INLET 2
20	1	317465	4.00-3.50 X 6.00 REDU CAC HOSE

TIER-3 RADIATOR ASSEMBLY			
DET	QTY	P/N	DESCRIPTION
21	1	317468	CONDENSOR ACCESS COVER STS16
22	1	317471	FAN SHROUD WLD
23	1	317473	COOLING PKG FRAME WLD
24	2	317475	COOLANT HOSE - 2.25"
25	1	344553	INTAKE SCREEN SEAL
26	1	470203	GROMMET, .750ID .125GW 1.062GD
27	1	470204	GROMMET,1.000ID .125GW 1.375GD
28	2	470327	MUFFLER CLAMP, 3.50 IN HD
29	1	505231	PIPE PLUG .50NPT HEX HD BRS
30	1	520055	HOSE CLAMP NO 12 STAINLESS
31	6	520140	2.18/2.50 T-BOLT HOSE CLAMP SS
32	4	520142	2.50/2.81 T-BOLT HOSE CLAMP SS
33	6	520145	3.56/3.88 T-BOLT HOSE CLAMP SS
34	1	520146	3.06/3.38 T-BOLT HOSE CLAMP SS
35	1	520157	T-BOLT HOSE CLAMP 3.56-to-4.50
36	1	520161	CUSH CLAMP,#32 2"D-3/4W LOOP
37	1	618186	1 5/16MJIC-1 5/16MOR ADPTR
38	1	606544	35CC FAN MOTOR ASSY
39	1	618119	9/16MJIC-90-9/16MOR LBO
40	1	611127	1 1/16MJIC-1 1/16MOR ADPTR

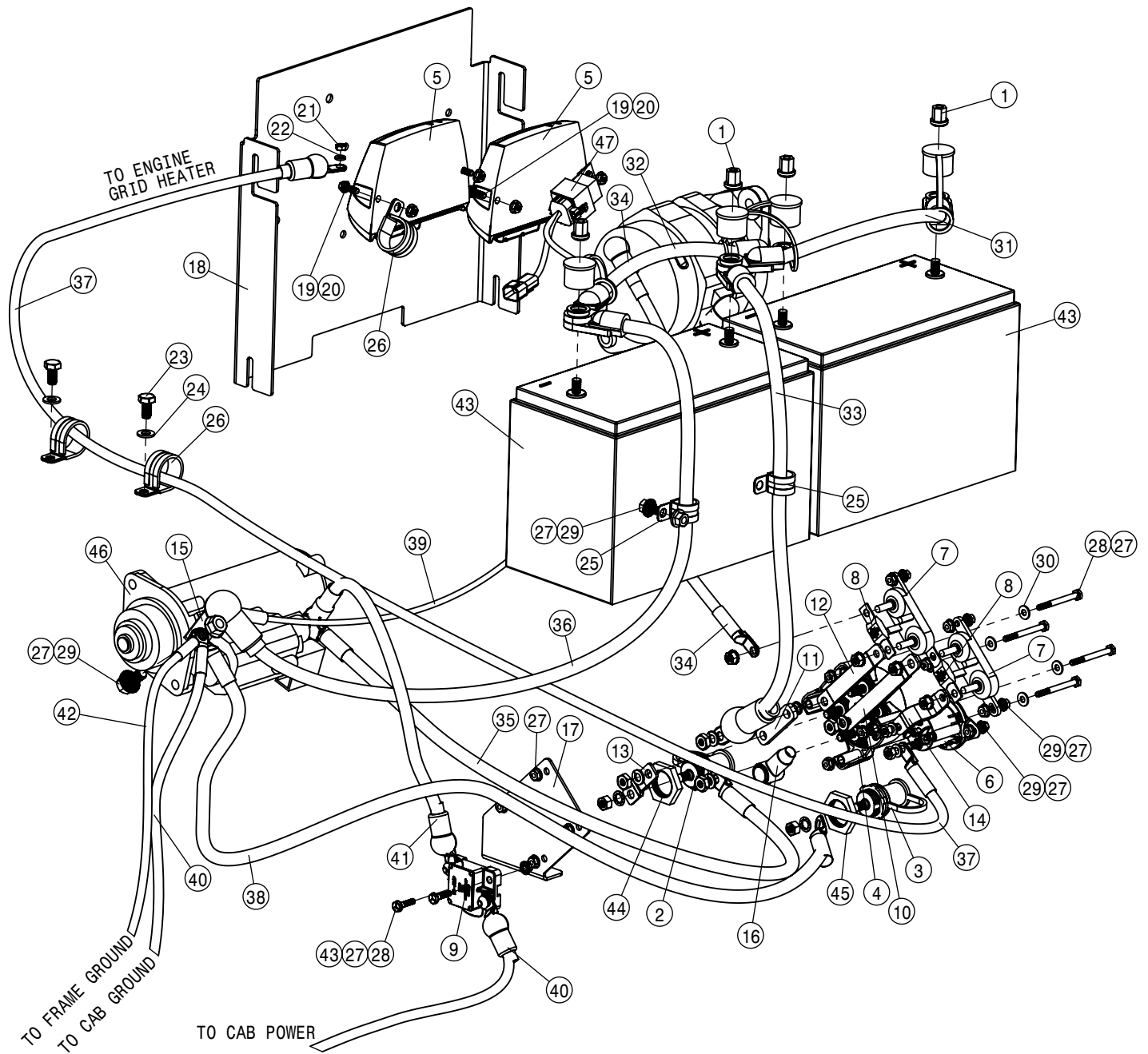
TIER-3 RADIATOR ASSEMBLY			
DET	QTY	P/N	DESCRIPTION
41	1	618610	1 5/16MJIC-1 5/16MOR LG ADPTR
42	1	618630	1 5/16MJ-45-1 5/16FJ SWIV LBO
43	2	618682	1 7/8MOR-1 7/8MJIC ADPTR
44	1	618759	1 5/8MOR PLUG, HEX SOCKET
45	1	618760	1 7/8MOR PLUG, HEX SOCKET
46	2	650434	DECAL, FAN BLADE WARNING
47	1	711104	1/4MNPT-90-3/8 HOSE BARB, BRS
48	1	712100	1/4NPT X 3/8 HOSE FTG,PUSHLOCK
49	1	712440	1/2 NPT X 3/4 HOSE BARB
50	2	900126	3/8UNC X 1/2 SERR FLG BOLT YZ
51	20	900127N	3/8UNC X 1 1/4 SER FLANGE BOLT
52	5	900128N	3/8UNC X 3/4 SER FLANGE BOLT
53	53	900129N	3/8UNC X 1" SERR FLANGE BOLT
54	2	900265N	1/2UNC X 1 1/2 SERR FLANGE BOLT
55	3	906007	1/4UNC X 2" HEX BOLT FULL
56	42	910004N	3/8UNC FLANGE CNTR LOCK NUT
57	6	914008N	1/2UNC SMTH FLG CTR LCK NUT YZ
58	2	914015	1/2UNC HEX CENTER-LOCK NUT
59	6	920500	1/4 LOCK WASHER
60	1	290098	TEMP SENDER - CAC
61	1	317536	SPLIT BUSHING ADAPTOR
62	3	900009	1/4UNC X 2 3/4 HEX BOLT
63	3	900023	1/4UNC X 2 1/4 HEX BOLT
64	1	317223	ENG FAN, 32" DIA-12 BLADE STS'14
65	1	317766	RADIATOR COOLER (317470)
66	1	317765	CHARGE AIR COOLER (317470)
67	1	317767	HYDRAULIC OIL COOLER (317470)



TIER-3 SURGE TANK ASSEMBLY			
DET	QTY	P/N	DESCRIPTION
1	1	317157	SENSOR, LOW COOLANT T4I STS
2	1	317432	RESERVOIR TANK ASSY
3	1	317457	SURGE TANK SUPPORT
4	3	470154	CABLE TIE, 11.00" BLK NYLON
5	1	501103	PIPE PLUG .25NPT SKT HD
6	2	520055	HOSE CLAMP NO 12 STAINLESS
7	6	520069	HOSE CLAMP NO 6 STAINLESS
8	1	650174	DECAL,CAUTION RADIATOR,STS 07
9	1	650462	DECAL,COOLING SYSTEM PROCEDURE
10	1	657393	WATER OUTLET VENT HOSE-QSL
11	1	657394	BLOCK VENT HOSE-QSL
12	1	657395	COOLANT FILL HOSE
13	1	657396	HOSE, 3/8 X 12 HEATER
14	2	711104	1/4MNPT-90-3/8 HOSE BARB, BRS
15	1	712100	1/4NPT X 3/8 HOSE FTG,PUSHLOCK
16	1	712440	1/2 NPT X 3/4 HOSE BARB
17	6	900128N	3/8UNC X 3/4 SER FLANGE BOLT
18	4	900129N	3/8UNC X 1" SERR FLANGE BOLT



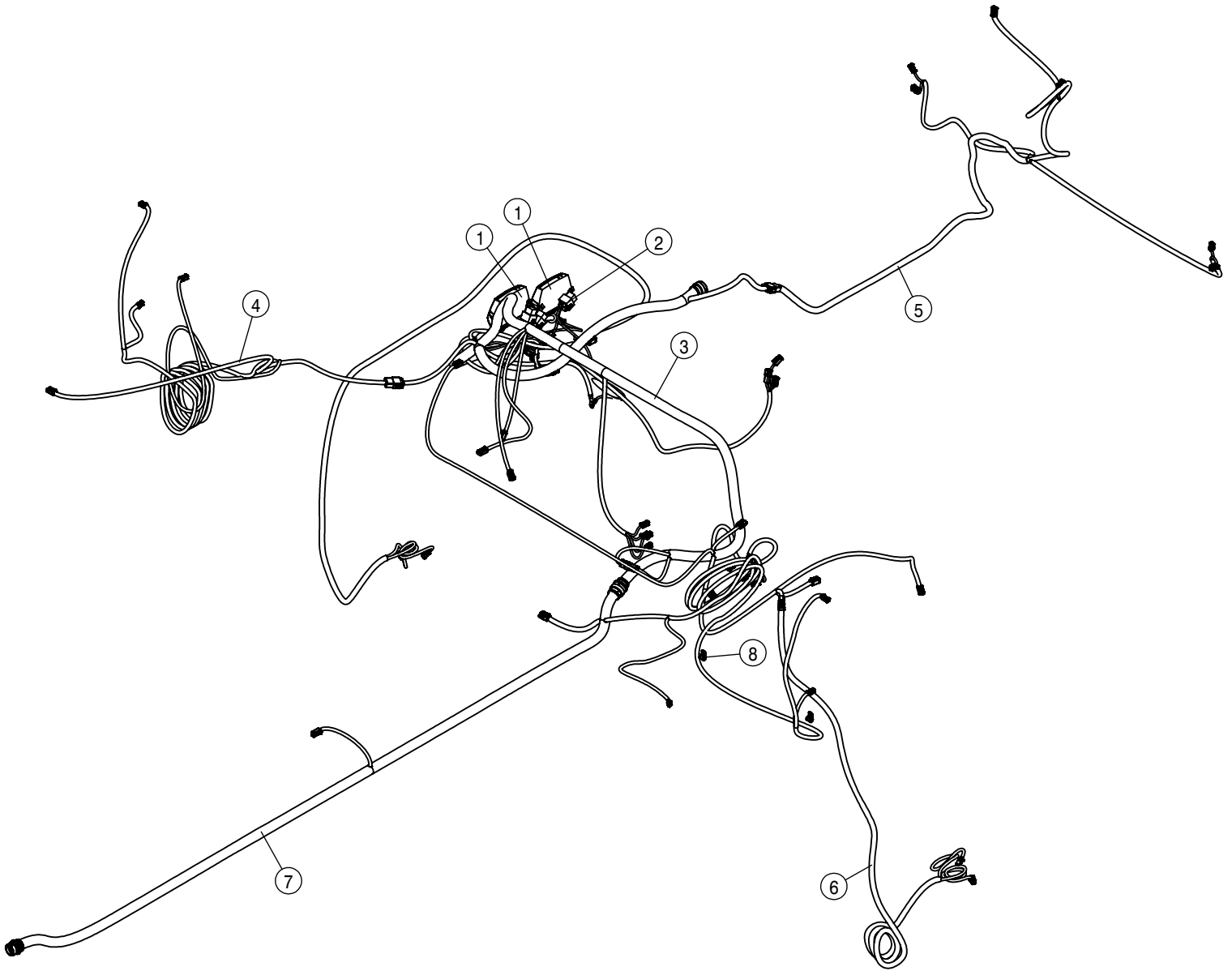
TIER-3 ENGINE SKID ASSEMBLY			
DET	QTY	P/N	DESCRIPTION
1	1	317431	ENGINE SKID FRM WLD STS16 '15
2	1	317368	WIRE HARNESS BLKHD
3	1	317249	BATTERY STAND
4	4	311091	SNUBBING WASHER FOR 311090
5	1	317254	BATTERY HEAT SHIELD
6	1	317256	REFLECTIVE HEAT SHIELD
7	1	317352	QUICKEDGE TRIM, C/L 19.5"
8	1	317444	BATTERY MOUNT
9	1	317446	BATTERY CLAMP
10	4	470087	3/8-16UNC HEX FLG NUT SER MC GR5
11	4	311057	RUBBER MT SET,SSB33-1000-4
12	2	470121	1/4-20UNC HEX FLG NUT SER MC GR5
13	8	470360	1/2UNC SERR FLG HEX NUT
14	8	470431	1/2UNC X 1 1/2 SERR FLG BOLT
15	2	470460	3/8 X 1" SERR FLG BOLT
16	2	900003	1/4UNC X 1 HHCS GR5 MC
17	8	900131	3/8UNC X 1 1/2 HEX BOLT
18	4	900150	3/8UNC X 9 1/2 HHCS GR5 MC
19	4	900408	3/4UNC X 3 1/2 HEX BOLT
20	1	317248	FRAME SPACER WLD
21	8	910106	3/8-16UNC CTRLK FLG NUT MC GR5
22	4	910111	3/4-10UNC CTRLK FLG NUT MC GR5



TIER-3 BATTERY AND CABLE ASSEMBLY			
DET	QTY	P/N	DESCRIPTION
1	4	291205	BATTERY NUT, 3/8-16 SS CLSD CAP
2	1	291680	POSITIVE JUMPER STUD, RED
3	1	291681	NEGATIVE JUMPER STUD, BLACK
4	1	291957	BATTERY SWITCH, DUAL CIRCUIT
5	2	292016	IQAN-XA2 MODULE
6	1	292505	MCR
7	2	292578	HIGH AMP FUSE HOLDER W/COVER
8	2	292641	FUSE, 250 AMP 32 VOLT DC
9	1	292642	CIRCUIT BREAKER, 150 AMP BUSS
10	1	292679	BUSBAR, MD TO GRID, SHRINK
11	1	292652	BUSBAR, MASTER DISC. JUMPER
12	1	292756	BUSBAR, MD TO ALT, W/SHRINK
13	1	292755	BUSBAR, POST TO MD, W/SHRINK
14	1	292754	BUSBAR, MCR TO FUSE, W/SHRINK
15	1	292671	BUSBAR, GND EXT
16	1	292677	RUBBER BOOT (RED) 2 TO 2/0 GAUGE

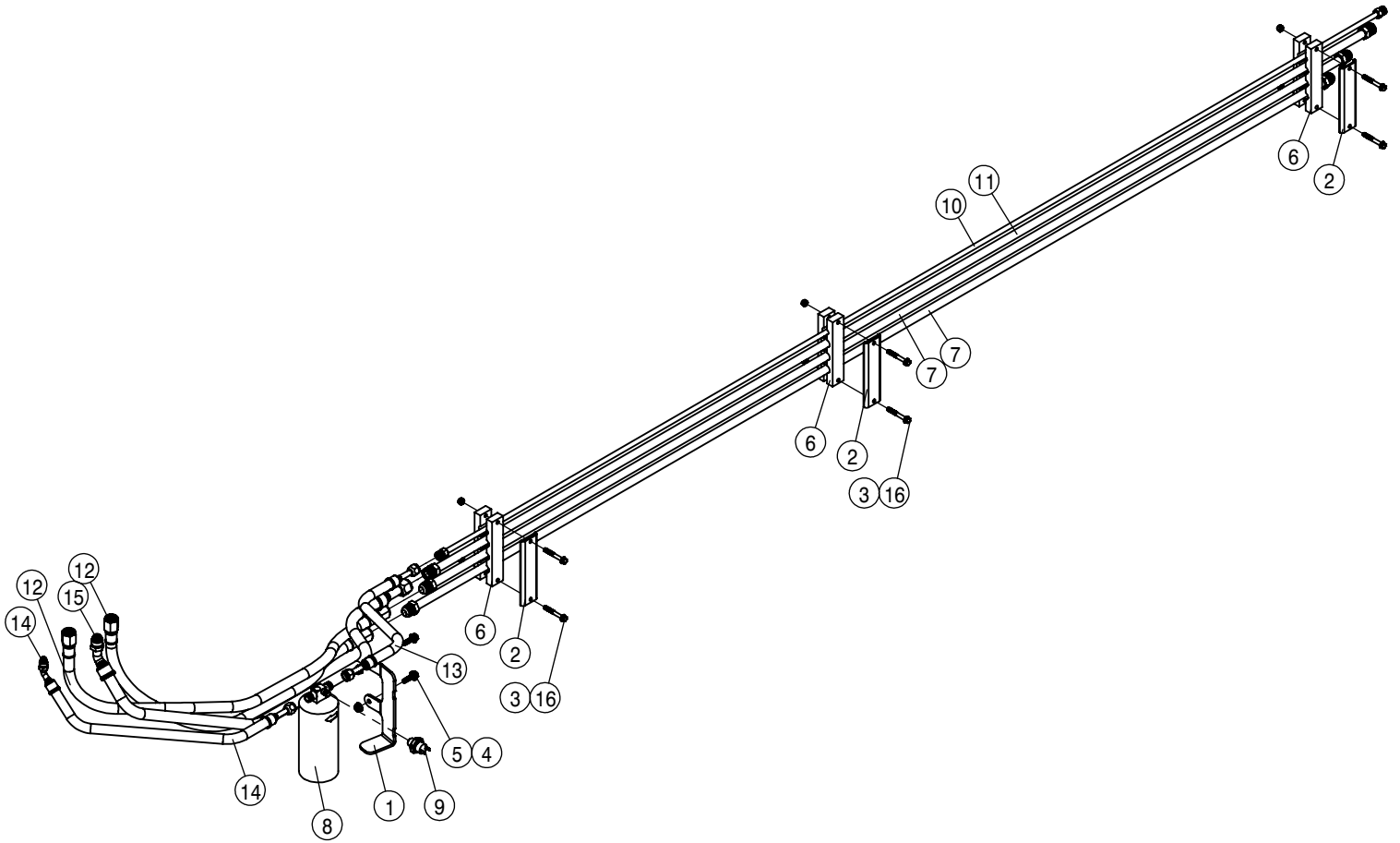
TIER-3 BATTERY AND CABLE ASSEMBLY			
DET	QTY	P/N	DESCRIPTION
17	1	317345	MST DISC. COVER
18	1	362037	MODULE BOX REMOVABLE COVER
19	4	470118	1/4 UNC X 3/4 SER FLG BOLT
20	4	470121	1/4 UNC SERR FLG LOCK NUT
21	1	473767	6MM-1.00 HEX NUT
22	1	473768	6MM LOCK WASHER
23	2	473793	10MM-1.50 X 20MM HEX BOLT GR8
24	2	473799	10MM FLAT WASHER
25	2	520121	CUSH CLAMP, #16 1IN X 3/4W
26	3	520160	CUSH CLAMP, #24 1 1/2D-3/4WLOOP
27	18	470087	3/8-16UNC HEX FLG NUT SER MC GR5
28	6	900150	3/8UNC X 9 1/2 HHSF GR5 MC
29	8	470118	1/4UNC X 3/4 HHSFB GR5 MC
30	4	910112	SAE FLAT WASHER 1/4 SS
31	1	292660	BATT CABLE, RED 18"2/0 3/8-3/8
32	1	292659	BATT CABLE, BLK 16"2/0 3/8-3/8

TIER-3 BATTERY AND CABLE ASSEMBLY			
DET	QTY	P/N	DESCRIPTION
33	1	292661	BATT CABLE, RED 34"2/0 3/8-3/8
34	1	292656	BATT CABLE, RED 20" 1/0 5/16-5/16
35	1	292665	BATT CABLE, RED 42"2/0 1/2-3/8
36	1	292662	BATT CABLE, BLK 47"2/0 3/8-1/2
37	1	292670	BATT CABLE, RED 94"2GA 1/4-5/16
38	1	292664	BATT CABLE, BLK 45"2/0 1/2-3/8
39	1	292657	BATT CABLE, BLK 35"2GA 1/2-1/4
40	1	292668	CAB PWR, GND CABLE ASY
41	1	292669	BATT CABLE, RED 21"1/0 1/2-1/4
42	1	292658	BATT CABLE, BLK 75"2GA 3/8-1/2
43	2	TY24546A	BATTERY 12 V
44	1	291014	PLASTIC SEALING NUT, RED
45	1	291015	PLASTIC SEALING NUT, BLK
46	1	317299	STARTER - DENSO PA90L
47	1	294062	SOL PUMP DIODE TO RELAY ADAPTR

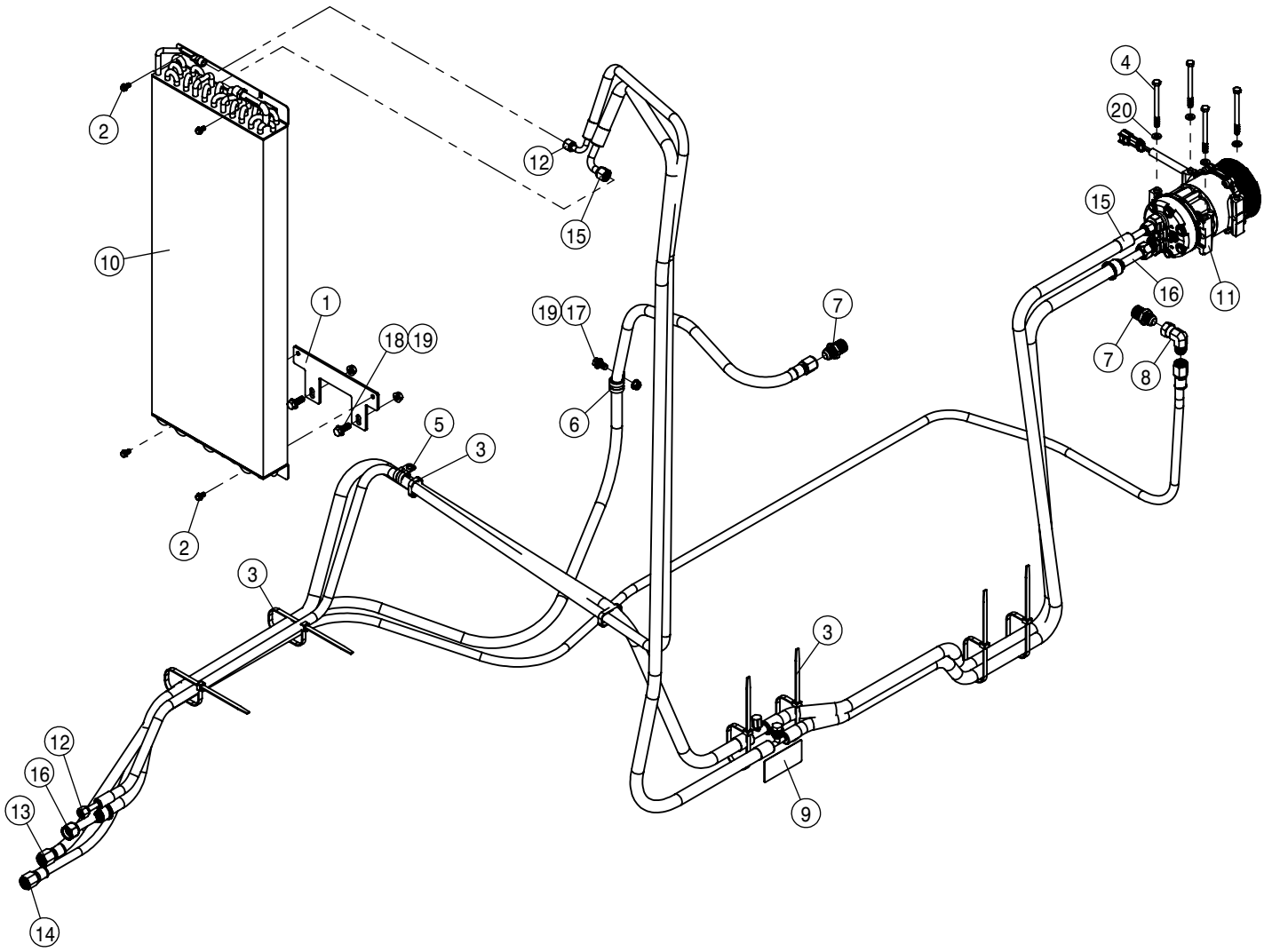


CHASSIS ELECTRICAL HARNESS			
DET	QTY	P/N	DESCRIPTION
1	2	292016	IQAN-XA2 MODULE
2	1	294062	SOL PUMP DIODE TO RELAY ADAPTR
3	1	294222	REAR MODULE HARNESS STS' 14
4	1	294223	REAR/MID RIGHT HARNESS STS' 14
5	1	294227	REAR LIGHT HARNESS STS' 14
6	2	294229	WHEEL MOTOR HARNESS STS' 14
7	1	294243	FRT/BACK HARNESS, L/F STS' 14
8	2	520167	CUSH CLAMP,#6 3/8D X 3/4W

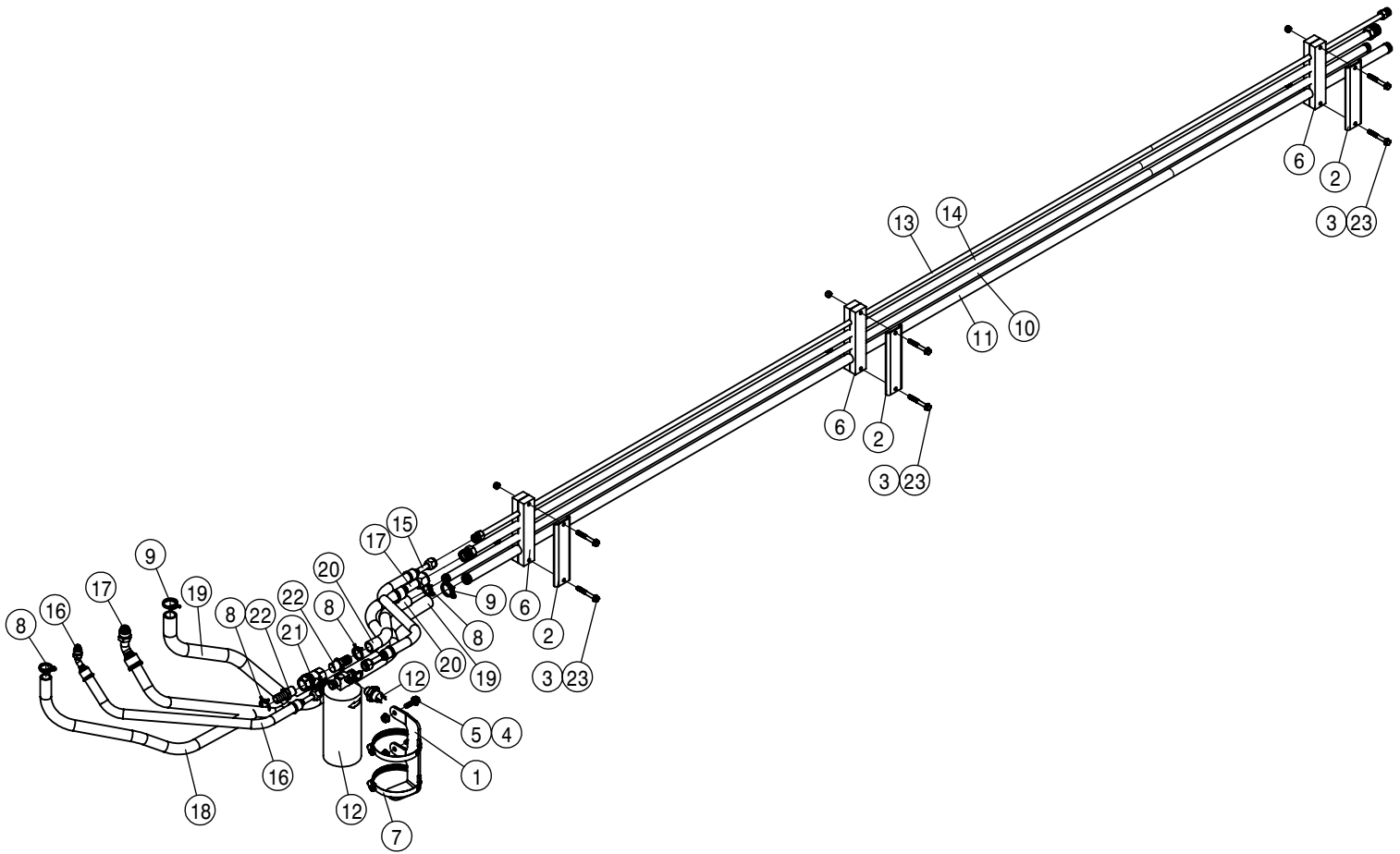




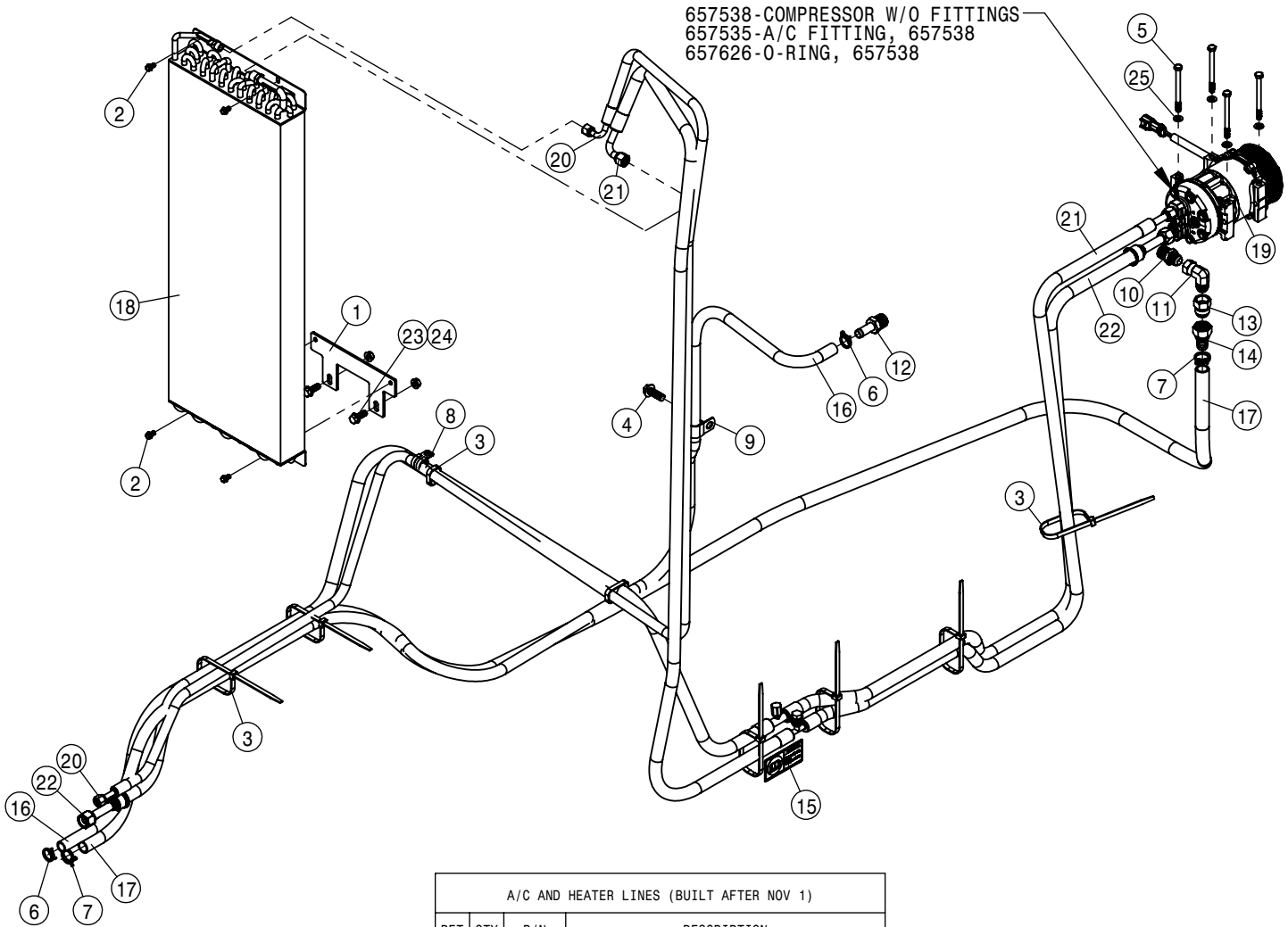
A/C AND HEATER LINES (BUILT BEFORE NOV 1)			
DET	QTY	P/N	DESCRIPTION
1	1	317145	A/C DRYER MT
2	3	342718	HYD TUBE CLAMP KEEPER, 6.00
3	6	470089	1/4UNC HEX NYL-LOC NUT
4	2	470113	5/16UNC SERR FLG LOCK NUT
5	2	470234	5/16UNC X 1" SERR FLG HEX BOLT
6	3	470304	TUBE CLAMP BODY,4HOLE.375-.625
7	2	615843	M/F TUBE ASSY 100" STS16 07
8	1	657421	A/C RECEIVER/DRYER
9	1	657422	A/C BINARY SWITCH
10	1	657481	A/C TUBE ASSY, .3750D,STS16
11	1	657483	A/C TUBE ASSY, .6250D,STS16
12	2	657576	10-213-10FJX-10FJX-40
13	1	657586	A/C HOSE,06-06F-06F-21.5
14	1	657587	A/C HOSE, 06-06F-06M45-23.9
15	1	657588	A/C HOSE, 10-10F-10M45-41
16	6	900007N	1/4 UNC X 2 SER FLG BOLT SS



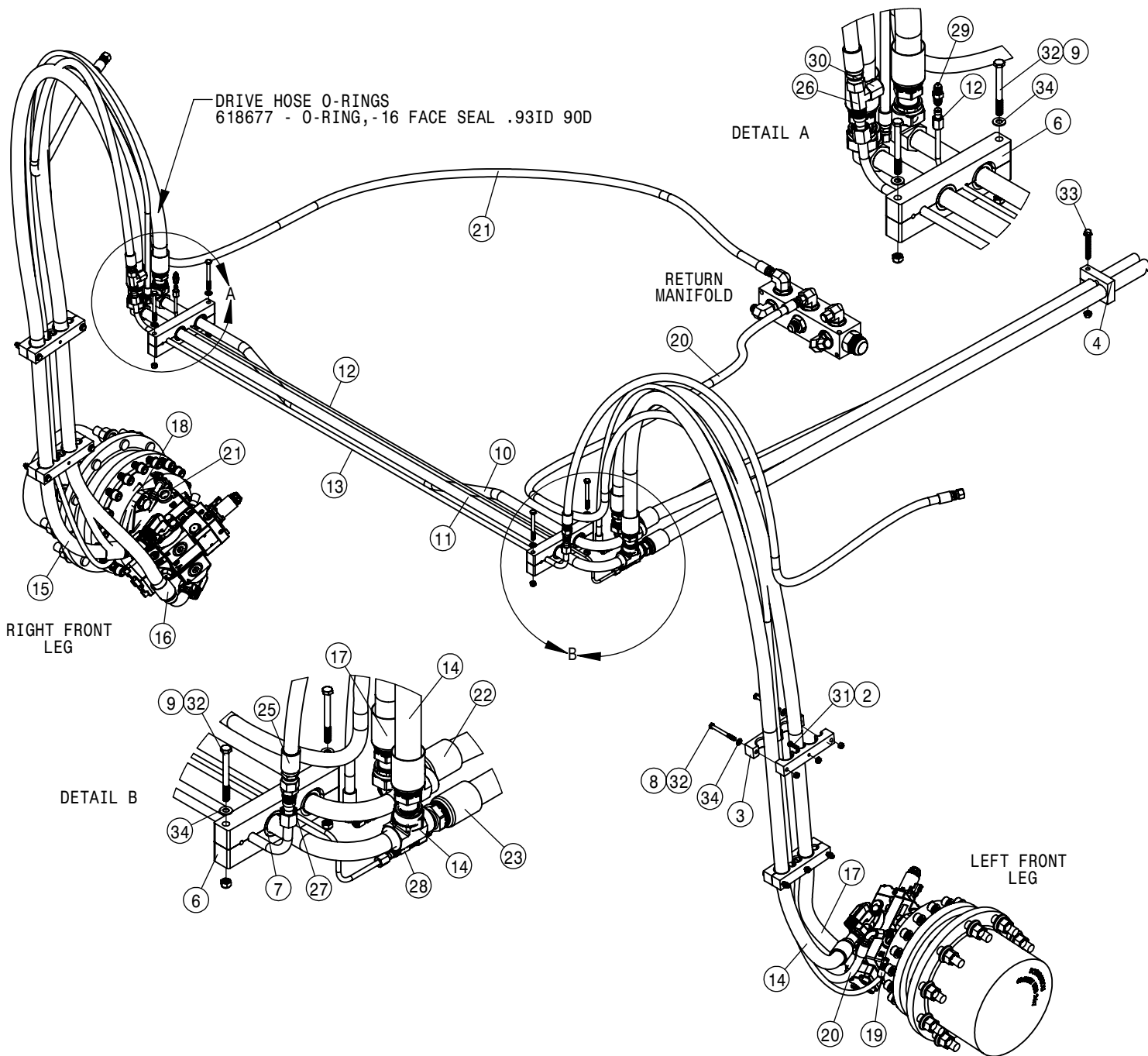
A/C AND HEATER LINES (BUILT BEFORE NOV 1)			
DET	QTY	P/N	DESCRIPTION
1	1	317450	A/C COND BRKT WLD
2	4	470122N	1/4 UNC X 1/2 SERR FLG BOLT SS
3	8	470555	.345 X 15" CABLE TIE - UV BLACK NYLON
4	4	473868	8MM-1.25 X 100MM HEX BOLT
5	1	520115	CUSH CLAMP,#12 0.75"D-3/4W LOOP
6	1	520121	CUSH CLAMP,#16 1IN X 3/4W
7	2	618059	7/8MJIC-3/4MNPT ADPTR
8	1	618301	7/8MJIC-90-7/8FJIC SWIV LBO
9	1	650435	DECAL,NOTICE R134A,3.50LB
10	1	657457	COIL, COND 12 X 31.6
11	1	657536	A/C COMPRESSOR
12	1	657581	A/C HOSE,06-06F-06F90-136
13	1	657583	10-213-10FJX-10FJX-101
14	1	657584	10-213-10FJX-10FJX-133.5
15	1	657590	A/C HOSE,08-08F-SV-08F90-149
16	1	657591	A/C HOSE,12-10F-SV-10F-161"
17	1	900128N	3/8UNC X 3/4 SER FLANGE BOLT
18	2	900129N	3/8UNC X 1" SERR FLANGE BOLT
19	3	910004N	3/8UNC FLANGE CNTR LOCK NUT
20	4	920001	5/16 SAE FLAT WASHER



A/C AND HEATER LINES (BUILT AFTER NOV 1)			
DET	QTY	P/N	DESCRIPTION
1	1	317145	A/C DRYER MT
2	3	342718	HYD TUBE CLAMP KEEPER, 6.00
3	6	470089	1/4UNC HEX NYL-LOC NUT
4	2	470113	5/16UNC SERR FLG LOCK NUT
5	2	470234	5/16UNC X 1" SERR FLG HEX BOLT
6	3	470695	TUBE CLAMP BODY,4HOLE.375-.750
7	2	520052	HOSE CLAMP NO 52 STAINLESS
8	4	520081	HOSE CLAMP NO 14 DBL WIRE
9	2	520082	HOSE CLAMP NO 16 DBL WIRE
10	1	615919	M/F TUBE ASSY 103" L/F
11	1	615922	M/F TUBE ASSY 103" L/F
12	1	657438	RECEIVER DRIER W/SWITCH
13	1	657481	A/C TUBE ASSY, .3750D,STS16
14	1	657483	A/C TUBE ASSY, .6250D,STS16
15	1	657586	A/C HOSE,06-06F-06F-21.5
16	1	657587	A/C HOSE, 06-06F-06M45-23.9
17	1	657588	A/C HOSE, 10-10F-10M45-41
18	1	657592	HOSE, 5/8 x 23 HEATER
19	1	657610	HOSE, 3/4 x 36 HEATER
20	1	657618	HOSE, 5/8 x 10 HEATER
21	1	696011	1/2 NPT FEMALE BALL VALVE
22	2	716007	1/2 x 5/8 HOSE BARB
23	6	900007N	1/4 UNC X 2 SER FLG BOLT SS

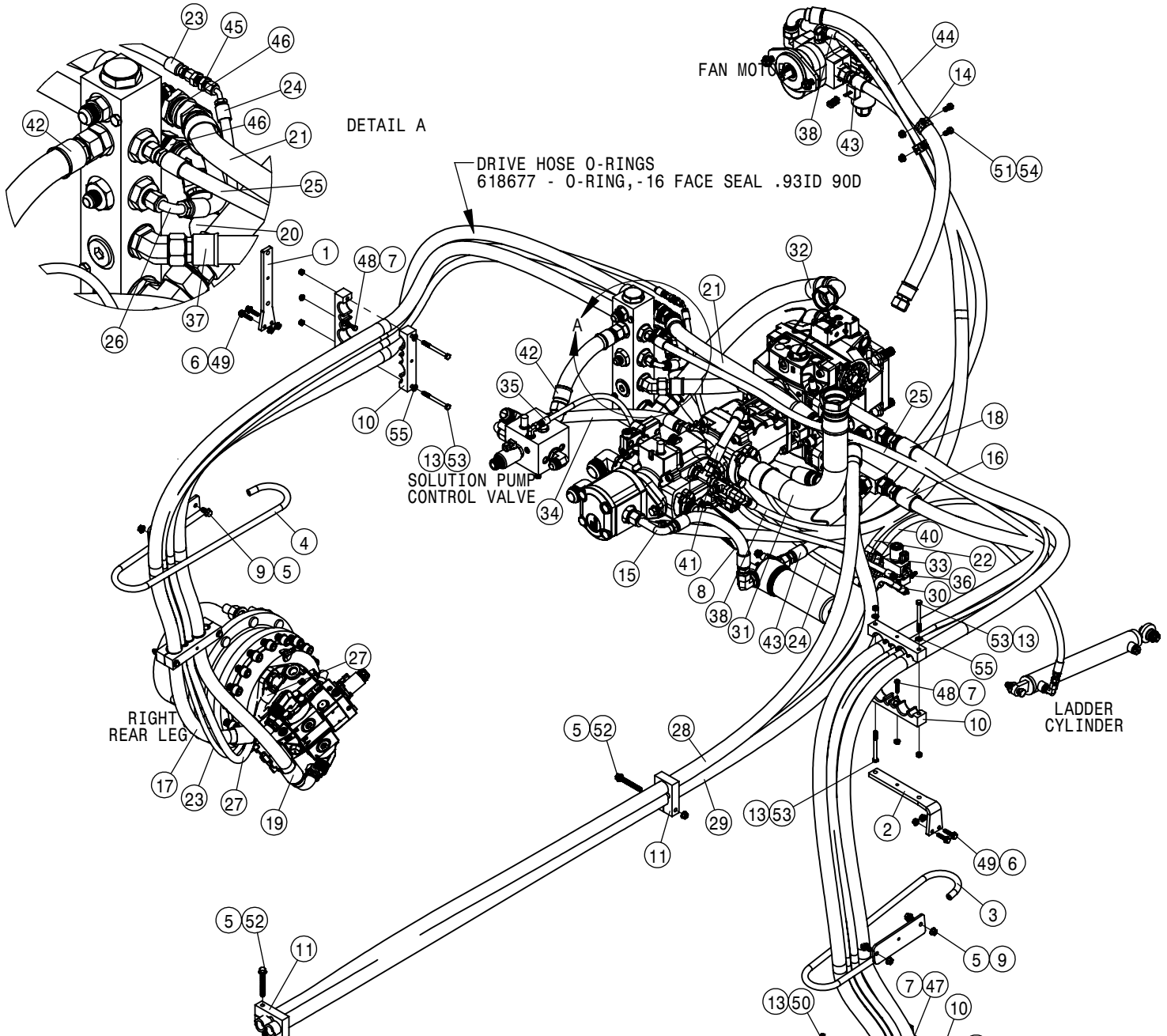


A/C AND HEATER LINES (BUILT AFTER NOV 1)			
DET	QTY	P/N	DESCRIPTION
1	1	317450	A/C COND BRKT WLD
2	4	470122N	1/4 UNC X 1/2 SERR FLG BOLT SS
3	8	470555	.345 X 15" CABLE TIE - UV BLACK NYLON
4	1	473855	12MM-1.75 X 35MM SM FLG BOLT
5	4	473868	8MM-1.25 X 100MM HEX BOLT
6	2	520081	HOSE CLAMP NO 14 DBL WIRE
7	2	520082	HOSE CLAMP NO 16 DBL WIRE
8	1	520115	CUSH CLAMP,#12 0.75"D-3/4W LOOP
9	1	520158	CUSH CLAMP, .87x1.00W
10	1	618059	7/8MJIC-3/4MNPT ADPTR
11	1	618301	7/8MJIC-90-7/8FJIC SWIV LBO
12	1	618949	5/8 HOSE BARB - 3/4MNPT
13	1	618954	7/8FJIC-1 1/16MJIC
14	1	618955	3/4 HOSE BARB-1 1/16FJX ADPTR
15	1	650542	DECAL,NOTICE R134A,4.00LB
16	1	657397	HOSE, 5/8 x 108 HEATER
17	1	657398	HOSE, 3/4 x 132 HEATER
18	1	657457	COIL, COND 12 X 31.6
19	1	657536	A/C COMPRESSOR
20	1	657581	A/C HOSE,06-06F-06F90-136
21	1	657590	A/C HOSE,08-08F-SV-08F90-149
22	1	657591	A/C HOSE,12-10F-SV-10F-161"
23	2	900129N	3/8UNC X 1" SERR FLANGE BOLT
24	2	910004N	3/8UNC FLANGE CNTR LOCK NUT
25	4	920001	5/16 SAE FLAT WASHER



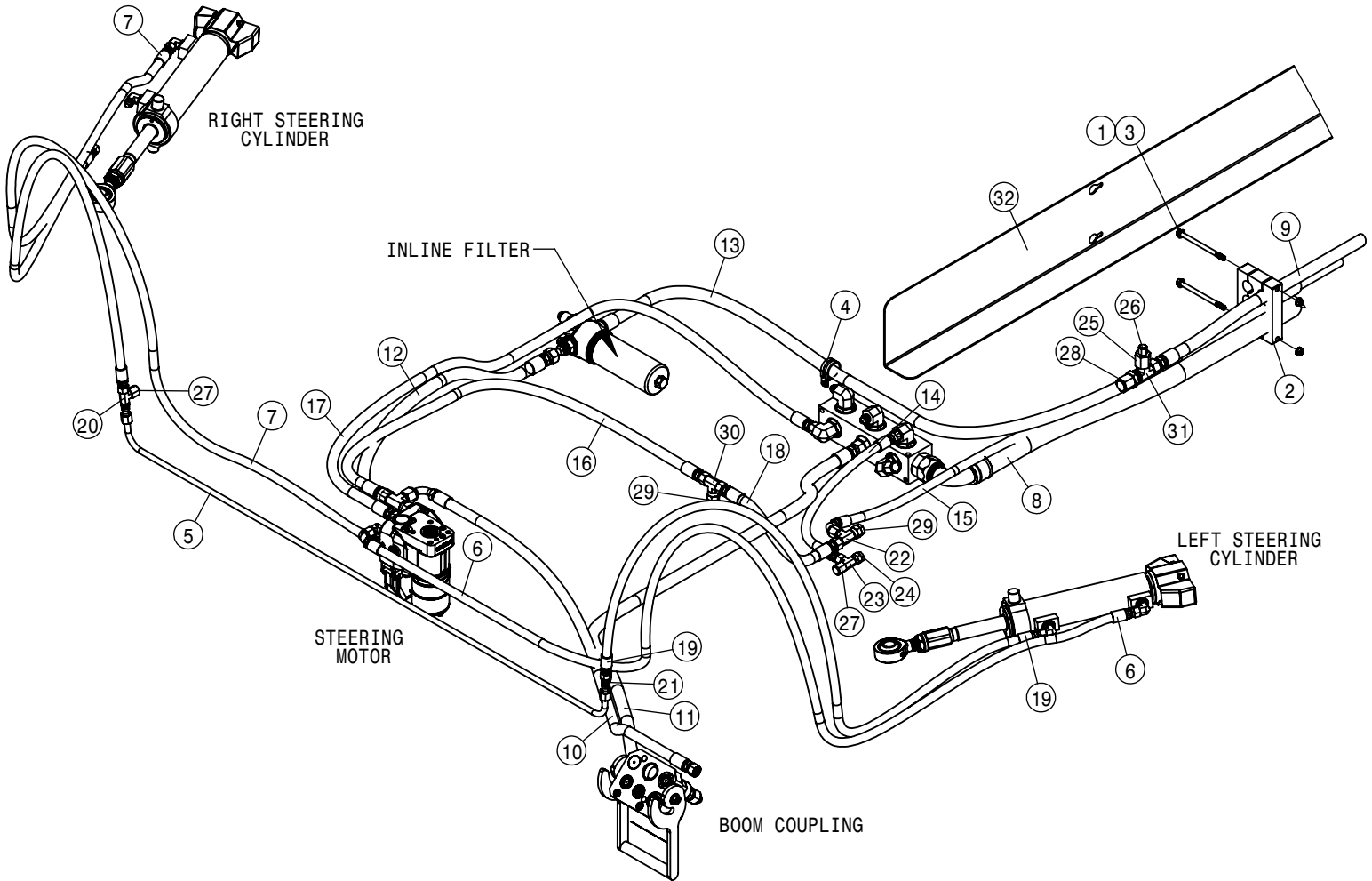
FRONT DRIVE HOSE ASSEMBLY			
DET	QTY	P/N	DESCRIPTION
1	1	470087N	3/8UNC HEX SERR FLG NUT YZ
2	4	470121	1/4 UNC SERR FLG LOCK NUT
3	4	470672	HOSE CLAMP, 5-HOLE
4	1	470673	HOSE CLAMP, 4-HOLE
NS	2	470679	SIDEWINDER SLEEVE
6	2	470685	TUBE CLAMP
7	4	470686	RUBBER INSERT, CLAMP
8	8	473001	5/16UNC HEX NUT, NYLOC
9	4	473001N	5/16UNC HEX NUT, NYLOC 316 SS
10	1	615913	TUBE ASSY 1"OD 16-ORFS
11	1	615914	TUBE ASSY 1"OD 16-ORFS
12	1	615916	TUBE ASSY 1/4"OD 4-FJIC
13	1	615917	TUBE ASSY 1/2"OD 8-FJIC
14	1	617060	16-797TC-16FFOX-16FFOX45-110 H/A
15	1	617060	16-797TC-16FFOX-16FFOX45-110 H/A
16	1	617061	16-797TC-16FFOX-16FFOX90-114 H/A
17	1	617061	16-797TC-16FFOX-16FFOX90-114 H/A

FRONT DRIVE HOSE ASSEMBLY			
DET	QTY	P/N	DESCRIPTION
18	1	617068	04-451TC-04FJX-04FJX-126 H/A
19	1	617068	04-451TC-04FJX-04FJX-126 H/A
20	1	617073	08-451TC-08FJX-08FJX90-173
21	1	617074	08-451TC-08FJX-08FJX90-190 H/A
22	1	617081	16-797TC-16FFOX-16FFOX45-213 H/A
23	1	617082	16-797TC-16FFOX-16FFOX45-217 H/A
24	1	617083	04-451TC-04FJX-06FJX90-208 H/A
25	2	617212	8-451TC-8FJX-8FJX-75 H/A
26	1	618311	3/4MJIC UNION TEE
27	1	618314	3/4MJIC UNION
28	1	618488	7/16MJIC UNION TEE
29	1	618524	7/16MJIC UNION
30	1	618532	3/4FJIC CAP NUT
31	4	900003	1/4UNC x 3/4 HEX BOLT
32	12	900073N	5/16UNC X 3 1/4 HEX BOLT SS
33	1	900136N	3/8UNC X 3" SERR FLANGE BOLT
34	12	920001N	5/16 SAE FLAT WASHER SS



REAR DRIVE HOSE ASSEMBLY			
DET	QTY	P/N	DESCRIPTION
1	1	360065	RIGHT REAR LEG HOSE BRKT
2	1	360066	LFT REAR LEG HOSE BRKT
3	1	362095	LFT REAR HOSE BRKT TOP WLDMENT
4	1	362096	RGT REAR TOP HOSE BRKT
5	6	470087N	3/8UNC HEX SERR FLG NUT YZ
6	4	470113N	5/16UNC SERR FLG LOCK NUT SS
7	4	470121	1/4 UNC SERR FLG LOCK NUT
8	1	470369	HOSE PROTECTOR, 8" BLACK
9	4	470409	3/8UNC X 3/4" SERR FLG BOLT
10	4	470672	HOSE CLAMP, 5-HOLE
11	2	470673	HOSE CLAMP, 4-HOLE
NS	2	470679	SIDEWINDER SLEEVE
13	8	473001	5/16UNC HEX NUT,NYLOC
14	2	520160	CUSH CLAMP,#24 1 1/2D-3/4WLOOP
15	1	616676	12-451TC-12FJX-12FJX90L-18 H/A
16	1	617062	16-797TC-16FFOX-16FFOX45-123 H/A
17	1	617062	16-797TC-16FFOX-16FFOX45-123 H/A
18	1	617063	16-797TC-16FFOX-16FFOX90-128 H/A
19	1	617063	16-797TC-16FFOX-16FFOX90-128 H/A
20	1	617067	16-797TC-16FFOX-16FFOX90-31 H/A
21	1	617067	16-797TC-16FFOX-16FFOX90-31 H/A
22	1	617069	04-451TC-04FJX-06FJX90-139 H/A
23	1	617071	04-451TC-04FJX-04FJX-138 H/A
24	1	617072	04-451TC-06FJX-04FJX45-43 H/A
25	1	617075	08-451TC-08FJX-08FJX90-160 H/A
26	1	617077	08-451TC-08FJX-08FJX90-15 H/A
27	1	617080	08-451TC-08FJX-08FJX90-133 H/A

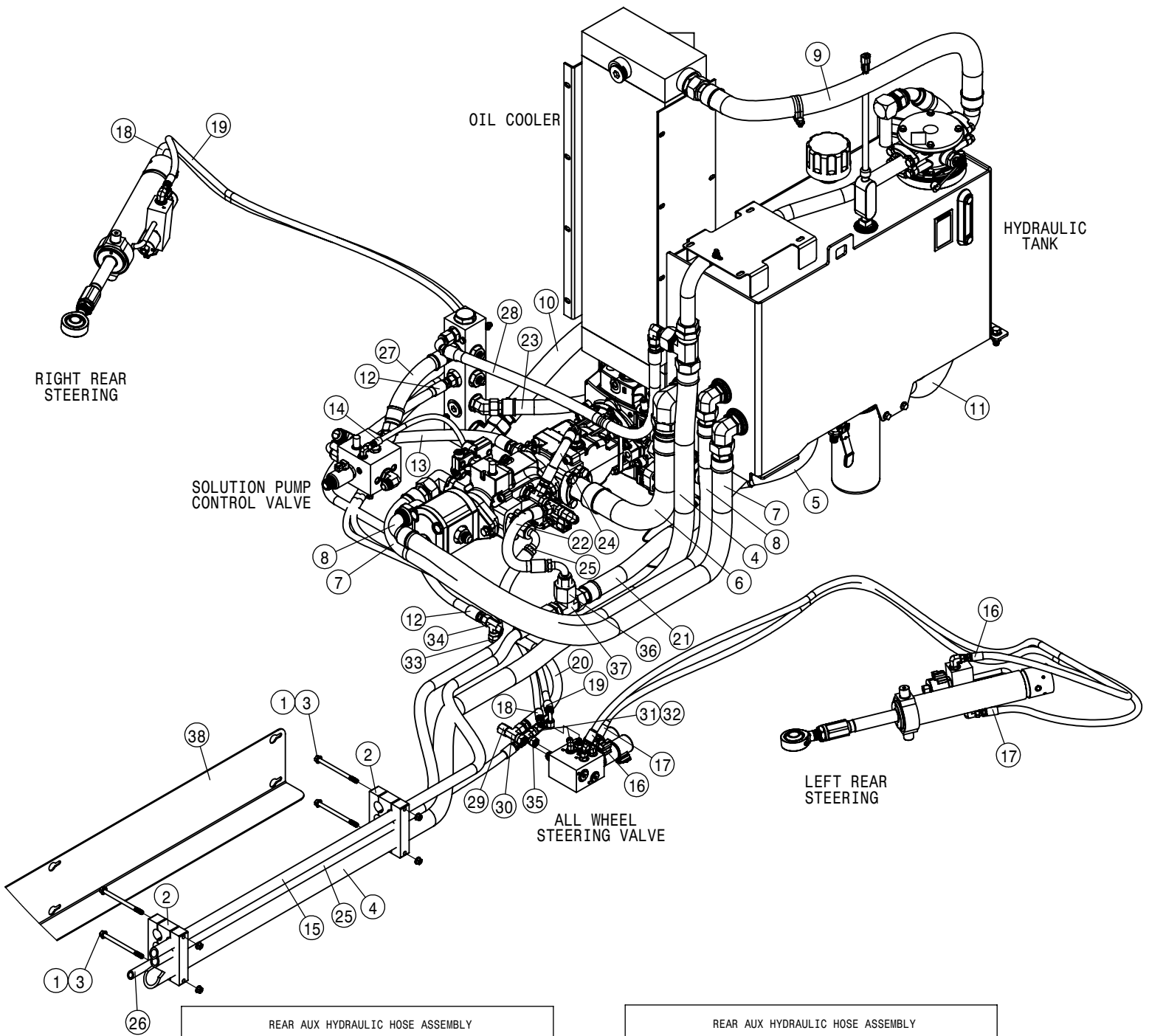
REAR DRIVE HOSE ASSEMBLY			
DET	QTY	P/N	DESCRIPTION
28	1	617081	16-797TC-16FFOX-16FFOX45-213 H/A
29	1	617082	16-797TC-16FFOX-16FFOX45-217 H/A
30	1	617083	04-451TC-04FJX-06FJX90-208 H/A
31	1	617089	32-811-32FJX-32FLG-25 H/A
32	1	617094	24-811-24FJX-24FJX90-31 H/A
33	1	617096	06-451TC-08FJX-06FJX90-22 H/A
34	1	617101	12-451TC-16FJX-12FJX90-23 H/A
35	1	617102	04-451TC-06FJX-04FJX90-29 H/A
36	1	617121	04-451TC-06FJX-04FJX90-34 H/A
37	1	617123	16-811-16FJX-16FJX90-22 H/A
38	1	617124	06-451TC-10FJX-06FJX90-85 H/A
39	1	617125	12-451TC-12FJX-12FJX90-88 H/A
40	1	617127	06-451TC-06FJX-06FJX45-36 H/A
41	1	617132	10-451TC-10FJX-10FJX90-11 H/A
42	1	617139	16-811-16FJX-16FJX-12 H/A
43	1	617199	12-451TC-12FJX-12FJX-73 H/A
44	1	617214	16-811-16FJX-16FJX90-43
45	1	618511	7/16MJIC-7/16MJIC BLKHD UNION
46	2	618930	1 7/16 MFOR-45-BLKHD UNION LBO
47	2	900003	1/4UNC x 3/4 HEX BOLT
48	2	900004	1/4UNC X 1 1/4 HEX BOLT
49	4	900066N	5/16UNC X 1 1/4 SERR.FLG.HEX BOLT
50	4	900073N	5/16UNC X 3 1/4 HEX BOLT SS
51	2	900128	3/8UNC X 3/4 HEX BOLT
52	2	900136N	3/8UNC X 3" SERR FLANGE BOLT
53	4	900539N	5/16UNC X 3 1/2 HEX BOLT SS
54	2	910004N	3/8UNC FLANGE CNTR LOCK NUT
55	8	920001N	5/16 SAE FLAT WASHER SS



FRONT AUX HYDRAULIC HOSE ASSEMBLY			
DET	QTY	P/N	DESCRIPTION
1	3	470087	3/8UNC HEX SERR FLANGE NUT
2	1	470671	HOSE CLAMP, 6-HOLE
3	2	470683	3/8UNC X5 1/2SMTH FLG HEX BOLT
4	1	520160	CUSH CLAMP,#24 1 1/2D-3/4WLOOP
5	1	615917	TUBE ASSY 1/2"OD 8-FJIC
6	1	617078	08-451TC-08FJX-08FJX90-118 H/A
7	1	617079	08-451TC-08FJX-08FJX-107 H/A
8	1	617087	24-811-24FJX-24FJX90-177 H/A
9	1	617105	12-451TC-12FJX-12FJX-115 H/A
10	1	617129	10-451TC-10FJX-12FJX90-55 H/A
11	1	617130	12-451TC-12FJX-12FJX90-78 H/A
12	1	617131	12-451TC-12FJX-12FJX-44 H/A
13	1	617133	12-451TC-12FJX-16FJX90-187 H/A
14	1	617134	08-451TC-08FJX-08FJX-22 H/A
15	1	617135	08-451TC-08FJX-10FJX90-141 H/A
16	1	617136	10-451TC-10FJX-12FJX-53 H/A

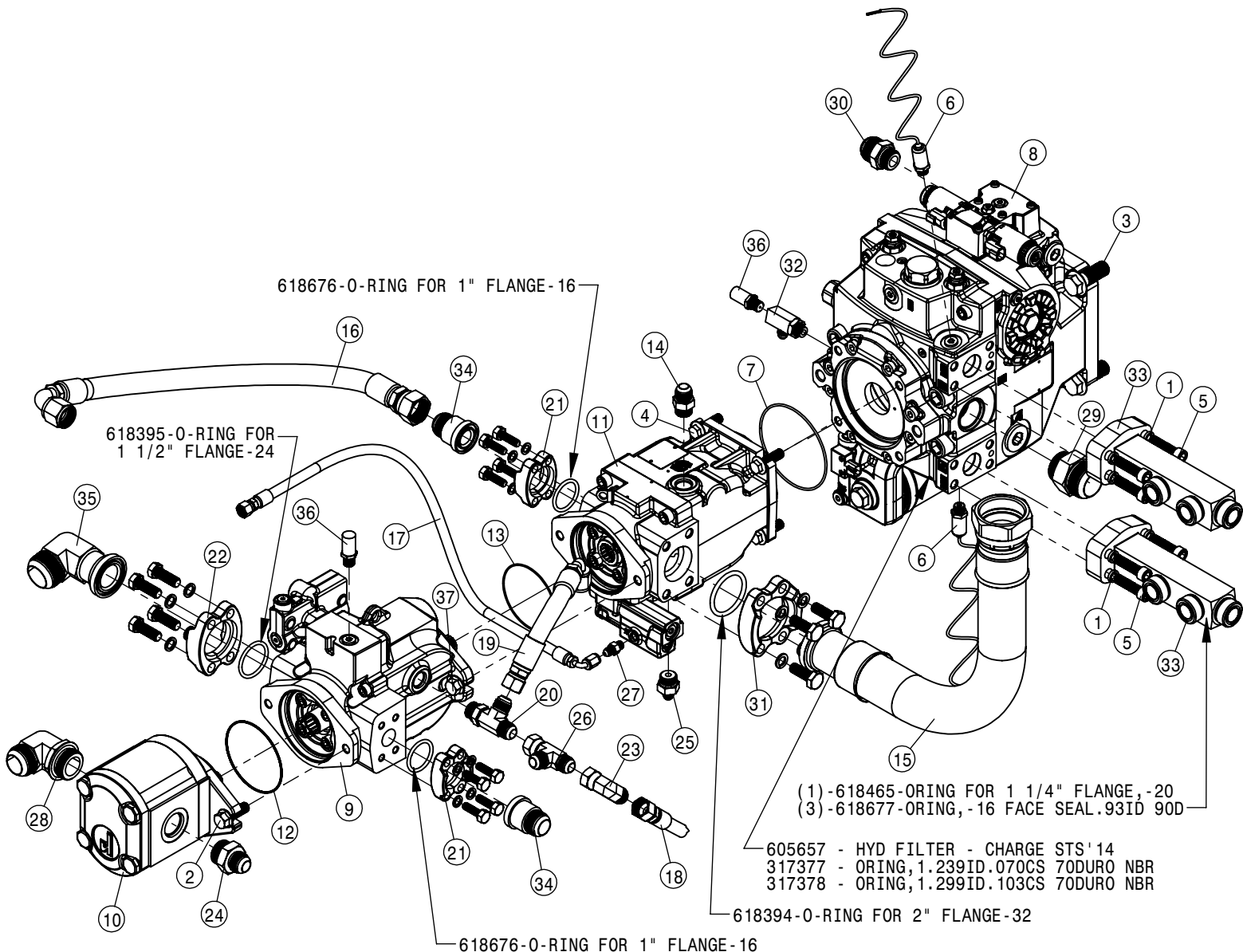
FRONT AUX HYDRAULIC HOSE ASSEMBLY			
DET	QTY	P/N	DESCRIPTION
17	1	617137	10-451TC-10FJX-10FJX-79 H/A
18	1	617138	10-451TC-10FJX-10FJX-16 H/A
19	2	617212	8-451TC-8FJX-8FJX-75 H/A
20	1	618311	3/4MJIC UNION TEE
21	1	618314	3/4MJIC UNION
22	1	618333	7/8FJIC SW RUN TEE-7/8MJIC
23	1	618451	3/4FJIC SW RUN TEE-3/4MJIC
24	1	618457	3/4MJIC PLUG
25	1	618483	1 1/16FJIC-9/16MJIC ADPTR
26	1	618531	9/16FJIC CAP NUT
27	2	618532	3/4FJIC CAP NUT
28	1	618533	1 1/16FJIC CAP NUT
29	2	618543	7/8MJIC PLUG
30	1	618593	7/8FJ SW BRANCH TEE-7/8MJ
31	1	618750	1 1/16MJIC BLKHD RUN TEE
32	1	660290	HOSE GUARD - L/F





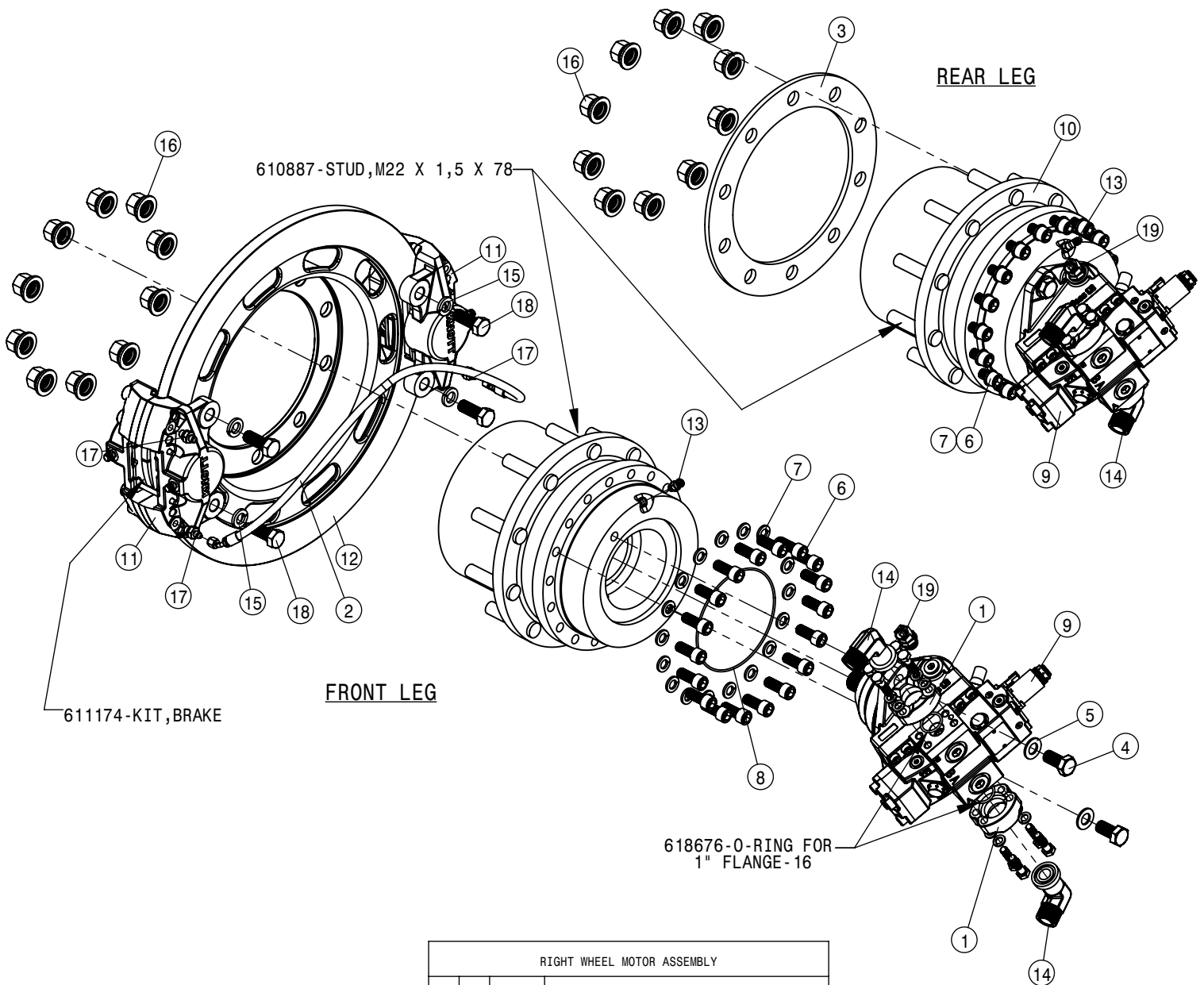
REAR AUX HYDRAULIC HOSE ASSEMBLY			
DET	QTY	P/N	DESCRIPTION
1	4	470087	3/8UNC HEX SERR FLANGE NUT
2	2	470671	HOSE CLAMP, 6-HOLE
3	4	470683	3/8UNC X5 1/2SMTH FLG HEX BOLT
4	1	617087	24-811-24FJX-24FJX90-177 H/A
5	1	617088	24-811-24FJX-24FJX45-18 H/A
6	1	617089	32-811-32FJX-32FLG-25 H/A
7	1	617091	24-811-24FJX-24FJX-71 H/A
8	1	617092	20-811-20FJX-20FJX90-60 H/A
9	1	617093	24-811-24FJX-24FLG90-48 H/A
10	1	617094	24-811-24FJX-24FJX90-31 H/A
11	1	617095	20-811-20FJX-20FJX45-47 H/A
12	1	617097	10-451TC-10FJX-10FJX-47 H/A
13	1	617101	12-451TC-16FJX-12FJX90-23 H/A
14	1	617102	04-451TC-06FJX-04FJX90-29 H/A
15	1	617105	12-451TC-12FJX-12FJX-115 H/A
16	1	617115	06-451TC-06FJX-06FJX45-101 H/A
17	1	617116	06-451TC-06FJX-06FJX-99 H/A
18	1	617117	06-451TC-06FJX-06FJX-137
19	1	617118	06-451TC-06FJX-06FJX90-137 H/A

REAR AUX HYDRAULIC HOSE ASSEMBLY			
DET	QTY	P/N	DESCRIPTION
20	1	617119	10-451TC-10FJX-10FJX-18 H/A
21	1	617120	20-811-20FJX-20FJX-37 H/A
22	1	617122	12-451TC-10FJX-12FJX90-18 H/A
23	1	617123	16-811-16FJX-16FJX90-22 H/A
24	1	617132	10-451TC-10FJX-10FJX90-11 H/A
25	1	617133	12-451TC-12FJX-16FJX90-187 H/A
26	1	617135	08-451TC-08FJX-10FJX90-141 H/A
27	1	617139	16-811-16FJX-16FJX-12 H/A
28	1	617171	12-451TC-12FJX-12FJX90-43 H/A
29	1	618328	7/8FJIC CAP NUT
30	1	618333	7/8FJIC SW RUN TEE-7/8MJIC
31	1	618451	3/4FJIC SW RUN TEE-3/4MJIC
32	2	618532	3/4FJIC CAP NUT
33	1	618543	7/8MJIC PLUG
34	1	618593	7/8FJ SW BRANCH TEE-7/8MJ
35	1	618643	3/4FJ SW BRANCH TEE-3/4MJ
36	2	618665	1 5/8FJIC-1 1/16MJIC ADPTR
37	1	618752	1 5/8MJIC BLKHD RUN TEE
38	1	660290	HOSE GUARD - L/F

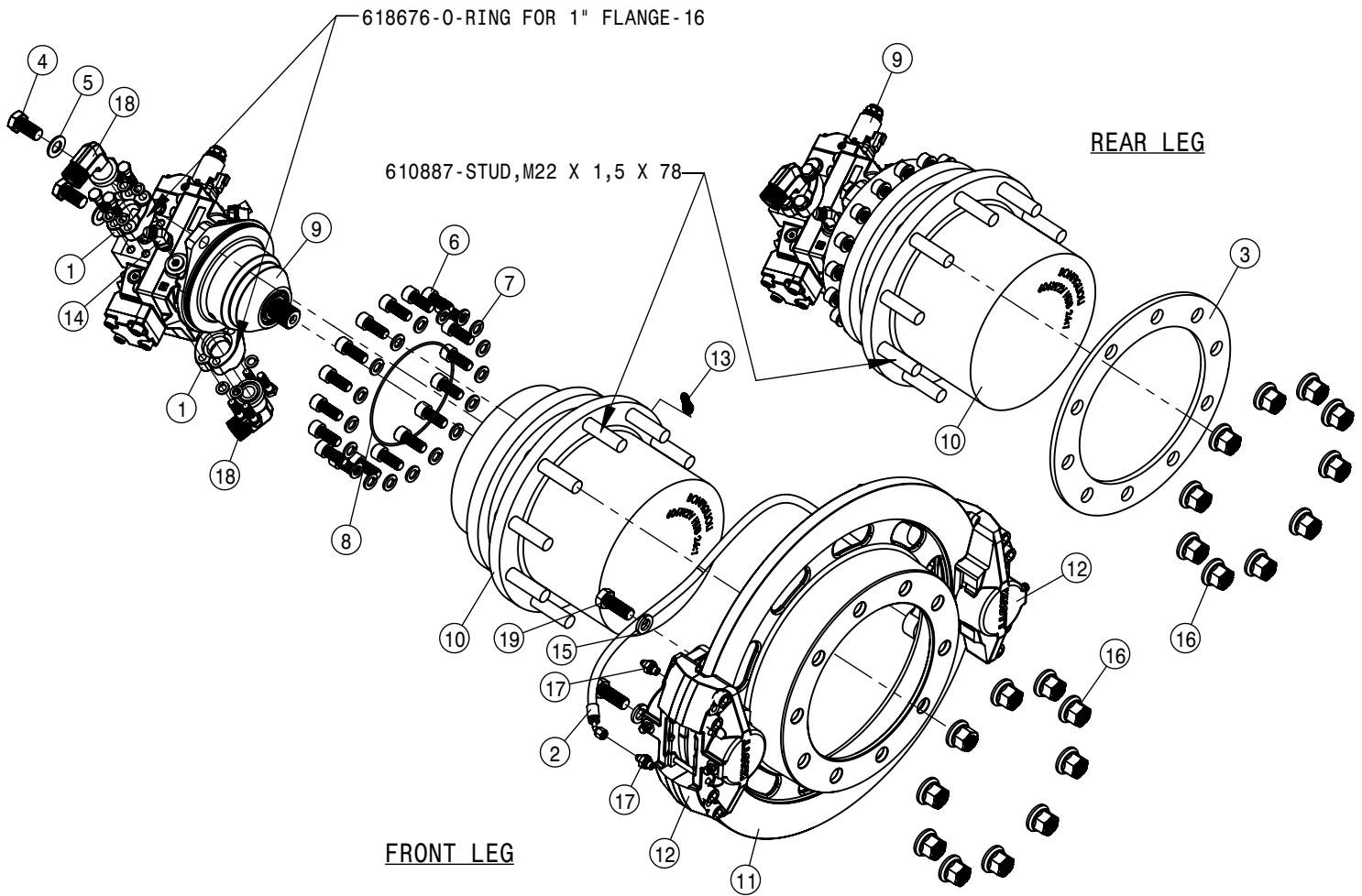


HYDROSTATIC PUMP ASSEMBLY				
DET	QTY	P/N	DESCRIPTION	
1	8	470189	7/16 HC LOCK WASH FOR 618598	
2	2	470431	1/2UNC X 1 1/2 SERR FLG BOLT	
3	4	472367	3/4UNC X 2" SM FLG BOLT GR8 YZ	
4	4	473856	12MM-1.75 X 40MM SM FLANGED BOLT	
5	8	473874	12MM-1.75X 40MM SOC HD CAP SCR	
6	2	606196	PRESSURE TRANSDUCER, 9000 PSI	
7	1	606197	O-RING, 4.73ID-.103CS-4.9430D	
8	1	606518	H1 PUMP , 165CC, D/C MT, ISL	
9	1	606523	PUMP-38CC BB/B MNT	
10	1	606524	40CC GEAR PUMP	
11	1	606525	PUMP 45CC C/BB MT	
12	1	606870	O-RING FOR 606865 SUND B-MT	
13	1	607115	O-RING, 3.739ID-.070CS-3.8090D	
14	1	611126	7/8MJIC-7/8MOR ADPTR	
15	1	617089	32-811-32FJX-32FLG-25	H/A
16	1	617101	12-451TC-16FJX-12FJX90-23	H/A
17	1	617102	04-451TC-06FJX-04FJX90-29	H/A
18	1	617124	06-451TC-10FJX-06FJX90-85	H/A
19	1	617132	10-451TC-10FJX-10FJX90-11	H/A

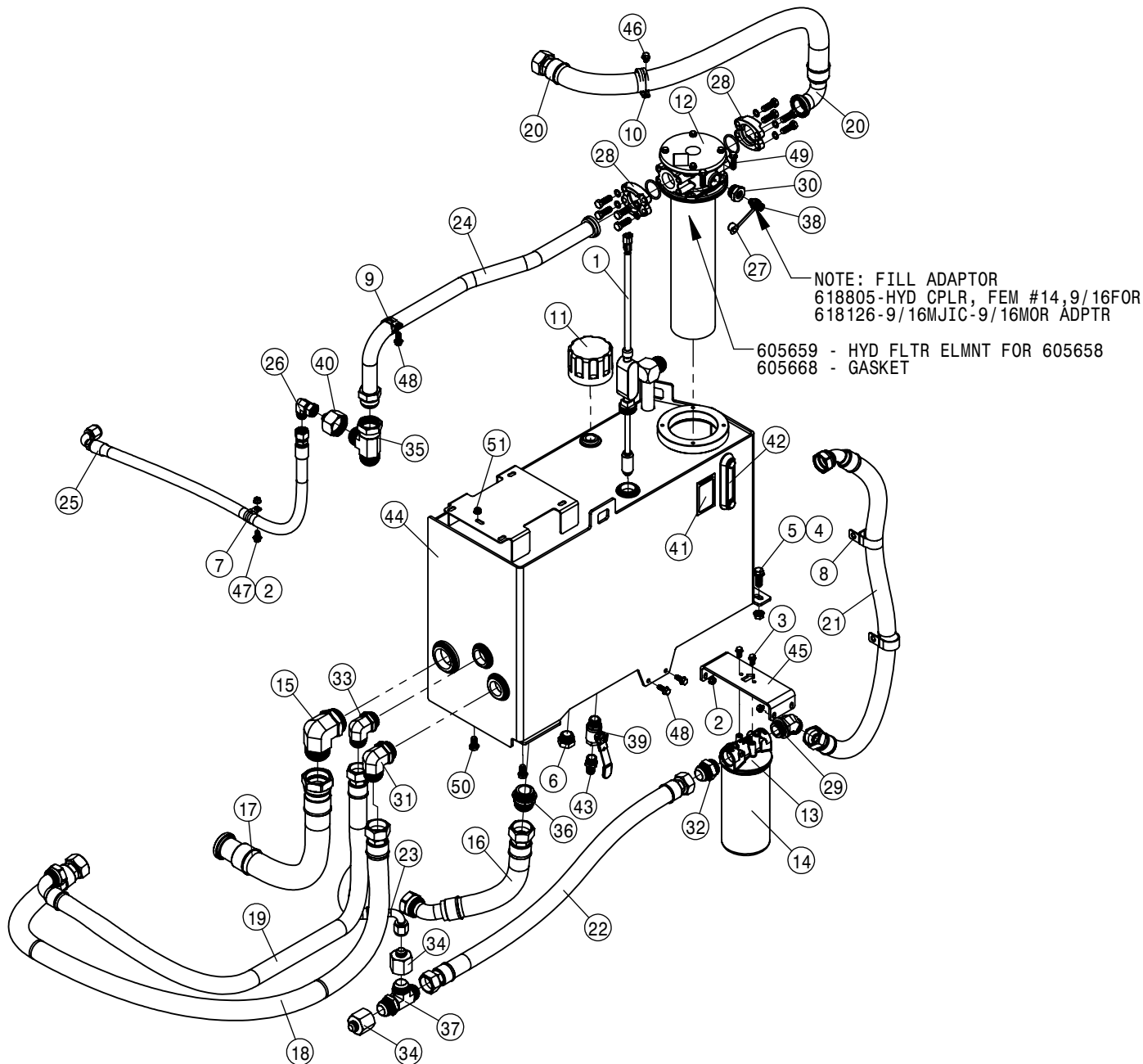
HYDROSTATIC PUMP ASSEMBLY				
DET	QTY	P/N	DESCRIPTION	
20	1	618130	7/8MOR RUN TEE-7/8MJIC	
21	2	618297	1.00 SPLIT FLANGE KIT #61	
22	1	618299	1.50 SPLIT FLANGE KIT #61	
23	1	618301	7/8MJIC-90-7/8FJIC SWIV LBO	
24	1	618308	1 1/16MJIC-1 5/16MOR ADPTR	
25	1	618310	9/16MJIC-7/8MOR ADPTR	
26	1	618333	7/8FJIC SW RUN TEE-7/8MJIC	
27	1	618467	7/16MJIC-7/16MOR ADPTR	
28	1	618477	1 5/8MJIC-90-1 5/8MOR LBO	
29	1	618527	1 7/8MJIC-1 5/8MOR ADPTR	
30	1	618558	1 5/16MJIC-1 1/16MOR ADPTR	
31	1	618766	2" SPLIT FLANGE KIT #61	
32	1	618782	9/16MOR-9/16FOR-9/16MJIC BRNCH	
33	2	618876	DRIVE PUMP MANIFOLD BLK	
34	2	618899	1 5/16MJ-1"FLANGE C61 ADPTR	
35	1	619020	1 1/2 FLG-90-1 7/8 MJIC LBO	
36	2	619023	9/16 MOR DIAGNOSTIC FITTING	
37	2	900263N	1/2UNC X 1" SER FLANGE BOLT	



RIGHT WHEEL MOTOR ASSEMBLY			
DET	QTY	P/N	DESCRIPTION
1	4	618933	M12 SPLIT FLANGE KIT #62 (-16)
2	1	617211	04-451TC-04FJX-04FJX45-37 H/A
3	1	360120	SPACER, 10 BOLT WHEEL HUB
4	4	473838	20MM-1.5 X 40MM HEX BOLT GR8
5	4	473839	20MM FLAT WASHER
6	36	473840	16MM-2.00 X 40MM SOC CAP SCR
7	36	473841	16MM LOCK WASHER
8	2	606190	O-RING,WHL MTR HSNG SAUER
9	2	606514	H1-B-80CC WHL MTR SAUER
10	2	610826	606W2V WHEEL HUB, 26:1 W/BRAKE
11	2	611172	CALIPER, 2X75MM
12	1	611173	ROTOR, 25IN
13	2	618214	7/16MJIC-45-7/16MOR
14	4	618654	1" FLANGE-90-1 7/16MFOR LBO
15	4	920506N	3/4 LOCK WASHER YZ
16	20	824055	22MM-1.50 SMTH FLG WHEEL NUT
17	3	618950	7/16MJIC-M12X1.0
18	4	900437	3/4UNF X 2" HEX BOLT GR8 YZ
19	2	618602	3/4MJIC-45-7/8MOR LBO

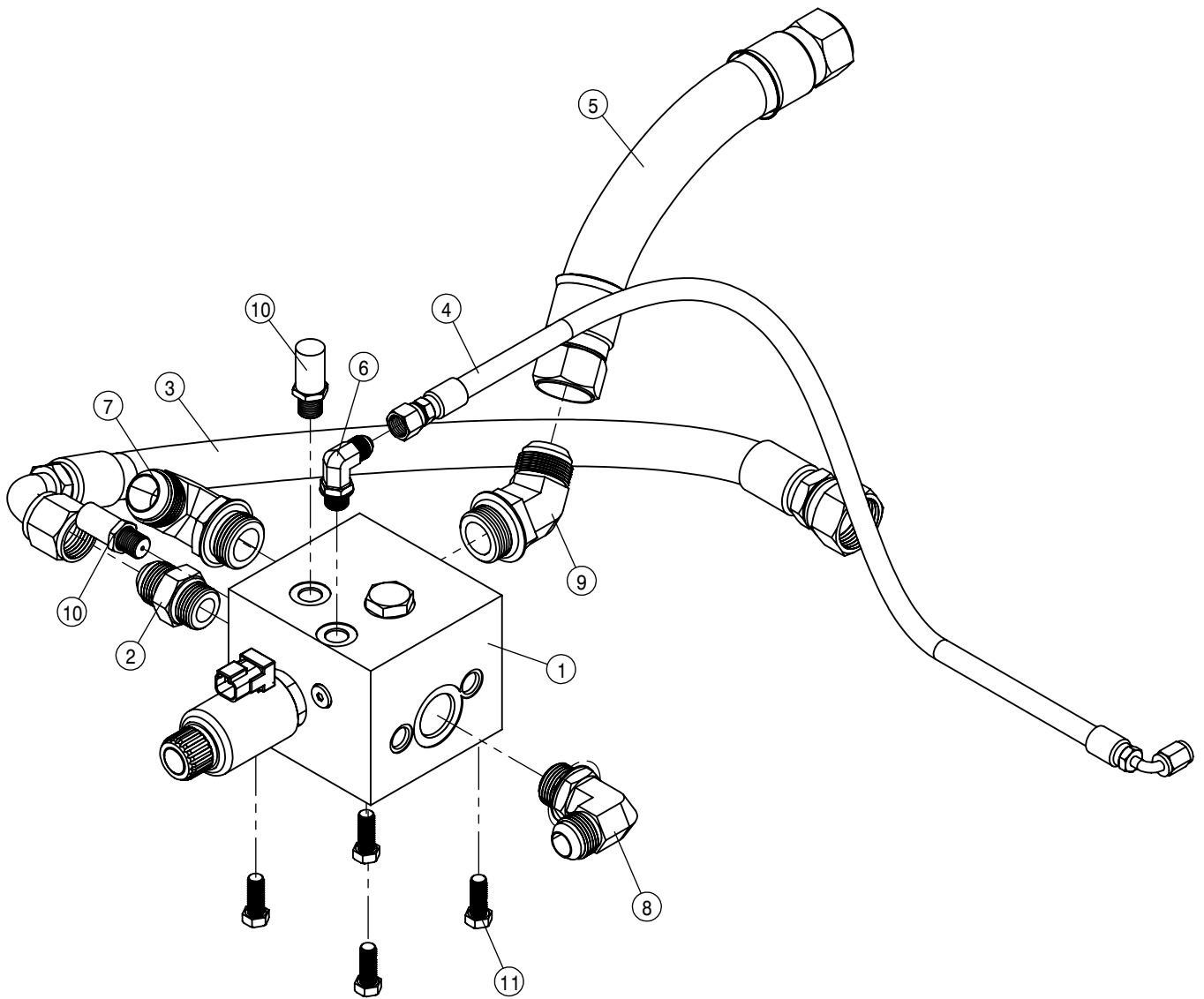


LEFT WHEEL MOTOR ASSEMBLY			
DET	QTY	P/N	DESCRIPTION
1	4	618933	M12 SPLIT FLANGE KIT #62 (-16)
2	1	617211	04-451TC-04FJX-04FJX45-37 H/A
3	1	360120	SPACER, 10 BOLT WHEEL HUB
4	4	473838	20MM-1.5 X 40MM HEX BOLT GR8
5	4	473839	20MM FLAT WASHER
6	36	473840	16MM-2.00 X 40MM SOC CAP SCR
7	36	473841	16MM LOCK WASHER
8	2	606190	O-RING,WHL MTR HSNQ SAUER
9	2	606514	H1-B-80CC WHL MTR SAUER
10	2	610826	606W2V WHEEL HUB, 26:1 W/BRAKE
11	1	611173	ROTOR, 25IN
12	2	611172	CALIPER, 2X75MM
13	2	618214	7/16MJIC-45-7/16MOR
14	2	618602	3/4MJIC-45-7/8MOR LBO
15	4	920506N	3/4 LOCK WASHER YZ
16	20	824055	22MM-1.50 SMTH FLG WHEEL NUT
17	3	618950	7/16MJIC-M12X1.0
18	4	618654	1" FLANGE-90-1 7/16MFOR LBO
19	4	900437	3/4UNF X 2" HEX BOLT GR8 YZ

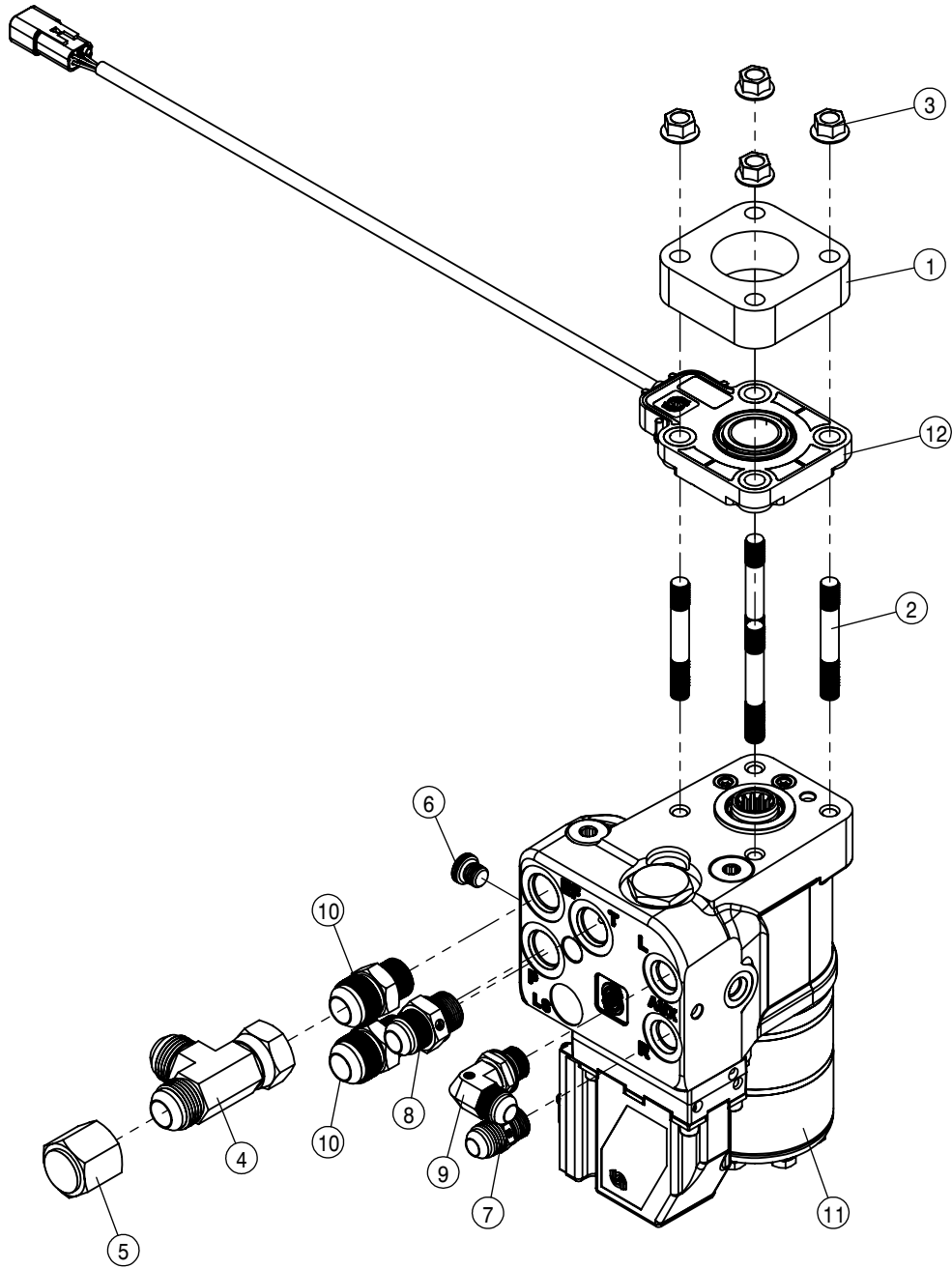


HYDRAULIC TANK ASSEMBLY			
DET	QTY	P/N	DESCRIPTION
1	1	294025	TEMPERATURE/OIL LEVEL SENSOR
2	8	470087	3/8UNC HEX SERR FLANGE NUT
3	2	470233	5/16UNC X 3/4 SERR FLG HEX BOLT
4	2	470360	1/2UNC SERR FLG HEX NUT
5	2	470431	1/2UNC X 1 1/2 SERR FLG BOLT
6	1	470471	1 5/16MOR PLUG, MAGNETIC
7	1	520121	CUSH CLAMP,#16 1IN X 3/4W
8	2	520124	CUSH HOSE CLAMP,#28, 1 3/4D X 1 W
9	1	520160	CUSH CLAMP,#24 1 1/2D-3/4WLOOP
10	1	520161	CUSH CLAMP,#32 2"D-3/4W LOOP
11	1	605656	T.R.A.P. BREATHER 1" NPT
12	1	605658	HYD TANK RETURN FILTER
13	1	605662	CASE DRAIN FILTER HEAD
14	1	605663	CASE DRAIN FILTER ELEMENT
15	1	611170	2 1/2 MOR-90-2 1/2 MJIC
16	1	617088	24-811-24FJX-24FLJ45-18 H/A
17	1	617089	32-811-32FJX-32FLG-25 H/A
18	1	617091	24-811-24FJX-24FJX-71 H/A
19	1	617092	20-811-20FJX-20FJX90-60 H/A
20	1	617093	24-811-24FJX-24FLG90-48 H/A
21	1	617095	20-811-20FJX-20FJX45-47 H/A
22	1	617120	20-811-20FJX-20FJX-37 H/A
23	1	617122	12-451TC-10FJX-12FJX90-18 H/A
24	1	617151	HYD TANK TUBE
25	1	617171	12-451TC-12FJX-12FJX90-43 H/A
26	1	618191	1 1/16MJ-90-1 1/16FJ SWIV LBO

HYDRAULIC TANK ASSEMBLY			
DET	QTY	P/N	DESCRIPTION
27	1	618255	DUST CAP/PLUG FOR 618804/805
28	2	618299	1.50 SPLIT FLANGE KIT #61
29	1	618396	1 5/8MJIC-45-1 5/8MOR LBO
30	1	618397	1 5/16MOR-9/16FOR ADPTR
31	1	618432	1 7/8MJIC-90-1 7/8MOR LBO
32	1	618472	1 5/8MJIC-1 5/8MOR ADPTR
33	1	618477	1 5/8MJIC-90-1 5/8MOR LBO
34	2	618665	1 5/8FJIC-1 1/16MJIC ADPTR
35	1	618681	1 7/8FJ SW RUN TEE-1 7/8MJ
36	1	618682	1 7/8MOR-1 7/8MJIC ADPTR
37	1	618752	1 5/8MJIC BLKHD RUN TEE
38	1	618870	HYD CPLR, MALE #14 9/16MOR
39	1	618881	3/4 NPT BALL VLV BRS LOCK
40	1	618936	1 7/8FJIC-1 1/16MJIC ADPTR
41	1	650430	HYDRAULIC OIL DECAL
42	1	701367	SIGHT GAUGE
43	1	711102	3/4NPT X 3/4 HOSE BARB, BRS
44	1	760788	HYDRAULIC RESERVOIR STS 2014
45	1	760809	filter mount plate
46	1	900126	3/8UNC X 1/2 SERR FLG BOLT YZ
47	1	900128N	3/8UNC X 3/4 SER FLANGE BOLT
48	6	900129N	3/8UNC X 1" SERR FLANGE BOLT
49	4	900131N	3/8UNC X 1 1/2 SER FLANGE BOLT
50	2	900263	1/2UNC X 1" HEX BOLT
51	1	910004N	3/8UNC FLANGE CNTR LOCK NUT

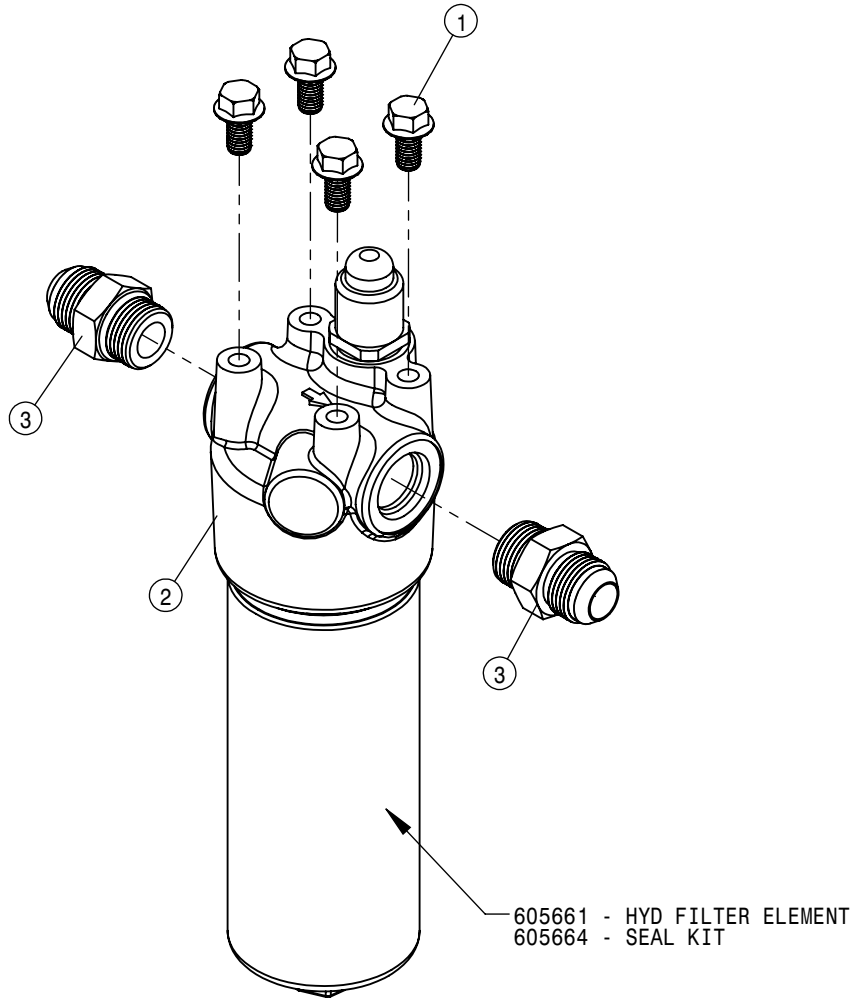


SOLUTION CONTROL VALVE ASSEMBLY			
DET	QTY	P/N	DESCRIPTION
1	1	606253	CTRL VALVE, SOLU PUMP SAUER
2	1	611127	1 1/16MJIC-1 1/16MOR ADPTR
3	1	617101	12-451TC-16FJX-12FJX90-23 H/A
4	1	617102	04-451TC-06FJX-04FJX90-29 H/A
5	1	617139	16-811-16FJX-16FJX-12 H/A
6	1	618119	9/16MJIC-90-9/16MOR LBO
7	1	618178	1 5/16MJIC-90-1 5/16MOR LBO
8	1	618248	1 1/16MJIC-90-1 1/16MOR LBO
9	1	618901	1 5/16MJIC-45-1 5/16MOR LBO
10	2	619023	9/16 MOR DIAGNOSTIC FITTING
11	4	900129	3/8UNC X 1" HEX BOLT

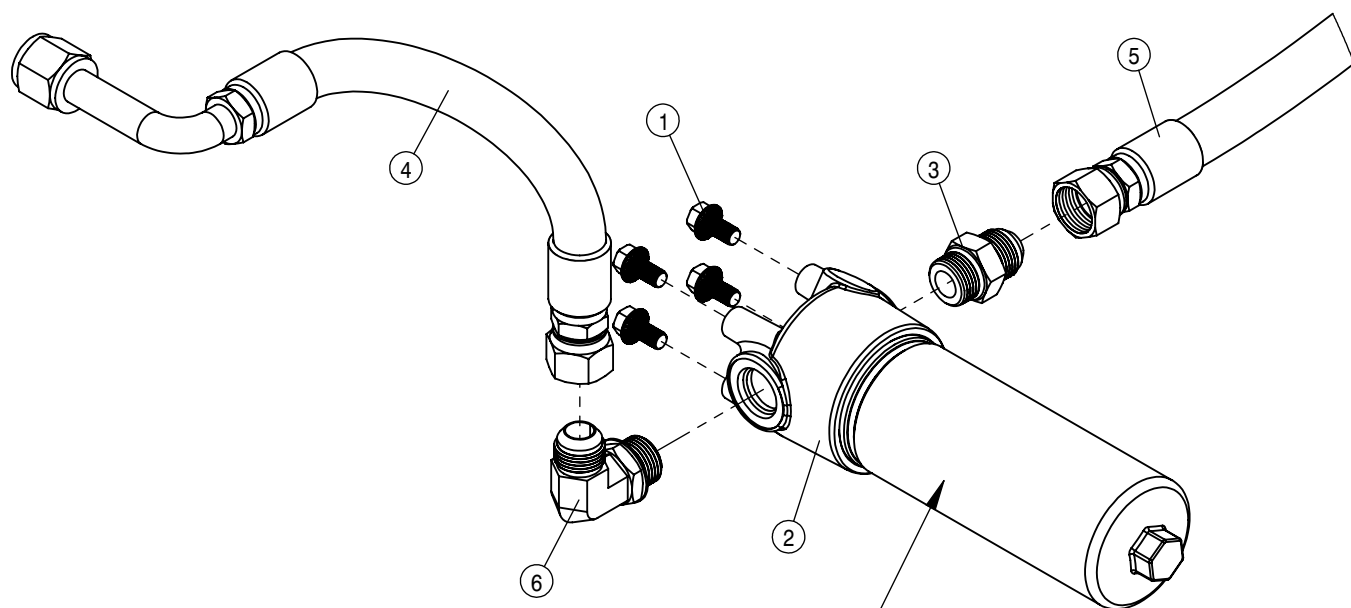


STEERING MOTOR ASSEMBLY			
DET	QTY	P/N	DESCRIPTION
1	1	345017	STEERING VALVE SPACER BLOCK
2	4	472340	M10 X 1.5 X 3" STUD BOLT, DBL END
3	4	473866	M10 X 1.5 HEX SERR FLG NUT
4	1	618487	1 1/16FJ SW RUN TEE-1 1/16MJ
5	1	618533	1 1/16FJIC CAP NUT
6	1	618909	M12 MOR PLUG, HEX SOCKET
7	1	618910	3/4MJIC-M18MOR ADPTR
8	1	618911	7/8MJIC-M22 MOR ADPTR
9	1	618912	3/4MJIC-90-M18MOR LBO
10	2	619019	1 1/16MJIC-M22 MOR ADPTR
11	1	749333	VALVE ASM-STEERING,AWS
12	1	749341	BEI STEERING ANGLE SENSOR



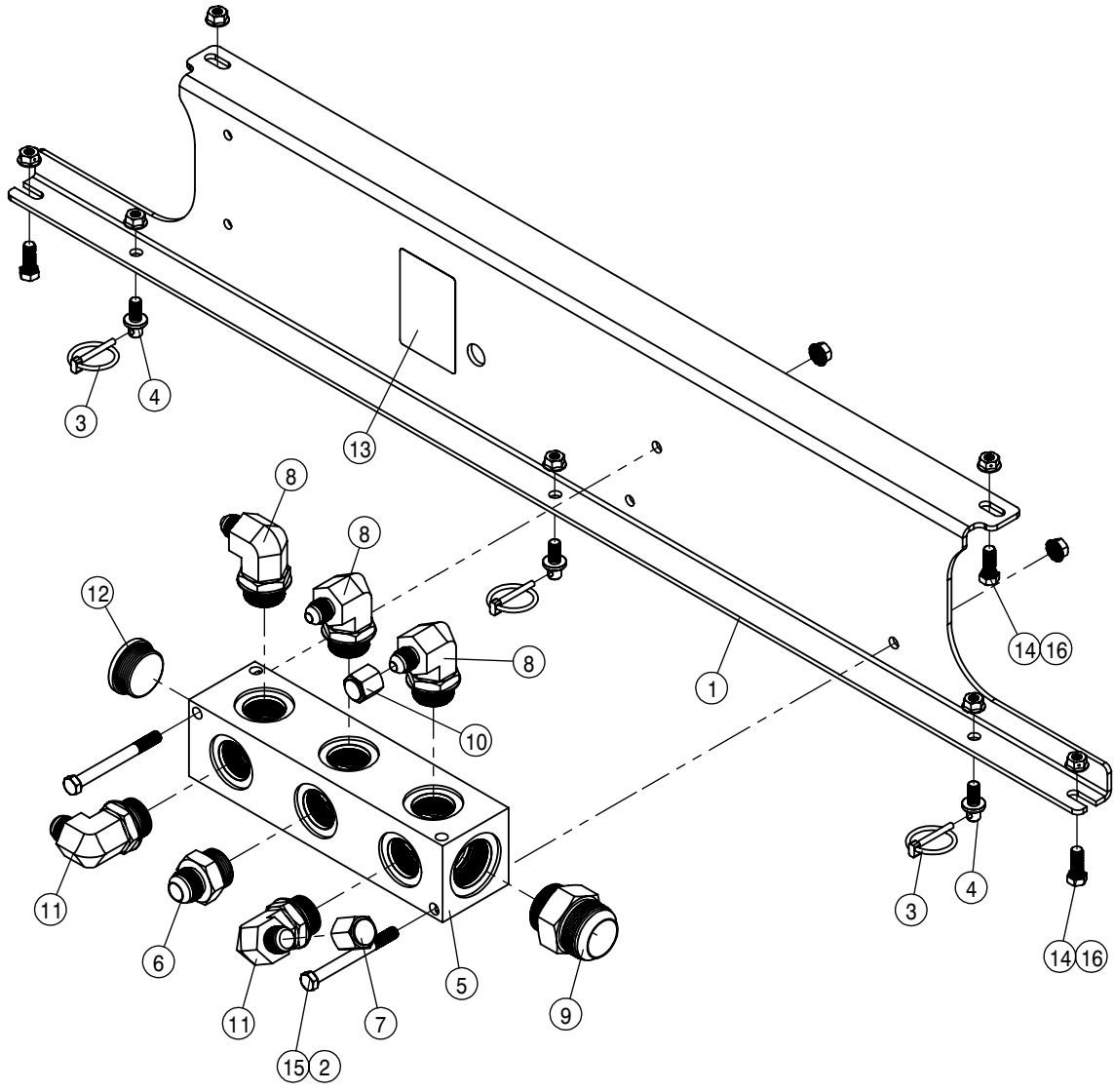


STEERING MOTOR INLINE FILTER			
DET	QTY	P/N	DESCRIPTION
1	4	470409	3/8UNC X 3/4" SERR FLG BOLT
2	1	605660	HYD FILTER 5M SAE12
3	2	611127	1 1/16MJIC-1 1/16MOR ADPTR

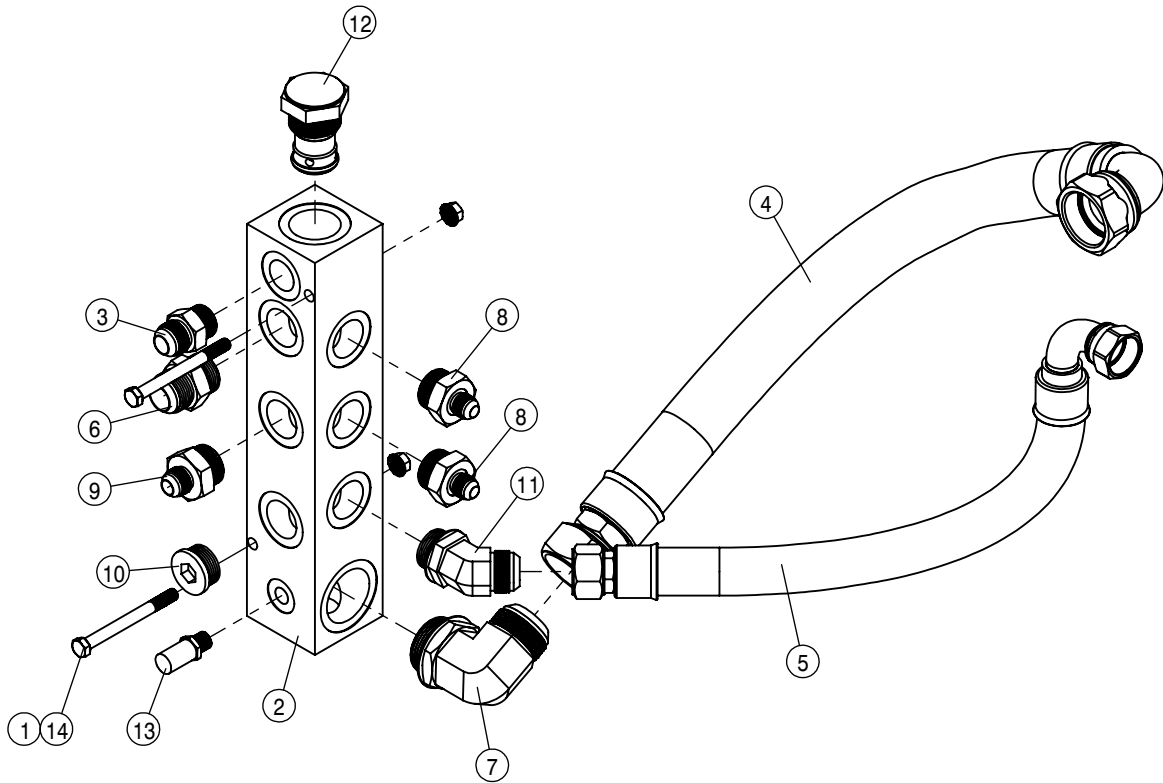


605666 - HYDRAULIC FILTER 20 MICRON  
 605664 - SEAL KIT

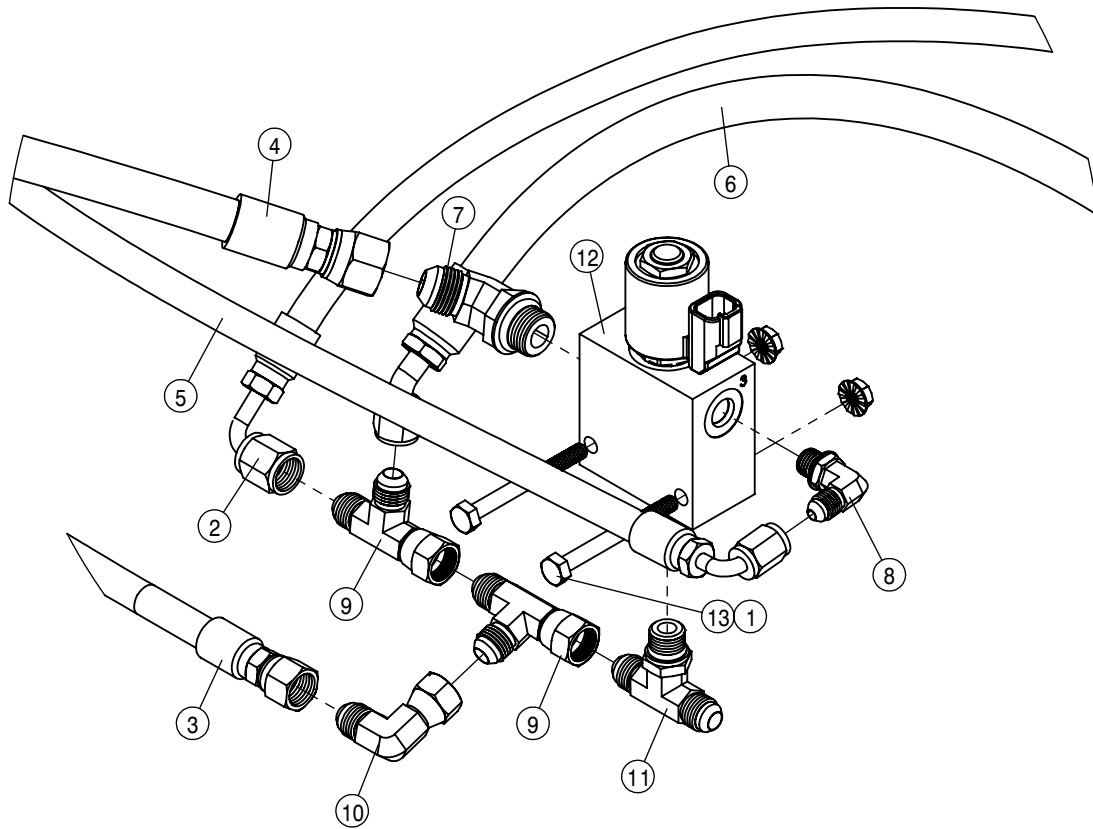
FAN MOTOR INLINE FILTER			
DET	QTY	P/N	DESCRIPTION
1	4	470409	3/8UNC X 3/4" SERR FLG BOLT
2	1	605665	HYD FILTER 20 MICRON SAE12
3	1	611127	1 1/16MJIC-1 1/16MOR ADPTR
4	1	616676	12-451TC-12FJX-12FJX90L-18 H/A
5	1	617199	12-451TC-12FJX-12FJX-73 H/A
6	1	618248	1 1/16MJIC-90-1 1/16MOR LBO



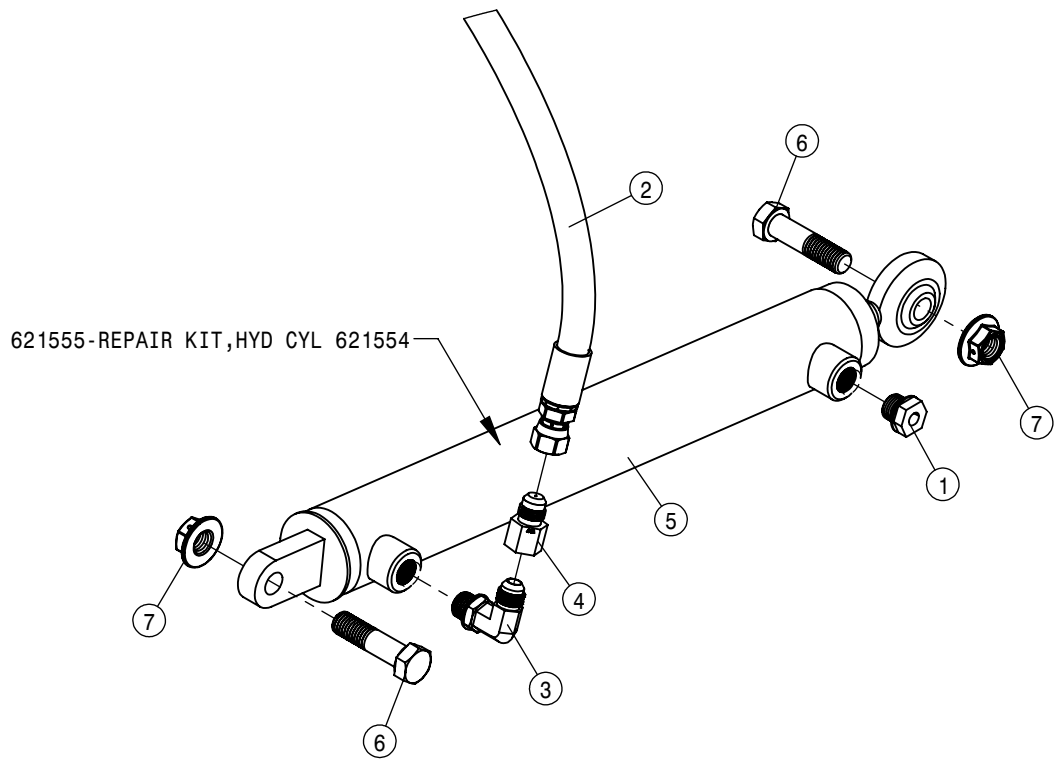
RETURN MANIFOLD AND BULKHEAD ASSEMBLY			
DET	QTY	P/N	DESCRIPTION
1	1	362113	FRONT BULKHEAD, STS
2	5	470087	3/8UNC HEX SERR FLANGE NUT
3	3	470335	LINCHPIN, 3/16 X 1 1/4 GRIP
4	3	470520	HANGER PIN, 3/8UNC x .437Dx .500L
5	1	606246	MANIFOLD, 1 5/16FOR
6	1	618308	1 1/16MJIC-1 5/16MOR ADPTR
7	1	618328	7/8FJIC CAP NUT
8	3	618475	3/4MJIC-90-1 5/16MOR LBO
9	1	618527	1 7/8MJIC-1 5/8MOR ADPTR
10	1	618532	3/4FJIC CAP NUT
11	2	618589	7/8MJIC-90-1 5/16MOR LBO
12	1	618759	1 5/8MOR PLUG, HEX SOCKET
13	1	650339	DECAL, WARNING, HYD. OIL INJ
14	4	900129	3/8UNC X 1" HEX BOLT
15	2	900139	3/8UNC X 3 3/4 HEX BOLT
16	4	910004N	3/8UNC FLANGE CNTR LOCK NUT



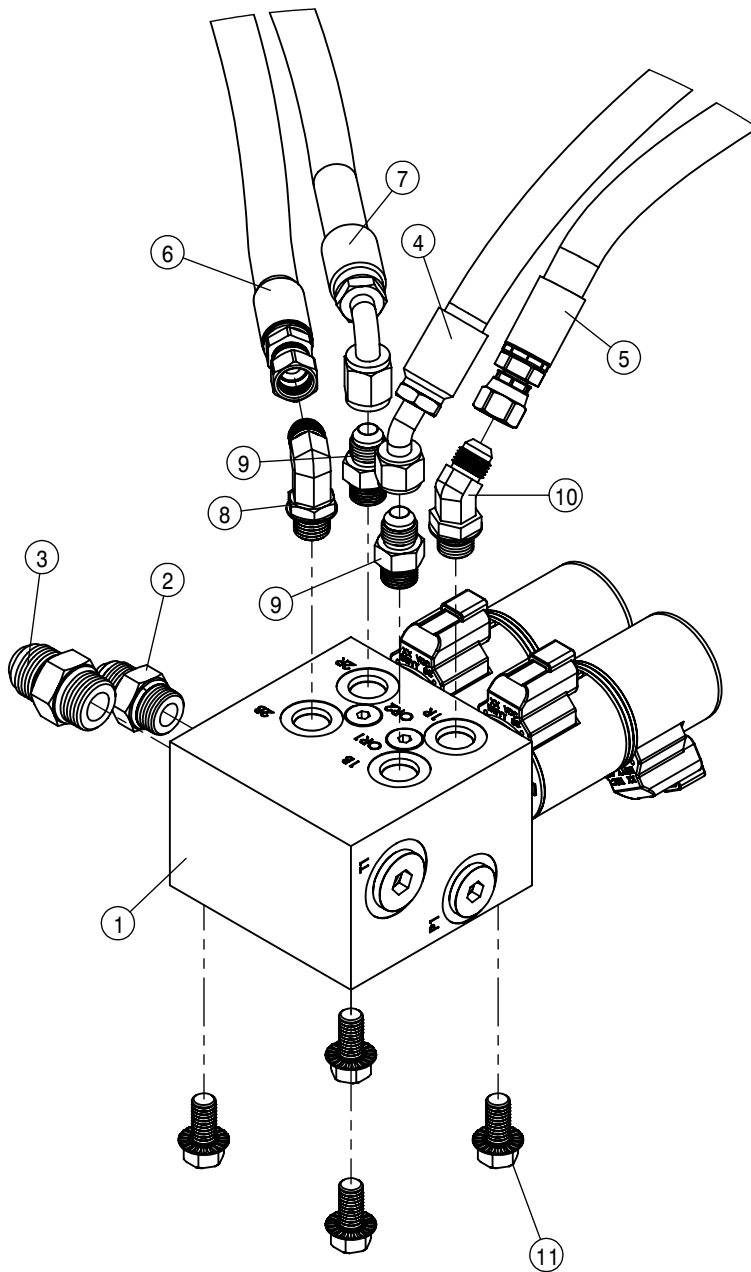
REAR RETURN MANIFOLD ASSEMBLY			
DET	QTY	P/N	DESCRIPTION
1	2	470087	3/8UNC HEX SERR FLANGE NUT
2	1	607574	MANIFOLD, #16, # 24 ends
3	1	611127	1 1/16MJIC-1 1/16MOR ADPTR
4	1	617094	24-811-24FJX-24FJX90-31 H/A
5	1	617123	16-811-16FJX-16FJX90-22 H/A
6	1	618186	1 5/16MJIC-1 5/16MOR ADPTR
7	1	618432	1 7/8MJIC-90-1 7/8MOR LBO
8	2	618470	3/4MJIC-1 5/16MOR ADPTR
9	1	618601	7/8MJIC-1 5/16MOR ADPT
10	1	618758	1 5/16MOR PLUG, HEX SOCKET
11	1	618901	1 5/16MJIC-45-1 5/16MOR LBO
12	1	618935	20 SIZE CHECK VALVE
13	1	619023	9/16 MOR DIAGNOSTIC FITTING
14	2	900140	3/8UNC X 4" HEX BOLT



BRAKE AND LADDER VALVE ASSEMBLY			
DET	QTY	P/N	DESCRIPTION
1	2	470121	1/4 UNC SERR FLG LOCK NUT
2	1	617069	04-451TC-04FJX-06FJX90-139 H/A
3	1	617072	04-451TC-06FJX-04FJX45-43 H/A
4	1	617096	06-451TC-08FJX-06FJX90-22 H/A
5	1	617121	04-451TC-06FJX-04FJX90-34 H/A
6	1	617127	06-451TC-06FJX-06FJX45-36 H/A
7	1	618315	3/4MJIC-45-3/4MOR LBO
8	1	618473	7/16MJIC-90-7/16MOR LBO
9	2	618486	9/16FJIC SW RUN TEE-9/16MJIC
10	1	618618	9/16MJIC-90-9/16FJIC SWIV LBO
11	1	618629	9/16MOR BRANCH TEE-9/16MJIC
12	1	701625	ASSY, BRAKE/LADDER VALVE
13	2	900008N	1/4UNC X 2 1/2 HEX BOLT SS

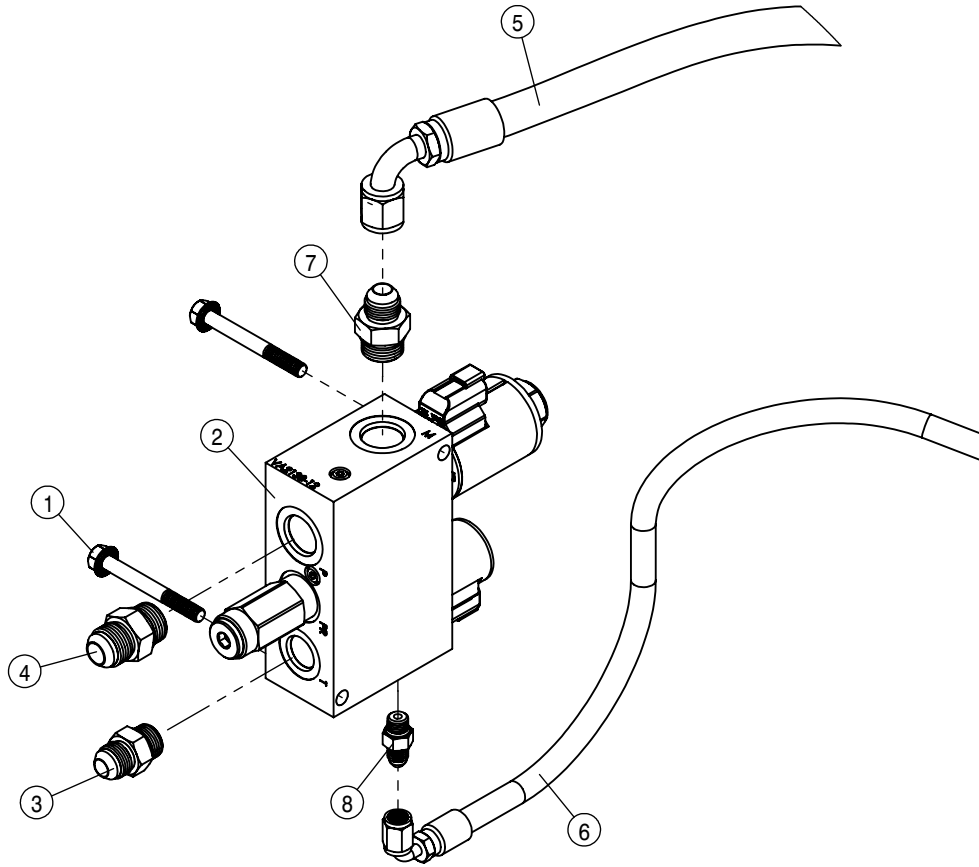


LADDER CYLINDER ASSEMBLY			
DET	QTY	P/N	DESCRIPTION
1	1	362036	SAE 6 BRASS BREATHER
2	1	617127	06-451TC-06FJX-06FJX45-36 H/A
3	1	618119	9/16MJC-90-9/16MOR LBO
4	1	618733	9/16JIC .042 ORIFICE ADPTR
5	1	621554	CYLINDER, 1.50 ID x 12.00 STRK
6	2	900267	1/2UNC X 2" HEX BOLT
7	2	914015	1/2UNC HEX CENTER-LOCK NUT

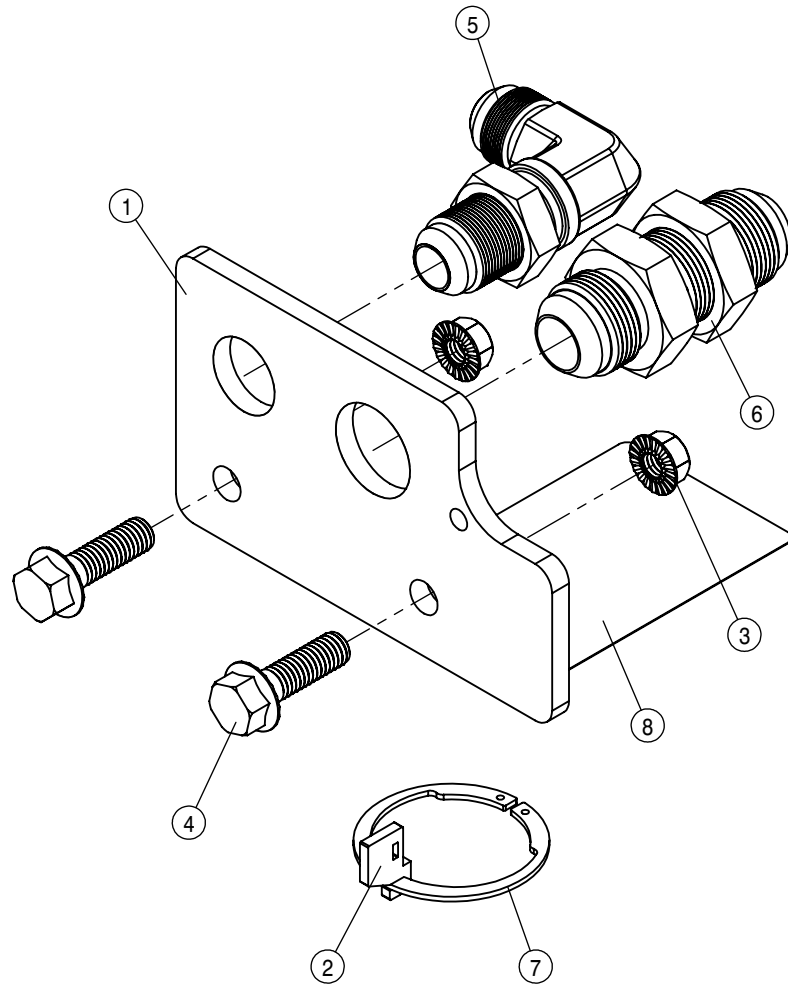


ALL WHEEL STEER HYDRAULIC VALVE ASSEMBLY			
DET	QTY	P/N	DESCRIPTION
1	1	606542	AWS VLV, STS PWRSYS 14
2	1	611125	3/4MJC-3/4MOR ADPTR
3	1	611126	7/8MJC-7/8MOR ADPTR
4	1	617115	06-451TC-06FJX-06FJX45-101 H/A
5	1	617116	06-451TC-06FJX-06FJX-99 H/A
6	1	617117	06-451TC-06FJX-06FJX-137
7	1	617118	06-451TC-06FJX-06FJX90-137 H/A
8	1	618119	9/16MJC-90-9/16MOR LBO
9	2	618126	9/16MJC-9/16MOR ADPTR
10	1	618425	9/16MJC-45-9/16MOR LBO
11	4	900128N	3/8UNC X 3/4 SER FLANGE BOLT

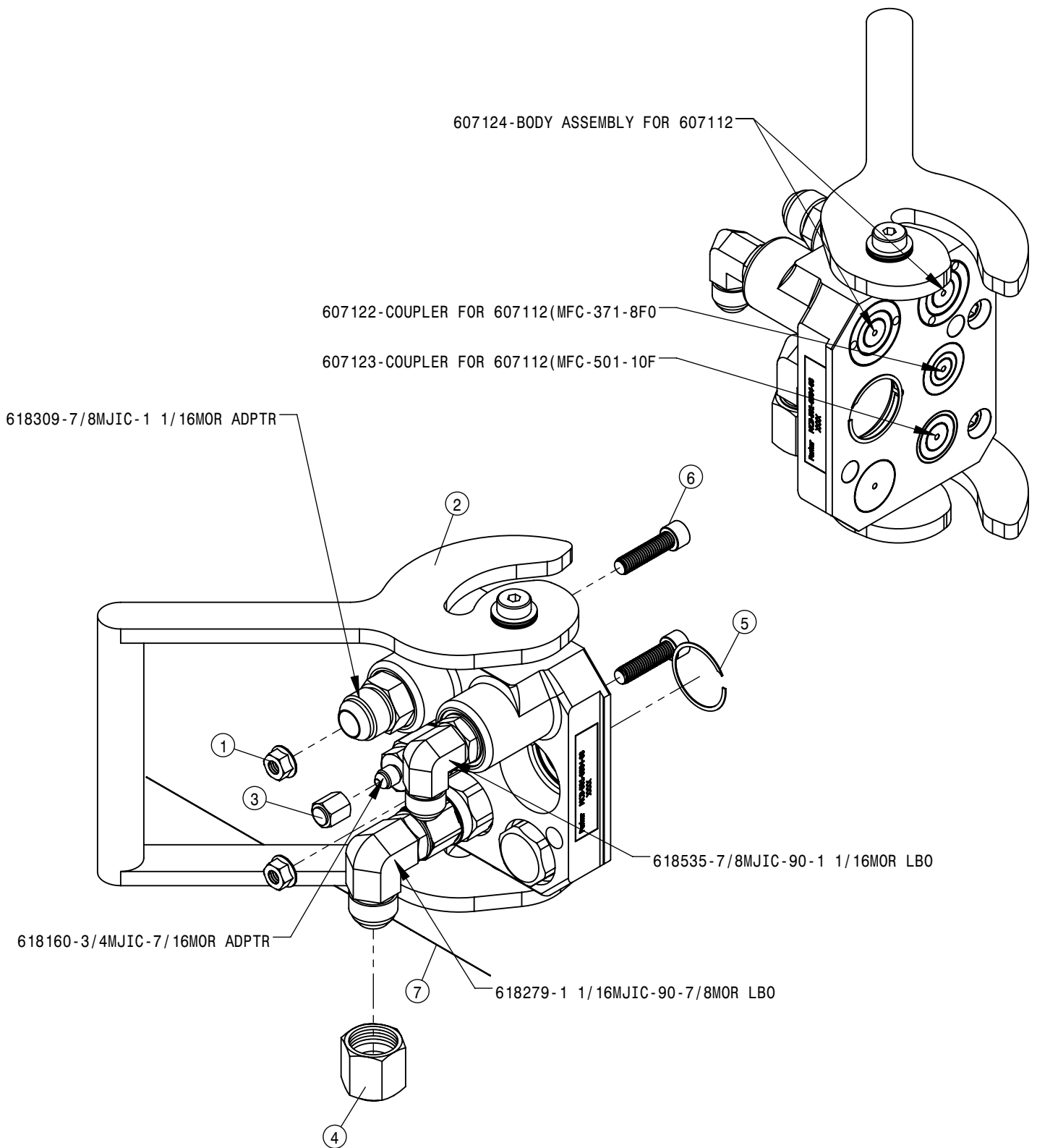




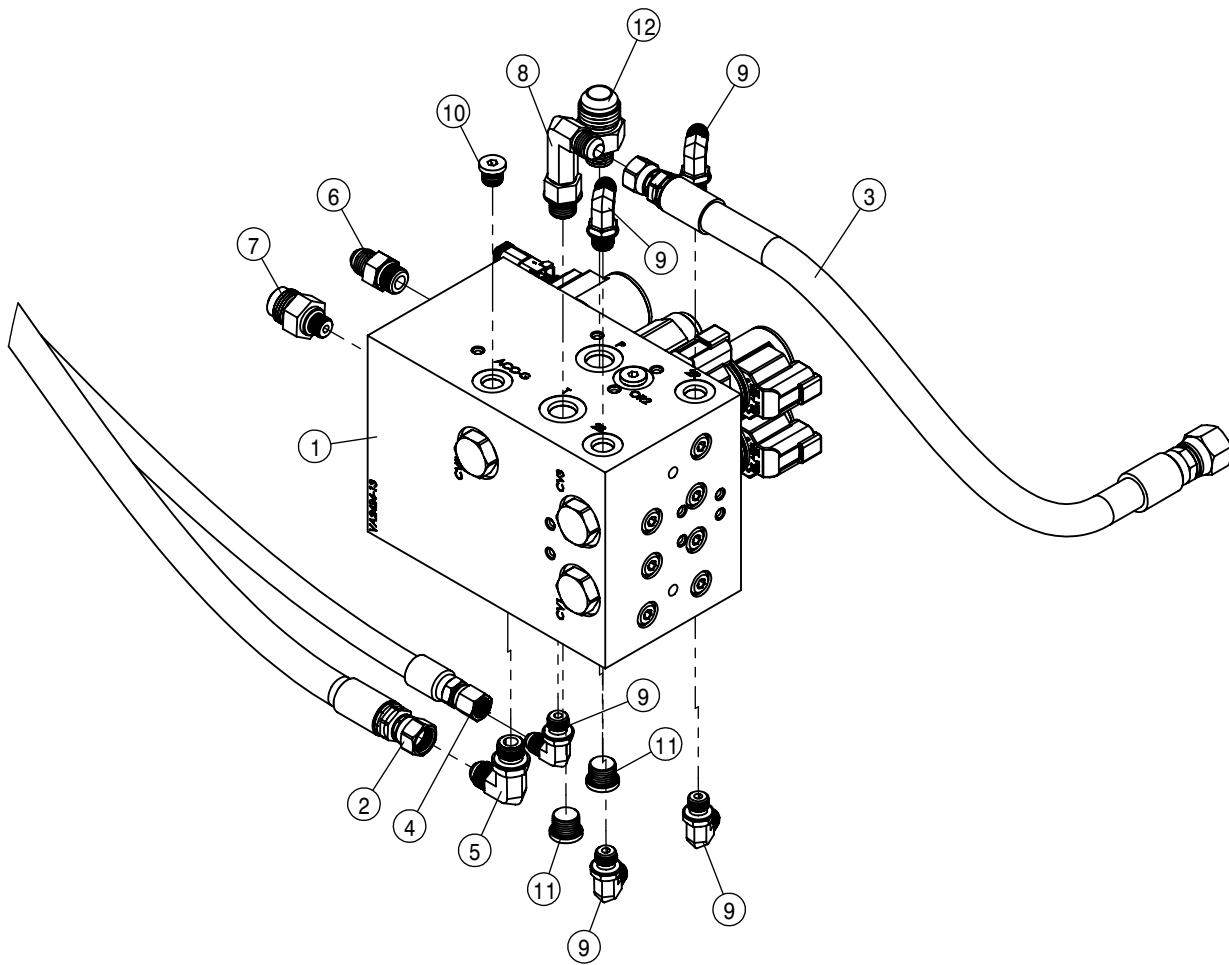
SIDE FILL LIFT ASSEMBLY			
DET	QTY	P/N	DESCRIPTION
1	2	470669	5/16UNC X 2 3/4 FLANG HEX BOLT
2	1	606541	SIDE FILL VLV, STS PWRSYS 14
3	1	611125	3/4MJIC-3/4MOR ADPTR
4	1	611126	7/8MJIC-7/8MOR ADPTR
5	1	617108	08-451TC-08FJX-08FJX90-127 H/A
6	1	617110	04-451TC-06FJX-04FJX90-99 H/A
7	1	618327	3/4MJIC-7/8MOR ADPTR
8	1	618467	7/16MJIC-7/16MOR ADPTR



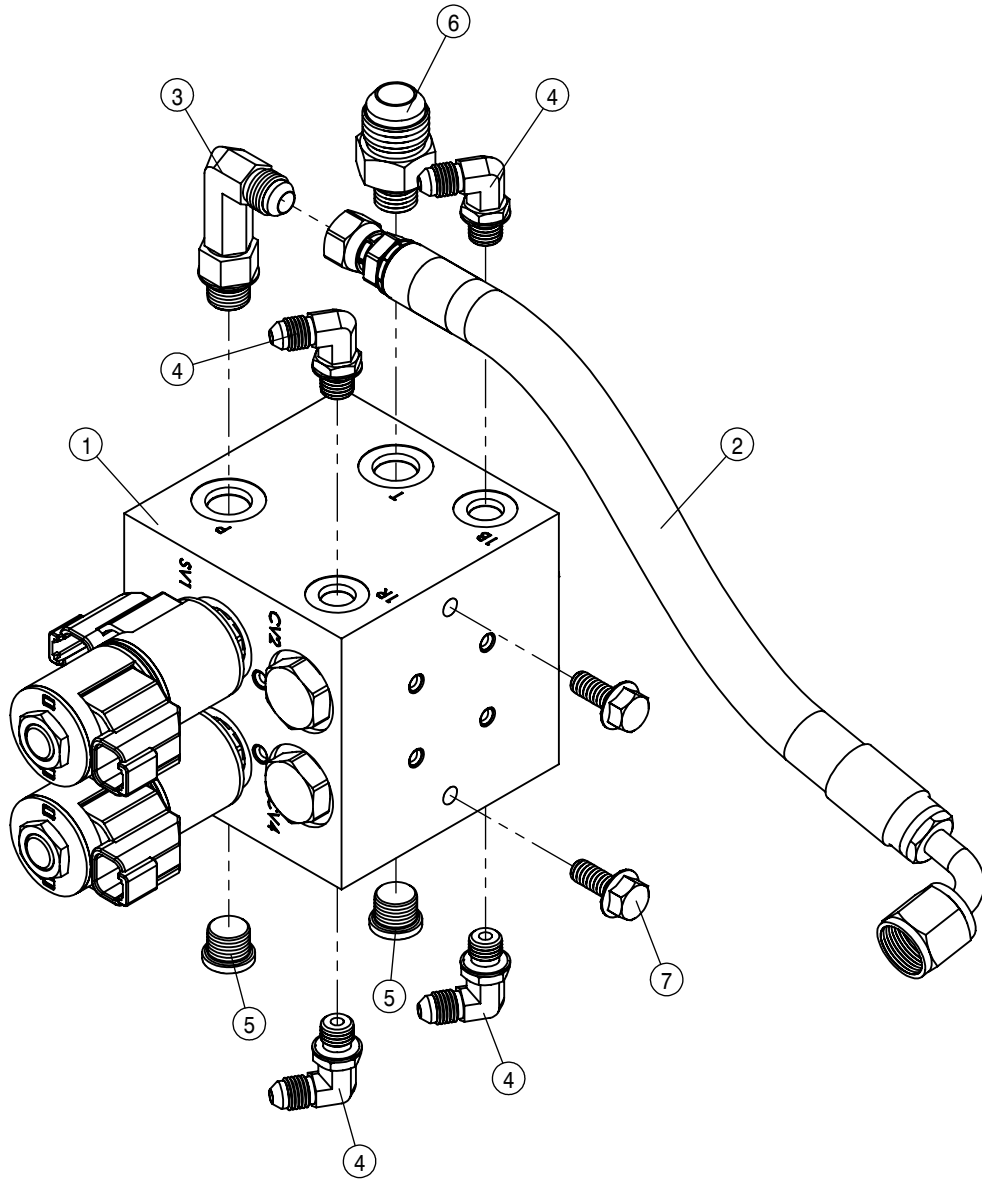
HYDRAULIC OPTION CONNECTION ASSEMBLY			
DET	QTY	P/N	DESCRIPTION
1	1	344488	BRKT FOR NON-MULTICOUPLER MACHINE
2	1	438787	ELECTRICAL QUICK COUPLER KEY
3	2	470113	5/16UNC SERR FLG LOCK NUT
4	2	470329	3/8UNC X 1 1/4 SERR FLG HEX BOLT
5	1	619021	7/8MJIC-90-BLKHD UNION LBO
6	1	619022	1 1/16MJIC-1 1/16MJIC BLKHD UN
7	1	629546	SNAP RING, 1.637 EXTERNAL
8	1	650339	DECAL, WARNING, HYD. OIL INJ



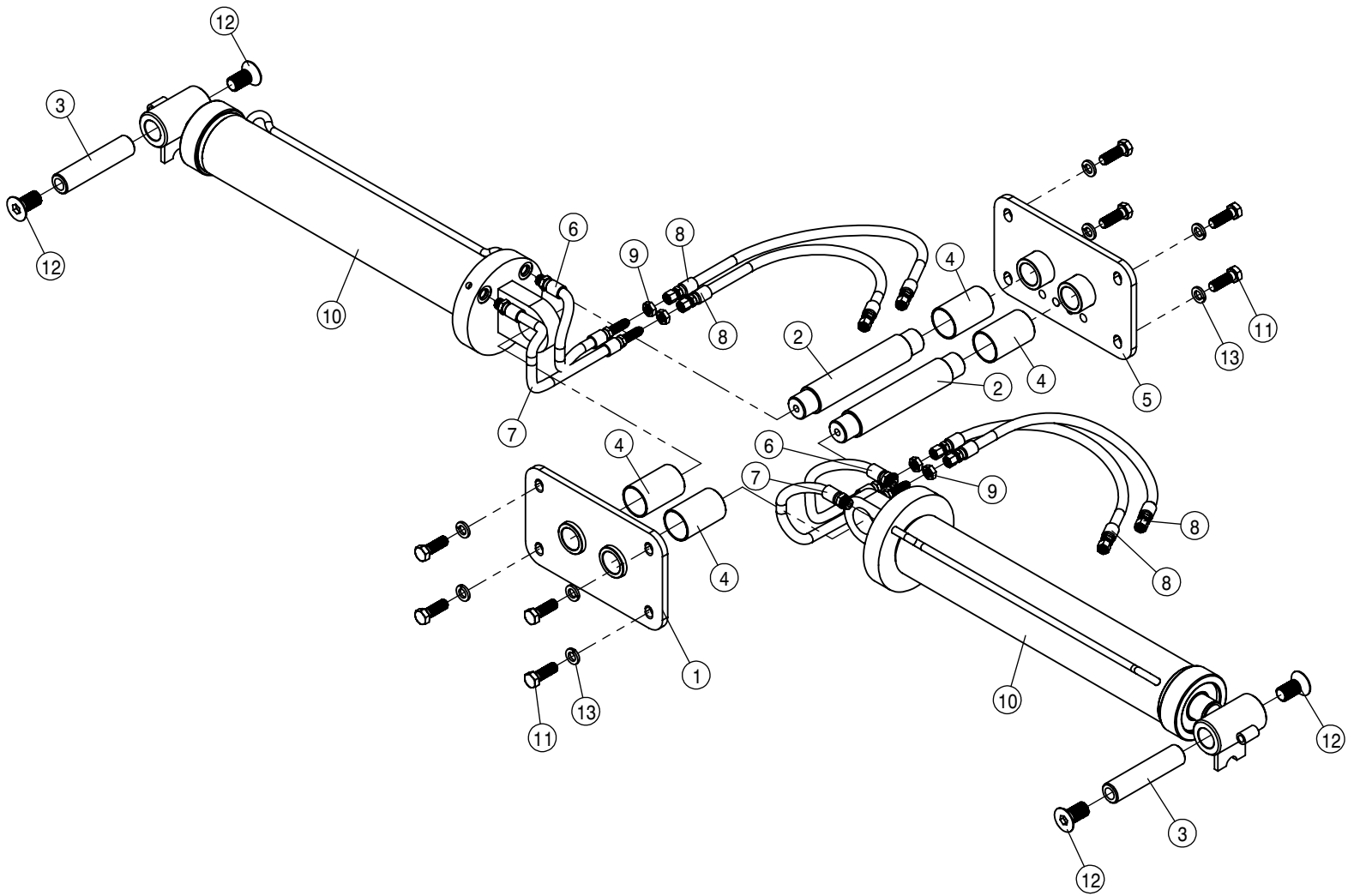
BOOM HYDRAULIC QUICK COUPLER ASSEMBLY			
DET	QTY	P/N	DESCRIPTION
1	2	470087	3/8UNC HEX SERR FLANGE NUT
2	1	607112	FIX HALF COUPLER ASSY
3	1	618363	7/16FJIC CAP NUT
4	1	618533	1 1/16FJIC CAP NUT
5	1	629547	VS-150-S16 RETAINING RING
6	2	900174	3/8UNC x 1 1/2" SOC HD CAP SCR
7	1	HXE28534	LABEL, HYDRAULIC ENGLISH



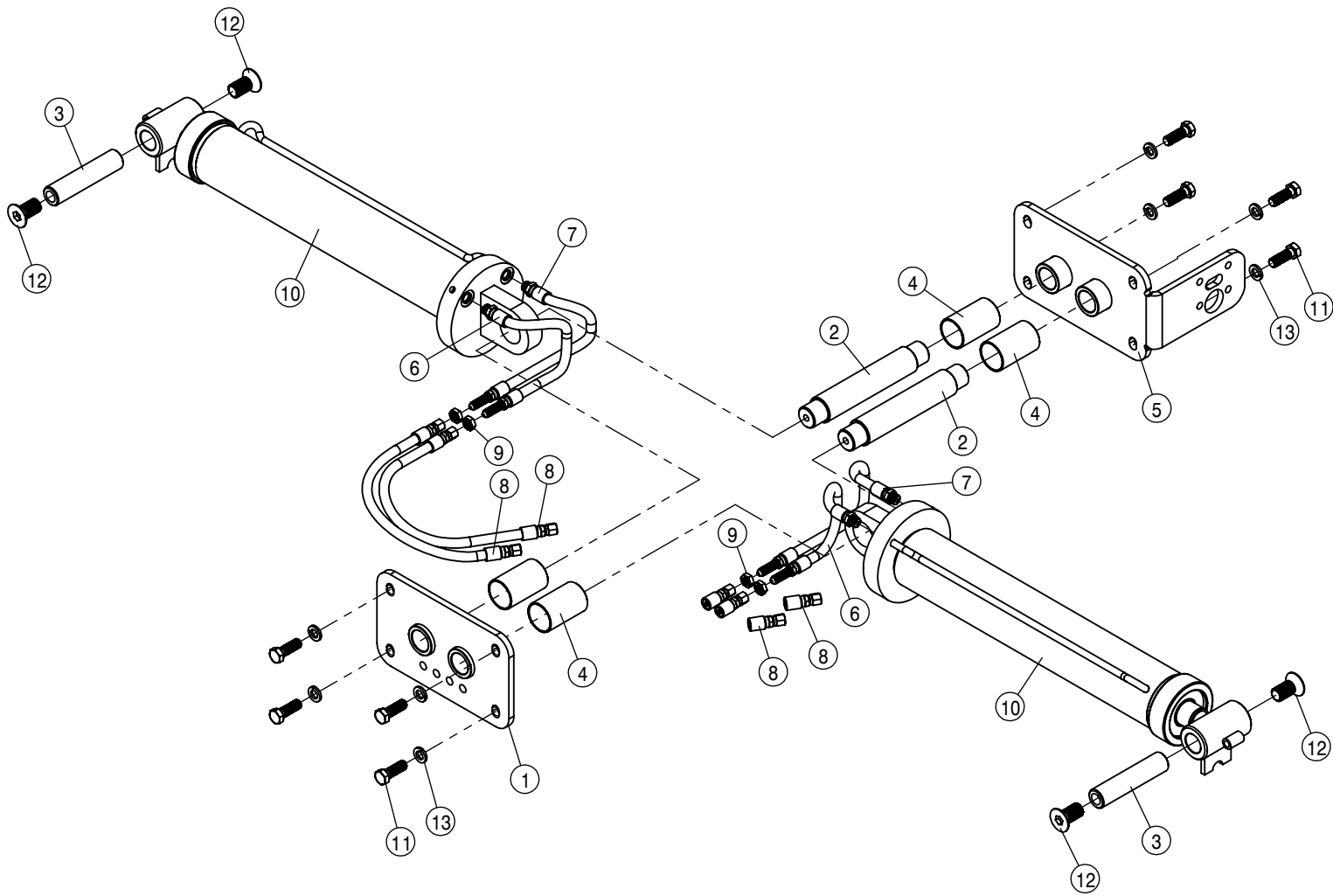
FRONT TREAD ADJUST HYDRAULIC VALVE ASSEMBLY			
DET	QTY	P/N	DESCRIPTION
1	1	606293	MULTIFUNCTION VALVE
2	1	616599	06-451TC-06FJX-08FJX90-62 H/A
3	1	617099	06-451TC-06FJX-08FJX-18
4	1	617210	04-451TC-04FJX-08FJX-78 H/A
5	1	618119	9/16MJIC-90-9/16MOR LBO
6	1	618126	9/16MJIC-9/16MOR ADPTR
7	1	618160	3/4MJIC-7/16MOR ADPTR
8	1	618440	9/16MJIC-90-9/16MOR EX LG LBO
9	5	618473	7/16MJIC-90-7/16MOR LBO
10	1	618753	7/16 MOR PLUG, HEX SOCKET
11	2	618754	9/16 MOR PLUG, HEX SOCKET
12	1	618832	7/8MJIC-9/16MOR ADPTR



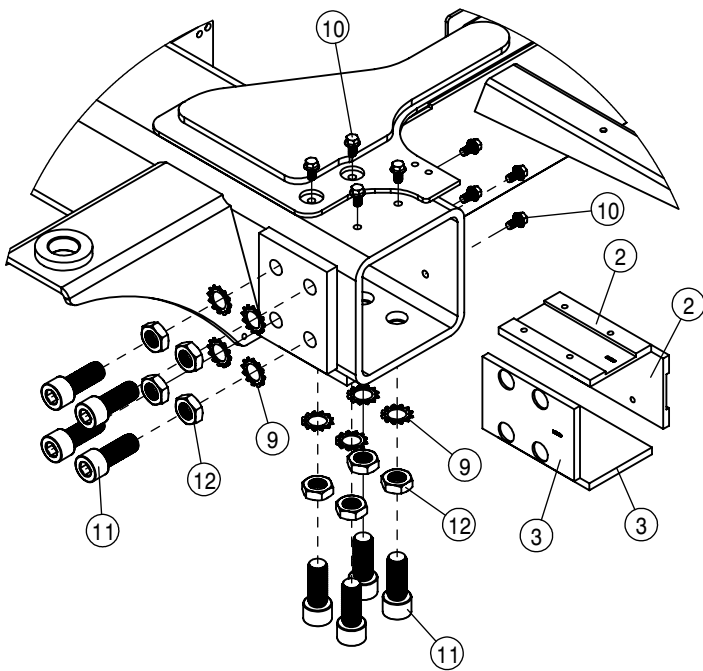
REAR TREAD ADJUST HYDRAULIC VALVE ASSEMBLY			
DET	QTY	P/N	DESCRIPTION
1	1	606540	TREAD ADJ VLV, STS PWRSYS 14
2	1	617098	06-451TC-06FJX-08FJX90-13 H/A
3	1	618440	9/16MJIC-90-9/16MOR EX LG LBO
4	4	618473	7/16MJIC-90-7/16MOR LBO
5	2	618754	9/16 MOR PLUG, HEX SOCKET
6	1	618832	7/8MJIC-9/16MOR ADPTR
7	2	900064N	5/16UNC X 3/4" SER FLG BOLT SS



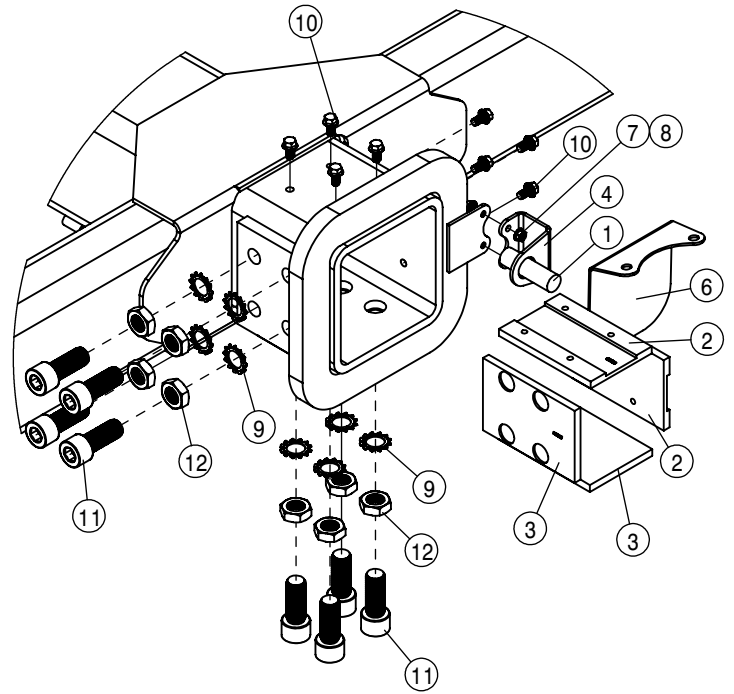
FRONT HYDRAULIC TREAD ADJUST ASSEMBLY			
DET	QTY	P/N	DESCRIPTION
1	1	361576	FRT TRD ADJ ACCESS PLT WLD
2	2	361581	TRD ADJ CYL PIVOT PIN, M/F
3	2	361582	TREAD ADJ CYL PIN, OUTER LEG
4	4	361583	TRD ADJ CYL SPACER, M/F
5	1	361689	REAR TRD ADJ ACCESS PLT WLD 04
6	2	616070	04-451TC-04MJBH-06MOR-11.00H/A
7	2	616071	04-451TC-04MJBH-06MOR-13.00H/A
8	4	617100	04-451TC-04FJX-04FJX-24 H/A
9	4	618525	7/16-20 BLKHD LOCKNUT
10	2	621552	HYD CYL, 3.00 X 16.00 X 1.375
11	8	900303N	1/2UNF X 1 1/2 HEX BOLT
12	4	900391N	3/4UNC X 1 1/2 FLT SOC CAP SCR
13	8	920504N	1/2 LOCK WASHER YZ



REAR HYDRAULIC TREAD ADJUST ASSEMBLY			
DET	QTY	P/N	DESCRIPTION
1	1	361579	REAR TRD ADJ ACCESS PLT WLD
2	2	361581	TRD ADJ CYL PIVOT PIN, M/F
3	2	361582	TREAD ADJ CYL PIN, OUTER LEG
4	4	361583	TRD ADJ CYL SPACER, M/F
5	1	362129	ACCESS PLT - TREAD ADJ WLD
6	2	616070	04-451TC-04MJBH-06MOR-11.00H/A
7	2	616071	04-451TC-04MJBH-06MOR-13.00H/A
8	4	617100	04-451TC-04FJX-04FJX-24 H/A
9	4	618525	7/16-20 BLKHD LOCKNUT
10	2	621552	HYD CYL, 3.00 X 16.00 X 1.375
11	8	900303N	1/2UNF X 1 1/2 HEX BOLT
12	4	900391N	3/4UNC X 1 1/2 FLT SOC CAP SCR
13	8	920504N	1/2 LOCK WASHER YZ



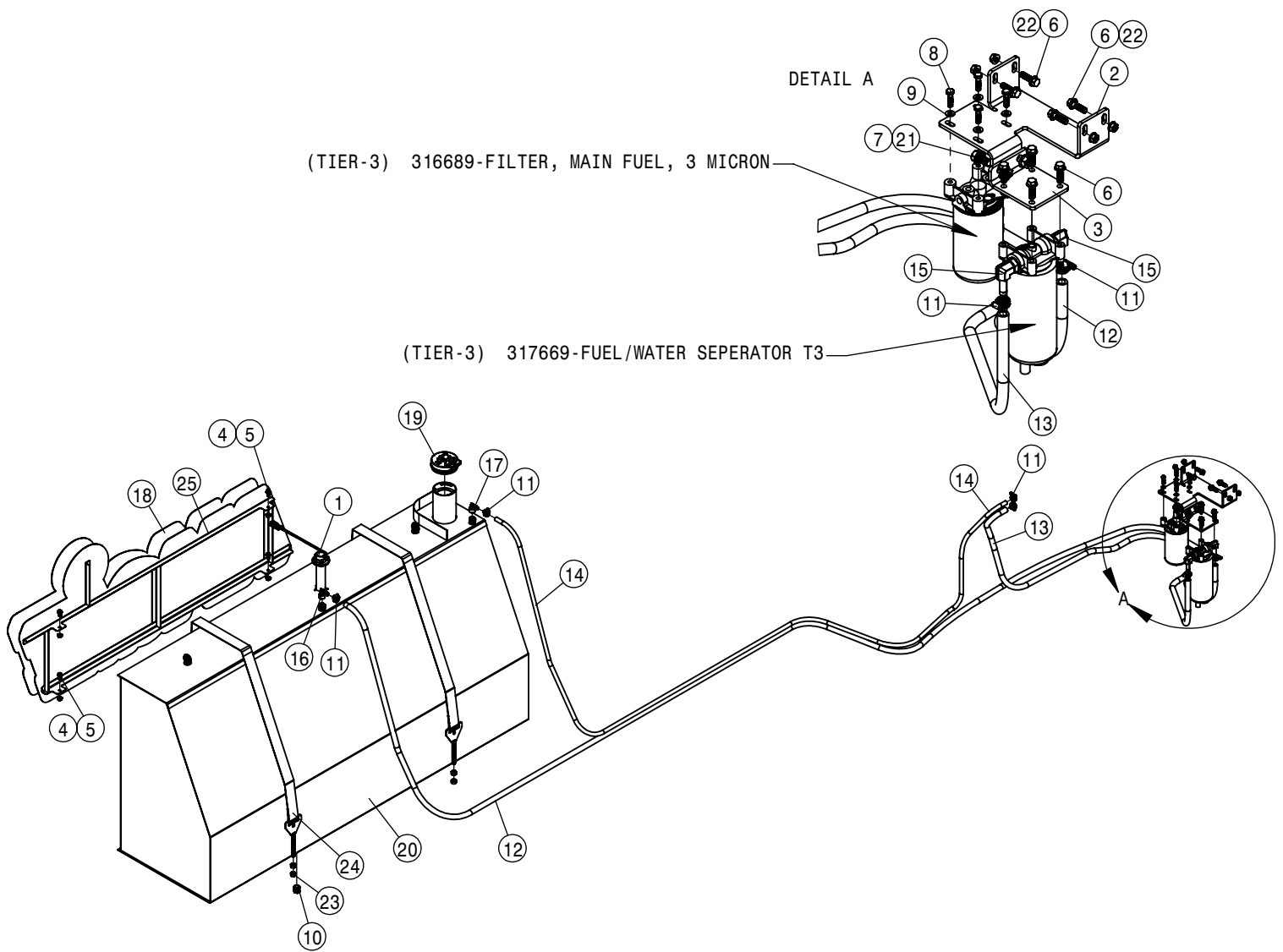
**FRONT MAINFRAME**



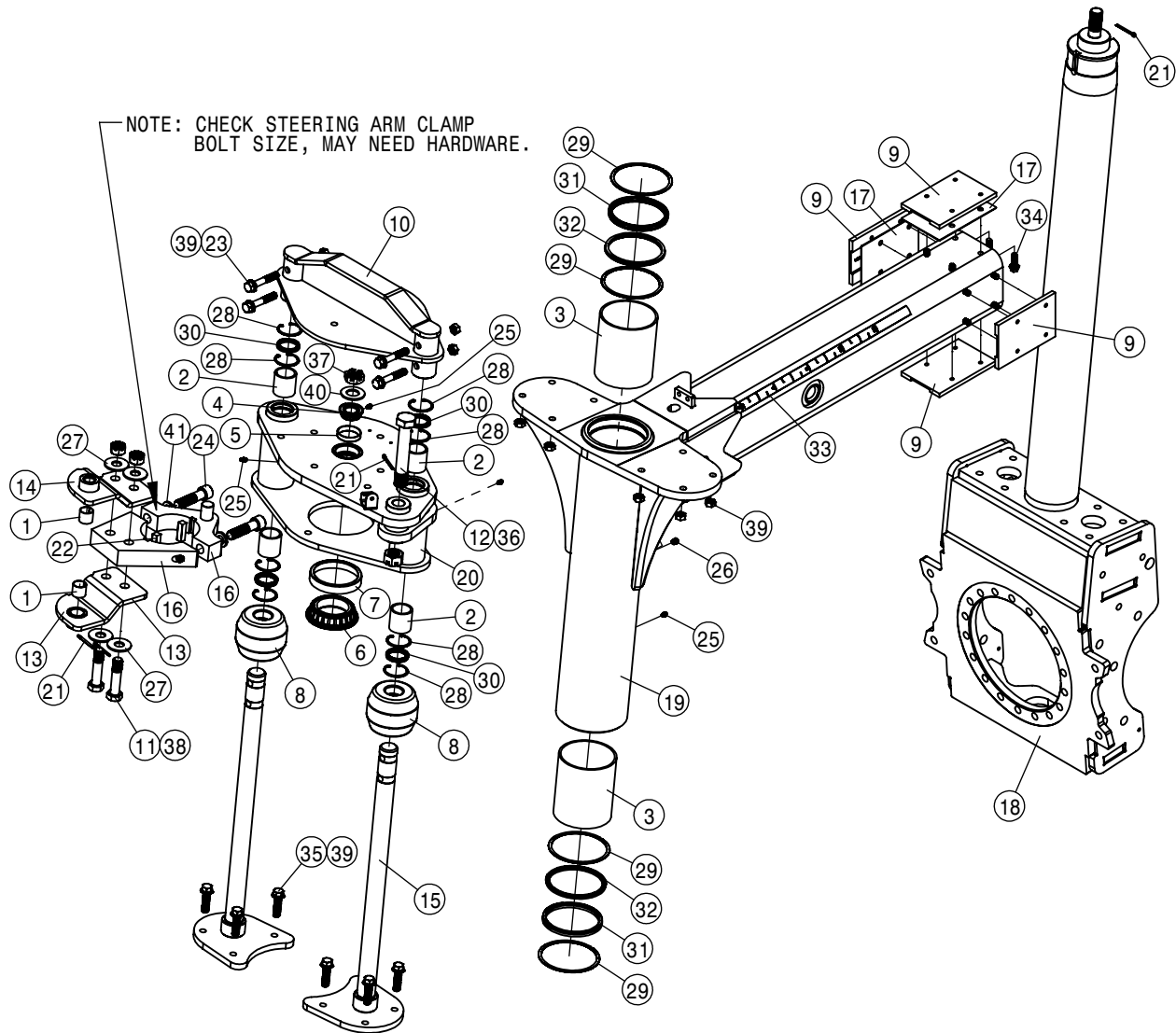
**REAR MAINFRAME**

HYDRAULIC TREAD MAINFRAME PLATE ASSEMBLY			
DET	QTY	P/N	DESCRIPTION
	1	293827	TREAD SENSOR
	4	342719	TRD ADJ BRONZE BEARING, TAPPED
	4	342721	TRD ADJ BRONZE BRG
	1	342856	TREAD SENSOR MT
NS	1	359092	RH SENSOR REFLECTOR
	1	359093	LH SENSOR REFLECTOR
	2	470113N	5/16UNC SERR FLG LOCK NUT SS
	2	470233	5/16UNC X 3/4 SERR FLG HEX BOLT
	16	483018N	1" EXTERNAL TOOTH LOCK WASHER YZ
	16	900128N	3/8UNC X 3/4 SER FLANGE BOLT
	16	900395N	1"UNC X 2 1/2 SOCKET CAP SCR
	16	910101N	1" UNC HEX JAM NUT



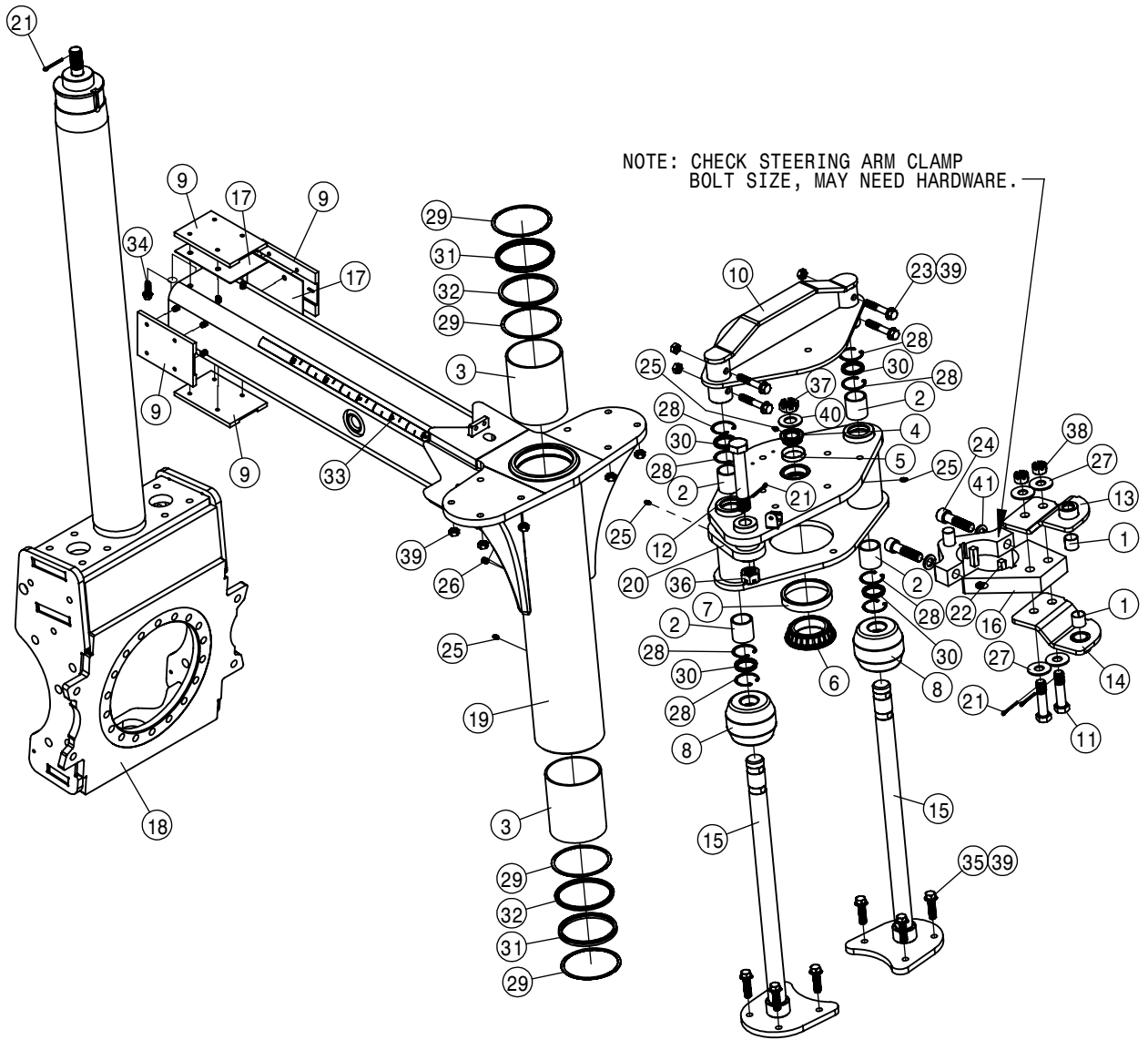


FUEL SYSTEM ASSEMBLY			
DET	QTY	P/N	DESCRIPTION
1	1	291355	FUEL SENSOR STS16
2	1	317271	FILTER MOUNT PLATE
3	1	317445	FUEL STRAINER BRACKET
4	4	470113	5/16UNC SERR FLG LOCK NUT
5	4	470233	5/16UNC X 3/4 SERR FLG HEX BOLT
6	8	470329	3/8UNC X 1 1/4 SERR FLG HEX BOLT
7	2	470360N	1/2UNC SERR FLG HEX NUT YZ
8	4	473790	8MM-1.25 X 30MM HEX BOLT
9	4	473849	8MM FLAT WASHER
10	1	503703	PIPE PLUG .50NPT SKT HD
11	6	520070	HOSE CLAMP NO 8 STAINLESS
12	1	601090	HOSE, 1/2 X 236 FUEL LINE,BIO
13	1	601091	HOSE, 1/2 X 106 FUEL LINE,BIO
14	1	601092	HOSE, 3/8 X 158 FUEL LINE,BIO
15	2	618002	1/2 HOSE BARB-90-7/8MOR
16	1	618262	1/2 HOSE BARB-90-1/2 FNPT BR
17	1	618263	3/8 HOSE BARB-90-1/2 FNPT BR
18	1	650179	DECAL,HAGIE, 26 X 60
19	1	760469	FUEL TANK CAP,3.50" VENTED
20	1	760486	FUEL TANK WLDMT,STS16 07
21	2	900263N	1/2UNC X 1" SER FLANGE BOLT
22	4	910004N	3/8UNC FLANGE CNTR LOCK NUT
23	8	910008	1/2UNC HEX NUT
24	2	A52308	FUEL TANK STRAP ASSY
25	1	A52390	FUEL TANK SIGN BRACKET WELD



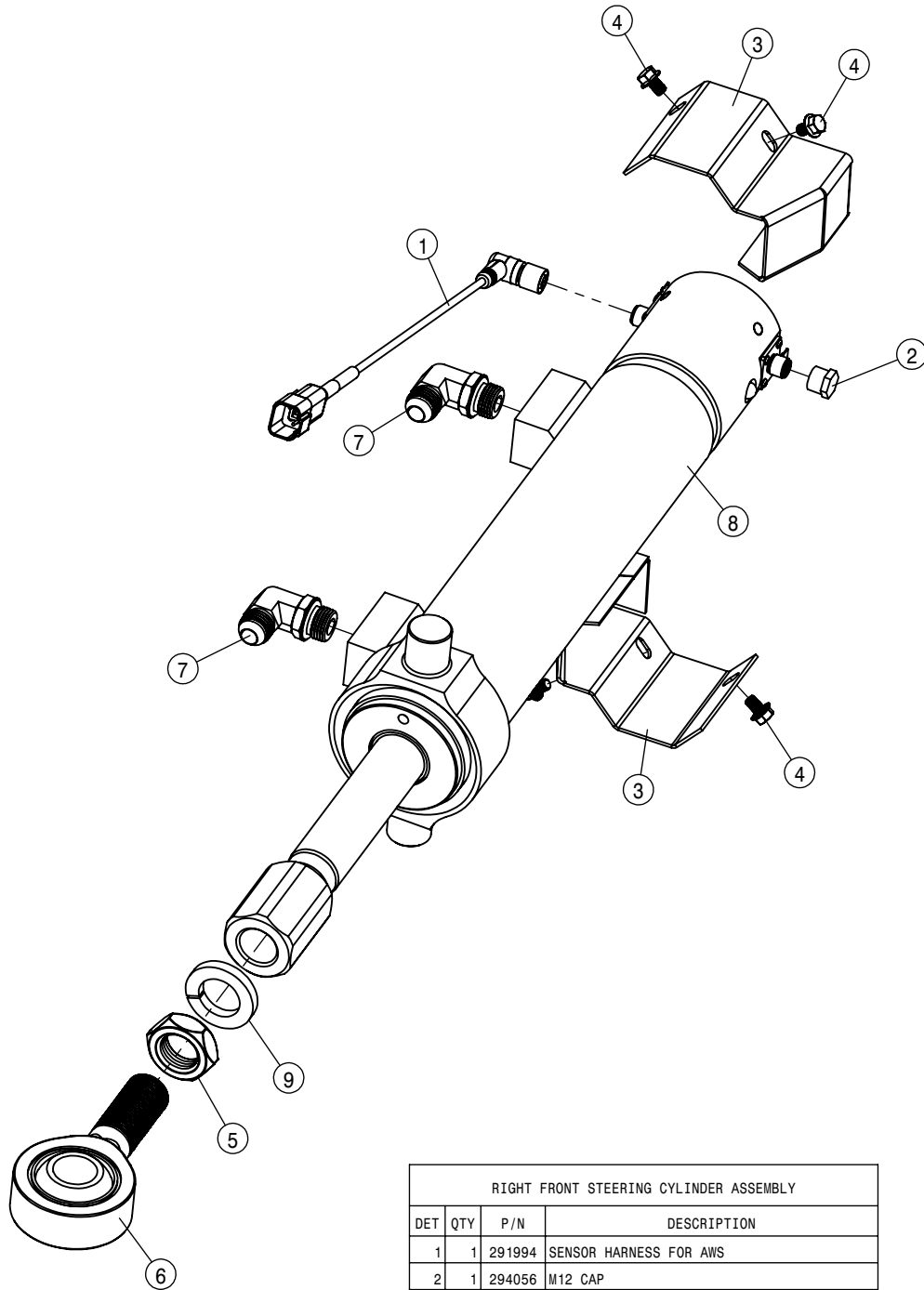
RIGHT SEVERE DUTY LEG ASSEMBLY			
DET	QTY	P/N	DESCRIPTION
1	2	121029	JOURNAL BRG, 1.00 ID x 1.00 LG
2	4	121113	TOWER SLEEVE BRG (POLYGON) 05
3	2	121125	BEARING-POLY 4.50 ID X 5.74 LG
4	1	125050	BRG CONE, 1.00 ID W/FACE SEAL
5	1	125051	BRG CUP FOR 125050
6	1	125052	BRG CONE, 2.687 ID W/FACE SEAL
7	1	125053	BRG CUP FOR 125052
8	2	311058	RUBBER SPRING
9	4	343009	TRD ADJ BRONZE BEARING, TAPPED
10	1	359333	AIR BAG TOWER TOP MT WLD
11	2	359545	TRUNION MT BOLT, STS AWS 09
12	1	359546	STRG CYL BOLT, STS AWS LRG 09
13	1	359547	TOP TRUNION MT WLD, STS AWS 09
14	1	359548	BTM TRUNION MT WLD, STS AWS 09
15	2	359654	NITRO TOWER WLD, STS AWS 13
16	1	359664	3/4" STRG ARM CLAMP WLD
17	2	360072	SHIM - TRD ADJ BEARING
18	1	360075	INNER LEG WELDMT-STS, SDS LEG
19	1	360082	OUTER LEG-WLDMT, SDS LEG
20	1	360148	RH AIR BAG LWR PLT WLD, STS 15
21	4	470117N	3/16 X 1 3/4 COTTER PIN SS

RIGHT SEVERE DUTY LEG ASSEMBLY			
DET	QTY	P/N	DESCRIPTION
22	2	470447	KEY .50 SQ X 1.69 LONG
23	4	470461N	1/2UNC X 3" SERR FLG BOLT YZ
24	2	470890	3/4UNC X 3" SOC HD CAP SCR GR8
25	4	471005N	GREASE ZERK, 1/4-28 X 1/2 YZ
26	1	471030	PRESSURE RELIEF VALVE-GREASE 45-80 PSI
27	4	483048	3/4 REG FLAT WASH, THRU-HARD YZ
28	8	629537	187RRH00Z SNAP RING
29	4	629538	4.5 SPIROLOX RING
30	4	629620	SEAL, 1.500 ROD DIA
31	2	629621	SEAL, 4.500 ROD DIA
32	2	629625	SEAL, 4.500 ROD DIA
33	1	650459	DECAL, TREAD ADJ INDICATOR '14
34	16	900127N	3/8UNC X 1 1/4 SER FLANGE BOLT
35	8	900267N	1/2UNC X 2" SERR FLG BOLT
36	1	910020N	1" UNC HEX SLOTTED NUT
37	1	910021	1" - 14 SLOT JAM NUT
38	2	910102	3/4UNC HEX SLOT NUT GR8
39	12	914008	1/2 UNC HEX STOVER NUT
40	1	920008	1" SAE FLAT WASHER
41	2	920506	3/4 LOCK WASHER

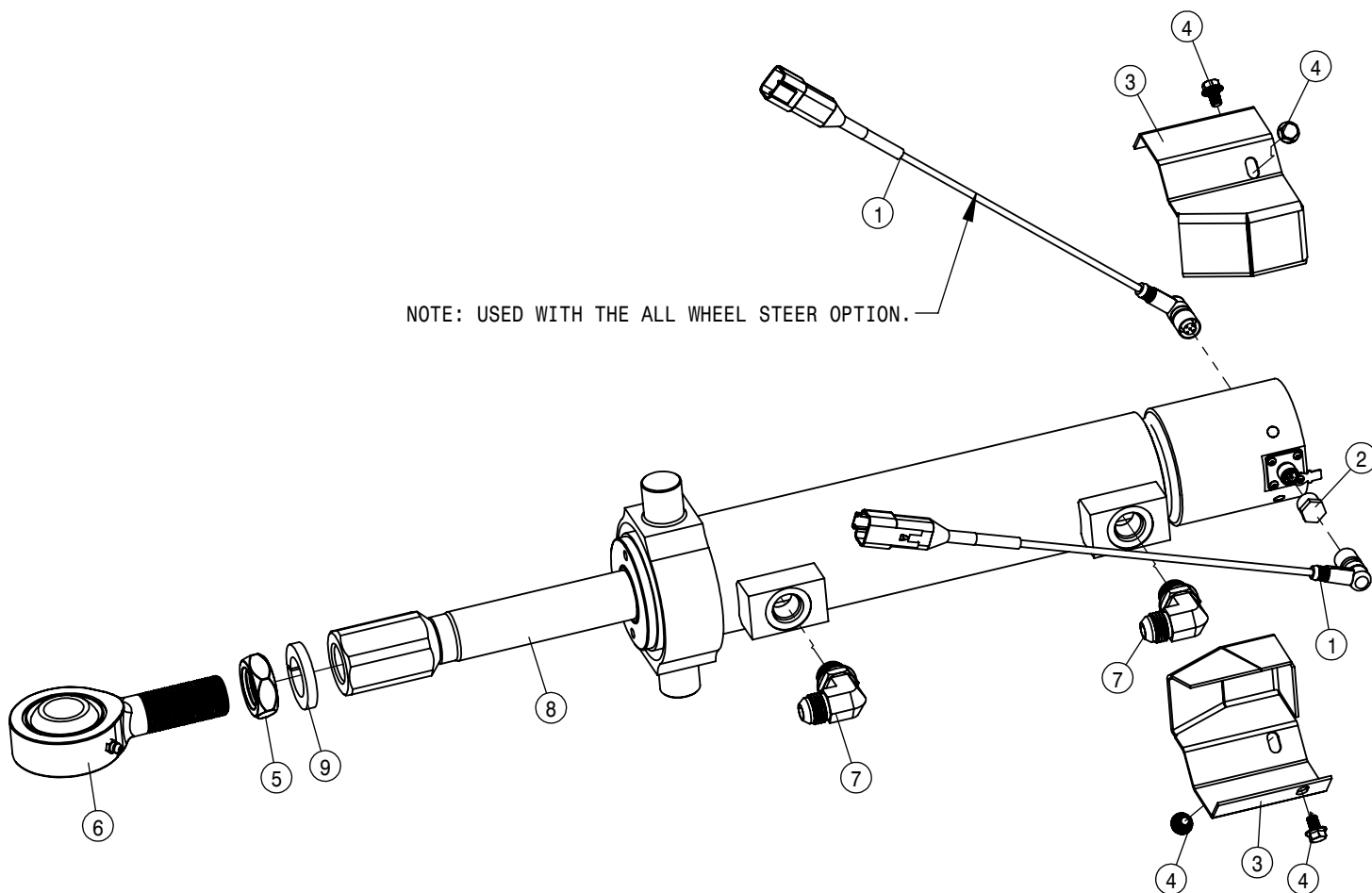


LEFT SEVERE DUTY LEG ASSEMBLY			
DET	QTY	P/N	DESCRIPTION
1	2	121029	JOURNAL BRG, 1.00 ID X 1.00 LG
2	4	121113	TOWER SLEEVE BRG (POLYGON) 05
3	2	121125	BEARING-POLY 4.50 ID X 5.74 LG
4	1	125050	BRG CONE, 1.00 ID W/FACE SEAL
5	1	125051	BRG CUP FOR 125050
6	1	125052	BRG CONE, 2.687 ID W/FACE SEAL
7	1	125053	BRG CUP FOR 125052
8	2	311058	RUBBER SPRING
9	4	343009	TRD ADJ BRONZE BEARING, TAPPED
10	1	359333	AIR BAG TOWER TOP MT WLD
11	2	359545	TRUNION MT BOLT, STS AWS 09
12	1	359546	STRG CYL BOLT, STS AWS LRG 09
13	1	359547	TOP TRUNION MT WLD, STS AWS 09
14	1	359548	BTM TRUNION MT WLD, STS AWS 09
15	2	359654	NITRO TOWER WLD, STS AWS 13
16	1	359664	3/4" STRG ARM CLAMP WLD
17	2	360072	SHIM - TRD ADJ BEARING
18	1	360075	INNER LEG WELDMT-STS, SDS LEG
19	1	360082	OUTER LEG-WLDMT, SDS LEG
20	1	360149	LH AIR BAG LWR PLT WLD, STS 15
21	4	470117N	3/16 X 1 3/4 COTTER PIN SS

LEFT SEVERE DUTY LEG ASSEMBLY			
DET	QTY	P/N	DESCRIPTION
22	2	470447	KEY .50 SQ X 1.69 LONG
23	4	470461N	1/2UNC X 3" SERR FLG BOLT YZ
24	2	470890	3/4UNC X 3" SOC HD CAP SCR GR8
25	4	471005N	GREASE ZERK, 1/4-28 X 1/2 YZ
26	1	471030	PRESSURE RELIEF VALVE-GREASE 45-80 PSI
27	4	483048	3/4 REG FLAT WASH, THRU-HARD YZ
28	8	629537	187RRHOZ SNAP RING
29	4	629538	4.5 SPIROLOX RING
30	4	629620	SEAL, 1.500 ROD DIA
31	2	629621	SEAL, 4.500 ROD DIA
32	2	629625	SEAL, 4.500 ROD DIA
33	1	650459	DECAL, TREAD ADJ INDICATOR '14
34	16	900127N	3/8UNC X 1 1/4 SER FLANGE BOLT
35	8	900267N	1/2UNC X 2" SERR FLG BOLT
36	1	910020N	1" UNC HEX SLOTTED NUT
37	1	910021	1"-14 SLOT JAM NUT
38	2	910102	3/4UNC HEX SLOT NUT GR8
39	12	914008	1/2 UNC HEX STOVER NUT
40	1	920008	1" SAE FLAT WASHER
41	2	920506	3/4 LOCK WASHER

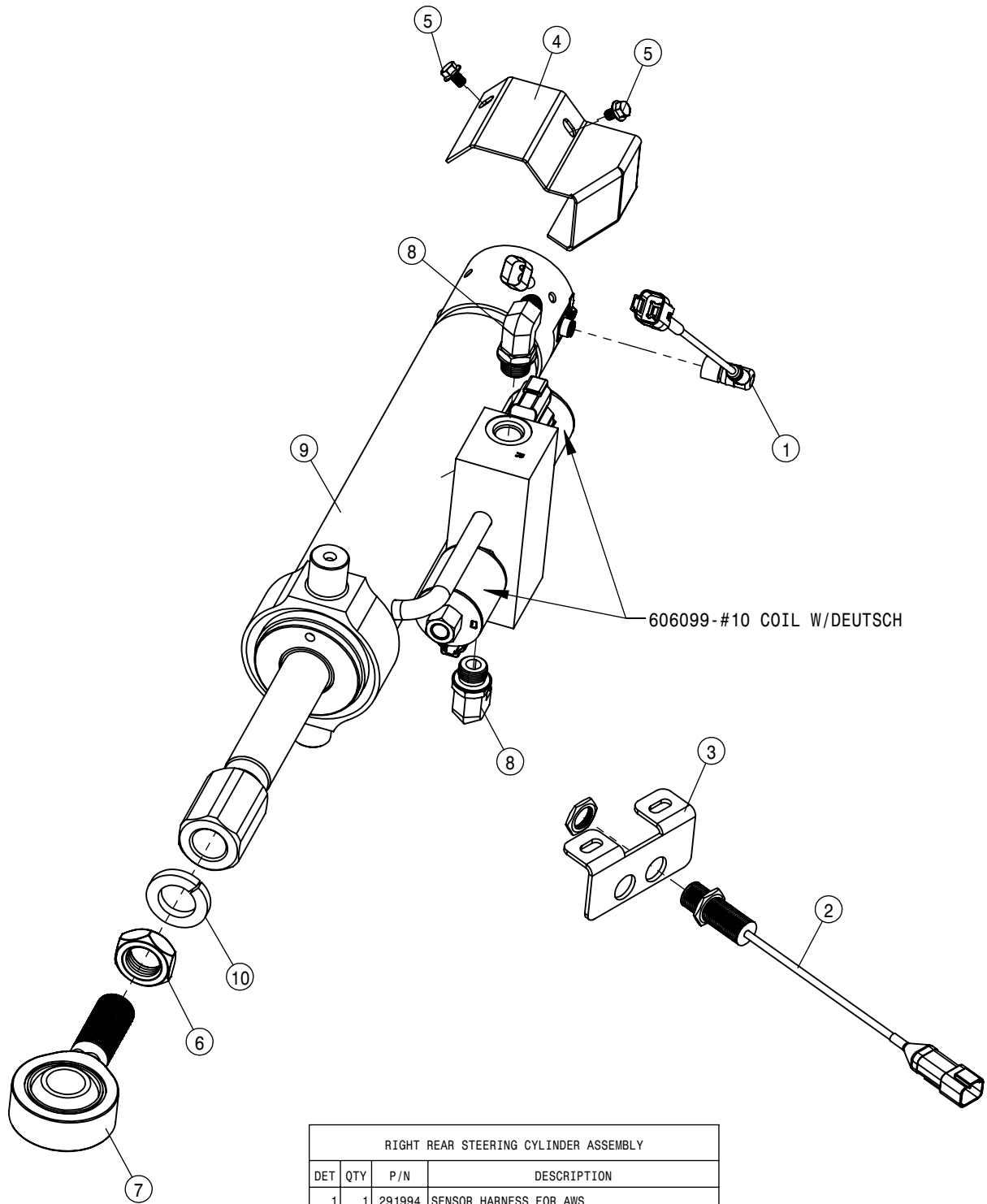


RIGHT FRONT STEERING CYLINDER ASSEMBLY			
DET	QTY	P/N	DESCRIPTION
1	1	291994	SENSOR HARNESS FOR AWS
2	1	294056	M12 CAP
3	2	359645	STRG CYL SENSOR GUARD
4	4	470883	1/4UNC X 3/8 SERR FLG BOLT SS
5	1	472328	1" - 12 HEX JAM NUT
6	1	474004	ROD END, 1.00 BORE, 1-12 RH MALE
7	2	618241	3/4MJIC-90-3/4MOR LBO
8	1	621654	HYD CYL, 2.50 X 8.81 PHASE/SENS
9	1	920508	1" LOCK WASHER

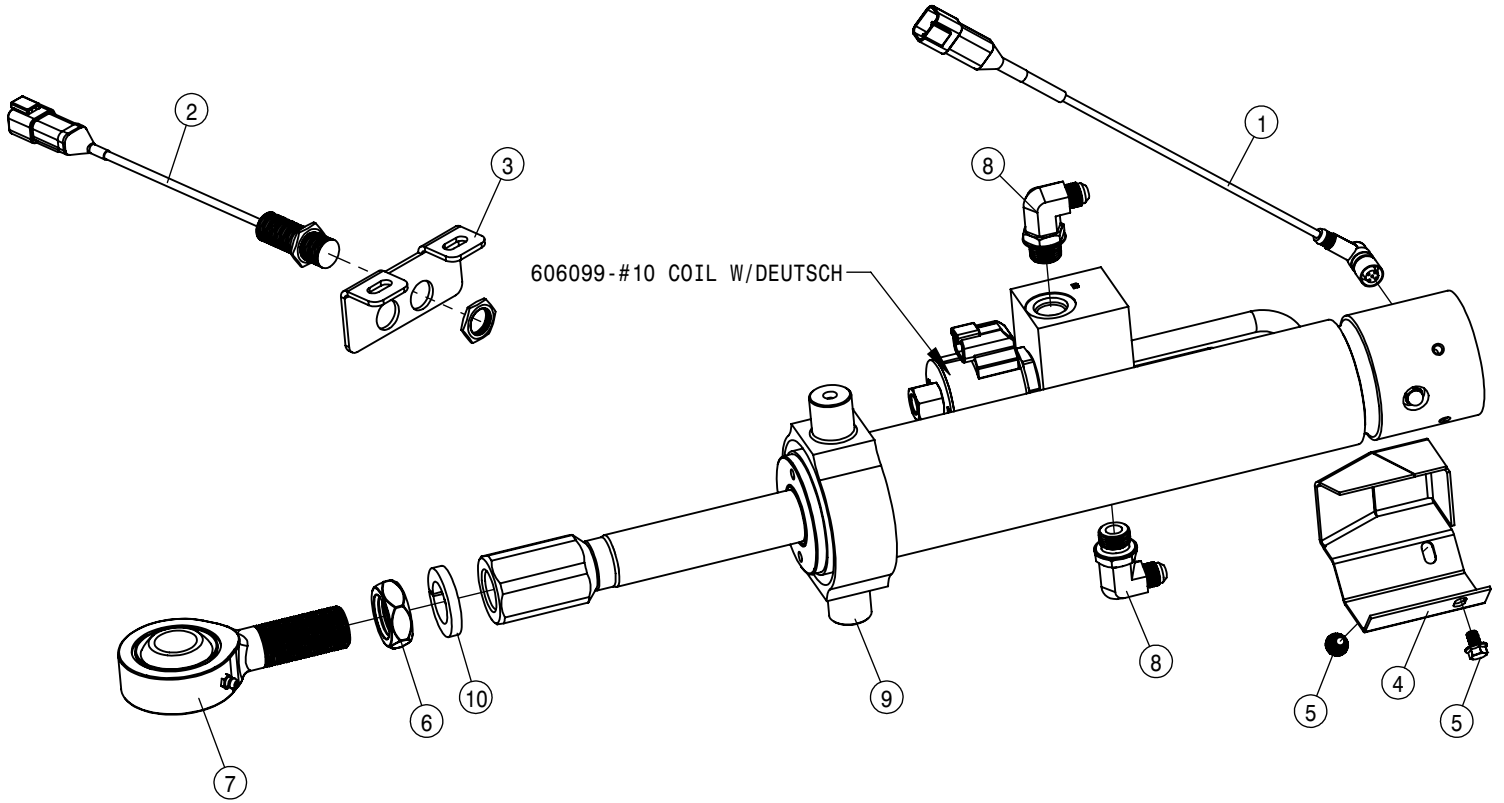


NOTE: USED WITH THE ALL WHEEL STEER OPTION.

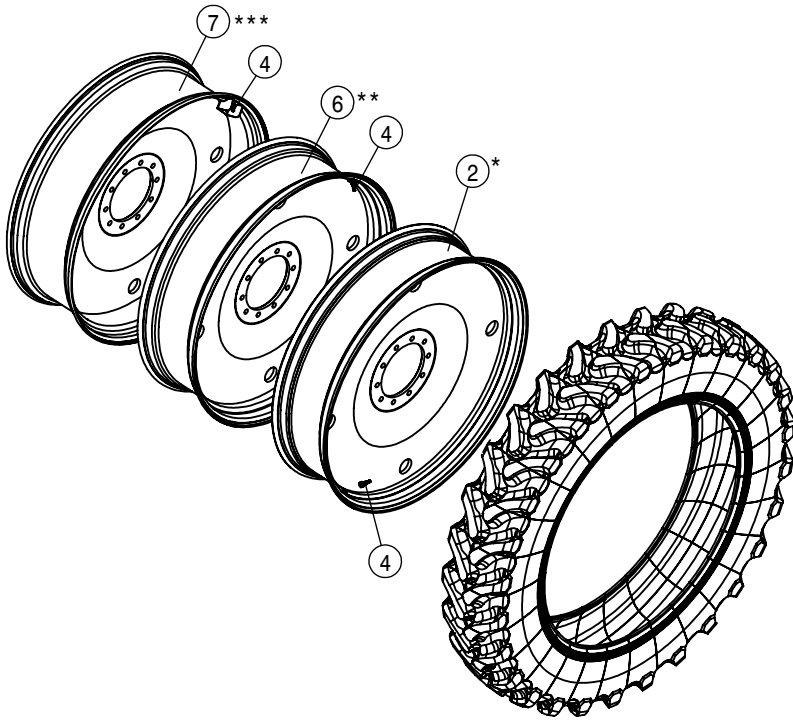
LEFT FRONT STEERING CYLINDER ASSEMBLY			
DET	QTY	P/N	DESCRIPTION
1	2	291994	SENSOR HARNESS FOR AWS
2	2	294056	M12 CAP
3	2	359645	STRG CYL SENSOR GUARD
4	4	470883	1/4UNC X 3/8 SERR FLG BOLT SS
5	1	472328	1"-12 HEX JAM NUT
6	1	474004	ROD END, 1.00 BORE, 1-12 RH MALE
7	2	618241	3/4MJIC-90-3/4MOR LBO
8	1	621654	HYD CYL, 2.50 X 8.81 PHASE/SENS
9	1	920508	1" LOCK WASHER



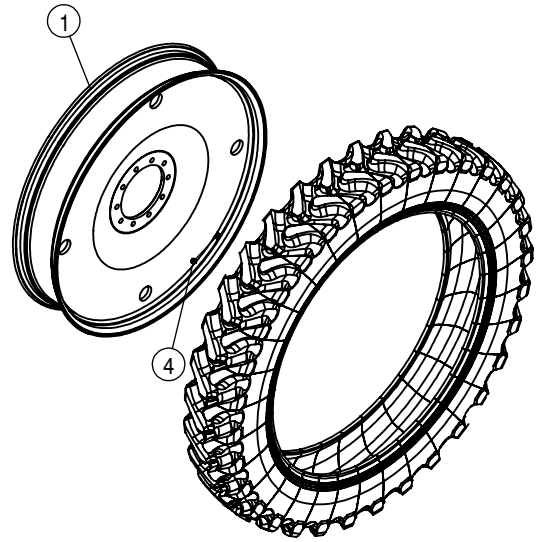
RIGHT REAR STEERING CYLINDER ASSEMBLY			
DET	QTY	P/N	DESCRIPTION
1	1	291994	SENSOR HARNESS FOR AWS
2	1	292926	INDUCTIVE PROX SENSOR, 18MM
3	1	359555	SENSOR BRKT, STS AWS 09
4	1	359645	STRG CYL SENSOR GUARD
5	2	470883	1/4UNC X 3/8 SERR FLG BOLT SS
6	1	472328	1"-12 HEX JAM NUT
7	1	474004	ROD END, 1.00 BORE, 1-12 RH MALE
8	2	618115	9/16MJIC-90-3/4MOR LBO
9	1	621653	HYD CYL, 2.50 X 8.81 X 1.25
10	1	920508	1" LOCK WASHER



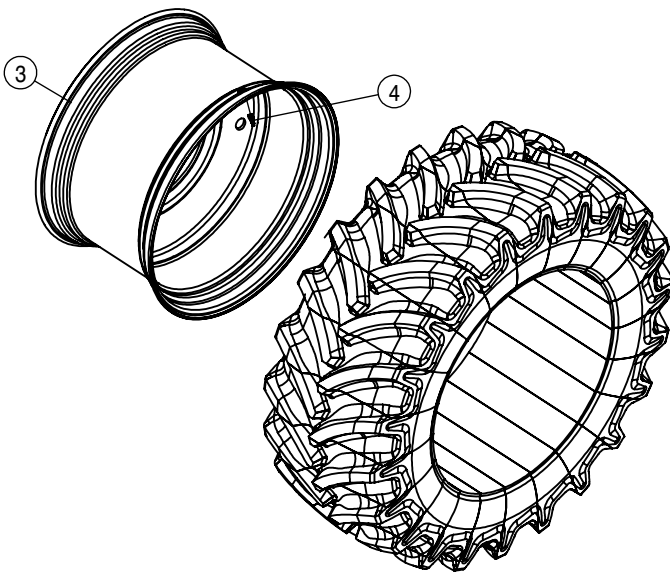
LEFT REAR STEERING CYLINDER ASSEMBLY			
DET	QTY	P/N	DESCRIPTION
1	1	291994	SENSOR HARNESS FOR AWS
2	1	292926	INDUCTIVE PROX SENSOR, 18MM
3	1	359555	SENSOR BRKT, STS AWS 09
4	1	359645	STRG CYL SENSOR GUARD
5	2	470883	1/4UNC X 3/8 SERR FLG BOLT SS
6	1	472328	1"-12 HEX JAM NUT
7	1	474004	ROD END, 1.00 BORE, 1-12 RH MALE
8	2	618115	9/16MJIC-90-3/4MOR LBO
9	1	621653	HYD CYL, 2.50 X 8.81 X 1.25
10	1	920508	1" LOCK WASHER



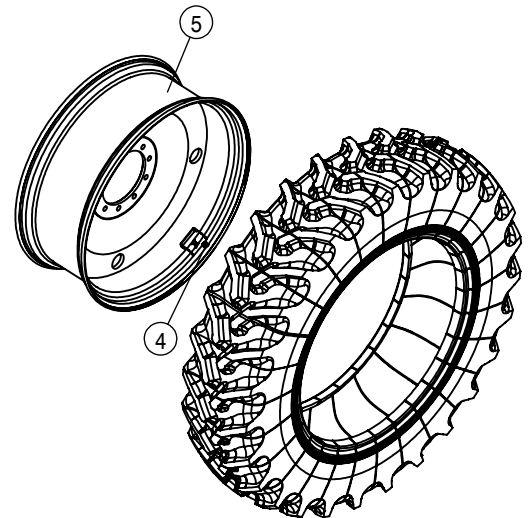
- \* IF380/105 R50 RADIAL TIRE
- \*\* VF420/95 R50 RADIAL TIRE
- \*\*\* VF480/80 R50 RADIAL TIRE



IF320/105 R54 RADIAL TIRE



IF800/55 R46 RADIAL TIRE

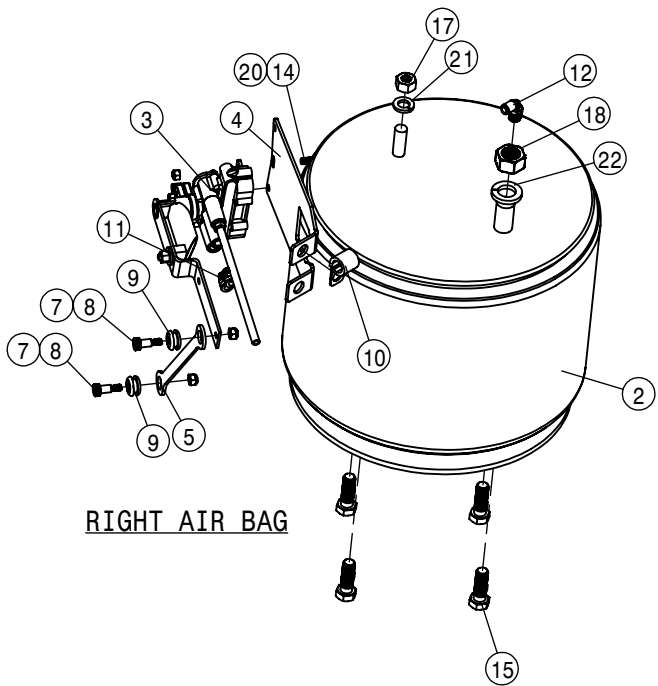


520/85 R42 RADIAL TIRE

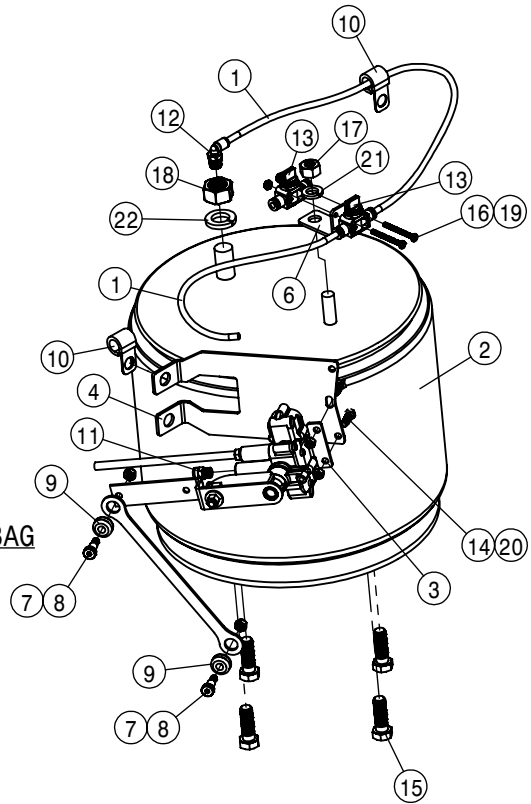
480/80 R42 RADIAL TIRE

TIRE AND RIM ASSEMBLY			
DET	QTY	P/N	DESCRIPTION
1	1	820174	WHEEL 54 X W10A
2	1	820207	WHEEL - 50 X W12B
3	1	821072	WHEEL-46 X F-DW28B
4	6	821252	VALVE STEM, TR-618A, STAINLESS
5	1	820191	WHEEL - 42 X W16B
6	1	820176	WHEEL - 50 X W13B
7	1	820183	WHEEL - 50 X W15B





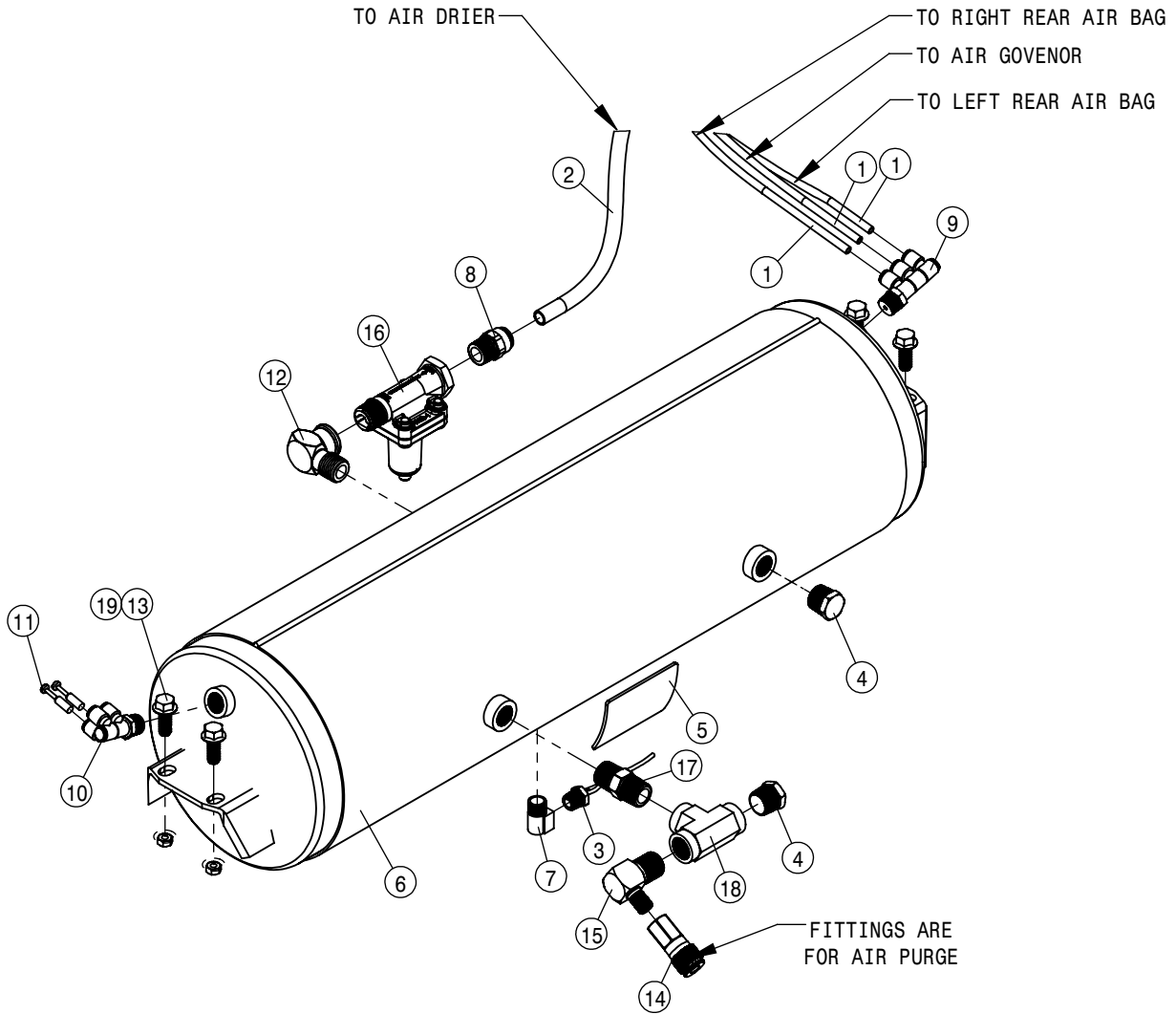
**RIGHT AIR BAG**



**LEFT AIR BAG**

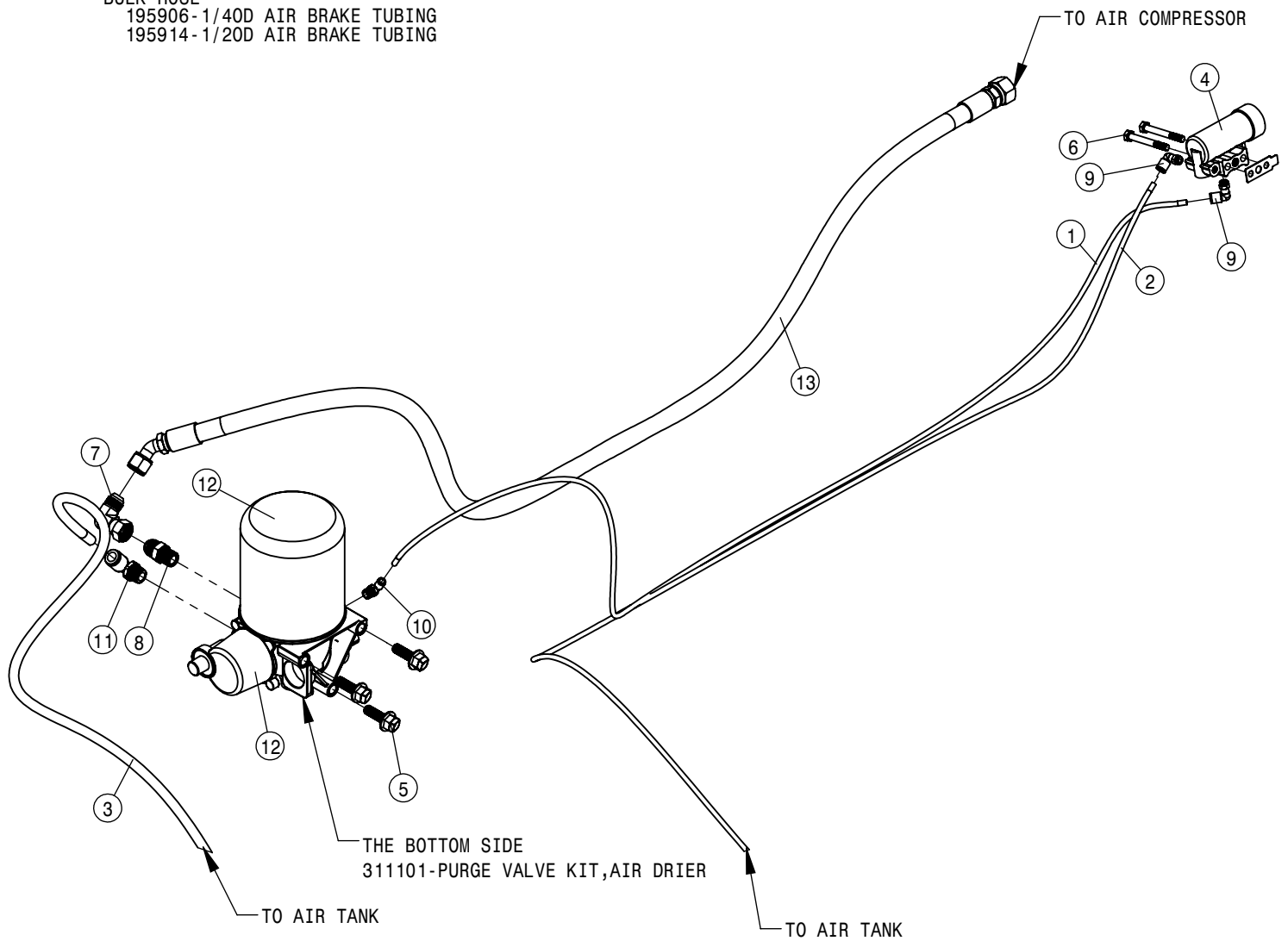
AIR BAG ASSEMBLY			
DET	QTY	P/N	DESCRIPTION
1	2	195906-069	1/40D AIR BRAKE TUBING J844-A
2	2	311080	AIRIDE SPRING, 11.81 BASE
3	2	358832	AIRIDE SPRING CTRL VALVE 98
4	2	360140	AIRRIDE VALVE BRACKET
5	2	360141	LINK-AIR VALVE, FRONT MOUNT
6	1	360147	AIR DUMP VLV BRKT,STS 15
7	4	470089N	1/4UNC HEX NYLOC NUT, 316 SS
8	4	470607	1/4UNC-5/16 X .50 SHLDR SCR SS
9	4	470608	GROMMET-.31 ID X .56 PD X .19 PG
10	3	520164	CUSH HOSE CLAMP,#9, 9/16D X 3/4W
11	4	711036	1/8MNPT-1/4 NYL TUBE FTG
12	2	711040	1/4MNPT-90-1/4 NYL TUBE LBO
13	2	711053	AIR VALVE, 1/4 NYL TUBE
14	4	900002	1/4UNC x 3/4 HEX BOLT
15	8	900265	1/2UNC X 1 1/2 HEX BOLT
16	2	903854	8-32 X 1 3/4 PHIL PN MACH SCR SS
17	2	910008	1/2UNC HEX NUT
18	2	910013	3/4UNF HEX NUT
19	2	910024	8-32 HEX NUT
20	4	914000	1/4UNC HEX STOVER NUT
21	2	920504	1/2 LOCK WASHER
22	2	920506	3/4 LOCK WASHER

BULK HOSE  
 195906-1/40D AIR BRAKE TUBING  
 195914-1/20D AIR BRAKE TUBING  
 195963-1/40D NYLON TUBING, YELLOW



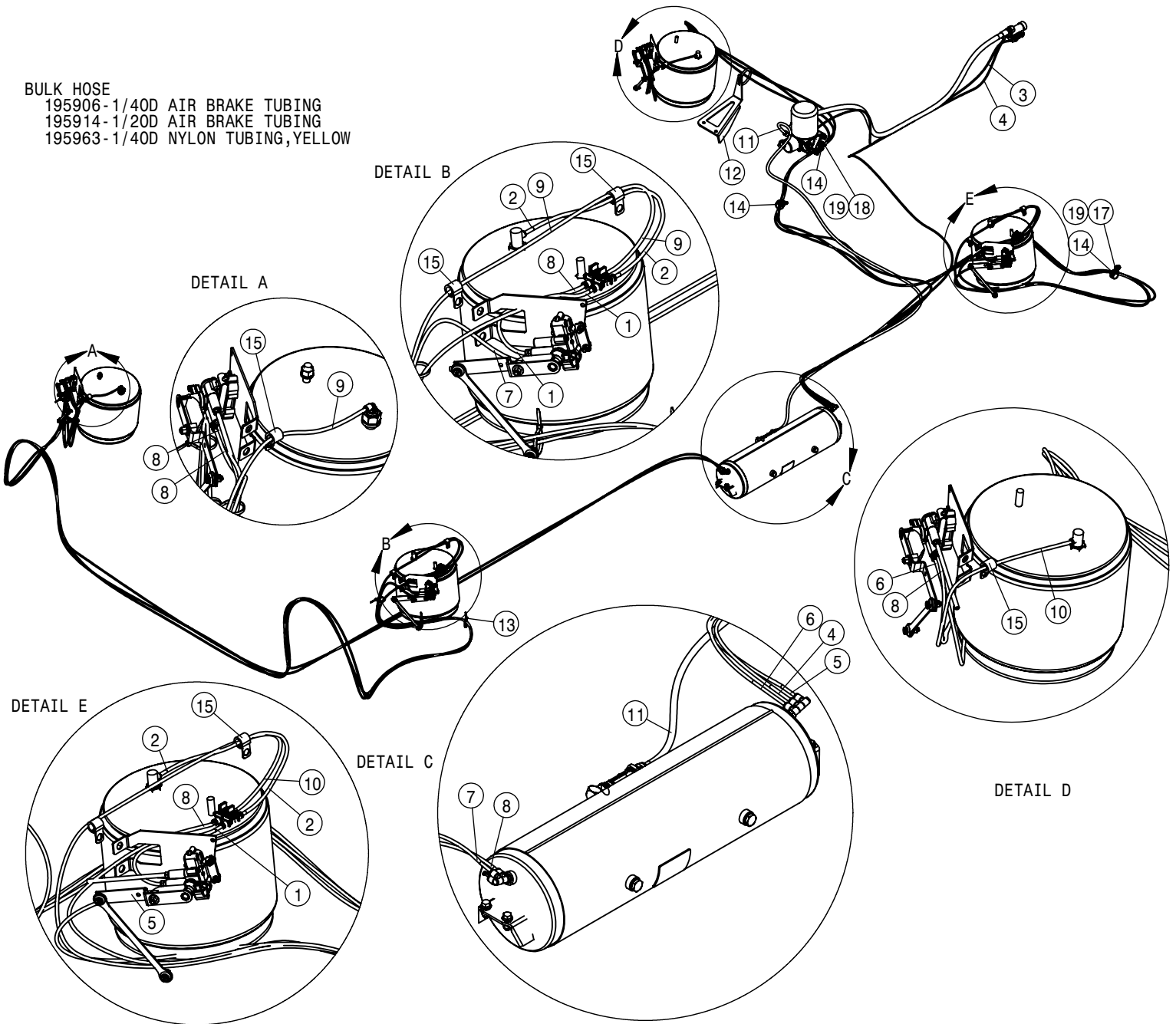
AIR TANK ASSEMBLY			
DET	QTY	P/N	DESCRIPTION
1	3	195906-069	1/40D AIR BRAKE TUBING J844-A
2	1	195914-129	1/20D AIR BRAKE TUBING J844-B
3	1	470266	DRAIN VALVE KIT, 1/4NPT
4	2	505231	PIPE PLUG .50NPT HEX HD BRS
5	1	650348	DECAL, NOTICE, DRAIN AIR TANK
6	1	701365	AIR TANK
7	1	711027	1/4 NPT ST EL BRS
8	1	711037	1/2MNPT-1/2 NYL TUBE FTG
9	1	711046	3/8MNPT-1/4 NYL TUBE TRPL LBO
10	1	711047	3/8MNPT-1/4NYL TUBE, DBL BRANCH
11	2	711063	RUBBER PLUG FOR 1/4 PISCO CPLR7
12	1	711079	1/2NPT ST EL BRS
13	4	900129N	3/8UNC X 1" SERR FLANGE BOLT
14	1	711083	1/4 NPT SLV LOCK SOCKET BRS
15	1	618633	1/2MNPT-90-1/4MNPT REDU LBO
16	1	311086	CHECK VALVE, PRESS CRTL, WABCO
17	1	500000	1/2MNPT HEX PIPE NIPPLE STL
18	1	503819	1/2FNPT PIPE TEE STL
19	5	910001	1/4-28UNF HEX NUT MC GR5

BULK HOSE  
 195906-1/40D AIR BRAKE TUBING  
 195914-1/20D AIR BRAKE TUBING

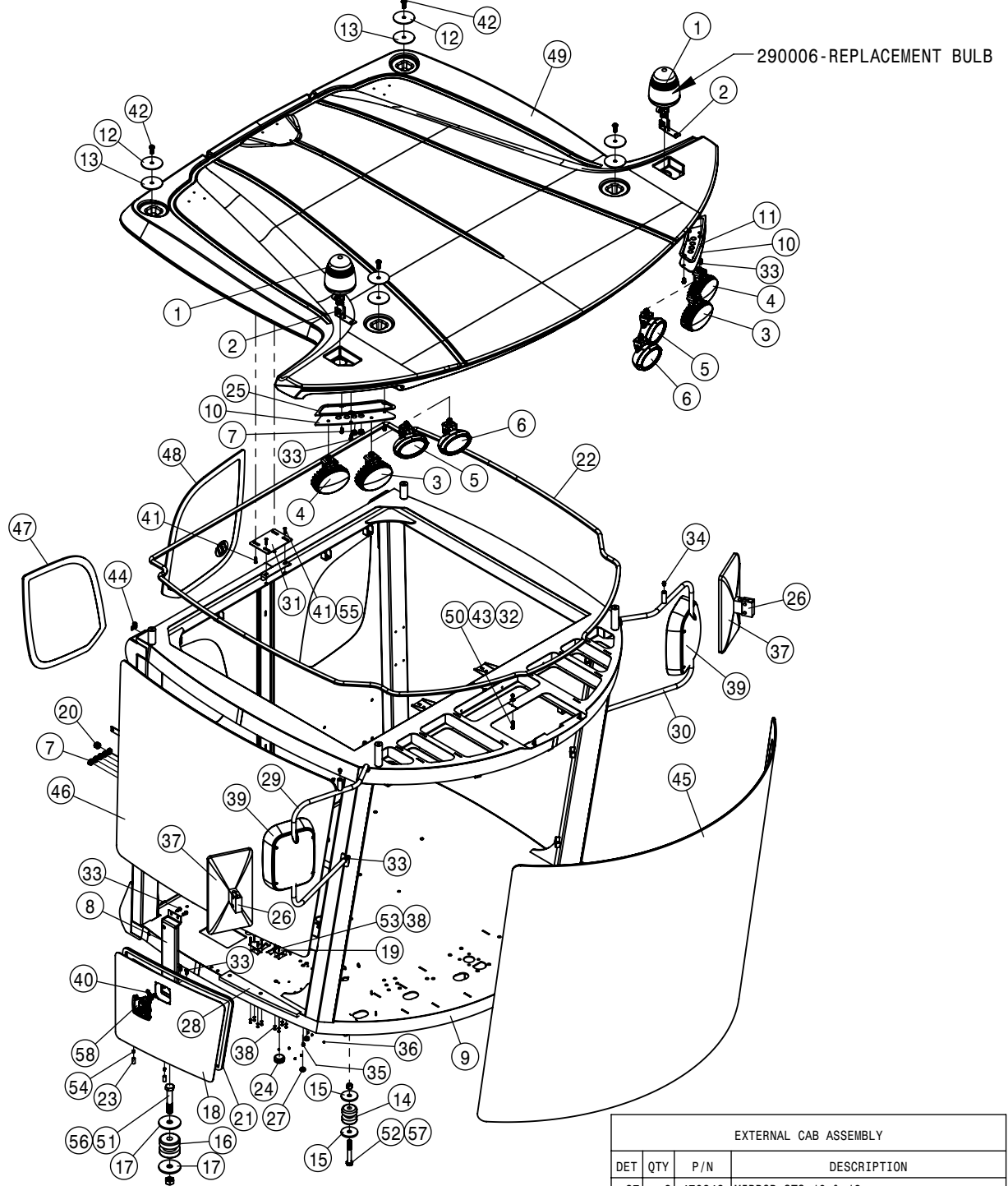


AIR DRIER AND GOVERNOR ASSEMBLY			
DET	QTY	P/N	DESCRIPTION
1	1	195906-069	1/40D AIR BRAKE TUBING J844-A
2	1	195906-162	1/40D AIR BRAKE TUBING J844-A
3	1	195914-129	1/20D AIR BRAKE TUBING J844-B
4	1	316277	AIR COMPRESSOR GOVERNOR KIT
5	3	470431	1/2UNC X 1 1/2 HHSFB GR5 MC
6	2	473822	8MM-1.25 X 70MM HEX BOLT GR8
7	1	618301	7/8MJIC-90-7/8FJIC SWIV LBO
8	1	618325	7/8MJIC-1/2MNPT ADPTR
9	2	711039	1/8MNPT-90-1/4 NYL TUBE LBO
10	1	711040	1/4MNPT-90-1/4 NYL TUBE LBO
11	1	711042	1/2MNPT-1/2 NYL TUBE LBO
12	1	311084	AIR DRYER, SYSTEM SAVER 1200
13	1	617204	10-451TC-12FJX-10FJX45-69 H/A

BULK HOSE  
 195906-1/40D AIR BRAKE TUBING  
 195914-1/20D AIR BRAKE TUBING  
 195963-1/40D NYLON TUBING, YELLOW



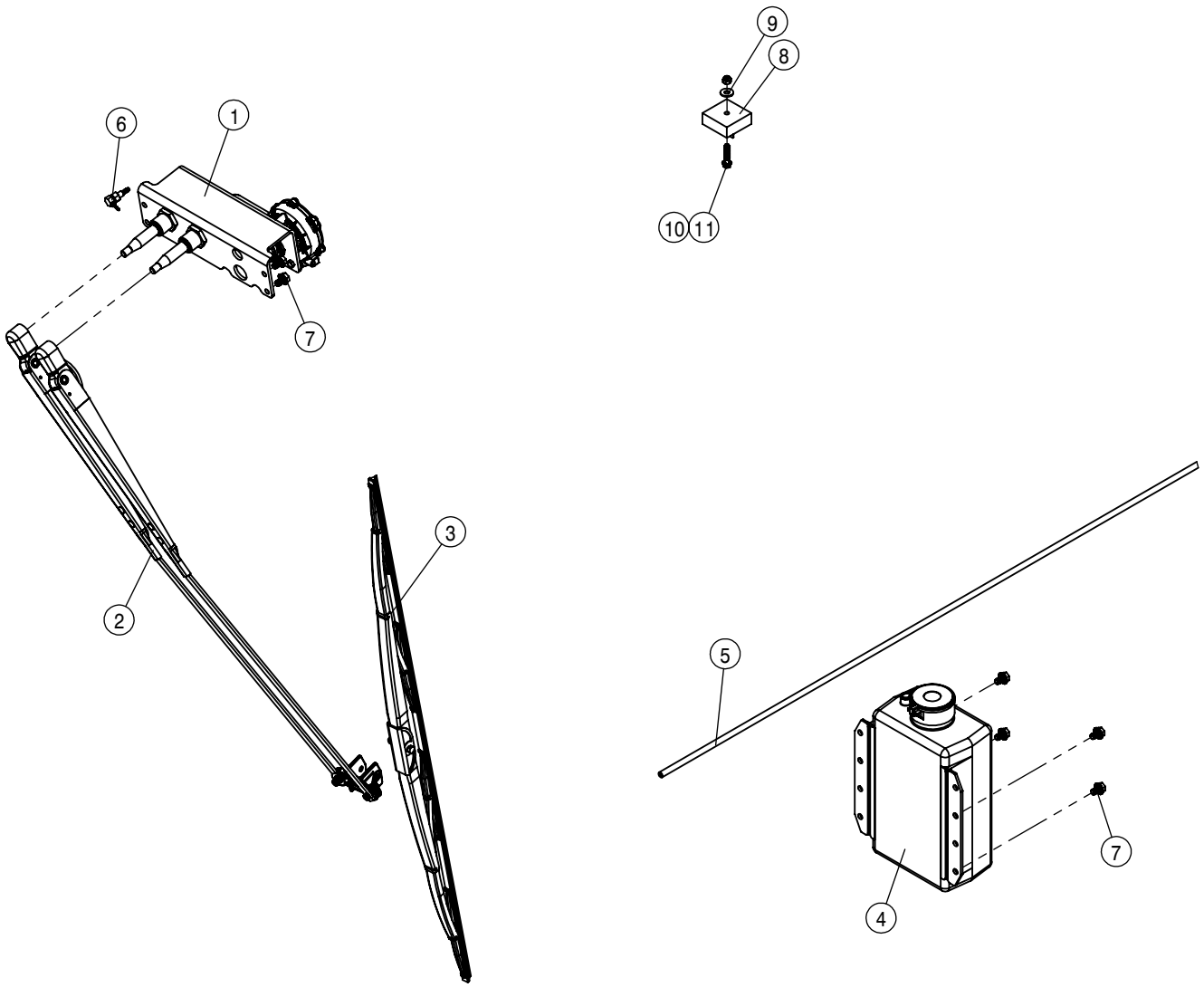
AIR LINE ASSEMBLY			
DET	QTY	P/N	DESCRIPTION
1	2	195906-011	1/40D AIR BRAKE TUBING J844-A
2	2	195906-022	1/40D AIR BRAKE TUBING J844-A
3	1	195906-069	1/40D AIR BRAKE TUBING J844-A
4	1	195906-162	1/40D AIR BRAKE TUBING J844-A
5	1	195906-181	1/40D AIR BRAKE TUBING J844-A
6	1	195906-226	1/40D AIR BRAKE TUBING J844-A
7	1	195906-238	1/40D AIR BRAKE TUBING J844-A
8	3	195906-300	1/40D AIR BRAKE TUBING J844-A
9	1	195906-326	1/40D AIR BRAKE TUBING J844-A
10	1	195906-330	1/40D AIR BRAKE TUBING J844-A
11	1	195914-129	1/20D AIR BRAKE TUBING J844-B
12	1	362115	REAR RGT LEG HOSE BRKT
13	6	470154	CABLE TIE, 11.00" BLK NYLON
14	4	520160	CUSH CLAMP,#24 1 1/2D-3/4WLOOP
15	6	520164	CUSH HOSE CLAMP,#9, 9/16D X 3/4W
16	1	617204	10-451TC-12FJX-10FJX45-69 H/A
17	1	900128N	3/8UNC X 3/4 SER FLANGE BOLT
18	2	900129N	3/8UNC X 1" SERR FLANGE BOLT
19	3	910004N	3/8UNC FLANGE CNTR LOCK NUT



EXTERNAL CAB ASSEMBLY			
DET	QTY	P/N	DESCRIPTION
1	2	290059	BEACON, 12V AMBER HALOGEN
2	2	290060	BEACON TILT SURFACE MT, QK CHG
3	2	292612	WORKLIGHT - LED FLOOD
4	2	292613	WORKLIGHT - LED TRAP
5	2	292614	WORKLIGHT - HALOGEN CLOSE RANGE
6	2	292615	WorkLight - Oval 100 Long Range
7	8	292634	HOLE PLUG
8	1	344299	ACCESS PANEL SEALING SURFACE WLDT
9	1	344302	CAB WLD STS' 15
10	2	344357	ROOF LIGHT MNT PLT, STSCAB' 14
11	1	344358	ROOF LIGHT MNT PLT GASKET, STSCAB' 14
12	4	344359	ROOF RETAINER WASHER, STSCAB' 14
13	4	344360	ROOF RETAINER WASHER SEAL, STSCAB' 14
14	2	344393	ISO MOUNT
15	4	344394	ISO MT WASHER FRNT, STS' 14
16	2	344395	ISO MOUNT
17	4	344396	ISO MT WASHER REAR, STS' 14
18	1	344452	FRT ACCESS PNL WLDT, STS' 14

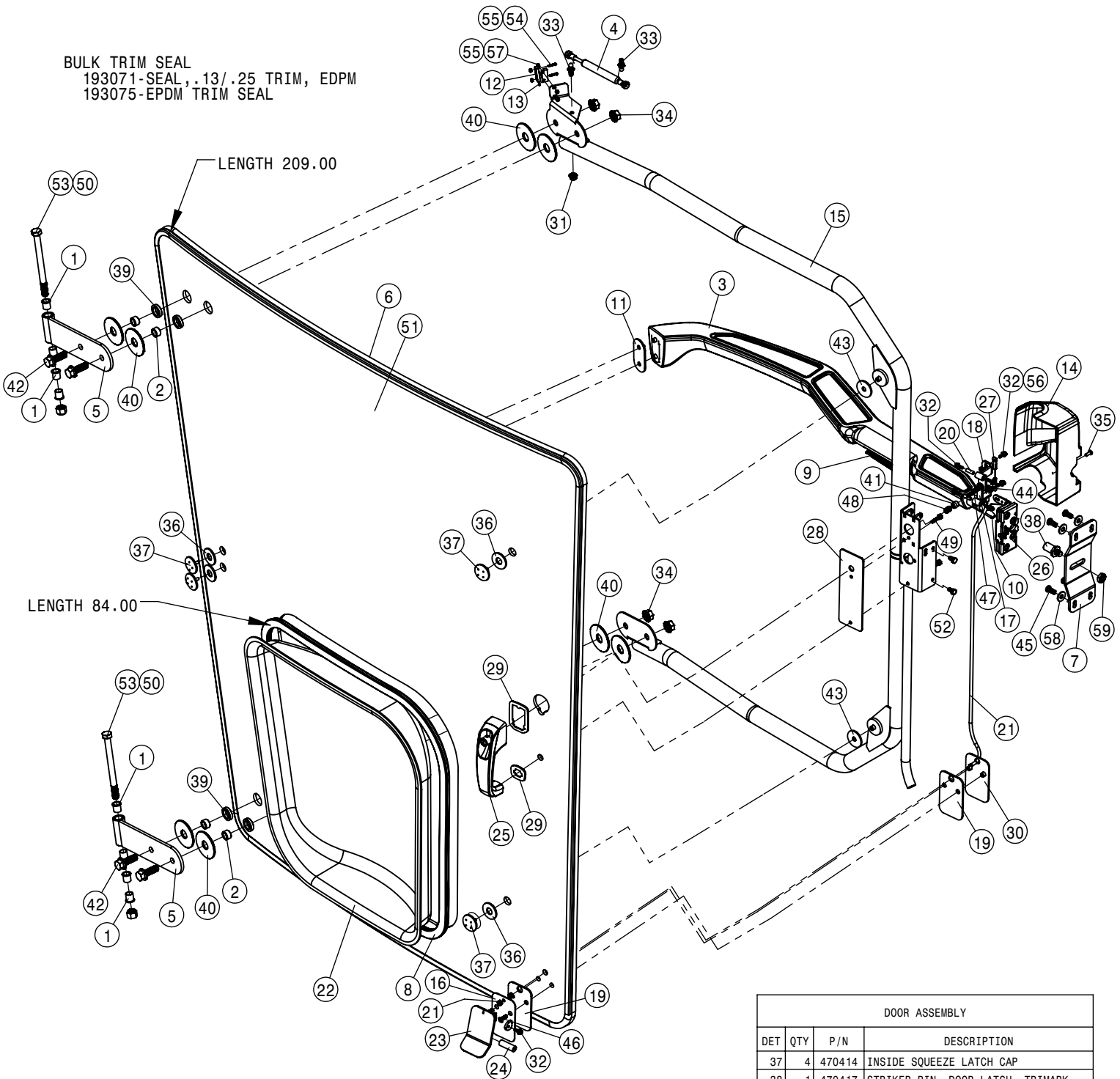
EXTERNAL CAB ASSEMBLY			
DET	QTY	P/N	DESCRIPTION
19	2	344477	PLATE - 12 PIN COVER
20	10	344478	BUSHING - STRAIN RELIEF
21	1	344479	SEAL - ACCESS PANEL
22	1	344481	SEAL - CAB ROOF STS
23	2	344497	THREADED NYLN SPCR, STS' 14
24	1	344509	HOLE PLUG - 24 SERIES
25	1	344513	ROOF LIGHT MT PLT RH GASKET, STS' 14
26	2	344515	STD MIR BRKT, STS' 14
27	2	344554	HOSE GROMMET, STS' 14
28	1	344579	ACCESS PANEL SEAL LWR, STS' 14
29	1	344631	MIRROR BRKT WLDT RH, STS' 15
30	1	344635	MIRROR BRKT WLDT LH, STS' 15
31	1	344666	ROOF MOUNTING PLT, STS' 15
32	1	470089N	1/4UNC HEX NYLOC NUT, 316 SS
33	16	470118	1/4 UNC X 3/4 SER FLG BOLT
34	2	470122	1/4 UNC X 1/2 SERR FLG BOLT
35	3	470143	3/8UNC X 1/2 SKT HD SET SCR
36	7	470168	10-32 X 1/4 ALHD CUP SET SCR

EXTERNAL CAB ASSEMBLY			
DET	QTY	P/N	DESCRIPTION
37	2	470348	MIRROR STS 10 & 12
38	8	470467	6-32 KEP NUT
39	2	470648	POWER MIRROR
40	1	470661	CAM LATCH, STS' 14
41	6	472345	1/4UNC X 1 ALHD BUTTON CAP SCR
42	4	474001	1/2-13 X 1 1/4 BUTTN SKT HD SS
43	1	483038	1/4 REGULAR FLAT WASHER
44	1	520163	CUSH HOSE CLAMP, #8, 1/2D X 3/4W
45	1	658100	WINDOW - FRT 2014 STS
46	1	658101	WINDOW - RH SIDE 2014 STS CAB
47	1	658103	WINDOW - REAR RH 2014 STS CAB
48	1	658104	WINDOW - REAR LH 2014 STS CAB
49	1	659139	CAB ROOF, STS/DTS '17
50	1	900004N	1/4 UNC X 1 1/4 SER FLG BOLT SS
51	2	900481	7/8UNC X 5 HEX BOLT, GR8
52	2	900847	5/8UNC X 4 1/2 HEX BOLT GR8 YZ
53	8	903814	6-32 X 3/4 PHIL PANHD MACH SCR BZ
54	2	903884	10-32X3/8 PHIL PN MACH SCR
55	2	914000	1/4UNC HEX STOVER NUT
56	2	914014	7/8UNC HEX STOVER NUT
57	2	914810	5/8UNC HEX STOVER NUT GR8
58	1	470660	LATCH ASSY, STS' 14
59	8	903844	8-32 X 1/2 PHIL PANHD MACH SCR
60	8	470541	8-32 KEP NUT



WIPER ASSEMBLY			
DET	QTY	P/N	DESCRIPTION
1	1	344367	WIPER MOTOR STS
2	1	344379	WIPER ARM STS
3	1	344380	WIPER BLADE STS
4	1	344382	WASHER BOTTLE
5	1	344383	HOSE - WASHER STS
6	1	344483	WASHER BULKHEAD, STS' 14
7	8	470232	5/16UNC X 1/2 SERR FLG HEX BOLT
8	1	290094	TIMER - WIPER
9	1	483038	1/4 REGULAR FLAT WASHER
10	1	470089N	1/4UNC HEX NYLOC NUT, 316 SS
11	1	900004N	1/4 UNC X 1 1/4 SER FLG BOLT SS

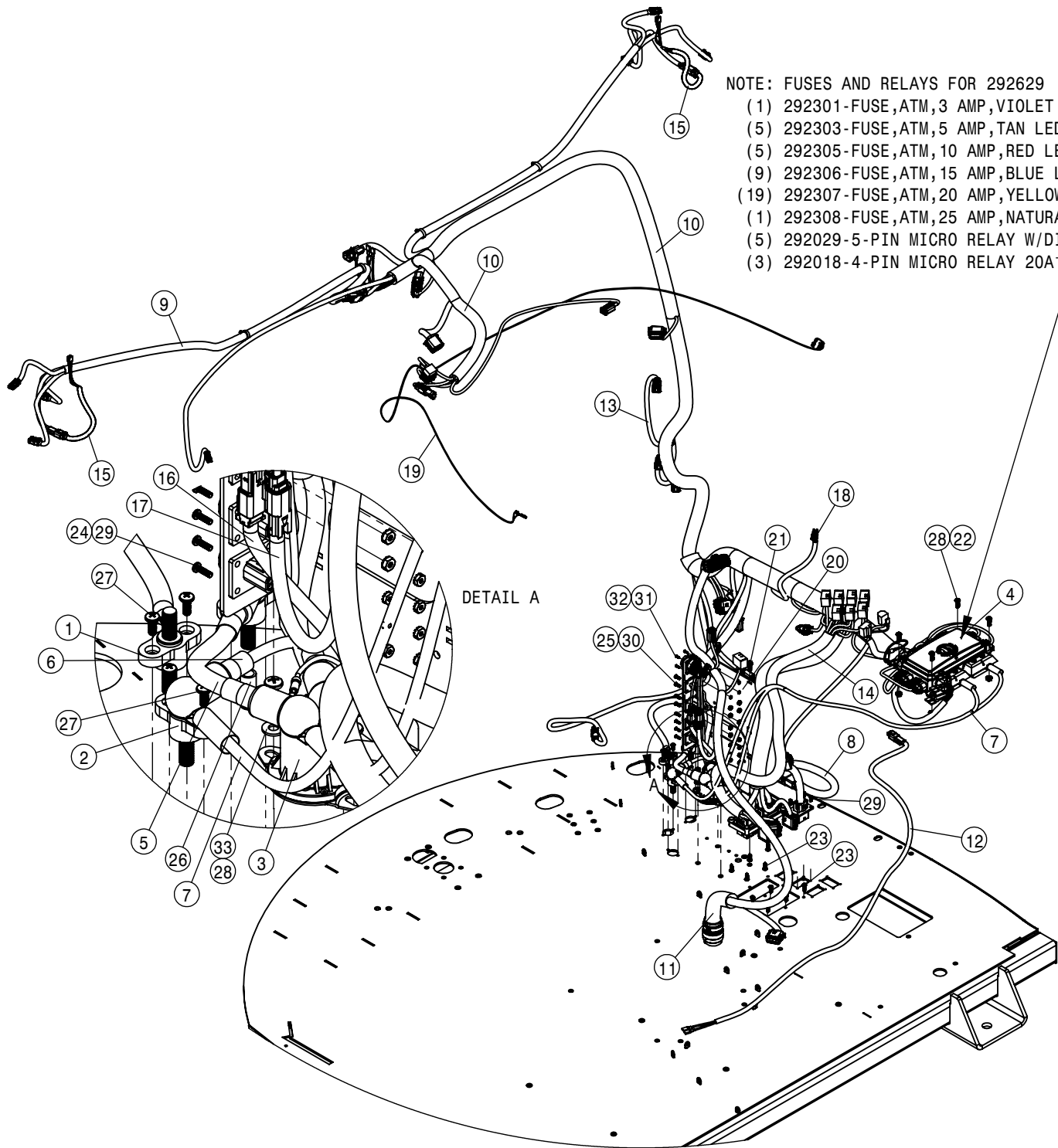
BULK TRIM SEAL  
 193071-SEAL, .13/.25 TRIM, EDPM  
 193075-EPDM TRIM SEAL



DOOR ASSEMBLY			
DET	QTY	P/N	DESCRIPTION
1	8	127506	NYLON FLANGE BRG, STS
2	4	343335	DOOR HINGE GLASS BUSH, CAB 05
3	1	344331	DOOR LATCH TUBE MOLDED, STSCAB' 14
4	1	344335	GAS CYLINDER 40LB 2.0 STROKE
5	2	344336	DOOR HINGE WLDT, STSCAB' 14
6	1	344423	BULB SEAL - DOOR, CAB
7	1	344428	DOOR LATCH STRKR PIN MNT PLATE '14
8	1	344482	TRIM SEAL - BUBBLE STS
9	1	344508	DOOR LOCK KIT, STS' 14
10	1	344510	DOOR LATCH ROD, STS' 14
11	1	344551	GASKET - DOOR ARM REST MOUNT
12	1	344560	DOOR SWITCH, STS' 14
13	1	344561	DOOR SWITCH MAGNET, STS' 14
14	1	344589	DOOR LATCH COVER, STS' 15
15	1	344590	DOOR FRAME WLDT, STS' 15
16	1	344592	FOOT PEDAL BASE WLDT, STS' 15
17	1	344596	DOOR LATCH HINGE, STS' 15
18	1	344597	DOOR LATCH HINGE WLDT, STS' 15

DOOR ASSEMBLY			
DET	QTY	P/N	DESCRIPTION
19	2	344600	FOOT PEDAL MT GASKET, STS' 15
20	2	344604	DOOR LATCH HINGE PIN, STS' 15
21	1	344607	DOOR RELEASE CABLE, STS' 15
22	1	344610	DOOR BUBBLE INSERT, STS' 15
23	1	344611	FOOT PEDAL WLDT, STS' 15
24	1	344618	FOOT PEDAL PIVOT PIN, STS' 15
25	1	344620	DOOR HANDLE PUSH BUTTON' 15
26	1	344621	DOOR LATCH, STS' 15
27	1	344624	DOOR LATCH CABLE ASSY, STS' 15
28	1	344625	DOOR HANDLE MT GASKET, STS' 15
29	1	344627	DOOR HANDLE GASKET, STS' 15
30	1	344628	FOOT PEDAL MT WLDT, STS' 15
31	1	470113	5/16UNC SERR FLG LOCK NUT
32	8	470215	10-32 X 1/2 SERR FLG HEX BOLT
33	2	470255	BALL STUD, 5/16-18 THRD X 10MM
34	4	470360	1/2UNC SERR FLG HEX NUT
35	1	470412	INSIDE SQUEEZE LATCH SCREWS
36	4	470413	INSIDE SQUEEZE LATCH GASKET

DOOR ASSEMBLY			
DET	QTY	P/N	DESCRIPTION
37	4	470414	INSIDE SQUEEZE LATCH CAP
38	1	470417	STRIKER PIN, DOOR LATCH, TRIMARK
39	4	470419	DOOR HINGE BUSH,RUBBER STS 05
40	8	470420	DOOR HINGE BUSH,RUBBER STS 05
41	1	470421	NYLON SPACER, SPHERICAL 6MMx12
42	4	470431	1/2UNC X 1 1/2 SERR FLG BOLT
43	2	470489	GASKET, DOOR HANDLE STIFFENER
44	1	470689	10-24 HEX NYLOC NUT, SS
45	4	472375	5/16UNC X 3/4 BUTN CAP SCR BLK
46	2	473761	6MM-1.00 X 20MM FLT HD SCREW
47	1	473762	6MM-1.00 X 45 PAN HD PHL SCREW
48	2	473767	6MM-1.00 HEX NUT
49	2	473787	6MM-1.00 X 25MM HEX BOLT GR8
50	2	473988	1/2UNC HEX NUT, NYLOC SS
51	1	658105	GLASS DOOR, STS' 15
52	2	900000	1/4UNC X 1/2 HEX BOLT
53	2	900348	1/2UNC X 6" HEX BOLT SS
54	2	903906	#4-40 X 5/8 PHIL PAN HD SCREW
55	4	910031	#4-40 HEX LOCK NUT
56	2	914027	10-32 HEX STOVER NUT
57	2	903904	4-40 X 3/8 PHIL PAN MACH SCR
58	4	910133	USS FLAT WASHER 5/16 BZ
59	1	473759	12MM-1.75 HEX JAM NUT YZ

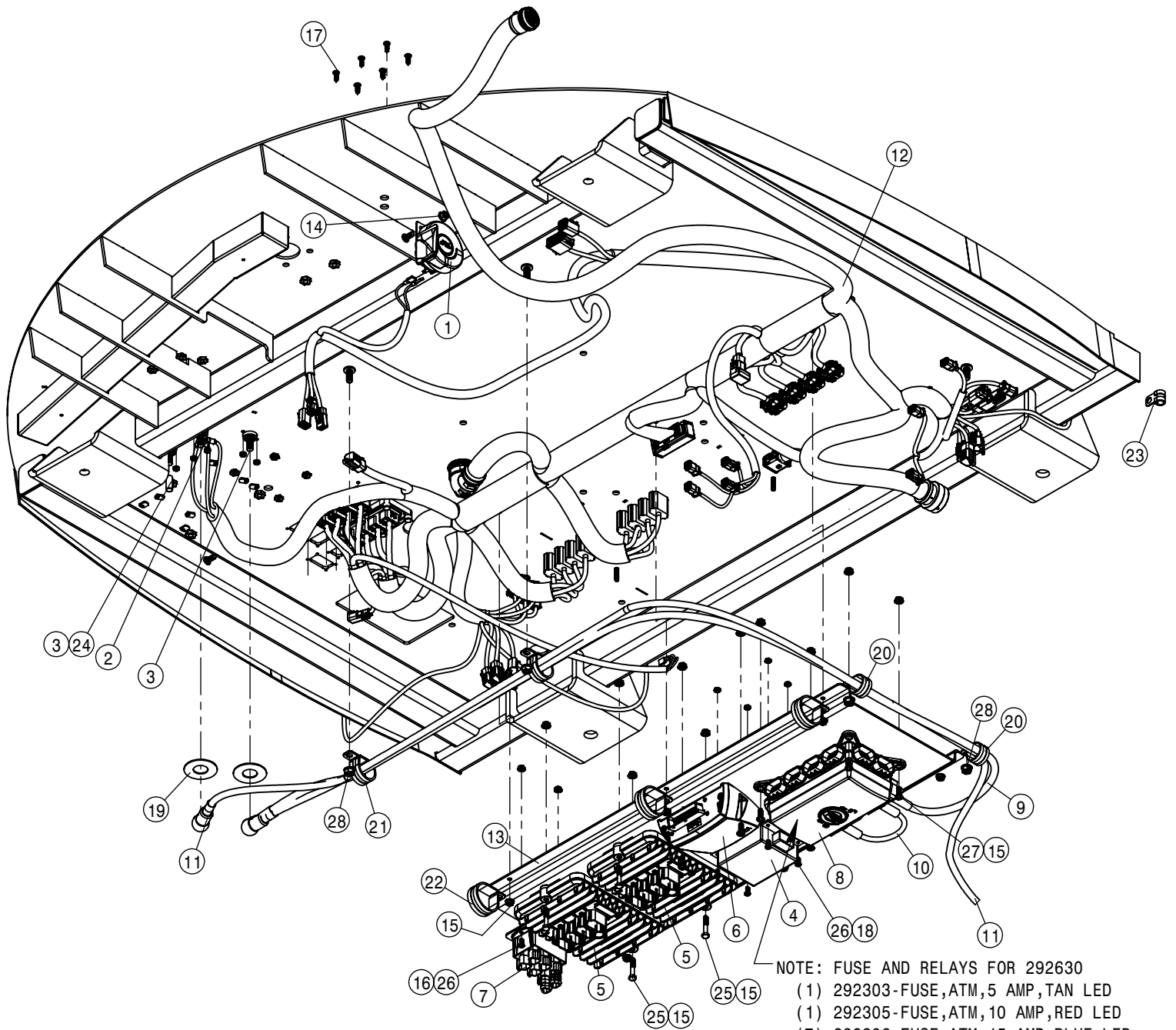


NOTE: FUSES AND RELAYS FOR 292629  
 (1) 292301-FUSE,ATM,3 AMP,VIOLET LED  
 (5) 292303-FUSE,ATM,5 AMP,TAN LED  
 (5) 292305-FUSE,ATM,10 AMP,RED LED  
 (9) 292306-FUSE,ATM,15 AMP,BLUE LED  
 (19) 292307-FUSE,ATM,20 AMP,YELLOW LED  
 (1) 292308-FUSE,ATM,25 AMP,NATURAL LED  
 (5) 292029-5-PIN MICRO RELAY W/DIODE 35A  
 (3) 292018-4-PIN MICRO RELAY 20A

CAB ELECTRICAL-TOP ASSEMBLY			
DET	QTY	P/N	DESCRIPTION
1	1	291749	TERM BLOCK,BLACK,3/8-16 THRU
2	2	291750	TERM BLOCK,RED,3/8-16 THRU
3	1	292505	MCR
4	1	292629	DVEC - INTERIOR
5	1	292646	CABLE - SWITCH POWER STS
6	1	292647	CABLE - BATTERY POWER STS
7	1	292648	CABLE - DVEC POWER STS
8	1	294146	HARNESS - AUTO STEER CAB
9	2	294200	HARNESS - ROOF STS
10	1	294201	HARNESS - MAIN CAB INT STS
11	1	294203	HARNESS - SEAT POD STS
12	1	294204	HARNESS - 12V POWER PLUG STS
13	1	294205	HARNESS - A-POST GAUGE STS
14	1	294206	HARNESS - CAB SWITCH STS
15	2	294207	HARNESS - BEACON STS
16	1	294209	HARNESS - MCR STS
17	1	294210	HARNESS - PRES SWITCH STS

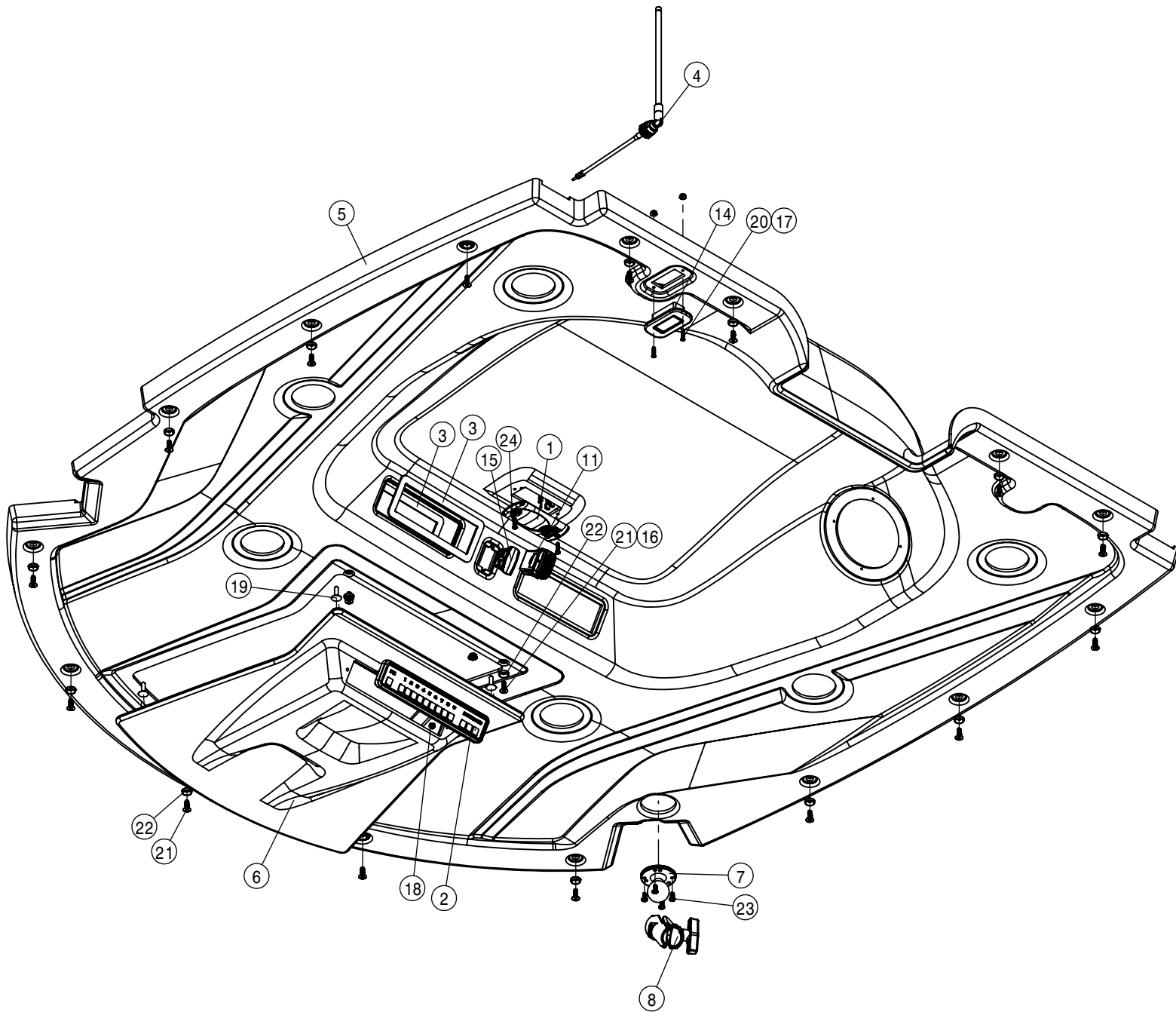
CAB ELECTRICAL-TOP ASSEMBLY			
DET	QTY	P/N	DESCRIPTION
18	1	294211	HARNESS - E-STOP STS
19	1	294212	HARNESS - SPEAKER STS
20	1	344288	STS CAB ELEC BRKT '14
21	2	470118	1/4 UNC X 3/4 SER FLG BOLT
22	4	470121	1/4 UNC SERR FLG LOCK NUT
23	12	470465	#12 X 3/4 PHIL PAN SHT MTL SCR
24	12	470467	6-32 KEP NUT
25	8	470541	8-32 KEP NUT
26	1	629736	CAPPLUGS CAP,.312 X 1.00 VINYL
27	6	903706	10-32X1/2 PHIL PAN MACH SCR
28	6	903711	1/4UNC X3/4PHIL PANHD MACH SCR
29	12	903812	6-32 X 1/2 PHIL PAN MACH SCR
30	8	903844	8-32 X 1/2 PHIL PANHD MACH SCR
31	4	903904	4-40 X 3/8 PHIL PAN MACH SCR
32	4	910029	4-40 HEX NUT
33	2	920000N	1/4 SAE FLAT WASHER SS





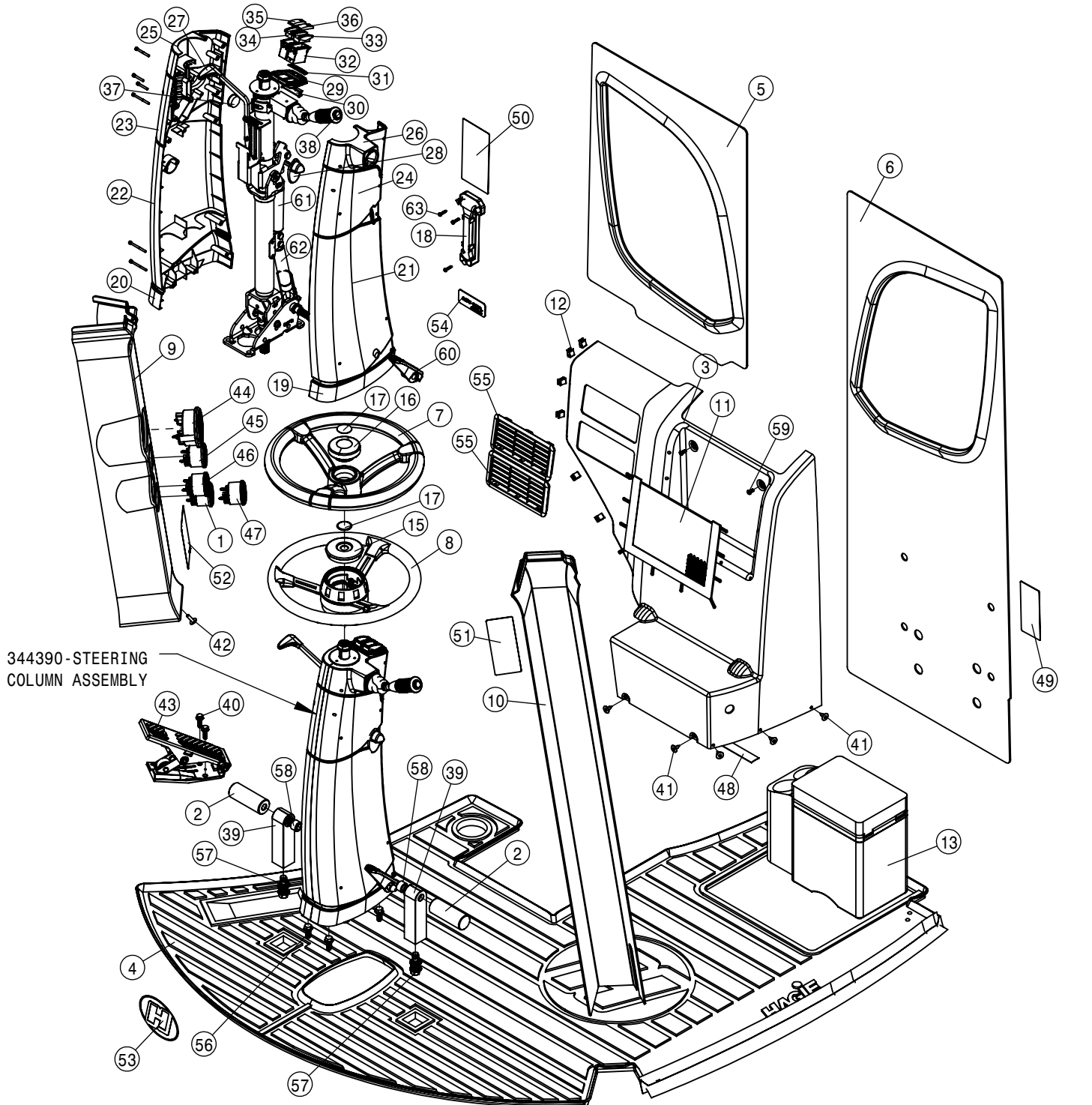
CAB ELECTRICAL-BOTTOM ASSEMBLY			
DET	QTY	P/N	DESCRIPTION
1	1	290062	HORN
2	1	291749	TERM BLOCK,BLACK,3/8-16 THRU
3	2	291750	TERM BLOCK,RED,3/8-16 THRU
4	1	291910	FLASHER, SOLID STATE, 12V
5	2	292009	IQAN-MC3 CONTROLLER
6	1	292016	IQAN-XA2 MODULE
7	1	292406	J1939 JUNCTION MODULE
8	1	292630	DVEC - EXTERIOR
9	1	292645	CABLE - SSDVEC POWER CABLE
10	1	292650	CABLE - SSDVEC JUMPER
11	1	292668	CAB PWR,GND CABLE ASY
12	1	294202	HARNESS - MAIN CAB EXT STS
13	1	344442	BRACKET - ELEC MODULE MOUT CAB
14	1	470113N	5/16UNC SERR FLG LOCK NUT SS

CAB ELECTRICAL-BOTTOM ASSEMBLY			
DET	QTY	P/N	DESCRIPTION
15	16	470121	1/4 UNC SERR FLG LOCK NUT
16	2	470175	10-32 SERR FLANGE NUT
17	6	470465	#12 X 3/4 PHIL PAN SHT MTL SCR
18	10	470542	10-32 KEP NUT
19	2	470677	NYLON WASHER 1"ID, 2-1/4"OD, .075"W
20	2	520108	CUSH HOSE CLAMP,#20, 1 1/4D X 3/4W
21	2	520160	CUSH CLAMP,#24 1 1/2D-3/4W LOOP
22	3	520161	CUSH CLAMP,#32 2"D-3/4W LOOP
23	1	520163	CUSH HOSE CLAMP,#8, 1/2D X 3/4W
24	1	629736	CAPPLUGS CAP,.312 X 1.00 VINYL
25	4	900005	1/4UNC X 1 1/2 HEX BOLT
26	6	903706	10-32X1/2 PHIL PAN MACH SCR
27	6	903711	1/4UNC X3/4PHIL PANHD MACH SCR
28	4	910004N	3/8UNC FLANGE CNTR LOCK NUT



HEADLINER ASSEMBLY			
DET	QTY	P/N	DESCRIPTION
1	1	292620	DOMELIGHT
2	1	292678	LIGHT BAR - SECTION INDICATOR
3	2	343331	RADIO BEZEL,CAB, BLK PLASIC 05
4	1	344177	ANTENNA - RADIO
5	1	344349	HEADLINER
6	1	344350	HEADLINER ACCESS PANEL
7	1	344384	1.5" RAM BALL MNT BASE 2.50"DIA
8	1	344385	1.5" RAM BALL MNT 4.50"DBL SOC ARM
NS	1	344415	RADIO - STANDARD
NS	1	344416	RADIO - PREMIUM
11	1	344417	BLUETOOTH MIC
NS	1	344418	HARNESS - BLUETOOTH MIC

HEADLINER ASSEMBLY			
DET	QTY	P/N	DESCRIPTION
NS	2	344419	SPEAKER
14	1	344459	GARMENT HOOK
15	1	344461	HOLE PLUG - CONTURA V
16	2	470121	1/4 UNC SERR FLG LOCK NUT
17	4	470463	8-32 SERR FLANGE NUT
18	2	470541	8-32 KEP NUT
19	4	470545	PUSH TREE FASTENER 1/4 X 1
20	2	472376	#8-32 X 3/4 FLT HD PHIL SCREW
21	17	472378	1/4-20 X 3/4 FLT HD SOCKET SCREW ZN BLK
22	17	472380	1/4 CNTR SNK WASH, NYLON
23	4	903706	10-32X1/2 PHIL PAN MACH SCR
24	2	903850	8-32 X 3/4 PHIL PAN MACH SCR BZ

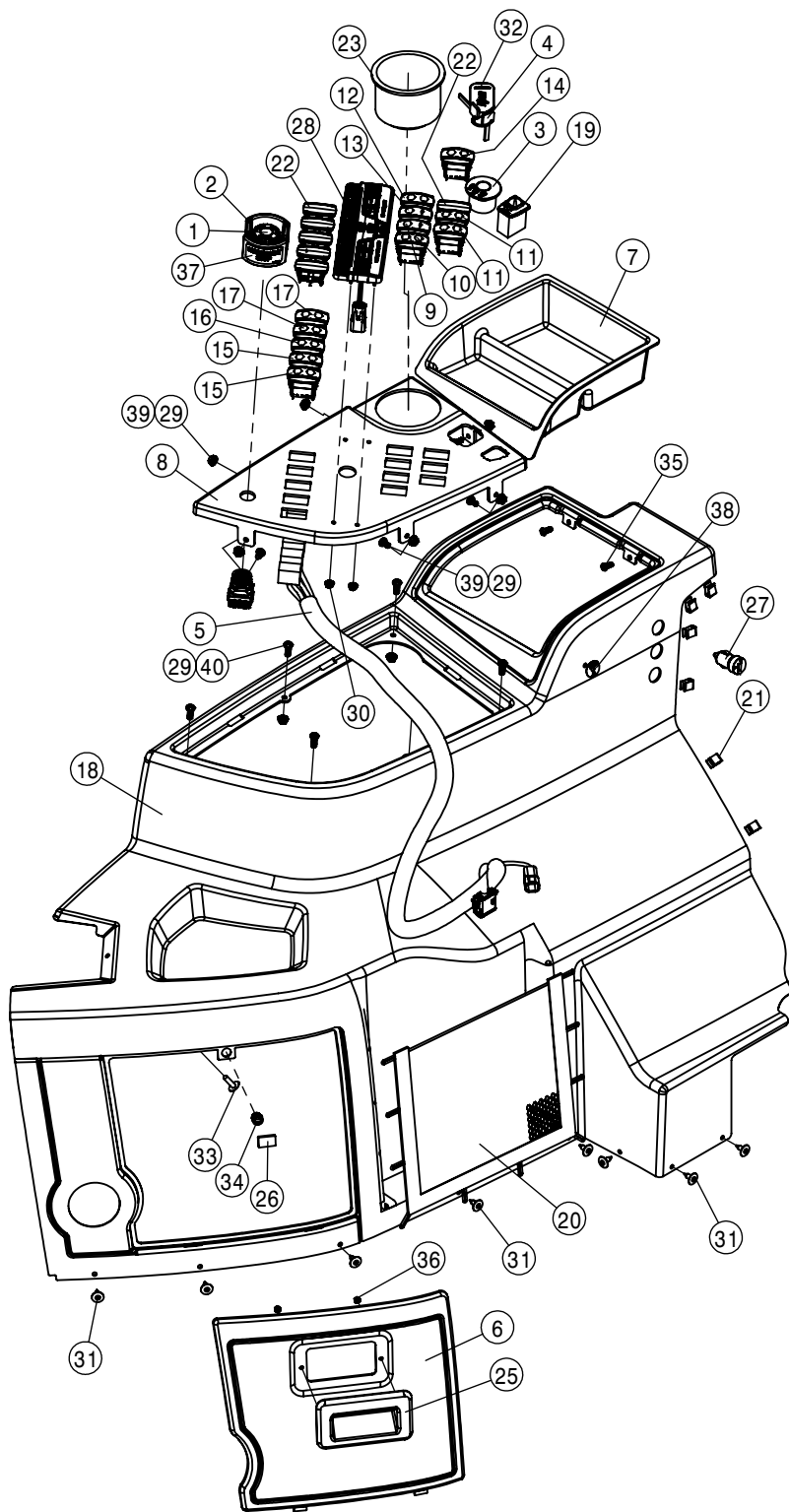


344390-STEERING  
COLUMN ASSEMBLY

CAB INTERIOR ASSEMBLY			
DET	QTY	P/N	DESCRIPTION
1	1	344171	GAUGE BLANK
2	2	344284	STS CAB FOOT PEG '14
3	1	344308	REAR CONSOLE
4	1	344339	FLOORMAT - MOLDED
5	1	344347	RH REAR WALL LINER
6	1	344348	LH REAR WALL LINER
7	1	344391	STEERING WHEEL - DELUXE
8	1	344392	STEERING WHEEL - PREMIUM
9	1	344397	RH A POST COVER
10	1	344398	LH A POST COVER
11	1	344411	CARGO NET - REAR CONSOLE
12	6	344413	"U" CLIP
13	1	344420	ELEC COOLER
14	4	344464	POWER OUTLET 12V
15	1	344573	CTR CAP,STEERING WHEEL-PREMIUM
16	1	344574	CTR CAP STEERING WHEEL - DELUXE
17	2	344575	DECAL - STEERING WHEEL CENTER
18	1	344646	WINDOW BREAKING TOOL, STS'15
19	1	344686	LH SIDE-LWR COVER, STRG COLUMN
20	1	344687	RH SIDE-LWR COVER, STRG COLUMN
21	1	344688	LH SIDE-MID COVER, STRG COLUMN

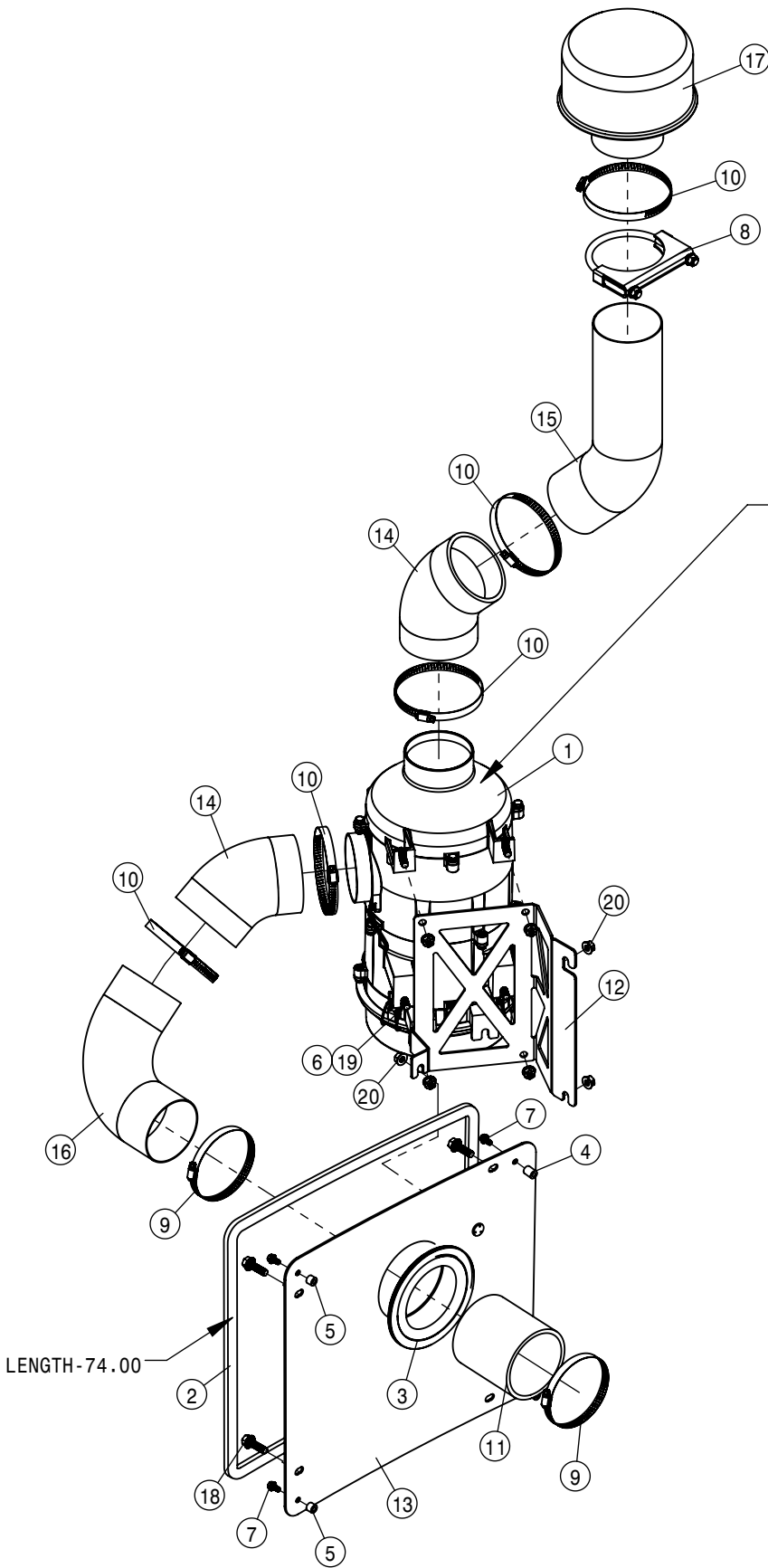
CAB INTERIOR ASSEMBLY			
DET	QTY	P/N	DESCRIPTION
22	1	344689	RH SIDE-MID COVER, STRG COLUMN
23	1	344690	RH SIDE-UPR COVER, STRG COLUMN
24	1	344692	LH SIDE-UPR COVER, STRG COLUMN
25	1	344693	RH SIDE-TOP COVER, STRG COLUMN
26	1	344694	LH SIDE-TOP COVER, STRG COLUMN
27	1	344695	UPR HANDLE RAL, STRG COLUMN
28	1	344696	LH UPR HANDLE RAL, STRG COLUMN
29	1	344697	SWITCH HOUSING, STRG COLUMN
30	1	344698	LIGHT 4LED 12V, STRG COLUMN
31	1	344699	INDICATOR PAD, STRG COLUMN
32	2	344700	SWITCH BASE, STRG COLUMN
33	1	344701	SWITCH ON/OFF SERIES 533
34	1	344702	SWITCH ON/OFF SERIES 533
35	1	344703	BLUE COVER, LIGHTS, 1-LED
36	1	344704	RED COVER, HAZARD SERIES 533
37	1	344734	RH CAP, STRG COLUMN
38	1	344691	LH SWITCH, WIPER/LIGHTS, STRG
39	2	344286	STS CAB FOOT PEG RISER
40	2	470234	5/16UNC X 1" SERR FLG HEX BOLT
41	5	470466	1/4 X 3/4 PLTC LCK RIVET
42	1	470545	PUSH TREE FASTENER 1/4 X 1

CAB INTERIOR ASSEMBLY			
DET	QTY	P/N	DESCRIPTION
43	1	470649	PEDAL - DECAL
44	1	470650	GAUGE - 3" RPM
45	1	470651	GAUGE - 2" FUEL
46	1	470652	GAUGE - 2" COOLANT TEMP
47	1	470654	GAUGE, DEF 2" '14
48	1	490645	VHB TAPE 5952, BLACK
49	1	650164	DECAL,NO PASSNGR/NOT NEAR LEAK
50	1	650176	DECAL,CAUTION,CAB CHEM EXPOSUR
51	1	650474	DECAL,PWR LINE/BM FOLD
52	1	650479	JOYSTICK DECAL, STS'15
53	1	651008	DECAL - H-DOT FRONT GLASS 5.00"
54	1	651009	ROPS DECAL, STS'14
55	2	657549	2412, 4"X8" Louver Grill
56	4	900129N	3/8UNC X 1" SERR FLANGE BOLT
57	4	900263N	1/2UNC X 1" SER FLANGE BOLT
58	2	900396	5/8UNC X 2 SOCKET CAP SCR
59	2	903706	10-32X1/2 PHIL PAN MACH SCR
60	1	344705	LEFT PEDAL, STRG COLUMN
61	1	344707	GAS SPRING 400N, STRG COLUMN
62	1	344708	GAS SPRING 500N, STRG COLUMN
63	3	903850	8-32 X 3/4 PHIL PAN MACH SCR BZ



CONSOLE ASSEMBLY			
DET	QTY	P/N	DESCRIPTION
1	1	290081	E-STOP SWITCH,LED MUSHROOM
2	1	290089	E-STOP SHROUD, STS '11
3	1	291916	IGNITION SWITCH
4	2	291917	IGNITION KEY FOR 291916
5	1	294236	HARNESS - NTB SWITCH
6	1	344306	CONSOLE DOOR
7	1	344307	CONSOLE TRAY
8	1	344309	CONSOLE SWITCH PANEL
9	1	344312	SWITCH - SOLUTION PUMP
10	1	344313	SWITCH - MAIN TANK
11	2	344314	SWITCH - BOOM FOLD
12	1	344315	SWITCH - RINSE
13	1	344316	SWITCH - AGITATION
14	1	344317	SWITCH - FOAMER
15	2	344318	SWITCH - NTB LEFT
16	1	344319	SWITCH - NTB LOCK
17	2	344320	SWITCH - NTB RIGHT
18	1	344407	CONSOLE BODY
19	1	344409	SWITCH - POWER MIRROR
20	1	344410	CARGO NET - SIDE CONSOLE
21	6	344413	"U" CLIP
22	6	344461	HOLE PLUG - CONTURA V
23	1	344462	CUP HOLDER - LARGE
NS	4	344464	POWER OUTLET 12V
25	1	344465	DOOR HANDLE
26	1	344514	PLATE - CONSOLE DOOR
27	1	344555	USB CHARGING ADAPTER - DC
28	1	344556	SECTION KEYPAD STS '15
29	12	470121	1/4 UNC SERR FLG LOCK NUT
30	4	470175	10-32 SERR FLANGE NUT
31	8	470466	1/4 x 5/8 PLTC LCK RIVET(DMB #14991)
32	1	470544	HAGIE KEY CHAIN
33	1	470545	PUSH TREE FASTENER 1/4 X 1
34	1	470676	MORTISE MOUNT-PULL MAG CATCH
35	2	472344	1/4UNCX5/8 ALHD BUTTON CAP SCR
36	2	473870	M5 HEX NUT
37	1	650278	DECAL, E-STOP, STS '11
38	1	650467	DECAL - AUX 2
39	6	903708	1/4UNC X1/2PHIL PANHD MACH SCR
40	6	903711	1/4UNC X3/4PHIL PANHD MACH SCR

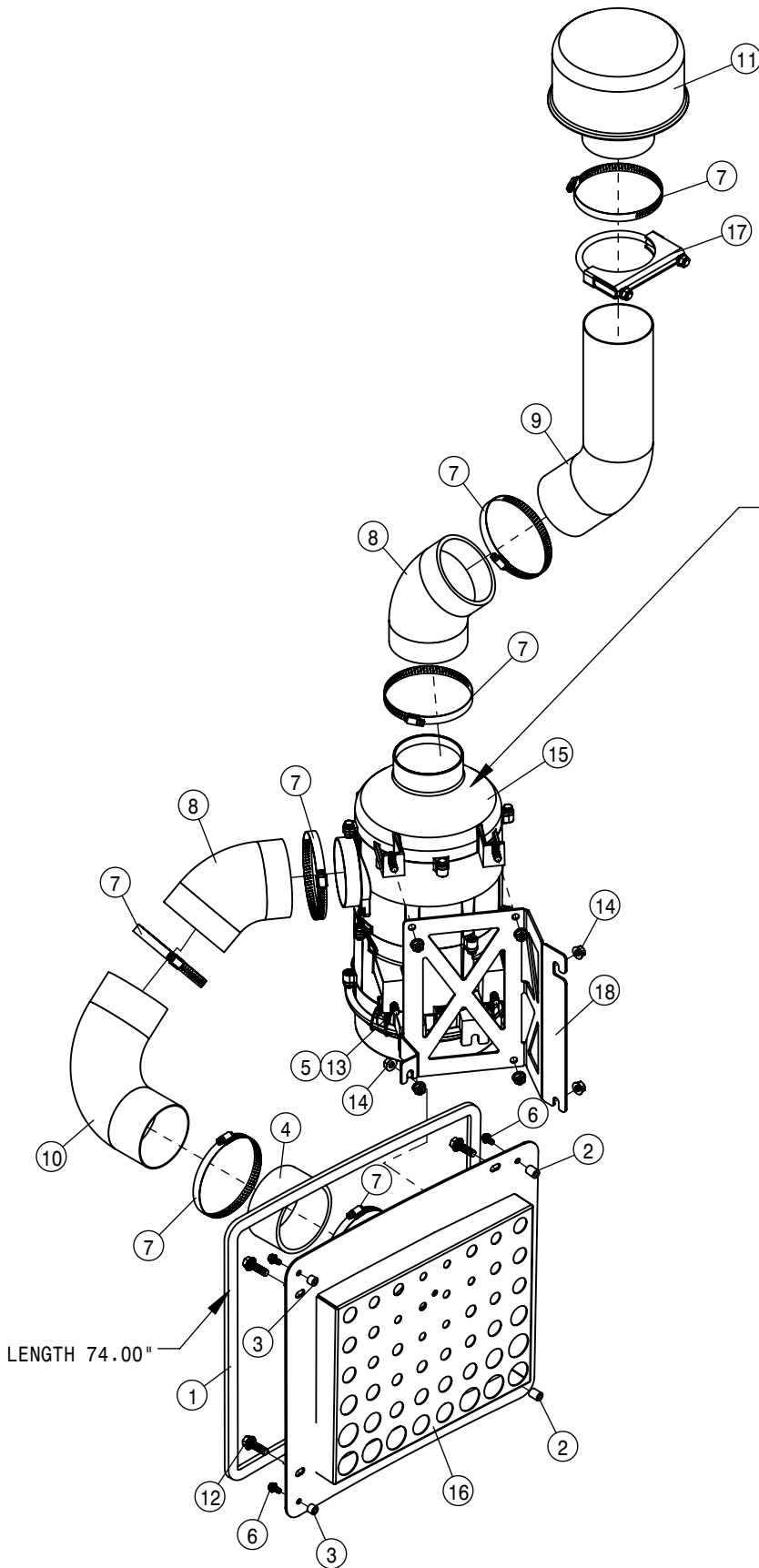
BULK TRIM SEAL  
 193070-SEAL, .63 X .63 D-SECT EDPM



657557-REPLACEMENT RESPA FILTER  
 344683-INLET SECTION FOR RESPA  
 344681-FAN MOTOR

AIR INTAKE (TALL) (BUILT BEFORE NOV 1)			
DET	QTY	P/N	DESCRIPTION
1	1	344424	HVAC FILTRATION UNIT PRECLEANER
2	1	344480	SEAL - RESPA PANEL
3	1	344512	RESPA BULB SEAL, STS' 14
4	2	344557	STAND OFF 5/8" LG, STS' 14
5	2	344558	STAND OFF 3/8" LG, STS' 14
6	4	470087	3/8UNC HEX SERR FLANGE NUT
7	4	470122	1/4 UNC X 1/2 SERR FLG BOLT
8	1	472218	4" MUFFLER CLAMP 3/8UNC GRAY
9	2	520064	HOSE CLAMP NO 64 STAINLESS
10	5	520072	HOSE CLAMP NO 72 STAINLESS
11	1	657585	HVAC DUCT, STS' 14
12	1	660585	MOUNT-RESPA, TALL CROP STS' 14
13	1	660588	PANEL - HVAC ACCESS WLD, STS
14	2	660591	ELBOW - EPDM 45DEG 4" ID
15	1	660592	TUBE - 4" OD, 45DEG
16	1	660593	ELBOW - 4" OD, 90 DEG
17	1	660594	INLET HOOD - 4" ID
18	4	900127N	3/8UNC X 1 1/4 SER FLANGE BOLT
19	4	900129N	3/8UNC X 1" SERR FLANGE BOLT
20	3	910004N	3/8UNC FLANGE CNTR LOCK NUT

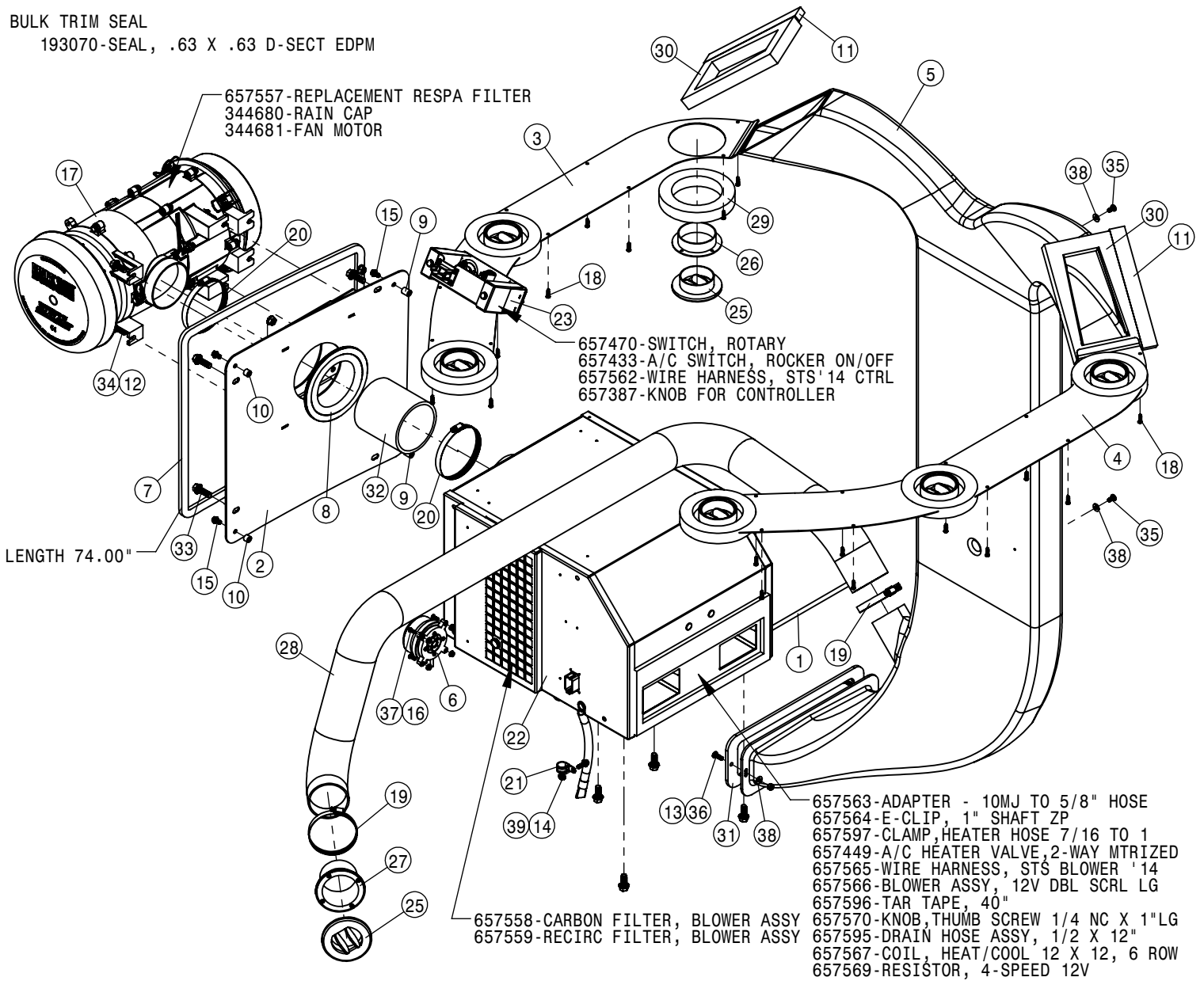
BULK TRIN SEAL  
 193070-SEAL, .63 X .63 D-SECT EDPM



657557-REPLACEMENT RESPA FILTER  
 344683-INLET SECTION FOR RESPA  
 344681-FAN MOTOR

AIR INTAKE (TALL) (BUILT AFTER NOV 1)			
DET	QTY	P/N	DESCRIPTION
1	1	344480	SEAL - RESPA PANEL
2	2	344557	STAND OFF 5/8" LG, STS' 14
3	2	344558	STAND OFF 3/8" LG, STS' 14
4	1	344669	TC HVAC DUCT, STS' 15
5	4	470087	3/8UNC HEX SERR FLANGE NUT
6	4	470122	1/4 UNC X 1/2 SERR FLG BOLT
7	7	520072	HOSE CLAMP NO 72 STAINLESS
8	2	660591	ELBOW - EPDM 45DEG 4" ID
9	1	660592	TUBE - 4" OD, 45DEG
10	1	660593	ELBOW - 4" OD, 90 DEG
11	1	660594	INLET HOOD - 4" ID
12	4	900127N	3/8UNC X 1 1/4 SER FLANGE BOLT
13	4	900129N	3/8UNC X 1" SERR FLANGE BOLT
14	3	910004N	3/8UNC FLANGE CNTR LOCK NUT
15	1	344424	HVAC FILTRATION UNIT PRECLEANER
16	1	344663	HVAC PANEL WLDT, STS' 15
17	1	472218	4" MUFFLER CLAMP 3/8UNC GRAY
18	1	660585	MOUNT-RESPA, TALL CROP STS' 14

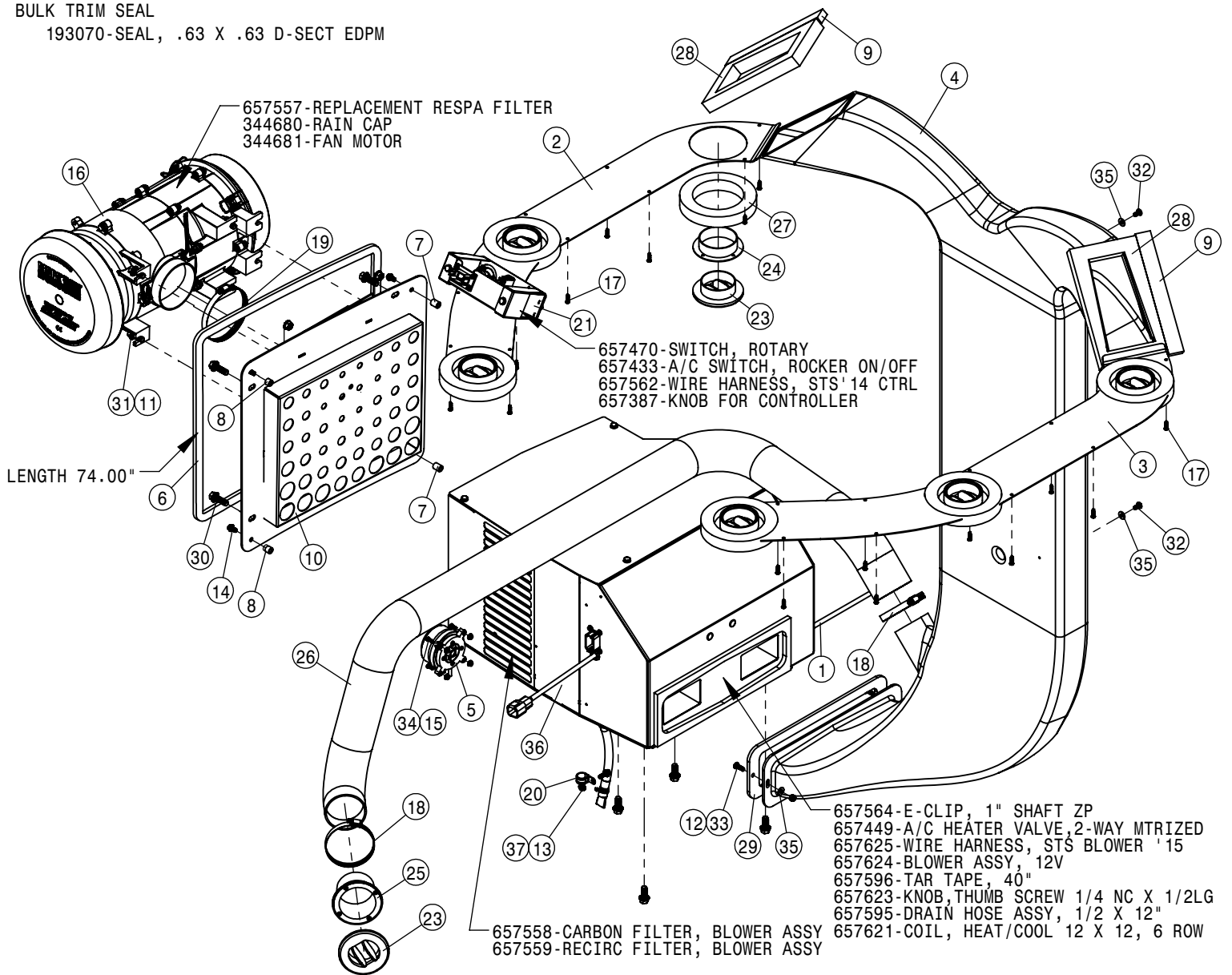
BULK TRIM SEAL  
 193070-SEAL, .63 X .63 D-SECT EDPM



DELUXE HVAC ASSEMBLY (BUILT BEFORE NOV 1)			
DET	QTY	P/N	DESCRIPTION
1	1	317315	HOSE - HVAC PRESSURE
2	1	344295	PANEL ACCESS HVAC WLDT, STSCAB'14
3	1	344361	PLATE, ROOF DUCT COVER RH, STSCAB'14
4	1	344362	PLATE, ROOF DUCT COVER LH, STSCAB'14
5	1	344366	DUCT HVAC - STS CAB
6	1	344425	PRESSURE SWITCH - HVAC
7	1	344480	SEAL - RESPA PANEL
8	1	344512	RESPA BULB SEAL, STS'14
9	2	344557	STAND OFF 5/8" LG, STS'14
10	2	344558	STAND OFF 3/8" LG, STS'14
11	2	344576	TEMP SEAL DUCT, STS'14
12	4	470087	3/8UNC HEX SERR FLANGE NUT
13	2	470089	1/4UNC HEX NYL-LOC NUT
14	1	470121N	1/4 UNC SERR FLG LOCK NUT SS
15	4	470122	1/4 UNC X 1/2 SERR FLG BOLT
16	4	470463	8-32 SERR FLANGE NUT
17	1	470655	HVAC FILTRATION UNIT PRECLEANER
18	20	473990N	#8 X 3/4 PHIL PAN SMS TY-A BZ
19	2	520052	HOSE CLAMP NO 52 STAINLESS
20	2	520064	HOSE CLAMP NO 64 STAINLESS

DELUXE HVAC ASSEMBLY (BUILT BEFORE NOV 1)			
DET	QTY	P/N	DESCRIPTION
21	1	520104	CUSH HOSE CLMP,#12, 3/4D X 1/2W
22	1	657540	BLOWER UNIT - MAN TMP CNTRL
23	1	657542	HVAC CONTROL - MANUAL, STS'14
NS	1	657544	HARNESS - HVAC MAN CONTROL
25	7	657546	LOUVER, 4" W/O MNT
26	6	657547	PANEL MNT, LOUVER (THK PANEL)
27	1	657548	PANEL MNT, LOUVER (THK PANEL)
28	1	657550	HOSE - 3IN HVAC
29	6	657552	GASKET SEAL ROOF LOUVER
30	2	657553	GASKET SEAL ROOF LOUVER
31	1	657556	GASKET SEAL ROOF LOUVER
32	1	657585	HVAC DUCT, STS'14
33	4	900127N	3/8UNC X 1 1/4 SER FLANGE BOLT
34	8	900129N	3/8UNC X 1" SERR FLANGE BOLT
35	2	903708N	1/4UNC X1/2PHIL PAN MACH SCR BZ
36	2	903711	1/4UNC X3/4PHIL PANHD MACH SCR
37	4	903844	8-32 X 1/2 PHIL PANHD MACH SCR
38	4	920000	1/4 SAE FLAT WASHER
39	1	473834	1/4UNC X 3/4 SER FLG BOLT SS

BULK TRIM SEAL  
193070-SEAL, .63 X .63 D-SECT EDPM

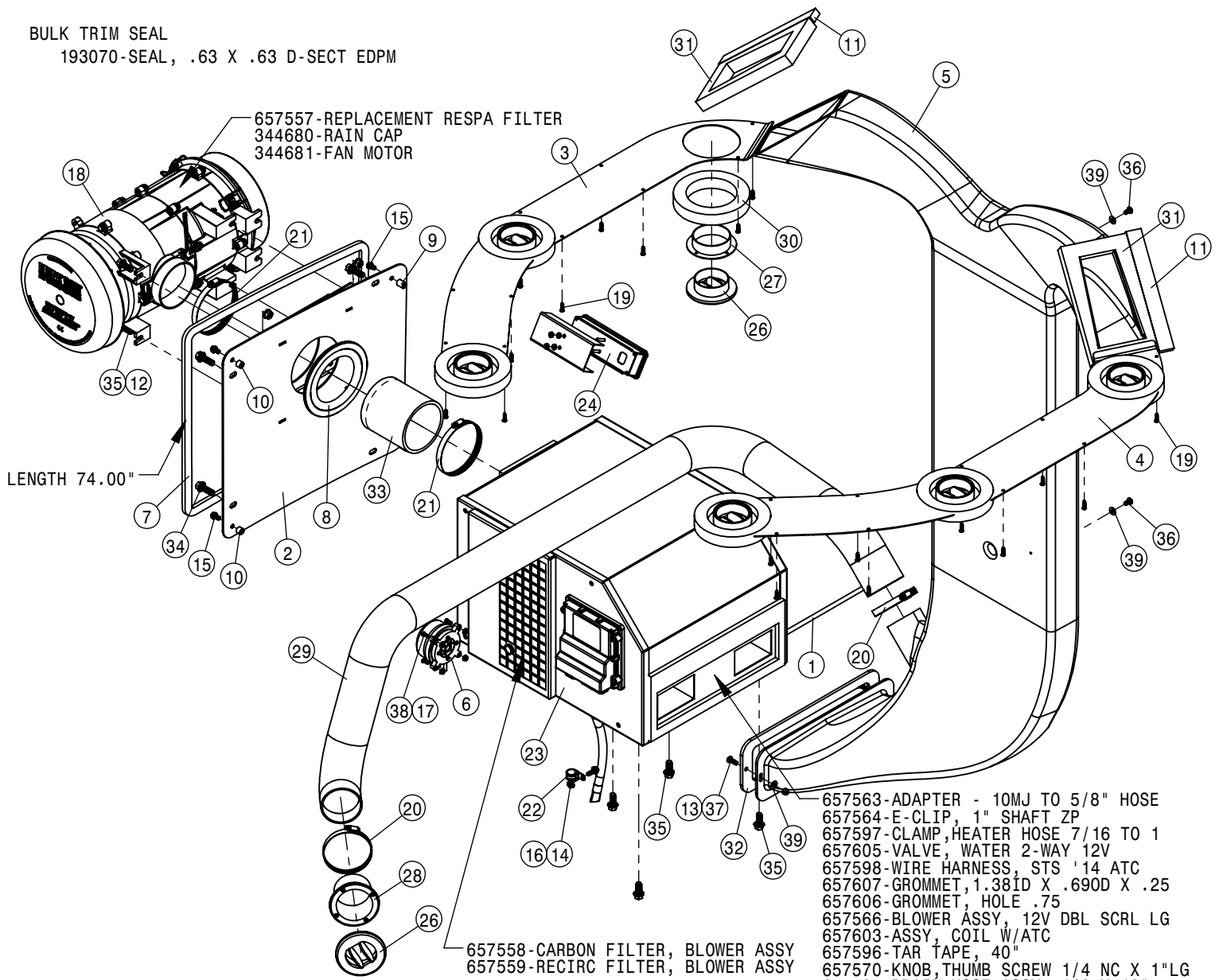


DELUXE HVAC ASSEMBLY (BUILT AFTER NOV 1)			
DET	QTY	P/N	DESCRIPTION
	1	317315	HOSE - HVAC PRESSURE
	1	344361	PLATE, ROOF DUCT COVER RH, STSCAB' 14
	1	344362	PLATE, ROOF DUCT COVER LH, STSCAB' 14
	1	344366	DUCT HVAC - STS CAB
	1	344425	PRESSURE SWITCH - HVAC
	1	344480	SEAL - RESPA PANEL
	2	344557	STAND OFF 5/8" LG, STS' 14
	2	344558	STAND OFF 3/8" LG, STS' 14
	2	344576	TEMP SEAL DUCT, STS' 14
	1	344662	STD HVAC ACCESS PANEL WLDT, STS' 15
	4	470087	3/8UNC HEX SERR FLANGE NUT
	2	470089	1/4UNC HEX NYL-LOC NUT
	1	470121N	1/4 UNC SERR FLG LOCK NUT SS
	4	470122	1/4 UNC X 1/2 SERR FLG BOLT
	4	470463	8-32 SERR FLANGE NUT
	1	470655	HVAC FILTRATION UNIT PRECLEANER
	20	473990N	#8 X 3/4 PHIL PAN SMS TY-A BZ
	2	520052	HOSE CLAMP NO 52 STAINLESS
	1	520064	HOSE CLAMP NO 64 STAINLESS

DELUXE HVAC ASSEMBLY (BUILT AFTER NOV 1)			
DET	QTY	P/N	DESCRIPTION
	1	520104	CUSH HOSE CLMP, #12, 3/4D X 1/2W
	1	657542	HVAC CONTROL - MANUAL, STS' 14
NS	1	657544	HARNESS - HVAC MAN CONTROL
	7	657546	LOUVER, 4" W/O MNT
	6	657547	PANEL MNT, LOUVER (THK PANEL)
	1	657548	PANEL MNT, LOUVER (THK PANEL)
	1	657550	HOSE - 3IN HVAC
	6	657552	GASKET SEAL ROOF LOUVER
	2	657553	GASKET SEAL ROOF LOUVER
	1	657556	GASKET SEAL ROOF LOUVER
	4	900127N	3/8UNC X 1 1/4 SER FLANGE BOLT
	8	900129N	3/8UNC X 1" SERR FLANGE BOLT
	2	903708N	1/4UNC X1/2PHIL PAN MACH SCR BZ
	2	903711	1/4UNC X3/4PHIL PANHD MACH SCR
	4	903844	8-32 X 1/2 PHIL PANHD MACH SCR
	4	920000	1/4 SAE FLAT WASHER
	1	657560	HVAC STANDARD CONTROL ENHANCED
	1	473834	1/4UNC X 3/4 SER FLG BOLT SS



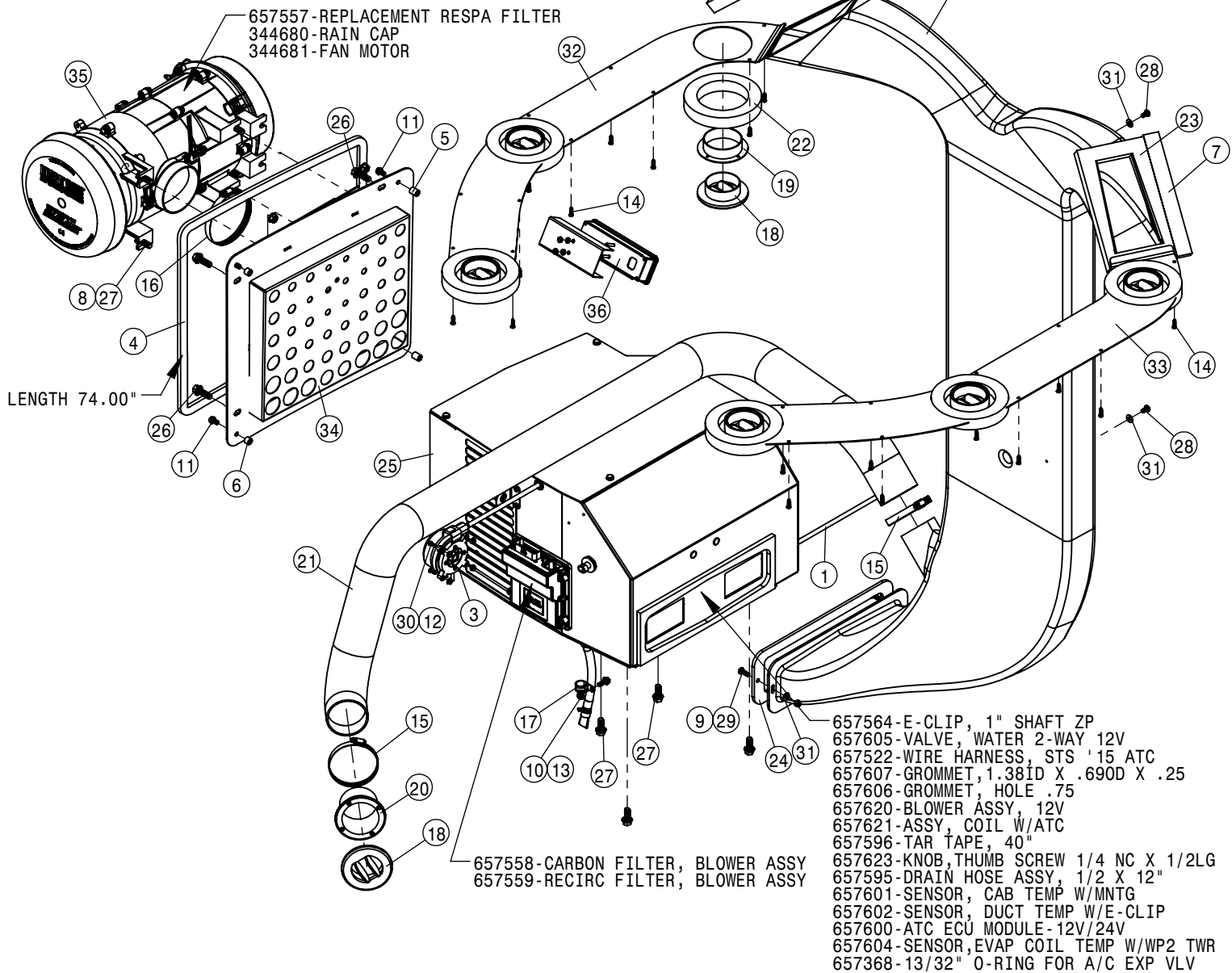
BULK TRIM SEAL  
193070-SEAL, .63 X .63 D-SECT EDPM



PREMIUM HVAC ASSEMBLY (BUILT BEFORE NOV 1)			
DET	QTY	P/N	DESCRIPTION
1	1	317315	HOSE - HVAC PRESSURE
2	1	344295	PANEL ACCESS HVAC WLDT, STSCAB '14
3	1	344361	PLATE, ROOF DUCT COVER RH, STSCAB '14
4	1	344362	PLATE, ROOF DUCT COVER LH, STSCAB '14
5	1	344366	DUCT HVAC - STS CAB
6	1	344425	PRESSURE SWITCH - HVAC
7	1	344480	SEAL - RESPA PANEL
8	1	344512	RESPA BULB SEAL, STS '14
9	2	344557	STAND OFF 5/8" LG, STS '14
10	2	344558	STAND OFF 3/8" LG, STS '14
11	2	344576	TEMP SEAL DUCT, STS '14
12	4	470087	3/8UNC HEX SERR FLANGE NUT
13	2	470089	1/4UNC HEX NYL-LOC NUT
14	1	470121N	1/4 UNC SERR FLG LOCK NUT SS
15	4	470122	1/4 UNC X 1/2 SERR FLG BOLT
16	1	473834	1/4UNC X 3/4 SER FLG BOLT SS
17	4	470463	8-32 SERR FLANGE NUT
18	1	470655	HVAC FILTRATION UNIT PRECLEANER
19	20	473990N	#8 X 3/4 PHIL PAN SMS TY-A BZ
20	2	520052	HOSE CLAMP NO 52 STAINLESS

PREMIUM HVAC ASSEMBLY (BUILT BEFORE NOV 1)			
DET	QTY	P/N	DESCRIPTION
21	2	520064	HOSE CLAMP NO 64 STAINLESS
22	1	520104	CUSH HOSE CLMP,#12, 3/4D x 1/2W
23	1	657541	BLOWER ASSY, STS '14 AUTO TEMP
24	1	657543	HVAC-CTRL-AUTO,CAB
NS	1	657545	HARNESS-HVAC AUTO CTRL STS '14
26	7	657546	LOUVER, 4" W/O MNT
27	6	657547	PANEL MNT, LOUVER (THK PANEL)
28	1	657548	PANEL MNT, LOUVER (THK PANEL)
29	1	657550	HOSE - 3IN HVAC
30	6	657552	GASKET SEAL ROOF LOUVER
31	2	657553	GASKET SEAL ROOF LOUVER
32	1	657556	GASKET SEAL ROOF LOUVER
33	1	657585	HVAC DUCT, STS '14
34	4	900127N	3/8UNC X 1 1/4 SER FLANGE BOLT
35	8	900129N	3/8UNC X 1" SERR FLANGE BOLT
36	2	903708N	1/4UNC X1/2PHIL PAN MACH SCR BZ
37	2	903711	1/4UNC X3/4PHIL PANHD MACH SCR
38	4	903844	8-32 X 1/2 PHIL PANHD MACH SCR
39	4	920000	1/4 SAE FLAT WASHER

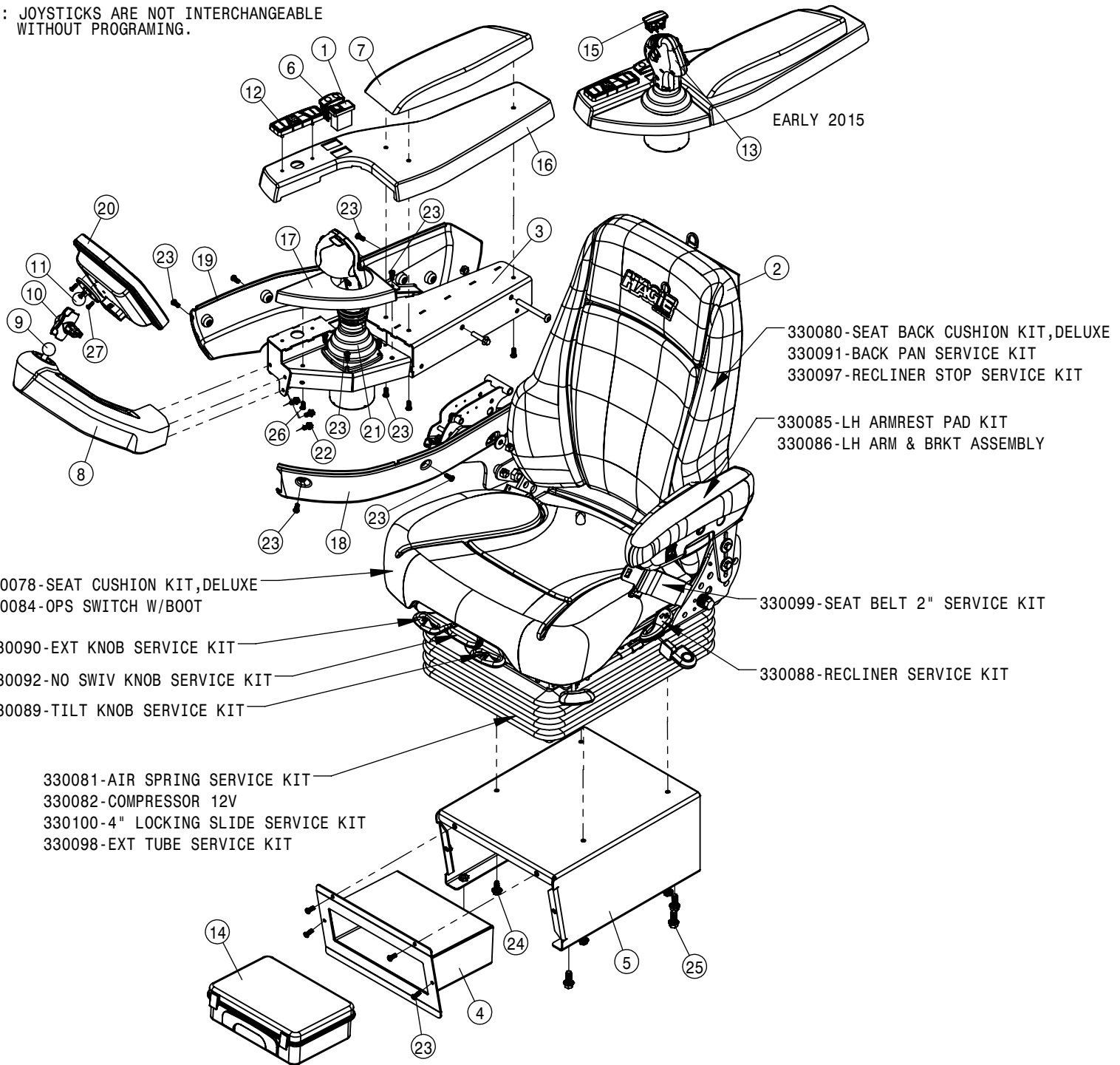
BULK TRIM SEAL  
493070-SEAL, .63 X .63 D-SECT EDPM



PREMIUM HVAC ASSEMBLY (BUILT AFTER NOV 1)			
DET	QTY	P/N	DESCRIPTION
1	1	317315	HOSE - HVAC PRESSURE
2	1	344366	DUCT HVAC - STS CAB
3	1	344425	PRESSURE SWITCH - HVAC
4	1	344480	SEAL - RESPA PANEL
5	2	344557	STAND OFF 5/8" LG, STS'14
6	2	344558	STAND OFF 3/8" LG, STS'14
7	2	344576	TEMP SEAL DUCT, STS'14
8	4	470087	3/8UNC HEX SERR FLANGE NUT
9	2	470089	1/4UNC HEX NYL-LOC NUT
10	1	470121N	1/4 UNC SERR FLG LOCK NUT SS
11	4	470122	1/4 UNC X 1/2 SERR FLG BOLT
12	4	470463	8-32 SERR FLANGE NUT
13	1	473834	1/4UNC X 3/4 SER FLG BOLT SS
14	20	473990N	#8 X 3/4 PHIL PAN SMS TY-A BZ
15	2	520052	HOSE CLAMP NO 52 STAINLESS
16	1	520064	HOSE CLAMP NO 64 STAINLESS
17	1	520104	CUSH HOSE CLMP,#12, 3/4D x 1/2W
18	7	657546	LOUVER, 4" W/O MNT
19	6	657547	PANEL MNT, LOUVER (THK PANEL)

PREMIUM HVAC ASSEMBLY (BUILT AFTER NOV 1)			
DET	QTY	P/N	DESCRIPTION
20	1	657548	PANEL MNT, LOUVER (THK PANEL)
21	1	657550	HOSE - 3IN HVAC
22	6	657552	GASKET SEAL ROOF LOUVER
23	2	657553	GASKET SEAL ROOF LOUVER
24	1	657556	GASKET SEAL ROOF LOUVER
25	1	657561	BLOWER UNIT-AUT TMP CTRL STS'15
26	4	900127N	3/8UNC X 1 1/4 SER FLANGE BOLT
27	8	900129N	3/8UNC X 1" SERR FLANGE BOLT
28	2	903708N	1/4UNC X1/2PHIL PAN MACH SCR BZ
29	2	903711	1/4UNC X3/4PHIL PANHD MACH SCR
30	4	903844	8-32 X 1/2 PHIL PANHD MACH SCR
31	4	920000	1/4 SAE FLAT WASHER
32	1	344361	PLATE, ROOF DUCT COVER RH, STSCAB'14
33	1	344362	PLATE, ROOF DUCT COVER LH, STSCAB'14
34	1	344662	STD HVAC ACCESS PANEL WLDT, STS'15
35	1	470655	HVAC FILTRATION UNIT PRECLEANER
36	1	657543	HVAC-CTRL-AUTO,CAB
NS	1	657545	HARNESS-HVAC AUTO CTRL STS'14

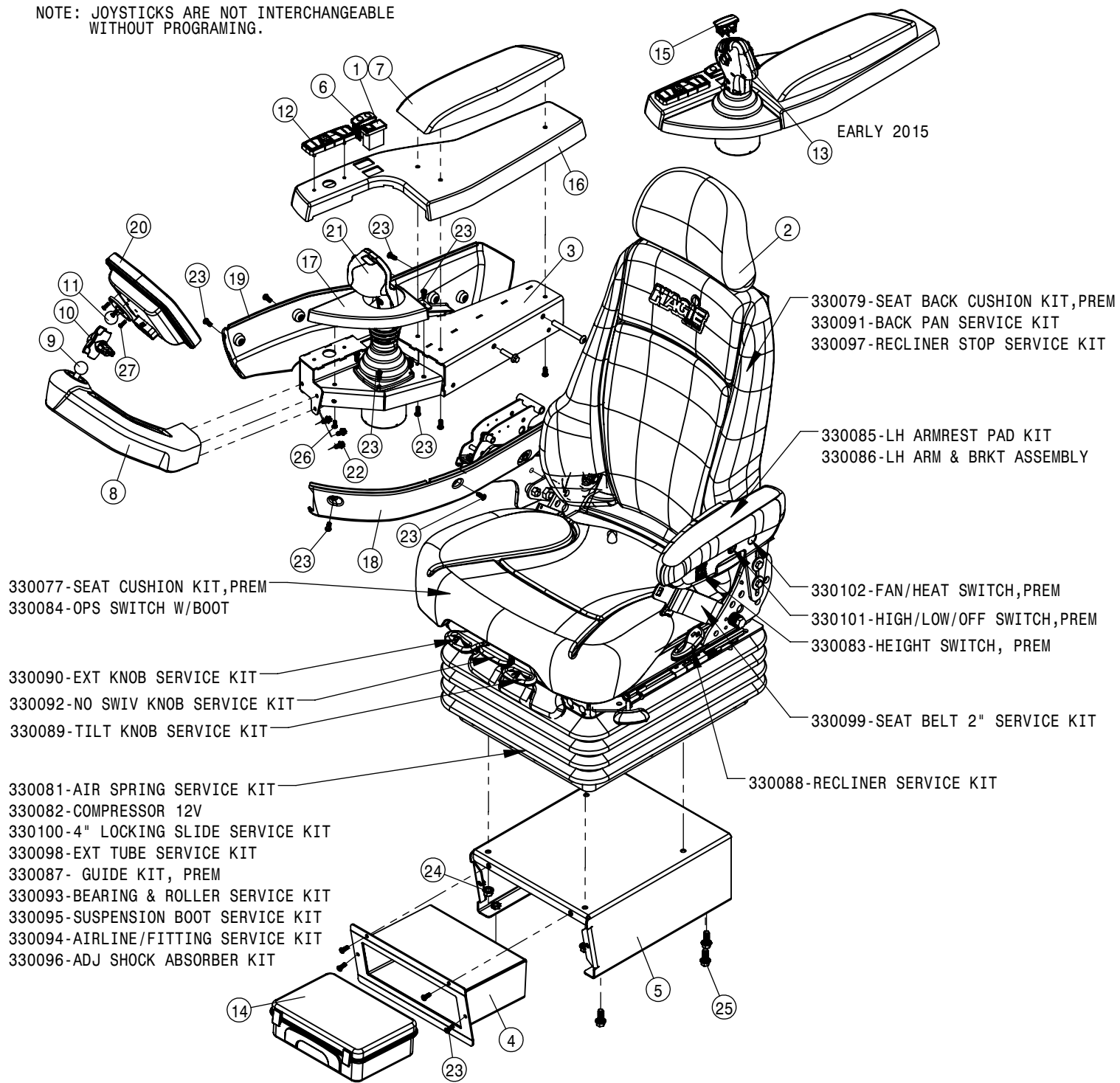
NOTE: JOYSTICKS ARE NOT INTERCHANGEABLE WITHOUT PROGRAMING.



DELUXE SEAT ASSEMBLY			
DET	QTY	P/N	DESCRIPTION
1	1	292201	SWITCH, BRAKE, STS
2	1	330075	SEAT - DELUXE, CAB STS' 14
3	1	344167	POD STRUCTURE WLDMT
4	1	344271	STS CAB FIRST AID WLDMNT '14
5	1	344275	STS CAB SEAT RISER WLDMNT '14
6	1	344311	SWITCH - THROTTLE
7	1	344340	ARMREST POD, ASSY, STSCAB '14
8	1	344342	POD DISPLAY MNT ASSY MOLDED, STSCAB '14
9	1	344363	1" RAM BALL MNT 1/4UNC THRD HOLE
10	1	344364	1" RAM BALL MNT 2.00"DBL SOC ARM
11	1	344365	1" RAM BALL MNT BASE 2.50"DIA
12	1	344399	RADIO KEYPAD
13	1	344421	JOYSTICK, CAB STS' 14
14	1	344427	MEDICAL KIT

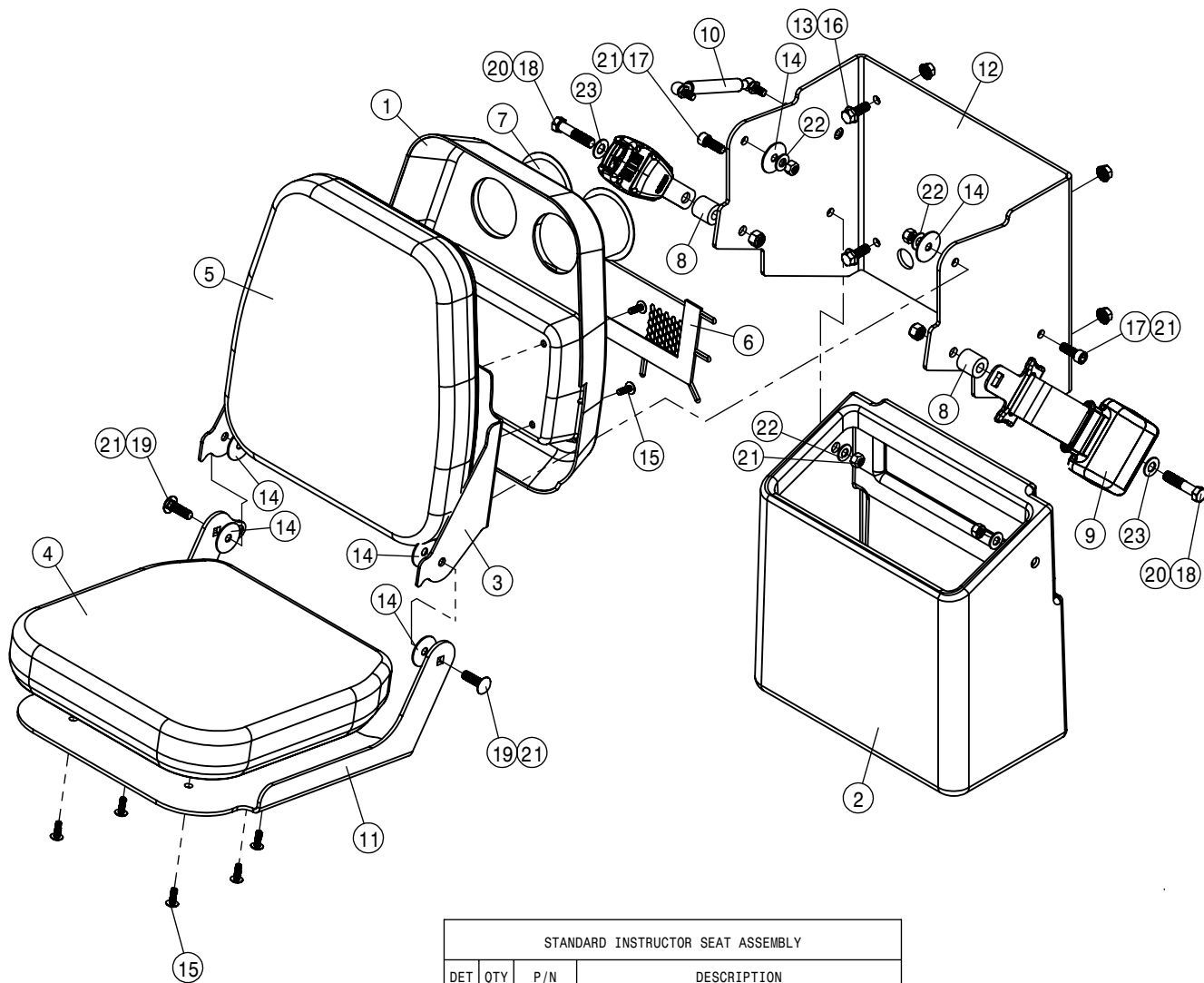
DELUXE SEAT ASSEMBLY			
DET	QTY	P/N	DESCRIPTION
15	1	344461	HOLE PLUG - CONTURA V
16	1	344516	POD UPPER, CAB
17	1	344517	POD MIDDLE, CAB
18	1	344518	POD INNER, CAB
19	1	344519	POD OUTER
20	1	344612	MACHINE DISPLAY ASSEMBLY, 2014
21	1	344656	JOYSTICK, CAB
22	4	470122	1/4 UNC X 1/2 SERR FLG BOLT
23	19	472344	1/4UNCX5/8 ALHD BUTTON CAP SCR
24	4	473873	M8 x 20MM LG SERR FLANGE HEX BOLT
25	6	900129N	3/8UNC X 1" SERR FLANGE BOLT
26	1	903706	10-32X1/2 PHIL PAN MACH SCR
27	4	903844	8-32 X 1/2 PHIL PANHD MACH SCR

NOTE: JOYSTICKS ARE NOT INTERCHANGEABLE WITHOUT PROGRAMING.

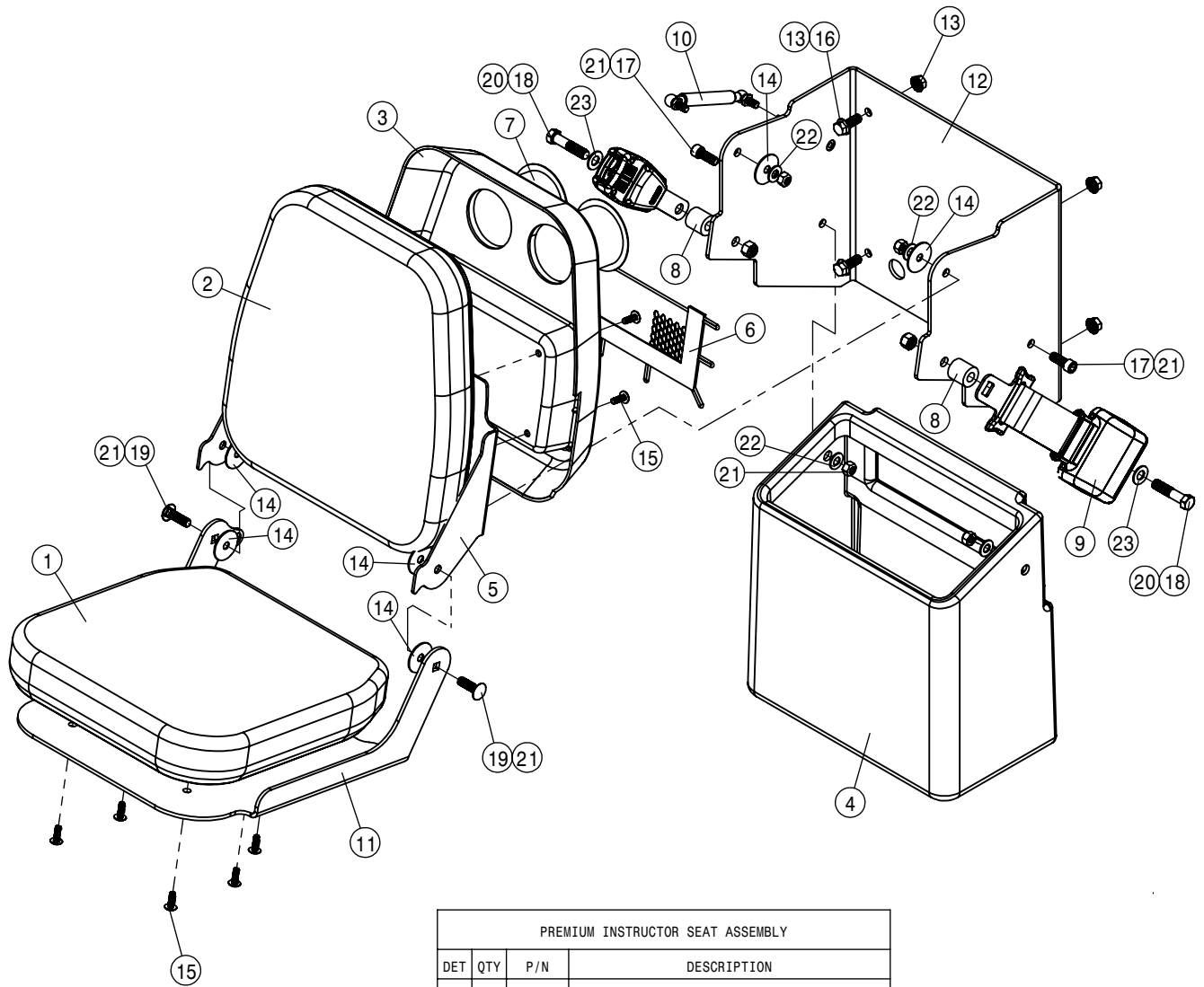


PREMIUM SEAT ASSEMBLY			
DET	QTY	P/N	DESCRIPTION
1	1	292201	SWITCH, BRAKE, STS
2	1	330068	SEAT - PREMIUM, CAB STS' 14
3	1	344167	POD STRUCTURE WLDMT
4	1	344279	STS CAB FIRST AID WLDMNT '14
5	1	344280	STS CAB SEAT RSR WLDMNT '14
6	1	344311	SWITCH - THROTTLE
7	1	344340	ARMREST POD, ASSY, STSCAB' 14
8	1	344342	POD DISPLAY MNT ASSY MOLDED, STSCAB' 14
9	1	344363	1" RAM BALL MNT 1/4UNC THRD HOLE
10	1	344364	1" RAM BALL MNT 2.00"DBL SOC ARM
11	1	344365	1" RAM BALL MNT BASE 2.50"DIA
12	1	344399	RADIO KEYPAD
13	1	344421	JOYSTICK, CAB STS' 14
14	1	344427	MEDICAL KIT

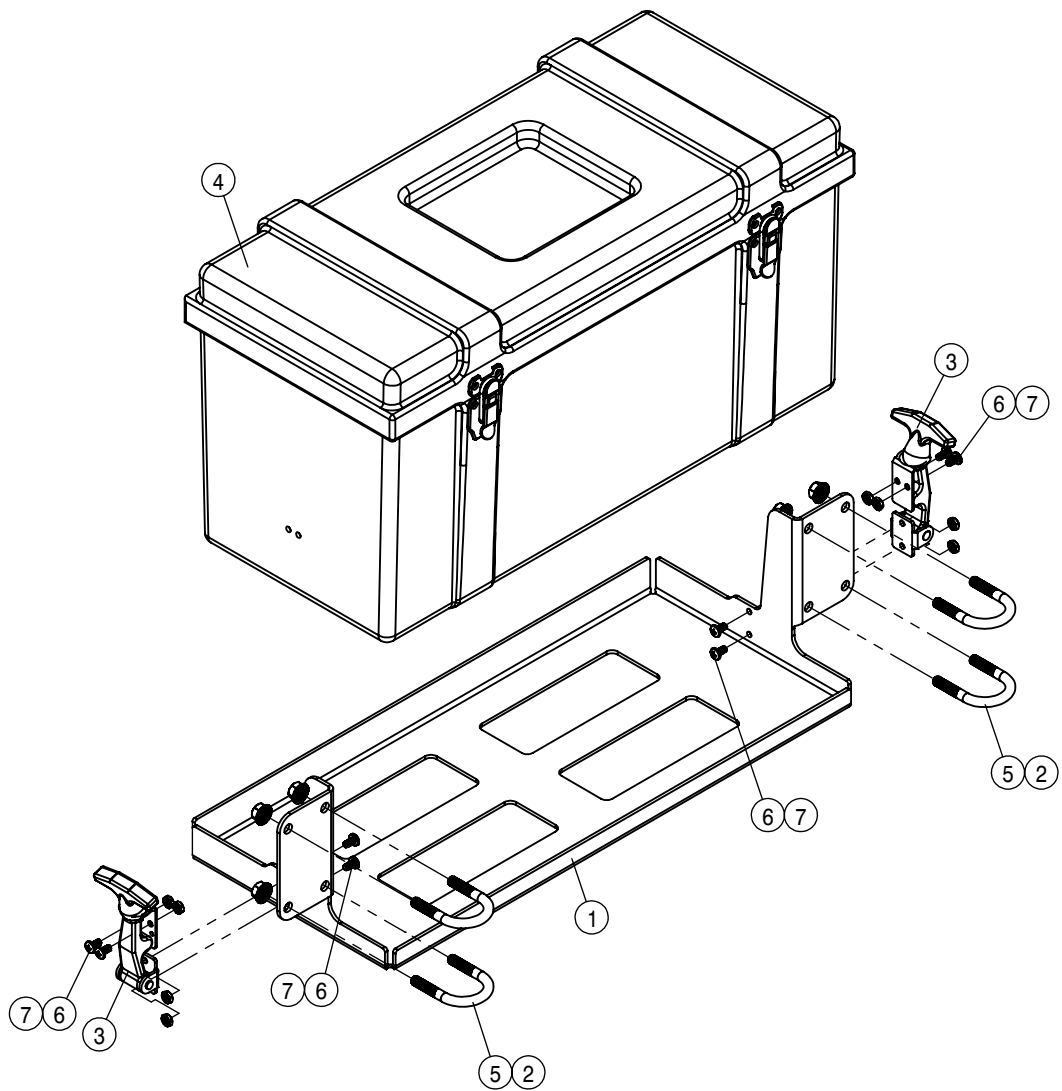
PREMIUM SEAT ASSEMBLY			
DET	QTY	P/N	DESCRIPTION
15	1	344461	HOLE PLUG - CONTURA V
16	1	344516	POD UPPER, CAB
17	1	344517	POD MIDDLE, CAB
18	1	344518	POD INNER, CAB
19	1	344519	POD OUTER
20	1	344612	MACHINE DISPLAY ASSEMBLY, 2014
21	1	344656	JOYSTICK, CAB
22	4	470122	1/4 UNC X 1/2 SERR FLG BOLT
23	19	472344	1/4UNCX5/8 ALHD BUTTON CAP SCR
24	4	473866	M10 X 1.5 HEX SERR FLG NUT
25	6	900129N	3/8UNC X 1" SERR FLANGE BOLT
26	1	903706	10-32X1/2 PHIL PAN MACH SCR
27	4	903844	8-32 X 1/2 PHIL PANHD MACH SCR



STANDARD INSTRUCTOR SEAT ASSEMBLY			
DET	QTY	P/N	DESCRIPTION
1	1	344162	PANEL BACK INSTRUCTOR SEAT BACK
2	1	344163	BIN STORAGE INSTRUCTOR SEAT
3	1	344166	BRKT BACK INSTRUCTOR SEAT MOUNT
4	1	344174	CUSH BASE INST SEAT STD
5	1	344175	CUSH BACK INST SEAT STD
6	1	344412	CARGO NET - INSTRUCTOR SEAT
7	2	344463	CUP HOLDER - SMALL
8	2	344489	INST SEAT BELT BUSHING, STS' 14
9	1	344493	INST SEAT BELT ASSY, STS' 14
10	1	344559	INST SEAT GAS SPRING, STS' 14
11	1	344564	BRKT BASE INST SEAT WLDT, STS' 14
12	1	344566	BRKT INST SEAT MT WLDT, STS' 14
13	4	470087	3/8UNC HEX SERR FLANGE NUT
14	6	470657	3/8 PTFE LOW-FRICT WASHER
15	10	472261	1/4UNC X 3/4 TRUSS HD BOLT
16	4	900129N	3/8UNC X 1" SERR FLANGE BOLT
17	2	900172	3/8UNC X 1" SOC HD CAP SCR, ZINC
18	2	900235	7/16-20 HEX HEAD BOLT, GR 5
19	2	901130	3/8UNC X 1 1/4 CARR BOLT
20	2	910030	7/16UNF HEX NUT, NYLOC GR5
21	4	914004	3/8UNC HEX STOVER NUT
22	4	920002	3/8 SAE FLAT WASHER
23	2	920003	7/16 SAE FLAT WASHER

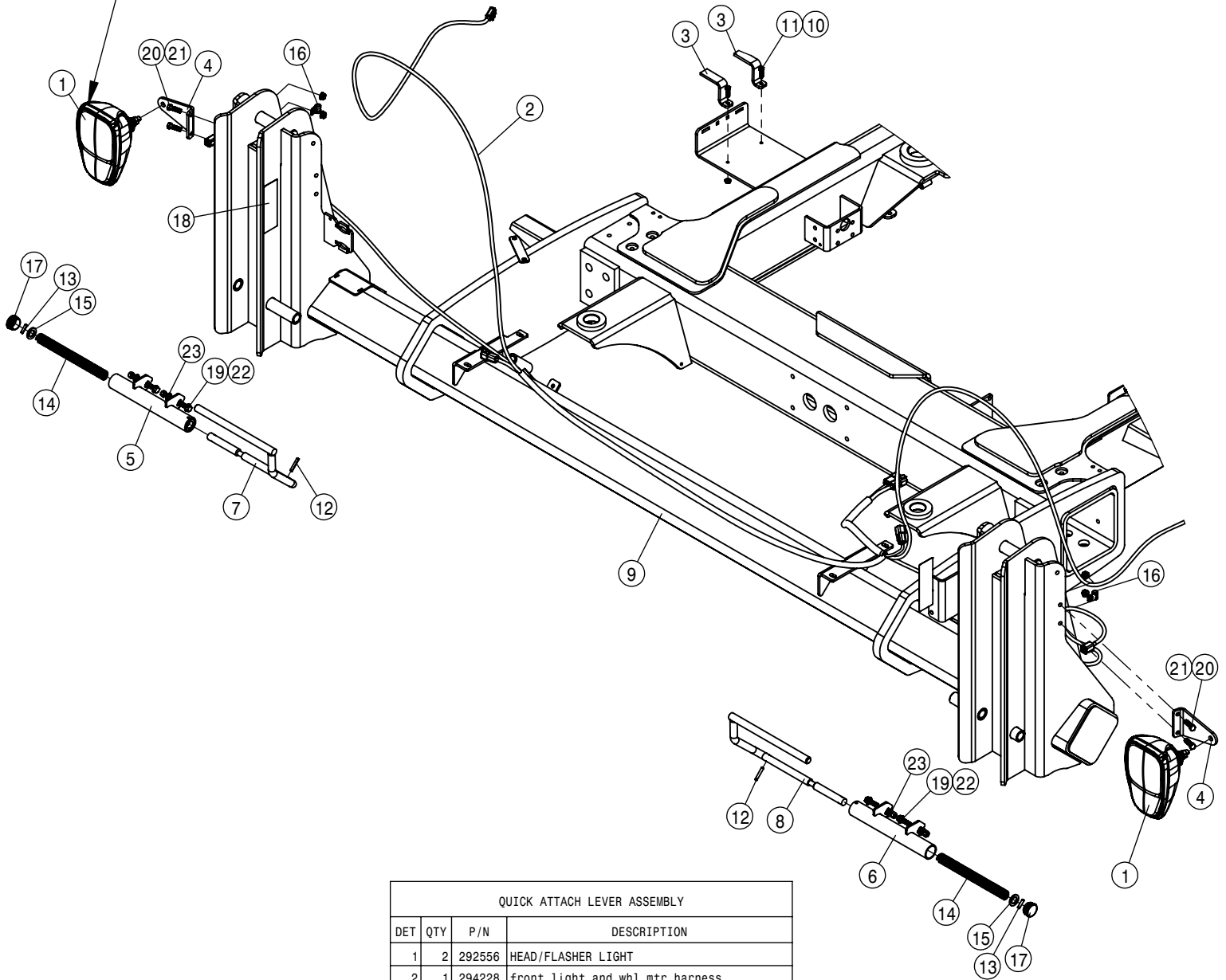


PREMIUM INSTRUCTOR SEAT ASSEMBLY			
DET	QTY	P/N	DESCRIPTION
1	1	330070	CUSH BASE INST SEAT PREM
2	1	330071	CUSH BACK INST SEAT PREM
3	1	344162	PANEL BACK INSTRUCTOR SEAT BACK
4	1	344163	BIN STORAGE INSTRUCTOR SEAT
5	1	344166	BRKT BACK INSTRUCTOR SEAT MOUNT
6	1	344412	CARGO NET - INSTRUCTOR SEAT
7	2	344463	CUP HOLDER - SMALL
8	2	344489	INST SEAT BELT BUSHING, STS' 14
9	1	344493	INST SEAT BELT ASSY, STS' 14
10	1	344559	INST SEAT GAS SPRING, STS' 14
11	1	344564	BRKT BASE INST SEAT WLDT, STS' 14
12	1	344566	BRKT INST SEAT MT WLDT, STS' 14
13	4	470087	3/8UNC HEX SERR FLANGE NUT
14	6	470657	3/8 PTFE LOW-FRICT WASHER
15	10	472261	1/4UNC X 3/4 TRUSS HD BOLT
16	4	900129N	3/8UNC X 1" SERR FLANGE BOLT
17	2	900172	3/8UNC X 1" SOC HD CAP SCR,ZINC
18	2	900235	7/16-20 HEX HEAD BOLT, GR 5
19	2	901130	3/8UNC X 1 1/4 CARR BOLT
20	2	910030	7/16UNF HEX NUT, NYLOC GR5
21	4	914004	3/8UNC HEX STOVER NUT
22	4	920002	3/8 SAE FLAT WASHER
23	2	920003	7/16 SAE FLAT WASHER



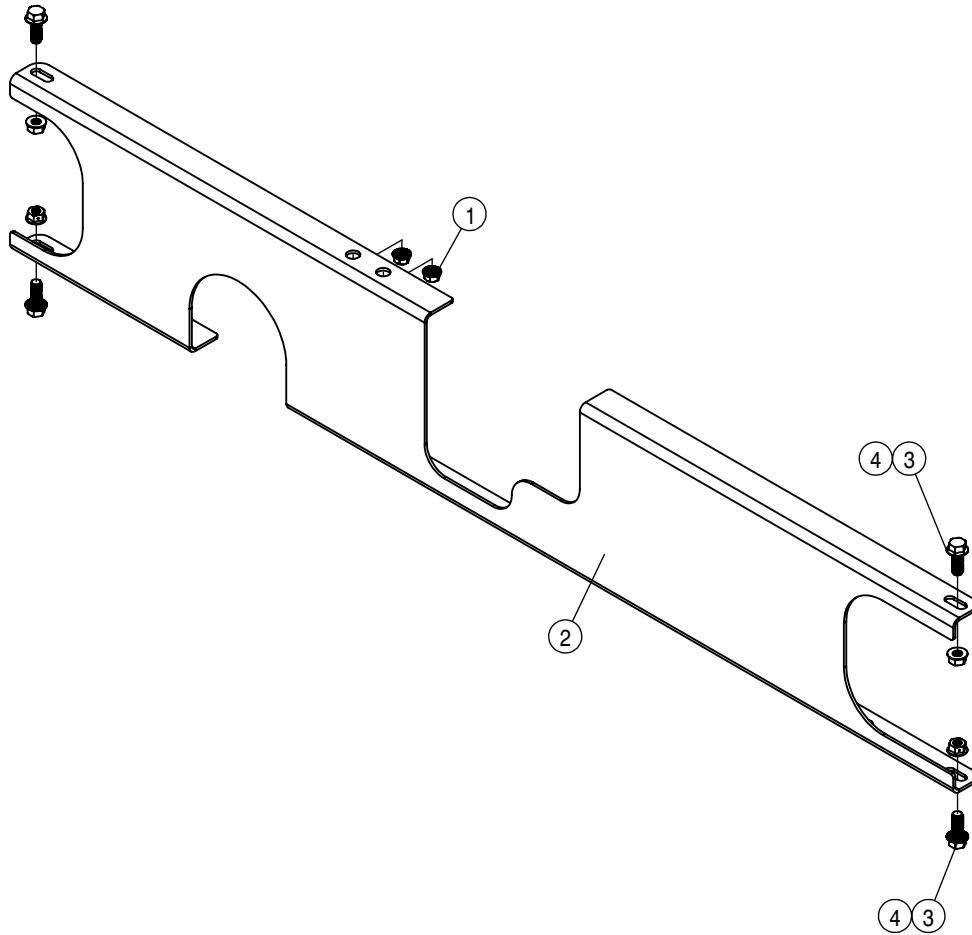
TOOLBOX ASSEMBLY			
DET	QTY	P/N	DESCRIPTION
1	1	345042	TOOLBOX MNT BASE, STS '12
2	8	470113	5/16UNC SERR FLG LOCK NUT
3	2	470643	RUBBER DRAW LATCH
4	1	470841	TOOL BOX w/TRAY
5	4	473911	5/16UNC-1.31ID-2.00 U-BOLT ZINC
6	8	903884	10-32X3/8 PHIL PN MACH SCR
7	8	914027	10-32 HEX STOVER NUT

290007-REPLACEMENT BULB 12V/55W  
 290008-REPLACEMENT BULB 12V/4W  
 290010-REPLACEMENT BULB 12V/55W  
 290011-REPLACEMENT BULB 12V/21W

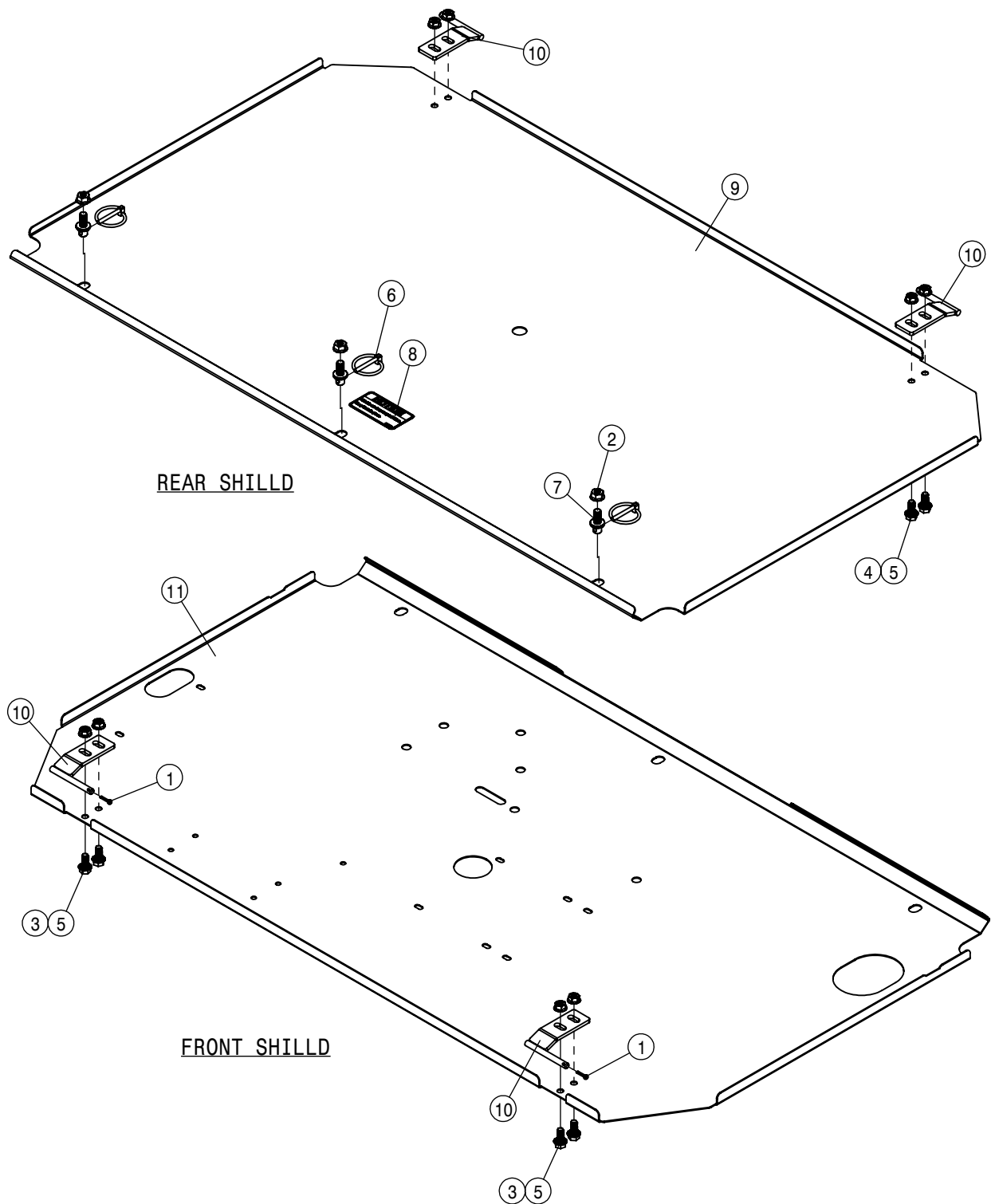


QUICK ATTACH LEVER ASSEMBLY			
DET	QTY	P/N	DESCRIPTION
1	2	292556	HEAD/FLASHER LIGHT
2	1	294228	front light and whl mtr harness
3	2	345016	RETAINER STRAP-MIXER
4	2	360037	FRONT HEADLIGHT BRKT
5	1	361665	RH Q-ATTACH LOCK WLD, STS 04
6	1	361666	LH Q-ATTACH LOCK WLD, STS 04
7	1	361670	RH Q-ATTACH LOCK PIN WLD,STS04
8	1	361671	LH Q-ATTACH LOCK PIN WLD,STS04
9	1	362174	MIANFRAME WLDMT-ST516 2015
10	2	470121N	1/4 UNC SERR FLG LOCK NUT SS
11	2	470231N	1/4UNC X 1" SERR FLG BOLT SS
12	2	473805	ROLL PIN, 1/4 X 1 1/2
13	2	473850	ROLL PIN, 1/4 X 1"
14	2	482018	SPRING, 1.00 X 12.00 COMPRSN
15	2	483055	.771ID-1.250OD-.135T MACH WASH
16	2	520167	CUSH CLAMP,#6 3/8D X 3/4W
17	2	629765	CAPLUG, 1 1/2" RD, BLACK POLY
18	2	650178	DECAL,CAUTION QUICK ATTACH LOC
19	4	900127N	3/8UNC X 1 1/4 SER FLANGE BOLT
20	4	900130	3/8UNC X 1 1/4 HEX BOLT
21	4	910004N	3/8UNC FLANGE CNTR LOCK NUT
22	4	914004N	3/8UNC HEX STOVER NUT
23	4	920002N	3/8 SAE FLAT WASHER

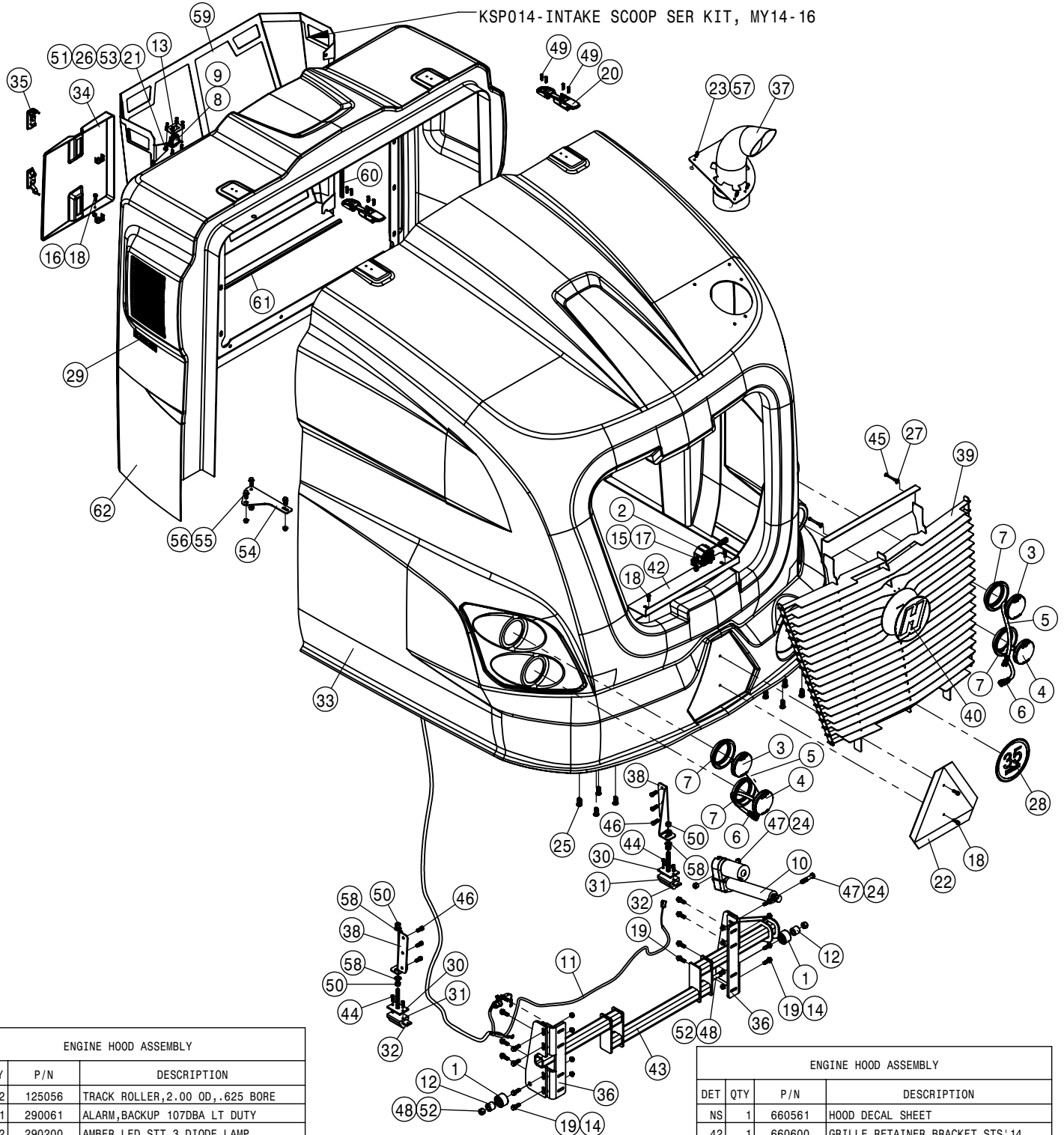




REAR BULKHEAD ASSEMBLY			
DET	QTY	P/N	DESCRIPTION
1	2	470113N	5/16UNC SERR FLG LOCK NUT SS
2	1	660297	REAR BULKHEAD 2015
3	4	900129N	3/8UNC X 1" SERR FLANGE BOLT
4	4	910004N	3/8UNC FLANGE CNTR LOCK NUT



FRONT AND REAR BELLY SHIELD ASSEMBLY			
DET	QTY	P/N	DESCRIPTION
1	2	470075	1/8 X 3/4 COTTER PIN
2	3	470087N	3/8UNC HEX SERR FLG NUT YZ
3	4	470113	5/16UNC SERR FLG LOCK NUT
4	4	470113N	5/16UNC SERR FLG LOCK NUT SS
5	8	470233	5/16UNC X 3/4 SERR FLG HEX BOLT
6	3	470335	LINCHPIN, 3/16 X 1 1/4 GRIP
7	3	470520	HANGER PIN,3/8UNC x.437Dx.500L
8	1	650851	DECAL, NOTICE, SHIELD PROTECT
9	1	660289	REAR BELLY SHIELD, STS 13
10	4	660578	HINGE - BELLY PAN, WLD
11	1	660597	BELLY SHIELD - FRONT



ENGINE HOOD ASSEMBLY

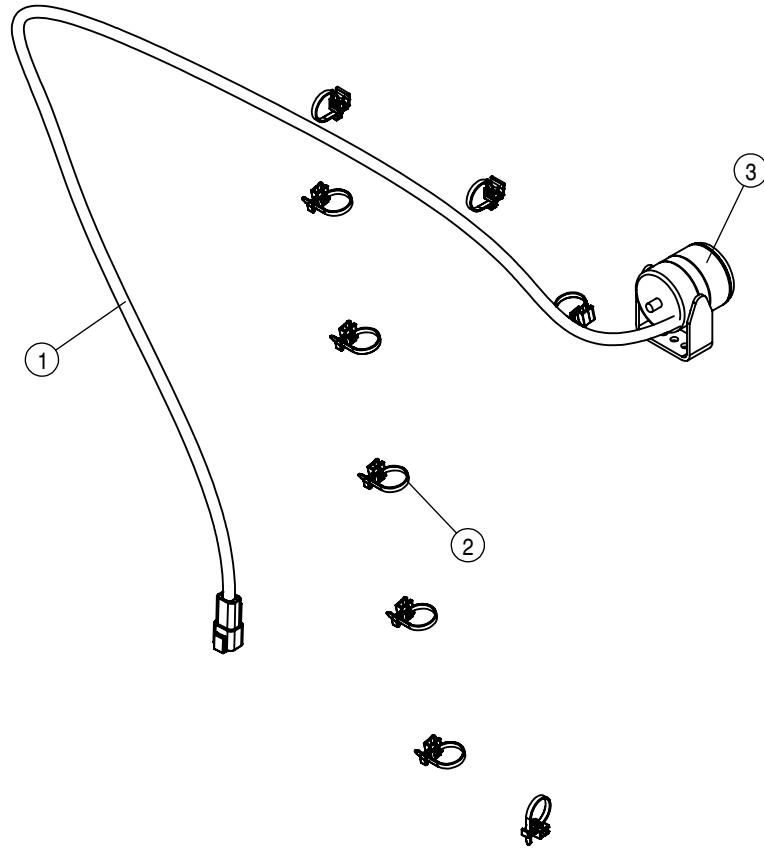
DET	QTY	P/N	DESCRIPTION
1	2	125056	TRACK ROLLER,2.00 OD, .625 BORE
2	1	290061	ALARM,BACKUP 107DBA LT DUTY
3	2	290200	AMBER LED STT 3 DIODE LAMP
4	2	290201	RED LED STT 3 DIODE LAMP
5	2	290202	2-WIRE PIGTAIL FOR 290200AMBER
6	2	290203	3-WIRE PIGTAIL FOR 290201 RED
7	4	290204	4" GROMMET FR 290200 & 290201
8	1	292220	SWITCH,DPDT, MOM-OFF-MOM ON
9	1	292221	SWITCH ACUATOR FOR 292220
10	1	292235	STS HOOD ACTUATOR
11	1	294053	HOOD ACTUATOR HARNESS
12	2	361679	BUMPER PIVOT BRG SPACER,STS 04
13	1	362116	HOOD SWITCH MT PLATE
14	8	470087	3/8UNC HEX SERR FLANGE NUT
15	2	470121	1/4 UNC SERR FLG LOCK NUT
16	1	470121N	1/4 UNC SERR FLG LOCK NUT SS
17	2	470122	1/4 UNC X 1/2 SERR FLG BOLT
18	5	470231N	1/4UNC X 1" SERR FLG BOLT SS
19	16	470329	3/8UNC X 1 1/4 SERR FLG HEX BOLT
20	2	470368	LATCH W/KEEPER, FLEXIBLE LEVER
21	4	472235N	10-32 X 3/4 PHIL PAN MACH SCR BZ
22	1	472249	SLOW MOVING VEHICLE SIGN
23	5	472345	1/4UNC X 1 ALHD BUTTON CAP SCR

ENGINE HOOD ASSEMBLY

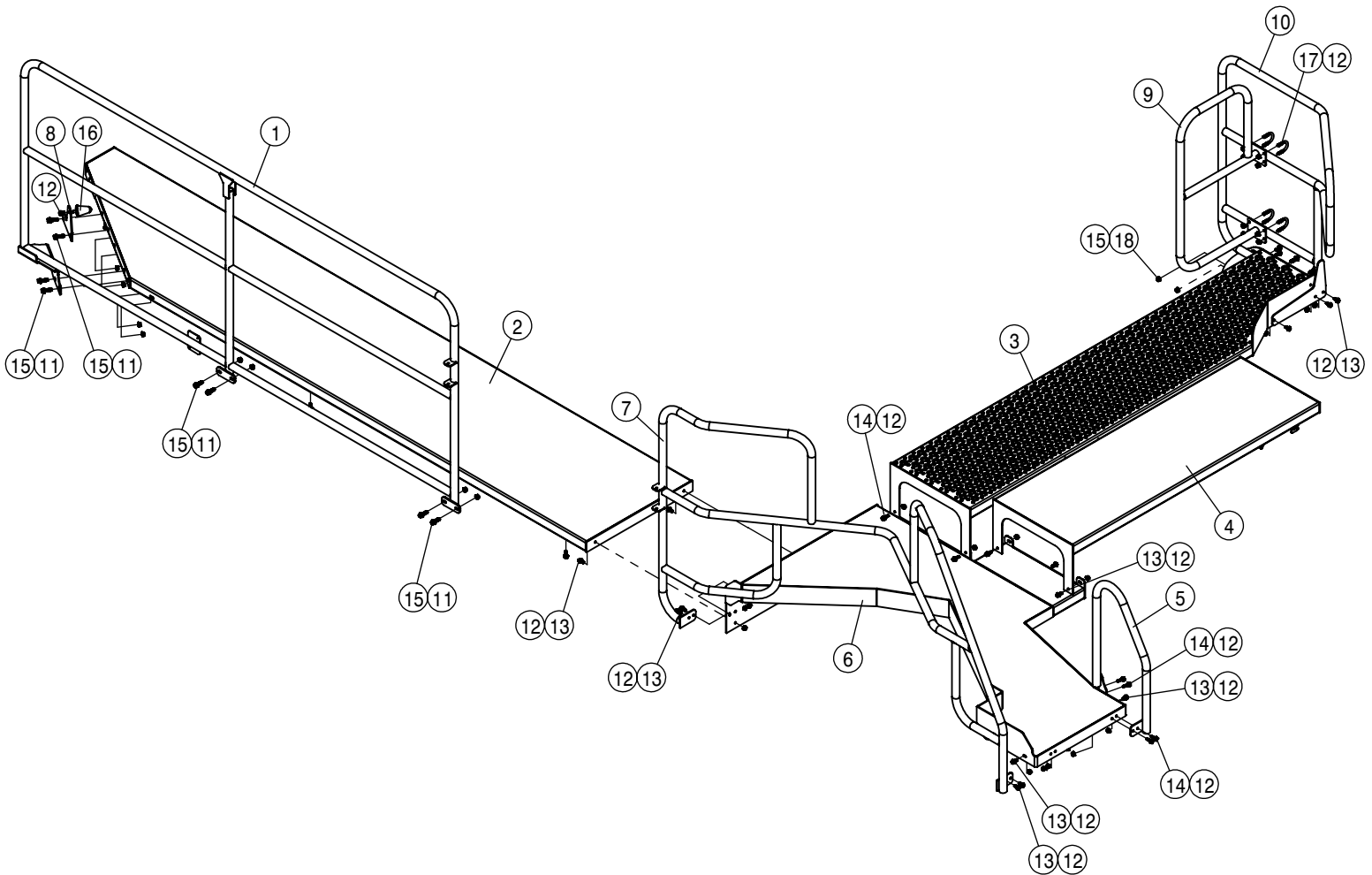
DET	QTY	P/N	DESCRIPTION
24	2	473007	1/2UNC HEX NUT, NYLOC
25	8	473987	1/2UNC X 1 1/4BUT SKTHD SCR
26	4	483016	#10 REGULAR FLAT WASHER
27	2	483038	1/4 REGULAR FLAT WASHER
28	1	650224	DECAL ,35MPH ID SYMBOL, VINYL
29	2	650426	AWS DECAL
30	2	660224	ENG HOOD BUMPER WLD, STS 04
31	2	660226	ENG HOOD BUMPER, STS 04
32	2	660227	ENG HOOD BUMPER KEEPER, STS 04
33	1	660506	ENGINE HOOD REAR ASSYSTS'14
34	1	660510	ENGINE HOOD ACS PANEL STS'14
35	2	660525	LATCH ACS PNL RETAINER STS'14
36	2	660526	ENGINE HOOD BLKHD MNT BRKT STS'14
37	1	660531	EXHAUST STACK WLDT STS'14
38	2	660532	ENGINE HOOD BMPR MNT BRKT STS'14
39	1	660533	GRILLE INSERT WLDT STS'14
40	1	660559	DECAL HAGIE DOT 8.25"DIA GRILLE

ENGINE HOOD ASSEMBLY

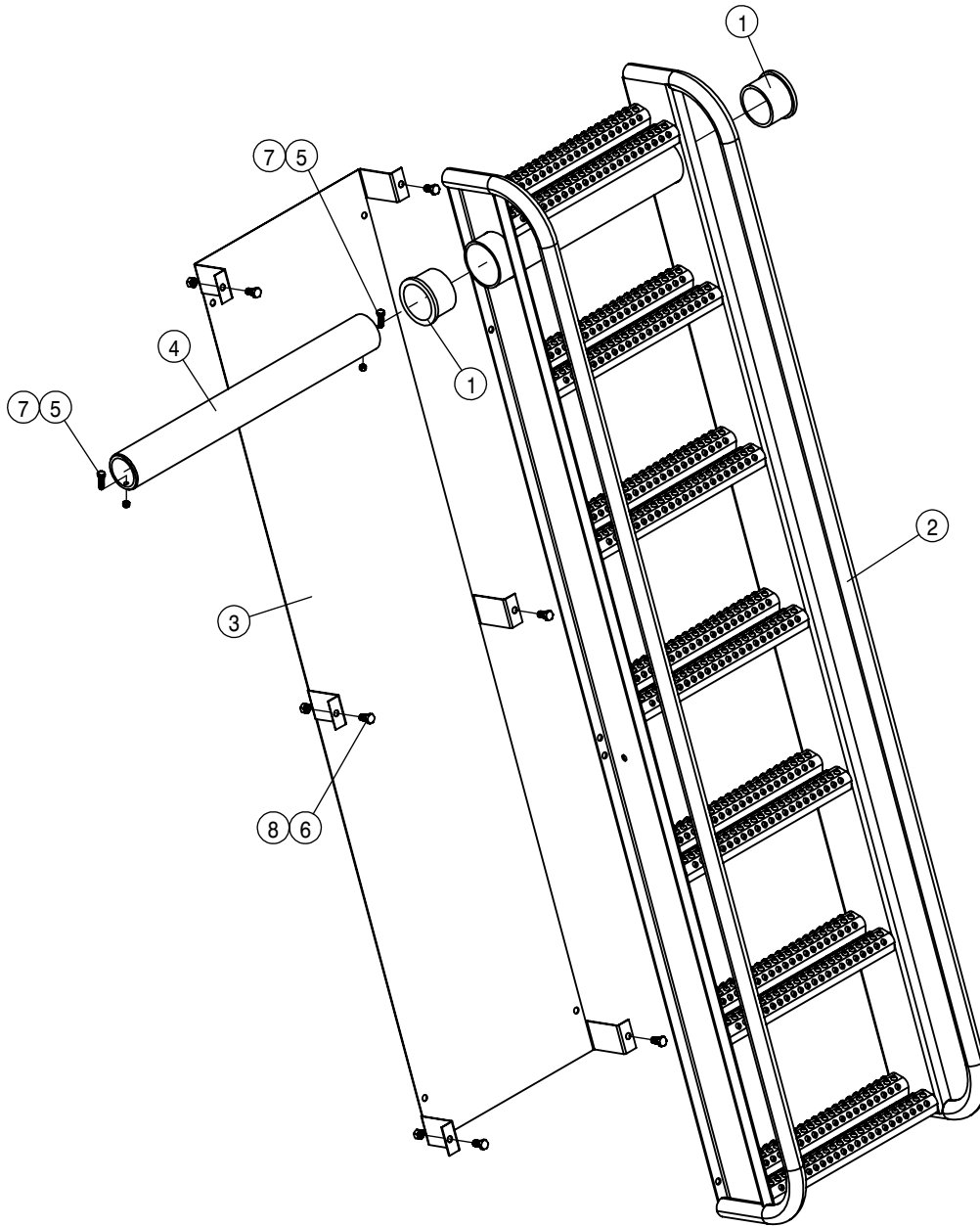
DET	QTY	P/N	DESCRIPTION
NS	1	660561	HOOD DECAL SHEET
42	1	660600	GRILLE RETAINER BRACKET STS'14
43	1	660682	STS16 HOOD HINGE WLDT'15
44	4	90003N	1/4UNC X 1" HEX BOLT SS
45	2	900008	1/4UNC X 2 1/2 HEX BOLT
46	9	900129	3/8UNC X 1" HEX BOLT
47	2	900268	1/2UNC X 2 1/2 HEX BOLT
48	2	900341	5/8UNC X 3 3/4 HEX BOLT
49	8	903893	10-32 X 1" PHIL PAN MACH SCR
50	4	910008	1/2UNC HEX NUT
51	4	910027N	10-32 HEX NUT
52	2	914010P	5/8UNC HEX STOVER NUT
53	4	920510	#10 LOCK WASHER
54	1	660815	FRONT HOOD TIE BRKT, STS
55	3	900129N	3/8UNC X 1" SERR FLANGE BOLT
56	3	470087N	3/8UNC HEX SERR FLG NUT YZ
57	5	914000	1/4UNC HEX STOVER NUT
58	4	920004	1/2 SAE FLAT WASHER
59	1	660827	AIR INTAKE SCOOP SER KIT WLD
60	2	193016-028	QUICKEDGE TRIM .060 TO .170
61	1	193016-042	QUICKEDGE TRIM .060 TO .170
62	1	660503	ENGINE HOOD FRONT ASSY STS'14



BACK-UP CAMERA ASSEMBLY			
DET	QTY	P/N	DESCRIPTION
1	1	294218	B-UP CAMERA HARNESS
2	9	470680	CABLE TIE/CLIP .04"-.12"W
3	1	693518	B-UP CAMERA

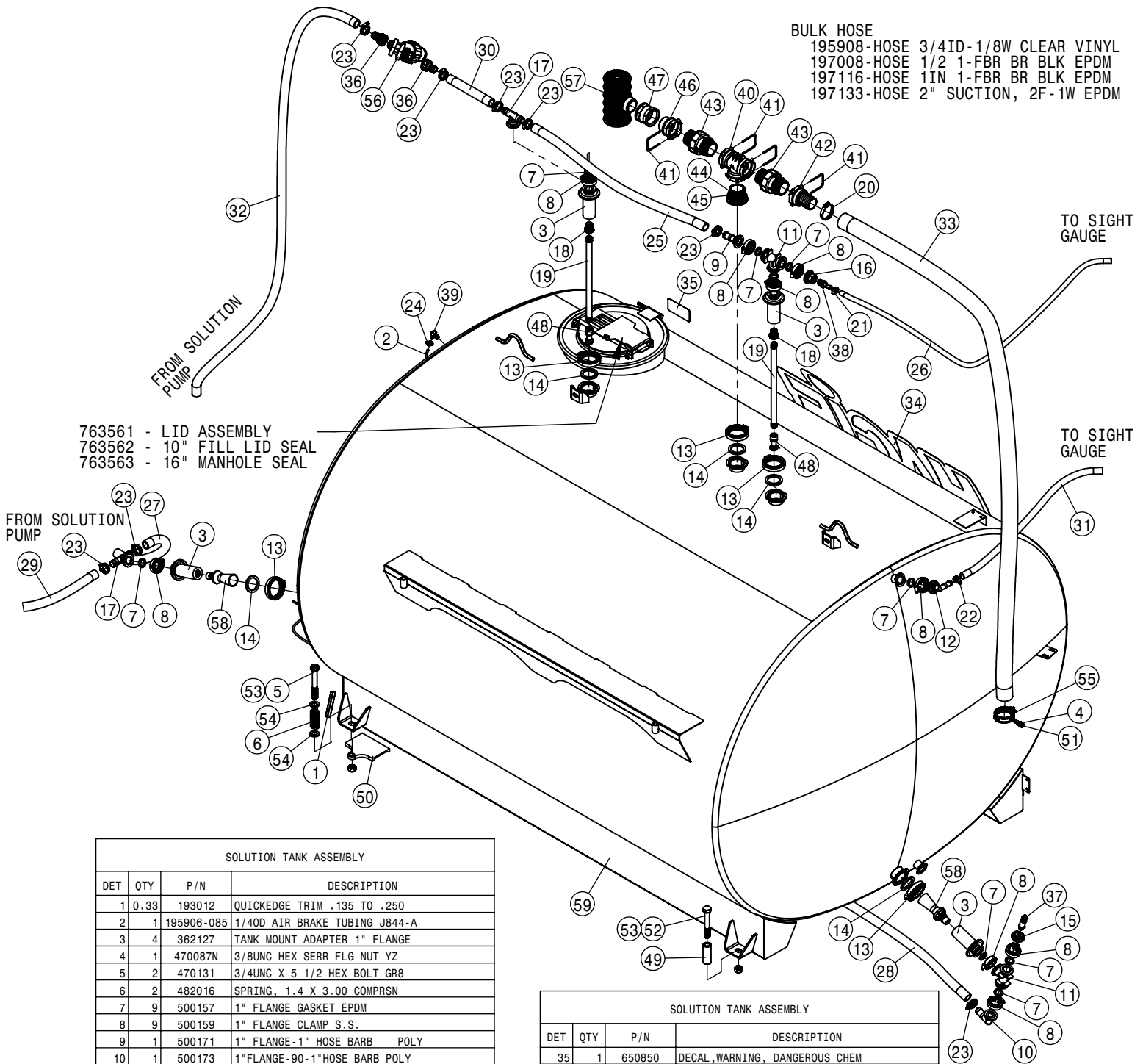


SERVICE PLATFORM ASSEMBLY			
DET	QTY	P/N	DESCRIPTION
1	1	343514	LH FRT HANDRAIL WLD, STS16 05
2	1	343518	LH SIDE PLATFORM WLD, STS 16 05
3	1	343948	REAR CENTER PLATFORM T3
4	1	344473	CNTR SERV PLATFORM WLD, STS '14
5	1	344520	RH HANDRAIL WLD, LH PLTFRM '14
6	1	344521	LH REAR SERV PLTFRM WLD STS '14
7	1	344522	LH REAR HANDRAIL WLD
8	1	344578	BRACKET-DOOR STOP STS 2014
9	1	345001	RH REAR HANDRAIL EXT WLD, STS06
10	1	345004	RH REAR HANDRAIL -STS 2015
11	8	470087N	3/8UNC HEX SERR FLG NUT YZ
12	38	470113	5/16UNC SERR FLG LOCK NUT
13	16	470233	5/16UNC X 3/4 SERR FLG HEX BOLT
14	13	470234	5/16UNC X 1" SERR FLG HEX BOLT
15	10	470329	3/8UNC X 1 1/4 SERR FLG HEX BOLT
16	1	470571	BUMPER, MALE STUD 2.375 X 1.75
17	4	473911	5/16UNC-1.31ID-2.00 U-BOLT ZINC
18	2	910004N	3/8UNC FLANGE CNTR LOCK NUT



LADDER ASSEMBLY			
DET	QTY	P/N	DESCRIPTION
1	2	121102	LADDER PIVOT BEARING, POLYGON
2	1	343808	LADDER WLDMNT, STS 10/16 11
3	1	344009	STEP BACKPLATE STS CE
4	1	344534	LADDER MT TUBE, STS '14
5	2	900003	1/4UNC X 3/4 HEX BOLT
6	6	900128	3/8UNC X 3/4 HEX BOLT
7	2	914000	1/4UNC HEX STOVER NUT
8	6	914004	3/8UNC HEX STOVER NUT

BULK HOSE  
 195908-HOSE 3/4ID-1/8W CLEAR VINYL  
 197008-HOSE 1/2 1-FBR BR BLK EPDM  
 197116-HOSE 1IN 1-FBR BR BLK EPDM  
 197133-HOSE 2" SUCTION, 2F-1W EPDM



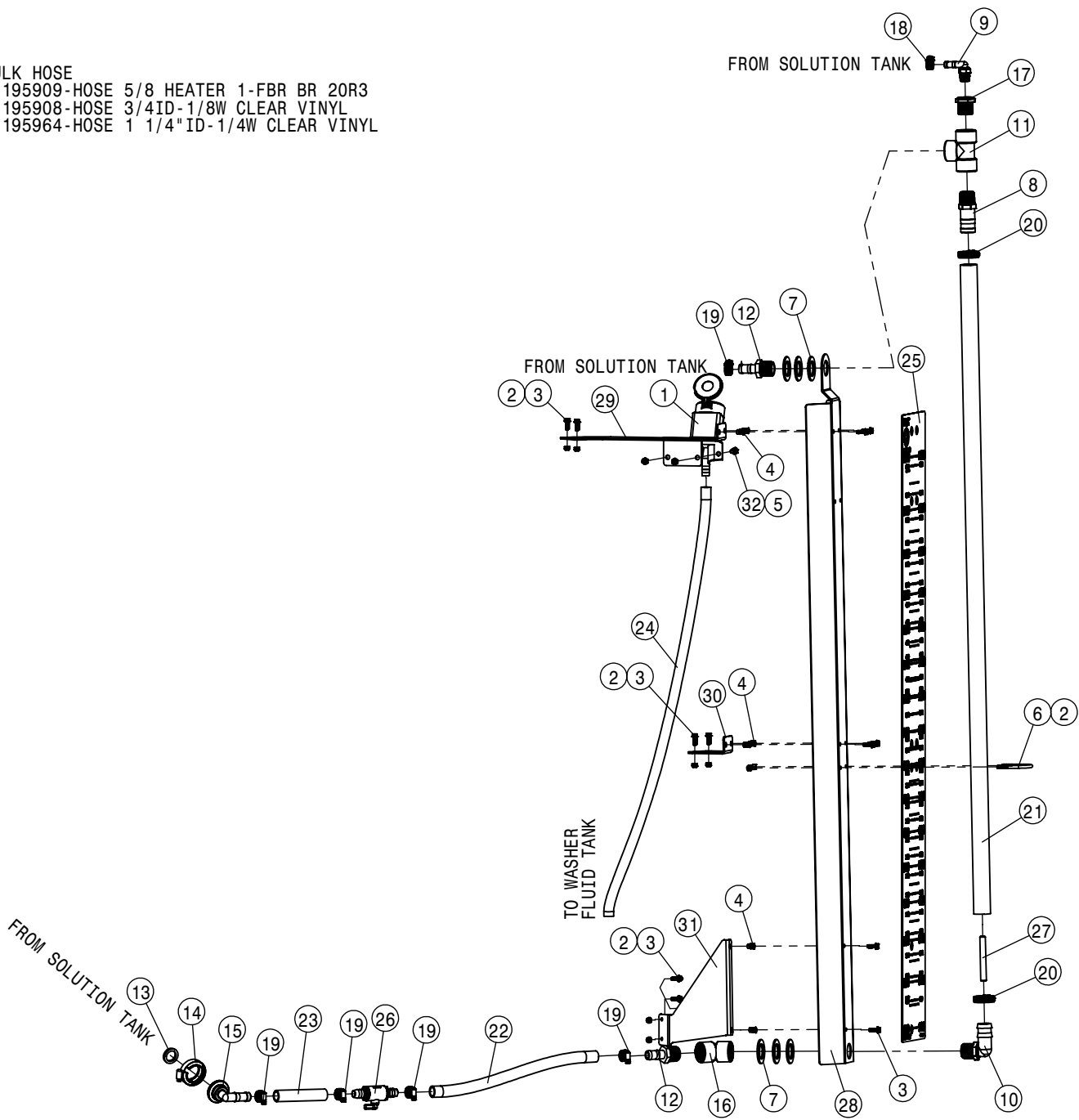
763561 - LID ASSEMBLY  
 763562 - 10" FILL LID SEAL  
 763563 - 16" MANHOLE SEAL

SOLUTION TANK ASSEMBLY			
DET	QTY	P/N	DESCRIPTION
1	0.33	193012	QUICKEDGE TRIM .135 TO .250
2	1	195906-085	1/40D AIR BRAKE TUBING J844-A
3	4	362127	TANK MOUNT ADAPTER 1" FLANGE
4	1	470087N	3/8UNC HEX SERR FLG NUT YZ
5	2	470131	3/4UNC X 5 1/2 HEX BOLT GR8
6	2	482016	SPRING, 1.4 X 3.00 COMPRSN
7	9	500157	1" FLANGE GASKET EPDM
8	9	500159	1" FLANGE CLAMP S.S.
9	1	500171	1" FLANGE-1" HOSE BARB POLY
10	1	500173	1"FLANGE-90-1"HOSE BARB POLY
11	2	500175	1" FLANGE TEE, POLY
12	1	500185	1"FLANGE-90-3/4"HOSE BARB POLY
13	5	500194	2" FP FLANGE CLAMP S.S.
14	5	500195	2" FP FLANGE GASKET EPDM
15	1	500226	1" FLANGE PLUG W/1/4"FNPT POLY
16	1	500238	1" FLANGE PLUG W/1/2"FNPT POLY
17	2	500268	1" FLANGE HOSE BARB TEE
18	2	504211	RED BUSH 3/4MNPT-1/2FNPT,POLY
19	2	507032	SS PIPE NIPPE, .50NPT-16.00
20	1	520068	HOSE CLAMP NO 32 STAINLESS
21	1	520069	HOSE CLAMP NO 6 STAINLESS
22	1	520070	HOSE CLAMP NO 8 STAINLESS
23	8	520090	HOSECLAMP NO 16 STAINLESS
24	1	520120	HOSE CLAMP NO 4 STAINLESS
25	1	601053	HOSE, 1 X 39 1BR BLK EPDM
26	1	601086	HOSE, 1/2 X 57 1BR BLK EPDM
27	1	601209	HOSE, 1 X 18 1BR BLK EPDM
28	1	601495	HOSE, 1 X 110 1BR BLK EPDM
29	1	601588	HOSE, 1 X 28 1BR BLK EPDM
30	1	601726	HOSE, 1 X 11 1BR BLK EPDM
31	1	601858	HOSE, 3/4 X 32 CLEAR VINYL
32	1	601868	HOSE, 1 X 88 1BR BLK EPDM
33	1	602013	HOSE, 2 X 102 2F - 1W EPDM
34	1	650144	DECAL, LOGO, SOLU TANK STS12

SOLUTION TANK ASSEMBLY			
DET	QTY	P/N	DESCRIPTION
35	1	650850	DECAL,WARNING, DANGEROUS CHEM
36	2	691280	1" HOSE BARB WITH FLY NUT
37	1	691281	PRESSURE TRANSDUCER,300PSI
38	1	713340	1/2NPT-1/2 HOSE BARB, POLY
39	1	716102	1/4 HOSE BARB-90-1/4 MNPT SS
40	1	737754	2"FEM T-CONNECTOR POLY
41	5	737756	2" FORK FOR 737754/755
42	1	737759	2"F-2"HOSE BARB POLY
43	2	737761	2"M CHECK VALVE POLY
44	2	737762	O-RING, 2"CONN EPDM
45	1	737767	T7 TO "BANJO 2" FP" ADAPTER
46	1	737768	T7 TO BSP ADAPTER
47	1	737769	THREADED COUPLING
48	2	737953	NOZZLE,PROCLEAN TANKWASH
49	2	763840	TANK MNT BUSHING
50	2	763841	TANK ISOLATOR
51	1	900133N	3/8UNC X 2" SERR FLANGE BOLT
52	2	900412N	3/4UNC X 5" HEX BOLT
53	4	914012	3/4UNC HEX STOVER NUT
54	4	920006	3/4 SAE FLAT WASHER
55	1	520170	VIBRATION-DAMPING CLAMP HANGER
56	1	690071	LINE STRAINER, .32 MESH, 150PSI
57	1	737770	T FILTER WITH BSP THREADS, 16 MESH
58	2	737956	JET AGITATION NOZZLE HYPRO, GROUND
59	1	763839	1600 GAL SS TANK

BULK HOSE

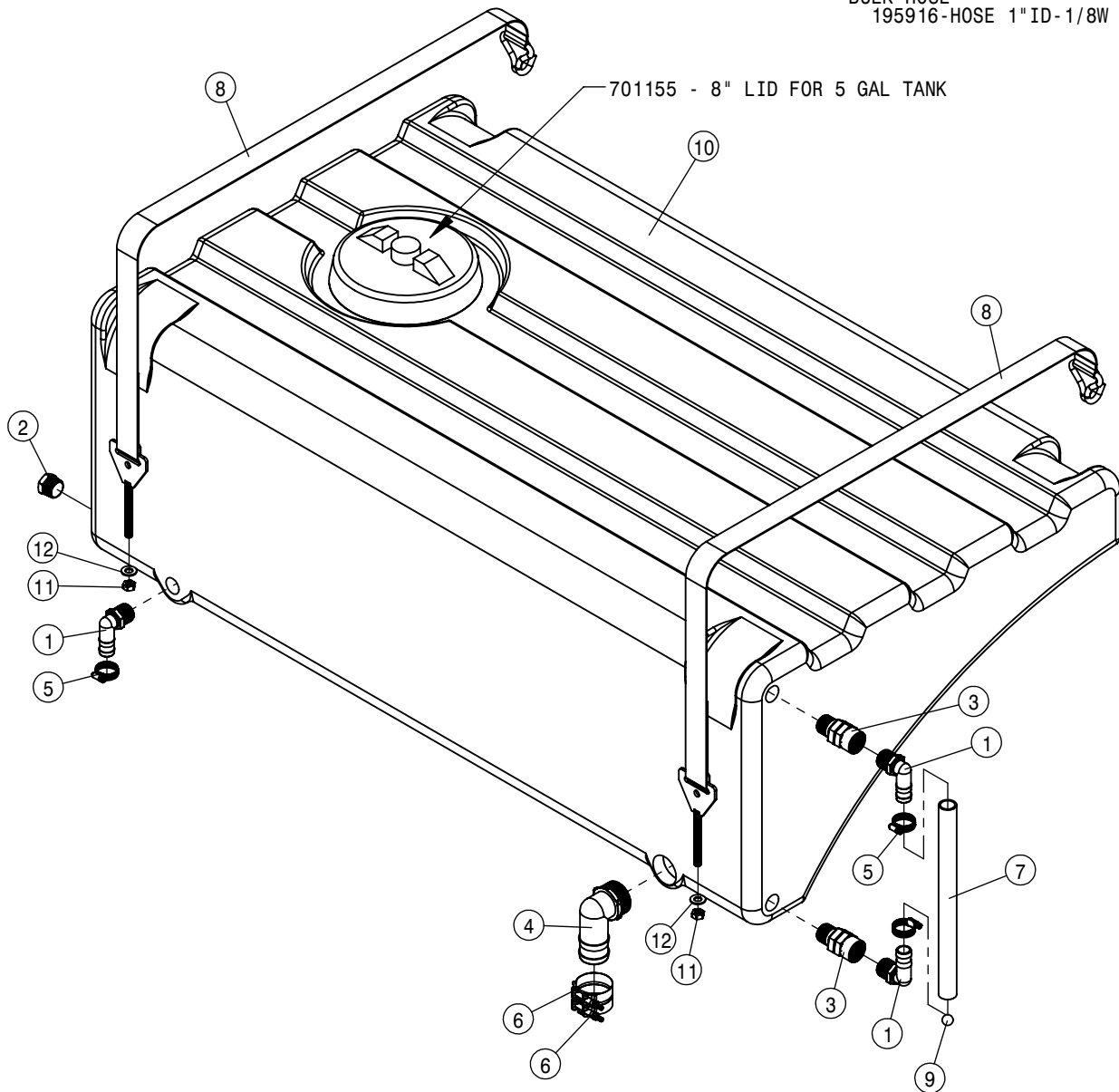
- 195909-HOSE 5/8 HEATER 1-FBR BR 20R3
- 195908-HOSE 3/4ID-1/8W CLEAR VINYL
- 195964-HOSE 1 1/4" ID-1/4W CLEAR VINYL



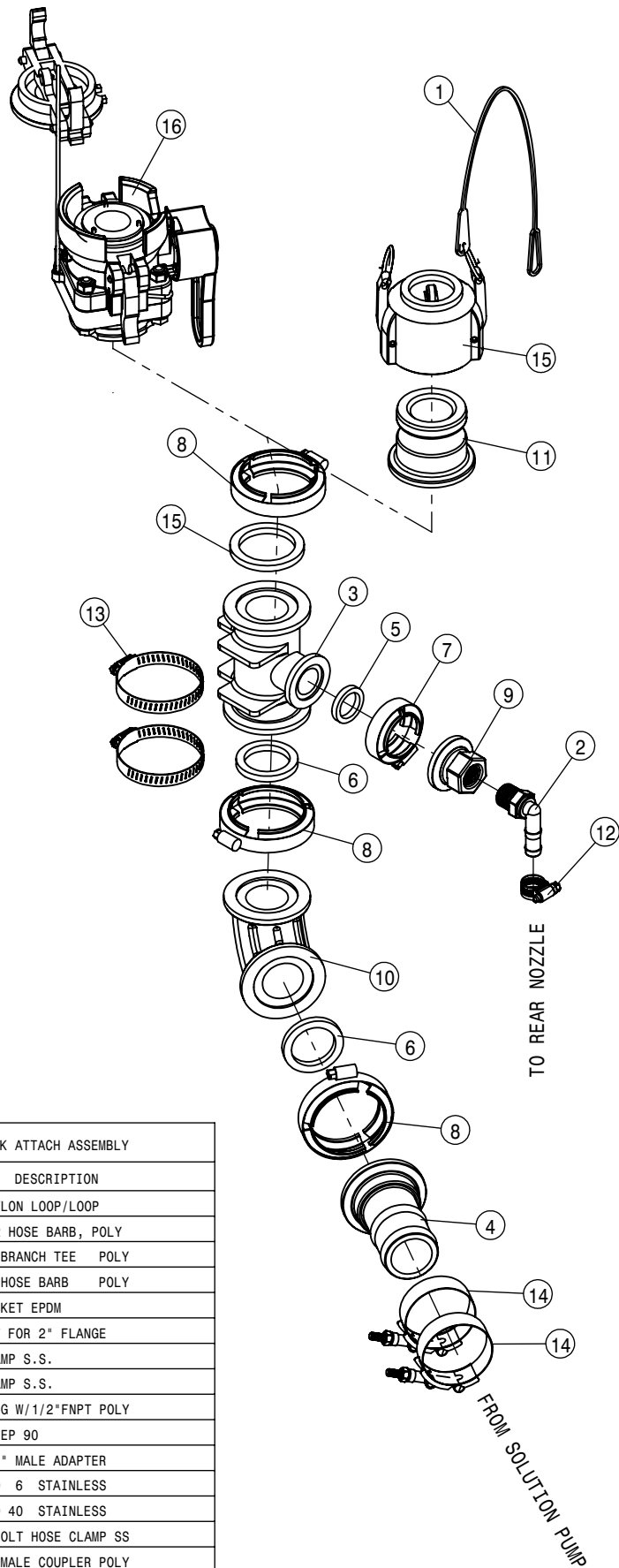
SIGHT GAUGE ASSEMBLY			
DET	QTY	P/N	DESCRIPTION
1	1	343972	REMOTE FILL
2	8	470089	1/4UNC HEX NYL-LOC NUT
3	12	470118	1/4 UNC X 3/4 SER FLG BOLT
4	6	470380	1/4-20 NUTSERT .027-1.65 ALUM
5	2	473001	5/16UNC HEX NUT,NYLOC
6	1	473969	1/4UNC-1 1/2 X 2 3/4 RD U-BOLT
7	6	483022	1.375 X 2.125 X .134 MACH WASH
8	1	500021	HOSE BARB-1" NPT X 1.25" HOSE
9	1	500047	1/2NPT-90-1/2 HOSE BARB, POLY
10	1	500051	1"NPT-90-1 1/4" HOSE BARB, POLY
11	1	500075	1" NPT PIPE TEE, POLY
12	2	500108	STRAIGHT-POLY, 1" MPT X 3/4 HOSE BARB
13	1	500157	1" FLANGE GASKET EPDM
14	1	500159	1" FLANGE CLAMP S.S.
15	1	500185	1"FLANGE-90-3/4"HOSE BARB POLY
16	1	503110	1" NPT 45 ELBOW

SIGHT GAUGE ASSEMBLY			
DET	QTY	P/N	DESCRIPTION
17	1	505233	1"-1/2"NPT REDU BUSH, POLY
18	1	520069	HOSE CLAMP NO 6 STAINLESS
19	5	520070	HOSE CLAMP NO 8 STAINLESS
20	2	520087	HOSE CLAMP NO 20 STAINLESS
21	1	601025	HOSE, 1 1/4 X 58 CLEAR VINYL
22	1	601057	HOSE, 3/4 X 17 CLEAR VINYL
23	1	601070	HOSE, 3/4 X 5, CLEAR VINYL
24	1	601890	HOSE-5/8 X 41 1-FBR BR 20R3
25	1	650470	DECAL, 1600G SS SIGHT GAUGE STS'15
26	1	696193	3/4" HOSE BARB MICRO VALVE
27	1	701448	FLOAT-SIGHT GAUGE 2013
28	1	701466	SS TANK SIGHT GAUGE, STS '14
29	1	701467	SIGHT GAUGE MNT BRKT UPR, STS'14
30	1	701468	SIGHT GAUGE MNT BRKT MID, STS'14
31	1	701469	SIGHT GAUGE MNT BRKT LWR, STS'14
32	2	900065	5/16UNC X 1" HEX BOLT





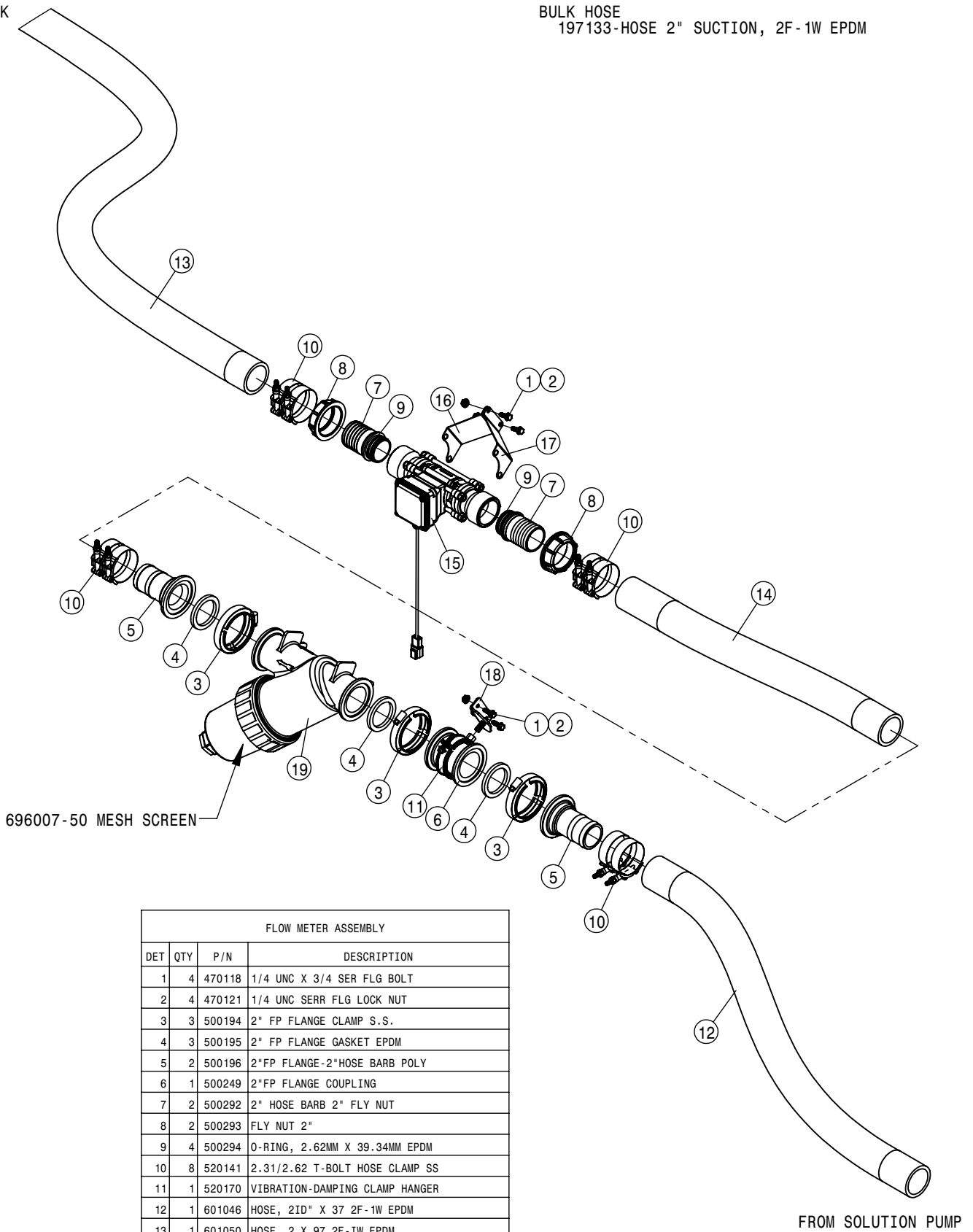
POLY RINSE TANK ASSEMBLY			
DET	QTY	P/N	DESCRIPTION
1	3	500024	1"NPT-90-1"HOSE BARB, POLY
2	1	500063	1"NPT PIP PLUG, POLY
3	2	500107	1"NPT SWIVEL POLY
4	1	500141	2"MNPT-90-2" HOSE BARB, POLY
5	3	520090	HOSECLAMP NO 16 STAINLESS
6	2	520141	2.31/2.62 T-BOLT HOSE CLAMP SS
7	1	601742	HOSE 1"ID-1/8W CLR VNYL 16"
8	2	763599	POLY RINSE TNK STRAP ASSY STS
9	1	763623	GREEN POLYPROPYLENE BALL 0.750"
10	1	763821	100 GAL POLY TANK, GRAY '13
11	2	914008	1/2 UNC HEX STOVER NUT
12	2	920004	1/2 SAE FLAT WASHER



FRONT SOLUTION QUICK ATTACH ASSEMBLY			
DET	QTY	P/N	DESCRIPTION
1	1	470322	LANYARD 8" NYLON LOOP/LOOP
2	1	500047	1/2NPT-90-1/2 HOSE BARB, POLY
3	1	500150	2" FLANGE-1" BRANCH TEE POLY
4	1	500154	2" FLANGE-2" HOSE BARB POLY
5	1	500157	1" FLANGE GASKET EPDM
6	3	500158	1 1/2" GASKET FOR 2" FLANGE
7	1	500159	1" FLANGE CLAMP S.S.
8	3	500160	2" FLANGE CLAMP S.S.
9	1	500238	1" FLANGE PLUG W/1/2" FNPT POLY
10	1	500266	2" FLANGE SWEEP 90
11	1	500276	2" FLANGE X 2" MALE ADAPTER
12	1	520069	HOSE CLAMP NO 6 STAINLESS
13	2	520099	HOSE CLAMP NO 40 STAINLESS
14	2	520141	2.31/2.62 T-BOLT HOSE CLAMP SS
15	1	690623	CAP FOR 2.00 MALE COUPLER POLY
16	1	696237	2" FEM MANFLD DRYMATE VLV, POLY

TO BOOM QUICK  
COUPLER

BULK HOSE  
197133-HOSE 2" SUCTION, 2F-1W EPDM



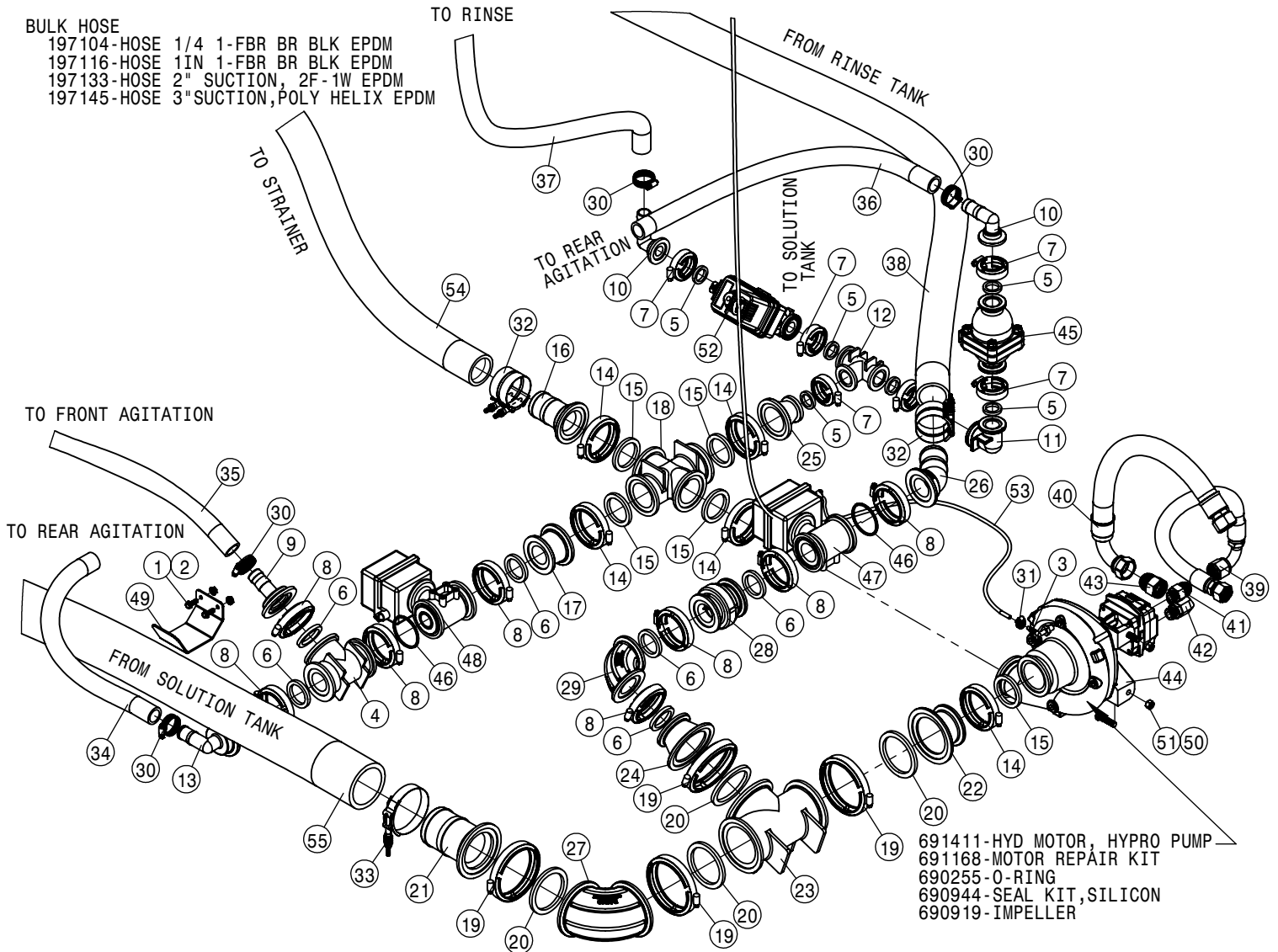
696007-50 MESH SCREEN

FLOW METER ASSEMBLY			
DET	QTY	P/N	DESCRIPTION
1	4	470118	1/4 UNC X 3/4 SER FLG BOLT
2	4	470121	1/4 UNC SERR FLG LOCK NUT
3	3	500194	2" FP FLANGE CLAMP S.S.
4	3	500195	2" FP FLANGE GASKET EPDM
5	2	500196	2"FP FLANGE-2"HOSE BARB POLY
6	1	500249	2"FP FLANGE COUPLING
7	2	500292	2" HOSE BARB 2" FLY NUT
8	2	500293	FLY NUT 2"
9	4	500294	O-RING, 2.62MM X 39.34MM EPDM
10	8	520141	2.31/2.62 T-BOLT HOSE CLAMP SS
11	1	520170	VIBRATION-DAMPING CLAMP HANGER
12	1	601046	HOSE, 2ID" X 37 2F-1W EPDM
13	1	601050	HOSE, 2 X 97 2F-1W EPDM
14	1	601099	HOSE, 2 X 26 2F-1W EPDM
15	1	691101	MAGNETIC FLOWMETER 2" FLYNUT
16	1	691302	ORION FLOW METER MNT FRONT
17	1	691303	ORION FLOW METER MNT REAR
18	1	691337	STRAINER CLAMP MNT WLD
19	1	696006	LINE "Y" STRAINER,2"FP FLG 50M

FROM SOLUTION PUMP

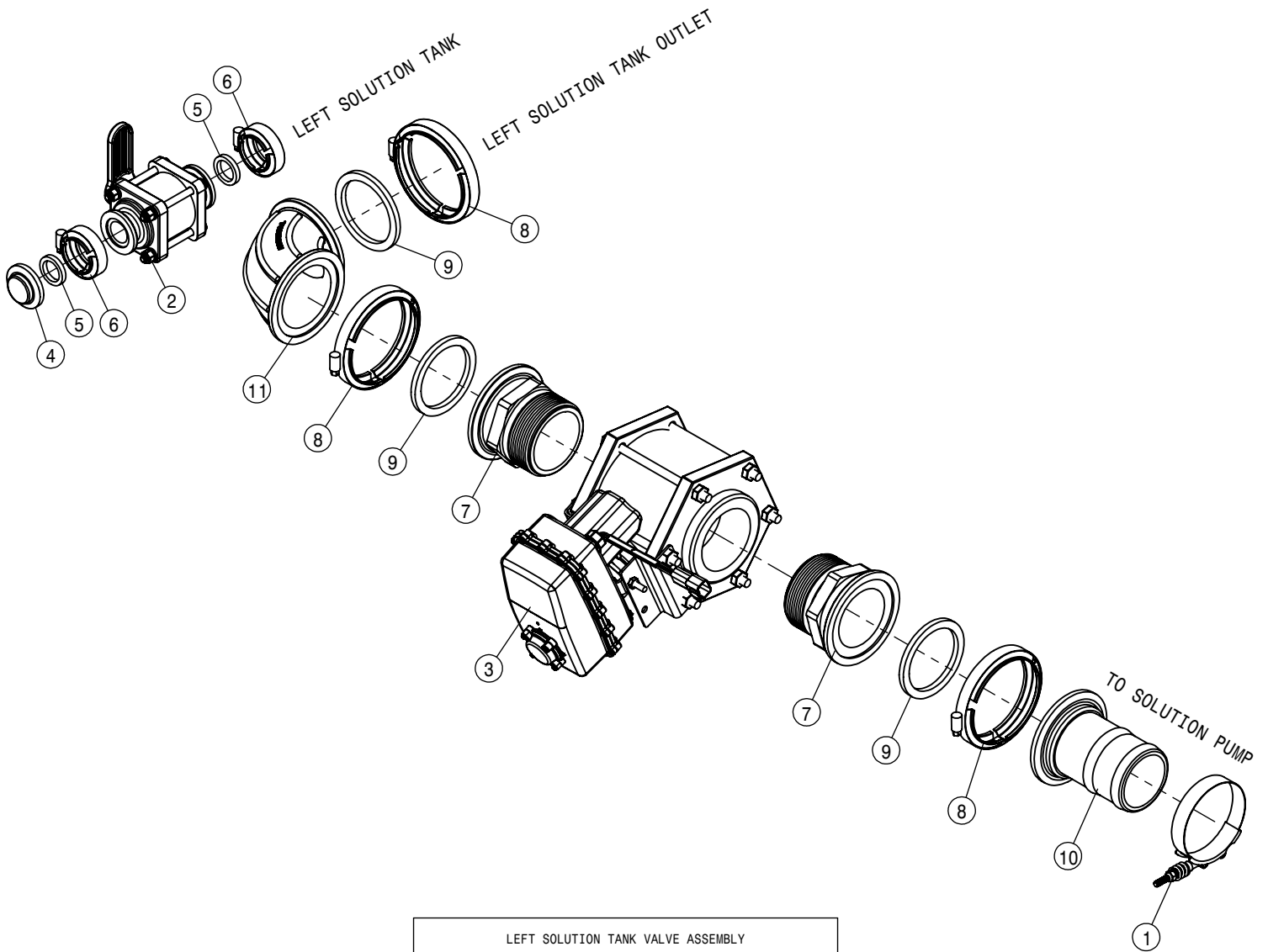
BULK HOSE  
 197104-HOSE 1/4 1-FBR BR BLK EPDM  
 197116-HOSE 1IN 1-FBR BR BLK EPDM  
 197133-HOSE 2" SUCTION, 2F-1W EPDM  
 197145-HOSE 3" SUCTION, POLY HELIX EPDM

TO RINSE



SOLUTION PUMP ASSEMBLY TANK			
DET	QTY	P/N	DESCRIPTION
1	2	470118	1/4 UNC X 3/4 SER FLG BOLT
2	2	470121	1/4 UNC SERR FLG LOCK NUT
3	1	500103	1/8"NPT-90-1/4 HOSE BARB,NYLON
4	1	500151	2" FLANGE TEE, POLY
5	6	500157	1" FLANGE GASKET EPDM
6	6	500158	1 1/2" GASKET FOR 2" FLANGE
7	6	500159	1" FLANGE CLAMP S.S.
8	8	500160	2" FLANGE CLAMP S.S.
9	1	500172	2" FLANGE-1 " HOSE BARB
10	2	500173	1"FLANGE-90-1"HOSE BARB POLY
11	1	500174	1" FLANGE-90-1" FLANGE LBOPOLY
12	1	500175	1" FLANGE TEE, POLY
13	1	500189	2" FLANGE-90-1" HOSE BARB POLY
14	5	500194	2" FP FLANGE CLAMP S.S.
15	5	500195	2" FP FLANGE GASKET EPDM
16	1	500196	2"FP FLANGE-2"HOSE BARB POLY
17	1	500199	2"FP FLANGE-2"FLAGE REDU POLY
18	1	500203	2"FP FLANGE CROSS POLY
19	4	500208	3" FLANGE CLAMP S.S.
20	4	500209	3" FLANGE GASKET EPDM
21	1	500210	3"FLANGE-3"HOSEBARB POLY
22	1	500212	3"FLANGE - 2" FP FLANGE ADTPTR
23	1	500217	3"FLANGE TEE POLY
24	1	500237	3" FLANGE-2" STD FLANGE ADPTR POLY
25	1	500244	2"FP FLANGE-1"FLAGE ADPTR POLY
26	1	500257	2" STANDARD PORT HOSE BARB 45
27	1	500262	3"FLANGE-90-3"FLG SWEEP LBO
28	1	500264	2" CHECK STANDARD PORT

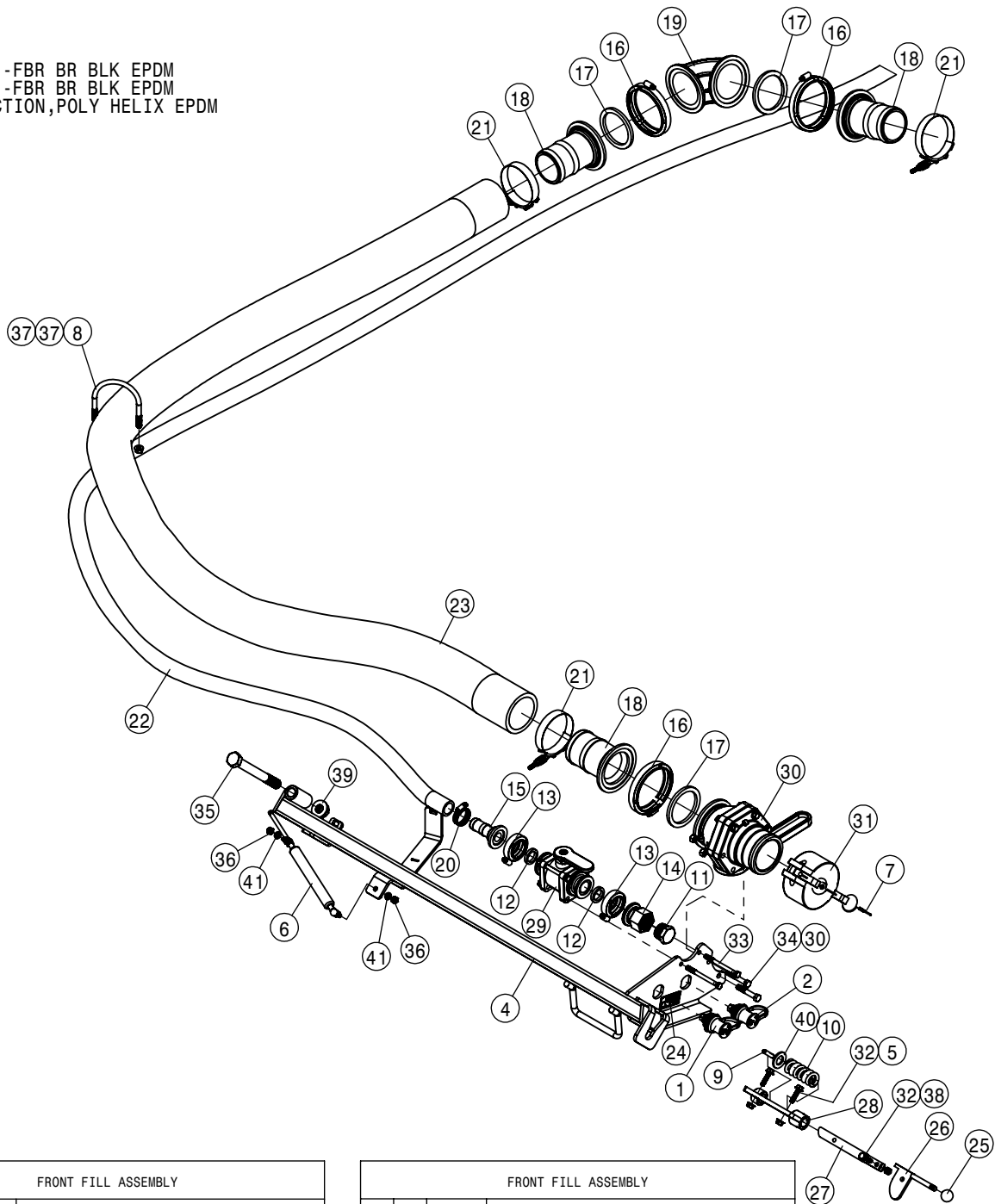
SOLUTION PUMP ASSEMBLY TANK			
DET	QTY	P/N	DESCRIPTION
29	1	500266	2" FLANGE SWEEP 90
30	4	520090	HOSECLAMP NO 16 STAINLESS
31	1	520120	HOSE CLAMP NO 4 STAINLESS
32	4	520141	2.31/2.62 T-BOLT HOSE CLAMP SS
33	1	520145	3.56/3.88 T-BOLT HOSE CLAMP SS
34	1	601209	HOSE, 1 X 18 1BR BLK EPDM
35	1	601495	HOSE, 1 X 110 1BR BLK EPDM
36	1	601588	HOSE, 1 X 28 1BR BLK EPDM
37	1	601868	HOSE, 1 X 88 1BR BLK EPDM
38	1	601888	HOSE, 2 X 144 2F-1W EPDM
39	1	617103	12-451TC-12FJX-12FJX90-22 H/A
40	1	617104	16-811-16FJX-16FJX90-26 H/A
41	1	618193	1 1/16MJIC-3/4MOR ADPTR
42	1	618279	1 1/16MJIC-90-7/8MOR LBO
43	1	618641	1 1/16FJIC -1 5/16MJIC ADPTR
44	1	691249	HYPRO PUMP, 9306C-HM5C-BU-001
45	1	696008	PRESS RELIEF VLV,100PSI,1"FLG
46	2	696254	O-RING, KZCO FLANGED VALVE
47	1	696256	VALVE, KZCO C2F-60B-M-S9
48	1	696257	VALVE, KZCO C2F-62-Q-S9
49	1	701471	HOSE SUPPORT STS 14/16
50	2	900131	3/8UNC X 1 1/2 HEX BOLT
51	2	914004	3/8UNC HEX STOVER NUT
52	1	696196	3/4" ELEC BALL VALVE SS 1" FLG
53	1	195906-085	1/4OD AIR BRAKE TUBING J844-A
54	1	197133-102	HOSE, 2ID X 102 2F-1W EPDM
55	1	197145-064	HOSE 3" SUCTION,POLY HELIX EPDM



LEFT SOLUTION TANK VALVE ASSEMBLY			
DET	QTY	P/N	DESCRIPTION
1	1	520145	3.56/3.88 T-BOLT HOSE CLAMP SS
2	1	696147	BALL VLV, 1" FLANGE
3	1	696268	KZCO, 3" VALVE
4	1	500155	1" FLANGE CAP PLUG POLY
5	2	500157	1" FLANGE GASKET EPDM
6	2	500159	1" FLANGE CLAMP S.S.
7	2	500164	3" FLANGE- 3.00 MNPT ADPTR POLY
8	3	500208	3" FLANGE CLAMP S.S.
9	3	500209	3" FLANGE GASKET EPDM
10	1	500210	3"FLANGE-3" HOSEBARB POLY
11	1	500262	3"FLANGE-90-3" FLG SWEEP LBO

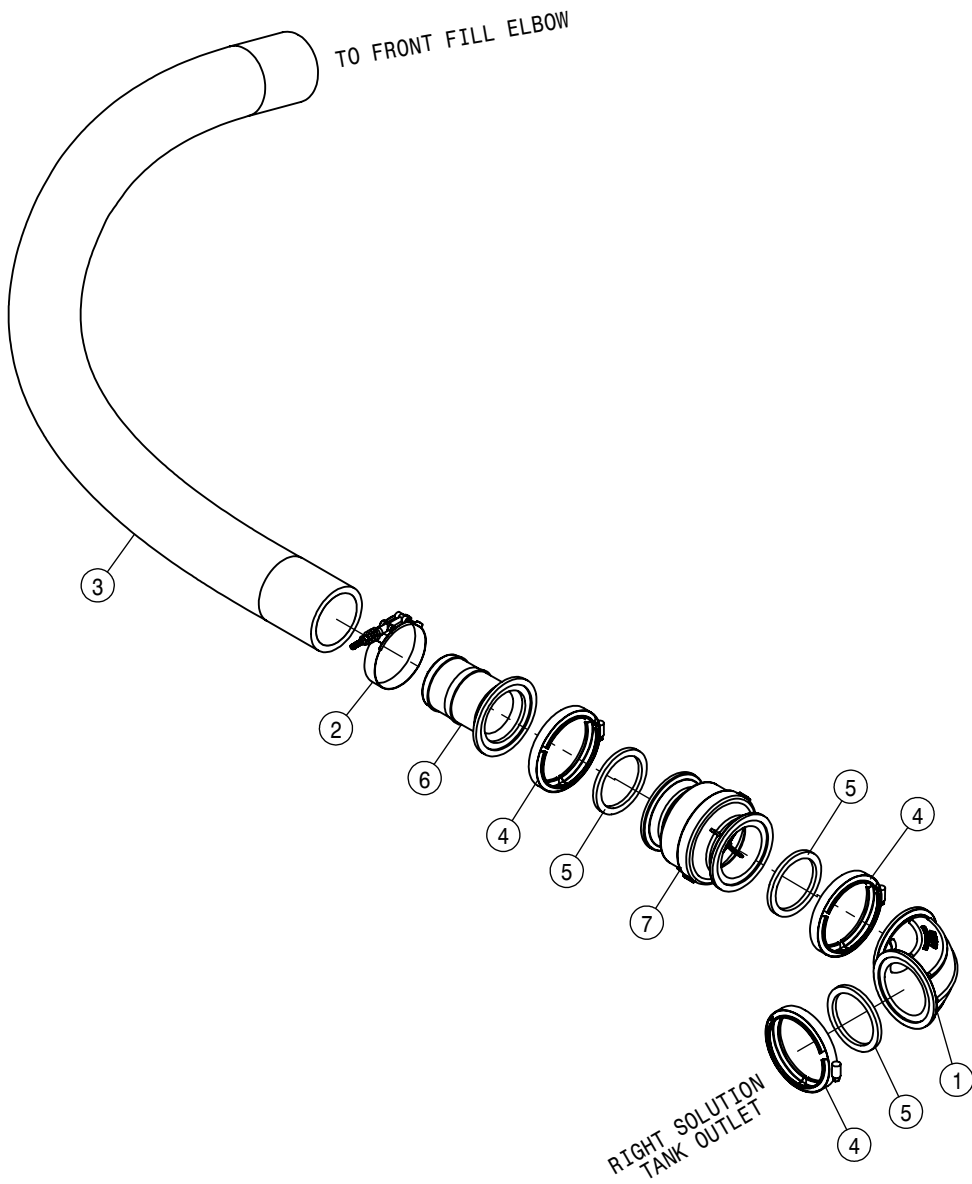
**BULK HOSE**

- 197008-HOSE 1/2 1-FBR BR BLK EPDM
- 197116-HOSE 1IN 1-FBR BR BLK EPDM
- 197145-HOSE 3" SUCTION, POLY HELIX EPDM

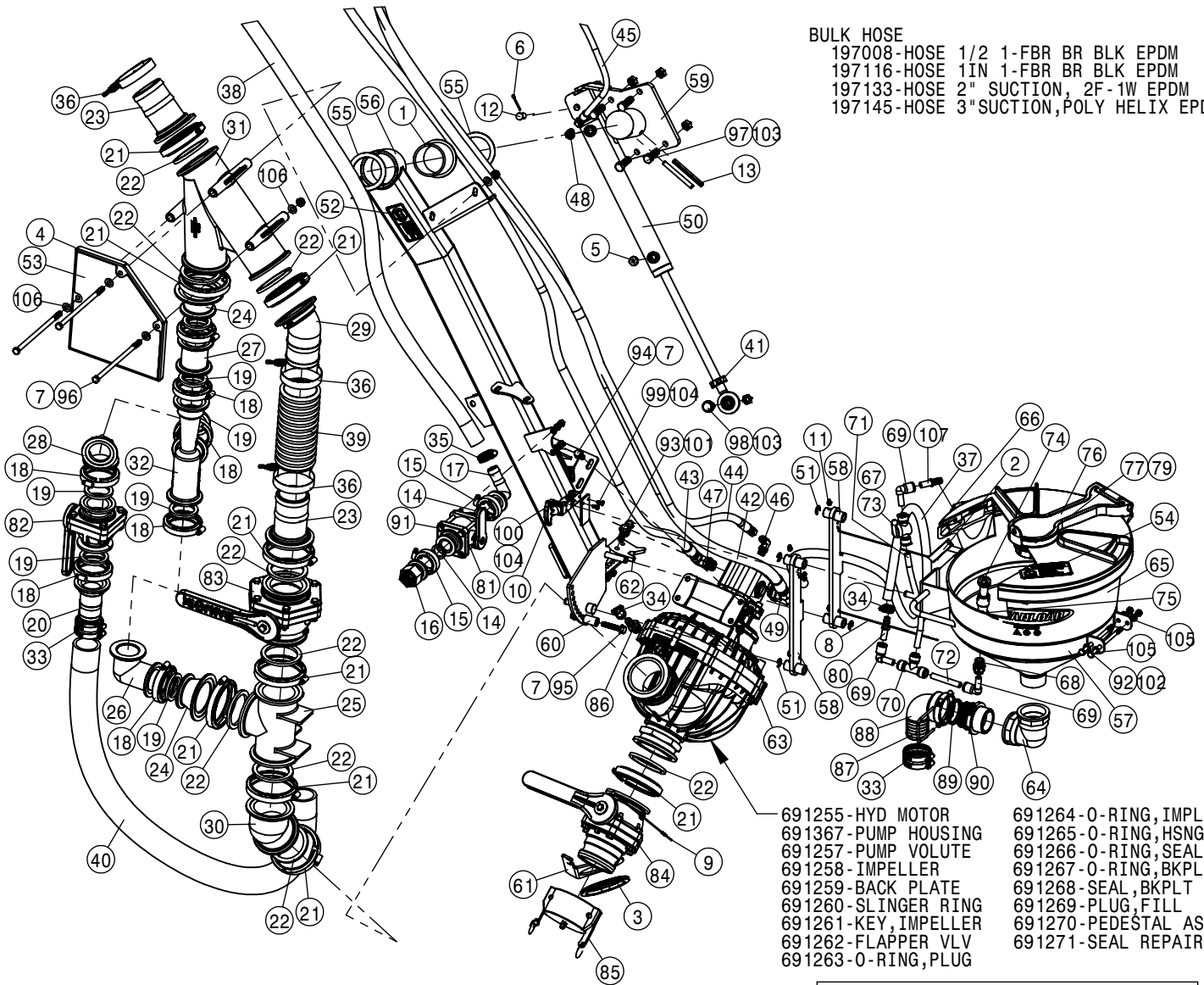


FRONT FILL ASSEMBLY			
DET	QTY	P/N	DESCRIPTION
1	1	291680	POSITIVE JUMPER STUD, RED
2	1	291681	NEGATIVE JUMPER STUD, BLACK
NS	1	294168	FRONT FILL PWR HARNESS STS' 12
4	1	344485	FRT FILL SUPP ARM WLD '13
5	2	470113	5/16UNC SERR FLG LOCK NUT
6	1	470253	HYD DAMPER 100LB 4.0 STROKE
7	1	470352	LANYARD, 11" POLY
8	1	472048	3/8 UNC U-BOLT 3.50ID X 4.125 ZINC
9	1	472316	ROLL PIN, 5/16 X 1 1/2
10	1	482017	SPRING
11	1	500063	1"NPT PIP PLUG, POLY
12	2	500157	1" FLANGE GASKET EPDM
13	2	500159	1" FLANGE CLAMP S.S.
14	1	500168	1" FLANGE-1" FNPT ADPTR POLY
15	1	500171	1" FLANGE-1" HOSE BARB POLY
16	3	500208	3" FLANGE CLAMP S.S.
17	3	500209	3" FLANGE GASKET EPDM
18	3	500210	3" FLANGE-3" HOSEBARB POLY
19	1	500262	3" FLANGE-90-3" FLG SWEEP LBO
20	1	520090	HOSECLAMP NO 16 STAINLESS
21	3	520145	3.56/3.88 T-BOLT HOSE CLAMP SS

FRONT FILL ASSEMBLY			
DET	QTY	P/N	DESCRIPTION
22	1	601497	HOSE, 1 X 206 1BR BLK EPDM
23	1	601827	HOSE 3 X 98 POLY HELIX EPDM
24	1	650401	DECAL, AUX POWER PORT
25	1	659291	KNOB, BLK, 3/8" - 16 UNC
26	1	690698	FRT FILL SUPP ARM REL WLD
27	1	691139	FRT FILL SUPP ARM LATCH PIN' 10
28	1	691140	FRT FILL LATCH BRKT WLD, STS' 10
29	1	696147	BALL VLV, 1" FLANGE
30	1	696192	3" FLG STUBBY VALVE, 3"M-ADPTR
31	1	696231	CAP FOR 3" MALE COUPLER POLY
32	3	900066N	5/16UNC X 1 1/4 SERR.FLG.HEX BOLT
33	2	900075N	5/16UNC X 3 3/4 HEX BOLT SS
34	2	900170	3/8UNC X 2 1/4 HEX BOLT
35	1	900418	3/4UNC X 7" HEX BOLT
36	2	910002	5/16UNC HEX NUT
37	2	910004N	3/8UNC FLANGE CNTR LOCK NUT
38	1	914002	5/16UNC HEX STOVER NUT
39	1	914012N	3/4UNC CNTLCK SM FLG HEX NUT
40	1	920006	3/4 SAE FLAT WASHER
41	2	920501	5/16 LOCK WASHER



RH SOLUTION TANK VALVE (FRONT FILL)			
DET	QTY	P/N	DESCRIPTION
1	1	500262	3" FLANGE-90-3" FLG SWEEP LBO
2	1	520145	3.56/3.88 T-BOLT HOSE CLAMP SS
3	1	601663	HOSE, 3 X 50 POLY HELIX EPDM
4	3	500208	3" FLANGE CLAMP S.S.
5	3	500209	3" FLANGE GASKET EPDM
6	1	500210	3" FLANGE-3" HOSEBARB POLY
7	1	500142	CHECK VALVE 3" FLANGE



BULK HOSE  
 197008-HOSE 1/2 1-FBR BR BLK EPDM  
 197116-HOSE 1IN 1-FBR BR BLK EPDM  
 197133-HOSE 2" SUCTION, 2F-1W EPDM  
 197145-HOSE 3" SUCTION, POLY HELIX EPDM

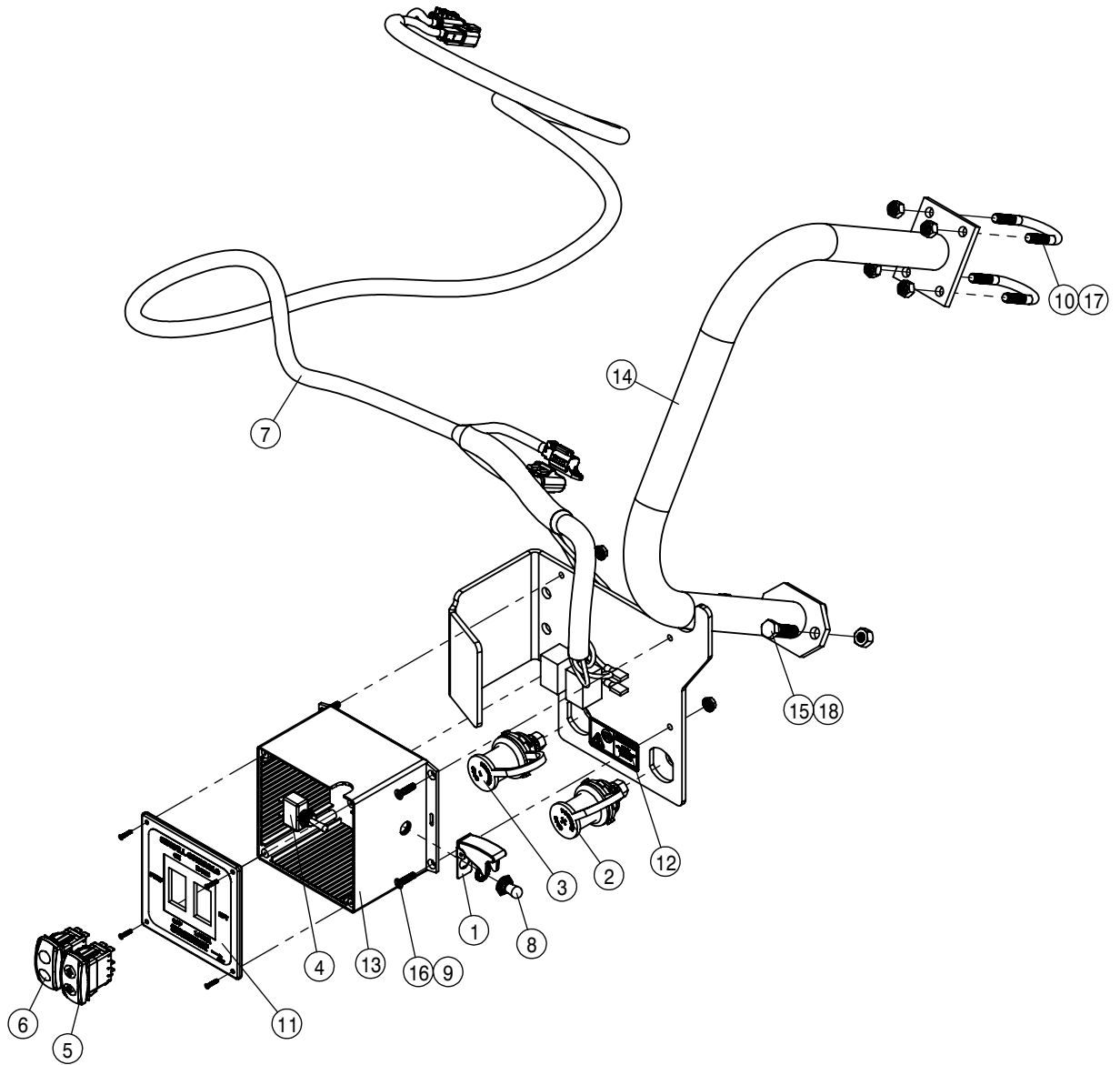
691255-HYD MOTOR  
 691367-PUMP HOUSING  
 691257-PUMP VOLUTE  
 691258-IMPELLER  
 691259-BACK PLATE  
 691260-SLINGER RING  
 691261-KEY, IMPELLER  
 691262-FLAPPER VLV  
 691263-O-RING, PLUG  
 691264-O-RING, IMPLR  
 691265-O-RING, HSN  
 691266-O-RING, SEAL  
 691267-O-RING, BKPLT  
 691268-SEAL, BKPLT  
 691269-PLUG, FILL  
 691270-PEDESTAL ASM  
 691271-SEAL REPAIR KIT

SIDE FILL ASSEMBLY			
DET	QTY	P/N	DESCRIPTION
1	1	121101	TRANSOM PIVOT BRG, TOP POLYGON
2	0.25	193012	QUICKEDGE TRIM .135 TO .250
3	1	193016	QUICKEDGE TRIM .060 TO .170
4	1	344616	SIDE FILL DECAL PLT
5	1	362036	SAE 6 BRASS BREATHER
6	1	390984N	1/8 X 1 1/4 COTTER PIN SS
7	8	470087N	3/8UNC HEX SERR FLG NUT YZ
8	2	470154	CABLE TIE, 11.00" BLK NYLON
9	1	470352	LANYARD, 11" POLY
10	1	470643	RUBBER DRAW LATCH
11	4	471005	GREASE ZERK, 1/4-28 X 1/2
12	1	472279	CLEVIS PIN 1/2DIA X 1 3/4
13	2	473963	ROLL PIN, 3/8 X 3 1/2
14	2	500157	1" FLANGE GASKET EPDM
15	2	500159	1" FLANGE CLAMP S.S.
16	1	500168	1" FLANGE-1" FNPT ADPTR POLY
17	1	500173	1" FLANGE-90-1" HOSE BARB POLY
18	7	500194	2" FP FLANGE CLAMP S.S.
19	7	500195	2" FP FLANGE GASKET EPDM
20	1	500196	2" FP FLANGE-2" HOSE BARB POLY
21	9	500208	3" FLANGE CLAMP S.S.
22	9	500209	3" FLANGE GASKET EPDM
23	2	500210	3" FLANGE-3" HOSEBARB POLY
24	2	500212	3" FLANGE - 2" FP FLANGE ADPTR
25	1	500217	3" FLANGE TEE POLY
26	1	500219	2" FP FLANGE-90-2" FP FLANGE LBO
27	1	500249	2" FP FLANGE COUPLING
28	1	500254	2" FP FLANGE-90-2" FP SWEEP LBO
29	1	500258	3" FLANGE-45-3" HOSEBARB, POLY
30	1	500259	3" FLANGE X 45° FLANGED COUPLING
31	1	500260	3" FP FLANGE 45 Y COUPLING
32	1	500261	2" FP FLANGE POLY VENTURI
33	4	520068	HOSE CLAMP NO 32 STAINLESS
34	2	520069	HOSE CLAMP NO 16 STAINLESS
35	1	520090	HOSECLAMP NO 16 STAINLESS

SIDE FILL ASSEMBLY			
DET	QTY	P/N	DESCRIPTION
36	3	520145	3.56/3.88 T-BOLT HOSE CLAMP SS
37	1	601067	HOSE, 1/2 X 44 1BR BLK EPDM
38	1	601088	HOSE, 1 X 272 1BR BLK EPDM
39	1	601503	HOSE, 3 X 8 POLY HELIX EPDM
40	1	601573	HOSE, 2 X 48 2F-1W EPDM
41	1	606399	SHAFT COLLAR, 3/4" ID X 1 1/2" OD
42	1	617107	10-451TC-10FJX-10FJX-132 H/A
43	1	617108	08-451TC-08FJX-08FJX90-127 H/A
44	1	617109	06-451TC-06FJX-06FJX90-133 H/A
45	1	617110	04-451TC-06FJX-04FJX90-99 H/A
46	1	618119	9/16MJIC-90-9/16MOR LBO
47	1	618183	3/4MJIC-90-7/8MOR LBO
48	1	618425	9/16MJIC-45-9/16MOR LBO
49	1	618535	7/8MJIC-90-1 1/16MOR LBO
50	1	621554	CYLINDER, 1.50 ID X 12.00 STRK
51	4	629541	SNAP RING, 1/2" EXTERNAL E-STYLE
52	1	650116	DECAL, INDUCTOR FILLING INSTR
53	1	650469	SIDE FILL INSTRUCTION DECAL
54	1	650850	DECAL, WARNING, DANGEROUS CHEM
55	2	690729	3.50 OD X 2.68 ID X 11 GA WASH
56	1	691191	SIDE FILL ARM WLD, 2012
57	1	691192	HOPPER BAR WLD, SIDE FILL
58	2	691193	HOPPER PARAL ARM WLD, SIDE FILL
59	1	691195	CYL MNT WLD, SIDE FILL 2012
60	1	691197	BUSHING, .75 OD X 1.31 LNG
61	1	691225	HOSE SUPP BRKT SIDE FILL '12
62	1	691231	ADJ SIDE FILL CRADLE STS '12
63	1	691251	3" FLANGE TRANSFER PUMP
64	1	691342	HYPRO ELBOW FNPT
65	1	691343	HYPRO TANK CLEAN LOAD 7 GAL
66	1	691344	HYPRO GROMMET TANK SEAL 10MM
67	2	691346	HYPRO CLIP SAFETY PTC 1/2"
68	1	691348	HYPRO PUSH CONNECT FITTING 1/2"
69	3	691350	HYPRO FITTING ELBOW PTC 1/2"
70	1	691351	HYPRO FITTING UNION TEE PTC1/2"

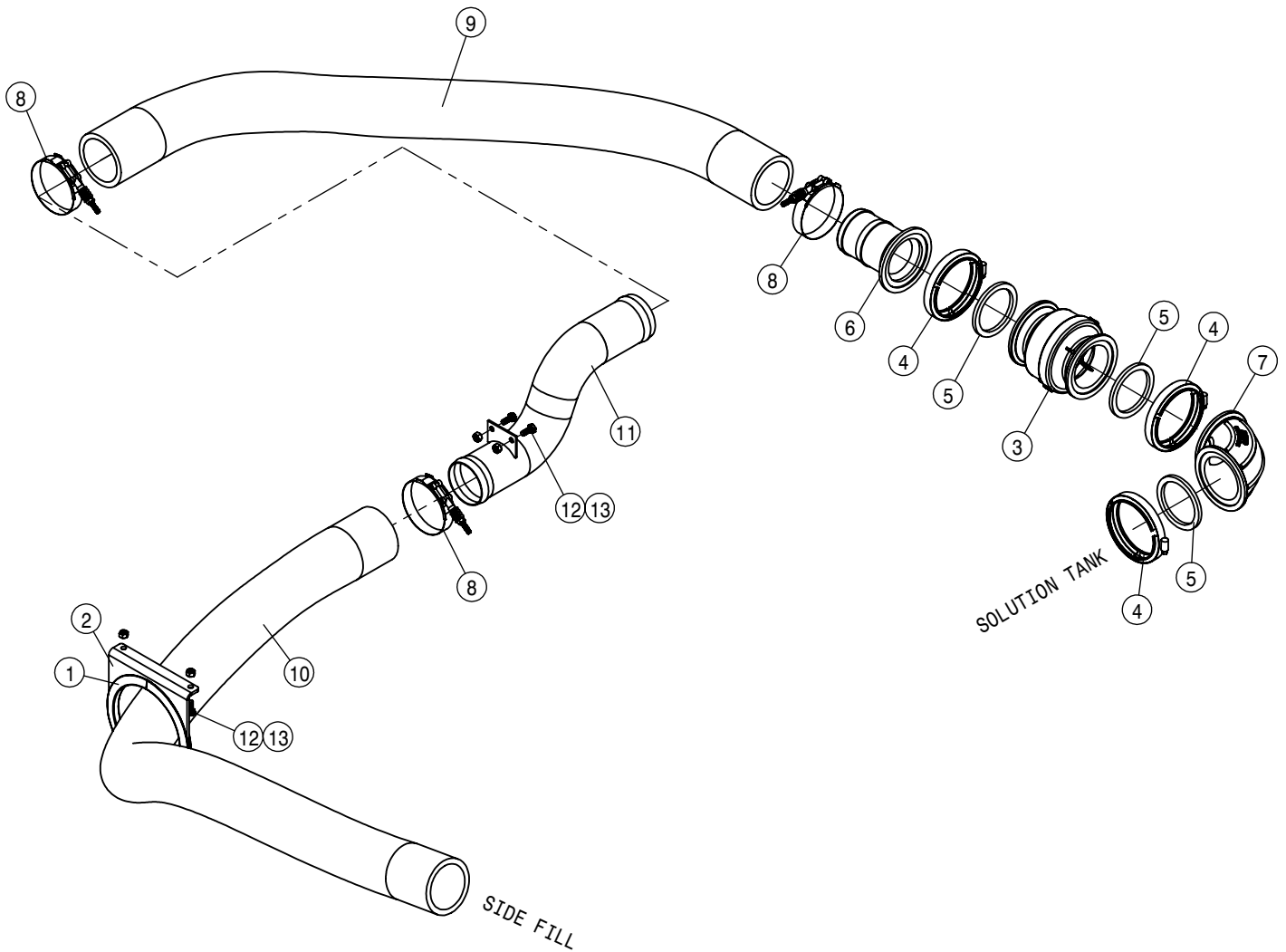
SIDE FILL ASSEMBLY			
DET	QTY	P/N	DESCRIPTION
71	1	691352	HYPRO TUBING 1/2" 10
72	1	691353	HYPRO TUBING 1/2" 3
73	1	691354	HYPRO VALVE, 2-WAY PTC
74	1	691357	HYPRO NOZ PROCLEAN CNTNR RINSE
75	1	691358	HYPRO PROCLEAN CNTNR RINSE VLV
76	1	691359	HYPRO TL S/A 16" HINGED
77	1	691360	HYPRO BREATHER LABYRINTH
78	1	691361	HYPRO O-RING, BREATHER
79	1	691362	HYPRO NUT, BREATHER
80	1	691363	HYPRO HOSE BARB TO TUBE PTC
81	1	696147	BALL VLV, 1" FLANGE
82	1	696150	BALL VLV, 2" FP FLANGE STUBBY
83	1	696190	BALL VLV, 3" FP FLANGE
84	1	696192	3" FLG STUBBY VALVE, 3"-ADPTR
85	1	696231	CAP FOR 3" MALE COUPLER POLY
86	1	713340	1/2NPT-1/2 HOSE BARB, POLY
87	1	737756	2" FORK FOR 737754/755
88	1	737760	2"F-90-2" HOSE BARB POLY
89	2	737762	O-RING, 2" CONN EPDM
90	1	737771	MALE T7 TO MALE 2" NPT
91	2	900075N	5/16UNC X 3 3/4 HEX BOLT SS
92	2	900082N	5/16UNC X 5 1/2" HEX BOLT SS
93	2	900127N	3/8UNC X 1 1/4 SER FLANGE BOLT
94	4	900129N	3/8UNC X 1" SERR FLANGE BOLT
95	1	900133N	3/8UNC X 2" SERR FLANGE BOLT
96	3	900148N	3/8UNC X 8 HEX BOLT
97	4	900265	1/2UNC X 1 1/2 HEX BOLT
98	1	900267N	1/2UNC X 2" SERR FLG BOLT
99	2	903706N	10-32X1/2 PHIL PAN MACH SCR BZ
100	2	903710N	10-32 X 5/8 PHIL PANHD MACH SCR
101	2	910004N	3/8UNC FLANGE CNTR LOCK NUT
102	2	914002N	5/16UNC HEX STOVER NUT YZ
103	5	914008	1/2 UNC HEX STOVER NUT
104	4	914027	10-32 HEX STOVER NUT
105	4	920001N	5/16 SAE FLAT WASHER SS
106	6	920002N	3/8 SAE FLAT WASHER
107	1	691349	HYPRO HOSE BARB TO TUBE PTC





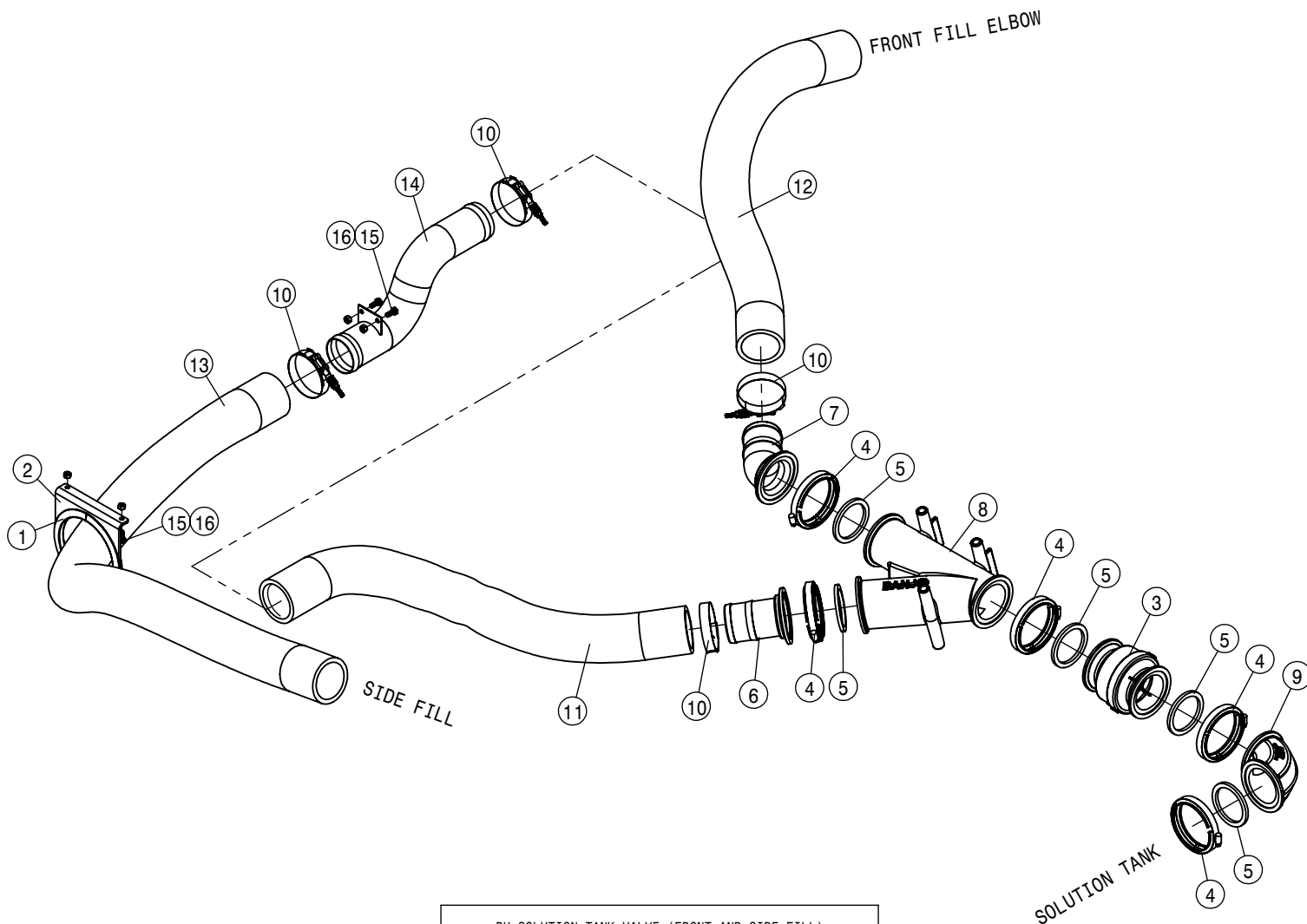
SIDE FILL SWITCH BOX ASSEMBLY			
DET	QTY	P/N	DESCRIPTION
1	1	291655	AIRCRAFT TOGGLE SWITCH GUARD
2	1	291680	POSITIVE JUMPER STUD, RED
3	1	291681	NEGATIVE JUMPER STUD, BLACK
4	1	291937	TOGGLE SWITCH, SPST
5	1	292225	SWITCH - SIDEFILL LIFT
6	1	292226	SWITCH - SIDEFILL PUMP SPEED
7	1	294230	SIDE FILL HARNESS
8	1	470001	RUBBER BOOT AND NUT FOR 298012
9	4	470175	10-32 SERR FLANGE NUT
10	2	473911	5/16UNC-1.31ID-2.00 U-BOLT ZINC
11	1	650155	DECAL, SIDEFILL CTRL STS 05
12	1	650401	DECAL, AUX POWER PORT
13	1	691206	SIDE FILL SWITCH BOX, STS '14
14	1	691301	CHEM IND GUARD WLD, 2015
15	2	900130	3/8UNC X 1 1/4 HEX BOLT
16	4	903723	10-32 X 3/4 PHL FL HD MACH SCR BZ
17	4	914002	5/16UNC HEX STOVER NUT
18	2	914004	3/8UNC HEX STOVER NUT

BULK HOSE  
197145-HOSE 3" SUCTION, POLY HELIX EPDM



RH SOLUTION TANK VALVE (SIDE FILL)			
DET	QTY	P/N	DESCRIPTION
1	1	193012	QUICKEDGE TRIM .135 TO .250
2	1	342991	SIDEFILL HOSE SUPP BRKT,STS 05
3	1	500142	CHECK VALVE 3" FLANGE
4	3	500208	3" FLANGE CLAMP S.S.
5	3	500209	3" FLANGE GASKET EPDM
6	1	500210	3"FLANGE-3' HOSEBARB POLY
7	1	500262	3"FLANGE-90-3"FLG SWEEP LBO
8	3	520145	3.56/3.88 T-BOLT HOSE CLAMP SS
9	1	601798	HOSE, 3 X 51 POLY HELIX EPDM
10	1	601916	HOSE, 3 X 65 POLY HELIX EPDM
11	1	690731	SOLU TUBE, 3.00 S.S. SIDE FILL
12	4	900064	5/16UNC X 3/4" HEX BOLT
13	4	914002	5/16UNC HEX STOVER NUT

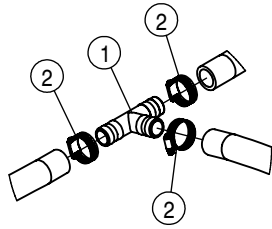
BULK HOSE  
197145-HOSE 3"SUCTION,POLY HELIX EPDM



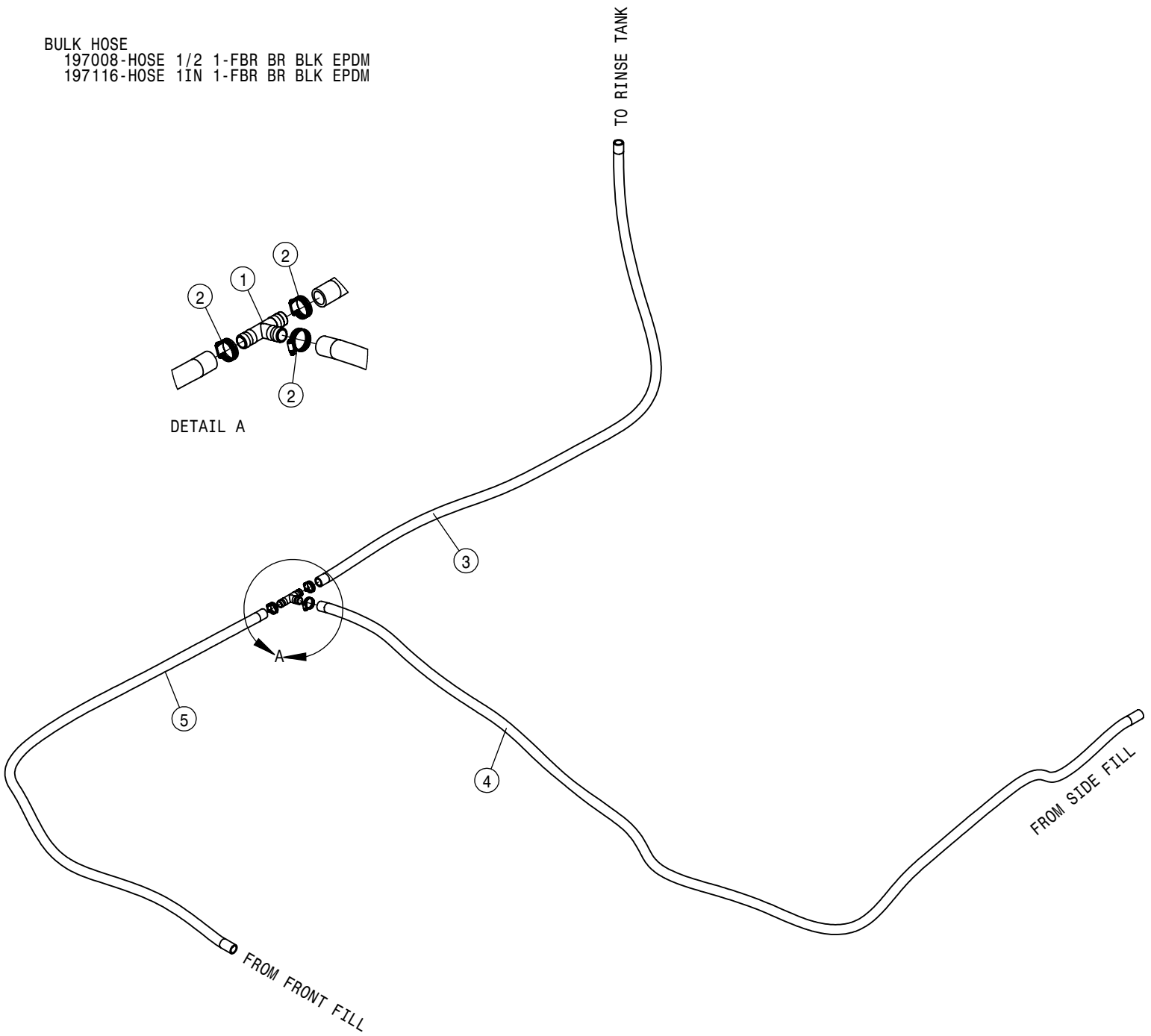
RH SOLUTION TANK VALVE (FRONT AND SIDE FILL)			
DET	QTY	P/N	DESCRIPTION
1	1	193012	QUICKEDGE TRIM .135 TO .250
2	1	342991	SIDEFILL HOSE SUPP BRKT,STS 05
3	1	500142	CHECK VALVE 3" FLANGE
4	5	500208	3" FLANGE CLAMP S.S.
5	5	500209	3" FLANGE GASKET EPDM
6	1	500210	3"FLANGE-3' HOSEBARB POLY
7	1	500258	3"FLANGE-45-3' HOSEBARB, POLY
8	1	500260	3" FP FLANGE 45 Y COUPLING
9	1	500262	3"FLANGE-90-3"FLG SWEEP LBO
10	4	520145	3.56/3.88 T-BOLT HOSE CLAMP SS
11	1	601574	HOSE, 3 X 36 POLY HELIX EPDM
12	1	601799	HOSE, 3 X 34 POLYHELIX EPDM
13	1	601916	HOSE, 3 X 65 POLY HELIX EPDM
14	1	690731	SOLU TUBE, 3.00 S.S. SIDE FILL
15	4	900064	5/16UNC X 3/4" HEX BOLT
16	4	914002	5/16UNC HEX STOVER NUT

BULK HOSE

- 197008-HOSE 1/2 1-FBR BR BLK EPDM
- 197116-HOSE 1IN 1-FBR BR BLK EPDM



DETAIL A



FILL/RINSE HOSES FRONT/SIDE FILL ASSEMBLY				
DET	QTY	P/N	DESCRIPTION	
1	1	500105	1.00 HOSE BARB TEE, POLY	
2	3	520090	HOSECLAMP NO 16 STAINLESS	
3	1	601089	HOSE, 1 X 105 1BR BLK EPDM	
4	1	601093	HOSE, 1 X 168 1BR BLK EPDM	
5	1	601636	HOSE, 1 X 100 1BR BLK EPDM	

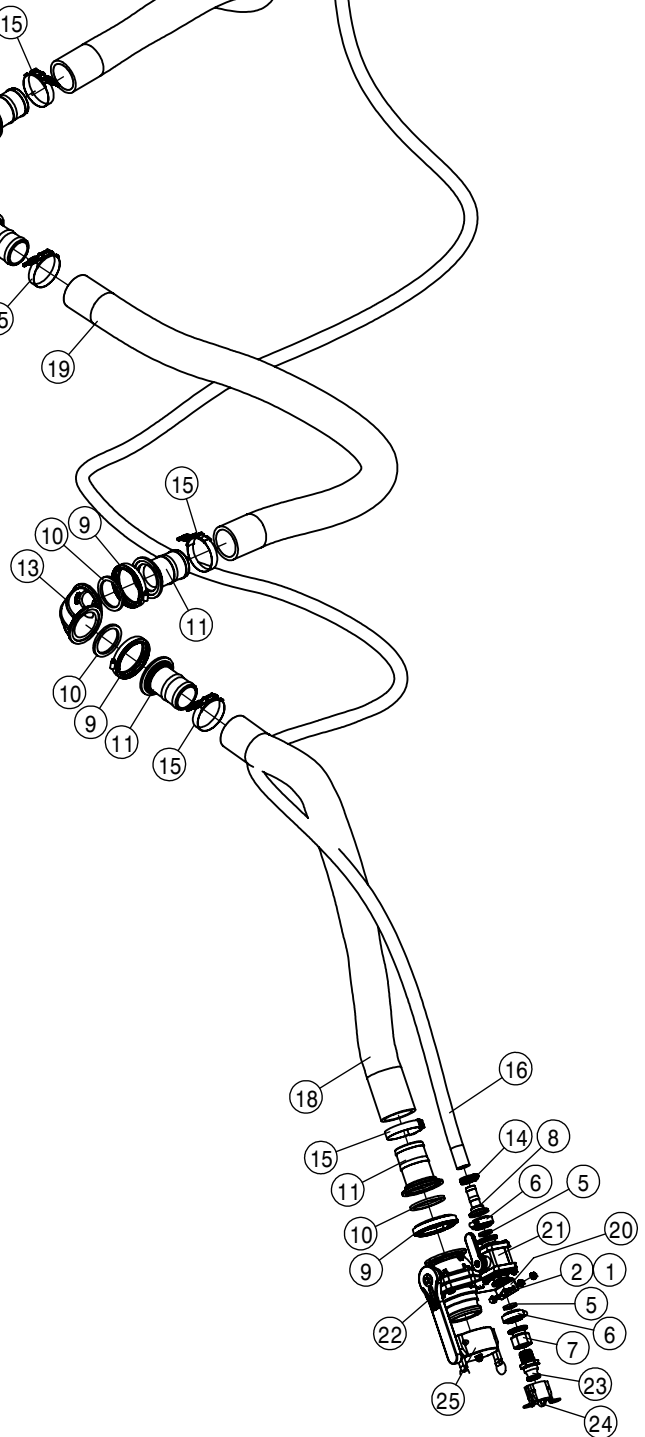
FROM FRONT OR  
SIDE FILL

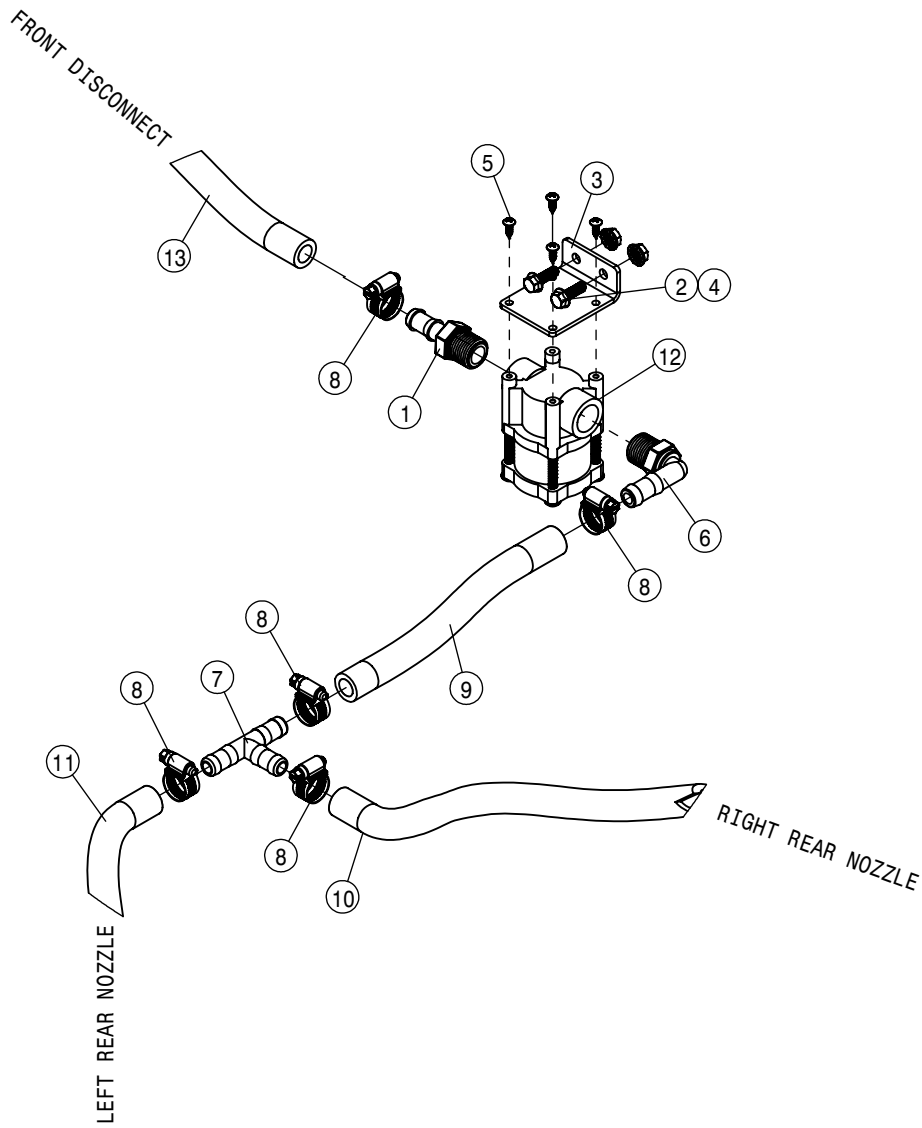
FROM RH SOLUTION  
TANK OUTLET

TO RINSE TANK

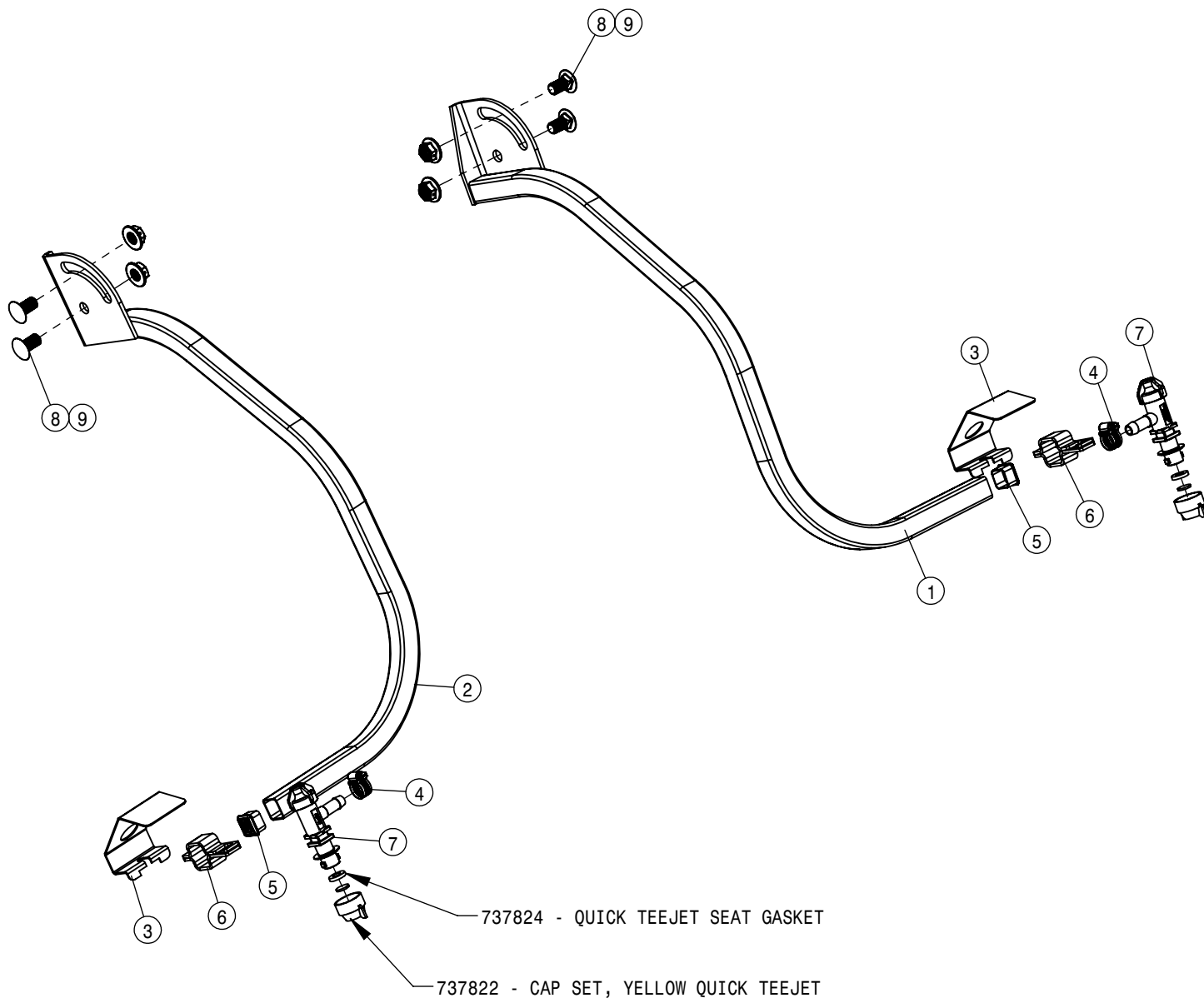
BULK HOSE  
197116-HOSE 1IN 1-FBR BR BLK EPDM  
197145-HOSE 3" SUCTION, POLY HELIX EPDM

REAR FILL ASSEMBLY			
DET	QTY	P/N	DESCRIPTION
1	3	470113	5/16UNC SERR FLG LOCK NUT
2	3	470233	5/16UNC X 3/4 SERR FLG HEX BOLT
3	1	500105	1.00 HOSE BARB TEE, POLY
4	2	500142	CHECK VALVE 3" FLANGE
5	2	500157	1" FLANGE GASKET EPDM
6	2	500159	1" FLANGE CLAMP S.S.
7	1	500168	1" FLANGE-1" FNPT ADPTR POLY
8	1	500171	1" FLANGE-1" HOSE BARB POLY
9	10	500208	3" FLANGE CLAMP S.S.
10	10	500209	3" FLANGE GASKET EPDM
11	6	500210	3" FLANGE-3" HOSEBARB POLY
12	1	500217	3" FLANGE TEE POLY
13	2	500262	3" FLANGE-90-3" FLG SWEEP LBO
14	4	520090	HOSECLAMP NO 16 STAINLESS
15	6	520145	3.56/3.88 T-BOLT HOSE CLAMP SS
16	1	601034	HOSE, 1 X 258 1BR BLK EPDM
17	1	601645	HOSE, 3 X 94 POLY HELIX EPDM
18	1	601924	HOSE, 3 X 53 POLY HELIX EPDM
19	1	650475	HOSE, 3 X 68 POLY HELIX EPDM
20	1	691426	BRKT VLV MNT REAR FILL
21	1	696147	BALL VLV, 1" FLANGE
22	1	696192	3" FLG STUBBY VALVE, 3"M-ADPTR
23	1	696218	1.00MNPT-MALE COUPLER POLY
24	1	696219	CAP FOR 1.00 MALE COUPLER
25	1	696231	CAP FOR 3" MALE COUPLER POLY

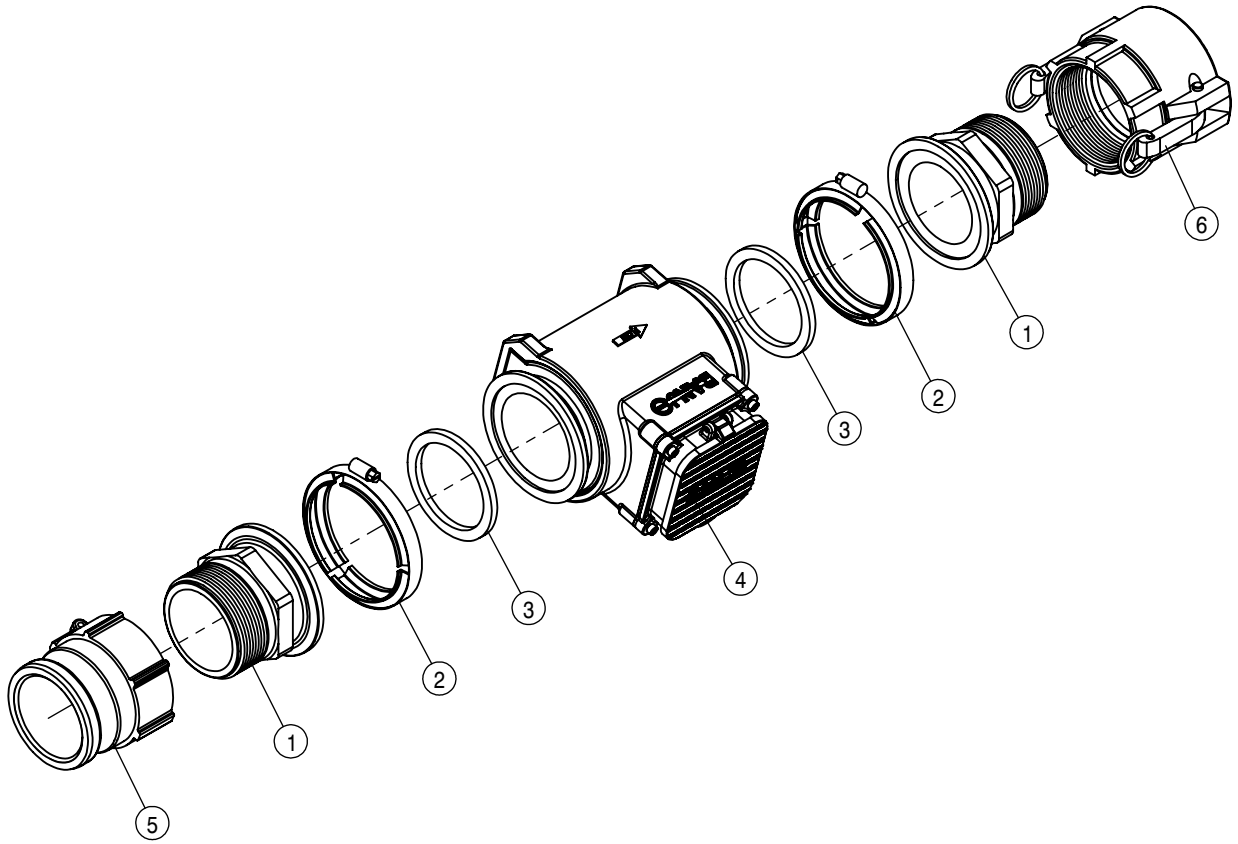




REAR WHEEL NOZZLE VALVE ASSEMBLY			
DET	QTY	P/N	DESCRIPTION
1	1	713340	1/2NPT-1/2 HOSE BARB, POLY
2	2	470118	1/4 UNC X 3/4 SER FLG BOLT
3	1	345018	REAR WHEEL SPRAY VLV MNT
4	2	470121	1/4 UNC SERR FLG LOCK NUT
5	4	473902	#8 X 1/2 PHIL PAN HD MTL SCR
6	1	500047	1/2NPT-90-1/2 HOSE BARB, POLY
7	1	500120	1/2" HOSE BARB TEE
8	5	520069	HOSE CLAMP NO 6 STAINLESS
9	1	601021	HOSE, 1/2 X 9 1BR BLK EPDM
10	1	601022	HOSE, 1/2 X 222 1BR BLK EPDM
11	1	601608	HOSE, 1/2 X 235 1BR EPDM
12	1	696238	SOLU VLV, 1/2FNPT, 12V 150PSI
13	1	601028	HOSE, 1/2 X 203 1BR BLK EPDM



REAR NOZZLE ASSEMBLY			
DET	QTY	P/N	DESCRIPTION
1	1	164670	RH REAR NOZL MT WLD STS12
2	1	164671	LH REAR NOZL MT WLD STS12
3	2	164676	NOZL SHIELD, REAR WHEEL 00
4	2	520069	HOSE CLAMP NO 6 STAINLESS
5	2	629727	FINISH PLUG 1" SQ 16 GA
6	2	737817	NOZZLE BRACKET
7	2	737827	QUICK TJET LBO, 1-TIP BODY .50
8	4	901253	1/2UNC X 1" CARR BOLT
9	4	914015	1/2UNC HEX CENTER-LOCK NUT

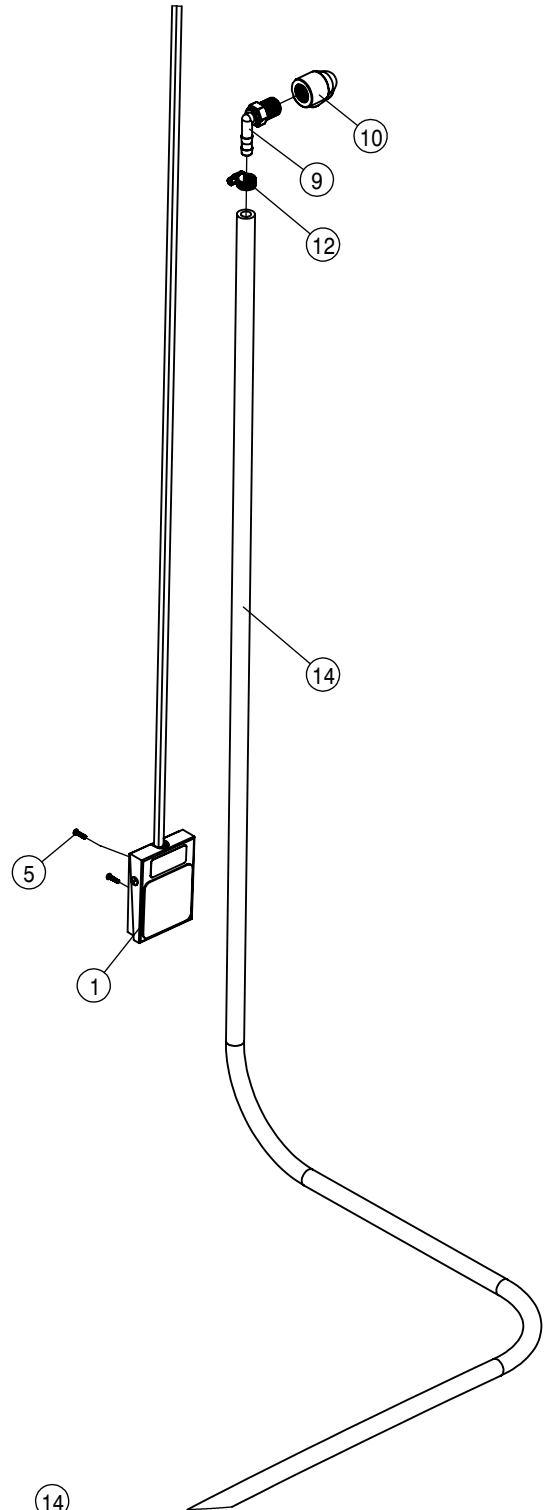
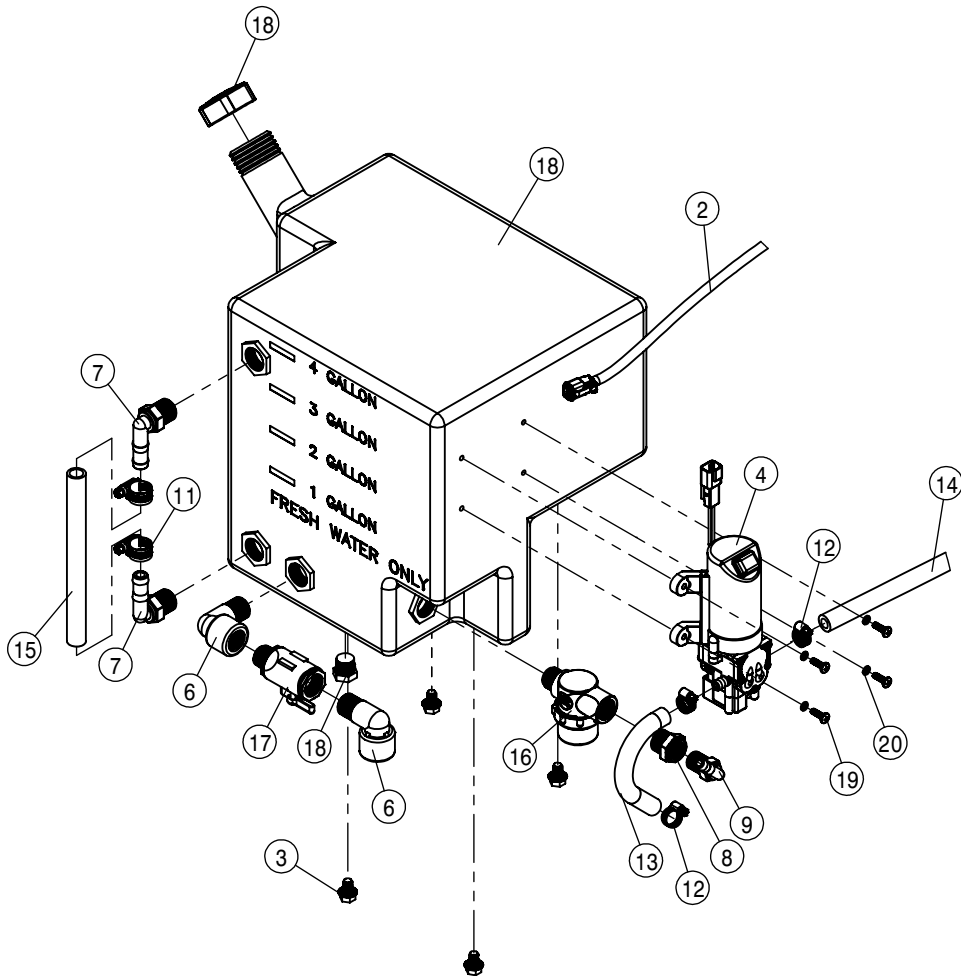


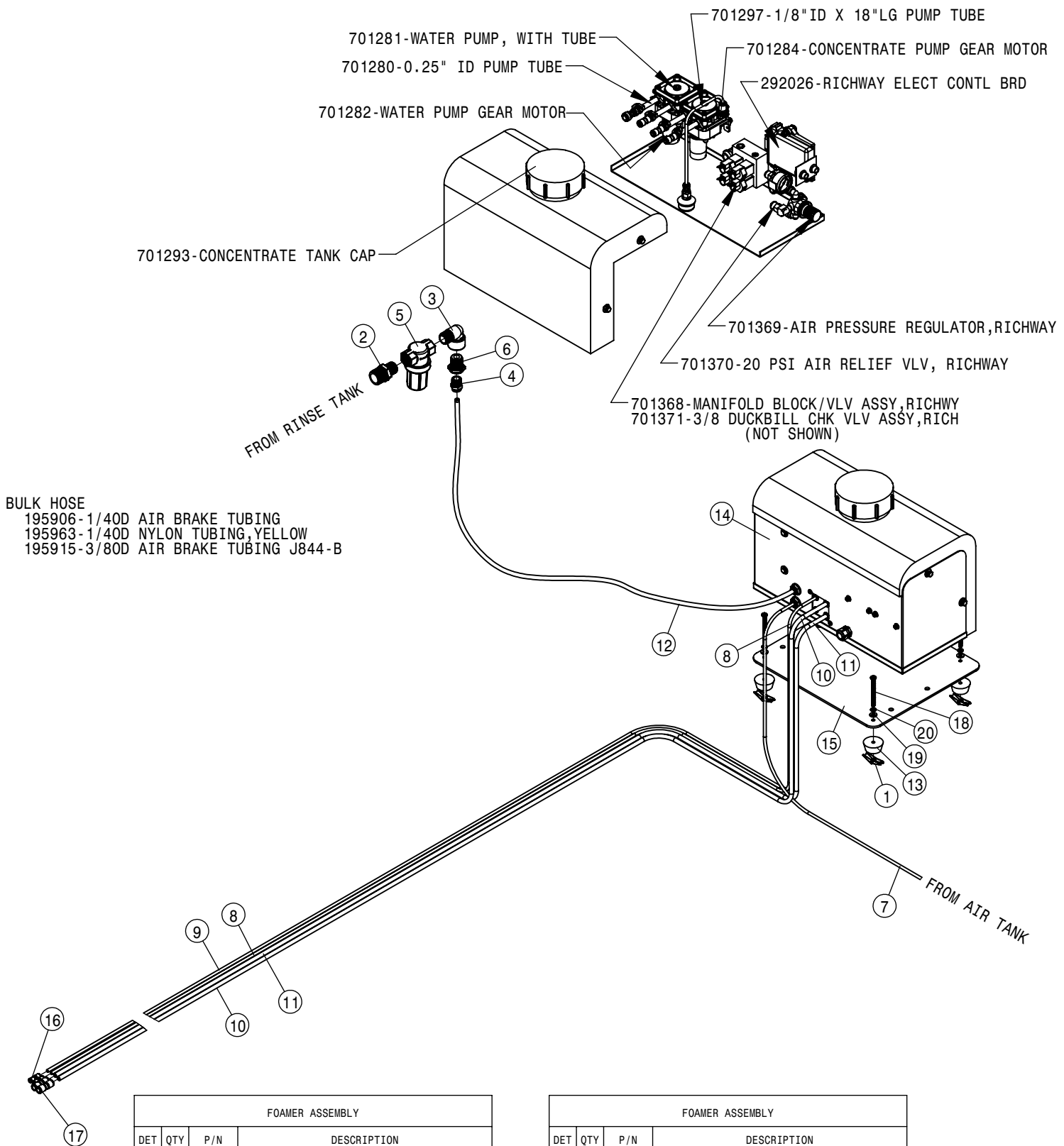
FILL FLOW METER ASSEMBLY			
DET	QTY	P/N	DESCRIPTION
1	2	500164	3" FLANGE- 3.00 MNPT ADPTR POLY
2	2	500208	3' FLANGE CLAMP S.S.
3	2	500209	3" FLANGE GASKET EPDM
4	1	691242	3" MANIFOLD FLOWMETER, BANJO
5	1	696225	3.00 FNPT-MALE COUPLER POLY
6	1	696228	3.00FNPT-FEMALE COUPLER POLY



BULK HOSE  
 195902-HOSE 1/2ID-3/32W CLEAR VINYL  
 195923-HOSE 3/8 1-FBR BR BLK RLA

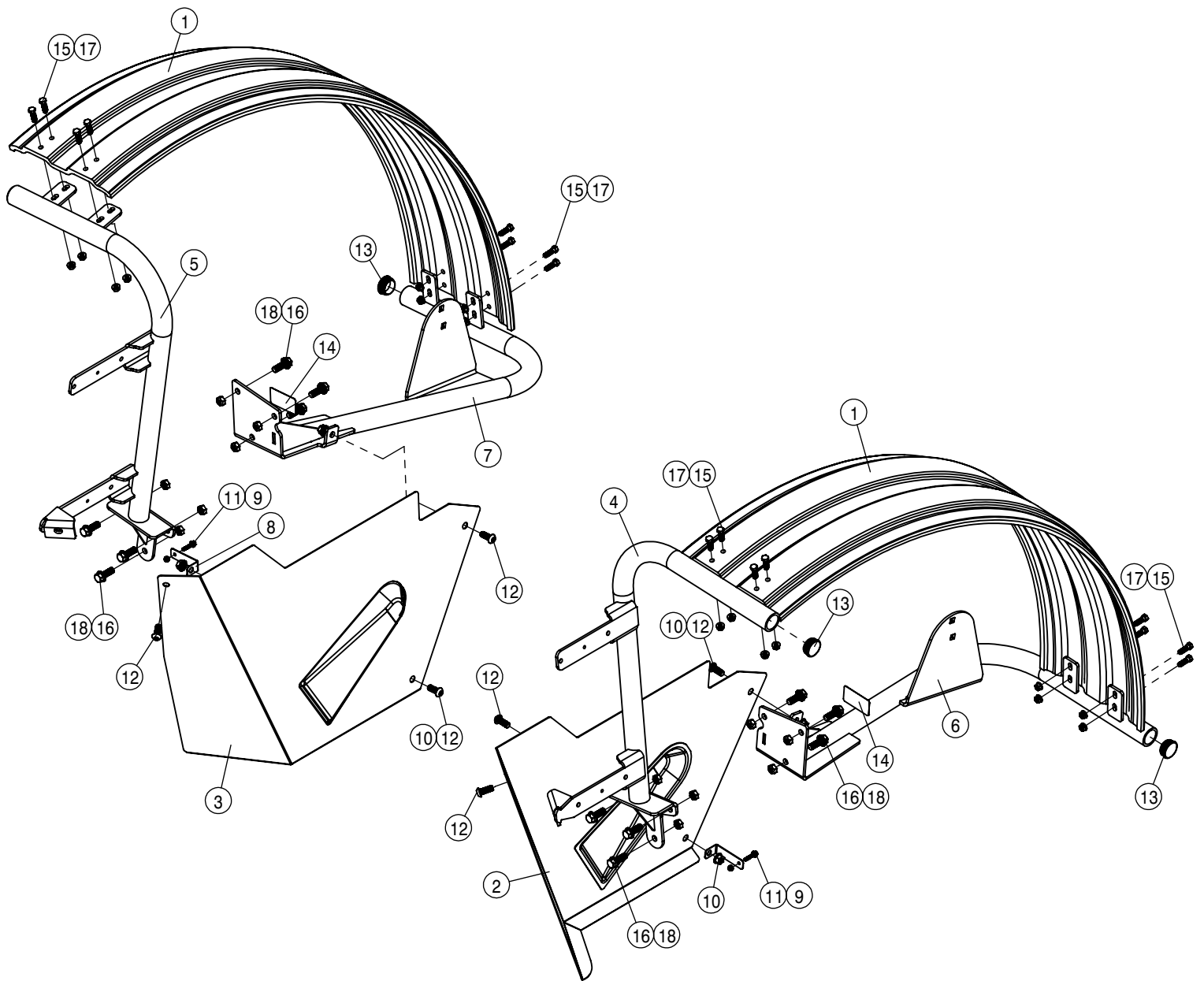
HAND WASH TANK ASSEMBLY			
DET	QTY	P/N	DESCRIPTION
1	1	294059	footswitch assembly, 60" cord
2	1	294252	HANDWASH EXTENSION HARNESS
3	4	470232N	5/16UNC X 1/2 SERR FLG BOLT SS
4	1	470596	DIAPHRAM PUMP W/DEUTSCH CONNEC
5	2	472351	4-40 X 1/2 PAN HD MTL SCR TYP F
6	2	500044	1/2NPT-90 ST EL, POLY
7	2	500047	1/2NPT-90-1/2 HOSE BARB, POLY
8	1	500286	1/2"-3/8"NPT REDU BUSH, POLY
9	2	500287	3/8NPT-90-3/8 HOSE BARB, POLY
10	1	500288	3/8NPT-90 EL, POLY
11	2	520069	HOSE CLAMP NO 6 STAINLESS
12	4	520120	HOSE CLAMP NO 4 STAINLESS
13	1	601076	HOSE, 3/8 X 7.00 1FBR BR
14	1	601077	HOSE, 3/8 X 200.00 1FBR BR
15	1	601078	HOSE, 1/2 X 7.50" CLEAR VINYL
16	1	690207	IN-LINE STRAINER, 1/2 FNPT, HYPRO
17	1	696195	1/2FNPT-1/2MNPT MICRO BALL VLV
18	1	763831	TANK-HAND WASH, 4.4 GALLON
19	4	903710N	10-32 X 5/8 PHIL PANHD MACH SCR
20	4	920510N	#10 LOCK WASHER YZ



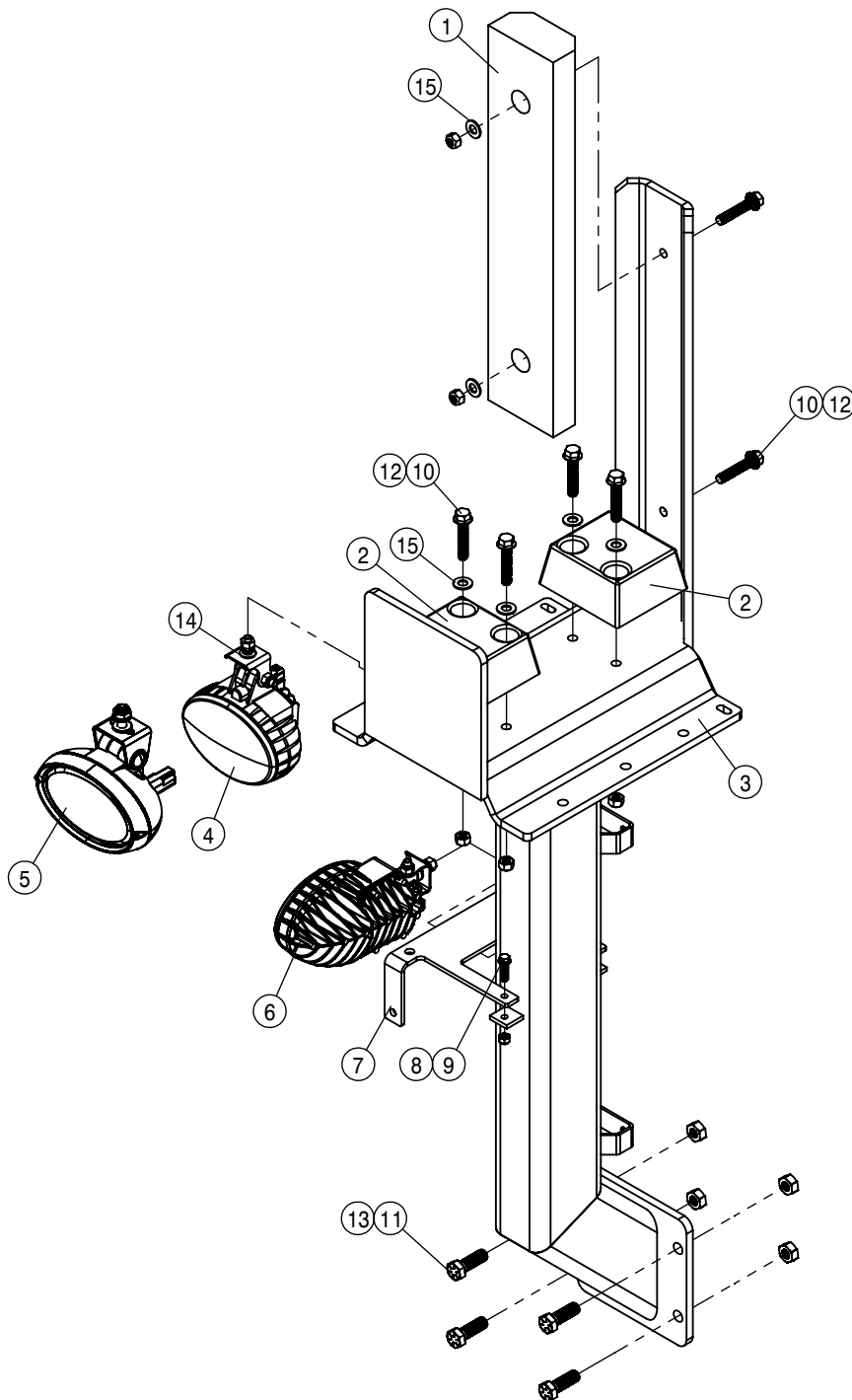


FOAMER ASSEMBLY			
DET	QTY	P/N	DESCRIPTION
1	4	470684	1/4UNC TOGGLE NUT, ZP
2	1	500085	1" X 3/4NPT REDU NIPPLE, POLY
3	1	500139	POLY STREET EL 3/4", (SL075-90)
4	1	500275	1/2MPT-3/8 NYL TUBE FTG
5	1	503104	LINE T-STRAINER, 3/4" NPT 80 MESH
6	1	504211	RED BUSH 3/4MNPT-1/2FNPT, POLY
7	1	601655	HOSE, 1/4 X 130 AIR
8	1	601947	HOSE- 1/4 X 208 AIR, YELLOW
9	1	601948	HOSE-1/4 X 207 AIR, BLACK
10	1	601949	HOSE-3/8 X 209, AIR YELLOW

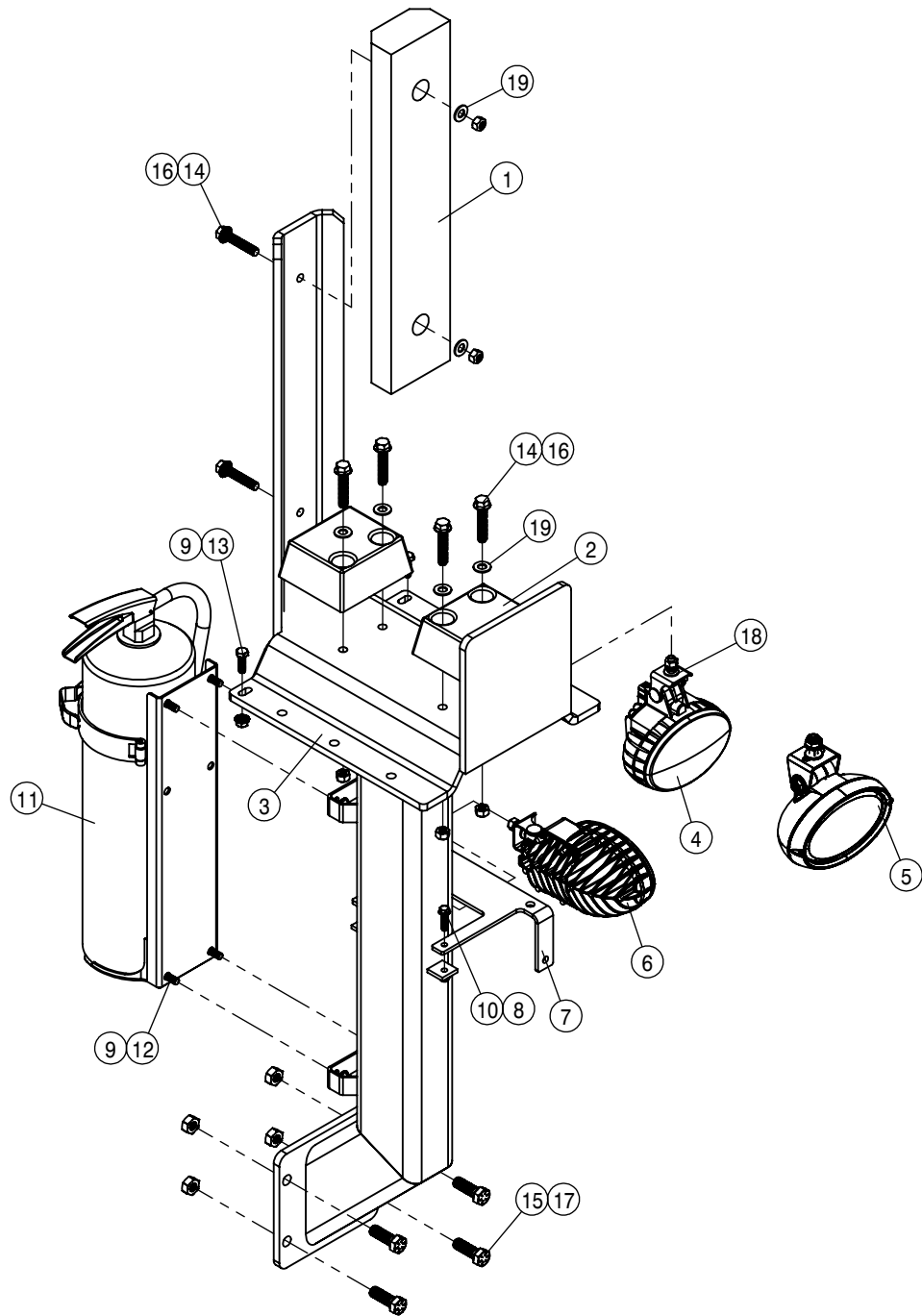
FOAMER ASSEMBLY			
DET	QTY	P/N	DESCRIPTION
11	1	601950	HOSE-3/8 X 208 AIR, BLACK
12	1	602015	HOSE-3/8 X 55 AIR, BLACK
13	4	701208	FOOT-FOAMER MOUNT
14	1	701346	RICHWAY POWER UNIT/TANK '13
15	1	701347	MTG PLT-FOAMER STS 2014
16	2	711054	1/4 NYL TUBE UNION, STRAIGHT
17	2	711055	3/8 NYL TUBE UNION, STRAIGHT
18	4	903713	1/4UNC X 3" PHIL PAN MACH SCR
19	4	920000N	1/4 SAE FLAT WASHER SS
20	4	920500N	1/4 LOCK WASHER SS



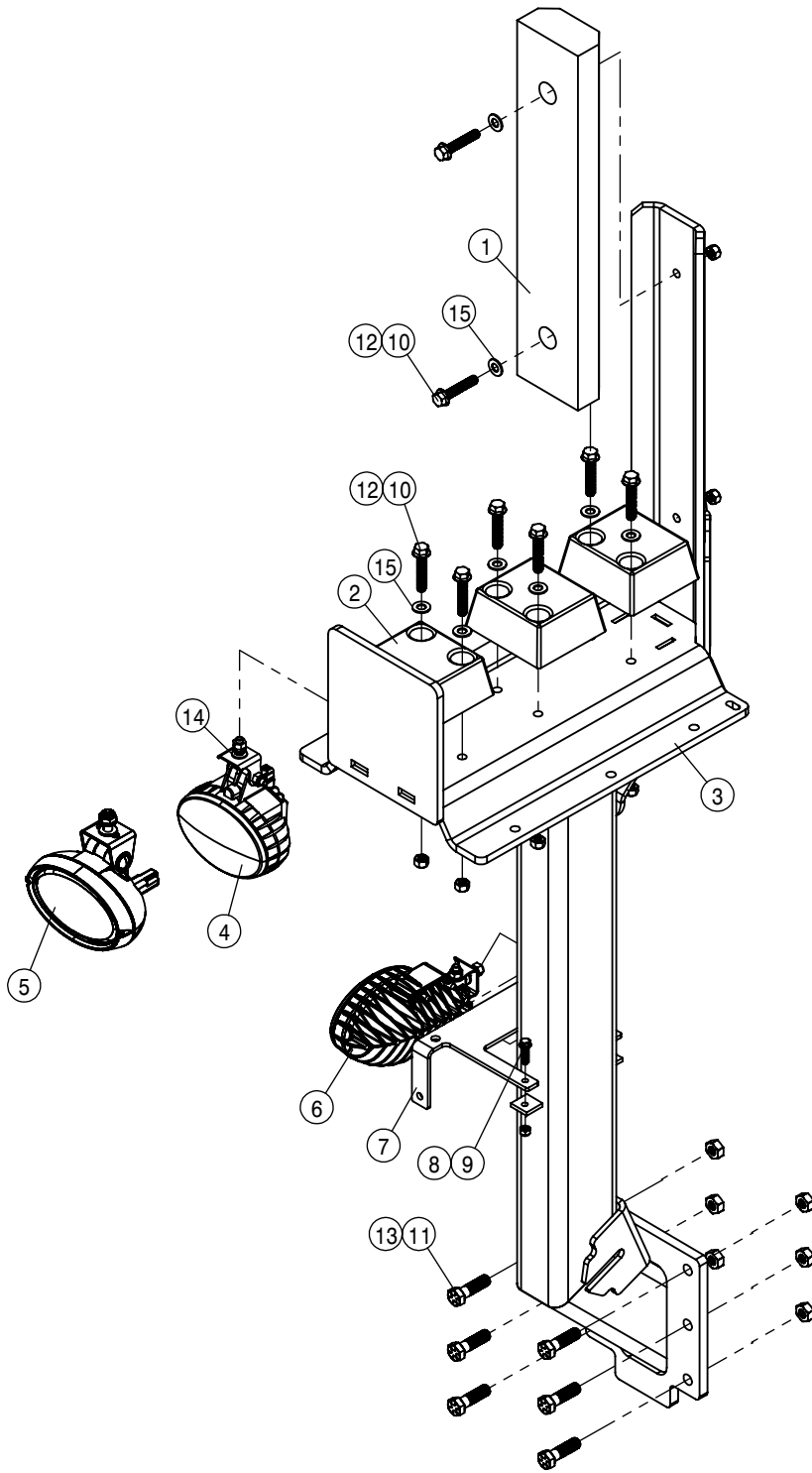
FRONT/REAR FENDER ASSEMBLY (SEVERE DUTY LEG)			
DET	QTY	P/N	DESCRIPTION
1	2	359598	FRONT FENDER, STS '10
2	1	360121	CROP SHIELD WLDMT-LH SDS LEG
3	1	360122	CROP SHIELD WLDMT-RH SDS LEG
4	1	360123	FENDER BRKT-LH FRT, SDS LEG
5	1	360124	FENDER BRKT-RH FRT, SDS LEG
6	1	360125	FENDER BRKT WLDMT-LR, SDS LEG
7	1	360126	FENDER BRKT WLDMT-RR, SDS LEG
8	2	360139	MTG STRAP-CROP SHIELD SDS LEG
9	2	470089	1/4UNC HEX NYL-LOC NUT
10	4	470360N	1/2UNC SERR FLG HEX NUT YZ
11	2	470407	1/4UNC X 1 1/4 SERR FLG BOLT
12	6	473987	1/2UNC X 1 1/4BUT SKTHD SCR
13	4	629772	CAPPLUGS PLUG, 1 3/4" RD, BLACK POLY
14	2	650851	DECAL, NOTICE, SHIELD PROTECT
15	16	900130	3/8UNC X 1 1/4 HEX BOLT
16	12	900265N	1/2UNC X 1 1/2 SERR FLANGE BOLT
17	16	910004N	3/8UNC FLANGE CNTR LOCK NUT
18	12	914008	1/2 UNC HEX STOVER NUT



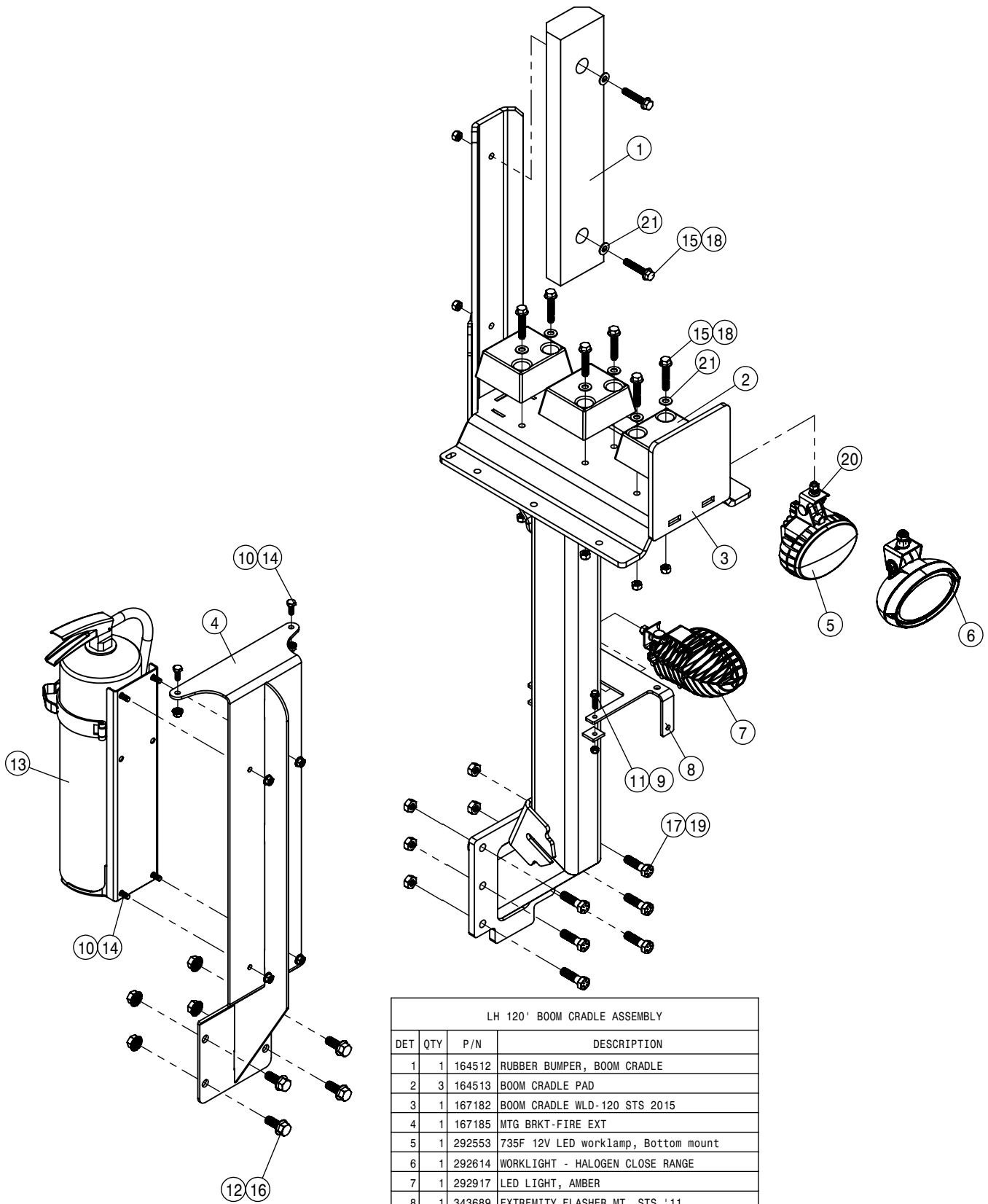
RH 90/100' BOOM CRADLE ASSEMBLY			
DET	QTY	P/N	DESCRIPTION
1	1	164512	RUBBER BUMPER, BOOM CRADLE
2	2	164513	BOOM CRADLE PAD
3	1	165041	BOOM CRADLE WLD 07
4	1	292553	735F 12V LED worklamp, Bottom mount
5	1	292614	WORKLIGHT - HALOGEN CLOSE RANGE
6	1	292917	LED LIGHT, AMBER
7	1	343689	EXTREMITY FLASHER MT, STS '11
8	2	470089N	1/4UNC HEX NYLOC NUT, 316 SS
9	2	470231N	1/4UNC X 1" SERR FLG BOLT SS
10	6	900133N	3/8UNC X 2" SERR FLANGE BOLT
11	4	900804	1/2UNC X 1 1/2 HEX BOLT GR8 YZ
12	6	914004	3/8UNC HEX STOVER NUT
13	4	914808	1/2UNC HEX STOVER NUT GR8
14	1	920001N	5/16 SAE FLAT WASHER SS
15	6	920002N	3/8 SAE FLAT WASHER



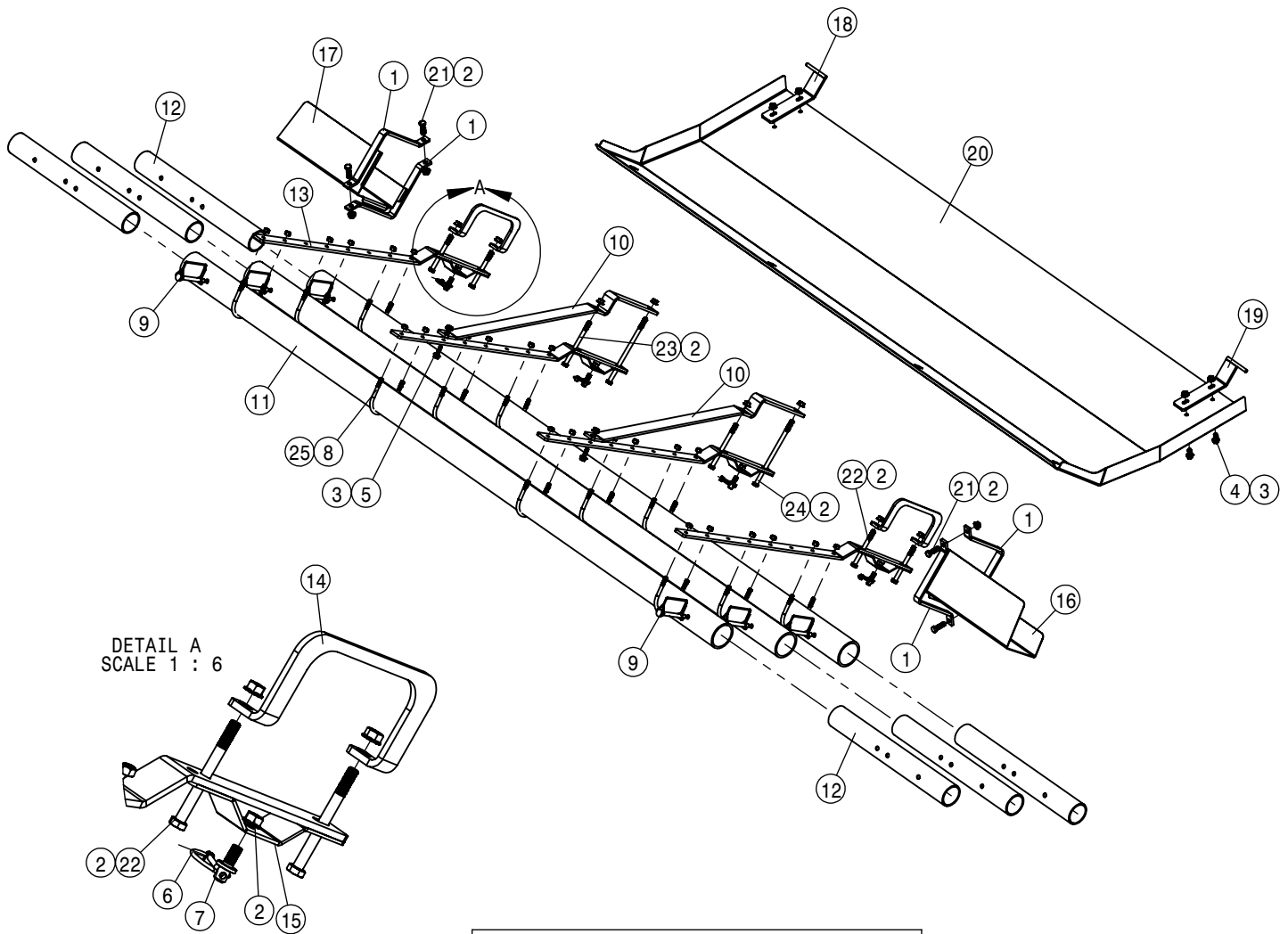
LH 90/100' BOOM CRADLE ASSEMBLY			
DET	QTY	P/N	DESCRIPTION
1	1	164512	RUBBER BUMPER, BOOM CRADLE
2	2	164513	BOOM CRADLE PAD
3	1	165041	BOOM CRADLE WLD 07
4	1	292553	735F 12V LED worklamp, Bottom mount
5	1	292614	WORKLIGHT - HALOGEN CLOSE RANGE
6	1	292917	LED LIGHT, AMBER
7	1	343689	EXTREMITY FLASHER MT, STS '11
8	2	470089N	1/4UNC HEX NYLOC NUT, 316 SS
9	6	470113	5/16UNC SERR FLG LOCK NUT
10	2	470231N	1/4UNC X 1" SERR FLG BOLT SS
11	1	490508	FIRE EXTINGUISHER
12	4	900064	5/16UNC X 3/4" HEX BOLT
13	2	900065N	5/16UNC X 1" HEX BOLT SS
14	6	900133N	3/8UNC X 2" SERR FLANGE BOLT
15	4	900804	1/2UNC X 1 1/2 HEX BOLT GR8 YZ
16	6	914004	3/8UNC HEX STOVER NUT
17	4	914808	1/2UNC HEX STOVER NUT GR8
18	2	920001N	5/16 SAE FLAT WASHER SS
19	6	920002N	3/8 SAE FLAT WASHER



RH 120' BOOM CRADLE ASSEMBLY			
DET	QTY	P/N	DESCRIPTION
1	1	164512	RUBBER BUMPER, BOOM CRADLE
2	3	164513	BOOM CRADLE PAD
3	1	167182	BOOM CRADLE WLD-120 STS 2015
4	1	292553	735F 12V LED worklamp, Bottom mount
5	1	292614	WORKLIGHT - HALOGEN CLOSE RANGE
6	1	292917	LED LIGHT, AMBER
7	1	343689	EXTREMITY FLASHER MT, STS '11
8	2	470089N	1/4UNC HEX NYLOC NUT, 316 SS
9	2	470231N	1/4UNC X 1" SERR FLG BOLT SS
10	8	900133N	3/8UNC X 2" SERR FLANGE BOLT
11	6	900805	1/2UNC X 1 3/4 HEX BOLT GR8 YZ
12	8	914004	3/8UNC HEX STOVER NUT
13	6	914808	1/2UNC HEX STOVER NUT GR8
14	1	920001N	5/16 SAE FLAT WASHER SS
15	8	920002N	3/8 SAE FLAT WASHER



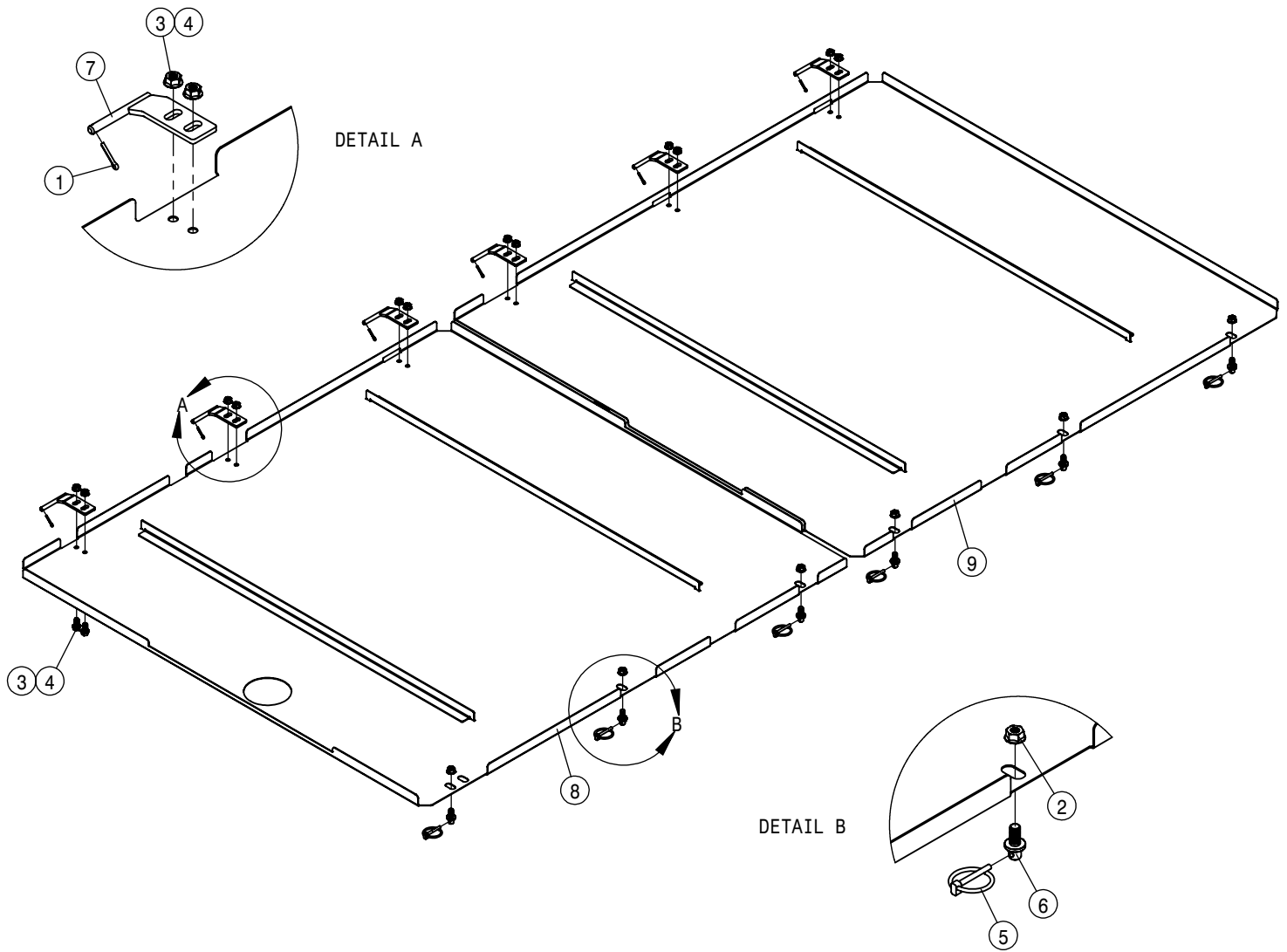
LH 120' BOOM CRADLE ASSEMBLY			
DET	QTY	P/N	DESCRIPTION
1	1	164512	RUBBER BUMPER, BOOM CRADLE
2	3	164513	BOOM CRADLE PAD
3	1	167182	BOOM CRADLE WLD-120 STS 2015
4	1	167185	MTG BRKT-FIRE EXT
5	1	292553	735F 12V LED worklamp, Bottom mount
6	1	292614	WORKLIGHT - HALOGEN CLOSE RANGE
7	1	292917	LED LIGHT, AMBER
8	1	343689	EXTREMITY FLASHER MT, STS '11
9	2	470089N	1/4UNC HEX NYLOC NUT, 316 SS
10	6	470113	5/16UNC SERR FLG LOCK NUT
11	2	470231N	1/4UNC X 1" SERR FLG BOLT SS
12	4	470360	1/2UNC SERR FLG HEX NUT
13	1	490508	FIRE EXTINGUISHER
14	6	900064	5/16UNC X 3/4" HEX BOLT
15	8	900133N	3/8UNC X 2" SERR FLANGE BOLT
16	4	900264N	1/2UNC X 1 1/4 SER FLANGE BOLT
17	6	900805	1/2UNC X 1 3/4 HEX BOLT GR8 YZ
18	8	914004	3/8UNC HEX STOVER NUT
19	6	914808	1/2UNC HEX STOVER NUT GR8
20	1	920001N	5/16 SAE FLAT WASHER SS
21	8	920002N	3/8 SAE FLAT WASHER



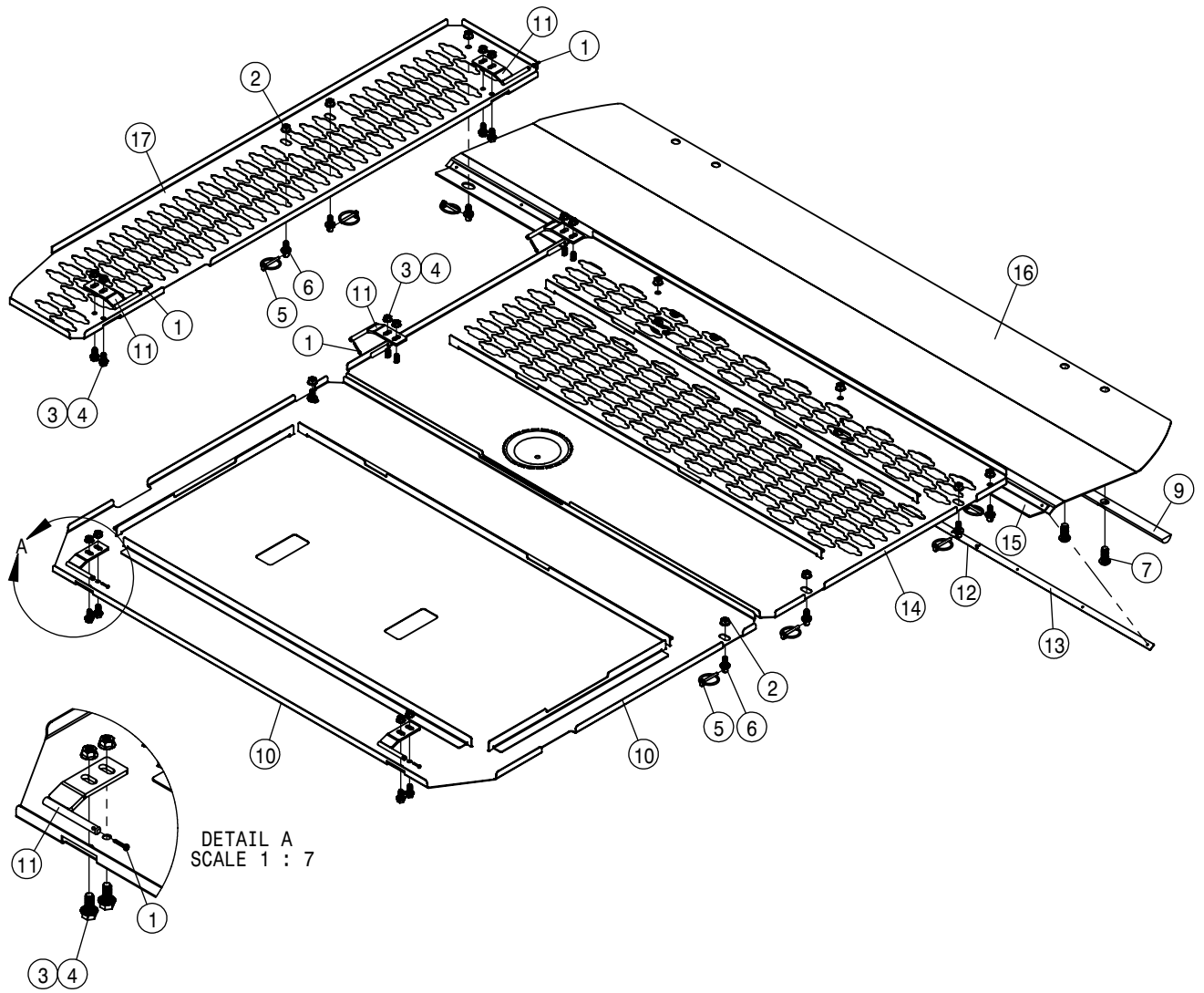
DETAIL A  
SCALE 1 : 6

FRONT TALL CROP SHIELD ASSEMBLY			
DET	QTY	P/N	DESCRIPTION
1	4	003078	RECEPT MTG BRKT, PAINTED STS 07
2	16	470087	3/8UNC HEX SERR FLANGE NUT
3	6	470113	5/16UNC SERR FLG LOCK NUT
4	4	470233	5/16UNC X 3/4 SERR FLG HEX BOLT
5	2	470234	5/16UNC X 1" SERR FLG HEX BOLT
6	4	470335	LINCHPIN, 3/16 X 1 1/4 GRIP
7	4	470520	HANGER PIN,3/8UNC x.437Dx.500L
8	12	472046	5/16UNC-3.00ID-3.687 U-BOLT,SS
9	6	475016	KLIK PIN 3/8 DIA x 3 x 1 1/2
10	2	660465	BRUSH GUARD SUPPORT
11	3	660466	BRUSH GUARD PVC TUBE STS
12	6	660467	BRUSH GUARD PVC EXT STS
13	4	660468	BRUSH GUARD MT STS
14	2	660470	BRUSH GUARD MT SUPPORT STS
15	4	660471	FRNT BELLY SHLD RETAINER STS
16	1	660474	LH FRT TOOLBAR SHIELD STS
17	1	660473	RH FRT TOOLBAR SHIELD STS
18	1	660475	RH FRT SHLD HING WLD STS'14
19	1	660476	LH FRT SHLD HING WLD STS'14
20	1	660472	FRT BELLY SHIELD STS'14
21	4	900127	3/8UNC X 1 1/4 HEX BOLT
22	4	900140	3/8UNC X 4" HEX BOLT
23	2	900142	3/8 UNC X 5" HEX BOLT
24	2	900151	3/8UNC X 7 1/2 HEX BOLT
25	24	914002	5/16UNC HEX STOVER NUT

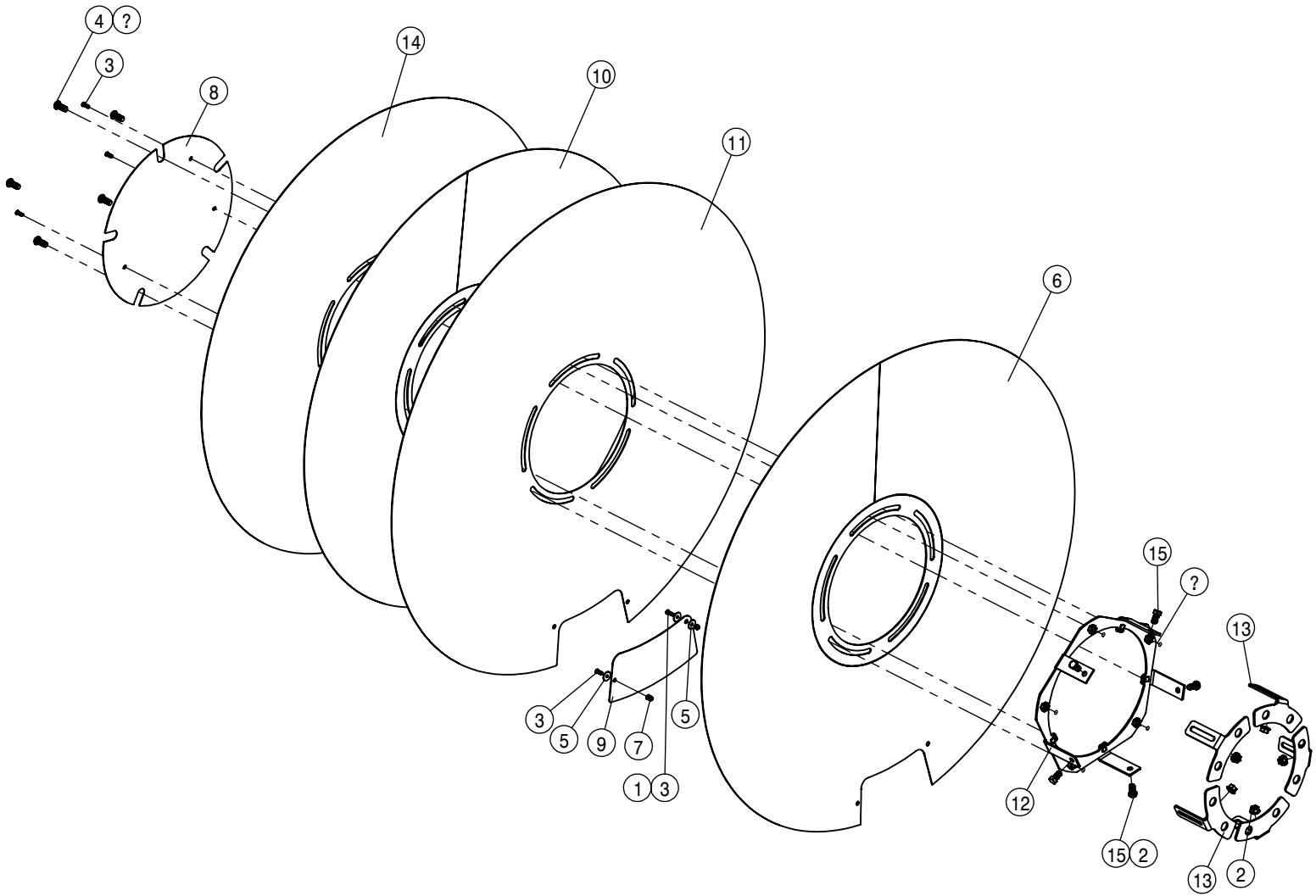




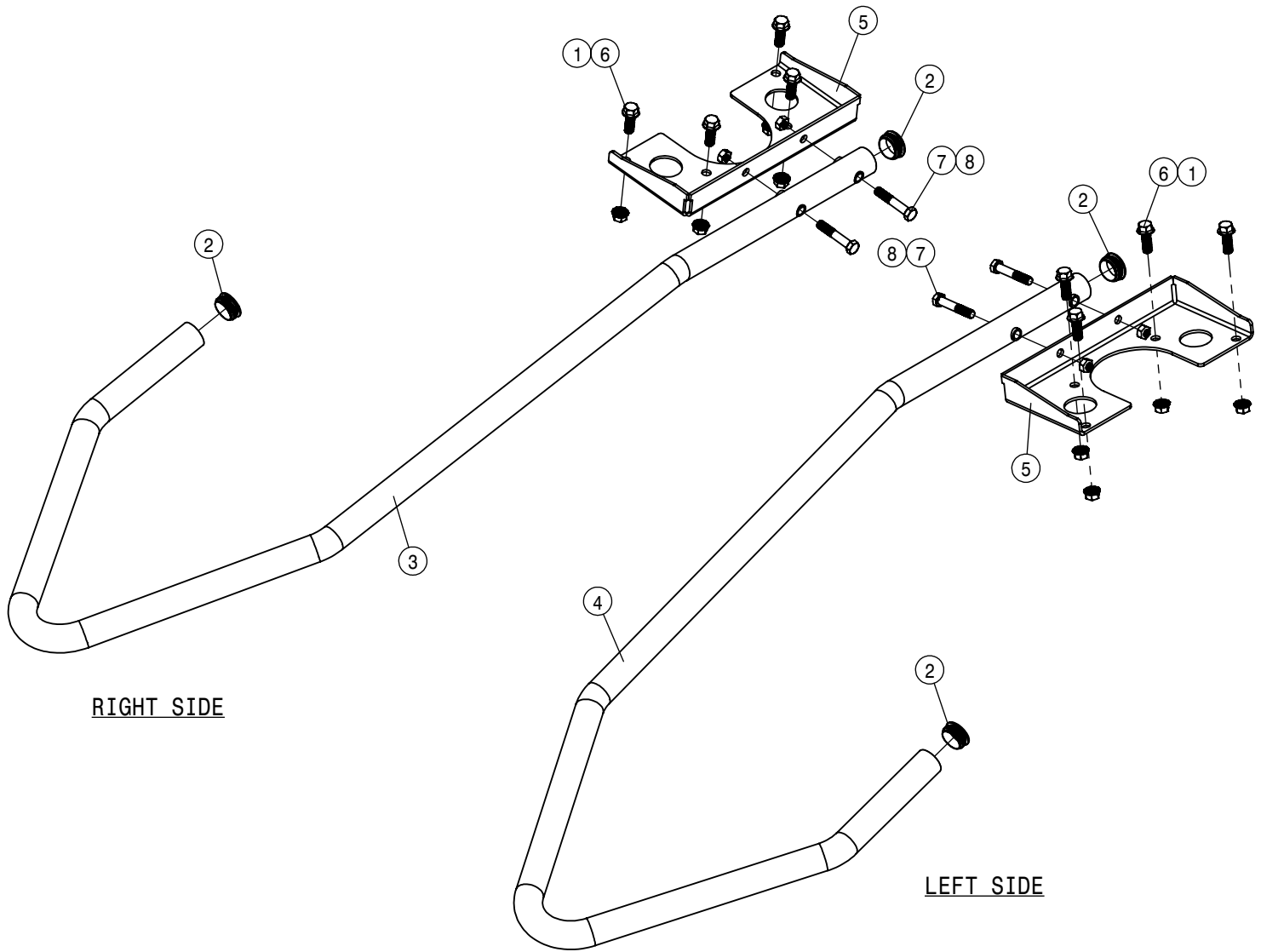
CENTER TALL CROP SHIELD ASSEMBLY			
DET	QTY	P/N	DESCRIPTION
1	6	470075	1/8 X 3/4 COTTER PIN
2	6	470087	3/8UNC HEX SERR FLANGE NUT
3	12	470113	5/16UNC SERR FLG LOCK NUT
4	12	470233	5/16UNC X 3/4 SERR FLG HEX BOLT
5	6	470335	LINCHPIN, 3/16 X 1 1/4 GRIP
6	6	470520	HANGER PIN, 3/8UNC x .437Dx .500L
7	6	660578	HINGE - BELLY PAN, WLD
8	1	660582	BELLY PAN - LF SOLU FRT, WLD
9	1	660583	BELLY PAN - LF SOLU REAR, WLD



REAR TALL CROP SHIELD ASSEMBLY			
DET	QTY	P/N	DESCRIPTION
1	6	470075	1/8 X 3/4 COTTER PIN
2	10	470087	3/8UNC HEX SERR FLANGE NUT
3	12	470113	5/16UNC SERR FLG LOCK NUT
4	12	470233	5/16UNC X 3/4 SERR FLG HEX BOLT
5	10	470335	LINCHPIN, 3/16 X 1 1/4 GRIP
6	10	470520	HANGER PIN, 3/8UNC x .437Dx .500L
7	4	473987	1/2UNC X 1 1/4BUT SKTHD SCR
NS	10	485072	POP RIVET, 1/8DIA X 1/4 GRIP SS
9	1	660566	BAR - CURTAIN
10	1	660568	BELLY PAN - ENGINE FRONT, WLD
11	6	660578	HINGE - BELLY PAN, WLD
12	1	660595	HOLDER - CURTAIN, OUTER SCT 1
13	1	660596	HOLDER - CURTAIN, OUTER SCT 2
14	1	660610	BELLY PAN - ENGINE REAR, WLD
15	1	660586	HOLDER - CURTAIN
16	1	660574	CURTAIN - HOOD
17	1	660565	BELLY PAN - HOOD, RH



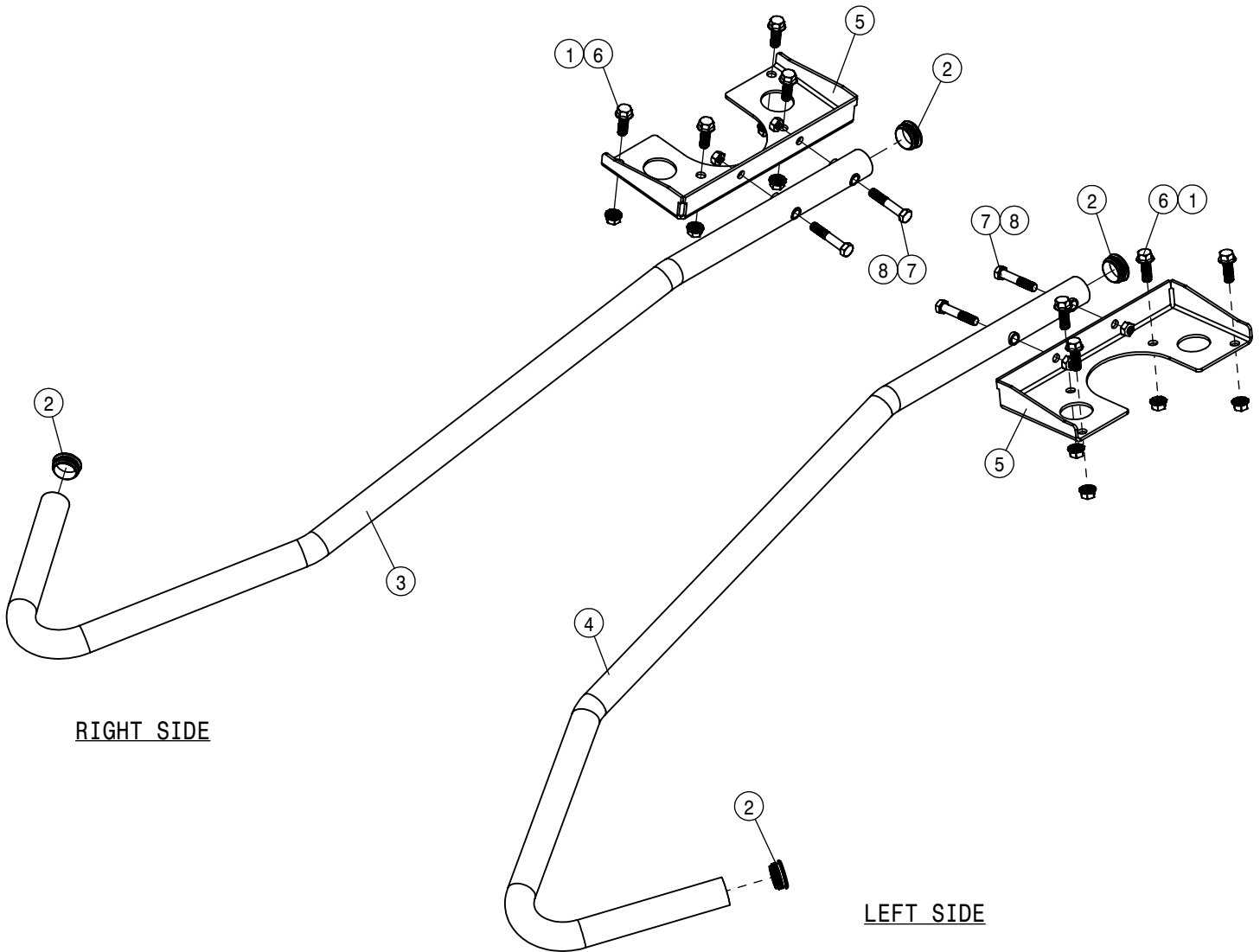
TALL CROP WHEEL GUARD			
DET	QTY	P/N	DESCRIPTION
1	1	470089	1/4UNC HEX NYL-LOC NUT
2	5	470360	1/2UNC SERR FLG HEX NUT
3	5	472379	1/4UNC X 3/4 SKT HD LOC SCR SS
4	5	473987N	1/2UNC X 1 1/4BUT SKTHD SCR SS
5	3	483067	1/4 X 1.00 OD FENDER WASHER
6	1	662278	320 54" HUB CAP WLD
7	1	470385	1/4-20 NUTSERT.027-.165BLK STL
8	1	662283	HUB CAP ACCESS DOOR
9	1	662284	HUB CAP VALVE STEM DOOR
10	1	662291	320 50" HUB CAP WLD
11	1	662282	380 54" WHEEL HUB CAP
12	1	662307	HUB CAP ADAPTER WLD
13	5	662309	HUB CAP ADAPTER PLATE
14	1	662301	380 50" WHEEL HUB CAP
15	5	900263	1/2UNC X 1" HEX BOLT



RIGHT SIDE

LEFT SIDE

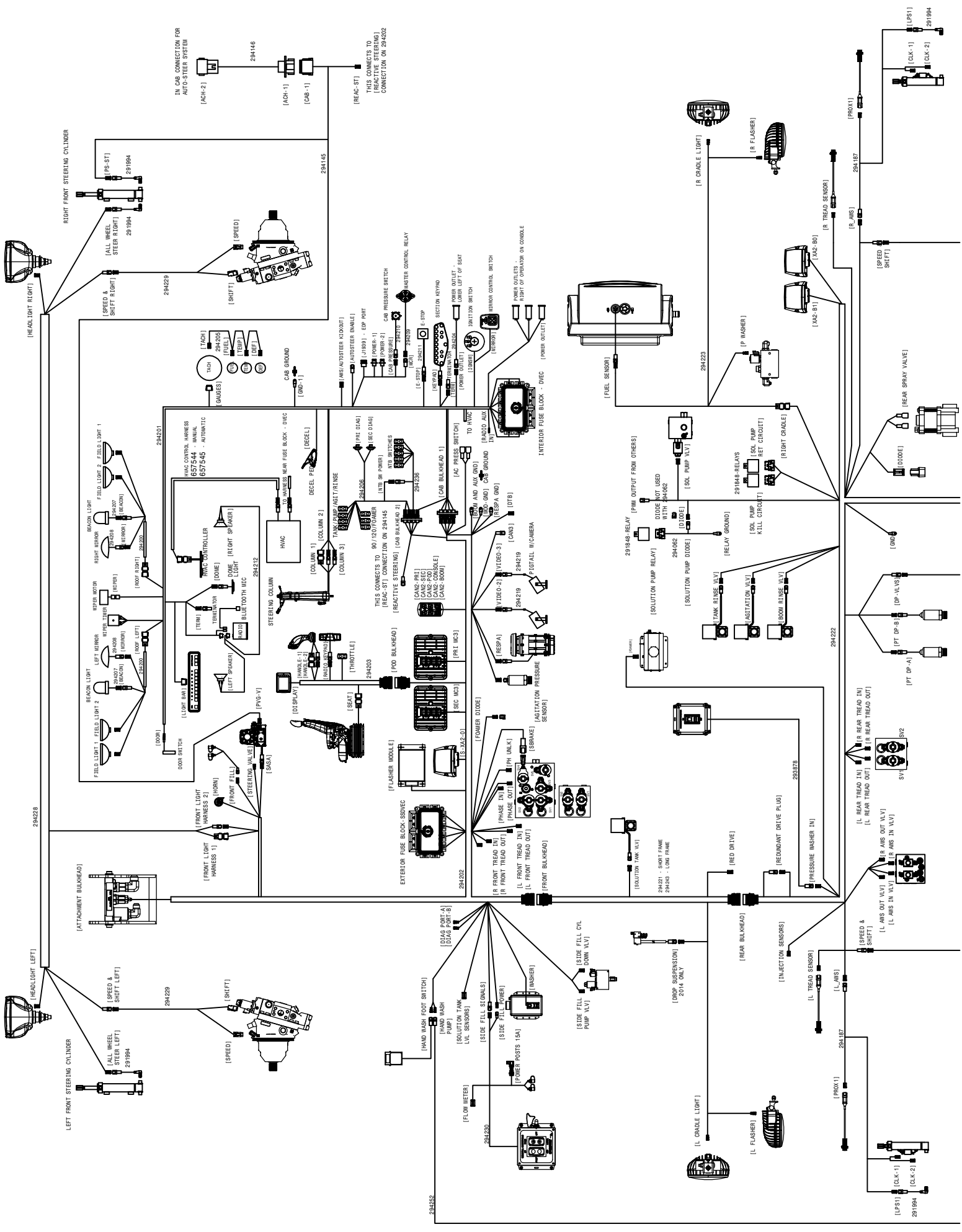
54" 380 WHEEL CROP DIVIDER ASSEMBLY (SEVERE DUTY LEG)			
DET	QTY	P/N	DESCRIPTION
1	8	470360N	1/2UNC SERR FLG HEX NUT YZ
2	4	629772	CAPPLUGS PLUG,1 3/4" RD, BLACK POLY
3	1	662271	RH 380 CROP DIVIDER WLD
4	1	662273	LH 380 CROP DIVIDER WLD
5	2	662292	MTG PLATE-CROP DIVIDER, SDS LEG
6	8	900265N	1/2UNC X 1 1/2 SERR FLANGE BOLT
7	4	900269	1/2UNC X 2 3/4 HEX BOLT
8	4	914008	1/2 UNC HEX STOVER NUT

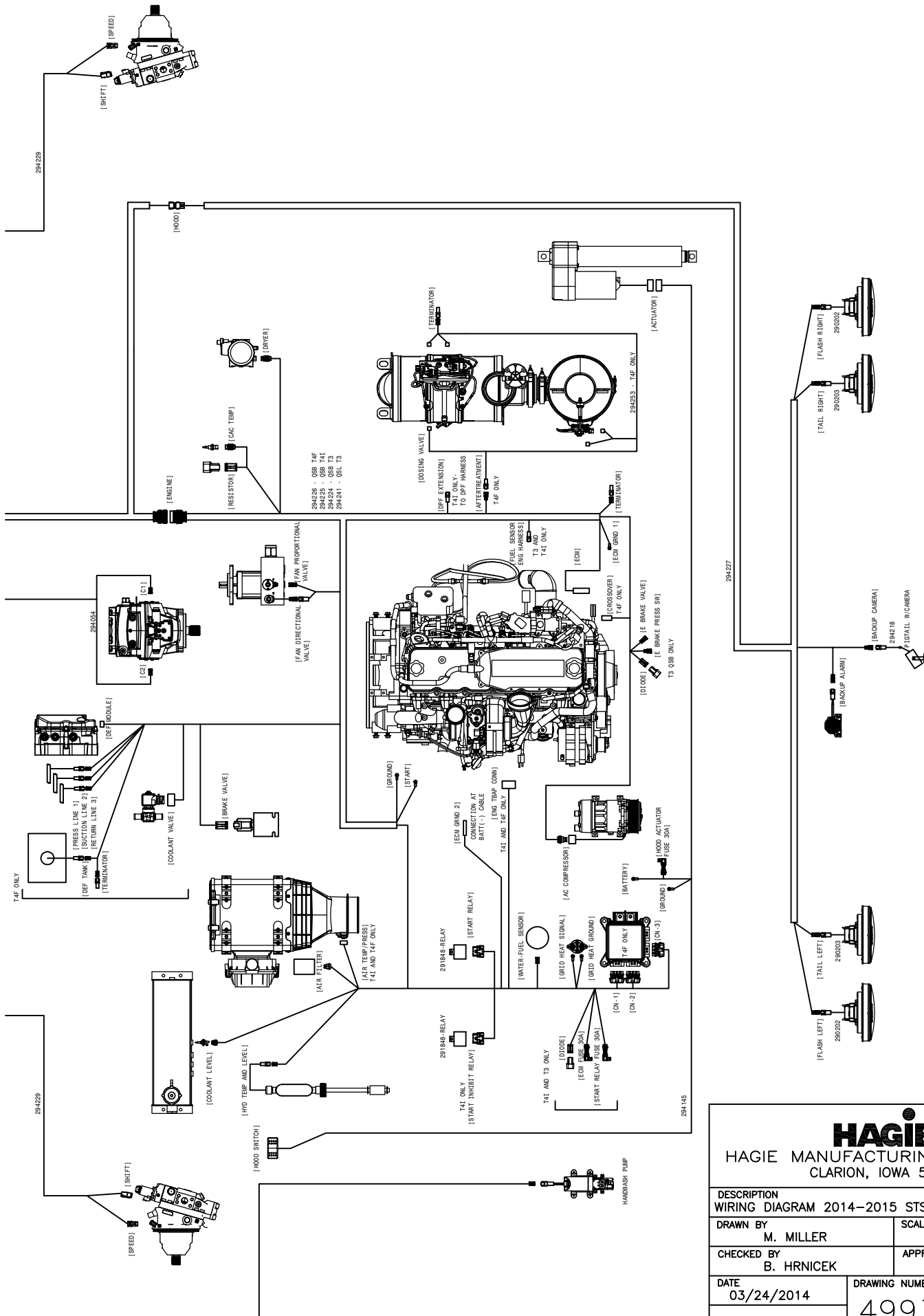


RIGHT SIDE

LEFT SIDE

54" 380 WHEEL CROP DIVIDER ASSEMBLY (SEVERE DUTY LEG)			
DET	QTY	P/N	DESCRIPTION
1	8	470360N	1/2UNC SERR FLG HEX NUT YZ
2	4	629772	CAPPLUGS PLUG,1 3/4" RD, BLACK POLY
3	1	662264	RH 320 CROP DIVIDER WLD
4	1	662268	LH 320 CROP DIVIDER WLD
5	2	662292	MTG PLATE-CROP DIVIDER, SDS LEG
6	8	900265N	1/2UNC X 1 1/2 SERR FLANGE BOLT
7	4	900269	1/2UNC X 2 3/4 HEX BOLT
8	4	914008	1/2 UNC HEX STOVER NUT





REFERENCE ONLY

<b>HAGIE</b> HAGIE MANUFACTURING COMPANY CLARION, IOWA 50525		
DESCRIPTION WIRING DIAGRAM 2014-2015 STS 10,12,14,16(2015)		
DRAWN BY M. MILLER	SCALE NTS	
CHECKED BY B. HRNICEK	APPROVED BY	
DATE 03/24/2014	DRAWING NUMBER 499335	REV A
SHEET 1 OF 1		

## ABBREVIATIONS

A/C - AIR CONDITIONER	MT - MOUNT
ADPTR - ADAPTER	MTR - MOTOR
AGI - AGITATOR	P/N - PART NUMBER
ALT - ALTERNATOR	PLT - PLATE
ASSY - ASSEMBLY	QTY - QUANTITY
BRKT - BRACKET	RED - REDUCER
DET - DETAIL	REF - REFERENCE
DISPL - DISPLACEMENT	REST - RESTRICTOR
EL - ELBOW	REQ - REQUIRED
EXT - EXTENSION	SHFT - SHAFT
FLO - FLOW	SOL - SOLUTION
FNPT - FEMALE NATIONAL PIPE THREAD	STRG - STEERING
FOR - FEMALE O-RING	ST - STREET
FRT - FRONT	SV - STANDARD VOLUME
HV - HI-VOLUME	SWIV - SWIVEL
HYD - HYDRAULIC	UNC - UNIFIED NATIONAL COURSE
HYDRO - HYDROSTATIC	UNF - UNIFIED NATIONAL FINE
LG - LONG	V - VOLT
LWR - LOWER	W/ - WITH
MJIC - MALE J.I.C.	WHL - WHEEL
MOR - MALE O-RING	WLD - WELDMENT



-A-

ABBREVIATIONS.....112  
AIR BAG.....49  
AIR CLEANER.....6  
AIR CONDITIONER  
    BLOWER.....63,64,65,66  
    COMPRESSOR.....13,15  
    DRIER.....12,14  
    HOSE.....12,14  
    TUBES.....12,14  
AIR COOLER, CHARGE.....7  
AIR DRIER.....51  
AIR FILTER, CAB.....61,63,64,65,66  
AIR GOVERNOR.....51  
AIR LINES.....50,51,52  
AIR TANK.....50  
AIR VALVE.....49,50  
AGITATION.....79  
ALTERNATOR.....4,10  
ANTENNA.....58  
ARMREST.....67,68

-B-

BACKUP ALARM.....75  
BATTERY.....10  
    CABLE.....10  
    STAND.....9  
    SWITCH.....10  
BEACON.....53  
BELLY SHIELD.....74  
BELT, DRIVE.....4  
BLOWER, A/C.....63,64,65,66  
BOOM CRADLE.....100  
BRAKE VALVE.....30  
BREATHER.....23  
BULKHEAD.....28,73  
BUSBAR.....10

-C-

CAB.....53  
    ELECTRICAL.....57  
    MOUNTS.....53  
CIRCUIT BREAKER.....10  
CLAMP, TUBE.....12,14  
COMPRESSOR, A/C.....13,15  
CONDENSOR, A/C.....13,15

CONSOLE.....60  
    REAR.....59  
CONTROL VALVE, SOLUTION.....24  
COOLANT SENSOR.....7

COOLER.....59  
    CHARGE AIR.....7  
    OIL.....7  
CRADLE,  
    BOOM.....100,101,102,103  
    FUEL TANK.....41  
CYLINDER,  
    LADDER.....31  
    SIDEFILL.....88  
    STEERING.....44,45,46,47  
    TREAD ADJUST.....39,40

-D-

DOOR.....55  
DRIVE BELT.....4

-E-

ELECTRICAL VALVE.....84,85  
ELECTRICAL, CAB.....59  
ELECTRICAL, CHASSIS.....11  
ENGINE.....4  
    HOOD.....75  
    SKID.....9  
EXHAUST  
    PIPE.....5  
    SUPPORT.....5

-F-

FAN  
SHROUD.....7  
FENDERS.....99  
FILTERS,  
    AIR DRIER.....51  
    FUEL.....41  
    MINDER.....6  
    OIL.....4,23,26  
FIRE EXTINGUISHER.....101,103  
FLASHER.....100,101  
FLOORMAT.....59  
FLOWMETER.....83,96  
FOAMER.....98  
FRONT FILL.....86  
FUEL SENSOR.....41  
FUEL TANK.....41  
FUSE.....10

-G-

GAUGE.....59  
    SIGHT.....80  
GLASS.....53,55

-H-

HANDRAIL.....77  
HANDWASH.....97  
HEAD LINER.....58  
HEAT SHIELD, BATTERY.....9  
HOOD, ENGINE.....75  
HOSE GUARD.....18  
HOSE SLEEVE.....16  
HOSING, HYDRAULIC.....16,17,18,19  
HUB, WHEEL.....21,22  
HYDRAULIC  
    QUICK CONNNECT.....36  
    OIL COOLER.....7  
    TANK.....23  
HYDROSTATIC PUMP.....20

-I-

INSTRUCTINAL SEAT.....69,70  
INTAKE SCREEN.....7

-J-

JOYSTICK.....67,68

-L-

LADDER.....78  
    CYLINDER.....31  
LATCH.....53,75  
LEG.....42,43  
LEVEL SENSOR.....23  
LIGHTS.....53,72,100,101  
LINE STRAINER.....79,83

-M-

MANIFOLD, RETURN.....28,29  
MIRROR.....53  
MOTOR,  
    STEERING.....25  
    WHEEL.....21,22  
MOUNT,  
    CAB.....53  
    RUBBER.....9  
MUFFLER.....9

-O-

OIL COOLER.....7  
OIL FILTER.....4

-P-

PLATFORM, SERVICE.....77  
PUMP, HYROSTATIC.....20

-Q-

QUICK ATTACH,  
    LIFTARM.....72  
    SOLUTION.....82  
QUICK CONNECT, HYDRAULIC.....36

-R-

RADIATOR.....7  
RADIO.....57  
REMOTE FILL.....80  
RETURN MANIFOLD.....28,29  
RINSE TANK.....81  
ROOF.....53  
RUBBER MOUNT.....9

-S-

SCREEN, INTAKE.....7  
SEAT.....67,68,69,70  
SENSOR  
    COOLANT.....8  
    FUEL.....41  
    LEVEL.....23  
SHIELD  
    BELLY.....74  
    TALL CORN.....104,105,106  
    WHEEL MOTOR.....107  
SHROUD, FAN.....7  
SIDE FILL.....88  
    CYLINDER.....88  
    VALVE.....33  
SIGHT GUAGE.....80  
SKID, ENGINE.....9  
SMV SIGN.....75  
SOLUTION  
    PUMP.....84  
    TANK.....79  
SPEAKER, RADIO.....58  
STARTER.....4,10  
STEERING  
    COLUMN.....59  
    CYLINDER.....44,45,46,47  
    MOTOR.....25  
    WHEEL.....59  
STRAINER, LINE.....79,83  
SURGE TANK.....8  
SWITCH,  
    BATTERY.....10  
    BOX.....89

-T-

TANK	
AIR.....	50
FUEL.....	41
HYDRAULIC.....	23
RINSE.....	81
SOLUTION.....	79
SURGE.....	8
TIRE.....	48
TOOLBOX.....	71
TREAD ADJUST.....	36,37,38,39
CYLINDER.....	38,39
TREAD VALVE.....	36,37
TUBE CLAMP.....	12,14

-V-

VALVE,	
ALL WHEEL STEER.....	32
BRAKE.....	30
ELECTRIC.....	81,84,85
REAR NOZZLE.....	94
SIDE FILL.....	34
TREAD.....	36,37

-W-

WHEEL HUB.....	21,22
WHEEL MOTOR.....	21,22
WIPER.....	54
WIRING DIAGRAM.....	110

# Notes: