



PARTS MANUAL FOR HAGIE STS 16

HAGIE MANUFACTURING COMPANY

721 CENTRAL AVENUE WEST
BOX 273
CLARION, IOWA 50525-0273

COVERS MACHINE SERIAL NUMBERS: STS16 17001-17500

02-17 493694 (PC13277)
03-17, 04-17,
05-17, 09-17, 01-18, 06-18

**To obtain the most current parts manual for your machine,
please visit www.hagie.com.**

© 2017-18 Hagie Manufacturing Company. Clarion, Iowa USA



SPRAYER IDENTIFICATION

Each Hagie sprayer is identified by means of a frame serial number. This serial number denotes the model, the year in which it was built, and the number of the sprayer. As for further identification, the engine has a serial number. To ensure prompt, efficient service when ordering parts or requesting service repairs from your local John Deere dealer, record the serial and identification numbers in the spaces provided below.

NOTE: Reference to left hand and right hand used throughout this manual refers to the position when seated in the operator's seat facing forward.

This manual is not intended to be a complete guide for machine maintenance and repairs. If you are not properly trained to perform service on this machine, contact your local John Deere dealer for assistance. Improper maintenance or repair may result in property damage, personal injury, or death.

SPRAYER SERIAL NUMBER

ENGINE SERIAL NUMBER

FILTER QUICK REFERENCE

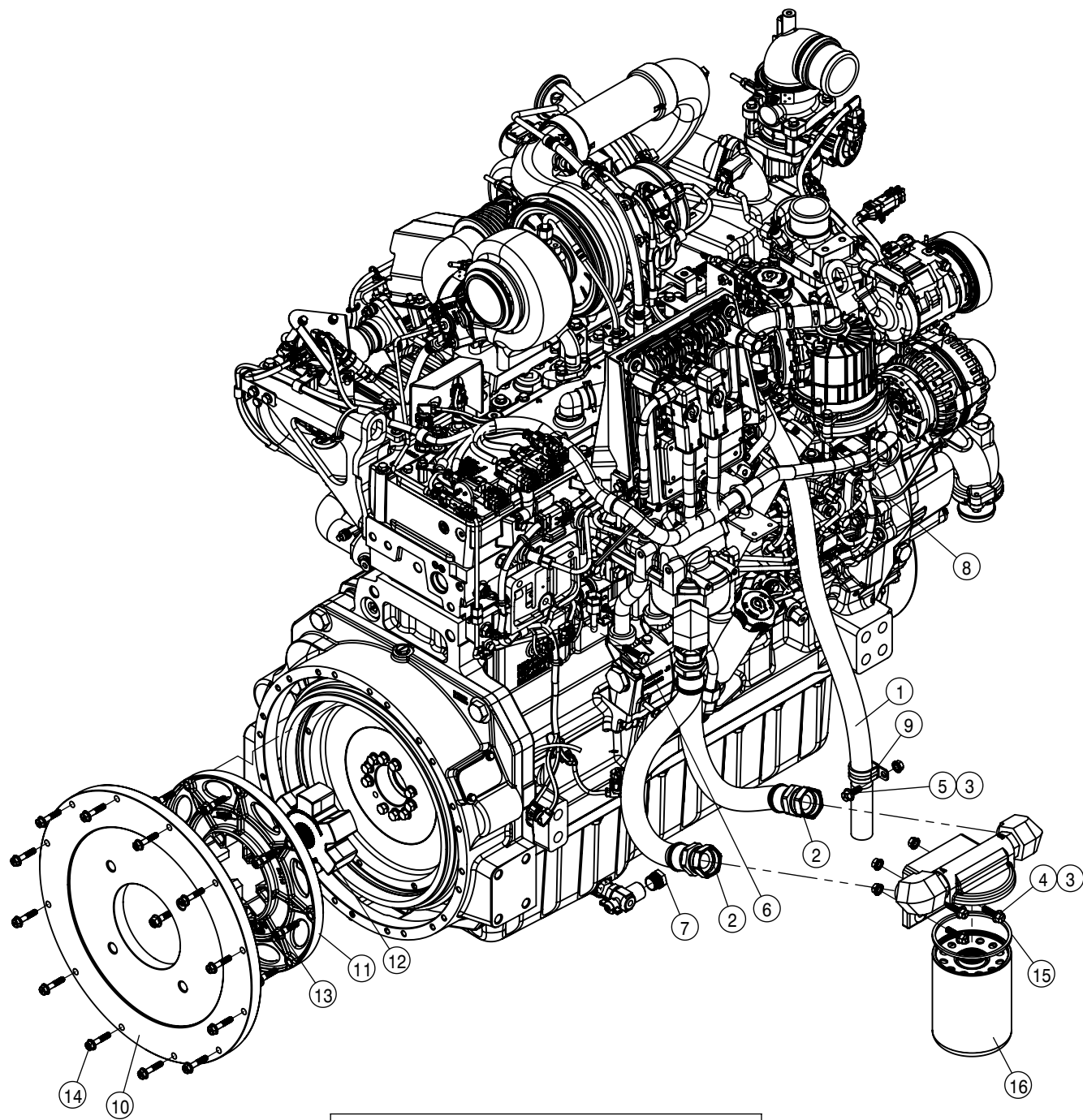
<u>QTY</u>	<u>P/N</u>	<u>DESCRIPTION</u>
1	605657	HYD OIL FILTER, CHARGE PUMP
1	605659	HYD TANK OIL FILTER
1	605663	CASE DRAIN FILTER ELEMENT
1	605673	AE SPIN FILTER (10 MICRON)
1	605661	STEERING MOTOR OIL FILTER
1	605674	CHARGE PUMP FILTER
1	657557	CAB PRECLEANER AIR FILTER
1	657558	CAB CHARCOAL FILTER
1	657559	CAB PAPER FILTER
<u>T4F ENGINE</u>		
1	318432	ENGINE AIR FILTER, PRIMARY
1	318433	ENGINE AIR FILTER, SECONDARY
1	DZ101884	ENGINE OIL FILTER
1	RE539465	FUEL FILTER ELEMENT PRIMARY
1	RE533911	FUEL FILTER ELEMENT

TRANSLATED DECAL KITS

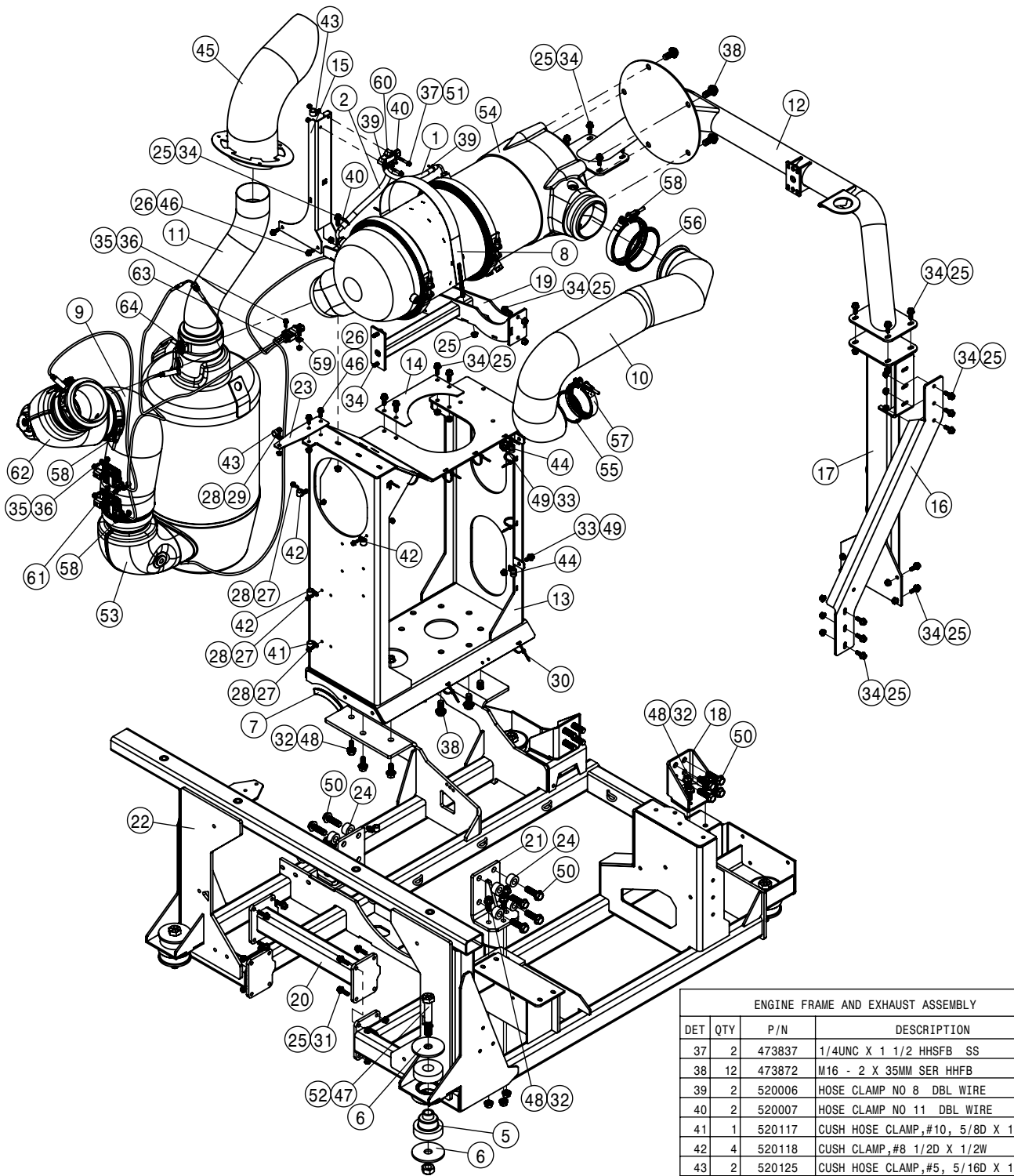
<u>QTY</u>	<u>P/N</u>	<u>DESCRIPTION</u>
1	KDC528	DECAL KIT, STS FRENCH

TABLE OF CONTENTS

ENGINE ASSEMBLY T4F.	4-8
CHASSIS ELECTRICAL.	9-11
A/C AND HEATER LINES.	12-13
HYDRAULIC HOISING.	14-18
HYDRAULIC PUMP ASSEMBLY.	19-21
WHEEL MOTOR ASSEMBLY.	22-24
HYDRAULIC TANK ASSEMBLY.	25
HYDRAULIC COMPONETS.	26-39
FUEL SYSTEM.	40-42
LEG ASSEMBLIES.	43-46
STEERING CYLINDER AND TIE ROD ASSEMBLY.	47-51
TIRE ASSEMBLY.	52
AIR BAG AND AIR SYSTEM.	53-58
AIR PURGE OPTION.	59
TREAD ADJUST ASSEMBLY.	60-63
CAB ASSEMBLY.	64-78
COMBO OPTION CONTROL BOX.	79
TOOLBOX OPTION.	80
QUICK ATTACH.	81
BULKHEAD AND BELLY PAN.	82-83
ENGINE HOOD.	84-85
BACK-UP CAMERA.	86-87
SERVICE PLATFORM AND LADDER.	88-90
SOLUTION SYSTEM.	91-97
FRONT FILL AND SIDE FILL OPTION.	98-104
REAR FILL OPTION.	105
REAR WHEEL NOZZLE OPTION.	106-107
DUAL PRODUCT.	108-117
FILL FLOW METER.	118
HAND WASH OPTION.	119
FOAMER OPTION.	120
FENDER OPTION.	121
BOOM CRADLE OPTION.	122-127
TALL CROP OPTION.	128-132
PRESSURE WASHER OPTION.	133-136
MODULAR INJECTION OPTION.	137-140
REMOTE GREASE BANK OPTION.	141
BATTERY TENDER OPTION.	142
LOAD SENSE CONNECT KIT.	143
WIRING AND HYDRAULIC DIAGRAM.	144-149
ABBREVIATIONS.	150
INDEX.	151



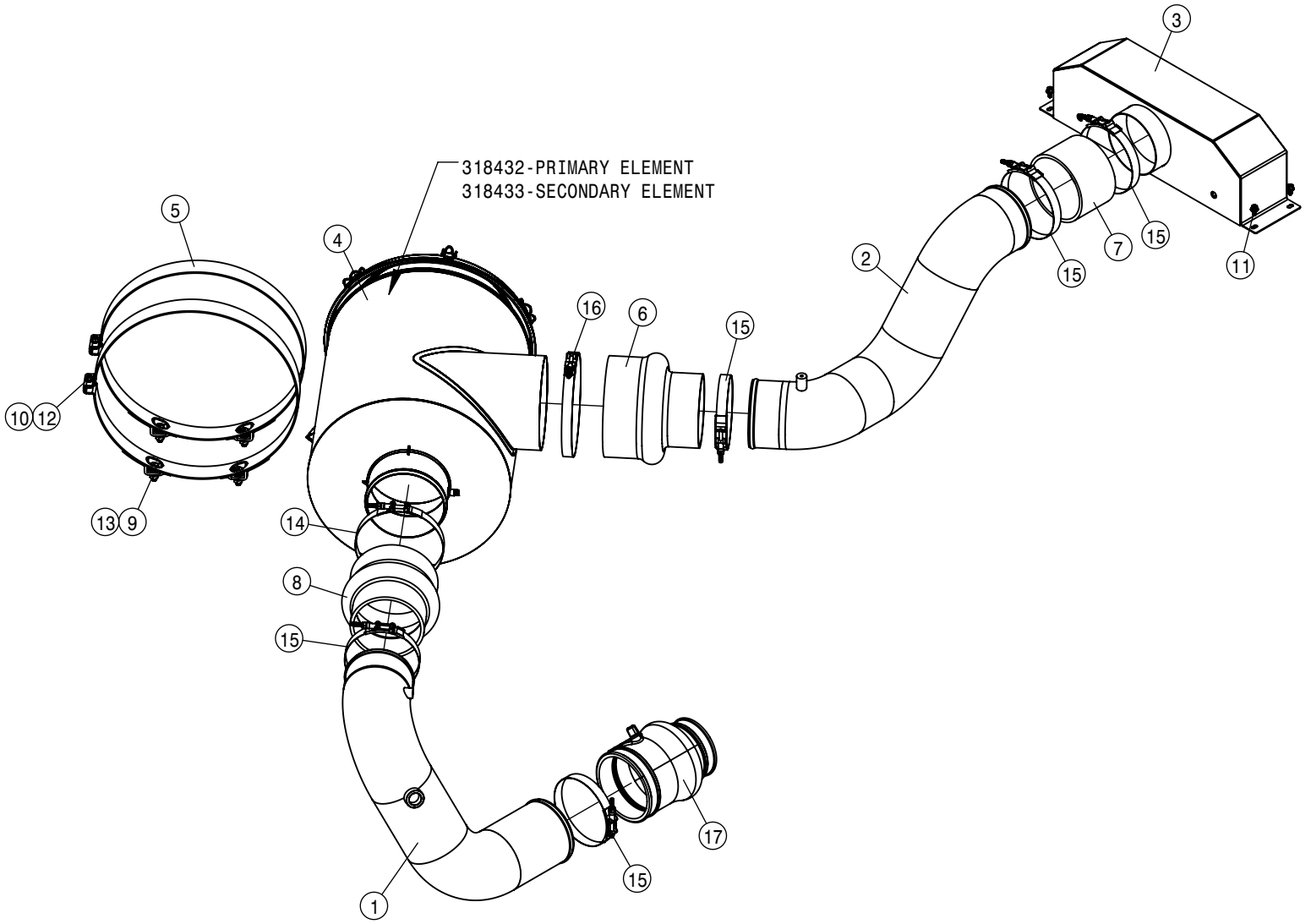
9.0L 375 HP ENGINE ASSEMBLY			
DET	QTY	P/N	DESCRIPTION
1	1	197116-038	HOSE 1IN 1-FBR BR BLK EPDM
2	2	317976	20-201-20FFOX-20FFOX-22 H/A
3	5	470087	3/8-16UNC HEX FLG NUT SER MC GR5
4	4	470329	3/8UNC X 1 1/4 HHSFB GR5 MC
5	1	470460	3/8UNC X 1 HHSFB GR5 MC
6	1	473818	10MM-1.50 X 40MM HEX BOLT GR8
7	1	505229	PIPE PLUG .75NPT HEX HD BRS
8	1	520090	HOSECLAMP NO 16 STAINLESS
9	1	520160	CUSH CLAMP,#24 1 1/2D-3/4WLOOP
10	1	800515	DRIVE PLATE
11	1	800523	HEX-FLX DRIVE PLT
12	1	800524	DT SERIES DRIVE HUB
13	8	910044	3/8UNC X 1 1/2 HHFB GR8 MC
14	12	910045	M10 - 1.5 X 40 HHFB
15	1	DZ101882	GASKET, CIRCULAR
16	1	DZ101885	FILTER, LUBE SPIN-ON



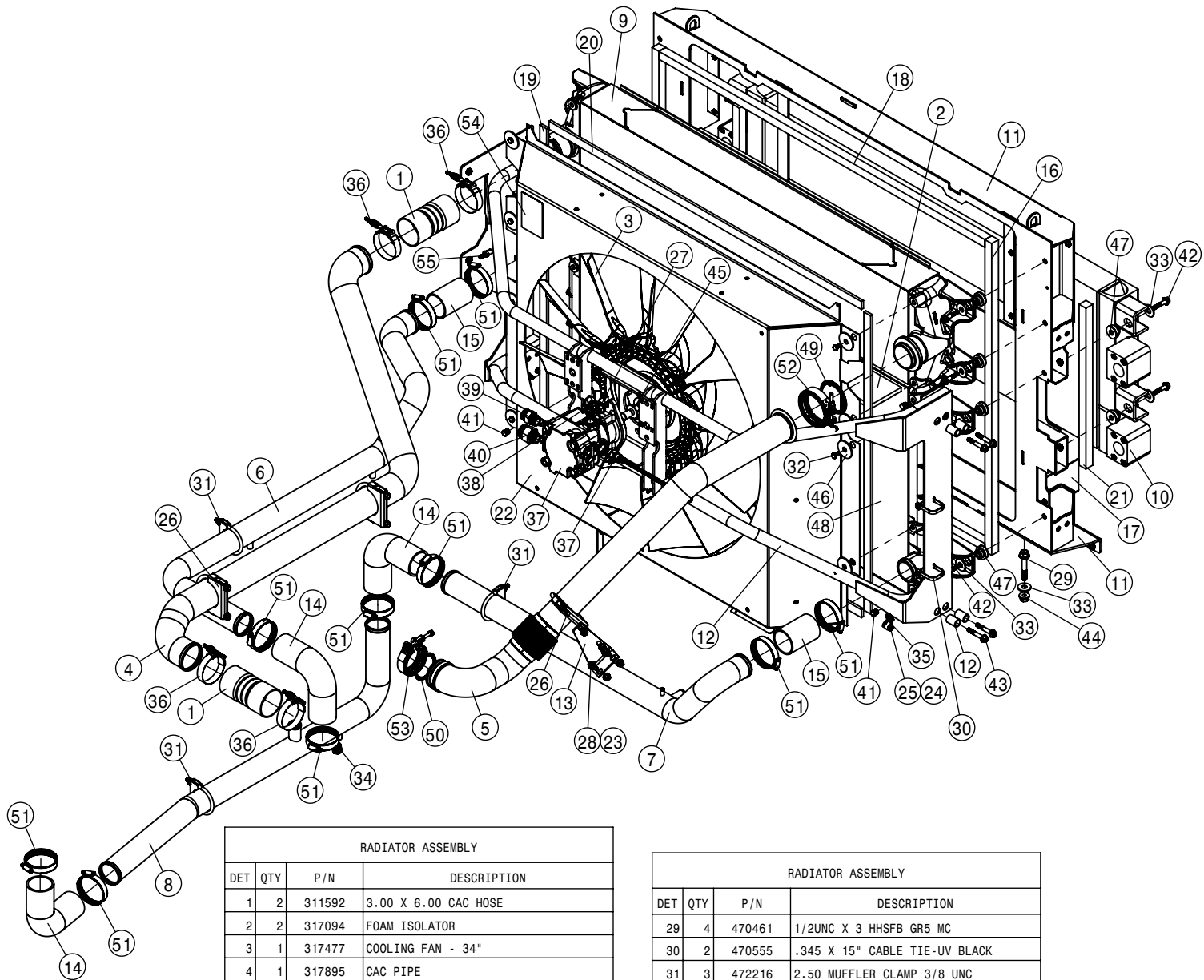
ENGINE FRAME AND EXHAUST ASSEMBLY			
DET	QTY	P/N	DESCRIPTION
1	1	197108-009	HOSE 1/4 MULTI FIBER SILICONE
2	1	197110-011	HOSE 3/8 MULTI FIBER SILICONE
NS	1	294382	A/T TEMP SNSR EXT. HARNESS
NS	1	294383	A/T PRESSURE SNSR MOD EXT. HAR
5	4	311059	RUBBER MT SET, 60045
6	8	311091	SNUBBING WASHER FOR 311090
7	1	317352-007	QUICKEDGE TRIM, C/L 19.5"
8	1	317531	SCR SUPPORT STRAP WELD
9	1	317807	PIPE, DPF - SCR
10	1	317808	PIPE, TURBO - DOC
11	1	317809	PIPE, EXHAUST OUT
12	1	317810	A/T REAR BRACE
13	1	317817	A/T FRAME
14	1	317822	A/T FRAME BRACE PLT
15	1	317823	SENSOR MT BRKT
16	1	317824	TUBE SUPP
17	1	317825	A/T SUPP POST
18	2	317834	REAR ENG MT WLD

ENGINE FRAME AND EXHAUST ASSEMBLY			
DET	QTY	P/N	DESCRIPTION
19	1	317876	DPF CRADLE WLD
20	1	317884	FRT ENG FRAME CTR SUPP WLD
21	2	317983	FRT ENG MT WLD, 9.0L
22	1	317985	DEERE ENG FRM, STS
23	1	317994	HARNESS SUPP BRKT
24	8	360598	SPACER - .72ID X 1.380D X .75
25	38	470087	3/8-16UNC HEX FLG NUT SER MC GR5
26	5	470113	5/16-18UNC HEX FLG NUT SER MC GR5
27	5	470118	1/4UNC X 3/4 HHSFB GR5 MC
28	6	470121	1/4 UNC SERR FLG LOCK NUT
29	1	470122	1/4UNC X 1/2 HHSFB GR5 MC
30	11	470154	CABLE TIE, 11.00" BLK NYLON
31	8	470329	3/8UNC X 1 1/4 HHSFB GR5 MC
32	15	470360	1/2-13UNC HEX FLG NUT SER MC GR5
33	2	470409	3/8UNC X 3/4 HHSFB GR5 MC
34	30	470460	3/8UNC X 1 HHSFB GR5 MC
35	6	473832	1/4-20UNC HEX FLG NUT SER SS
36	6	473834	1/4UNC X 3/4 HHSFB SS

ENGINE FRAME AND EXHAUST ASSEMBLY			
DET	QTY	P/N	DESCRIPTION
37	2	473837	1/4UNC X 1 1/2 HHSFB SS
38	12	473872	M16 - 2 X 35MM SER HHFB
39	2	520006	HOSE CLAMP NO 8 DBL WIRE
40	2	520007	HOSE CLAMP NO 11 DBL WIRE
41	1	520117	CUSH HOSE CLAMP,#10, 5/8D X 1/2W
42	4	520118	CUSH CLAMP,#8 1/2D X 1/2W
43	2	520125	CUSH HOSE CLAMP,#5, 5/16D X 1/2W
44	2	520163	CUSH HOSE CLAMP,#8, 1/2D X 3/4W
45	1	660837	6" EXHAUST STACK WLD, STS
46	5	900098	5/16UNF X 3/4 HHSFB GR5 MC
47	4	900481	7/8UNC X 5 HHCS GR8 MC
48	15	900517	1/2UNC X 1 1/4 HHSFB GR5 MC
49	2	910042	3/8-16UNC HEX FLG NUT SM MC GR8
50	16	910046	M16 - 2 X 50MM HHFB
51	2	910118	1/4-20UNC NYLOCK NUT SS
52	4	914014	7/8-9UNC STOVER NUT MC GR8
53	1	DZ100694	GEN 1.5 SIZE 6 SCR
54	1	DZ101731	GEN 1.5 SIZE 6 DOC/DPF
55	1	R529510	GASKET-V CLAMP Ø110
56	4	R529640	GASKET-V CLAMP Ø150
57	1	RE304965	4.33 DIA. QUICK LATCH, V-BAND
58	4	RE540348	5.88 DIA. QUICK LATCH, V-BAND
59	1	RE542006	STRAP,TEMP SENDOR MT W/CUSHION
60	1	RE546719	PRESSURE SENSOR, DELTA
61	2	RE552182	CHEMICAL SENSOR, NOX, 12V
62	1	RE566738	TEMP SENSOR, DOC/DPF/SCR
63	1	RE566739	TEMPERATURE SENSOR,DOC/DPF/SCR
64	1	RE567361	CLAMP BAND

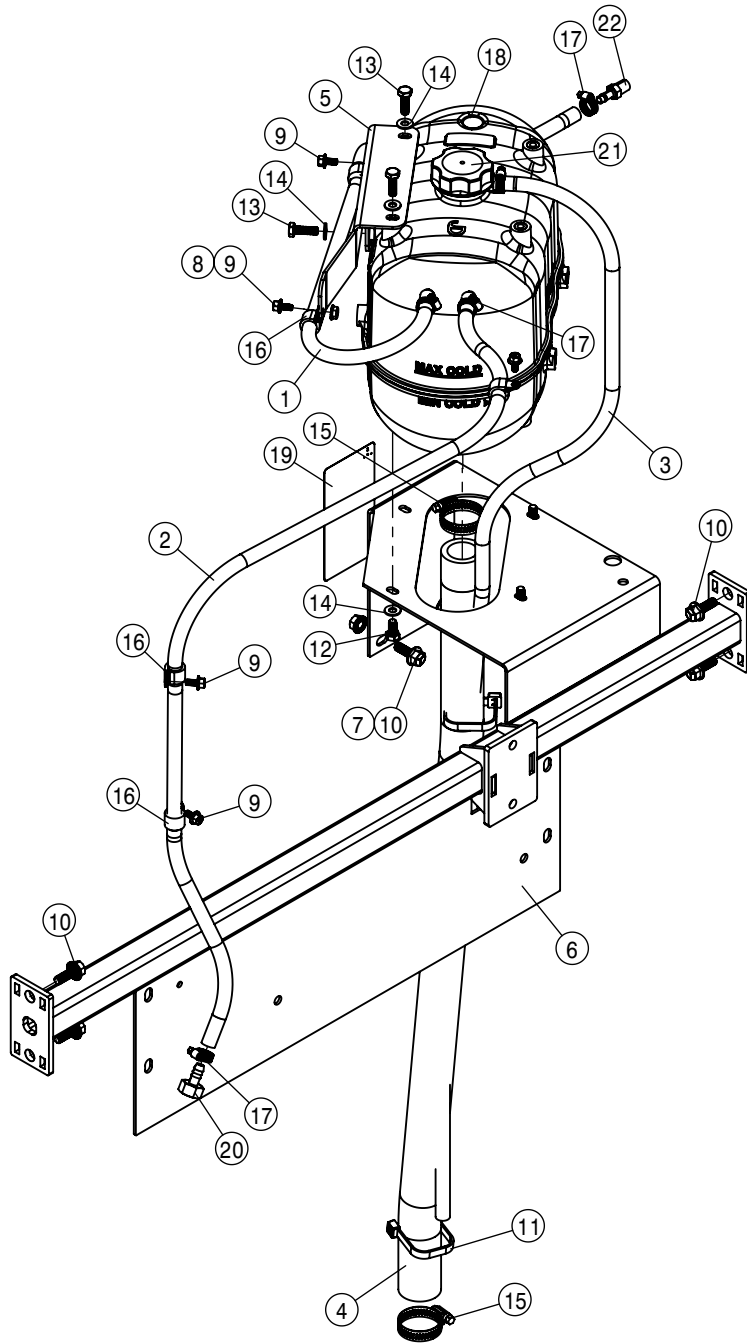


AIR CLEANER ASSEMBLY			
DET	QTY	P/N	DESCRIPTION
1	1	317093	AIR INTAKE PIPE
2	1	317893	AIR INTAKE PIPE
3	1	317936	AIR INTAKE BOX WLD
4	1	317942	AIR CLEANER
5	2	317943	MOUNTING BAND, AIR CLEANER
6	1	317946	HUMP HOSE RED 7" TO 5"
7	1	317947	EPDM SLEEVE 5"
8	1	317949	RED HUMP HOSE 6 "to 5"
9	4	470087	3/8-16UNC HEX FLG NUT SER MC GR5
10	2	470121	1/4-20UNC HEX FLG NUT SER MC GR5
11	4	470122	1/4UNC X 1/2 HHSFB GR5 MC
12	2	470407	1/4UNC X 1 1/4 HHSFB GR5 MC
13	4	470460	3/8UNC X 1 HHSFB GR5 MC
14	1	520147	6.38/6.69 T-BOLT HOSE CLAMP
15	5	520148	5.38/5.69 T-BOLT HOSE CLAMP SS
16	1	520150	7.38/7.69 T-BOLT HOSE CLAMP SS
17	1	RE538441	AIR INTAKE HOSE REP



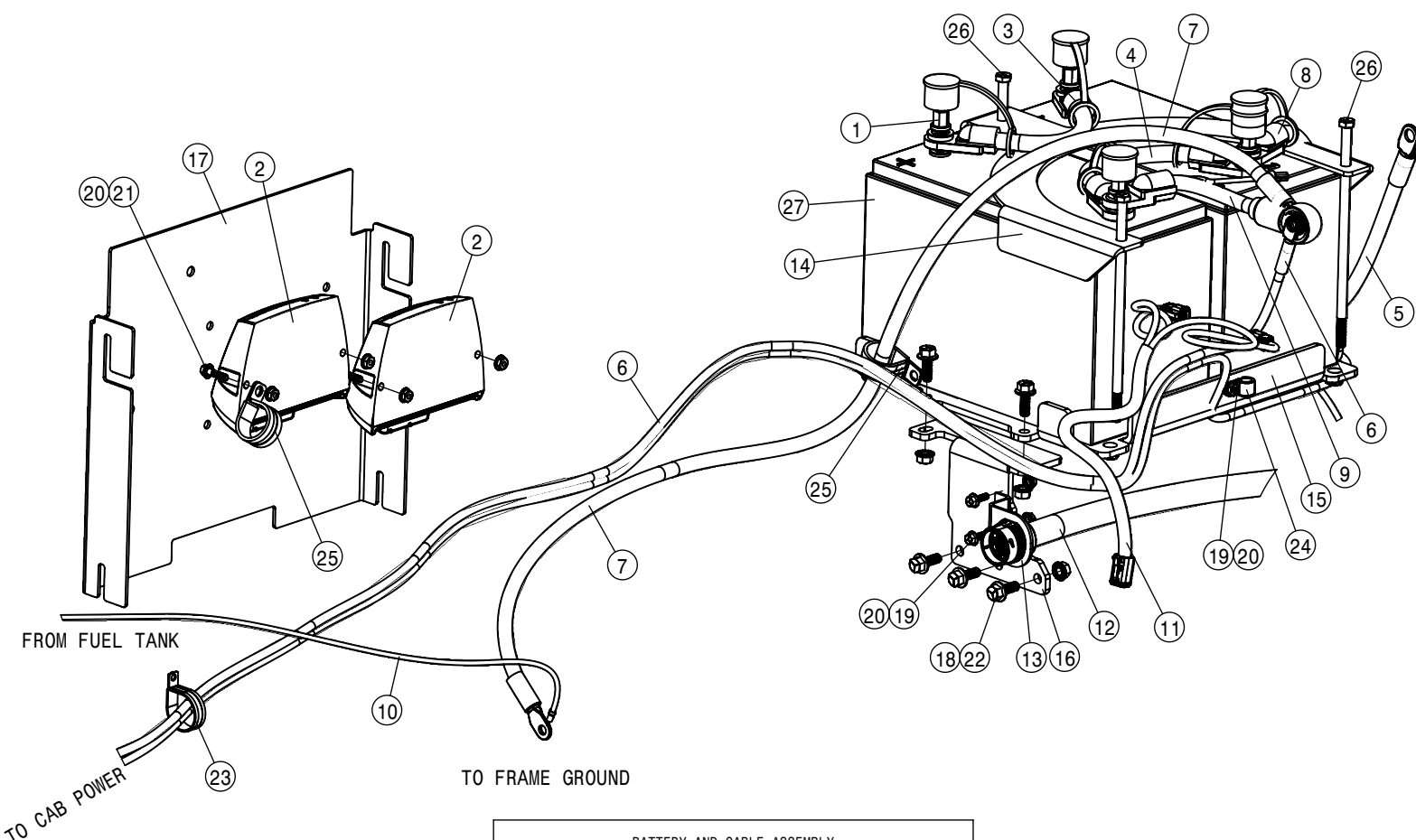
RADIATOR ASSEMBLY			
DET	QTY	P/N	DESCRIPTION
1	2	311592	3.00 X 6.00 CAC HOSE
2	2	317094	FOAM ISOLATOR
3	1	317477	COOLING FAN - 34"
4	1	317895	CAC PIPE
5	1	317896	CAC PIPE W/BELLOWS
6	1	317897	RADIATOR PIPE
7	1	317898	RADIATOR PIPE
8	1	317899	RADIATOR PIPE
9	1	317900	CAC
10	1	317901	HOC - DUAL CORE
11	1	317903	COOLING PKG FRAME WLD
12	1	317920	FAN FRAME WLD
13	1	317931	CAC BRKT
14	3	317944	ELBOW, COOLANT
15	2	317945	COOLANT HOSE 2.5" ID
16	2	317950	FOAM ISOLATOR
17	2	317951	HOC ADAPTOR BRKT
18	2	317952	FOAM ISOLATOR
19	2	317953	FOAM ISOLATOR
20	2	317954	FOAM ISOLATOR
21	2	317955	FOAM ISOLATOR
22	1	318003	FAN SHIELD W/DECAL STS
23	2	470087	3/8-16UNC HEX FLG NUT SER MC GR5
24	1	470121	1/4-20UNC HEX FLG NUT SER MC GR5
25	1	470122	1/4UNC X 1/2 HHSFB GR5 MC
26	3	470160	MUFFLER CLAMP 3.00 IN
27	2	470431	1/2UNC X 1 1/2 HHSFB GR5 MC
28	2	470460	3/8UNC X 1 HHSFB GR5 MC

RADIATOR ASSEMBLY			
DET	QTY	P/N	DESCRIPTION
29	4	470461	1/2UNC X 3 HHSFB GR5 MC
30	2	470555	.345 X 15" CABLE TIE-UV BLACK
31	3	472216	2.50 MUFFLER CLAMP 3/8 UNC
32	8	473803	8MM-1.25 X 16MM HEX BOLT
33	16	483041	USS FLAT WASHER 1/2 MC
34	1	505231	PIPE PLUG .50NPT HEX HD BRS
35	1	520117	CUSH HOSE CLAMP,#10, 5/8D X 1/2W
36	4	520146	3.06/3.38 T-BOLT HOSE CLAMP SS
37	1	606681	MMF 044CC PISTON MOTOR
38	1	618183	3/4MJIC-90-7/8MOR LBO
39	1	618859	1 1/16MOR-1 3/16MORFS ADPTR
40	1	618988	1 1/16MOR- 1 7/16MORFS ADPTR
41	3	619031	1/4" NPT PLUG
42	12	900505	3/8UNC X 1 3/4 HHSFB GR5 MC
43	8	900509	3/8UNC X 2 1/4 HHSFB GR5 MC
44	6	914015	1/2-13UNC CTRLK FLG NUT MC GR5
45	1	914030	3/4-16UNF HEX FLG NUT SM MC GR8
46	8	920029	FENDER WASHER 21/40 MC
47	12	axe18508	ISOLATOR
48	1	axe47195	RADIATOR (ALBP)
49	1	HXE17307	GASKET-V CLAMP DIA 3"
50	1	r529509	GASKET-V CLAMP DIA 80
51	10	re561077	CLAMP ASSY, TRIDON SIZE 0338
52	1	RE289839	3.95 DIA, QUICK LATCH, V-BAND
53	1	RE292067	3.21 DIA, QUICK LATCH, V-BAND
54	1	T188283	LABEL, WARNING,FAN GUARD,ENG
55	1	T236232	FIT STR 1/4NPT-5/16 HSE W/ORIF

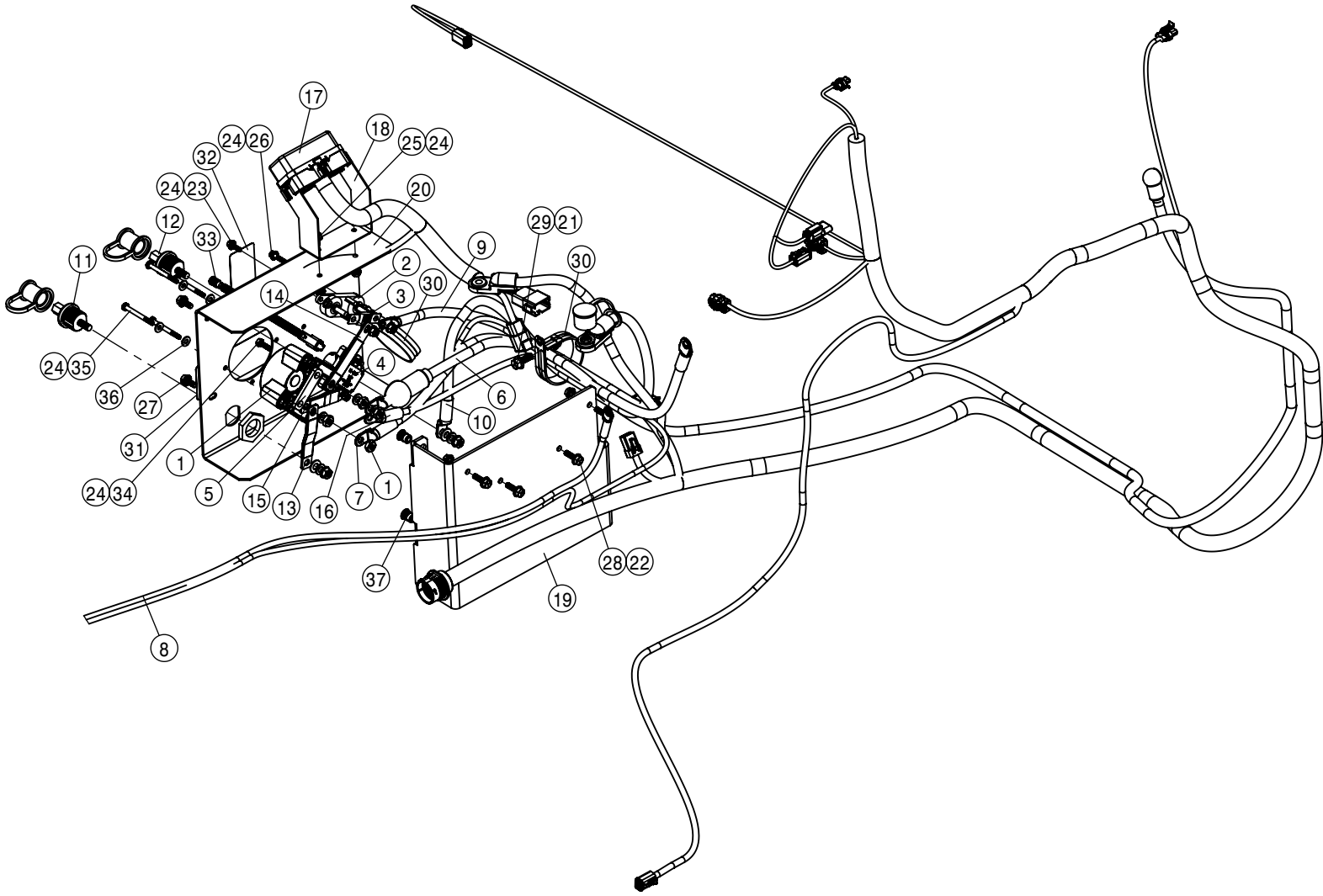


SURGE TANK ASSEMBLY			
DET	QTY	P/N	DESCRIPTION
1	1	195965-044	VENT HOSE
2	1	195965-047	VENT HOSE
3	1	195965-060	OVERFLOW HOSE
4	1	195966-040	FILL HOSE
5	1	317941	VENT HOSE BRKT
6	1	318166	COOLING PKG SUPP W/DECAL
7	2	470087	3/8-16UNC HEX FLG NUT SER MC GR5
8	3	470121	1/4-20UNC HEX FLG NUT SER MC GR5
9	5	470122	1/4UNC X 1/2 HHSFB GR5 MC
10	6	470460	3/8UNC X 1 HHSFB GR5 MC
11	2	470555	.345 X 15" CABLE TIE-UV BLACK

SURGE TANK ASSEMBLY			
DET	QTY	P/N	DESCRIPTION
12	4	473803	8MM-1.25 X 16MM HEX BOLT
13	3	473816	8MM-1.25 X 25MM HEX BOLT
14	7	473849	8MM FLAT WASHER
15	2	520085	HOSE CLAMP NO 24 STAINLESS
16	5	520117	CUSH HOSE CLAMP,#10, 5/8D X 1/2W
17	5	520120	HOSE CLAMP NO 4 STAINLESS
18	1	AT446748	SURGE TANK 10L
19	1	H228964	LABEL, PRESSURE COOLING SYSTEM
20	1	HXE21162	FITTING ADAPTER UNF TO BARB
21	1	RE312969	FILLER CAP COOLANT PRESSURE 15
22	1	T236232	FIT STR 1/4NPT-5/16 HSE W/ORIF

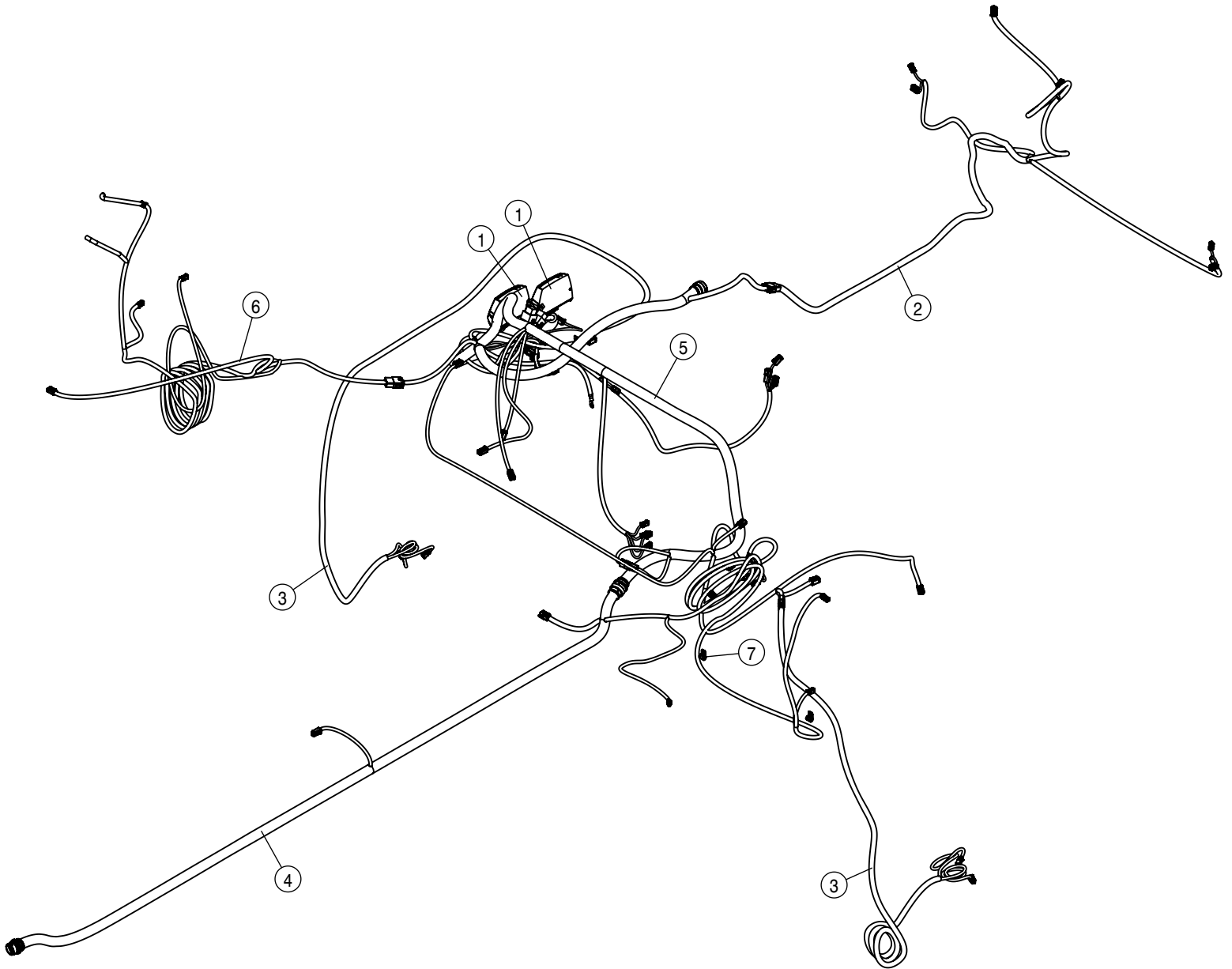


BATTERY AND CABLE ASSEMBLY			
DET	QTY	P/N	DESCRIPTION
1	4	291205	BATTERY NUT,3/8-16 SS CLSD CAP
2	2	292086	IQAN-XA2 MODULE->611
3	1	292723	BATT CABLE,RED 13*2/0 3/8-3/8
4	1	292724	BLACK CABLE BATT/BATT STS' 14
5	1	292726	BATT CABLE,RED 39*2/0 1/2-3/8
6	1	292727	CAB PWR,GND CABLE ASSY
7	1	292729	BATT CABLE,BLK 75*2GA 3/8-1/2
8	1	292730	BATT CABLE,BLK 38*2/0 1/2-3/8
9	1	292731	BATT CABLE,BLK 8*2/0 3/8-1/2
10	1	292736	GROUND-FILL NECK TO MAINFRAME
11	1	294054	HYDRO JUMPER HARNESS
12	1	294361	9.0L T4 ENGINE HARNESS
13	1	317057	DEUTSCH RECP HOLDER BRACKET
14	1	317866	BATT TIE DOWN BRKT
15	1	317871	BATT BOX WLD
16	1	317986	BATT BOX MT
17	1	362037	MODULE BOX REMOVABLE COVER
18	5	470087	3/8-16UNC HEX FLG NUT SER MC GR5
19	3	470118	1/4UNC X 3/4 HHSFB GR5 MC
20	7	470121	1/4-20UNC HEX FLG NUT SER MC GR5
21	4	470231	1/4UNC X 1 HHSFB GR5 MC
22	5	470460	3/8UNC X 1 HHSFB GR5 MC
23	3	520100	CUSH HOSE CLAMP,#24, 1 1/2D X 1/2W
24	1	520118	CUSH CLAMP,#8 1/2D X 1/2W
25	2	520160	CUSH CLAMP,#24 1 1/2D-3/4WLOOP
26	3	900150	3/8UNC X 9 1/2 HHCS GR5 MC
27	2	TY24546A	BATTERY 12 V

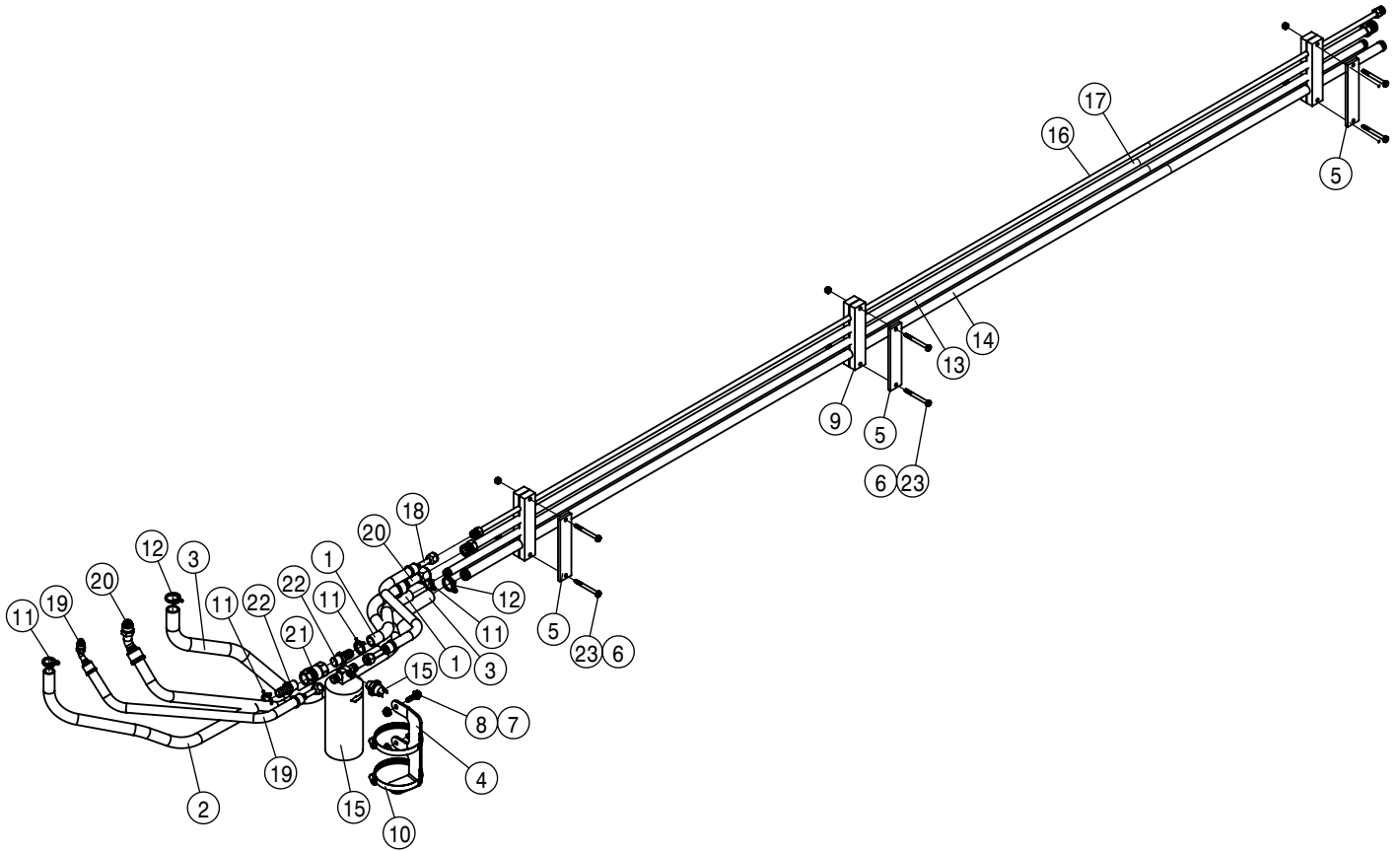


BATTERY DISCONNECT BOX ASSEMBLY			
DET	QTY	P/N	DESCRIPTION
1	1	291957	BATTERY SWITCH, DUAL CIRCUIT
2	1	292578	HIGH AMP FUSE HOLDER W/COVER
3	1	292641	FUSE, 250 AMP 32 VOLT DC
4	1	292642	CIRCUIT BREAKER, 150 AMP BUSS
5	1	292652	BUSBAR, MASTER DISC. JUMPER
6	1	292725	BATT CABLE, RED 42"2/0 3/8-3/8
7	1	292726	BATT CABLE, RED 39"2/0 1/2-3/8
8	1	292727	CAB PWR, GND CABLE ASSY
9	1	292728	BATT CABLE, RED 102"1/0 5/16
10	1	292730	BATT CABLE, BLK 38"2/0 1/2-3/8
11	1	292737	POSITIVE JUMPER STUD, RED
12	1	292738	NEGATIVE JUMPER STUD, BLACK
13	1	292757	BUSBAR, POS TO DISCONN, SHRINK
14	1	292758	BUSBAR, MD TO ALT W/SHRINK
15	1	292759	BUSBAR, MD TO BREAHER W/SHRINK
16	1	294361	9.0L T4 ENGINE HARNESS
17	1	294362	9.0L T4 FUSE RELAY MODULE
18	1	317050	FUSE RELAY MODULE BRKT
19	1	317867	BATT DISCON MT

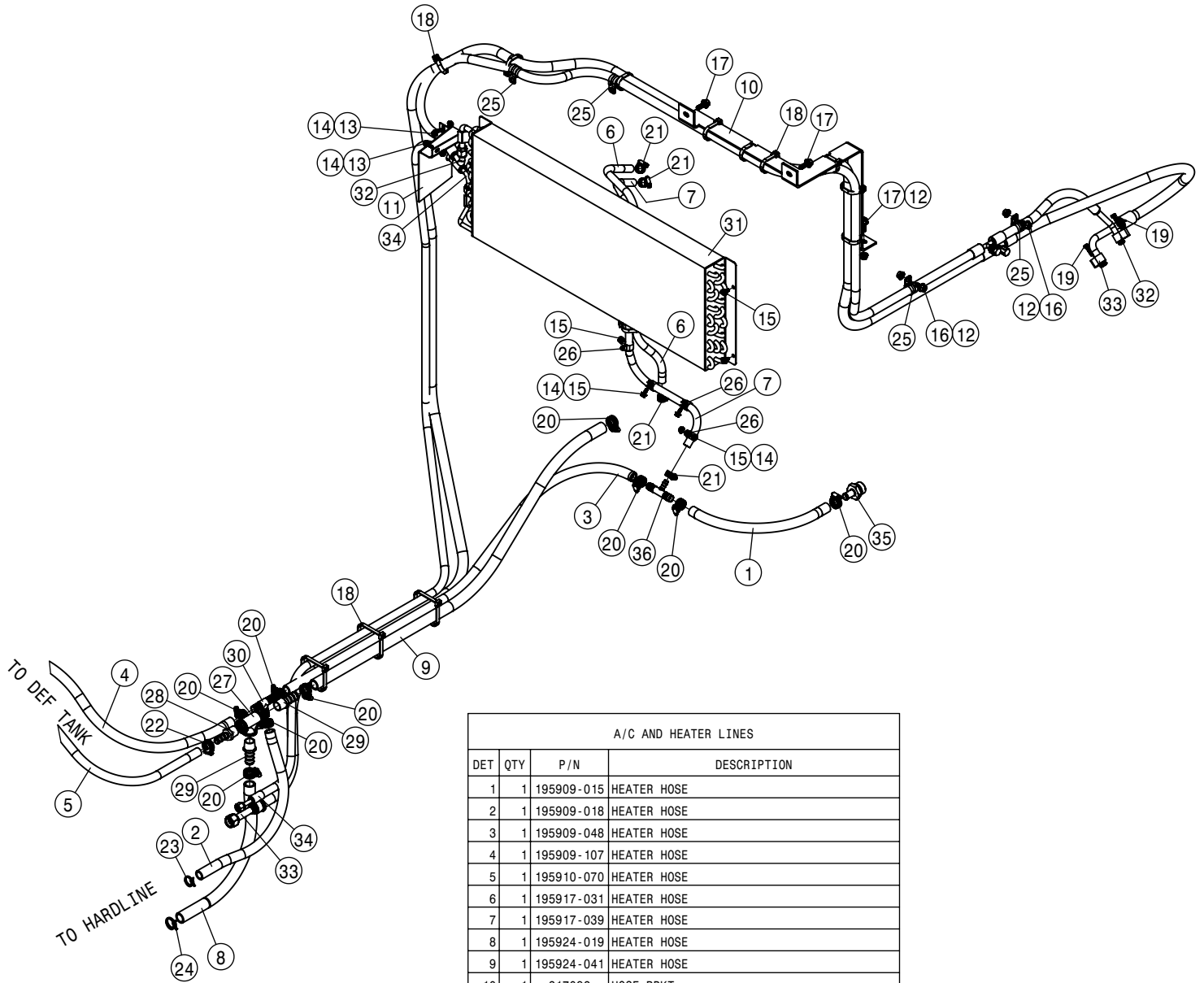
BATTERY DISCONNECT BOX ASSEMBLY			
DET	QTY	P/N	DESCRIPTION
20	1	318165	BAT DISCON PLT W/DECAL
21	1	470087	3/8-16UNC HEX FLG NUT SER MC GR5
22	4	470113	5/16-18UNC HEX FLG NUT SER MC GR5
23	1	470118	1/4UNC X 3/4 HHSFB GR5 MC
24	10	470121	1/4-20UNC HEX FLG NUT SER MC GR5
25	2	470122	1/4UNC X 1/2 HHSFB GR5 MC
26	1	470231	1/4UNC X 1 HHSFB GR5 MC
27	4	470233	5/16UNC X 3/4 HHSFB GR5 MC
28	4	470234	5/16UNC X 1 HHSFB GR5 MC
29	1	470460	3/8UNC X 1 HHSFB GR5 MC
30	2	520166	CUSH CLAMP, 3"D-3/4W LOOP
31	1	650517	BATTERY DISCONNECT PANEL DECAL
32	1	651002	DECAL, MASTER DISCONN SWTCH
33	1	701420	INDICATOR LIGHT-INJECT SYSTEM
34	2	900003	1/4UNC X 1" HEX BOLT
35	4	900465	1/4UNC X 2 1/2 HHCS SS
36	4	910112	SAE FLAT WASHER 1/4 SS
37	4	910128	5/16-18 NUTSERT .027-.150 STL



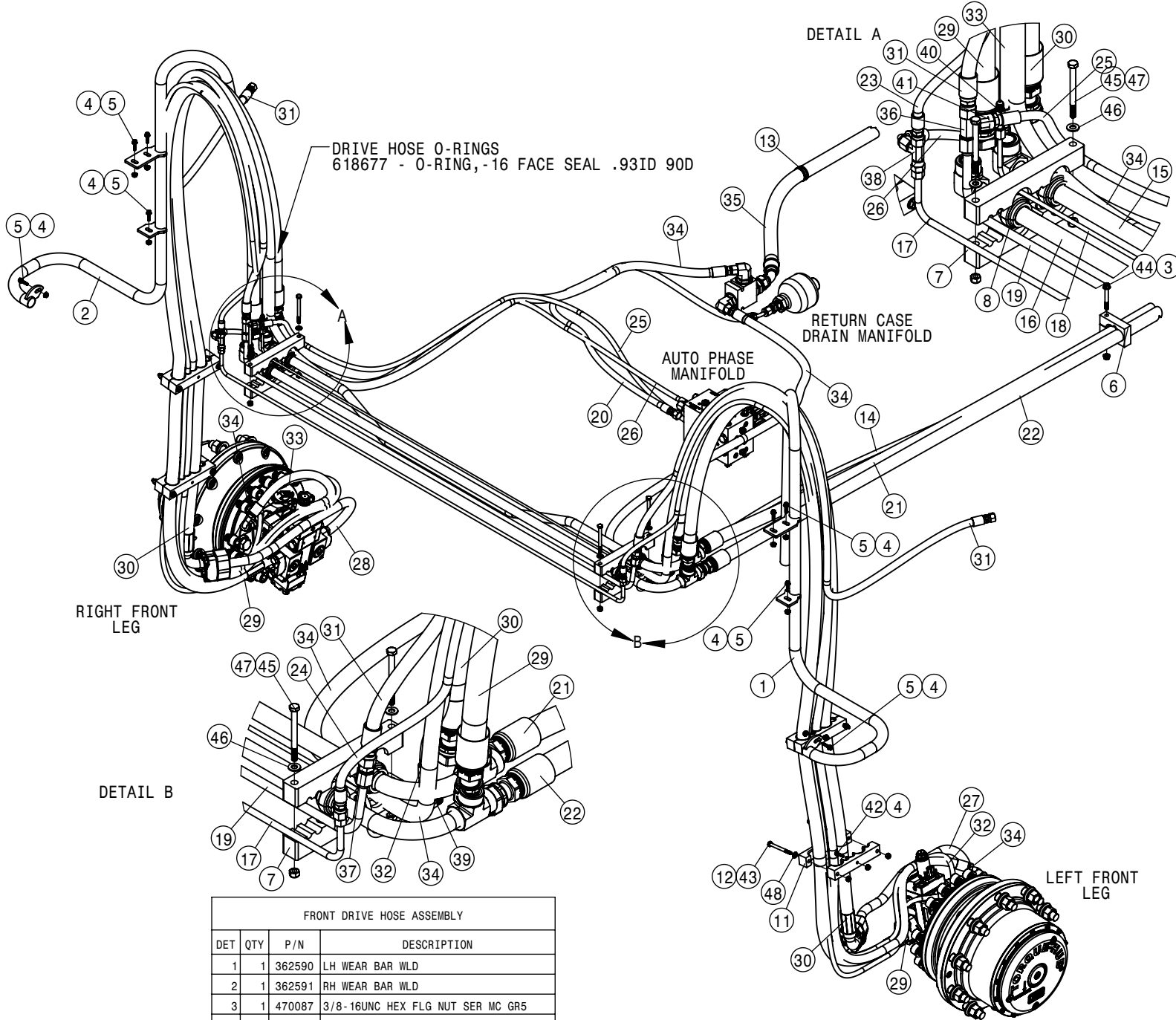
CHASSIS ELECTRICAL HARNESS			
DET	QTY	P/N	DESCRIPTION
1	2	292086	IQAN-XA2 MODULE->611
2	1	294227	REAR LIGHT HARNESS STS'14
3	2	294229	WHEEL MOTOR HARNESS STS'14
4	1	294243	FRT/BACK HARNESS, L/F STS'14
5	1	294363	REAR MODULE HARNESS '18 STS-16
6	1	294364	RH MID HARNESS '18 STS-16
7	2	520167	CUSH CLAMP,#6 3/8D X 3/4W



A/C AND HEATER LINES			
DET	QTY	P/N	DESCRIPTION
1	1	195909-010	HOSE 5/8 HEATER 1-FBR BR 20R3
2	1	195909-023	HOSE 5/8 HEATER 1-FBR BR 20R3
3	1	195924-036	HOSE 3/4 HEATER 1-FBR BR 20R3
4	1	317145	A/C DRYER MT
5	3	342718	HYD TUBE CLAMP KEEPER, 6.00
6	6	470089	1/4UNC HEX NYL-LOC NUT
7	2	470113	5/16UNC SERR FLG LOCK NUT
8	2	470234	5/16UNC X 1" SERR FLG HEX BOLT
9	3	470695	TUBE CLAMP BODY, 4HOLE.375-.750
10	2	520052	HOSE CLAMP NO 52 STAINLESS
11	4	520081	HOSE CLAMP NO 14 DBL WIRE
12	2	520082	HOSE CLAMP NO 16 DBL WIRE
13	1	615919	M/F TUBE ASSY 103" L/F
14	1	615922	M/F TUBE ASSY 103" L/F
15	1	657438	RECEIVER DRIER W/SWITCH
16	1	657481	A/C TUBE ASSY, .3750D, STS16
17	1	657483	A/C TUBE ASSY, .6250D, STS16
18	1	657586	A/C HOSE, 06-06F-06F-21.5
19	1	657587	A/C HOSE, 06-06F-06M45-23.9
20	1	657588	A/C HOSE, 10-10F-10M45-41
21	1	696011	1/2 NPT FEMALE BALL VALVE
22	2	716007	1/2 x 5/8 HOSE BARB
23	6	900008	1/4UNC X 2 1/2 HHCS GR5 MC

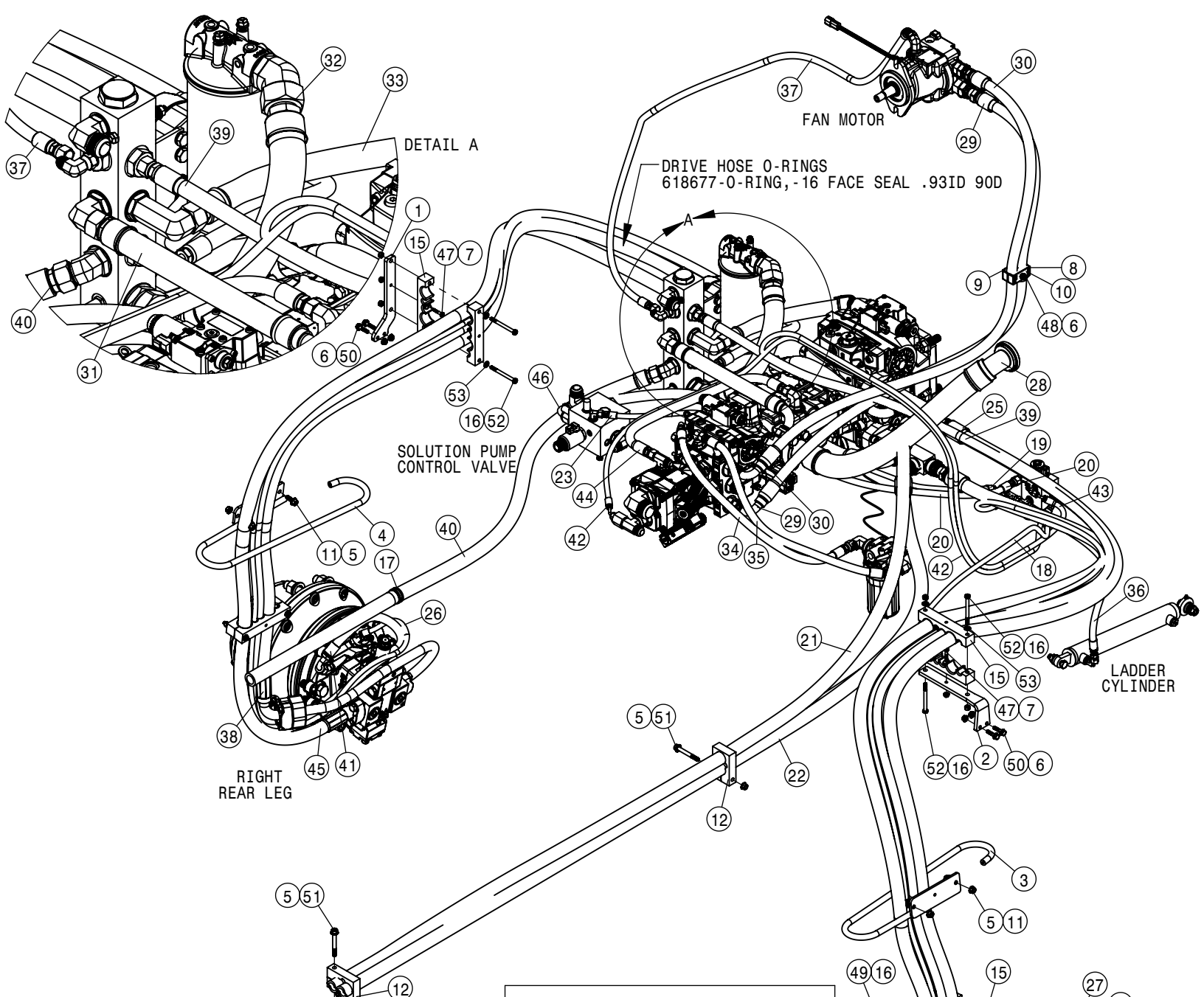


A/C AND HEATER LINES			
DET	QTY	P/N	DESCRIPTION
1	1	195909-015	HEATER HOSE
2	1	195909-018	HEATER HOSE
3	1	195909-048	HEATER HOSE
4	1	195909-107	HEATER HOSE
5	1	195910-070	HEATER HOSE
6	1	195917-031	HEATER HOSE
7	1	195917-039	HEATER HOSE
8	1	195924-019	HEATER HOSE
9	1	195924-041	HEATER HOSE
10	1	317092	HOSE BRKT
11	1	317887	A/C HOSE BRKT
12	3	470087	3/8-16UNC HEX FLG NUT SER MC GR5
13	3	470118	1/4UNC X 3/4 HHSFB GR5 MC
14	6	470121	1/4-20UNC HEX FLG NUT SER MC GR5
15	9	470122	1/4UNC X 1/2 HHSFB GR5 MC
16	2	470409	3/8UNC X 3/4 HHSFB GR5 MC
17	3	470460	3/8UNC X 1 HHSFB GR5 MC
18	14	470555	.345 X 15" CABLE TIE-UV BLACK
19	2	473787	6MM-1.00 X 25MM HEX BOLT GR8
20	10	520055	HOSE CLAMP NO 12 STAINLESS
21	4	520069	HOSE CLAMP NO 6 STAINLESS
22	2	520080	HOSE CLAMP NO 10 STAINLESS
23	1	520081	HOSE CLAMP NO 14 DBL WIRE
24	1	520082	HOSE CLAMP NO 16 DBL WIRE
25	4	520115	CUSH CLAMP,#12 0.75"D-3/4W LOOP
26	5	520117	CUSH HOSE CLAMP,#10, 5/8D X 1/2W
27	1	619027	TEE, 3/4 NPT FEMALE
28	1	619028	3/4 M-NPTF X 1/2 HOSE BARB
29	2	619029	3/4 M-NPTF X 3/4 HOSE BARB
30	1	619030	5/8 HOSE BARB TEE
31	1	657457	COIL, COND 12 X 31.6
32	1	657631	A/C HOSE ASSY
33	1	657632	A/C HOSE ASSY
34	1	657633	A/C HOSE ASSY
35	1	AT440757	STRAIGHT HOSE BARB ADAPTER
36	1	T317541	FIT RED T BARB 16-10-16 W/ORIF



FRONT DRIVE HOSE ASSEMBLY			
DET	QTY	P/N	DESCRIPTION
1	1	362590	LH WEAR BAR WLD
2	1	362591	RH WEAR BAR WLD
3	1	470087	3/8-16UNC HEX FLG NUT SER MC GR5
4	12	470121	1/4-20UNC HEX FLG NUT SER MC GR5
5	8	470231	1/4UNC X 1 HHSFB GR5 MC
6	1	470673	HOSE CLAMP, 4-HOLE
7	2	470685	HOSE CLAMP
8	4	470686	RUBBER INSERT, CLAMP
NS	1	470762	SIDEWINDER SLEEVE RH
NS	1	470763	SIDEWINDER SLEEVE LH
11	4	470764	HOSE CLAMP, 5-HOLE
12	8	473001	5/16-18UNC NYLOCK NUT MC GR5
13	1	520100	CUSH HOSE CLAMP,#24, 1 1/2D X 1/2W
14	1	604156	04-451TC-04FJX-06FJX45-220 H/A
15	1	615913	TUBE ASSY 1"OD 16-ORFS
16	1	615914	TUBE ASSY 1"OD 16-ORFS
17	1	615915	TUBE ASSY 3/8"OD 6-MJIC
18	1	615916	TUBE ASSY 1/4"OD 4-FJIC
19	1	615917	TUBE ASSY 1/2"OD 8-FJIC
20	1	616323	06-451TC-08FJX-08FJX90-56 H/A
21	1	617081	16-797TC-16FFOX-16FFOX45-213 H/A
22	1	617082	16-797TC-16FFOX-16FFOX45-217 H/A
23	1	617208	04-451TC-6FJX-04FJX45-133 H/A
24	1	617208	04-451TC-6FJX-04FJX45-133 H/A
25	1	617210	04-451TC-04FJX-08FJX-78 H/A
26	1	617388	04-451TC-06FJX-06FJX90-72 H/A
27	1	617456	LFT DRV TUBE 1.00" X 0.120"WT
28	1	617457	RGT DRV TUBE 1.00" X 0.120"WT

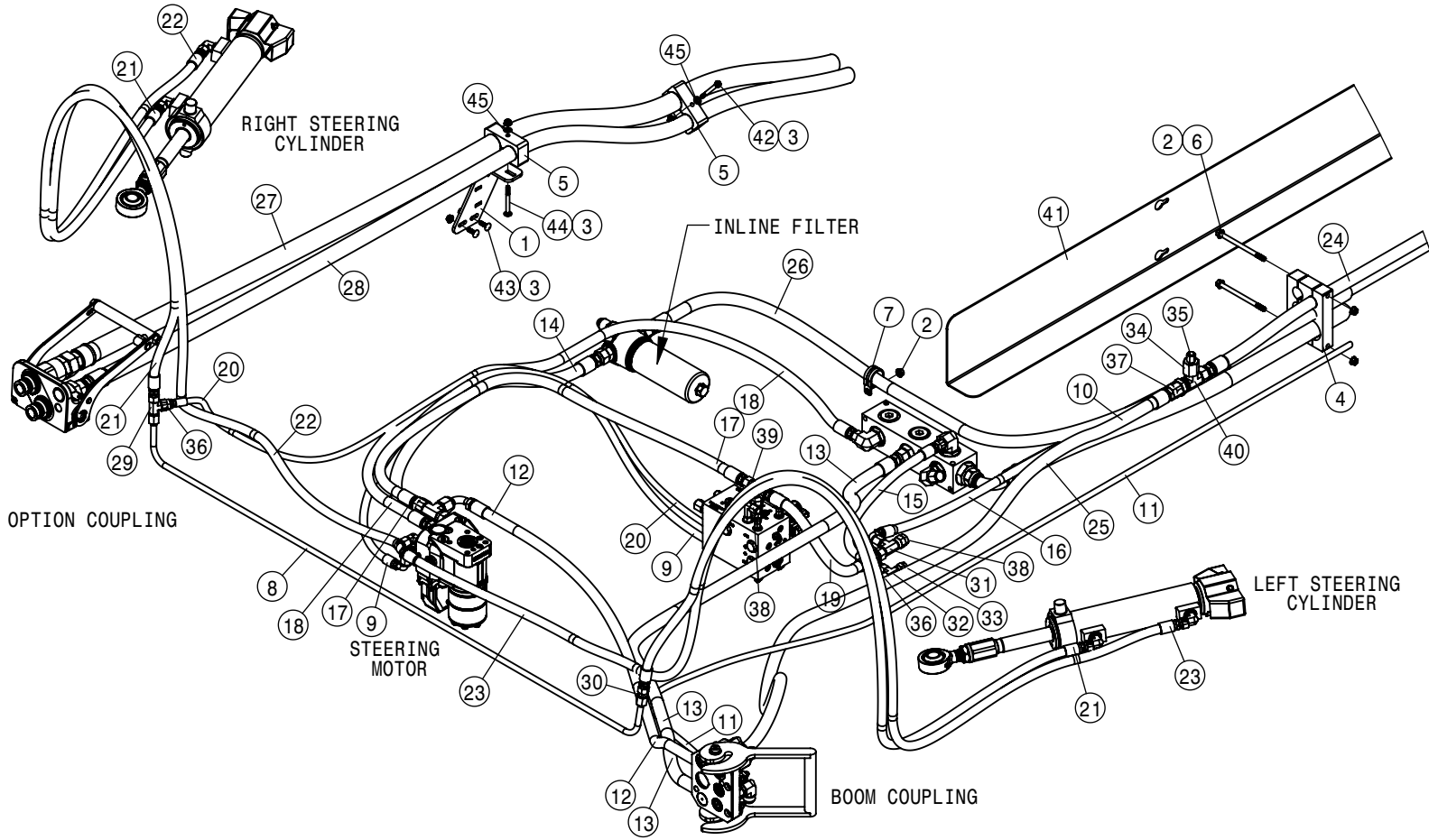
FRONT DRIVE HOSE ASSEMBLY			
DET	QTY	P/N	DESCRIPTION
29	2	617462	16-797TC-16FFOX-16C62F-126 H/A
30	2	617463	16-797TC-16FFOX-16C62F90-112 H/A
31	2	617478	08-451TC-08FJX-08FJX-80 H/A
32	1	617483	04-451TC-04FJX-04FJX45-149 H/A
33	1	617484	04-451TC-04FJX-04FJX45-145 H/A
34	2	617539	10-451TC-10FJX-10FJX90-219 H/A
35	1	617543	16-811-16FJX-16FJX45-153 H/A
36	1	618311	3/4MJIC UNION TEE
37	1	618314	3/4MJIC UNION
38	1	618486	9/16FJIC SW RUN TEE-9/16MJIC
39	1	618488	7/16MJIC UNION TEE
40	1	618524	7/16MJIC UNION
41	1	618532	3/4FJIC CAP NUT
42	4	900003	1/4UNC X 1 HHCS GR5 MC
43	8	900073	5/16UNC X 3 1/4 HHCS GR5 MC
44	1	900508	3/8UNC X 3 HHSFB GR5 MC
45	4	900521	5/16UNC X 3 1/2 HHCS SS
46	4	910113	SAE FLAT WASHER 5/16 SS
47	4	910132	5/16-18UNC NYLOCK NUT SS
48	8	920001	SAE FLAT WASHER 5/16 MC



REAR DRIVE HOSE ASSEMBLY			
DET	QTY	P/N	DESCRIPTION
1	1	360065	RIGHT REAR LEG HOSE BRKT
2	1	360066	LFT REAR LEG HOSE BRKT
3	1	362095	LFT REAR HOSE BRKT TOP WLDMENT
4	1	362096	RGT REAR TOP HOSE BRKT
5	6	470087	3/8-16UNC HEX FLG NUT SER MC GR5
6	5	470113	5/16-18UNC HEX FLG NUT SER MC GR5
7	4	470121	1/4-20UNC HEX FLG NUT SER MC GR5
8	1	470275	TUBE CLAMP BODY, 1.00-1.000
9	1	470276	CLAMP COVER PLATE, SNGL, 2.55LG
10	1	470281	STACK BOLT SAFETY LOCK PLATE
11	4	470460	3/8UNC X 1 HHSFB GR5 MC
12	2	470673	HOSE CLAMP, 4-HOLE
NS	1	470762	SIDEWINDER SLEEVE RH
NS	1	470763	SIDEWINDER SLEEVE LH
15	4	470764	HOSE CLAMP, 5-HOLE
16	8	473001	5/16-18UNC NYLOCK NUT MC GR5
17	1	520100	CUSH HOSE CLAMP, #24, 1 1/2D X 1/2W
18	1	604156	04-451TC-04FJX-06FJX45-220 H/A
19	1	604157	04-451TC-04FJX-06FJX90-51 H/A
20	1	604158	06-451TC-08FJX-06FJX90-29 H/A
21	1	617081	16-797TC-16FFOX-16FFOX45-213 H/A
22	1	617082	16-797TC-16FFOX-16FFOX45-217 H/A
23	1	617308	04-451TC-06FJX-04FJX90-26 H/A
24	1	617464	16-797TC-16FFOX-16C62F-134 H/A
25	1	617465	16-797TC-16FFOX-16C62FX90-116

REAR DRIVE HOSE ASSEMBLY			
DET	QTY	P/N	DESCRIPTION
26	1	617486	04-451TC-04FJX-04FJX45-150 H/A
27	1	617488	04-451TC-06FJX-04FJX45-155 H/A
28	1	617519	32-811-32C61F-40C61F45-29 H/A
29	1	617520	12-797TC-16FFOX-12FFOX90-72 H/A
30	1	617521	12-797TC-12FFOX-12FFOX90-72 H/A
31	1	617524	16-811-16FJX-16FJX90-19.5 H/A
32	1	617525	24-811-24FJX-24FJX90-17 H/A
33	1	617526	16-811-16FJX-16FJX45-19 H/A
34	1	617529	08-451TC-10FJX-10FJX90-31 H/A
35	1	617530	08-451TC-08FJX-08FJX45-31 H/A
36	1	617534	06-451TC-06FJX-06FJX90-31 H/A
37	1	617536	06-451TC-08FJX-08FJX45-68 H/A
38	1	617541	16-797TC-16FFO-16C62X90-110H/A
39	1	617542	10-451TC-10FJX-10FJX90-176 H/A
40	1	617543	16-811-16FJX-16FJX45-153 H/A
41	1	617547	10-451TC-10FJX-10FJX90-147 H/A
42	1	617549	04-451TC-04FJX-06FJX45-90 H/A
43	1	617550	04-451TC-06FJX-04FJX45-72 H/A
44	1	617551	10-451TC-10FJX-10FJX-30 H/A
45	1	617558	16-797TC-16C62FX-16C62FX-133 H/A
46	1	617571	12-451TC-12FJX-12FJX90-23 H/A
47	4	900004	1/4UNC X 1 1/4 HHCS GR5 MC
48	1	900070	5/16UNC X 2 1/2 HHCS GR5 MC
49	4	900073	5/16UNC X 3 1/4 HHCS GR5 MC
50	4	900490	5/16UNC X 1 1/4 HHSFB SS
51	2	900508	3/8UNC X 3 HHSFB GR5 MC
52	4	900539	5/16UNC X 3 1/2 HHCS GR5 MC
53	8	920001	SAE FLAT WASHER 5/16 MC

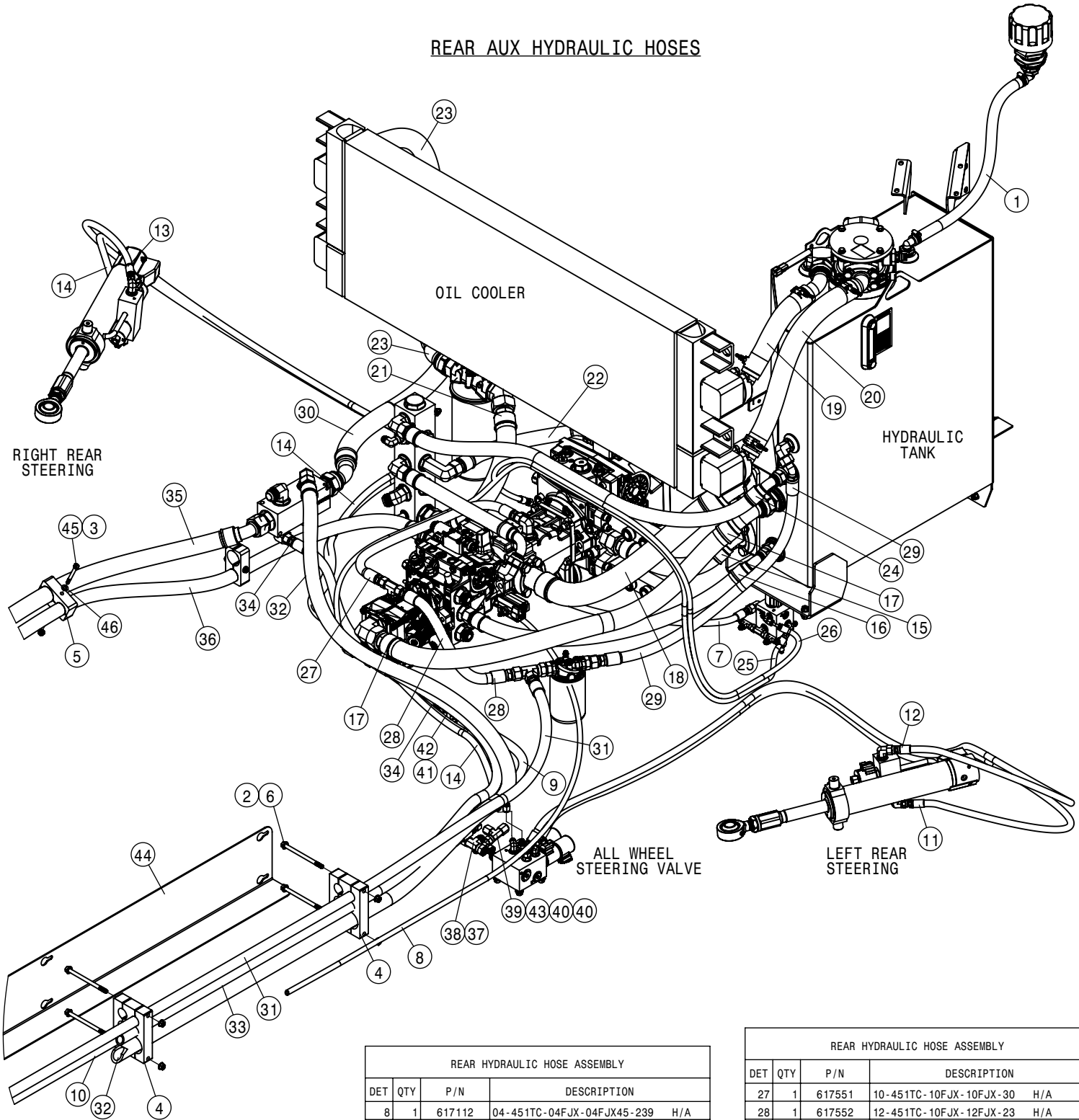
FRONT AUX HYDRAULIC HOSES



FRONT AUX HYDRAULIC HOSE ASSEMBLY			
DET	QTY	P/N	DESCRIPTION
1	1	362035	COMBO SUPPORT BRKT
2	3	470087	3/8UNC HEX SERR FLANGE NUT
3	4	470113	5/16-18UNC HEX FLG NUT SER MC GR5
4	1	470671	HOSE CLAMP, 6-HOLE
5	2	470674	HOSE CLAMP, 2-HOLE
6	2	470683	3/8UNC X5 1/2SMTH FLG HEX BOLT
7	1	520160	CUSH CLAMP,#24 1 1/2D-3/4WLOOP
8	1	615917	TUBE ASSY 1/2"OD 8-FJIC
9	1	616599	06-451TC-06FJX-08FJX90-62 H/A
10	1	616633	12-451TC-12FJX-12FJX-86 H/A
11	1	617112	04-451TC-04FJX-04FJX45-239 H/A
12	1	617129	10-451TC-10FJX-12FJX90-55 H/A
13	1	617130	12-451TC-12FJX-12FJX90-78 H/A
14	1	617131	12-451TC-12FJX-12FJX-44 H/A
15	1	617134	08-451TC-08FJX-08FJX-22 H/A
16	1	617135	08-451TC-08FJX-10FJX90-141 H/A
17	1	617136	10-451TC-10FJX-12FJX-53 H/A
18	1	617137	10-451TC-10FJX-10FJX-79 H/A
19	1	617138	10-451TC-10FJX-10FJX-16 H/A
20	1	617210	04-451TC-04FJX-08FJX-78 H/A
21	2	617478	08-451TC-08FJX-08FJX-80 H/A
22	1	617479	08-451TC-08FJX-08FJX-119 H/A
23	1	617480	08-451TC-08FJX-08FJX90-127 H/A

FRONT AUX HYDRAULIC HOSE ASSEMBLY			
DET	QTY	P/N	DESCRIPTION
24	1	617556	12-451TC-12FJX-12FJX-125 H/A
25	1	617559	16-811-16FJX-16FJX90-175 H/A
26	1	617560	12-451TC-12FJX-12FJX-191 H/A
27	1	617563	20-811-20FJX-20FJX45-198 H/A
28	1	617572	16-451TC-16FJX-16FJX-218 H/A
29	1	618311	3/4MJIC UNION TEE
30	1	618314	3/4MJIC UNION
31	1	618333	7/8FJIC SW RUN TEE-7/8MJIC
32	1	618451	3/4FJIC SW RUN TEE-3/4MJIC
33	1	618457	3/4MJIC PLUG
34	1	618483	1 1/16FJIC-9/16MJIC ADPTR
35	1	618531	9/16FJIC CAP NUT
36	1	618532	3/4FJIC CAP NUT
37	1	618533	1 1/16FJIC CAP NUT
38	2	618543	7/8MJIC PLUG
39	1	618593	7/8FJ SW BRANCH TEE-7/8MJ
40	1	618750	1 1/16MJIC BLKHD RUN TEE
41	1	660290	HOSE GUARD - L/F
42	1	900072	5/16UNC X 3 HHCS GR5 MC
43	2	901065	5/16-18 UNC X 1 RHSQNB GR5 MC
44	1	901073	5/16-18 UNC X 3 RHSQNB GR5 MC
45	2	920001	SAE FLAT WASHER 5/16 MC

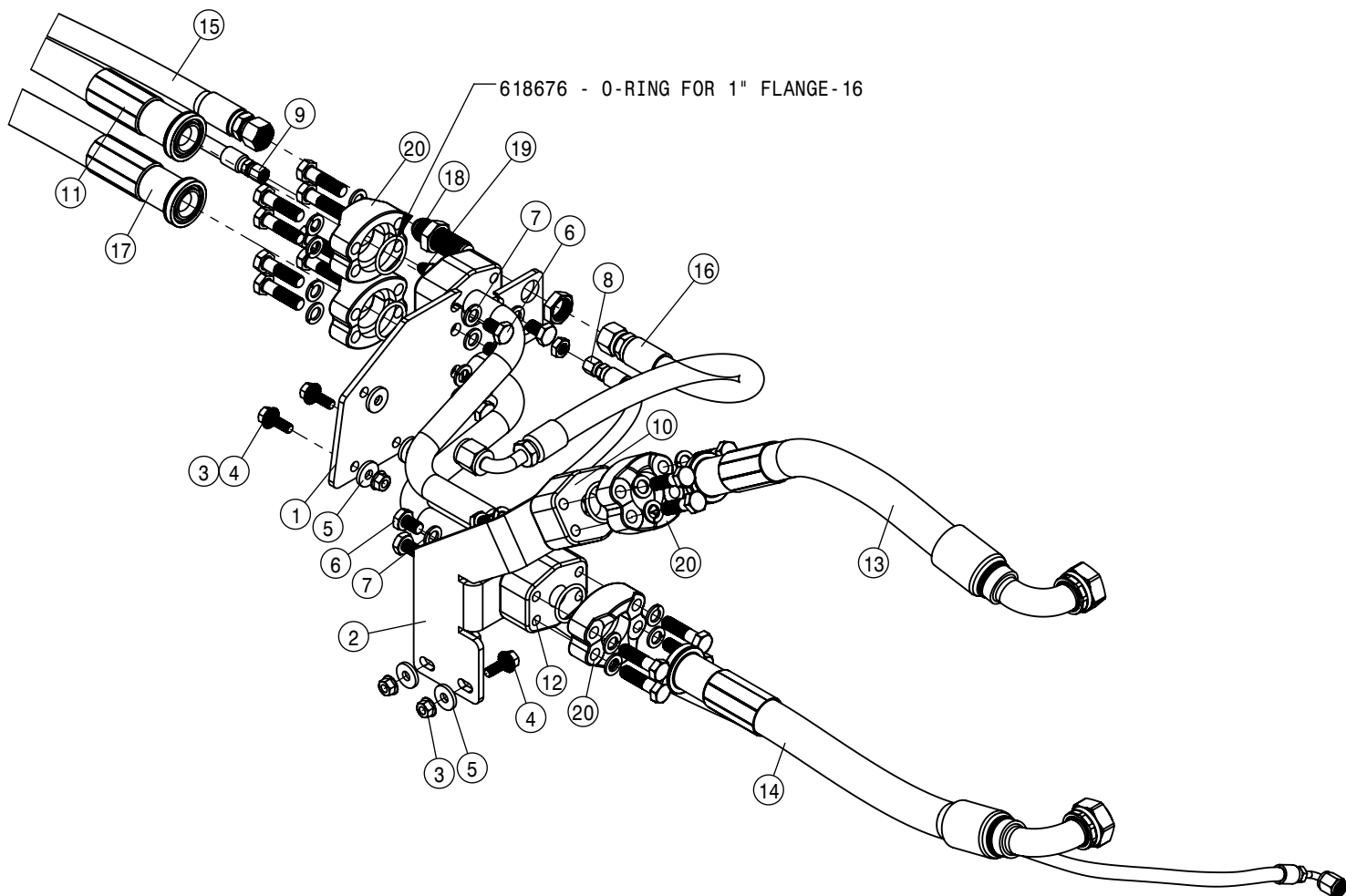
REAR AUX HYDRAULIC HOSES



REAR HYDRAULIC HOSE ASSEMBLY			
DET	QTY	P/N	DESCRIPTION
1	1	197112-029	HOSE 3/4 1-FBR BR BLK EPDM
2	4	470087	3/8UNC HEX SERR FLANGE NUT
3	3	470113	5/16-18UNC HEX FLG NUT SER MC GR5
4	2	470671	HOSE CLAMP, 6-HOLE
5	3	470674	HOSE CLAMP, 2-HOLE
6	4	470683	3/8UNC X5 1/2SMTH FLG HEX BOLT
7	1	604158	06-451TC-08FJX-06FJX90-29 H/A

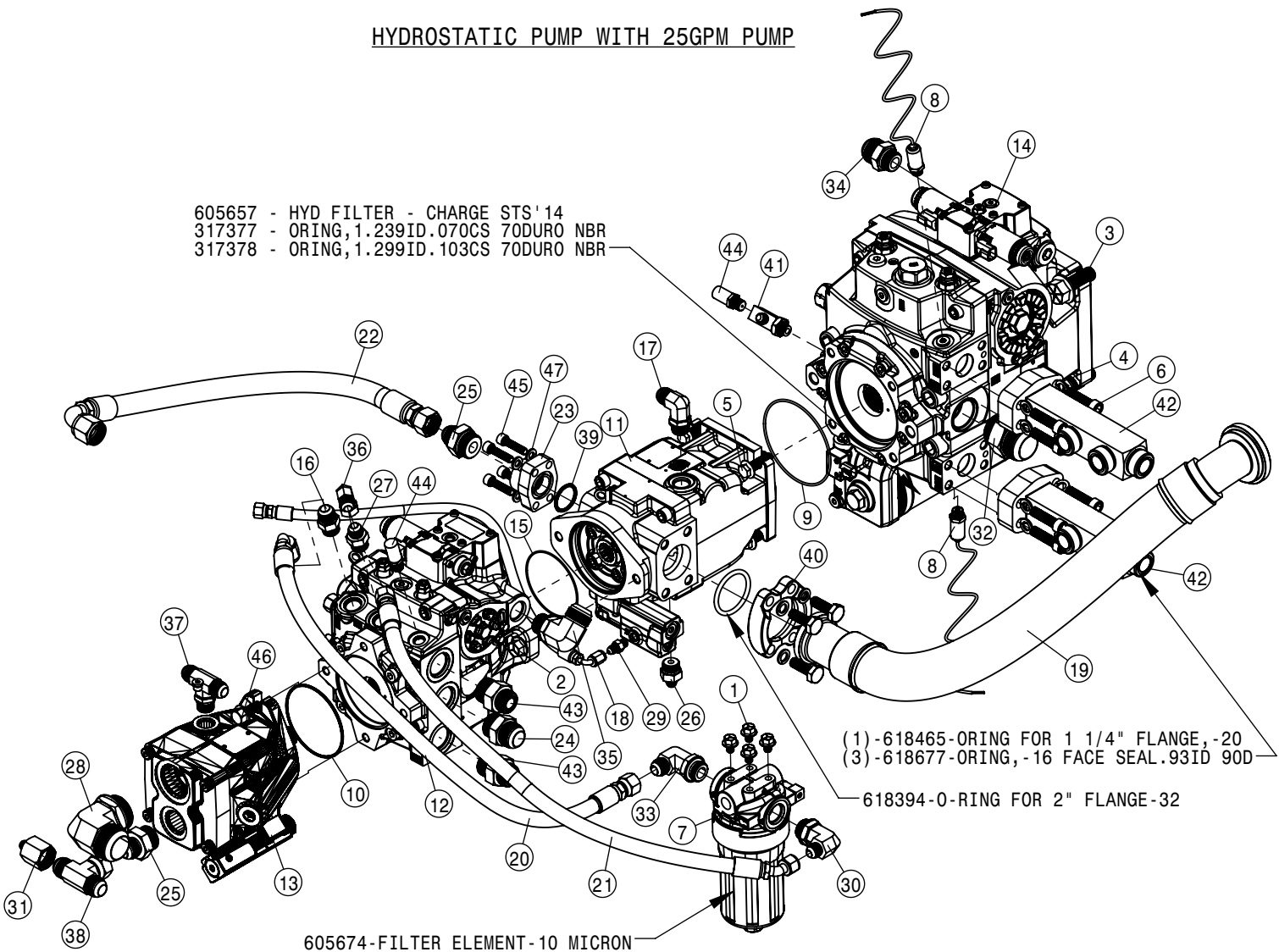
REAR HYDRAULIC HOSE ASSEMBLY				
DET	QTY	P/N	DESCRIPTION	
8	1	617112	04-451TC-04FJX-04FJX45-239	H/A
9	1	617119	10-451TC-10FJX-10FJX-18	H/A
10	1	617135	08-451TC-08FJX-10FJX90-141	H/A
11	1	617495	06-451TC-06FJX-06FJX-104	H/A
12	1	617496	06-451TC-08FJX-06FJX45-108	H/A
13	1	617497	06-451TC-06FJX-06FJX90-143	H/A
14	1	617498	06-451TC-06FJX-08FJX-139	H/A
15	1	617515	24-811-24FJX-32C61FX45-18	H/A
16	1	617516	16-811-16FJX-16FJX45-39	H/A
17	1	617517	24-811-24FJX-24FJX45-50	H/A
18	1	617519	32-811-32C61F-40C61F45-29	H/A
19	1	617522	24-811-24C61F45-24C61F45-16	H/A
20	1	617523	24-811-24C61F45-24C61F45-27	H/A
21	1	617525	24-811-24FJX-24FJX90-17	H/A
22	1	617526	16-811-16FJX-16FJX45-19	H/A
23	1	617527	24-811-24C61F-24FJX45-42	H/A
24	1	617548	16-811-16FJX-16FJX45-47	H/A
25	1	617549	04-451TC-04FJX-06FJX45-90	H/A
26	1	617550	04-451TC-06FJX-04FJX45-72	H/A

REAR HYDRAULIC HOSE ASSEMBLY				
DET	QTY	P/N	DESCRIPTION	
27	1	617551	10-451TC-10FJX-10FJX-23	H/A
28	1	617552	12-451TC-10FJX-12FJX-30	H/A
29	1	617553	12-451TC-12FJX-12FJX45-36	H/A
30	1	617555	24-811-24C61F-24FJX45-54	H/A
31	1	617556	12-451TC-12FJX-12FJX-125	H/A
32	1	617559	16-811-16FJX-16FJX90-175	H/A
33	1	617560	12-451TC-12FJX-12FJX-191	H/A
34	1	617562	10-451TC-10FJX-10FJX-30	H/A
35	1	617563	20-811-20FJX-20FJX45-198	H/A
36	1	617572	16-451TC-16FJX-16FJX-218	H/A
37	1	618328	7/8FJIC CAP NUT	
38	1	618333	7/8FJIC SW RUN TEE-7/8MJIC	
39	1	618451	3/4FJIC SW RUN TEE-3/4MJIC	
40	2	618532	3/4FJIC CAP NUT	
41	1	618543	7/8MJIC PLUG	
42	1	618593	7/8FJ SW BRANCH TEE-7/8MJ	
43	1	618643	3/4FJ SW BRANCH TEE-3/4MJ	
44	1	660290	HOSE GUARD - L/F	
45	3	900072	5/16UNC X 3 HHCS GR5 MC	
46	3	920001	SAE FLAT WASHER 5/16 MC	



RIGHT BULKHEAD BRACKET ASSEMBLY			
DET	QTY	P/N	DESCRIPTION
1	1	362631	HARDLINE BRKT/BLKHD MT
2	1	362632	STS16 HARDLINE BRKT
3	4	470087	3/8-16UNC HEX FLG NUT SER MC GR5
4	4	470460	3/8UNC X 1 HHSFB GR5 MC
5	5	470723	3/8 ID CUSHIONING WASHER
6	10	473782	12MM-1.75 X 18MM HEX BOLT GR8
7	10	473784	12MM LOCK WASHER
8	1	604157	04-451TC-04FJX-06FJX90-51 H/A
9	1	617486	04-451TC-04FJX-04FJX45-155 H/A
10	1	617540	DRV TUBE JUMPER 1.00"X0.120"WT
11	1	617541	16-797TC-16FFO-16C62X90-110H/A
12	1	617544	DRV TUBE JUMPER 1.00"X0.120"WT
13	1	617545	16-797TC-16C62-16FFOX90-20 H/A
14	1	617546	16-797TC-16C62-16FFOX90-19 H/A
15	1	617547	10-451TC-10FJX-10FJX90-152 H/A
16	1	617554	10-451TC-10FJX-10FJX90-24 H/A
17	1	617558	16-797TC-16C62FX-16C62FX-133 H/A
18	1	618497	7/8MJIC-7/8MJIC BLKHD UNION
19	1	618511	7/16MJIC-7/16MJIC BLKHD UNION
20	4	618933	M12 SPLIT FLANGE KIT #62 (-16)

HYDROSTATIC PUMP WITH 25GPM PUMP

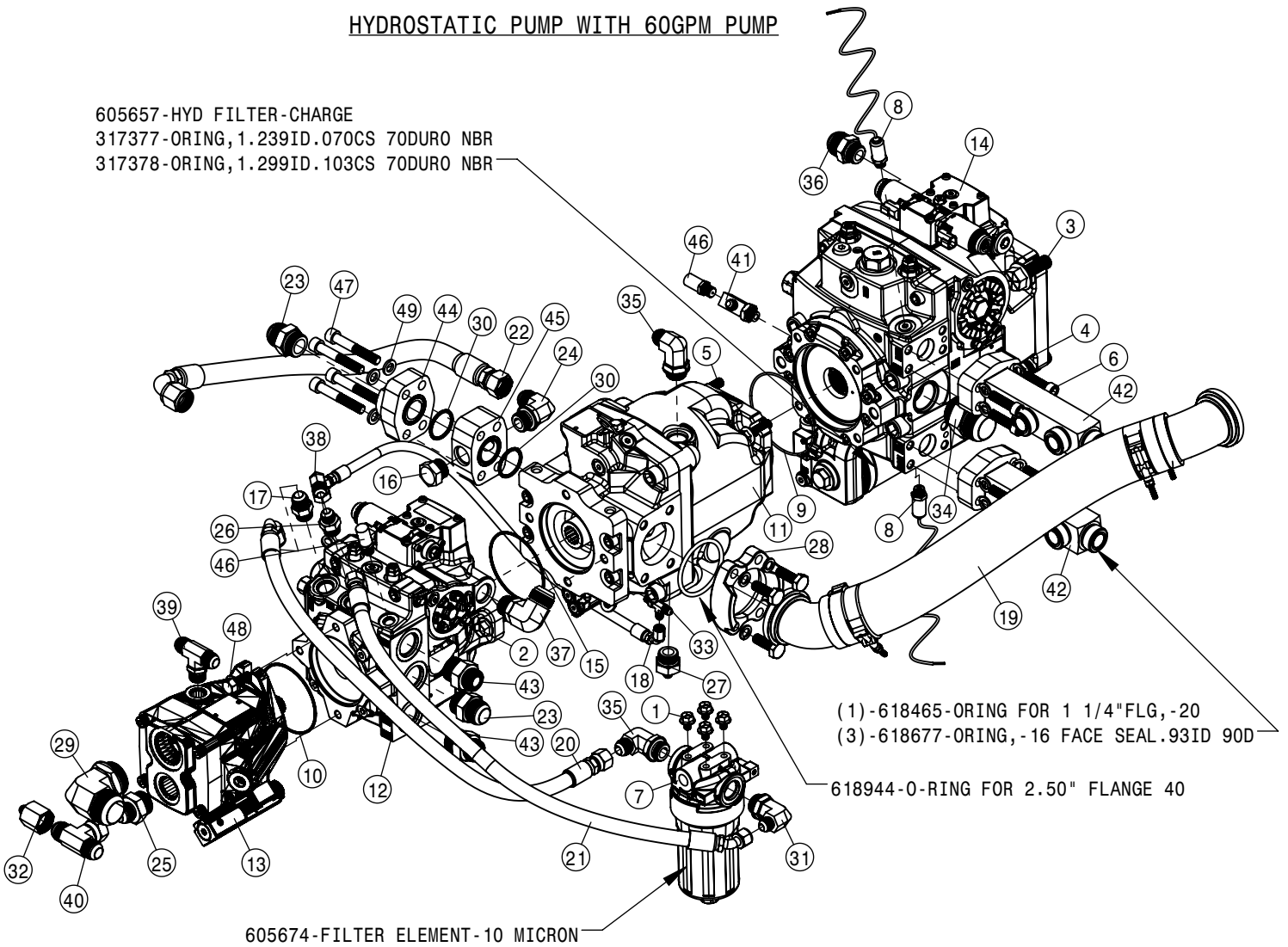


HYDROSTATIC PUMP WITH 25GPM PUMP ASSEMBLY			
DET	QTY	P/N	DESCRIPTION
1	4	470319	3/8UNC X 1/2 HHSFB GR5 MC
2	2	470431	1/2UNC X 1 1/2 HHSFB GR5 MC
3	4	472367	3/4UNC X 2 HHFB GR8 MC
4	8	473784	12MM LOCK WASHER
5	4	473856	12MM-1.75 X 40MM SM FLANGED BOLT
6	8	473874	12MM-1.75X 40MM SOC HD CAP SCR
7	1	605671	FILTER ASSY, 10 MICRON
8	2	606196	PRESSURE TRANSDUCER, 9000 PSI
9	1	606197	O-RING, 4.73ID-.103CS-4.943OD
10	1	606357	O-RING, B-MT, 3.737ID X .103CS
11	1	606525	PUMP 45CC C/BB MT
12	1	606678	H1P, 053CC, B/B MT
13	1	606679	PUMP-K2-038CC, SAE B MT, 15T
14	1	606680	H1 PUMP,165CC, D/C MT, ISL, 27T
15	1	607115	O-RING, 3.739ID-.070CS-3.809OD
16	1	611126	7/8MJIC-7/8MOR ADPTR
17	1	611128	7/8MJIC-90-7/8MOR LBO
18	1	617308	04-451TC-06FJX-04FJX90-26 H/A
19	1	617519	32-811-32C61F-40C61F45-29 H/A
20	1	617529	08-451TC-10FJX-10FJX90-31 H/A
21	1	617530	08-451TC-08FJX-08FJX45-31 H/A
22	1	617571	12-451TC-12FJX-12FJX90-23 H/A
23	1	618176	1" 4 BOLT FLANGE X 1 5/16 OR
24	1	618186	1 5/16MJIC-1 5/16MOR ADPTR

HYDROSTATIC PUMP WITH 25GPM PUMP ASSEMBLY			
DET	QTY	P/N	DESCRIPTION
25	2	618308	1 1/16MJIC-1 5/16MOR ADPTR
26	1	618310	9/16MJIC-7/8MOR ADPTR
27	1	618327	3/4MJIC-7/8MOR ADPTR
28	1	618432	1 7/8MJIC-90-1 7/8MOR LBO
29	1	618467	7/16MJIC-7/16MOR ADPTR
30	1	618474	3/4MJIC-90-1 1/16MOR LBO
31	1	618483	1 1/16FJIC-9/16MJIC ADPTR
32	1	618527	1 7/8MJIC-1 5/8MOR ADPTR
33	1	618535	7/8MJIC-90-1 1/16MOR LBO
34	1	618558	1 5/16MJIC-1 1/16MOR ADPTR
35	1	618576	1 5/16MJIC-90-1 1/16MOR LBO
36	1	618609	3/4MJIC-90-3/4FJIC SWIV LBO
37	1	618637	7/8MOR BRANCH TEE-7/8MJIC
38	1	618660	1 1/16FJX BRANCH TEE-1 1/16MJ
39	1	618676	O-RING FOR 1" FLANGE -16
40	1	618766	2" SPLIT FLANGE KIT #61
41	1	618782	9/16MOR-9/16FOR-9/16MJIC BRNCH
42	2	618876	DRIVE PUMP MANIFOLD BLK
43	2	618989	1 5/16MOR- 1 3/16MORFS ADPTR
44	2	619023	9/16 MOR DIAGNOSTIC FITTING
45	4	900174	3/8-16 UNC X 1 1/2 SHCS GR8 MC
46	2	910137	12MM-1.75X30MM SM FLG HEX BOLT
47	4	920502	HLOCK WASHER 3/8 MC

HYDROSTATIC PUMP WITH 60GPM PUMP

605657-HYD FILTER-CHARGE
 317377-ORING,1.239ID.070CS 70DURO NBR
 317378-ORING,1.299ID.103CS 70DURO NBR

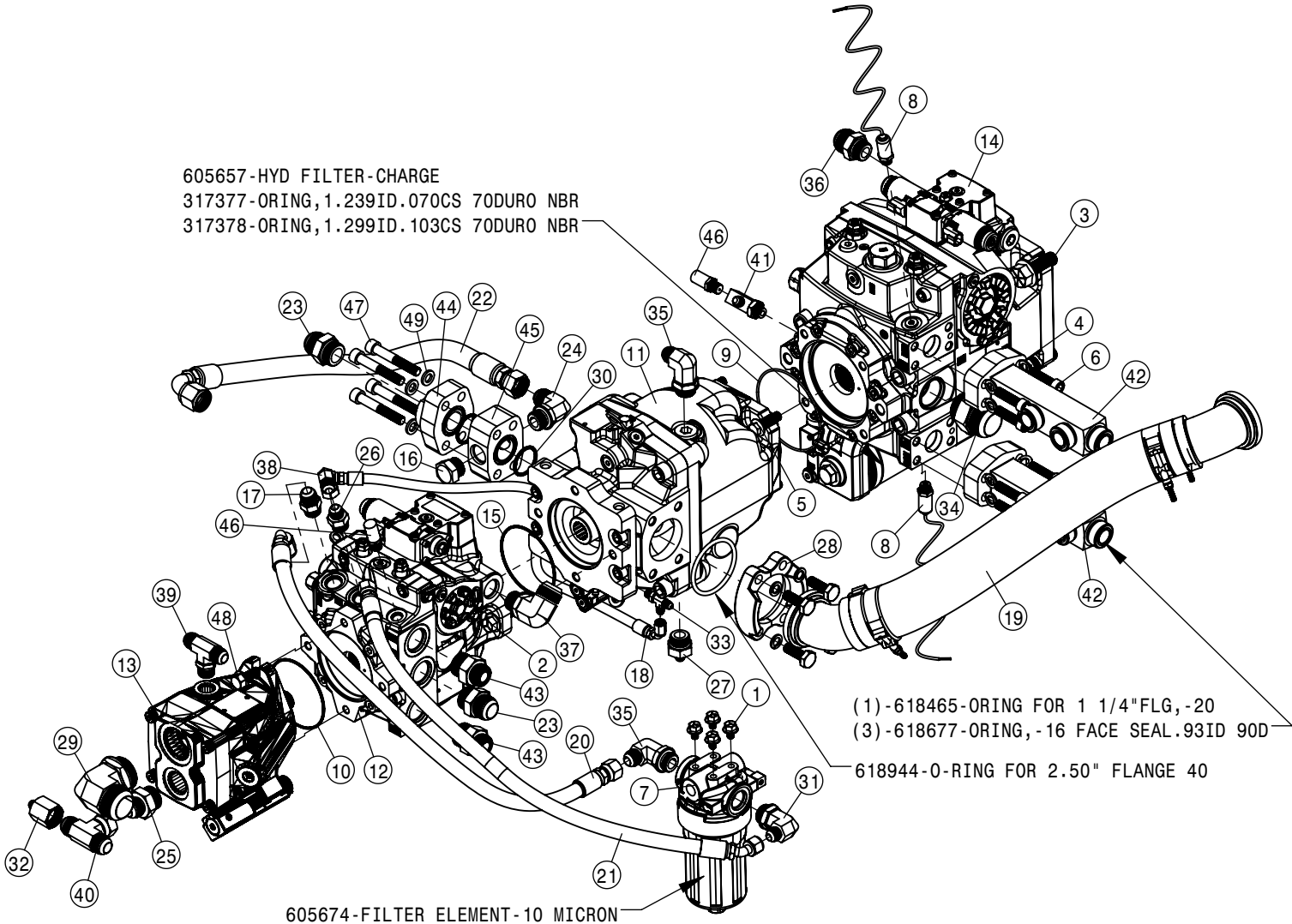


605674-FILTER ELEMENT-10 MICRON

HYDROSTATIC PUMP WITH 60GPM PUMP ASSEMBLY			
DET	QTY	P/N	DESCRIPTION
1	4	470319	3/8UNC X 1/2 HHSFB GR5 MC
2	2	470431	1/2UNC X 1 1/2 HHSFB GR5 MC
3	4	472367	3/4UNC X 2 HHFB GR8 MC
4	8	473784	12MM LOCK WASHER
5	4	473856	12MM-1.75 X 40MM SM FLANGED BOLT
6	8	473874	12MM-1.75X 40MM SOC HD CAP SCR
7	1	605671	FILTER ASSY, 10 MICRON
8	2	606196	PRESSURE TRANSDUCER, 9000 PSI
9	1	606197	O-RING, 4.73ID-.103CS-4.9430D
10	1	606357	O-RING, B-MT, 3.737ID X .103CS
11	1	606526	PUMP 100CC C/BB MT
12	1	606678	H1P, 053CC, B/B MT
13	1	606679	PUMP-K2-038CC, SAE B MT, 15T
14	1	606680	H1 PUMP,165CC, D/C MT,ISL,27T
15	1	606977	O-RING, B-MT, 3.989ID X .103CS
16	1	610186	1 1/16MOR PLUG, HEX HEAD
17	1	611126	7/8MJIC-7/8MOR ADPTR
18	1	617102	04-451TC-06FJX-04FJX90-29 H/A
19	1	617518	40-7219-40C61FX45-40C61FX45-27H/A
20	1	617529	08-451TC-10FJX-10FJX90-31 H/A
21	1	617530	08-451TC-08FJX-08FJX45-31 H/A
22	1	617571	12-451TC-12FJX-12FJX90-23 H/A
23	2	618186	1 5/16MJIC-1 5/16MOR ADPTR
24	1	618248	1 1/16MJIC-90-1 1/16MOR LBO
25	1	618308	1 1/16MJIC-1 5/16MOR ADPTR

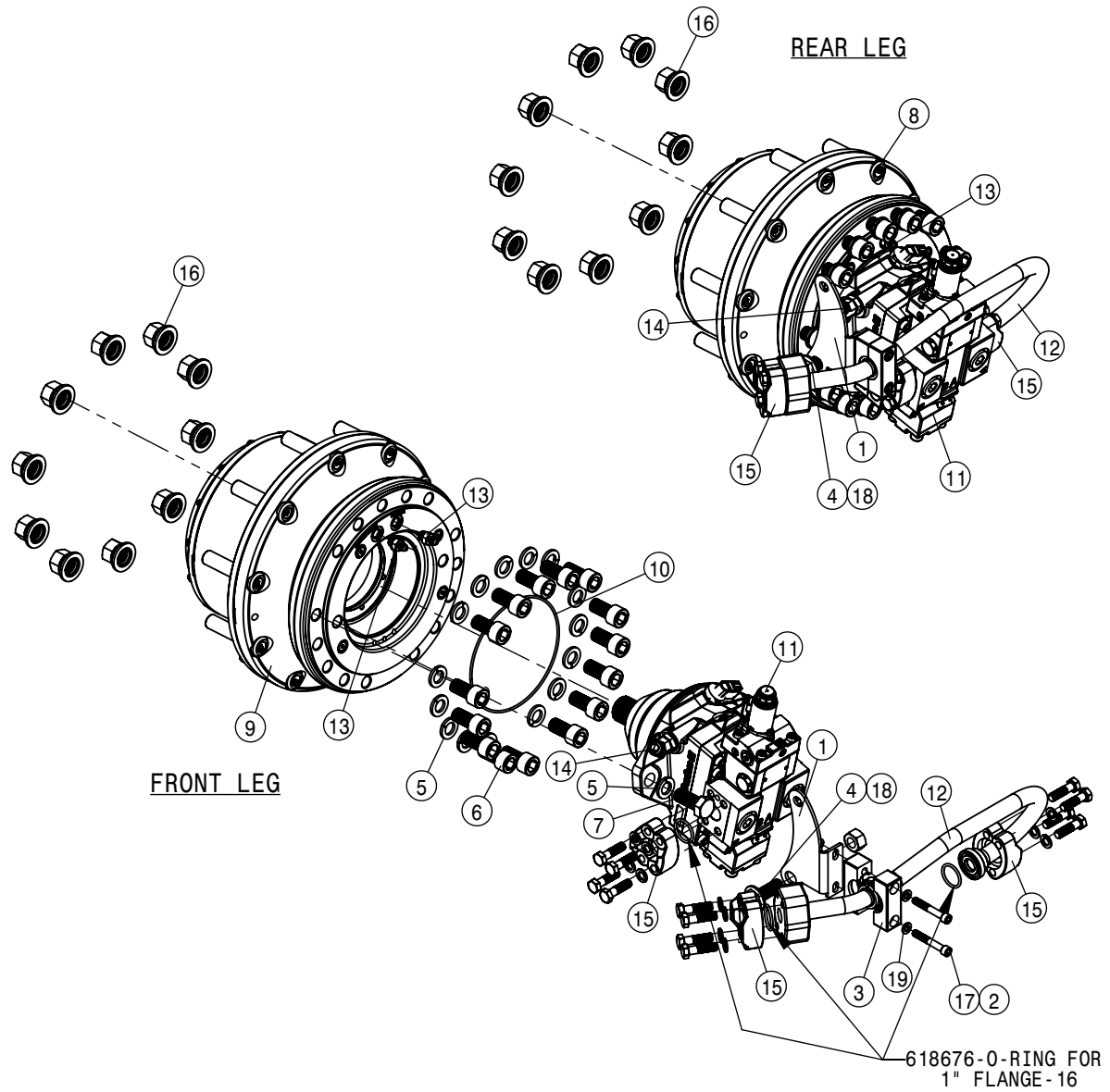
HYDROSTATIC PUMP WITH 60GPM PUMP ASSEMBLY			
DET	QTY	P/N	DESCRIPTION
26	1	618327	3/4MJIC-7/8MOR ADPTR
27	1	618344	9/16MJIC-1 1/16MOR ADPTR
28	1	618359	2 1/2" SPLIT FLANGE KIT #61
29	1	618432	1 7/8MJIC-90-1 7/8MOR LBO
30	2	618465	O-RING FOR 1 1/4" FLANGE -20
31	1	618474	3/4MJIC-90-1 1/16MOR LBO
32	1	618483	1 1/16FJIC-9/16MJIC ADPTR
33	1	618509	7/16MOR RUN TEE-7/16MJIC
34	1	618527	1 7/8MJIC-1 5/8MOR ADPTR
35	2	618535	7/8MJIC-90-1 1/16MOR LBO
36	1	618558	1 5/16MJIC-1 1/16MOR ADPTR
37	1	618576	1 5/16MJIC-90-1 1/16MOR LBO
38	1	618609	3/4MJIC-90-3/4FJIC SWIV LBO
39	1	618637	7/8MOR BRANCH TEE-7/8MJIC
40	1	618660	1 1/16FJX BRANCH TEE-1 1/16MJ
41	1	618782	9/16MOR-9/16FOR-9/16MJIC BRNCH
42	2	618876	DRIVE PUMP MANIFOLD BLK
43	2	618989	1 5/16MOR- 1 3/16MORFS ADPTR
44	1	618993	1 1/4 4-BOLT FLGX1 5/16FOR C62
45	1	618994	1 1/4 4-BOLT FLG X #12FORPORT
46	2	619023	9/16 MOR DIAGNOSTIC FITTING
47	4	910047	1/2-13 UNC X 3 1/4 SHCS GR8 MC
48	2	910137	12MM-1.75X30MM SM FLG HEX BOLT
49	4	920504	HLOCK WASHER 1/2 MC

HYDROSTATIC PUMP WITH 80GPM PUMP

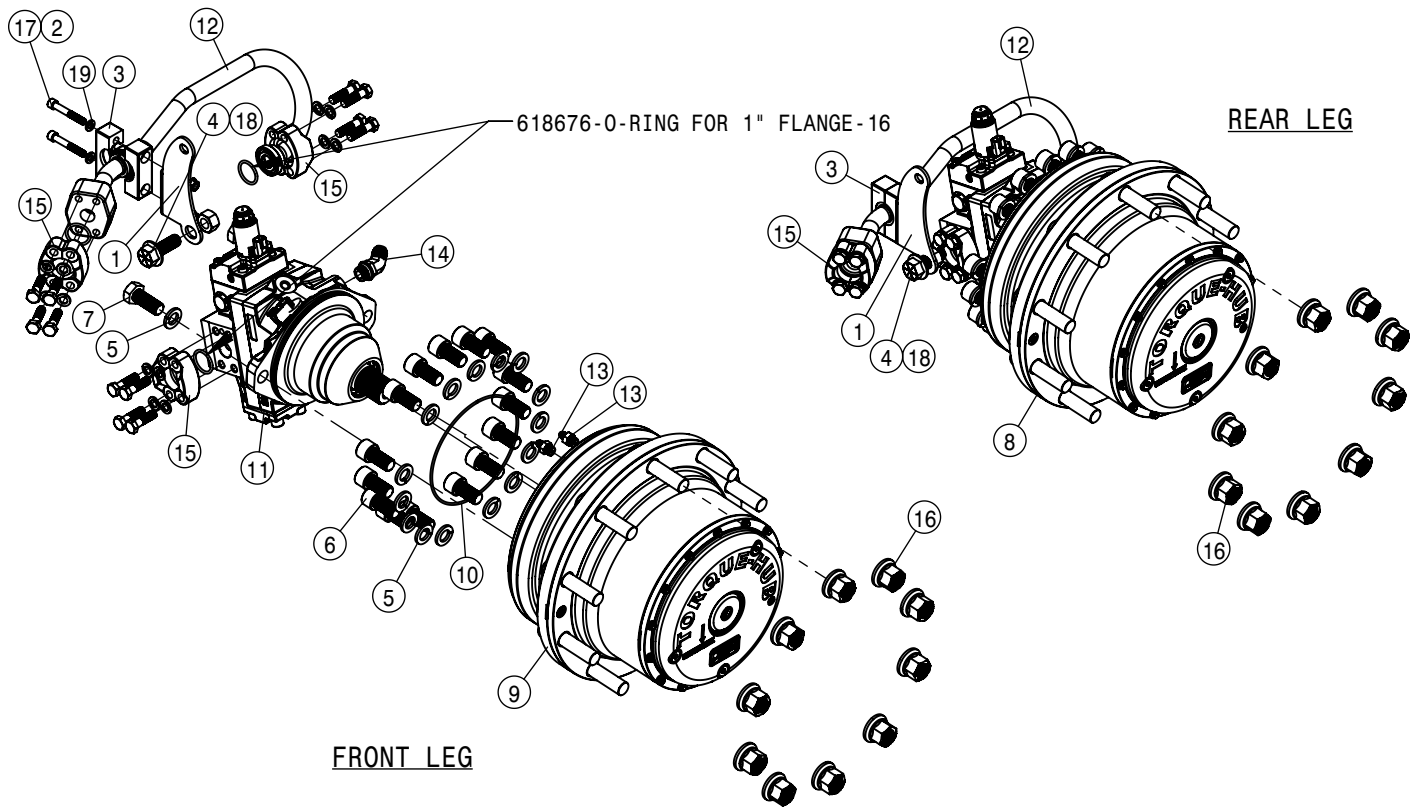


HYDROSTATIC PUMP WITH 80GPM PUMP ASSEMBLY			
DET	QTY	P/N	DESCRIPTION
1	4	470319	3/8UNC X 1/2 HHSFB GR5 MC
2	2	470431	1/2UNC X 1 1/2 HHSFB GR5 MC
3	4	472367	3/4UNC X 2 HHFB GR8 MC
4	8	473784	12MM LOCK WASHER
5	4	473856	12MM-1.75 X 40MM SM FLANGED BOLT
6	8	473874	12MM-1.75X 40MM SOC HD CAP SCR
7	1	605671	FILTER ASSY, 10 MICRON
8	2	606196	PRESSURE TRANSDUCER, 9000 PSI
9	1	606197	O-RING, 4.73ID-.103CS-4.9430D
10	1	606357	O-RING, B-MT, 3.737ID X .103CS
11	1	606429	LS PUMP, 147CC
12	1	606678	H1P, 053CC, B/B MT
13	1	606679	PUMP-K2-038CC, SAE B MT, 15T
14	1	606680	H1 PUMP,165CC, D/C MT,ISL,27T
15	1	606977	O-RING, B-MT, 3.989ID X .103CS
16	1	610186	1 1/16MOR PLUG, HEX HEAD
17	1	611126	7/8MJIC-7/8MOR ADPTR
18	1	617102	04-451TC-06FJX-04FJX90-29 H/A
19	1	617518	40-7219-40C61FX45-40C61FX45-27H/A
20	1	617529	08-451TC-10FJX-10FJX90-31 H/A
21	1	617530	08-451TC-08FJX-08FJX45-31 H/A
22	1	617571	12-451TC-12FJX-12FJX90-23 H/A
23	2	618186	1 5/16MJIC-1 5/16MOR ADPTR
24	1	618248	1 1/16MJIC-90-1 1/16MOR LBO
25	1	618308	1 1/16MJIC-1 5/16MOR ADPTR

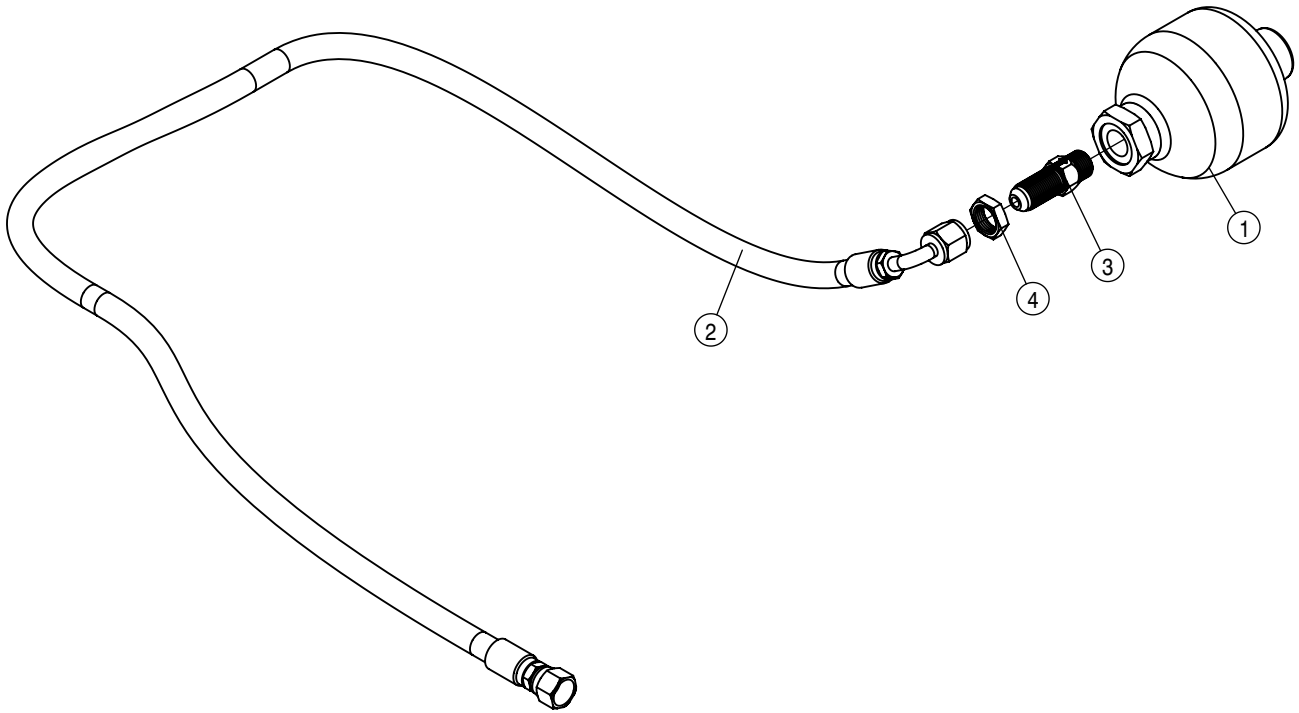
HYDROSTATIC PUMP WITH 80GPM PUMP ASSEMBLY			
DET	QTY	P/N	DESCRIPTION
26	1	618327	3/4MJIC-7/8MOR ADPTR
27	1	618344	9/16MJIC-1 1/16MOR ADPTR
28	1	618359	2 1/2" SPLIT FLANGE KIT #61
29	1	618432	1 7/8MJIC-90-1 7/8MOR LBO
30	2	618465	O-RING FOR 1 1/4" FLANGE -20
31	1	618474	3/4MJIC-90-1 1/16MOR LBO
32	1	618483	1 1/16FJIC-9/16MJIC ADPTR
33	1	618509	7/16MOR RUN TEE-7/16MJIC
34	1	618527	1 7/8MJIC-1 5/8MOR ADPTR
35	2	618535	7/8MJIC-90-1 1/16MOR LBO
36	1	618558	1 5/16MJIC-1 1/16MOR ADPTR
37	1	618576	1 5/16MJIC-90-1 1/16MOR LBO
38	1	618609	3/4MJIC-90-3/4FJIC SWIV LBO
39	1	618637	7/8MOR BRANCH TEE-7/8MJIC
40	1	618660	1 1/16FJX BRANCH TEE-1 1/16MJ
41	1	618782	9/16MOR-9/16FOR-9/16MJIC BRNCH
42	2	618876	DRIVE PUMP MANIFOLD BLK
43	2	618989	1 5/16MOR- 1 3/16MORFS ADPTR
44	1	618993	1 1/4 4-BOLT FLGX1 5/16FOR C62
45	1	618994	1 1/4 4-BOLT FLG X #12FORPORT
46	2	619023	9/16 MOR DIAGNOSTIC FITTING
47	4	910047	1/2-13 UNC X 3 1/4 SHCS GR8 MC
48	2	910137	12MM-1.75X30MM SM FLG HEX BOLT
49	4	920504	HLOCK WASHER 1/2 MC



RIGHT WHEEL MOTOR ASSEMBLY			
DET	QTY	P/N	DESCRIPTION
1	2	360212	RGT LEG TUBE BRKT
2	4	470087	3/8-16UNC HEX FLG NUT SER MC GR5
3	2	470693	CLAMP ASSY W/ 1" RUBBER INS
4	2	472367	3/4UNC X 2 HHFB GR8 MC
5	34	473854	20MM LOCK WASHER
6	30	473885	20MM-2.50 X 40 MM SHCS
7	4	473886	20MM-2.50 X 50MM HEX BOLT
8	1	606129	HUB, C017, 30:1
9	1	606130	HUB C017, 30:1 W/DYNAMIC BRAKE
10	2	606190	O-RING,WHL MTR HSNG SAUER
11	2	606632	H1-B 80cc WHL MTR W40SFT SAUER
12	2	617457	RGT DRV TUBE 1.00"X 0.120"WT
13	3	618468	7/16MJIC-9/16MOR ADPTR
14	2	618644	7/8MJIC-45-7/8MOR LBO
15	6	618933	M12 SPLIT FLANGE KIT #62 (-16)
16	20	824055	22MM-1.50 SMTH FLG WHEEL NUT
17	4	900398	3/8UNC X 2 1/2" SOC HD CAP SCR
18	2	910012	3/4-10UNC HEX NUT MC GR5
19	4	920502	HLOCK WASHER 3/8 MC



LEFT WHEEL MOTOR ASSEMBLY			
DET	QTY	P/N	DESCRIPTION
1	2	360209	LFT LEG TUBE BRKT
2	4	470087	3/8-16UNC HEX FLG NUT SER MC GR5
3	2	470693	CLAMP ASSY W/ 1" RUBBER INS
4	2	472367	3/4UNC X 2 HHFB GR8 MC
5	34	473854	20MM LOCK WASHER
6	30	473885	20MM-2.50 X 40 MM SHCS
7	4	473886	20MM-2.50 X 50MM HEX BOLT
8	1	606129	HUB, C017, 30:1
9	1	606130	HUB C017, 30:1 W/DYNAMIC BRAKE
10	2	606190	O-RING,WHL MTR HSNQ SAUER
11	2	606632	H1-B 80cc WHL MTR W40SFT SAUER
12	2	617456	LFT DRV TUBE 1.00"X 0.120"WT
13	3	618468	7/16MJIC-9/16MOR ADPTR
14	2	618644	7/8MJIC-45-7/8MOR LBO
15	6	618933	M12 SPLIT FLANGE KIT #62 (-16)
16	20	824055	22MM-1.50 SMTH FLG WHEEL NUT
17	4	900398	3/8UNC X 2 1/2" SOC HD CAP SCR
18	2	910012	3/4-10UNC HEX NUT MC GR5
19	4	920502	HLOCK WASHER 3/8 MC



INTERNAL BRAKE ACCUMULATOR			
DET	QTY	P/N	DESCRIPTION
1	1	470444	ACCUM, DIAPHRAGM, 30CI 1508 PSI
2	1	616323	06-451TC-08FJX-08FJX90-56 H/A
3	1	618743	3/4MOR-3/4MJIC BLKHD, .040 ORF
4	1	618744	3/4 THD BLKHD LOCK NUT

NOTE: FILL ADAPTOR
 618805-HYD CPLR, FEM #14,9/16FOR
 618126-6/16MJIC-9/16MOR ADPTR

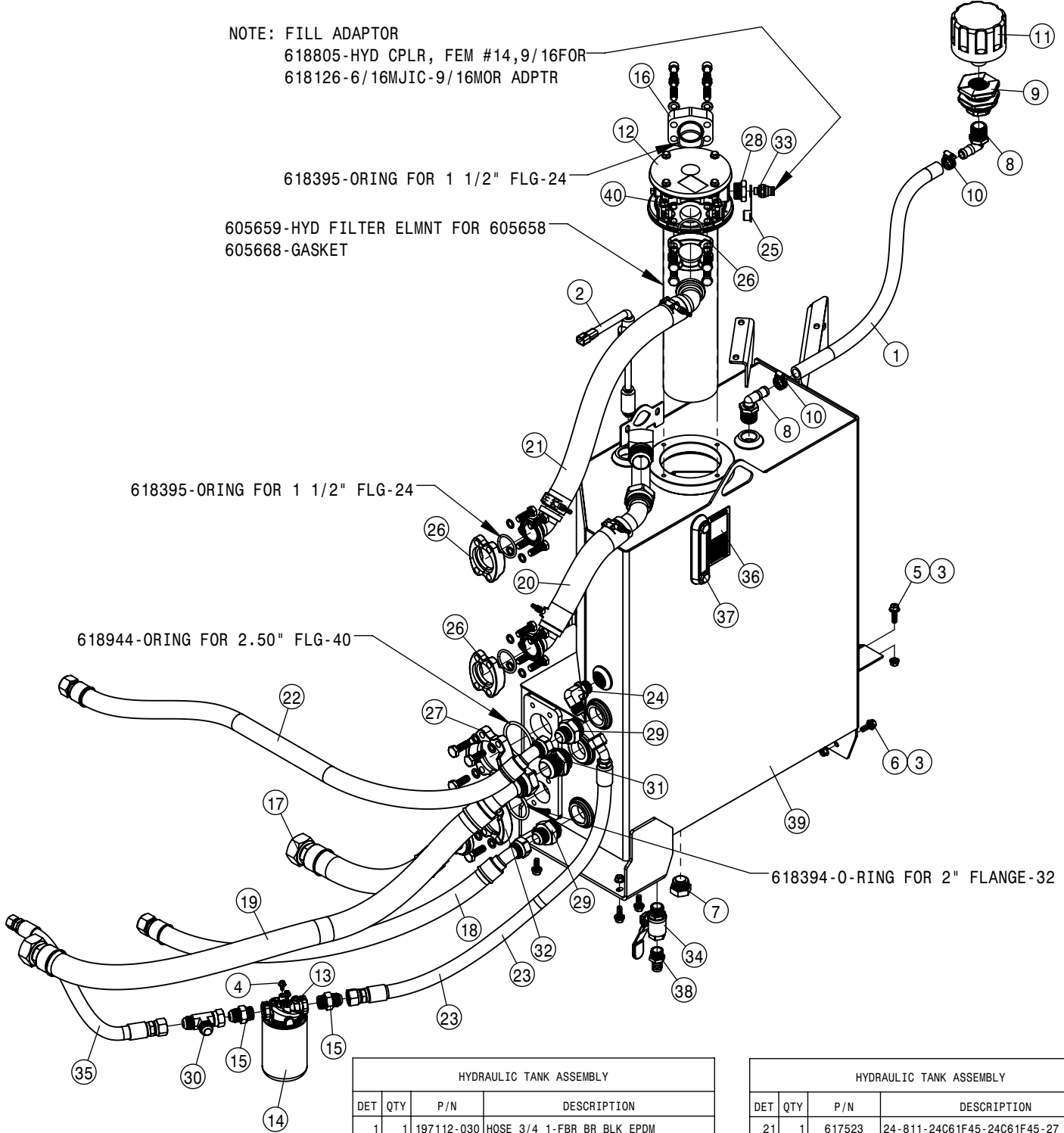
618395-ORING FOR 1 1/2" FLG-24

605659-HYD FILTER ELMNT FOR 605658
 605668-GASKET

618395-ORING FOR 1 1/2" FLG-24

618944-ORING FOR 2.50" FLG-40

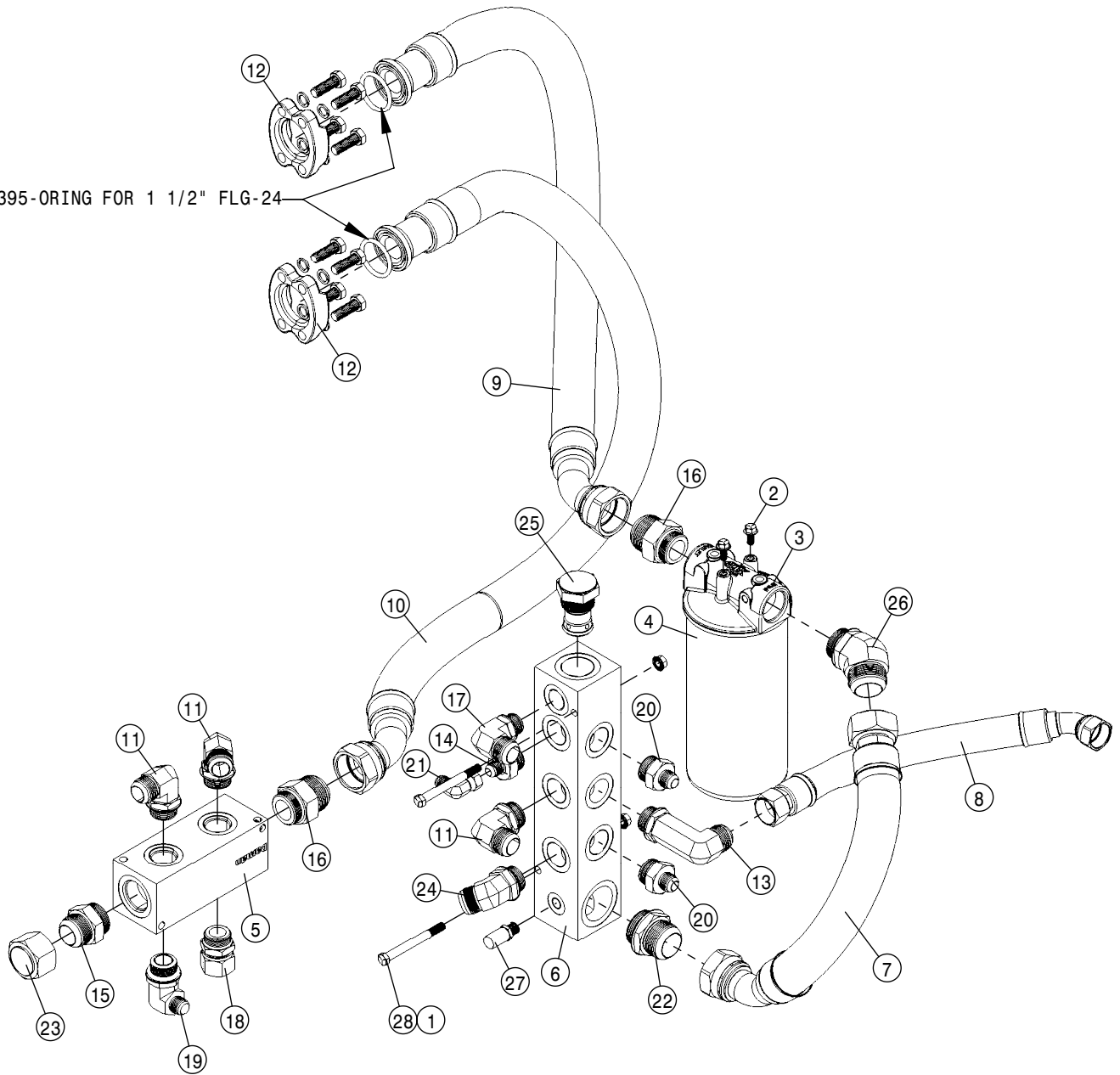
618394-O-RING FOR 2" FLANGE-32



HYDRAULIC TANK ASSEMBLY				
DET	QTY	P/N	DESCRIPTION	
1	1	197112-030	HOSE 3/4 1-FBR BR BLK EPDM	
2	1	294069	TEMPERATURE/OIL LEVEL SENSOR	
3	10	470087	3/8-16UNC HEX FLG NUT SER MC GR5	
4	2	470122	1/4UNC X 1/2 HHSFB GR5 MC	
5	3	470329	3/8UNC X 1 1/4 HHSFB GR5 MC	
6	7	470460	3/8UNC X 1 HHSFB GR5 MC	
7	1	470471	1 5/16MOR PLUG, MAGNETIC	
8	2	500067	1 NPT-90-3/4 HOSE BARB, POLY	
9	1	500132	1"NPT TANK FLANGE POLY	
10	2	520055	HOSE CLAMP NO 12 STAINLESS	
11	1	605656	T.R.A.P. BREATHER 1" NPT	
12	1	605658	HYD TANK RETURN FILTER	
13	1	605672	SPIN-ON FILTER HEAD (ZAF11)	
14	1	605673	AE SPIN ON FILTER (10 MICRON)	
15	2	611127	1 1/16MJIC-1 1/16MOR ADPTR	
16	1	617196	1.50 SPLIT FLANGE PLUG KIT #61	
17	1	617515	24-811-24FJX-32C61FX45-18 H/A	
18	1	617516	16-811-16FJX-16FJX45-39 H/A	
19	1	617517	24-811-24FJX-24FJX45-50 H/A	
20	1	617522	24-811-24C61F45-24FC61F45-16 H/A	

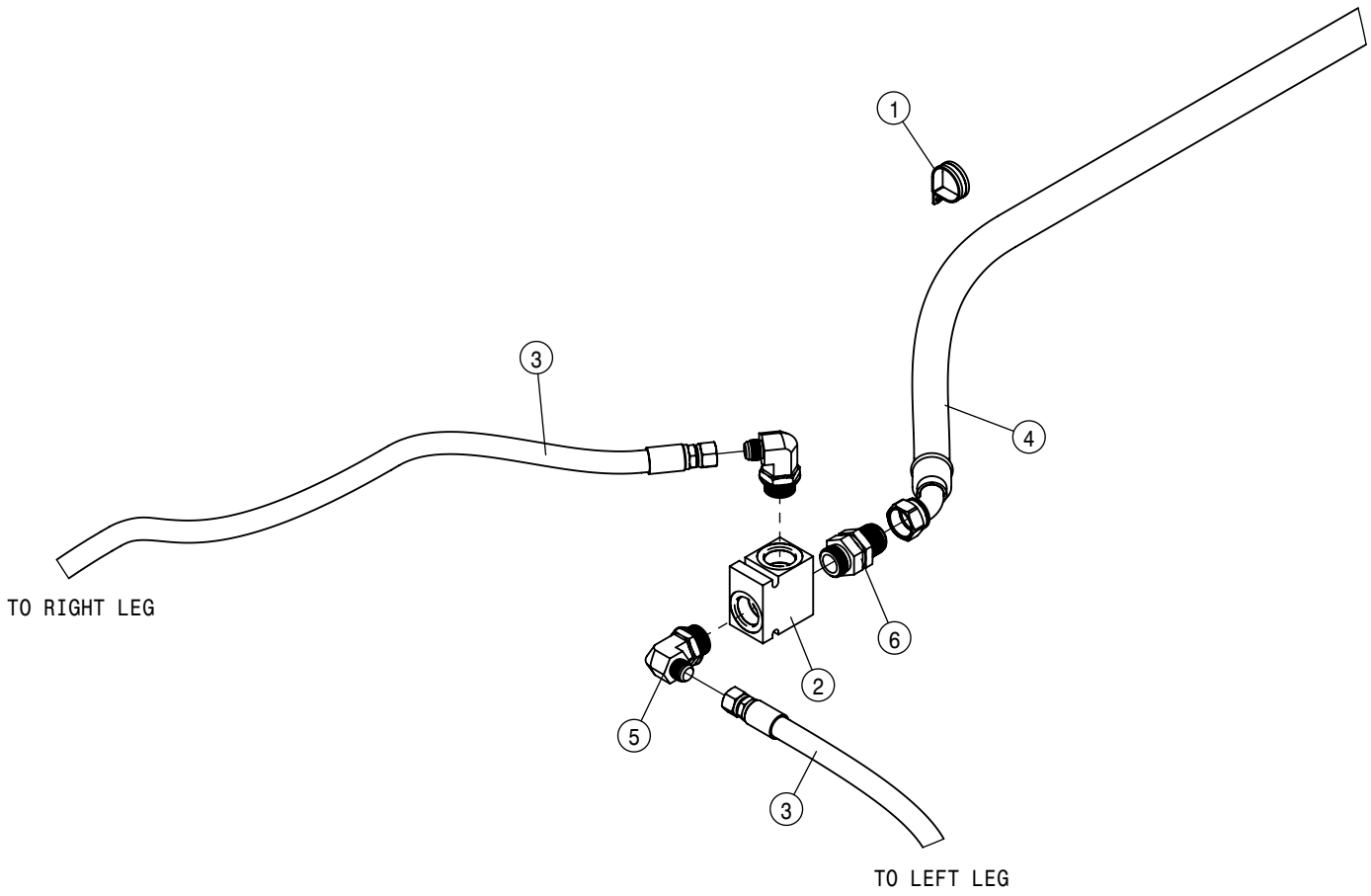
HYDRAULIC TANK ASSEMBLY				
DET	QTY	P/N	DESCRIPTION	
21	1	617523	24-811-24C61F45-24C61F45-27 H/A	
22	1	617548	16-811-16FJX-16FJX45-47 H/A	
23	1	617553	12-451TC-12FJX-12FJX45-36 H/A	
24	1	618248	1 1/16MJIC-90-1 1/16MOR LBO	
25	1	618255	DUST CAP/PLUG FOR 618804/805	
26	3	618299	1.50 SPLIT FLANGE KIT #61	
27	1	618359	2 1/2" SPLIT FLANGE KIT #61	
28	1	618397	1 5/16MOR-9/16FOR ADPTR	
29	2	618455	1 5/16MJIC-1 5/8 MOR ADPTR	
30	1	618487	1 1/16FJ SW RUN TEE-1 1/16MJ	
31	1	618682	1 7/8MOR-1 7/8MJIC ADPTR	
32	1	618766	2" SPLIT FLANGE KIT #61	
33	1	618870	HYD CPLR, MALE #14 9/16MOR	
34	1	618881	3/4 NPT BALL VLV BRS LOCK	
35	1	619068	12-451TC-10FJX-12FJX-19 H/A	
36	1	650493	DECAL, HYDRAULIC OIL	
37	1	701367	SIGHT GAUGE	
38	1	711102	3/4NPT X 3/4 HOSE BARB, BRS	
39	1	760960	HYD RESERVOIR '17 W/DECAL	
40	4	900504	3/8UNC X 1 1/2 HHSFB GR5 MC	

618395-ORING FOR 1 1/2" FLG-24

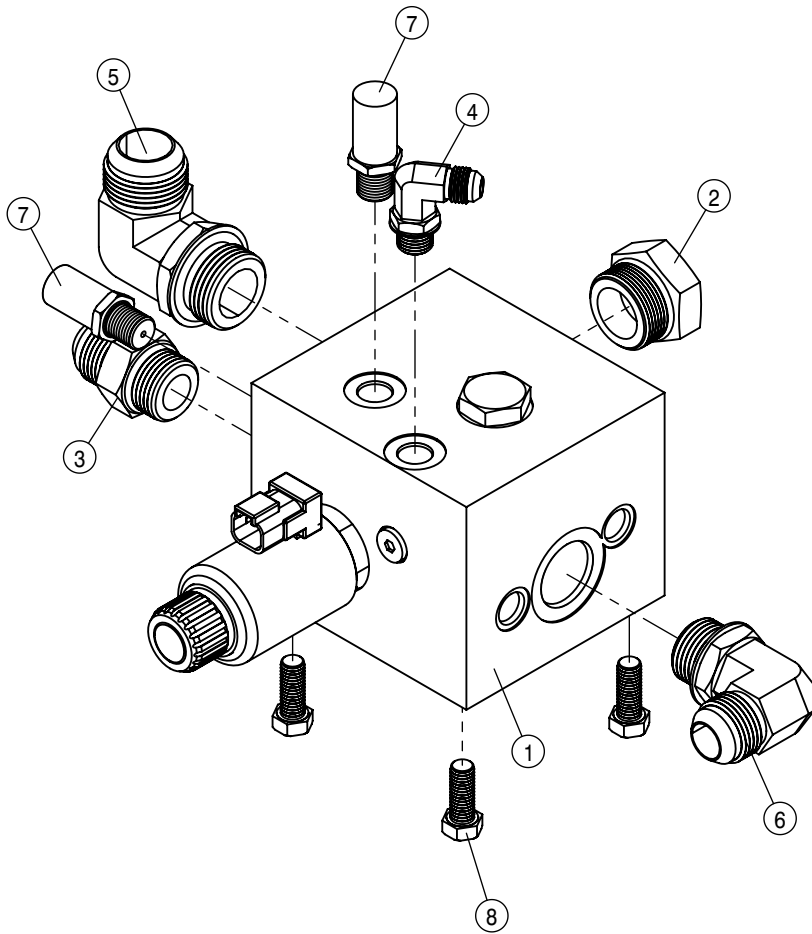


REAR RETURN MANIFOLD ASSEMBLY			
DET	QTY	P/N	DESCRIPTION
1	2	470087	3/8-16UNC HEX FLG NUT SER MC GR5
2	2	470233	5/16UNC X 3/4 HHSFB GR5 MC
3	1	605662	CASE DRAIN FILTER HEAD
4	1	605663	CASE DRAIN FILTER ELEMENT
5	1	606711	MANIFOLD - HYDRAULIC
6	1	607574	MANIFOLD, #16, # 24 ends
7	1	617525	24-811-24FJX-24FJX90-17 H/A
8	1	617526	16-811-16FJX-16FJX45-19 H/A
9	1	617527	24-811-24C61F-24FJX45-42 H/A
10	1	617555	24-811-24C61F-24FJX45-54 H/A
11	3	618178	1 5/16MJIC-90-1 5/16MOR LBO
12	2	618299	1.50 SPLIT FLANGE KIT #61
13	1	618463	1 5/16MJIC-90-1 5/16MOR XL LBO
14	1	618470	3/4MJIC-1 5/16MOR ADPTR

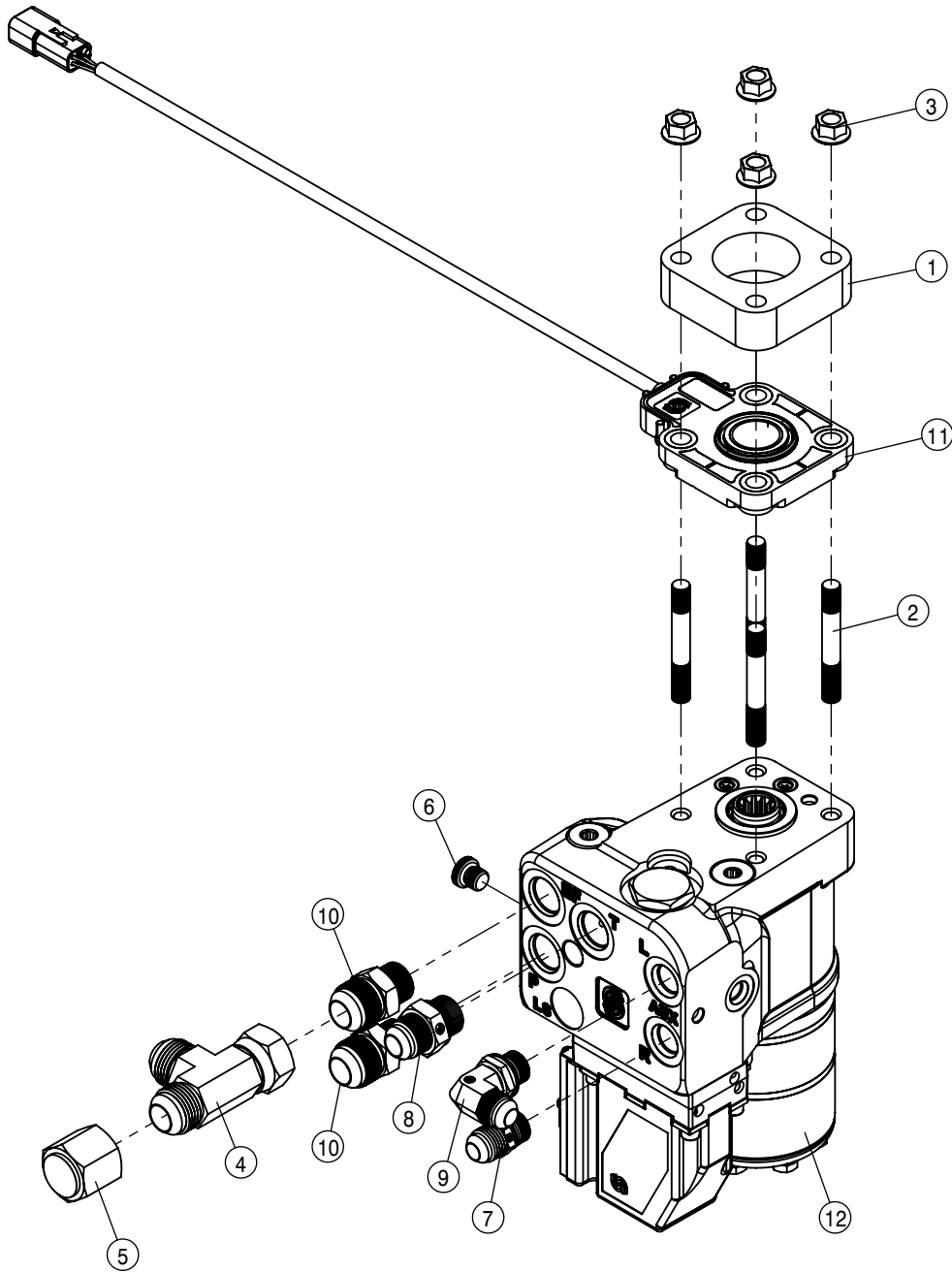
REAR RETURN MANIFOLD ASSEMBLY			
DET	QTY	P/N	DESCRIPTION
15	1	618472	1 5/8MJIC-1 5/8MOR ADPTR
16	2	618527	1 7/8MJIC-1 5/8MOR ADPTR
17	1	618576	1 5/16MJIC-90-1 1/16MOR LBO
18	1	618588	1 5/16MOR-1 5/16FJIC SWIV
19	1	618589	7/8MJIC-90-1 5/16MOR LBO
20	2	618601	7/8MJIC-1 5/16MOR ADPT
21	1	618609	3/4MJIC-90-3/4FJIC SWIV LBO
22	1	618682	1 7/8MOR-1 7/8MJIC ADPTR
23	1	618828	1 5/8FJIC CAP NUT
24	1	618901	1 5/16MJIC-45-1 5/16MOR LBO
25	1	618935	20 SIZE CHECK VALVE
26	1	618974	1 7/8MJIC-45-1 5/8MOR LBO
27	1	619023	9/16 MOR DIAGNOSTIC FITTING
28	2	900140	3/8UNC X 4 HHCS GR5 MC



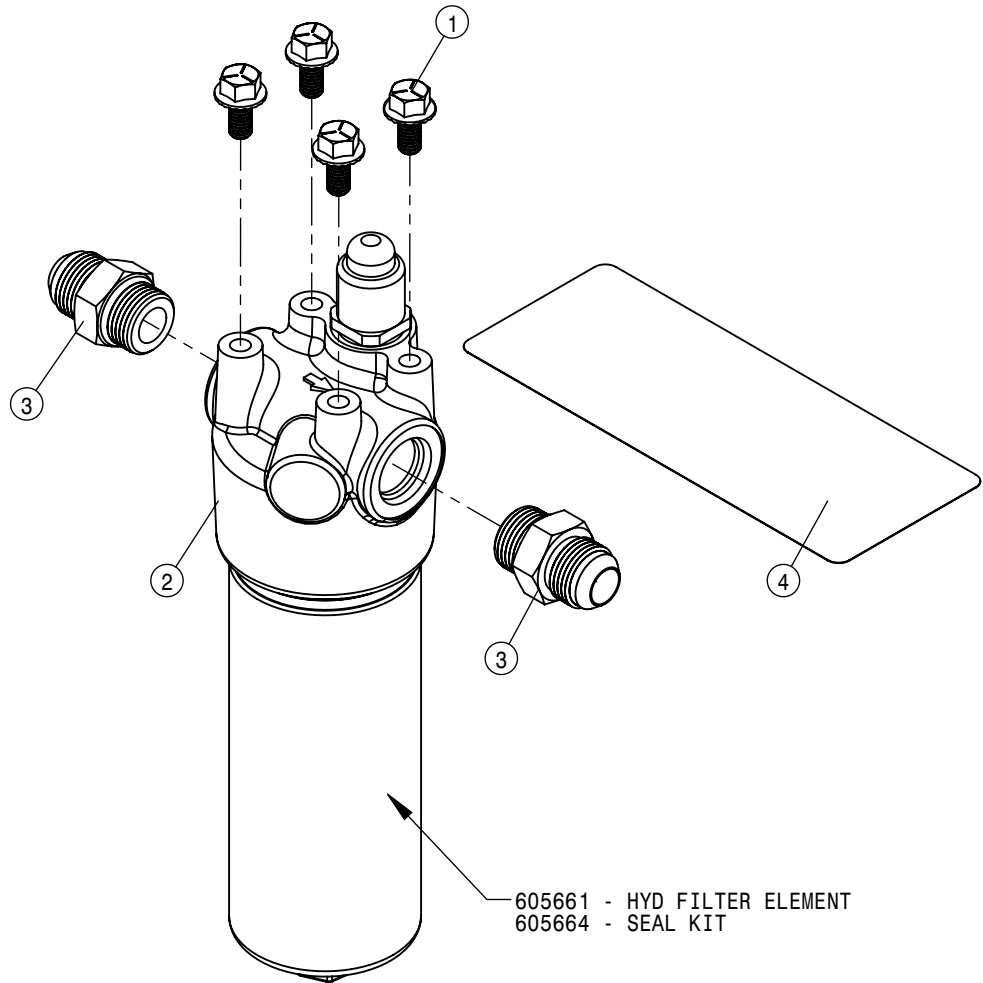
FRONT CASE DRAIN MANIFOLD ASSEMBLY			
DET	QTY	P/N	DESCRIPTION
1	3	520100	CUSH HOSE CLAMP,#24, 1 1/2D X 1/2W
2	1	606454	MANIFOLD 16-2 SAE16 PORT
3	2	617539	10-451TC-10FJX-10FJX90-219 H/A
4	1	617543	16-811-16FJX-16FJX45-153 H/A
5	2	618589	7/8MJIC-90-1 5/16MOR LBO
6	1	618845	1 5/16-12UN BLKHD CONNECTOR



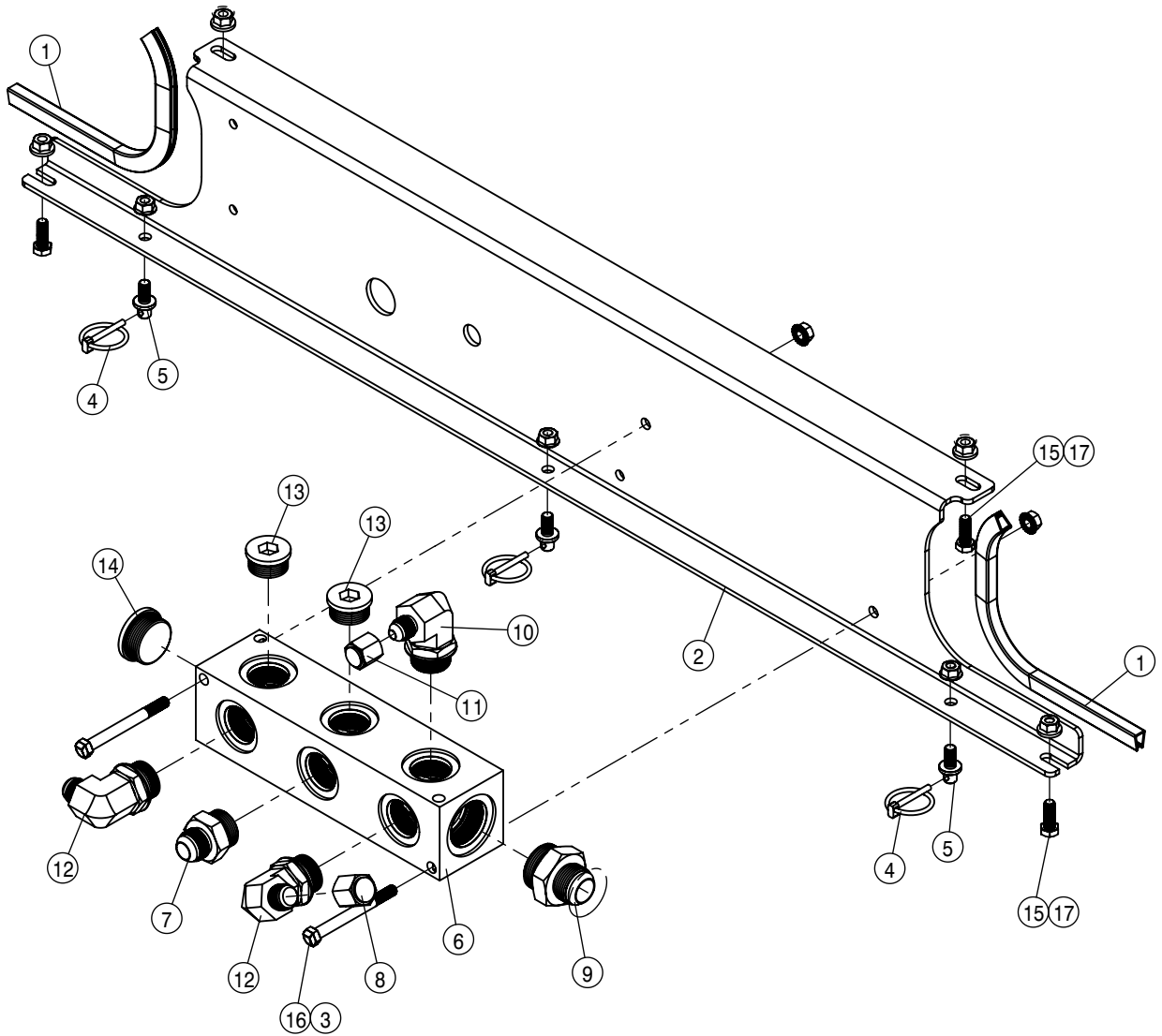
SOLUTION CONTROL VALVE ASSEMBLY			
DET	QTY	P/N	DESCRIPTION
1	1	606253	CTRL VALVE, SOLU PUMP SAUER
2	1	610194	1 5/16MOR PLUG, HEX HEAD
3	1	611127	1 1/16MJIC-1 1/16MOR ADPTR
4	1	618119	9/16MJIC-90-9/16MOR LBO
5	1	618178	1 5/16MJIC-90-1 5/16MOR LBO
6	1	618248	1 1/16MJIC-90-1 1/16MOR LBO
7	2	619023	9/16 MOR DIAGNOSTIC FITTING
8	4	900129	3/8UNC X 1" HEX BOLT



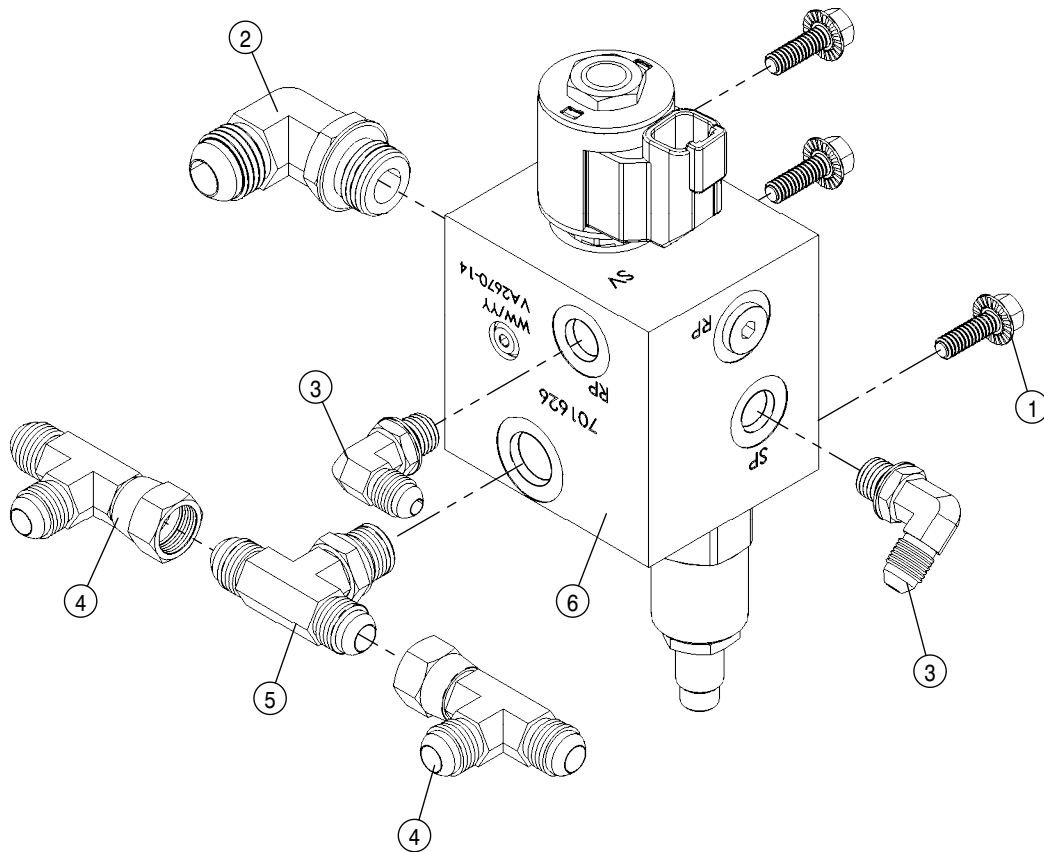
STEERING MOTOR ASSEMBLY			
DET	QTY	P/N	DESCRIPTION
1	1	345017	STEERING VALVE SPACER BLOCK
2	4	472340	M10 X 1.5 X 3" STUD BOLT, DBL END
3	4	473866	M10 X 1.5 HEX SERR FLG NUT
4	1	618487	1 1/16FJ SW RUN TEE-1 1/16MJ
5	1	618533	1 1/16FJIC CAP NUT
6	1	618909	M12 MOR PLUG, HEX SOCKET
7	1	618910	3/4MJIC-M18MOR ADPTR
8	1	618911	7/8MJIC-M22 MOR ADPTR
9	1	618912	3/4MJIC-90-M18MOR LBO
10	2	619019	1 1/16MJIC-M22 MOR ADPTR
11	1	749341	BEI STEERING ANGLE SENSOR
12	1	749343	VALVE ASM-STEERING,AUTO



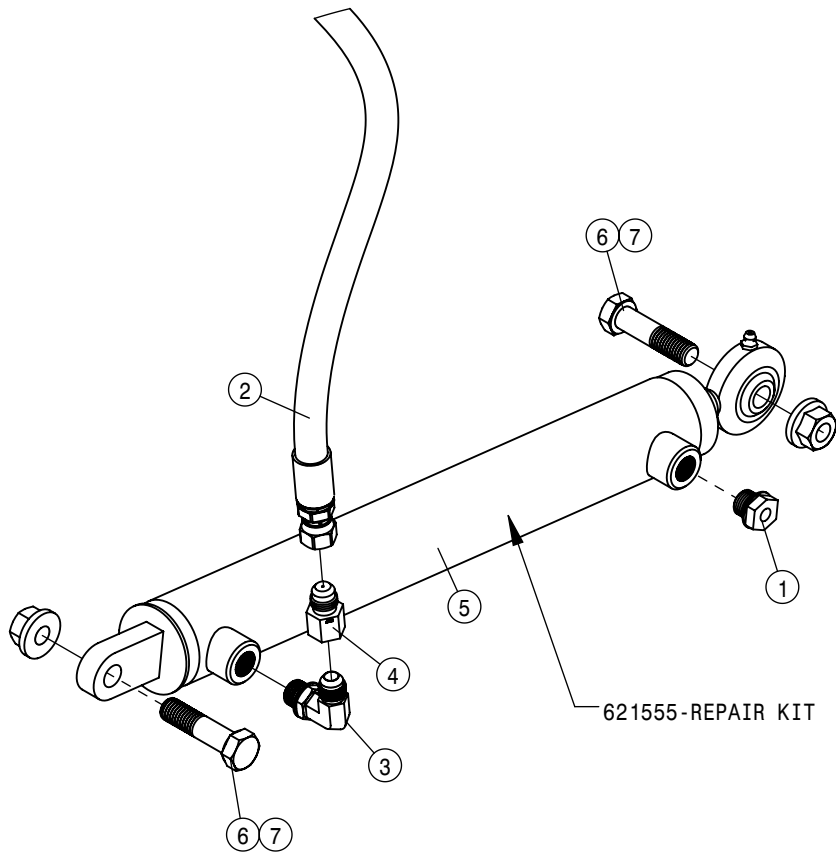
STEERING MOTOR INLINE FILTER			
DET	QTY	P/N	DESCRIPTION
1	4	470409	3/8UNC X 3/4 HHSFB GR5 MC
2	1	605660	HYD FILTER 5M SAE12
3	2	611127	1 1/16MJIC-1 1/16MOR ADPTR
4	1	HXE28534	LABEL, HYDRAULIC ENGLISH



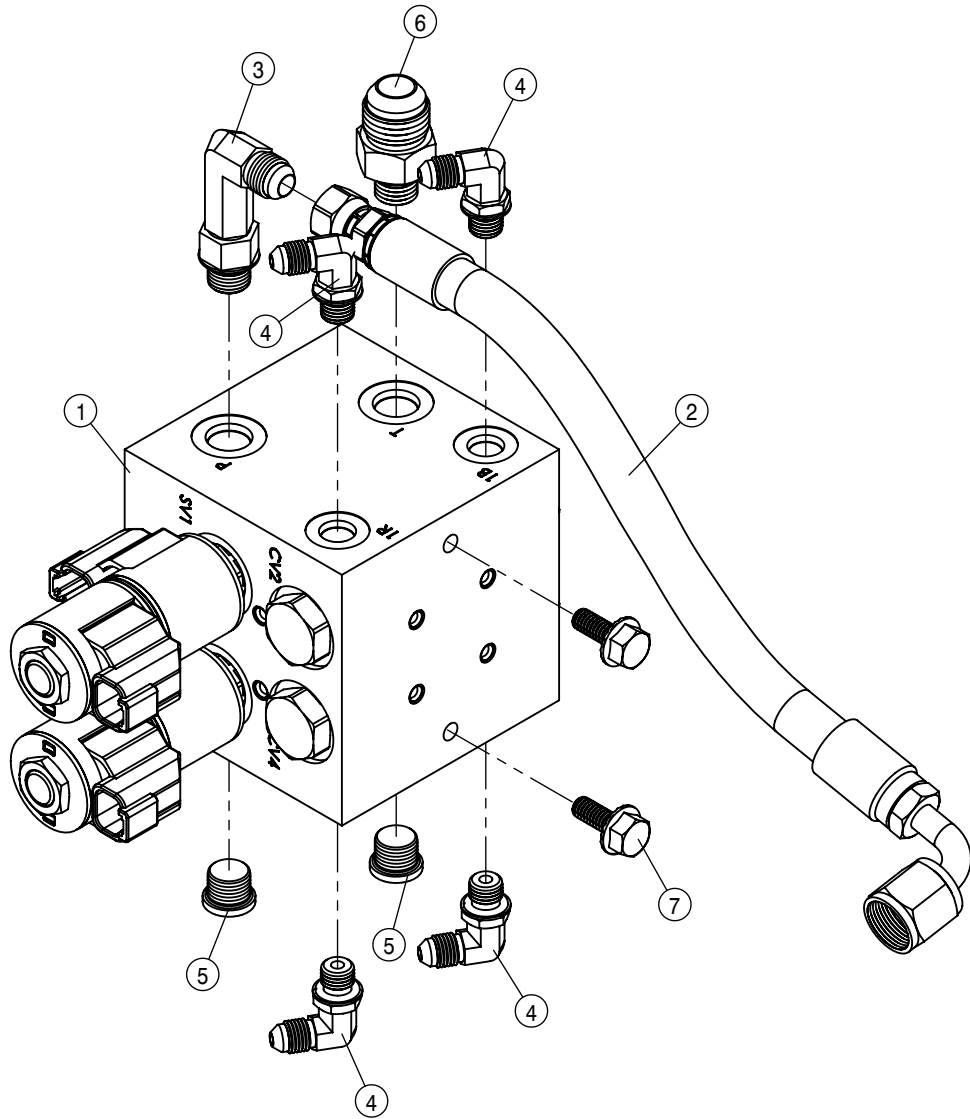
RETURN MANIFOLD AND BULKHEAD ASSEMBLY				
DET	QTY	P/N	DESCRIPTION	
1	2	193012-012	QUICKEDGE TRIM .135 TO .250	
2	1	362382	FRONT BULKHEAD, STS	
3	5	470087	3/8-16UNC HEX FLG NUT SER MC GR5	
4	3	470335	LINCHPIN, 3/16 X 1 1/4 GRIP	
5	3	470520	HANGER PIN, 3/8UNC x .437Dx .500L	
6	1	606246	MANIFOLD, 1 5/16FOR	
7	1	618308	1 1/16MJIC-1 5/16MOR ADPTR	
8	1	618328	7/8FJIC CAP NUT	
9	1	618455	1 5/16MJIC-1 5/8 MOR ADPTR	
10	1	618475	3/4MJIC-90-1 5/16MOR LBO	
11	1	618532	3/4FJIC CAP NUT	
12	2	618589	7/8MJIC-90-1 5/16MOR LBO	
13	2	618758	1 5/16MOR PLUG, HEX SOCKET	
14	1	618759	1 5/8MOR PLUG, HEX SOCKET	
15	4	900129	3/8UNC X 1 HHCS GR5 MC	
16	2	900139	3/8UNC X 3 3/4 HHCS GR5 MC	
17	4	910106	3/8-16UNC CTRLK FLG NUT MC GR5	



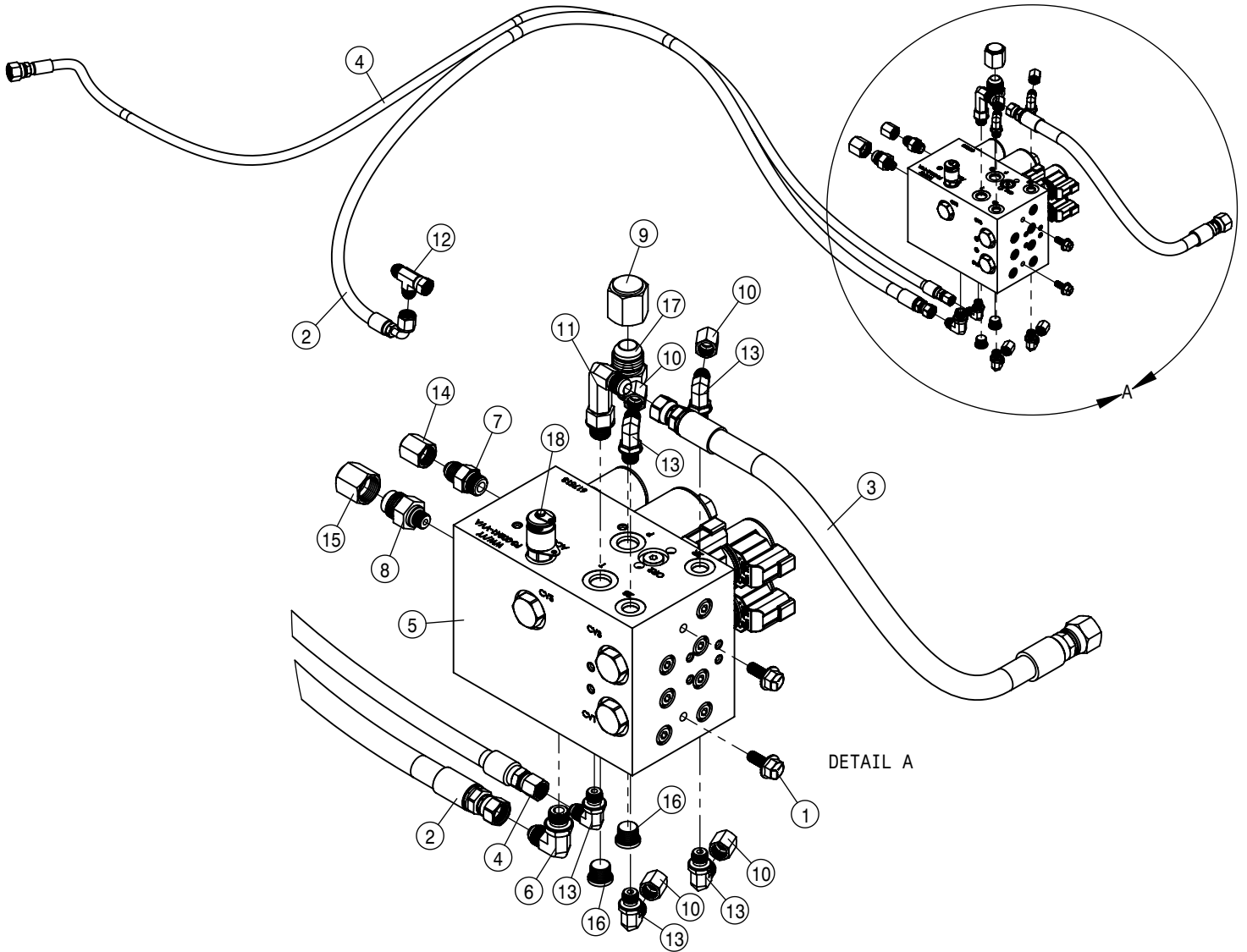
PARK BRAKE CONTROL VALVE ASSEMBLY			
DET	QTY	P/N	DESCRIPTION
1	3	470118	1/4UNC X 3/4 HHSFB GR5 MC
2	1	618241	3/4MJIC-90-3/4MOR LBO
3	2	618473	7/16MJIC-90-7/16MOR LBO
4	2	618486	9/16FJIC SW RUN TEE-9/16MJIC
5	1	618629	9/16MOR BRANCH TEE-9/16MJIC
6	1	701626	ASSY, PARK BRAKE CNTRL-REDUC/RELIEVE



LADDER CYLINDER ASSEMBLY			
DET	QTY	P/N	DESCRIPTION
1	1	362036	SAE 6 BRASS BREATHER
2	1	617534	06-451TC-06FJX-06FJX90-31 H/A
3	1	618119	9/16MJIC-90-9/16MOR LBO
4	1	618733	9/16JIC .042 ORIFICE ADPTR
5	1	621554	HYD CYL, 1.50" X 12.25" X 0.75"
6	2	900267	1/2UNC X 2" HEX BOLT
7	2	914015	1/2-13UNC CTRLK FLG NUT MC GR5

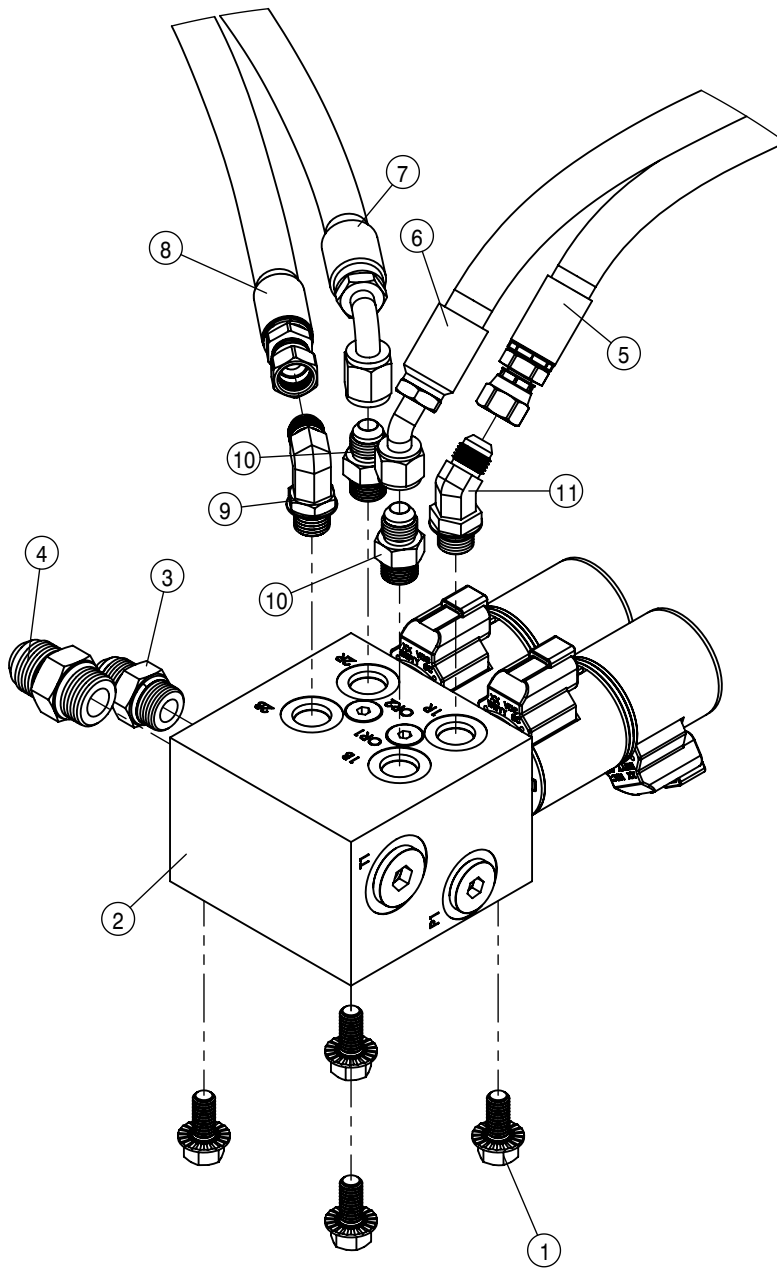


REAR TREAD ADJUST HYDRAULIC VALVE ASSEMBLY			
DET	QTY	P/N	DESCRIPTION
1	1	606540	TREAD ADJ VLV,STS PWRSYS 14
2	1	617098	06-451TC-06FJX-08FJX90-13 H/A
3	1	618440	9/16MJIC-90-9/16MOR EX LG LBO
4	4	618473	7/16MJIC-90-7/16MOR LBO
5	2	618754	9/16 MOR PLUG, HEX SOCKET
6	1	618832	7/8MJIC-9/16MOR ADPTR
7	2	900486	5/16UNC X 3/4 HHSFB SS

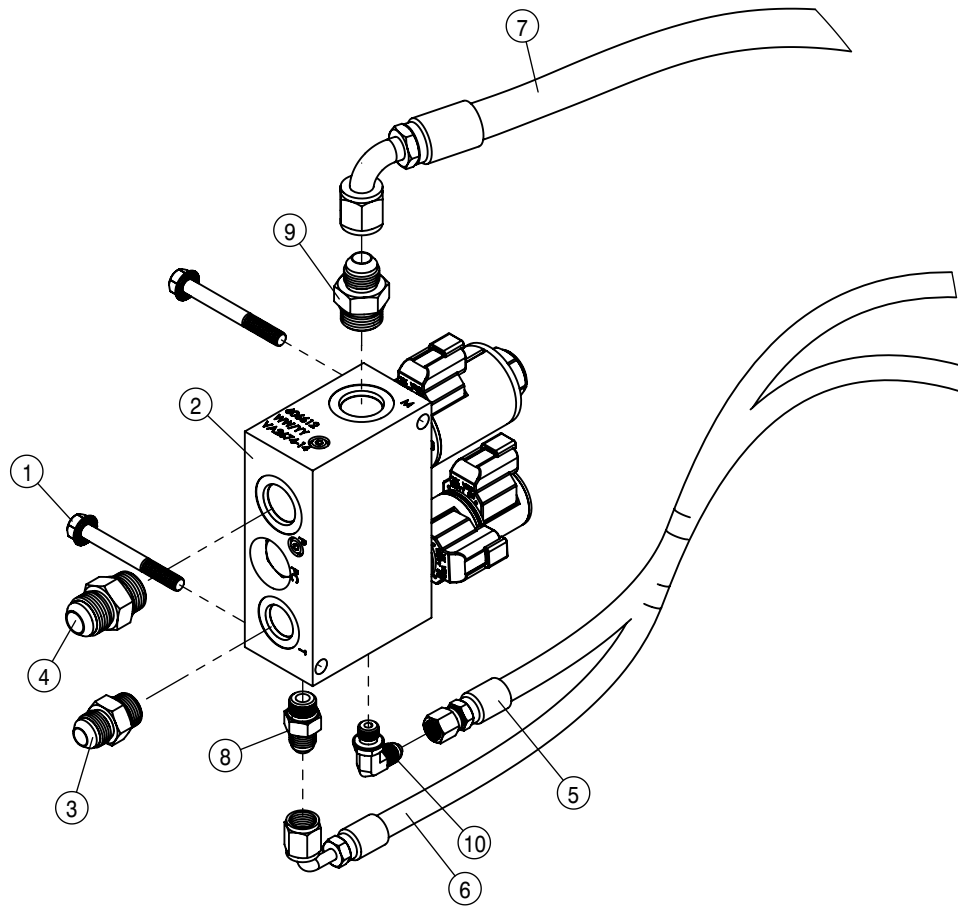


DETAIL A

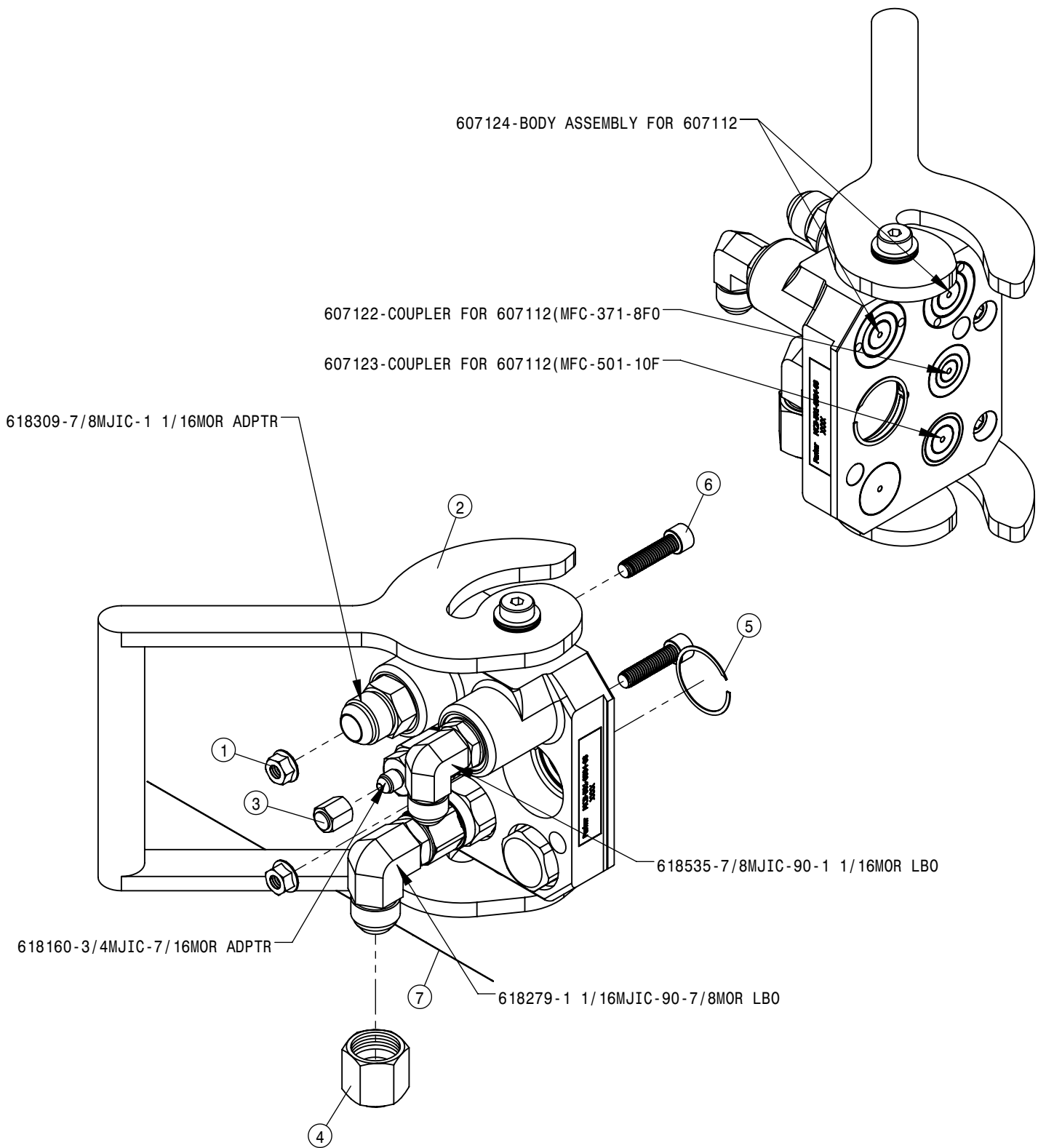
AUTO-PHASING HYDRAULIC VALVE ASSEMBLY			
DET	QTY	P/N	DESCRIPTION
1	2	470233	5/16UNC X 3/4 HHSFB GR5 MC
2	1	616599	06-451TC-06FJX-08FJX90-62 H/A
3	1	617099	06-451TC-06FJX-08FJX-18
4	1	617210	04-451TC-04FJX-08FJX-78 H/A
5	1	617513	PROP. MULTIFUNCTION BLOCK
6	1	618119	9/16MJIC-90-9/16MOR LBO
7	1	618126	9/16MJIC-9/16MOR ADPTR
8	1	618160	3/4MJIC-7/16MOR ADPTR
9	1	618328	7/8FJIC CAP NUT
10	4	618363	7/16FJIC CAP NUT
11	1	618440	9/16MJIC-90-9/16MOR EX LG LBO
12	1	618451	3/4FJIC SW RUN TEE-3/4MJIC
13	5	618473	7/16MJIC-90-7/16MOR LBO
14	1	618531	9/16FJIC CAP NUT
15	1	618532	3/4FJIC CAP NUT
16	2	618754	9/16 MOR PLUG, HEX SOCKET
17	1	618832	7/8MJIC-9/16MOR ADPTR
18	1	619025	7/16MOR DIAG FITTING



ALL WHEEL STEER HYDRAULIC VALVE ASSEMBLY			
DET	QTY	P/N	DESCRIPTION
1	4	470409	3/8UNC X 3/4 HHSFB GR5 MC
2	1	606542	AWS VLV, STS PWRSYS 14
3	1	611125	3/4MJIC-3/4MOR ADPTR
4	1	611126	7/8MJIC-7/8MOR ADPTR
5	1	617495	06-451TC-06FJX-06FJX-104 H/A
6	1	617496	06-451TC-08FJX-06FJX45-108 H/A
7	1	617497	06-451TC-06FJX-06FJX90-143 H/A
8	1	617498	06-451TC-06FJX-08FJX-139 H/A
9	1	618119	9/16MJIC-90-9/16MOR LBO
10	2	618126	9/16MJIC-9/16MOR ADPTR
11	1	618425	9/16MJIC-45-9/16MOR LBO

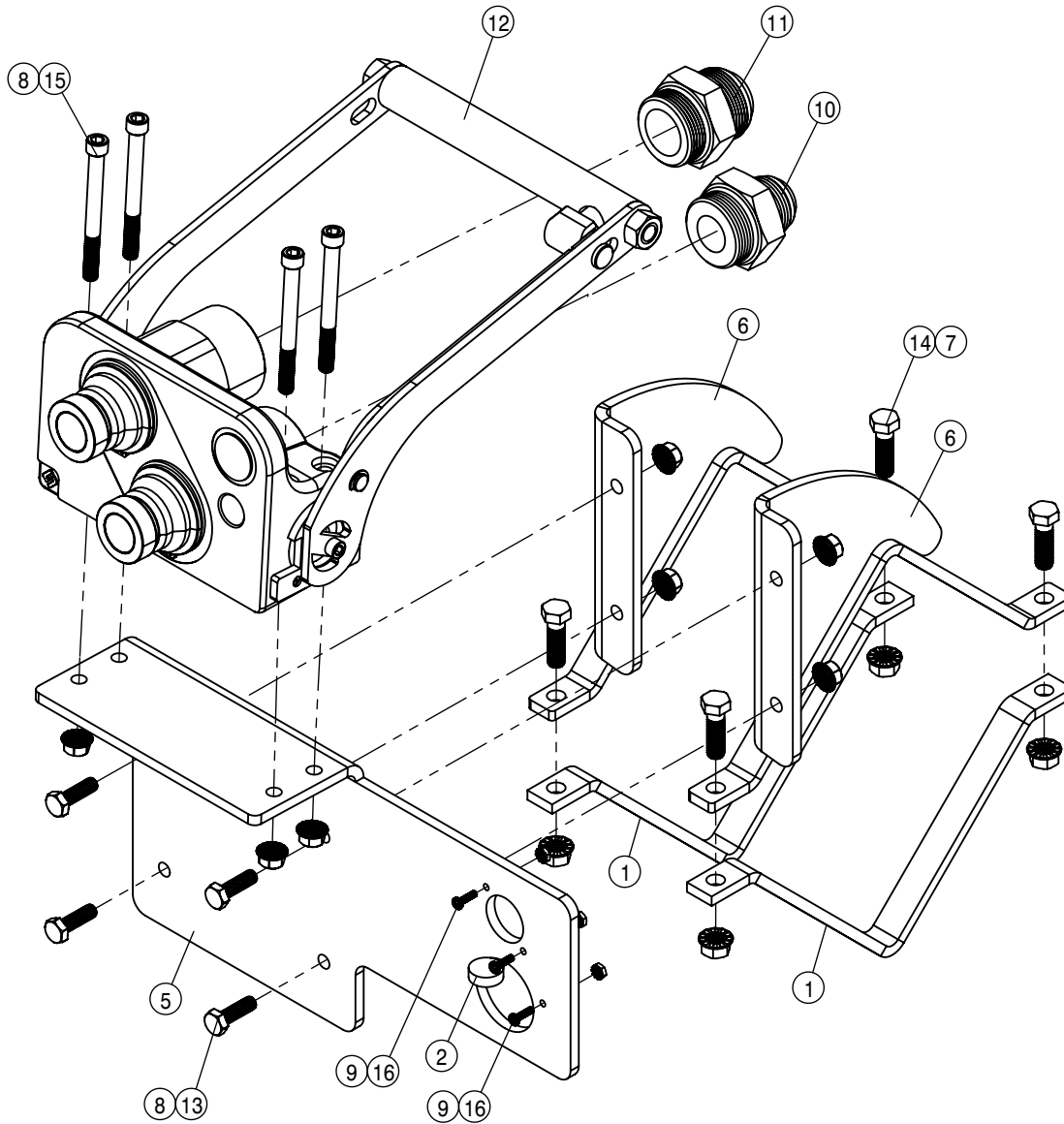


SIDE FILL SWITCH BOX ASSEMBLY			
DET	QTY	P/N	DESCRIPTION
1	2	470669	5/16UNC X 2 3/4 FLANG HEX BOLT
2	1	606612	SIDE FILL VLV ASSY STS'16
3	1	611125	3/4MJIC-3/4MOR ADPTR
4	1	611126	7/8MJIC-7/8MOR ADPTR
5	1	617389	04-451TC-04FJX-04FJX-111 H/A
6	1	617390	04-451TC-06FJX-06FJX90-100 H/A
7	1	617480	08-451TC-08FJX-08FJX90-127 H/A
8	1	618126	9/16MJIC-9/16MOR ADPTR
9	1	618327	3/4MJIC-7/8MOR ADPTR
10	1	618473	7/16MJIC-90-7/16MOR LBO

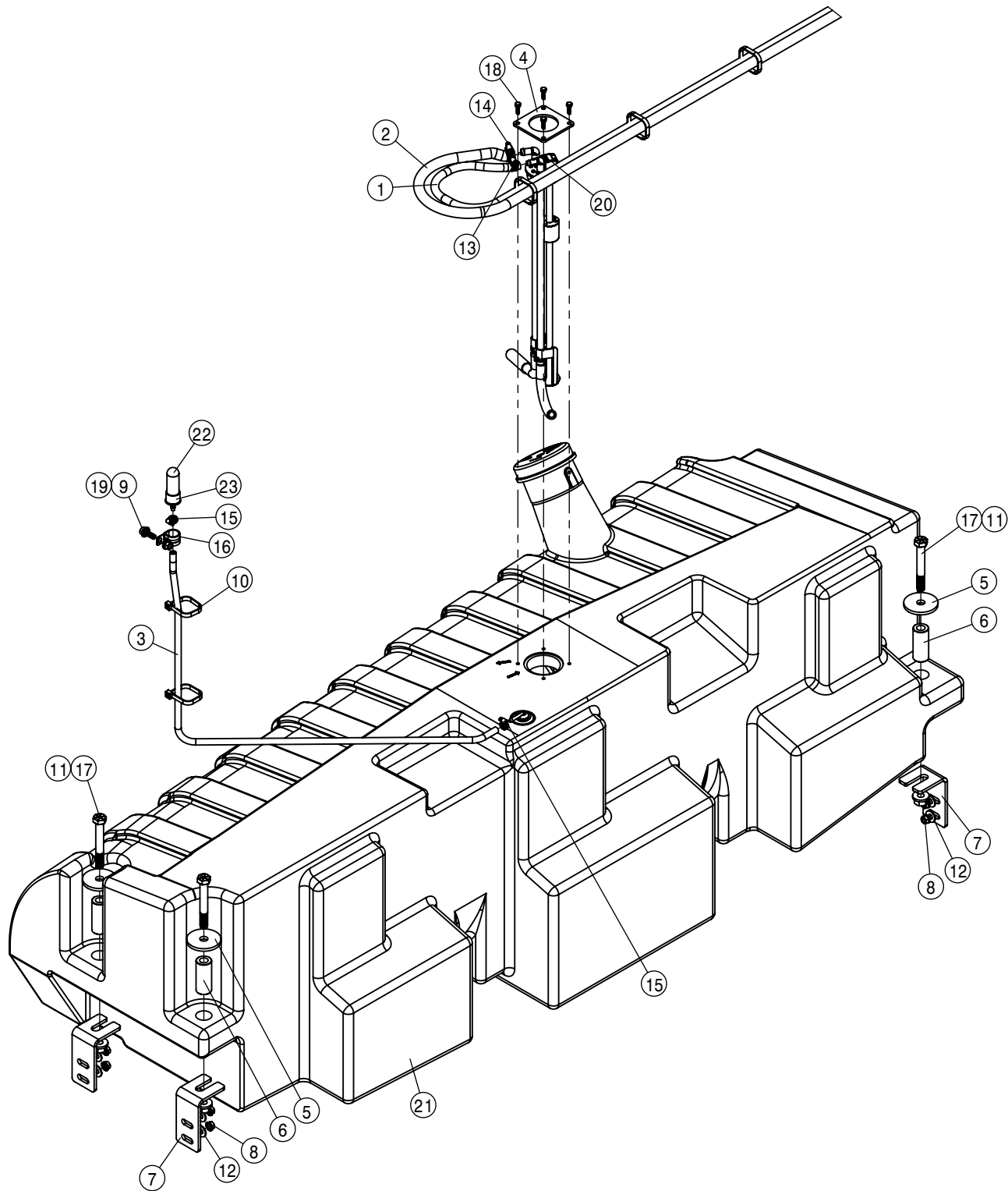


BOOM HYDRAULIC QUICK COUPLER ASSEMBLY			
DET	QTY	P/N	DESCRIPTION
	1	2	470087 3/8UNC HEX SERR FLANGE NUT
	2	1	607112 FIX HALF COUPLER ASSY
	3	1	618363 7/16FJIC CAP NUT
	4	1	618533 1 1/16FJIC CAP NUT
	5	1	629547 VS-150-S16 RETAINING RING
	6	2	900174 3/8UNC x 1 1/2" SOC HD CAP SCR
	7	1	HXE28534 LABEL, HYDRAULIC ENGLISH

COMBO OPTION QUICK ATTACH

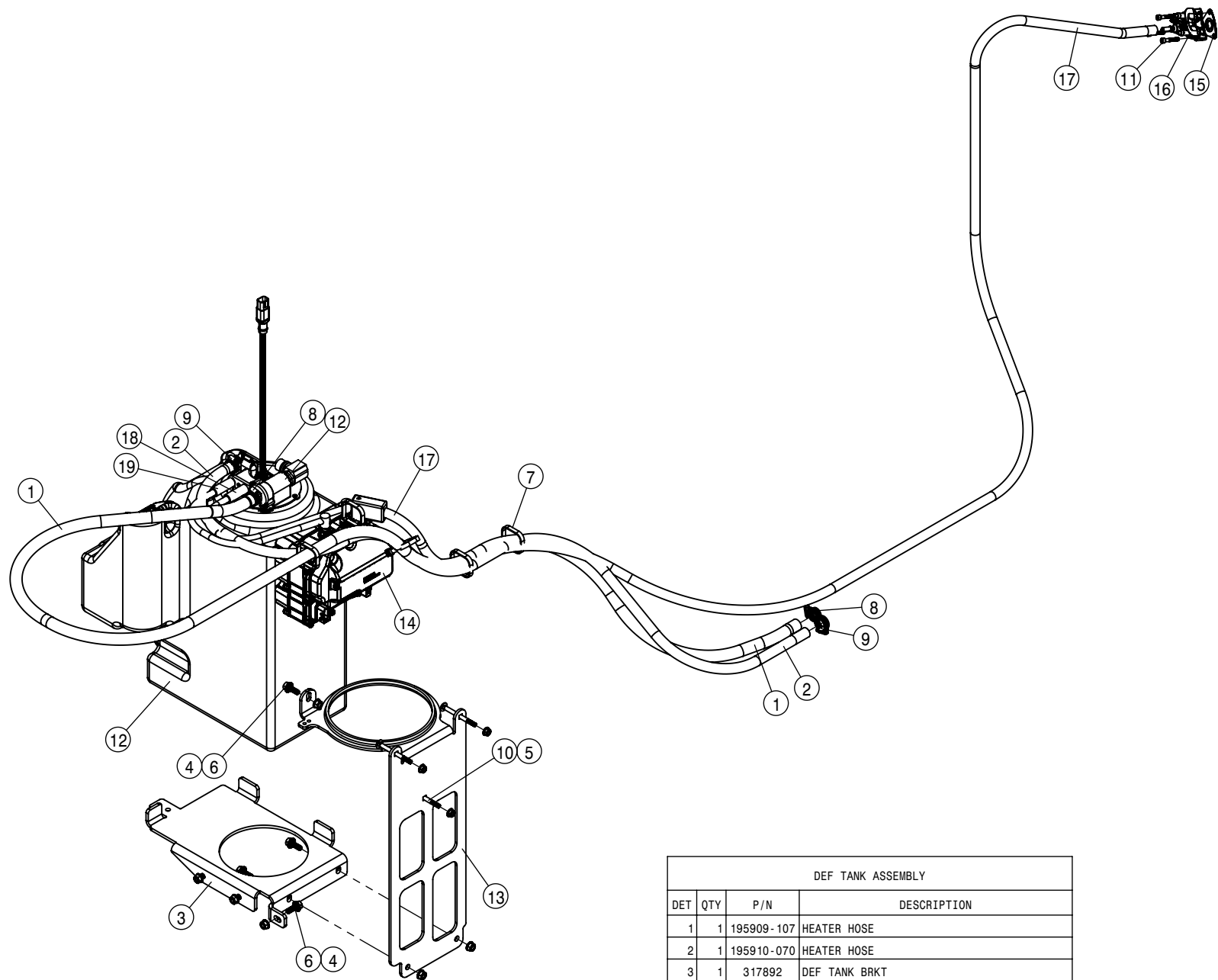


COMBO OPTION HYDRAULIC QUICK COUPLER ASSEMBLY			
DET	QTY	P/N	DESCRIPTION
1	2	003078	RECEPT MTG BRKT, PAINTED STS 07
2	1	291754	AMP CAP, 17 SHELL
NS	1	293866	POWER HARNESS, MAIN STSC 05
NS	1	294047	STS COMBO CHASSIS TO BAR HARNESS
5	1	362043	SOLUTION COMBO MOUNT
6	2	362047	RECEPT SCM BRKT WLD LFT
7	4	470087	3/8UNC HEX SERR FLANGE NUT
8	8	470113	5/16UNC SERR FLG LOCK NUT
9	3	470467	6-32 KEP NUT
10	1	618455	1 5/16MJIC-1 5/8 MOR ADPTR
11	1	618472	1 5/8MJIC-1 5/8MOR ADPTR
12	1	618877	COMBO MULT CPLR MACHINE
13	4	900065	5/16UNC X 1" HEX BOLT
14	4	900127	3/8UNC X 1 1/4 HEX BOLT
15	4	900175	5/16UNC X 3 1/4 SKT HD CAP SCR
16	3	903812	6-32 X 1/2 PHIL PAN MACH SCR

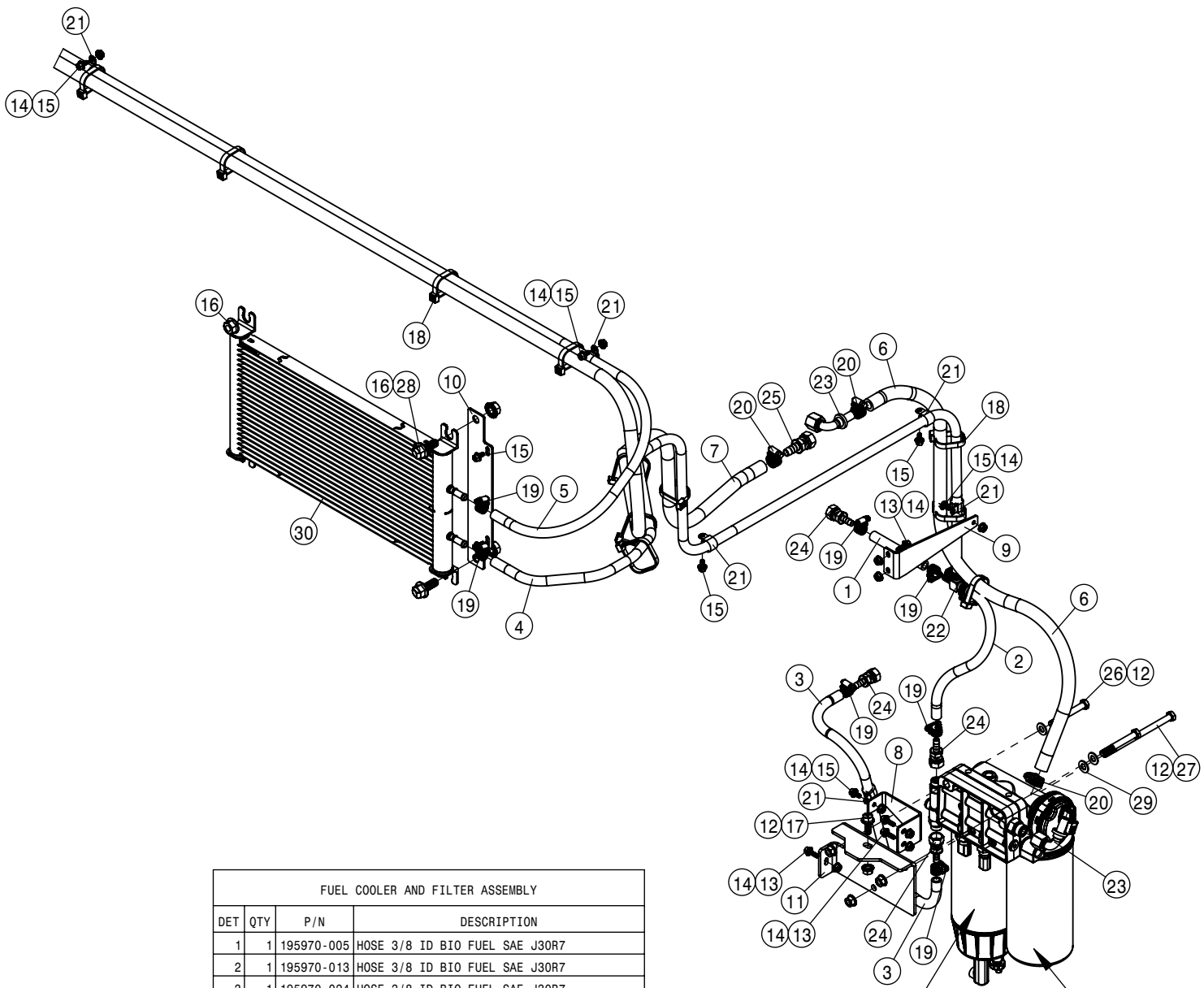


FUEL TANK ASSEMBLY			
DET	QTY	P/N	DESCRIPTION
1	1	195970-269	HOSE 3/3 ID B10 FUEL SAE J30R7
2	1	195971-305	1/2" FUEL HOSE
3	1	195978-045	1/4" FUEL HOSE
4	1	317890	FUEL SENDER PLT
5	4	317957	WASHER 2.750D x .66ID x .25
6	4	317959	SPACER .69ID x 1.250D x 2.93
7	4	317960	FUEL TANK BRKT
8	8	470087	3/8-16UNC HEX FLG NUT SER MC GR5
9	1	470460	3/8UNC X 1 HHSFB GR5 MC
10	10	470555	.345 X 15" CABLE TIE-UV BLACK
11	4	470682	5/8-11UNC CTRLK FLG NUT MC GR5
12	8	483043	USS FLAT WASHER 3/8 MC

FUEL TANK ASSEMBLY			
DET	QTY	P/N	DESCRIPTION
13	1	520070	HOSE CLAMP NO 8 STAINLESS
14	1	520080	HOSE CLAMP NO 10 STAINLESS
15	2	520120	HOSE CLAMP NO 4 STAINLESS
16	1	520121	CUSH CLAMP,#16 1IN X 3/4W
17	4	900847	5/8UNC X 4 1/2 HHCS GR8 MC
18	4	910096	6MM-1.00 X 20MM HEX BOLT SS
19	1	910106	3/8-16UNC CTRLK FLG NUT MC GR5
20	1	AKK12119	FUEL LEVEL SENDER
21	1	AKK19916	FUEL TANK ASSY
22	1	H216169	BREATHER FUEL TANK
23	1	H217849	FITTING RDCR FEM PIP TO M BARB



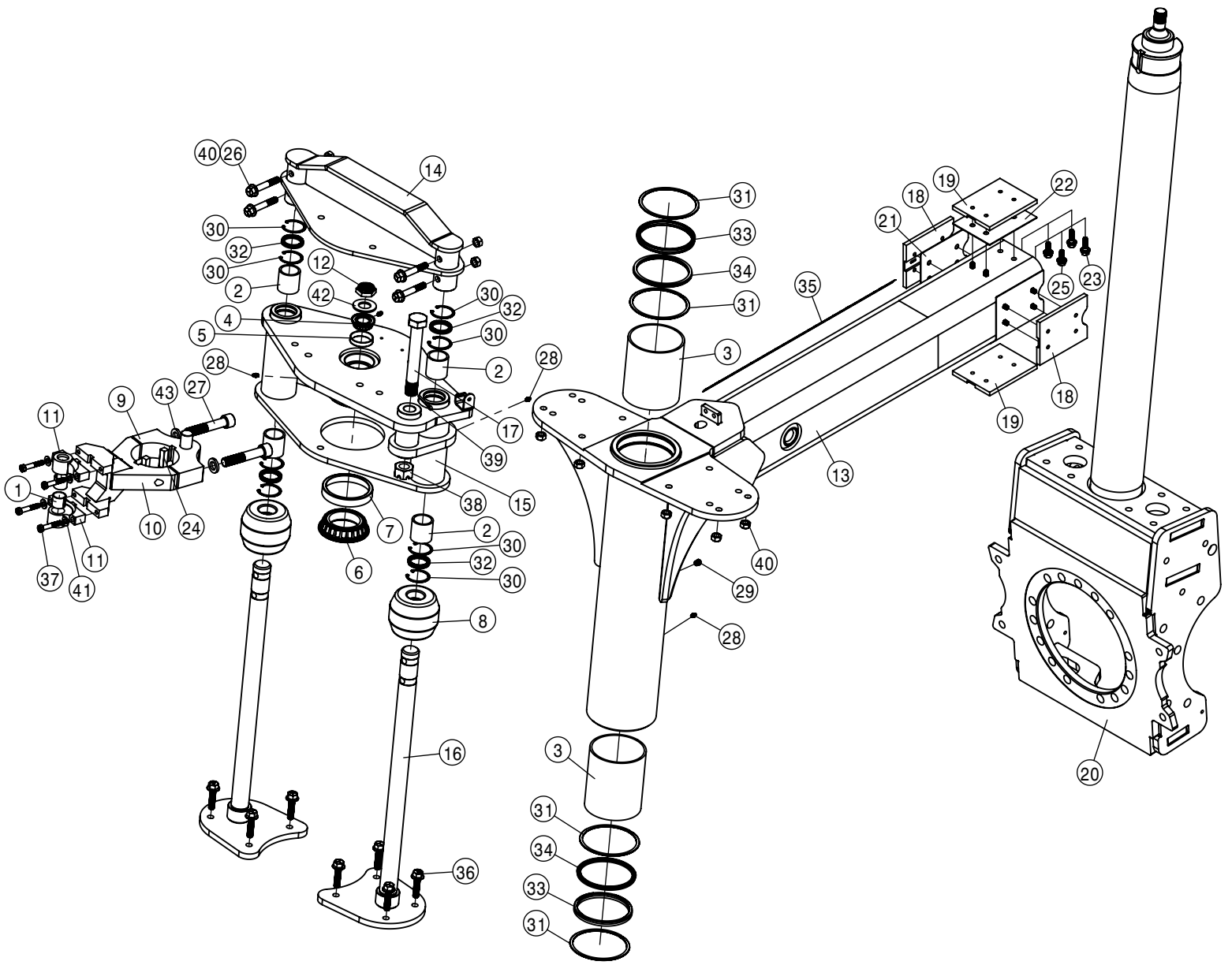
DEF TANK ASSEMBLY			
DET	QTY	P/N	DESCRIPTION
1	1	195909-107	HEATER HOSE
2	1	195910-070	HEATER HOSE
3	1	317892	DEF TANK BRKT
4	6	470087	3/8-16UNC HEX FLG NUT SER MC GR5
5	3	470113	5/16-18UNC HEX FLG NUT SER MC GR5
6	6	470460	3/8UNC X 1 HHSFB GR5 MC
7	5	470555	.345 X 15" CABLE TIE-UV BLACK
8	2	520055	HOSE CLAMP NO 12 STAINLESS
9	2	520080	HOSE CLAMP NO 10 STAINLESS
10	3	901075	5/16-18 UNC X 3 1/2 RHSQNB GR5 MC
11	3	910043	M6 - 1.0 X 35MM SHCS MC
12	1	AKK18495	TANK DEF
13	1	kk22235	DEF TANK BRKT
14	1	RE552175	DEF DOSING UNIT PUMP
15	1	RE556879	GASKET, DANA, 3 LAYER
16	1	RE560468	DEF INJECTION NOZZLE, 6 HOLES
17	1	RE560898	DEF PRESSURE LINE
18	1	RE560899	DEF BACKFLOW LINE - 500MM
19	1	RE560901	TAB-ZSB SCR JD 90DEG/STR 8X1



FUEL COOLER AND FILTER ASSEMBLY			
DET	QTY	P/N	DESCRIPTION
1	1	195970-005	HOSE 3/8 ID BIO FUEL SAE J30R7
2	1	195970-013	HOSE 3/8 ID BIO FUEL SAE J30R7
3	1	195970-024	HOSE 3/8 ID BIO FUEL SAE J30R7
4	1	195970-080	HOSE 3/8 ID B10 FUEL SAE J30R7
5	1	195970-269	HOSE 3/3 ID B10 FUEL SAE J30R7
6	1	195971-036	1/2" FUEL HOSE
7	1	195971-305	1/2" FUEL HOSE
8	1	317888	FUEL HOSE BRKT
9	1	317889	FUEL HOSE BRKT
10	1	317891	FUEL COOLER BRKT
11	1	317992	REMOTE FUEL FILTER BRKT
12	4	470087	3/8-16UNC HEX FLG NUT SER MC GR5
13	5	470118	1/4UNC X 3/4 HHSFB GR5 MC
14	9	470121	1/4-20UNC HEX FLG NUT SER MC GR5
15	8	470122	1/4UNC X 1/2 HHSFB GR5 MC
16	3	470360	1/2-13UNC HEX FLG NUT SER MC GR5
17	1	470460	3/8UNC X 1 HHSFB GR5 MC
18	11	470555	.345 X 15" CABLE TIE-UV BLACK
19	9	520070	HOSE CLAMP NO 8 STAINLESS
20	3	520080	HOSE CLAMP NO 10 STAINLESS
21	6	520117	CUSH HOSE CLAMP,#10, 5/8D X 1/2W
22	1	619032	TEE FITTING 3/8" HOSE BARB SS
23	2	619033	8 FORFS to 1/2" Barb, 90 deg
24	4	619034	6 FORFS to 3/8" BARB, STRAIGHT
25	1	619036	8 ORFS TO 1/2" BARB, STRAIGHT
26	2	900136	3/8UNC X 3 HHCS GR5 MC
27	1	900147	3/8UNC X 6 HHCS GR5 MC
28	2	900517	1/2UNC X 1 1/4 HHSFB GR5 MC
29	3	920002	SAE FLAT WASHER 3/8 MC
30	1	at376261	FUEL COOLER

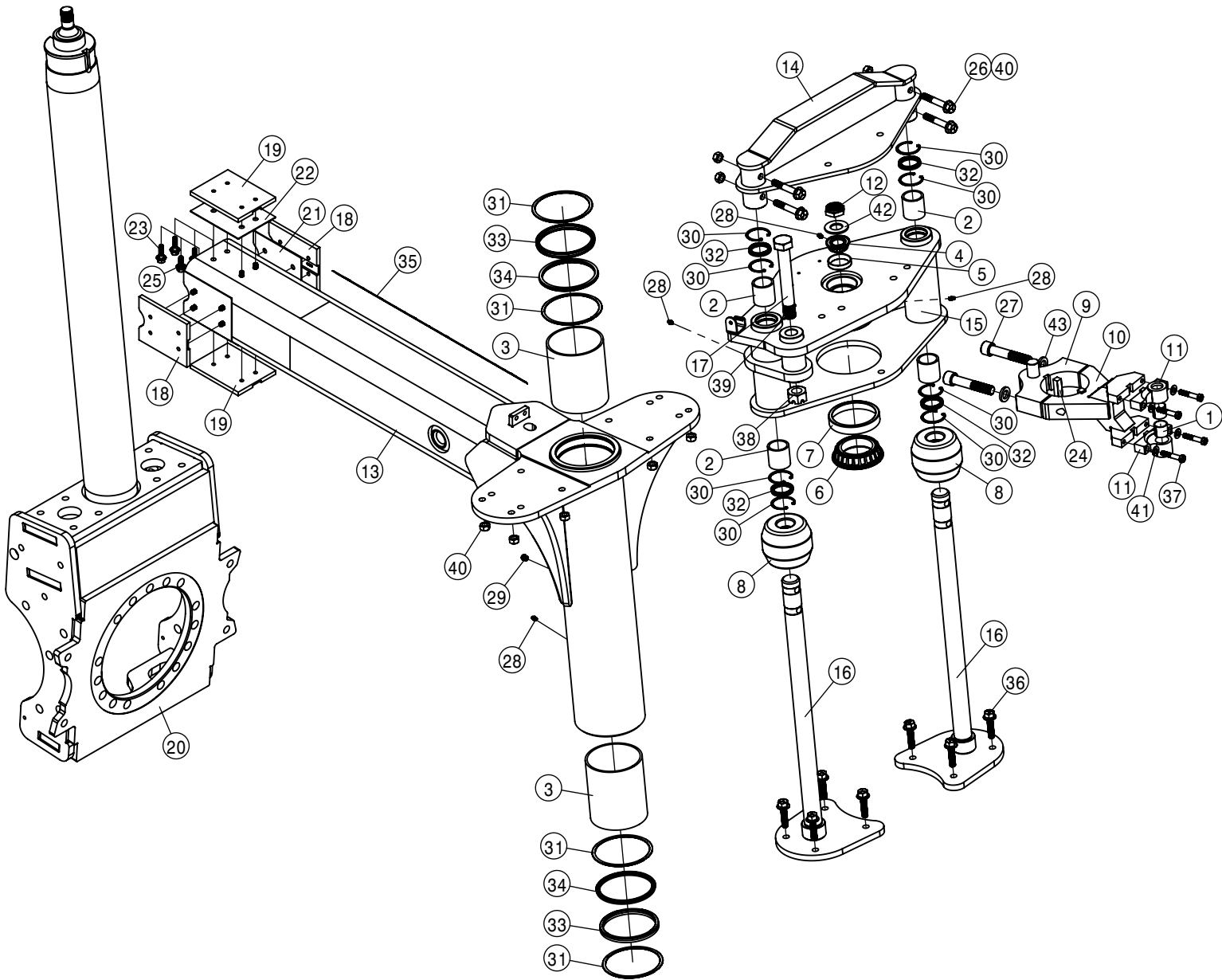
RE533911-FILTER ELEMENT, FUEL FILTER

RE539465-FILTER ELEMENT, PRIMARY



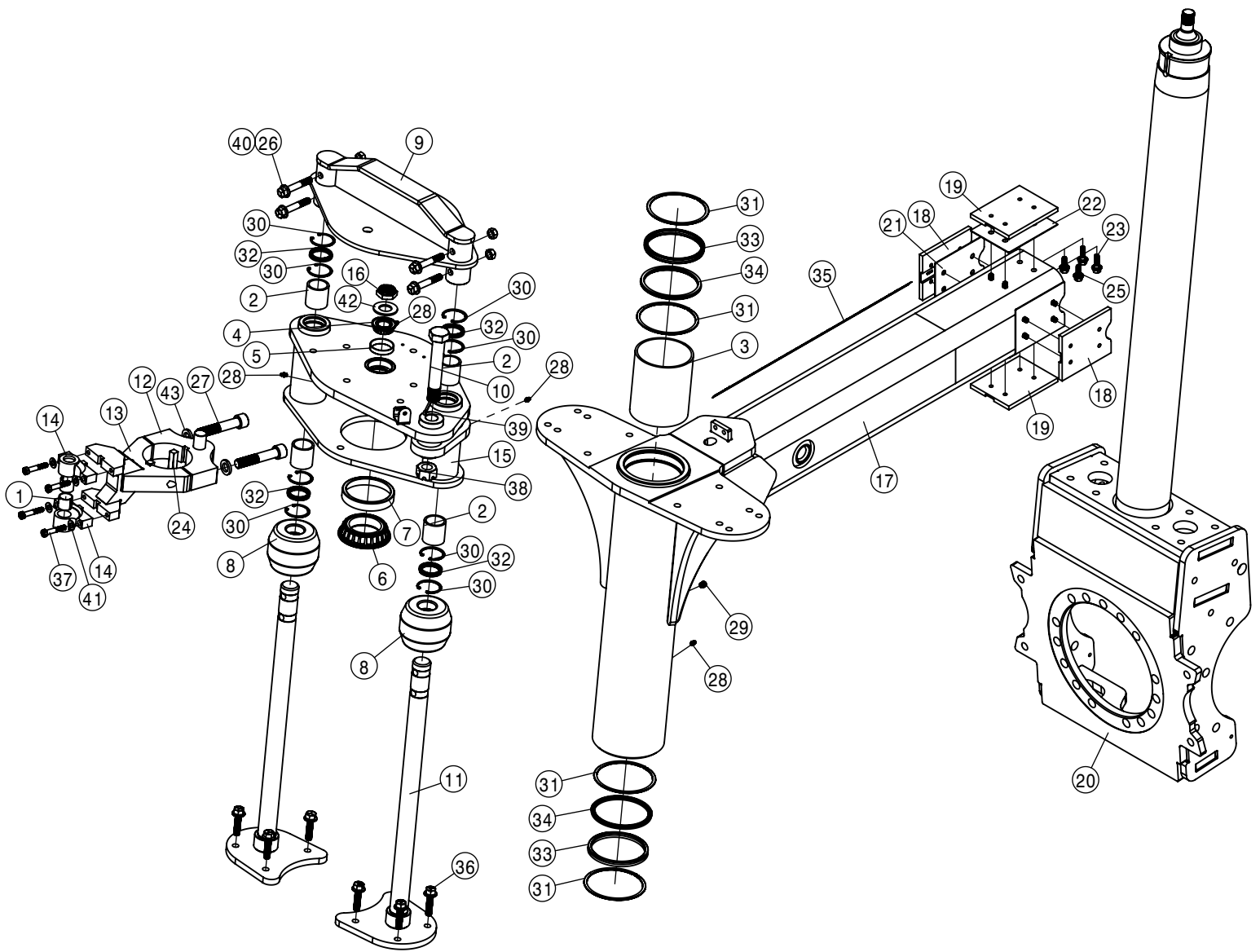
RIGHT FRONT LEG ASSEMBLY				
DET	QTY	P/N	DESCRIPTION	
1	2	121029	JOURNAL BRG, 1.00 ID x 1.00 LG	
2	4	121113	TOWER SLEEVE BRG (POLYGON) 05	
3	2	121125	BEARING-POLY 4.50 ID X 5.74 LG	
4	1	125050	BRG CONE, 1.00 ID W/FACE SEAL	
5	1	125051	BRG CUP FOR 125050	
6	1	125052	BRG CONE, 2.687 ID W/FACE SEAL	
7	1	125053	BRG CUP FOR 125052	
8	2	311058	RUBBER SPRING	
9	1	359683	STEERING ARM WLDMT-STS	
10	1	359684	STEERING TRUN MNT WLD - STS	
11	2	359687	TRUNNION-STEERING CYLINDER	
12	1	360561	1-14 UNS THIN HEX NUT LCK	
13	1	360718	OTR LEG WLD STS	
14	1	360780	AIR BAG TOWER TOP MT WLD	
15	1	360786	RH AIR BAG LWR PLT WLD	
16	2	360795	NITRO TOWER WLD	
17	1	360797	STRG CYL BOLT	
18	2	360852	TRD ADJ BRONZE BEARING, TAPPED	
19	2	360853	TRD ADJ BRONZE BEARING, TAPPED	
20	1	360861	INR LEG WLD-STS, SDS LEG	
21	2	360864	NOTCHED SHIM - TRD ADJ BEARING	
22	2	360865	SHIM - TRD ADJ BEARING	

RIGHT FRONT LEG ASSEMBLY				
DET	QTY	P/N	DESCRIPTION	
23	16	470329	3/8UNC X 1 1/4 HHSFB GR5 MC	
24	2	470447	KEY .50 SQ X 1.69 LONG	
25	16	470460	3/8UNC X 1 HHSFB GR5 MC	
26	4	470461	1/2UNC X 3 HHSFB GR5 MC	
27	2	470904	3/4UNC X 4" SOC HD CAP SCR GR8	
28	4	471005	GREASE ZERK, 1/4-28 X 1/2	
29	1	471030	PRESSURE RELIEF VALVE-GREASE 45-80 PSI	
30	8	629537	187RRH00Z SNAP RING	
31	4	629538	4.5 SPIROLOX RING	
32	4	629620	SEAL, 1.500 ROD DIA	
33	2	629621	SEAL, 4.500 ROD DIA	
34	2	629625	SEAL, 4.500 ROD DIA	
35	1	650486	DECAL,TREAD ADJ INDICATOR DTS	
36	8	900519	1/2UNC X 2 HHSFB GR5 MC FT	
37	4	900821	3/8UNF X 2 HHCS GR8 MC	
38	1	910020	1-8UNC HEX SLTTD NUT MC GR5	
39	1	910120	3/16 X 1 3/4 COTTER PIN SS	
40	12	914008	1/2-13UNC STOVER NUT MC GR5	
41	4	920002	SAE FLAT WASHER 3/8 MC	
42	1	920008	1" SAE FLAT WASHER	
43	2	920506	HLOCK WASHER 3/4 MC	



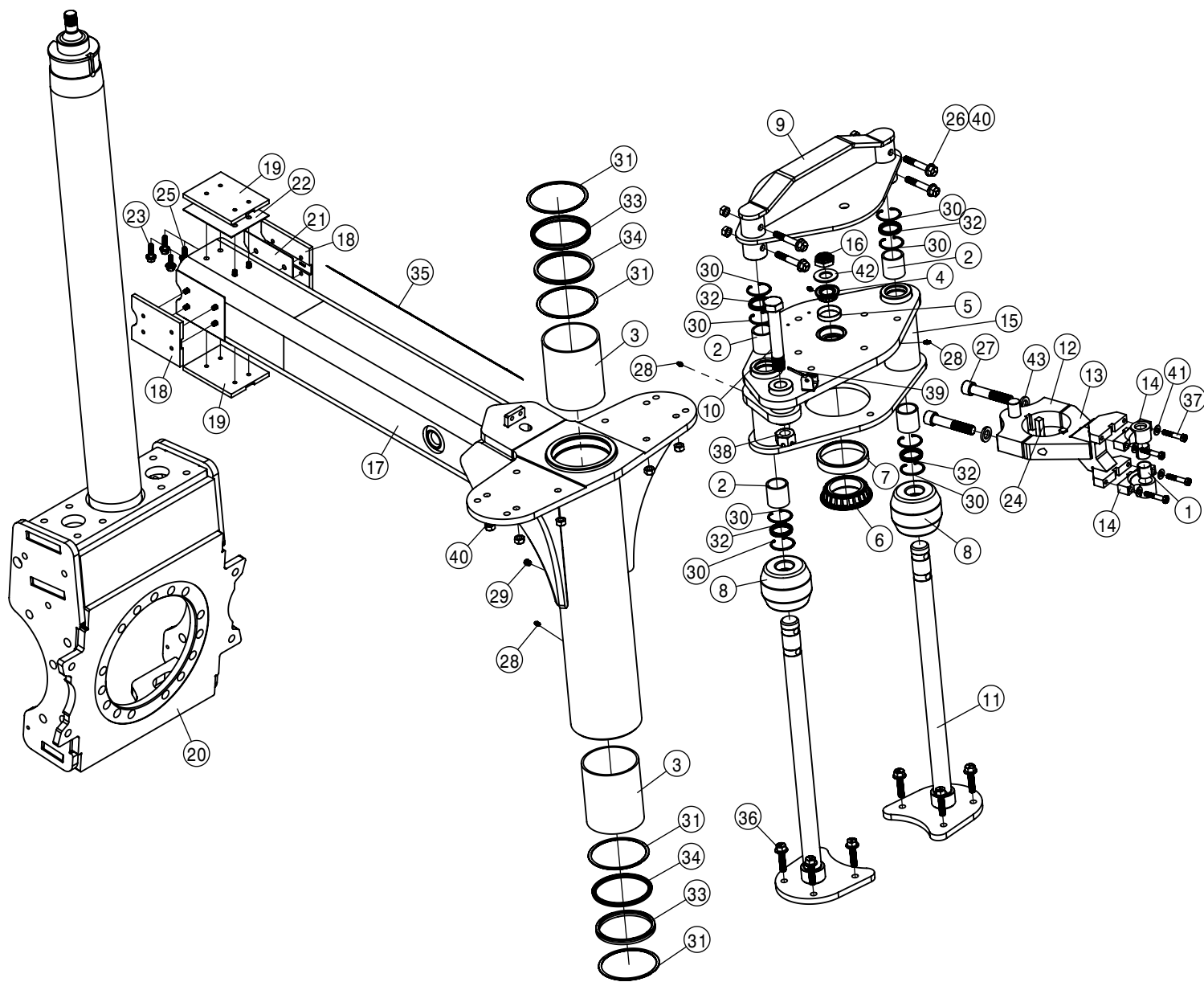
LEFT FRONT LEG ASSEMBLY			
DET	QTY	P/N	DESCRIPTION
1	2	121029	JOURNAL BRG, 1.00 ID x 1.00 LG
2	4	121113	TOWER SLEEVE BRG (POLYGON) 05
3	2	121125	BEARING-POLY 4.50 ID X 5.74 LG
4	1	125050	BRG CONE, 1.00 ID W/FACE SEAL
5	1	125051	BRG CUP FOR 125050
6	1	125052	BRG CONE, 2.687 ID W/FACE SEAL
7	1	125053	BRG CUP FOR 125052
8	2	311058	RUBBER SPRING
9	1	359683	STEERING ARM WLDMT-STS
10	1	359684	STEERING TRUN MNT WLD - STS
11	2	359687	TRUNNION-STEERING CYLINDER
12	1	360561	1-14 UNS THIN HEX NUT LCK
13	1	360718	OTR LEG WLD STS
14	1	360780	AIR BAG TOWER TOP MT WLD
15	1	360785	LH AIR BAG LWR PLT WLD
16	2	360795	NITRO TOWER WLD
17	1	360797	STRG CYL BOLT
18	2	360852	TRD ADJ BRONZE BEARING, TAPPED
19	2	360853	TRD ADJ BRONZE BEARING, TAPPED
20	1	360861	INR LEG WLD-STS, SDS LEG
21	2	360864	NOTCHED SHIM - TRD ADJ BEARING
22	2	360865	SHIM - TRD ADJ BEARING

LEFT FRONT LEG ASSEMBLY			
DET	QTY	P/N	DESCRIPTION
23	16	470329	3/8UNC X 1 1/4 HHSFB GR5 MC
24	2	470447	KEY .50 SQ X 1.69 LONG
25	16	470460	3/8UNC X 1 HHSFB GR5 MC
26	4	470461	1/2UNC X 3 HHSFB GR5 MC
27	2	470904	3/4UNC X 4" SOC HD CAP SCR GR8
28	4	471005	GREASE ZERK, 1/4-28 X 1/2
29	1	471030	PRESSURE RELIEF VALVE-GREASE 45-80 PSI
30	8	629537	187RRHOOZ SNAP RING
31	4	629538	4.5 SPIROLOX RING
32	4	629620	SEAL, 1.500 ROD DIA
33	2	629621	SEAL, 4.500 ROD DIA
34	2	629625	SEAL, 4.500 ROD DIA
35	1	650486	DECAL,TREAD ADJ INDICATOR DTS
36	8	900519	1/2UNC X 2 HHSFB GR5 MC FT
37	4	900821	3/8UNF X 2 HHCS GR8 MC
38	1	910020	1-8UNC HEX SLTTD NUT MC GR5
39	1	910120	3/16 X 1 3/4 COTTER PIN SS
40	12	914008	1/2-13UNC STOVER NUT MC GR5
41	4	920002	SAE FLAT WASHER 3/8 MC
42	1	920008	1" SAE FLAT WASHER
43	2	920506	HLOCK WASHER 3/4 MC



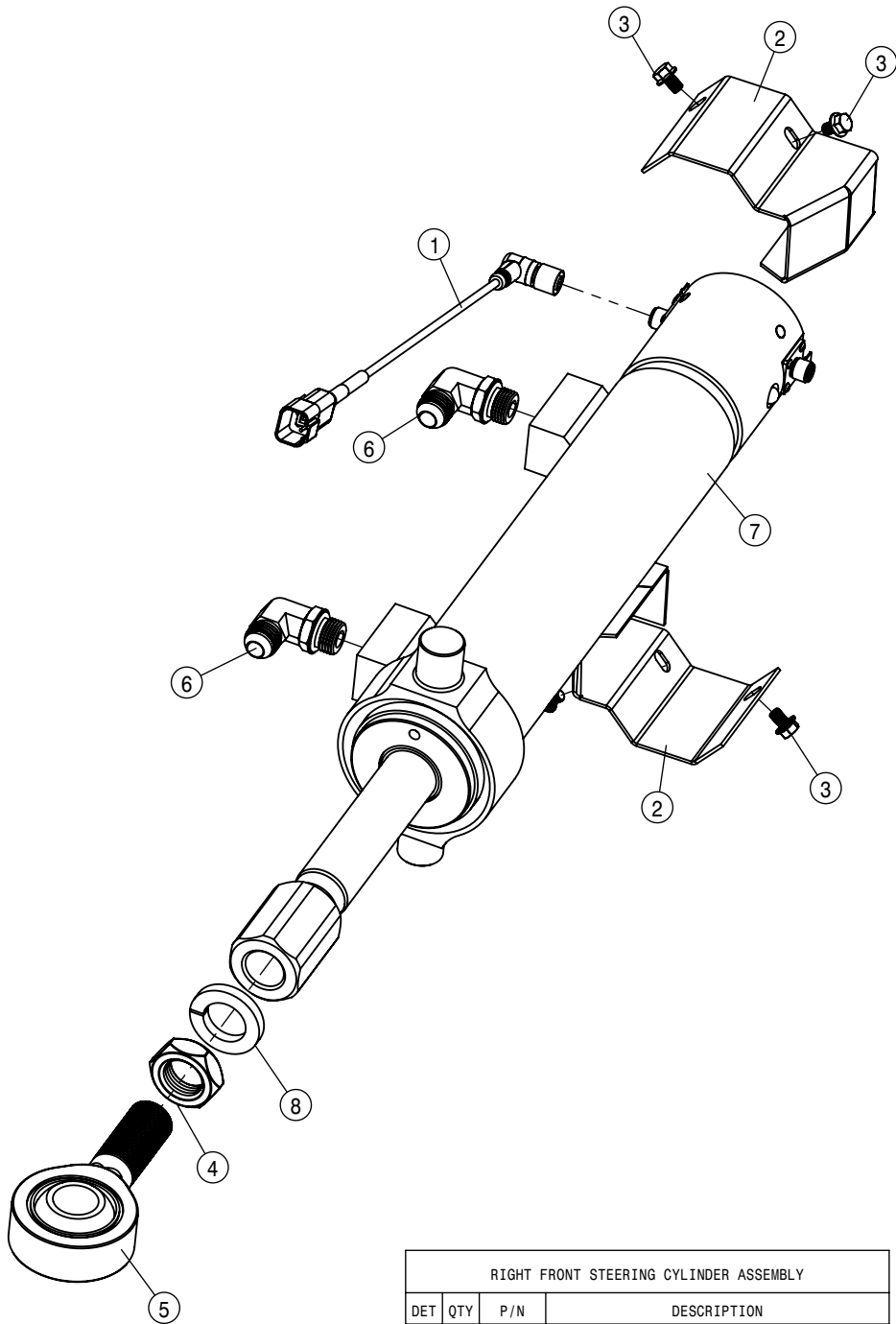
RIGHT REAR LEG ASSEMBLY			
DET	QTY	P/N	DESCRIPTION
1	2	121029	JOURNAL BRG, 1.00 ID x 1.00 LG
2	4	121113	TOWER SLEEVE BRG (POLYGON) 05
3	2	121125	BEARING-POLY 4.50 ID X 5.74 LG
4	1	125050	BRG CONE, 1.00 ID W/FACE SEAL
5	1	125051	BRG CUP FOR 125050
6	1	125052	BRG CONE, 2.687 ID W/FACE SEAL
7	1	125053	BRG CUP FOR 125052
8	2	311058	RUBBER SPRING
9	1	359333	AIR BAG TOWER TOP MT WLD
10	1	359546	STRG CYL BOLT, STS AWS LRG 09
11	2	359654	NITRO TOWER WLD, STS AWS 13
12	1	359683	STEERING ARM WLDMT-STS
13	1	359684	STEERING TRUN MNT WLD - STS
14	2	359687	TRUNNION-STEERING CYLINDER
15	1	360148	RH AIR BAG LWR PLT WLD, STS 15
16	1	360561	1-14 UNS THIN HEX NUT LCK
17	1	360718	OTR LEG WLD STS
18	2	360852	TRD ADJ BRONZE BEARING, TAPPED
19	2	360853	TRD ADJ BRONZE BEARING, TAPPED
20	1	360861	INR LEG WLD-STS, SDS LEG
21	2	360864	NOTCHED SHIM - TRD ADJ BEARING
22	2	360865	SHIM - TRD ADJ BEARING

RIGHT REAR LEG ASSEMBLY			
DET	QTY	P/N	DESCRIPTION
23	16	470329	3/8UNC X 1 1/4 HHSFB GR5 MC
24	2	470447	KEY .50 SQ X 1.69 LONG
25	16	470460	3/8UNC X 1 HHSFB GR5 MC
26	4	470461	1/2UNC X 3 HHSFB GR5 MC
27	2	470904	3/4UNC X 4" SOC HD CAP SCR GR8
28	4	471005	GREASE ZERK, 1/4-28 X 1/2
29	1	471030	PRESSURE RELIEF VALVE-GREASE 45-80 PSI
30	8	629537	187RRH00Z SNAP RING
31	4	629538	4.5 SPIROLOX RING
32	4	629620	SEAL, 1.500 ROD DIA
33	2	629621	SEAL, 4.500 ROD DIA
34	2	629625	SEAL, 4.500 ROD DIA
35	1	650486	DECAL,TREAD ADJ INDICATOR DTS
36	8	900519	1/2UNC X 2 HHSFB GR5 MC FT
37	4	900821	3/8UNF X 2 HHCS GR8 MC
38	1	910020	1-8UNC HEX SLTTD NUT MC GR5
39	1	910120	3/16 X 1 3/4 COTTER PIN SS
40	12	914008	1/2-13UNC STOVER NUT MC GR5
41	4	920002	SAE FLAT WASHER 3/8 MC
42	1	920008	1" SAE FLAT WASHER
43	2	920506	HLOCK WASHER 3/4 MC

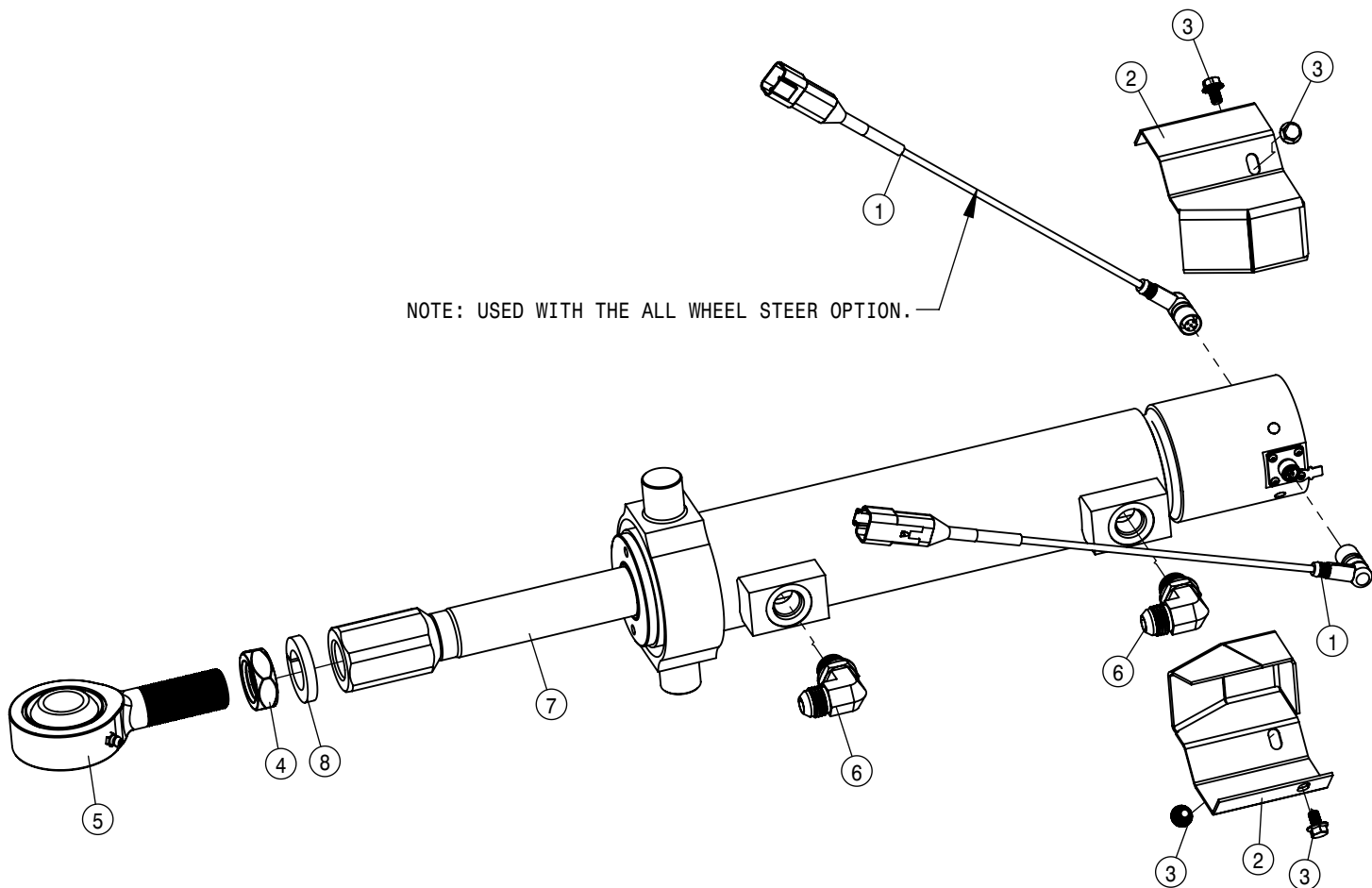


LEFT REAR LEG ASSEMBLY			
DET	QTY	P/N	DESCRIPTION
1	2	121029	JOURNAL BRG, 1.00 ID x 1.00 LG
2	4	121113	TOWER SLEEVE BRG (POLYGON) 05
3	2	121125	BEARING-POLY 4.50 ID X 5.74 LG
4	1	125050	BRG CONE, 1.00 ID W/FACE SEAL
5	1	125051	BRG CUP FOR 125050
6	1	125052	BRG CONE, 2.687 ID W/FACE SEAL
7	1	125053	BRG CUP FOR 125052
8	2	311058	RUBBER SPRING
9	1	359333	AIR BAG TOWER TOP MT WLD
10	1	359546	STRG CYL BOLT, STS AWS LRG 09
11	2	359654	NITRO TOWER WLD, STS AWS 13
12	1	359683	STEERING ARM WLDMT-STS
13	1	359684	STEERING TRUN MNT WLD - STS
14	2	359687	TRUNION-STEERING CYLINDER
15	1	360149	LH AIR BAG LWR PLT WLD, STS 15
16	1	360561	1-14 UNS THIN HEX NUT LCK
17	1	360718	OTR LEG WLD STS
18	2	360852	TRD ADJ BRONZE BEARING, TAPPED
19	2	360853	TRD ADJ BRONZE BEARING, TAPPED
20	1	360861	INR LEG WLD-STS, SDS LEG
21	2	360864	NOTCHED SHIM - TRD ADJ BEARING
22	2	360865	SHIM - TRD ADJ BEARING

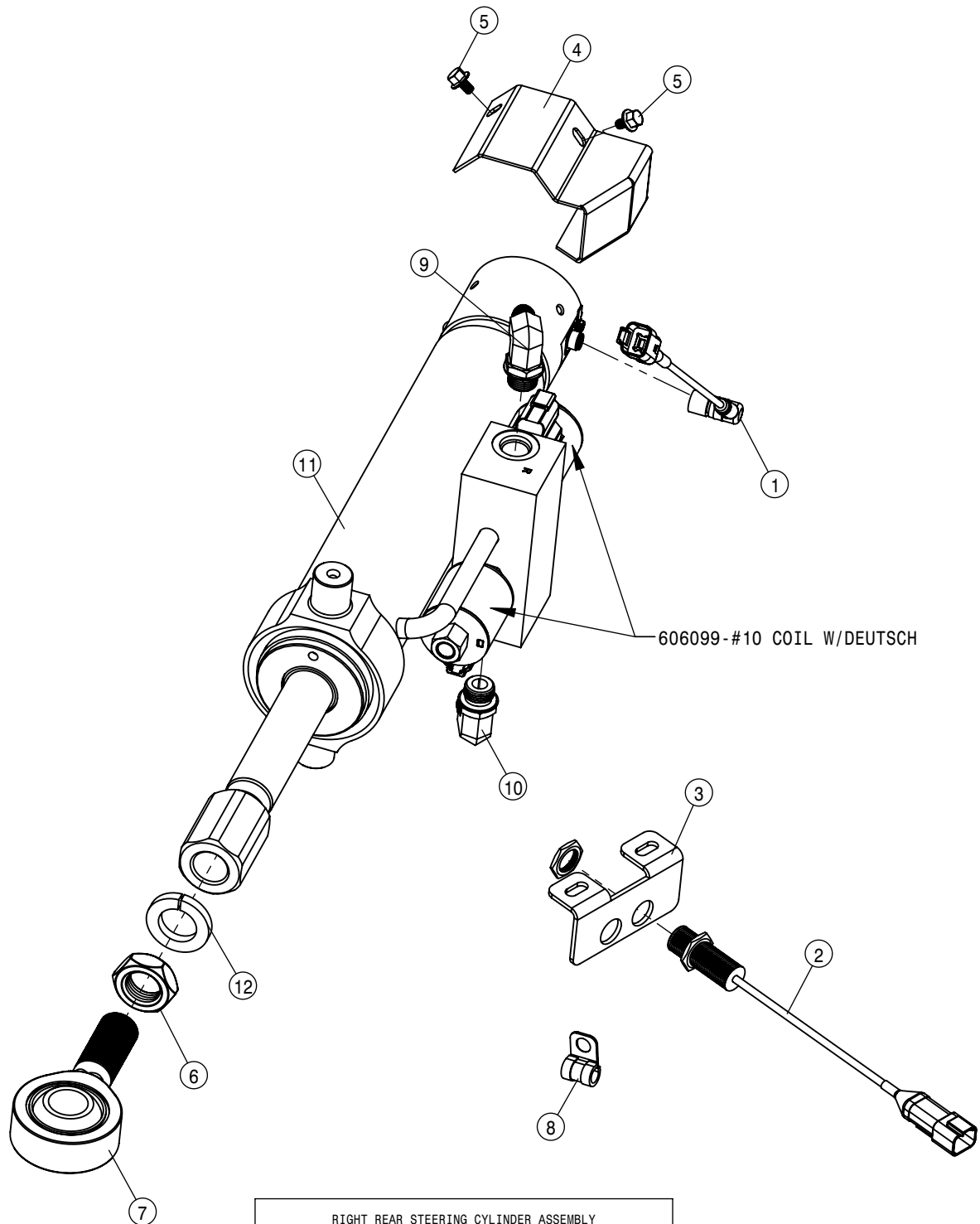
LEFT REAR LEG ASSEMBLY			
DET	QTY	P/N	DESCRIPTION
23	16	470329	3/8UNC X 1 1/4 HHSFB GR5 MC
24	2	470447	KEY .50 SQ X 1.69 LONG
25	16	470460	3/8UNC X 1 HHSFB GR5 MC
26	4	470461	1/2UNC X 3 HHSFB GR5 MC
27	2	470904	3/4UNC X 4" SOC HD CAP SCR GR8
28	4	471005	GREASE ZERK, 1/4-28 X 1/2
29	1	471030	PRESSURE RELIEF VALVE-GREASE 45-80 PSI
30	8	629537	187RRH00Z SNAP RING
31	4	629538	4.5 SPIROLOX RING
32	4	629620	SEAL, 1.500 ROD DIA
33	2	629621	SEAL, 4.500 ROD DIA
34	2	629625	SEAL, 4.500 ROD DIA
35	1	650486	DECAL,TREAD ADJ INDICATOR DTS
36	8	900519	1/2UNC X 2 HHSFB GR5 MC FT
37	4	900821	3/8UNF X 2 HHCS GR8 MC
38	1	910020	1-8UNC HEX SLTTD NUT MC GR5
39	1	910120	3/16 X 1 3/4 COTTER PIN SS
40	12	914008	1/2-13UNC STOVER NUT MC GR5
41	4	920002	SAE FLAT WASHER 3/8 MC
42	1	920008	1" SAE FLAT WASHER
43	2	920506	HLOCK WASHER 3/4 MC



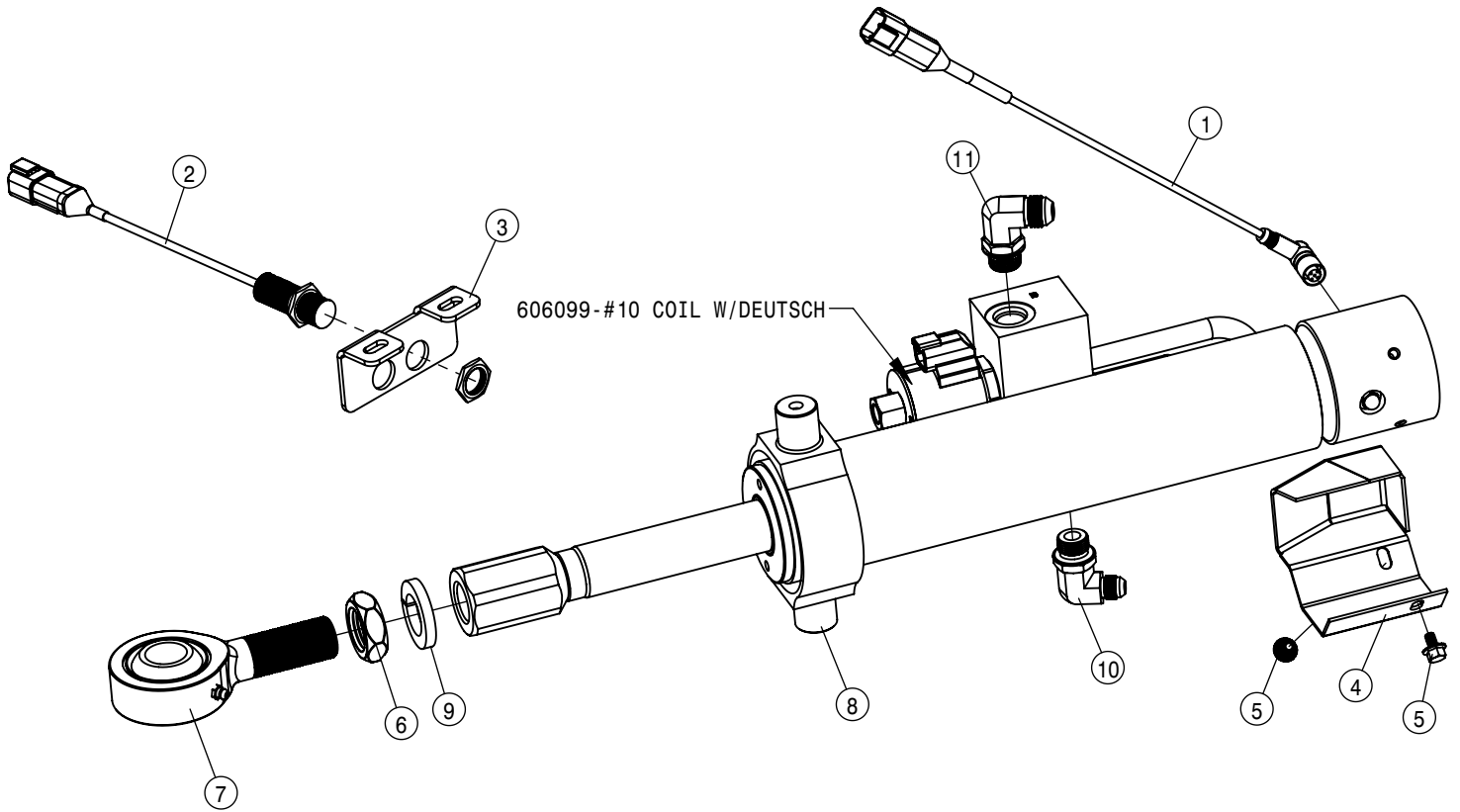
RIGHT FRONT STEERING CYLINDER ASSEMBLY				
DET	QTY	P/N	DESCRIPTION	
1	1	291994	SENSOR HARNESS FOR AWS	
2	2	359645	STRG CYL SENSOR GUARD	
3	4	470883	1/4UNC X 3/8 SERR FLG BOLT SS	
4	1	472328	1" - 12 HEX JAM NUT	
5	1	474004	ROD END, 1.00 BORE, 1- 12 RH MALE	
6	2	618241	3/4MJIC-90-3/4MOR LBO	
7	1	621654	HYD CYL, 2.50 X 8.81 PHASE/SENS	
8	1	920508	1" LOCK WASHER	



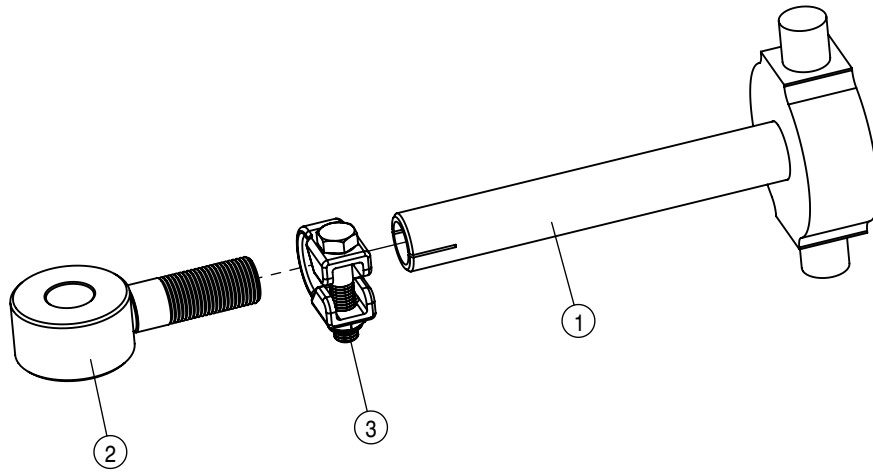
LEFT FRONT STEERING CYLINDER ASSEMBLY			
DET	QTY	P/N	DESCRIPTION
1	2	291994	SENSOR HARNESS FOR AWS
2	2	359645	STRG CYL SENSOR GUARD
3	4	470883	1/4UNC X 3/8 SERR FLG BOLT SS
4	1	472328	1" - 12 HEX JAM NUT
5	1	474004	ROD END, 1.00 BORE, 1-12 RH MALE
6	2	618241	3/4MJIC-90-3/4MOR LBO
7	1	621654	HYD CYL, 2.50 X 8.81 PHASE/SENS
8	1	920508	1" LOCK WASHER



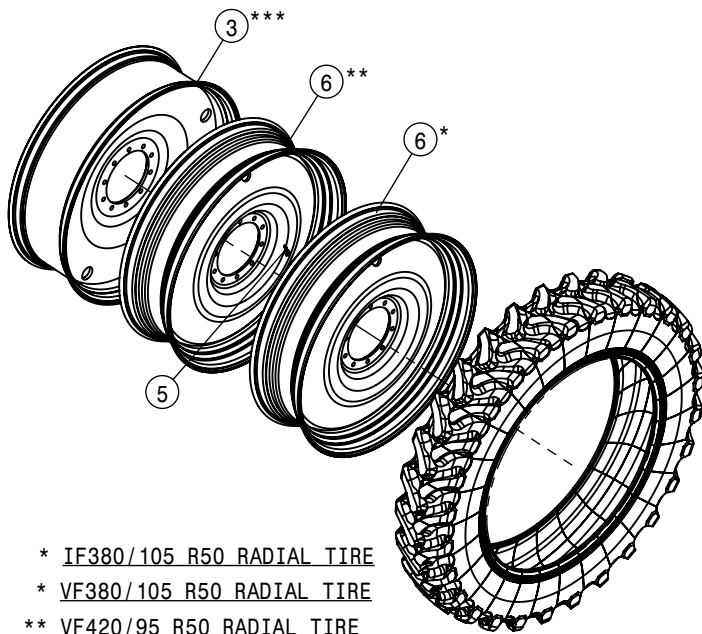
RIGHT REAR STEERING CYLINDER ASSEMBLY			
DET	QTY	P/N	DESCRIPTION
1	1	291994	SENSOR HARNESS FOR AWS
2	1	292926	INDUCTIVE PROX SENSOR, 18MM
3	1	359555	SENSOR BRKT, STS AWS 09
4	1	359645	STRG CYL SENSOR GUARD
5	2	470883	1/4UNC X 3/8 HHSFB SS
6	1	472328	1" -12 HEX JAM NUT
7	1	474004	ROD END, 1.00 BORE, 1-12 RH MALE
8	1	520167	CUSH CLAMP, #6 3/8D X 3/4W
9	1	618115	9/16MJIC-90-3/4MOR LBO
10	1	618241	3/4MJIC-90-3/4MOR LBO
11	1	621653	HYD CYL, 2.50 X 8.81 X 1.25
12	1	920508	1" LOCK WASHER



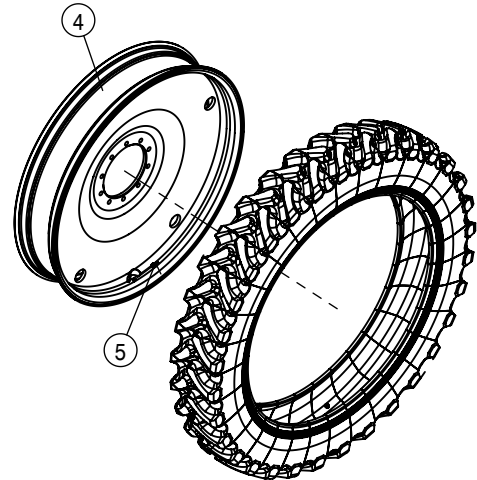
LEFT REAR STEERING CYLINDER ASSEMBLY			
DET	QTY	P/N	DESCRIPTION
1	1	291994	SENSOR HARNESS FOR AWS
2	1	292926	INDUCTIVE PROX SENSOR, 18MM
3	1	359555	SENSOR BRKT, STS AWS 09
4	1	359645	STRG CYL SENSOR GUARD
5	2	470409	3/8UNC X 3/4 HHSFB GR5 MC
6	1	472328	1" -12 HEX JAM NUT
7	1	474004	ROD END, 1.00 BORE, 1-12 RH MALE
8	1	621653	HYD CYL, 2.50 X 8.81 X 1.25
9	1	920508	1" LOCK WASHER
10	1	618115	9/16MJIC-90-3/4MOR LBO
11	1	618241	3/4MJIC-90-3/4MOR LBO



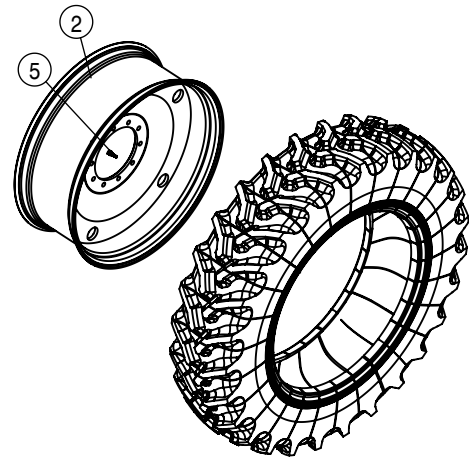
REAR STANDARD TIE ROD ASSEMBLY			
DET	QTY	P/N	DESCRIPTION
1	1	359086	REAR TIE ROD SHAFT WLD
2	1	359089	TIE ROD STUD WLD
3	1	749322	STEERING TUBE CLAMP & BOLT ASSY



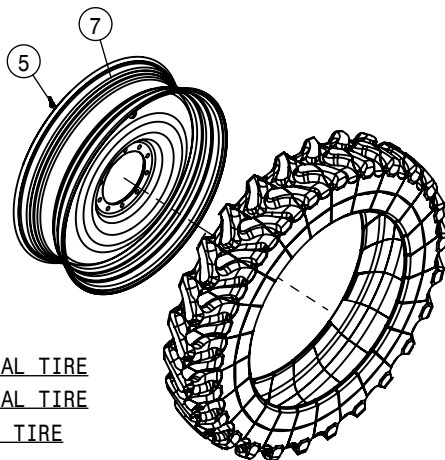
- * IF380/105 R50 RADIAL TIRE
- * VF380/105 R50 RADIAL TIRE
- ** VF420/95 R50 RADIAL TIRE
- *** VF480/80 R50 RADIAL TIRE



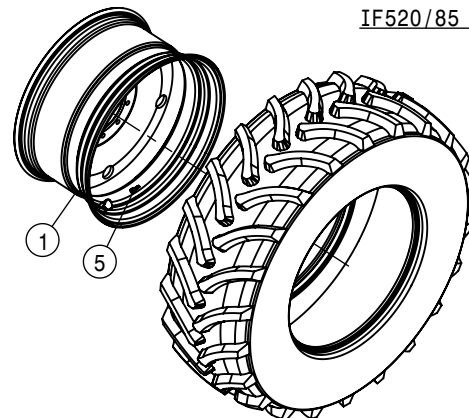
IF320/105 R54 RADIAL TIRE



480/80 R42 RADIAL TIRE
IF520/85 R42 RADIAL TIRE

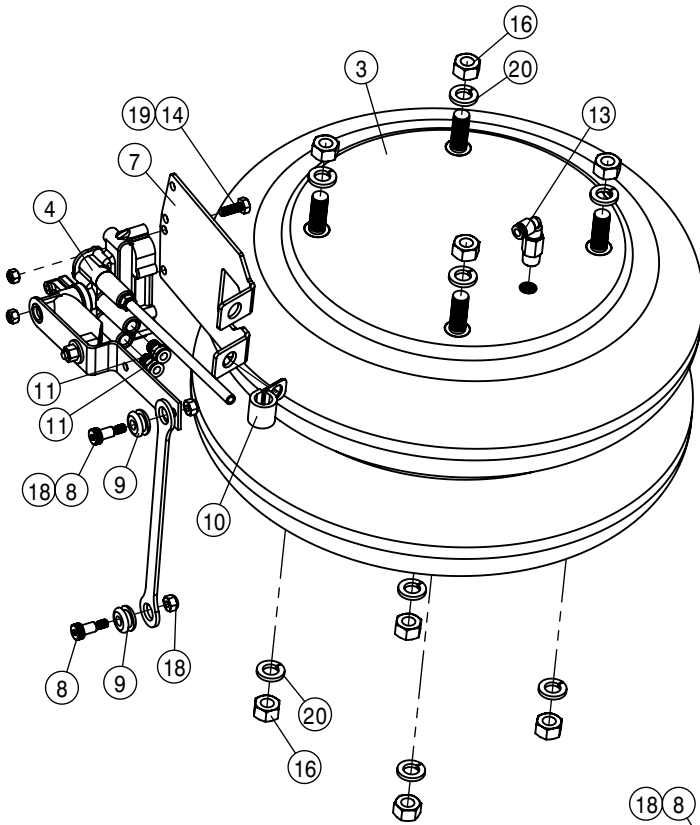


VF380/90 R46 RADIAL TIRE
IF380/90 R46 RADIAL TIRE
380/90 R46 RADIAL TIRE

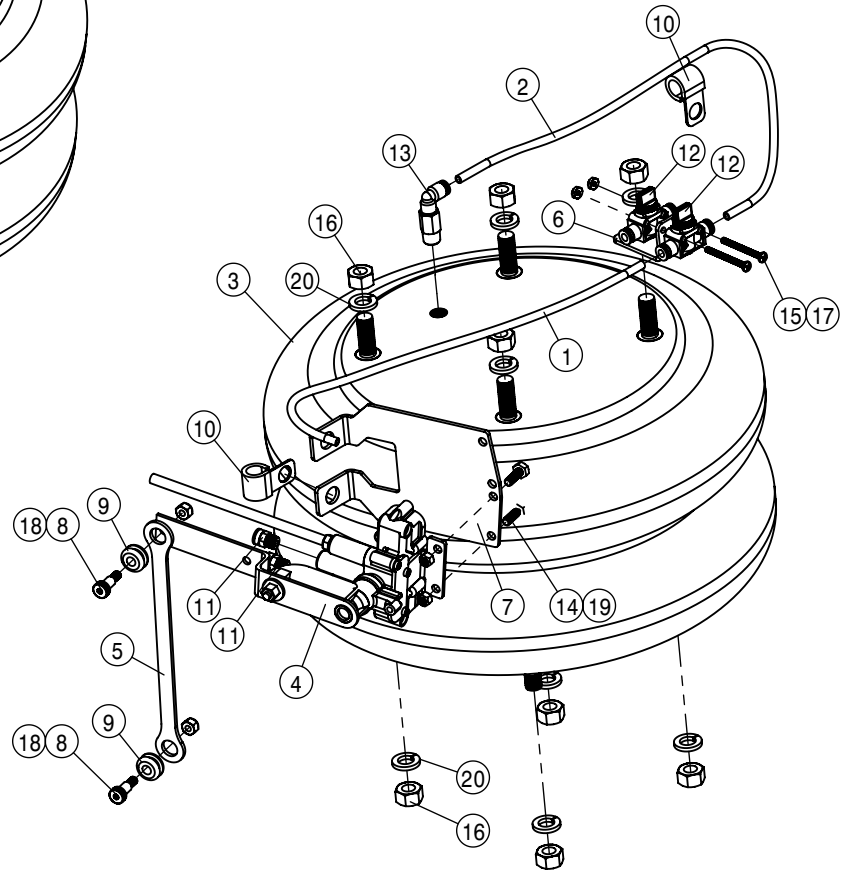


650/65 R38 RADIAL TIRE

TIRE AND RIM ASSEMBLY			
DET	QTY	P/N	DESCRIPTION
1	1	821201	RIM WLD, DW20 X 38, STS' 17
2	1	821203	RIM WLD, W16B X 42, STS' 17
3	1	821208	RIM WLD, W15B X 50, STS' 17
4	1	821209	RIM WLD, W10A X 54, STS' 17
5	7	821252	VALVE STEM, TR-618A, STAINLESS
6	2	821299	WHL 50XDW13A 10-14.567
7	1	821300	WHL 46XDW13B 10-14.567

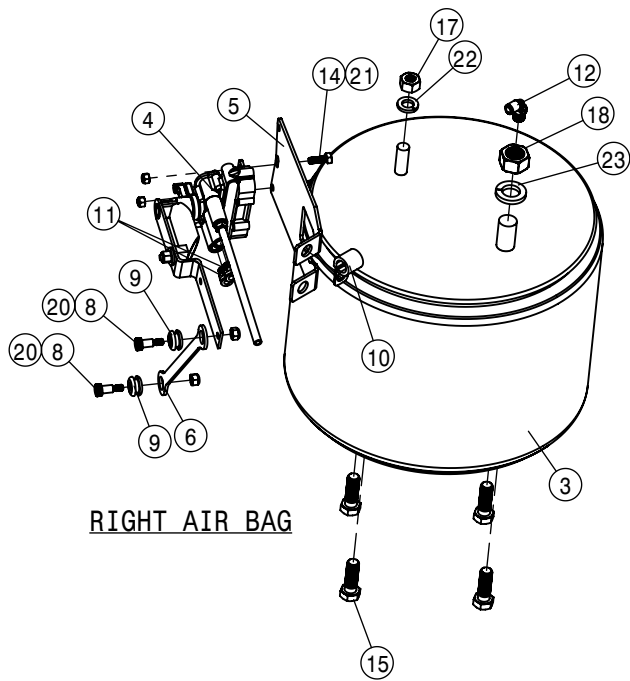


RIGHT AIR BAG

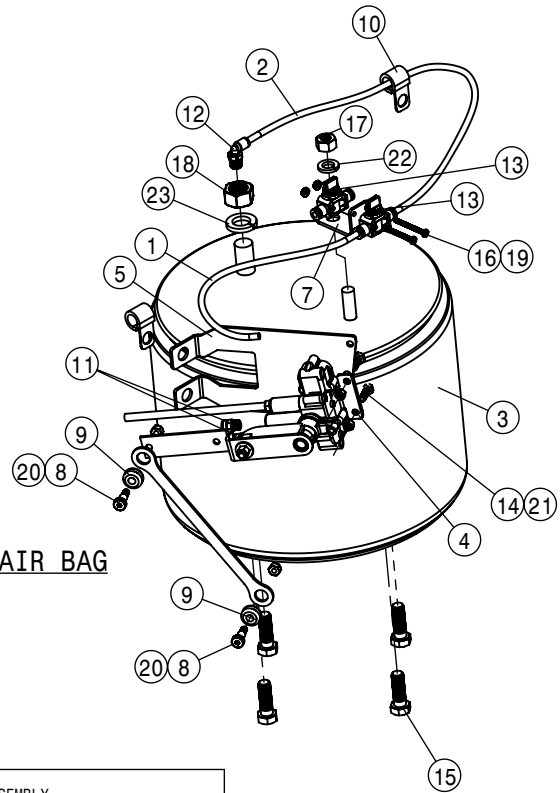


LEFT AIR BAG

FRONT AIR BAG ASSEMBLY			
DET	QTY	P/N	DESCRIPTION
1	1	195906-018	1/40D AIR BRAKE TUBING J844-A
2	1	195906-021	1/40D AIR BRAKE TUBING J844-A
3	2	311100	AIR RIDE SPRING
4	2	358832	AIRIDE SPRING CTRL VALVE 98
5	2	360141	LINK-AIR VALVE, FRONT MOUNT
6	1	360147	AIR DUMP VLV BRKT,STS 15
7	2	360798	AIRIDE VALVE BRACKET
8	4	470607	1/4UNC-5/16 X .50 SHLDR SCR SS
9	4	470608	GROMMET-.31 ID X .56 PD X .19 PG
10	3	520164	CUSH HOSE CLAMP,#9, 9/16D X 3/4W
11	4	711036	1/8MNPT-1/4 NYL TUBE FTG
12	2	711053	AIR VALVE, 1/4 NYL TUBE
13	2	711098	1/4 NPT QUICK CONNECT FITTING
14	4	900002	1/4UNC x 3/4 HEX BOLT
15	2	903854	8-32 X 1 3/4 PHIL PN MACH SCR SS
16	16	910008	1/2-13UNC HEX NUT MC GR5
17	2	910024	8-32 HEX NUT
18	4	910118	1/4-20UNC NYLOCK NUT SS
19	4	914000	1/4UNC HEX STOVER NUT
20	16	920504	1/2 LOCK WASHER

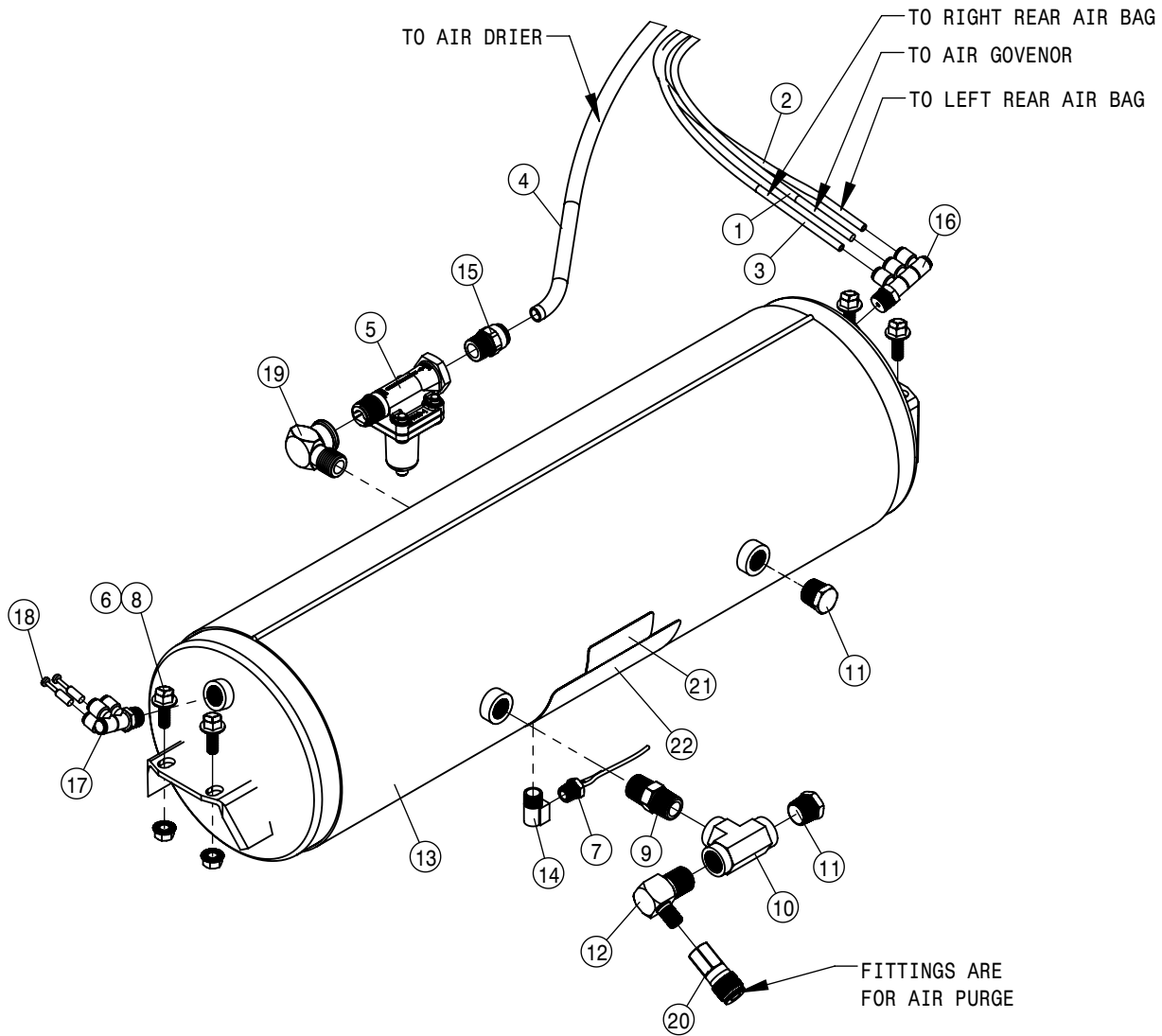


RIGHT AIR BAG

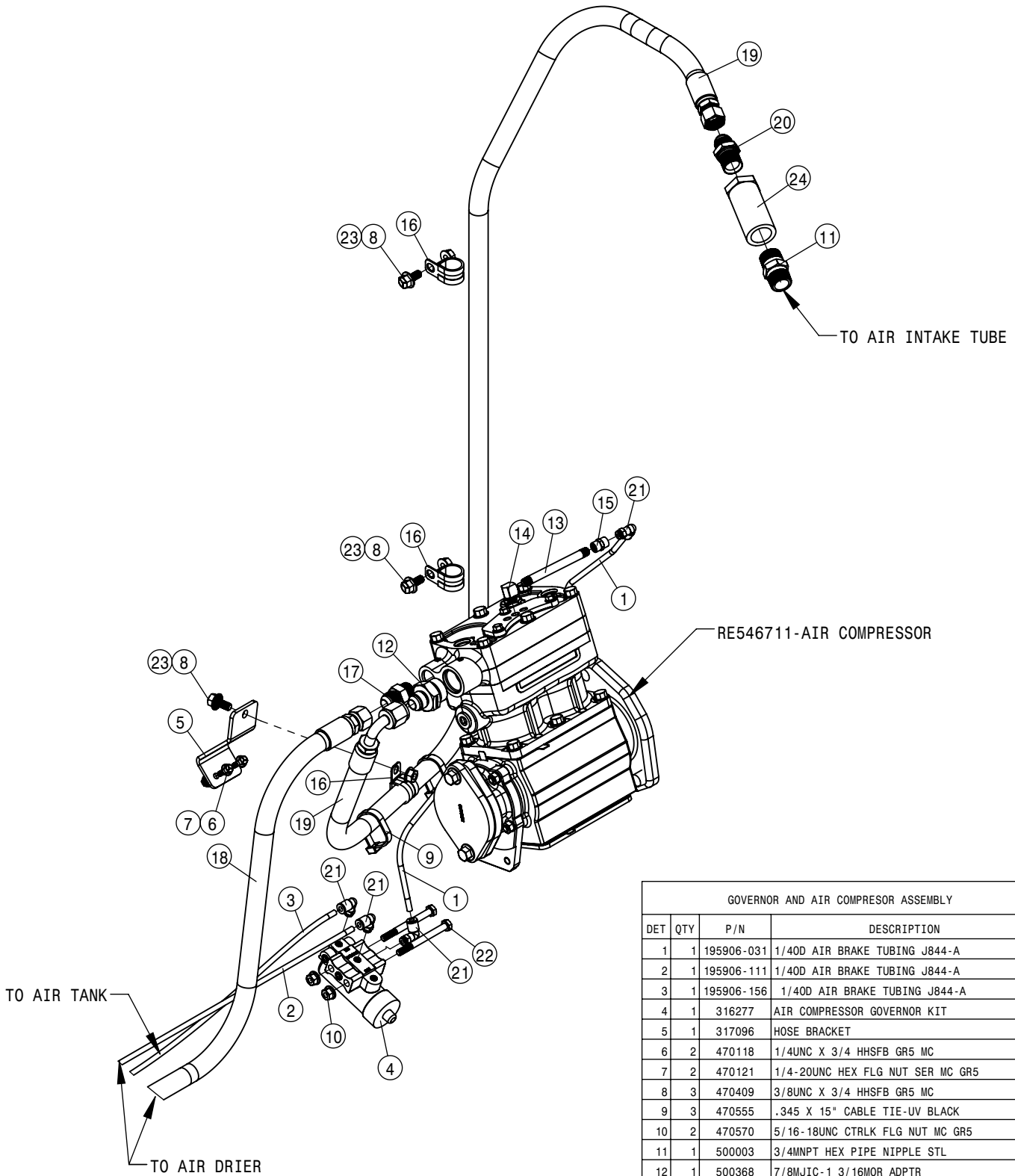


LEFT AIR BAG

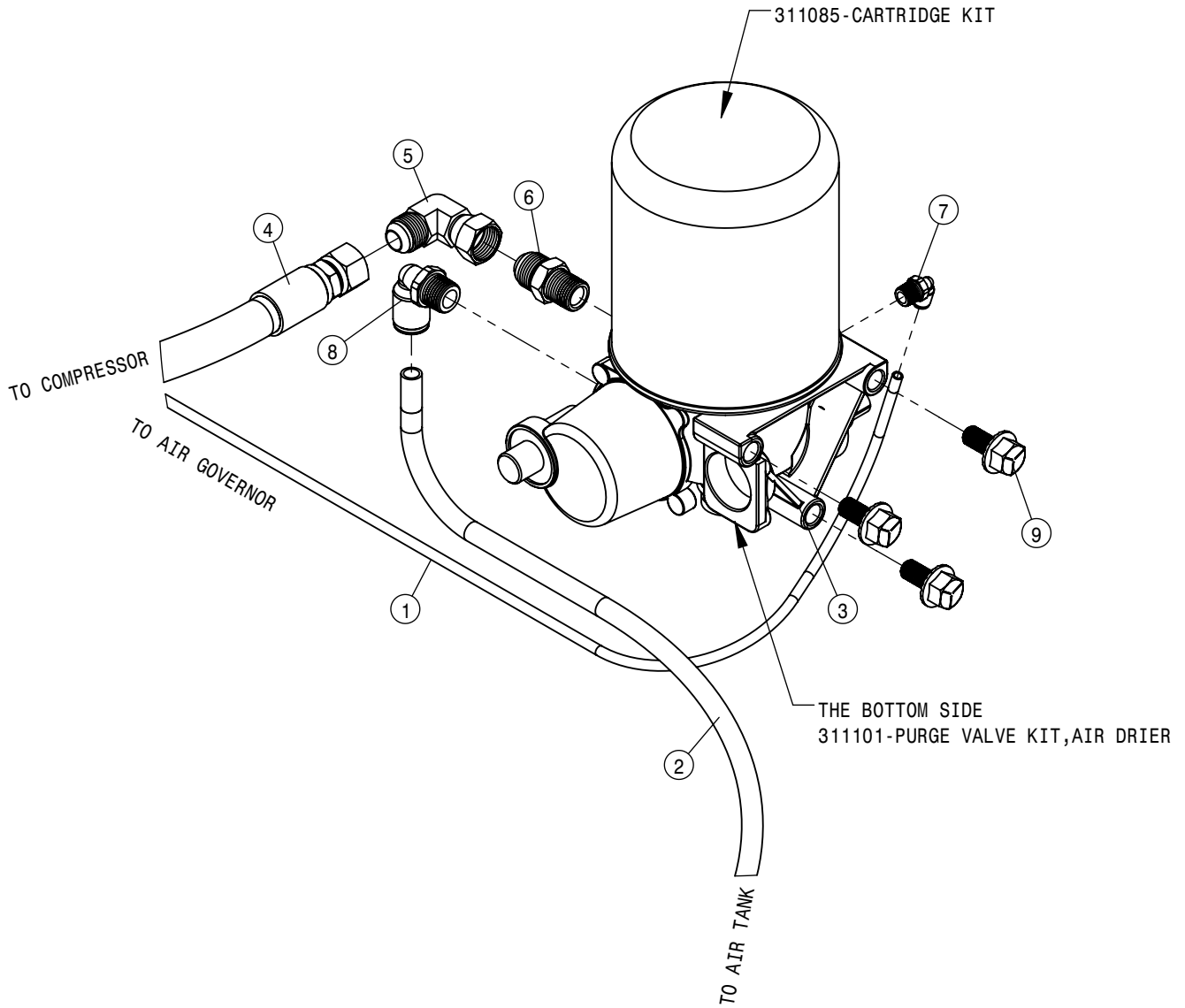
REAR AIR BAG ASSEMBLY			
DET	QTY	P/N	DESCRIPTION
1	1	195906-011	1/40D AIR BRAKE TUBING J844-A
2	1	195906-022	1/40D AIR BRAKE TUBING J844-A
3	2	311080	AIRIDE SPRING, 11.81 BASE
4	2	358832	AIRIDE SPRING CTRL VALVE 98
5	2	360140	AIRRIDE VALVE BRACKET
6	2	360141	LINK-AIR VALVE, FRONT MOUNT
7	1	360147	AIR DUMP VLV BRKT,STS 15
8	4	470607	1/4UNC-5/16 X .50 SHLDR SCR SS
9	4	470608	GROMMET-.31 ID X .56 PD X .19 PG
10	3	520164	CUSH HOSE CLAMP,#9, 9/16D X 3/4W
11	4	711036	1/8MNPT-1/4 NYL TUBE FTG
12	2	711040	1/4MNPT-90-1/4 NYL TUBE LBO
13	2	711053	AIR VALVE, 1/4 NYL TUBE
14	4	900002	1/4UNC x 3/4 HEX BOLT
15	8	900265	1/2UNC X 1 1/2 HEX BOLT
16	2	903854	8-32 X 1 3/4 PHIL PN MACH SCR SS
17	2	910008	1/2UNC HEX NUT
18	2	910013	3/4UNF HEX NUT
19	2	910024	8-32 HEX NUT
20	4	910118	1/4-20UNC NYLOCK NUT SS
21	4	914000	1/4UNC HEX STOVER NUT
22	2	920504	1/2 LOCK WASHER
23	2	920506	3/4 LOCK WASHER



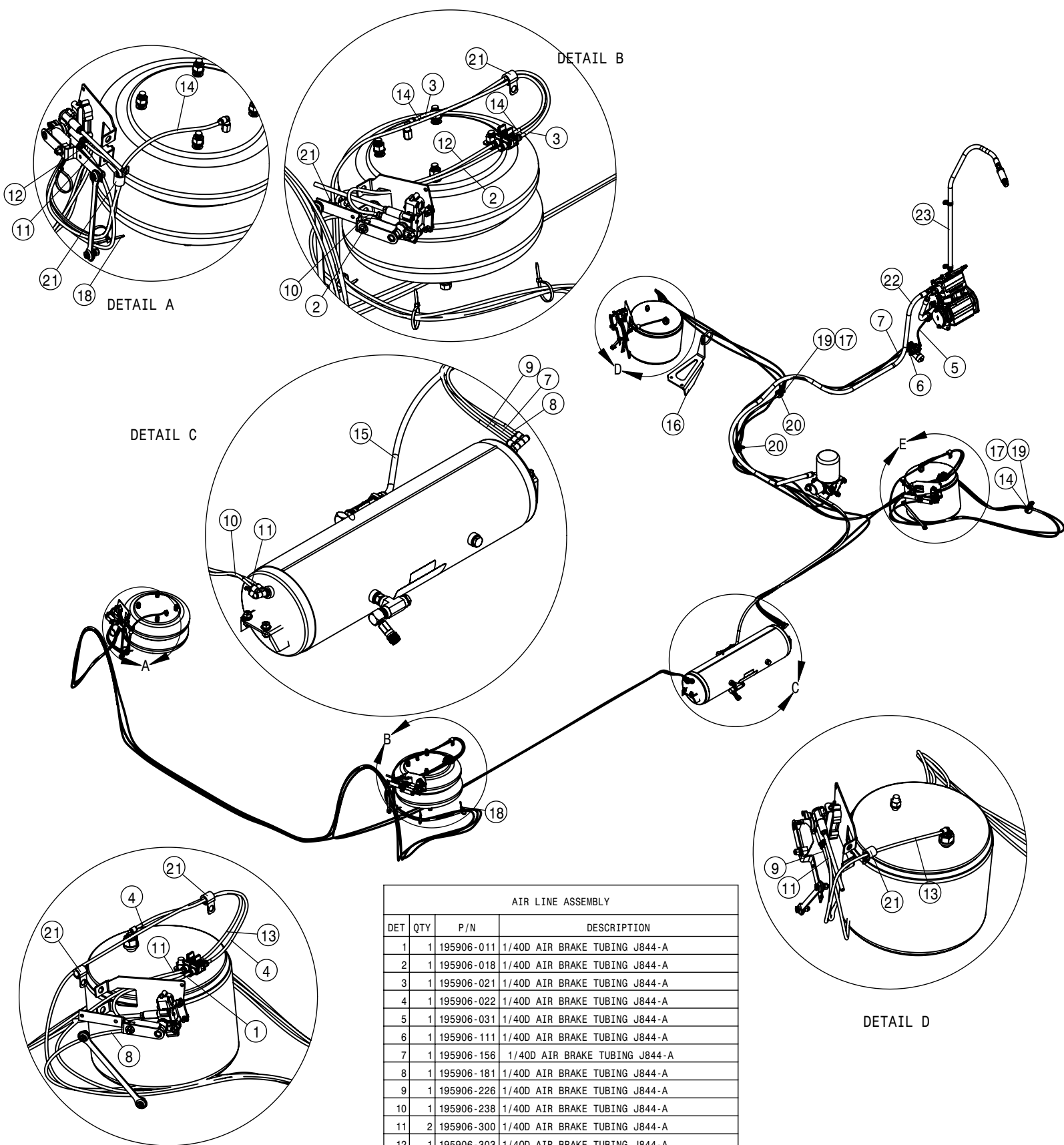
AIR TANK ASSEMBLY				
DET	QTY	P/N	DESCRIPTION	
1	1	195906-156	1/40D AIR BRAKE TUBING J844-A	
2	1	195906-181	1/40D AIR BRAKE TUBING J844-A	
3	1	195906-226	1/40D AIR BRAKE TUBING J844-A	
4	1	195914-069	1/20D AIR BRAKE TUBING J844-A	
5	1	311086	CHECK VALVE, PRESS CRTL, WABCO	
6	4	470087	3/8-16UNC HEX FLG NUT SER MC GR5	
7	1	470266	DRAIN VALVE KIT, 1/4NPT	
8	4	470460	3/8UNC X 1 HHSFB GR5 MC	
9	1	500000	1/2MNPT HEX PIPE NIPPLE STL	
10	1	503819	1/2FNPT PIPE TEE STL	
11	2	505231	PIPE PLUG .50NPT HEX HD BRS	
12	1	618633	1/2MNPT-90-1/4MNPT REDU LBO	
13	1	701518	AIR TANK W/DECAL	
14	1	711027	1/4 NPT ST EL BRS	
15	1	711037	1/2MNPT-1/2 NYL TUBE FTG	
16	1	711046	3/8MNPT-1/4 NYL TUBE TRPL LBO	
17	1	711047	3/8MNPT-1/4NYL TUBE, DBL BRANCH	
18	2	711063	RUBBER PLUG FOR 1/4 PISCO CPLR7	
19	1	711079	1/2NPT ST EL BRS	
20	1	711083	1/4 NPTF SLV LOCK SOCKET BRS	
21	1	N209334	LABEL, AIR TANK DRAIN	
22	1	N404969	LABEL, DECAL SAFETY AIR DRIER	



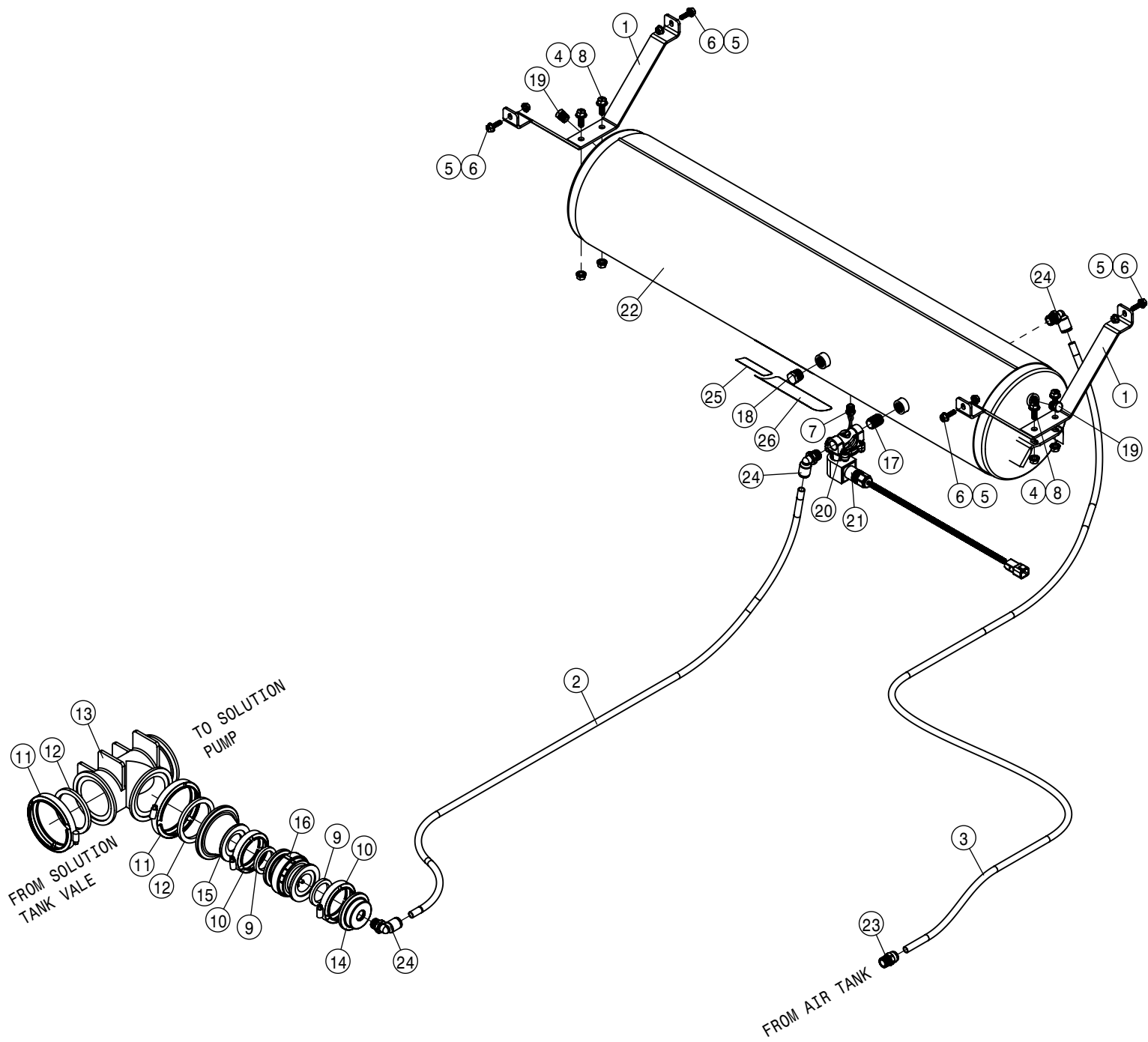
GOVERNOR AND AIR COMPRESOR ASSEMBLY			
DET	QTY	P/N	DESCRIPTION
1	1	195906-031	1/40D AIR BRAKE TUBING J844-A
2	1	195906-111	1/40D AIR BRAKE TUBING J844-A
3	1	195906-156	1/40D AIR BRAKE TUBING J844-A
4	1	316277	AIR COMPRESSOR GOVERNOR KIT
5	1	317096	HOSE BRACKET
6	2	470118	1/4UNC X 3/4 HHSFB GR5 MC
7	2	470121	1/4-20UNC HEX FLG NUT SER MC GR5
8	3	470409	3/8UNC X 3/4 HHSFB GR5 MC
9	3	470555	.345 X 15" CABLE TIE-UV BLACK
10	2	470570	5/16-18UNC CTRLK FLG NUT MC GR5
11	1	500003	3/4MNPT HEX PIPE NIPPLE STL
12	1	500368	7/8MJIC-1 3/16MOR ADPTR
13	1	500409	BRASS PIPE NIPPLE - 1/8 NPT
14	1	500410	BRASS STREET ELBOW - 1/8 NPT
15	1	500411	BRASS HEX COUPLING 1/8 NPT
16	3	520121	CUSH CLAMP,#16 1IN X 3/4W
17	1	611126	7/8MJIC-7/8MOR ADPTR
18	1	617567	10-451TC-10FJX-10FJX90-120
19	1	617573	10-451TC-10FJX-10FJX90-74 H/A
20	1	618059	7/8MJIC-3/4MNPT ADPTR
21	4	711039	1/8MNPT-90-1/4 NYL TUBE LBO
22	2	900073	5/16UNC X 3 1/4 HHCS GR5 MC
23	3	910042	3/8-16UNC HEX FLG NUT SM MC GR8
24	1	AN207713	IN-LINE AIR FILTER



AIR DRIER ASSEMBLY			
DET	QTY	P/N	DESCRIPTION
1	1	195906-111	1/40D AIR BRAKE TUBING J844-A
2	1	195914-069	1/20D AIR BRAKE TUBING J844-A
3	1	311084	AIR DRYER, SYSTEM SAVER 1200
4	1	617567	10-451TC-10FJX-10FJX90-120
5	1	618301	7/8MJIC-90-7/8FJIC SWIV LBO
6	1	618325	7/8MJIC-1/2MNPT ADPTR
7	1	711040	1/4MNPT-90-1/4 NYL TUBE LBO
8	1	711042	1/2MNPT-1/2 NYL TUBE LBO
9	3	900516	1/2UNC X 1 HHSFB GR5 MC

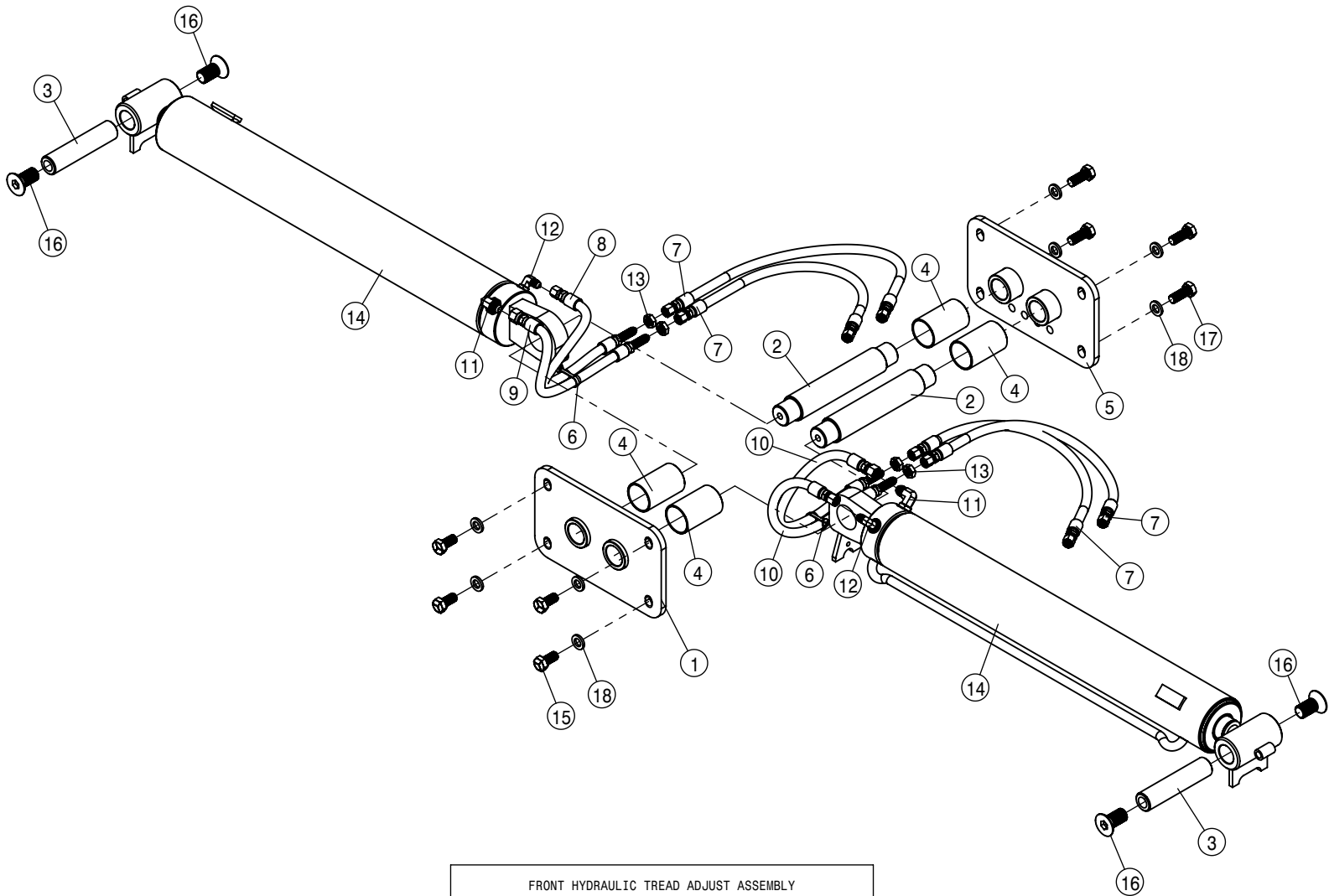


AIR LINE ASSEMBLY				
DET	QTY	P/N	DESCRIPTION	
1	1	195906-011	1/40D AIR BRAKE TUBING J844-A	
2	1	195906-018	1/40D AIR BRAKE TUBING J844-A	
3	1	195906-021	1/40D AIR BRAKE TUBING J844-A	
4	1	195906-022	1/40D AIR BRAKE TUBING J844-A	
5	1	195906-031	1/40D AIR BRAKE TUBING J844-A	
6	1	195906-111	1/40D AIR BRAKE TUBING J844-A	
7	1	195906-156	1/40D AIR BRAKE TUBING J844-A	
8	1	195906-181	1/40D AIR BRAKE TUBING J844-A	
9	1	195906-226	1/40D AIR BRAKE TUBING J844-A	
10	1	195906-238	1/40D AIR BRAKE TUBING J844-A	
11	2	195906-300	1/40D AIR BRAKE TUBING J844-A	
12	1	195906-303	1/40D AIR BRAKE TUBING J844-A	
13	1	195906-330	1/40D AIR BRAKE TUBING J844-A	
14	1	195906-331	1/40D AIR BRAKE TUBING J844-A	
15	1	195914-069	1/20D AIR BRAKE TUBING J844-A	
16	1	362115	REAR RGT LEG HOSE BRKT	
17	3	470087	3/8-16UNC HEX FLG NUT SER MC GR5	
18	6	470154	CABLE TIE, 11.00" BLK NYLON	
19	3	470460	3/8UNC X 1 HHSFB GR5 MC	
20	4	520160	CUSH CLAMP,#24 1 1/2D-3/4WLOOP	
21	1	520164	CUSH HOSE CLAMP,#9, 9/16D X 3/4W	
22	1	617567	10-451TC-10FJX-10FJX90-120	
23	1	617573	10-451TC-10FJX-10FJX90-74 H/A	

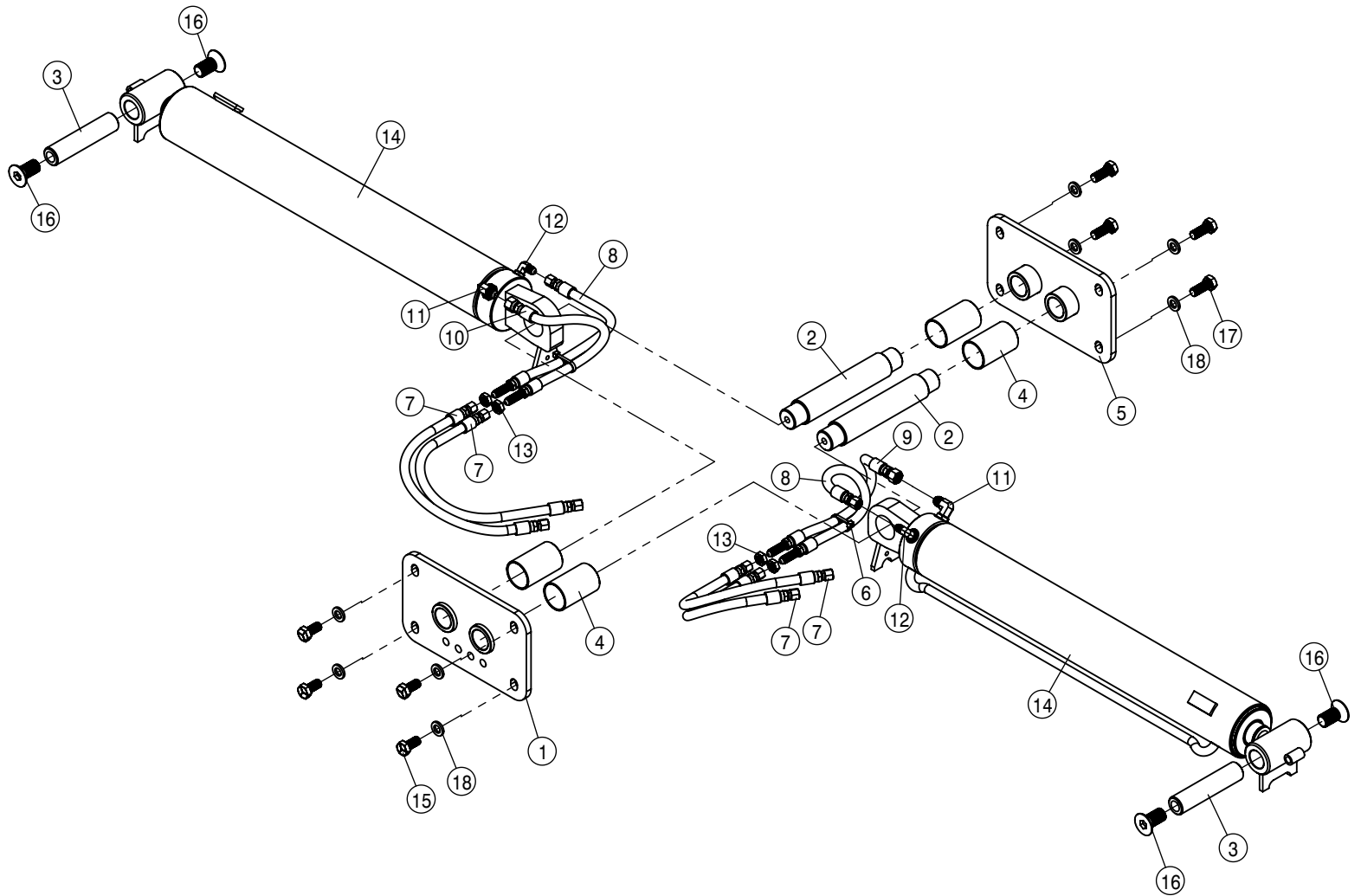


AIR PURGE OPTION			
DET	QTY	P/N	DESCRIPTION
1	2	167471	SECONDARY AIR TANK BRKT
2	1	195914-060	1/20D AIR BRAKE TUBING J844-B
3	1	195914-110	1/20D AIR BRAKE TUBING J844-B
4	4	470087	3/8-16UNC HEX FLG NUT SER MC GR5
5	4	470113	5/16-18UNC HEX FLG NUT SER MC GR5
6	4	470234	5/16UNC X 1 HHSFB GR5 MC
7	1	470266	DRAIN VALVE KIT, 1/4NPT
8	4	470460	3/8UNC X 1 HHSFB GR5 MC
9	2	500158	1 1/2" GASKET FOR 2" FLANGE
10	2	500160	2' FLANGE CLAMP S.S.
11	2	500208	3' FLANGE CLAMP S.S.
12	2	500209	3" FLANGE GASKET EPDM
13	1	500217	3"FLANGE TEE POLY

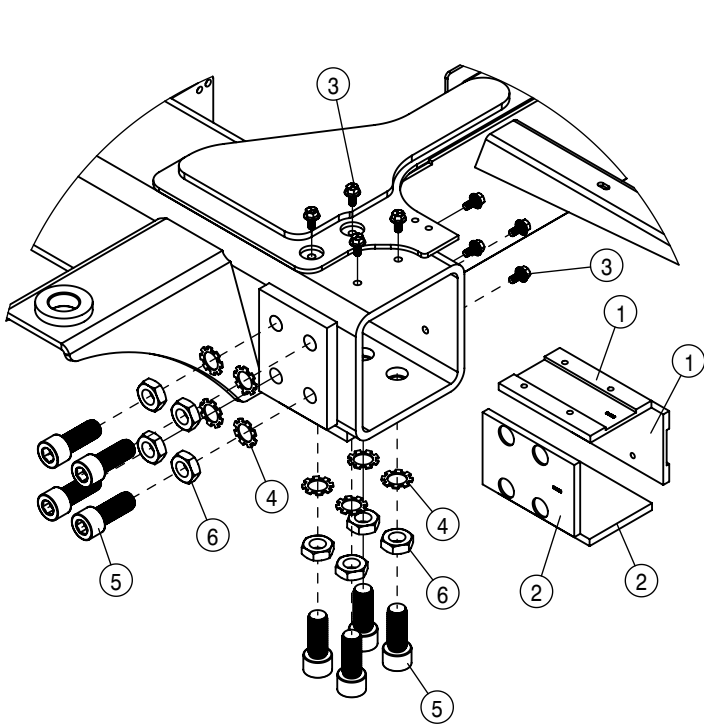
AIR PURGE OPTION			
DET	QTY	P/N	DESCRIPTION
14	1	500224	2'' FLANGE PLUG W/1/2''FNPT POLY
15	1	500237	3'FLANGE-2" STD FLANGE ADPTR POLY
16	1	500264	2" CHECK STANDARD PORT
17	1	502717	CLOSE NIPPLE .50NPT BRS
18	1	505231	PIPE PLUG .50NPT HEX HD BRS
19	2	505238	PIPE PLUG .375NPT HEX HD BRS
20	1	696241	.5FNPT N/C SOLENOID VALVE
21	1	696242	12V COIL FOR SOLE VLV
22	1	701520	AIR TANK FOR AIR PURGE W/DECAL
23	1	711037	1/2MNPT-1/2 NYL TUBE FTG
24	3	711042	1/2MNPT-1/2 NYL TUBE LBO
25	1	N209334	LABEL, AIR TANK DRAIN
26	1	N404969	LABEL, DECAL SAFETY AIR DRIER



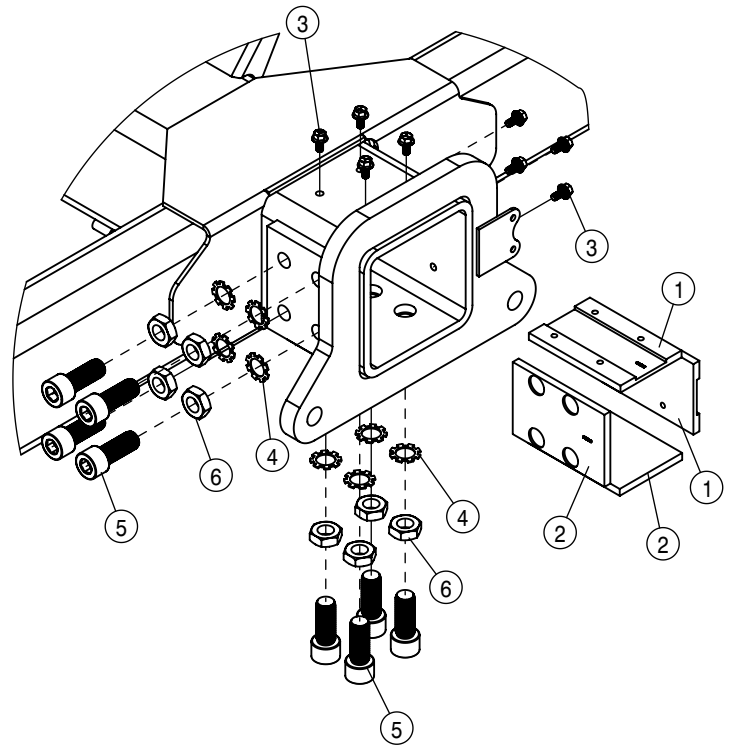
FRONT HYDRAULIC TREAD ADJUST ASSEMBLY			
DET	QTY	P/N	DESCRIPTION
1	1	361576	FRT TRD ADJ ACCESS PLT WLD
2	2	361581	TRD ADJ CYL PIVOT PIN, M/F
3	2	361582	TREAD ADJ CYL PIN, OUTER LEG
4	4	361583	TRD ADJ CYL SPACER, M/F
5	1	361689	REAR TRD ADJ ACCESS PLT WLD 04
6	2	470154	CABLE TIE, 11.00" BLK NYLON
7	4	617100	04-451TC-04FJX-04FJX-24 H/A
8	2	617493	04-451TC-04MJBH-04FJX-18 H/A
9	1	617494	04-451TC-04MJBH-06FJX-15 H/A
10	1	617511	04-451TC-04MJBH-06FJX-17 H/A
11	2	618119	9/16MJIC-90-9/16MOR LBO
12	2	618473	7/16MJIC-90-7/16MOR LBO
13	4	618525	7/16-20 BLKHD LOCKNUT
14	2	621041	HYD CYL, 3.00 X 21.00 X 1.38
15	4	900301	1/2UNF X 1 HHCS GR5 MC
16	4	900391	3/4UNC X 1 1/2 FLT SOC CAP SCR
17	4	900522	1/2UNF X 1 1/4 HHCS GR5 MC
18	8	920504	HLOCK WASHER 1/2 MC



REAR HYDRAULIC TREAD ADJUST ASSEMBLY			
DET	QTY	P/N	DESCRIPTION
1	1	361579	REAR TRD ADJ ACCESS PLT WLD
2	2	361581	TRD ADJ CYL PIVOT PIN, M/F
3	2	361582	TREAD ADJ CYL PIN, OUTER LEG
4	4	361583	TRD ADJ CYL SPACER, M/F
5	1	361697	FRT TREAD ADJ ACCESS PLT WLD
6	2	470154	CABLE TIE, 11.00" BLK NYLON
7	4	617100	04-451TC-04FJX-04FJX-24 H/A
8	2	617493	04-451TC-04MJBH-04FJX-18 H/A
9	1	617494	04-451TC-04MJBH-06FJX-15 H/A
10	1	617511	04-451TC-04MJBH-06FJX-17 H/A
11	2	618119	9/16MJIC-90-9/16MOR LBO
12	2	618473	7/16MJIC-90-7/16MOR LBO
13	4	618525	7/16-20 BLKHD LOCKNUT
14	2	621041	HYD CYL, 3.00 X 21.00 X 1.38
15	4	900301	1/2UNF X 1 HHCS GR5 MC
16	4	900391	3/4UNC X 1 1/2 FLT SOC CAP SCR
17	4	900522	1/2UNF X 1 1/4 HHCS GR5 MC
18	8	920504	HLOCK WASHER 1/2 MC

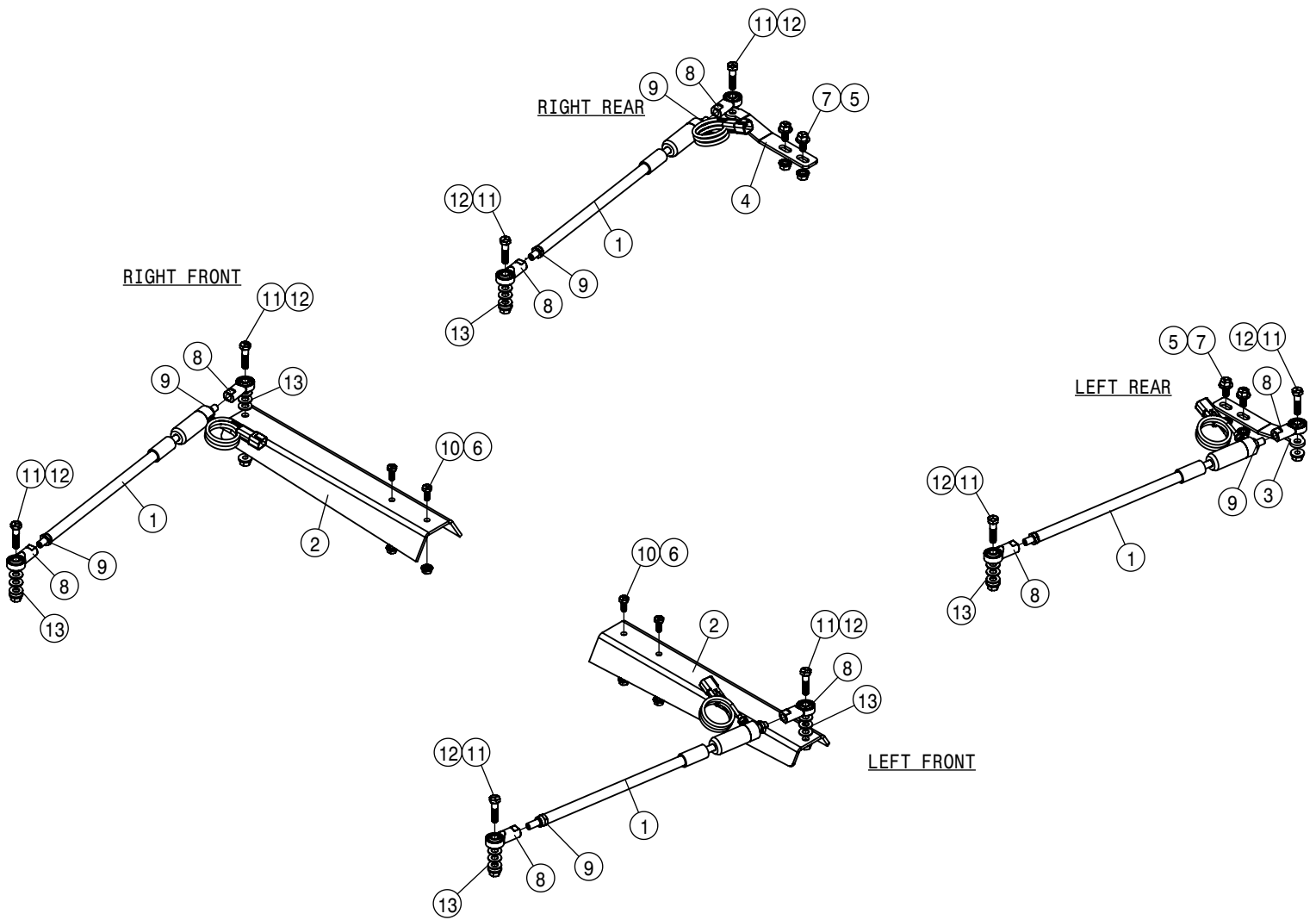


FRONT MAINFRAME

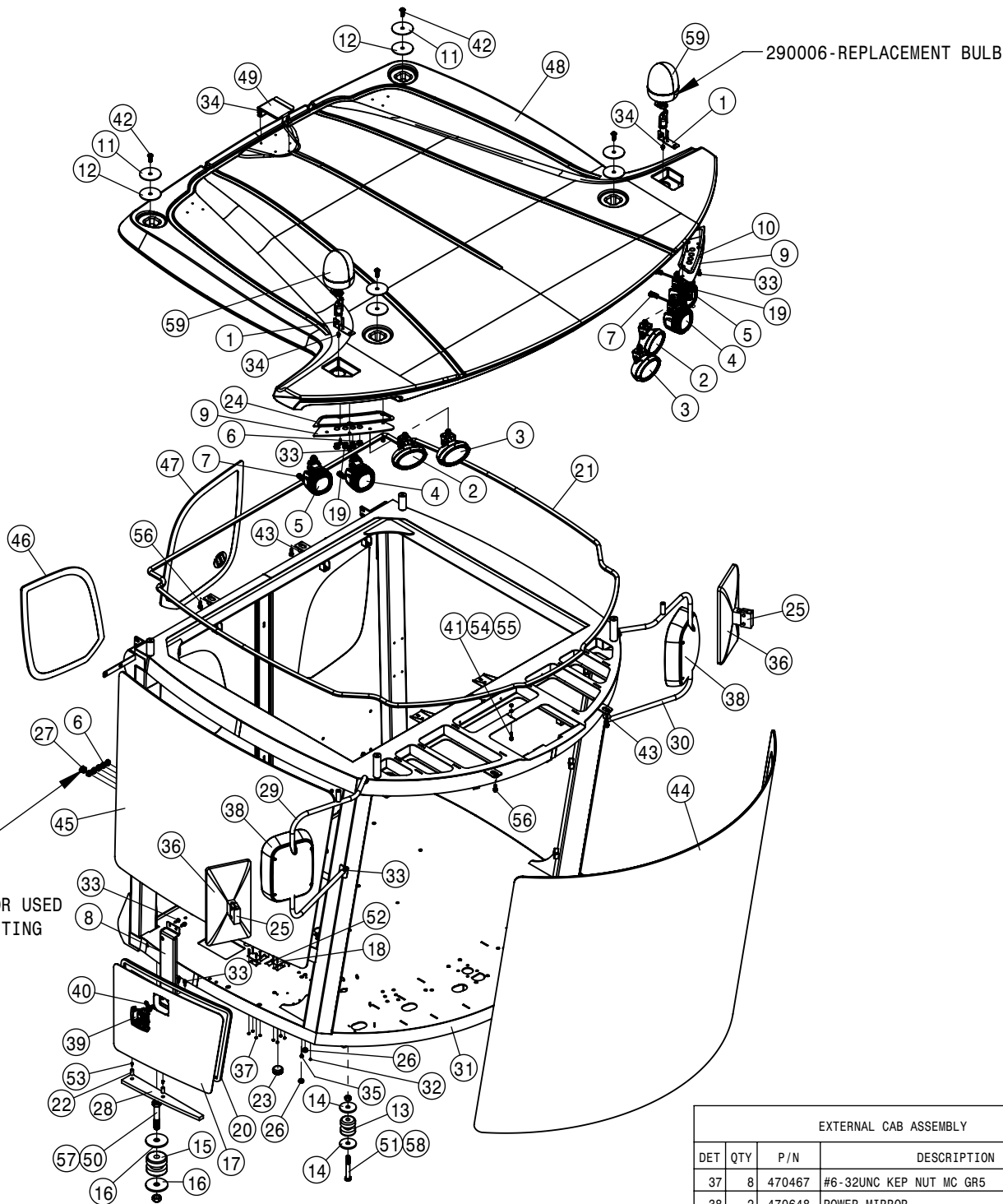


REAR MAINFRAME

HYDRAULIC TREAD MAINFRAME PLATE ASSEMBLY			
DET	QTY	P/N	DESCRIPTION
1	4	342719	TRD ADJ BRONZE BEARING, TAPPED
2	4	342721	TRD ADJ BRONZE BRG
3	16	470409	3/8UNC X 3/4 HHSFB GR5 MC
4	16	483018	EXT TOOTH LOCK WASHER 1 MC
5	16	900395	1"UNC X 2 1/2 SOCKET CAP SCR
6	16	910101	1-8UNC HEX JAM NUT MC GR5



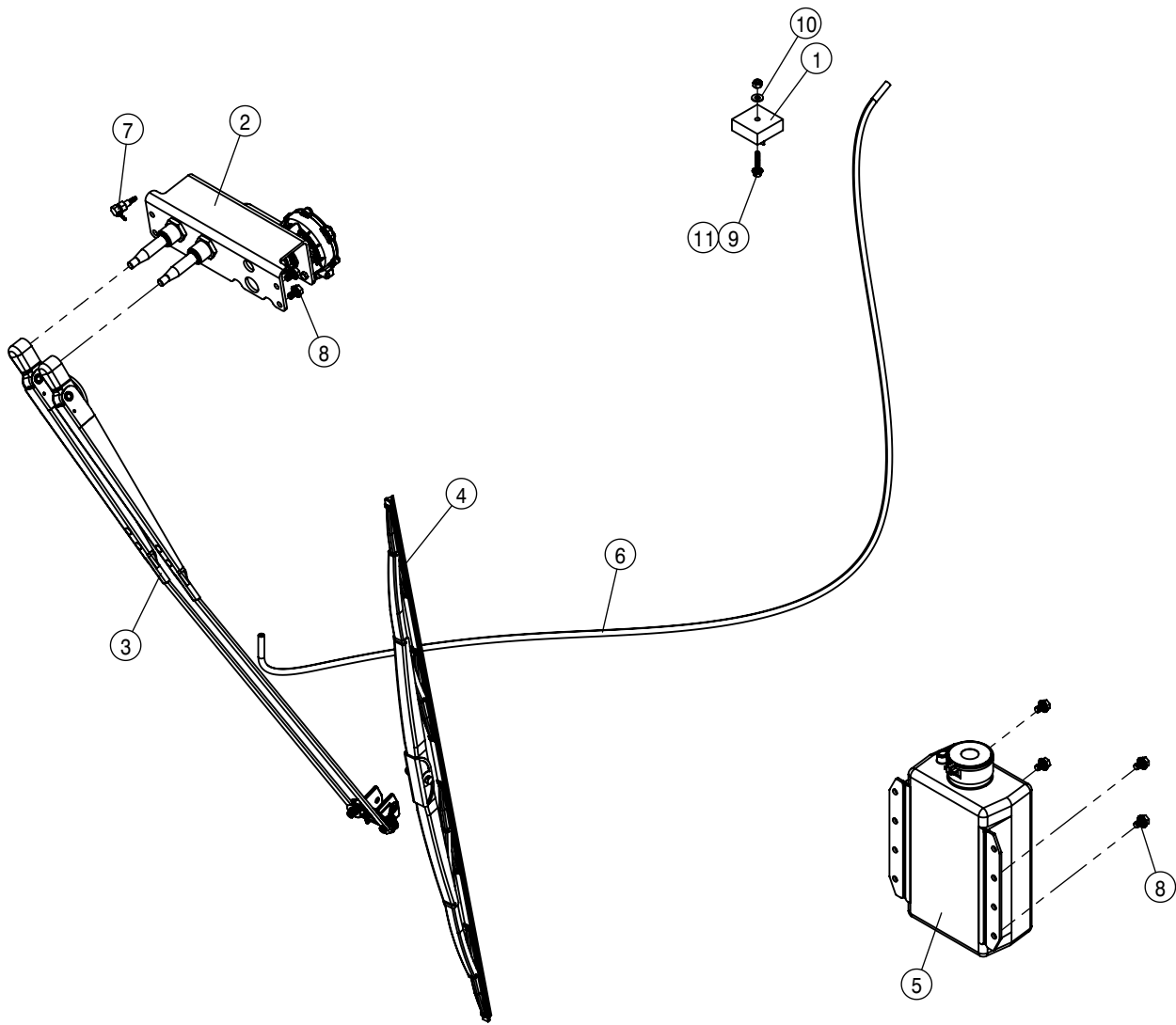
TREAD ADJUST ELECTRICAL ASSEMBLY			
DET	QTY	P/N	DESCRIPTION
1	4	294325	250MM SENSOR WITH DT04-4P CON
2	2	360518	FRT SUPP TRD SENSOR MT
3	1	363012	LH REAR TRD ADJ BRKT
4	1	363013	RH REAR TRD ADJ BRKT
5	4	470087	3/8-16UNC HEX FLG NUT SER MC GR5
6	4	470113	5/16-18UNC HEX FLG NUT SER MC GR5
7	4	470409	3/8UNC X 3/4 HHSFB GR5 MC
8	8	470628	BALL END,9.9MM BORE X 10MM THD
9	8	473887	10MM-1.50 HEX JAM NUT
10	4	900064	5/16UNC X 3/4 HHCS GR5 MC
11	8	900131	3/8UNC X 1 1/2 HHCS GR5 MC
12	8	910106	3/8-16UNC CTRLK FLG NUT MC GR5
13	18	920002	SAE FLAT WASHER 3/8 MC



EXTERNAL CAB ASSEMBLY			
DET	QTY	P/N	DESCRIPTION
1	2	290060	BEACON TILT SURFACE MT,QK CHG
2	2	292614	WORKLIGHT - HALOGEN CLOSE RANGE
3	2	292615	Worklight - Oval 100 Long Range
4	2	292618	WORKLIGHT-TYRI LED FLOOD
5	2	292619	WORKLIGHT-TYRI LED TRAP
6	7	292634	HOLE PLUG
7	4	294299	TYRI JUMPER HARNESS
8	1	344299	ACCESS PANEL SEALING SURFACE WLDT
9	2	344357	ROOF LIGHT MNT PLT, STSCAB'14
10	1	344358	ROOF LIGHT MNT PLT GASKET, STSCAB'14
11	4	344359	ROOF RETAINER WASHER, STSCAB'14
12	4	344360	ROOF RETAINER WASHER SEAL, STSCAB'14
13	2	344393	ISO MOUNT
14	4	344394	ISO MT WASHER FRNT, STS'14
15	2	344395	ISO MOUNT
16	4	344396	ISO MT WASHER REAR, STS'14
17	1	344452	FRT ACCESS PNL WLDT, STS'14
18	2	344477	PLATE - 12 PIN COVER

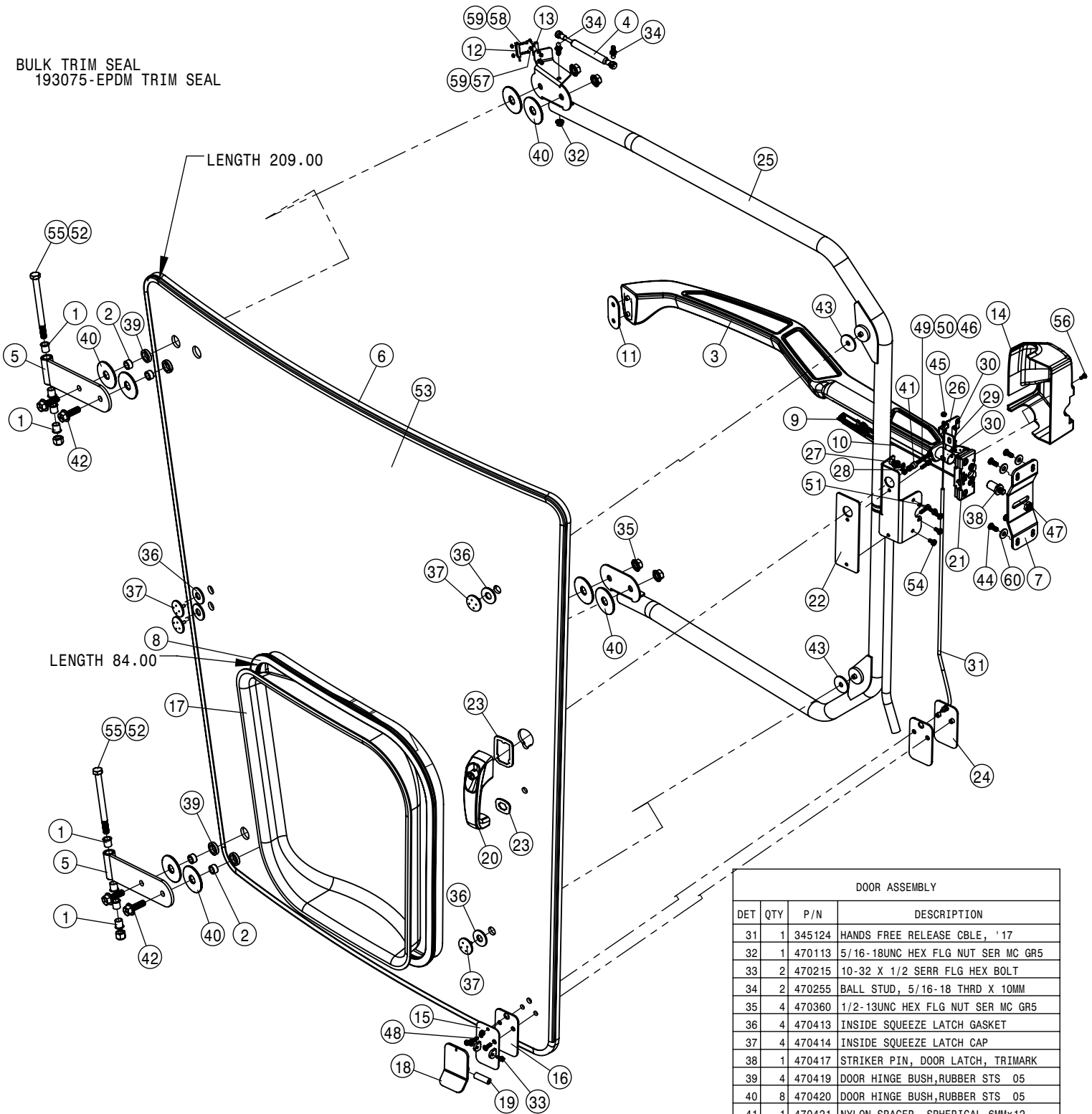
EXTERNAL CAB ASSEMBLY			
DET	QTY	P/N	DESCRIPTION
19	10	344478	BUSHING - STRAIN RELIEF
20	1	344479	SEAL - ACCESS PANEL
21	1	344481	SEAL - CAB ROOF STS
22	2	344497	THREADED NYLN SPCR, STS'14
23	1	344509	HOLE PLUG - 24 SERIES
24	1	344513	ROOF LIGHT MT PLT RH GASKET, STS'14
25	2	344515	STD MIR BRKT, STS'14
26	2	344554	HOSE GROMMET, STS'14
27	1	344572	BUSHING - ANTENNA STRAIGHT
28	1	344579	ACCESS PANEL SEAL LWR, STS'14
29	1	344631	MIRROR BRKT WLDT RH, STS'15
30	1	344635	MIRROR BRKT WLDT LH, STS'15
31	1	344824	CAB WLD, STS 17 W/DECALS
32	7	470053	1/4-20X1/4 AL HD SET SCR CUP
33	16	470118	1/4UNC X 3/4 HHSFB GR5 MC
34	5	470122	1/4UNC X 1/2 HHSFB GR5 MC
35	3	470143	3/8UNC X 1/2 SKT HD SET SCR
36	2	470348	MIRROR STS 10 & 12

EXTERNAL CAB ASSEMBLY			
DET	QTY	P/N	DESCRIPTION
37	8	470467	#6-32UNC KEP NUT MC GR5
38	2	470648	POWER MIRROR
39	1	470660	LATCH ASSY, STS'14
40	1	470661	CAM LATCH, STS'14
41	1	473836	1/4UNC X 1 1/4 HHSFB SS FT
42	4	474001	1/2-13 UNC X 1 1/4 BHCS SS PATCH
43	4	483024	FENDER WASHER 5/16 MC
44	1	658100	WINDOW - FRT 2014 STS
45	1	658101	WINDOW - RH SIDE 2014 STS CAB
46	1	658103	WINDOW - REAR RH 2014 STS CAB
47	1	658104	WINDOW - REAR LH 2014 STS CAB
48	1	658140	CAB ROOF W/HOLES, STS/DTS '17
49	1	694017	AG LEADER GPS BRKT
50	2	900481	7/8UNC X 5 HHCS GR8 MC
51	2	900847	5/8UNC X 4 1/2 HHCS GR8 MC
52	8	903814	#6-32 UNC X 3/4 PHMS PH BZ
53	2	903884	#10-32 UNF X 3/8 PHMS PH BZ
54	1	910112	SAE FLAT WASHER 1/4 SS
55	1	910118	1/4-20UNC NYLOCK NUT SS
56	4	910126	5/16UNC X 1 HHSFB SS
57	2	914014	7/8-9UNC STOVER NUT MC GR8
58	2	914810	5/8-11UNC STOVER NUT MC GR8
59	2	AZ101891	IDENT LAMP ROTATING BEACON



WIPER ASSEMBLY			
DET	QTY	P/N	DESCRIPTION
1	1	290094	TIMER - WIPER
2	1	344367	WIPER MOTOR STS
3	1	344379	WIPER ARM STS
4	1	344380	WIPER BLADE STS
5	1	344382	WASHER BOTTLE
6	1	344383	HOSE - WASHER STS
7	1	344483	WASHER BULKHEAD, STS' 14
8	8	470232	5/16UNC X 1/2 SERR FLG HEX BOLT
9	1	473836	1/4UNC X 1 1/4 HHSFB SS FT
10	1	910112	SAE FLAT WASHER 1/4 SS
11	1	910118	1/4-20UNC NYLOCK NUT SS

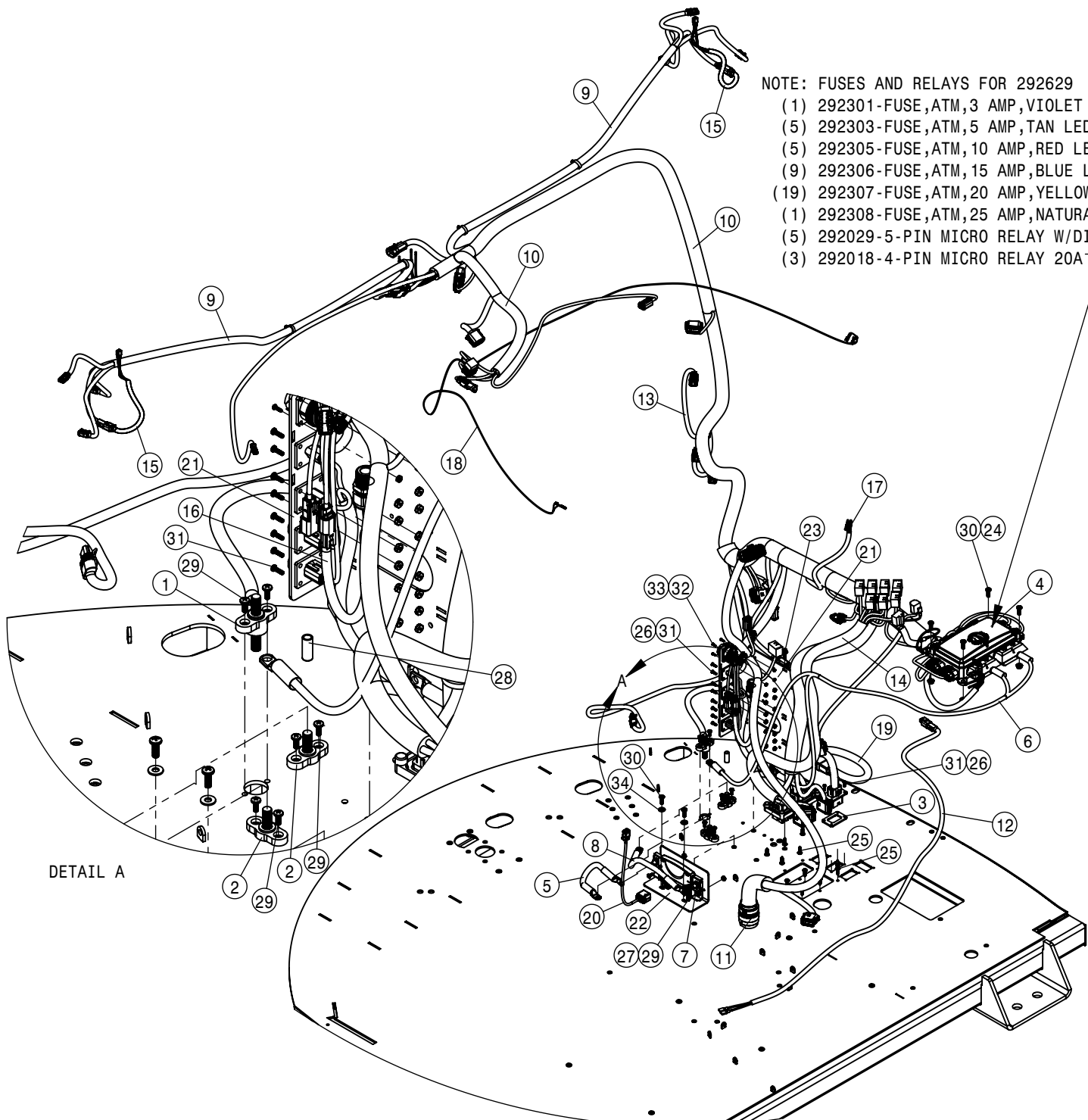
BULK TRIM SEAL
193075-EPDM TRIM SEAL



DOOR ASSEMBLY			
DET	QTY	P/N	DESCRIPTION
1	8	127506	NYLON FLANGE BRG, STS
2	4	343335	DOOR HINGE GLASS BUSH, CAB 05
3	1	344331	DOOR LATCH TUBE MOLDED, STSCAB' 14
4	1	344335	GAS CYLINDER 40LB 2.0 STROKE
5	2	344336	DOOR HINGE WLDT, STSCAB' 14
6	1	344423	BULB SEAL - DOOR, CAB
7	1	344428	DOOR LATCH STRKR PIN MT PLT ' 14
8	1	344482	TRIM SEAL - BUBBLE STS
9	1	344508	DOOR LOCK KIT, STS' 14
10	1	344510	DOOR LATCH ROD, STS' 14
11	1	344551	GASKET - DOOR ARM REST MOUNT
12	1	344560	DOOR SWITCH, STS' 14
13	1	344561	DOOR SWITCH MAGNET, STS' 14
14	1	344589	DOOR LATCH COVER, STS' 15
15	1	344592	FOOT PEDAL BASE WLDT, STS' 15

DOOR ASSEMBLY			
DET	QTY	P/N	DESCRIPTION
16	2	344600	FOOT PEDAL MT GASKET, STS' 15
17	1	344610	DOOR BUBBLE INSERT, STS' 15
18	1	344611	FOOT PEDAL WLDT, STS' 15
19	1	344618	FOOT PEDAL PIVOT PIN, STS' 15
20	1	344620	DOOR HANDLE PUSH BUTTON' 15
21	1	344621	DOOR LATCH, STS' 15
22	1	344625	DOOR HANDLE MT GASKET, STS' 15
23	1	344627	DOOR HANDLE GASKET, STS' 15
24	1	344628	FOOT PEDAL MT WLDT, STS' 15
25	1	345050	DOOR FRAME WLD, STS/DTS
26	1	345056	DOOR HINGE BRKT
27	1	345057	DOOR LATCH SPRING
28	1	345058	E-STYLE RETAINING RING, .375
29	1	345060	DOOR CABLE ' 17
30	2	345120	.19 X .5 GRVED CLEXIS PIN ASSY

DOOR ASSEMBLY			
DET	QTY	P/N	DESCRIPTION
31	1	345124	HANDS FREE RELEASE CBLE, ' 17
32	1	470113	5/16-18UNC HEX FLG NUT SER MC GR5
33	2	470215	10-32 X 1/2 SERR FLG HEX BOLT
34	2	470255	BALL STUD, 5/16-18 THRD X 10MM
35	4	470360	1/2-13UNC HEX FLG NUT SER MC GR5
36	4	470413	INSIDE SQUEEZE LATCH GASKET
37	4	470414	INSIDE SQUEEZE LATCH CAP
38	1	470417	STRIKER PIN, DOOR LATCH, TRIMARK
39	4	470419	DOOR HINGE BUSH,RUBBER STS 05
40	8	470420	DOOR HINGE BUSH,RUBBER STS 05
41	1	470421	NYLON SPACER, SPHERICAL 6MMx12
42	4	470431	1/2UNC X 1 1/2 HHSFB GR5 MC
43	2	470489	GASKET, DOOR HANDLE STIFFENER
44	4	472375	5/16UNC X 3/4 BUTN CAP SCR BLK
45	1	473004	#10-32UNF NYLOCK NUT MC GR5
46	1	473758	6MM X 1.00 NYLON-LOCK HEX NUT
47	1	473759	12MM-1.75 HEX JAM NUT YZ
48	2	473761	6MM-1.00 X 20MM FLT HD SCREW
49	1	473762	6MM-1.00 X 45 PAN HD PHL SCREW
50	1	473767	6MM-1.00 HEX NUT
51	2	473787	6MM-1.00 X 25MM HEX BOLT GR8
52	2	473988	1/2-13UNC NYLOCK NUT SS
53	1	658105	GLASS DOOR, STS' 15
54	4	900000	1/4UNC X 1/2 HHCS GR5 MC
55	2	900348	1/2UNC X 6 HHCS SS
56	1	903706	10-32X1/2 PHIL PAN MACH SCR
57	2	903904	4-40 X 3/8 PHIL PAN MACH SCR
58	2	903906	#4-40 X 5/8 PHIL PAN HD SCREW
59	4	910031	#4-40UNC NYLOCK NUT MC GR2
60	4	910133	USS FLAT WASHER 5/16 BZ

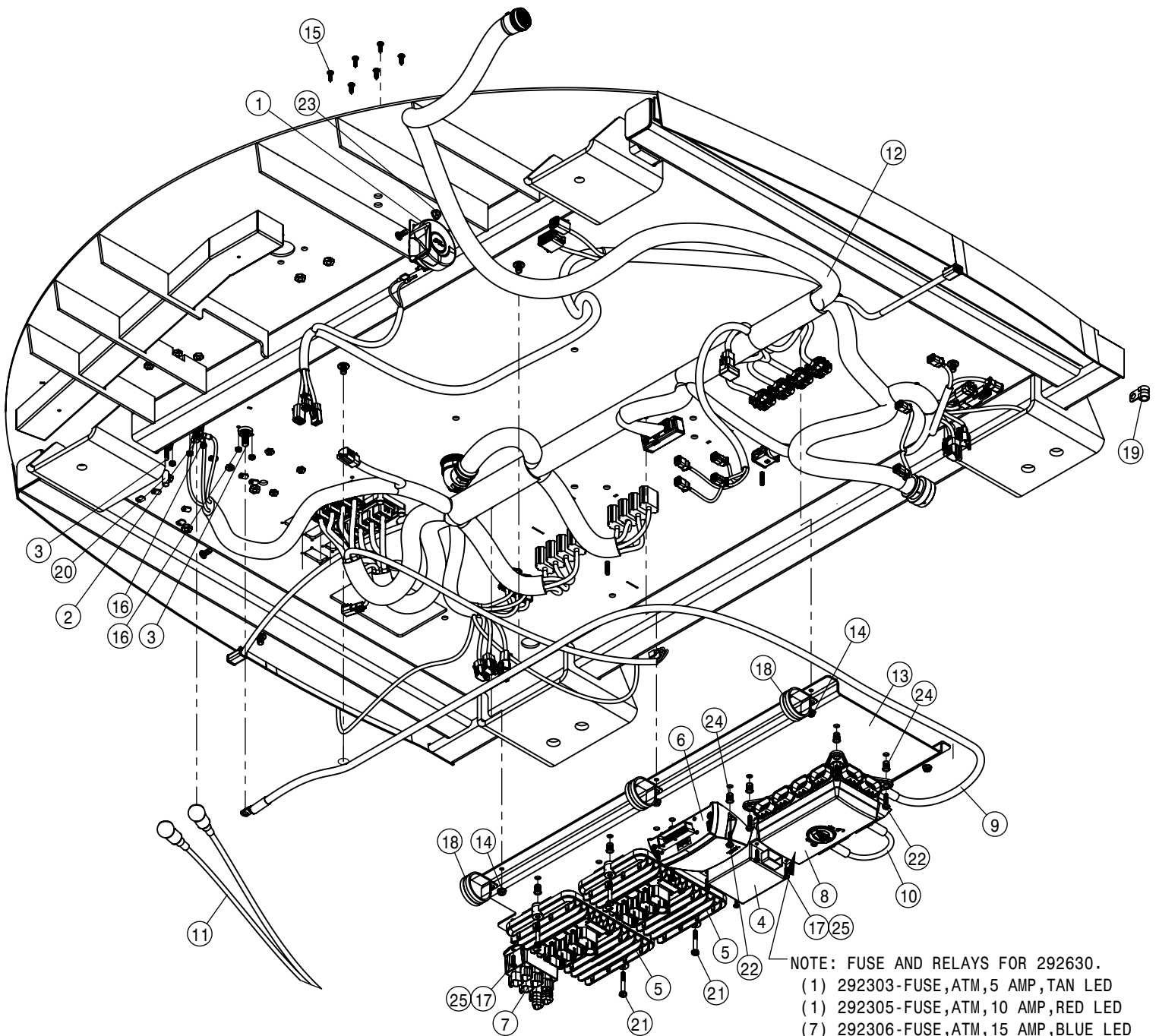


NOTE: FUSES AND RELAYS FOR 292629
 (1) 292301-FUSE,ATM,3 AMP,VIOLET LED
 (5) 292303-FUSE,ATM,5 AMP,TAN LED
 (5) 292305-FUSE,ATM,10 AMP,RED LED
 (9) 292306-FUSE,ATM,15 AMP,BLUE LED
 (19) 292307-FUSE,ATM,20 AMP,YELLOW LED
 (1) 292308-FUSE,ATM,25 AMP,NATURAL LED
 (5) 292029-5-PIN MICRO RELAY W/DIODE 35A
 (3) 292018-4-PIN MICRO RELAY 20A

DETAIL A

CAB ELECTRICAL-TOP ASSEMBLY			
DET	QTY	P/N	DESCRIPTION
1	1	291749	TERM BLOCK,BLACK,3/8-16 THRU
2	2	291750	TERM BLOCK,RED,3/8-16 THRU
3	1	292120	DEUTSCH GASKET, DT12-LO12
4	1	292629	DVEC - INTERIOR
5	1	292647	CABLE - BATTERY POWER STS
6	1	292648	CABLE - DVEC POWER STS
7	1	292761	SOLID STATE MCR
8	1	292762	CABLE - SWITCH POWER STS
9	2	294200	HARNESS - ROOF STS
10	1	294201	HARNESS - MAIN CAB INT STS
11	1	294203	HARNESS - SEAT POD STS
12	1	294204	HARNESS - 12V POWER PLUG STS
13	1	294205	HARNESS - A-POST GAUGE STS
14	1	294206	HARNESS - CAB SWITCH STS
15	2	294207	HARNESS - BEACON STS
16	1	294210	HARNESS - PRES SWITCH STS
17	1	294211	HARNESS - E-STOP STS

CAB ELECTRICAL-TOP ASSEMBLY			
DET	QTY	P/N	DESCRIPTION
18	1	294212	HARNESS - SPEAKER STS
19	1	294369	HARNESS - AUTO STEER CAB
20	1	294425	HARNESS, SOLID STATE MCR
21	1	344310	CAB ELEC BRKT '15
22	1	345233	MCR MT BRKT
23	2	470118	1/4UNC X 3/4 HHSFB GR5 MC
24	4	470121	1/4-20UNC HEX FLG NUT SER MC GR5
25	12	470465	#12 X 3/4 PHIL PAN SHT MTL SCR
26	20	470467	#6-32UNC KEP NUT MC GR5
27	2	470542	#10-32UNF KEP NUT MC GR5
28	1	629736	CAPPLUGS CAP,.312 X 1.00 VINYL
29	8	903706	10-32X1/2 PHIL PAN MACH SCR
30	6	903711	1/4UNC X3/4PHIL PANHD MACH SCR
31	20	903812	6-32 X 1/2 PHIL PAN MACH SCR
32	4	903904	4-40 X 3/8 PHIL PAN MACH SCR
33	4	910029	#4-40UNC HEX NUT MC GR5
34	2	910112	SAE FLAT WASHER 1/4 SS

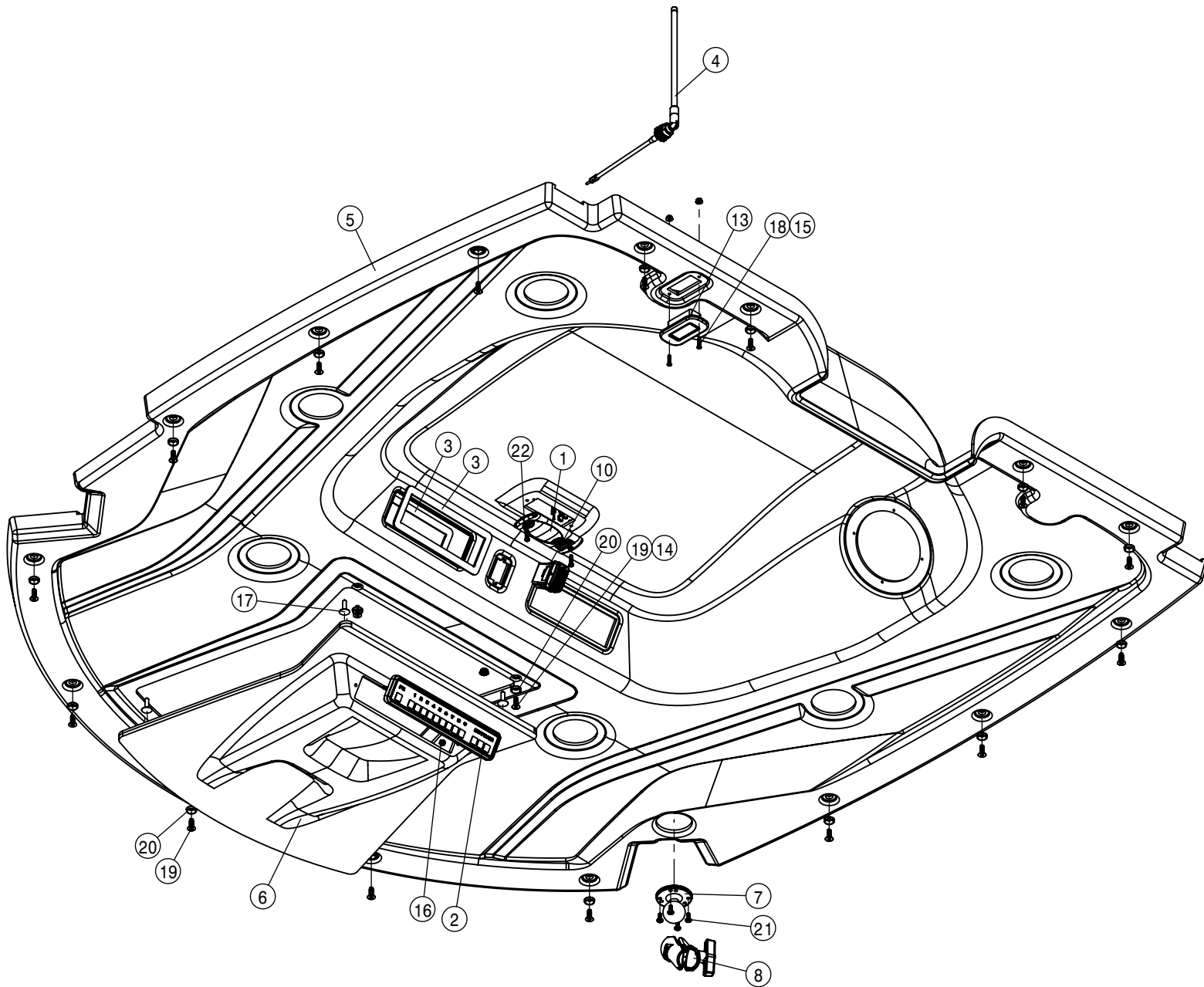


NOTE: FUSE AND RELAYS FOR 292630.

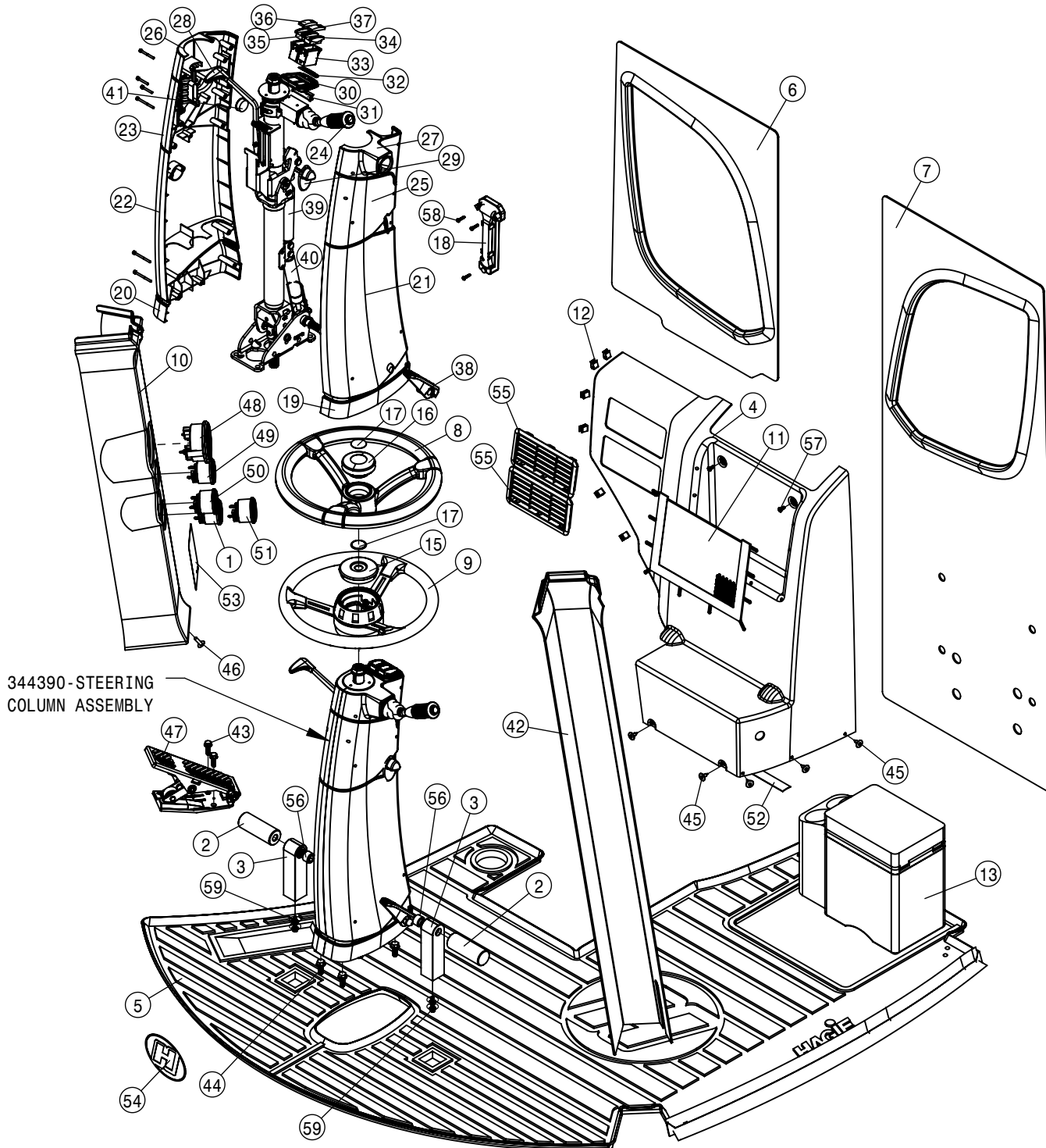
- (1) 292303-FUSE,ATM,5 AMP,TAN LED
- (1) 292305-FUSE,ATM,10 AMP,RED LED
- (7) 292306-FUSE,ATM,15 AMP,BLUE LED
- (8) 292307-FUSE,ATM,20 AMP,YELLOW LED
- (10) 292029-5-PIN MICRO RELAY W/DIODE 35A

CAB ELECTRICAL -BOTTOM ASSEMBLY			
DET	QTY	P/N	DESCRIPTION
1	1	290062	HORN
2	1	291749	TERM BLOCK,BLACK,3/8-16 THRU
3	2	291750	TERM BLOCK,RED,3/8-16 THRU
4	1	291910	FLASHER, SOLID STATE, 12V
5	2	292005	IQAN MC31
6	1	292087	IQAN-XS2 MODULE>611
7	1	292406	J1939 JUNCTION MODULE
8	1	292440	DVEC - EXTERIOR
9	1	292645	CABLE - SSDVEC POWER CABLE
10	1	292650	CABLE - SSDVEC JUMPER
11	1	292727	CAB PWR,GND CABLE ASSY
12	1	294087	MAIN CAB EXT. HARNESS STS-16
13	1	344541	BRKT-CAB ELEC MODULE MOUT

CAB ELECTRICAL -BOTTOM ASSEMBLY			
DET	QTY	P/N	DESCRIPTION
14	6	470121	1/4-20UNC HEX FLG NUT SER MC GR5
15	6	470465	#12 X 3/4 PHIL PAN SHT MTL SCR
16	6	470542	#10-32UNF KEP NUT MC GR5
17	6	472235	#10-32 UNF X 3/4 PHMS PH ZN
18	3	520161	CUSH CLAMP,#32 2"D-3/4W LOOP
19	1	520163	CUSH HOSE CLAMP,#8, 1/2D X 3/4W
20	1	629736	CAPLUGS CAP,.312 X 1.00 VINYL
21	4	900006	1/4UNC X 1 3/4 HHCS GR5 MC
22	6	903701	1/4-20 UNC X 1 PHMS PH ZN
23	1	910119	5/16-18UNC HEX FLG NUT SER SS
24	10	910127	1/4-20 NUTSERT .027-1.65 STL
25	6	910130	10-32 NUTSERT .020-.130 STL



HEADLINER ASSEMBLY			
DET	QTY	P/N	DESCRIPTION
1	1	292620	DOMELIGHT
2	1	292678	LIGHT BAR - SECTION INDICATOR
3	2	343331	RADIO BEZEL,CAB, BLK PLASIC 05
4	1	344177	ANTENNA - RADIO
5	1	344349	HEADLINER
6	1	344350	HEADLINER ACCESS PANEL
7	1	344384	1.5" RAM BALL MNT BASE 2.50"
8	1	344385	1.5" RAM BALL MNT 4.50"DBL SOC ARM
NS	1	344416	RADIO - PREMIUM
10	1	344417	BLUETOOTH MIC
NS	1	344418	HARNESS - BLUETOOTH MIC
NS	2	344419	SPEAKER
13	1	344459	GARMENT HOOK
14	2	470121	1/4 UNC SERR FLG LOCK NUT
15	4	470463	8-32 SERR FLANGE NUT
16	2	470541	8-32 KEP NUT
17	4	470545	PUSH TREE FASTENER 1/4 X 1
18	2	472376	#8-32 X 3/4 FLT HD PHIL SCREW
19	17	472378	1/4-20 X 3/4 FLT HD SOCKET SCREW ZN BLK
20	17	472380	1/4 CNTR SNK WASH, NYLON
21	4	903706	10-32X1/2 PHIL PAN MACH SCR
22	2	903850	8-32 X 3/4 PHIL PAN MACH SCR BZ

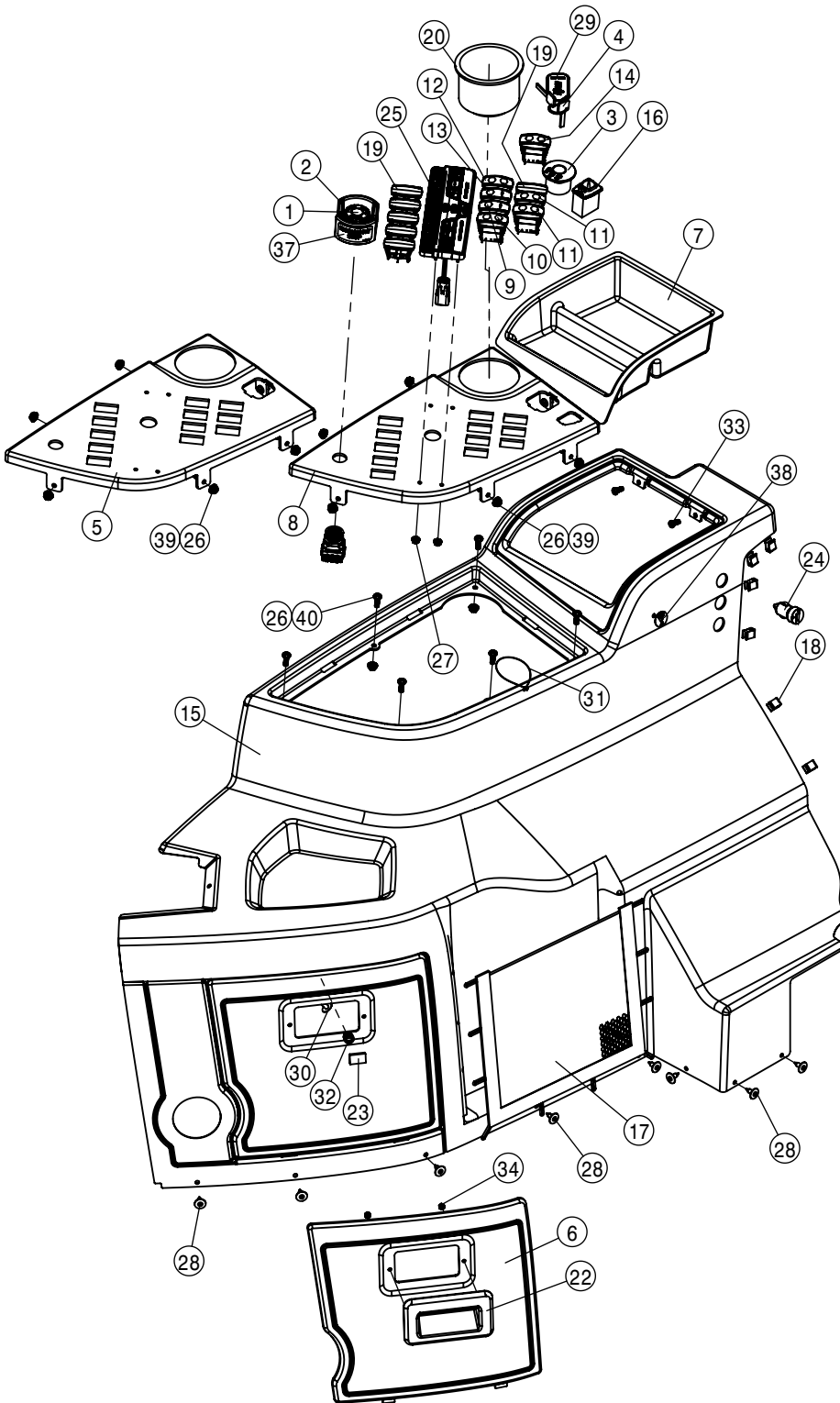


344390-STEERING
COLUMN ASSEMBLY

CAB INTERIOR ASSEMBLY			
DET	QTY	P/N	DESCRIPTION
1	1	344171	GAUGE BLANK
2	2	344284	STS CAB FOOT PEG '14
3	2	344286	STS CAB FOOT PEG RISER
4	1	344308	REAR CONSOLE
5	1	344339	FLOORMAT - MOLDED
6	1	344347	RH REAR WALL LINER
7	1	344348	LH REAR WALL LINER
8	1	344391	STEERING WHEEL - DELUXE
9	1	344392	STEERING WHEEL - PREMIUM
10	1	344397	RH A POST COVER
11	1	344411	CARGO NET - REAR CONSOLE
12	6	344413	"U" CLIP
13	1	344420	ELEC COOLER
NS	4	344464	POWER OUTLET 12V
15	1	344573	CTR CAP,STEERING WHEEL-PREMIUM
16	1	344574	CTR CAP STEERING WHEEL - DELUXE
17	2	344575	DECAL - STEERING WHEEL CENTER
18	1	344646	WINDOW BREAKING TOOL, STS'15
19	1	344686	LH SIDE-LWR COVER, STRG COLUMN
20	1	344687	RH SIDE-LWR COVER, STRG COLUMN

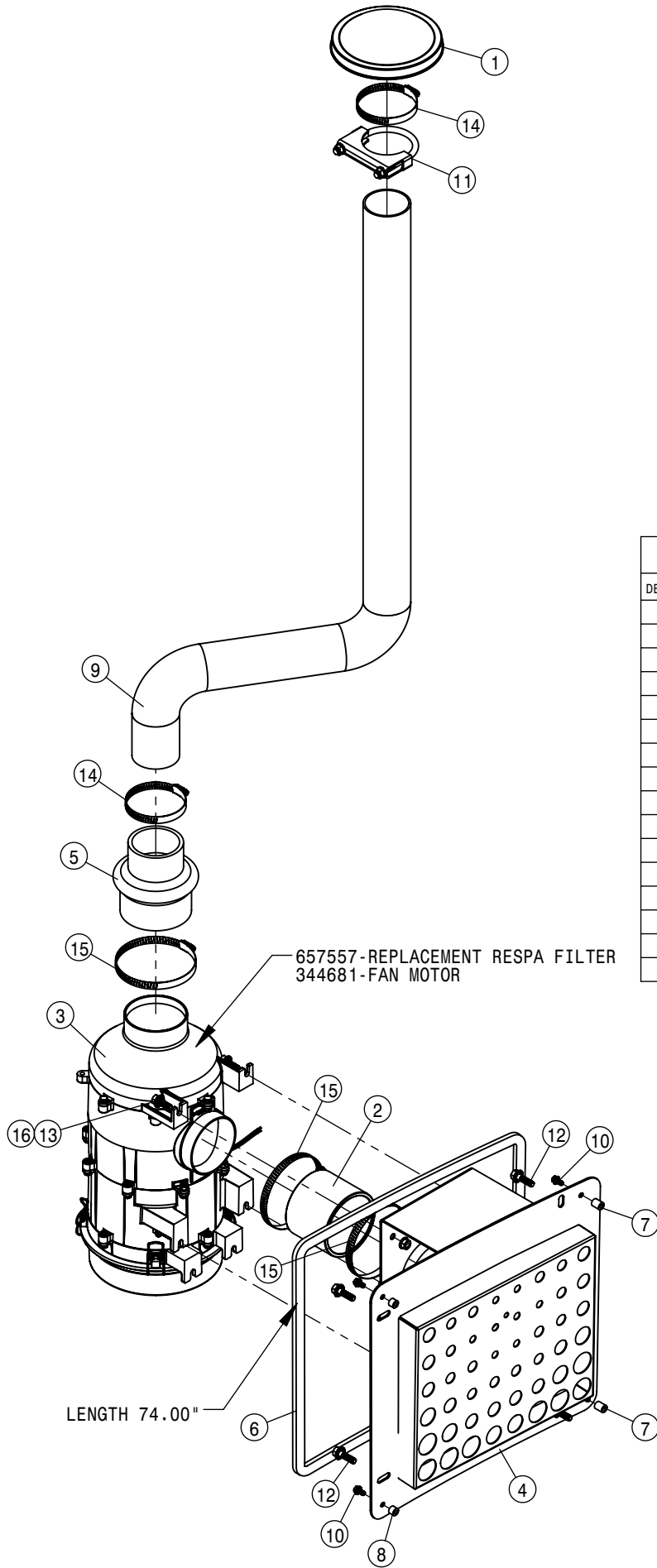
CAB INTERIOR ASSEMBLY			
DET	QTY	P/N	DESCRIPTION
21	1	344688	LH SIDE-MID COVER, STRG COLUMN
22	1	344689	RH SIDE-MID COVER, STRG COLUMN
23	1	344690	RH SIDE-UPR COVER, STRG COLUMN
24	1	344691	LH SWITCH, WIPER/LIGHTS, STRG
25	1	344692	LH SIDE-UPR COVER, STRG COLUMN
26	1	344693	RH SIDE-TOP COVER, STRG COLUMN
27	1	344694	LH SIDE-TOP COVER, STRG COLUMN
28	1	344695	UPR HANDLE RAL, STRG COLUMN
29	1	344696	LH UPR HANDLE RAL, STRG COLUMN
30	1	344697	SWITCH HOUSING, STRG COLUMN
31	1	344698	LIGHT 4LED 12V, STRG COLUMN
32	1	344699	INDICATOR PAD, STRG COLUMN
33	2	344700	SWITCH BASE, STRG COLUMN
34	1	344701	SWITCH ON/OFF SERIES 533
35	1	344702	SWITCH ON/OFF SERIES 533
36	1	344703	BLUE COVER, LIGHTS, 1-LED
37	1	344704	RED COVER, HAZARD SERIES 533
38	1	344705	LEFT PEDAL, STRG COLUMN
39	1	344707	GAS SPRING 400N, STRG COLUMN
40	1	344708	GAS SPRING 500N, STRG COLUMN

CAB INTERIOR ASSEMBLY			
DET	QTY	P/N	DESCRIPTION
41	1	344734	RH CAP, STRG COLUMN
42	1	344823	LH A PSOT COVER, CAB W/DECAL
43	2	470234	5/16UNC X 1" SERR FLG HEX BOLT
44	4	470460	3/8 X 1" SERR FLG BOLT
45	5	470466	1/4 X 3/4 PLTC LCK RIVET
46	1	470545	PUSH TREE FASTENER 1/4 X 1
47	1	470649	PEDAL - DECAL
48	1	470650	GAUGE - 3" RPM
49	1	470651	GAUGE - 2" FUEL
50	1	470652	GAUGE - 2" COOLANT TEMP
51	1	470654	GAUGE, DEF 2" '14
52	1	490645	VHB TAPE 5952, BLACK
53	1	650479	JOYSTICK DECAL, STS'15
54	1	651008	DECAL - H-DOT FRONT GLASS 5.00"
55	2	657549	2412, 4"X8" Louver Grill
56	2	900396	5/8UNC X 2 SOCKET CAP SCR
57	2	903706	10-32X1/2 PHIL PAN MACH SCR
58	3	903850	8-32 X 3/4 PHIL PAN MACH SCR BZ
59	4	470122	1/4UNC X 1/2 HHSFB GR5 MC

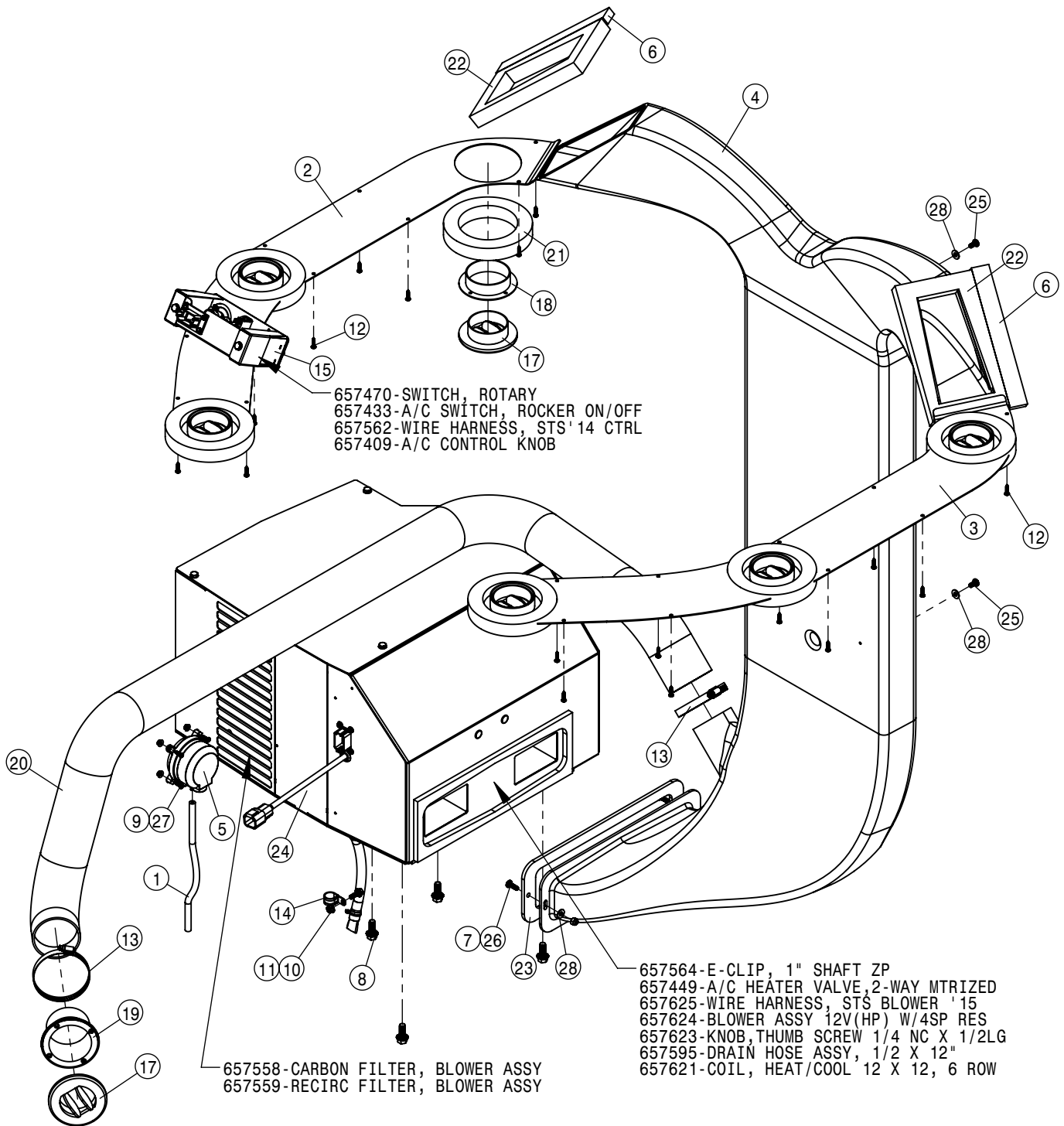


CONSOLE ASSEMBLY			
DET	QTY	P/N	DESCRIPTION
1	1	290081	E-STOP SWITCH,LED MUSHROOM
2	1	290089	E-STOP SHROUD, STS '11
3	1	291916	IGNITION SWITCH
4	2	291917	IGNITION KEY FOR 291916
5	1	343912	CONSOLE SWITCH PANEL, NO MRR
6	1	344306	CONSOLE DOOR
7	1	344307	CONSOLE TRAY
8	1	344309	CONSOLE SWITCH PANEL
9	1	344312	SWITCH - SOLUTION PUMP
10	1	344313	SWITCH - MAIN TANK
11	2	344314	SWITCH - BOOM FOLD
12	1	344315	SWITCH - RINSE
13	1	344316	SWITCH - AGITATION
14	1	344317	SWITCH - FOAMER
15	1	344407	CONSOLE BODY
16	1	344409	SWITCH - POWER MIRROR
17	1	344410	CARGO NET - SIDE CONSOLE
18	6	344413	"U" CLIP
19	6	344461	HOLE PLUG - CONTURA V
20	1	344462	CUP HOLDER - LARGE
NS	4	344464	POWER OUTLET 12V
22	1	344465	DOOR HANDLE
23	1	344514	PLATE - CONSOLE DOOR
24	1	344555	USB CHARGING ADAPTER - DC
25	1	344556	SECTION KEYPAD STS'15
26	18	470121	1/4 UNC SERR FLG LOCK NUT
27	4	470175	10-32 SERR FLANGE NUT
28	8	470466	1/4 X 3/4 PLTC LCK RIVET
29	1	470544	HAGIE KEY CHAIN
30	1	470545	PUSH TREE FASTENER 1/4 X 1
31	1	470609	8" BEAD CHAIN
32	1	470676	MORTISE MOUNT-PULL MAG CATCH
33	2	472344	1/4UNCX5/8 ALHD BUTTON CAP SCR
34	2	473870	M5 HEX NUT
NS	1	493626	STS QUICK START GUIDE
NS	1	493662	STS TOOL INSTRUCTION SHEET
37	1	650278	DECAL, E-STOP, STS '11
38	1	650467	DECAL - AUX 2
39	12	903708	1/4UNC X1/2PHIL PANHD MACH SCR
40	6	903711	1/4UNC X3/4PHIL PANHD MACH SCR

BULK TRIM SEAL
 193070-SEAL, .63 X .63 D-SECT EDPM

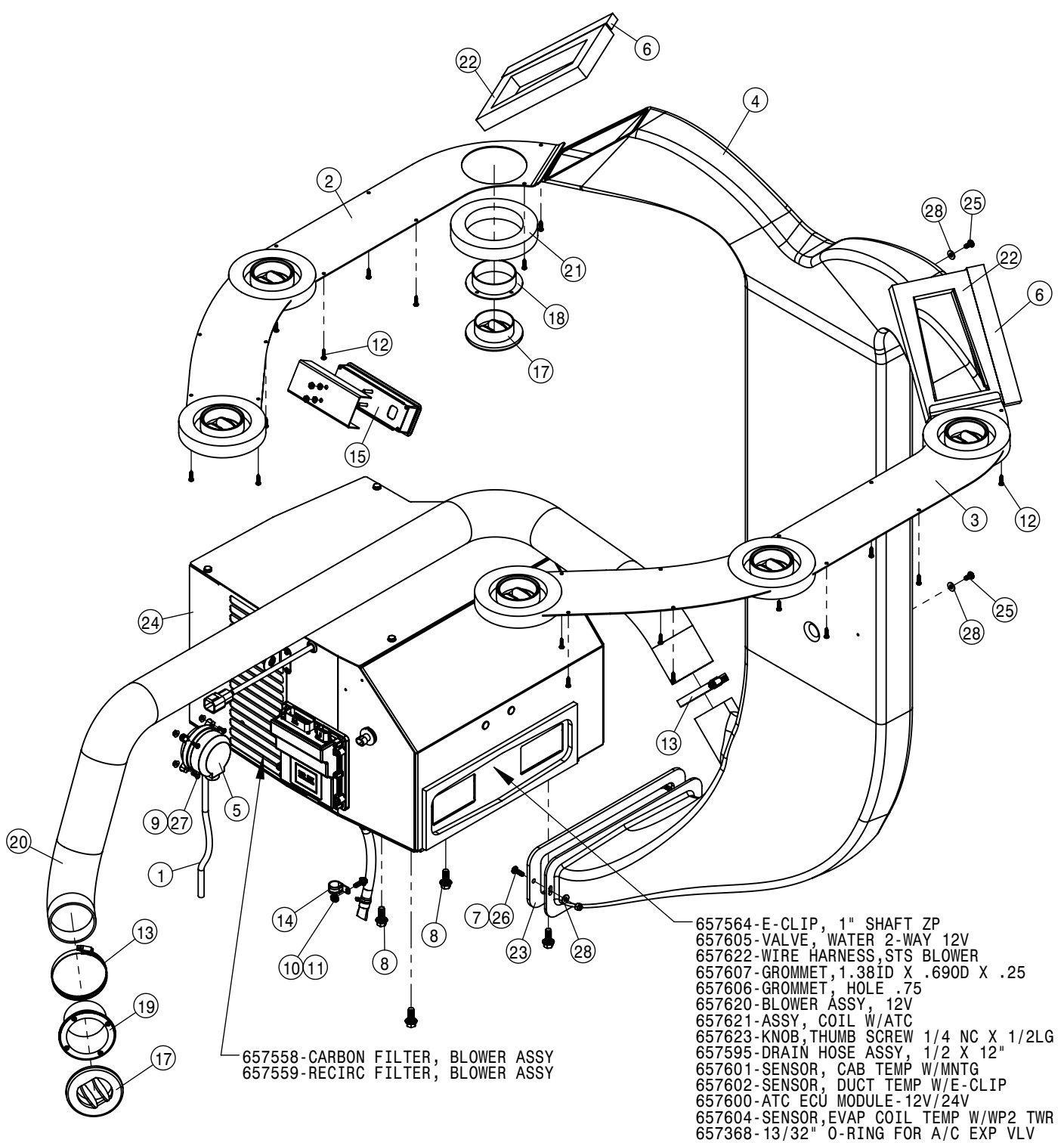


AIR INTAKE ASSEMBLY			
DET	QTY	P/N	DESCRIPTION
1	1	311534	RAIN CAP, 3" INLET, POLY
2	1	317296	STRAIGHT SLEEVE, 4.0" X 3.5"
3	1	343863	HVAC FILTRATION UNIT, DTS
4	1	343903	TALL CROP MT WLD, DTS
5	1	343909	AIR INTAKE COUPLING, DTS
6	1	344480	SEAL - RESPA PANEL
7	2	344557	STAND OFF 5/8" LG, STS' 14
8	2	344558	STAND OFF 3/8" LG, STS' 14
9	1	344667	TALL CROP INTAKE TUBE, STS' 16
10	4	470122	1/4 UNC X 1/2 SERR FLG BOLT
11	1	470160	MUFFLER CLAMP 3.00 IN
12	4	470329	3/8UNC X 1 1/4 HHSFB GR5 MC
13	4	470460	3/8UNC X 1 HHSFB GR5 MC
14	2	520052	HOSE CLAMP NO 52 STAINLESS
15	3	520072	HOSE CLAMP NO 72 STAINLESS
16	4	910042	3/8-16UNC HEX FLG NUT SM MC GR8



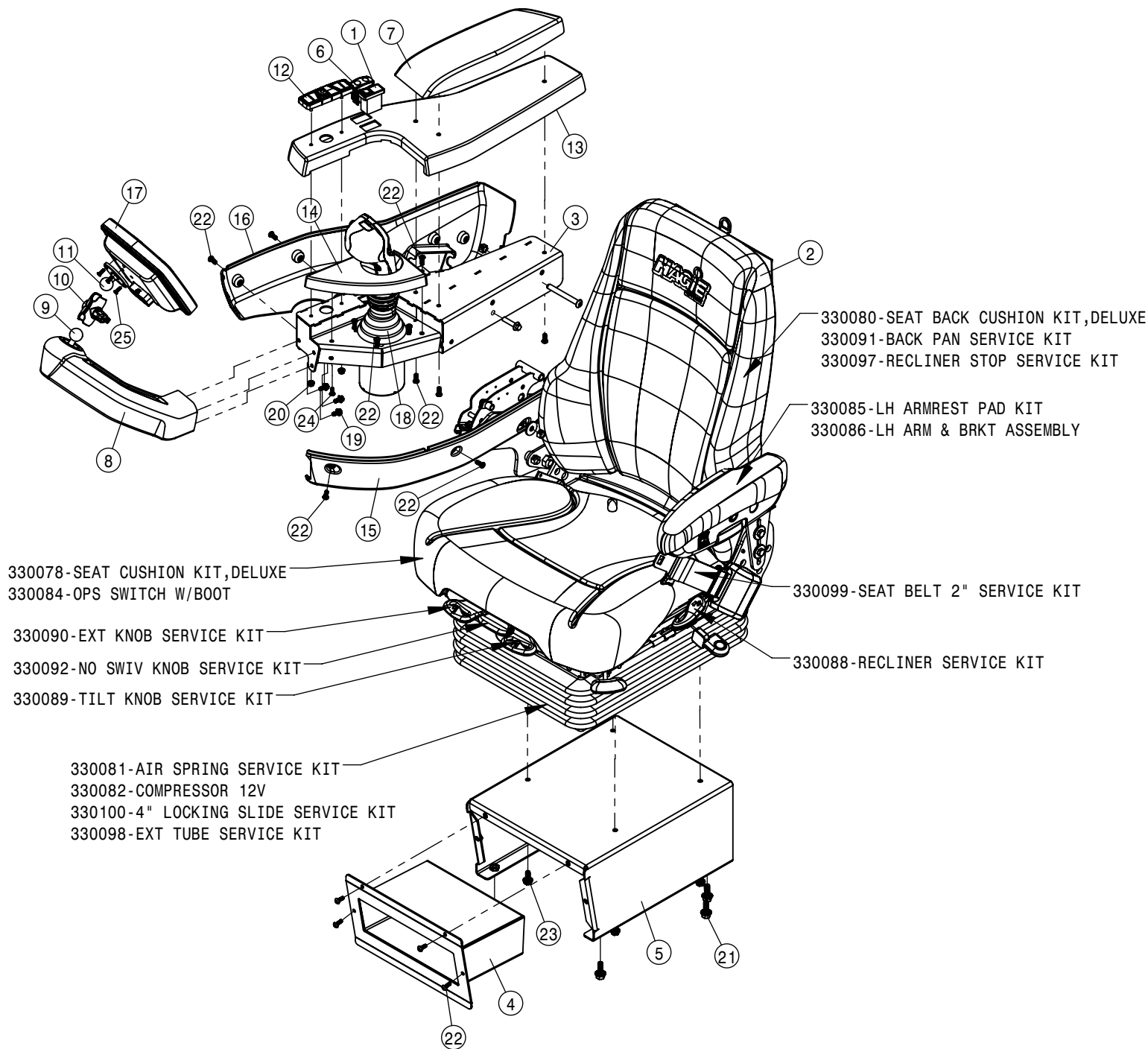
STANDARD HVAC ASSEMBLY			
DET	QTY	P/N	DESCRIPTION
1	1	317315	HOSE - HVAC PRESSURE
2	1	344361	PLATE, ROOF DUCT COVER RH, STSCAB' 14
3	1	344362	PLATE, ROOF DUCT COVER LH, STSCAB' 14
4	1	344366	DUCT HVAC - STS CAB
5	1	344425	PRESSURE SWITCH - HVAC
6	2	344576	TEMP SEAL DUCT, STS' 14
7	2	470089	1/4UNC HEX NYL-LOC NUT
8	4	470460	3/8 X 1" SERR FLG BOLT
9	4	470463	8-32 SERR FLANGE NUT
10	1	473832	1/4UNC HEX FLANGE LOCK NUT SS
11	1	473834	1/4UNC X 3/4 SER FLG BOLT SS
12	20	473990	#8 X 3/4 PHIL PAN SHTMTL(A)SCR
13	2	520052	HOSE CLAMP NO 52 STAINLESS
14	1	520104	CUSH HOSE CLMP,#12, 3/4D x 1/2W

STANDARD HVAC ASSEMBLY			
DET	QTY	P/N	DESCRIPTION
15	1	657542	HVAC CONTROL - MANUAL, STS' 14
NS	1	657544	HARNESS - HVAC MAN CONTROL
17	7	657546	LOUVER, 4" W/O MNT
18	6	657547	PANEL MNT, LOUVER (THK PANEL)
19	1	657548	PANEL MNT, LOUVER (THK PANEL)
20	1	657550	HOSE - 3IN HVAC
21	6	657552	GASKET SEAL ROOF LOUVER
22	2	657553	GASKET SEAL ROOF LOUVER
23	1	657556	GASKET SEAL ROOF LOUVER
24	1	657560	HVAC STANDARD CONTROL ENHANCED
25	2	903708	1/4UNC X1/2PHIL PANHD MACH SCR
26	2	903711	1/4UNC X3/4PHIL PANHD MACH SCR
27	4	903844	8-32 X 1/2 PHIL PANHD MACH SCR
28	4	920000	1/4 SAE FLAT WASHER



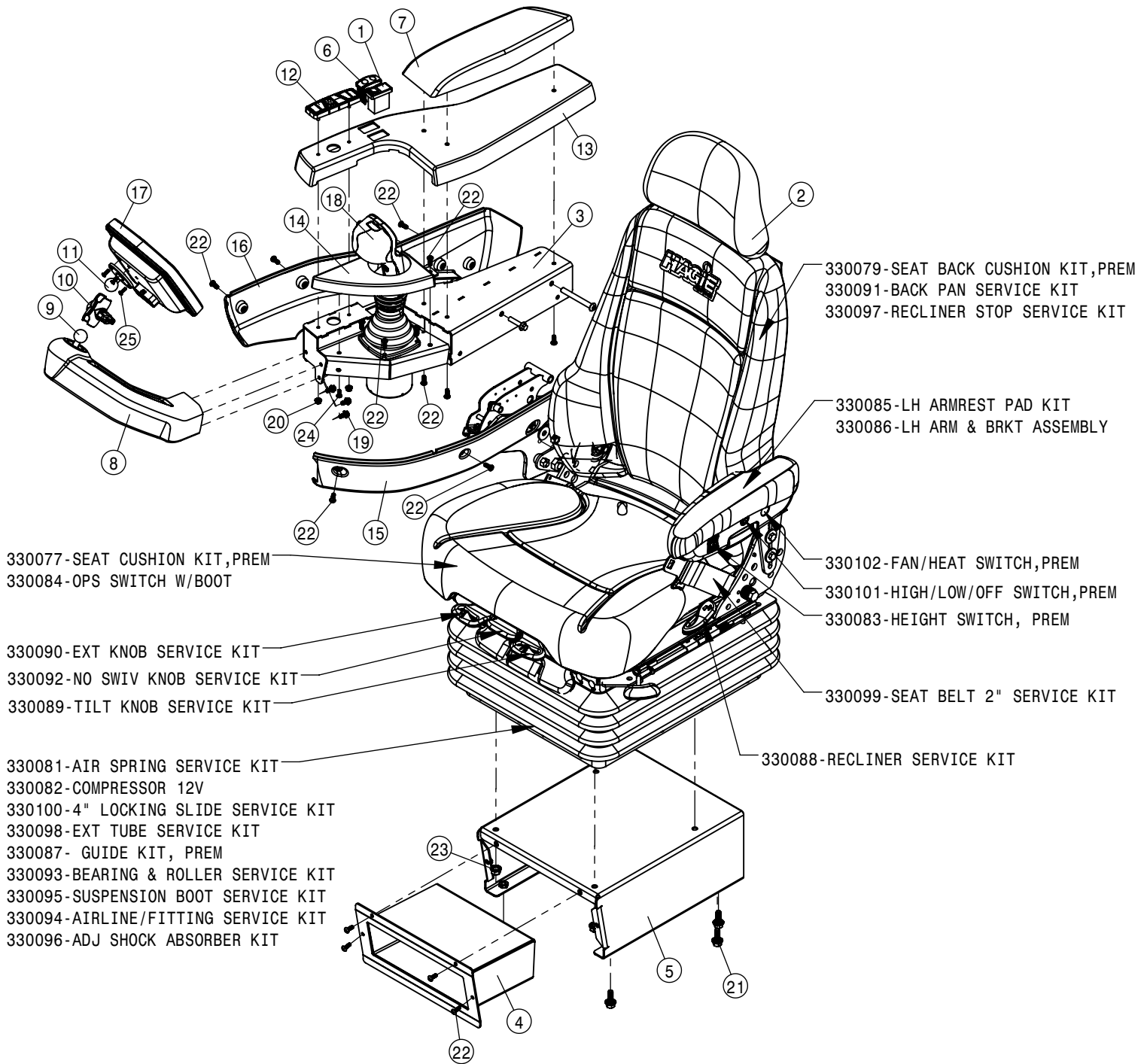
PREMIUM HVAC ASSEMBLY			
DET	QTY	P/N	DESCRIPTION
1	1	317315	HOSE - HVAC PRESSURE
2	1	344361	PLATE, ROOF DUCT COVER RH, STSCAB' 14
3	1	344362	PLATE, ROOF DUCT COVER LH, STSCAB' 14
4	1	344366	DUCT HVAC - STS CAB
5	1	344425	PRESSURE SWITCH - HVAC
6	2	344576	TEMP SEAL DUCT, STS' 14
7	2	470089	1/4UNC HEX NYL-LOC NUT
8	4	470460	3/8 X 1" SERR FLG BOLT
9	4	470463	8-32 SERR FLANGE NUT
10	1	473832	1/4UNC HEX FLANGE LOCK NUT SS
11	1	473834	1/4UNC X 3/4 SER FLG BOLT SS
12	20	473990	#8 X 3/4 PHIL PAN SHTMTL(A)SCR
13	2	520052	HOSE CLAMP NO 52 STAINLESS
14	1	520104	CUSH HOSE CLMP,#12, 3/4D x 1/2W

PREMIUM HVAC ASSEMBLY			
DET	QTY	P/N	DESCRIPTION
15	1	657543	HVAC-CTRL-AUTO,CAB
NS	1	657545	HARNESS-HVAC AUTO CTRL STS' 14
17	7	657546	LOUVER, 4" W/O MNT
18	6	657547	PANEL MNT, LOUVER (THK PANEL)
19	1	657548	PANEL MNT, LOUVER (THK PANEL)
20	1	657550	HOSE - 3IN HVAC
21	6	657552	GASKET SEAL ROOF LOUVER
22	2	657553	GASKET SEAL ROOF LOUVER
23	1	657556	GASKET SEAL ROOF LOUVER
24	1	657561	BLOWER UNIT-AUT TMP CTRL STS' 15
25	2	903708	1/4UNC X1/2PHIL PANHD MACH SCR
26	2	903711	1/4UNC X3/4PHIL PANHD MACH SCR
27	4	903844	8-32 X 1/2 PHIL PANHD MACH SCR
28	4	920000	1/4 SAE FLAT WASHER



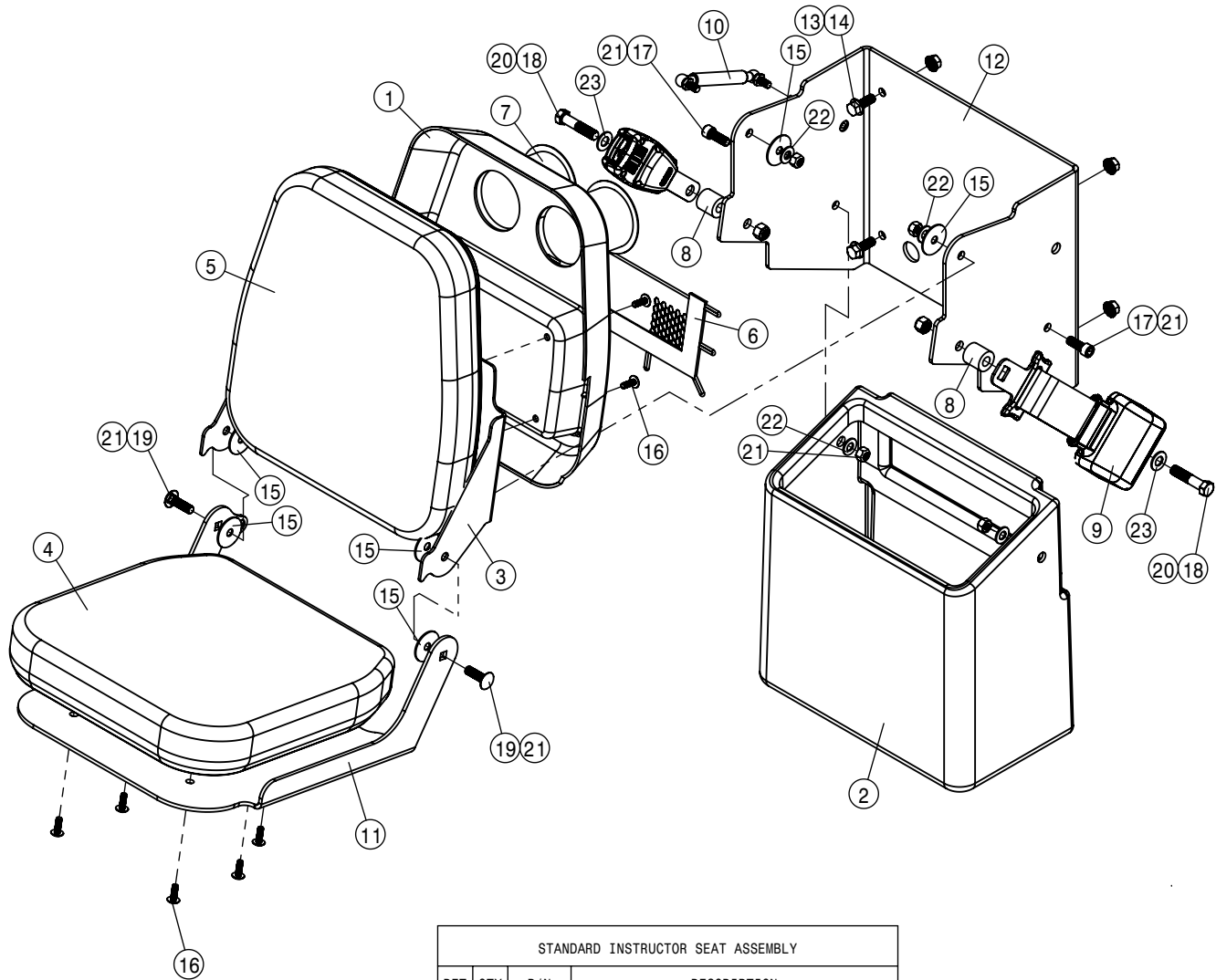
STANDARD SEAT ASSEMBLY			
DET	QTY	P/N	DESCRIPTION
1	1	292201	SWITCH, BRAKE, STS
2	1	330075	SEAT - DELUXE, CAB STS '14
3	1	344167	POD STRUCTURE WLDMT
4	1	344271	STS CAB FIRST AID WLDMNT '14
5	1	344275	STS CAB SEAT RISER WLDMNT '14
6	1	344311	SWITCH - THROTTLE
7	1	344340	ARMREST POD, ASSY, STSCAB '14
8	1	344342	POD DISPLAY MNT ASSY MOLDED, STSCAB '14
9	1	344363	1" RAM BALL MNT 1/4UNC THRD HOLE
10	1	344364	1" RAM BALL MNT 2.00"DBL SOC ARM
11	1	344365	1" RAM BALL MNT BASE 2.50"DIA
12	1	344399	RADIO KEYPAD
13	1	344516	POD UPPER, CAB

STANDARD SEAT ASSEMBLY			
DET	QTY	P/N	DESCRIPTION
14	1	344517	POD MIDDLE, CAB
15	1	344518	POD INNER, CAB
16	1	344519	POD OUTER
17	1	344612	MACHINE DISPLAY ASSEMBLY, 2014
18	1	344656	JOYSTICK, CAB
19	4	470122	1/4 UNC X 1/2 SERR FLG BOLT
20	2	470175	#10-32UNF HEX FLG NUT SER MC GR5
21	6	470460	3/8UNC X 1 HHSFB GR5 MC
22	19	472344	1/4UNCX5/8 ALHD BUTTON CAP SCR
23	4	473873	M8 x 20MM LG SERR FLANGE HEX BOLT
24	1	903706	10-32X1/2 PHIL PAN MACH SCR
25	4	903844	8-32 X 1/2 PHIL PANHD MACH SCR

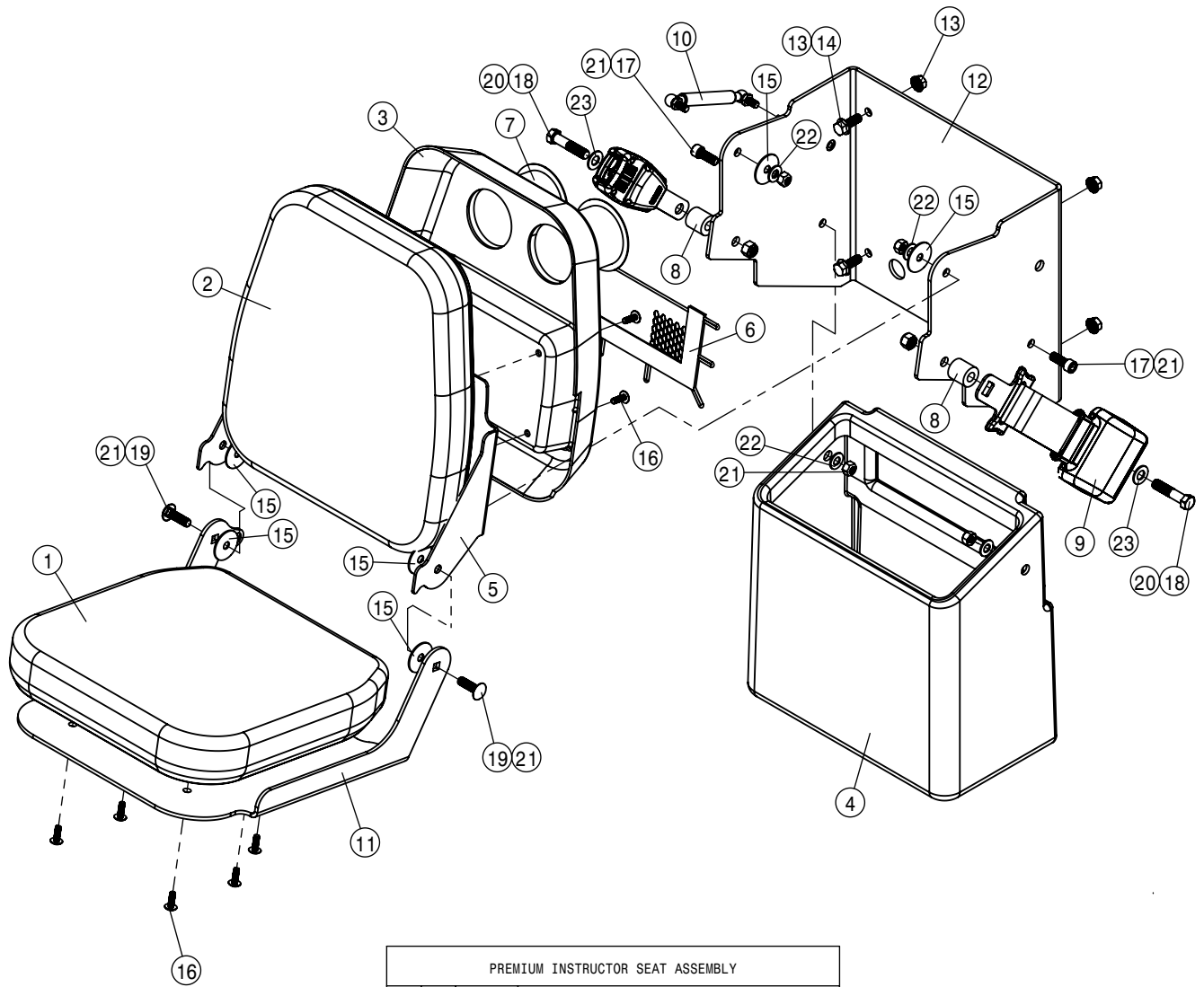


PREMIUM SEAT ASSEMBLY			
DET	QTY	P/N	DESCRIPTION
1	1	292201	SWITCH, BRAKE, STS
2	1	330068	SEAT - PREMIUM, CAB STS' 14
3	1	344167	POD STRUCTURE WLDMT
4	1	344279	STS CAB FIRST AID WLDMNT '14
5	1	344280	STS CAB SEAT RSR WLDMNT '14
6	1	344311	SWITCH - THROTTLE
7	1	344340	ARMREST POD, ASSY, STSCAB'14
8	1	344342	POD DISPLAY MNT ASSY MOLDED, STSCAB'14
9	1	344363	1" RAM BALL MNT 1/4UNC THRD HOLE
10	1	344364	1" RAM BALL MNT 2.00"DBL SOC ARM
11	1	344365	1" RAM BALL MNT BASE 2.50"DIA
12	1	344399	RADIO KEYPAD
13	1	344516	POD UPPER, CAB

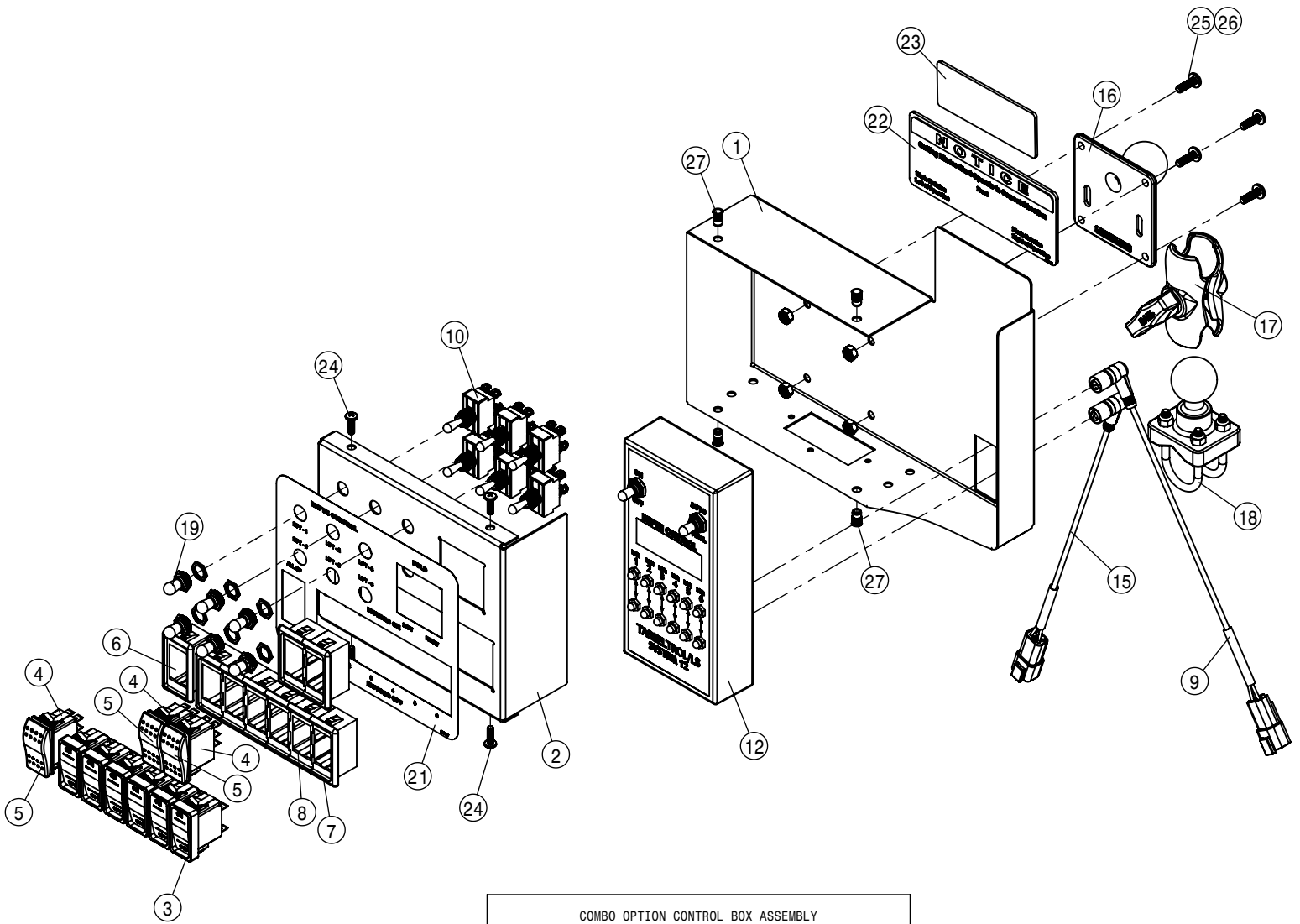
PREMIUM SEAT ASSEMBLY			
DET	QTY	P/N	DESCRIPTION
14	1	344517	POD MIDDLE, CAB
15	1	344518	POD INNER, CAB
16	1	344519	POD OUTER
17	1	344612	MACHINE DISPLAY ASSEMBLY, 2014
18	1	344656	JOYSTICK, CAB
19	4	470122	1/4 UNC X 1/2 SERR FLG BOLT
20	2	470175	#10-32UNF HEX FLG NUT SER MC GR5
21	6	470460	3/8UNC X 1 HHSFB GR5 MC
22	19	472344	1/4UNCX5/8 ALHD BUTTON CAP SCR
23	4	473866	M10 X 1.5 HEX SERR FLG NUT
24	1	903706	10-32X1/2 PHIL PAN MACH SCR
25	4	903844	8-32 X 1/2 PHIL PANHD MACH SCR



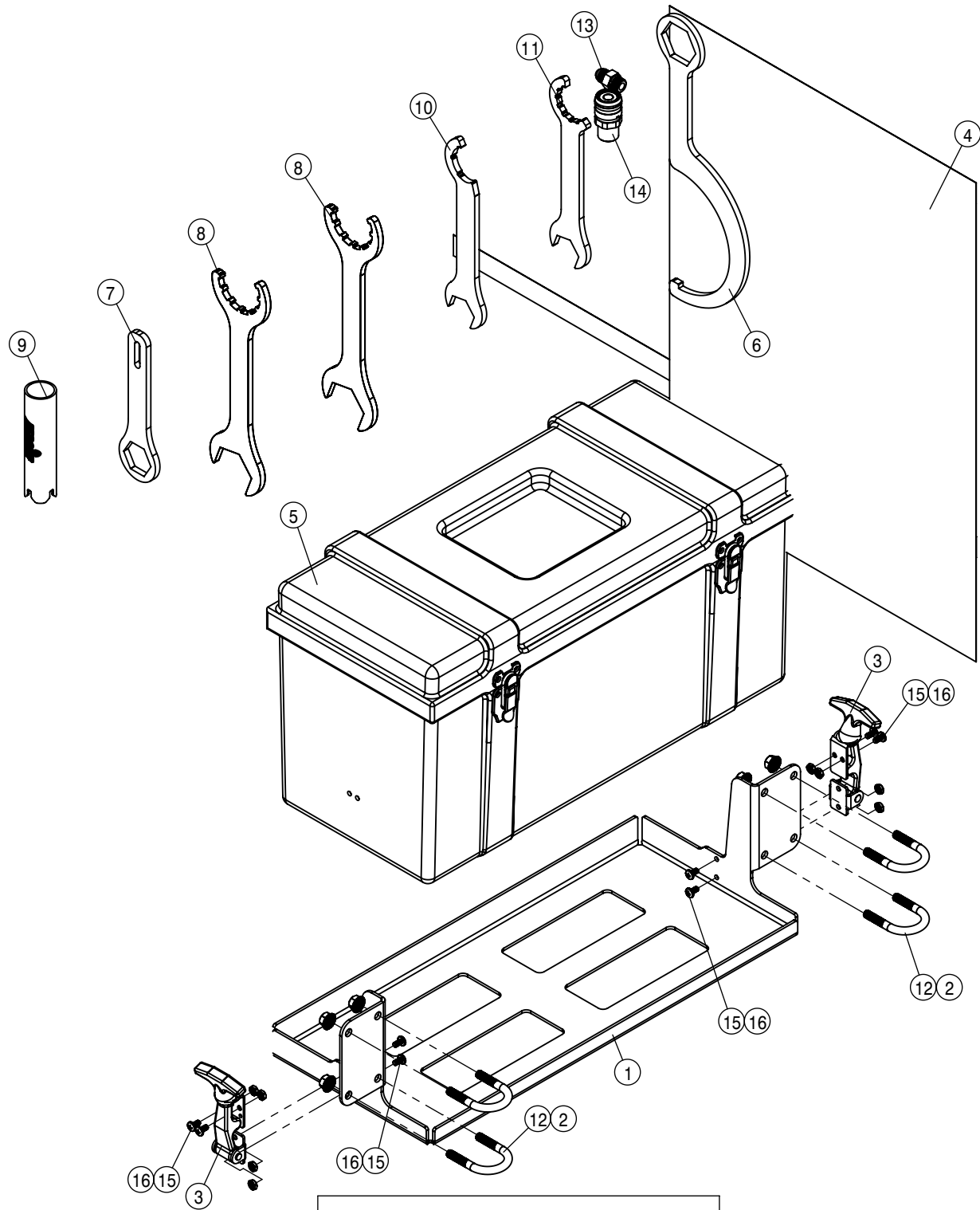
STANDARD INSTRUCTOR SEAT ASSEMBLY			
DET	QTY	P/N	DESCRIPTION
1	1	344162	PANEL BACK INSTRUCTOR SEAT BACK
2	1	344163	BIN STORAGE INSTRUCTOR SEAT
3	1	344166	BRKT BACK INSTRUCTOR SEAT MOUNT
4	1	344174	CUSH BASE INST SEAT STD
5	1	344175	CUSH BACK INST SEAT STD
6	1	344412	CARGO NET - INSTRUCTOR SEAT
7	2	344463	CUP HOLDER - SMALL
8	2	344489	INST SEAT BELT BUSHING, STS' 14
9	1	344493	INST SEAT BELT ASSY, STS' 14
10	1	344559	INST SEAT GAS SPRING, STS' 14
11	1	344564	BRKT BASE INST SEAT WLDT, STS' 14
12	1	344566	BRKT INST SEAT MT WLDT, STS' 14
13	4	470087	3/8UNC HEX SERR FLANGE NUT
14	4	470460	3/8 X 1" SERR FLG BOLT
15	6	470657	3/8 PTFE LOW-FRICT WASHER
16	10	472261	1/4UNC X 3/4 TRUSS HD BOLT
17	2	900172	3/8UNC X 1"SOC HD CAP SCR,ZINC
18	2	900235	7/16-20 HEX HEAD BOLT, GR 5
19	2	901130	3/8UNC X 1 1/4 CARR BOLT
20	2	910030	7/16UNF HEX NUT, NYLOC GR5
21	4	914004	3/8UNC HEX STOVER NUT
22	4	920002	3/8 SAE FLAT WASHER
23	2	920003	7/16 SAE FLAT WASHER



PREMIUM INSTRUCTOR SEAT ASSEMBLY			
DET	QTY	P/N	DESCRIPTION
1	1	330070	CUSH BASE INST SEAT PREM
2	1	330071	CUSH BACK INST SEAT PREM
3	1	344162	PANEL BACK INSTRUCTOR SEAT BACK
4	1	344163	BIN STORAGE INSTRUCTOR SEAT
5	1	344166	BRKT BACK INSTRUCTOR SEAT MOUNT
6	1	344412	CARGO NET - INSTRUCTOR SEAT
7	2	344463	CUP HOLDER - SMALL
8	2	344489	INST SEAT BELT BUSHING, STS' 14
9	1	344493	INST SEAT BELT ASSY, STS' 14
10	1	344559	INST SEAT GAS SPRING, STS' 14
11	1	344564	BRKT BASE INST SEAT WLDT, STS' 14
12	1	344566	BRKT INST SEAT MT WLDT, STS' 14
13	4	470087	3/8UNC HEX SERR FLANGE NUT
14	4	470460	3/8 X 1" SERR FLG BOLT
15	6	470657	3/8 PTFE LOW-FRICT WASHER
16	10	472261	1/4UNC X 3/4 TRUSS HD BOLT
17	2	900172	3/8UNC X 1" SOC HD CAP SCR, ZINC
18	2	900235	7/16-20 HEX HEAD BOLT, GR 5
19	2	901130	3/8UNC X 1 1/4 CARR BOLT
20	2	910030	7/16UNF HEX NUT, NYLOC GR5
21	4	914004	3/8UNC HEX STOVER NUT
22	4	920002	3/8 SAE FLAT WASHER
23	2	920003	7/16 SAE FLAT WASHER

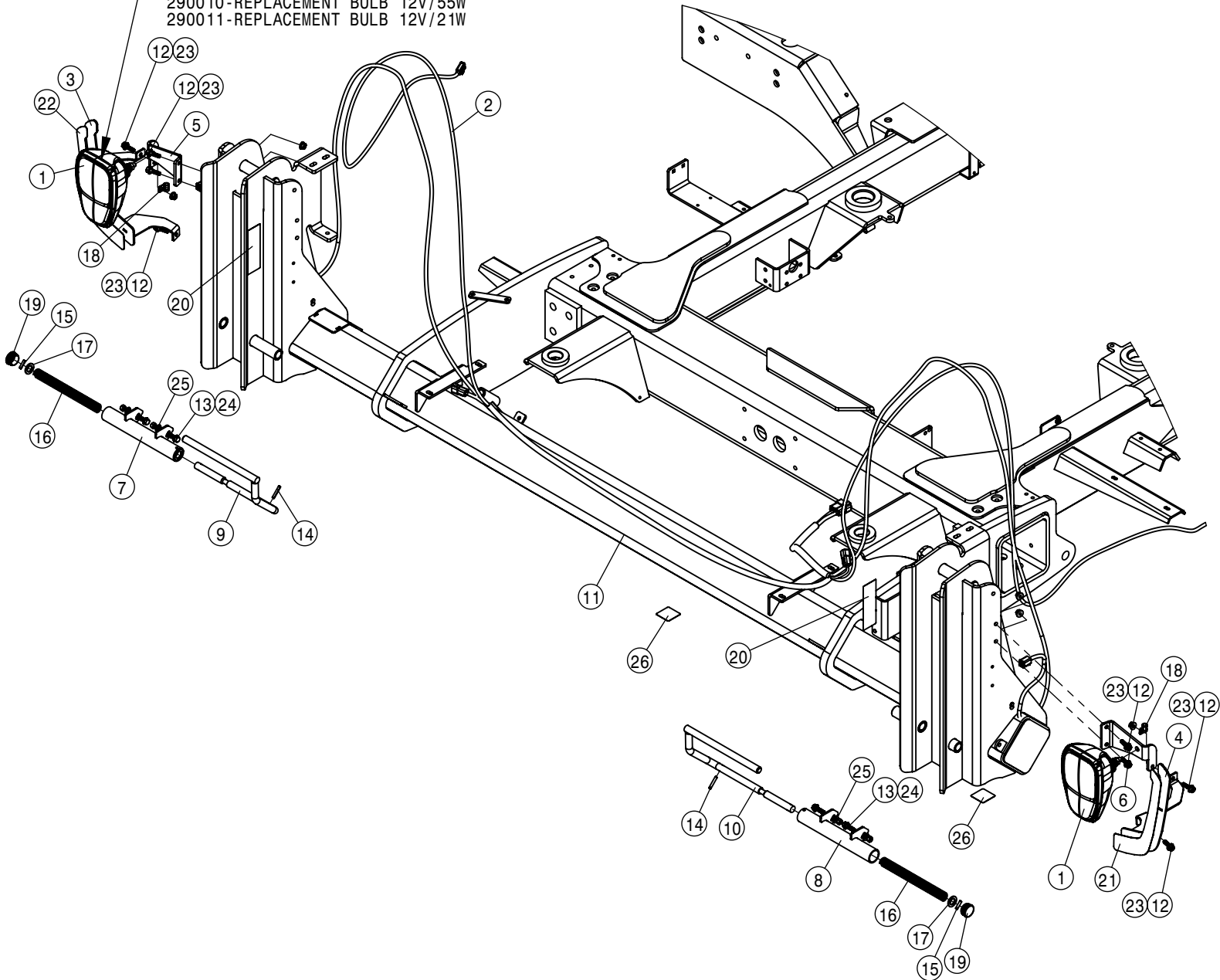


COMBO OPTION CONTROL BOX ASSEMBLY			
DET	QTY	P/N	DESCRIPTION
1	1	003200	SWITCH BOX HOUSING WLD,STSC 05
2	1	003201	SWITCH BOX COVER,STS COMBO 05
3	6	292204	SWITCH,SOLU TANK/NTB FLOAT,STS
4	3	292220	SWITCH,DPDT, MOM-OFF-MOM ON
5	3	292221	SWITCH ACUATOR FOR 292220
6	1	292260	MOUNTING TRIM, SINGLE VMS
7	4	292261	MOUNTING TRIM, END VME
8	4	292262	MOUNTING TRIM, MIDDLE VME
9	1	292583	SENSOR HARNESS FOR AWS
10	6	293172	TOGGLE SWITCH DPDT W/JUMPERS
NS	1	293862	SWITCH BOX HARNESS,STS COMB005
12	1	294035	LS CTRL 6L DISPLAY BOX ASSY
NS	1	294036	STS COMBO CAB HARNESS, '14
NS	1	294048	STS CAB HARNESS 2
15	1	294049	SENSOR HARNESS FOR SIE
16	1	344386	1.5" RAM BALL MNT BASE 3.625"SQ
17	1	344491	RAM SHRT SCKT ARM 1.5" BALL
18	1	344492	RAM U BLT BASE 1.5 BALL
19	6	470001	RUBBER BOOT AND NUT FOR 298012
NS	2	471100	DUAL LOCK, 1.00 x 1.00
21	1	650127	DECAL,STS COMBO CAB BOX 05
22	1	650303	CUTTER ROTATION DECAL
23	1	650379	DECAL,ENGAGE DET HD HYD MTRS
24	4	903710	10-32 X 5/8 PHIL PANHD MACH SCR
25	4	903711	1/4-20 UNC X 3/4 PHMS PH BZ
26	4	910000	1/4UNC HEX NUT
27	4	910130	10-32 NUTSERT .020-.130 STL



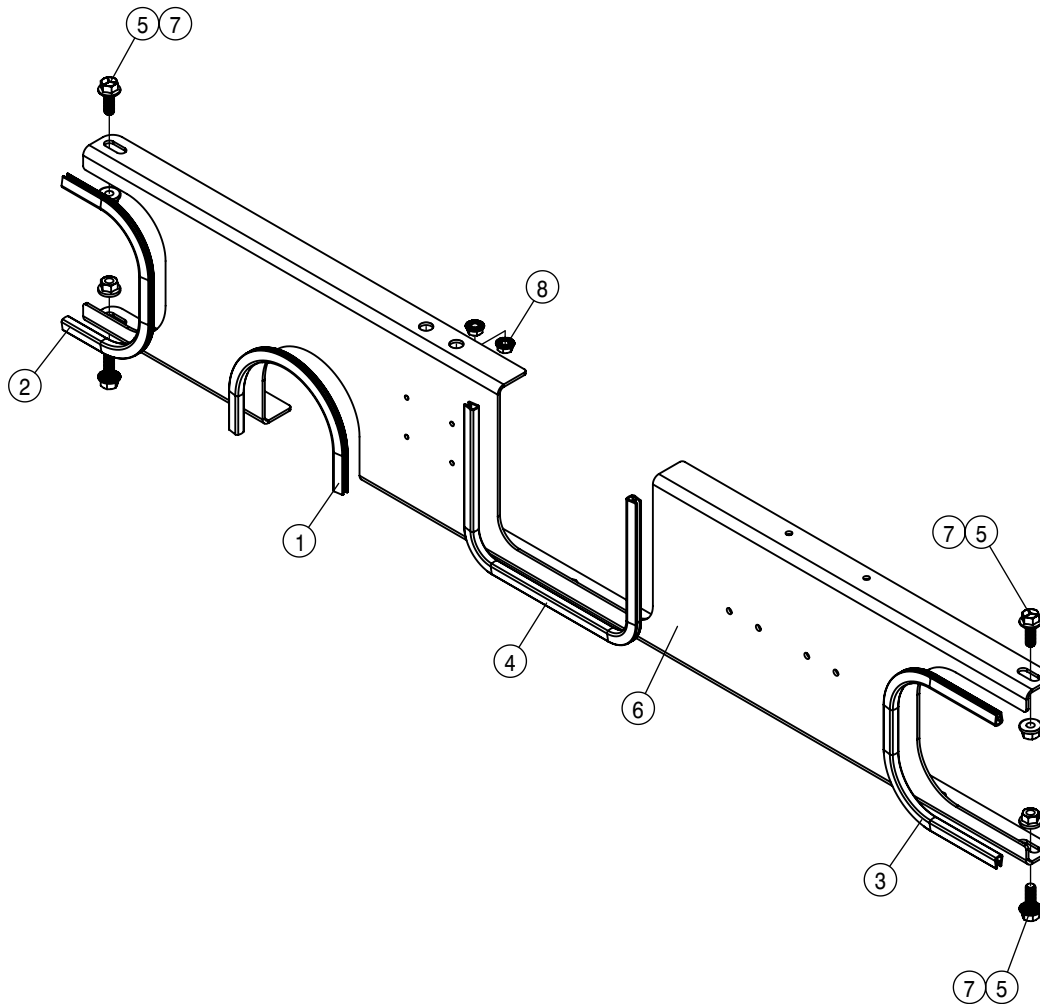
TOOL BOX ASSEMBLY			
DET	QTY	P/N	DESCRIPTION
1	1	345042	TOOLBOX MNT BASE, STS '12
2	8	470113	5/16UNC SERR FLG LOCK NUT
3	2	470643	RUBBER DRAW LATCH
4	1	470758	STS/DTS TOOL POUCH
5	1	470841	TOOL BOX w/TRAY
6	1	470893	BANJO MLS222 SERIES SPNR WRNH
7	1	470894	BANJO MLST100 SERIES WRENCH
8	2	470895	EASY FIT T5 FITTING WRENCH
9	1	470896	TEEJET NOZZEL REMOVAL SOCKET
10	1	470899	EASY FIT T3 FITTING SPEED WRNH
11	1	470900	EASY FIT T3 FITTING WRENCH
12	4	473911	5/16UNC-1.31ID-2.00 U-BOLT ZINC
13	1	618126	9/16MJIC-9/16MOR ADPTR
14	1	618805	HYD CPLR, FEM #14,9/16FOR
15	8	903884	10-32X3/8 PHIL PN MACH SCR
16	8	914027	10-32 HEX STOVER NUT

290007-REPLACEMENT BULB 12V/55W
 290008-REPLACEMENT BULB 12V/4W
 290010-REPLACEMENT BULB 12V/55W
 290011-REPLACEMENT BULB 12V/21W

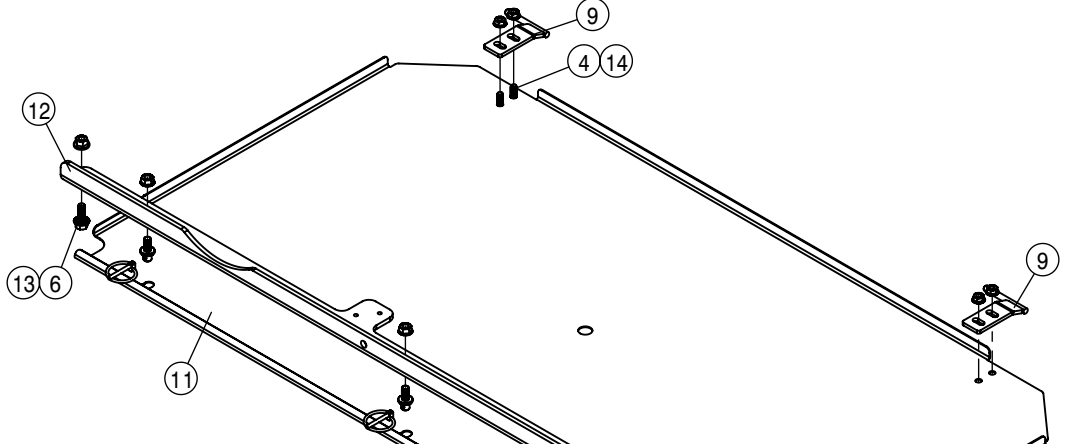


QUICK ATTACH LEVER ASSEMBLY			
DET	QTY	P/N	DESCRIPTION
1	2	292556	HEAD/FLASHER LIGHT
2	1	294228	FRT LIGHT/WHLMTR HARNESS '14
3	1	360911	REFLECTOR WLD STS RH FRT
4	1	360912	REFLECTOR WLD STS LH FRT
5	1	360917	RT FT STS LIGHT BRKT
6	1	360918	STS LT FT LIGHT BRKT
7	1	361665	RH Q-ATTACH LOCK WLD, STS 04
8	1	361666	LH Q-ATTACH LOCK WLD, STS 04
9	1	361670	RH Q-ATTACH LOCK PIN WLD,STS04
10	1	361671	LH Q-ATTACH LOCK PIN WLD,STS04
11	1	362664	M/F WLD STS16 , 2017
12	8	470329	3/8UNC X 1 1/4 HHSFB GR5 MC
13	4	470329	3/8UNC X 1 1/4 SERR FLG HEX BOLT

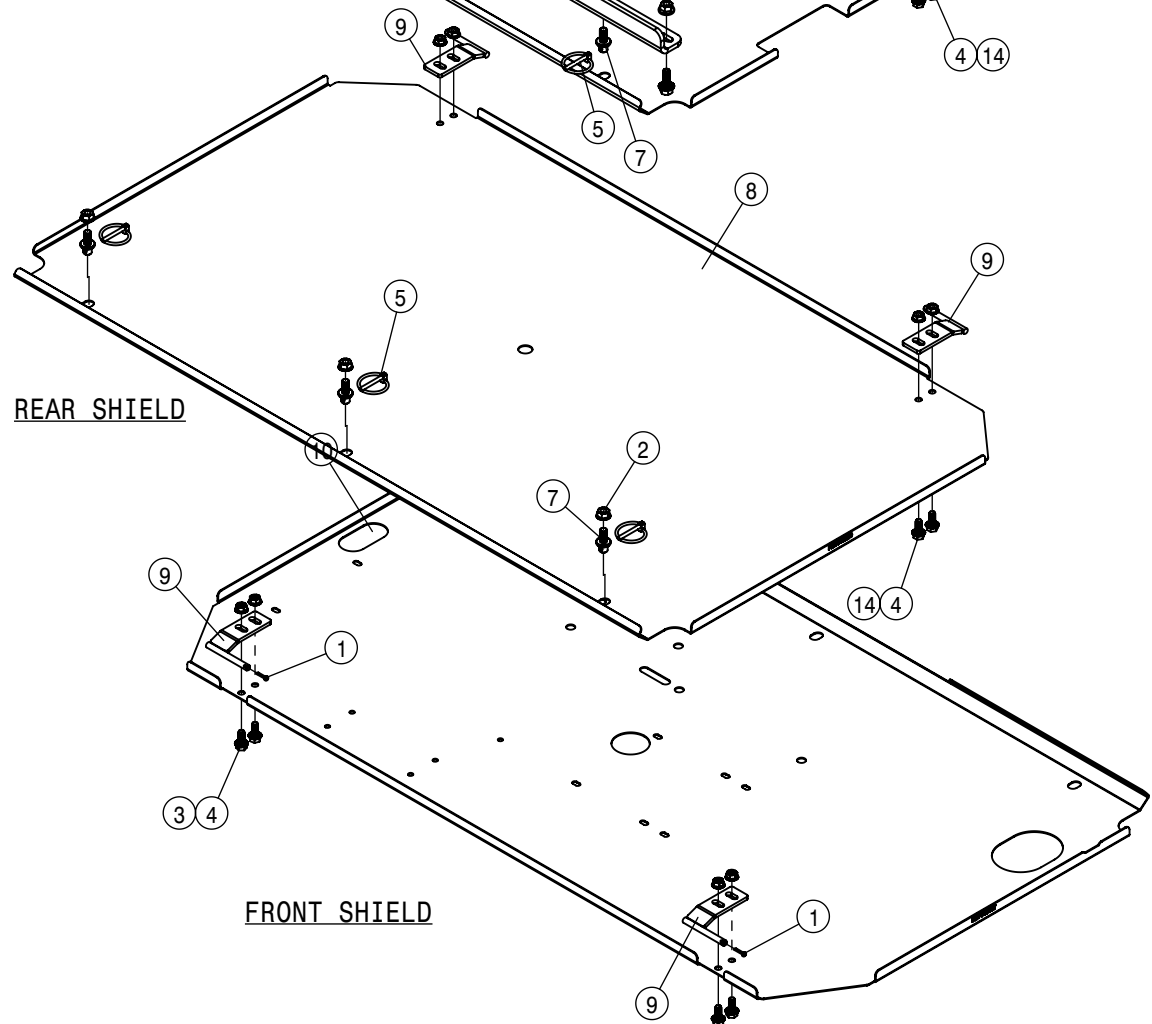
QUICK ATTACH LEVER ASSEMBLY			
DET	QTY	P/N	DESCRIPTION
14	2	473805	ROLL PIN, 1/4 X 1 1/2
15	2	473850	ROLL PIN, 1/4 X 1"
16	2	482018	SPRING, 1.00 X 12.00 COMPRSN
17	2	483055	.771ID-1.2500D-.135T MACH WASH
18	2	520167	CUSH CLAMP,#6 3/8D X 3/4W
19	2	629765	CAPLUG, 1 1/2" RD, BLACK POLY
20	2	650178	DECAL,CAUTION QUICK ATTACH LOC
21	1	650513	LH FRONT REFLECTOR, DTS
22	1	650514	RH FRONT REFLECTOR, DTS
23	8	910106	3/8-16UNC CTRLK FLG NUT MC GR5
24	4	914004	3/8UNC HEX STOVER NUT
25	4	920002	3/8 SAE FLAT WASHER
26	4	L212136	LABEL, JACKING POINT



REAR BULKHEAD ASSEMBLY			
DET	QTY	P/N	DESCRIPTION
1	1	193016-011	QUICKEDGE TRIM .060 TO .170
2	1	193016-012	QUICKEDGE TRIM .060 TO .170
3	1	193016-015	QUICKEDGE TRIM .060 TO .170
4	1	193016-020	QUICKEDGE TRIM .060 TO .170
5	4	470460	3/8UNC X 1 HHSFB GR5 MC
6	1	660297	REAR BULKHEAD 2015
7	4	910106	3/8-16UNC CTRLK FLG NUT MC GR5
8	2	910119	5/16-18UNC HEX FLG NUT SER SS



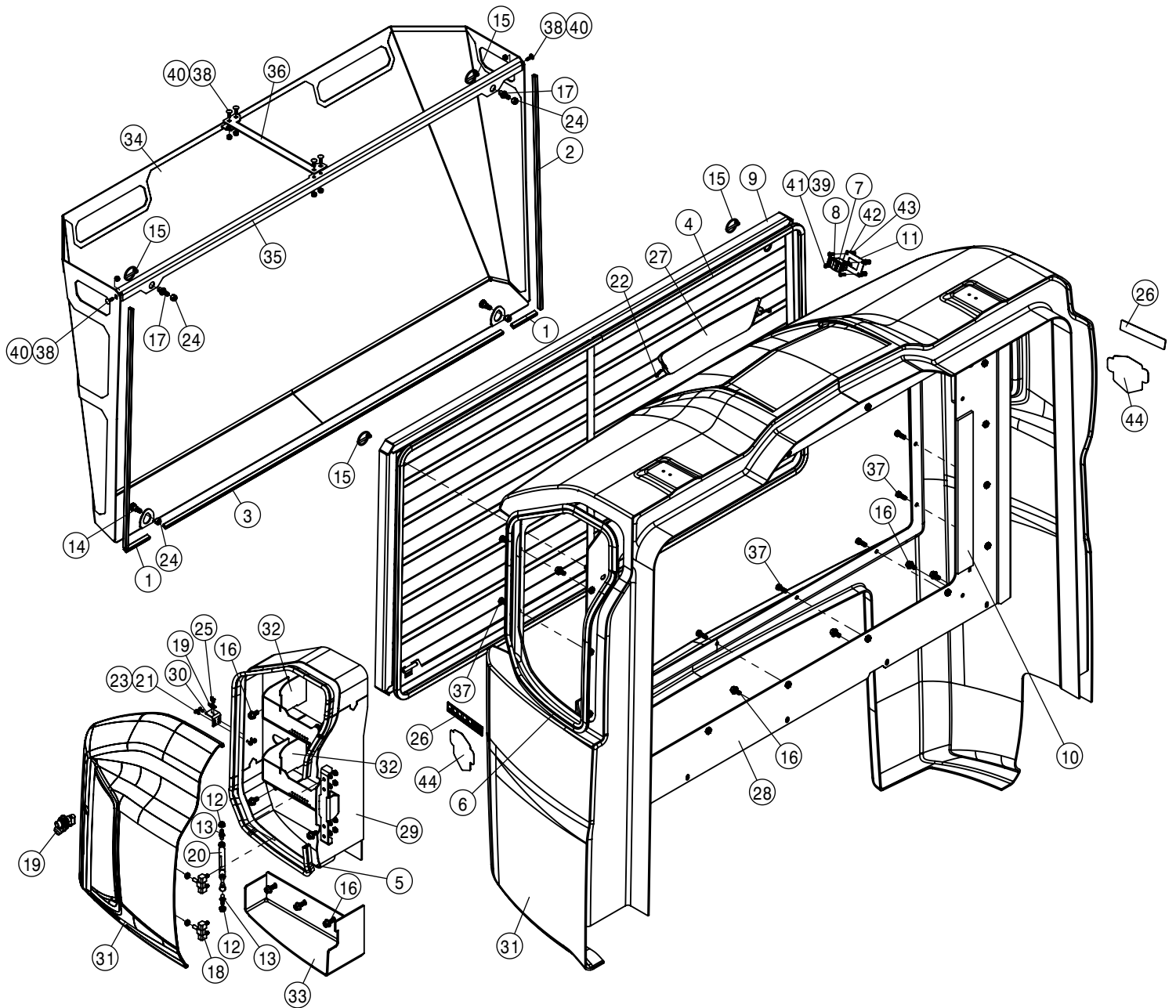
REAR SHIELD (DUAL PRODUCTS)



REAR SHIELD

FRONT SHIELD

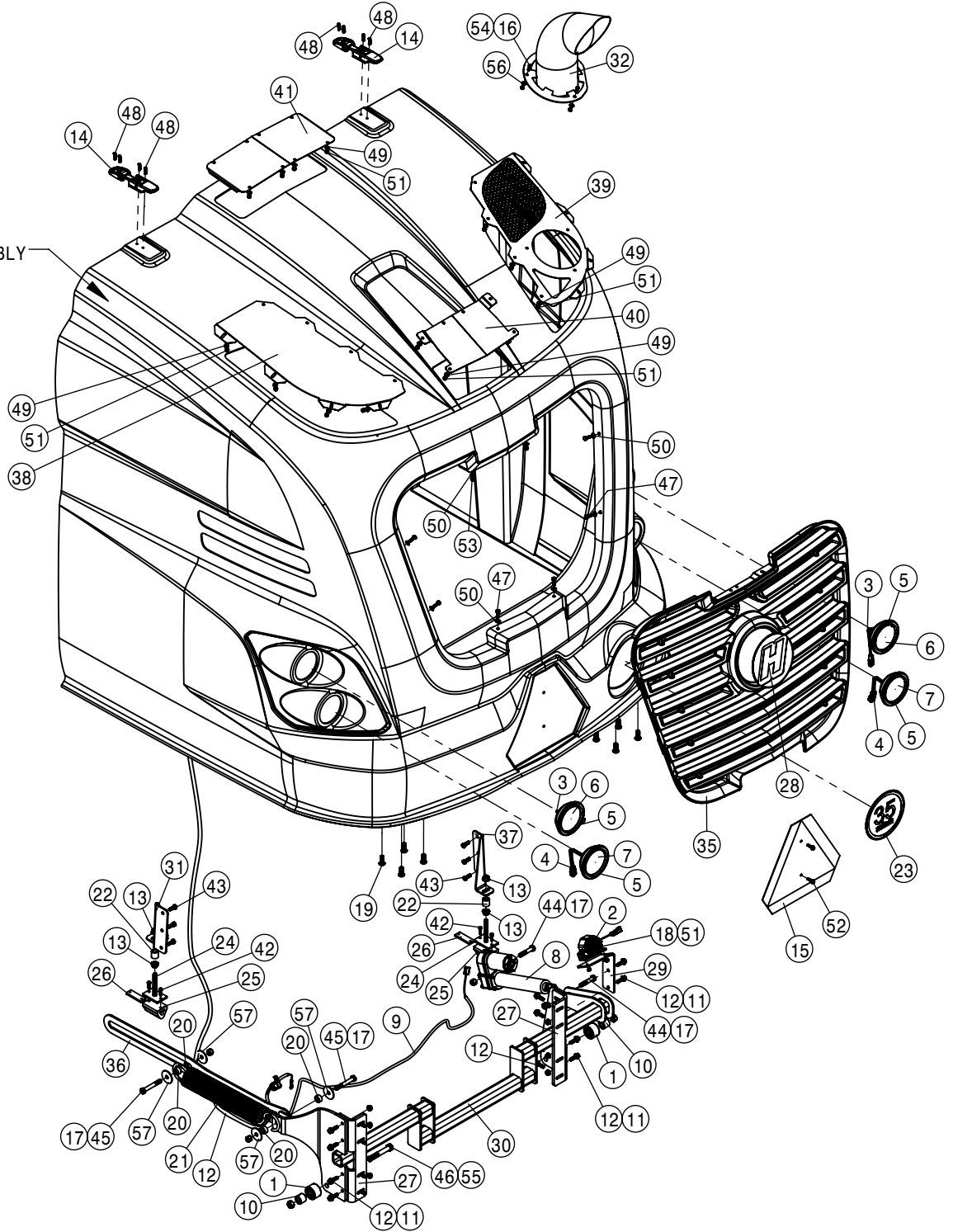
FRONT AND REAR BELLY SHIELD ASSEMBLY			
DET	QTY	P/N	DESCRIPTION
1	2	470075	1/8 X 3/4 COTTER PIN
2	6	470087	3/8-16UNC HEX FLG NUT SER MC GR5
3	4	470113	5/16UNC SERR FLG LOCK NUT
4	12	470233	5/16UNC X 3/4 SERR FLG HEX BOLT
5	6	470335	LINCHPIN, 3/16 X 1 1/4 GRIP
6	2	470460	3/8UNC X 1 HHSFB GR5 MC
7	6	470520	HANGER PIN,3/8UNC x.437Dx.500L
8	1	660289	REAR BELLY SHIELD, STS 13
9	6	660578	HINGE - BELLY PAN, WLD
10	1	660597	BELLY SHIELD - FRT
11	1	660608	REAR BELLY SHIELD, STS DUAL*17
12	1	701577	REAR BULKHEAD LOW PROFILE
13	2	910106	3/8-16UNC CTRLK FLG NUT MC GR5
14	8	910119	5/16-18UNC HEX FLG NUT SER SS



FRONT ENGINE HOOD ASSEMBLY			
DET	QTY	P/N	DESCRIPTION
1	2	193016-003	QUICKEDGE TRIM .060 TO .170
2	2	193016-031	QUICKEDGE TRIM .060 TO .170
3	1	193016-056	QUICKEDGE TRIM .060 TO .170
4	1	193070-183	SEAL - ACCESS PANEL
5	1	193083-059	BULB SEAL, .38 BULB, .13 MAT.
6	1	193084-074	BULB SEAL, .38 BULB, .19 MAT.
7	1	292220	SWITCH,DPDT, MOM-OFF-MOM ON
8	1	292221	SWITCH ACUATOR FOR 292220
9	1	317962	STS 9L INTAKE SCREEN WELD
10	2	317974	STS T4F FOAM ISOLATOR
11	1	362116	HOOD SWITCH MT PLATE
12	2	470113	5/16-18UNC HEX FLG NUT SER MC GR5
13	2	470255	BALL STUD, 5/16-18 THRD X 10MM
14	2	470283	3/8UNC 1/2 SCKT SHLDR BOLT BO
15	4	470335	LINCHPIN, 3/16 X 1 1/4 GRIP
16	23	470409	3/8UNC X 3/4 HHSFB GR5 MC
17	2	470520	HANGER PIN,3/8UNC x.437Dx.500L
18	2	470708	BOLT ON HINGE, SS M10 X M8
19	1	470709	PUSH BUTTON LATCH
20	1	470710	GAS SPRING, 7.00-10.00, 20LBS
21	2	472236	#10-32 UNF X 1/2 PHMS PH ZN
22	2	472368	#10-24THD IN X 3/4 TEK TYP E

FRONT ENGINE HOOD ASSEMBLY			
DET	QTY	P/N	DESCRIPTION
23	2	473004	#10-32UNF NYLOCK NUT MC GR5
24	4	473010	3/8-16UNC NYLOCK NUT SS
25	2	473932	6-32 X 3/8 PAN SELF TAP SCR
26	2	650426	AWS DECAL
27	1	660091	STS 9L INLET AIR SCREEN WLD
28	1	660094	STS 9L COOLG PKG FRT PANEL WLD
29	1	660876	STOR COMP WLD
30	1	660877	STOR COMP LATCH BRKT
31	1	660880	HOOD ASSY, STS
32	4	660882	STOR COMP SEP
33	1	660899	STOR COMP LWR BOX WLD
34	1	660900	COOLING PKG SCOOP
35	1	660906	COOLING PKG SCOOP CROSS BRKT
36	1	660907	COOLING PKG SCOOP SUPP BRACE
37	18	900129	3/8UNC X 1 HHCS GR5 MC
38	6	901127	1/4-20 UNC X 3/4 RHSONB SS
39	4	910027	#10-32UNF HEX NUT MC GR5
40	6	910118	1/4-20UNC NYLOCK NUT SS
41	4	910131	#10-32 UNF X 3/4 PHMS PH BZ
42	4	920010	SAE FLAT WASHER #10 MC
43	4	920510	HLOCK WASHER #10 MC
44	2	DSWT143	JD POWER DECAL, UNIVERSAL

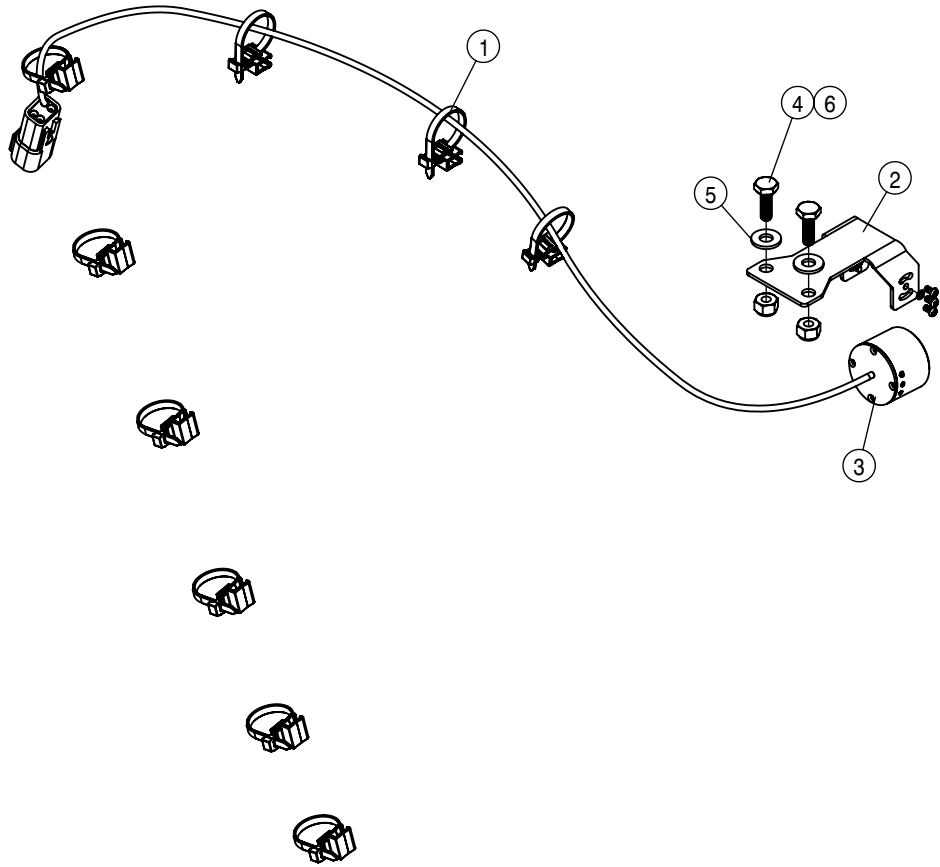
660878-HOOD ASSEMBLY



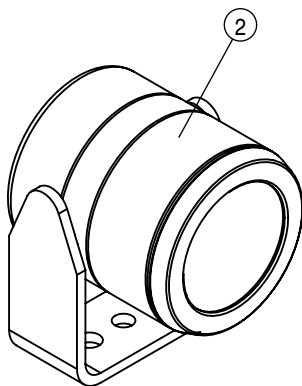
REAR ENGINE HOOD ASSEMBLY			
DET	QTY	P/N	DESCRIPTION
1	2	125056	TRACK ROLLER, 2.00 OD, .625 BORE
2	1	290061	ALARM, BACKUP 107DBA LT DUTY
3	2	290103	AMBER LIGHT PIGTAIL
4	2	290104	RED LIGHT PIGTAIL
5	4	290204	4" GROMMET FR 290200 & 290201
6	2	290205	OPTRONICS, 3 DIODE AMBER LED
7	2	290206	OPTRONICS, 3 DIODE RED LED
8	1	292313	HOOD ACTUATOR
9	1	294053	HOOD ACTUATOR HARNESS
10	2	361679	BUMPER PIVOT BRG SPACER, STS 04
11	8	470087	3/8-16UNC HEX FLG NUT SER MC GR5
12	16	470329	3/8UNC X 1 1/4 HHSFB GR5 MC
13	4	470360	1/2-13UNC HEX FLG NUT SER MC GR5
14	2	470368	LATCH W/KEEPER, FLEXIBLE LEVER
15	1	472249	SLOW MOVING VEHICLE SIGN
16	3	472345	1/4-20 UNC X 1 HHCS GR5 MC
17	4	473007	1/2-13UNC NYLOCK NUT MC GR5
18	2	473834	1/4UNC X 3/4 HHSFB SS
19	8	473987	1/2UNC X 1 1/4 BUT SKTHD SCR

REAR ENGINE HOOD ASSEMBLY			
DET	QTY	P/N	DESCRIPTION
20	4	482029	SPACER, 1.0 OD, .53 ID
21	1	482030	EXT. SPRING OD-2.95" LG-20"
22	2	482031	SPACER, 1"OD. 53ID X 1"L
23	1	650224	DECAL, 35MPH ID SYMBOL, VINYL
24	2	660224	ENG HOOD BUMPER WLD, STS 04
25	2	660226	ENG HOOD BUMPER, STS 04
26	2	660227	ENG HOOD BUMPER KEEPER, STS 04
27	2	660526	ENGINE HOOD BLKHD MNT BRKT STS'14
28	1	660559	DECAL HAGIE DOT 8.25"DIA GRILLE
29	1	660562	B-UP ALARM BRKT
30	1	660829	HOOD HINGE WLD QSL STS'17
31	1	660832	LH HOOD BMR MT BRKT STS'17
32	1	660837	6" EXHAUST STACK WLD, STS
NS	1	660843	MACHINE MODEL DECAL SHEET
34	1	660879	STS HOOD DECAL SHEET '17
35	1	660911	GRILL ASSY, STS
36	1	660916	HOOD LIMIT BAR
37	1	660920	ENG HOOD BMR MT BRKT
38	1	660923	LH HOOD SCREEN, STS

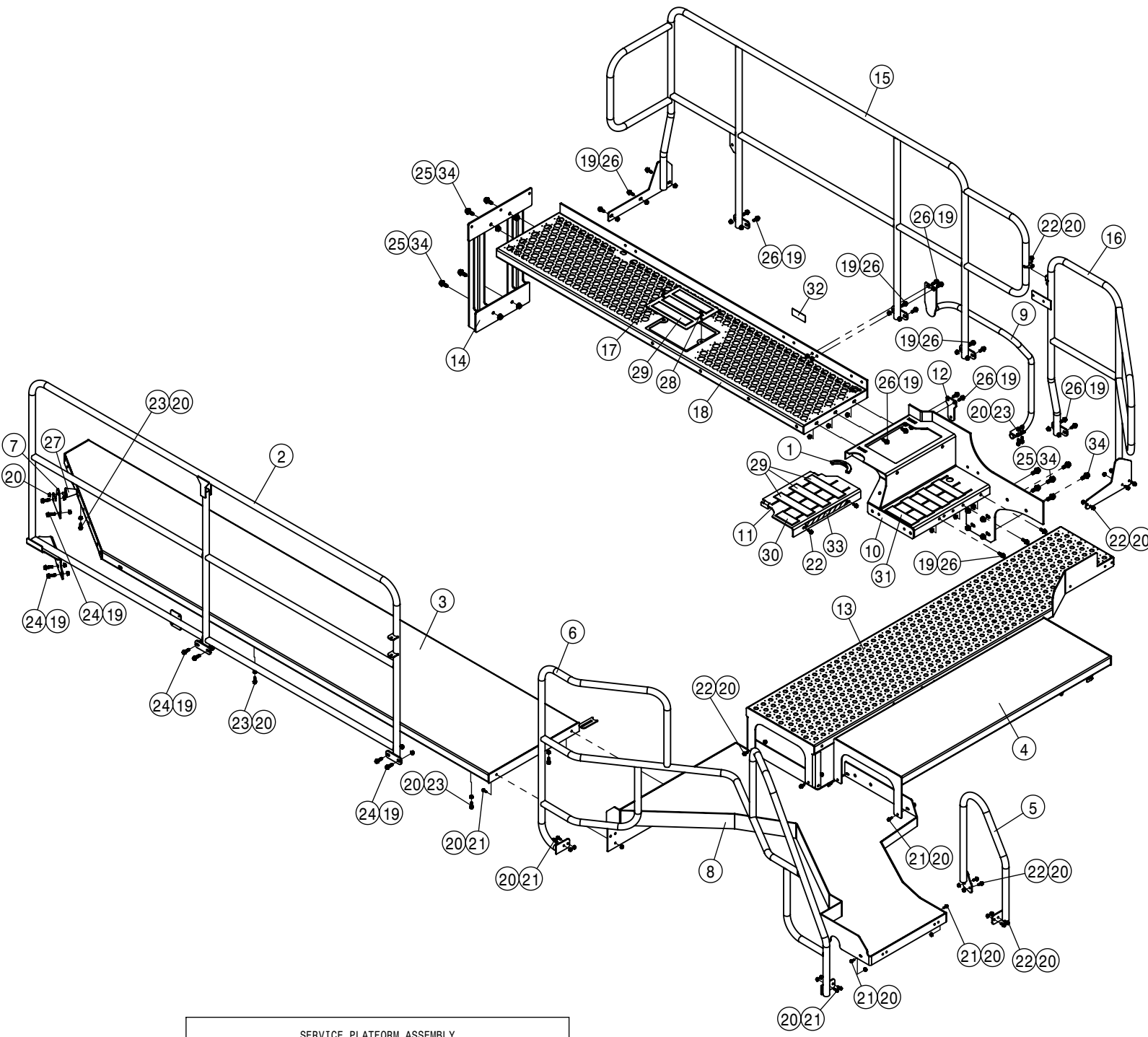
REAR ENGINE HOOD ASSEMBLY			
DET	QTY	P/N	DESCRIPTION
39	1	660924	RH HAND HOOD SCREEN, STS
40	1	660927	REAR CTR SCREEN, STS
41	1	660928	FRT CTR SCREEN, STS
42	4	900003	1/4UNC X 1 HHCS GR5 MC
43	6	900129	3/8UNC X 1 HHCS GR5 MC
44	2	900268	1/2UNC X 2 1/2 HHCS GR5 MC
45	2	900272	1/2UNC X 3 1/2 HHCS GR5 MC
46	2	900341	5/8UNC X 3 3/4 HHCS GR5 MC
47	8	900489	5/16UNC X 1 HHCS SS
48	8	903893	10-32 X 1" PHIL PAN MACH SCR
49	30	910112	SAE FLAT WASHER 1/4 SS
50	16	910113	SAE FLAT WASHER 5/16 SS
51	32	910118	1/4-20UNC NYLOCK NUT SS
52	2	910124	1/4UNC X 1 HHSFB SS
53	8	910132	5/16-18UNC NYLOCK NUT SS
54	3	914000	1/4-20UNC STOVER NUT MC GR5
55	2	914010	5/8-11UNC STOVER NUT MC GR5
56	3	920000	SAE FLAT WASHER 1/4 MC
57	4	920029	FENDER WASHER 21/40 MC



BACK-UP CAMERA ASSEMBLY			
DET	QTY	P/N	DESCRIPTION
1	9	470680	CABLE TIE/CLIP .04"-.12"W
2	1	660861	STS B-UP CAMERA BRKT
3	1	694028	B-UP CAMERA
4	2	900448	1/4UNC X 3/4 HHCS SS
5	2	910112	SAE FLAT WASHER 1/4 SS
6	2	910118	1/4-20UNC NYLOCK NUT SS

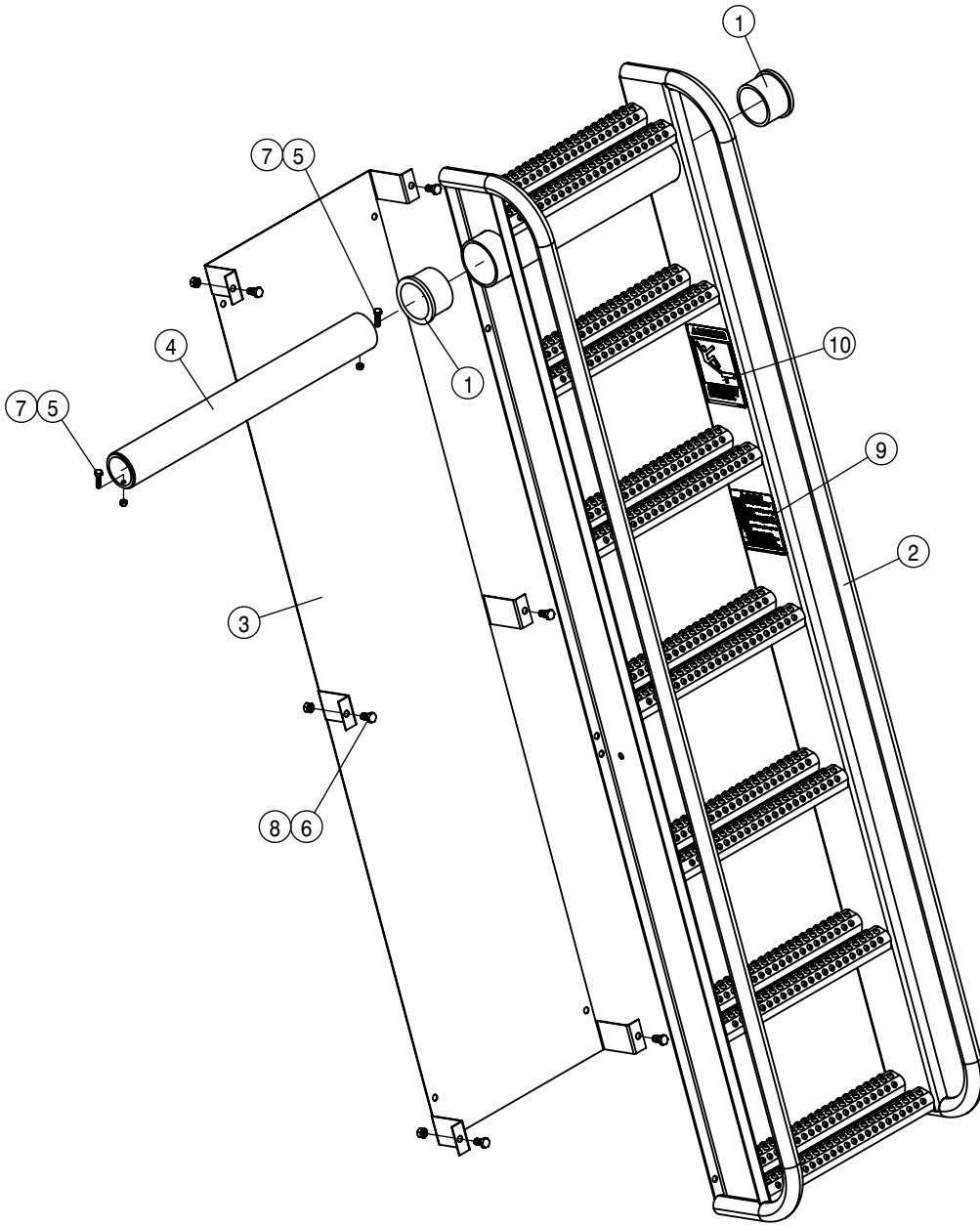


SINGLE CAMERA OPTION			
DET	QTY	P/N	DESCRIPTION
NS	1	294219	LONG VIDEO CABLE
2	1	693518	B-UP CAMERA

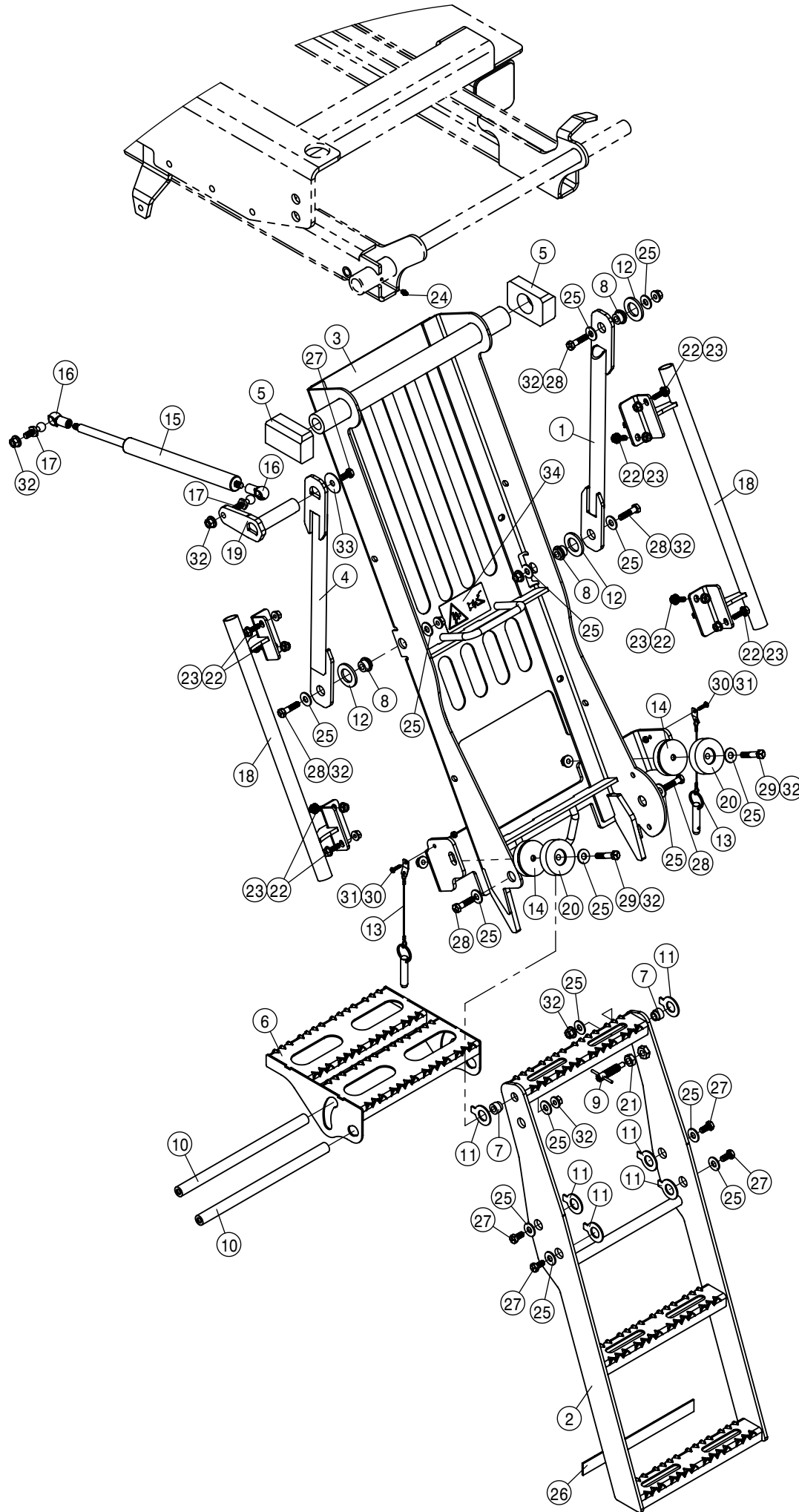


SERVICE PLATFORM ASSEMBLY			
DET	QTY	P/N	DESCRIPTION
1	1	193012-005	QUICKEDGE TRIM .135 TO .250
2	1	343514	LH FRT HANDRAIL WLD, STS16 05
3	1	343518	LH SIDE PLATFORM WLD, STS 16 05
4	1	344473	CNTR SERV PLATFORM WLD, STS '14
5	1	344520	RH HANDRAIL WLD,LH PLTFRM '14
6	1	344522	LH REAR HANDRAIL WLD
7	1	344578	BRACKET-DOOR STOP STS 2014
8	1	344748	PLTFRM, LH REAR SERV WLD, STS16
9	1	362383	FUEL FILL HANDRAIL ASSY
10	1	362676	PLTFRM FUEL STEP WLD
11	1	362677	PLTFRM DEF COVER
12	1	362678	DEF PLATFORM BRKT
13	1	362679	REAR CTR PLTFRM
14	1	362688	PLATFORM SUPP MT BRKT WLD
15	1	362694	RH FUEL HANDRAIL WLD STS17
16	1	362697	HANDRAIL WLD ASSY RIGHT '17.5
17	1	362743	PLATFORM FUEL SERVICE COVER
18	1	362798	FUEL TANK PLTFRM W/DECAL

SERVICE PLATFORM ASSEMBLY			
DET	QTY	P/N	DESCRIPTION
19	29	470087	3/8UNC HEX SERR FLANGE NUT
20	31	470113	5/16-18UNC HEX FLG NUT SER MC GR5
21	11	470118	1/4UNC X 3/4 HHSFB GR5 MC
22	12	470233	5/16UNC X 3/4 HHSFB GR5 MC
23	9	470234	5/16UNC X 1" SERR FLG HEX BOLT
24	8	470329	3/8UNC X 1 1/4 SERR FLG HEX BOLT
25	10	470360	1/2-13UNC HEX FLG NUT SER MC GR5
26	21	470460	3/8UNC X 1 HHSFB GR5 MC
27	1	470571	BUMPER,MALE STUD 2.375 X 1.75
28	2	472375	5/16-18 UNC X 3/4 BHCS GR5 BZ
29	6	490670	SAFETY TREAD TAPE, 2" X 9"
30	1	490682	SAFETY TREAD TAPE, 2" X 4.5"
31	4	490683	SAFETY TREAD TAPE, 2" X 7"
32	1	650431	DECAL, ULTRA LOW SULFUR FUEL
33	1	650909	SAFETY GLOW TAPE 11"
34	10	900517	1/2UNC X 1 1/4 HHSFB GR5 MC

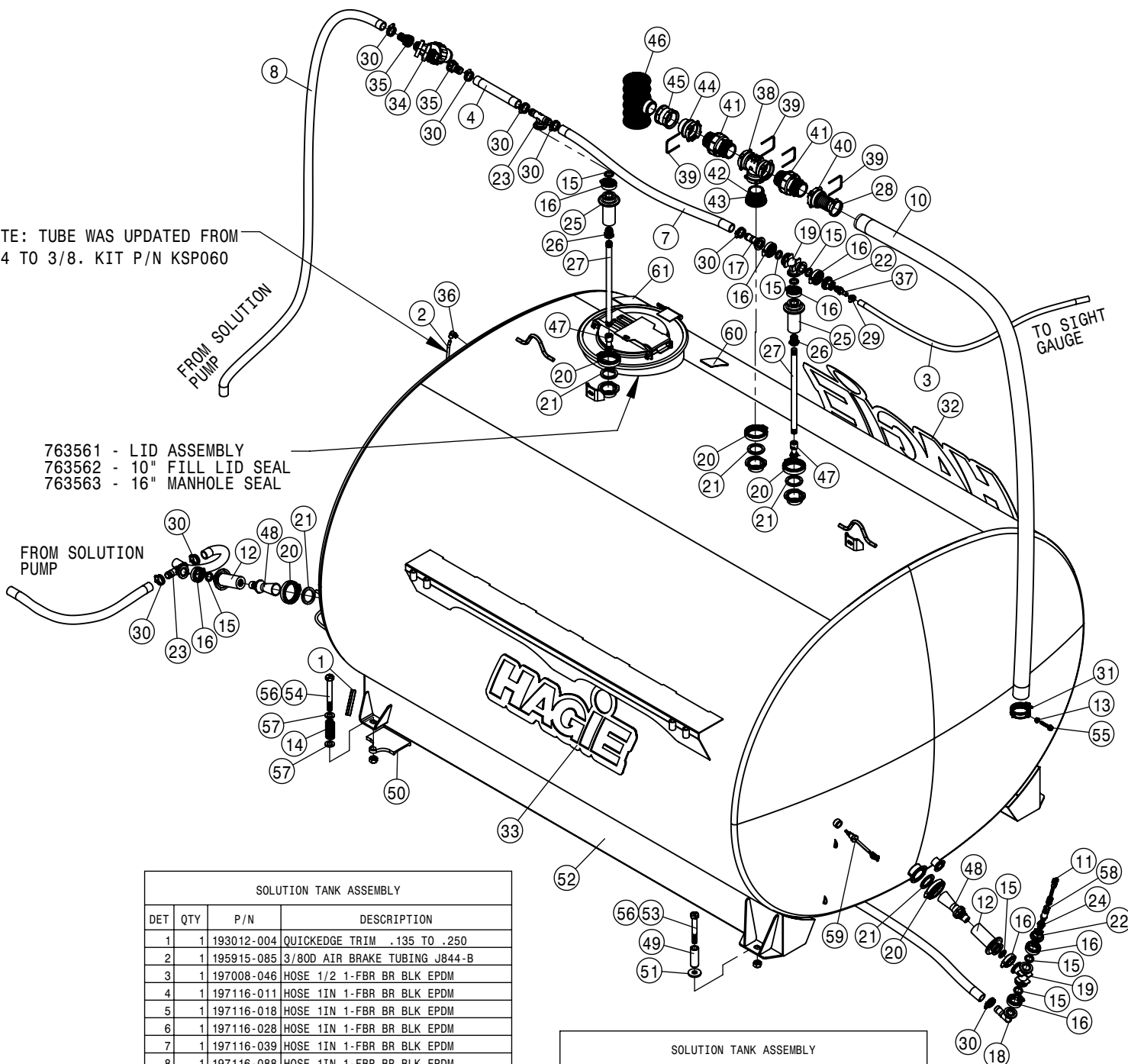


LADDER ASSEMBLY			
DET	QTY	P/N	DESCRIPTION
1	2	121102	LADDER PIVOT BEARING, POLYGON
2	1	343944	LADDER W/DECAL, STS
3	1	344009	STEP BACKPLATE STS CE
4	1	344534	LADDER MT TUBE, STS '14
5	2	900003	1/4UNC X 1" HEX BOLT
6	6	900128	3/8UNC X 3/4 HEX BOLT
7	2	914000	1/4UNC HEX STOVER NUT
8	6	914004	3/8UNC HEX STOVER NUT
9	1	HXE19558	LABEL, CAUTION
10	1	N403721	LABEL, DO-NOT-RIDE



FUEL ACCESS LADDER ASSEMBLY			
DET	QTY	P/N	DESCRIPTION
1	1	362699	LADDER LINKAGE HANDLE WLD RH
2	1	362704	LADDER, FUEL ACCESS BOTTOM WLD
3	1	362708	LADDER MIDDLE SUPP WLD
4	1	362709	LADDER LINKAGE HANDLE WLD LH
5	2	362727	LADDER SLIDER PAD
6	1	362731	FUEL PLTFRM WLD
7	2	362782	LADDER BUSHING
8	3	362783	LADDER SPACER BUSHING
9	1	362785	T-HANDLE LATCH PIN 0.312 DIA
10	2	362786	FUEL STEP SHAFT
11	6	362787	.094 THRUST RING
12	3	362788	.156 THRUST RING
13	2	362789	FUEL LADDER LOCK PIN ASSY
14	2	362790	FUEL LADDER STOP WLD
15	1	362793	GAS SPRING 10.9-18.9 500LB
16	2	362794	BALL SOCKET M10 THD X 16MM
17	2	362795	BALL STUD 3/8-16 X 16MM
18	2	362803	FUEL LADDER HANDRAIL WLD
19	1	363226	FUEL LADDER LEVER WLD
20	2	470098	RUBBER BUMPER 2.500 OD X .375 ID
21	1	470124	1/2-13UNC HEX JAM NUT MC GR5
22	8	470234	5/16UNC X 1 HHSFB GR5 MC
23	8	470570	5/16-18UNC CTRLK FLG NUT MC GR5
24	1	471005	GREASE ZERK, 1/4-28 X 1/2
25	16	483043	USS FLAT WASHER 3/8 MC
26	1	650909	SAFETY GLOW TAPE 11"
27	5	900128	3/8UNC X 3/4 HHCS GR5 MC
28	5	900131	3/8UNC X 1 1/2 HHCS GR5 MC
29	2	900133	3/8UNC X 2 HHCS GR5 MC
30	2	903888	#10-24 UNC X 3/4 PHMS PH ZN
31	2	903890	#10-24UNC NYLOCK NUT MC GR5
32	9	910106	3/8-16UNC CTRLK FLG NUT MC GR5
33	1	920025	WASHER, 1.50D, .406 ID
34	1	n401323	SAFETY SIGN - CAUTION PINCH

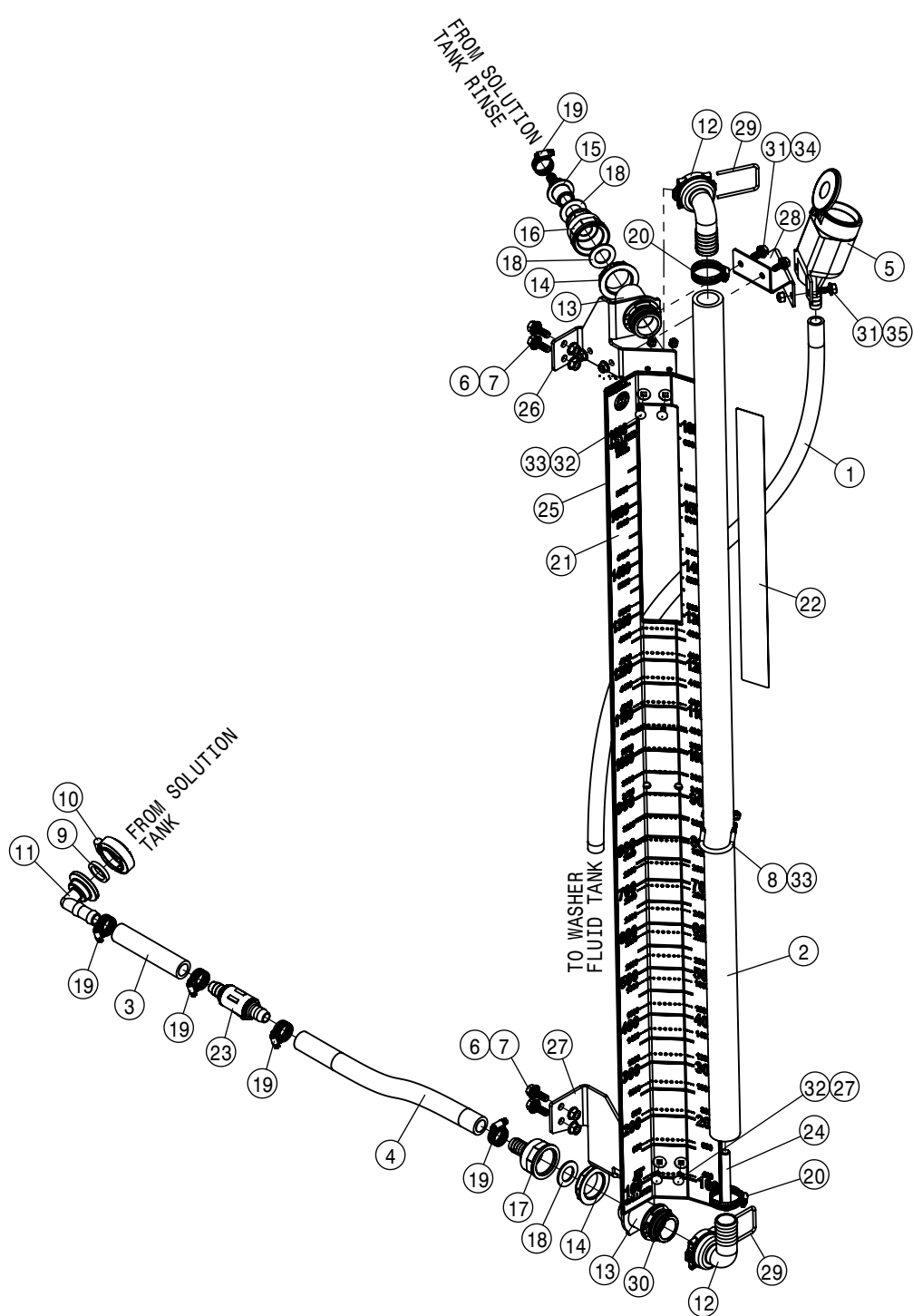
NOTE: TUBE WAS UPDATED FROM
1/4 TO 3/8. KIT P/N KSP060



763561 - LID ASSEMBLY
763562 - 10" FILL LID SEAL
763563 - 16" MANHOLE SEAL

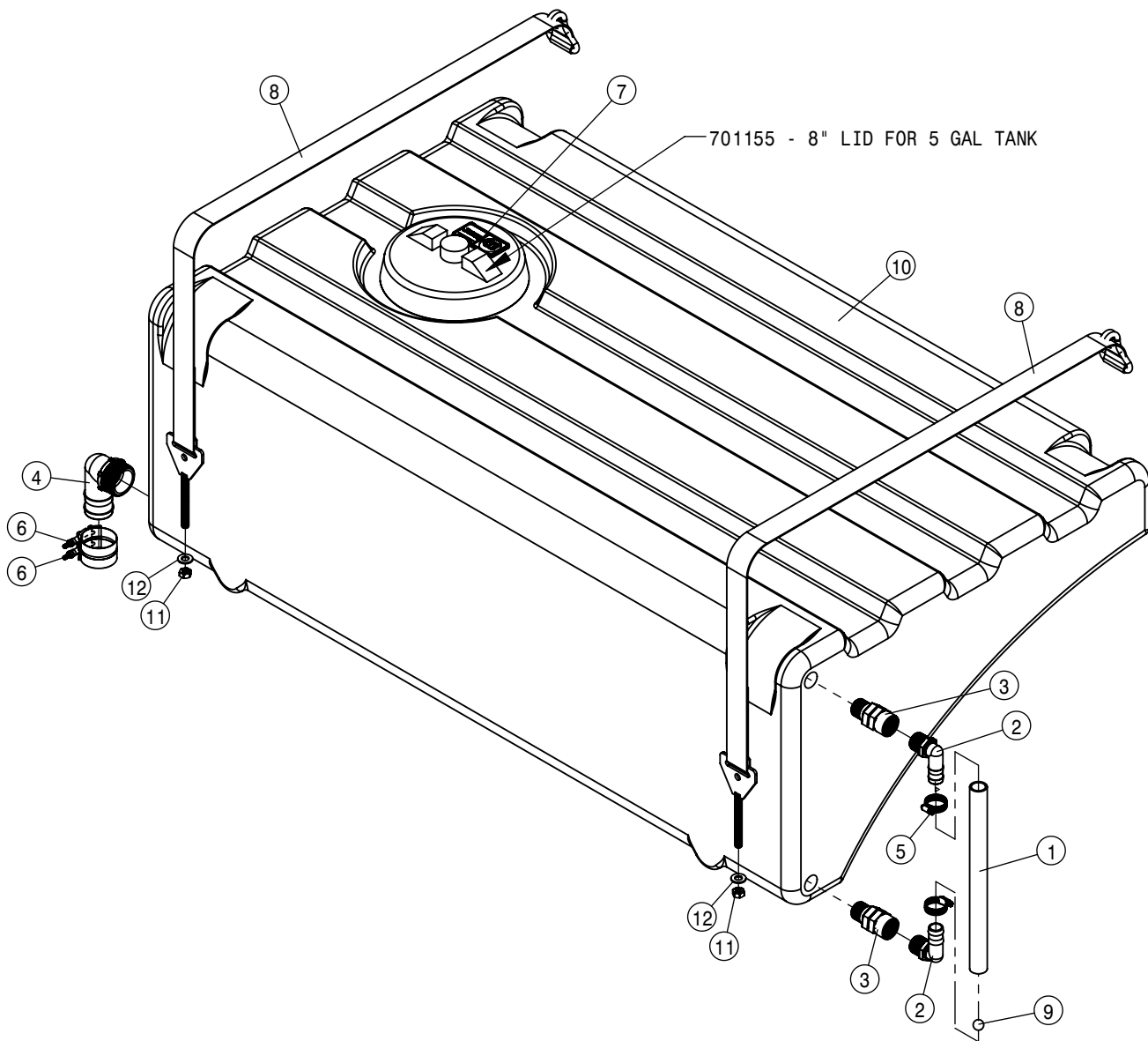
SOLUTION TANK ASSEMBLY			
DET	QTY	P/N	DESCRIPTION
1	1	193012-004	QUICKEDGE TRIM .135 TO .250
2	1	195915-085	3/80D AIR BRAKE TUBING J844-B
3	1	197008-046	HOSE 1/2 1-FBR BR BLK EPDM
4	1	197116-011	HOSE 1IN 1-FBR BR BLK EPDM
5	1	197116-018	HOSE 1IN 1-FBR BR BLK EPDM
6	1	197116-028	HOSE 1IN 1-FBR BR BLK EPDM
7	1	197116-039	HOSE 1IN 1-FBR BR BLK EPDM
8	1	197116-088	HOSE 1IN 1-FBR BR BLK EPDM
9	1	197116-110	HOSE 1IN 1-FBR BR BLK EPDM
10	1	197133-102	HOSE 2" SUCTION, 2F-1W EPDM
11	1	292739	HARNESS, PRESSURE SENSOR '18
12	2	362127	TANK MOUNT ADAPTER 1" FLANGE
13	1	470087	3/8-16UNC HEX FLG NUT SER MC GR5
14	2	482016	SPRING, 1.4 X 3.00 COMPRSN
15	8	500157	1" FLANGE GASKET EPDM
16	8	500159	1" FLANGE CLAMP S.S.
17	1	500171	1" FLANGE-1" HOSE BARB POLY
18	1	500173	1"FLANGE-90-1"HOSE BARB POLY
19	2	500175	1" FLANGE TEE, POLY
20	5	500194	2" FP FLANGE CLAMP S.S.
21	5	500195	2" FP FLANGE GASKET EPDM
22	2	500238	1" FLANGE PLUG W/1/2"FNPT POLY
23	2	500268	1" FLANGE HOSE BARB TEE
24	1	500286	1/2"-3/8"NPT REDU BUSH, POLY
25	2	502007	RINSE TANK MT ADPTR 1" FLG
26	2	504211	RED BUSH 3/4MNPT-1/2FNPT,POLY
27	2	507032	SS PIPE NIPPE, .50NPT-16.00
28	1	520068	HOSE CLAMP NO 32 STAINLESS
29	1	520069	HOSE CLAMP NO 6 STAINLESS
30	8	520090	HOSECLAMP NO 16 STAINLESS
31	1	520170	VIBRATION-DAMPING CLAMP HANGER
32	1	650144	DECAL, LOGO, SOLU TANK STS12
33	1	650559	DECAL, LOGO, SOLU TANK
34	1	690071	LINE STRAINER, .32 MESH, 150PSI
35	2	691280	1" HOSE BARB WITH FLY NUT

SOLUTION TANK ASSEMBLY			
DET	QTY	P/N	DESCRIPTION
36	1	711124	1/4MNPT-90-3/8 NYL TUBE LBO
37	1	713340	1/2NPT-1/2 HOSE BARB, POLY
38	1	737754	2"FEM T-CONNECTOR POLY
39	5	737756	2" FORK FOR 737754/755
40	1	737759	2"F-2"HOSE BARB POLY
41	2	737761	2"M CHECK VALVE POLY
42	2	737762	O-RING, -.227 EPDM
43	1	737767	T7 TO "BANJO 2" FP" ADAPTER
44	1	737768	T7 TO BSP ADAPTER
45	1	737769	THREADED COUPLING
46	1	737770	T FILTER WITH BSP THREADS, 16 MESH
47	2	737953	NOZZLE,PROCLEAN TANKWASH
48	2	737956	JET AGITATION NOZZLE HYPRO, GROUND
49	2	763840	TANK MNT BUSHING
50	2	763841	TANK ISOLATOR
51	2	763925	WASHER .78ID-2.0 OD .25THK SS
52	1	763947	1600 GAL SS TANK '17 W/DECALS
53	2	900412	3/4UNC X 5 HHCS GR5 MC
54	2	900414	3/4UNC X 6 HHCS GR5 MC
55	1	900506	3/8UNC X 2 HHSFB GR5 MC FT
56	4	914012	3/4UNC HEX STOVER NUT
57	4	920006	3/4 SAE FLAT WASHER
58	1	AKK13435	PRESSURE TRANSDUCER, 0-200 PSI
59	1	an275842	SWITCH WATER LEVEL
60	1	N203265	DECAL CAUTION
61	1	N404968	LABEL, DANGER TANK LID OPENING

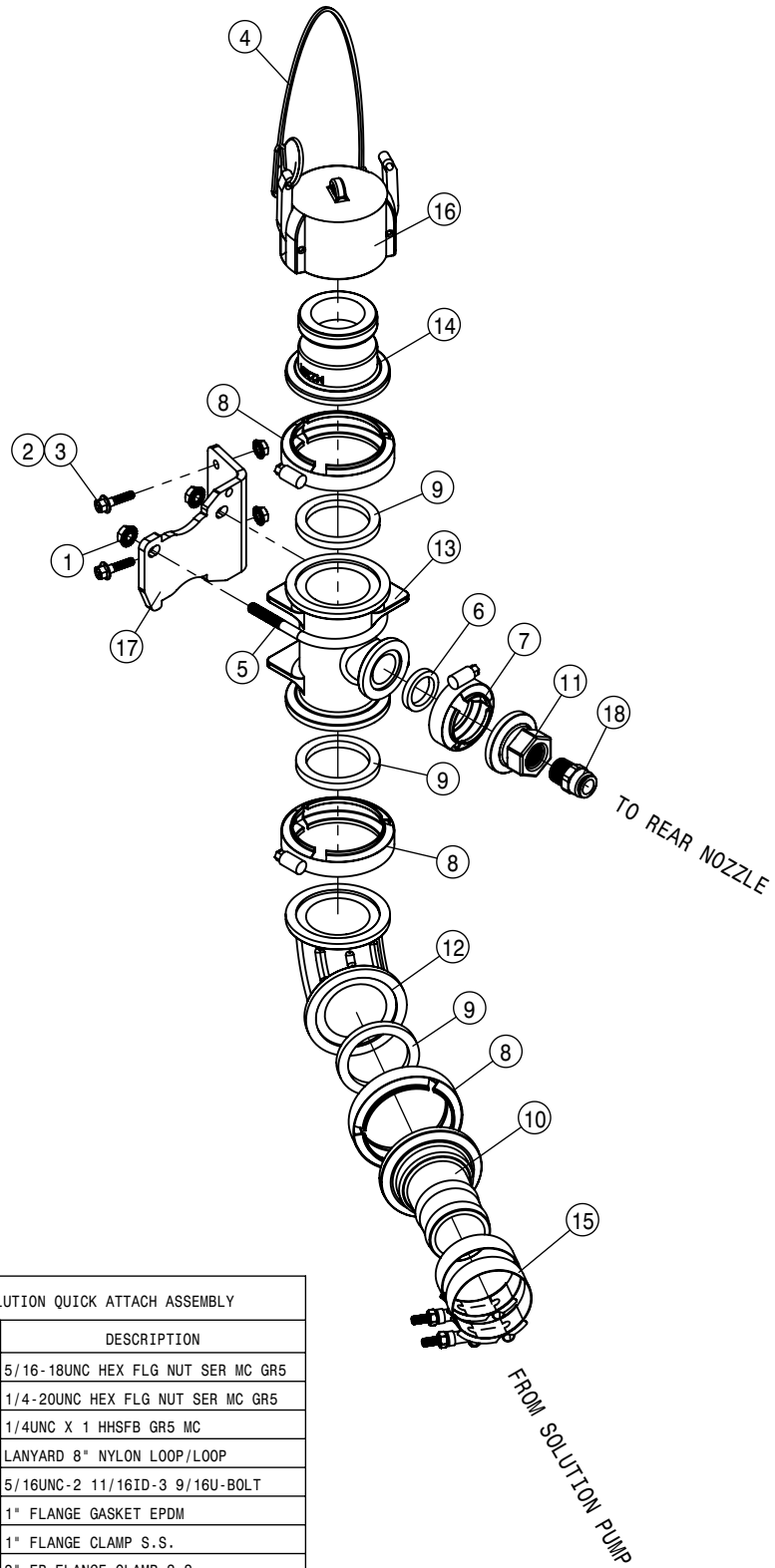


SIGHT GAUGE ASSEMBLY			
DET	QTY	P/N	DESCRIPTION
1	1	195909-042	HOSE 5/8 HEATER 1-FBR BR 20R3
2	1	195964-058	HOSE 1 1/4" ID-1/4W CLEAR VINYL
3	1	197112-005	HOSE 3/4 1-FBR BR BLK EPDM
4	1	197112-016	HOSE 3/4 1-FBR BR BLK EPDM
5	1	343972	REMOTE FILL
6	4	470087	3/8-16UNC HEX FLG NUT SER MC GR5
7	4	470460	3/8UNC X 1 HHSFB GR5 MC
8	1	473969	1/4UNC-1 1/2 X 2 3/4 RD U-BOLT
9	1	500157	1" FLANGE GASKET EPDM
10	1	500159	1" FLANGE CLAMP S.S.
11	1	500185	1"FLANGE-90-3/4"HOSE BARB POLY
12	2	500370	T5 TO 32MM HB 90 FEMALE
13	2	500396	T5 MALE BULKHEAD
14	2	500397	BULKHEAD NUT
15	1	502003	STRAIGHT-POLY .75" MPT X 13MM
16	1	502004	REDUCER 1.25 FPT X .75" FPT
17	1	502005	STRGHT-POLY,1.25" FPT X 19MM
18	3	502006	GASKET 39.5 X 27.5 EPDM

SIGHT GAUGE ASSEMBLY			
DET	QTY	P/N	DESCRIPTION
19	5	520080	HOSE CLAMP NO 10 STAINLESS
20	2	520087	HOSE CLAMP NO 20 STAINLESS
21	1	650535	DECAL, 1600 GAL SS, MAJOR '17
22	1	650536	DECAL, 1600 GAL SS, MINOR '17
23	1	696193	3/4" HOSE BARB MICRO VALVE
24	1	701448	FLOAT-SIGHT GAUGE 2013
25	1	701566	SS SIGHT GAUGE DECAL PLT
26	1	701567	SS SIGHT GA SUPP BRKT-UPR
27	1	701568	SS SIGHT GA SUPP BRKT-LWR
28	1	701797	WINDOW WASH FILL MT, SS
29	2	737738	FORK,D.3 DIST.42 (737731)
30	2	737763	O-RING, -221 EPDM
31	4	900486	5/16UNC X 3/4 HHSFB SS
32	4	901127	1/4-20 UNC X 3/4 RHSONB SS
33	6	910118	1/4-20UNC NYLOCK NUT SS
34	2	910119	5/16-18UNC HEX FLG NUT SER SS
35	2	910132	5/16-18UNC NYLOCK NUT SS

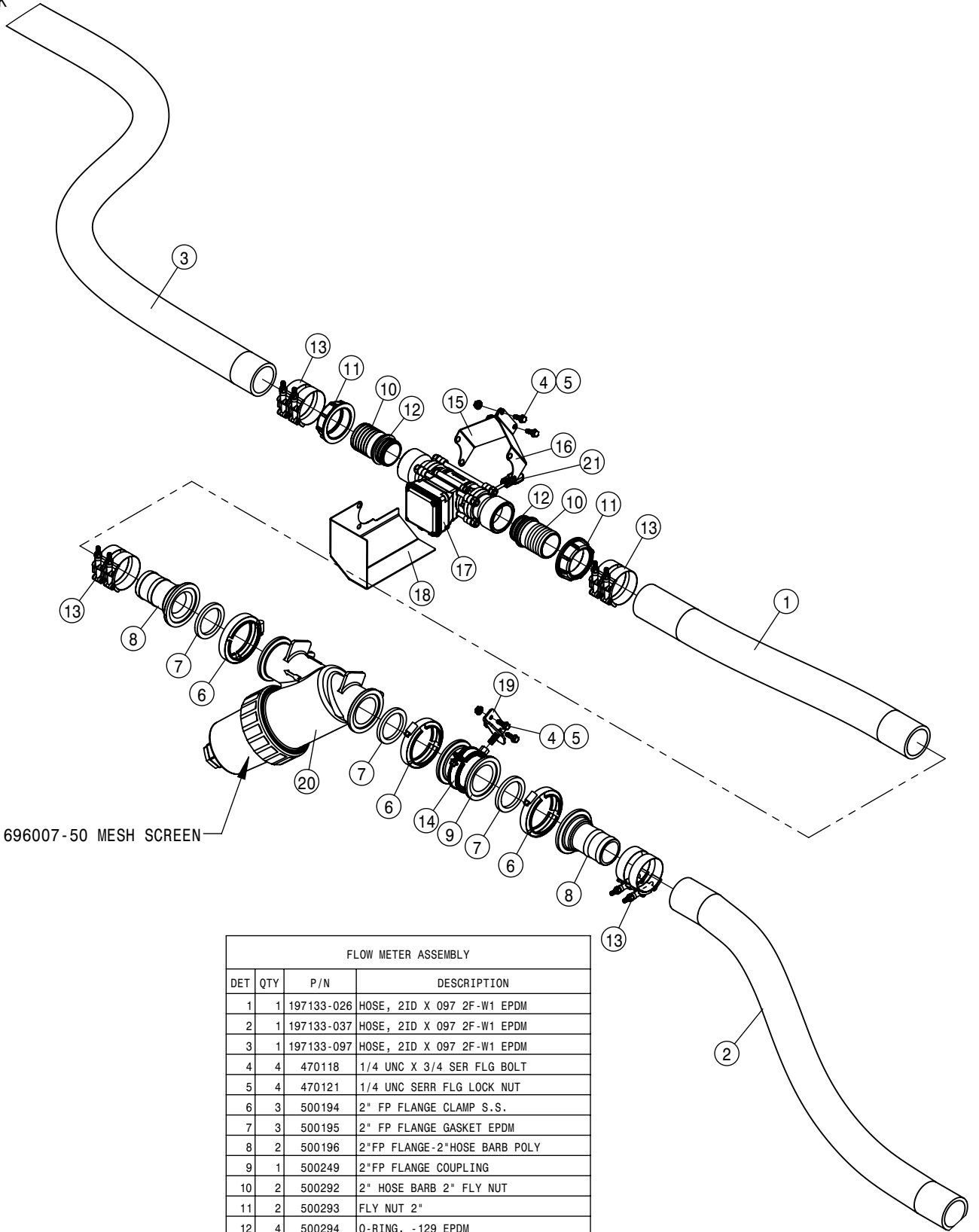


POLY RINSE TANK ASSEMBLY			
DET	QTY	P/N	DESCRIPTION
1	1	195916-016	HOSE 1" ID-1/BW CLEAR VINYL
2	2	500024	1"NPT-90-1"HOSE BARB, POLY
3	2	500107	1"NPT SWIVEL POLY
4	1	500141	2"MNPT-90-2" HOSE BARB, POLY
5	2	520090	HOSECLAMP NO 16 STAINLESS
6	2	520141	2.31/2.62 T-BOLT HOSE CLAMP SS
7	1	650114	DECAL, FILL WITH FRESH WATER
8	2	763599	POLY RINSE TNK STRAP ASSY STS
9	1	763623	GREEN POLYPROPYLENE BALL 0.750"
10	1	764378	100 GAL POLY TANK GRAY W/DECAL
11	2	914008	1/2 UNC HEX STOVER NUT
12	2	920004	1/2 SAE FLAT WASHER



FRONT SOLUTION QUICK ATTACH ASSEMBLY			
DET	QTY	P/N	DESCRIPTION
1	2	470113	5/16-18UNC HEX FLG NUT SER MC GR5
2	2	470121	1/4-20UNC HEX FLG NUT SER MC GR5
3	2	470231	1/4UNC X 1 HHSFB GR5 MC
4	1	470322	LANYARD 8" NYLON LOOP/LOOP
5	1	472195	5/16UNC-2 11/16ID-3 9/16U-BOLT
6	1	500157	1" FLANGE GASKET EPDM
7	1	500159	1" FLANGE CLAMP S.S.
8	3	500194	2" FP FLANGE CLAMP S.S.
9	3	500195	2" FP FLANGE GASKET EPDM
10	1	500196	2"FP FLANGE-2"HOSE BARB POLY
11	1	500238	1" FLANGE PLUG W/1/2"FNPT POLY
12	1	500254	2"FP FLANGE-90-2"FP SWEEP LBO
13	1	500272	2" FP FLANGE TEE X 1" FLANGE TEE
14	1	500407	2" FP X 2" MALE COUPLER
15	2	520141	2.31/2.62 T-BOLT HOSE CLAMP SS
16	1	690623	CAP FOR 2.00 MALE COUPLER POLY
17	1	701582	QUICK TACH MT STS '18
18	1	711037	1/2MNPT-1/2 NYL TUBE FTG

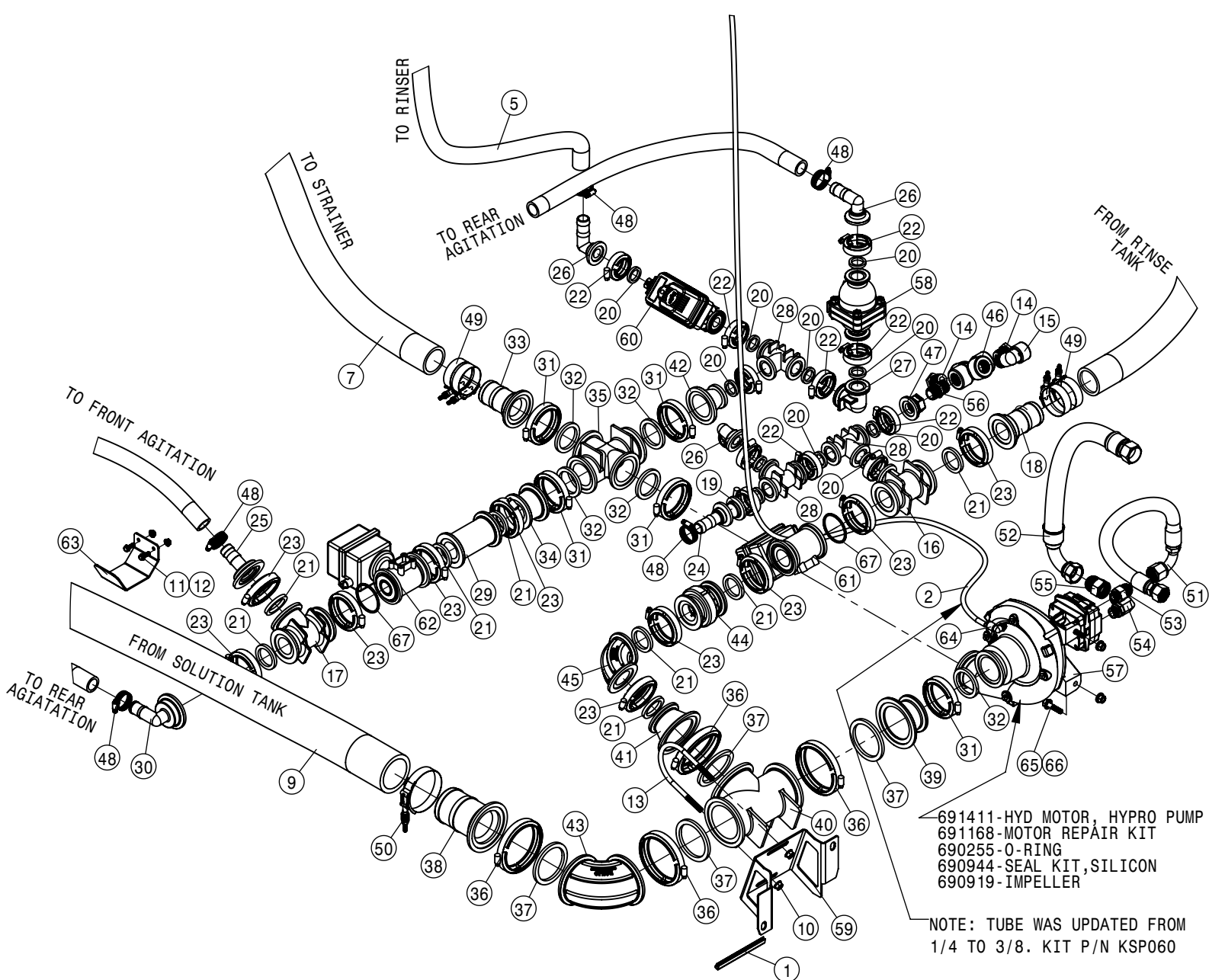
TO BOOM QUICK
COUPLER



696007-50 MESH SCREEN

FROM SOLUTION PUMP

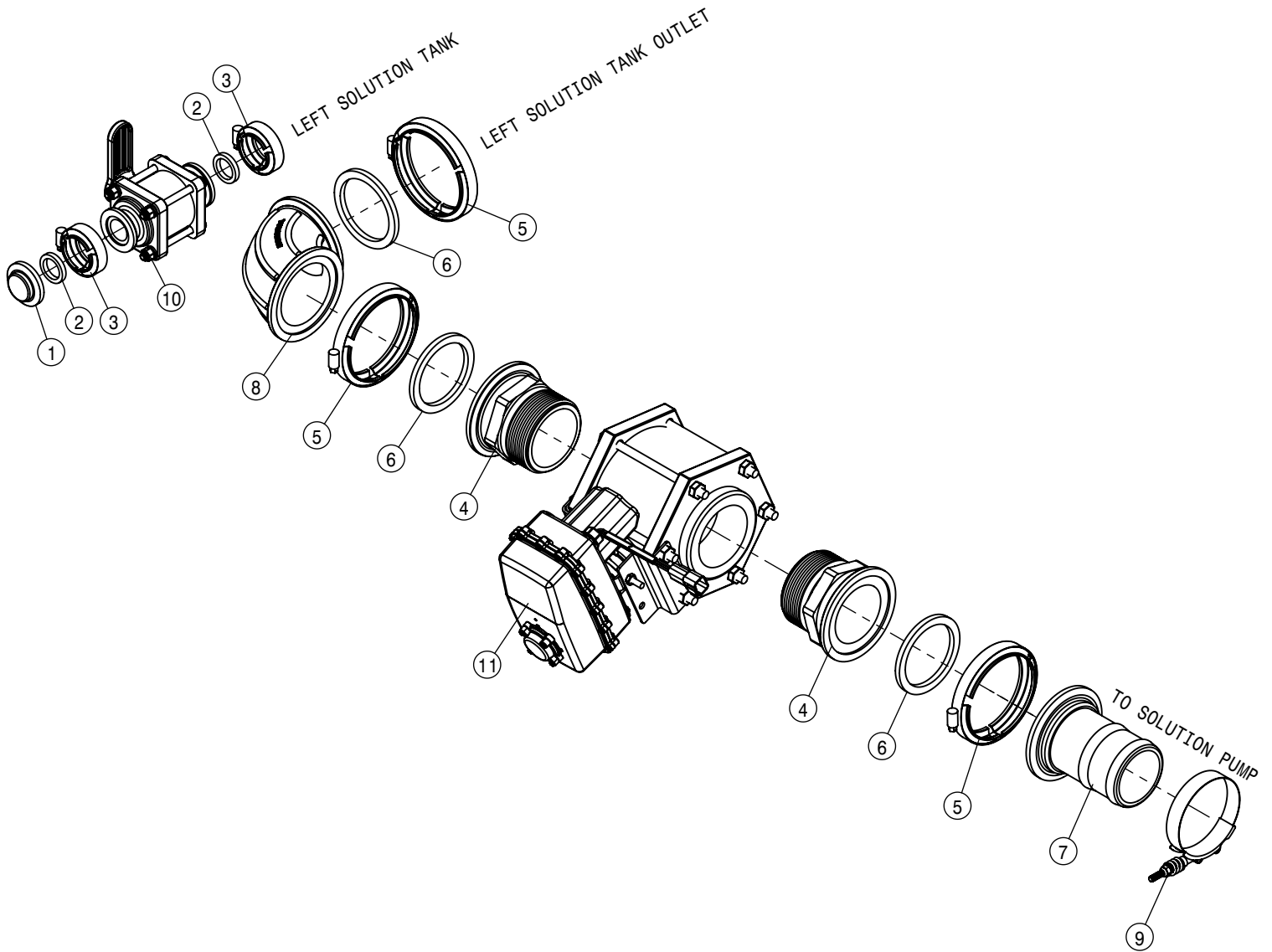
FLOW METER ASSEMBLY			
DET	QTY	P/N	DESCRIPTION
1	1	197133-026	HOSE, 2ID X 097 2F-W1 EPDM
2	1	197133-037	HOSE, 2ID X 097 2F-W1 EPDM
3	1	197133-097	HOSE, 2ID X 097 2F-W1 EPDM
4	4	470118	1/4 UNC X 3/4 SER FLG BOLT
5	4	470121	1/4 UNC SERR FLG LOCK NUT
6	3	500194	2" FP FLANGE CLAMP S.S.
7	3	500195	2" FP FLANGE GASKET EPDM
8	2	500196	2"FP FLANGE-2"HOSE BARB POLY
9	1	500249	2"FP FLANGE COUPLING
10	2	500292	2" HOSE BARB 2" FLY NUT
11	2	500293	FLY NUT 2"
12	4	500294	O-RING, -129 EPDM
13	8	520141	2.31/2.62 T-BOLT HOSE CLAMP SS
14	1	520170	VIBRATION-DAMPING CLAMP HANGER
15	1	691302	ORION FLOW METER MNT FRONT
16	1	691303	ORION FLOW METER MNT REAR
17	1	691327	MAG FLOWMETER 2" FLYNUT
18	1	691332	STS Flowmeter Shield
19	1	691337	STRAINER CLAMP MNT WLD
20	1	696006	LINE "Y" STRAINER,2"FP FLG 50M
21	1	734046	ADPTR HARNESS FOR 691327



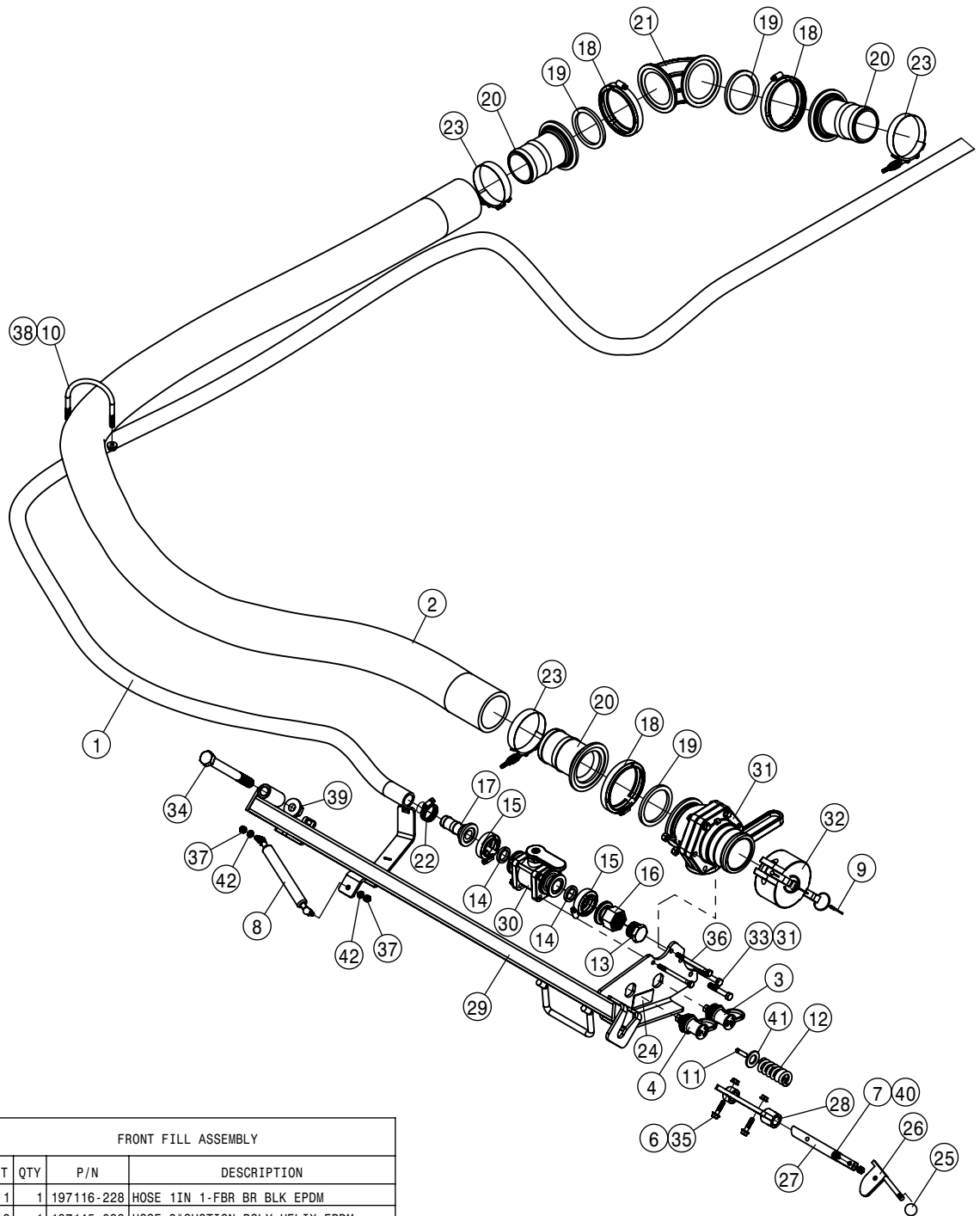
SOLUTION PUMP ASSEMBLY			
DET	QTY	P/N	DESCRIPTION
1	1	193016-005	QUICKEDGE TRIM .060 TO .170
2	1	195915-085	3/80D AIR BRAKE TUBING JB44-B
3	1	197116-018	HOSE 1IN 1-FBR BR BLK EPDM
4	1	197116-028	HOSE 1IN 1-FBR BR BLK EPDM
5	1	197116-088	HOSE 1IN 1-FBR BR BLK EPDM
6	1	197116-110	HOSE 1IN 1-FBR BR BLK EPDM
7	1	197133-037	HOSE, 2ID X 097 2F-W1 EPDM
8	1	197133-076	HOSE 2" SUCTION, 2F-1W EPDM
9	1	197134-064	HOSE 3" SUCTION, 2F-1W EPDM
10	2	470087	3/8-16UNC HEX FLG NUT SER MC GR5
11	2	470118	1/4 UNC X 3/4 SER FLG BOLT
12	2	470121	1/4 UNC SERR FLG LOCK NUT
13	1	475011	3/8UNC-3 5/8ID-5 3/8 U-BOLT SS
14	2	500043	3/4NPT PIPE PLUG, POLY
15	1	500139	POLY STREET EL 3/4", (SL075-90)
16	1	500150	2" FLANGE-1" BRANCH TEE POLY
17	1	500151	2" FLANGE TEE, POLY
18	1	500154	2" FLANGE-2" HOSE BARB POLY
19	1	500155	1" FLANGE CAP PLUG POLY
20	11	500157	1" FLANGE GASKET EPDM
21	8	500158	1 1/2" GASKET FOR 2" FLANGE
22	11	500159	1" FLANGE CLAMP S.S.
23	10	500160	2" FLANGE CLAMP S.S.

SOLUTION PUMP ASSEMBLY			
DET	QTY	P/N	DESCRIPTION
24	1	500171	1" FLANGE-1" HOSE BARB POLY
25	1	500172	2" FLANGE-1" HOSE BARB
26	3	500173	1"FLANGE-90-1"HOSE BARB POLY
27	1	500174	1" FLANGE-90-1" FLANGE LBOPOLY
28	3	500175	1" FLANGE TEE, POLY
29	1	500177	2" FLANGE-2" FLANGE CPLR POLY
30	1	500189	2" FLANGE-90-1" HOSE BARB POLY
31	5	500194	2" FP FLANGE CLAMP S.S.
32	5	500195	2" FP FLANGE GASKET EPDM
33	1	500196	2"FP FLANGE-2"HOSE BARB POLY
34	1	500199	2"FP FLANGE-2"FLAGE REDU POLY
35	1	500203	2"FP FLANGE CROSS POLY
36	4	500208	3" FLANGE CLAMP S.S.
37	4	500209	3" FLANGE GASKET EPDM
38	1	500210	3"FLANGE-3"HOSEBARB POLY
39	1	500212	3"FLANGE - 2" FP FLANGE ADTPTR
40	1	500217	3"FLANGE TEE POLY
41	1	500237	3"FLANGE-2" STD FLANGE ADPTR POLY
42	1	500244	2"FP FLANGE-1"FLAGE ADPTR POLY
43	1	500262	3"FLANGE-90-3"FLG SWEEP LBO
44	1	500264	2" CHECK STANDARD PORT
45	1	500266	2" FLANGE SWEEP 90
46	1	500267	3/4NPT CROSS POLY

SOLUTION PUMP ASSEMBLY			
DET	QTY	P/N	DESCRIPTION
47	1	500375	1 FLANGE X .75" FNPT
48	6	520090	HOSECLAMP NO 16 STAINLESS
49	4	520141	2.31/2.62 T-BOLT HOSE CLAMP SS
50	1	520145	3.56/3.88 T-BOLT HOSE CLAMP SS
51	1	617103	12-451TC-12FJX-12FJX90-22 H/A
52	1	617557	16-811-16FJX-16FJX90-23 H/A
53	1	618193	1 1/16MJIC-3/4MOR ADPTR
54	1	618279	1 1/16MJIC-90-7/8MOR LBO
55	1	618641	1 1/16FJIC -1 5/16MJIC ADPTR
56	1	690098	3/4NPT CLOSE NIPPLE, POLY
57	1	691249	HYPRO PUMP, 9306C-HM5C-BU-001
58	1	696008	PRESS RELIEF VLV, 100PSI, 1"FLG
59	1	696023	SOL FIT MT
60	1	696196	3/4" ELEC BALL VALVE SS 1" FLG
61	1	696256	VALVE, KZCO C2F-60B-M-S9
62	1	696257	VALVE, KZCO C2F-62-Q-S9
63	1	701471	HOSE SUPPORT STS 14/16
64	1	711123	1/8MNPT-90-3/8 NYL TUBE LBO
65	2	900504	3/8UNC X 1 1/2 HHSFB GR5 MC
66	2	910106	3/8-16UNC CTRLK FLG NUT MC GR5
67	2	N208245	O-RING, KZCO FLANGED VALVE

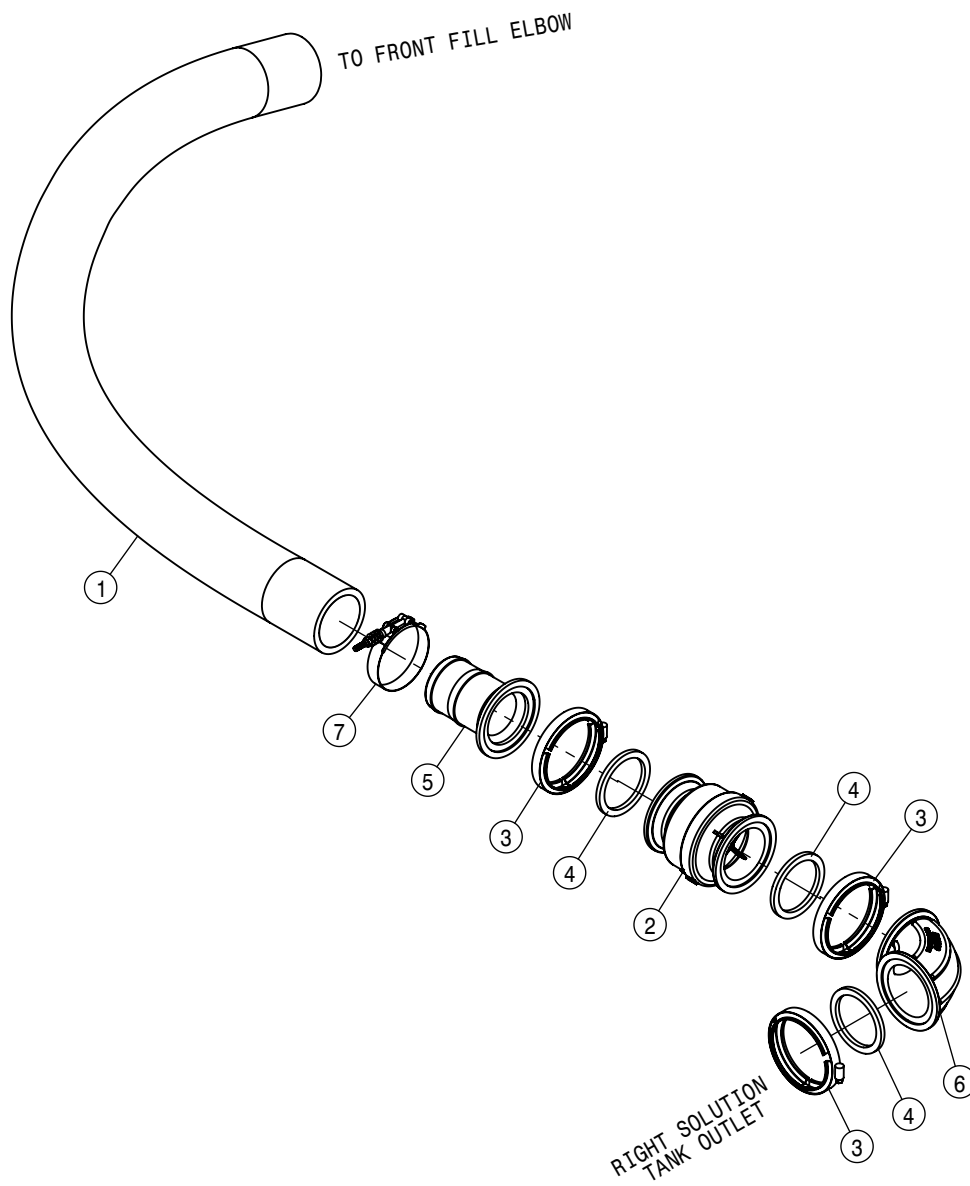


LEFT SOLUTION TANK VALVE ASSEMBLY			
DET	QTY	P/N	DESCRIPTION
1	1	500155	1" FLANGE CAP PLUG POLY
2	2	500157	1" FLANGE GASKET EPDM
3	2	500159	1" FLANGE CLAMP S.S.
4	2	500164	3" FLANGE- 3.00 MNPT ADPTR POLY
5	3	500208	3" FLANGE CLAMP S.S.
6	3	500209	3" FLANGE GASKET EPDM
7	1	500210	3"FLANGE-3"HOSEBARB POLY
8	1	500262	3"FLANGE-90-3"FLG SWEEP LBO
9	1	520145	3.56/3.88 T-BOLT HOSE CLAMP SS
10	1	696147	BALL VLV, 1" FLANGE
11	1	696268	KZCO, 3" VALVE

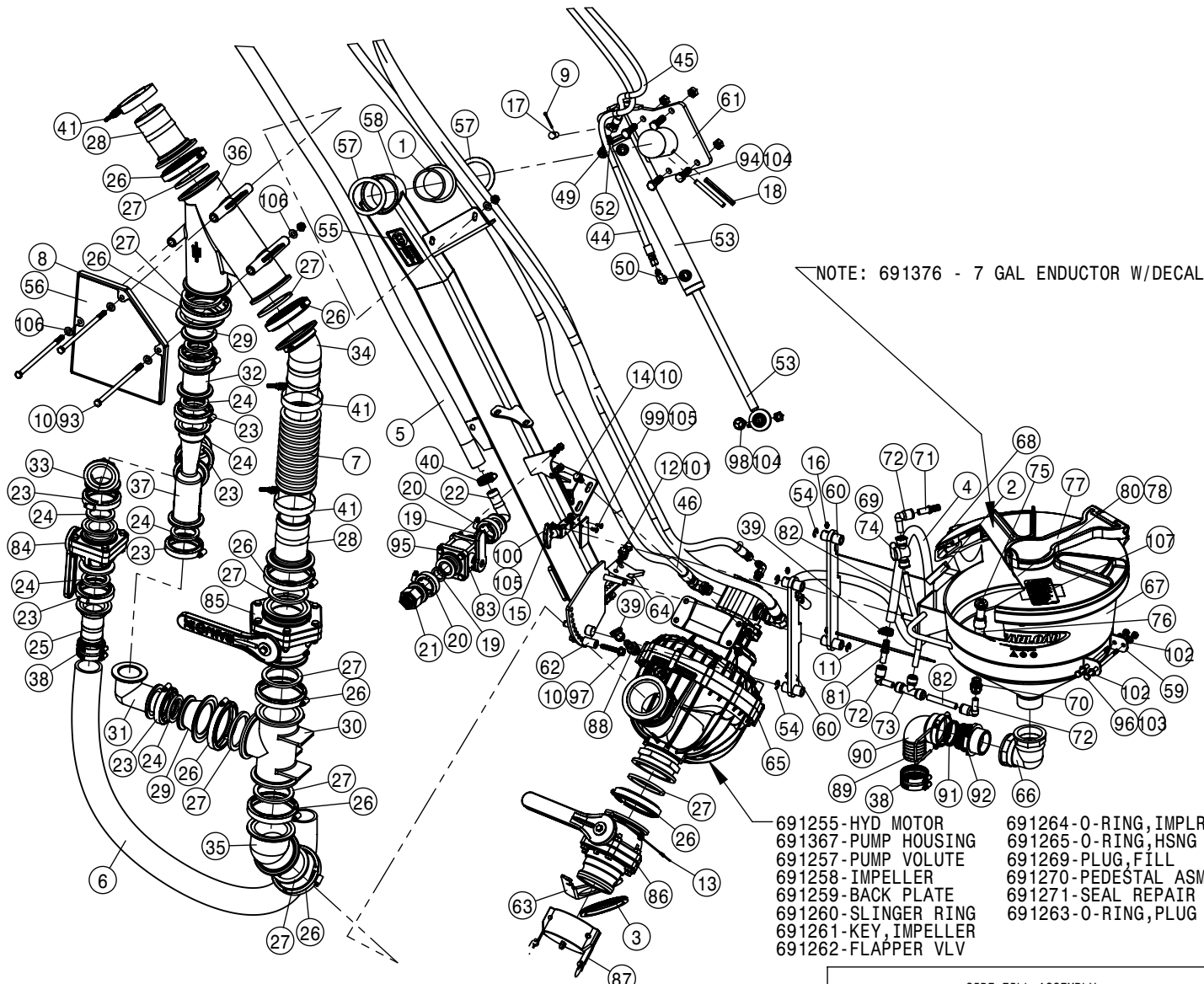


FRONT FILL ASSEMBLY			
DET	QTY	P/N	DESCRIPTION
1	1	197116-228	HOSE 1IN 1-FBR BR BLK EPDM
2	1	197145-098	HOSE 3"SUCTION,POLY HELIX EPDM
3	1	291680	POSITIVE JUMPER STUD, RED
4	1	291681	NEGATIVE JUMPER STUD, BLACK
NS	1	294168	FRONT FILL PWR HARNESS STS' 12
6	2	470113	5/16UNC SERR FLG LOCK NUT
7	1	470122	1/4UNC X 1/2 HHSFB GR5 MC
8	1	470253	HYD DAMPER 100LB 4.0 STROKE
9	1	470352	LANYARD, 11" POLY
10	1	472048	3/8 UNC U-BOLT 3.50ID X 4.125 ZINC
11	1	472316	ROLL PIN, 5/16 X 1 1/2
12	1	482017	SPRING
13	1	500063	1"NPT PIP PLUG, POLY
14	2	500157	1" FLANGE GASKET EPDM
15	2	500159	1" FLANGE CLAMP S.S.
16	1	500168	1" FLANGE-1" FNPT ADPTR POLY
17	1	500171	1" FLANGE-1" HOSE BARB POLY
18	3	500208	3" FLANGE CLAMP S.S.
19	3	500209	3" FLANGE GASKET EPDM
20	3	500210	3"FLANGE-3"HOSEBARB POLY
21	1	500262	3"FLANGE-90-3"FLG SWEEP LBO
22	1	520090	HOSECLAMP NO 16 STAINLESS
23	3	520145	3.56/3.88 T-BOLT HOSE CLAMP SS
24	1	650516	FRT/SIDE FILL PANEL DECAL

FRONT FILL ASSEMBLY			
DET	QTY	P/N	DESCRIPTION
25	1	659291	KNOB, BLK, 3/8" - 16 UNC
26	1	690698	FRT FILL SUPP ARM REL WLD
27	1	691139	FRT FILL SUPP ARM LATCH PIN' 10
28	1	691140	FRT FILL LATCH BRKT WLD,STS' 10
29	1	691378	FRT FILL SUPP ARM W/DECAL
30	1	696147	BALL VLV, 1" FLANGE
31	1	696192	3"FLG STUBBY VALVE,3"M-ADPTR
32	1	696231	CAP FOR 3" MALE COUPLER POLY
33	2	900170	3/8UNC X 2 1/4 HEX BOLT
34	1	900418	3/4UNC X 7" HEX BOLT
35	2	900490	5/16UNC X 1 1/4 HHSFB SS
36	2	900498	5/16UNC X 3 3/4 HHCS SS
37	2	910002	5/16UNC HEX NUT
38	2	910106	3/8-16UNC CTRLK FLG NUT MC GR5
39	1	910111	3/4-10UNC CTRLK FLG NUT MC GR5
40	1	914002	5/16UNC HEX STOVER NUT
41	1	920006	3/4 SAE FLAT WASHER
42	2	920501	5/16 LOCK WASHER



RH SOLUTION TANK VALVE (FRONT FILL)			
DET	QTY	P/N	DESCRIPTION
1	1	197145-050	HOSE 3'SUCTION,POLY HELIX EPDM
2	1	500142	CHECK VALVE 3" FLANGE
3	3	500208	3' FLANGE CLAMP S.S.
4	3	500209	3" FLANGE GASKET EPDM
5	1	500210	3"FLANGE-3'HOSEBARB POLY
6	1	500262	3"FLANGE-90-3"FLG SWEEP LBO
7	1	520145	3.56/3.88 T-BOLT HOSE CLAMP SS

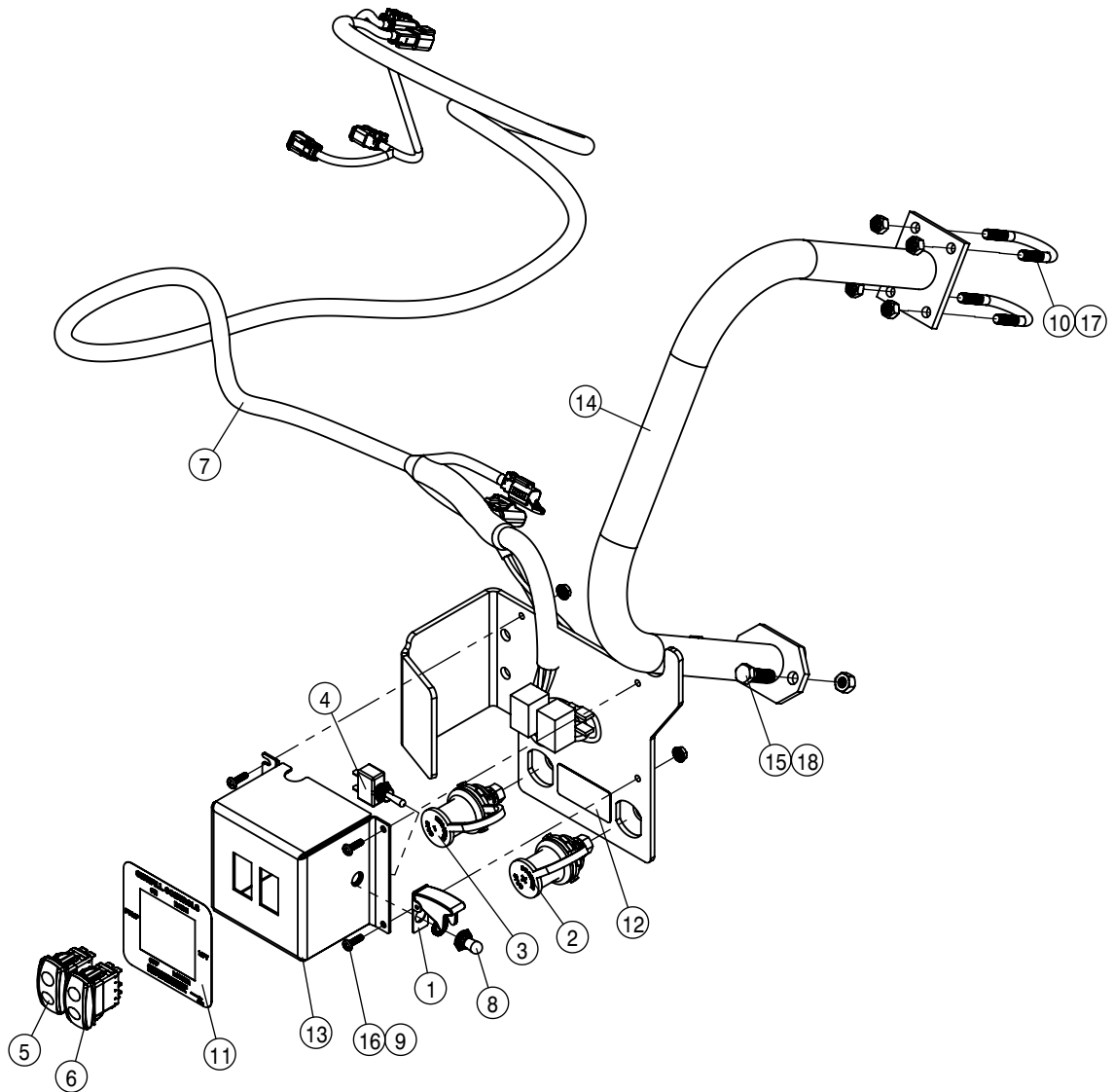


- 691255-HYD MOTOR
- 691367-PUMP HOUSING
- 691257-PUMP VOLUTE
- 691258-IMPELLER
- 691259-BACK PLATE
- 691260-SLINGER RING
- 691261-KEY, IMPELLER
- 691262-FLAPPER VLV
- 691264-O-RING, IMPLR
- 691265-O-RING, HSNB
- 691269-PLUG, FILL
- 691270-PEDESTAL ASM
- 691271-SEAL REPAIR KIT
- 691263-O-RING, PLUG

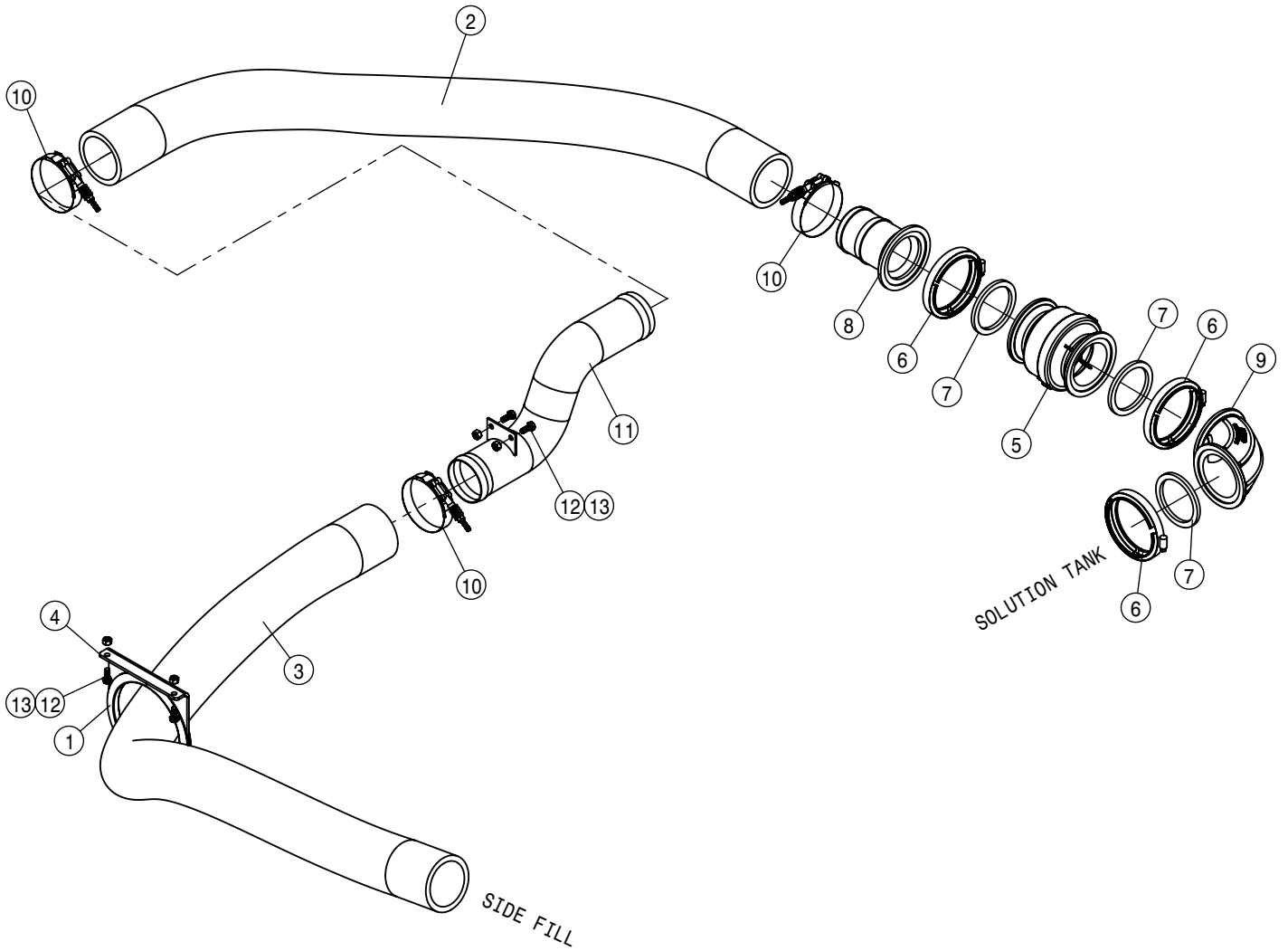
SIDE FILL ASSEMBLY			
DET	QTY	P/N	DESCRIPTION
1	1	121101	TRANSOM PIVOT BRG_TOP POLYGON
2	1	193012-003	QUICKEDGE TRIM .135 TO .250
3	1	193016-011	QUICKEDGE TRIM .060 TO .170
4	1	197008-044	HOSE 1/2 1-FBR BR BLK EPDM
5	1	197116-258	HOSE 1IN 1-FBR BR BLK EPDM
6	1	197133-048	HOSE 2" SUCTION, 2F-1W EPDM
7	1	197145-008	HOSE 3"SUCTION,POLY HELIX EPDM
8	1	344616	SIDE FILL DECAL PLT
9	1	470021	COITTER PIN 1/8 X 1 1/4 SS
10	8	470087	3/8UNC HEX SERR FLANGE NUT
11	2	470154	CABLE TIE, 11.00" BLK NYLON
12	2	470329	3/8UNC X 1 1/4 SERR FLG HEX BOLT
13	1	470352	LANYARD, 11" POLY
14	4	470460	3/8 X 1" SERR FLG BOLT
15	1	470643	RUBBER DRAW LATCH
16	4	471005	GREASE ZERK, 1/4-28 X 1/2
17	1	472279	CLEVIS PIN 1/2DIA X 1 3/4
18	2	473963	ROLL PIN, 3/8 X 3 1/2
19	2	500157	1" FLANGE GASKET EPDM
20	2	500159	1" FLANGE CLAMP S.S.
21	1	500168	1" FLANGE-1" FNPT ADPTR POLY
22	1	500173	1"FLANGE-90-1"HOSE BARB POLY
23	7	500194	2" FP FLANGE CLAMP S.S.
24	7	500195	2" FP FLANGE GASKET EPDM
25	1	500196	2"FP FLANGE-2"HOSE BARB POLY
26	9	500208	3" FLANGE CLAMP S.S.
27	9	500209	3" FLANGE GASKET EPDM
28	2	500210	3"FLANGE-3"HOSEBARB POLY
29	2	500212	3"FLANGE - 2" FP FLANGE ADPTR
30	1	500217	3"FLANGE TEE POLY
31	1	500219	2"FP FLANGE-90-2"FP FLANGE LBO
32	1	500249	2"FP FLANGE COUPLING
33	1	500254	2"FP FLANGE-90-2"FP SWEEP LBO
34	1	500258	3"FLANGE-45-3"HOSEBARB, POLY
35	1	500259	3" FLANGE X 45° FLANGED COUPLING

SIDE FILL ASSEMBLY			
DET	QTY	P/N	DESCRIPTION
36	1	500260	3" FP FLANGE 45 Y COUPLING
37	1	500261	2" FP FLANGE POLY VENTURI
38	4	520068	HOSE CLAMP NO 32 STAINLESS
39	2	520069	HOSE CLAMP NO 6 STAINLESS
40	1	520090	HOSECLAMP NO 16 STAINLESS
41	3	520145	3.56/3.88 T-BOLT HOSE CLAMP SS
42	1	617107	10-451TC-10FJX-10FJX-132 H/A
43	1	617109	06-451TC-06FJX-06FJX90-133 H/A
44	1	617389	04-451TC-04FJX-04FJX-111 H/A
45	1	617390	04-451TC-06FJX-06FJX90-100 H/A
46	1	617480	08-451TC-08FJX-08FJX90-127 H/A
47	1	618119	9/16MJIC-90-9/16MOR LBO
48	1	618183	3/4MJIC-90-7/8MOR LBO
49	1	618425	9/16MJIC-45-9/16MOR LBO
50	1	618499	7/16MJIC-90-9/16MOR LBO
51	1	618535	7/8MJIC-90-1 1/16MOR LBO
52	1	618731	9/16 - .025 ORIFICE ADPT
53	1	621554	HYD CYL, 1.50" X 12.25" X 0.75"
54	4	629541	SNAP RING, 1/2" EXTERNAL E-STYLE
55	1	650116	DECAL,INDUCTOR FILLING INSTR
56	1	650469	SIDE FILL INSTRUCTION DECAL
57	2	690729	3.50 OD X 2.68 ID X 11 GA WASH
58	1	691191	SIDE FILL ARM WLD, 2012
59	1	691192	HOPPER BAND WLD, SIDE FILL
60	2	691193	HOPPER PARAL ARM WLD,SIDE FILL
61	1	691195	CYL MNT WLD, SIDE FILL 2012
62	1	691197	BUSHING, .75 OD X 1.31 L'G
63	1	691225	HOSE SUPP BRKT SIDE FILL '12
64	1	691231	ADJ SIDE FILL CRADLE STS '12
65	1	691251	3" FLANGE TRANSFER PUMP
66	1	691342	HYPRO ELBOW FNPT
67	1	691343	HYPRO TANK CLEAN LOAD 7 GAL
68	1	691344	HYPRO GROMMET TANK SEAL 10MM
69	2	691346	HYPRO CLIP SAFETY PTC 1/2"
70	1	691348	HYPRO PUSH CONNECT FITTING 1/2

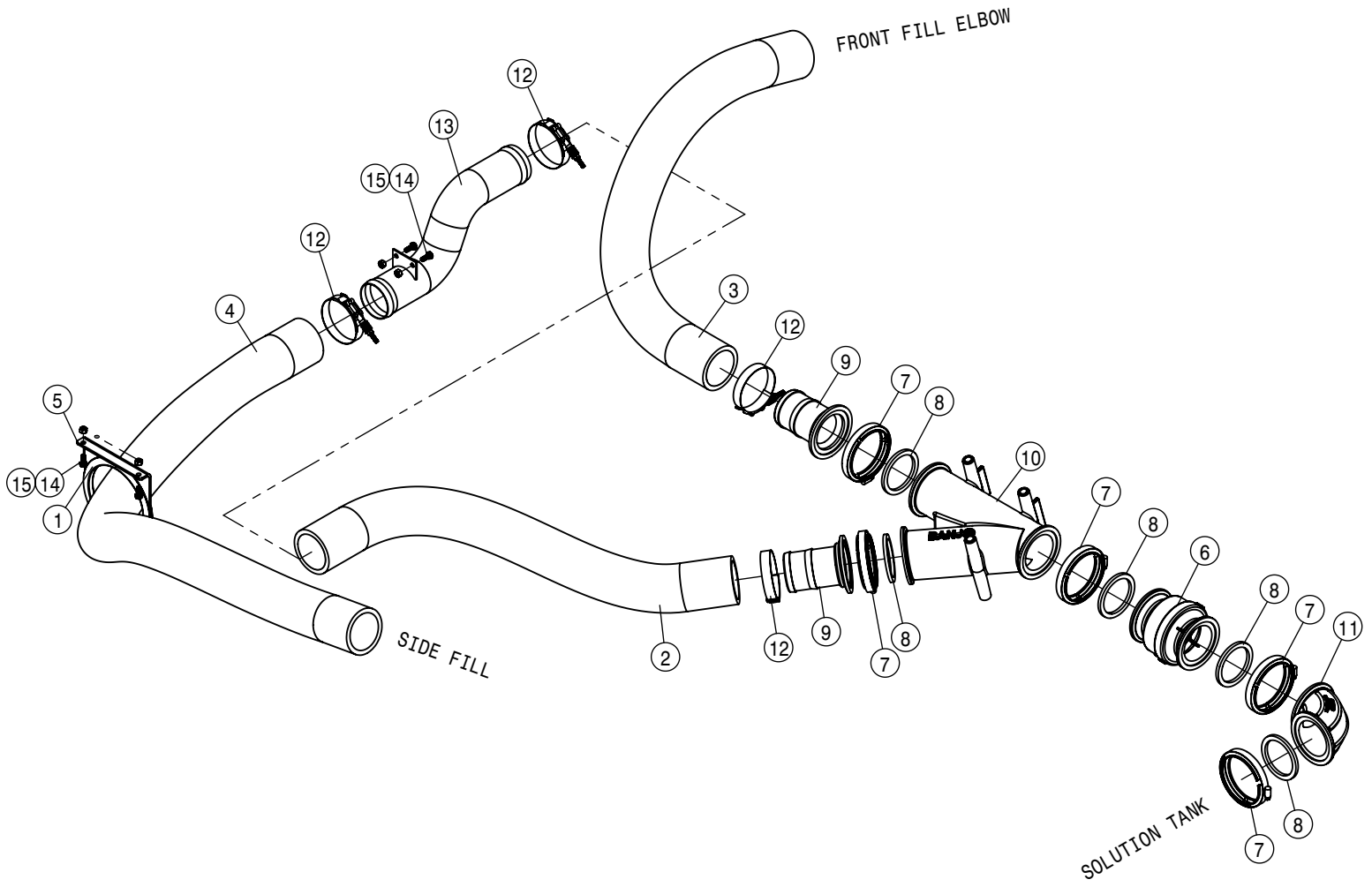
SIDE FILL ASSEMBLY			
DET	QTY	P/N	DESCRIPTION
71	1	691349	HYPRO HOSE BARB TO TUBE PTC
72	3	691350	HYPRO FITTING ELBOW PTC 1/2"
73	1	691351	HYPRO FITTING UNION TEE PTC1/2
74	1	691354	HYPRO VALVE, 2-WAY PTC
75	1	691357	HYPRO NOZ PROCLEAN CNTNR RINSE
76	1	691358	HYPRO PROCLEAN CNTNR RINSE VLV
77	1	691359	HYPRO TL S/A 16" HINGED
78	1	691360	HYPRO BREATHER LABYRINTH
79	1	691361	HYPRO O-RING, BREATHER
80	1	691362	HYPRO NUT, BREATHER
81	1	691363	HYPRO HOSE BARB TO TUBE PTC
82	1	691368	TUBING KIT, HYPRO
83	1	696147	BALL VLV, 1" FLANGE
84	1	696150	BALL VLV, 2"FP FLANGE STUBBY
85	1	696190	BALL VLV, 3" FP FLANGE
86	1	696192	3"FLG STUBBY VALVE,3"M-ADPTR
87	1	696231	CAP FOR 3" MALE COUPLER POLY
88	1	713340	1/2NPT-1/2 HOSE BARB, POLY
89	1	737756	2" FORK FOR 737754/755
90	1	737760	2"FP-90-2" HOSE BARB POLY
91	2	737762	O-RING, -227 EPDM
92	1	737771	MALE T7 TO MALE 2" NPT
93	3	900148	3/8UNC X 8 HEX BOLT
94	4	900265	1/2UNC X 1 1/2 HEX BOLT
95	2	900498	5/16UNC X 3 3/4 HHCS SS
96	2	900502	5/16UNC X 5 1/2 HHCS SS
97	1	900506	3/8UNC X 2 HHSFB GR5 MC FT
98	1	900519	1/2UNC X 2 HHSFB GR5 MC FT
99	2	903706	10-32X1/2 PHIL PAN MACH SCR
100	2	903710	10-32 X 5/8 PHIL PANHD MACH SCR
101	2	910106	3/8-16UNC CTRLK FLG NUT MC GR5
102	4	910113	SAE FLAT WASHER 5/16 SS
103	2	914002	5/16UNC HEX STOVER NUT
104	5	914008	1/2 UNC HEX STOVER NUT
105	4	914027	10-32 HEX STOVER NUT
106	6	920002	3/8 SAE FLAT WASHER
107	1	N203265	DECAL CAUTION



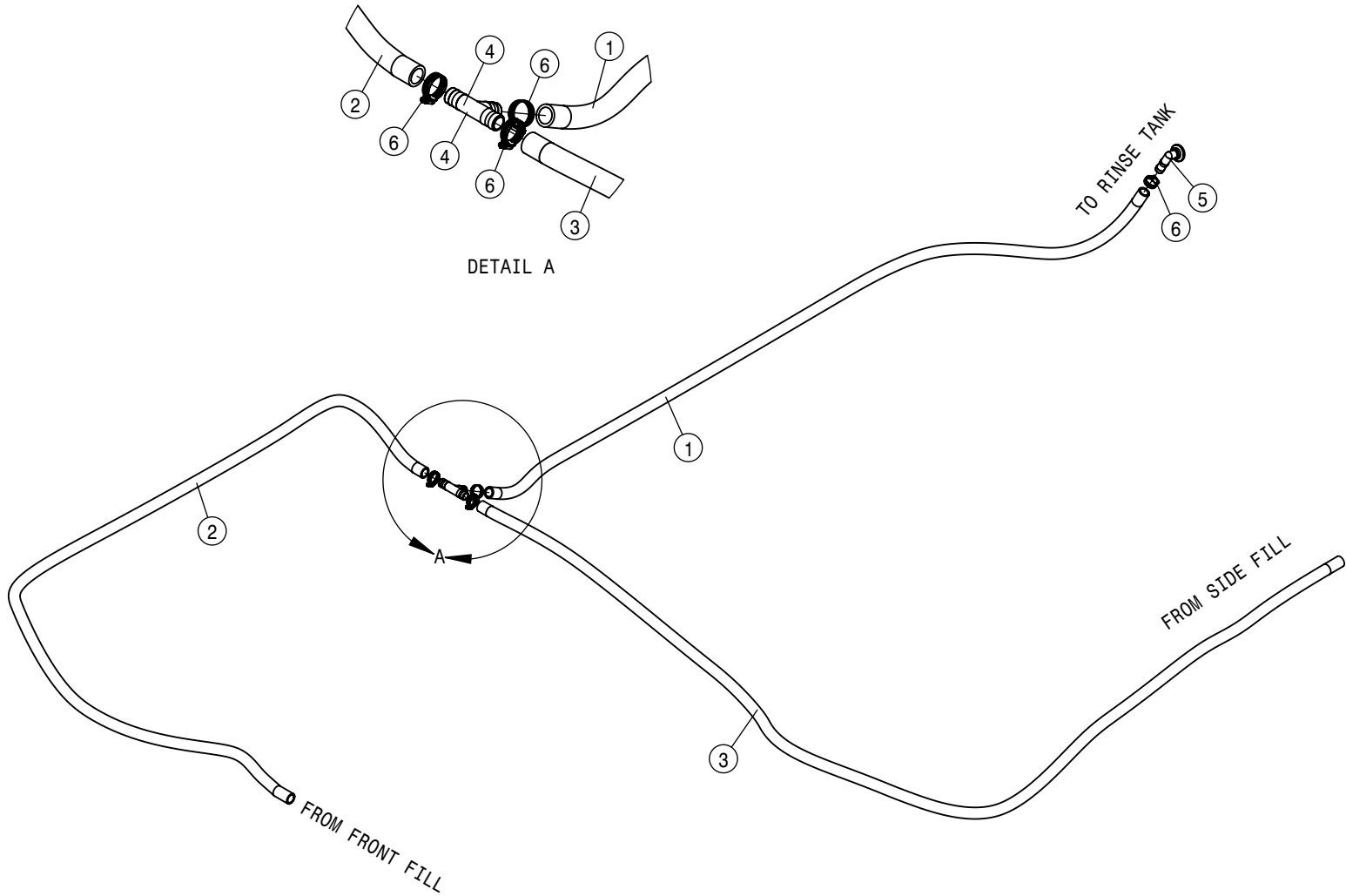
SIDE FILL SWITCH BOX ASSEMBLY			
DET	QTY	P/N	DESCRIPTION
1	1	291655	AIRCRAFT TOGGLE SWITCH GUARD
2	1	291680	POSITIVE JUMPER STUD, RED
3	1	291681	NEGATIVE JUMPER STUD, BLACK
4	1	291937	TOGGLE SWITCH, SPST
5	1	292226	SWITCH - SIDEFILL PUMP SPEED
6	1	292367	SWITCH - SIDEFILL CYLINDER
7	1	294230	SIDE FILL HARNESS
8	1	470001	RUBBER BOOT AND NUT FOR 298012
9	4	470175	10-32 SERR FLANGE NUT
10	2	473911	5/16UNC-1.31ID-2.00 U-BOLT ZINC
11	1	650155	DECAL, SIDEFILL CTRL STS 05
12	1	650516	FRT/SIDE FILL PANEL DECAL
13	1	691371	SIDE FILL SWITCH BOX, STS'16
14	1	691377	CHEM IND GUARD W/DECAL
15	2	900130	3/8UNC X 1 1/4 HEX BOLT
16	4	903710	#10-32 UNF X 5/8 PHMS PH BZ
17	4	914002	5/16UNC HEX STOVER NUT
18	2	914004	3/8UNC HEX STOVER NUT



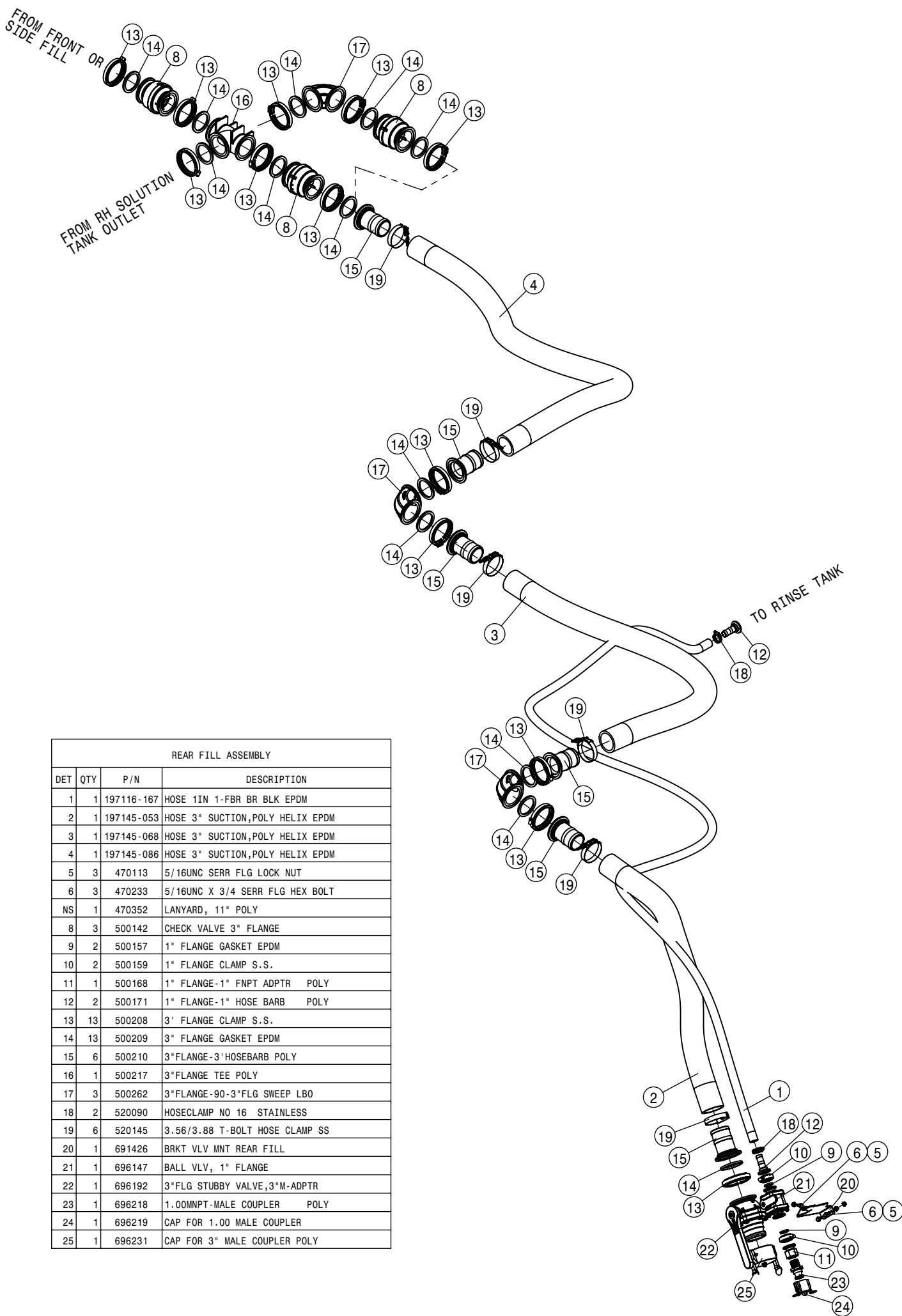
RH SOLUTION TANK VALVE (SIDE FILL)			
DET	QTY	P/N	DESCRIPTION
1	1	193012-019	QUICKEDGE TRIM .135 TO .250
2	1	197145-051	HOSE 3"SUCTION,POLY HELIX EPDM
3	1	197145-065	HOSE 3"SUCTION,POLY HELIX EPDM
4	1	342991	SIDEFILL HOSE SUPP BRKT,STS 05
5	1	500142	CHECK VALVE 3" FLANGE
6	3	500208	3' FLANGE CLAMP S.S.
7	3	500209	3" FLANGE GASKET EPDM
8	1	500210	3"FLANGE-3'HOSEBARB POLY
9	1	500262	3"FLANGE-90-3"FLG SWEEP LBO
10	3	520145	3.56/3.88 T-BOLT HOSE CLAMP SS
11	1	690731	SOLU TUBE, 3.00 S.S. SIDE FILL
12	4	900064	5/16UNC X 3/4" HEX BOLT
13	4	914002	5/16UNC HEX STOVER NUT



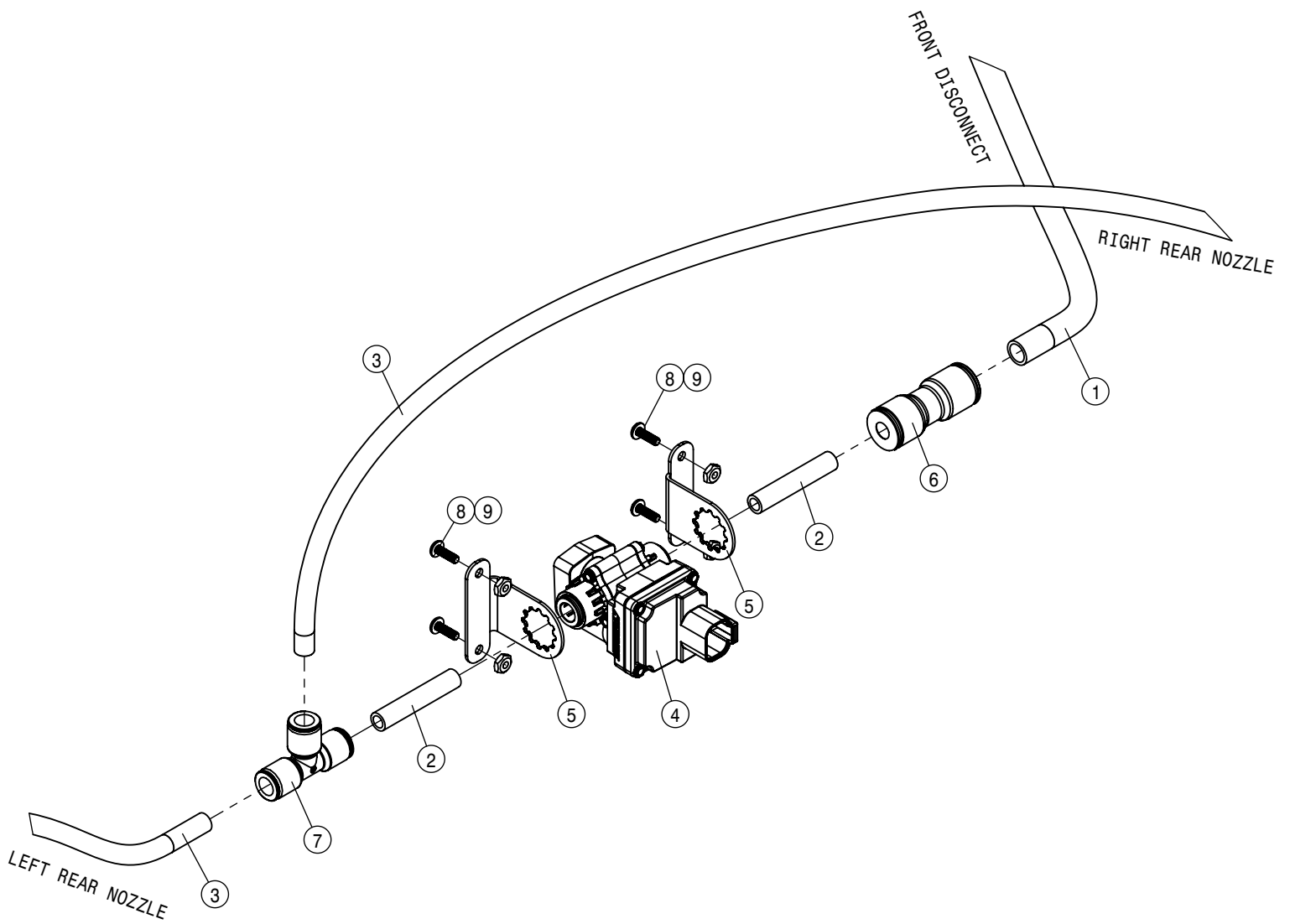
RH SOLUTION TANK VALVE (FRONT AND SIDE FILL)			
DET	QTY	P/N	DESCRIPTION
1	1	193012-019	QUICKEDGE TRIM .135 TO .250
2	1	197145-037	HOSE 3" SUCTION, POLY HELIX EPDM
3	1	197145-040	HOSE 3" SUCTION, POLY HELIX EPDM
4	1	197145-065	HOSE 3" SUCTION, POLY HELIX EPDM
5	1	342991	SIDE FILL HOSE SUPP BRKT, STS 05
6	1	500142	CHECK VALVE 3" FLANGE
7	5	500208	3" FLANGE CLAMP S.S.
8	5	500209	3" FLANGE GASKET EPDM
9	2	500210	3" FLANGE-3' HOSE BARB POLY
10	1	500260	3" FP FLANGE 45 Y COUPLING
11	1	500262	3" FLANGE-90-3" FLG SWEEP LBO
12	4	520145	3.56/3.88 T-BOLT HOSE CLAMP SS
13	1	690731	SOLU TUBE, 3.00 S.S. SIDE FILL
14	4	900064	5/16UNC X 3/4" HEX BOLT
15	4	914002	5/16UNC HEX STOVER NUT



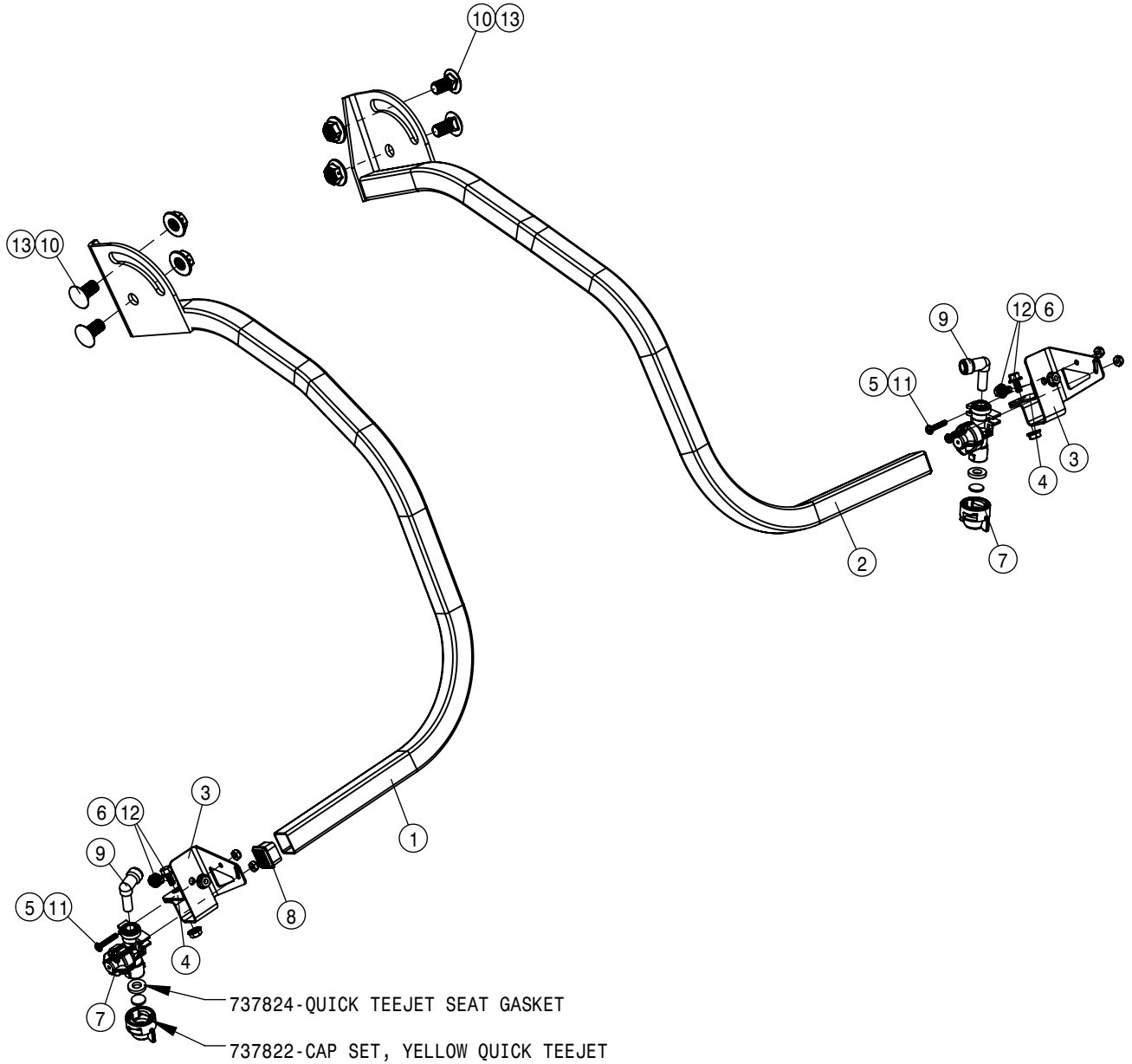
FILL/RINSE HOSES FRONT/SIDE FILL ASSEMBLY			
DET	QTY	P/N	DESCRIPTION
1	1	197116-109	HOSE 1IN 1-FBR BR BLK EPDM
2	1	197116-119	HOSE 1IN 1-FBR BR BLK EPDM
3	1	197116-150	HOSE 1IN 1-FBR BR BLK EPDM
4	1	500105	1.00 HOSE BARB TEE, POLY
5	1	500173	1"FLANGE-90-1"HOSE BARB POLY
6	4	520090	HOSECLAMP NO 16 STAINLESS



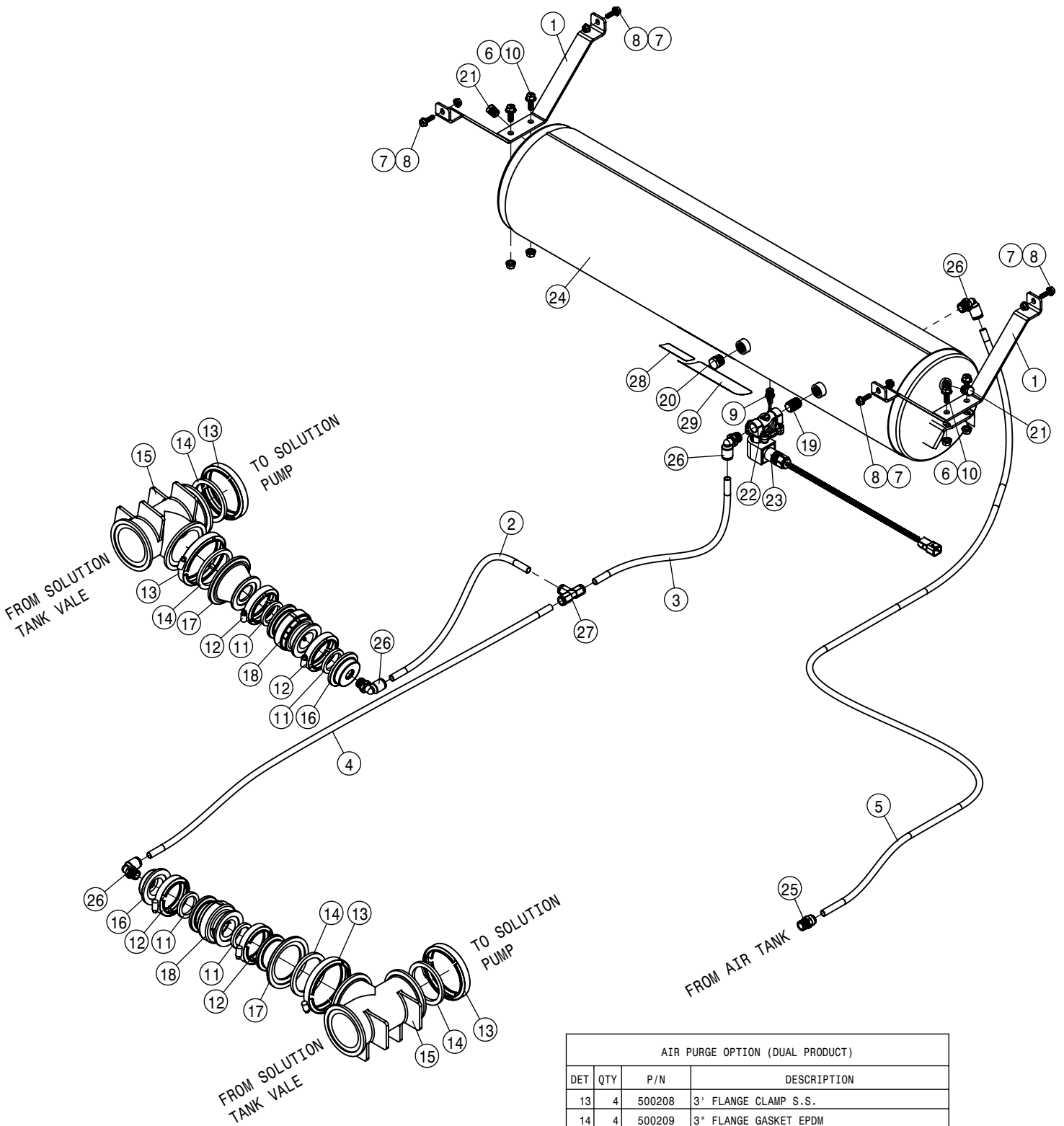
REAR FILL ASSEMBLY			
DET	QTY	P/N	DESCRIPTION
	1	197116-167	HOSE 1IN 1-FBR BR BLK EPDM
	2	197145-053	HOSE 3" SUCTION,POLY HELIX EPDM
	3	197145-068	HOSE 3" SUCTION,POLY HELIX EPDM
	4	197145-086	HOSE 3" SUCTION,POLY HELIX EPDM
	5	470113	5/16UNC SERR FLG LOCK NUT
	6	470233	5/16UNC X 3/4 SERR FLG HEX BOLT
NS	1	470352	LANYARD, 11" POLY
	8	500142	CHECK VALVE 3" FLANGE
	9	500157	1" FLANGE GASKET EPDM
	10	500159	1" FLANGE CLAMP S.S.
	11	500168	1" FLANGE-1" FNPT ADPTR POLY
	12	500171	1" FLANGE-1" HOSE BARB POLY
	13	500208	3' FLANGE CLAMP S.S.
	14	500209	3" FLANGE GASKET EPDM
	15	500210	3"FLANGE-3'HOSEBARB POLY
	16	500217	3"FLANGE TEE POLY
	17	500262	3"FLANGE-90-3"FLG SWEEP LBO
	18	520090	HOSECLAMP NO 16 STAINLESS
	19	520145	3.56/3.88 T-BOLT HOSE CLAMP SS
	20	691426	BRKT VLV MNT REAR FILL
	21	696147	BALL VLV, 1" FLANGE
	22	696192	3"FLG STUBBY VALVE,3"M-ADPTR
	23	696218	1.00MNPT-MALE COUPLER POLY
	24	696219	CAP FOR 1.00 MALE COUPLER
	25	696231	CAP FOR 3" MALE COUPLER POLY



REAR WHEEL NOZZLE VALVE ASSEMBLY			
DET	QTY	P/N	DESCRIPTION
1	1	195914-177	1/20D AIR BRAKE TUBING J844-B
2	2	195915-002	3/8OD AIR BRAKE TUBING J844-B
3	2	195915-265	3/8OD AIR BRAKE TUBING J844-B
4	1	696246	3/8 PTC 1/4"ELECT BALL VLV
5	2	696293	BRACKET FOR 696246
6	1	711106	3/8" X 1/2"PTC UNION
7	1	711107	3/8"PTC TEE
8	4	903844	#8-32 UNC X 1/2 PHMS PH BZ
9	4	914028	#8-32UNC STOVER NUT MC GR2

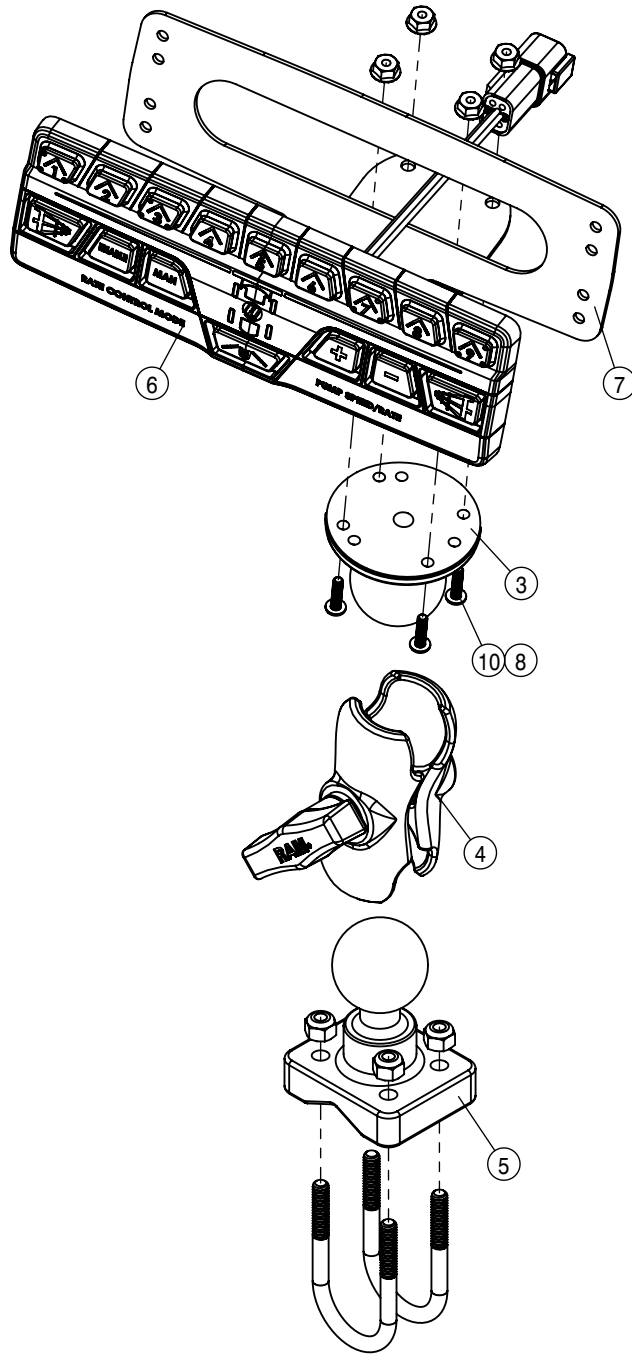


REAR NOZZLE ASSEMBLY			
DET	QTY	P/N	DESCRIPTION
1	1	164978	LH REAR NOZZLE MT WLD STS12
2	1	164979	RH REAR NOZZLE MT WLD STS12
3	2	167653	RWN BRKT STS' 17
4	2	167654	TOP RWN BRKT STS' 17
5	4	473004	#10-32UNF NYLOCK NUT MC GR5
6	4	473832	1/4-20UNC HEX FLG NUT SER SS
7	2	500334	NOZZLE-3/80D PUSH TO CONNECT
8	2	629727	FINISH PLUG 1" SQ 16 GA
9	2	711066	3/8 NYL PUSH IN ELBOW 90 DEG
10	4	901253	1/2UNC X 1" CARR BOLT
11	4	903894	#10-32 UNC X 1 PHMS PH ZN
12	4	910122	1/4UNC X 1/2 HHSFB SS
13	4	914015	1/2UNC HEX CENTER-LOCK NUT



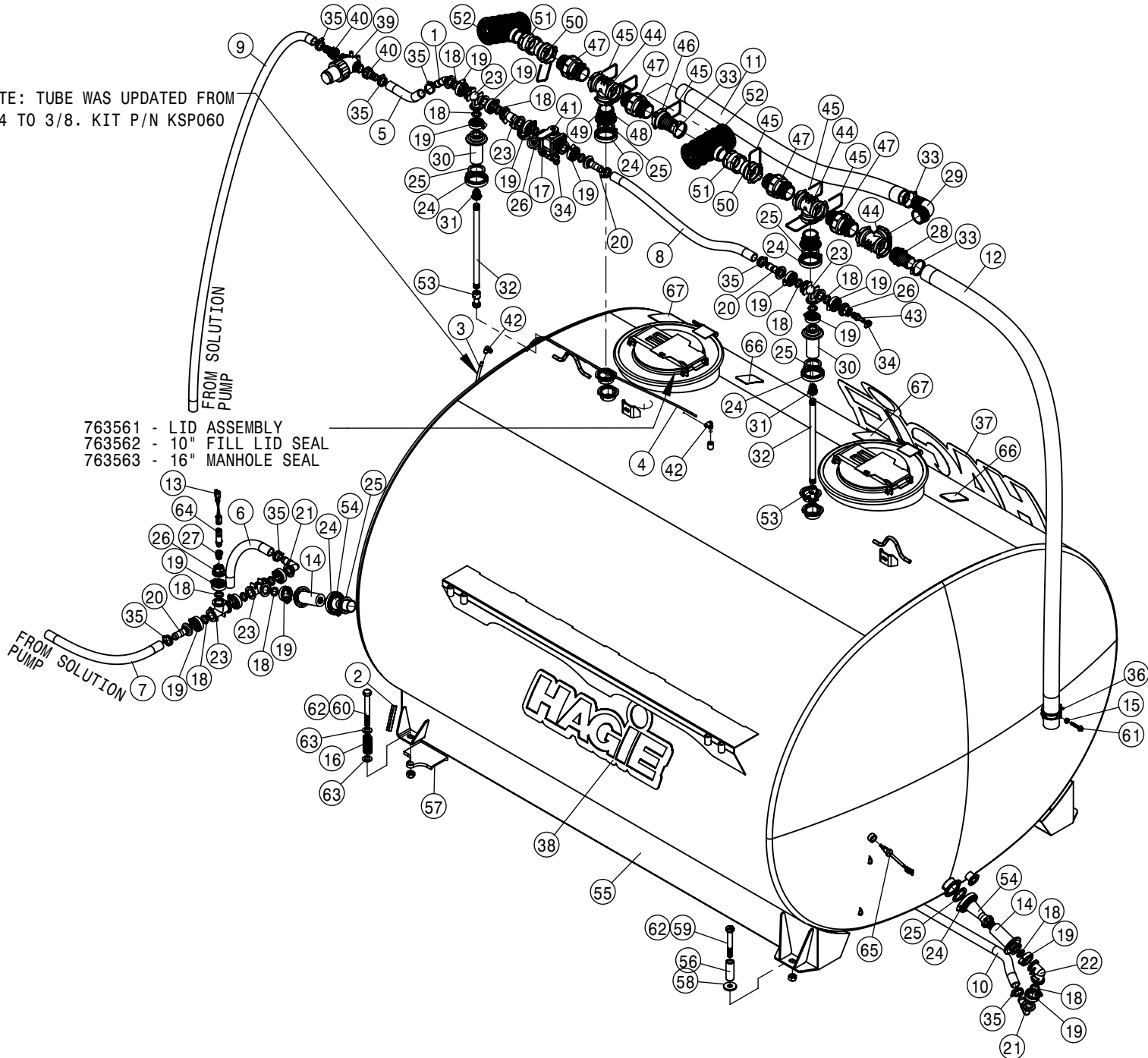
AIR PURGE OPTION (DUAL PRODUCT)			
DET	QTY	P/N	DESCRIPTION
1	2	167471	SECONDARY AIR TANK BRKT
2	1	195914-019	1/20D AIR BRAKE TUBING J844-B
3	1	195914-020	1/20D AIR BRAKE TUBING J844-B
4	1	195914-045	1/20D AIR BRAKE TUBING J844-B
5	1	195914-110	1/20D AIR BRAKE TUBING J844-B
6	4	470087	3/8-16UNC HEX FLG NUT SER MC GR5
7	4	470113	5/16-18UNC HEX FLG NUT SER MC GR5
8	4	470234	5/16UNC X 1 HHSFB GR5 MC
9	1	470266	DRAIN VALVE KIT, 1/4NPT
10	4	470460	3/8UNC X 1 HHSFB GR5 MC
11	4	500158	1 1/2" GASKET FOR 2" FLANGE
12	4	500160	2" FLANGE CLAMP S.S.

AIR PURGE OPTION (DUAL PRODUCT)			
DET	QTY	P/N	DESCRIPTION
13	4	500208	3" FLANGE CLAMP S.S.
14	4	500209	3" FLANGE GASKET EPDM
15	2	500217	3" FLANGE TEE POLY
16	2	500224	2" FLANGE PLUG W/1/2" FNPT POLY
17	2	500237	3" FLANGE-2" STD FLANGE ADPTR POLY
18	2	500264	2" CHECK STANDARD PORT
19	1	502717	CLOSE NIPPLE .50NPT BRS
20	1	505231	PIPE PLUG .50NPT HEX HD BRS
21	2	505238	PIPE PLUG .375NPT HEX HD BRS
22	1	696241	.5FNPT N/C SOLENOID VALVE
23	1	696242	12V COIL FOR SOLE VLV
24	1	701520	AIR TANK FOR AIR PURGE W/DECAL
25	1	711037	1/2MNPT-1/2 NYL TUBE FTG
26	4	711042	1/2MNPT-1/2 NYL TUBE LBO
27	1	711075	1/2 TUBE, PRESS ON TEE, BRASS
28	1	N209334	LABEL, AIR TANK DRAIN
29	1	N404969	LABEL, DECAL SAFETY AIR DRIER



KEYPAD (DUAL PRODUCT)			
DET	QTY	P/N	DESCRIPTION
NS	1	294177	DUAL PRODUCT, CAB HARNESS
NS	1	294354	HARNESS, DUAL PRODUCT CHASSIS
3	1	344384	1.5" RAM BALL MNT BASE 2.50"
4	1	344491	RAM SHRT SCKT ARM 1.5" BALL
5	1	344492	RAM U BLT BASE 1.5 BALL
6	1	344556	SECTION KEYPAD STS' 15
7	1	344630	BRKT SECTION KEYPAD RAM MNT
8	4	470463	#8-32UNC HEX FLG NUT SER MC GR5
NS	1	694019	HARNESS, DUAL SOLU PUMP, RAVEN
10	4	903845	#8-32 UNC X 5/8 PHMS PH ZN

NOTE: TUBE WAS UPDATED FROM 1/4 TO 3/8. KIT P/N KSP060

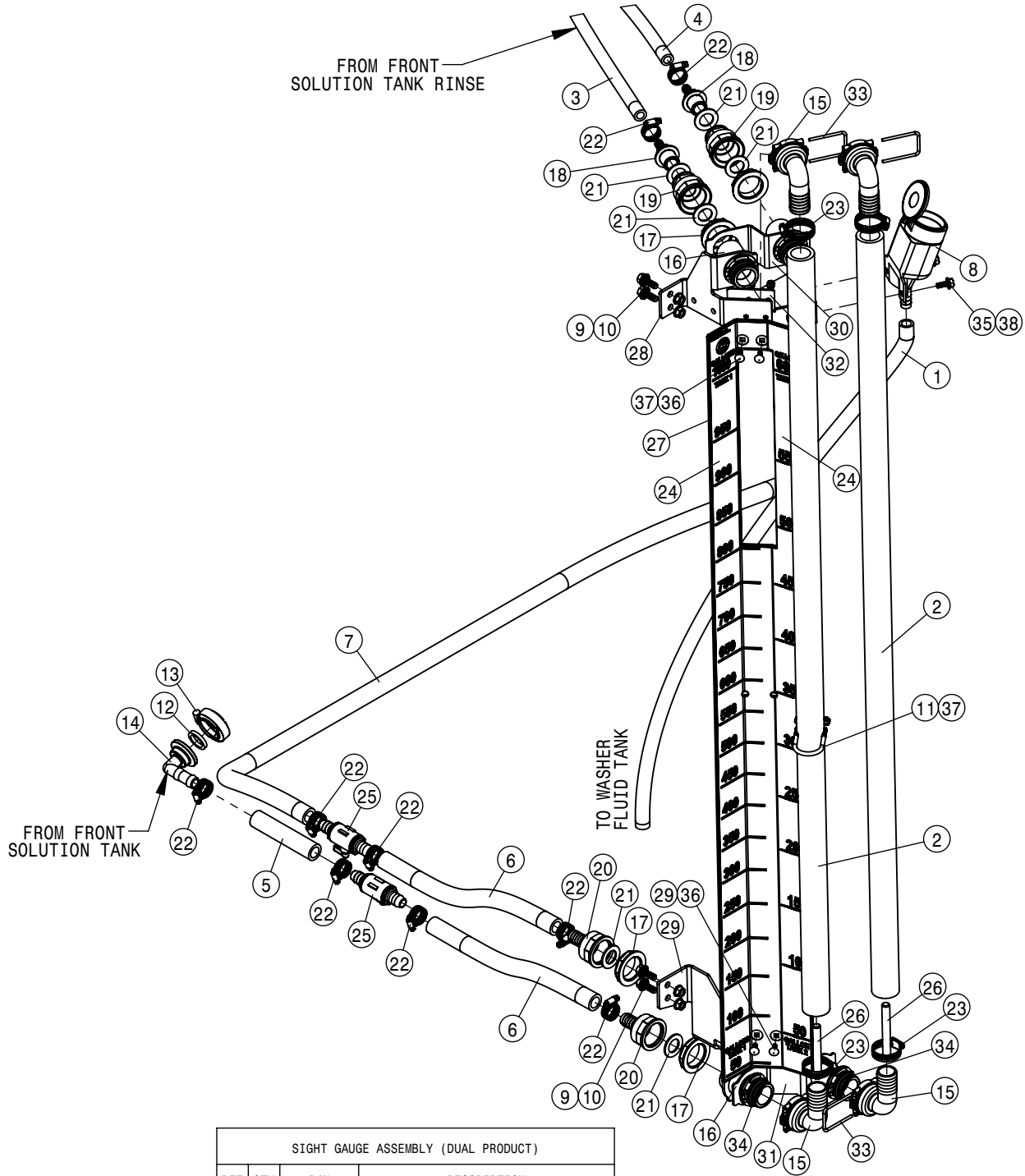


763561 - LID ASSEMBLY
 763562 - 10" FILL LID SEAL
 763563 - 16" MANHOLE SEAL

SOLUTION TANK ASSEMBLY (DUAL PRODUCT)			
DET	QTY	P/N	DESCRIPTION
1	1	166149	1"FLANGE-45-1" HOSE BARB POLY
2	1	193012-004	QUICKEDGE TRIM .135 TO .250
3	1	195915-082	3/8OD AIR BRAKE TUBING J844-B
4	1	195915-113	3/8OD AIR BRAKE TUBING J844-B
5	1	197116-008	HOSE 1IN 1-FBR BR BLK EPDM
6	1	197116-013	HOSE 1IN 1-FBR BR BLK EPDM
7	1	197116-022	HOSE 1IN 1-FBR BR BLK EPDM
8	1	197116-032	HOSE 1IN 1-FBR BR BLK EPDM
9	1	197116-074	HOSE 1IN 1-FBR BR BLK EPDM
10	1	197116-115	HOSE 1IN 1-FBR BR BLK EPDM
11	1	197133-046	HOSE 2" SUCTION, 2F-1W EPDM
12	1	197133-095	HOSE 2" SUCTION, 2F-1W EPDM
13	1	292739	HARNESS, PRESSURE SENSOR '18
14	2	362127	TANK MOUNT ADAPTER 1" FLANGE
15	1	470087	3/8-16UNC HEX FLG NUT SER MC GR5
16	2	482016	SPRING, 1.4 X 3.00 COMPRSN
17	1	500047	1/2NPT-90-1/2 HOSE BARB, POLY
18	16	500157	1" FLANGE GASKET EPDM
19	16	500159	1" FLANGE CLAMP S.S.
20	3	500171	1" FLANGE-1" HOSE BARB POLY
21	2	500173	1"FLANGE-90-1"HOSE BARB POLY
22	1	500174	1" FLANGE-90-1" FLANGE LBOPOLY
23	5	500175	1" FLANGE TEE, POLY

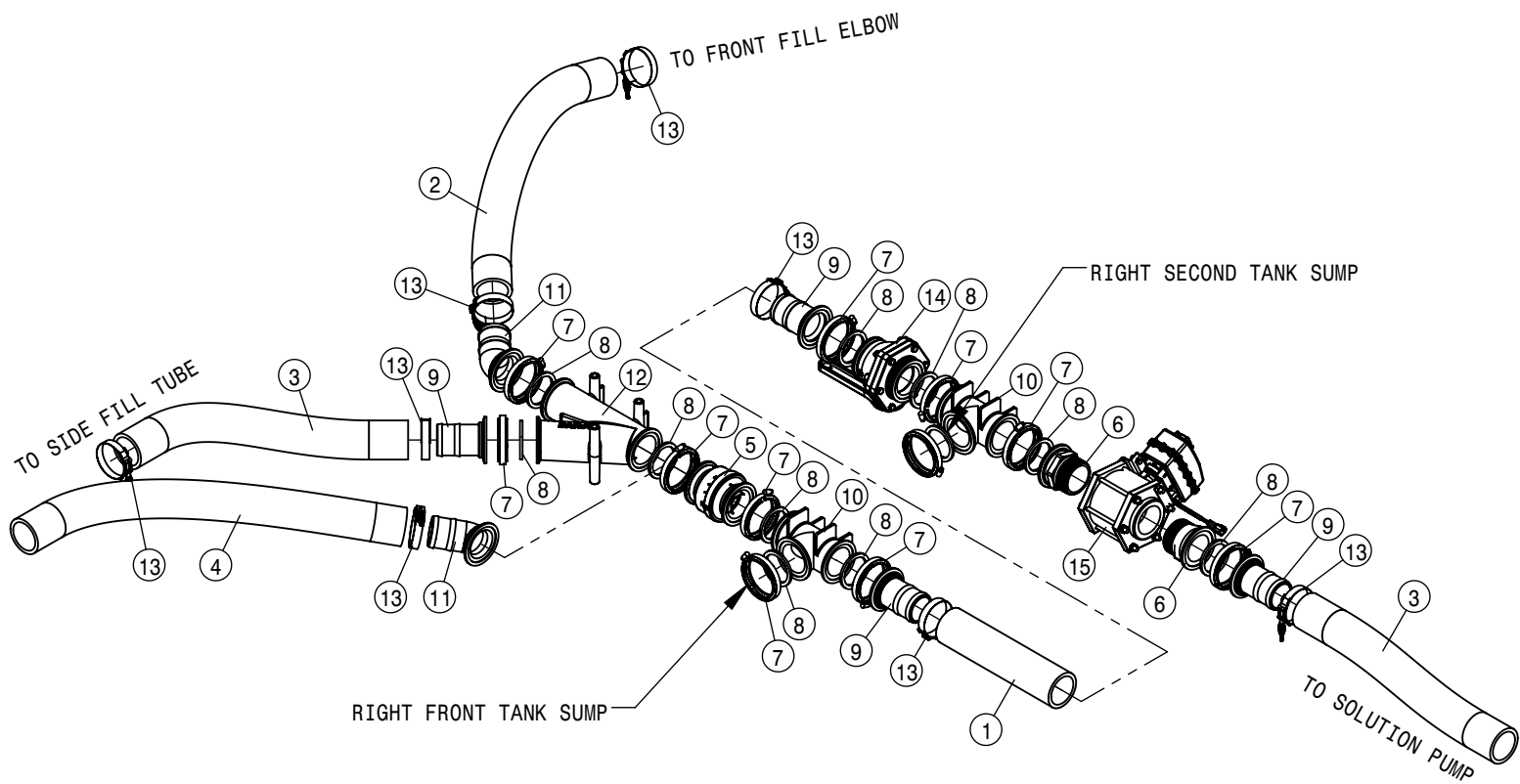
SOLUTION TANK ASSEMBLY (DUAL PRODUCT)			
DET	QTY	P/N	DESCRIPTION
24	6	500194	2" FP FLANGE CLAMP S.S.
25	6	500195	2" FP FLANGE GASKET EPDM
26	3	500238	1" FLANGE PLUG W/1/2"FNPT POLY
27	1	500286	1/2"-3/8"NPT REDU BUSH, POLY
28	1	500381	T7 MALE 50MM HB STRAIGHT
29	1	500387	T7 MALE 50MM HB 90
30	2	502007	RINSE TANK MT ADPTR 1" FLG
31	2	504211	RED BUSH 3/4MNPT-1/2FNPT,POLY
32	2	507032	SS PIPE NIPPE, .50NPT-16.00
33	3	520068	HOSE CLAMP NO 32 STAINLESS
34	2	520069	HOSE CLAMP NO 6 STAINLESS
35	8	520090	HOSECLAMP NO 16 STAINLESS
36	1	520170	VIBRATION-DAMPING CLAMP HANGER
37	1	650144	DECAL, LOGO, SOLU TANK STS12
38	1	650559	DECAL, LOGO, SOLU TANK
39	1	690071	LINE STRAINER, .32 MESH, 150PSI
40	2	691280	1" HOSE BARB WITH FLY NUT
41	1	696147	BALL VLV, 1" FLANGE
42	2	711124	1/4MNPT-90-3/8 NYL TUBE LBO
43	1	713340	1/2NPT-1/2 HOSE BARB, POLY
44	3	737754	2"FEM T-CONNECTOR POLY
45	11	737756	2" FORK FOR 737754/755
46	1	737759	2"F-2"HOSE BARB POLY

SOLUTION TANK ASSEMBLY (DUAL PRODUCT)			
DET	QTY	P/N	DESCRIPTION
47	4	737761	2" M CHECK VALVE POLY
48	10	737762	O-RING, -227 EPDM
49	2	737767	T7 TO "BANJO 2" FP" ADAPTER
50	2	737768	T7 TO BSP ADAPTER
51	2	737769	THREADED COUPLING
52	2	737770	T FILTER WITH BSP THREADS, 16 MESH
53	2	737953	NOZZLE,PROCLEAN TANKWASH
54	2	737956	JET AGITATION NOZZLE HYPRO, GROUND
55	1	760963	1600G 1000/600 SS TANK W/DECAL
56	2	763840	TANK MNT BUSHING
57	2	763841	TANK ISOLATOR
58	2	763925	WASHER .78ID-2.0 OD .25THK SS
59	2	900412	3/4UNC X 5 HHCS GR5 MC
60	2	900414	3/4UNC X 6" HEX BOLT
61	1	900506	3/8UNC X 2 HHSFB GR5 MC FT
62	4	914012	3/4UNC HEX STOVER NUT
63	4	920006	3/4 SAE FLAT WASHER
64	1	AKK13435	PRESSURE TRANSDUCER, 0-200 PSI
65	1	an275842	SWITCH WATER LEVEL
66	2	N203265	DECAL CAUTION
67	2	N404968	LABEL, DANGER TANK LID OPENING

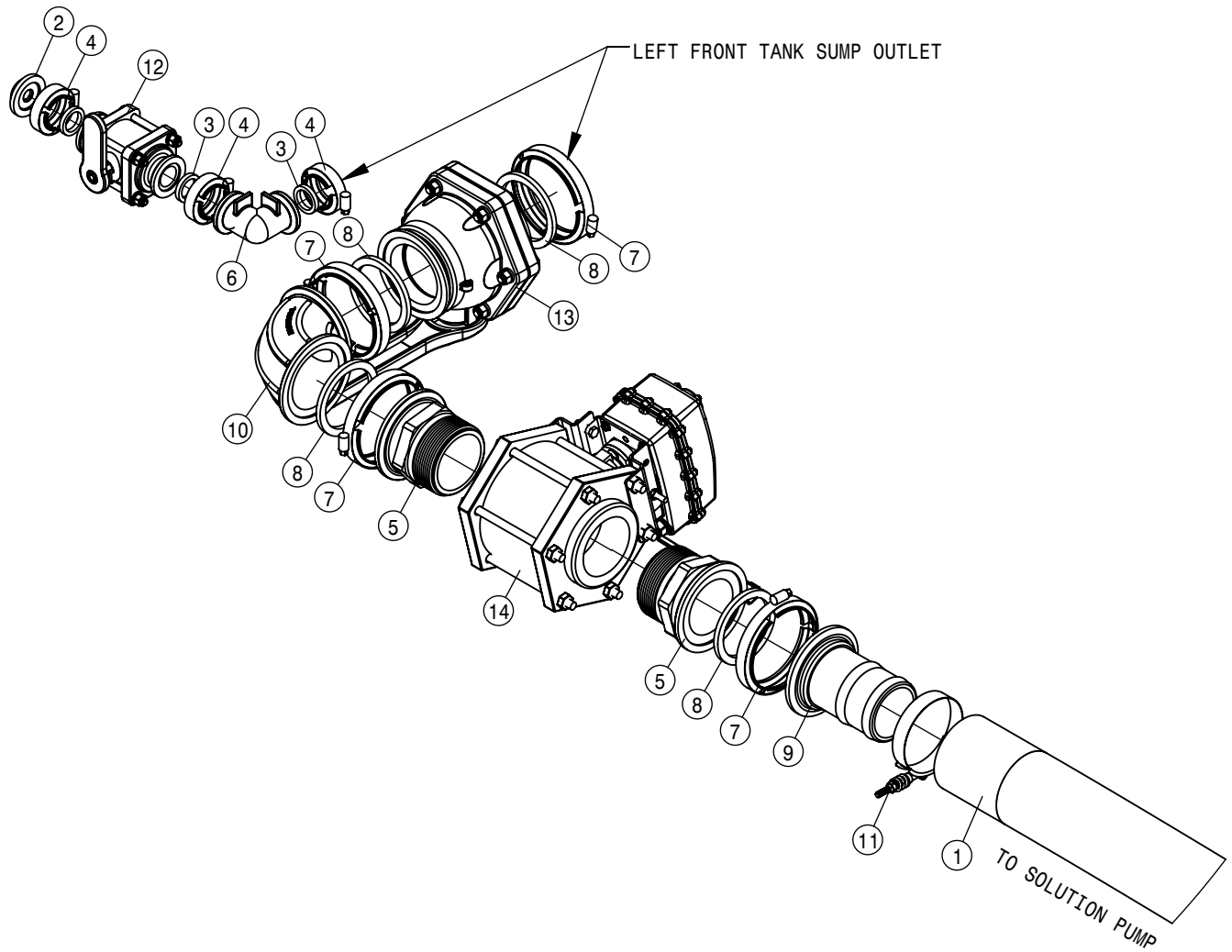


SIGHT GAUGE ASSEMBLY (DUAL PRODUCT)			
DET	QTY	P/N	DESCRIPTION
1	1	195909-046	HOSE 5/8 HEATER 1-FBR BR 20R3
2	2	195964-058	HOSE 1 1/4" ID-1/4W CLEAR VINYL
3	1	197008-041	HOSE 1/2 1-FBR BR BLK EPDM
4	1	197008-085	HOSE 1/2 1-FBR BR BLK EPDM
5	1	197112-005	HOSE 3/4 1-FBR BR BLK EPDM
6	2	197112-016	HOSE 3/4 1-FBR BR BLK EPDM
7	1	197112-062	HOSE 3/4 1-FBR BR BLK EPDM
8	1	343972	REMOTE FILL
9	4	470087	3/8-16UNC HEX FLG NUT SER MC GR5
10	4	470460	3/8UNC X 1 HHSFB GR5 MC
11	1	473969	1/4UNC-1 1/2 X 2 3/4 RD U-BOLT
12	1	500157	1" FLANGE GASKET EPDM
13	1	500159	1" FLANGE CLAMP S.S.
14	1	500185	1"FLANGE-90-3/4"HOSE BARB POLY
15	4	500370	T5 TO 32MM HB 90 FEMALE
16	4	500396	T5 MALE BULKHEAD
17	4	500397	BULKHEAD NUT
18	2	502003	STRAIGHT-POLY .75" MPT X 13MM
19	2	502004	REDUCER 1.25 FPT X .75" FPT
20	2	502005	STRGHT-POLY,1.25" FPT X 19MM
21	6	502006	GASKET 39.5 X 27.5 EPDM

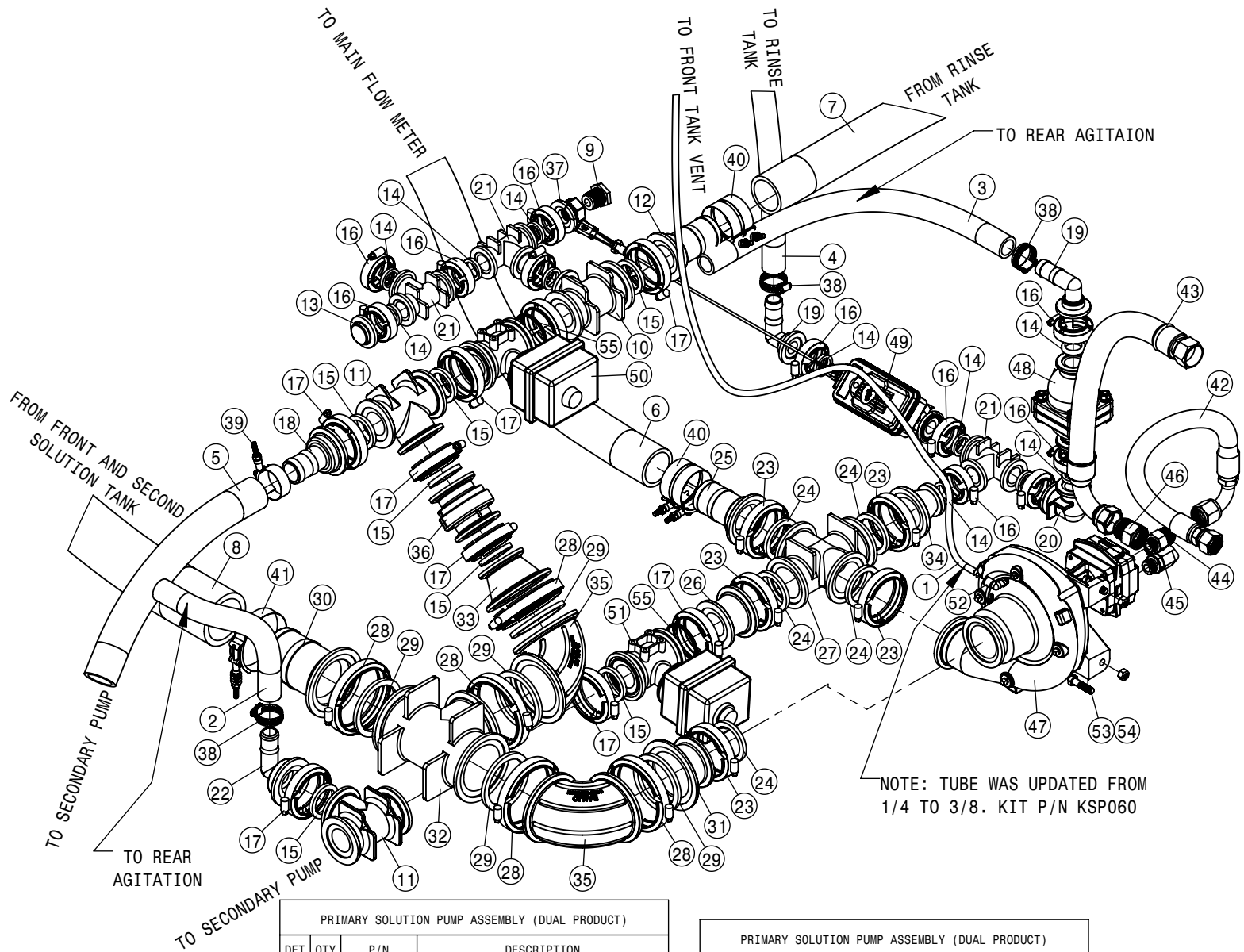
SIGHT GAUGE ASSEMBLY (DUAL PRODUCT)			
DET	QTY	P/N	DESCRIPTION
22	9	520080	HOSE CLAMP NO 10 STAINLESS
23	4	520087	HOSE CLAMP NO 20 STAINLESS
24	1	650537	DECAL, 1600 GAL SS, MAJOR '17
25	2	696193	3/4" HOSE BARB MICRO VALVE
26	2	701448	FLOAT-SIGHT GAUGE 2013
27	1	701566	SS SIGHT GAUGE DECAL PLT
28	1	701567	SS SIGHT GA SUPP BRKT-UPR
29	1	701568	SS SIGHT GA SUPP BRKT-LWR
30	1	701584	BRKT MT SIGHTGA HOSE DUALTOP '17
31	1	701585	BRKT MT SIGHTGA HOSE DUALTOP '17
32	1	701586	BRKT WASH FILL MT, DUAL '17
33	4	737738	FORK,D.3 DIST.42 (737731)
34	4	737763	O-RING, -221 EPDM
35	2	900486	5/16UNC X 3/4 HHSFB SS
36	4	901127	1/4-20 UNC X 3/4 RHSQNB SS
37	6	910118	1/4-20UNC NYLOCK NUT SS
38	2	910132	5/16-18UNC NYLOCK NUT SS



RIGHT TANK SUCTION VALVE ASSEMBLY (DUAL PRODUCT)			
DET	QTY	P/N	DESCRIPTION
1	1	197145-015	HOSE 3" SUCTION,POLY HELIX EPDM
2	1	197145-030	HOSE 3" SUCTION,POLY HELIX EPDM
3	2	197145-031	HOSE 3" SUCTION,POLY HELIX EPDM
4	1	197145-039	HOSE 3" SUCTION,POLY HELIX EPDM
5	1	500142	CHECK VALVE 3" FLANGE
6	2	500164	3" FLANGE- 3.00 MNPT ADPTR POLY
7	11	500208	3" FLANGE CLAMP S.S.
8	11	500209	3" FLANGE GASKET EPDM
9	4	500210	3"FLANGE-3' HOSEBARB POLY
10	2	500217	3"FLANGE TEE POLY
11	2	500258	3"FLANGE-45-3' HOSEBARB, POLY
12	1	500260	3" FP FLANGE 45 Y COUPLING
13	8	520145	3.56/3.88 T-BOLT HOSE CLAMP SS
14	1	696190	BALL VLV, 3" FP FLANGE
15	1	696268	KZCO, 3" VALVE



LEFT FRONT TANK VALVE SUCTION ASSEMBLY (DUAL PRODUCT)			
DET	QTY	P/N	DESCRIPTION
1	1	197145-045	HOSE 3" SUCTION, POLY HELIX EPDM
2	1	500155	1" FLANGE CAP PLUG POLY
3	3	500157	1" FLANGE GASKET EPDM
4	3	500159	1" FLANGE CLAMP S.S.
5	2	500164	3" FLANGE- 3.00 MNPT ADPTR POLY
6	1	500174	1" FLANGE-90-1" FLANGE LBO POLY
7	4	500208	3" FLANGE CLAMP S.S.
8	4	500209	3" FLANGE GASKET EPDM
9	1	500210	3" FLANGE-3" HOSE BARB POLY
10	1	500262	3" FLANGE-90-3" FLG SWEEP LBO
11	1	520145	3.56/3.88 T-BOLT HOSE CLAMP SS
12	1	696147	BALL VLV, 1" FLANGE
13	1	696190	BALL VLV, 3" FP FLANGE
14	1	696268	KZCO, 3" VALVE



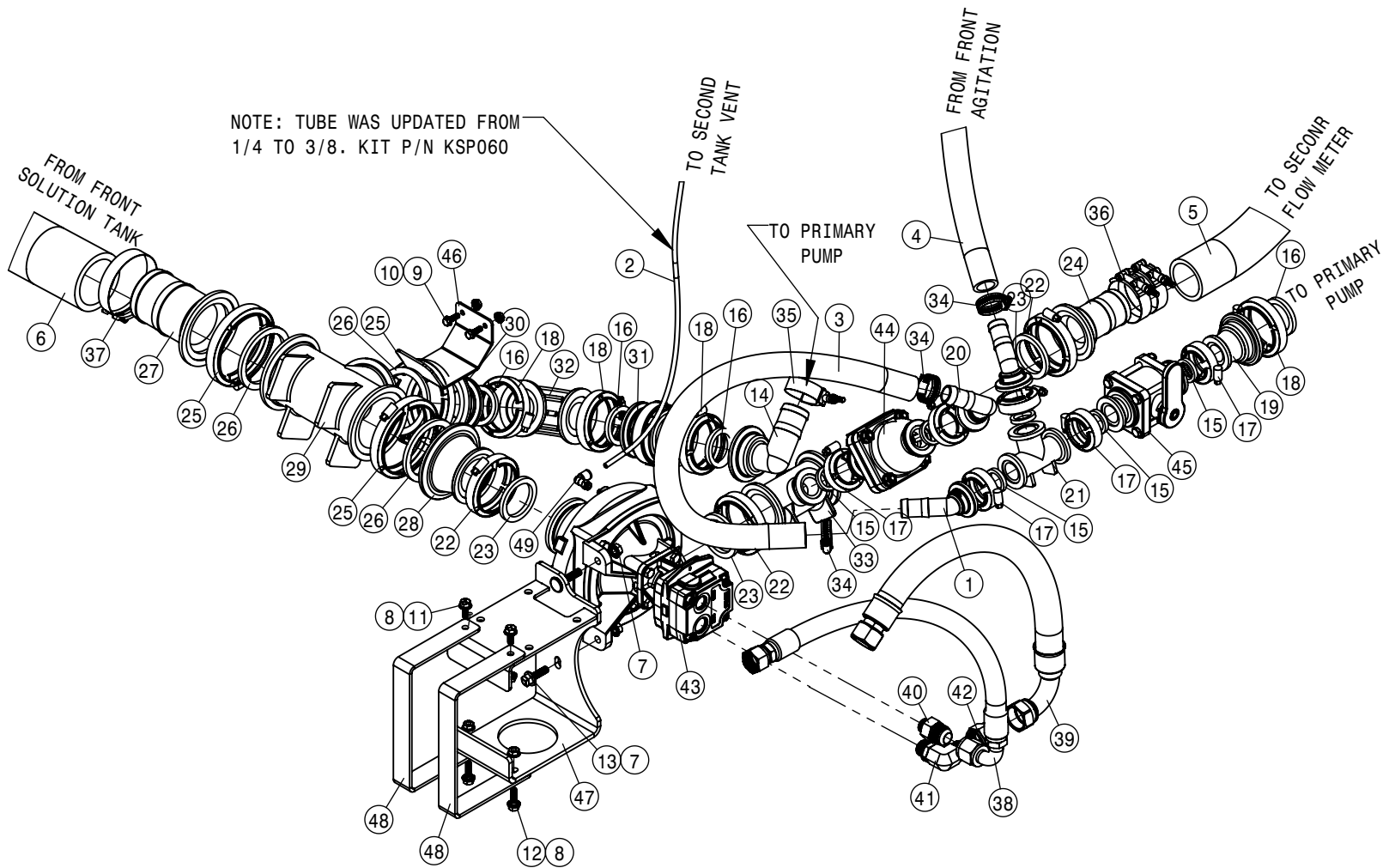
PRIMARY SOLUTION PUMP ASSEMBLY (DUAL PRODUCT)

DET	QTY	P/N	DESCRIPTION
1	1	195915-082	3/8OD AIR BRAKE TUBING J844-B
2	1	197116-013	HOSE 1IN 1-FBR BR BLK EPDM
3	1	197116-022	HOSE 1IN 1-FBR BR BLK EPDM
4	1	197116-074	HOSE 1IN 1-FBR BR BLK EPDM
5	1	197124-016	HOSE 1 1/2 2-FBR BR BLK EPDM
6	1	197133-037	HOSE, 2ID X 097 2F-W1 EPDM
7	1	197133-076	HOSE 2" SUCTION, 2F-1W EPDM
8	1	197134-031	HOSE 3" SUCTION, 2F-1W EPDM
9	1	500043	3/4NPT PIPE PLUG, POLY
10	1	500150	2" FLANGE-1" BRANCH TEE POLY
11	2	500151	2" FLANGE TEE, POLY
12	1	500154	2" FLANGE-2" HOSE BARB POLY
13	1	500155	1" FLANGE CAP PLUG POLY
14	11	500157	1" FLANGE GASKET EPDM
15	7	500158	1 1/2" GASKET FOR 2" FLANGE
16	11	500159	1" FLANGE CLAMP S.S.
17	9	500160	2" FLANGE CLAMP S.S.
18	1	500162	2" FLANGE-1 1/2 HOSE BARB POLY
19	2	500173	1"FLANGE-90-1"HOSE BARB POLY
20	1	500174	1" FLANGE-90-1" FLANGE LBOPOLY
21	3	500175	1" FLANGE TEE, POLY
22	1	500189	2" FLANGE-90-1" HOSE BARB POLY
23	5	500194	2" FP FLANGE CLAMP S.S.
24	5	500195	2" FP FLANGE GASKET EPDM
25	1	500196	2"FP FLANGE-2"HOSE BARB POLY
26	1	500199	2"FP FLANGE-2"FLAGE REDU POLY
27	1	500203	2"FP FLANGE CROSS POLY
28	5	500208	3" FLANGE CLAMP S.S.

PRIMARY SOLUTION PUMP ASSEMBLY (DUAL PRODUCT)

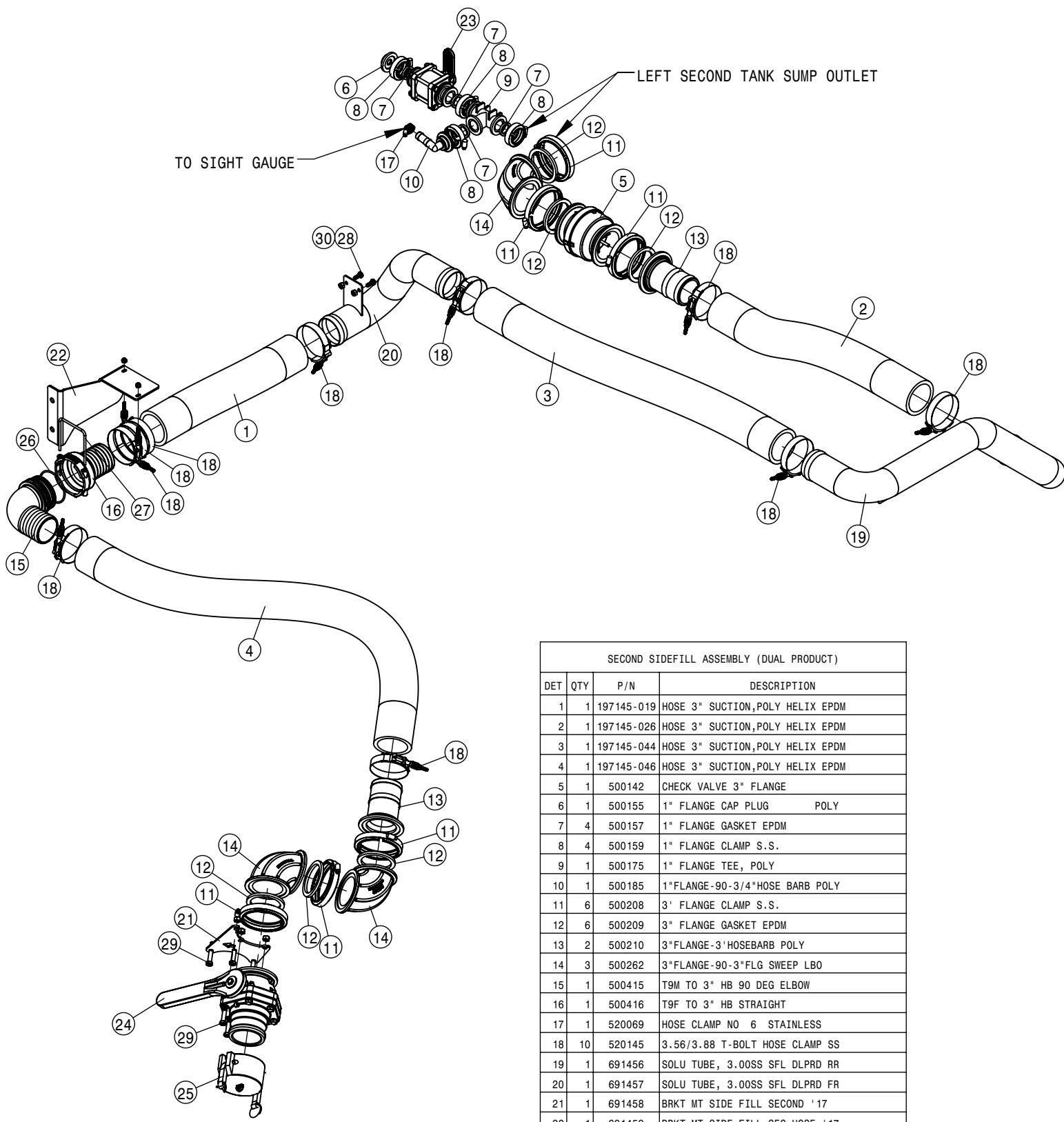
DET	QTY	P/N	DESCRIPTION
29	5	500209	3" FLANGE GASKET EPDM
30	1	500210	3"FLANGE-3" HOSEBARB POLY
31	1	500212	3"FLANGE - 2" FP FLANGE ADPTR
32	1	500217	3"FLANGE TEE POLY
33	1	500237	3"FLANGE-2" STD FLANGE ADPTR POLY
34	1	500244	2"FP FLANGE-1"FLAGE ADPTR POLY
35	2	500262	3"FLANGE-90-3"FLG SWEEP LBO
36	1	500264	2" CHECK STANDARD PORT
37	1	500375	1 FLANGE X .75" FNPT
38	3	520090	HOSECLAMP NO 16 STAINLESS
39	1	520133	1.81/2.06 T-BOLT HOSE CLAMP SS
40	4	520141	2.31/2.62 T-BOLT HOSE CLAMP SS
41	1	520145	3.56/3.88 T-BOLT HOSE CLAMP SS
42	1	617103	12-451TC-12FJX-12FJX90-22 H/A
43	1	617557	16-811-16FJX-16FJX90-23 H/A
44	1	618193	1 1/16MJIC-3/4MOR ADPTR
45	1	618279	1 1/16MJIC-90-7/8MOR LBO
46	1	618641	1 1/16FJIC -1 5/16MJIC ADPTR
47	1	691249	HYPRO PUMP, 9306C-HM5C-BU-001
48	1	696008	PRESS RELIEF VLV,100PSI,1"FLG
49	1	696196	3/4" ELEC BALL VALVE SS 1" FLG
50	1	696256	VALVE, KZCO C2F-60B-M-S9
51	1	696257	VALVE, KZCO C2F-62-Q-S9
52	1	711039	1/8MNPT-90-1/4 NYL TUBE LBO
53	2	900131	3/8UNC X 1 1/2 HEX BOLT
54	2	914004	3/8UNC HEX STOVER NUT
55	2	N208245	O-RING, KZCO FLANGED VALVE

NOTE: TUBE WAS UPDATED FROM 1/4 TO 3/8. KIT P/N KSP060

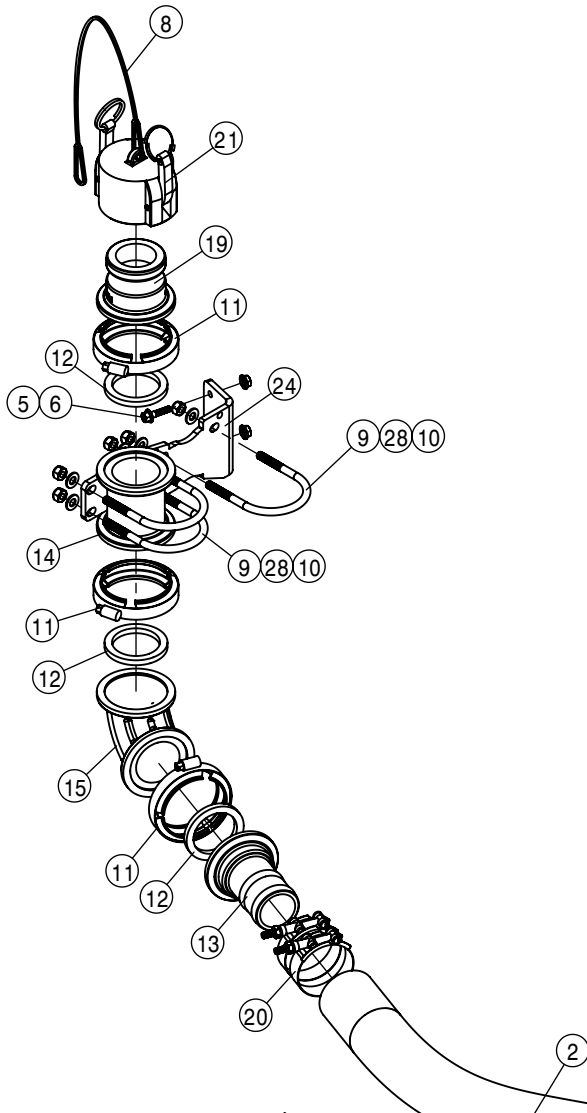


SECONDARY SOLUTION PUMP ASSEMBLY (DUAL PRODUCT)			
DET	QTY	P/N	DESCRIPTION
1	2	166149	1"FLANGE-45-1" HOSE BARB POLY
2	1	195915-113	3/8OD AIR BRAKE TUBING J844-B
3	1	197116-030	HOSE 1IN 1-FBR BR BLK EPDM
4	1	197116-115	HOSE 1IN 1-FBR BR BLK EPDM
5	1	197133-131	HOSE 2" SUCTION, 2F-1W EPDM
6	1	197134-045	HOSE 3" SUCTION, 2F-1W EPDM
7	2	470087	3/8-16UNC HEX FLG NUT SER MC GR5
8	4	470113	5/16-18UNC HEX FLG NUT SER MC GR5
9	2	470118	1/4 UNC X 3/4 SER FLG BOLT
10	2	470121	1/4 UNC SERR FLG LOCK NUT
11	2	470233	5/16UNC X 3/4 HHSFB GR5 MC
12	2	470234	5/16UNC X 1 HHSFB GR5 MC
13	1	470329	3/8UNC X 1 1/4 HHSFB GR5 MC
14	1	500153	2" FLANGE-90-1 1/2 HBARB POLY
15	6	500157	1" FLANGE GASKET EPDM
16	4	500158	1 1/2" GASKET FOR 2" FLANGE
17	6	500159	1" FLANGE CLAMP S.S.
18	4	500160	2" FLANGE CLAMP S.S.
19	1	500161	2" FLANGE-1"FLANGE ADPTR POLY
20	1	500173	1"FLANGE-90-1"HOSE BARB POLY
21	1	500175	1" FLANGE TEE, POLY
22	3	500194	2" FP FLANGE CLAMP S.S.
23	3	500195	2" FP FLANGE GASKET EPDM
24	1	500196	2"FP FLANGE-2"HOSE BARB POLY
25	3	500208	3" FLANGE CLAMP S.S.

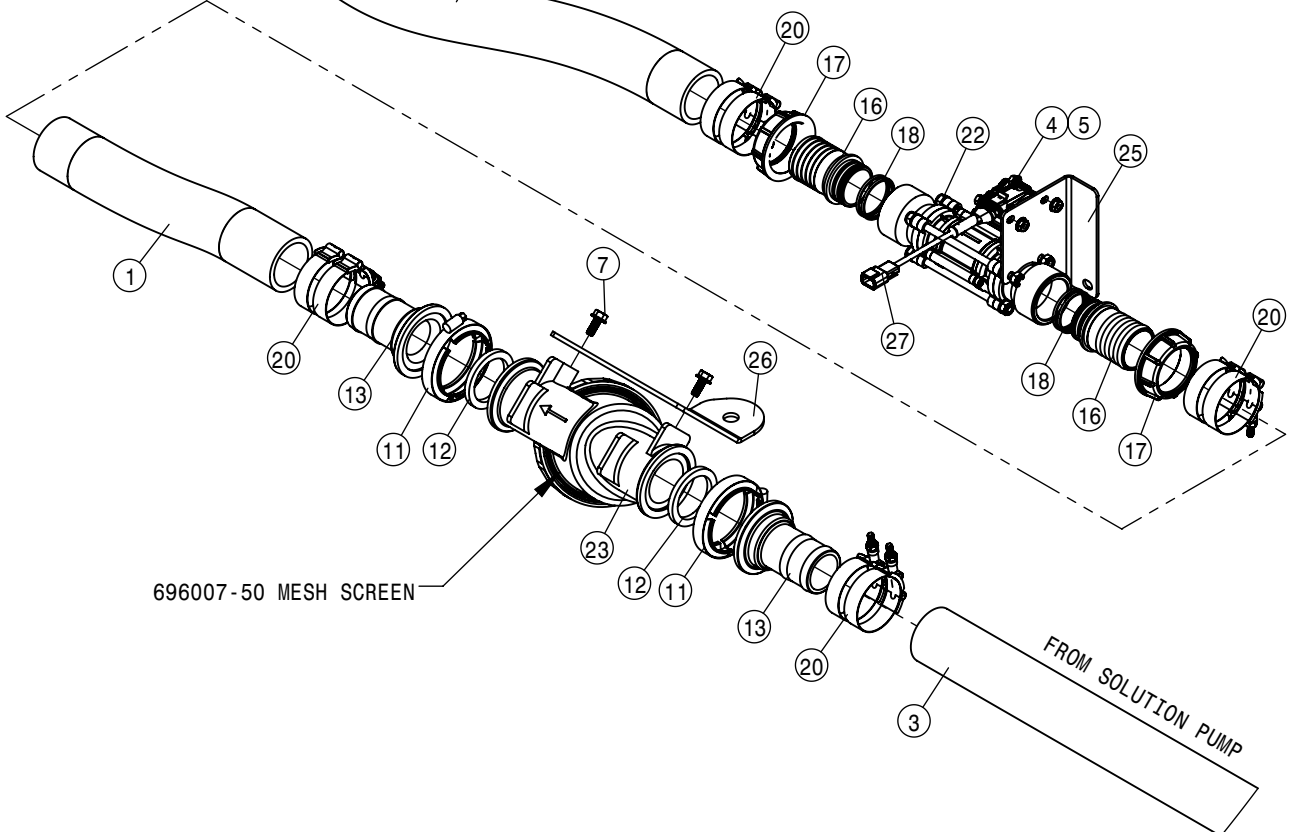
SECONDARY SOLUTION PUMP ASSEMBLY (DUAL PRODUCT)			
DET	QTY	P/N	DESCRIPTION
26	3	500209	3" FLANGE GASKET EPDM
27	1	500210	3"FLANGE-3"HOSEBARB POLY
28	1	500212	3"FLANGE - 2" FP FLANGE ADPTR
29	1	500217	3"FLANGE TEE POLY
30	1	500237	3"FLANGE-2" STD FLANGE ADPTR POLY
31	1	500264	2" CHECK STANDARD PORT
32	1	500266	2" FLANGE SWEEP 90
33	1	500272	2" FP FLANGE TEE X 1" FLANGE TEE
34	3	520090	HOSECLAMP NO 16 STAINLESS
35	1	520133	1.81/2.06 T-BOLT HOSE CLAMP SS
36	2	520141	2.31/2.62 T-BOLT HOSE CLAMP SS
37	1	520145	3.56/3.88 T-BOLT HOSE CLAMP SS
38	1	617103	12-451TC-12FJX-12FJX90-22 H/A
39	1	617104	16-811-16FJX-16FJX90-26 H/A
40	1	618193	1 1/16MJC-3/4MOR ADPTR
41	1	618279	1 1/16MJC-90-7/8MOR LBO
42	1	618641	1 1/16FJIC -1 5/16MJC ADPTR
43	1	691249	HYPRO PUMP, 9306C-HM5C-BU-001
44	1	696008	PRESS RELIEF VLV,100PSI,1"FLG
45	1	696147	BALL VLV, 1" FLANGE
46	1	701471	HOSE SUPPORT STS 14/16
47	1	701801	DUAL PROD PUMP INR BRKT WLD
48	2	701804	DUAL PROD PUMP OTR BRKT
49	1	711039	1/8MNPT-90-1/4 NYL TUBE LBO



SECOND SIDEFILL ASSEMBLY (DUAL PRODUCT)			
DET	QTY	P/N	DESCRIPTION
1	1	197145-019	HOSE 3" SUCTION,POLY HELIX EPDM
2	1	197145-026	HOSE 3" SUCTION,POLY HELIX EPDM
3	1	197145-044	HOSE 3" SUCTION,POLY HELIX EPDM
4	1	197145-046	HOSE 3" SUCTION,POLY HELIX EPDM
5	1	500142	CHECK VALVE 3" FLANGE
6	1	500155	1" FLANGE CAP PLUG POLY
7	4	500157	1" FLANGE GASKET EPDM
8	4	500159	1" FLANGE CLAMP S.S.
9	1	500175	1" FLANGE TEE, POLY
10	1	500185	1"FLANGE-90-3/4"HOSE BARB POLY
11	6	500208	3' FLANGE CLAMP S.S.
12	6	500209	3" FLANGE GASKET EPDM
13	2	500210	3"FLANGE-3' HOSEBARB POLY
14	3	500262	3"FLANGE-90-3'FLG SWEEP LBO
15	1	500415	T9M TO 3" HB 90 DEG ELBOW
16	1	500416	T9F TO 3" HB STRAIGHT
17	1	520069	HOSE CLAMP NO 6 STAINLESS
18	10	520145	3.56/3.88 T-BOLT HOSE CLAMP SS
19	1	691456	SOLU TUBE, 3.00SS SFL DLPRD RR
20	1	691457	SOLU TUBE, 3.00SS SFL DLPRD FR
21	1	691458	BRKT MT SIDE FILL SECOND '17
22	1	691459	BRKT MT SIDE FILL SEC HOSE '17
23	1	696147	BALL VLV, 1" FLANGE
24	1	696192	3"FLG STUBBY VALVE,3"M-ADPTR
25	1	696231	CAP FOR 3" MALE COUPLER POLY
26	1	737773	O-RING EPDM -236
27	1	737774	FORK D5 DIST 88
28	2	900064	5/16UNC X 3/4" HEX BOLT
29	6	900170	3/8UNC X 2 1/4 HHCS GR5 MC
30	2	914002	5/16UNC HEX STOVER NUT

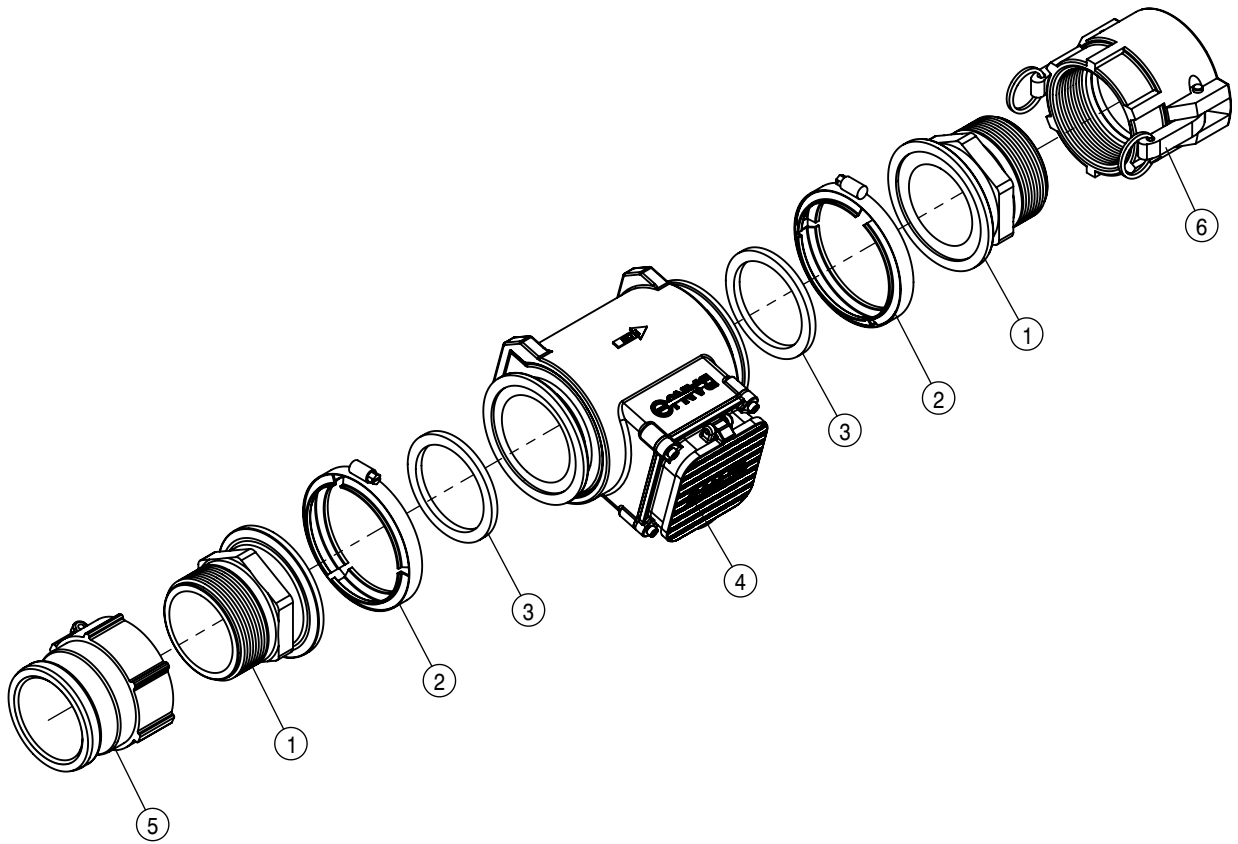


SECOND FLOW METER ASSEMBLY (DUAL PRODUCT)			
DET	QTY	P/N	DESCRIPTION
1	1	197133-014	HOSE 2" SUCTION, 2F-1W EPDM
2	1	197133-032	HOSE 2" SUCTION, 2F-1W EPDM
3	1	197133-131	HOSE 2" SUCTION, 2F-1W EPDM
4	2	470118	1/4UNC X 3/4 HHSFB GR5 MC
5	4	470121	1/4-20UNC HEX FLG NUT SER MC GR5
6	2	470231	1/4UNC X 1 HHSFB GR5 MC
7	2	470233	5/16UNC X 3/4 HHSFB GR5 MC
8	1	470322	LANYARD 8" NYLON LOOP/LOOP
9	3	472195	5/16UNC-2 11/16ID-3 9/16U-BOLT
10	6	473001	5/16-18UNC NYLOCK NUT MC GR5
11	5	500194	2" FP FLANGE CLAMP S.S.
12	5	500195	2" FP FLANGE GASKET EPDM
13	3	500196	2"FP FLANGE-2"HOSE BARB POLY
14	1	500249	2"FP FLANGE COUPLING
15	1	500254	2"FP FLANGE-90-2"FP SWEEP LBO
16	2	500292	2" HOSE BARB 2" FLY NUT
17	2	500293	FLY NUT 2"
18	4	500294	O-RING, -129 EPDM
19	1	500407	2" FP X 2" MALE COUPLER
20	10	520141	2.31/2.62 T-BOLT HOSE CLAMP SS
21	1	690623	CAP FOR 2.00 MALE COUPLER POLY
22	1	691327	MAG FLOWMETER 2" FLYNUT
23	1	696006	LINE "Y" STRAINER,2"FP FLG 50M
24	1	701578	QUICK TACH MT DUAL PROD
25	1	701579	FLOWMETER #2 MT
26	1	701583	BRKT STRNR MT 2ND DUALPROD '17
27	1	734046	ADPTR HARNESS FOR 691327
28	6	910113	SAE FLAT WASHER 5/16 SS



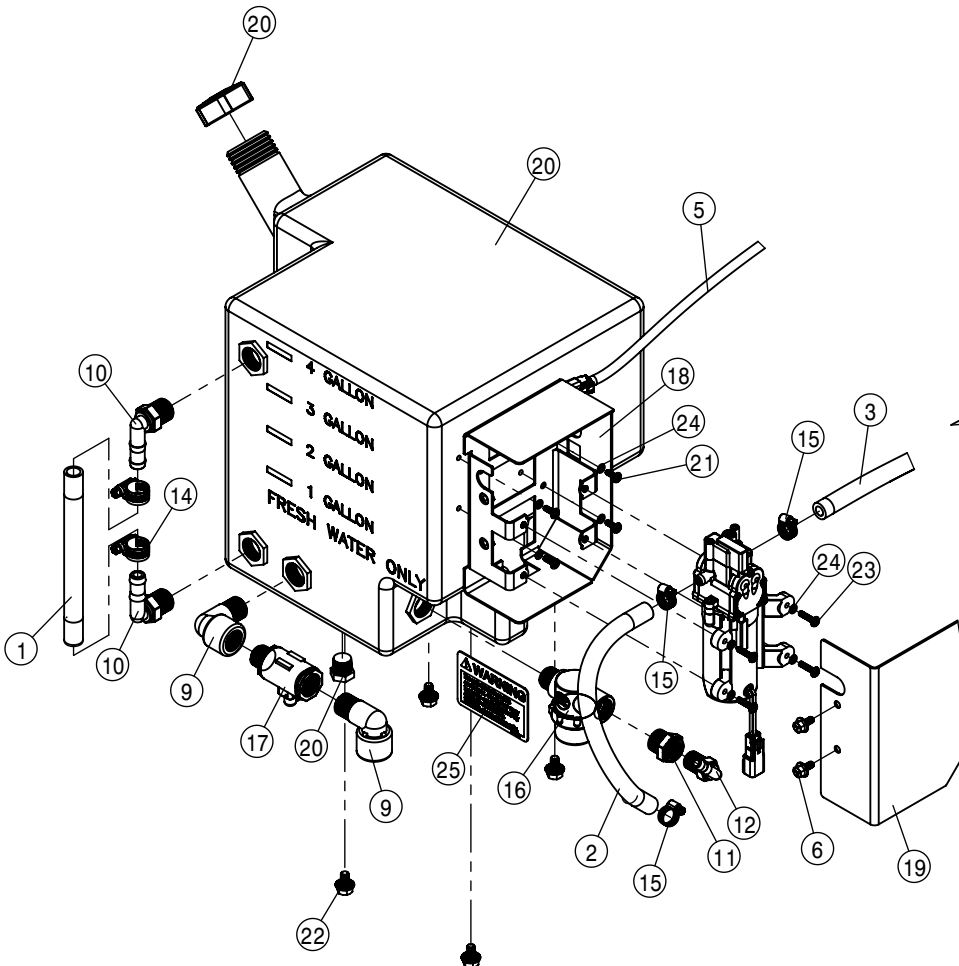
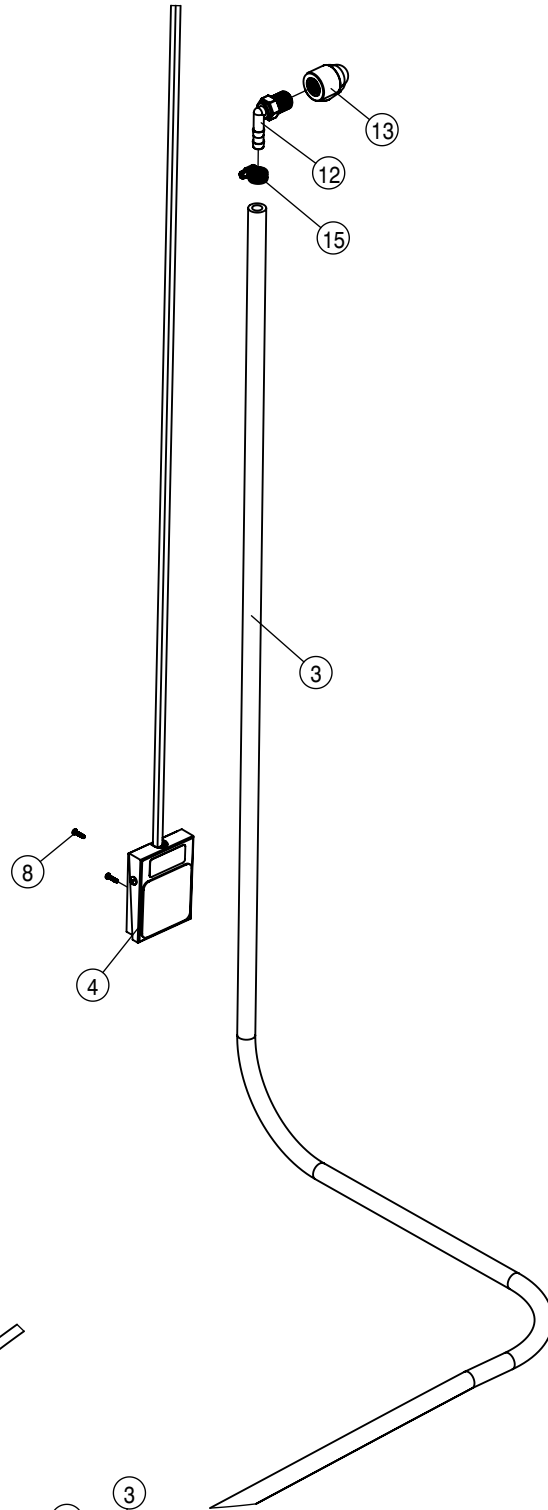
696007-50 MESH SCREEN

FROM SOLUTION PUMP



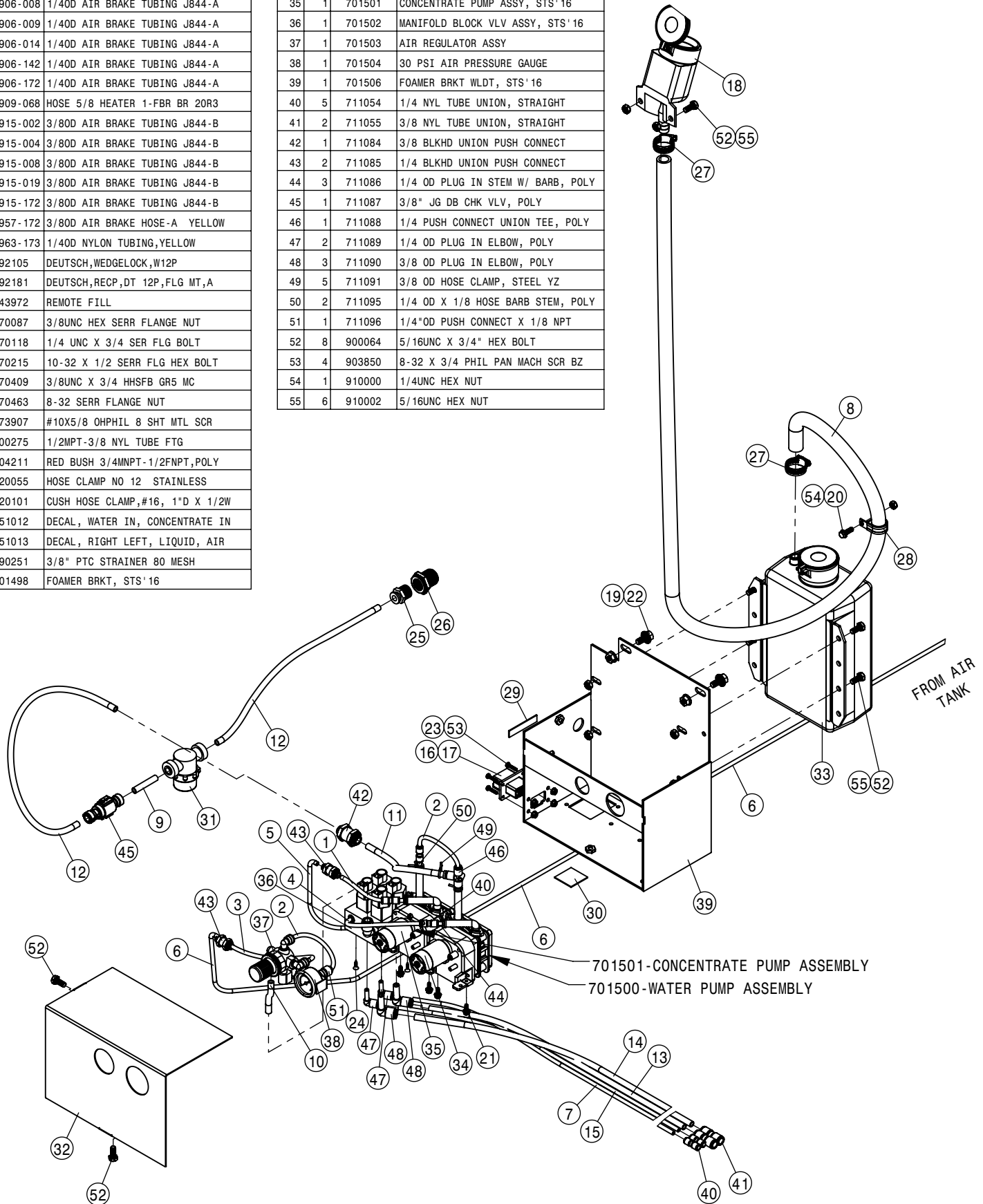
FILL FLOW METER ASSEMBLY			
DET	QTY	P/N	DESCRIPTION
1	2	500164	3" FLANGE- 3.00 MNPT ADPTR POLY
2	2	500208	3" FLANGE CLAMP S.S.
3	2	500209	3" FLANGE GASKET EPDM
4	1	691242	3" MANIFOLD FLOWMETER, BANJO
5	1	696225	3.00 FNPT-MALE COUPLER POLY
6	1	696228	3.00FNPT-FEMALE COUPLER POLY

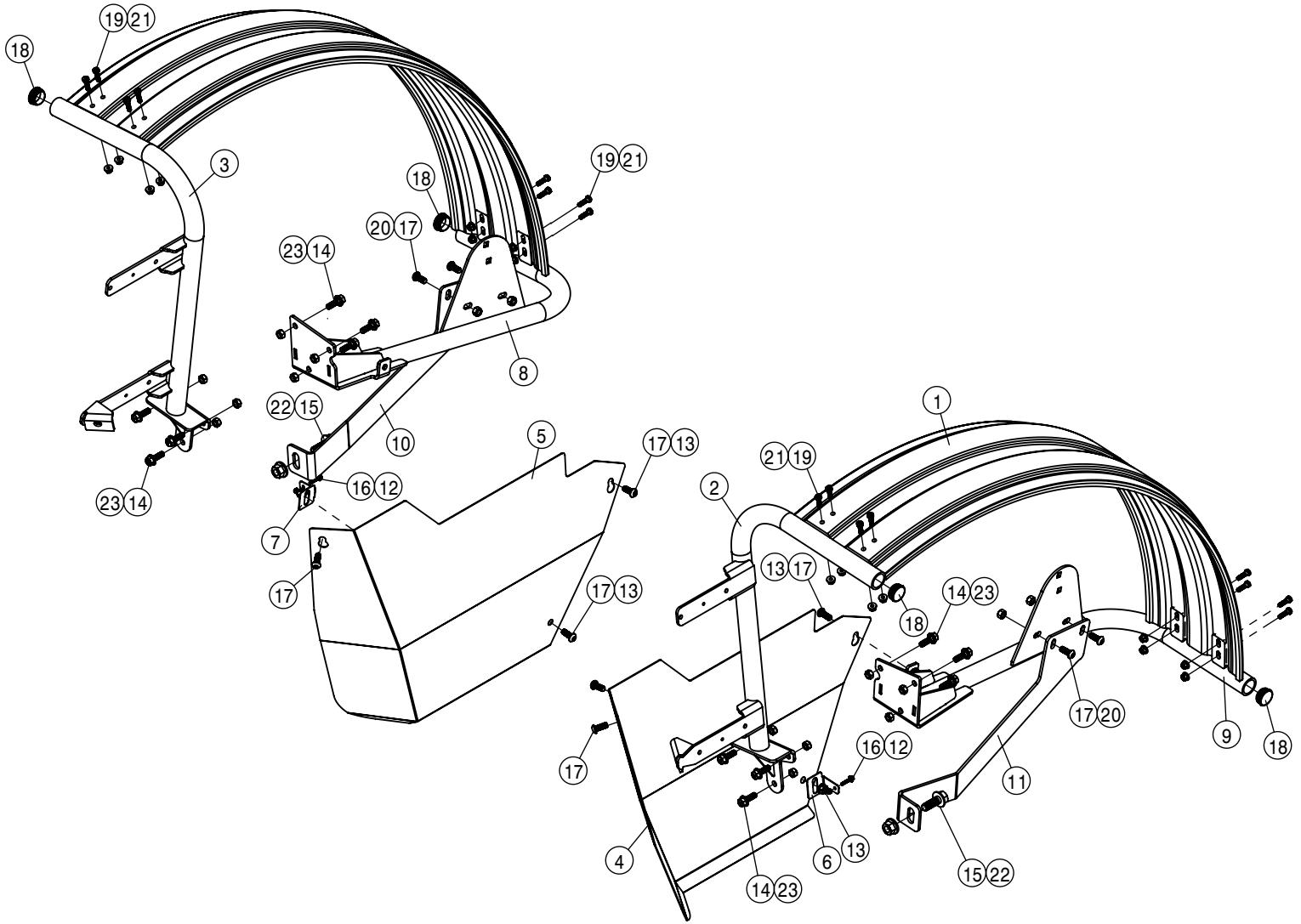
HAND WASH TANK ASSEMBLY			
DET	QTY	P/N	DESCRIPTION
	1	195902-008	HOSE 1/2ID-3/32W CLEAR VINYL
	2	195923-011	HOSE 3/8 1-FBR BR BLK RLA
	3	195923-200	HOSE 3/8 1-FBR BR BLK RLA
	4	294059	FOOTSWITCH ASSY, 60" CORD
	5	294252	HANDWASH EXTENSION HARNESS
	6	470122	1/4UNC X 1/2 HHSFB GR5 MC
	7	470596	DIAPHRAM PUMP W/DEUTSCH CONNEC
	8	472351	4-40 X 1/2 PAN HD MTL SCR TYP F
	9	500044	1/2NPT-90 ST EL, POLY
	10	500047	1/2NPT-90-1/2 HOSE BARB, POLY
	11	500286	1/2"-3/8"NPT REDU BUSH, POLY
	12	500287	3/8NPT-90-3/8 HOSE BARB, POLY
	13	500288	3/8NPT-90 EL, POLY
	14	520069	HOSE CLAMP NO 6 STAINLESS
	15	520120	HOSE CLAMP NO 4 STAINLESS
	16	690207	IN-LINE STRAINER, 1/2 FNPT, HYPRO
	17	696195	1/2FNPT-1/2MNPT MICRO BALL VLV
	18	763003	PUMP MT BRKT WLD
	19	763006	PUMP MT SHIELD
	20	763831	TANK-HAND WASH, 4.4 GALLON
	21	903706	#10-32 UNF X 1/2 PHMS PH BZ
	22	910125	5/16UNC X 1/2 HHSFB SS
	23	910131	#10-32 UNF X 3/4 PHMS PH BZ
	24	920510	HLOCK WASHER #10 MC
	25	N408864	LABEL, CLEAN WATER RINSE TANK



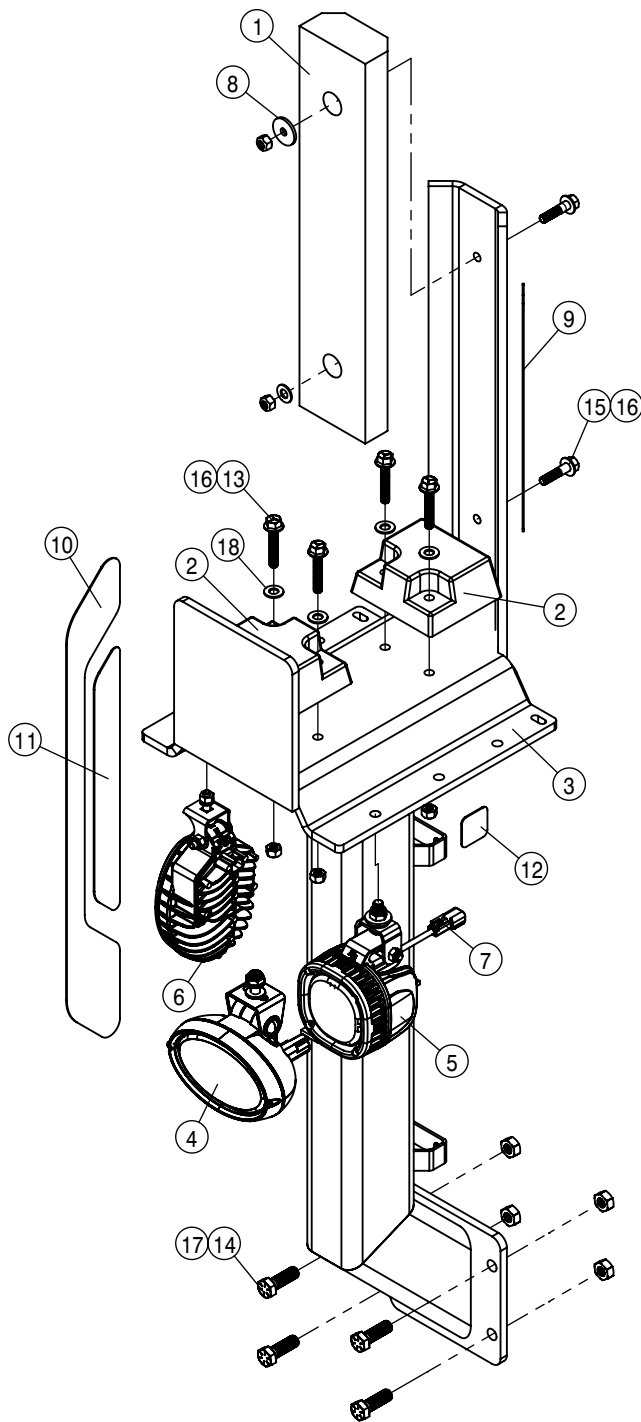
FOAMER ASSEMBLY			
DET	QTY	P/N	DESCRIPTION
1	1	195906-004	1/40D AIR BRAKE TUBING J844-A
2	2	195906-006	1/40D AIR BRAKE TUBING J844-A
3	1	195906-008	1/40D AIR BRAKE TUBING J844-A
4	1	195906-009	1/40D AIR BRAKE TUBING J844-A
5	1	195906-014	1/40D AIR BRAKE TUBING J844-A
6	1	195906-142	1/40D AIR BRAKE TUBING J844-A
7	1	195906-172	1/40D AIR BRAKE TUBING J844-A
8	1	195909-068	HOSE 5/8 HEATER 1-FBR BR 20R3
9	1	195915-002	3/80D AIR BRAKE TUBING J844-B
10	1	195915-004	3/80D AIR BRAKE TUBING J844-B
11	1	195915-008	3/80D AIR BRAKE TUBING J844-B
12	2	195915-019	3/80D AIR BRAKE TUBING J844-B
13	1	195915-172	3/80D AIR BRAKE TUBING J844-B
14	1	195957-172	3/80D AIR BRAKE HOSE-A YELLOW
15	1	195963-173	1/40D NYLON TUBING,YELLOW
16	1	292105	DEUTSCH,WEDGELock,W12P
17	1	292181	DEUTSCH,RECP,DT 12P,FLG MT,A
18	1	343972	REMOTE FILL
19	2	470087	3/8UNC HEX SERR FLANGE NUT
20	1	470118	1/4 UNC X 3/4 SER FLG BOLT
21	4	470215	10-32 X 1/2 SERR FLG HEX BOLT
22	2	470409	3/8UNC X 3/4 HHSFB GR5 MC
23	4	470463	8-32 SERR FLANGE NUT
24	2	473907	#10X5/8 OHPHIL 8 SHT MTL SCR
25	1	500275	1/2MPT-3/8 NYL TUBE FTG
26	1	504211	RED BUSH 3/4MNPT-1/2FNPT,POLY
27	2	520055	HOSE CLAMP NO 12 STAINLESS
28	1	520101	CUSH HOSE CLAMP,#16, 1"D X 1/2W
29	1	651012	DECAL, WATER IN, CONCENTRATE IN
30	1	651013	DECAL, RIGHT LEFT, LIQUID, AIR
31	1	690251	3/8" PTC STRAINER 80 MESH
32	1	701498	FOAMER BRKT, STS' 16

FOAMER ASSEMBLY			
DET	QTY	P/N	DESCRIPTION
33	1	701499	1GA RESERVOIR
34	1	701500	WATER PUMP ASSY, STS' 16
35	1	701501	CONCENTRATE PUMP ASSY, STS' 16
36	1	701502	MANIFOLD BLOCK VLV ASSY, STS' 16
37	1	701503	AIR REGULATOR ASSY
38	1	701504	30 PSI AIR PRESSURE GAUGE
39	1	701506	FOAMER BRKT WLDT, STS' 16
40	5	711054	1/4 NYL TUBE UNION, STRAIGHT
41	2	711055	3/8 NYL TUBE UNION, STRAIGHT
42	1	711084	3/8 BLKHD UNION PUSH CONNECT
43	2	711085	1/4 BLKHD UNION PUSH CONNECT
44	3	711086	1/4 OD PLUG IN STEM W/ BARB, POLY
45	1	711087	3/8" JG DB CHK VLV, POLY
46	1	711088	1/4 PUSH CONNECT UNION TEE, POLY
47	2	711089	1/4 OD PLUG IN ELBOW, POLY
48	3	711090	3/8 OD PLUG IN ELBOW, POLY
49	5	711091	3/8 OD HOSE CLAMP, STEEL YZ
50	2	711095	1/4 OD X 1/8 HOSE BARB STEM, POLY
51	1	711096	1/4"OD PUSH CONNECT X 1/8 NPT
52	8	900064	5/16UNC X 3/4" HEX BOLT
53	4	903850	8-32 X 3/4 PHIL PAN MACH SCR BZ
54	1	910000	1/4UNC HEX NUT
55	6	910002	5/16UNC HEX NUT

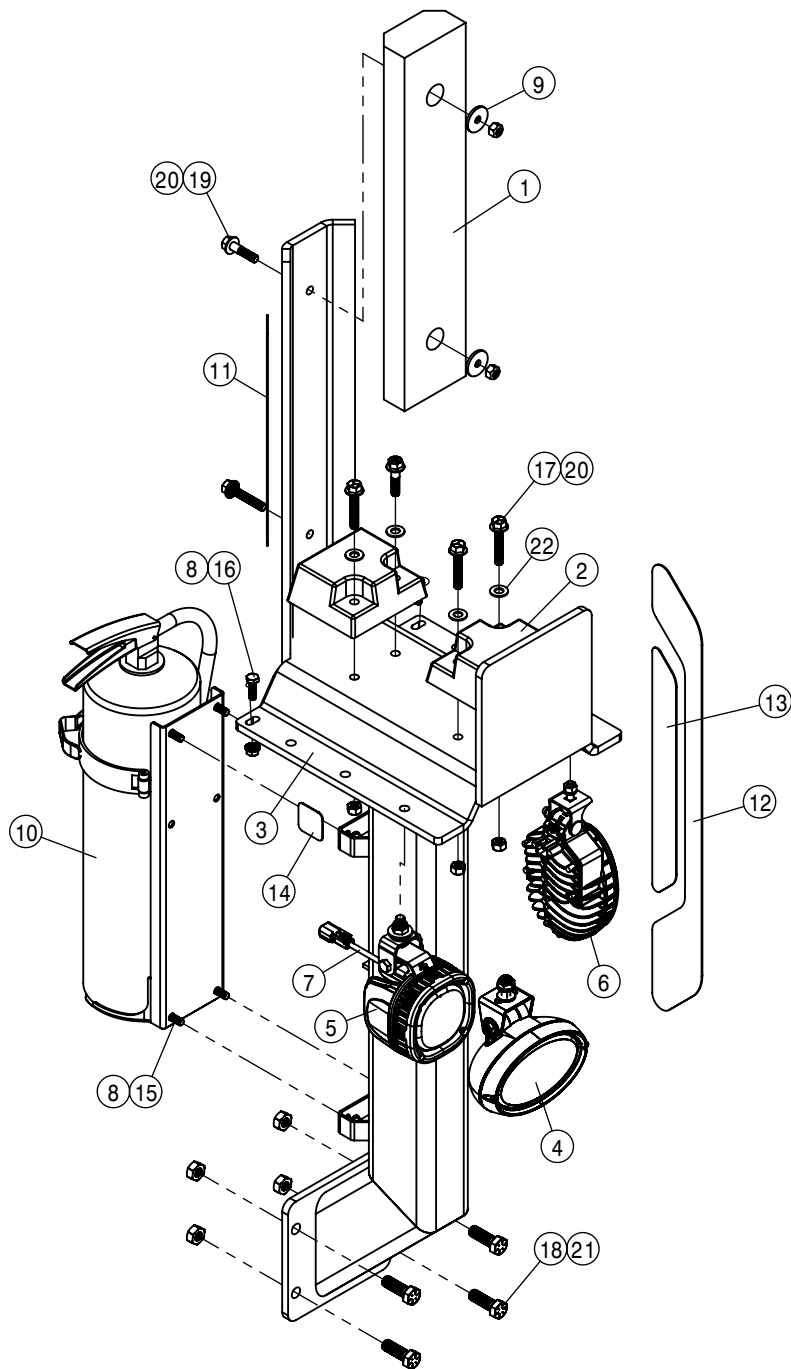




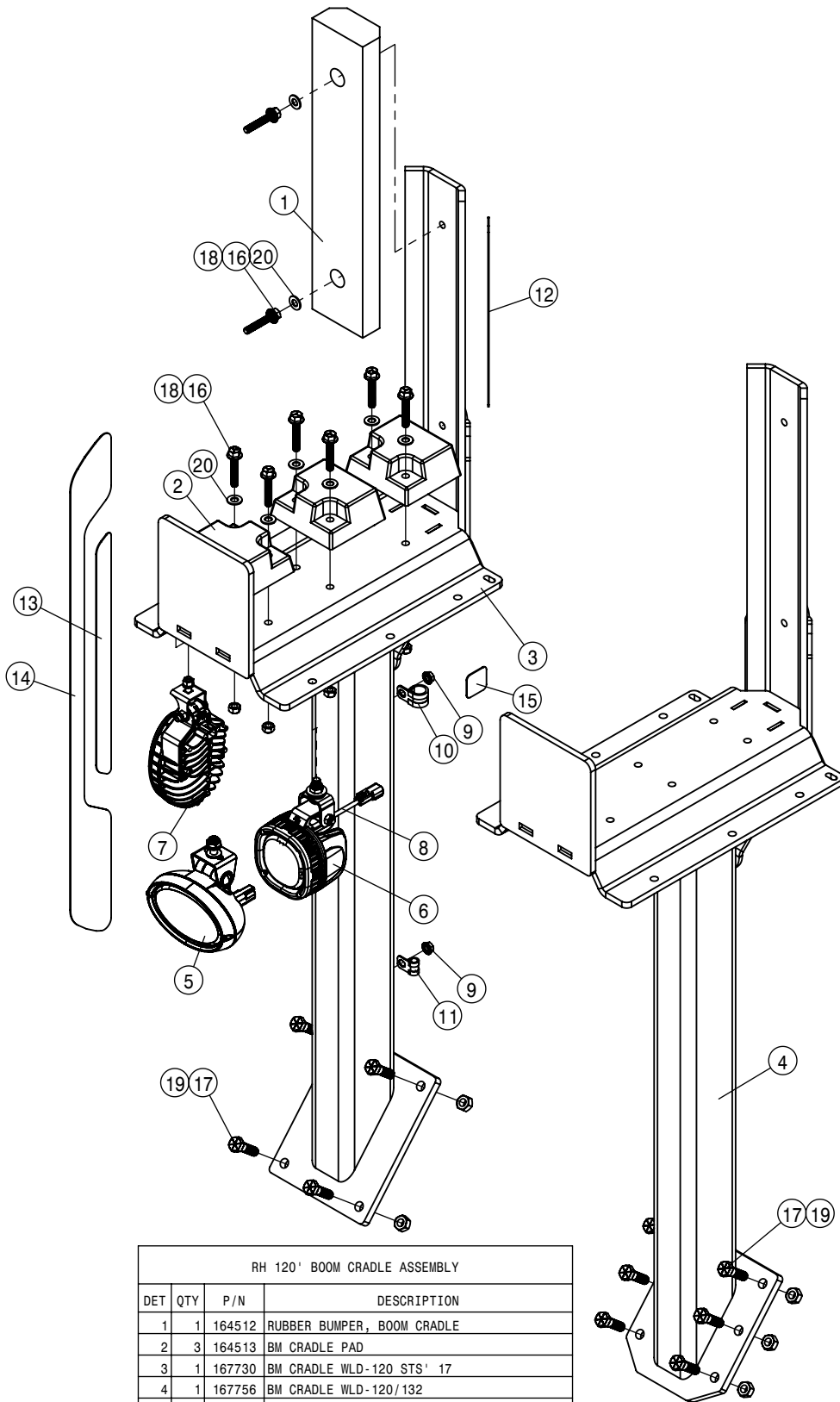
FRONT/REAR FENDER ASSEMBLY			
DET	QTY	P/N	DESCRIPTION
1	2	359598	FRONT FENDER, STS '10
2	1	360123	FENDER BRKT-LH FRT, SDS LEG
3	1	360124	FENDER BRKT-RH FRT, SDS LEG
4	1	360868	CROP SHIELD WLD-LH SDS LEG
5	1	360869	CROP SHIELD WLD - RH SDS LEG
6	1	360870	SDS CROP SHIELD LH MT BRKT
7	1	360871	SDS CROP SHIELD RH MT BRKT
8	1	362571	SDS FENDER BRKT WLD RH, STS'16
9	1	362575	SDS FENDER BRKT WLD LH, STS'16
10	1	362577	RH FENDER BRKT LWR BRACE, STS'16
11	1	362578	LH FENDER BRKT LWR BRACE, STS'16
12	2	470089	1/4UNC HEX NYL-LOC NUT
13	4	470360	1/2UNC SERR FLG HEX NUT
14	12	470431	1/2UNC X 1 1/2 HHSFB GR5 MC
15	2	472367	3/4UNC X 2 HHFB GR8 MC
16	2	473836	1/4UNC X 1 1/4 HHSFB SS FT
17	10	473987	1/2UNC X 1 1/4BUT SKTHD SCR
18	4	629772	CAPPLUGS PLUG,1 3/4" RD, BLACK POLY
19	16	900130	3/8UNC X 1 1/4 HHCS GR5 MC
20	4	910008	1/2-13UNC HEX NUT MC GR5
21	16	910106	3/8-16UNC CTRLK FLG NUT MC GR5
22	2	910111	3/4-10UNC CTRLK FLG NUT MC GR5
23	12	914008	1/2-13UNC STOVER NUT MC GR5



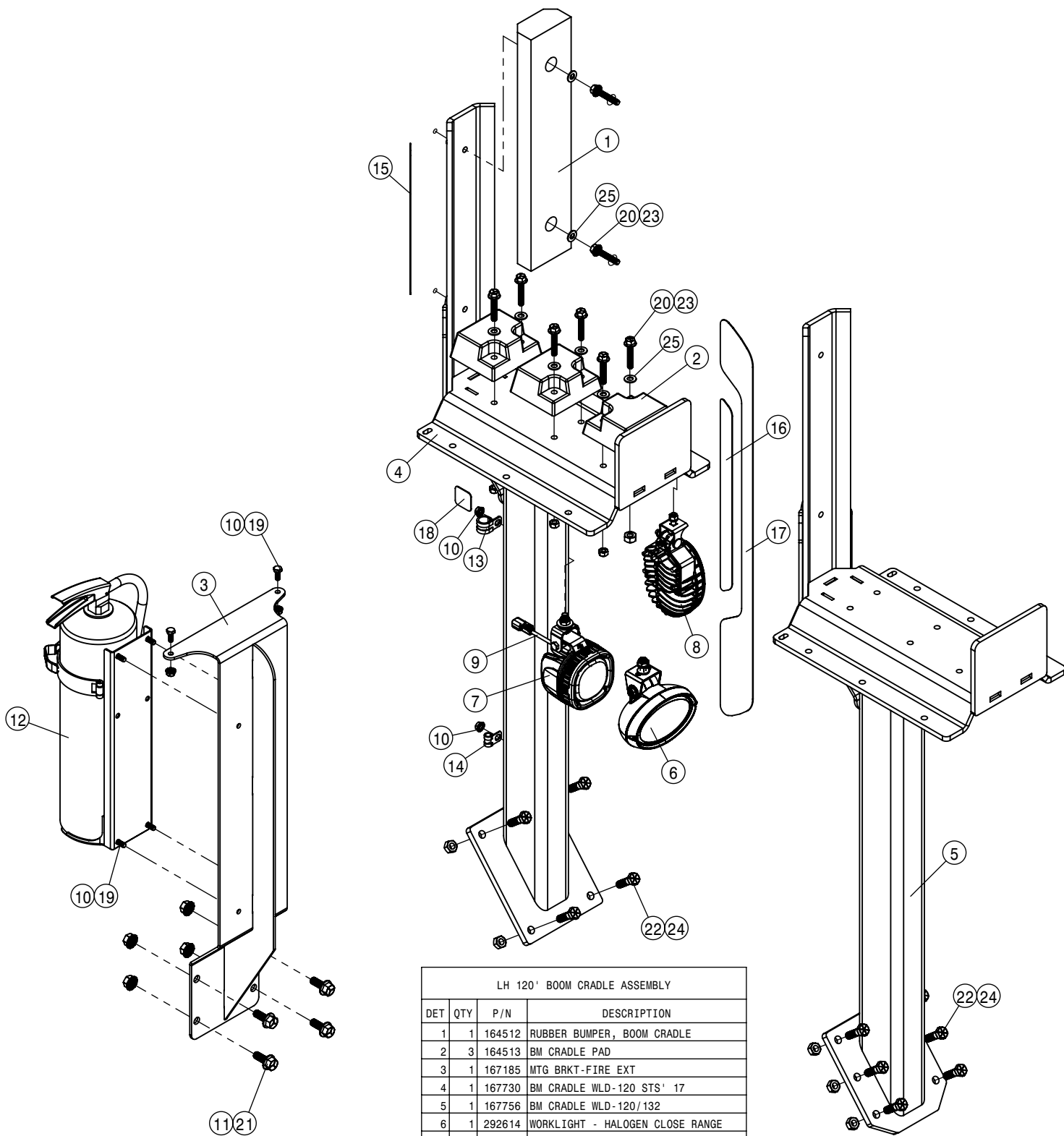
RH 90/100' BOOM CRADLE ASSEMBLY				
DET	QTY	P/N	DESCRIPTION	
1	1	164512	RUBBER BUMPER, BOOM CRADLE	
2	2	164513	BM CRADLE PAD	
3	1	165041	BOOM CRADLE WLD 07	
4	1	292614	WORKLIGHT - HALOGEN CLOSE RANGE	
5	1	292618	WORKLIGHT-TYRI LED FLOOD	
6	1	292917	LED LIGHT, AMBER	
7	1	294299	TYRI JUMPER HARNESS	
8	1	483024	FENDER WASHER 5/16 MC	
9	1	650508	BOOM CRADLE REFLECTOR, DTS	
10	1	650553	STS REFLECTOR RH 90-100 BOOM	
11	1	650554	STS REFLECT REAR ORANGE 90/100	
12	1	650555	BOOM CRADLE DECAL, STS'17	
13	4	900506	3/8UNC X 2 HHSFB GR5 MC FT	
14	4	900804	1/2UNC X 1 1/2 HEX BOLT GR8 YZ	
15	2	910044	3/8UNC X 1 1/2 HHFB GR8 MC	
16	6	914004	3/8UNC HEX STOVER NUT	
17	4	914808	1/2UNC HEX STOVER NUT GR8	
18	5	920002	SAE FLAT WASHER 3/8 MC	



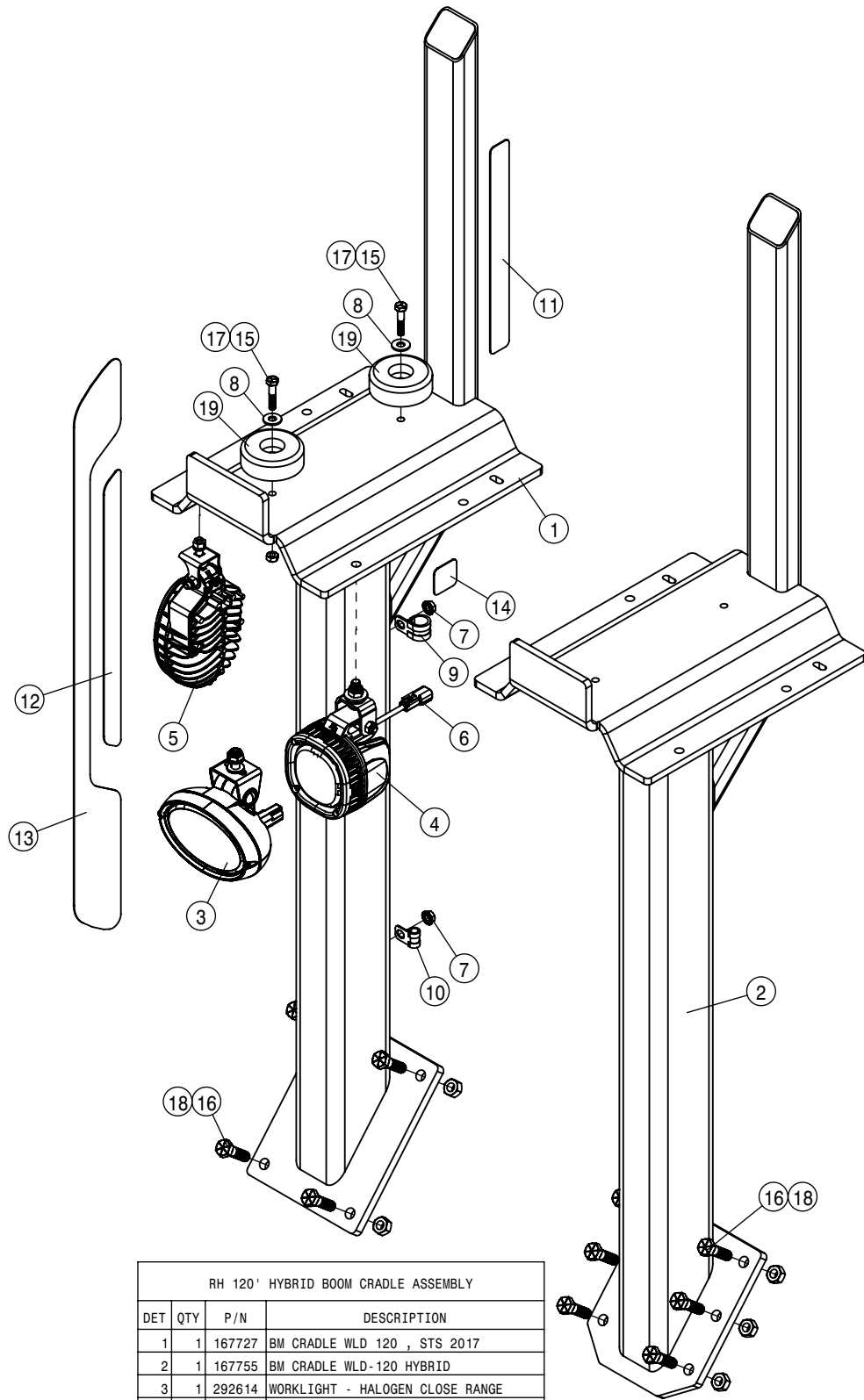
LH 90/100' BOOM CRADLE ASSEMBLY			
DET	QTY	P/N	DESCRIPTION
1	1	164512	RUBBER BUMPER, BOOM CRADLE
2	2	164513	BM CRADLE PAD
3	1	165041	BOOM CRADLE WLD 07
4	1	292614	WORKLIGHT - HALOGEN CLOSE RANGE
5	1	292618	WORKLIGHT-TYRI LED FLOOD
6	1	292917	LED LIGHT, AMBER
7	1	294299	TYRI JUMPER HARNESS
8	6	470113	5/16UNC SERR FLG LOCK NUT
9	2	483024	FENDER WASHER 5/16 MC
10	1	490508	FIRE EXTINGUISHER 10LB ABC
11	1	650508	BOOM CRADLE REFLECTOR, DTS
12	1	650552	STS REFLECTOR LH 90-100 BOOM
13	1	650554	STS REFLECT REAR ORANGE 90/100
14	1	650555	BOOM CRADLE DECAL, STS' 17
15	4	900064	5/16UNC X 3/4" HEX BOLT
16	2	900489	5/16UNC X 1 HHCS SS
17	4	900506	3/8UNC X 2 HHSFB GR5 MC FT
18	4	900804	1/2UNC X 1 1/2 HEX BOLT GR8 YZ
19	2	910044	3/8UNC X 1 1/2 HHFB GR8 MC
20	6	914004	3/8UNC HEX STOVER NUT
21	4	914808	1/2UNC HEX STOVER NUT GR8
22	4	920002	SAE FLAT WASHER 3/8 MC



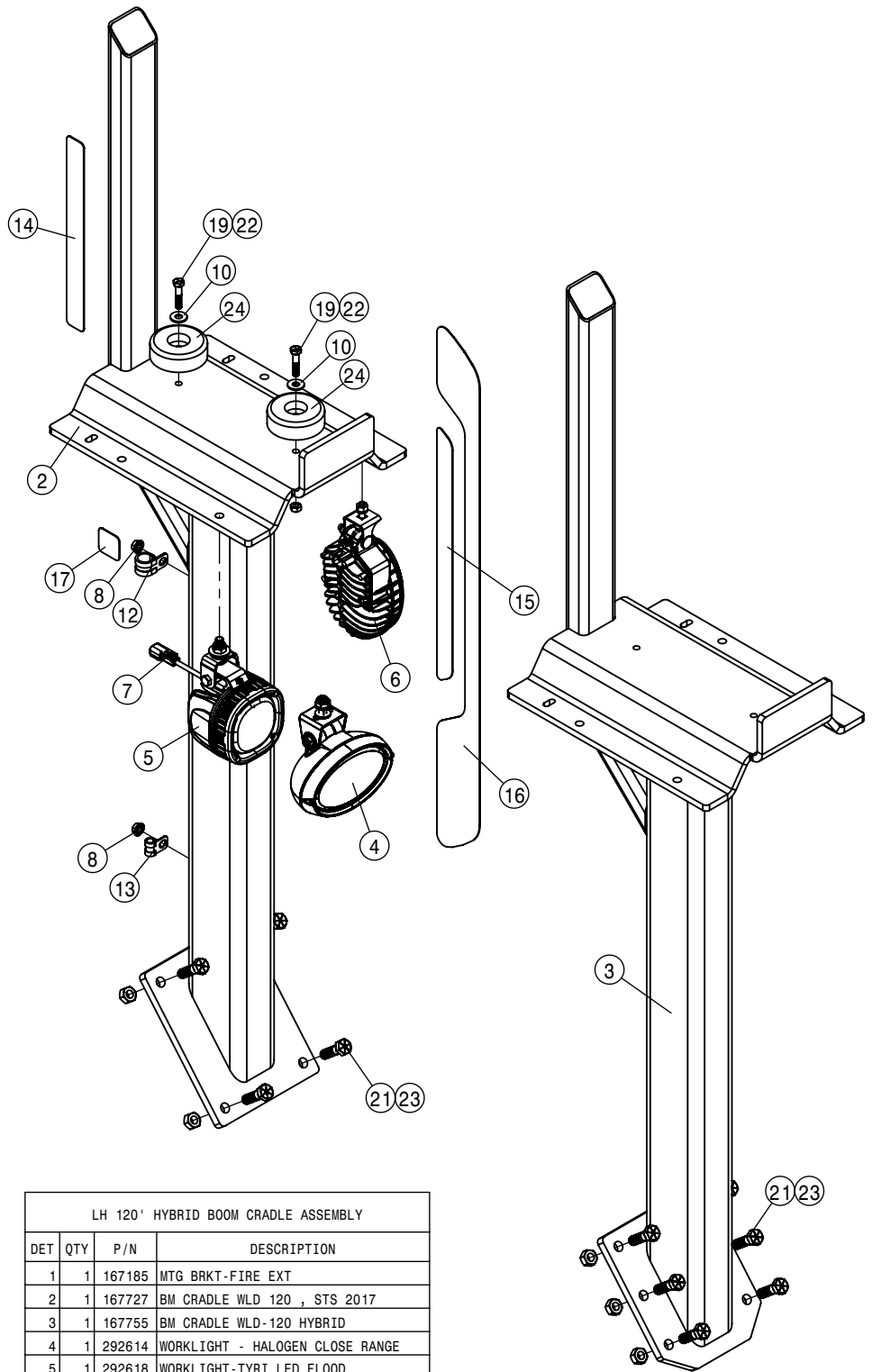
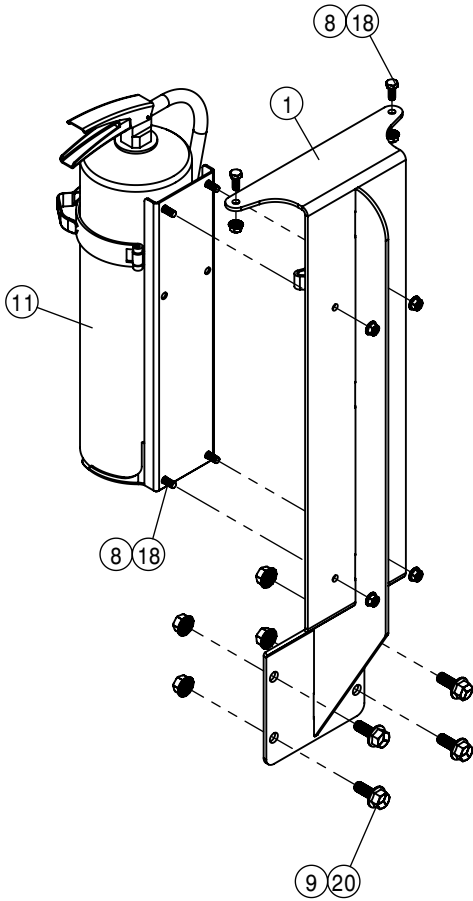
RH 120' BOOM CRADLE ASSEMBLY			
DET	QTY	P/N	DESCRIPTION
1	1	164512	RUBBER BUMPER, BOOM CRADLE
2	3	164513	BM CRADLE PAD
3	1	167730	BM CRADLE WLD-120 STS' 17
4	1	167756	BM CRADLE WLD-120/132
5	1	292614	WORKLIGHT - HALOGEN CLOSE RANGE
6	1	292618	WORKLIGHT-TYRI LED FLOOD
7	1	292917	LED LIGHT, AMBER
8	1	294299	TYRI JUMPER HARNESS
9	2	470113	5/16-18UNC HEX FLG NUT SER MC GR5
10	1	520115	CUSH CLAMP,#12 0.75\"D-3/4W LOOP
11	1	520167	CUSH CLAMP,#6 3/8D X 3/4W
12	1	650508	BOOM CRADLE REFLECTOR, DTS
13	1	650549	REFLECTOR ORANGE STS REAR
14	1	650550	STS REFLECTOR RH REAR
15	1	650555	BOOM CRADLE DECAL, STS' 17
16	8	900506	3/8UNC X 2 HHSFB GR5 MC FT
17	10	900805	1/2UNC X 1 3/4 HHCS GR8 MC
18	8	914004	3/8-16UNC STOVER NUT MC GR5
19	10	914808	1/2-13UNC STOVER NUT MC GR8
20	8	920002	SAE FLAT WASHER 3/8 MC



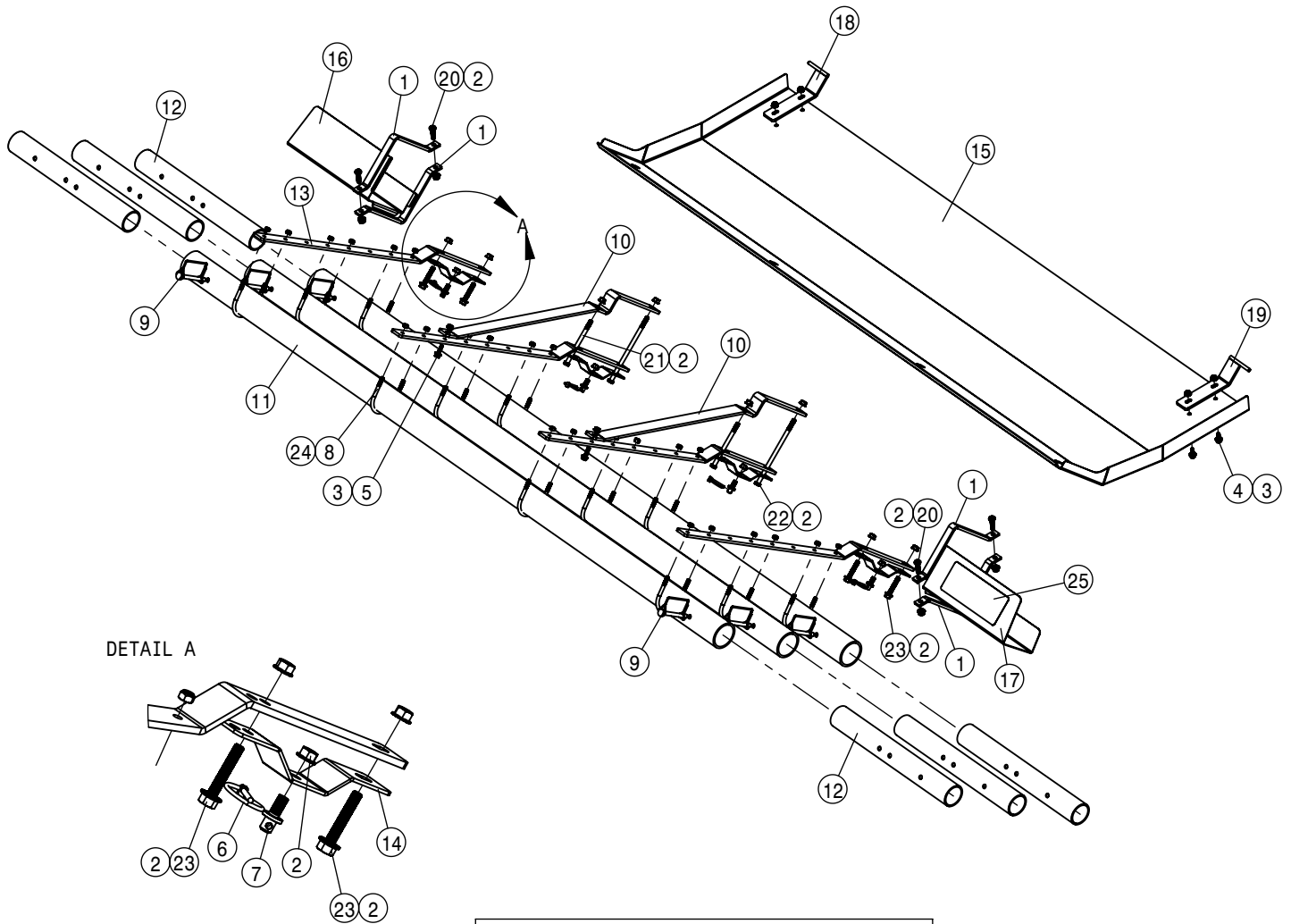
LH 120' BOOM CRADLE ASSEMBLY			
DET	QTY	P/N	DESCRIPTION
1	1	164512	RUBBER BUMPER, BOOM CRADLE
2	3	164513	BM CRADLE PAD
3	1	167185	MTG BRKT-FIRE EXT
4	1	167730	BM CRADLE WLD-120 STS' 17
5	1	167756	BM CRADLE WLD-120/132
6	1	292614	WORKLIGHT - HALOGEN CLOSE RANGE
7	1	292618	WORKLIGHT-TYRI LED FLOOD
8	1	292917	LED LIGHT, AMBER
9	1	294299	TYRI JUMPER HARNESS
10	8	470113	5/16-18UNC HEX FLG NUT SER MC GR5
11	4	470360	1/2UNC SERR FLG HEX NUT
12	1	490508	FIRE EXTINGUISHER 10LB ABC
13	1	520115	CUSH CLAMP,#12 0.75"D-3/4W LOOP
14	1	520167	CUSH CLAMP,#6 3/8D X 3/4W
15	1	650508	BOOM CRADLE REFLECTOR, DTS
16	1	650549	REFLECTOR ORANGE STS REAR
17	1	650551	STS REFLECTOR LH REAR
18	1	650555	BOOM CRADLE DECAL, STS' 17
19	6	900064	5/16UNC X 3/4" HEX BOLT
20	8	900506	3/8UNC X 2 HHSFB GR5 MC FT
21	4	900517	1/2UNC X 1 1/4 HHSFB GR5 MC
22	10	900805	1/2UNC X 1 3/4 HHCS GR8 MC
23	7	914004	3/8-16UNC STOVER NUT MC GR5
24	11	914808	1/2-13UNC STOVER NUT MC GR8
25	8	920002	SAE FLAT WASHER 3/8 MC



RH 120' HYBRID BOOM CRADLE ASSEMBLY			
DET	QTY	P/N	DESCRIPTION
1	1	167727	BM CRADLE WLD 120 , STS 2017
2	1	167755	BM CRADLE WLD-120 HYBRID
3	1	292614	WORKLIGHT - HALOGEN CLOSE RANGE
4	1	292618	WORKLIGHT-TYRI LED FLOOD
5	1	292917	LED LIGHT, AMBER
6	1	294299	TYRI JUMPER HARNESS
7	2	470113	5/16-18UNC HEX FLG NUT SER MC GR5
8	2	483040	USS FLAT WASHER 5/16 MC
9	1	520115	CUSH CLAMP,#12 0.75"D-3/4W LOOP
10	1	520167	CUSH CLAMP,#6 3/8D X 3/4W
11	1	650508	BOOM CRADLE REFLECTOR, DTS
12	1	650549	REFLECTOR ORANGE STS REAR
13	1	650550	STS REFLECTOR RH REAR
14	1	650555	BOOM CRADLE DECAL, STS'17
15	2	900067	5/16UNC X 1 1/2 HHCS GR5 MC
16	10	900805	1/2UNC X 1 3/4 HHCS GR8 MC
17	2	914002	5/16-18UNC STOVER NUT MC GR5
18	10	914808	1/2-13UNC STOVER NUT MC GR8
19	2	N401204	BUMPER 3.00 DIA X 1.00

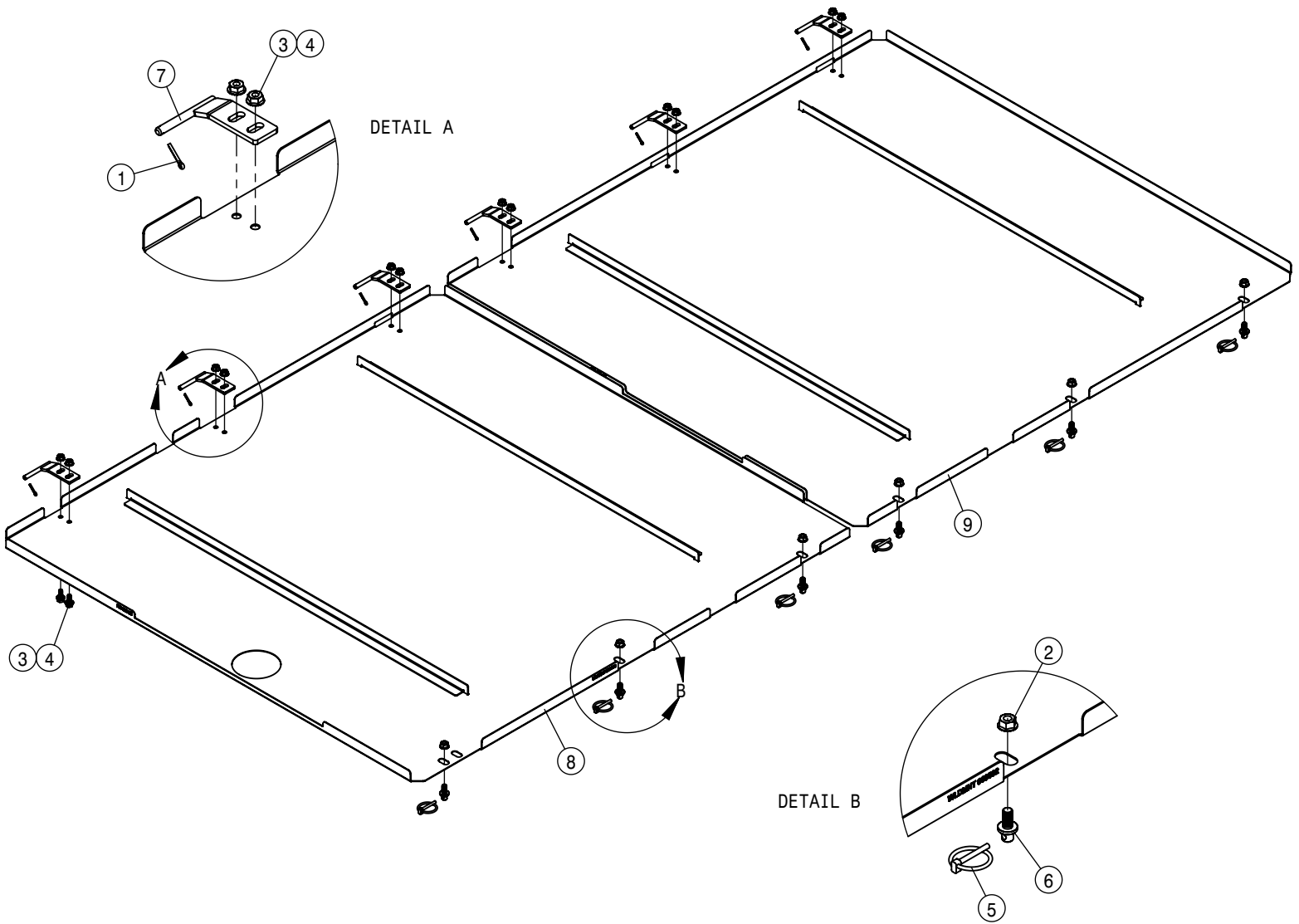


LH 120' HYBRID BOOM CRADLE ASSEMBLY			
DET	QTY	P/N	DESCRIPTION
1	1	167185	MTG BRKT-FIRE EXT
2	1	167727	BM CRADLE WLD 120 , STS 2017
3	1	167755	BM CRADLE WLD-120 HYBRID
4	1	292614	WORKLIGHT - HALOGEN CLOSE RANGE
5	1	292618	WORKLIGHT-TYRI LED FLOOD
6	1	292917	LED LIGHT, AMBER
7	1	294299	TYRI JUMPER HARNESS
8	8	470113	5/16-18UNC HEX FLG NUT SER MC GR5
9	4	470360	1/2UNC SERR FLG HEX NUT
10	2	483040	USS FLAT WASHER 5/16 MC
11	1	490508	FIRE EXTINGUISHER 10LB ABC
12	1	520115	CUSH CLAMP,#12 0.75"D-3/4W LOOP
13	1	520167	CUSH CLAMP,#6 3/8D X 3/4W
14	1	650508	BOOM CRADLE REFLECTOR, DTS
15	1	650549	REFLECTOR ORANGE STS REAR
16	1	650551	STS REFLECTOR LH REAR
17	1	650555	BOOM CRADLE DECAL , STS' 17
18	6	900064	5/16UNC X 3/4" HEX BOLT
19	2	900067	5/16UNC X 1 1/2 HHCS GR5 MC
20	4	900517	1/2UNC X 1 1/4 HHSFB GR5 MC
21	10	900805	1/2UNC X 1 3/4 HHCS GR8 MC
22	2	914002	5/16-18UNC STOVER NUT MC GR5
23	10	914808	1/2-13UNC STOVER NUT MC GR8
24	2	N401204	BUMPER 3.00 DIA X 1.00

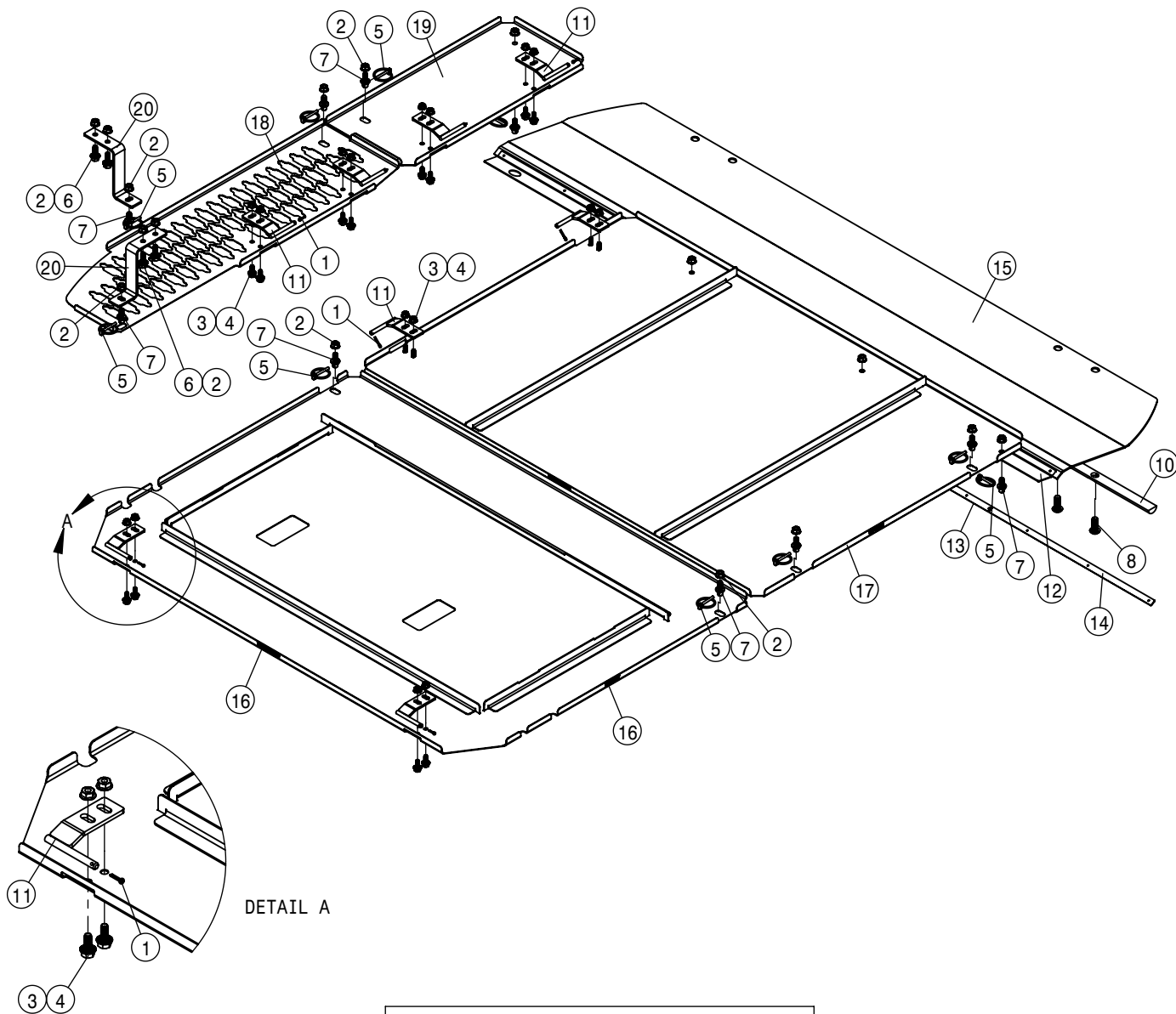


DETAIL A

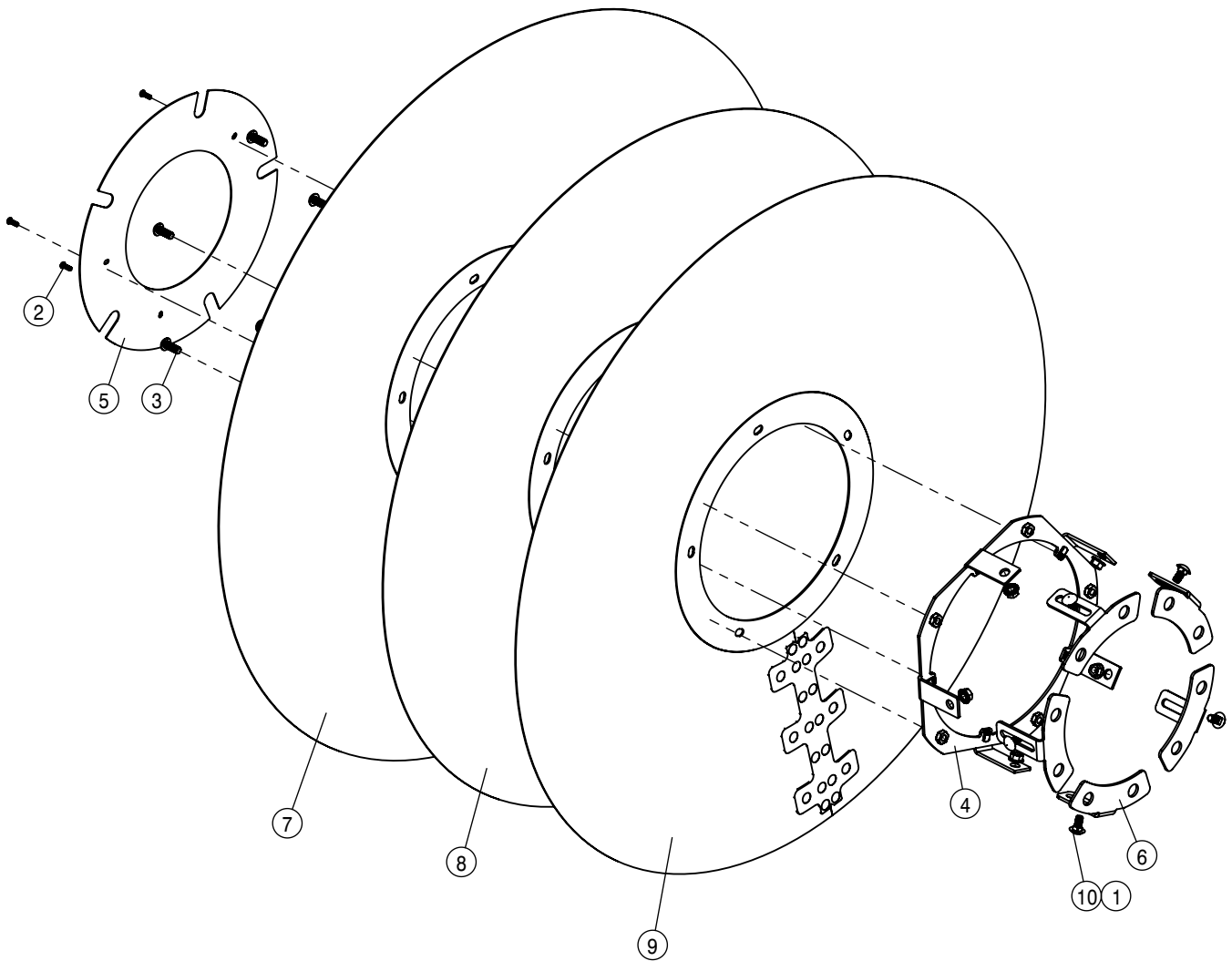
FRONT TALL CROP SHIELD ASSEMBLY			
DET	QTY	P/N	DESCRIPTION
1	4	003078	RECEPT MTG BRKT, PAINTED STS 07
2	16	470087	3/8-16UNC HEX FLG NUT SER MC GR5
3	6	470113	5/16-18UNC HEX FLG NUT SER MC GR5
4	4	470233	5/16UNC X 3/4 HHSFB GR5 MC
5	2	470234	5/16UNC X 1 HHSFB GR5 MC
6	4	470335	LINCHPIN, 3/16 X 1 1/4 GRIP
7	4	470520	HANGER PIN,3/8UNC x.437Dx.500L
8	12	472046	5/16UNC-3.00ID-3.687 U-BOLT,SS
9	6	475016	KLIK PIN 3/8 DIA x 3 x 1 1/2
10	2	660465	BRUSH GUARD SUPPORT
11	3	660466	BRUSH GUARD PVC TUBE STS
12	6	660467	BRUSH GUARD PVC EXT STS
13	4	660468	BRUSH GUARD MT STS
14	4	660471	FRNT BELLY SHLD RETAINER STS
15	1	660472	FRT BELLY SHIELD STS' 14
16	1	660473	RH FRT TOOLBAR SHIELD STS
17	1	660474	LH FRT TOOLBAR SHIELD STS
18	1	660475	RH FRT SHLD HING WLD STS' 14
19	1	660476	LH FRT SHLD HING WLD STS' 14
20	4	900130	3/8UNC X 1 1/4 HHCS GR5 MC
21	2	900142	3/8UNC X 5 HHCS GR5 MC
22	2	900151	3/8UNC X 7 1/2 HHCS GR5 MC
23	4	900506	3/8UNC X 2 HHSFB GR5 MC FT
24	24	914002	5/16-18UNC STOVER NUT MC GR5
25	1	HXE28534	LABEL, HYDRAULIC ENGLISH



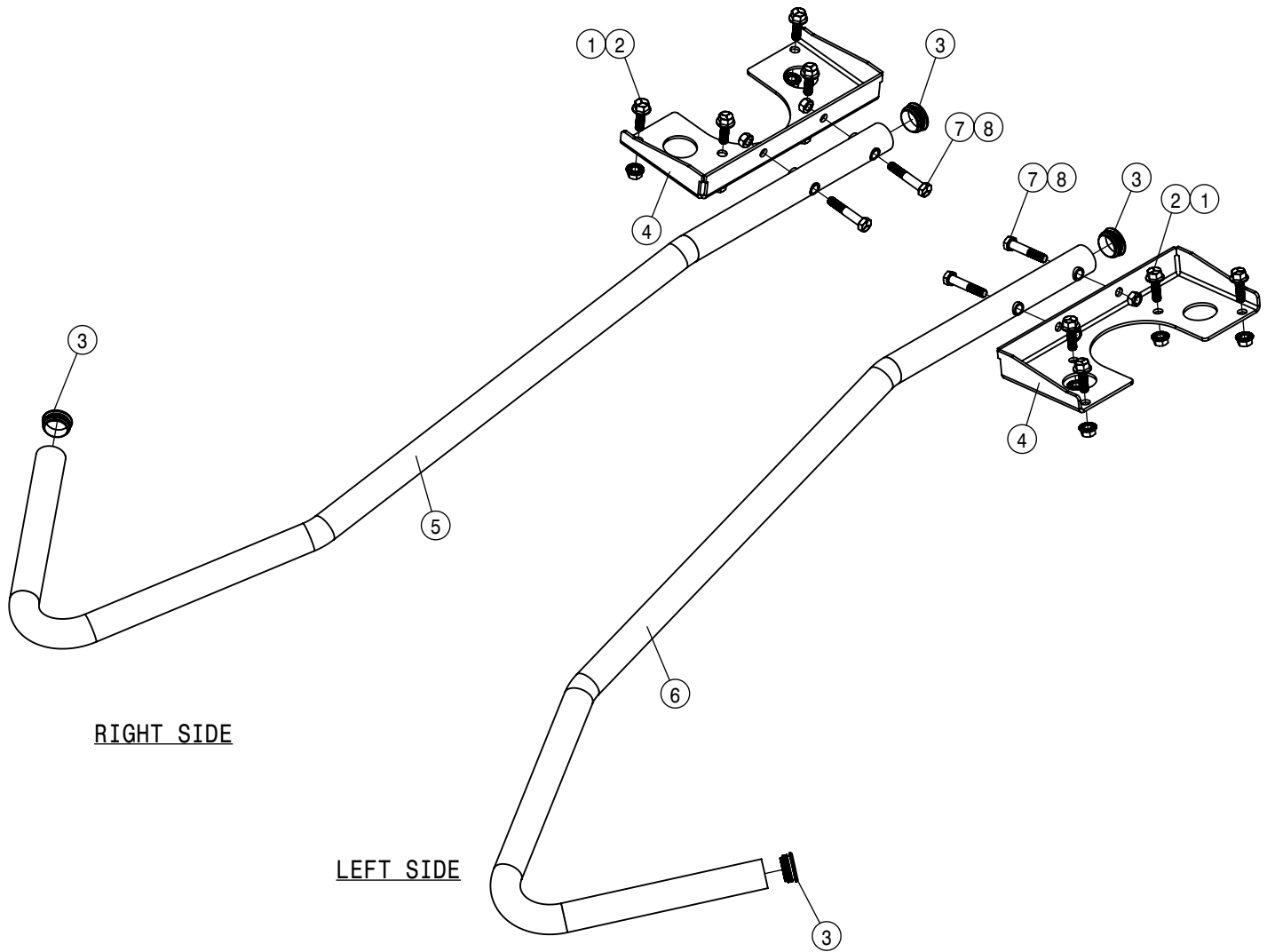
CENTER TALL CROP SHIELD ASSEMBLY			
DET	QTY	P/N	DESCRIPTION
1	6	470075	1/8 X 3/4 COTTER PIN
2	6	470087	3/8-16UNC HEX FLG NUT SER MC GR5
3	12	470113	5/16-18UNC HEX FLG NUT SER MC GR5
4	12	470233	5/16UNC X 3/4 HHSFB GR5 MC
5	6	470335	LINCHPIN, 3/16 X 1 1/4 GRIP
6	6	470520	HANGER PIN, 3/8UNC x .437Dx .500L
7	6	660578	HINGE - BELLY PAN, WLD
8	1	660582	BELLY PAN - LF SOLU FRT, WLD
9	1	660583	BELLY PAN - LF SOLU REAR, WLD



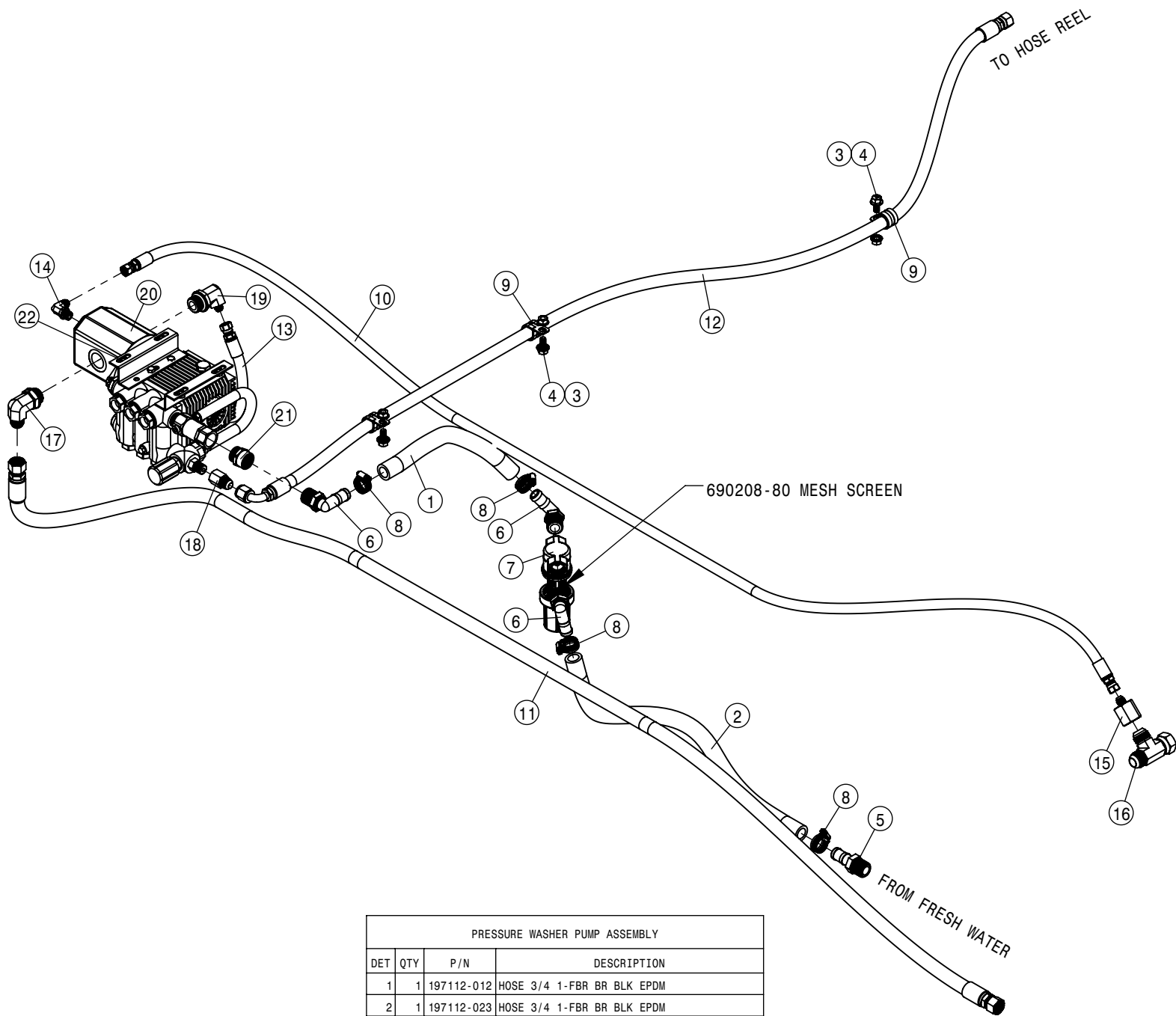
REAR TALL CROP SHIELD ASSEMBLY			
DET	QTY	P/N	DESCRIPTION
1	8	470075	COTTER PIN 1/8 X 3/4 ZN
2	16	470087	3/8-16UNC HEX FLG NUT SER MC GR5
3	16	470113	5/16-18UNC HEX FLG NUT SER MC GR5
4	16	470233	5/16UNC X 3/4 HHSFB GR5 MC
5	12	470335	LINCHPIN, 3/16 X 1 1/4 GRIP
6	4	470460	3/8UNC X 1 HHSFB GR5 MC
7	12	470520	HANGER PIN,3/8UNC x.437Dx.500L
8	4	473987	1/2-13 UNC X 1 1/4 BHCS SS
NS	10	485074	POP RIVET,1/8 X 5/16 GRIP SS
10	1	660566	BAR - CURTAIN
11	8	660578	HINGE - BELLY PAN, WLD
12	1	660586	HOLDER - CURTAIN
13	1	660595	HOLDER - CURTAIN, OUTER SCT 1
14	1	660596	HOLDER - CURTAIN, OUTER SCT 2
15	1	660883	CURTAIN - HOOD
16	1	660888	BELLY PAN - ENGINE FRT, WLD
17	1	660891	BELLY PAN - ENGINE REAR, WLD
18	1	660892	BELLY PAN - HOOD, RH, FRT
19	1	660893	BELLY PAN - HOOD, RH, BACK
20	2	660896	BELLY PAN MT BRKT



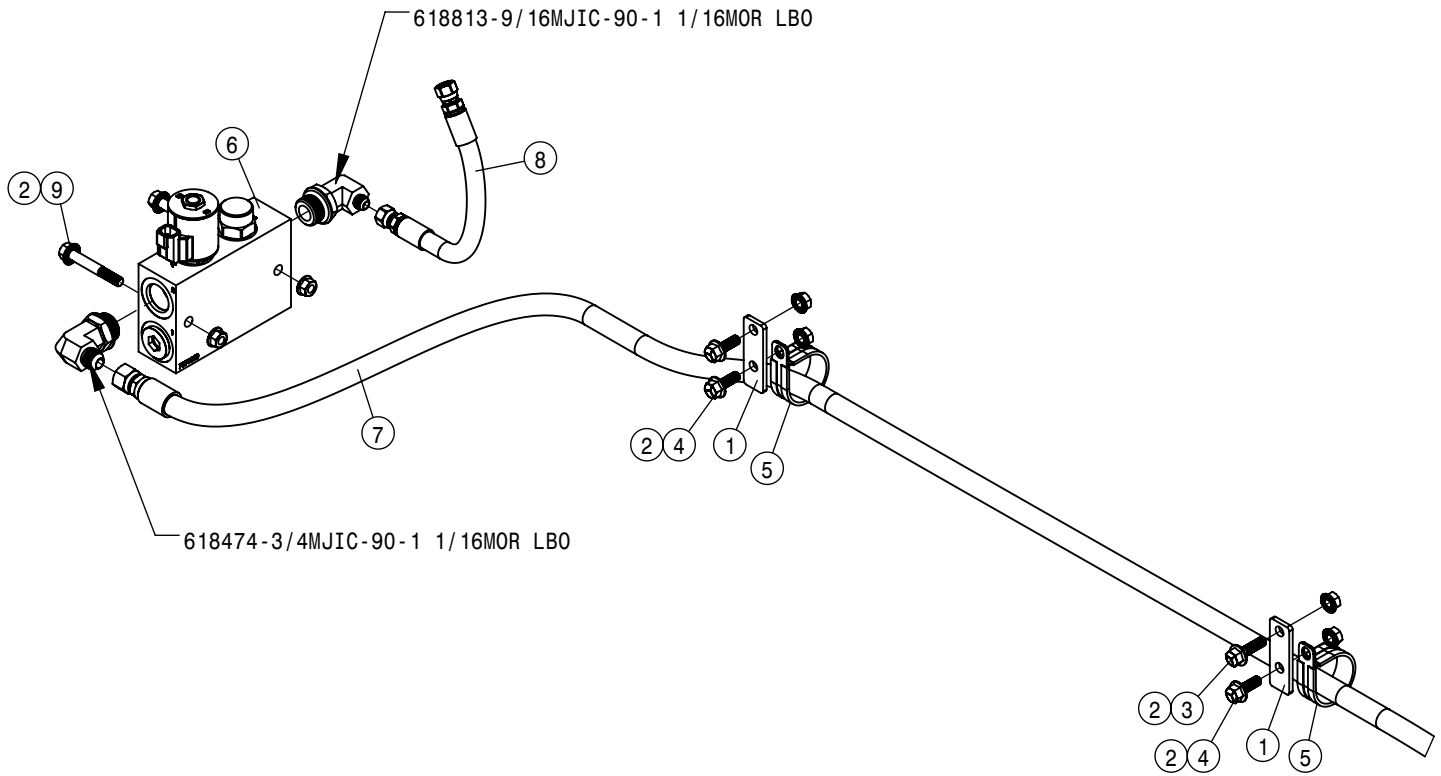
TALL CROP WHEEL GUARD			
DET	QTY	P/N	DESCRIPTION
	1	5	470360 1/2-13UNC HEX FLG NUT SER MC GR5
	2	3	472379 1/4UNC X 3/4 SKT HD LOC SCR SS
	3	5	473987 1/2-13 UNC X 1 1/4 BHCS SS
	4	1	662307 HUB CAP ADAPTER WLD
	5	1	662318 FAIRFIELD HUB CAP ACCESS DOOR
	6	5	662319 FAIRFIELD HUB CAP ADAPTER PLATE
	7	1	662327 STS 17' 320-54 HUB CAP WLD
	8	1	662332 320-50 HUB CAP WLD
	9	1	662333 STS 17' 380-50 HUB CAP WLD
	10	5	901253 1/2-13 UNC X 1 RHSQNB GR5 MC



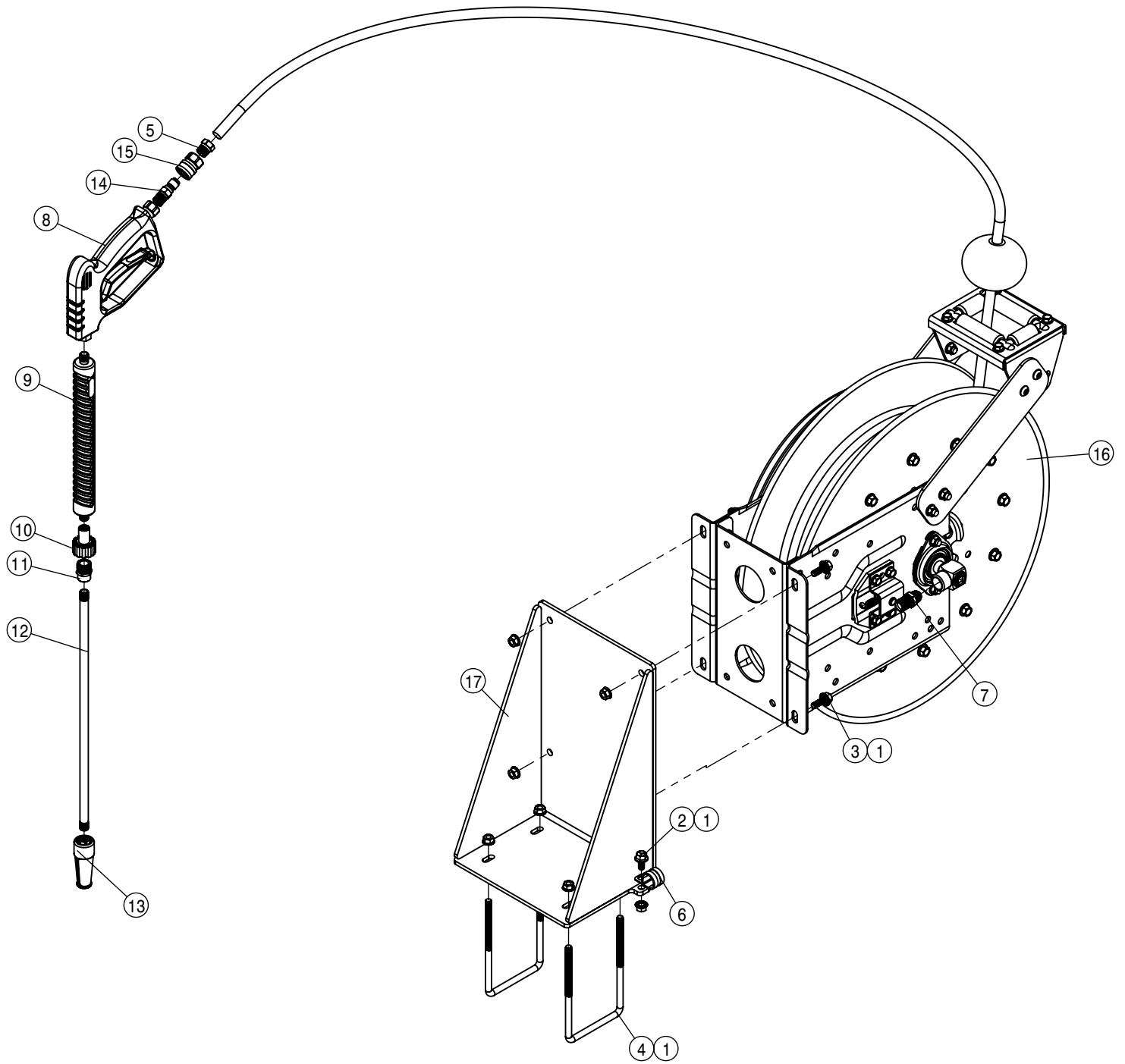
CROP DIVIDER ASSEMBLY			
DET	QTY	P/N	DESCRIPTION
1	8	470360	1/2-13UNC HEX FLG NUT SER MC GR5
2	8	470431	1/2UNC X 1 1/2 HHSFB GR5 MC
3	4	629772	CAPPLUGS PLUG,1 3/4" RD, BLACK POLY
4	2	662304	MTG PLT-CROP DIVIDER WLD SD
5	1	662325	RH CROP DIVIDER WLD
6	1	662326	LH CROP DIVIDER WLD
7	4	900269	1/2UNC X 2 3/4 HHCS GR5 MC
8	4	914008	1/2-13UNC STOVER NUT MC GR5



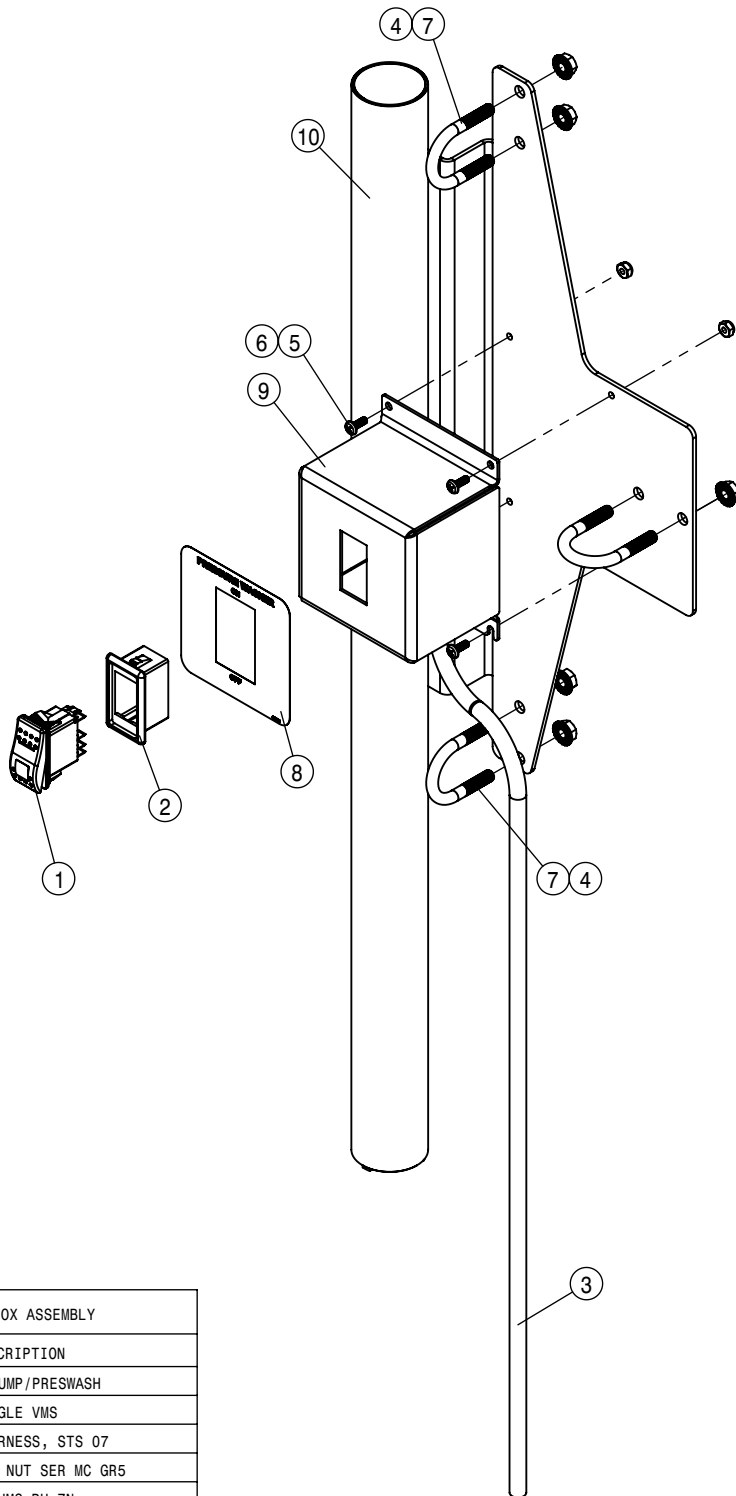
PRESSURE WASHER PUMP ASSEMBLY			
DET	QTY	P/N	DESCRIPTION
1	1	197112-012	HOSE 3/4 1-FBR BR BLK EPDM
2	1	197112-023	HOSE 3/4 1-FBR BR BLK EPDM
3	3	470087	3/8-16UNC HEX FLG NUT SER MC GR5
4	3	470409	3/8UNC X 3/4 HHSFB GR5 MC
5	1	500022	3/4NPT-3/4HOSE BARB, POLY
6	3	500054	3/4NPT-90-3/4 HOSE BARB, POLY
7	1	503104	LINE T-STRAINER, 3/4" NPT 80 MESH
8	4	520080	HOSE CLAMP NO 10 STAINLESS
9	3	520121	CUSH CLAMP, #16 1IN X 3/4W
10	1	617446	06-451TC-06FJX-06FJX-84
11	1	617448	10-451TC-10FJX-10FJX-89 H/A
12	1	617449	08-451TC-08FJX-08FJX90-85 H/A
13	1	617450	06-451TC-06FJX-06FJX-9 H/A
14	1	618119	9/16MJIC-90-9/16MOR LBO
15	1	618483	1 1/16FJIC-9/16MJIC ADPTR
16	1	618487	1 1/16FJ SW RUN TEE-1 1/16MJ
17	1	618535	7/8MJIC-90-1 1/16MOR LBO
18	1	618787	3/4MJIC-3/8FNPT ADPTR
19	1	618813	9/16MJIC-90-1 1/16MOR LBO
20	1	690672	PRESSURE WASHER, PACE 320 HYD
21	1	715449	3/4FNPT X 3/4MGHT ADPTR BRS
22	4	910002	5/16-18UNC HEX NUT MC GR5



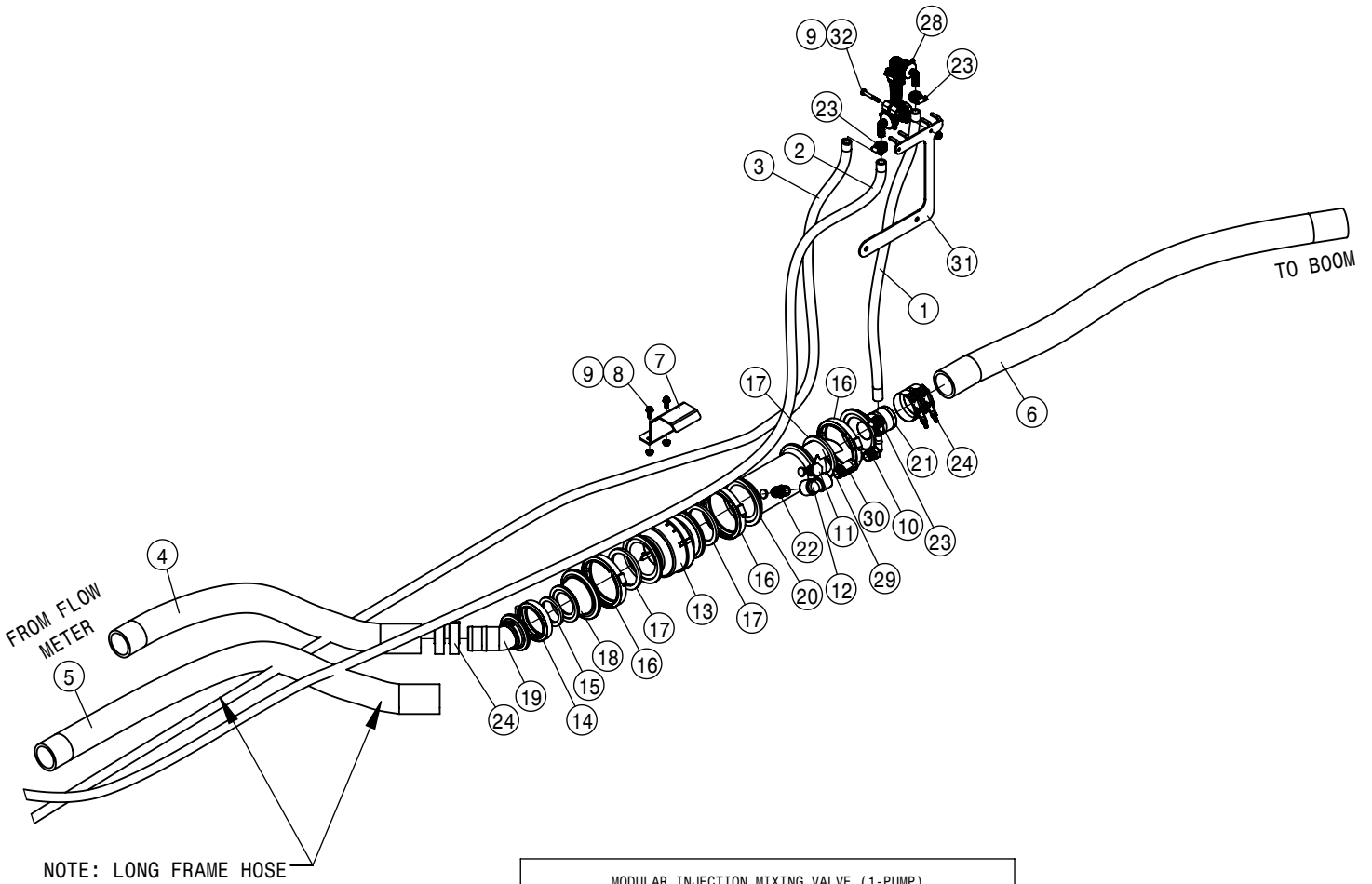
PRESSURE WASHER HYDRAULIC VALVE ASSEMBLY			
DET	QTY	P/N	DESCRIPTION
1	2	344110	STS BRCKT PRESSURE WASHER
2	6	470087	3/8-16UNC HEX FLG NUT SER MC GR5
3	1	470329	3/8UNC X 1 1/4 HHSFB GR5 MC
4	3	470460	3/8UNC X 1 HHSFB GR5 MC
5	2	520161	CUSH CLAMP,#32 2"D-3/4W LOOP
6	1	606543	HYD VLV 7GPM PFC
7	1	617447	08-451TC-08FJX-08FJX-95 H/A
8	1	617450	06-451TC-06FJX-06FJX-9 H/A
9	2	900507	3/8UNC X 2 1/2 HHSFB GR5 MC



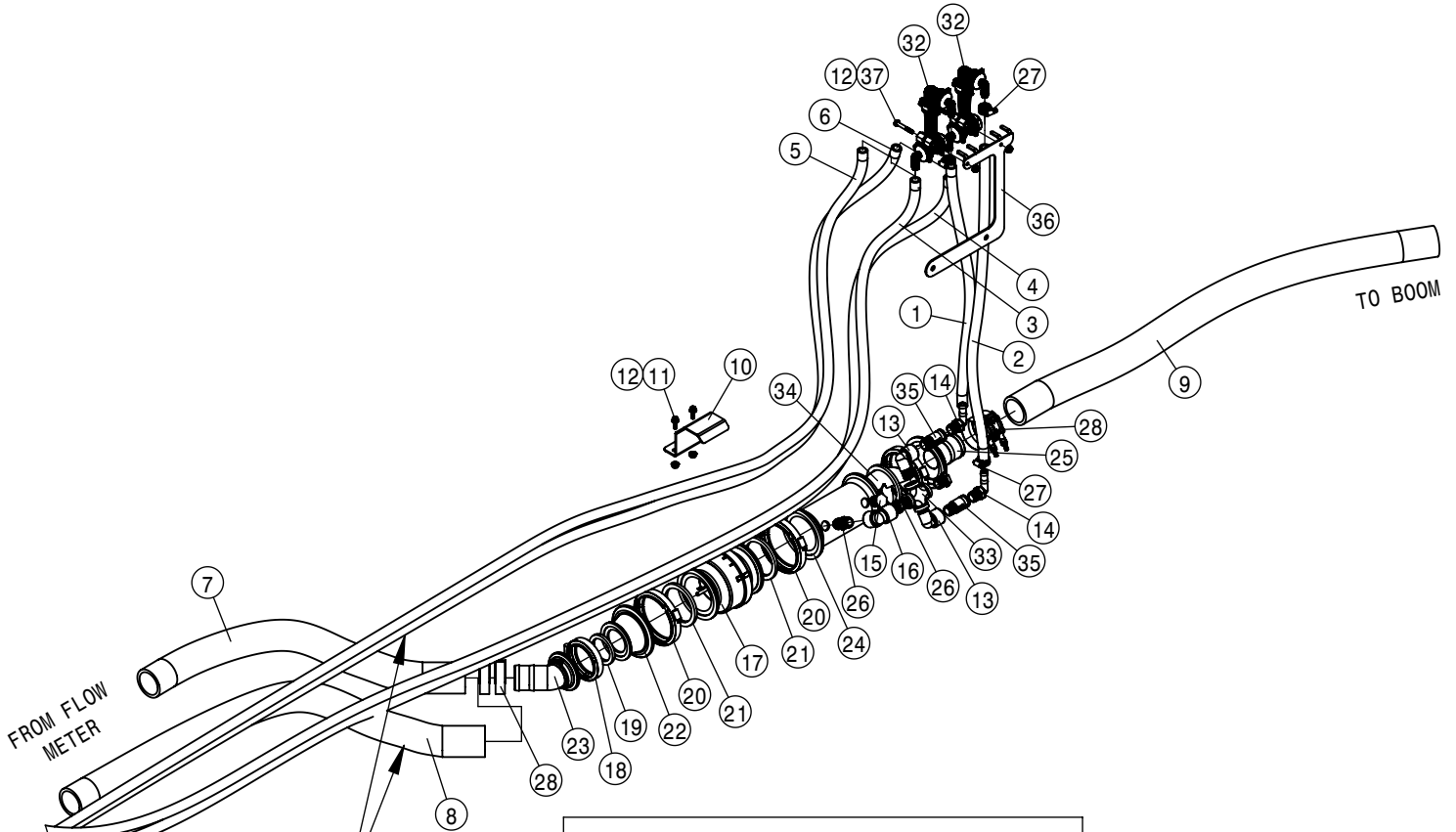
PRESSURE WASHER REEL ASSEMBLY			
DET	QTY	P/N	DESCRIPTION
1	9	470087	3/8-16UNC HEX FLG NUT SER MC GR5
2	1	470409	3/8UNC X 3/4 HHSFB GR5 MC
3	4	470460	3/8UNC X 1 HHSFB GR5 MC
4	2	474027	3/8UNC-4 1/8 ID-7 U BOLT
5	1	505211	3/8-1/4NPT REDU BUSH, BRS
6	1	520121	CUSH CLAMP,#16 1IN X 3/4W
7	1	611147	3/4MJIC-1/2MNPT ADPTR
8	1	690792	TRIGGER GUN, PRESS WASH 690672
9	1	690793	12'' LANCE FOR WASH 690672
10	1	690794	ST-40 CONNECT,PRESS WASH690672
11	1	690795	ST-41 CONNECT,PRESS WASH690672
12	1	690796	LANCE, PRESSURE WASHER 690672
13	1	690797	NOZZEL, PRESSURE WASHER 690672
14	1	690798	MALE CPLR,MNPT FOR 690672
15	1	690799	FEM CPLR FNPT FOR 690672
16	1	690984	HOSE REEL-PRESS WASH .25" X 100'
17	1	691448	PRESSURE WASHER BRKT WLDT, STS' 16



PRESSURE WASHER SWITCH BOX ASSEMBLY			
DET	QTY	P/N	DESCRIPTION
1	1	292218	SWITCH,SIDE FILL PUMP/PRESWASH
2	1	292260	MOUNTING TRIM, SINGLE VMS
3	1	293878	PRESS WASH WIRE HARNESS, STS 07
4	6	470113	5/16-18UNC HEX FLG NUT SER MC GR5
5	4	472236	#10-32 UNF X 1/2 PHMS PH ZN
6	4	473004	#10-32UNF NYLOCK NUT MC GR5
7	3	473911	5/16UNC-1.31ID-2.00 U-BOLT ZINC
8	1	650156	DECAL, PRESS WASH CTRL STS 05
9	1	691369	PRESSURE WASHER SWITCH BOX WLD
10	1	691462	PRESS WASH WAND BRKT WLD, STS



MODULAR INJECTION MIXING VALVE (1-PUMP)			
DET	QTY	P/N	DESCRIPTION
1	1	197008-031	HOSE 1/2 1-FBR BR BLK EPDM
2	1	197008-180	HOSE 1/2 1-FBR BR BLK EPDM
3	1	197008-189	HOSE 1/2 1-FBR BR BLK EPDM
4	1	197133-029	HOSE 2" SUCTION, 2F-1W EPDM
5	1	197133-040	HOSE 2" SUCTION, 2F-1W EPDM
6	1	197133-041	HOSE 2" SUCTION, 2F-1W EPDM
7	1	345023	3" MIXER CLAMP
8	2	470118	1/4UNC X 3/4 HHSFB GR5 MC
9	3	470121	1/4-20UNC HEX FLG NUT SER MC GR5
10	1	500047	1/2NPT-90-1/2 HOSE BARB, POLY
11	1	500062	1/2"NPT PLUG, POLY
12	1	500078	1/2NPT-90 EL, POLY
13	1	500142	CHECK VALVE 3" FLANGE
14	1	500194	2" FP FLANGE CLAMP S.S.
15	1	500195	2" FP FLANGE GASKET EPDM
16	3	500208	3" FLANGE CLAMP S.S.
17	3	500209	3" FLANGE GASKET EPDM
18	1	500212	3"FLANGE - 2" FP FLANGE ADTPTR
19	1	500255	2"FP FLANGE - 45- 2"HOSE BARB POLY
20	1	500345	FLANGE COUPLER 3 X 7, 1/2 NPT
21	1	500346	3" FLANGE-2"HOSE BARB POLY
22	1	503101	1/2NPT CLOSE NIPPLE, POLY
23	3	520070	HOSE CLAMP NO 8 STAINLESS
24	4	520141	2.31/2.62 T-BOLT HOSE CLAMP SS
NS	1	693367	AG LDR MULTI PRODUCT UNLOCK
NS	1	693955	AG LDR ISO INJ INST INSTRUCT
NS	1	693956	AG LDR CBL ISO EXTEND 16'
28	1	701384	FLOW VIEW MANIFOLD
29	2	701492	MIXER FIN
30	1	701619	CHECK VALVE-RAVEN 333-0011-102
31	1	701794	WILGER FLOW VIEW BRKT
32	1	900006	1/4UNC X 1 3/4 HHCS GR5 MC

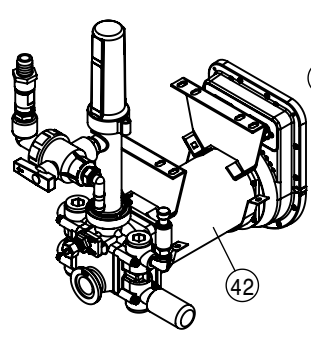


NOTE: LONG FRAME HOSES

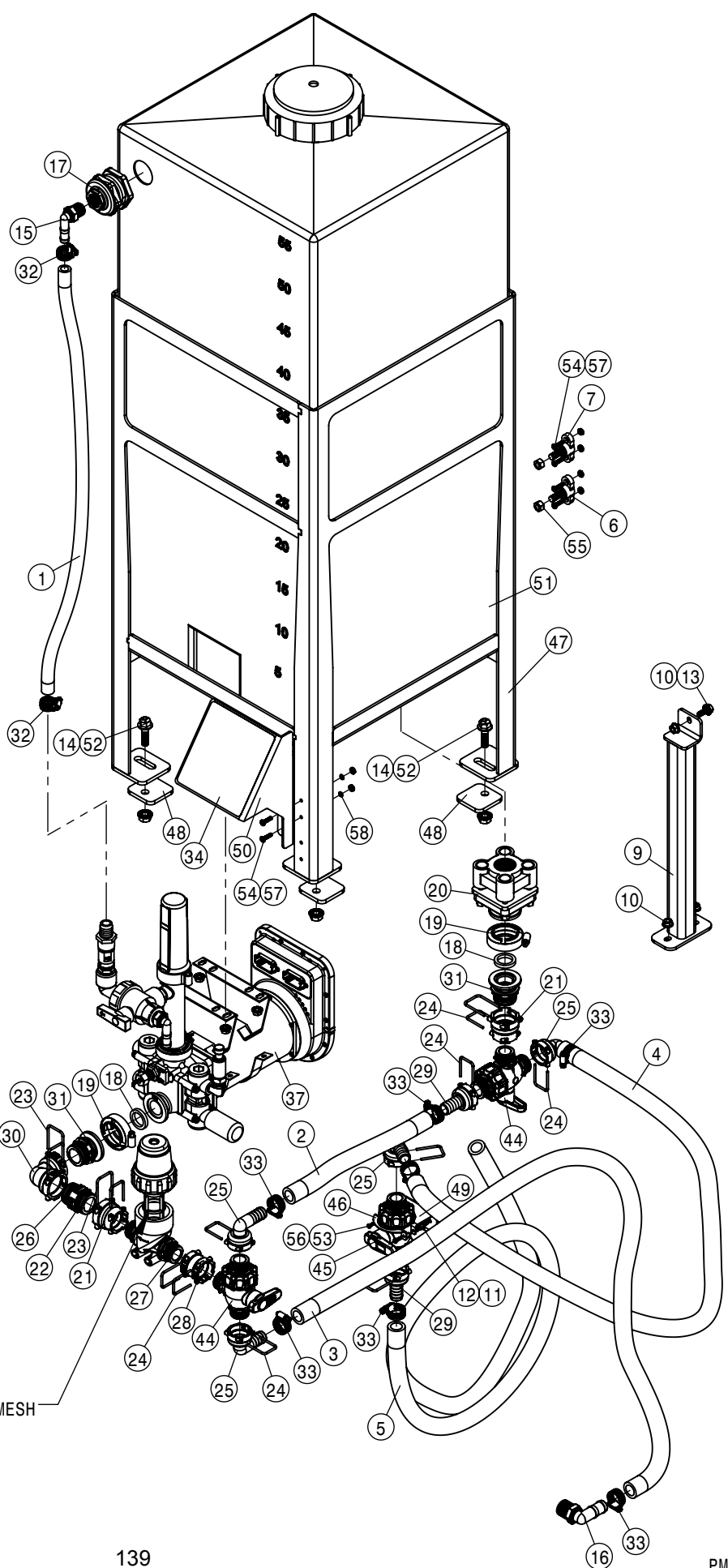
MODULAR INJECTION MIXING VALVE (2-PUMP)			
DET	QTY	P/N	DESCRIPTION
1	1	197008-027	HOSE 1/2 1-FBR BR BLK EPDM
2	1	197008-031	HOSE 1/2 1-FBR BR BLK EPDM
3	1	197008-159	HOSE 1/2 1-FBR BR BLK EPDM
4	1	197008-180	HOSE 1/2 1-FBR BR BLK EPDM
5	1	197008-189	HOSE 1/2 1-FBR BR BLK EPDM
6	1	197008-211	HOSE 1/2 1-FBR BR BLK EPDM
7	1	197133-029	HOSE 2" SUCTION, 2F-1W EPDM
8	1	197133-040	HOSE 2" SUCTION, 2F-1W EPDM
9	1	197133-041	HOSE 2" SUCTION, 2F-1W EPDM
10	1	345023	3" MIXER CLAMP
11	2	470118	1/4UNC X 3/4 HHSFB GR5 MC
12	4	470121	1/4-20UNC HEX FLG NUT SER MC GR5
13	2	500044	1/2NPT-90 ST EL, POLY
14	2	500047	1/2NPT-90-1/2 HOSE BARB, POLY
15	2	500062	1/2"NPT PLUG, POLY
16	1	500078	1/2NPT-90 EL, POLY
17	1	500142	CHECK VALVE 3" FLANGE
18	1	500194	2" FP FLANGE CLAMP S.S.
19	1	500195	2" FP FLANGE GASKET EPDM
20	3	500208	3" FLANGE CLAMP S.S.
21	3	500209	3" FLANGE GASKET EPDM
22	1	500212	3"FLANGE - 2" FP FLANGE ADTPTR
23	1	500255	2"FP FLANGE - 45- 2"HOSE BARB POLY
24	1	500345	FLANGE COUPLER 3 X 7, 1/2 NPT
25	1	500346	3" FLANGE-2"HOSE BARB POLY
26	2	503101	1/2NPT CLOSE NIPPLE, POLY
27	3	520070	HOSE CLAMP NO 8 STAINLESS
28	4	520141	2.31/2.62 T-BOLT HOSE CLAMP SS
NS	1	693367	AG LDR MULTI PRODUCT UNLOCK
NS	1	693955	AG LDR ISO INJ INST INSTRUCT
NS	1	693956	AG LDR CBL ISO EXTEND 16'
32	2	701384	FLOW VIEW MANIFOLD
33	1	701422	PIPE CROSS-.50" NPT, POLY
34	2	701492	MIXER FIN
35	2	701619	CHECK VALVE-RAVEN 333-0011-102
36	1	701794	WILGER FLOW VIEW BRKT
37	2	900006	1/4UNC X 1 3/4 HHCS GR5 MC

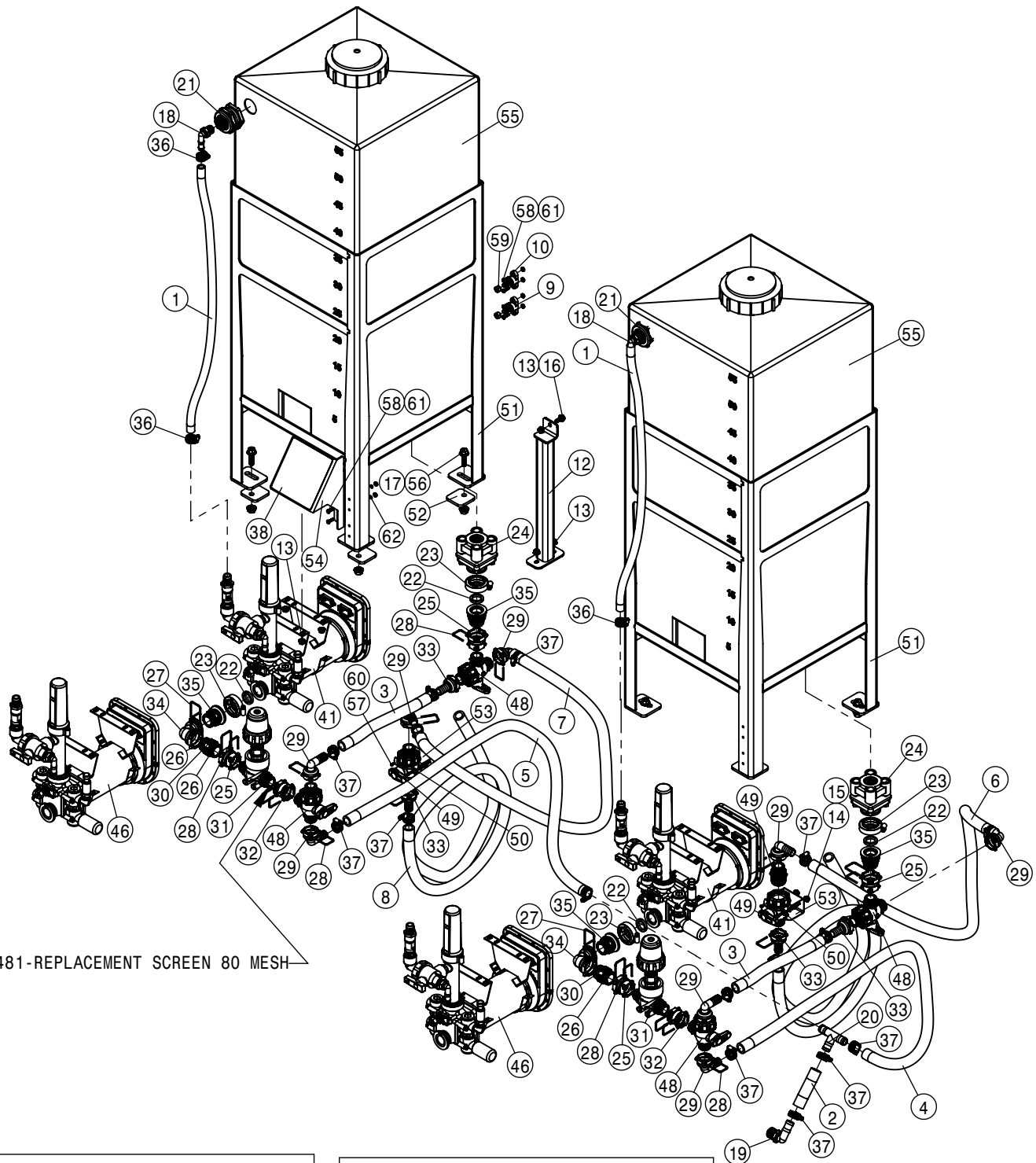
MODULAR INJECTION TANK ASSEMBLY (1-TANK)

DET	QTY	P/N	DESCRIPTION
1	1	197008-032	HOSE 1/2 1-FBR BR BLK EPDM
2	1	197112-014	HOSE 3/4 1-FBR BR BLK EPDM
3	1	197112-051	HOSE 3/4 1-FBR BR BLK EPDM
4	1	197112-055	HOSE 3/4 1-FBR BR BLK EPDM
5	1	197112-076	HOSE 3/4 1-FBR BR BLK EPDM
6	1	291792	TERM BLOCK, BLACK, 3/8-16 SINGLE
7	1	291936	TERM BLOCK, RED, 3/8-16 SINGLE
NS	1	294106	HAGIE MODULAR INJ BATT CBL
9	1	362564	PLATFORM SUPP WLD
10	7	470113	5/16-18UNC HEX FLG NUT SER MC GR5
11	2	470121	1/4-20UNC HEX FLG NUT SER MC GR5
12	2	470122	1/4UNC X 1/2 HHSFB GR5 MC
13	1	470233	5/16UNC X 3/4 HHSFB GR5 MC
14	4	470325	7/16-14UNC HEX FLG NUT SER MC GR5
15	1	500047	1/2NPT-90-1/2 HOSE BARB, POLY
16	1	500054	3/4NPT-90-3/4 HOSE BARB, POLY
17	1	500131	1/2"NPT TANK FLANGE POLY
18	2	500157	1" FLANGE GASKET EPDM
19	2	500159	1" FLANGE CLAMP S.S.
20	1	500178	1"FLG TANK FTG, BOTDRN BLT POLY
21	2	500305	T4 - T3 FEMALE REDUCER
22	4	500308	O-RING, -216 EPDM
23	4	500310	FORK D3 DIST 34.2
24	10	500311	FORK D3 DIST 29
25	4	500327	T3 TO 20MM HB 90
26	1	500341	T4 NIPPLE
27	1	500342	STRAINER T3M 80 MESH
28	1	500348	T3 FEMALE COUPLER
29	2	500349	T3 FEMALE - .75 HB
30	1	500356	T4 FEMALE 90
31	2	500357	1" FLANGE - T4M ADAPTER
32	3	520070	HOSE CLAMP NO 8 STAINLESS
33	7	520080	HOSE CLAMP NO 10 STAINLESS
34	1	650515	DECAL, INST MODULR CHEM INJECT
NS	1	693367	AG LDR MULTI PRODUCT UNLOCK
NS	1	693392	RVN INJ CAN/LOGIC EXT 18'
37	1	693879	HAGIE SIDEKICK PRO HW/SW
NS	1	693955	AG LDR ISO INJ INST INSTRUCT
NS	1	693956	AG LDR CBL ISO EXTEND 16'
NS	1	693957	AG LDR CBL ISO PUMP ADAPTOR
NS	1	693981	CABLE-POWER, MULTI MODULE, 3'
42	1	693998	RVN SPRO ISO PMP, 5-200, HW/SW
NS	1	694174	RAVEN CBL INJ NO AGIT
44	2	696013	3 WAY T3 INTERRUPTED FLOW VLV
45	1	696014	T3 2 WAY BALL VLV
46	1	701791	INJ VLV BRKT
47	1	701792	INJECTION STAND WLD
48	4	701793	MODULAR INJ BACKING PLT
49	1	701795	VLV MNT BRKT
50	1	701796	INSTRUCTION DECAL MT BRKT
51	1	763745	MODULAR INJ TANK W HOLES
52	4	900512	7/16UNC X 1 1/2 HHSFB GR5 MC
53	2	903812	6-32 X 1/2 PHIL PAN MACH SCR
54	6	903888	10-24 X 3/4 PHIL PAN MACH SCR
55	2	910004	3/8-16UNC HEX NUT MC GR5
56	2	910022	#6-32UNC HEX NUT MC GR5
57	6	910026	#10-24UNC HEX NUT MC GR5
58	6	920510	HLOCK WASHER #10 MC



691481-REPLACEMENT SCREEN 80 MESH



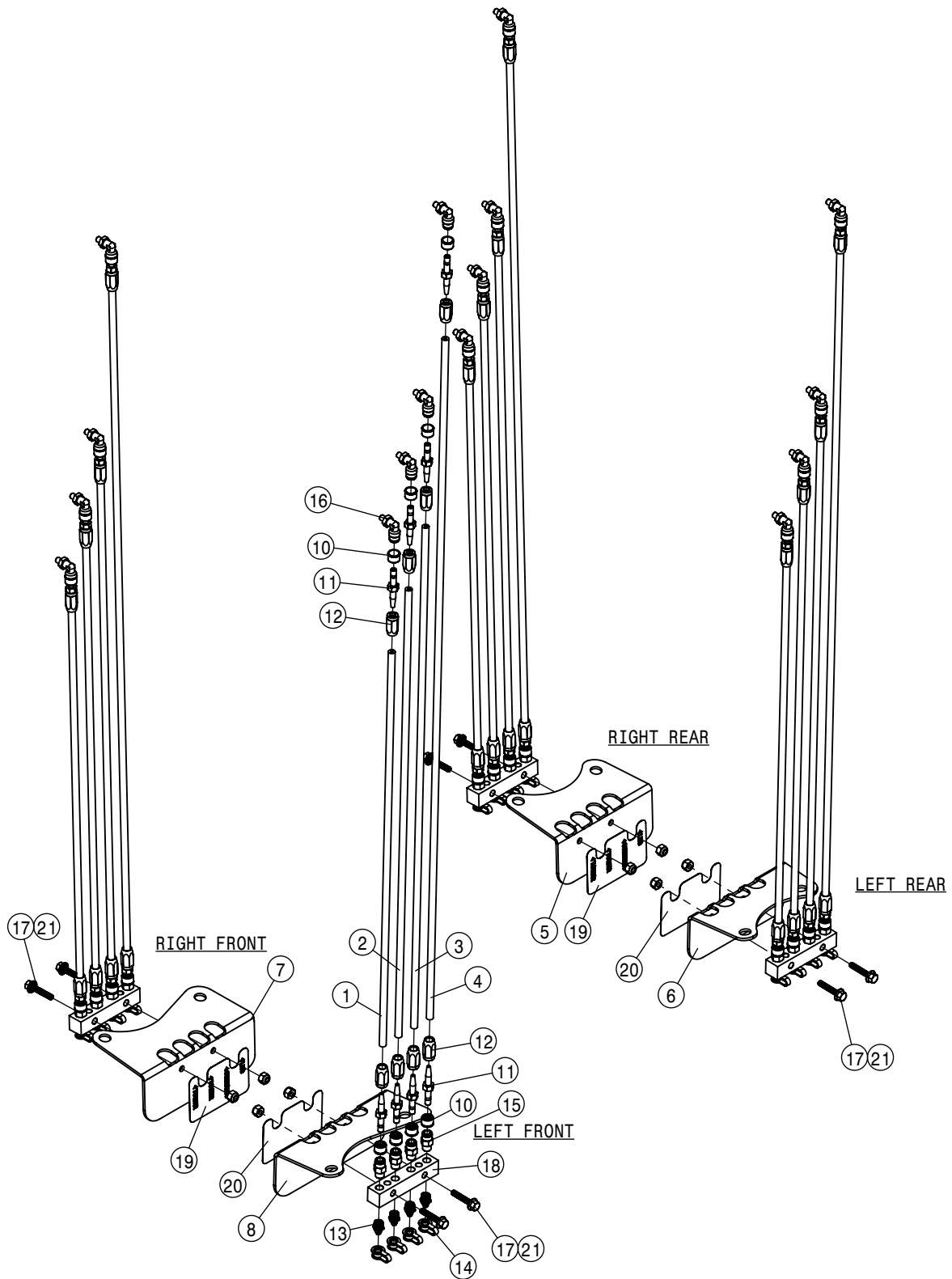


691481-REPLACEMENT SCREEN 80 MESH

MODULAR INJECTION TANK ASSEMBLY (2-TANKS)			
DET	QTY	P/N	DESCRIPTION
1	2	197008-032	HOSE 1/2 1-FBR BR BLK EPDM
2	1	197112-004	HOSE 3/4 1-FBR BR BLK EPDM
3	2	197112-014	HOSE 3/4 1-FBR BR BLK EPDM
4	1	197112-045	HOSE 3/4 1-FBR BR BLK EPDM
5	1	197112-047	HOSE 3/4 1-FBR BR BLK EPDM
6	1	197112-051	HOSE 3/4 1-FBR BR BLK EPDM
7	1	197112-055	HOSE 3/4 1-FBR BR BLK EPDM
8	2	197112-076	HOSE 3/4 1-FBR BR BLK EPDM
9	1	291792	TERM BLOCK, BLACK, 3/8-16 SINGLE
10	1	291936	TERM BLOCK, RED, 3/8-16 SINGLE
NS	1	294106	HAGIE MODULAR INJ BATT CBL
12	1	362564	PLATFORM SUPP WLD
13	7	470113	5/16-18UNC HEX FLG NUT SER MC GR5
14	4	470121	1/4-20UNC HEX FLG NUT SER MC GR5
15	4	470122	1/4UNC X 1/2 HHSFB GR5 MC
16	1	470233	5/16UNC X 3/4 HHSFB GR5 MC
17	8	470325	7/16-14UNC HEX FLG NUT SER MC GR5
18	2	500047	1/2NPT-90-1/2 HOSE BARB, POLY
19	1	500054	3/4NPT-90-3/4 HOSE BARB, POLY
20	1	500073	3/4 HOSE BARB TEE, POLY
21	2	500131	1/2"NPT TANK FLANGE POLY

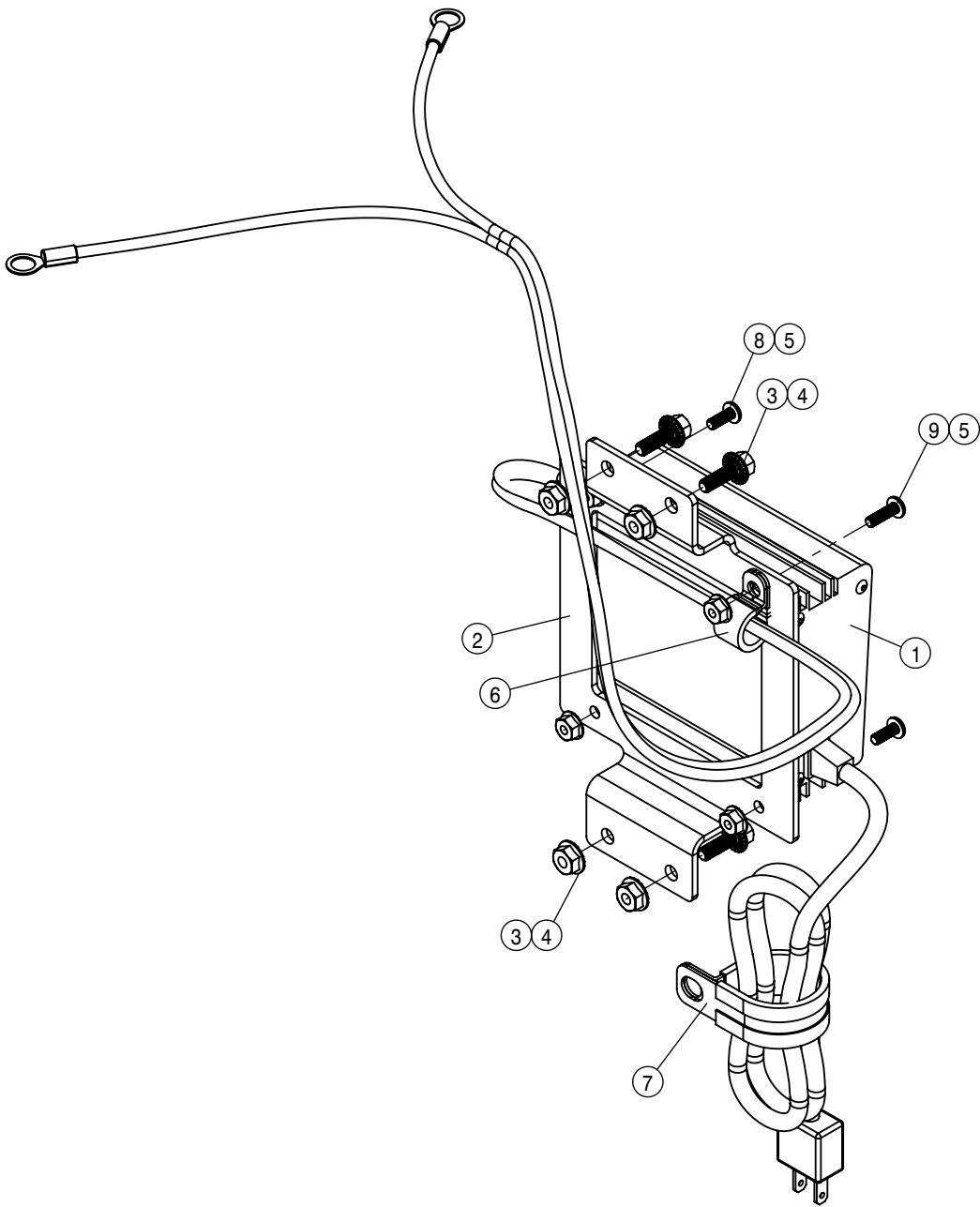
MODULAR INJECTION TANK ASSEMBLY (2-TANKS)			
DET	QTY	P/N	DESCRIPTION
22	4	500157	1" FLANGE GASKET EPDM
23	4	500159	1" FLANGE CLAMP S.S.
24	2	500178	1" FLG TANK FTG, BOTDRN BLT POLY
25	4	500305	T4 - T3 FEMALE REDUCER
26	8	500308	O-RING, -216 EPDM
27	8	500310	FORK D3 DIST 34.2
28	20	500311	FORK D3 DIST 29
29	8	500327	T3 TO 20MM HB 90
30	2	500341	T4 NIPPLE
31	2	500342	STRAINER T3M 80 MESH
32	2	500348	T3 FEMALE COUPLER
33	4	500349	T3 FEMALE - .75 HB
34	2	500356	T4 FEMALE 90
35	4	500357	1" FLANGE - T4M ADAPTER
36	5	520070	HOSE CLAMP NO 8 STAINLESS
37	16	520080	HOSE CLAMP NO 10 STAINLESS
38	1	650515	DECAL, INST MODULR CHEM INJECT
NS	1	693367	AG LDR MULTI PRODUCT UNLOCK
NS	1	693392	RVN INJ CAN/LOGIC EXT 18'
41	2	693879	HAGIE SIDEKICK PRO HW/SW
NS	1	693955	AG LDR ISO INJ INST INSTRUCT

MODULAR INJECTION TANK ASSEMBLY (2-TANKS)			
DET	QTY	P/N	DESCRIPTION
NS	1	693956	AG LDR CBL ISO EXTEND 16'
NS	1	693957	AG LDR CBL ISO PUMP ADAPTOR
NS	1	693981	CABLE-POWER, MULTI MODULE, 3'
46	2	693998	RVN SPRO ISO PMP, 5-200, HW/SW
NS	1	694174	RAVEN CBL INJ NO AGIT
48	4	696013	3 WAY T3 INTERRUPTED FLOW VLV
49	2	696014	T3 2 WAY BALL VLV
50	2	701791	INJ VLV BRKT
51	2	701792	INJECTION STAND WLD
52	4	701793	MODULAR INJ BACKING PLT
53	2	701795	VLV MNT BRKT
54	1	701796	INSTRUCTION DECAL MT BRKT
55	2	763745	MODULAR INJ TANK W HOLES
56	8	900512	7/16UNC X 1 1/2 HHSFB GR5 MC
57	4	903812	6-32 X 1/2 PHIL PAN MACH SCR
58	6	903888	10-24 X 3/4 PHIL PAN MACH SCR
59	2	910004	3/8-16UNC HEX NUT MC GR5
60	3	910022	#6-32UNC HEX NUT MC GR5
61	6	910026	#10-24UNC HEX NUT MC GR5
62	6	920510	HLOCK WASHER #10 MC

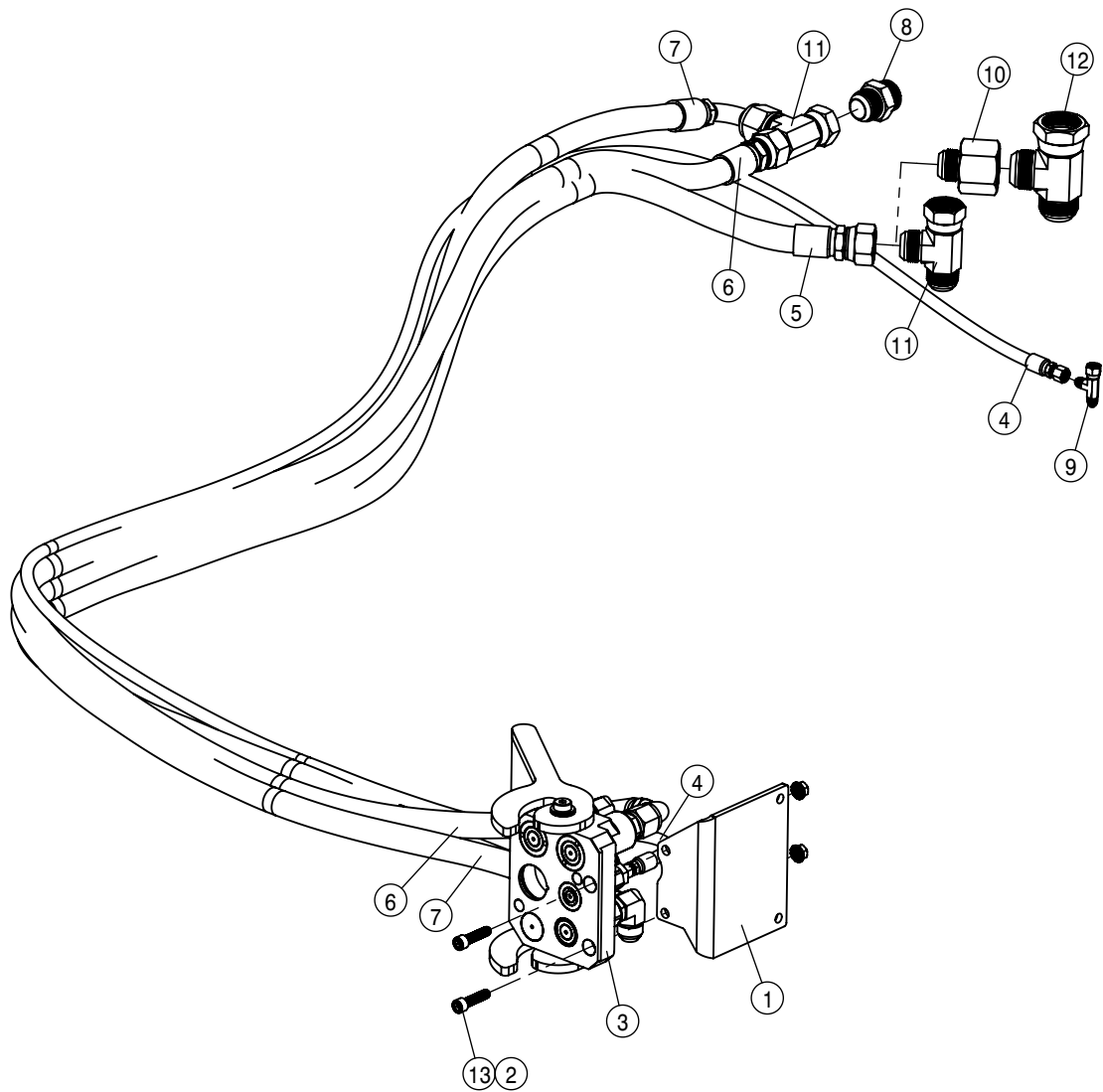


REMOTE GREASE BANK ASSEMBLY			
DET	QTY	P/N	DESCRIPTION
1	4	195979-022	1/8ID-5/16OD 4000 PSI HOSE
2	4	195979-025	1/8ID-5/16OD 4000 PSI HOSE
3	4	195979-028	1/8ID-5/16OD 4000 PSI HOSE
4	4	195979-038	1/8ID-5/16OD 4000 PSI HOSE
5	1	360424	2017 GREASE ZERK RHR BRKT
6	1	360425	2017 GREASE ZERK LHR BRKT
7	1	360902	2017 GREASE ZERK RHF BRKT
8	1	360903	2017 GREASE ZERK LHF BRKT
NS	16	470154	CABLE TIE, 11.00" BLK NYLON
10	32	470735	PROTECTIVE RUBBER BOOT
11	32	470736	SHORT FIELD INSTALL

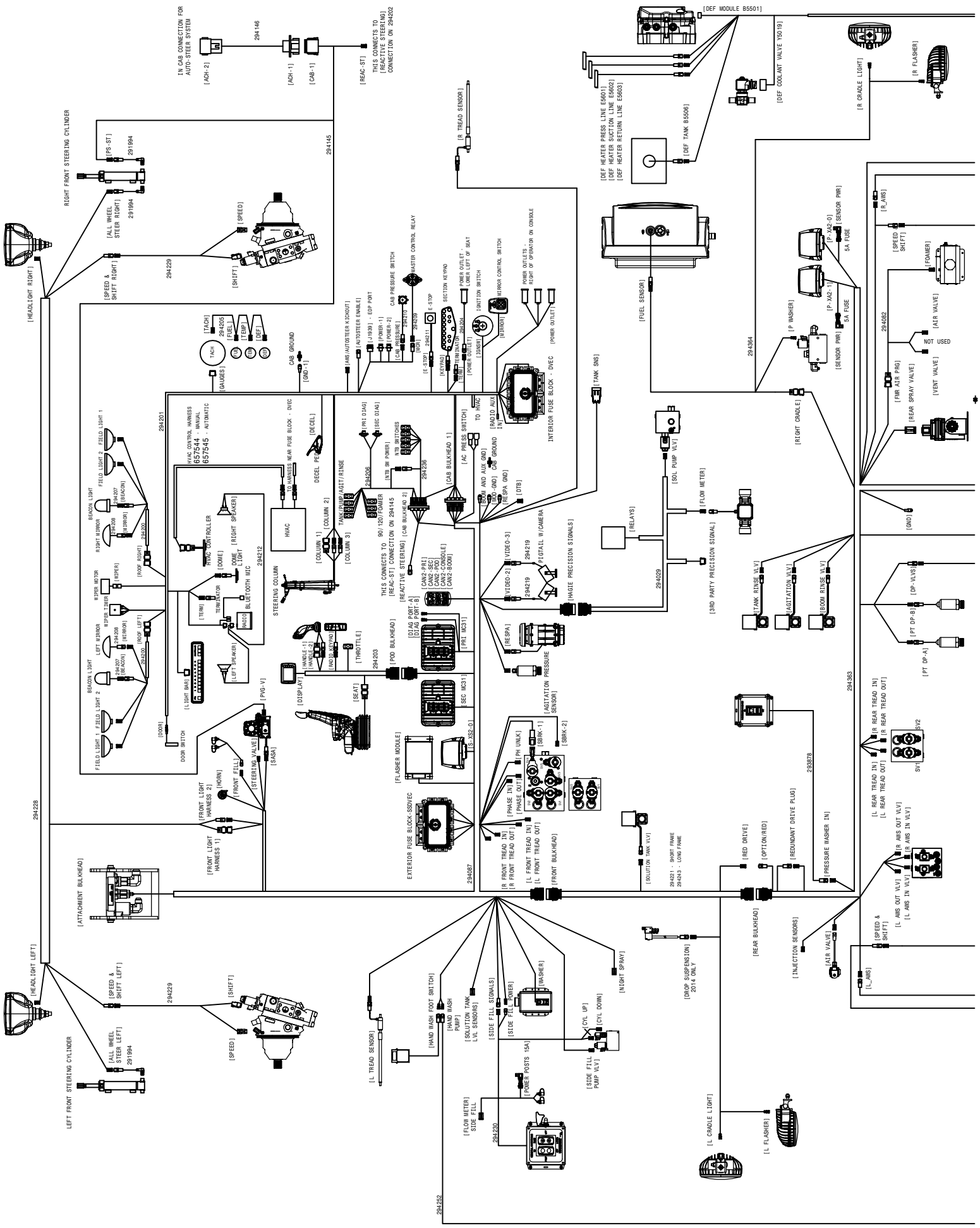
REMOTE GREASE BANK ASSEMBLY			
DET	QTY	P/N	DESCRIPTION
12	32	470737	FIELD INSTALL NUT
13	16	470738	LEAKLESS ZERK (1/8" - 27 PTF)
14	16	470740	PROTECTIVE ZERK CAP
15	16	470741	STR PUSH CON 1/4 X 1/8 NPT
16	16	470744	90 SWIVEL PUSH CON 1/4 - 28
17	8	473836	1/4UNC X 1 1/4 HHSFB SS FT
18	4	606474	MANIFOLD
19	2	650506	2017 GREASE ZERK RH DECAL
20	2	650507	2017 GREASE ZERK LH DECAL
21	8	910118	1/4-20UNC NYLOCK NUT SS

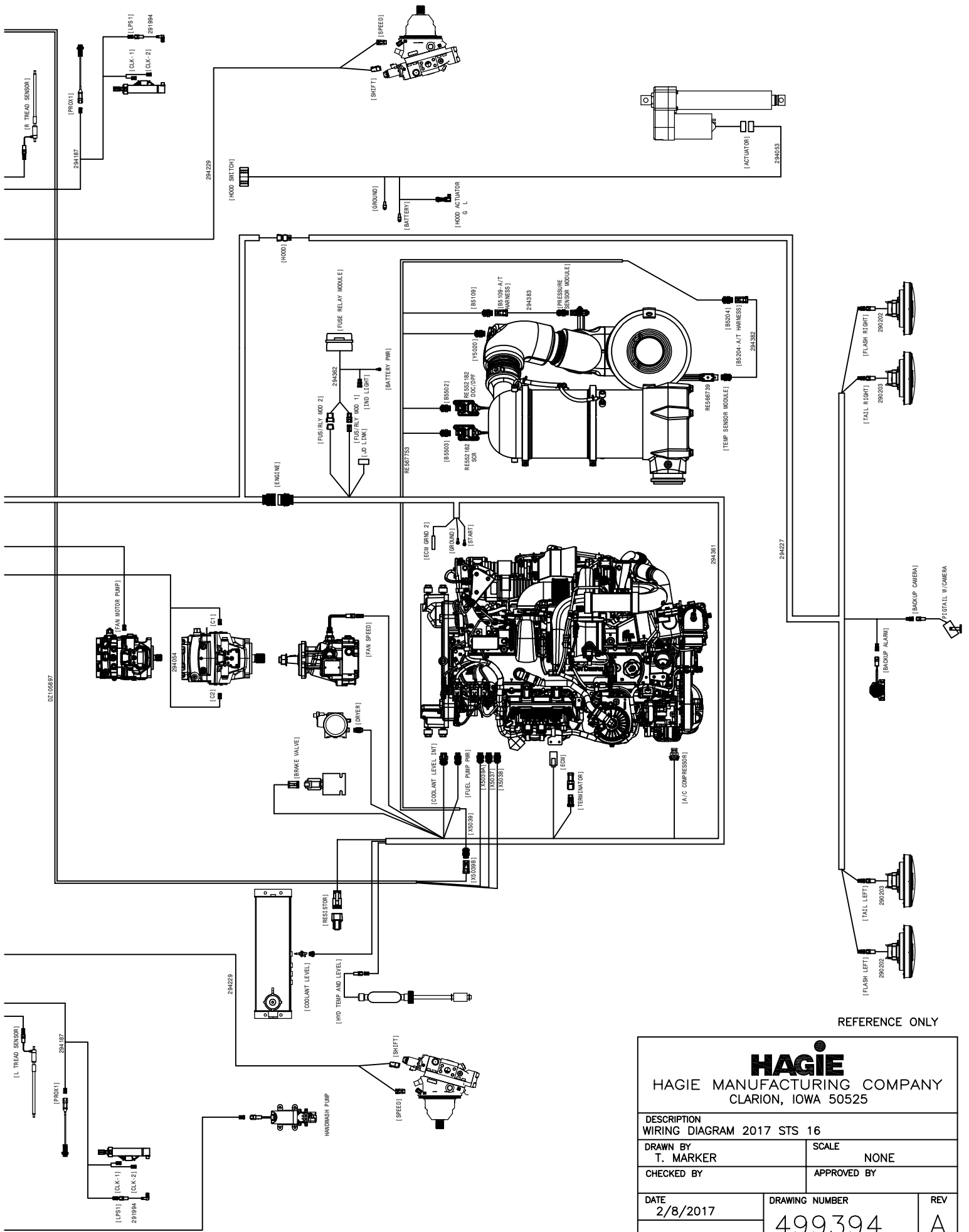


BATTERY TENDER OPTION			
DET	QTY	P/N	DESCRIPTION
1	1	292722	BATTERY TENDER, STS' 17
2	1	317806	BATTERY TENDER MT BRKT
3	4	470118	1/4UNC X 3/4 HHSFB GR5 MC
4	4	470121	1/4-20UNC HEX FLG NUT SER MC GR5
5	4	470175	#10-32UNF HEX FLG NUT SER MC GR5
6	1	520125	CUSH HOSE CLAMP,#5, 5/16D X 1/2W
7	1	520160	CUSH CLAMP,#24 1 1/2D-3/4WLOOP
8	3	903706	#10-32 UNF X 1/2 PHMS PH BZ
9	1	903710	#10-32 UNF X 5/8 PHMS PH BZ



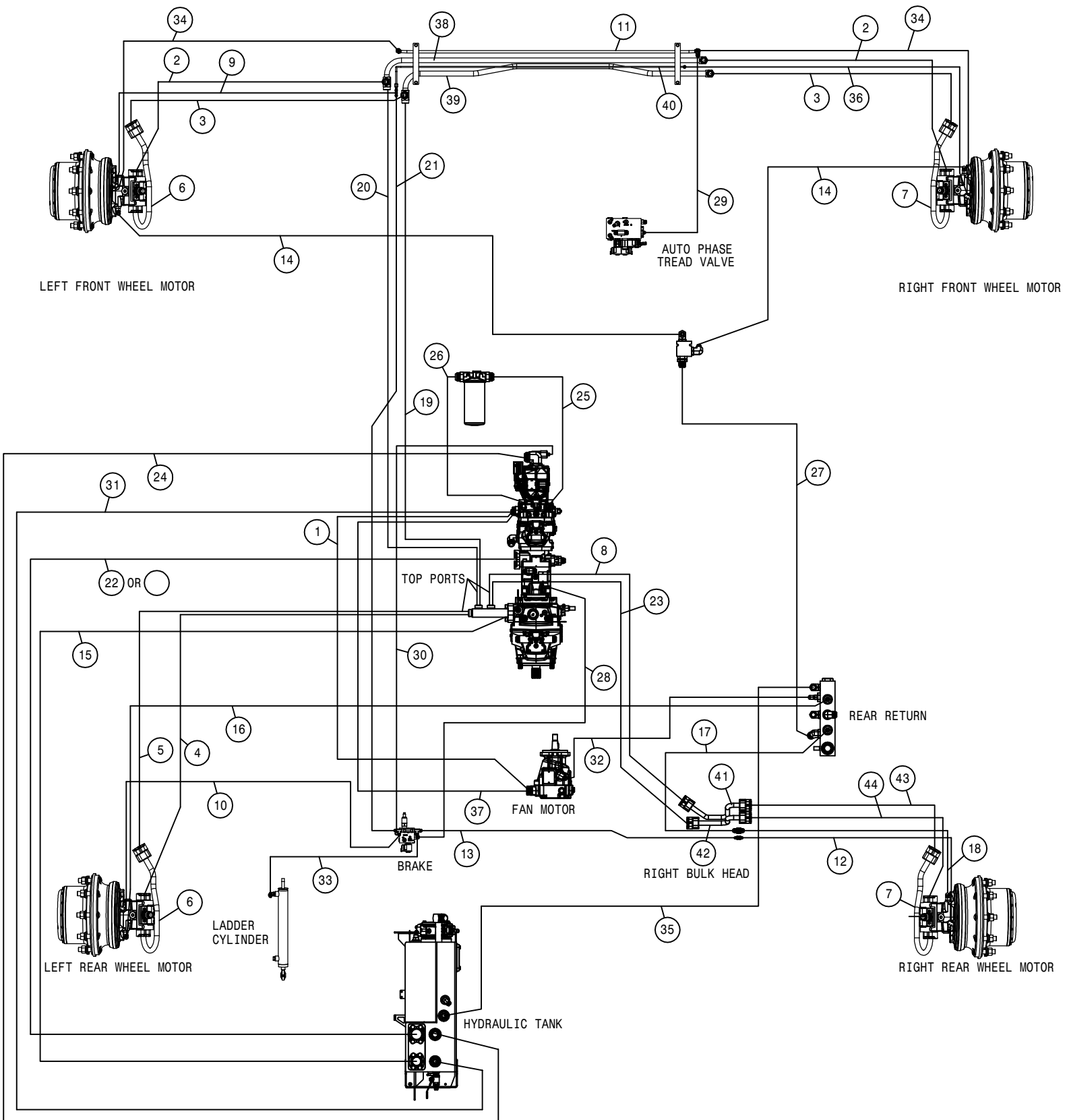
LOAD SENSE CONNECT KIT			
DET	QTY	P/N	DESCRIPTION
1	1	362179	MULTI-COUPLER BRKT CDS
2	2	470087	3/8UNC HEX SERR FLANGE NUT
3	1	607112	FIX HALF COUPLER ASSY
4	1	617207	04-451TC-04FJX-04FJX-105 H/A
5	1	617368	12-451TC-10FJX45-16FJX-90
6	1	617369	12-451TC-16FJX-12FJX90-88 H/A
7	1	617461	12-451TC-12FJX-16FJX90-89
8	1	618186	1 5/16MJIC-1 5/16MOR ADPTR
9	1	618485	7/16FJIC SW RUN TEE-7/16MJIC
10	1	618547	1 5/8FJIC-1 5/16MJIC ADPTR
11	2	618619	1 5/16FJ SW RUN TEE-1 5/16MJ
12	1	618726	1 5/8FJ SW RUN TEE-1 5/8MJ
13	2	900174	3/8UNC x 1 1/2" SOC HD CAP SCR





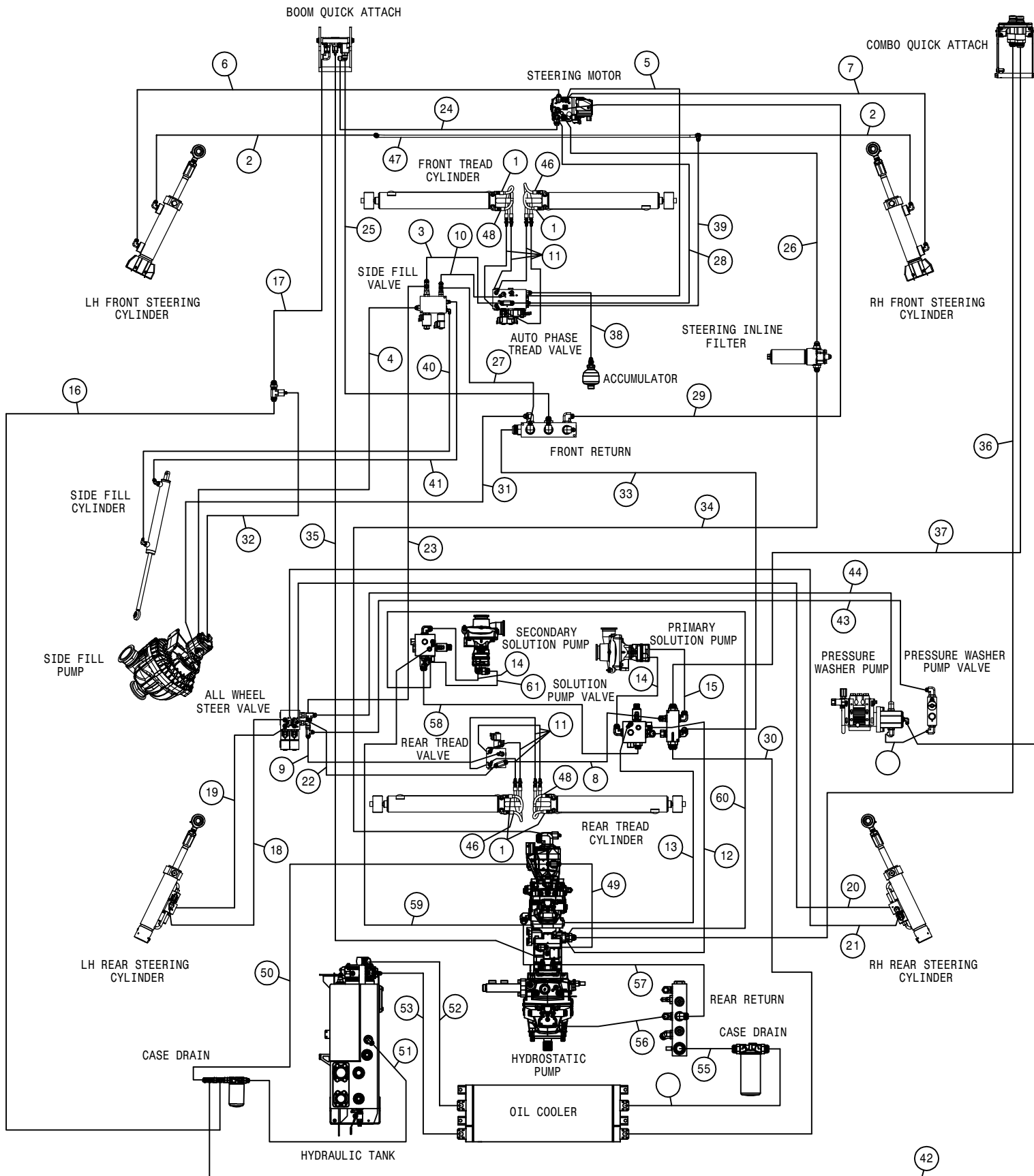
REFERENCE ONLY

 HAGIE HAGIE MANUFACTURING COMPANY CLARION, IOWA 50525		
DESCRIPTION WIRING DIAGRAM 2017 STS 16		
DRAWN BY T. MARKER		SCALE NONE
CHECKED BY		APPROVED BY
DATE 2/8/2017	DRAWING NUMBER 499394	REV A
SHEET 1 OF 1		



STS 16 HYDRAULIC DIAGRAM 2017
REFERENCE DRAWING NO. 499395s1_RevA

DET.	QTY	PART NO.	DESCRIPTION	DET.	QTY	PART NO.	DESCRIPTION
1	1	617521	12-797TC-12FFOX-12FFOX90-72H/A	24	1	617517	24-811-24FJX-24FJX45-50 H/A
2	2	617462	16-797TC-16FFOX-16C62F-126 H/A	25	1	617529	08-451TC-10FJX-10FJX90-31 H/A
3	2	617463	16-797TC-16FFOX-16C62F90-112 H	26	1	617530	08-451TC-08FJX-08FJX45-31 H/A
4	1	617464	16-797TC-16FFOX-16C62F-134 H/A	27	1	617543	16-811-16FJX-16FJX45-153 H/A
5	1	617465	16-797TC-16FFOX-16C62FX90-116H	28	1	604158	06-451TC-08FJX-06FJX90-29 H/A
6	2	617456	LFT DRV TUBE 1.00" X 0.120" WT	29	1	617388	04-451TC-04FJX-06FJX90-72 H/A
7	2	617457	RGT DRV TUBE 1.00" X 0.120" WT	30	1	617549	04-451TC-04FJX-06FJX45-90 H/A
8	1	617545	16-797TC-16C62-16FFOX90-20 H/A	31	1	617516	16-811-16FJX-16FJX45-39 H/A
9	1	617483	04-451TC-04FJX-04FJX45-149 H/A	32	1	617536	06-451TC-08FJX-08FJX45-68 H/A
10	1	617488	04-451TC-06FJX-04FJX45-155 H/A	33	1	617534	06-451TC-06FJX-06FJX90-31 H/A
11	1	615915	HYD TUBE ASSY, 3/8" OD 6-MJIC	34	2	617208	04-451TC-06FJX-04FJX45-133 H/A
12	1	617486	04-451TC-04FJX-04FJX45-155 H/A	35	1	617548	16-811-16FJX-16FJX45-47 H/A
13	1	614157	04-482TC-06FJX-06FJX-101 H/A	36	1	617484	04-451TC-04FJX-04FJX45-145 H/A
14	2	617539	10-451TC-10FJX-10FJX90-219 H/A	37	1	617520	12-797TC-16FFOX-12FFOX90-72H/A
15	1	617515	24-811-24FJX-32C61FX45-17.5H/A	38	1	615914	TUBE ASSY, 1" OD 16-ORFS
16	1	617542	10-451TC-10FJX-10FJX90-176 H/A	39	1	615913	TUBE ASSY, 1" OD 16-ORFS
17	1	617554	10-451TC-10FJX-10FJX90-24 H/A	40	1	615916	TUBE ASSY, 1/4" OD FJIC
18	1	617547	10-451TC-10FJX-10FJX90-152 H/A	41	1	617540	DRV TUBE JUMPER 1.00"X0.120"WT
19	1	617081	16-797TC-16FFOX-16FFOX45-213H/	42	1	617544	DRV TUBE JUMPER 1.00"X0.120"WT
20	1	617082	16-797TC-16FFOX-16FFOX45-217H/	43	1	617541	16-797TC-16FFO-16C62X90-110H/A
21	1	604156	04-451TC-04FJX-06FJX45-220 H/A	44	1	617558	16-797TC-16C62FX-16C62FX-133 H
22	1	617519	32-811-32C61F-40C61F45-29 H/A	45	1	617518	40-7219-40C61FX45-40C61FX45-27
23	1	617546	16-797TC-16C62-16FFOX90-19 H/A				



STS 16 HYDRAULIC DIAGRAM 2017
REFERENCE DRAWING NO. 499395s2_RevA

DET.	QTY	PART NO.	DESCRIPTION	DET.	QTY	PART NO.	DESCRIPTION		
1	4	617493	04-451TC-04MJBH-04FJX-18	H/A	32	1	617109	06-451TC-06FJX-06FJX90-133	H/A
2	2	617478	08-451TC-08FJX-08FJX-80	H/A	33	1	617559	16-811-16FJX-16FJX90-175	H/A
3	1	619138	10-451TC-10FJX-10FJX90-190	H/A	34	1	617560	12-451TC-12FJX-12FJX-191	H/A
4	1	617480	08-451TC-08FJX-08FJX90-127	H/A	35	1	617112	04-451TC-04FJX-04FJX45-239	H/A
5	1	616599	06-451TC-06FJX-08FJX90-62	H/A	36	1	617572	16-451TC-16FJX-16FJX-218	H/A
6	1	617480	08-451TC-08FJX-08FJX90-127	H/A	37	1	617563	20-811-20FJX-20FJX45-198	H/A
7	1	617479	08-451TC-08FJX-08FJX-119	H/A	38	1	616323	06-451TC-08FJX-08FJX90-56	H/A
8	1	617562	10-451TC-10FJX-10FJX-30	H/A	39	1	617210	04-451TC-04FJX-08FJX-78	H/A
9	1	617098	06-451TC-06FJX-08FJX90-13	H/A	40	1	617389	04-451TC-06FJX-04FJX-111	H/A
10	1	617099	06-451TC-06FJX-08FJX-18	H/A	41	1	617390	04-451TC-06FJX-06FJX90-100	H/A
11	8	617100	04-451TC-04FJX-04FJX-24	H/A	42	1	617446	06-451TC-06FJX-06FJX-84	H/A
12	1	617571	12-451TC-12FJX-12FJX90-23	H/A	43	1	617447	08-451TC-08FJX-08FJX-95	H/A
13	1	617308	04-451TC-06FJX-04FJX90-26	H/A	44	1	617448	10-451TC-10FJX-10FJX-89	H/A
14	2	617103	12-451TC-12FJX-12FJX90-22	H/A	45	1	617450	06-451TC-06FJX-06FJX-9	H/A
15	1	617557	16-811-16FJX-16FJX90-23	H/A	46	1	617494	04-451TC-04MJBH-06FJX-15	H/A
16	1	617556	12-451TC-12FJX-12FJX-125	H/A	47	1	615917	TUBE ASSY, 1/2" OD 8-FJIC	
17	1	617111	12-451TC-12FJX-12FJX-93	H/A	48	1	617511	04-451TC-04MJBH-06FJX-17	H/A
18	1	617496	06-451TC-08FJX-06FJX45-108	H/A	49	1	617551	10-451TC-10FJX-10FJX-30	H/A
19	1	617495	06-451TC-06FJX-06FJX-104	H/A	50	1	617552	12-451TC-10FJX-12FJX-23	H/A
20	1	617498	06-451TC-06FJX-08FJX-139	H/A	51	1	617553	12-451TC-12FJX-12FJX45-36	H/A
21	1	617497	06-451TC-06FJX-06FJX90-143	H/A	52	1	617522	24-811-24C61F45-24FC61F45-16	H
22	1	617119	10-451TC-10FJX-10FJX-18	H/A	53	1	617523	24-811-24C61F45-24C61F45-27H/A	
23	1	617135	08-451TC-08FJX-10FJX90-141	H/A	54	1	617527	24-811-24C61F-24FJX45-42	H/A
24	1	617129	10-451TC-10FJX-12FJX90-55	H/A	55	1	617525	24-811-24FJX-24FJX90-17	H/A
25	1	617130	12-451TC-12FJX-12FJX90-78	H/A	56	1	617526	16-811-16FJX-16FJX45-20	H/A
26	1	617131	12-451TC-12FJX-12FJX-44	H/A	57	1	617524	16-811-16FJX-16FJX90-19.5	H/A
27	1	617134	08-451TC-08FJX-08FJX-22	H/A	58	1	617568	16-811-16FJX-16FJX90-55	H/A
28	1	617136	10-451TC-10FJX-12FJX-53	H/A	59	1	617569	04-451TC-06FJX-04FJX90-45	H/A
29	1	617137	10-451TC-10FJX-10FJX-79	H/A	60	1	617570	12-451TC-12FJX-12FJX90-52	H/A
30	1	617555	24-811-24C61F-24FJX45-54	H/A	61	1	617104	16-811-16FJX-16FJX90-26	H/A
31	1	617107	10-451TC-10FJX-10FJX-132	H/A					

ABBREVIATIONS

A/C - AIR CONDITIONER	MT - MOUNT
ADPTR - ADAPTER	MTR - MOTOR
AGI - AGITATOR	P/N - PART NUMBER
ALT - ALTERNATOR	PLT - PLATE
ASSY - ASSEMBLY	QTY - QUANTITY
BRKT - BRACKET	RED - REDUCER
DET - DETAIL	REF - REFERENCE
DISPL - DISPLACEMENT	REST - RESTRICTOR
EL - ELBOW	REQ - REQUIRED
EXT - EXTENSION	SHFT - SHAFT
FLO - FLOW	SOL - SOLUTION
FNPT - FEMALE NATIONAL PIPE THREAD	STRG - STEERING
FOR - FEMALE O-RING	ST - STREET
FRT - FRONT	SV - STANDARD VOLUME
HV - HI-VOLUME	SWIV - SWIVEL
HYD - HYDRAULIC	UNC - UNIFIED NATIONAL COURSE
HYDRO - HYDROSTATIC	UNF - UNIFIED NATIONAL FINE
LG - LONG	V - VOLT
LWR - LOWER	W/ - WITH
MJIC - MALE J.I.C.	WHL - WHEEL
MOR - MALE O-RING	WLD - WELDMENT

-A-

ABBREVIATIONS.....150
 AIR BAG.....53,54
 AIR CLEANER.....6
 AIR CONDITIONER
 BLOWER.....73,74
 DRIER.....12
 HOSE.....12
 TUBES.....12
 AIR COOLER, CHARGE.....7
 AIR DRIER.....57
 AIR FILTER, CAB.....73,74
 AIR GOVERNOR.....56
 AIR LINES.....55,56,57,58
 AIR TANK.....55
 AIR VALVE.....53,54
 AGITATION.....93
 ANTENNA.....69
 ARMREST.....75,76
 AUTO-PHASING HYD VALVE.....35

-B-

BACKUP ALARM.....85
 BATTERY.....9
 CABLE.....9
 STAND.....9
 SWITCH.....10
 TENDER.....142
 BEACON.....64
 BELLY SHIELD.....83
 BLOWER, A/C.....73,74
 BOOM CRADLE.....122,123,124,125
 BRAKE VALVE.....32
 BREATHER.....25
 BULKHEAD.....31,82
 BUSBAR.....10

-C-

CAB.....64
 ELECTRICAL.....68
 MOUNTS.....64
 CAMERA.....86,87
 CIRCUIT BREAKER.....10
 CLAMP, TUBE.....12
 COMBO CONTROL BOX.....79
 CONDENSOR, A/C.....13
 CONSOLE.....71
 REAR.....70
 CONTROL VALVE, SOLUTION.....28
 COOLER.....70
 CHARGE AIR.....7
 OIL.....7

CRADLE,
 BOOM.....122,123,124,125
 FUEL TANK.....40
 CYLINDER,
 LADDER.....33
 SIDEFILL.....79
 STEERING.....47,48,49,50
 TREAD ADJUST.....60,61

-D-

DIAGRAM,
 ELECTRICAL.....144
 HYDRAULIC.....146
 DOOR.....66
 DUAL PRODUCT.....109

-E-

ELECTRICAL VALVE.....96,97,112,113
 ELECTRICAL, CAB.....70
 ELECTRICAL, CHASSIS.....11
 ENGINE.....4
 FRAME.....5
 HOOD.....85
 SKID.....5
 EXHAUST
 PIPE.....5
 SUPPORT.....5

-F-

FAN SHROUD.....7
 FENDERS.....121
 FILTERS,
 AIR DRIER.....57
 FUEL.....42
 OIL.....4,25,30
 FIRE EXTINGUISHER.....123,125
 FLASHER.....122,123
 FLOORMAT.....70
 FLOWMETER.....95,117,118
 FOAMER.....120
 FRONT FILL.....98,116
 FUEL SENSOR.....40
 FUEL TANK.....40
 FUSE.....10

-G-

GAUGE.....70
 SIGHT.....92,111
 GLASS.....64,66
 GREASE BANK, REMOTE.....141

-H-	
HANDRAIL.....	88
HANDWASH.....	119
HEAD LINER.....	69
HOOD, ENGINE.....	85
HOSE GUARD.....	16,17
HOSE SLEEVE.....	14,15
HOSING, HYDRAULIC.....	14,15,16,17
HUB, WHEEL.....	22,23
HYDRAULIC	
DIAGRAM.....	146
QUICK CONNNECT.....	38,39
OIL COOLER.....	7
TANK.....	25
HYDROSTATIC PUMP.....	19,20,21
-I-	
INJECTION, MODULAR.....	137
INSTRUCTINAL SEAT.....	77,78
INTAKE SCREEN.....	7
-J-	
JOYSTICK.....	75,76
-K-	
KEY PAD, DUAL PRODUCT.....	109
-L-	
LADDER.....	89,90
CYLINDER.....	33
LATCH.....	64,85
LEG.....	43,44,45,46
LEVEL SENSOR.....	25
LIGHTS.....	64,81,122,123
LINE STRAINER.....	91,95
LOAD SENSE CONNECT KIT.....	143
LS DISPLAY.....	79
-M-	
MANIFOLD, RETURN.....	26,31
MIRROR.....	64
MODULAR INJECTION.....	137
MOTOR,	
STEERING.....	29
WHEEL.....	27,23
MOUNT,	
CAB.....	64
RUBBER.....	5,7
MUFFLER.....	5

-O-	
OIL COOLER.....	7
OIL FILTER.....	4,25,26,30
-P-	
PLATFORM, SERVICE.....	88
PRESSURE WASHER.....	133
PUMP,	
HYROSTATIC.....	19,20,21
SOLUTION.....	96,114,115
-Q-	
QUICK ATTACH,	
LIFTARM.....	81
SOLUTION.....	93
QUICK CONNECT, HYDRAULIC.....	38,39
-R-	
RADIATOR.....	7
RADIO.....	69
REMOTE FILL.....	91
RETURN MANIFOLD.....	26,31
RINSE TANK.....	93
ROOF.....	64
RUBBER MOUNT.....	5,7
-S-	
SCREEN, INTAKE.....	7
SEAT.....	75,76,77,78
SENSOR	
FUEL.....	40
LEVEL.....	25
SHIELD	
BELLY.....	83
TALL CORN.....	128,129,130
WHEEL MOTOR.....	121
SHROUD, FAN.....	7
SIDE FILL.....	100,116
CYLINDER.....	100
VALVE.....	37
SIGHT GUAGE.....	92,111
SMV SIGN.....	85
SOLUTION	
PUMP.....	96,114,115
TANK.....	91,100
SPEAKER, RADIO.....	69
STARTER.....	4

STEERING

COLUMN.....	70
CYLINDER.....	48,49,50,51
MOTOR.....	29
WHEEL.....	70
STRAINER, LINE.....	91,95
SURGE TANK.....	8
SWITCH,	
BATTERY.....	9
BOX.....	101

-T-

TANK

AIR.....	55
DEF.....	41
FUEL.....	40
HYDRAULIC.....	25
RINSE.....	93
SOLUTION.....	91,110
SURGE.....	8
TIE ROD.....	51
TIRE.....	52
TOOLBOX.....	80
TREAD ADJUST.....	60,61
CYLINDER.....	60,61
TREAD VALVE.....	34,35
TUBE CLAMP.....	12

-V-

VALVE,

ALL WHEEL STEER.....	36
AUTO-PHASING HYDRAULIC.....	35
BRAKE.....	32
ELECTRIC.....	96,97
REAR NOZZLE.....	106
SIDE FILL.....	37
TREAD.....	34,35

-W-

WHEEL HUB.....	22,23
WHEEL MOTOR.....	22,23
WIPER.....	65
WIRING DIAGRAM.....	144

Notes: