



**PARTS MANUAL  
FOR  
HAGIE 90', 100', 120' & 132' BOOMS**

**HAGIE MANUFACTURING COMPANY**

721 CENTRAL AVENUE WEST  
BOX 273  
CLARION, IOWA 50525

(515) 532-2861

12-11 493542  
05-12

TABLE OF CONTENTS

LIFTARM ASSEMBLY 90/100 . . . . . 3

TRANSOM ASSEMBLY 90/100 . . . . . 4

BOOM HYDRAULIC VALVES 90/100. . . . . 5-7

BOOM ASSEMBLY 90/100. . . . . 8-18

BOOM STAND 90/100 . . . . . 19

15" DRY BOOM SPACING 90/100 . . . . . 20-26

20" DRY BOOM SPACING 90/100 . . . . . 27-33

15" WET BOOM SPACING 90/100 . . . . . 34-40

20" WET BOOM SPACING 90/100 . . . . . 41-47

BOOM FOAMER 90/100. . . . . 48-51

FLOW METER 90/100 . . . . . 52-53

SOLUTION VALVES 90/100. . . . . 54-63

SOLUTION HOISING 90/100. . . . . 64

LIFTARM ASSEMBLY 120 ALUM . . . . . 65-66

TRANSOM ASSEMBLY 120 ALUM . . . . . 67-68

BOOM HYDRAULIC VALVES 120 ALUM. . . . . 69-70

BOOM ASSEMBLY 120 ALUM. . . . . 71-74

FLOW METER ASSEMBLY 120 ALUM . . . . . 75-76

SOLUTION VALVES 120 ALUM. . . . . 77-81

NORAC BRACKETS 120 ALUM . . . . . 82-83

BOOM CRADLE 90/100/120. . . . . 84

15" WET BOOM SPACING 120 ALUM . . . . . 85-89

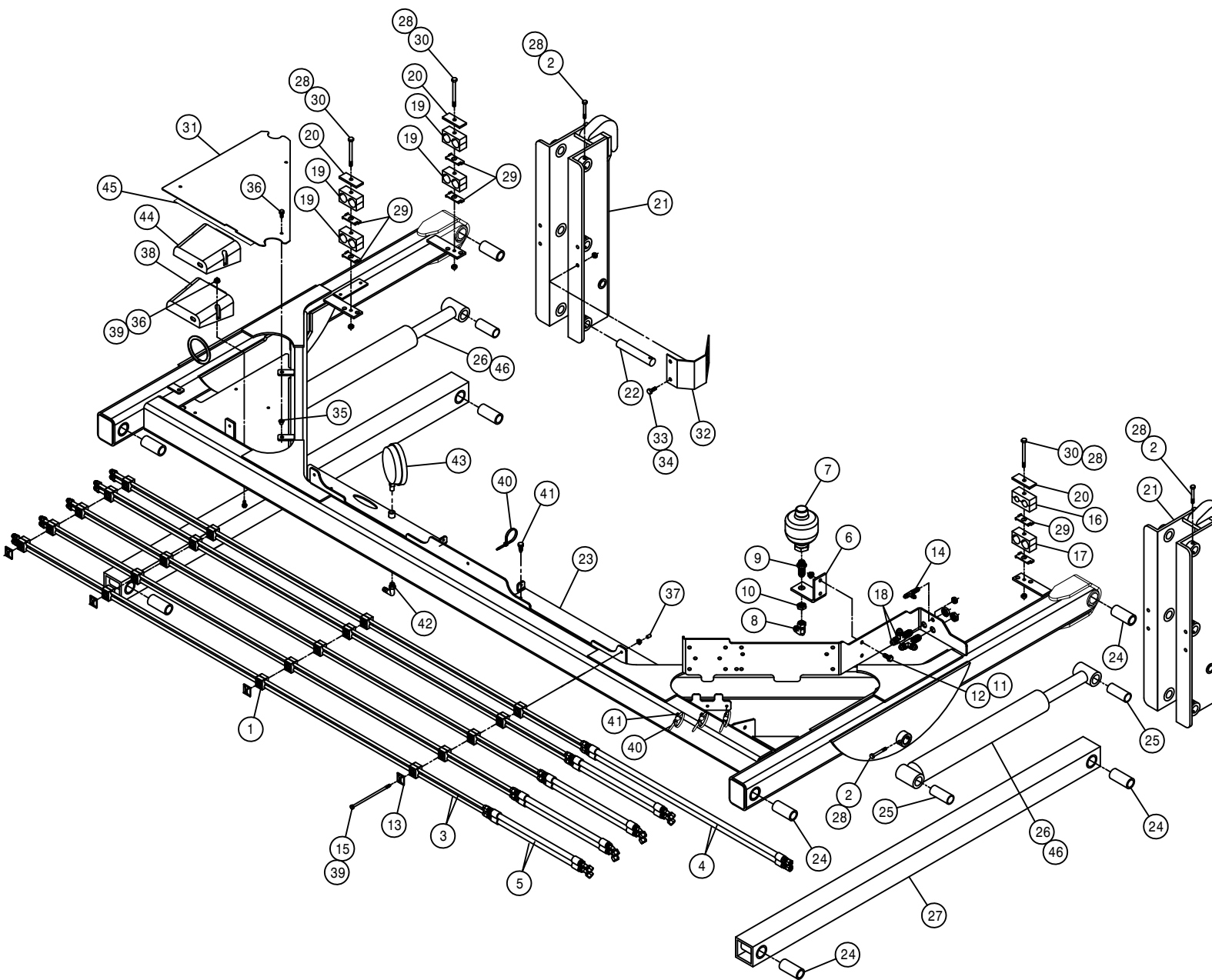
20" WET BOOM SPACING 120 ALUM . . . . . 90-94

SOLUTION HOISING 120 ALUM. . . . . 95

HYDRAULIC DIAGRAM . . . . . 96-101

ELECTRICAL DIAGRAM. . . . . 102-109

3

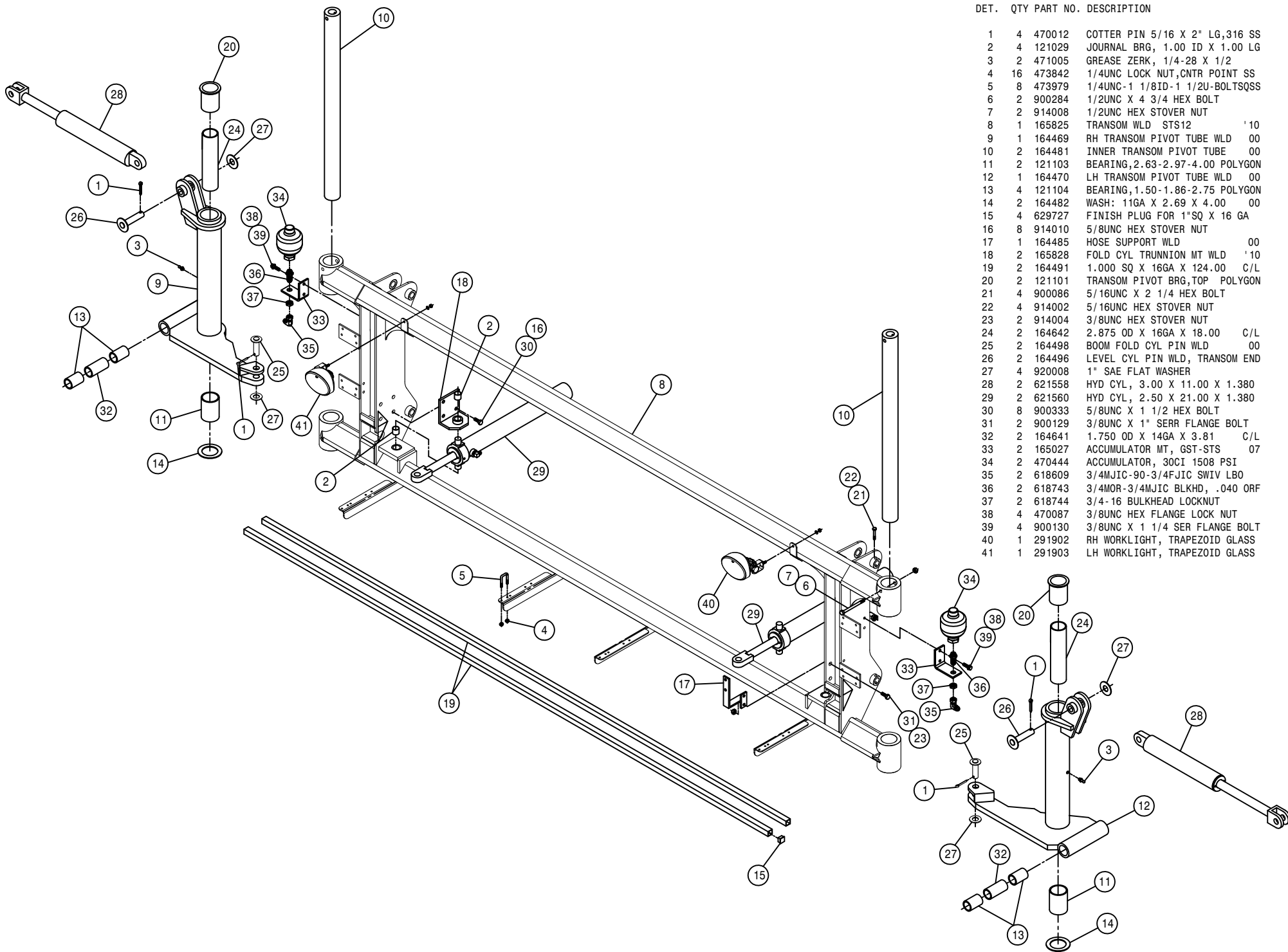


LIFTARM ASSEMBLY 90/100

DET.	QTY	PART NO.	DESCRIPTION
1	20	470473	TUBE CLAMP, HVY DTY .375-.375
2	8	900086	5/16UNC X 2 1/4 HEX BOLT
3	10	615852	LIFTARM HYD TUBE ASSY,STLS 07
4	2	616304	06-451TC-06FJX-06FJX-36 H/A
5	8	616316	06-451TC-06FJX-06FJX45-18 H/A
6	1	165027	ACCUMULATOR MT, GST-ST5 07
7	1	470444	ACCUMULATOR, 30CI 1508 PSI
8	1	618609	3/4MJIC-90-3/4FJIC SWIV LBO
9	1	618743	3/4MOR-3/4MJIC BLKHD, .040 ORF
10	1	618744	3/4-16 BULKHEAD LOCKNUT
11	2	470087	3/8UNC HEX FLANGE LOCK NUT
12	2	470460	3/8UNC X 1 SERR FLANGE BOLT
13	4	470474	COVER PLATE FOR 470473 CLAMP
14	1	618748	7/16MJIC BLKHD RUN TEE
15	4	900032	1/4UNC X 6 1/2" HEX BOLT
16	1	470270	HOSE CLAMP BODY, .530-.680
17	1	470274	TUBE CLAMP BODY,.750-.750
18	2	618749	3/4MJIC BLKHD RUN TEE
19	4	470275	TUBE CLAMP BODY,1.000-1.000
20	3	470276	CLAMP COVER PLATE,SNGL, 2.55LG
21	2	164800	QUICK ATTACH PLT WLD STS 04
22	12	164452	LIFT ARM MT PIVOT PIN,ST512 00
23	1	165021	UPPER LIFT ARM WLD, ST5LS 06
24	8	121107	BEARING,1.00-1.36-3.00 POLYGON
25	4	121109	BEARING,1.00-1.25-3.13 POLYGON
26	2	621556	HYD CYL, 2.50 X 18.00 X 1.500
27	2	164450	LWR LIFTARM WLD, STS 00
28	11	914002	5/16UNC HEX STOVER NUT
29	6	470281	STACK BOLT SAFETY LOCK PLATE
30	3	900076	5/16UNC X 4" HEX BOLT
31	1	165006	UPPER LIFTARM BUSS COVER,ST505
32	1	165742	RECEPTACLE MT,BOOMS ST5'12
33	2	900129	3/8UNC X 1" SERR FLANGE BOLT
34	2	914004	3/8UNC HEX STOVER NUT
35	3	470380	1/4-20 NUTSERT .027-.165 STL
36	7	470118	1/4UNC X 3/4 FLANGE HEX BOLT
37	4	629770	CAPPLUGS CAP,.234 X .500 VINYL
38	1	292017	IQAN-XS2 MODULE
39	8	470121	1/4UNC HEX FLANGE LOCK NUT
40	7	470154	CABLE TIE, 11.75" BLK PLASTIC
41	7	470432	PUSH MT BASE FOR PLASTIC TIE
42	1	618556	1/4NPT-90-1/2 HOSE BARB,POLY
43	1	690359	PRESSURE GA GLYCERI 100 PSI
44	1	292016	IQAN-XA2 MODULE
45	1	650393	DECAL,90' BOOM MODULES '12
46	2	621557	REPAIR KIT,HYD CYL 621556

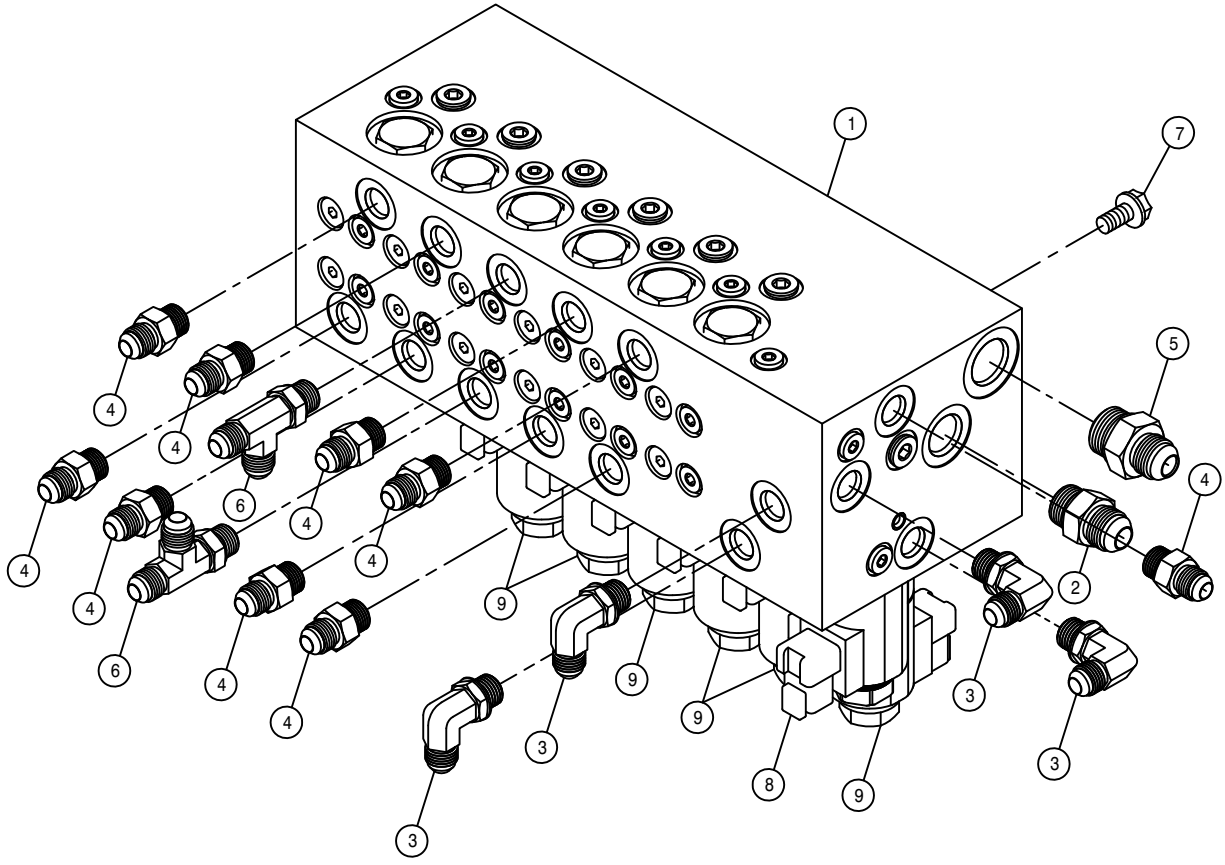
DET. QTY PART NO. DESCRIPTION

DET.	QTY	PART NO.	DESCRIPTION
1	4	470012	COTTER PIN 5/16 X 2" LG,316 SS
2	4	121029	JOURNAL BRG, 1.00 ID X 1.00 LG
3	2	471005	GREASE ZERK, 1/4-28 X 1/2
4	16	473842	1/4UNC LOCK NUT,CNTR POINT SS
5	8	473979	1/4UNC-1 1/8ID-1 1/2U-BOLTSQSS
6	2	900284	1/2UNC X 4 3/4 HEX BOLT
7	2	914008	1/2UNC HEX STOVER NUT
8	1	165825	TRANSOM WLD STS12 '10
9	1	164469	RH TRANSOM PIVOT TUBE WLD 00
10	2	164481	INNER TRANSOM PIVOT TUBE 00
11	2	121103	BEARING,2.63-2.97-4.00 POLYGON
12	1	164470	LH TRANSOM PIVOT TUBE WLD 00
13	4	121104	BEARING,1.50-1.86-2.75 POLYGON
14	2	164482	WASH: 11GA X 2.69 X 4.00 00
15	4	629727	FINISH PLUG FOR 1"SQ X 16 GA
16	8	914010	5/8UNC HEX STOVER NUT
17	1	164485	HOSE SUPPORT WLD 00
18	2	165828	FOLD CYL TRUNNION MT WLD '10
19	2	164491	1.000 SQ X 16GA X 124.00 C/L
20	2	121101	TRANSOM PIVOT BRG,TOP POLYGON
21	4	900086	5/16UNC X 2 1/4 HEX BOLT
22	4	914002	5/16UNC HEX STOVER NUT
23	2	914004	3/8UNC HEX STOVER NUT
24	2	164642	2.875 OD X 16GA X 18.00 C/L
25	2	164498	BOOM FOLD CYL PIN WLD 00
26	2	164496	LEVEL CYL PIN WLD, TRANSOM END
27	4	920008	1" SAE FLAT WASHER
28	2	621558	HYD CYL, 3.00 X 11.00 X 1.380
29	2	621560	HYD CYL, 2.50 X 21.00 X 1.380
30	8	900333	5/8UNC X 1 1/2 HEX BOLT
31	2	900129	3/8UNC X 1" SERR FLANGE BOLT
32	2	164641	1.750 OD X 14GA X 3.81 C/L
33	2	165027	ACCUMULATOR MT, GST-ST5 07
34	2	470444	ACCUMULATOR, 30CI 1508 PSI
35	2	618609	3/4MJIC-90-3/4FJIC SWIV LBO
36	2	618743	3/4MOR-3/4MJIC BLKHD, .040 ORF
37	2	618744	3/4-16 BULKHEAD LOCKNUT
38	4	470087	3/8UNC HEX FLANGE LOCK NUT
39	4	900130	3/8UNC X 1 1/4 SER FLANGE BOLT
40	1	291902	RH WORKLIGHT, TRAPEZOID GLASS
41	1	291903	LH WORKLIGHT, TRAPEZOID GLASS



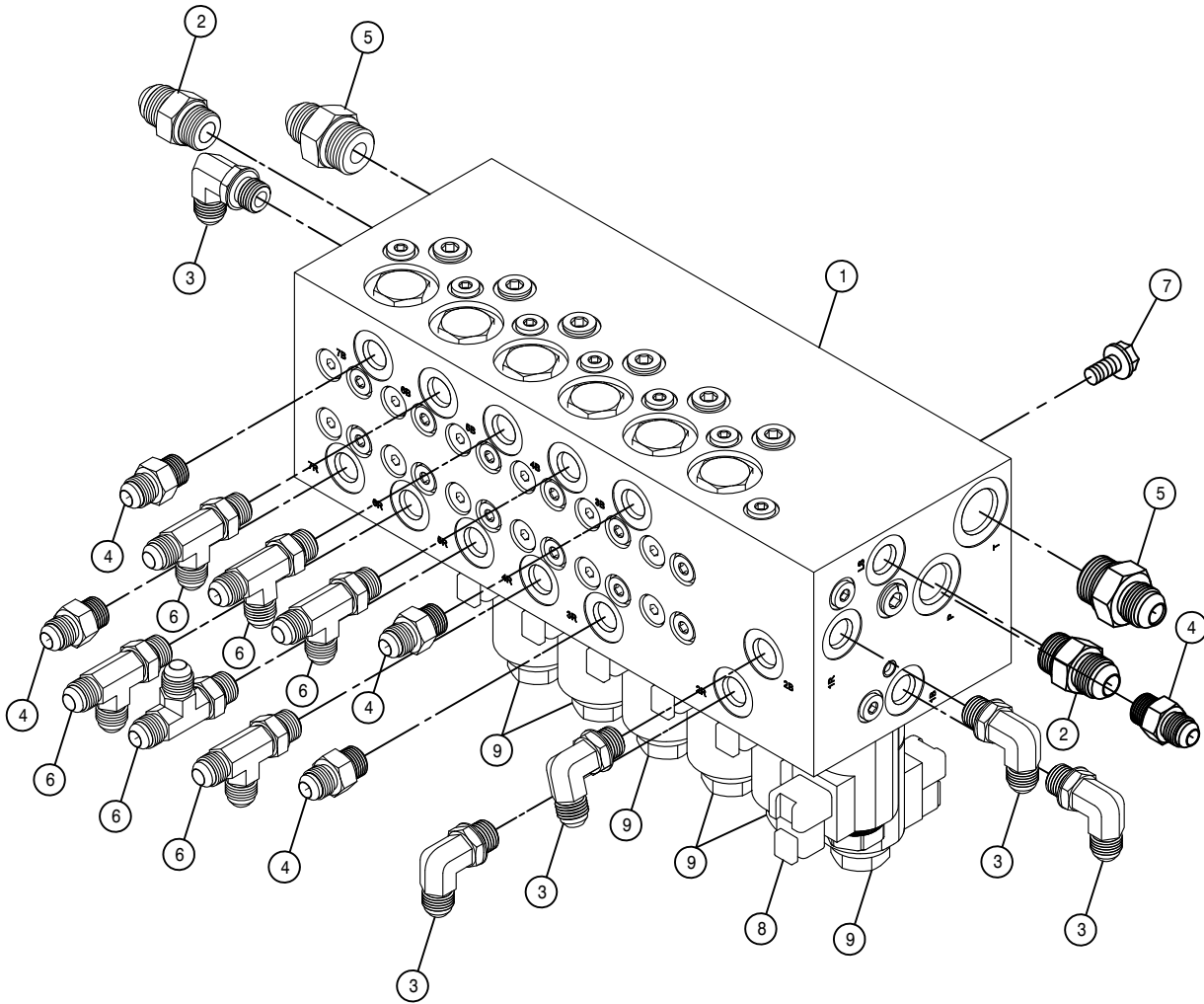
4





BOOM MANIFOLD ASSEMBLY 90/100

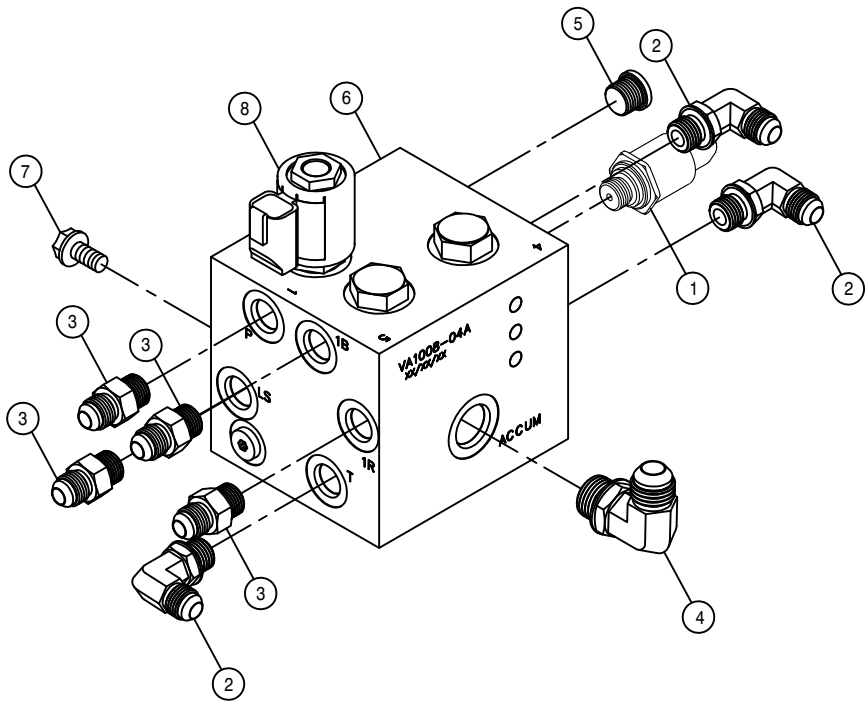
DET.	QTY	PART NO.	DESCRIPTION
1	1	606272	VALVE, LOAD SENSE BOOM SAUER
2	1	611125	3/4MJIC-3/4MOR ADPTR
3	4	618119	9/16MJIC-90-9/16MOR LBO
4	9	618126	9/16MJIC-9/16MOR ADPTR
5	1	618327	3/4MJIC-7/8MOR ADPTR
6	2	618444	9/16MOR RUN TEE-9/16MJIC
7	4	900128	3/8UNC X 3/4 HEX BOLT
8	1	606303	CARTRIDGE, SV10, FOR VLV 606272
9	6	606304	CARTRIDGE, PSV10, FOR VLV 606272



BOOM MANIFOLD ASSEMBLY 90/100, NORAC

DET. QTY PART NO. DESCRIPTION

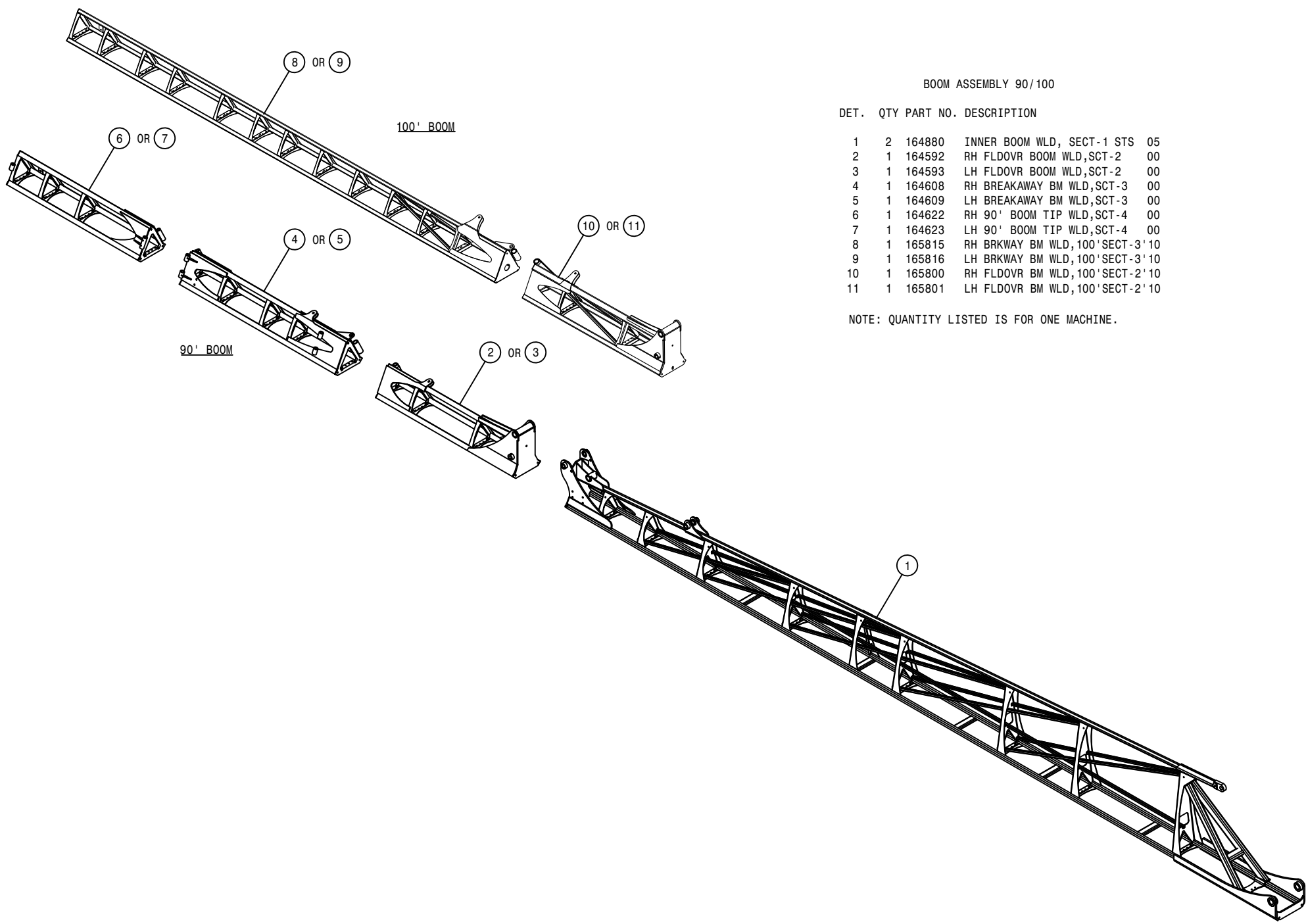
1	1	606272	VALVE, LOAD SENSE BOOM SAUER
2	2	611125	3/4MJIC-3/4MOR ADPTR
3	5	618119	9/16MJIC-90-9/16MOR LBO
4	5	618126	9/16MJIC-9/16MOR ADPTR
5	2	618327	3/4MJIC-7/8MOR ADPTR
6	6	618444	9/16MOR RUN TEE-9/16MJIC
7	4	900128	3/8UNC X 3/4 HEX BOLT
8	1	606303	CARTRIDGE, SV10, FOR VLV 606272
9	6	606304	CARTRIDGE, PSV10, FOR VLV 606272



BOOM BREAKAWAY MANIFOLD ASSEMBLY 90/100

DET. QTY PART NO. DESCRIPTION

1	1	606347	PRESSURE TRANSDUCER,7500PSI
2	3	618119	9/16MJIC-90-9/16MOR LBO
3	4	618126	9/16MJIC-9/16MOR ADPTR
4	1	618241	3/4MJIC-90-3/4MOR LBO
5	1	618754	9/16MOR PLUG, HEX SOCKET
6	1	606248	90° BREAKAWAY VLV, STS PWRSYS
7	2	900128	3/8UNC X 3/4 HEX BOLT
8	1	606266	#8 COIL W/DEUTSCH FOR 606210

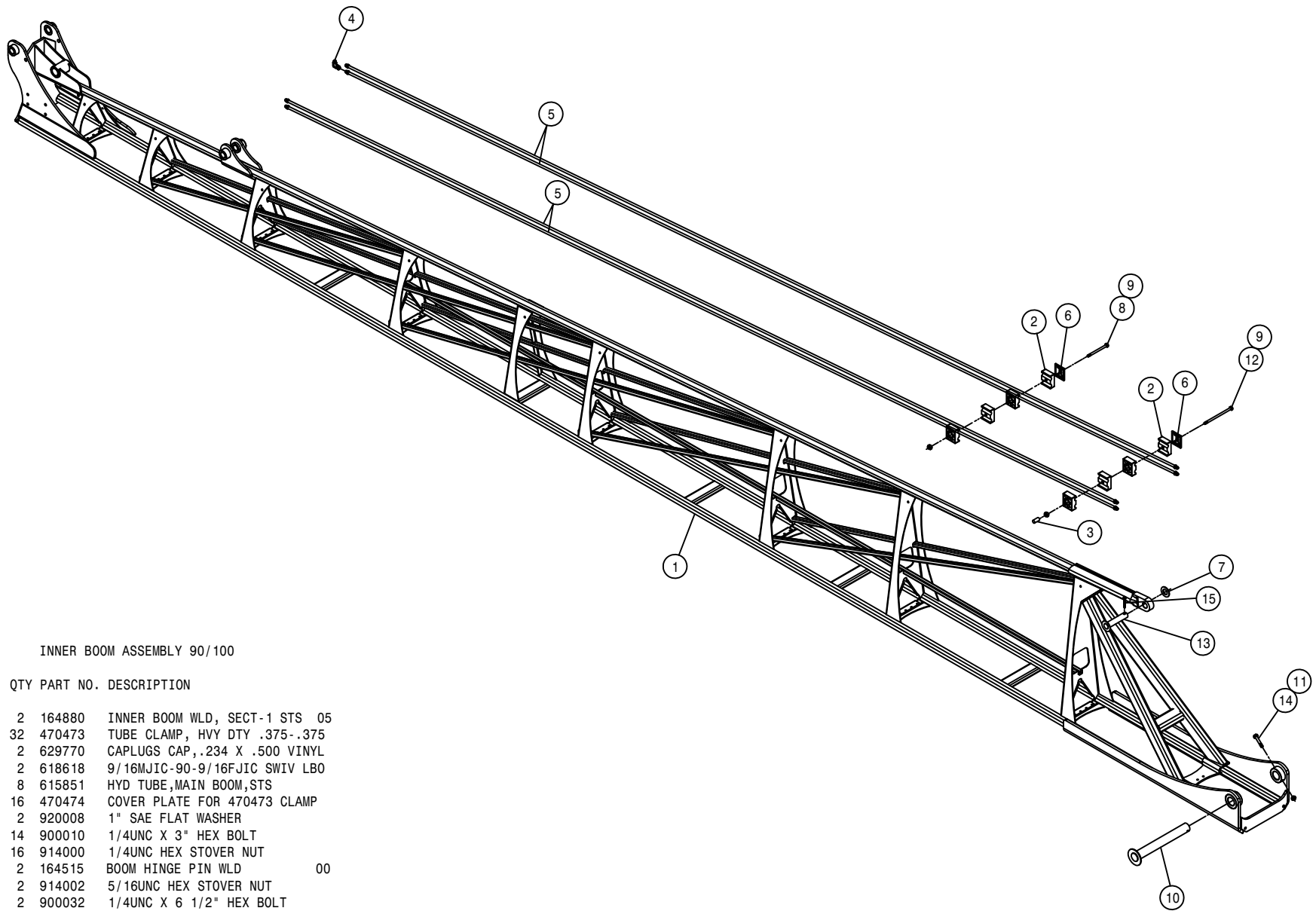


BOOM ASSEMBLY 90/100

DET. QTY PART NO. DESCRIPTION

1	2	164880	INNER BOOM WLD, SECT-1 STS	05
2	1	164592	RH FLDOVR BOOM WLD,SCT-2	00
3	1	164593	LH FLDOVR BOOM WLD,SCT-2	00
4	1	164608	RH BREAKAWAY BM WLD,SCT-3	00
5	1	164609	LH BREAKAWAY BM WLD,SCT-3	00
6	1	164622	RH 90' BOOM TIP WLD,SCT-4	00
7	1	164623	LH 90' BOOM TIP WLD,SCT-4	00
8	1	165815	RH BRKWAY BM WLD,100'SECT-3'10	
9	1	165816	LH BRKWAY BM WLD,100'SECT-3'10	
10	1	165800	RH FLDOVR BM WLD,100'SECT-2'10	
11	1	165801	LH FLDOVR BM WLD,100'SECT-2'10	

NOTE: QUANTITY LISTED IS FOR ONE MACHINE.

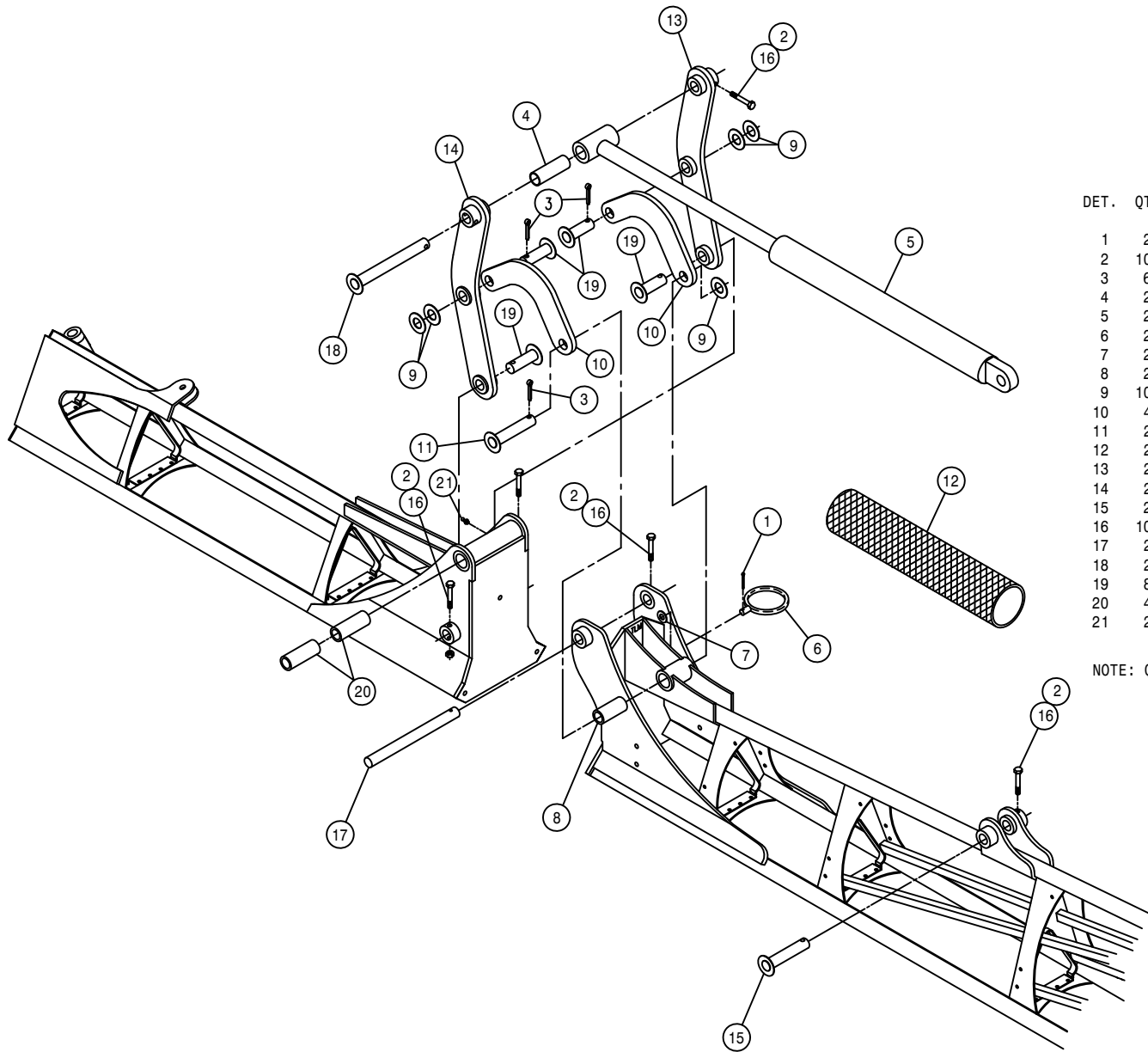


INNER BOOM ASSEMBLY 90/100

DET. QTY PART NO. DESCRIPTION

1	2	164880	INNER BOOM WLD, SECT-1 STS 05
2	32	470473	TUBE CLAMP, HVY DTY .375-.375
3	2	629770	CAPPLUGS CAP,.234 X .500 VINYL
4	2	618618	9/16MJIC-90-9/16FJIC SWIV LBO
5	8	615851	HYD TUBE,MAIN BOOM,STS
6	16	470474	COVER PLATE FOR 470473 CLAMP
7	2	920008	1" SAE FLAT WASHER
8	14	900010	1/4UNC X 3" HEX BOLT
9	16	914000	1/4UNC HEX STOVER NUT
10	2	164515	BOOM HINGE PIN WLD 00
11	2	914002	5/16UNC HEX STOVER NUT
12	2	900032	1/4UNC X 6 1/2" HEX BOLT
13	2	164500	LEVEL CYL PIN WLD,SHAFT END,00
14	2	900073	5/16UNC X 3 1/4 HEX BOLT
15	2	470012	COTTER PIN 5/16 X 2" LG,316 SS

NOTE: QUANTITY LISTED IS FOR ONE MACHINE.



BOOM HINGE ASSEMBLY 90/100

DET.	QTY	PART NO.	DESCRIPTION
1	2	390984	COTTER PIN 1/8 X 1 1/4
2	10	914002	5/16UNC HEX STOVER NUT
3	6	470012	COTTER PIN 5/16 X 2" LG, 316 SS
4	2	121108	BEARING, 1.00-1.25-3.75 POLYGON
5	2	621562	HYD CYL, 2.25 X 21.00 X 1.380
6	2	164517	HOSE SUPPORT RING WLD 00
7	2	920004	1/2 SAE FLAT WASHER
8	2	121121	BEARING, 1.00-1.36-3.60 POLYGON
9	10	920008	1" SAE FLAT WASHER
10	4	164643	XK402 TOP ARM(LEFT) 10.35 CNTR
11	2	165834	PIN WLD, 1.00 X 5.14
12	2	470378	SIDEWINDER SLEEVE, 14.06 X 21"
13	2	165836	RH FOLD-OVER BOOMERANG WLD
14	2	165837	LH FOLD-OVER BOOMERANG WLD
15	2	164522	BOOM FOLD CYL PIN WLD 00
16	10	900086	5/16UNC X 2 1/4 HEX BOLT
17	2	164678	BOOM FOLD PIVOT PIN, STS 05
18	2	164520	BOOM CYL PIVOT PIN WLD 00
19	8	164524	BOOMERANG CNTR PVT PIN WLD 00
20	4	121106	BEARING, 1.00-1.36-3.70 POLYGON
21	2	471005	GREASE ZERK, 1/4-28 X 1/2

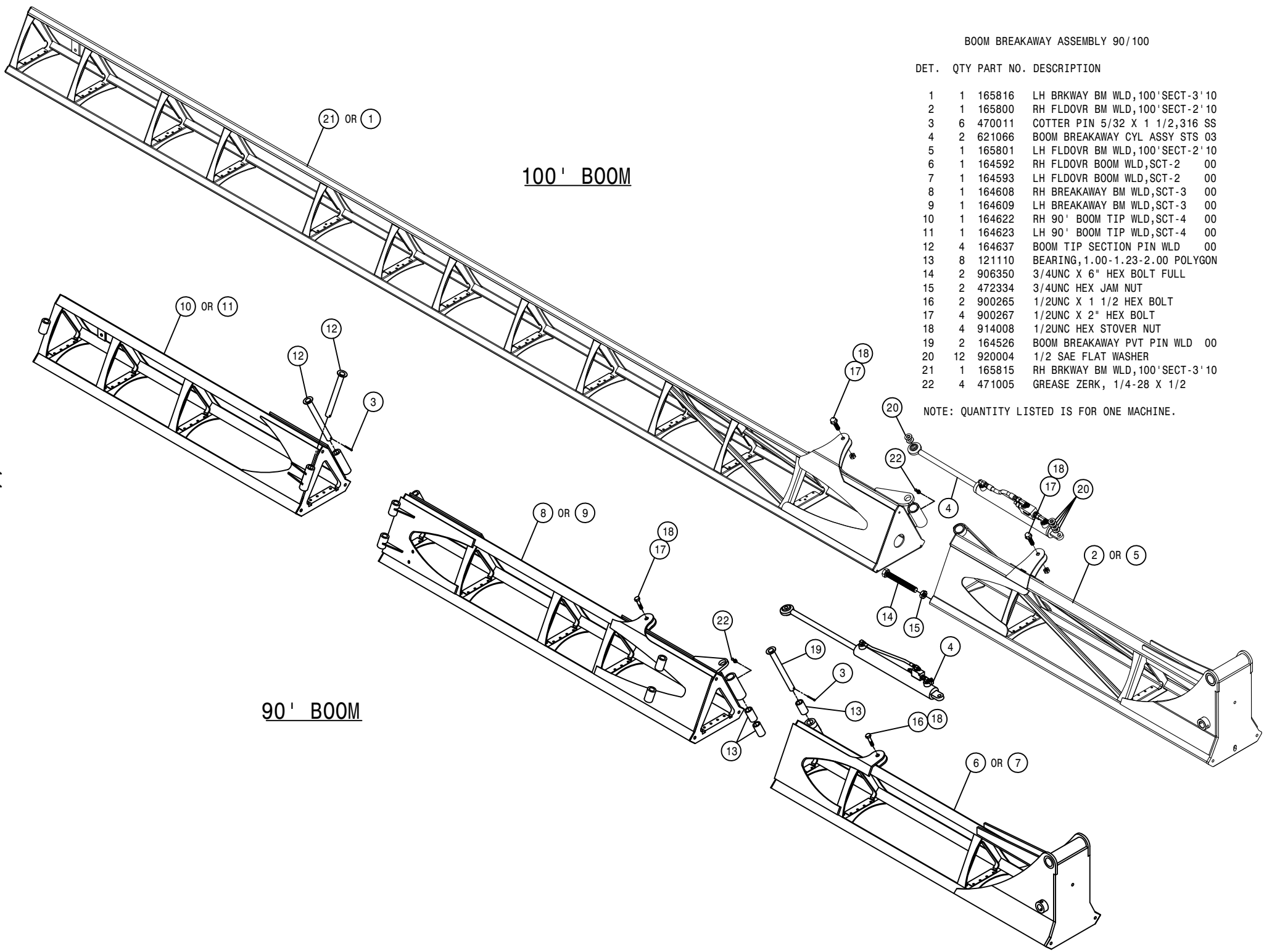
NOTE: QUANTITY LISTED IS FOR ONE MACHINE.

BOOM BREAKAWAY ASSEMBLY 90/100

DET. QTY PART NO. DESCRIPTION

DET.	QTY	PART NO.	DESCRIPTION
1	1	165816	LH BRKWAY BM WLD,100'SECT-3' 10
2	1	165800	RH FLDOVR BM WLD,100'SECT-2' 10
3	6	470011	COTTER PIN 5/32 X 1 1/2,316 SS
4	2	621066	BOOM BREAKAWAY CYL ASSY STS 03
5	1	165801	LH FLDOVR BM WLD,100'SECT-2' 10
6	1	164592	RH FLDOVR BOOM WLD,SCT-2 00
7	1	164593	LH FLDOVR BOOM WLD,SCT-2 00
8	1	164608	RH BREAKAWAY BM WLD,SCT-3 00
9	1	164609	LH BREAKAWAY BM WLD,SCT-3 00
10	1	164622	RH 90' BOOM TIP WLD,SCT-4 00
11	1	164623	LH 90' BOOM TIP WLD,SCT-4 00
12	4	164637	BOOM TIP SECTION PIN WLD 00
13	8	121110	BEARING, 1.00-1.23-2.00 POLYGON
14	2	906350	3/4UNC X 6" HEX BOLT FULL
15	2	472334	3/4UNC HEX JAM NUT
16	2	900265	1/2UNC X 1 1/2 HEX BOLT
17	4	900267	1/2UNC X 2" HEX BOLT
18	4	914008	1/2UNC HEX STOVER NUT
19	2	164526	BOOM BREAKAWAY PVT PIN WLD 00
20	12	920004	1/2 SAE FLAT WASHER
21	1	165815	RH BRKWAY BM WLD,100'SECT-3' 10
22	4	471005	GREASE ZERK, 1/4-28 X 1/2

NOTE: QUANTITY LISTED IS FOR ONE MACHINE.

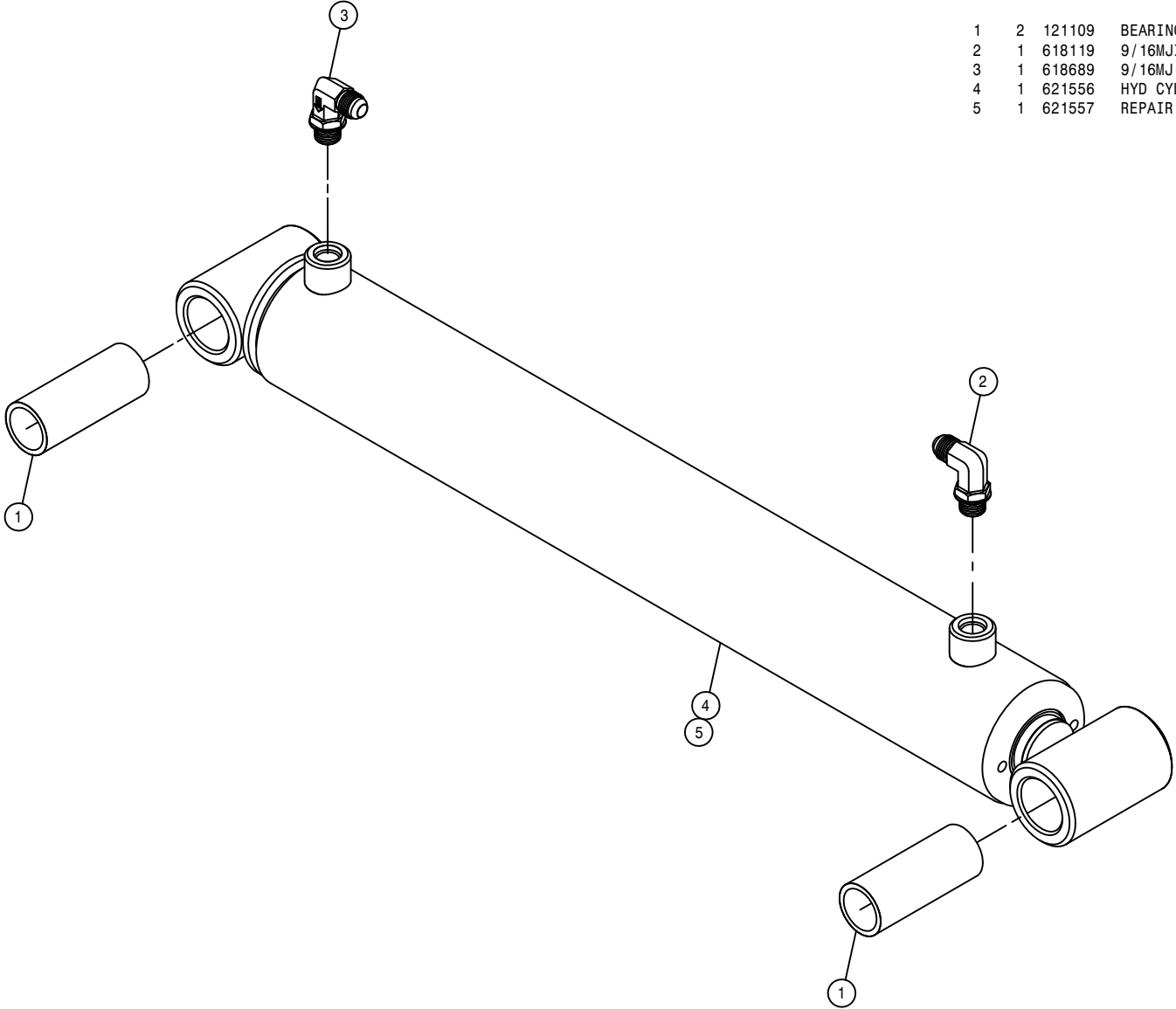


100' BOOM

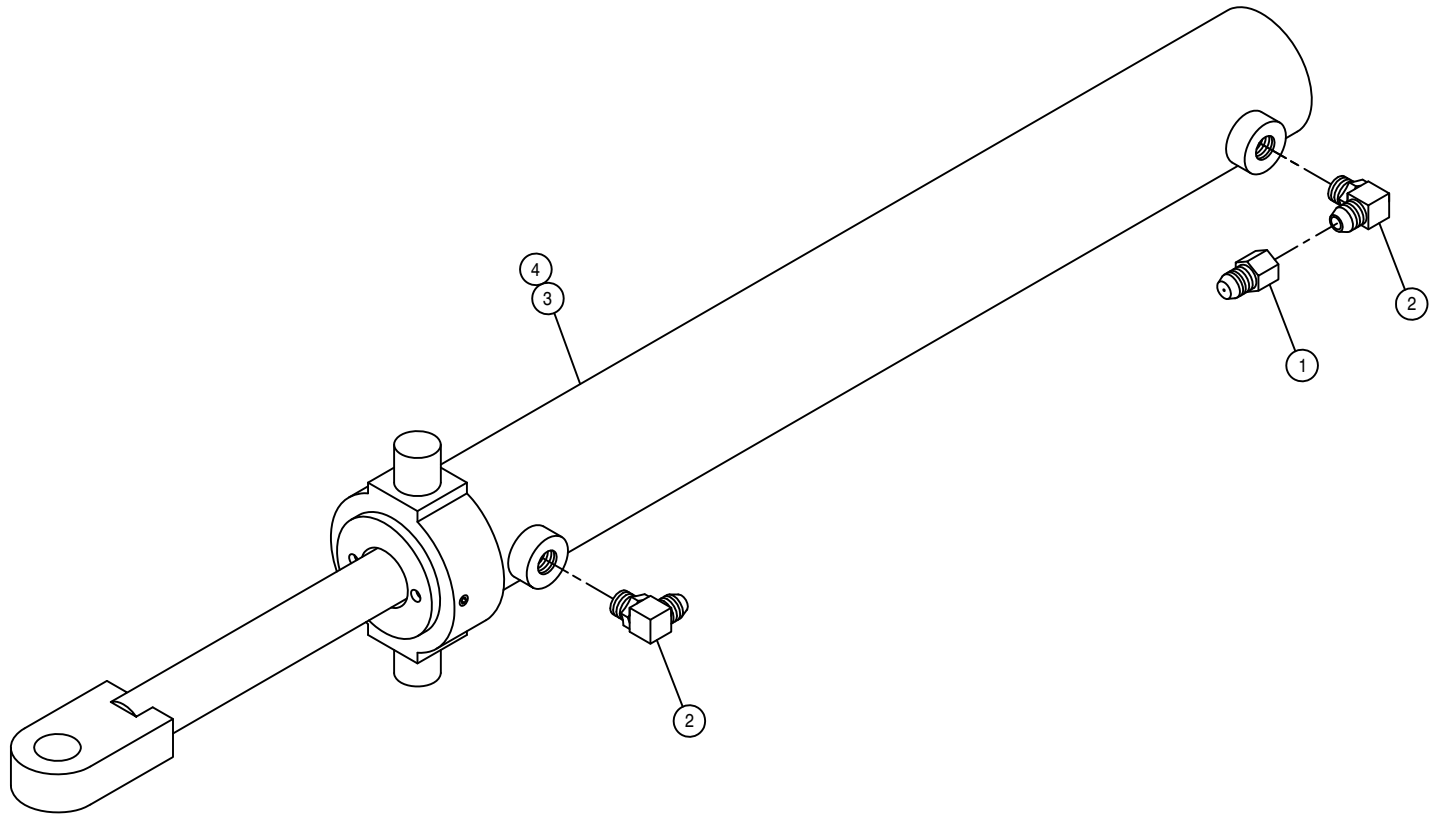
90' BOOM

LIFT CYLINDER ASSEMBLY 90/100

DET.	QTY	PART NO.	DESCRIPTION
1	2	121109	BEARING,1.00-1.25-3.13 POLYGON
2	1	618119	9/16MJIC-90-9/16MOR LBO
3	1	618689	9/16MJ-90-9/16MOR .042 CHK VLV
4	1	621556	HYD CYL, 2.50 X 18.00 X 1.500
5	1	621557	REPAIR KIT,HYD CYL 621556







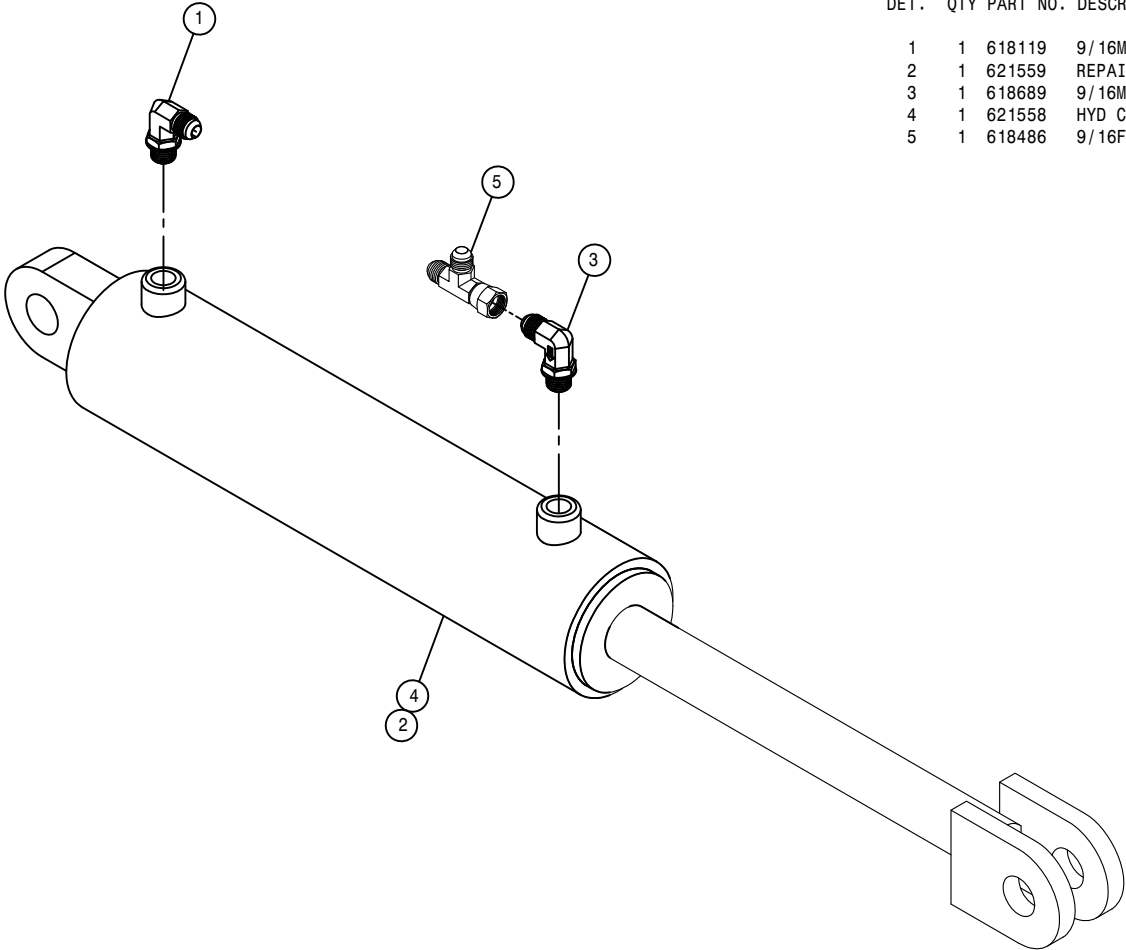
BOOM FOLD CYLINDER ASSEMBLY 90/100

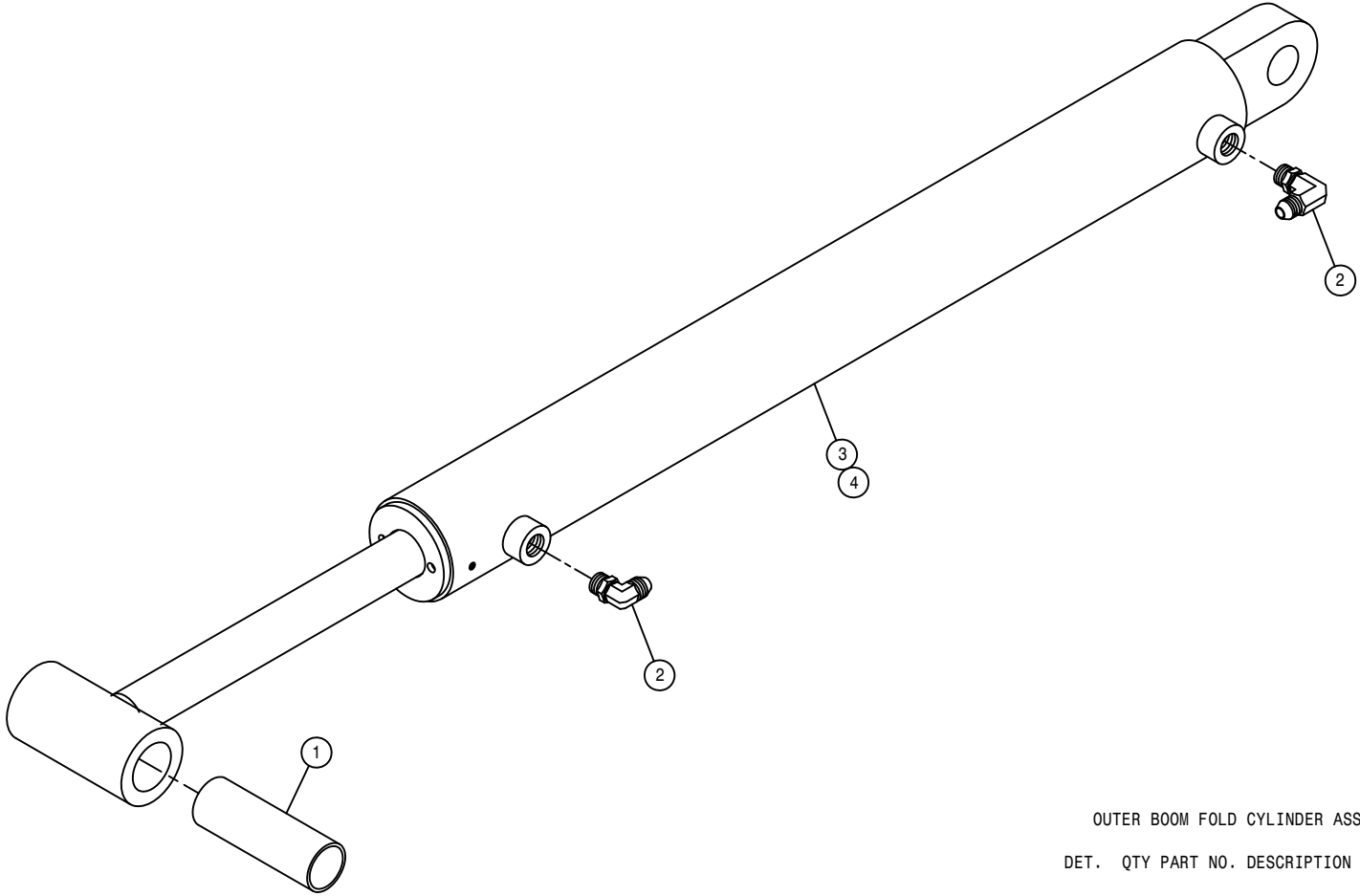
DET.	QTY	PART NO.	DESCRIPTION
1	1	618733	9/16JIC .042 ORIFICE ADPTR
2	2	618119	9/16MJIC-90-9/16MOR LBO
3	1	621560	HYD CYL, 2.50 X 21.00 X 1.380
4	1	621561	REPAIR KIT, HYD CYL 621560

BOOM LEVEL CYLINDER ASSEMBLY 90/100

DET. QTY PART NO. DESCRIPTION

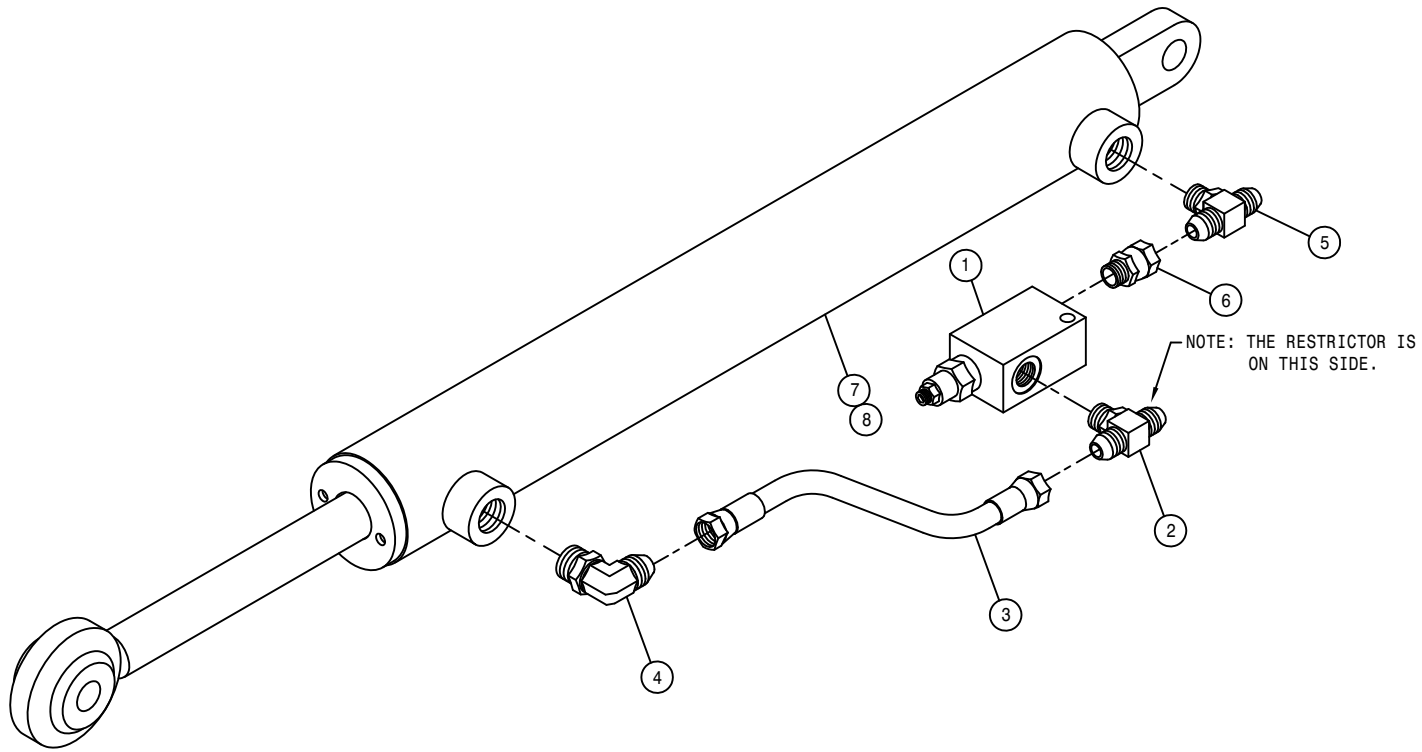
1	1	618119	9/16MJIC-90-9/16MOR LBO
2	1	621559	REPAIR KIT, HYD CYL 621558
3	1	618689	9/16MJ-90-9/16MOR .042 CHK VLV
4	1	621558	HYD CYL, 3.00 X 11.00 X 1.380
5	1	618486	9/16FJIC SW RUN TEE-9/16MJIC





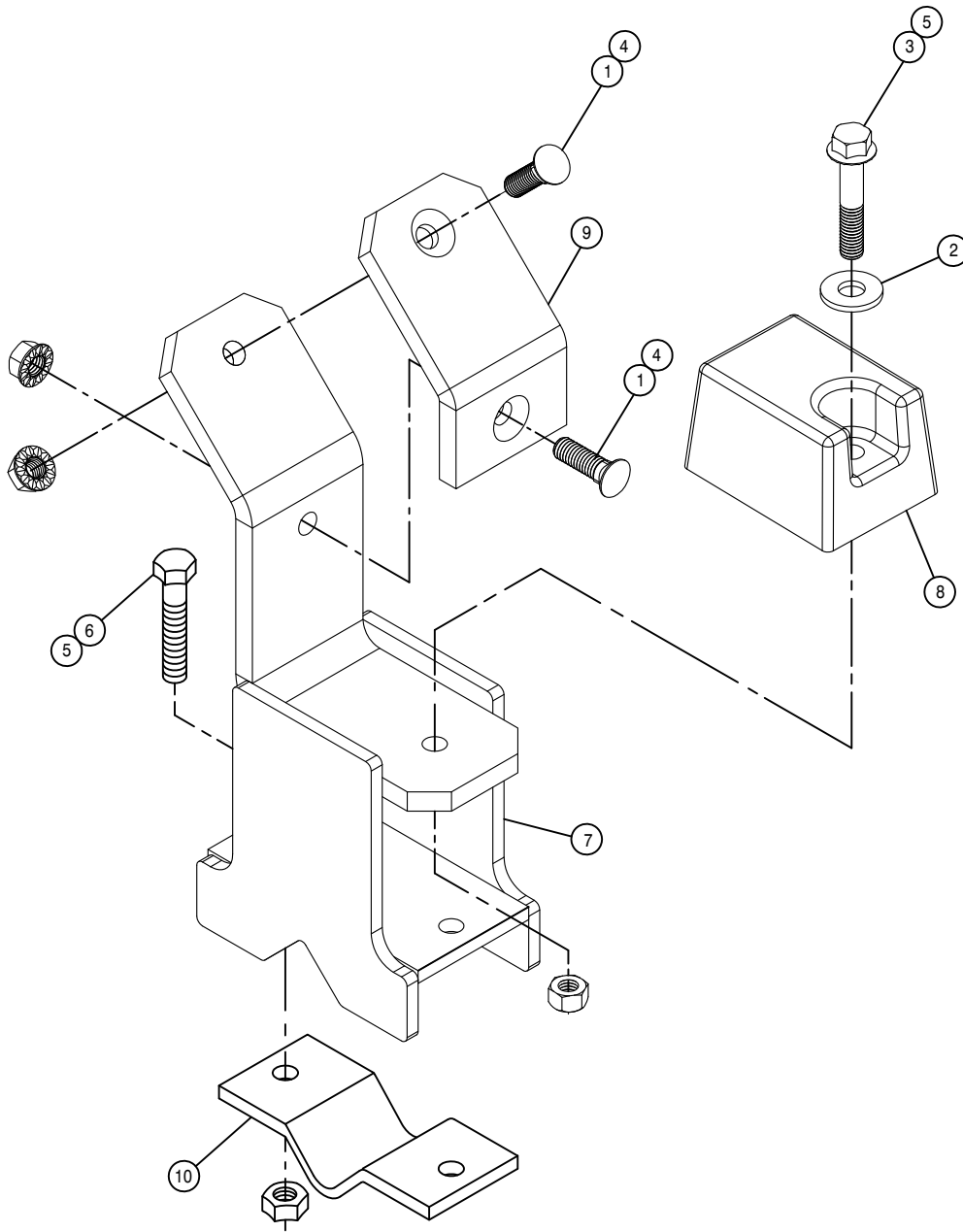
OUTER BOOM FOLD CYLINDER ASSEMBLY 90/100

DET.	QTY	PART NO.	DESCRIPTION
1	1	121108	BEARING, 1.00-1.25-3.75 POLYGON
2	2	618688	9/16MJ-90-9/16MOR .025 CHK VLV
3	1	621562	HYD CYL, 2.25 X 21.00 X 1.380
4	1	621563	REPAIR KIT, HYD CYL 621562



BOOM BREAKAWAY CYLINDER ASSEMBLY 90/100

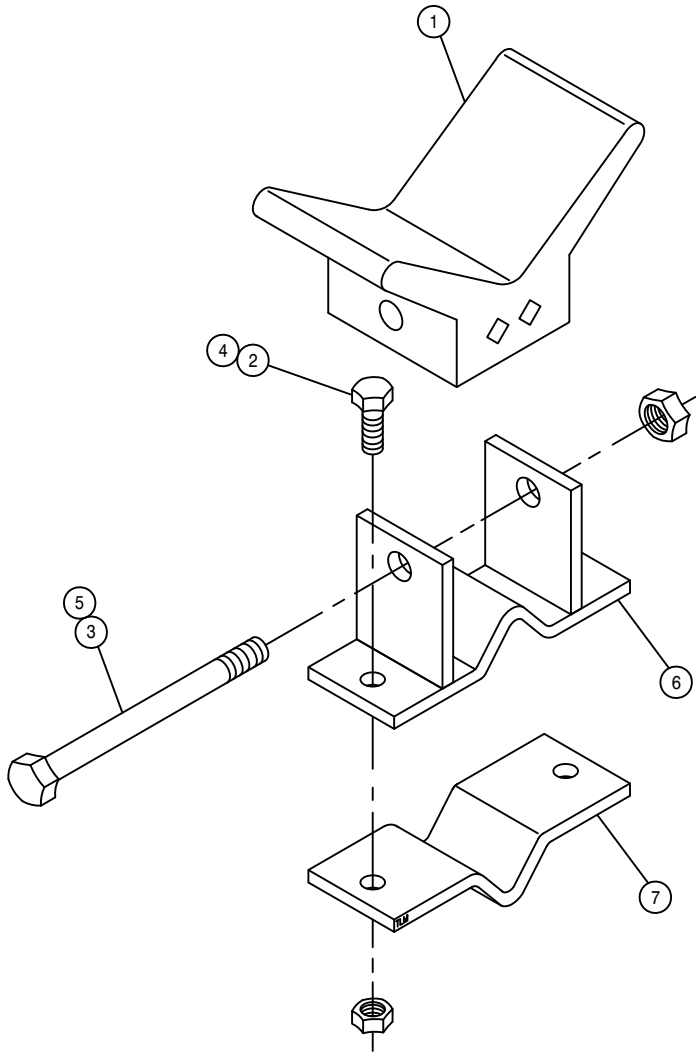
DET.	QTY	PART NO.	DESCRIPTION
	1	607540	KICK-DOWN RELIEF VALVE, 800PSI
	1	614752	RESTRICTOR BR TEE ASSY, .042DIA
	1	616075	04-451TC-06FJX-06FJX-9 H/A
	1	618119	9/16MJIC-90-9/16MOR LBO
	1	618629	9/16MOR BRANCH TEE-9/16MJIC
	1	618668	9/16FJIC SWIV-9/16MOR ADPTR
	1	621554	HYD CYL, 1.50 X 12.25 X .750
	1	621555	REPAIR KIT, HYD CYL 621554



BOOM SUPPORT CRADLE ASSEMBLY 90/100

DET. QTY PART NO. DESCRIPTION

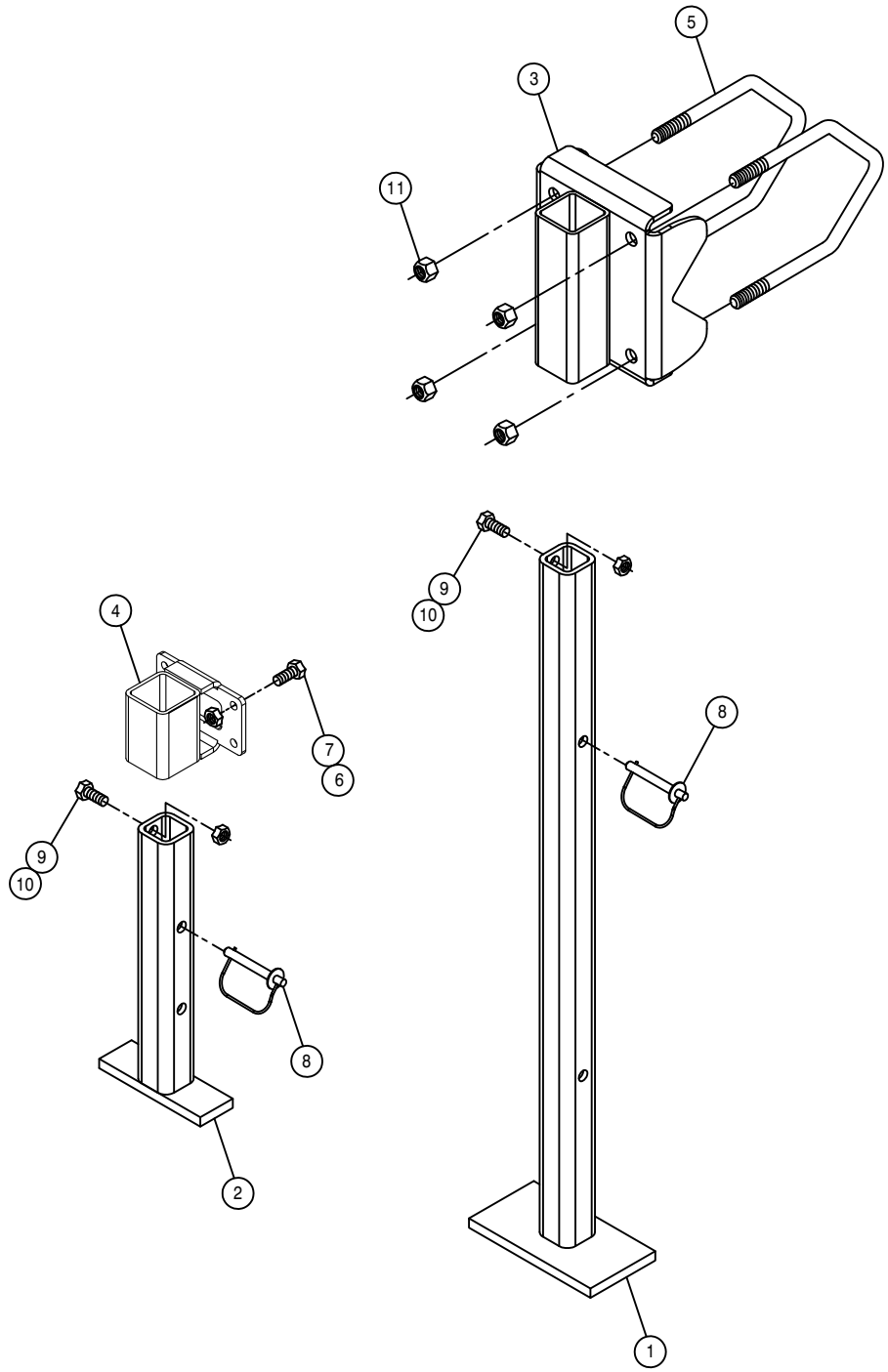
1	2	470328	3/8UNC X 1 1/4 #3HD PLOW BOLT	
2	1	483043	3/8 REGULAR FLAT WASHER	
3	1	900133	3/8UNC X 2" SERR FLANGE BOLT	
4	2	470087	3/8UNC HEX FLANGE LOCK NUT	
5	3	914004	3/8UNC HEX STOVER NUT	
6	2	900170	3/8UNC X 2 1/4 SER FLANGE BOLT	
7	1	164811	BOOM SUPP CRADLE WLD,80/90' 04	
8	1	164541	BOOM SUPPORT PAD	00
9	1	164542	BOOM SUPPORT CRADLE PAD	00
10	1	164543	BOOM SUPPORT KEEPER	00



BOOM SUPPORT ASSEMBLY 90/100

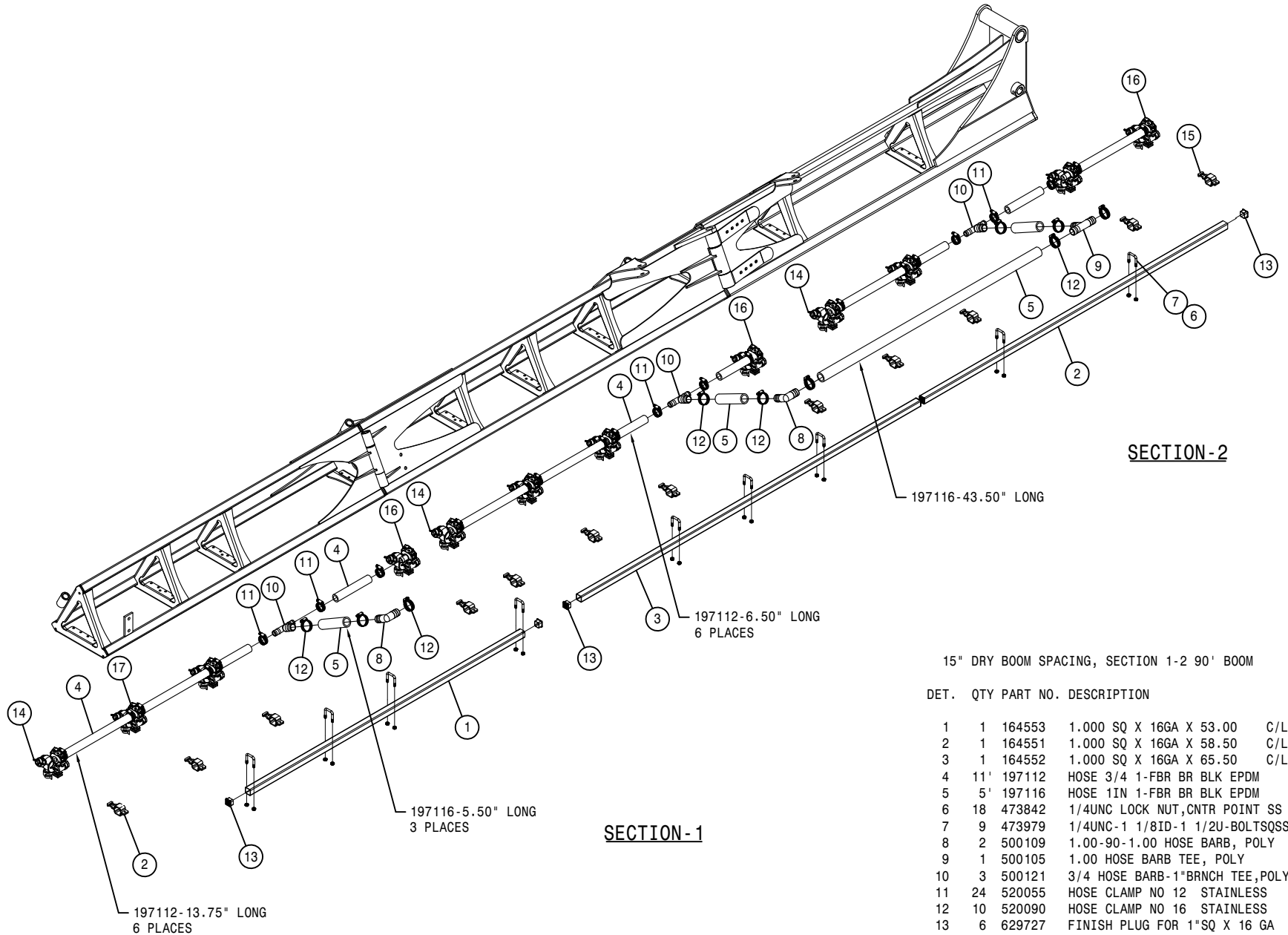
DET. QTY PART NO. DESCRIPTION

1	1	470324	3" RUBBER BOW GUARD
2	2	900130	3/8UNC X 1 1/4 SER FLANGE BOLT
3	1	900273	1/2UNC X 3 3/4 HEX BOLT
4	2	914004	3/8UNC HEX STOVER NUT
5	1	914008	1/2UNC HEX STOVER NUT
6	1	164544	FRT BOOM SUPP WLD,90' BOOM 00
7	1	164545	FRT BOOM SUPPORT MT 00



BOOM STAND OPTION 90/100

DET.	QTY	PART NO.	DESCRIPTION
1	2	164787	TRANSOM STAND POST WLD, STS 04
2	2	164794	BOOM STAND POST WLD, STS 04
3	2	164855	TRANSOM STAND MT WLD, STS 05
4	2	164857	MAIN BOOM JACKSTAND WLD, STS 05
5	4	438293	5/8UNC X 6 1/4 CTR U-BOLT TRI
6	8	470087	3/8UNC HEX FLANGE LOCK NUT
7	8	470329	3/8UNC X 1 1/4 SER FLANGE BOLT
8	4	470361	SNAP LOCK PIN, 1/2 X 3 1/2
9	4	900263	1/2UNC X 1" HEX BOLT
10	4	914008	1/2UNC HEX STOVER NUT
11	8	914010	5/8UNC HEX STOVER NUT



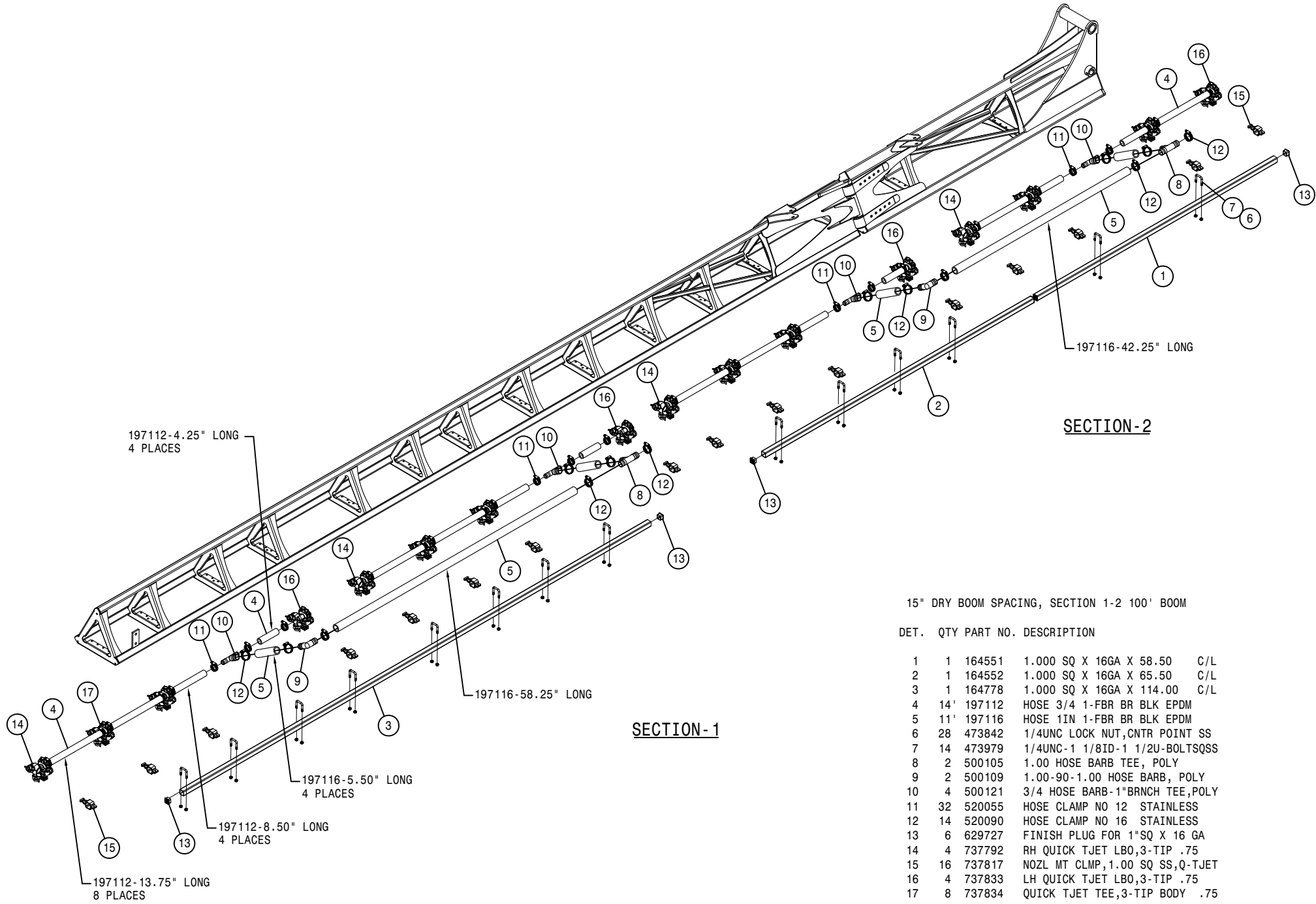
**SECTION-2**

**SECTION-1**

15" DRY BOOM SPACING, SECTION 1-2 90' BOOM

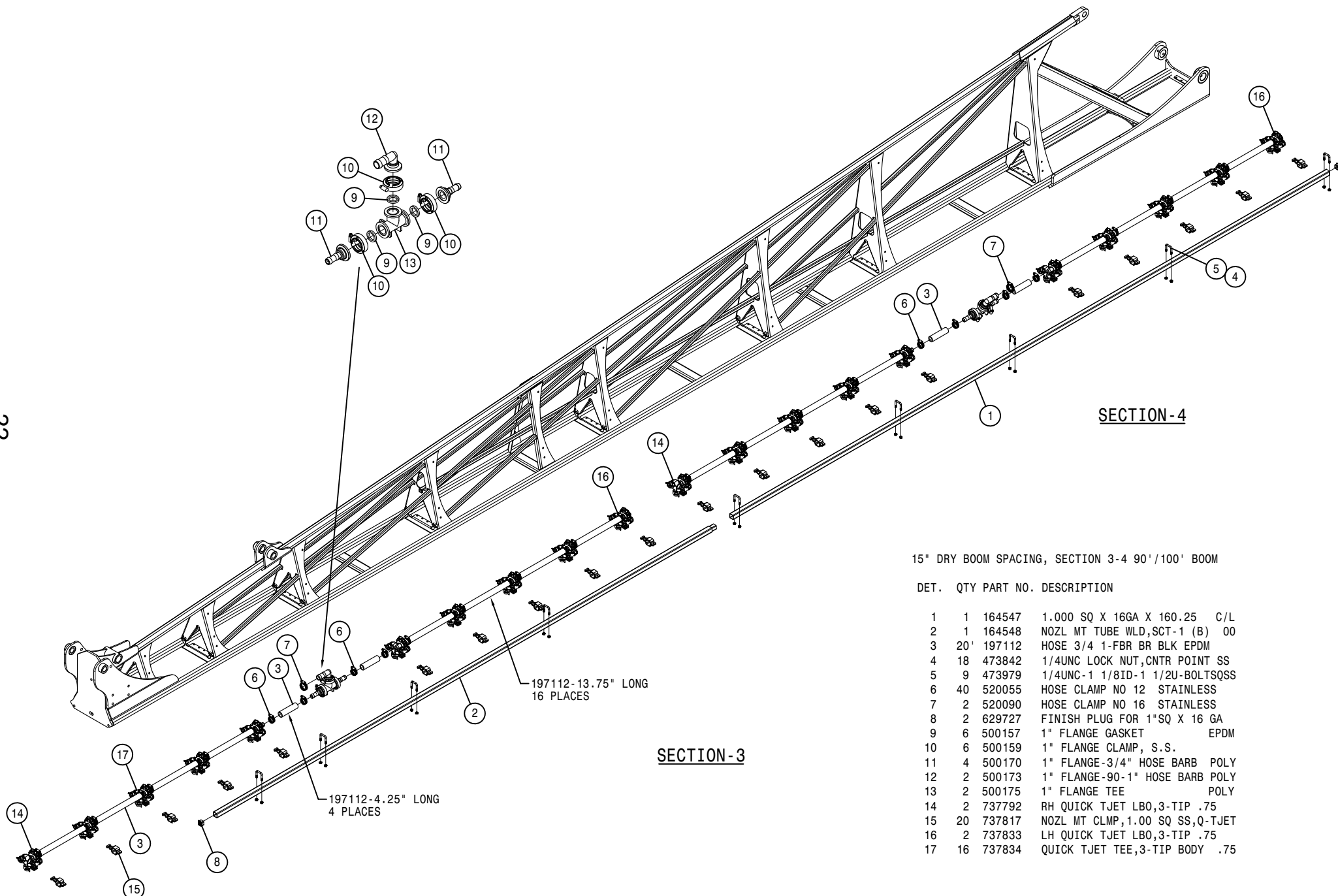
DET.	QTY	PART NO.	DESCRIPTION
1	1	164553	1.000 SQ X 16GA X 53.00 C/L
2	1	164551	1.000 SQ X 16GA X 58.50 C/L
3	1	164552	1.000 SQ X 16GA X 65.50 C/L
4	11'	197112	HOSE 3/4 1-FBR BR BLK EPDM
5	5'	197116	HOSE 1IN 1-FBR BR BLK EPDM
6	18	473842	1/4UNC LOCK NUT,CNTR POINT SS
7	9	473979	1/4UNC-1 1/8ID-1 1/2U-BOLTSQSS
8	2	500109	1.00-90-1.00 HOSE BARB, POLY
9	1	500105	1.00 HOSE BARB TEE, POLY
10	3	500121	3/4 HOSE BARB-1"BRNCH TEE,POLY
11	24	520055	HOSE CLAMP NO 12 STAINLESS
12	10	520090	HOSE CLAMP NO 16 STAINLESS
13	6	629727	FINISH PLUG FOR 1"SQ X 16 GA
14	3	737792	RH QUICK TJET LBO,3-TIP .75
15	12	737817	NOZL MT CLMP,1.00 SQ SS,Q-TJET
16	3	737833	LH QUICK TJET LBO,3-TIP .75
17	6	737834	QUICK TJET TEE,3-TIP BODY .75





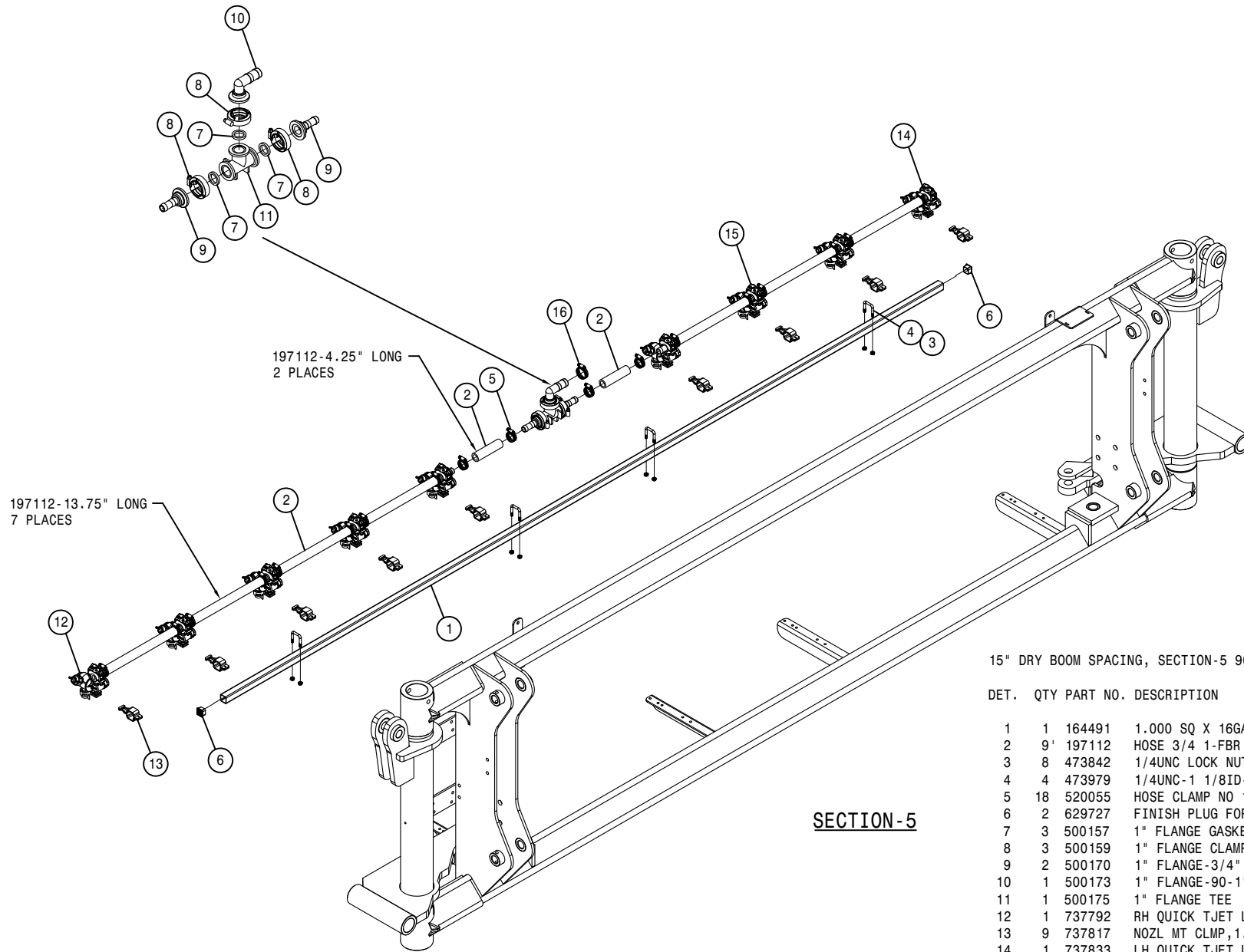
15" DRY BOOM SPACING, SECTION 1-2 100' BOOM

DET.	QTY	PART NO.	DESCRIPTION
1	1	164551	1.000 SQ X 16GA X 58.50 C/L
2	1	164552	1.000 SQ X 16GA X 65.50 C/L
3	1	164778	1.000 SQ X 16GA X 114.00 C/L
4	14'	197112	HOSE 3/4 1-FBR BR BLK EPDM
5	11'	197116	HOSE 1IN 1-FBR BR BLK EPDM
6	28	473842	1/4UNC LOCK NUT,CNTR POINT SS
7	14	473979	1/4UNC-1 1/8ID-1 1/2U-BOLTSQSS
8	2	500105	1.00 HOSE BARB TEE, POLY
9	2	500109	1.00-90-1.00 HOSE BARB, POLY
10	4	500121	3/4 HOSE BARB-1"BRNCH TEE,POLY
11	32	520055	HOSE CLAMP NO 12 STAINLESS
12	14	520090	HOSE CLAMP NO 16 STAINLESS
13	6	629727	FINISH PLUG FOR 1"SQ X 16 GA
14	4	737792	RH QUICK TJET LBO,3-TIP .75
15	16	737817	NOZL MT CLMP,1.00 SQ SS,Q-TJET
16	4	737833	LH QUICK TJET LBO,3-TIP .75
17	8	737834	QUICK TJET TEE,3-TIP BODY .75



15" DRY BOOM SPACING, SECTION 3-4 90'/100' BOOM

DET.	QTY	PART NO.	DESCRIPTION
1	1	164547	1.000 SQ X 16GA X 160.25 C/L
2	1	164548	NOZL MT TUBE WLD,SCT-1 (B) 00
3	20'	197112	HOSE 3/4 1-FBR BR BLK EPDM
4	18	473842	1/4UNC LOCK NUT,CNTR POINT SS
5	9	473979	1/4UNC-1 1/8ID-1 1/2U-BOLTSQSS
6	40	520055	HOSE CLAMP NO 12 STAINLESS
7	2	520090	HOSE CLAMP NO 16 STAINLESS
8	2	629727	FINISH PLUG FOR 1"SQ X 16 GA
9	6	500157	1" FLANGE GASKET EPDM
10	6	500159	1" FLANGE CLAMP, S.S.
11	4	500170	1" FLANGE-3/4" HOSE BARB POLY
12	2	500173	1" FLANGE-90-1" HOSE BARB POLY
13	2	500175	1" FLANGE TEE POLY
14	2	737792	RH QUICK TJET LBO,3-TIP .75
15	20	737817	NOZL MT CLMP,1.00 SQ SS,Q-TJET
16	2	737833	LH QUICK TJET LBO,3-TIP .75
17	16	737834	QUICK TJET TEE,3-TIP BODY .75

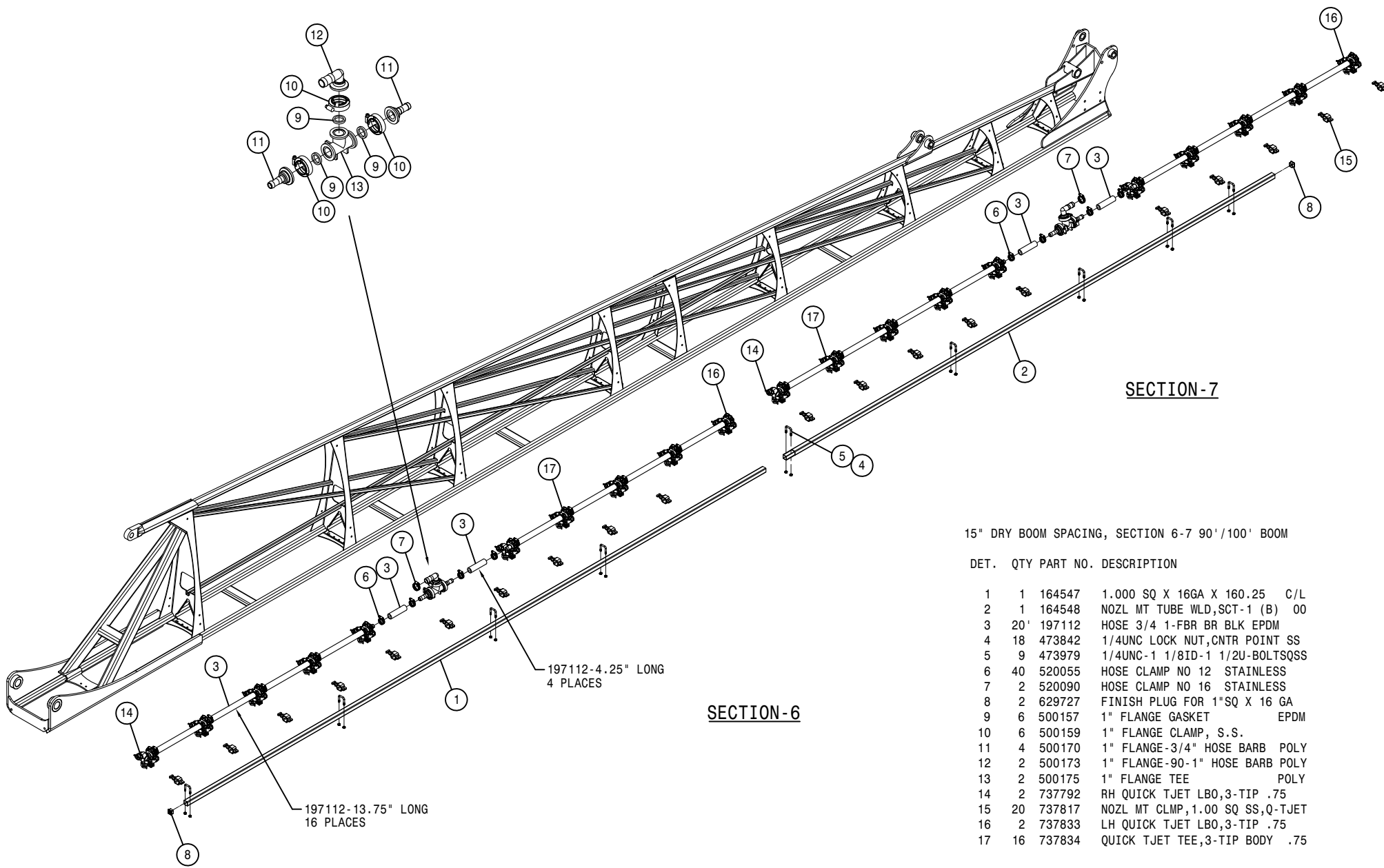


15" DRY BOOM SPACING, SECTION-5 90'/100' BOOM

DET. QTY PART NO. DESCRIPTION

1	1	164491	1.000 SQ X 16GA X 124.00	C/L
2	9'	197112	HOSE 3/4 1-FBR BR BLK EPDM	
3	8	473842	1/4UNC LOCK NUT,CNTR POINT SS	
4	4	473979	1/4UNC-1 1/8ID-1 1/2U-BOLTSQSS	
5	18	520055	HOSE CLAMP NO 12 STAINLESS	
6	2	629727	FINISH PLUG FOR 1"SQ X 16 GA	
7	3	500157	1" FLANGE GASKET	EPDM
8	3	500159	1" FLANGE CLAMP, S.S.	
9	2	500170	1" FLANGE-3/4" HOSE BARB	POLY
10	1	500173	1" FLANGE-90-1" HOSE BARB	POLY
11	1	500175	1" FLANGE TEE	POLY
12	1	737792	RH QUICK TJET LBO,3-TIP	.75
13	9	737817	NOZL MT CLMP,1.00 SQ SS,Q-TJET	
14	1	737833	LH QUICK TJET LBO,3-TIP	.75
15	7	737834	QUICK TJET TEE,3-TIP BODY	.75
16	1	520090	HOSE CLAMP NO 16	STAINLESS

**SECTION-5**



**SECTION-7**

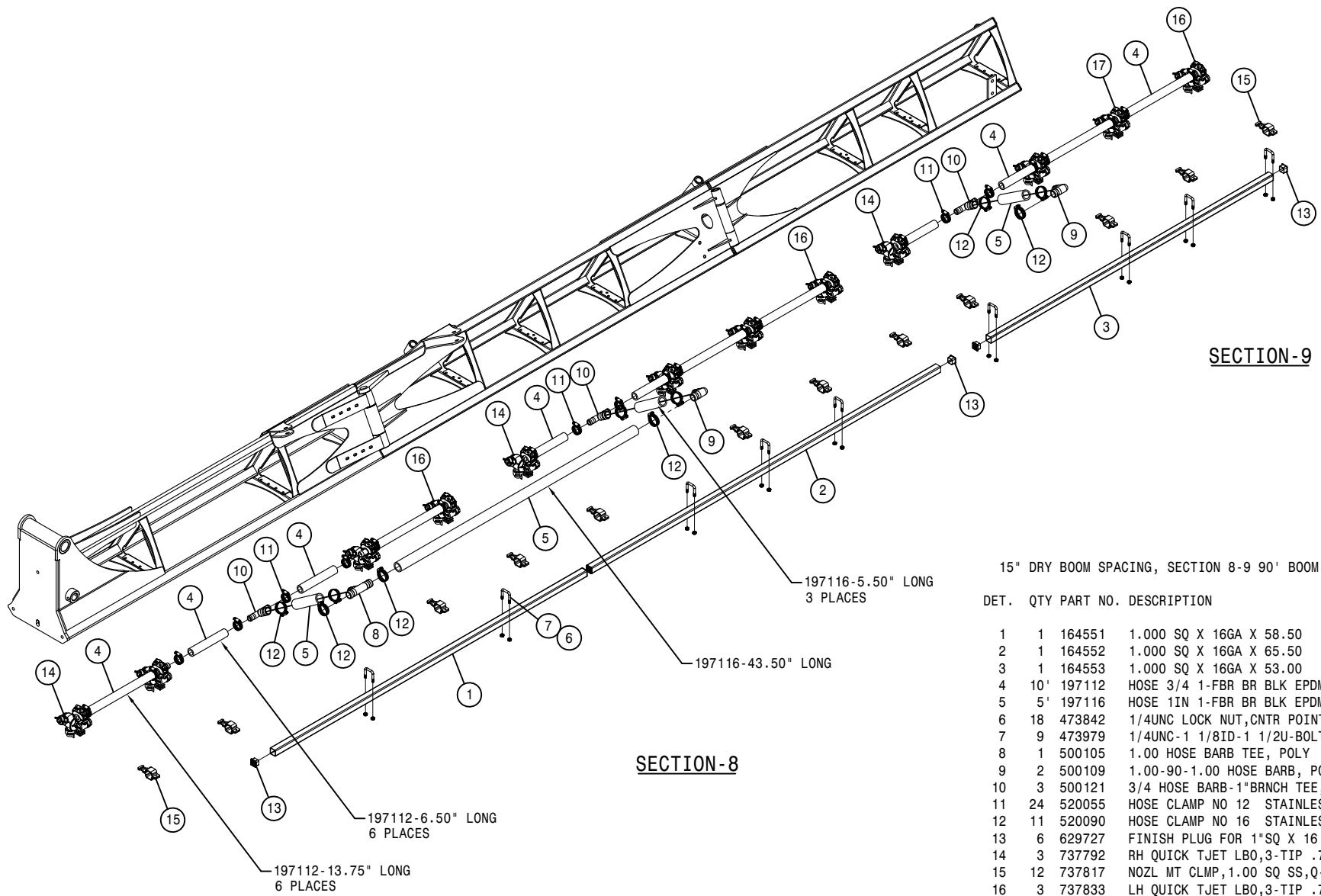
15" DRY BOOM SPACING, SECTION 6-7 90'/100' BOOM

DET.	QTY	PART NO.	DESCRIPTION
1	1	164547	1.000 SQ X 16GA X 160.25 C/L
2	1	164548	NOZL MT TUBE WLD,SCT-1 (B) '00
3	20'	197112	HOSE 3/4 1-FBR BR BLK EPDM
4	18	473842	1/4UNC LOCK NUT,CNTR POINT SS
5	9	473979	1/4UNC-1 1/8ID-1 1/2U-BOLTSQSS
6	40	520055	HOSE CLAMP NO 12 STAINLESS
7	2	520090	HOSE CLAMP NO 16 STAINLESS
8	2	629727	FINISH PLUG FOR 1"SQ X 16 GA
9	6	500157	1" FLANGE GASKET EPDM
10	6	500159	1" FLANGE CLAMP, S.S.
11	4	500170	1" FLANGE-3/4" HOSE BARB POLY
12	2	500173	1" FLANGE-90-1" HOSE BARB POLY
13	2	500175	1" FLANGE TEE POLY
14	2	737792	RH QUICK TJET LBO,3-TIP .75
15	20	737817	NOZL MT CLMP,1.00 SQ SS,Q-TJET
16	2	737833	LH QUICK TJET LBO,3-TIP .75
17	16	737834	QUICK TJET TEE,3-TIP BODY .75

**SECTION-6**

197112-4.25" LONG  
4 PLACES

197112-13.75" LONG  
16 PLACES

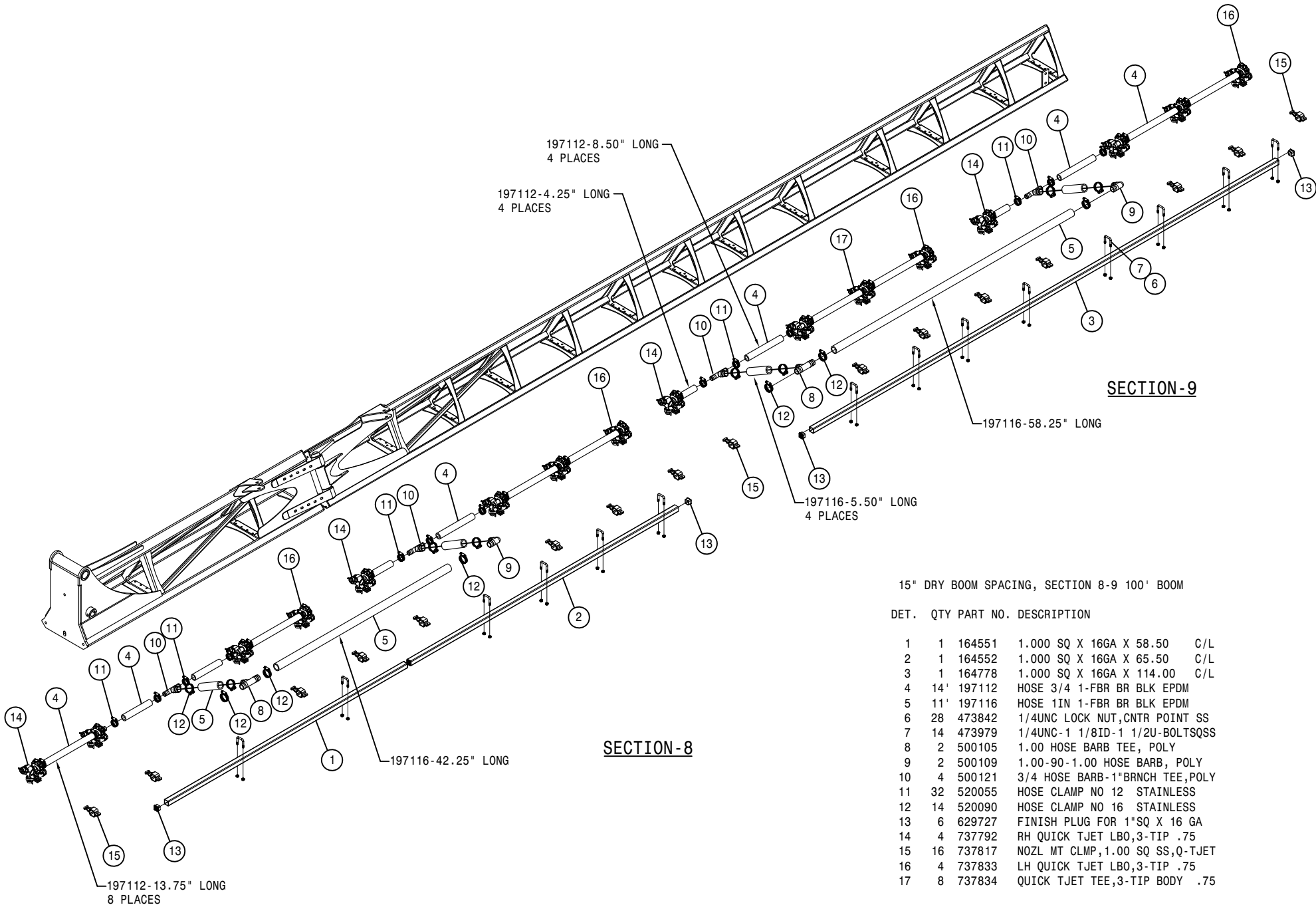


**SECTION-8**

**SECTION-9**

15" DRY BOOM SPACING, SECTION 8-9 90' BOOM

DET.	QTY	PART NO.	DESCRIPTION
1	1	164551	1.000 SQ X 16GA X 58.50 C/L
2	1	164552	1.000 SQ X 16GA X 65.50 C/L
3	1	164553	1.000 SQ X 16GA X 53.00 C/L
4	10'	197112	HOSE 3/4 1-FBR BR BLK EPDM
5	5'	197116	HOSE 1IN 1-FBR BR BLK EPDM
6	18	473842	1/4UNC LOCK NUT,CNTR POINT SS
7	9	473979	1/4UNC-1 1/8ID-1 1/2U-BOLTSQSS
8	1	500105	1.00 HOSE BARB TEE, POLY
9	2	500109	1.00-90-1.00 HOSE BARB, POLY
10	3	500121	3/4 HOSE BARB-1"BRNCH TEE,POLY
11	24	520055	HOSE CLAMP NO 12 STAINLESS
12	11	520090	HOSE CLAMP NO 16 STAINLESS
13	6	629727	FINISH PLUG FOR 1"SQ X 16 GA
14	3	737792	RH QUICK TJET LBO,3-TIP .75
15	12	737817	NOZL MT CLMP,1.00 SQ SS,Q-TJET
16	3	737833	LH QUICK TJET LBO,3-TIP .75
17	6	737834	QUICK TJET TEE,3-TIP BODY .75

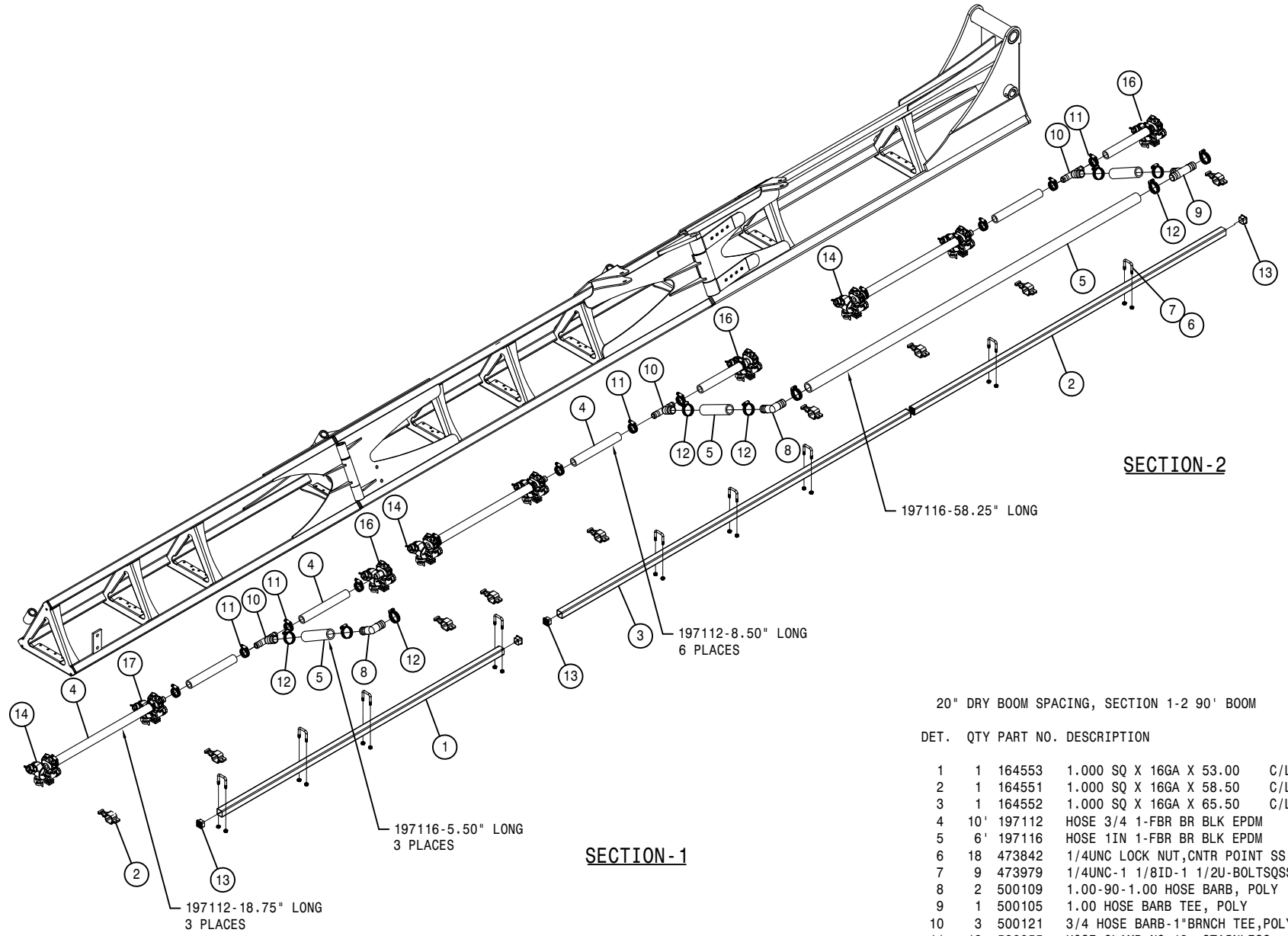


**SECTION-9**

**SECTION-8**

15" DRY BOOM SPACING, SECTION 8-9 100' BOOM

DET.	QTY	PART NO.	DESCRIPTION
1	1	164551	1.000 SQ X 16GA X 58.50 C/L
2	1	164552	1.000 SQ X 16GA X 65.50 C/L
3	1	164778	1.000 SQ X 16GA X 114.00 C/L
4	14'	197112	HOSE 3/4 1-FBR BR BLK EPDM
5	11'	197116	HOSE 1IN 1-FBR BR BLK EPDM
6	28	473842	1/4UNC LOCK NUT,CNTR POINT SS
7	14	473979	1/4UNC-1 1/8ID-1 1/2U-BOLTSQSS
8	2	500105	1.00 HOSE BARB TEE, POLY
9	2	500109	1.00-90-1.00 HOSE BARB, POLY
10	4	500121	3/4 HOSE BARB-1"BRNCH TEE,POLY
11	32	520055	HOSE CLAMP NO 12 STAINLESS
12	14	520090	HOSE CLAMP NO 16 STAINLESS
13	6	629727	FINISH PLUG FOR 1"SQ X 16 GA
14	4	737792	RH QUICK TJET LBO,3-TIP .75
15	16	737817	NOZL MT CLMP,1.00 SQ SS,Q-TJET
16	4	737833	LH QUICK TJET LBO,3-TIP .75
17	8	737834	QUICK TJET TEE,3-TIP BODY .75

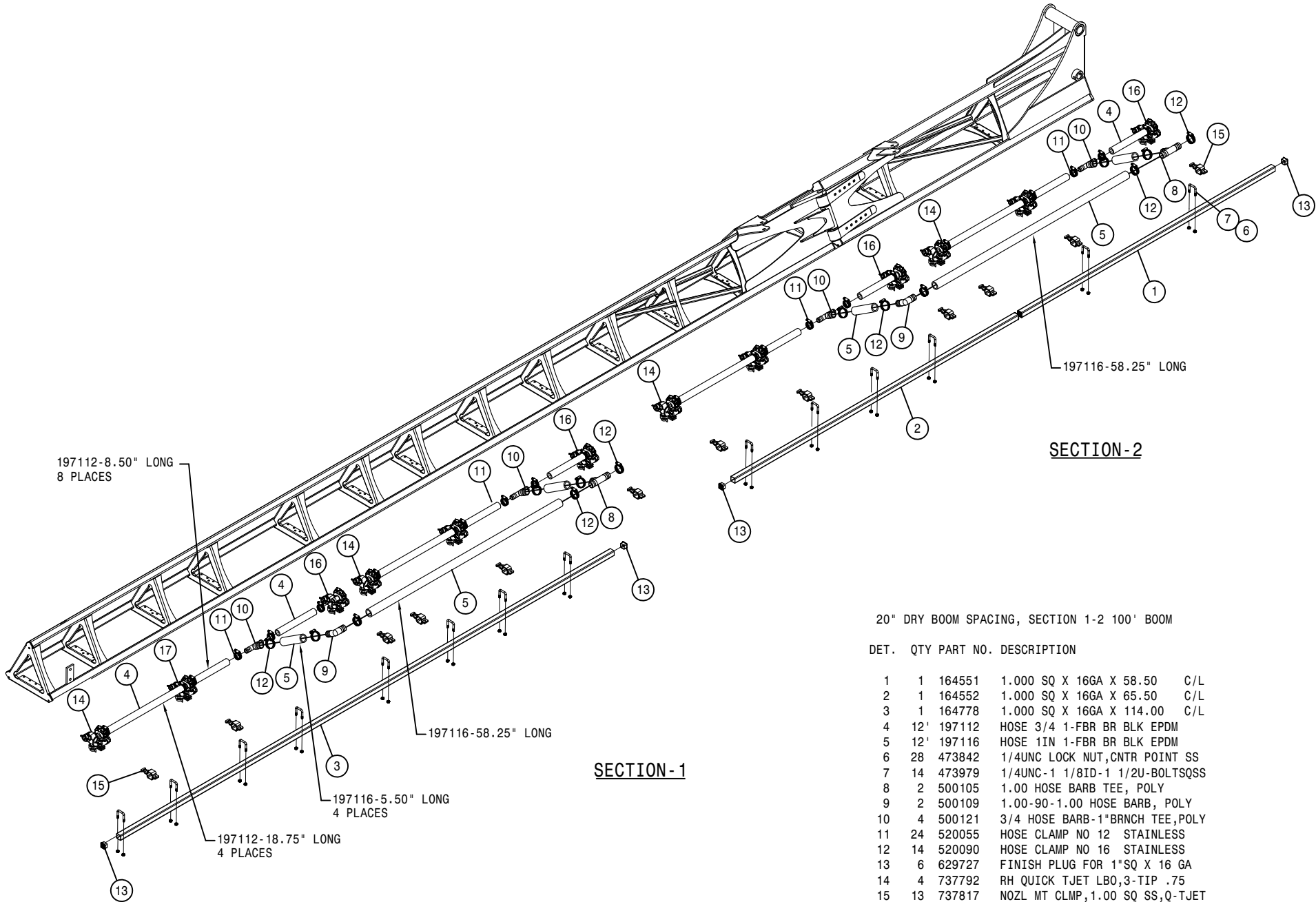


**SECTION-2**

**SECTION-1**

20" DRY BOOM SPACING, SECTION 1-2 90' BOOM

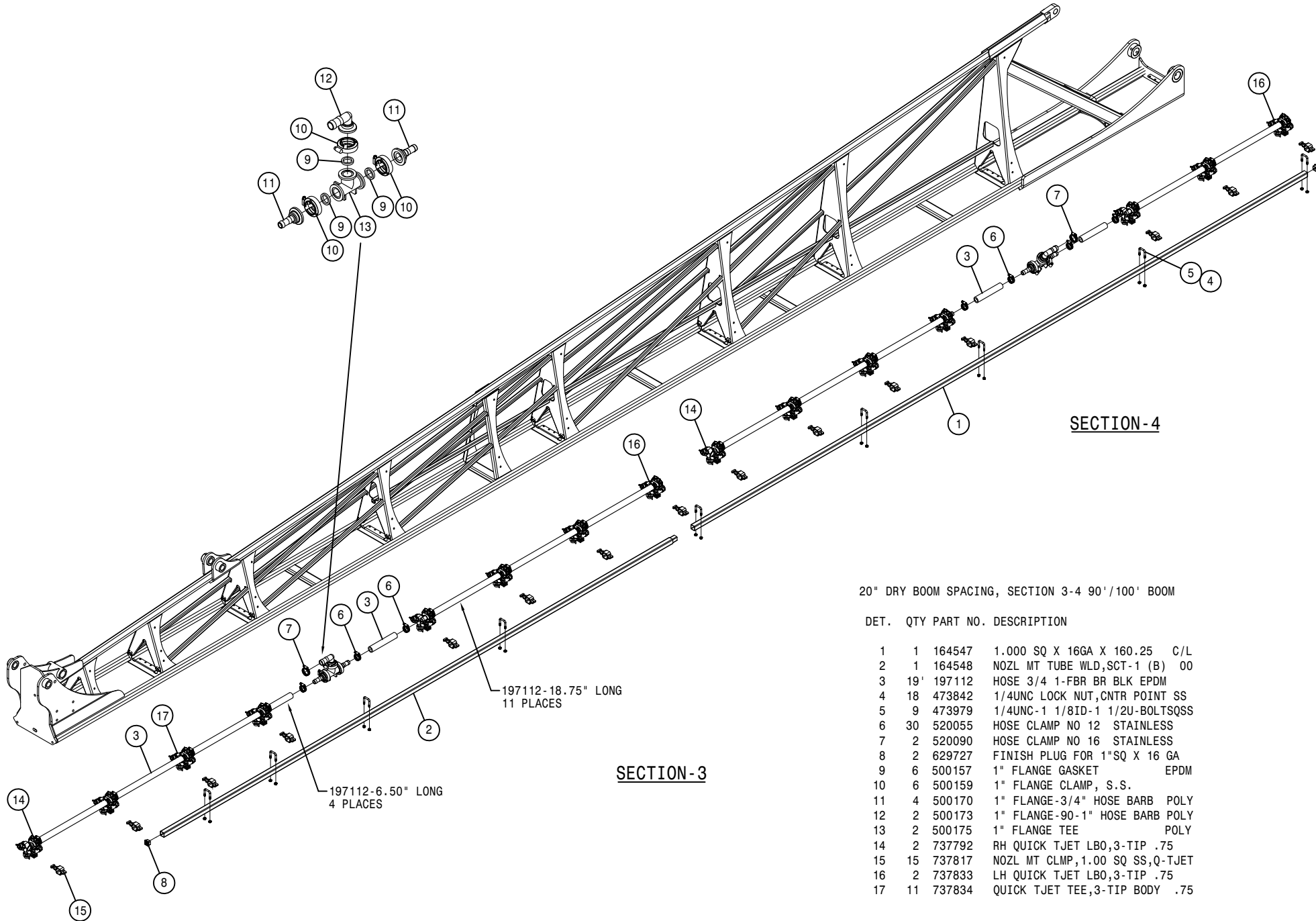
DET.	QTY	PART NO.	DESCRIPTION	
1	1	164553	1.000 SQ X 16GA X 53.00	C/L
2	1	164551	1.000 SQ X 16GA X 58.50	C/L
3	1	164552	1.000 SQ X 16GA X 65.50	C/L
4	10'	197112	HOSE 3/4 1-FBR BR BLK EPDM	
5	6'	197116	HOSE 1IN 1-FBR BR BLK EPDM	
6	18	473842	1/4UNC LOCK NUT,CNTR POINT SS	
7	9	473979	1/4UNC-1 1/8ID-1 1/2U-BOLTSQSS	
8	2	500109	1.00-90-1.00 HOSE BARB, POLY	
9	1	500105	1.00 HOSE BARB TEE, POLY	
10	3	500121	3/4 HOSE BARB-1"BRNCH TEE,POLY	
11	18	520055	HOSE CLAMP NO 12 STAINLESS	
12	10	520090	HOSE CLAMP NO 16 STAINLESS	
13	6	629727	FINISH PLUG FOR 1"SQ X 16 GA	
14	3	737792	RH QUICK TJET LBO,3-TIP .75	
15	9	737817	NOZL MT CLMP,1.00 SQ SS,Q-TJET	
16	3	737833	LH QUICK TJET LBO,3-TIP .75	
17	3	737834	QUICK TJET TEE,3-TIP BODY .75	



20" DRY BOOM SPACING, SECTION 1-2 100' BOOM

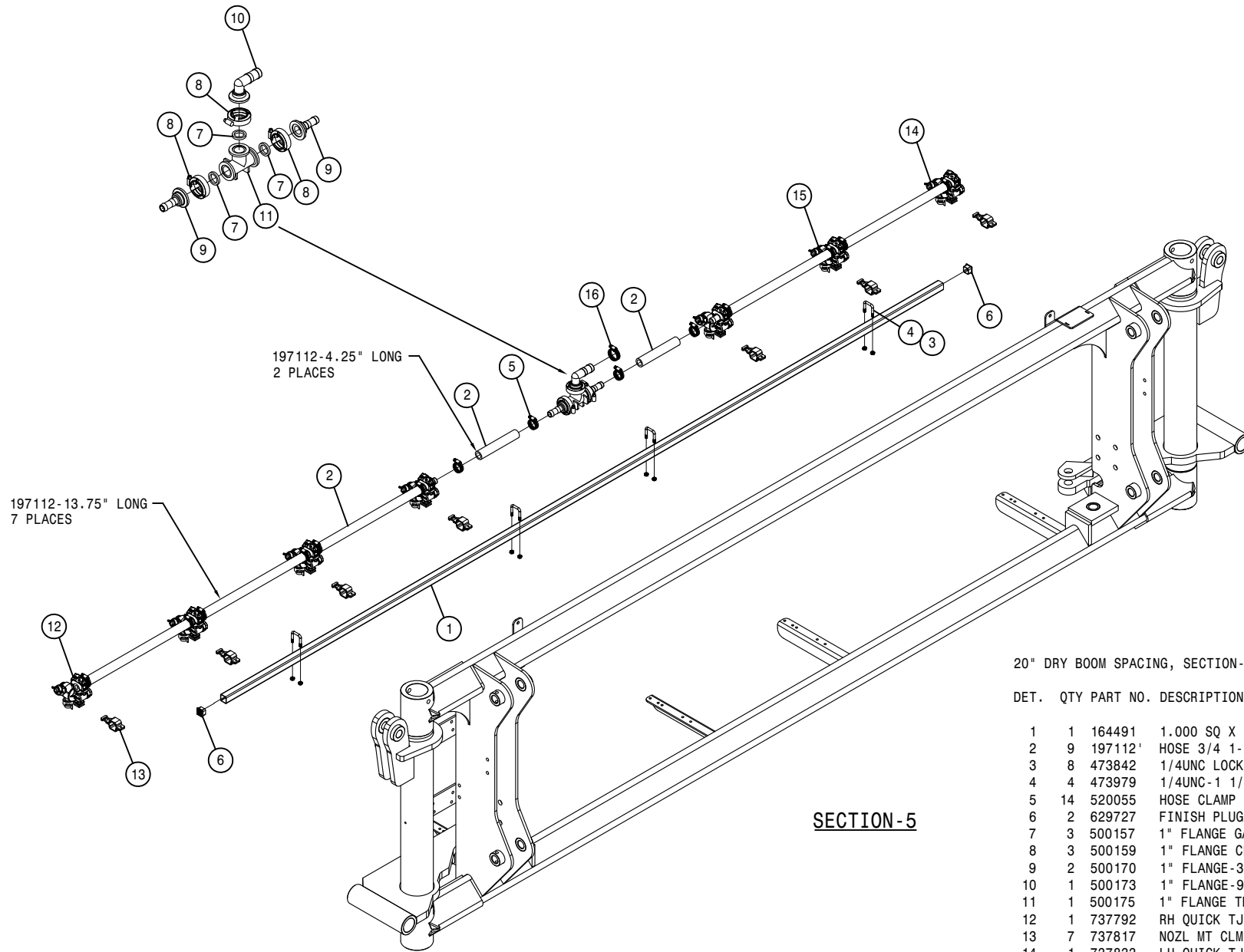
DET.	QTY	PART NO.	DESCRIPTION
1	1	164551	1.000 SQ X 16GA X 58.50 C/L
2	1	164552	1.000 SQ X 16GA X 65.50 C/L
3	1	164778	1.000 SQ X 16GA X 114.00 C/L
4	12'	197112	HOSE 3/4 1-FBR BR BLK EPDM
5	12'	197116	HOSE 1IN 1-FBR BR BLK EPDM
6	28	473842	1/4UNC LOCK NUT,CNTR POINT SS
7	14	473979	1/4UNC-1 1/8ID-1 1/2U-BOLTSQSS
8	2	500105	1.00 HOSE BARB TEE, POLY
9	2	500109	1.00-90-1.00 HOSE BARB, POLY
10	4	500121	3/4 HOSE BARB-1"BRNCH TEE,POLY
11	24	520055	HOSE CLAMP NO 12 STAINLESS
12	14	520090	HOSE CLAMP NO 16 STAINLESS
13	6	629727	FINISH PLUG FOR 1"SQ X 16 GA
14	4	737792	RH QUICK TJET LBO,3-TIP .75
15	13	737817	NOZL MT CLMP,1.00 SQ SS,Q-TJET
16	4	737833	LH QUICK TJET LBO,3-TIP .75
17	4	737834	QUICK TJET TEE,3-TIP BODY .75





20" DRY BOOM SPACING, SECTION 3-4 90' /100' BOOM

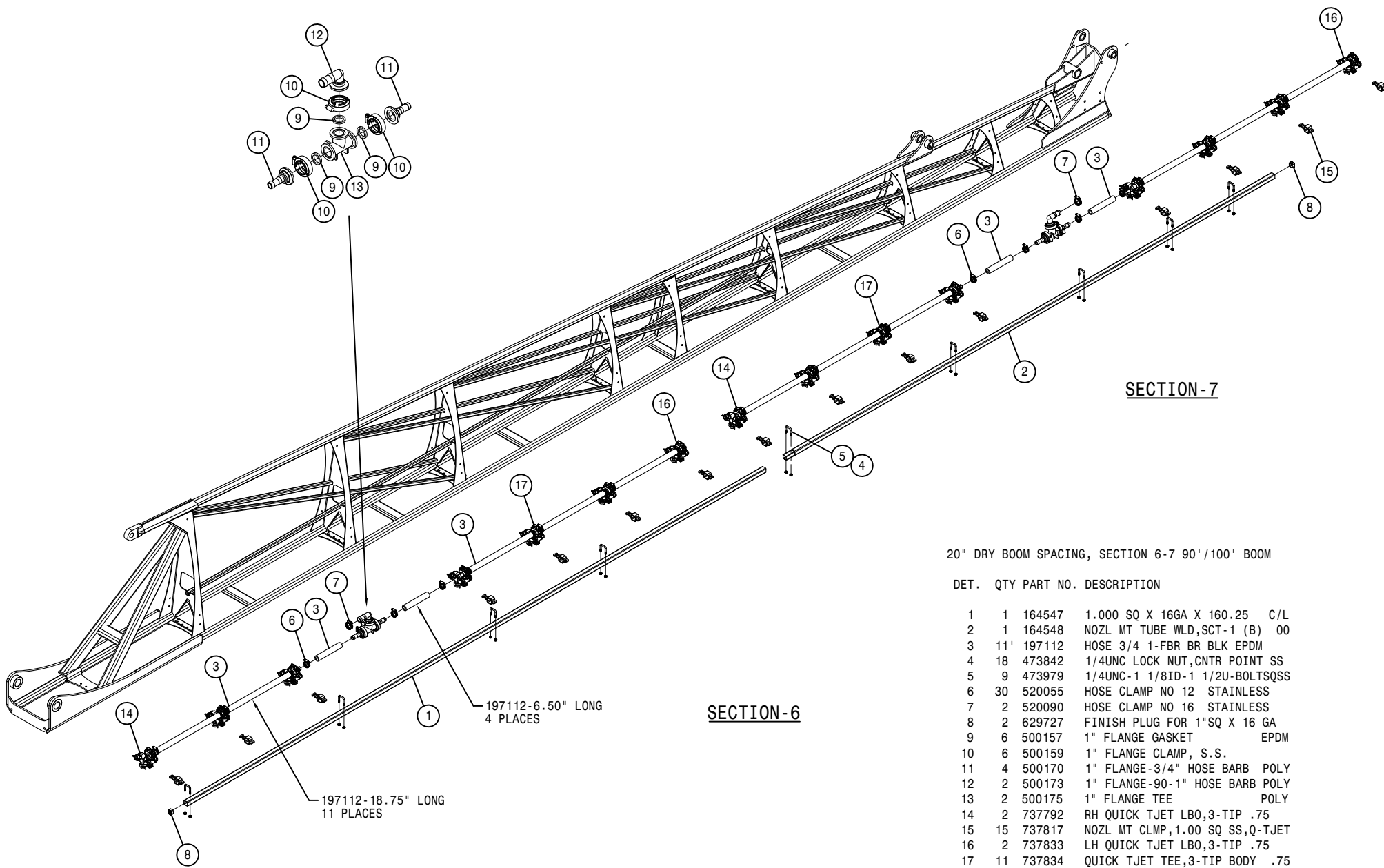
DET.	QTY	PART NO.	DESCRIPTION
1	1	164547	1.000 SQ X 16GA X 160.25 C/L
2	1	164548	NOZL MT TUBE WLD,SCT-1 (B) 00
3	19'	197112	HOSE 3/4 1-FBR BR BLK EPDM
4	18	473842	1/4UNC LOCK NUT,CNTR POINT SS
5	9	473979	1/4UNC-1 1/8ID-1 1/2U-BOLTSQSS
6	30	520055	HOSE CLAMP NO 12 STAINLESS
7	2	520090	HOSE CLAMP NO 16 STAINLESS
8	2	629727	FINISH PLUG FOR 1"SQ X 16 GA
9	6	500157	1" FLANGE GASKET EPDM
10	6	500159	1" FLANGE CLAMP, S.S.
11	4	500170	1" FLANGE-3/4" HOSE BARB POLY
12	2	500173	1" FLANGE-90-1" HOSE BARB POLY
13	2	500175	1" FLANGE TEE POLY
14	2	737792	RH QUICK TJET LBO,3-TIP .75
15	15	737817	NOZL MT CLMP,1.00 SQ SS,Q-TJET
16	2	737833	LH QUICK TJET LBO,3-TIP .75
17	11	737834	QUICK TJET TEE,3-TIP BODY .75



20" DRY BOOM SPACING, SECTION-5 90'/100' BOOM

DET.	QTY	PART NO.	DESCRIPTION
	1	164491	1.000 SQ X 16GA X 124.00 C/L
	2	9 197112'	HOSE 3/4 1-FBR BR BLK EPDM
	3	8 473842	1/4UNC LOCK NUT,CNTR POINT SS
	4	4 473979	1/4UNC-1 1/8ID-1 1/2U-BOLTSQSS
	5	14 520055	HOSE CLAMP NO 12 STAINLESS
	6	2 629727	FINISH PLUG FOR 1"SQ X 16 GA
	7	3 500157	1" FLANGE GASKET EPDM
	8	3 500159	1" FLANGE CLAMP, S.S.
	9	2 500170	1" FLANGE-3/4" HOSE BARB POLY
	10	1 500173	1" FLANGE-90-1" HOSE BARB POLY
	11	1 500175	1" FLANGE TEE POLY
	12	1 737792	RH QUICK TJET LBO,3-TIP .75
	13	7 737817	NOZL MT CLMP,1.00 SQ SS,Q-TJET
	14	1 737833	LH QUICK TJET LBO,3-TIP .75
	15	5 737834	QUICK TJET TEE,3-TIP BODY .75
	16	1 520090	HOSE CLAMP NO 16 STAINLESS

**SECTION-5**



**SECTION - 7**

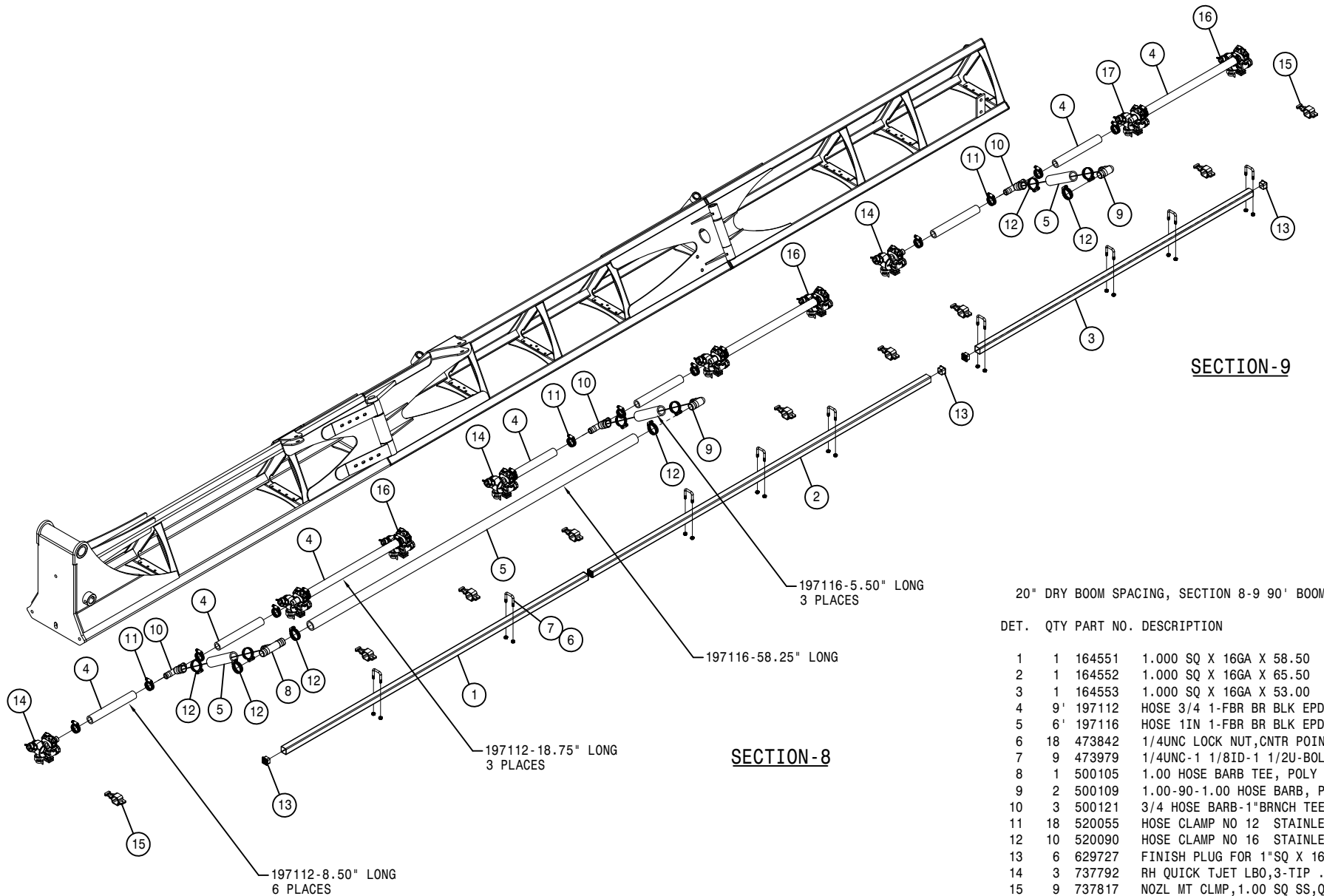
**SECTION - 6**

20" DRY BOOM SPACING, SECTION 6-7 90'/100' BOOM

DET.	QTY	PART NO.	DESCRIPTION
1	1	164547	1.000 SQ X 16GA X 160.25 C/L
2	1	164548	NOZL MT TUBE WLD,SCT-1 (B) 00
3	11'	197112	HOSE 3/4 1-FBR BR BLK EPDM
4	18	473842	1/4UNC LOCK NUT,CNTR POINT SS
5	9	473979	1/4UNC-1 1/8ID-1 1/2U-BOLTSQSS
6	30	520055	HOSE CLAMP NO 12 STAINLESS
7	2	520090	HOSE CLAMP NO 16 STAINLESS
8	2	629727	FINISH PLUG FOR 1"SQ X 16 GA
9	6	500157	1" FLANGE GASKET EPDM
10	6	500159	1" FLANGE CLAMP, S.S.
11	4	500170	1" FLANGE-3/4" HOSE BARB POLY
12	2	500173	1" FLANGE-90-1" HOSE BARB POLY
13	2	500175	1" FLANGE TEE POLY
14	2	737792	RH QUICK TJET LBO,3-TIP .75
15	15	737817	NOZL MT CLMP,1.00 SQ SS,Q-TJET
16	2	737833	LH QUICK TJET LBO,3-TIP .75
17	11	737834	QUICK TJET TEE,3-TIP BODY .75

197112-6.50" LONG  
4 PLACES

197112-18.75" LONG  
11 PLACES

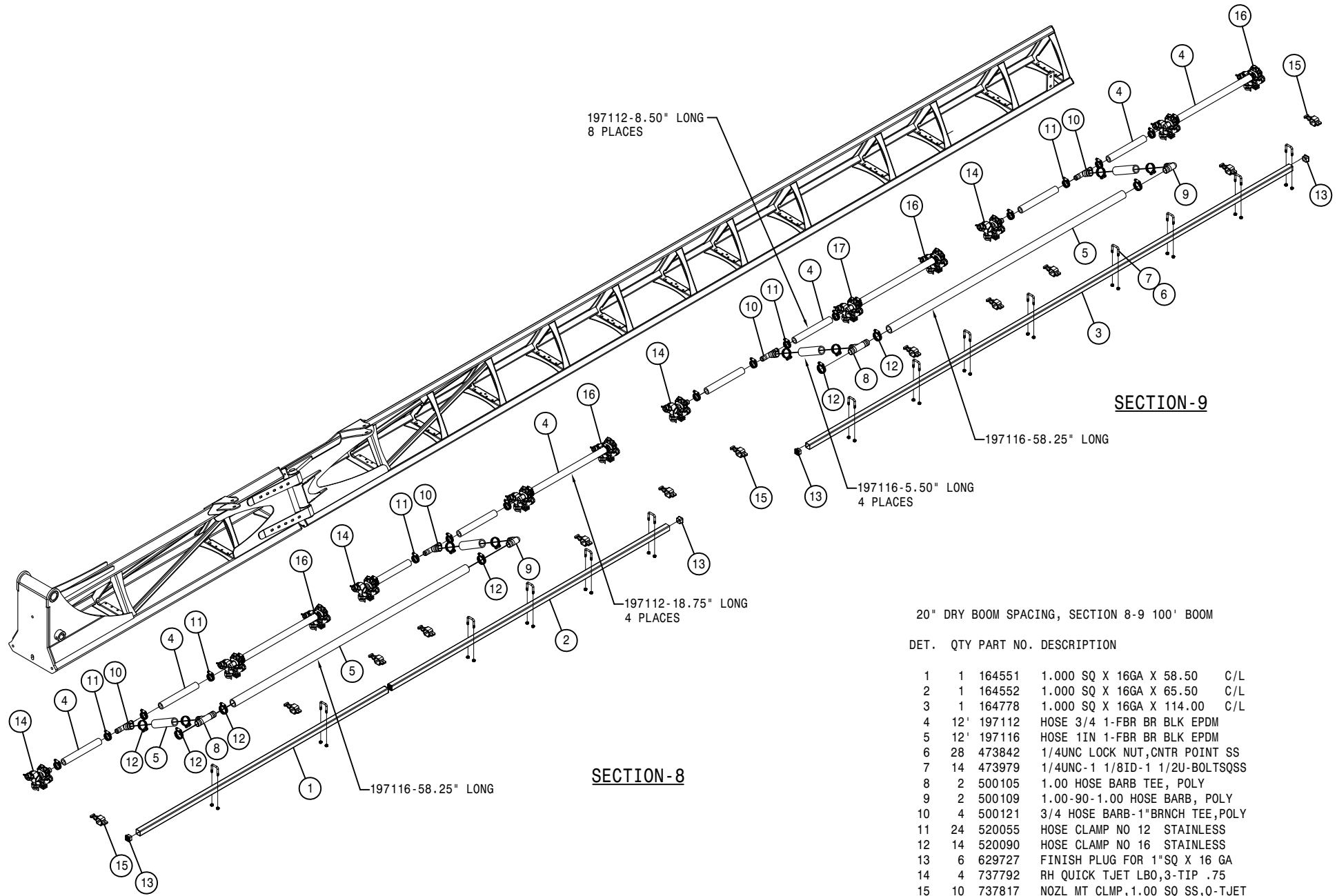


**SECTION-9**

**SECTION-8**

20" DRY BOOM SPACING, SECTION 8-9 90' BOOM

DET.	QTY	PART NO.	DESCRIPTION
1	1	164551	1.000 SQ X 16GA X 58.50 C/L
2	1	164552	1.000 SQ X 16GA X 65.50 C/L
3	1	164553	1.000 SQ X 16GA X 53.00 C/L
4	9'	197112	HOSE 3/4 1-FBR BR BLK EPDM
5	6"	197116	HOSE 1IN 1-FBR BR BLK EPDM
6	18	473842	1/4UNC LOCK NUT,CNTR POINT SS
7	9	473979	1/4UNC-1 1/8ID-1 1/2U-BOLTSQSS
8	1	500105	1.00 HOSE BARB TEE, POLY
9	2	500109	1.00-90-1.00 HOSE BARB, POLY
10	3	500121	3/4 HOSE BARB-1"BRNCH TEE,POLY
11	18	520055	HOSE CLAMP NO 12 STAINLESS
12	10	520090	HOSE CLAMP NO 16 STAINLESS
13	6	629727	FINISH PLUG FOR 1"SQ X 16 GA
14	3	737792	RH QUICK TJET LBO,3-TIP .75
15	9	737817	NOZL MT CLMP,1.00 SQ SS,Q-TJET
16	3	737833	LH QUICK TJET LBO,3-TIP .75
17	3	737834	QUICK TJET TEE,3-TIP BODY .75

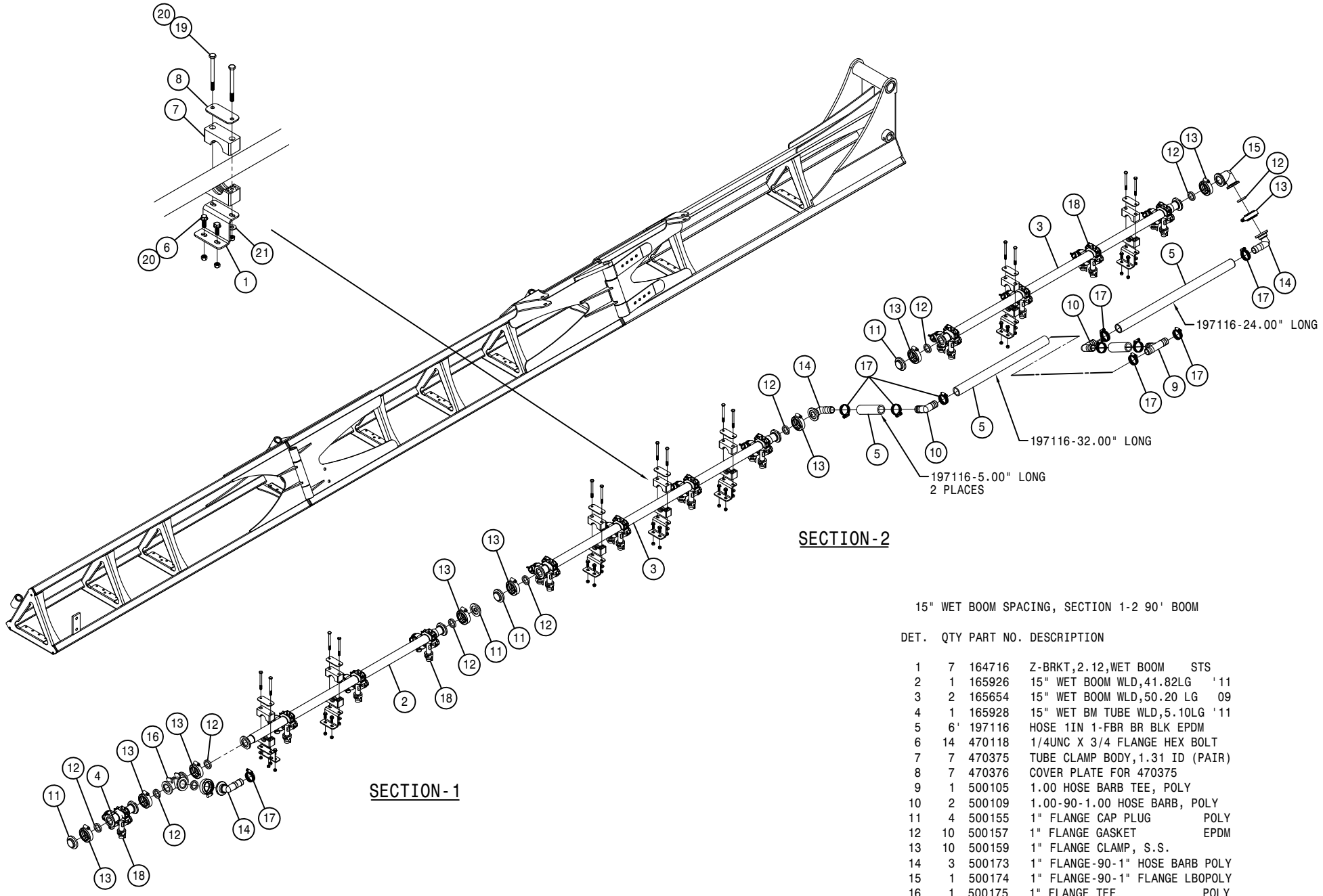


**SECTION-9**

**SECTION-8**

20" DRY BOOM SPACING, SECTION 8-9 100' BOOM

DET.	QTY	PART NO.	DESCRIPTION
	1	164551	1.000 SQ X 16GA X 58.50 C/L
	2	164552	1.000 SQ X 16GA X 65.50 C/L
	3	164778	1.000 SQ X 16GA X 114.00 C/L
	4	12'	197112 HOSE 3/4 1-FBR BR BLK EPDM
	5	12'	197116 HOSE 1IN 1-FBR BR BLK EPDM
	6	28	473842 1/4UNC LOCK NUT,CNTR POINT SS
	7	14	473979 1/4UNC-1 1/8ID-1 1/2U-BOLTSQSS
	8	2	500105 1.00 HOSE BARB TEE, POLY
	9	2	500109 1.00-90-1.00 HOSE BARB, POLY
	10	4	500121 3/4 HOSE BARB-1"BRNCH TEE,POLY
	11	24	520055 HOSE CLAMP NO 12 STAINLESS
	12	14	520090 HOSE CLAMP NO 16 STAINLESS
	13	6	629727 FINISH PLUG FOR 1"SQ X 16 GA
	14	4	737792 RH QUICK TJET LBO,3-TIP .75
	15	10	737817 NOZL MT CLMP,1.00 SQ SS,Q-TJET
	16	4	737833 LH QUICK TJET LBO,3-TIP .75
	17	4	737834 QUICK TJET TEE,3-TIP BODY .75

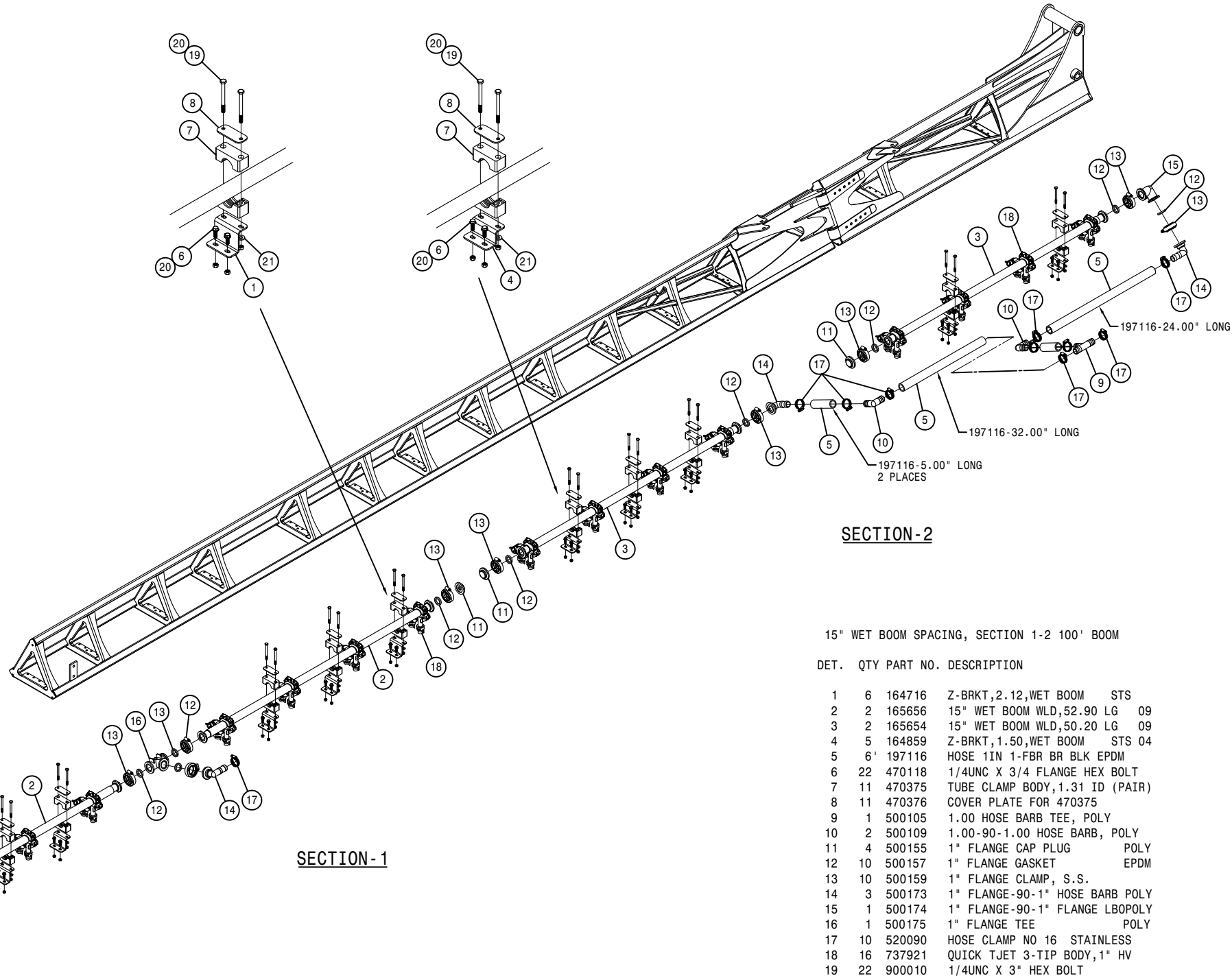


**SECTION-2**

15" WET BOOM SPACING, SECTION 1-2 90' BOOM

DET. QTY PART NO. DESCRIPTION

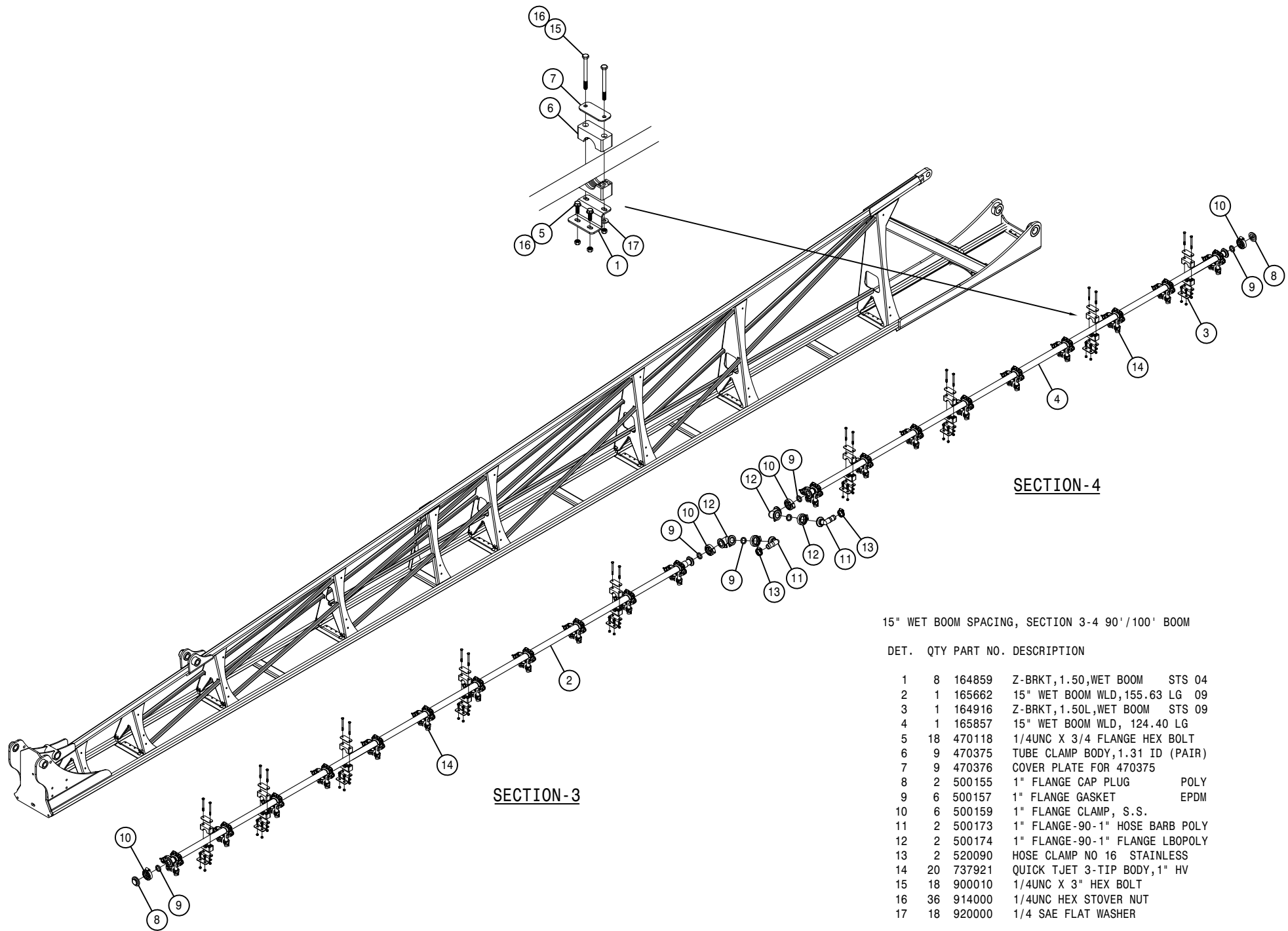
1	7	164716	Z-BRKT,2.12,WET BOOM STS
2	1	165926	15" WET BOOM WLD,41.82LG '11
3	2	165654	15" WET BOOM WLD,50.20 LG 09
4	1	165928	15" WET BM TUBE WLD,5.10LG '11
5	6'	197116	HOSE 1IN 1-FBR BR BLK EPDM
6	14	470118	1/4UNC X 3/4 FLANGE HEX BOLT
7	7	470375	TUBE CLAMP BODY,1.31 ID (PAIR)
8	7	470376	COVER PLATE FOR 470375
9	1	500105	1.00 HOSE BARB TEE, POLY
10	2	500109	1.00-90-1.00 HOSE BARB, POLY
11	4	500155	1" FLANGE CAP PLUG POLY
12	10	500157	1" FLANGE GASKET EPDM
13	10	500159	1" FLANGE CLAMP, S.S.
14	3	500173	1" FLANGE-90-1" HOSE BARB POLY
15	1	500174	1" FLANGE-90-1" FLANGE LBOPOLY
16	1	500175	1" FLANGE TEE POLY
17	10	520090	HOSE CLAMP NO 16 STAINLESS
18	12	737921	QUICK TJET 3-TIP BODY,1" HV
19	14	900010	1/4UNC X 3" HEX BOLT
20	28	914000	1/4UNC HEX STOVER NUT
21	14	920000	1/4 SAE FLAT WASHER



SECTION-2

15" WET BOOM SPACING, SECTION 1-2 100' BOOM

DET.	QTY	PART NO.	DESCRIPTION
1	6	164716	Z-BRKT,2.12,WET BOOM STS
2	2	165656	15" WET BOOM WLD,52.90 LG 09
3	2	165654	15" WET BOOM WLD,50.20 LG 09
4	5	164859	Z-BRKT,1.50,WET BOOM STS 04
5	6'	197116	HOSE 1IN 1-FBR BR BLK EPDM
6	22	470118	1/4UNC X 3/4 FLANGE HEX BOLT
7	11	470375	TUBE CLAMP BODY,1.31 ID (PAIR)
8	11	470376	COVER PLATE FOR 470375
9	1	500105	1.00 HOSE BARB TEE, POLY
10	2	500109	1.00-90-1.00 HOSE BARB, POLY
11	4	500155	1" FLANGE CAP PLUG POLY
12	10	500157	1" FLANGE GASKET EPDM
13	10	500159	1" FLANGE CLAMP, S.S.
14	3	500173	1" FLANGE-90-1" HOSE BARB POLY
15	1	500174	1" FLANGE-90-1" FLANGE LBOPOLY
16	1	500175	1" FLANGE TEE POLY
17	10	520090	HOSE CLAMP NO 16 STAINLESS
18	16	737921	QUICK TJET 3-TIP BODY,1" HV
19	22	900010	1/4UNC X 3" HEX BOLT
20	44	914000	1/4UNC HEX STOVER NUT
21	22	920000	1/4 SAE FLAT WASHER



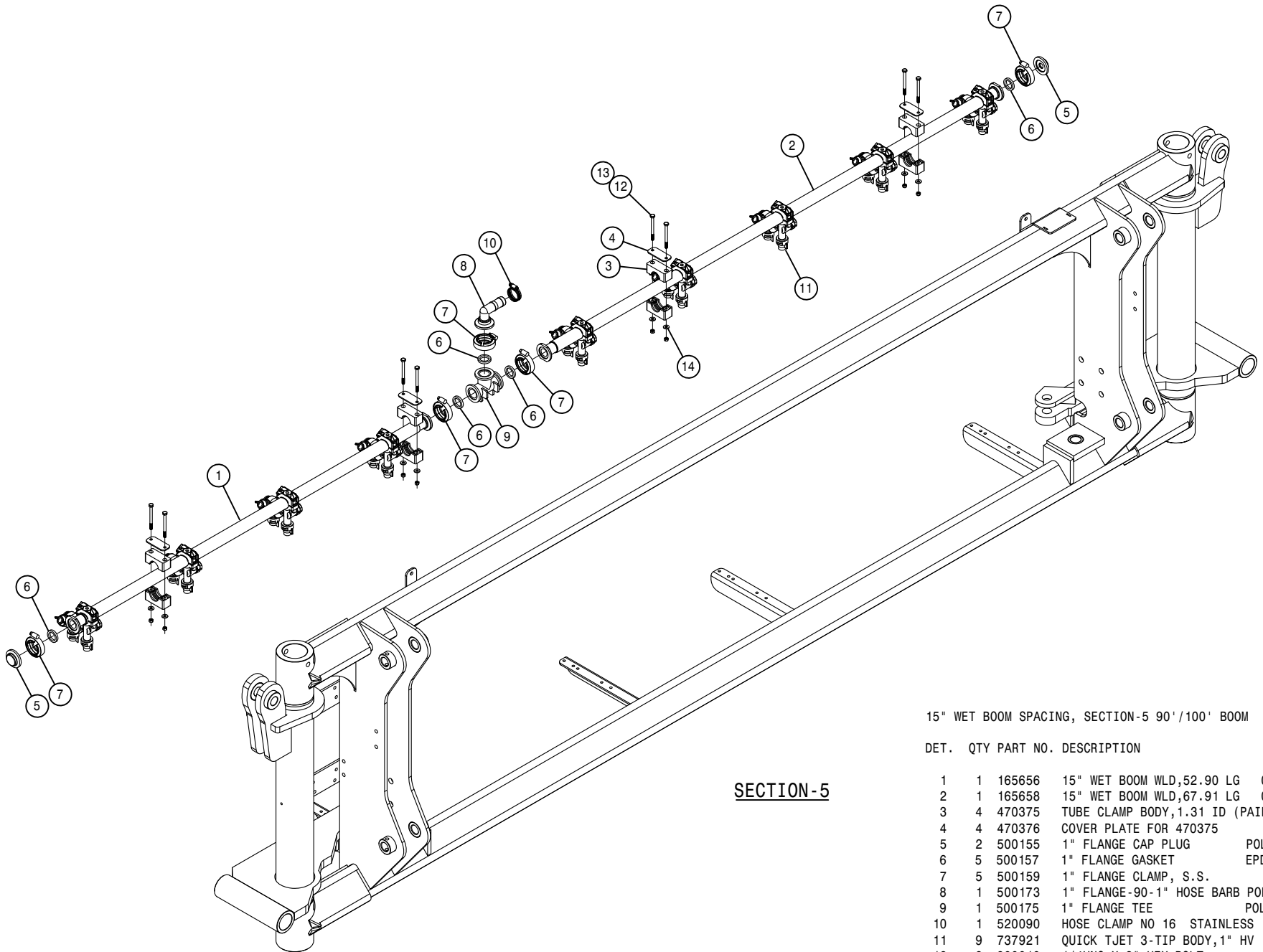
**SECTION-4**

**SECTION-3**

15" WET BOOM SPACING, SECTION 3-4 90' / 100' BOOM

DET.	QTY	PART NO.	DESCRIPTION
1	8	164859	Z-BRKT, 1.50, WET BOOM STS 04
2	1	165662	15" WET BOOM WLD, 155.63 LG 09
3	1	164916	Z-BRKT, 1.50L, WET BOOM STS 09
4	1	165857	15" WET BOOM WLD, 124.40 LG
5	18	470118	1/4UNC X 3/4 FLANGE HEX BOLT
6	9	470375	TUBE CLAMP BODY, 1.31 ID (PAIR)
7	9	470376	COVER PLATE FOR 470375
8	2	500155	1" FLANGE CAP PLUG POLY
9	6	500157	1" FLANGE GASKET EPDM
10	6	500159	1" FLANGE CLAMP, S.S.
11	2	500173	1" FLANGE-90-1" HOSE BARB POLY
12	2	500174	1" FLANGE-90-1" FLANGE LBOPOLY
13	2	520090	HOSE CLAMP NO 16 STAINLESS
14	20	737921	QUICK TJET 3-TIP BODY, 1" HV
15	18	900010	1/4UNC X 3" HEX BOLT
16	36	914000	1/4UNC HEX STOVER NUT
17	18	920000	1/4 SAE FLAT WASHER



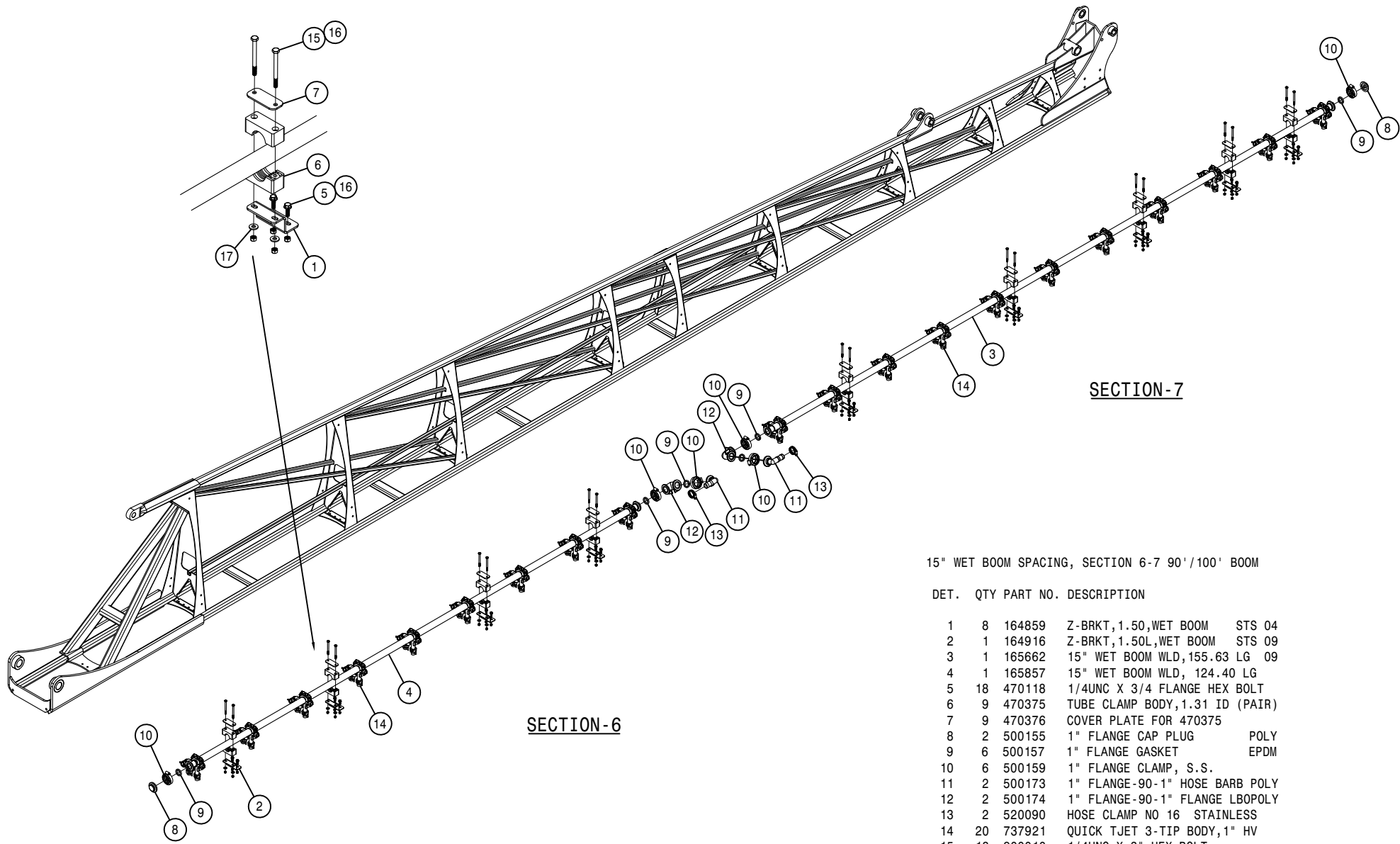


**SECTION-5**

15" WET BOOM SPACING, SECTION-5 90' /100' BOOM

DET. QTY PART NO. DESCRIPTION

1	1	165656	15" WET BOOM WLD,52.90 LG	09
2	1	165658	15" WET BOOM WLD,67.91 LG	09
3	4	470375	TUBE CLAMP BODY,1.31 ID (PAIR)	
4	4	470376	COVER PLATE FOR 470375	
5	2	500155	1" FLANGE CAP PLUG	POLY
6	5	500157	1" FLANGE GASKET	EPDM
7	5	500159	1" FLANGE CLAMP, S.S.	
8	1	500173	1" FLANGE-90-1" HOSE BARB	POLY
9	1	500175	1" FLANGE TEE	POLY
10	1	520090	HOSE CLAMP NO 16	STAINLESS
11	9	737921	QUICK TJET 3-TIP BODY,1" HV	
12	8	900010	1/4UNC X 3" HEX BOLT	
13	8	914000	1/4UNC HEX STOVER NUT	
14	8	920000	1/4 SAE FLAT WASHER	

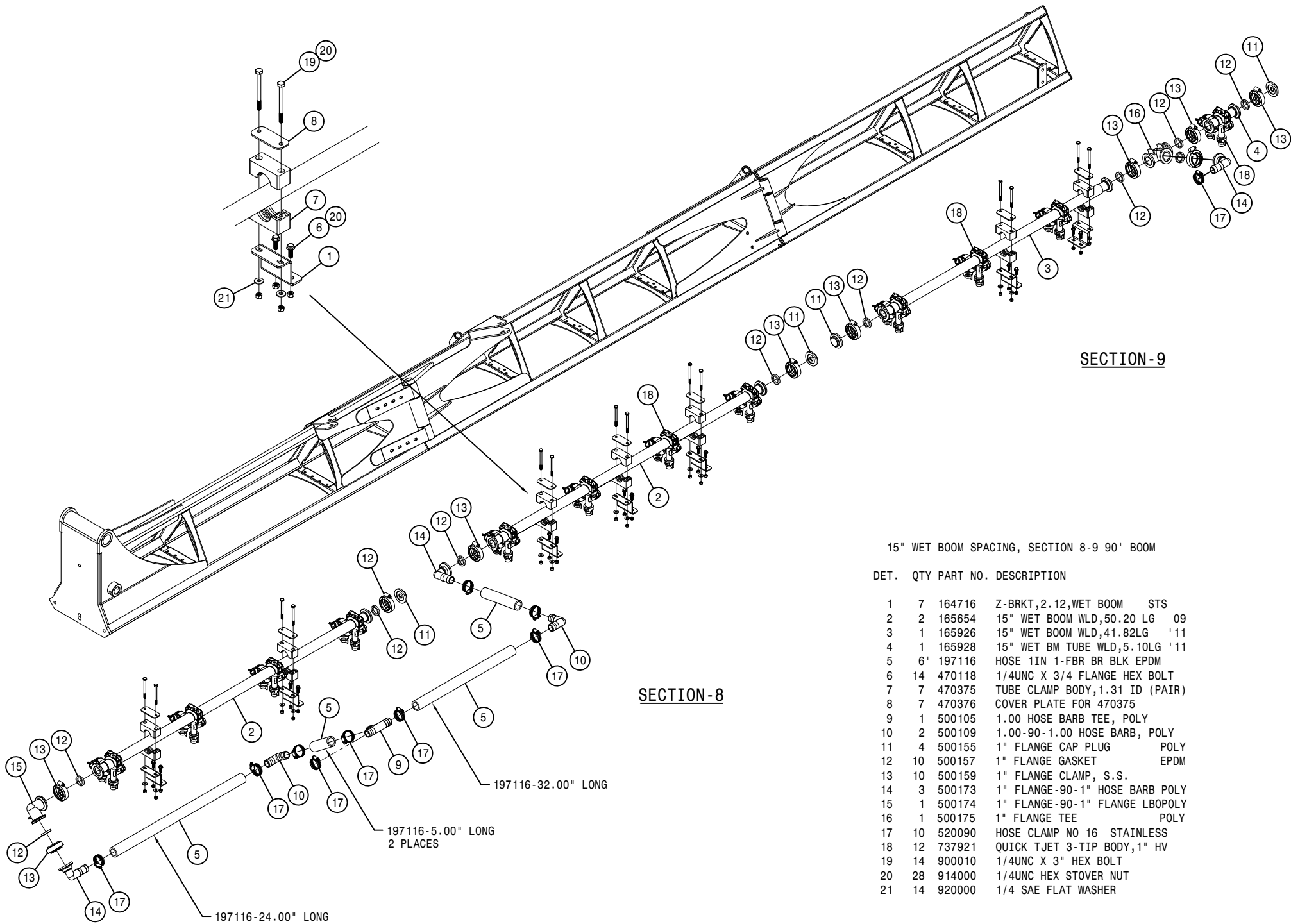


SECTION-7

SECTION-6

15" WET BOOM SPACING, SECTION 6-7 90' /100' BOOM

DET.	QTY	PART NO.	DESCRIPTION
1	8	164859	Z-BRKT, 1.50, WET BOOM STS 04
2	1	164916	Z-BRKT, 1.50L, WET BOOM STS 09
3	1	165662	15" WET BOOM WLD, 155.63 LG 09
4	1	165857	15" WET BOOM WLD, 124.40 LG
5	18	470118	1/4UNC X 3/4 FLANGE HEX BOLT
6	9	470375	TUBE CLAMP BODY, 1.31 ID (PAIR)
7	9	470376	COVER PLATE FOR 470375
8	2	500155	1" FLANGE CAP PLUG POLY
9	6	500157	1" FLANGE GASKET EPDM
10	6	500159	1" FLANGE CLAMP, S.S.
11	2	500173	1" FLANGE-90-1" HOSE BARB POLY
12	2	500174	1" FLANGE-90-1" FLANGE LBOPOLY
13	2	520090	HOSE CLAMP NO 16 STAINLESS
14	20	737921	QUICK TJET 3-TIP BODY, 1" HV
15	18	900010	1/4UNC X 3" HEX BOLT
16	36	914000	1/4UNC HEX STOVER NUT
17	18	920000	1/4 SAE FLAT WASHER



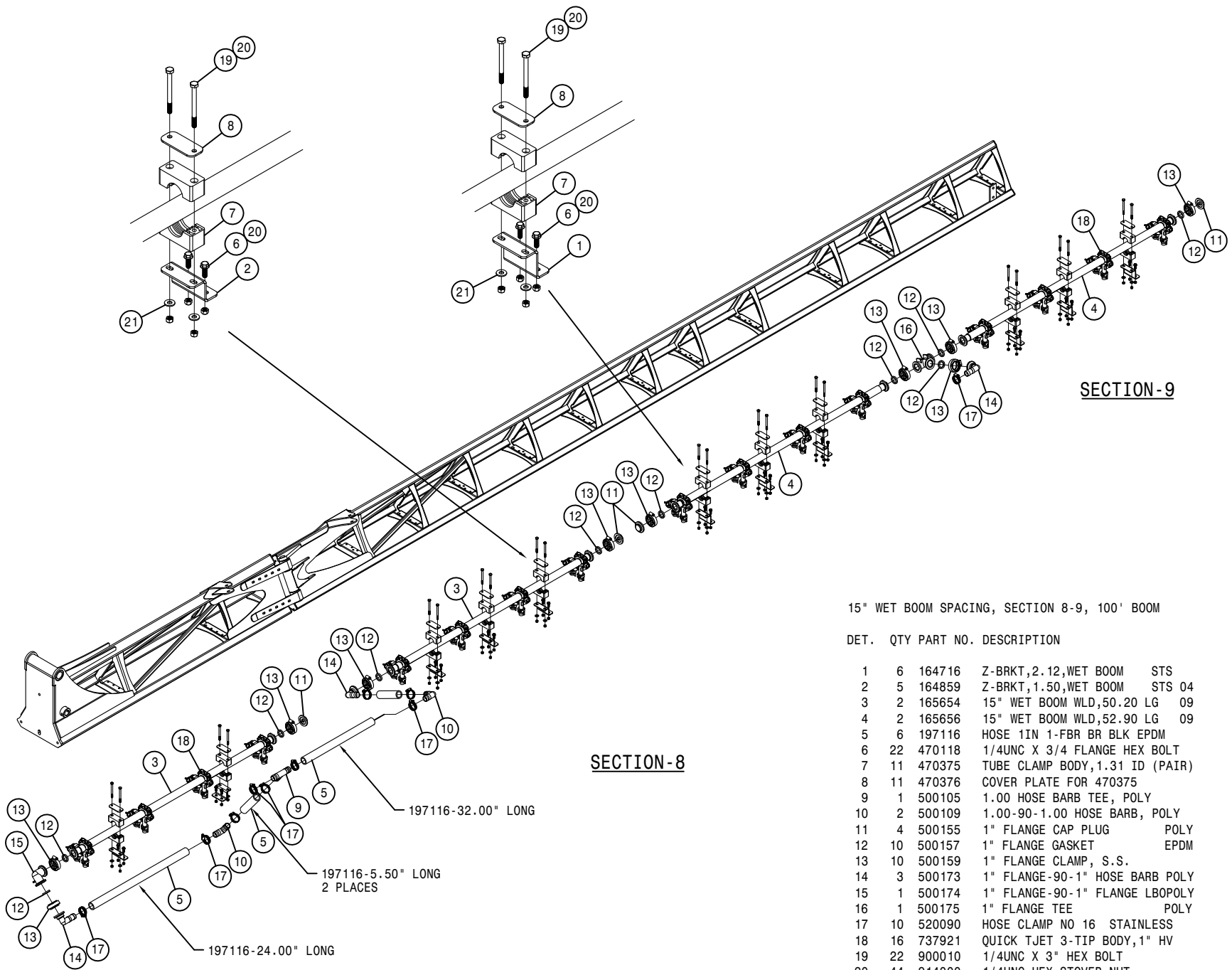
**SECTION-9**

**SECTION-8**

15" WET BOOM SPACING, SECTION 8-9 90' BOOM

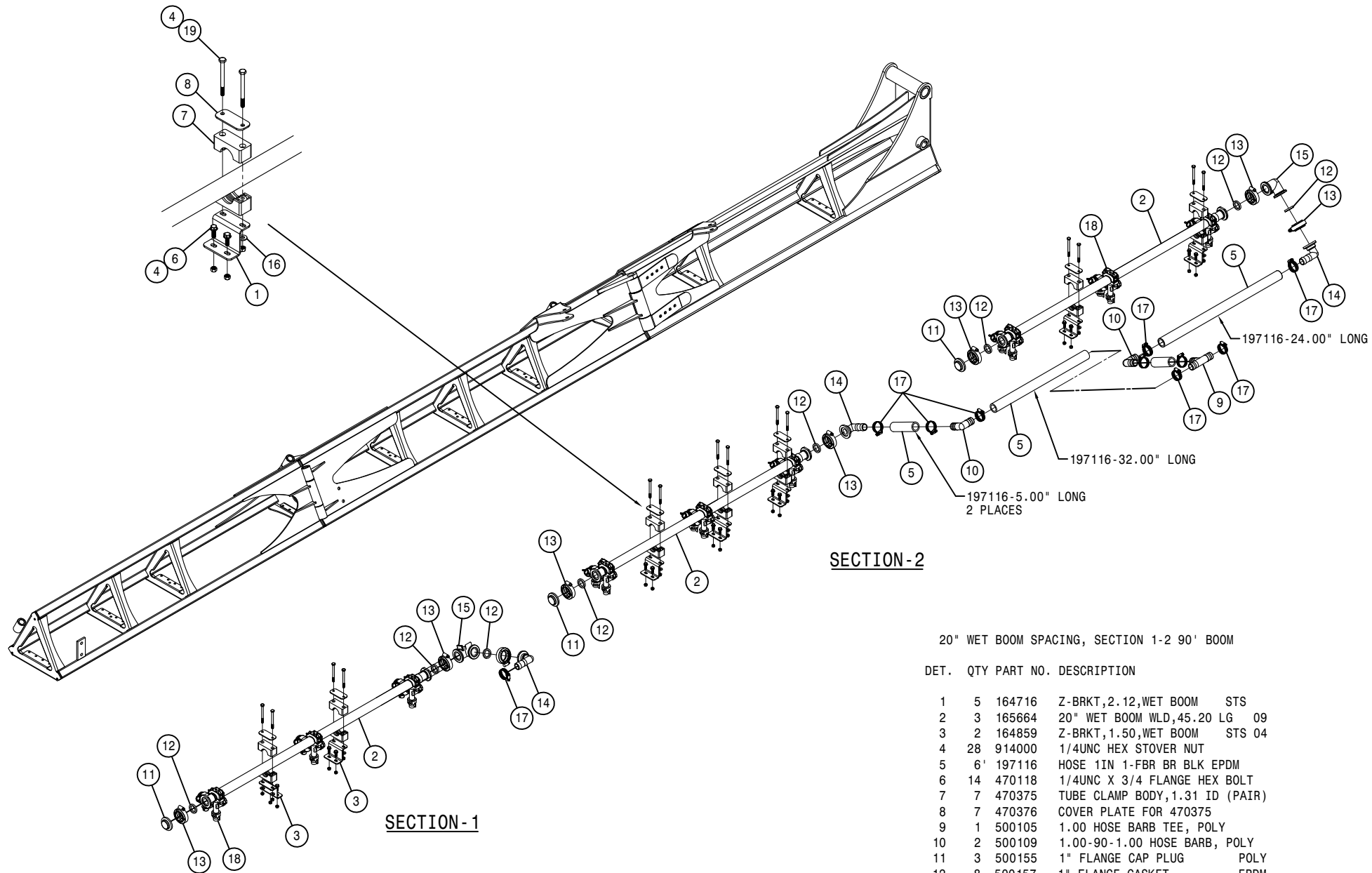
DET. QTY PART NO. DESCRIPTION

DET.	QTY	PART NO.	DESCRIPTION
1	7	164716	Z-BRKT,2.12,WET BOOM STS
2	2	165654	15" WET BOOM WLD,50.20 LG 09
3	1	165926	15" WET BOOM WLD,41.82LG '11
4	1	165928	15" WET BM TUBE WLD,5.10LG '11
5	6'	197116	HOSE 1IN 1-FBR BR BLK EPDM
6	14	470118	1/4UNC X 3/4 FLANGE HEX BOLT
7	7	470375	TUBE CLAMP BODY,1.31 ID (PAIR)
8	7	470376	COVER PLATE FOR 470375
9	1	500105	1.00 HOSE BARB TEE, POLY
10	2	500109	1.00-90-1.00 HOSE BARB, POLY
11	4	500155	1" FLANGE CAP PLUG POLY
12	10	500157	1" FLANGE GASKET EPDM
13	10	500159	1" FLANGE CLAMP, S.S.
14	3	500173	1" FLANGE-90-1" HOSE BARB POLY
15	1	500174	1" FLANGE-90-1" FLANGE LBOPOLY
16	1	500175	1" FLANGE TEE POLY
17	10	520090	HOSE CLAMP NO 16 STAINLESS
18	12	737921	QUICK TJET 3-TIP BODY,1" HV
19	14	900010	1/4UNC X 3" HEX BOLT
20	28	914000	1/4UNC HEX STOVER NUT
21	14	920000	1/4 SAE FLAT WASHER



15" WET BOOM SPACING, SECTION 8-9, 100' BOOM

DET.	QTY	PART NO.	DESCRIPTION
1	6	164716	Z-BRKT,2.12,WET BOOM STS
2	5	164859	Z-BRKT,1.50,WET BOOM STS 04
3	2	165654	15" WET BOOM WLD,50.20 LG 09
4	2	165656	15" WET BOOM WLD,52.90 LG 09
5	6	197116	HOSE 1IN 1-FBR BR BLK EPDM
6	22	470118	1/4UNC X 3/4 FLANGE HEX BOLT
7	11	470375	TUBE CLAMP BODY,1.31 ID (PAIR)
8	11	470376	COVER PLATE FOR 470375
9	1	500105	1.00 HOSE BARB TEE, POLY
10	2	500109	1.00-90-1.00 HOSE BARB, POLY
11	4	500155	1" FLANGE CAP PLUG POLY
12	10	500157	1" FLANGE GASKET EPDM
13	10	500159	1" FLANGE CLAMP, S.S.
14	3	500173	1" FLANGE-90-1" HOSE BARB POLY
15	1	500174	1" FLANGE-90-1" FLANGE LBOPOLY
16	1	500175	1" FLANGE TEE POLY
17	10	520090	HOSE CLAMP NO 16 STAINLESS
18	16	737921	QUICK TJET 3-TIP BODY,1" HV
19	22	900010	1/4UNC X 3" HEX BOLT
20	44	914000	1/4UNC HEX STOVER NUT
21	22	920000	1/4 SAE FLAT WASHER

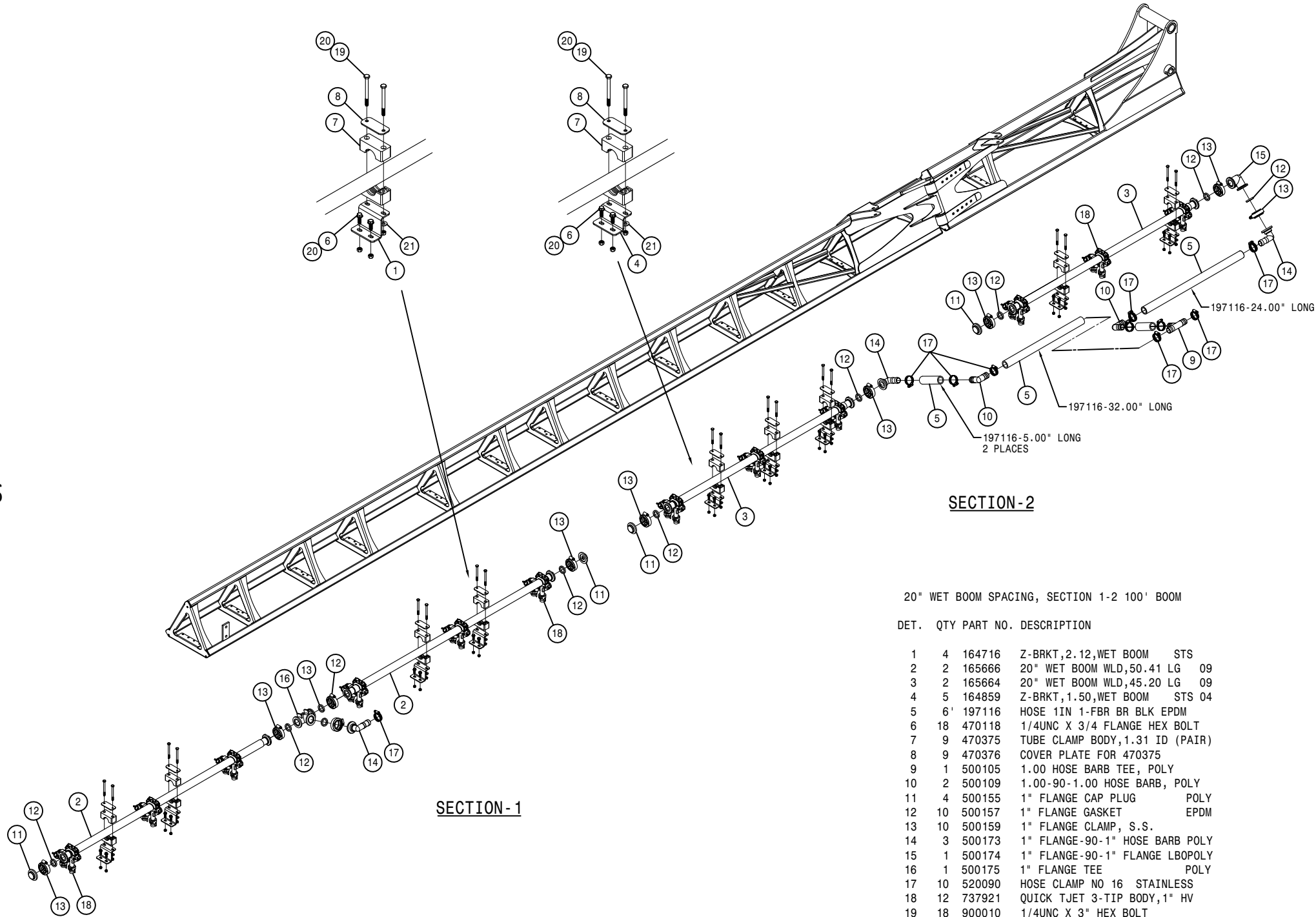


**SECTION-2**

**SECTION-1**

20" WET BOOM SPACING, SECTION 1-2 90' BOOM

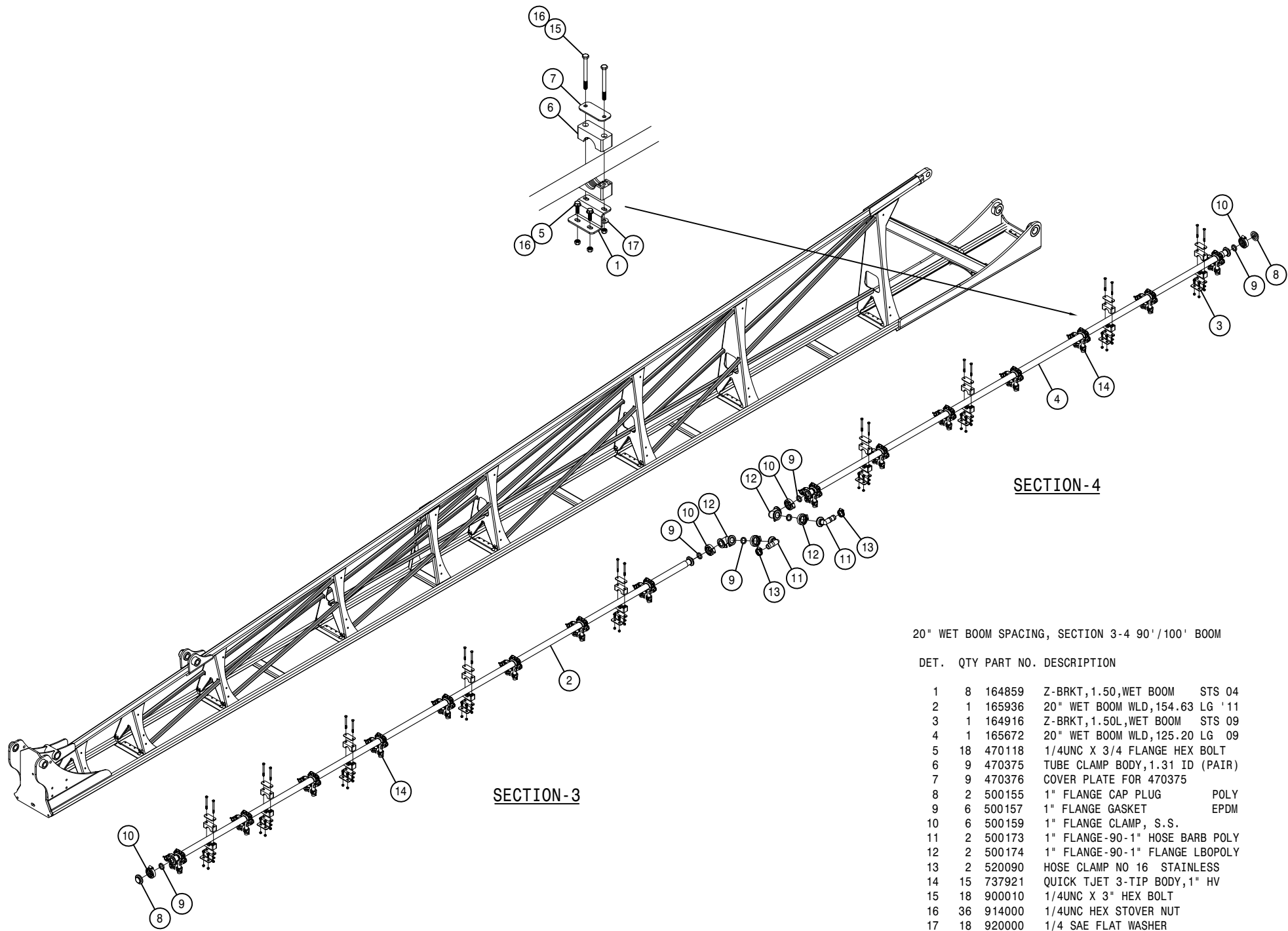
DET.	QTY	PART NO.	DESCRIPTION
1	5	164716	Z-BRKT,2.12,WET BOOM STS
2	3	165664	20" WET BOOM WLD,45.20 LG 09
3	2	164859	Z-BRKT,1.50,WET BOOM STS 04
4	28	914000	1/4UNC HEX STOVER NUT
5	6'	197116	HOSE 1IN 1-FBR BR BLK EPDM
6	14	470118	1/4UNC X 3/4 FLANGE HEX BOLT
7	7	470375	TUBE CLAMP BODY,1.31 ID (PAIR)
8	7	470376	COVER PLATE FOR 470375
9	1	500105	1.00 HOSE BARB TEE, POLY
10	2	500109	1.00-90-1.00 HOSE BARB, POLY
11	3	500155	1" FLANGE CAP PLUG POLY
12	8	500157	1" FLANGE GASKET EPDM
13	8	500159	1" FLANGE CLAMP, S.S.
14	3	500173	1" FLANGE-90-1" HOSE BARB POLY
15	2	500174	1" FLANGE-90-1" FLANGE LBOPOLY
16	14	920000	1/4 SAE FLAT WASHER
17	9	520090	HOSE CLAMP NO 16 STAINLESS
18	9	737921	QUICK TJET 3-TIP BODY,1" HV
19	14	900010	1/4UNC X 3" HEX BOLT



**SECTION-2**

20" WET BOOM SPACING, SECTION 1-2 100' BOOM

DET.	QTY	PART NO.	DESCRIPTION
1	4	164716	Z-BRKT,2.12,WET BOOM STS
2	2	165666	20" WET BOOM WLD,50.41 LG 09
3	2	165664	20" WET BOOM WLD,45.20 LG 09
4	5	164859	Z-BRKT,1.50,WET BOOM STS 04
5	6'	197116	HOSE 1IN 1-FBR BR BLK EPDM
6	18	470118	1/4UNC X 3/4 FLANGE HEX BOLT
7	9	470375	TUBE CLAMP BODY,1.31 ID (PAIR)
8	9	470376	COVER PLATE FOR 470375
9	1	500105	1.00 HOSE BARB TEE, POLY
10	2	500109	1.00-90-1.00 HOSE BARB, POLY
11	4	500155	1" FLANGE CAP PLUG POLY
12	10	500157	1" FLANGE GASKET EPDM
13	10	500159	1" FLANGE CLAMP, S.S.
14	3	500173	1" FLANGE-90-1" HOSE BARB POLY
15	1	500174	1" FLANGE-90-1" FLANGE LBOPOLY
16	1	500175	1" FLANGE TEE POLY
17	10	520090	HOSE CLAMP NO 16 STAINLESS
18	12	737921	QUICK TJET 3-TIP BODY,1" HV
19	18	900010	1/4UNC X 3" HEX BOLT
20	36	914000	1/4UNC HEX STOVER NUT
21	18	920000	1/4 SAE FLAT WASHER

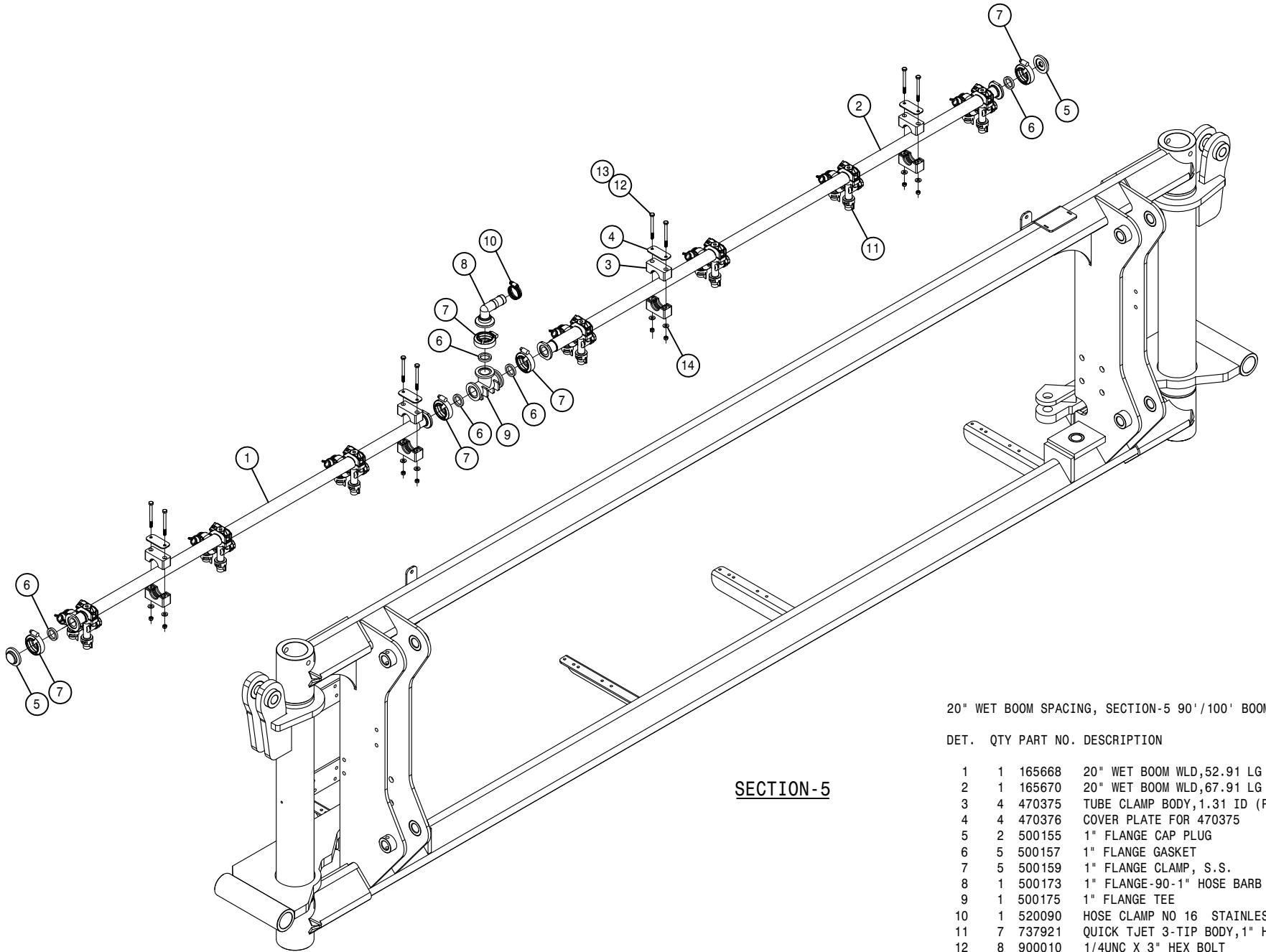


**SECTION-4**

**SECTION-3**

20" WET BOOM SPACING, SECTION 3-4 90' /100' BOOM

DET.	QTY	PART NO.	DESCRIPTION	
1	8	164859	Z-BRKT,1.50,WET BOOM	STS 04
2	1	165936	20" WET BOOM WLD,154.63 LG '11	
3	1	164916	Z-BRKT,1.50L,WET BOOM	STS 09
4	1	165672	20" WET BOOM WLD,125.20 LG 09	
5	18	470118	1/4UNC X 3/4 FLANGE HEX BOLT	
6	9	470375	TUBE CLAMP BODY,1.31 ID (PAIR)	
7	9	470376	COVER PLATE FOR 470375	
8	2	500155	1" FLANGE CAP PLUG	POLY
9	6	500157	1" FLANGE GASKET	EPDM
10	6	500159	1" FLANGE CLAMP, S.S.	
11	2	500173	1" FLANGE-90-1" HOSE BARB POLY	
12	2	500174	1" FLANGE-90-1" FLANGE LBOPOLY	
13	2	520090	HOSE CLAMP NO 16 STAINLESS	
14	15	737921	QUICK TJET 3-TIP BODY,1" HV	
15	18	900010	1/4UNC X 3" HEX BOLT	
16	36	914000	1/4UNC HEX STOVER NUT	
17	18	920000	1/4 SAE FLAT WASHER	

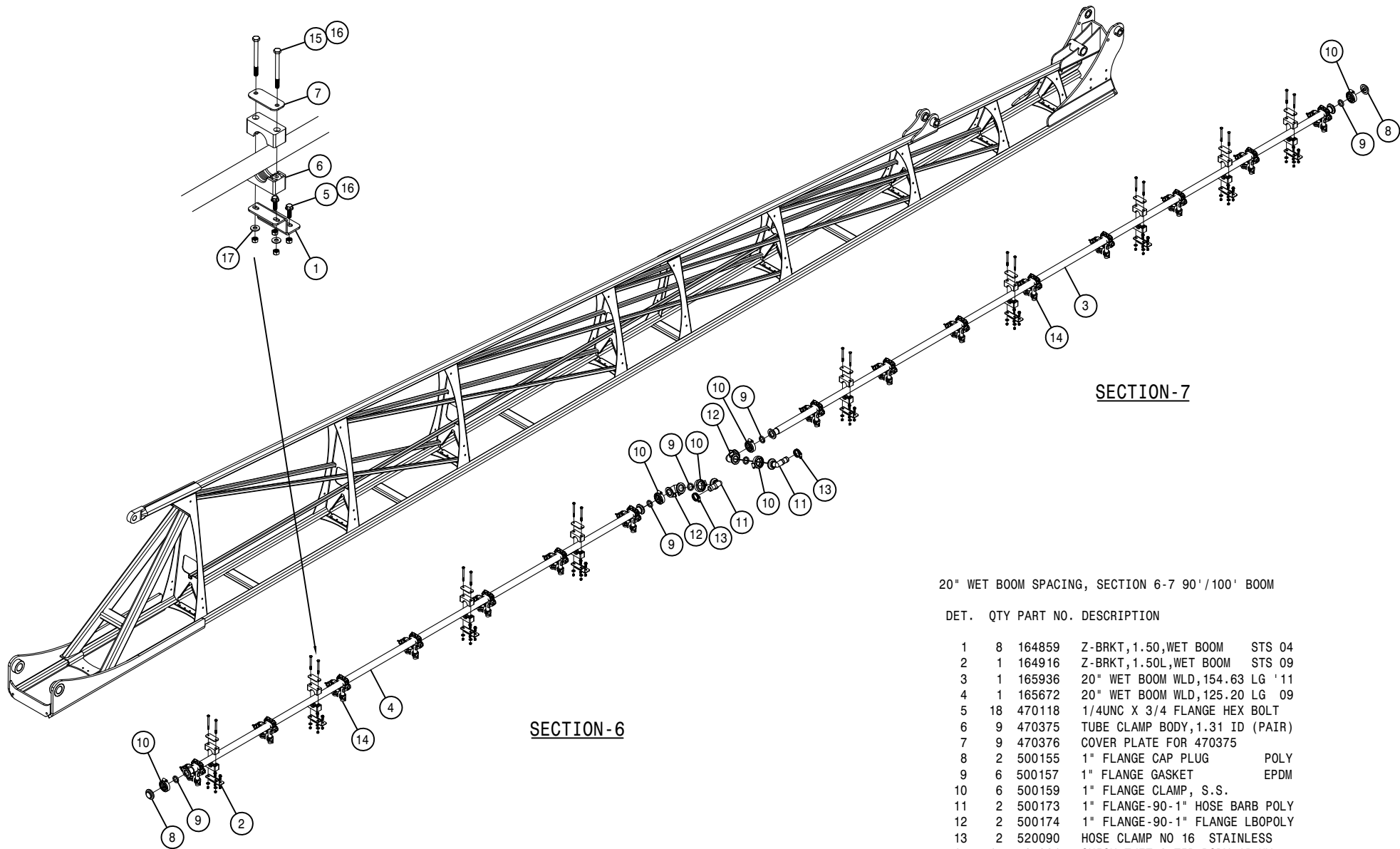


**SECTION-5**

20" WET BOOM SPACING, SECTION-5 90'/100' BOOM

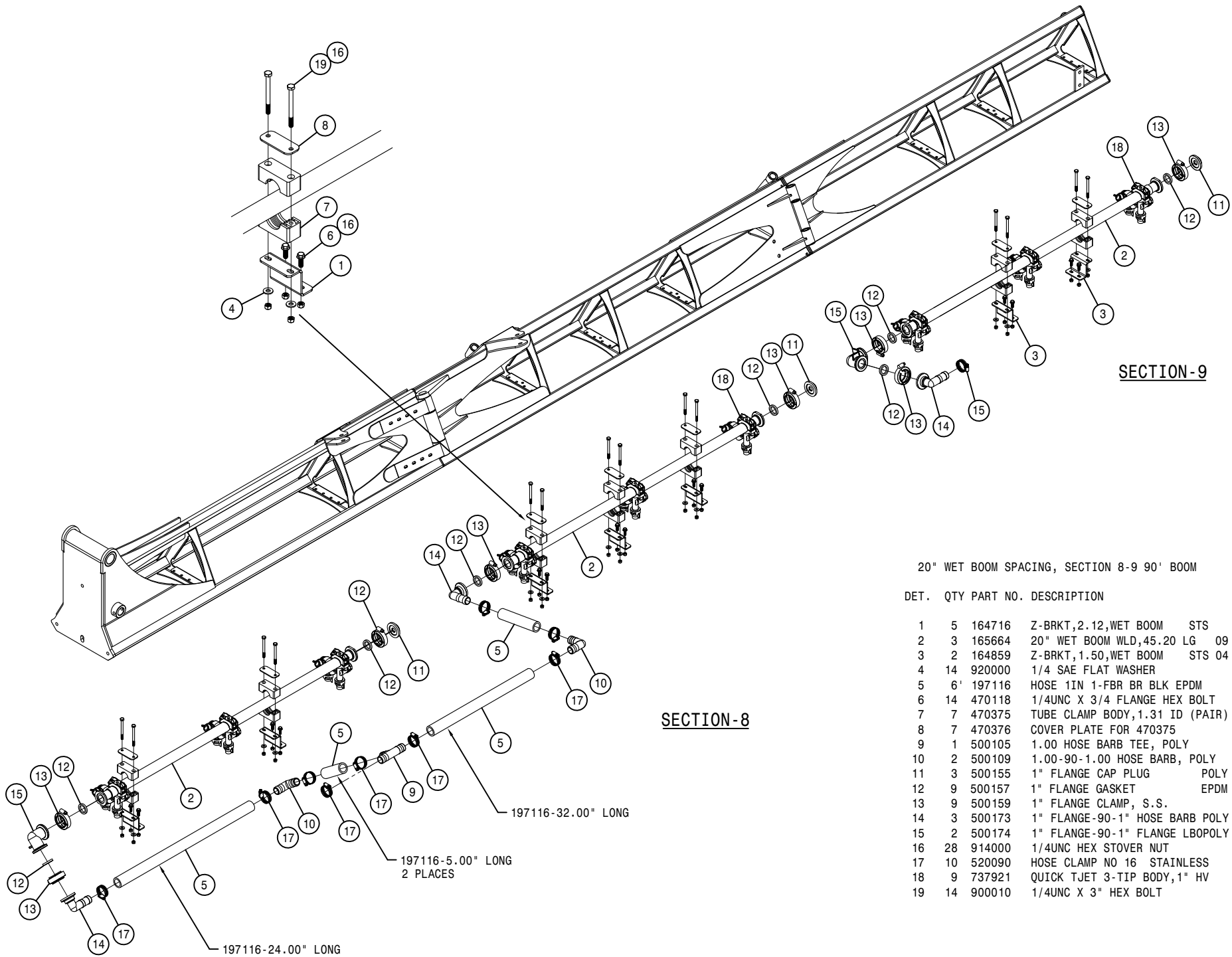
DET.	QTY	PART NO.	DESCRIPTION
	1	165668	20" WET BOOM WLD,52.91 LG 09
	2	165670	20" WET BOOM WLD,67.91 LG 09
	3	470375	TUBE CLAMP BODY,1.31 ID (PAIR)
	4	470376	COVER PLATE FOR 470375
	5	500155	1" FLANGE CAP PLUG POLY
	6	500157	1" FLANGE GASKET EPDM
	7	500159	1" FLANGE CLAMP, S.S.
	8	500173	1" FLANGE-90-1" HOSE BARB POLY
	9	500175	1" FLANGE TEE POLY
	10	520090	HOSE CLAMP NO 16 STAINLESS
	11	737921	QUICK TJET 3-TIP BODY,1" HV
	12	900010	1/4UNC X 3" HEX BOLT
	13	914000	1/4UNC HEX STOVER NUT
	14	920000	1/4 SAE FLAT WASHER





20" WET BOOM SPACING, SECTION 6-7 90' / 100' BOOM

DET.	QTY	PART NO.	DESCRIPTION
1	8	164859	Z-BRKT, 1.50, WET BOOM STS 04
2	1	164916	Z-BRKT, 1.50L, WET BOOM STS 09
3	1	165936	20" WET BOOM WLD, 154.63 LG '11
4	1	165672	20" WET BOOM WLD, 125.20 LG '09
5	18	470118	1/4UNC X 3/4 FLANGE HEX BOLT
6	9	470375	TUBE CLAMP BODY, 1.31 ID (PAIR)
7	9	470376	COVER PLATE FOR 470375
8	2	500155	1" FLANGE CAP PLUG POLY
9	6	500157	1" FLANGE GASKET EPDM
10	6	500159	1" FLANGE CLAMP, S.S.
11	2	500173	1" FLANGE-90-1" HOSE BARB POLY
12	2	500174	1" FLANGE-90-1" FLANGE LBOPOLY
13	2	520090	HOSE CLAMP NO 16 STAINLESS
14	15	737921	QUICK TJET 3-TIP BODY, 1" HV
15	18	900010	1/4UNC X 3" HEX BOLT
16	36	914000	1/4UNC HEX STOVER NUT
17	18	920000	1/4 SAE FLAT WASHER

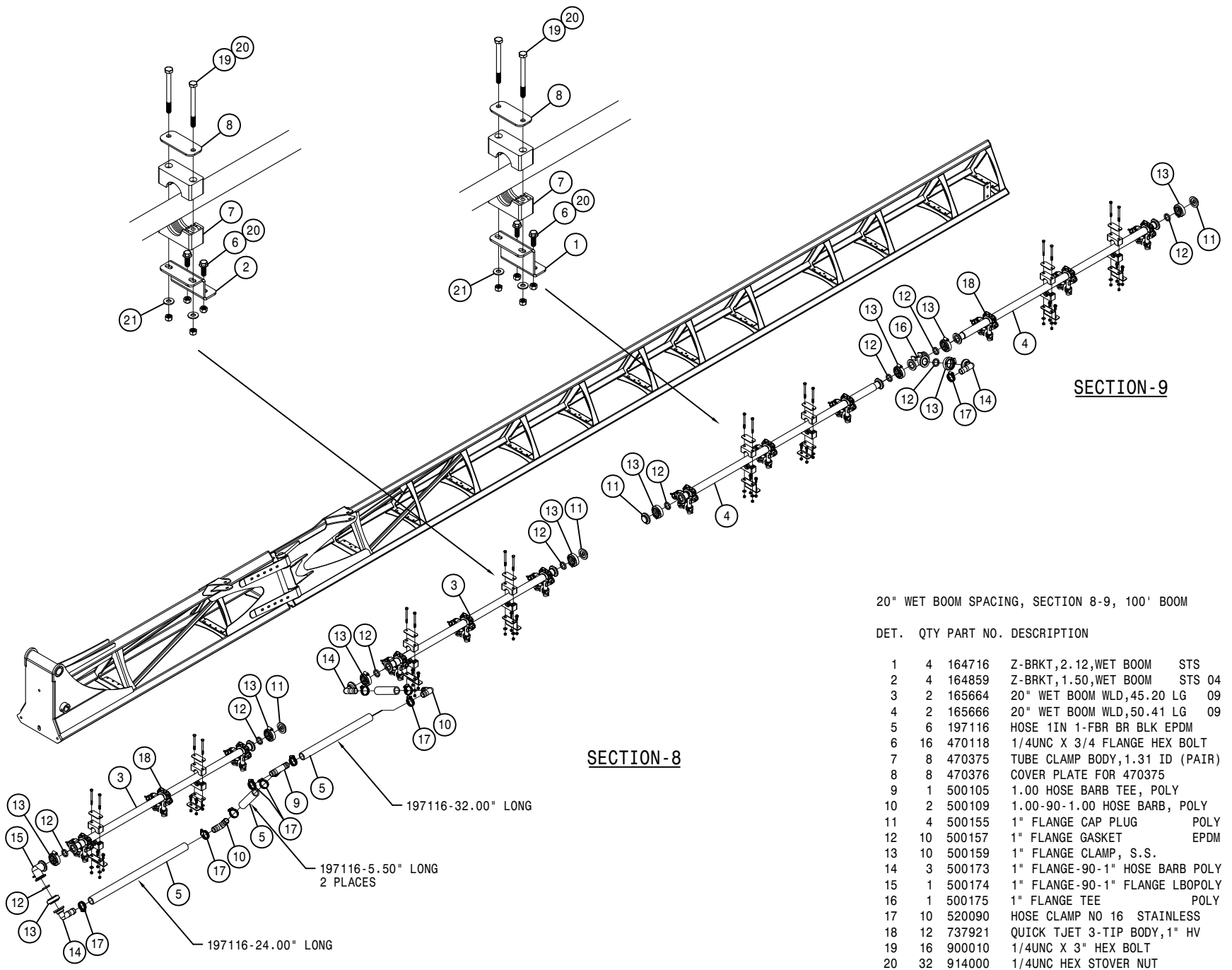


**SECTION-9**

**SECTION-8**

20" WET BOOM SPACING, SECTION 8-9 90' BOOM

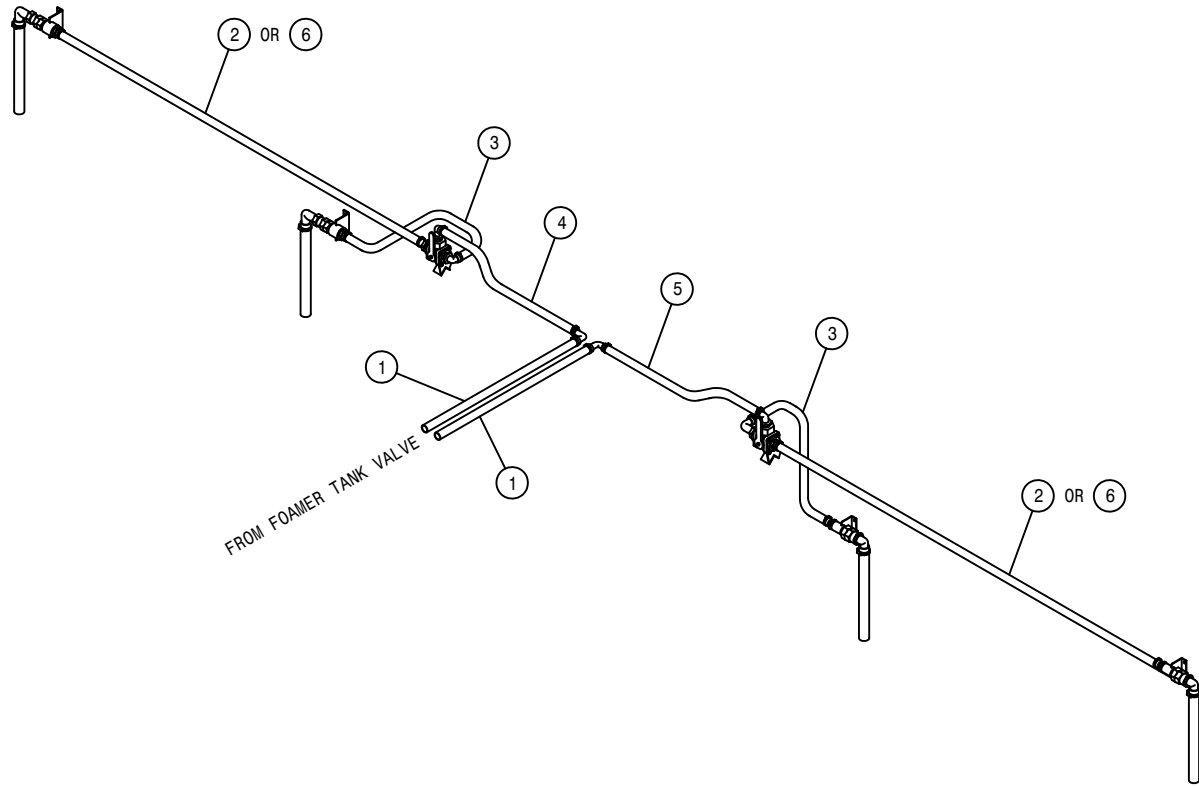
DET.	QTY	PART NO.	DESCRIPTION
1	5	164716	Z-BRKT,2.12,WET BOOM STS
2	3	165664	20" WET BOOM WLD,45.20 LG 09
3	2	164859	Z-BRKT,1.50,WET BOOM STS 04
4	14	920000	1/4 SAE FLAT WASHER
5	6'	197116	HOSE 1IN 1-FBR BR BLK EPDM
6	14	470118	1/4UNC X 3/4 FLANGE HEX BOLT
7	7	470375	TUBE CLAMP BODY,1.31 ID (PAIR)
8	7	470376	COVER PLATE FOR 470375
9	1	500105	1.00 HOSE BARB TEE, POLY
10	2	500109	1.00-90-1.00 HOSE BARB, POLY
11	3	500155	1" FLANGE CAP PLUG POLY
12	9	500157	1" FLANGE GASKET EPDM
13	9	500159	1" FLANGE CLAMP, S.S.
14	3	500173	1" FLANGE-90-1" HOSE BARB POLY
15	2	500174	1" FLANGE-90-1" FLANGE LBOPOLY
16	28	914000	1/4UNC HEX STOVER NUT
17	10	520090	HOSE CLAMP NO 16 STAINLESS
18	9	737921	QUICK TJET 3-TIP BODY,1" HV
19	14	900010	1/4UNC X 3" HEX BOLT



20" WET BOOM SPACING, SECTION 8-9, 100' BOOM

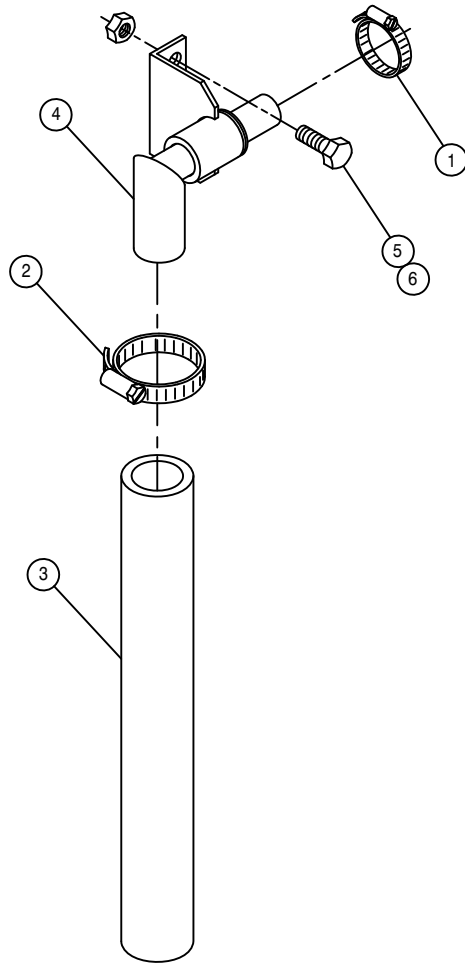
DET. QTY PART NO. DESCRIPTION

1	4	164716	Z-BRKT,2.12,WET BOOM STS
2	4	164859	Z-BRKT,1.50,WET BOOM STS 04
3	2	165664	20" WET BOOM WLD,45.20 LG 09
4	2	165666	20" WET BOOM WLD,50.41 LG 09
5	6	197116	HOSE 1IN 1-FBR BR BLK EPDM
6	16	470118	1/4UNC X 3/4 FLANGE HEX BOLT
7	8	470375	TUBE CLAMP BODY,1.31 ID (PAIR)
8	8	470376	COVER PLATE FOR 470375
9	1	500105	1.00 HOSE BARB TEE, POLY
10	2	500109	1.00-90-1.00 HOSE BARB, POLY
11	4	500155	1" FLANGE CAP PLUG POLY
12	10	500157	1" FLANGE GASKET EPDM
13	10	500159	1" FLANGE CLAMP, S.S.
14	3	500173	1" FLANGE-90-1" HOSE BARB POLY
15	1	500174	1" FLANGE-90-1" FLANGE LBOPOLY
16	1	500175	1" FLANGE TEE POLY
17	10	520090	HOSE CLAMP NO 16 STAINLESS
18	12	737921	QUICK TJET 3-TIP BODY,1" HV
19	16	900010	1/4UNC X 3" HEX BOLT
20	32	914000	1/4UNC HEX STOVER NUT
21	16	920000	1/4 SAE FLAT WASHER



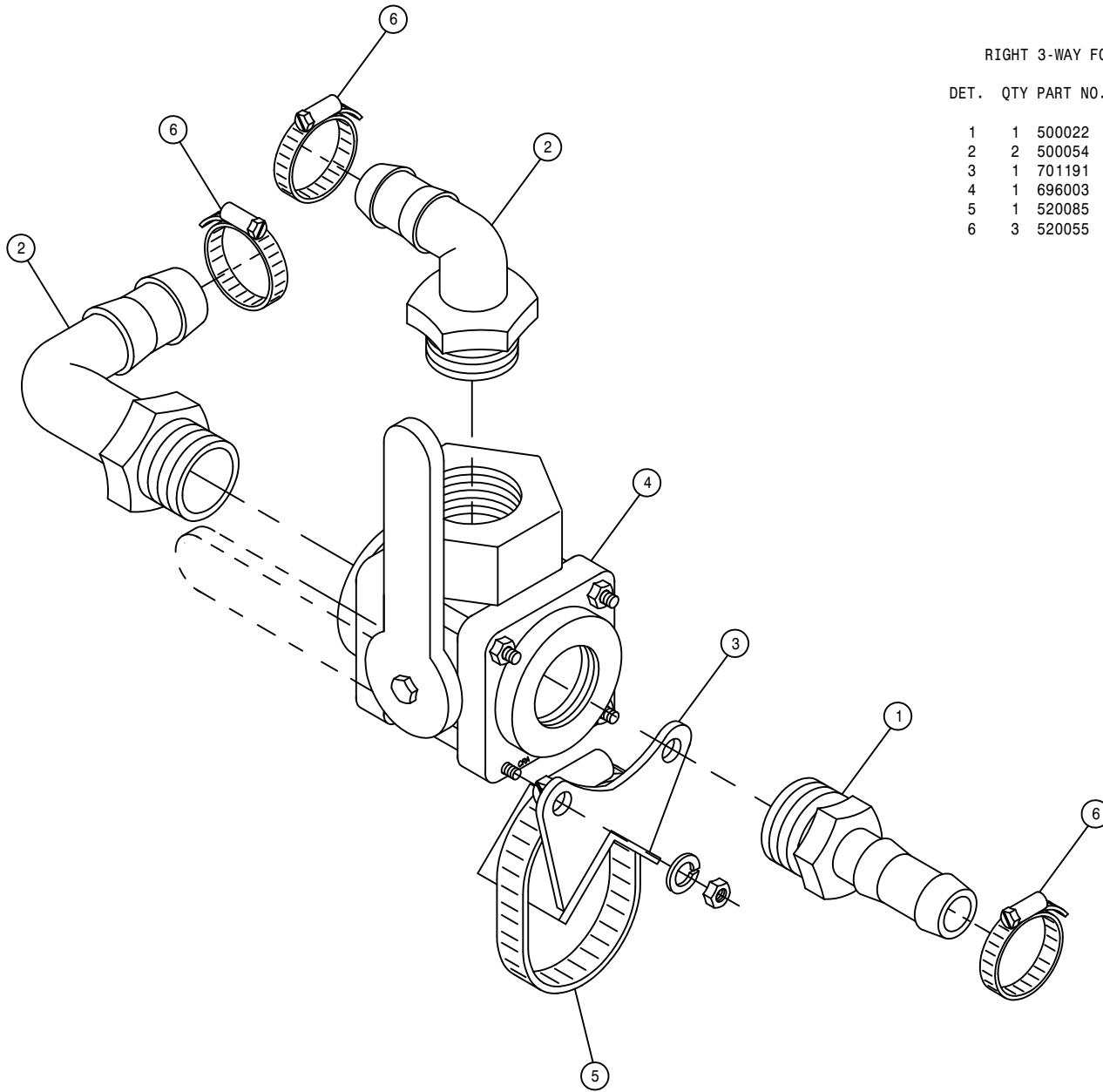
BOOM FOAMER HOSING 90' / 100'

DET.	QTY	PART NO.	DESCRIPTION
1	2	195908	HOSE, 3/4ID-1/8W CLEAR VINYL X 206"
2	2	195908	HOSE, 3/4ID-1/8W CLEAR VINYL X 205"
3	2	195908	HOSE, 3/4ID-1/8W CLEAR VINYL X 24"
4	1	195908	HOSE, 3/4ID-1/8W CLEAR VINYL X 584"
5	1	195908	HOSE, 3/4ID-1/8W CLEAR VINYL X 420"
6	1	195908	HOSE, 3/4ID-1/8W CLEAR VINYL X 265"



FOAMER DROP HOSE ASSEMBLY 90' / 100'

DET.	QTY	PART NO.	DESCRIPTION
	1	520055	HOSE CLAMP NO 12 STAINLESS
	1	520085	HOSE CLAMP NO 24 STAINLESS
	1	601367	HOSE, 1 1/4 X 24 2BR BLK EPDM
	1	701194	FOAMER DROP HOSE SWIVEL WLD
	2	900129	3/8UNC X 1" HEX BOLT
	2	914004	3/8UNC HEX STOVER NUT



RIGHT 3-WAY FOAMER VALVE ASSEMBLY 90'/100'

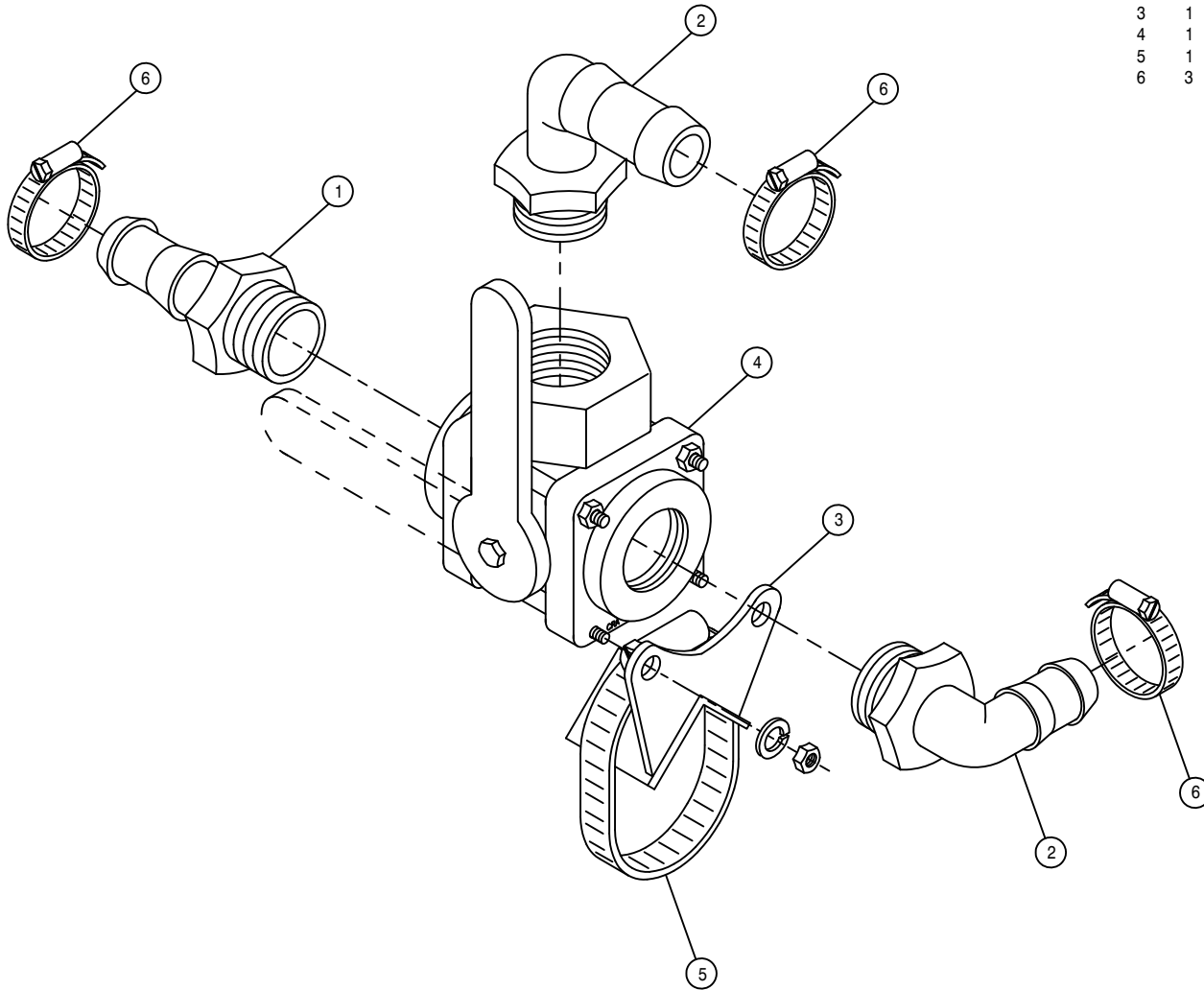
DET. QTY PART NO. DESCRIPTION

1	1	500022	3/4NPT-3/4HOSE BARB, POLY
2	2	500054	3/4NPT-90-3/4 HOSE BARB, POLY
3	1	701191	1" SOLU VLV MT WLD
4	1	696003	BALL VLV,3/4NPT 3WAY-SIDE POLY
5	1	520085	HOSE CLAMP NO 24 STAINLESS
6	3	520055	HOSE CLAMP NO 12 STAINLESS

LEFT 3-WAY FOAMER VALVE ASSEMBLY 90' / 100'

DET. QTY PART NO. DESCRIPTION

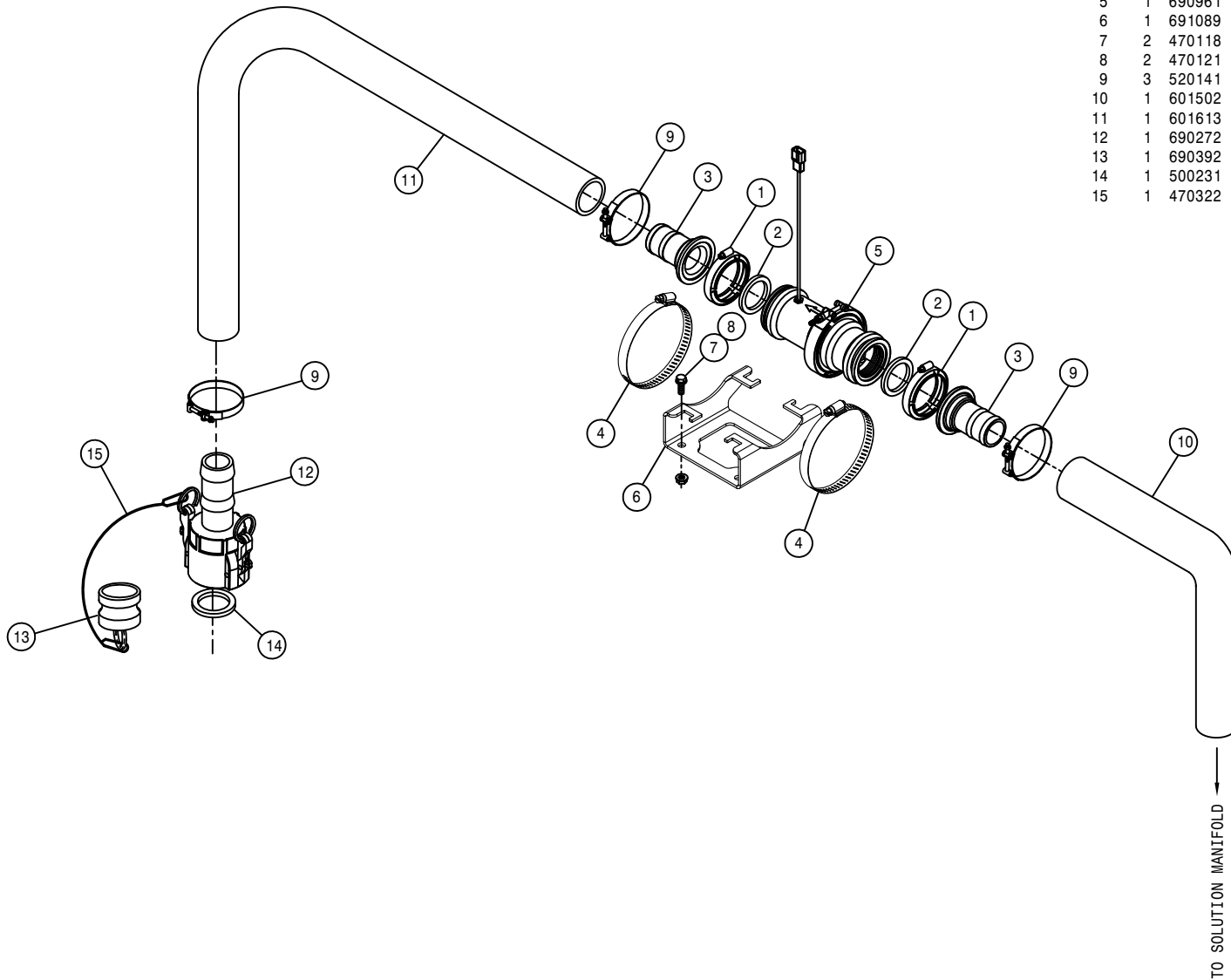
1	1	500022	3/4NPT-3/4HOSE BARB, POLY
2	2	500054	3/4NPT-90-3/4 HOSE BARB, POLY
3	1	701191	1" SOLU VLV MT WLD
4	1	696003	BALL VLV,3/4NPT 3WAY-SIDE POLY
5	1	520085	HOSE CLAMP NO 24 STAINLESS
6	3	520055	HOSE CLAMP NO 12 STAINLESS



FLOW METER ASSEMBLY 90/100 (STD-VOLUME)

DET. QTY PART NO. DESCRIPTION

1	2	500194	2"FP FLANGE CLAMP, S.S.
2	2	500195	2"FP FLANGE GASKET EPDM
3	2	500196	2"FP FLANGE-2" HOSE BARB POLY
4	2	520056	HOSE CLAMP NO 56 STAINLESS
5	1	690961	RFM 100 FLOW METER, RAVEN 05
6	1	691089	FLOW METER MOUNT
7	2	470118	1/4UNC X 3/4 FLANGE HEX BOLT
8	2	470121	1/4UNC HEX FLANGE LOCK NUT
9	3	520141	2.31/2.62 T-BOLT HOSE CLAMP SS
10	1	601502	HOSE, 2 X 56 2F-1W EPDM
11	1	601613	HOSE, 2 X 43 2F-1W EPDM
12	1	690272	2" FEM COUPLER W/LOCK, 2" BARB
13	1	690392	PLUG FOR 2.00 FEMALE COUPLER
14	1	500231	2"FP FLANGE GASKET, EXTRA THICK
15	1	470322	LANYARD, 8" NYLON LOOP/LOOP

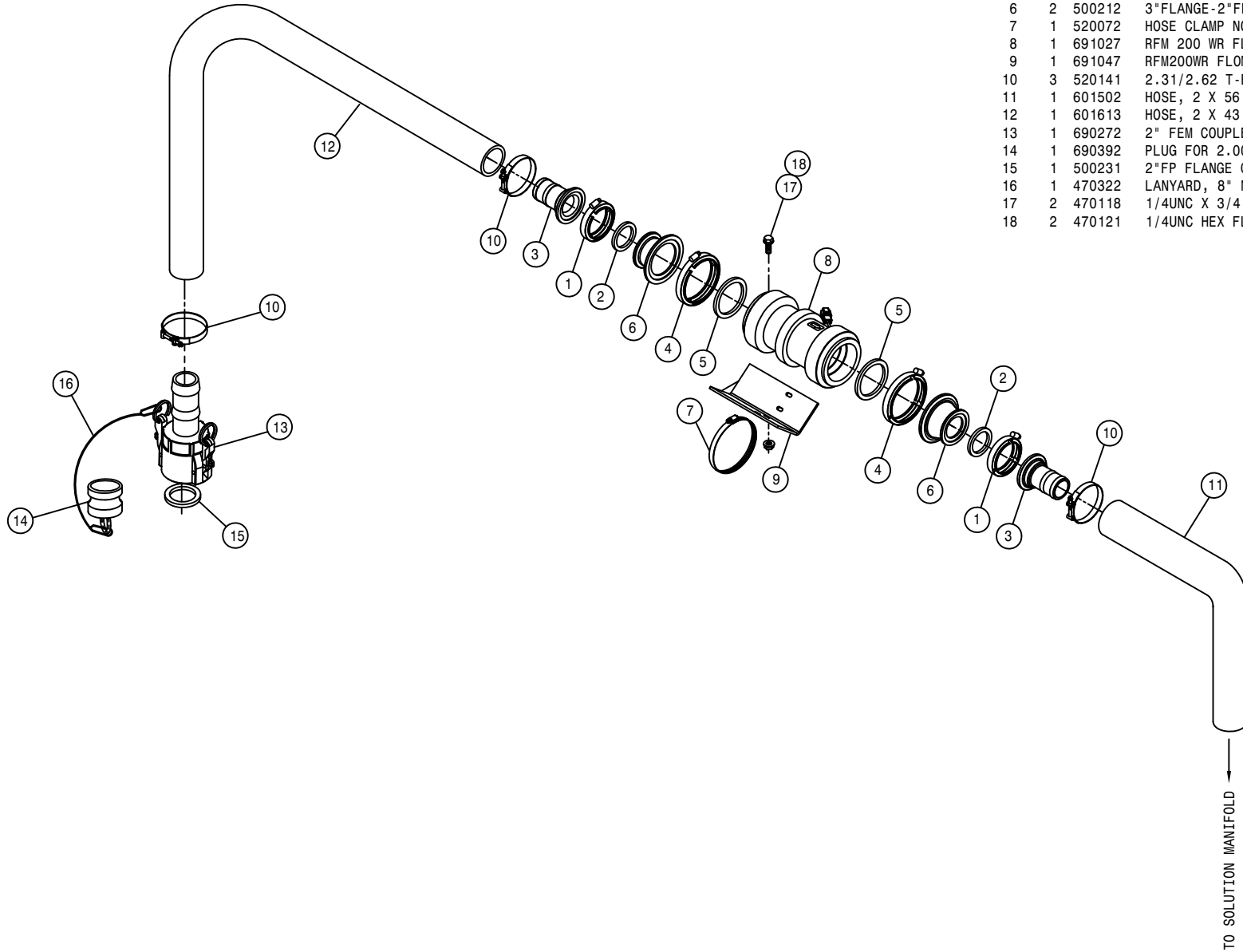


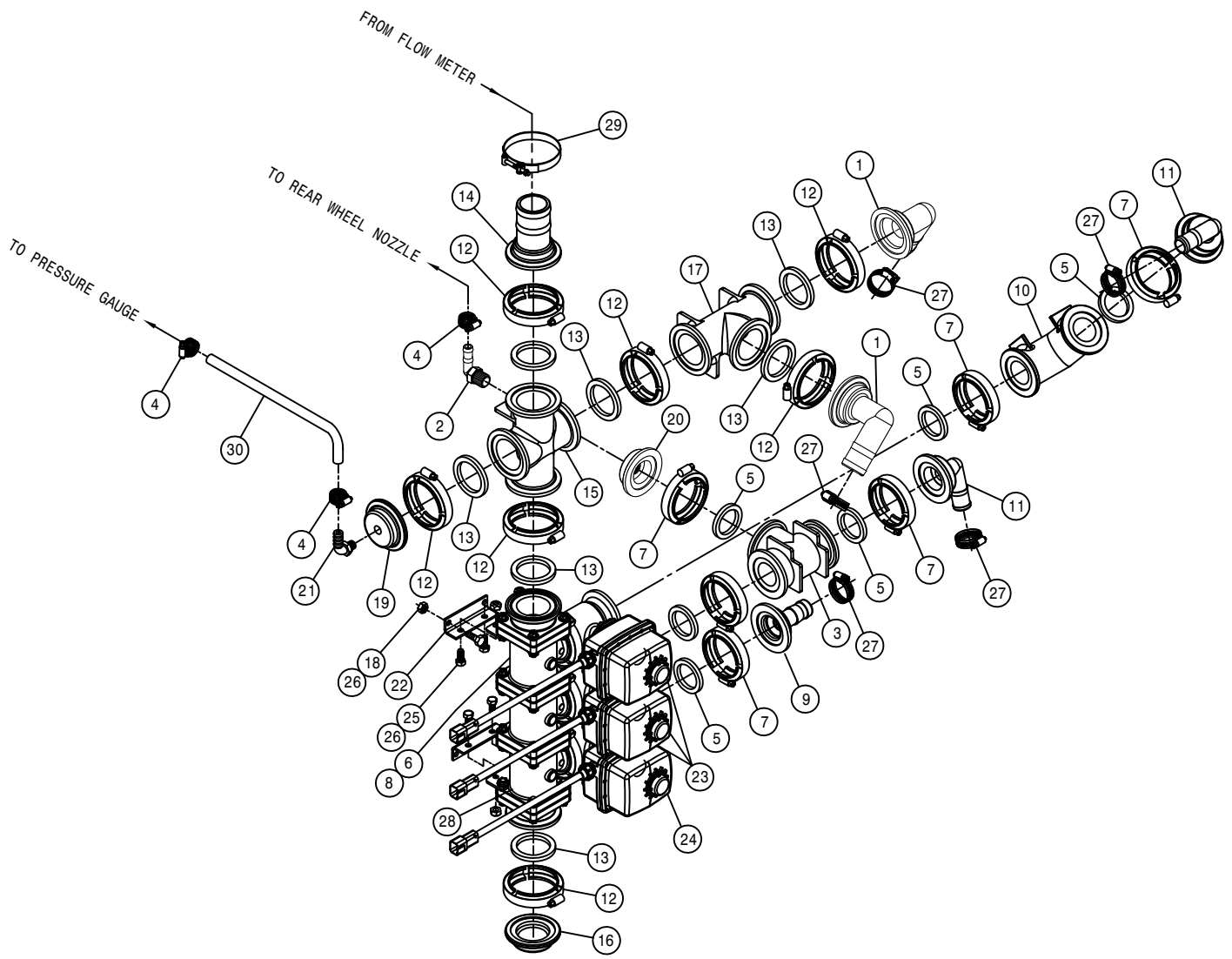


FLOW METER ASSEMBLY 90/100 (HI-VOLUME)

DET. QTY PART NO. DESCRIPTION

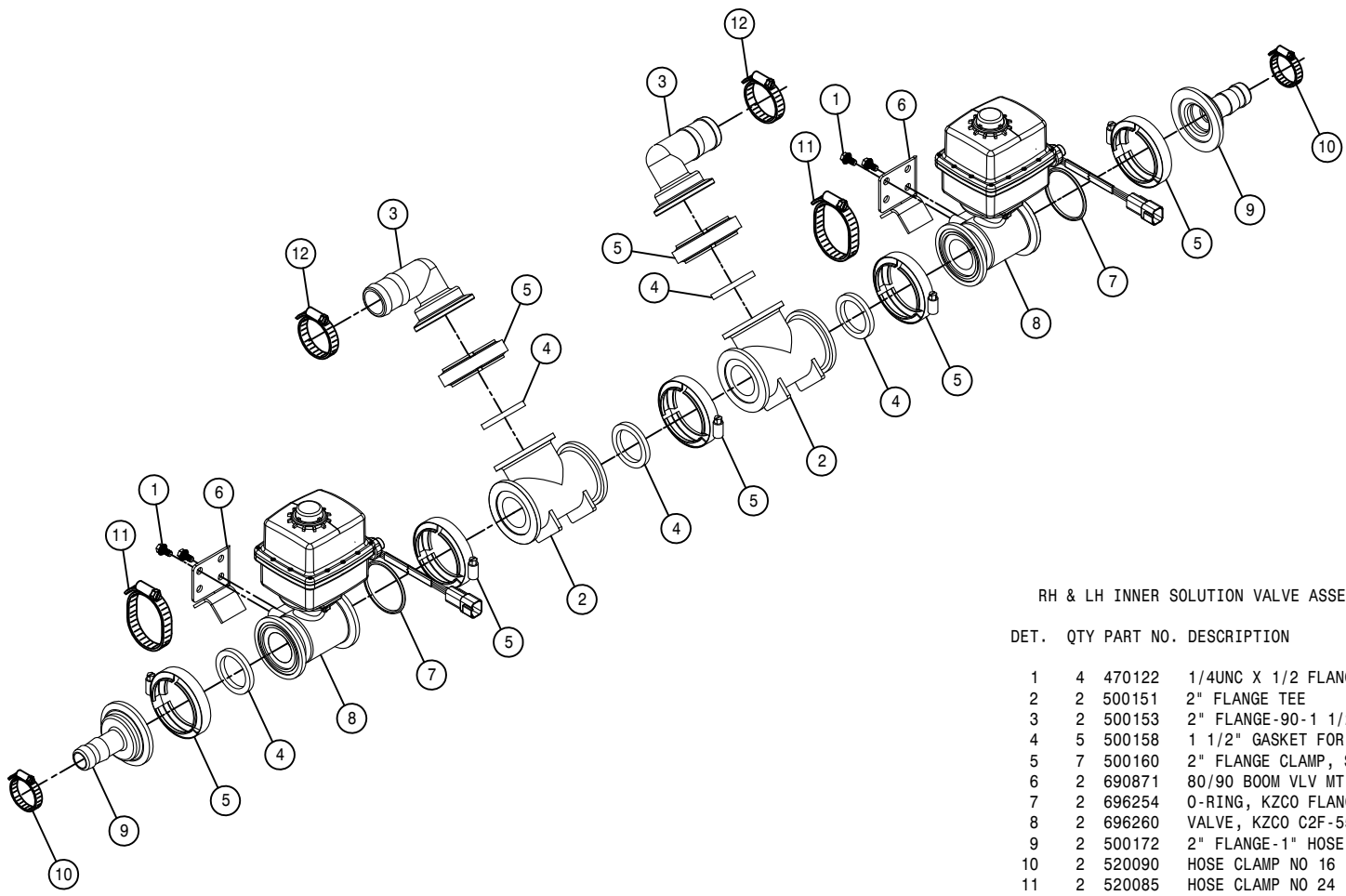
1	2	500194	2"FP FLANGE CLAMP, S.S.
2	2	500195	2"FP FLANGE GASKET EPDM
3	2	500196	2"FP FLANGE-2" HOSE BARB POLY
4	2	500208	3" FLANGE CLAMP, S.S.
5	2	500209	3" FLANGE GASKET EPDM
6	2	500212	3"FLANGE-2"FP FLANGE REDU POLY
7	1	520072	HOSE CLAMP NO 72 STAINLESS
8	1	691027	RFM 200 WR FLOW METER, RAVEN
9	1	691047	RFM200WR FLOMETER MT WLD,STS06
10	3	520141	2.31/2.62 T-BOLT HOSE CLAMP SS
11	1	601502	HOSE, 2 X 56 2F-1W EPDM
12	1	601613	HOSE, 2 X 43 2F-1W EPDM
13	1	690272	2" FEM COUPLER W/LOCK,2" BARB
14	1	690392	PLUG FOR 2.00 FEMALE COUPLER
15	1	500231	2"FP FLANGE GASKET,EXTRA THICK
16	1	470322	LANYARD, 8" NYLON LOOP/LOOP
17	2	470118	1/4UNC X 3/4 FLANGE HEX BOLT
18	2	470121	1/4UNC HEX FLANGE LOCK NUT





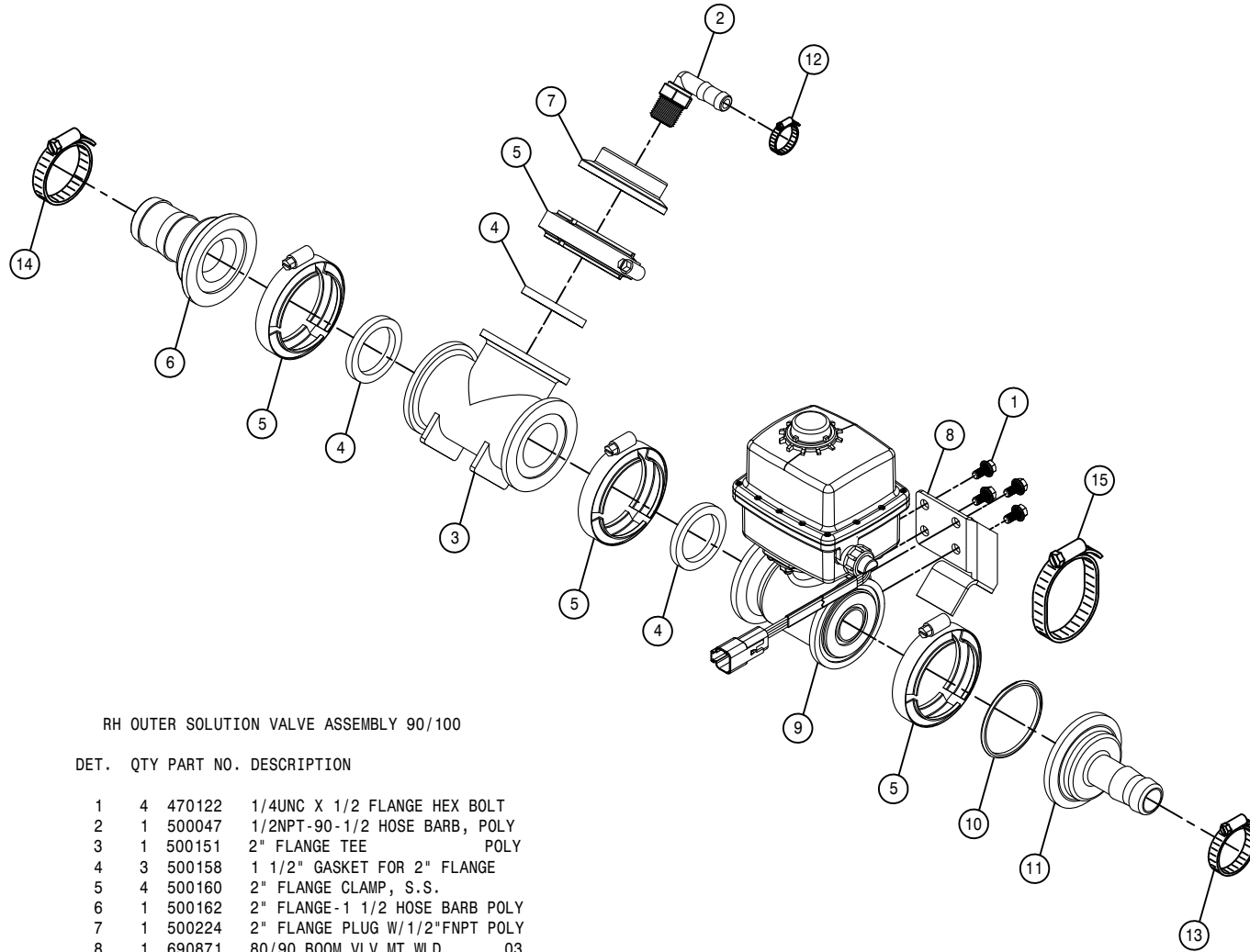
SOLUTION CONTROL VALVE ASSEMBLY 90/100

DET.	QTY	PART NO.	DESCRIPTION
1	2	500197	2" FP FLANGE-90-1 1/2 HBARB
2	1	500047	1/2NPT-90-1/2 HOSE BARB, POLY
3	1	500151	2" FLANGE TEE POLY
4	3	520070	HOSE CLAMP NO 8 STAINLESS
5	6	500158	1 1/2" GASKET FOR 2" FLANGE
6	7	696254	O-RING, KZCO FLANGED VALVES
7	6	500160	2" FLANGE CLAMP, S.S.
8	2	696255	END CAP, 220 FLANGE VLV 696253
9	1	500172	2" FLANGE-1" HOSE BARB POLY
10	1	500180	2" FLANGE-90-2" FLANGE LBO, LONG
11	2	500189	2" FLANGE-90-1" HOSE BARB POLY
12	7	500194	2" FP FLANGE CLAMP, S.S.
13	7	500195	2" FP FLANGE GASKET EPDM
14	1	500196	2" FP FLANGE-2" HOSE BARB POLY
15	1	500203	2" FP FLANGE CROSS POLY
16	1	500206	2" FP FLANGE PLUG
17	1	500207	2" FP FLANGE TEE POLY
18	4	900065	5/16UNC X 1" HEX BOLT
19	1	500229	2" FP FLANGE PLUG, 1/4FNPT POLY
20	1	500224	2" FLANGE PLUG W/1/2" FNPT POLY
21	1	618556	1/4NPT-90-1/2 HOSE BARB, POLY
22	2	690870	SOLU VLV MANIF MT BRKT STS 03
23	3	696260	VALVE, KZCO C2F-55B-M-S9
24	1	696259	VALVE, 3 SECT KZCO 400-3CIM-DJ
25	4	900064	5/16UNC X 3/4 HEX BOLT
26	8	914002	5/16UNC HEX STOVER NUT
27	5	520090	HOSE CLAMP NO 16 STAINLESS
28	3	696269	MANIFOLD SECT, 1" (696253/259)
29	1	520141	2.31/2.62 T-BOLT HOSE CLAMP SS
30	1	601634	HOSE, 1/2 X 78 1BR BLK EPDM



RH & LH INNER SOLUTION VALVE ASSEMBLY 90/100

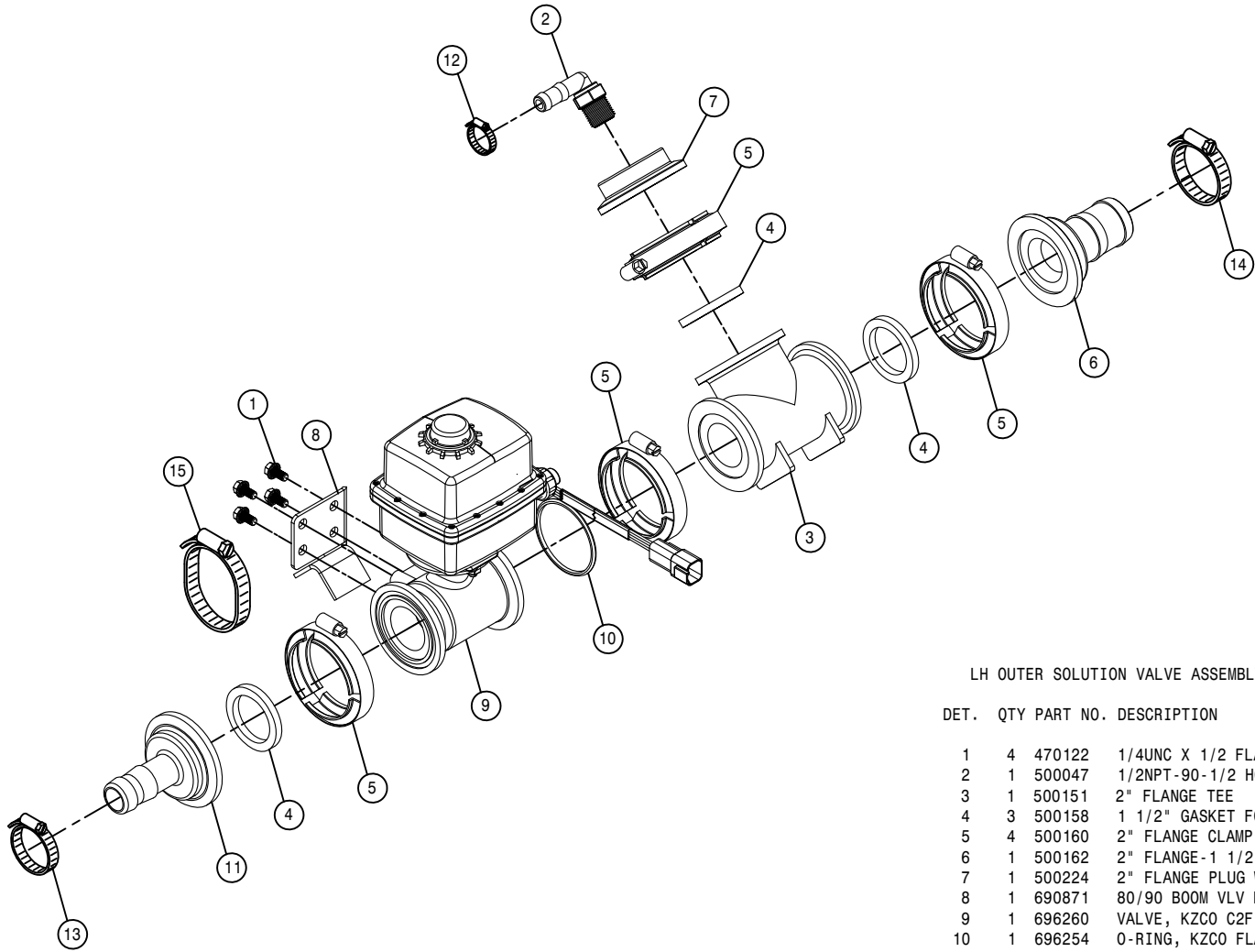
DET.	QTY	PART NO.	DESCRIPTION
1	4	470122	1/4UNC X 1/2 FLANGE HEX BOLT
2	2	500151	2" FLANGE TEE POLY
3	2	500153	2" FLANGE-90-1 1/2 HBARB POLY
4	5	500158	1 1/2" GASKET FOR 2" FLANGE
5	7	500160	2" FLANGE CLAMP, S.S.
6	2	690871	80/90 BOOM VLV MT WLD 03
7	2	696254	O-RING, KZCO FLANGED VALVES
8	2	696260	VALVE, KZCO C2F-55B-M-S9
9	2	500172	2" FLANGE-1" HOSE BARB POLY
10	2	520090	HOSE CLAMP NO 16 STAINLESS
11	2	520085	HOSE CLAMP NO 24 STAINLESS
12	2	520067	HOSE CLAMP NO 28 STAINLESS



RH OUTER SOLUTION VALVE ASSEMBLY 90/100

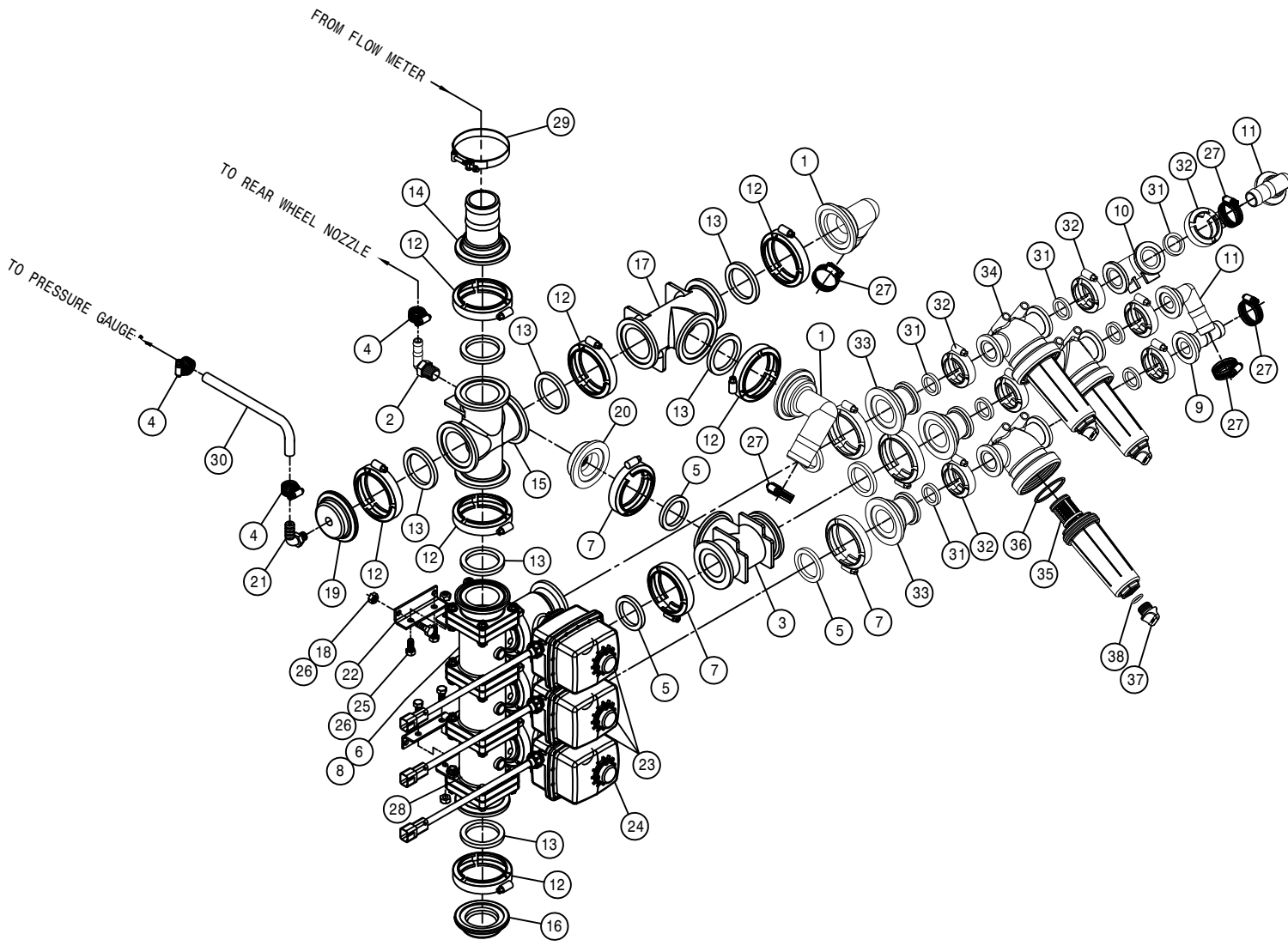
DET. QTY PART NO. DESCRIPTION

1	4	470122	1/4UNC X 1/2 FLANGE HEX BOLT
2	1	500047	1/2NPT-90-1/2 HOSE BARB, POLY
3	1	500151	2" FLANGE TEE POLY
4	3	500158	1 1/2" GASKET FOR 2" FLANGE
5	4	500160	2" FLANGE CLAMP, S.S.
6	1	500162	2" FLANGE-1 1/2 HOSE BARB POLY
7	1	500224	2" FLANGE PLUG W/1/2"FNPT POLY
8	1	690871	80/90 BOOM VLV MT WLD 03
9	1	696260	VALVE, KZCO C2F-55B-M-S9
10	1	696254	O-RING, KZCO FLANGED VALVES
11	1	500172	2" FLANGE-1" HOSE BARB POLY
12	1	520070	HOSE CLAMP NO 8 STAINLESS
13	1	520090	HOSE CLAMP NO 16 STAINLESS
14	1	520067	HOSE CLAMP NO 28 STAINLESS
15	1	520085	HOSE CLAMP NO 24 STAINLESS



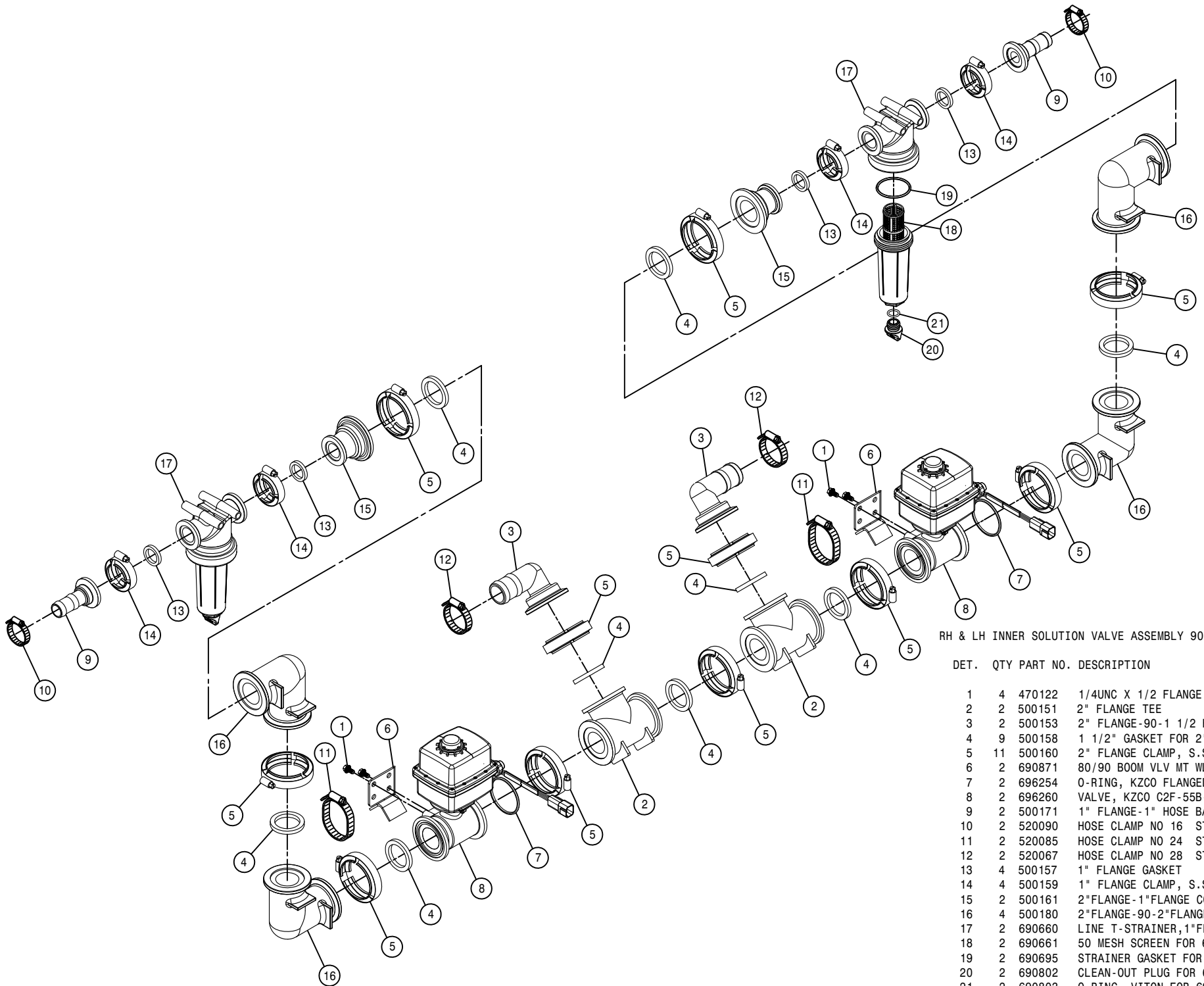
LH OUTER SOLUTION VALVE ASSEMBLY 90/100

DET.	QTY	PART NO.	DESCRIPTION
1	4	470122	1/4UNC X 1/2 FLANGE HEX BOLT
2	1	500047	1/2NPT-90-1/2 HOSE BARB, POLY
3	1	500151	2" FLANGE TEE POLY
4	3	500158	1 1/2" GASKET FOR 2" FLANGE
5	4	500160	2" FLANGE CLAMP, S.S.
6	1	500162	2" FLANGE-1 1/2 HOSE BARB POLY
7	1	500224	2" FLANGE PLUG W/1/2"FNPT POLY
8	1	690871	80/90 BOOM VLV MT WLD 03
9	1	696260	VALVE, KZCO C2F-55B-M-S9
10	1	696254	O-RING, KZCO FLANGED VALVES
11	1	500172	2" FLANGE-1" HOSE BARB POLY
12	1	520070	HOSE CLAMP NO 8 STAINLESS
13	1	520090	HOSE CLAMP NO 16 STAINLESS
14	1	520067	HOSE CLAMP NO 28 STAINLESS
15	1	520085	HOSE CLAMP NO 24 STAINLESS



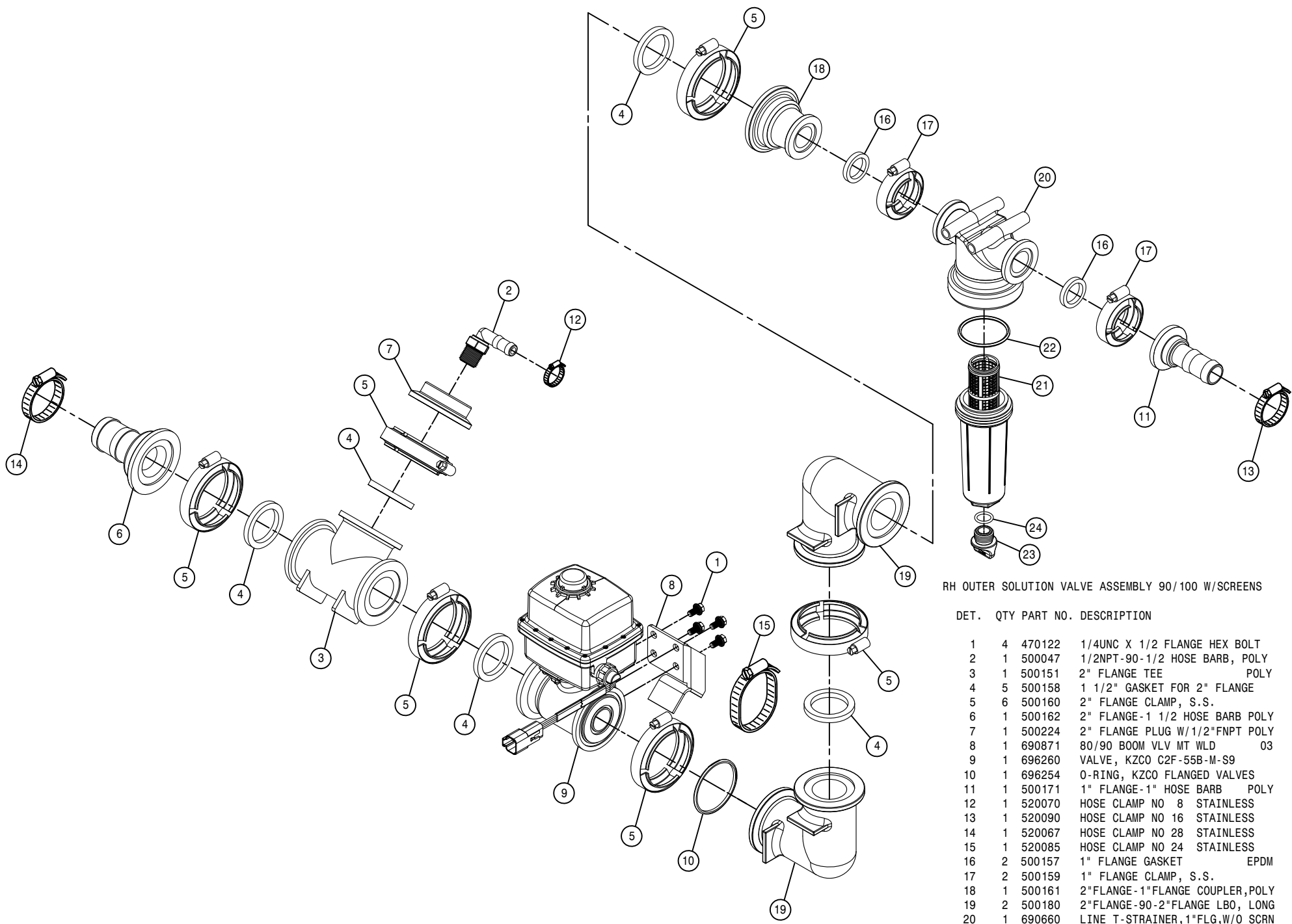
SOLUTION CONTROL VALVE ASSEMBLY 90/100 W/SCREENS

DET.	QTY	PART NO.	DESCRIPTION
1	2	500197	2" FP FLANGE-90-1 1/2 HBARB
2	1	500047	1/2NPT-90-1/2 HOSE BARB, POLY
3	1	500151	2" FLANGE TEE POLY
4	3	520070	HOSE CLAMP NO 8 STAINLESS
5	5	500158	1 1/2" GASKET FOR 2" FLANGE
6	7	696254	O-RING, KZCO FLANGED VALVES
7	5	500160	2" FLANGE CLAMP, S.S.
8	2	696255	END CAP,220 FLANGE VLV 696253
9	1	500171	1" FLANGE-1" HOSE BARB POLY
10	1	500174	1" FLANGE-90-1" FLANGE LBOPOLY
11	1	500173	1" FLANGE-90-1" HOSE BARB POLY
12	7	500194	2"FP FLANGE CLAMP, S.S.
13	7	500195	2"FP FLANGE GASKET EPDM
14	1	500196	2"FP FLANGE-2" HOSE BARB POLY
15	1	500203	2"FP FLANGE CROSS POLY
16	1	500206	2"FP FLANGE PLUG
17	1	500207	2"FP FLANGE TEE POLY
18	4	900065	5/16UNC X 1" HEX BOLT
19	1	500229	2"FP FLANGE PLUG,1/4FNPT POLY
20	1	500224	2" FLANGE PLUG W/1/2"FNPT POLY
21	1	618556	1/4NPT-90-1/2 HOSE BARB,POLY
22	2	690870	SOLU VLV MANIF MT BRKT STS 03
23	3	696260	VALVE, KZCO C2F-55B-M-S9
24	1	696259	VALVE, 3 SECT KZCO 400-3CIM-DJ
25	4	900064	5/16UNC X 3/4 HEX BOLT
26	8	914002	5/16UNC HEX STOVER NUT
27	5	520090	HOSE CLAMP NO 16 STAINLESS
28	3	696269	MANIFOLD SECT,1" (696253/259)
29	1	520141	2.31/2.62 T-BOLT HOSE CLAMP SS
30	1	601634	HOSE, 1/2 X 78 1BR BLK EPDM
31	7	500157	1" FLANGE GASKET EPDM
32	7	500159	1" FLANGE CLAMP, S.S.
33	3	500161	2"FLANGE-1"FLANGE COUPLER,POLY
34	3	690660	LINE T-STRAINER,1"FLG,W/O SCRN
35	3	690661	50 MESH SCREEN FOR 690660
36	3	690695	STRAINER GASKET FOR 690660
37	3	690802	CLEAN-OUT PLUG FOR 690660
38	3	690803	O-RING, VITON FOR 690802 PLUG



RH & LH INNER SOLUTION VALVE ASSEMBLY 90/100 W/SCREENS

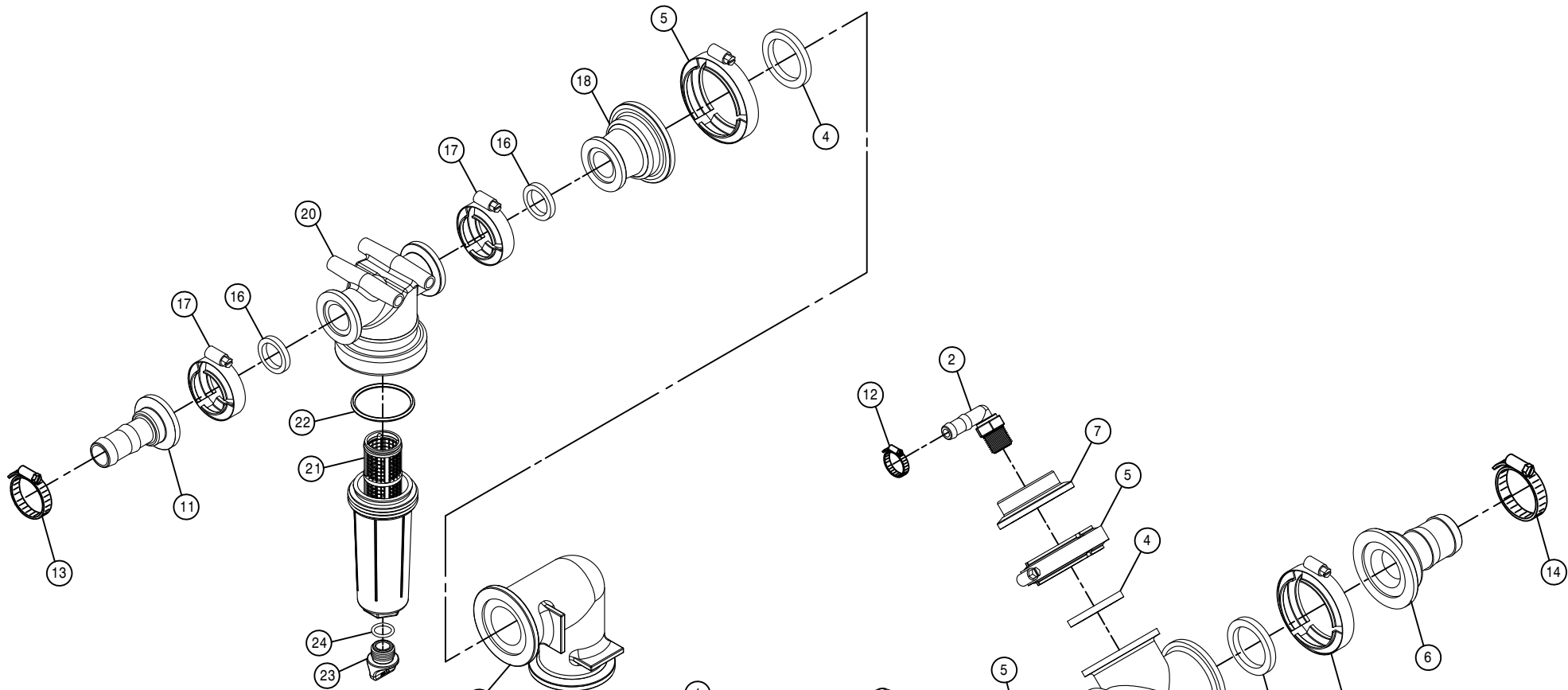
DET.	QTY	PART NO.	DESCRIPTION
1	4	470122	1/4UNC X 1/2 FLANGE HEX BOLT
2	2	500151	2" FLANGE TEE POLY
3	2	500153	2" FLANGE-90-1 1/2 HBARB POLY
4	9	500158	1 1/2" GASKET FOR 2" FLANGE
5	11	500160	2" FLANGE CLAMP, S.S.
6	2	690871	80/90 BOOM VLV MT WLD 03
7	2	696254	O-RING, KZCO FLANGED VALVES
8	2	696260	VALVE, KZCO C2F-55B-M-S9
9	2	500171	1" FLANGE-1" HOSE BARB POLY
10	2	520090	HOSE CLAMP NO 16 STAINLESS
11	2	520085	HOSE CLAMP NO 24 STAINLESS
12	2	520067	HOSE CLAMP NO 28 STAINLESS
13	4	500157	1" FLANGE GASKET EPDM
14	4	500159	1" FLANGE CLAMP, S.S.
15	2	500161	2"FLANGE-1"FLANGE COUPLER,POLY
16	4	500180	2"FLANGE-90-2"FLANGE LBO, LONG
17	2	690660	LINE T-STRAINER,1"FLG,W/O SCR
18	2	690661	50 MESH SCREEN FOR 690660
19	2	690695	STRAINER GASKET FOR 690660
20	2	690802	CLEAN-OUT PLUG FOR 690660
21	2	690803	O-RING, VITON FOR 690802 PLUG



RH OUTER SOLUTION VALVE ASSEMBLY 90/100 W/SCREENS

DET.	QTY	PART NO.	DESCRIPTION
1	4	470122	1/4UNC X 1/2 FLANGE HEX BOLT
2	1	500047	1/2NPT-90-1/2 HOSE BARB, POLY
3	1	500151	2" FLANGE TEE POLY
4	5	500158	1 1/2" GASKET FOR 2" FLANGE
5	6	500160	2" FLANGE CLAMP, S.S.
6	1	500162	2" FLANGE-1 1/2 HOSE BARB POLY
7	1	500224	2" FLANGE PLUG W/1/2"FNPT POLY
8	1	690871	80/90 BOOM VLV MT WLD 03
9	1	696260	VALVE, KZCO C2F-55B-M-S9
10	1	696254	O-RING, KZCO FLANGED VALVES
11	1	500171	1" FLANGE-1" HOSE BARB POLY
12	1	520070	HOSE CLAMP NO 8 STAINLESS
13	1	520090	HOSE CLAMP NO 16 STAINLESS
14	1	520067	HOSE CLAMP NO 28 STAINLESS
15	1	520085	HOSE CLAMP NO 24 STAINLESS
16	2	500157	1" FLANGE GASKET EPDM
17	2	500159	1" FLANGE CLAMP, S.S.
18	1	500161	2"FLANGE-1"FLANGE COUPLER,POLY
19	2	500180	2"FLANGE-90-2"FLANGE LBO, LONG
20	1	690660	LINE T-STRAINER,1"FLG,W/O SCR
21	1	690661	50 MESH SCREEN FOR 690660
22	1	690695	STRAINER GASKET FOR 690660
23	1	690802	CLEAN-OUT PLUG FOR 690660
24	1	690803	O-RING, VITON FOR 690802 PLUG

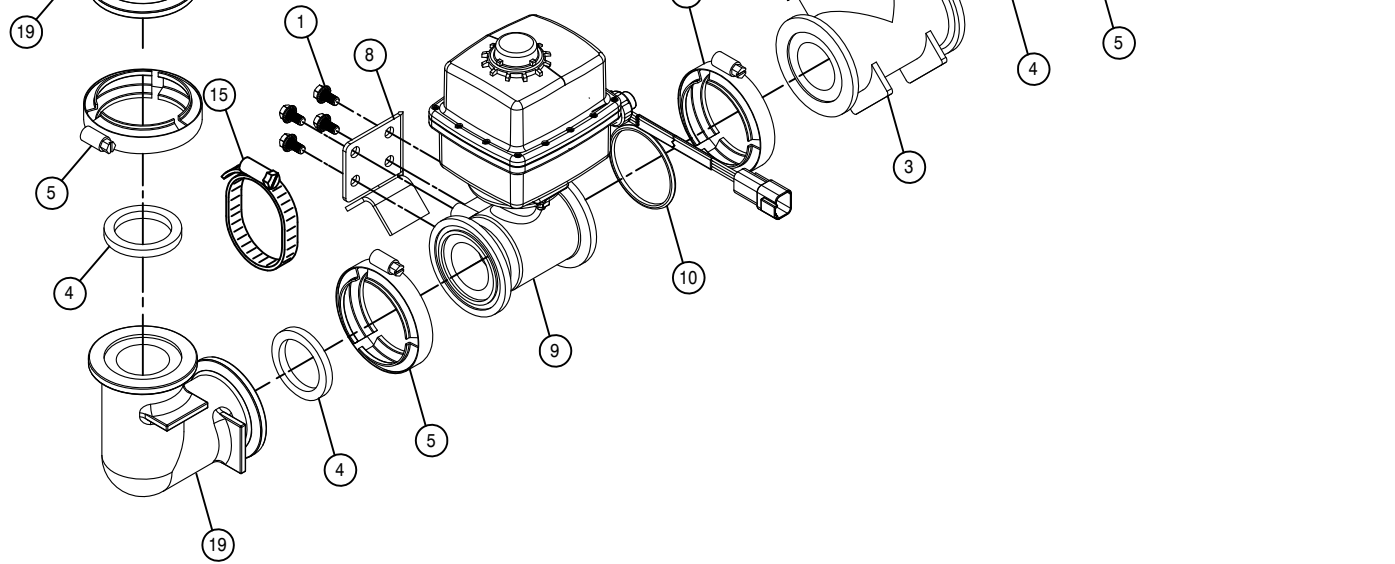


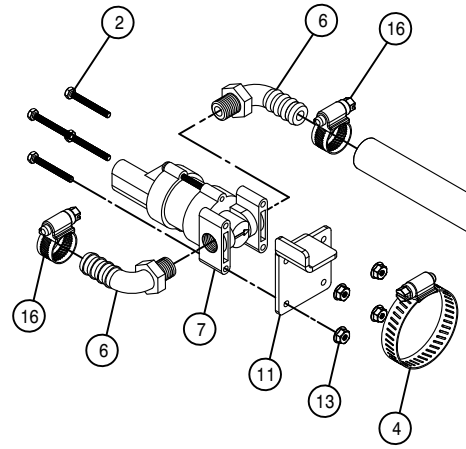


LH OUTER SOLUTION VALVE ASSEMBLY 90/100 W/SCREENS

DET. QTY PART NO. DESCRIPTION

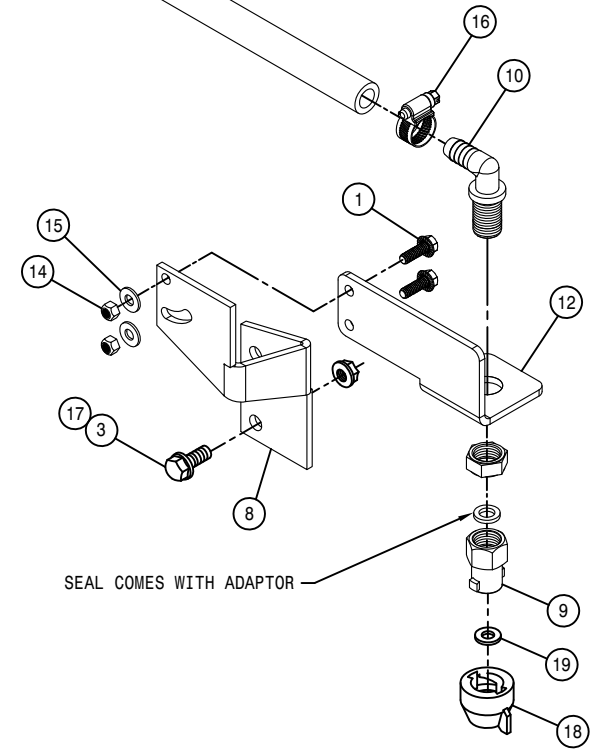
1	4	470122	1/4UNC X 1/2 FLANGE HEX BOLT
2	1	500047	1/2NPT-90-1/2 HOSE BARB, POLY
3	1	500151	2" FLANGE TEE POLY
4	5	500158	1 1/2" GASKET FOR 2" FLANGE
5	6	500160	2" FLANGE CLAMP, S.S.
6	1	500162	2" FLANGE-1 1/2 HOSE BARB POLY
7	1	500224	2" FLANGE PLUG W/1/2"FNPT POLY
8	1	690871	80/90 BOOM VLV MT WLD 03
9	1	696260	VALVE, KZCO C2F-55B-M-S9
10	1	696254	O-RING, KZCO FLANGED VALVES
11	1	500171	1" FLANGE-1" HOSE BARB POLY
12	1	520070	HOSE CLAMP NO 8 STAINLESS
13	1	520090	HOSE CLAMP NO 16 STAINLESS
14	1	520067	HOSE CLAMP NO 28 STAINLESS
15	1	520085	HOSE CLAMP NO 24 STAINLESS
16	2	500157	1" FLANGE GASKET EPDM
17	2	500159	1" FLANGE CLAMP, S.S.
18	1	500161	2"FLANGE-1"FLANGE COUPLER,POLY
19	2	500180	2"FLANGE-90-2"FLANGE LBO, LONG
20	1	690660	LINE T-STRAINER,1"FLG,W/O SCRIN
21	1	690661	50 MESH SCREEN FOR 690660
22	1	690695	STRAINER GASKET FOR 690660
23	1	690802	CLEAN-OUT PLUG FOR 690660
24	1	690803	O-RING, VITON FOR 690802 PLUG



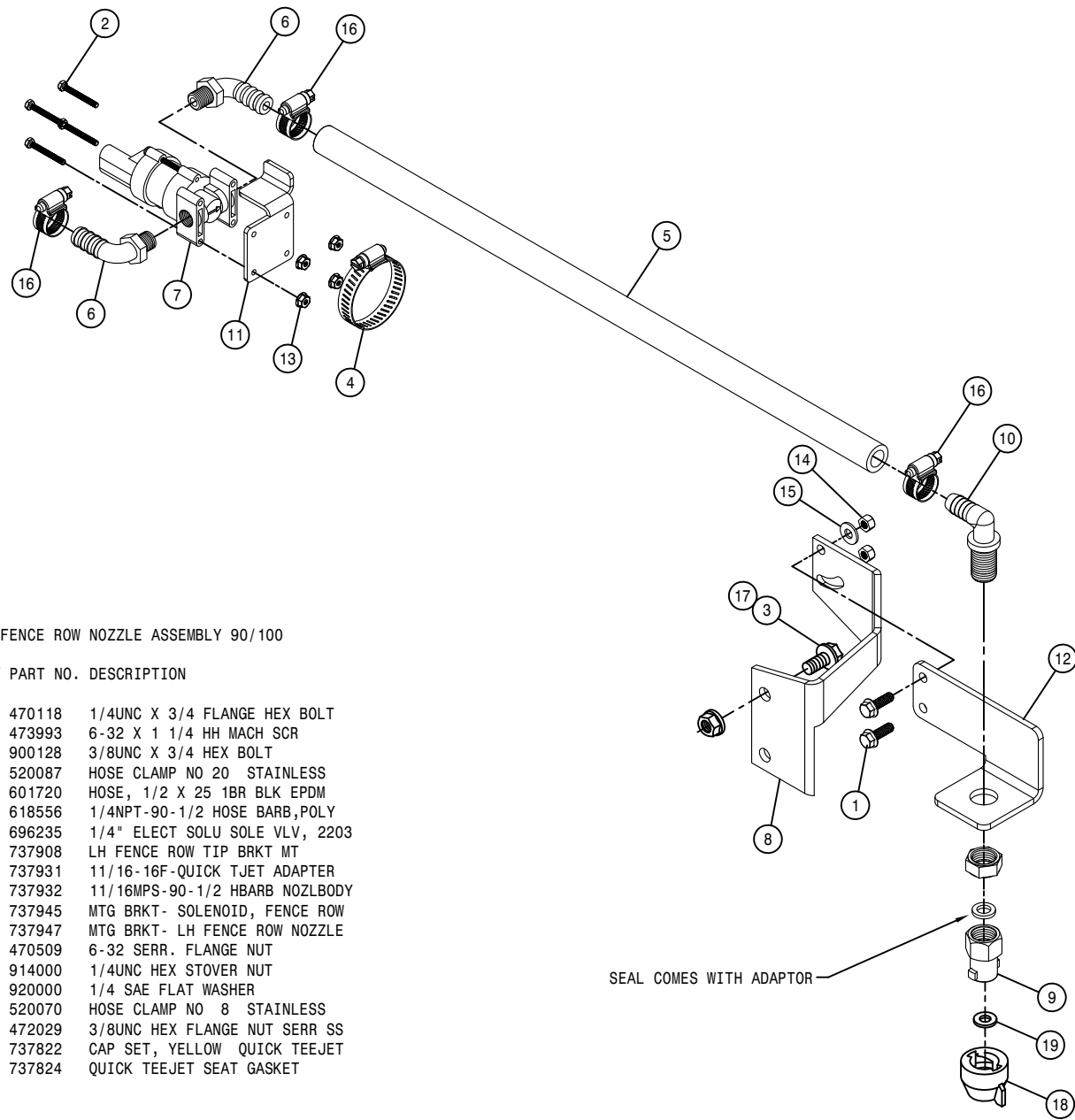


RIGHT FENCE ROW NOZZLE ASSEMBLY 90/100

DET.	QTY	PART NO.	DESCRIPTION
1	2	470118	1/4UNC X 3/4 FLANGE HEX BOLT
2	4	473993	6-32 X 1 1/4 HH MACH SCR
3	2	900128	3/8UNC X 3/4 HEX BOLT
4	1	520087	HOSE CLAMP NO 20 STAINLESS
5	1	601720	HOSE, 1/2 X 25 1BR BLK EPDM
6	2	618556	1/4NPT-90-1/2 HOSE BARB,POLY
7	1	696235	1/4" ELECT SOLU SOLE VLV, 2203
8	1	737907	RH FENCE ROW TIP BRKT MT
9	1	737931	11/16-16F-QUICK TJET ADAPTER
10	1	737932	11/16MPS-90-1/2 HBARB NOZLBODY
11	1	737945	MTG BRKT- SOLENOID, FENCE ROW
12	1	737946	MTG BRKT- RH FENCE ROW NOZZLE
13	4	470509	6-32 SERR. FLANGE NUT
14	2	914000	1/4UNC HEX STOVER NUT
15	2	920000	1/4 SAE FLAT WASHER
16	3	520070	HOSE CLAMP NO 8 STAINLESS
17	2	472029	3/8UNC HEX FLANGE NUT SERR SS
18	1	737822	CAP SET, YELLOW QUICK TEEJET
19	1	737824	QUICK TEEJET SEAT GASKET



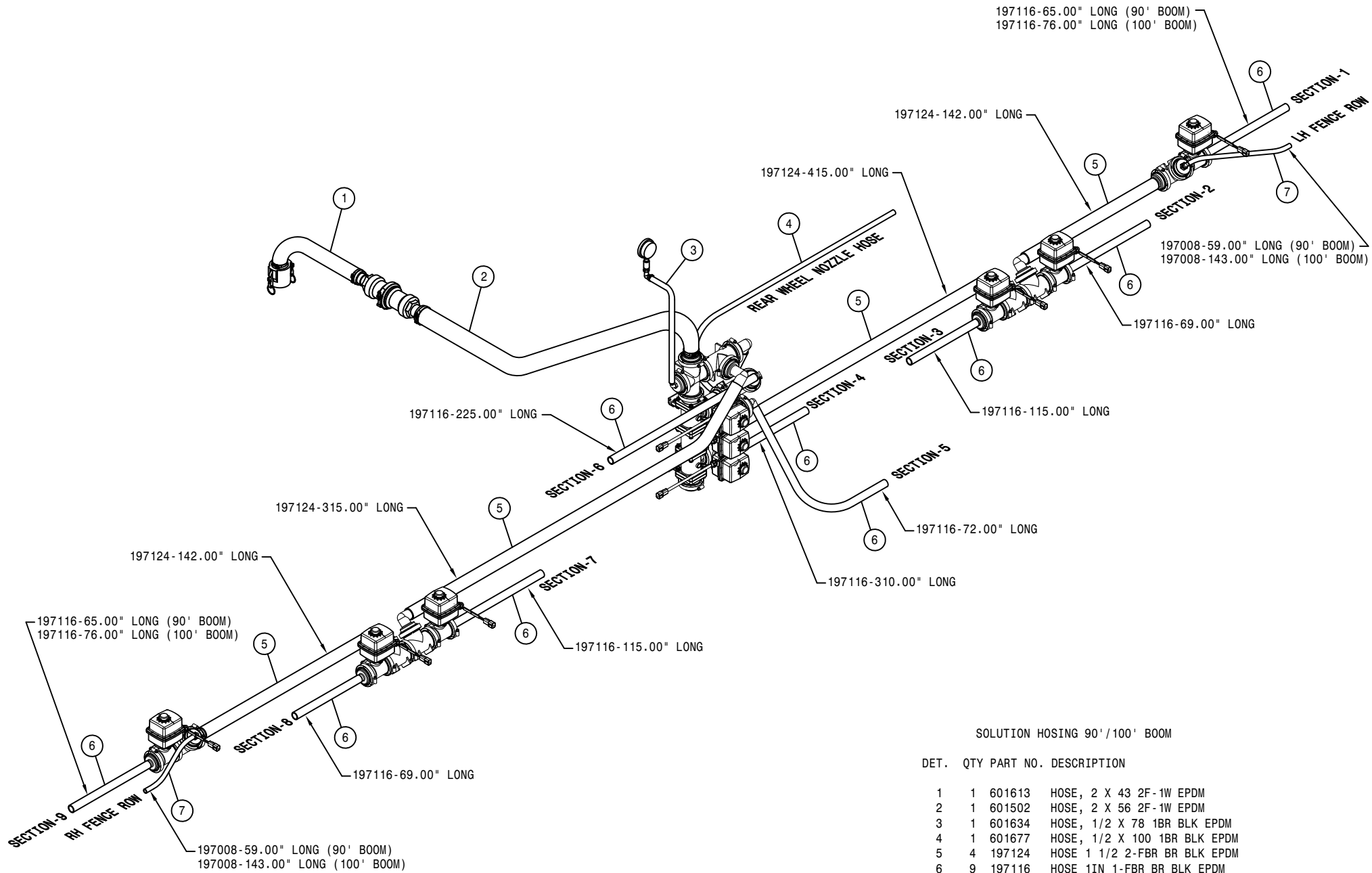
SEAL COMES WITH ADAPTOR



LEFT FENCE ROW NOZZLE ASSEMBLY 90/100

DET.	QTY	PART NO.	DESCRIPTION	
	1	2	470118	1/4UNC X 3/4 FLANGE HEX BOLT
	2	4	473993	6-32 X 1 1/4 HH MACH SCR
	3	2	900128	3/8UNC X 3/4 HEX BOLT
	4	1	520087	HOSE CLAMP NO 20 STAINLESS
	5	1	601720	HOSE, 1/2 X 25 1BR BLK EPDM
	6	2	618556	1/4NPT-90-1/2 HOSE BARB,POLY
	7	1	696235	1/4" ELECT SOLU SOLE VLV, 2203
	8	1	737908	LH FENCE ROW TIP BRKT MT
	9	1	737931	11/16-16F-QUICK TJET ADAPTER
	10	1	737932	11/16MPS-90-1/2 HBARB NOZLBODY
	11	1	737945	MTG BRKT- SOLENOID, FENCE ROW
	12	1	737947	MTG BRKT- LH FENCE ROW NOZZLE
	13	4	470509	6-32 SERR. FLANGE NUT
	14	2	914000	1/4UNC HEX STOVER NUT
	15	2	920000	1/4 SAE FLAT WASHER
	16	3	520070	HOSE CLAMP NO 8 STAINLESS
	17	2	472029	3/8UNC HEX FLANGE NUT SERR SS
	18	1	737822	CAP SET, YELLOW QUICK TEEJET
	19	1	737824	QUICK TEEJET SEAT GASKET

SEAL COMES WITH ADAPTOR

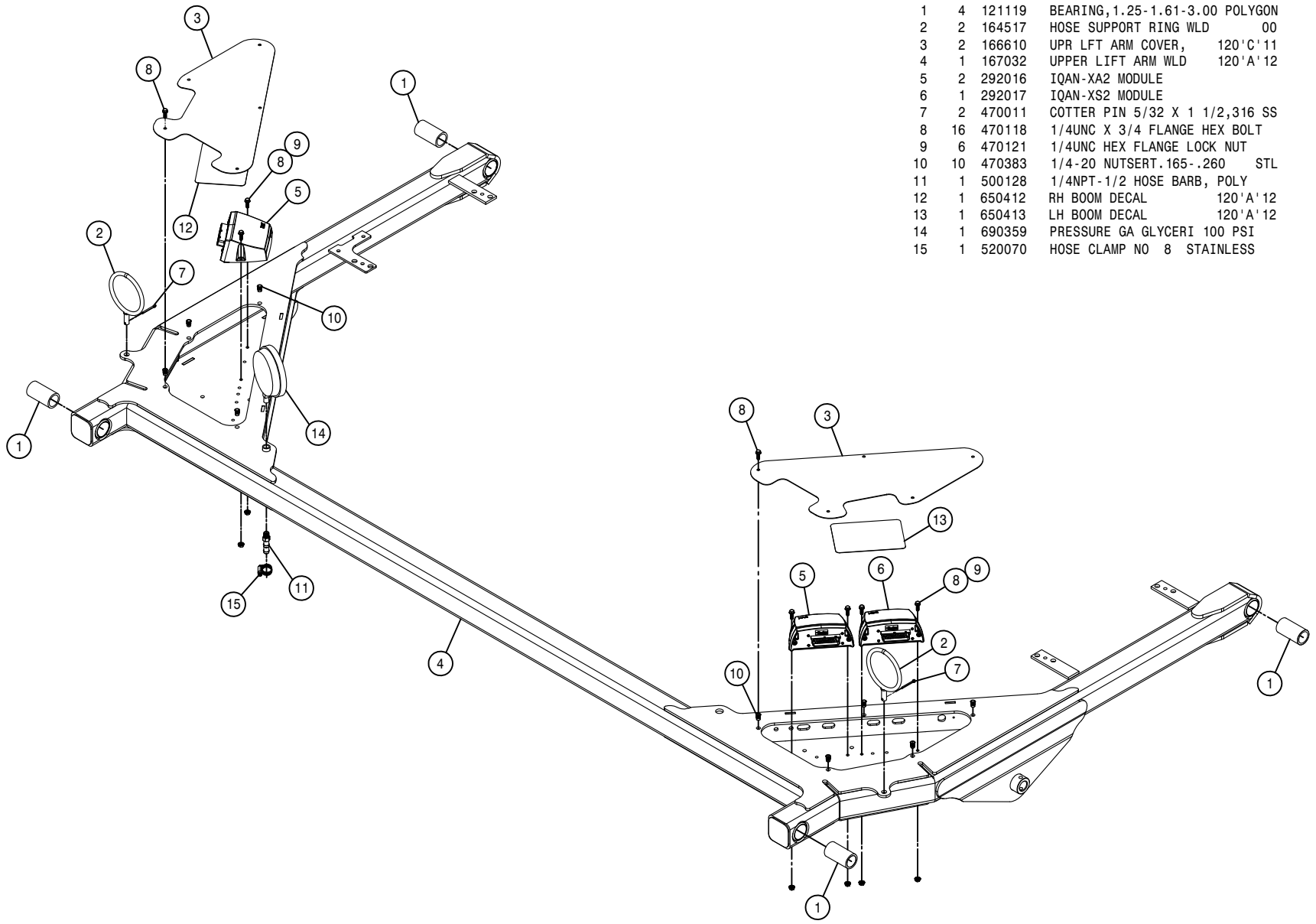


SOLUTION HOSEING 90' / 100' BOOM

DET.	QTY	PART NO.	DESCRIPTION
1	1	601613	HOSE, 2 X 43 2F-1W EPDM
2	1	601502	HOSE, 2 X 56 2F-1W EPDM
3	1	601634	HOSE, 1/2 X 78 1BR BLK EPDM
4	1	601677	HOSE, 1/2 X 100 1BR BLK EPDM
5	4	197124	HOSE 1 1/2 2-FBR BR BLK EPDM
6	9	197116	HOSE 1IN 1-FBR BR BLK EPDM
7	2	197008	HOSE 1/2 1-FBR BR BLK EPDM

LIFTARM ASSEMBLY 120'

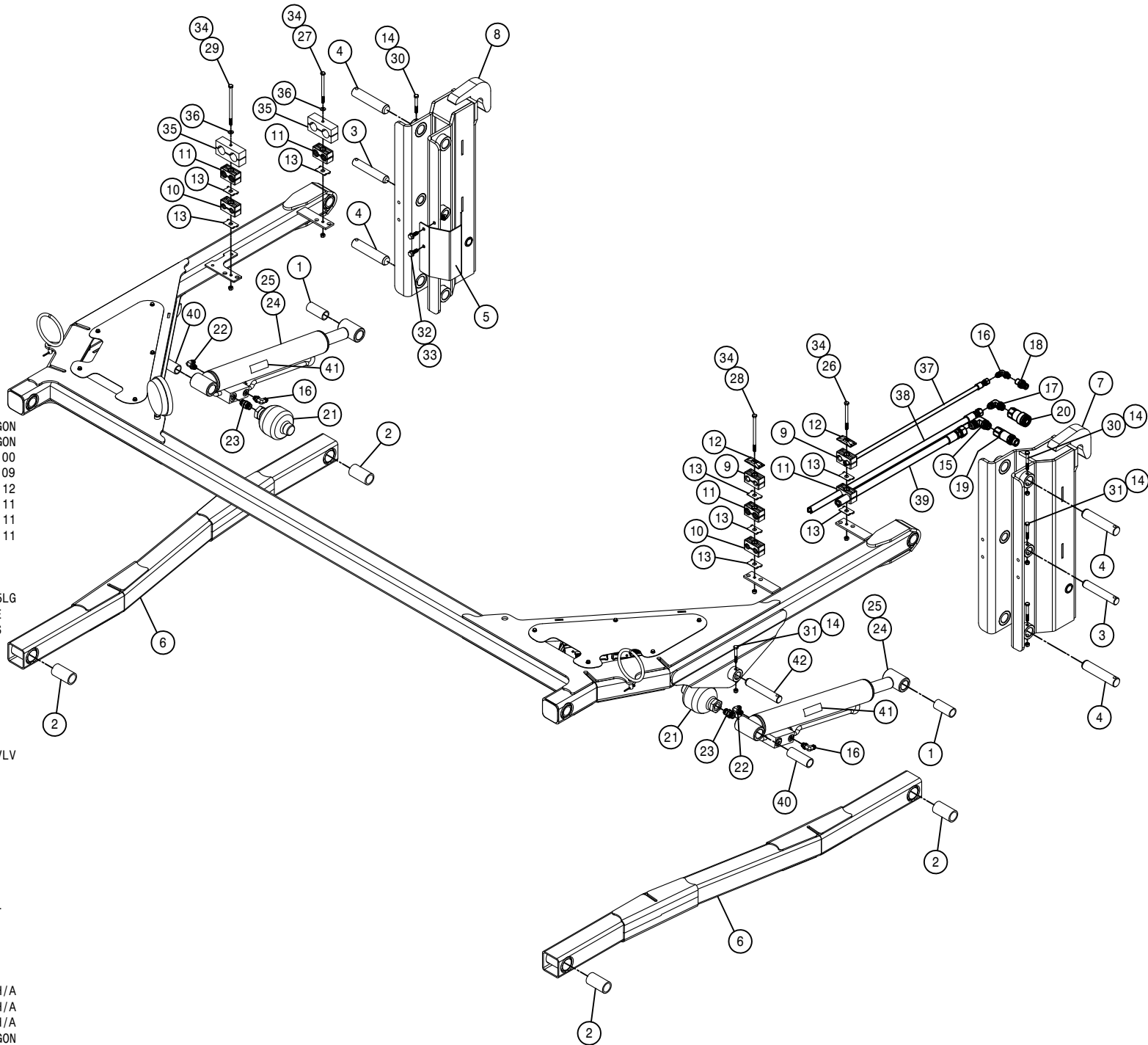
DET.	QTY	PART NO.	DESCRIPTION
1	4	121119	BEARING, 1.25-1.61-3.00 POLYGON
2	2	164517	HOSE SUPPORT RING WLD 00
3	2	166610	UPR LFT ARM COVER, 120'C'11
4	1	167032	UPPER LIFT ARM WLD 120'A'12
5	2	292016	IQAN-XA2 MODULE
6	1	292017	IQAN-XS2 MODULE
7	2	470011	COTTER PIN 5/32 X 1 1/2, 316 SS
8	16	470118	1/4UNC X 3/4 FLANGE HEX BOLT
9	6	470121	1/4UNC HEX FLANGE LOCK NUT
10	10	470383	1/4-20 NUTSERT .165-.260 STL
11	1	500128	1/4NPT-1/2 HOSE BARB, POLY
12	1	650412	RH BOOM DECAL 120'A'12
13	1	650413	LH BOOM DECAL 120'A'12
14	1	690359	PRESSURE GA GLYCERI 100 PSI
15	1	520070	HOSE CLAMP NO 8 STAINLESS



## LIFTARM ASSEMBLY 120'

DET. QTY PART NO. DESCRIPTION

1	2	121109	BEARING,1.00-1.25-3.13 POLYGON
2	4	121119	BEARING,1.25-1.61-3.00 POLYGON
3	2	164452	LIFT ARM MT PIVOT PIN,STS12 00
4	4	165713	LIFT ARM MT PIV PIN,120'BM 09
5	1	165742	RECEPTACLE MT,BOOMS STS'12
6	2	166587	LOWER LIFT ARM WLD, 120'C'11
7	1	166600	LH QUICK ATTACH WLD, 120'C'11
8	1	166601	RH QUICK ATTACH WLD, 120'C'11
9	2	470270	HOSE CLAMP BODY, .530-.680
10	2	470274	TUBE CLAMP BODY, .750-.750
11	4	470275	TUBE CLAMP BODY,1.000-1.000
12	2	470276	CLAMP COVER PLATE,SNGL, 2.55LG
13	8	470281	STACK BOLT SAFETY LOCK PLATE
14	8	473001	5/16UNC HEX NUT,NYLOC 316 SS
15	1	611128	7/8MJIC-90-7/8MOR LBO
16	3	618119	9/16MJIC-90-9/16MOR LBO
17	1	618241	3/4MJIC-90-3/4MOR LBO
18	1	618804	HYD CPLR,MALE #14,9/16FOR
19	1	618806	HYD CPLR,MALE #12,7/8FOR
20	1	618807	HYD CPLR, FEM #12,3/4FOR
21	2	470444	ACCUMULATOR, 30CI 1508 PSI
22	2	618739	9/16MJ-90-9/16MOR .065 CHK VLV
23	2	618820	3/4MOR UNION
24	2	621640	HYD CYL,3.25 X 16.00 X 1.63
25	2	621579	REPAIR KIT, HYD CYL 621578
26	1	900076	5/16UNC X 4" HEX BOLT
27	1	900078	5/16UNC X 4 1/2" HEX BOLT
28	1	900082	5/16UNC X 5 1/2" HEX BOLT
29	1	900084	5/16UNC X 6" HEX BOLT
30	4	900070	5/16UNC X 2 1/2" BOLT
31	4	900086	5/16UNC X 2 1/4" HEX BOLT
32	2	900129	3/8UNC X 1" SERR FLANGE BOLT
33	2	470087	3/8UNC HEX FLANGE LOCK NUT
34	4	914002	5/16UNC HEX STOVER NUT
35	2	A51729	TUBE CLAMP (PAIR)
36	2	920001	5/16 SAE FLAT WASHER
37	1	616991	06-451TC-06FJX-06FJX-175 H/A
38	1	616976	08-451TC-08FJX-08FJX-172 H/A
39	1	617007	08-451TC-08FJX-10FJX-172 H/A
40	2	121115	BEARING,1.00-1.25-4.00 POLYGON
41	2	650390	DECAL,WARN,DO NOT REMOVE/MODIF
42	2	A53739	LIFT CYL PIN,BARREL END, DELTA

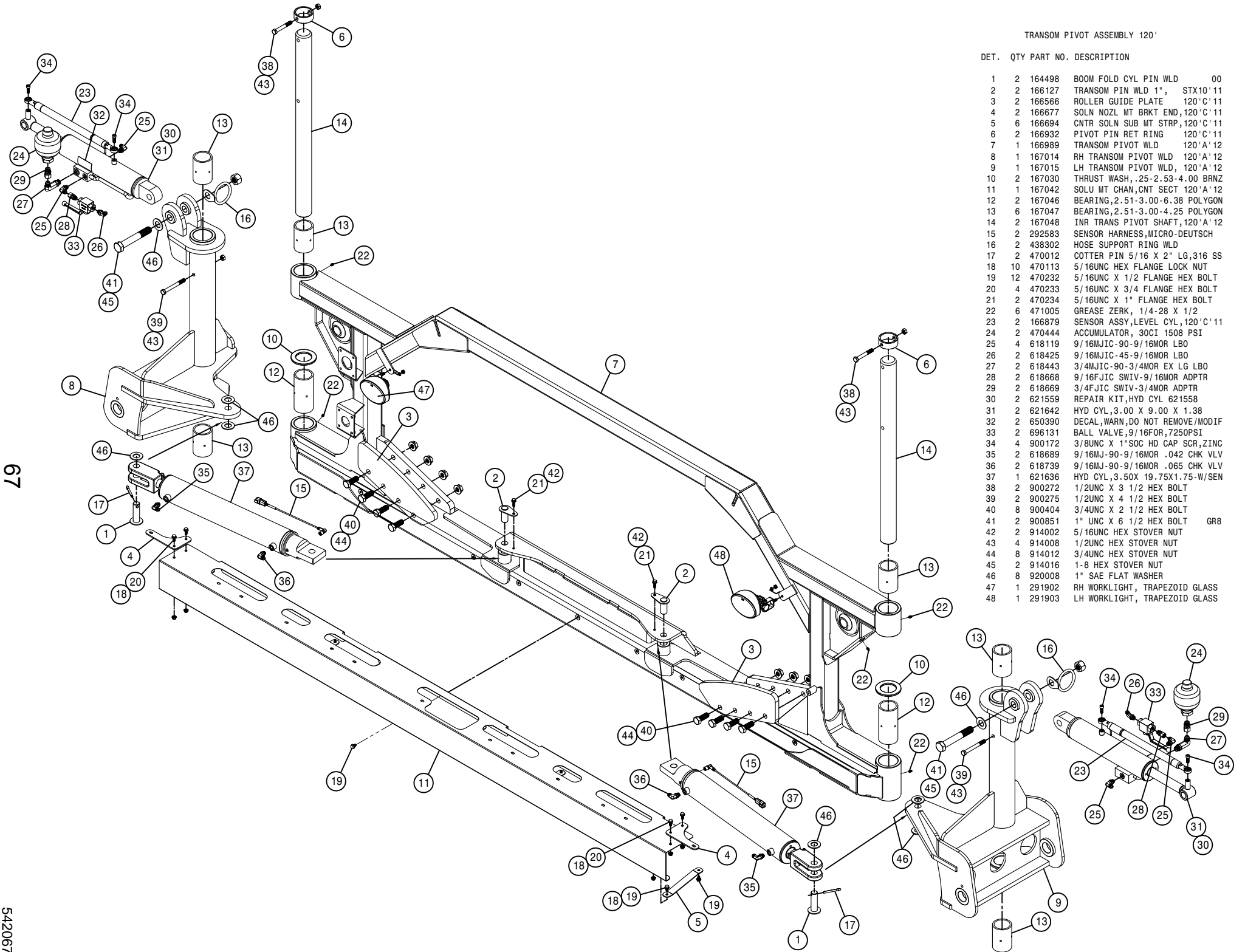


TRANSOM PIVOT ASSEMBLY 120'

DET.	QTY	PART NO.	DESCRIPTION	
1	2	164498	BOOM FOLD CYL PIN WLD	00
2	2	166127	TRANSOM PIN WLD 1", STX10'11	
3	2	166566	ROLLER GUIDE PLATE	120'C'11
4	2	166677	SOLN NOZL MT BRKT END,120'C'11	
5	6	166694	CNTR SOLN SUB MT STRP,120'C'11	
6	2	166932	PIVOT PIN RET RING	120'C'11
7	1	166989	TRANSOM PIVOT WLD	120'A'12
8	1	167014	RH TRANSOM PIVOT WLD	120'A'12
9	1	167015	LH TRANSOM PIVOT WLD,	120'A'12
10	2	167030	THRUST WASH, .25-2.53-4.00 BRNZ	
11	1	167042	SOLU MT CHAN,CNT SECT 120'A'12	
12	2	167046	BEARING,2.51-3.00-6.38 POLYGON	
13	6	167047	BEARING,2.51-3.00-4.25 POLYGON	
14	2	167048	INR TRANS PIVOT SHAFT,120'A'12	
15	2	292583	SENSOR HARNESS,MICRO-DEUTSCH	
16	2	438302	HOSE SUPPORT RING WLD	
17	2	470012	COTTER PIN 5/16 X 2" LG,316 SS	
18	10	470113	5/16UNC HEX FLANGE LOCK NUT	
19	12	470232	5/16UNC X 1/2 FLANGE HEX BOLT	
20	4	470233	5/16UNC X 3/4 FLANGE HEX BOLT	
21	2	470234	5/16UNC X 1" FLANGE HEX BOLT	
22	6	471005	GREASE ZERK, 1/4-28 X 1/2	
23	2	166879	SENSOR ASSY,LEVEL CYL,120'C'11	
24	2	470444	ACCUMULATOR, 30CI 1508 PSI	
25	4	618119	9/16MJIC-90-9/16MOR LBO	
26	2	618425	9/16MJIC-45-9/16MOR LBO	
27	2	618443	3/4MJIC-90-3/4MOR EX LG LBO	
28	2	618668	9/16FJIC SWIV-9/16MOR ADPTR	
29	2	618669	3/4FJIC SWIV-3/4MOR ADPTR	
30	2	621559	REPAIR KIT,HYD CYL 621558	
31	2	621642	HYD CYL,3.00 X 9.00 X 1.38	
32	2	650390	DECAL,WARN,DO NOT REMOVE/MODIF	
33	2	696131	BALL VALVE,9/16FOR,7250PSI	
34	4	900172	3/8UNC X 1" SOC HD CAP SCR,ZINC	
35	2	618689	9/16MJ-90-9/16MOR .042 CHK VLV	
36	2	618739	9/16MJ-90-9/16MOR .065 CHK VLV	
37	1	621636	HYD CYL,3.50X 19.75X1.75-W/SEN	
38	2	900272	1/2UNC X 3 1/2 HEX BOLT	
39	2	900275	1/2UNC X 4 1/2 HEX BOLT	
40	8	900404	3/4UNC X 2 1/2 HEX BOLT	
41	2	900851	1" UNC X 6 1/2 HEX BOLT	GR8
42	2	914002	5/16UNC HEX STOVER NUT	
43	4	914008	1/2UNC HEX STOVER NUT	
44	8	914012	3/4UNC HEX STOVER NUT	
45	2	914016	1-8 HEX STOVER NUT	
46	8	920008	1" SAE FLAT WASHER	
47	1	291902	RH WORKLIGHT, TRAPEZOID GLASS	
48	1	291903	LH WORKLIGHT, TRAPEZOID GLASS	

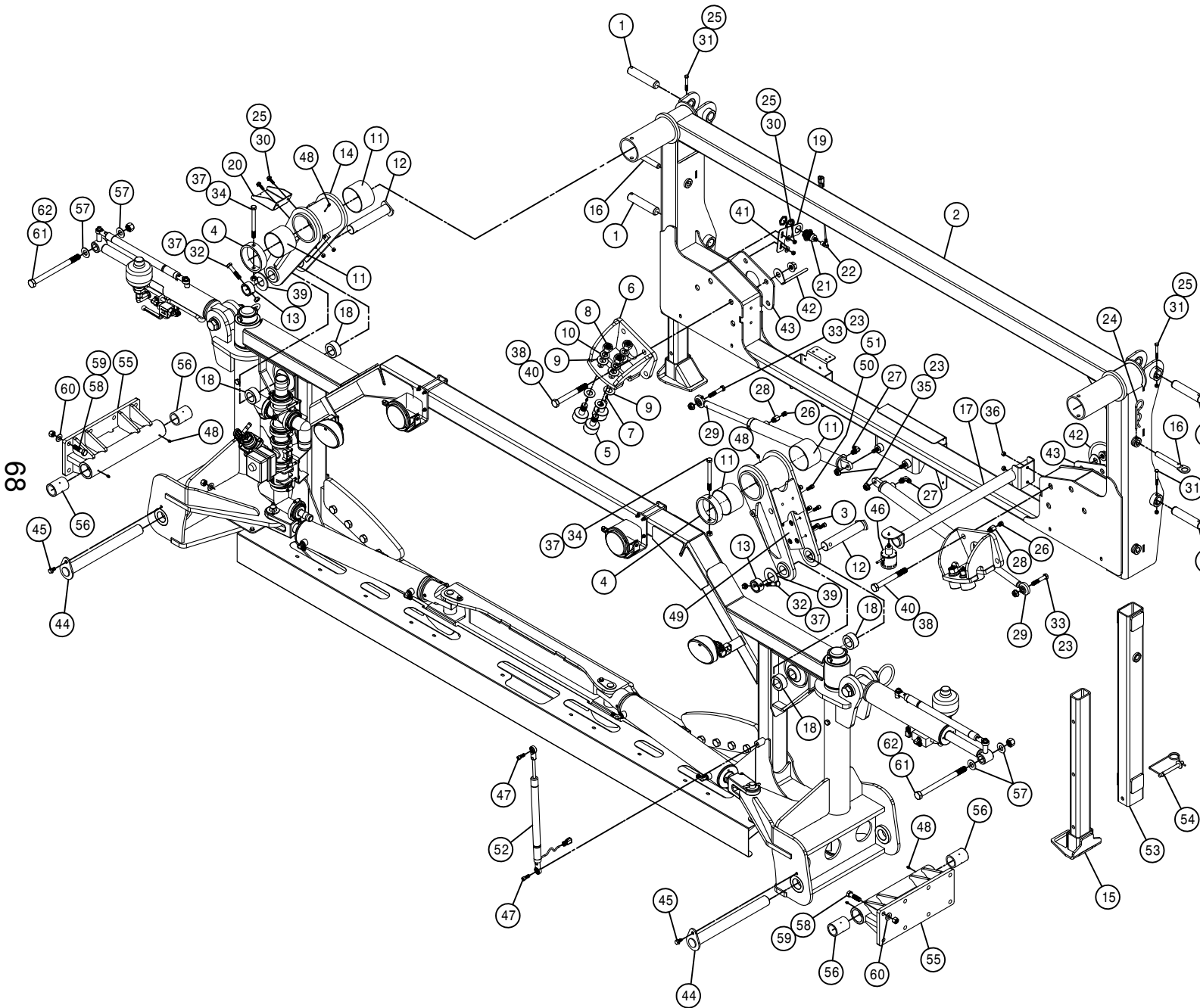
67

542067



TRANSOM PIVOT ASSEMBLY 120'

DET. QTY PART NO. DESCRIPTION

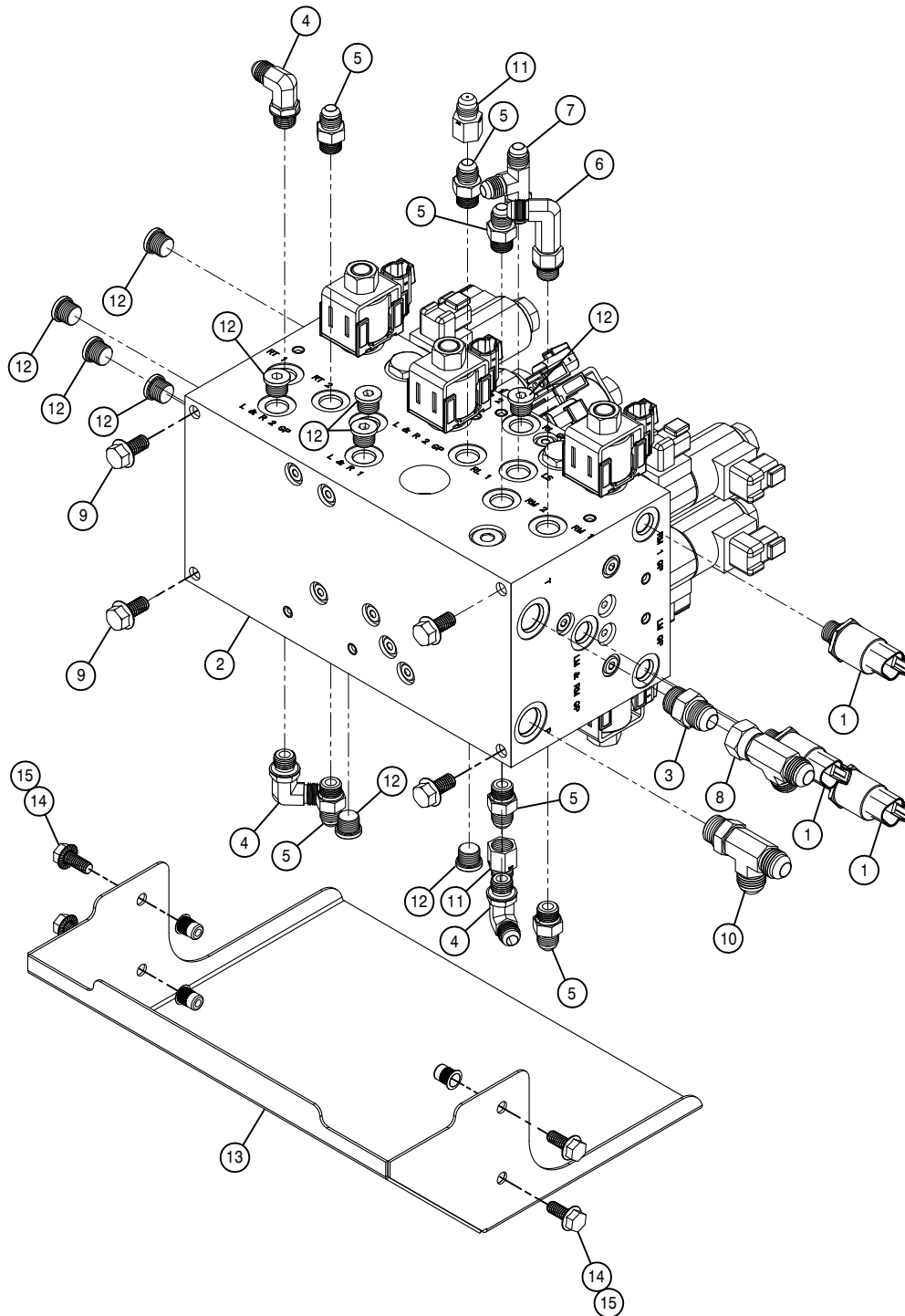


DET.	QTY	PART NO.	DESCRIPTION
1	4	165713	LIFT ARM MT PIV PIN,120'BM 09
2	1	166406	TRANSOM FIXED WLD, 120'C'11
3	1	166544	PENDULUM-WLD,TRANSOM, 120'C'11
4	2	166552	RET RING-PENDULUM, 120'C'11
5	6	125057	TRACK ROLLER,2.250D,.875-14THC
6	2	166570	ROLLER MT WLD, 120'C'11
7	6	471001	GREASE ZERK, 3/16 DRIVE-IN
8	6	910095	7/8UNF HEX NUT
9	12	920007	7/8 SAE FLAT WASHER
10	6	920507	7/8 LOCK WASHER
11	4	166591	BEARING,4.00-4.25-6.94 POLYGON
12	2	166611	LWR PENDULUM PIN, 120'C'11
13	2	166697	PEND RETNR BUSH, 120'C'11
14	1	166698	PENDULUM-WLD, TRNSM, 120'C'11
15	2	167057	INR TUBE BM STAND WLD,120'A'12
16	2	166772	BOOM STAND PIN WLD, 120'C'11
17	1	166793	NORAC MT WLD, 120'C'11
18	4	166861	SPCR BUSH,BALL JOINT, 120'C'11
19	1	166874	PROX BRKT,LIFT 120'C'11
20	1	166915	NORAC ROLL SENSOR WLD,120'C'11
21	1	291945	PROXIMITY SENSOR,M30 X 1.5
22	1	291944	SENSOR HARNESS,MICRO-DEUTSCH
23	4	470345	1/2UNC HEX SMTH FLNG LOCK NUT
24	2	470613	HAIRPIN,.243 X 5.00
25	8	473001	5/16UNC HEX NUT,NYLOC 316 SS
26	2	470114	BREATHER FILTER VENT, 1/4 NPT
27	2	618119	9/16MJIC-90-9/16MOR LBO
28	2	618123	9/16MOR-1/4FNPT ADPTR
29	2	621626	HYD CYL,1.50-16.00-1.00
30	4	900065	5/16UNC X 1" HEX BOLT
31	4	900070	5/16UNC X 2 1/2 BOLT
32	2	900268	1/2UNC X 2 1/2 HEX BOLT
33	2	900269	1/2UNC X 2 3/4 HEX BOLT
34	2	900277	1/2UNC X 5 1/2 HEX BOLT
35	2	900283	1/2UNC X 2 1/4 HEX BOLT
36	2	914004	3/8UNC HEX STOVER NUT
37	4	914008	1/2UNC HEX STOVER NUT
38	8	914012	3/4UNC HEX STOVER NUT
39	2	920013	1 1/2 SAE FLAT WASHER
40	8	900416	3/4UNC X 6 1/2 HEX BOLT
41	2	483040	5/16 REGULAR FLAT WASHER
42	2	166903	HOSE RING WLD,4" X 3/4"120'C'11
43	2	166909	STIFF PLT FIXED TRANS,120'C'11
44	2	167043	LEVEL PIN WLD 120'A'12
45	2	470409	3/8UNC X 3/4 SERR FLANGE BOLT
46	1	693113	SENSOR,NORAC UC5 ULTRASONIC
47	2	900172	3/8UNC X 1"SOC HD CAP SCR,ZINC
48	6	471005	GREASE ZERK, 1/4-28 X 1/2
49	2	166938	PENDULUM WEAR PLT, 120'C'12
50	12	920502	3/8 LOCK WASHER
51	12	900173	3/8UNC X 7/8SOC HD CAP SCR,ZNC
52	1	166879	SENSOR ASSY,LEVEL CYL,120'C'11
53	2	167055	OTR TUBE BM STAND WLD,120'A'12
54	2	470361	SNAP LOCK PIN, 1/2 X 3 1/2
55	2	167036	SECT 1 ADPTR WLD 120'A'12
56	4	167041	BEARING,1.76-2.25-3.00 POLYGON
57	4	920008	1" SAE FLAT WASHER
58	16	900857	5/8UNC X 2 1/4 HEX BOLT GR8
59	16	914810	5/8UNC HEX STOVER NUT GR8
60	16	920005	5/8 SAE FLAT WASHER
61	2	900869	1" UNC X 13 HEX BOLT GR8
62	2	914016	1-8 HEX STOVER NUT

68

542068

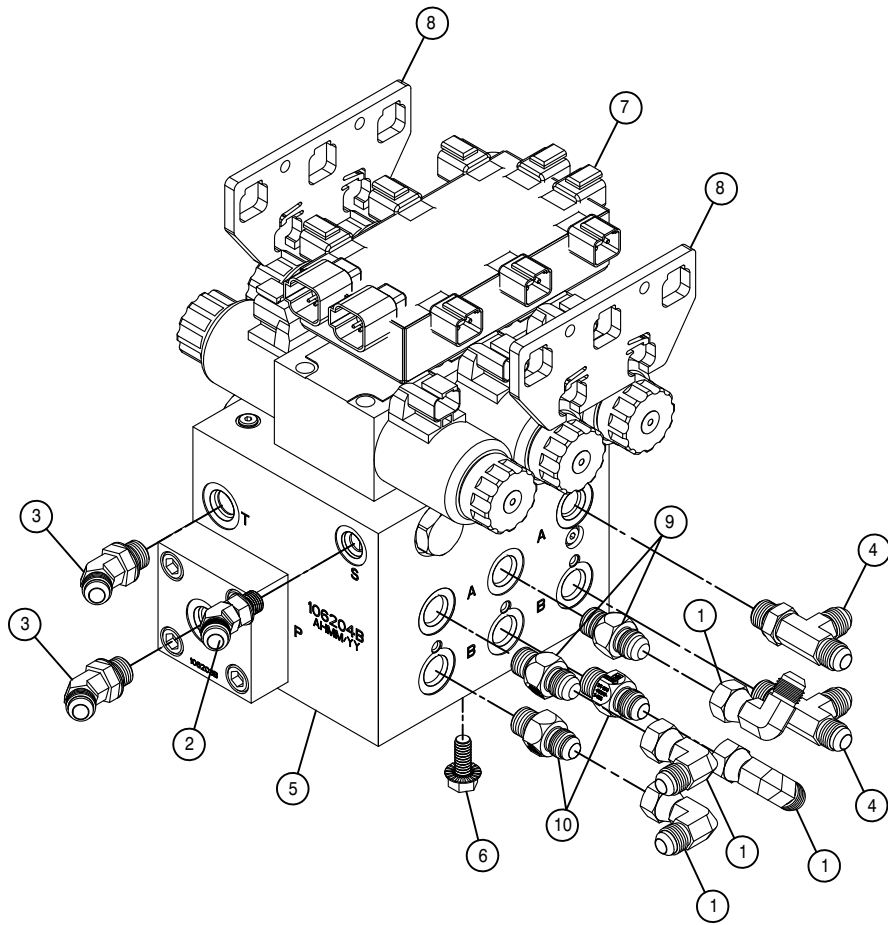




FOLD CONTROL VALVE ASSEMBLY 120'

DET. QTY PART NO. DESCRIPTION

1	3	606347	PRESSURE TRANSDUCER,7500PSI
2	1	606510	FOLD CTRL VALVE,
3	1	611125	3/4MJIC-3/4MOR ADPTR
4	3	618119	9/16MJIC-90-9/16MOR LBO
5	6	618126	9/16MJIC-9/16MOR ADPTR
6	1	618440	9/16MJIC-90-9/16MOR EX LG LBO
7	1	618444	9/16MOR RUN TEE-9/16MJIC
8	1	618451	3/4FJIC SW RUN TEE-3/4MJIC
9	4	900128	3/8UNC X 3/4 HEX BOLT
10	1	618494	3/4MOR RUN TEE-3/4MJIC
11	2	618735	9/16JIC .062 ORIFICE ADPTR
12	11	618754	9/16MOR PLUG, HEX SOCKET
13	1	166871	MANIFLD GUARD WLD, 120'C'11
14	4	470233	5/16UNC X 3/4 FLANGE HEX BOLT
15	4	470381	5/16-18 NUTSERT .027-.150 STL



NORAC HYDRAULIC VALVE ASSEMBLY 120'

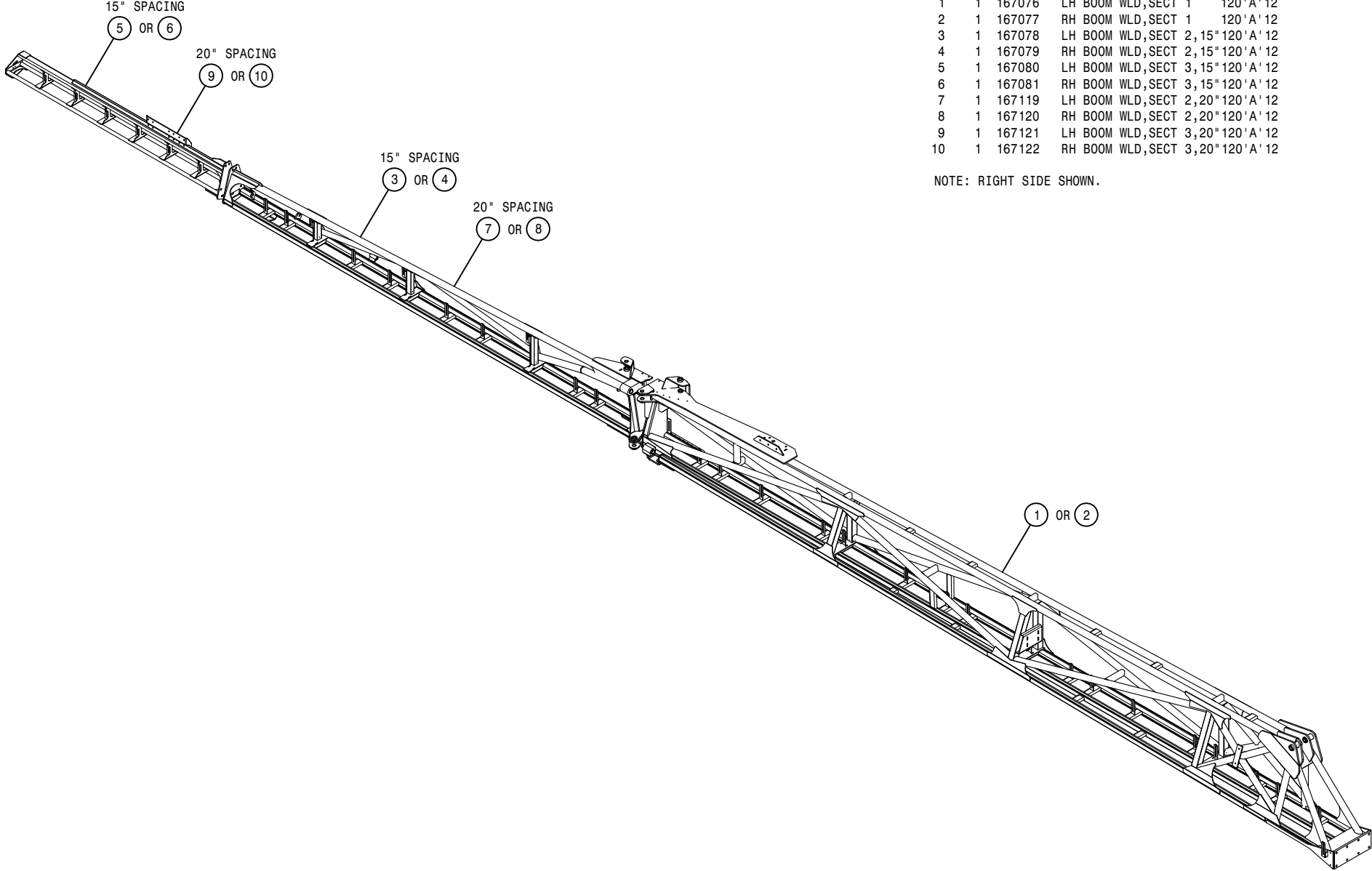
DET. QTY PART NO. DESCRIPTION

1	4	618618	9/16MJIC-90-9/16FJIC SWIV LBO
2	1	618902	9/16MJIC-45-7/16MOR ADPTR
3	2	618425	9/16MJIC-45-9/16MOR LBO
4	2	618444	9/16MOR RUN TEE-9/16MJIC
5	1	606456	NORAC HYD VALVE (44960D)
6	4	470233	5/16UNC X 3/4 FLANGE HEX BOLT
7	1	693133	NORAC MODULE,UC5 VALVE
8	2	693134	NORAC MT BRKT,VLV MODUL,TYPE 2
9	2	618884	9/16MJIC-9/16MOR.042MFMO ADPTR
10	2	618885	9/16MJIC-9/16MOR.055MOMF ADPTR

BOOM ASSEMBLY 120' ALUM

DET.	QTY	PART NO.	DESCRIPTION
1	1	167076	LH BOOM WLD,SECT 1 120'A'12
2	1	167077	RH BOOM WLD,SECT 1 120'A'12
3	1	167078	LH BOOM WLD,SECT 2,15" 120'A'12
4	1	167079	RH BOOM WLD,SECT 2,15" 120'A'12
5	1	167080	LH BOOM WLD,SECT 3,15" 120'A'12
6	1	167081	RH BOOM WLD,SECT 3,15" 120'A'12
7	1	167119	LH BOOM WLD,SECT 2,20" 120'A'12
8	1	167120	RH BOOM WLD,SECT 2,20" 120'A'12
9	1	167121	LH BOOM WLD,SECT 3,20" 120'A'12
10	1	167122	RH BOOM WLD,SECT 3,20" 120'A'12

NOTE: RIGHT SIDE SHOWN.

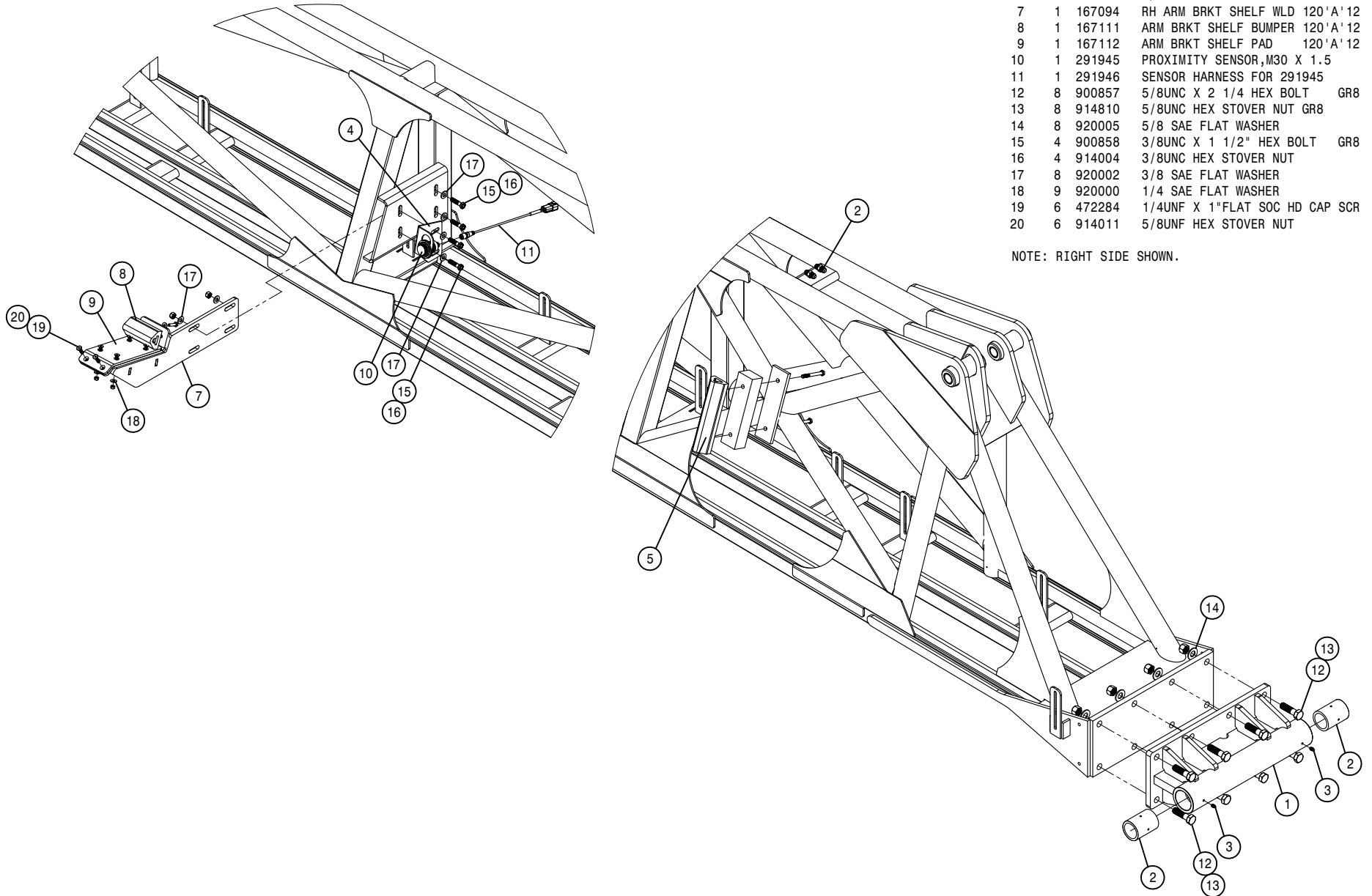


BOOM MOUNT ASSEMBLY 120' ALUM

DET. QTY PART NO. DESCRIPTION

DET.	QTY	PART NO.	DESCRIPTION
1	1	167036	SECT 1 ADPTR WLD 120'A'12
2	2	167041	BEARING,1.76-2.25-3.00 POLYGON
3	2	471005	GREASE ZERK, 1/4-28 X 1/2
4	1	167071	RH PROX MT,SECT1-2 OTR120'A'12
5	1	167102	BOOM BUMPER ASSY 120'A'12
6	2	619010	9/16MJIC UNION
7	1	167094	RH ARM BRKT SHELF WLD 120'A'12
8	1	167111	ARM BRKT SHELF BUMPER 120'A'12
9	1	167112	ARM BRKT SHELF PAD 120'A'12
10	1	291945	PROXIMITY SENSOR,M30 X 1.5
11	1	291946	SENSOR HARNESS FOR 291945
12	8	900857	5/8UNC X 2 1/4 HEX BOLT GR8
13	8	914810	5/8UNC HEX STOVER NUT GR8
14	8	920005	5/8 SAE FLAT WASHER
15	4	900858	3/8UNC X 1 1/2" HEX BOLT GR8
16	4	914004	3/8UNC HEX STOVER NUT
17	8	920002	3/8 SAE FLAT WASHER
18	9	920000	1/4 SAE FLAT WASHER
19	6	472284	1/4UNF X 1"FLAT SOC HD CAP SCR
20	6	914011	5/8UNC HEX STOVER NUT

NOTE: RIGHT SIDE SHOWN.

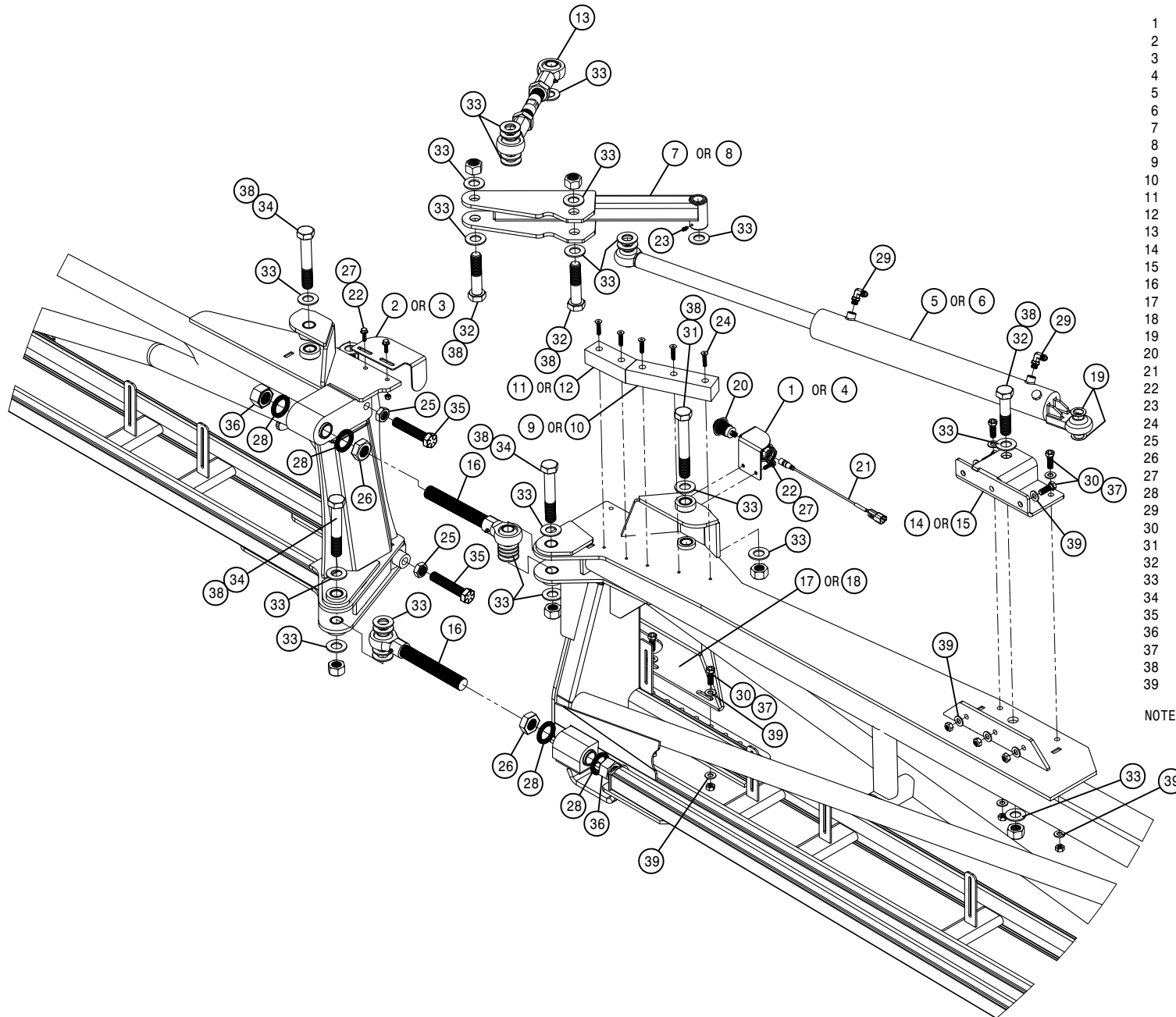


BOOM FOLD ASSEMBLY 120' ALUM

DET. QTY PART NO. DESCRIPTION

1	1	167067	RH PROX MT,SECT 1-2 120'A'12
2	1	167068	RH PROX FLAG,SECT 1-2,120'A'12
3	1	167066	LH PROX FLAG,SECT 1-2,120'A'12
4	1	167065	LH PROX MT,SECT 1-2 120'A'12
5	1	167091	RH HYD CYL,OUTER FOLD 120'A'12
6	1	167090	LH HYD CYL,OUTER FOLD 120'A'12
7	1	167096	RH SCNDRY FOLD ARM WLD120'A'12
8	1	167095	LH SCNDRY FOLD ARM WLD120'A'12
9	1	167099	RH-GUIDE LONG, POLY 120'A'12
10	1	167098	LH-GUIDE LONG, POLY 120'A'12
11	1	167101	RH-GUIDE SHORT, POLY 120'A'12
12	1	167100	LH-GUIDE SHORT, POLY 120'A'12
13	1	167103	S2-FOLD ARM CONN ASSY 120'A'12
14	1	167105	RH SIDE SUPP BRKT WLD 120'A'12
15	1	167104	LH SIDE SUPP BRKT WLD 120'A'12
16	2	167109	ROD END WELD,SECT1-2 120'A'12
17	1	167124	RH SHLD NOZZ SCT1 OTR 120'A'12
18	1	167123	LH SHLD NOZZ SCT1 OTR 120'A'12
19	2	167132	RESERVED, BOOM PARTS (MM)
20	1	291945	PROXIMITY SENSOR,M30 X 1.5
21	1	291946	SENSOR HARNESS FOR 291945
22	4	470234	5/16UNC X 1" FLANGE HEX BOLT
23	1	471006	GREASE ZERK, 1/4-28 TAPER THD
24	5	472285	5/16UNF X 1.5FLT SOCHD CAP SCR
25	2	472372	7/8-9 UNC HEX JAM NUT
26	2	472373	1 1/4UNF HEX JAM NUT
27	4	473001	5/16UNC HEX NUT,NYLOC 316 SS
28	4	483021	1 1/2" NORD LOCK WASHER
29	2	618119	9/16MJIC-90-9/16MOR LBO
30	7	900804	1/2UNC X 1 1/2 HEX BOLT GR8
31	1	900859	1" UNC X 7" HEX BOLT GR8
32	3	900861	1" UNC X 4 1/2" HEX BOLT GR8
33	31	920008	1" SAE FLAT WASHER
34	3	900862	1" UNC X 6" HEX BOLT GR8
35	2	900870	7/8UNCX 4.50 FULL HEX BOLT GR8
36	2	910041	1 1/4UNF HEX NUT
37	7	914008	1/2UNC HEX STOVER NUT
38	7	914016	1-8 HEX STOVER NUT
39	14	920004	1/2 SAE FLAT WASHER

NOTE: RIGHT SIDE SHOWN.

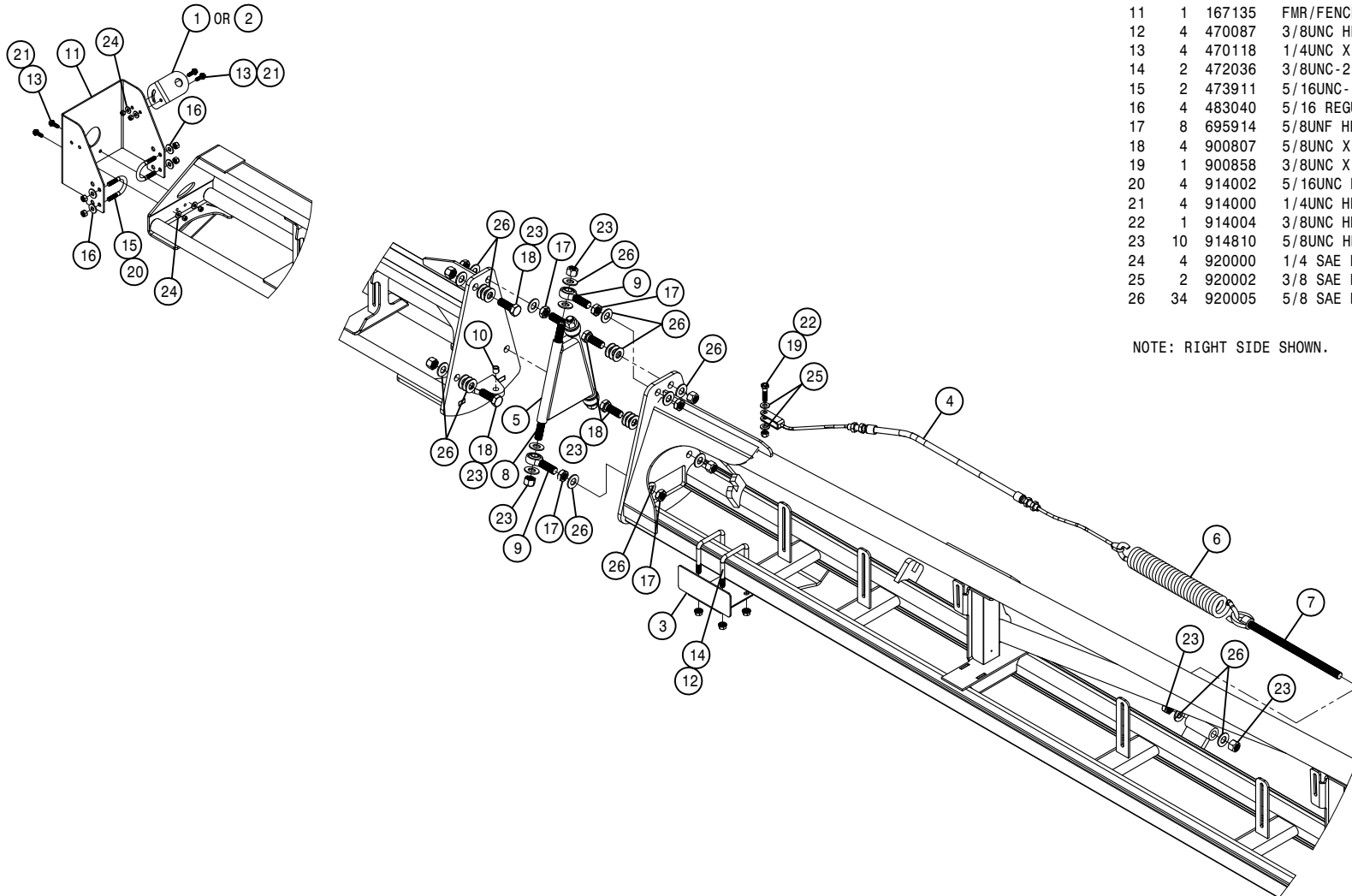


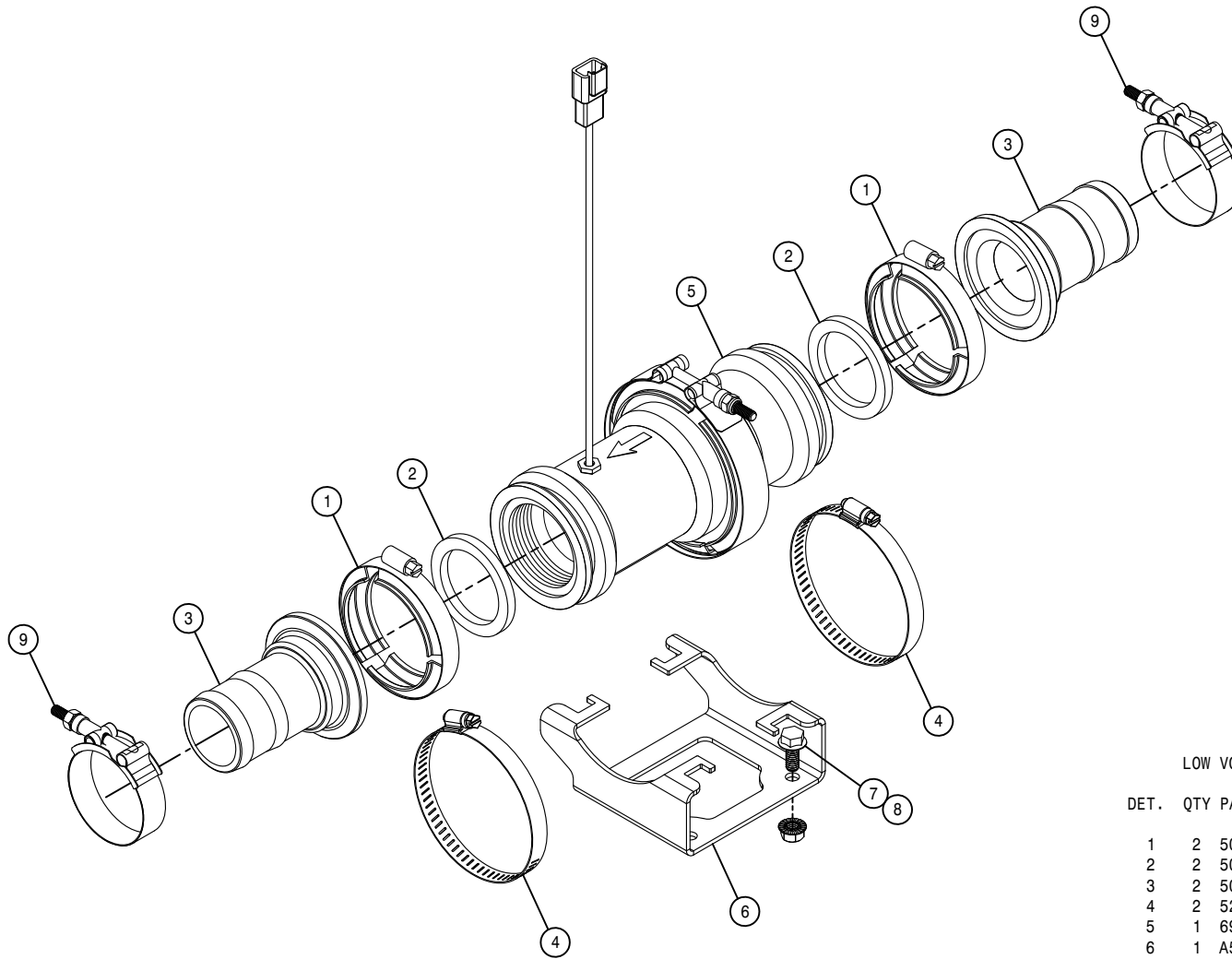
BOOM BREAKAWAY ASSEMBLY 120' ALUM

DET. QTY PART NO. DESCRIPTION

1	1	166862	RH FENCE ROW NOZ BRKT, 120'C'11
2	1	166863	LH FENCE ROW NOZ BRKT, 120'C'11
3	1	167069	PROX FLAG, SECT1-2 OTR, 120'A'12
4	1	167092	CABLE, BREAK AWAY 120'A'12
5	1	167097	A-FRAME WLD 120'A'12
6	1	167106	SPRING, BREAK AWAY 120'A'12
7	1	167107	BOOM SPRING ROD ASSY 120'A'12
8	2	167108	HINGE PIN BREAK AWAY 120'A'12
9	4	167110	ROD END, BREAK AWAY 120'A'12
10	1	167125	RESERVED, BOOM PARTS (MM)
11	1	167135	FMR/FENCE NOZL MT 7.5"120'A'12
12	4	470087	3/8UNC HEX FLANGE LOCK NUT
13	4	470118	1/4UNC X 3/4 FLANGE HEX BOLT
14	2	472036	3/8UNC-2.63ID-2.88 U-BOLT SQ
15	2	473911	5/16UNC-1.31ID-2.00 U-BOLT
16	4	483040	5/16 REGULAR FLAT WASHER
17	8	695914	5/8UNF HEX JAM NUT SS
18	4	900807	5/8UNC X 1 3/4 HEX BOLT GR8
19	1	900858	3/8UNC X 1 1/2" HEX BOLT GR8
20	4	914002	5/16UNC HEX STOVER NUT
21	4	914000	1/4UNC HEX STOVER NUT
22	1	914004	3/8UNC HEX STOVER NUT
23	10	914810	5/8UNC HEX STOVER NUT GR8
24	4	920000	1/4 SAE FLAT WASHER
25	2	920002	3/8 SAE FLAT WASHER
26	34	920005	5/8 SAE FLAT WASHER

NOTE: RIGHT SIDE SHOWN.

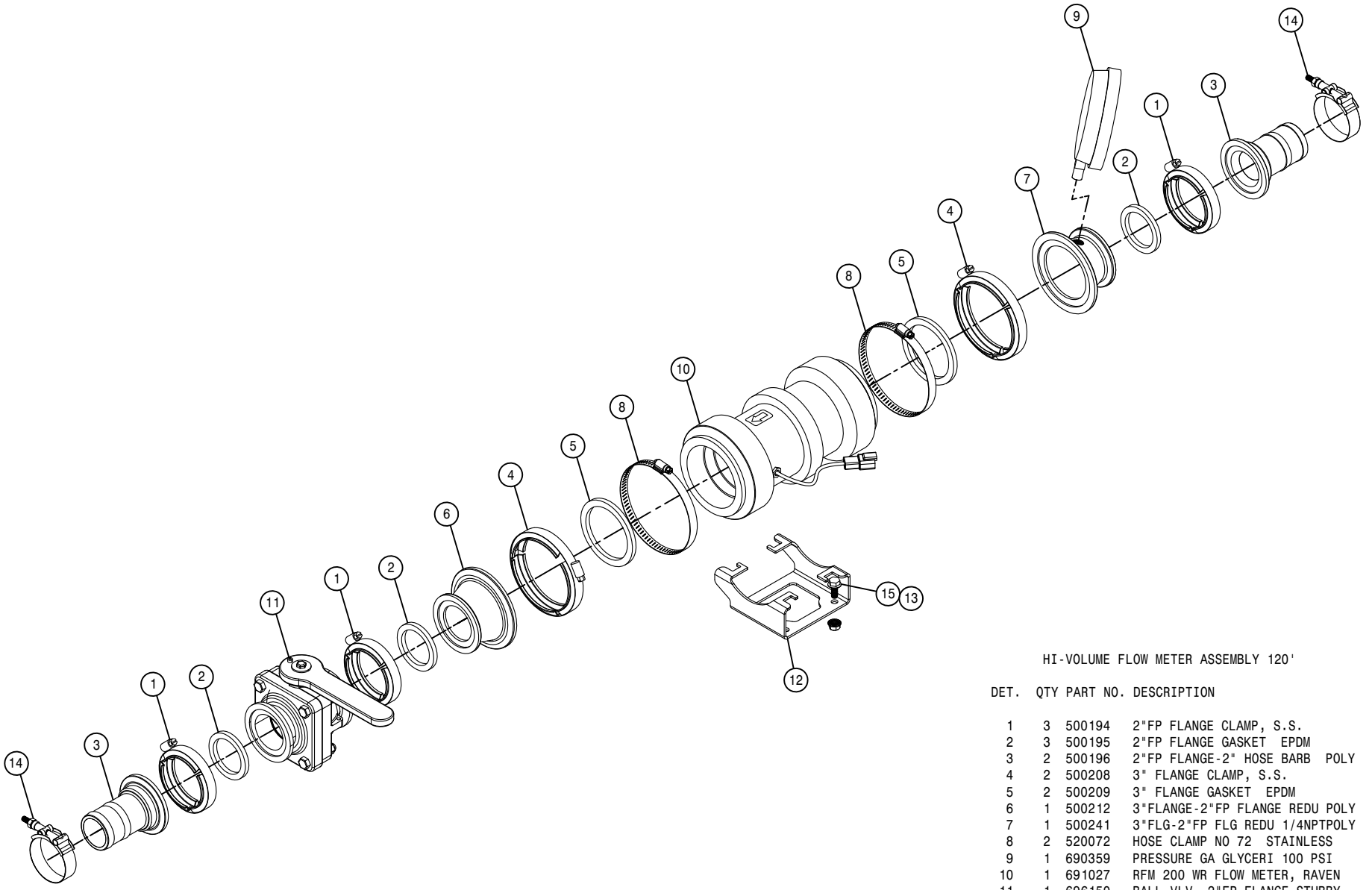




## LOW VOLUME FLOW METER ASSEMBLY 120'

DET. QTY PART NO. DESCRIPTION

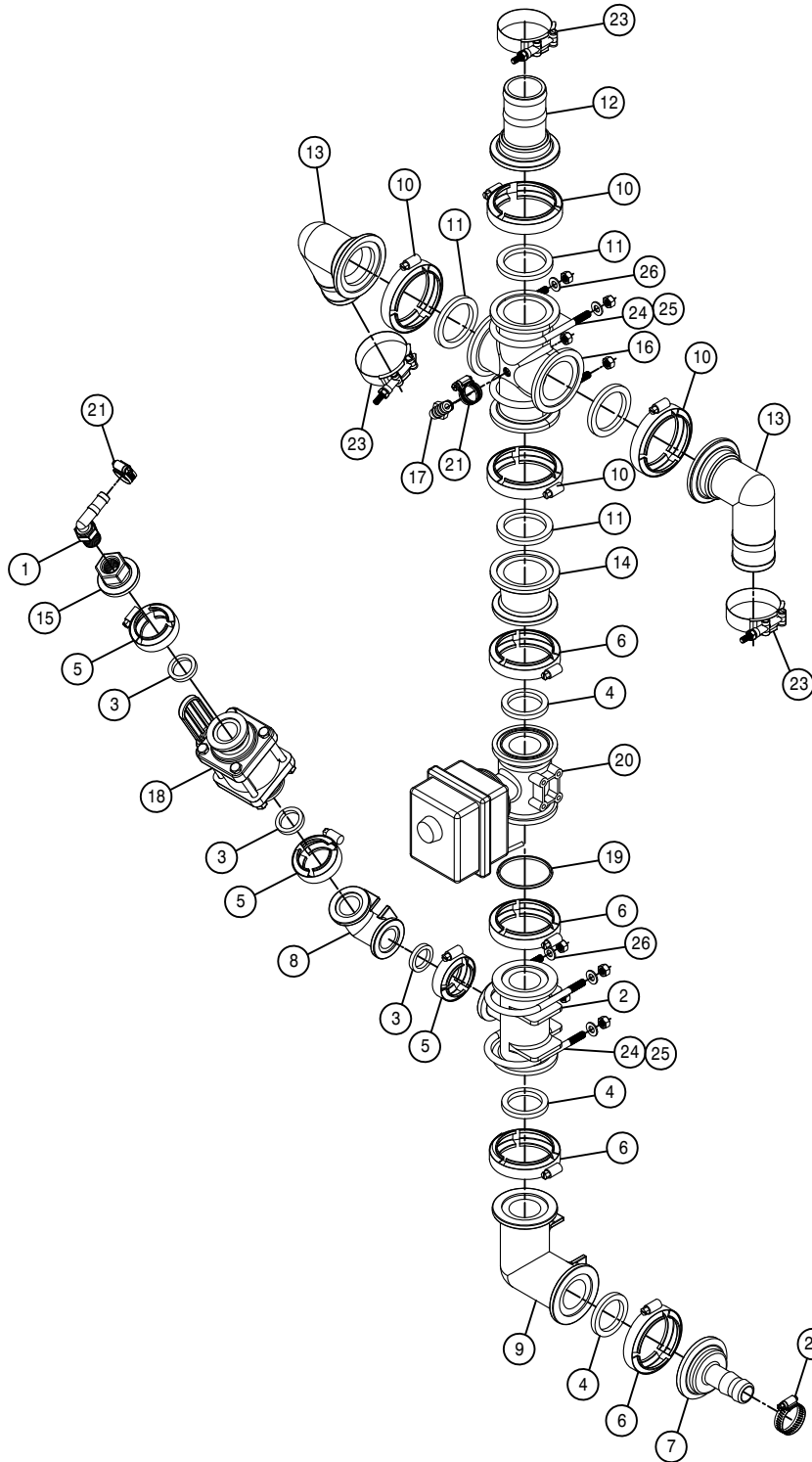
1	2	500194	2"FP FLANGE CLAMP, S.S.
2	2	500195	2"FP FLANGE GASKET EPDM
3	2	500196	2"FP FLANGE-2" HOSE BARB POLY
4	2	520056	HOSE CLAMP NO 56 STAINLESS
5	1	690961	RFM 100 FLOW METER, RAVEN 05
6	1	A53663	FLOW METER MOUNT
7	2	470233	5/16UNC X 3/4 FLANGE HEX BOLT
8	2	470113	5/16UNC HEX FLANGE LOCK NUT
9	2	520141	2.31/2.62 T-BOLT HOSE CLAMP SS



HI-VOLUME FLOW METER ASSEMBLY 120'

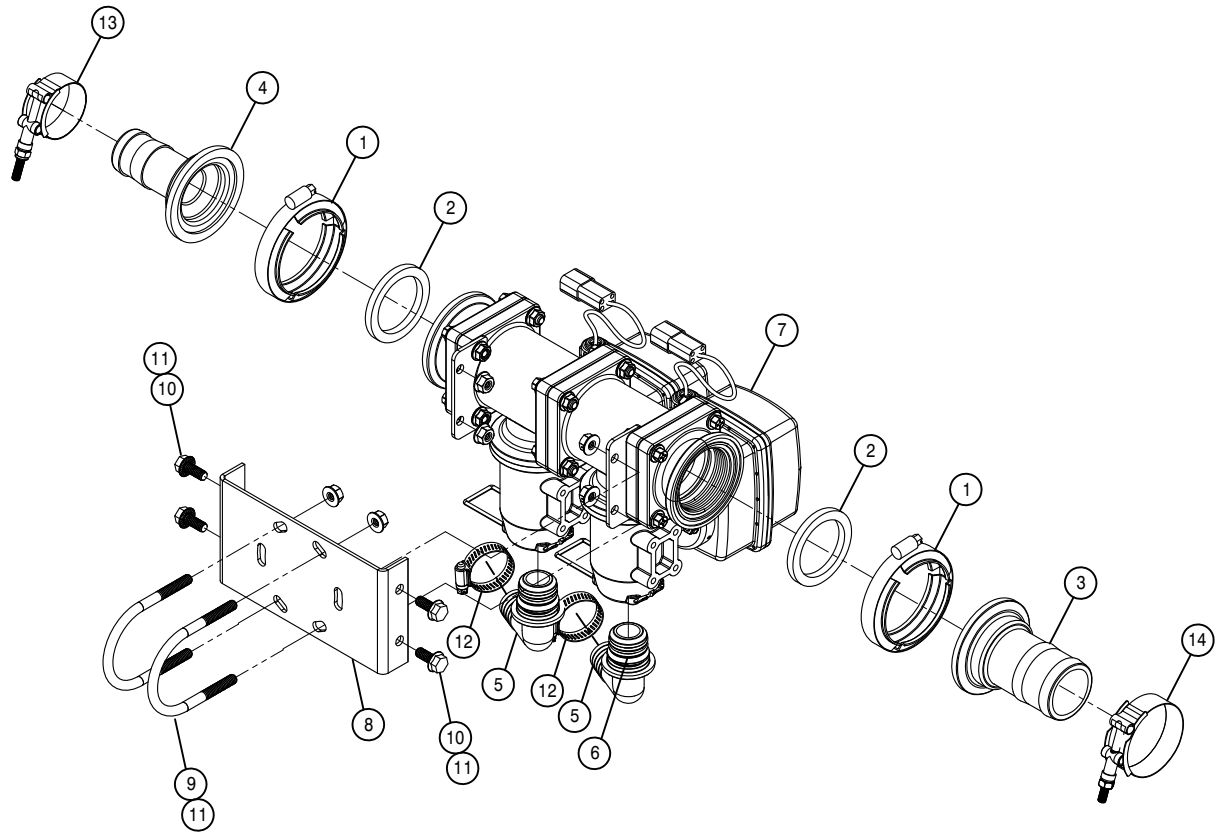
DET.	QTY	PART NO.	DESCRIPTION
	1	3	500194 2"FP FLANGE CLAMP, S.S.
	2	3	500195 2"FP FLANGE GASKET EPDM
	3	2	500196 2"FP FLANGE-2" HOSE BARB POLY
	4	2	500208 3" FLANGE CLAMP, S.S.
	5	2	500209 3" FLANGE GASKET EPDM
	6	1	500212 3"FLANGE-2"FP FLANGE REDU POLY
	7	1	500241 3"FLG-2"FP FLG REDU 1/4NPTPOLY
	8	2	520072 HOSE CLAMP NO 72 STAINLESS
	9	1	690359 PRESSURE GA GLYCERI 100 PSI
	10	1	691027 RFM 200 WR FLOW METER, RAVEN
	11	1	696150 BALL VLV, 2"FP FLANGE STUBBY
	12	1	A53663 FLOW METER MOUNT
	13	2	470113 5/16UNC HEX FLANGE LOCK NUT
	14	2	520141 2.31/2.62 T-BOLT HOSE CLAMP SS
	15	2	470233 5/16UNC X 3/4 FLANGE HEX BOLT





CENTER SOLUTION VALVE ASSEMBLY 120'

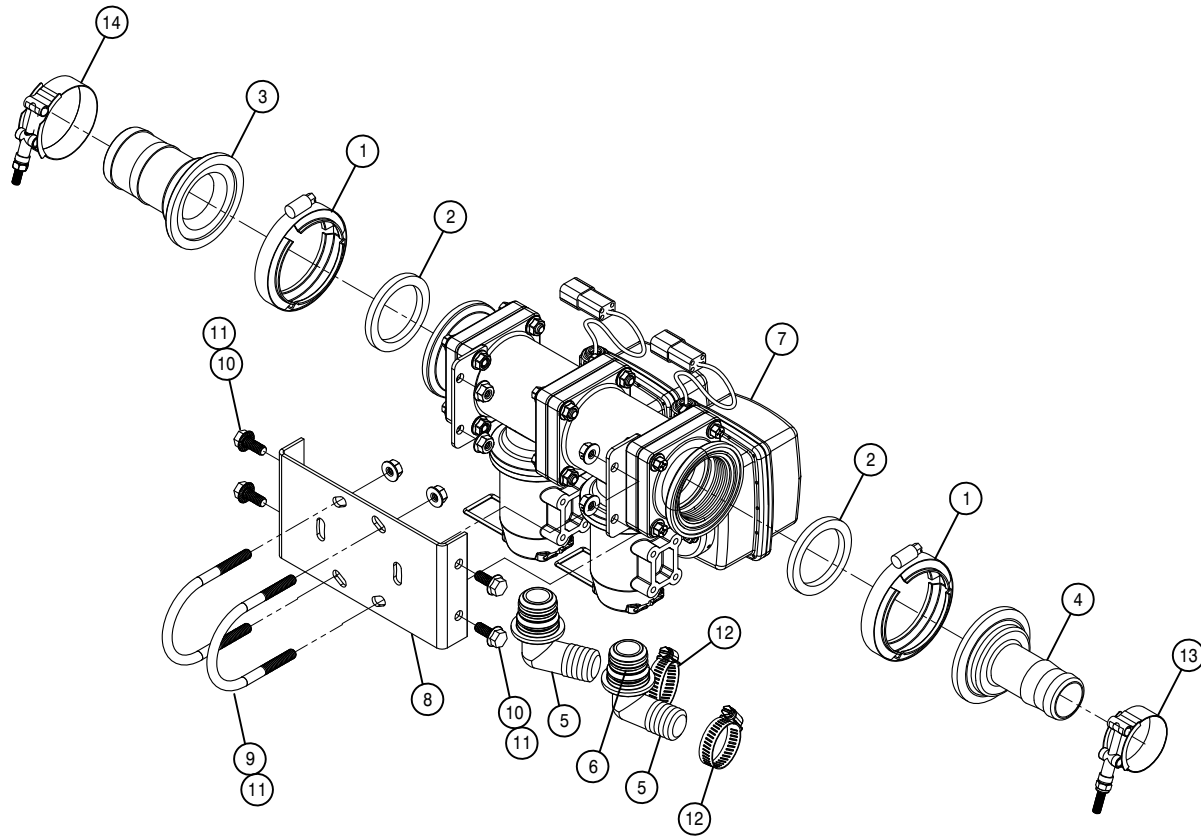
DET.	QTY	PART NO.	DESCRIPTION
1	1	500047	1/2NPT-90-1/2 HOSE BARB, POLY
2	1	500150	2" FLANGE-1" BRANCH TEE POLY
3	3	500157	1" FLANGE GASKET EPDM
4	3	500158	1 1/2" GASKET FOR 2" FLANGE
5	3	500159	1" FLANGE CLAMP, S.S.
6	4	500160	2" FLANGE CLAMP, S.S.
7	1	500172	2" FLANGE-1" HOSE BARB POLY
8	1	500174	1" FLANGE-90-1" FLANGE LBO POLY
9	1	500180	2" FLANGE-90-2" FLANGE LBO, LONG
10	4	500194	2" FP FLANGE CLAMP, S.S.
11	4	500195	2" FP FLANGE GASKET EPDM
12	1	500196	2" FP FLANGE-2" HOSE BARB POLY
13	2	500198	2" FP FLANGE-90-2" HOSE BARB POLY
14	1	500199	2" FP FLANGE-2" FLANGE REDU POLY
15	1	500238	1" FLANGE PLUG W/1/2" FNPT POLY
16	1	500243	2" FP FLG CROSS W/1/4 NPT, POLY
17	1	618556	1/4NPT-90-1/2 HOSE BARB, POLY
18	1	696147	BALL VLV, 1" FLANGE
19	1	696254	O-RING, KZCO FLANGED VALVES
20	1	696256	VALVE, KZCO C2F-60B-M-S9
21	2	520070	HOSE CLAMP NO 8 STAINLESS
22	1	520090	HOSE CLAMP NO 16 STAINLESS
23	3	520141	2.31/2.62 T-BOLT HOSE CLAMP SS
24	4	472034	.312UNC-2.50ID-4.250 U-BOLT SS
25	8	914002	5/16UNC HEX STOVER NUT
26	8	920001	5/16 SAE FLAT WASHER



RH INNER SOLUTION VALVE ASSEMBLY 120'

DET. QTY PART NO. DESCRIPTION

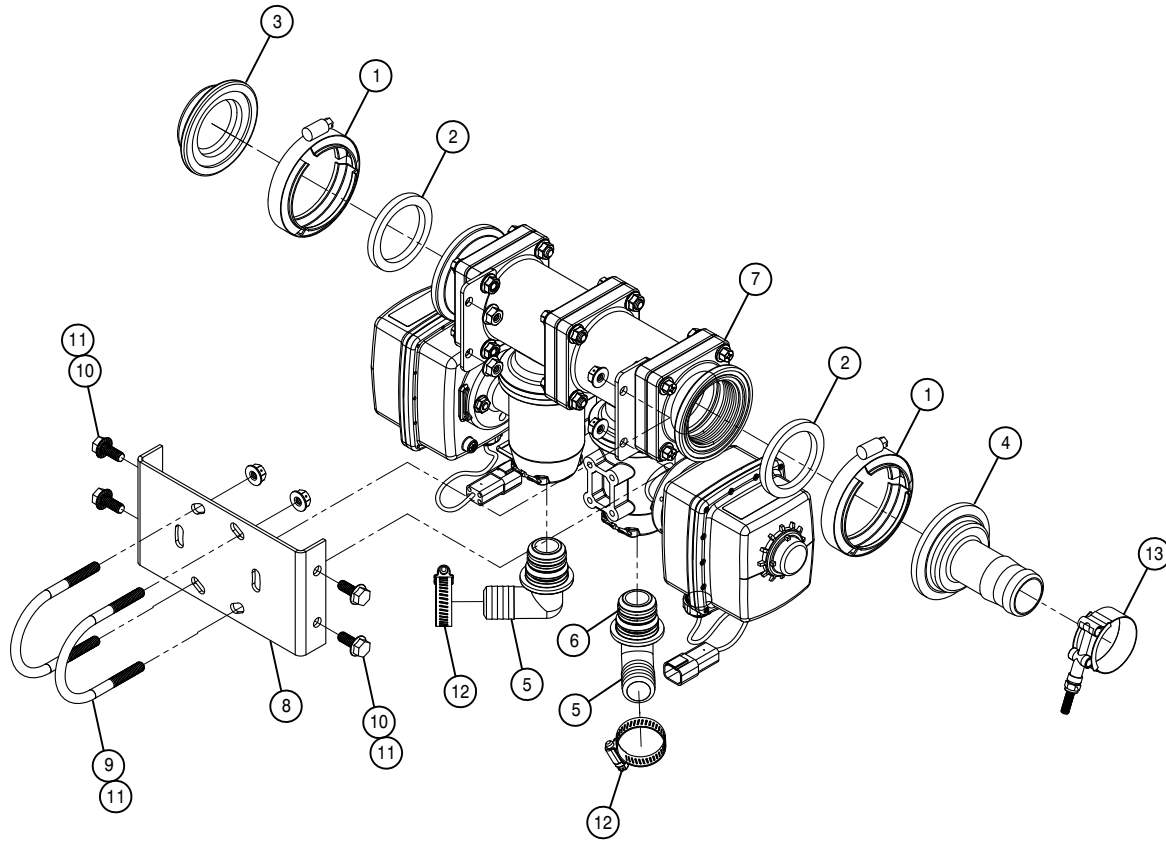
1	2	500194	2"FP FLANGE CLAMP, S.S.
2	2	500195	2"FP FLANGE GASKET EPDM
3	1	500196	2"FP FLANGE-2" HOSE BARB POLY
4	1	500230	2" FP FLANGE-1 1/2" HOSE BARB
5	2	696272	1"90 HOSE BARB FOR 696270,KZCO
6	4	696276	O-RING FOR 696271 & 696272
7	1	696270	2-VALVE STACK,90 DEG,QX4 KZCO
8	1	A56370	MTG BRKT SLTN VALVE 120' - 1
9	2	473974	5/16UNC-2 9/16-3 1/2 U-BOLT SS
10	4	470233	5/16UNC X 3/4 FLANGE HEX BOLT
11	8	470570	5/16UNC SMTH FLANGE LOCK NUT
12	2	520090	HOSE CLAMP NO 16 STAINLESS
13	1	520133	1.81/2.06 T-BOLT HOSE CLAMP SS
14	1	520141	2.31/2.62 T-BOLT HOSE CLAMP SS



LH INNER SOLUTION VALVE ASSEMBLY 120'

DET. QTY PART NO. DESCRIPTION

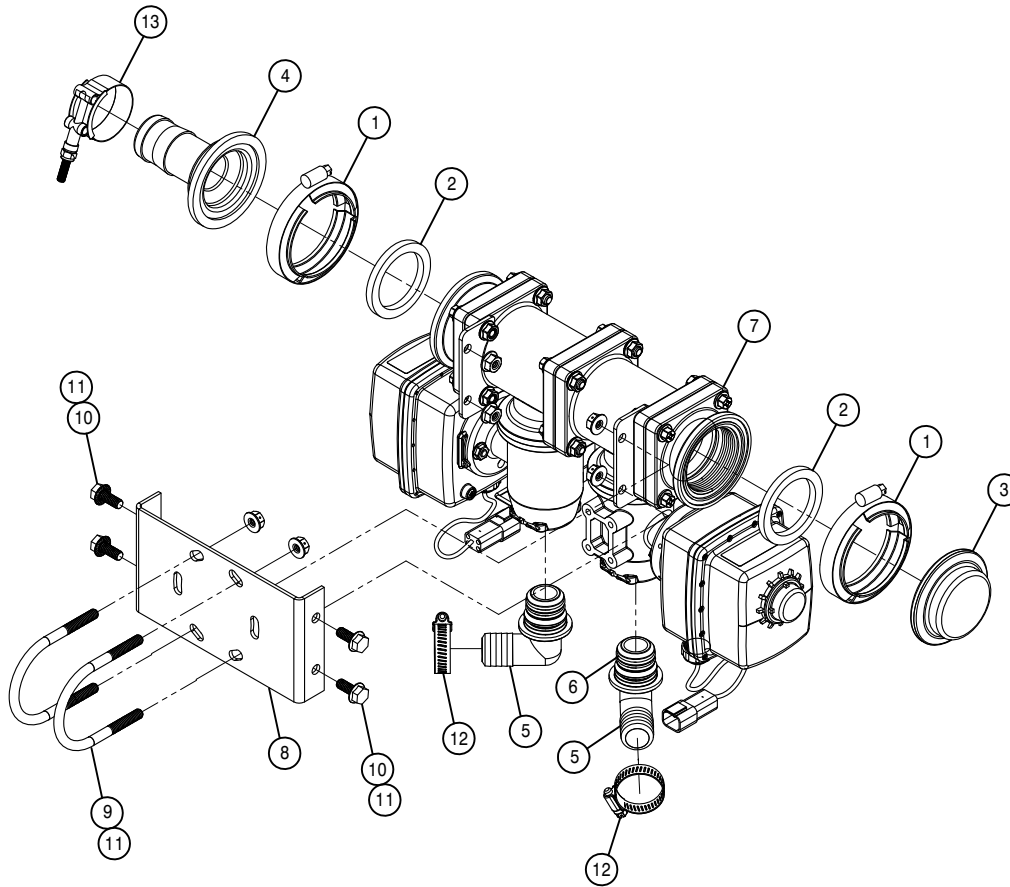
1	2	500194	2"FP FLANGE CLAMP, S.S.
2	2	500195	2"FP FLANGE GASKET EPDM
3	1	500196	2"FP FLANGE-2" HOSE BARB POLY
4	1	500230	2" FP FLANGE-1 1/2" HOSE BARB
5	2	696272	1"90 HOSE BARB FOR 696270,KZCO
6	4	696276	O-RING FOR 696271 & 696272
7	1	696270	2-VALVE STACK,90 DEG,QX4 KZCO
8	1	A56370	MTG BRKT SLTN VALVE 120' - 1
9	2	473974	5/16UNC-2 9/16-3 1/2 U-BOLT SS
10	4	470233	5/16UNC X 3/4 FLANGE HEX BOLT
11	8	470570	5/16UNC SMTH FLANGE LOCK NUT
12	2	520090	HOSE CLAMP NO 16 STAINLESS
13	1	520133	1.81/2.06 T-BOLT HOSE CLAMP SS
14	1	520141	2.31/2.62 T-BOLT HOSE CLAMP SS



RH OUTER SOLUTION VALVE ASSEMBLY 120'

DET. QTY PART NO. DESCRIPTION

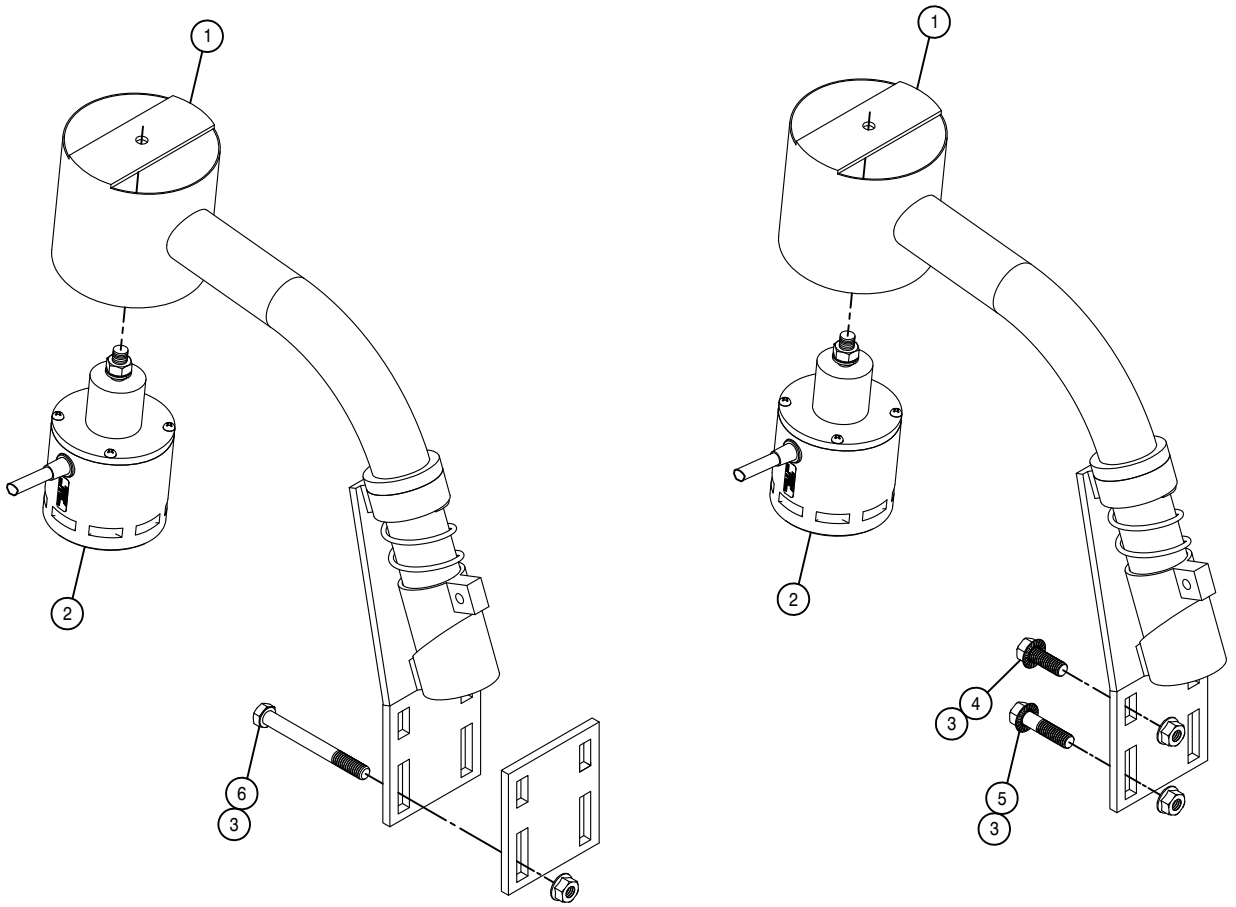
DET.	QTY	PART NO.	DESCRIPTION
1	2	500194	2"FP FLANGE CLAMP, S.S.
2	2	500195	2"FP FLANGE GASKET EPDM
3	1	500206	2"FP FLANGE PLUG
4	1	500230	2" FP FLANGE-1 1/2" HOSE BARB
5	2	696272	1"90 HOSE BARB FOR 696270,KZCO
6	4	696276	O-RING FOR 696271 & 696272
7	1	696295	2-VALVE STACK,180 DEG,QX4 KZCO
8	1	A56370	MTG BRKT SLTN VALVE 120' - 1
9	2	473974	5/16UNC-2 9/16-3 1/2 U-BOLT SS
10	4	470233	5/16UNC X 3/4 FLANGE HEX BOLT
11	8	470570	5/16UNC SMTH FLANGE LOCK NUT
12	2	520090	HOSE CLAMP NO 16 STAINLESS
13	1	520133	1.81/2.06 T-BOLT HOSE CLAMP SS



LH OUTER SOLUTION VALVE ASSEMBLY 120'

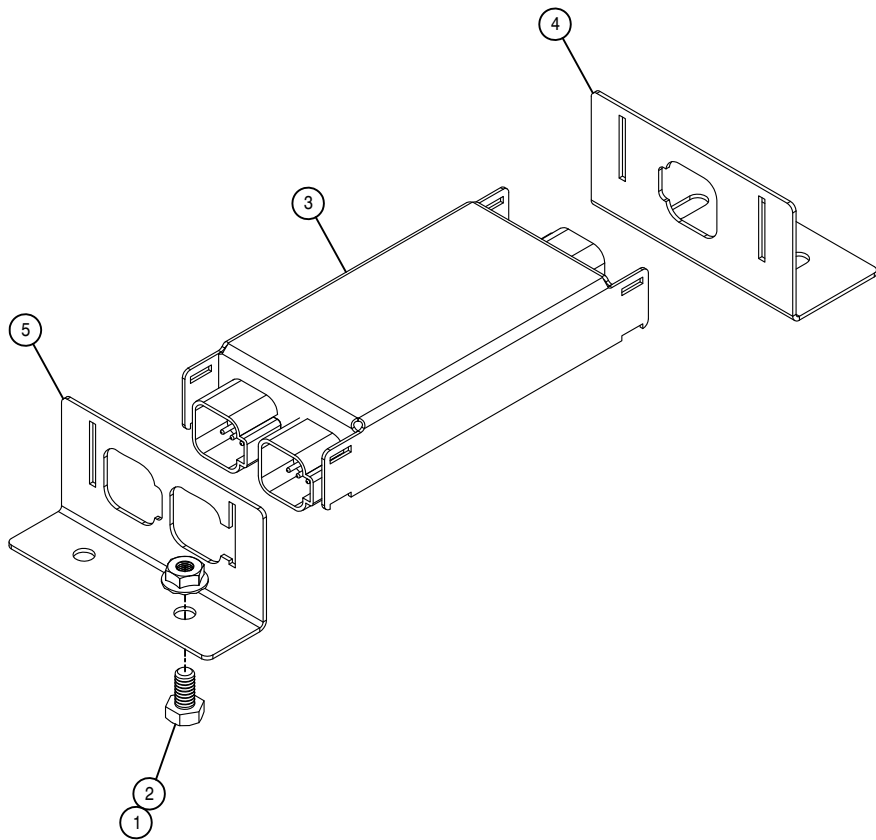
DET. QTY PART NO. DESCRIPTION

1	2	500194	2"FP FLANGE CLAMP, S.S.
2	2	500195	2"FP FLANGE GASKET EPDM
3	1	500206	2"FP FLANGE PLUG
4	1	500230	2" FP FLANGE-1 1/2" HOSE BARB
5	2	696272	1"90 HOSE BARB FOR 696270,KZCO
6	4	696276	O-RING FOR 696271 & 696272
7	1	696295	2-VALVE STACK,180 DEG,QX4 KZCO
8	1	A56370	MTG BRKT SLTN VALVE 120'- 1
9	2	473974	5/16UNC-2 9/16-3 1/2 U-BOLT SS
10	4	470233	5/16UNC X 3/4 FLANGE HEX BOLT
11	8	470570	5/16UNC SMTH FLANGE LOCK NUT
12	2	520090	HOSE CLAMP NO 16 STAINLESS
13	1	520133	1.81/2.06 T-BOLT HOSE CLAMP SS



NORAC SENSOR ASSEMBLY

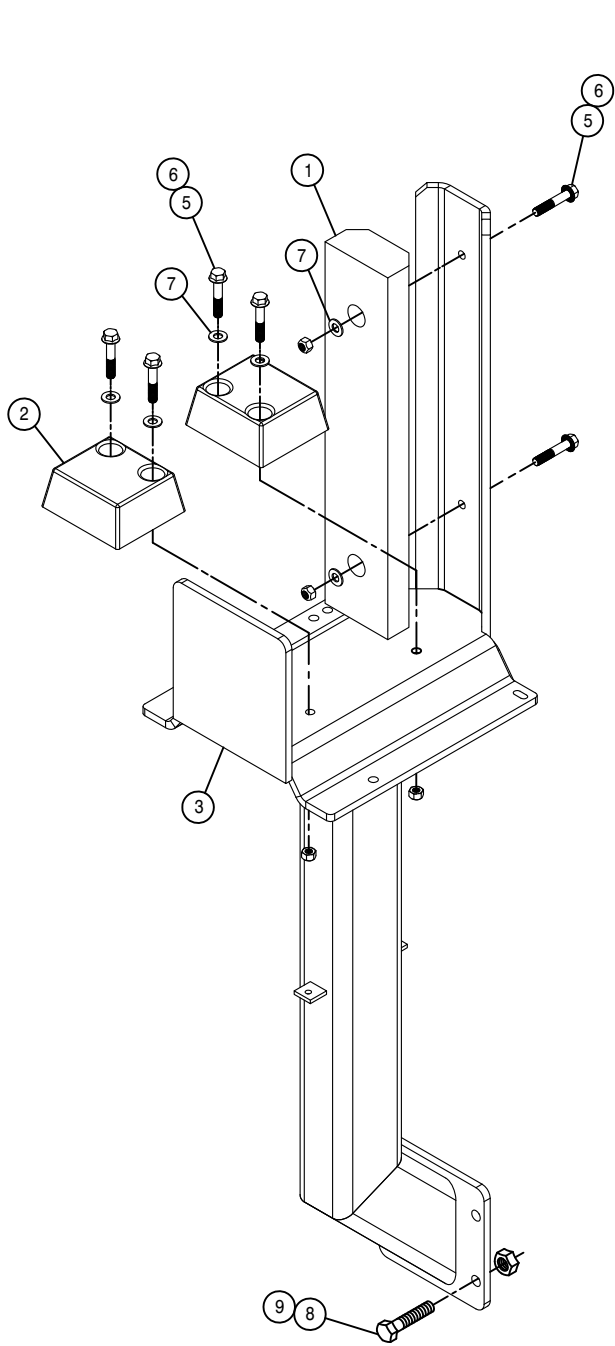
DET.	QTY	PART NO.	DESCRIPTION
1	2	693068	SENSOR MTG BRKT, NORAC
2	2	693113	SENSOR, NORAC UC5 ULTRASONIC
3	8	470087	3/8UNC HEX FLANGE LOCK NUT
4	2	900129	3/8UNC X 1" SERR FLANGE BOLT
5	2	900131	3/8UNC X 1 1/2 HEX BOLT
6	4	900138	3/8UNC X 3 1/2 HEX BOLT



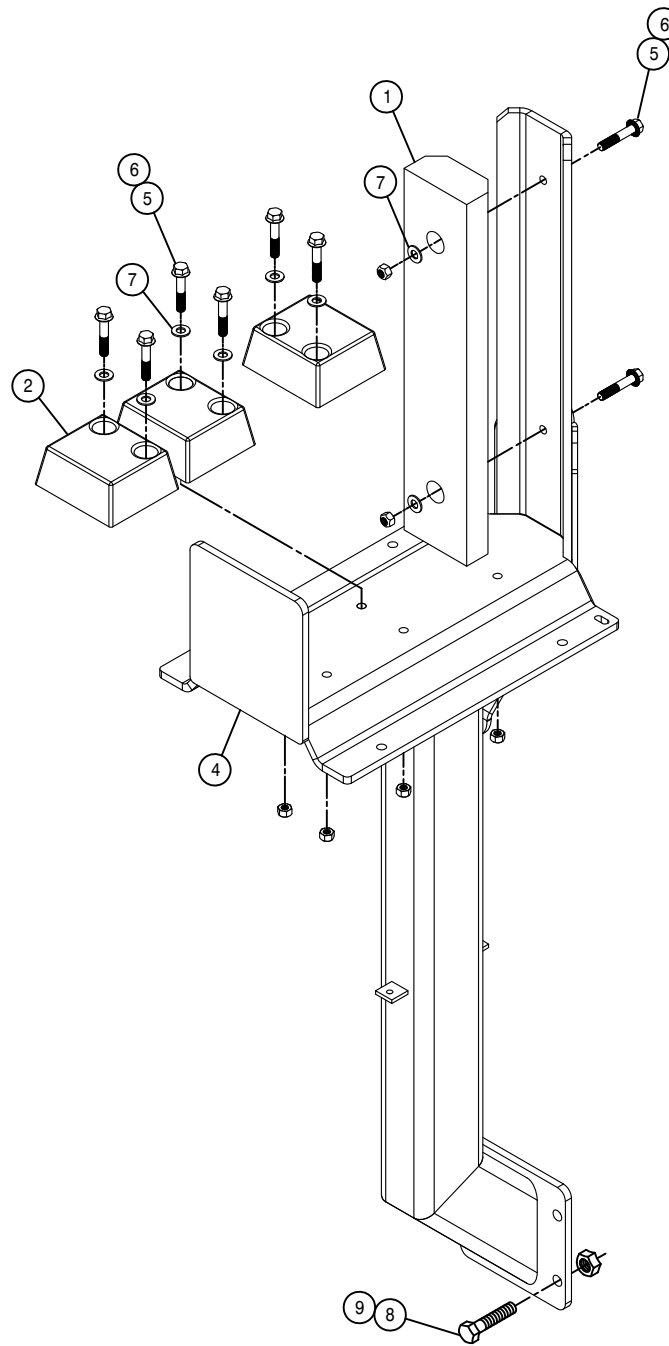
MODULE MOUNTS 120'

DET. QTY PART NO. DESCRIPTION

1	4	470121	1/4UNC HEX FLANGE LOCK NUT
2	4	900000	1/4UNC X 1/2 HEX BOLT
3	1	693139	NORAC MODULE,UC5 CONTROL
4	1	693124	RH NORAC UC5 MODUL MT,STX10'11
5	1	693125	LH NORAC UC5 MODUL MT,STX10'11



90' / 100' BOOM

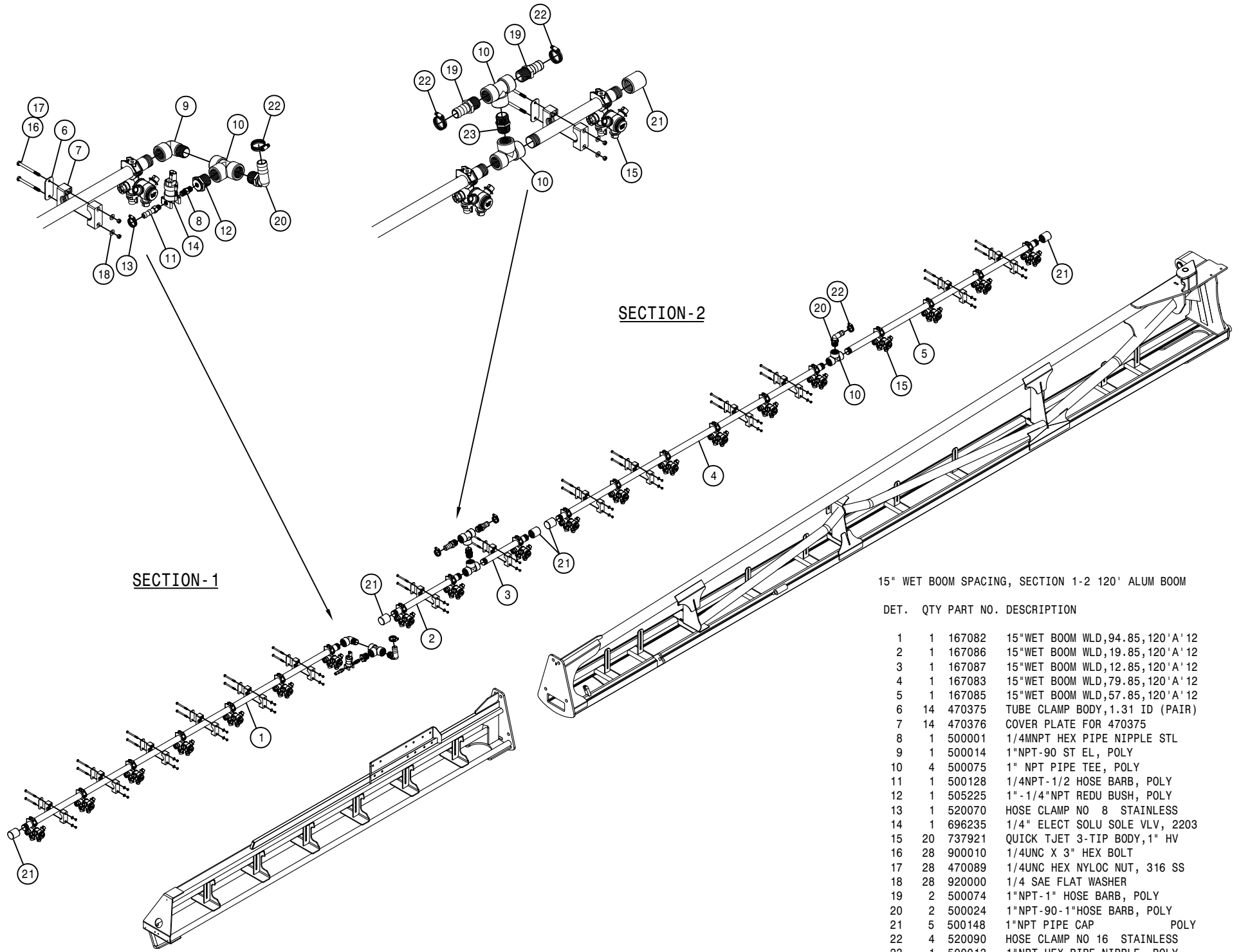


120' BOOM

BOOM CRADLE ASSEMBLY

DET.	QTY	PART NO.	DESCRIPTION		
	1	2	164512	RUBBER BUMPER, BOOM CRADLE	00
	2	5	164513	BOOM CRADLE PAD	00
	3	1	165041	BOOM CRADLE WLD	07
	4	1	167053	BOOM CRADLE WLD,ALUM 120'A'12	
	5	14	900133	3/8UNC X 2" SERR FLANGE BOLT	
	6	14	914004	3/8UNC HEX STOVER NUT	
	7	14	920002	3/8 SAE FLAT WASHER	
	8	8	900804	1/2UNC X 1 1/2 HEX BOLT GR8	
	9	8	914808	1/2UNC HEX STOVER NUT GR8	

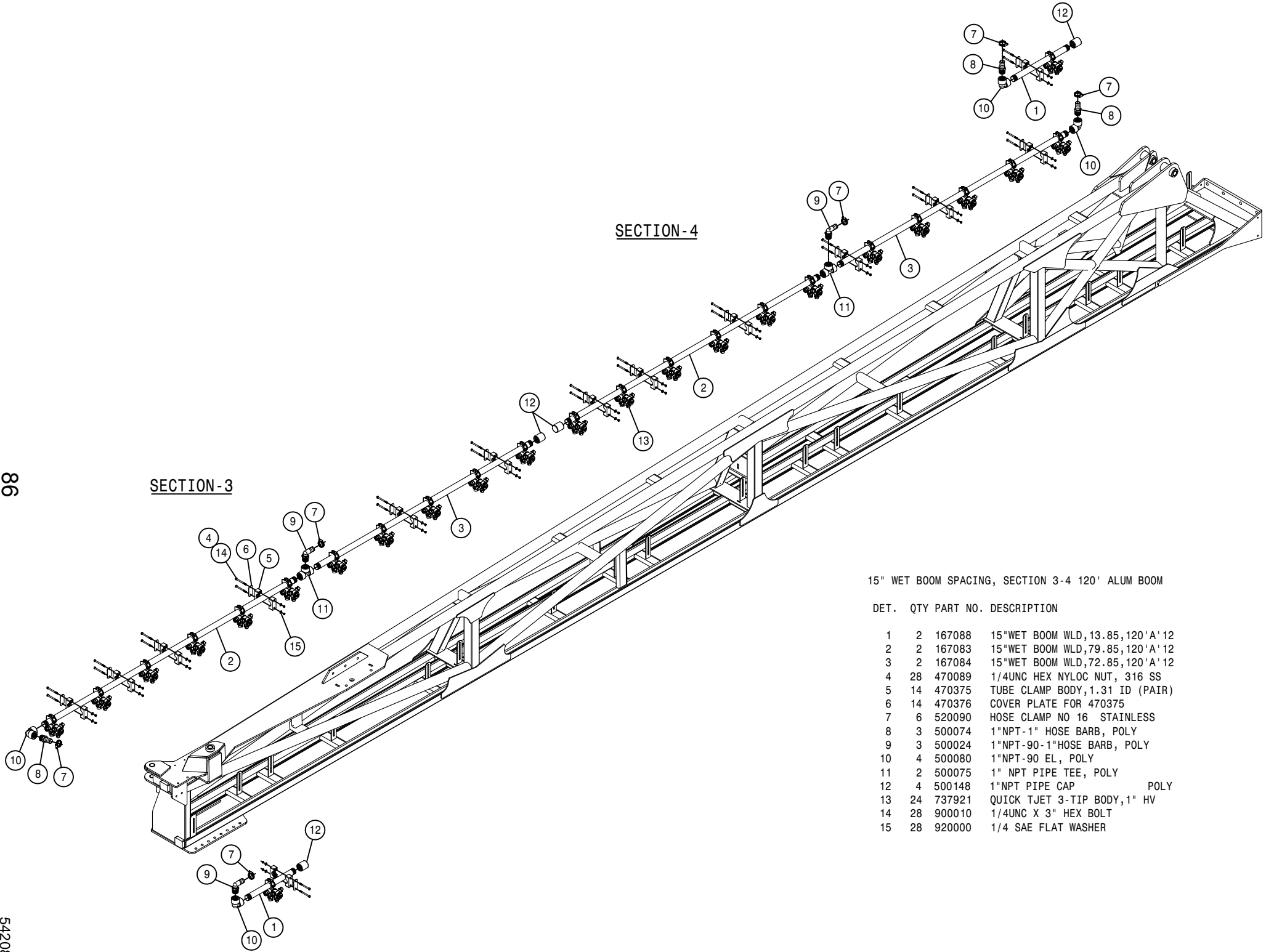




15" WET BOOM SPACING, SECTION 1-2 120' ALUM BOOM

DET. QTY PART NO. DESCRIPTION

DET.	QTY	PART NO.	DESCRIPTION
1	1	167082	15"WET BOOM WLD,94.85,120'A'12
2	1	167086	15"WET BOOM WLD,19.85,120'A'12
3	1	167087	15"WET BOOM WLD,12.85,120'A'12
4	1	167083	15"WET BOOM WLD,79.85,120'A'12
5	1	167085	15"WET BOOM WLD,57.85,120'A'12
6	14	470375	TUBE CLAMP BODY,1.31 ID (PAIR)
7	14	470376	COVER PLATE FOR 470375
8	1	500001	1/4MNPT HEX PIPE NIPPLE STL
9	1	500014	1"NPT-90 ST EL, POLY
10	4	500075	1" NPT PIPE TEE, POLY
11	1	500128	1/4NPT-1/2 HOSE BARB, POLY
12	1	505225	1"-1/4"NPT REDU BUSH, POLY
13	1	520070	HOSE CLAMP NO 8 STAINLESS
14	1	696235	1/4" ELECT SOLU SOLE VLV, 2203
15	20	737921	QUICK TJET 3-TIP BODY,1" HV
16	28	900010	1/4UNC X 3" HEX BOLT
17	28	470089	1/4UNC HEX NYLOC NUT, 316 SS
18	28	920000	1/4 SAE FLAT WASHER
19	2	500074	1"NPT-1" HOSE BARB, POLY
20	2	500024	1"NPT-90-1"HOSE BARB, POLY
21	5	500148	1"NPT PIPE CAP POLY
22	4	520090	HOSE CLAMP NO 16 STAINLESS
23	1	500013	1"NPT HEX PIPE NIPPLE, POLY

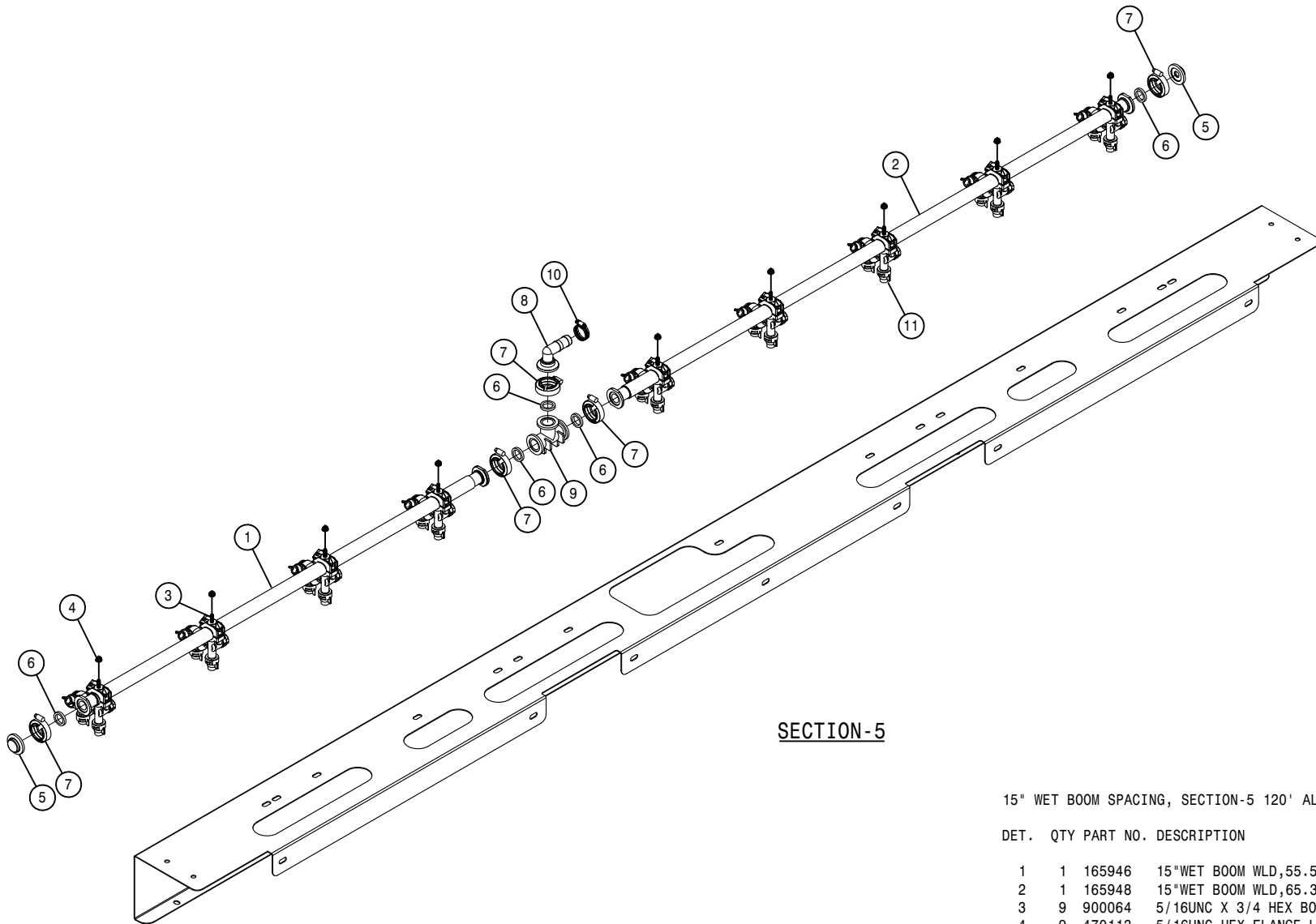


SECTION-3

SECTION-4

15" WET BOOM SPACING, SECTION 3-4 120' ALUM BOOM

DET.	QTY	PART NO.	DESCRIPTION
1	2	167088	15"WET BOOM WLD,13.85,120'A'12
2	2	167083	15"WET BOOM WLD,79.85,120'A'12
3	2	167084	15"WET BOOM WLD,72.85,120'A'12
4	28	470089	1/4UNC HEX NYLOC NUT, 316 SS
5	14	470375	TUBE CLAMP BODY,1.31 ID (PAIR)
6	14	470376	COVER PLATE FOR 470375
7	6	520090	HOSE CLAMP NO 16 STAINLESS
8	3	500074	1"NPT-1" HOSE BARB, POLY
9	3	500024	1"NPT-90-1"HOSE BARB, POLY
10	4	500080	1"NPT-90 EL, POLY
11	2	500075	1" NPT PIPE TEE, POLY
12	4	500148	1"NPT PIPE CAP POLY
13	24	737921	QUICK TJET 3-TIP BODY,1" HV
14	28	900010	1/4UNC X 3" HEX BOLT
15	28	920000	1/4 SAE FLAT WASHER

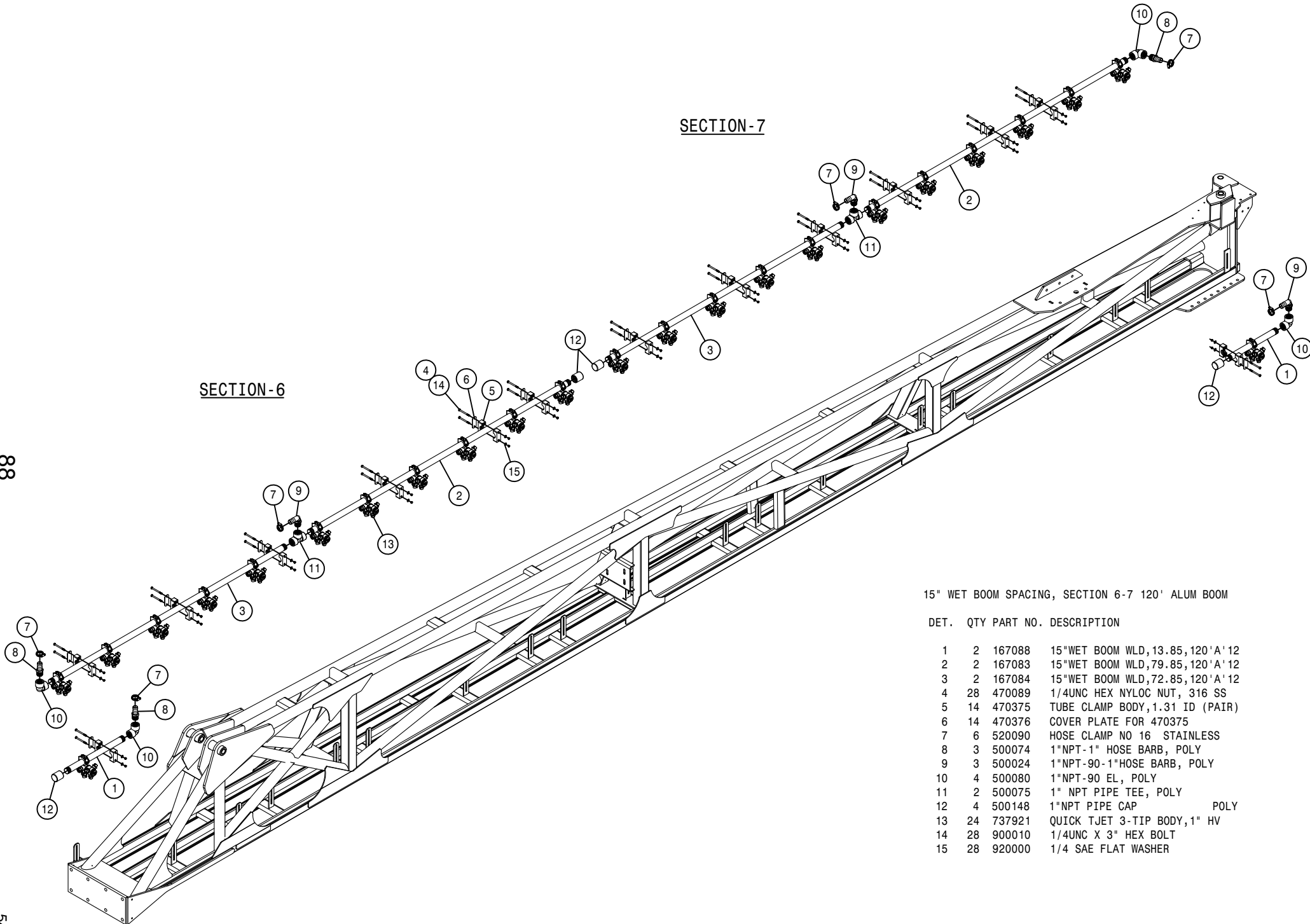


## SECTION-5

15" WET BOOM SPACING, SECTION-5 120' ALUM BOOM

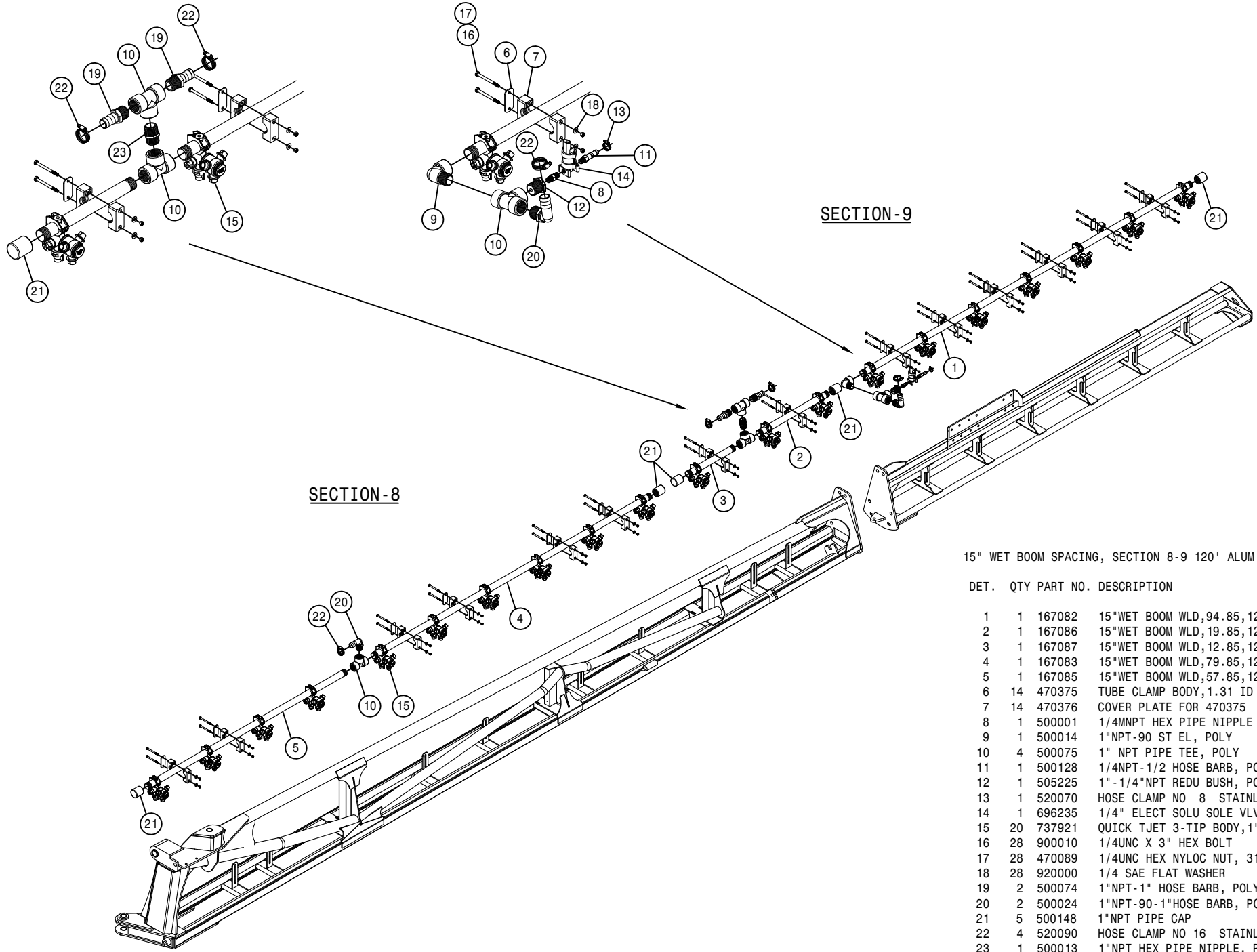
DET. QTY PART NO. DESCRIPTION

1	1	165946	15"WET BOOM WLD,55.50LG STS' 12
2	1	165948	15"WET BOOM WLD,65.32LG STS' 12
3	9	900064	5/16UNC X 3/4 HEX BOLT
4	9	470113	5/16UNC HEX FLANGE LOCK NUT
5	2	500155	1" FLANGE CAP PLUG POLY
6	5	500157	1" FLANGE GASKET EPDM
7	5	500159	1" FLANGE CLAMP, S.S.
8	1	500173	1" FLANGE-90-1" HOSE BARB POLY
9	1	500175	1" FLANGE TEE POLY
10	1	520090	HOSE CLAMP NO 16 STAINLESS
11	9	737921	QUICK TJET 3-TIP BODY,1" HV



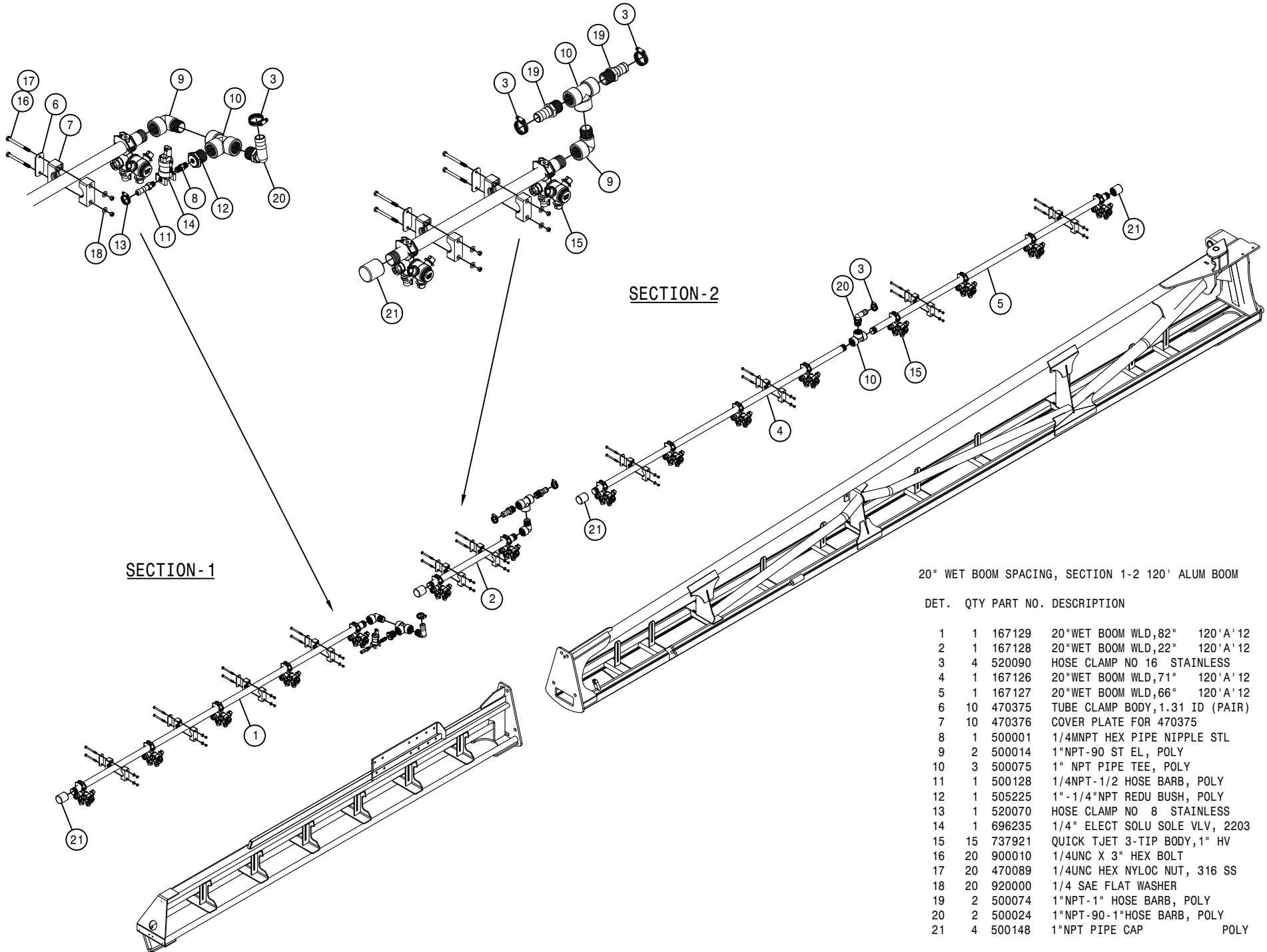
15" WET BOOM SPACING, SECTION 6-7 120' ALUM BOOM

DET.	QTY	PART NO.	DESCRIPTION
	2	167088	15"WET BOOM WLD,13.85,120'A'12
	2	167083	15"WET BOOM WLD,79.85,120'A'12
	2	167084	15"WET BOOM WLD,72.85,120'A'12
	28	470089	1/4UNC HEX NYLOC NUT, 316 SS
	14	470375	TUBE CLAMP BODY,1.31 ID (PAIR)
	14	470376	COVER PLATE FOR 470375
	6	520090	HOSE CLAMP NO 16 STAINLESS
	3	500074	1"NPT-1" HOSE BARB, POLY
	3	500024	1"NPT-90-1"HOSE BARB, POLY
	4	500080	1"NPT-90 EL, POLY
	2	500075	1" NPT PIPE TEE, POLY
	4	500148	1"NPT PIPE CAP POLY
	24	737921	QUICK TJET 3-TIP BODY,1" HV
	28	900010	1/4UNC X 3" HEX BOLT
	28	920000	1/4 SAE FLAT WASHER



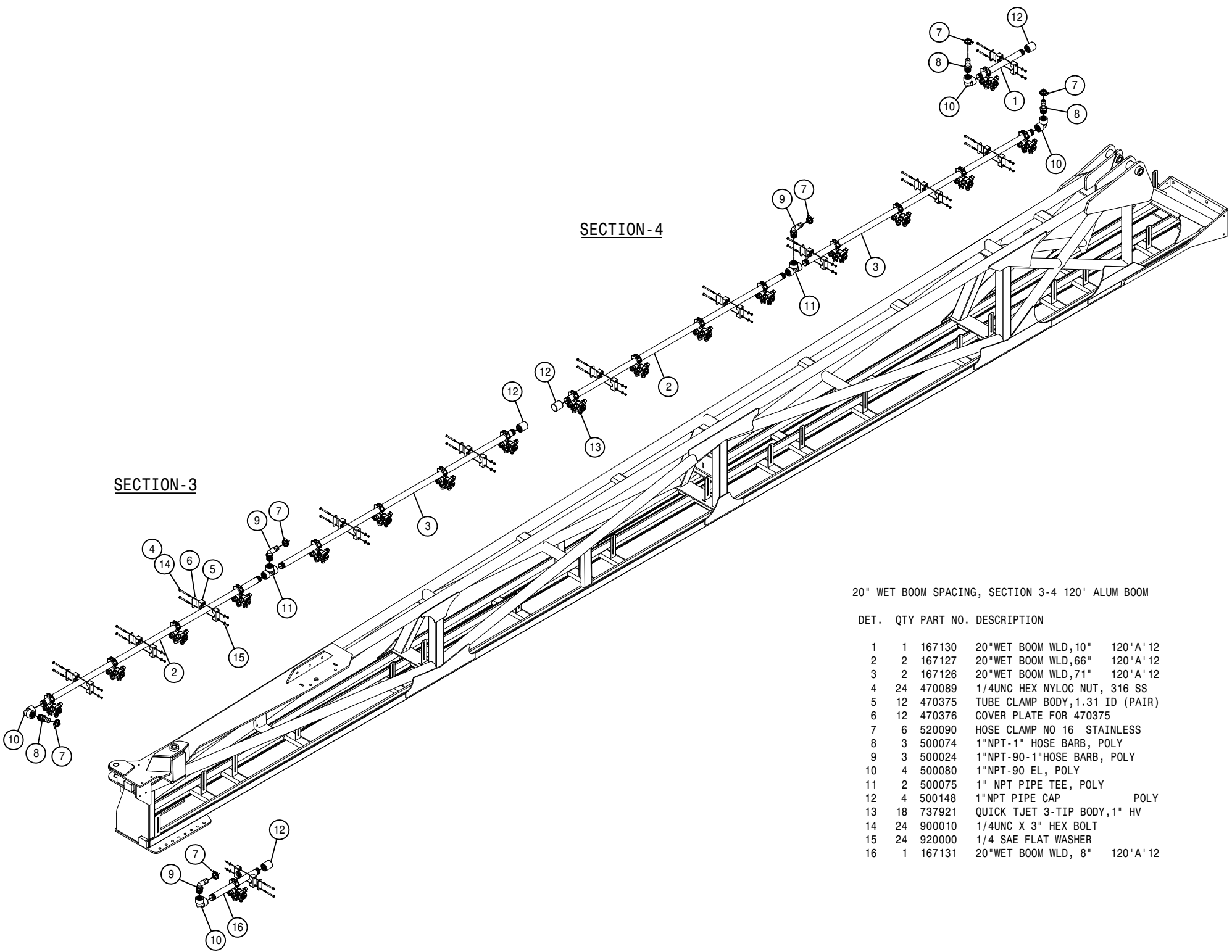
15" WET BOOM SPACING, SECTION 8-9 120' ALUM BOOM

DET.	QTY	PART NO.	DESCRIPTION
1	1	167082	15"WET BOOM WLD,94.85,120'A'12
2	1	167086	15"WET BOOM WLD,19.85,120'A'12
3	1	167087	15"WET BOOM WLD,12.85,120'A'12
4	1	167083	15"WET BOOM WLD,79.85,120'A'12
5	1	167085	15"WET BOOM WLD,57.85,120'A'12
6	14	470375	TUBE CLAMP BODY,1.31 ID (PAIR)
7	14	470376	COVER PLATE FOR 470375
8	1	500001	1/4MNPT HEX PIPE NIPPLE STL
9	1	500014	1"NPT-90 ST EL, POLY
10	4	500075	1" NPT PIPE TEE, POLY
11	1	500128	1/4NPT-1/2 HOSE BARB, POLY
12	1	505225	1"-1/4"NPT REDU BUSH, POLY
13	1	520070	HOSE CLAMP NO 8 STAINLESS
14	1	696235	1/4" ELECT SOLU SOLE VLV, 2203
15	20	737921	QUICK TJET 3-TIP BODY,1" HV
16	28	900010	1/4UNC X 3" HEX BOLT
17	28	470089	1/4UNC HEX NYLOC NUT, 316 SS
18	28	920000	1/4 SAE FLAT WASHER
19	2	500074	1"NPT-1" HOSE BARB, POLY
20	2	500024	1"NPT-90-1"HOSE BARB, POLY
21	5	500148	1"NPT PIPE CAP POLY
22	4	520090	HOSE CLAMP NO 16 STAINLESS
23	1	500013	1"NPT HEX PIPE NIPPLE, POLY



20" WET BOOM SPACING, SECTION 1-2 120' ALUM BOOM

DET.	QTY	PART NO.	DESCRIPTION
1	1	167129	20"WET BOOM WLD,82" 120'A'12
2	1	167128	20"WET BOOM WLD,22" 120'A'12
3	4	520090	HOSE CLAMP NO 16 STAINLESS
4	1	167126	20"WET BOOM WLD,71" 120'A'12
5	1	167127	20"WET BOOM WLD,66" 120'A'12
6	10	470375	TUBE CLAMP BODY,1.31 ID (PAIR)
7	10	470376	COVER PLATE FOR 470375
8	1	500001	1/4MNPT HEX PIPE NIPPLE STL
9	2	500014	1"NPT-90 ST EL, POLY
10	3	500075	1" NPT PIPE TEE, POLY
11	1	500128	1/4NPT-1/2 HOSE BARB, POLY
12	1	505225	1"-1/4"NPT REDU BUSH, POLY
13	1	520070	HOSE CLAMP NO 8 STAINLESS
14	1	696235	1/4" ELECT SOLU SOLE VLV, 2203
15	15	737921	QUICK TJET 3-TIP BODY,1" HV
16	20	900010	1/4UNC X 3" HEX BOLT
17	20	470089	1/4UNC HEX NYLOC NUT, 316 SS
18	20	920000	1/4 SAE FLAT WASHER
19	2	500074	1"NPT-1" HOSE BARB, POLY
20	2	500024	1"NPT-90-1"HOSE BARB, POLY
21	4	500148	1"NPT PIPE CAP POLY

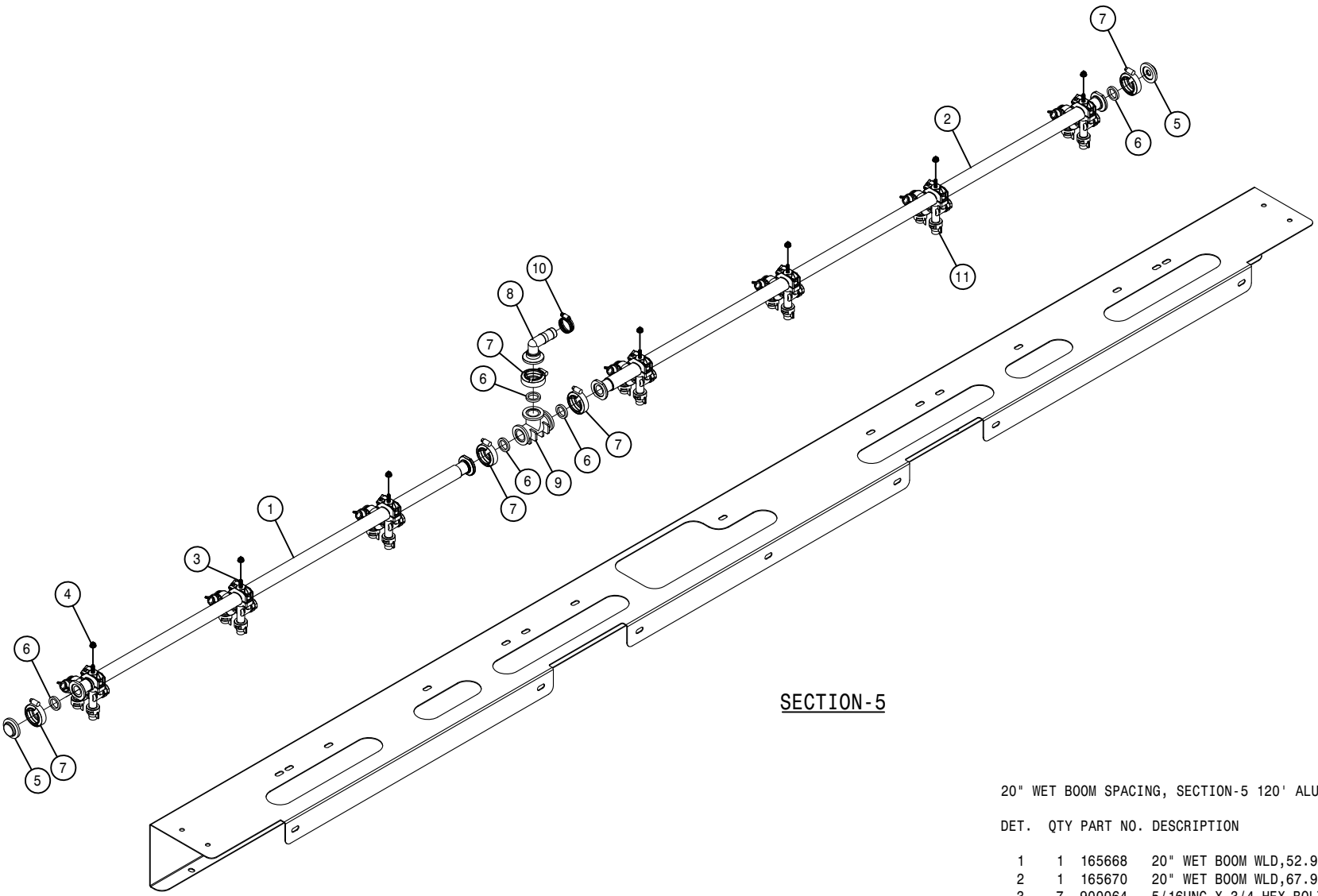


SECTION - 4

SECTION - 3

20" WET BOOM SPACING, SECTION 3-4 120' ALUM BOOM

DET.	QTY	PART NO.	DESCRIPTION
1	1	167130	20"WET BOOM WLD,10" 120'A'12
2	2	167127	20"WET BOOM WLD,66" 120'A'12
3	2	167126	20"WET BOOM WLD,71" 120'A'12
4	24	470089	1/4UNC HEX NYLOC NUT, 316 SS
5	12	470375	TUBE CLAMP BODY,1.31 ID (PAIR)
6	12	470376	COVER PLATE FOR 470375
7	6	520090	HOSE CLAMP NO 16 STAINLESS
8	3	500074	1"NPT-1" HOSE BARB, POLY
9	3	500024	1"NPT-90-1"HOSE BARB, POLY
10	4	500080	1"NPT-90 EL, POLY
11	2	500075	1" NPT PIPE TEE, POLY
12	4	500148	1"NPT PIPE CAP POLY
13	18	737921	QUICK TJET 3-TIP BODY,1" HV
14	24	900010	1/4UNC X 3" HEX BOLT
15	24	920000	1/4 SAE FLAT WASHER
16	1	167131	20"WET BOOM WLD, 8" 120'A'12

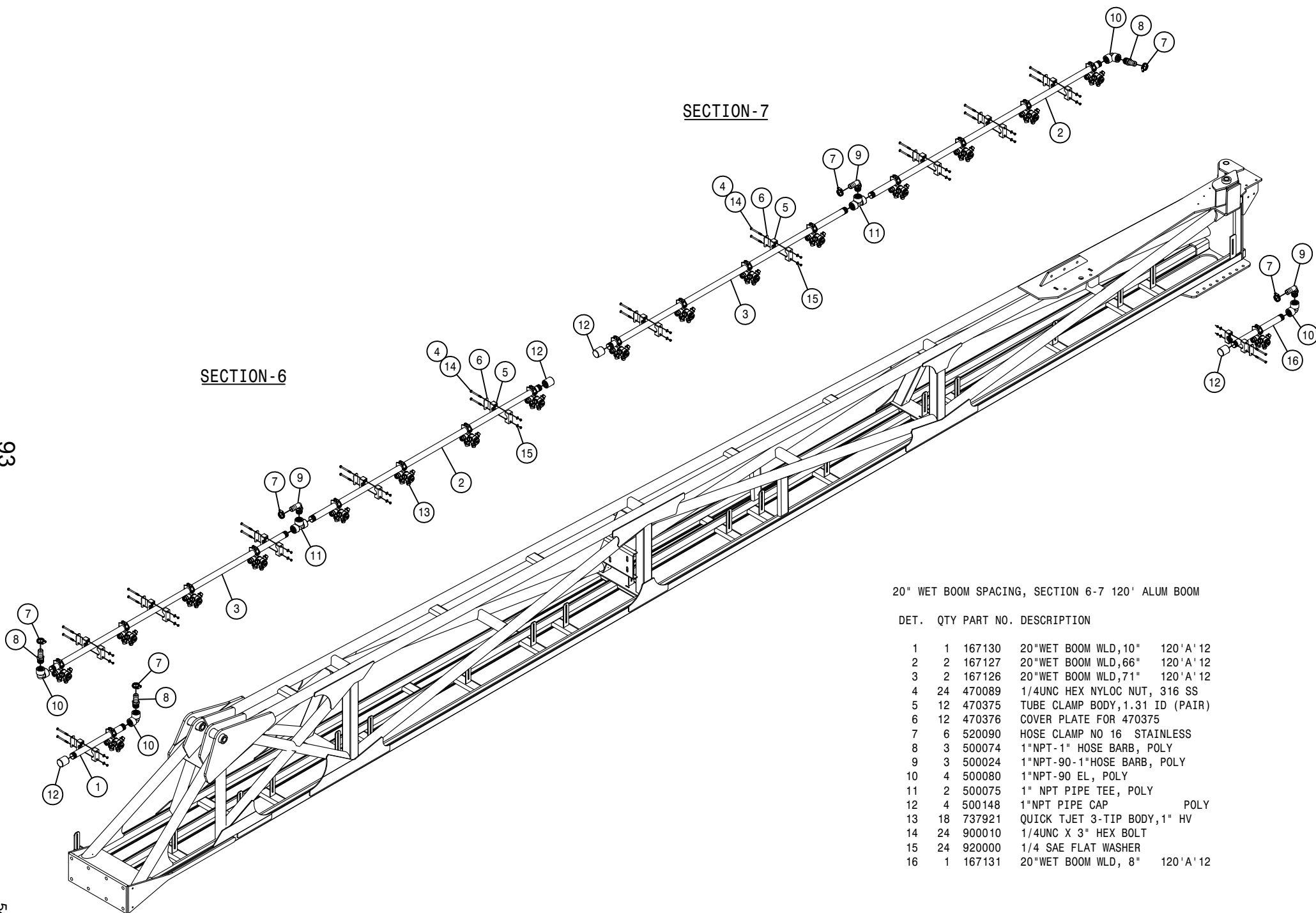


SECTION-5

20" WET BOOM SPACING, SECTION-5 120' ALUM BOOM

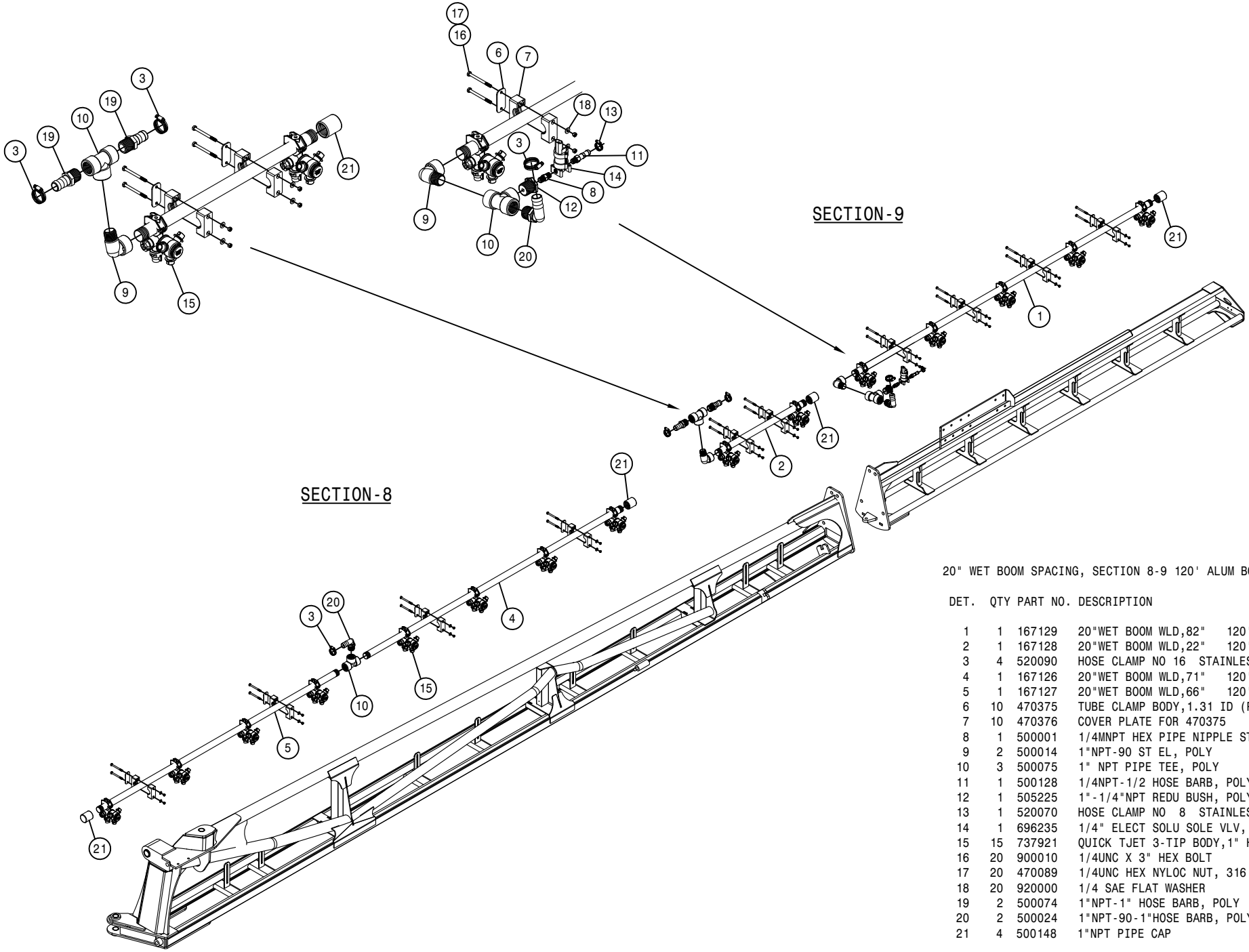
DET.	QTY	PART NO.	DESCRIPTION
	1	165668	20" WET BOOM WLD,52.91 LG 09
	1	165670	20" WET BOOM WLD,67.91 LG 09
	7	900064	5/16UNC X 3/4 HEX BOLT
	7	470113	5/16UNC HEX FLANGE LOCK NUT
	2	500155	1" FLANGE CAP PLUG POLY
	5	500157	1" FLANGE GASKET EPDM
	5	500159	1" FLANGE CLAMP, S.S.
	1	500173	1" FLANGE-90-1" HOSE BARB POLY
	1	500175	1" FLANGE TEE POLY
	1	520090	HOSE CLAMP NO 16 STAINLESS
	7	737921	QUICK TJET 3-TIP BODY,1" HV





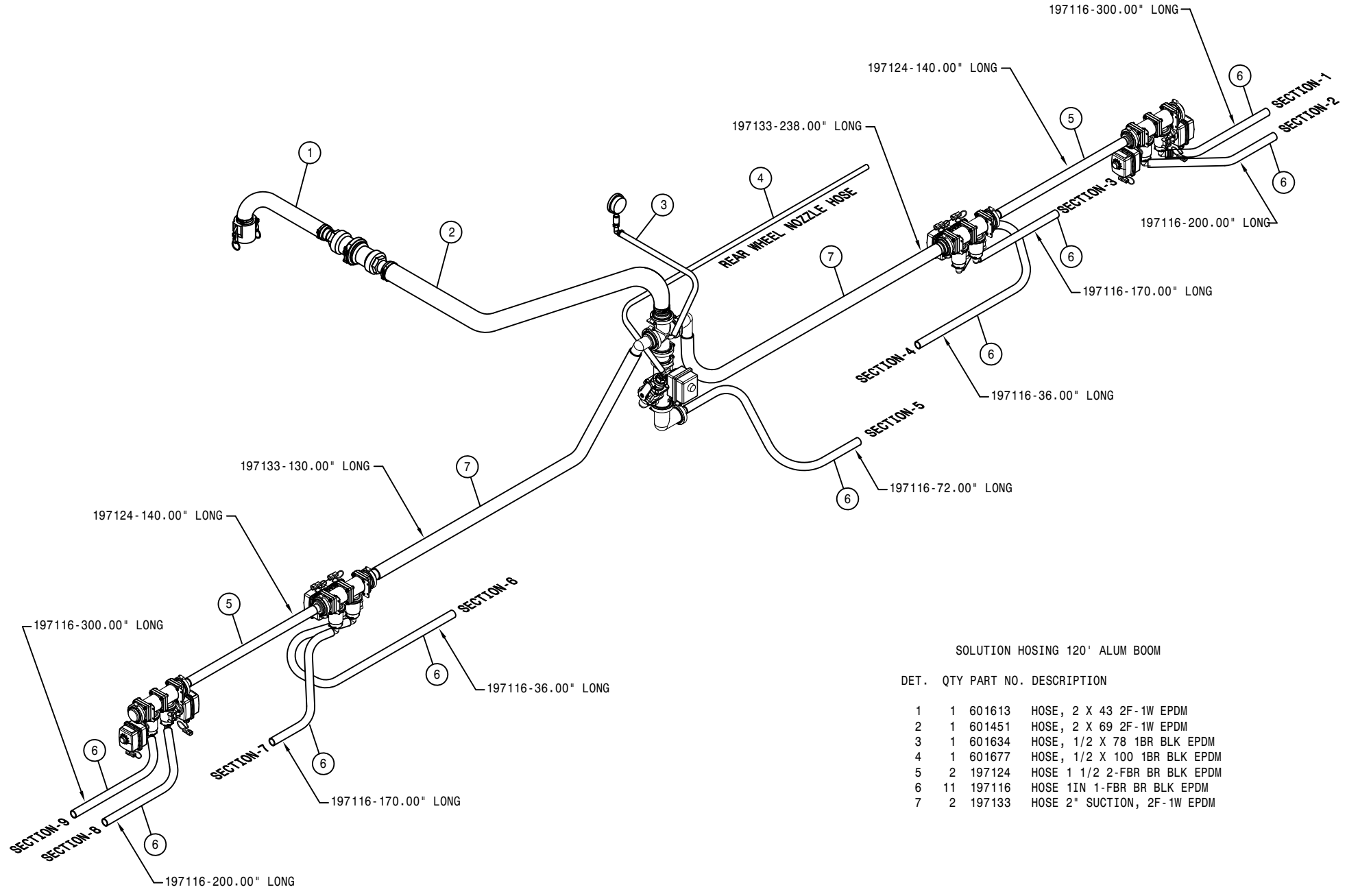
20" WET BOOM SPACING, SECTION 6-7 120' ALUM BOOM

DET.	QTY	PART NO.	DESCRIPTION
1	1	167130	20"WET BOOM WLD,10" 120'A'12
2	2	167127	20"WET BOOM WLD,66" 120'A'12
3	2	167126	20"WET BOOM WLD,71" 120'A'12
4	24	470089	1/4UNC HEX NYLOC NUT, 316 SS
5	12	470375	TUBE CLAMP BODY,1.31 ID (PAIR)
6	12	470376	COVER PLATE FOR 470375
7	6	520090	HOSE CLAMP NO 16 STAINLESS
8	3	500074	1"NPT-1" HOSE BARB, POLY
9	3	500024	1"NPT-90-1"HOSE BARB, POLY
10	4	500080	1"NPT-90 EL, POLY
11	2	500075	1" NPT PIPE TEE, POLY
12	4	500148	1"NPT PIPE CAP POLY
13	18	737921	QUICK TJET 3-TIP BODY,1" HV
14	24	900010	1/4UNC X 3" HEX BOLT
15	24	920000	1/4 SAE FLAT WASHER
16	1	167131	20"WET BOOM WLD, 8" 120'A'12



20" WET BOOM SPACING, SECTION 8-9 120' ALUM BOOM

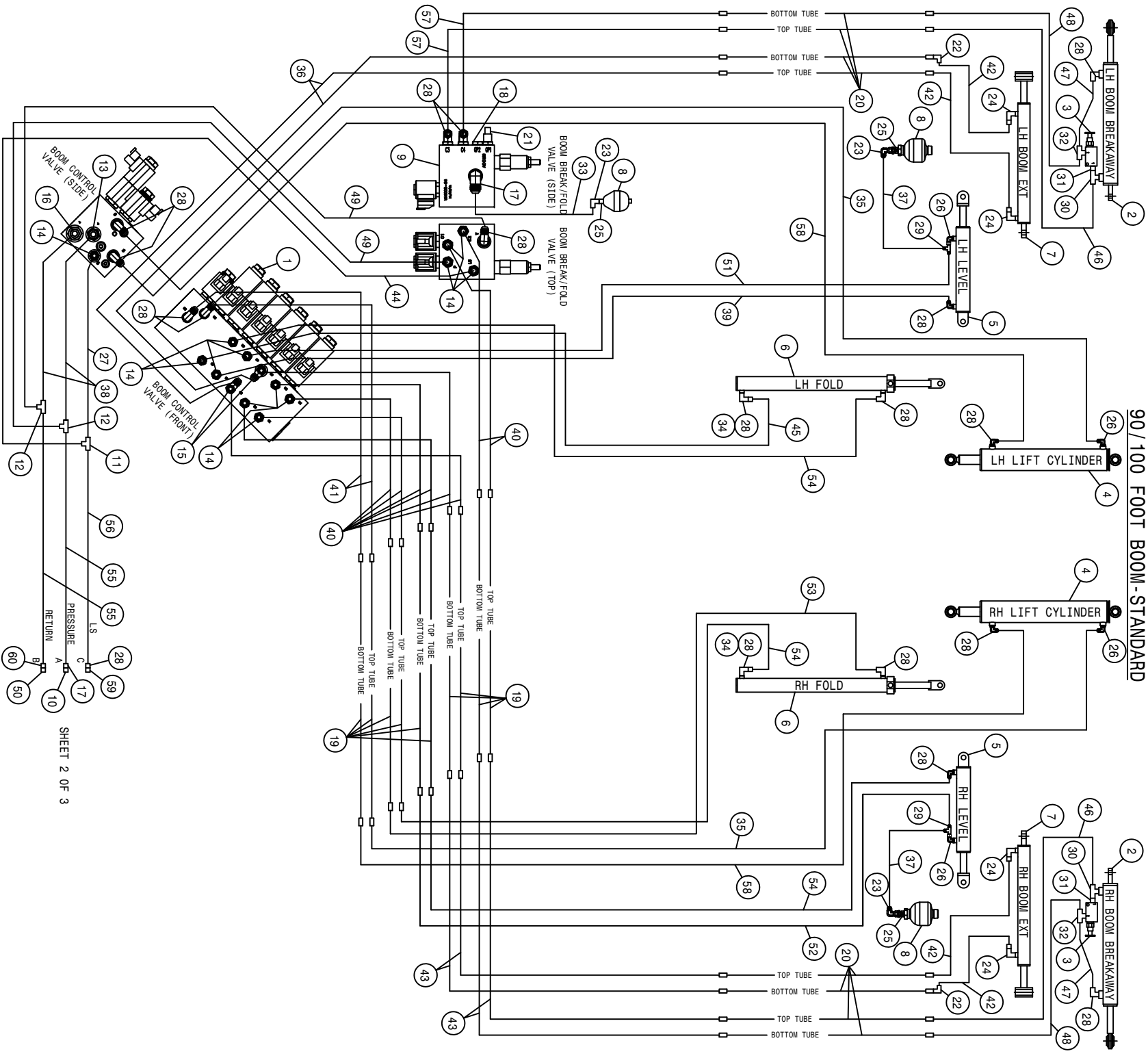
DET.	QTY	PART NO.	DESCRIPTION
1	1	167129	20"WET BOOM WLD,82" 120'A'12
2	1	167128	20"WET BOOM WLD,22" 120'A'12
3	4	520090	HOSE CLAMP NO 16 STAINLESS
4	1	167126	20"WET BOOM WLD,71" 120'A'12
5	1	167127	20"WET BOOM WLD,66" 120'A'12
6	10	470375	TUBE CLAMP BODY,1.31 ID (PAIR)
7	10	470376	COVER PLATE FOR 470375
8	1	500001	1/4MNPT HEX PIPE NIPPLE STL
9	2	500014	1"NPT-90 ST EL, POLY
10	3	500075	1" NPT PIPE TEE, POLY
11	1	500128	1/4NPT-1/2 HOSE BARB, POLY
12	1	505225	1"-1/4"NPT REDU BUSH, POLY
13	1	520070	HOSE CLAMP NO 8 STAINLESS
14	1	696235	1/4" ELECT SOLU SOLE VLV, 2203
15	15	737921	QUICK TJET 3-TIP BODY,1" HV
16	20	900010	1/4UNC X 3" HEX BOLT
17	20	470089	1/4UNC HEX NYLOC NUT, 316 SS
18	20	920000	1/4 SAE FLAT WASHER
19	2	500074	1"NPT-1" HOSE BARB, POLY
20	2	500024	1"NPT-90-1"HOSE BARB, POLY
21	4	500148	1"NPT PIPE CAP POLY



SOLUTION HOSING 120' ALUM BOOM

DET.	QTY	PART NO.	DESCRIPTION
1	1	601613	HOSE, 2 X 43 2F-1W EPDM
2	1	601451	HOSE, 2 X 69 2F-1W EPDM
3	1	601634	HOSE, 1/2 X 78 1BR BLK EPDM
4	1	601677	HOSE, 1/2 X 100 1BR BLK EPDM
5	2	197124	HOSE 1 1/2 2-FBR BR BLK EPDM
6	11	197116	HOSE 1IN 1-FBR BR BLK EPDM
7	2	197133	HOSE 2" SUCTION, 2F-1W EPDM

90/100 FOOT BOOM-STANDARD

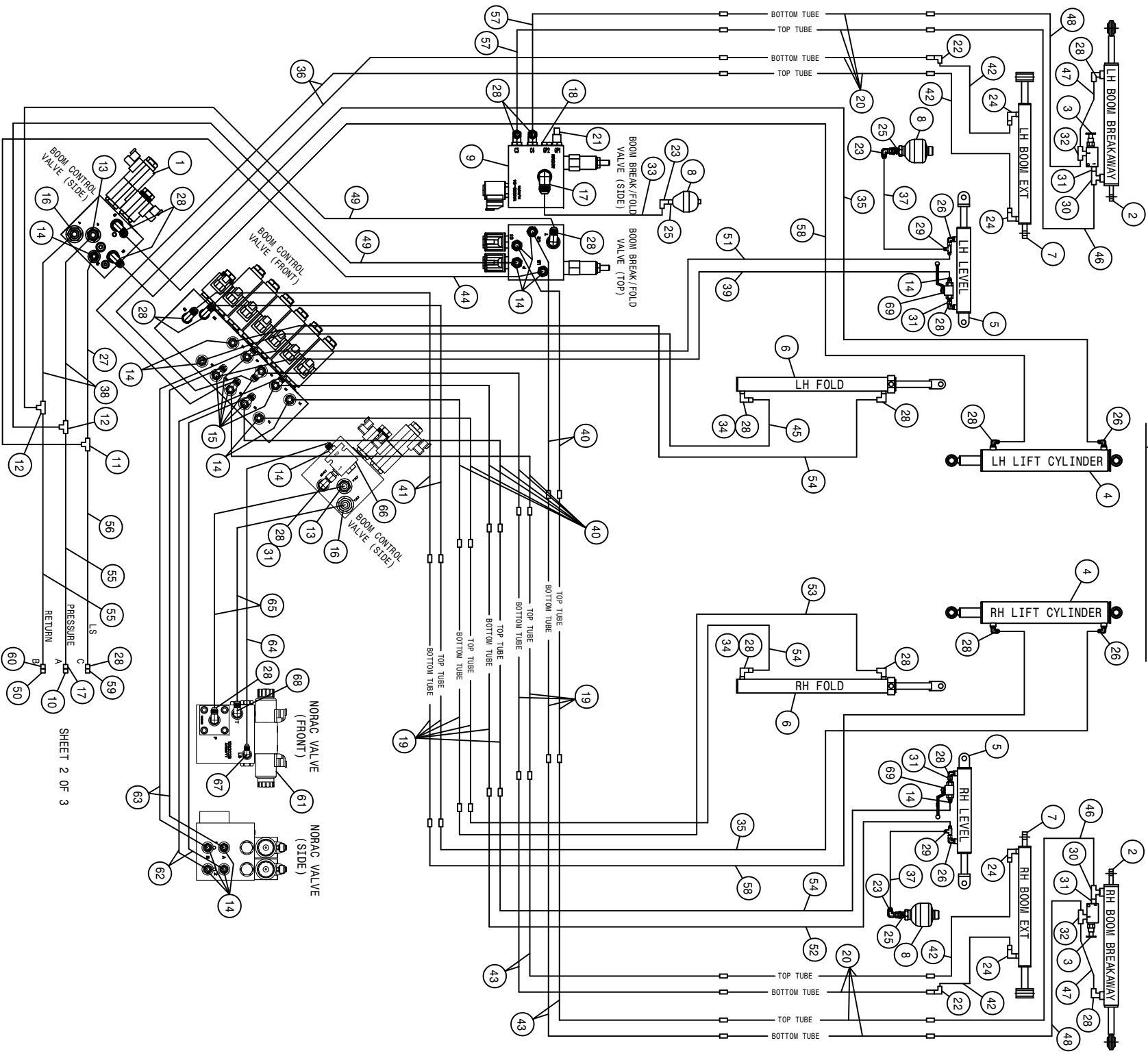


SHEET 2 OF 3

STS 90'/100' BOOM HYDRAULIC DIAGRAM 2012  
REFERENCE DRAWING NO. 499245S3

DET.	QTY	PART NO.	DESCRIPTION	DET.	QTY	PART NO.	DESCRIPTION
1	1	606272	VALVE, LOAD SENSE BOOM SAUER	31	2	618668	9/16FJIC SWIV-9/16MOR ADPTR
2	2	621554	HYD CYL, 1.50 X 12.25 X .750	32	2	614752	RESTRICTOR BR TEE ASSY, .042DIA
3	2	607540	KICK-DOWN RELIEF VALVE, 800PSI	33	1	616384	08-451TC-08FJX-08FJX-43
4	2	621556	HYD CYL, 2.50 X 18.00 X 1.500	34	2	618733	9/16JIC .042 ORIFICE ADPTR
5	2	621558	HYD CYL, 3.00 X 11.00 X 1.380	35	2	616358	06-451TC-06FJX-06FJX-56
6	2	621560	HYD CYL, 2.50 X 21.00 X 1.380	36	2	616357	06-451TC-06FJX-06FJX90-79
7	2	621562	HYD CYL, 2.25 X 21.00 X 1.380	37	2	616365	06-451TC-08FJX-08FJX90-30
8	3	470444	ACCUMULATOR, 30CI 1508 PSI	38	2	616366	08-451TC-08FJX-08FJX90-18
9	1	606248	90'BREAKAWAY VLV,STS PWRSYS	39	1	616403	06-451TC-06FJX-06FJX-65
10	1	618807	HYD CPLR, FEM #12,3/4FOR	40	8	616316	06-451TC-06FJX-06FJX45-18
11	1	618748	7/16MJC BLKHD RUN TEE	41	2	616304	06-451TC-06FJX-06FJX-36
12	2	618749	3/4MJC BLKHD RUN TEE	42	4	616356	06-451TC-06FJX-06FJX90-27
13	1	611125	3/4MJC-3/4MOR ADPTR	43	4	616353	06-451TC-06FJX-06FJX-71
14	13	618126	9/16MOR RUN TEE-9/16MJC	44	1	616362	04-451TC-04FJX-06FJX90-35
15	2	618444	9/16MOR-7/8MOR ADPTR	45	1	616352	06-451TC-06FJX-06FJX-62
16	1	618327	3/4MJC-7/8MOR ADPTR	46	2	616360	06-451TC-06FJX-06FJX-84
17	2	618241	3/4MJC-90-3/4MOR LBO	47	2	616075	04-451TC-06FJX-06FJX-9
18	1	618754	9/16MOR PLUG, HEX SOCKET	48	2	616361	06-451TC-06FJX-06FJX-86
19	10	615852	LIFTARM HYD TUBE ASSY,STSL5 07	49	2	616364	06-451TC-08FJX-06FJX90-31
20	8	615851	HYD TUBE,MAIN BOOM,STS	50	1	618806	HYD CPLR,MALE #12,7/8FOR
21	1	606347	PRESSURE TRANSDUCER,7500PSI	51	1	616349	06-451TC-06FJX-06FJX-47
22	2	618618	9/16MJC-90-9/16FJIC SWIV LBO	52	1	616348	06-451TC-06FJX-06FJX-42
23	3	618609	3/4MJC-90-3/4FJIC SWIV LBO	53	1	616350	06-451TC-06FJX-06FJX-58
24	4	618688	9/16MJ-90-9/16MOR .025 CHK VLV	54	3	616351	06-451TC-06FJX-06FJX-60
25	3	618743	3/4MOR-3/4MJC BLKHD,.040MFMD	55	2	616135	08-451TC-08FJX-08FJX-50
26	4	618689	9/16MJ-90-9/16MOR .042 CHK VLV	56	1	616431	04-451TC-04FJX-06FJX-51
27	1	616430	04-451TC-06FJX-04FJX90-19 H/A	57	2	616359	06-451TC-06FJX-06FJX-78
28	18	618119	9/16MJC-90-9/16MOR LBO	58	2	616371	06-451TC-06FJX-06FJX-38
29	2	618486	9/16FJIC SW RUN TEE-9/16MJC	59	1	618804	HYD CPLR,MALE #14,9/16FOR
30	2	618629	9/16MOR BRANCH TEE-9/16MJC	60	1	618183	3/4MJC-90-7/8MOR LBO

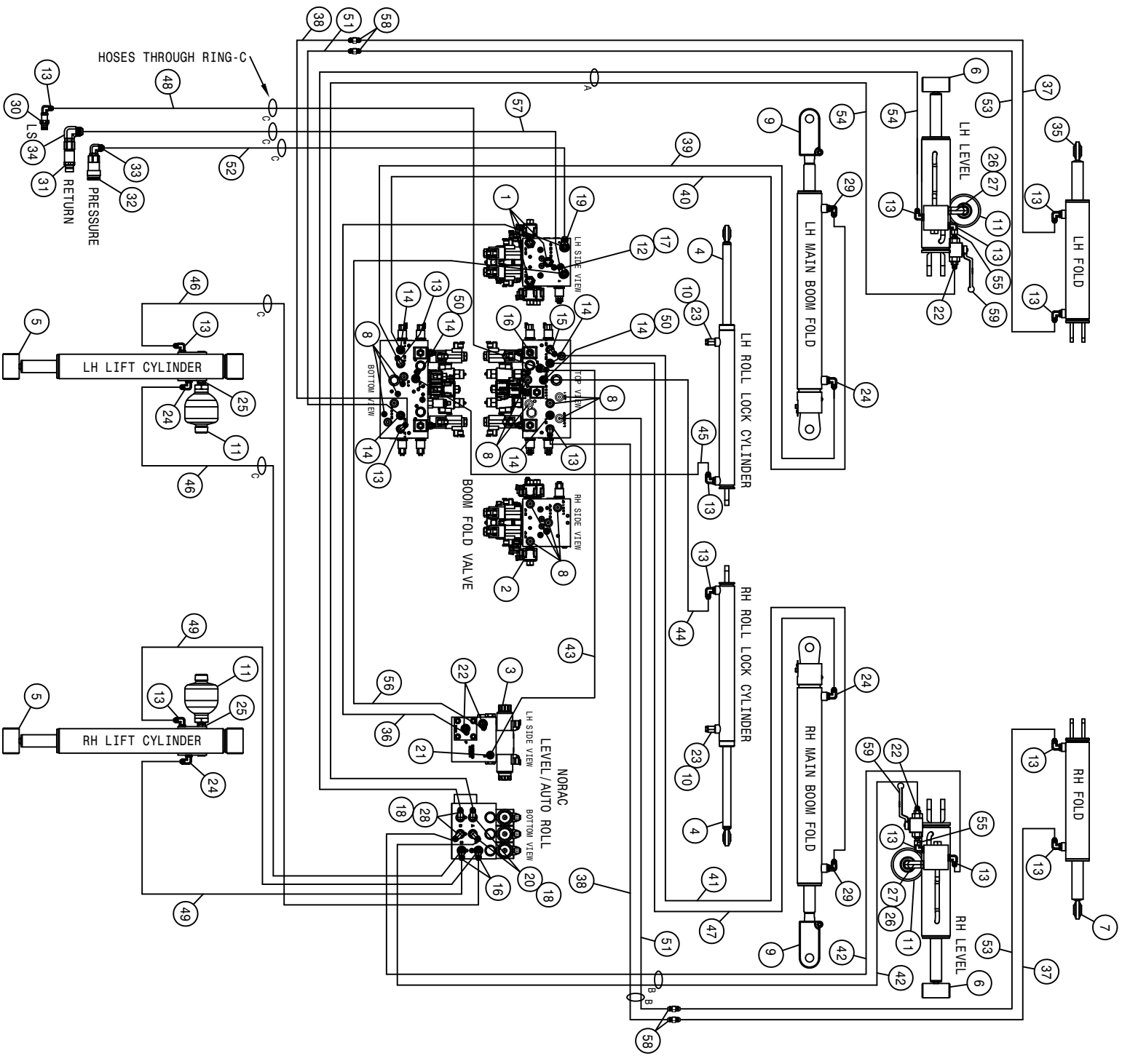
90/100 FOOT BOOM - NORAC



SHEET 2 OF 3

STS 90'/100' BOOM HYDRAULIC DIAGRAM 2011  
REFERENCE DRAWING NO. 499224554

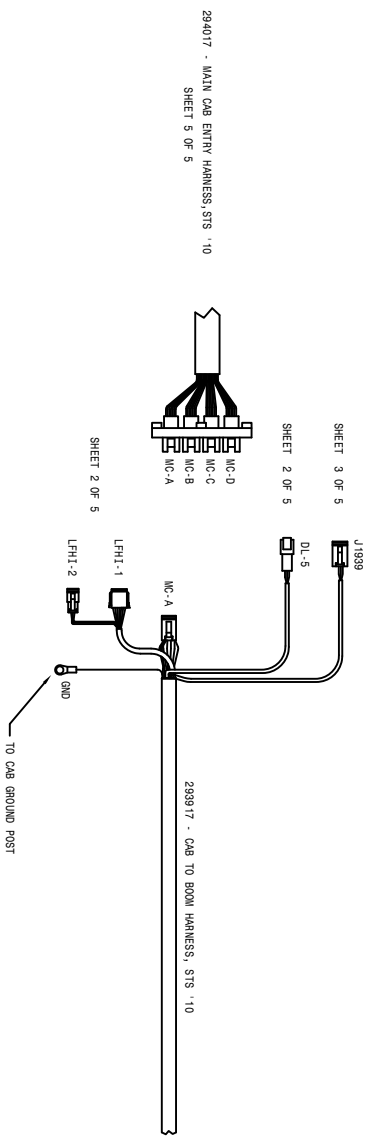
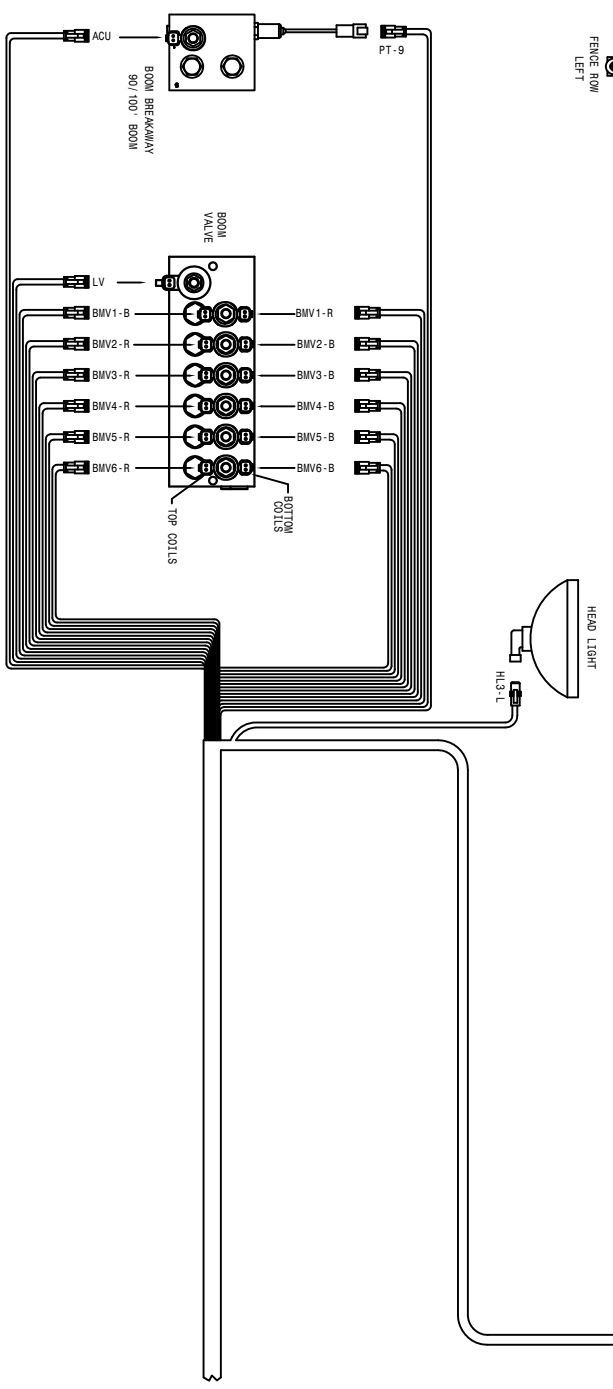
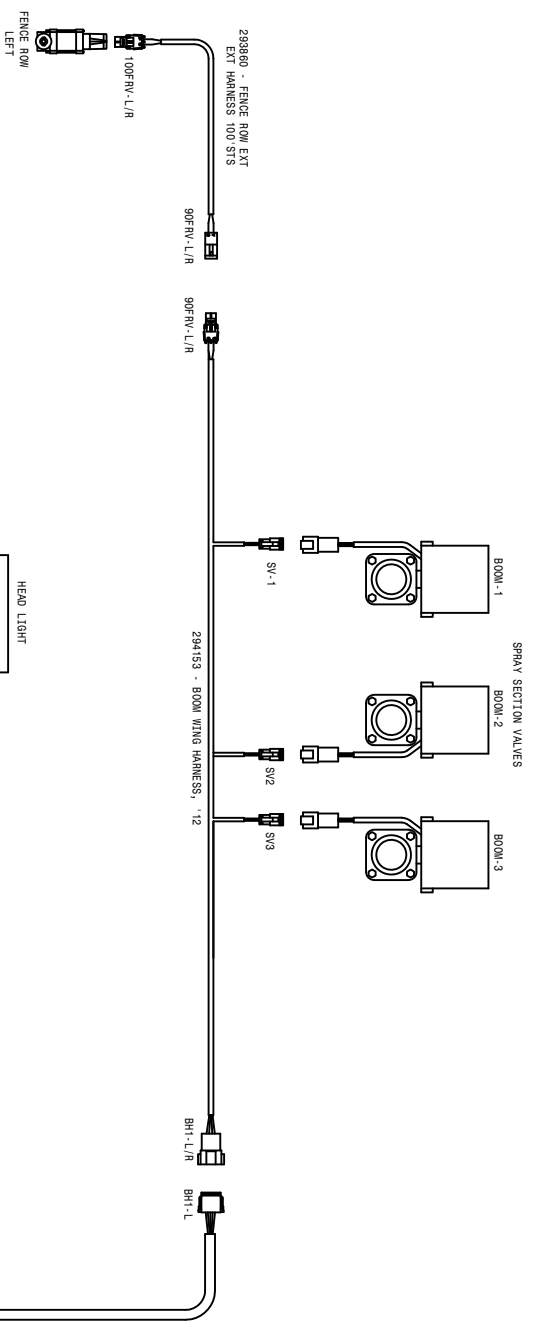
DET.	QTY	PART NO.	DESCRIPTION	DET.	QTY	PART NO.	DESCRIPTION
1	1	606272	VALVE, LOAD SENSE BOOM SAUER	36	2	616357	06-451TC-06FJX-06FJX90-.79 H/A
2	2	621554	HYD CYL, 1.50 X 12.25 X .750	37	2	616365	06-451TC-08FJX-06FJX90-.50 H/A
3	2	607540	KICK-DOWN RELIEF VALVE, 800PSI	38	2	616366	08-451TC-08FJX-08FJX90-18 H/A
4	2	621556	HYD CYL, 2.50 X 18.00 X 1.500	39	1	616403	06-451TC-06FJX-06FJX-65 H/A
5	2	621558	HYD CYL, 3.00 X 11.00 X 1.380	40	8	616316	06-451TC-06FJX-06FJX45-.18 H/A
6	2	621560	HYD CYL, 2.50 X 21.00 X 1.380	41	2	616304	06-451TC-06FJX-06FJX-36 H/A
7	2	621562	HYD CYL, 2.25 X 21.00 X 1.380	42	4	616356	06-451TC-06FJX-06FJX90-.27 H/A
8	3	470444	ACCUMULATOR, 30CI 1508 PSI	43	4	616353	06-451TC-06FJX-06FJX-71 H/A
9	1	606248	90'BREKAWAY VLV,STS PWRSYS	44	1	616362	04-451TC-04FJX-06FJX90-.35 H/A
10	1	618807	HYD CPLR, FEM #12,3/4FOR	45	1	616352	06-451TC-06FJX-06FJX-62 H/A
11	1	618748	7/16MJIC BLKHD RUN TEE	46	2	616360	06-451TC-06FJX-06FJX-84 H/A
12	2	618749	3/4MJIC BLKHD RUN TEE	47	2	616075	04-451TC-06FJX-06FJX-9 H/A
13	2	611125	3/4MJIC-3/4MOR ADPTR	48	2	616361	06-451TC-06FJX-06FJX-86 H/A
14	16	618126	9/16MJIC-9/16MOR ADPTR	49	2	616364	06-451TC-08FJX-06FJX90-.31 H/A
15	6	618444	9/16MOR RUN TEE-9/16MJIC	50	1	618806	HYD CPLR, MALE #12, 7/8FOR
16	2	618327	3/4MJIC-7/8MOR ADPTR	51	1	616349	06-451TC-06FJX-06FJX-47 H/A
17	2	618241	3/4MJIC-90-3/4MOR LBO	52	1	616348	06-451TC-06FJX-06FJX-42 H/A
18	1	618754	9/16MOR PLUG, HEX SOCKET	53	1	616350	06-451TC-06FJX-06FJX-58 H/A
19	10	615852	LIFTARM HYD TUBE ASSY, STSLS 07	54	3	616351	06-451TC-06FJX-06FJX-60 H/A
20	8	615851	HYD TUBE, MAIN BOOM, STS	55	2	616135	08-451TC-08FJX-08FJX-50 H/A
21	1	606347	PRESSURE TRANSDUCER, 7500PSI	56	1	616431	04-451TC-04FJX-06FJX-51 H/A
22	2	618618	9/16MJIC-90-9/16FJIC SWIV LBO	57	2	616359	06-451TC-06FJX-06FJX-78 H/A
23	3	618609	3/4MJIC-90-3/4FJIC SWIV LBO	58	2	616371	06-451TC-06FJX-06FJX-38 H/A
24	4	618688	9/16MJ-90-9/16MOR .025 CHK VLV	59	1	618804	HYD CPLR, MALE #14, 9/16FOR
25	3	618743	3/4MOR-3/4MJIC BLKHD, .040MFM0	60	1	618183	3/4MJIC-90-7/8MOR LBO
26	4	618689	9/16MJ-90-9/16MOR .042 CHK VLV	61	1	606455	NORAC HYD VALVE (449630D)
27	1	616430	04-451TC-06FJX-04FJX90-19 H/A	62	2	616555	06-451TC-06FJX-06FJX90-.31 H/A
28	20	618119	9/16MJIC-90-9/16MOR LBO	63	2	616557	06-451TC-06FJX-06FJX90L-.31 H/A
29	2	618486	9/16FJIC SW RUN TEE-9/16MJIC	64	1	616554	04-451TC-04FJX-06FJX90-.30 H/A
30	2	618629	9/16MOR BRANCH TEE-9/16MJIC	65	2	616556	08-451TC-06FJX-08FJX90-.31 H/A
31	5	618668	9/16FJIC SWIV-9/16MOR ADPTR	66	1	606256	CHECK VALVE, IN LINE SAUER
32	2	614752	RESTRICTOR BR TEE ASSY, .042DIA	67	1	618473	7/16MJIC-90-7/16MOR LBO
33	1	616384	08-451TC-08FJX-08FJX-43 H/A	68	1	618440	9/16MJIC-90-9/16MOR EX LG LBO
34	2	618733	9/16MJIC .042 ORIFICE ADPTR	69	2	696131	BALL VALVE, 9/16FOR, 7250PSI
35	2	616358	06-451TC-06FJX-06FJX-56 H/A				

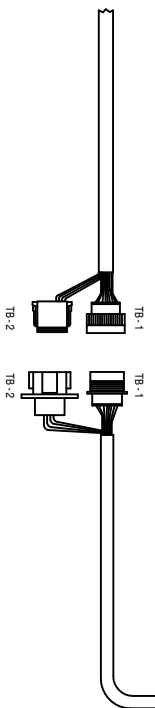
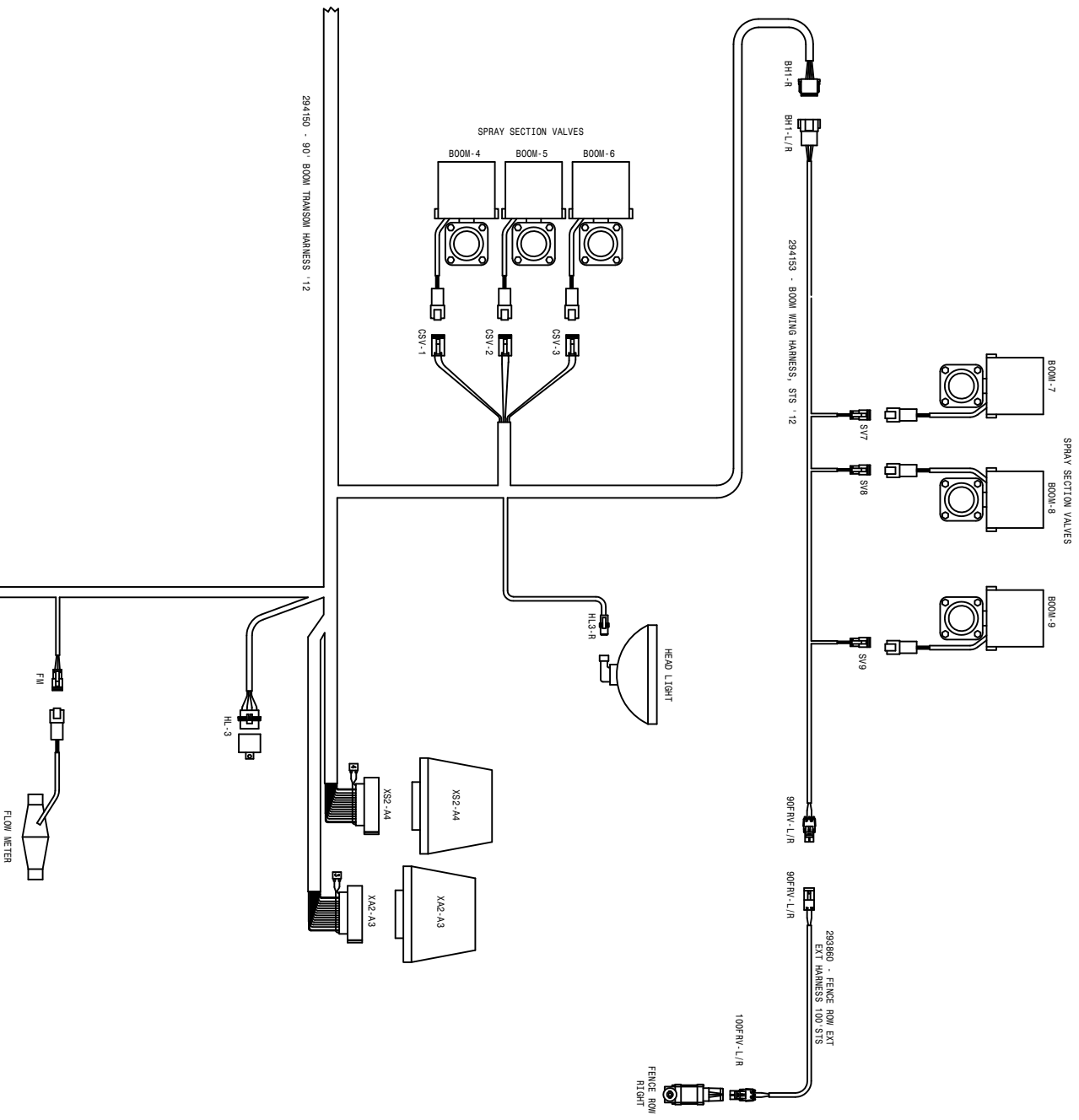




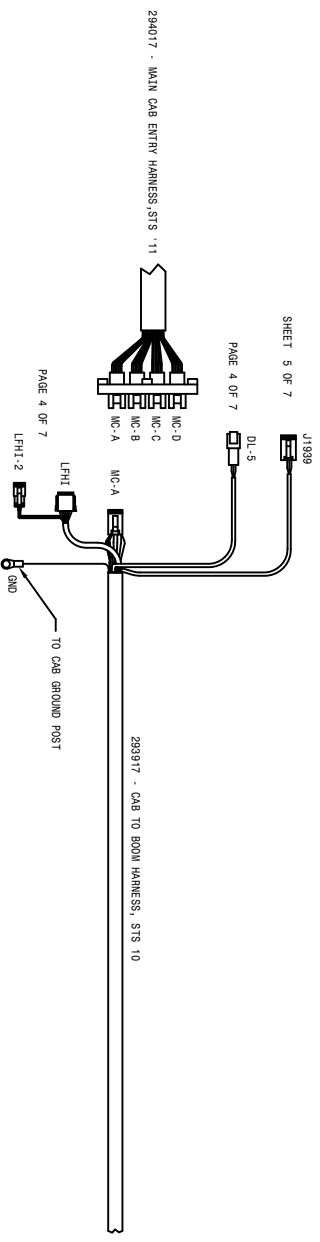
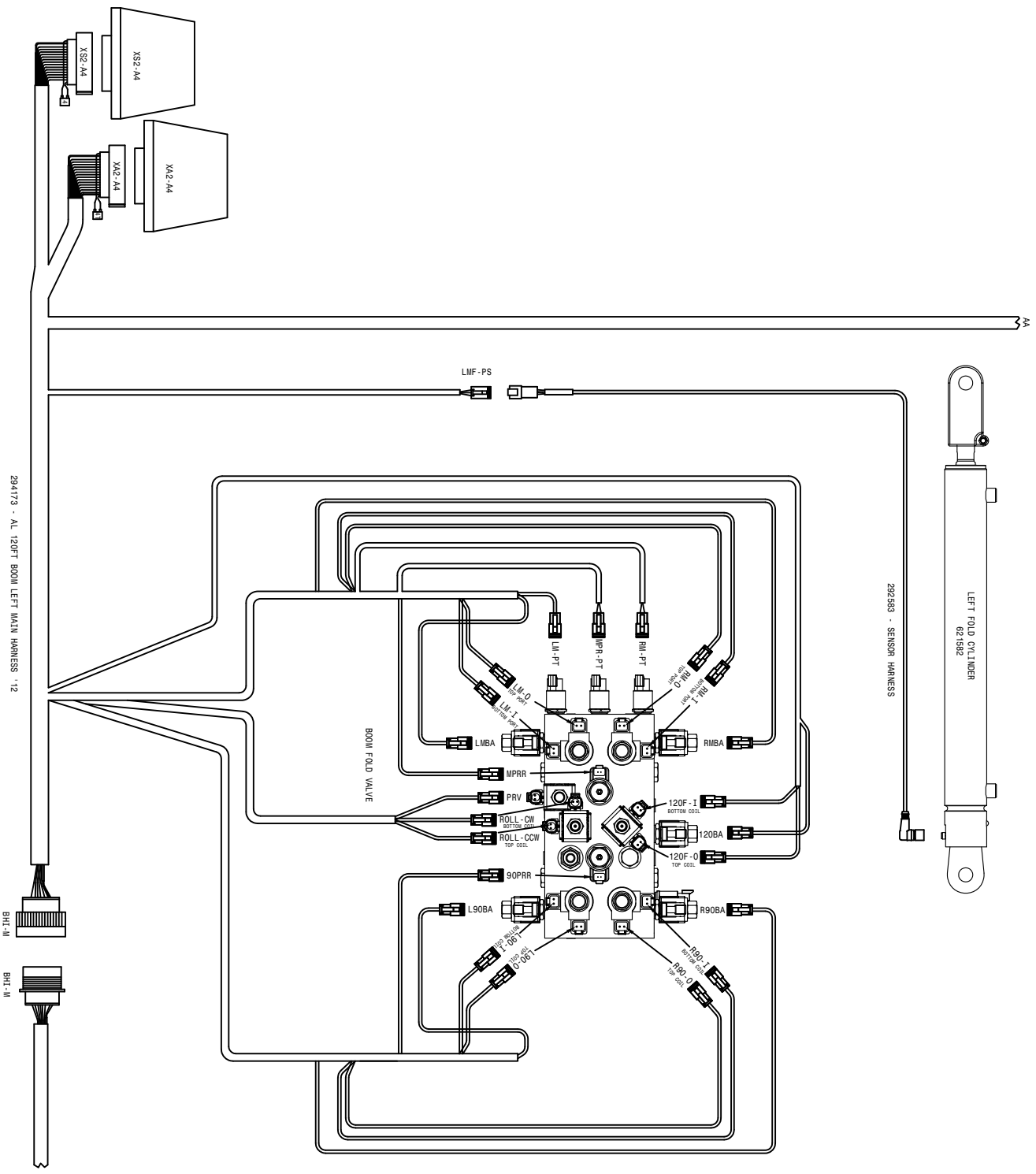
120' ALUM BOOM HYDRAULIC DIAGRAM STS 2012  
REFERENCE DRAWING NO. 499252

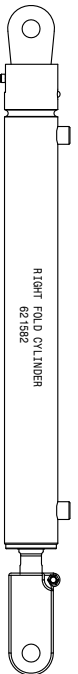
DET.	QTY	PART NO.	DESCRIPTION	DET.	QTY	PART NO.	DESCRIPTION
1	3	606347	PRESSURE TRANSDUCER, 7500PSI	31	1	618806	HYD CPLR, MALE #12, 7/8FOR
2	1	606510	FOLD CTRL VALVE,	32	1	618807	HYD CPLR, FEM #12, 3/4FOR
3	1	606456	NDRAC HYD VALVE (449600D)	33	1	618241	3/4MJIC-90-3/4MOR LBO
4	2	621626	HYD CYL, 1.50-16.00-1.00	34	1	611128	7/8MJIC-90-7/8MOR LBO
5	2	621640	HYD CYL, 3.25 X 16.00 X 1.63	35	1	167090	LH HYD CYL OUTER FOLD 120'A
6	2	621642	HYD CYL, 3.00 X 9.00 X 1.38	36	1	617008	06-451TC-06F3X-08F3X-34
7	1	167091	RH HYD CYL OUTER FOLD 120'A	37	2	616517	04-451TC-06F3X-06F3X-272
8	11	618574	7/8MJIC-3/4MOR ADPTR	38	2	616119	04-451TC-06F3X-06F3X-175
9	2	621636	HYD CYL, 3.50X 19.75X1.75-W/SEN	39	1	616349	06-451TC-06F3X-06F3X-47
10	2	470114	BREATHER FILTER VENT, 1/4 NPT	40	1	616585	06-451TC-06F3X-06F3X90-62
11	4	470444	ACCUMULATOR, 30CI 1508 PSI	41	1	616351	06-451TC-06F3X-06F3X-60
12	4	611125	3/4MJIC-3/4MOR ADPTR	42	2	616646	06-451TC-06F3X-06F3X45-106
13	16	618119	9/16MJIC-90-9/16MOR LBO	43	1	617005	04-451TC-06F3X-06F3X90-27
14	6	618126	9/16MJIC-9/16MOR ADPTR	44	1	616580	06-451TC-06F3X-06F3X90-34
15	1	618440	9/16MJIC-90-9/16MOR EX LG LBO	45	1	617006	06-451TC-06F3X-06F3X90-25
16	3	618444	9/16MOR RUN TEE-9/16MJIC	46	2	616875	06-451TC-06F3X-06F3X90-171
17	1	618451	3/4FJIC SW RUN TEE-3/4MJIC	47	1	616593	06-451TC-06F3X-06F3X90-38
18	4	618618	9/16MJIC-90-9/16FJIC SWIV LBO	48	1	616991	06-451TC-06F3X-06F3X-175
19	1	618494	3/4MOR RUN TEE-3/4MJIC	49	2	616974	06-451TC-06F3X-06F3X-133
20	2	618884	9/16MJIC-9/16MOR.042MFM0 ADPTR	50	2	618735	9/16JIC .062 ORIFICE ADPTR
21	1	618902	9/16MJIC-45-7/16MOR ADPTR	51	2	616866	04-451TC-06F3X-06F3X90-178
22	4	618425	9/16MJIC-45-9/16MOR LBO	52	1	616976	08-451TC-08F3X-08F3X-172
23	2	618123	9/16MOR-1/4FNPT ADPTR	53	2	616665	04-451TC-06F3X-06F3X-249
24	4	618739	9/16MJ-90-9/16MOR .065 CHK VLV	54	2	616563	06-451TC-06F3X-06F3X-141
25	2	618820	3/4MOR UNION	55	2	618668	9/16FJIC SWIV-9/16MOR ADPTR
26	2	618669	3/4FJIC SWIV-3/4MOR ADPTR	56	1	616975	08-451TC-06F3X-08F3X90L-26
27	2	618443	3/4MJIC-90-3/4MOR EX LG LBO	57	1	617007	08-451TC-08F3X-10F3X-172
28	2	618885	9/16MJIC-9/16MOR.055MOMF ADPTR	58	4	619010	9/16MJIC UNION
29	2	618689	9/16MJ-90-9/16MOR .042 CHK VLV	59	2	696131	BALL VALVE, 9/16FOR, 7250PSI
30	1	618804	HYD CPLR, MALE #14, 9/16FOR				





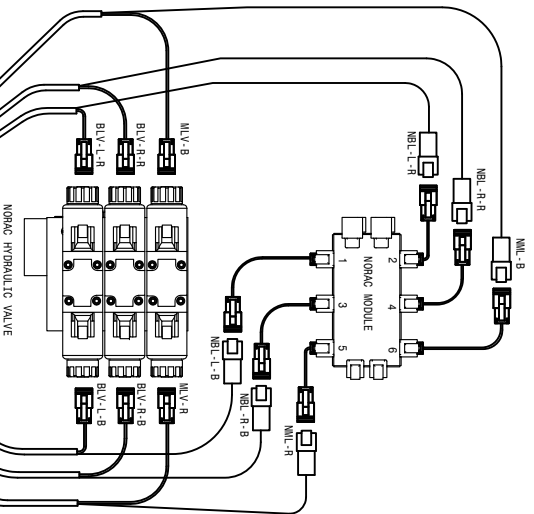
06-07-11 DWG  
**90' / 100' BOOM WING DIAGRAM '12**  
 SHEET 1 OF 5  
 REVISION DATE:  
**499240**





291994 - SENSOR HARNESS,

RMF-PS



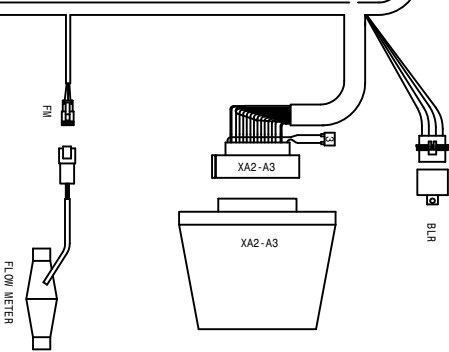
DB-1  
DB-2  
DB-3

294172 - AL 120FT BOOM RIGHT MAIN HARNESS 12

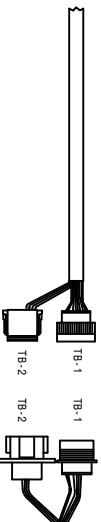
291945-PROXIMITY SENSOR

291994 - SENSOR HARNESS, MICRO-DEUTSCH

ML-PX



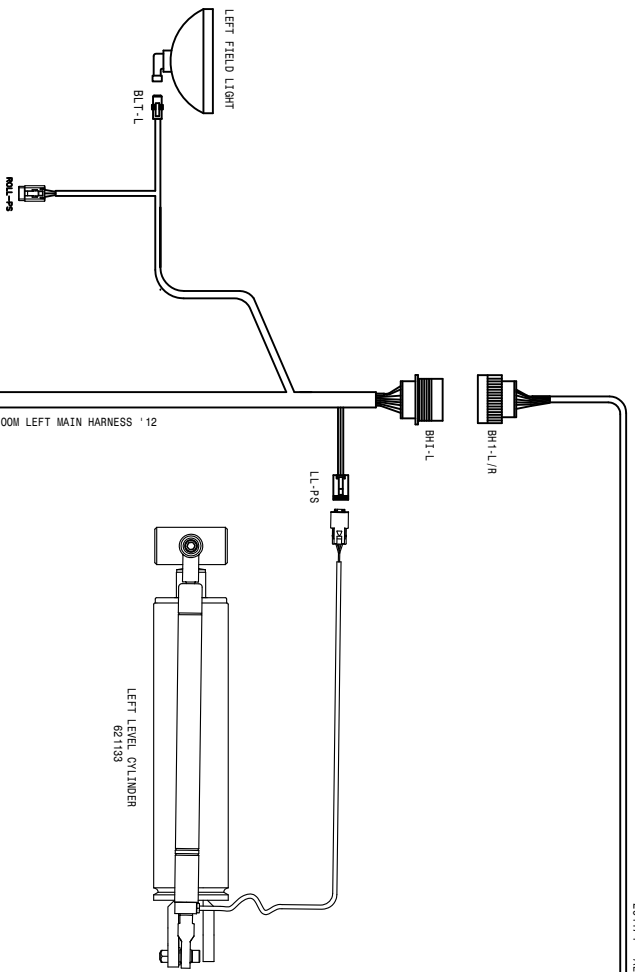
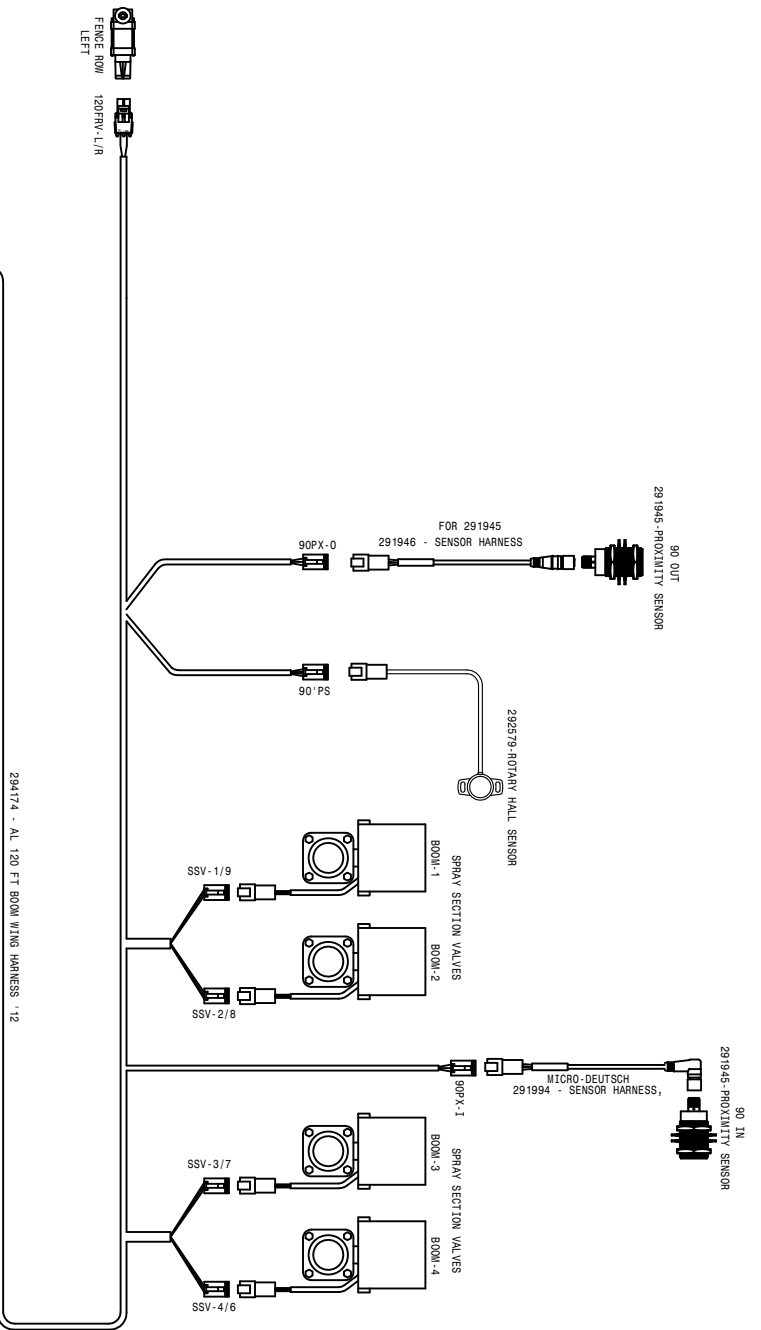
FLOW METER



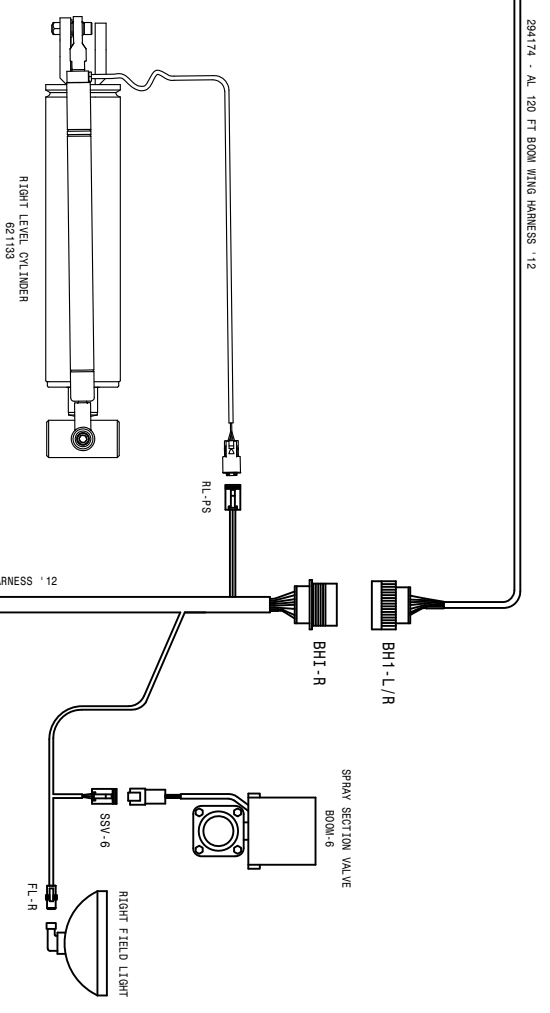
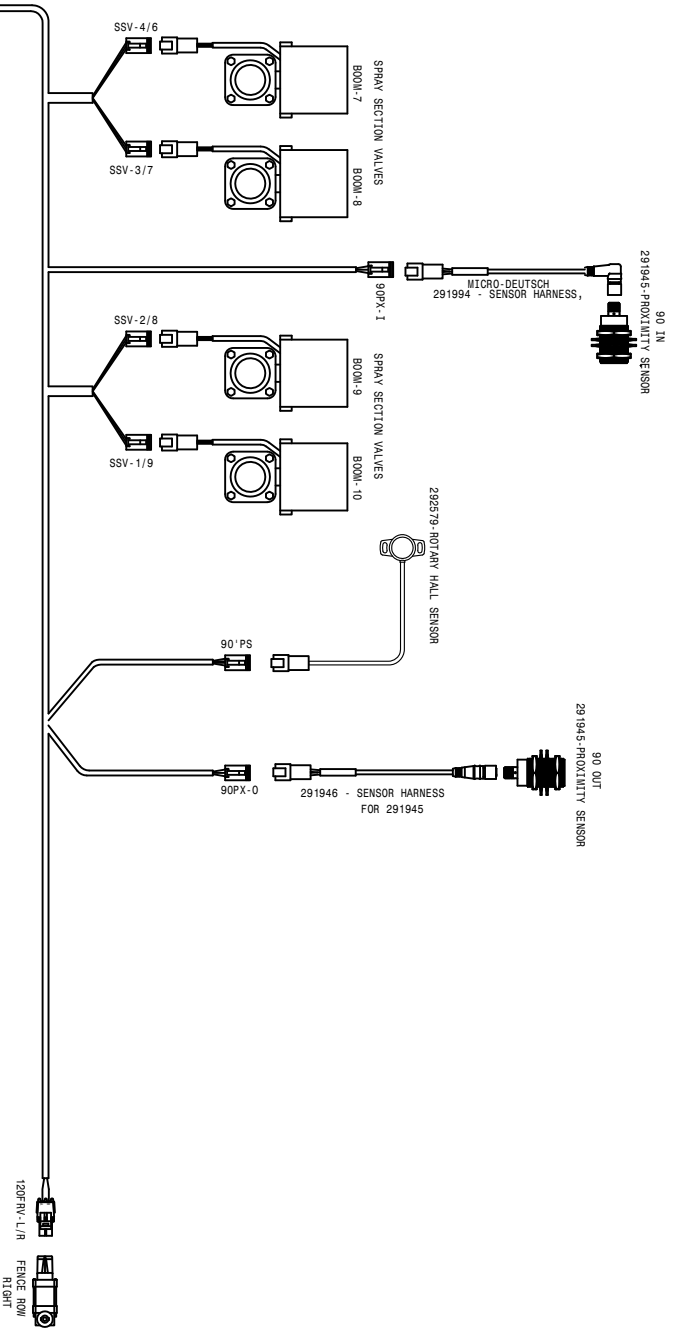
TB-1  
TB-2

120' AL BOOM WIRING DIAGRAM '12  
STS 10/12/14/16  
SHEET 1 OF 2  
REVISION DATE: 9-8-11  
499253

08-28-11 DATE



AA  
SHEET 1 OF 2

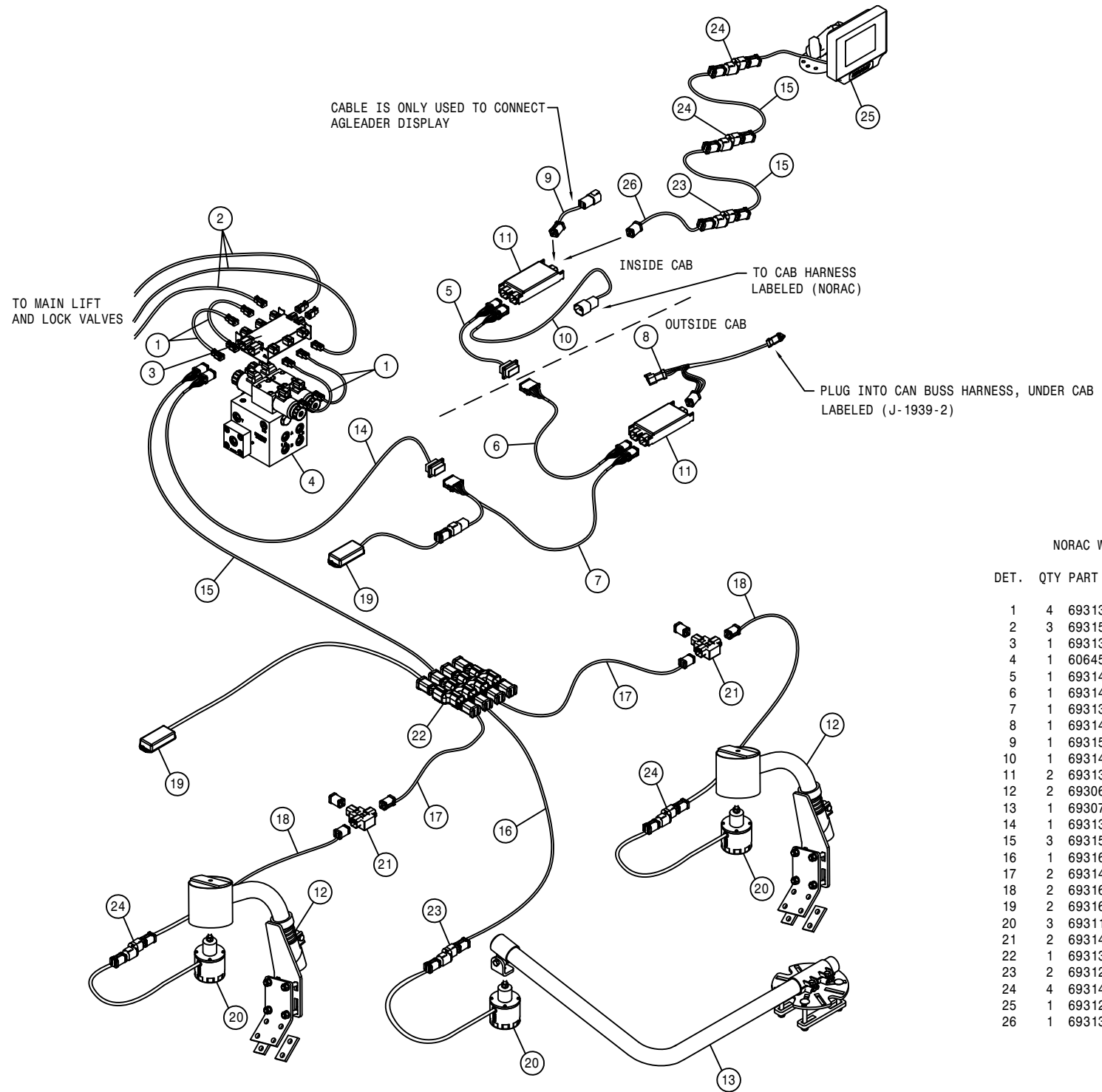


294172 - AL 120FT BOOM RIGHT MAIN HARNESS '12

BB

SHEET 1 OF 2

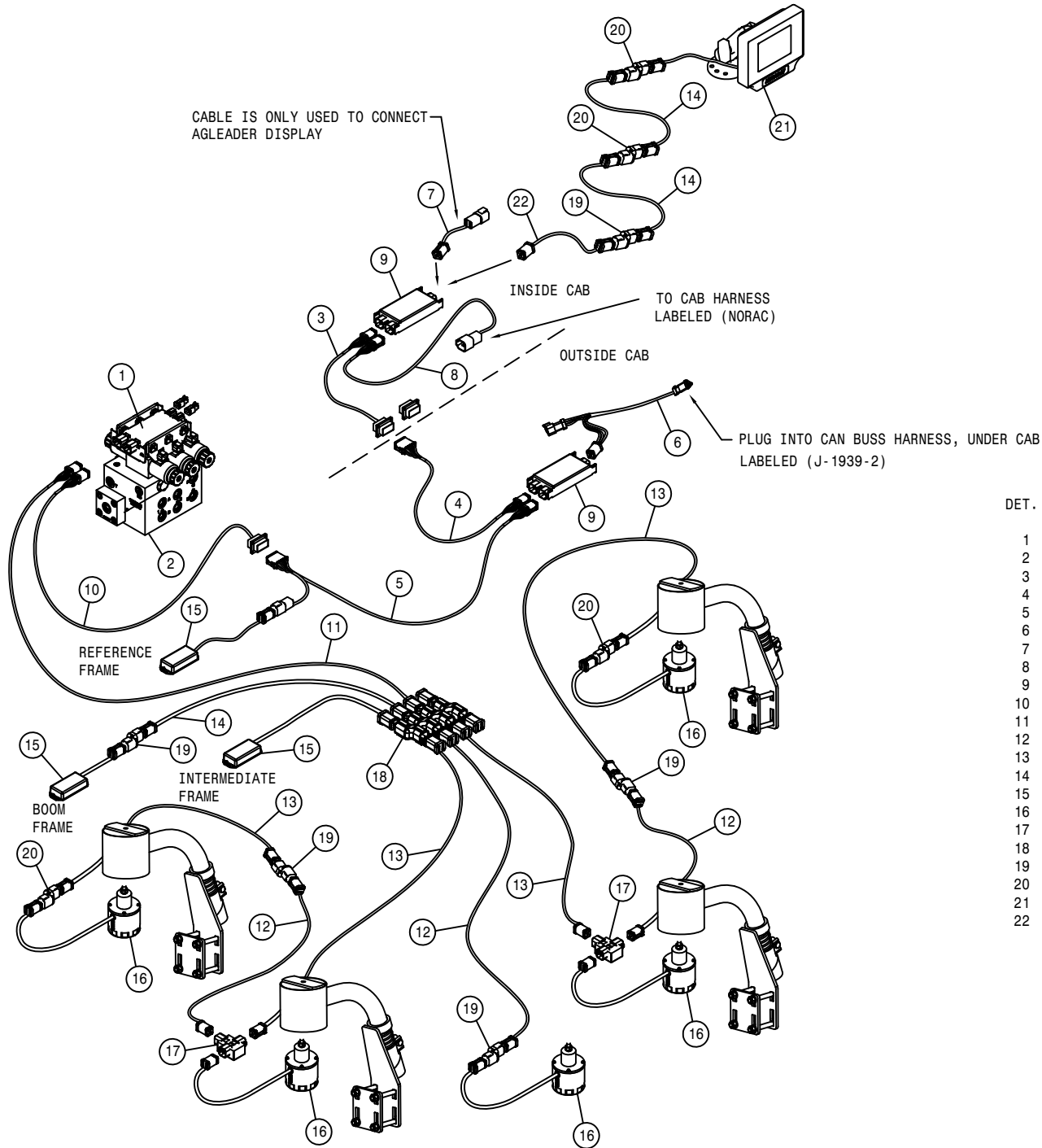
08-26-11 DWG  
**120' AL BOOM WIRING DIAGRAM '12**  
**STS 10/12/14/16**  
 SHEET 2 OF 2  
 REVISION DATE: 9-8-11  
**499253**



NORAC WIRING DIAGRAM 90' / 100'

DET.	QTY	PART NO.	DESCRIPTION
1	4	693132	NORAC CABLE,UC5 INTRFC TILT DT
2	3	693156	NORAC CABLE,UC5 INTRFC TLT DT
3	1	693133	NORAC MODULE,UC5 VALVE
4	1	606455	NORAC HYD VALVE (44963D)
5	1	693142	NORAC CABLE,STS IN-CAB CANBUS
6	1	693141	NORAC CABLE,STS UNDER-CAB,36"
7	1	693138	NORAC CABL,CHAS-BM DISCNT 152"
8	1	693140	NORAC CANBUS INTERFCE CBL,36"
9	1	693159	UC5 NETWRK ADPTR,CAN LINE ONLY
10	1	693143	NORAC CABLE, STS POWER
11	2	693139	NORAC MODULE,UC5 CONTROL
12	2	693068	SENSOR MTG BRKT, NORAC
13	1	693072	MAIN LIFT SENSOR MT,UC4+,NORAC
14	1	693135	NORAC CABLE,STS BM DISCNT 150"
15	3	693150	NORAC CBL,UC5 NETWORK,1 METER
16	1	693161	NORAC CABLE,UC5 NETWORK,5M
17	2	693145	NORAC CABLE,UC5 NETWORK,10M
18	2	693162	NORAC CABLE,UC5 NETWORK,7M
19	2	693165	NORAC UC5 ROLL SENSOR
20	3	693113	SENSOR,NORAC UC5 ULTRASONIC
21	2	693147	NORAC UC5 NETWORK CPLR,3-WAY
22	1	693131	NORAC UC5 NETWORK CPLR,8-WAY
23	2	693128	NORAC UC5 NETWORK 2-WAY CPLR
24	4	693146	NORAC UC5 2-WAY CPLR W/TRMNTOR
25	1	693122	ECHO DISPLAY KIT,NORAC,STS '10
26	1	693130	NORAC CABLE,UC5 NETWORK,0.5M





NORAC WIRING DIAGRAM 120'

DET.	QTY	PART NO.	DESCRIPTION
1	1	693133	NORAC MODULE,UC5 VALVE
2	1	606456	NORAC HYD VALVE (44960D)
3	1	693142	NORAC CABLE,STS IN-CAB CANBUS
4	1	693141	NORAC CABLE,STS UNDER-CAB,36"
5	1	693138	NORAC CABL,CHAS-BM DISCNT 152"
6	1	693140	NORAC CANBUS INTERFCE CBL,36"
7	1	693158	BOOM/TRNSM KIT,NORAC UC5 120'
8	1	693143	NORAC CABLE, STS POWER
9	2	693139	NORAC MODULE,UC5 CONTROL
10	1	693135	NORAC CABLE,STS BM DISCNT 150"
11	1	693130	NORAC CABLE,UC5 NETWORK,0.5M
12	3	693127	NORAC CABLE,UC5 NETWORK,3METER
13	4	693145	NORAC CABLE,UC5 NETWORK,10M
14	3	693150	NORAC CBL,UC5 NETWORK,1 METER
15	3	693165	NORAC UC5 ROLL SENSOR
16	5	693113	SENSOR,NORAC UC5 ULTRASONIC
17	2	693147	NORAC UC5 NETWORK CPLR,3-WAY
18	1	693131	NORAC UC5 NETWORK CPLR,8-WAY
19	5	693128	NORAC UC5 NETWORK 2-WAY CPLR
20	4	693146	NORAC UC5 2-WAY CPLR W/TRMNTOR
21	1	693122	ECHO DISPLAY KIT,NORAC,STS '10
22	1	693130	NORAC CABLE,UC5 NETWORK,0.5M

# Notes:



