

BOOMS



PARTS MANUAL FOR 120' HYBRID BOOM HAGIE MANUFACTURING COMPANY

721 CENTRAL AVENUE WEST
BOX 273
CLARION, IOWA 50525-0273

COVERS BOOM SERIAL NUMBERS: 120' Hybrid Boom 17001-17500

10-16 493730 (PC13209)
12-16, 03-17,
01-18, 06-18

To obtain the most current parts manual for your machine,
please visit www.hagie.com.

© 2016-18 Hagie Manufacturing Company. Clarion, Iowa USA



BOOM IDENTIFICATION

Each Hagie boom is identified by means of a serial number. This serial number denotes the model, the year in which it was built, and the number of the boom. To ensure prompt, efficient service when ordering parts or requesting service repairs from local John Deere dealer, record the serial number in the space provided below.

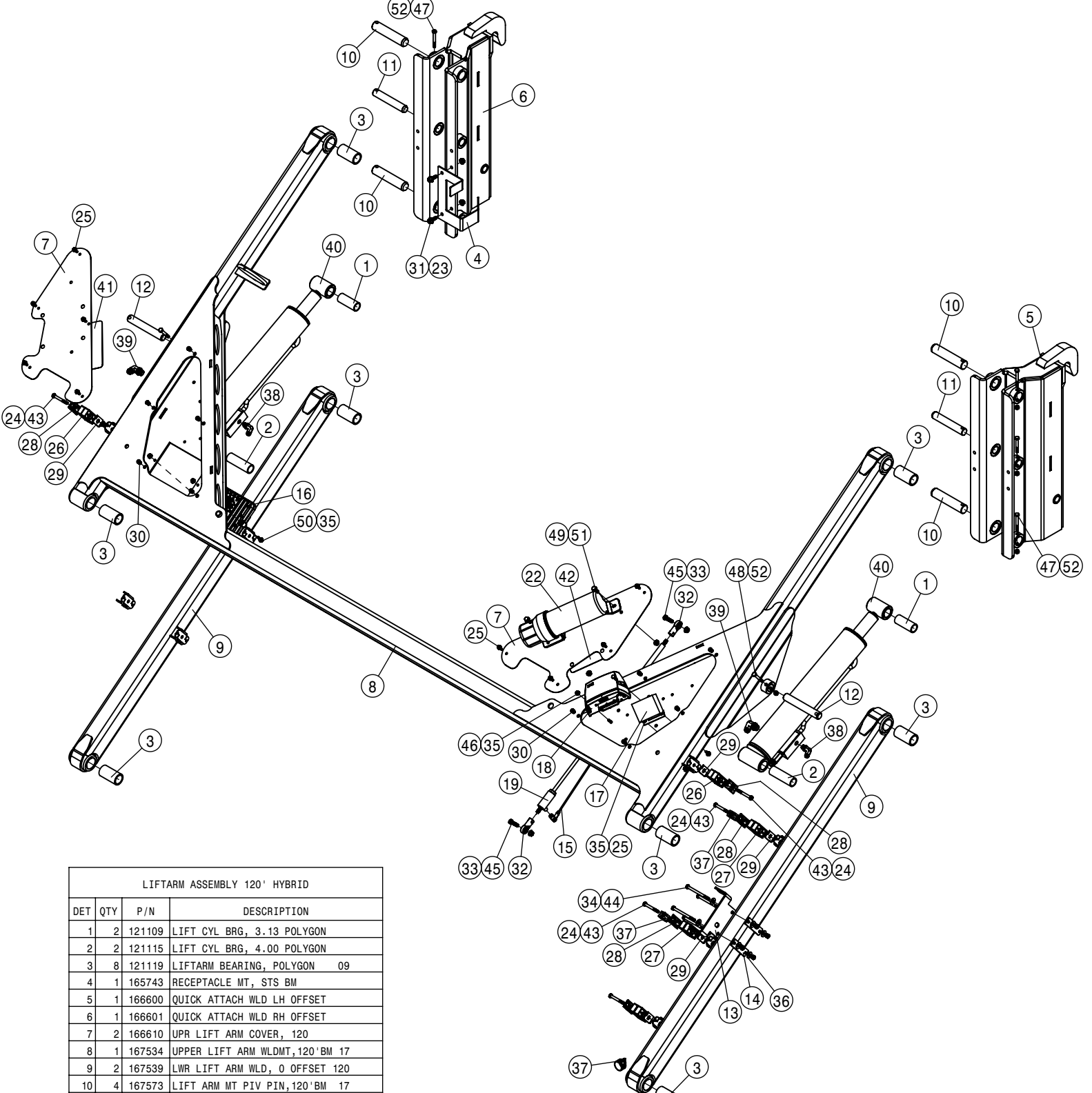
NOTE: Reference to left hand and right hand used throughout this manual refers to the position when seated in the operator's seat facing forward.

This manual is not intended to be a complete guide for machine maintenance and repairs. If you are not properly trained to perform service on this machine, contact your local John Deere dealer for assistance. Improper maintenance or repair may result in property damage, personal injury, or death.

BOOM SERIAL NUMBER

TABLE OF CONTENTS

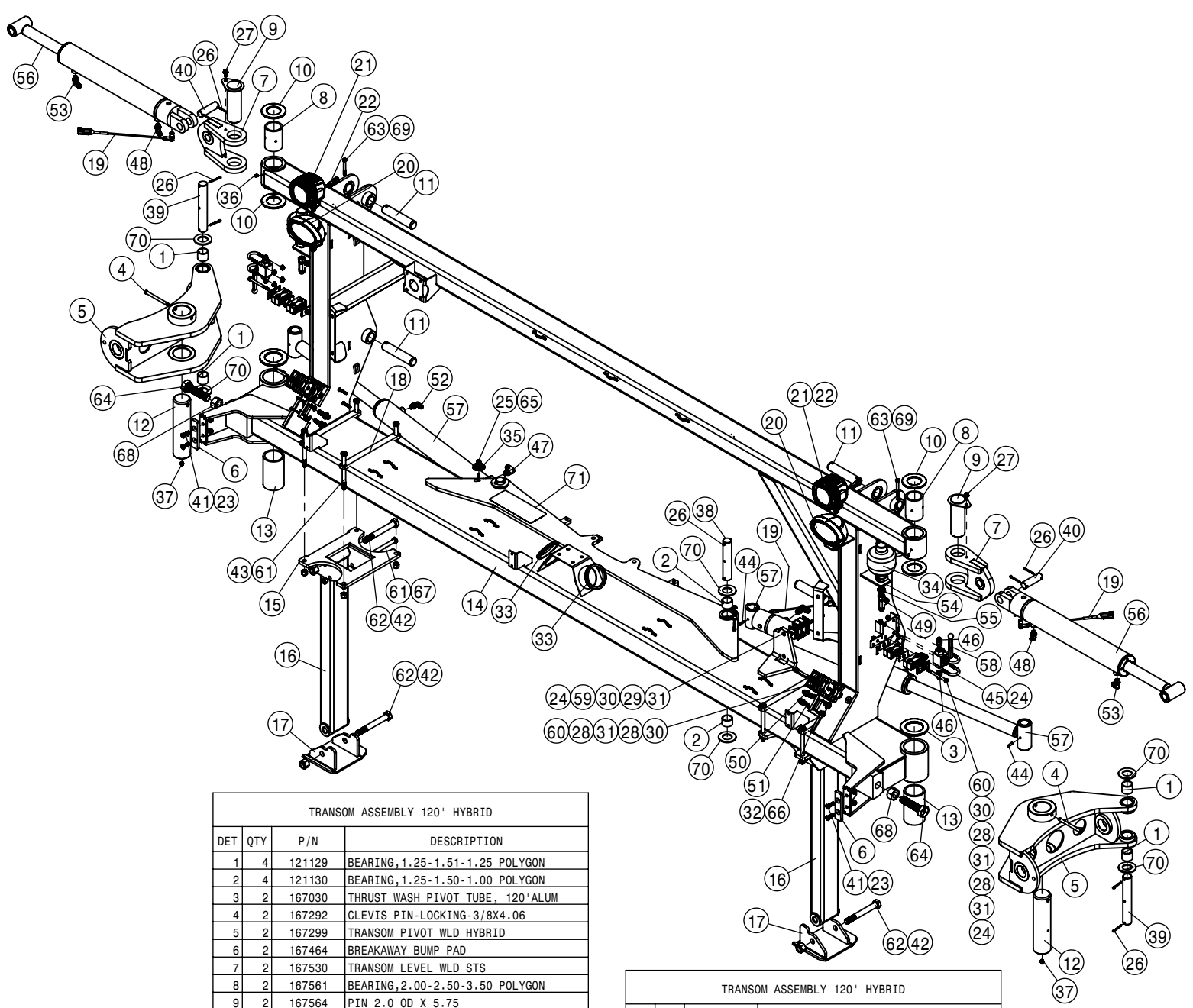
| | |
|-------------------------------------|-------|
| LIFTARM ASSEMBLY | 4 |
| TRANSOM ASSEMBLY | 5 |
| SECTION INDICATOR LIGHTS | 6 |
| BOOM HYDRAULIC VALVES | 7-8 |
| MULTICOUPLER ASSEMBLY | 9 |
| HYDRAULIC HOISING | 10-11 |
| ACTIVE WING ROLL CYLINDER | 12 |
| NORAC SENSOR MOUNTS | 13-15 |
| BOOM ASSEMBLY | 16-22 |
| CAM COUPLER | 23 |
| SOLUTION VALVES | 24-25 |
| SOLUTION HOISING | 26-27 |
| 15" WET BOOM SPACING | 28-32 |
| 20" WET BOOM SPACING | 33-37 |
| FENCE ROW NOZZLE | 38 |
| BOOM CRADLE | 39 |
| NIGHT SPRAY OPTION. | 40 |
| BOOM FOAMER LINES. | 41 |
| REAR BOOM. | 42-46 |
| HYDRAULIC DIAGRAMS. | 48-51 |



| LIFTARM ASSEMBLY 120' HYBRID | | | |
|------------------------------|-----|--------|-----------------------------------|
| DET | QTY | P/N | DESCRIPTION |
| 1 | 2 | 121109 | LIFT CYL BRG, 3.13 POLYGON |
| 2 | 2 | 121115 | LIFT CYL BRG, 4.00 POLYGON |
| 3 | 8 | 121119 | LIFTARM BEARING, POLYGON 09 |
| 4 | 1 | 165743 | RECEPTACLE MT, STS BM |
| 5 | 1 | 166600 | QUICK ATTACH WLD LH OFFSET |
| 6 | 1 | 166601 | QUICK ATTACH WLD RH OFFSET |
| 7 | 2 | 166610 | UPR LIFT ARM COVER, 120 |
| 8 | 1 | 167534 | UPPER LIFT ARM WLDMT, 120' BM 17 |
| 9 | 2 | 167539 | LWR LIFT ARM WLD, 0 OFFSET 120 |
| 10 | 4 | 167573 | LIFT ARM MT PIV PIN, 120' BM 17 |
| 11 | 2 | 167574 | LIFT ARM MT PIVOT PIN 17 |
| 12 | 2 | 167575 | LIFT CYL PIN, BARREL PIN, STS |
| 13 | 1 | 167830 | MULTICOUPLER LIFTARM MT |
| 14 | 2 | 167831 | MULTICOUPLER MT STRAP |
| 15 | 1 | 291994 | SENSOR HARNESS FOR AWS |
| 16 | 1 | 292005 | IQAN MC31 |
| 17 | 1 | 292027 | 18 WAY FUSE HOLDER ASSY |
| 18 | 1 | 292086 | IQAN-XA2 MODULE->611 |
| 19 | 1 | 292706 | LINEAR POSITION SENSOR, 300MM |
| NS | 1 | 294304 | LH MAIN BOOM HARNESS 120' '17 |
| NS | 1 | 294305 | RH MAIN HARNESS 120' BOOM STS |
| 22 | 1 | 344017 | MANUAL CANISTER W/NEOPREN SEAL |
| 23 | 2 | 470087 | 3/8-16UNC HEX FLG NUT SER MC GR5 |
| 24 | 5 | 470113 | 5/16-18UNC HEX FLG NUT SER MC GR5 |
| 25 | 12 | 470118 | 1/4UNC X 3/4 HHSFB GR5 MC |
| 26 | 2 | 470274 | TUBE CLAMP BODY, .750-.750 |
| 27 | 3 | 470275 | TUBE CLAMP BODY, 1.00-1.000 |

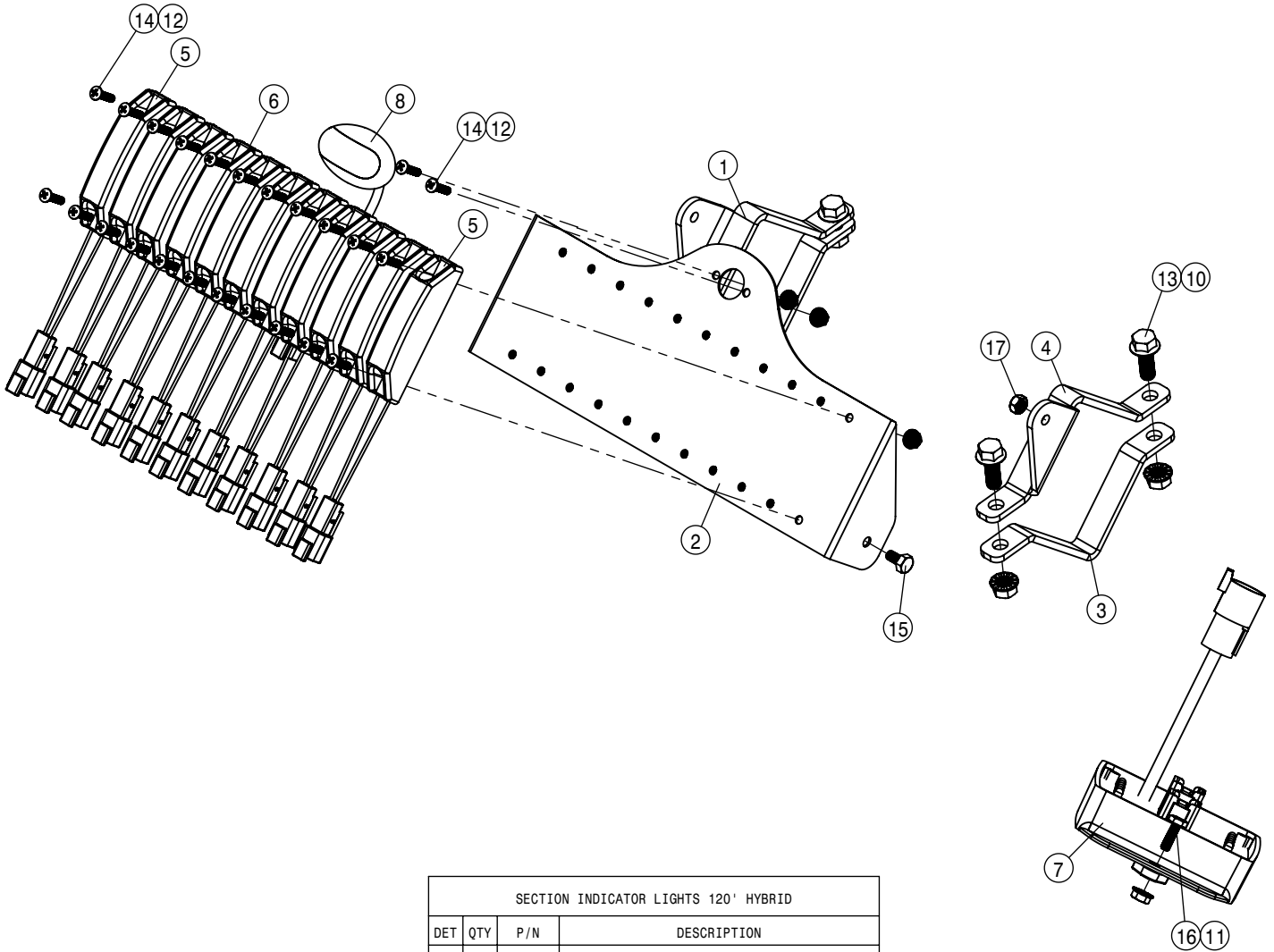
| LIFTARM ASSEMBLY 120' HYBRID | | | |
|------------------------------|-----|--------|------------------------------------|
| DET | QTY | P/N | DESCRIPTION |
| 28 | 5 | 470276 | CLAMP COVER PLATE, SNGL, 2.55LG |
| 29 | 5 | 470281 | STACK BOLT SAFETY LOCK PLATE |
| 30 | 10 | 470383 | 1/4-20 NUTSERT .165-.260 STL |
| 31 | 2 | 470460 | 3/8UNC X 1 HHSFB GR5 MC |
| 32 | 2 | 470628 | BALL END, 9.9MM BORE X 10MM THD |
| 33 | 2 | 472029 | 3/8UNC SERR FLANGE NUT SS |
| 34 | 4 | 473001 | 5/16-18UNC NYLOCK NUT MC GR5 |
| 35 | 6 | 473832 | 1/4-20UNC HEX FLG NUT SER SS |
| 36 | 8 | 483040 | USS FLAT WASHER 5/16 MC |
| 37 | 3 | 520108 | CUSH HOSE CLAMP, #20, 1 1/4 X 3/4W |
| 38 | 2 | 618119 | 9/16MJIC-90-9/16MOR LBO |
| 39 | 2 | 618241 | 3/4MJIC-90-3/4MOR LBO |
| 40 | 2 | 621669 | HYD CYL, 3.25X16.00X1.63 |

| LIFTARM ASSEMBLY 120' HYBRID | | | |
|------------------------------|-----|--------|-------------------------------|
| DET | QTY | P/N | DESCRIPTION |
| 41 | 1 | 650412 | RH BOOM DECAL 120'A'12 |
| 42 | 1 | 650413 | LH BOOM DECAL 120'A'12 |
| 43 | 5 | 900070 | 5/16UNC X 2 1/2 HHCS GR5 MC |
| 44 | 4 | 900076 | 5/16UNC X 4 HHCS GR5 MC |
| 45 | 2 | 900130 | 3/8UNC X 1 1/4 HEX BOLT |
| 46 | 2 | 900449 | 1/4UNC X 1 HHCS SS |
| 47 | 4 | 900494 | 5/16UNC X 2 1/2 HHCS SS |
| 48 | 4 | 900503 | 5/16UNC X 2 1/4 HHCS SS |
| 49 | 2 | 910119 | 5/16-18UNC HEX FLG NUT SER SS |
| 50 | 2 | 910124 | 1/4UNC X 1 HHSFB SS |
| 51 | 2 | 910126 | 5/16UNC X 1 HHSFB SS |
| 52 | 8 | 910132 | 5/16-18UNC NYLOCK NUT SS |

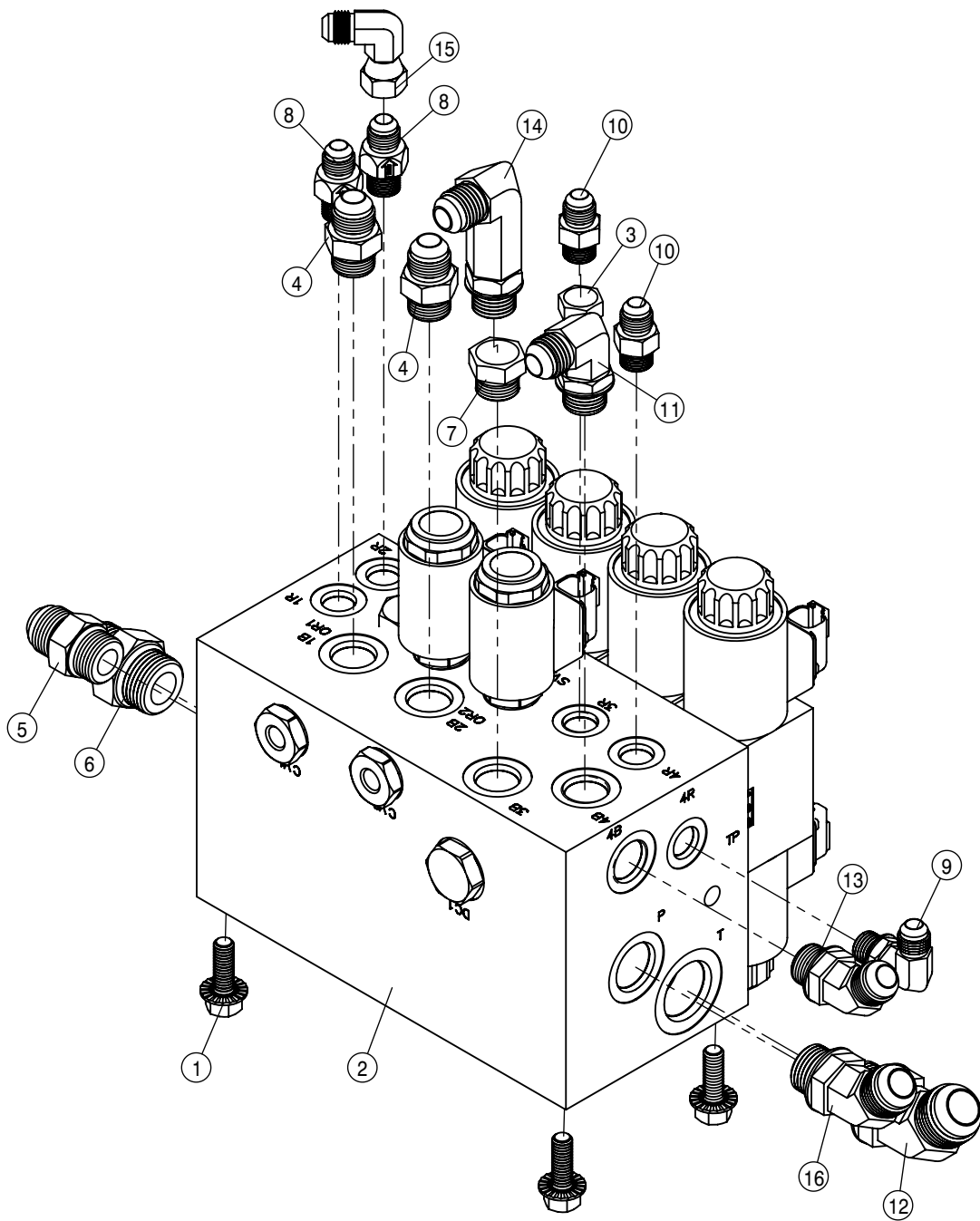


| TRANSOM ASSEMBLY 120' HYBRID | | | | |
|------------------------------|-----|--------|-----------------------------------|--|
| DET | QTY | P/N | DESCRIPTION | |
| 1 | 4 | 121129 | BEARING, 1.25-1.51-1.25 POLYGON | |
| 2 | 4 | 121130 | BEARING, 1.25-1.50-1.00 POLYGON | |
| 3 | 2 | 167030 | THRUST WASH PIVOT TUBE, 120' ALUM | |
| 4 | 2 | 167292 | CLEVIS PIN-LOCKING-3/8X4.06 | |
| 5 | 2 | 167299 | TRANSOM PIVOT WLD HYBRID | |
| 6 | 2 | 167464 | BREAKAWAY BUMP PAD | |
| 7 | 2 | 167530 | TRANSOM LEVEL WLD STS | |
| 8 | 2 | 167561 | BEARING, 2.00-2.50-3.50 POLYGON | |
| 9 | 2 | 167564 | PIN 2.0 OD X 5.75 | |
| 10 | 4 | 167567 | THRUST WASHER | |
| 11 | 4 | 167573 | LIFT ARM MT PIV PIN, 120' BM 17 | |
| 12 | 2 | 167825 | PIN, 2.50 OD, 9.88 LG, DRILLED | |
| 13 | 2 | 167827 | BRG POLYGON MRP 3 X 2.50 X 5 | |
| 14 | 1 | 167862 | TRANSOM 120' FIXED W/DECAL | |
| 15 | 2 | 169201 | HYBRID BM STAND MT WLD | |
| 16 | 2 | 169206 | HYBRID BM STAND LEG WLD | |
| 17 | 2 | 169211 | HYBRID BM SAND FT WLD | |
| 18 | 4 | 169214 | HYBRID BM STAND MNT PLATE | |
| 19 | 4 | 291994 | SENSOR HARNESS FOR AWS | |
| 20 | 2 | 292614 | WORK LIGHT, HALOGEN FLOOD '14 | |
| 21 | 2 | 292618 | WORKLIGHT-TYRI LED FLOOD | |
| 22 | 2 | 294299 | TYRI JUMPER HARNESS | |
| 23 | 4 | 470087 | 3/8-16UNC HEX FLG NUT SER MC GR5 | |
| 24 | 11 | 470113 | 5/16-18UNC HEX FLG NUT SER MC GR5 | |
| 25 | 2 | 470121 | 1/4-20UNC HEX FLG NUT SER MC GR5 | |
| 26 | 12 | 470162 | COTTER PIN 3/16 X 1 1/2 ZN | |
| 27 | 2 | 470233 | 5/16UNC X 3/4 HHSFB GR5 MC | |
| 28 | 8 | 470274 | TUBE CLAMP BODY, .750-.750 | |
| 29 | 1 | 470275 | TUBE CLAMP BODY, 1.00-1.000 | |
| 30 | 5 | 470276 | CLAMP COVER PLATE, SNGL, 2.55LG | |
| 31 | 7 | 470281 | STACK BOLT SAFETY LOCK PLATE | |
| 32 | 8 | 470463 | #8-32UNC HEX FLG NUT SER MC GR5 | |
| 33 | 2 | 470691 | GROMMET, 3.000ID .125GW 3.25GD | |
| 34 | 2 | 470701 | ACCUMULATOR, 30CI 1,812 PSI | |
| 35 | 2 | 470888 | TWIN #4 CLAMP | |
| 36 | 2 | 471005 | GREASE ZERK, 1/4-28 X 1/2 | |
| 37 | 2 | 471021 | GREASE ZERK 1/8 NPT STRAIGHT | |
| 38 | 2 | 472203 | CLEVIS PIN HL 1.25 DIA X 6.08 | |
| 39 | 2 | 472204 | CLEVIS PIN HL 1.25 DIA X 7.58 | |
| 40 | 2 | 472219 | CLEVIS PIN HL 1.0 DIA X 2.625 | |

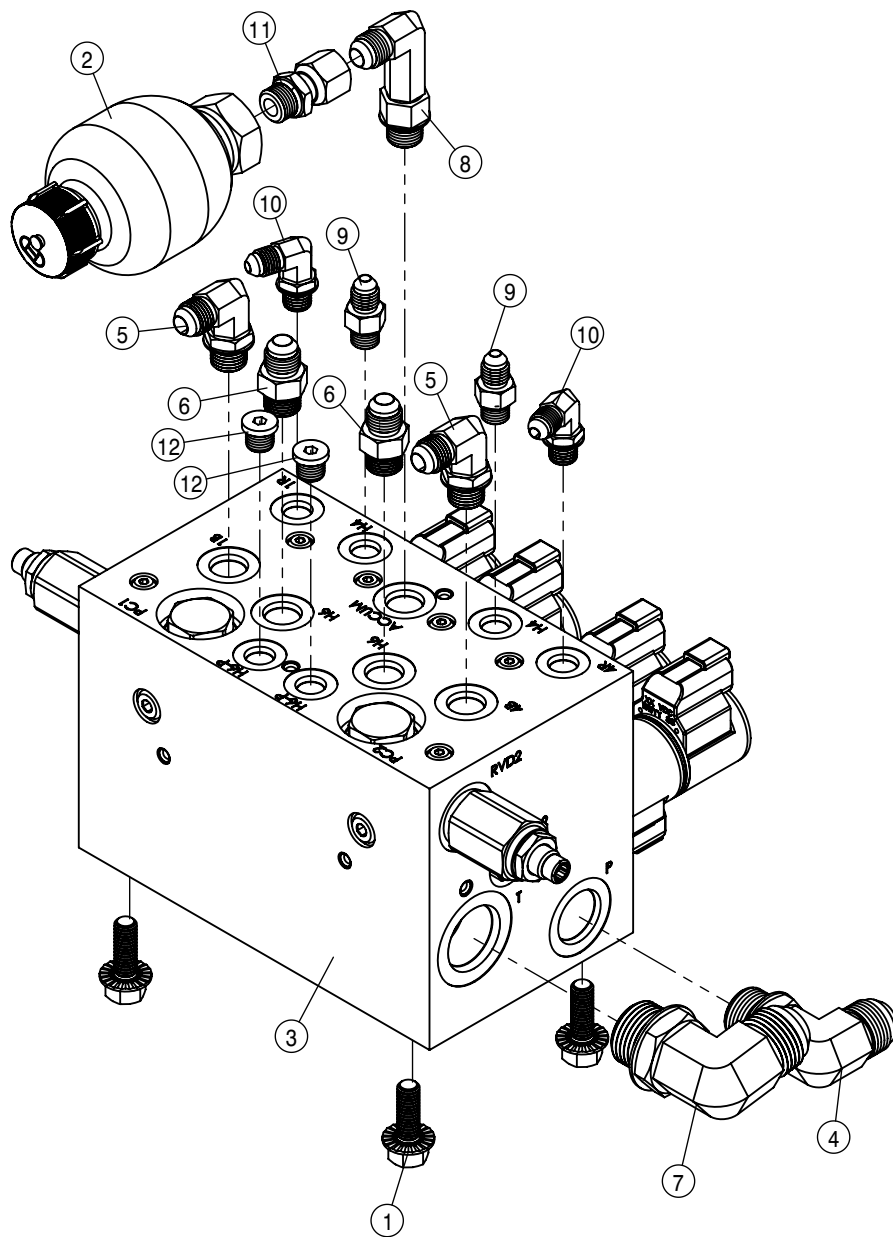
| TRANSOM ASSEMBLY 120' HYBRID | | | | |
|------------------------------|-----|----------|----------------------------------|--|
| DET | QTY | P/N | DESCRIPTION | |
| 41 | 4 | 472286 | 3/8UNC X 1-1/4 FLTHD SOC CAP SCR | |
| 42 | 4 | 473005 | 3/4-10UNC NYLOCK NUT MC GR5 | |
| 43 | 8 | 473007 | 1/2-13UNC NYLOCK NUT MC GR5 | |
| 44 | 4 | 473850 | ROLL PIN, 1/4 X 1 ZN | |
| 45 | 4 | 473911 | 5/16UNC-1.31ID-2.00 U-BOLT ZINC | |
| 46 | 4 | 618126 | 9/16MJIC-9/16MOR ADPTR | |
| 47 | 2 | 618249 | 3/4MJIC-90-9/16MOR LBO | |
| 48 | 2 | 618425 | 9/16MJIC-45-9/16MOR LBO | |
| 49 | 2 | 618451 | 3/4FJIC SW RUN TEE-3/4MJIC | |
| 50 | 2 | 618510 | 9/16MJIC-9/16MJIC BLKHD UNION | |
| 51 | 2 | 618511 | 7/16MJIC-7/16MJIC BLKHD UNION | |
| 52 | 2 | 618689 | 9/16MOR-90-9/16MJ .042 CHK VLV | |
| 53 | 2 | 618739 | 9/16MJIC-90-9/16MOR .065 CHK | |
| 54 | 2 | 618743 | 3/4MOR-3/4MJIC BLKHD, .040 ORF | |
| 55 | 2 | 618744 | 3/4 THD BLKHD LOCK NUT | |
| 56 | 2 | 620106 | HYD CYL, 2.75 X 15.25 X 1.50 | |
| 57 | 2 | 620150 | HYD CYL, 2.50" x 20.00" x 1.75 | |
| 58 | 2 | 696131 | HIGH PRESSURE BALL VALVE | |
| 59 | 1 | 900070 | 5/16UNC X 2 1/2 HHCS GR5 MC | |
| 60 | 4 | 900075 | 5/16UNC X 3 3/4 HHCS GR5 MC | |
| 61 | 10 | 900278 | 1/2UNC X 6 HHCS GR5 MC | |
| 62 | 4 | 900414 | 3/4UNC X 6 HHCS GR5 MC | |
| 63 | 4 | 900494 | 5/16UNC X 2 1/2 HHCS SS | |
| 64 | 2 | 900536 | 1UNC X 4 HHCS GR5 MC FT | |
| 65 | 2 | 901011 | 1/4UNC X 1 3/4 CARR BOLT | |
| 66 | 8 | 903850 | #8-32 UNC X 3/4 PHMS PH BZ | |
| 67 | 2 | 910008 | 1/2-13UNC HEX NUT MC GR5 | |
| 68 | 2 | 910017 | 1-8UNC HEX NUT MC GR5 | |
| 69 | 4 | 910132 | 5/16-18UNC NYLOCK NUT SS | |
| 70 | 8 | 920009 | SAE FLAT WASHER 1 1/4 MC | |
| 71 | 1 | HXE28534 | LABEL, HYDRAULIC ENGLISH | |



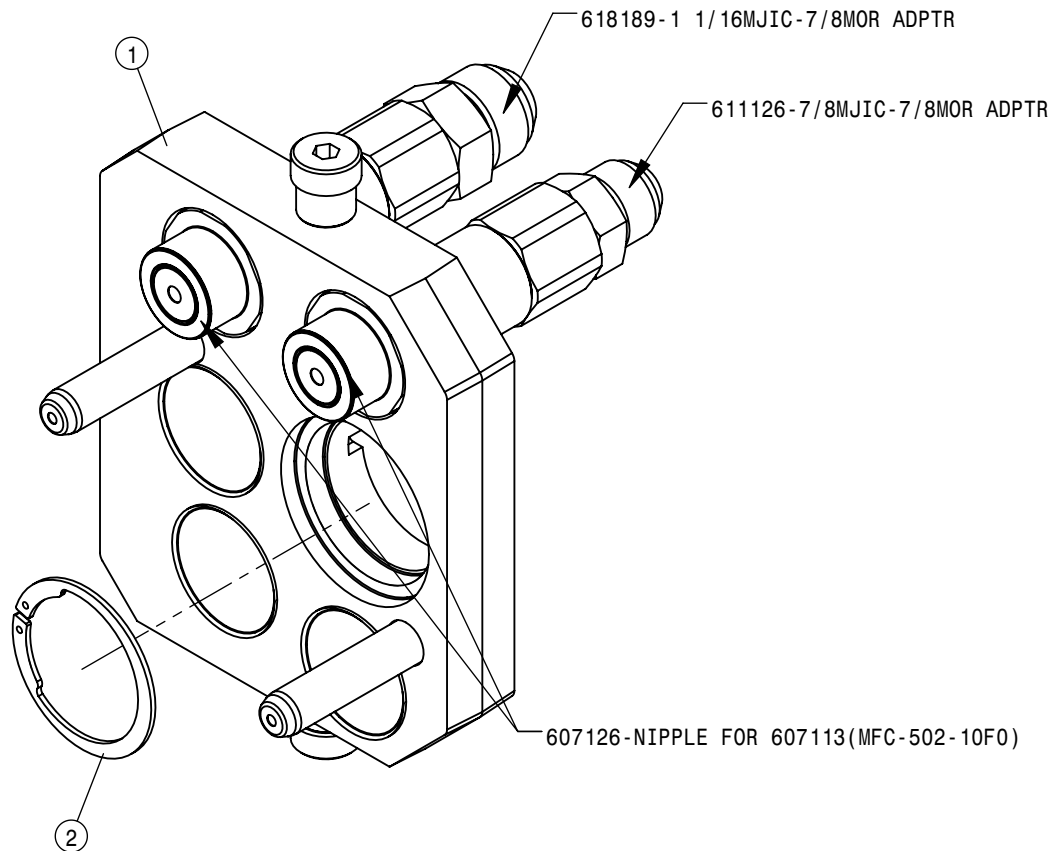
| SECTION INDICATOR LIGHTS 120' HYBRID | | | |
|--------------------------------------|-----|--------|----------------------------------|
| DET | QTY | P/N | DESCRIPTION |
| 1 | 1 | 165993 | RECEPT MTG BRKT BENT RGT |
| 2 | 1 | 165994 | BOOM INDICATOR LGT MT |
| 3 | 2 | 165995 | RECEPT MTG BRKT |
| 4 | 1 | 165996 | RECEPT MTG BRKT BENT LFT |
| 5 | 2 | 291325 | AMBER LAMP, 4" DT DEUTSCH |
| 6 | 9 | 291326 | RED LAMP, 4" DT DEUTSCH |
| 7 | 1 | 292030 | CAN POWER OUTLET MODULE |
| 8 | 1 | 293817 | MASTER SPRAY LIGHT, STS 05 |
| NS | 1 | 294360 | HARNES, SEC LIGHT EDI |
| 10 | 4 | 470087 | 3/8UNC HEX SERR FLANGE NUT |
| 11 | 3 | 470121 | 1/4-20UNC HEX FLG NUT SER MC GR5 |
| 12 | 24 | 470175 | 10-32 SERR FLANGE NUT |
| 13 | 4 | 470460 | 3/8 X 1" SERR FLG BOLT |
| 14 | 24 | 472235 | 10-32 X 3/4 PHIL HD MACH SCR |
| 15 | 2 | 900000 | 1/4UNC X 1/2 HEX BOLT |
| 16 | 3 | 900002 | 1/4UNC X 3/4 HHCS GR5 MC |
| 17 | 2 | 910000 | 1/4UNC HEX NUT |



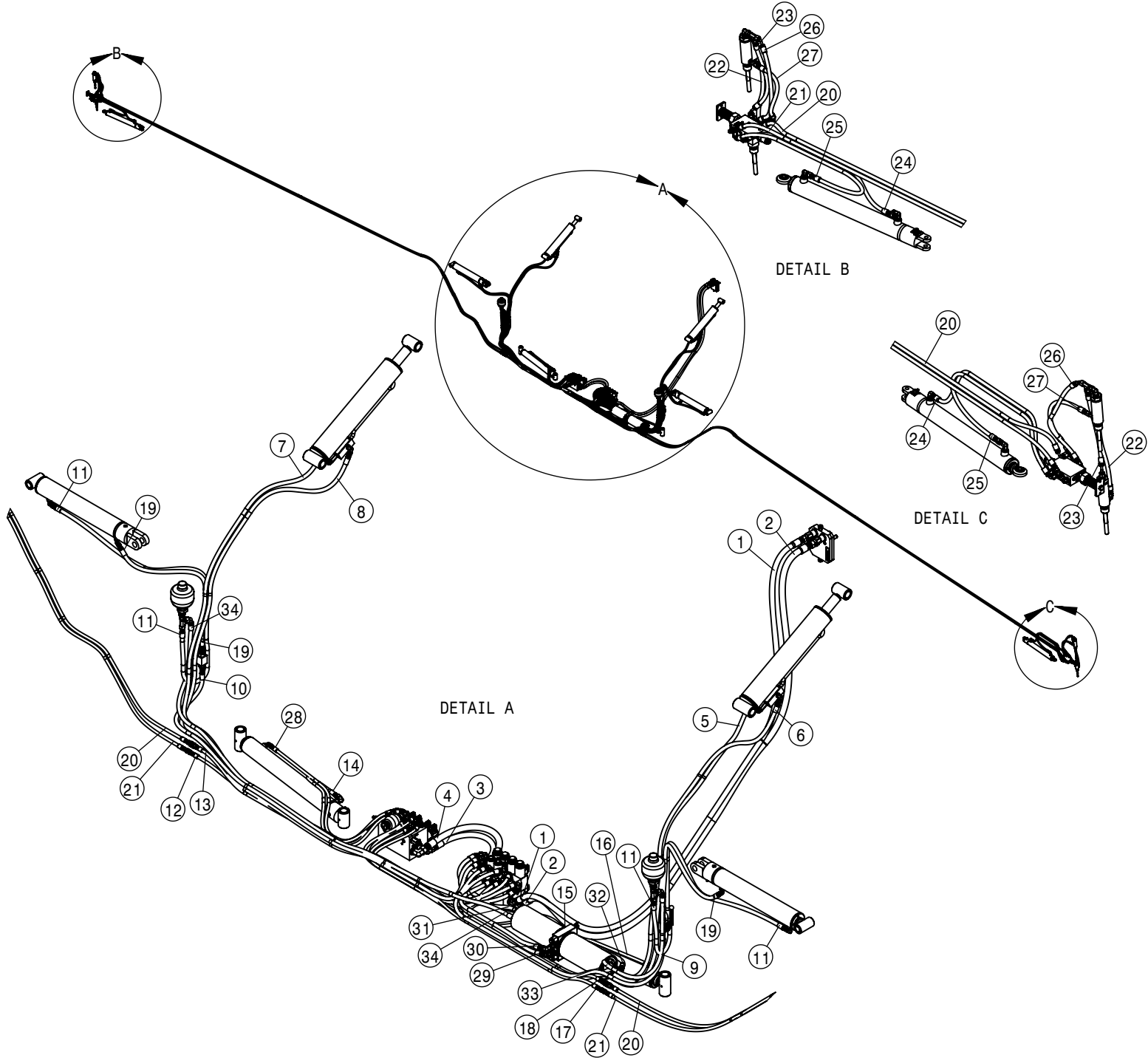
| LIFT AND LEVEL VALVE ASSEMBLY 120' HYBRID | | | |
|---|-----|--------|-------------------------------------|
| DET | QTY | P/N | DESCRIPTION |
| 1 | 4 | 470460 | 3/8UNC X 1 HHSFB GR5 MC |
| 2 | 1 | 606477 | 4 - SECTION LIFT/LEVEL/AWR |
| 3 | 1 | 610185 | 9/16MOR PLUG, HEX HEAD |
| 4 | 2 | 611125 | 3/4MJIC-3/4MOR ADPTR |
| 5 | 1 | 611126 | 7/8MJIC-7/8MOR ADPTR |
| 6 | 1 | 611127 | 1 1/16MJIC-1 1/16MOR ADPTR |
| 7 | 1 | 611159 | 3/4MOR PLUG, HEX HEAD |
| 8 | 2 | 614765 | 9/16MJIC-9/16MOR,.047 ORIFICE ADPTR |
| 9 | 1 | 618119 | 9/16MJIC-90-9/16MOR LBO |
| 10 | 2 | 618126 | 9/16MJIC-9/16MOR ADPTR |
| 11 | 1 | 618241 | 3/4MJIC-90-3/4MOR LBO |
| 12 | 1 | 618313 | 1 1/16MJIC-45-1 1/16MOR LBO |
| 13 | 1 | 618315 | 3/4MJIC-45-3/4MOR LBO |
| 14 | 1 | 618443 | 3/4MJIC-90-3/4MOR EX LG LBO |
| 15 | 1 | 618618 | 9/16MJIC-90-9/16FJIC SWIV LBO |
| 16 | 1 | 618644 | 7/8MJIC-45-7/8MOR LBO |



| FOLD VALVE ASSEMBLY 120° HYBRID | | | |
|---------------------------------|-----|--------|-------------------------------|
| DET | QTY | P/N | DESCRIPTION |
| 1 | 4 | 470460 | 3/8UNC X 1 HHSFB GR5 MC |
| 2 | 1 | 470759 | ACCUMULATOR, 5GI 800 PSI |
| 3 | 1 | 606468 | VALVE, FOLD, 4-SECTION |
| 4 | 1 | 611128 | 7/8MJIC-90-7/8MOR LBO |
| 5 | 2 | 618119 | 9/16MJIC-90-9/16MOR LBO |
| 6 | 2 | 618126 | 9/16MJIC-9/16MOR ADPTR |
| 7 | 1 | 618248 | 1 1/16MJIC-90-1 1/16MOR LBO |
| 8 | 1 | 618440 | 9/16MJIC-90-9/16MOR EX LG LBO |
| 9 | 2 | 618467 | 7/16MJIC-7/16MOR ADPTR |
| 10 | 2 | 618473 | 7/16MJIC-90-7/16MOR LBO |
| 11 | 1 | 618668 | 9/16FJIC SWIV-9/16MOR ADPTR |
| 12 | 2 | 618753 | 7/16 MOR PLUG, HEX SOCKET |

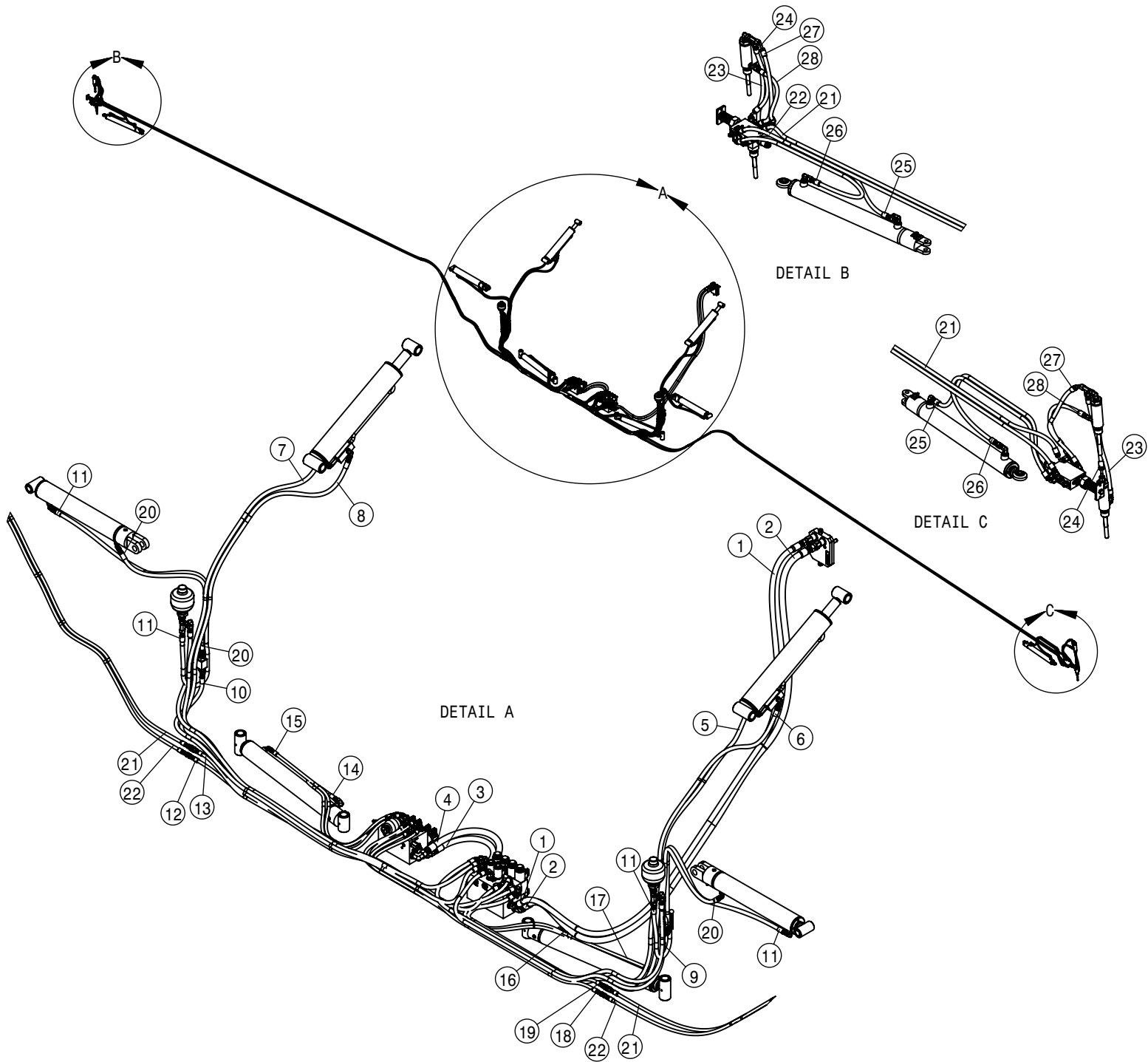


| MULTICOUPLER ASSEMBLY 120' HYBRID | | | |
|-----------------------------------|-----|--------|--------------------------------|
| DET | QTY | P/N | DESCRIPTION |
| 1 | 1 | 607114 | MOBILE HALF COUPLER ASSY, 0502 |
| 2 | 1 | 629546 | SNAP RING, 1.637 EXTERNAL |



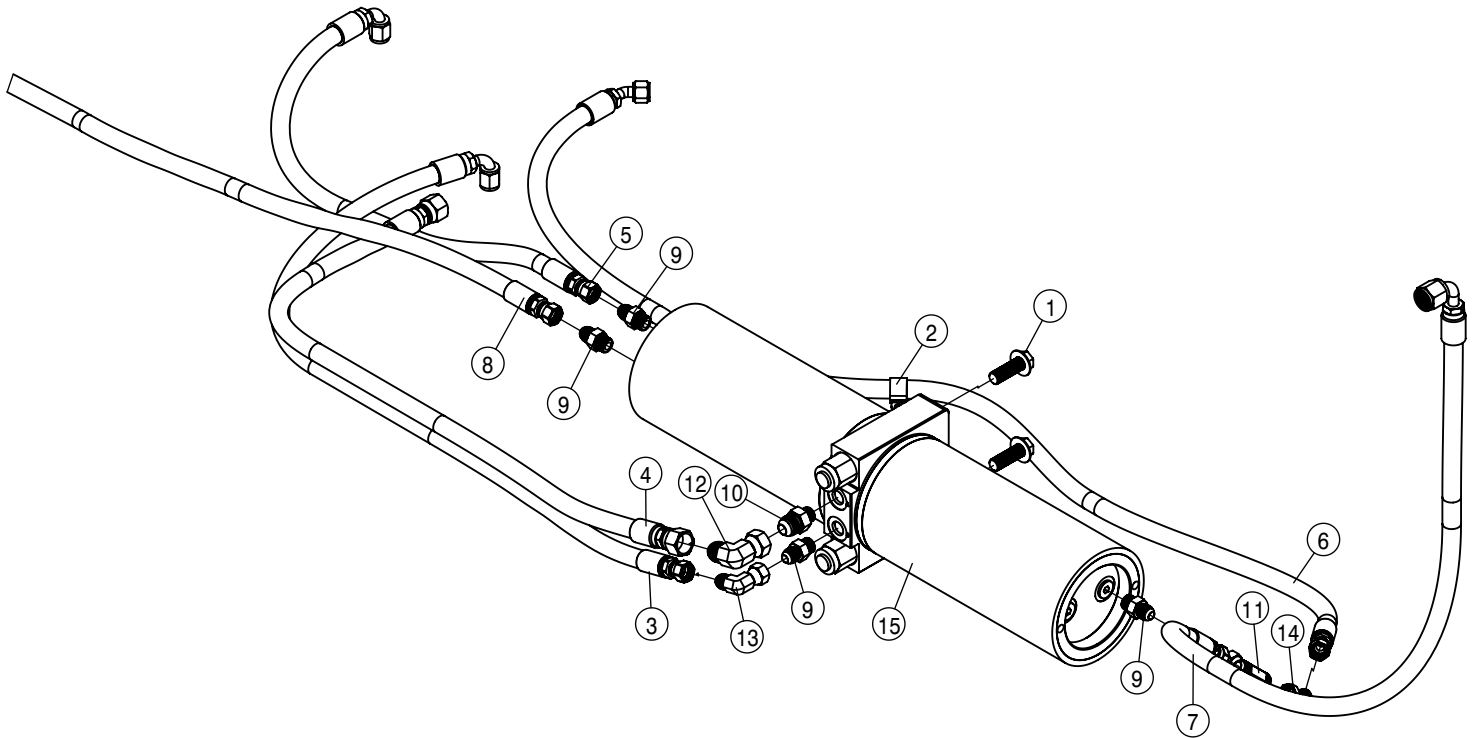
| HYDRAULIC HOISING W/ACTIVE WING ROLL 120' HYBRID | | | | |
|--|-----|--------|----------------------------|-----|
| DET | QTY | P/N | DESCRIPTION | |
| 1 | 1 | 617215 | 10-451TC-10FJX-10FJX-116 | H/A |
| 2 | 1 | 617216 | 12-451TC-12FJX-12FJX-114 | H/A |
| 3 | 1 | 617217 | 10-451TC-10FJX-10FJX90-26 | H/A |
| 4 | 1 | 617218 | 12-451TC-12FJX-12FJX90-28 | H/A |
| 5 | 1 | 617219 | 06-451TC-08FJX-08FJX90-121 | H/A |
| 6 | 1 | 617220 | 06-451TC-06FJX-06FJX90-120 | H/A |
| 7 | 1 | 617221 | 06-451TC-08FJX-08FJX-147 | H/A |
| 8 | 1 | 617222 | 06-451TC-06FJX-06FJX90-151 | H/A |
| 9 | 1 | 617223 | 06-451TC-06FJX-08FJX90-70 | H/A |
| 10 | 1 | 617224 | 06-451TC-06FJX-08FJX90-94 | H/A |
| 11 | 2 | 617427 | 06-451TC-06FJX-08FJX-75 | H/A |
| 12 | 1 | 617428 | 04-451TC-04FJX-04FJX-49 | H/A |
| 13 | 1 | 617429 | 04-451TC-06FJX-06FJX-47 | H/A |
| 14 | 1 | 617430 | 04-451TC-08FJX-06FJX90-45 | H/A |
| 15 | 1 | 617432 | 04-451TC-08FJX-06FJX90-68 | H/A |
| 16 | 1 | 617433 | 04-451TC-06FJX-04FJX90-74 | H/A |
| 17 | 1 | 617434 | 04-451TC-04FJX-04FJX-72 | H/A |

| HYDRAULIC HOISING W/ACTIVE WING ROLL 120' HYBRID | | | | |
|--|-----|--------|--------------------------------|-----|
| DET | QTY | P/N | DESCRIPTION | |
| 18 | 1 | 617435 | 04-451TC-06FJX-06FJX-70 | H/A |
| 19 | 2 | 617437 | 06-451TC-06FJX-06FJX-34 | H/A |
| 20 | 2 | 617438 | 04-451TC-06FJX-06FJX90-328 | H/A |
| 21 | 2 | 617439 | 04-451TC-04FJX-04FJX-331 | H/A |
| 22 | 2 | 617440 | 04-451TC-04FJX-04FJX90-14.5H/A | H/A |
| 23 | 2 | 617441 | 04-451TC-06FJX-06FJX45-15 | H/A |
| 24 | 2 | 617442 | 04-451TC-06FJX-06FJX-35 | H/A |
| 25 | 2 | 617443 | 04-451TC-06FJX-04FJX90-40 | H/A |
| 26 | 2 | 617444 | 04-451TC-04FJX-06FJX45-19 | H/A |
| 27 | 2 | 617445 | 04-451TC-04FJX-06FJX45-14 | H/A |
| 28 | 1 | 617431 | 04-451TC-06FJX-04FJX90-52 | H/A |
| 29 | 1 | 617499 | 06-451TC-06FJX-06FJX90-35 | H/A |
| 30 | 1 | 617500 | 06-451TC-08FJX-08FJX-32 | H/A |
| 31 | 1 | 617501 | 06-451TC-06FJX-06FJX90-25 | H/A |
| 32 | 1 | 617502 | 06-451TC-06FJX-06FJX45-52 | H/A |
| 33 | 1 | 617503 | 06-451TC-06FJX-08FJX90-33 | H/A |
| 34 | 1 | 617504 | 06-451TC-06FJX-08FJX90-104 | H/A |

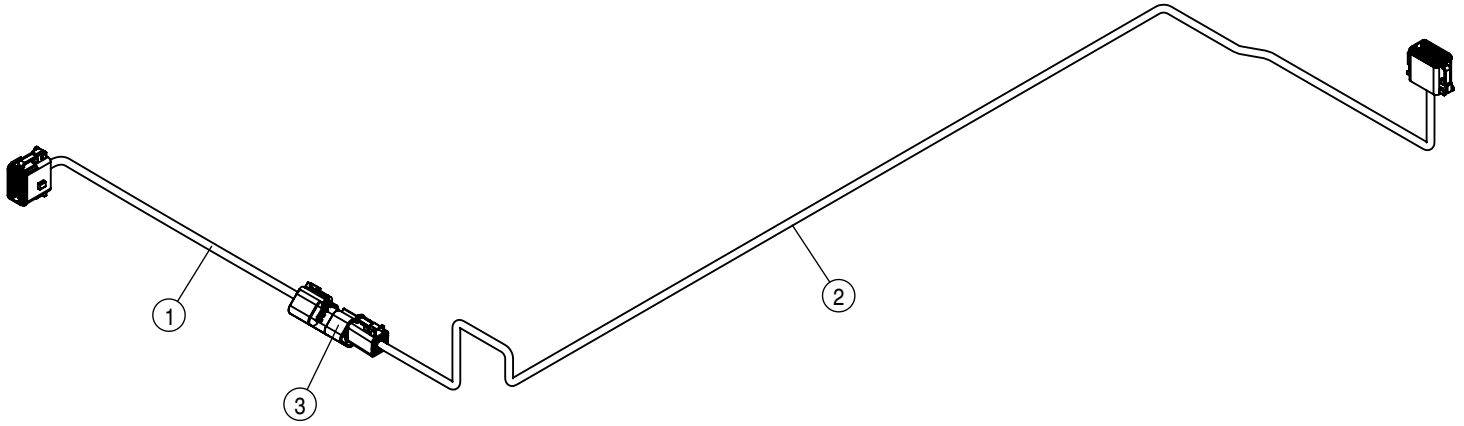


| HYDRAULIC HOISING WITHOUT WING ROLL 120' HYBRID | | | | |
|---|-----|--------|----------------------------|-----|
| DET | QTY | P/N | DESCRIPTION | |
| 1 | 1 | 617215 | 10-451TC-10FJX-10FJX-116 | H/A |
| 2 | 1 | 617216 | 12-451TC-12FJX-12FJX-114 | H/A |
| 3 | 1 | 617217 | 10-451TC-10FJX-10FJX90-26 | H/A |
| 4 | 1 | 617218 | 12-451TC-12FJX-12FJX90-28 | H/A |
| 5 | 1 | 617219 | 06-451TC-08FJX-08FJX90-121 | H/A |
| 6 | 1 | 617220 | 06-451TC-06FJX-06FJX90-120 | H/A |
| 7 | 1 | 617221 | 06-451TC-08FJX-08FJX-147 | H/A |
| 8 | 1 | 617222 | 06-451TC-06FJX-06FJX90-151 | H/A |
| 9 | 1 | 617223 | 06-451TC-06FJX-08FJX90-70 | H/A |
| 10 | 1 | 617224 | 06-451TC-06FJX-08FJX90-94 | H/A |
| 11 | 2 | 617427 | 06-451TC-06FJX-08FJX-75 | H/A |
| 12 | 1 | 617428 | 04-451TC-04FJX-04FJX-49 | H/A |
| 13 | 1 | 617429 | 04-451TC-06FJX-06FJX-47 | H/A |
| 14 | 1 | 617430 | 04-451TC-08FJX-06FJX90-45 | H/A |
| 15 | 1 | 617431 | 04-451TC-06FJX-04FJX90-52 | H/A |

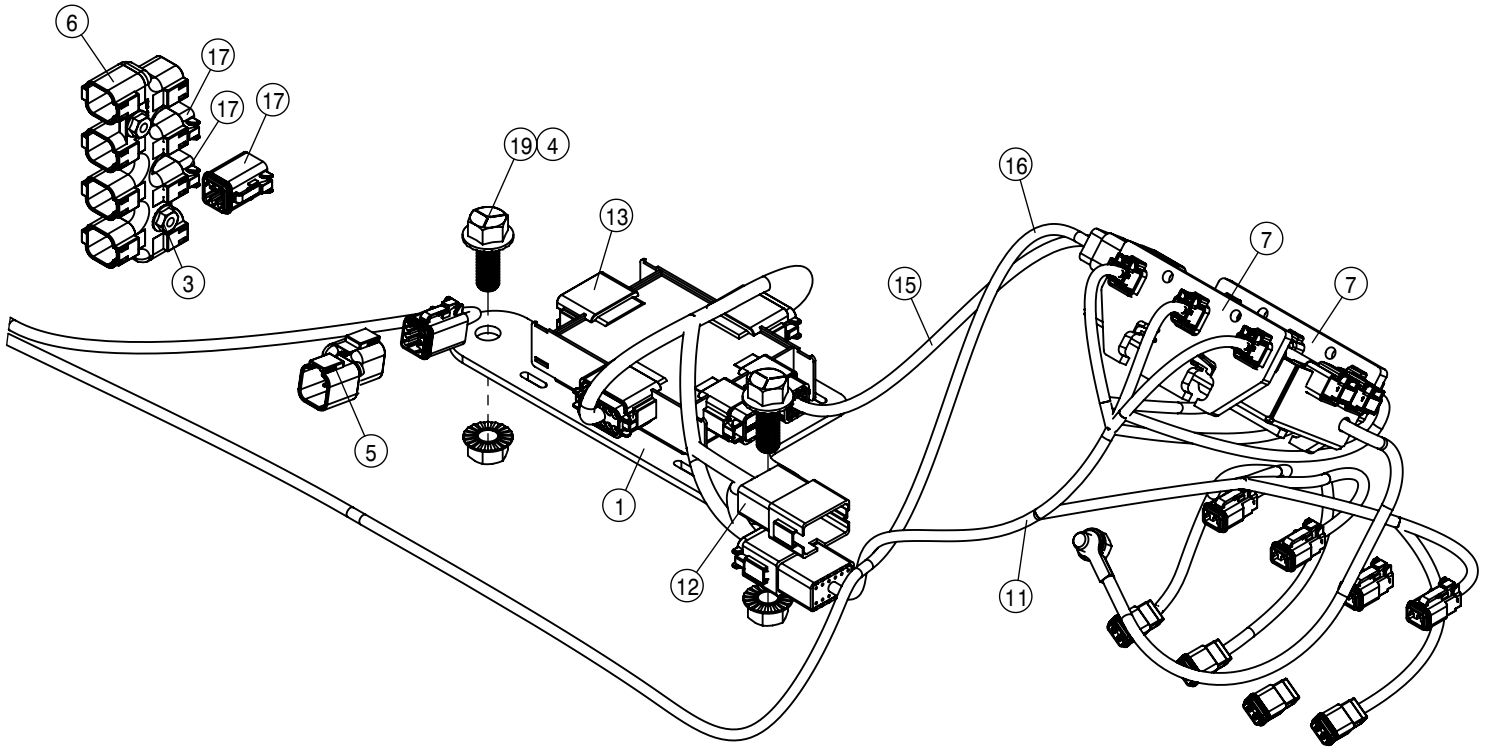
| HYDRAULIC HOISING WITHOUT WING ROLL 120' HYBRID | | | | |
|---|-----|--------|--------------------------------|-----|
| DET | QTY | P/N | DESCRIPTION | |
| 16 | 1 | 617432 | 04-451TC-08FJX-06FJX90-68 | H/A |
| 17 | 1 | 617433 | 04-451TC-06FJX-04FJX90-74 | H/A |
| 18 | 1 | 617434 | 04-451TC-04FJX-04FJX-72 | H/A |
| 19 | 1 | 617435 | 04-451TC-06FJX-06FJX-70 | H/A |
| 20 | 2 | 617437 | 06-451TC-06FJX-06FJX-34 | H/A |
| 21 | 2 | 617438 | 04-451TC-06FJX-06FJX90-328 | H/A |
| 22 | 2 | 617439 | 04-451TC-04FJX-04FJX-331 | H/A |
| 23 | 2 | 617440 | 04-451TC-04FJX-04FJX90-14.5H/A | |
| 24 | 2 | 617441 | 04-451TC-06FJX-06FJX45-15 | H/A |
| 25 | 2 | 617442 | 04-451TC-06FJX-06FJX-35 | H/A |
| 26 | 2 | 617443 | 04-451TC-06FJX-04FJX90-40 | H/A |
| 27 | 2 | 617444 | 04-451TC-04FJX-06FJX45-19 | H/A |
| 28 | 2 | 617445 | 04-451TC-04FJX-06FJX45-14 | H/A |
| 29 | 1 | 617565 | 06-451TC-08FJX-06FJX45-81 | H/A |
| 30 | 1 | 617566 | 06-451TC-08FJX-06FJX90-94 | H/A |



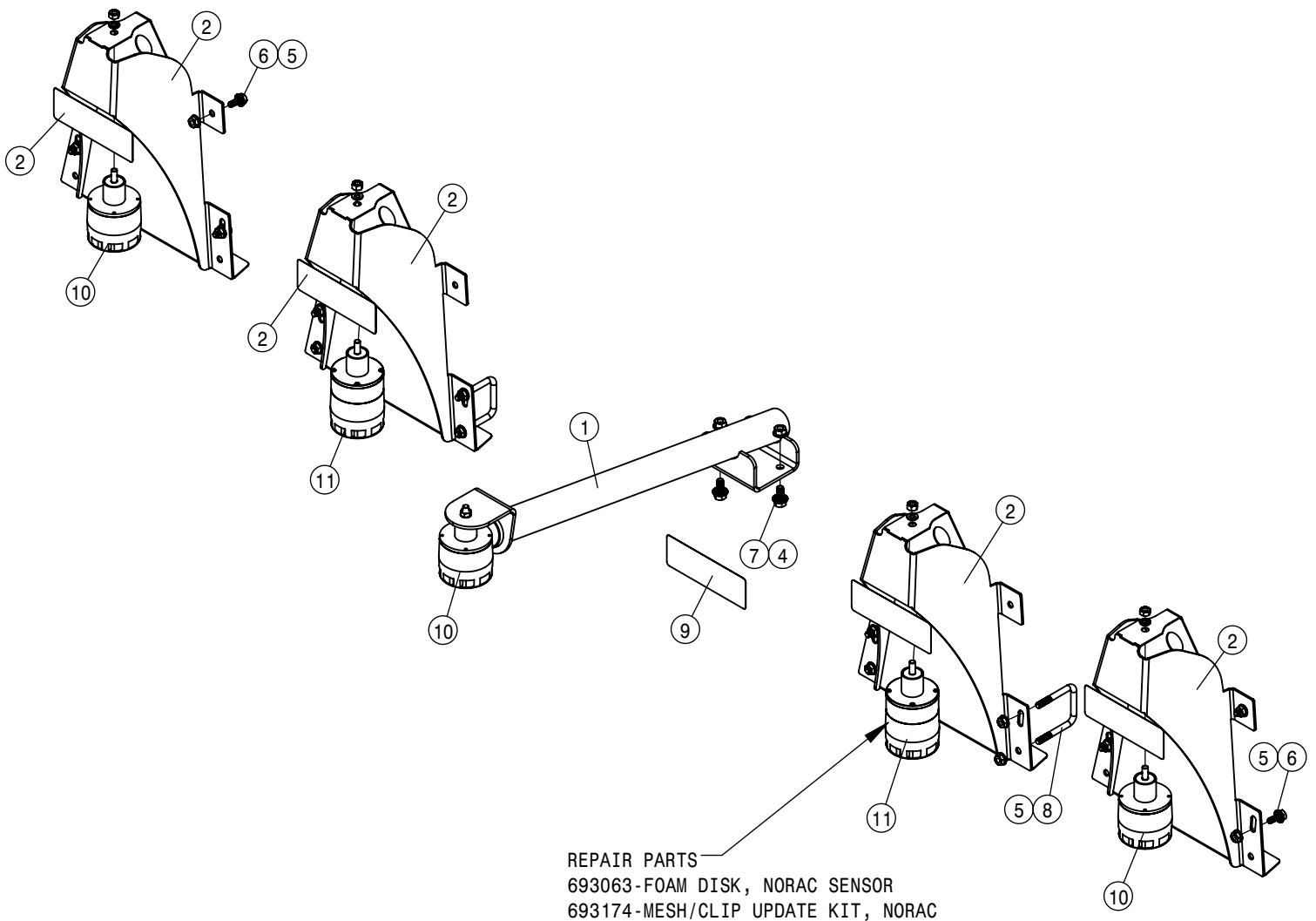
| ACTIVE WING ROLL CYLINDER ASSEMBLY 120' HYBRID | | | |
|--|-----|--------|----------------------------------|
| DET | QTY | P/N | DESCRIPTION |
| 1 | 2 | 473855 | 12MM-1.75 X 35MM SM FLG BOLT |
| 2 | 1 | 520117 | CUSH HOSE CLAMP,#10, 5/8D X 1/2W |
| 3 | 1 | 617499 | 06-451TC-06FJX-06FJX90-35 H/A |
| 4 | 1 | 617500 | 06-451TC-08FJX-08FJX-32 H/A |
| 5 | 1 | 617501 | 06-451TC-06FJX-06FJX90-25 H/A |
| 6 | 1 | 617502 | 06-451TC-06FJX-06FJX45-52 H/A |
| 7 | 1 | 617503 | 06-451TC-06FJX-08FJX90-33 H/A |
| 8 | 1 | 617504 | 06-451TC-06FJX-08FJX90-104 H/A |
| 9 | 4 | 618126 | 9/16MJIC-9/16MOR ADPTR |
| 10 | 1 | 618360 | 3/4MJIC-9/16MOR ADPTR |
| 11 | 1 | 618514 | 9/16FJIC SW BRANCH TEE-9/16MJIC |
| 12 | 1 | 618609 | 3/4MJIC-90-3/4FJIC SWIV LBO |
| 13 | 1 | 618618 | 9/16MJIC-90-9/16FJIC SWIV LBO |
| 14 | 1 | 618634 | 9/16MJIC-45-9/16FJIC SWIV LBO |
| 15 | 1 | 621613 | ACTIVE WING ROLL CYLINDER |



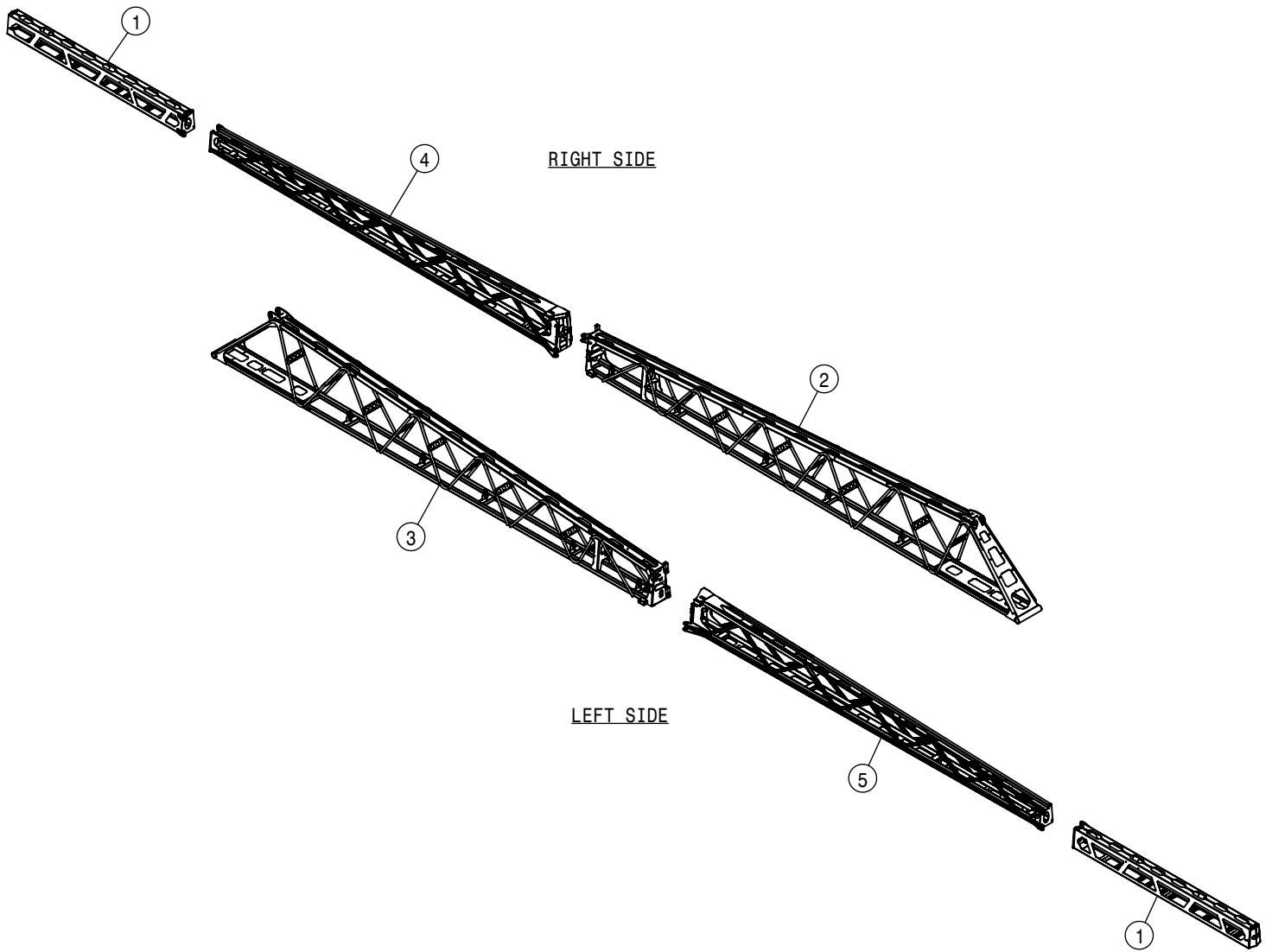
| NORAC CAB TO BOOM HARNESS ASSEMBLY 120' HYBRID | | | |
|--|-----|--------|-------------------------------|
| DET | QTY | P/N | DESCRIPTION |
| 1 | 1 | 693077 | NORAC CABLE, UC5 NETWORK, 10" |
| 2 | 1 | 693078 | NORAC CABLE, UC5 NETWORK, 90" |
| 3 | 1 | 693128 | NORAC UC5 NETWORK 2-WAY CPLR |



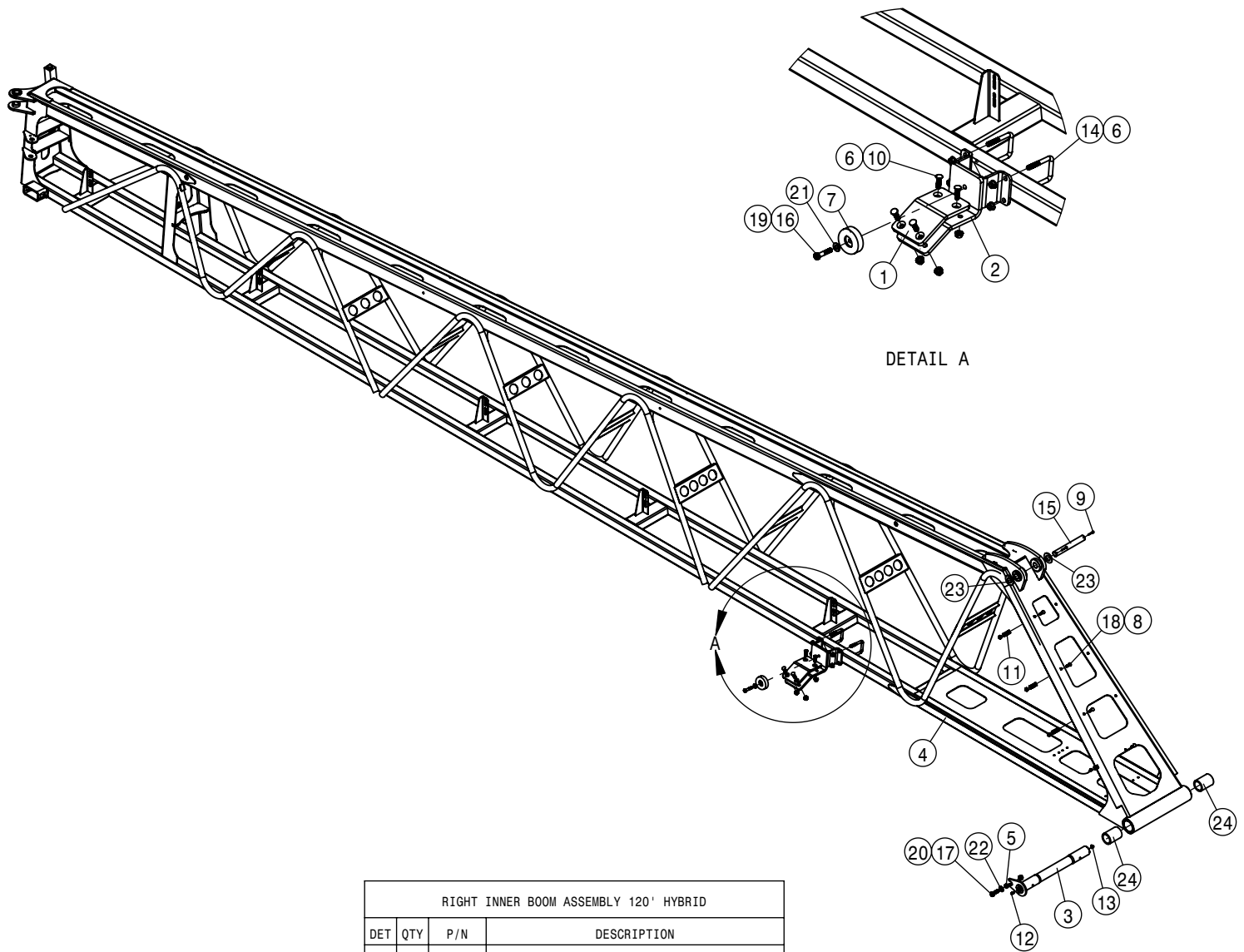
| NORAC MODULE ASSEMBLY 120' HYBRID | | | |
|-----------------------------------|-----|--------|----------------------------------|
| DET | QTY | P/N | DESCRIPTION |
| | 1 | 167751 | NORAC MODULE MT |
| NS | 2 | 294353 | HARNESS, 2 PIN JUMPER AWR |
| | 2 | 470121 | 1/4-20UNC HEX FLG NUT SER MC GR5 |
| | 2 | 470360 | 1/2-13UNC HEX FLG NUT SER MC GR5 |
| | 2 | 693128 | NORAC UC5 NETWORK 2-WAY CPLR |
| | 1 | 693131 | NORAC UC5 NETWORK CPLR, 8-WAY |
| | 1 | 693133 | NORAC MODULE, UC5 VALVE |
| NS | 2 | 693147 | NORAC UC5 NETWORK CPLR, 3-WAY |
| NS | 1 | 693161 | NORAC CABLE, UC5 NETWORK, 5M |
| NS | 1 | 693390 | NORAC CABLE, STS BM DISCONNECT |
| | 1 | 693749 | UC5 CABLE, VALVE |
| | 1 | 693750 | UC5 INTERFACE CABLE |
| | 1 | 693751 | UC5 INPUT PASS THRU MODULE |
| NS | 4 | 693752 | UC5 NETWORK 2 PIN PLUG |
| | 1 | 693757 | UC5 NETWORK CABLE, 14 AWG .5M |
| | 3 | 693758 | UC5 NETWORK CABLE, 14 AWG 3M |
| | 4 | 693800 | UC5 NETWORK 6PIN PLUG |
| NS | 3 | 693964 | CABLE UC5 NETWORK 14 AWG 10M |
| | 2 | 900517 | 1/2UNC X 1 1/4 HHSFB GR5 MC |



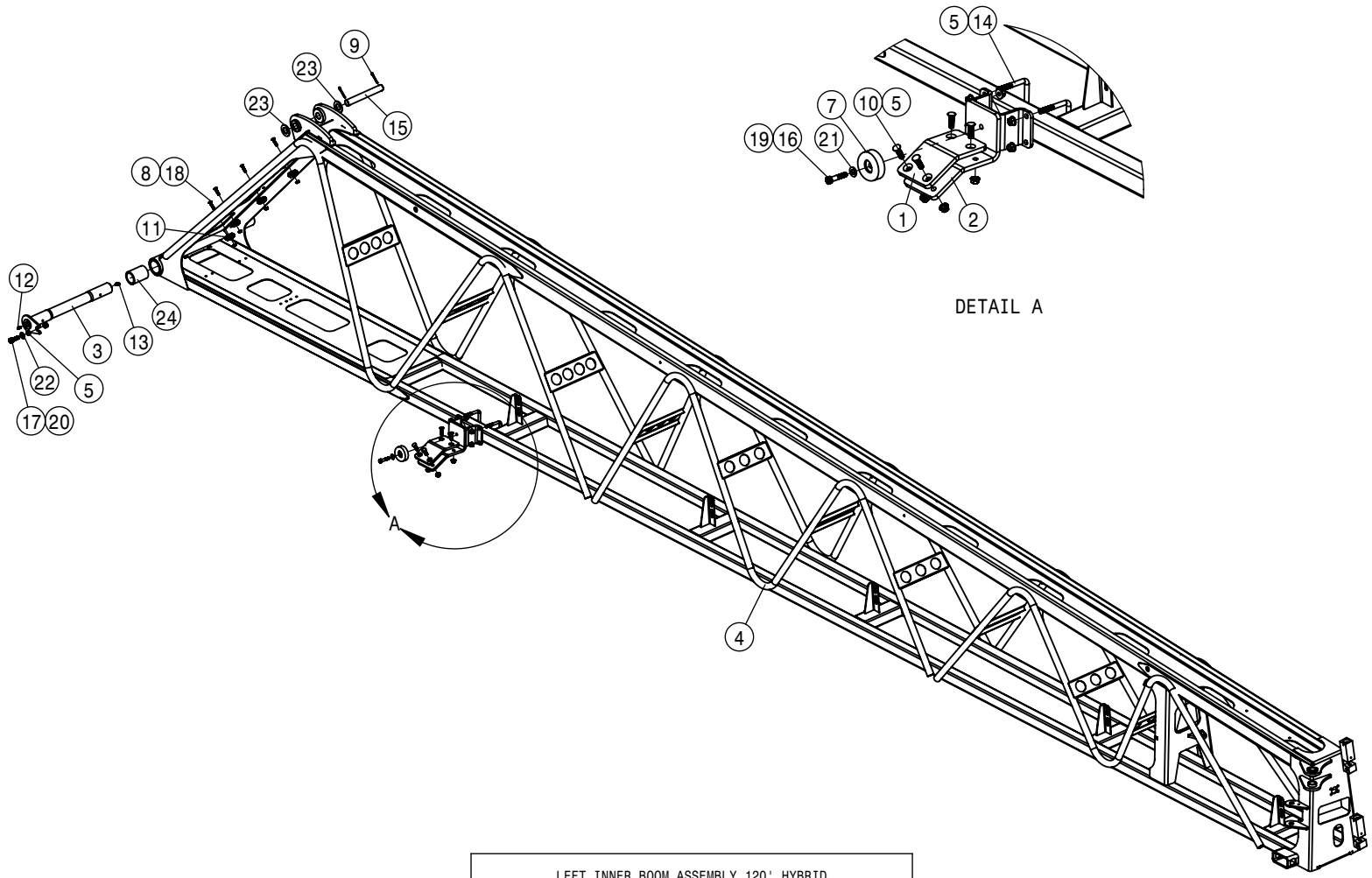
| NORAC SENSOR MOUNTS 120' HYBRID | | | |
|---------------------------------|-----|--------|-----------------------------------|
| DET | QTY | P/N | DESCRIPTION |
| | 1 | 167310 | NORAC MNT WLD CTR, 120 |
| | 4 | 167783 | NORAC SENSOR MT W/DECAL |
| NS | 2 | 294353 | HARNES, 2 PIN JUMPER AWR |
| | 4 | 470087 | 3/8-16UNC HEX FLG NUT SER MC GR5 |
| | 5 | 470113 | 5/16-18UNC HEX FLG NUT SER MC GR5 |
| | 6 | 470233 | 5/16UNC X 3/4 HHSFB GR5 MC |
| | 7 | 470409 | 3/8UNC X 3/4 HHSFB GR5 MC |
| | 8 | 474028 | 5/16UNC-2.06ID -2.63 U-BOLT SQ |
| | 9 | 650210 | DECAL, WARNING, UNEXPECTED MOVE |
| | 10 | 693113 | SENSOR, NORAC UC5 ULTRASONIC |
| | 11 | 693836 | NORAC ULTRASONIC MAX SENSOR |



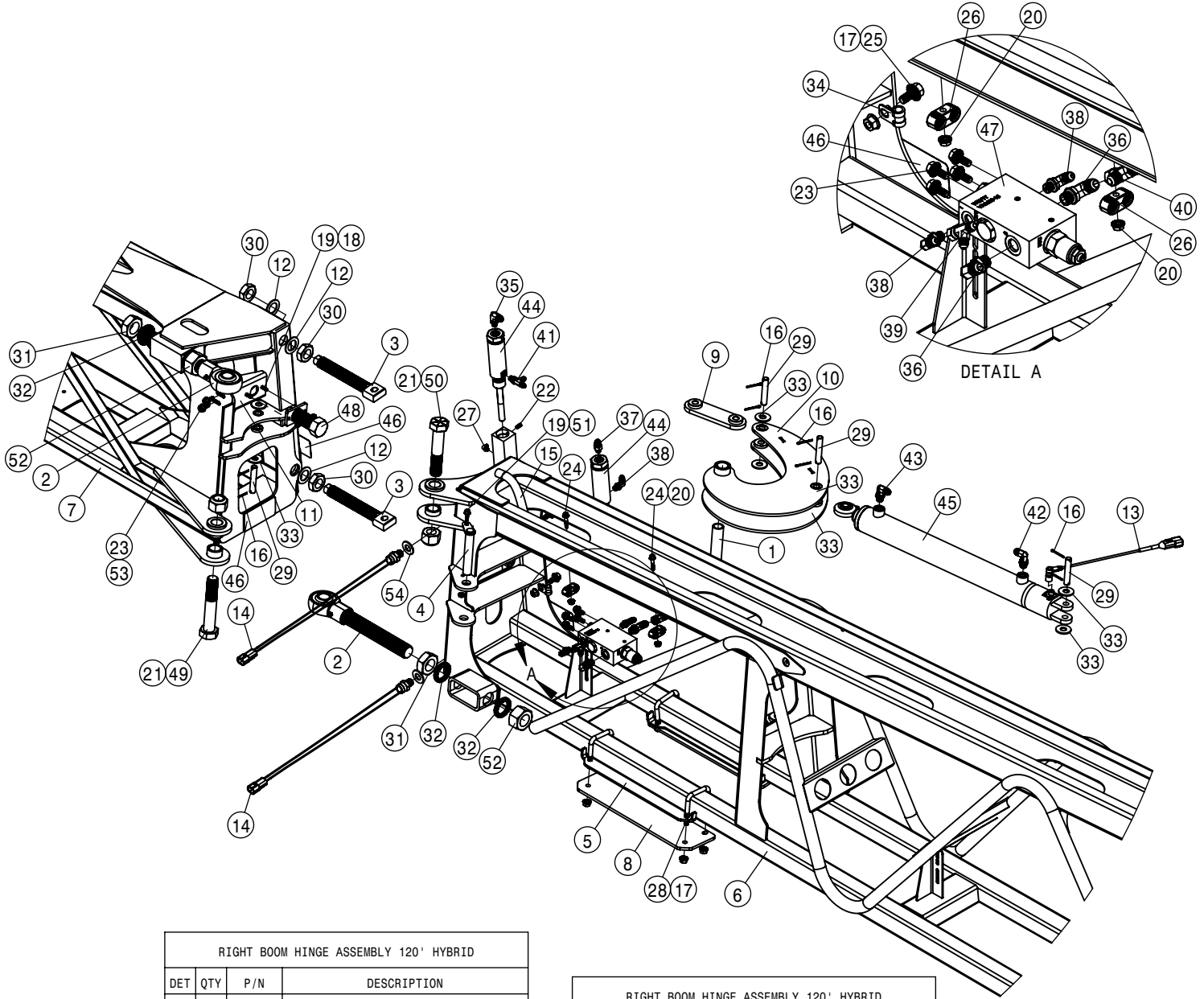
| BOOM ASSEMBLY 120' HYBRID | | | |
|---------------------------|-----|--------|-----------------------------|
| DET | QTY | P/N | DESCRIPTION |
| 1 | 2 | 167151 | BREAKAWAY AL BM 120 '16 |
| 2 | 1 | 167858 | RH SECT-1 HYBRID BM W/DECAL |
| 3 | 1 | 167859 | LH SECT-1 HYBRID BM W/DECAL |
| 4 | 1 | 167860 | RH SECT-2 HYBRID BM W/DECAL |
| 5 | 1 | 167861 | LH SECT-2 HYBRID BM W/DECAL |



| RIGHT INNER BOOM ASSEMBLY 120' HYBRID | | | |
|---------------------------------------|-----|--------|----------------------------------|
| DET | QTY | P/N | DESCRIPTION |
| 1 | 1 | 166092 | CRADLE PAD A10 |
| 2 | 1 | 167444 | BOOM TRANS LOCK WLD, 120 '16 |
| 3 | 1 | 167576 | LEVEL PIN WLD, 120 NITRIDE |
| 4 | 1 | 167858 | RH SECT-1 HYBRID BM W/DECAL |
| 5 | 1 | 169407 | LEVEL PIN TAB BUSHING |
| 6 | 8 | 470087 | 3/8-16UNC HEX FLG NUT SER MC GR5 |
| 7 | 1 | 470098 | RUBBER BUMPER 2.500 OD X .375 ID |
| 8 | 4 | 470121 | 1/4-20UNC HEX FLG NUT SER MC GR5 |
| 9 | 2 | 470162 | 3/16 X 1 1/2 COTTER PIN |
| 10 | 4 | 470328 | 3/8UNC X 1 1/4 #3HD PLOW BOLT |
| 11 | 4 | 470888 | TWIN #4 CLAMP |
| 12 | 1 | 471006 | GREASE ZERK, 1/4-28 TAPER THD |
| 13 | 1 | 471028 | GREASE ZERK, 1/4-28 90DEG |
| 14 | 2 | 472044 | 3/8UNC-2ID-3.00 U-BOLT SQ,ZINC |
| 15 | 1 | 472221 | CLEVIS PIN HL 1.0 DIA X 6.875 |
| 16 | 1 | 900132 | 3/8UNC X 1 3/4 HHCS GR5 MC |
| 17 | 1 | 900265 | 1/2UNC X 1 1/2 HHCS GR5 MC |
| 18 | 4 | 901010 | 1/4UNC X 1 1/4 CARR BOLT |
| 19 | 1 | 910106 | 3/8-16UNC CTRLK FLG NUT MC GR5 |
| 20 | 1 | 914008 | 1/2-13UNC STOVER NUT MC GR5 |
| 21 | 1 | 920002 | SAE FLAT WASHER 3/8 MC |
| 22 | 1 | 920004 | SAE FLAT WASHER 1/2 MC |
| 23 | 2 | 920008 | SAE FLAT WASHER 1 MC |
| 24 | 2 | A57375 | BEARING,1.75-2.25-3.00 POLYGON |

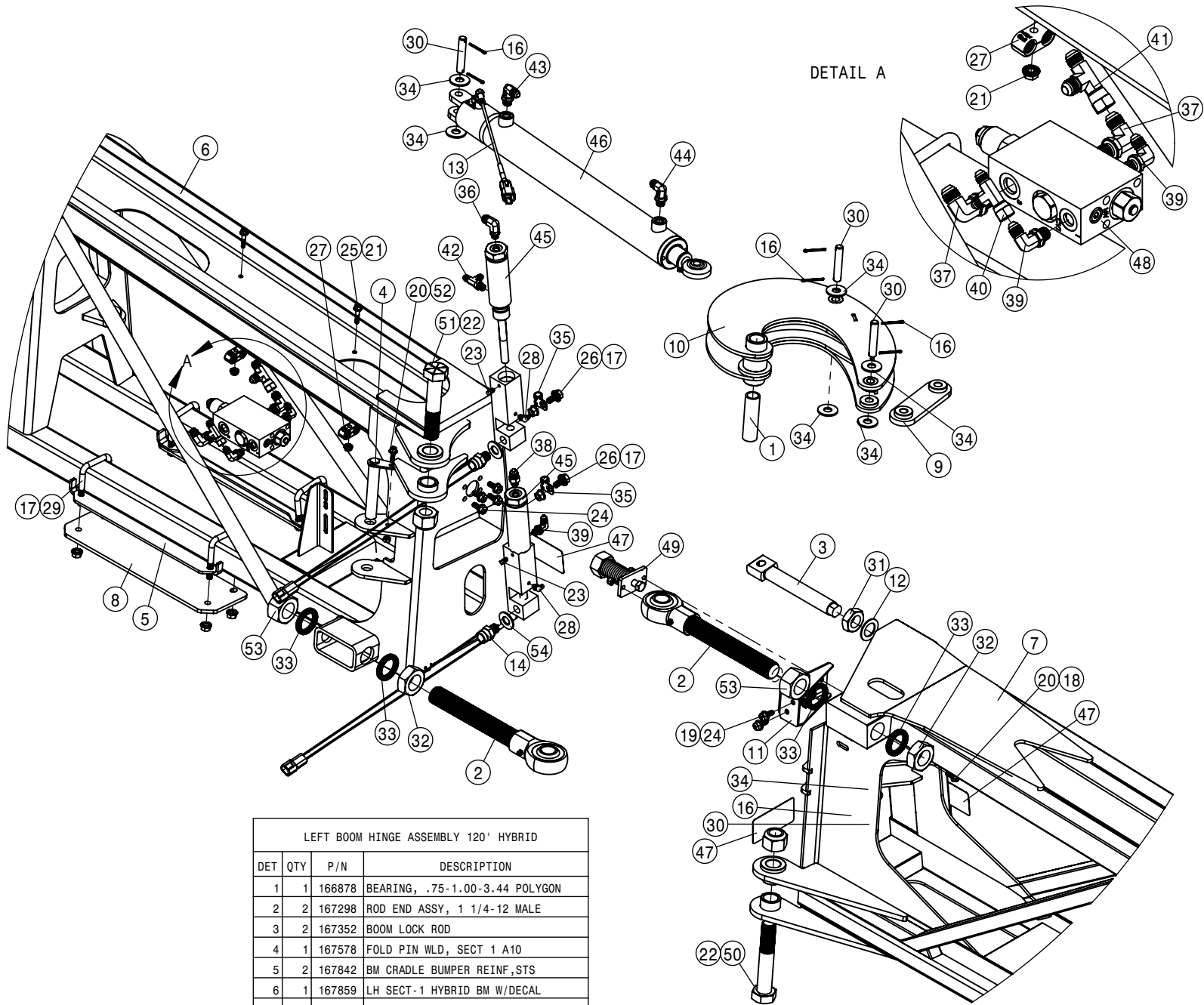


| LEFT INNER BOOM ASSEMBLY 120' HYBRID | | | |
|--------------------------------------|-----|--------|----------------------------------|
| DET | QTY | P/N | DESCRIPTION |
| 1 | 1 | 166092 | CRADLE PAD A10 |
| 2 | 1 | 167444 | BOOM TRANS LOCK WLD, 120 '16 |
| 3 | 1 | 167576 | LEVEL PIN WLD, 120 NITRIDE |
| 4 | 1 | 167859 | LH SECT-1 HYBRID BM W/DECAL |
| 5 | 1 | 169407 | LEVEL PIN TAB BUSHING |
| 5 | 8 | 470087 | 3/8-16UNC HEX FLG NUT SER MC GR5 |
| 7 | 1 | 470098 | RUBBER BUMPER 2.500 OD X .375 ID |
| 8 | 4 | 470121 | 1/4-20UNC HEX FLG NUT SER MC GR5 |
| 9 | 2 | 470162 | 3/16 X 1 1/2 COTTER PIN |
| 10 | 4 | 470328 | 3/8UNC X 1 1/4 #3HD PLOW BOLT |
| 11 | 4 | 470888 | TWIN #4 CLAMP |
| 12 | 1 | 471006 | GREASE ZERK, 1/4-28 TAPER THD |
| 13 | 1 | 471028 | GREASE ZERK, 1/4-28 90DEG |
| 14 | 2 | 472044 | 3/8UNC-2ID-3.00 U-BOLT SQ,ZINC |
| 15 | 1 | 472221 | CLEVIS PIN HL 1.0 DIA X 6.875 |
| 16 | 1 | 900132 | 3/8UNC X 1 3/4 HHCS GR5 MC |
| 17 | 1 | 900265 | 1/2UNC X 1 1/2 HHCS GR5 MC |
| 18 | 4 | 901010 | 1/4UNC X 1 1/4 CARR BOLT |
| 19 | 1 | 910106 | 3/8-16UNC CTRLK FLG NUT MC GR5 |
| 20 | 1 | 914008 | 1/2-13UNC STOVER NUT MC GR5 |
| 21 | 1 | 920002 | SAE FLAT WASHER 3/8 MC |
| 22 | 1 | 920004 | SAE FLAT WASHER 1/2 MC |
| 23 | 2 | 920008 | SAE FLAT WASHER 1 MC |
| 24 | 2 | A57375 | BEARING, 1.75-2.25-3.00 POLYGON |



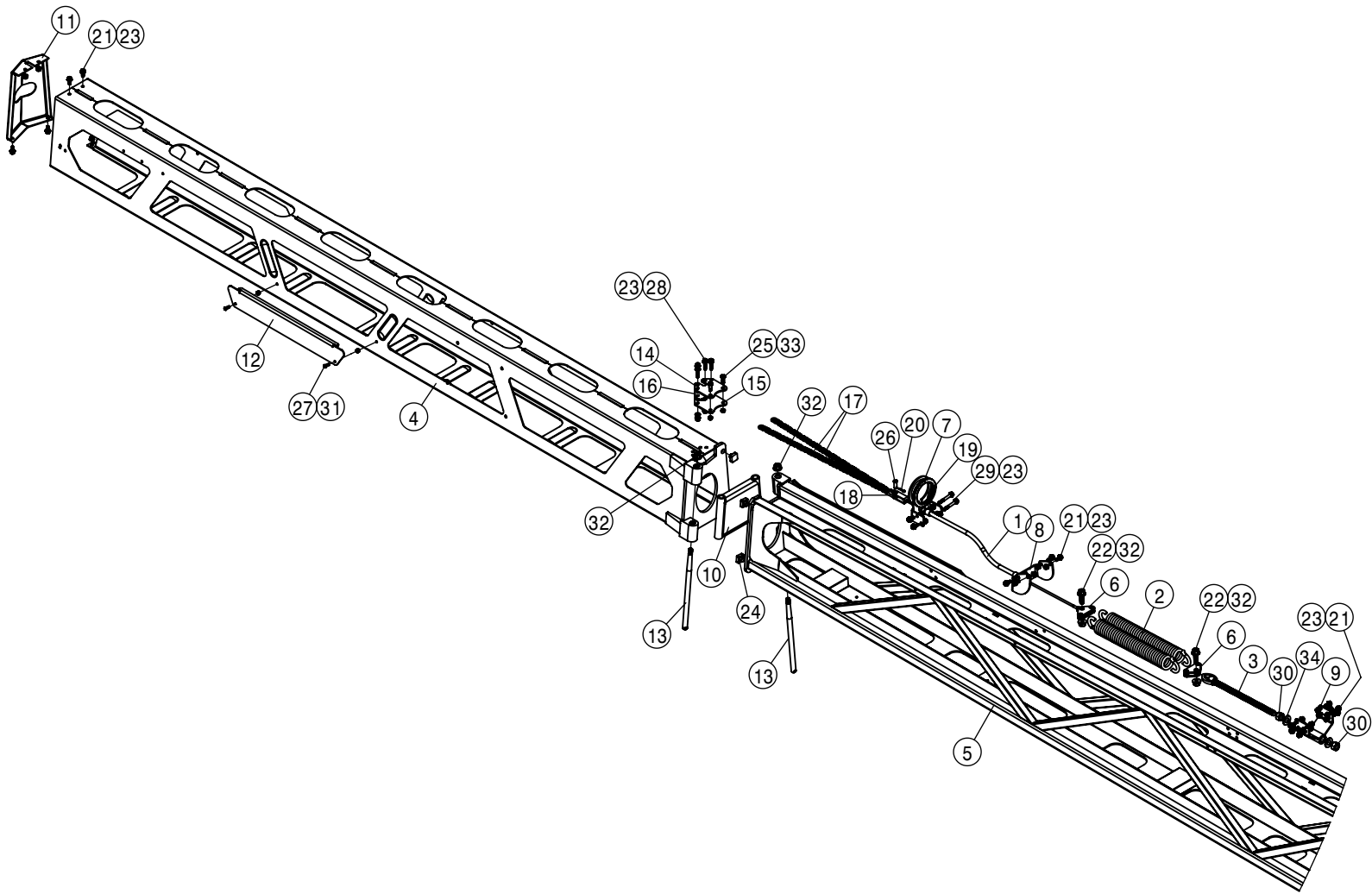
| RIGHT BOOM HINGE ASSEMBLY 120' HYBRID | | | |
|---------------------------------------|-----|--------|----------------------------------|
| DET | QTY | P/N | DESCRIPTION |
| 1 | 1 | 166878 | BEARING, .75-1.00-3.44 POLYGON |
| 2 | 2 | 167298 | ROD END ASSY, 1 1/4-12 MALE |
| 3 | 2 | 167352 | BOOM LOCK ROD |
| 4 | 1 | 167578 | FOLD PIN WLD, SECT 1 A10 |
| 5 | 2 | 167842 | BM CRADLE BUMPER REINF,STS |
| 6 | 1 | 167858 | RH SECT-1 HYBRID BM W/DECAL |
| 7 | 1 | 167860 | RH SECT-2 HYBRID BM W/DECAL |
| 8 | 2 | 169146 | BM CRADLE BUMPER,STS |
| 9 | 1 | 169266 | FOLD LINK WLD, 120 HYBRID |
| 10 | 1 | 169268 | FOLD LINK WLD, HYBRID BM |
| 11 | 1 | 169404 | POPPET PUSHER ADJ MT WLD |
| 12 | 4 | 169408 | BM LOCK ROD WASHER SS |
| 13 | 1 | 291994 | SENSOR HARNESS FOR AWS |
| 14 | 2 | 292929 | BM CATCH SENSOR |
| 15 | 1 | 294309 | HARNESS, BOOM WING |
| 16 | 8 | 390984 | 1/8 X 1 1/4 COTTER PIN |
| 17 | 10 | 470087 | 3/8-16UNC HEX FLG NUT SER MC GR5 |
| 18 | 2 | 470089 | 1/4-20UNC NYLOCK NUT MC GR5 |
| 19 | 3 | 470118 | 1/4UNC X 3/4 HHSFB GR5 MC |
| 20 | 2 | 470121 | 1/4-20UNC HEX FLG NUT SER MC GR5 |
| 21 | 2 | 470144 | 1-8UNC NYLOCK NUT MC GR5 |
| 22 | 2 | 470199 | 1/4UNC X 3/8 SQHD CUP SET SCR |
| 23 | 6 | 470233 | 5/16UNC X 3/4 HHSFB GR5 MC |
| 24 | 2 | 470407 | 1/4UNC X 1 1/4 HHSFB GR5 MC |
| 25 | 2 | 470409 | 3/8UNC X 3/4 HHSFB GR5 MC |
| 26 | 2 | 470888 | TWIN #4 CLAMP |
| 27 | 2 | 471028 | GREASE ZERK, 1/4-28 90DEG |
| 28 | 4 | 472040 | 3/8UNC-2.18ID-2.81 U-BOLT SQ |

| RIGHT BOOM HINGE ASSEMBLY 120' HYBRID | | | |
|---------------------------------------|-----|--------|---------------------------------|
| DET | QTY | P/N | DESCRIPTION |
| 29 | 4 | 472220 | CLEVIS PIN HL 0.5 DIA X 2.250 |
| 30 | 4 | 472328 | 1-12UNS HEX JAM NUT MC GR5 |
| 31 | 2 | 472373 | 1-1/4-12UNF HEX JAM NUT MC GR5 |
| 32 | 4 | 483033 | 1 1/4" NORD LOCK WASHER |
| 33 | 8 | 483041 | USS FLAT WASHER 1/2 MC |
| 34 | 2 | 520167 | CUSH CLAMP,#6 3/8D X 3/4W |
| 35 | 1 | 618114 | 9/16MJIC-90-7/16MOR LBO |
| 36 | 2 | 618119 | 9/16MJIC-90-9/16MOR LBO |
| 37 | 1 | 618304 | 9/16MJIC-7/16MOR ADPTR |
| 38 | 3 | 618473 | 7/16MJIC-90-7/16MOR LBO |
| 39 | 1 | 618485 | 7/16FJIC SW RUN TEE-7/16MJIC |
| 40 | 1 | 618486 | 9/16FJIC SW RUN TEE-9/16MJIC |
| 41 | 1 | 618509 | 7/16MOR RUN TEE-7/16MJIC |
| 42 | 1 | 618688 | 9/16MOR-90-9/16MJ .025 CHK VLV |
| 43 | 1 | 618860 | 9/16MOR-90-9/16MJ .015 CHK VLV |
| 44 | 2 | 620104 | HYD CYL 1.00" X 1.813" X 0.500" |
| 45 | 1 | 621667 | HYD CYL, 2.00 X 15.25 X 1.25 |
| 46 | 3 | 650204 | DECAL, WARNING, CRUSH HAZARD FP |
| 47 | 1 | 701627 | MECHANICAL SEQUENCE VLV |
| 48 | 1 | 701629 | ASSY, POPPET PUSHER (149 LBS) |
| 49 | 1 | 900817 | 1UNC X 5 1/2 HHCS GR8 MC |
| 50 | 1 | 900850 | 1UNC X 5 HHCS GR8 MC |
| 51 | 1 | 910000 | 1/4-20UNC HEX NUT MC GR5 |
| 52 | 2 | 910041 | 1-1/4-12UNF HEX NUT MC GR5 |
| 53 | 2 | 910119 | 5/16-18UNC HEX FLG NUT SER SS |
| 54 | 2 | 920005 | SAE FLAT WASHER 5/8 MC |



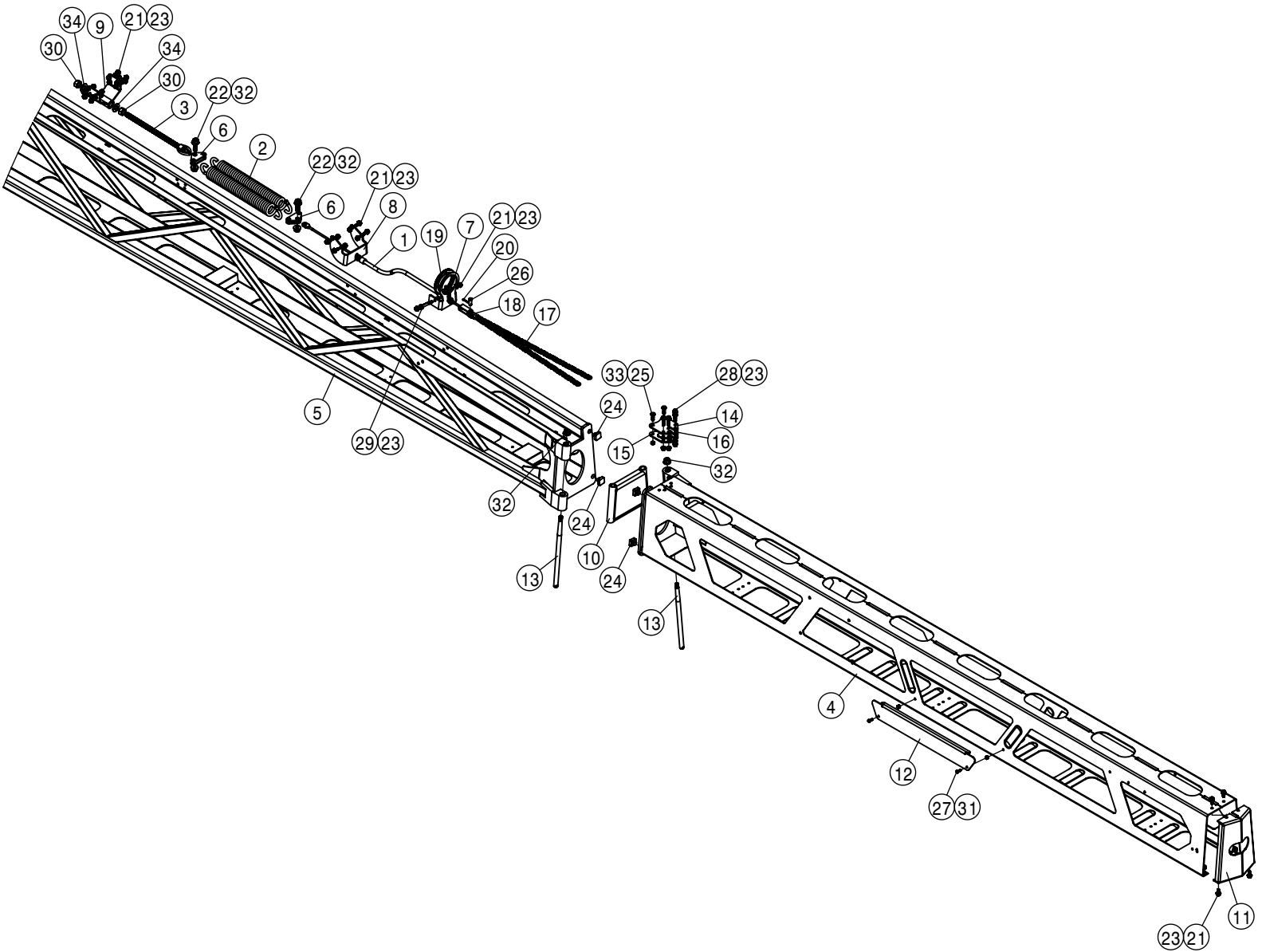
| LEFT BOOM HINGE ASSEMBLY 120' HYBRID | | | |
|--------------------------------------|-----|--------|-----------------------------------|
| DET | QTY | P/N | DESCRIPTION |
| 1 | 1 | 166878 | BEARING, .75-1.00-3.44 POLYGON |
| 2 | 2 | 167298 | ROD END ASSY, 1 1/4-12 MALE |
| 3 | 2 | 167352 | BOOM LOCK ROD |
| 4 | 1 | 167578 | FOLD PIN WLD, SECT 1 A10 |
| 5 | 2 | 167842 | BM CRADLE BUMPER REINF,STS |
| 6 | 1 | 167859 | LH SECT-1 HYBRID BM W/DECAL |
| 7 | 1 | 167861 | LH SECT-2 HYBRID BM W/DECAL |
| 8 | 2 | 169146 | BM CRADLE BUMPER,STS |
| 9 | 1 | 169266 | FOLD LINK WLD, 120 HYBRID |
| 10 | 1 | 169268 | FOLD LINK WLD, HYBRID BM |
| 11 | 1 | 169404 | POPPET PUSHER ADJ MT WLD |
| 12 | 4 | 169408 | BM LOCK ROD WASHER SS |
| 13 | 1 | 291994 | SENSOR HARNESS FOR AWS |
| 14 | 2 | 292929 | BM CATCH SENSOR |
| NS | 1 | 294309 | HARNESS, BOOM WING |
| 16 | 8 | 390984 | 1/8 X 1 1/4 COTTER PIN |
| 17 | 10 | 470087 | 3/8-16UNC HEX FLG NUT SER MC GR5 |
| 18 | 2 | 470089 | 1/4-20UNC NYLOCK NUT MC GR5 |
| 19 | 2 | 470113 | 5/16-18UNC HEX FLG NUT SER MC GR5 |
| 20 | 3 | 470118 | 1/4UNC X 3/4 HHSFB GR5 MC |
| 21 | 2 | 470121 | 1/4-20UNC HEX FLG NUT SER MC GR5 |
| 22 | 2 | 470144 | 1-8UNC NYLOCK NUT MC GR5 |
| 23 | 2 | 470199 | 1/4UNC X 3/8 SQHD CUP SET SCR |
| 24 | 6 | 470233 | 5/16UNC X 3/4 HHSFB GR5 MC |
| 25 | 2 | 470407 | 1/4UNC X 1 1/4 HHSFB GR5 MC |
| 26 | 2 | 470409 | 3/8UNC X 3/4 HHSFB GR5 MC |
| 27 | 2 | 470888 | TWIN #4 CLAMP |
| 28 | 2 | 471028 | GREASE ZERK, 1/4-28 90DEG |
| 29 | 4 | 472040 | 3/8UNC-2.18ID-2.81 U-BOLT SQ |
| 30 | 4 | 472220 | CLEVIS PIN HL 0.5 DIA X 2.250 |
| 31 | 4 | 472328 | 1-12UNS HEX JAM NUT MC GR5 |
| 32 | 2 | 472373 | 1-1/4-12UNF HEX JAM NUT MC GR5 |

| LEFT BOOM HINGE ASSEMBLY 120' HYBRID | | | |
|--------------------------------------|-----|--------|---------------------------------|
| DET | QTY | P/N | DESCRIPTION |
| 33 | 4 | 483033 | 1 1/4" NORD LOCK WASHER |
| 34 | 8 | 483041 | USS FLAT WASHER 1/2 MC |
| 35 | 2 | 520167 | CUSH CLAMP,#6 3/8D X 3/4W |
| 36 | 1 | 618114 | 9/16MJIC-90-7/16MOR LBO |
| 37 | 2 | 618119 | 9/16MJIC-90-9/16MOR LBO |
| 38 | 1 | 618304 | 9/16MJIC-7/16MOR ADPTR |
| 39 | 3 | 618473 | 7/16MJIC-90-7/16MOR LBO |
| 40 | 1 | 618485 | 7/16FJIC SW RUN TEE-7/16MJIC |
| 41 | 1 | 618486 | 9/16FJIC SW RUN TEE-9/16MJIC |
| 42 | 1 | 618509 | 7/16MOR RUN TEE-7/16MJIC |
| 43 | 1 | 618688 | 9/16MOR-90-9/16MJ .025 CHK VLV |
| 44 | 1 | 618860 | 9/16MOR-90-9/16MJ .015 CHK VLV |
| 45 | 2 | 620104 | HYD CYL 1.00" X 1.813" X 0.500" |
| 46 | 1 | 621667 | HYD CYL, 2.00 X 15.25 X 1.25 |
| 47 | 3 | 650204 | DECAL, WARNING, CRUSH HAZARD FP |
| 48 | 1 | 701627 | MECHANICAL SEQUENCE VLV |
| 49 | 1 | 701629 | ASSY, POPPET PUSHER (149 LBS) |
| 50 | 1 | 900817 | 1UNC X 5 1/2 HHCS GR8 MC |
| 51 | 1 | 900850 | 1UNC X 5 HHCS GR8 MC |
| 52 | 1 | 910000 | 1/4-20UNC HEX NUT MC GR5 |
| 53 | 2 | 910041 | 1-1/4-12UNF HEX NUT MC GR5 |
| 54 | 2 | 920005 | SAE FLAT WASHER 5/8 MC |



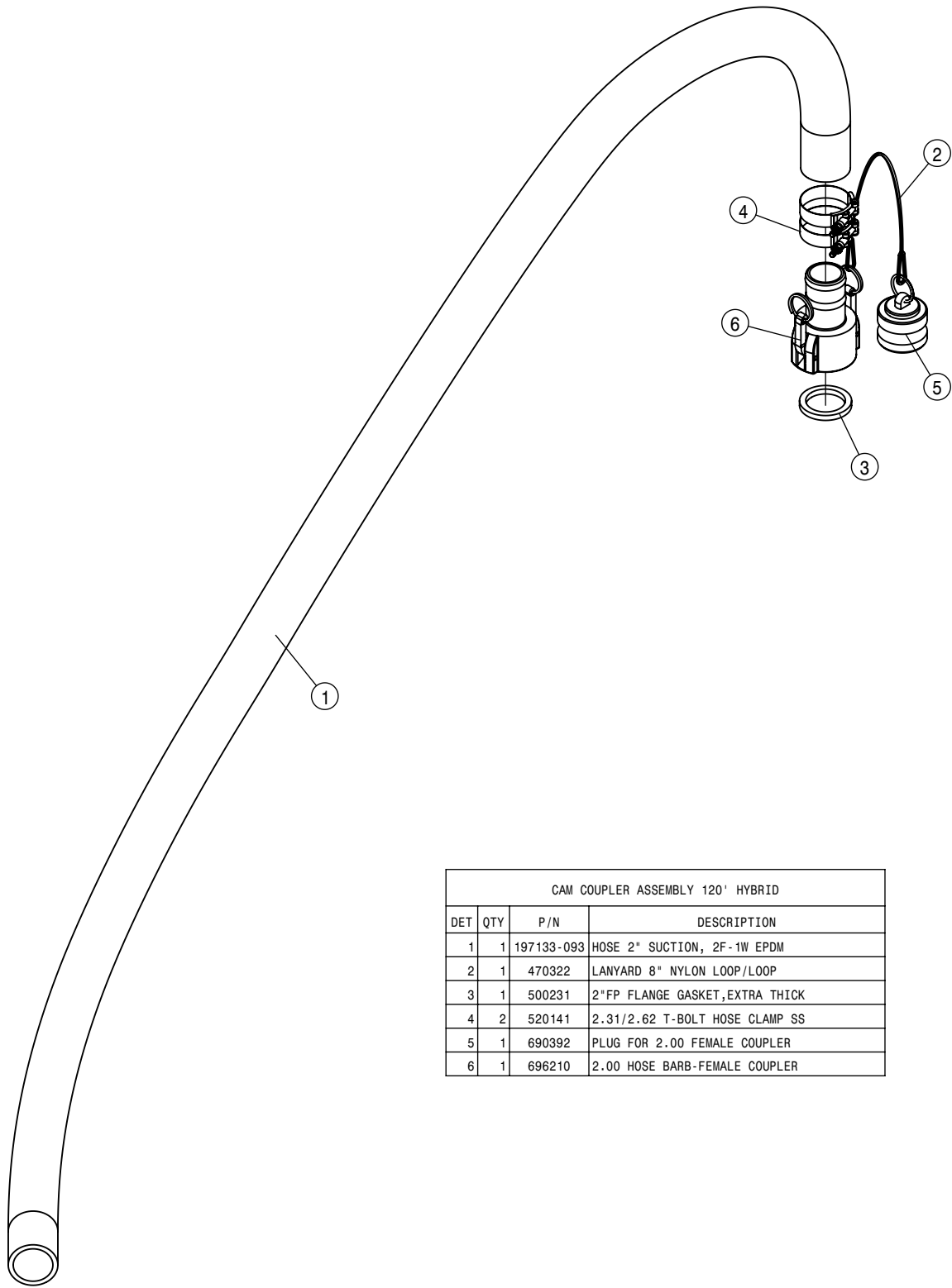
| RIGHT BOOM BREAKAWAY 120' HYBRID | | | |
|----------------------------------|-----|--------|--------------------------------|
| DET | QTY | P/N | DESCRIPTION |
| 1 | 1 | 167092 | CABLE,BREAK AWAY 120'A' 12 |
| 2 | 2 | 167106 | SPRING,BREAK AWAY 120'A' 12 |
| 3 | 1 | 167107 | BOOM SPRING ROD ASSY 120'A' 12 |
| 4 | 1 | 167151 | BREAKAWAY AL BM 120 ' 16 |
| 5 | 1 | 167860 | RH SECT-2 HYBRID BM W/DECAL |
| 6 | 4 | 169170 | SPRING SPREADER LINK |
| 7 | 1 | 169171 | BRKWKY CABLE SHEATH OTR MT |
| 8 | 1 | 169172 | BRKWKY CABLE SHEATH INR MT |
| 9 | 1 | 169175 | BRKWKY SPRING TENSION MT WLD |
| 10 | 1 | 169273 | BREAKAWAY PIVOT WLD, AL BOOM |
| 11 | 1 | 169306 | BREAKAWAY CAP WLD |
| 12 | 1 | 169411 | HYBRID 120' BRKWKY BUMPER |
| 13 | 2 | 169412 | HYBRID BRKWKY HINGE PIN |
| 14 | 1 | 169445 | HYBRID BRKWKY TONGUE |
| 15 | 1 | 169446 | HYBRID BRKWKY TONGUE |
| 16 | 1 | 169447 | HYBRID BRKWKY TONGUE SPACER |
| 17 | 2 | 169448 | HYBRID BRKWKY CHAIN SS |

| RIGHT BOOM BREAKAWAY 120' HYBRID | | | |
|----------------------------------|-----|------------|---------------------------------|
| DET | QTY | P/N | DESCRIPTION |
| 18 | 1 | 169449 | SS CONNECTING LINK |
| 19 | 1 | 193016-010 | QUICKEDGE TRIM .060 TO .170 |
| 20 | 1 | 470040 | COTTER PIN 5/32 X 3/4 |
| 21 | 18 | 470233 | 5/16UNC X 3/4 HHSFB GR5 MC |
| 22 | 2 | 470431 | 1/2UNC X 1 1/2 HHSFB GR5 MC |
| 23 | 24 | 470570 | 5/16-18UNC CTRLK FLG NUT MC GR5 |
| 24 | 4 | 470760 | WEAR PAD, BRKWKY, HYBRID BM |
| 25 | 2 | 470907 | 5/16-18 UNC SS SHOULDER BOLT |
| 26 | 1 | 472205 | CLEVIS PIN 3/8 DIA X 3/4 FREE |
| 27 | 2 | 472379 | 1/4-20 UNC X 3/4 BHCS SS |
| 28 | 4 | 900088 | 5/16UNC X 1 1/4 HHSFB GR5 MC |
| 29 | 2 | 900089 | 5/16UNC X 2 1/4 HHSFB GR5 MC |
| 30 | 2 | 910010 | 5/8-11UNC HEX NUT MC GR5 |
| 31 | 2 | 910118 | 1/4-20UNC NYLOCK NUT SS |
| 32 | 4 | 914015 | 1/2-13UNC CTRLK FLG NUT MC GR5 |
| 33 | 2 | 914017 | 5/16-18UNC STOVER NUT SS |
| 34 | 2 | 920005 | SAE FLAT WASHER 5/8 MC |



| LEFT BOOM BREAKAWAY 120' HYBRID | | | |
|---------------------------------|-----|--------|-------------------------------|
| DET | QTY | P/N | DESCRIPTION |
| 1 | 1 | 167092 | CABLE,BREAK AWAY 120'A'12 |
| 2 | 2 | 167106 | SPRING,BREAK AWAY 120'A'12 |
| 3 | 1 | 167107 | BOOM SPRING ROD ASSY 120'A'12 |
| 4 | 1 | 167151 | BREAKAWAY AL BM 120 '16 |
| 5 | 1 | 167861 | LH SECT-2 HYBRID BM W/DECAL |
| 6 | 4 | 169170 | SPRING SPREADER LINK |
| 7 | 1 | 169171 | BRKWKY CABLE SHEATH OTR MT |
| 8 | 1 | 169172 | BRKWKY CABLE SHEATH INR MT |
| 9 | 1 | 169175 | BRKWKY SPRING TENSION MT WLD |
| 10 | 1 | 169273 | BREAKAWAY PIVOT WLD, AL BOOM |
| 11 | 1 | 169306 | BREAKWAY CAP WLD |
| 12 | 1 | 169411 | HYBRID 120' BRKWKY BUMPER |
| 13 | 2 | 169412 | HYBRID BRKWKY HINGE PIN |
| 14 | 1 | 169445 | HYBRID BRKWKY TONGUE |
| 15 | 1 | 169446 | HYBRID BRKWKY TONGUE |
| 16 | 1 | 169447 | HYBRID BRKWKY TONGUE SPACER |
| 17 | 2 | 169448 | HYBRID BRKWKY CHAIN SS |

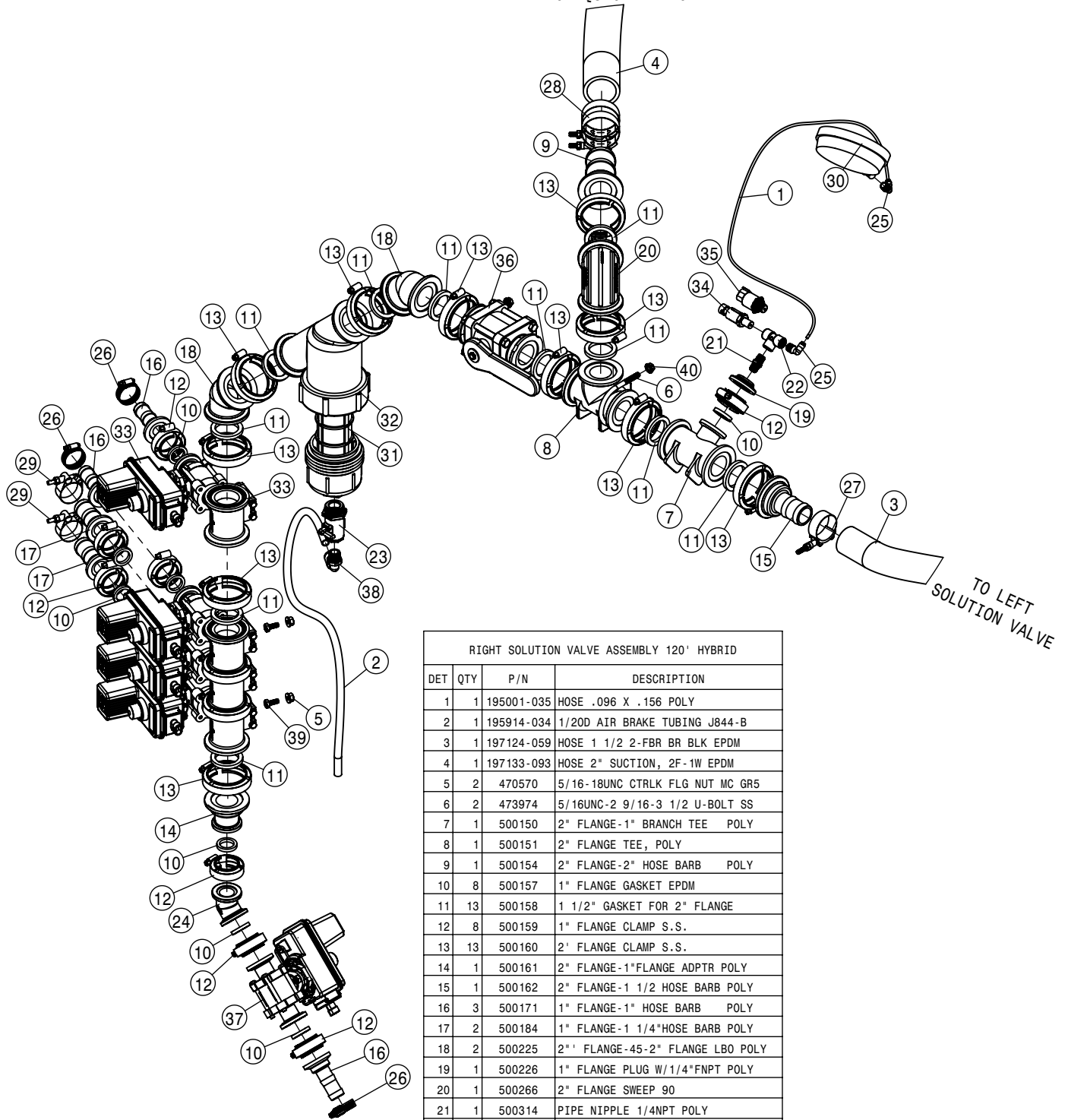
| LEFT BOOM BREAKAWAY 120' HYBRID | | | |
|---------------------------------|-----|------------|---------------------------------|
| DET | QTY | P/N | DESCRIPTION |
| 18 | 1 | 169449 | SS CONNECTING LINK |
| 19 | 1 | 193016-010 | QUICKEDGE TRIM .060 TO .170 |
| 20 | 1 | 470040 | COTTER PIN 5/32 X 3/4 |
| 21 | 18 | 470233 | 5/16UNC X 3/4 HHSFB GR5 MC |
| 22 | 2 | 470431 | 1/2UNC X 1 1/2 HHSFB GR5 MC |
| 23 | 24 | 470570 | 5/16-18UNC CTRLK FLG NUT MC GR5 |
| 24 | 4 | 470760 | WEAR PAD, BRKWKY, HYBRID BM |
| 25 | 2 | 470907 | 5/16-18 UNC SS SHOULDER BOLT |
| 26 | 1 | 472205 | CLEVIS PIN 3/8 DIA X 3/4 FREE |
| 27 | 2 | 472379 | 1/4-20 UNC X 3/4 BHCS SS |
| 28 | 4 | 900088 | 5/16UNC X 1 1/4 HHSFB GR5 MC |
| 29 | 2 | 900089 | 5/16UNC X 2 1/4 HHSFB GR5 MC |
| 30 | 2 | 910010 | 5/8-11UNC HEX NUT MC GR5 |
| 31 | 2 | 910118 | 1/4-20UNC NYLOCK NUT SS |
| 32 | 4 | 914015 | 1/2-13UNC CTRLK FLG NUT MC GR5 |
| 33 | 2 | 914017 | 5/16-18UNC STOVER NUT SS |
| 34 | 2 | 920005 | SAE FLAT WASHER 5/8 MC |



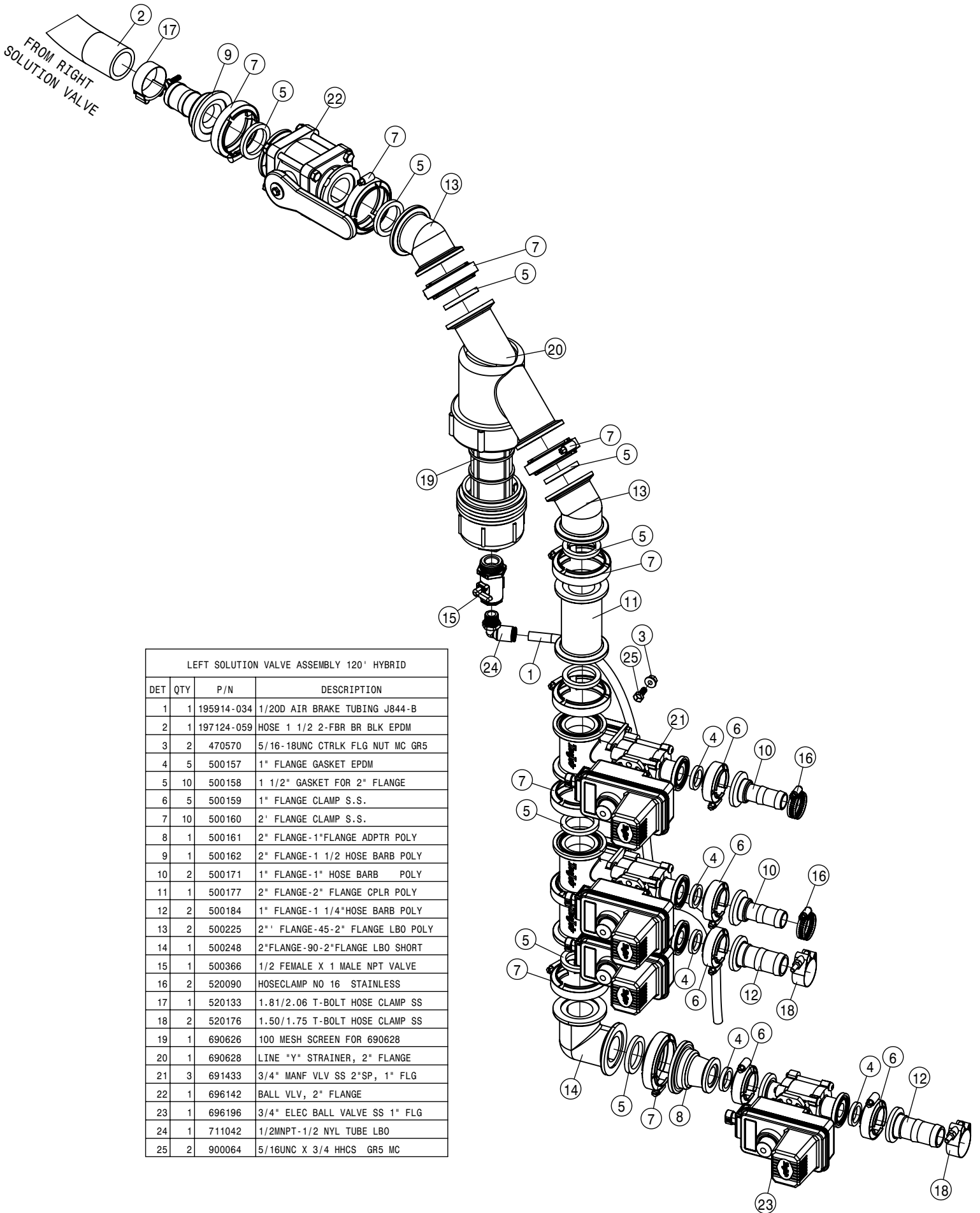
TO SOLUTION VALVES

| CAM COUPLER ASSEMBLY 120' HYBRID | | | |
|----------------------------------|-----|------------|---------------------------------|
| DET | QTY | P/N | DESCRIPTION |
| 1 | 1 | 197133-093 | HOSE 2" SUCTION, 2F-1W EPDM |
| 2 | 1 | 470322 | LANYARD 8" NYLON LOOP/LOOP |
| 3 | 1 | 500231 | 2"FP FLANGE GASKET, EXTRA THICK |
| 4 | 2 | 520141 | 2.31/2.62 T-BOLT HOSE CLAMP SS |
| 5 | 1 | 690392 | PLUG FOR 2.00 FEMALE COUPLER |
| 6 | 1 | 696210 | 2.00 HOSE BARB-FEMALE COUPLER |

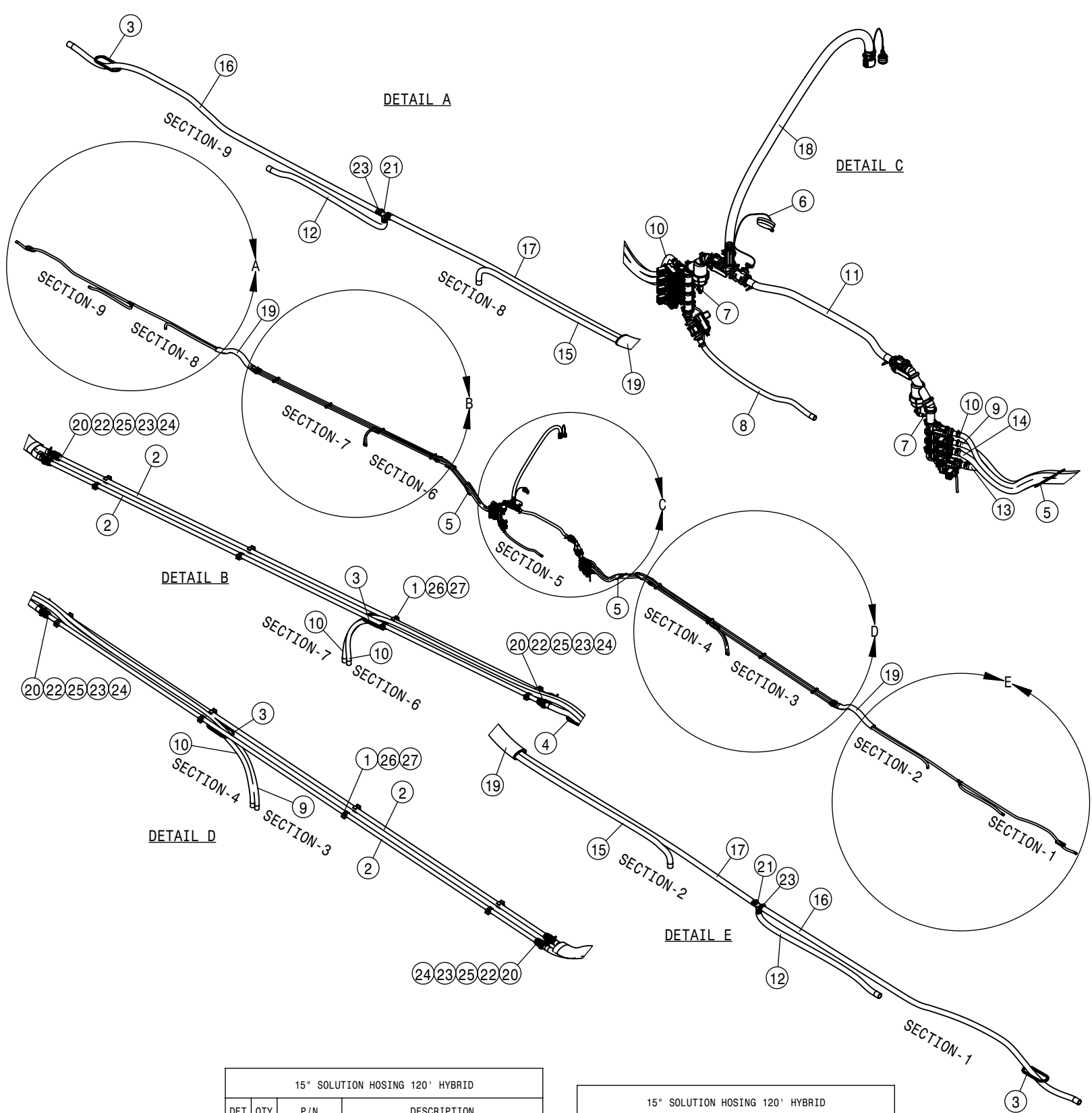
FROM QUICK ATTACH



| RIGHT SOLUTION VALVE ASSEMBLY 120' HYBRID | | | |
|---|-----|------------|---------------------------------|
| DET | QTY | P/N | DESCRIPTION |
| 1 | 1 | 195001-035 | HOSE .096 X .156 POLY |
| 2 | 1 | 195914-034 | 1/20D AIR BRAKE TUBING J844-B |
| 3 | 1 | 197124-059 | HOSE 1 1/2 2-FBR BR BLK EPDM |
| 4 | 1 | 197133-093 | HOSE 2" SUCTION, 2F-1W EPDM |
| 5 | 2 | 470570 | 5/16-18UNC CTRLK FLG NUT MC GR5 |
| 6 | 2 | 473974 | 5/16UNC-2 9/16-3 1/2 U-BOLT SS |
| 7 | 1 | 500150 | 2" FLANGE-1" BRANCH TEE POLY |
| 8 | 1 | 500151 | 2" FLANGE TEE, POLY |
| 9 | 1 | 500154 | 2" FLANGE-2" HOSE BARB POLY |
| 10 | 8 | 500157 | 1" FLANGE GASKET EPDM |
| 11 | 13 | 500158 | 1 1/2" GASKET FOR 2" FLANGE |
| 12 | 8 | 500159 | 1" FLANGE CLAMP S.S. |
| 13 | 13 | 500160 | 2" FLANGE CLAMP S.S. |
| 14 | 1 | 500161 | 2" FLANGE-1"FLANGE ADPTR POLY |
| 15 | 1 | 500162 | 2" FLANGE-1 1/2 HOSE BARB POLY |
| 16 | 3 | 500171 | 1" FLANGE-1" HOSE BARB POLY |
| 17 | 2 | 500184 | 1" FLANGE-1 1/4"HOSE BARB POLY |
| 18 | 2 | 500225 | 2" FLANGE-45-2" FLANGE LBO POLY |
| 19 | 1 | 500226 | 1" FLANGE PLUG W/1/4"FNPT POLY |
| 20 | 1 | 500266 | 2" FLANGE SWEEP 90 |
| 21 | 1 | 500314 | PIPE NIPPLE 1/4NPT POLY |
| 22 | 1 | 500335 | 1/4 NPT PIPE TEE, POLY |
| 23 | 1 | 500366 | 1/2 FEMALE X 1 MALE NPT VALVE |
| 24 | 1 | 500414 | 1" FLANGE-45-1"FLANGE LBO POLY |
| 25 | 2 | 520021 | 1/4MNPT-90-5/32 NYL TUBE LBO |
| 26 | 3 | 520090 | HOSECLAMP NO 16 STAINLESS |
| 27 | 1 | 520133 | 1.81/2.06 T-BOLT HOSE CLAMP SS |
| 28 | 2 | 520141 | 2.31/2.62 T-BOLT HOSE CLAMP SS |
| 29 | 2 | 520176 | 1.50/1.75 T-BOLT HOSE CLAMP SS |
| 30 | 1 | 690359 | PRESSURE GA GLYCERI 100 PSI |
| 31 | 1 | 690626 | 100 MESH SCREEN FOR 690628 |
| 32 | 1 | 690628 | LINE "Y" STRAINER, 2" FLANGE |
| 33 | 4 | 691433 | 3/4" MANF VLV SS 2"SP, 1" FLG |
| 34 | 1 | 693974 | AG LEADER PRESSURE SENSOR KIT |
| 35 | 1 | 693986 | RVN PRESS TRANSDUCER DEUSTCH |
| 36 | 1 | 696142 | BALL VLV, 2" FLANGE |
| 37 | 1 | 696196 | 3/4" ELEC BALL VALVE SS 1" FLG |
| 38 | 1 | 711042 | 1/2MNPT-1/2 NYL TUBE LBO |
| 39 | 2 | 900064 | 5/16UNC X 3/4 HHCS GR5 MC |
| 40 | 4 | 910119 | 5/16-18UNC HEX FLG NUT SER SS |

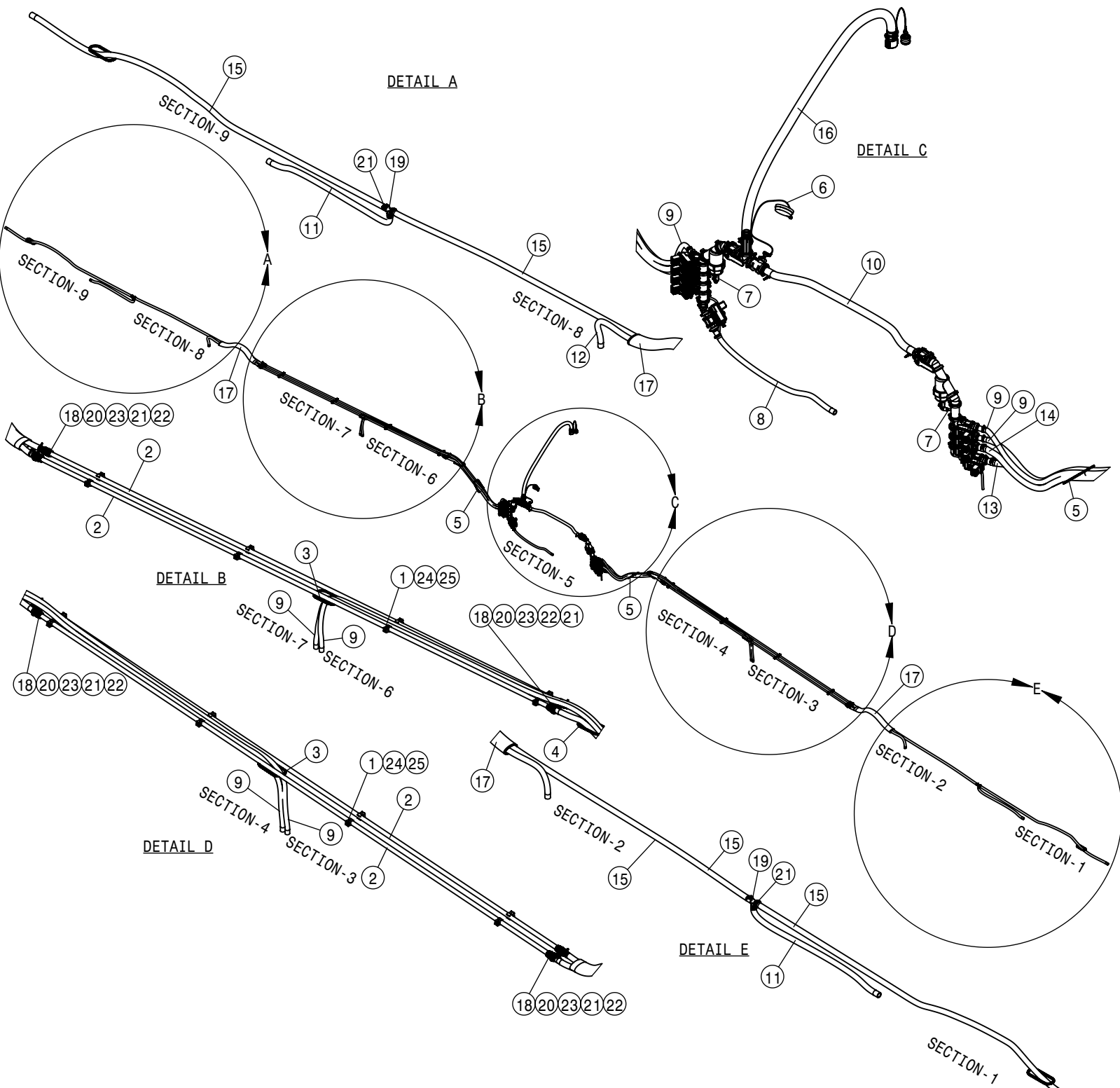


| LEFT SOLUTION VALVE ASSEMBLY 120' HYBRID | | | |
|--|-----|------------|---------------------------------|
| DET | QTY | P/N | DESCRIPTION |
| 1 | 1 | 195914-034 | 1/20D AIR BRAKE TUBING J844-B |
| 2 | 1 | 197124-059 | HOSE 1 1/2 2-FBR BR BLK EPDM |
| 3 | 2 | 470570 | 5/16-18UNC CTRLK FLG NUT MC GR5 |
| 4 | 5 | 500157 | 1" FLANGE GASKET EPDM |
| 5 | 10 | 500158 | 1 1/2" GASKET FOR 2" FLANGE |
| 6 | 5 | 500159 | 1" FLANGE CLAMP S.S. |
| 7 | 10 | 500160 | 2" FLANGE CLAMP S.S. |
| 8 | 1 | 500161 | 2" FLANGE-1"FLANGE ADPTR POLY |
| 9 | 1 | 500162 | 2" FLANGE-1 1/2 HOSE BARB POLY |
| 10 | 2 | 500171 | 1" FLANGE-1" HOSE BARB POLY |
| 11 | 1 | 500177 | 2" FLANGE-2" FLANGE CPLR POLY |
| 12 | 2 | 500184 | 1" FLANGE-1 1/4"HOSE BARB POLY |
| 13 | 2 | 500225 | 2" FLANGE-45-2" FLANGE LBO POLY |
| 14 | 1 | 500248 | 2"FLANGE-90-2"FLANGE LBO SHORT |
| 15 | 1 | 500366 | 1/2 FEMALE X 1 MALE NPT VALVE |
| 16 | 2 | 520090 | HOSECLAMP NO 16 STAINLESS |
| 17 | 1 | 520133 | 1.81/2.06 T-BOLT HOSE CLAMP SS |
| 18 | 2 | 520176 | 1.50/1.75 T-BOLT HOSE CLAMP SS |
| 19 | 1 | 690626 | 100 MESH SCREEN FOR 690628 |
| 20 | 1 | 690628 | LINE "Y" STRAINER, 2" FLANGE |
| 21 | 3 | 691433 | 3/4" MANF VLV SS 2"SP, 1" FLG |
| 22 | 1 | 696142 | BALL VLV, 2" FLANGE |
| 23 | 1 | 696196 | 3/4" ELEC BALL VALVE SS 1" FLG |
| 24 | 1 | 711042 | 1/2MNPT-1/2 NYL TUBE LBO |
| 25 | 2 | 900064 | 5/16UNC X 3/4 HHCS GR5 MC |



| 15" SOLUTION HOISING 120' HYBRID | | | |
|----------------------------------|-----|------------|--------------------------------|
| DET | QTY | P/N | DESCRIPTION |
| 1 | 16 | 166096 | 1" PIPE CLIP |
| 2 | 4 | 167746 | 1" SCH 5 HARD LINE 217" |
| 3 | 4 | 193016-023 | QUICKEDGE TRIM .060 TO .170 |
| 4 | 2 | 193016-025 | QUICKEDGE TRIM .060 TO .170 |
| 5 | 2 | 193016-028 | QUICKEDGE TRIM .060 TO .170 |
| 6 | 1 | 195001-035 | HOSE .096 X .156 POLY |
| 7 | 2 | 195914-034 | 1/20D AIR BRAKE TUBING J844-B |
| 8 | 1 | 197116-053 | HOSE 1IN 1-FBR BR BLK EPDM |
| 9 | 1 | 197116-189 | HOSE 1IN 1-FBR BR BLK EPDM |
| 10 | 3 | 197116-191 | HOSE 1IN 1-FBR BR BLK EPDM |
| 11 | 1 | 197124-059 | HOSE 1 1/2 2-FBR BR BLK EPDM |
| 12 | 2 | 197126-057 | HOSE 1 1/4" SUCTION,2F-1W EPDM |
| 13 | 1 | 197126-078 | HOSE 1 1/4" SUCTION,2F-1W EPDM |
| 14 | 3 | 197126-081 | HOSE 1 1/4" SUCTION,2F-1W EPDM |

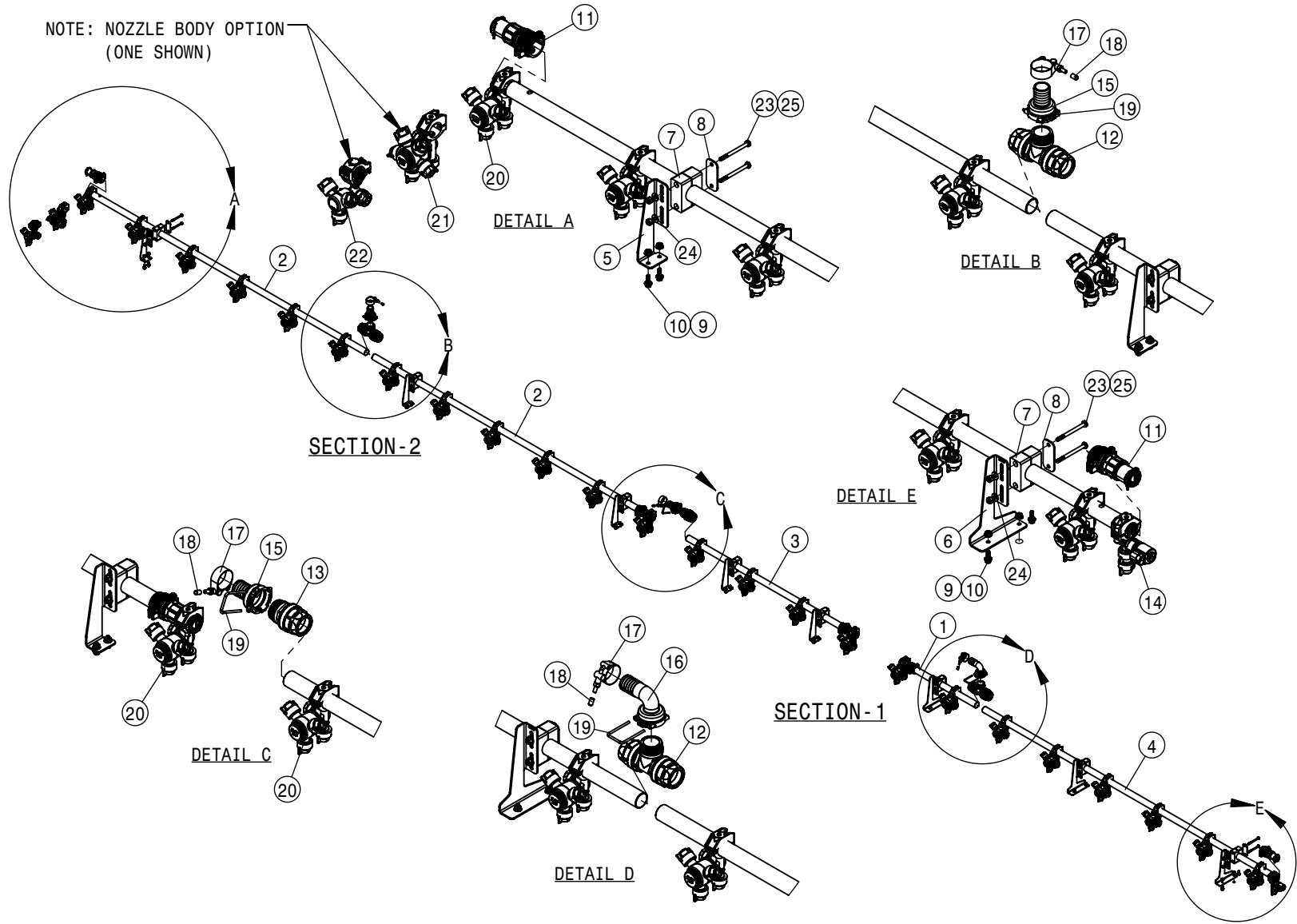
| 15" SOLUTION HOISING 120' HYBRID | | | |
|----------------------------------|-----|------------|---------------------------------|
| DET | QTY | P/N | DESCRIPTION |
| 15 | 2 | 197126-119 | HOSE 1 1/4" SUCTION,2F-1W EPDM |
| 16 | 2 | 197126-141 | HOSE 1 1/4" SUCTION,2F-1W EPDM |
| 17 | 2 | 197126-153 | HOSE 1 1/4" SUCTION,2F-1W EPDM |
| 18 | 1 | 197133-093 | HOSE 2" SUCTION, 2F-1W EPDM |
| 19 | 2 | 470310 | SIDEWINDER SLEEVE,14.06 X 45" |
| 20 | 8 | 500298 | EASY FIT END T5, 1" PIPE |
| 21 | 2 | 500347 | Barbed Dark Gray PVC |
| 22 | 8 | 500369 | T5 TO 32 MM HB FEMALE |
| 23 | 14 | 520176 | 1.50/1.75 T-BOLT HOSE CLAMP SS |
| 24 | 14 | 629770 | CAPPLUGS CAP, .234 X .500 VINYL |
| 25 | 8 | 737738 | FORK,D.3 DIST.42 (737731) |
| 26 | 16 | 900449 | 1/4UNC X 1 HHCS SS |
| 27 | 16 | 910118 | 1/4-20UNC NYLOCK NUT SS |



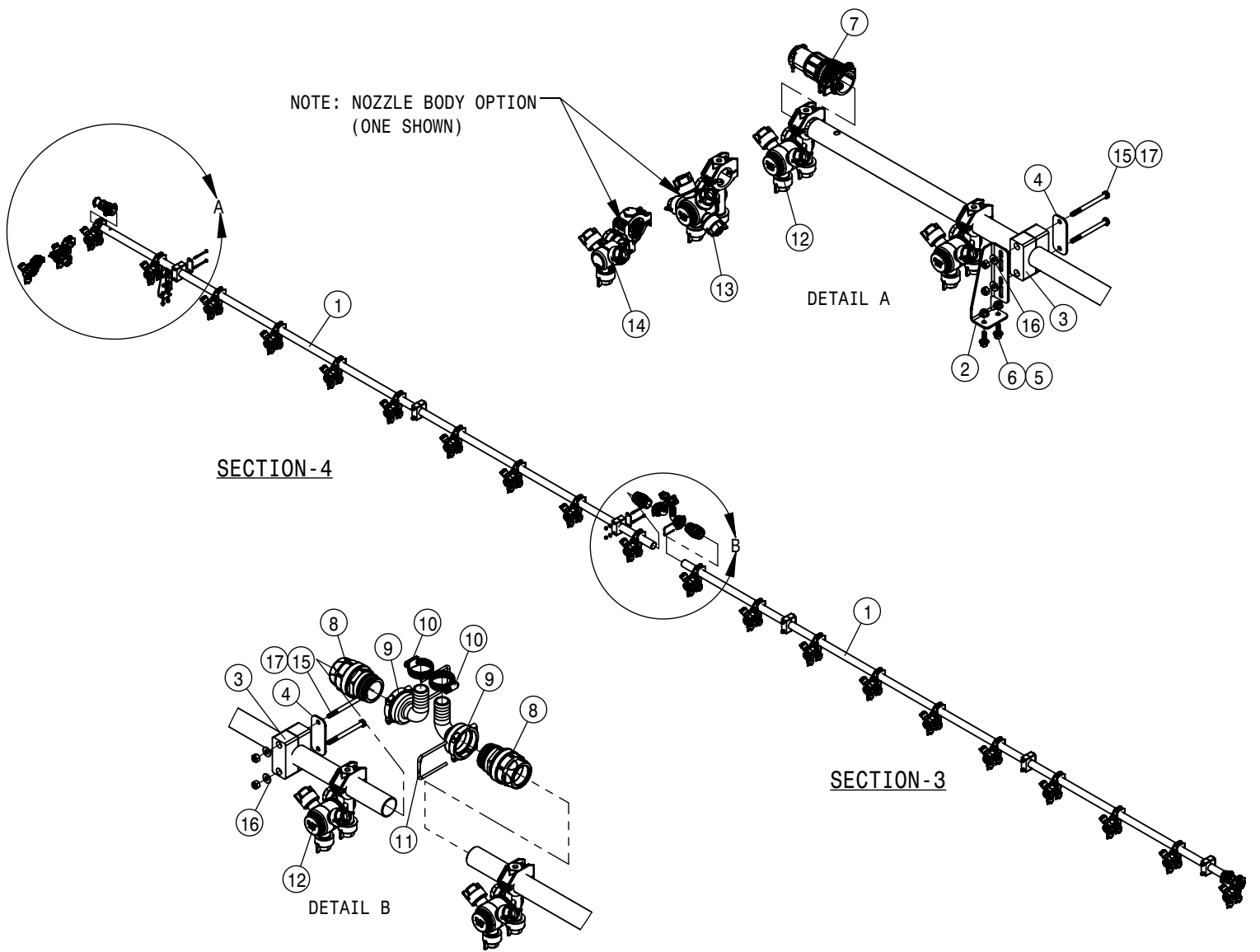
| 20" SOLUTION HOSE 120' HYBRID | | | |
|-------------------------------|-----|------------|---------------------------------|
| DET | QTY | P/N | DESCRIPTION |
| 1 | 16 | 166096 | 1" PIPE CLIP |
| 2 | 4 | 167746 | 1" SCH 5 HARD LINE 217" |
| 3 | 4 | 193016-023 | QUICKEDGE TRIM .060 TO .170 |
| 4 | 2 | 193016-025 | QUICKEDGE TRIM .060 TO .170 |
| 5 | 2 | 193016-028 | QUICKEDGE TRIM .060 TO .170 |
| 6 | 1 | 195001-035 | HOSE .096 X .156 POLY |
| 7 | 2 | 195914-034 | 1/20D AIR BRAKE TUBING J844-B |
| 8 | 1 | 197116-053 | HOSE 1IN 1-FBR BR BLK EPDM |
| 9 | 4 | 197116-206 | HOSE 1IN 1-FBR BR BLK EPDM |
| 10 | 1 | 197124-059 | HOSE 1 1/2 2-FBR BR BLK EPDM |
| 11 | 2 | 197126-057 | HOSE 1 1/4" SUCTION, 2F-1W EPDM |
| 12 | 2 | 197126-076 | HOSE 1 1/4" SUCTION, 2F-1W EPDM |
| 13 | 1 | 197126-078 | HOSE 1 1/4" SUCTION, 2F-1W EPDM |

| 20" SOLUTION HOSE 120' HYBRID | | | |
|-------------------------------|-----|------------|---------------------------------|
| DET | QTY | P/N | DESCRIPTION |
| 14 | 3 | 197126-081 | HOSE 1 1/4" SUCTION, 2F-1W EPDM |
| 15 | 4 | 197126-153 | HOSE 1 1/4" SUCTION, 2F-1W EPDM |
| 16 | 1 | 197133-093 | HOSE 2" SUCTION, 2F-1W EPDM |
| 17 | 2 | 470310 | SIDEWINDER SLEEVE, 14.06 X 45" |
| 18 | 8 | 500298 | EASY FIT END T5, 1" PIPE |
| 19 | 2 | 500347 | Barbed Dark Gray PVC |
| 20 | 8 | 500369 | T5 TO 32 MM HB FEMALE |
| 21 | 14 | 520176 | 1.50/1.75 T-BOLT HOSE CLAMP SS |
| 22 | 14 | 629770 | CAPPLUGS CAP, .234 X .500 VINYL |
| 23 | 8 | 737738 | FORK, D.3 DIST.42 (737731) |
| 24 | 16 | 900449 | 1/4UNC X 1 HHCS SS |
| 25 | 16 | 910118 | 1/4-20UNC NYLOCK NUT SS |

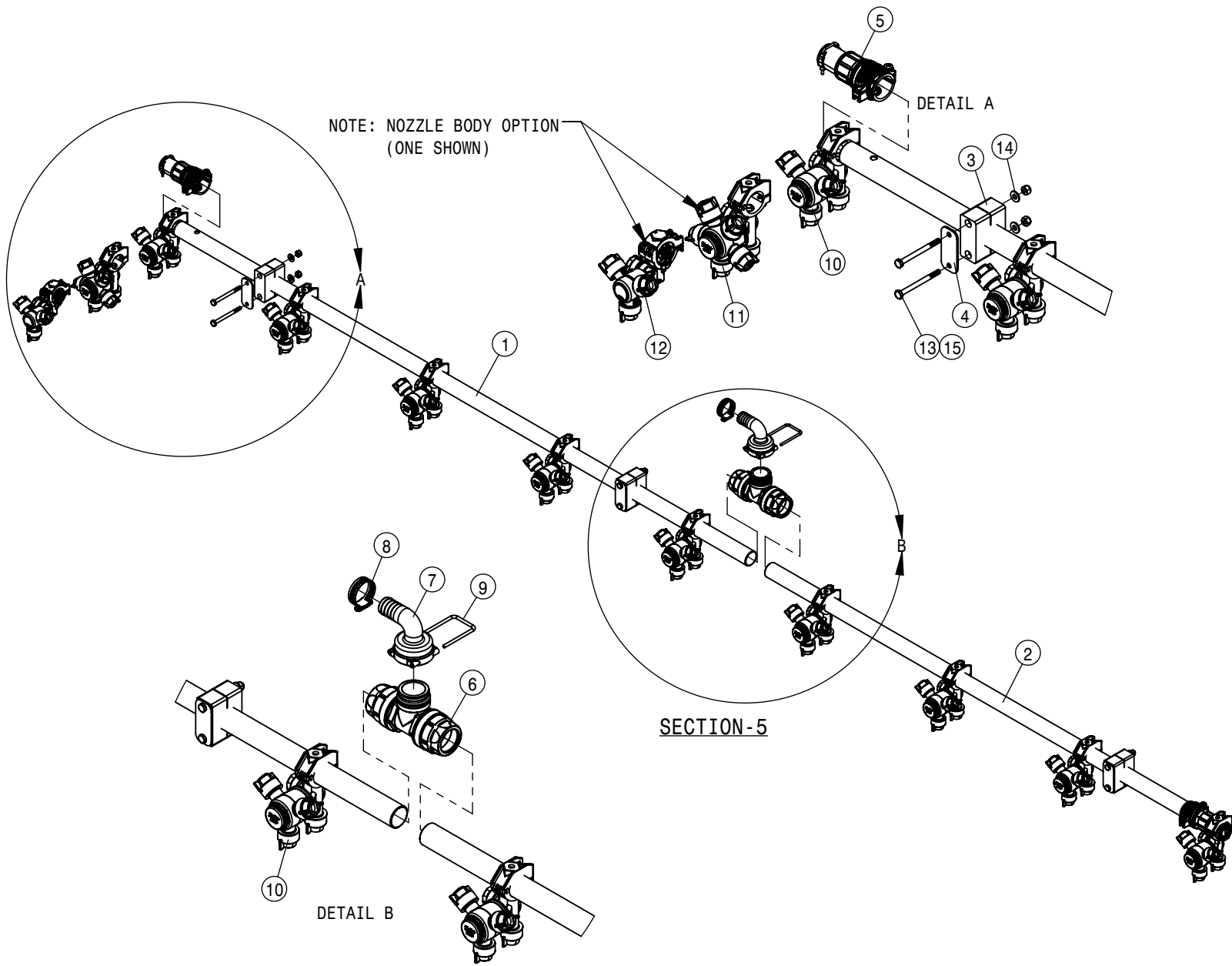
NOTE: NOZZLE BODY OPTION
(ONE SHOWN)



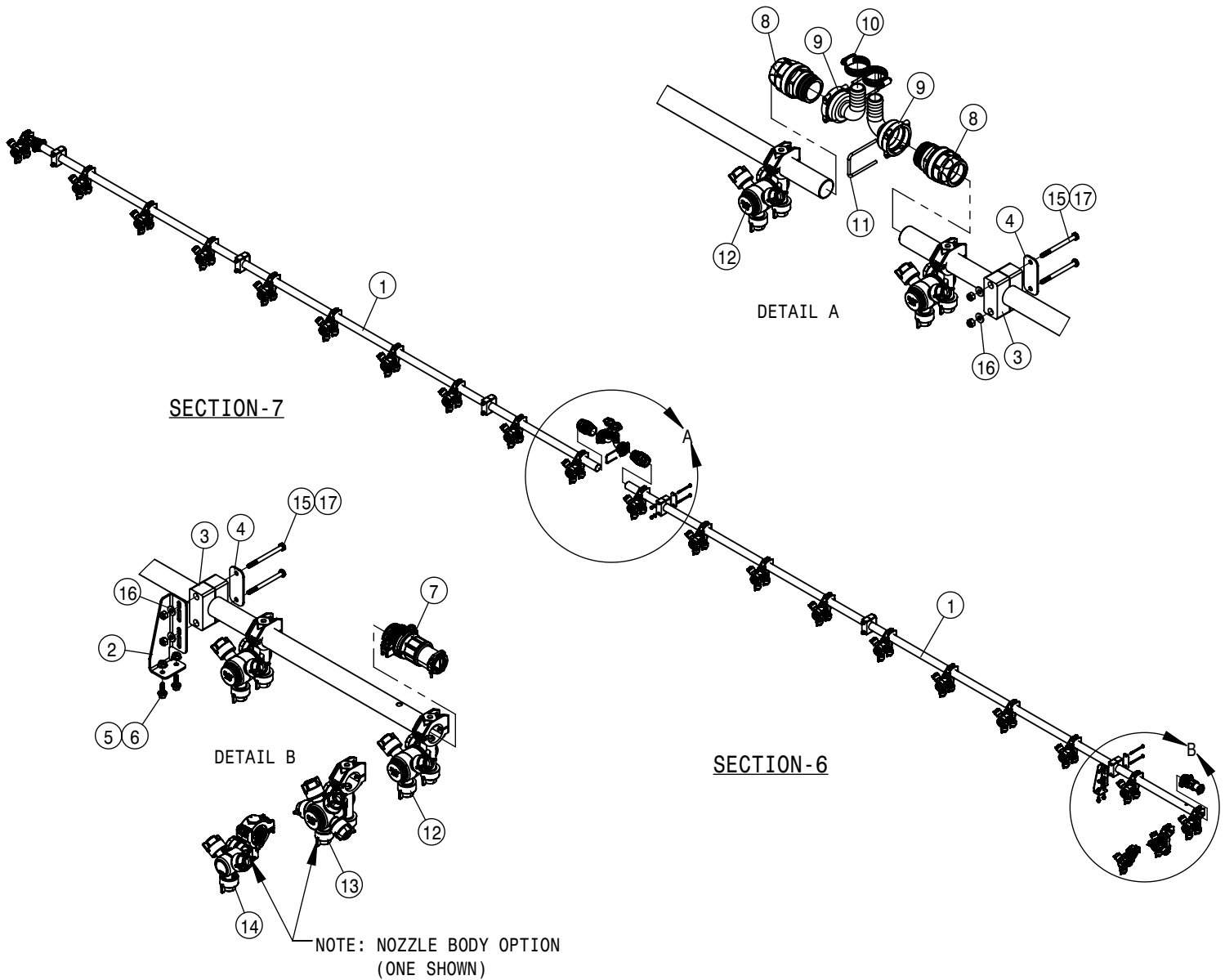
| 15" WET BOOM SPACING, SECTION 1-2 120' HYBRID | | | |
|---|-----|--------|-----------------------------------|
| DET | QTY | P/N | DESCRIPTION |
| 1 | 1 | 167224 | 15" WET BOOM TUBE, 20.66 LG |
| 2 | 2 | 167228 | 15" WET BOOM TUBE, 80.66 LG |
| 3 | 1 | 167474 | 15" WET BOOM TUBE, 48.09 LG |
| 4 | 1 | 167475 | 15" WET BOOM TUBE, 84.80 LG |
| 5 | 5 | 167503 | OTR SOLU BRKT |
| 6 | 3 | 169438 | HYBRID BM T3SLA SOLU BRKT |
| 7 | 8 | 470375 | TUBE CLAMP BODY, 1.31 I.D. (PAIR) |
| 8 | 8 | 470376 | COVER PLATE FOR 470375 |
| 9 | 16 | 473832 | 1/4-20UNC HEX FLG NUT SER SS |
| 10 | 16 | 473834 | 1/4UNC X 3/4 HHSFB SS |
| 11 | 5 | 500295 | NOZZLE BODY END CAP |
| 12 | 2 | 500296 | EASY FIT TEE 1" PIPE |
| 13 | 1 | 500298 | EASY FIT END T5, 1" PIPE |
| 14 | 1 | 500365 | E-CHEMSAVER SINGLE NOZZLE 1IN |
| 15 | 2 | 500369 | T5 TO 32 MM HB FEMALE |
| 16 | 1 | 500370 | T5 TO 32MM HB 90 FEMALE |
| 17 | 3 | 520176 | 1.50/1.75 T-BOLT HOSE CLAMP SS |
| 18 | 3 | 629770 | CAPPLUGS CAP, .234 X .500 VINYL |
| 19 | 3 | 737738 | FORK, D.3 DIST.42 (737731) |
| 20 | 24 | 737921 | QUICK TJET 3-TIP BODY 1" HV |
| 21 | 24 | 737925 | QUICK TJET 5 + 1-TIP BODY 1" |
| 22 | 24 | 737929 | QUICK TJET 3-TIP BODY 1" |
| 23 | 16 | 900467 | 1/4UNC X 3 HHCS SS |
| 24 | 16 | 910112 | SAE FLAT WASHER 1/4 SS |
| 25 | 16 | 910118 | 1/4-20UNC NYLOCK NUT SS |



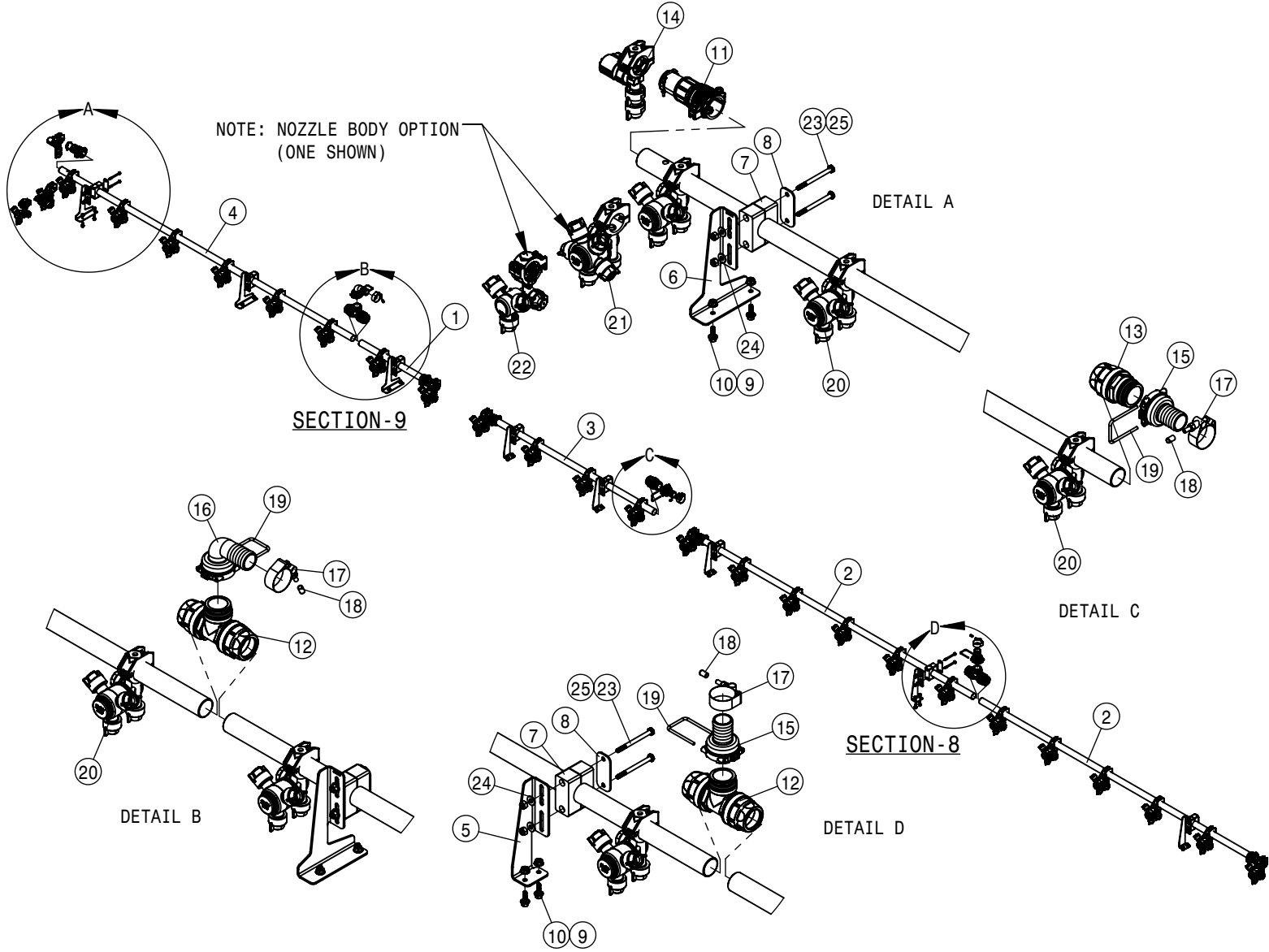
| 15" WET BOOM SPACING, SECTION 3-4 120' HYBRID | | | |
|---|-----|--------|-----------------------------------|
| DET | QTY | P/N | DESCRIPTION |
| 1 | 2 | 167473 | 15" WET BOOM TUBE, 138.00 LG |
| 2 | 1 | 167585 | INR SOLU BRKT |
| 3 | 6 | 470375 | TUBE CLAMP BODY, 1.31 I.D. (PAIR) |
| 4 | 6 | 470376 | COVER PLATE FOR 470375 |
| 5 | 2 | 473832 | 1/4-20UNC HEX FLG NUT SER SS |
| 6 | 2 | 473834 | 1/4UNC X 3/4 HHSFB SS |
| 7 | 2 | 500295 | NOZZLE BODY END CAP |
| 8 | 2 | 500298 | EASY FIT END T5, 1" PIPE |
| 9 | 2 | 500299 | T5 TO 25MM HB 90 |
| 10 | 2 | 520090 | HOSECLAMP NO 16 STAINLESS |
| 11 | 2 | 737738 | FORK,D.3 DIST.42 (737731) |
| 12 | 20 | 737921 | QUICK TJET 3-TIP BODY,1" HV |
| 13 | 20 | 737925 | QUICK TJET 5 + 1-TIP BODY 1" |
| 14 | 20 | 737929 | QUICK TJET 3-TIP BODY 1" |
| 15 | 12 | 900467 | 1/4UNC X 3 HHCS SS |
| 16 | 12 | 910112 | SAE FLAT WASHER 1/4 SS |
| 17 | 12 | 910118 | 1/4-20UNC NYLOCK NUT SS |



| 15" WET BOOM SPACING, SECTION-5 120' HYBRID | | | |
|---|-----|--------|-----------------------------------|
| DET | QTY | P/N | DESCRIPTION |
| 1 | 1 | 167225 | 15" WET BOOM TUBE, 65.66 LG |
| 2 | 1 | 167229 | 15" WET BOOM TUBE, 50.66 LG |
| 3 | 3 | 470375 | TUBE CLAMP BODY, 1.31 I.D. (PAIR) |
| 4 | 3 | 470376 | COVER PLATE FOR 470375 |
| 5 | 2 | 500295 | NOZZLE BODY END CAP |
| 6 | 1 | 500296 | EASY FIT TEE 1" PIPE |
| 7 | 1 | 500299 | T5 TO 25MM HB 90 |
| 8 | 1 | 520090 | HOSECLAMP NO 16 STAINLESS |
| 9 | 1 | 737738 | FORK,D.3 DIST.42 (737731) |
| 10 | 9 | 737921 | QUICK TJET 3-TIP BODY,1" HV |
| 11 | 9 | 737925 | QUICK TJET 5 + 1-TIP BODY 1" |
| 12 | 9 | 737929 | QUICK TJET 3-TIP BODY 1" |
| 13 | 6 | 900467 | 1/4UNC X 3 HHCS SS |
| 14 | 6 | 910112 | SAE FLAT WASHER 1/4 SS |
| 15 | 6 | 910118 | 1/4-20UNC NYLOCK NUT SS |

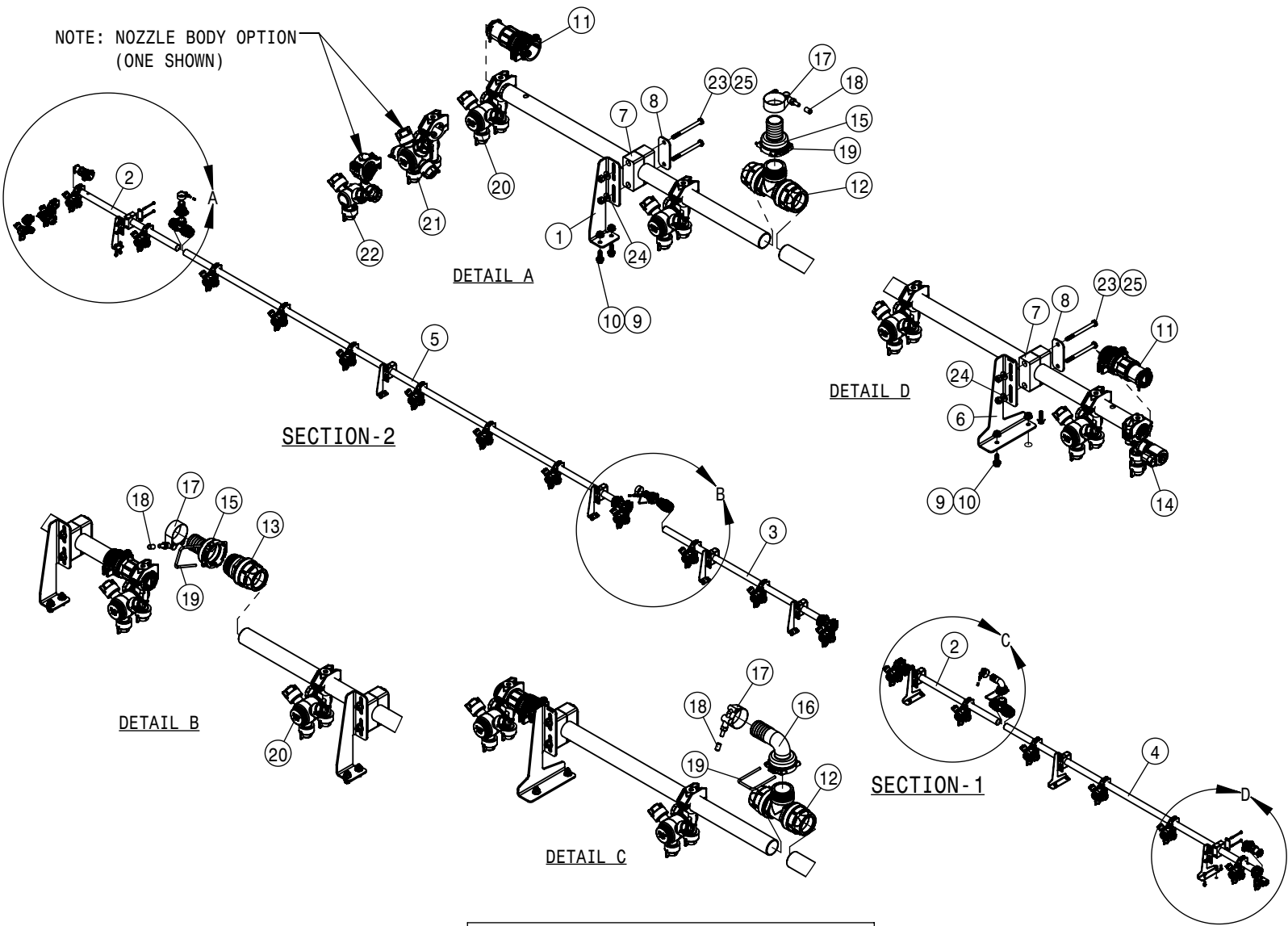


| 15" WET BOOM SPACING, SECTION 6-7 120' HYBRID | | | |
|---|-----|--------|-----------------------------------|
| DET | QTY | P/N | DESCRIPTION |
| 1 | 2 | 167473 | 15" WET BOOM TUBE, 138.00 LG |
| 2 | 1 | 167585 | INR SOLU BRKT |
| 3 | 6 | 470375 | TUBE CLAMP BODY, 1.31 I.D. (PAIR) |
| 4 | 6 | 470376 | COVER PLATE FOR 470375 |
| 5 | 2 | 473832 | 1/4-20UNC HEX FLG NUT SER SS |
| 6 | 2 | 473834 | 1/4UNC X 3/4 HHSFB SS |
| 7 | 2 | 500295 | NOZZLE BODY END CAP |
| 8 | 2 | 500298 | EASY FIT END T5, 1" PIPE |
| 9 | 2 | 500299 | T5 TO 25MM HB 90 |
| 10 | 2 | 520090 | HOSECLAMP NO 16 STAINLESS |
| 11 | 2 | 737738 | FORK,D.3 DIST.42 (737731) |
| 12 | 20 | 737921 | QUICK TJET 3-TIP BODY,1" HV |
| 13 | 20 | 737925 | QUICK TJET 5 + 1-TIP BODY 1" |
| 14 | 20 | 737929 | QUICK TJET 3-TIP BODY 1" |
| 15 | 12 | 900467 | 1/4UNC X 3 HHCS SS |
| 16 | 12 | 910112 | SAE FLAT WASHER 1/4 SS |
| 17 | 12 | 910118 | 1/4-20UNC NYLOCK NUT SS |

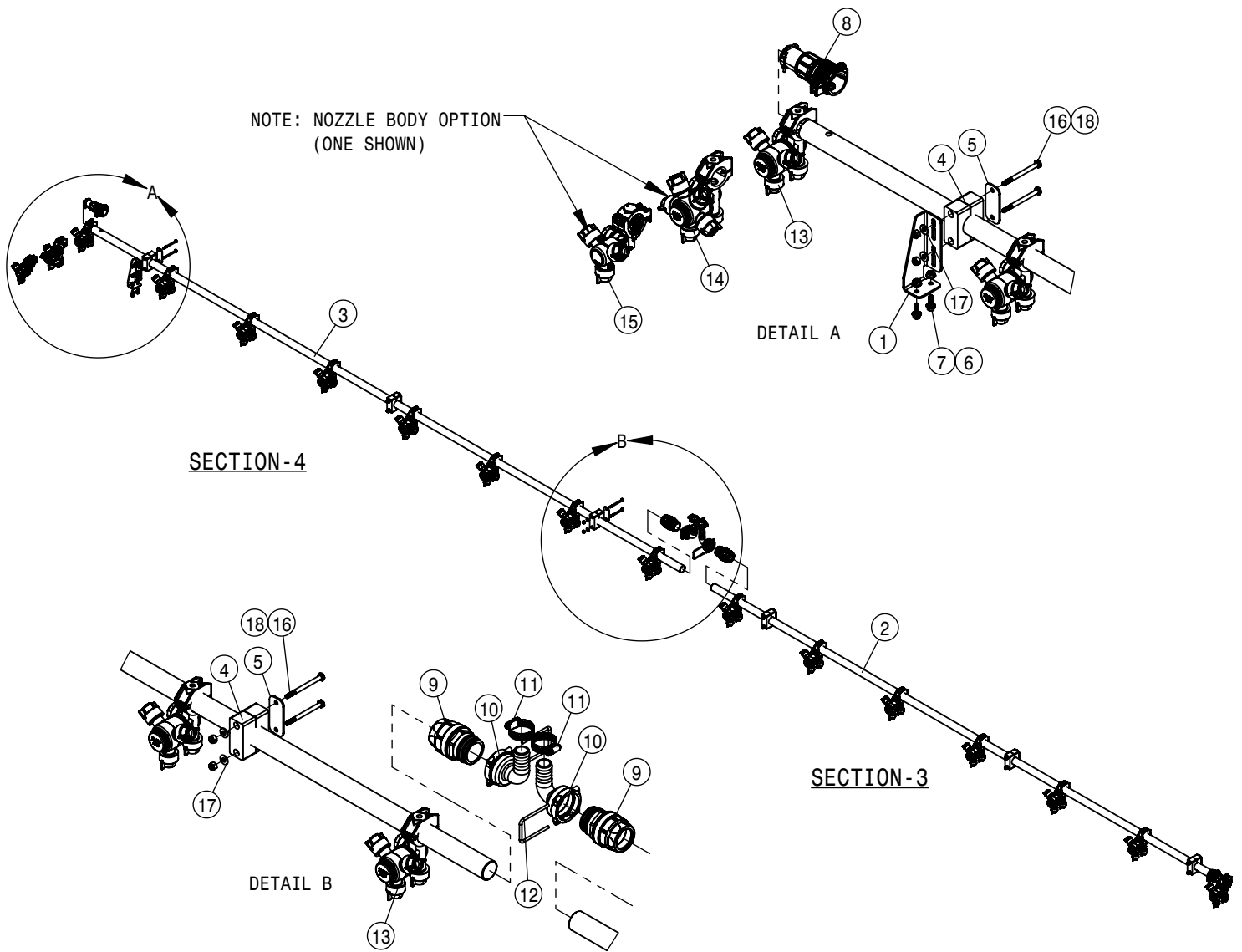


| 15" WET BOOM SPACING, SECTION 8-9 120' HYBRID | | | | |
|---|-----|--------|-----------------------------------|--|
| DET | QTY | P/N | DESCRIPTION | |
| 1 | 1 | 167224 | 15" WET BOOM TUBE, 20.66 LG | |
| 2 | 2 | 167228 | 15" WET BOOM TUBE, 80.66 LG | |
| 3 | 1 | 167474 | 15" WET BOOM TUBE, 48.09 LG | |
| 4 | 1 | 167475 | 15" WET BOOM TUBE, 84.80 LG | |
| 5 | 5 | 167503 | OTR SOLU BRKT | |
| 6 | 3 | 169438 | HYBRID BM T3SLA SOLU BRKT | |
| 7 | 8 | 470375 | TUBE CLAMP BODY, 1.31 I.D. (PAIR) | |
| 8 | 8 | 470376 | COVER PLATE FOR 470375 | |
| 9 | 16 | 473832 | 1/4-20UNC HEX FLG NUT SER SS | |
| 10 | 16 | 473834 | 1/4UNC X 3/4 HHSFB SS | |
| 11 | 5 | 500295 | NOZZLE BODY END CAP | |
| 12 | 2 | 500296 | EASY FIT TEE 1" PIPE | |
| 13 | 1 | 500298 | EASY FIT END T5, 1" PIPE | |
| 14 | 1 | 500365 | E-CHEMSAVER SINGLE NOZZLE 1IN | |
| 15 | 2 | 500369 | T5 TO 32 MM HB FEMALE | |
| 16 | 1 | 500370 | T5 TO 32MM HB 90 FEMALE | |
| 17 | 3 | 520176 | 1.50/1.75 T-BOLT HOSE CLAMP SS | |
| 18 | 3 | 629770 | CAPPLUGS CAP, .234 X .500 VINYL | |
| 19 | 3 | 737738 | FORK,D.3 DIST.42 (737731) | |
| 20 | 24 | 737921 | QUICK TJET 3-TIP BODY 1" HV | |
| 21 | 24 | 737925 | QUICK TJET 5 + 1-TIP BODY 1" | |
| 22 | 24 | 737929 | QUICK TJET 3-TIP BODY 1" | |
| 23 | 16 | 900467 | 1/4UNC X 3 HHCS SS | |
| 24 | 16 | 910112 | SAE FLAT WASHER 1/4 SS | |
| 25 | 16 | 910118 | 1/4-20UNC NYLOCK NUT SS | |

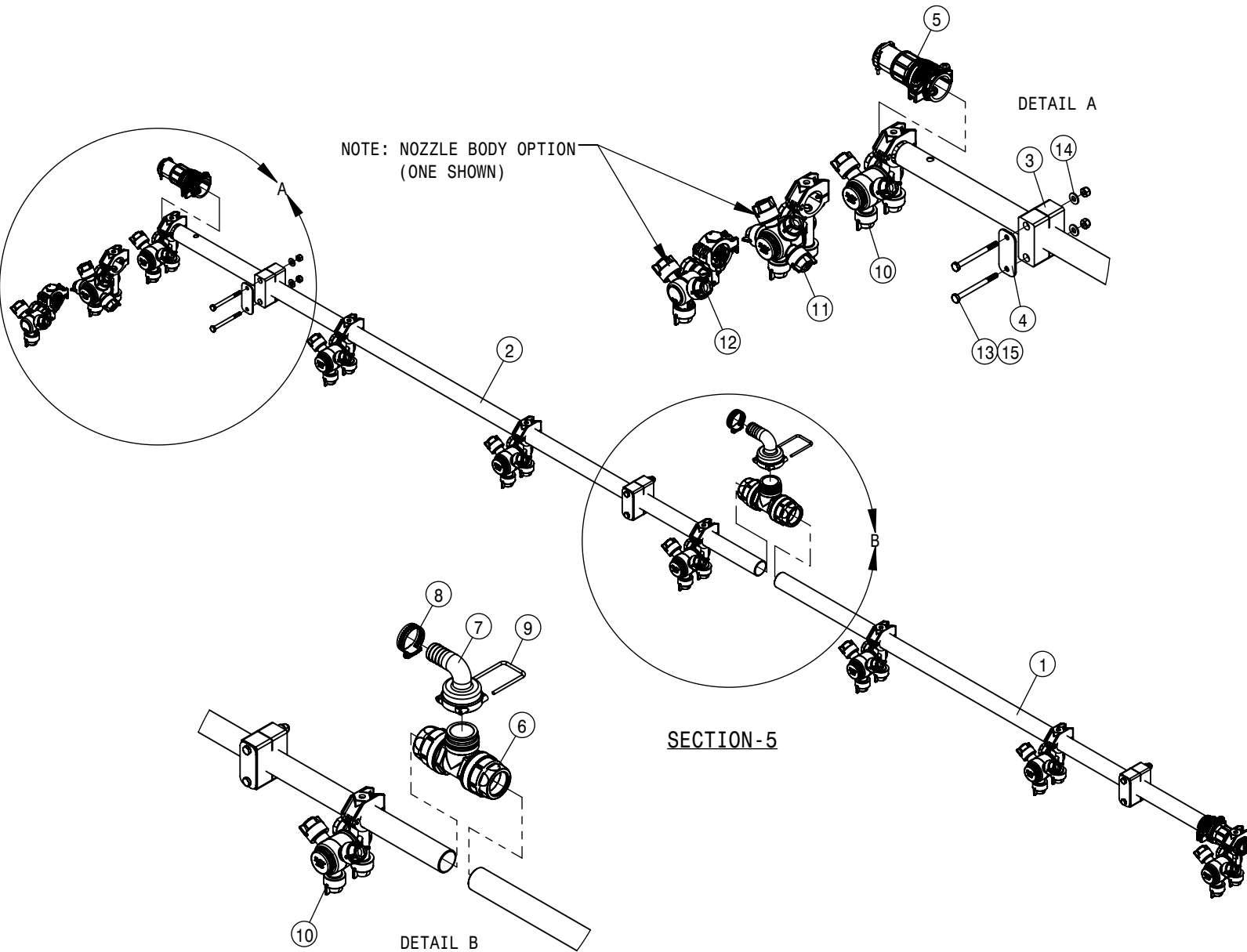
NOTE: NOZZLE BODY OPTION
(ONE SHOWN)



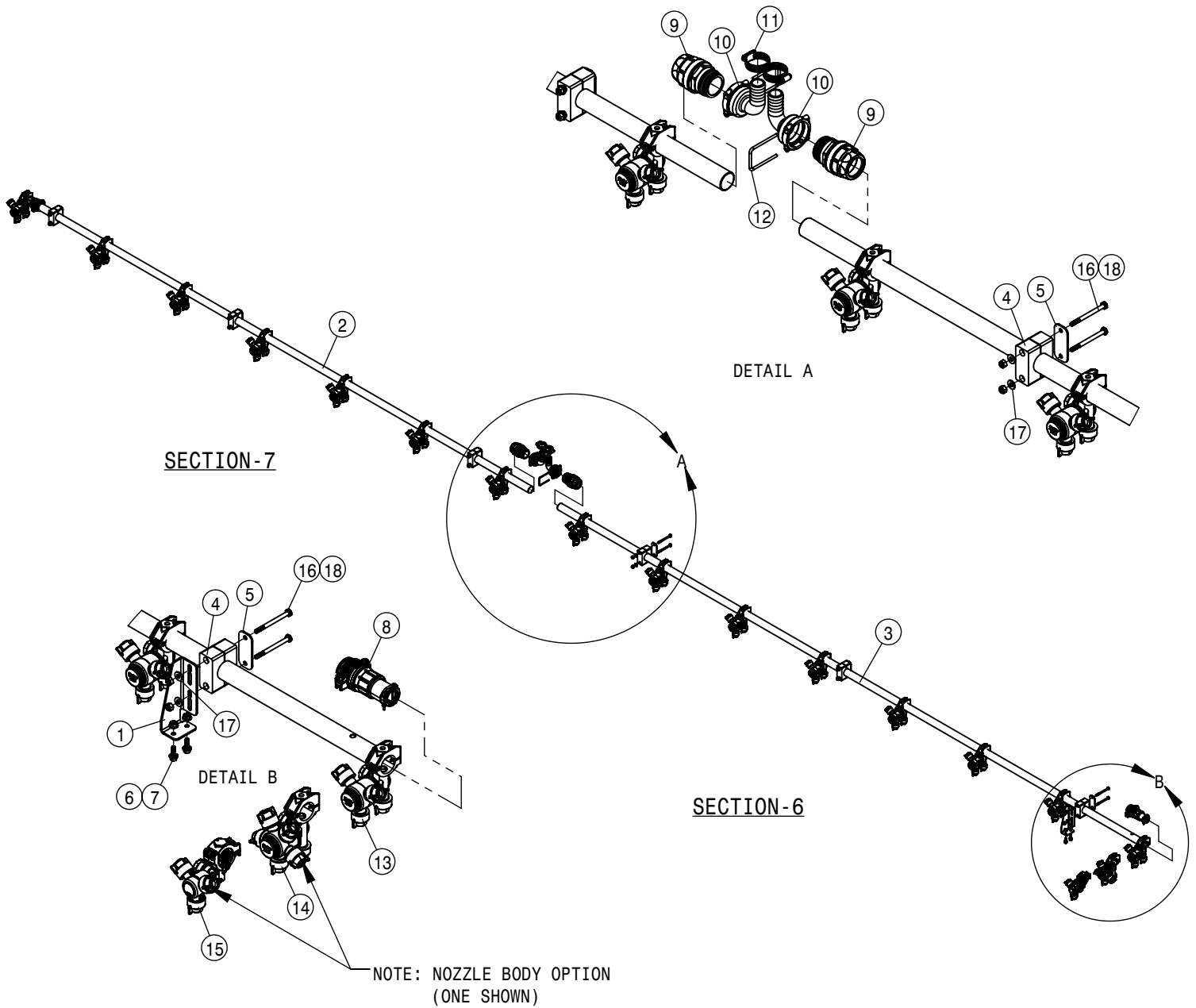
| 20" WET BOOM SPACING, SECTION 1-2 120' HYBRID | | | | |
|---|-----|--------|-----------------------------------|--|
| DET | QTY | P/N | DESCRIPTION | |
| 1 | 5 | 167503 | OTR SOLU BRKT | |
| 2 | 2 | 167764 | 20" WET BOOM TUBE, 28.16 LG | |
| 3 | 1 | 167765 | 20" WET BOOM TUBE, 48.16 LG | |
| 4 | 1 | 167767 | 20" WET BOOM TUBE, 72.75 LG | |
| 5 | 1 | 167768 | 20" WET BOOM TUBE, 128.16 LG | |
| 6 | 3 | 169438 | HYBRID BM T3SLA SOLU BRKT | |
| 7 | 8 | 470375 | TUBE CLAMP BODY, 1.31 I.D. (PAIR) | |
| 8 | 8 | 470376 | COVER PLATE FOR 470375 | |
| 9 | 16 | 473832 | 1/4-20UNC HEX FLG NUT SER SS | |
| 10 | 16 | 473834 | 1/4UNC X 3/4 HHSFB SS | |
| 11 | 5 | 500295 | NOZZLE BODY END CAP | |
| 12 | 2 | 500296 | EASY FIT TEE 1" PIPE | |
| 13 | 1 | 500298 | EASY FIT END T5, 1" PIPE | |
| 14 | 1 | 500365 | E-CHEMSAVER SINGLE NOZZLE 1IN | |
| 15 | 2 | 500369 | T5 TO 32 MM HB FEMALE | |
| 16 | 1 | 500370 | T5 TO 32MM HB 90 FEMALE | |
| 17 | 3 | 520176 | 1.50/1.75 T-BOLT HOSE CLAMP SS | |
| 18 | 3 | 629770 | CAPPLUGS CAP, .234 X .500 VINYL | |
| 19 | 3 | 737738 | FORK, D.3 DIST.42 (737731) | |
| 20 | 18 | 737921 | QUICK TJET 3-TIP BODY 1" HV | |
| 21 | 18 | 737925 | QUICK TJET 5 + 1-TIP BODY 1" | |
| 22 | 18 | 737929 | QUICK TJET 3-TIP BODY 1" | |
| 23 | 16 | 900467 | 1/4UNC X 3 HHCS SS | |
| 24 | 16 | 910112 | SAE FLAT WASHER 1/4 SS | |
| 25 | 16 | 910118 | 1/4-20UNC NYLOCK NUT SS | |



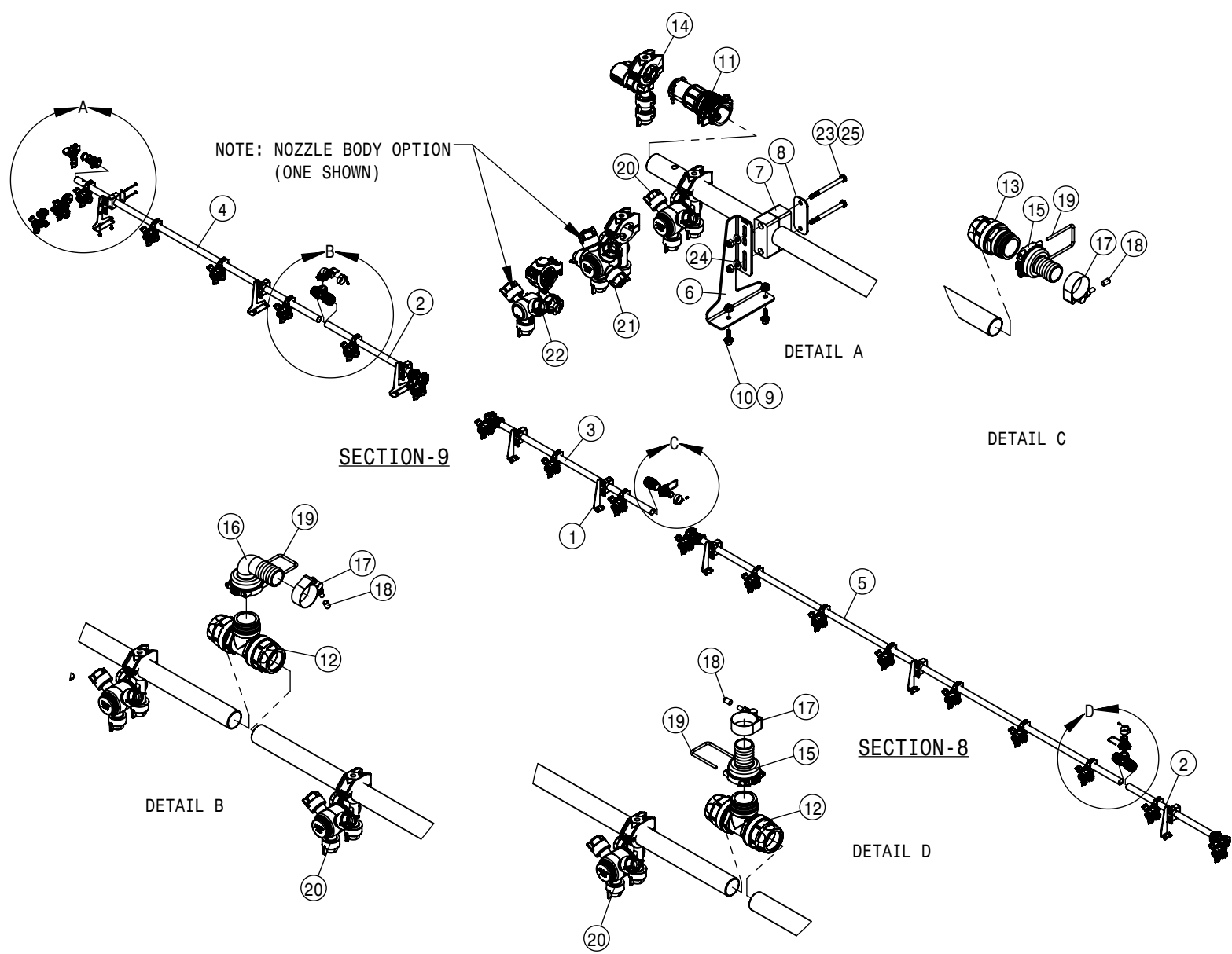
| 20" WET BOOM SPACING, SECTION 3-4 120' HYBRID | | | |
|---|-----|--------|-----------------------------------|
| DET | QTY | P/N | DESCRIPTION |
| 1 | 1 | 167585 | INR SOLU BRKT |
| 2 | 1 | 167769 | 20" WET BOOM TUBE, 125.46 LG |
| 3 | 1 | 167770 | 20" WET BOOM TUBE, 145.46 LG |
| 4 | 6 | 470375 | TUBE CLAMP BODY, 1.31 I.D. (PAIR) |
| 5 | 6 | 470376 | COVER PLATE FOR 470375 |
| 6 | 2 | 473832 | 1/4-20UNC HEX FLG NUT SER SS |
| 7 | 2 | 473834 | 1/4UNC X 3/4 HHSFB SS |
| 8 | 2 | 500295 | NOZZLE BODY END CAP |
| 9 | 2 | 500298 | EASY FIT END T5, 1" PIPE |
| 10 | 2 | 500299 | T5 TO 25MM HB 90 |
| 11 | 2 | 520090 | HOSECLAMP NO 16 STAINLESS |
| 12 | 2 | 737738 | FORK,D.3 DIST.42 (737731) |
| 13 | 15 | 737921 | QUICK TJET 3-TIP BODY,1" HV |
| 14 | 15 | 737925 | QUICK TJET 5 + 1-TIP BODY 1" |
| 15 | 15 | 737929 | QUICK TJET 3-TIP BODY 1" |
| 16 | 12 | 900467 | 1/4UNC X 3 HHCS SS |
| 17 | 12 | 910112 | SAE FLAT WASHER 1/4 SS |
| 18 | 12 | 910118 | 1/4-20UNC NYLOCK NUT SS |



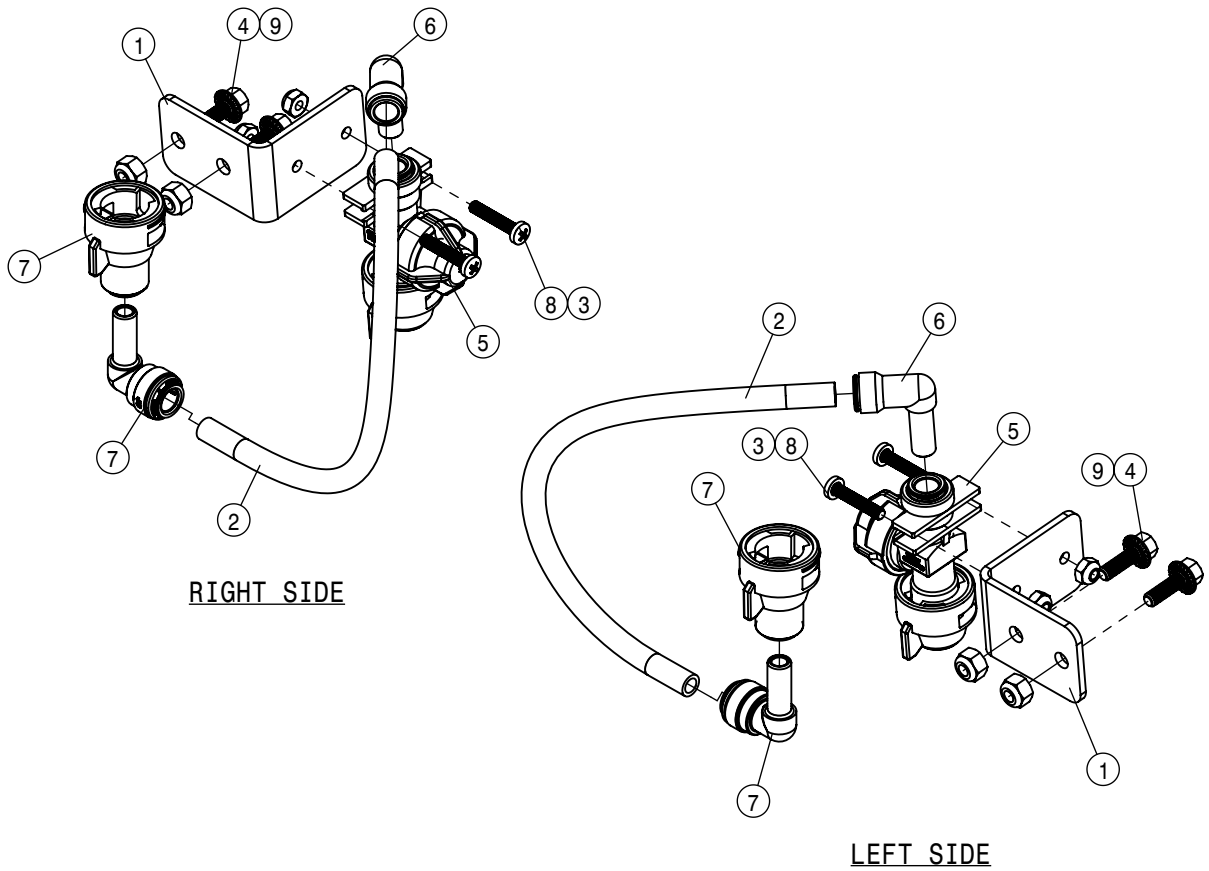
| 20" WET BOOM SPACING, SECTION-5 120' HYBRID | | | |
|---|-----|--------|-----------------------------------|
| DET | QTY | P/N | DESCRIPTION |
| 1 | 1 | 167231 | 20" WET BOOM TUBE, 50.66 LG |
| 2 | 1 | 167237 | 20" WET BOOM TUBE, 65.66 LG |
| 3 | 3 | 470375 | TUBE CLAMP BODY, 1.31 I.D. (PAIR) |
| 4 | 3 | 470376 | COVER PLATE FOR 470375 |
| 5 | 2 | 500295 | NOZZLE BODY END CAP |
| 6 | 1 | 500296 | EASY FIT TEE 1" PIPE |
| 7 | 1 | 500299 | T5 TO 25MM HB 90 |
| 8 | 1 | 520090 | HOSECLAMP NO 16 STAINLESS |
| 9 | 1 | 737738 | FORK,D.3 DIST.42 (737731) |
| 10 | 7 | 737921 | QUICK TJET 3-TIP BODY,1" HV |
| 11 | 7 | 737925 | QUICK TJET 5 + 1-TIP BODY 1" |
| 12 | 7 | 737929 | QUICK TJET 3-TIP BODY 1" |
| 13 | 6 | 900467 | 1/4UNC X 3 HHCS SS |
| 14 | 6 | 910112 | SAE FLAT WASHER 1/4 SS |
| 15 | 6 | 910118 | 1/4-20UNC NYLOCK NUT SS |



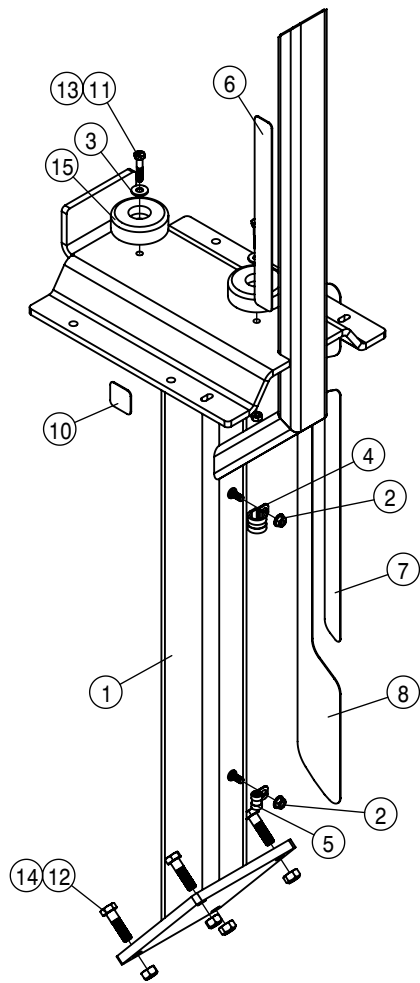
| 20" WET BOOM SPACING, SECTION 6-7 120' HYBRID | | | |
|---|-----|--------|-----------------------------------|
| DET | QTY | P/N | DESCRIPTION |
| 1 | 1 | 167585 | INR SOLU BRKT |
| 2 | 1 | 167769 | 20" WET BOOM TUBE, 125.46 LG |
| 3 | 1 | 167770 | 20" WET BOOM TUBE, 145.46 LG |
| 4 | 6 | 470375 | TUBE CLAMP BODY, 1.31 I.D. (PAIR) |
| 5 | 6 | 470376 | COVER PLATE FOR 470375 |
| 6 | 2 | 473832 | 1/4-20UNC HEX FLG NUT SER SS |
| 7 | 2 | 473834 | 1/4UNC X 3/4 HHSFB SS |
| 8 | 2 | 500295 | NOZZLE BODY END CAP |
| 9 | 2 | 500298 | EASY FIT END T5, 1" PIPE |
| 10 | 2 | 500299 | T5 TO 25MM HB 90 |
| 11 | 2 | 520090 | HOSECLAMP NO 16 STAINLESS |
| 12 | 2 | 737738 | FORK,D.3 DIST.42 (737731) |
| 13 | 15 | 737921 | QUICK TJET 3-TIP BODY,1" HV |
| 14 | 15 | 737925 | QUICK TJET 5 + 1-TIP BODY 1" |
| 15 | 15 | 737929 | QUICK TJET 3-TIP BODY 1" |
| 16 | 12 | 900467 | 1/4UNC X 3 HHCS SS |
| 17 | 12 | 910112 | SAE FLAT WASHER 1/4 SS |
| 18 | 12 | 910118 | 1/4-20UNC NYLOCK NUT SS |



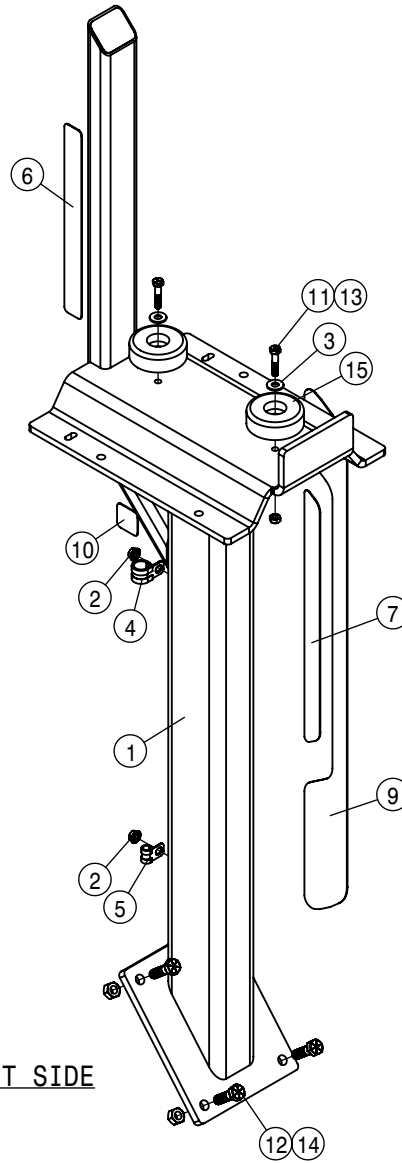
| 20" WET BOOM SPACING, SECTION 8-9 120' HYBRID | | | |
|---|-----|--------|-----------------------------------|
| DET | QTY | P/N | DESCRIPTION |
| 1 | 5 | 167503 | OTR SOLU BRKT |
| 2 | 2 | 167764 | 20" WET BOOM TUBE, 28.16 LG |
| 3 | 1 | 167765 | 20" WET BOOM TUBE, 48.16 LG |
| 4 | 1 | 167767 | 20" WET BOOM TUBE, 72.75 LG |
| 5 | 1 | 167768 | 20" WET BOOM TUBE, 128.16 LG |
| 6 | 3 | 169438 | HYBRID BM T3SLA SOLU BRKT |
| 7 | 8 | 470375 | TUBE CLAMP BODY, 1.31 I.D. (PAIR) |
| 8 | 8 | 470376 | COVER PLATE FOR 470375 |
| 9 | 16 | 473832 | 1/4-20UNC HEX FLG NUT SER SS |
| 10 | 16 | 473834 | 1/4UNC X 3/4 HHSFB SS |
| 11 | 5 | 500295 | NOZZLE BODY END CAP |
| 12 | 2 | 500296 | EASY FIT TEE 1" PIPE |
| 13 | 1 | 500298 | EASY FIT END T5, 1" PIPE |
| 14 | 1 | 500365 | E-CHEMSAVER SINGLE NOZZLE 1IN |
| 15 | 2 | 500369 | T5 TO 32 MM HB FEMALE |
| 16 | 1 | 500370 | T5 TO 32MM HB 90 FEMALE |
| 17 | 3 | 520176 | 1.50/1.75 T-BOLT HOSE CLAMP SS |
| 18 | 3 | 629770 | CAPPLUGS CAP, .234 X .500 VINYL |
| 19 | 3 | 737738 | FORK, D.3 DIST.42 (737731) |
| 20 | 18 | 737921 | QUICK TJET 3-TIP BODY 1" HV |
| 21 | 18 | 737925 | QUICK TJET 5 + 1-TIP BODY 1" |
| 22 | 18 | 737929 | QUICK TJET 3-TIP BODY 1" |
| 23 | 16 | 900467 | 1/4UNC X 3 HHCS SS |
| 24 | 16 | 910112 | SAE FLAT WASHER 1/4 SS |
| 25 | 16 | 910118 | 1/4-20UNC NYLOCK NUT SS |



| FENCE ROW NOZZLE ASSEMBLY 120' HYBRID | | | |
|---------------------------------------|-----|------------|-------------------------------|
| DET | QTY | P/N | DESCRIPTION |
| 1 | 2 | 167438 | FENCE ROW BRACKET DTS |
| 2 | 2 | 195915-010 | 3/80D AIR BRAKE TUBING J844-B |
| 3 | 4 | 473004 | #10-32UNF NYLOCK NUT MC GR5 |
| 4 | 4 | 473834 | 1/4UNC X 3/4 HHSFB SS |
| 5 | 2 | 500334 | NOZZLE-3/80D PUSH TO CONNECT |
| 6 | 2 | 711066 | 3/8 NYL PUSH IN ELBOW 90 DEG |
| 7 | 2 | 711099 | 90 DEG SWIVEL CAP |
| 8 | 4 | 903894 | 10-32 X 1 PHIL RDHD MACH SCR |
| 9 | 4 | 910118 | 1/4-20UNC NYLOCK NUT SS |

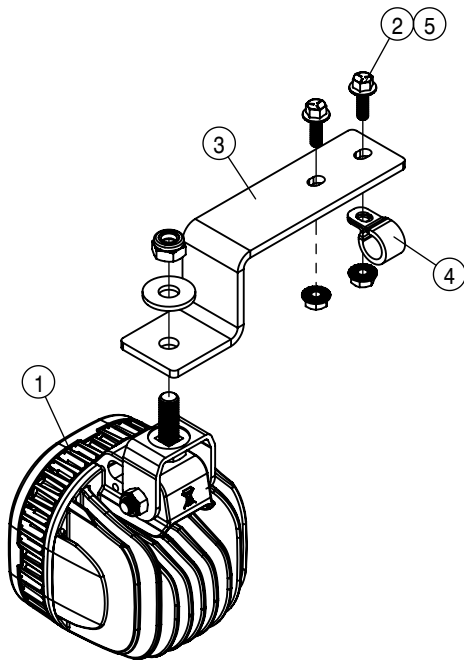


RIGHT SIDE

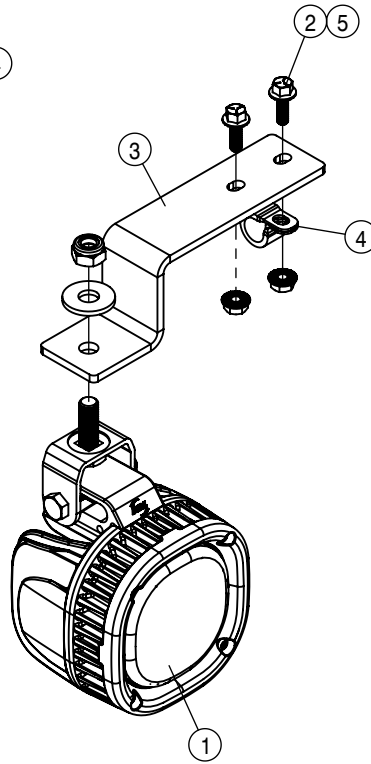


LEFT SIDE

| BOOM CRADLE ASSEMBLY 120' HYBRID | | | |
|----------------------------------|-----|---------|-----------------------------------|
| DET | QTY | P/N | DESCRIPTION |
| 1 | 2 | 167727 | BM CRADLE WLD 120 , STS 2017 |
| 2 | 4 | 470113 | 5/16-18UNC HEX FLG NUT SER MC GR5 |
| 3 | 4 | 483040 | USS FLAT WASHER 5/16 MC |
| 4 | 2 | 520115 | CUSH CLAMP,#12 0.75"D-3/4W LOOP |
| 5 | 2 | 520167 | CUSH CLAMP,#6 3/8D X 3/4W |
| 6 | 2 | 650508 | BOOM CRADLE REFLECTOR, DTS |
| 7 | 2 | 650549 | REFLECTOR ORANGE STS REAR |
| 8 | 1 | 650550 | STS REFLECTOR RH REAR |
| 9 | 1 | 650551 | STS REFLECTOR LH REAR |
| 10 | 2 | 650555 | BOOM CRADLE DECAL, STS' 17 |
| 11 | 4 | 900067 | 5/16UNC X 1 1/2 HHCS GR5 MC |
| 12 | 8 | 900805 | 1/2UNC X 1 3/4 HHCS GR8 MC |
| 13 | 4 | 914002 | 5/16-18UNC STOVER NUT MC GR5 |
| 14 | 8 | 914808 | 1/2-13UNC STOVER NUT MC GR8 |
| 15 | 4 | N401204 | BUMPER 3.00 DIA X 1.00 |

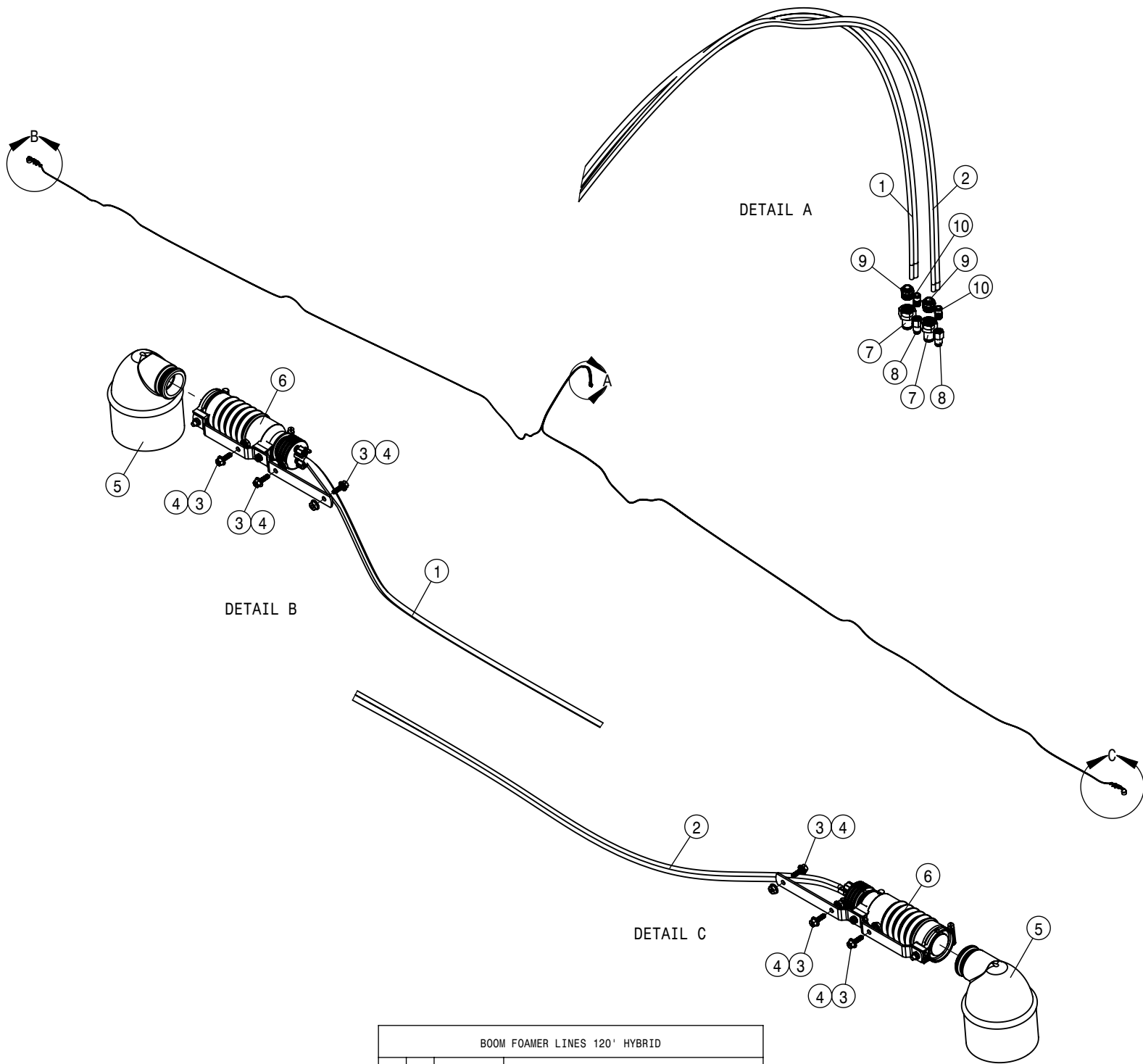


RIGHT SIDE

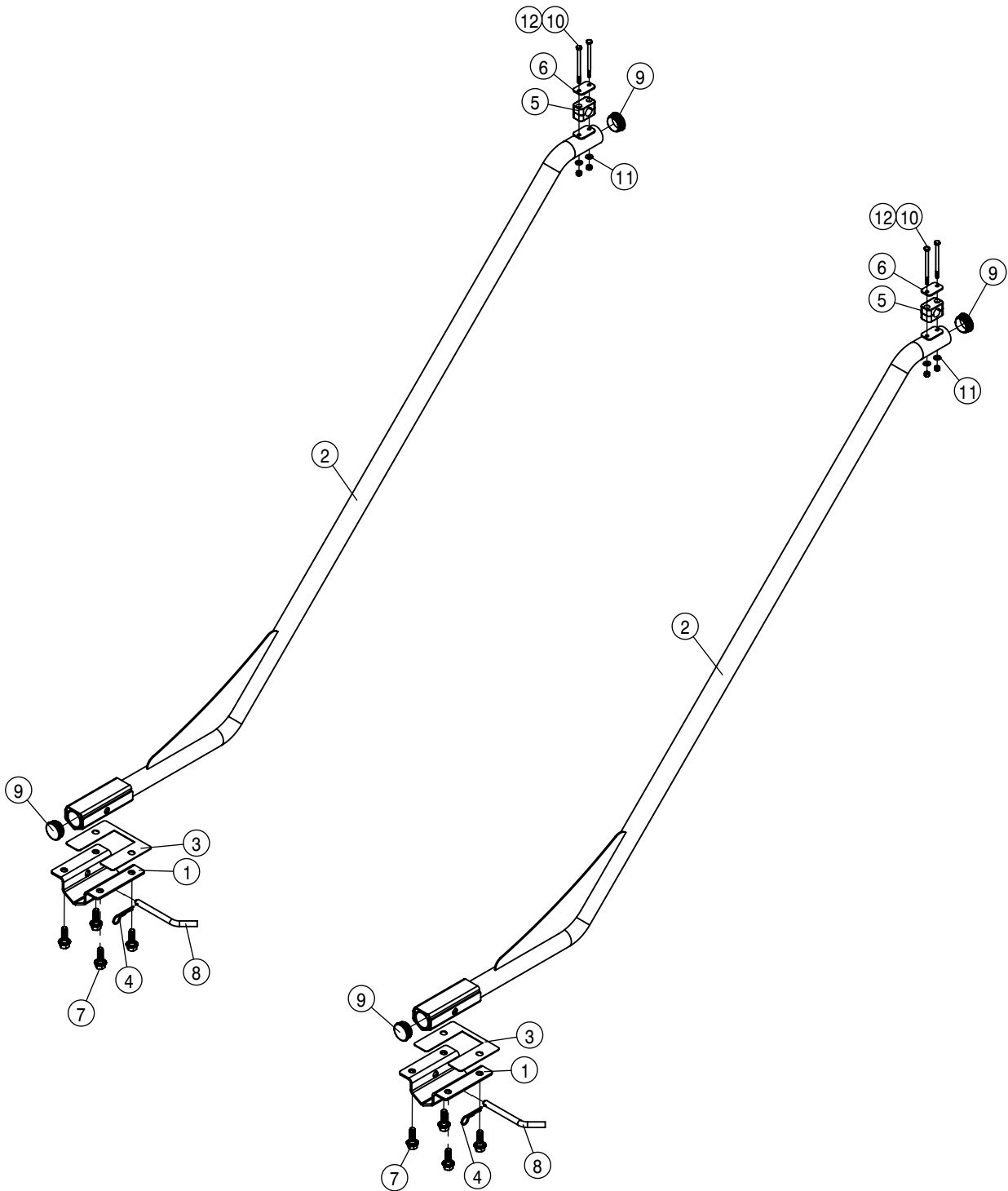


LEFT SIDE

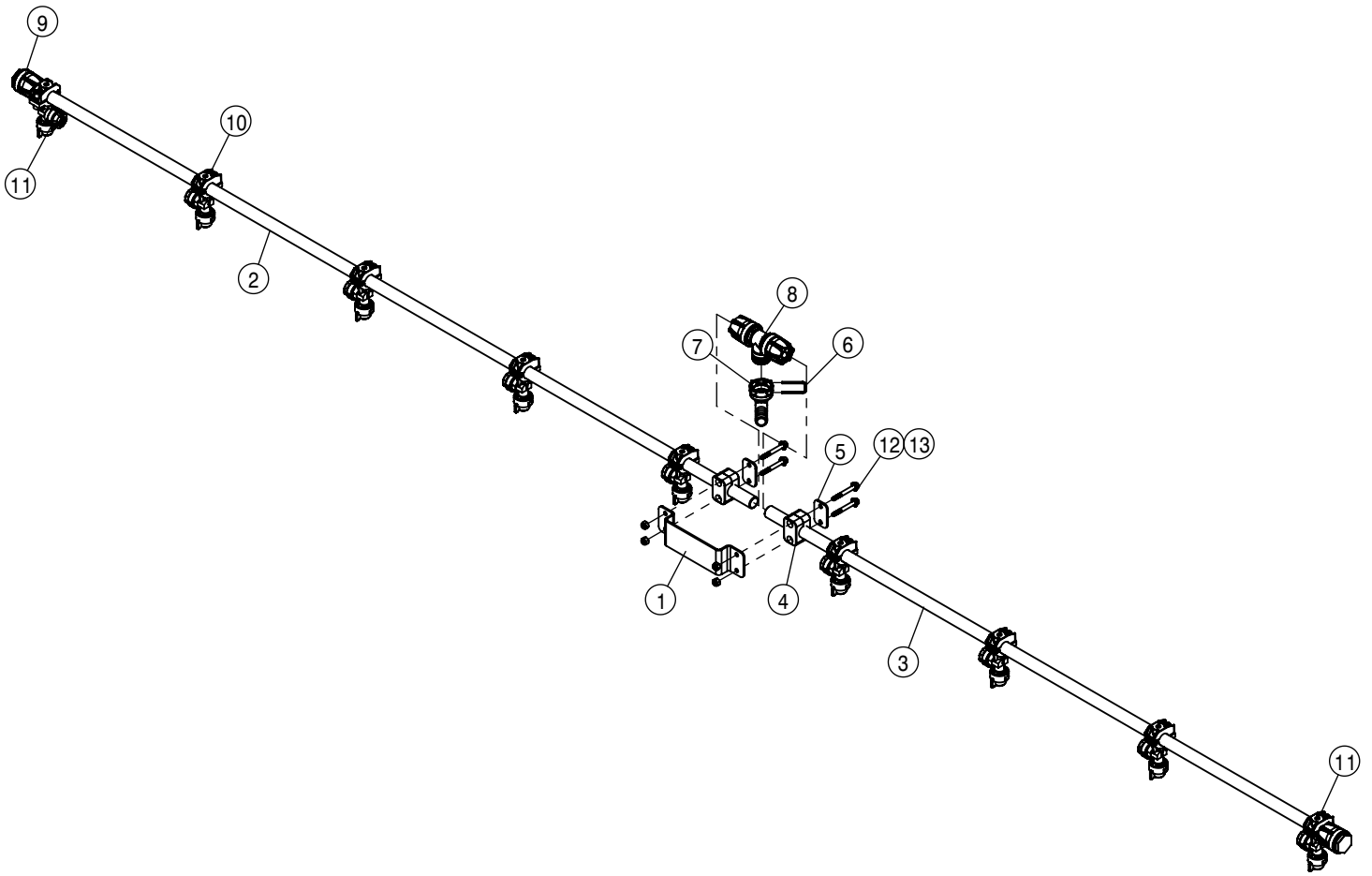
| NIGHT SPRAY ASSEMBLY 120' HYBRID | | | |
|----------------------------------|-----|--------|----------------------------------|
| DET | QTY | P/N | DESCRIPTION |
| 1 | 2 | 290014 | LIGHT, 1010L4-BLUE POINT |
| 2 | 2 | 317048 | NIGHT SPRAY BRKT |
| 3 | 4 | 470118 | 1/4UNC X 3/4 HHSFB GR5 MC |
| 4 | 4 | 470121 | 1/4-20UNC HEX FLG NUT SER MC GR5 |
| 5 | 2 | 520125 | CUSH HOSE CLAMP,#5, 5/16D X 1/2W |



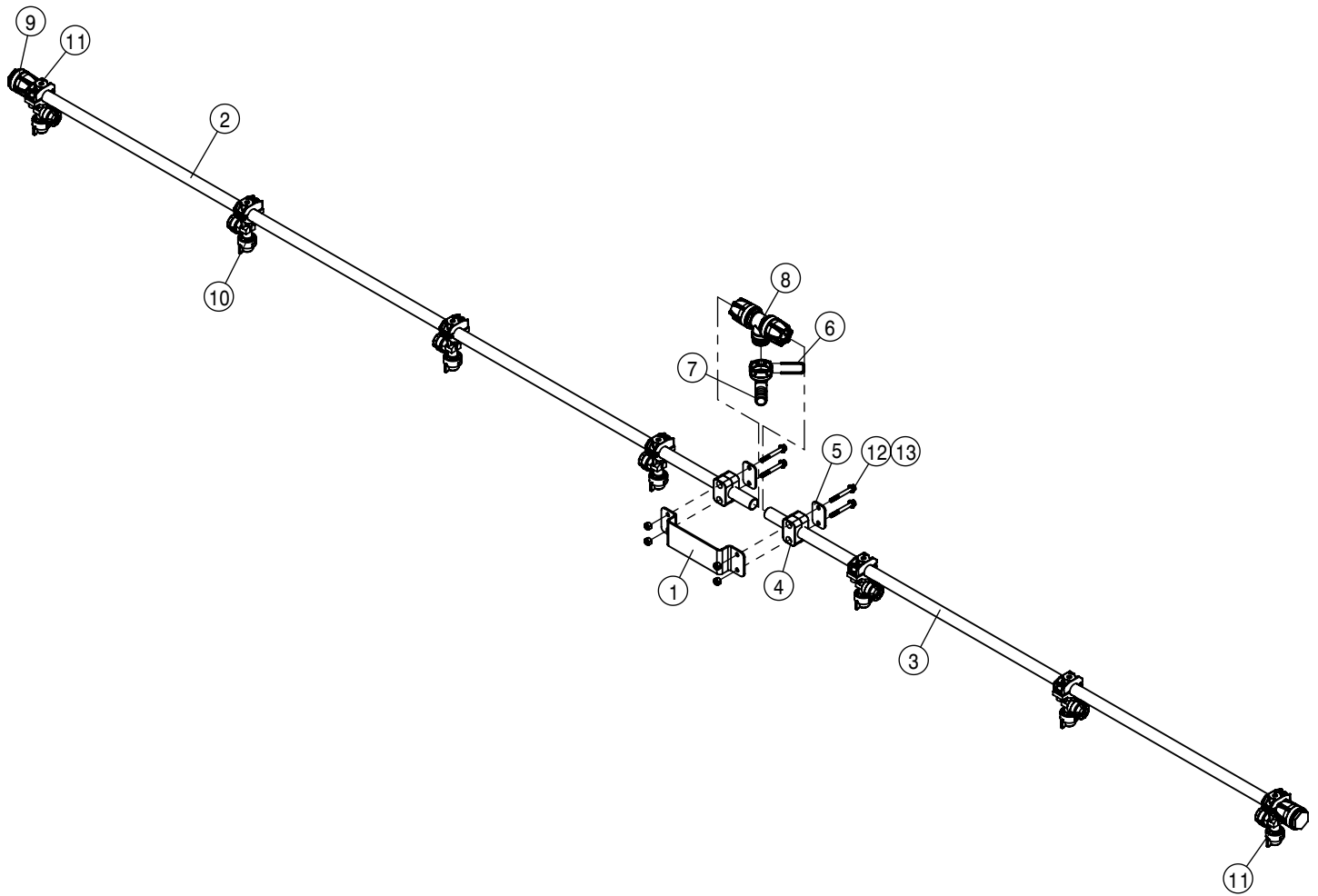
| BOOM FOAMER LINES 120' HYBRID | | | | |
|-------------------------------|-----|------------|--------------------------------------|--|
| DET | QTY | P/N | DESCRIPTION | |
| 1 | 1 | 195958-673 | AIR LIQUID TUBING 6-8mm | |
| 2 | 1 | 195958-871 | AIR LIQUID TUBING 6-8mm | |
| 3 | 6 | 470118 | 1/4UNC X 3/4 HHSFB GR5 MC | |
| 4 | 6 | 473832 | 1/4-20UNC HEX FLG NUT SER SS | |
| 5 | 2 | 701317 | FOAM NOZZLE BELL | |
| 6 | 2 | 701327 | FOAM NOZZLE SUB ASSEMBLY | |
| 7 | 2 | 711112 | 3/8OD X 3/8NPT FEM CONNECT BRS | |
| 8 | 2 | 711113 | 1/4OD X 1/8NPT FEM CONNECT BRS | |
| 9 | 2 | 711114 | 8MM OD X 3/8 NPT MALE CONNECTOR, BRS | |
| 10 | 2 | 711115 | 6MM OD X 1/8NPT MALE CONNECTOR, BRS | |



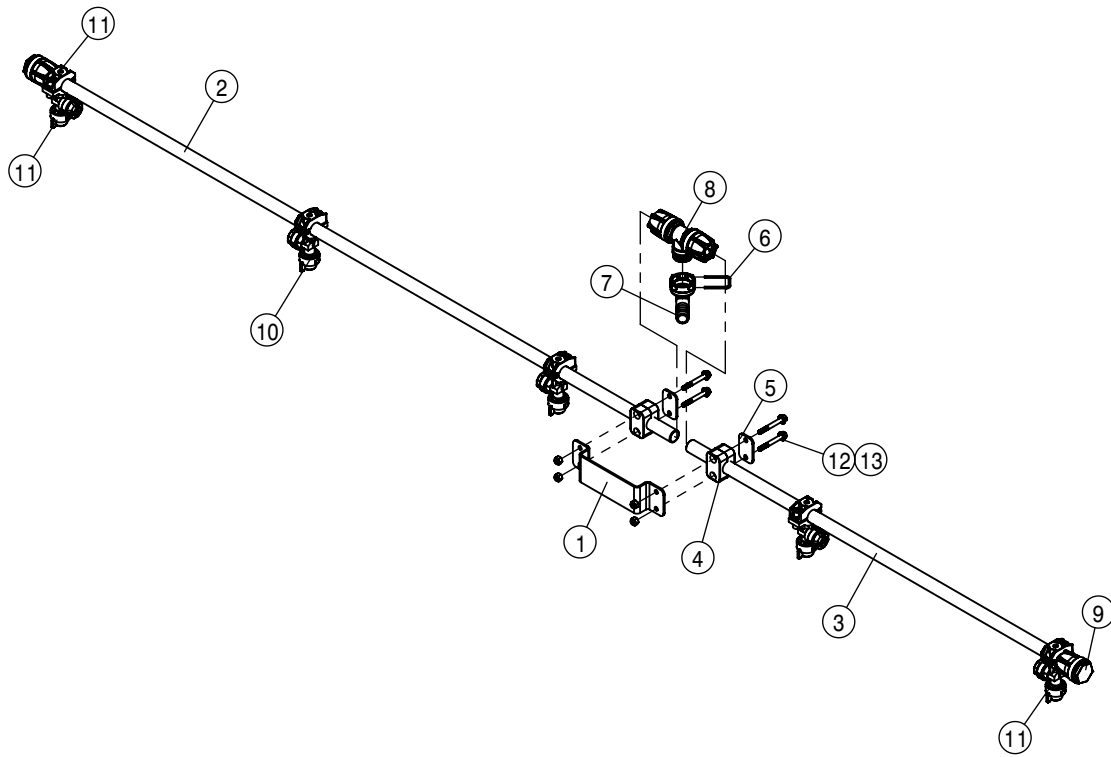
| REAR BOOM MOUNTING ASSEMBLY | | | |
|-----------------------------|-----|--------|-------------------------------------|
| DET | QTY | P/N | DESCRIPTION |
| 1 | 2 | 165083 | REAR BM MT BRKT |
| 2 | 2 | 165087 | REAR BOOM WLD |
| 3 | 2 | 169078 | REAR BM SPACER |
| 4 | 2 | 470235 | HAIR PIN, 1/8 DIA X 2 1/2 LG |
| 5 | 2 | 470358 | TUBE CLAMP BODY, .840 (1/2 PIPE) |
| 6 | 4 | 470359 | COVER PLATE FOR 470358 |
| 7 | 8 | 470431 | 1/2UNC X 1 1/2 HHSFB GR5 MC |
| 8 | 2 | 472382 | BENT PIN 1/2 X 4 |
| 9 | 4 | 629772 | CAPLUGS PLUG, 1 3/4" RD, BLACK POLY |
| 10 | 4 | 900470 | 1/4UNC X 3 3/4 HHCS SS |
| 11 | 4 | 910112 | SAE FLAT WASHER 1/4 SS |
| 12 | 4 | 910118 | 1/4-20UNC NYLOCK NUT SS |



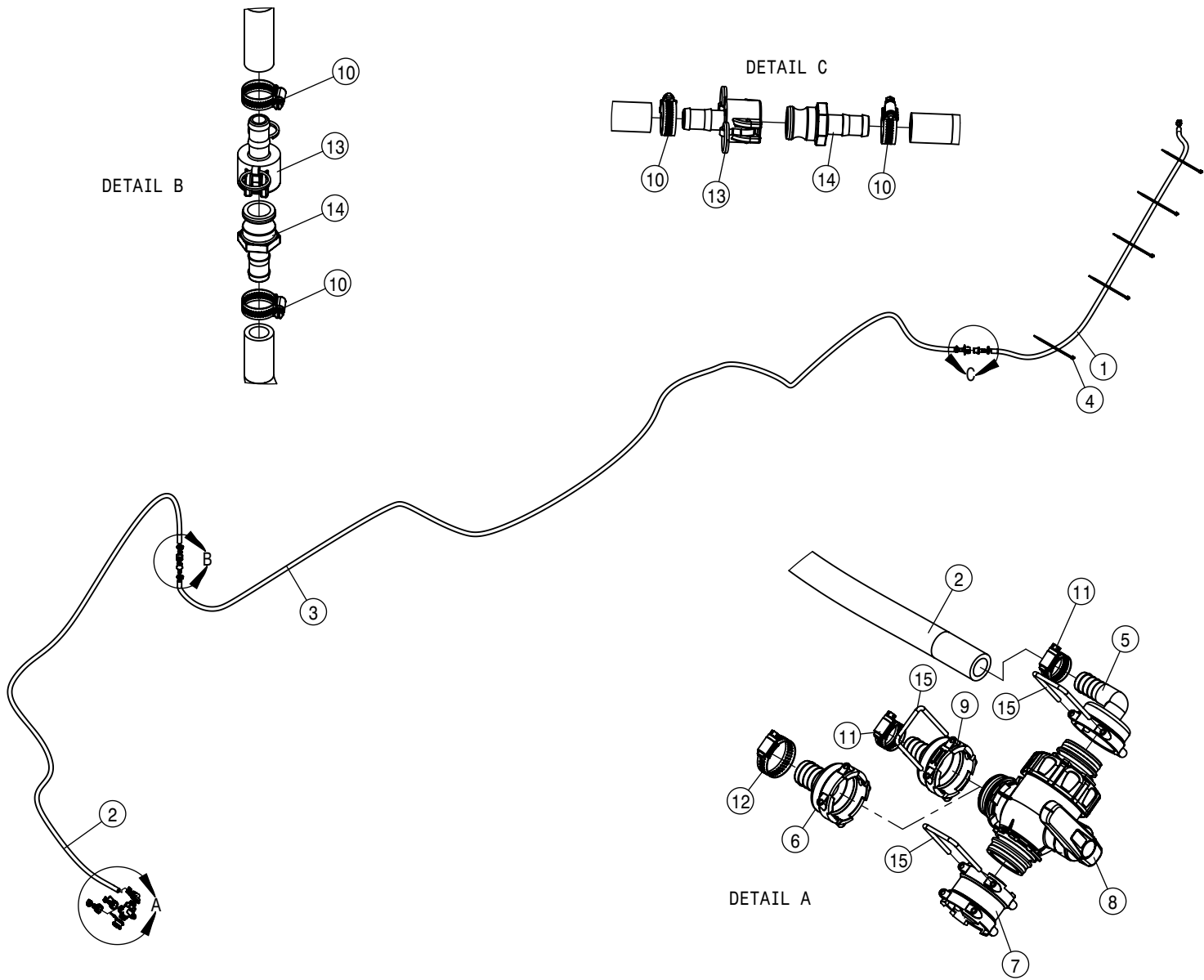
| REAR BOOM NOZZLE, 15° SPACING | | | |
|-------------------------------|-----|--------|----------------------------------|
| DET | QTY | P/N | DESCRIPTION |
| 1 | 1 | 165088 | REAR BM SOL SUPP BRK |
| 2 | 1 | 167264 | TUBE-WET BM .50X69.08 15° SP |
| 3 | 1 | 167265 | TUBE-WET BM .50X54.08 15° SP |
| 4 | 2 | 470358 | TUBE CLAMP BODY, .840 (1/2 PIPE) |
| 5 | 2 | 470359 | COVER PLATE FOR 470358 |
| 6 | 1 | 500311 | FORK D3 DIST 29 |
| 7 | 1 | 500327 | T3 TO 20MM HB 90 |
| 8 | 1 | 500330 | T3 - TEE 1/2" PIPE BOOM END |
| 9 | 2 | 500332 | 1/2" PIPE BOOM END |
| 10 | 7 | 737970 | QUICK TJET SINGLE BODY, 1/2" |
| 11 | 2 | 737971 | QUICK TJET SINGLE BODY 1/2" RS |
| 12 | 4 | 900464 | 1/4UNC X 2 HHSFB SS |
| 13 | 4 | 910118 | 1/4-20UNC NYLOCK NUT SS |



| REAR BOOM NOZZLE, 20" SPACING | | | |
|-------------------------------|-----|--------|----------------------------------|
| DET | QTY | P/N | DESCRIPTION |
| 1 | 1 | 165088 | REAR BM SOL SUPP BRK |
| 2 | 1 | 167466 | TUBE-WET BM .5X71.58 20"SP |
| 3 | 1 | 167467 | TUBE-WET BM .5X51.58 20"SP |
| 4 | 2 | 470358 | TUBE CLAMP BODY, .840 (1/2 PIPE) |
| 5 | 2 | 470359 | COVER PLATE FOR 470358 |
| 6 | 1 | 500311 | FORK D3 DIST 29 |
| 7 | 1 | 500327 | T3 TO 20MM HB 90 |
| 8 | 1 | 500330 | T3 - TEE 1/2" PIPE BOOM END |
| 9 | 2 | 500332 | 1/2" PIPE BOOM END |
| 10 | 5 | 737970 | QUICK TJET SINGLE BODY, 1/2" |
| 11 | 2 | 737971 | QUICK TJET SINGLE BODY 1/2" RS |
| 12 | 4 | 900464 | 1/4UNC X 2 HHSFB SS |
| 13 | 4 | 910118 | 1/4-20UNC NYLOCK NUT SS |

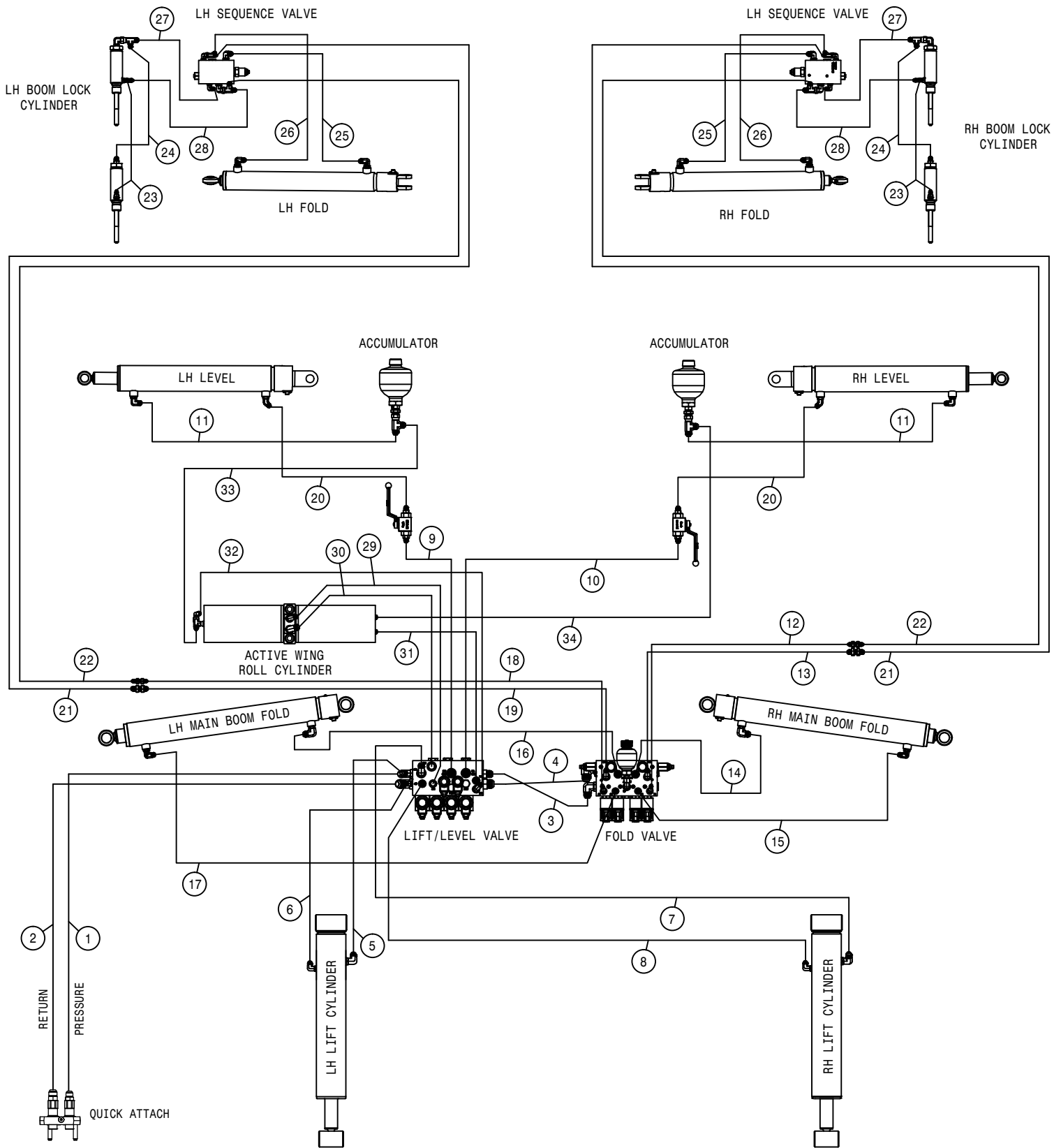


| REAR BOOM NOZZLE, 22" SPACING | | | |
|-------------------------------|-----|--------|----------------------------------|
| DET | QTY | P/N | DESCRIPTION |
| 1 | 1 | 165088 | REAR BM SOL SUPP BRK |
| 2 | 1 | 167468 | TUBE-WET BM .5X56.58 22" SP |
| 3 | 1 | 167469 | TUBE-WET BM .5X34.58 22"SP |
| 4 | 2 | 470358 | TUBE CLAMP BODY, .840 (1/2 PIPE) |
| 5 | 2 | 470359 | COVER PLATE FOR 470358 |
| 6 | 1 | 500311 | FORK D3 DIST 29 |
| 7 | 1 | 500327 | T3 TO 20MM HB 90 |
| 8 | 1 | 500330 | T3 - TEE 1/2" PIPE BOOM END |
| 9 | 2 | 500332 | 1/2" PIPE BOOM END |
| 10 | 3 | 737970 | QUICK TJET SINGLE BODY, 1/2" |
| 11 | 2 | 737971 | QUICK TJET SINGLE BODY 1/2" RS |
| 12 | 4 | 900464 | 1/4UNC X 2 HHSFB SS |
| 13 | 4 | 910118 | 1/4-20UNC NYLOCK NUT SS |



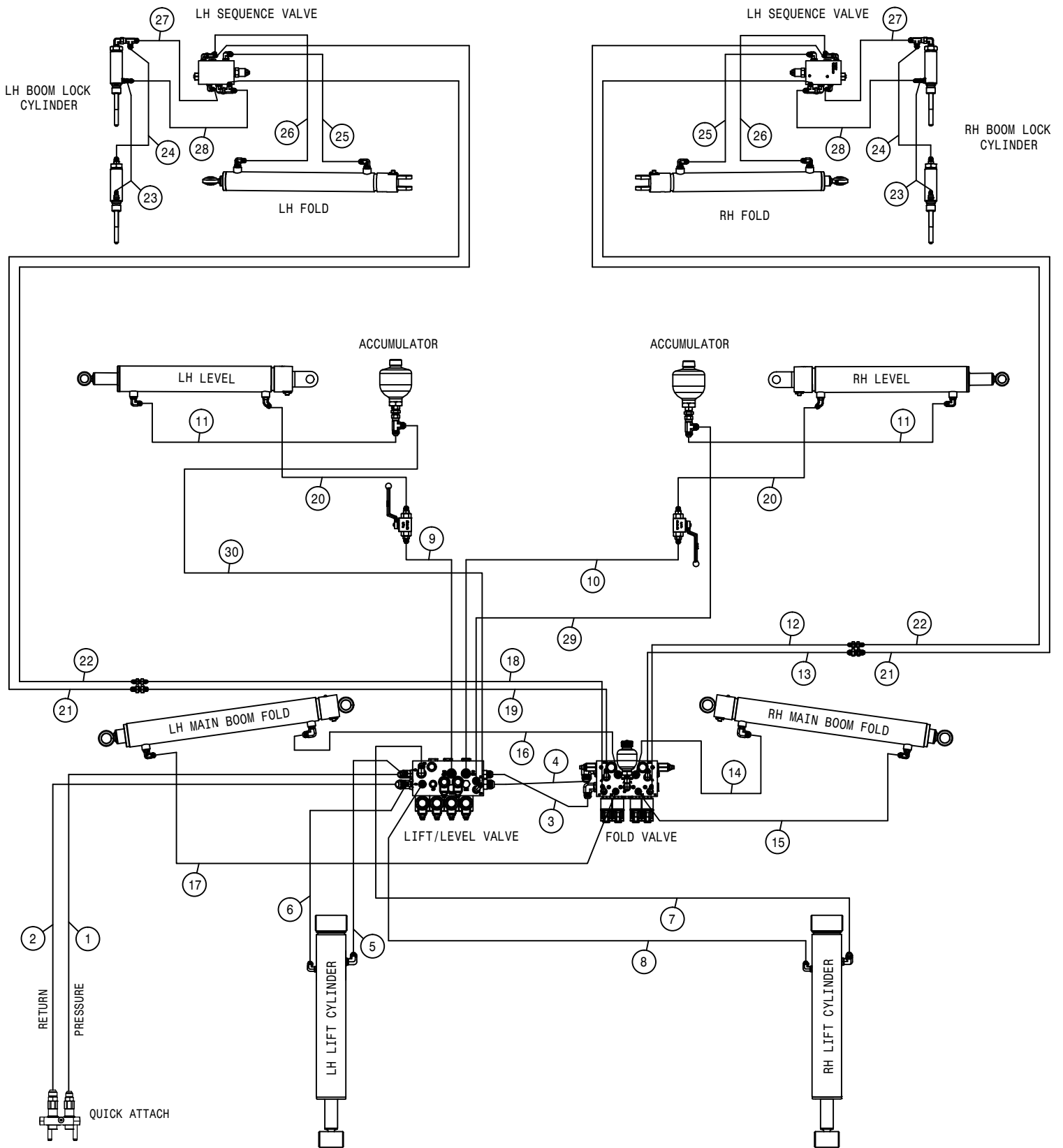
| REAR BOOM SOLUTION HOISING | | | |
|----------------------------|-----|------------|--------------------------------|
| DET | QTY | P/N | DESCRIPTION |
| 1 | 1 | 197121-093 | HOSE 3/4 2-FBR BR BLK EPDM |
| 2 | 1 | 197121-170 | HOSE 3/4 2-FBR BR BLK EPDM |
| 3 | 1 | 197121-306 | HOSE 3/4 2-FBR BR BLK EPDM |
| 4 | 5 | 470555 | CABLE TIE, 1/2 X 15" BLACK NYL |
| 5 | 1 | 500297 | T5 TO 20MM HB 90 |
| 6 | 1 | 500307 | T5 FEMALE TO 25MM HB |
| 7 | 1 | 503112 | T5 - FEMALE COUPLING |
| 8 | 1 | 503113 | T5 - 455 3-WAY BALL VLV |
| 9 | 1 | 503115 | T5 FEM - 20MM HOSE BARB |
| 10 | 5 | 520055 | HOSE CLAMP NO 12 STAINLESS |
| 11 | 2 | 520080 | HOSE CLAMP NO 10 STAINLESS |
| 12 | 1 | 520090 | HOSECLAMP NO 16 STAINLESS |
| 13 | 2 | 696207 | .75 HOSE BARB-FEMALE COUPLER |
| 14 | 2 | 696208 | .75 HOSE BARB-MALE COUPLER |
| 15 | 3 | 737738 | FORK,D.3 DIST.42 (737731) |

This Page Intentionally Blank



120' HYBRID BOOM ACTIVE ROLL HYD DIAG 2017
REFERENCE DRAWING NO. 499396_RevA

| DET. | QTY | PART NO. | DESCRIPTION | | DET. | QTY | PART NO. | DESCRIPTION | |
|------|-----|----------|----------------------------|-----|------|-----|----------|-----------------------------|-----|
| 1 | 1 | 617215 | 10-451TC-10FJX-10FJX-116 | H/A | 18 | 1 | 617434 | 04-451TC-04FJX-04FJX-72 | H/A |
| 2 | 1 | 617216 | 12-451TC-12FJX-12FJX-114 | H/A | 19 | 1 | 617435 | 04-451TC-06FJX-06FJX-70 | H/A |
| 3 | 1 | 617217 | 10-451TC-10FJX-10FJX90-26 | H/A | 20 | 2 | 617437 | 06-451TC-06FJX-06FJX-34 | H/A |
| 4 | 1 | 617218 | 12-451TC-12FJX-12FJX90-28 | H/A | 21 | 2 | 617438 | 04-451TC-06FJX-06FJX90-328 | H/A |
| 5 | 1 | 617219 | 06-451TC-08FJX-08FJX90-121 | H/A | 22 | 2 | 617439 | 04-451TC-04FJX-04FJX-331 | H/A |
| 6 | 1 | 617220 | 06-451TC-06FJX-06FJX90-120 | H/A | 23 | 2 | 617440 | 04-451TC-04FJX-04FJX90-14.5 | H/A |
| 7 | 1 | 617221 | 06-451TC-08FJX-08FJX-147 | H/A | 24 | 2 | 617441 | 04-451TC-06FJX-06FJX45-15 | H/A |
| 8 | 1 | 617222 | 06-451TC-06FJX-06FJX90-151 | H/A | 25 | 2 | 617442 | 04-451TC-06FJX-06FJX-35 | H/A |
| 9 | 1 | 617223 | 06-451TC-06FJX-08FJX90-70 | H/A | 26 | 2 | 617443 | 04-451TC-06FJX-04FJX90-40 | H/A |
| 10 | 1 | 617224 | 06-451TC-06FJX-08FJX90-94 | H/A | 27 | 2 | 617444 | 04-451TC-04FJX-06FJX45-19 | H/A |
| 11 | 2 | 617427 | 06-451TC-06FJX-08FJX-75 | H/A | 28 | 2 | 617445 | 04-451TC-04FJX-06FJX45-14 | H/A |
| 12 | 1 | 617428 | 04-451TC-04FJX-04FJX-49 | H/A | 29 | 1 | 617499 | 06-451TC-06FJX-06FJX90-35 | H/A |
| 13 | 1 | 617429 | 04-451TC-06FJX-06FJX-47 | H/A | 30 | 1 | 617500 | 06-451TC-08FJX-08FJX-32 | H/A |
| 14 | 1 | 617430 | 04-451TC-08FJX-06FJX90-45 | H/A | 31 | 1 | 617501 | 06-451TC-06FJX-06FJX90-25 | H/A |
| 15 | 1 | 617431 | 04-451TC-06FJX-04FJX90-52 | H/A | 32 | 1 | 617502 | 06-451TC-06FJX-06FJX45-52 | H/A |
| 16 | 1 | 617432 | 04-451TC-08FJX-06FJX90-68 | H/A | 33 | 1 | 617503 | 06-451TC-06FJX-08FJX90-33 | H/A |
| 17 | 1 | 617433 | 04-451TC-06FJX-04FJX90-74 | H/A | 34 | 1 | 617504 | 06-451TC-06FJX-08FJX90-104 | H/A |



120' HYBRID BOOM W/O ROLL HYD DIAG 2017
 REFERENCE DRAWING NO. 499397_RevA

| DET. | QTY | PART NO. | DESCRIPTION | | DET. | QTY | PART NO. | DESCRIPTION | |
|------|-----|----------|----------------------------|-----|------|-----|----------|-----------------------------|-----|
| 1 | 1 | 617215 | 10-451TC-10FJX-10FJX-116 | H/A | 16 | 1 | 617432 | 04-451TC-08FJX-06FJX90-68 | H/A |
| 2 | 1 | 617216 | 12-451TC-12FJX-12FJX-114 | H/A | 17 | 1 | 617433 | 04-451TC-06FJX-04FJX90-74 | H/A |
| 3 | 1 | 617217 | 10-451TC-10FJX-10FJX90-26 | H/A | 18 | 1 | 617434 | 04-451TC-04FJX-04FJX-72 | H/A |
| 4 | 1 | 617218 | 12-451TC-12FJX-12FJX90-28 | H/A | 19 | 1 | 617435 | 04-451TC-06FJX-06FJX-70 | H/A |
| 5 | 1 | 617219 | 06-451TC-08FJX-08FJX90-121 | H/A | 20 | 2 | 617437 | 06-451TC-06FJX-06FJX-34 | H/A |
| 6 | 1 | 617220 | 06-451TC-06FJX-06FJX90-120 | H/A | 21 | 2 | 617438 | 04-451TC-06FJX-06FJX90-328 | H/A |
| 7 | 1 | 617221 | 06-451TC-08FJX-08FJX-147 | H/A | 22 | 2 | 617439 | 04-451TC-04FJX-04FJX-331 | H/A |
| 8 | 1 | 617222 | 06-451TC-06FJX-06FJX90-151 | H/A | 23 | 2 | 617440 | 04-451TC-04FJX-04FJX90-14.5 | H/A |
| 9 | 1 | 617223 | 06-451TC-06FJX-08FJX90-70 | H/A | 24 | 2 | 617441 | 04-451TC-06FJX-06FJX45-15 | H/A |
| 10 | 1 | 617224 | 06-451TC-06FJX-08FJX90-94 | H/A | 25 | 2 | 617442 | 04-451TC-06FJX-06FJX-35 | H/A |
| 11 | 2 | 617427 | 06-451TC-06FJX-08FJX-75 | H/A | 26 | 2 | 617443 | 04-451TC-06FJX-04FJX90-40 | H/A |
| 12 | 1 | 617428 | 04-451TC-04FJX-04FJX-49 | H/A | 27 | 2 | 617444 | 04-451TC-04FJX-06FJX45-19 | H/A |
| 13 | 1 | 617429 | 04-451TC-06FJX-06FJX-47 | H/A | 28 | 2 | 617445 | 04-451TC-04FJX-06FJX45-14 | H/A |
| 14 | 1 | 617430 | 04-451TC-08FJX-06FJX90-45 | H/A | 29 | 1 | 617566 | 06-451TC-08FJX-06FJX90-94 | H/A |
| 15 | 1 | 617431 | 04-451TC-06FJX-04FJX90-52 | H/A | 30 | 1 | 617565 | 06-451TC-08FJX-06FJX45-81 | H/A |

Notes: